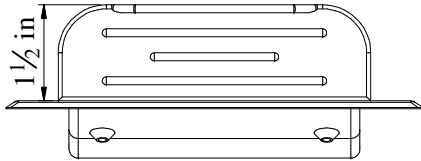
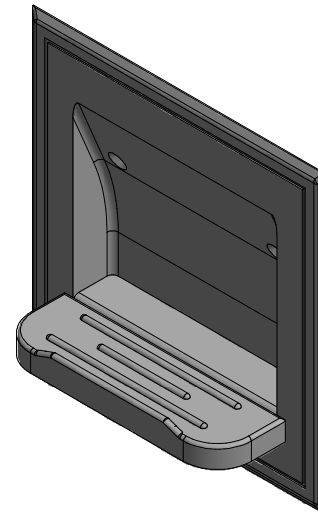
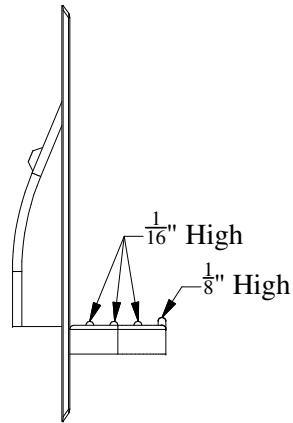
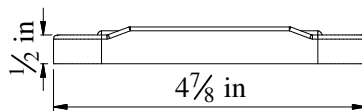
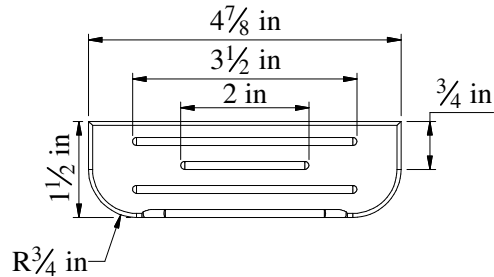
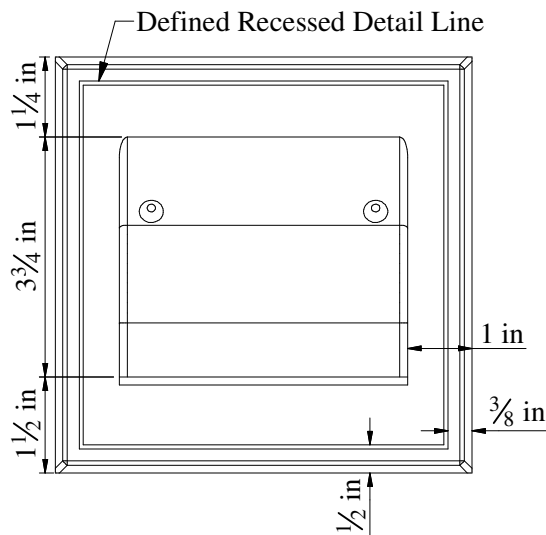


Hole formed for #8 flat head screw,
punched counter sink for screw head.



Note:

- New concept design to utilize a 6" Hole Saw for quicker installation.
- Shallower design to accommodate fire wall installation.
- New ribbed rectangular pan design. With retention rib.



*****IMPOTANT NOTICE*****

Clarion bathware reserves the right to change the design and/or dimensions of its products at any time. This drawing may have been updated since this publication was issued. Before placing an order for any product, refer to our website at www.clarionbathware.com to obtain the most current drawings for any products that you wish to purchase. Compare the date of revision of the drawing that you have with the one on the drawing on our website. If you do not have internet access, please call your sales representative or Clarion Bathware's sales department at 1-800-576-9228.

**Product Specification Drawing
Soap Dish for Round Hole**

Clarion
BATHWARE
44 Amsler Ave.
Shippensburg, PA 16254

Phone: (814) 226-5374
Toll Free: (800) 576-9228
Fax: (814) 226-0730
www.clarionbathware.com

Dwg By: BAM

Date: 2/26/2015

Dwg. # Soap Dish for Round Hole

Rev. #