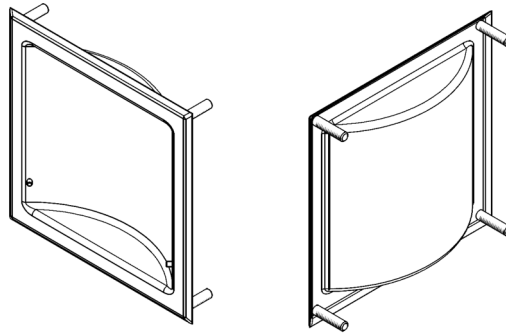


Stainless Steel Recessed Soap Dish

Clarion
EVERYDAY LUXURY



Notes:

- For multiple installations, the use of a template is strongly suggested using the dimensions provided.
 - Clarion Bathware's Stainless Steel Recessed Soap Dishes should only be installed with access to the back.
1. Locate the center of the soap dish on the unit.
 2. Locate the 4 holes for the threaded studs.
 - a) From center locate lines parallel to the top and front of the unit $2 \frac{13}{16}$ " in all directions to get centers points for the (4) $\frac{3}{8}$ " holes.
 - b) Drill the holes with a $\frac{3}{8}$ " drill bit.
 3. Mark the location of the square hole for the soap dish.
 - a) From center locate lines parallel to the top and front of the unit $2 \frac{11}{16}$ " in all directions to get a square $5 \frac{3}{8}$ " x $5 \frac{3}{8}$ "
 - b) Using a reciprocating or jig saw with a fine tooth blade or rotary saw with an abrasive cutoff wheel cut the square hole for the soap dish.
 4. Caulk around the opening with a NON-LATEX silicone adhesive.
 5. Place the soap dish into position, ensuring the sides are parallel with the front and top of the unit.
 6. Place the (4) washers and (4) nuts on the studs and tighten. **DO NOT OVERTIGHTEN.**
 7. Clean up any excess silicone on the finished side of the unit if necessary.

