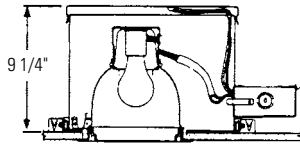
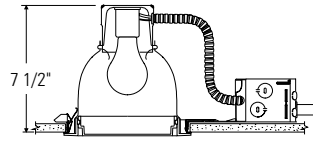




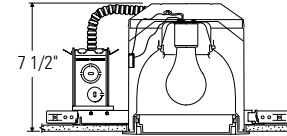
# Lytecaster® Recessed Downlighting **1177SH**



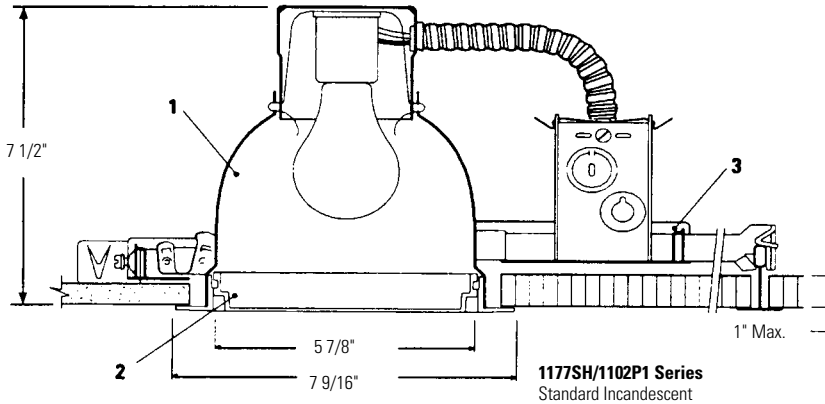
**1177SH/1100 DEEP IC Series**  
Incandescent Insulated Ceiling



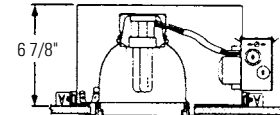
**1177SH/1103R**  
**Lytefining™** Non-IC  
Remodeler Ring



**1177SH/1104IC**  
**Lytefining™**  
Convertible Non-IC Only



**1177SH/1102P1 Series**  
Standard Incandescent



**1177SH/1100AICMFT**  
Fluorescent Insulated Ceiling

Complete Fixture consists of Reflector Trim & Frame-In Kit. Select each separately.

Reflector Trim	Incandescent				Fluorescent			
	Frame-In Kit	Installation Type	Lamping	Height	Frame-In Kit	Installation Type	Lamping	Height
<b>1177SH</b> Lexan®	<b>1102P1</b>	Non-IC	60W A19	7 1/2"	<b>1101F18U Series</b>	UniFrame™	(1) Quad/Triple 18W (GX24q-2)	6 5/8"
	<b>1103R</b>	Non-IC Remodeler		7 1/2"		Non-IC		
	<b>1100IC</b>	IC	40W A19	7 5/16"	<b>1101F2642U Series</b>	UniFrame™	(1) Triple 26/32W (GX24q-3)	6 5/8"
	<b>1100AICM</b>	AirSeal® IC		7 5/16"		Non-IC		
	<b>1100DICM</b>	Deep IC		9 1/4"				
	<b>1100DAICM</b>	Deep AirSeal® IC		9 1/4"	<b>1104F13 Series</b>	IC	(1) Quad/Triple 13W (GX24q-1)	7 1/2"
	<b>1104IC/N</b>	Non-IC	40W A19	7 1/2"	<b>1104F18 Series</b>	IC	(1) Quad/Triple 18W (GX24q-2)	7 1/2"
	<b>1104ICR</b>	Non-IC Remodeler		7 1/2"	<b>1104F26 Series</b>	IC	(1) Quad/Triple 26W (GX24q-3)	7 1/2"
					<b>1100FTU Series</b>	Non-IC	(1) Triple 26/32W (GX24q-3)	7 5/8"
					<b>1100AICMFT</b>	AirSeal®-IC	(1) Triple 26/32W (GX24q-3)	6 7/8"
					<b>1910XFH1</b>	Conversion Kit	(1) Quad 13W (GX23-2)	7 5/8"
					<b>1910XDH1</b>	Conversion Kit	(2) Quad 13W (GX23-2)	7 5/8"

## Features

- Reflector:** Hydroformed aluminum, .040" minimum thickness (18 ga.); Anobrite® (anodic-processed) semi-specular finish for permanent reflectivity; plastic white trim flange.
- Flush Diffuser:** Translucent white, break resistant polycarbonate Lexan®. Installs and removes with twist-lock actions; no tools required.
- Frame-In Kit:** (1102P1 standard frame shown). Other frames listed above and shown on the right. See Frame-In Kit specification sheets for more details.

## Labels

UL (Suitable for Wet Locations - Covered Ceiling), I.B.E.W.  
Meets NEC® requirements for Spas and Hot Tubs.

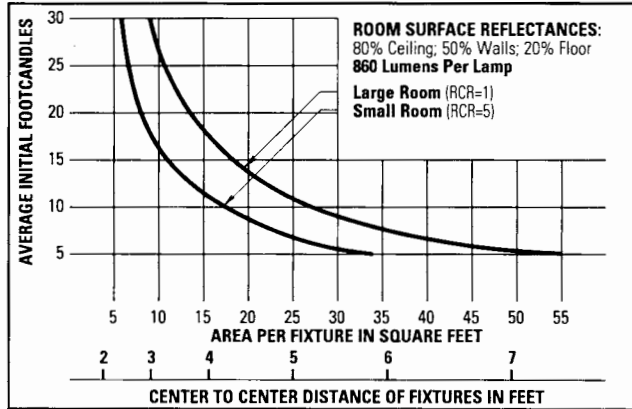
NEC® is a registered trademark of the National Fire Protection Agency.

**US Patent Numbers: 5,045,985**

**Other US & Foreign Patents Pending.**

Job Information	Type:
<b>Job Name:</b>	
<b>Cat. No.:</b>	
<b>Lamp(s):</b>	
<b>Notes:</b>	

Lightolier a Genlyte company www.lightolier.com  
631 Airport Road, Fall River, MA 02720 • (508) 679-8131 • Fax (508) 674-4710  
We reserve the right to change details of design, materials and finish.  
© 2007 Genlyte Group LLC • E0207



Use quick calculator chart to determine the spacing of 2 Lt. Watt Quad Tube units for a desired level of illumination. Conversion Factors: 1 Lt. 13W Quad Tube, F.C. x 0.5. 60W A19, F.C. x 1.0.

### SPACING RATIO = 1.2

CERTIFIED TEST REPORT NO. 2145  
COMPUTED BY LSI PROGRAM \*\*TEST-LITE\*\*  
RECESSED LYTECASTER DOWNLIGHT  
5 7/8" DIA., FLUSH OPLAX TRANSLUCENT LEXAN  
TWO 13W DTT QUAD TUBE FLUORESCENT LAMPS. LUMEN RATING = 860 LMS.

**CANDLEPOWER SUMMARY**

ANGLE	MEAN CP	LUMENS
0	94	
5	93	9
10	92	
15	89	25
20	86	
25	83	38
30	79	
35	74	46
40	68	
45	62	48
50	56	
55	49	44
60	41	
65	33	33
70	25	
75	18	19
80	10	
85	4	5
90	1	

**ZONAL LUMENS AND PERCENTAGES**

ZONE	LUMENS	% LAMP	% LUMINAIRE
0-30	72	4.21	27.01
0-40	118	6.91	44.30
0-60	210	12.25	78.59
0-90	268	15.59	100.00
40-90	149	8.68	55.70
60-90	57	3.34	21.41
90-180	0	.00	.00
0-180	268	15.59	100.00

DATE: JULY 18, 1990  
PREPARED FOR:  
LIGHTOLIER, SECAUCUS N.J.

\*\* EFFICIENCY = 15.6% \*\*

TESTED ACCORDING TO IES PROCEDURES. TEST DISTANCE EXCEEDS FIVE TIMES THE GREATEST LUMINOUS OPENING OF LUMINAIRE.

**COEFFICIENTS OF UTILIZATION**

% EFFECTIVE CEILING CAVITY REFLECTANCE

ROOM CAVITY RATIO	% WALL REFLECTANCE												0			
	80			70			50			30				10		
	50	30	10	50	30	10	50	30	10	50	30	10		50	30	10
1	.16	.16	.15	.16	.16	.15	.15	.15	.15	.15	.14	.14	.14	.14	.14	.13
2	.15	.14	.13	.14	.13	.13	.14	.13	.12	.13	.13	.12	.13	.12	.12	.11
3	.13	.12	.11	.13	.12	.11	.12	.11	.10	.12	.11	.10	.11	.11	.10	.10
4	.12	.10	.09	.11	.10	.09	.11	.10	.09	.11	.10	.09	.10	.09	.09	.09
5	.10	.09	.08	.10	.09	.08	.10	.09	.08	.09	.09	.08	.09	.08	.08	.07
6	.09	.08	.07	.09	.08	.07	.09	.08	.07	.09	.08	.07	.08	.07	.07	.06
7	.08	.07	.06	.08	.07	.06	.08	.07	.06	.08	.07	.06	.07	.07	.06	.06
8	.07	.06	.05	.07	.06	.05	.07	.06	.05	.07	.06	.05	.07	.06	.05	.05
9	.07	.06	.05	.07	.05	.05	.07	.05	.05	.06	.05	.05	.06	.05	.05	.04
10	.06	.05	.04	.06	.05	.04	.06	.05	.04	.06	.05	.04	.06	.05	.04	.04

20% FLOOR CAVITY REFLECTANCE

Conversion Factors: 1 Lt. 13W Quad Tube, C.U. x 1.0. 60W A19, C.U. x 2.0.

**Job Information** **Type:**

To convert lighting data for a lower wattage incandescent lamp of the same type, multiply the footcandle (or candlepower) values by the ratio of the lumens of the two lamps. The coefficients of utilization remain the same.

Lightolier a Genlyte company [www.lightolier.com](http://www.lightolier.com)  
631 Airport Road, Fall River, MA 02720 • (508) 679-8131 • Fax (508) 674-4710  
We reserve the right to change details of design, materials and finish.  
© 2007 Genlyte Group LLC • E0207

**LIGHTOLIER®**