



Building a Better Spec

 **MADE IN USA**



# Shower Systems

# HORIZON TRENCH

---

[comfortdesignsbathware.com](http://comfortdesignsbathware.com)

# HORIZON TRENCH

## Shower Systems

Eliminate the old center drain and the second exterior bath floor drain with an effective, patent pending solution for water retainment - the trench drain shower.

The Comfort Designs Integral Trench drain shower is easy to install, and is designed to be placed directly on slab without the need for floor to be recessed. The Comfort Designs Integral Trench drain grate is removable allowing for easier cleaning.

### **STANDARD features and options**

#### **TRENCH**

- Zero threshold design
- Corrosion resistant aluminum body
- Compression style drain connection

#### **GRATE**

- Stainless steel resistance weld construction
- 1/8" compliant space between slats
- Contemporary design - 22 water barrier slats
- Tamper proof option available

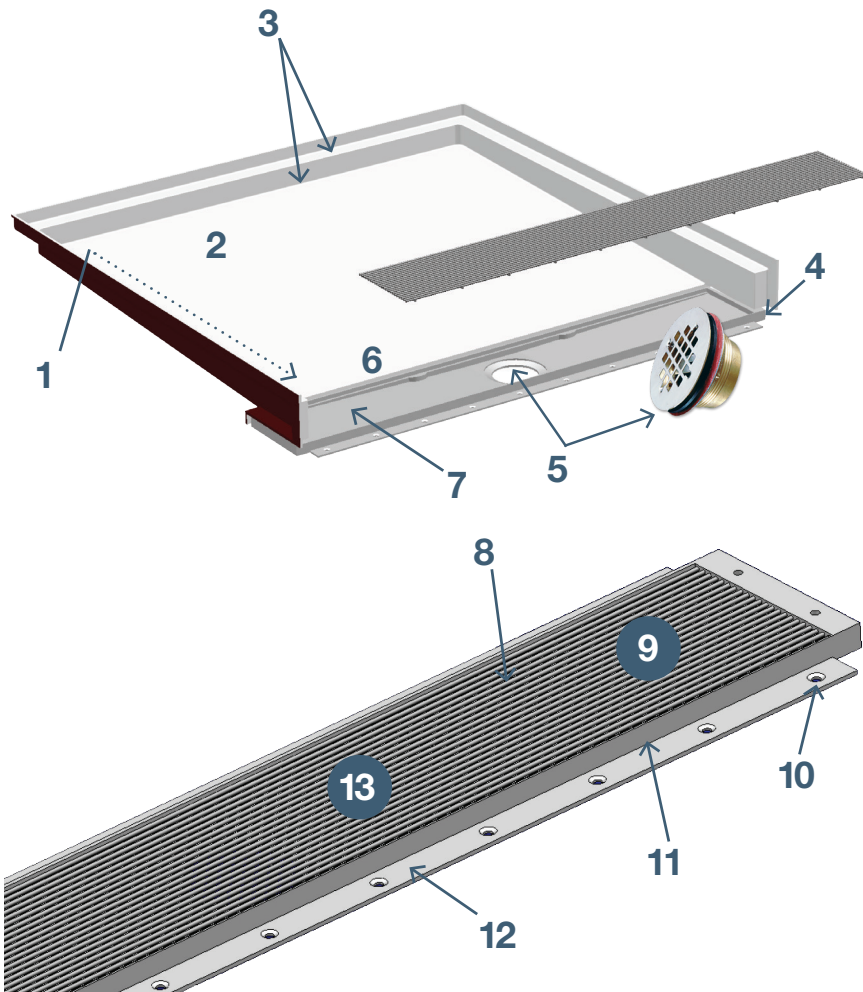
#### **BASE**

- EasyBase™ pre-leveled floor reinforcement
- Sloped from back to front
- Slip resistant textured floor
- Water tight tiling flange
- 1/16" radius at floor/wall transition



The fully integrated Integral Trench shower system achieves unsurpassed functionality. They are also exceptionally beautiful showers.

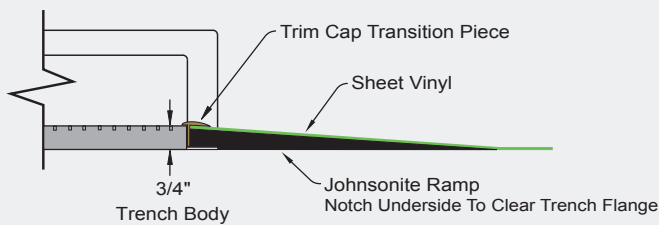
# Eliminate The Old Center Drain



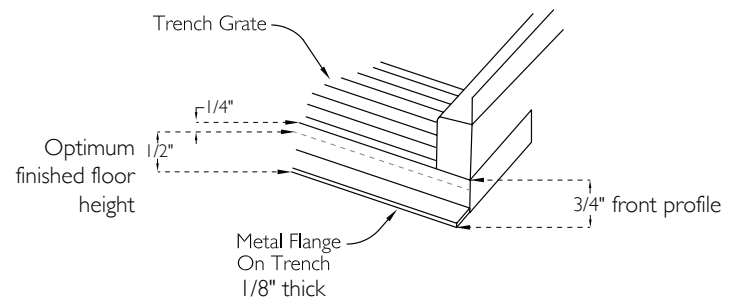
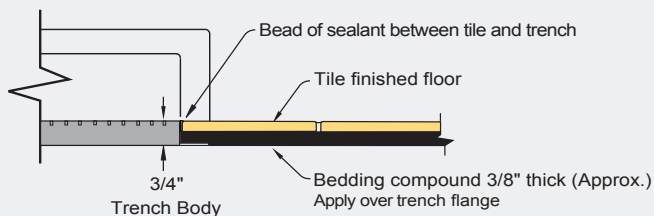
## The ultimate in water containment

- 1** 2% draft
- 2** SureGrip™ textured floor
- 3** 1/16" radius
- 4** 3/4" threshold height
- 5** Accepts standard compression drain
- 6** Permanently bonded to base - metal to metal
- 7** Precise metal casting (aluminum)
- 8** Tamper proof or magnetic grate connection
- 9** Stainless steel grate
- 10** Counter sunk screw holes
- 11** 1/16" part separating trench from finished floor
- 12** 1/8" slab flange
- 13** 22 individual water dams

### SHEET VINYL finished example



### CERAMIC TILE finished example

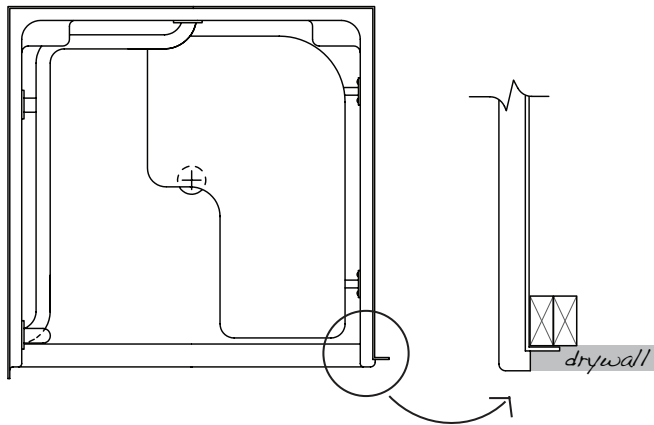


# INTEGRAL TRENCH

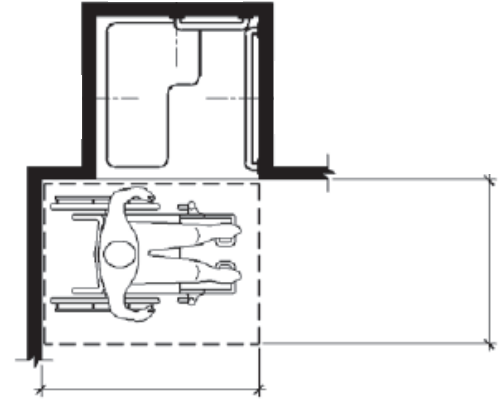
## Return Flange Feature

### RETURN FLANGE — RRF

The return flange feature meets the strictest accessibility codes and maximizes transfer access and floor space while minimizing dry wall maintenance.

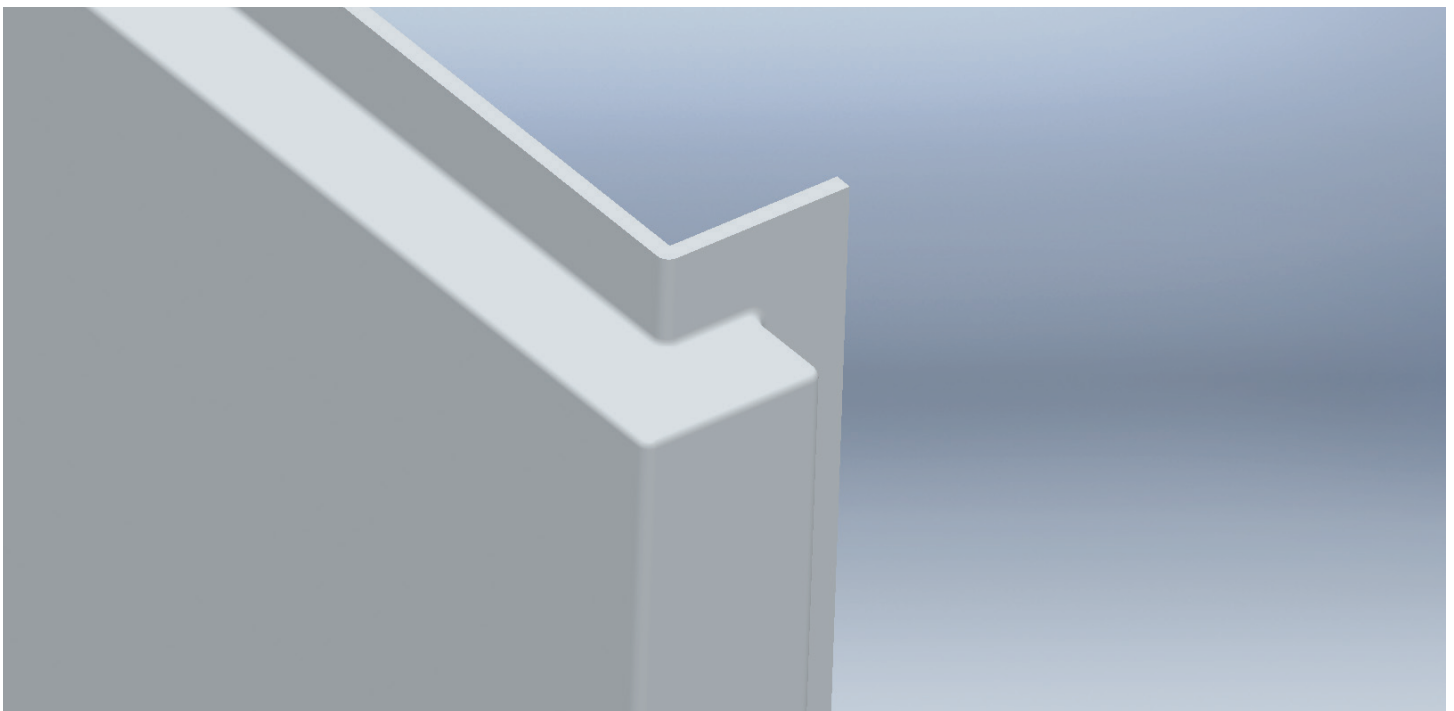


Return flange (detail) must specify RRF  
ex: XSS3938BFRF



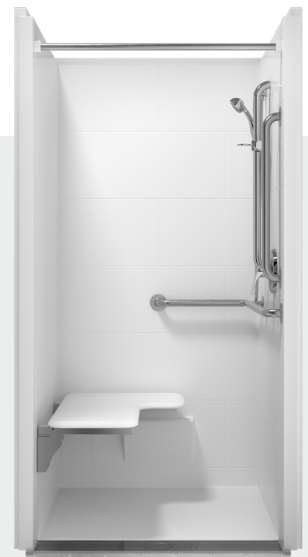
**Note:** inside finished dimensions measured at the center points of opposing sides

608.2.1 Clearance of 36 inches (915 mm) wide minimum by 48 inches (1220 mm) long minimum measured from the control wall shall be provided.



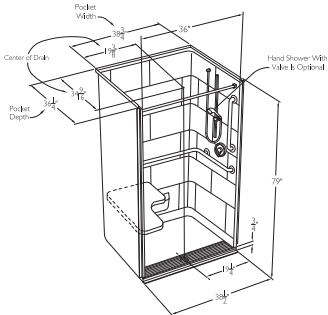
# One-Piece Shower Systems

- 1/16" radius on multi-piece seam eliminating unsightly caulk joints
- Contemporary large tile design with clean etched detailing promotes a warm home-like environment as opposed to institutional
- Compliant return flange option for all shower models
- Wall reinforcement with ARMORCORE™ for accessory support



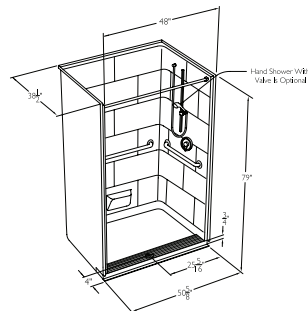
*Shower shown with optional accessories*

## 36" x 36" ID



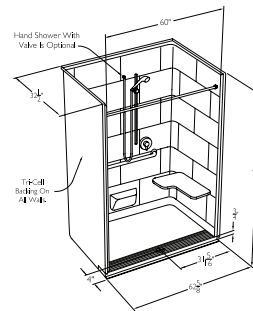
AcrylX™: **XST3838TR.75(1P)**  
Solid Surface: **SST3838TR.75(1P)**

## 48" x 36" ID



AcrylX™: **XST5038TR.75(1P)**  
Solid Surface: **SST5038TR.75(1P)**

## 60" x 30" ID



AcrylX™: **XST6232TR.75(1P) | XST6238TR.75(1P)**  
Solid Surface: **SST6232TR.75(1P) | SST6238TR.75(1P)**





# INTEGRAL TRENCH

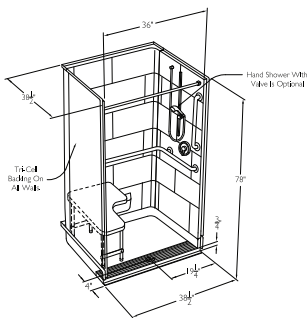
## Multi-Piece Shower Systems

- 1/16" radius on multi-piece seam eliminating unsightly caulk joints
- Contemporary large tile design with clean etched detailing promotes a warm home-like environment as opposed to institutional
- Compliant return flange option for all shower models
- Wall reinforcement with ARMORCORE™ for accessory support



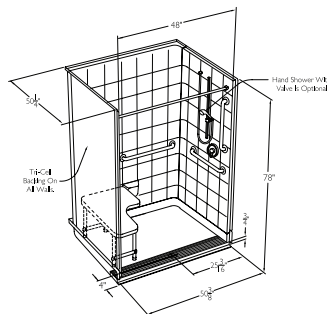
*Roll-in shower shown*

### 36" x 36" ID



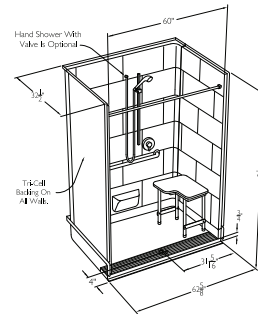
AcrylX™: **XST3838TR.75(4P)**  
Solid Surface: **SST3838TR.75(4P)**

### 48" x 48" ID

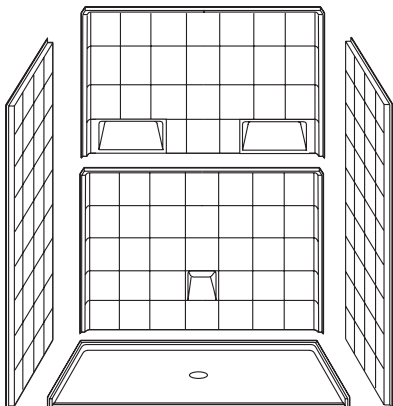


AcrylX™: **XST5050TR.75(5P)**  
Solid Surface: **SST5050TR.75(5P)**

### 60" x 30" ID



AcrylX™: **XST6232TR.75(5P) | XST6238TR.75(5P)**  
Solid Surface: **SST6232TR.75(5P) | SST6238TR.75(5P)**



## MEET DESIGN NEEDS FOR REMODELING

- Front-side assembly.
- Assembly of multi-piece models is accomplished with front-side access.
- ARMORCORE™ wall reinforcement for targeted accessory support.

**ARMORCORE™**

# Base Trench Shower Systems



**Underside**  
base view

- Base/trench connection point trench is chemically fused to base and creates a water free barrier ensuring no product leaks. During testing, in an attempt to break the bond, the bond never gave way.
- Stainless to aluminum design corrosion resistant aluminum body. With metal to metal design, there is no wear on the trench parts.
- Patented EasyBase™ reinforcement with pre-levelled, pre-sloped floors no mud set necessary.
- SureGrip™ base textured floor 1/16" radius at floor and tiling flange - tightest radius in the industry ensuring compliance at multiple measure points.
- Sloped draft back to front no complicated angles for the bather to contend with while maneuvering.

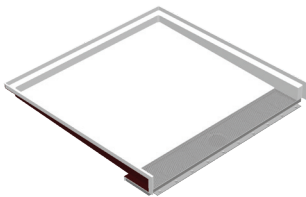
## BASE TRENCH SHOWER SYSTEMS

Comfort Designs recognizes the design criteria of some will remain job built. For these needs, we offer the trench plus base only option in three sizes. The water tight tile flange accepts any ceramic tile up to 1/2" thick.

The EasyBase™ pre-leveled floor reinforcement eliminates the need to job build properly drafted grout beds. The slope to the trench drain is built into the base. All bases have sloped draft from the back wall to the front trench drain area.

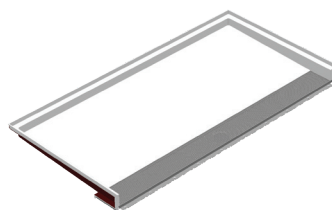


**36" x 36" ID**



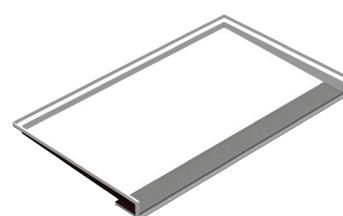
AcrylX™: **XST3838TR.75(4P)**  
Solid Surface: **SST3838TR.75(4P)**

**48" x 48" ID**



AcrylX™: **XST5050TR.75(5P)**  
Solid Surface: **SST5050TR.75(5P)**

**60" x 30" & 60" x 36" ID**



AcrylX™: **XST6232TR.75(5P) | XST6238TR.75(5P)**  
Solid Surface: **SST6232TR.75(5P) | SST6238TR.75(5P)**

# PREMIUM FINISHES

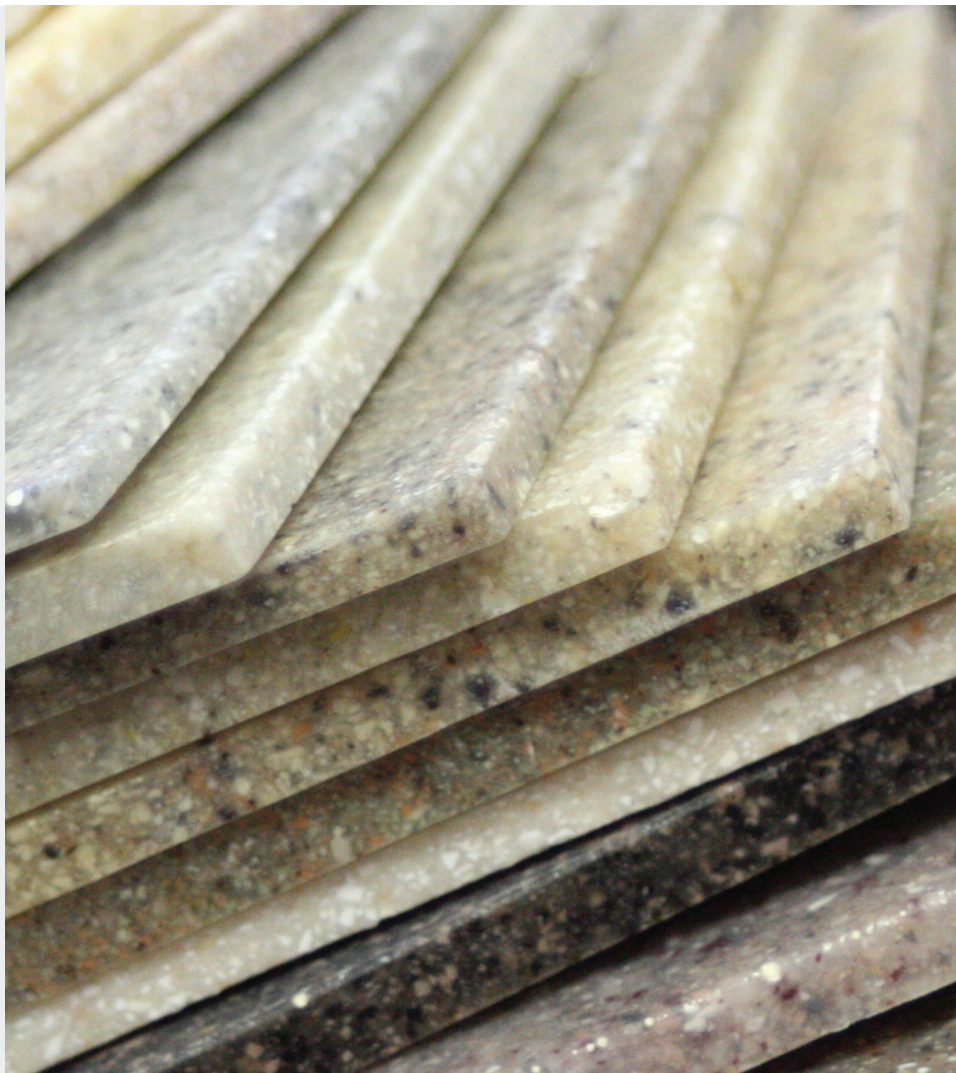
Solid Surface or AcrylX™

## Solid Surface features

- Designer finish color options
- Custom mold flexibility
- Matte finish solid surface
- Seamless
- Nonporous
- Resists stains and odors
- Easy to clean
- Configurable accessory locations
- Renewable
- LEED credits
- Thirty year limited warranty

## AcrylX™ features

- Color choices: white, bone, biscuit
- Seamless
- Easy to clean
- Configurable accessory locations
- LEED credits
- Thirty year limited warranty



## Comfort Designs SOLID SURFACE

AVERAGE SURFACE THICKNESS 55 MIL

Application:

- Single family residential
- Custom home
- Condominium up-scale
- Hospitality
- College dormitory
- Healthcare
- Senior living

## Sanitary Grade AcrylX™

AVERAGE SURFACE THICKNESS 22 MIL

Application:

- Single family residential
- Multi-family residential
- Senior living



 **MADE IN USA**



# PREMIUM FINISHES

Solid Surface or AcrylX™

## SOLID SURFACE STRONG, LONG LASTING, SEAMLESS, NON-POROUS

30 YEAR WARRANTY

Why settle for ordinary when you can have extraordinary? Beyond the ordinary, Comfort Design's Solid Surface is unique in design and function. Made from the most resilient materials, Comfort Design's Solid Surface exhibits a hardness and density which resists the growth of mold and bacteria while allowing for the vigorous cleaning required in healthcare settings. Durability and repairability ensure that it will keep its finish throughout the life cycle of your facility.

As a true Solid Surface, we can offer an attractive, seamless surface that eliminates the need for caulk or sealant - which can fail over time. Beautifully bold and highly dependable, Comfort Design's Solid Surface eliminates the decision between design and function by providing both.

## Seamless Premium ACRYLX™ APPLIED ACRYLIC

30 YEAR WARRANTY

Quality you can see - Comfort Designs' titanium enhanced applied acrylic is a brighter, more lustrous white; thus, providing aesthetic appeal to the bathroom. With less dulling and more shine to the finish, AcrylX™ products will stand the test of time.

Save time and money. With some of the thickest applied acrylic in the industry, the durable AcrylX™ finish reduces the chances for scratches and surface repairs - saving you time and money.



White  
(WH)



Biscuit  
(BS)

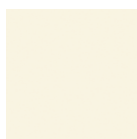


Bone  
(BO)

## COMFORT DESIGNS SOLID SURFACE



White  
(WHG)



Biscuit  
(BSG)



Bone  
(BOG)



Cotton Seed  
(COG)



Ashley  
(ASG)



Almond  
(ALG)



Beach  
(BEG)



Dune  
(DGR)



Mink  
(MNG)



Violet  
(VG)



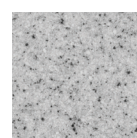
Coco  
(CCG)



Rabbit  
(RBG)



Quail  
(QGR)



Starlight  
(SGR)

# PREMIUM FINISHES

AcrylX™



## SUPERIOR FINISH

– AcrylX™ applied acrylic is a superior luster, truer white, acrylic finish. It's a patent pending, proprietary system that offers the widest array of bathing products at the greatest value.

## SIMPLY EASY

– You can rest assured knowing that we will stand behind our products 100% of the time, so you can be confident in selling our products to your customers. We've backed AcrylX™ with an unprecedented 30 year Warranty.



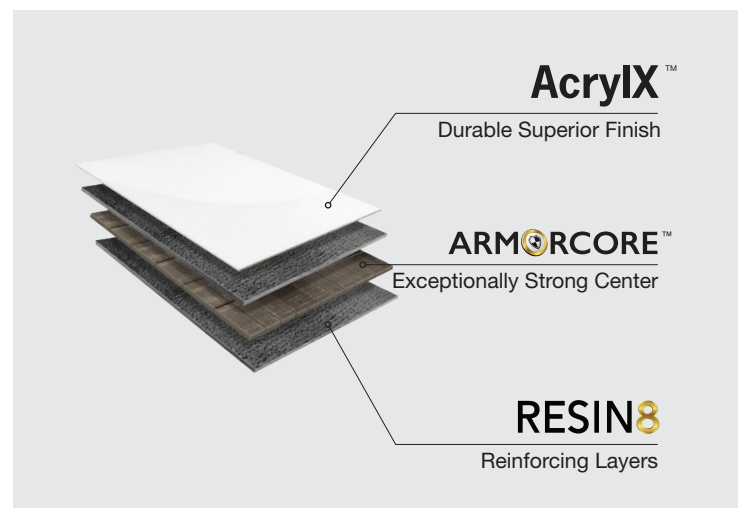
With ARMORCORE™, we've changed the game. Years in the making, this exclusive technology turns layers of material into a single, solid structure that withstands a thousand pounds of pressure without breaking a sweat. ARMORCORE™ wall reinforcement, allows for targeted accessory support.

## CHEMICALLY BONDED

- Unlike wood and corrugate, ARMORCORE™'s resin-based formulation chemically bonds to layers of fiberglass lamination, forming a rock-solid, single-piece structure.
- Eliminates separation.
- Impervious to moisture and freezing.

## SCORED FOR FLEXIBILITY

- The scored grid pattern allows ARMORCORE™ to contour along curved edges, floor slopes and around corners, ensuring a solid bond at all points and eliminating potential for air pockets.



# INTEGRAL TRENCH

## Shower Systems

Integral Trench Product Listing		
Solid Surface SKUs	AcrylX™ SKUs	Interior Dimensions
<b>One-Piece Showers</b>		
SST 3838TR .75 1P RF	XST 3838TR .75 1P RF	36 x 36
SST 3838TR .75 MS RF	XST 3838TR .75 MS RF	36 x 36
SST 5038TR .75 1P L-BAR	XST 5038TR .75 1P L-BAR	48 x 36
SST 5038TR .75 1P U-BAR	XST 5038TR .75 1P U-BAR	48 x 36
SST 6232TR .75 1P L-BAR	XST 6232TR .75 1P L-BAR	60 x 30
SST 6232TR .75 1P U-BAR	XST 6232TR .75 1P U-BAR	60 x 30
SST 6238TR .75 1P L-BAR	XST 6238TR .75 1P L-BAR	60 x 36
SST 6238TR .75 1P U-BAR	XST 6238TR .75 1P U-BAR	60 x 36
<b>Multi-Piece Showers</b>		
	XST 3838TR .75 4P L-BAR	36 x 36
	XST 5050TR .75 5P L-BAR	48 x 48
	XST 5050TR .75 5P U-BAR	48 x 48
	XST 6232TR .75 5P L-BAR	60 x 30
	XST 6232TR .75 5P U-BAR	60 x 30
	XST 6238TR .75 5P L-BAR	60 x 36
	XST 6238TR .75 5P U-BAR	60 x 36
<b>Shower Bases</b>		
SSB 3838TR .75 BASE	XSB 3838TR .75 BASE	36 x 36
SSB 5038TR .75 BASE	XSB 5038TR .75 BASE	48 x 36
SSB 5050TR .75 BASE	XSB 5050TR .75 BASE	48 x 36
SSB 6232TR .75 BASE	XSB 6232TR .75 BASE	60 x 30



 **MADE IN USA**

 **MADE IN USA**

**COMFORT DESIGNS BATHWARE**

an American Bath Group Brand

**CUSTOMER SERVICE**

800.443.7269 | fax 731.925.4290

[comfortdesignsbathware.com](http://comfortdesignsbathware.com)

CDHORIZONTR-122020

