

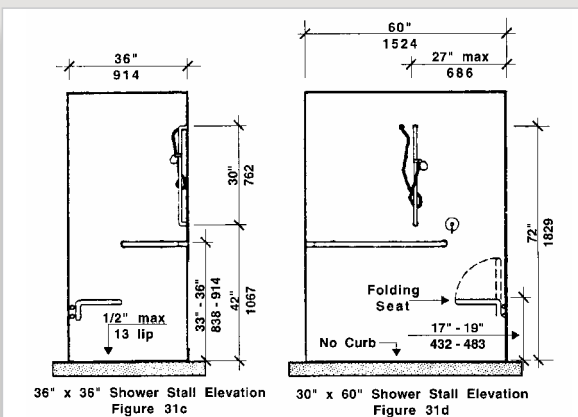
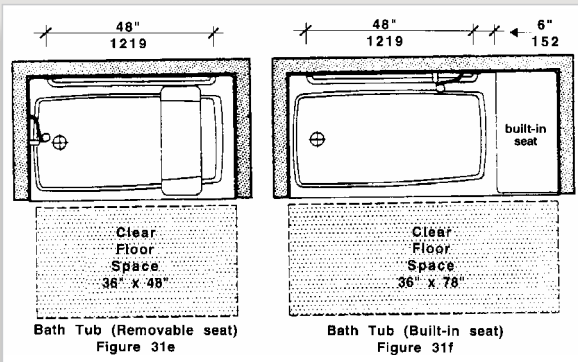
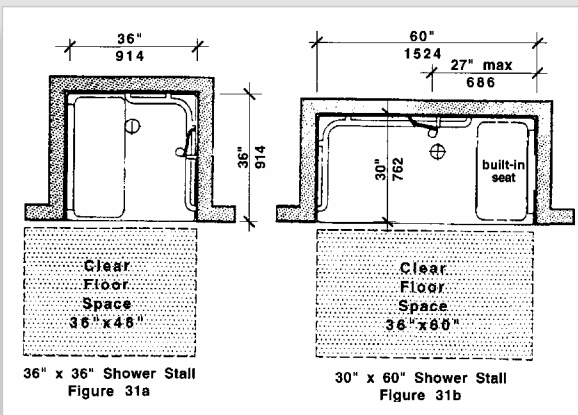
Massachusetts Code Compliance

All Comfort Designs code compliant fixtures can be adapted to meet the requirements of the Massachusetts Architectural Access Board.

CD has produced MAS compliant products for over twenty years with positive results. We follow the standards and requirements of the Massachusetts Architectural Access Board.

Any model number can simply be adapted with the nomenclature MAS. For example, the XSS6233BF.75 MAS will be manufactured with stainless steel peened bars and padded seats with all the necessary backing as stated by code.

521 CMR: Architectural Access Board



MAS Required Extra Blocking

Group 1 Bathtubs Block 6" above tub rim to 48" above tub bottom on all three walls. ex: Bathtub with an 18" high apron would require 24" wide blocking at 6" above the rim

Group 1 Showers Block 6" above shower floor to 48" above floor total width of blocking will be 42" on all three walls

Group 2 & 2A Bathtubs Block from rim of tub to a height of 60" above tub bottom on three walls. ex: Bathtub with an 18" high apron would require 42" wide blocking mounted at the rim of the tub.

Group 2 & 2A Showers Block from floor of showers to 60" above floor on three walls

521 CMR: Architectural Access Board

b. Wall reinforcement: All walls of the shower shall have structural reinforcement to allow the future installation of a seat and grab bars, at any location from the floor to a height of 60 inches (60" = 1524mm) above the floor.

c. Seat: A hinged, padded shower seat shall be installed or be capable of being installed on a wall adjacent to the opening. The seat shall be mounted with the edge as close as possible to the opening to provide a safe transfer. The top of the seat shall be 17 to 19 inches (17" to 19" = 432mm to 483mm) above the shower floor.

44.7 Grab Bars Grab bars shall be non-rusting and slip resistant, shall be between 1/4 inches and 1/2 inches (1/4" to 1/2" = 32mm to 38mm) in outside diameter, and shall be located 1/2 inches (1/2" = 38mm) clear from the wall. Grab bars shall also meet the definition of structural strength.

solutions for every need

Have a question about code requirements or CD packages? Need help selecting a built-order model and accessories? We are here when you need us - just call **800.443.7269**

MANY CHOICES options for code compliance