

# Quick Ship Inventory

**Ready to Ship in 48 Hours**



Code Approved Showers and Shower Pans



# Quick Ship Inventory

## Standard Features

- Premium white finish
- Factory installed pre-leveled shower base
- Accessorized to meet code compliance
- Curtain rod included

\*QSI units include commercial ADA, TAS & MN code compliant models.  
Curtain rods and accessories are not included with shower pans.

Code-approved showers and shower pans shipped in 48 hours

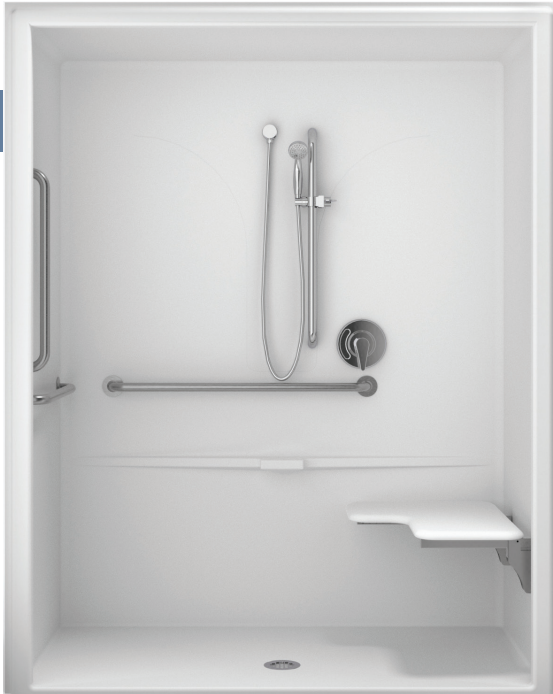


**Need your bathware FAST? No problem.**

With Comfort Designs Quick Ship Inventory (QSI), it's always in-stock and ready to go.

- 1 Choose Your Bathware**  
Choose 1 to 2 models in a premium white finish
  - + Save more time by adding an optional accessory. This will not affect the 48 hour time frame.
- 2 Place an Order**  
E-mail or fax your order form by 12pm CST in order to be processed same day.
- 3 Order Confirmation**  
You will receive an order acknowledgement.





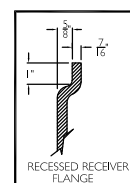
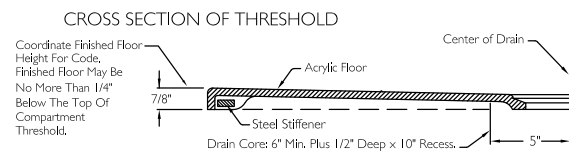
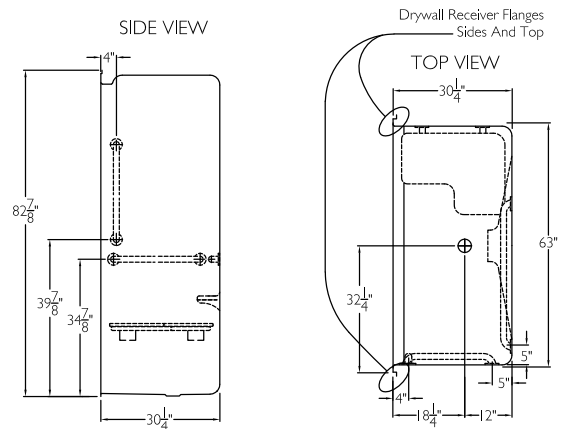
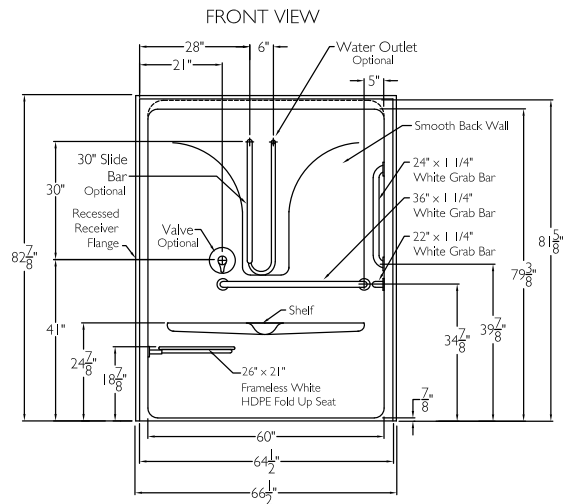
## QSI 6430 BF .875

### Roll-in Shower

Dimensions (inches)

Exterior: 66.5 W x 30.25 D x 82.875 H

Interior: 64.5 W x 30.25 D x 81.625 H



#### STANDARD FEATURES

- Finish** Cast Acrylic
- Pieces** 1
- Wall** Smooth
- Warranty** 30 Year Limited

#### TECHNICAL INFORMATION

- Handed By** Seat L/R
- Codes** ADA/ANSI when properly installed

#### STANDARD ACCESSORIES



Stainless steel curtain rod (not shown), stainless steel grab bars, white fold-up seat



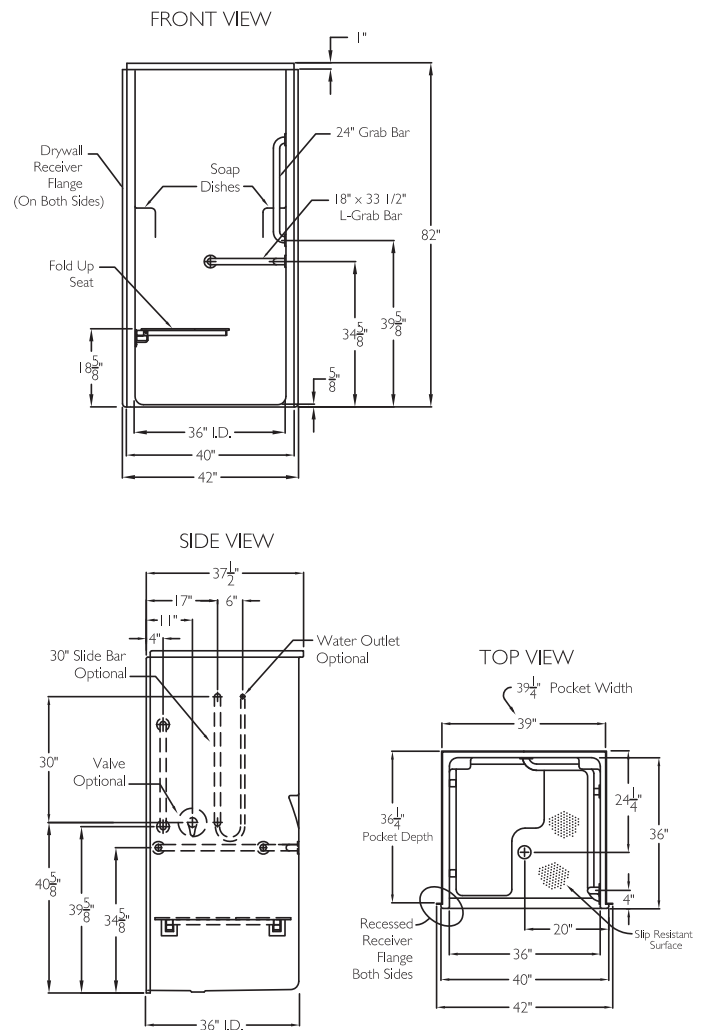
## QSI 3682 BF .625 RRF

### Transfer Shower with Dual Receiver Flanges

Dimensions (inches)

Exterior: 42 W x 37.5 D x 82 H

Interior: 36 W x 36 D x 80.375 H



#### STANDARD FEATURES

**Finish** AcryIX™

**Pieces** 1

**Wall** Smooth

**Warranty** 30 Year Limited

#### TECHNICAL INFORMATION

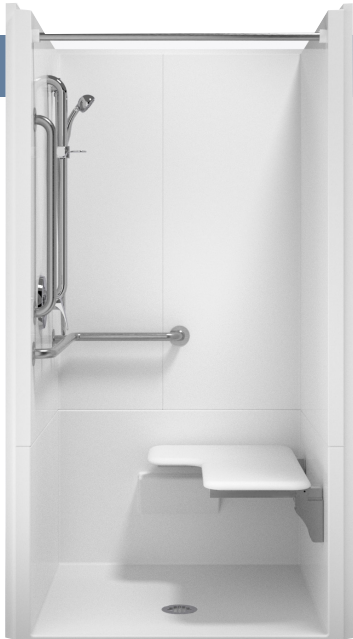
**Handed By** Valve Wall L/R

**Codes** ADA/ANSI  
when properly installed

#### STANDARD ACCESSORIES



Stainless steel curtain rod,  
stainless steel grab bars,  
white fold-up seat



## QSI 3637 BF 3P .625 RRF

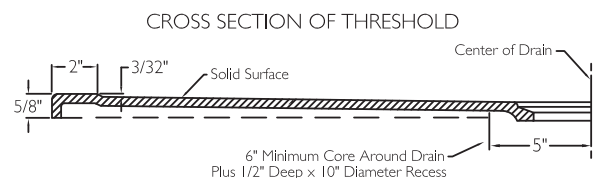
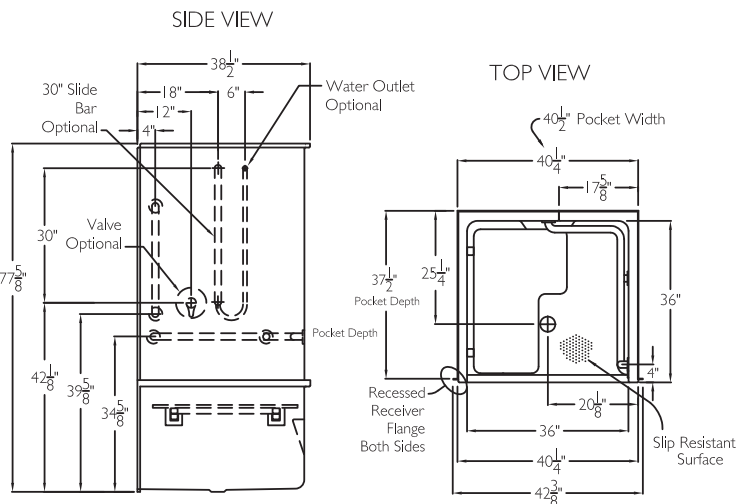
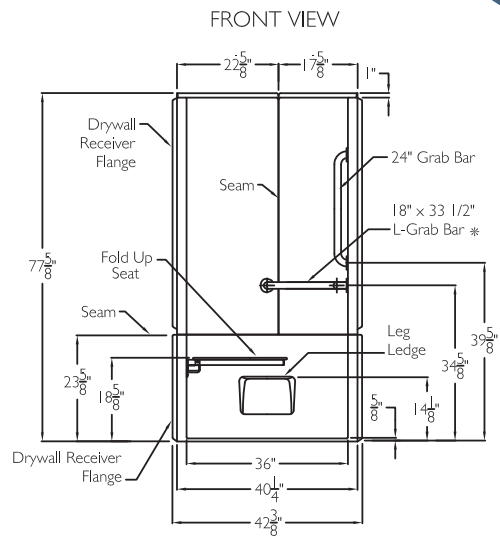
### Barrier-Free Shower

Dimensions (inches)

Exterior: 42.375 W x 38.5 D x 77.625 H

Interior: 36 W x 36 D x 76H

**3-Piece**  
Remodeling  
Sectional



#### STANDARD FEATURES

**Finish** AcryIX™

**Pieces** 3

**Wall** Smooth

**Warranty** 30 Year Limited

#### TECHNICAL INFORMATION

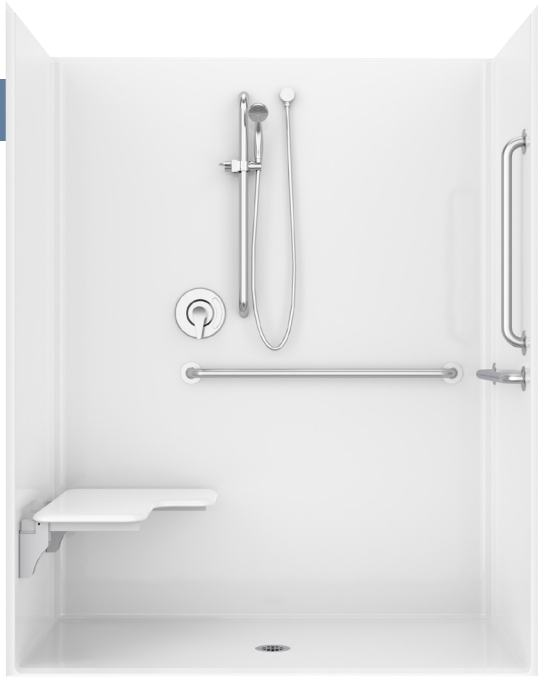
**Handed By** Valve Wall L/R

**Codes** ADA/ANSI  
when properly installed

#### STANDARD ACCESSORIES



Stainless steel curtain rod,  
stainless steel grab bars,  
white fold-up seat



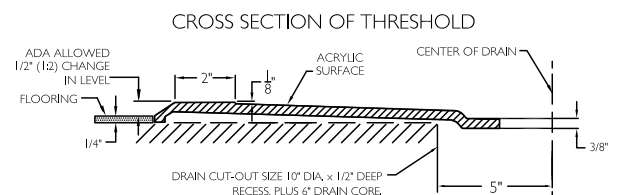
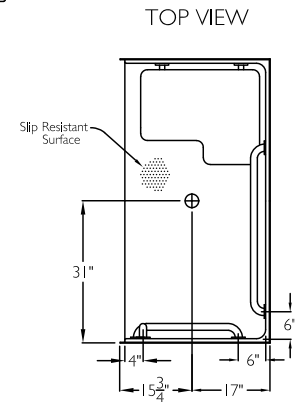
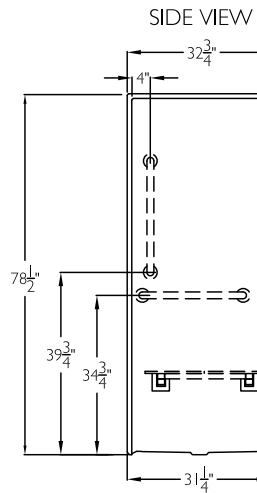
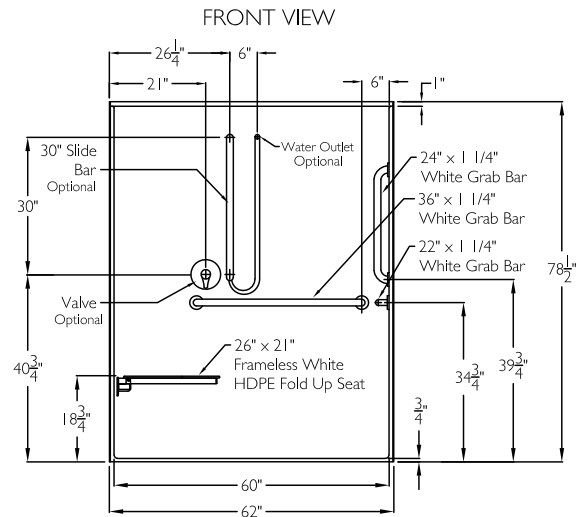
## QSI 6233 BF-F .75

### Roll-in Shower

Dimensions (inches)

Exterior: 62 W x 32.75 D x 78.5 H

Interior: 60 W x 30 D x 77.125 H



#### STANDARD FEATURES

**Finish** AcryIX™

**Pieces** 1

**Wall** Smooth

**Warranty** 30 Year Limited

#### TECHNICAL INFORMATION

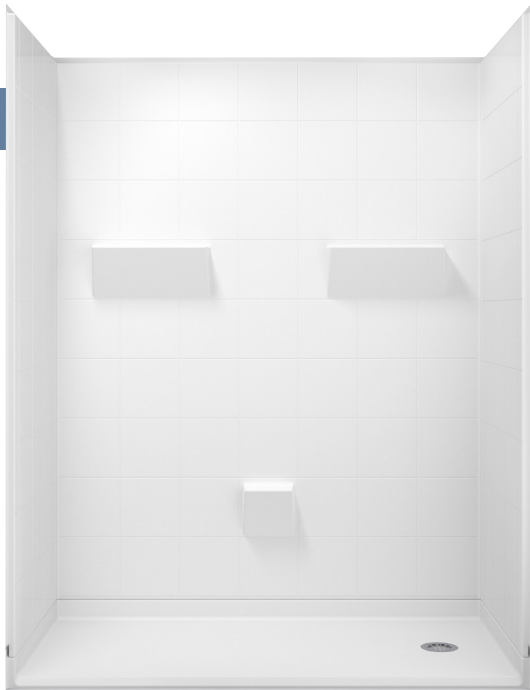
**Handed By** Seat L/R

**Codes** ADA/ANSI  
when properly installed

#### STANDARD ACCESSORIES



Stainless steel curtain rod (not shown),  
stainless steel grab bars,  
white fold-up seat



## QSI 6030 BF 5P 1.0 L/R

### Barrier-Free Shower

Dimensions (inches)

Exterior: 60 W x 31 D x 78 H

Interior: 57.75 W x 28.875 D x 76 H

**5-Piece**  
Remodeling  
Sectional

#### STANDARD FEATURES

**Finish** AcryIX™

**Pieces** 5

**Wall** Simulated Tile

**Warranty** 30 Year Limited

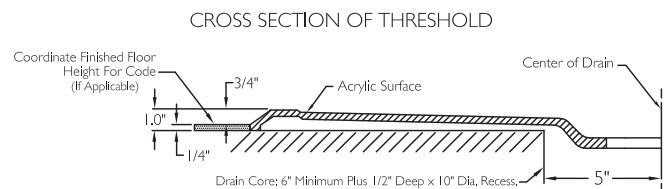
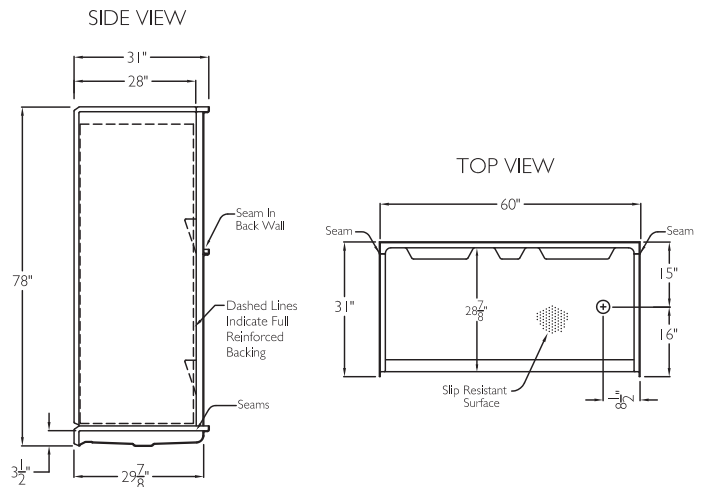
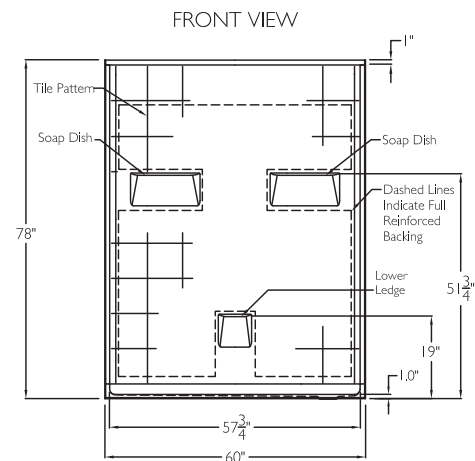
#### TECHNICAL INFORMATION

**Handed By** Drain L/R

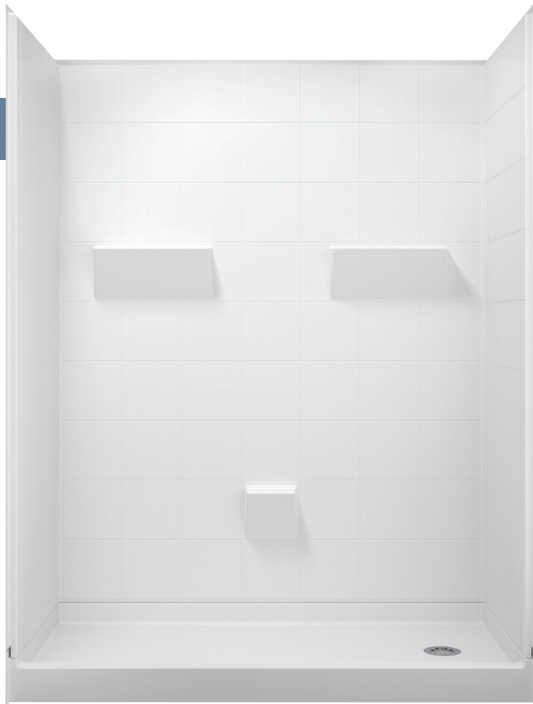
**Codes** Unit is not code compliant

#### STANDARD ACCESSORIES

Grab bars and curtain rod available, field installed only







## QSI 6030 SH 5P 4.0 L/R

### Accessible Shower

Dimensions (inches)

Exterior: 60 W x 31 D x 79.5 H

Interior: 57.75 W x 28.875 D x 74.5 H

**5-Piece**  
Remodeling  
Sectional

#### STANDARD FEATURES

**Finish** AcryIX™

**Pieces** 5

**Wall** Simulated Tile

**Warranty** 30 Year Limited

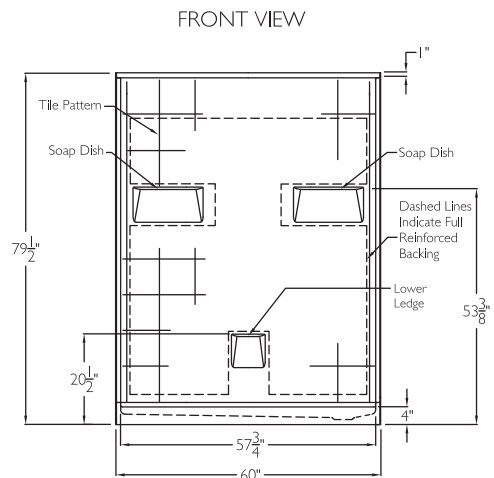
#### TECHNICAL INFORMATION

**Handed By** Drain L/R

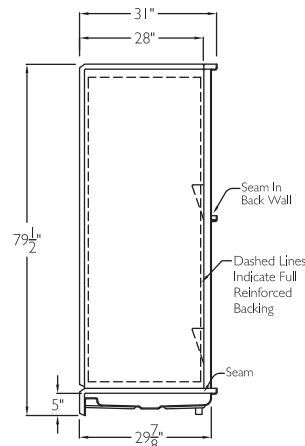
**Codes** Unit is not code compliant

#### STANDARD ACCESSORIES

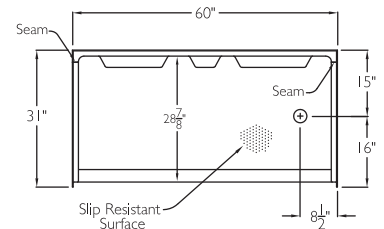
Grab bars and curtain rod available, field installed only



SIDE VIEW



TOP VIEW



# QSI 3838 BF PAN .5

## Shower Pan

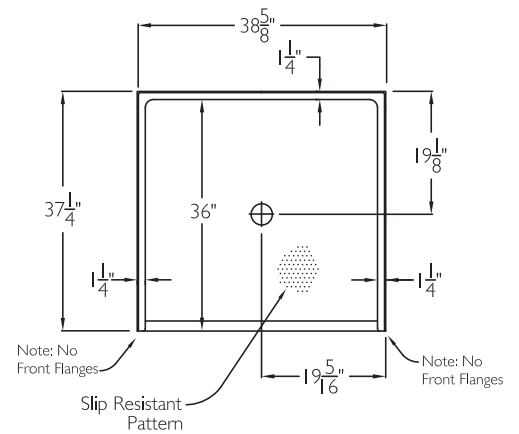
Dimensions (inches)

Exterior: 38.625 W x 37.25 D x 4.5 H

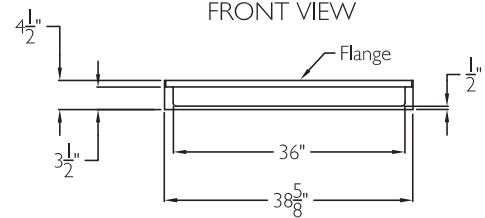
Interior: 36 W x 36.36 D x 0.5 H



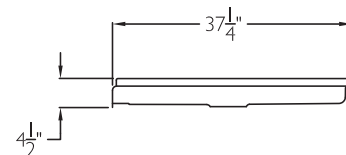
TOP VIEW



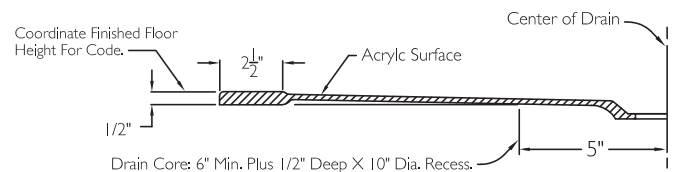
FRONT VIEW



SIDE VIEW



CROSS SECTION OF THRESHOLD



### STANDARD FEATURES

**Finish** AcryIX™

**Pieces** 1

**Warranty** 30 Year Limited

### TECHNICAL INFORMATION

**Handed By** Center Drain

**Codes** ADA/ANSI  
when properly installed

## QSI 6030 BF COL L/R

### Shower Pan

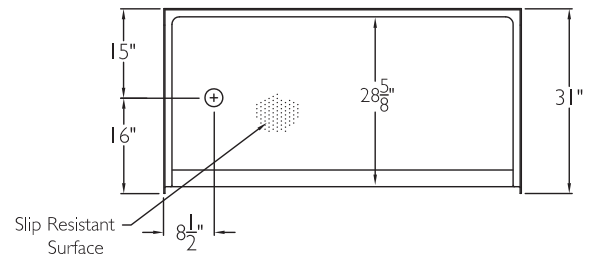
Dimensions (inches)

Exterior: 60 W x 31 D x 4.5 H

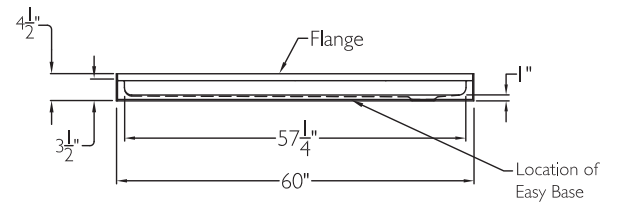
Interior: 57.25 W x 25.625 D x 1 H



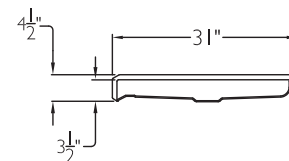
TOP VIEW



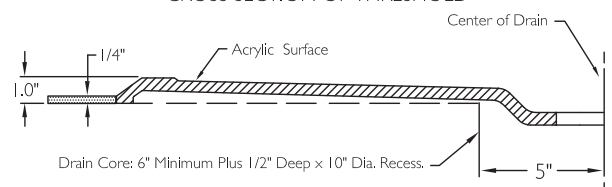
FRONT VIEW



SIDE VIEW



CROSS SECTION OF THRESHOLD



#### STANDARD FEATURES

**Finish** AcryIX™

**Pieces** 1

**Warranty** 30 Year Limited

#### TECHNICAL INFORMATION

**Handed By** Drain L/R

**Codes** Unit is not code compliant

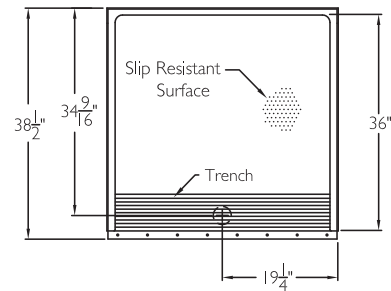
## QSI SWB3838TR.75

### Shower Pan

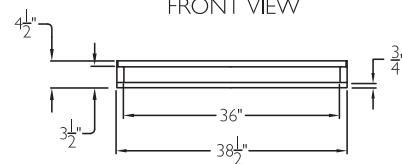
Dimensions (inches)  
 Exterior: 38.5 W x 38.5 D x 4.5 H  
 Interior: 36 W x 36 D x 0.75 H



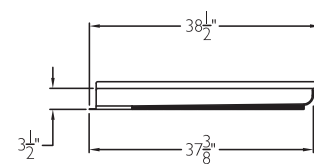
TOP VIEW



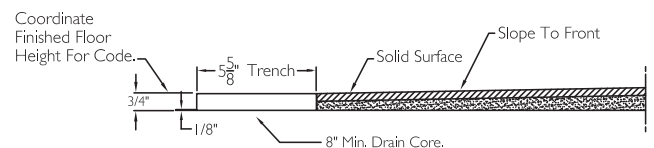
FRONT VIEW



SIDE VIEW



CROSS SECTION OF THRESHOLD



#### STANDARD FEATURES

**Finish** Solid Surface

**Pieces** 1

**Warranty** 30-Year Warranty

#### TECHNICAL INFORMATION

**Handed By** Trench Drain

**Codes** ADA/ANSI  
 when properly installed

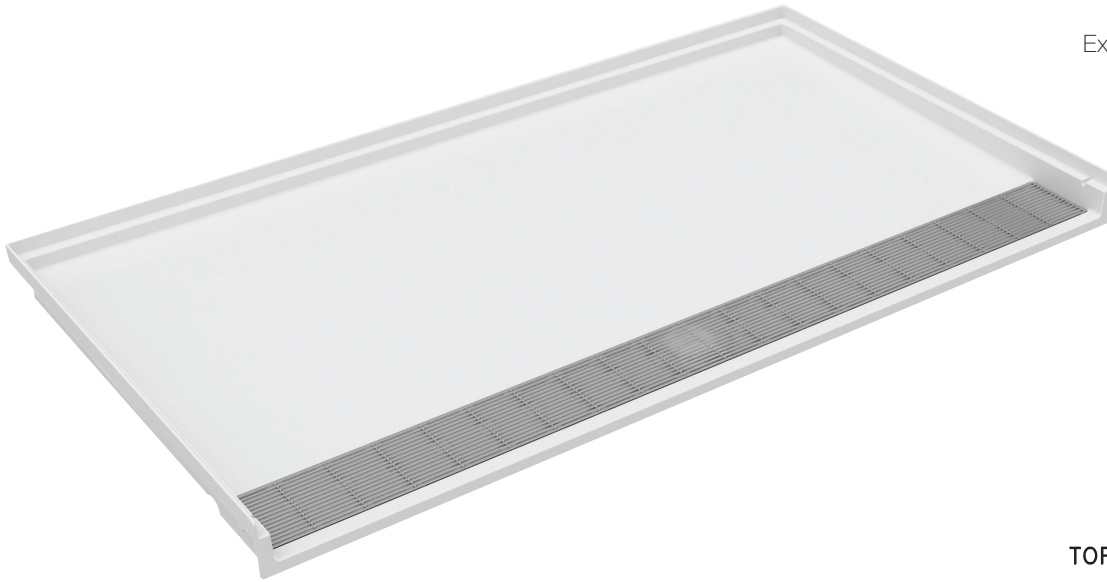
## QSI SWB6234TR.75

### Shower Pan

Dimensions (inches)

Exterior: 61.875 W x 33 D x 3.5 H

Interior: 60 W x 32 D x 0.75 H



#### STANDARD FEATURES

**Finish** Solid Surface

**Pieces** 1

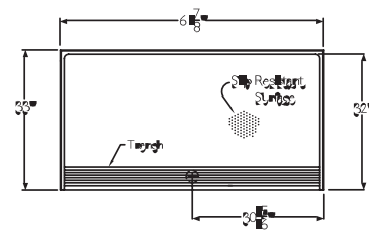
**Warranty** 30-Year Warranty

#### TECHNICAL INFORMATION

**Handed By** Trench Drain

**Codes** ADA/ANSI  
when properly installed

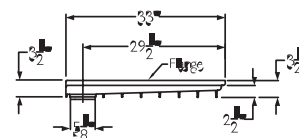
TOP VIEW



FRONT VIEW



SIDE VIEW





## Models

QSI 6430 BF .875  
QSI 3682 BF .625 RRF  
QSI 3637 BF 3P .625 RRF  
QSI 6233 BF-F .75  
QSI 6030 BF 5P 1.0 L/R

QSI 6030 SH 5P 4.0 L/R  
QSI 3838 BF PAN .5  
QSI 6030 BF PAN 1.0 L/R  
QSI SWB3838TR.75  
QSI SWB6234TR.75



## How to Order



Fill-out your form,  
double check for accuracy.



Submit order form by 12pm CST  
for order to be processed same  
day. Orders received after  
12pm CST will be processed  
the following business day.



Scan and e-mail your  
completed form to:  
**orders@praxiscompanies.com**  
Or, fax form to:  
731.925.4290



## Quantity Ordered

Orders can be placed for 1 or 2  
each of any model.



## Finish Color

White



## Optional Accessories

"Impact" weighted white shower curtain with antimicrobial, fire-retardant fabric

White collapsible water retainment dam with two end caps



## When will they ship?

**48** Standard QSI models - with or without optional accessories, will ship in 48 hours.

**7** Trench QSI models will ship in 7 business days.



## Pricing

QSI model pricing, as well as shipping pricing, can be found on the QSI order form.



## Questions?

Give customer service a call — we are here for you!

**800.443.7269**



**Ready to Ship in 48 Hours**



Comfort Designs  
435 Industrial Road  
Savannah, TN 38372

Customer Service  
800.443.7269

Code Approved Showers and Shower Pans

# Quick Ship Inventory

[comfortdesignsbathware.com](http://comfortdesignsbathware.com)

QSIBRO7 | 092023