



www.swanstone.com

Window Trim Kit

WTK-1 (8" x 36")

SS-WTK (10" x 36")

- **Product Warnings**
- **Safety Guidelines**
- **Required Tools**
- **Kit Contents**
- **Preparation Tips**
- **Installation Procedure**
- **Cleaning & Maintenance**
- **Warranty Information**

**Read and Understand
Before Installing**

Form # 250-B-09-2021

The Swan Assurance — if our product is properly installed and maintained, as stated in these instructions, it will not leak.

Remember — Safety First

IMPORTANT NOTICE

The Swan Corporation, the makers of the Swan products, cannot anticipate every possible circumstance that might involve a potential hazard during the installation of our product(s). The warnings and instructions in this installation guide are, therefore, not all-inclusive. If a tool, installation procedure, or work method that is not specifically recommended by The Swan Corporation is used, you must satisfy yourself that it is safe. You should also make sure that the Swan product(s) will not be damaged by the methods you choose. The Swan Corporation will not be held responsible for water damage of any kind in connection with the installation of one of our Swan bath/shower/panel kits.

⚠ WARNING

To avoid product damage, personal injury, or even possible death, carefully read, understand, and follow all the instructions in this installation guide before installing this product(s). Do not use cleaning fluids or operate power tools unless you read and understand the instructions and warnings in this and all other applicable labels or manuals. Proper use of tools and the products described in this guide is your responsibility.

WARRANTY

This product is covered by a Limited Lifetime Warranty. Refer to the Warranty section in this manual for complete details.

Save this manual for future reference.

Important information on cleaning, maintenance, and repair is contained within.

IMPORTANT NOTICE

IMPORTANT NOTICE: Indicates that equipment or property damage can result if instructions are not followed.



Read and Understand the Manual

It is the responsibility of any individual who installs or maintains this product to fully understand and follow proper installation and maintenance procedures. Be aware of the inherent dangers in the use of power tools when installing this product. Read and understand all Warnings, Cautions, and Important Notices in this manual.



Work Safely

DO NOT proceed if any doubt arises about the correct or safe method of performing anything found in this or other Swan Corporation manuals. The installation of this product can require using power tools. Do not use power tools without adequate training. If necessary, hire or consult a trained professional for expert assistance before continuing.



Use Proper Tools

Always use proper tools which are in good, working condition during the installation of the Swan Corporation products. Using tools other than those listed could adversely affect the integrity of floors, pipes, walls, or this product and could result in water damage or other damage to floors, pipes, walls, or other portions of your building or home.



Do Not Use Nails

The panels mount to walls with 100% clear silicone sealant only. The Swan Corporation recommends 100% clear silicone sealant to mount this product. Never use hammers, nails, or screws. Hammers, nails, and screws could adversely affect the integrity of this product. Nails and screws could puncture the Swan Corporation Wall Systems and Panels, resulting in water or other damage to floors, pipes, walls, or other portions of your building or home.



Wall Conditions

Inspect the walls before installing the Swan Corporation panels. Never install panels over damp walls or an existing mold condition.

⚠ CAUTION

CAUTION: Indicates a potentially hazardous situation which, if not avoided, may result in injury. It may also be used to alert against unsafe practices.




Tripping Hazard


Personal injury can result from tripping over power cords, tools, or other items. DO NOT leave items laying around the work area.




Personal Protection


Be sure to use all personal protective equipment, such as sturdy work boots, preferably with steel toes, gloves, and hard hat, if necessary, to ensure your own safety. To prevent possible damage to your hearing, always wear ear protection, such as earmuffs or earplugs, when working around power tools.


 **Cutting Hazard**
The installation of the Swan Corporation product may require using power tools. Keep hands away from the cutting edge of any tool used in the installation of our product. Placing fingers in or around the cutting blades could result in serious personal injury.


 **Sharp Edge Hazard**
After cutting the edge of a Swan Corporation panel, it can be sharp. Wear protective gloves to prevent personal injury.


 **Room Temperature**
Allow the Swanstone panels to adjust to room temperature for at least six hours before installation, and consult the 100% silicone sealant manufacturer's instructions for storage and surface preparation. The panels should be installed at temperatures not less than 65°F. Panels should not be installed in areas where the temperature may drop below freezing (32°F). Failure to follow this recommendation could adversely affect the silicone sealants, which holds the panels to the wall. If the panels are not correctly adhered to the walls, they may fall off, causing possible injury to someone in or around the shower or bathtub enclosure.


WARNING
WARNING: Indicates a potentially hazardous situation which, if not avoided, could result in serious injury or death.


 **Eye Protection**
Be sure to use all personal protective equipment to ensure your own safety. To avoid eye injury, always wear protective glasses with side shields when using power tools. Also, make sure no one else can be injured by flying particles when using power tools.


 **Fire Hazard**
Personal injury or death can result from a fire caused by flammable liquids or silicone sealants. Cleaners or solvents can be highly explosive, resulting in personal injury or even death, when not used properly. Clean up any flammable substance immediately. Sparks or open flames can cause flammable substances to ignite. DO NOT smoke while working on or near any flammable substance.


 **Solvents Hazard**
Follow all manufacturer's safety instructions for silicone sealants and denatured alcohol. Alcohol vapors are both flammable and hazardous to breathe. Silicone vapors may irritate eyes and nose. Personal injury can result from improperly handling or use of products, such as denatured alcohol. Always follow the manufacturer's recommendations for the safe use of these products. Ventilate any work area before beginning to apply silicone sealants, cleaning agents, or solvents.


 **Fumes Hazard**
The fumes from the silicone and solvents used by the installer can be harmful if used in an unventilated room. Always work in a well-ventilated area. To keep the area well-ventilated, open windows and use exhaust fans. If adequate ventilation is not achievable or practical, use respiratory protective equipment.

 **Dust Hazard**
When cutting or drilling the Swan Corporation product, use a dust collection method which prevents dust particles from going into the air. Always work in a well-ventilated area. Always use an OSHA approved dust mask when cutting, drilling, or sanding Swan Corporation products.

 **Power Tool Hazard**
To prevent personal injury or possible death, always follow the electrical safety recommendations of the power tool's manufacturer. Do not use power tools in an unsafe manner. Power tools should only be connected to a circuit protected by a ground-fault circuit interrupter (GFI).

 **Shock Hazard**
Never use electric power tools around water, condensation, or other liquids. Electric shock can cause severe burns, significant injuries, and even death. If an extension cord is required, always use an OSHA approved extension cord. Power cords should only be connected to a circuit protected by a ground-fault circuit interrupter (GFI).

 **Electrical Shock Hazard**
Contacting live electrical wiring with power tools or hand tools can cause serious injury or death. Make sure all related circuit breakers are turned OFF. Test for live circuits or wiring inside any wall where installation of the Swan Corporation product requires cutting into a wall.

 **Electrocution Hazard**
Water and other liquids conduct electric current and can create a short circuit, resulting in injury or death. Keep all liquids away from electrical cords and power tools. DO NOT create a short circuit between a source of electricity and a liquid by being in contact with both simultaneously.

General Information

Required Tools

- 100% clear silicone sealant
- Saber saw (straight up and down travel) with bi-metal blade (14 teeth per inch)
- Tape measure
- Caulking gun
- Medium grit sandpaper
- Clean paper towels or shop towels
- Lumber as required for bracing (see Bracing Instructions)
- Denatured alcohol

Window Trim Kit Contents

- Two side panels
- One jam panel
- One tube of silicone sealant

For best results, use 100% clear silicone sealant for bonding this product to a properly constructed and prepared sub wall. You will need one tube of 100% clear silicone sealant (tube sized to fit a standard caulking gun) for every 1440 square inches or 10 square feet, or, 4 to 10 tubes for an average shower. Follow the application recommendation located in the Panel Installation section of this manual.

Unpack Carton

- Use care when opening the box so that you do not damage the panels.
- This product is shipped to you or your retail center after careful inspection. After purchasing the kit, carefully unpack and inspect the product for any shipping damage that may have occurred. If damage is found, report it immediately to the store of purchase.
After inspection and during installation, protect the products from construction damage by moving them to another room or area until ready to install.
- Please use the model number located on the side of the box or the front of this manual when contacting us with questions concerning the installation of this unit.

Helpful Hints

- Read these instructions carefully and familiarize yourself with the various parts of the kit.
- Allow sufficient time for the parts in this kit to adjust to the temperature of the installation area. We do not recommend installation of this product at temperatures below 65 degrees.
- The mounting surface must be free of dirt, film, waxes, or any other residues.

Caulking Tips

- Follow the instructions on the color match silicone sealant tube.
- When job is complete, inspect all caulked areas for gaps and fill as needed.
- Clean up any excess silicone using denatured alcohol and a clean cloth.
- Be careful not to disturb caulk joints.

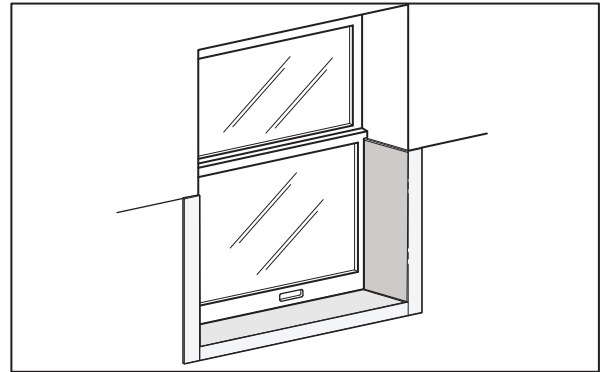
Installation Instructions

Followed carefully, these installation instructions will result in an easy, trouble-free installation of your Swan Corporation product. Any deviations, additions and/or deletions from the prescribed installation, without prior written approval will void the warranty covering this product.

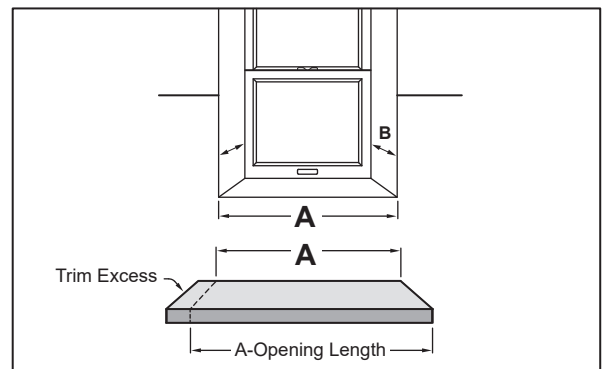
Disclaimer

- The information contained in this installation manual is given free of charge. It is based upon technical data which we believe to be reliable and is intended for use by persons having knowledge of this technical area at their own discretion and risk. Swan Corporation assumes no responsibility for results obtained or damage incurred from the use of this material either in whole or in part by the buyer.
- This manual will give you basic instructions for the installation of the product in a step-by-step sequence that will work in most types of installations. If you have an installation application that is not covered by this manual, please call The Swan Corporation directly for additional information about your application.
- Follow all installation instructions. Failure to follow these instructions could result in personal injuries, water damage, or other damage to floor, pipes, walls or other portions of your building or home.

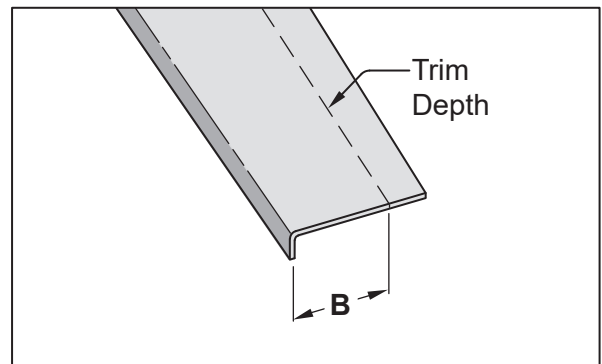
Window Trim Kit WTK-1



1. Measure the width (A) and depth (B) of the window opening. Trim the sill panel at the same width of the opening. (cut off the end with the factory holes, they are not used).

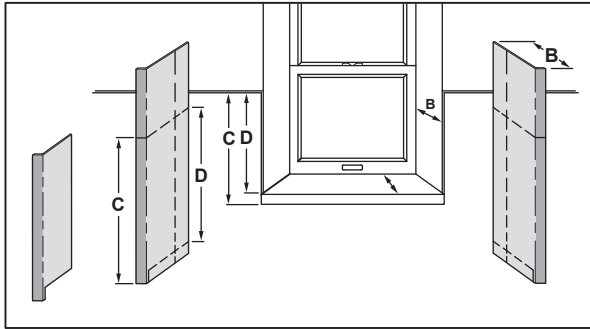


2. Measure, mark and cut the sill panel to the sill depth measurement (B). Trial fit the sill panel. Sand the cut edges with medium grit sand paper.

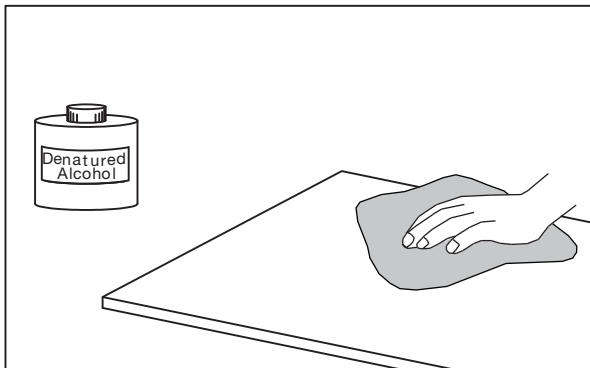


3. Measure, mark and cut the left and right vertical panels to the window jamb depth measurement (B).

For height trimming, Note there are two (2) measurements and cuts for the height. The first height measurement (C) is for overall height including the tab to match up with the sill piece. The second height measurement is the actual inside height.

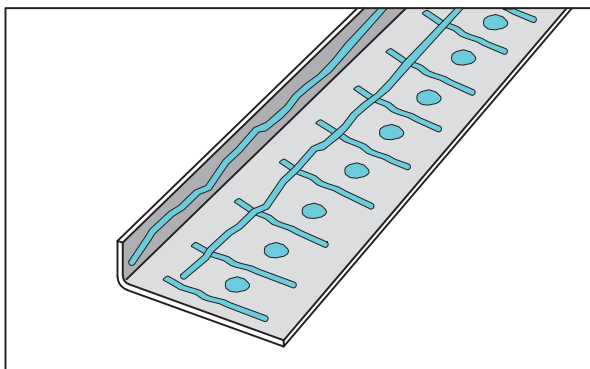


4. Clean the back of the panel with denatured alcohol.



IMPORTANT NOTICE

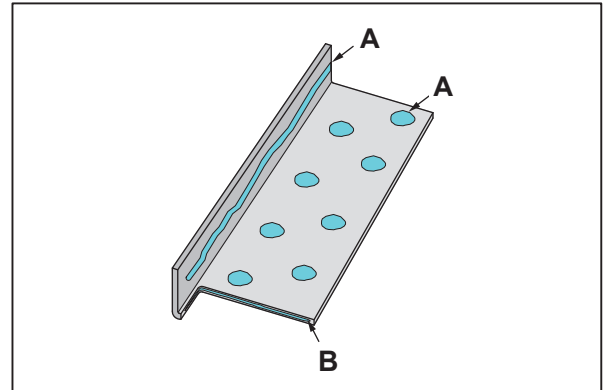
Do not use oil-based cleaners such as mineral spirits to clean the panels. The oil in the cleaner will prevent the panel from properly adhering to the wall.



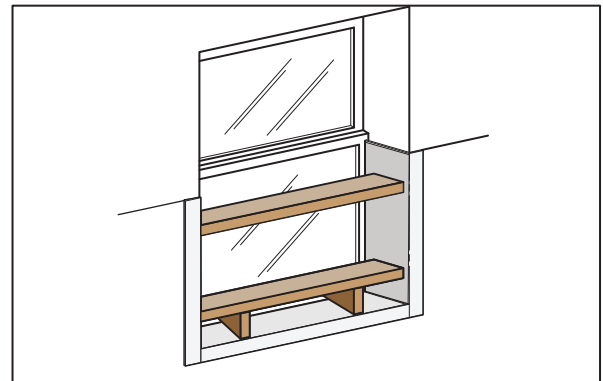
5. Apply silicone sealant to the underside of the sill panel as shown above. Install the sill panel, press down so the sealant makes good contact.

Note: Press the front lip of the sill panel tightly against the existing wall panel

The Swan Corporation

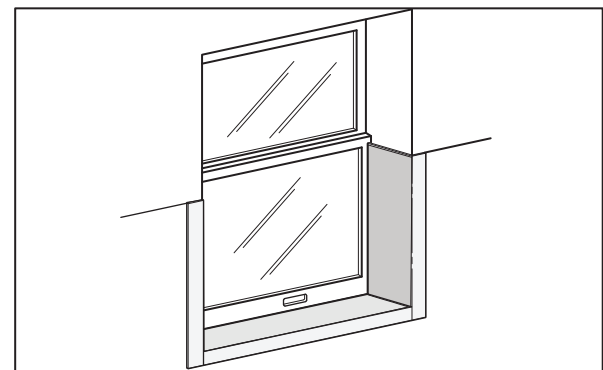


6. Apply silicone sealant (A) to a vertical panel as shown above. Apply a bead of color match silicone sealant (B) to the edge that fits against the sill panel. Install the vertical panel and press into place so the silicone sealant makes good contact.
7. Repeat Step 5 to install the remaining vertical panel.
8. Install the temporary bracing. Position the bracing as shown below. Pad bracing with cloth or cardboard to prevent scratching the panels. Keep in place until silicone cures (usually 24 hours).



IMPORTANT NOTICE

9. After the temporary bracing is removed, refer to the caulking section for information on applying color match silicone sealant to joints and seams.



The installation is now complete. DO NOT discard these installation instructions. PLEASE LEAVE THEM WITH THE HOMEOWNER.

Care and Cleaning

Swan Corporation high gloss products are stain and abrasion resistant; however, the finish requires reasonable care.

IMPORTANT NOTICE

Because cleaning products change over time, always check the manufacturer's instructions to make sure it is compatible with fiberglass reinforced polyester. DO NOT use a cleaner if the label indicates it should not be used on fiberglass reinforced polyester. DO NOT use spray-on cleaners that require daily use without immediately rinsing with water to stop the chemical cleaning reaction because damage will result and void the warranty.

Day-To-Day Cleanup

Nash regularly with warm water. Use a soft cloth with a mild detergent such as Handy Andy, Mr. Clean, or Lestoil. Always rinse off cleaners within five minutes of application.

Scratch-free pads made of nylon, saran, or polyethylene may be used.

Protect the finish with any fiberglass wax or automotive paste wax labeled as safe for clear-coat finishes.

IMPORTANT NOTICE

NEVER use abrasive scouring powders, cleansers, or scouring pads to clean the shower or bathtub enclosure. They will scratch and dull the finish. Dry cleaning agents and solvents will damage the surface. Burning cigarettes will damage and discolor the finish.

Caulking Joints

Inspect caulking joints monthly for damage or any signs of separation from the mating surface. Cracks in the caulking will allow water to leak into the surrounding surfaces. Reapply silicone caulking to any joint showing signs of wear or cracking. Failure to inspect and repair caulking joints will void the warranty.

Warranty

If a Swan product covered by this warranty is found to be defective in materials or workmanship, after inspection by an authorized Swan Corporation representative, we will repair, or at our option, exchange the product for a similar model. This warranty extends for a designated period of time, so long as it remains in use in its original place of installation.

This warranty covers products installed in accordance with the Swan Corporation's installation instructions, used as recommended, and not damaged due to misuse, abuse, or improper installation. It does not apply to any seams or changes made to the product by professional tradesmen or fabricators.

The Swan Corporation's option to repair or exchange the products under this warranty does not cover any labor or other costs of removal or installation, nor shall the Swan Corporation be responsible for any other incidental or consequential damages attributable to a product defect or to the repair or exchange of a defective product.

Residential Limited Lifetime Warranty

The warranty applies only to the original purchaser and installation of these products in residential applications. It does not apply to commercial applications.

Commercial 5-Year Limited Warranty

The warranty applies only to the original purchaser and installation of these products in commercial applications.