

NOTES:

1. THE CUSTOM GLASS DIMENSIONS ARE DETERMINED BASED ON THE MINIMUM FINISHED WALL-TO-WALL OPENING WIDTH DIMENSIONS PROVIDED BY THE CUSTOMER.
2. THE CUSTOM GLASS IS ORDERED TO FIT THE FINISHED WALL-TO-WALL OPENING WIDTH DIMENSIONS SHOWN ON THIS TECHNICAL DRAWING ONLY.
3. THIS ENIGMA XO SHOWER DOOR CONFIGURATION HAS AN OVERALL WIDTH RANGE OF: (MINUS 4") TO (PLUS 0").
4. ****ANY VARIANCE OR CHANGE IN SITE CONDITIONS OR FINISHED WALL-TO-WALL OPENING WIDTH DIMENSIONS MAY LEAD TO SERIOUS ISSUES WITH THE INSTALLATION.****
5. INSTALLATION OF THIS UNIT REQUIRES THAT YOU DRILL DOWN INTO THE THRESHOLD OR SHOWER BASE.

SHDR-61607620-07

<small>APPROVED FOR CONFORMANCE WITH CONTRACT DOCUMENTS, DIMENSIONAL AND MATERIAL SPECIFICATIONS, SIGNED APPROVAL INDICATES AUTHORIZATION TO PROCEED WITH FABRICATION PER THE SHOP DRAWINGS, AND IS SOLELY RESPONSIBLE FOR ANY OMISSIONS OR ERRORS</small>	<small>UNLESS OTHERWISE SPECIFIED DIMENSIONS ARE IN INCH (INCHES)</small> <small>TOLERANCES: DECIMALS</small> X = ±0.1 XX = ±0.05 XXX = ±0.02 <small>ANGLES: ±0.1°</small>	APPROVALS DATE	DREAMLINE <small>dream in style</small>	75 HAWK RD. WARMINSTER, PA 18974 1.866.731.8378	
	MATERIAL	DRAWN BY LV	10/07/2019	TITLE Enigma XO 60"W x 76"H	
	FINISH	CHECKED BY SR	10/07/2019	CUSTOMER NAME The Broadway DoubleTree, Columbia MO	PO. NUMBER #25634
	DO NOT SCALE DRAWING	NEXT ASSY	SCALE 1:1	DWG. NO. 5821	SIZE C

SHEET 1 OF 1 REV. 01

SLIDING SHOWER DOOR

Enigma-XO

SHDR-61607620-XX

Features

- Advanced fully frameless glass design
- 3/8" (10mm) thick tempered clear glass
- Stainless steel hardware available in polished, brushed or oil rubbed bronze finish
- Effortless sliding operation with large wheel assemblies on a stainless steel guide rail
- Anti-splash threshold to prevent water spills
- Requires minimum threshold depth of 2-3/4"
- Reversible for right or left door opening

Codes/Standards Applicable

Specified model meets or exceeds the following:

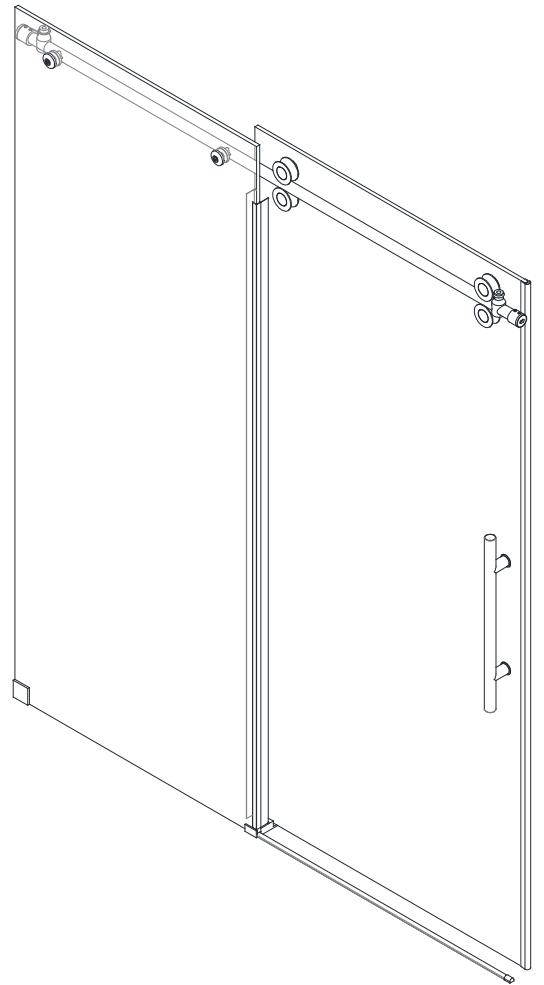
- ANSI Z97.1 (tempered glass)
- 16 CFR Part1201

Specified Model

Model	Description	Application	Glass Thickness	Frame Finishes /Colors
SHDR-61607620-06	Sliding shower door	Shower	3/8" (10mm)	Oil Rubbed Bronze
SHDR-61607620-07	Sliding shower door	Shower	3/8" (10mm)	Brushed
SHDR-61607620-08	Sliding shower door	Shower	3/8" (10mm)	Polished

Product Specification

- 3/8" (10mm) thick clear tempered glass
- 56" (1422mm) to 60" (1524mm) finished wall-to-wall opening
- 76" (1930mm) height
- 2-3/4" (70mm) min. threshold requirement



Installation Notes

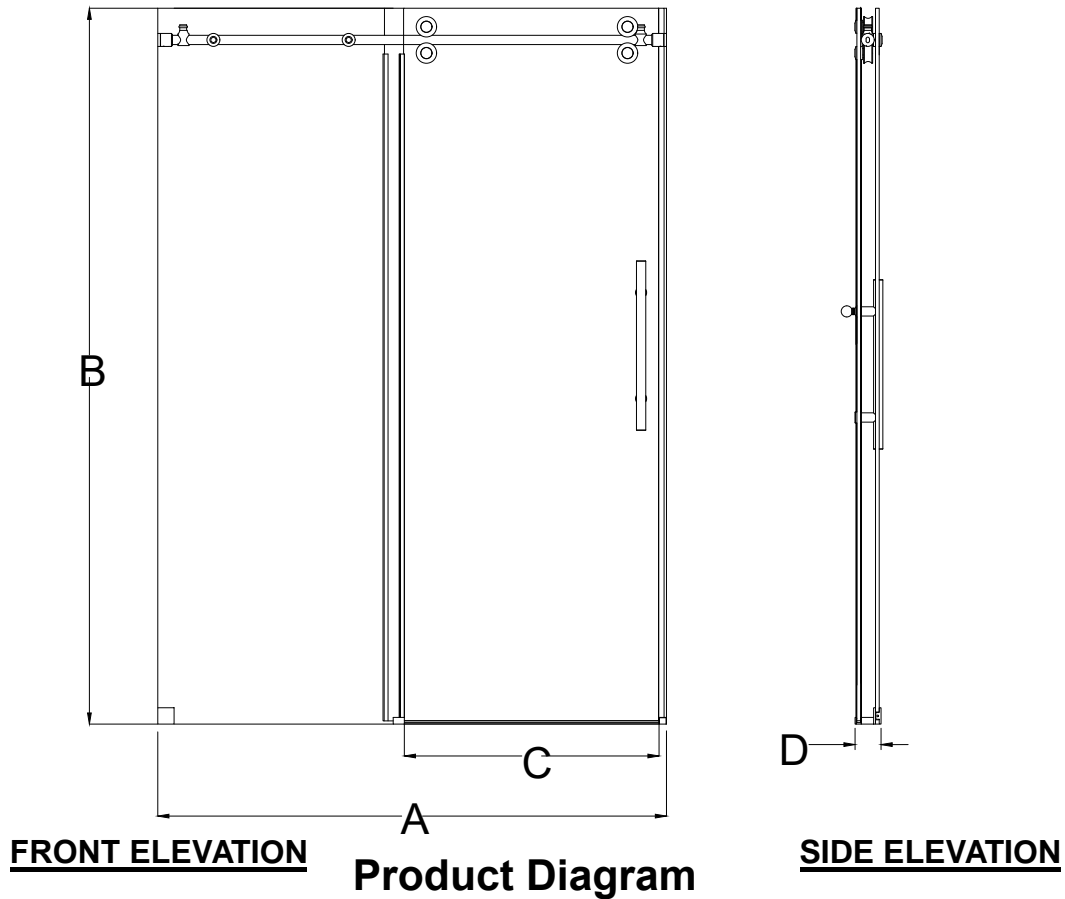
Install this product according to the installation manual.. Professional installation required

NOTICE: This door is heavy and the guide rail brackets must be attached to a stud or to pre-installed 2"×6" wood reinforcement behind the finished wall.

Please note that you should consult your local building codes with questions on installation compliance standards. Building and plumbing codes may vary by location, and DreamLine® is not responsible for code compliance standards for your project and will not accept any returns.

NOTICE: Prior to the installation, please ensure that the installation surface is level and solid and will be able to support the total weight of the unit. Note that an uneven surface or out - of -square conditions can result in serious problems for your installation. Trim top bar up to 4 " for width adjustment. Please note that the installation of this unit requires that you drill down into the threshold or shower base to install the bottom glass bracket.

A (Min-Max)	B (Height)	C (Walk - In)	D (Width)
56" (1422mm)- 60"(1524mm)	76" (1930mm)	23" (584mm) - 27"(686mm)	2-3/4" (70mm)



“The Enigma XO shower door (the “Product”) is suitable for commercial installation and comes backed by the Dreamline’s standard one (1) year commercial warranty under which Dreamline will repair or replace any defective Product during the warranty period. For commercial customers, we strongly recommend the use of Dreamline’s Onsite Contractor Support option. Dreamline’s commercial warranty does not apply to damage or losses resulting from (i) other than normal and proper use and normal service conditions; (ii) improper installation, (iii) installation in or upon an unsuitable surface or areas; (iv) abuse, (v) accident, (vi) alteration, (vii) misuse, (viii) neglect, (ix) unauthorized repair or the failure to utilize suitably qualified and trained persons to perform service and/or repair of the Product, (x) improper maintenance, (xi) failure to follow installation, operating, cleaning or maintenance instructions, and (xii) use of “non-authorized” parts. “