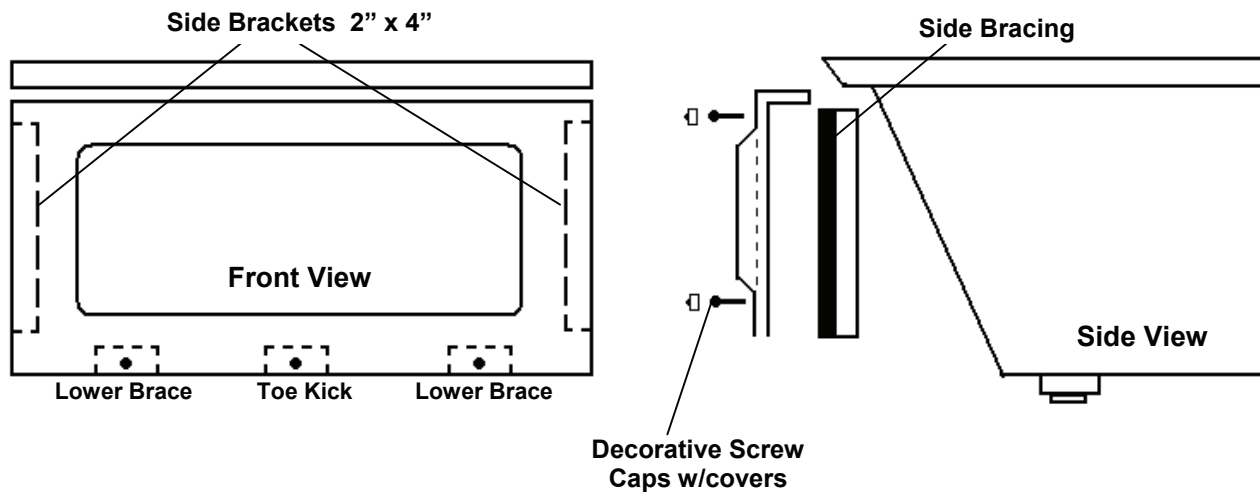


Tools you might need for proper installation

- 2- 2x4 mounted on each side wall
- 4 wood screws
- Phillips head screw driver
- Caulking (to seal seam between the top of the skirt and the bottom lip of the unit)



Thank you for purchasing Praxis Bathware. For best results, please read and follow all directions carefully.

INSTALLATION INSTRUCTIONS

1. Mount 2" x 4" side braces to walls on each side of unit.
2. Mount (3) lower braces behind recessed toe kick area (1 center of skirt, 1 on each end).
3. Lift skirt into place until seam between tub flange and skirt is minimal.

4. Drill (5) holes through skirt into bracing.

5. Screw skirt into place. Put decorative screw caps over screw heads.

Note: Caulking may be used to completely seal seam between tub and skirt and for additional stability adhere a small stop block under the deck of the bath near the center of the skirt.

Customer Service | Technical Services | Warranty Services