



My Place

Solutions For Everyday Living

SAFE. ACCESSIBLE. BATHING SOLUTIONS.



hamiltonbathware.com



SAFE. ACCESSIBLE.
BATHING SOLUTIONS.



Praxis My Place is a collection of classically styled multi-piece showers & shower pans that offer a realistic approach towards renovation with a focus on accessibility, safety, and fall prevention.

This multi-piece shower and shower base collection is designed for those who value independence- no matter what place you are in your life.

With the Praxis My Place collection you can have the best of both worlds - beauty and safety- bathware that makes living life easier.



800.443.7269 | hamiltonbathware.com

EMPOWERING PEOPLE OF ALL AGES & ABILITIES THROUGH EVERY STAGE OF LIFE

Look for the

**EASY REFERENCE
BUTTON GUIDES**

throughout the
booklet



Barrier Free
Threshold



EasyStep™
Threshold



Solid Surface
Finish



AcryIX™
Finish



ADA
Compliant



Veterans Affairs
Compliant

MULTI-PIECE SHOWERS & SHOWER PANS

- features** multi-piece remodeling showers
- self-supporting & pre-leveled EasyBase™ shower base
 - AcryIX™ finish- patent pending technology
 - seamless solid surface - *pans & select showers*
 - groutless tile pattern
 - shower door friendly
 - lifetime warranty
 - in stock for rapid delivery
 - accessories are optional and shipped loose

- safety** full wall reinforced - place grab bars and seats anywhere
- barrier free or EasyStep™ dam
 - GripSure™ floor
 - 21" molded comfort height seats

- contractor friendly** simple and easy - installs from the front
- integral self-locating guide pins
 - precision fit seams
 - seams become grout-lines
 - EasyBase™ - no mudset required
 - compact, durable individual carton packaging for easy handling at the job site
 - heavy duty crating protects product in transit

LIFETIME WARRANTY THE NEW STANDARD IN QUALITY

Where warranty meets quality is where you find the Praxis multi-piece shower & shower base collection. Uncommon in the industry, all our AcryIX™ showers and shower pans are offered with an unprecedented lifetime limited warranty.



Multi-piece Showers

gray shading represents backing

MP 3648 SH 1S 3P 4.0 L/R

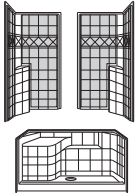
OD: 48" x 37" x 79.5"

Enclosure: up to 45" x 74"

E_s

X

S_s



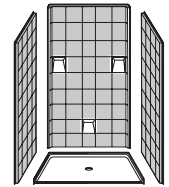
MP 4836 BF 4P .875 C

OD: 48" x 37" x 78"

Enclosure: up to 45.75" x 72.75"

B_f

X



MP 5050 BF 5P 1.0 C

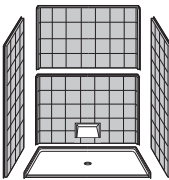
OD: 50.25" x 50.125" x 77.75"

Enclosure: up to 48.25" x 75.75"

B_f

X

V_A



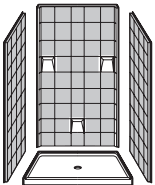
MP 4836 SH 4P 3.0 C

OD: 48" x 37" x 78"

Enclosure: up to 45.75" x 72.75"

E_s

X



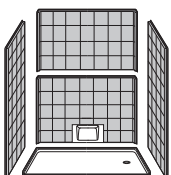
MP 5430 BF 5P 1.0 L/R

OD: 54" x 31" x 77.75"

Enclosure: up to 51.75" x 76.75"

B_f

X



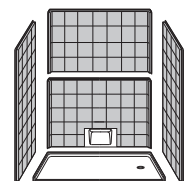
MP 5436 BF 5P 1.0 L/R

OD: 54" x 36.875" x 77.75"

Enclosure: up to 51.75" x 76.75"

B_f

X



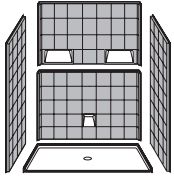
Multi-piece Showers

gray shading represents backing

MP 6030 BF 5P .75 C
 OD: 60" x 31" x 77.75"
 Enclosure: up to 57.75" x 72.75"

Bf

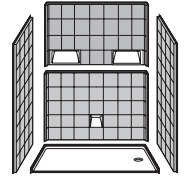
X



MP 6030 BF 5P 1.0 L/R
 OD: 60" x 31" x 78"
 Enclosure: up to 57.75" x 72.75"

Bf

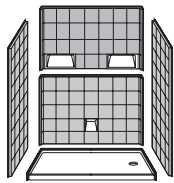
X



MP 6030 SH 5P 4.0 L/R
 OD: 60" x 31" x 79.5"
 Enclosure: up to 57.75" x 71"

Es

X

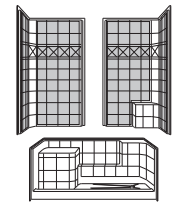


MP 6032 SH 1S 3P 4.0 L/R
 OD: 60" x 33" x 77"
 Enclosure: up to 55.75" x 71"

Es

X

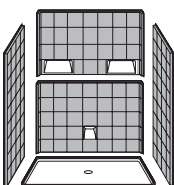
Ss



MP 6033 BF 5P .75 C
 OD: 60" x 33.375" x 78"
 Enclosure: up to 57.625" x 72.75"

Bf

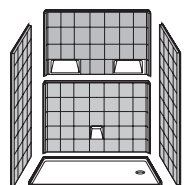
X



MP 6033 BF 5P 1.0 L/R
 OD: 60" x 33.375" x 78"
 Enclosure: up to 57.625" x 72.75"

Bf

X

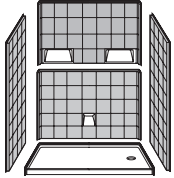


Multi-piece Showers

gray shading represents backing

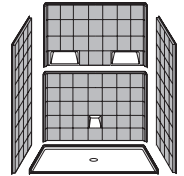
MP 6033 SH 5P 4.0 L/R
 OD: 60" x 33.375" x 79.5"
 Enclosure: up to 57.75" x 71"

Es
X



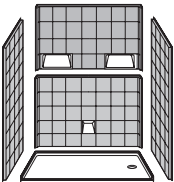
MP 6036 BF 5P .875 C
 OD: 60" x 37" x 78"
 Enclosure: up to 57.75" x 72.75"

Bf
X



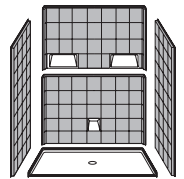
MP 6036 BF 5P 1.0 L/R
 OD: 60" x 36.875" x 78.125"
 Enclosure: up to 57.5" x 72.75"

Bf
X



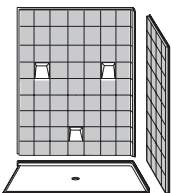
MP 6048 BF 5P .875 C
 OD: 60" x 49" x 78"
 Enclosure: up to 57.75" x 72.75"

Bf
X



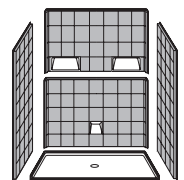
MP 6060 BF DE 3P 1.25 C
 OD: 61" x 61" x 78"
 Enclosure: up to 57.75" x 57.75" x 72.5"

Bf
X



MP 6060 BF 5P 1.125 C
 OD: 60" x 61" x 78"
 Enclosure: up to 57.75" x 72.75"

Bf
X

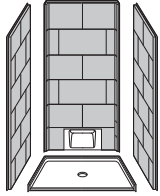


Multi-piece Showers

ADA Compliant

gray shading represents backing

MP 3838 BF 4P .5 C
OD: 38.625" x 38.438" x 79"
Enclosure: up to 36.063" x 78.5"



Bf

X

ADA

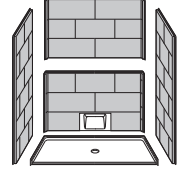


MP 6232 BF 5P .75 C
OD: 62.625" x 32.25" x 79"
Enclosure: up to 60.063" x 78.25"

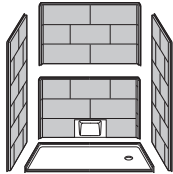
Bf

X

ADA



MP 6232 BF 5P 1.0 L/R
OD: 62.625" x 32.25" x 79"
Enclosure: up to 60.063" x 74"



Bf

X

ADA

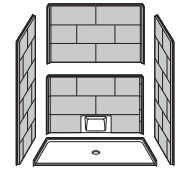


MP 6238 BF 5P .75 C
OD: 62.625" x 38.25" x 79"
Enclosure: up to 60.063" x 78.25"

Bf

X

ADA



Shower Bases

MPB 4836 BF .875 C
OD: 48" x 37" x 4.5"

- Bf
- X
- Ss



MPB 5430 BF 1.0 L/R
OD: 54" x 31" x 4.25"

- Bf
- X
- Ss



MPB 5050 BF 1.0 C
OD: 50.25" x 50.125" x 4.5"

- Bf
- X
- Ss
- VA



MPB 6030 BF .75 C
OD: 60" x 31" x 4.25"

- Bf
- X
- Ss



MPB 5436 BF 1.0 L/R
OD: 54" x 36.875" x 4.25"

- Bf
- X
- Ss



MPB 6030 BF 1.0 L/R
OD: 60" x 31" x 4.5"

- Bf
- X
- Ss



Shower Bases

MPB 6033 BF .75 C
OD: 60" x 33.375" x 4.5"



Bf

X

Ss

MPB 6036 BF .875 C
OD: 60" x 37" x 4.5"



Bf

X

Ss

MPB 6033 SH 4.0 L/R
OD: 60" x 33.375" x 6"



Es

X

Ss

MPB 6036 BF 1.0 L/R
OD: 60" x 36.875" x 4.5"



Bf

X

Ss

MPB 6033 BF 1.0 L/R
OD: 60" x 33.375" x 4.5"



Bf

X

Ss

Shower Bases

MPB 6060 BF DE 1.25 C
OD: 61" x 61" x 4.5"



Bf

X

Ss

MPB 6048 BF .875 C
OD: 60" x 49" x 4.5"



Bf

X

Ss

MPB 4848 BF DE 1.0 C
OD: 50" x 50" x 4.5"



Bf

X

Ss

MPB 6060 BF 1.125 C
OD: 60" x 61" x 4.5"



Bf

X

Ss

Shower Bases

ADA Compliant

MPB 3838 BF .5 C
OD: 38.625" x 38.4375" x 4.5"



Bf

X

Ss

ADA

MPB 6232 BF .75 C
OD: 62.4375" x 32.25" x 4.5"



Bf

X

Ss

ADA

MPB 6232 BF 1.0 L/R
OD: 62.438" x 32.25" x 4.5"



Bf

X

Ss

ADA

MPB 6238 BF .75 C
OD: 62.4375" x 38.25" x 4.5"



Bf

X

Ss

ADA

Multi-piece Showers

EASY REFERENCE DATA CHART

SHOWERS	OUTER DIMENSIONS	ENCLOSURE (up to)	THRESHOLD	DRAIN	HANDED	SHIPPING WEIGHT	LOAD FACTOR	TRUCK LOAD FACTOR
MP 3648 SH 1S 3P 4.0 C	48" x 37" x 79.5"	45" x 74"	4" EasyStep™	C	Seat L/R	170	0.97	0.97
MP 3838 BF 4P .5 C	38.625" x 38.438" x 79"	36.063" x 78.5"	0.5" Barrier Free	C	Drain	421	2.4	0.75
MP 4836 BF 4P .875 C	48" x 37" x 78"	45.75" x 72.75"	0.875" COL*	C	Drain	426	2.4	0.75
MP 4836 SH 4P 3.0 C	48" x 37" x 78"	45.75" x 72.75"	3" EasyStep™	C	Drain	426	2.4	0.75
MP 5050 BF 5P 1.0 C	50.25" x 50.125" x 77.75"	48.125" x 75.75"	1" COL*	C	Drain	492	2.4	0.64
MP 5430 BF 5P 1.0 L/R	54" x 31" x 77.75"	51.75" x 76.75"	1" Barrier Free	L/R	Drain	450	2.4	1.5
MP 5436 BF 5P 1.0 L/R	54" x 36.875" x 77.75"	51.75" x 76.75"	1" Barrier Free	L/R	Drain	450	2.4	1.5
MP 6030 BF 5P .75 C	60" x 31" x 77.75"	57.75" x 72.75"	0.75" COL*	C	Drain	437	2.4	0.64
MP 6030 BF 5P 1.0 L/R	60" x 31" x 78"	57.75" x 72.75"	1" COL*	L/R	Drain	437	2.4	0.64
MP 6030 SH 5P 4.0 L/R	60" x 31" x 79.5"	57.75" x 71"	4" EasyStep™	L/R	Drain	437	2.4	0.64
MP 6032 SH 1S 3P 4.0 L/R	60" x 33" x 77"	55.75" x 71"	4" EasyStep™	L/R	Seat L/R	300	0.97	0.97
MP 6033 BF 5P .75 C	60" x 33.375" x 77.75"	57.625" x 72.75"	0.75" COL*	C	Drain	437	2.4	0.64
MP 6033 BF 5P 1.0 L/R	60" x 33.375" x 78"	57.625" x 72.75"	1" COL*	L/R	Drain	437	2.4	0.64
MP 6033 SH 5P 4.0 L/R	60" x 33.375" x 79.5"	57.75" x 71"	4" EasyStep™	L/R	Drain	437	2.4	0.64
MP 6036 BF 5P .875 C	60" x 37" x 78"	57.5" x 72.75"	0.875" COL*	C	Drain	452	2.4	0.64
MP 6036 BF 5P 1.0 L/R	60" x 36.875" x 78.125"	57.5" x 72.75"	1" COL*	L/R	Drain	452	2.4	0.82
MP 6048 BF 5P .875 C	60" x 49" x 78"	57.75" x 72.75"	0.875" COL*	C	Drain	492	2.4	0.82
MP 6060 BF DE 3P 1.25 C	61" x 61" x 78"	57.75" x 57.75" x 72.5"	1.25" COL*	C	Drain	442	2.4	2.4
MP 6060 BF 5P 1.125 C	60" x 61" x 78"	57.75" x 72.75"	1.125" COL*	C	Drain	563	2.4	2.4
MP 6232 BF 5P .75 C	62.625" x 32.25" x 79"	60.063" x 78.25"	0.75" COL*	C	Drain	492	2.4	0.75
MP 6232 BF 5P 1.0 LR	62.625" x 32.25" x 79"	60.063" x 74"	1" COL*	L/R	Drain	492	2.4	0.75
MP 6238 BF 5P .75 C	62.625" x 38.25" x 79"	60.063" x 78.25"	0.75" COL*	C	Drain	492	2.4	0.75

NOTES

*COL Change of level threshold has a manageable 0.25" vertical rise to easily coordinate with minimum finished flooring.

CODES All Multi-piece showers are code compliant with IPC, UPC, ANSI Z 124.2 NAHB, HUD and FHA. MP 5050 BF 5P 1.0 is compliant with VA code.

ADA Code Compliant Multi-Piece Showers are MP 3838 BF 4P .5 C, MP 6232 BF 5P .75 C and MP 6238 BF 5P .75 C.

EasyBase™ Self-supporting and pre-levelled shower base,

EasyBase™, is standard on all barrier free multi-piece showers. EasyBase™ is not offered on EasyStep™ models.

BACKING All multi-piece showers are offered standard with reinforced walls.

RAPID SHIP All multi-piece showers are in stock for rapid shipment - ships in four business days.

WARRANTY All multi-piece showers are offered with an unprecedented lifetime limited warranty.

Shower Bases

EASY REFERENCE DATA CHART

SHOWER BASES	OUTER DIMENSIONS	THRESHOLD	DRAIN	HANDED	CODE COMPLIANT	SHIPPING WEIGHT	LOAD FACTOR	TRUCK LOAD FACTOR
MPB 3838 BF .5 C	38.625" x 38.4375" x 4.5"	0.5" Barrier Free	C	Drain	Yes- ADA	45	0.21	0.21
MPB 4836 BF .875 C	48" x 37" x 4.5"	0.875" COL*	C	Drain	No	56	0.21	0.21
MPB 4848 BF DE 1.0 C	50" x 50" x 4.5"	1" COL*	C	Drain	No	56	0.21	0.21
MPB 5050 BF 1.0 C	50.25" x 50.125" x 4.5"	1" COL*	C	Drain	Yes- VA	84	0.24	0.24
MPB 5430 BF 1.0 L/R	54" x 31" x 4.25"	1" Barrier Free	L/R	Drain	No	56	0.4	0.4
MPB 5436 BF 1.0 L/R	54" x 36.875" x 4.25"	1" Barrier Free	L/R	Drain	No	58	0.4	0.4
MPB 6030 BF .75 C	60" x 31" x 4.25"	0.75" COL*	C	Drain	No	56	0.21	0.21
MPB 6030 BF 1.0 L/R	60" x 31" x 4.5"	1" COL*	L/R	Drain	No	56	0.21	0.21
MPB 6033 BF .75 C	60" x 33.375" x 4.5"	0.75" COL*	C	Drain	No	56	0.24	0.24
MPB 6033 BF 1.0 L/R	60" x 33.375" x 4.5"	1" COL*	L/R	Drain	No	56	0.24	0.24
MPB 6033 SH 4.0 L/R	60" x 33.375" x 6"	4" EasyStep™	L/R	Drain	No	56	0.24	0.24
MPB 6036 BF .875 C	60" x 37" x 4.5"	0.875" COL*	C	Drain	No	63	0.24	0.24
MPB 6036 BF 1.0 L/R	60" x 36.875" x 4.5"	1" COL*	L/R	Drain	No	63	0.24	0.24
MPB 6048 BF .875 C	60" x 49" x 4.5"	0.875" COL*	C	Drain	No	84	0.27	0.27
MPB 6060 BF DE 1.25 C	61" x 61" x 4.5"	1.25" COL*	C	Drain	No	126	0.40	0.40
MPB 6060 BF 1.125 C	60" x 61" x 4.5"	1.125" COL*	C	Drain	No	126	0.40	0.40
MPB 6232 BF .75 C	62.4375" x 32.25" x 4.5"	0.75" COL*	C	Drain	Yes- ADA	62	0.27	0.27
MPB 6232 BF 1.0 L/R	62.438" x 32.25" x 4.5"	1" COL*	L/R	Drain	Yes- ADA	62	0.27	0.27
MPB 6238 BF .75 C	62.4375" x 38.25" x 4.5"	0.75" COL*	C	Drain	Yes- ADA	70	0.27	0.27

NOTES

***COL** Change of level threshold has a manageable 0.25" vertical rise to easily coordinate with minimum finished flooring.

CODES MPB 3838 BF .5 C, MPB 6232 BF .75 C and MPB 6238 BF .75 C are code compliant with ADA, ICC ANSI 117.1, MAS and TAS only. MPB 5050 BF 1.0 is compliant with VA code. All other shower bases are code compliant with IPC, UPC, and ANSI Z 124.2 only.

EasyBase™ Self-supporting and pre-levelled shower base, EasyBase™, is standard on all barrier free shower bases. EasyBase™ is not offered on EasyStep™ models.

RAPID SHIP All shower bases are in stock for rapid shipment - ships in four business days.

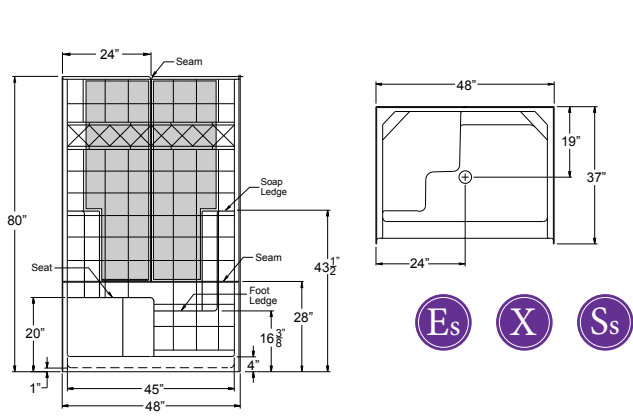
WARRANTY All shower bases are offered with an unprecedented lifetime limited warranty.

Multi-piece Showers

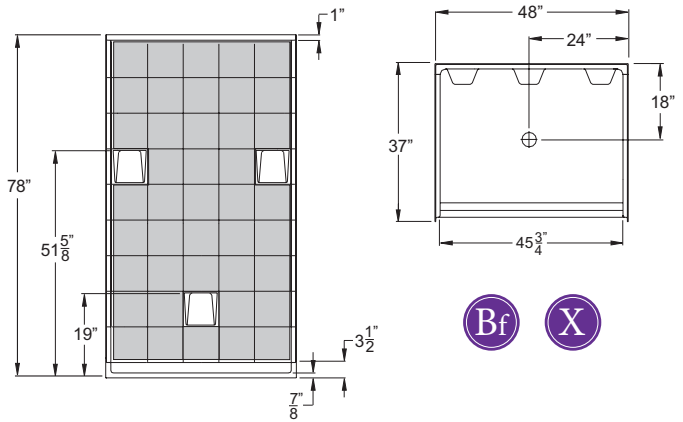
TECHNICAL DIAGRAMS

gray shading represents backing

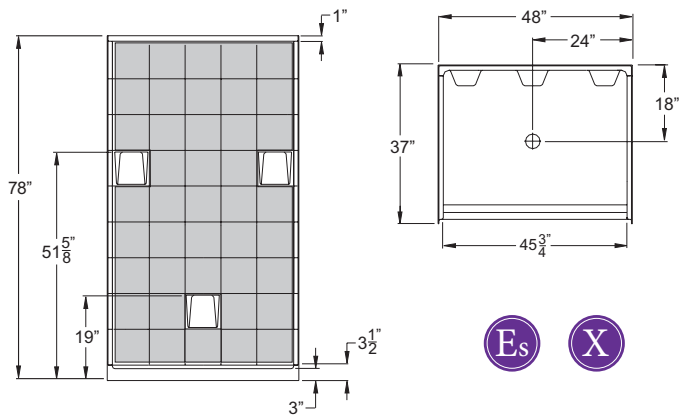
MP 3648 SH 1S 3P 4.0 L/R



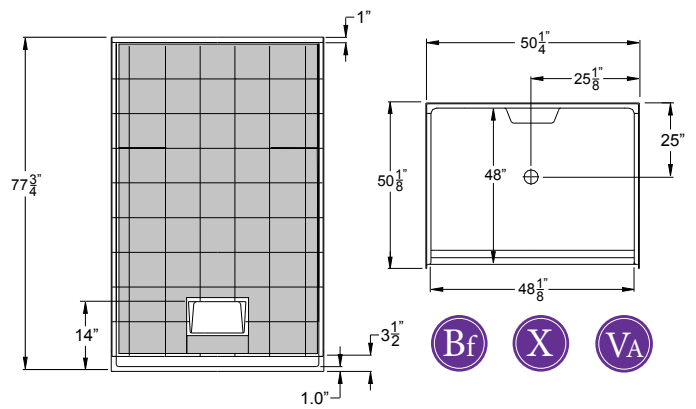
MP 4836 BF 4P .875 C



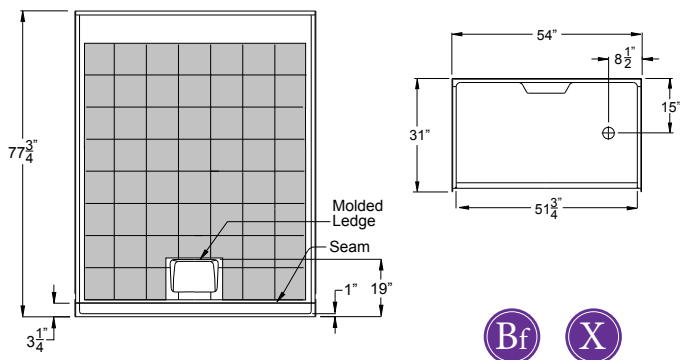
MP 4836 SH 4P 3.0 C



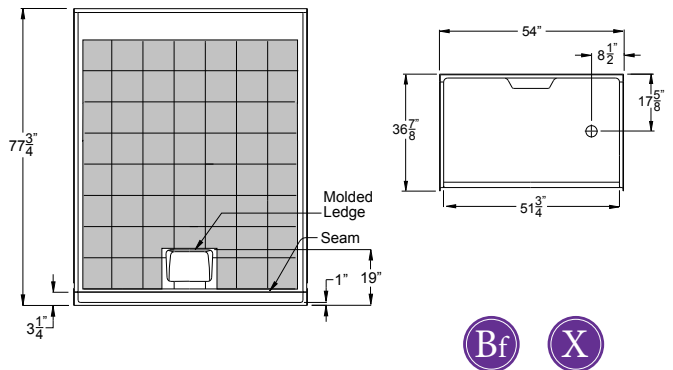
MP 5050 BF 5P 1.0 C



MP 5430 BF 5P 1.0 L R



MP 5436 BF 5P 1.0 L R

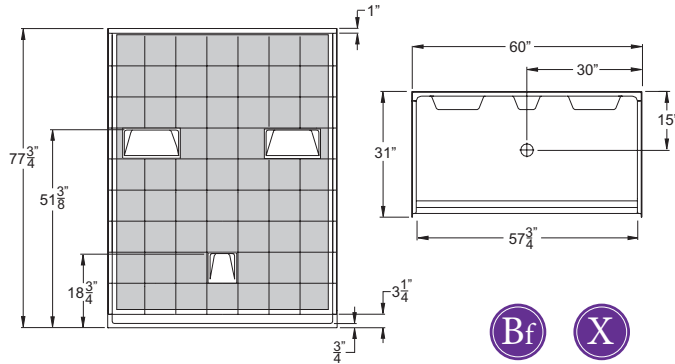


Multi-piece Showers

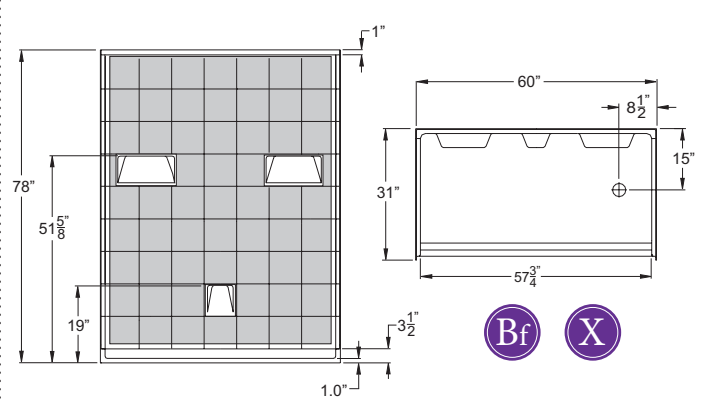
TECHNICAL DIAGRAMS

gray shading represents backing

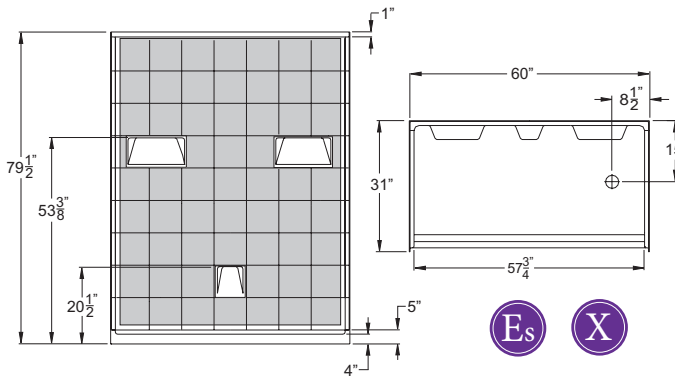
MP 6030 BF 5P .75 C



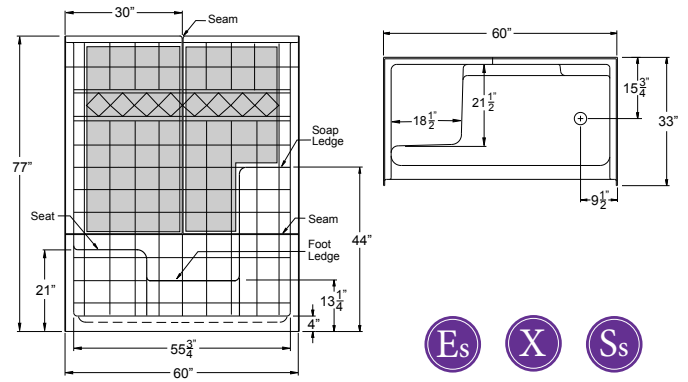
MP 6030 BF 5P 1.0 L/R



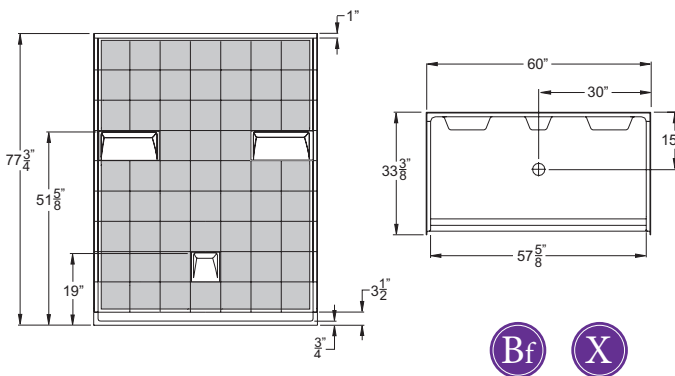
MP 6030 SH 5P 4.0 L/R



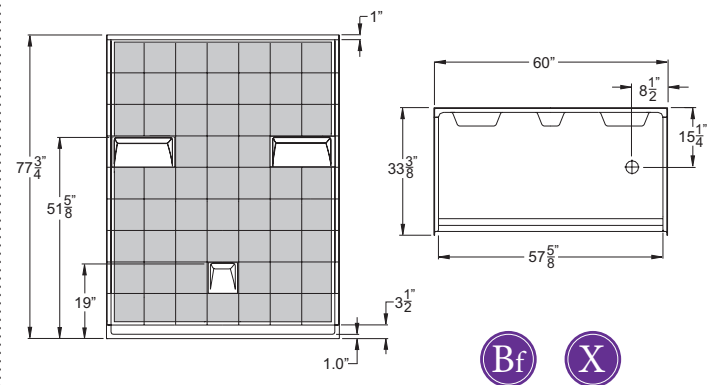
MP 6032 SH 1S 3P 4.0



MP 6033 BF 5P .75 C



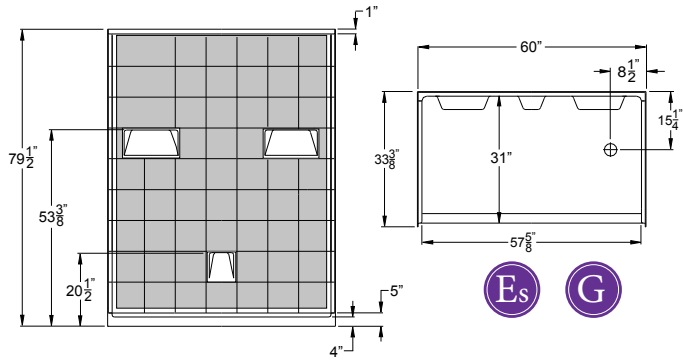
MP 6033 BF 5P 1.0 L/R



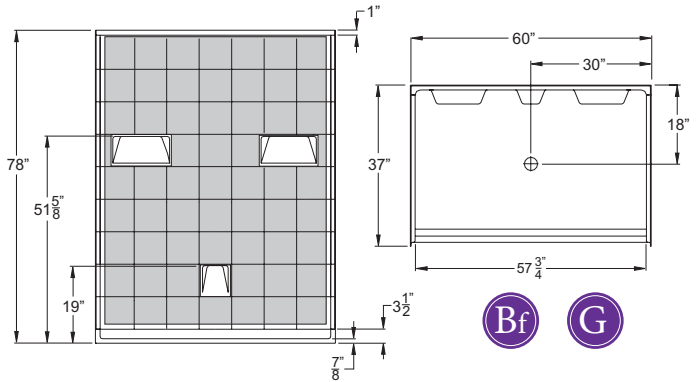
Multi-piece Showers

TECHNICAL DIAGRAMS

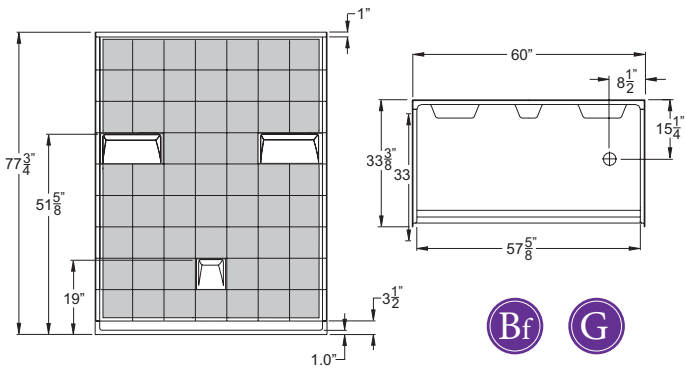
MP 6033 SH 4.0 L/R



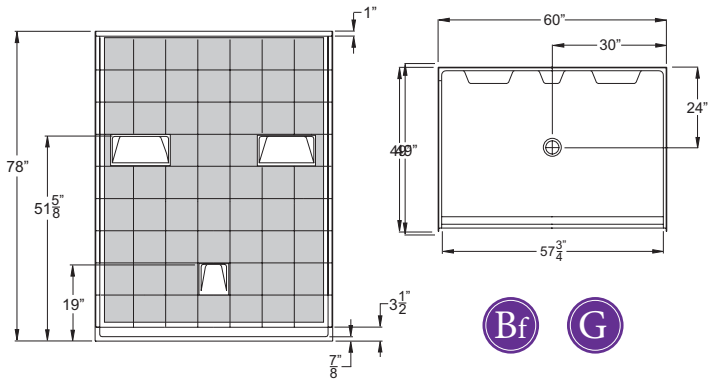
MP 6036 BF 5P .875 C



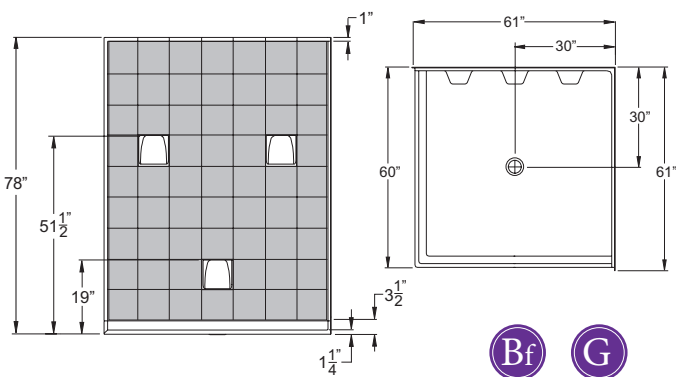
MP 6036 BF 5P 1.0 L/R



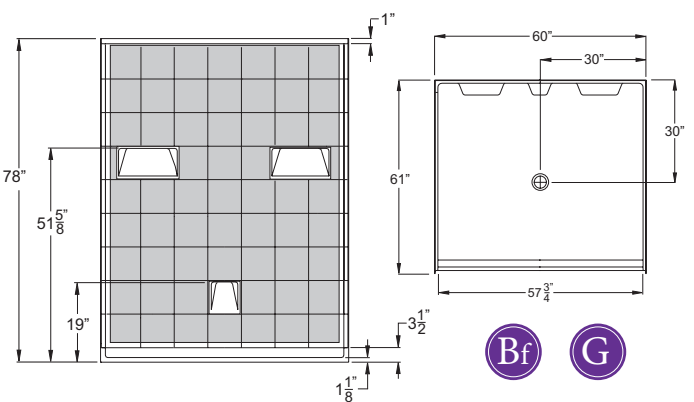
MP 6048 BF 5P .875 C



MP 6060 BF DE 3P 1.25 C



MP 6060 BF 5P 1.125 C



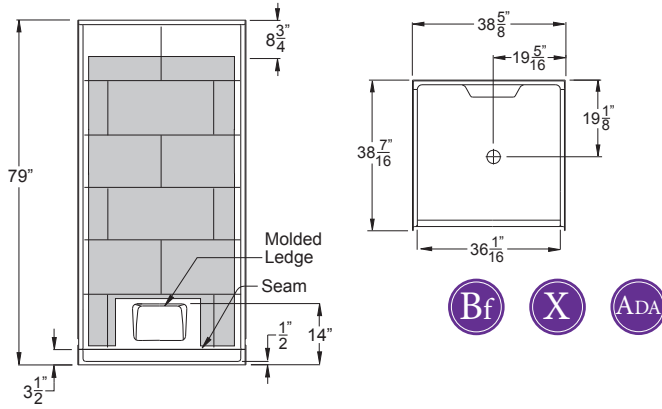
Multi-piece Showers

ADA Compliant

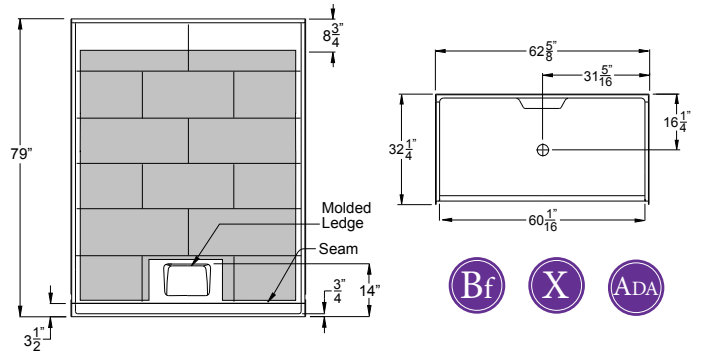
TECHNICAL DIAGRAMS

gray shading represents backing

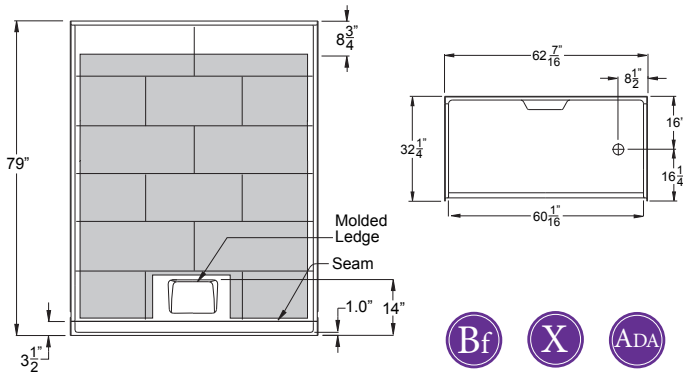
MP 3838 BF 4P .5 C



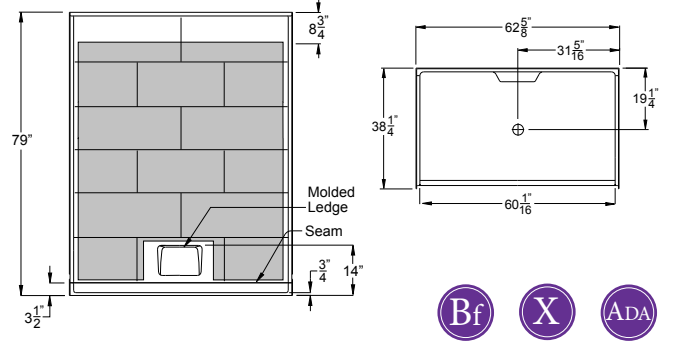
MP 6232 BF 5P .75 C



MP 6232 BF 5P 1.0 L/R



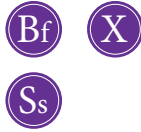
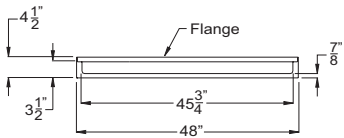
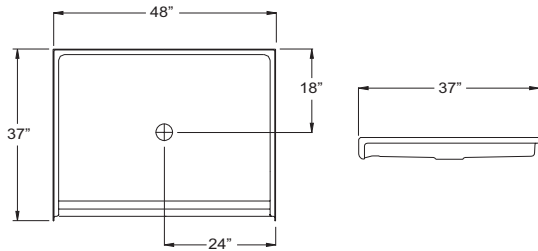
MP 6238 BF 5P .75 C



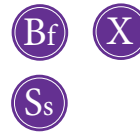
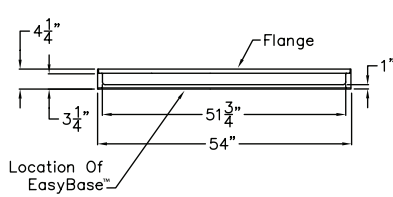
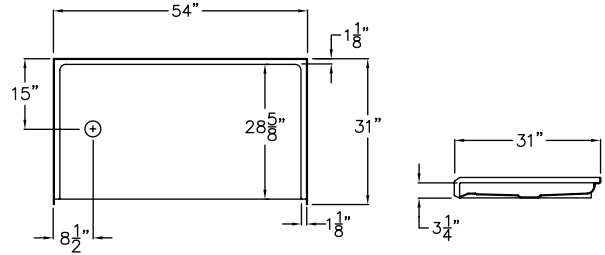
Shower Bases

TECHNICAL DIAGRAMS

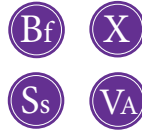
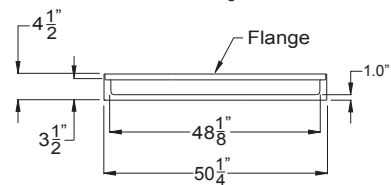
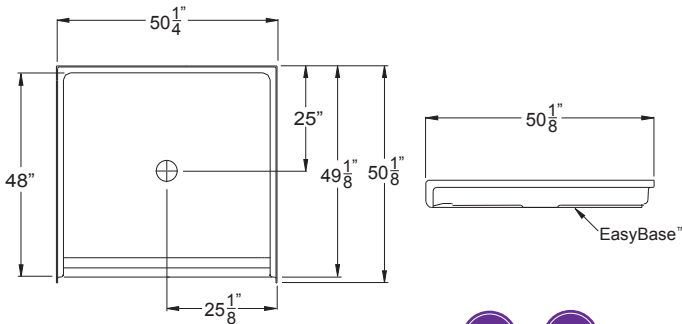
MPB 4836 BF .875 C



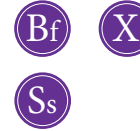
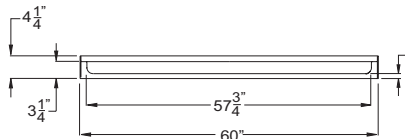
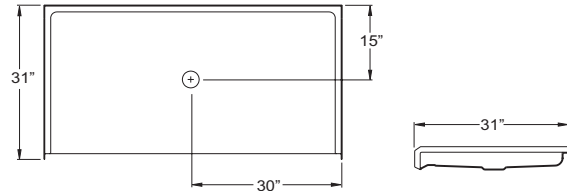
MPB 5430 BF 1.0 L R



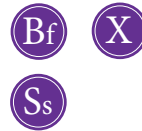
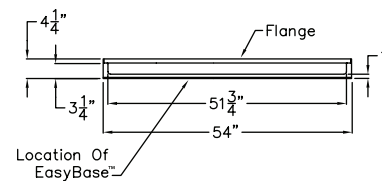
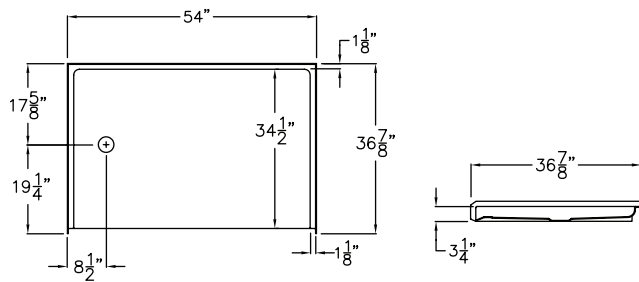
MPB 5050 BF 1.0 C



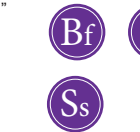
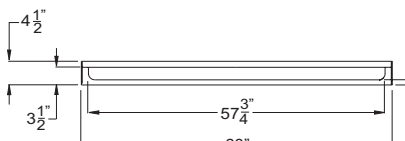
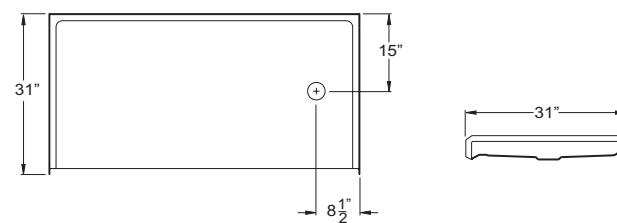
MPB 6030 BF .75 C



MPB 5436 BF 1.0 L R



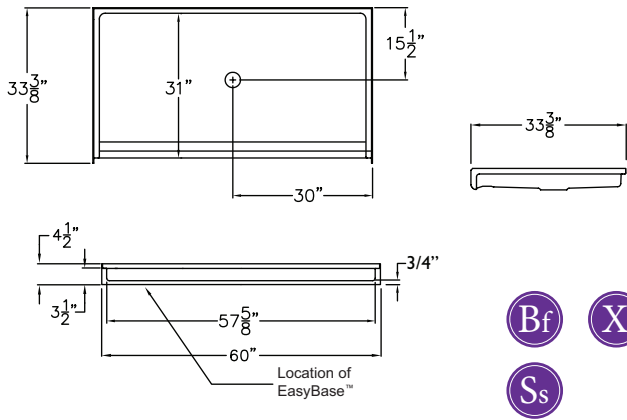
MPB 6030 BF 1.0 L/R



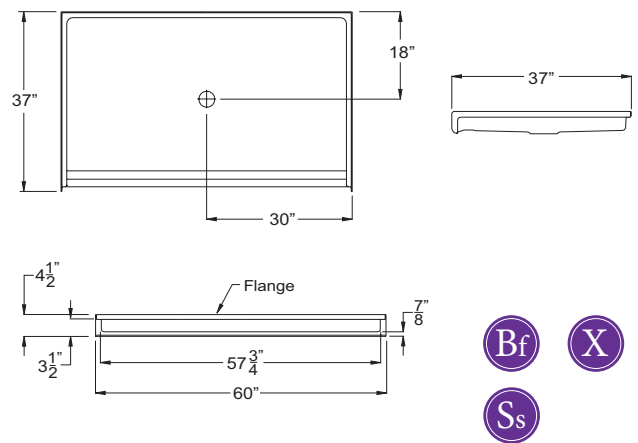
Shower Bases

TECHNICAL DIAGRAMS

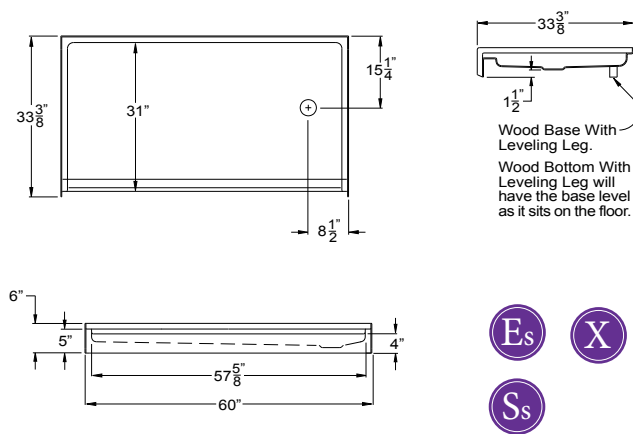
MPB 6033 BF .75 C



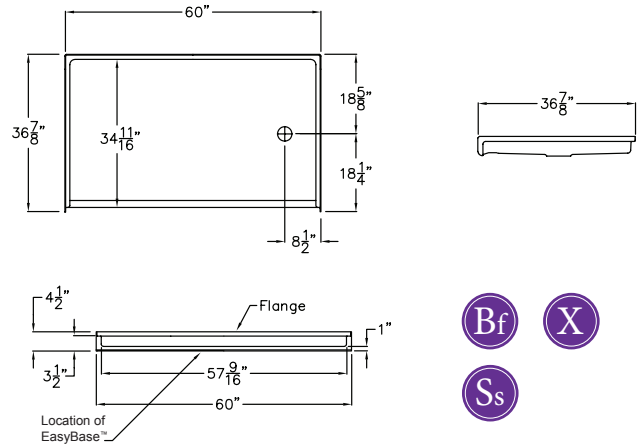
MPB 6036 BF .875 C



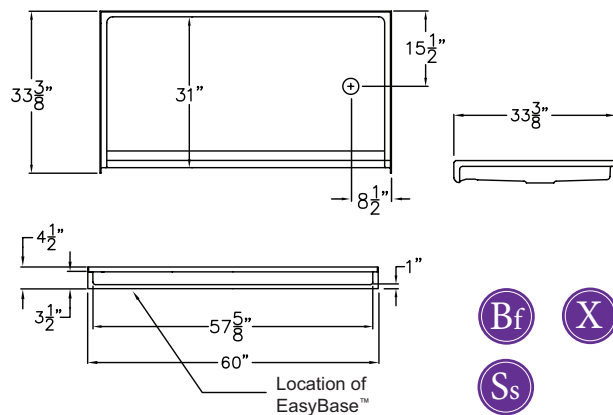
MPB 6033 SH 4.0 L/R



MPB 6036 BF 1.0 L/R



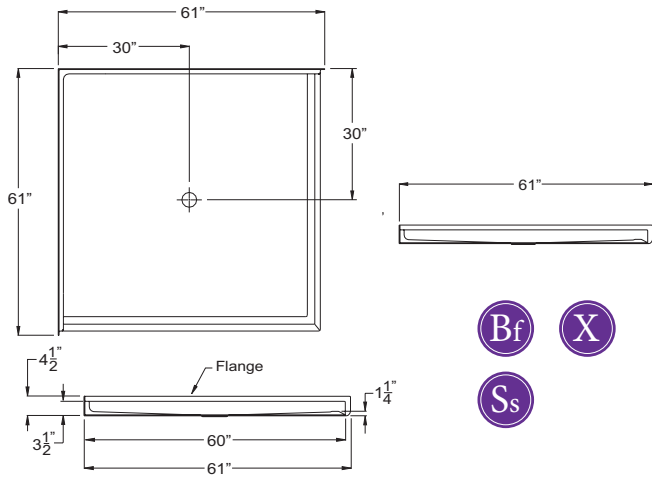
MPB 6033 BF 1.0 L/R



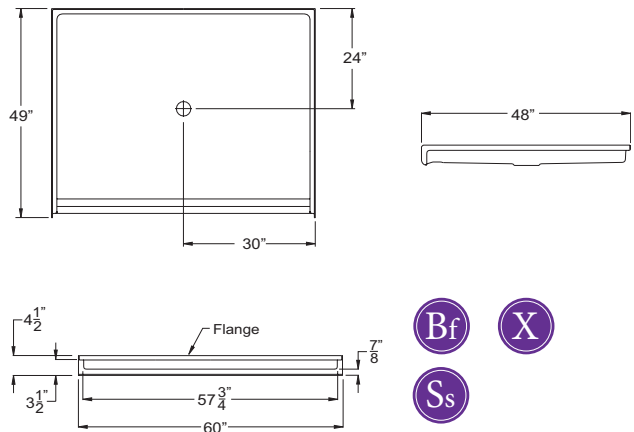
Shower Bases

TECHNICAL DIAGRAMS

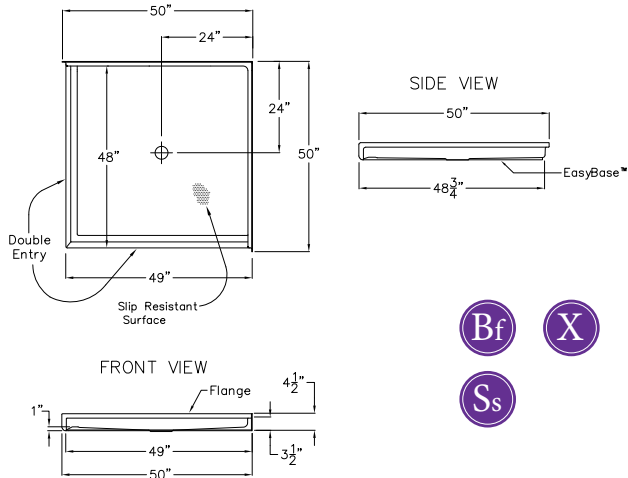
MPB 6060 BF DE 1.25 C



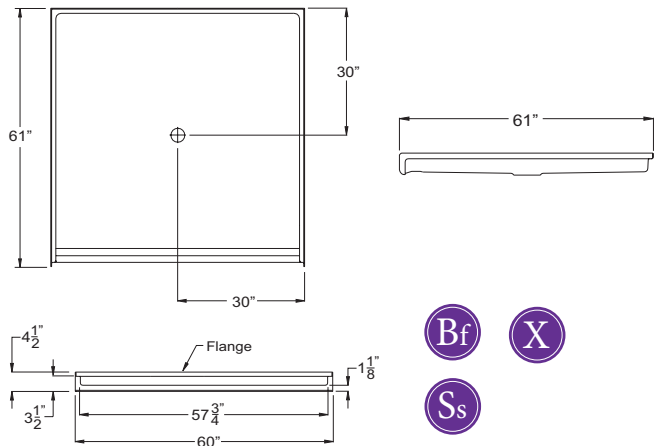
MPB 6048 BF .875 C



MPB 4848 BF DE 1.0 C



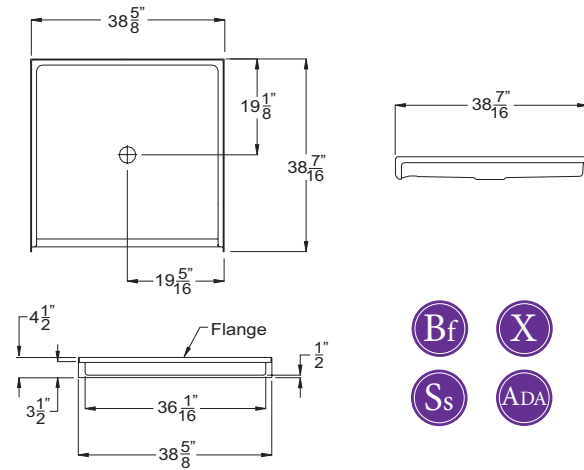
MPB 6060 BF 1.125 C



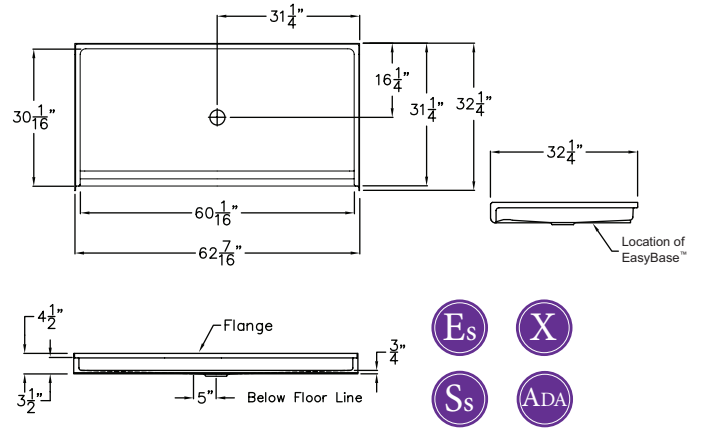
Shower Bases

ADA Compliant
TECHNICAL DIAGRAMS

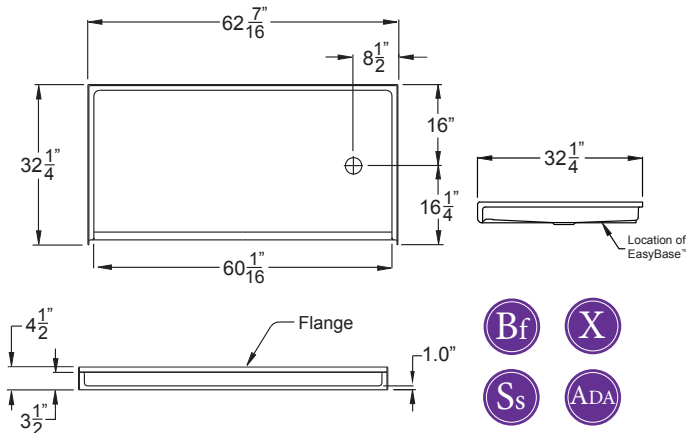
MPB 3838 BF .5 C



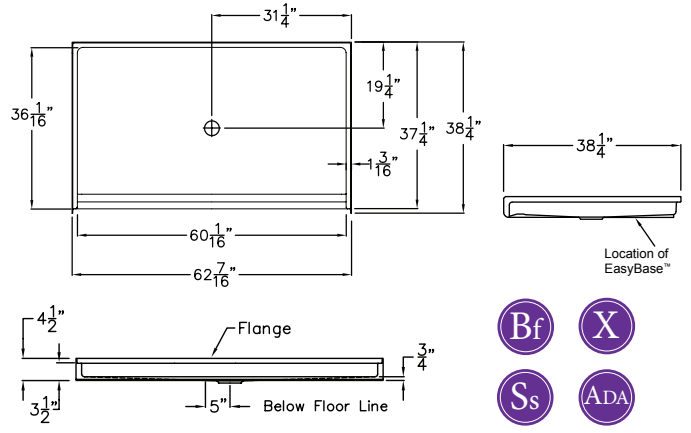
MPB 6232 BF .75 C



MPB 6232 BF 1.0 LR



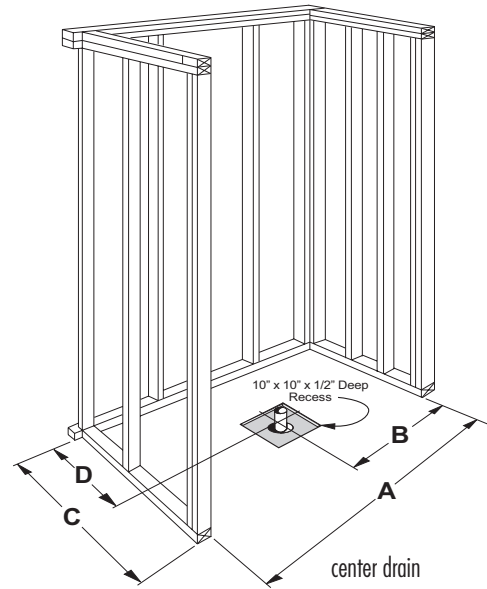
MPB 6238 BF .75 C



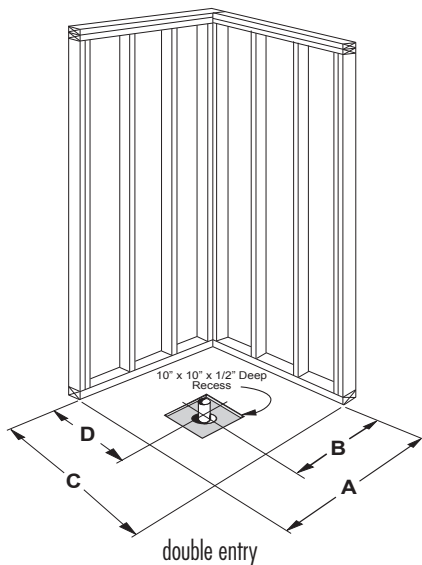
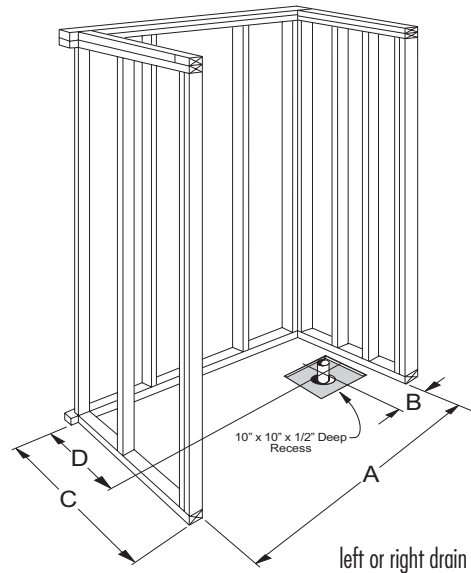
Frame-In Details

EASY REFERENCE DATA CHART

CENTER DRAIN	A	B	C	D
3648 SH 1S 3P 4.0 C	48"	24"	37"	19"
3838 BF .5 C	38.625"	19.313"	38.438"	19.125"
4836 BF .875 C	48.25"	24.125"	37.25"	18.125"
4836 SH 3.0 C	48.25"	24.125"	37.25"	18.125"
5050 BF 1.0 C	50.5"	25.25"	50.25"	25.125"
6030 BF .75 C	60.25"	30.125"	31.25"	15"
6033 BF .75 C	60"	30"	33.375"	15.5"
6036 BF .875 C	60.25"	30.125"	37.25"	18.125"
6048 BF .875 C	60.25"	30.125"	49.25"	24.125"
6060 BF 1.125 C	60.25"	30.125"	61.25"	30.125"
6232 BF .75 C	62.75"	31.375"	32.25"	16.25"
6238 BF .75	62.75"	31.375"	38.25"	19.25"



LEFT/RIGHT DRAIN	A	B	C	D
5430 BF 1.0 L/R	54.25"	8.5625"	31"	15"
5436 BF 1.0 L/R	54.25"	8.5625"	36.875"	17.625"
6030 BF 1.0 L/R	60.25"	8.5"	31.25"	15.125"
6030 SH 4.0 L/R	60.25"	8.5"	31.25"	15.125"
6032 SH 1S 3P 4.0 L/R	60.25"	9.5"	33.25"	15.875"
6033 BF 1.0 L/R	60.25"	8.625"	33.375"	15.5"
6033 SH 4.0 L/R	60.25"	8.625"	33.375"	15.25"
6036 BF 1.0 L/R	60.25"	8.625"	36.875"	18.625"



DOUBLE ENTRY	A	B	C	D
4848 BF DE 1.0 C	50"	24"	50"	24"
6060 BF 1.125 C	64.25"	30.125"	61.25"	30.125"

PACKAGING

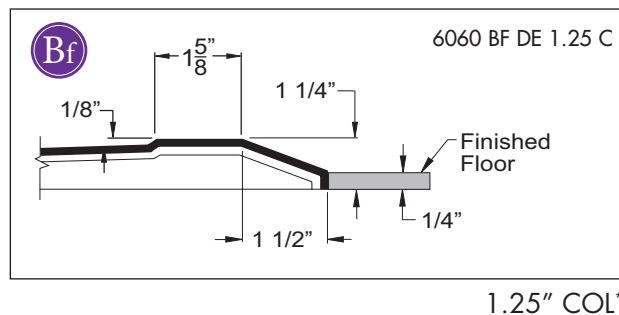
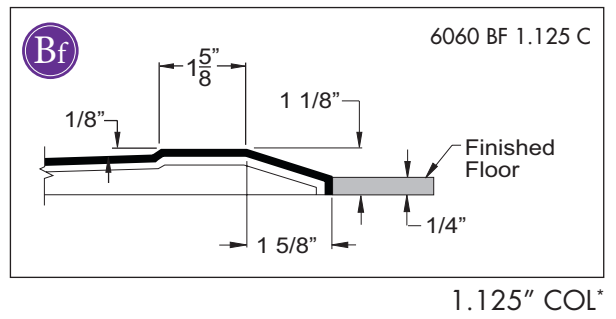
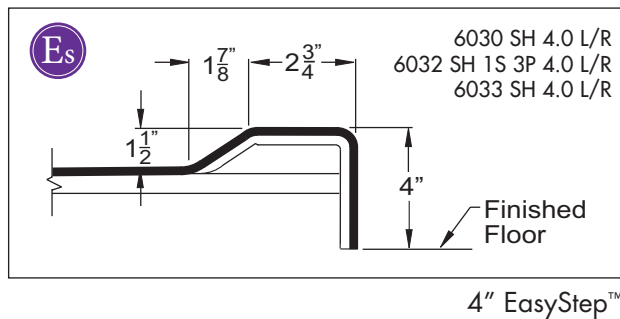
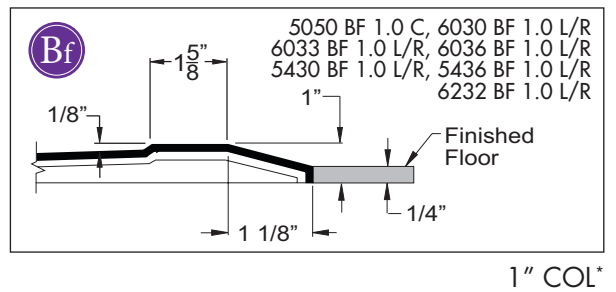
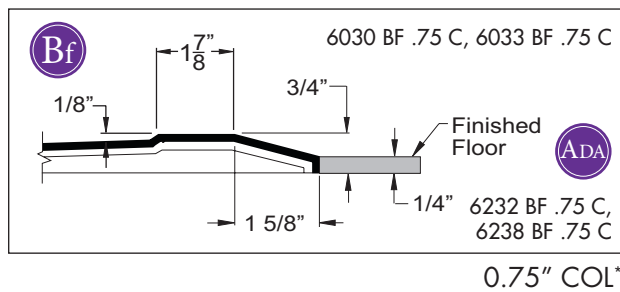
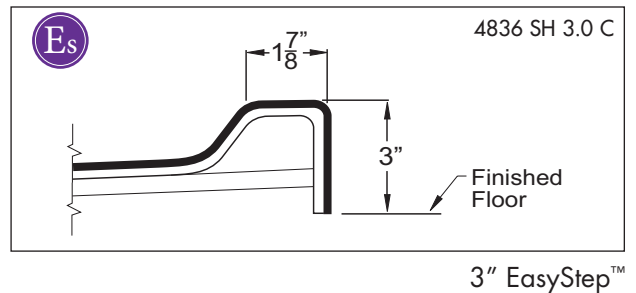
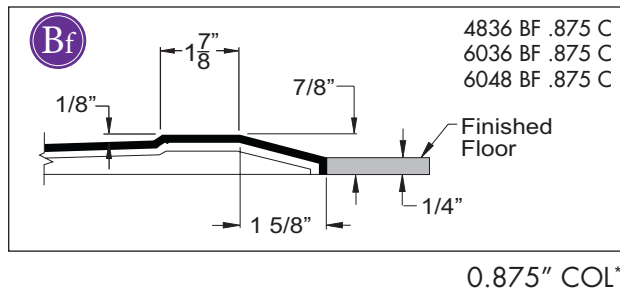
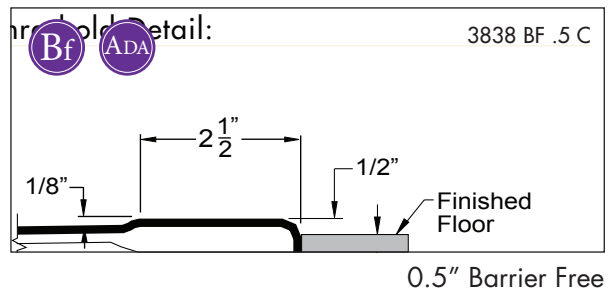
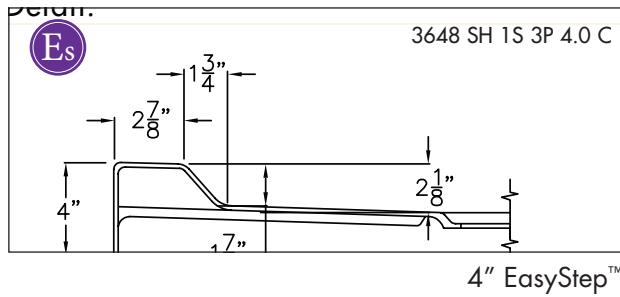
Praxis multi-piece showers and shower bases are shipped in compact, durable carton packaging for easy handling. If accessories are ordered, they are shipped loose for convenient field installation.

RAPID SHIP

All multi-piece showers and shower bases are in stock for rapid shipment - ship LTL truck in four business days for orders of two or less.

Threshold Details

EASY REFERENCE DIAGRAMS



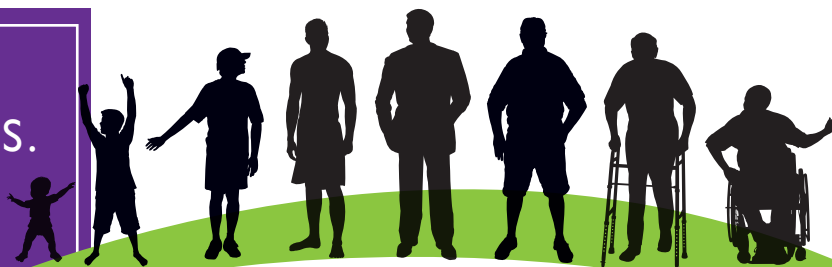
NOTES

*COL Change of level threshold has a manageable 0.25" vertical rise to easily coordinate with minimum finished flooring.

Accessories

FIELD INSTALLED

SAFE. ACCESSIBLE.
BATHING SOLUTIONS.



SOLUTIONS

EMPOWERING PEOPLE
OF ALL AGES & ABILITIES

The Praxis My Place collection has it all. Each bathing system comes packaged in boxes that are designed to fit in the back of a pick-up truck or van. All accessories are packaged separately for easy field installed installation.

The My Place collection allows for easy home modification without the sacrifice of beautifully designed and functional bathware.

The My Place collection of multi-piece showers and shower bases makes your life easier now and later.

ASSORTED LOOSE ACCESSORIES

24" x 16" padded seat with four fold-down legs - *white*

Anti-scald valve - *chrome*

Slide bar / hand held shower

Premium, anti-bacterial, nylon, weighted curtain - *off-white*

Curtain rod - *stainless steel or white*

L- shaped curtain rod - *stainless steel*

Collapsible dam with horizontal end caps - *white*

Semi-permanent dam

Caulkless drain - *stainless steel*

GRAB BARS	STAINLESS STEEL	WHITE	OIL RUBBED BRONZE	CHROME	POILSHED BRASS	SATIN NICKEL
<i>finishes:</i>						
18" STRAIGHT	•	•				
24" STRAIGHT	•	•				
36" STRAIGHT	•	•				
42" STRAIGHT	•	•				
24" DECORATIVE			•	•	•	•

NOTES

PACKAGING Accessories are shipped loose for convenient field installation.

Finishes

SOLID SURFACE & ACRYLX™



CenturyStone™ NATURALS & AcrylX™

-  starlight
-  rabbit
-  quail
-  ashley
-  cotton seed
-  almond granite
-  beach
-  dune
-  mink
-  violet
-  coco

CenturyStone™ SOLIDS & AcrylX™

-  white
-  biscuit
-  bone

ACRYLX™ offers a high gloss, truer white finish. The finish material is less porous which creates an easier to clean surface. The high luster results in a longer lasting finish, meaning a factory new look years after installation. AcrylX™ is offered with an unprecedented Lifetime Warranty.

Strong, Long Lasting,

Seamless, Non-Porous

CenturyStone™ **SOLID SURFACE**

Available only on shower base models, Praxis CenturyStone™ Solid Surface is engineered solid surface capable of creating beautifully sculpted, seamless shapes; thus providing the finest luxury bathing fixtures that out perform all others in long lasting strength and beauty. CenturyStone™ Solid Surface is offered with a lifetime warranty.

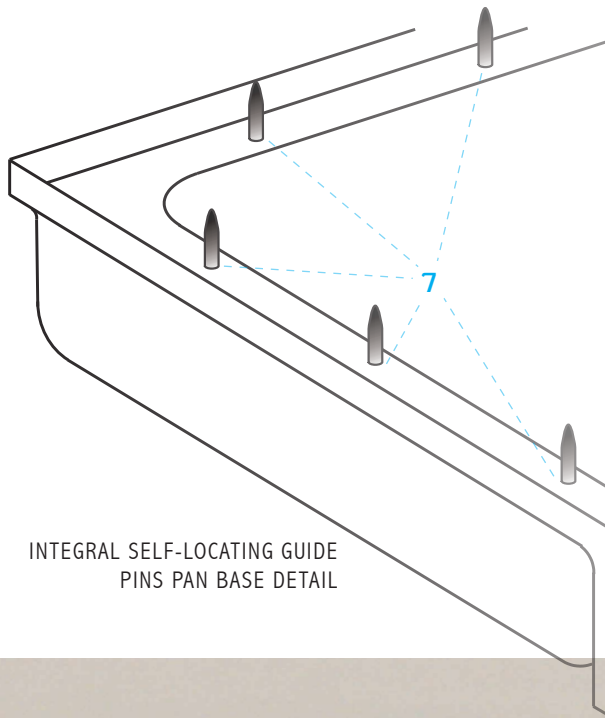
DESIGN INNOVATIONS

The Praxis Perfect Pin System is an integral assembly guidance system that allows the installation of Praxis sectional models completely from the front of the unit.

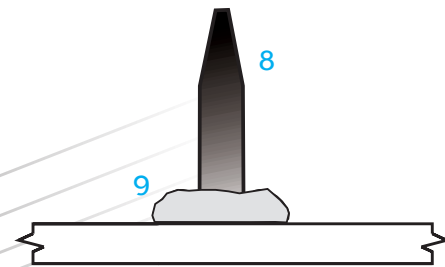
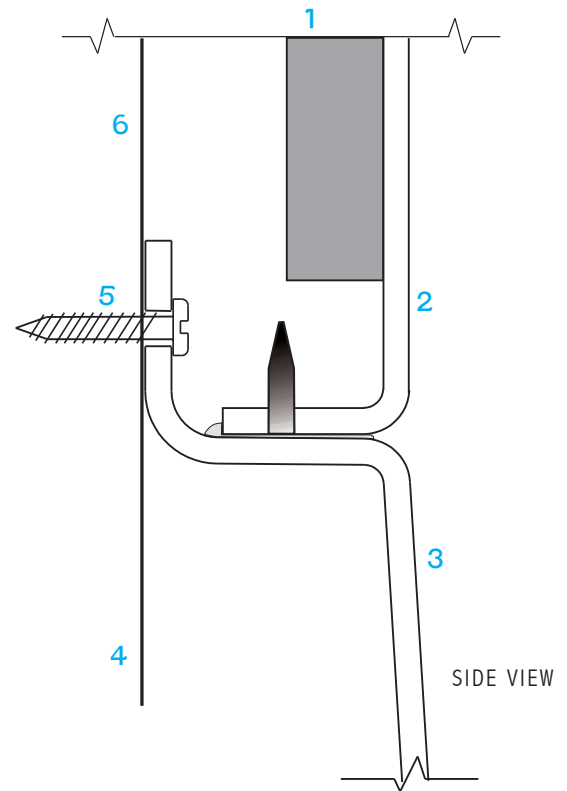
Integral self-locating metal guide pins are fully glassed-in and easily fit into pre-drilled guide slots which allow ease of assemble without having to view the pin and slots.

The Praxis Perfect Pin System allows easy and simple front-side installation - no need to access behind the framing pocket.

Creating a perfect fit each time, the Perfect Pin System leaves a near invisible seam line that is easily caulked leaving a beautiful finish and groutless appearance.



INTEGRAL SELF-LOCATING GUIDE PINS PAN BASE DETAIL



INTEGRAL SELF-LOCATING GUIDE PIN DETAIL

Guide pins are fully glassed-in during the manufacturing process and are integral to the unit.

- 1 WOOD BACKING
- 2 WALL PANEL
- 3 SHOWER PAN BASE
- 4 STUD LINE
- 5 MOUNTING SCREW
- 6 WALL BOARD
- 7 INTEGRAL SELF-LOCATING GUIDE PINS
- 8 INTEGRAL SELF-LOCATING GUIDE PINS
- 9 SILICONE BEAD
- 10 FIBERGLASS SHOWER

the
praxis

P

erfect Pin

System

INTEGRAL SELF-LOCATING GUIDE PIN
& PREDRILLED ALIGNMENT HOLE

Easy Base™

EASYBASE™, the patented design process for factory reinforced shower bottoms provides the contractor with a pre-leveled shower unit that is ready to install on a level surface. This problem solving feature is of tremendous benefit to construction plumbers, developers and owners by saving installation time and money, minimizing risk of water drainage problems and soft shower bottoms.

EASYBASE™ is available on barrier free multi-piece showers and barrier free shower pans only.

S T R O N G
L E V E L
S I M P L E



EASYBASE™ - FACTORY REINFORCED SELF-SUSTAINING SHOWER BASE

The Evolution of Strength, Beauty & Simplicity

EASYBASE™

Creates Peace of Mind, Reduces Installation Risks & Saves Construction Time & Money

- 1 Polyurethane fills contours to solidify bottom of shower unit
- 2 Machined to a flush, level surface
- 3 Minimize risk of soft shower unit bottoms
- 4 Minimize risk of water drainage problems
- 5 Simplify installation
- 6 Reduce installation time by over 50%
- 7 Minimum use of mud (in drain area only)
- 8 Pre-leveled shower unit ready to install on level surface
- 9 Allows for cold weather installation
- 10 US & Canadian Patented sturdy base



CUSTOMER SERVICE

800.443.7269

Hamilton Bathware
2291 Military St. S
Hamilton, AL 35570

www.hamiltonbathware.com