

Quick Ship Inventory

Ready to Ship in 48 Hours



Code Approved Showers and Shower Pans



Quick Ship Inventory

Standard Features

- Premium white finish
- Factory installed pre-leveled shower base
- Accessorized to meet code compliance
- Curtain rod included

*QSI units include commercial ADA, TAS & MN code compliant models.
Curtain rods and accessories are not included with shower pans.

Code-approved showers and shower pans shipped in 48 hours

1 Choose Your Bathware

Choose 1 to 2 models in a premium white finish

Save more time by adding an optional accessory. This will not affect the 48 hour time frame.

2 Place an Order

E-mail or fax your order form by 12pm CST in order to be processed same day.

3 Order Confirmation

You will receive an order acknowledgement.



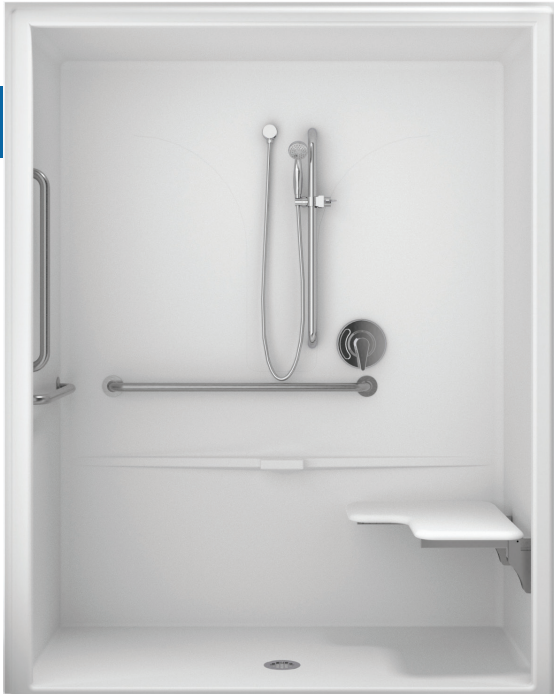
Need your bathware **FAST?**

No problem.

With Hamilton Bathware Quick Ship Inventory (QSI), it's always in-stock and ready to go.

see fast facts on page 12





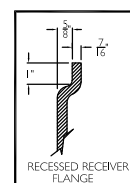
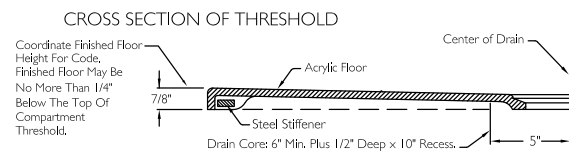
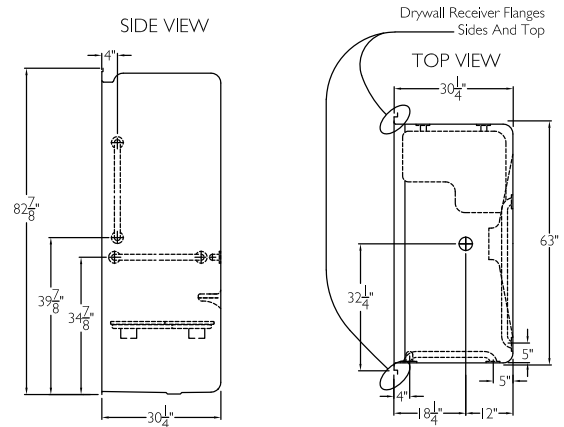
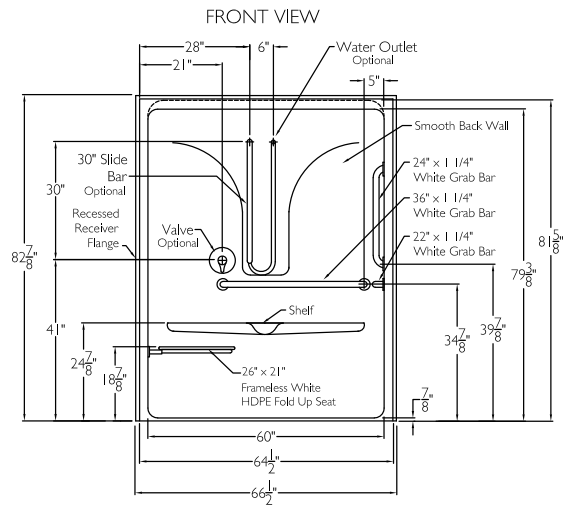
QSI 6430 BF .875

Roll-in Shower

Dimensions (inches)

Exterior: 66.5 W x 30.25 D x 82.875 H

Interior: 64.5 W x 30.25 D x 81.625 H



STANDARD FEATURES

- Finish** Cast Acrylic
- Pieces** 1
- Wall** Smooth
- Warranty** 30 Year Limited

TECHNICAL INFORMATION

- Handed By** Seat L/R
- Codes** ADA/ANSI when properly installed

STANDARD ACCESSORIES

Stainless steel curtain rod (not shown), stainless steel grab bars, white fold-up seat





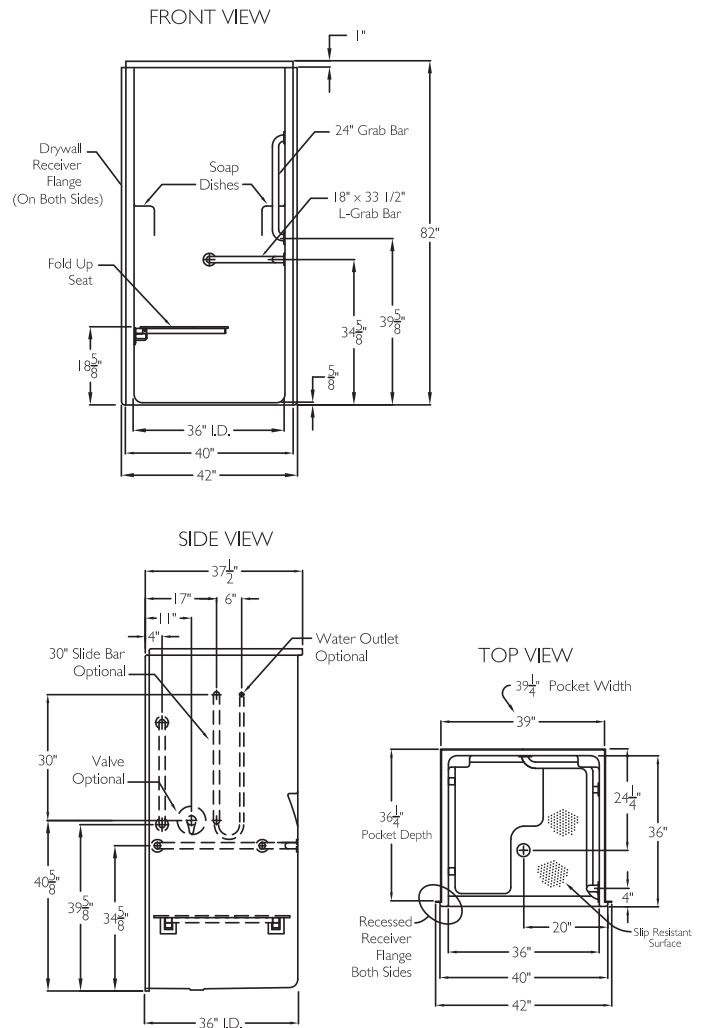
QSI 3682 BF .625 RRF

Transfer Shower with Dual Receiver Flanges

Dimensions (inches)

Exterior: 42 W x 37.5 D x 82 H

Interior: 36 W x 36 D x 80.375 H



STANDARD FEATURES

Finish AcrylX™

Pieces 1

Wall Smooth

Warranty 30 Year Limited

TECHNICAL INFORMATION

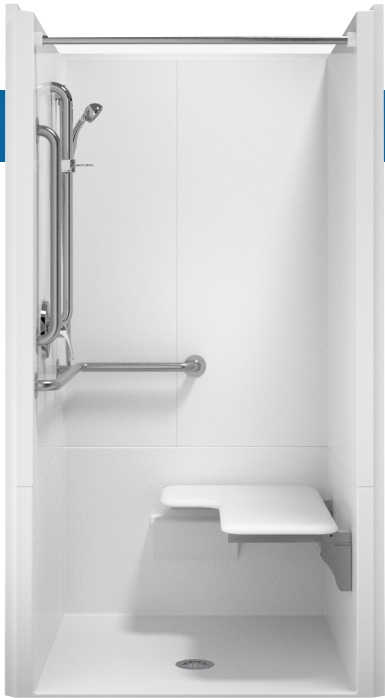
Handed By Valve Wall L/R

Codes ADA/ANSI
when properly installed

STANDARD ACCESSORIES



Stainless steel curtain rod,
stainless steel grab bars,
white fold-up seat



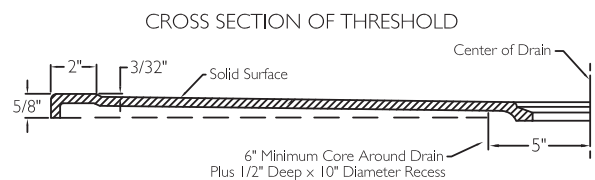
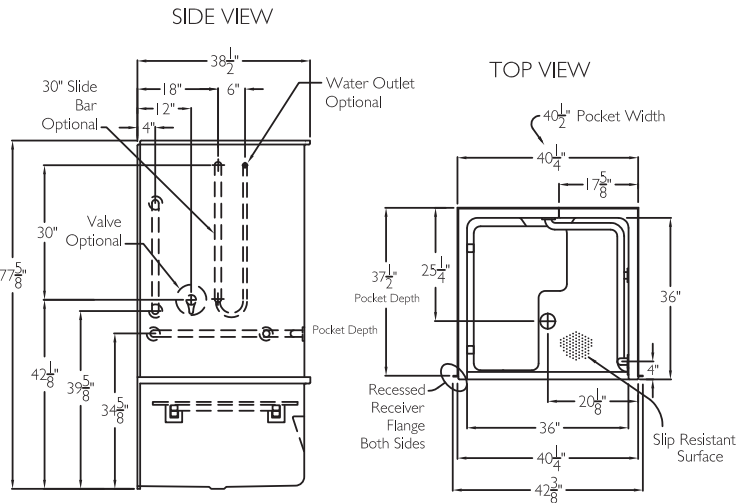
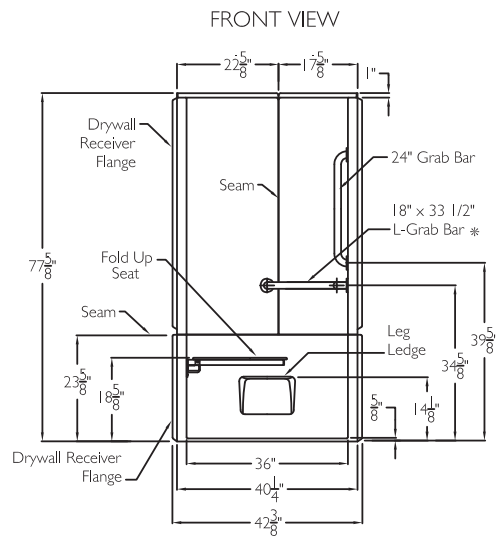
QSI 3637 BF 3P .625 RRF

Barrier-Free Shower

Dimensions (inches)

Exterior: 42.375 W x 38.5 D x 77.625 H

Interior: 36 W x 36 D x 76H



STANDARD FEATURES

Finish AcrylX™

Pieces 3

Wall Smooth

Warranty 30 Year Limited

TECHNICAL INFORMATION

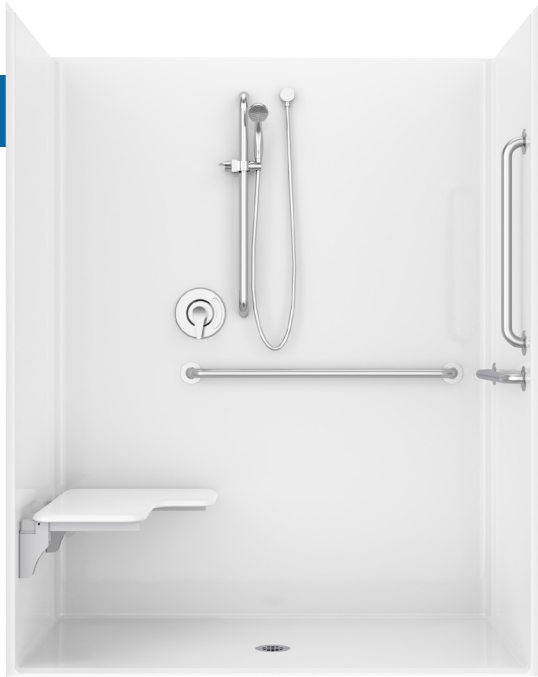
Handed By Valve Wall L/R

Codes ADA/ANSI
when properly installed

STANDARD ACCESSORIES



Stainless steel curtain rod,
stainless steel grab bars,
white fold-up seat



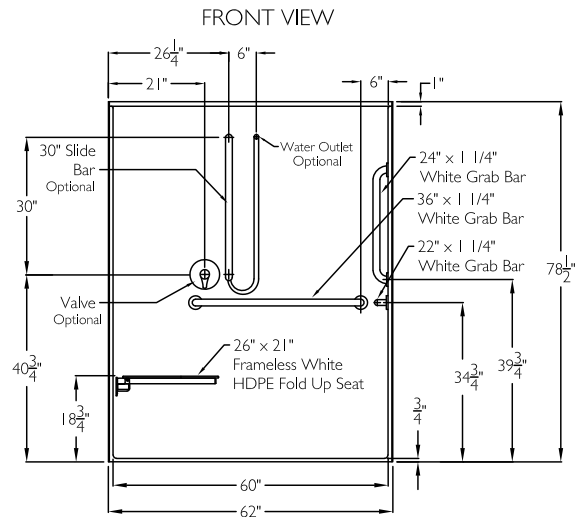
QSI 6233 BF-F .75

Roll-in Shower

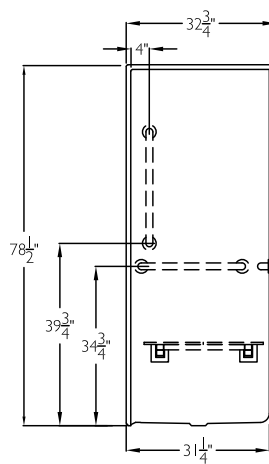
Dimensions (inches)

Exterior: 62 W x 32.75 D x 78.5 H

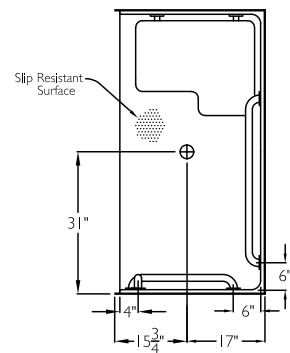
Interior: 60 W x 30 D x 77.125 H



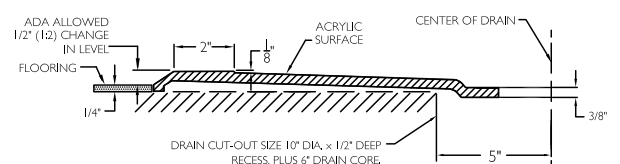
SIDE VIEW



TOP VIEW



CROSS SECTION OF THRESHOLD



STANDARD FEATURES

Finish AcrylX™

Pieces 1

Wall Smooth

Warranty 30 Year Limited

TECHNICAL INFORMATION

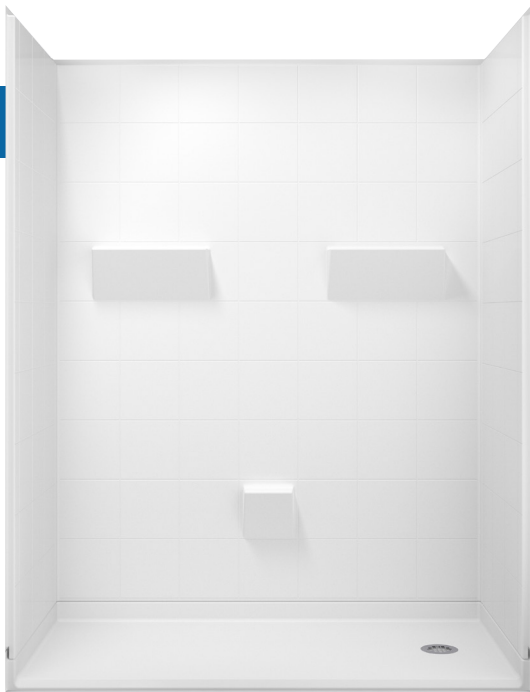
Handed By Seat L/R

Codes ADA/ANSI
when properly installed

STANDARD ACCESSORIES



Stainless steel curtain rod (not shown),
stainless steel grab bars,
white fold-up seat



QSI 6030 BF 5P 1.0 L/R

Barrier-Free Shower

Dimensions (inches)

Exterior: 60 W x 31 D x 78 H

Interior: 57.75 W x 28.875 D x 76 H

5-Piece
Remodeling
Sectional

STANDARD FEATURES

Finish AcrylX™

Pieces 5

Wall Simulated Tile

Warranty 30 Year Limited

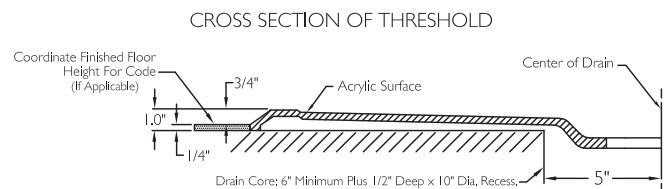
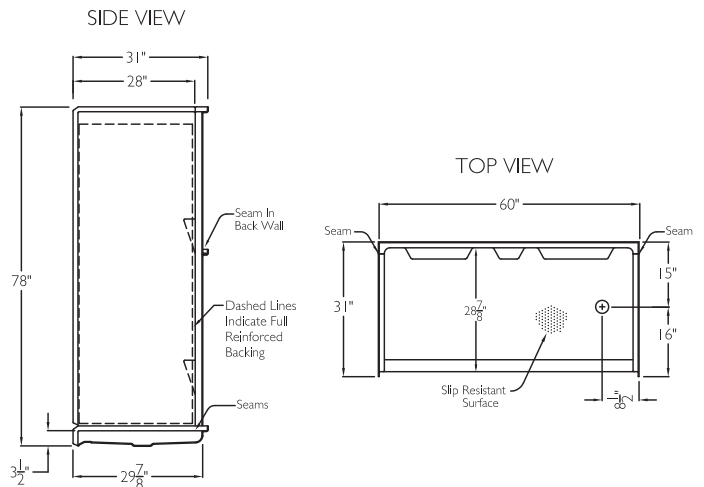
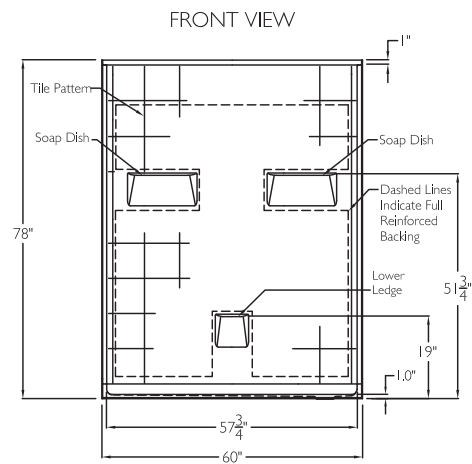
TECHNICAL INFORMATION

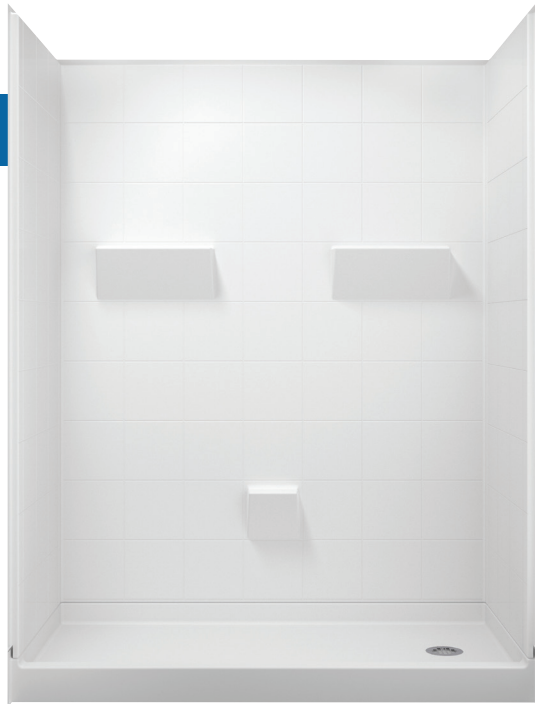
Handed By Drain L/R

Codes Unit is not code compliant

STANDARD ACCESSORIES

Grab bars and curtain rod available, field installed only





QSI 6030 SH 5P 4.0 L/R

Accessible Shower

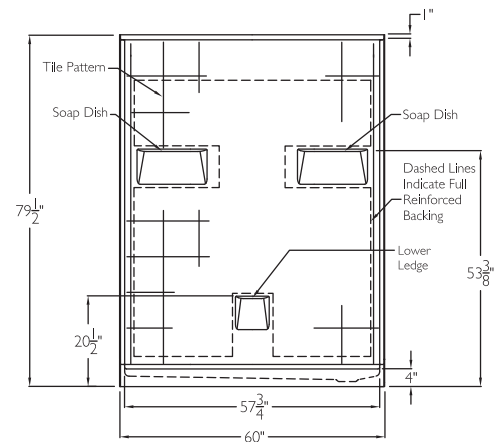
Dimensions (inches)

Exterior: 60 W x 31 D x 79.5 H

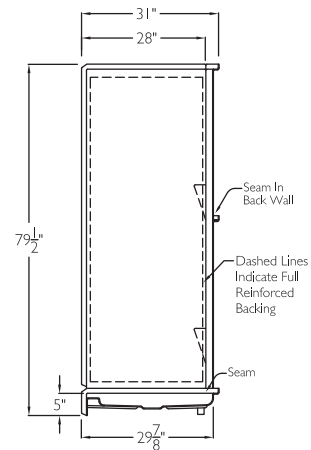
Interior: 57.75 W x 28.875 D x 74.5 H

5-Piece
Remodeling
Sectional

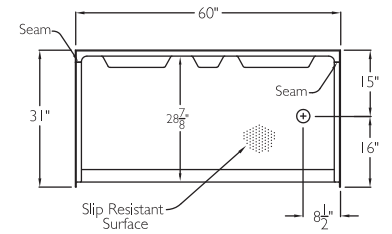
FRONT VIEW



SIDE VIEW



TOP VIEW



STANDARD FEATURES

Finish AcrylX™

Pieces 5

Wall Simulated Tile

Warranty 30 Year Limited

TECHNICAL INFORMATION

Handed By Drain L/R

Codes Unit is not code compliant

STANDARD ACCESSORIES

Grab bars and curtain rod available, field installed only



QSI 3838 BF PAN .5

Shower Pan

Dimensions (inches)

Exterior: 38.625 W x 37.25 D x 4.5 H

Interior: 36 W x 36.36 D x 0.5 H



STANDARD FEATURES

Finish AcrylX™

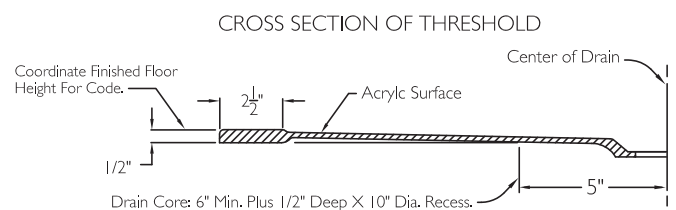
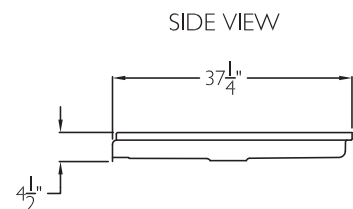
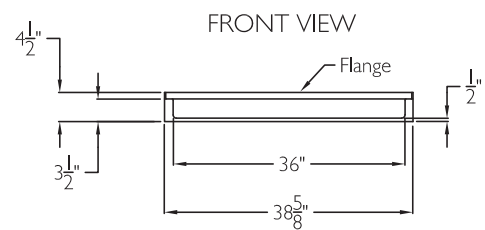
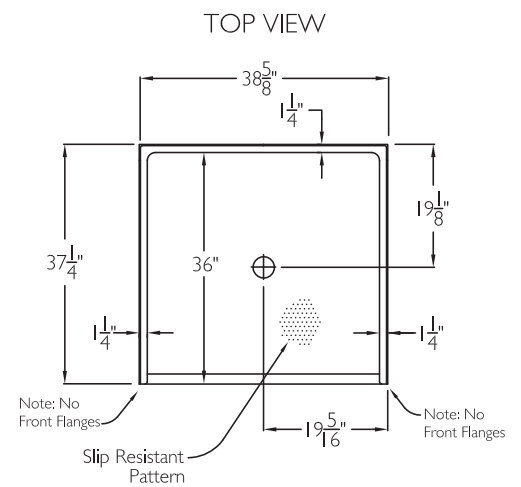
Pieces 1

Warranty 30 Year Limited

TECHNICAL INFORMATION

Handed By Center Drain

Codes ADA/ANSI
when properly installed



QSI 6030 BF COL L/R

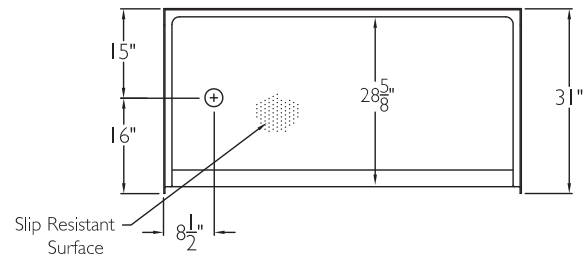
Shower Pan

Dimensions (inches)

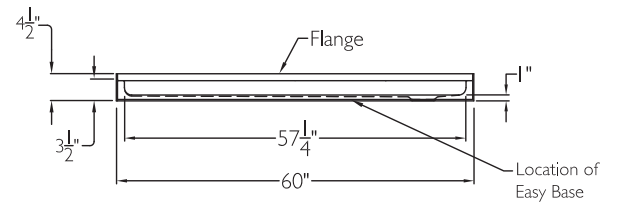
Exterior: 60 W x 31 D x 4.5 H
 Interior: 57.25 W x 25.625 D x 1 H



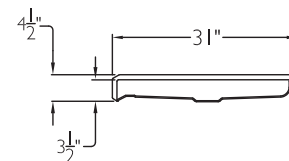
TOP VIEW



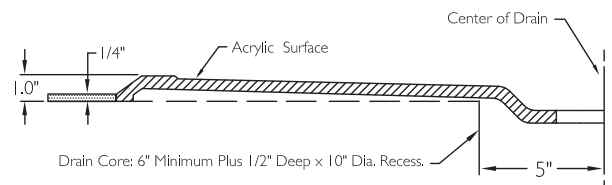
FRONT VIEW



SIDE VIEW



CROSS SECTION OF THRESHOLD



STANDARD FEATURES

- Finish** AcrylX™
- Pieces** 1
- Warranty** 30 Year Limited

TECHNICAL INFORMATION

- Handed By** Drain L/R
- Codes** Unit is not code compliant



Models

QSI 6430 BF .875

QSI 3682 BF .625 RRF

QSI 3637 BF 3P .625 RRF

QSI 6233 BF-F .75

QSI 6030 BF 5P 1.0 L/R

QSI 6030 SH 5P 4.0 L/R

QSI 3838 BF PAN .5

QSI 6030 BF PAN 1.0 L/R



How to Order



Fill-out your form,
double check for accuracy.



Scan and e-mail your
completed form to:
orders@praxiscompanies.com

Or, fax form to:
731.925.4290



Submit order form by
12pm CST for order
to be processed same
day. Orders received after
12pm CST will be processed
the following business day.



Quantity Ordered

Orders can be placed for
1 or 2 each of any model.



Finish Color

White



Optional Accessories

“Impact” weighted white shower
curtain with antimicrobial,
fire-retardant fabric

White collapsible water
retainment dam with
two end caps



When Will They Ship?

Standard QSI models - with or without optional accessories, will ship in 48 hours.



Pricing

QSI model pricing, as well as shipping pricing, can be found on the QSI order form.



Questions?

Give customer service a call — we are here for you!

800.443.7269



Ready to Ship in 48 Hours



Hamilton Bathware
2291 Military Street South
Hamilton, AL 35570

Customer Service
800.443.7269

Code Approved Showers and Shower Pans

Quick Ship Inventory

hamiltonbathware.com

QSIBRO7 | 092023