

Tools you might need for proper installation

- Galvanized screws
- Drill bit
- 1- tube high quality silicone caulking
- 1- tube of marine adhesive
- 3- 2 x 6 studs 8'
- 2- 2 x 4 8'
- Caulking gun
- 4' level
- Drill
- Screw gun

Thank you for purchasing Praxis Bathware. For best results, please read and follow all directions carefully.

PRE-INSTALLATION PLANNING

1. Do not store units outdoors. Keep out of sunlight and exposure to weather.

2. The wing wall panel will be field installed and will be secured to the studs at the front of the shower at the sidewall. The wing wall will rest on top of the threshold of the shower. There is a flared edge along the inside edge of the wing wall where it meets threshold of the shower. This flare helps to shed water into the shower. (See figure 1)

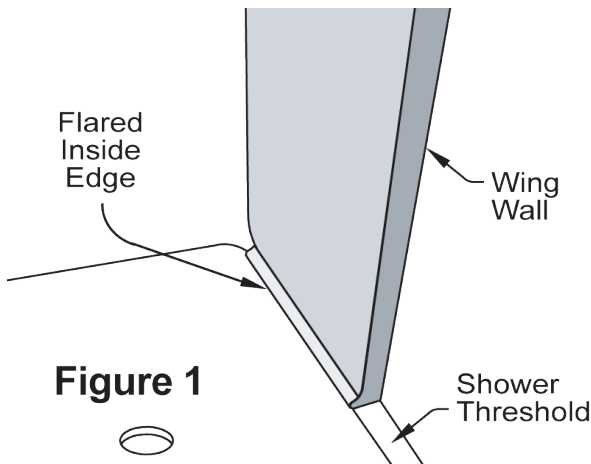


Figure 1

NOTE: For the wing wall to be installed properly, the walls and threshold on the shower must be plumb and level. Any deviation in these two areas will be multiplied resulting in a gap at the seam between the wing wall and shower wall. It is highly recommended that the install square jig be used for installing the shower. The jig will allow the installer to ensure the shower wall and threshold is plumb and level during the install process and enable the installer to make adjustments if needed at that time.

Wood is installed inside the Wing Wall for field installation of a fold up seat.

Wood must be in contact with the 2 x 6 wood stud framing.

Add more wood if any gap between the wall wood backing and studs is present.

All framing, including 2 x 6 studs must be mechanically fastened together.

2 x 6 wood studs with a 2 x 4 bottom plate recommended when installing a seat.

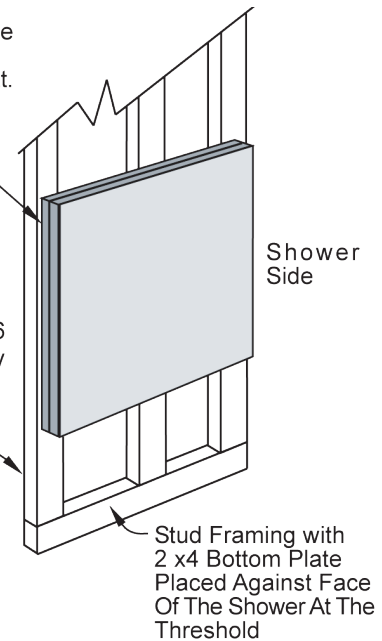


Figure 2

The wing wall is hollow, with the finished side to the shower. The wall sits on top of the shower dam.

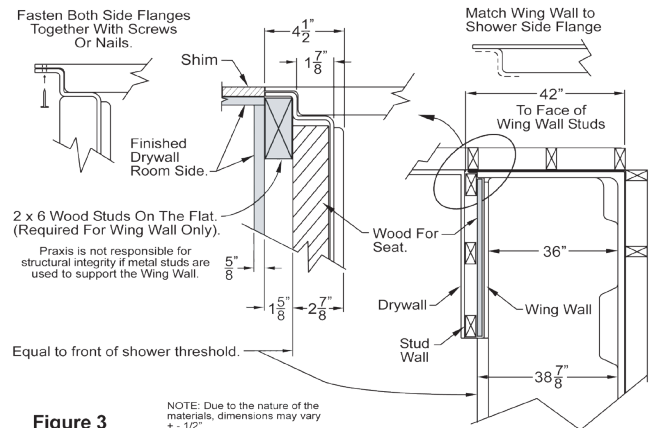
2 x 6 wood studs are recommended to be used to support the wing wall. The studs are placed on the flat to conserve space. Use three studs minimum.

Solid field connection between the seat wood and the 2 x 6 studs is essential for structural integrity.

3. Factory wood backing is provided inside the wing wall for field installation of a fold up seat. If field installing a seat to the wing wall, Praxis recommends using wood 2 x 6 studs to support the wing wall. Metal studs may be used in other framing locations, other than the wing wall. Praxis is not responsible for structural integrity if 2 x 6 wood studs are not used for the wing wall. (See figure 2)

4. When attaching the wing wall to the shower, a good quality marine type adhesive will be applied to the center of the wing wall where it meets the shower. 100% silicone adhesive works very well in this application.

Please go to www.itplex.com/home.html to investigate possible adhesives for this project. Use a good quality silicone caulking on the inside of the wing wall where it meets the shower to effect a water resistant seal.



2. There should be a minimum three vertical studs mounted to the floor in front of the shower extending to the same height as the shower mounting frame. These studs must be 2 x 6 wood, and mounting on the flat. (See photo 2)

Mark location of these studs on the floor: Set the wing wall panel aside.

Locate and attach the studs to the floor, and to the top structure of the shower framing structure. The framing for the wing wall should tie in with the top framing above the shower: Keep stud work clear of the vertical flange of the shower: Provide so that top flange on the wing wall may be attached to the studs. Add wood between studs and wing wall backing if required. Fasten the components together as indicated in figure 2.

3. When stud work is complete, trial fit the wing wall panel. Make sure the wing wall inside edge meets up with the shower with no gaps.

4. Thoroughly clean the surfaces where the two parts meet to assure good adhesion. Apply a heavy bead of marine adhesive to the center of the contact point of the wing wall to the shower to spread the adhesive before it cures. (See photo 3)

5. Carefully lift the wing wall and place into the final installed position. Press the wall to the shower to spread the adhesive. Confirm there are no gaps at the flare where the wall meets the shower. (See photo 4)

INSTALLATION PROCEDURE

1. Trial fit the wing wall panel after the shower has been installed and fastened to the framing. The vertical mounting flange on the wing wall should match up with the side flange of the shower wall. (See figure 3, photo 1)



6. Confirm that the match-up between the shower side wall mounting flange and the wing wall side flange is satisfactory. These two flanges lap together. (See figure 3)

Confirm the top flange of the wing wall is in contact with **the framing studs.**

Fasten all flanges with galvanized screws or nails, 8" on center vertically and to each stud horizontally. (See photo 5)



7. Apply the silicone caulking along the entire length of the flare, where the wing wall meets the shower. (See photo 6)

8. The room side of wing wall may be finished using wallboard. Install as typical.

Apply a liberal amount of panel adhesive where the studs meet the backside of the wing wall to secure the wing wall to the studs before finish wallboard is installed.

DO NOT USE ABRASIVE CLEANERS

The most important caution is to avoid use of harsh abrasive cleaners or gritty scouring powders. To clean the unit, simply use a household liquid detergent with a soft sponge or cloth and warm water. More persistent stains, tar or paint can be removed with naphtha or mineral spirits. Remove excess plaster by scraping with a sharpened soft wood stick. Avoid wire brushes, metal scrapers or tools. Restore dull areas by rubbing with automotive type body cleaning compound.



Wing Wall Installation Instructions

AcrylX™ & Solid Surface Bathware

LIMITED WARRANTY

Praxis Companies warrants to the owner of its CenturyStone™ Solid Surface units as follows: Units manufactured of fiberglass reinforced polyester with Solid surface, that it will, free of charge, repair or exchange as its option, any Praxis Companies unit found to be defective in materials or workmanship upon inspection by an authorized representative of Praxis Companies for a period of ten (10) years from date of purchase.

The exchange of a unit is limited to supplying a replacement unit of comparable size and style and does not include any costs of removal or installation.

This warranty shall be voided if the unit is moved from its place of initial installation or is not installed in accordance with the instructions supplied by the manufacturer of the unit. Further, this warranty does not apply if the unit has been subjected to accident, abuse, misuse, damage caused by flood, fire or act of God.

Since local code requirements vary greatly throughout the country, distributors, dealers, installation contractors and users of plumbing products should determine whether there are any code restrictions on the use of a specific product. Praxis Companies makes no representation or warranty regarding and shall not be responsible for any code compliance.

The owner agrees by use of this unit that the obligations of Praxis Companies shall not exceed to contingent or indirect damage or injury to the structure of its contents, that the obligations of Praxis Companies are limited to those set forth herein, and that no other obligations, expressed or implied, are assumed by Praxis Companies.

Customer Service | Technical Services | Warranty Services

American Bath Group
Address: 435 Industrial Road
Savannah, TN 38372
Phone: (800) 443-7269



AMERICAN ★ BATH GROUP

Hamilton is a Praxis brand
and a proud member of the
American Bath Group

Rev. 07.12.23