

Universal Semi Permanent Threshold

The Solid Surface molded semi-permanent threshold is shipped as a generic blank.

Length - 60"

Height - 3"

Width - 3"

Several adjustments must be made in the field so the edges of the part will match the shower.

Please review the step -by- step directions and diagrams. By trial fitting the part and making adjustments as necessary, one may achieve a very clean and accurate fit to the shower.

The modifications to the semi-permanent threshold can be accomplished with common wood working tools such as a saw, sander/grinder, sandpaper, and file.

In addition to the tools listed above, a tape measure is required, plus one or two tubes of 100% silicone caulking to complete this project.

Adjustments will be cutting to length, trim to proper height, grind an angle on the front edge (if required), and round edges at each end.

When satisfied with the fit, secure the threshold piece to the shower using the silicone caulking.

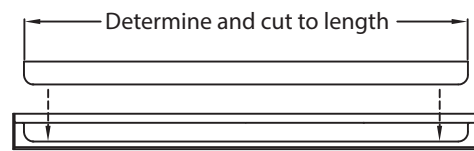
Apply silicone to all edges of the semi-permanent threshold. Carefully place the piece on the shower threshold.

Gently press semi-permanent threshold to the shower. Line up the front of the threshold with the front of the shower as indicated in Step #2.

Smooth caulking with a dampened finger. Remove excess caulking before it cures.

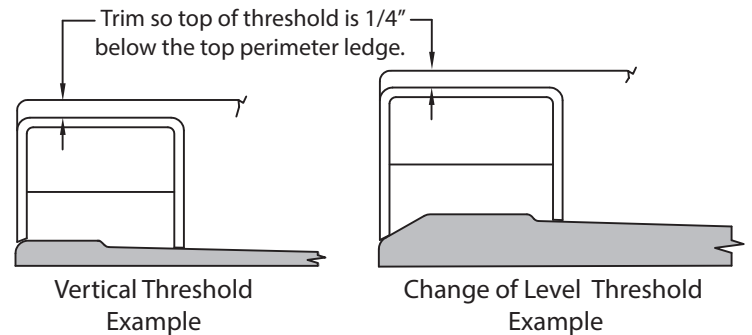
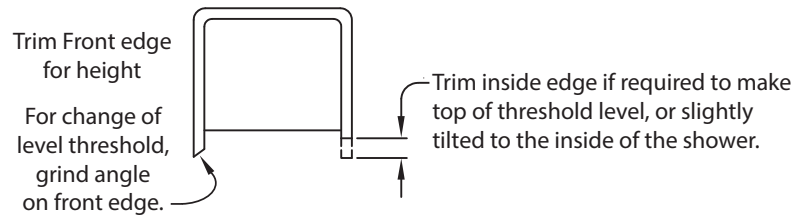
Note the semi-permanent threshold may be removed at any time in the future if the low threshold on the shower is needed.

Step #1 - Cut to length

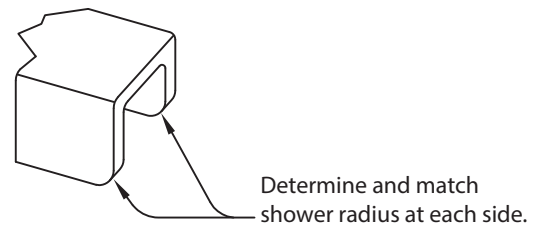


(Front of shower)

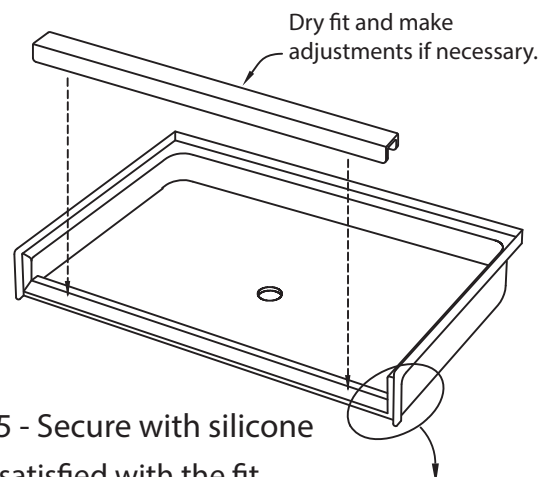
Step #2 - Modify the long edges



Step #3 - Round the corners



Step #4 - Trial fit the part



Step #5 - Secure with silicone

When satisfied with the fit, secure all edges of the threshold piece to the shower using the silicone caulking.

