

# Mackenzie 6030

**Model numbers:** 106665, 106664 (AFR)

**Dimensions:** 60" x 30" x 18"  
60" x 30" x 20" (AFR)

**Installation:** Alcove

**Material:** AcryIX®



## Standard Features:

- Modern minimalist and comfortable design
- Integrated flat skirt and tiling flange
- Textured bottom
- Compatible with Utile
- Available in Above-the-Floor Rough (AFR) or not

## Product Characteristics:

- Integrated tiling flange and skirt
- Modern minimalist design
- Utile Compatible

## Warranty:

25 Years

## Standard colors:



White (001)

## Certifications

MAAX products adhere to one or more of the following certifications:



## Recommended products (Visit our website for a complete list of our recommended doors)

No	Description
139398	Halo Sliding Tub Door 56 1/2" - 59" x 59" 8 mm
137501	Edge Square Tub Shield 34" x 58" 8 mm
136270	Duel Sliding Tub Door 56" - 59" x 55 1/2" - 59" 8 mm

## Options (Visit our website for a complete list of our options)

No	Description
<input type="checkbox"/> OPT 20137	Cable-operated waste and overflow

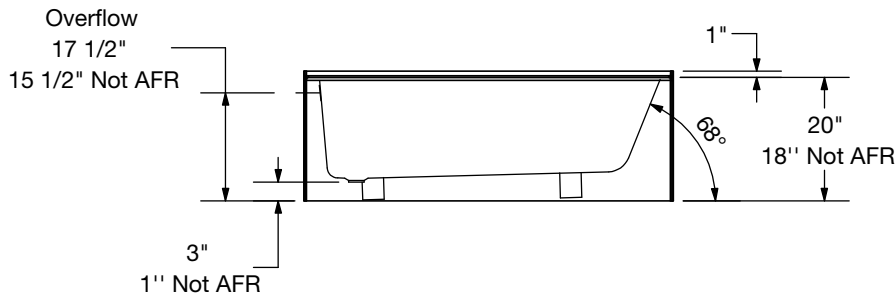
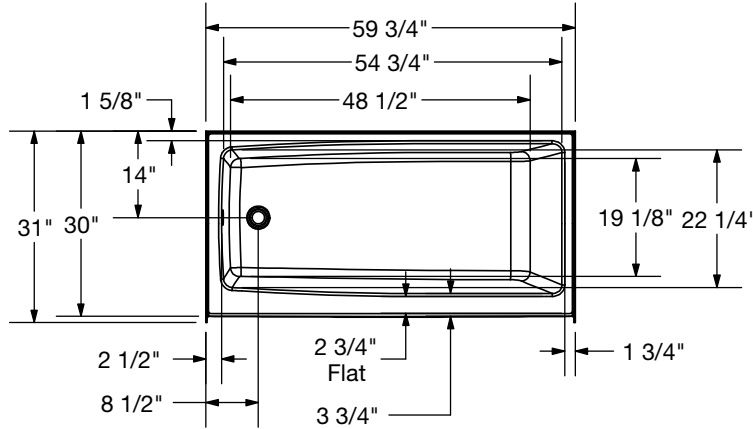
# Mackenzie 6030

**Model numbers:** 106665, 106664 (AFR)

**Dimensions:** 60" x 30" x 18"  
60" x 30" x 20" (AFR)

**Installation:** Alcove

**Material:** AcrylX®



Wood support design may vary.

All dimensions are approximate. Structure measurements must be verified against the unit to ensure proper fit.

## Dimensions:

59 3/4 x 31 x 18 in.  
(1517 x 787 x 457 mm)

AFR  
59 3/4 x 31 x 20 in.  
(1517 x 787 x 508 mm)

## Water capacity:

42 gallons – 193 liters

## Weight:

71 lbs – 32 kg

## Bathing well:

54 3/4 X 22 1/4 in.  
(1391 X 565 mm)

## Deep sump height:

16 1/2 in. – 419 mm

## Deck width:

3 3/4 in. – 95 mm

## Drain location:

Left

Right

Project: \_\_\_\_\_

Contractor: \_\_\_\_\_

Representative: \_\_\_\_\_

Date: \_\_\_\_\_

Tel: \_\_\_\_\_

Notes: \_\_\_\_\_

# Mackenzie 6032

**Model numbers:** 106669, 106668 (AFR)

**Dimensions:** 60" x 32" x 18"  
60" x 32" x 20" (AFR)

**Installation:** Alcove

**Material:** AcryIX®



## Standard Features:

- Modern minimalist and comfortable design
- Integrated flat skirt and tiling flange
- Textured bottom
- Compatible with U tile
- Available in Above-the-Floor Rough (AFR) or not

## Product Characteristics:

- Integrated tiling flange and skirt
- Modern minimalist design

## Warranty:

25 Years

## Standard colors:



White (001)

## Certifications

MAAX products adhere to one or more of the following certifications:



## Recommended products (Visit our website for a complete list of our recommended doors)

No	Description
139398	Halo Sliding Tub Door 56 1/2" - 59" x 59" 8 mm
137501	Edge Square Tub Shield 34" x 58" 8 mm
136270	Duel Sliding Tub Door 56" - 59" x 55 1/2" - 59" 8 mm

## Options (Visit our website for a complete list of our options)

No	Description
<input type="checkbox"/> OPT 20137	Cable-operated waste and overflow

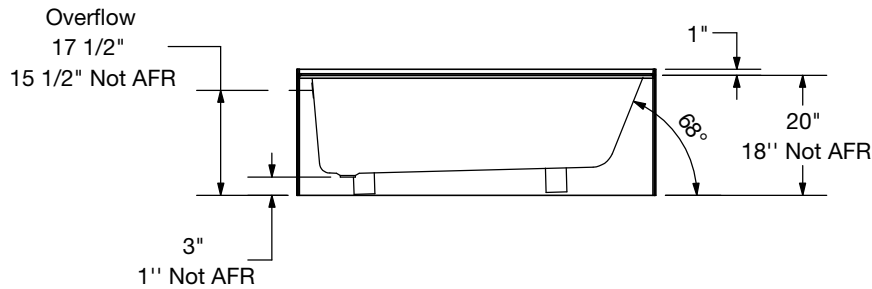
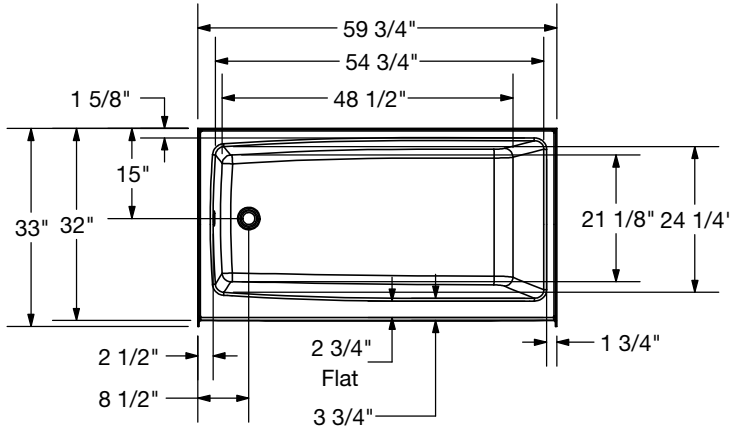
# Mackenzie 6032

**Model numbers:** 106669, 106668 (AFR)

**Dimensions:** 60" x 32" x 18"  
60" x 32" x 20" (AFR)

**Installation:** Alcove

**Material:** AcrylX®



Wood support design may vary.

All dimensions are approximate. Structure measurements must be verified against the unit to ensure proper fit.

## Dimensions:

59 3/4 x 33 x 18 in.  
(1517 x 838 x 457 mm)

**AFR**  
59 3/4 x 33 x 20 in.  
(1517 x 838 x 508 mm)

## Water capacity:

48 gallons – 218 liters

## Weight:

75 lbs – 34 kg

## Bathing well:

54 3/4 X 24 1/4 in.  
(1391 X 616 mm)

## Deep sump height:

16 1/2 in. – 419 mm

## Deck width:

3 3/4 in. – 95 mm

## Drain location:

Left

Right

Project: \_\_\_\_\_

Contractor: \_\_\_\_\_

Representative: \_\_\_\_\_

Date: \_\_\_\_\_

Tel: \_\_\_\_\_

Notes: \_\_\_\_\_