

20
24



Collection
Professional
Walls & Bases
Shower Doors

National Price List Canada

Effective August 2024

MAAX®

MOVING / forward

A better experience means always moving forward

We're inspired by you. You're constantly in motion, and never stop looking ahead. And your style is constantly evolving, helping refine the trends of tomorrow. That is why we believe to best serve you, we must always be moving forward — never complacent — finding new ways to enhance your success and enjoyment. We never stop asking questions or exploring innovative new opportunities to make business easier, products better and results more inspiring, no matter what the project. We are driven to continuously push the bounds, creating the best possible bathware experience.



● **ALCOVE BASES - ACRYLX**

Outlook Base 4836	106687	12
Outlook Base 6030 C	106630	14
Outlook Base 6030 L/R	106856	16
Outlook Base 6036	106631	18
Outlook Base 6238	106857	20

● **ALCOVE SHOWERS - ACRYLIC**

BF3660	106800	22
.....with OBC grab bar package	106801	22
.....with OBC code compliant package	106802	22
.....with CSA grab bar package	106803	22
.....with CSA code compliant package	106804	23
.....with OBC code compliant package and phenolic seat	107010	23
.....with CSA code compliant package and phenolic seat	107011	23

● **ALCOVE SHOWERS - ACRYLX**

Outlook BFS-36F	105087	24
Outlook BFS-48F	105088	27
Outlook BFS-6036F	105089	30
Outlook BFS-6036F CB	107666	33
Outlook BFS-60F	105247	35

BATHTUBS● **CORNER BATHTUBS - ACRYLIC**

Tandem 5454	100875	39
Tandem 6060	101077	43
Tandem II 6060	100054	47
Tryst	100053	51
Vichy 5555	102934	55
Vichy 6043 ASY	102937	58
Vichy 6060	102579	62

● **CORNER BATHTUBS - ACRYLX**

VO5050 5 ft	140111	65
-------------------	--------	----

● **FREESTANDING BATHTUBS - ACRYLIC**

Ariosa 6032	106266	68
Ariosa 6636	106267	71
Elina	106389	74
Ella Sleek	105744	77
Jazz F	105359	80
Joan	106387	83
Oberto	106386	86
Optik 6032 F	105571	89
Optik 6636 F	105742	92
Renata 6731	107173	95
Tosca 5932	106876	97
Tosca 6732	106878	99
Tosca Matte 5932	106877	101
Tosca Matte 6732	106879	103
Valentina 6731	107174	105
Villi	106388	107

● **FREESTANDING BATHTUBS - ACRYLIC**

Chorale 6030	107675	110
Chorale 6731	107674	112
Louie 5829	106384	114
Louie 6731	106385	117
Malibra 6730	107678	120
Mirella 6029	107676	122
Mirella 6729	107677	124
Nota 6731	107679	126
Sinfoni 5928	107681	128
Sinfoni 6729	107680	130

● **FREESTANDING BATHTUBS - ACRYLIC**

Lounge	105798	132
--------------	--------	-----

● **FREESTANDING BATHTUBS - ACRYLX**

Brioso 6636	103903	135
Eldora 5832	106992	138
Eldora 6434	106993	140
Fontana	106994	142
Pocono	106995	144
Sonoma	106996	146

● **FREESTANDING BATHTUBS - ACRYLX**

Delsia 6032	106192	148
Delsia 6636	106193	151
Sax	105797	154

● **OVAL BATHTUBS - ACRYLIC**

Aigo	102788	157
Calla 6042	101058	160
Calla 6642	100075	163
Calla 7242	101059	166
Eterne 7236	101317	169
Eterne 7242	101318	172
Jazz (Drop-in)	105509	175
Living 6042	102863	178
Living 6636	102761	181
Living 6642	102865	184
Living 7236	102759	187
Living 7242	102757	190

● **OVAL BATHTUBS - ACRYLX**

Islander AFR	102895	193
Islander AFR DTF	102784	197
Vichy 6034	102939	201

● **RECTANGULAR BATHTUBS - ACRYLIC**

Aiiki 6636	102787	204
Aiiki 7236	102786	207
Aiiki 7242	102785	210
Baccarat	102945	213
Melodie	100073	216
ModulR 6032 - Corner left	410008	219
.....	410011	219
ModulR 6032 - Corner right	410007	222
.....	410010	222
ModulR 6032 IF - Alcove	410021	225

ModulR 6032 IF - Alcove	410022	225	Exhibit 6636 IF	106178	356
ModulR 6032 - Drop-in	410023	225	Exhibit 6636 IF DTF	106236	360
.....	410024	225	Exhibit 6636 IFS	106179	364
ModulR 6032 - Wall-Mount	410009	228	Exhibit 6636 IFS AFR	106180	365
.....	410012	228	Exhibit 6636 IFS DTF	106237	368
ModulR 6032 IF - Corner left	410027	231	Exhibit 6636 IFS AFR DTF	106238	369
.....	410028	231	Exhibit 7232 IF	106224	372
ModulR 6032 IF - Corner right	410025	234	Exhibit 7232 IF DTF	106239	376
.....	410026	234	Exhibit 7232 IFS	106225	380
Optik 6032	101265	237	Exhibit 7232 IFS AFR	106226	381
Optik 6636	101269	241	Exhibit 7232 IFS DTF	106240	384
Optik 6636 C	105743	245	Exhibit 7232 IFS AFR DTF	106241	385
Optik 7236	101270	248	Exhibit 7234	106223	388
Optik 7242	101275	251	Exhibit 7236	106181	391
Release 6032	105310	254	Exhibit 7236 IF	106182	394
Release 6036	105311	258	Exhibit 7236 IF DTF	106242	398
Topaz 6032	101054	262	Exhibit 7236 IFS	106183	401
Topaz 6036	101055	265	Exhibit 7236 IFS AFR	106184	402
Topaz 6636	101056	268	Exhibit 7236 IFS DTF	106243	405
Topaz 7236	101057	271	Exhibit 7236 IFS AFR DTF	106244	406
			Exhibit 7242	106185	409
● RECTANGULAR BATHTUBS - ACRYLIC			Exhibit 7242 IF	106186	412
Exhibit 6030 IFS AFR	105511	274	Exhibit 7242 IF DTF	106245	416
Exhibit 6030 IFS	105519	275	Exhibit 7242 IFS	106187	420
Exhibit 6030 IFS AFR DTF	105546	278	Exhibit 7242 IFS AFR	106188	421
Exhibit 6030 IFS DTF	105547	278	Exhibit 7242 IFS DTF	106246	424
Exhibit 6032	105513	281	Exhibit 7242 IFS AFR DTF	106247	425
Exhibit 6032 IF	105514	281	Pose 6030 - Corner left	106199	428
Exhibit 6032 IF DTF	105550	285	Pose 6030 - Corner right	106200	429
Exhibit 6032 IFS AFR	105512	289	Pose 6030	101456	433
Exhibit 6032 IFS	105520	290	Pose 6030 IF	106198	433
Exhibit 6032 IFS AFR DTF	105548	293	Pose 6032 - Corner left	106202	438
Exhibit 6032 IFS DTF	105549	294	Pose 6032 - Corner right	106203	439
Exhibit 6036	106170	297	Pose 6032	101457	443
Exhibit 6036 IF	106171	300	Pose 6032 IF	106201	443
Exhibit 6036 IF DTF	106227	304	Pose 6632 - Corner left	106205	447
Exhibit 6036 IFS	106172	307	Pose 6632 - Corner right	106206	448
Exhibit 6036 IFS AFR	106173	308	Pose 6632	101458	452
Exhibit 6036 IFS DTF	106228	311	Pose 6632 IF	106204	452
Exhibit 6036 IFS AFR DTF	106229	312	Pose 6636 - Corner left	106208	456
Exhibit 6042	106250	315	Pose 6636 - Corner right	106209	457
Exhibit 6042 IF	106174	318	Pose 6636	101459	460
Exhibit 6042 IF DTF	106230	322	Pose 6636 IF	106207	460
Exhibit 6042 IFS	106175	326	Pose 7236 - Corner left	106211	464
Exhibit 6042 IFS AFR	106176	327	Pose 7236 - Corner right	106212	465
Exhibit 6042 IFS DTF	106231	330	Pose 7236	101460	468
Exhibit 6042 IFS AFR DTF	106232	331	Pose 7236 IF	106210	468
Exhibit 6632 IF	106220	334	Pose 7242 - Corner left	106214	472
Exhibit 6632 IF DTF	106233	338	Pose 7242 - Corner right	106215	473
Exhibit 6632 IFS	106221	342	Pose 7242	101461	477
Exhibit 6632 IFS AFR	106222	343	Pose 7242 IF	106213	477
Exhibit 6632 IFS DTF	106234	346	Rubix 6030	105815	481
Exhibit 6632 IFS AFR DTF	106235	347	Rubix 6030 AFR	105816	481
Exhibit 6634	106219	350	Rubix 6030 DTF	105817	484
Exhibit 6636	106177	353	Rubix 6030 AFR DTF	105818	484

Rubix 6032 AFR	105704	487
Rubix 6032	105705	487
Rubix 6032 DTF	105819	490
Rubix 6032 AFR DTF	105820	490
Rubix 6632 AFR	105734	493
Rubix 6632	105735	493
Rubix Access 6030	106348	496
Rubix Access 6030 AFR	106349	496
Talisman	100106	499
Temple	100027	503
Vichy 6032 IFS	102941	507

● **RECTANGULAR BATHTUBS - ACRYLX**

Mackenzie 6030 AFR	106664	511
Mackenzie 6030	106665	511
Mackenzie 6032 AFR	106668	514
Mackenzie 6032	106669	514
Mackenzie Corner 6030	106811	517
Mackenzie Corner 6030 AFR	106812	517
Mackenzie Corner 6032	106813	520
Mackenzie Corner 6032 AFR	106814	520
Mackenzie Corner Access 6030	106815	523
Mackenzie Corner Access 6030 AFR	106816	523
TOF-3060	145008	526
TOF-3060 AFR	145009	526
TOF-3260	145014	528
TOF-3260 AFR	145015	528

MEDICINE CABINETS AND SINKS 531

● **BI-VIEW**

Element Bi-View	124901	531
BV2430	126528	531
BV3030	126529	531
BV3630	126530	532

● **SINGLE VIEW**

SV1830	124903	534
SV1636	124905	534
Element Single View	126521	534
SV1530	126522	535
SV2030	126524	535
SV2430	126526	535
Element Single View with Design	126548	537
SVD2436	126549	537

● **SINKS**

Evia	100898	539
------	--------	-----

● **TRI-VIEW**

Element Tri-View	126531	541
TV3631	126532	541
TV4831	126533	541

SHOWER BASES 545

● **ALCOVE BASES - ACRYLIC**

Rectangular Base 4234 - 3 in	102001	545
Rectangular Base 4236 - 3 in	105718	547
Rectangular Base 4832 - 3 in	101433	549

Rectangular Base 4834 - 3 in	102002	551
Rectangular Base 4836 - 3 in	105717	553
Rectangular Base 6030 - 3 in	105707	555
Rectangular Base 6032 - 3 in	105706	557
Rectangular Base 6034 - 3 in	102003	559
Rectangular Base 6036 - 3 in	105664	561
Rectangular Base 6036 - R/L Drain - 3 in	105666	561
Rectangular Base 6042 - 3 in	105716	563
Square Base 32 - Alcove - 3 in	105663	565
Square Base 36 - Alcove - 3 in	101430	567
Square Base 42 - Alcove - 3 in	105714	569

● **ALCOVE BASES - ACRYLX**

SPL 3232	145020	571
SPL 3232 AFR	145021	571
SPL 3636	145026	573
SPL 3636 AFR	145027	573
SPS 3060	145038	575
SPS 3060 AFR	145039	575
SPS 3448	145032	577
SPS 3448 AFR	145033	577
SPS 3460	145044	579
SPS 3460 AFR	145045	579

● **CONFIGURABLE SHOWER BASES**

B3Round 3636	410000	581
B3Round 4236	410034	583
B3Round 4832	410001	585
B3Round 4834	410002	587
B3Round 4836	410003	589
B3Round 4842	410043	591
B3Round 6030	410004	593
B3Round 6032	410005	595
B3Round 6034	410035	597
B3Round 6036	410006	599
B3Round 6042	410036	602
B3Square 3636	420000	604
B3Square 4236	420034	607
B3Square 4832	420001	610
B3Square 4834	420002	613
B3Square 4836	420003	616
B3Square 4842	420043	619
B3Square 6030	420004	622
B3Square 6032	420005	625
B3Square 6034	420035	628
B3Square 6036	420006	631
B3Square 6042	420036	634
B3Square 7236	420042	637
B3X 3636 - Alcove	420020	640
B3X 3636 - Corner	420021	643
B3X 4236 - Alcove	420039	646
B3X 4236 - Corner	420040	649
	420041	649
B3X 4836 - Alcove	420030	652
B3X 4836 - Corner	420028	655
	420029	655

B3X 6032 - Alcove	420022.....	658
.....	420023.....	658
B3X 6032 - Corner	420024.....	661
.....	420025.....	661
B3X 6036 - Alcove	420031.....	664
B3X 6036 - Corner	420032.....	667
.....	420033.....	667

● **CORNER BASES - ACRYLIC**

Neo-angle Base 36 - 3 in	101422.....	670
Neo-angle Base 38 - 3 in	101423.....	672
Neo-angle Base 40 - 3 in	101424.....	674
Neo-angle Base 42 - 3 in	101425.....	676
Neo-round Base 32 - 3 in	101426.....	678
Neo-round Base 36 - 3 in	101427.....	680
Neo-round Base 40 - 3 in	101428.....	682
Rectangular Base 6036 - Corner L/R - 3 in.	105594.....	684
Round Base 36 - 3 in	101429.....	686
Square Base 32 - Corner - 3 in	101431.....	688
Square Base 36 - Corner - 3 in	101432.....	690

● **SHOWER BASES - NATURAL STONE**

Fossil 6036 Base	106881.....	692
------------------------	-------------	-----

SHOWER DOORS **695**

● **ALCOVE DOORS - BYPASS**

Duel Alto Shower Doors	136955.....	695
.....	136956.....	695

● **ALCOVE DOORS - BYPASS**

Kameleon SC Shower Doors - 6 mm	134662.....	701
.....	134663.....	704
.....	134664.....	701
.....	134665.....	698
Kameleon SC Shower Doors - 8 mm	134674.....	707
.....	134675.....	707
Kameleon Shower Doors - 6 mm	134562.....	713
.....	134563.....	710
.....	134564.....	713
.....	134565.....	710
Kameleon Shower Doors - 8 mm	134571.....	715
.....	134572.....	715

● **ALCOVE DOORS - BYPASS**

Inverto Shower Doors	138762.....	718
Incognito 70 Shower Doors - 6 mm	139349.....	719
.....	139350.....	719
Incognito 70 Shower Doors - 8 mm	139352.....	721
.....	139353.....	721
Incognito 74 Shower Doors - 8 mm	138520.....	723
.....	138521.....	723
Incognito 76 Shaker Shower Doors	135331.....	725
.....	135332.....	725
Incognito 76 Shower Doors - 8 mm	135334.....	727
.....	135335.....	727
Incognito 76 Smoke Shower Doors	136335.....	729

Polar Shower Doors	105412.....	731
.....	105413.....	731
Revelation Round Shower Doors - 6 mm	136690.....	733
.....	136691.....	733
Revelation Round Shower Doors - 8 mm	136693.....	735
.....	136694.....	735
Revelation Square Shower Doors - 6 mm	135690.....	737
.....	135691.....	737
Revelation Square Shower Doors - 8 mm	135693.....	739
.....	135694.....	739
Uptown Shower Doors	135321.....	741
Uptown Bypass Shower Doors	135322.....	741

● **ALCOVE DOORS - PIVOT**

Capella Shower Doors	139584.....	743
.....	139586.....	743
.....	139587.....	743
ModulR 2 Shower Doors	137933.....	745
.....	137935.....	745
.....	137937.....	745
ModulR Alcove Shower Doors	137832.....	748
.....	137833.....	748
.....	137835.....	748
.....	137836.....	748
ModulR Wall-Mounted Shower Doors	137863.....	751
.....	137864.....	751
.....	137865.....	751
.....	137873.....	751
.....	137874.....	752

● **ALCOVE DOORS - PIVOT**

Madono Shower Doors	105416.....	754
.....	105417.....	754
.....	105418.....	754
.....	105420.....	754
Manhattan 1 Panel Shower Doors	138260.....	756
.....	138261.....	756
.....	138262.....	757
.....	138263.....	757
.....	138264.....	757
.....	138265.....	757
Manhattan 2 Panel Shower Doors	138266.....	760
.....	138267.....	760
.....	138268.....	761
.....	138269.....	761
.....	138270.....	761
.....	138271.....	761
.....	138272.....	762
.....	138273.....	762
.....	138274.....	762
.....	138275.....	762
.....	138276.....	763
.....	138277.....	763
Pivolok Deluxe Shower Doors	136435.....	765
Pivolok Shower Doors	136605.....	766
.....	136615.....	766

Pivlok Shower Doors	136625	766
	136626	766
	136635	767
	136645	767
	136655	767
	136656	767
Polar Shower Doors	136730	769
	136731	769
	136732	769
	136733	769
Reveal 71 Shower Doors	136671	771
	136672	771
	136676	771
	136677	772
	136679	772
	136883	772
Reveal Sleek 71 Shower Doors	139575	774
	139576	774
	139577	774
	139578	775
	139579	775
	139580	775
Uptown Pivot Shower Doors	135325	777
	135326	777
● ALCOVE DOORS - SLIDING		
Nebula Shower Doors	135870	779
	135875	779
Vela Shower Doors	138460	781
	138470	781
Vela Shower Doors with Towel Bar	138465	784
	138475	784
● ALCOVE DOORS - SLIDING		
Connect Pro Shower Doors	135235	787
	135236	787
	135237	787
	135238	787
Halo Pro GS Shower Doors	138540	790
	138541	790
Halo Pro Shower Doors	138950	792
	138952	792
Halo Pro TB Shower Doors	138954	794
	138956	794
● ALCOVE DOORS - SLIDING		
Halo Shower Doors	138996	796
	138997	796
Luminescence Shower Doors	138992	798
	138993	798
Odyssey SC Shower Doors	137420	800
	137421	800
Uptown Slider Shower Doors	135323	802
	135324	802

● CORNER DOORS - PIVOT

ModulR Corner Shower Doors	137856	804
	137857	804
	137858	804
	137859	804
	137869	805
	137870	805

● CORNER DOORS - PIVOT

Link Curve Neo-angle	137280	807
	137281	807
Link Curve Rectangular	133302	809
Link Neo-angle	136315	811
	136321	811
Link Rectangular	136330	813

● CORNER DOORS - PIVOT

Silhouette Neo-angle	137901	815
	137904	815
Silhouette Plus Neo-angle	137710	817
	137720	817
	137730	817
	137750	817

● CORNER DOORS - SLIDING

Halo Round	139399L	819
	139399R	819
Radia Neo-angle	137440	821
	137441	821
	137442	821
Radia Neo-round	137443	823
	137444	823
	137445	823
	137449	824
Radia Round	137446	826
Radia Square	137447	828
	137448	828
	137451	828

● RETURN PANELS

Capella Return Panels	139588	830
	139590	830
Duel Alto Return Panels	139953	832
	139954	832
Nebula Return Panel	135865	834

● RETURN PANELS

Connect Pro Return Panels	135239	836
	135240	836
Halo Pro GS Return Panels	136542	838
	136543	838

● RETURN PANELS

Halo Return Panels	139393	840
	139394	840
	139395	840
	139396	841
Reveal 71 Return Panels	136673	842

Reveal 71 Return Panels	136674.....	842
.....	136675.....	842
Reveal Sleek 71 Return Panels	139581.....	844
.....	139582.....	844
.....	139583.....	844
Uptown Return Panels	135327.....	846
.....	135328.....	846

● **RETURN PANELS**

Halo Return Panels	139998.....	848
Incognito 76 Return Panels	136560.....	850
.....	136561.....	850

● **SCREENS**

Edge Duo Shower Screen	137504.....	852
------------------------------	-------------	-----

SHOWERS **855**

● **ALCOVE SHOWERS - ACRYLIC**

Stamina 48-I (1-piece)	101139.....	855
Stamina 48-I (3-piece)	101139S.....	855
Stamina 48-II (1-piece)	101140.....	858
Stamina 48-II (2-piece)	101140S.....	858
Stamina 60-I (1-piece)	101141.....	861
Stamina 60-I (3-piece)	101141S.....	861
Stamina 60-II (1-piece)	101142.....	864
Stamina 60-II (2-piece)	101142S.....	864

● **ALCOVE SHOWERS - ACRYLIC**

60NHS (1-piece)	105083.....	867
Allia SH-3636 (1-piece)	107007.....	870
Allia SH-3636 (2-piece)	107007S.....	870
Allia SH-4834 (1-piece)	107005.....	874
Allia SH-4834 (2-piece)	107005S.....	874
Allia SH-6034 (1-piece)	107003.....	879
Allia SH-6034 (2-piece)	107003S.....	879
Allia SHR-3636 1-piece	107006.....	885
Allia SHR-3636 (3-piece)	107006S.....	885
Allia SHR-4834 (1-piece)	107004.....	889
Allia SHR-4834 (3-piece)	107004S.....	889
Allia SHR-6034 (1-piece)	107002.....	894
Allia SHR-6034 (3-piece)	107002S.....	894

● **ALCOVE SHOWERS - ACRYLX**

Biarritz 40	100959.....	899
Biarritz 80	100971.....	901
Biarritz 85	100973.....	903
Carlton I	100961.....	905
Icon SH 4834	107426.....	907
Icon SH 4834X AFR	107427.....	909
KDS 3060	145036.....	911
KDS 3060 AFR	145037.....	911
KDS 3232	145018.....	914
KDS 3232 AFR	145019.....	914
KDS 3448	145030.....	917
KDS 3448 AFR	145031.....	917
KDS 3460	145042.....	920
KDS 3460 AFR	145043.....	920

KDS 3636	145024.....	923
KDS 3636 AFR	145025.....	923
SS32	140085.....	926
SS3260	107106.....	928
SS3648 R/L	140087.....	931
SS3660	140088.....	933
SS3660 R/L	102676.....	935
SST3648	140546.....	937
SST3660	140093.....	939
US36	102613.....	941

● **CORNER SHOWERS - ACRYLIC**

Freestyle 37 Neo-angle (1-Piece)	102994.....	943
Freestyle 37 Neo-angle (2-piece)	102994S.....	943
Freestyle 37 Neo-round (1-piece)	102995.....	946
Freestyle 37 Neo-round (2-piece)	102995S.....	946
Freestyle 37 Round (1-piece)	102996.....	949
Freestyle 37 Round (2-piece)	102996S.....	949
Freestyle 40 Neo-angle (1-piece)	102997.....	952
Freestyle 40 Neo-angle (2-piece)	102997S.....	952
Freestyle 40 Neo-round (1-piece)	102998.....	955
Freestyle 40 Neo-round (2-piece)	102998S.....	955
Freestyle 40 Round (1-piece)	102999.....	958
Freestyle 40 Round (2-piece)	102999S.....	958

● **CORNER SHOWERS - ACRYLIC**

Brio II	102498.....	961
Novello II	102492.....	963

● **CORNER SHOWERS - ACRYLX**

CSS36	140007.....	965
CSS40	140009.....	967
Galaxie II	105222.....	969
Imperial II	105219.....	971
SECCSS36	140079.....	973

TUB DOORS **976**

● **SCREENS**

Edge Access Tub Screen	137600.....	976
Edge Duo Tub Screen	137502.....	978
Edge Square Tub Screen	137501.....	980
Edge Tub Screen	137500.....	982

● **TUB DOORS - BYPASS**

Kameleon SC Tub Door - 8 mm	134670.....	984
Kameleon SC Tub Doors - 6 mm	134660.....	987
.....	134661.....	989
Kameleon Tub Door - 8 mm	134573.....	992
Kameleon Tub Doors - 6 mm	134560.....	998
.....	134561.....	995

● **TUB DOORS - BYPASS**

Incognito 57 Shaker Tub Door	135330.....	1000
Incognito 57 Tub Door - 6 mm	139351.....	1002
Incognito 57 Tub Doors - 8 mm	138522.....	1004
.....	139354.....	1006
Polar Tub Door	105410.....	1008
Revelation Round Tub Door - 6 mm	136692.....	1010

Revelation Round Tub Door - 8 mm	136695	1012
Revelation Square Tub Door - 6 mm	135692	1014
Revelation Square Tub Door - 8 mm	135695	1016
Uptown Bypass Tub Door	135320	1018

● **TUB DOORS - SLIDING**

Vela Tub Door	138480	1020
Vela Tub Door with Towel Bar	138485	1022

● **TUB DOORS - SLIDING**

Halo Tub Door	139398	1024
Luminescence Tub Door	138994	1026

TUB SHOWERS **1029**

● **TUB SHOWERS - ACRYLIC**

Allia Access TS-6032 (1-Piece)	107009	1029
Allia Access TS-6032 (2-Piece)	107009S	1029
Allia Access TSR-6032 (1-Piece)	107008	1034
Allia Access TSR-6032 (3-Piece)	107008S	1034
Allia TS-6032 (1-piece)	107001	1039
Allia TS-6032 (2-piece)	107001S	1039
Allia TSR-6032 (1-piece)	107000	1045
Allia TSR-6032 (3-piece)	107000S	1045

● **TUB SHOWERS - ACRYLX**

BG6034C	140001	1051
Icon TS6032	107157	1054
Icon TS6032X AFR	107164	1054
KDTS 3060	145006	1056
KDTS 3060 AFR	145007	1056
KDTS 3260	145012	1059
KDTS 3260 AFR	145013	1059
TSEA Plus	105674	1062
TSEA62	140100	1065
TSEA72	140103	1068
TSO6042	140105	1071
TSTEA Plus	105930	1074

WALLS **1078**

● **ACRYLIC WALLS**

Back wall - 32x72 in.	105068	1078
Back wall - 36x72 in.	105069	1078
Back wall - 42x72 in.	105070	1078
Back wall - 48x72 in.	105071	1078
Back wall - 60x72 in.	105072	1079
Wall set (2 walls) 30x72 in.	105062	1081
Wall set (2 walls) 32x72 in.	105063	1081
Wall set (2 walls) 36x72 in.	105064	1081
Wall set (2 walls) 38x72 in.	105065	1081
Wall set (2 walls) 40x72 in.	105066	1082
Wall set (2 walls) 42x72 in.	105067	1082

● **DENSO**

Denso 36 in. Wall Kit - Modern Subway	107223	1084
Denso 42 in. Wall Kit - Modern Subway	107224	1084
Denso 36 in. Wall Kit - Traditional Subway	107227	1086
Denso 42 in. Wall Kit - Traditional Subway	107228	1086
Denso 50 in. Back Wall - Modern Subway	107226	1088

Denso 50 in. Back Wall - Traditional Subway	107230	1088
Denso 62 in. Back Wall - Modern Subway	107225	1090
Denso 62 in. Back Wall - Traditional Subway	107229	1090

● **NEXTILE**

NexTile 4-piece Tub Wall Set	106542	1092
Nextile 6032	107352	1094

● **UTILE**

Single Back Walls	103416	1095
.....	103421	1095
.....	103422	1096
Single Side Walls	103415	1099
.....	103419	1099
Wall Kits - Alcove Shower	107459	1102
.....	107460	1102
.....	107463	1103
.....	107464	1103
.....	107479	1104
Wall Kits - Corner Shower	103388	1107
.....	107461	1107
.....	107462	1108
.....	107465	1108
.....	107466	1108
Wall Kits - Tub	103418	1112
.....	103424	1112

● **VERSALINE**

Wall Kits - Alcove Shower - Subway	107180	1116
.....	107182	1116
Wall Kits - Alcove Shower - Vertical	107181	1117
.....	107183	1117

Barrier Free



6036BF OBC with Grab Bars



Outlook Base 4836

ALCOVE BASES - ACRYLX



Material : AcrylX

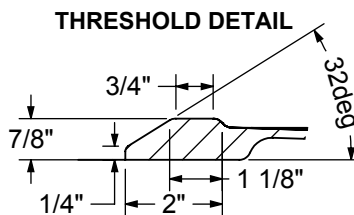
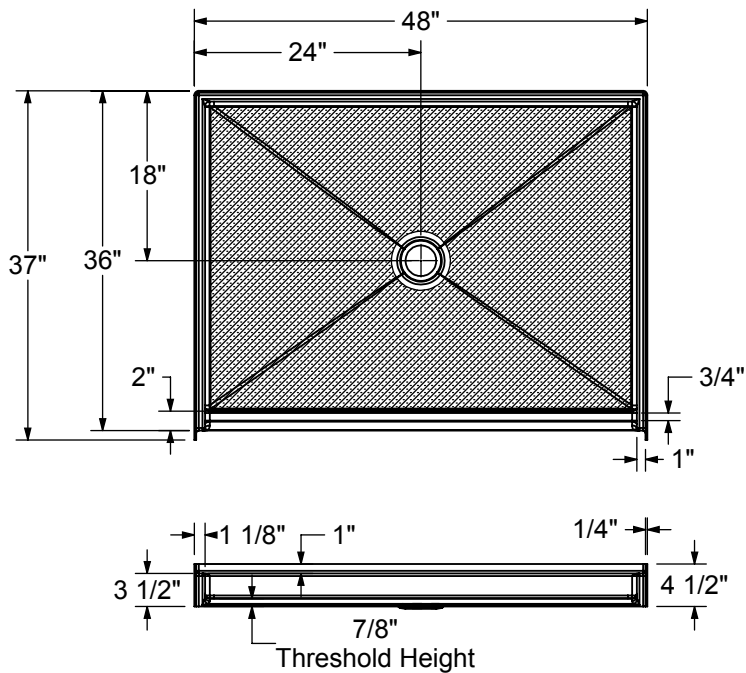
Features

- > AcrylX base with round drain
- > Barrier free threshold
- > Integrated textured bottom
- > Center drain

OUTLOOK 4836 - 106687				
SKU	Color	Configuration	Dimensions & Weight	MSRP
106687-000-002-000	White	Center / Alcove	37" x 48" x 4 1/2" / 56 lb / 25 kg	\$ 1790

OUTLOOK BASE 4836

37" X 48" X 7/8"



All dimensions are approximate. Structure measurements must be verified against the unit to ensure proper fit.



Outlook Base 6030 C

ALCOVE BASES - ACRYLX



Material : AcrylX

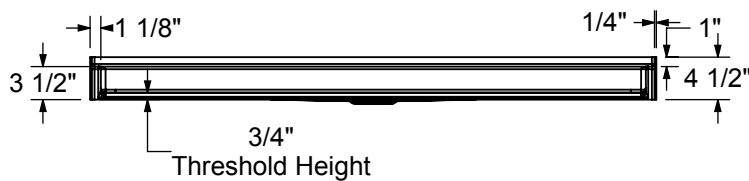
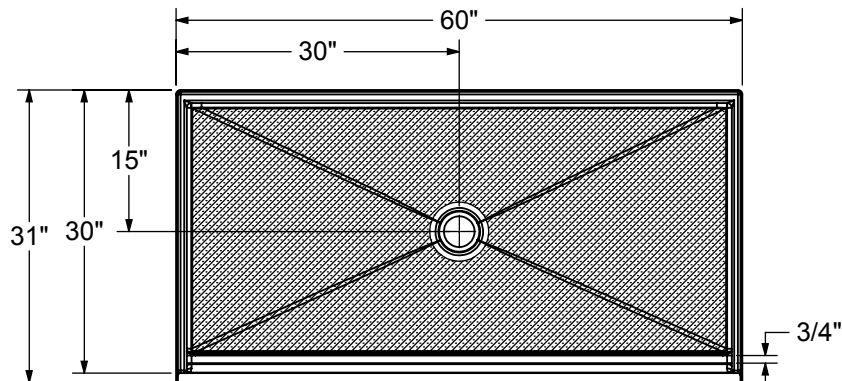
Features

- > AcrylX base with round drain
- > Barrier free threshold
- > Integrated textured bottom
- > Center drain

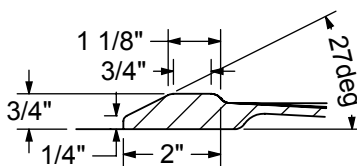
OUTLOOK 6030 C - 106630				
SKU	Color	Configuration	Dimensions & Weight	MSRP
106630-000-002-000	White	Center / Alcove	31" x 60" x 4 1/4" / 56 lb / 25 kg	\$ 1790

OUTLOOK BASE 6030 C

31" X 60" X 3/4"



THRESHOLD DETAIL



All dimensions are approximate. Structure measurements must be verified against the unit to ensure proper fit.



Outlook Base 6030 L/R

ALCOVE BASES - ACRYLX



Material : AcrylX

Features

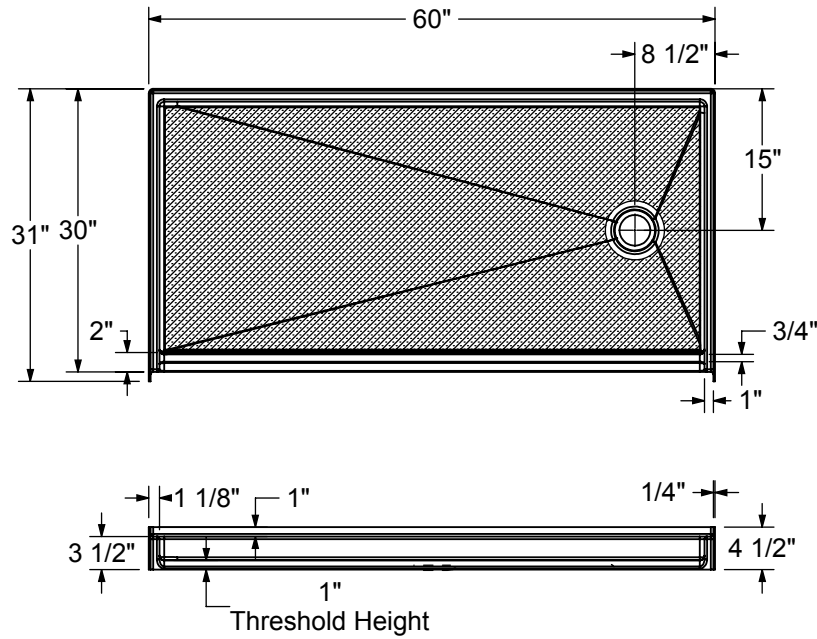
- › AcrylX base with round drain
- › Barrier free threshold
- › Integrated textured bottom
- › Left/Right handed drain

OUTLOOK 6030 L/R - 106856				
SKU	Color	Configuration	Dimensions & Weight	MSRP
106856-000-002-001	White	Left / Alcove	31" x 60" x 4 1/2" / 56 lb / 25 kg	\$ 1790
106856-000-002-002		Right / Alcove		\$ 1790

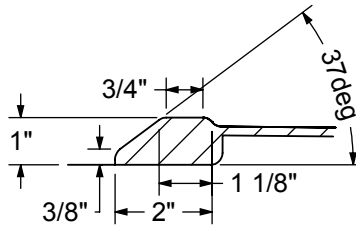
OUTLOOK BASE 6030 L/R

31" X 60" X 1"

Righth drain model shown / Left drain model symmetrical



THRESHOLD DETAIL



All dimensions are approximate. Structure measurements must be verified against the unit to ensure proper fit.



Outlook Base 6036

ALCOVE BASES - ACRYLX



Material : AcrylX

Features

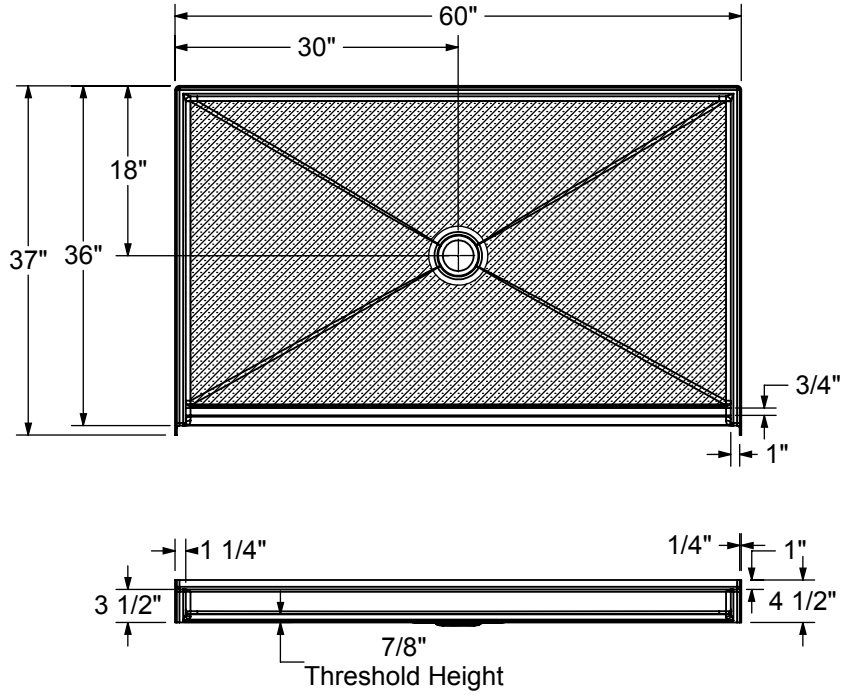
- > AcrylX base with round drain
- > Barrier free threshold
- > Integrated textured bottom
- > Center drain

OUTLOOK 6036 - 106631

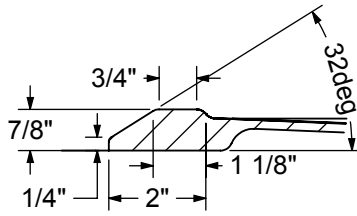
SKU	Color	Configuration	Dimensions & Weight	MSRP
106631-000-002-000	White	Center / Alcove	37" x 60" x 4 1/2" / 63 lb / 29 kg	\$ 1933

OUTLOOK BASE 6036

37" X 60" X 7/8"



THRESHOLD DÉTAIL



All dimensions are approximate. Structure measurements must be verified against the unit to ensure proper fit.



Outlook Base 6238

ALCOVE BASES - ACRYLX



Material : AcrylX

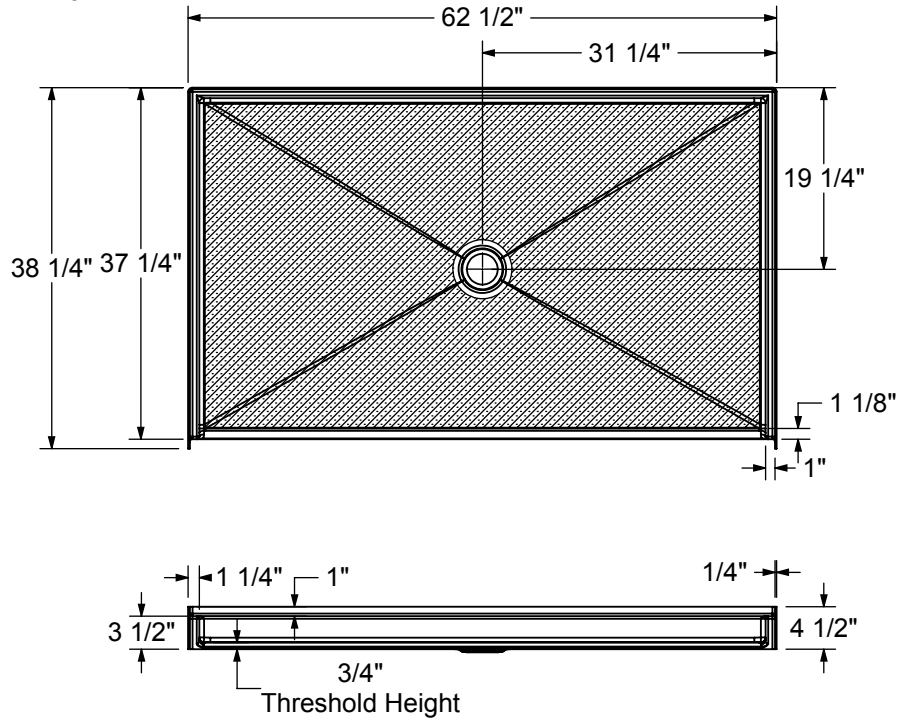
Features

- > AcrylX base with round drain
- > Barrier free threshold
- > Integrated textured bottom
- > Center drain
- > CSA compliant

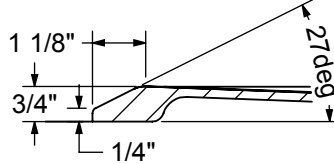
OUTLOOK 6238 - 106857				
SKU	Color	Configuration	Dimensions & Weight	MSRP
106857-000-002-000	White	Center / Alcove	38 1/4" x 62 1/2" x 4 1/2" / 70 lb / 32 kg	\$ 2015

OUTLOOK BASE 6238

38 1/4" X 62 1/2" X 3/4"



THRESHOLD DETAIL



All dimensions are approximate. Structure measurements must be verified against the unit to ensure proper fit.

BF3660



ALCOVE SHOWERS - ACRYLIC



Material : Acrylic
Features

- > One-piece roll-in shower with roofcap
- > Configurable to be compliant with major accessibility codes when properly installed
- > Center drain
- > Textured bottom
- > 1 inch skirt and no interior threshold

BF3660 - BASE MODEL - 106800

SKU	Color	Configuration	Dimensions & Weight	Packaging	MSRP
106800-000-001-000	White	Center	66" x 36 1/4" x 83 1/2" / 225 lb / 102 kg	119 ft ³	\$ 3114

BF3660 - OBC GRAB BAR - 106801

SKU	Color	Configuration	Dimensions & Weight	Packaging	MSRP
106801-000-001-001	White	Center	66" x 36 1/4" x 83 1/2" / 225 lb / 102 kg	119 ft ³	\$ 4030
106801-000-001-002					\$ 4030

BF3660 - OBC COMPLIANT - 106802

SKU	Color	Configuration	Dimensions & Weight	Packaging	MSRP
106802-000-001-100	White	Center	66" x 36 1/4" x 83 1/2" / 225 lb / 102 kg	119 ft ³	\$ 4806
106802-000-001-101					\$ 4806

BF3660 - CSA GRAB BAR - 106803

SKU	Color	Configuration	Dimensions & Weight	Packaging	MSRP
106803-000-001-001	White	Center	66" x 36 1/4" x 83 1/2" / 225 lb / 102 kg	119 ft ³	\$ 4410
106803-000-001-002					\$ 4410

BF3660 - CSA COMPLIANT - 106804

SKU	Color	Configuration	Dimensions & Weight	Packaging	MSRP
106804-000-001-001	White	Center	66" x 36 1/4" x 83 1/2" / 225 lb / 102 kg	119 ft ³	\$ 5145
106804-000-001-002					\$ 5145

BF3660 - OBC COMPLIANT WITH PHENOLIC SEAT - 107010

SKU	Color	Configuration	Dimensions & Weight	Packaging	MSRP
107010-000-001-001	White	Center	66" x 36 1/4" x 83 1/2" / 225 lb / 102 kg	119 ft ³	\$ 4806
107010-000-001-002					\$ 4806

BF3660 - CSA COMPLIANT WITH PHENOLIC SEAT - 107011

SKU	Color	Configuration	Dimensions & Weight	Packaging	MSRP
107011-000-001-001	White	Center	66" x 36 1/4" x 83 1/2" / 225 lb / 102 kg	119 ft ³	\$ 5145
107011-000-001-002					\$ 5145

ACCESSORIES

SKU	Description	MSRP
1000012-084	Built-in soap dish	\$ 315
1000012-001	Available colours: White (001) and Chrome (084)	\$ 315
1000064	Solid Brass drain with Stainless Steel grid. Quick caulk seal fits a 2 in. schedule 40 steel or plastic pipe.	\$ 83
10020633-002	72 in. White vinyl shower curtain with Stainless Steel hooks (sold separately) ⁴⁷	\$ 303

FOOTNOTES

No	Description
47	The curtain clearance from the floor is 3 in.

Outlook BFS-36F



ALCOVE SHOWERS - ACRYLX



Material : AcrylX

Features

- > 1-piece shower without roof cap
- > Fully reinforced for customized placement of grab bars and seat
- > Integrated textured bottom, easy access design, centre drain

OUTLOOK BFS-36F - 105087

SKU	Color	Configuration	Dimensions & Weight	Packaging	MSRP
105087-000-002-108	White	Center	78 3/4" x 39 1/2" x 38 3/4" / 162 lb / 73 kg	75 ft ³	\$ 2203

COMMON OPTIONS

SKU	Description	MSRP
OPT20037	32 in. L-Shaped fold-up seat (specify left or right) OPT20037-L-XXX For left-hand installation OPT20037-R-XXX For right-hand installation Available finishes: Naugahyde (381) and Phenolic (382)	\$ 1401
OPT20041	Rectangular Fold-up seat (specify left or right) ⁴²⁴⁴⁴⁵ OPT 20041-R-XXX for Right-hand installation OPT 20041-L-XXX for Left-hand installation Available finishes: Naugahyde (381) and Phenolic (382)	\$ 1375
OPT20061	Chrome fixture kit for shower including: - Pressure balance mixing valve* - 1-function hand held shower - 24 in. slide bar (factory installed) with 60 in. hose - Vacuum breaker and connector* *Holes drilled not factory installed. Fixture is located on back wall. Specify left or right side.	\$ 1271
OPT20062	Chrome fixture kit for shower including: - Pressure balance mixing valve* - 1-function hand held shower - 36 in. slide bar (factory installed) with 60 in. hose - Vacuum breaker and connector* *Holes drilled not factory installed. Fixture is located on back wall. Specify left or right side.	\$ 1309

COMMON OPTIONS

SKU	Description	MSRP
OPT20081	Full Accessibility option ⁴² Please specify finishes/colours and seat positioning when ordering - L-shaped fold up seat (left or right): Naugahyde (381) and Phenolic (382) - Horizontal L-shaped grab bar: Stainless Steel (106) - 36 in. curtain rod with installation kit. Stainless Steel (106) - 36 in. White vinyl shower curtain with Stainless Steel hooks - Solid Brass drain with Stainless Steel grid	\$ 1672
OPT20082	Full accessibility with horizontal grab bar option ⁴² Please specify finishes/colours and seat positioning when ordering - L-shaped fold up seat (left or right): Naugahyde (381) and Phenolic (382) - 18 in. straight grab bar: Stainless Steel (106) - Horizontal L-shaped grab bar: Stainless Steel (106) - 48 in. curtain rod with installation kit. Stainless Steel (106) - 48 in. White vinyl shower curtain with Stainless Steel hooks - Solid Brass drain with Stainless Steel grid	\$ 1821
OPT20055-106	36 in. curtain rod with installation kit Available color: Stainless Steel (106)	\$ 178
OPT20059-L-001	Recessed soap dish (Drilled, not installed) OPT 20059-L-XXX Left-hand installation Available colour: White (001)	\$ 315
OPT20059-L-084	Recessed soap dish (Drilled, not installed) OPT 20059-L-XXX Left-hand installation Available colour: Chrome (084)	\$ 315
OPT20059-R-001	Recessed soap dish (Drilled, not installed) OPT 20059-R-XXX for Right-hand installation Available colour: White (001)	\$ 315
OPT20059-R-084	Recessed soap dish (Drilled, not installed) OPT 20059-R-XXX for Right-hand installation Available colour: Chrome (084)	\$ 315
OPT20032	Horizontal L-shaped grab bar with textured finish ⁴²⁴⁴ Available colors: Stainless Steel (106)	\$ 546
OPT20035	18 in. Straight grab bar with textured finish Available colors: White (001) and Stainless Steel (106)	\$ 433

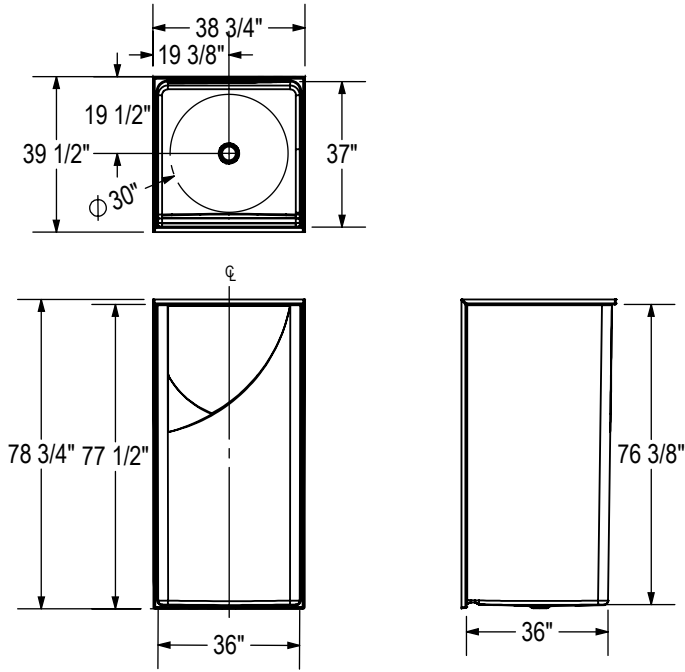
ACCESSORIES

SKU	Description	MSRP
1000012-084	Built-in soap dish	\$ 315
1000012-001	Available colours: White (001) and Chrome (084)	\$ 315
10000064	Solid Brass drain with Stainless Steel grid. Quick caulk seal fits a 2 in. schedule 40 steel or plastic pipe.	\$ 83
10020633-002	72 in. White vinyl shower curtain with Stainless Steel hooks (sold separately) ⁴⁷	\$ 303

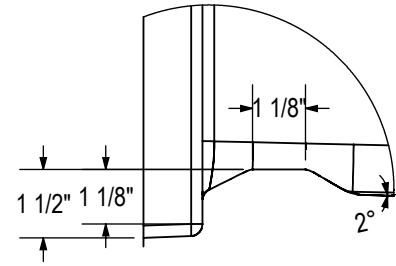
FOOTNOTES

No	Description
42	Unless otherwise specified, left or right-hand seat determines grab bars and options positioning. Note that left-hand seat inverses grab bars positioning.
44	Optional grab bars and seats can be customized on a base model only. For kitted versions, positioning of the grab bars and seats are pre-determined.
45	Maximum one seat per unit. Please refer to the model description.
47	The curtain clearance from the floor is 3 in.

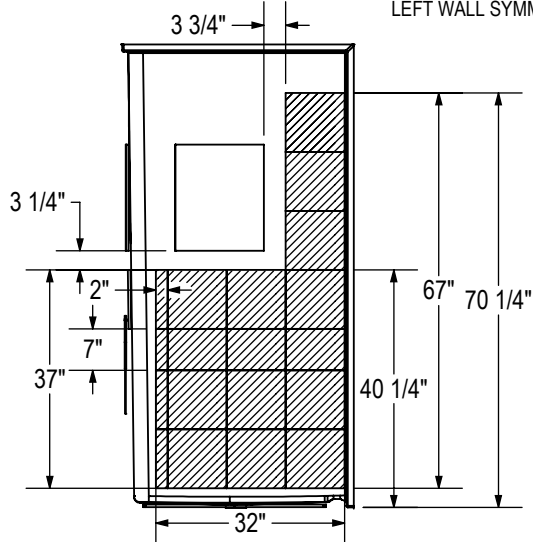
BASE MODEL



THRESHOLD DETAIL

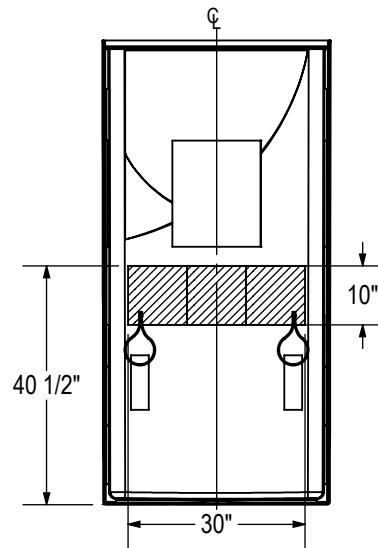


REINFORCEMENT BACKING



RIGHT WALL SHOWN
LEFT WALL SYMMETRICAL

BACK WALL



All dimensions are approximate. Structure measurements must be verified against the unit to ensure proper fit.

Outlook BFS-48F



Material : AcrylX

Features

- > 1-piece shower without roof cap
- > Fully reinforced for customized placement of grab bars and seat
- > Integrated textured bottom, easy access design, center drain

ALCOVE SHOWERS - ACRYLX

OUTLOOK BFS-48F - 105088

SKU	Color	Configuration	Dimensions & Weight	Packaging	MSRP
105088-000-002-105	White	Center	78 3/4" x 39 1/2" x 50 3/4" / 186 lb / 84 kg	97 ft ³	\$ 2399

COMMON OPTIONS

SKU	Description	MSRP
OPT20037	32 in. L-Shaped fold-up seat (specify left or right) OPT20037-L-XXX For left-hand installation OPT20037-R-XXX For right-hand installation Available finishes: Naugahyde (381) and Phenolic (382)	\$ 1401
OPT20041	Rectangular Fold-up seat (specify left or right) ⁴²⁴⁴⁴⁵ OPT 20041-R-XXX for Right-hand installation OPT 20041-L-XXX for Left-hand installation Available finishes: Naugahyde (381) and Phenolic (382)	\$ 1375
OPT20061	Chrome fixture kit for shower including: - Pressure balance mixing valve* - 1-function hand held shower - 24 in. slide bar (factory installed) with 60 in. hose - Vacuum breaker and connector* *Holes drilled not factory installed. Fixture is located on back wall. Specify left or right side.	\$ 1271
OPT20062	Chrome fixture kit for shower including: - Pressure balance mixing valve* - 1-function hand held shower - 36 in. slide bar (factory installed) with 60 in. hose - Vacuum breaker and connector* *Holes drilled not factory installed. Fixture is located on back wall. Specify left or right side.	\$ 1309

COMMON OPTIONS

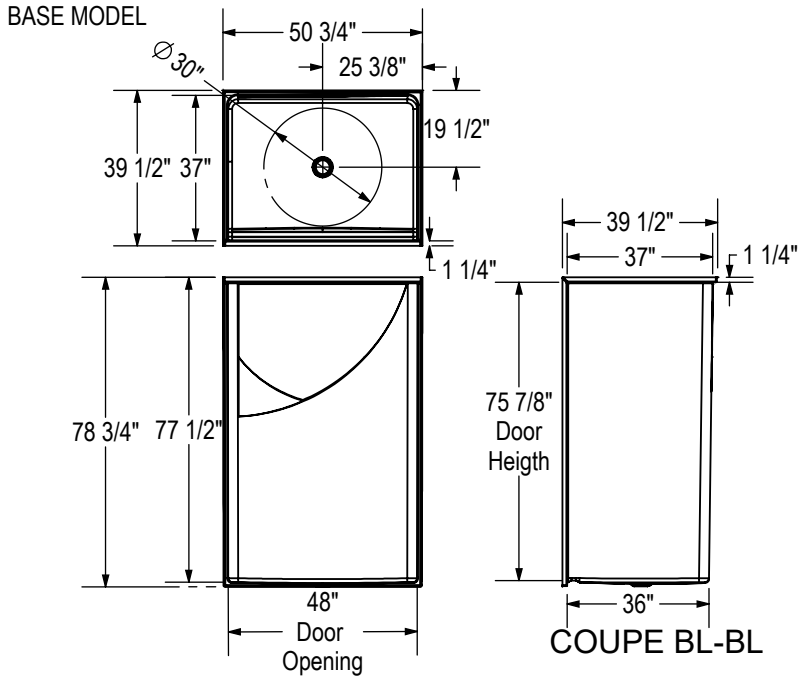
SKU	Description	MSRP
OPT20084	ADA compliant option ⁴² Please specify finishes/colors and seat positioning when ordering - L-shaped fold up seat (left or right): Naugahyde (381) and Phenolic (382) - 18 in. straight grab bar: White (001) and Stainless Steel (106) - 30 in. straight grab bar: White (001) and Stainless Steel (106) - 48 in. curtain rod with installation kit. Stainless Steel (106) - 48 in. White vinyl shower curtain with Stainless Steel hooks - Solid Brass drain with Stainless Steel grid	\$ 1850
OPT20085	ANSI A117.1-2003 compliant option ⁴² Please specify finishes/colours and seat positioning when ordering - L-shaped fold up seat (left or right): Naugahyde (381) and Phenolic (382) - 2 x 18 in. straight grab bars: White (001) and Stainless Steel (106) - 30 in. straight grab bar: White (001) and Stainless Steel (106) - 48 in. curtain rod with installation kit. Stainless Steel (106) - 48 in. White vinyl shower curtain with Stainless Steel hooks - Solid Brass drain with Stainless Steel grid	\$ 2169
OPT20086	CSA B651-04 compliant option ⁴² Please specify finishes/colours and seat positioning when ordering - Rectangular fold up seat (left or right): Naugahyde (381) and Phenolic (382) - 30 in. straight grab bar: White (001) and Stainless Steel (106) - 42 in. straight grab bar: White (001) and Stainless Steel (106) - 48 in. curtain rod with installation kit. Stainless Steel (106) - 48 in. White vinyl shower curtain with Stainless Steel hooks Solid Brass drain with Stainless Steel grid	\$ 2121
OPT20054-106	48 in. curtain rod with installation kit Available color: Stainless Steel (106)	\$ 201
OPT20059-L-001	Recessed soap dish (Drilled, not installed) OPT 20059-L-XXX Left-hand installation Available colour: White (001)	\$ 315
OPT20059-L-084	Recessed soap dish (Drilled, not installed) OPT 20059-L-XXX Left-hand installation Available colour: Chrome (084)	\$ 315
OPT20059-R-001	Recessed soap dish (Drilled, not installed) OPT 20059-R-XXX for Right-hand installation Available colour: White (001)	\$ 315
OPT20059-R-084	Recessed soap dish (Drilled, not installed) OPT 20059-R-XXX for Right-hand installation Available colour: Chrome (084)	\$ 315
OPT20031	42 in. Straight grab bar with textured finish Available colors: White (001) and Stainless Steel (106)	\$ 481
OPT20033	30 in. straight grab bar with textured finish ^{42/44} Available colors: White (001) and Stainless Steel (106)	\$ 461
OPT20035	18 in. Straight grab bar with textured finish Available colors: White (001) and Stainless Steel (106)	\$ 433

ACCESSORIES

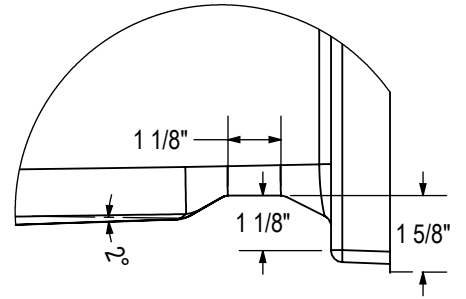
SKU	Description	MSRP
1000012-084	Built-in soap dish	\$ 315
1000012-001	Available colours: White (001) and Chrome (084)	\$ 315
1000064	Solid Brass drain with Stainless Steel grid. Quick caulk seal fits a 2 in. schedule 40 steel or plastic pipe.	\$ 83

FOOTNOTES

No	Description
42	Unless otherwise specified, left or right-hand seat determines grab bars and options positioning. Note that left-hand seat inverses grab bars positioning.
44	Optional grab bars and seats can be customized on a base model only. For kitted versions, positioning of the grab bars and seats are pre-determined.
45	Maximum one seat per unit. Please refer to the model description.

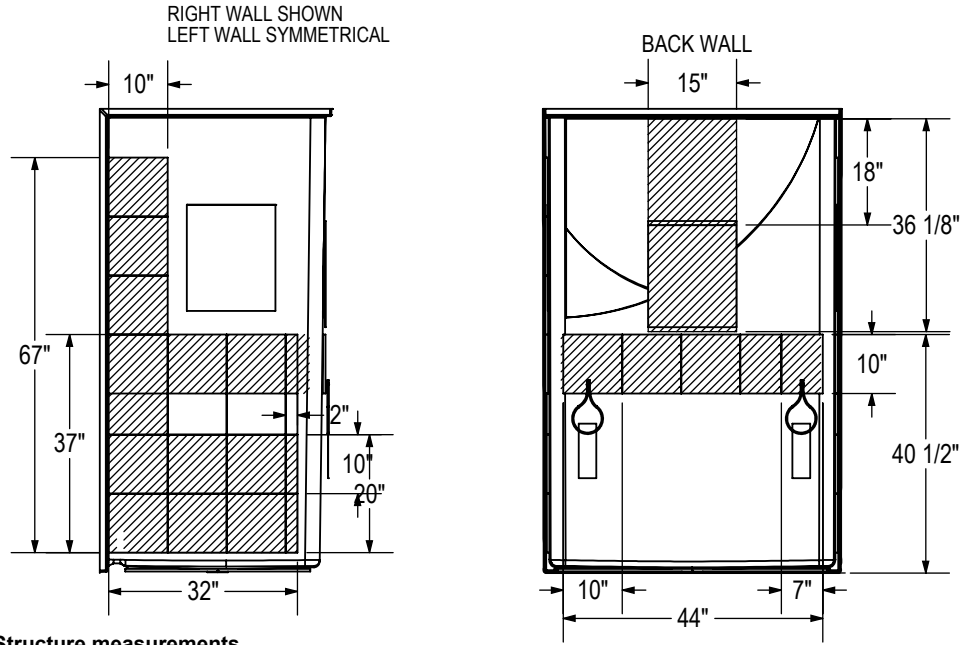


THRESHOLD DETAIL



**DÉTAIL
ECHELLE 1 : 4**

REINFORCEMENT BACKING



All dimensions are approximate. Structure measurements must be verified against the unit to ensure proper fit.

Outlook BFS-6036F



ALCOVE SHOWERS - ACRYLX



Material : AcrylX

Features

- › Made with high-gloss AcrylX™ finish for enhanced durability
- › Alcove installation with front facing flange
- › One-piece construction for easy installation and maintenance
- › Textured non-slip bottom for added safety
- › Wide interior space meeting accessible standards
- › Low threshold design provides a safe and easy step-through entrance and exit for users of all ages
- › Grab bars can support up to 300 pounds ensuring safety while showering
- › Fully reinforced for customized placement of grab bars and seat
- › Factory-installed code compliant packages including all options required per different types of codes

OUTLOOK BFS-6036F - 105089

SKU	Color	Configuration	Dimensions & Weight	Packaging	MSRP
105089-000-002-110	White	Center	62 1/4" x 39" x 79" / 225 lb / 102 kg	113.58 ft ³	\$ 2699

COMMON OPTIONS

SKU	Description	MSRP
OPT20037	32 in. L-Shaped fold-up seat (specify left or right) OPT20037-L-XXX For left-hand installation OPT20037-R-XXX For right-hand installation Available finishes: Naugahyde (381) and Phenolic (382)	\$ 1401
OPT20034	24 in. Straight grab bar with textured finish ⁴²⁴⁴ Available colors: White (001) and Stainless Steel (106)	\$ 452
OPT20031	42 in. Straight grab bar with textured finish Available colors: White (001) and Stainless Steel (106)	\$ 481
OPT20059-R-084	Recessed soap dish (Drilled, not installed) OPT 20059-R-XXX for Right-hand installation Available colour: Chrome (084)	\$ 315
OPT20059-R-001	Recessed soap dish (Drilled, not installed) OPT 20059-R-XXX for Right-hand installation Available colour: White (001)	\$ 315
OPT20059-L-084	Recessed soap dish (Drilled, not installed) OPT 20059-L-XXX Left-hand installation Available colour: Chrome (084)	\$ 315
OPT20059-L-001	Recessed soap dish (Drilled, not installed) OPT 20059-L-XXX Left-hand installation Available colour: White (001)	\$ 315
OPT20056-106	60 in. curtain rod with installation kit Available color: Stainless Steel (106)	\$ 227

COMMON OPTIONS		
SKU	Description	MSRP
OPT20033	30 in. straight grab bar with textured finish ⁴²⁴⁴ Available colors: White (001) and Stainless Steel (106)	\$ 461
OPT20062	Chrome fixture kit for shower including: - Pressure balance mixing valve* - 1-function hand held shower - 36 in. slide bar (factory installed) with 60 in. hose - Vacuum breaker and connector* *Holes drilled not factory installed. Fixture is located on back wall. Specify left or right side.	\$ 1309
OPT20061	Chrome fixture kit for shower including: - Pressure balance mixing valve* - 1-function hand held shower - 24 in. slide bar (factory installed) with 60 in. hose - Vacuum breaker and connector* *Holes drilled not factory installed. Fixture is located on back wall. Specify left or right side.	\$ 1271
OPT20326-106	30 in. x 40 in. Horizontal L-shaped grab bar with textured finish	\$ 523
OPT20326-001	Available Colors: White (001) and Stainless Steel (106)	\$ 523
OPT20035	18 in. Straight grab bar with textured finish Available colors: White (001) and Stainless Steel (106)	\$ 433
OPT20043-R-381		\$ 1300
OPT20043-L-382	Rectangular 26 in. fold-up seat with Stainless Steel frame (factory installed) OPT20043-L-XXX For left-hand installation	\$ 1300
OPT20043-R-382	OPT20043-R-XXX For right-hand installation Available finishes: Naugahyde (381) and Phenolic (382)	\$ 1300
OPT20043-L-381		\$ 1300
OPT10236	ADA/ANSI A117.1 compliant option Please specify finishes/colours and seat positioning when ordering - 32 in. L-Shaped fold up seat (left or right): Naugahyde (381) and Phenolic (382) - 18 in. straight grab bar: White (001) and Stainless Steel (106) - 24 in. straight grab bar: White (001) and Stainless Steel (106) - 30 in. straight grab bar: White (001) and Stainless Steel (106) - 60 in. curtain rod with installation kit: Stainless Steel (106) - 60 in. White vinyl shower curtain with Stainless Steel hooks - Solid Brass drain with Stainless Steel grid	\$ 2462
OPT10233	CSA B651 compliant option Please specify finishes/colours when ordering - 24 in. straight grab bar: White (001) and Stainless Steel (106) - 30 in. straight grab bar: White (001) and Stainless Steel (106) - 2 X 42 in. straight grab bar: White (001) and Stainless Steel (106) - 60 in. curtain rod with installation kit: Stainless Steel (106) - 60 in. White vinyl shower curtain with Stainless Steel hooks - Solid Brass drain with Stainless Steel grid	\$ 1912
OPT10234	National building code of Canada 2020 compliant option Please specify finishes/colours and seat positioning when ordering - 26 in. rectangular fold up seat (left or right): Naugahyde (381) and Phenolic (382) - 40 in. x 30 in. L-shaped grab bar: White (001) and Stainless Steel (106) - 42 in. straight grab bar: White (001) and Stainless Steel (106) - Recessed soap dish (drilled, not installed): White (001) and Chrome (084) - 60 in. curtain rod with installation kit: Stainless Steel (106) - 60 in. White vinyl shower curtain with Stainless Steel hooks	\$ 2381
OPT10235	National building code of Canada - 2023 Alberta edition compliant option Please specify finishes/colours and seat positioning when ordering - 26 in. rectangular fold up seat (left or right): Naugahyde (381) and Phenolic (382) or - 28 in. L-Shaped fold up seat (left or right): Naugahyde (381) and Phenolic (382) - 40 in. x 30 in. L-shaped grab bar: White (001) and Stainless Steel (106) - 42 in. straight grab bar: White (001) and Stainless Steel (106) - Recessed soap dish (drilled, not installed): White (001) and Chrome (084) - 60 in. curtain rod with installation kit: Stainless Steel (106) - 60 in. White vinyl shower curtain with Stainless Steel hooks	\$ 2381
OPT20345	Solid Brass drain with Stainless Steel grid. Quick caulk seal fits a 2 in. schedule 40 steel or plastic pipe.	\$ 83
OPT20346		\$ 49
OPT20347	72 in. White vinyl shower curtain with Stainless Steel hooks (sold separately)	\$ 303

ACCESSORIES

SKU	Description	MSRP
10000064	Solid Brass drain with Stainless Steel grid. Quick caulk seal fits a 2 in. schedule 40 steel or plastic pipe.	\$ 83
10000012-084	Built-in soap dish	\$ 315
10000012-001	Available colours: White (001) and Chrome (084)	\$ 315
10020633-002	72 in. White vinyl shower curtain with Stainless Steel hooks (sold separately) ⁴⁷	\$ 303

FOOTNOTES

No	Description
42	Unless otherwise specified, left or right-hand seat determines grab bars and options positioning. Note that left-hand seat inverses grab bars positioning.
44	Optional grab bars and seats can be customized on a base model only. For kitted versions, positioning of the grab bars and seats are pre-determined.
47	The curtain clearance from the floor is 3 in.

Outlook BFS-6036F CB



Material : AcrylX

Features

- › 1-piece shower without roof cap
- › Compliant with British Columbia building code
- › 4 pre-installed grab bars and L-shaped folding seat
- › Chrome soap dish (Drilled, not installed)
- › Optional 60" curtain rod and faucets (not included)
- › Integrated textured bottom, easy access design, center drain
- › Offered in white only

ALCOVE SHOWERS - ACRYLX

OUTLOOK BFS-6036F BC COMPLIANT - 107666

SKU	Color	Configuration	Dimensions & Weight	Packaging	MSRP
107666-000-002-121	White	Center	78 3/4" x 39 1/2" x 62 3/4" / 225 lb / 102 kg	119 ft ³	\$ 5002
107666-000-002-122					\$ 5002

COMMON OPTIONS

SKU	Description	MSRP
OPT20061	Chrome fixture kit for shower including: - Pressure balance mixing valve* - 1-function hand held shower - 24 in. slide bar (factory installed) with 60 in. hose - Vacuum breaker and connector* *Holes drilled not factory installed. Fixture is located on back wall. Specify left or right side.	\$ 1271
OPT20062	Chrome fixture kit for shower including: - Pressure balance mixing valve* - 1-function hand held shower - 36 in. slide bar (factory installed) with 60 in. hose - Vacuum breaker and connector* *Holes drilled not factory installed. Fixture is located on back wall. Specify left or right side.	\$ 1309
OPT20056-106	60 in. curtain rod with installation kit Available color: Stainless Steel (106)	\$ 227

ACCESSORIES

SKU	Description	MSRP
10020633-002	72 in. White vinyl shower curtain with Stainless Steel hooks (sold separately) ⁴⁷	\$ 303
10000064	Solid Brass drain with Stainless Steel grid. Quick caulk seal fits a 2 in. schedule 40 steel or plastic pipe.	\$ 83

FOOTNOTES

No	Description
47	The curtain clearance from the floor is 3 in.

Outlook BFS-60F



Material : AcrylX

Features

- > 1-piece shower without roof cap
- > Fully reinforced for customized placement of grab bars and seat
- > Integrated textured bottom, easy access design, center drain

ALCOVE SHOWERS - ACRYLX

OUTLOOK BFS-60F - 105247

SKU	Color	Configuration	Dimensions & Weight	Packaging	MSRP
105247-000-002-000	White	Center	78 3/4" x 33 1/2" x 62 3/4" / 195 lb / 88 kg	105 ft ³	\$ 2600

COMMON OPTIONS

SKU	Description	MSRP
OPT20034	24 in. Straight grab bar with textured finish ⁴²⁴⁴ Available colors: White (001) and Stainless Steel (106)	\$ 452
OPT20039	28 in. L-Shaped fold-up seat (specify left or right) OPT20039-L-XXX For left-hand installation OPT20039-R-XXX For right-hand installation Available finishes: Naugahyde (381) and Phenolic (382)	\$ 1401
OPT20043-R-381	Rectangular 26 in. fold-up seat with Stainless Steel frame (factory installed) OPT20043-L-XXX For left-hand installation OPT20043-R-XXX For right-hand installation Available finishes: Naugahyde (381) and Phenolic (382)	\$ 1300
OPT20043-L-382		\$ 1300
OPT20043-R-382		\$ 1300
OPT20043-L-381		\$ 1300
OPT20061	Chrome fixture kit for shower including: - Pressure balance mixing valve* - 1-function hand held shower - 24 in. slide bar (factory installed) with 60 in. hose - Vacuum breaker and connector* *Holes drilled not factory installed. Fixture is located on back wall. Specify left or right side.	\$ 1271
OPT20062	Chrome fixture kit for shower including: - Pressure balance mixing valve* - 1-function hand held shower - 36 in. slide bar (factory installed) with 60 in. hose - Vacuum breaker and connector* *Holes drilled not factory installed. Fixture is located on back wall. Specify left or right side.	\$ 1309

COMMON OPTIONS

SKU	Description	MSRP
OPT20091	ADA compliant option ⁴² Please specify finishes/colours and seat positioning when ordering - L-shaped fold up seat (left or right): Naugahyde (381) and Phenolic (382) - 24 in. straight grab bar: White (001) and Stainless Steel (106) - 42 in. straight grab bar: White (001) and Stainless Steel (106) - 60 in. curtain rod with installation kit. Stainless Steel (106) - 60 in. White vinyl shower curtain with Stainless Steel hooks - Solid Brass drain with Stainless Steel grid	\$ 1867
OPT20092	ANSI A117.1-2003 compliant option ⁴² Please specify finishes/colours and seat positioning when ordering - L-shaped fold up seat (left or right): Naugahyde (381) and Phenolic (382) - 24 in. straight grab bars: White (001) and Stainless Steel (106) - 30 in. straight grab bar: White (001) and Stainless Steel (106) - 60 in. curtain rod with installation kit. Stainless Steel (106) - 60 in. White vinyl shower curtain with Stainless Steel hooks Solid Brass drain with Stainless Steel grid	\$ 1678
OPT20093	CSA B651-04 compliant option ⁴² Please specify finishes/colors and seat positioning when ordering - Rectangular fold up seat (left or right): Naugahyde (381) and Phenolic (382) - 24 in. straight grab bar: White (001) and Stainless Steel (106) - 30 in. straight grab bar: White (001) and Stainless Steel (106) - 2 x 42 in. straight grab bar: White (001) and Stainless Steel (106) - 60 in. curtain rod with installation kit. Stainless Steel (106) - 60 in. White vinyl shower curtain with Stainless Steel hooks - Solid Brass drain with Stainless Steel grid	\$ 2901
OPT20056-106	60 in. curtain rod with installation kit Available color: Stainless Steel (106)	\$ 227
OPT20059-L-001	Recessed soap dish (Drilled, not installed) OPT 20059-L-XXX Left-hand installation Available colour: White (001)	\$ 315
OPT20059-L-084	Recessed soap dish (Drilled, not installed) OPT 20059-L-XXX Left-hand installation Available colour: Chrome (084)	\$ 315
OPT20059-R-001	Recessed soap dish (Drilled, not installed) OPT 20059-R-XXX for Right-hand installation Available colour: White (001)	\$ 315
OPT20059-R-084	Recessed soap dish (Drilled, not installed) OPT 20059-R-XXX for Right-hand installation Available colour: Chrome (084)	\$ 315
OPT20031	42 in. Straight grab bar with textured finish Available colors: White (001) and Stainless Steel (106)	\$ 481
OPT20033	30 in. straight grab bar with textured finish ^{42,44} Available colors: White (001) and Stainless Steel (106)	\$ 461

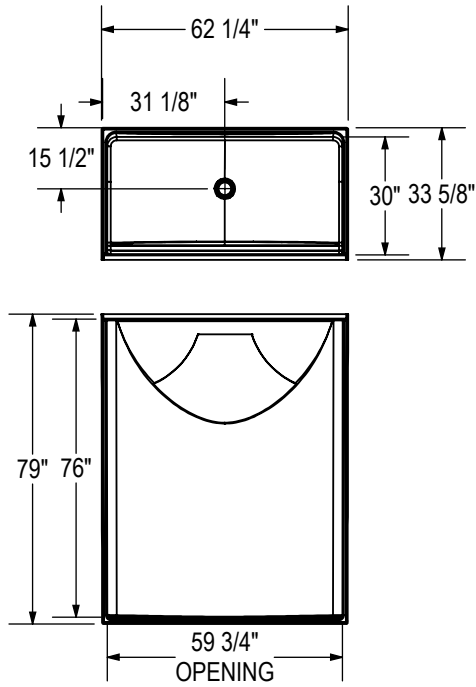
ACCESSORIES

SKU	Description	MSRP
1000012-084	Built-in soap dish	\$ 315
1000012-001	Available colours: White (001) and Chrome (084)	\$ 315
10000064	Solid Brass drain with Stainless Steel grid. Quick caulk seal fits a 2 in. schedule 40 steel or plastic pipe.	\$ 83
10020633-002	72 in. White vinyl shower curtain with Stainless Steel hooks (sold separately) ⁴⁷	\$ 303

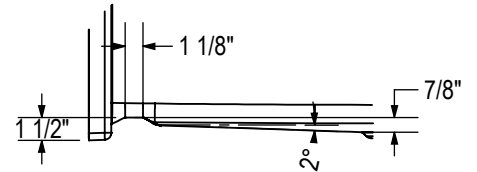
FOOTNOTES

No	Description
42	Unless otherwise specified, left or right-hand seat determines grab bars and options positioning. Note that left-hand seat inverses grab bars positioning.
44	Optional grab bars and seats can be customized on a base model only. For kitted versions, positioning of the grab bars and seats are pre-determined.
47	The curtain clearance from the floor is 3 in.

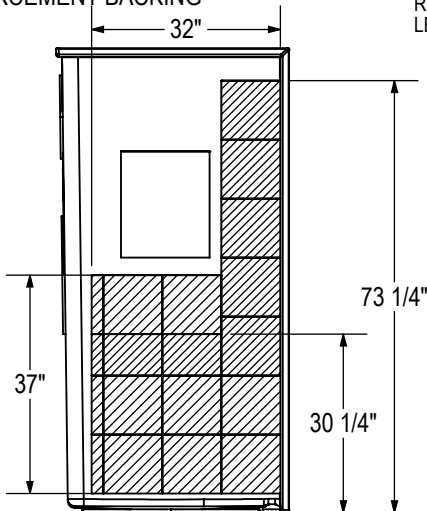
BASE MODEL



THRESHOLD DETAIL

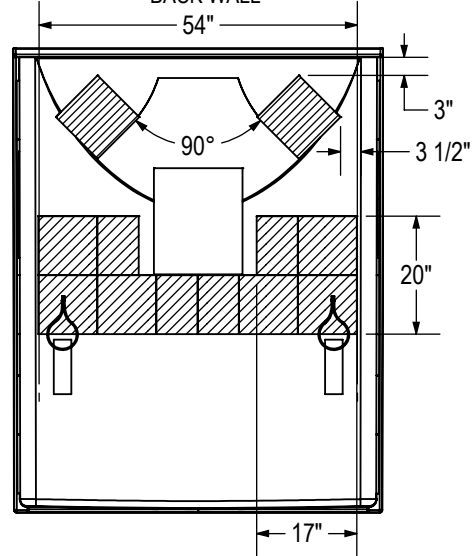


REINFORCEMENT BACKING



RIGHT WALL SHOWN
LEFT WALL SYMMETRICAL

BACK WALL



All dimensions are approximate. Structure measurements must be verified against the unit to ensure proper fit.

Bathtubs



Tosca 6732 — Matte Black

Tandem 5454



Material : Acrylic
 Min: 43 Gal / 195 L
 Max: 57 Gal / 259 L

Features

- › Corner shape bathtub
- › Drop-in installation or corner installation with integrated tiling flange
- › Textured floor with integrated seat
- › Center drain
- › Skirt available

TANDEM 5454 - 100875

SKU	System	Color	Configuration	Dimensions & Weight	Packaging	MSRP	
100875-000-001-000	Soaker - No System	White	Center	54 1/8" x 54 1/8" x 18 1/4" / 78 lb / 35 kg	35 ft ³	\$ 1367	
100875-000-001-010						\$ 1367	
100875-000-004-000		Bone				\$ 1367	
100875-000-004-010						\$ 1367	
100875-000-007-000		Biscuit				\$ 1367	
100875-000-007-010						\$ 1367	
100875-001-001-000	Whirlpool ^{1 4}	White					\$ 3010
100875-001-001-010						\$ 3010	
100875-001-004-000		Bone				\$ 3010	
100875-001-004-010						\$ 3010	
100875-001-007-000		Biscuit				\$ 3010	
100875-001-007-010						\$ 3010	
100875-002-001-000	Multi-Pack ⁹	White		\$ 7404			
100875-002-001-010			\$ 7404				
100875-002-004-000		Bone	\$ 7404				
100875-002-007-000		Biscuit	\$ 7404				
100875-096-001	Combined Whirlpool & Aeroeffect ^{1 3}	White		\$ 5335			
100875-096-004		Bone	\$ 5335				
100875-096-007		Biscuit	\$ 5335				
100875-103-001	Aeroeffect ^{1 2 5}	White		\$ 4139			

TANDEM 5454 - 100875

SKU	System	Color	Configuration	Dimensions & Weight	Packaging	MSRP
100875-103-004	Aeroeffect ^{1 2 5}	Bone	Center	54 1/8" x 54 1/8" x 18 1/4" / 78 lb / 35 kg	35 ft ³	\$ 4139
100875-103-007		Biscuit				\$ 4139
100875-RL-002-004	Multi-Pack ⁹	Bone				\$ 7404
100875-RL-002-007		Biscuit				\$ 7404
100875-RL-096-001	Combined Whirlpool & Aeroeffect ^{1 3}	White				\$ 5335
100875-RL-096-004		Bone				\$ 5335
100875-RL-096-007		Biscuit				\$ 5335
100875-RL-103-001	Aeroeffect ^{1 2 5}	White				\$ 4139
100875-RL-103-004		Bone				\$ 4139
100875-RL-103-007		Biscuit				\$ 4139

COMMON OPTIONS

SKU	Description	MSRP
OPT10053	One chromatherapy light (factory installed) ⁵⁴	\$ 725
OPT10095	Water heater assembly for whirlpool and combined systems (factory installed)	\$ 950
OPT10106-084	Metal trim kit for whirlpool and combined systems (factory installed) Available colors: Chrome (084) and Brushed Nickel (105)	\$ 669
OPT10106-105		\$ 669
OPT10113-007	6-in. acrylic grab bar (factory installed) ⁷ Available colors: White (001), Bone (004), Biscuit (007), Chrome (084) and Brushed Nickel (105)	\$ 364
OPT10113-004		\$ 364
OPT10113-001		\$ 364
OPT10113-084		\$ 364
OPT10113-105		\$ 364
OPT20029-105		Metal trim kit for air push control (factory installed) Available colors: Chrome (084) and Brushed Nickel (105)
OPT20029-084	\$ 74	
OPT20137-004	Cable-operated waste and overflow (16 in. to 22 in.) (included in product packaging when purchased) Available colors: White (001), Bone (004), Chrome (084) and Brushed Nickel (105)	\$ 332
OPT20137-084		\$ 332
OPT20137-105		\$ 332
OPT20137-001		\$ 332
OPT10004	Nailing flange (factory installed) OPT10004-R Right-hand drain OPT10004-L Left-hand drain Note: For corner bathtubs, there is no need to specify a right or left-hand side when ordering this option. The flange will be installed on both sides of the unit.	\$ 180
100913-000-001-000	Removable acrylic apron (access panel included) Specify: Standard colors: White (001), Bone (004), Biscuit (007)	\$ 1125
100913-000-007		\$ 1125
100913-000-004-000		\$ 1125

ACCESSORIES

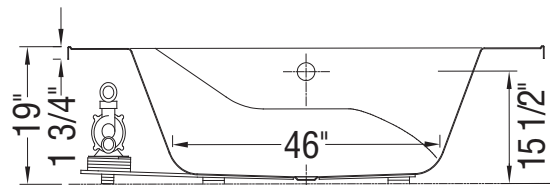
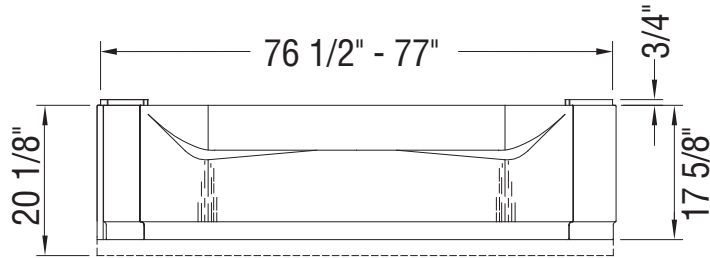
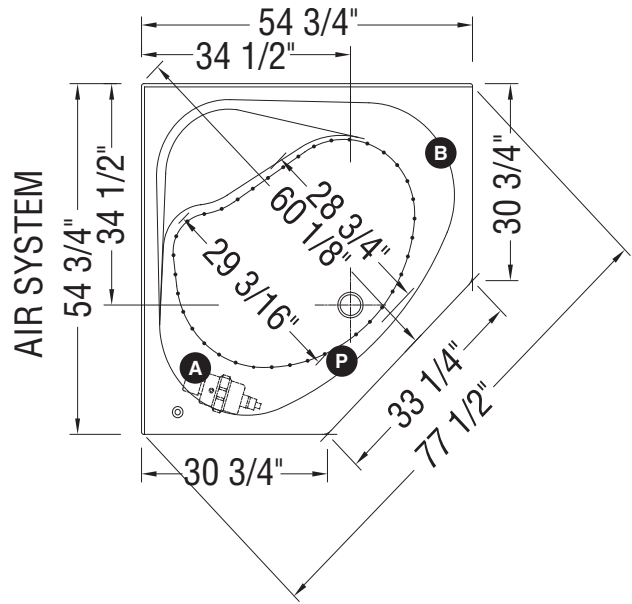
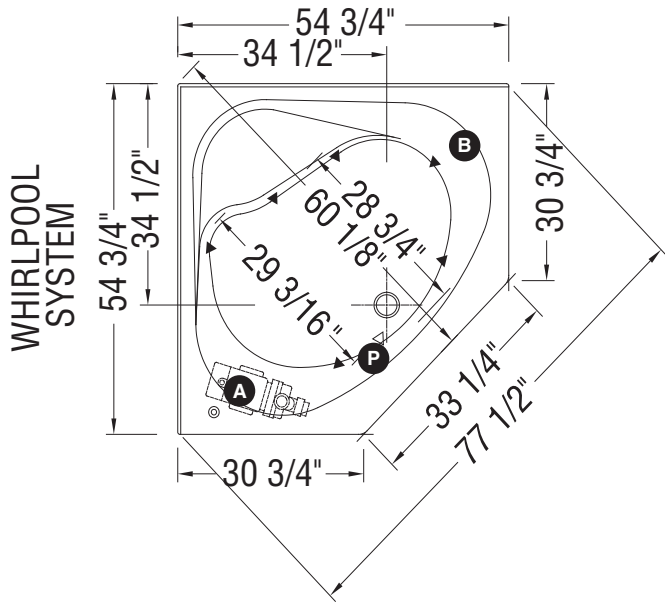
SKU	Description	MSRP
10006923	Flexible main hose (9 ft. extension) for air push control air massage - Kit (sold separately)	\$ 191

ACCESSORIES

SKU	Description	MSRP
10063099	Nailing flange (sold separately)	\$ 180
10004306-001	White foam cushion with 2 suction pads (sold separately) Available color: White (001)	\$ 126
10006887-105	Metal trim kit for Whirlpool and combined systems (sold separately)	\$ 669
10006887-084	Available colors: Chrome (084) and Brushed Nickel (105)	\$ 669
10034250-084	Metal trim kit for Aeroeffect with Air Push Control (sold separately)	\$ 74
10034250-105	Available colors: Chrome (084) and Brushed Nickel (105)	\$ 74
10022491-084	Cable-operated waste and overflow (16 in. to 22 in.) (sold separately) Available colors: White (001), Bone (004), Chrome (084) and Brushed Nickel (105)	\$ 332
10022491-004		\$ 332
10022491-105		\$ 332
10022491-001		\$ 332

FOOTNOTES

No	Description
1	Components for standard colour units equipped with systems are colour-coordinated. Trim kit and/or air push with metallic finish can be added (additional charge applies). For non-standard colour units, please specify trim kit and/or air push colour (additional charge applies for metallic finishes). Please note that the positioning of the system's control could be in conflict with the door if one was installed on the unit. To insure compatibility, please contact customer service.
2	Please order flexible main hose 10006923 for installation of the blower further than 3 ft from the bathtub. For the Tandem models and the Serenade models (freestanding and drop-in), the blower is always remote and not factory installed so a 9 ft flexible main hose is included. Please note that the positioning of the system's control could be in conflict with the door if one was installed on the unit. To insure compatibility, please contact customer service.
3	The blower is not factory installed (remote). 9 ft flexible main hose included. Please note that the positioning of the system's control could be in conflict with the door if one was installed on the unit. To insure compatibility, please contact customer service.
4	For details on pump position and requirements, see technical drawings on https://www.maax.com . When there is a pump position A or B indicated on the technical drawing, please specify position when ordering.
5	For details on blower position and requirements, see technical drawings on https://www.maax.com . When there is a blower position A or B indicated on the technical drawing, please specify position when ordering.
7	One 6 in. metal or acrylic grab bar is optional. Factory installed, only one positioning is possible (see technical drawings on https://www.maax.com).
9	6-Pack bathtubs are only available when units are without systems and in a standard colour.
54	A selection of units come with an access panel by default when equipped with a system. However, if the unit is only equipped with chromatherapy, the access panel will not be provided by default.



- (A) : Standard blower and/or pump location
- (B) : Optional blower and/or pump location
- (P) : Indicates optional grab bar positioning
- (▲) : Indicates Whirlpool jets positioning
- (●) : Indicates airjets positioning
- (△) : Indicates suction positioning

All dimensions are approximate. Structure measurements must be verified against the unit to ensure proper fit.

Tandem 6060



Material : Acrylic
 Min: 52 Gal / 236 L
 Max: 59 Gal / 268 L

Features

- › Corner shape bathtub
- › Drop-in installation or with or without integrated tiling flange
- › Textured floor with integrated seat
- › Center drain
- › Skirt available

TANDEM 6060 - 101077

SKU	System	Color	Configuration	Dimensions & Weight	Packaging	MSRP	
101077-000-001-000	Soaker - No System	White	Center	59 1/2" x 59 1/2" x 19 1/4" / 85 lb / 39 kg	46 ft ³	\$ 1673	
101077-000-001-010						\$ 1673	
101077-000-004-000		Bone				\$ 1673	
101077-000-004-010						\$ 1673	
101077-000-007-000		Biscuit				\$ 1673	
101077-000-007-010						\$ 1673	
101077-001-001-000	Whirlpool ^{1 4}	White					\$ 3316
101077-001-001-010						\$ 3316	
101077-001-004-000		Bone				\$ 3316	
101077-001-004-010						\$ 3316	
101077-001-007-000		Biscuit				\$ 3316	
101077-001-007-010						\$ 3316	
101077-002-001-000	Multi-Pack ⁹	White		\$ 9066			
101077-002-001-010			\$ 9066				
101077-002-004-000		Bone	\$ 9066				
101077-002-007-000		Biscuit	\$ 9066				
101077-096-001	Combined Whirlpool & Aeroeffect ^{1 3}	White		\$ 5641			
101077-096-004		Bone	\$ 5641				
101077-096-007		Biscuit	\$ 5641				
101077-103-001-100	Aeroeffect ^{1 2 5}	White		\$ 4445			

TANDEM 6060 - 101077

SKU	System	Color	Configuration	Dimensions & Weight	Packaging	MSRP
101077-103-004	Aeroeffect ^{1 2 5}	Bone	Center	59 1/2" x 59 1/2" x 19 1/4" / 85 lb / 39 kg	46 ft ³	\$ 4445
101077-103-007		Biscuit				\$ 4445
101077-RL-002-004	Multi-Pack ⁹	Bone				\$ 9066
101077-RL-002-007		Biscuit				\$ 9066
101077-RL-096-001	Combined Whirlpool & Aeroeffect ^{1 3}	White				\$ 5641
101077-RL-096-004		Bone				\$ 5641
101077-RL-096-007		Biscuit				\$ 5641
101077-RL-103-001	Aeroeffect ^{1 2 5}	White				\$ 4445
101077-RL-103-004		Bone				\$ 4445
101077-RL-103-007		Biscuit				\$ 4445

COMMON OPTIONS

SKU	Description	MSRP
OPT10113-007	6-in. acrylic grab bar (factory installed) ⁷ Available colors: White (001), Bone (004), Biscuit (007), Chrome (084) and Brushed Nickel (105)	\$ 364
OPT10113-004		\$ 364
OPT10113-001		\$ 364
OPT10113-084		\$ 364
OPT10113-105		\$ 364
OPT20029-105	Metal trim kit for air push control (factory installed) Available colors: Chrome (084) and Brushed Nickel (105)	\$ 74
OPT20029-084		\$ 74
OPT20137-004	Cable-operated waste and overflow (16 in. to 22 in.) (included in product packaging when purchased) Available colors: White (001), Bone (004), Chrome (084) and Brushed Nickel (105)	\$ 332
OPT20137-084		\$ 332
OPT20137-105		\$ 332
OPT20137-001		\$ 332
OPT10053	One chromatherapy light (factory installed) ⁵⁴	\$ 725
OPT10095	Water heater assembly for whirlpool and combined systems (factory installed)	\$ 950
OPT10106-084	Metal trim kit for whirlpool and combined systems (factory installed) Available colors: Chrome (084) and Brushed Nickel (105)	\$ 669
OPT10106-105		\$ 669
101081-000-007-000	Removable acrylic apron Specify: Standard colors: White (001), Bone (004), Biscuit (007)	\$ 1201
101081-000-001-000		\$ 1201
101081-000-004-000		\$ 1201

ACCESSORIES

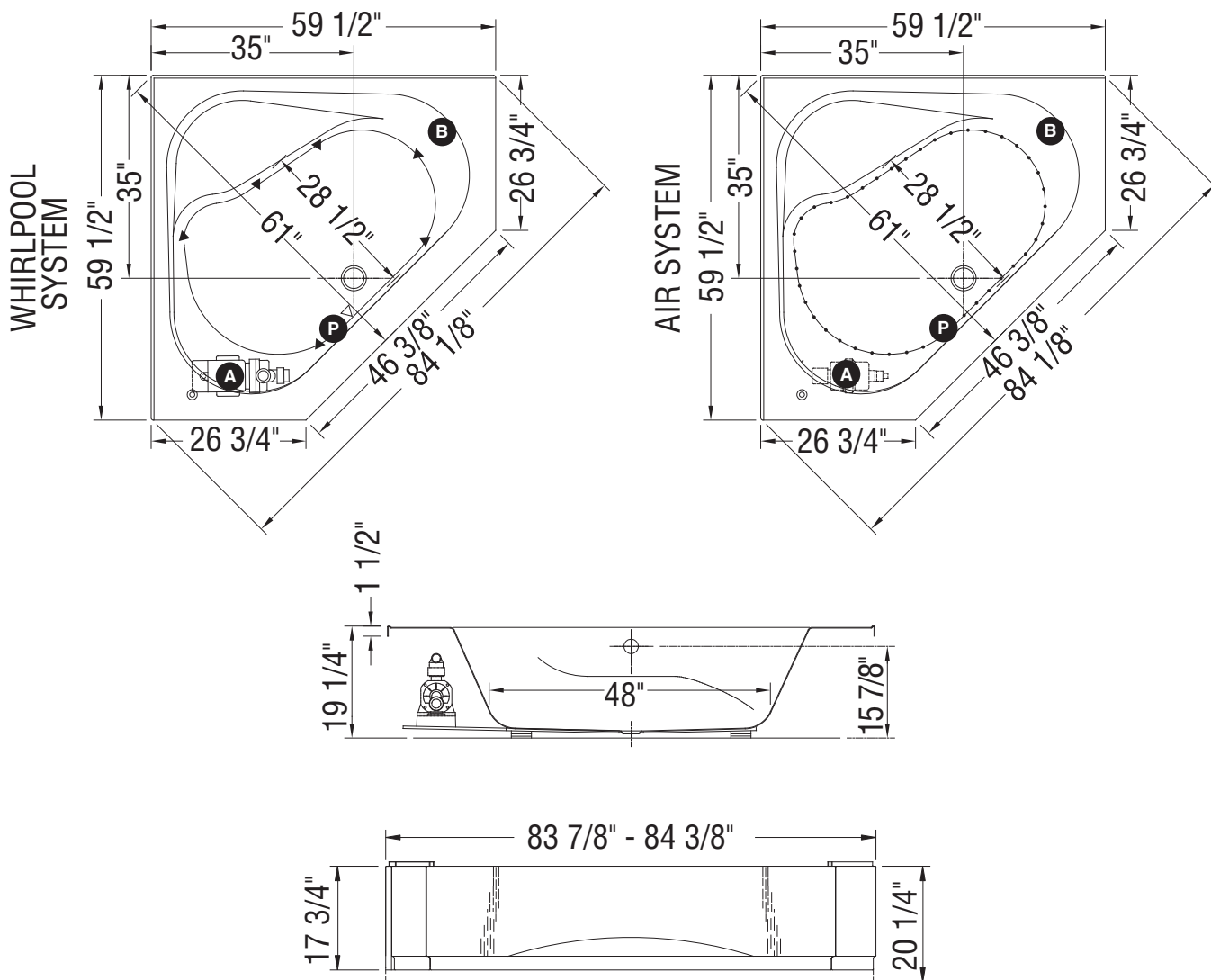
SKU	Description	MSRP
10006923	Flexible main hose (9 ft. extension) for air push control air massage - Kit (sold separately)	\$ 191
10004306-001	White foam cushion with 2 suction pads (sold separately) Available color: White (001)	\$ 126
10006887-105	Metal trim kit for Whirlpool and combined systems (sold separately) Available colors: Chrome (084) and Brushed Nickel (105)	\$ 669

ACCESSORIES

SKU	Description	MSRP
10006887-084	Metal trim kit for Whirlpool and combined systems (sold separately) Available colors: Chrome (084) and Brushed Nickel (105)	\$ 669
10034250-084	Metal trim kit for Aeroeffect with Air Push Control (sold separately) Available colors: Chrome (084) and Brushed Nickel (105)	\$ 74
10034250-105		\$ 74
10022491-084	Cable-operated waste and overflow (16 in. to 22 in.) (sold separately) Available colors: White (001), Bone (004), Chrome (084) and Brushed Nickel (105)	\$ 332
10022491-004		\$ 332
10022491-105		\$ 332
10022491-001		\$ 332

FOOTNOTES

No	Description
1	Components for standard colour units equipped with systems are colour-coordinated. Trim kit and/or air push with metallic finish can be added (additional charge applies). For non-standard colour units, please specify trim kit and/or air push colour (additional charge applies for metallic finishes). Please note that the positioning of the system's control could be in conflict with the door if one was installed on the unit. To insure compatibility, please contact customer service.
2	Please order flexible main hose 10006923 for installation of the blower further than 3 ft from the bathtub. For the Tandem models and the Serenade models (freestanding and drop-in), the blower is always remote and not factory installed so a 9 ft flexible main hose is included. Please note that the positioning of the system's control could be in conflict with the door if one was installed on the unit. To insure compatibility, please contact customer service.
3	The blower is not factory installed (remote). 9 ft flexible main hose included. Please note that the positioning of the system's control could be in conflict with the door if one was installed on the unit. To insure compatibility, please contact customer service.
4	For details on pump position and requirements, see technical drawings on https://www.maax.com . When there is a pump position A or B indicated on the technical drawing, please specify position when ordering.
5	For details on blower position and requirements, see technical drawings on https://www.maax.com . When there is a blower position A or B indicated on the technical drawing, please specify position when ordering.
7	One 6 in. metal or acrylic grab bar is optional. Factory installed, only one positioning is possible (see technical drawings on https://www.maax.com).
54	A selection of units come with an access panel by default when equipped with a system. However, if the unit is only equipped with chromatherapy, the access panel will not be provided by default.



- A** : Standard blower and/or pump location (▲): Indicates Whirlpool jets positioning
- B** : Optional blower and/or pump location (●): Indicates airjets positioning
- P** : Indicates optional grab bar positioning (△): Indicates suction positioning

All dimensions are approximate. Structure measurements must be verified against the unit to ensure proper fit.

Tandem II 6060



Material : Acrylic
 Min: 33 Gal / 150 L
 Max: 51 Gal / 232 L

Features

- › Corner shape bathtub
- › Drop-in or corner installation (optional nailing flange available)
- › Textured floor
- › Center drain
- › Apron available
- › Tiling flange available

TANDEM II 6060 - 100054

SKU	System	Color	Configuration	Dimensions & Weight	Packaging	MSRP
100054-000-001-000	Soaker - No System	White	Center	60" x 60" x 18 3/4" / 85 lb / 39 kg	35 ft ³	\$ 1673
100054-000-004-000		Bone				\$ 1673
100054-000-007-000		Biscuit				\$ 1673
100054-001-001-101	Whirlpool ^{1 4}	White				\$ 3316
100054-001-004-000		Bone				\$ 3316
100054-001-007-000		Biscuit				\$ 3316
100054-096-001	Combined Whirlpool & Aeroeffect ^{1 3}	White				\$ 5641
100054-096-004		Bone				\$ 5641
100054-096-007		Biscuit				\$ 5641
100054-103-001-100	Aeroeffect ^{1 2 5}	White				\$ 4445
100054-103-004		Bone				\$ 4445
100054-103-007		Biscuit				\$ 4445

COMMON OPTIONS

SKU	Description	MSRP
OPT10053	One chromatherapy light (factory installed) ⁵⁴	\$ 725
OPT10095	Water heater assembly for whirlpool and combined systems (factory installed)	\$ 950
OPT10352	Access panels option for apron	\$ 310
OPT10106-084	Metal trim kit for whirlpool and combined systems (factory installed) Available colors: Chrome (084) and Brushed Nickel (105)	\$ 669

COMMON OPTIONS

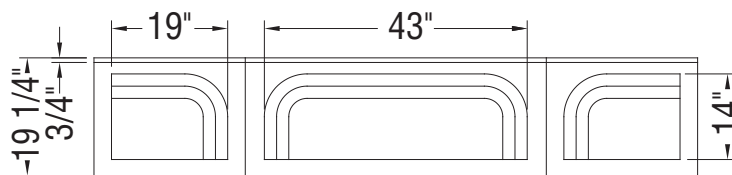
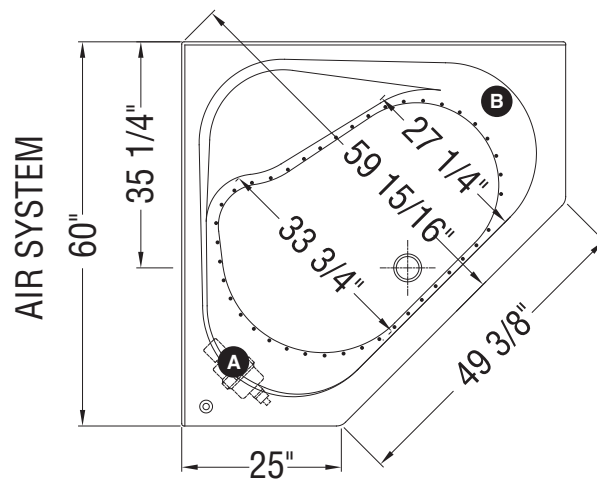
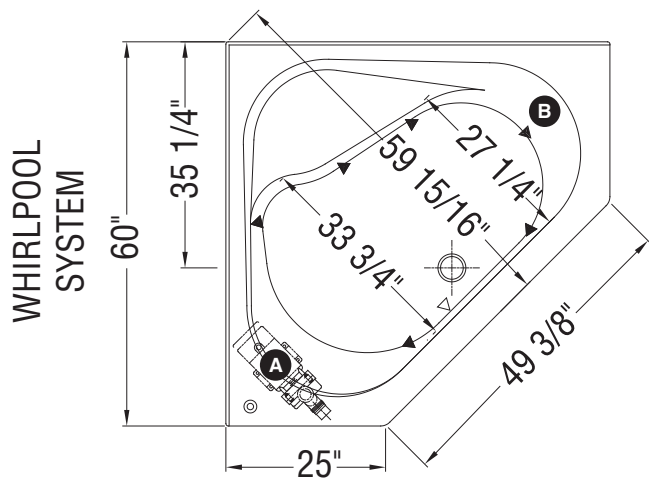
SKU	Description	MSRP
OPT10106-105	Metal trim kit for whirlpool and combined systems (factory installed) Available colors: Chrome (084) and Brushed Nickel (105)	\$ 669
OPT10113-007	6-in. acrylic grab bar (factory installed) ⁷ Available colors: White (001), Bone (004), Biscuit (007), Chrome (084) and Brushed Nickel (105)	\$ 364
OPT10113-004		\$ 364
OPT10113-001		\$ 364
OPT10113-084		\$ 364
OPT10113-105		\$ 364
OPT20029-105		Metal trim kit for air push control (factory installed) Available colors: Chrome (084) and Brushed Nickel (105)
OPT20029-084		\$ 74
OPT20137-004	Cable-operated waste and overflow (16 in. to 22 in.) (included in product packaging when purchased) Available colors: White (001), Bone (004), Chrome (084) and Brushed Nickel (105)	\$ 332
OPT20137-084		\$ 332
OPT20137-105		\$ 332
OPT20137-001		\$ 332
OPT10004	Nailing flange (factory installed) OPT10004-R Right-hand drain OPT10004-L Left-hand drain Note: For corner bathtubs, there is no need to specify a right or left-hand side when ordering this option. The flange will be installed on both sides of the unit.	\$ 180
100251-000-001-000	1-piece acrylic apron (reinforced with fiberglass) Specify: Standard colors: White (001), Bone (004), Biscuit (007)	\$ 1201
100251-000-007-100		\$ 1201
100251-000-004-100		\$ 1201

ACCESSORIES

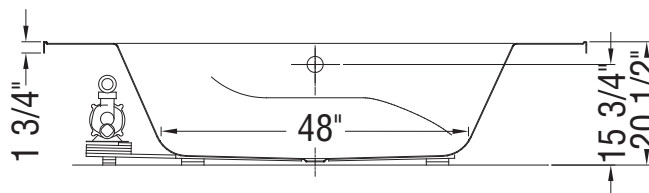
SKU	Description	MSRP
10006920	Tiling flange, 2 x 60 in. (sold separately)	\$ 114
10006923	Flexible main hose (9 ft. extension) for air push control air massage - Kit (sold separately)	\$ 191
10063099	Nailing flange (sold separately)	\$ 180
10004306-001	White foam cushion with 2 suction pads (sold separately) Available color: White (001)	\$ 126
10006887-105	Metal trim kit for Whirlpool and combined systems (sold separately) Available colors: Chrome (084) and Brushed Nickel (105)	\$ 669
10006887-084		\$ 669
10034250-084	Metal trim kit for Aeroeffect with Air Push Control (sold separately) Available colors: Chrome (084) and Brushed Nickel (105)	\$ 74
10034250-105		\$ 74
10022491-084	Cable-operated waste and overflow (16 in. to 22 in.) (sold separately) Available colors: White (001), Bone (004), Chrome (084) and Brushed Nickel (105)	\$ 332
10022491-004		\$ 332
10022491-105		\$ 332
10022491-001		\$ 332

FOOTNOTES

No	Description
1	Components for standard colour units equipped with systems are colour-coordinated. Trim kit and/or air push with metallic finish can be added (additional charge applies). For non-standard colour units, please specify trim kit and/or air push colour (additional charge applies for metallic finishes). Please note that the positioning of the system's control could be in conflict with the door if one was installed on the unit. To insure compatibility, please contact customer service.
2	Please order flexible main hose 10006923 for installation of the blower further than 3 ft from the bathtub. For the Tandem models and the Serenade models (freestanding and drop-in), the blower is always remote and not factory installed so a 9 ft flexible main hose is included. Please note that the positioning of the system's control could be in conflict with the door if one was installed on the unit. To insure compatibility, please contact customer service.
3	The blower is not factory installed (remote). 9 ft flexible main hose included. Please note that the positioning of the system's control could be in conflict with the door if one was installed on the unit. To insure compatibility, please contact customer service.
4	For details on pump position and requirements, see technical drawings on https://www.maax.com . When there is a pump position A or B indicated on the technical drawing, please specify position when ordering.
5	For details on blower position and requirements, see technical drawings on https://www.maax.com . When there is a blower position A or B indicated on the technical drawing, please specify position when ordering.
7	One 6 in. metal or acrylic grab bar is optional. Factory installed, only one positioning is possible (see technical drawings on https://www.maax.com).
54	A selection of units come with an access panel by default when equipped with a system. However, if the unit is only equipped with chromatherapy, the access panel will not be provided by default.



Note: In front view, skirt is shown flat.



- (A) : Standard blower and/or pump location
- (B) : Optional blower and/or pump location
- (▲) : Indicates Whirlpool jets positioning
- (●) : Indicates airjets positioning
- (△) : Indicates suction positioning

All dimensions are approximate. Structure measurements must be verified against the unit to ensure proper fit.

Tryst



Material : Acrylic
 Min: 42 Gal / 191 L
 Max: 55 Gal / 250 L

Features

- › Corner shape bathtub
- › Drop-in or corner installation
- › Integrated armrest and textured floor
- › Center drain
- › Apron and nailing flange available

CORNER BATHTUBS - ACRYLIC

TRYST - 100053

SKU	System	Color	Configuration	Dimensions & Weight	Packaging	MSRP
100053-000-001-000	Soaker - No System	White	Center	59 1/4" x 59 1/4" x 18 5/8" / 105 lb / 48 kg	44 ft ³	\$ 1754
100053-000-004-000		Bone				\$ 1754
100053-000-007-000		Biscuit				\$ 1754
100053-001-001-000	Whirlpool ^{1 4}	White				\$ 3397
100053-001-004-000		Bone				\$ 3397
100053-001-007-000		Biscuit				\$ 3397
100053-096-001	Combined Whirlpool & Aeroeffect ^{1 3}	White				\$ 5722
100053-096-004		Bone				\$ 5722
100053-096-007		Biscuit				\$ 5722
100053-103-001-100	Aeroeffect ^{1 2 5}	White				\$ 4526
100053-103-004		Bone				\$ 4526
100053-103-007		Biscuit				\$ 4526

COMMON OPTIONS

SKU	Description	MSRP
OPT10004	Nailing flange (factory installed) OPT10004-R Right-hand drain OPT10004-L Left-hand drain Note: For corner bathtubs, there is no need to specify a right or left-hand side when ordering this option. The flange will be installed on both sides of the unit.	\$ 180
OPT10053	One chromatherapy light (factory installed) ⁵⁴	\$ 725
OPT10095	Water heater assembly for whirlpool and combined systems (factory installed)	\$ 950

COMMON OPTIONS

SKU	Description	MSRP
OPT10352	Access panels option for apron	\$ 310
OPT10106-084	Metal trim kit for whirlpool and combined systems (factory installed)	\$ 669
OPT10106-105	Available colors: Chrome (084) and Brushed Nickel (105)	\$ 669
OPT20029-105	Metal trim kit for air push control (factory installed)	\$ 74
OPT20029-084	Available colors: Chrome (084) and Brushed Nickel (105)	\$ 74
OPT20137-004	Cable-operated waste and overflow (16 in. to 22 in.) (included in product packaging when purchased) Available colors: White (001), Bone (004), Chrome (084) and Brushed Nickel (105)	\$ 332
OPT20137-084		\$ 332
OPT20137-105		\$ 332
OPT20137-001		\$ 332
100985-000-007-000	Acrylic apron without access panel Specify: Standard colors: White (001), Bone (004), Biscuit (007)	\$ 1201
100985-000-004-000		\$ 1201
100985-000-001-000		\$ 1201

ACCESSORIES

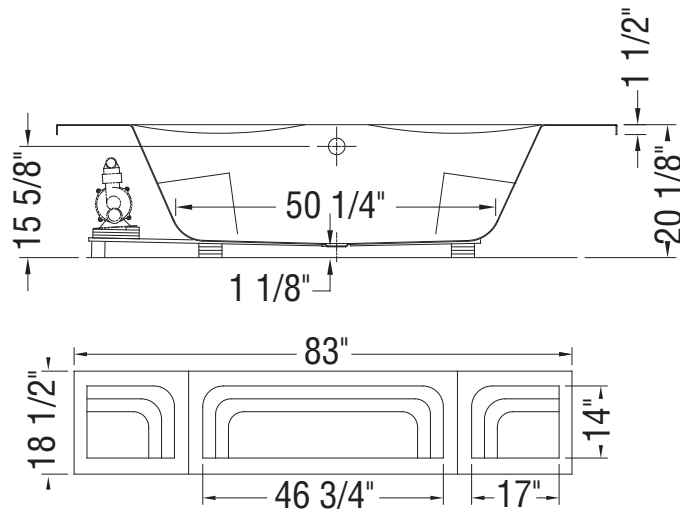
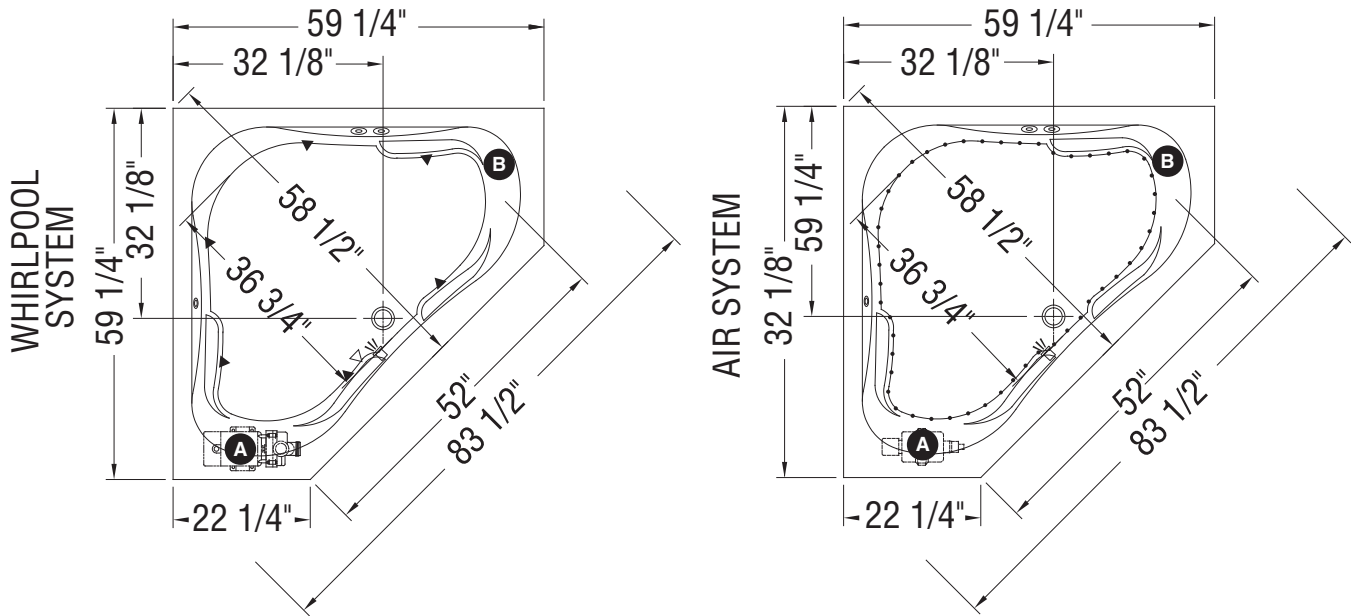
SKU	Description	MSRP
10006920	Tiling flange, 2 x 60 in. (sold separately)	\$ 114
10006923	Flexible main hose (9 ft. extension) for air push control air massage - Kit (sold separately)	\$ 191
10063099	Nailing flange (sold separately)	\$ 180
10004306-001	White foam cushion with 2 suction pads (sold separately) Available color: White (001)	\$ 126
10006887-105	Metal trim kit for Whirlpool and combined systems (sold separately)	\$ 669
10006887-084	Available colors: Chrome (084) and Brushed Nickel (105)	\$ 669
10034250-084	Metal trim kit for Aeroeffect with Air Push Control (sold separately)	\$ 74
10034250-105	Available colors: Chrome (084) and Brushed Nickel (105)	\$ 74
10022491-084	Cable-operated waste and overflow (16 in. to 22 in.) (sold separately) Available colors: White (001), Bone (004), Chrome (084) and Brushed Nickel (105)	\$ 332
10022491-004		\$ 332
10022491-105		\$ 332
10022491-001		\$ 332

FOOTNOTES

No	Description
1	Components for standard colour units equipped with systems are colour-coordinated. Trim kit and/or air push with metallic finish can be added (additional charge applies). For non-standard colour units, please specify trim kit and/or air push colour (additional charge applies for metallic finishes). Please note that the positioning of the system's control could be in conflict with the door if one was installed on the unit. To insure compatibility, please contact customer service.
2	Please order flexible main hose 10006923 for installation of the blower further than 3 ft from the bathtub. For the Tandem models and the Serenade models (freestanding and drop-in), the blower is always remote and not factory installed so a 9 ft flexible main hose is included. Please note that the positioning of the system's control could be in conflict with the door if one was installed on the unit. To insure compatibility, please contact customer service.
3	The blower is not factory installed (remote). 9 ft flexible main hose included. Please note that the positioning of the system's control could be in conflict with the door if one was installed on the unit. To insure compatibility, please contact customer service.
4	For details on pump position and requirements, see technical drawings on https://www.maax.com . When there is a pump position A or B indicated on the technical drawing, please specify position when ordering.

FOOTNOTES

No	Description
5	For details on blower position and requirements, see technical drawings on https://www.maax.com . When there is a blower position A or B indicated on the technical drawing, please specify position when ordering.
54	A selection of units come with an access panel by default when equipped with a system. However, if the unit is only equipped with chromatherapy, the access panel will not be provided by default.



- (A) : Standard blower and/or pump location
- (B) : Optional blower and/or pump location
- (▲) : Indicates Whirlpool jets positioning
- (•) : Indicates airjets positioning
- (△) : Indicates suction positioning
- (☼) : Indicates chromatherapy light positioning

All dimensions are approximate. Structure measurements must be verified against the unit to ensure proper fit.

Vichy 5555



Material : Acrylic
 Min: 46 Gal / 209 L
 Max: 62 Gal / 282 L

Features

- › Elegant bathtub for 2 people
- › Relaxing armrests and 2 headrests
- › Deck for faucet
- › Drop-in installation with center drain
- › Apron and tiling flange available

VICHY 5555 - 102934

SKU	System	Color	Configuration	Dimensions & Weight	Packaging	MSRP
102934-000-001-000	Soaker - No System	White	Center	54 3/4" x 54 3/4" x 20 3/4" / 78 lb / 35 kg	39 ft ³	\$ 1547
102934-000-004-000		Bone				\$ 1547
102934-000-007-000		Biscuit				\$ 1547
102934-001-001-000	Whirlpool ^{1 4}	White				\$ 3190
102934-001-004-000		Bone				\$ 3190
102934-001-007-000		Biscuit				\$ 3190
102934-096-001	Combined Whirlpool & Aeroeffect ^{1 3}	White				\$ 5515
102934-096-004		Bone				\$ 5515
102934-096-007		Biscuit				\$ 5515
102934-103-001-100	Aeroeffect ^{1 2 5}	White				\$ 4319
102934-103-004		Bone				\$ 4319
102934-103-007		Biscuit				\$ 4319

COMMON OPTIONS

SKU	Description	MSRP
OPT10106-084	Metal trim kit for whirlpool and combined systems (factory installed)	\$ 669
OPT10106-105	Available colors: Chrome (084) and Brushed Nickel (105)	\$ 669
OPT20029-105	Metal trim kit for air push control (factory installed)	\$ 74
OPT20029-084	Available colors: Chrome (084) and Brushed Nickel (105)	\$ 74

COMMON OPTIONS

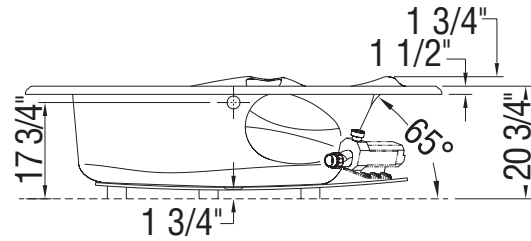
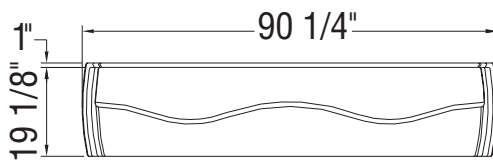
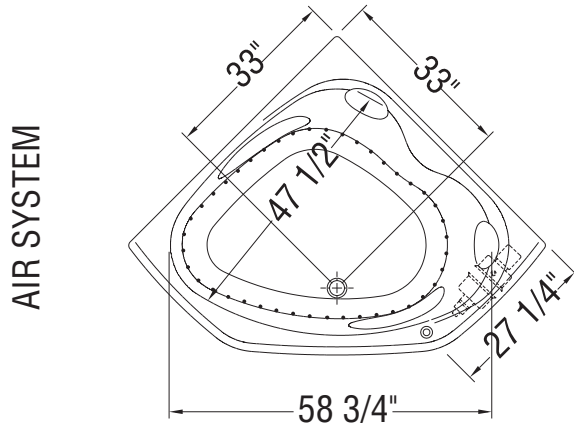
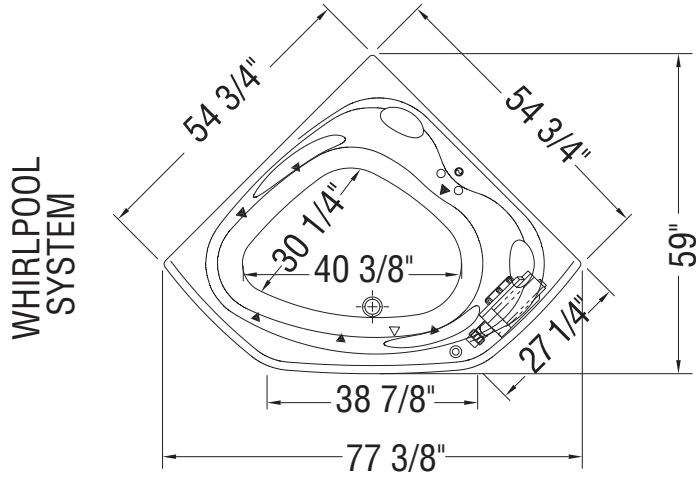
SKU	Description	MSRP
OPT20137-004	Cable-operated waste and overflow (16 in. to 22 in.) (included in product packaging when purchased) Available colors: White (001), Bone (004), Chrome (084) and Brushed Nickel (105)	\$ 332
OPT20137-084		\$ 332
OPT20137-105		\$ 332
OPT20137-001		\$ 332
OPT10053	One chromatherapy light (factory installed) ⁵⁴	\$ 725
OPT10095	Water heater assembly for whirlpool and combined systems (factory installed)	\$ 950
105005-000-004	Removable acrylic apron Specify: Standard colors: White (001), Bone (004), Biscuit (007)	\$ 1214
105005-000-007-000		\$ 1214
105005-000-001-000		\$ 1214

ACCESSORIES

SKU	Description	MSRP
10006920	Tiling flange, 2 x 60 in. (sold separately)	\$ 114
10006923	Flexible main hose (9 ft. extension) for air push control air massage - Kit (sold separately)	\$ 191
10004306-001	White foam cushion with 2 suction pads (sold separately) Available color: White (001)	\$ 126
10006887-105	Metal trim kit for Whirlpool and combined systems (sold separately) Available colors: Chrome (084) and Brushed Nickel (105)	\$ 669
10006887-084		\$ 669
10034250-084	Metal trim kit for Aeroeffect with Air Push Control (sold separately) Available colors: Chrome (084) and Brushed Nickel (105)	\$ 74
10034250-105		\$ 74
10022491-084	Cable-operated waste and overflow (16 in. to 22 in.) (sold separately) Available colors: White (001), Bone (004), Chrome (084) and Brushed Nickel (105)	\$ 332
10022491-004		\$ 332
10022491-105		\$ 332
10022491-001		\$ 332

FOOTNOTES

No	Description
1	Components for standard colour units equipped with systems are colour-coordinated. Trim kit and/or air push with metallic finish can be added (additional charge applies). For non-standard colour units, please specify trim kit and/or air push colour (additional charge applies for metallic finishes). Please note that the positioning of the system's control could be in conflict with the door if one was installed on the unit. To insure compatibility, please contact customer service.
2	Please order flexible main hose 10006923 for installation of the blower further than 3 ft from the bathtub. For the Tandem models and the Serenade models (freestanding and drop-in), the blower is always remote and not factory installed so a 9 ft flexible main hose is included. Please note that the positioning of the system's control could be in conflict with the door if one was installed on the unit. To insure compatibility, please contact customer service.
3	The blower is not factory installed (remote). 9 ft flexible main hose included. Please note that the positioning of the system's control could be in conflict with the door if one was installed on the unit. To insure compatibility, please contact customer service.
4	For details on pump position and requirements, see technical drawings on https://www.maax.com . When there is a pump position A or B indicated on the technical drawing, please specify position when ordering.
5	For details on blower position and requirements, see technical drawings on https://www.maax.com . When there is a blower position A or B indicated on the technical drawing, please specify position when ordering.
54	A selection of units come with an access panel by default when equipped with a system. However, if the unit is only equipped with chromatherapy, the access panel will not be provided by default.



- (▲): Indicates Whirlpool jets positioning
- (●): Indicates airjets positioning
- (△): Indicates suction positioning

All dimensions are approximate. Structure measurements must be verified against the unit to ensure proper fit.

Vichy 6043 ASY



CORNER BATHTUBS - ACRYLIC



Material : Acrylic
 Min: 46 Gal / 209 L
 Max: 47 Gal / 214 L

Features

- › Asymetric shape bathtub
- › Relaxing armrests and two headrests
- › Ergonomic backrest and deck for faucet
- › Apron and tilling flange available
- › Cut-out template included
- › Available in right- and left-hand drain (specify when ordering)
- › Off-center drain
- › Drop-in installation
- › Apron available
- › Cut-out template included

VICHY 6043 ASY - 102937

SKU	System	Color	Configuration	Dimensions & Weight	Packaging	MSRP	
102937-000-001-001	Soaker - No System	White	Left	59 7/8" x 42 7/8" x 20 1/2" / 65 lb / 29 kg	35 ft ³	\$ 1363	
102937-000-001-002			Right			\$ 1363	
102937-000-004-001		Bone	Left			\$ 1363	
102937-000-004-002			Right			\$ 1363	
102937-000-007-001		Biscuit	Left			\$ 1363	
102937-000-007-002			Right			\$ 1363	
102937-103-001-100	Aeroeffect ^{1 2 5}	White	Left			\$ 4135	
102937-103-001-101			Right			\$ 4135	
102937-L-001-001	Whirlpool ^{1 4}	Bone	Left			\$ 3006	
102937-L-001-004						Biscuit	\$ 3006
102937-L-001-007						White	\$ 5331
102937-L-096-001	Combined Whirlpool & Aeroeffect ^{1 3}	Bone				\$ 5331	
102937-L-096-004		Biscuit		\$ 5331			
102937-L-096-007		White		\$ 4135			
102937-L-103-004	Aeroeffect ^{1 2 5}	Bone		\$ 4135			
102937-L-103-007		Biscuit		\$ 4135			
102937-R-001-001	Whirlpool ^{1 4}	White		Right	\$ 3006		
102937-R-001-004					Bone	\$ 3006	
102937-R-001-007					Biscuit	\$ 3006	
102937-R-096-001	Combined Whirlpool & Aeroeffect ^{1 3}	White			\$ 5331		

VICHY 6043 ASY - 102937

SKU	System	Color	Configuration	Dimensions & Weight	Packaging	MSRP
102937-R-096-004	Combined Whirlpool & Aeroeffect ^{1 3}	Bone	Right	59 7/8" x 42 7/8" x 20 1/2" / 65 lb / 29 kg	35 ft ³	\$ 5331
102937-R-096-007		Biscuit				\$ 5331
102937-R-103-004	Aeroeffect ^{1 2 5}	Bone				\$ 4135
102937-R-103-007		Biscuit				\$ 4135

COMMON OPTIONS

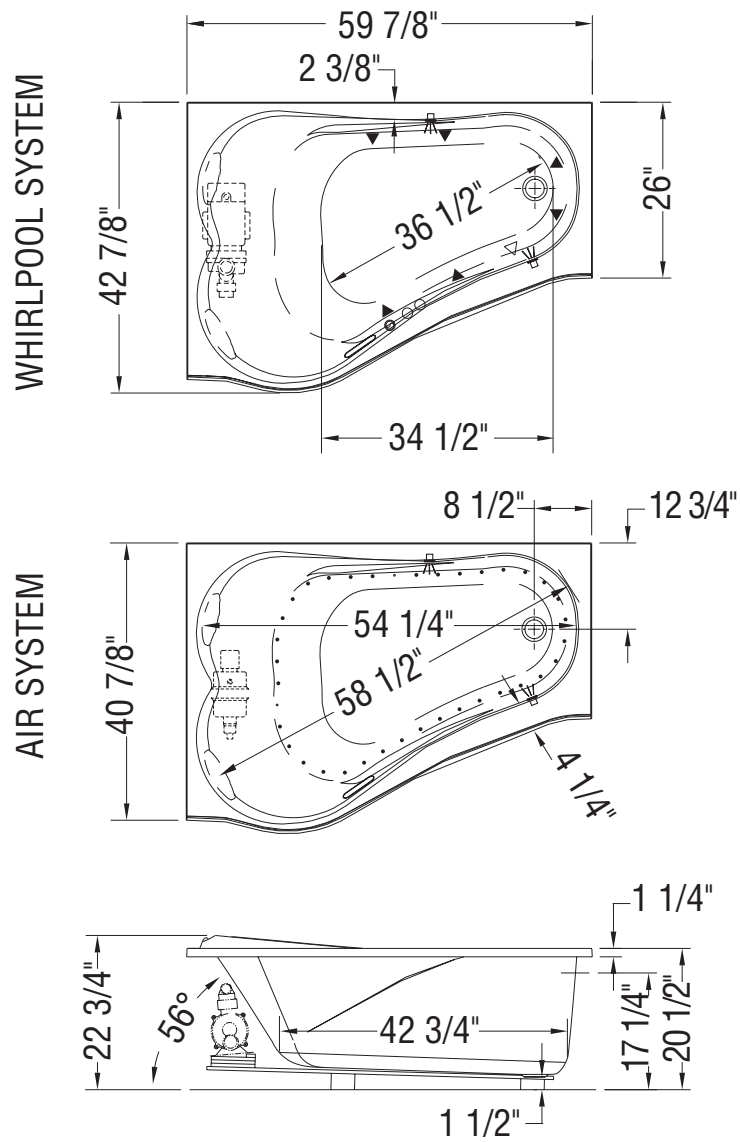
SKU	Description	MSRP
OPT10106-084	Metal trim kit for whirlpool and combined systems (factory installed) Available colors: Chrome (084) and Brushed Nickel (105)	\$ 669
OPT10106-105		\$ 669
OPT20029-105	Metal trim kit for air push control (factory installed) Available colors: Chrome (084) and Brushed Nickel (105)	\$ 74
OPT20029-084		\$ 74
OPT20137-004	Cable-operated waste and overflow (16 in. to 22 in.) (included in product packaging when purchased) Available colors: White (001), Bone (004), Chrome (084) and Brushed Nickel (105)	\$ 332
OPT20137-084		\$ 332
OPT20137-105		\$ 332
OPT20137-001		\$ 332
OPT10053		One chromatherapy light (factory installed) ⁵⁴
OPT10095	Water heater assembly for whirlpool and combined systems (factory installed)	\$ 950
105004-R-000-004	Removable acrylic apron 105004-R-000-XXX Right-hand drain 105004-L-000-XXX Left-hand drain Specify: Standard colors: White (001), Bone (004), Biscuit (007)	\$ 1011
105004-000-007-001		\$ 1011
105004-000-001-001		\$ 1011
105004-L-000-004		\$ 1011
105004-000-007-002		\$ 1011
105004-000-001-002		\$ 1011
105004-000-001-002		\$ 1011

ACCESSORIES

SKU	Description	MSRP
10006920	Tiling flange, 2 x 60 in. (sold separately)	\$ 114
10006923	Flexible main hose (9 ft. extension) for air push control air massage - Kit (sold separately)	\$ 191
10004306-001	White foam cushion with 2 suction pads (sold separately) Available color: White (001)	\$ 126
10006887-105	Metal trim kit for Whirlpool and combined systems (sold separately) Available colors: Chrome (084) and Brushed Nickel (105)	\$ 669
10006887-084		\$ 669
10034250-084	Metal trim kit for Aeroeffect with Air Push Control (sold separately) Available colors: Chrome (084) and Brushed Nickel (105)	\$ 74
10034250-105		\$ 74
10022491-084	Cable-operated waste and overflow (16 in. to 22 in.) (sold separately) Available colors: White (001), Bone (004), Chrome (084) and Brushed Nickel (105)	\$ 332
10022491-004		\$ 332
10022491-105		\$ 332
10022491-001		\$ 332

FOOTNOTES

No	Description
1	Components for standard colour units equipped with systems are colour-coordinated. Trim kit and/or air push with metallic finish can be added (additional charge applies). For non-standard colour units, please specify trim kit and/or air push colour (additional charge applies for metallic finishes). Please note that the positioning of the system's control could be in conflict with the door if one was installed on the unit. To insure compatibility, please contact customer service.
2	Please order flexible main hose 10006923 for installation of the blower further than 3 ft from the bathtub. For the Tandem models and the Serenade models (freestanding and drop-in), the blower is always remote and not factory installed so a 9 ft flexible main hose is included. Please note that the positioning of the system's control could be in conflict with the door if one was installed on the unit. To insure compatibility, please contact customer service.
3	The blower is not factory installed (remote). 9 ft flexible main hose included. Please note that the positioning of the system's control could be in conflict with the door if one was installed on the unit. To insure compatibility, please contact customer service.
4	For details on pump position and requirements, see technical drawings on https://www.maax.com . When there is a pump position A or B indicated on the technical drawing, please specify position when ordering.
5	For details on blower position and requirements, see technical drawings on https://www.maax.com . When there is a blower position A or B indicated on the technical drawing, please specify position when ordering.
54	A selection of units come with an access panel by default when equipped with a system. However, if the unit is only equipped with chromatherapy, the access panel will not be provided by default.



(▲): Indicates whirlpool jets positioning
 (△): Indicates suction positioning
 (●): Indicates airjets positioning
 (◻): Indicates chromatherapy light positioning
 Bathtub base includes anti-vibration Neutra-Phone leg supports (not shown).
All dimensions are approximate. Structure measurements must be verified against the unit to ensure proper fit.

Vichy 6060



CORNER BATHTUBS - ACRYLIC



Material : Acrylic
 Min: 52 Gal / 236 L
 Max: 77 Gal / 350 L

Features

- › Elegant bathtub for 2 people
- › Relaxing armrests and 2 headrests
- › Deck for faucet
- › Drop-in installation with center drain
- › Apron and tiling flange available

VICHY 6060 - 102579

SKU	System	Color	Configuration	Dimensions & Weight	Packaging	MSRP
102579-000-001-000	Soaker - No System	White	Center	59 3/4" x 59 3/4" x 20 3/4" / 92 lb / 42 kg	52 ft ³	\$ 2005
102579-000-004		Bone				\$ 2005
102579-000-007		Biscuit				\$ 2005
102579-001-001	Whirlpool ^{1 4}	White				\$ 3648
102579-001-004		Bone				\$ 3648
102579-001-007		Biscuit				\$ 3648
102579-096-001	Combined Whirlpool & Aeroeffect ^{1 3}	White				\$ 5973
102579-096-004		Bone				\$ 5973
102579-096-007		Biscuit				\$ 5973
102579-103-001-100	Aeroeffect ^{1 2 5}	White				\$ 4777
102579-103-004		Bone				\$ 4777
102579-103-007		Biscuit				\$ 4777

COMMON OPTIONS

SKU	Description	MSRP
OPT10106-084	Metal trim kit for whirlpool and combined systems (factory installed)	\$ 669
OPT10106-105	Available colors: Chrome (084) and Brushed Nickel (105)	\$ 669
OPT20029-105	Metal trim kit for air push control (factory installed)	\$ 74
OPT20029-084	Available colors: Chrome (084) and Brushed Nickel (105)	\$ 74

COMMON OPTIONS

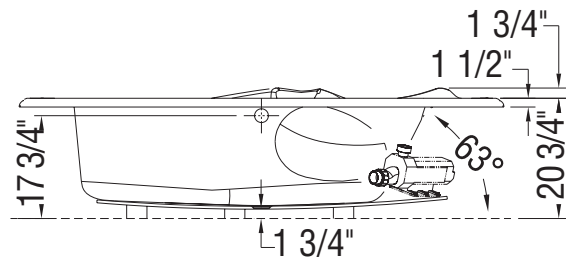
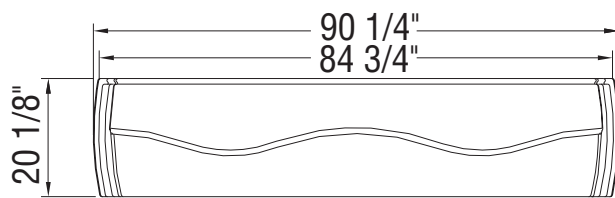
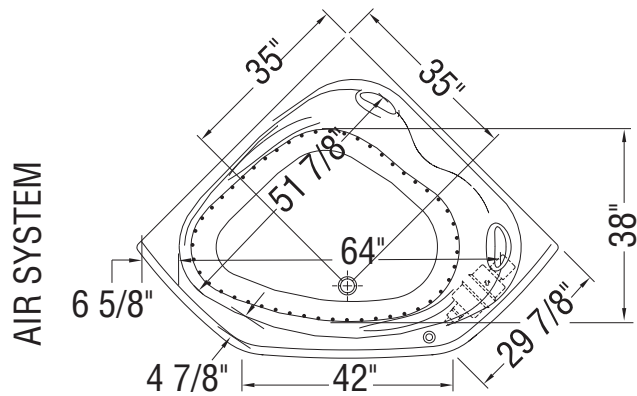
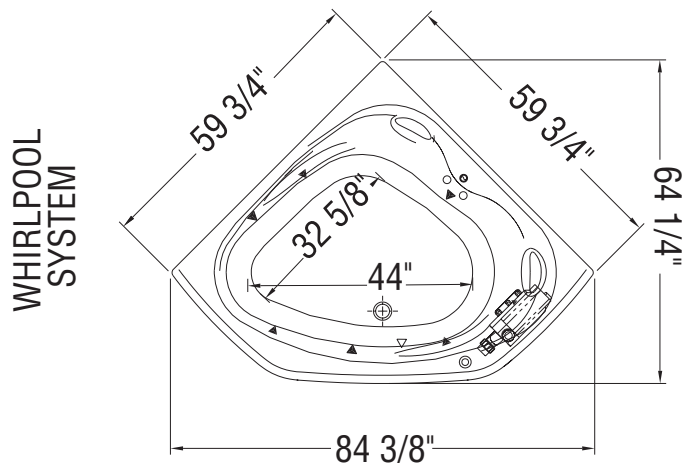
SKU	Description	MSRP
OPT20137-004	Cable-operated waste and overflow (16 in. to 22 in.) (included in product packaging when purchased) Available colors: White (001), Bone (004), Chrome (084) and Brushed Nickel (105)	\$ 332
OPT20137-084		\$ 332
OPT20137-105		\$ 332
OPT20137-001		\$ 332
OPT10053	One chromatherapy light (factory installed) ⁵⁴	\$ 725
OPT10095	Water heater assembly for whirlpool and combined systems (factory installed)	\$ 950
105003-000-004	Removable acrylic apron Specify: Standard colors: White (001), Bone (004), Biscuit (007)	\$ 1309
105003-000-001-000		\$ 1309
105003-000-007		\$ 1309

ACCESSORIES

SKU	Description	MSRP
10006920	Tiling flange, 2 x 60 in. (sold separately)	\$ 114
10006923	Flexible main hose (9 ft. extension) for air push control air massage - Kit (sold separately)	\$ 191
10004306-001	White foam cushion with 2 suction pads (sold separately) Available color: White (001)	\$ 126
10006887-105	Metal trim kit for Whirlpool and combined systems (sold separately) Available colors: Chrome (084) and Brushed Nickel (105)	\$ 669
10006887-084		\$ 669
10034250-084	Metal trim kit for Aeroeffect with Air Push Control (sold separately) Available colors: Chrome (084) and Brushed Nickel (105)	\$ 74
10034250-105		\$ 74
10022491-084	Cable-operated waste and overflow (16 in. to 22 in.) (sold separately) Available colors: White (001), Bone (004), Chrome (084) and Brushed Nickel (105)	\$ 332
10022491-004		\$ 332
10022491-105		\$ 332
10022491-001		\$ 332

FOOTNOTES

No	Description
1	Components for standard colour units equipped with systems are colour-coordinated. Trim kit and/or air push with metallic finish can be added (additional charge applies). For non-standard colour units, please specify trim kit and/or air push colour (additional charge applies for metallic finishes). Please note that the positioning of the system's control could be in conflict with the door if one was installed on the unit. To insure compatibility, please contact customer service.
2	Please order flexible main hose 10006923 for installation of the blower further than 3 ft from the bathtub. For the Tandem models and the Serenade models (freestanding and drop-in), the blower is always remote and not factory installed so a 9 ft flexible main hose is included. Please note that the positioning of the system's control could be in conflict with the door if one was installed on the unit. To insure compatibility, please contact customer service.
3	The blower is not factory installed (remote). 9 ft flexible main hose included. Please note that the positioning of the system's control could be in conflict with the door if one was installed on the unit. To insure compatibility, please contact customer service.
4	For details on pump position and requirements, see technical drawings on https://www.maax.com . When there is a pump position A or B indicated on the technical drawing, please specify position when ordering.
5	For details on blower position and requirements, see technical drawings on https://www.maax.com . When there is a blower position A or B indicated on the technical drawing, please specify position when ordering.
54	A selection of units come with an access panel by default when equipped with a system. However, if the unit is only equipped with chromatherapy, the access panel will not be provided by default.



- (▲): Indicates Whirlpool jets positioning
- (●): Indicates airjets positioning
- (△): Indicates suction positioning

All dimensions are approximate. Structure measurements must be verified against the unit to ensure proper fit.

VO5050 5 ft



Material : AcrylX
 Min: 41 Gal / 186 L
 Max: 56 Gal / 255 L

Features

- › Bathtub with vertical back splash
- › Integrated apron
- › Integrated tiling flange
- › Centre drain
- › Corner installation

VO5050 5 FT - 140111

SKU	System	Color	Configuration	Dimensions & Weight	Packaging	MSRP
140111-000-002-000	Soaker - No System	White	Center	51 1/2" x 51 1/2" x 17 1/2" / 90 lb / 41 kg	44 ft ³	\$ 1637
140111-001-002-000	Whirlpool ^{1 4}					\$ 3280

COMMON OPTIONS

SKU	Description	MSRP
OPT10053	One chromatherapy light (factory installed) ⁵⁴	\$ 725
OPT10095	Water heater assembly for whirlpool and combined systems (factory installed)	\$ 950
OPT10106-084	Metal trim kit for whirlpool and combined systems (factory installed) Available colors: Chrome (084) and Brushed Nickel (105)	\$ 669
OPT10106-105		\$ 669
OPT20137-004	Cable-operated waste and overflow (16 in. to 22 in.) (included in product packaging when purchased) Available colors: White (001), Bone (004), Chrome (084) and Brushed Nickel (105)	\$ 332
OPT20137-084		\$ 332
OPT20137-105		\$ 332
OPT20137-001		\$ 332

ACCESSORIES

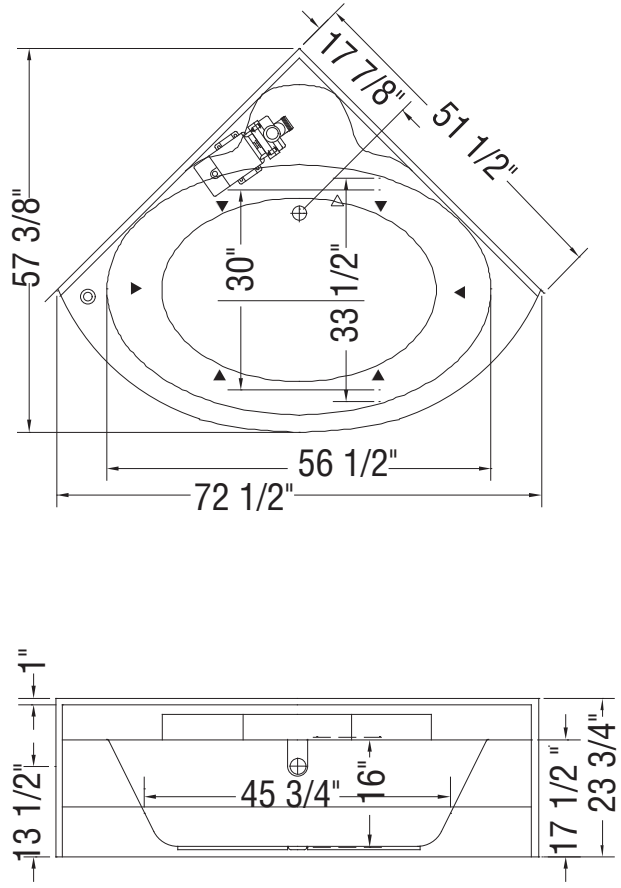
SKU	Description	MSRP
10004306-001	White foam cushion with 2 suction pads (sold separately) Available color: White (001)	\$ 126
10006887-105	Metal trim kit for Whirlpool and combined systems (sold separately) Available colors: Chrome (084) and Brushed Nickel (105)	\$ 669

ACCESSORIES

SKU	Description	MSRP
10006887-084	Metal trim kit for Whirlpool and combined systems (sold separately) Available colors: Chrome (084) and Brushed Nickel (105)	\$ 669
10022491-084	Cable-operated waste and overflow (16 in. to 22 in.) (sold separately) Available colors: White (001), Bone (004), Chrome (084) and Brushed Nickel (105)	\$ 332
10022491-004		\$ 332
10022491-105		\$ 332
10022491-001		\$ 332

FOOTNOTES

No	Description
1	Components for standard colour units equipped with systems are colour-coordinated. Trim kit and/or air push with metallic finish can be added (additional charge applies). For non-standard colour units, please specify trim kit and/or air push colour (additional charge applies for metallic finishes). Please note that the positioning of the system's control could be in conflict with the door if one was installed on the unit. To insure compatibility, please contact customer service.
4	For details on pump position and requirements, see technical drawings on https://www.maax.com . When there is a pump position A or B indicated on the technical drawing, please specify position when ordering.
54	A selection of units come with an access panel by default when equipped with a system. However, if the unit is only equipped with chromatherapy, the access panel will not be provided by default.



(▲): Indicates Whirlpool jets positioning
(△): Indicates suction positioning

All dimensions are approximate. Structure measurements must be verified against the unit to ensure proper fit.

Ariosa 6032



FREESTANDING BATHTUBS - ACRYLIC



Material : Acrylic
 Max: 38 Gal / 173 L

Features

- › Acrylic surface resistant to stains
- › 2-piece bathtub for an easy installation
- › Available in white, thunder gray, sterling silver or black color to complement any bathroom decor
- › Available in an Above-the-Floor Rough (AFR) configuration for easier drain, waste and overflow installation
- › Compatible with MAAX F2 Drain connector to save time and money on installation
- › MAAX innovative leveling legs for easy installation
- › Spacious 1-person bath
- › Proudly made in North America
- › High gloss finish resistant to dulling, scratching, and fading

ARIOSA 6032 - 106266						
SKU	System	Color	Configuration	Dimensions & Weight	Packaging	MSRP
106266-000-001-100	Soaker - No System	White	End	60 1/4" x 32" x 28" / 77 lb / 35 kg	39.3 ft³	\$ 2603
106266-000-001-101		Sterling Silver				\$ 3003
106266-000-001-102		Black				\$ 3003
106266-000-001-103		Thunder Gray				\$ 3003

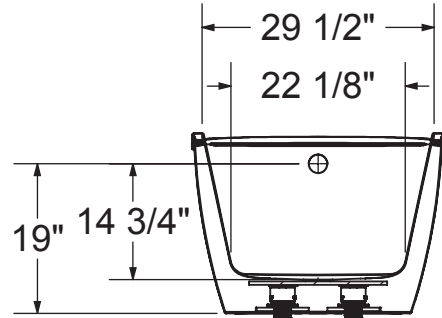
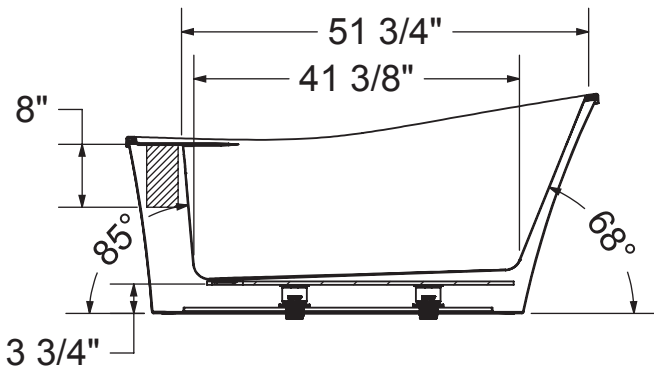
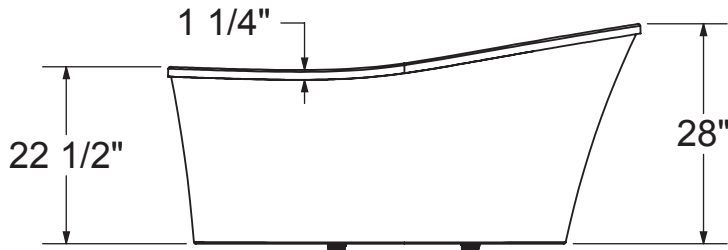
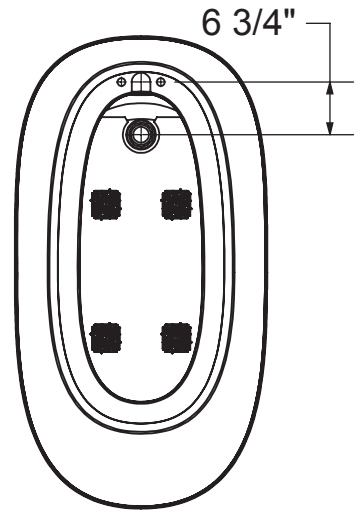
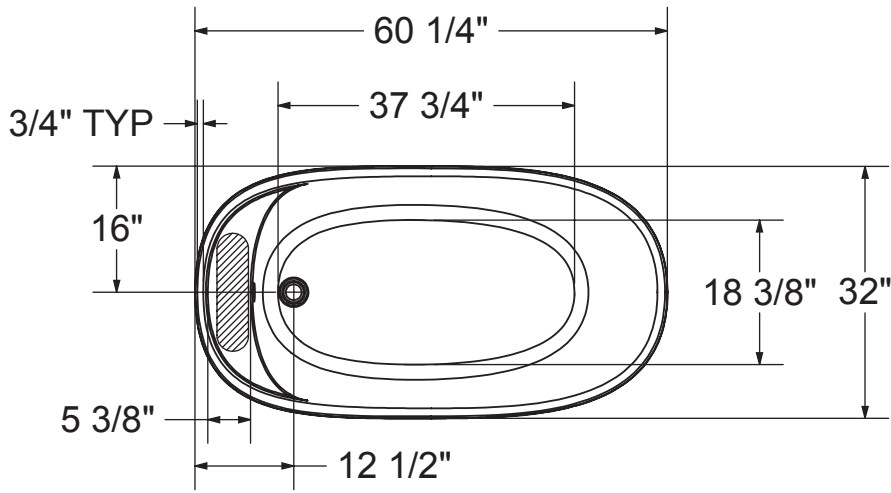
COMMON OPTIONS		
SKU	Description	MSRP
OPT20252	Linear Waste & Overflow with pack of 3 finishes (Chrome, Brushed Nickel & Dark Bronze)	\$ 493
OPT20137-004	Cable-operated waste and overflow (16 in. to 22 in.) (included in product packaging when purchased) Available colors: White (001), Bone (004), Chrome (084) and Brushed Nickel (105)	\$ 332
OPT20137-084		\$ 332
OPT20137-105		\$ 332
OPT20137-001		\$ 332
OPT20250-084	Brass flexible waste and overflow for high-rise construction	\$ 511
OPT20250-105	Available colors: Chrome (084) and Brushed Nickel (105)	\$ 594
106268-000-019-000	Apron only (sold separately as a replacement part) Available standard apron colors: White (002) Available non-standard apron colors: Thunder Grey (019), Sterling Silver (006) and Black (015)	\$ 1847

COMMON OPTIONS

SKU	Description	MSRP
106268-000-002-000	Apron only (sold separately as a replacement part)	\$ 1447
106268-000-006-000	Available standard apron colors: White (002) Available non-standard apron colors:	\$ 1847
106268-000-015-000	Thunder Grey (019), Sterling Silver (006) and Black (015)	\$ 1847

ACCESSORIES

SKU	Description	MSRP
10032747	F ² Drain - ABS kit for freestanding bathtub installation (sold separately) Minimum space required for assembly is 10 3/8 inches Compatible exclusively with MAAX freestanding bathtubs.	\$ 218
10032754	F ² Drain kit for high-rise construction for freestanding bathtub installation (sold separately) Respects National Building Code of Canada (CAN/ULC-S102.2 flame and smoke protection) for high rise construction Minimum space required for assembly is 10 3/8 inches Compatible exclusively with MAAX freestanding bathtubs.	\$ 368
10032757	F ² Drain - Pack of 12 ABS kits for freestanding bathtub installation (sold separately) Minimum space required for assembly is 10 3/8 inches Compatible exclusively with MAAX freestanding bathtubs.	\$ 2494
10034335	Positioning template for Ariosa 6032 freestanding installation (sold separately)	\$ 98
10034341	F ² Drain - PVC kit for freestanding bathtub installation (sold separately) Minimum space required for assembly is 10 3/8 inches Compatible exclusively with MAAX freestanding bathtubs.	\$ 218
10004306-001	White foam cushion with 2 suction pads (sold separately) Available color: White (001)	\$ 126
10025081-084	Waste and overflow 27 in. flexible neck (sold separately)	\$ 449
10025081-105	Available colors: Chrome (084) and Brushed Nickel (105)	\$ 449
10032808-084	Brass flexible waste and overflow for high construction (sold separately)	\$ 511
10032808-105	Available colors: Chrome (084) and Brushed Nickel (105)	\$ 594
10022491-084	Cable-operated waste and overflow (16 in. to 22 in.) (sold separately) Available colors: White (001), Bone (004), Chrome (084) and Brushed Nickel (105)	\$ 332
10022491-004		\$ 332
10022491-105		\$ 332
10022491-001		\$ 332
10022491-001		\$ 332



() : Recommended facet area of 15" (L) x 4" (W).
Depth recommended for straight pipes 8".

All dimensions are approximate. Structure measurements must be verified against the unit to ensure proper fit.

Ariosa 6636



Material : Acrylic
 Max: 47 Gal / 214 L

Features

- › Acrylic surface resistant to stains
- › 2-piece bathtub for an easy installation
- › Available in white, thunder gray, sterling silver or black color to complement any bathroom decor
- › Available in an Above-the-Floor Rough (AFR) configuration for easier drain, waste and overflow installation
- › Compatible with MAAX F2 Drain connector to save time and money on installation
- › MAAX innovative leveling legs for easy installation
- › Spacious 2-person bath
- › Proudly made in North America
- › High gloss finish resistant to dulling, scratching, and fading

FREESTANDING BATHTUBS - ACRYLIC

ARIOSIA 6636 - 106267

SKU	System	Color	Configuration	Dimensions & Weight	Packaging	MSRP
106267-000-001-100	Soaker - No System	White	Center	66" x 36" x 27 3/8" / 88 lb / 40 kg	47.27 ft ³	\$ 3037
106267-000-001-101		Sterling Silver				\$ 3437
106267-000-001-102		Black				\$ 3437
106267-000-001-103		Thunder Gray				\$ 3437

COMMON OPTIONS

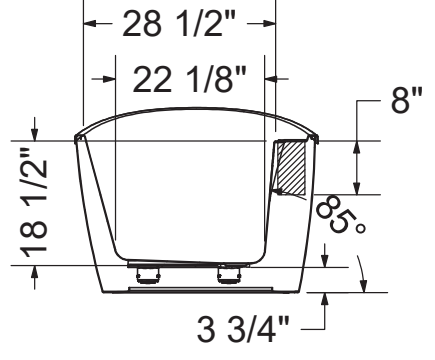
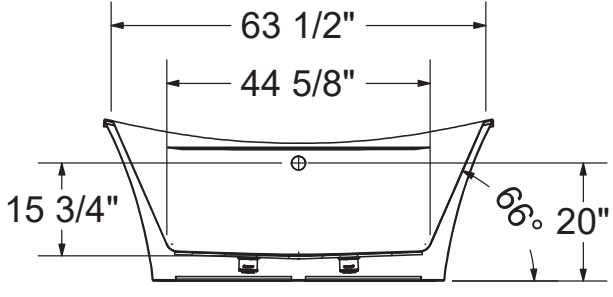
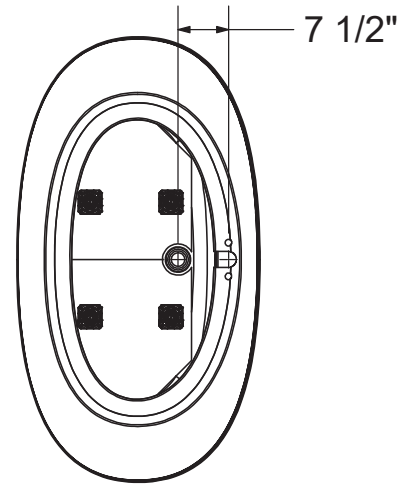
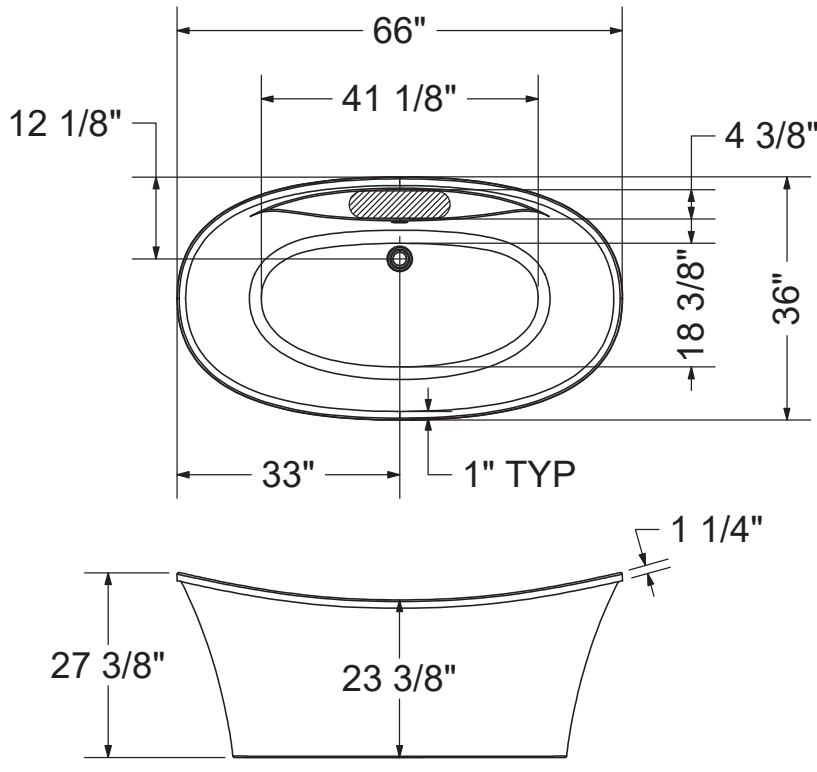
SKU	Description	MSRP
OPT20252	Linear Waste & Overflow with pack of 3 finishes (Chrome, Brushed Nickel & Dark Bronze)	\$ 493
OPT20137-004	Cable-operated waste and overflow (16 in. to 22 in.) (included in product packaging when purchased) Available colors: White (001), Bone (004), Chrome (084) and Brushed Nickel (105)	\$ 332
OPT20137-084		\$ 332
OPT20137-105		\$ 332
OPT20137-001		\$ 332
OPT20250-084	Brass flexible waste and overflow for high-rise construction	\$ 511
OPT20250-105	Available colors: Chrome (084) and Brushed Nickel (105)	\$ 594
106269-000-006-000	Apron only (sold separately as a replacement part) Available standard apron colors: White (002) Available non-standard apron colors: Thunder Grey (019), Sterling Silver (006) and Black (015)	\$ 2137


COMMON OPTIONS

SKU	Description	MSRP
106269-000-019-000	Apron only (sold separately as a replacement part)	\$ 2137
106269-000-002-000	Available standard apron colors: White (002) Available non-standard apron colors:	\$ 1737
106269-000-015-000	Thunder Grey (019), Sterling Silver (006) and Black (015)	\$ 2137

ACCESSORIES

SKU	Description	MSRP
10032747	F ² Drain - ABS kit for freestanding bathtub installation (sold separately) Minimum space required for assembly is 10 3/8 inches Compatible exclusively with MAAX freestanding bathtubs.	\$ 218
10032754	F ² Drain kit for high-rise construction for freestanding bathtub installation (sold separately) Respects National Building Code of Canada (CAN/ULC-S102.2 flame and smoke protection) for high rise construction Minimum space required for assembly is 10 3/8 inches Compatible exclusively with MAAX freestanding bathtubs.	\$ 368
10032757	F ² Drain - Pack of 12 ABS kits for freestanding bathtub installation (sold separately) Minimum space required for assembly is 10 3/8 inches Compatible exclusively with MAAX freestanding bathtubs.	\$ 2494
10034336	Positioning template for Ariosa 6636 freestanding installation (sold separately)	\$ 98
10034341	F ² Drain - PVC kit for freestanding bathtub installation (sold separately) Minimum space required for assembly is 10 3/8 inches Compatible exclusively with MAAX freestanding bathtubs.	\$ 218
10004306-001	White foam cushion with 2 suction pads (sold separately) Available color: White (001)	\$ 126
10025081-084	Waste and overflow 27 in. flexible neck (sold separately)	\$ 449
10025081-105	Available colors: Chrome (084) and Brushed Nickel (105)	\$ 449
10032808-084	Brass flexible waste and overflow for high construction (sold separately)	\$ 511
10032808-105	Available colors: Chrome (084) and Brushed Nickel (105)	\$ 594
10022491-084	Cable-operated waste and overflow (16 in. to 22 in.) (sold separately) Available colors: White (001), Bone (004), Chrome (084) and Brushed Nickel (105)	\$ 332
10022491-004		\$ 332
10022491-105		\$ 332
10022491-001		\$ 332
10022491-001		\$ 332



(): Recommended faucet area of 15" (L) x 4" (W).
Depth recommended for straight pipes 8".

All dimensions are approximate. Structure measurements must be verified against the unit to ensure proper fit.

Elina



FREESTANDING BATHTUBS - ACRYLIC



Material : Acrylic
 Max: 79 Gal / 359 L

Features

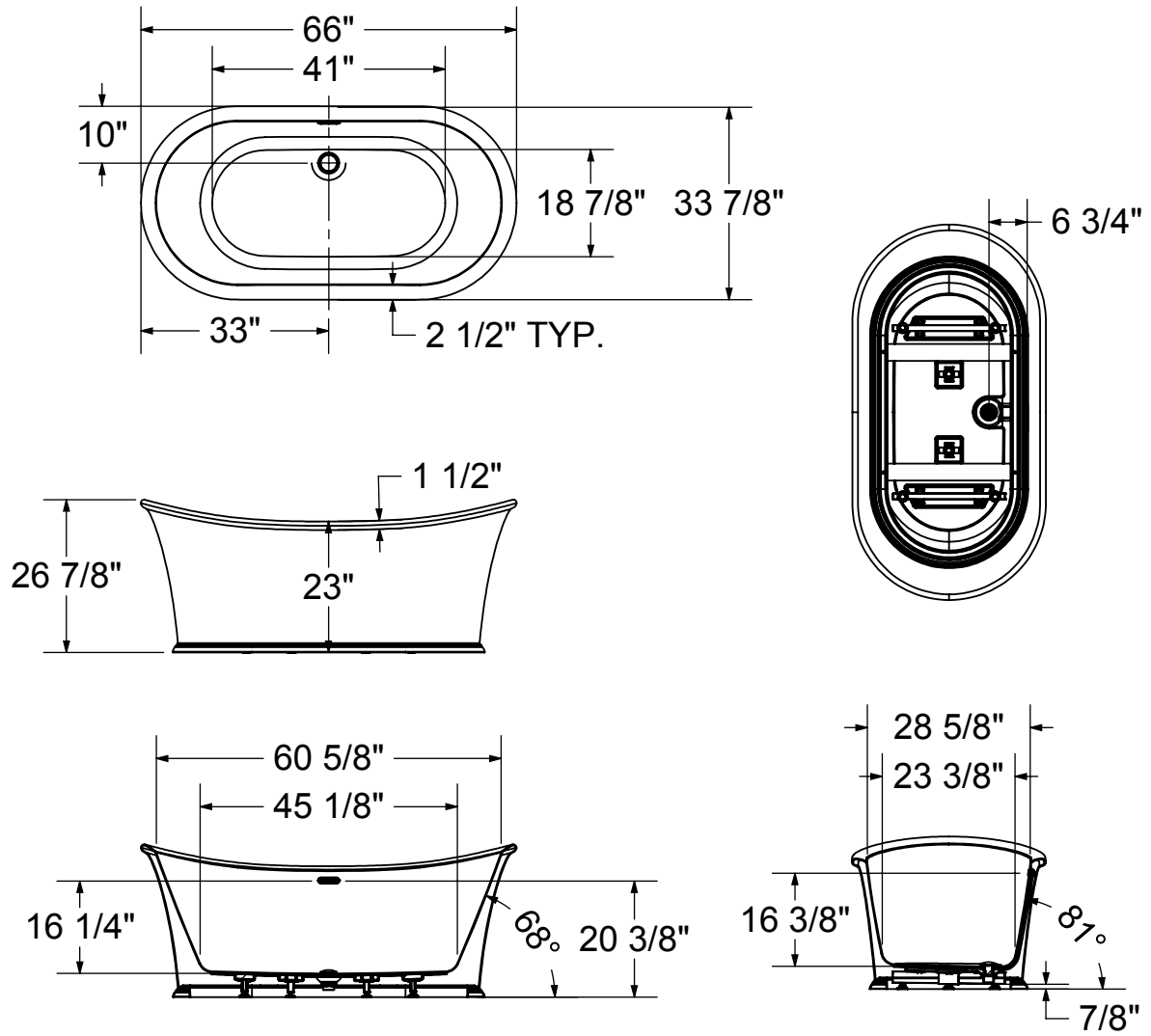
- › Seamless 1-piece bathtub with a symmetrical look
- › Maximized bathing well with comfortable raised backrests and center drain
- › Linear-rounded overflow and drain in chrome (pre-installed)
- › F² Drain compatible
- › Offered only in white with optional trim finishes available
- › MAAX innovative leveling legs for easy installation

ELINA - 106389						
SKU	System	Color	Configuration	Dimensions & Weight	Packaging	MSRP
106389-000-001-000	Soaker - No System	White	Center	66" x 33 7/8" x 26 7/8" / 137 lb / 62 kg	45 ft ³	\$ 3728

COMMON OPTIONS		
SKU	Description	MSRP
OPT20262-340	Linear-rounded overflow and waste metal trim kit Available colors: White (002), Brushed Nickel (105), Dark Bronze (173) and Matte Black (340)	\$ 275
OPT20262-002		\$ 275
OPT20262-105		\$ 275
OPT20262-173		\$ 275

ACCESSORIES		
SKU	Description	MSRP
10032747	F ² Drain - ABS kit for freestanding bathtub installation (sold separately) Minimum space required for assembly is 10 3/8 inches Compatible exclusively with MAAX freestanding bathtubs.	\$ 218
10032754	F ² Drain kit for high-rise construction for freestanding bathtub installation (sold separately) Respects National Building Code of Canada (CAN/ULC-S102.2 flame and smoke protection) for high rise construction Minimum space required for assembly is 10 3/8 inches Compatible exclusively with MAAX freestanding bathtubs.	\$ 368

ACCESSORIES		
SKU	Description	MSRP
10032757	F ² Drain - Pack of 12 ABS kits for freestanding bathtub installation (sold separately) Minimum space required for assembly is 10 3/8 inches Compatible exclusively with MAAX freestanding bathtubs.	\$ 2494
10034341	F ² Drain - PVC kit for freestanding bathtub installation (sold separately) Minimum space required for assembly is 10 3/8 inches Compatible exclusively with MAAX freestanding bathtubs.	\$ 218
10037818	Positioning template for Elina freestanding installation (sold separately)	\$ 98
10037678-105	Round waste metal trim Available colors: White (002), Chrome (084), Brushed Nickel (105), Dark Bronze (173) and Matte Black (340)	\$ 185
10037678-340		\$ 185
10037678-002		\$ 185
10037678-084		\$ 185
10037678-173		\$ 185
10037675-002		\$ 94
10037675-084		\$ 94
10037675-173		\$ 94
10037675-340		\$ 94
10037675-105		\$ 94



All dimensions are approximate. Structure measurements must be verified against the unit to ensure proper fit.



Ella Sleek



Material : Acrylic
 Max: 51 Gal / 232 L

Features

- › Classic oval 2-piece freestanding bathtub with concealed seam
- › Comfortable backrest and ample deck space for faucet installation
- › MAAX innovative leveling legs for easy installation
- › Above-the-Floor Rough (AFR) and F² Drain compatible
- › Apron available in standard colors and 3 designer colors
- › No massage systems available
- › Center drain

FREESTANDING BATHTUBS - ACRYLIC

ELLA SLEEK - 105744

SKU	System	Color	Configuration	Dimensions & Weight	Packaging	MSRP
105744-000-001-100	Soaker - No System	White	Center	66" x 36" x 24" / 149 lb / 68 kg	37 ft ³	\$ 3037
105744-000-001-103		Sterling Silver				\$ 3437
105744-000-001-104		Thunder Gray				\$ 3437
105744-000-015		Black				\$ 3437

COMMON OPTIONS

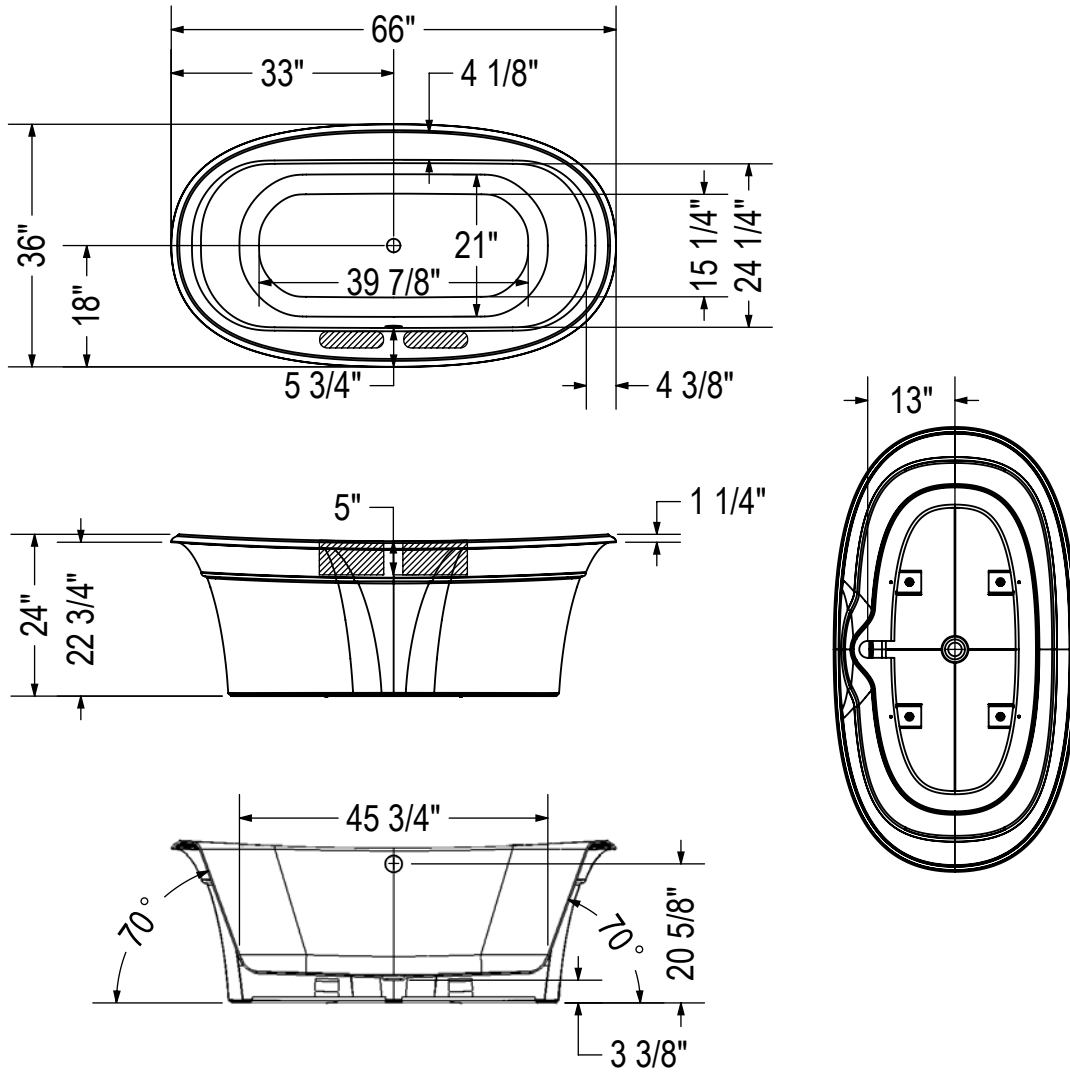
SKU	Description	MSRP
106023-000-015	Apron only (sold separately as a replacement part)	\$ 2137
106023-000-019	Available standard apron colors: White (002), Bone (004), Biscuit (007)	\$ 2137
106023-000-006	Available non-standard apron colors: Thunder Grey (019), Sterling Silver (006) or Black (015)	\$ 2137
106023-000-002		\$ 1737


ACCESSORIES

SKU	Description	MSRP
10032736	Positioning template for Ella 6636 freestanding installation (sold separately)	\$ 98
10032747	F ² Drain - ABS kit for freestanding bathtub installation (sold separately) Minimum space required for assembly is 10 3/8 inches Compatible exclusively with MAAX freestanding bathtubs.	\$ 218

ACCESSORIES

SKU	Description	MSRP
10032754	F ² Drain kit for high-rise construction for freestanding bathtub installation (sold separately) Respects National Building Code of Canada (CAN/ULC-S102.2 flame and smoke protection) for high rise construction Minimum space required for assembly is 10 3/8 inches Compatible exclusively with MAAX freestanding bathtubs.	\$ 368
10032757	F ² Drain - Pack of 12 ABS kits for freestanding bathtub installation (sold separately) Minimum space required for assembly is 10 3/8 inches Compatible exclusively with MAAX freestanding bathtubs.	\$ 2494
10034341	F ² Drain - PVC kit for freestanding bathtub installation (sold separately) Minimum space required for assembly is 10 3/8 inches Compatible exclusively with MAAX freestanding bathtubs.	\$ 218
10004306-001	White foam cushion with 2 suction pads (sold separately) Available color: White (001)	\$ 126
10025720-105	Waste and overflow 33 in. flexible neck (sold separately)	\$ 449
10025720-084	Available colors: Chrome (084) and Brushed Nickel (105)	\$ 449



(): Recommended faucet area 2 sections of 10" (L) x 2 1/2" (W)
Depth recommended for straight pipes 5".

All dimensions are approximate. Structure measurements must be verified against the unit to ensure proper fit.



Jazz F

FREESTANDING BATHTUBS - ACRYLIC



Material : Acrylic
 Min: 48 Gal / 218 L
 Max: 63 Gal / 286 L

Features

- > Freestanding bathtub
- > Acrylic surface resistant to stains
- > MAAX innovative leveling legs for easy installation
- > Compatible with MAAX F2 Drain connector to save time and money on installation
- > Available in an Above-the-Floor Rough (AFR) configuration for easier drain, waste and overflow installation
- > 2-piece bathtub for easy transportation and seamless installation
- > High gloss finish resistant to dulling, scratching, and fading
- > Proudly made in North America
- > Adds a modern look to any bathroom

JAZZ F - 105359						
SKU	System	Color	Configuration	Dimensions & Weight	Packaging	MSRP
105359-000-001	Soaker - No System	White	Center	66" x 36" x 24" / 149 lb / 68 kg	37 ft ³	\$ 3049
105359-055-001	Aerofeel ^{1 5}					\$ 7047

COMMON OPTIONS		
SKU	Description	MSRP
OPT10054	Two chromatherapy lights for bathtubs without waterfall (factory installed)	\$ 928
OPT10119-105	Metal trim kit for Aerofeel electronic control (factory installed)	\$ 98
OPT10119-084	Available colors: Chrome (084) and Brushed Nickel (105)	\$ 98

ACCESSORIES		
SKU	Description	MSRP
10027224	Positioning template for Jazz freestanding installation (sold separately)	\$ 98
10032747	F ² Drain - ABS kit for freestanding bathtub installation (sold separately) Minimum space required for assembly is 10 3/8 inches Compatible exclusively with MAAX freestanding bathtubs.	\$ 218

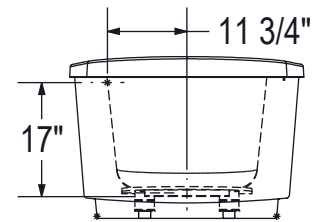
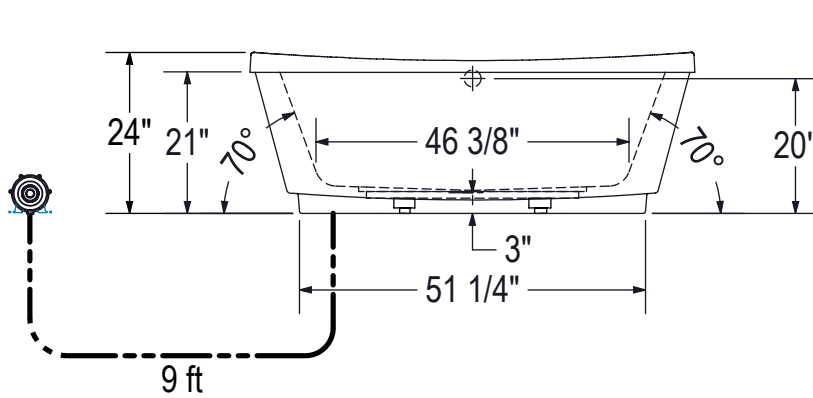
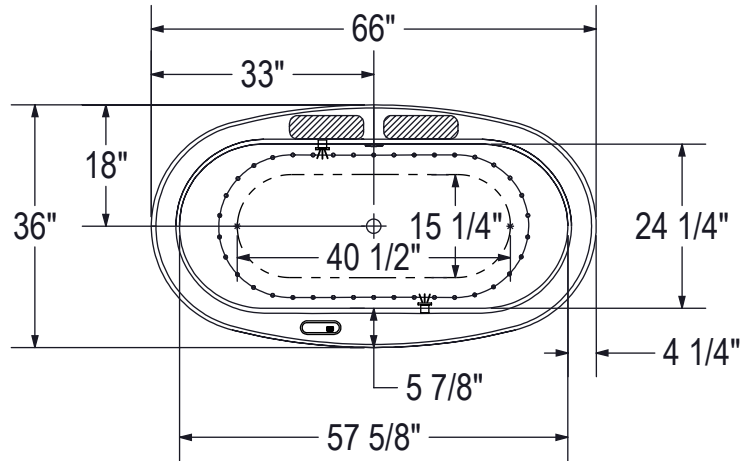
ACCESSORIES

SKU	Description	MSRP
10032754	F ² Drain kit for high-rise construction for freestanding bathtub installation (sold separately) Respects National Building Code of Canada (CAN/ULC-S102.2 flame and smoke protection) for high rise construction Minimum space required for assembly is 10 3/8 inches Compatible exclusively with MAAX freestanding bathtubs.	\$ 368
10032757	F ² Drain - Pack of 12 ABS kits for freestanding bathtub installation (sold separately) Minimum space required for assembly is 10 3/8 inches Compatible exclusively with MAAX freestanding bathtubs.	\$ 2494
10033272	Flexible main hose for electronic control air massage - kit (sold separately) 15 ft. extension	\$ 373
10034341	F ² Drain - PVC kit for freestanding bathtub installation (sold separately) Minimum space required for assembly is 10 3/8 inches Compatible exclusively with MAAX freestanding bathtubs.	\$ 218
10004306-001	White foam cushion with 2 suction pads (sold separately) Available color: White (001)	\$ 126
10025720-105	Waste and overflow 33 in. flexible neck (sold separately)	\$ 449
10025720-084	Available colors: Chrome (084) and Brushed Nickel (105)	\$ 449

FOOTNOTES

No	Description
1	Components for standard colour units equipped with systems are colour-coordinated. Trim kit and/or air push with metallic finish can be added (additional charge applies). For non-standard colour units, please specify trim kit and/or air push colour (additional charge applies for metallic finishes). Please note that the positioning of the system's control could be in conflict with the door if one was installed on the unit. To insure compatibility, please contact customer service.
5	For details on blower position and requirements, see technical drawings on https://www.maax.com . When there is a blower position A or B indicated on the technical drawing, please specify position when ordering.

AIR SYSTEM



- (●) : Indicates Aerofeel airjets positioning
- (☼) : Indicates chromatherapy light positioning
- (▨) : Recommended faucet area 2 sections of 12" (L) x 3 1/2" (W).

Blower must be installed at a distance.

All dimensions are approximate. Structure measurements must be verified against the unit to ensure proper fit.



Joan



Material : Acrylic
 Max: 61 Gal / 277 L

Features

- › Seamless 1-piece bathtub with asymmetrical look
- › Maximized bathing well with comfortable raised backrest and end drain
- › Linear overflow in chrome and unique hidden drain (pre-installed)
- › F² Drain compatible
- › Offered only in white with optional trim finishes available
- › MAAX innovative leveling legs for easy installation

FREESTANDING BATHTUBS - ACRYLIC

JOAN - 106387

SKU	System	Color	Configuration	Dimensions & Weight	Packaging	MSRP
106387-000-001-000	Soaker - No System	White	End	61" x 32" x 31 1/8" / 121 lb / 55 kg	40 ft ³	\$ 3051

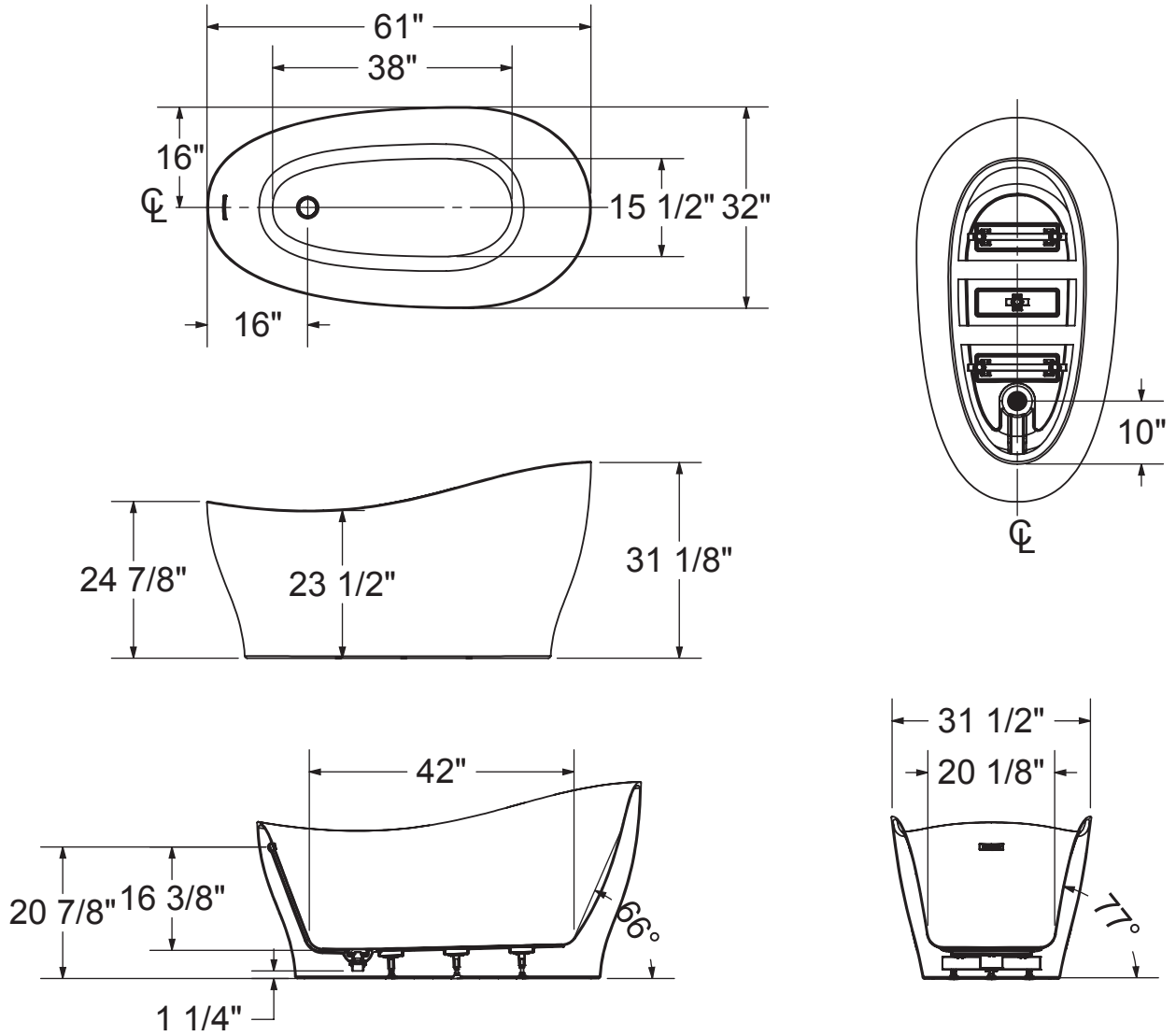
COMMON OPTIONS

SKU	Description	MSRP
OPT20263-340	Linear overflow metal trim Available colors: White (002), Brushed Nickel (105), Dark Bronze (173) and Matte Black (340)	\$ 135
OPT20263-173		\$ 135
OPT20263-105		\$ 135
OPT20263-002		\$ 135

ACCESSORIES

SKU	Description	MSRP
10032747	F ² Drain - ABS kit for freestanding bathtub installation (sold separately) Minimum space required for assembly is 10 3/8 inches Compatible exclusively with MAAX freestanding bathtubs.	\$ 218
10032754	F ² Drain kit for high-rise construction for freestanding bathtub installation (sold separately) Respects National Building Code of Canada (CAN/ULC-S102.2 flame and smoke protection) for high rise construction Minimum space required for assembly is 10 3/8 inches Compatible exclusively with MAAX freestanding bathtubs.	\$ 368

ACCESSORIES		
SKU	Description	MSRP
10032757	F ² Drain - Pack of 12 ABS kits for freestanding bathtub installation (sold separately) Minimum space required for assembly is 10 3/8 inches Compatible exclusively with MAAX freestanding bathtubs.	\$ 2494
10034341	F ² Drain - PVC kit for freestanding bathtub installation (sold separately) Minimum space required for assembly is 10 3/8 inches Compatible exclusively with MAAX freestanding bathtubs.	\$ 218
10037816	Positioning template for Joan freestanding installation (sold separately)	\$ 98
10037679-001	White hidden drain cover Available colors: White (001)	\$ 299
10037884-002	Linear overflow metal trim Available colors: White (002), Chrome (084), Brushed Nickel (105), Dark Bronze (173) and Matte Black (340)	\$ 135
10037884-105		\$ 135
10037884-173		\$ 135
10037884-084		\$ 135
10037884-340		\$ 135



All dimensions are approximate. Structure measurements must be verified against the unit to ensure proper fit.



Oberto

FREESTANDING BATHTUBS - ACRYLIC



Material : Acrylic
Max: 76 Gal / 345 L

Features

- › Freestanding bathtub
- › Seamless 1-piece bathtub with a symmetrical look
- › Acrylic surface resistant to stains
- › Compatible with MAAX F2 Drain connector to save time and money on installation
- › Ample deck space for faucet installation
- › Waste and overflow included in chrome and pre-installed to save time on installation
- › Offered only in white with optional trim finishes available
- › MAAX innovative leveling legs for easy installation
- › Available in central drain configurations only

OBERTO 6731 - 106386

SKU	System	Color	Configuration	Dimensions & Weight	Packaging	MSRP
106386-000-001-000	Soaker - No System	White	Center	67" x 31" x 23" / 132 lb / 60 kg	36 ft ³	\$ 3250

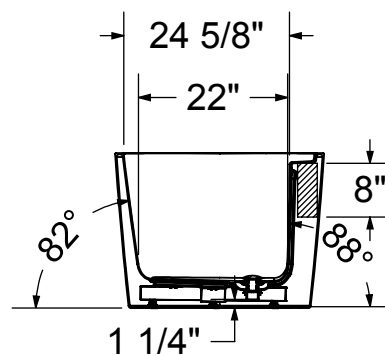
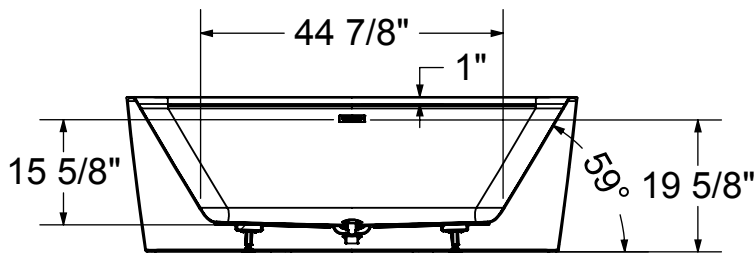
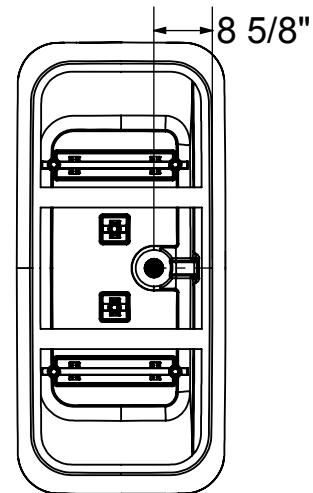
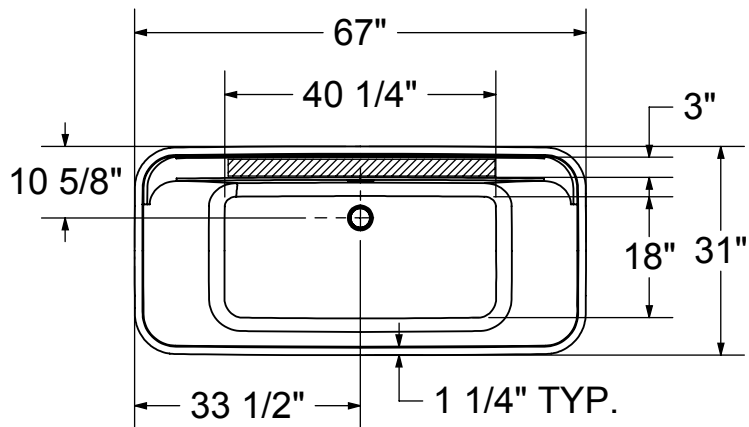
COMMON OPTIONS


SKU	Description	MSRP
OPT20260-105	Linear overflow and waste metal trim kit Available colors: White (002), Brushed Nickel (105), Dark Bronze (173) and Matte Black (340)	\$ 275
OPT20260-002		\$ 275
OPT20260-340		\$ 275
OPT20260-173		\$ 275

ACCESSORIES

SKU	Description	MSRP
10032747	F ² Drain - ABS kit for freestanding bathtub installation (sold separately) Minimum space required for assembly is 10 3/8 inches Compatible exclusively with MAAX freestanding bathtubs.	\$ 218
10032754	F ² Drain kit for high-rise construction for freestanding bathtub installation (sold separately) Respects National Building Code of Canada (CAN/ULC-S102.2 flame and smoke protection) for high rise construction Minimum space required for assembly is 10 3/8 inches Compatible exclusively with MAAX freestanding bathtubs.	\$ 368

ACCESSORIES		
SKU	Description	MSRP
10032757	F ² Drain - Pack of 12 ABS kits for freestanding bathtub installation (sold separately) Minimum space required for assembly is 10 3/8 inches Compatible exclusively with MAAX freestanding bathtubs.	\$ 2494
10034341	F ² Drain - PVC kit for freestanding bathtub installation (sold separately) Minimum space required for assembly is 10 3/8 inches Compatible exclusively with MAAX freestanding bathtubs.	\$ 218
10037815	Positioning template for Oberto freestanding installation (sold separately)	\$ 98
10037670-105	Linear overflow metal trim Available colors: White (002), Chrome (084), Brushed Nickel (105), Dark Bronze (173) and Matte Black (340)	\$ 94
10037670-002		\$ 94
10037670-084		\$ 94
10037670-173		\$ 94
10037670-340		\$ 94
10037678-105		Round waste metal trim Available colors: White (002), Chrome (084), Brushed Nickel (105), Dark Bronze (173) and Matte Black (340)
10037678-340	\$ 185	
10037678-002	\$ 185	
10037678-084	\$ 185	
10037678-173	\$ 185	



 Recommended faucet area of 40" (L) x 4" (W).
Depth recommended for straight pipes 8".

All dimensions are approximate. Structure measurements must be verified against the unit to ensure proper fit.

Optik 6032 F



Material : Acrylic
 Min: 35 Gal / 159 L
 Max: 46 Gal / 209 L

Features

- › Sleek 2-piece freestanding combines straight and curvaceous lines
- › Inclined backrest, curvaceous inset armrests, deep bathing well
- › Ample deck space for faucet installation
- › MAAX innovative leveling legs for easy installation
- › Above-the-Floor Rough (AFR) and F² Drain compatible
- › Apron available in standard colors and 3 designer colors
- › Air massage system available
- › End drain

FREESTANDING BATHTUBS - ACRYLIC

OPTIK 6032 F - 105571

SKU	System	Color	Configuration	Dimensions & Weight	Packaging	MSRP
105571-000-001-100	Soaker - No System	White	End	60" x 32" x 23" / 135 lb / 61 kg	29 ft ³	\$ 2603
105571-000-001-101		Sterling Silver				\$ 3003
105571-000-001-102		Thunder Gray				\$ 3003
105571-000-001-105		Black				\$ 3003
105571-055-001-100	Aerofeel ^{1 5}	White				\$ 6601
105571-055-006		Sterling Silver				\$ 7001
105571-055-015		Black				\$ 7001
105571-055-019		Thunder Gray				\$ 7001

COMMON OPTIONS

SKU	Description	MSRP
OPT10054	Two chromatherapy lights for bathtubs without waterfall (factory installed)	\$ 928
OPT10119-105	Metal trim kit for Aerofeel electronic control (factory installed)	\$ 98
OPT10119-084	Available colors: Chrome (084) and Brushed Nickel (105)	\$ 98
105572-000-019-000	Apron only (sold separately as a replacement part) Available standard apron colors	\$ 1847
105572-000-015	White (002)	\$ 1847
105572-000-004-000	Available non-standard apron colors: Thunder Grey (019), Sterling Silver (006), Black (015)	\$ 1447

COMMON OPTIONS

SKU	Description	MSRP
105572-000-006-000	Apron only (sold separately as a replacement part) Available standard apron colors White (002) Available non-standard apron colors: Thunder Grey (019), Sterling Silver (006), Black (015)	\$ 1847
OPT20137-004	Cable-operated waste and overflow (16 in. to 22 in.) (included in product packaging when purchased) Available colors: White (001), Bone (004), Chrome (084) and Brushed Nickel (105)	\$ 332
OPT20137-084		\$ 332
OPT20137-105		\$ 332
OPT20137-001		\$ 332

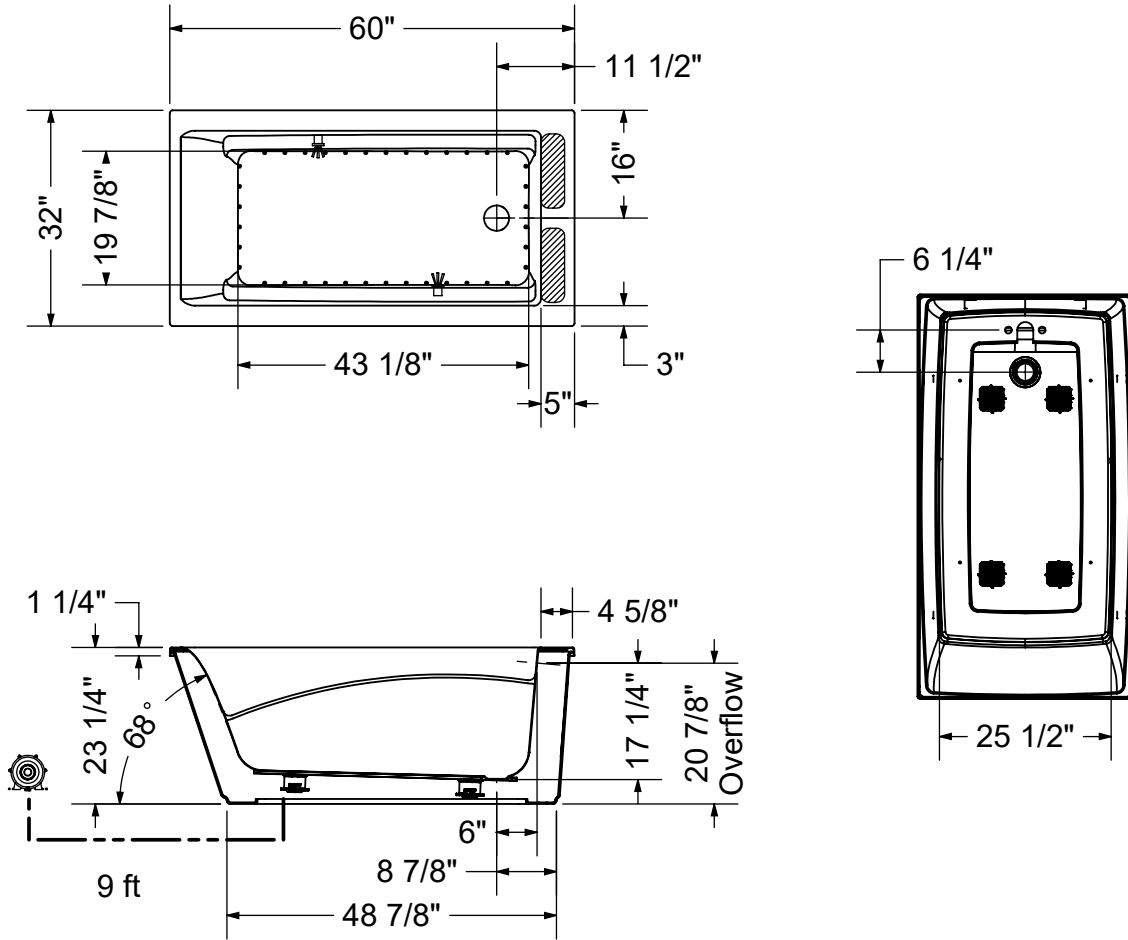
ACCESSORIES

SKU	Description	MSRP
10013029-015	Minimalist cushion (magnetic) (sold separately for Optik and Aiiki) Available colours: White (001) and Black (015)	\$ 240
10013029-001		\$ 240
10032739	Positioning template for freestanding bathtub installation (sold separately)	\$ 98
10032747	F ² Drain - ABS kit for freestanding bathtub installation (sold separately) Minimum space required for assembly is 10 3/8 inches Compatible exclusively with MAAX freestanding bathtubs.	\$ 218
10032754	F ² Drain kit for high-rise construction for freestanding bathtub installation (sold separately) Respects National Building Code of Canada (CAN/ULC-S102.2 flame and smoke protection) for high rise construction Minimum space required for assembly is 10 3/8 inches Compatible exclusively with MAAX freestanding bathtubs.	\$ 368
10032757	F ² Drain - Pack of 12 ABS kits for freestanding bathtub installation (sold separately) Minimum space required for assembly is 10 3/8 inches Compatible exclusively with MAAX freestanding bathtubs.	\$ 2494
10033272	Flexible main hose for electronic control air massage - kit (sold separately) 15 ft. extension	\$ 373
10034341	F ² Drain - PVC kit for freestanding bathtub installation (sold separately) Minimum space required for assembly is 10 3/8 inches Compatible exclusively with MAAX freestanding bathtubs.	\$ 218
10022491-084	Cable-operated waste and overflow (16 in. to 22 in.) (sold separately) Available colors: White (001), Bone (004), Chrome (084) and Brushed Nickel (105)	\$ 332
10022491-004		\$ 332
10022491-105		\$ 332
10022491-001		\$ 332

FOOTNOTES

No	Description
1	Components for standard colour units equipped with systems are colour-coordinated. Trim kit and/or air push with metallic finish can be added (additional charge applies). For non-standard colour units, please specify trim kit and/or air push colour (additional charge applies for metallic finishes). Please note that the positioning of the system's control could be in conflict with the door if one was installed on the unit. To insure compatibility, please contact customer service.
5	For details on blower position and requirements, see technical drawings on https://www.maax.com . When there is a blower position A or B indicated on the technical drawing, please specify position when ordering.

AIR SYSTEM



- (●) : Indicates airjets positioning
- (★) : Indicates chromatherapy light positioning
- (▨) : Recommended faucet area 2 sections of 12" (L) x 3 1/2" (W).

Blower must be installed at a distance

All dimensions are approximate. Structure measurements must be verified against the unit to ensure proper fit.



Optik 6636 F

FREESTANDING BATHTUBS - ACRYLIC



Material : Acrylic
 Min: 39 Gal / 177 L
 Max: 58 Gal / 264 L

Features

- › Freestanding bathtub
- › Acrylic surface resistant to stains
- › MAAX innovative leveling legs for easy installation
- › Compatible with MAAX F2 Drain connector to save time and money on installation
- › 2-piece bathtub for easy transportation and seamless installation
- › Proudly made in North America
- › Available in white, thunder gray, sterling silver or black color to complement any bathroom decor
- › Curvaceous inset armrests for optimal comfort
- › Available in an Above-the-Floor Rough (AFR) configuration for easier drain, waste and overflow installation

OPTIK 6636 F - 105742						
SKU	System	Color	Configuration	Dimensions & Weight	Packaging	MSRP
105742-000-001-100	Soaker - No System	White	Center	66" x 36" x 24" / 140 lb / 63 kg	37 ft ³	\$ 3037
105742-000-001-103		Sterling Silver				\$ 3437
105742-000-001-104		Thunder Gray				\$ 3437
105742-000-015		Black				\$ 3437
105742-055-001-105	Aerofeel ^{1 5}	Sterling Silver				\$ 7435
105742-055-001-107		Thunder Gray				\$ 7435
105742-055-001-114		White				\$ 7035
105742-055-015		Black				\$ 7435

COMMON OPTIONS		
SKU	Description	MSRP
OPT10054	Two chromatherapy lights for bathtubs without waterfall (factory installed)	\$ 928
OPT10119-105	Metal trim kit for Aerofeel electronic control (factory installed) Available colors: Chrome (084) and Brushed Nickel (105)	\$ 98
OPT10119-084		\$ 98
106022-000-015	Apron only (sold separately as a replacement part) Available standard apron color: White (002) Available non-standard apron colors: Thunder Grey (019), Silver Grey (006) or Black (015)	\$ 2137

COMMON OPTIONS

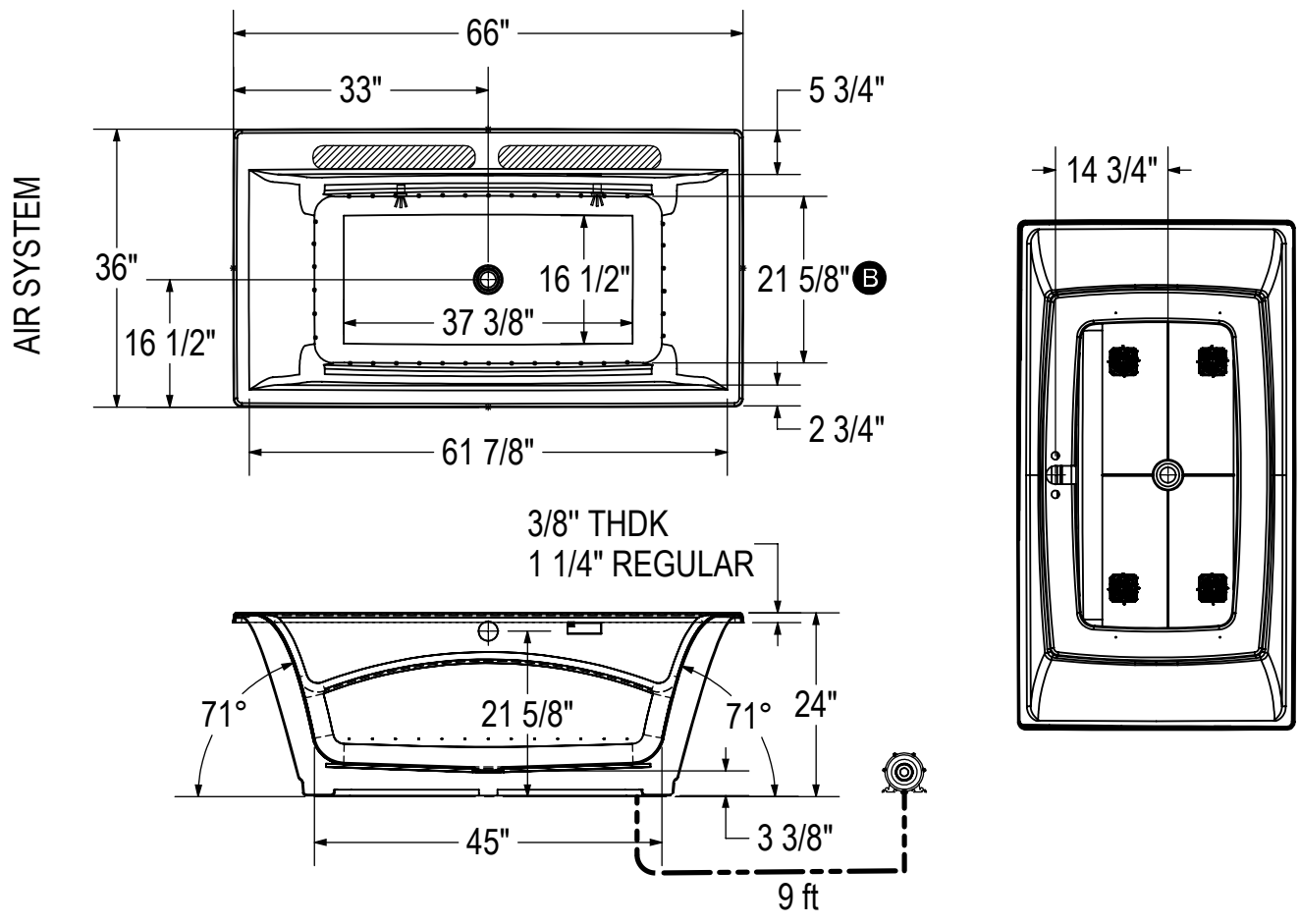
SKU	Description	MSRP
106022-000-002-000	Apron only (sold separately as a replacement part)	\$ 1737
106022-000-019	Available standard apron color: White (002) Available non-standard apron colors: Thunder Grey (019), Silver Grey (006) or Black (015)	\$ 2137
106022-000-006		\$ 2137

ACCESSORIES

SKU	Description	MSRP
10013029-015	Minimalist cushion (magnetic) (sold separately for Optik and Aiiki)	\$ 240
10013029-001	Available colours: White (001) and Black (015)	\$ 240
10028785	Positioning template for Optik 6636 freestanding installation (sold separately)	\$ 98
10032747	F ² Drain - ABS kit for freestanding bathtub installation (sold separately) Minimum space required for assembly is 10 3/8 inches Compatible exclusively with MAAX freestanding bathtubs.	\$ 218
10032754	F ² Drain kit for high-rise construction for freestanding bathtub installation (sold separately) Respects National Building Code of Canada (CAN/ULC-S102.2 flame and smoke protection) for high rise construction Minimum space required for assembly is 10 3/8 inches Compatible exclusively with MAAX freestanding bathtubs.	\$ 368
10032757	F ² Drain - Pack of 12 ABS kits for freestanding bathtub installation (sold separately) Minimum space required for assembly is 10 3/8 inches Compatible exclusively with MAAX freestanding bathtubs.	\$ 2494
10033272	Flexible main hose for electronic control air massage - kit (sold separately) 15 ft. extension	\$ 373
10034341	F ² Drain - PVC kit for freestanding bathtub installation (sold separately) Minimum space required for assembly is 10 3/8 inches Compatible exclusively with MAAX freestanding bathtubs.	\$ 218
10025720-105	Waste and overflow 33 in. flexible neck (sold separately)	\$ 449
10025720-084	Available colors: Chrome (084) and Brushed Nickel (105)	\$ 449

FOOTNOTES

No	Description
1	Components for standard colour units equipped with systems are colour-coordinated. Trim kit and/or air push with metallic finish can be added (additional charge applies). For non-standard colour units, please specify trim kit and/or air push colour (additional charge applies for metallic finishes). Please note that the positioning of the system's control could be in conflict with the door if one was installed on the unit. To insure compatibility, please contact customer service.
5	For details on blower position and requirements, see technical drawings on https://www.maax.com . When there is a blower position A or B indicated on the technical drawing, please specify position when ordering.



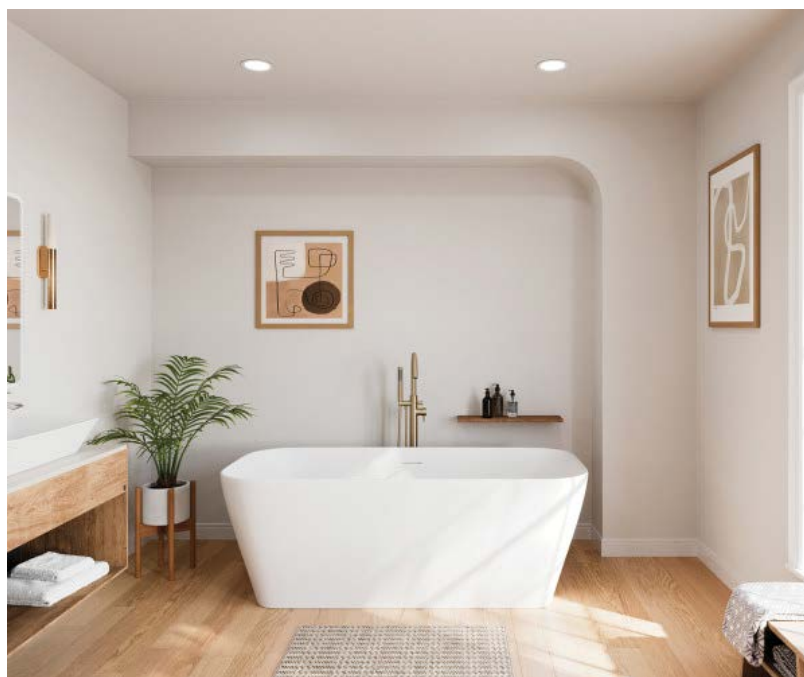
- Ⓑ : Specify remote blower location when ordering
- (●) : Indicates airjets positioning
- (☼) : Indicates chromatherapy light positioning
- (▨) : Recommended faucet area 2 sections of 20" (L) x 3 1/4" (W).

Blower must be installed at a distance.

All dimensions are approximate. Structure measurements must be verified against the unit to ensure proper fit.



Renata 6731



Material : Acrylic
 Max: 75 Gal / 341 L

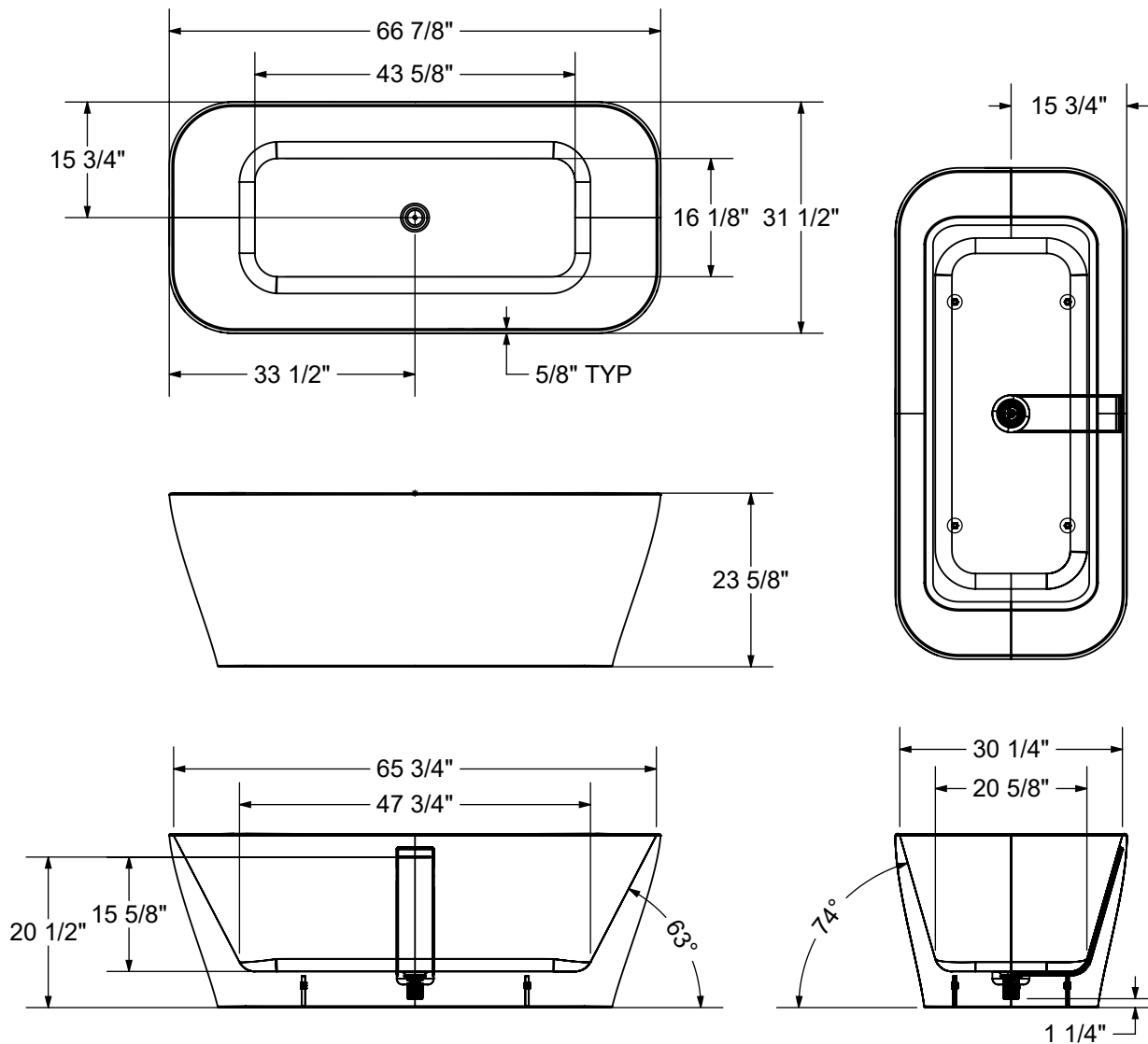
Features

- › Matte Finish
- › Slim profile with clean thin edges
- › Seamless 1-piece minimalist and versatile design to fit any bathroom style
- › Trimless linear overflow and white pop-up drain to match any faucet finish
- › Waste and overflow included and pre-installed to save time on installation
- › Compatible with MAAX F2 Drain to save time and money on installation
- › Comes with leveling legs for ease of installation

FREESTANDING BATHTUBS - ACRYLIC

RENATA - 107173						
SKU	System	Color	Configuration	Dimensions & Weight	Packaging	MSRP
107173-000-240-000	Soaker - No System	Matte White	Center	66.88" x 31 1/2" x 23.63" / 121 lb / 55 kg	72.65 ft ³	\$ 3782

ACCESSORIES		
SKU	Description	MSRP
10032747	F ² Drain - ABS kit for freestanding bathtub installation (sold separately) Minimum space required for assembly is 10 3/8 inches Compatible exclusively with MAAX freestanding bathtubs.	\$ 218
10032757	F ² Drain - Pack of 12 ABS kits for freestanding bathtub installation (sold separately) Minimum space required for assembly is 10 3/8 inches Compatible exclusively with MAAX freestanding bathtubs.	\$ 2494
10034341	F ² Drain - PVC kit for freestanding bathtub installation (sold separately) Minimum space required for assembly is 10 3/8 inches Compatible exclusively with MAAX freestanding bathtubs.	\$ 218



- All dimensions are approximate
- Structure measurements must be verified against the unit to ensure proper fit
- Installation to be completed in accordance with manufacturers specifications
- Do not scale drawings

Tosca 5932



Material : Acrylic
 Max: 51 Gal / 235 L

Features

- › Seamless 1-piece bathtub with a symmetrical look
- › Large bathing well with comfortable backrests and center drain
- › Linear waste and overflow (pre-installed)
- › Available in matte or glossy finish with white or black apron
- › F2 Drain compatible
- › Leveling Legs

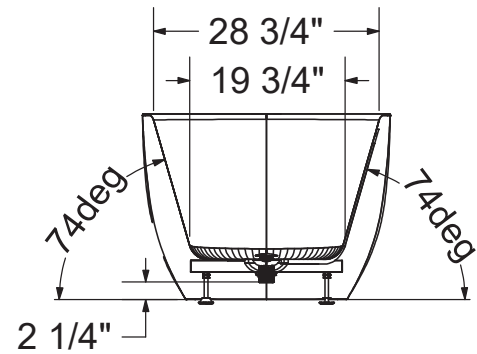
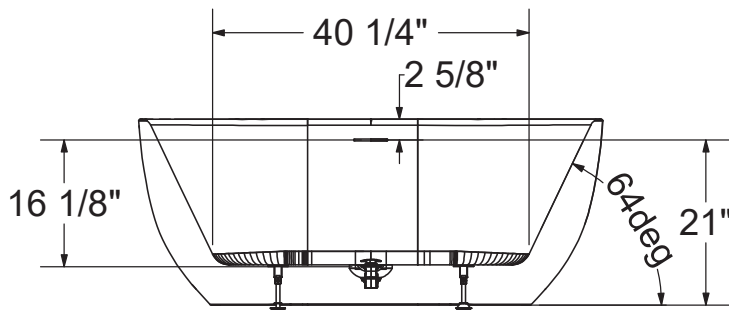
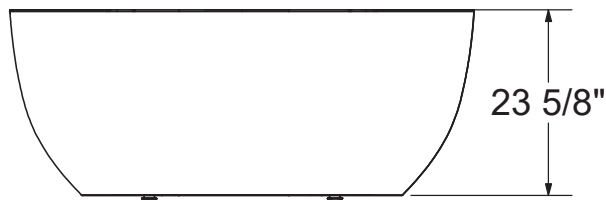
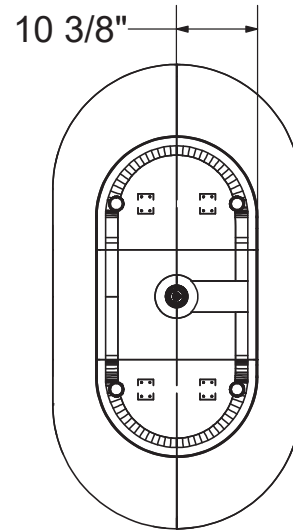
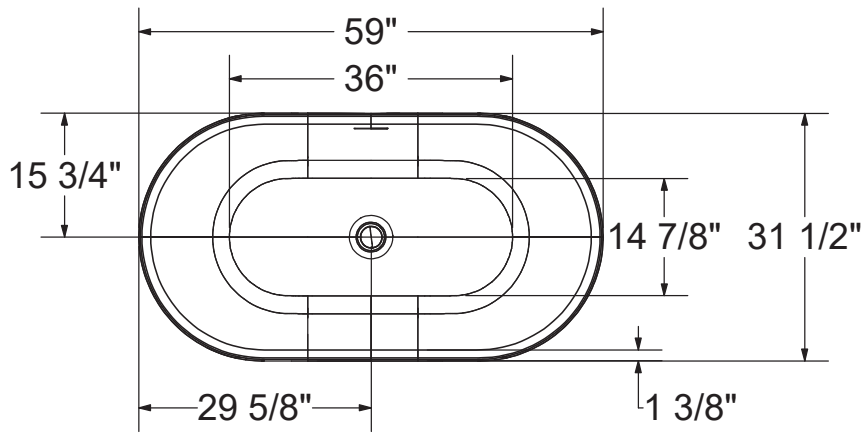
FREESTANDING BATHTUBS - ACRYLIC

TOSCA 5932 - 106876

SKU	System	Color	Configuration	Dimensions & Weight	Packaging	MSRP
106876-000-001-000	Soaker - No System	White	Center	59" x 31 1/2" x 23 5/8" / 90.2 lb / 41 kg	32.95 ft³	\$ 2808
106876-000-001-100		Black				\$ 3117

ACCESSORIES

SKU	Description	MSRP
10032747	F ² Drain - ABS kit for freestanding bathtub installation (sold separately) Minimum space required for assembly is 10 3/8 inches Compatible exclusively with MAAX freestanding bathtubs.	\$ 218
10032754	F ² Drain kit for high-rise construction for freestanding bathtub installation (sold separately) Respects National Building Code of Canada (CAN/ULC-S102.2 flame and smoke protection) for high rise construction Minimum space required for assembly is 10 3/8 inches Compatible exclusively with MAAX freestanding bathtubs.	\$ 368
10032757	F ² Drain - Pack of 12 ABS kits for freestanding bathtub installation (sold separately) Minimum space required for assembly is 10 3/8 inches Compatible exclusively with MAAX freestanding bathtubs.	\$ 2494
10034341	F ² Drain - PVC kit for freestanding bathtub installation (sold separately) Minimum space required for assembly is 10 3/8 inches Compatible exclusively with MAAX freestanding bathtubs.	\$ 218
10042416	Positioning template for Tosca freestanding installation (sold separately)	\$ 98



All dimensions are approximate. Structure measurements must be verified against the unit to ensure proper fit.

Tosca 6732



Material : Acrylic
 Max: 60 Gal / 276 L

Features

- › Seamless 1-piece bathtub with a symmetrical look
- › Large bathing well with comfortable backrests and center drain
- › Linear waste and overflow (pre-installed)
- › Available in matte or glossy finish with white or black apron
- › F2 Drain compatible
- › Leveling Legs

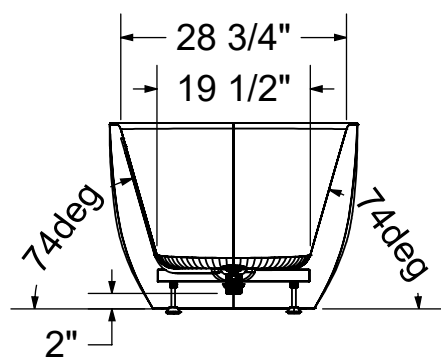
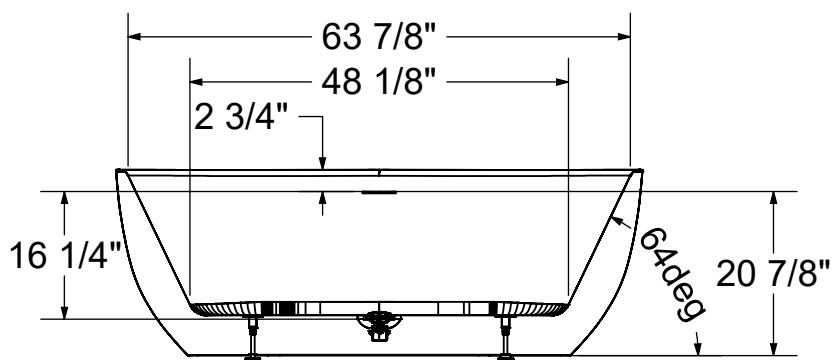
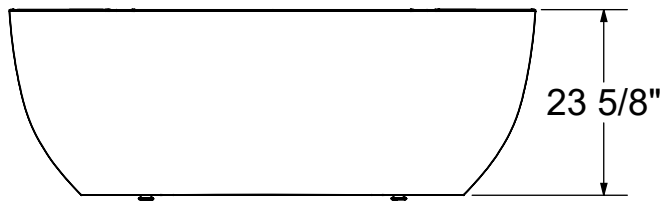
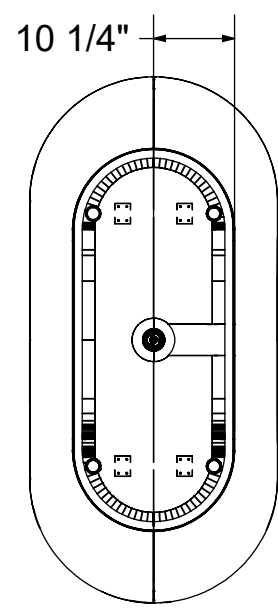
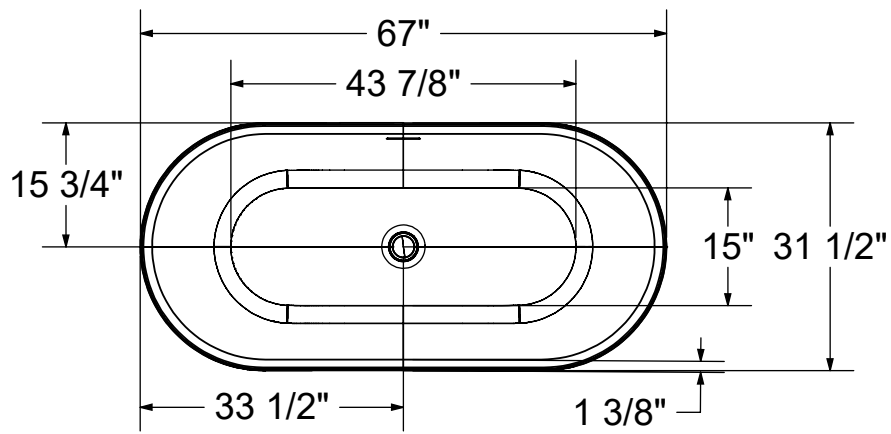
FREESTANDING BATHTUBS - ACRYLIC

TOSCA 6732 - 106878

SKU	System	Color	Configuration	Dimensions & Weight	Packaging	MSRP
106878-000-001-000	Soaker - No System	White	Center	67" x 31 1/2" x 23 5/8" / 101.2 lb / 46 kg	37.2 ft ³	\$ 3276
106878-000-001-100		Black				\$ 3585

ACCESSORIES

SKU	Description	MSRP
10032747	F ² Drain - ABS kit for freestanding bathtub installation (sold separately) Minimum space required for assembly is 10 3/8 inches Compatible exclusively with MAAX freestanding bathtubs.	\$ 218
10032754	F ² Drain kit for high-rise construction for freestanding bathtub installation (sold separately) Respects National Building Code of Canada (CAN/ULC-S102.2 flame and smoke protection) for high rise construction Minimum space required for assembly is 10 3/8 inches Compatible exclusively with MAAX freestanding bathtubs.	\$ 368
10032757	F ² Drain - Pack of 12 ABS kits for freestanding bathtub installation (sold separately) Minimum space required for assembly is 10 3/8 inches Compatible exclusively with MAAX freestanding bathtubs.	\$ 2494
10034341	F ² Drain - PVC kit for freestanding bathtub installation (sold separately) Minimum space required for assembly is 10 3/8 inches Compatible exclusively with MAAX freestanding bathtubs.	\$ 218
10042417	Positioning template for Tosca freestanding installation (sold separately)	\$ 98



All dimensions are approximate. Structure measurements must be verified against the unit to ensure proper fit.

Tosca Matte 5932



Material : Acrylic
 Max: 51 Gal / 235 L

Features

- › Interior bathing well features a matching matte finish for an elegant seamless look.
- › Seamless 1-piece bathtub with a symmetrical look
- › Large bathing well with comfortable backrests and center drain
- › Linear waste and overflow (pre-installed)
- › Available in matte or glossy finish with white or black apron
- › F2 Drain compatible
- › Leveling Legs

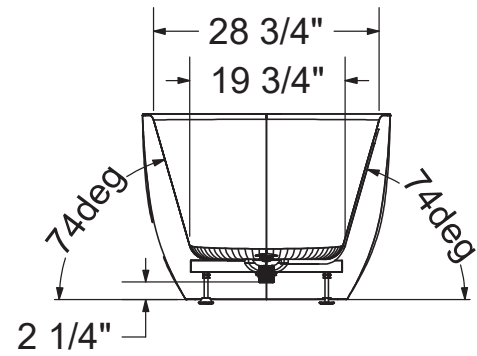
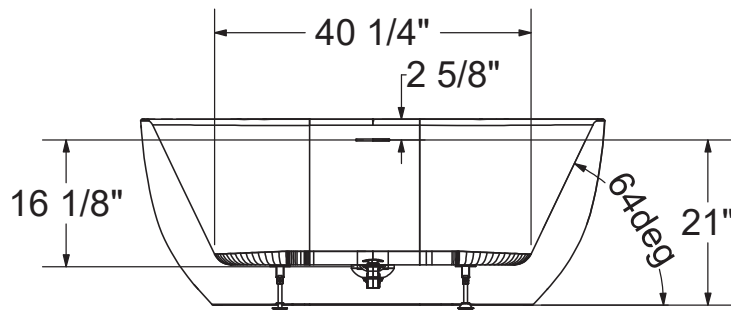
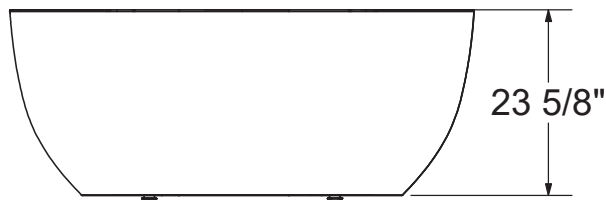
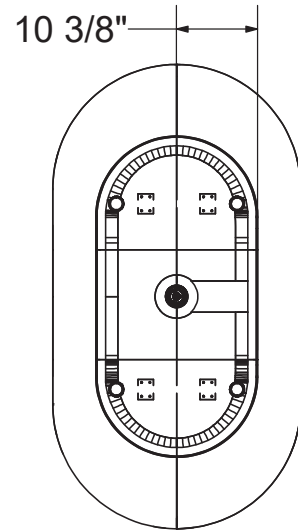
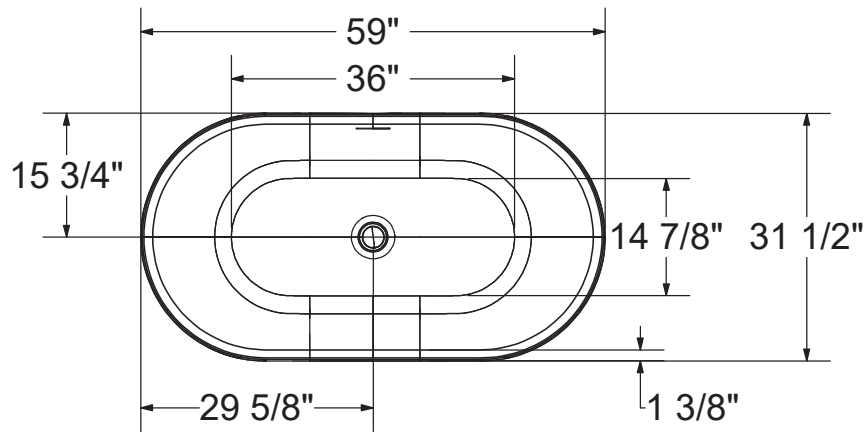
FREESTANDING BATHTUBS - ACRYLIC

TOSCA MATTE 5932 - 106877

SKU	System	Color	Configuration	Dimensions & Weight	Packaging	MSRP
106877-000-240-000	Soaker - No System	Matte White	Center	59" x 31 1/2" x 23 5/8" / 90.2 lb / 41 kg	32.95 ft ³	\$ 3087
106877-000-240-100		Matte Black				\$ 3396

ACCESSORIES

SKU	Description	MSRP
10032747	F ² Drain - ABS kit for freestanding bathtub installation (sold separately) Minimum space required for assembly is 10 3/8 inches Compatible exclusively with MAAX freestanding bathtubs.	\$ 218
10032754	F ² Drain kit for high-rise construction for freestanding bathtub installation (sold separately) Respects National Building Code of Canada (CAN/ULC-S102.2 flame and smoke protection) for high rise construction Minimum space required for assembly is 10 3/8 inches Compatible exclusively with MAAX freestanding bathtubs.	\$ 368
10032757	F ² Drain - Pack of 12 ABS kits for freestanding bathtub installation (sold separately) Minimum space required for assembly is 10 3/8 inches Compatible exclusively with MAAX freestanding bathtubs.	\$ 2494
10034341	F ² Drain - PVC kit for freestanding bathtub installation (sold separately) Minimum space required for assembly is 10 3/8 inches Compatible exclusively with MAAX freestanding bathtubs.	\$ 218
10042416	Positioning template for Tosca freestanding installation (sold separately)	\$ 98



All dimensions are approximate. Structure measurements must be verified against the unit to ensure proper fit.

Tosca Matte 6732



Material : Acrylic
 Max: 60 Gal / 276 L

Features

- › Interior bathing well features a matching matte finish for an elegant seamless look.
- › Seamless 1-piece bathtub with a symmetrical look
- › Large bathing well with comfortable backrests and center drain
- › Linear waste and overflow (pre-installed)
- › Available in matte or glossy finish with white or black apron
- › F2 Drain compatible
- › Leveling Legs

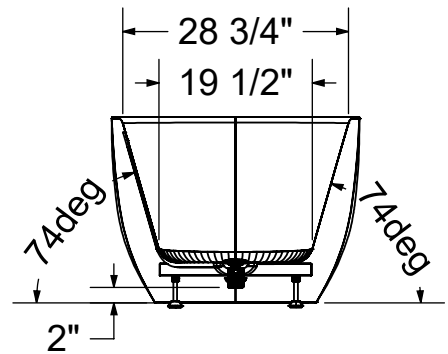
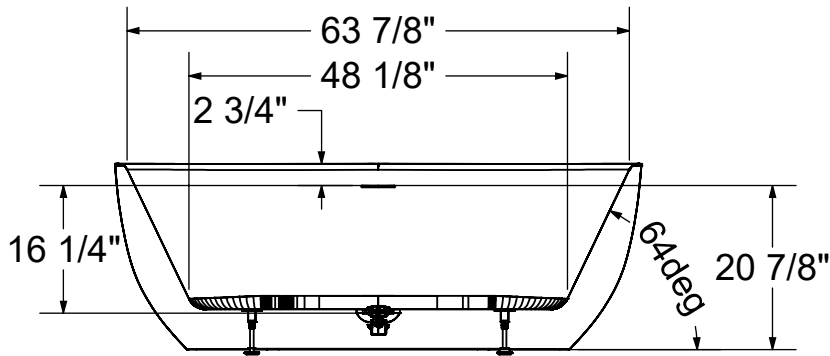
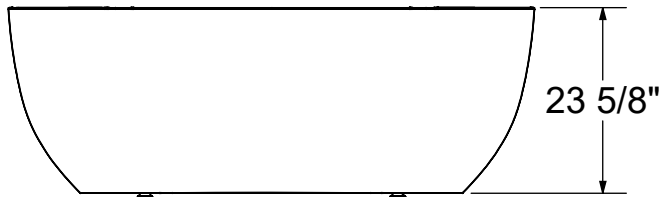
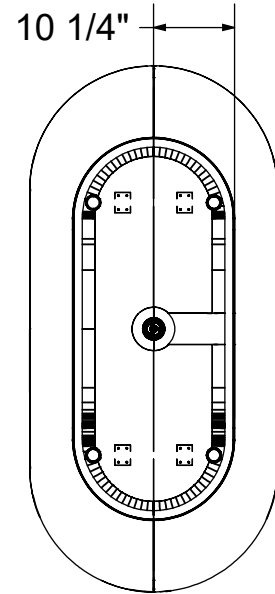
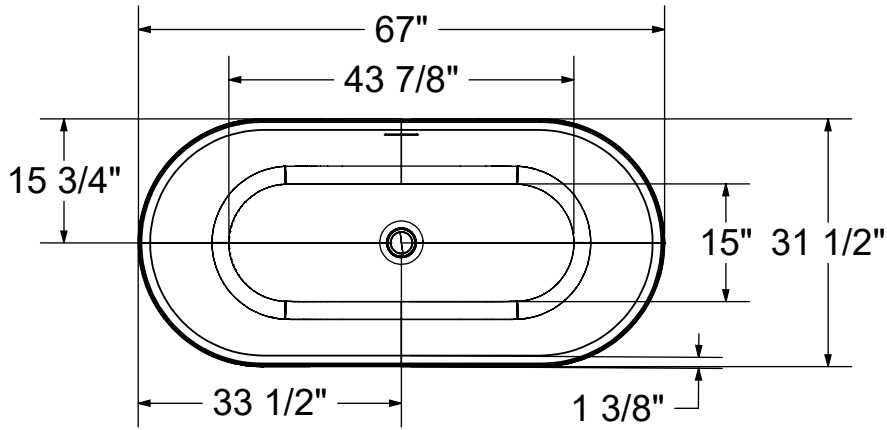
FREESTANDING BATHTUBS - ACRYLIC

TOSCA MATTE 6732 - 106879

SKU	System	Color	Configuration	Dimensions & Weight	Packaging	MSRP
106879-000-240-000	Soaker - No System	Matte White	Center	67" x 31 1/2" x 23 5/8" / 101.2 lb / 46 kg	37.2 ft³	\$ 3602
106879-000-240-100		Matte Black				\$ 3911

ACCESSORIES

SKU	Description	MSRP
10032747	F ² Drain - ABS kit for freestanding bathtub installation (sold separately) Minimum space required for assembly is 10 3/8 inches Compatible exclusively with MAAX freestanding bathtubs.	\$ 218
10032754	F ² Drain kit for high-rise construction for freestanding bathtub installation (sold separately) Respects National Building Code of Canada (CAN/ULC-S102.2 flame and smoke protection) for high rise construction Minimum space required for assembly is 10 3/8 inches Compatible exclusively with MAAX freestanding bathtubs.	\$ 368
10032757	F ² Drain - Pack of 12 ABS kits for freestanding bathtub installation (sold separately) Minimum space required for assembly is 10 3/8 inches Compatible exclusively with MAAX freestanding bathtubs.	\$ 2494
10034341	F ² Drain - PVC kit for freestanding bathtub installation (sold separately) Minimum space required for assembly is 10 3/8 inches Compatible exclusively with MAAX freestanding bathtubs.	\$ 218
10042417	Positioning template for Tosca freestanding installation (sold separately)	\$ 98



All dimensions are approximate. Structure measurements must be verified against the unit to ensure proper fit.

Valentina 6731



Material : Acrylic
 Max: 63 Gal / 286 L

Features

- › Matte Finish
- › Slim profile with clean thin edges
- › Seamless 1-piece minimalist and versatile design to fit any bathroom style
- › Trimless linear overflow and white pop-up drain to match any faucet finish
- › Waste and overflow included and pre-installed to save time on installation
- › Compatible with MAAX F2 Drain to save time and money on installation
- › Comes with leveling legs for ease of installation

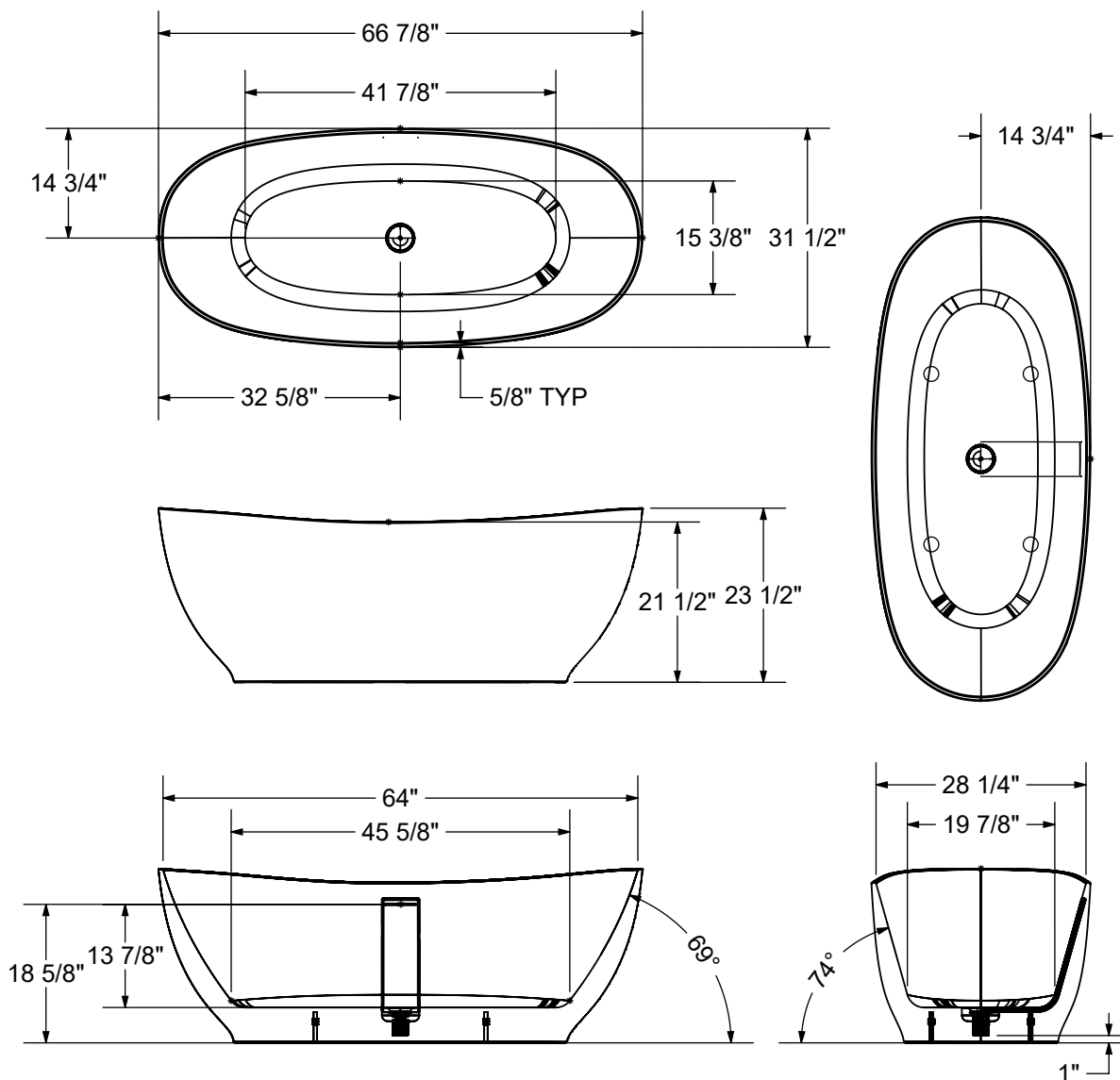
FREESTANDING BATHTUBS - ACRYLIC

VALENTINA - 107174

SKU	System	Color	Configuration	Dimensions & Weight	Packaging	MSRP
107174-000-240-000	Soaker - No System	Matte White	Center	66 7/8" x 31 1/2" x 23 1/2" / 95 lb / 43 kg	78.97 ft ³	\$ 3782

ACCESSORIES

SKU	Description	MSRP
10032747	F ² Drain - ABS kit for freestanding bathtub installation (sold separately) Minimum space required for assembly is 10 3/8 inches Compatible exclusively with MAAX freestanding bathtubs.	\$ 218
10032757	F ² Drain - Pack of 12 ABS kits for freestanding bathtub installation (sold separately) Minimum space required for assembly is 10 3/8 inches Compatible exclusively with MAAX freestanding bathtubs.	\$ 2494
10034341	F ² Drain - PVC kit for freestanding bathtub installation (sold separately) Minimum space required for assembly is 10 3/8 inches Compatible exclusively with MAAX freestanding bathtubs.	\$ 218



- All dimensions are approximate
- Structure measurements must be verified against the unit to ensure proper fit
- Installation to be completed in accordance with manufacturers specifications
- Do not scale drawings



Material : Acrylic
 Max: 80 Gal / 364 L

Features

- › Seamless 1-piece bathtub with a symmetrical look
- › Maximized bathing well with comfortable raised backrests and off-center drain
- › Linear overflow in chrome and unique hidden drain (pre-installed)
- › F² Drain compatible
- › Offered only in white with optional trim finishes available
- › MAAX innovative leveling legs for easy installation

FREESTANDING BATHTUBS - ACRYLIC

VILLI - 106388

SKU	System	Color	Configuration	Dimensions & Weight	Packaging	MSRP
106388-000-001-000	Soaker - No System	White	Center	65" x 32" x 25 3/4" / 132 lb / 60 kg	36 ft ³	\$ 3430

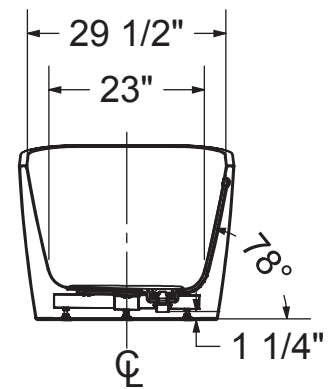
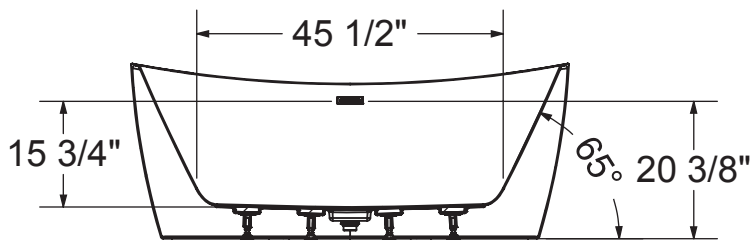
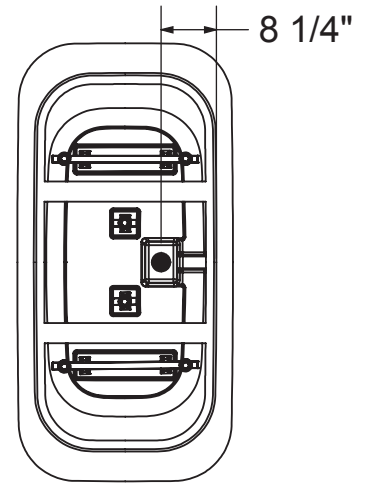
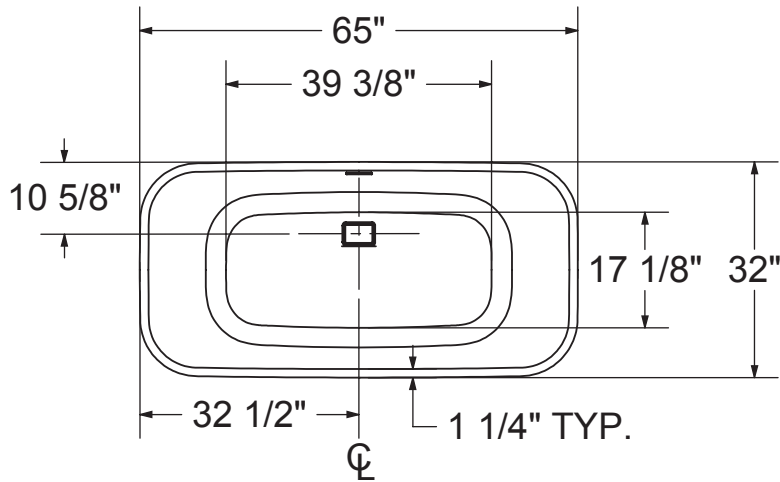
COMMON OPTIONS

SKU	Description	MSRP
OPT20261-105	Linear overflow metal trim Available colors: White (002), Brushed Nickel (105), Dark Bronze (173) and Matte Black (340)	\$ 94
OPT20261-002		\$ 94
OPT20261-173		\$ 94
OPT20261-340		\$ 94

ACCESSORIES

SKU	Description	MSRP
10032747	F ² Drain - ABS kit for freestanding bathtub installation (sold separately) Minimum space required for assembly is 10 3/8 inches Compatible exclusively with MAAX freestanding bathtubs.	\$ 218
10032754	F ² Drain kit for high-rise construction for freestanding bathtub installation (sold separately) Respects National Building Code of Canada (CAN/ULC-S102.2 flame and smoke protection) for high rise construction Minimum space required for assembly is 10 3/8 inches Compatible exclusively with MAAX freestanding bathtubs.	\$ 368

ACCESSORIES		
SKU	Description	MSRP
10032757	F ² Drain - Pack of 12 ABS kits for freestanding bathtub installation (sold separately) Minimum space required for assembly is 10 3/8 inches Compatible exclusively with MAAX freestanding bathtubs.	\$ 2494
10034341	F ² Drain - PVC kit for freestanding bathtub installation (sold separately) Minimum space required for assembly is 10 3/8 inches Compatible exclusively with MAAX freestanding bathtubs.	\$ 218
10037817	Positioning template for Villi freestanding installation (sold separately)	\$ 98
10037670-105	Linear overflow metal trim Available colors: White (002), Chrome (084), Brushed Nickel (105), Dark Bronze (173) and Matte Black (340)	\$ 94
10037670-002		\$ 94
10037670-084		\$ 94
10037670-173		\$ 94
10037670-340		\$ 94
10037680-001		White hidden drain cover Available colors: White (001)



All dimensions are approximate. Structure measurements must be verified against the unit to ensure proper fit.



Chorale 6030

FREESTANDING BATHTUBS - ACRYLIC



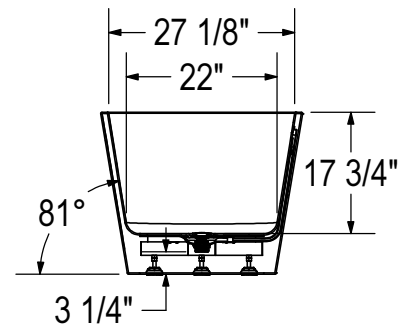
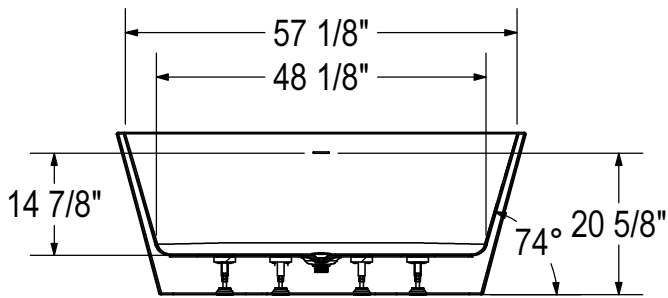
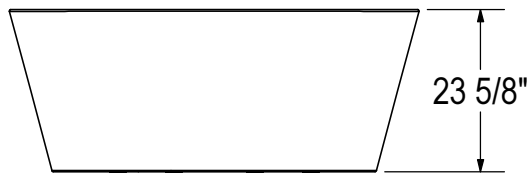
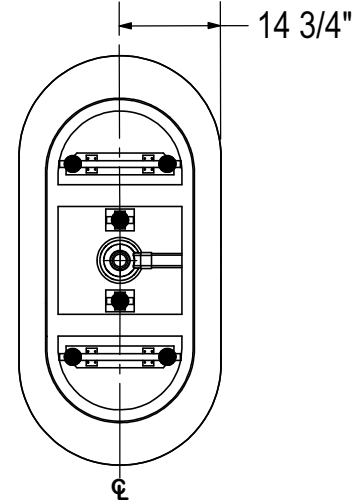
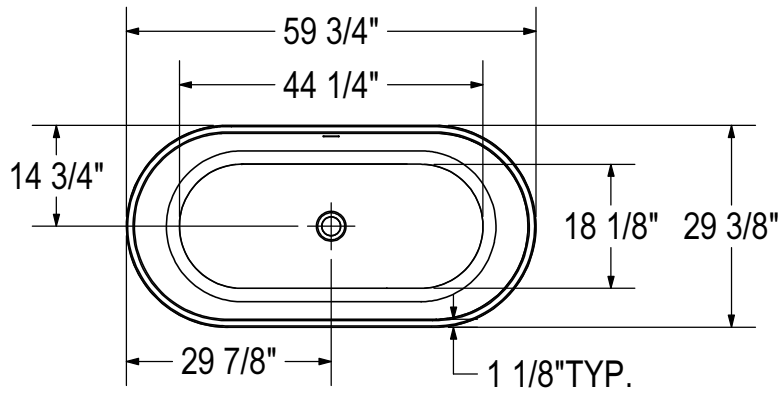
Material : Acrylic
 Max: 64 Gal / 291 L

Features

- › Seamless 1-piece minimalist and versatile design to fit any bathroom style
- › Trimless linear overflow and white pop-up drain to match any faucet finish
- › Hygienic, non-porous acrylic surface for easy cleaning
- › High gloss finish resistant to dulling, scratching, and fading
- › 25-year limited warranty for your peace of mind
- › 1-person bath with maximized bathing well designed for optimal comfort
- › Waste and overflow included and pre-installed to save time on installation
- › Comes with leveling legs for ease of installation
- › Compatible with MAAX F2 Drain to save time and money on installation

CHORALE 6030 - 107675

SKU	System	Color	Configuration	Dimensions & Weight	Packaging	MSRP
107675-000-001-000	Soaker - No System	White	Center	59 3/4" x 29 3/8" x 23 5/8" / 74.8 lb / 34 kg	35.162037037037 ft ³	\$ 2520
107675-000-001-100		Black				\$ 2820



All dimensions are approximate. Structure measurements must be verified against the unit to ensure proper fit.



Chorale 6731

FREESTANDING BATHTUBS - ACRYLIC



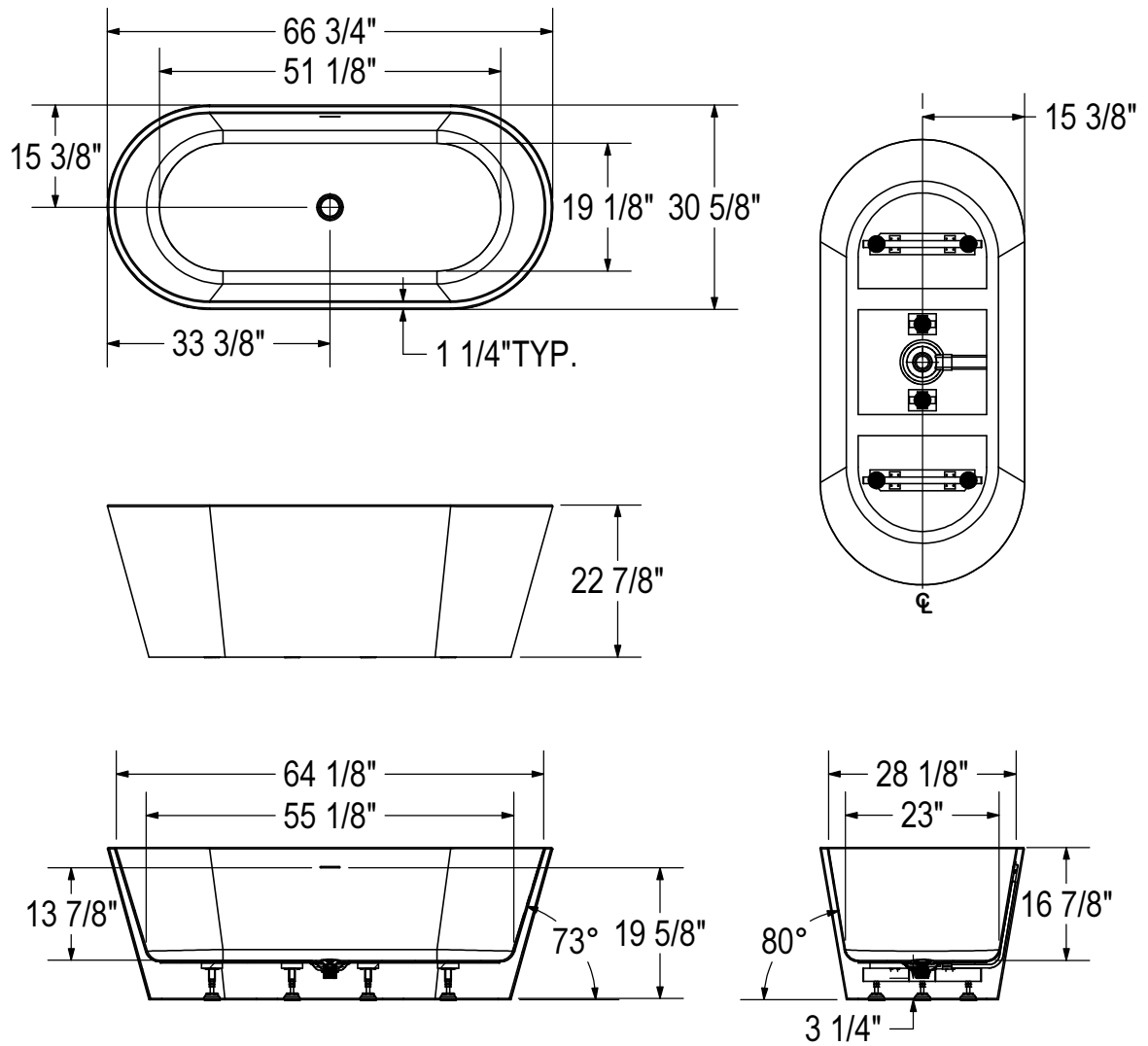
Material : Acrylic
 Max: 72 Gal / 327 L

Features

- › Seamless 1-piece minimalist and versatile design to fit any bathroom style
- › Trimless linear overflow and white pop-up drain to match any faucet finish
- › Hygienic, non-porous acrylic surface for easy cleaning
- › High gloss finish resistant to dulling, scratching, and fading
- › 25-year limited warranty for your peace of mind
- › 2-person bath with maximized bathing well designed for optimal comfort
- › Waste and overflow included and pre-installed to save time on installation
- › Comes with leveling legs for ease of installation
- › Compatible with MAAX F2 Drain to save time and money on installation

CHORALE 6731 - 107674

SKU	System	Color	Configuration	Dimensions & Weight	Packaging	MSRP
107674-000-001-000	Soaker - No System	White	Center	66 3/4" x 30 5/8" x 22 7/8" / 132 lb / 60 kg	40.5594618055556 ft ³	\$ 3037
107674-000-001-100		Black				\$ 3337



All dimensions are approximate. Structure measurements must be verified against the unit to ensure proper fit.



Louie 5829

FREESTANDING BATHTUBS - ACRYLIC



Material : Acrylic
Max: 52 Gal / 236 L

Features

- › Freestanding bathtub
- › Acrylic surface resistant to stains
- › MAAX innovative leveling legs for easy installation
- › Compatible with MAAX F2 Drain connector to save time and money on installation
- › Seamless 1-piece bathtub with a symmetrical look
- › High gloss finish resistant to dulling, scratching, and fading
- › Deep soak bathing for ultimate relaxation
- › Pre-installed linear overflow and waste drain in chrome
- › Available in central drain configurations only

LOUIE 5829 - 106384

SKU	System	Color	Configuration	Dimensions & Weight	Packaging	MSRP
106384-000-001-000	Soaker - No System	White	Center	58 1/4" x 28 7/8" x 22 7/8" / 119 lb / 54 kg	31 ft³	\$ 2603

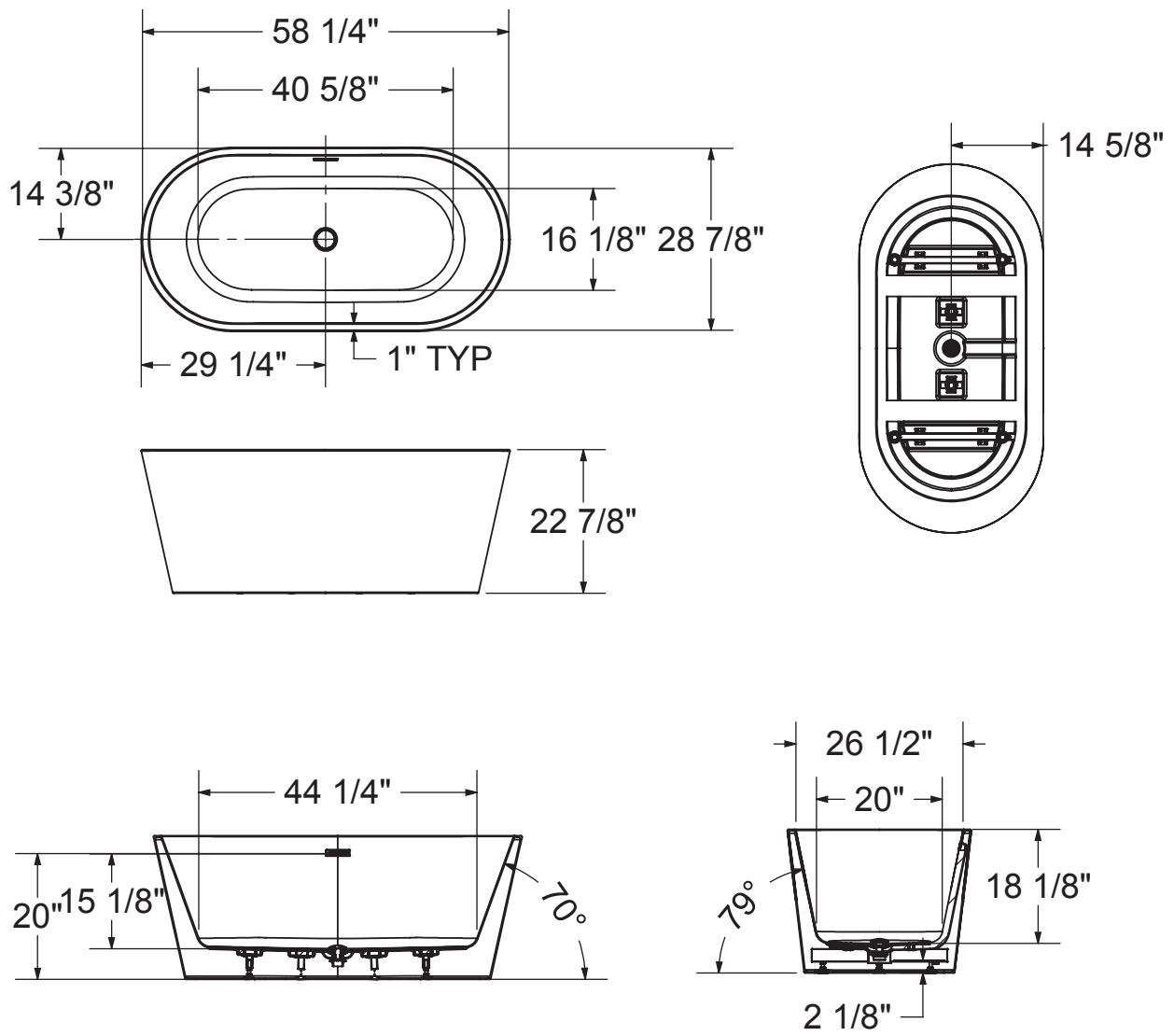
COMMON OPTIONS

SKU	Description	MSRP
OPT20260-105	Linear overflow and waste metal trim kit Available colors: White (002), Brushed Nickel (105), Dark Bronze (173) and Matte Black (340)	\$ 275
OPT20260-002		\$ 275
OPT20260-340		\$ 275
OPT20260-173		\$ 275

ACCESSORIES

SKU	Description	MSRP
10032747	F² Drain - ABS kit for freestanding bathtub installation (sold separately) Minimum space required for assembly is 10 3/8 inches Compatible exclusively with MAAX freestanding bathtubs.	\$ 218
10032754	F² Drain kit for high-rise construction for freestanding bathtub installation (sold separately) Respects National Building Code of Canada (CAN/ULC-S102.2 flame and smoke protection) for high rise construction Minimum space required for assembly is 10 3/8 inches Compatible exclusively with MAAX freestanding bathtubs.	\$ 368

ACCESSORIES		
SKU	Description	MSRP
10032757	F ² Drain - Pack of 12 ABS kits for freestanding bathtub installation (sold separately) Minimum space required for assembly is 10 3/8 inches Compatible exclusively with MAAX freestanding bathtubs.	\$ 2494
10034341	F ² Drain - PVC kit for freestanding bathtub installation (sold separately) Minimum space required for assembly is 10 3/8 inches Compatible exclusively with MAAX freestanding bathtubs.	\$ 218
10037813	Positioning template (sold separately)	\$ 98
10037670-105	Linear overflow metal trim Available colors: White (002), Chrome (084), Brushed Nickel (105), Dark Bronze (173) and Matte Black (340)	\$ 94
10037670-002		\$ 94
10037670-084		\$ 94
10037670-173		\$ 94
10037670-340		\$ 94
10037678-105		Round waste metal trim Available colors: White (002), Chrome (084), Brushed Nickel (105), Dark Bronze (173) and Matte Black (340)
10037678-340	\$ 185	
10037678-002	\$ 185	
10037678-084	\$ 185	
10037678-173	\$ 185	



All dimensions are approximate. Structure measurements must be verified against the unit to ensure proper fit.



Louie 6731



Material : Acrylic
 Max: 58 Gal / 264 L

Features

- › Seamless 1-piece bathtub with symmetrical look
- › Maximised bathing well with comfortable backrests and center drain
- › Linear overflow and waste in chrome (pre-installed)
- › F² Drain compatible
- › MAAX innovative leveling legs for easy installation
- › Offered only in white with optional trim finishes available

FREESTANDING BATHTUBS - ACRYLIC

LOUIE 6731 - 106385

SKU	System	Color	Configuration	Dimensions & Weight	Packaging	MSRP
106385-000-001-000	Soaker - No System	White	Center	66 7/8" x 31 1/4" x 23" / 92 lb / 42 kg	36 ft ³	\$ 3037

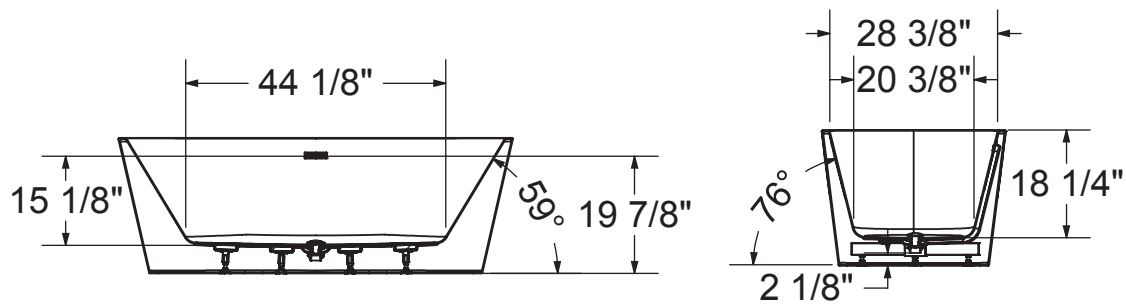
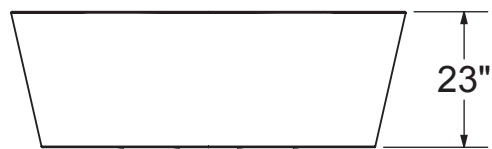
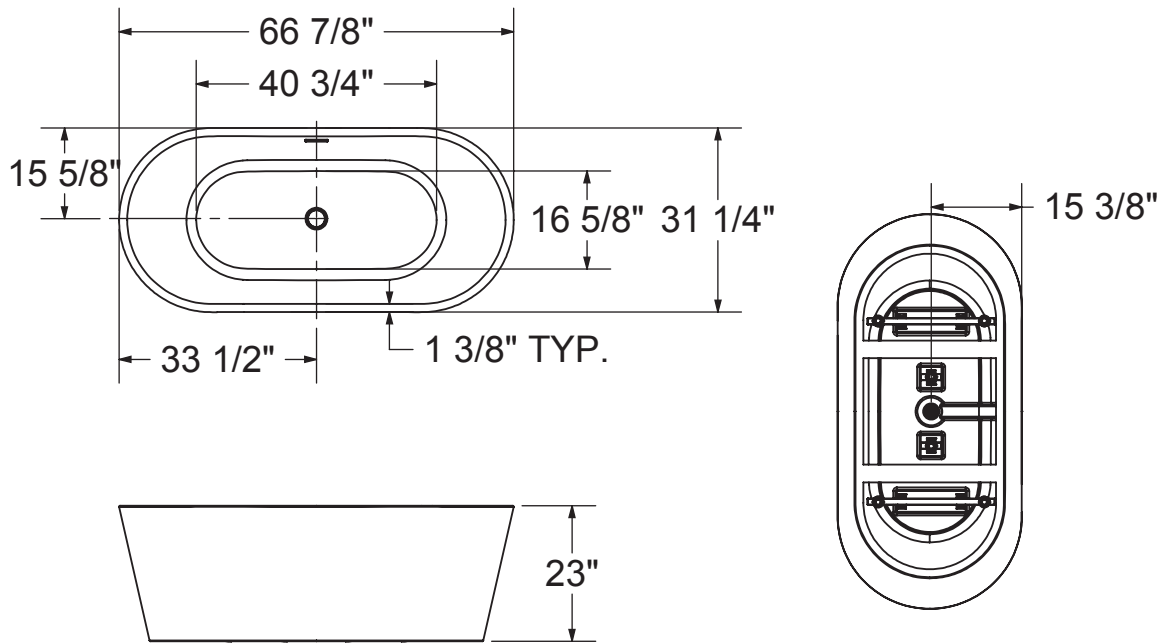
COMMON OPTIONS

SKU	Description	MSRP
OPT20260-105	Linear overflow and waste metal trim kit Available colors: White (002), Brushed Nickel (105), Dark Bronze (173) and Matte Black (340)	\$ 275
OPT20260-002		\$ 275
OPT20260-340		\$ 275
OPT20260-173		\$ 275

ACCESSORIES

SKU	Description	MSRP
10032747	F ² Drain - ABS kit for freestanding bathtub installation (sold separately) Minimum space required for assembly is 10 3/8 inches Compatible exclusively with MAAX freestanding bathtubs.	\$ 218
10032754	F ² Drain kit for high-rise construction for freestanding bathtub installation (sold separately) Respects National Building Code of Canada (CAN/ULC-S102.2 flame and smoke protection) for high rise construction Minimum space required for assembly is 10 3/8 inches Compatible exclusively with MAAX freestanding bathtubs.	\$ 368

ACCESSORIES		
SKU	Description	MSRP
10032757	F ² Drain - Pack of 12 ABS kits for freestanding bathtub installation (sold separately) Minimum space required for assembly is 10 3/8 inches Compatible exclusively with MAAX freestanding bathtubs.	\$ 2494
10034341	F ² Drain - PVC kit for freestanding bathtub installation (sold separately) Minimum space required for assembly is 10 3/8 inches Compatible exclusively with MAAX freestanding bathtubs.	\$ 218
10037814	Positioning template (sold separately)	\$ 98
10037670-105	Linear overflow metal trim Available colors: White (002), Chrome (084), Brushed Nickel (105), Dark Bronze (173) and Matte Black (340)	\$ 94
10037670-002		\$ 94
10037670-084		\$ 94
10037670-173		\$ 94
10037670-340		\$ 94
10037678-105		Round waste metal trim Available colors: White (002), Chrome (084), Brushed Nickel (105), Dark Bronze (173) and Matte Black (340)
10037678-340	\$ 185	
10037678-002	\$ 185	
10037678-084	\$ 185	
10037678-173	\$ 185	



All dimensions are approximate. Structure measurements must be verified against the unit to ensure proper fit.



Malibra 6730

FREESTANDING BATHTUBS - ACRYLIC



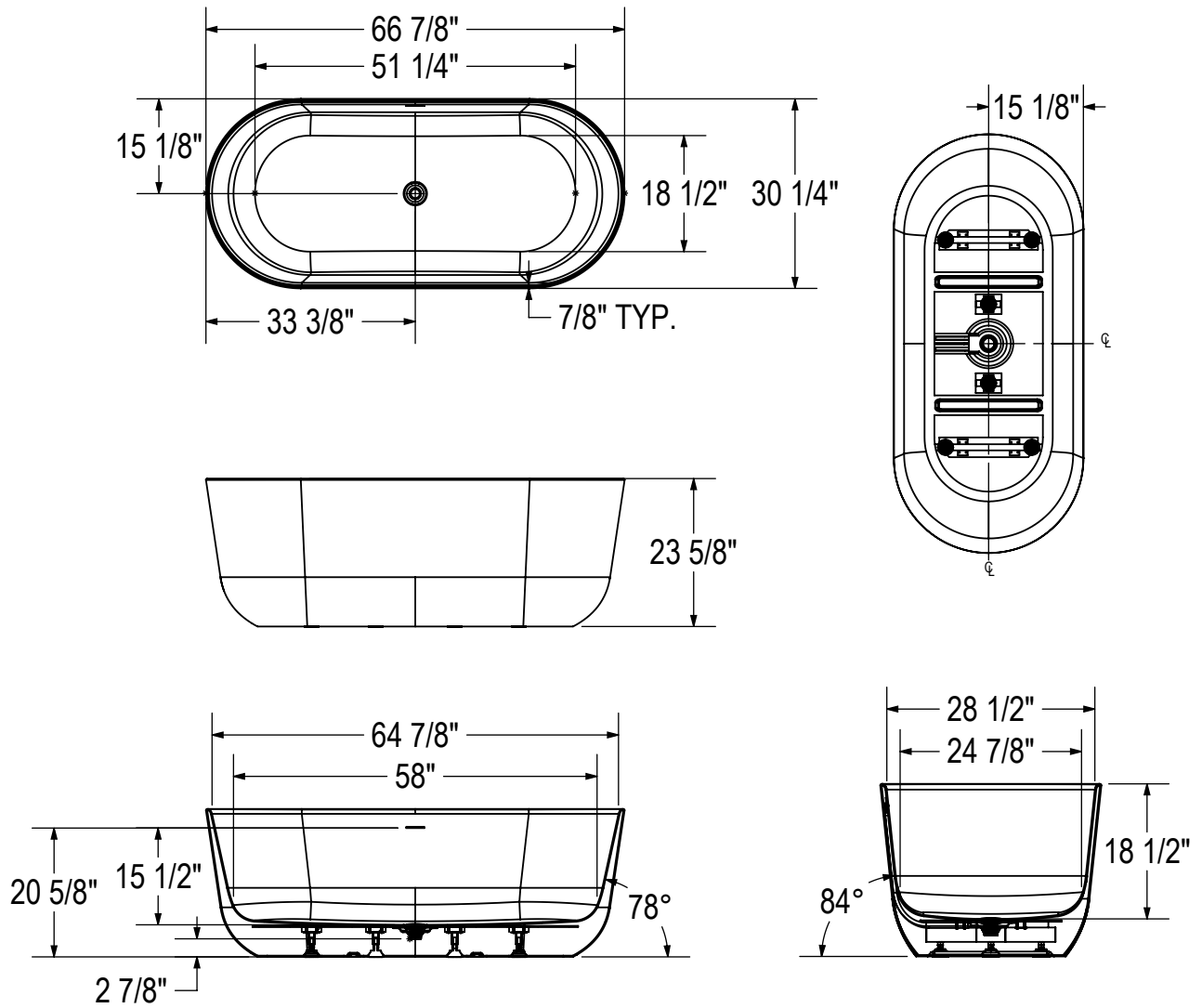
Material : Acrylic
 Max: 77 Gal / 350 L

Features

- › Seamless 1-piece minimalist and versatile design to fit any bathroom style
- › Trimless linear overflow and white pop-up drain to match any faucet finish
- › Hygienic, non-porous acrylic surface for easy cleaning
- › High gloss finish resistant to dulling, scratching, and fading
- › 25-year limited warranty for your peace of mind
- › 2-person bath with maximized bathing well designed for optimal comfort
- › Waste and overflow included and pre-installed to save time on installation
- › Comes with leveling legs for ease of installation
- › Compatible with MAAX F2 Drain to save time and money on installation

MALIBRA 6730 - 107678

SKU	System	Color	Configuration	Dimensions & Weight	Packaging	MSRP
107678-000-001-000	Soaker - No System	White	Center	66 7/8" x 30 1/4" x 23 5/8" / 107.8 lb / 49 kg	39.13194444444444 ft ³	\$ 3189



All dimensions are approximate. Structure measurements must be verified against the unit to ensure proper fit.



Mirella 6029

FREESTANDING BATHTUBS - ACRYLIC



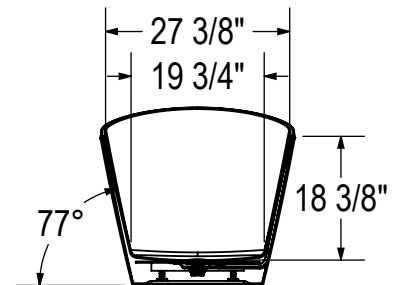
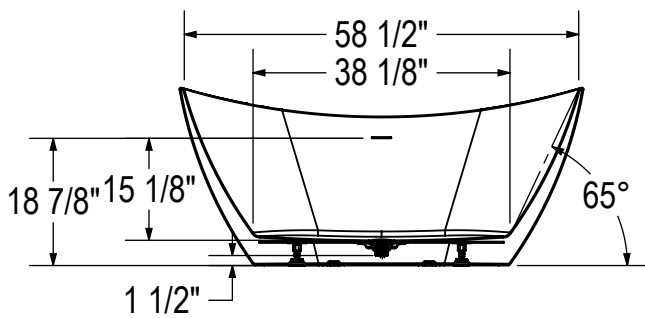
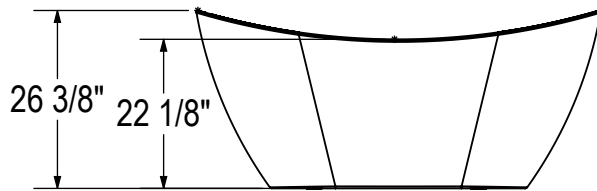
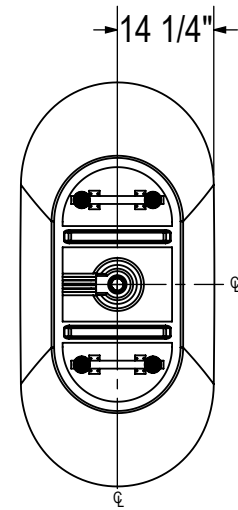
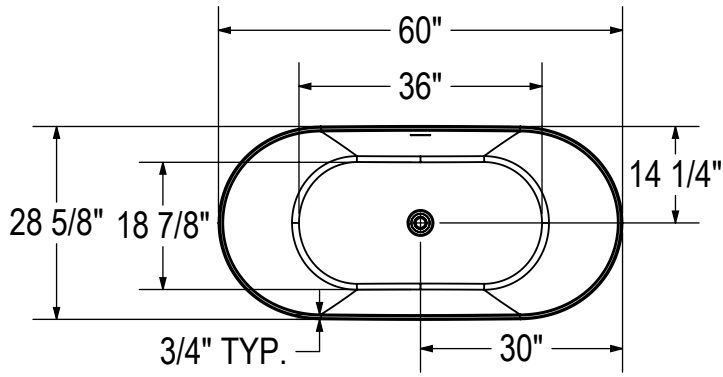
Material : Acrylic
 Max: 65 Gal / 295 L

Features

- › Seamless 1-piece minimalist and versatile design to fit any bathroom style
- › Trimless linear overflow and white pop-up drain to match any faucet finish
- › Hygienic, non-porous acrylic surface for easy cleaning
- › High gloss finish resistant to dulling, scratching, and fading
- › 25-year limited warranty for your peace of mind
- › 1-person bath with maximized bathing well designed for optimal comfort
- › Waste and overflow included and pre-installed to save time on installation
- › Comes with leveling legs for ease of installation
- › Compatible with MAAX F2 Drain to save time and money on installation

MIRELLA 6029 - 107676

SKU	System	Color	Configuration	Dimensions & Weight	Packaging	MSRP
107676-000-001-000	Soaker - No System	White	Center	59 3/4" x 28 5/8" x 26 3/8" / 74.8 lb / 34 kg	38.31944444444444 ft ³	\$ 2520



All dimensions are approximate. Structure measurements must be verified against the unit to ensure proper fit.



Mirella 6729

FREESTANDING BATHTUBS - ACRYLIC



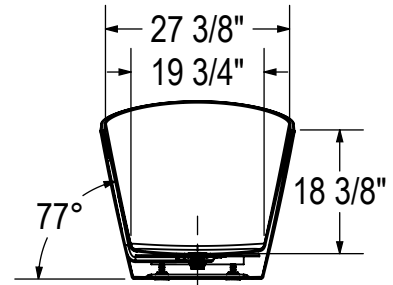
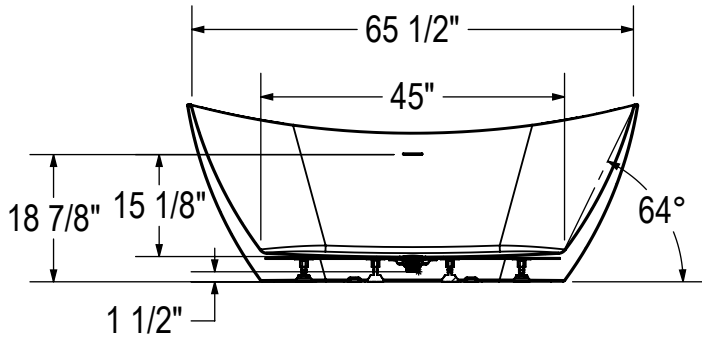
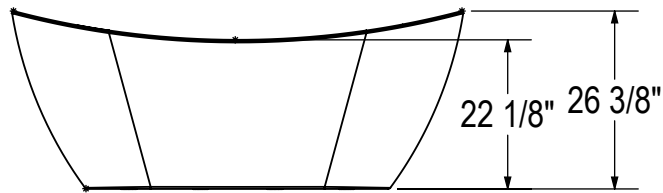
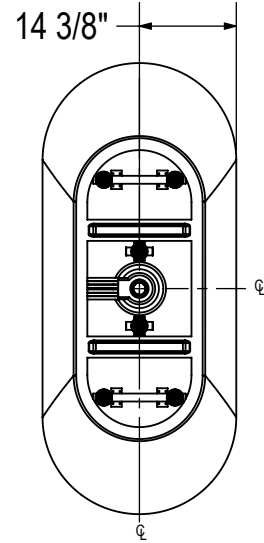
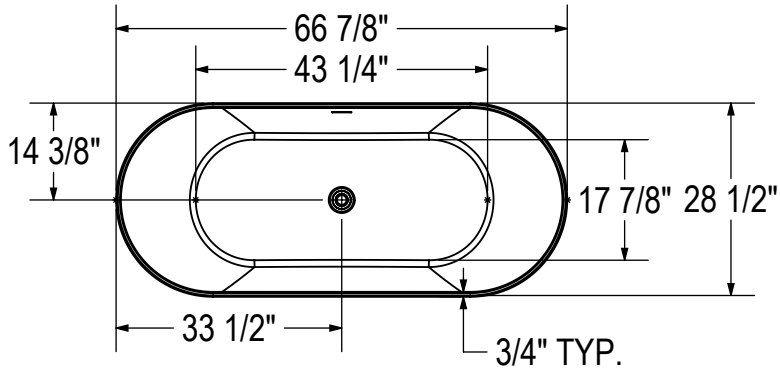
Material : Acrylic
 Max: 70 Gal / 318 L

Features

- › Seamless 1-piece minimalist and versatile design to fit any bathroom style
- › Trimless linear overflow and white pop-up drain to match any faucet finish
- › Hygienic, non-porous acrylic surface for easy cleaning
- › High gloss finish resistant to dulling, scratching, and fading
- › 25-year limited warranty for your peace of mind
- › 2-person bath with maximized bathing well designed for optimal comfort
- › Waste and overflow included and pre-installed to save time on installation
- › Comes with leveling legs for ease of installation
- › Compatible with MAAX F2 Drain to save time and money on installation

MIRELLA 6729 - 107677

SKU	System	Color	Configuration	Dimensions & Weight	Packaging	MSRP
107677-000-001-000	Soaker - No System	White	Center	66 7/8" x 28 1/2" x 26 3/8" / 101.2 lb / 46 kg	42.64583333333333 ft ³	\$ 3037



All dimensions are approximate. Structure measurements must be verified against the unit to ensure proper fit.



Nota 6731

FREESTANDING BATHTUBS - ACRYLIC



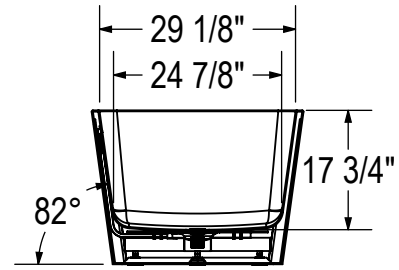
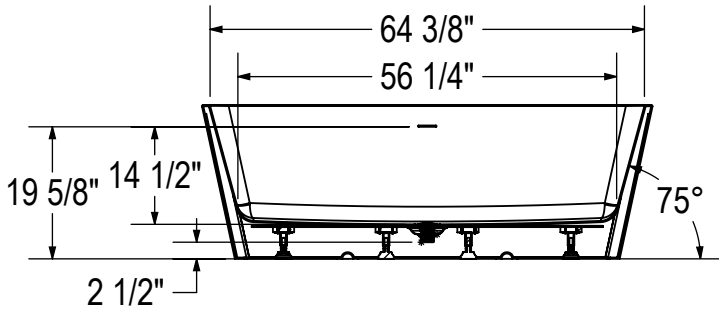
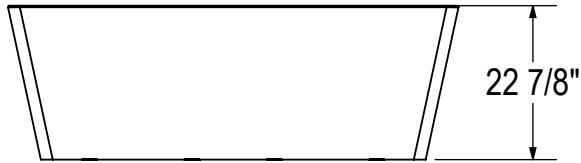
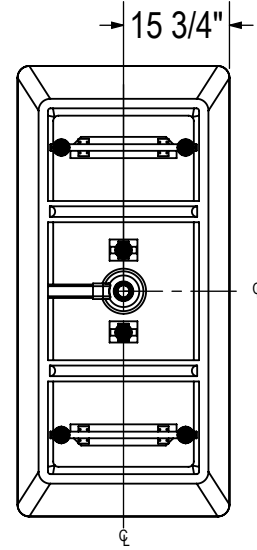
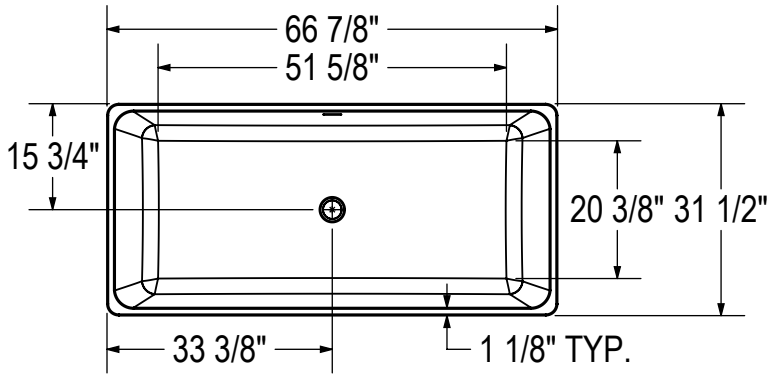
Material : Acrylic
 Max: 86 Gal / 391 L

Features

- › Seamless 1-piece minimalist and versatile design to fit any bathroom style
- › Trimless linear overflow and white pop-up drain to match any faucet finish
- › Hygienic, non-porous acrylic surface for easy cleaning
- › High gloss finish resistant to dulling, scratching, and fading
- › 25-year limited warranty for your peace of mind
- › 2-person bath with maximized bathing well designed for optimal comfort
- › Waste and overflow included and pre-installed to save time on installation
- › Comes with leveling legs for ease of installation
- › Compatible with MAAX F2 Drain to save time and money on installation

NOTA 6731 - 107679

SKU	System	Color	Configuration	Dimensions & Weight	Packaging	MSRP
107679-000-001-000	Soaker - No System	White	Center	66 7/8" x 31 1/2" x 22 7/8" / 132 lb / 60 kg	40.5594618055556 ft ³	\$ 3249



All dimensions are approximate. Structure measurements must be verified against the unit to ensure proper fit.



Sinfoni 5928

FREESTANDING BATHTUBS - ACRYLIC



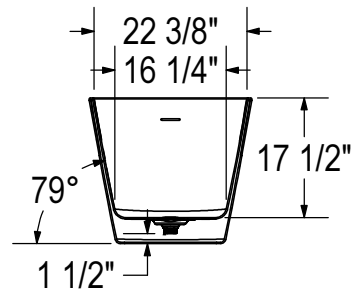
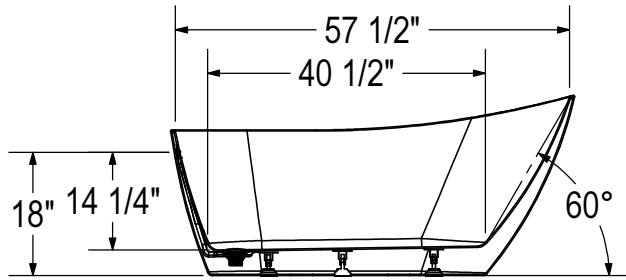
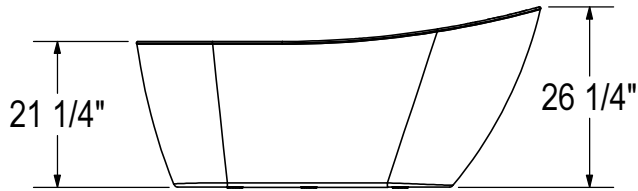
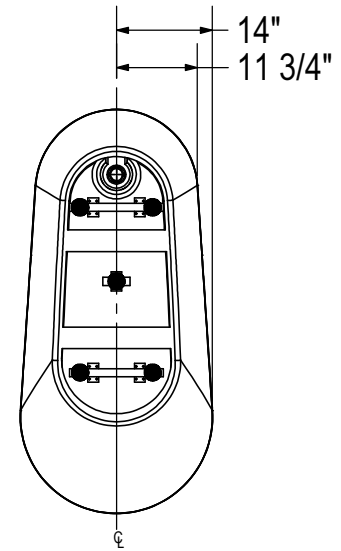
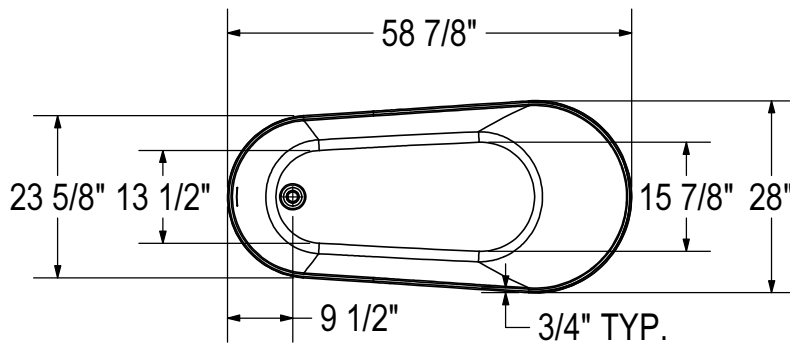
Material : Acrylic
 Max: 48 Gal / 218 L

Features

- › Seamless 1-piece minimalist and versatile design to fit any bathroom style
- › Trimless linear overflow and white pop-up drain to match any faucet finish
- › Hygienic, non-porous acrylic surface for easy cleaning
- › High gloss finish resistant to dulling, scratching, and fading
- › 25-year limited warranty for your peace of mind
- › 1-person bath with maximized bathing well designed for optimal comfort
- › Waste and overflow included and pre-installed to save time on installation
- › Comes with leveling legs for ease of installation
- › Compatible with MAAX F2 Drain to save time and money on installation

SINFONI 5928 - 107681

SKU	System	Color	Configuration	Dimensions & Weight	Packaging	MSRP
107681-000-001-000	Soaker - No System	White	End	58 7/8" x 28" x 26 1/4" / 85.8 lb / 39 kg	38.1759259259259 ft ³	\$ 2520



All dimensions are approximate. Structure measurements must be verified against the unit to ensure proper fit.



Sinfoni 6729

FREESTANDING BATHTUBS - ACRYLIC



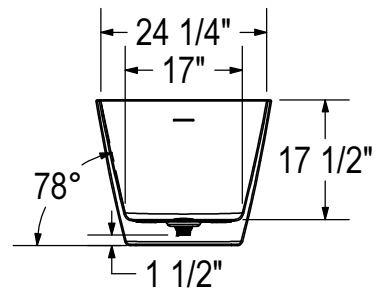
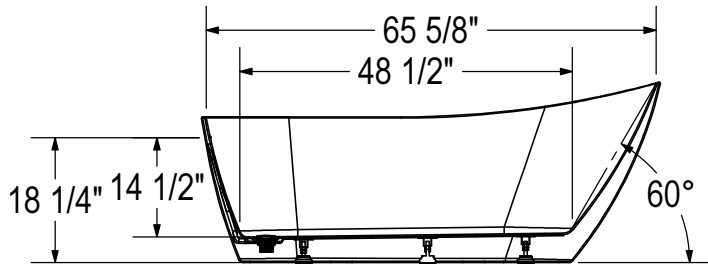
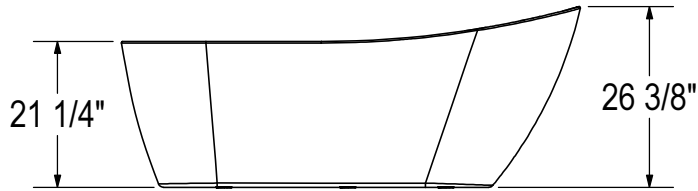
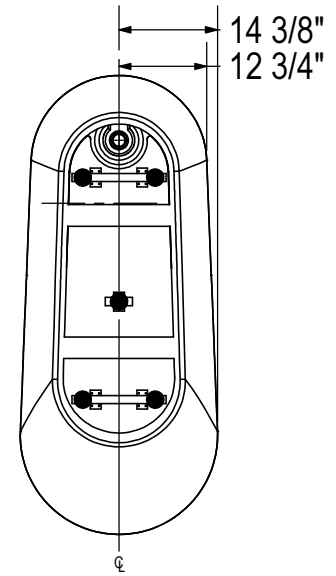
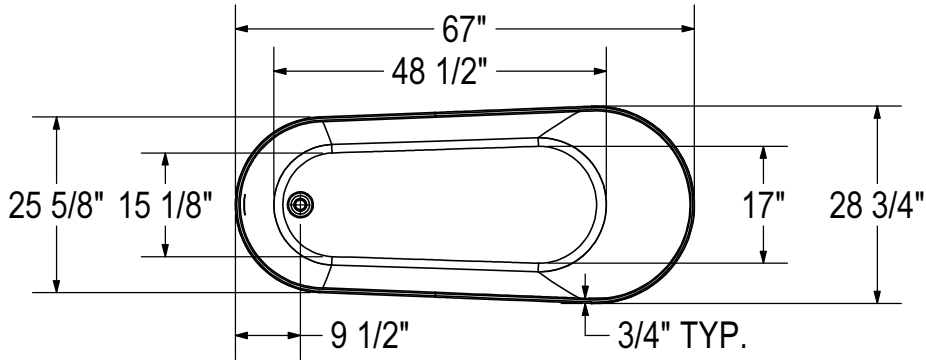
Material : Acrylic
 Max: 54 Gal / 245 L

Features

- › Seamless 1-piece minimalist and versatile design to fit any bathroom style
- › Trimless linear overflow and white pop-up drain to match any faucet finish
- › Hygienic, non-porous acrylic surface for easy cleaning
- › High gloss finish resistant to dulling, scratching, and fading
- › 25-year limited warranty for your peace of mind
- › 1-person bath with maximized bathing well designed for optimal comfort
- › Waste and overflow included and pre-installed to save time on installation
- › Comes with leveling legs for ease of installation
- › Compatible with MAAX F2 Drain to save time and money on installation

SINFONI 6729 - 107680

SKU	System	Color	Configuration	Dimensions & Weight	Packaging	MSRP
107680-000-001-000	Soaker - No System	White	End	67" x 28 3/4" x 26 3/8" / 140.8 lb / 64 kg	45.3111979166667 ft ³	\$ 3037



All dimensions are approximate. Structure measurements must be verified against the unit to ensure proper fit.



Lounge

FREESTANDING BATHTUBS - ACRYLIC



Material : Acrylic
 Max: 57 Gal / 259 L

Features

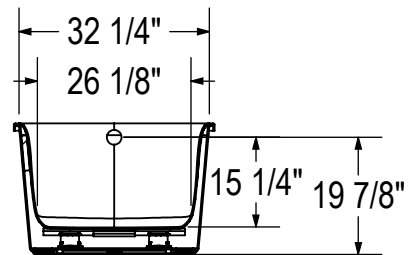
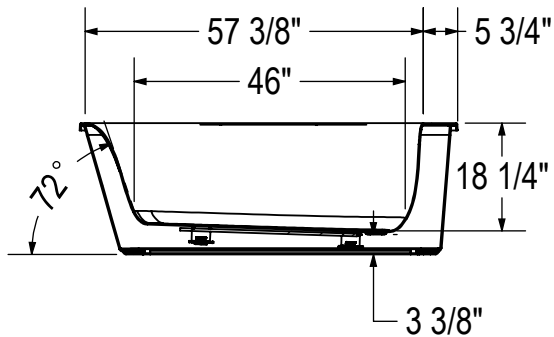
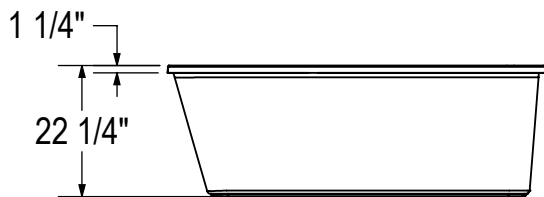
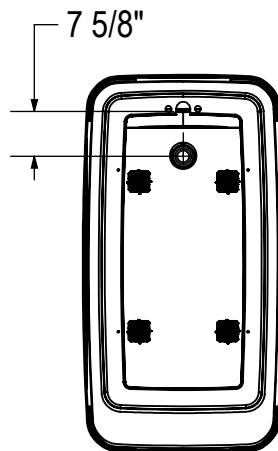
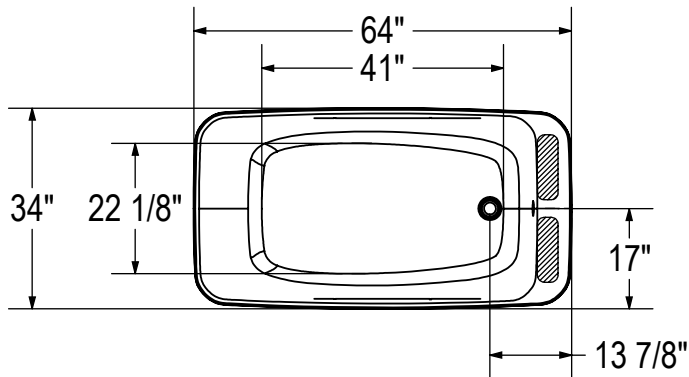
- › Acrylic surface resistant to stains
- › Bathtub skirt available in 4 colours: White, Sterling Silver, Black, Thunder Grey
- › Maximized bathing well with comfortable backrest
- › 2-piece bathtub for easy transportation and seamless installation
- › Compatible with F2 drain connector to save time and money on installation
- › MAAX innovative leveling legs for easy installation
- › High gloss finish resistant to dulling, scratching, and fading
- › Minimalist and versatile design to fit any bathroom
- › Product warranty: 25-year


LOUNGE 6434 - 105798						
SKU	System	Color	Configuration	Dimensions & Weight	Packaging	MSRP
105798-000-001-100	Soaker - No System	White	End	64" x 34" x 22 1/4" / 160 lb / 73 kg	31.7832 ft ³	\$ 2705
105798-000-001-105		Black				\$ 3005
105798-000-001-106		Sterling Silver				\$ 3005
105798-000-001-107		Thunder Gray				\$ 3005

COMMON OPTIONS		
SKU	Description	MSRP
OPT20137-004	Cable-operated waste and overflow (16 in. to 22 in.) (included in product packaging when purchased) Available colors: White (001), Bone (004), Chrome (084) and Brushed Nickel (105)	\$ 332
OPT20137-084		\$ 332
OPT20137-105		\$ 332
OPT20137-001		\$ 332
106021-000-002-000	Apron only (sold separately as a replacement part) Available standard apron color: White apron (002)	\$ 1447

ACCESSORIES		
SKU	Description	MSRP
10032737	Positioning template for Lounge freestanding installation (sold separately)	\$ 98
10032747	F ² Drain - ABS kit for freestanding bathtub installation (sold separately) Minimum space required for assembly is 10 3/8 inches Compatible exclusively with MAAX freestanding bathtubs.	\$ 218

ACCESSORIES		
SKU	Description	MSRP
10032754	F ² Drain kit for high-rise construction for freestanding bathtub installation (sold separately) Respects National Building Code of Canada (CAN/ULC-S102.2 flame and smoke protection) for high rise construction Minimum space required for assembly is 10 3/8 inches Compatible exclusively with MAAX freestanding bathtubs.	\$ 368
10032757	F ² Drain - Pack of 12 ABS kits for freestanding bathtub installation (sold separately) Minimum space required for assembly is 10 3/8 inches Compatible exclusively with MAAX freestanding bathtubs.	\$ 2494
10034341	F ² Drain - PVC kit for freestanding bathtub installation (sold separately) Minimum space required for assembly is 10 3/8 inches Compatible exclusively with MAAX freestanding bathtubs.	\$ 218
10004306-001	White foam cushion with 2 suction pads (sold separately) Available color: White (001)	\$ 126
10022491-084	Cable-operated waste and overflow (16 in. to 22 in.) (sold separately) Available colors: White (001), Bone (004), Chrome (084) and Brushed Nickel (105)	\$ 332
10022491-004		\$ 332
10022491-105		\$ 332
10022491-001		\$ 332



() : Recommended faucet area 2 sections of 12" (L) x 3 1/2" (W).

All dimensions are approximate. Structure measurements must be verified against the unit to ensure proper fit.



Brioso 6636



Material : AcrylX
 Max: 57 Gal / 259 L

Features

- › Freestanding installation
- › AcrylX™ surface resistant to stains
- › MAAX innovative leveling legs for easy installation
- › Compatible with MAAX F2 Drain connector to save time and money on installation
- › Available in an Above-the-Floor Rough (AFR) configuration for easier drain, waste and overflow installation
- › 2-piece bathtub for easy transportation and seamless installation
- › High gloss finish resistant to dulling, scratching, and fading
- › Proudly made in North America
- › Available in white, thunder gray, sterling silver or black color to complement any bathroom decor

FREESTANDING BATHTUBS - ACRYLX

BRIOSO 6636 - 103903

SKU	System	Color	Configuration	Dimensions & Weight	Packaging	MSRP
103903-000-002-100	Soaker - No System	White	Center	66" x 36" x 23" / 106 lb / 48 kg	44 ft ³	\$ 2385
103903-000-002-102		Black				\$ 2685
103903-000-002-113		Sterling Silver				\$ 2685
103903-000-002-114		Thunder Gray				\$ 2685

COMMON OPTIONS

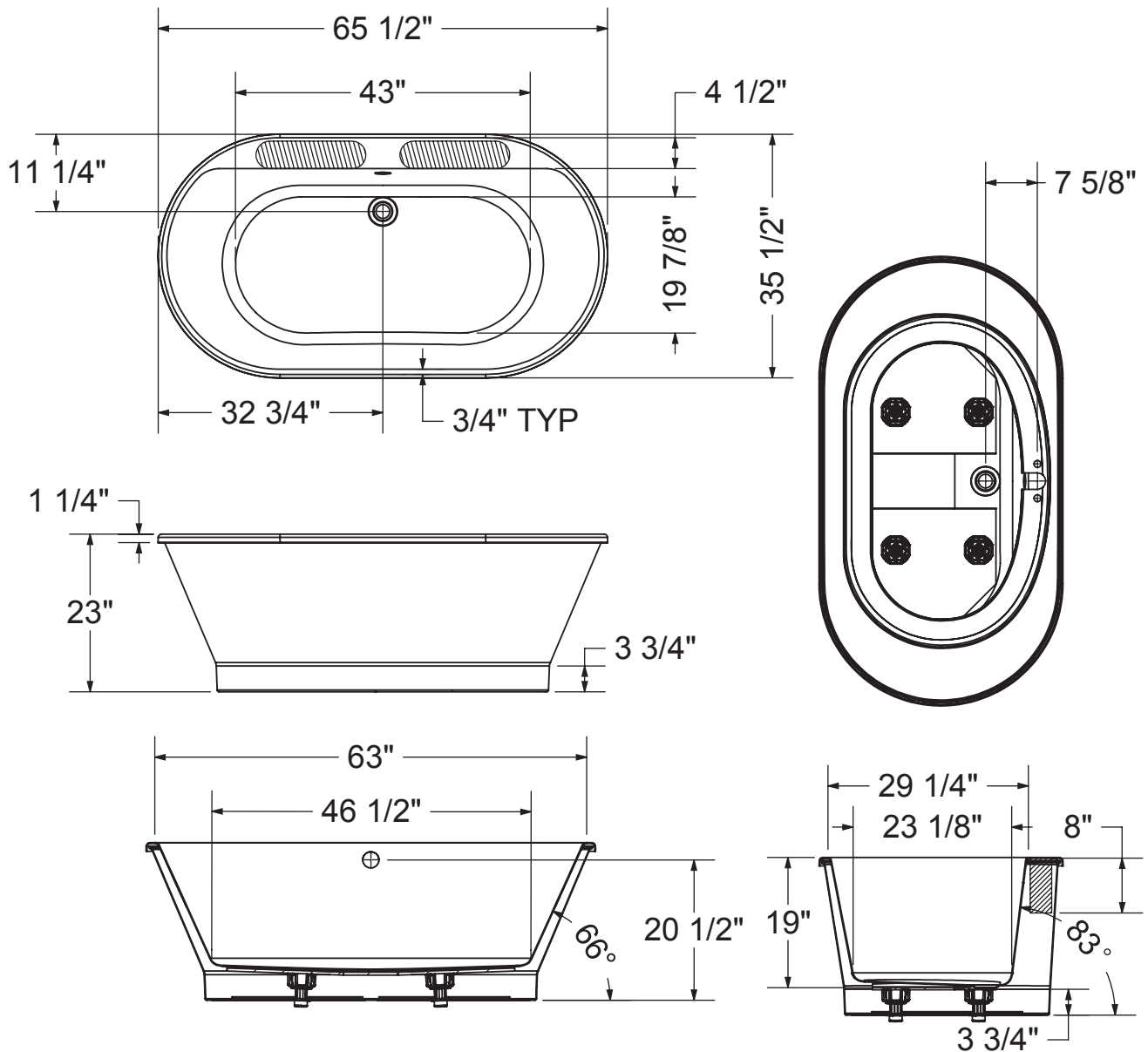
SKU	Description	MSRP
OPT20252	Linear Waste & Overflow with pack of 3 finishes (Chrome, Brushed Nickel & Dark Bronze)	\$ 493
OPT20137-004	Cable-operated waste and overflow (16 in. to 22 in.) (included in product packaging when purchased) Available colors: White (001), Bone (004), Chrome (084) and Brushed Nickel (105)	\$ 332
OPT20137-084		\$ 332
OPT20137-105		\$ 332
OPT20137-001		\$ 332
OPT20210-084	Waste and overflow (16 in. to 22 in.) (included in product packaging when purchased) Available colors: Chrome (084) and Brushed Nickel (105)	\$ 124
OPT20210-105		\$ 166
OPT20250-084	Brass flexible waste and overflow for high-rise construction Available colors: Chrome (084) and Brushed Nickel (105)	\$ 511
OPT20250-105		\$ 594
106157-000-015-000	Apron only (sold separately as a replacement part) Available standard apron color: White apron (002)	\$ 1883

COMMON OPTIONS

SKU	Description	MSRP
106157-000-002-000	Apron only (sold separately as a replacement part) Available standard apron color: White apron (002)	\$ 1583

ACCESSORIES

SKU	Description	MSRP
10012135-105	Waste and overflow (16 to 22 in.) (sold separately)	\$ 166
10012135-084	Available colours: Chrome (084) and Brushed Nickel (105)	\$ 124
10032747	F ² Drain - ABS kit for freestanding bathtub installation (sold separately) Minimum space required for assembly is 10 3/8 inches Compatible exclusively with MAAX freestanding bathtubs.	\$ 218
10032754	F ² Drain kit for high-rise construction for freestanding bathtub installation (sold separately) Respects National Building Code of Canada (CAN/ULC-S102.2 flame and smoke protection) for high rise construction Minimum space required for assembly is 10 3/8 inches Compatible exclusively with MAAX freestanding bathtubs.	\$ 368
10032757	F ² Drain - Pack of 12 ABS kits for freestanding bathtub installation (sold separately) Minimum space required for assembly is 10 3/8 inches Compatible exclusively with MAAX freestanding bathtubs.	\$ 2494
10034338	Positioning template for Briosio 6636 freestanding installation (sold separately)	\$ 98
10034341	F ² Drain - PVC kit for freestanding bathtub installation (sold separately) Minimum space required for assembly is 10 3/8 inches Compatible exclusively with MAAX freestanding bathtubs.	\$ 218
10004306-001	White foam cushion with 2 suction pads (sold separately) Available color: White (001)	\$ 126
10032808-084	Brass flexible waste and overflow for high construction (sold separately)	\$ 511
10032808-105	Available colors: Chrome (084) and Brushed Nickel (105)	\$ 594
10022491-084		\$ 332
10022491-004	Cable-operated waste and overflow (16 in. to 22 in.) (sold separately)	\$ 332
10022491-105	Available colors: White (001), Bone (004), Chrome (084) and Brushed Nickel (105)	\$ 332
10022491-001		\$ 332



(Hatched Area): Recommended faucet area 2 sections of 16" (L) x 4" (W).
Depth recommended for straight pipes 8".

All dimensions are approximate. Structure measurements must be verified against the unit to ensure proper fit.



Eldora 5832

FREESTANDING BATHTUBS - ACRYLX



Material : AcrylX
 Max: 51 Gal / 226 L

Features

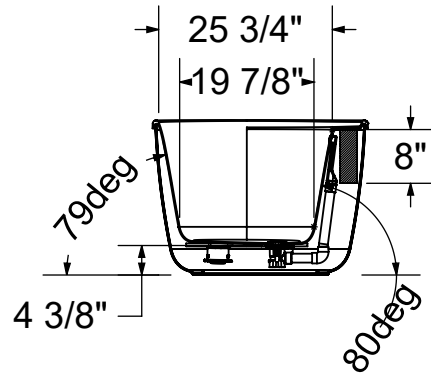
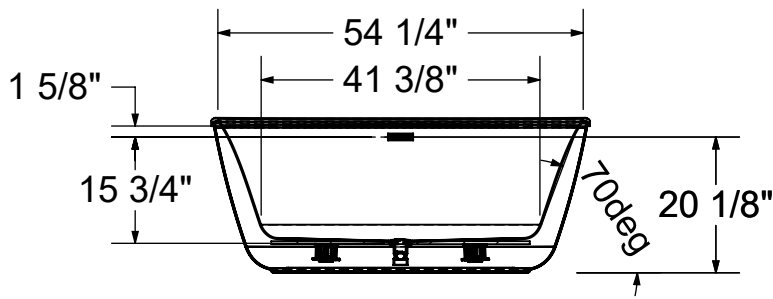
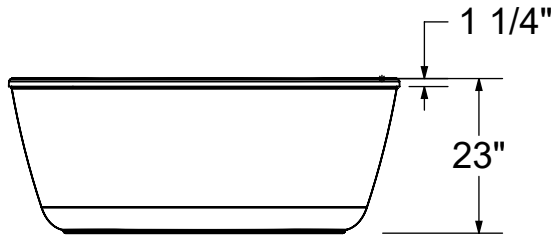
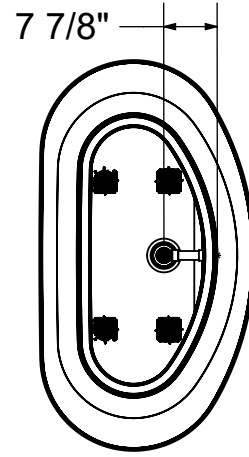
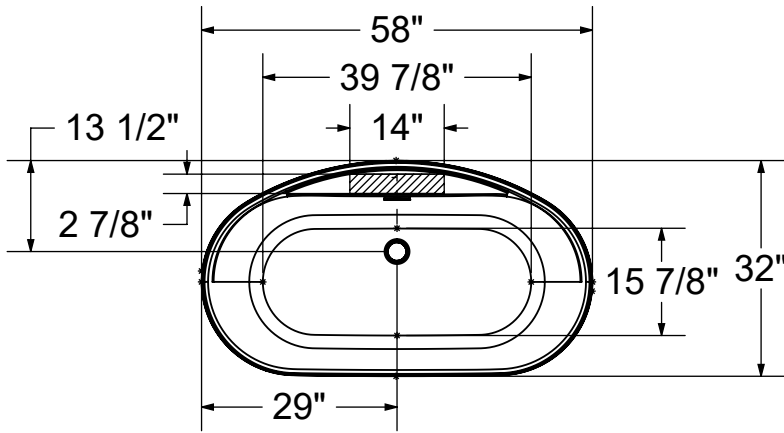
- › Linear waste and overflow included and factory installed
- › Faucet installation can be deck-mounted or floor-mounted
- › Maximized bathing well with comfortable backrest
- › Perfect for small footprint bathroom
- › Above-the-Floor Rough (AFR) and F2 Drain compatible
- › MAAX innovative leveling legs for easy installation


ELDORA 5832 - 106992

SKU	System	Color	Configuration	Dimensions & Weight	Packaging	MSRP
106992-000-002-100	Soaker - No System	White	Center	58" x 32" x 23" / 120 lb / 54 kg	33 ft ³	\$ 2539

ACCESSORIES

SKU	Description	MSRP
10032747	F ² Drain - ABS kit for freestanding bathtub installation (sold separately) Minimum space required for assembly is 10 3/8 inches Compatible exclusively with MAAX freestanding bathtubs.	\$ 218
10032754	F ² Drain kit for high-rise construction for freestanding bathtub installation (sold separately) Respects National Building Code of Canada (CAN/ULC-S102.2 flame and smoke protection) for high rise construction Minimum space required for assembly is 10 3/8 inches Compatible exclusively with MAAX freestanding bathtubs.	\$ 368
10032757	F ² Drain - Pack of 12 ABS kits for freestanding bathtub installation (sold separately) Minimum space required for assembly is 10 3/8 inches Compatible exclusively with MAAX freestanding bathtubs.	\$ 2494
10034341	F ² Drain - PVC kit for freestanding bathtub installation (sold separately) Minimum space required for assembly is 10 3/8 inches Compatible exclusively with MAAX freestanding bathtubs.	\$ 218
10004306-001	White foam cushion with 2 suction pads (sold separately) Available color: White (001)	\$ 126
10034729	Positioning template for Eldora 5832 & Emica 5832 freestanding bathtubs installation (sold separately)	\$ 98



() Recommended faucet area 1 section of 14" (L) x 2 7/8" (W).
Depth recommended for straight pipes 8".

All dimensions are approximate. Structure measurements must be verified against the unit to ensure proper fit.



Eldora 6434

FREESTANDING BATHTUBS - ACRYLX



Material : AcrylX
 Max: 58 Gal / 258 L

Features

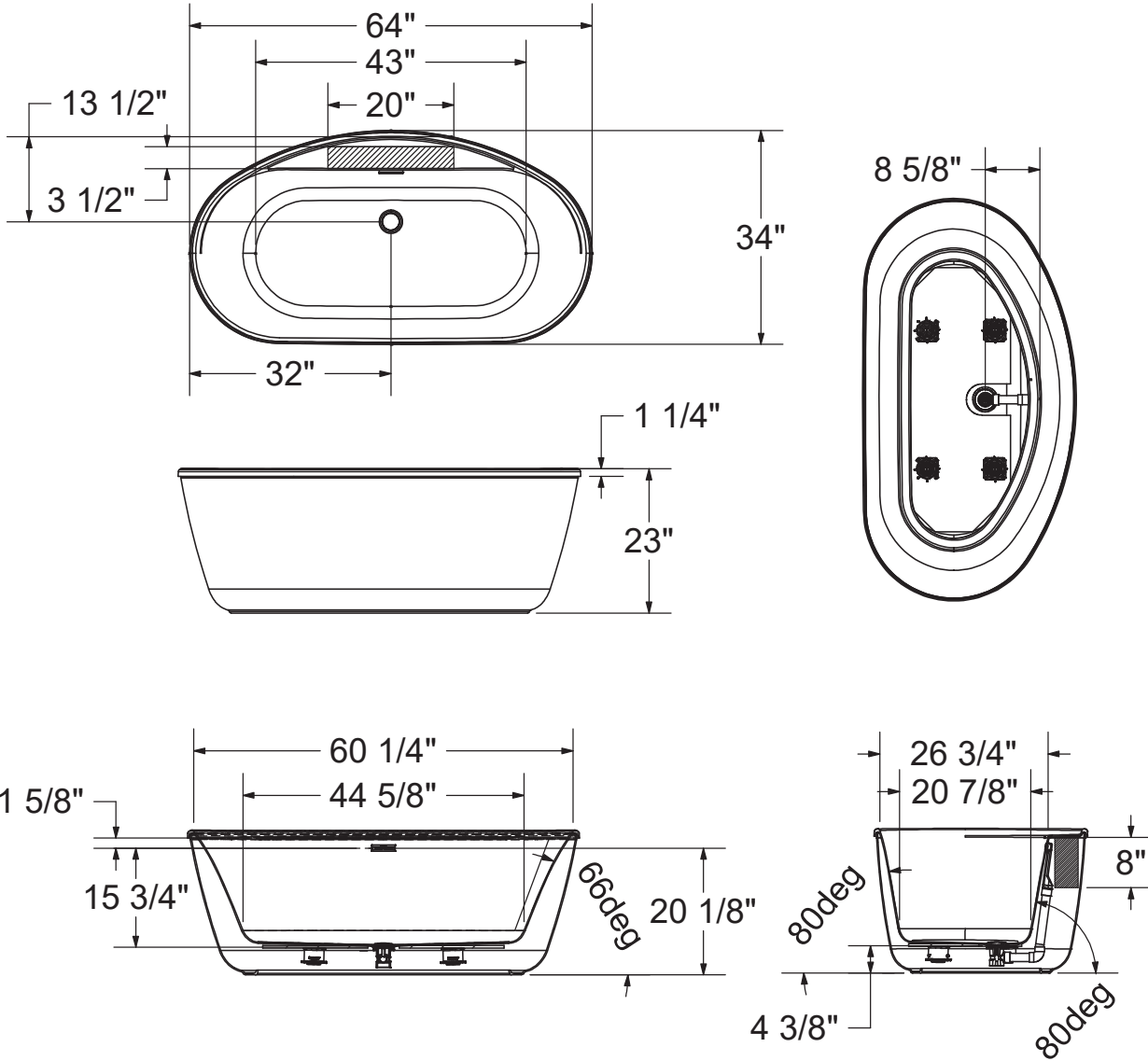
- › 2-piece bathtub - transports and installs easily
- › Linear waste and overflow included and factory installed
- › Faucet installation can be deck-mounted or floor-mounted
- › Maximized bathing well with comfortable backrest
- › Perfect for small footprint bathroom
- › Above-the-Floor Rough (AFR) and F2 Drain compatible
- › MAAX innovative leveling legs for easy installation


ELDORA 6434 - 106993

SKU	System	Color	Configuration	Dimensions & Weight	Packaging	MSRP
106993-000-002-100	Soaker - No System	White	Center	64" x 34" x 23" / 130 lb / 59 kg	38 ft ³	\$ 2907

ACCESSORIES

SKU	Description	MSRP
10032747	F ² Drain - ABS kit for freestanding bathtub installation (sold separately) Minimum space required for assembly is 10 3/8 inches Compatible exclusively with MAAX freestanding bathtubs.	\$ 218
10032754	F ² Drain kit for high-rise construction for freestanding bathtub installation (sold separately) Respects National Building Code of Canada (CAN/ULC-S102.2 flame and smoke protection) for high rise construction Minimum space required for assembly is 10 3/8 inches Compatible exclusively with MAAX freestanding bathtubs.	\$ 368
10032757	F ² Drain - Pack of 12 ABS kits for freestanding bathtub installation (sold separately) Minimum space required for assembly is 10 3/8 inches Compatible exclusively with MAAX freestanding bathtubs.	\$ 2494
10034341	F ² Drain - PVC kit for freestanding bathtub installation (sold separately) Minimum space required for assembly is 10 3/8 inches Compatible exclusively with MAAX freestanding bathtubs.	\$ 218
10004306-001	White foam cushion with 2 suction pads (sold separately) Available color: White (001)	\$ 126
10034728	Positioning template for Eldora 6434 & Emica 6434 freestanding bathtubs installation (sold separately)	\$ 98



() Recommended faucet area 1 section of 20" (L) x 3 1/2" (W). Depth recommended for straight pipes 8".

All dimensions are approximate. Structure measurements must be verified against the unit to ensure proper fit.



Fontana

FREESTANDING BATHTUBS - ACRYLX



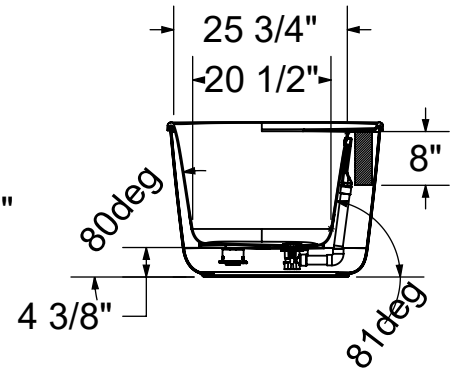
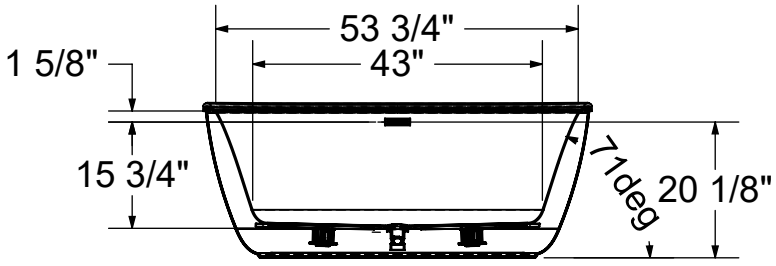
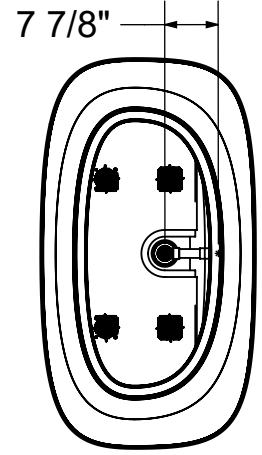
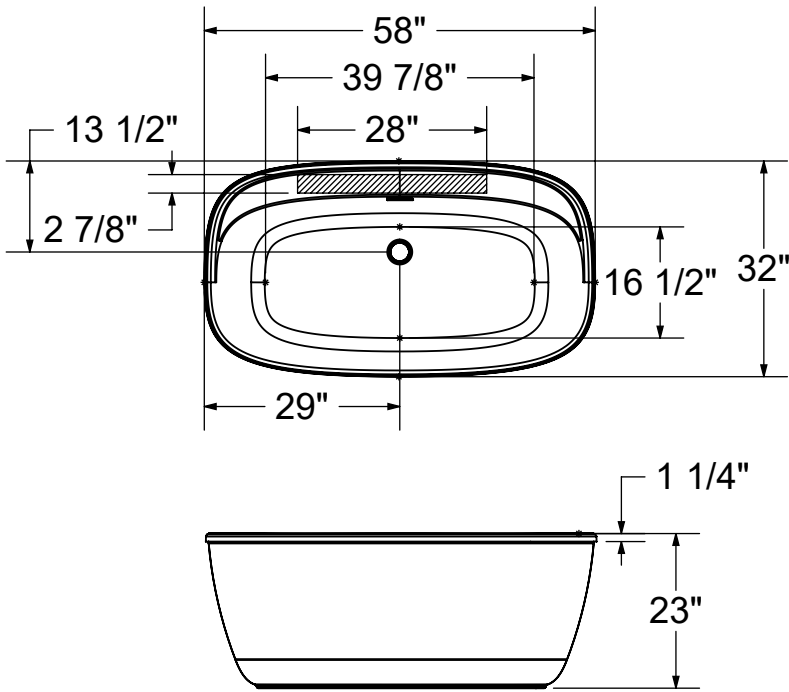
Material : AcrylX
 Max: 52 Gal / 230 L


Features

- › Linear waste and overflow included and factory installed
- › Faucet installation can be deck-mounted or floor-mounted
- › Maximized bathing well with comfortable backrest
- › Perfect for small footprint bathroom
- › Above-the-Floor Rough (AFR) and F2 Drain compatible
- › MAAX innovative leveling legs for easy installation

FONTANA - 106994						
SKU	System	Color	Configuration	Dimensions & Weight	Packaging	MSRP
106994-000-002-000	Soaker - No System	White	Center	58" x 32" x 23" / 120 lb / 54 kg	33 ft ³	\$ 2640

ACCESSORIES		
SKU	Description	MSRP
10032747	F ² Drain - ABS kit for freestanding bathtub installation (sold separately) Minimum space required for assembly is 10 3/8 inches Compatible exclusively with MAAX freestanding bathtubs.	\$ 218
10032754	F ² Drain kit for high-rise construction for freestanding bathtub installation (sold separately) Respects National Building Code of Canada (CAN/ULC-S102.2 flame and smoke protection) for high rise construction Minimum space required for assembly is 10 3/8 inches Compatible exclusively with MAAX freestanding bathtubs.	\$ 368
10032757	F ² Drain - Pack of 12 ABS kits for freestanding bathtub installation (sold separately) Minimum space required for assembly is 10 3/8 inches Compatible exclusively with MAAX freestanding bathtubs.	\$ 2494
10034341	F ² Drain - PVC kit for freestanding bathtub installation (sold separately) Minimum space required for assembly is 10 3/8 inches Compatible exclusively with MAAX freestanding bathtubs.	\$ 218
10004306-001	White foam cushion with 2 suction pads (sold separately) Available color: White (001)	\$ 126
10034730	Positioning template for Odetta & Fontana freestanding installation (sold separately)	\$ 98



() Recommended faucet area 1 section of 28" (L) x 2 7/8" (W).
Depth recommended for straight pipes 8".

All dimensions are approximate. Structure measurements must be verified against the unit to ensure proper fit.

Pocono



FREESTANDING BATHTUBS - ACRYLX



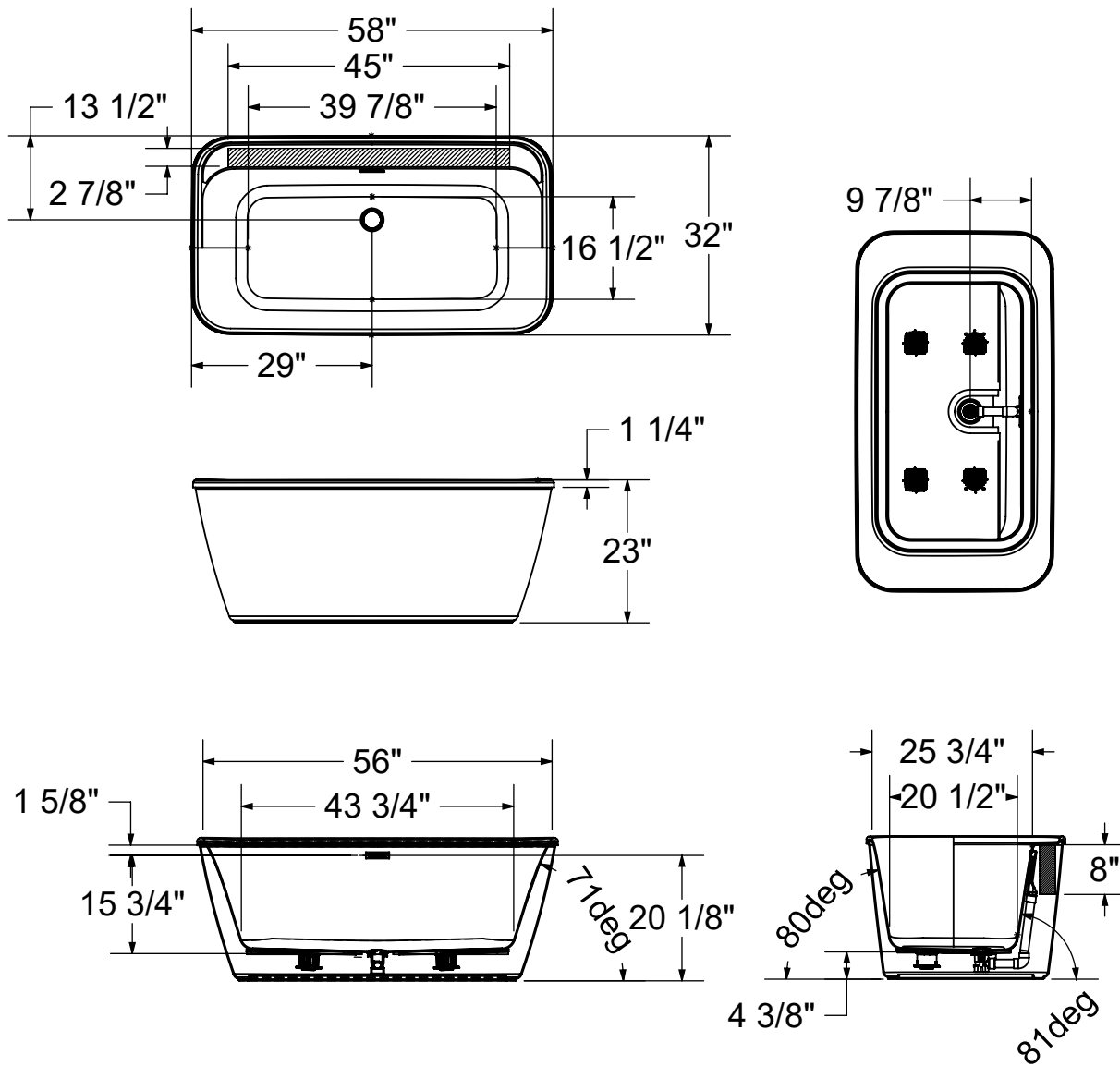
Material : AcrylX
 Max: 56 Gal / 250 L


Features

- › 2-piece bathtub - transports and installs easily
- › Linear waste and overflow included and factory installed
- › Faucet installation can be deck-mounted or floor-mounted
- › Maximized bathing well with comfortable backrest
- › Perfect for small footprint bathroom
- › Above-the-Floor Rough (AFR) and F2 Drain compatible
- › MAAX innovative leveling legs for easy installation

POCONO - 106995						
SKU	System	Color	Configuration	Dimensions & Weight	Packaging	MSRP
106995-000-002-000	Soaker - No System	White	Center	58" x 32" x 23" / 120 lb / 54 kg	33 ft ³	\$ 2640

ACCESSORIES		
SKU	Description	MSRP
10032747	F ² Drain - ABS kit for freestanding bathtub installation (sold separately) Minimum space required for assembly is 10 3/8 inches Compatible exclusively with MAAX freestanding bathtubs.	\$ 218
10032754	F ² Drain kit for high-rise construction for freestanding bathtub installation (sold separately) Respects National Building Code of Canada (CAN/ULC-S102.2 flame and smoke protection) for high rise construction Minimum space required for assembly is 10 3/8 inches Compatible exclusively with MAAX freestanding bathtubs.	\$ 368
10032757	F ² Drain - Pack of 12 ABS kits for freestanding bathtub installation (sold separately) Minimum space required for assembly is 10 3/8 inches Compatible exclusively with MAAX freestanding bathtubs.	\$ 2494
10034341	F ² Drain - PVC kit for freestanding bathtub installation (sold separately) Minimum space required for assembly is 10 3/8 inches Compatible exclusively with MAAX freestanding bathtubs.	\$ 218
10004306-001	White foam cushion with 2 suction pads (sold separately) Available color: White (001)	\$ 126
10034772	Positioning template for Kai & Pocono freestanding bathtubs installation (sold separately)	\$ 98



() Recommended faucet area 1 section of 45" (L) x 2 7/8" (W).
Depth recommended for straight pipes 8".

All dimensions are approximate. Structure measurements must be verified against the unit to ensure proper fit.

Sonoma



Material : AcrylX

Max: 49 Gal / 220 L

Features

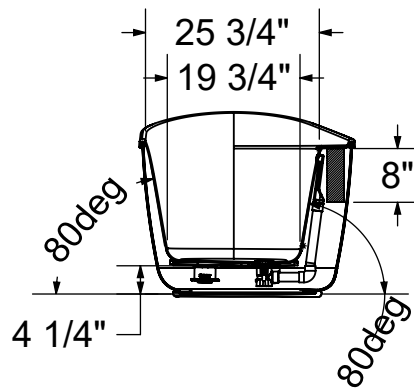
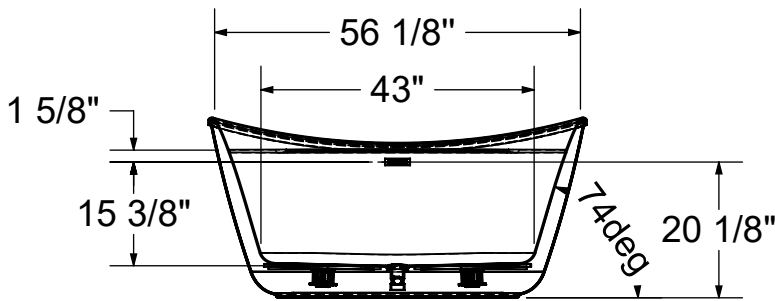
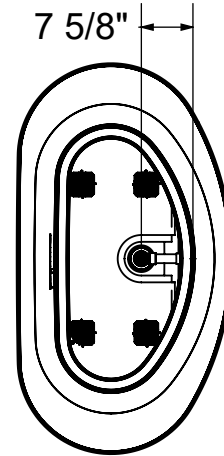
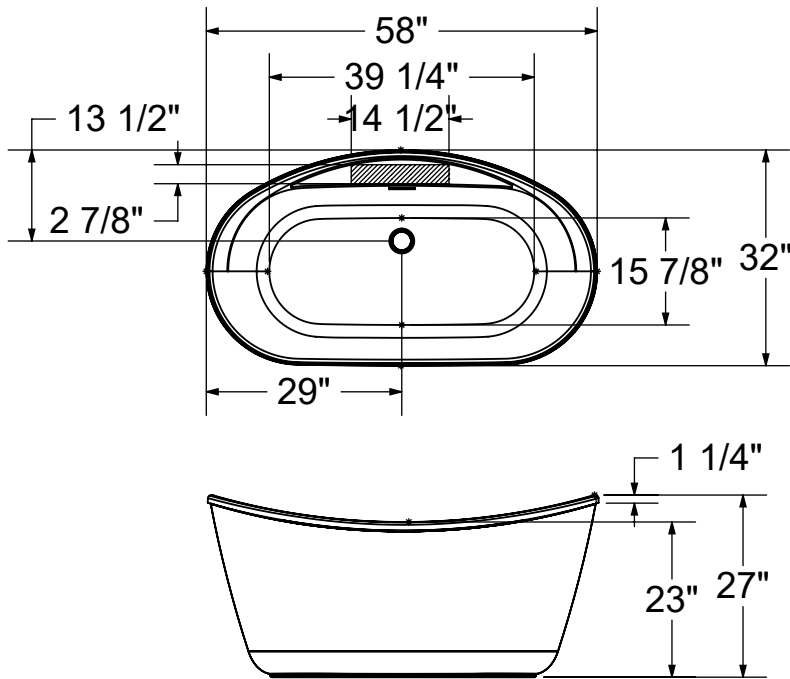
- › Freestanding bathtub
- › AcrylX™ surface resistant to stains
- › Above-the-floor rough (AFR) to allow for easy plumbing installation without having to relocate the existing drain
- › 2-piece bathtub for easy transportation and seamless installation
- › Compatible with F2 drain connector to save time and money on installation
- › MAAX innovative leveling legs for easy installation
- › High gloss finish resistant to dulling, scratching, and fading
- › Minimalist and versatile design to fit any bathroom style
- › Proudly made in North America


SONOMA - 106996

SKU	System	Color	Configuration	Dimensions & Weight	Packaging	MSRP
106996-000-002-000	Soaker - No System	White	Center	58" x 32" x 27" / 120 lb / 54 kg	33 ft ³	\$ 2640

ACCESSORIES

SKU	Description	MSRP
10032747	F ² Drain - ABS kit for freestanding bathtub installation (sold separately) Minimum space required for assembly is 10 3/8 inches Compatible exclusively with MAAX freestanding bathtubs.	\$ 218
10032754	F ² Drain kit for high-rise construction for freestanding bathtub installation (sold separately) Respects National Building Code of Canada (CAN/ULC-S102.2 flame and smoke protection) for high rise construction Minimum space required for assembly is 10 3/8 inches Compatible exclusively with MAAX freestanding bathtubs.	\$ 368
10032757	F ² Drain - Pack of 12 ABS kits for freestanding bathtub installation (sold separately) Minimum space required for assembly is 10 3/8 inches Compatible exclusively with MAAX freestanding bathtubs.	\$ 2494
10034341	F ² Drain - PVC kit for freestanding bathtub installation (sold separately) Minimum space required for assembly is 10 3/8 inches Compatible exclusively with MAAX freestanding bathtubs.	\$ 218
10004306-001	White foam cushion with 2 suction pads (sold separately) Available color: White (001)	\$ 126
10034773	Positioning template for Suna & Sonoma freestanding bathtubs installation (sold separately)	\$ 98



() Recommended faucet area 1 section of 14 1/2" (L) x 2 7/8" (W).
Depth recommended for straight pipes 8".

All dimensions are approximate. Structure measurements must be verified against the unit to ensure proper fit.



Delsia 6032

FREESTANDING BATHTUBS - ACRYLX



Material : AcrylX
 Max: 40 Gal / 182 L

Features

- › AcrylX™ surface resistant to stains
- › Bathtub skirt available in 4 colours: White, Sterling Silver, Black, Thunder Grey
- › 2-piece bathtub for easy transportation and seamless installation
- › Compatible with F2 drain connector to save time and money on installation
- › Maximized bathing well and raised backrest
- › MAAX innovative leveling legs for easy installation
- › High gloss finish resistant to dulling, scratching, and fading
- › Classy transitional design to fit any bathroom
- › Product Warranty: limited lifetime

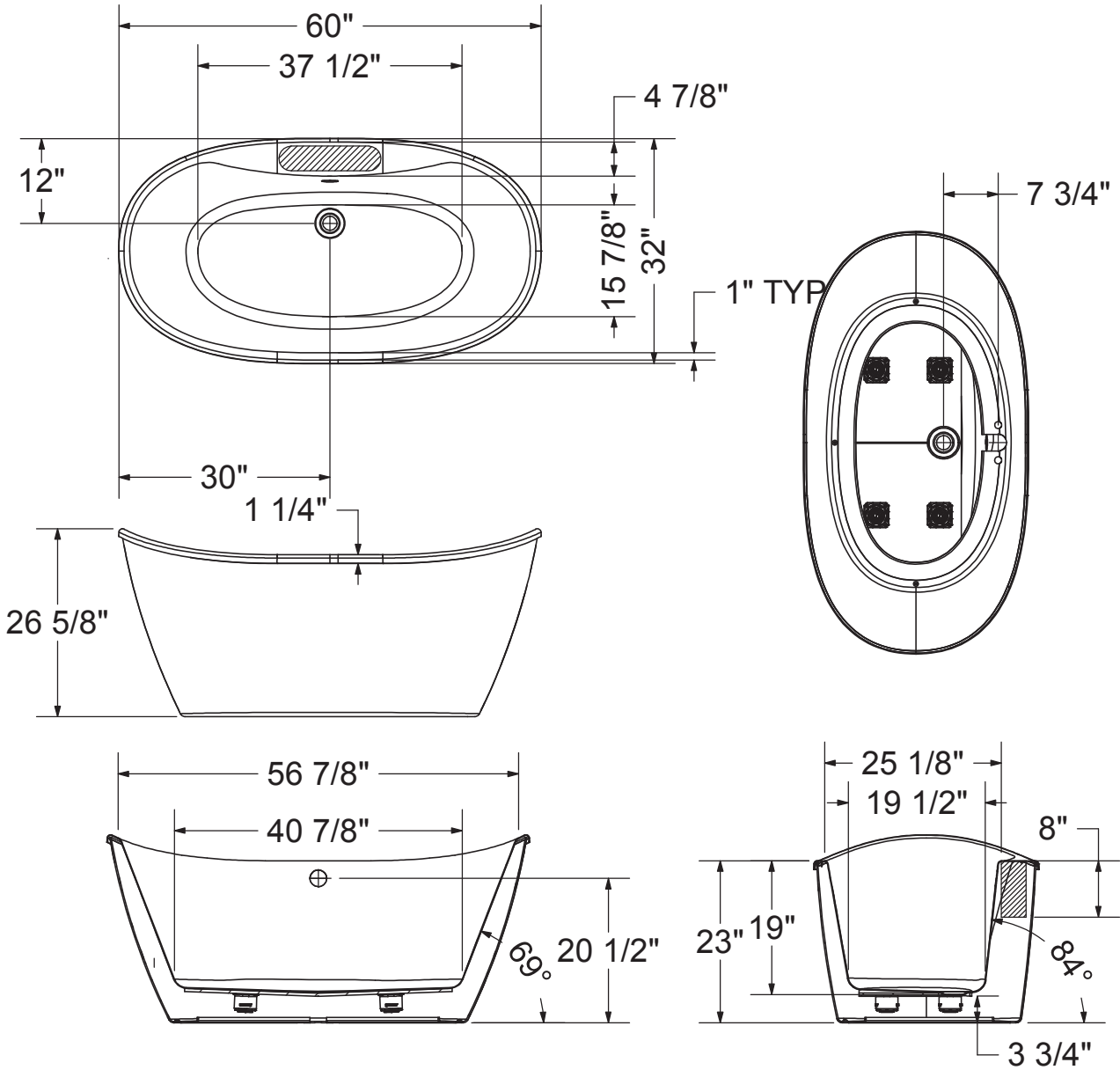
DELSIA 6032 - 106192						
SKU	System	Color	Configuration	Dimensions & Weight	Packaging	MSRP
106192-000-002-104	Soaker - No System	White	Center	60" x 32" x 26 5/8" / 95 lb / 43 kg	31.7832 ft ³	\$ 2234
106192-000-002-124		Black				\$ 2534
106192-000-002-125		Sterling Silver				\$ 2534
106192-000-002-126		Thunder Gray				\$ 2534


COMMON OPTIONS		
SKU	Description	MSRP
OPT20137-004	Cable-operated waste and overflow (16 in. to 22 in.) (included in product packaging when purchased) Available colors: White (001), Bone (004), Chrome (084) and Brushed Nickel (105)	\$ 332
OPT20137-084		\$ 332
OPT20137-105		\$ 332
OPT20137-001		\$ 332
OPT20210-084	Waste and overflow (16 in. to 22 in.) (included in product packaging when purchased) Available colors: Chrome (084) and Brushed Nickel (105)	\$ 124
OPT20210-105		\$ 166
106194-000-002-000	Apron only (sold separately as a replacement part) Available standard apron color: White apron (002)	\$ 1310

ACCESSORIES		
SKU	Description	MSRP
10012135-105	Waste and overflow (16 to 22 in.) (sold separately) Available colours: Chrome (084) and Brushed Nickel (105)	\$ 166

ACCESSORIES

SKU	Description	MSRP
10012135-084	Waste and overflow (16 to 22 in.) (sold separately) Available colours: Chrome (084) and Brushed Nickel (105)	\$ 124
10032747	F ² Drain - ABS kit for freestanding bathtub installation (sold separately) Minimum space required for assembly is 10 3/8 inches Compatible exclusively with MAAX freestanding bathtubs.	\$ 218
10032754	F ² Drain kit for high-rise construction for freestanding bathtub installation (sold separately) Respects National Building Code of Canada (CAN/ULC-S102.2 flame and smoke protection) for high rise construction Minimum space required for assembly is 10 3/8 inches Compatible exclusively with MAAX freestanding bathtubs.	\$ 368
10032757	F ² Drain - Pack of 12 ABS kits for freestanding bathtub installation (sold separately) Minimum space required for assembly is 10 3/8 inches Compatible exclusively with MAAX freestanding bathtubs.	\$ 2494
10034341	F ² Drain - PVC kit for freestanding bathtub installation (sold separately) Minimum space required for assembly is 10 3/8 inches Compatible exclusively with MAAX freestanding bathtubs.	\$ 218
10037415	Positioning template for Delsia 6032 installation (sold separately)	\$ 98
10004306-001	White foam cushion with 2 suction pads (sold separately) Available color: White (001)	\$ 126
10022491-084	Cable-operated waste and overflow (16 in. to 22 in.) (sold separately) Available colors: White (001), Bone (004), Chrome (084) and Brushed Nickel (105)	\$ 332
10022491-004		\$ 332
10022491-105		\$ 332
10022491-001		\$ 332
10022491-001		\$ 332



(): Recommended faucet area of 15" (L) x 3-1/2" (W).
Depth recommended for straight pipes 8".

All dimensions are approximate. Structure measurements must be verified against the unit to ensure proper fit.



Delsia 6636



Material : AcrylX
 Max: 49 Gal / 223 L

Features

- › AcrylX™ surface resistant to stains
- › Available in timeless white colour
- › Maximized bathing well
- › 2-piece bathtub for easy transportation and seamless installation
- › Compatible with F2 drain connector to save time and money on installation
- › MAAX innovative leveling legs for easy installation
- › High gloss finish resistant to dulling, scratching, and fading
- › Minimalist and versatile design to fit any bathroom
- › Product Warranty: limited lifetime

FREESTANDING BATHTUBS - ACRYLX

DELSIA 6636 - 106193

SKU	System	Color	Configuration	Dimensions & Weight	Packaging	MSRP
106193-000-002-104	Soaker - No System	White	Center	66" x 36" x 26 5/8" / 110 lb / 50 kg	38.8461 ft ³	\$ 2677
106193-000-002-124		Black				\$ 2977
106193-000-002-125		Sterling Silver				\$ 2977
106193-000-002-126		Thunder Gray				\$ 2977

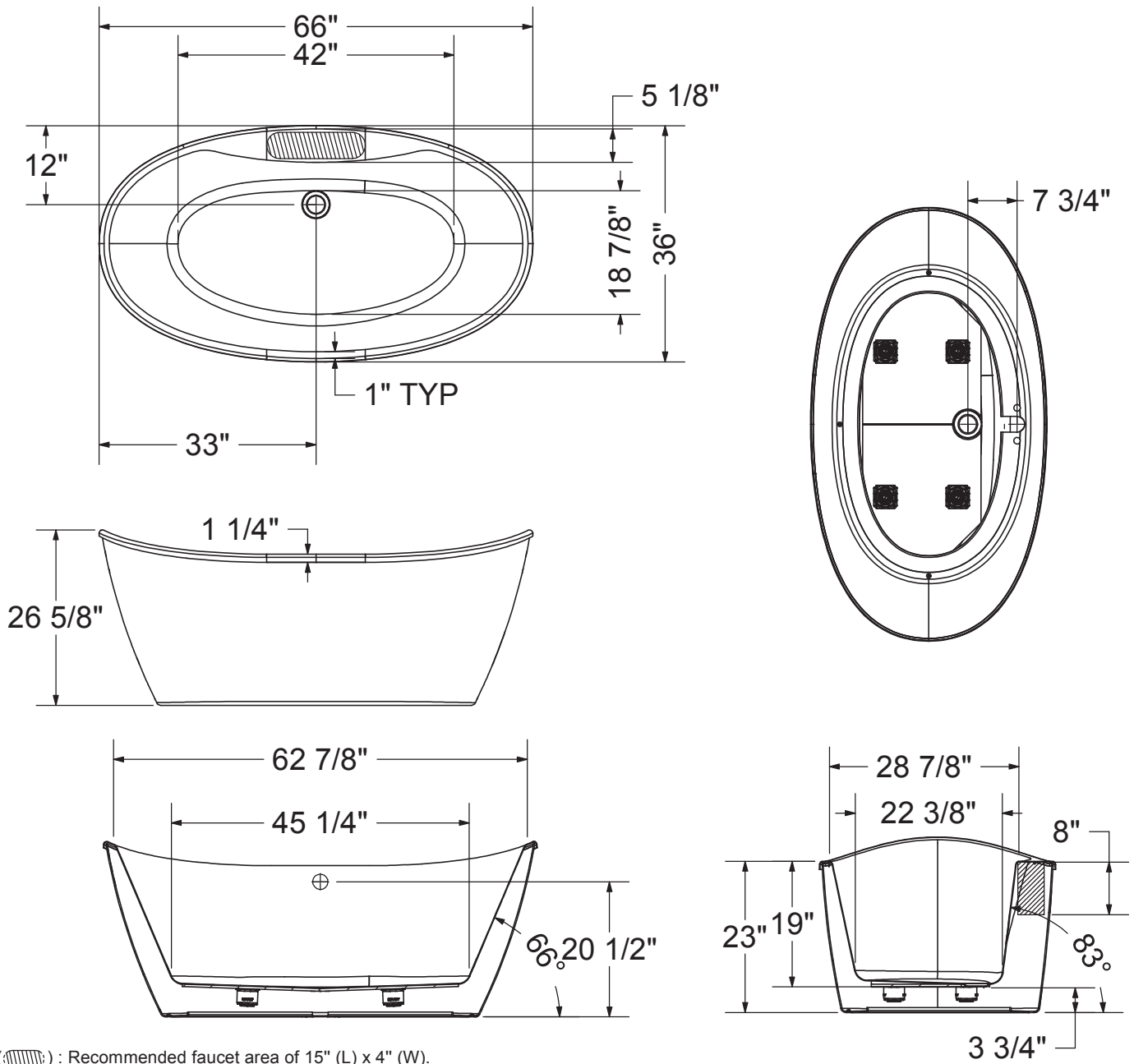
COMMON OPTIONS


SKU	Description	MSRP
OPT20137-004	Cable-operated waste and overflow (16 in. to 22 in.) (included in product packaging when purchased) Available colors: White (001), Bone (004), Chrome (084) and Brushed Nickel (105)	\$ 332
OPT20137-084		\$ 332
OPT20137-105		\$ 332
OPT20137-001		\$ 332
OPT20210-084	Waste and overflow (16 in. to 22 in.) (included in product packaging when purchased) Available colors: Chrome (084) and Brushed Nickel (105)	\$ 124
OPT20210-105		\$ 166
106195-000-002-000	Apron only (sold separately as a replacement part) Available standard apron color: White apron (002)	\$ 1550

ACCESSORIES

SKU	Description	MSRP
10012135-105	Waste and overflow (16 to 22 in.) (sold separately) Available colours: Chrome (084) and Brushed Nickel (105)	\$ 166

ACCESSORIES		
SKU	Description	MSRP
10012135-084	Waste and overflow (16 to 22 in.) (sold separately) Available colours: Chrome (084) and Brushed Nickel (105)	\$ 124
10032747	F ² Drain - ABS kit for freestanding bathtub installation (sold separately) Minimum space required for assembly is 10 3/8 inches Compatible exclusively with MAAX freestanding bathtubs.	\$ 218
10032754	F ² Drain kit for high-rise construction for freestanding bathtub installation (sold separately) Respects National Building Code of Canada (CAN/ULC-S102.2 flame and smoke protection) for high rise construction Minimum space required for assembly is 10 3/8 inches Compatible exclusively with MAAX freestanding bathtubs.	\$ 368
10032757	F ² Drain - Pack of 12 ABS kits for freestanding bathtub installation (sold separately) Minimum space required for assembly is 10 3/8 inches Compatible exclusively with MAAX freestanding bathtubs.	\$ 2494
10034341	F ² Drain - PVC kit for freestanding bathtub installation (sold separately) Minimum space required for assembly is 10 3/8 inches Compatible exclusively with MAAX freestanding bathtubs.	\$ 218
10037416	Positioning template for Delsia 6636 installation (sold separately)	\$ 98
10004306-001	White foam cushion with 2 suction pads (sold separately) Available color: White (001)	\$ 126
10022491-084	Cable-operated waste and overflow (16 in. to 22 in.) (sold separately) Available colors: White (001), Bone (004), Chrome (084) and Brushed Nickel (105)	\$ 332
10022491-004		\$ 332
10022491-105		\$ 332
10022491-001		\$ 332
10022491-001		\$ 332



(): Recommended faucet area of 15" (L) x 4" (W).
Depth recommended for straight pipes 8".

All dimensions are approximate. Structure measurements must be verified against the unit to ensure proper fit.

Sax



FREESTANDING BATHTUBS - ACRYLX



Material : AcrylX
 Max: 37 Gal / 168 L

Features

- › AcrylX™ surface resistant to stains
- › Bathtub skirt available in 4 colours: White, Sterling Silver, Black, Thunder Grey
- › Maximized bathing well with comfortable backrest
- › 2-piece bathtub for easy transportation and seamless installation
- › Compatible with F2 drain connector to save time and money on installation
- › MAAX innovative leveling legs for easy installation
- › High gloss finish resistant to dulling, scratching, and fading
- › Transitional design to fit any bathroom style
- › Product Warranty: limited lifetime

SAX 6032 FREESTANDING BATHTUB - 105797

SKU	System	Color	Configuration	Dimensions & Weight	Packaging	MSRP
105797-000-002-100	Soaker - No System	White	End	60" x 32" x 24 7/8" / 130 lb / 59 kg	32 ft³	\$ 1790
105797-000-002-125		Black				\$ 2090
105797-000-002-126		Sterling Silver				\$ 2090
105797-000-002-127		Thunder Gray				\$ 2090

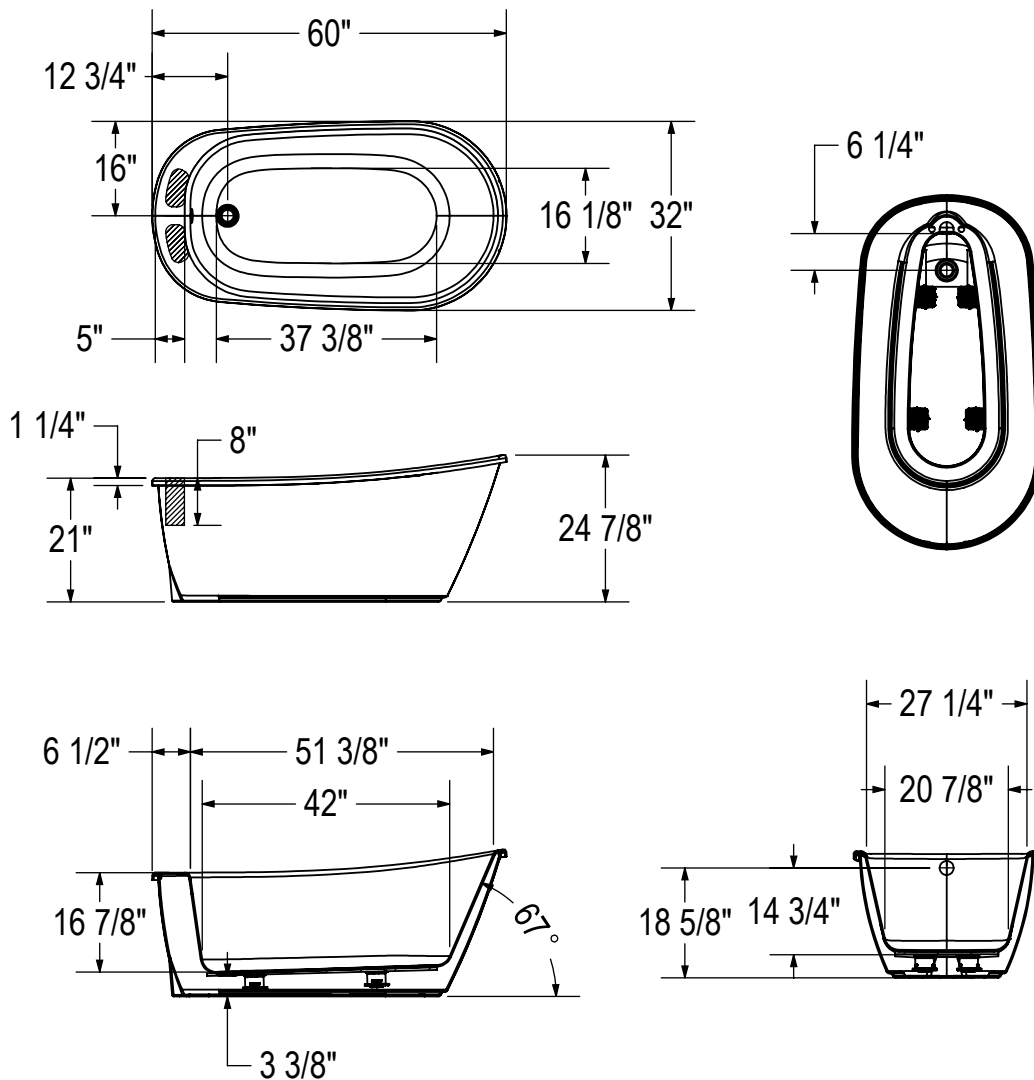
COMMON OPTIONS

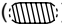
SKU	Description	MSRP
OPT20137-004	Cable-operated waste and overflow (16 in. to 22 in.) (included in product packaging when purchased) Available colors: White (001), Bone (004), Chrome (084) and Brushed Nickel (105)	\$ 332
OPT20137-084		\$ 332
OPT20137-105		\$ 332
OPT20137-001		\$ 332
OPT20210-084	Waste and overflow (16 in. to 22 in.) (included in product packaging when purchased) Available colors: Chrome (084) and Brushed Nickel (105)	\$ 124
OPT20210-105		\$ 166
106020-000-002-000	Apron only (sold separately as a replacement part) Available standard apron color: White apron (002)	\$ 1120

ACCESSORIES

SKU	Description	MSRP
10012135-105	Waste and overflow (16 to 22 in.) (sold separately) Available colours: Chrome (084) and Brushed Nickel (105)	\$ 166

ACCESSORIES		
SKU	Description	MSRP
10012135-084	Waste and overflow (16 to 22 in.) (sold separately) Available colours: Chrome (084) and Brushed Nickel (105)	\$ 124
10032740	Positioning template for Sax freestanding installation (sold separately)	\$ 98
10032747	F ² Drain - ABS kit for freestanding bathtub installation (sold separately) Minimum space required for assembly is 10 3/8 inches Compatible exclusively with MAAX freestanding bathtubs.	\$ 218
10032754	F ² Drain kit for high-rise construction for freestanding bathtub installation (sold separately) Respects National Building Code of Canada (CAN/ULC-S102.2 flame and smoke protection) for high rise construction Minimum space required for assembly is 10 3/8 inches Compatible exclusively with MAAX freestanding bathtubs.	\$ 368
10032757	F ² Drain - Pack of 12 ABS kits for freestanding bathtub installation (sold separately) Minimum space required for assembly is 10 3/8 inches Compatible exclusively with MAAX freestanding bathtubs.	\$ 2494
10034341	F ² Drain - PVC kit for freestanding bathtub installation (sold separately) Minimum space required for assembly is 10 3/8 inches Compatible exclusively with MAAX freestanding bathtubs.	\$ 218
10004306-001	White foam cushion with 2 suction pads (sold separately) Available color: White (001)	\$ 126
10022491-084	Cable-operated waste and overflow (16 in. to 22 in.) (sold separately) Available colors: White (001), Bone (004), Chrome (084) and Brushed Nickel (105)	\$ 332
10022491-004		\$ 332
10022491-105		\$ 332
10022491-001		\$ 332
10022491-001		\$ 332



(): Recommended faucet area 2 sections of 7" (L) x 3" (W).
Depth recommended for straight pipes 8".

All dimensions are approximate. Structure measurements must be verified against the unit to ensure proper fit.

Aigo



Material : Acrylic
 Min: 25 Gal / 114 L
 Max: 65 Gal / 295 L

Features

- › Oval inspired lines with an urban touch and comfortable design
- › Comfortable inclined backrests and maximized bathing well
- › Drop-in and undermount ¹⁰ installation with end drain
- › Cut-out template included

OVAL BATHTUBS - ACRYLIC

AIGO - 102788

SKU	System	Color	Configuration	Dimensions & Weight	Packaging	MSRP
102788-000-001	Soaker - No System	White	End	72" x 36" x 23 1/2" / 71 lb / 32 kg	44 ft ³	\$ 2149
102788-000-004		Bone				\$ 2149
102788-000-007		Biscuit				\$ 2149
102788-054-001-100	Hydrofeel ^{1 4}	White				\$ 6045
102788-054-004		Bone				\$ 6045
102788-054-007		Biscuit				\$ 6045
102788-055-001	Aerofeel ^{1 5}	White				\$ 6147
102788-055-004		Bone				\$ 6147
102788-055-007		Biscuit				\$ 6147
102788-056-001	Combined Hydrofeel & Aerofeel ^{1 4 5}	White				\$ 9250
102788-056-004		Bone				\$ 9250
102788-056-007		Biscuit				\$ 9250

COMMON OPTIONS

SKU	Description	MSRP
OPT10054	Two chromatherapy lights for bathtubs without waterfall (factory installed)	\$ 928
OPT10095	Water heater assembly for whirlpool and combined systems (factory installed)	\$ 950
OPT20139	Ozonator for whirlpool system (factory installed)	\$ 615
OPT10118-084	ABS trim kit for whirlpool and combined systems (factory installed) Available colors: Chrome (084) and Brushed Nickel (105)	\$ 262

COMMON OPTIONS

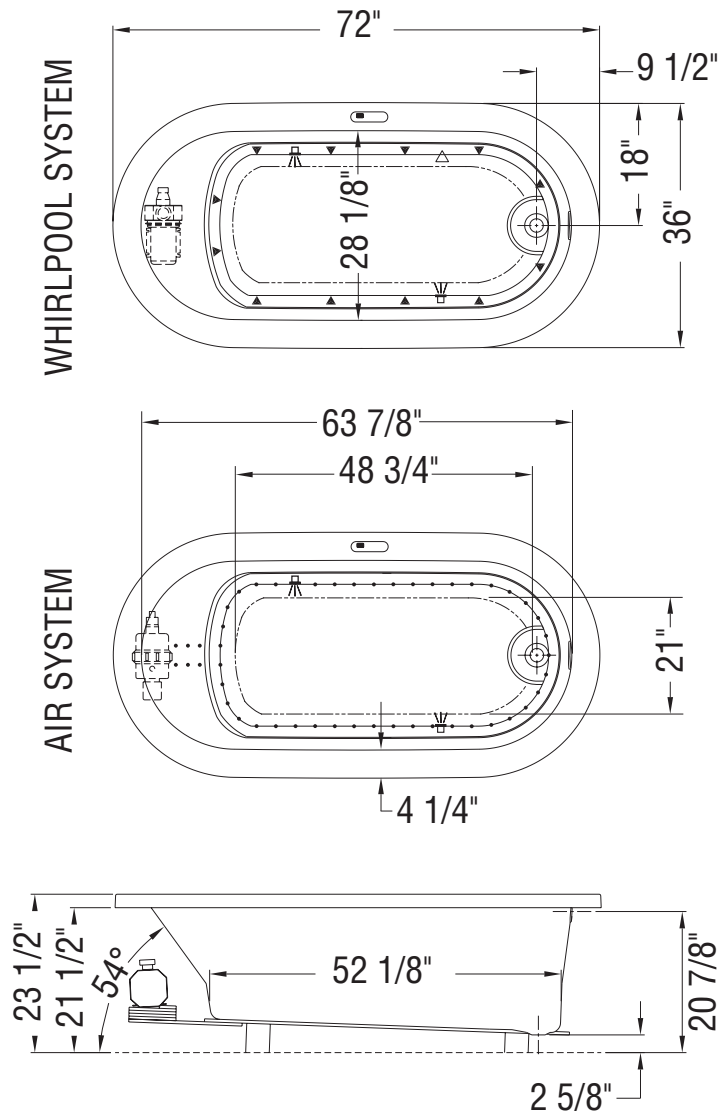
SKU	Description	MSRP
OPT10118-105	ABS trim kit for whirlpool and combined systems (factory installed) Available colors: Chrome (084) and Brushed Nickel (105)	\$ 262
OPT10119-105	Metal trim kit for Aerofeel electronic control (factory installed)	\$ 98
OPT10119-084	Available colors: Chrome (084) and Brushed Nickel (105)	\$ 98
OPT20205	Lite option 3/8 in. thin deck ⁶ When chosen, this option is offered at no cost	\$ 0

ACCESSORIES

SKU	Description	MSRP
10033272	Flexible main hose for electronic control air massage - kit (sold separately) 15 ft. extension	\$ 373
10025081-084	Waste and overflow 27 in. flexible neck (sold separately)	\$ 449
10025081-105	Available colors: Chrome (084) and Brushed Nickel (105)	\$ 449

FOOTNOTES

No	Description
1	Components for standard colour units equipped with systems are colour-coordinated. Trim kit and/or air push with metallic finish can be added (additional charge applies). For non-standard colour units, please specify trim kit and/or air push colour (additional charge applies for metallic finishes). Please note that the positioning of the system's control could be in conflict with the door if one was installed on the unit. To insure compatibility, please contact customer service.
4	For details on pump position and requirements, see technical drawings on https://www.maax.com . When there is a pump position A or B indicated on the technical drawing, please specify position when ordering.
5	For details on blower position and requirements, see technical drawings on https://www.maax.com . When there is a blower position A or B indicated on the technical drawing, please specify position when ordering.
6	Specify 3/8 (Lite option) or 2 in. on deck height. If ordering unit with an apron, only 2 in. deck height is available.
10	Systems not available with units installed undermount.



Note: Air backjets on same side as blower

- (▲): Indicates whirlpool jets positioning
- (△): Indicates suction positioning
- (●): Indicates airjets positioning
- (♫): Indicates chromatherapy light positioning

Bathtub base includes anti-vibration Neutra-Phone leg supports (not shown).

All dimensions are approximate. Structure measurements must be verified against the unit to ensure proper fit.



Calla 6042

OVAL BATHTUBS - ACRYLIC



Material : Acrylic
 Min: 30 Gal / 136 L
 Max: 61 Gal / 277 L

Features

- › Classic oval design with sleekly sculpted contour and backrest
- › Relaxing armrests with ergonomic backrests
- › Ample deck space for faucet installation
- › Drop-in installation with center drain
- › Cut-out template included
- › White cushion included with Hydromax and Combined systems
- › Metal or acrylic grab bar is optional. Factory installed, only one positioning is possible (see technical drawing)

CALLA 6042 - 101058

SKU	System	Color	Configuration	Dimensions & Weight	Packaging	MSRP
101058-000-001-000	Soaker - No System	White	Center	59 3/4" x 41 1/2" x 23 1/4" / 72 lb / 33 kg	38 ft ³	\$ 2056
101058-000-004-000		Bone				\$ 2056
101058-000-007-000		Biscuit				\$ 2056
101058-004-001-101	Hydromax ^{1 4 17}	White				\$ 6054
101058-004-004-100		Bone				\$ 6054
101058-004-007-000		Biscuit				\$ 6054
101058-055-001-100	Aerofeel ^{1 5}	White				\$ 6054
101058-055-004-100		Bone				\$ 6054
101058-055-007-100		Biscuit				\$ 6054
101058-094-001-100	Combined Hydromax & Aerofeel ^{1 4 5 17}	White				\$ 9250
101058-094-004-100		Bone				\$ 9250
101058-094-007-100		Biscuit				\$ 9250

COMMON OPTIONS

SKU	Description	MSRP
OPT20141	Rest for Hydromax and combined systems ¹²	\$ 1078
OPT10054	Two chromatherapy lights for bathtubs without waterfall (factory installed)	\$ 928
OPT10095	Water heater assembly for whirlpool and combined systems (factory installed)	\$ 950
OPT20139	Ozonator for whirlpool system (factory installed)	\$ 615

COMMON OPTIONS

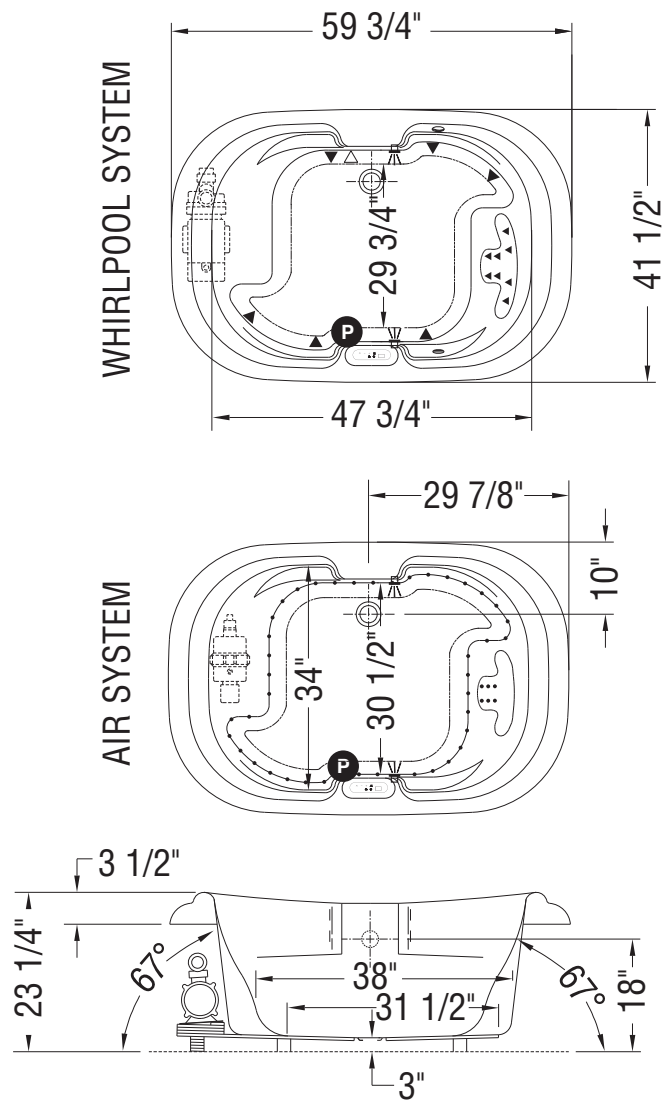
SKU	Description	MSRP
OPT10106-084	Metal trim kit for whirlpool and combined systems (factory installed) Available colors: Chrome (084) and Brushed Nickel (105)	\$ 669
OPT10106-105		\$ 669
OPT10113-007	6-in. acrylic grab bar (factory installed) ⁷ Available colors: White (001), Bone (004), Biscuit (007), Chrome (084) and Brushed Nickel (105)	\$ 364
OPT10113-004		\$ 364
OPT10113-001		\$ 364
OPT10113-084		\$ 364
OPT10113-105		\$ 364
OPT10119-105		Metal trim kit for Aerofeel electronic control (factory installed) Available colors: Chrome (084) and Brushed Nickel (105)
OPT10119-084	\$ 98	

ACCESSORIES

SKU	Description	MSRP
10033272	Flexible main hose for electronic control air massage - kit (sold separately) 15 ft. extension	\$ 373
10004306-001	White foam cushion with 2 suction pads (sold separately) Available color: White (001)	\$ 126
10025081-084	Waste and overflow 27 in. flexible neck (sold separately) Available colors: Chrome (084) and Brushed Nickel (105)	\$ 449
10025081-105		\$ 449

FOOTNOTES

No	Description
1	Components for standard colour units equipped with systems are colour-coordinated. Trim kit and/or air push with metallic finish can be added (additional charge applies). For non-standard colour units, please specify trim kit and/or air push colour (additional charge applies for metallic finishes). Please note that the positioning of the system's control could be in conflict with the door if one was installed on the unit. To insure compatibility, please contact customer service.
4	For details on pump position and requirements, see technical drawings on https://www.maax.com . When there is a pump position A or B indicated on the technical drawing, please specify position when ordering.
5	For details on blower position and requirements, see technical drawings on https://www.maax.com . When there is a blower position A or B indicated on the technical drawing, please specify position when ordering.
7	One 6 in. metal or acrylic grab bar is optional. Factory installed, only one positioning is possible (see technical drawings on https://www.maax.com).
12	In combined systems, only the pump is replaced with the Rest. The blower remains the same.
17	Includes Backmax and Footmax jets. Souvenir with apron and Living bathtub models do not include Footmax jets.



- (P): Indicates optional grab bar positioning
 - (▲): Indicates whirlpool jets positioning
 - (△): Indicates suction positioning
 - (●): Indicates airjets positioning
 - (♫): Indicates chromatherapy light positioning
- Bathtub base includes anti-vibration Neutra-Phone leg supports (not shown).
All dimensions are approximate. Structure measurements must be verified against the unit to ensure proper fit.

Calla 6642



Material : Acrylic
 Min: 39 Gal / 177 L
 Max: 58 Gal / 264 L

Features

- › Classic oval design with sleekly sculpted contour and backrest
- › Relaxing armrests with ergonomic backrests
- › Ample deck space for faucet installation
- › Drop-in installation with center drain
- › Cut-out template included
- › White cushion included with Hydromax and Combined systems
- › Metal or acrylic grab bar is optional. Factory installed, only one positioning is possible (see technical drawing)

OVAL BATHTUBS - ACRYLIC

CALLA 6642 - 100075

SKU	System	Color	Configuration	Dimensions & Weight	Packaging	MSRP
100075-000-001-000	Soaker - No System	White	Center	65 3/4" x 41 1/2" x 23 7/8" / 92 lb / 42 kg	38 ft ³	\$ 2017
100075-000-004-000		Bone				\$ 2017
100075-000-007-000		Biscuit				\$ 2017
100075-004-001-000	Hydromax ^{1 4 17}	White				\$ 6015
100075-004-004-100		Bone				\$ 6015
100075-004-007-000		Biscuit				\$ 6015
100075-055-001-100	Aerofeel ^{1 5}	White				\$ 6015
100075-055-004-101		Bone				\$ 6015
100075-055-007-100		Biscuit				\$ 6015
100075-094-001-100	Combined Hydromax & Aerofeel ^{1 4 5 17}	White				\$ 9211
100075-094-004-100		Bone				\$ 9211
100075-094-007-100		Biscuit				\$ 9211

COMMON OPTIONS

SKU	Description	MSRP
OPT20141	Rest for Hydromax and combined systems ¹²	\$ 1078
OPT10054	Two chromatherapy lights for bathtubs without waterfall (factory installed)	\$ 928
OPT10095	Water heater assembly for whirlpool and combined systems (factory installed)	\$ 950
OPT20139	Ozonator for whirlpool system (factory installed)	\$ 615

COMMON OPTIONS

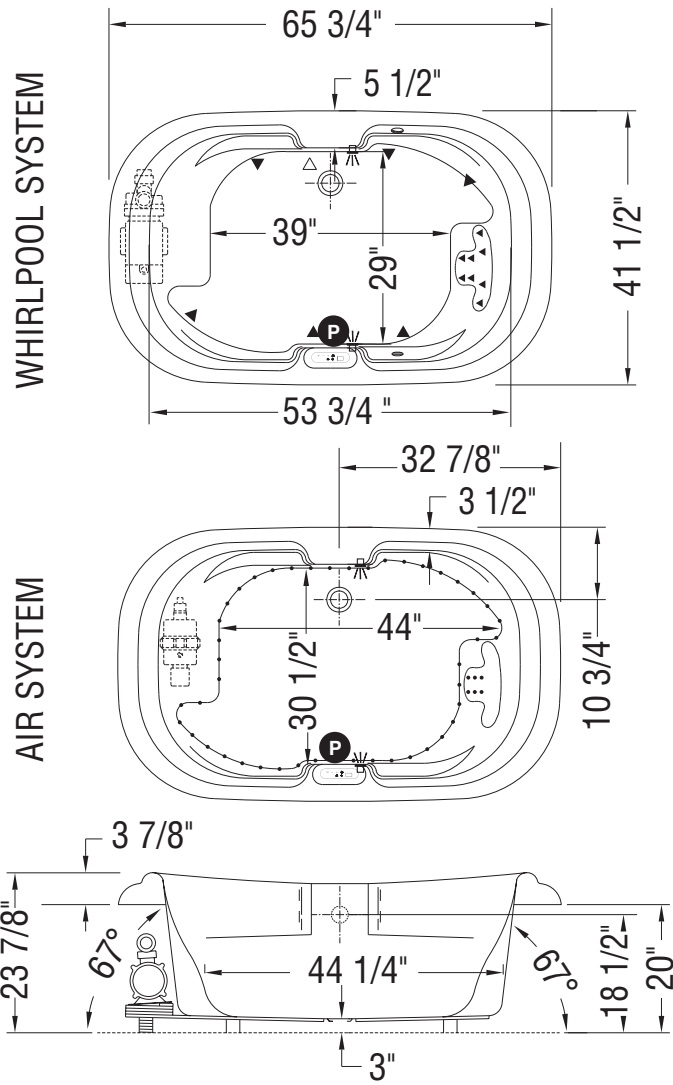
SKU	Description	MSRP
OPT10106-084	Metal trim kit for whirlpool and combined systems (factory installed) Available colors: Chrome (084) and Brushed Nickel (105)	\$ 669
OPT10106-105		\$ 669
OPT10113-007	6-in. acrylic grab bar (factory installed) ⁷ Available colors: White (001), Bone (004), Biscuit (007), Chrome (084) and Brushed Nickel (105)	\$ 364
OPT10113-004		\$ 364
OPT10113-001		\$ 364
OPT10113-084		\$ 364
OPT10113-105		\$ 364
OPT10119-105		Metal trim kit for Aerofeel electronic control (factory installed) Available colors: Chrome (084) and Brushed Nickel (105)
OPT10119-084	\$ 98	

ACCESSORIES

SKU	Description	MSRP
10033272	Flexible main hose for electronic control air massage - kit (sold separately) 15 ft. extension	\$ 373
10004306-001	White foam cushion with 2 suction pads (sold separately) Available color: White (001)	\$ 126
10025081-084	Waste and overflow 27 in. flexible neck (sold separately) Available colors: Chrome (084) and Brushed Nickel (105)	\$ 449
10025081-105		\$ 449

FOOTNOTES

No	Description
1	Components for standard colour units equipped with systems are colour-coordinated. Trim kit and/or air push with metallic finish can be added (additional charge applies). For non-standard colour units, please specify trim kit and/or air push colour (additional charge applies for metallic finishes). Please note that the positioning of the system's control could be in conflict with the door if one was installed on the unit. To insure compatibility, please contact customer service.
4	For details on pump position and requirements, see technical drawings on https://www.maax.com . When there is a pump position A or B indicated on the technical drawing, please specify position when ordering.
5	For details on blower position and requirements, see technical drawings on https://www.maax.com . When there is a blower position A or B indicated on the technical drawing, please specify position when ordering.
7	One 6 in. metal or acrylic grab bar is optional. Factory installed, only one positioning is possible (see technical drawings on https://www.maax.com).
12	In combined systems, only the pump is replaced with the Rest. The blower remains the same.
17	Includes Backmax and Footmax jets. Souvenir with apron and Living bathtub models do not include Footmax jets.



- (Ⓟ): Indicates optional grab bar positioning
 - (▲): Indicates whirlpool jets positioning
 - (△): Indicates suction positioning
 - (●): Indicates airjets positioning
 - (☼): Indicates chromatherapy light positioning
- Bathtub base includes anti-vibration Neutra-Phone leg supports (not shown).
All dimensions are approximate. Structure measurements must be verified against the unit to ensure proper fit.

Calla 7242



OVAL BATHTUBS - ACRYLIC



Material : Acrylic
 Min: 37 Gal / 168 L
 Max: 75 Gal / 341 L

Features

- › Classic oval design with sleekly sculpted contour and backrest
- › Relaxing armrests with ergonomic backrests
- › Ample deck space for faucet installation
- › Drop-in installation with center drain
- › Cut-out template included
- › White cushion included with Hydromax and Combined systems
- › Metal or acrylic grab bar is optional. Factory installed, only one positioning is possible (see technical drawing)

CALLA 7242 - 101059

SKU	System	Color	Configuration	Dimensions & Weight	Packaging	MSRP
101059-000-001-000	Soaker - No System	White	Center	71 1/2" x 41 3/4" x 24 3/4" / 92 lb / 42 kg	45 ft ³	\$ 2190
101059-000-004-000		Bone				\$ 2190
101059-000-007-000		Biscuit				\$ 2190
101059-004-001-100	Hydromax ^{1 4 17}	White				\$ 6188
101059-004-004-100		Bone				\$ 6188
101059-004-007-000		Biscuit				\$ 6188
101059-055-001-100	Aerofeel ^{1 5}	White				\$ 6188
101059-055-004-100		Bone				\$ 6188
101059-055-007-100		Biscuit				\$ 6188
101059-094-001-100	Combined Hydromax & Aerofeel ^{1 4 5 17}	White				\$ 9384
101059-094-004-100		Bone				\$ 9384
101059-094-007-100		Biscuit				\$ 9384

COMMON OPTIONS

SKU	Description	MSRP
OPT20141	Rest for Hydromax and combined systems ¹²	\$ 1078
OPT10054	Two chromatherapy lights for bathtubs without waterfall (factory installed)	\$ 928
OPT10095	Water heater assembly for whirlpool and combined systems (factory installed)	\$ 950
OPT20139	Ozonator for whirlpool system (factory installed)	\$ 615

COMMON OPTIONS

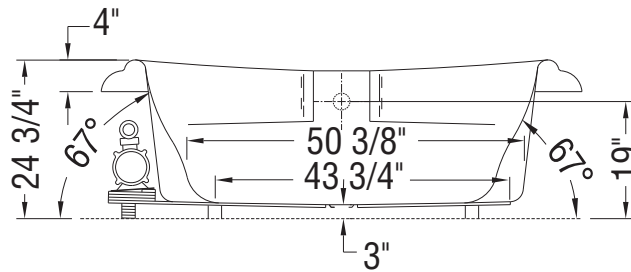
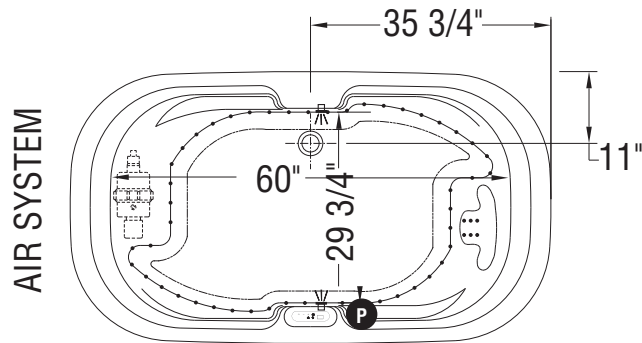
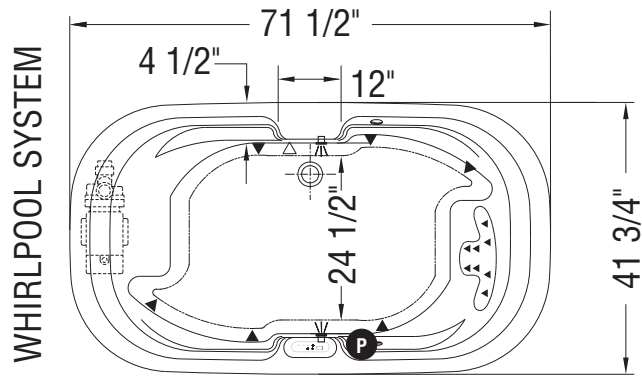
SKU	Description	MSRP
OPT10106-084	Metal trim kit for whirlpool and combined systems (factory installed) Available colors: Chrome (084) and Brushed Nickel (105)	\$ 669
OPT10106-105		\$ 669
OPT10113-007	6-in. acrylic grab bar (factory installed) ⁷ Available colors: White (001), Bone (004), Biscuit (007), Chrome (084) and Brushed Nickel (105)	\$ 364
OPT10113-004		\$ 364
OPT10113-001		\$ 364
OPT10113-084		\$ 364
OPT10113-105		\$ 364
OPT10119-105		Metal trim kit for Aerofeel electronic control (factory installed) Available colors: Chrome (084) and Brushed Nickel (105)
OPT10119-084	\$ 98	

ACCESSORIES

SKU	Description	MSRP
10033272	Flexible main hose for electronic control air massage - kit (sold separately) 15 ft. extension	\$ 373
10004306-001	White foam cushion with 2 suction pads (sold separately) Available color: White (001)	\$ 126
10025081-084	Waste and overflow 27 in. flexible neck (sold separately) Available colors: Chrome (084) and Brushed Nickel (105)	\$ 449
10025081-105		\$ 449

FOOTNOTES

No	Description
1	Components for standard colour units equipped with systems are colour-coordinated. Trim kit and/or air push with metallic finish can be added (additional charge applies). For non-standard colour units, please specify trim kit and/or air push colour (additional charge applies for metallic finishes). Please note that the positioning of the system's control could be in conflict with the door if one was installed on the unit. To insure compatibility, please contact customer service.
4	For details on pump position and requirements, see technical drawings on https://www.maax.com . When there is a pump position A or B indicated on the technical drawing, please specify position when ordering.
5	For details on blower position and requirements, see technical drawings on https://www.maax.com . When there is a blower position A or B indicated on the technical drawing, please specify position when ordering.
7	One 6 in. metal or acrylic grab bar is optional. Factory installed, only one positioning is possible (see technical drawings on https://www.maax.com).
12	In combined systems, only the pump is replaced with the Rest. The blower remains the same.
17	Includes Backmax and Footmax jets. Souvenir with apron and Living bathtub models do not include Footmax jets.



- (P): Indicates optional grab bar positioning
 - (▲): Indicates whirlpool jets positioning
 - (△): Indicates suction positioning
 - (•): Indicates airjets positioning
 - (♫): Indicates chromatherapy light positioning
- Bathtub base includes anti-vibration Neutra-Phone leg supports (not shown).
All dimensions are approximate. Structure measurements must be verified against the unit to ensure proper fit.



Eterne 7236



Material : Acrylic
 Min: 43 Gal / 195 L
 Max: 75 Gal / 341 L

Features

- › Contemporary rectangular bathtub
- › Deep bathing well for ultimate relaxation
- › Comfortable backrest and ample deck space for faucet installation
- › Relaxing armrests
- › Drop-in installation with center drain

OVAL BATHTUBS - ACRYLIC

ETERNE 7236 - 101317

SKU	System	Color	Configuration	Dimensions & Weight	Packaging	MSRP
101317-000-001-100	Soaker - No System	White	Center	72" x 36" x 23 1/2" / 107 lb / 49 kg	42 ft ³	\$ 2583
101317-000-004		Bone				\$ 2583
101317-000-007		Biscuit				\$ 2583
101317-004-001	Hydromax ^{1 4 17}	White				\$ 6581
101317-004-004		Bone				\$ 6581
101317-004-007		Biscuit				\$ 6581
101317-055-001	Aerofeel ^{1 5}	White				\$ 6581
101317-055-004		Bone				\$ 6581
101317-055-007		Biscuit				\$ 6581
101317-094-001	Combined Hydromax & Aerofeel ^{1 4 5 17}	White				\$ 9777
101317-094-004		Bone				\$ 9777
101317-094-007		Biscuit				\$ 9777

COMMON OPTIONS

SKU	Description	MSRP
OPT20141	Rest for Hydromax and combined systems ¹²	\$ 1078
OPT10054	Two chromatherapy lights for bathtubs without waterfall (factory installed)	\$ 928
OPT10095	Water heater assembly for whirlpool and combined systems (factory installed)	\$ 950
OPT20139	Ozonator for whirlpool system (factory installed)	\$ 615

COMMON OPTIONS

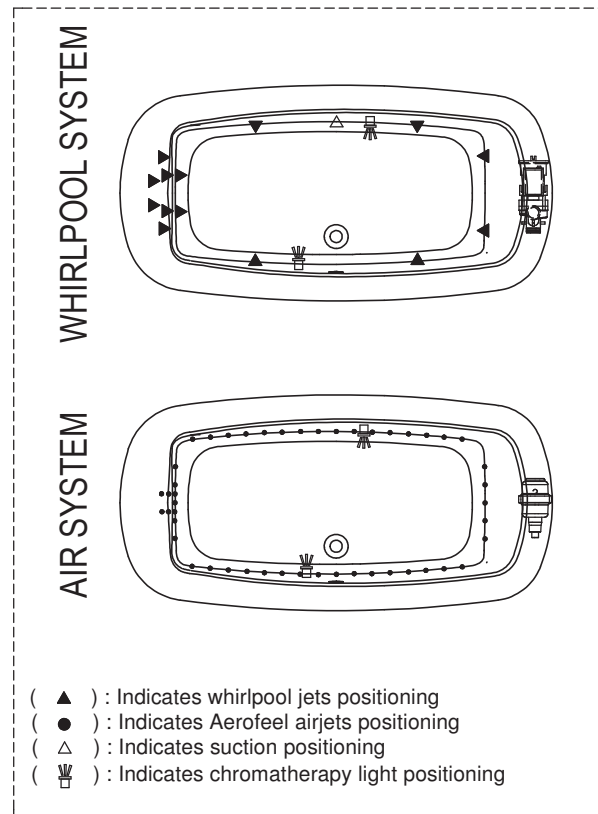
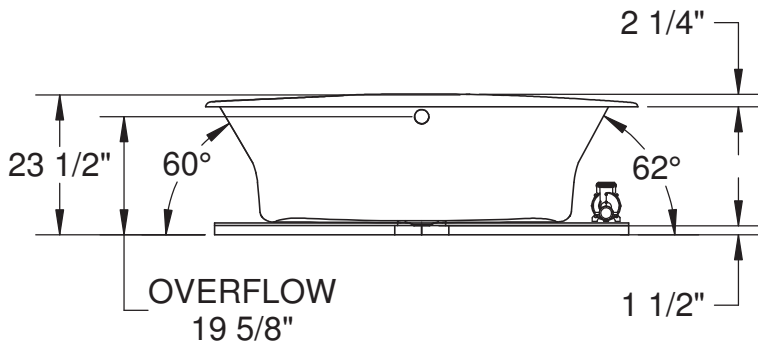
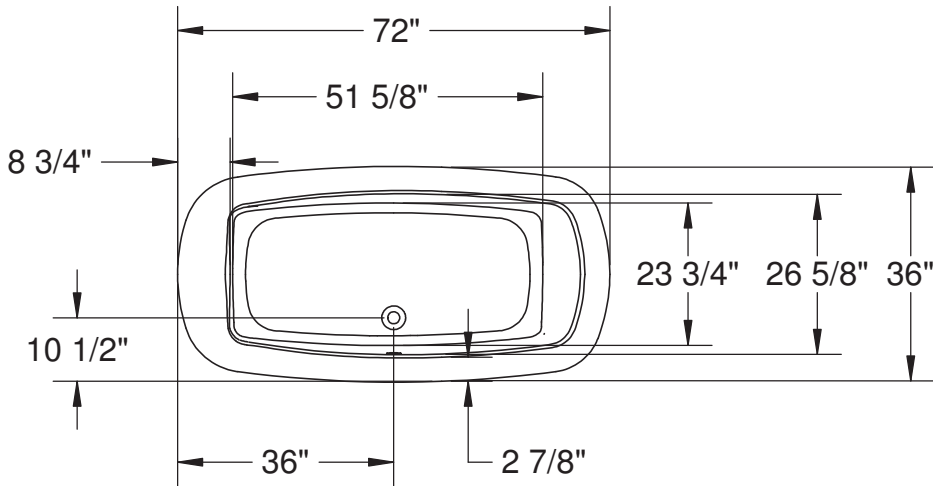
SKU	Description	MSRP
OPT10106-084	Metal trim kit for whirlpool and combined systems (factory installed) Available colors: Chrome (084) and Brushed Nickel (105)	\$ 669
OPT10106-105		\$ 669
OPT10119-105	Metal trim kit for Aerofeel electronic control (factory installed) Available colors: Chrome (084) and Brushed Nickel (105)	\$ 98
OPT10119-084		\$ 98
OPT10260-084	Two 6-in. acrylic grab bars (factory installed) ⁸ Available colors: White (001), Bone (004), Biscuit (007), Chrome (084) and Brushed Nickel (105)	\$ 359
OPT10260-007		\$ 359
OPT10260-004		\$ 359
OPT10260-105		\$ 359
OPT10260-001		\$ 359
OPT10260-001		\$ 359

ACCESSORIES

SKU	Description	MSRP
10033272	Flexible main hose for electronic control air massage - kit (sold separately) 15 ft. extension	\$ 373
10004306-001	White foam cushion with 2 suction pads (sold separately) Available color: White (001)	\$ 126
10025081-084	Waste and overflow 27 in. flexible neck (sold separately) Available colors: Chrome (084) and Brushed Nickel (105)	\$ 449
10025081-105		\$ 449

FOOTNOTES

No	Description
1	Components for standard colour units equipped with systems are colour-coordinated. Trim kit and/or air push with metallic finish can be added (additional charge applies). For non-standard colour units, please specify trim kit and/or air push colour (additional charge applies for metallic finishes). Please note that the positioning of the system's control could be in conflict with the door if one was installed on the unit. To insure compatibility, please contact customer service.
4	For details on pump position and requirements, see technical drawings on https://www.maax.com . When there is a pump position A or B indicated on the technical drawing, please specify position when ordering.
5	For details on blower position and requirements, see technical drawings on https://www.maax.com . When there is a blower position A or B indicated on the technical drawing, please specify position when ordering.
8	Two 6 in. or 12 in. metal or acrylic grab bars are optional. Factory installed, only one positioning is possible (see technical drawings on https://www.maax.com).
12	In combined systems, only the pump is replaced with the Rest. The blower remains the same.
17	Includes Backmax and Footmax jets. Souvenir with apron and Living bathtub models do not include Footmax jets.



Blower and/or pump location is indicated on the technical drawing.

All dimensions are approximate.
Structure measurement must be verified against the unit to ensure proper fit.



Eterne 7242

OVAL BATHTUBS - ACRYLIC



Material : Acrylic
 Min: 49 Gal / 223 L
 Max: 85 Gal / 386 L

Features

- › Contemporary rectangular bathtub
- › Deep bathing well for ultimate relaxation
- › Comfortable backrest and ample deck space for faucet installation
- › Relaxing armrests
- › Drop-in installation with center drain

ETERNE 7242 - 101318						
SKU	System	Color	Configuration	Dimensions & Weight	Packaging	MSRP
101318-000-001-100	Soaker - No System	White	Center	72" x 41 3/4" x 23 1/2" / 113 lb / 51 kg	47 ft ³	\$ 2737
101318-000-004		Bone				\$ 2737
101318-000-007		Biscuit				\$ 2737
101318-004-001	Hydromax ^{1 4 17}	White				\$ 6735
101318-004-004		Bone				\$ 6735
101318-004-007		Biscuit				\$ 6735
101318-055-001	Aerofeel ^{1 5}	White				\$ 6735
101318-055-004		Bone				\$ 6735
101318-055-007		Biscuit				\$ 6735
101318-094-001	Combined Hydromax & Aerofeel ^{1 4 5 17}	White				\$ 9931
101318-094-004		Bone				\$ 9931
101318-094-007		Biscuit				\$ 9931

COMMON OPTIONS		
SKU	Description	MSRP
OPT20141	Rest for Hydromax and combined systems ¹²	\$ 1078
OPT10054	Two chromatherapy lights for bathtubs without waterfall (factory installed)	\$ 928
OPT10095	Water heater assembly for whirlpool and combined systems (factory installed)	\$ 950
OPT20139	Ozonator for whirlpool system (factory installed)	\$ 615

COMMON OPTIONS

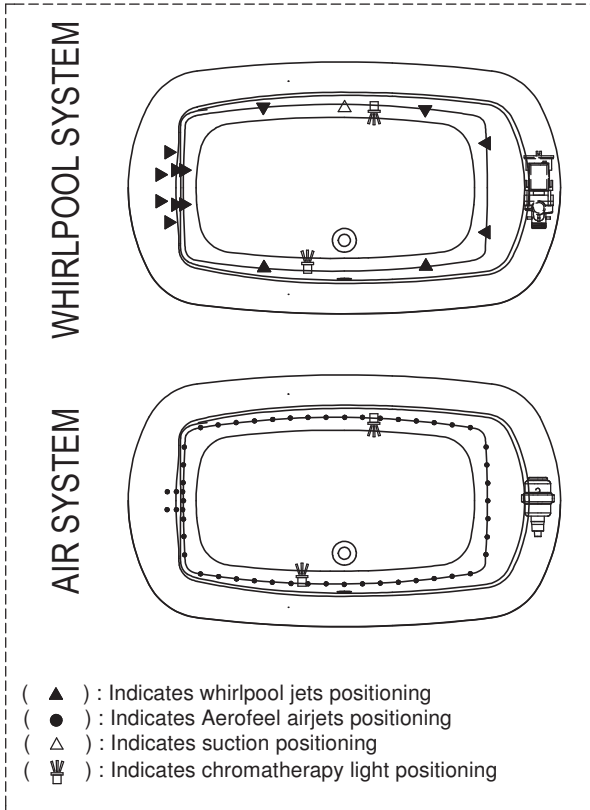
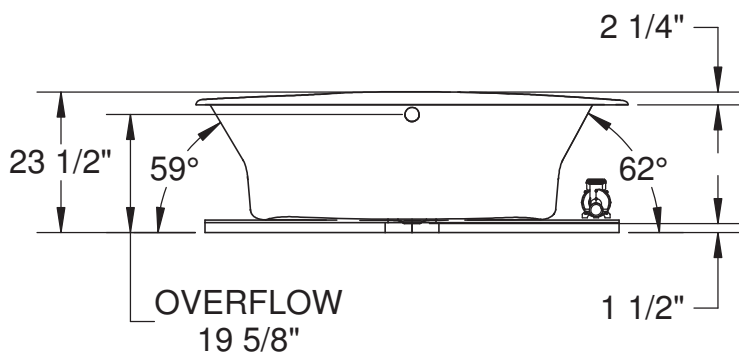
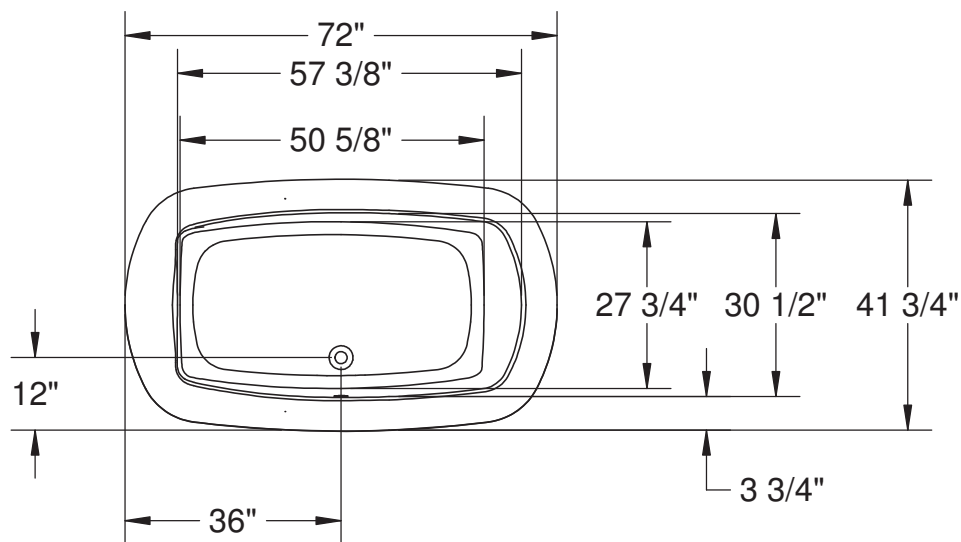
SKU	Description	MSRP
OPT10106-084	Metal trim kit for whirlpool and combined systems (factory installed) Available colors: Chrome (084) and Brushed Nickel (105)	\$ 669
OPT10106-105		\$ 669
OPT10119-105	Metal trim kit for Aerofeel electronic control (factory installed) Available colors: Chrome (084) and Brushed Nickel (105)	\$ 98
OPT10119-084		\$ 98
OPT10260-084	Two 6-in. acrylic grab bars (factory installed) ⁸ Available colors: White (001), Bone (004), Biscuit (007), Chrome (084) and Brushed Nickel (105)	\$ 359
OPT10260-007		\$ 359
OPT10260-004		\$ 359
OPT10260-105		\$ 359
OPT10260-001		\$ 359

ACCESSORIES

SKU	Description	MSRP
10033272	Flexible main hose for electronic control air massage - kit (sold separately) 15 ft. extension	\$ 373
10004306-001	White foam cushion with 2 suction pads (sold separately) Available color: White (001)	\$ 126
10025081-084	Waste and overflow 27 in. flexible neck (sold separately) Available colors: Chrome (084) and Brushed Nickel (105)	\$ 449
10025081-105		\$ 449

FOOTNOTES

No	Description
1	Components for standard colour units equipped with systems are colour-coordinated. Trim kit and/or air push with metallic finish can be added (additional charge applies). For non-standard colour units, please specify trim kit and/or air push colour (additional charge applies for metallic finishes). Please note that the positioning of the system's control could be in conflict with the door if one was installed on the unit. To insure compatibility, please contact customer service.
4	For details on pump position and requirements, see technical drawings on https://www.maax.com . When there is a pump position A or B indicated on the technical drawing, please specify position when ordering.
5	For details on blower position and requirements, see technical drawings on https://www.maax.com . When there is a blower position A or B indicated on the technical drawing, please specify position when ordering.
8	Two 6 in. or 12 in. metal or acrylic grab bars are optional. Factory installed, only one positioning is possible (see technical drawings on https://www.maax.com).
12	In combined systems, only the pump is replaced with the Rest. The blower remains the same.
17	Includes Backmax and Footmax jets. Souvenir with apron and Living bathtub models do not include Footmax jets.



Blower and/or pump location is indicated on the technical drawing.

All dimensions are approximate.
Structure measurement must be verified against the unit to ensure proper fit.

- (▲) : Indicates whirlpool jets positioning
- (●) : Indicates Aerofeel airjets positioning
- (△) : Indicates suction positioning
- (◻) : Indicates chromatherapy light positioning

Jazz (Drop-in)



Material : Acrylic
 Min: 48 Gal / 218 L
 Max: 63 Gal / 286 L

Features

- › Deep soak bathing for ultimate relaxation
- › Comfortable, ergonomic design with relaxing armrests
- › Drop-in installation with center drain
- › MAAX innovative leveling legs for easy installation

OVAL BATHTUBS - ACRYLIC

JAZZ (DROP-IN) - 105509

SKU	System	Color	Configuration	Dimensions & Weight	Packaging	MSRP
105509-000-001-105	Soaker - No System	White	Center	66" x 36" x 24" / 100 lb / 45 kg	37 ft ³	\$ 1724
105509-055-001-104	Aerofeel ^{1 5}					\$ 5722

COMMON OPTIONS

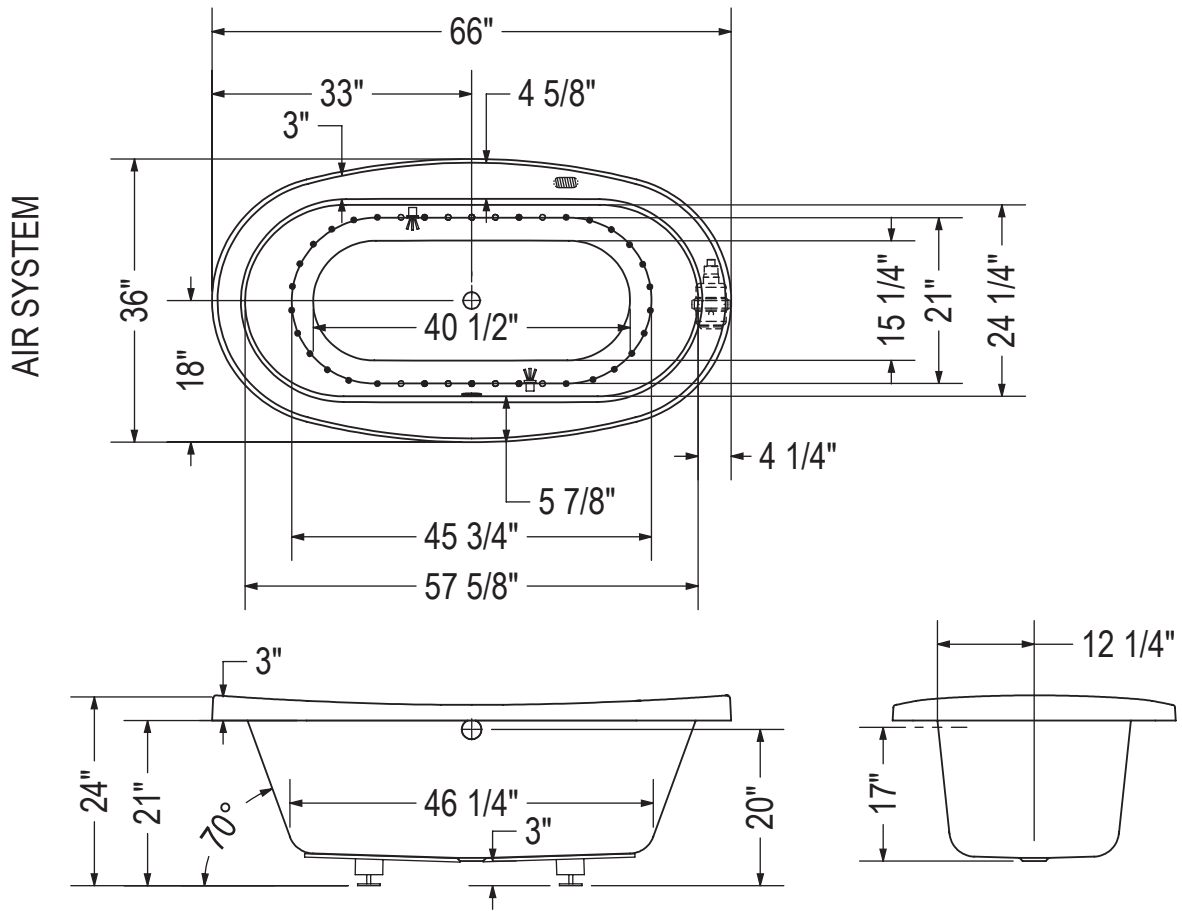
SKU	Description	MSRP
OPT10054	Two chromatherapy lights for bathtubs without waterfall (factory installed)	\$ 928
OPT10119-105	Metal trim kit for Aerofeel electronic control (factory installed)	\$ 98
OPT10119-084	Available colors: Chrome (084) and Brushed Nickel (105)	\$ 98

ACCESSORIES

SKU	Description	MSRP
10033272	Flexible main hose for electronic control air massage - kit (sold separately) 15 ft. extension	\$ 373
10004306-001	White foam cushion with 2 suction pads (sold separately) Available color: White (001)	\$ 126
10025720-105	Waste and overflow 33 in. flexible neck (sold separately)	\$ 449
10025720-084	Available colors: Chrome (084) and Brushed Nickel (105)	\$ 449

FOOTNOTES

No	Description
1	Components for standard colour units equipped with systems are colour-coordinated. Trim kit and/or air push with metallic finish can be added (additional charge applies). For non-standard colour units, please specify trim kit and/or air push colour (additional charge applies for metallic finishes). Please note that the positioning of the system's control could be in conflict with the door if one was installed on the unit. To insure compatibility, please contact customer service.
5	For details on blower position and requirements, see technical drawings on https://www.maax.com . When there is a blower position A or B indicated on the technical drawing, please specify position when ordering.



(●) : Indicates airjets positioning

(☼) : Indicates chromatherapy light positioning

All dimensions are approximate. Structure measurements must be verified against the unit to ensure proper fit.



Living 6042

OVAL BATHTUBS - ACRYLIC



Material : Acrylic
 Min: 35 Gal / 159 L
 Max: 59 Gal / 268 L

Features

- > Spacious bathtub with ergonomic design
- > Comfortable backrest and ample deck space for faucet installation
- > Inclined armrests with 1 angled 12 in. grab bar included ¹⁴
- > Drop-in installation with center drain
- > Cut-out template included
- > White cushion included with Hydromax and Combined systems
- > Apron not available

LIVING 6042 - 102863						
SKU	System	Color	Configuration	Dimensions & Weight	Packaging	MSRP
102863-000-001-000	Soaker - No System	White	Center	60" x 41 3/4" x 23 3/8" / 72 lb / 33 kg	35 ft ³	\$ 1768
102863-000-004		Bone				\$ 1768
102863-000-007		Biscuit				\$ 1768
102863-004-001-100	Hydromax ^{1 4 17}	White				\$ 5766
102863-004-004		Bone				\$ 5766
102863-004-007		Biscuit				\$ 5766
102863-055-001	Aerofeel ^{1 5}	White				\$ 5766
102863-055-004		Bone				\$ 5766
102863-055-007-100		Biscuit				\$ 5766
102863-094-001	Combined Hydromax & Aerofeel ^{1 4 5 17}	White				\$ 8962
102863-094-004		Bone				\$ 8962
102863-094-007		Biscuit				\$ 8962

COMMON OPTIONS		
SKU	Description	MSRP
OPT10119-105	Metal trim kit for Aerofeel electronic control (factory installed)	\$ 98
OPT10119-084	Available colors: Chrome (084) and Brushed Nickel (105)	\$ 98
OPT20141	Rest for Hydromax and combined systems ¹²	\$ 1078
OPT10054	Two chromatherapy lights for bathtubs without waterfall (factory installed)	\$ 928
OPT10095	Water heater assembly for whirlpool and combined systems (factory installed)	\$ 950

COMMON OPTIONS

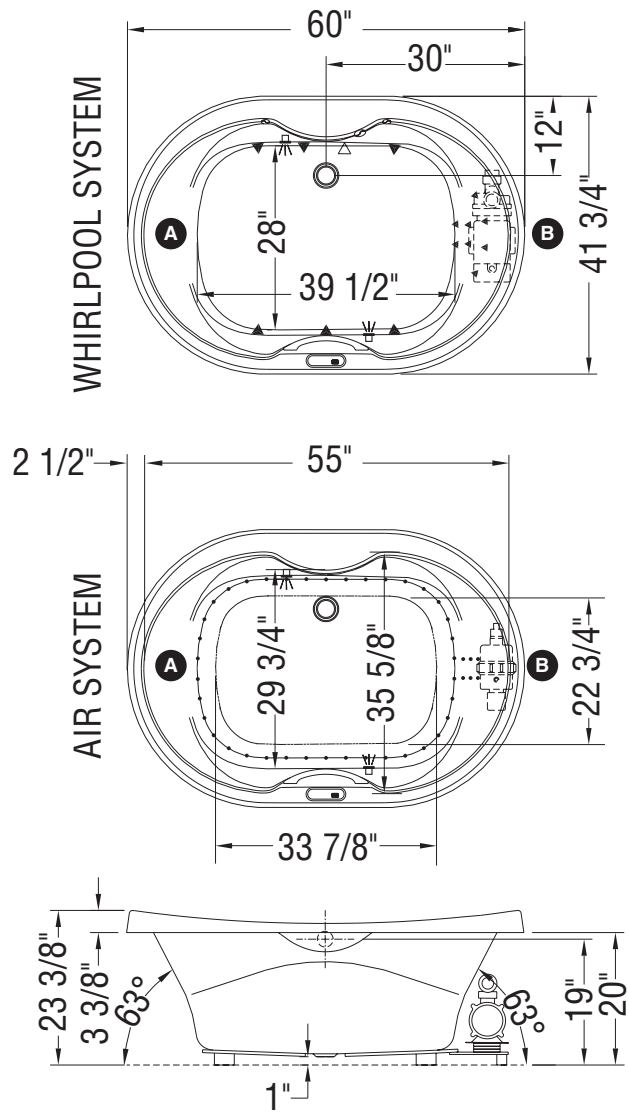
SKU	Description	MSRP
OPT20139	Ozonator for whirlpool system (factory installed)	\$ 615
OPT10106-084	Metal trim kit for whirlpool and combined systems (factory installed)	\$ 669
OPT10106-105	Available colors: Chrome (084) and Brushed Nickel (105)	\$ 669
OPT10109-084	Metallic finish handle replacing Acrylic handle	\$ 345
OPT10109-105	Available colors: Chrome (084) and Brushed Nickel (105)	\$ 345

ACCESSORIES

SKU	Description	MSRP
10033272	Flexible main hose for electronic control air massage - kit (sold separately) 15 ft. extension	\$ 373
10004306-001	White foam cushion with 2 suction pads (sold separately) Available color: White (001)	\$ 126
10025081-084	Waste and overflow 27 in. flexible neck (sold separately)	\$ 449
10025081-105	Available colors: Chrome (084) and Brushed Nickel (105)	\$ 449

FOOTNOTES

No	Description
1	Components for standard colour units equipped with systems are colour-coordinated. Trim kit and/or air push with metallic finish can be added (additional charge applies). For non-standard colour units, please specify trim kit and/or air push colour (additional charge applies for metallic finishes). Please note that the positioning of the system's control could be in conflict with the door if one was installed on the unit. To insure compatibility, please contact customer service.
4	For details on pump position and requirements, see technical drawings on https://www.maax.com . When there is a pump position A or B indicated on the technical drawing, please specify position when ordering.
5	For details on blower position and requirements, see technical drawings on https://www.maax.com . When there is a blower position A or B indicated on the technical drawing, please specify position when ordering.
12	In combined systems, only the pump is replaced with the Rest. The blower remains the same.
14	Standard grab bars for standard colour units are colour-coordinated. Grab bars with metallic finish can be added (additional charge applies).
17	Includes Backmax and Footmax jets. Souvenir with apron and Living bathtub models do not include Footmax jets.



Note: Air / whirlpool backjets on same side as blower / pump

- (▲): Indicates whirlpool jets positioning
- (△): Indicates suction positioning
- (●): Indicates airjets positioning
- (♪): Indicates chromatherapy light positioning
- (A): Specify blower and/or pump location when ordering
- (B): Indicates standard grab bar positioning

Bathtub base includes anti-vibration Neutra-Phone leg supports (not shown).

All dimensions are approximate. Structure measurements must be verified against the unit to ensure proper fit.



Living 6636



Material : Acrylic
 Min: 38 Gal / 173 L
 Max: 58 Gal / 264 L

Features

- › Spacious bathtub with ergonomic design
- › Comfortable backrest and ample deck space for faucet installation
- › Inclined armrests with 1 angled 12 in. grab bar included ¹⁴
- › Drop-in installation with center drain
- › Cut-out template included
- › White cushion included with Hydromax and Combined systems
- › Apron not available

OVAL BATHTUBS - ACRYLIC

LIVING 6636 - 102761						
SKU	System	Color	Configuration	Dimensions & Weight	Packaging	MSRP
102761-000-001-000	Soaker - No System	White	Center	66" x 36" x 23 3/8" / 82 lb / 37 kg	39 ft ³	\$ 1724
102761-000-004-000		Bone				\$ 1724
102761-000-007-000		Biscuit				\$ 1724
102761-004-001-100	Hydromax ^{1 4 17}	White				\$ 5722
102761-004-004-100		Bone				\$ 5722
102761-004-007-100		Biscuit				\$ 5722
102761-055-001-100	Aerofeel ^{1 5}	White				\$ 5722
102761-055-004-100		Bone				\$ 5722
102761-055-007-100		Biscuit				\$ 5722
102761-094-001-100	Combined Hydromax & Aerofeel ^{1 4 5 17}	White				\$ 8918
102761-094-004-100		Bone				\$ 8918
102761-094-007-100		Biscuit				\$ 8918

COMMON OPTIONS		
SKU	Description	MSRP
OPT10119-105	Metal trim kit for Aerofeel electronic control (factory installed)	\$ 98
OPT10119-084	Available colors: Chrome (084) and Brushed Nickel (105)	\$ 98
OPT20141	Rest for Hydromax and combined systems ¹²	\$ 1078
OPT10054	Two chromatherapy lights for bathtubs without waterfall (factory installed)	\$ 928
OPT10095	Water heater assembly for whirlpool and combined systems (factory installed)	\$ 950

COMMON OPTIONS

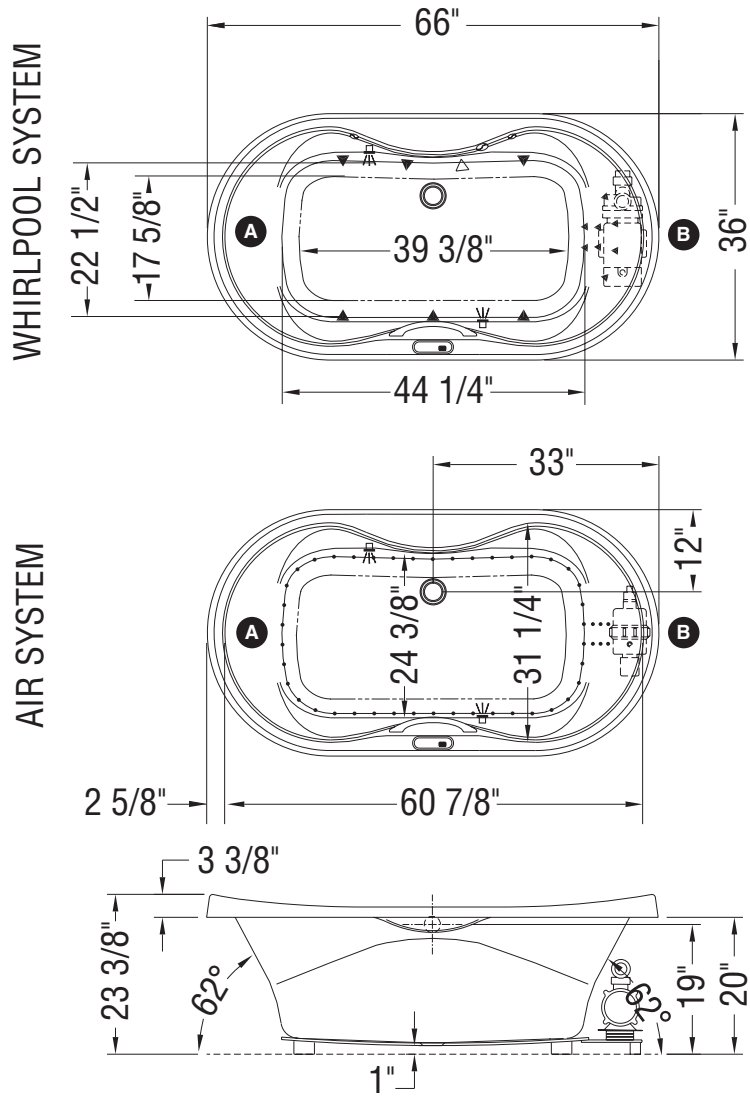
SKU	Description	MSRP
OPT20139	Ozonator for whirlpool system (factory installed)	\$ 615
OPT10106-084	Metal trim kit for whirlpool and combined systems (factory installed)	\$ 669
OPT10106-105	Available colors: Chrome (084) and Brushed Nickel (105)	\$ 669
OPT10109-084	Metallic finish handle replacing Acrylic handle	\$ 345
OPT10109-105	Available colors: Chrome (084) and Brushed Nickel (105)	\$ 345

ACCESSORIES

SKU	Description	MSRP
10033272	Flexible main hose for electronic control air massage - kit (sold separately) 15 ft. extension	\$ 373
10004306-001	White foam cushion with 2 suction pads (sold separately) Available color: White (001)	\$ 126
10025081-084	Waste and overflow 27 in. flexible neck (sold separately)	\$ 449
10025081-105	Available colors: Chrome (084) and Brushed Nickel (105)	\$ 449

FOOTNOTES

No	Description
1	Components for standard colour units equipped with systems are colour-coordinated. Trim kit and/or air push with metallic finish can be added (additional charge applies). For non-standard colour units, please specify trim kit and/or air push colour (additional charge applies for metallic finishes). Please note that the positioning of the system's control could be in conflict with the door if one was installed on the unit. To insure compatibility, please contact customer service.
4	For details on pump position and requirements, see technical drawings on https://www.maax.com . When there is a pump position A or B indicated on the technical drawing, please specify position when ordering.
5	For details on blower position and requirements, see technical drawings on https://www.maax.com . When there is a blower position A or B indicated on the technical drawing, please specify position when ordering.
12	In combined systems, only the pump is replaced with the Rest. The blower remains the same.
14	Standard grab bars for standard colour units are colour-coordinated. Grab bars with metallic finish can be added (additional charge applies).
17	Includes Backmax and Footmax jets. Souvenir with apron and Living bathtub models do not include Footmax jets.



Note: Air / whirlpool backjets on same the side as blower / pump

- (▲): Indicates whirlpool jets positioning
- (△): Indicates suction positioning
- (•): Indicates airjets positioning
- (⚡): Indicates chromatherapy light positioning
- (A): Specify blower and/or pump location when ordering
- (B): Indicates standard grab bar positioning

Bathub base includes anti-vibration Neutra-Phone leg supports (not shown).

All dimensions are approximate. Structure measurements must be verified against the unit to ensure proper fit.



Living 6642

OVAL BATHTUBS - ACRYLIC



Material : Acrylic
 Min: 41 Gal / 186 L
 Max: 69 Gal / 314 L

Features

- > Spacious bathtub with ergonomic design
- > Comfortable backrest and ample deck space for faucet installation
- > Inclined armrests with 1 angled 12 in. grab bar included ¹⁴
- > Drop-in installation with center drain
- > Cut-out template included
- > White cushion included with Hydromax and Combined systems
- > Apron not available

LIVING 6642 - 102865						
SKU	System	Color	Configuration	Dimensions & Weight	Packaging	MSRP
102865-000-001-000	Soaker - No System	White	Center	66" x 41 3/4" x 23 3/8" / 92 lb / 42 kg	38 ft ³	\$ 1878
102865-000-004-000		Bone				\$ 1878
102865-000-007-000		Biscuit				\$ 1878
102865-004-001-100	Hydromax ^{1 4 17}	White				\$ 5876
102865-004-004		Bone				\$ 5876
102865-004-007		Biscuit				\$ 5876
102865-055-001	Aerofeel ^{1 5}	White				\$ 5876
102865-055-004		Bone				\$ 5876
102865-055-007		Biscuit				\$ 5876
102865-094-001	Combined Hydromax & Aerofeel ^{1 4 5 17}	White				\$ 9072
102865-094-004		Bone				\$ 9072
102865-094-007		Biscuit				\$ 9072

COMMON OPTIONS		
SKU	Description	MSRP
OPT10119-105	Metal trim kit for Aerofeel electronic control (factory installed)	\$ 98
OPT10119-084	Available colors: Chrome (084) and Brushed Nickel (105)	\$ 98
OPT20141	Rest for Hydromax and combined systems ¹²	\$ 1078
OPT10054	Two chromatherapy lights for bathtubs without waterfall (factory installed)	\$ 928
OPT10095	Water heater assembly for whirlpool and combined systems (factory installed)	\$ 950

COMMON OPTIONS

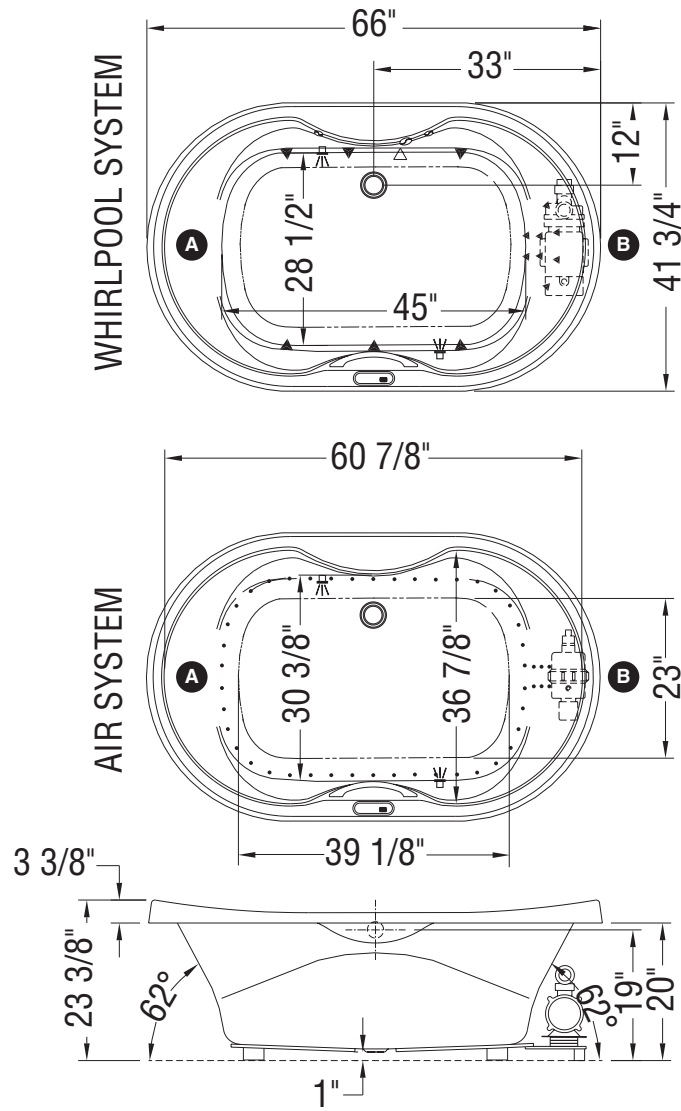
SKU	Description	MSRP
OPT20139	Ozonator for whirlpool system (factory installed)	\$ 615
OPT10106-084	Metal trim kit for whirlpool and combined systems (factory installed)	\$ 669
OPT10106-105	Available colors: Chrome (084) and Brushed Nickel (105)	\$ 669
OPT10109-084	Metallic finish handle replacing Acrylic handle	\$ 345
OPT10109-105	Available colors: Chrome (084) and Brushed Nickel (105)	\$ 345

ACCESSORIES

SKU	Description	MSRP
10033272	Flexible main hose for electronic control air massage - kit (sold separately) 15 ft. extension	\$ 373
10004306-001	White foam cushion with 2 suction pads (sold separately) Available color: White (001)	\$ 126
10025081-084	Waste and overflow 27 in. flexible neck (sold separately)	\$ 449
10025081-105	Available colors: Chrome (084) and Brushed Nickel (105)	\$ 449

FOOTNOTES

No	Description
1	Components for standard colour units equipped with systems are colour-coordinated. Trim kit and/or air push with metallic finish can be added (additional charge applies). For non-standard colour units, please specify trim kit and/or air push colour (additional charge applies for metallic finishes). Please note that the positioning of the system's control could be in conflict with the door if one was installed on the unit. To insure compatibility, please contact customer service.
4	For details on pump position and requirements, see technical drawings on https://www.maax.com . When there is a pump position A or B indicated on the technical drawing, please specify position when ordering.
5	For details on blower position and requirements, see technical drawings on https://www.maax.com . When there is a blower position A or B indicated on the technical drawing, please specify position when ordering.
12	In combined systems, only the pump is replaced with the Rest. The blower remains the same.
14	Standard grab bars for standard colour units are colour-coordinated. Grab bars with metallic finish can be added (additional charge applies).
17	Includes Backmax and Footmax jets. Souvenir with apron and Living bathtub models do not include Footmax jets.



Note: Air / whirlpool backjets on same side as blower / pump

- (▲): Indicates whirlpool jets positioning (A): Specify blower and/or pump location when ordering
- (△): Indicates suction positioning (B): Specify blower and/or pump location when ordering
- (•): Indicates airjets positioning (💡): Indicates chromatherapy light positioning
- (—): Indicates standard grab bar positioning

Bathtub base includes anti-vibration Neutra-Phone leg supports (not shown).

All dimensions are approximate. Structure measurements must be verified against the unit to ensure proper fit.



Living 7236



Material : Acrylic
 Min: 41 Gal / 186 L
 Max: 64 Gal / 291 L

Features

- › Spacious bathtub with ergonomic design
- › Comfortable backrest and ample deck space for faucet installation
- › Inclined armrests with 1 angled 12 in. grab bar included ¹⁴
- › Drop-in installation with center drain
- › Cut-out template included
- › White cushion included with Hydromax and Combined systems
- › Apron not available

OVAL BATHTUBS - ACRYLIC

LIVING 7236 - 102759						
SKU	System	Color	Configuration	Dimensions & Weight	Packaging	MSRP
102759-000-001-000	Soaker - No System	White	Center	72" x 36" x 23 3/8" / 88 lb / 40 kg	47 ft ³	\$ 1878
102759-000-004-000		Bone				\$ 1878
102759-000-007-000		Biscuit				\$ 1878
102759-004-001-100	Hydromax ^{1 4 17}	White				\$ 5876
102759-004-004-100		Bone				\$ 5876
102759-004-007-100		Biscuit				\$ 5876
102759-055-001-100	Aerofeel ^{1 5}	White				\$ 5876
102759-055-004-100		Bone				\$ 5876
102759-055-007-100		Biscuit				\$ 5876
102759-094-001-100	Combined Hydromax & Aerofeel ^{1 4 5 17}	White				\$ 9072
102759-094-004-100		Bone				\$ 9072
102759-094-007-100		Biscuit				\$ 9072

COMMON OPTIONS		
SKU	Description	MSRP
OPT10119-105	Metal trim kit for Aerofeel electronic control (factory installed)	\$ 98
OPT10119-084	Available colors: Chrome (084) and Brushed Nickel (105)	\$ 98
OPT20141	Rest for Hydromax and combined systems ¹²	\$ 1078
OPT10054	Two chromatherapy lights for bathtubs without waterfall (factory installed)	\$ 928
OPT10095	Water heater assembly for whirlpool and combined systems (factory installed)	\$ 950

COMMON OPTIONS

SKU	Description	MSRP
OPT20139	Ozonator for whirlpool system (factory installed)	\$ 615
OPT10106-084	Metal trim kit for whirlpool and combined systems (factory installed)	\$ 669
OPT10106-105	Available colors: Chrome (084) and Brushed Nickel (105)	\$ 669
OPT10109-084	Metallic finish handle replacing Acrylic handle	\$ 345
OPT10109-105	Available colors: Chrome (084) and Brushed Nickel (105)	\$ 345

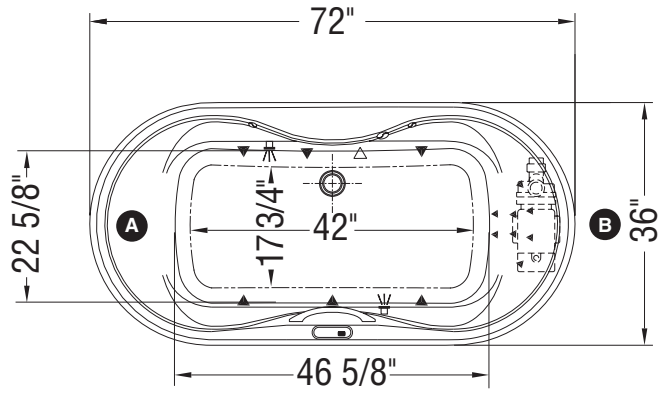
ACCESSORIES

SKU	Description	MSRP
10033272	Flexible main hose for electronic control air massage - kit (sold separately) 15 ft. extension	\$ 373
10004306-001	White foam cushion with 2 suction pads (sold separately) Available color: White (001)	\$ 126
10025081-084	Waste and overflow 27 in. flexible neck (sold separately)	\$ 449
10025081-105	Available colors: Chrome (084) and Brushed Nickel (105)	\$ 449

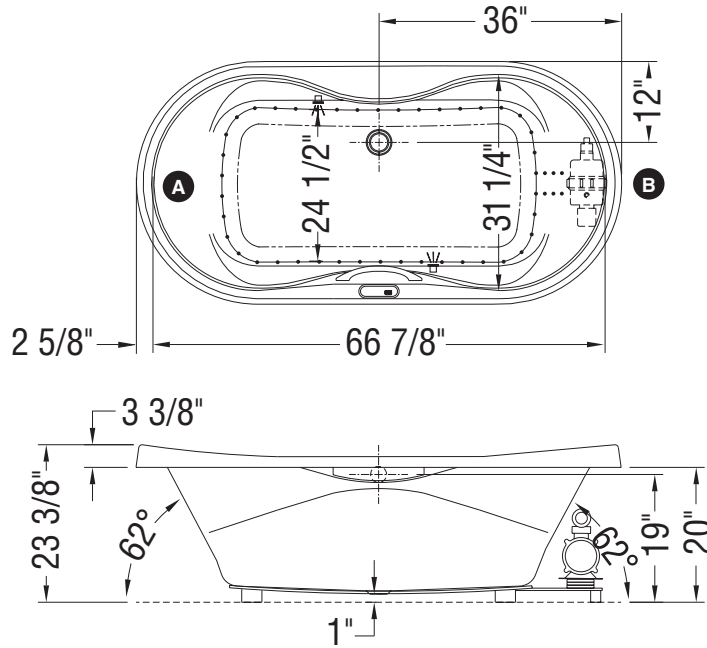
FOOTNOTES

No	Description
1	Components for standard colour units equipped with systems are colour-coordinated. Trim kit and/or air push with metallic finish can be added (additional charge applies). For non-standard colour units, please specify trim kit and/or air push colour (additional charge applies for metallic finishes). Please note that the positioning of the system's control could be in conflict with the door if one was installed on the unit. To insure compatibility, please contact customer service.
4	For details on pump position and requirements, see technical drawings on https://www.maax.com . When there is a pump position A or B indicated on the technical drawing, please specify position when ordering.
5	For details on blower position and requirements, see technical drawings on https://www.maax.com . When there is a blower position A or B indicated on the technical drawing, please specify position when ordering.
12	In combined systems, only the pump is replaced with the Rest. The blower remains the same.
14	Standard grab bars for standard colour units are colour-coordinated. Grab bars with metallic finish can be added (additional charge applies).
17	Includes Backmax and Footmax jets. Souvenir with apron and Living bathtub models do not include Footmax jets.

WHIRLPOOL SYSTEM



AIR SYSTEM



Note: Air / whirlpool backjets on same side as blower / pump

- (▲): Indicates whirlpool jets positioning
- (△): Indicates suction positioning
- (●): Indicates airjets positioning
- (☼): Indicates chromatherapy light positioning
- (A): Specify blower and/or pump location when ordering
- (B): Indicates standard grab bar positioning

Bathtub base includes anti-vibration Neutra-Phone leg supports (not shown).

All dimensions are approximate. Structure measurements must be verified against the unit to ensure proper fit.



Living 7242

OVAL BATHTUBS - ACRYLIC



Material : Acrylic
 Min: 49 Gal / 223 L
 Max: 75 Gal / 341 L

Features

- > Spacious bathtub with ergonomic design
- > Comfortable backrest and ample deck space for faucet installation
- > Inclined armrests with 1 angled 12 in. grab bar included ¹⁴
- > Drop-in installation with center drain
- > Cut-out template included
- > White cushion included with Hydromax and Combined systems
- > Apron not available

LIVING 7242 - 102757						
SKU	System	Color	Configuration	Dimensions & Weight	Packaging	MSRP
102757-000-001-000	Soaker - No System	White	Center	72" x 42" x 23 3/8" / 99 lb / 45 kg	47 ft ³	\$ 1908
102757-000-004-000		Bone				\$ 1908
102757-000-007-000		Biscuit				\$ 1908
102757-004-001-100	Hydromax ^{1 4 17}	White				\$ 5906
102757-004-004-100		Bone				\$ 5906
102757-004-007-100		Biscuit				\$ 5906
102757-055-001-100	Aerofeel ^{1 5}	White				\$ 5906
102757-055-004-100		Bone				\$ 5906
102757-055-007-100		Biscuit				\$ 5906
102757-094-001-100	Combined Hydromax & Aerofeel ^{1 4 5 17}	White				\$ 9102
102757-094-004-100		Bone				\$ 9102
102757-094-007-100		Biscuit				\$ 9102

COMMON OPTIONS		
SKU	Description	MSRP
OPT10119-105	Metal trim kit for Aerofeel electronic control (factory installed)	\$ 98
OPT10119-084	Available colors: Chrome (084) and Brushed Nickel (105)	\$ 98
OPT20141	Rest for Hydromax and combined systems ¹²	\$ 1078
OPT10054	Two chromatherapy lights for bathtubs without waterfall (factory installed)	\$ 928
OPT10095	Water heater assembly for whirlpool and combined systems (factory installed)	\$ 950

COMMON OPTIONS

SKU	Description	MSRP
OPT20139	Ozonator for whirlpool system (factory installed)	\$ 615
OPT10106-084	Metal trim kit for whirlpool and combined systems (factory installed)	\$ 669
OPT10106-105	Available colors: Chrome (084) and Brushed Nickel (105)	\$ 669
OPT10109-084	Metallic finish handle replacing Acrylic handle	\$ 345
OPT10109-105	Available colors: Chrome (084) and Brushed Nickel (105)	\$ 345

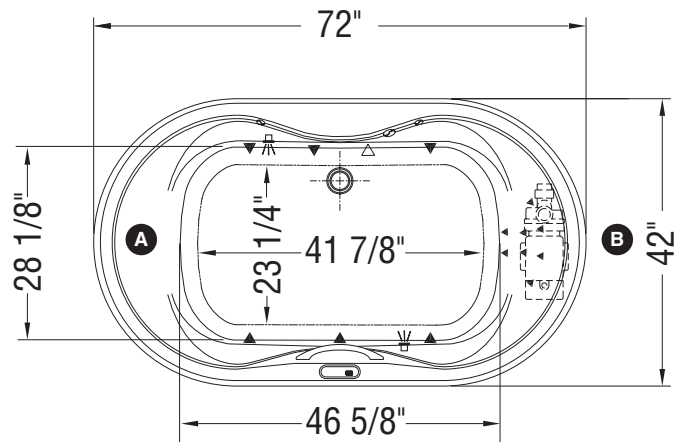
ACCESSORIES

SKU	Description	MSRP
10033272	Flexible main hose for electronic control air massage - kit (sold separately) 15 ft. extension	\$ 373
10004306-001	White foam cushion with 2 suction pads (sold separately) Available color: White (001)	\$ 126
10025081-084	Waste and overflow 27 in. flexible neck (sold separately)	\$ 449
10025081-105	Available colors: Chrome (084) and Brushed Nickel (105)	\$ 449

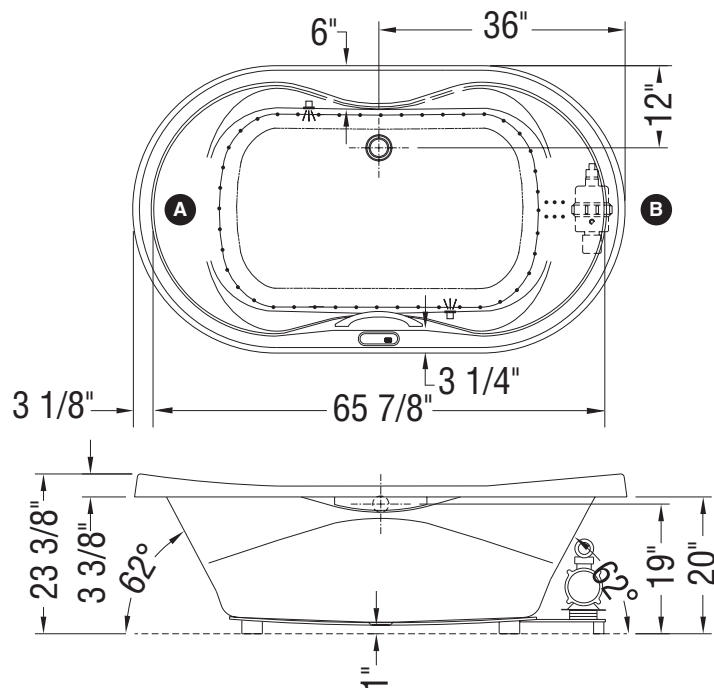
FOOTNOTES

No	Description
1	Components for standard colour units equipped with systems are colour-coordinated. Trim kit and/or air push with metallic finish can be added (additional charge applies). For non-standard colour units, please specify trim kit and/or air push colour (additional charge applies for metallic finishes). Please note that the positioning of the system's control could be in conflict with the door if one was installed on the unit. To insure compatibility, please contact customer service.
4	For details on pump position and requirements, see technical drawings on https://www.maax.com . When there is a pump position A or B indicated on the technical drawing, please specify position when ordering.
5	For details on blower position and requirements, see technical drawings on https://www.maax.com . When there is a blower position A or B indicated on the technical drawing, please specify position when ordering.
12	In combined systems, only the pump is replaced with the Rest. The blower remains the same.
14	Standard grab bars for standard colour units are colour-coordinated. Grab bars with metallic finish can be added (additional charge applies).
17	Includes Backmax and Footmax jets. Souvenir with apron and Living bathtub models do not include Footmax jets.

WHIRLPOOL SYSTEM



AIR SYSTEM



Note: Air / whirlpool backjets on same side as blower / pump

(▲): Indicates whirlpool jets positioning

(△): Indicates suction positioning

(●): Indicates airjets positioning

(☼): Indicates chromatherapy light positioning

Bathtub base includes anti-vibration Neutra-Phone leg supports (not shown).

All dimensions are approximate. Structure measurements must be verified against the unit to ensure proper fit.

(A): Specify blower and/or pump location when ordering

(B)

(—): Indicates standard grab bar positioning



Islander AFR



Material : Acrylic
 Min: 32 Gal / 145 L
 Max: 48 Gal / 218 L

Features

- › Oval shape for maximized bathing well
- › Above-the-Floor Rough (AFR) (3 in.) included
- › Armrests and textured bottom
- › Integrated apron (no access panel available)
- › Integrated tiling flange
- › Alcove installation

ISLANDER AFR - 102895												
SKU	System	Color	Configuration	Dimensions & Weight	Packaging	MSRP						
102895-000-001-001	Soaker - No System	White	Left	60" x 38" x 22 1/2" / 68 lb / 31 kg	38 ft ³	\$ 1554						
102895-000-001-002			Right			\$ 1554						
102895-000-004-001		Bone	Left			\$ 1554						
102895-000-004-002			Right			\$ 1554						
102895-000-007-001		Biscuit	Left			\$ 1554						
102895-000-007-002			Right			\$ 1554						
102895-001-001-001	Whirlpool ^{1 4}	White	Left			60" x 38" x 22 1/2" / 68 lb / 31 kg	38 ft ³	\$ 3197				
102895-001-001-002			Right					\$ 3197				
102895-001-004-001		Bone	Left					\$ 3197				
102895-001-004-002			Right					\$ 3197				
102895-001-007-001		Biscuit	Left					\$ 3197				
102895-001-007-002			Right					\$ 3197				
102895-103-001-100	Aeroeffect ^{1 2 5}	White	Left	60" x 38" x 22 1/2" / 68 lb / 31 kg	38 ft ³			\$ 4326				
102895-103-001-101			Right					\$ 4326				
102895-L-096-001	Combined Whirlpool & Aeroeffect ^{1 3}	Bone	Left					60" x 38" x 22 1/2" / 68 lb / 31 kg	38 ft ³	\$ 5522		
102895-L-096-004										\$ 5522		
102895-L-096-007										\$ 5522		
102895-L-103-004	Aeroeffect ^{1 2 5}	Bone	Right							60" x 38" x 22 1/2" / 68 lb / 31 kg	38 ft ³	\$ 4326
102895-L-103-007		Biscuit				\$ 4326						
102895-R-096-001	Combined Whirlpool & Aeroeffect ^{1 3}	White	Right			60" x 38" x 22 1/2" / 68 lb / 31 kg	38 ft ³					\$ 5522

ISLANDER AFR - 102895

SKU	System	Color	Configuration	Dimensions & Weight	Packaging	MSRP
102895-R-096-004	Combined Whirlpool & Aeroeffect ^{1 3}	Bone	Right	60" x 38" x 22 1/2" / 68 lb / 31 kg	38 ft ³	\$ 5522
102895-R-096-007		Biscuit				\$ 5522
102895-R-103-004	Aeroeffect ^{1 2 5}	Bone				\$ 4326
102895-R-103-007		Biscuit				\$ 4326

COMMON OPTIONS

SKU	Description	MSRP
OPT20137-004	Cable-operated waste and overflow (16 in. to 22 in.) (included in product packaging when purchased) Available colors: White (001), Bone (004), Chrome (084) and Brushed Nickel (105)	\$ 332
OPT20137-084		\$ 332
OPT20137-105		\$ 332
OPT20137-001		\$ 332
OPT10053	One chromatherapy light (factory installed) ⁵⁴	\$ 725
OPT10095	Water heater assembly for whirlpool and combined systems (factory installed)	\$ 950
OPT10106-084	Metal trim kit for whirlpool and combined systems (factory installed) Available colors: Chrome (084) and Brushed Nickel (105)	\$ 669
OPT10106-105		\$ 669
OPT20029-105	Metal trim kit for air push control (factory installed) Available colors: Chrome (084) and Brushed Nickel (105)	\$ 74
OPT20029-084		\$ 74

ACCESSORIES

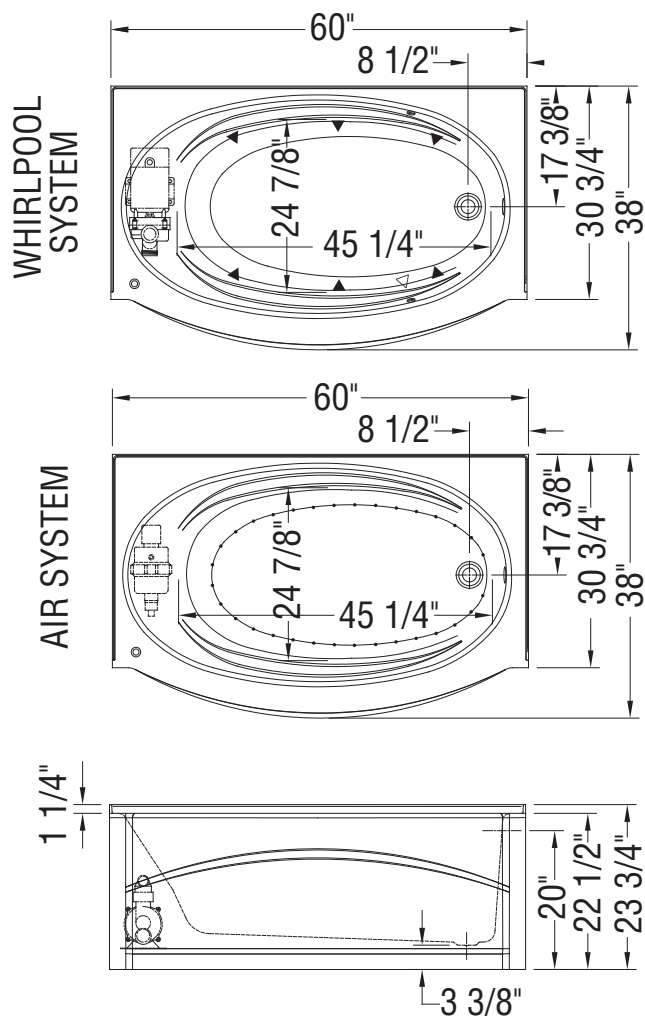
SKU	Description	MSRP
10006923	Flexible main hose (9 ft. extension) for air push control air massage - Kit (sold separately)	\$ 191
10004306-001	White foam cushion with 2 suction pads (sold separately) Available color: White (001)	\$ 126
10006887-105	Metal trim kit for Whirlpool and combined systems (sold separately) Available colors: Chrome (084) and Brushed Nickel (105)	\$ 669
10006887-084		\$ 669
10034250-084	Metal trim kit for Aeroeffect with Air Push Control (sold separately) Available colors: Chrome (084) and Brushed Nickel (105)	\$ 74
10034250-105		\$ 74
10022491-084	Cable-operated waste and overflow (16 in. to 22 in.) (sold separately) Available colors: White (001), Bone (004), Chrome (084) and Brushed Nickel (105)	\$ 332
10022491-004		\$ 332
10022491-105		\$ 332
10022491-001		\$ 332

FOOTNOTES

No	Description
1	Components for standard colour units equipped with systems are colour-coordinated. Trim kit and/or air push with metallic finish can be added (additional charge applies). For non-standard colour units, please specify trim kit and/or air push colour (additional charge applies for metallic finishes). Please note that the positioning of the system's control could be in conflict with the door if one was installed on the unit. To insure compatibility, please contact customer service.

FOOTNOTES

No	Description
2	Please order flexible main hose 10006923 for installation of the blower further than 3 ft from the bathtub. For the Tandem models and the Serenade models (freestanding and drop-in), the blower is always remote and not factory installed so a 9 ft flexible main hose is included. Please note that the positioning of the system's control could be in conflict with the door if one was installed on the unit. To insure compatibility, please contact customer service.
3	The blower is not factory installed (remote). 9 ft flexible main hose included. Please note that the positioning of the system's control could be in conflict with the door if one was installed on the unit. To insure compatibility, please contact customer service.
4	For details on pump position and requirements, see technical drawings on https://www.maax.com . When there is a pump position A or B indicated on the technical drawing, please specify position when ordering.
5	For details on blower position and requirements, see technical drawings on https://www.maax.com . When there is a blower position A or B indicated on the technical drawing, please specify position when ordering.
54	A selection of units come with an access panel by default when equipped with a system. However, if the unit is only equipped with chromatherapy, the access panel will not be provided by default.



- (▲): Indicates Whirlpool jets positioning
- (●): Indicates airjets positioning
- (△): Indicates suction positioning

All dimensions are approximate. Structure measurements must be verified against the unit to ensure proper fit.



Islander AFR DTF



Material : Acrylic
 Min: 32 Gal / 145 L
 Max: 48 Gal / 218 L

Features

- › Oval shape for maximized bathing well
- › Above-the-Floor Rough (AFR) (3 in.) included
- › Armrests and textured bottom
- › Integrated apron (no access panel available)
- › Integrated double tiling flange
- › Alcove installation

OVAL BATHTUBS - ACRYLIC

ISLANDER AFR - DTF - 102784

SKU	System	Color	Configuration	Dimensions & Weight	Packaging	MSRP						
102784-000-001-001	Soaker - No System	White	Left	60" x 38" x 22 1/2" / 68 lb / 31 kg	38 ft ³	\$ 1554						
102784-000-001-002			Right			\$ 1554						
102784-000-004-001		Bone	Left			\$ 1554						
102784-000-004-002			Right			\$ 1554						
102784-000-007-001		Biscuit	Left			\$ 1554						
102784-000-007-002			Right			\$ 1554						
102784-001-001-001	Whirlpool ^{1 4}	White	Left			60" x 38" x 22 1/2" / 68 lb / 31 kg	38 ft ³	\$ 3197				
102784-001-001-002			Right					\$ 3197				
102784-001-004-001		Bone	Left					\$ 3197				
102784-001-004-002			Right					\$ 3197				
102784-001-007-001		Biscuit	Left					\$ 3197				
102784-001-007-002			Right					\$ 3197				
102784-103-001-100	Aeroeffect ^{1 2 5}	White	Left	60" x 38" x 22 1/2" / 68 lb / 31 kg	38 ft ³			\$ 4326				
102784-103-001-101			Right					\$ 4326				
102784-L-096-001	Combined Whirlpool & Aeroeffect ^{1 3}	Bone	Left					60" x 38" x 22 1/2" / 68 lb / 31 kg	38 ft ³	\$ 5522		
102784-L-096-004										Biscuit	\$ 5522	
102784-L-096-007											\$ 5522	
102784-L-103-004	Aeroeffect ^{1 2 5}	Bone	Left							60" x 38" x 22 1/2" / 68 lb / 31 kg	38 ft ³	\$ 4326
102784-L-103-007		Biscuit				\$ 4326						
102784-R-096-001	Combined Whirlpool & Aeroeffect ^{1 3}	White	Right			60" x 38" x 22 1/2" / 68 lb / 31 kg	38 ft ³					\$ 5522

ISLANDER AFR - DTF - 102784

SKU	System	Color	Configuration	Dimensions & Weight	Packaging	MSRP
102784-R-096-004	Combined Whirlpool & Aeroeffect ^{1 3}	Bone	Right	60" x 38" x 22 1/2" / 68 lb / 31 kg	38 ft ³	\$ 5522
102784-R-096-007		Biscuit				\$ 5522
102784-R-103-004	Aeroeffect ^{1 2 5}	Bone				\$ 4326
102784-R-103-007		Biscuit				\$ 4326

COMMON OPTIONS

SKU	Description	MSRP
OPT20137-004	Cable-operated waste and overflow (16 in. to 22 in.) (included in product packaging when purchased) Available colors: White (001), Bone (004), Chrome (084) and Brushed Nickel (105)	\$ 332
OPT20137-084		\$ 332
OPT20137-105		\$ 332
OPT20137-001		\$ 332
OPT10053	One chromatherapy light (factory installed) ⁵⁴	\$ 725
OPT10095	Water heater assembly for whirlpool and combined systems (factory installed)	\$ 950
OPT10106-084	Metal trim kit for whirlpool and combined systems (factory installed) Available colors: Chrome (084) and Brushed Nickel (105)	\$ 669
OPT10106-105		\$ 669
OPT20029-105	Metal trim kit for air push control (factory installed) Available colors: Chrome (084) and Brushed Nickel (105)	\$ 74
OPT20029-084		\$ 74

ACCESSORIES

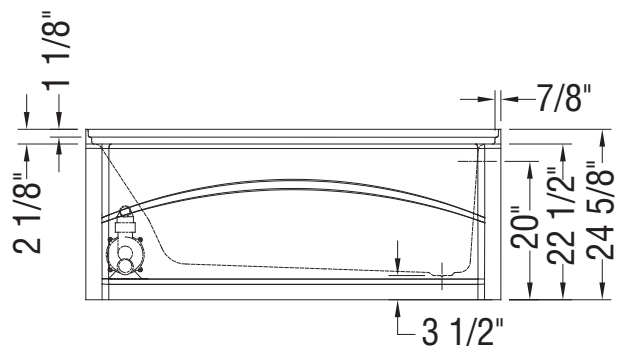
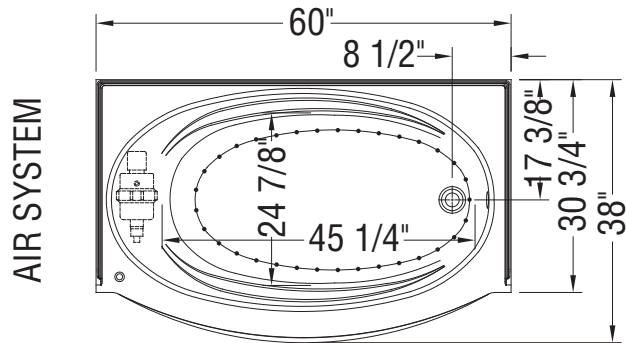
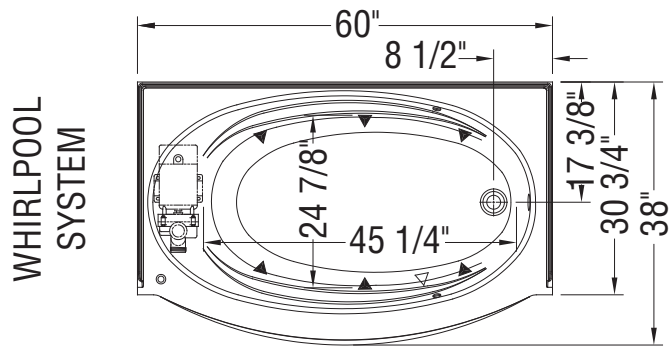
SKU	Description	MSRP
10006923	Flexible main hose (9 ft. extension) for air push control air massage - Kit (sold separately)	\$ 191
10004306-001	White foam cushion with 2 suction pads (sold separately) Available color: White (001)	\$ 126
10006887-105	Metal trim kit for Whirlpool and combined systems (sold separately) Available colors: Chrome (084) and Brushed Nickel (105)	\$ 669
10006887-084		\$ 669
10034250-084	Metal trim kit for Aeroeffect with Air Push Control (sold separately) Available colors: Chrome (084) and Brushed Nickel (105)	\$ 74
10034250-105		\$ 74
10022491-084	Cable-operated waste and overflow (16 in. to 22 in.) (sold separately) Available colors: White (001), Bone (004), Chrome (084) and Brushed Nickel (105)	\$ 332
10022491-004		\$ 332
10022491-105		\$ 332
10022491-001		\$ 332

FOOTNOTES

No	Description
1	Components for standard colour units equipped with systems are colour-coordinated. Trim kit and/or air push with metallic finish can be added (additional charge applies). For non-standard colour units, please specify trim kit and/or air push colour (additional charge applies for metallic finishes). Please note that the positioning of the system's control could be in conflict with the door if one was installed on the unit. To insure compatibility, please contact customer service.

FOOTNOTES

No	Description
2	Please order flexible main hose 10006923 for installation of the blower further than 3 ft from the bathtub. For the Tandem models and the Serenade models (freestanding and drop-in), the blower is always remote and not factory installed so a 9 ft flexible main hose is included. Please note that the positioning of the system's control could be in conflict with the door if one was installed on the unit. To insure compatibility, please contact customer service.
3	The blower is not factory installed (remote). 9 ft flexible main hose included. Please note that the positioning of the system's control could be in conflict with the door if one was installed on the unit. To insure compatibility, please contact customer service.
4	For details on pump position and requirements, see technical drawings on https://www.maax.com . When there is a pump position A or B indicated on the technical drawing, please specify position when ordering.
5	For details on blower position and requirements, see technical drawings on https://www.maax.com . When there is a blower position A or B indicated on the technical drawing, please specify position when ordering.
54	A selection of units come with an access panel by default when equipped with a system. However, if the unit is only equipped with chromatherapy, the access panel will not be provided by default.



- (▲): Indicates Whirlpool jets positioning
- (●): Indicates airjets positioning
- (△): Indicates suction positioning

All dimensions are approximate. Structure measurements must be verified against the unit to ensure proper fit.

Vichy 6034



Material : Acrylic
 Min: 26 Gal / 118 L
 Max: 38 Gal / 173 L

Features

- › Oval shaped bathtub
- › Drop-in installation
- › Relaxing armrests
- › Ergonomic backrest and headrest
- › End drain

OVAL BATHTUBS - ACRYLIC

VICHY 6034 - 102939

SKU	System	Color	Configuration	Dimensions & Weight	Packaging	MSRP
102939-000-001-000	Soaker - No System	White	End	60 1/8" x 33 5/8" x 19 3/4" / 58 lb / 26 kg	26 ft ³	\$ 1089
102939-000-004-000		Bone				\$ 1089
102939-000-007-000		Biscuit				\$ 1089
102939-001-001	Whirlpool ^{1 4}	White				\$ 2732
102939-001-004		Bone				\$ 2732
102939-001-007		Biscuit				\$ 2732
102939-096-001	Combined Whirlpool & Aeroeffect ^{1 3}	White				\$ 5057
102939-096-004		Bone				\$ 5057
102939-096-007		Biscuit				\$ 5057
102939-103-001-100	Aeroeffect ^{1 2 5}	White				\$ 3861
102939-103-004		Bone				\$ 3861
102939-103-007		Biscuit				\$ 3861

COMMON OPTIONS

SKU	Description	MSRP
OPT20137-004		\$ 332
OPT20137-084	Cable-operated waste and overflow (16 in. to 22 in.) (included in product packaging when purchased) Available colors: White (001), Bone (004), Chrome (084) and Brushed Nickel (105)	\$ 332
OPT20137-105		\$ 332
OPT20137-001		\$ 332
OPT10053		One chromatherapy light (factory installed) ⁵⁴

COMMON OPTIONS

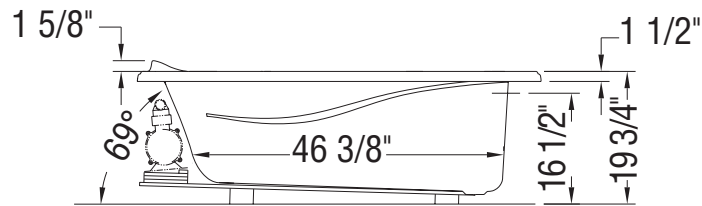
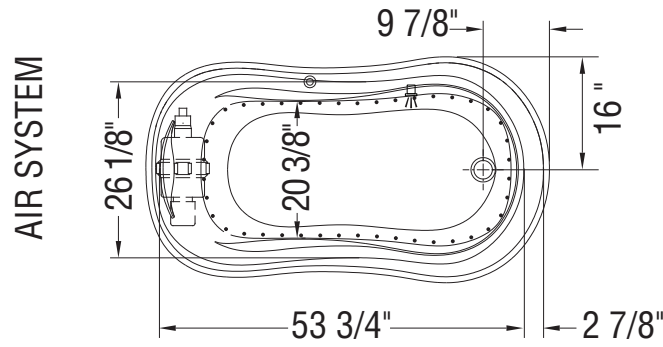
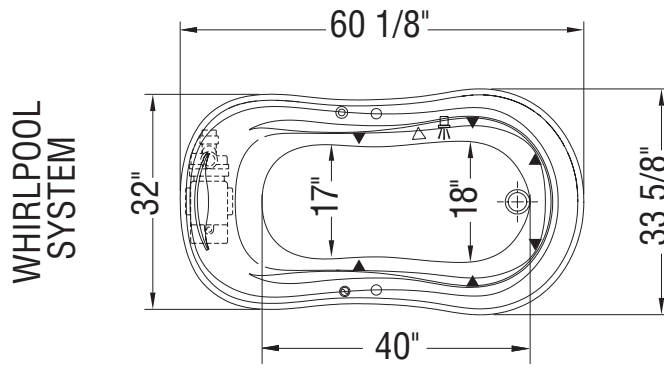
SKU	Description	MSRP
OPT10095	Water heater assembly for whirlpool and combined systems (factory installed)	\$ 950
OPT10106-084	Metal trim kit for whirlpool and combined systems (factory installed)	\$ 669
OPT10106-105	Available colors: Chrome (084) and Brushed Nickel (105)	\$ 669
OPT20029-105	Metal trim kit for air push control (factory installed)	\$ 74
OPT20029-084	Available colors: Chrome (084) and Brushed Nickel (105)	\$ 74

ACCESSORIES

SKU	Description	MSRP
10006923	Flexible main hose (9 ft. extension) for air push control air massage - Kit (sold separately)	\$ 191
10004306-001	White foam cushion with 2 suction pads (sold separately) Available color: White (001)	\$ 126
10006887-105	Metal trim kit for Whirlpool and combined systems (sold separately)	\$ 669
10006887-084	Available colors: Chrome (084) and Brushed Nickel (105)	\$ 669
10034250-084	Metal trim kit for Aeroeffect with Air Push Control (sold separately)	\$ 74
10034250-105	Available colors: Chrome (084) and Brushed Nickel (105)	\$ 74
10022491-084	Cable-operated waste and overflow (16 in. to 22 in.) (sold separately) Available colors: White (001), Bone (004), Chrome (084) and Brushed Nickel (105)	\$ 332
10022491-004		\$ 332
10022491-105		\$ 332
10022491-001		\$ 332

FOOTNOTES

No	Description
1	Components for standard colour units equipped with systems are colour-coordinated. Trim kit and/or air push with metallic finish can be added (additional charge applies). For non-standard colour units, please specify trim kit and/or air push colour (additional charge applies for metallic finishes). Please note that the positioning of the system's control could be in conflict with the door if one was installed on the unit. To insure compatibility, please contact customer service.
2	Please order flexible main hose 10006923 for installation of the blower further than 3 ft from the bathtub. For the Tandem models and the Serenade models (freestanding and drop-in), the blower is always remote and not factory installed so a 9 ft flexible main hose is included. Please note that the positioning of the system's control could be in conflict with the door if one was installed on the unit. To insure compatibility, please contact customer service.
3	The blower is not factory installed (remote). 9 ft flexible main hose included. Please note that the positioning of the system's control could be in conflict with the door if one was installed on the unit. To insure compatibility, please contact customer service.
4	For details on pump position and requirements, see technical drawings on https://www.maax.com . When there is a pump position A or B indicated on the technical drawing, please specify position when ordering.
5	For details on blower position and requirements, see technical drawings on https://www.maax.com . When there is a blower position A or B indicated on the technical drawing, please specify position when ordering.
54	A selection of units come with an access panel by default when equipped with a system. However, if the unit is only equipped with chromatherapy, the access panel will not be provided by default.



- (▲): Indicates Whirlpool jets positioning
- (●): Indicates airjets positioning
- (△): Indicates suction positioning
- (☼): Indicates chromatherapy light positioning

All dimensions are approximate. Structure measurements must be verified against the unit to ensure proper fit.

Aiiki 6636



RECTANGULAR BATHTUBS - ACRYLIC



Material : Acrylic
 Min: 26 Gal / 118 L
 Max: 67 Gal / 305 L

Features

- › Cube inspired lines with an urban touch and comfortable design
- › Comfortable inclined backrests and maximized bathing well
- › Drop-in installation with end drain
- › Magnetic cushion available in black or white (optional)
- › Magnet backed headrest for cushion. Factory installed only if cushion ordered on initial order

AIKI 6636 - 102787

SKU	System	Color	Configuration	Dimensions & Weight	Packaging	MSRP
102787-000-001-000	Soaker - No System	White	End	66" x 36" x 23 1/2" / 67 lb / 30 kg	39 ft ³	\$ 1724
102787-000-004		Bone				\$ 1724
102787-000-007		Biscuit				\$ 1724
102787-054-001-100	Hydrofeel ^{1 4}	White				\$ 5620
102787-054-004		Bone				\$ 5620
102787-054-007		Biscuit				\$ 5620
102787-055-001	Aerofeel ^{1 5}	White				\$ 5722
102787-055-004		Bone				\$ 5722
102787-055-007		Biscuit				\$ 5722
102787-056-001	Combined Hydrofeel & Aerofeel ^{1 4 5}	White				\$ 8825
102787-056-004		Bone				\$ 8825
102787-056-007		Biscuit				\$ 8825

COMMON OPTIONS

SKU	Description	MSRP
OPT10054	Two chromatherapy lights for bathtubs without waterfall (factory installed)	\$ 928
OPT10095	Water heater assembly for whirlpool and combined systems (factory installed)	\$ 950
OPT20139	Ozonator for whirlpool system (factory installed)	\$ 615
OPT10118-084	ABS trim kit for whirlpool and combined systems (factory installed) Available colors: Chrome (084) and Brushed Nickel (105)	\$ 262

COMMON OPTIONS

SKU	Description	MSRP
OPT10118-105	ABS trim kit for whirlpool and combined systems (factory installed) Available colors: Chrome (084) and Brushed Nickel (105)	\$ 262
OPT10119-105	Metal trim kit for Aerofeel electronic control (factory installed) Available colors: Chrome (084) and Brushed Nickel (105)	\$ 98
OPT10119-084		\$ 98
OPT20205	Lite option 3/8 in. thin deck ⁶ When chosen, this option is offered at no cost	\$ 0

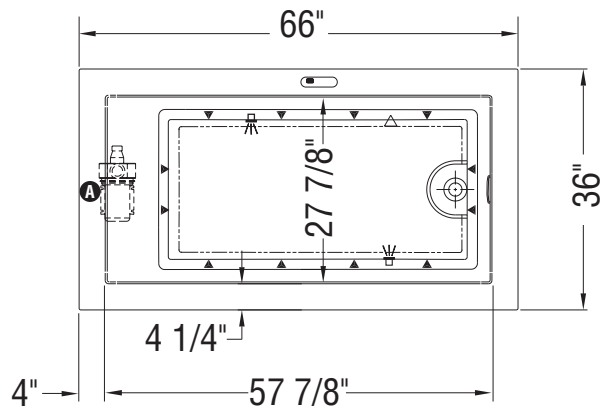
ACCESSORIES

SKU	Description	MSRP
10013029-015	Minimalist cushion (magnetic) (sold separately for Optik and Aiiki) Available colours: White (001) and Black (015)	\$ 240
10013029-001		\$ 240
10033272	Flexible main hose for electronic control air massage - kit (sold separately) 15 ft. extension	\$ 373
10025081-084	Waste and overflow 27 in. flexible neck (sold separately) Available colors: Chrome (084) and Brushed Nickel (105)	\$ 449
10025081-105		\$ 449

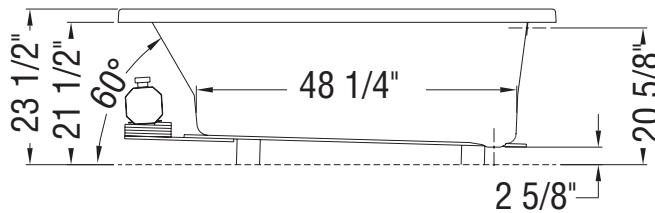
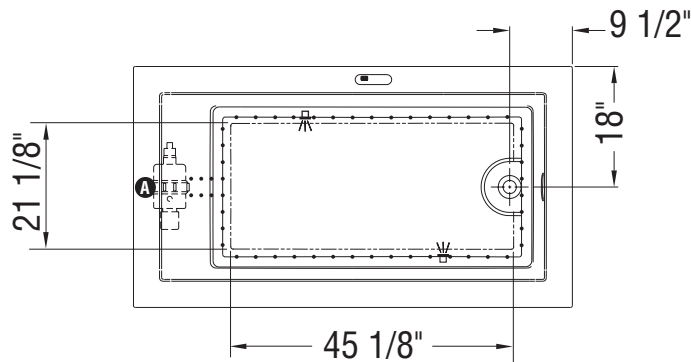
FOOTNOTES

No	Description
1	Components for standard colour units equipped with systems are colour-coordinated. Trim kit and/or air push with metallic finish can be added (additional charge applies). For non-standard colour units, please specify trim kit and/or air push colour (additional charge applies for metallic finishes). Please note that the positioning of the system's control could be in conflict with the door if one was installed on the unit. To insure compatibility, please contact customer service.
4	For details on pump position and requirements, see technical drawings on https://www.maax.com . When there is a pump position A or B indicated on the technical drawing, please specify position when ordering.
5	For details on blower position and requirements, see technical drawings on https://www.maax.com . When there is a blower position A or B indicated on the technical drawing, please specify position when ordering.
6	Specify 3/8 (Lite option) or 2 in. on deck height. If ordering unit with an apron, only 2 in. deck height is available.

WHIRLPOOL SYSTEM



AIR SYSTEM



Note: Air backjets on same side as blower

(▲): Indicates whirlpool jets positioning

(△): Indicates suction positioning

(•): Indicates airjets positioning

(♪): Indicates chromatherapy light positioning

Bathtub base includes anti-vibration Neutra-Phone leg supports (not shown).

All dimensions are approximate. Structure measurements must be verified against the unit to ensure proper fit.

(A): Indicates pump or blower positioning

Aiiki 7236



Material : Acrylic
 Min: 27 Gal / 123 L
 Max: 72 Gal / 327 L

Features

- › Cube inspired lines with an urban touch and comfortable design
- › Comfortable inclined backrests and maximized bathing well
- › Drop-in installation with end drain
- › Magnetic cushion available in black or white (optional)
- › Magnet backed headrest for cushion. Factory installed only if cushion ordered on initial order

RECTANGULAR BATHTUBS - ACRYLIC

AIKI 7236 - 102786

SKU	System	Color	Configuration	Dimensions & Weight	Packaging	MSRP
102786-000-001-000	Soaker - No System	White	End	72" x 36" x 23 1/2" / 75 lb / 34 kg	44 ft ³	\$ 2149
102786-000-004		Bone				\$ 2149
102786-000-007		Biscuit				\$ 2149
102786-054-001-100	Hydrofeel ^{1 4}	White				\$ 6045
102786-054-004		Bone				\$ 6045
102786-054-007		Biscuit				\$ 6045
102786-055-001	Aerofeel ^{1 5}	White				\$ 6147
102786-055-004		Bone				\$ 6147
102786-055-007		Biscuit				\$ 6147
102786-056-001	Combined Hydrofeel & Aerofeel ^{1 4 5}	White				\$ 9250
102786-056-004		Bone				\$ 9250
102786-056-007		Biscuit				\$ 9250

COMMON OPTIONS

SKU	Description	MSRP
OPT10054	Two chromatherapy lights for bathtubs without waterfall (factory installed)	\$ 928
OPT10095	Water heater assembly for whirlpool and combined systems (factory installed)	\$ 950
OPT20139	Ozonator for whirlpool system (factory installed)	\$ 615
OPT10118-084	ABS trim kit for whirlpool and combined systems (factory installed) Available colors: Chrome (084) and Brushed Nickel (105)	\$ 262

COMMON OPTIONS

SKU	Description	MSRP
OPT10118-105	ABS trim kit for whirlpool and combined systems (factory installed) Available colors: Chrome (084) and Brushed Nickel (105)	\$ 262
OPT10119-105	Metal trim kit for Aerofeel electronic control (factory installed)	\$ 98
OPT10119-084	Available colors: Chrome (084) and Brushed Nickel (105)	\$ 98
OPT20205	Lite option 3/8 in. thin deck ⁶ When chosen, this option is offered at no cost	\$ 0

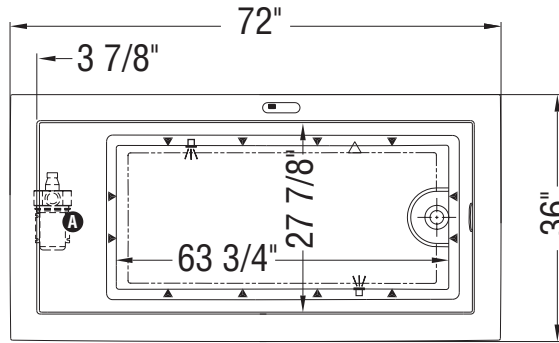
ACCESSORIES

SKU	Description	MSRP
10013029-015	Minimalist cushion (magnetic) (sold separately for Optik and Aiiki)	\$ 240
10013029-001	Available colours: White (001) and Black (015)	\$ 240
10033272	Flexible main hose for electronic control air massage - kit (sold separately) 15 ft. extension	\$ 373
10025081-084	Waste and overflow 27 in. flexible neck (sold separately)	\$ 449
10025081-105	Available colors: Chrome (084) and Brushed Nickel (105)	\$ 449

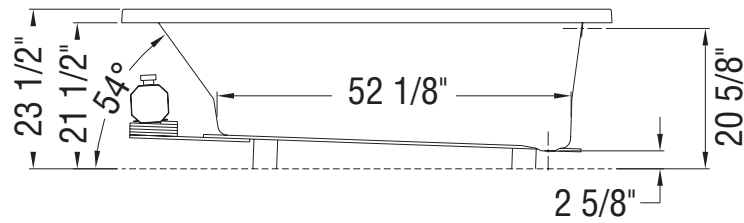
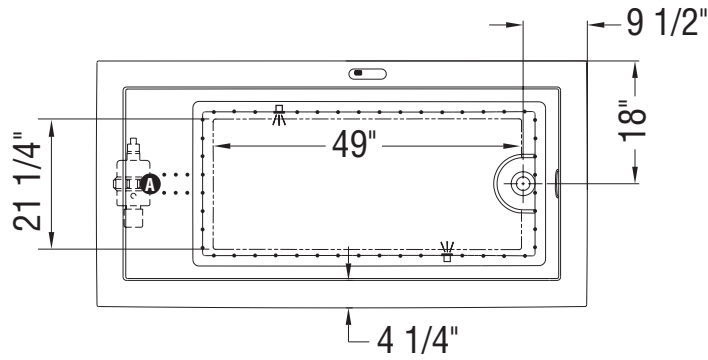
FOOTNOTES

No	Description
1	Components for standard colour units equipped with systems are colour-coordinated. Trim kit and/or air push with metallic finish can be added (additional charge applies). For non-standard colour units, please specify trim kit and/or air push colour (additional charge applies for metallic finishes). Please note that the positioning of the system's control could be in conflict with the door if one was installed on the unit. To insure compatibility, please contact customer service.
4	For details on pump position and requirements, see technical drawings on https://www.maax.com . When there is a pump position A or B indicated on the technical drawing, please specify position when ordering.
5	For details on blower position and requirements, see technical drawings on https://www.maax.com . When there is a blower position A or B indicated on the technical drawing, please specify position when ordering.
6	Specify 3/8 (Lite option) or 2 in. on deck height. If ordering unit with an apron, only 2 in. deck height is available.

WHIRLPOOL SYSTEM



AIR SYSTEM



Note: Air backjets on same side as blower

- (▲): Indicates whirlpool jets positioning
- (△): Indicates suction positioning
- (●): Indicates airjets positioning
- (☼): Indicates chromatherapy light positioning

(A): Indicates pump or blower positioning

Bathtub base includes anti-vibration Neutra-Phone leg supports (not shown).

All dimensions are approximate. Structure measurements must be verified against the unit to ensure proper fit.

Aiiki 7242



RECTANGULAR BATHTUBS - ACRYLIC



Material : Acrylic
 Min: 33 Gal / 150 L
 Max: 84 Gal / 382 L

Features

- › Cube inspired lines with an urban touch and comfortable design
- › Comfortable inclined backrests and maximized bathing well
- › Drop-in installation with back center drain
- › Magnetic cushion available in black or white (optional)
- › Magnet backed headrest for cushion. Factory installed only if cushion ordered on initial order

AIKI 7242 - 102785

SKU	System	Color	Configuration	Dimensions & Weight	Packaging	MSRP
102785-000-001-000	Soaker - No System	White	Center	72" x 42" x 23 1/2" / 110 lb / 50 kg	53 ft ³	\$ 2347
102785-000-004		Bone				\$ 2347
102785-000-007		Biscuit				\$ 2347
102785-054-001-100	Hydrofeel ^{1 4}	White				\$ 6243
102785-054-004		Bone				\$ 6243
102785-054-007		Biscuit				\$ 6243
102785-055-001	Aerofeel ^{1 5}	White				\$ 6345
102785-055-004		Bone				\$ 6345
102785-055-007		Biscuit				\$ 6345
102785-056-001	Combined Hydrofeel & Aerofeel ^{1 4 5}	White				\$ 9448
102785-056-004		Bone				\$ 9448
102785-056-007		Biscuit				\$ 9448

COMMON OPTIONS

SKU	Description	MSRP
OPT10054	Two chromatherapy lights for bathtubs without waterfall (factory installed)	\$ 928
OPT10095	Water heater assembly for whirlpool and combined systems (factory installed)	\$ 950
OPT20139	Ozonator for whirlpool system (factory installed)	\$ 615
OPT10118-084	ABS trim kit for whirlpool and combined systems (factory installed) Available colors: Chrome (084) and Brushed Nickel (105)	\$ 262

COMMON OPTIONS

SKU	Description	MSRP
OPT10118-105	ABS trim kit for whirlpool and combined systems (factory installed) Available colors: Chrome (084) and Brushed Nickel (105)	\$ 262
OPT10119-105	Metal trim kit for Aerofeel electronic control (factory installed)	\$ 98
OPT10119-084	Available colors: Chrome (084) and Brushed Nickel (105)	\$ 98
OPT20205	Lite option 3/8 in. thin deck ⁶ When chosen, this option is offered at no cost	\$ 0

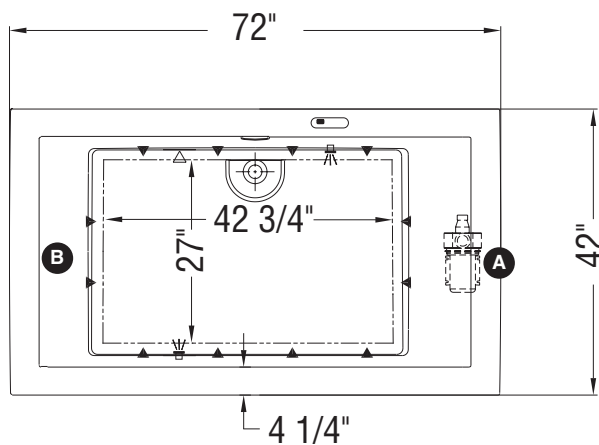
ACCESSORIES

SKU	Description	MSRP
10013029-015	Minimalist cushion (magnetic) (sold separately for Optik and Aiiki)	\$ 240
10013029-001	Available colours: White (001) and Black (015)	\$ 240
10033272	Flexible main hose for electronic control air massage - kit (sold separately) 15 ft. extension	\$ 373
10025081-084	Waste and overflow 27 in. flexible neck (sold separately)	\$ 449
10025081-105	Available colors: Chrome (084) and Brushed Nickel (105)	\$ 449

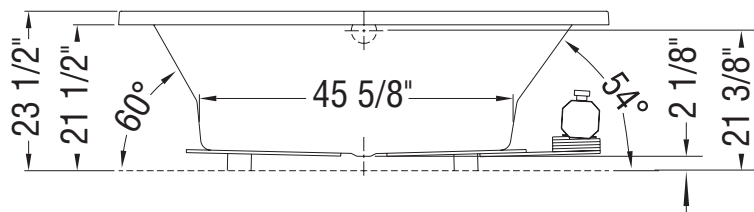
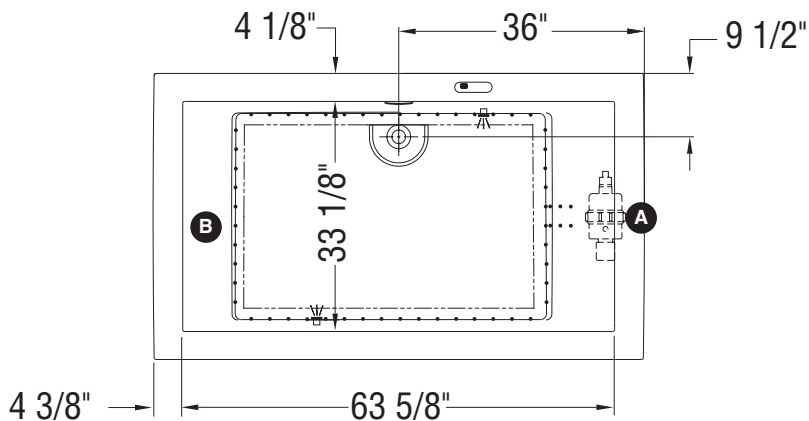
FOOTNOTES

No	Description
1	Components for standard colour units equipped with systems are colour-coordinated. Trim kit and/or air push with metallic finish can be added (additional charge applies). For non-standard colour units, please specify trim kit and/or air push colour (additional charge applies for metallic finishes). Please note that the positioning of the system's control could be in conflict with the door if one was installed on the unit. To insure compatibility, please contact customer service.
4	For details on pump position and requirements, see technical drawings on https://www.maax.com . When there is a pump position A or B indicated on the technical drawing, please specify position when ordering.
5	For details on blower position and requirements, see technical drawings on https://www.maax.com . When there is a blower position A or B indicated on the technical drawing, please specify position when ordering.
6	Specify 3/8 (Lite option) or 2 in. on deck height. If ordering unit with an apron, only 2 in. deck height is available.

WHIRLPOOL SYSTEM



AIR SYSTEM



Note: Air backjets on same side as blower

- (▲): Indicates whirlpool jets positioning
- (△): Indicates suction positioning
- (●): Indicates airjets positioning
- (Ψ): Indicates chromatherapy light positioning

Bathtub base includes anti-vibration Neutra-Phone leg supports (not shown).

All dimensions are approximate. Structure measurements must be verified against the unit to ensure proper fit.

(A): Specify blower and/or pump location when ordering
 (B)



Baccarat



Material : Acrylic
 Min: 32 Gal / 145 L
 Max: 57 Gal / 259 L

Features

- › Large, sumptuous bathtub to spread out and relax
- › Armrests with ergonomic backrest and raised bottom design
- › Drop-in or alcove installation with end drain, apron available
- › Two optional 6-in. metal or acrylic grab bars (factory installed)
- › For alcove installation, specify tiling flange
- › White cushion included with whirlpool and combined systems

RECTANGULAR BATHTUBS - ACRYLIC

BACCARAT - 102945						
SKU	System	Color	Configuration	Dimensions & Weight	Packaging	MSRP
102945-000-001	Soaker - No System	White	End	71 1/2" x 35 5/8" x 20 3/4" / 78 lb / 35 kg	34 ft ³	\$ 1733
102945-000-004		Bone				\$ 1733
102945-000-007		Biscuit				\$ 1733
102945-004-001	Hydromax ^{1 4 17}	White				\$ 5731
102945-004-004		Bone				\$ 5731
102945-004-007		Biscuit				\$ 5731
102945-055-001	Aerofeel ^{1 5}	White				\$ 5731
102945-055-004		Bone				\$ 5731
102945-055-007		Biscuit				\$ 5731
102945-094-001	Combined Hydromax & Aerofeel ^{1 4 5 17}	White				\$ 8927
102945-094-004		Bone				\$ 8927
102945-094-007		Biscuit				\$ 8927

COMMON OPTIONS		
SKU	Description	MSRP
OPT10106-084	Metal trim kit for whirlpool and combined systems (factory installed)	\$ 669
OPT10106-105	Available colors: Chrome (084) and Brushed Nickel (105)	\$ 669
OPT10119-105	Metal trim kit for Aerofeel electronic control (factory installed)	\$ 98
OPT10119-084	Available colors: Chrome (084) and Brushed Nickel (105)	\$ 98

COMMON OPTIONS

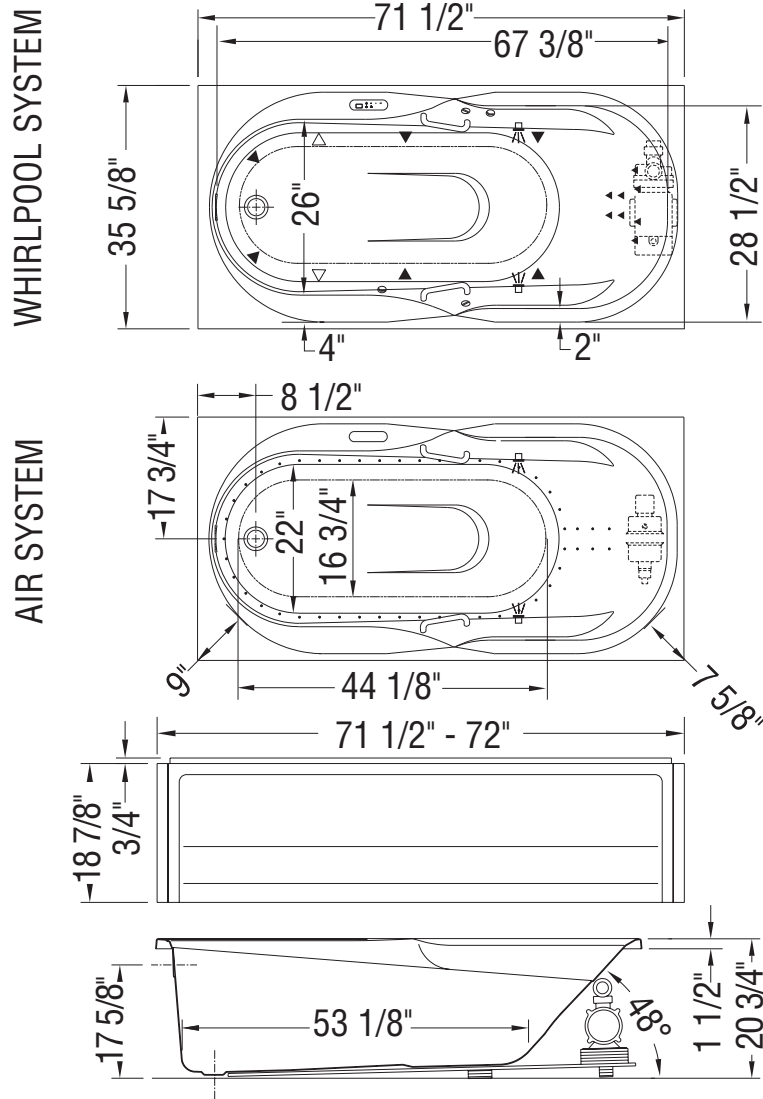
SKU	Description	MSRP
OPT10260-084	Two 6-in. acrylic grab bars (factory installed) ⁸ Available colors: White (001), Bone (004), Biscuit (007), Chrome (084) and Brushed Nickel (105)	\$ 359
OPT10260-007		\$ 359
OPT10260-004		\$ 359
OPT10260-105		\$ 359
OPT10260-001		\$ 359
OPT20141	Rest for Hydromax and combined systems ¹²	\$ 1078
OPT10054	Two chromatherapy lights for bathtubs without waterfall (factory installed)	\$ 928
OPT10095	Water heater assembly for whirlpool and combined systems (factory installed)	\$ 950
OPT20139	Ozonator for whirlpool system (factory installed)	\$ 615
100216-000-001-000	Removable acrylic apron, covers front side of bathtub only Specify: Standard colors: White (001), Bone (004), Biscuit (007)	\$ 831
100216-000-007-000		\$ 831
100216-000-004-000		\$ 831

ACCESSORIES

SKU	Description	MSRP
10006917	Tiling flange, 1 x 72 in., 2 x 36 in. (sold separately)	\$ 121
10033272	Flexible main hose for electronic control air massage - kit (sold separately) 15 ft. extension	\$ 373
10004306-001	White foam cushion with 2 suction pads (sold separately) Available color: White (001)	\$ 126
10025081-084	Waste and overflow 27 in. flexible neck (sold separately) Available colors: Chrome (084) and Brushed Nickel (105)	\$ 449
10025081-105		\$ 449

FOOTNOTES

No	Description
1	Components for standard colour units equipped with systems are colour-coordinated. Trim kit and/or air push with metallic finish can be added (additional charge applies). For non-standard colour units, please specify trim kit and/or air push colour (additional charge applies for metallic finishes). Please note that the positioning of the system's control could be in conflict with the door if one was installed on the unit. To insure compatibility, please contact customer service.
4	For details on pump position and requirements, see technical drawings on https://www.maax.com . When there is a pump position A or B indicated on the technical drawing, please specify position when ordering.
5	For details on blower position and requirements, see technical drawings on https://www.maax.com . When there is a blower position A or B indicated on the technical drawing, please specify position when ordering.
8	Two 6 in. or 12 in. metal or acrylic grab bars are optional. Factory installed, only one positioning is possible (see technical drawings on https://www.maax.com).
12	In combined systems, only the pump is replaced with the Rest. The blower remains the same.
17	Includes Backmax and Footmax jets. Souvenir with apron and Living bathtub models do not include Footmax jets.

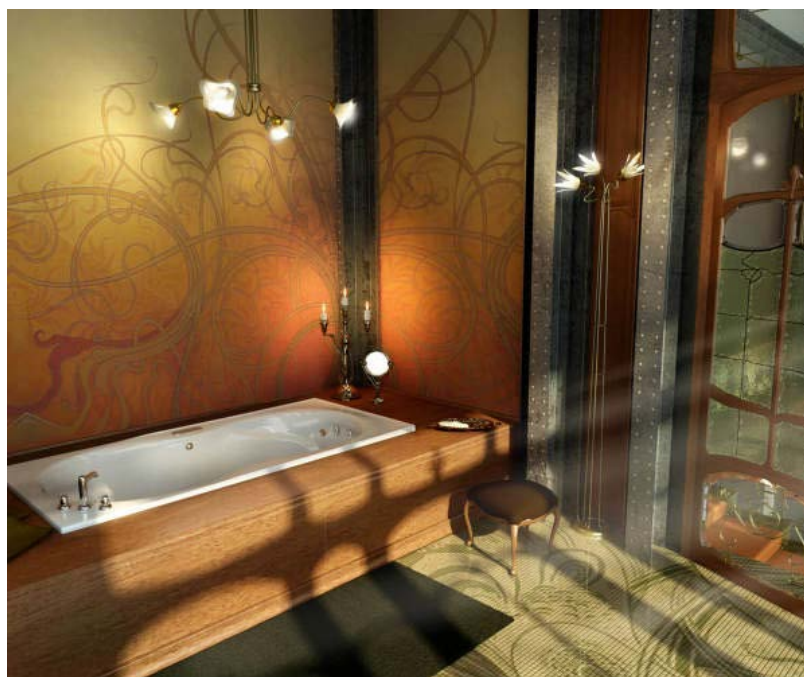


- (▲): Indicates whirlpool jets positioning
 - (△): Indicates suction positioning
 - (●): Indicates airjets positioning
 - (—): Indicates standard grab bar positioning
 - (☼): Indicates chromatherapy light positioning
- Bathtub base includes anti-vibration Neutra-Phone leg supports (not shown).
All dimensions are approximate. Structure measurements must be verified against the unit to ensure proper fit.



Melodie

RECTANGULAR BATHTUBS - ACRYLIC



Material : Acrylic
 Min: 32 Gal / 145 L
 Max: 40 Gal / 182 L

Features

- › Raised bi-level bottom and curved lines for complete relaxation
- › Relaxing armrests with ergonomic backrests
- › Ample deck space for faucet installation, apron available
- › Drop-in or alcove installation with center drain
- › White cushion included with whirlpool and combined systems
- › For alcove installation, specify tiling flange

MELODIE - 100073

SKU	System	Color	Configuration	Dimensions & Weight	Packaging	MSRP
100073-000-001-000	Soaker - No System	White	Center	65 7/8" x 32 3/4" x 20 1/8" / 74 lb / 34 kg	30 ft ³	\$ 1690
100073-000-004-000		Bone				\$ 1690
100073-000-007-000		Biscuit				\$ 1690
100073-004-001-100	Hydromax ^{1 4 17}	White				\$ 5688
100073-004-004-100		Bone				\$ 5688
100073-004-007-101		Biscuit				\$ 5688
100073-055-001	Aerofeel ^{1 5}	White				\$ 5688
100073-055-004		Bone				\$ 5688
100073-055-007		Biscuit				\$ 5688
100073-094-001	Combined Hydromax & Aerofeel ^{1 4 5 17}	White				\$ 8884
100073-094-004		Bone				\$ 8884
100073-094-007		Biscuit				\$ 8884

COMMON OPTIONS

SKU	Description	MSRP
OPT20141	Rest for Hydromax and combined systems ¹²	\$ 1078
OPT10054	Two chromatherapy lights for bathtubs without waterfall (factory installed)	\$ 928
OPT10095	Water heater assembly for whirlpool and combined systems (factory installed)	\$ 950
OPT20139	Ozonator for whirlpool system (factory installed)	\$ 615

COMMON OPTIONS

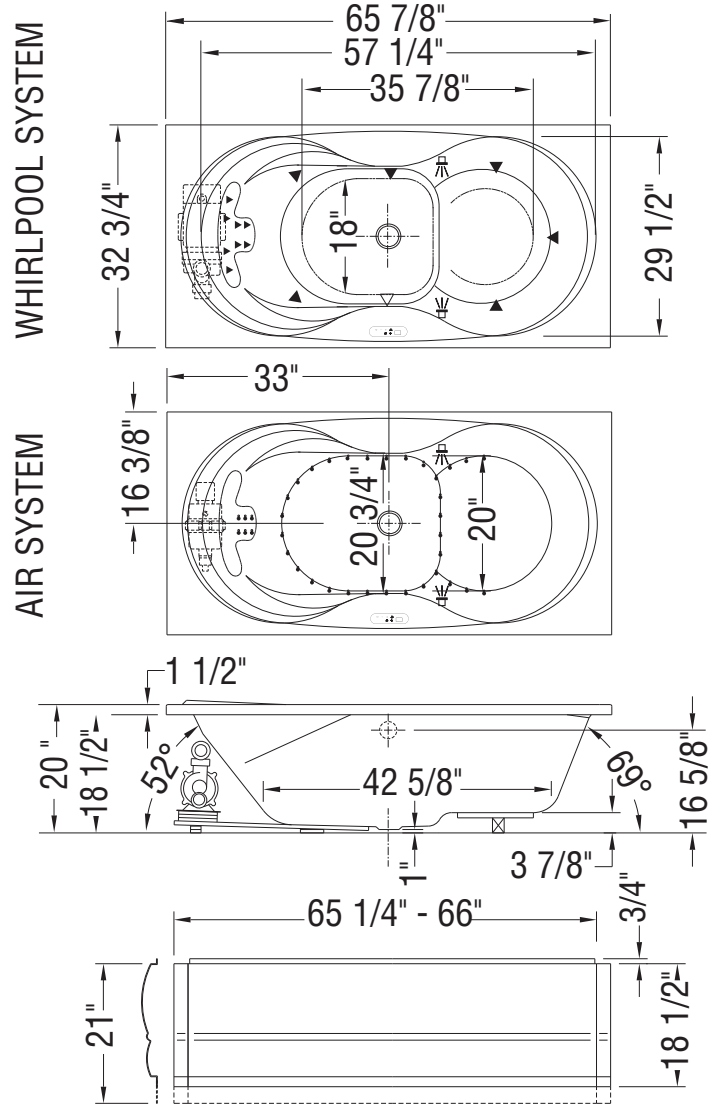
SKU	Description	MSRP
OPT10106-084	Metal trim kit for whirlpool and combined systems (factory installed) Available colors: Chrome (084) and Brushed Nickel (105)	\$ 669
OPT10106-105		\$ 669
OPT10119-105	Metal trim kit for Aerofeel electronic control (factory installed) Available colors: Chrome (084) and Brushed Nickel (105)	\$ 98
OPT10119-084		\$ 98
100212-000-004-000	Removable acrylic apron Specify: Standard colors: White (001), Bone (004), Biscuit (007)	\$ 771
100212-000-001-000		\$ 771
100212-000-007-000		\$ 771

ACCESSORIES

SKU	Description	MSRP
10006916	Tiling flange, 1 X 67 1/4 in., 2 x 37 1/4 in. (sold separately)	\$ 114
10033272	Flexible main hose for electronic control air massage - kit (sold separately) 15 ft. extension	\$ 373
10004306-001	White foam cushion with 2 suction pads (sold separately) Available color: White (001)	\$ 126
10025720-105	Waste and overflow 33 in. flexible neck (sold separately) Available colors: Chrome (084) and Brushed Nickel (105)	\$ 449
10025720-084		\$ 449

FOOTNOTES

No	Description
1	Components for standard colour units equipped with systems are colour-coordinated. Trim kit and/or air push with metallic finish can be added (additional charge applies). For non-standard colour units, please specify trim kit and/or air push colour (additional charge applies for metallic finishes). Please note that the positioning of the system's control could be in conflict with the door if one was installed on the unit. To insure compatibility, please contact customer service.
4	For details on pump position and requirements, see technical drawings on https://www.maax.com . When there is a pump position A or B indicated on the technical drawing, please specify position when ordering.
5	For details on blower position and requirements, see technical drawings on https://www.maax.com . When there is a blower position A or B indicated on the technical drawing, please specify position when ordering.
12	In combined systems, only the pump is replaced with the Rest. The blower remains the same.
17	Includes Backmax and Footmax jets. Souvenir with apron and Living bathtub models do not include Footmax jets.



(▲): Indicates whirlpool jets positioning

(△): Indicates suction positioning

(●): Indicates airjets positioning

(☼): Indicates chromatherapy light positioning

Bathtub base includes anti-vibration Neutra-Phone leg supports (not shown).

All dimensions are approximate. Structure measurements must be verified against the unit to ensure proper fit.



ModulR 6032 - Corner left



Material : Acrylic
 Max: 48 Gal / 218 L

Features

- › Two-piece bathtub with removable toe-kick
- › Ample deck space for faucet installation
- › Integrated tiling flange on the skirt and bathtub
- › Lockable adjustable legs for ease of installation
- › Above-the-Floor Rough (AFR)

RECTANGULAR BATHTUBS - ACRYLIC

MODULR 6032 LEFT (WITH ARMRESTS) - 410008

SKU	System	Color	Configuration	Dimensions & Weight	Packaging	MSRP
410008-000-001-102	Soaker - No System	White	Left	59 5/8" x 31 7/8" x 23" / 150 lb / 68 kg	29 ft³	\$ 2273
410008-000-001-103			Right			\$ 2273

MODULR 6032 LEFT (WITHOUT ARMRESTS) - 410011

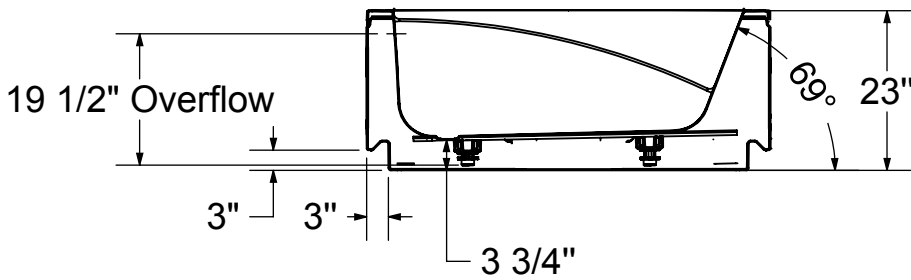
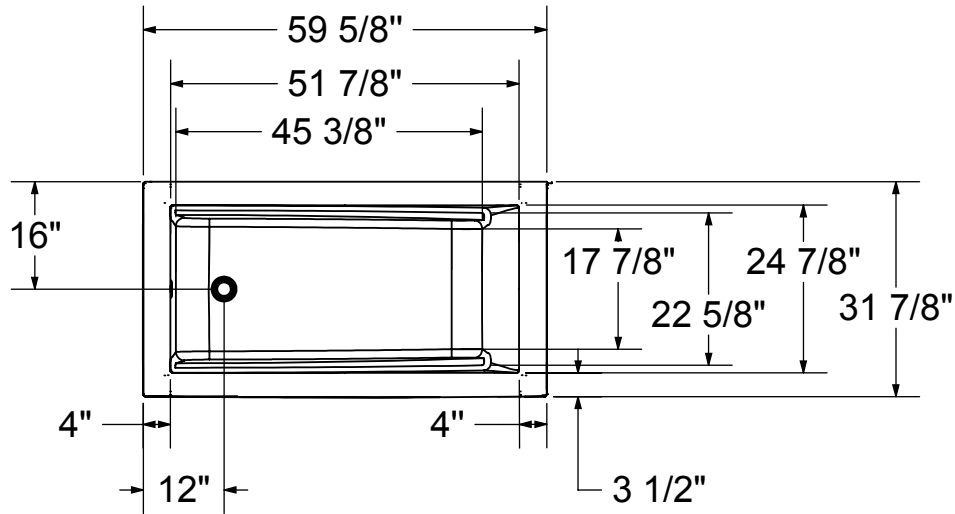
SKU	System	Color	Configuration	Dimensions & Weight	Packaging	MSRP
410011-000-001-102	Soaker - No System	White	Left	59 5/8" x 31 7/8" x 23" / 150 lb / 68 kg	29 ft³	\$ 2273
410011-000-001-103			Right			\$ 2273

COMMON OPTIONS

SKU	Description	MSRP
OPT20312-105	Flexible waste and overflow (included in product packaging)	\$ 342
OPT20312-084	Available colour: Chrome (084) and Brushed Nickel (105)	\$ 0
OPT20250-084	Brass flexible waste and overflow for high-rise construction	\$ 511
OPT20250-105	Available colors: Chrome (084) and Brushed Nickel (105)	\$ 594
OPT20251-001	Access Panel: White (001) (52 5/8 X 18 1/2 in.)	\$ 427

ACCESSORIES		
SKU	Description	MSRP
10060311	Corner glass shelf (9 3/8 x 9 3/8 in.) (sold separately) 10 mm frosted glass with a clear band along the edge Compatible with Utile and tile shower walls	\$ 158
10004306-001	White foam cushion with 2 suction pads (sold separately) Available color: White (001)	\$ 126
10032807-084	Flexible waste and overflow (sold separately)	\$ 259
10032807-105	Available colors: Chrome (084) and Brushed Nickel (105)	\$ 342
10032808-084	Brass flexible waste and overflow for high construction (sold separately)	\$ 511
10032808-105	Available colors: Chrome (084) and Brushed Nickel (105)	\$ 594

ModuIR BATHTUB: 60X32 WITH ARMREST



This technical drawing is universal for all ModuIR Tub configurations. (Left/Right Corner & Wall-mounted)

Integrated tiling flange: 1" height x 3/8" thick (not shown)
Tiling flange position is determined by chosen configuration.

All dimensions are approximate. Structure measurements must be verified against the unit to ensure proper fit.



ModulR 6032 - Corner right

RECTANGULAR BATHTUBS - ACRYLIC



Material : Acrylic
 Max: 48 Gal / 218 L

Features

- › Two-piece bathtub with removable toe-kick
- › Deck-mounted faucets
- › Integrated tiling flange on the skirt and bathtub
- › Lockable adjustable legs for ease of installation
- › 3" Above-The-Floor Rough

MODULR 6032 RIGHT (WITH ARMRESTS) - 410007

SKU	System	Color	Configuration	Dimensions & Weight	Packaging	MSRP
410007-000-001-100	Soaker - No System	White	Left	59 5/8" x 31 7/8" x 24" / 150 lb / 68 kg	29 ft³	\$ 2273
410007-000-001-101			Right			\$ 2273

MODULR 6032 RIGHT (WITHOUT ARMRESTS) - 410010

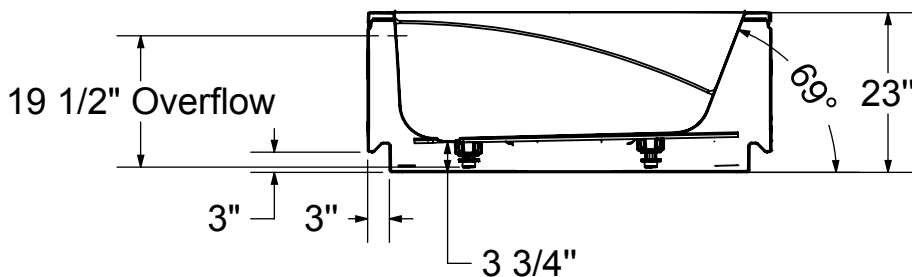
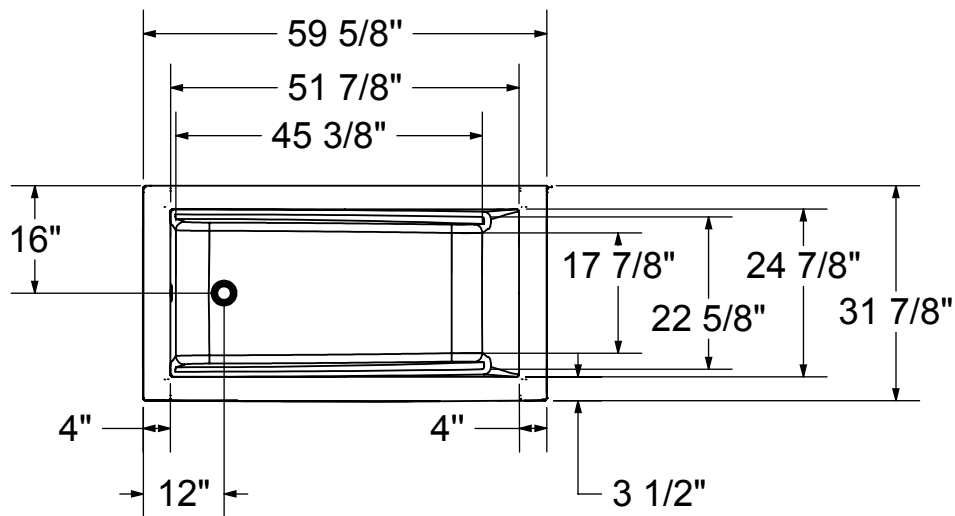
SKU	System	Color	Configuration	Dimensions & Weight	Packaging	MSRP
410010-000-001-100	Soaker - No System	White	Left	59 5/8" x 31 7/8" x 24" / 150 lb / 68 kg	29 ft³	\$ 2273
410010-000-001-101			Right			\$ 2273

COMMON OPTIONS

SKU	Description	MSRP
OPT20312-105	Flexible waste and overflow (included in product packaging)	\$ 342
OPT20312-084	Available colour: Chrome (084) and Brushed Nickel (105)	\$ 0
OPT20250-084	Brass flexible waste and overflow for high-rise construction	\$ 511
OPT20250-105	Available colors: Chrome (084) and Brushed Nickel (105)	\$ 594
OPT20251-001	Access Panel: White (001) (52 5/8 X 18 1/2 in.)	\$ 427

ACCESSORIES		
SKU	Description	MSRP
10060311	Corner glass shelf (9 3/8 x 9 3/8 in.) (sold separately) 10 mm frosted glass with a clear band along the edge Compatible with Utile and tile shower walls	\$ 158
10004306-001	White foam cushion with 2 suction pads (sold separately) Available color: White (001)	\$ 126
10032807-084	Flexible waste and overflow (sold separately) Available colors: Chrome (084) and Brushed Nickel (105)	\$ 259
10032807-105		\$ 342
10032808-084	Brass flexible waste and overflow for high construction (sold separately) Available colors: Chrome (084) and Brushed Nickel (105)	\$ 511
10032808-105		\$ 594

ModuIR BATHTUB: 60X32 WITH ARMREST



This technical drawing is universal for all ModuIR Tub configurations. (Left/Right Corner & Wall-mounted)

Integrated tiling flange: 1" height x 3/8" thick (not shown)
Tiling flange position is determined by chosen configuration.

All dimensions are approximate. Structure measurements must be verified against the unit to ensure proper fit.



ModulR 6032 - Drop-in



Material : Acrylic
 Min: 36 Gal / 164 L
 Max: 48 Gal / 218 L

Features

- › Two-piece rectangular bathtub with sleek and refined look
- › 2 interior types available (with or without armrests)
- › Drop-in or alcove installation with integrated tiling flange (IF)
- › Ample deck space for faucet installation
- › Above-the-floor Rough (AFR)
- › Optional apron with integrated toe-kick for alcove installation only

RECTANGULAR BATHTUBS - ACRYLIC

MODULR 6032 IF (WITH ARMRESTS) - 410021

SKU	System	Color	Configuration	Dimensions & Weight	Packaging	MSRP
410021-000-001-148	Soaker - No System	White	Left	59 5/8" x 31 7/8" x 23" / 75 lb / 34 kg	31 ft ³	\$ 1621
410021-000-001-173			Right			\$ 1621

MODULR 6032 IF (WITHOUT ARMRESTS) - 410022

SKU	System	Color	Configuration	Dimensions & Weight	Packaging	MSRP
410022-000-001-148	Soaker - No System	White	Left	59 5/8" x 31 7/8" x 23" / 75 lb / 34 kg	31 ft ³	\$ 1621
410022-000-001-173			Right			\$ 1621

MODULR 6032 (WITH ARMRESTS) - 410023

SKU	System	Color	Configuration	Dimensions & Weight	Packaging	MSRP
410023-000-001-000	Soaker - No System	White	End	59 5/8" x 31 7/8" x 23" / 75 lb / 34 kg	31 ft ³	\$ 1621

MODULR 6032 (WITHOUT ARMRESTS) - 410024

SKU	System	Color	Configuration	Dimensions & Weight	Packaging	MSRP
410024-000-001-000	Soaker - No System	White	End	59 5/8" x 31 7/8" x 23" / 75 lb / 34 kg	31 ft ³	\$ 1621

COMMON OPTIONS

SKU	Description	MSRP
OPT20249-105	Flexible waste and overflow (included in product packaging when purchased)	\$ 342
OPT20249-084	Available colors: Chrome (084) and Brushed Nickel (105)	\$ 259
OPT20250-084	Brass flexible waste and overflow for high-rise construction	\$ 511
OPT20250-105	Available colors: Chrome (084) and Brushed Nickel (105)	\$ 594
OPT20409-001	Non-removable apron with integrated toe-kick Available in White (001) only	\$ 427

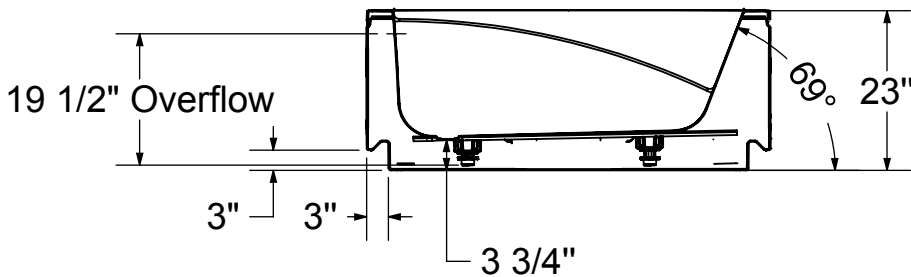
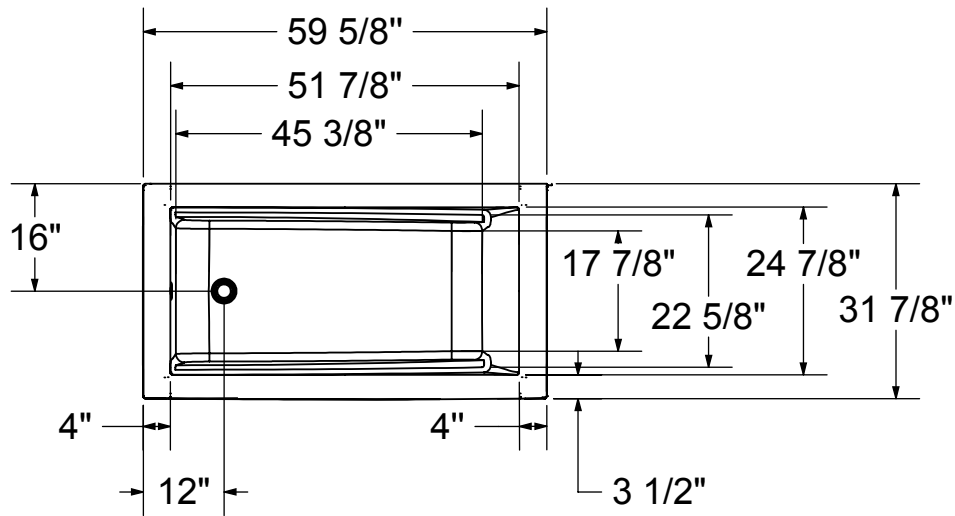
ACCESSORIES

SKU	Description	MSRP
10060311	Corner glass shelf (9 3/8 x 9 3/8 in.) (sold separately) 10 mm frosted glass with a clear band along the edge Compatible with Utile and tile shower walls	\$ 158
10004306-001	White foam cushion with 2 suction pads (sold separately) Available color: White (001)	\$ 126
10025081-084	Waste and overflow 27 in. flexible neck (sold separately)	\$ 449
10025081-105	Available colors: Chrome (084) and Brushed Nickel (105)	\$ 449
10032807-084	Flexible waste and overflow (sold separately)	\$ 259
10032807-105	Available colors: Chrome (084) and Brushed Nickel (105)	\$ 342
10032808-084	Brass flexible waste and overflow for high construction (sold separately)	\$ 511
10032808-105	Available colors: Chrome (084) and Brushed Nickel (105)	\$ 594

RECOMMENDED DOORS - VISIT OUR WEBSITE FOR A COMPLETE LIST OF RECOMMENDED DOORS

SKU	Product Name	Pag.
139398	Halo 56 1/2-59 x 59 - 8mm	1024
135330	Incognito 57 Shaker 56-59 x 56 3/4 - 8mm	1000
138994	Luminescence SlidingDoor 56 1/2-59 x 55 1/2-57 1/2 - 6mm	1026
136695	Revelation Round 56-59 x 56 3/4-59 1/4 - 8 mm	1012
135692	Revelation Square 56-59 x 56 3/4-58 1/4 - 6mm	1014
134573	Kameleon 55-59 x 57 - 8mm	992
135695	Revelation Square 56-59 x 56 3/4-59 1/4 - 8mm	1016
134670	Kameleon SC 55-59 x 57 - 8mm	984
105410	Polar 54-59 1/2 x 57 in.	1008
134561	Kameleon 55-59 x 57 - 6mm	995
138480	Vela 56 1/2-59 x 59 - 8mm	1020
138485		1022
134661	Kameleon SC 55-59 x 57 - 6mm	989
136692	Revelation Round 56-59 x 56 3/4-59 1/4 - 6mm	1010
135320	Uptown 56-59 x 58 in. 8 mm	1018
139354	Incognito 57 56-59 x 56 3/4 - 8mm	1006
139351	Incognito 57 56-59 x 56 3/4 - 6mm	1002

ModuIR BATHTUB: 60X32 WITH ARMREST



This technical drawing is universal for all ModuIR Tub configurations. (Left/Right Corner & Wall-mounted)

Integrated tiling flange: 1" height x 3/8" thick (not shown)
Tiling flange position is determined by chosen configuration.

All dimensions are approximate. Structure measurements must be verified against the unit to ensure proper fit.



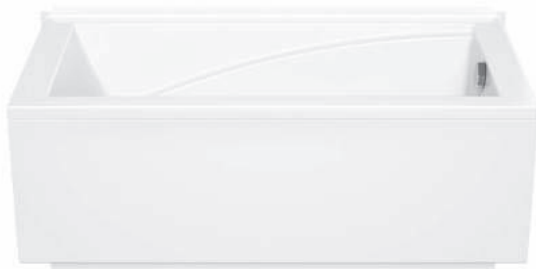
ModulR 6032 - Wall-Mount

RECTANGULAR BATHTUBS - ACRYLIC

Material : Acrylic
 Max: 48 Gal / 218 L

Features

- › Two-piece bathtub with removable toe-kick
- › Ample deck space for faucet installation
- › Integrated tiling flange on the skirt and bathtub
- › Lockable adjustable legs for ease of installation
- › 3 in. Above-the-Floor Rough (AFR)



MODULR 6032 WALL MOUNTED (WITH ARMRESTS) - 410009

SKU	System	Color	Configuration	Dimensions & Weight	Packaging	MSRP
410009-000-001-104	Soaker - No System	White	Left	59 5/8" x 31 7/8" x 23" / 150 lb / 68 kg	29 ft ³	\$ 2273
410009-000-001-105			Right			\$ 2273

MODULR 6032 WALL MOUNTED (WITHOUT ARMRESTS) - 410012

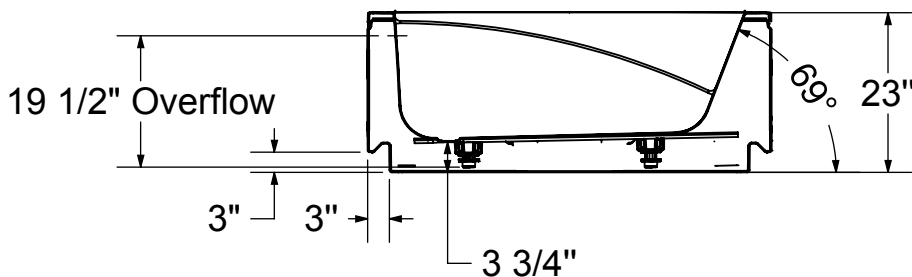
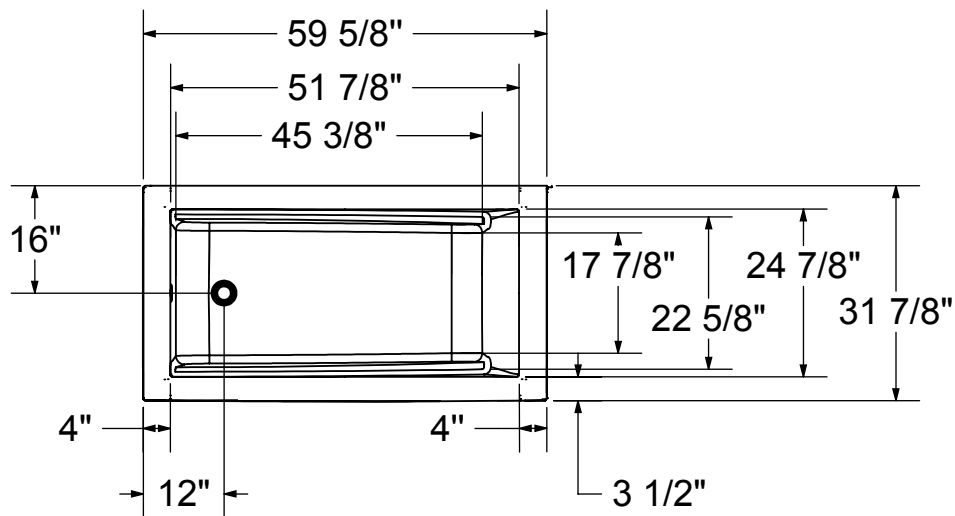
SKU	System	Color	Configuration	Dimensions & Weight	Packaging	MSRP
410012-000-001-104	Soaker - No System	White	Left	59 5/8" x 31 7/8" x 23" / 150 lb / 68 kg	29 ft ³	\$ 2273
410012-000-001-105			Right			\$ 2273

COMMON OPTIONS

SKU	Description	MSRP
OPT20312-105	Flexible waste and overflow (included in product packaging)	\$ 342
OPT20312-084	Available colour: Chrome (084) and Brushed Nickel (105)	\$ 0
OPT20250-084	Brass flexible waste and overflow for high-rise construction	\$ 511
OPT20250-105	Available colors: Chrome (084) and Brushed Nickel (105)	\$ 594
OPT20251-001	Access Panel: White (001) (52 5/8 X 18 1/2 in.)	\$ 427

ACCESSORIES		
SKU	Description	MSRP
10060311	Corner glass shelf (9 3/8 x 9 3/8 in.) (sold separately) 10 mm frosted glass with a clear band along the edge Compatible with Utile and tile shower walls	\$ 158
10004306-001	White foam cushion with 2 suction pads (sold separately) Available color: White (001)	\$ 126
10032807-084	Flexible waste and overflow (sold separately) Available colors: Chrome (084) and Brushed Nickel (105)	\$ 259
10032807-105		\$ 342
10032808-084	Brass flexible waste and overflow for high construction (sold separately) Available colors: Chrome (084) and Brushed Nickel (105)	\$ 511
10032808-105		\$ 594

ModuIR BATHTUB: 60X32 WITH ARMREST



This technical drawing is universal for all ModuIR Tub configurations. (Left/Right Corner & Wall-mounted)

Integrated tiling flange: 1" height x 3/8" thick (not shown)
Tiling flange position is determined by chosen configuration.

All dimensions are approximate. Structure measurements must be verified against the unit to ensure proper fit.



ModulR 6032 IF - Corner left



Material : Acrylic
 Min: 36 Gal / 164 L
 Max: 48 Gal / 218 L

Features

- › Rectangular bathtub with sleek and refined look
- › 2 interior types available (with or without armrests)
- › Drop-in or alcove installation with integrated tiling flange (IF)
- › Ample deck space for faucet installation
- › Optional apron with integrated toe-kick for alcove installation only
- › Right or left-hand drain, regardless of the installation type

RECTANGULAR BATHTUBS - ACRYLIC

MODULR 6032 IF LEFT (WITH ARMRESTS) - 410027

SKU	System	Color	Configuration	Dimensions & Weight	Packaging	MSRP
410027-000-001-163	Soaker - No System	White	Left	59 5/8" x 31 7/8" x 23" / 75 lb / 34 kg	31 ft ³	\$ 1621
410027-000-001-164			Right			\$ 1621

MODULR 6032 IF LEFT (WITHOUT ARMRESTS) - 410028

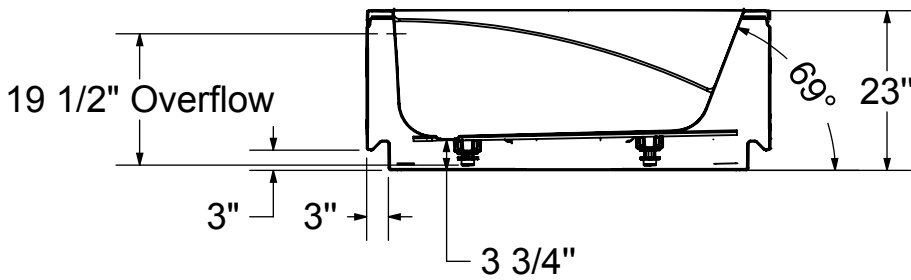
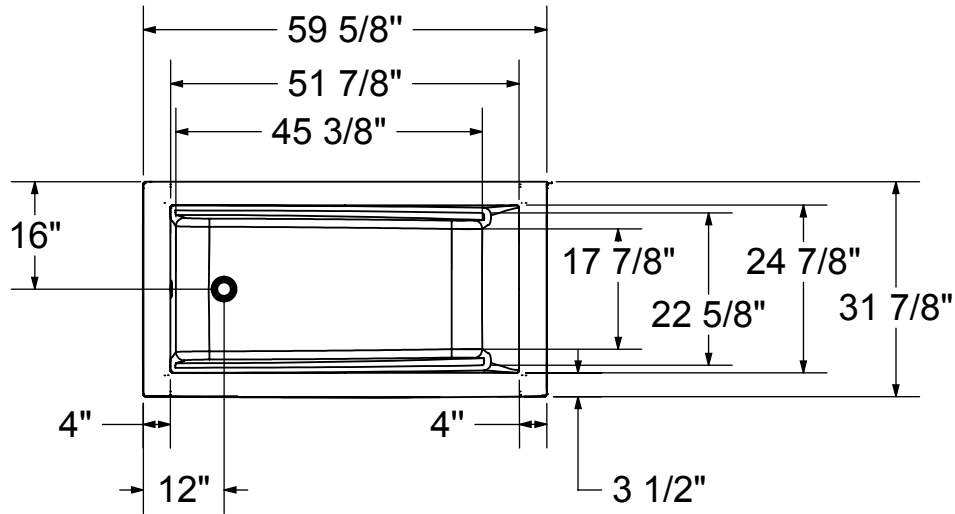
SKU	System	Color	Configuration	Dimensions & Weight	Packaging	MSRP
410028-000-001-163	Soaker - No System	White	Left	59 5/8" x 31 7/8" x 23" / 75 lb / 34 kg	31 ft ³	\$ 1621
410028-000-001-164			Right			\$ 1621

COMMON OPTIONS

SKU	Description	MSRP
OPT20249-105	Flexible waste and overflow (included in product packaging when purchased)	\$ 342
OPT20249-084	Available colors: Chrome (084) and Brushed Nickel (105)	\$ 259
OPT20250-084	Brass flexible waste and overflow for high-rise construction	\$ 511
OPT20250-105	Available colors: Chrome (084) and Brushed Nickel (105)	\$ 594

ACCESSORIES		
SKU	Description	MSRP
10060311	Corner glass shelf (9 3/8 x 9 3/8 in.) (sold separately) 10 mm frosted glass with a clear band along the edge Compatible with Utile and tile shower walls	\$ 158
10004306-001	White foam cushion with 2 suction pads (sold separately) Available color: White (001)	\$ 126
10032807-084	Flexible waste and overflow (sold separately)	\$ 259
10032807-105	Available colors: Chrome (084) and Brushed Nickel (105)	\$ 342
10032808-084	Brass flexible waste and overflow for high construction (sold separately)	\$ 511
10032808-105	Available colors: Chrome (084) and Brushed Nickel (105)	\$ 594

ModuIR BATHTUB: 60X32 WITH ARMREST



This technical drawing is universal for all ModuIR Tub configurations. (Left/Right Corner & Wall-mounted)

Integrated tiling flange: 1" height x 3/8" thick (not shown)
Tiling flange position is determined by chosen configuration.

All dimensions are approximate. Structure measurements must be verified against the unit to ensure proper fit.



ModulR 6032 IF - Corner right

RECTANGULAR BATHTUBS - ACRYLIC



Material : Acrylic
 Max: 48 Gal / 218 L

Features

- › Two-piece rectangular bathtub with sleek and refined look
- › 2 interior types available (with or without armrests)
- › Integrated tiling flange (IF) for corner installation
- › Ample deck space for faucet installation
- › Right or left-hand drain, regardless of the installation type

MODULR 6032 IF RIGHT (WITH ARMRESTS) - 410025

SKU	System	Color	Configuration	Dimensions & Weight	Packaging	MSRP
410025-000-001-153	Soaker - No System	White	Left	59 5/8" x 31 7/8" x 23" / 75 lb / 34 kg	31 ft³	\$ 1621
410025-000-001-154			Right			\$ 1621

MODULR 6032 IF RIGHT (WITHOUT ARMRESTS) - 410026

SKU	System	Color	Configuration	Dimensions & Weight	Packaging	MSRP
410026-000-001-153	Soaker - No System	White	Left	59 5/8" x 31 7/8" x 23" / 75 lb / 34 kg	31 ft³	\$ 1621
410026-000-001-154			Right			\$ 1621

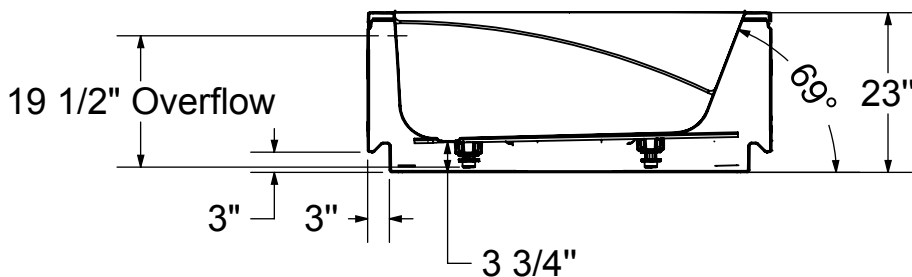
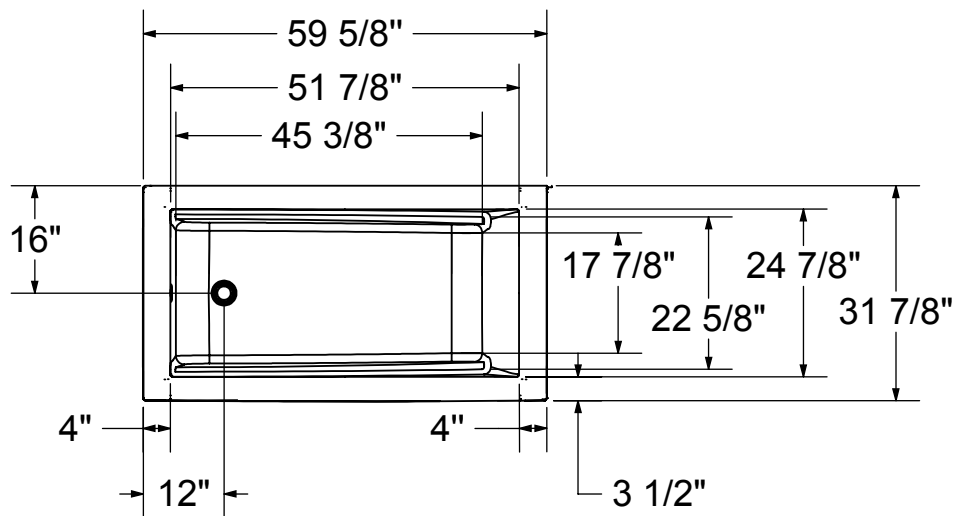
COMMON OPTIONS

SKU	Description	MSRP
OPT20249-105	Flexible waste and overflow (included in product packaging when purchased)	\$ 342
OPT20249-084	Available colors: Chrome (084) and Brushed Nickel (105)	\$ 259
OPT20250-084	Brass flexible waste and overflow for high-rise construction	\$ 511
OPT20250-105	Available colors: Chrome (084) and Brushed Nickel (105)	\$ 594

ACCESSORIES

SKU	Description	MSRP
10060311	Corner glass shelf (9 3/8 x 9 3/8 in.) (sold separately) 10 mm frosted glass with a clear band along the edge Compatible with Utile and tile shower walls	\$ 158
10004306-001	White foam cushion with 2 suction pads (sold separately) Available color: White (001)	\$ 126
10032807-084	Flexible waste and overflow (sold separately)	\$ 259
10032807-105	Available colors: Chrome (084) and Brushed Nickel (105)	\$ 342
10032808-084	Brass flexible waste and overflow for high construction (sold separately)	\$ 511
10032808-105	Available colors: Chrome (084) and Brushed Nickel (105)	\$ 594

ModuIR BATHTUB: 60X32 WITH ARMREST



This technical drawing is universal for all ModuIR Tub configurations. (Left/Right Corner & Wall-mounted)

Integrated tiling flange: 1" height x 3/8" thick (not shown)
Tiling flange position is determined by chosen configuration.

All dimensions are approximate. Structure measurements must be verified against the unit to ensure proper fit.

Optik 6032



Material : Acrylic
 Min: 41 Gal / 186 L
 Max: 49 Gal / 223 L

Features

- › Sleek bathtub combines straight and curvaceous lines
- › Inclined backrest, curvaceous armrests and deep bathing well
- › Ample deck space for faucet installation
- › Undermount, drop-in or alcove installation with end drain
- › Apron with access panel and 12 in. grab bars available, sold separately
- › Magnetic cushion available in black or white, sold separately
- › Magnet backed headrest for cushion. Factory installed only if cushion ordered on initial order

RECTANGULAR BATHTUBS - ACRYLIC

OPTIK 6032 - 101265						
SKU	System	Color	Configuration	Dimensions & Weight	Packaging	MSRP
101265-000-001-000	Soaker - No System	White	End	59 3/4" x 32" x 20" / 64 lb / 29 kg	26 ft ³	\$ 1192
101265-000-001-001			Left			\$ 1192
101265-000-001-002			Right			\$ 1192
101265-000-004-000		Bone	End			\$ 1192
101265-000-004-001			Left			\$ 1192
101265-000-004-002			Right			\$ 1192
101265-000-007	Biscuit		\$ 1192			
101265-054-001-100	Hydrofeel ^{1 4}	White	End			\$ 5088
101265-054-004		Bone				\$ 5088
101265-054-007		Biscuit				\$ 5088
101265-055-001-100	Aerofeel ^{1 5}	White	Right			\$ 5190
101265-055-001-102			Left			\$ 5190
101265-055-001-103				\$ 5190		
101265-055-004		Bone	\$ 5190			
101265-055-007		Biscuit	\$ 5190			
101265-056-001		Combined Hydrofeel & Aerofeel ^{1 4 5}	White	End	\$ 8293	
101265-056-004	Bone		\$ 8293			
101265-056-007	Biscuit		\$ 8293			
101265-L-000-007	Soaker - No System		Left	\$ 1192		

OPTIK 6032 - 101265

SKU	System	Color	Configuration	Dimensions & Weight	Packaging	MSRP
101265-L-054-001	Hydrofeel ^{1 4}	White	Left	59 3/4" x 32" x 20" / 64 lb / 29 kg	26 ft ³	\$ 5088
101265-L-054-004		Bone				\$ 5088
101265-L-054-007		Biscuit				\$ 5088
101265-L-055-004	Aerofeel ^{1 5}	Bone				\$ 5190
101265-L-055-007		Biscuit				\$ 5190
101265-L-056-001	Combined Hydrofeel & Aerofeel ^{1 4 5}	White				\$ 8293
101265-L-056-004		Bone				\$ 8293
101265-L-056-007		Biscuit				\$ 8293
101265-R-000-007	Soaker - No System					Right
101265-R-054-001	Hydrofeel ^{1 4}	White	\$ 5088			
101265-R-054-004		Bone	\$ 5088			
101265-R-054-007		Biscuit	\$ 5088			
101265-R-055-004	Aerofeel ^{1 5}	Bone	\$ 5190			
101265-R-055-007		Biscuit	\$ 5190			
101265-R-056-001	Combined Hydrofeel & Aerofeel ^{1 4 5}	White	\$ 8293			
101265-R-056-004		Bone	\$ 8293			
101265-R-056-007		Biscuit	\$ 8293			

COMMON OPTIONS

SKU	Description	MSRP
OPT10119-105	Metal trim kit for Aerofeel electronic control (factory installed)	\$ 98
OPT10119-084	Available colors: Chrome (084) and Brushed Nickel (105)	\$ 98
OPT20110-105	Metal trim kit for Whirlpool and combined systems (factory installed)	\$ 369
OPT20110-084	Available colors: Chrome (084) and Brushed Nickel (105)	\$ 369
OPT10097-001	Two 12 in. metal grab bars (factory installed) in White (001)	\$ 682
OPT10097-004	Two 12 in. metal grab bars (factory installed) in Bone (004)	\$ 682
OPT10097-007	Two 12 in. metal grab bars (factory installed) in Biscuit (007)	\$ 682
OPT10097-084	Two 12 in. metal grab bars (factory installed) in Chrome (084)	\$ 682
OPT10097-105	Two 12 in. metal grab bars (factory installed) in Brushed Nickel (105)	\$ 682
OPT20141	Rest for Hydromax and combined systems ¹²	\$ 1078
OPT10054	Two chromatherapy lights for bathtubs without waterfall (factory installed)	\$ 928
OPT10095	Water heater assembly for whirlpool and combined systems (factory installed)	\$ 950
OPT20139	Ozonator for whirlpool system (factory installed)	\$ 615
101251-000-004-000	Apron with access panel (magnetic) Specify: Standard colors: White (001), Bone (004), Biscuit (007)	\$ 753
101251-000-007-000		\$ 753
101251-000-001-000		\$ 753
OPT20205	Lite option 3/8 in. thin deck ⁶ When chosen, this option is offered at no cost	\$ 0

ACCESSORIES

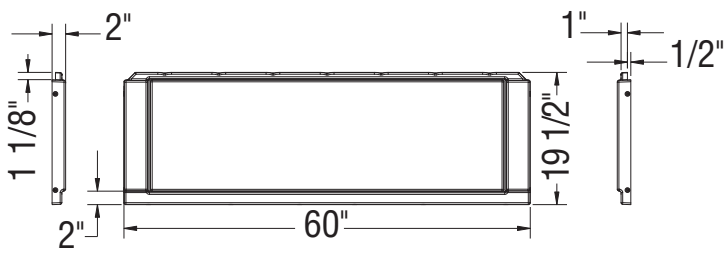
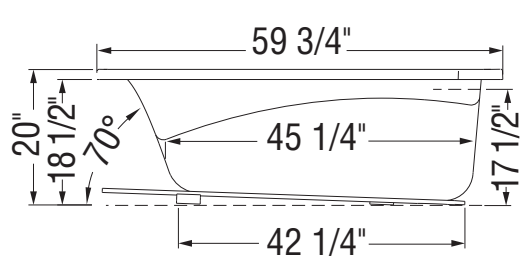
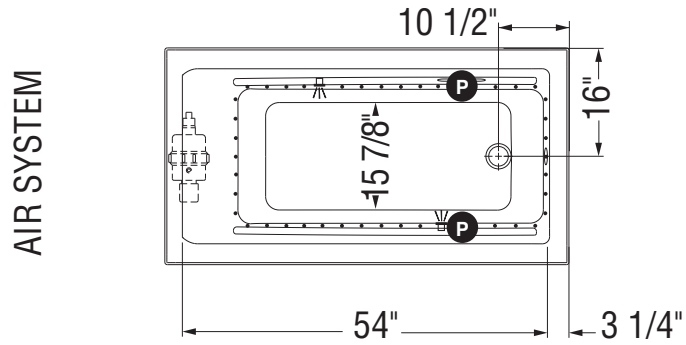
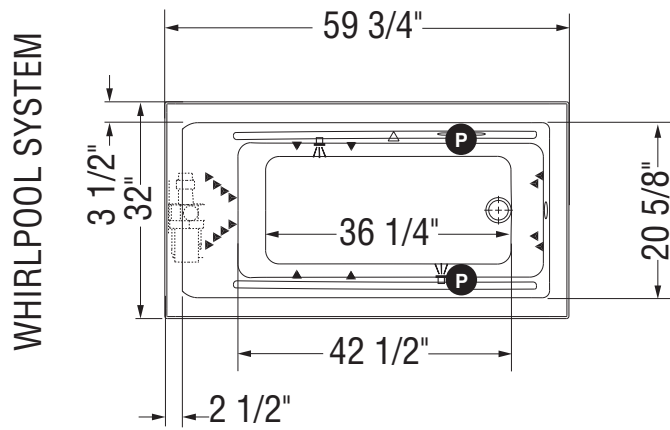
SKU	Description	MSRP
10013029-015	Minimalist cushion (magnetic) (sold separately for Optik and Aiiki) Available colours: White (001) and Black (015)	\$ 240
10013029-001		\$ 240
10033272	Flexible main hose for electronic control air massage - kit (sold separately) 15 ft. extension	\$ 373
10025081-084	Waste and overflow 27 in. flexible neck (sold separately) Available colors: Chrome (084) and Brushed Nickel (105)	\$ 449
10025081-105		\$ 449

FOOTNOTES

No	Description
1	Components for standard colour units equipped with systems are colour-coordinated. Trim kit and/or air push with metallic finish can be added (additional charge applies). For non-standard colour units, please specify trim kit and/or air push colour (additional charge applies for metallic finishes). Please note that the positioning of the system's control could be in conflict with the door if one was installed on the unit. To insure compatibility, please contact customer service.
4	For details on pump position and requirements, see technical drawings on https://www.maax.com . When there is a pump position A or B indicated on the technical drawing, please specify position when ordering.
5	For details on blower position and requirements, see technical drawings on https://www.maax.com . When there is a blower position A or B indicated on the technical drawing, please specify position when ordering.
6	Specify 3/8 (Lite option) or 2 in. on deck height. If ordering unit with an apron, only 2 in. deck height is available.
12	In combined systems, only the pump is replaced with the Rest. The blower remains the same.

RECOMMENDED DOORS - VISIT OUR WEBSITE FOR A COMPLETE LIST OF RECOMMENDED DOORS

SKU	Product Name	Pag.
139398	Halo 56 ½-59 x 59 - 8mm	1024
134661	Kameleon SC 55-59 x 57 - 6mm	989
135330	Incognito 57 Shaker 56-59 x 56 ¾ - 8mm	1000
138994	Luminescence SlidingDoor 56 ½-59 x 55 ½-57 ½ - 6mm	1026
136695	Revelation Round 56-59 x 56 ¾-59 ¼ - 8 mm	1012
135692	Revelation Square 56-59 x 56 ¾-58 ¼ - 6mm	1014
136692	Revelation Round 56-59 x 56 ¾-59 ¼ - 6mm	1010
134573	Kameleon 55-59 x 57 - 8mm	992
135695	Revelation Square 56-59 x 56 ¾-59 ¼ - 8mm	1016
134670	Kameleon SC 55-59 x 57 - 8mm	984
105410	Polar 54-59 ½ x 57 in.	1008
134561	Kameleon 55-59 x 57 - 6mm	995
138480	Vela 56 ½-59 x 59 - 8mm	1020
138485		1022
135320	Uptown 56-59 x 58 in. 8 mm	1018
139354	Incognito 57 56-59 x 56 ¾ - 8mm	1006
139351	Incognito 57 56-59 x 56 ¾ - 6mm	1002



- (P): Indicates optional grab bar positioning
 - (▲): Indicates whirlpool jets positioning
 - (△): Indicates suction positioning
 - (•): Indicates airjets positioning
 - (☼): Indicates chromatherapy light positioning
- Bathtub base includes anti-vibration Neutra-Phone leg supports (not shown).
All dimensions are approximate. Structure measurements must be verified against the unit to ensure proper fit.

Optik 6636



Material : Acrylic
 Min: 45 Gal / 205 L
 Max: 61 Gal / 277 L

Features

- › Sleek bathtub combines straight and curvaceous lines
- › Inclined backrest, curvaceous armrests and deep bathing well
- › Ample deck space for faucet installation
- › Undermount, drop-in or alcove installation with end drain
- › Apron with access panel and 12 in. grab bars available as an option
- › Magnetic cushion available in black or white
- › Magnet backed headrest for cushion. Factory installed only if cushion ordered on initial order

RECTANGULAR BATHTUBS - ACRYLIC

OPTIK 6636 - 101269

SKU	System	Color	Configuration	Dimensions & Weight	Packaging	MSRP			
101269-000-001-000	Soaker - No System	White	End	65 3/4" x 36" x 21 1/8" / 70 lb / 32 kg	31 ft ³	\$ 1724			
101269-000-004		Bone				\$ 1724			
101269-000-007-000		Biscuit				\$ 1724			
101269-054-001-100	Hydrofeel ^{1 4}	White				\$ 5620			
101269-054-004		Bone				\$ 5620			
101269-054-007		Biscuit				\$ 5620			
101269-055-001-100	Aerofeel ^{1 5}	White				\$ 5722			
101269-055-004		Bone				\$ 5722			
101269-055-007		Biscuit				\$ 5722			
101269-056-001	Combined Hydrofeel & Aerofeel ^{1 4 5}	White				\$ 8825			
101269-056-004		Bone				\$ 8825			
101269-056-007		Biscuit				\$ 8825			
101269-L-000-001	Soaker - No System	White				Left			\$ 1724
101269-L-000-004		Bone							\$ 1724
101269-L-000-007		Biscuit							\$ 1724
101269-L-054-001	Hydrofeel ^{1 4}	White	\$ 5620						
101269-L-054-004		Bone	\$ 5620						
101269-L-054-007		Biscuit	\$ 5620						
101269-L-055-001	Aerofeel ^{1 5}	White	\$ 5722						
101269-L-055-004		Bone	\$ 5722						

OPTIK 6636 - 101269

SKU	System	Color	Configuration	Dimensions & Weight	Packaging	MSRP
101269-L-055-007	Aerofeel ^{1 5}	Biscuit	Left	65 3/4" x 36" x 21 1/8" / 70 lb / 32 kg	31 ft ³	\$ 5722
101269-L-056-001	Combined Hydrofeel & Aerofeel ^{1 4 5}	White				\$ 8825
101269-L-056-004		Bone				\$ 8825
101269-L-056-007		Biscuit				\$ 8825
101269-R-000-001		Soaker - No System	White			\$ 1724
101269-R-000-004	Bone		\$ 1724			
101269-R-000-007	Biscuit		\$ 1724			
101269-R-054-001	Hydrofeel ^{1 4}	White	\$ 5620			
101269-R-054-004		Bone	\$ 5620			
101269-R-054-007		Biscuit	\$ 5620			
101269-R-055-001	Aerofeel ^{1 5}	White	\$ 5722			
101269-R-055-004		Bone	\$ 5722			
101269-R-055-007		Biscuit	\$ 5722			
101269-R-056-001	Combined Hydrofeel & Aerofeel ^{1 4 5}	White	\$ 8825			
101269-R-056-004		Bone	\$ 8825			
101269-R-056-007		Biscuit	\$ 8825			

COMMON OPTIONS

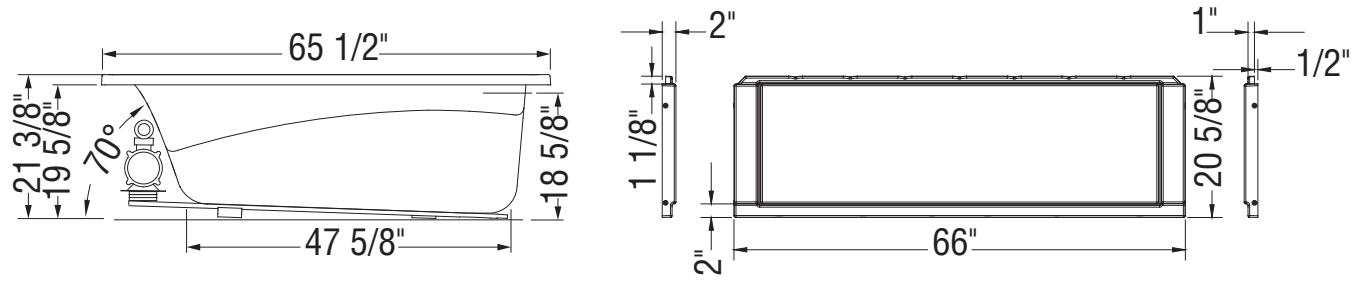
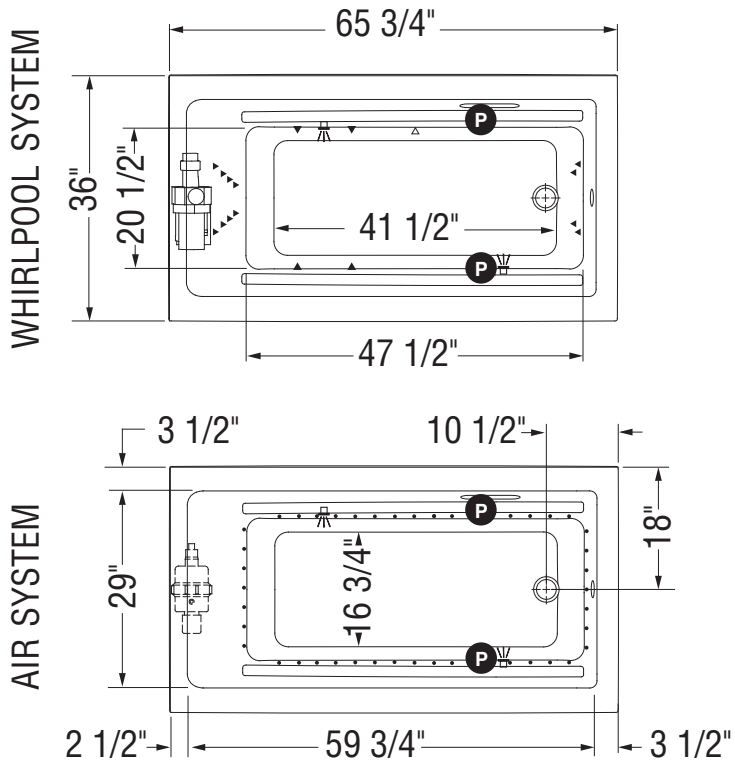
SKU	Description	MSRP
OPT10097-084	Two 12 in. metal grab bars (factory installed) in Chrome (084)	\$ 682
OPT10097-105	Two 12 in. metal grab bars (factory installed) in Brushed Nickel (105)	\$ 682
OPT10054	Two chromatherapy lights for bathtubs without waterfall (factory installed)	\$ 928
OPT10095	Water heater assembly for whirlpool and combined systems (factory installed)	\$ 950
OPT20139	Ozonator for whirlpool system (factory installed)	\$ 615
OPT10119-105	Metal trim kit for Aerofeel electronic control (factory installed)	\$ 98
OPT10119-084	Available colors: Chrome (084) and Brushed Nickel (105)	\$ 98
OPT20110-105	Metal trim kit for Whirlpool and combined systems (factory installed)	\$ 369
OPT20110-084	Available colors: Chrome (084) and Brushed Nickel (105)	\$ 369
OPT20141	Rest for Hydromax and combined systems ¹²	\$ 1078
OPT10097-001	Two 12 in. metal grab bars (factory installed) in White (001)	\$ 682
OPT10097-004	Two 12 in. metal grab bars (factory installed) in Bone (004)	\$ 682
OPT10097-007	Two 12 in. metal grab bars (factory installed) in Biscuit (007)	\$ 682
101264-000-001-000	Apron with access panel (magnetic) Specify: Standard colors: White (001), Bone (004), Biscuit (007)	\$ 753
101264-000-004		\$ 753
101264-000-007-000		\$ 753
OPT20205	Lite option 3/8 in. thin deck ⁶ When chosen, this option is offered at no cost	\$ 0

ACCESSORIES

SKU	Description	MSRP
10013029-015	Minimalist cushion (magnetic) (sold separately for Optik and Aiiki)	\$ 240
10013029-001	Available colours: White (001) and Black (015)	\$ 240
10033272	Flexible main hose for electronic control air massage - kit (sold separately) 15 ft. extension	\$ 373
10025081-084	Waste and overflow 27 in. flexible neck (sold separately)	\$ 449
10025081-105	Available colors: Chrome (084) and Brushed Nickel (105)	\$ 449

FOOTNOTES

No	Description
1	Components for standard colour units equipped with systems are colour-coordinated. Trim kit and/or air push with metallic finish can be added (additional charge applies). For non-standard colour units, please specify trim kit and/or air push colour (additional charge applies for metallic finishes). Please note that the positioning of the system's control could be in conflict with the door if one was installed on the unit. To insure compatibility, please contact customer service.
4	For details on pump position and requirements, see technical drawings on https://www.maax.com . When there is a pump position A or B indicated on the technical drawing, please specify position when ordering.
5	For details on blower position and requirements, see technical drawings on https://www.maax.com . When there is a blower position A or B indicated on the technical drawing, please specify position when ordering.
6	Specify 3/8 (Lite option) or 2 in. on deck height. If ordering unit with an apron, only 2 in. deck height is available.
12	In combined systems, only the pump is replaced with the Rest. The blower remains the same.



- (P): Indicates optional grab bar positioning
 - (▲): Indicates whirlpool jets positioning
 - (△): Indicates suction positioning
 - (•): Indicates airjets positioning
 - (☐): Indicates chromatherapy light positioning
- Bathtub base includes anti-vibration Neutra-Phone leg supports (not shown).
All dimensions are approximate. Structure measurements must be verified against the unit to ensure proper fit.



Optik 6636 C



Material : Acrylic
 Min: 39 Gal / 177 L
 Max: 57 Gal / 259 L

Features

- › Sleek bathtub combines straight and curvaceous lines
- › Inclined backrest, curvaceous inset armrests, deep bathing well
- › Two deck widths for different styles of faucet
- › Center drain and 4 adjustable leveling legs
- › Above-the-Floor Rough (AFR)
- › Undermount or drop-in installation with center drain

RECTANGULAR BATHTUBS - ACRYLIC

OPTIK C - 105743						
SKU	System	Color	Configuration	Dimensions & Weight	Packaging	MSRP
105743-000-001-102	Soaker - No System	White	Center	66" x 36" x 24" / 60 lb / 27 kg	37 ft ³	\$ 1724
105743-054-001-000	Hydrofeel ^{1 4}					\$ 5620
105743-055-001-000	Aerofeel ^{1 5}					\$ 5722
105743-056-001-000	Combined Hydrofeel & Aerofeel ^{1 4 5}					\$ 8825

COMMON OPTIONS		
SKU	Description	MSRP
OPT20141	Rest for Hydromax and combined systems ¹²	\$ 1078
OPT10054	Two chromatherapy lights for bathtubs without waterfall (factory installed)	\$ 928
OPT10095	Water heater assembly for whirlpool and combined systems (factory installed)	\$ 950
OPT20139	Ozonator for whirlpool system (factory installed)	\$ 615
OPT10119-105	Metal trim kit for Aerofeel electronic control (factory installed)	\$ 98
OPT10119-084	Available colors: Chrome (084) and Brushed Nickel (105)	\$ 98
OPT20110-105	Metal trim kit for Whirlpool and combined systems (factory installed)	\$ 369
OPT20110-084	Available colors: Chrome (084) and Brushed Nickel (105)	\$ 369
OPT20205	Lite option 3/8 in. thin deck ⁶ When chosen, this option is offered at no cost	\$ 0

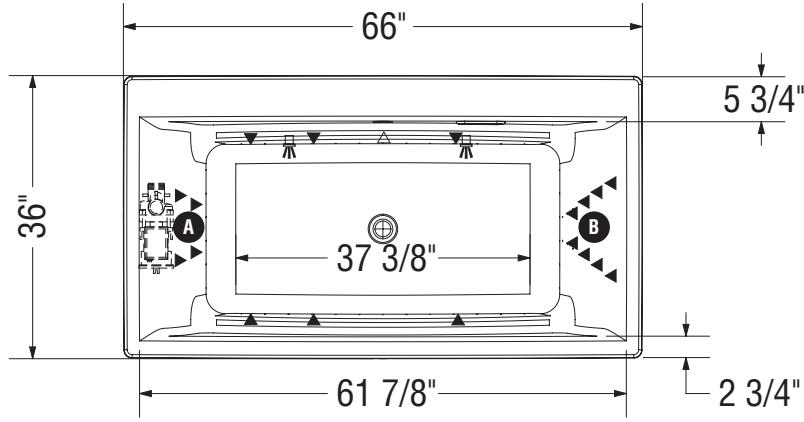
ACCESSORIES

SKU	Description	MSRP
10013029-015	Minimalist cushion (magnetic) (sold separately for Optik and Aiiki)	\$ 240
10013029-001	Available colours: White (001) and Black (015)	\$ 240
10033272	Flexible main hose for electronic control air massage - kit (sold separately) 15 ft. extension	\$ 373
10025720-105	Waste and overflow 33 in. flexible neck (sold separately)	\$ 449
10025720-084	Available colors: Chrome (084) and Brushed Nickel (105)	\$ 449

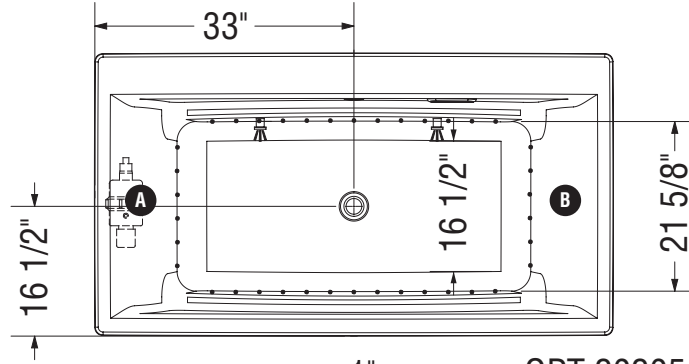
FOOTNOTES

No	Description
1	Components for standard colour units equipped with systems are colour-coordinated. Trim kit and/or air push with metallic finish can be added (additional charge applies). For non-standard colour units, please specify trim kit and/or air push colour (additional charge applies for metallic finishes). Please note that the positioning of the system's control could be in conflict with the door if one was installed on the unit. To insure compatibility, please contact customer service.
4	For details on pump position and requirements, see technical drawings on https://www.maax.com . When there is a pump position A or B indicated on the technical drawing, please specify position when ordering.
5	For details on blower position and requirements, see technical drawings on https://www.maax.com . When there is a blower position A or B indicated on the technical drawing, please specify position when ordering.
6	Specify 3/8 (Lite option) or 2 in. on deck height. If ordering unit with an apron, only 2 in. deck height is available.
12	In combined systems, only the pump is replaced with the Rest. The blower remains the same.

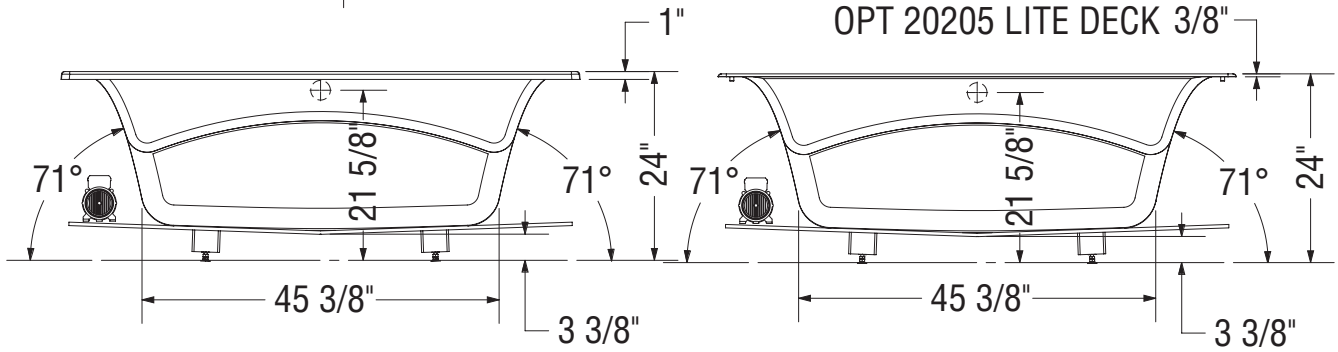
WHIRLPOOL SYSTEM



AIR SYSTEM



OPT 20205 LITE DECK 3/8"



A : Specify blower and/or pump location when ordering

- (▲) : Indicates whirlpool jets positioning
- (△) : Indicates suction positioning
- (•) : Indicates Aerofeel airjets positioning
- (♪) : Indicates chromatherapy light positioning

All dimensions are approximate. Structure measurements must be verified against the unit to ensure proper fit.

Optik 7236



RECTANGULAR BATHTUBS - ACRYLIC



Material : Acrylic
 Min: 39 Gal / 177 L
 Max: 62 Gal / 282 L

Features

- › Sleek bathtub combines straight and curvaceous lines
- › Inclined backrest, curvaceous armrests and deep bathing well
- › Ample deck space for faucet installation
- › Undermount or drop-in installation with center drain
- › Two 12 in. grab bars option available
- › Magnetic cushion available in black or white
- › Magnet backed headrest for cushion. Factory installed only if cushion ordered on initial order

OPTIK 7236 - 101270

SKU	System	Color	Configuration	Dimensions & Weight	Packaging	MSRP
101270-000-001-000	Soaker - No System	White	Center	72" x 36" x 23 1/2" / 80 lb / 36 kg	44 ft ³	\$ 1878
101270-000-004		Bone				\$ 1878
101270-000-007		Biscuit				\$ 1878
101270-054-001-100	Hydrofeel ^{1 4}	White				\$ 5774
101270-054-004		Bone				\$ 5774
101270-054-007		Biscuit				\$ 5774
101270-055-001-100	Aerofeel ^{1 5}	White				\$ 5876
101270-055-004		Bone				\$ 5876
101270-055-007		Biscuit				\$ 5876
101270-056-001	Combined Hydrofeel & Aerofeel ^{1 4 5}	White				\$ 8979
101270-056-004		Bone				\$ 8979
101270-056-007		Biscuit				\$ 8979

COMMON OPTIONS

SKU	Description	MSRP
OPT20141	Rest for Hydromax and combined systems ¹²	\$ 1078
OPT10054	Two chromatherapy lights for bathtubs without waterfall (factory installed)	\$ 928
OPT10095	Water heater assembly for whirlpool and combined systems (factory installed)	\$ 950
OPT20139	Ozonator for whirlpool system (factory installed)	\$ 615

COMMON OPTIONS

SKU	Description	MSRP
OPT10119-105	Metal trim kit for Aerofeel electronic control (factory installed)	\$ 98
OPT10119-084	Available colors: Chrome (084) and Brushed Nickel (105)	\$ 98
OPT20110-105	Metal trim kit for Whirlpool and combined systems (factory installed)	\$ 369
OPT20110-084	Available colors: Chrome (084) and Brushed Nickel (105)	\$ 369
OPT10097-001	Two 12 in. metal grab bars (factory installed) in White (001)	\$ 682
OPT10097-004	Two 12 in. metal grab bars (factory installed) in Bone (004)	\$ 682
OPT10097-007	Two 12 in. metal grab bars (factory installed) in Biscuit (007)	\$ 682
OPT10097-084	Two 12 in. metal grab bars (factory installed) in Chrome (084)	\$ 682
OPT10097-105	Two 12 in. metal grab bars (factory installed) in Brushed Nickel (105)	\$ 682
OPT20205	Lite option 3/8 in. thin deck ⁶ When chosen, this option is offered at no cost	\$ 0

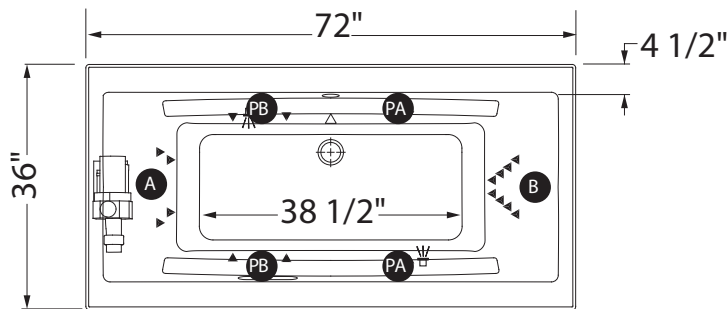
ACCESSORIES

SKU	Description	MSRP
10013029-015	Minimalist cushion (magnetic) (sold separately for Optik and Aiiki)	\$ 240
10013029-001	Available colours: White (001) and Black (015)	\$ 240
10033272	Flexible main hose for electronic control air massage - kit (sold separately) 15 ft. extension	\$ 373
10025081-084	Waste and overflow 27 in. flexible neck (sold separately)	\$ 449
10025081-105	Available colors: Chrome (084) and Brushed Nickel (105)	\$ 449

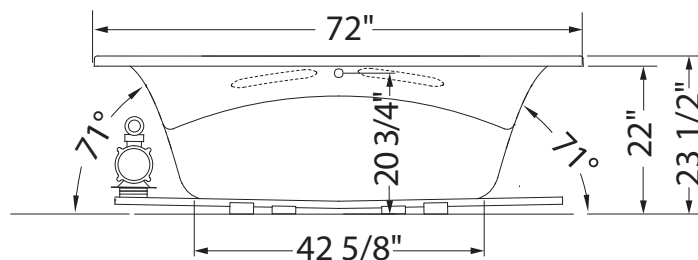
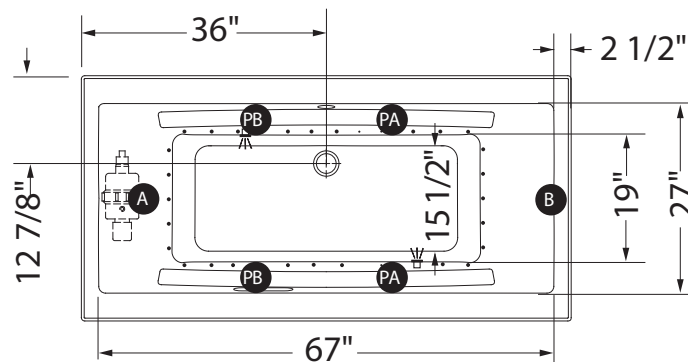
FOOTNOTES

No	Description
1	Components for standard colour units equipped with systems are colour-coordinated. Trim kit and/or air push with metallic finish can be added (additional charge applies). For non-standard colour units, please specify trim kit and/or air push colour (additional charge applies for metallic finishes). Please note that the positioning of the system's control could be in conflict with the door if one was installed on the unit. To insure compatibility, please contact customer service.
4	For details on pump position and requirements, see technical drawings on https://www.maax.com . When there is a pump position A or B indicated on the technical drawing, please specify position when ordering.
5	For details on blower position and requirements, see technical drawings on https://www.maax.com . When there is a blower position A or B indicated on the technical drawing, please specify position when ordering.
6	Specify 3/8 (Lite option) or 2 in. on deck height. If ordering unit with an apron, only 2 in. deck height is available.
12	In combined systems, only the pump is replaced with the Rest. The blower remains the same.

WHIRLPOOL SYSTEM



AIR SYSTEM



A : Specify blower and/or pump location when ordering

B

PA : With system, the optional grab bar is on opposite side of the pump.
PB Without system, specify optional grab bar location when ordering.

(▲): Indicates whirlpool jets positioning

(△): Indicates suction positioning

(•): Indicates airjets positioning

(☼): Indicates chromatherapy light positioning

Bathtub base includes anti-vibration Neutra-Phone leg supports (not shown).

Blower must be installed at a distance.

The back massage is on the opposite side of the blower position.

All dimensions are approximate. Structure measurements

must be verified against the unit to ensure proper fit.



Optik 7242



Material : Acrylic
 Min: 48 Gal / 218 L
 Max: 77 Gal / 350 L

Features

- › Sleek bathtub combines straight and curvaceous lines
- › Inclined backrest, curvaceous armrests and deep bathing well
- › Ample deck space for faucet installation
- › Undermount or drop-in installation with center drain
- › Two 12 in. grab bars option available
- › Magnetic cushion available in black or white
- › Magnet backed headrest for cushion. Factory installed only if cushion ordered on initial order

RECTANGULAR BATHTUBS - ACRYLIC

OPTIK 7242 - 101275

SKU	System	Color	Configuration	Dimensions & Weight	Packaging	MSRP
101275-000-001-000	Soaker - No System	White	Center	72" x 42" x 23 1/2" / 90 lb / 41 kg	53 ft ³	\$ 1878
101275-000-004		Bone				\$ 1878
101275-000-007		Biscuit				\$ 1878
101275-054-001-100	Hydrofeel ^{1 4}	White				\$ 5774
101275-054-004		Bone				\$ 5774
101275-054-007		Biscuit				\$ 5774
101275-055-001-100	Aerofeel ^{1 5}	White				\$ 5876
101275-055-004		Bone				\$ 5876
101275-055-007		Biscuit				\$ 5876
101275-056-001	Combined Hydrofeel & Aerofeel ^{1 4 5}	White				\$ 8979
101275-056-004		Bone				\$ 8979
101275-056-007		Biscuit				\$ 8979

COMMON OPTIONS

SKU	Description	MSRP
OPT20141	Rest for Hydromax and combined systems ¹²	\$ 1078
OPT10054	Two chromatherapy lights for bathtubs without waterfall (factory installed)	\$ 928
OPT10095	Water heater assembly for whirlpool and combined systems (factory installed)	\$ 950
OPT20139	Ozonator for whirlpool system (factory installed)	\$ 615

COMMON OPTIONS

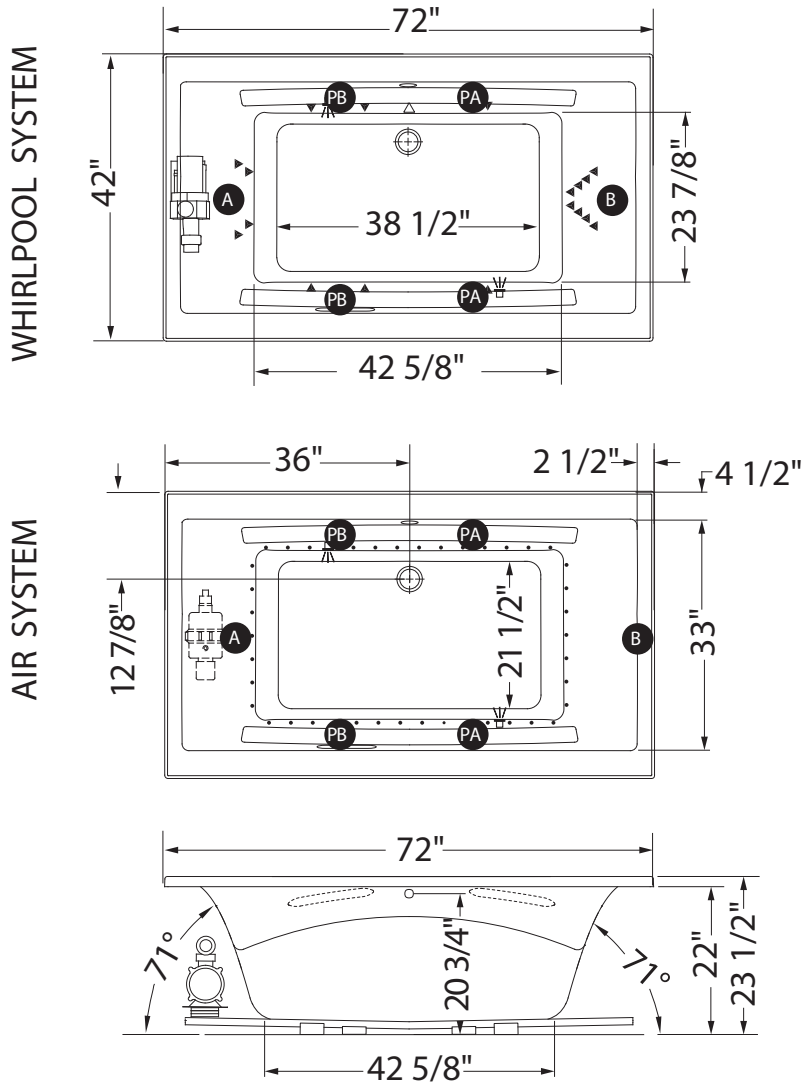
SKU	Description	MSRP
OPT10119-105	Metal trim kit for Aerofeel electronic control (factory installed)	\$ 98
OPT10119-084	Available colors: Chrome (084) and Brushed Nickel (105)	\$ 98
OPT20110-105	Metal trim kit for Whirlpool and combined systems (factory installed)	\$ 369
OPT20110-084	Available colors: Chrome (084) and Brushed Nickel (105)	\$ 369
OPT10097-001	Two 12 in. metal grab bars (factory installed) in White (001)	\$ 682
OPT10097-004	Two 12 in. metal grab bars (factory installed) in Bone (004)	\$ 682
OPT10097-007	Two 12 in. metal grab bars (factory installed) in Biscuit (007)	\$ 682
OPT10097-084	Two 12 in. metal grab bars (factory installed) in Chrome (084)	\$ 682
OPT10097-105	Two 12 in. metal grab bars (factory installed) in Brushed Nickel (105)	\$ 682
OPT20205	Lite option 3/8 in. thin deck ⁶ When chosen, this option is offered at no cost	\$ 0

ACCESSORIES

SKU	Description	MSRP
10013029-015	Minimalist cushion (magnetic) (sold separately for Optik and Aiiki)	\$ 240
10013029-001	Available colours: White (001) and Black (015)	\$ 240
10033272	Flexible main hose for electronic control air massage - kit (sold separately) 15 ft. extension	\$ 373
10025081-084	Waste and overflow 27 in. flexible neck (sold separately)	\$ 449
10025081-105	Available colors: Chrome (084) and Brushed Nickel (105)	\$ 449

FOOTNOTES

No	Description
1	Components for standard colour units equipped with systems are colour-coordinated. Trim kit and/or air push with metallic finish can be added (additional charge applies). For non-standard colour units, please specify trim kit and/or air push colour (additional charge applies for metallic finishes). Please note that the positioning of the system's control could be in conflict with the door if one was installed on the unit. To insure compatibility, please contact customer service.
4	For details on pump position and requirements, see technical drawings on https://www.maax.com . When there is a pump position A or B indicated on the technical drawing, please specify position when ordering.
5	For details on blower position and requirements, see technical drawings on https://www.maax.com . When there is a blower position A or B indicated on the technical drawing, please specify position when ordering.
6	Specify 3/8 (Lite option) or 2 in. on deck height. If ordering unit with an apron, only 2 in. deck height is available.
12	In combined systems, only the pump is replaced with the Rest. The blower remains the same.



A : Specify blower and/or pump location when ordering
B :

PA : With system, the optional grab bar is on opposite side of the pump.
PB : Without system, specify optional grab bar location when ordering.

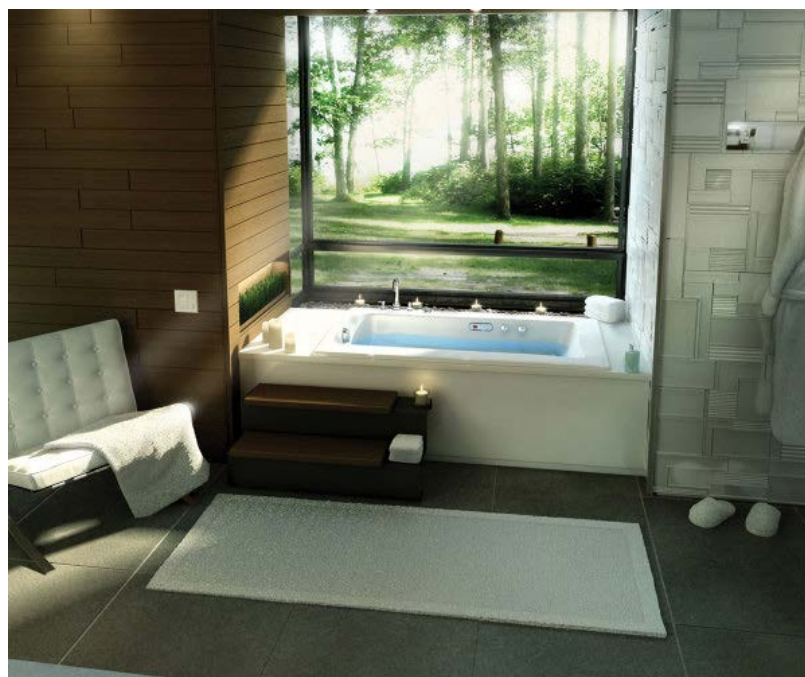
- (▲): Indicates whirlpool jets positioning
- (△): Indicates suction positioning
- (●): Indicates airjets positioning
- (▮): Indicates chromatherapy light positioning

Bathtub base includes anti-vibration Neutra-Phone leg supports (not shown).
 Blower must be installed at a distance.
 The back massage is on the opposite side of the blower position.
 All dimensions are approximate. Structure measurements must be verified against the unit to ensure proper fit.



Release 6032

RECTANGULAR BATHTUBS - ACRYLIC



Material : Acrylic
 Min: 32 Gal / 145 L
 Max: 43 Gal / 195 L

Features

- › Spacious bathtub with ergonomic design
- › Integrated recessed backrest for comfort
- › Ample deck space for faucet installation
- › Drop-in installation with end drain
- › Integrated tiling flange available ²¹

RELEASE 6032 - 105310									
SKU	System	Color	Configuration	Dimensions & Weight	Packaging	MSRP			
105310-000-001-100	Soaker - No System	White	End	59 3/4" x 32" x 20" / 110 lb / 50 kg	31 ft ³	\$ 1603			
105310-000-004		Bone				\$ 1603			
105310-000-007		Biscuit				\$ 1603			
105310-004-001	Hydromax ^{1 4 17}	White				\$ 5601			
105310-004-004		Bone				\$ 5601			
105310-004-007		Biscuit				\$ 5601			
105310-055-001-000	Aerofeel ^{1 5}	White				\$ 5601			
105310-055-004		Bone				\$ 5601			
105310-055-007		Biscuit				\$ 5601			
105310-094-001	Combined Hydromax & Aerofeel ^{1 4 5 17}	White				\$ 8797			
105310-094-004		Bone				\$ 8797			
105310-094-007		Biscuit				\$ 8797			
105310-L-000-001	Soaker - No System	White				Left			\$ 1603
105310-L-000-004		Bone							\$ 1603
105310-L-000-007		Biscuit							\$ 1603
105310-L-004-001	Hydromax ^{1 4 17}	White	\$ 5601						
105310-L-004-004		Bone	\$ 5601						
105310-L-004-007		Biscuit	\$ 5601						
105310-L-055-001	Aerofeel ^{1 5}	White	\$ 5601						
105310-L-055-004		Bone	\$ 5601						

RELEASE 6032 - 105310

SKU	System	Color	Configuration	Dimensions & Weight	Packaging	MSRP
105310-L-055-007	Aerofeel ^{1 5}	Biscuit	Left	59 3/4" x 32" x 20" / 110 lb / 50 kg	31 ft ³	\$ 5601
105310-L-094-001	Combined Hydromax & Aerofeel ^{1 4 5 17}	White				\$ 8797
105310-L-094-004		Bone				\$ 8797
105310-L-094-007		Biscuit				\$ 8797
105310-R-000-001		Soaker - No System	White			\$ 1603
105310-R-000-004	Bone		\$ 1603			
105310-R-000-007	Biscuit		\$ 1603			
105310-R-004-001	Hydromax ^{1 4 17}	White	Right			\$ 5601
105310-R-004-004		Bone				\$ 5601
105310-R-004-007		Biscuit				\$ 5601
105310-R-055-001	Aerofeel ^{1 5}	White				\$ 5601
105310-R-055-004		Bone				\$ 5601
105310-R-055-007		Biscuit				\$ 5601
105310-R-094-001	Combined Hydromax & Aerofeel ^{1 4 5 17}	White				\$ 8797
105310-R-094-004		Bone				\$ 8797
105310-R-094-007		Biscuit				\$ 8797

COMMON OPTIONS

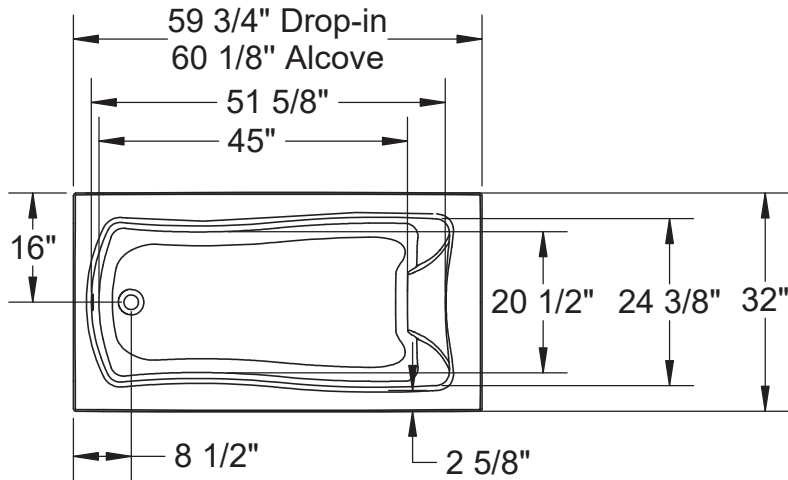
SKU	Description	MSRP
OPT10054	Two chromatherapy lights for bathtubs without waterfall (factory installed)	\$ 928
OPT10095	Water heater assembly for whirlpool and combined systems (factory installed)	\$ 950
OPT20139	Ozonator for whirlpool system (factory installed)	\$ 615
OPT10106-084	Metal trim kit for whirlpool and combined systems (factory installed) Available colors: Chrome (084) and Brushed Nickel (105)	\$ 669
OPT10106-105		\$ 669
OPT10119-105	Metal trim kit for Aerofeel electronic control (factory installed) Available colors: Chrome (084) and Brushed Nickel (105)	\$ 98
OPT10119-084		\$ 98
OPT20141	Rest for Hydromax and combined systems ¹²	\$ 1078

ACCESSORIES

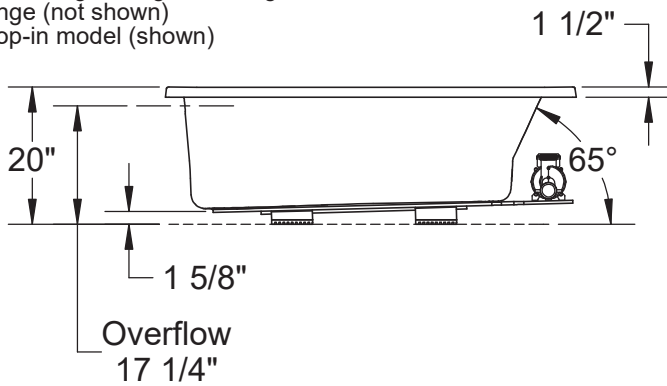
SKU	Description	MSRP
10033272	Flexible main hose for electronic control air massage - kit (sold separately) 15 ft. extension	\$ 373
10025081-084	Waste and overflow 27 in. flexible neck (sold separately) Available colors: Chrome (084) and Brushed Nickel (105)	\$ 449
10025081-105		\$ 449

FOOTNOTES

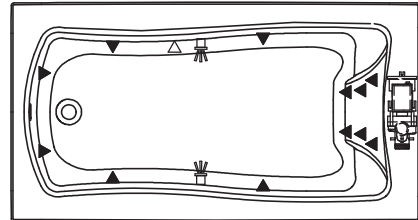
No	Description
1	Components for standard colour units equipped with systems are colour-coordinated. Trim kit and/or air push with metallic finish can be added (additional charge applies). For non-standard colour units, please specify trim kit and/or air push colour (additional charge applies for metallic finishes). Please note that the positioning of the system's control could be in conflict with the door if one was installed on the unit. To insure compatibility, please contact customer service.
4	For details on pump position and requirements, see technical drawings on https://www.maax.com . When there is a pump position A or B indicated on the technical drawing, please specify position when ordering.
5	For details on blower position and requirements, see technical drawings on https://www.maax.com . When there is a blower position A or B indicated on the technical drawing, please specify position when ordering.
12	In combined systems, only the pump is replaced with the Rest. The blower remains the same.
17	Includes Backmax and Footmax jets. Souvenir with apron and Living bathtub models do not include Footmax jets.
21	Specify when ordering if an integrated tiling flange is required and on which side (L/R, Left or Right).



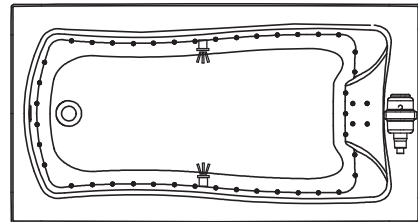
1 1/8" Single integrated tiling flange (not shown)
Drop-in model (shown)



WHIRLPOOL SYSTEM



AIR SYSTEM



Technical drawing is universal for all 6032 configurations.

Single Integrated tiling flange: 1 1/8" height x 1/4" thickness (not shown)

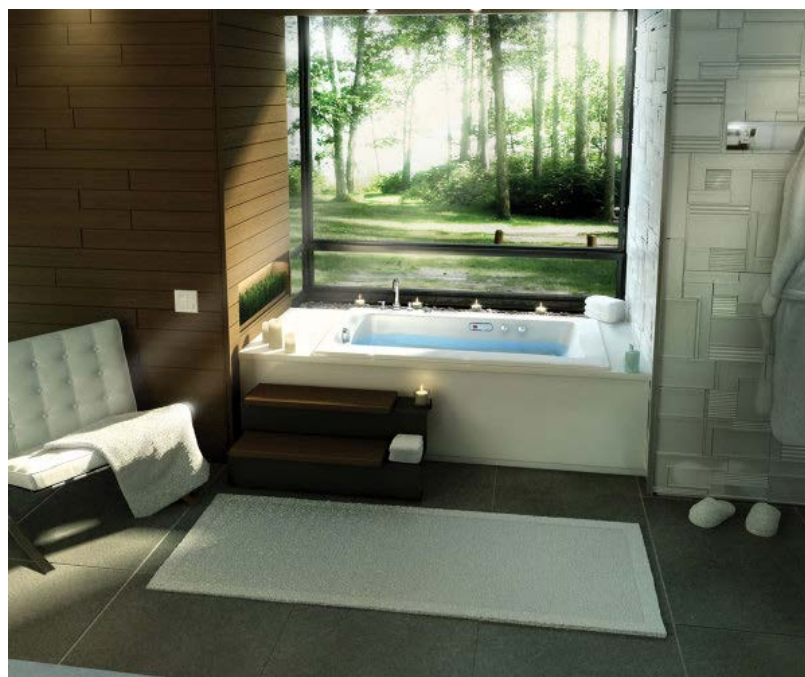
All dimensions are approximate.
Structure measurement must be verified against the unit to ensure proper fit.

- (▲) : Indicates whirlpool jets positioning
- (●) : Indicates airjets positioning
- (△) : Indicates suction positioning
- (◻) : Indicates chromotherapy light positioning



Release 6036

RECTANGULAR BATHTUBS - ACRYLIC



Material : Acrylic
 Min: 32 Gal / 145 L
 Max: 48 Gal / 218 L

Features

- › Spacious bathtub with ergonomic design
- › Integrated recessed backrest for comfort
- › Ample deck space for faucet installation
- › Drop-in installation with end drain
- › Integrated tiling flange available ²¹

RELEASE 6036 - 105311									
SKU	System	Color	Configuration	Dimensions & Weight	Packaging	MSRP			
105311-000-001-100	Soaker - No System	White	End	59 5/8" x 36" x 20" / 115 lb / 52 kg	37 ft ³	\$ 1839			
105311-000-004		Bone				\$ 1839			
105311-000-007		Biscuit				\$ 1839			
105311-004-001	Hydromax ^{1 4 17}	White				\$ 5837			
105311-004-004		Bone				\$ 5837			
105311-004-007		Biscuit				\$ 5837			
105311-055-001-000	Aerofeel ^{1 5}	White				\$ 5837			
105311-055-004		Bone				\$ 5837			
105311-055-007		Biscuit				\$ 5837			
105311-094-001	Combined Hydromax & Aerofeel ^{1 4 5 17}	White				\$ 9033			
105311-094-004		Bone				\$ 9033			
105311-094-007		Biscuit				\$ 9033			
105311-L-000-001	Soaker - No System	White				Left			\$ 1839
105311-L-000-004		Bone							\$ 1839
105311-L-000-007		Biscuit							\$ 1839
105311-L-004-001	Hydromax ^{1 4 17}	White	\$ 5837						
105311-L-004-004		Bone	\$ 5837						
105311-L-004-007		Biscuit	\$ 5837						
105311-L-055-001	Aerofeel ^{1 5}	White	\$ 5837						
105311-L-055-004		Bone	\$ 5837						

RELEASE 6036 - 105311

SKU	System	Color	Configuration	Dimensions & Weight	Packaging	MSRP
105311-L-055-007	Aerofeel ^{1 5}	Biscuit	Left	59 5/8" x 36" x 20" / 115 lb / 52 kg	37 ft ³	\$ 5837
105311-L-094-001	Combined Hydromax & Aerofeel ^{1 4 5 17}	White				\$ 9033
105311-L-094-004		Bone				\$ 9033
105311-L-094-007		Biscuit				\$ 9033
105311-R-000-001		Soaker - No System	White			\$ 1839
105311-R-000-004	Bone		\$ 1839			
105311-R-000-007	Biscuit		\$ 1839			
105311-R-004-001	Hydromax ^{1 4 17}	White	\$ 5837			
105311-R-004-004		Bone	\$ 5837			
105311-R-004-007		Biscuit	\$ 5837			
105311-R-055-001	Aerofeel ^{1 5}	White	\$ 5837			
105311-R-055-004		Bone	\$ 5837			
105311-R-055-007		Biscuit	\$ 5837			
105311-R-094-001	Combined Hydromax & Aerofeel ^{1 4 5 17}	White	\$ 9033			
105311-R-094-004		Bone	\$ 9033			
105311-R-094-007		Biscuit	\$ 9033			

COMMON OPTIONS

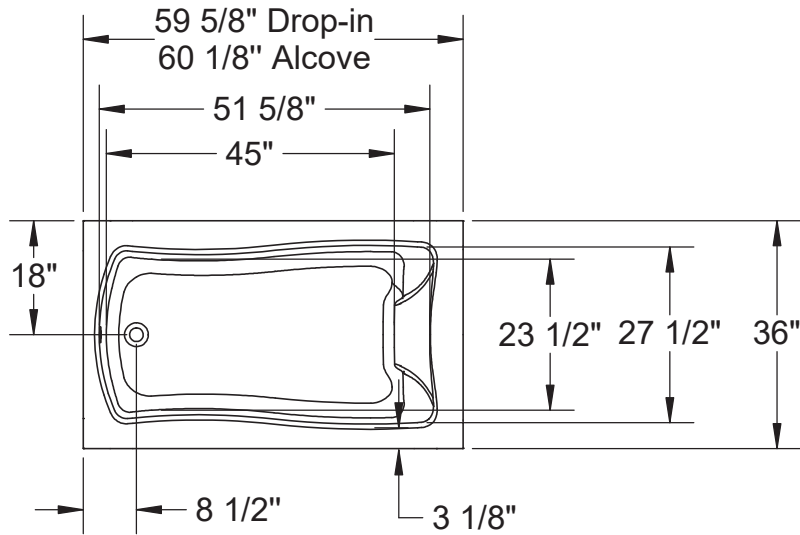
SKU	Description	MSRP
OPT10054	Two chromatherapy lights for bathtubs without waterfall (factory installed)	\$ 928
OPT10095	Water heater assembly for whirlpool and combined systems (factory installed)	\$ 950
OPT20139	Ozonator for whirlpool system (factory installed)	\$ 615
OPT10106-084	Metal trim kit for whirlpool and combined systems (factory installed) Available colors: Chrome (084) and Brushed Nickel (105)	\$ 669
OPT10106-105		\$ 669
OPT10119-105	Metal trim kit for Aerofeel electronic control (factory installed) Available colors: Chrome (084) and Brushed Nickel (105)	\$ 98
OPT10119-084		\$ 98
OPT20141	Rest for Hydromax and combined systems ¹²	\$ 1078

ACCESSORIES

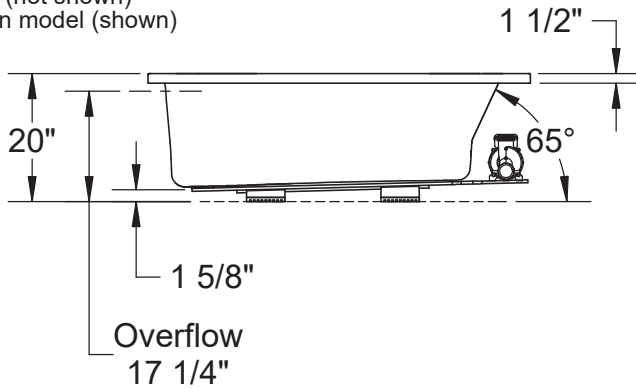
SKU	Description	MSRP
10033272	Flexible main hose for electronic control air massage - kit (sold separately) 15 ft. extension	\$ 373
10025081-084	Waste and overflow 27 in. flexible neck (sold separately) Available colors: Chrome (084) and Brushed Nickel (105)	\$ 449
10025081-105		\$ 449

FOOTNOTES

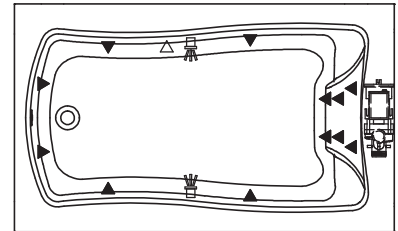
No	Description
1	Components for standard colour units equipped with systems are colour-coordinated. Trim kit and/or air push with metallic finish can be added (additional charge applies). For non-standard colour units, please specify trim kit and/or air push colour (additional charge applies for metallic finishes). Please note that the positioning of the system's control could be in conflict with the door if one was installed on the unit. To insure compatibility, please contact customer service.
4	For details on pump position and requirements, see technical drawings on https://www.maax.com . When there is a pump position A or B indicated on the technical drawing, please specify position when ordering.
5	For details on blower position and requirements, see technical drawings on https://www.maax.com . When there is a blower position A or B indicated on the technical drawing, please specify position when ordering.
12	In combined systems, only the pump is replaced with the Rest. The blower remains the same.
17	Includes Backmax and Footmax jets. Souvenir with apron and Living bathtub models do not include Footmax jets.
21	Specify when ordering if an integrated tiling flange is required and on which side (L/R, Left or Right).



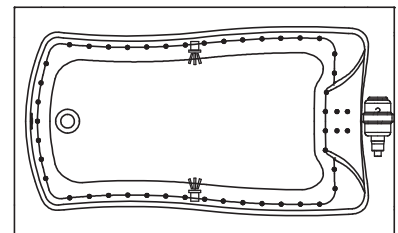
1 1/8" Single integrated tiling flange (not shown)
Drop-in model (shown)



WHIRLPOOL SYSTEM



AIR SYSTEM



Technical drawing is universal for all 6036 configurations.

Single Integrated tiling flange: 1 1/8" height x 1/4" thickness (not shown)

All dimensions are approximate.

Structure measurement must be verified against the unit to ensure proper fit.

- (▲) : Indicates whirlpool jets positioning
- (●) : Indicates airjets positioning
- (△) : Indicates suction positioning
- (☞) : Indicates chromatherapy light positioning

Topaz 6032



RECTANGULAR BATHTUBS - ACRYLIC



Material : Acrylic
 Min: 25 Gal / 114 L
 Max: 49 Gal / 223 L

Features

- › Undermount, drop-in or alcove bathtub installation
- › Acrylic surface resistant to stains
- › Available in end drain configuration
- › Relaxing armrests with ergonomic backrest
- › Includes two 6 in. grab bars that color-coordinate for white, bone and biscuit bathtubs
- › Textured bottom provides added safety
- › White cushion included with whirlpool and combined systems
- › Optional Hydromax, Aerofeel or Combined Hydromax/Aerofeel system available with limited choice of bathtub color depending on the selected system
- › Warranty: 25-year

TOPAZ 6032 - 101054

SKU	System	Color	Configuration	Dimensions & Weight	Packaging	MSRP
101054-000-001-000	Soaker - No System	White	End	59 3/4" x 32 1/8" x 21" / 55 lb / 25 kg	25.63 ft ³	\$ 1203
101054-000-004-000		Bone				\$ 1203
101054-000-007-000		Biscuit				\$ 1203
101054-004-001-100	Hydromax ^{1 4 17}	White				\$ 5201
101054-004-004		Bone				\$ 5201
101054-004-007-100		Biscuit				\$ 5201
101054-055-001	Aerofeel ^{1 5}	White				\$ 5201
101054-055-004		Bone				\$ 5201
101054-055-007		Biscuit				\$ 5201
101054-094-001	Combined Hydromax & Aerofeel ^{1 4 5 17}	White				\$ 8397
101054-094-004		Bone				\$ 8397
101054-094-007		Biscuit				\$ 8397

COMMON OPTIONS

SKU	Description	MSRP
OPT10106-084	Metal trim kit for whirlpool and combined systems (factory installed)	\$ 669
OPT10106-105	Available colors: Chrome (084) and Brushed Nickel (105)	\$ 669

COMMON OPTIONS

SKU	Description	MSRP
OPT10119-105	Metal trim kit for Aerofeel electronic control (factory installed)	\$ 98
OPT10119-084	Available colors: Chrome (084) and Brushed Nickel (105)	\$ 98
OPT10123-105	Two 6-in. metal grab bars available in other colors ¹⁴ (factory installed)	\$ 602
OPT10123-084	Available colors: Chrome (084) and Brushed Nickel (105)	\$ 602
OPT20141	Rest for Hydromax and combined systems ¹²	\$ 1078
OPT10054	Two chromatherapy lights for bathtubs without waterfall (factory installed)	\$ 928
OPT10095	Water heater assembly for whirlpool and combined systems (factory installed)	\$ 950
OPT20139	Ozonator for whirlpool system (factory installed)	\$ 615
101063-000-007-000	Removable acrylic apron Specify: Standard colors: White (001), Bone (004), Biscuit (007)	\$ 771
101063-000-004-000		\$ 771
101063-000-001-000		\$ 771

ACCESSORIES

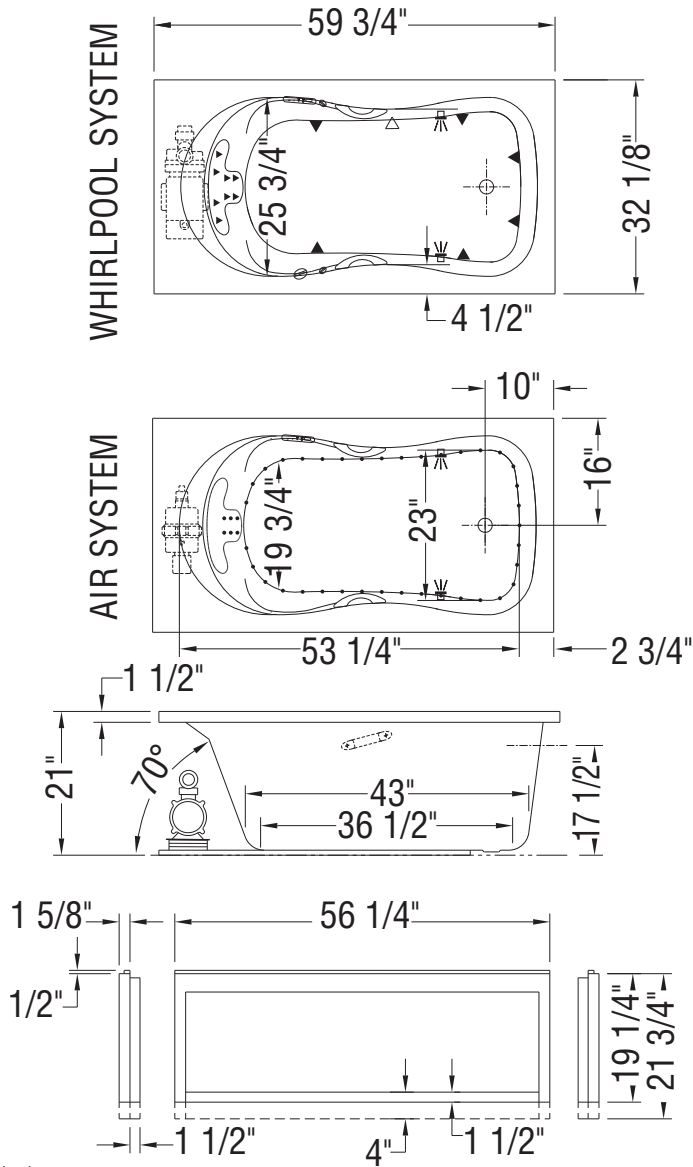
SKU	Description	MSRP
10006915	Tiling flange, 1 x 61 1/4 in., 2 x 33 1/4 in. (sold separately)	\$ 111
10033272	Flexible main hose for electronic control air massage - kit (sold separately) 15 ft. extension	\$ 373
10004306-001	White foam cushion with 2 suction pads (sold separately) Available color: White (001)	\$ 126
10025081-084	Waste and overflow 27 in. flexible neck (sold separately)	\$ 449
10025081-105	Available colors: Chrome (084) and Brushed Nickel (105)	\$ 449

FOOTNOTES

No	Description
1	Components for standard colour units equipped with systems are colour-coordinated. Trim kit and/or air push with metallic finish can be added (additional charge applies). For non-standard colour units, please specify trim kit and/or air push colour (additional charge applies for metallic finishes). Please note that the positioning of the system's control could be in conflict with the door if one was installed on the unit. To insure compatibility, please contact customer service.
4	For details on pump position and requirements, see technical drawings on https://www.maax.com . When there is a pump position A or B indicated on the technical drawing, please specify position when ordering.
5	For details on blower position and requirements, see technical drawings on https://www.maax.com . When there is a blower position A or B indicated on the technical drawing, please specify position when ordering.
12	In combined systems, only the pump is replaced with the Rest. The blower remains the same.
14	Standard grab bars for standard colour units are colour-coordinated. Grab bars with metallic finish can be added (additional charge applies).
17	Includes Backmax and Footmax jets. Souvenir with apron and Living bathtub models do not include Footmax jets.

RECOMMENDED DOORS - VISIT OUR WEBSITE FOR A COMPLETE LIST OF RECOMMENDED DOORS

SKU	Product Name	Pag.
139398	Halo 56 1/2-59 x 59 - 8mm	1024
134661	Kameleon SC 55-59 x 57 - 6mm	989
135330	Incognito 57 Shaker 56-59 x 56 3/4 - 8mm	1000
138994	Luminescence SlidingDoor 56 1/2-59 x 55 1/2-57 1/2 - 6mm	1026



- (▲): Indicates whirlpool jets positioning
 - (△): Indicates suction positioning
 - (●): Indicates airjets positioning
 - (—): Indicates standard grab bar positioning
 - (☼): Indicates chromatherapy light positioning
- Bathtub base includes anti-vibration Neutra-Phone leg supports (not shown).
All dimensions are approximate. Structure measurements must be verified against the unit to ensure proper fit.

Topaz 6036



Material : Acrylic
 Min: 28 Gal / 127 L
 Max: 53 Gal / 241 L

Features

- › Undermount, drop-in or alcove bathtub installation
- › Acrylic surface resistant to stains
- › Available in end drain configuration
- › Relaxing armrests with ergonomic backrest
- › Includes two 6 in. grab bars that color-coordinate for white, bone and biscuit bathtubs
- › Textured bottom provides added safety
- › White cushion included with whirlpool and combined systems
- › Optional Hydromax, Aerofeel or Combined Hydromax/Aerofeel system available with limited choice of bathtub color depending on the selected system
- › Warranty: 25-year

RECTANGULAR BATHTUBS - ACRYLIC

TOPAZ 6036 - 101055

SKU	System	Color	Configuration	Dimensions & Weight	Packaging	MSRP
101055-000-001-000	Soaker - No System	White	End	59 3/4" x 36" x 21" / 60 lb / 27 kg	28.74 ft ³	\$ 1314
101055-000-004-000		Bone				\$ 1314
101055-000-007-000		Biscuit				\$ 1314
101055-004-001-100	Hydromax ^{1 4 17}	White				\$ 5312
101055-004-004		Bone				\$ 5312
101055-004-007-100		Biscuit				\$ 5312
101055-055-001	Aerofeel ^{1 5}	White				\$ 5312
101055-055-004		Bone				\$ 5312
101055-055-007		Biscuit				\$ 5312
101055-094-001	Combined Hydromax & Aerofeel ^{1 4 5 17}	White				\$ 8508
101055-094-004		Bone				\$ 8508
101055-094-007		Biscuit				\$ 8508

COMMON OPTIONS

SKU	Description	MSRP
OPT10106-084	Metal trim kit for whirlpool and combined systems (factory installed)	\$ 669
OPT10106-105	Available colors: Chrome (084) and Brushed Nickel (105)	\$ 669

COMMON OPTIONS

SKU	Description	MSRP
OPT10119-105	Metal trim kit for Aerofeel electronic control (factory installed)	\$ 98
OPT10119-084	Available colors: Chrome (084) and Brushed Nickel (105)	\$ 98
OPT10123-105	Two 6-in. metal grab bars available in other colors ¹⁴ (factory installed)	\$ 602
OPT10123-084	Available colors: Chrome (084) and Brushed Nickel (105)	\$ 602
OPT20141	Rest for Hydromax and combined systems ¹²	\$ 1078
OPT10054	Two chromatherapy lights for bathtubs without waterfall (factory installed)	\$ 928
OPT10095	Water heater assembly for whirlpool and combined systems (factory installed)	\$ 950
OPT20139	Ozonator for whirlpool system (factory installed)	\$ 615
101063-000-007-000	Removable acrylic apron Specify: Standard colors: White (001), Bone (004), Biscuit (007)	\$ 771
101063-000-004-000		\$ 771
101063-000-001-000		\$ 771

ACCESSORIES

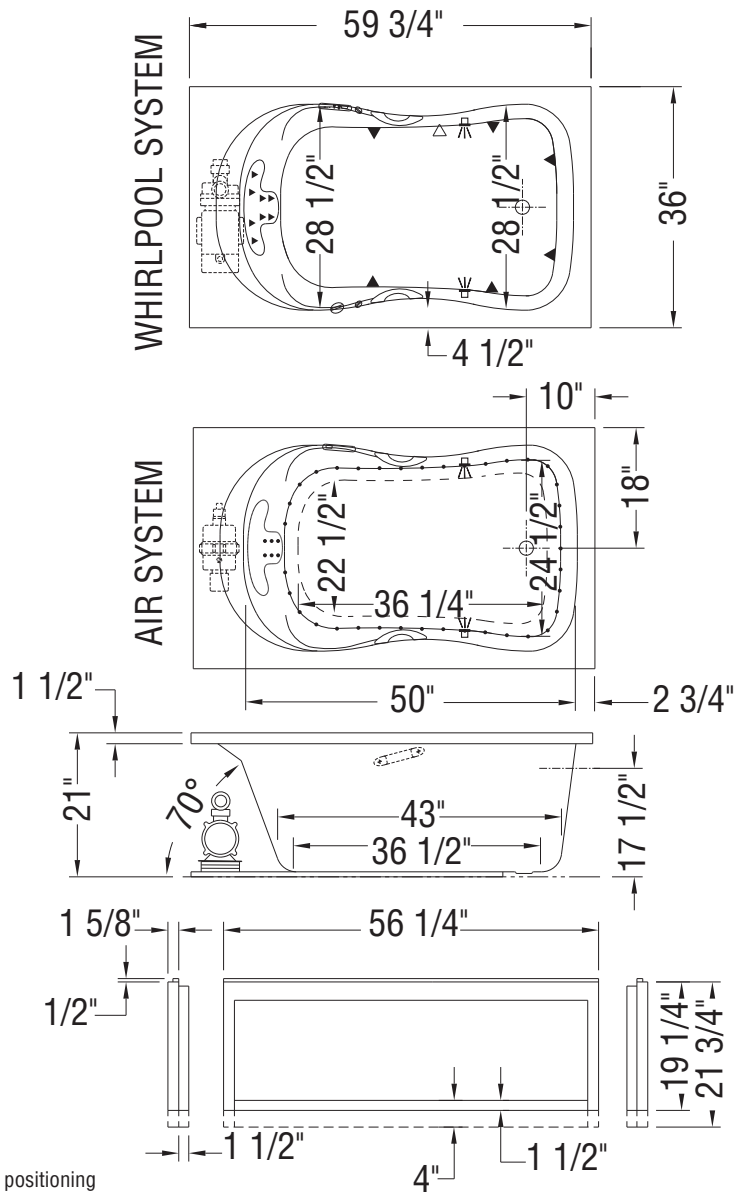
SKU	Description	MSRP
10006918	Tiling flange, 1 x 61 1/4 in., 2 x 42 in. (sold separately)	\$ 121
10033272	Flexible main hose for electronic control air massage - kit (sold separately) 15 ft. extension	\$ 373
10004306-001	White foam cushion with 2 suction pads (sold separately) Available color: White (001)	\$ 126
10025081-084	Waste and overflow 27 in. flexible neck (sold separately)	\$ 449
10025081-105	Available colors: Chrome (084) and Brushed Nickel (105)	\$ 449

FOOTNOTES

No	Description
1	Components for standard colour units equipped with systems are colour-coordinated. Trim kit and/or air push with metallic finish can be added (additional charge applies). For non-standard colour units, please specify trim kit and/or air push colour (additional charge applies for metallic finishes). Please note that the positioning of the system's control could be in conflict with the door if one was installed on the unit. To insure compatibility, please contact customer service.
4	For details on pump position and requirements, see technical drawings on https://www.maax.com . When there is a pump position A or B indicated on the technical drawing, please specify position when ordering.
5	For details on blower position and requirements, see technical drawings on https://www.maax.com . When there is a blower position A or B indicated on the technical drawing, please specify position when ordering.
12	In combined systems, only the pump is replaced with the Rest. The blower remains the same.
14	Standard grab bars for standard colour units are colour-coordinated. Grab bars with metallic finish can be added (additional charge applies).
17	Includes Backmax and Footmax jets. Souvenir with apron and Living bathtub models do not include Footmax jets.

RECOMMENDED DOORS - VISIT OUR WEBSITE FOR A COMPLETE LIST OF RECOMMENDED DOORS

SKU	Product Name	Pag.
139398	Halo 56 1/2-59 x 59 - 8mm	1024
134661	Kameleon SC 55-59 x 57 - 6mm	989
135330	Incognito 57 Shaker 56-59 x 56 3/4 - 8mm	1000
138994	Luminescence SlidingDoor 56 1/2-59 x 55 1/2-57 1/2 - 6mm	1026



- (▲): Indicates whirlpool jets positioning
 - (△): Indicates suction positioning
 - (●): Indicates airjets positioning
 - (—): Indicates standard grab bar positioning
 - (☼): Indicates chromatherapy light positioning
- Bathtub base includes anti-vibration Neutra-Phone leg supports (not shown).
All dimensions are approximate. Structure measurements must be verified against the unit to ensure proper fit.

Topaz 6636



RECTANGULAR BATHTUBS - ACRYLIC



Material : Acrylic
 Min: 32 Gal / 145 L
 Max: 62 Gal / 282 L

Features

- › Undermount, drop-in or alcove bathtub installation
- › Acrylic surface resistant to stains
- › Available in end drain configuration
- › Relaxing armrests with ergonomic backrest
- › Includes two 6 in. grab bars that color-coordinate for white, bone and biscuit bathtubs
- › Textured bottom provides added safety
- › White cushion included with whirlpool and combined systems
- › Optional Hydromax, Aerofeel or Combined Hydromax/Aerofeel system available with limited choice of bathtub color depending on the selected system
- › Warranty: 25-year

TOPAZ 6636 - 101056						
SKU	System	Color	Configuration	Dimensions & Weight	Packaging	MSRP
101056-000-001-000	Soaker - No System	White	End	65 3/4" x 36" x 21" / 65 lb / 29 kg	31.57 ft ³	\$ 1724
101056-000-004-000		Bone				\$ 1724
101056-000-007-000		Biscuit				\$ 1724
101056-004-001-100	Hydromax ^{1 4 17}	White				\$ 5722
101056-004-004		Bone				\$ 5722
101056-004-007		Biscuit				\$ 5722
101056-055-001	Aerofeel ^{1 5}	White				\$ 5722
101056-055-004		Bone				\$ 5722
101056-055-007		Biscuit				\$ 5722
101056-094-001	Combined Hydromax & Aerofeel ^{1 4 5 17}	White				\$ 8918
101056-094-004		Bone				\$ 8918
101056-094-007		Biscuit				\$ 8918

COMMON OPTIONS		
SKU	Description	MSRP
OPT10106-084	Metal trim kit for whirlpool and combined systems (factory installed)	\$ 669
OPT10106-105	Available colors: Chrome (084) and Brushed Nickel (105)	\$ 669

COMMON OPTIONS

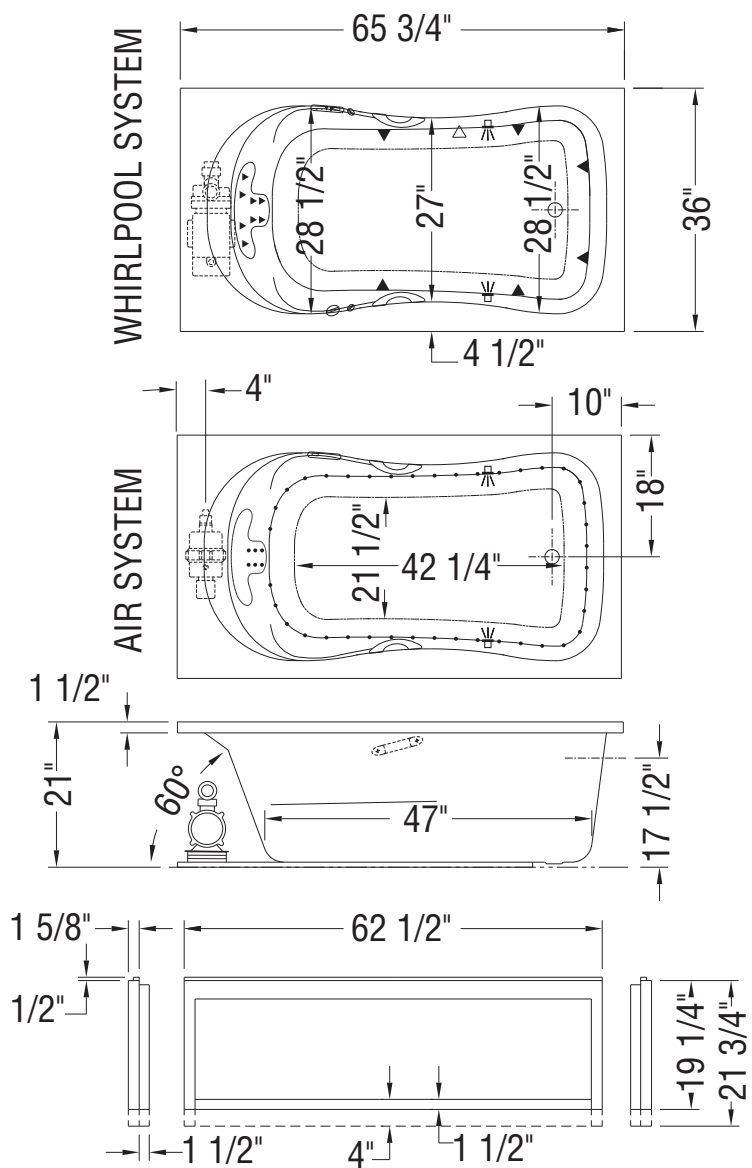
SKU	Description	MSRP
OPT10119-105	Metal trim kit for Aerofeel electronic control (factory installed)	\$ 98
OPT10119-084	Available colors: Chrome (084) and Brushed Nickel (105)	\$ 98
OPT10123-105	Two 6-in. metal grab bars available in other colors ¹⁴ (factory installed)	\$ 602
OPT10123-084	Available colors: Chrome (084) and Brushed Nickel (105)	\$ 602
OPT20141	Rest for Hydromax and combined systems ¹²	\$ 1078
OPT10054	Two chromatherapy lights for bathtubs without waterfall (factory installed)	\$ 928
OPT10095	Water heater assembly for whirlpool and combined systems (factory installed)	\$ 950
OPT20139	Ozonator for whirlpool system (factory installed)	\$ 615
101061-000-007-000	Removable acrylic apron Specify: Standard colors: White (001), Bone (004), Biscuit (007)	\$ 771
101061-000-004		\$ 771
101061-000-001-000		\$ 771

ACCESSORIES

SKU	Description	MSRP
10006916	Tiling flange, 1 X 67 1/4 in., 2 x 37 1/4 in. (sold separately)	\$ 114
10033272	Flexible main hose for electronic control air massage - kit (sold separately) 15 ft. extension	\$ 373
10004306-001	White foam cushion with 2 suction pads (sold separately) Available color: White (001)	\$ 126
10025081-084	Waste and overflow 27 in. flexible neck (sold separately)	\$ 449
10025081-105	Available colors: Chrome (084) and Brushed Nickel (105)	\$ 449

FOOTNOTES

No	Description
1	Components for standard colour units equipped with systems are colour-coordinated. Trim kit and/or air push with metallic finish can be added (additional charge applies). For non-standard colour units, please specify trim kit and/or air push colour (additional charge applies for metallic finishes). Please note that the positioning of the system's control could be in conflict with the door if one was installed on the unit. To insure compatibility, please contact customer service.
4	For details on pump position and requirements, see technical drawings on https://www.maax.com . When there is a pump position A or B indicated on the technical drawing, please specify position when ordering.
5	For details on blower position and requirements, see technical drawings on https://www.maax.com . When there is a blower position A or B indicated on the technical drawing, please specify position when ordering.
12	In combined systems, only the pump is replaced with the Rest. The blower remains the same.
14	Standard grab bars for standard colour units are colour-coordinated. Grab bars with metallic finish can be added (additional charge applies).
17	Includes Backmax and Footmax jets. Souvenir with apron and Living bathtub models do not include Footmax jets.



- (▲): Indicates whirlpool jets positioning
 - (△): Indicates suction positioning
 - (●): Indicates airjets positioning
 - (—): Indicates standard grab bar positioning
 - (☼): Indicates chromatherapy light positioning
- Bathtub base includes anti-vibration Neutra-Phone leg supports (not shown).
All dimensions are approximate. Structure measurements must be verified against the unit to ensure proper fit.

Topaz 7236



Material : Acrylic
 Min: 34 Gal / 155 L
 Max: 66 Gal / 300 L

Features

- › Undermount, drop-in or alcove bathtub installation
- › Acrylic surface resistant to stains
- › Available in end drain configuration
- › Relaxing armrests with ergonomic backrest
- › Includes two 12 in. grab bars that color-coordinate for white, bone and biscuit bathtubs
- › Textured bottom provides added safety
- › White cushion included with whirlpool and combined systems
- › Optional Hydromax, Aerofeel or Combined Hydromax/Aerofeel system available with limited choice of bathtub color depending on the selected system
- › Warranty: 25-year

RECTANGULAR BATHTUBS - ACRYLIC

TOPAZ 7236 - 101057						
SKU	System	Color	Configuration	Dimensions & Weight	Packaging	MSRP
101057-000-001-000	Soaker - No System	White	End	71 3/4" x 36" x 21" / 70 lb / 32 kg	34.39 ft ³	\$ 1958
101057-000-004-000		Bone				\$ 1958
101057-000-007-000		Biscuit				\$ 1958
101057-004-001-100	Hydromax ^{1 4 17}	White				\$ 5956
101057-004-004-100		Bone				\$ 5956
101057-004-007-100		Biscuit				\$ 5956
101057-055-001	Aerofeel ^{1 5}	White				\$ 5956
101057-055-004		Bone				\$ 5956
101057-055-007		Biscuit				\$ 5956
101057-094-001	Combined Hydromax & Aerofeel ^{1 4 5 17}	White				\$ 9152
101057-094-004		Bone				\$ 9152
101057-094-007		Biscuit				\$ 9152

COMMON OPTIONS		
SKU	Description	MSRP
OPT10095	Water heater assembly for whirlpool and combined systems (factory installed)	\$ 950
OPT20139	Ozonator for whirlpool system (factory installed)	\$ 615

COMMON OPTIONS

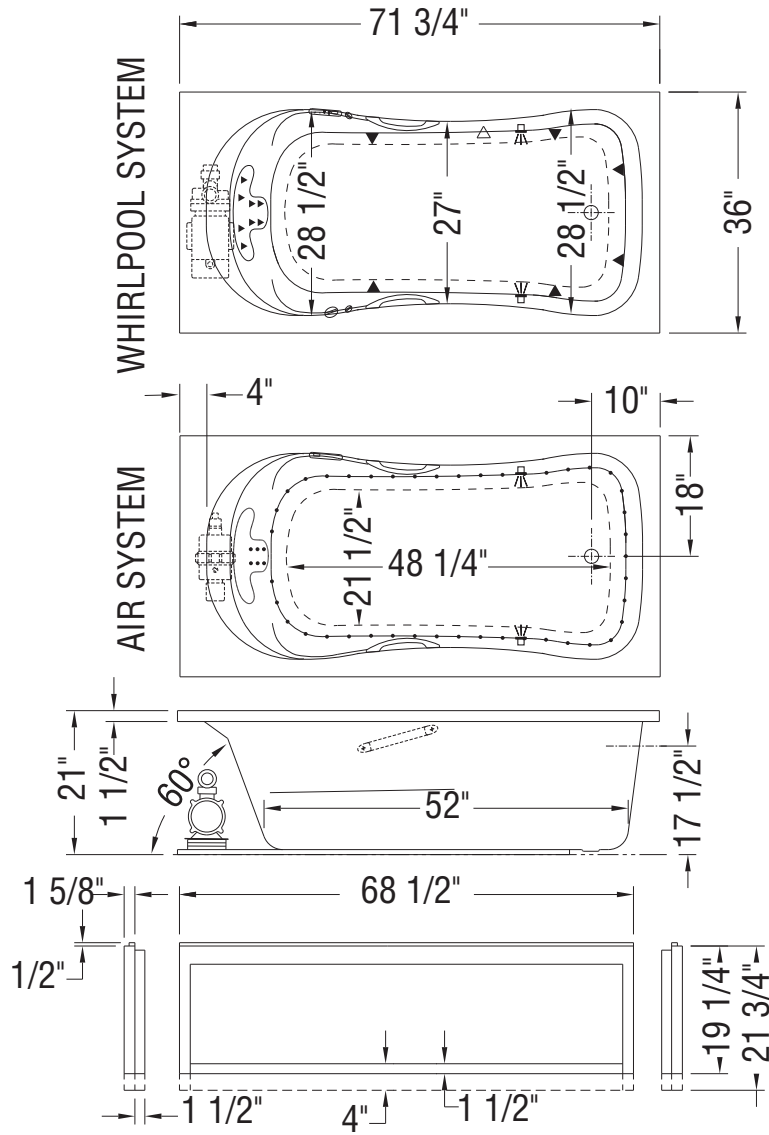
SKU	Description	MSRP
OPT10106-084	Metal trim kit for whirlpool and combined systems (factory installed) Available colors: Chrome (084) and Brushed Nickel (105)	\$ 669
OPT10106-105		\$ 669
OPT10119-105	Metal trim kit for Aerofeel electronic control (factory installed) Available colors: Chrome (084) and Brushed Nickel (105)	\$ 98
OPT10119-084		\$ 98
OPT20141	Rest for Hydromax and combined systems ¹²	\$ 1078
OPT10097-084	Two 12 in. metal grab bars (factory installed) in Chrome (084)	\$ 682
OPT10097-105	Two 12 in. metal grab bars (factory installed) in Brushed Nickel (105)	\$ 682
OPT10054	Two chromatherapy lights for bathtubs without waterfall (factory installed)	\$ 928
101060-000-001-000	Removable acrylic apron Specify: Standard colors: White (001), Bone (004), Biscuit (007)	\$ 771
101060-000-004		\$ 771
101060-000-007-000		\$ 771

ACCESSORIES

SKU	Description	MSRP
10006917	Tiling flange, 1 x 72 in., 2 x 36 in. (sold separately)	\$ 121
10033272	Flexible main hose for electronic control air massage - kit (sold separately) 15 ft. extension	\$ 373
10004306-001	White foam cushion with 2 suction pads (sold separately) Available color: White (001)	\$ 126
10025081-084	Waste and overflow 27 in. flexible neck (sold separately) Available colors: Chrome (084) and Brushed Nickel (105)	\$ 449
10025081-105		\$ 449

FOOTNOTES

No	Description
1	Components for standard colour units equipped with systems are colour-coordinated. Trim kit and/or air push with metallic finish can be added (additional charge applies). For non-standard colour units, please specify trim kit and/or air push colour (additional charge applies for metallic finishes). Please note that the positioning of the system's control could be in conflict with the door if one was installed on the unit. To insure compatibility, please contact customer service.
4	For details on pump position and requirements, see technical drawings on https://www.maax.com . When there is a pump position A or B indicated on the technical drawing, please specify position when ordering.
5	For details on blower position and requirements, see technical drawings on https://www.maax.com . When there is a blower position A or B indicated on the technical drawing, please specify position when ordering.
12	In combined systems, only the pump is replaced with the Rest. The blower remains the same.
17	Includes Backmax and Footmax jets. Souvenir with apron and Living bathtub models do not include Footmax jets.



- (▲): Indicates whirlpool jets positioning
 - (△): Indicates suction positioning
 - (●): Indicates airjets positioning
 - (—): Indicates standard grab bar positioning
 - (☼): Indicates chromatherapy light positioning
- Bathtub base includes anti-vibration Neutra-Phone leg supports (not shown).
All dimensions are approximate. Structure measurements must be verified against the unit to ensure proper fit.



Exhibit 6030 IFS

RECTANGULAR BATHTUBS - ACRYLIC



Material : Acrylic
 Min: 32 Gal / 145 L
 Max: 37 Gal / 168 L

Features

- › Rectangular shape bathtub in alcove installation
- › Above-the-Floor Rough (AFR) or not
- › Minimalist look with discreet armrests and textured floor
- › Deck for faucet available
- › When equipped with a system, the unit comes with an access panel
- › Available with an optional pre-installed white linear overflow for non-high rise construction

EXHIBIT 6030 IFS AFR - 105511						
SKU	System	Color	Configuration	Dimensions & Weight	Packaging	MSRP
105511-000-001-001	Soaker - No System	White	Left	59 3/4" x 30" x 19 1/2" / 77 lb / 35 kg	23 ft ³	\$ 1130
105511-000-001-002			Right			\$ 1130
105511-000-004-001		Bone	Left			\$ 1130
105511-000-004-002			Right			\$ 1130
105511-000-007-001		Biscuit	Left			\$ 1130
105511-000-007-002			Right			\$ 1130
105511-001-001-001	Whirlpool ^{1 4}	White	Left			\$ 2773
105511-001-001-002			Right			\$ 2773
105511-096-001-001	Combined Whirlpool & Aeroeffect ^{1 3}		Left			\$ 5098
105511-096-001-002			Right			\$ 5098
105511-103-001-100	Aeroeffect ^{1 2 5}		Left			\$ 3902
105511-103-001-101			Right			\$ 3902
105511-L-001-004	Whirlpool ^{1 4}		Bone	Left	\$ 2773	
105511-L-001-007			Biscuit		\$ 2773	
105511-L-096-004	Combined Whirlpool & Aeroeffect ^{1 3}		Bone		\$ 5098	
105511-L-096-007			Biscuit		\$ 5098	
105511-L-103-004	Aeroeffect ^{1 2 5}		Bone		\$ 3902	
105511-L-103-007			Biscuit		\$ 3902	
105511-R-001-004	Whirlpool ^{1 4}	Bone	Right		\$ 2773	
105511-R-001-007		Biscuit			\$ 2773	

EXHIBIT 6030 IFS AFR - 105511

SKU	System	Color	Configuration	Dimensions & Weight	Packaging	MSRP
105511-R-096-004	Combined Whirlpool & Aeroeffect ^{1 3}	Bone	Right	59 3/4" x 30" x 19 1/2" / 77 lb / 35 kg	23 ft ³	\$ 5098
105511-R-096-007		Biscuit				\$ 5098
105511-R-103-004	Aeroeffect ^{1 2 5}	Bone				\$ 3902
105511-R-103-007		Biscuit				\$ 3902

EXHIBIT 6030 IFS - 105519

SKU	System	Color	Configuration	Dimensions & Weight	Packaging	MSRP
105519-000-001-102	Soaker - No System	White	Left	59 3/4" x 30" x 17 3/4" / 77 lb / 35 kg	23 ft ³	\$ 1130
105519-000-001-103			Right			\$ 1130
105519-000-004-102		Bone	Left			\$ 1130
105519-000-004-103			Right			\$ 1130
105519-000-007-102		Biscuit	Left			\$ 1130
105519-000-007-103			Right			\$ 1130
105519-001-001-100	Whirlpool ^{1 4}	White	Left			\$ 2773
105519-001-001-101			Right			\$ 2773
105519-096-001-100	Combined Whirlpool & Aeroeffect ^{1 3}		Left			\$ 5098
105519-096-001-101			Right			\$ 5098
105519-103-001-104	Aeroeffect ^{1 2 5}		Left			\$ 3902
105519-103-001-105			Right			\$ 3902
105519-L-001-004	Whirlpool ^{1 4}		Bone	Left	\$ 2773	
105519-L-001-007			Biscuit		\$ 2773	
105519-L-096-004	Combined Whirlpool & Aeroeffect ^{1 3}		Bone		\$ 5098	
105519-L-096-007			Biscuit		\$ 5098	
105519-L-103-004	Aeroeffect ^{1 2 5}		Bone		\$ 3902	
105519-L-103-007			Biscuit		\$ 3902	
105519-R-001-004	Whirlpool ^{1 4}	Bone	Right		\$ 2773	
105519-R-001-007		Biscuit			\$ 2773	
105519-R-096-004	Combined Whirlpool & Aeroeffect ^{1 3}	Bone			\$ 5098	
105519-R-096-007		Biscuit			\$ 5098	
105519-R-103-004	Aeroeffect ^{1 2 5}	Bone			\$ 3902	
105519-R-103-007		Biscuit			\$ 3902	

COMMON OPTIONS

SKU	Description	MSRP
OPT20029-105	Metal trim kit for air push control (factory installed)	\$ 74
OPT20029-084	Available colors: Chrome (084) and Brushed Nickel (105)	\$ 74
OPT20137-004	Cable-operated waste and overflow (16 in. to 22 in.) (included in product packaging when purchased) Available colors: White (001), Bone (004), Chrome (084) and Brushed Nickel (105)	\$ 332

COMMON OPTIONS

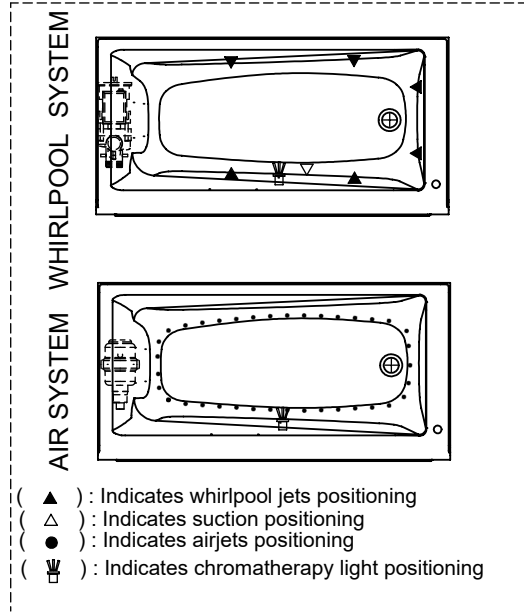
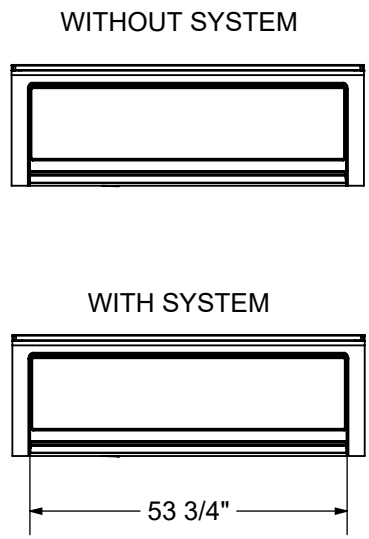
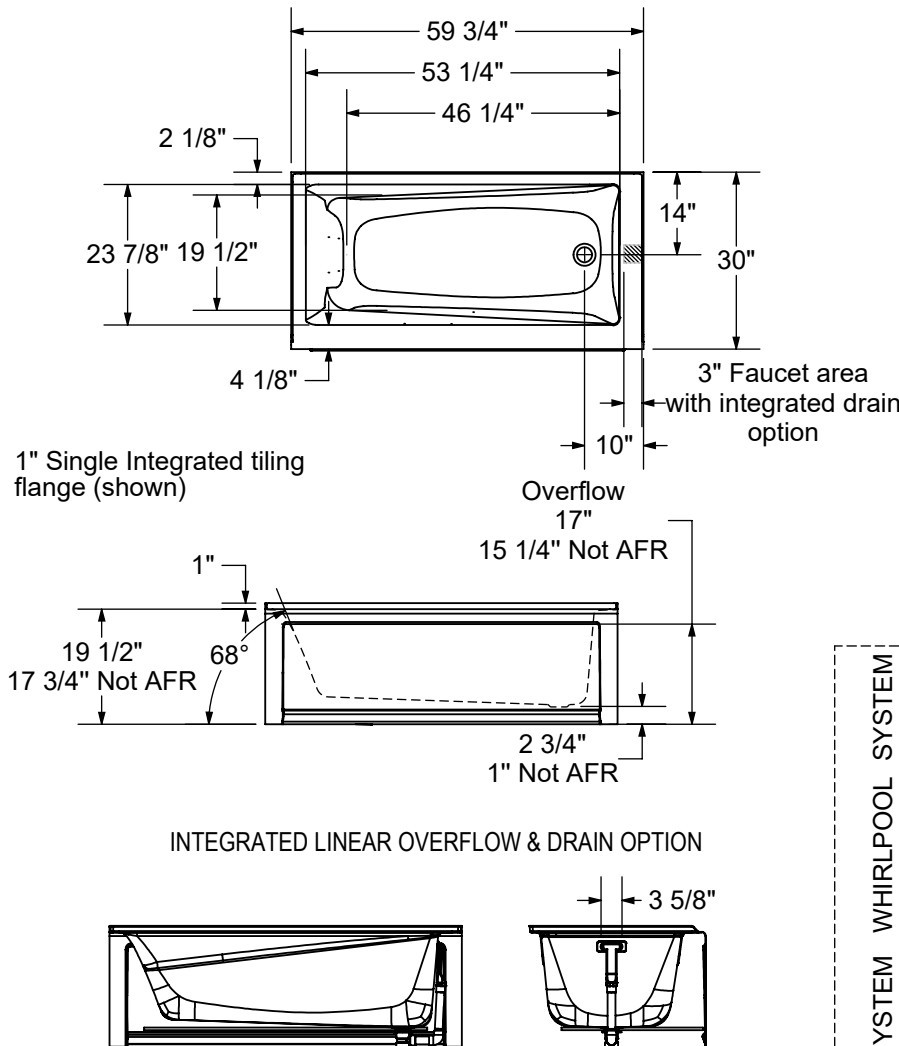
SKU	Description	MSRP
OPT20137-084		\$ 332
OPT20137-105	Cable-operated waste and overflow (16 in. to 22 in.) (included in product packaging when purchased) Available colors: White (001), Bone (004), Chrome (084) and Brushed Nickel (105)	\$ 332
OPT20137-001		\$ 332
OPT10019	Removable access panel	\$ 385
OPT10053	One chromatherapy light (factory installed) ⁵⁴	\$ 725
OPT10095	Water heater assembly for whirlpool and combined systems (factory installed)	\$ 950
OPT10106-084	Metal trim kit for whirlpool and combined systems (factory installed)	\$ 669
OPT10106-105	Available colors: Chrome (084) and Brushed Nickel (105)	\$ 669
OPT20341-001	Linear overflow and pop-up drain for non-high rise construction featuring direct drain pre-installed in the factory Available color: White (001)	\$ 225

ACCESSORIES

SKU	Description	MSRP
10006923	Flexible main hose (9 ft. extension) for air push control air massage - Kit (sold separately)	\$ 191
10004306-001	White foam cushion with 2 suction pads (sold separately) Available color: White (001)	\$ 126
10028641-084	Metal trim kit for Whirlpool and combined systems (sold separately)	\$ 669
10028641-105	Available colors: Chrome (084) and Brushed Nickel (105)	\$ 669
10034250-084	Metal trim kit for Aeroeffect with Air Push Control (sold separately)	\$ 74
10034250-105	Available colors: Chrome (084) and Brushed Nickel (105)	\$ 74
10022491-084		\$ 332
10022491-004	Cable-operated waste and overflow (16 in. to 22 in.) (sold separately)	\$ 332
10022491-105	Available colors: White (001), Bone (004), Chrome (084) and Brushed Nickel (105)	\$ 332
10022491-001		\$ 332

FOOTNOTES

No	Description
1	Components for standard colour units equipped with systems are colour-coordinated. Trim kit and/or air push with metallic finish can be added (additional charge applies). For non-standard colour units, please specify trim kit and/or air push colour (additional charge applies for metallic finishes). Please note that the positioning of the system's control could be in conflict with the door if one was installed on the unit. To insure compatibility, please contact customer service.
2	Please order flexible main hose 10006923 for installation of the blower further than 3 ft from the bathtub. For the Tandem models and the Serenade models (freestanding and drop-in), the blower is always remote and not factory installed so a 9 ft flexible main hose is included. Please note that the positioning of the system's control could be in conflict with the door if one was installed on the unit. To insure compatibility, please contact customer service.
3	The blower is not factory installed (remote). 9 ft flexible main hose included. Please note that the positioning of the system's control could be in conflict with the door if one was installed on the unit. To insure compatibility, please contact customer service.
4	For details on pump position and requirements, see technical drawings on https://www.maax.com . When there is a pump position A or B indicated on the technical drawing, please specify position when ordering.
5	For details on blower position and requirements, see technical drawings on https://www.maax.com . When there is a blower position A or B indicated on the technical drawing, please specify position when ordering.
54	A selection of units come with an access panel by default when equipped with a system. However, if the unit is only equipped with chromatherapy, the access panel will not be provided by default.



Wood support design may vary.
Single Integrated tiling flange: 1" height x 1/4" thickness (shown)

All dimensions are approximate. Structure measurements must be verified against the unit to ensure proper fit.

- (▲) : Indicates whirlpool jets positioning
- (△) : Indicates suction positioning
- (●) : Indicates airjets positioning
- (☐) : Indicates chromatherapy light positioning



Exhibit 6030 IFS DTF

RECTANGULAR BATHTUBS - ACRYLIC



Material : Acrylic
 Min: 32 Gal / 145 L
 Max: 37 Gal / 168 L

Features

- › Unique feature: minimalist look with discreet armrests and textured bottom
- › Above-the-Floor Rough (AFR) (3 in.) included
- › Alcove installation
- › Double tiling flange
- › Available with an optional pre-installed white linear overflow for non-high rise construction

EXHIBIT 6030 IFS AFR DTF - 105546

SKU	System	Color	Configuration	Dimensions & Weight	Packaging	MSRP
105546-000-001-104	Soaker - No System	White	Left	59 3/4" x 30" x 19 1/2" / 77 lb / 35 kg	23 ft ³	\$ 1130
105546-000-001-106			Right			\$ 1130
105546-L-000-004		Bone	Left			\$ 1130
105546-L-000-007		Biscuit				\$ 1130
105546-R-000-004		Bone	Right			\$ 1130
105546-R-000-007		Biscuit				\$ 1130

EXHIBIT 6030 IFS DTF - 105547

SKU	System	Color	Configuration	Dimensions & Weight	Packaging	MSRP
105547-000-001-105	Soaker - No System	White	Left	59 3/4" x 30" x 17 3/4" / 77 lb / 35 kg	23 ft ³	\$ 1130
105547-000-001-107			Right			\$ 1130
105547-L-000-004		Bone	Left			\$ 1130
105547-L-000-007		Biscuit				\$ 1130
105547-R-000-004		Bone	Right			\$ 1130
105547-R-000-007		Biscuit				\$ 1130

COMMON OPTIONS

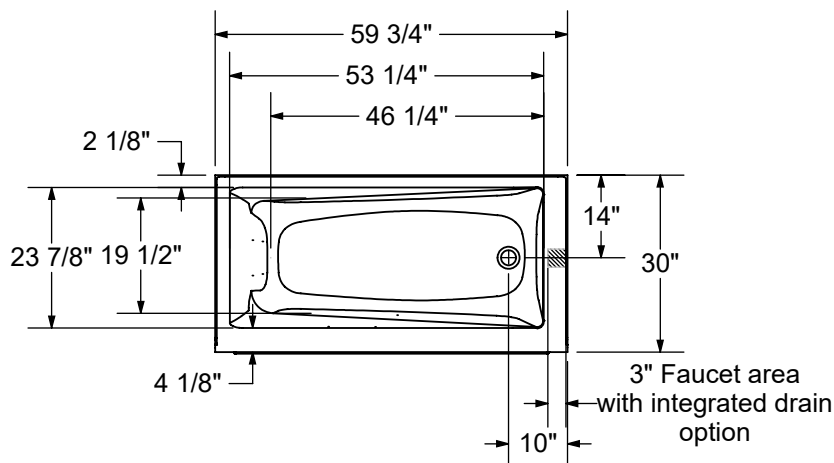
SKU	Description	MSRP
OPT20137-004	Cable-operated waste and overflow (16 in. to 22 in.) (included in product packaging when purchased) Available colors: White (001), Bone (004), Chrome (084) and Brushed Nickel (105)	\$ 332
OPT20137-084		\$ 332
OPT20137-105		\$ 332
OPT20137-001		\$ 332
OPT20341-001	Linear overflow and pop-up drain for non-high rise construction featuring direct drain pre-installed in the factory Available color: White (001)	\$ 225

ACCESSORIES

SKU	Description	MSRP
10004306-001	White foam cushion with 2 suction pads (sold separately) Available color: White (001)	\$ 126
10022491-084	Cable-operated waste and overflow (16 in. to 22 in.) (sold separately) Available colors: White (001), Bone (004), Chrome (084) and Brushed Nickel (105)	\$ 332
10022491-004		\$ 332
10022491-105		\$ 332
10022491-001		\$ 332

RECOMMENDED DOORS - VISIT OUR WEBSITE FOR A COMPLETE LIST OF RECOMMENDED DOORS

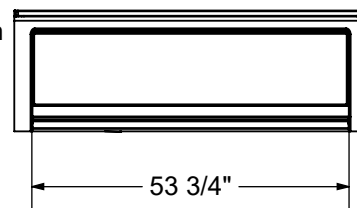
SKU	Product Name	Pag.
139398	Halo 56 ½-59 x 59 - 8mm	1024
139351	Incognito 57 56-59 x 56 ¾ - 6mm	1002
139354	Incognito 57 56-59 x 56 ¾ - 8mm	1006
135330	Incognito 57 Shaker 56-59 x 56 ¾ - 8mm	1000
135695	Revelation Square 56-59 x 56 ¾-59 ¼ - 8mm	1016
135692	Revelation Square 56-59 x 56 ¾-58 ¼ - 6mm	1014
136692	Revelation Round 56-59 x 56 ¾-59 ¼ - 6mm	1010
136695	Revelation Round 56-59 x 56 ¾-59 ¼ - 8 mm	1012
135320	Uptown 56-59 x 58 in. 8 mm	1018
138485	Vela 56 ½-59 x 59 - 8mm	1022
138480		1020
134661	Kameleon SC 55-59 x 57 - 6mm	989
134573	Kameleon 55-59 x 57 - 8mm	992
134670	Kameleon SC 55-59 x 57 - 8mm	984
134561	Kameleon 55-59 x 57 - 6mm	995
138994	Luminescence SlidingDoor 56 ½-59 x 55 ½-57 ½ - 6mm	1026
105410	Polar 54-59 ½ x 57 in.	1008



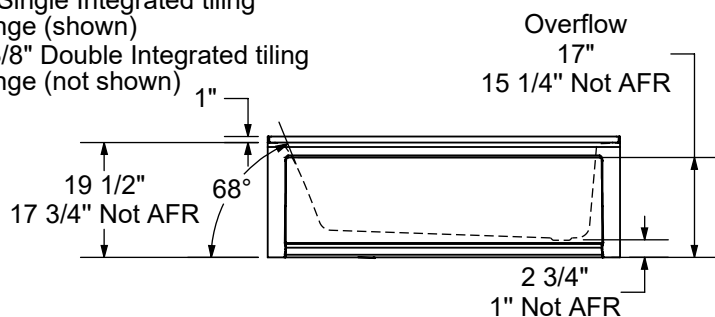
WITHOUT SYSTEM



WITH SYSTEM

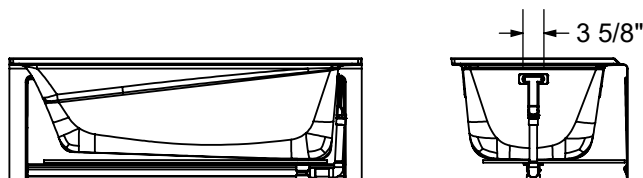


1" Single Integrated tiling flange (shown)
 2 3/8" Double Integrated tiling flange (not shown)

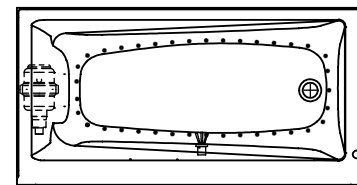
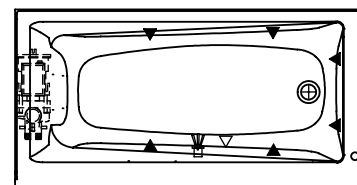


Overflow
 17"
 15 1/4" Not AFR

INTEGRATED LINEAR OVERFLOW & DRAIN OPTION



AIR SYSTEM WHIRLPOOL SYSTEM



- (▲) : Indicates whirlpool jets positioning
- (△) : Indicates suction positioning
- (●) : Indicates airjets positioning
- (◻) : Indicates chromotherapy light positioning

Wood support design may vary.
 Single Integrated tiling flange: 1" height x 1/4" thickness (shown)
 Double Integrated tiling flange: 2 3/8" height (not shown)
 All dimensions are approximate. Structure measurements must be verified against the unit to ensure proper fit.



Exhibit 6032 IF



Material : Acrylic
 Min: 33 Gal / 150 L
 Max: 40 Gal / 182 L

Features

- › Rectangular shape bathtub
- › Drop-in or alcove installation with tiling flange
- › Minimalist look with discreet armrests and textured floor
- › End drain

RECTANGULAR BATHTUBS - ACRYLIC

EXHIBIT 6032 - 105513						
SKU	System	Color	Configuration	Dimensions & Weight	Packaging	MSRP
105513-000-001-000	Soaker - No System	White	End	59 3/4" x 31 7/8" x 20" / 85 lb / 39 kg	30 ft ³	\$ 971
105513-000-004-000		Bone				\$ 971
105513-000-007-000		Biscuit				\$ 971
105513-001-001-000	Whirlpool ^{1 4}	White				\$ 2614
105513-001-004		Bone				\$ 2614
105513-001-007		Biscuit				\$ 2614
105513-002-001-000	Multi-Pack ⁹	White				\$ 5244
105513-002-004		Bone				\$ 5244
105513-002-007		Biscuit				\$ 5244
105513-096-001-000	Combined Whirlpool & Aeroeffect ^{1 3}	White				\$ 4939
105513-096-004		Bone				\$ 4939
105513-096-007		Biscuit				\$ 4939
105513-103-001-100	Aeroeffect ^{1 2 5}	White				\$ 3743
105513-103-004		Bone				\$ 3743
105513-103-007		Biscuit				\$ 3743

EXHIBIT 6032 IF - 105514						
SKU	System	Color	Configuration	Dimensions & Weight	Packaging	MSRP
105514-000-001-001	Soaker - No System	White	Left	59 3/4" x 31 7/8" x 20" / 85 lb / 39 kg	30 ft ³	\$ 971

EXHIBIT 6032 IF - 105514

SKU	System	Color	Configuration	Dimensions & Weight	Packaging	MSRP	
105514-000-001-002	Soaker - No System	White	Right	59 3/4" x 31 7/8" x 20" / 85 lb / 39 kg	30 ft ³	\$ 971	
105514-001-001-001	Whirlpool ^{1 4}		Left			\$ 2614	
105514-001-001-002			Right			\$ 2614	
105514-002-001-001	Multi-Pack ⁹		Left			\$ 5244	
105514-002-001-002			Right			\$ 5244	
105514-096-001-001	Combined Whirlpool & Aeroeffect ^{1 3}		Left			\$ 4939	
105514-096-001-002			Right			\$ 4939	
105514-103-001-102	Aeroeffect ^{1 2 5}		Left			\$ 3743	
105514-103-001-103			Right			\$ 3743	
105514-103-007-102			Biscuit			Left	\$ 3743
105514-103-007-103						Right	\$ 3743
105514-L-000-004	Soaker - No System		Bone			\$ 971	
105514-L-000-007			Biscuit			\$ 971	
105514-L-001-004	Whirlpool ^{1 4}		Bone			\$ 2614	
105514-L-001-007		Biscuit	\$ 2614				
105514-L-002-004	Multi-Pack ⁹	Bone	\$ 5244				
105514-L-002-007		Biscuit	\$ 5244				
105514-L-096-004	Combined Whirlpool & Aeroeffect ^{1 3}	Bone	\$ 4939				
105514-L-096-007		Biscuit	\$ 4939				
105514-L-103-004	Aeroeffect ^{1 2 5}	Bone	\$ 3743				
105514-R-000-004	Soaker - No System	Bone	\$ 971				
105514-R-000-007		Biscuit	\$ 971				
105514-R-001-004	Whirlpool ^{1 4}	Bone	\$ 2614				
105514-R-001-007		Biscuit	\$ 2614				
105514-R-002-004	Multi-Pack ⁹	Bone	\$ 5244				
105514-R-002-007		Biscuit	\$ 5244				
105514-R-096-004	Combined Whirlpool & Aeroeffect ^{1 3}	Bone	\$ 4939				
105514-R-096-007		Biscuit	\$ 4939				
105514-R-103-004	Aeroeffect ^{1 2 5}	Bone	\$ 3743				

COMMON OPTIONS

SKU	Description	MSRP
OPT20137-004	Cable-operated waste and overflow (16 in. to 22 in.) (included in product packaging when purchased) Available colors: White (001), Bone (004), Chrome (084) and Brushed Nickel (105)	\$ 332
OPT20137-084		\$ 332
OPT20137-105		\$ 332
OPT20137-001		\$ 332
OPT10053	One chromatherapy light (factory installed) ⁵⁴	\$ 725
OPT10095	Water heater assembly for whirlpool and combined systems (factory installed)	\$ 950

COMMON OPTIONS

SKU	Description	MSRP
OPT10106-084	Metal trim kit for whirlpool and combined systems (factory installed) Available colors: Chrome (084) and Brushed Nickel (105)	\$ 669
OPT10106-105		\$ 669
OPT20029-105	Metal trim kit for air push control (factory installed) Available colors: Chrome (084) and Brushed Nickel (105)	\$ 74
OPT20029-084		\$ 74

ACCESSORIES

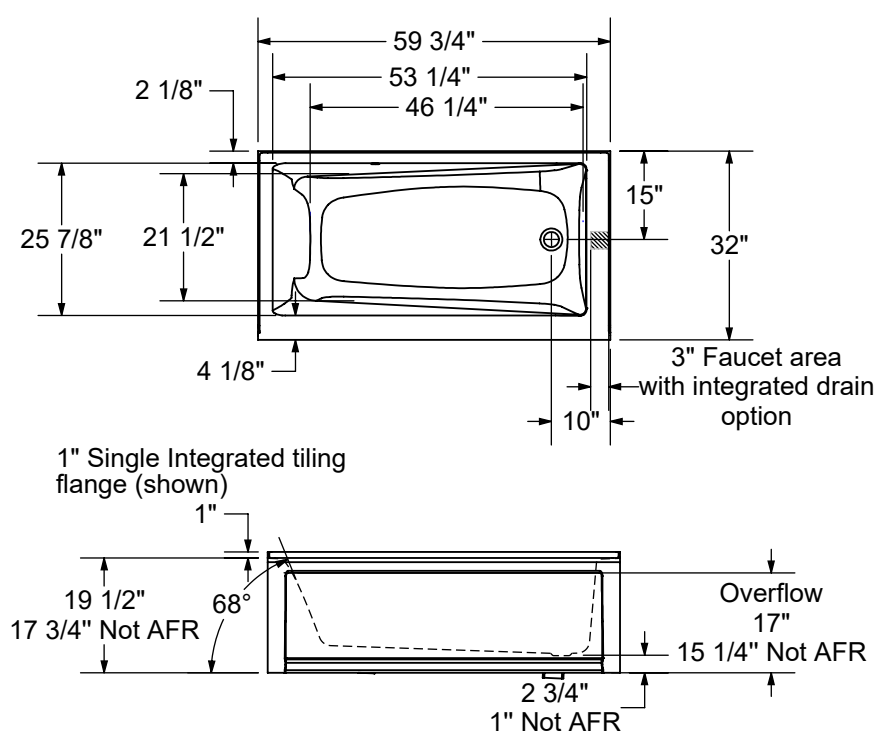
SKU	Description	MSRP
10006923	Flexible main hose (9 ft. extension) for air push control air massage - Kit (sold separately)	\$ 191
10004306-001	White foam cushion with 2 suction pads (sold separately) Available color: White (001)	\$ 126
10028641-084	Metal trim kit for Whirlpool and combined systems (sold separately) Available colors: Chrome (084) and Brushed Nickel (105)	\$ 669
10028641-105		\$ 669
10034250-084	Metal trim kit for Aeroeffect with Air Push Control (sold separately) Available colors: Chrome (084) and Brushed Nickel (105)	\$ 74
10034250-105		\$ 74
10022491-084	Cable-operated waste and overflow (16 in. to 22 in.) (sold separately) Available colors: White (001), Bone (004), Chrome (084) and Brushed Nickel (105)	\$ 332
10022491-004		\$ 332
10022491-105		\$ 332
10022491-001		\$ 332

FOOTNOTES

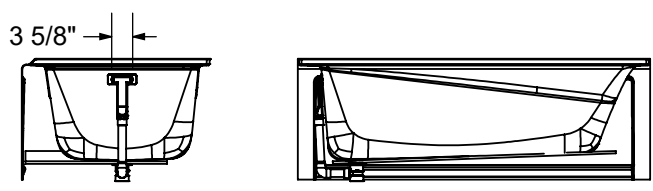
No	Description
1	Components for standard colour units equipped with systems are colour-coordinated. Trim kit and/or air push with metallic finish can be added (additional charge applies). For non-standard colour units, please specify trim kit and/or air push colour (additional charge applies for metallic finishes). Please note that the positioning of the system's control could be in conflict with the door if one was installed on the unit. To insure compatibility, please contact customer service.
2	Please order flexible main hose 10006923 for installation of the blower further than 3 ft from the bathtub. For the Tandem models and the Serenade models (freestanding and drop-in), the blower is always remote and not factory installed so a 9 ft flexible main hose is included. Please note that the positioning of the system's control could be in conflict with the door if one was installed on the unit. To insure compatibility, please contact customer service.
3	The blower is not factory installed (remote). 9 ft flexible main hose included. Please note that the positioning of the system's control could be in conflict with the door if one was installed on the unit. To insure compatibility, please contact customer service.
4	For details on pump position and requirements, see technical drawings on https://www.maax.com . When there is a pump position A or B indicated on the technical drawing, please specify position when ordering.
5	For details on blower position and requirements, see technical drawings on https://www.maax.com . When there is a blower position A or B indicated on the technical drawing, please specify position when ordering.
54	A selection of units come with an access panel by default when equipped with a system. However, if the unit is only equipped with chromatherapy, the access panel will not be provided by default.

RECOMMENDED DOORS - VISIT OUR WEBSITE FOR A COMPLETE LIST OF RECOMMENDED DOORS

SKU	Product Name	Pag.
139398	Halo 56 ½-59 x 59 - 8mm	1024
139351	Incognito 57 56-59 x 56 ¾ - 6mm	1002
139354	Incognito 57 56-59 x 56 ¾ - 8mm	1006
135330	Incognito 57 Shaker 56-59 x 56 ¾ - 8mm	1000



INTEGRATED LINEAR OVERFLOW & DRAIN OPTION



Wood support design may vary.
Single Integrated tiling flange: 1" height x 1/4" thickness (shown)

All dimensions are approximate.
Structure measurement must be verified against the unit to ensure proper fit.

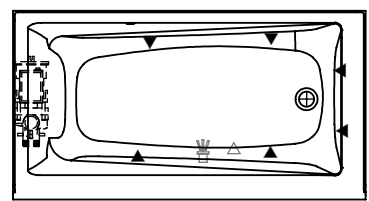
WITHOUT SYSTEM



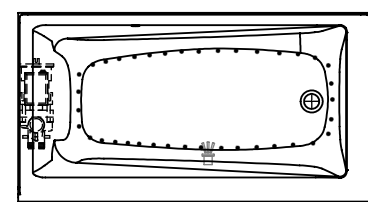
WITH SYSTEM



WHIRLPOOL SYSTEM



AIR SYSTEM



- (▲) : Indicates whirlpool jets positioning
- (△) : Indicates suction positioning
- (●) : Indicates airjets positioning
- (☼) : Indicates chromatherapy light positioning



Exhibit 6032 IF DTF



Material : Acrylic
 Min: 35 Gal / 159 L
 Max: 38 Gal / 173 L

Features

- › Unique feature: minimalist look with discreet armrests
- › Textured bottom
- › Alcove installation
- › Integrated double tiling flange

RECTANGULAR BATHTUBS - ACRYLIC

EXHIBIT 6032 IF DTF - 105550							
SKU	System	Color	Configuration	Dimensions & Weight	Packaging	MSRP	
105550-000-001-103	Soaker - No System	White	Left	59 3/4" x 31 7/8" x 20" / 85 lb / 39 kg	30 ft ³	\$ 971	
105550-L-000-004		Bone				\$ 971	
105550-L-000-007		Biscuit				\$ 971	
105550-L-001-001	Whirlpool ^{1 4}	White				\$ 2614	
105550-L-001-004		Bone				\$ 2614	
105550-L-001-007		Biscuit				\$ 2614	
105550-L-096-001	Combined Whirlpool & Aeroeffect ^{1 3}	White				\$ 4939	
105550-L-096-004		Bone				\$ 4939	
105550-L-096-007		Biscuit				\$ 4939	
105550-L-103-001	Aeroeffect ^{1 2 5}	White				\$ 3743	
105550-L-103-004		Bone				\$ 3743	
105550-L-103-007		Biscuit				\$ 3743	
105550-R-000-001	Soaker - No System	White				Right	\$ 971
105550-R-000-004		Bone					\$ 971
105550-R-000-007		Biscuit					\$ 971
105550-R-001-001	Whirlpool ^{1 4}	White	\$ 2614				
105550-R-001-004		Bone	\$ 2614				
105550-R-001-007		Biscuit	\$ 2614				
105550-R-096-001	Combined Whirlpool & Aeroeffect ^{1 3}	White	\$ 4939				
105550-R-096-004		Bone	\$ 4939				

EXHIBIT 6032 IF DTF - 105550

SKU	System	Color	Configuration	Dimensions & Weight	Packaging	MSRP
105550-R-096-007	Combined Whirlpool & Aeroeffect ^{1 3}	Biscuit	Right	59 3/4" x 31 7/8" x 20" / 85 lb / 39 kg	30 ft ³	\$ 4939
105550-R-103-001	Aeroeffect ^{1 2 5}	White				\$ 3743
105550-R-103-004		Bone				\$ 3743
105550-R-103-007		Biscuit				\$ 3743

COMMON OPTIONS

SKU	Description	MSRP
OPT20029-105	Metal trim kit for air push control (factory installed)	\$ 74
OPT20029-084	Available colors: Chrome (084) and Brushed Nickel (105)	\$ 74
OPT20137-004	Cable-operated waste and overflow (16 in. to 22 in.) (included in product packaging when purchased) Available colors: White (001), Bone (004), Chrome (084) and Brushed Nickel (105)	\$ 332
OPT20137-084		\$ 332
OPT20137-105		\$ 332
OPT20137-001		\$ 332
OPT10053	One chromatherapy light (factory installed) ⁵⁴	\$ 725
OPT10095	Water heater assembly for whirlpool and combined systems (factory installed)	\$ 950
OPT10106-084	Metal trim kit for whirlpool and combined systems (factory installed)	\$ 669
OPT10106-105	Available colors: Chrome (084) and Brushed Nickel (105)	\$ 669

ACCESSORIES

SKU	Description	MSRP
10006923	Flexible main hose (9 ft. extension) for air push control air massage - Kit (sold separately)	\$ 191
10004306-001	White foam cushion with 2 suction pads (sold separately) Available color: White (001)	\$ 126
10028641-084	Metal trim kit for Whirlpool and combined systems (sold separately)	\$ 669
10028641-105	Available colors: Chrome (084) and Brushed Nickel (105)	\$ 669
10034250-084	Metal trim kit for Aeroeffect with Air Push Control (sold separately)	\$ 74
10034250-105	Available colors: Chrome (084) and Brushed Nickel (105)	\$ 74
10022491-084	Cable-operated waste and overflow (16 in. to 22 in.) (sold separately) Available colors: White (001), Bone (004), Chrome (084) and Brushed Nickel (105)	\$ 332
10022491-004		\$ 332
10022491-105		\$ 332
10022491-001		\$ 332

FOOTNOTES

No	Description
1	Components for standard colour units equipped with systems are colour-coordinated. Trim kit and/or air push with metallic finish can be added (additional charge applies). For non-standard colour units, please specify trim kit and/or air push colour (additional charge applies for metallic finishes). Please note that the positioning of the system's control could be in conflict with the door if one was installed on the unit. To insure compatibility, please contact customer service.

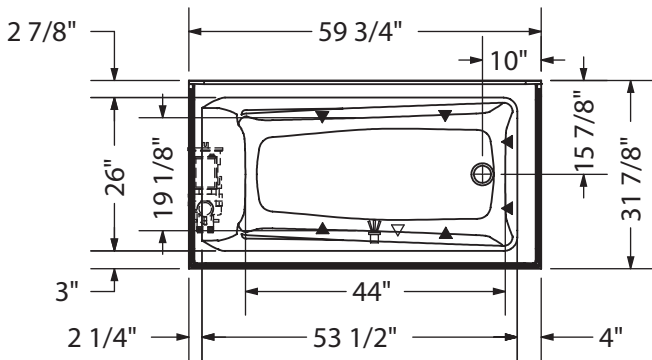
FOOTNOTES

No	Description
2	Please order flexible main hose 10006923 for installation of the blower further than 3 ft from the bathtub. For the Tandem models and the Serenade models (freestanding and drop-in), the blower is always remote and not factory installed so a 9 ft flexible main hose is included. Please note that the positioning of the system's control could be in conflict with the door if one was installed on the unit. To insure compatibility, please contact customer service.
3	The blower is not factory installed (remote). 9 ft flexible main hose included. Please note that the positioning of the system's control could be in conflict with the door if one was installed on the unit. To insure compatibility, please contact customer service.
4	For details on pump position and requirements, see technical drawings on https://www.maax.com . When there is a pump position A or B indicated on the technical drawing, please specify position when ordering.
5	For details on blower position and requirements, see technical drawings on https://www.maax.com . When there is a blower position A or B indicated on the technical drawing, please specify position when ordering.
54	A selection of units come with an access panel by default when equipped with a system. However, if the unit is only equipped with chromatherapy, the access panel will not be provided by default.

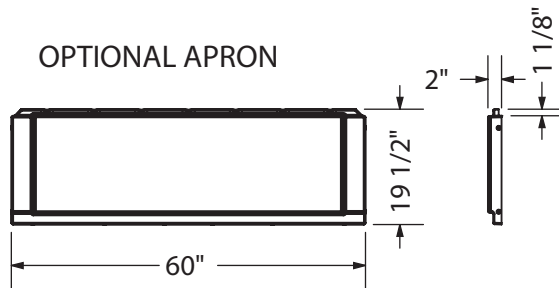
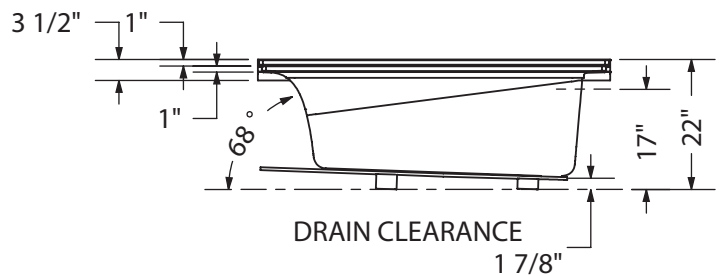
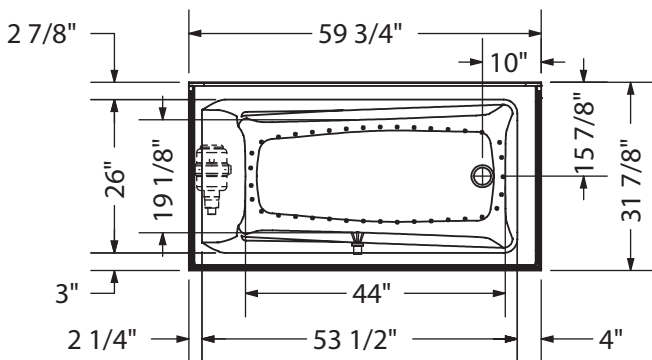
RECOMMENDED DOORS - VISIT OUR WEBSITE FOR A COMPLETE LIST OF RECOMMENDED DOORS

SKU	Product Name	Pag.
139398	Halo 56 ½-59 x 59 - 8mm	1024
139351	Incognito 57 56-59 x 56 ¾ - 6mm	1002
139354	Incognito 57 56-59 x 56 ¾ - 8mm	1006
135330	Incognito 57 Shaker 56-59 x 56 ¾ - 8mm	1000
135695	Revelation Square 56-59 x 56 ¾-59 ¼ - 8mm	1016
135692	Revelation Square 56-59 x 56 ¾-58 ¼ - 6mm	1014
136692	Revelation Round 56-59 x 56 ¾-59 ¼ - 6mm	1010
136695	Revelation Round 56-59 x 56 ¾-59 ¼ - 8 mm	1012
135320	Uptown 56-59 x 58 in. 8 mm	1018
138485	Vela 56 ½-59 x 59 - 8mm	1022
138480		1020
134661	Kameleon SC 55-59 x 57 - 6mm	989
134573	Kameleon 55-59 x 57 - 8mm	992
134670	Kameleon SC 55-59 x 57 - 8mm	984
134561	Kameleon 55-59 x 57 - 6mm	995
138994	Luminescence SlidingDoor 56 ½-59 x 55 ½-57 ½ - 6mm	1026
105410	Polar 54-59 ½ x 57 in.	1008

WHIRLPOOL SYSTEM



AIR SYSTEM



- (▲) : Indicates whirlpool jets positioning
 - (△) : Indicates suction positioning
 - (●) : Indicates airjets positioning
 - (☼) : Indicates chromatherapy light positioning
- All dimensions are approximate. Structure measurements must be verified against the unit to ensure proper fit.



Exhibit 6032 IFS

RECTANGULAR BATHTUBS - ACRYLIC



Material : Acrylic
 Min: 35 Gal / 159 L
 Max: 38 Gal / 173 L

Features

- › Alcove bathtub
- › Acrylic surface resistant to stains
- › Available in white, bone or biscuit color to complement any bathroom decor
- › Available in left-hand and right-hand drain configurations to fit your specific bathroom layout
- › Integrated flat skirt and tiling flange
- › Bride de carrelage intégrée pour une meilleure protection contre les fuites et une installation facile des murs de douche
- › Proudly made in North America
- › Compatible with UTile for an easy wall solution
- › Product warranty: 25 years

EXHIBIT 6032 IFS AFR - 105512

SKU	System	Color	Configuration	Dimensions & Weight	Packaging	MSRP	
105512-000-001-001	Soaker - No System	White	Left	59 3/4" x 32" x 19 1/2" / 78 lb / 35 kg	24 ft ³	\$ 1168	
105512-000-001-002			Right			\$ 1168	
105512-001-001-001	Whirlpool ^{1 4}		Left			\$ 2811	
105512-001-001-002			Right			\$ 2811	
105512-096-001-001	Combined Whirlpool & Aeroeffect ^{1 3}		Left			\$ 5136	
105512-096-001-002			Right			\$ 5136	
105512-103-001-100	Aeroeffect ^{1 2 5}		Left			\$ 3940	
105512-103-001-101			Right			\$ 3940	
105512-L-000-004	Soaker - No System		Bone			Left	\$ 1168
105512-L-000-007			Biscuit				\$ 1168
105512-L-001-004	Whirlpool ^{1 4}	Bone	\$ 2811				
105512-L-001-007		Biscuit	\$ 2811				
105512-L-096-004	Combined Whirlpool & Aeroeffect ^{1 3}	Bone	\$ 5136				
105512-L-096-007		Biscuit	\$ 5136				
105512-L-103-004	Aeroeffect ^{1 2 5}	Bone	\$ 3940				
105512-L-103-007		Biscuit	\$ 3940				
105512-R-000-004	Soaker - No System	Bone	Right	\$ 1168			
105512-R-000-007		Biscuit		\$ 1168			
105512-R-001-004	Whirlpool ^{1 4}	Bone		\$ 2811			

EXHIBIT 6032 IFS AFR - 105512

SKU	System	Color	Configuration	Dimensions & Weight	Packaging	MSRP
105512-R-001-007	Whirlpool ^{1 4}	Biscuit	Right	59 3/4" x 32" x 19 1/2" / 78 lb / 35 kg	24 ft ³	\$ 2811
105512-R-096-004	Combined Whirlpool & Aeroeffect ^{1 3}	Bone				\$ 5136
105512-R-096-007		Biscuit				\$ 5136
105512-R-103-004	Aeroeffect ^{1 2 5}	Bone				\$ 3940
105512-R-103-007		Biscuit				\$ 3940

EXHIBIT 6032 IFS - 105520

SKU	System	Color	Configuration	Dimensions & Weight	Packaging	MSRP
105520-000-001-102	Soaker - No System	White	Left	59 3/4" x 32" x 17 3/4" / 78 lb / 35 kg	24 ft ³	\$ 1168
105520-000-001-103			Right			\$ 1168
105520-000-004-102		Bone	Left			\$ 1168
105520-000-004-103			Right			\$ 1168
105520-000-007-102		Biscuit	Left			\$ 1168
105520-000-007-103			Right			\$ 1168
105520-001-001-100	Whirlpool ^{1 4}	White	Left			\$ 2811
105520-001-001-101			Right			\$ 2811
105520-096-001-100	Combined Whirlpool & Aeroeffect ^{1 3}		Left			\$ 5136
105520-096-001-101			Right			\$ 5136
105520-103-001-104	Aeroeffect ^{1 2 5}		Left			\$ 3940
105520-103-001-105			Right			\$ 3940
105520-L-001-004	Whirlpool ^{1 4}		Bone	Left	\$ 2811	
105520-L-001-007			Biscuit		\$ 2811	
105520-L-096-004	Combined Whirlpool & Aeroeffect ^{1 3}		Bone		\$ 5136	
105520-L-096-007			Biscuit		\$ 5136	
105520-L-103-004	Aeroeffect ^{1 2 5}		Bone		\$ 3940	
105520-L-103-007			Biscuit		\$ 3940	
105520-R-001-004	Whirlpool ^{1 4}	Bone	Right		\$ 2811	
105520-R-001-007		Biscuit			\$ 2811	
105520-R-096-004	Combined Whirlpool & Aeroeffect ^{1 3}	Bone			\$ 5136	
105520-R-096-007		Biscuit			\$ 5136	
105520-R-103-004	Aeroeffect ^{1 2 5}	Bone			\$ 3940	
105520-R-103-007		Biscuit			\$ 3940	

COMMON OPTIONS

SKU	Description	MSRP
OPT20029-105	Metal trim kit for air push control (factory installed)	\$ 74
OPT20029-084	Available colors: Chrome (084) and Brushed Nickel (105)	\$ 74

COMMON OPTIONS

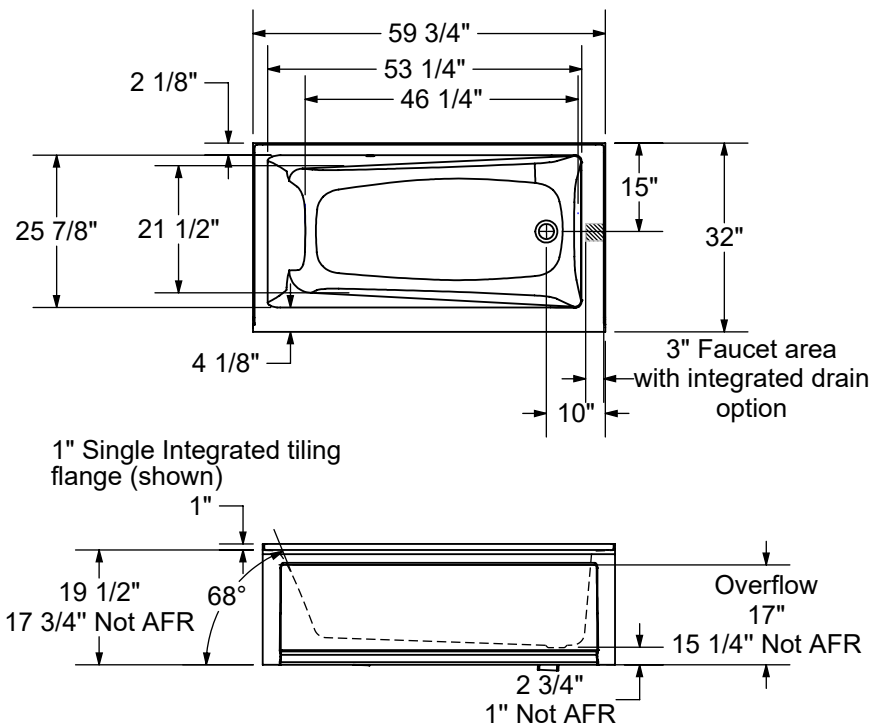
SKU	Description	MSRP
OPT20137-004	Cable-operated waste and overflow (16 in. to 22 in.) (included in product packaging when purchased) Available colors: White (001), Bone (004), Chrome (084) and Brushed Nickel (105)	\$ 332
OPT20137-084		\$ 332
OPT20137-105		\$ 332
OPT20137-001		\$ 332
OPT10019	Removable access panel	\$ 385
OPT10053	One chromatherapy light (factory installed) ⁵⁴	\$ 725
OPT10095	Water heater assembly for whirlpool and combined systems (factory installed)	\$ 950
OPT10106-084	Metal trim kit for whirlpool and combined systems (factory installed) Available colors: Chrome (084) and Brushed Nickel (105)	\$ 669
OPT10106-105		\$ 669
OPT20341-001	Linear overflow and pop-up drain for non-high rise construction featuring direct drain pre-installed in the factory Available color: White (001)	\$ 225

ACCESSORIES

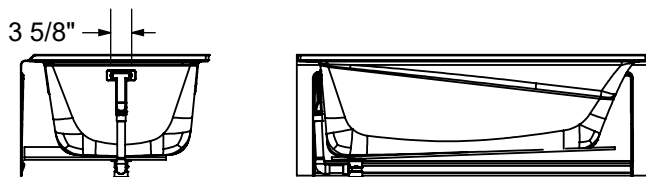
SKU	Description	MSRP
10006923	Flexible main hose (9 ft. extension) for air push control air massage - Kit (sold separately)	\$ 191
10004306-001	White foam cushion with 2 suction pads (sold separately) Available color: White (001)	\$ 126
10028641-084	Metal trim kit for Whirlpool and combined systems (sold separately) Available colors: Chrome (084) and Brushed Nickel (105)	\$ 669
10028641-105		\$ 669
10034250-084	Metal trim kit for Aeroeffect with Air Push Control (sold separately) Available colors: Chrome (084) and Brushed Nickel (105)	\$ 74
10034250-105		\$ 74
10022491-084	Cable-operated waste and overflow (16 in. to 22 in.) (sold separately) Available colors: White (001), Bone (004), Chrome (084) and Brushed Nickel (105)	\$ 332
10022491-004		\$ 332
10022491-105		\$ 332
10022491-001		\$ 332

FOOTNOTES

No	Description
1	Components for standard colour units equipped with systems are colour-coordinated. Trim kit and/or air push with metallic finish can be added (additional charge applies). For non-standard colour units, please specify trim kit and/or air push colour (additional charge applies for metallic finishes). Please note that the positioning of the system's control could be in conflict with the door if one was installed on the unit. To insure compatibility, please contact customer service.
2	Please order flexible main hose 10006923 for installation of the blower further than 3 ft from the bathtub. For the Tandem models and the Serenade models (freestanding and drop-in), the blower is always remote and not factory installed so a 9 ft flexible main hose is included. Please note that the positioning of the system's control could be in conflict with the door if one was installed on the unit. To insure compatibility, please contact customer service.
3	The blower is not factory installed (remote). 9 ft flexible main hose included. Please note that the positioning of the system's control could be in conflict with the door if one was installed on the unit. To insure compatibility, please contact customer service.
4	For details on pump position and requirements, see technical drawings on https://www.maax.com . When there is a pump position A or B indicated on the technical drawing, please specify position when ordering.
5	For details on blower position and requirements, see technical drawings on https://www.maax.com . When there is a blower position A or B indicated on the technical drawing, please specify position when ordering.
54	A selection of units come with an access panel by default when equipped with a system. However, if the unit is only equipped with chromatherapy, the access panel will not be provided by default.



INTEGRATED LINEAR OVERFLOW & DRAIN OPTION



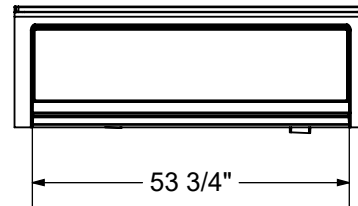
Wood support design may vary.
Single Integrated tiling flange: 1" height x 1/4" thickness (shown)

All dimensions are approximate.
Structure measurement must be verified against the unit to ensure proper fit.

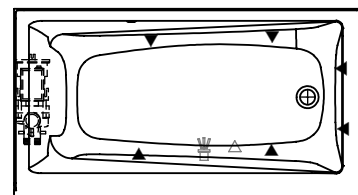
WITHOUT SYSTEM



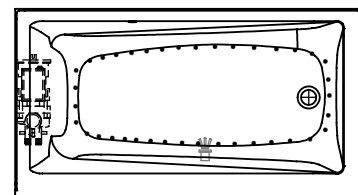
WITH SYSTEM



WHIRLPOOL SYSTEM



AIR SYSTEM



- (▲) : Indicates whirlpool jets positioning
- (△) : Indicates suction positioning
- (●) : Indicates airjets positioning
- (☼) : Indicates chromatherapy light positioning



Exhibit 6032 IFS DTF



Material : Acrylic
 Min: 35 Gal / 159 L
 Max: 38 Gal / 173 L

Features

- › Unique feature: minimalist look with discreet armrests and textured bottom
- › Above-the-Floor Rough (AFR) (3 in.) included
- › Integrated apron with access panel when equipped with a system
- › Alcove installation
- › Double tiling flange

EXHIBIT 6032 IFS AFR DTF - 105548							
SKU	System	Color	Configuration	Dimensions & Weight	Packaging	MSRP	
105548-000-001-104	Soaker - No System	White	Left	59 3/4" x 31 7/8" x 21 7/8" / 78 lb / 35 kg	24 ft ³	\$ 1168	
105548-000-001-106			Right			\$ 1168	
105548-L-000-004		Bone	\$ 1168				
105548-L-000-007		Biscuit	\$ 1168				
105548-L-001-001	Whirlpool ^{1 4}	White	Left			\$ 2811	
105548-L-001-004		Bone				\$ 2811	
105548-L-001-007		Biscuit				\$ 2811	
105548-L-096-001	Combined Whirlpool & Aeroeffect ^{1 3}	White				\$ 5136	
105548-L-096-004		Bone				\$ 5136	
105548-L-096-007		Biscuit				\$ 5136	
105548-L-103-001	Aeroeffect ^{1 2 5}	White				Right	\$ 3940
105548-L-103-004		Bone					\$ 3940
105548-L-103-007		Biscuit		\$ 3940			
105548-R-000-004	Soaker - No System	Bone		\$ 1168			
105548-R-000-007		Biscuit		\$ 1168			
105548-R-001-001	Whirlpool ^{1 4}	White		\$ 2811			
105548-R-001-004		Bone	\$ 2811				
105548-R-001-007		Biscuit	\$ 2811				
105548-R-096-001	Combined Whirlpool & Aeroeffect ^{1 3}	White	\$ 5136				
105548-R-096-004		Bone	\$ 5136				

EXHIBIT 6032 IFS AFR DTF - 105548

SKU	System	Color	Configuration	Dimensions & Weight	Packaging	MSRP
105548-R-096-007	Combined Whirlpool & Aeroeffect ^{1 3}	Biscuit	Right	59 3/4" x 31 7/8" x 21 7/8" / 78 lb / 35 kg	24 ft ³	\$ 5136
105548-R-103-001	Aeroeffect ^{1 2 5}	White				\$ 3940
105548-R-103-004		Bone				\$ 3940
105548-R-103-007		Biscuit				\$ 3940

EXHIBIT 6032 IFS DTF - 105549

SKU	System	Color	Configuration	Dimensions & Weight	Packaging	MSRP			
105549-000-001-105	Soaker - No System	White	Left	59 3/4" x 31 7/8" x 20" / 78 lb / 35 kg	24 ft ³	\$ 1168			
105549-000-001-107			Right			\$ 1168			
105549-000-007-100		Biscuit	\$ 1168						
105549-L-000-004	Whirlpool ^{1 4}	Bone	Left			\$ 1168			
105549-L-001-001		White				\$ 2811			
105549-L-001-004		Bone				\$ 2811			
105549-L-001-007	Biscuit	\$ 2811							
105549-L-096-001	Combined Whirlpool & Aeroeffect ^{1 3}	White				Right	\$ 5136		
105549-L-096-004		Bone					\$ 5136		
105549-L-096-007		Biscuit					\$ 5136		
105549-L-103-001	Aeroeffect ^{1 2 5}	White					Right	\$ 3940	
105549-L-103-004		Bone						\$ 3940	
105549-L-103-007		Biscuit						\$ 3940	
105549-R-000-004	Soaker - No System	Bone						Right	\$ 1168
105549-R-000-007		Biscuit							\$ 1168
105549-R-001-001	Whirlpool ^{1 4}	White	Right						\$ 2811
105549-R-001-004		Bone							\$ 2811
105549-R-001-007		Biscuit							\$ 2811
105549-R-096-001	Combined Whirlpool & Aeroeffect ^{1 3}	White							Right
105549-R-096-004		Bone				\$ 5136			
105549-R-096-007		Biscuit		\$ 5136					
105549-R-103-001	Aeroeffect ^{1 2 5}	White		Right	\$ 3940				
105549-R-103-004		Bone			\$ 3940				
105549-R-103-007		Biscuit			\$ 3940				

COMMON OPTIONS

SKU	Description	MSRP
OPT20029-105	Metal trim kit for air push control (factory installed)	\$ 74
OPT20029-084	Available colors: Chrome (084) and Brushed Nickel (105)	\$ 74
OPT20137-004	Cable-operated waste and overflow (16 in. to 22 in.) (included in product packaging when purchased) Available colors: White (001), Bone (004), Chrome (084) and Brushed Nickel (105)	\$ 332

COMMON OPTIONS

SKU	Description	MSRP
OPT20137-084	Cable-operated waste and overflow (16 in. to 22 in.) (included in product packaging when purchased) Available colors: White (001), Bone (004), Chrome (084) and Brushed Nickel (105)	\$ 332
OPT20137-105		\$ 332
OPT20137-001		\$ 332
OPT10019	Removable access panel	\$ 385
OPT10053	One chromatherapy light (factory installed) ⁵⁴	\$ 725
OPT10095	Water heater assembly for whirlpool and combined systems (factory installed)	\$ 950
OPT10106-084	Metal trim kit for whirlpool and combined systems (factory installed) Available colors: Chrome (084) and Brushed Nickel (105)	\$ 669
OPT10106-105		\$ 669

ACCESSORIES

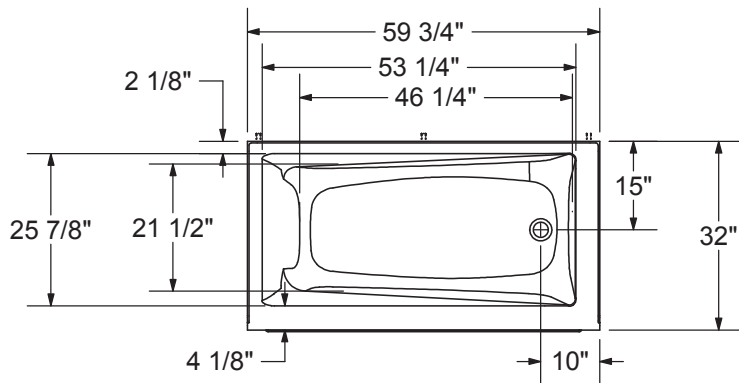
SKU	Description	MSRP
10006923	Flexible main hose (9 ft. extension) for air push control air massage - Kit (sold separately)	\$ 191
10004306-001	White foam cushion with 2 suction pads (sold separately) Available color: White (001)	\$ 126
10028641-084	Metal trim kit for Whirlpool and combined systems (sold separately) Available colors: Chrome (084) and Brushed Nickel (105)	\$ 669
10028641-105		\$ 669
10034250-084	Metal trim kit for Aeroeffect with Air Push Control (sold separately) Available colors: Chrome (084) and Brushed Nickel (105)	\$ 74
10034250-105		\$ 74
10022491-084	Cable-operated waste and overflow (16 in. to 22 in.) (sold separately) Available colors: White (001), Bone (004), Chrome (084) and Brushed Nickel (105)	\$ 332
10022491-004		\$ 332
10022491-105		\$ 332
10022491-001		\$ 332

FOOTNOTES

No	Description
54	A selection of units come with an access panel by default when equipped with a system. However, if the unit is only equipped with chromatherapy, the access panel will not be provided by default.

RECOMMENDED DOORS - VISIT OUR WEBSITE FOR A COMPLETE LIST OF RECOMMENDED DOORS

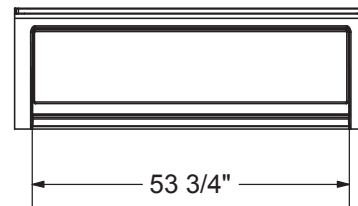
SKU	Product Name	Pag.
139398	Halo 56 ½-59 x 59 - 8mm	1024
139351	Incognito 57 56-59 x 56 ¾ - 6mm	1002
139354	Incognito 57 56-59 x 56 ¾ - 8mm	1006
135330	Incognito 57 Shaker 56-59 x 56 ¾ - 8mm	1000
135695	Revelation Square 56-59 x 56 ¾-59 ¼ - 8mm	1016
135692	Revelation Square 56-59 x 56 ¾-58 ¼ - 6mm	1014
136692	Revelation Round 56-59 x 56 ¾-59 ¼ - 6mm	1010
136695	Revelation Round 56-59 x 56 ¾-59 ¼ - 8 mm	1012
135320	Uptown 56-59 x 58 in. 8 mm	1018



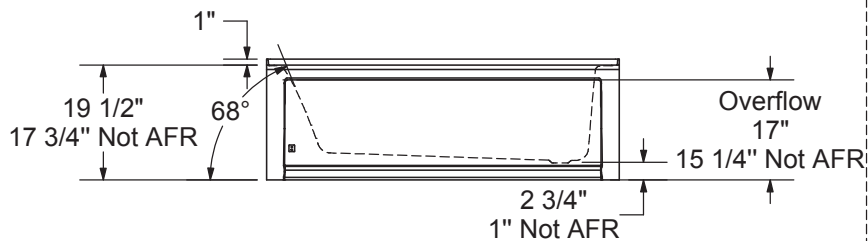
WITHOUT SYSTEM



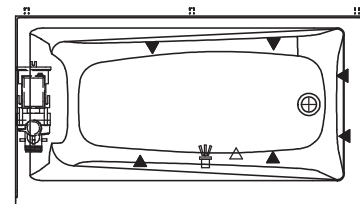
WITH SYSTEM



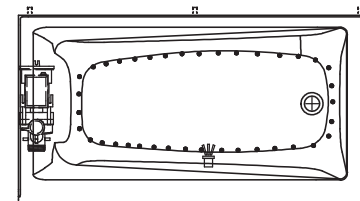
1" Single Integrated tiling flange (shown)
 2 3/8" Double Integrated tiling flange (not shown)



WHIRLPOOL SYSTEM



AIR SYSTEM



- (▲) : Indicates whirlpool jets positioning
- (△) : Indicates suction positioning
- (●) : Indicates airjets positioning
- (◻) : Indicates chromatherapy light positioning

Wood support design may vary.
 Single Integrated tiling flange: 1" height x 1/4" thickness (shown)
 Double Integrated tiling flange: 2 3/8" height (not shown)
 All dimensions are approximate.
 Structure measurement must be verified against the unit to ensure proper fit.



Exhibit 6036



Material : Acrylic
 Min: 34 Gal / 155 L
 Max: 47 Gal / 214 L

Features

- › Rectangular shape bathtub
- › Drop-in or alcove installation with tiling flange
- › Minimalist look with discreet armrests and textured floor
- › End drain

RECTANGULAR BATHTUBS - ACRYLIC

EXHIBIT 6036 - 106170						
SKU	System	Color	Configuration	Dimensions & Weight	Packaging	MSRP
106170-000-001-000	Soaker - No System	White	End	59 7/8" x 36" x 18" / 80 lb / 36 kg	32 ft ³	\$ 1260
106170-000-004		Bone				\$ 1260
106170-000-007		Biscuit				\$ 1260
106170-001-001-000	Whirlpool ^{1 4}	White				\$ 2903
106170-001-004		Bone				\$ 2903
106170-001-007		Biscuit				\$ 2903
106170-002-001-100	Multi-Pack ⁹	White				\$ 6798
106170-002-004-100		Bone				\$ 6798
106170-002-007-100		Biscuit				\$ 6798
106170-096-001	Combined Whirlpool & Aeroeffect ^{1 3}	White				\$ 5228
106170-096-004		Bone				\$ 5228
106170-096-007		Biscuit				\$ 5228
106170-103-001-100	Aeroeffect ^{1 2 5}	White				\$ 4032
106170-103-004		Bone				\$ 4032
106170-103-007		Biscuit				\$ 4032

COMMON OPTIONS		
SKU	Description	MSRP
OPT20137-004	Cable-operated waste and overflow (16 in. to 22 in.) (included in product packaging when purchased) Available colors: White (001), Bone (004), Chrome (084) and Brushed Nickel (105)	\$ 332

COMMON OPTIONS

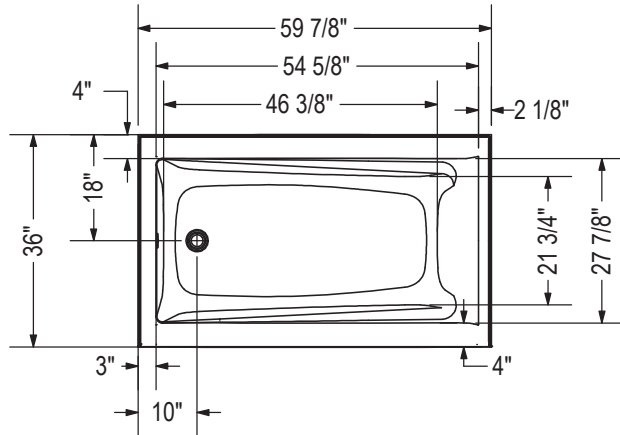
SKU	Description	MSRP
OPT20137-084		\$ 332
OPT20137-105	Cable-operated waste and overflow (16 in. to 22 in.) (included in product packaging when purchased) Available colors: White (001), Bone (004), Chrome (084) and Brushed Nickel (105)	\$ 332
OPT20137-001		\$ 332
OPT10053	One chromatherapy light (factory installed) ⁵⁴	\$ 725
OPT10095	Water heater assembly for whirlpool and combined systems (factory installed)	\$ 950
OPT10106-084	Metal trim kit for whirlpool and combined systems (factory installed)	\$ 669
OPT10106-105	Available colors: Chrome (084) and Brushed Nickel (105)	\$ 669
OPT20029-105	Metal trim kit for air push control (factory installed)	\$ 74
OPT20029-084	Available colors: Chrome (084) and Brushed Nickel (105)	\$ 74

ACCESSORIES

SKU	Description	MSRP
10006923	Flexible main hose (9 ft. extension) for air push control air massage - Kit (sold separately)	\$ 191
10004306-001	White foam cushion with 2 suction pads (sold separately) Available color: White (001)	\$ 126
10028641-084	Metal trim kit for Whirlpool and combined systems (sold separately)	\$ 669
10028641-105	Available colors: Chrome (084) and Brushed Nickel (105)	\$ 669
10034250-084	Metal trim kit for Aeroeffect with Air Push Control (sold separately)	\$ 74
10034250-105	Available colors: Chrome (084) and Brushed Nickel (105)	\$ 74
10022491-084		\$ 332
10022491-004	Cable-operated waste and overflow (16 in. to 22 in.) (sold separately)	\$ 332
10022491-105	Available colors: White (001), Bone (004), Chrome (084) and Brushed Nickel (105)	\$ 332
10022491-001		\$ 332

FOOTNOTES

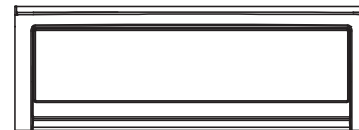
No	Description
1	Components for standard colour units equipped with systems are colour-coordinated. Trim kit and/or air push with metallic finish can be added (additional charge applies). For non-standard colour units, please specify trim kit and/or air push colour (additional charge applies for metallic finishes). Please note that the positioning of the system's control could be in conflict with the door if one was installed on the unit. To insure compatibility, please contact customer service.
2	Please order flexible main hose 10006923 for installation of the blower further than 3 ft from the bathtub. For the Tandem models and the Serenade models (freestanding and drop-in), the blower is always remote and not factory installed so a 9 ft flexible main hose is included. Please note that the positioning of the system's control could be in conflict with the door if one was installed on the unit. To insure compatibility, please contact customer service.
4	For details on pump position and requirements, see technical drawings on https://www.maax.com . When there is a pump position A or B indicated on the technical drawing, please specify position when ordering.
5	For details on blower position and requirements, see technical drawings on https://www.maax.com . When there is a blower position A or B indicated on the technical drawing, please specify position when ordering.
54	A selection of units come with an access panel by default when equipped with a system. However, if the unit is only equipped with chromatherapy, the access panel will not be provided by default.



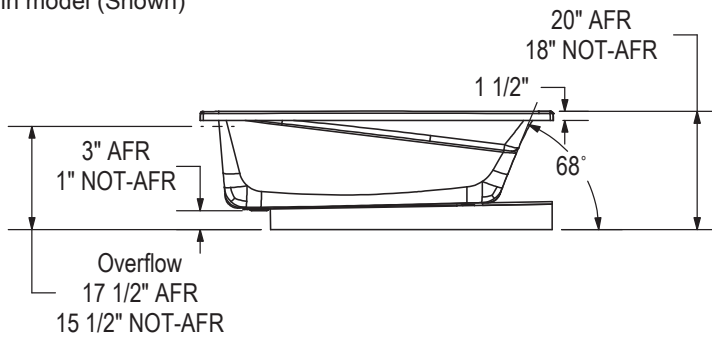
IFS Without System
Single tiling flange



IFS With System
(access panel)
Single tiling flange



1" Single integrated tiling flange (not shown)
Drop-in model (Shown)

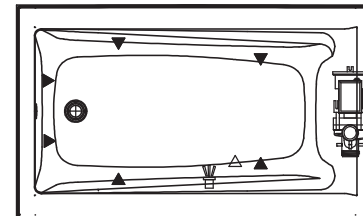


Technical drawing is universal for all Exhibit 6036 configurations.

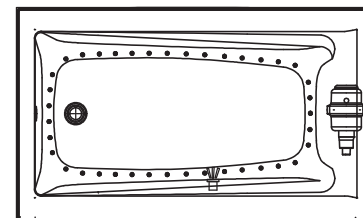
Wood support design may vary.
Single Integrated tiling flange: 1" height x 1/4" thickness (not shown)

All dimensions are approximate.
Structure measurement must be verified against the unit to ensure proper fit.

WHIRLPOOL SYSTEM



AIR SYSTEM



- (▲) : Indicates whirlpool jets positioning
- (△) : Indicates suction positioning
- (●) : Indicates airjets positioning
- (☒) : Indicates chromatherapy light positioning



Exhibit 6036 IF

RECTANGULAR BATHTUBS - ACRYLIC



Material : Acrylic
 Min: 34 Gal / 155 L
 Max: 47 Gal / 214 L

Features

- › Rectangular shape bathtub
- › Drop-in or alcove installation with tiling flange
- › Minimalist look with discreet armrests and textured floor
- › End drain

EXHIBIT 6036 IF - 106171						
SKU	System	Color	Configuration	Dimensions & Weight	Packaging	MSRP
106171-000-001-001	Soaker - No System	White	Left	59 7/8" x 36" x 18" / 72 lb / 33 kg	32 ft ³	\$ 1260
106171-000-001-002			Right			\$ 1260
106171-002-001-101	Multi-Pack ⁹		Left			\$ 6798
106171-002-001-102			Right			\$ 6798
106171-002-004-101		Bone	Left			\$ 6798
106171-002-007-101		Biscuit	Right			\$ 6798
106171-002-007-102			Left			\$ 1260
106171-L-000-004		Soaker - No System	Biscuit			Right
106171-L-001-001	Whirlpool ^{1 4}	White	Left			\$ 2903
106171-L-001-004		Bone				\$ 2903
106171-L-001-007		Biscuit				\$ 2903
106171-L-096-001	Combined Whirlpool & Aeroeffect ^{1 3}	White				\$ 5228
106171-L-096-004		Bone		\$ 5228		
106171-L-096-007		Biscuit		\$ 5228		
106171-L-103-001	Aeroeffect ^{1 2 5}	White		\$ 4032		
106171-L-103-004		Bone		\$ 4032		
106171-L-103-007		Biscuit		\$ 4032		
106171-R-000-004	Soaker - No System	Bone		Right	\$ 1260	
106171-R-000-007		Biscuit			\$ 1260	

EXHIBIT 6036 IF - 106171

SKU	System	Color	Configuration	Dimensions & Weight	Packaging	MSRP
106171-R-001-001	Whirlpool ^{1 4}	White	Right	59 7/8" x 36" x 18" / 72 lb / 33 kg	32 ft ³	\$ 2903
106171-R-001-004		Bone				\$ 2903
106171-R-001-007		Biscuit				\$ 2903
106171-R-002-004	Multi-Pack ⁹	Bone				\$ 6798
106171-R-096-001	Combined Whirlpool & Aeroeffect ^{1 3}	White				\$ 5228
106171-R-096-004		Bone				\$ 5228
106171-R-096-007		Biscuit				\$ 5228
106171-R-103-001	Aeroeffect ^{1 2 5}	White				\$ 4032
106171-R-103-004		Bone				\$ 4032
106171-R-103-007		Biscuit	\$ 4032			

COMMON OPTIONS

SKU	Description	MSRP
OPT20137-004	Cable-operated waste and overflow (16 in. to 22 in.) (included in product packaging when purchased) Available colors: White (001), Bone (004), Chrome (084) and Brushed Nickel (105)	\$ 332
OPT20137-084		\$ 332
OPT20137-105		\$ 332
OPT20137-001		\$ 332
OPT10053	One chromatherapy light (factory installed) ⁵⁴	\$ 725
OPT10095	Water heater assembly for whirlpool and combined systems (factory installed)	\$ 950
OPT10106-084	Metal trim kit for whirlpool and combined systems (factory installed) Available colors: Chrome (084) and Brushed Nickel (105)	\$ 669
OPT10106-105		\$ 669
OPT20029-105	Metal trim kit for air push control (factory installed) Available colors: Chrome (084) and Brushed Nickel (105)	\$ 74
OPT20029-084		\$ 74

ACCESSORIES

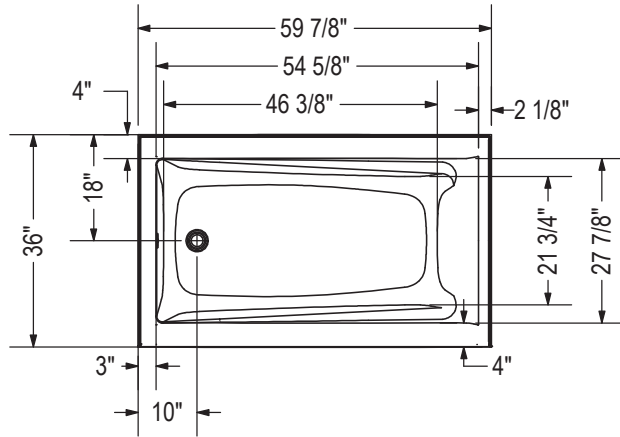
SKU	Description	MSRP
10006923	Flexible main hose (9 ft. extension) for air push control air massage - Kit (sold separately)	\$ 191
10004306-001	White foam cushion with 2 suction pads (sold separately) Available color: White (001)	\$ 126
10028641-084	Metal trim kit for Whirlpool and combined systems (sold separately) Available colors: Chrome (084) and Brushed Nickel (105)	\$ 669
10028641-105		\$ 669
10034250-084	Metal trim kit for Aeroeffect with Air Push Control (sold separately) Available colors: Chrome (084) and Brushed Nickel (105)	\$ 74
10034250-105		\$ 74
10022491-084	Cable-operated waste and overflow (16 in. to 22 in.) (sold separately) Available colors: White (001), Bone (004), Chrome (084) and Brushed Nickel (105)	\$ 332
10022491-004		\$ 332
10022491-105		\$ 332
10022491-001		\$ 332

FOOTNOTES

No	Description
1	Components for standard colour units equipped with systems are colour-coordinated. Trim kit and/or air push with metallic finish can be added (additional charge applies). For non-standard colour units, please specify trim kit and/or air push colour (additional charge applies for metallic finishes). Please note that the positioning of the system's control could be in conflict with the door if one was installed on the unit. To insure compatibility, please contact customer service.
3	The blower is not factory installed (remote). 9 ft flexible main hose included. Please note that the positioning of the system's control could be in conflict with the door if one was installed on the unit. To insure compatibility, please contact customer service.
4	For details on pump position and requirements, see technical drawings on https://www.maax.com . When there is a pump position A or B indicated on the technical drawing, please specify position when ordering.
54	A selection of units come with an access panel by default when equipped with a system. However, if the unit is only equipped with chromatherapy, the access panel will not be provided by default.

RECOMMENDED DOORS - VISIT OUR WEBSITE FOR A COMPLETE LIST OF RECOMMENDED DOORS

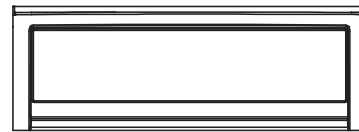
SKU	Product Name	Pag.
139398	Halo 56 ½-59 x 59 - 8mm	1024
139351	Incognito 57 56-59 x 56 ¾ - 6mm	1002
139354	Incognito 57 56-59 x 56 ¾ - 8mm	1006
135330	Incognito 57 Shaker 56-59 x 56 ¾ - 8mm	1000
135695	Revelation Square 56-59 x 56 ¾-59 ¼ - 8mm	1016
135692	Revelation Square 56-59 x 56 ¾-58 ¼ - 6mm	1014
136692	Revelation Round 56-59 x 56 ¾-59 ¼ - 6mm	1010
136695	Revelation Round 56-59 x 56 ¾-59 ¼ - 8 mm	1012
135320	Uptown 56-59 x 58 in. 8 mm	1018
138485	Vela 56 ½-59 x 59 - 8mm	1022
138480		1020
134661	Kameleon SC 55-59 x 57 - 6mm	989
134573	Kameleon 55-59 x 57 - 8mm	992
134670	Kameleon SC 55-59 x 57 - 8mm	984
134561	Kameleon 55-59 x 57 - 6mm	995
138994	Luminescence SlidingDoor 56 ½-59 x 55 ½-57 ½ - 6mm	1026
105410	Polar 54-59 ½ x 57 in.	1008



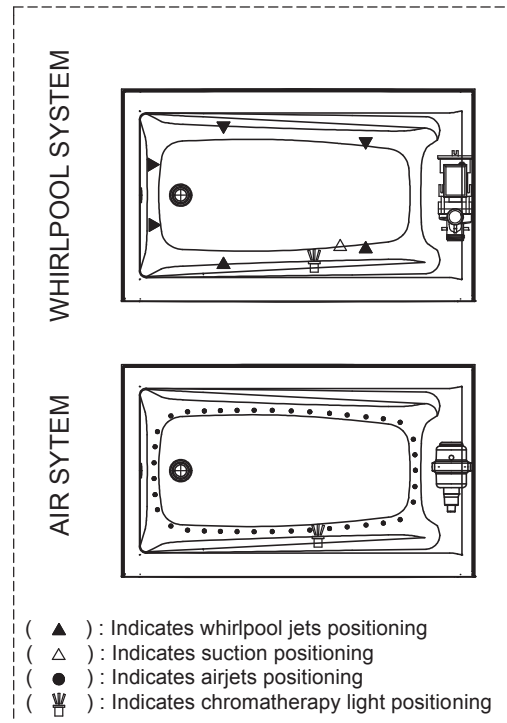
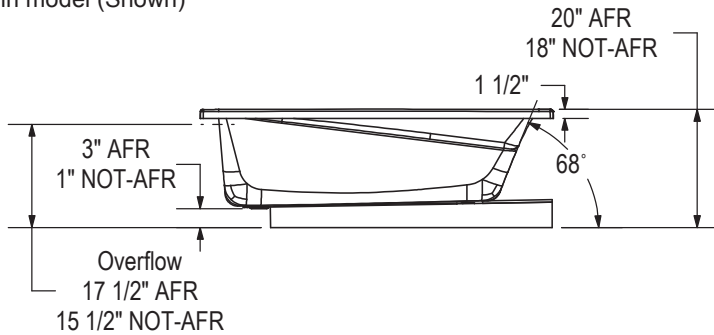
IFS Without System
Single tiling flange



IFS With System
(access panel)
Single tiling flange



1" Single integrated tiling flange (not shown)
Drop-in model (Shown)



- (▲) : Indicates whirlpool jets positioning
- (△) : Indicates suction positioning
- (●) : Indicates airjets positioning
- (☒) : Indicates chromatherapy light positioning

Technical drawing is universal for all Exhibit 6036 configurations.

Wood support design may vary.
Single Integrated tiling flange: 1" height x 1/4" thickness (not shown)

All dimensions are approximate.
Structure measurement must be verified against the unit to ensure proper fit.



Exhibit 6036 IF DTF

RECTANGULAR BATHTUBS - ACRYLIC



Material : Acrylic
 Min: 34 Gal / 155 L
 Max: 47 Gal / 214 L

Features

- › Unique feature: minimalist look with discreet armrests
- › Textured bottom
- › Alcove installation
- › Apron with magnetic access panel available
- › Integrated double tiling flange
- › Access panel available on IFS models only

EXHIBIT 6036 IF DTF - 106227

SKU	System	Color	Configuration	Dimensions & Weight	Packaging	MSRP		
106227-000-001-104	Soaker - No System	White	Left	59 7/8" x 36" x 18" / 72 lb / 33 kg	32 ft ³	\$ 1260		
106227-000-001-105			Right			\$ 1260		
106227-L-000-004		Bone	\$ 1260					
106227-L-000-007		Biscuit	\$ 1260					
106227-L-001-001	Whirlpool ^{1 4}	White	Left			\$ 2903		
106227-L-001-004		Bone				\$ 2903		
106227-L-001-007		Biscuit				\$ 2903		
106227-L-096-001	Combined Whirlpool & Aeroeffect ^{1 3}	White				Right	\$ 5228	
106227-L-096-004		Bone					\$ 5228	
106227-L-096-007		Biscuit					\$ 5228	
106227-L-103-001	Aeroeffect ^{1 2 5}	White						\$ 4032
106227-L-103-004		Bone						\$ 4032
106227-L-103-007		Biscuit		\$ 4032				
106227-R-000-004	Soaker - No System	Bone			\$ 1260			
106227-R-000-007		Biscuit			\$ 1260			
106227-R-001-001	Whirlpool ^{1 4}	White						\$ 2903
106227-R-001-004		Bone	\$ 2903					
106227-R-001-007		Biscuit	\$ 2903					
106227-R-096-001	Combined Whirlpool & Aeroeffect ^{1 3}	White						\$ 5228
106227-R-096-004		Bone				\$ 5228		

EXHIBIT 6036 IF DTF - 106227

SKU	System	Color	Configuration	Dimensions & Weight	Packaging	MSRP
106227-R-096-007	Combined Whirlpool & Aeroeffect ^{1 3}	Biscuit	Right	59 7/8" x 36" x 18" / 72 lb / 33 kg	32 ft ³	\$ 5228
106227-R-103-001	Aeroeffect ^{1 2 5}	White				\$ 4032
106227-R-103-004		Bone				\$ 4032
106227-R-103-007		Biscuit				\$ 4032

COMMON OPTIONS

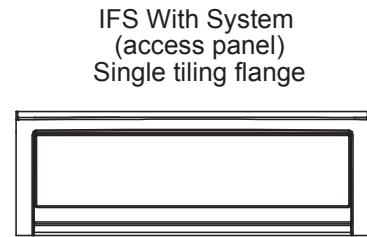
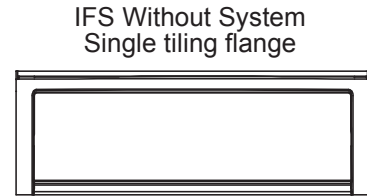
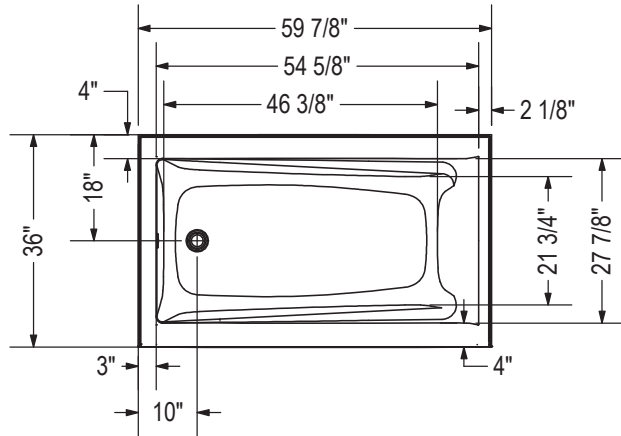
SKU	Description	MSRP
OPT20029-105	Metal trim kit for air push control (factory installed)	\$ 74
OPT20029-084	Available colors: Chrome (084) and Brushed Nickel (105)	\$ 74
OPT20137-004	Cable-operated waste and overflow (16 in. to 22 in.) (included in product packaging when purchased) Available colors: White (001), Bone (004), Chrome (084) and Brushed Nickel (105)	\$ 332
OPT20137-084		\$ 332
OPT20137-105		\$ 332
OPT20137-001		\$ 332
OPT10019	Removable access panel	\$ 385
OPT10053	One chromatherapy light (factory installed) ⁵⁴	\$ 725
OPT10095	Water heater assembly for whirlpool and combined systems (factory installed)	\$ 950
OPT10106-084	Metal trim kit for whirlpool and combined systems (factory installed)	\$ 669
OPT10106-105	Available colors: Chrome (084) and Brushed Nickel (105)	\$ 669

ACCESSORIES

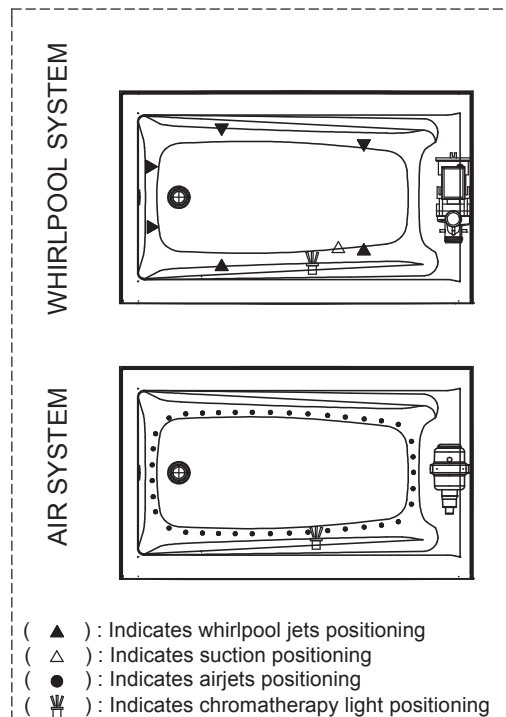
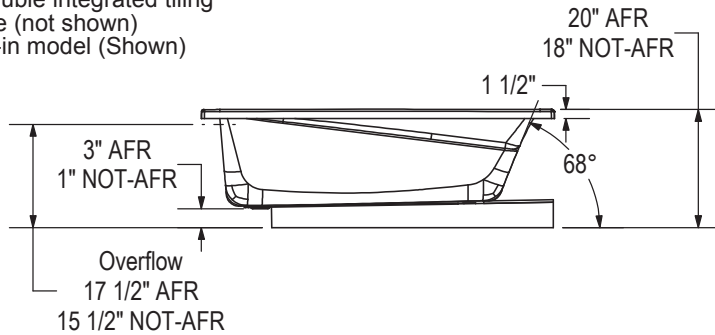
SKU	Description	MSRP
10006923	Flexible main hose (9 ft. extension) for air push control air massage - Kit (sold separately)	\$ 191
10004306-001	White foam cushion with 2 suction pads (sold separately) Available color: White (001)	\$ 126
10028641-084	Metal trim kit for Whirlpool and combined systems (sold separately)	\$ 669
10028641-105	Available colors: Chrome (084) and Brushed Nickel (105)	\$ 669
10034250-084	Metal trim kit for Aeroeffect with Air Push Control (sold separately)	\$ 74
10034250-105	Available colors: Chrome (084) and Brushed Nickel (105)	\$ 74
10022491-084	Cable-operated waste and overflow (16 in. to 22 in.) (sold separately) Available colors: White (001), Bone (004), Chrome (084) and Brushed Nickel (105)	\$ 332
10022491-004		\$ 332
10022491-105		\$ 332
10022491-001		\$ 332

FOOTNOTES

No	Description
54	A selection of units come with an access panel by default when equipped with a system. However, if the unit is only equipped with chromatherapy, the access panel will not be provided by default.



1" Single integrated tiling flange (not shown)
2" Double integrated tiling flange (not shown)
Drop-in model (Shown)



Technical drawing is universal for all Exhibit 6036 configurations.

Wood support design may vary.
Single Integrated tiling flange: 1" height x 1/4" thickness (not shown)
Double Integrated tiling flange: 2" height (not shown)

All dimensions are approximate.
Structure measurement must be verified against the unit to ensure proper fit.



Exhibit 6036 IFS



Material : Acrylic
 Min: 34 Gal / 155 L
 Max: 47 Gal / 214 L

Features

- › Rectangular shape bathtub in alcove installation
- › Available in Above-the-Floor Rough (AFR) or not
- › Minimalist look with discreet armrests and textured floor
- › Integrated tiling flange
- › When equipped with a system, the unit comes with an access panel

RECTANGULAR BATHTUBS - ACRYLIC

EXHIBIT 6036 IFS - 106172									
SKU	System	Color	Configuration	Dimensions & Weight	Packaging	MSRP			
106172-000-001-100	Soaker - No System	White	Left	59 7/8" x 36" x 18" / 80 lb / 36 kg	32 ft ³	\$ 1522			
106172-000-001-101			Right			\$ 1522			
106172-000-004-100		Bone	Left			\$ 1522			
106172-000-004-101			Right			\$ 1522			
106172-000-007-100		Biscuit	Left			\$ 1522			
106172-000-007-101			Right			\$ 1522			
106172-L-001-001	Whirlpool ^{1 4}	White	Left	59 7/8" x 36" x 18" / 80 lb / 36 kg	32 ft ³	\$ 3165			
106172-L-001-004		Bone				\$ 3165			
106172-L-001-007		Biscuit				\$ 3165			
106172-L-096-001	Combined Whirlpool & Aeroeffect ^{1 3}	White				Left	59 7/8" x 36" x 18" / 80 lb / 36 kg	32 ft ³	\$ 5490
106172-L-096-004		Bone							\$ 5490
106172-L-096-007		Biscuit							\$ 5490
106172-L-103-001	Aeroeffect ^{1 2 5}	White	Right	59 7/8" x 36" x 18" / 80 lb / 36 kg	32 ft ³				\$ 4294
106172-L-103-004		Bone							\$ 4294
106172-L-103-007		Biscuit							\$ 4294
106172-R-001-001	Whirlpool ^{1 4}	White				Right	59 7/8" x 36" x 18" / 80 lb / 36 kg	32 ft ³	\$ 3165
106172-R-001-004		Bone							\$ 3165
106172-R-001-007		Biscuit							\$ 3165
106172-R-096-001	Combined Whirlpool & Aeroeffect ^{1 3}	White	Right	59 7/8" x 36" x 18" / 80 lb / 36 kg	32 ft ³				\$ 5490
106172-R-096-004		Bone							\$ 5490

EXHIBIT 6036 IFS - 106172

SKU	System	Color	Configuration	Dimensions & Weight	Packaging	MSRP
106172-R-096-007	Combined Whirlpool & Aeroeffect ^{1 3}	Biscuit	Right	59 7/8" x 36" x 18" / 80 lb / 36 kg	32 ft ³	\$ 5490
106172-R-103-001	Aeroeffect ^{1 2 5}	White				\$ 4294
106172-R-103-004		Bone				\$ 4294
106172-R-103-007		Biscuit				\$ 4294

EXHIBIT 6036 IFS AFR - 106173

SKU	System	Color	Configuration	Dimensions & Weight	Packaging	MSRP	
106173-000-001-102	Soaker - No System	White	Left	59 7/8" x 36" x 20" / 80 lb / 36 kg	32 ft ³	\$ 1522	
106173-000-001-103			Right			\$ 1522	
106173-000-004-112		Bone	Left			\$ 1522	
106173-000-004-113			Right			\$ 1522	
106173-000-007-112		Biscuit	Left			\$ 1522	
106173-000-007-113			Right			\$ 1522	
106173-L-001-001	Whirlpool ^{1 4}	White	Left			\$ 3165	
106173-L-001-004		Bone				\$ 3165	
106173-L-001-007		Biscuit				\$ 3165	
106173-L-096-001	Combined Whirlpool & Aeroeffect ^{1 3}	White				Right	\$ 5490
106173-L-096-004		Bone					\$ 5490
106173-L-096-007		Biscuit					\$ 5490
106173-L-103-001	Aeroeffect ^{1 2 5}	White		Right	\$ 4294		
106173-L-103-004		Bone			\$ 4294		
106173-L-103-007		Biscuit			\$ 4294		
106173-R-001-001	Whirlpool ^{1 4}	White			Right		\$ 3165
106173-R-001-004		Bone					\$ 3165
106173-R-001-007		Biscuit					\$ 3165
106173-R-096-001	Combined Whirlpool & Aeroeffect ^{1 3}	White	Right				\$ 5490
106173-R-096-004		Bone					\$ 5490
106173-R-096-007		Biscuit					\$ 5490
106173-R-103-001	Aeroeffect ^{1 2 5}	White				Right	\$ 4294
106173-R-103-004		Bone					\$ 4294
106173-R-103-007		Biscuit					\$ 4294

COMMON OPTIONS

SKU	Description	MSRP
OPT20029-105	Metal trim kit for air push control (factory installed)	\$ 74
OPT20029-084	Available colors: Chrome (084) and Brushed Nickel (105)	\$ 74
OPT20137-004	Cable-operated waste and overflow (16 in. to 22 in.) (included in product packaging when purchased) Available colors: White (001), Bone (004), Chrome (084) and Brushed Nickel (105)	\$ 332

COMMON OPTIONS

SKU	Description	MSRP
OPT20137-084	Cable-operated waste and overflow (16 in. to 22 in.) (included in product packaging when purchased) Available colors: White (001), Bone (004), Chrome (084) and Brushed Nickel (105)	\$ 332
OPT20137-105		\$ 332
OPT20137-001		\$ 332
OPT10019	Removable access panel	\$ 385
OPT10053	One chromatherapy light (factory installed) ⁵⁴	\$ 725
OPT10095	Water heater assembly for whirlpool and combined systems (factory installed)	\$ 950
OPT10106-084	Metal trim kit for whirlpool and combined systems (factory installed) Available colors: Chrome (084) and Brushed Nickel (105)	\$ 669
OPT10106-105		\$ 669

ACCESSORIES

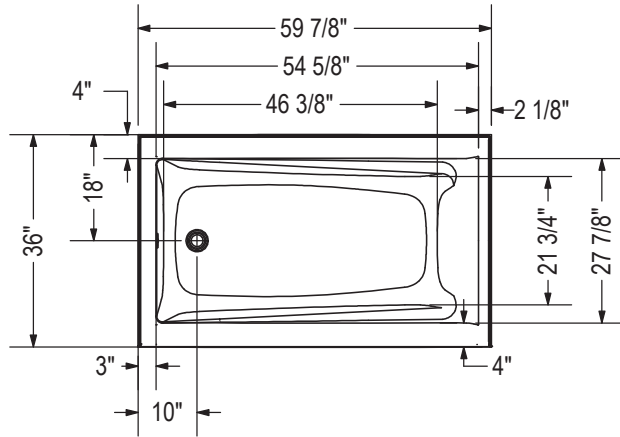
SKU	Description	MSRP
10006923	Flexible main hose (9 ft. extension) for air push control air massage - Kit (sold separately)	\$ 191
10004306-001	White foam cushion with 2 suction pads (sold separately) Available color: White (001)	\$ 126
10028641-084	Metal trim kit for Whirlpool and combined systems (sold separately) Available colors: Chrome (084) and Brushed Nickel (105)	\$ 669
10028641-105		\$ 669
10034250-084	Metal trim kit for Aeroeffect with Air Push Control (sold separately) Available colors: Chrome (084) and Brushed Nickel (105)	\$ 74
10034250-105		\$ 74
10022491-084	Cable-operated waste and overflow (16 in. to 22 in.) (sold separately) Available colors: White (001), Bone (004), Chrome (084) and Brushed Nickel (105)	\$ 332
10022491-004		\$ 332
10022491-105		\$ 332
10022491-001		\$ 332

FOOTNOTES

No	Description
1	Components for standard colour units equipped with systems are colour-coordinated. Trim kit and/or air push with metallic finish can be added (additional charge applies). For non-standard colour units, please specify trim kit and/or air push colour (additional charge applies for metallic finishes). Please note that the positioning of the system's control could be in conflict with the door if one was installed on the unit. To insure compatibility, please contact customer service.
4	For details on pump position and requirements, see technical drawings on https://www.maax.com . When there is a pump position A or B indicated on the technical drawing, please specify position when ordering.
54	A selection of units come with an access panel by default when equipped with a system. However, if the unit is only equipped with chromatherapy, the access panel will not be provided by default.

RECOMMENDED DOORS - VISIT OUR WEBSITE FOR A COMPLETE LIST OF RECOMMENDED DOORS

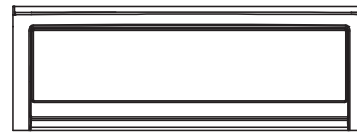
SKU	Product Name	Pag.
139398	Halo 56 ½-59 x 59 - 8mm	1024
139351	Incognito 57 56-59 x 56 ¾ - 6mm	1002
139354	Incognito 57 56-59 x 56 ¾ - 8mm	1006
135330	Incognito 57 Shaker 56-59 x 56 ¾ - 8mm	1000
135695	Revelation Square 56-59 x 56 ¾-59 ¼ - 8mm	1016



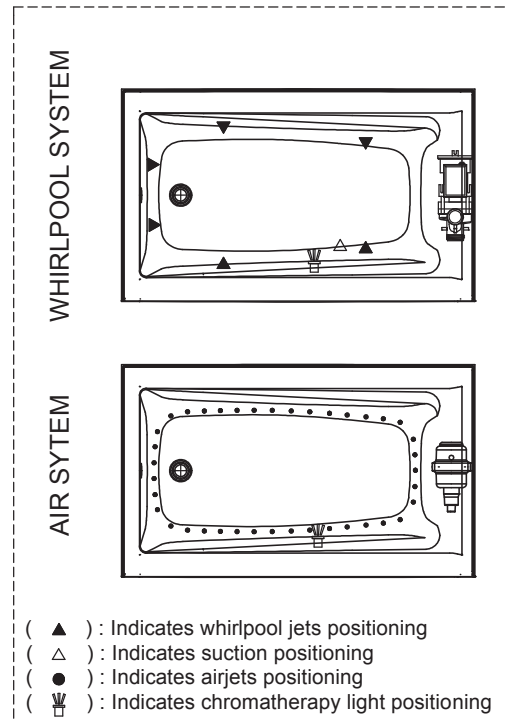
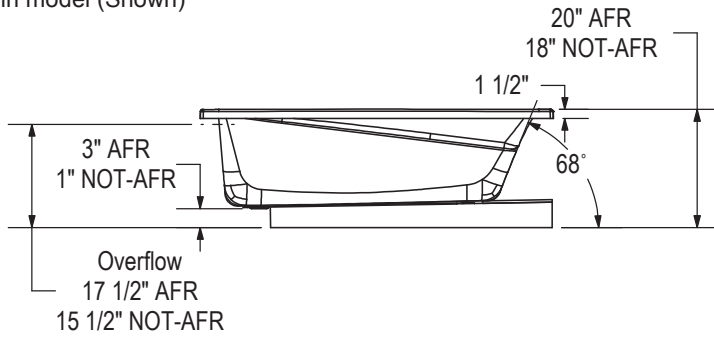
IFS Without System
Single tiling flange



IFS With System
(access panel)
Single tiling flange



1" Single integrated tiling flange (not shown)
Drop-in model (Shown)



Technical drawing is universal for all Exhibit 6036 configurations.

Wood support design may vary.
Single Integrated tiling flange: 1" height x 1/4" thickness (not shown)

All dimensions are approximate.
Structure measurement must be verified against the unit to ensure proper fit.



Exhibit 6036 IFS DTF



Material : Acrylic
 Min: 34 Gal / 155 L
 Max: 47 Gal / 214 L

Features

- › Rectangular shape bathtub in alcove installation
- › Available in Above-the-Floor Rough (AFR) or not
- › Minimalist look with discreet armrests and textured floor
- › Double tiling flange
- › When equipped with a system, the unit comes with an access panel

RECTANGULAR BATHTUBS - ACRYLIC

EXHIBIT 6036 IFS DTF - 106228

SKU	System	Color	Configuration	Dimensions & Weight	Packaging	MSRP	
106228-000-001-106	Soaker - No System	White	Left	59 7/8" x 36" x 18" / 80 lb / 36 kg	32 ft ³	\$ 1522	
106228-000-001-107			Right			\$ 1522	
106228-L-000-004		Bone	\$ 1522				
106228-L-000-007		Biscuit	\$ 1522				
106228-L-001-001	Whirlpool ^{1 4}	White	Right			\$ 3165	
106228-L-001-004		Bone				\$ 3165	
106228-L-001-007		Biscuit				\$ 3165	
106228-L-096-001	Combined Whirlpool & Aeroeffect ^{1 3}	White				Left	\$ 5490
106228-L-096-004		Bone				\$ 5490	
106228-L-096-007		Biscuit				\$ 5490	
106228-L-103-001	Aeroeffect ^{1 2 5}	White				Right	\$ 4294
106228-L-103-004		Bone					\$ 4294
106228-L-103-007		Biscuit		\$ 4294			
106228-R-000-004	Soaker - No System	Bone		Right	\$ 1522		
106228-R-000-007		Biscuit			\$ 1522		
106228-R-001-001	Whirlpool ^{1 4}	White			\$ 3165		
106228-R-001-004		Bone	\$ 3165				
106228-R-001-007		Biscuit	\$ 3165				
106228-R-096-001	Combined Whirlpool & Aeroeffect ^{1 3}	White	\$ 5490				
106228-R-096-004		Bone	\$ 5490				

EXHIBIT 6036 IFS DTF - 106228

SKU	System	Color	Configuration	Dimensions & Weight	Packaging	MSRP
106228-R-096-007	Combined Whirlpool & Aeroeffect ^{1 3}	Biscuit	Right	59 7/8" x 36" x 18" / 80 lb / 36 kg	32 ft ³	\$ 5490
106228-R-103-001	Aeroeffect ^{1 2 5}	White				\$ 4294
106228-R-103-004		Bone				\$ 4294
106228-R-103-007		Biscuit				\$ 4294

EXHIBIT 6036 IFS AFR DTF - 106229

SKU	System	Color	Configuration	Dimensions & Weight	Packaging	MSRP	
106229-000-001-108	Soaker - No System	White	Left	59 7/8" x 36" x 20" / 80 lb / 36 kg	32 ft ³	\$ 1522	
106229-000-001-109			Right			\$ 1522	
106229-L-000-004		Bone	\$ 1522				
106229-L-000-007	Biscuit	\$ 1522					
106229-L-001-001	Whirlpool ^{1 4}	White	Left			\$ 3165	
106229-L-001-004		Bone				\$ 3165	
106229-L-001-007		Biscuit				\$ 3165	
106229-L-096-001	Combined Whirlpool & Aeroeffect ^{1 3}	White				\$ 5490	
106229-L-096-004		Bone				\$ 5490	
106229-L-096-007		Biscuit				\$ 5490	
106229-L-103-001	Aeroeffect ^{1 2 5}	White				\$ 4294	
106229-L-103-004		Bone				\$ 4294	
106229-L-103-007		Biscuit				\$ 4294	
106229-R-000-004	Soaker - No System	Bone				Right	\$ 1522
106229-R-000-007		Biscuit					\$ 1522
106229-R-001-001	Whirlpool ^{1 4}	White					\$ 3165
106229-R-001-004		Bone	\$ 3165				
106229-R-001-007		Biscuit	\$ 3165				
106229-R-096-001	Combined Whirlpool & Aeroeffect ^{1 3}	White	\$ 5490				
106229-R-096-004		Bone	\$ 5490				
106229-R-096-007		Biscuit	\$ 5490				
106229-R-103-001	Aeroeffect ^{1 2 5}	White	\$ 4294				
106229-R-103-004		Bone	\$ 4294				
106229-R-103-007		Biscuit	\$ 4294				

COMMON OPTIONS

SKU	Description	MSRP
OPT20029-105	Metal trim kit for air push control (factory installed)	\$ 74
OPT20029-084	Available colors: Chrome (084) and Brushed Nickel (105)	\$ 74
OPT20137-004	Cable-operated waste and overflow (16 in. to 22 in.) (included in product packaging when purchased) Available colors: White (001), Bone (004), Chrome (084) and Brushed Nickel (105)	\$ 332

COMMON OPTIONS

SKU	Description	MSRP
OPT20137-084	Cable-operated waste and overflow (16 in. to 22 in.) (included in product packaging when purchased) Available colors: White (001), Bone (004), Chrome (084) and Brushed Nickel (105)	\$ 332
OPT20137-105		\$ 332
OPT20137-001		\$ 332
OPT10019	Removable access panel	\$ 385
OPT10053	One chromatherapy light (factory installed) ⁵⁴	\$ 725
OPT10095	Water heater assembly for whirlpool and combined systems (factory installed)	\$ 950
OPT10106-084	Metal trim kit for whirlpool and combined systems (factory installed) Available colors: Chrome (084) and Brushed Nickel (105)	\$ 669
OPT10106-105		\$ 669

ACCESSORIES

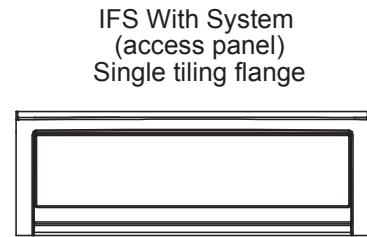
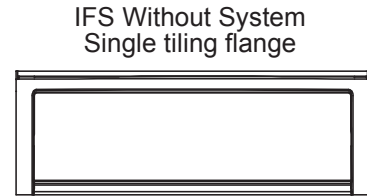
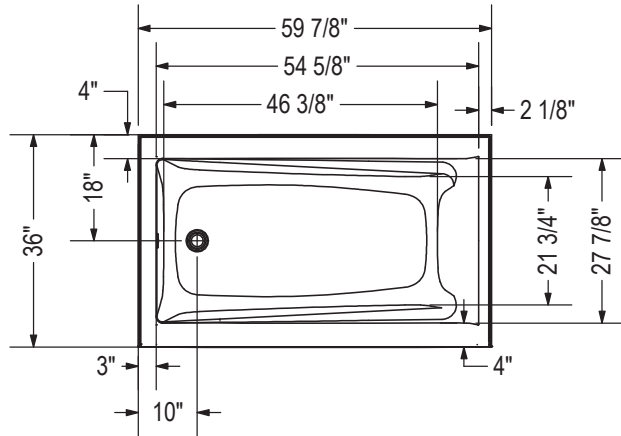
SKU	Description	MSRP
10006923	Flexible main hose (9 ft. extension) for air push control air massage - Kit (sold separately)	\$ 191
10004306-001	White foam cushion with 2 suction pads (sold separately) Available color: White (001)	\$ 126
10028641-084	Metal trim kit for Whirlpool and combined systems (sold separately) Available colors: Chrome (084) and Brushed Nickel (105)	\$ 669
10028641-105		\$ 669
10034250-084	Metal trim kit for Aeroeffect with Air Push Control (sold separately) Available colors: Chrome (084) and Brushed Nickel (105)	\$ 74
10034250-105		\$ 74
10022491-084	Cable-operated waste and overflow (16 in. to 22 in.) (sold separately) Available colors: White (001), Bone (004), Chrome (084) and Brushed Nickel (105)	\$ 332
10022491-004		\$ 332
10022491-105		\$ 332
10022491-001		\$ 332

FOOTNOTES

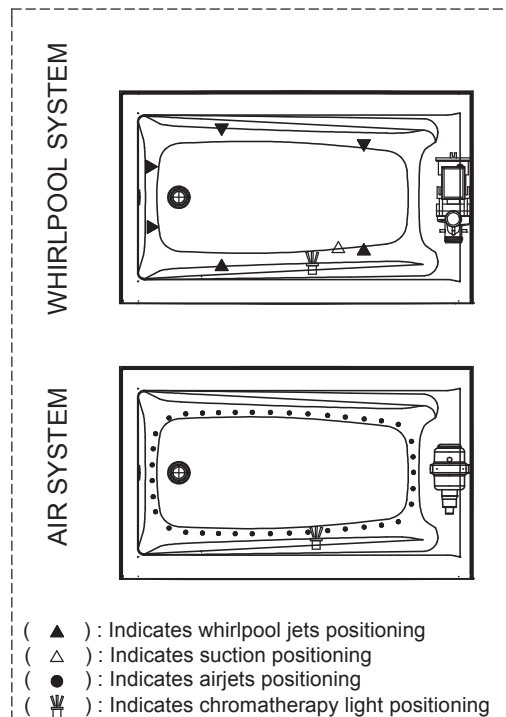
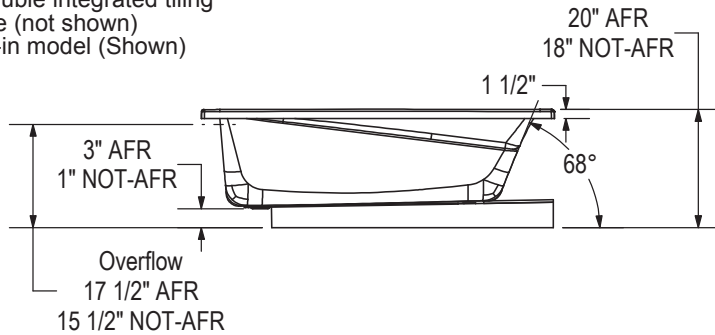
No	Description
54	A selection of units come with an access panel by default when equipped with a system. However, if the unit is only equipped with chromatherapy, the access panel will not be provided by default.

RECOMMENDED DOORS - VISIT OUR WEBSITE FOR A COMPLETE LIST OF RECOMMENDED DOORS

SKU	Product Name	Pag.
139398	Halo 56 ½-59 x 59 - 8mm	1024
139351	Incognito 57 56-59 x 56 ¾ - 6mm	1002
139354	Incognito 57 56-59 x 56 ¾ - 8mm	1006
135330	Incognito 57 Shaker 56-59 x 56 ¾ - 8mm	1000
135695	Revelation Square 56-59 x 56 ¾-59 ¼ - 8mm	1016
135692	Revelation Square 56-59 x 56 ¾-58 ¼ - 6mm	1014
136692	Revelation Round 56-59 x 56 ¾-59 ¼ - 6mm	1010
136695	Revelation Round 56-59 x 56 ¾-59 ¼ - 8 mm	1012
135320	Uptown 56-59 x 58 in. 8 mm	1018



1" Single integrated tiling flange (not shown)
2" Double integrated tiling flange (not shown)
Drop-in model (Shown)



Technical drawing is universal for all Exhibit 6036 configurations.

Wood support design may vary.
Single Integrated tiling flange: 1" height x 1/4" thickness (not shown)
Double Integrated tiling flange: 2" height (not shown)

All dimensions are approximate.
Structure measurement must be verified against the unit to ensure proper fit.



Exhibit 6042

RECTANGULAR BATHTUBS - ACRYLIC



Material : Acrylic
 Min: 42 Gal / 191 L
 Max: 57 Gal / 259 L

Features

- › Rectangular shape bathtub
- › Drop-in or alcove installation with tiling flange
- › Minimalist look with discreet armrests and textured floor
- › End drain

EXHIBIT 6042 - 106250						
SKU	System	Color	Configuration	Dimensions & Weight	Packaging	MSRP
106250-000-001-000	Soaker - No System	White	End	59 7/8" x 42" x 18" / 73 lb / 33 kg	37 ft ³	\$ 1476
106250-000-004		Bone				\$ 1476
106250-000-007		Biscuit				\$ 1476
106250-001-001-000	Whirlpool ^{1 4}	White				\$ 3119
106250-001-004		Bone				\$ 3119
106250-001-007		Biscuit				\$ 3119
106250-002-001	Multi-Pack ⁹	White				\$ 7992
106250-002-004		Bone				\$ 7992
106250-002-007		Biscuit				\$ 7992
106250-096-001	Combined Whirlpool & Aeroeffect ^{1 3}	White				\$ 5444
106250-096-004		Bone				\$ 5444
106250-096-007		Biscuit				\$ 5444
106250-103-001-000	Aeroeffect ^{1 2 5}	White				\$ 4248
106250-103-004		Bone				\$ 4248
106250-103-007		Biscuit				\$ 4248

COMMON OPTIONS		
SKU	Description	MSRP
OPT20137-004	Cable-operated waste and overflow (16 in. to 22 in.) (included in product packaging when purchased) Available colors: White (001), Bone (004), Chrome (084) and Brushed Nickel (105)	\$ 332

COMMON OPTIONS

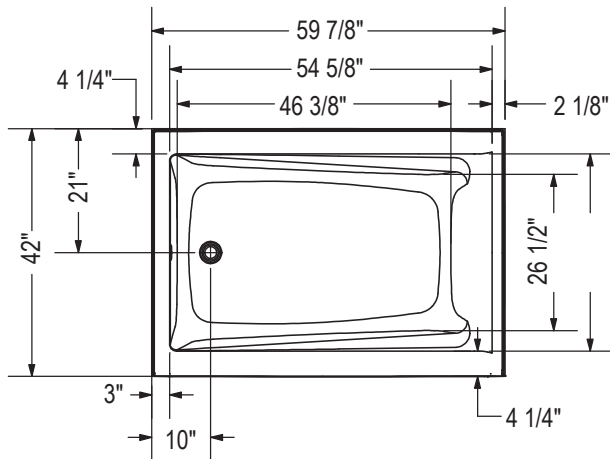
SKU	Description	MSRP
OPT20137-084		\$ 332
OPT20137-105	Cable-operated waste and overflow (16 in. to 22 in.) (included in product packaging when purchased) Available colors: White (001), Bone (004), Chrome (084) and Brushed Nickel (105)	\$ 332
OPT20137-001		\$ 332
OPT10053	One chromatherapy light (factory installed) ⁵⁴	\$ 725
OPT10095	Water heater assembly for whirlpool and combined systems (factory installed)	\$ 950
OPT10106-084	Metal trim kit for whirlpool and combined systems (factory installed)	\$ 669
OPT10106-105	Available colors: Chrome (084) and Brushed Nickel (105)	\$ 669
OPT20029-105	Metal trim kit for air push control (factory installed)	\$ 74
OPT20029-084	Available colors: Chrome (084) and Brushed Nickel (105)	\$ 74

ACCESSORIES

SKU	Description	MSRP
10006923	Flexible main hose (9 ft. extension) for air push control air massage - Kit (sold separately)	\$ 191
10004306-001	White foam cushion with 2 suction pads (sold separately) Available color: White (001)	\$ 126
10028641-084	Metal trim kit for Whirlpool and combined systems (sold separately)	\$ 669
10028641-105	Available colors: Chrome (084) and Brushed Nickel (105)	\$ 669
10034250-084	Metal trim kit for Aeroeffect with Air Push Control (sold separately)	\$ 74
10034250-105	Available colors: Chrome (084) and Brushed Nickel (105)	\$ 74
10022491-084		\$ 332
10022491-004	Cable-operated waste and overflow (16 in. to 22 in.) (sold separately)	\$ 332
10022491-105	Available colors: White (001), Bone (004), Chrome (084) and Brushed Nickel (105)	\$ 332
10022491-001		\$ 332

FOOTNOTES

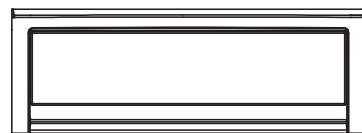
No	Description
1	Components for standard colour units equipped with systems are colour-coordinated. Trim kit and/or air push with metallic finish can be added (additional charge applies). For non-standard colour units, please specify trim kit and/or air push colour (additional charge applies for metallic finishes). Please note that the positioning of the system's control could be in conflict with the door if one was installed on the unit. To insure compatibility, please contact customer service.
2	Please order flexible main hose 10006923 for installation of the blower further than 3 ft from the bathtub. For the Tandem models and the Serenade models (freestanding and drop-in), the blower is always remote and not factory installed so a 9 ft flexible main hose is included. Please note that the positioning of the system's control could be in conflict with the door if one was installed on the unit. To insure compatibility, please contact customer service.
4	For details on pump position and requirements, see technical drawings on https://www.maax.com . When there is a pump position A or B indicated on the technical drawing, please specify position when ordering.
5	For details on blower position and requirements, see technical drawings on https://www.maax.com . When there is a blower position A or B indicated on the technical drawing, please specify position when ordering.
54	A selection of units come with an access panel by default when equipped with a system. However, if the unit is only equipped with chromatherapy, the access panel will not be provided by default.



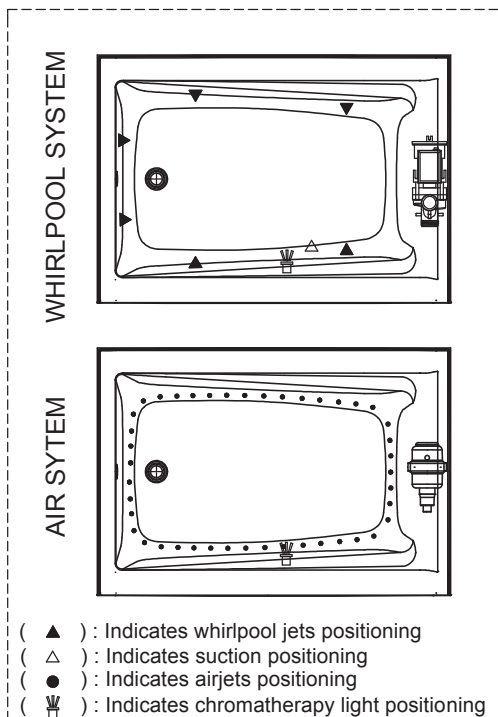
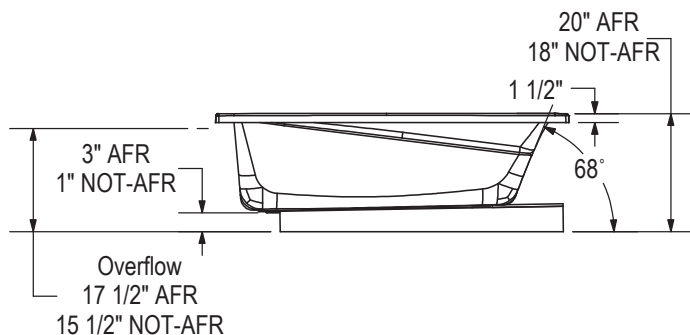
IFS Without System
Single tiling flange



IFS With System
(access panel)
Single tiling flange



1" Single integrated tiling flange (not shown)
Drop-in model (Shown)



Technical drawing is universal for all Exhibit 6042 configurations.

Wood support design may vary.
Single Integrated tiling flange: 1" height x 1/4" thickness (not shown)

All dimensions are approximate.
Structure measurement must be verified against the unit to ensure proper fit.



Exhibit 6042 IF

RECTANGULAR BATHTUBS - ACRYLIC



Material : Acrylic
 Min: 42 Gal / 191 L
 Max: 57 Gal / 259 L

Features

- › Rectangular shape bathtub
- › Drop-in or alcove installation with tiling flange
- › Minimalist look with discreet armrests and textured floor
- › End drain

EXHIBIT 6042 IF - 106174						
SKU	System	Color	Configuration	Dimensions & Weight	Packaging	MSRP
106174-000-001-001	Soaker - No System	White	Left	59 7/8" x 42" x 18" / 73 lb / 33 kg	37 ft ³	\$ 1476
106174-000-001-002			Right			\$ 1476
106174-001-001-001	Whirlpool ^{1 4}		Left			\$ 3119
106174-001-001-002			Right			\$ 3119
106174-L-000-004	Soaker - No System	Bone	Left			\$ 1476
106174-L-000-007		Biscuit				\$ 1476
106174-L-001-004	Whirlpool ^{1 4}	Bone				\$ 3119
106174-L-001-007		Biscuit				\$ 3119
106174-L-002-001	Multi-Pack ⁹	White				\$ 7992
106174-L-002-004		Bone				\$ 7992
106174-L-002-007		Biscuit				\$ 7992
106174-L-096-001	Combined Whirlpool & Aeroeffect ^{1 3}	White				\$ 5444
106174-L-096-004		Bone				\$ 5444
106174-L-096-007		Biscuit				\$ 5444
106174-L-103-001	Aeroeffect ^{1 2 5}	White				\$ 4248
106174-L-103-004		Bone				\$ 4248
106174-L-103-007		Biscuit		\$ 4248		
106174-R-000-004	Soaker - No System	Bone		Right	\$ 1476	
106174-R-000-007		Biscuit			\$ 1476	
106174-R-001-004	Whirlpool ^{1 4}	Bone			\$ 3119	

EXHIBIT 6042 IF - 106174

SKU	System	Color	Configuration	Dimensions & Weight	Packaging	MSRP
106174-R-001-007	Whirlpool ^{1 4}	Biscuit	Right	59 7/8" x 42" x 18" / 73 lb / 33 kg	37 ft ³	\$ 3119
106174-R-002-001	Multi-Pack ⁹	White				\$ 7992
106174-R-002-004		Bone				\$ 7992
106174-R-002-007		Biscuit				\$ 7992
106174-R-096-001		White				\$ 5444
106174-R-096-004	Combined Whirlpool & Aeroeffect ^{1 3}	Bone				\$ 5444
106174-R-096-007	Biscuit	\$ 5444				
106174-R-103-001	Aeroeffect ^{1 2 5}	White				\$ 4248
106174-R-103-004		Bone				\$ 4248
106174-R-103-007		Biscuit				\$ 4248

COMMON OPTIONS

SKU	Description	MSRP
OPT20137-004	Cable-operated waste and overflow (16 in. to 22 in.) (included in product packaging when purchased) Available colors: White (001), Bone (004), Chrome (084) and Brushed Nickel (105)	\$ 332
OPT20137-084		\$ 332
OPT20137-105		\$ 332
OPT20137-001		\$ 332
OPT10053	One chromatherapy light (factory installed) ⁵⁴	\$ 725
OPT10095	Water heater assembly for whirlpool and combined systems (factory installed)	\$ 950
OPT10106-084	Metal trim kit for whirlpool and combined systems (factory installed)	\$ 669
OPT10106-105	Available colors: Chrome (084) and Brushed Nickel (105)	\$ 669
OPT20029-105	Metal trim kit for air push control (factory installed)	\$ 74
OPT20029-084	Available colors: Chrome (084) and Brushed Nickel (105)	\$ 74

ACCESSORIES

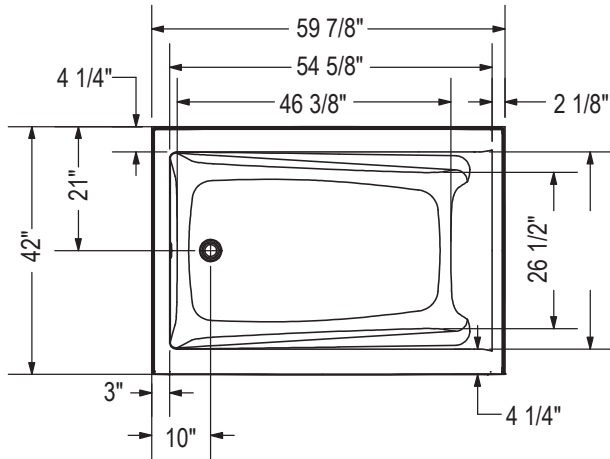
SKU	Description	MSRP
10006923	Flexible main hose (9 ft. extension) for air push control air massage - Kit (sold separately)	\$ 191
10004306-001	White foam cushion with 2 suction pads (sold separately) Available color: White (001)	\$ 126
10028641-084	Metal trim kit for Whirlpool and combined systems (sold separately)	\$ 669
10028641-105	Available colors: Chrome (084) and Brushed Nickel (105)	\$ 669
10034250-084	Metal trim kit for Aeroeffect with Air Push Control (sold separately)	\$ 74
10034250-105	Available colors: Chrome (084) and Brushed Nickel (105)	\$ 74
10022491-084	Cable-operated waste and overflow (16 in. to 22 in.) (sold separately) Available colors: White (001), Bone (004), Chrome (084) and Brushed Nickel (105)	\$ 332
10022491-004		\$ 332
10022491-105		\$ 332
10022491-001		\$ 332

FOOTNOTES

No	Description
3	The blower is not factory installed (remote). 9 ft flexible main hose included. Please note that the positioning of the system's control could be in conflict with the door if one was installed on the unit. To insure compatibility, please contact customer service.
54	A selection of units come with an access panel by default when equipped with a system. However, if the unit is only equipped with chromatherapy, the access panel will not be provided by default.

RECOMMENDED DOORS - VISIT OUR WEBSITE FOR A COMPLETE LIST OF RECOMMENDED DOORS

SKU	Product Name	Pag.
139398	Halo 56 ½-59 x 59 - 8mm	1024
139351	Incognito 57 56-59 x 56 ¾ - 6mm	1002
139354	Incognito 57 56-59 x 56 ¾ - 8mm	1006
135330	Incognito 57 Shaker 56-59 x 56 ¾ - 8mm	1000
135695	Revelation Square 56-59 x 56 ¾-59 ¼ - 8mm	1016
135692	Revelation Square 56-59 x 56 ¾-58 ¼ - 6mm	1014
136692	Revelation Round 56-59 x 56 ¾-59 ¼ - 6mm	1010
136695	Revelation Round 56-59 x 56 ¾-59 ¼ - 8 mm	1012
135320	Uptown 56-59 x 58 in. 8 mm	1018
138485	Vela 56 ½-59 x 59 - 8mm	1022
138480		1020
134661	Kameleon SC 55-59 x 57 - 6mm	989
134573	Kameleon 55-59 x 57 - 8mm	992
134670	Kameleon SC 55-59 x 57 - 8mm	984
134561	Kameleon 55-59 x 57 - 6mm	995
138994	Luminescence SlidingDoor 56 ½-59 x 55 ½-57 ½ - 6mm	1026
105410	Polar 54-59 ½ x 57 in.	1008



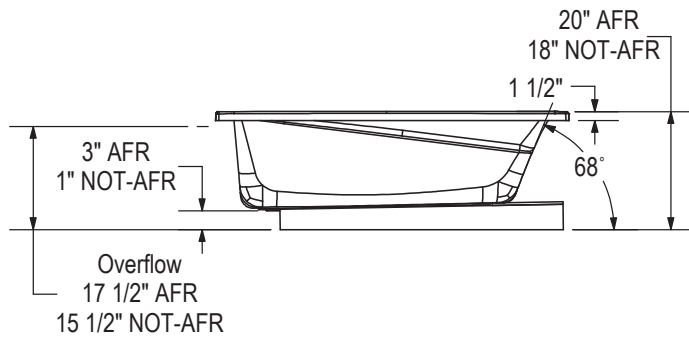
IFS Without System
Single tiling flange



IFS With System
(access panel)
Single tiling flange



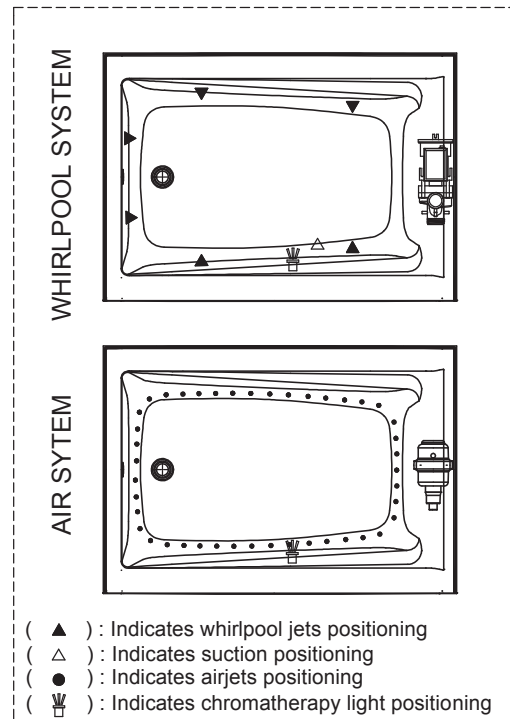
1" Single integrated tiling flange (not shown)
Drop-in model (Shown)



Technical drawing is universal for all Exhibit 6042 configurations.

Wood support design may vary.
Single Integrated tiling flange: 1" height x 1/4" thickness (not shown)

All dimensions are approximate.
Structure measurement must be verified against the unit to ensure proper fit.



- (▲) : Indicates whirlpool jets positioning
- (△) : Indicates suction positioning
- (●) : Indicates airjets positioning
- (☼) : Indicates chromatherapy light positioning



Exhibit 6042 IF DTF

RECTANGULAR BATHTUBS - ACRYLIC



Material : Acrylic
 Min: 42 Gal / 191 L
 Max: 57 Gal / 259 L

Features

- › Unique feature: minimalist look with discreet armrests
- › Textured bottom
- › Alcove installation
- › Apron with magnetic access panel available
- › Integrated double tiling flange
- › Access panel available on IFS models only

EXHIBIT 6042 IF DTF - 106230							
SKU	System	Color	Configuration	Dimensions & Weight	Packaging	MSRP	
106230-000-001-104	Soaker - No System	White	Left	59 7/8" x 42" x 18" / 72 lb / 33 kg	32 ft ³	\$ 1476	
106230-000-001-105			Right			\$ 1476	
106230-L-000-004		Bone	\$ 1476				
106230-L-000-007		Biscuit	\$ 1476				
106230-L-001-001	Whirlpool ^{1 4}	White	Left			\$ 3119	
106230-L-001-004		Bone				\$ 3119	
106230-L-001-007		Biscuit				\$ 3119	
106230-L-096-001	Combined Whirlpool & Aeroeffect ^{1 3}	White				\$ 5444	
106230-L-096-004		Bone				\$ 5444	
106230-L-096-007		Biscuit				\$ 5444	
106230-L-103-001	Aeroeffect ^{1 2 5}	White				Right	\$ 4248
106230-L-103-004		Bone					\$ 4248
106230-L-103-007		Biscuit		\$ 4248			
106230-R-000-004	Soaker - No System	Bone		\$ 1476			
106230-R-000-007		Biscuit		\$ 1476			
106230-R-001-001	Whirlpool ^{1 4}	White		\$ 3119			
106230-R-001-004		Bone	\$ 3119				
106230-R-001-007		Biscuit	\$ 3119				
106230-R-096-001	Combined Whirlpool & Aeroeffect ^{1 3}	White	\$ 5444				
106230-R-096-004		Bone	\$ 5444				

EXHIBIT 6042 IF DTF - 106230

SKU	System	Color	Configuration	Dimensions & Weight	Packaging	MSRP
106230-R-096-007	Combined Whirlpool & Aeroeffect ^{1 3}	Biscuit	Right	59 7/8" x 42" x 18" / 72 lb / 33 kg	32 ft ³	\$ 5444
106230-R-103-001	Aeroeffect ^{1 2 5}	White				\$ 4248
106230-R-103-004		Bone				\$ 4248
106230-R-103-007		Biscuit				\$ 4248

COMMON OPTIONS

SKU	Description	MSRP
OPT20029-105	Metal trim kit for air push control (factory installed)	\$ 74
OPT20029-084	Available colors: Chrome (084) and Brushed Nickel (105)	\$ 74
OPT20137-004	Cable-operated waste and overflow (16 in. to 22 in.) (included in product packaging when purchased) Available colors: White (001), Bone (004), Chrome (084) and Brushed Nickel (105)	\$ 332
OPT20137-084		\$ 332
OPT20137-105		\$ 332
OPT20137-001		\$ 332
OPT10019	Removable access panel	\$ 385
OPT10053	One chromatherapy light (factory installed) ⁵⁴	\$ 725
OPT10095	Water heater assembly for whirlpool and combined systems (factory installed)	\$ 950
OPT10106-084	Metal trim kit for whirlpool and combined systems (factory installed)	\$ 669
OPT10106-105	Available colors: Chrome (084) and Brushed Nickel (105)	\$ 669

ACCESSORIES

SKU	Description	MSRP
10006923	Flexible main hose (9 ft. extension) for air push control air massage - Kit (sold separately)	\$ 191
10004306-001	White foam cushion with 2 suction pads (sold separately) Available color: White (001)	\$ 126
10028641-084	Metal trim kit for Whirlpool and combined systems (sold separately)	\$ 669
10028641-105	Available colors: Chrome (084) and Brushed Nickel (105)	\$ 669
10034250-084	Metal trim kit for Aeroeffect with Air Push Control (sold separately)	\$ 74
10034250-105	Available colors: Chrome (084) and Brushed Nickel (105)	\$ 74
10022491-084	Cable-operated waste and overflow (16 in. to 22 in.) (sold separately) Available colors: White (001), Bone (004), Chrome (084) and Brushed Nickel (105)	\$ 332
10022491-004		\$ 332
10022491-105		\$ 332
10022491-001		\$ 332

FOOTNOTES

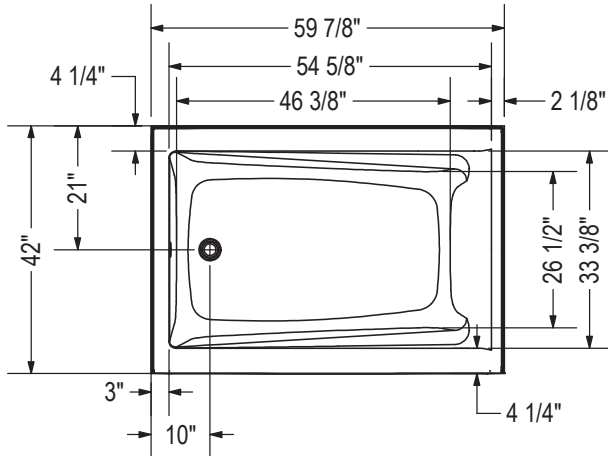
No	Description
1	Components for standard colour units equipped with systems are colour-coordinated. Trim kit and/or air push with metallic finish can be added (additional charge applies). For non-standard colour units, please specify trim kit and/or air push colour (additional charge applies for metallic finishes). Please note that the positioning of the system's control could be in conflict with the door if one was installed on the unit. To insure compatibility, please contact customer service.

FOOTNOTES

No	Description
2	Please order flexible main hose 10006923 for installation of the blower further than 3 ft from the bathtub. For the Tandem models and the Serenade models (freestanding and drop-in), the blower is always remote and not factory installed so a 9 ft flexible main hose is included. Please note that the positioning of the system's control could be in conflict with the door if one was installed on the unit. To insure compatibility, please contact customer service.
3	The blower is not factory installed (remote). 9 ft flexible main hose included. Please note that the positioning of the system's control could be in conflict with the door if one was installed on the unit. To insure compatibility, please contact customer service.
4	For details on pump position and requirements, see technical drawings on https://www.maax.com . When there is a pump position A or B indicated on the technical drawing, please specify position when ordering.
5	For details on blower position and requirements, see technical drawings on https://www.maax.com . When there is a blower position A or B indicated on the technical drawing, please specify position when ordering.
54	A selection of units come with an access panel by default when equipped with a system. However, if the unit is only equipped with chromatherapy, the access panel will not be provided by default.

RECOMMENDED DOORS - VISIT OUR WEBSITE FOR A COMPLETE LIST OF RECOMMENDED DOORS

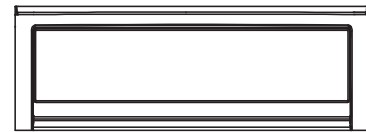
SKU	Product Name	Pag.
139398	Halo 56 ½-59 x 59 - 8mm	1024
139351	Incognito 57 56-59 x 56 ¾ - 6mm	1002
139354	Incognito 57 56-59 x 56 ¾ - 8mm	1006
135330	Incognito 57 Shaker 56-59 x 56 ¾ - 8mm	1000
135695	Revelation Square 56-59 x 56 ¾-59 ¼ - 8mm	1016
135692	Revelation Square 56-59 x 56 ¾-58 ¼ - 6mm	1014
136692	Revelation Round 56-59 x 56 ¾-59 ¼ - 6mm	1010
136695	Revelation Round 56-59 x 56 ¾-59 ¼ - 8 mm	1012
135320	Uptown 56-59 x 58 in. 8 mm	1018
138485	Vela 56 ½-59 x 59 - 8mm	1022
138480		1020
134661	Kameleon SC 55-59 x 57 - 6mm	989
134573	Kameleon 55-59 x 57 - 8mm	992
134670	Kameleon SC 55-59 x 57 - 8mm	984
134561	Kameleon 55-59 x 57 - 6mm	995
138994	Luminescence SlidingDoor 56 ½-59 x 55 ½-57 ½ - 6mm	1026
105410	Polar 54-59 ½ x 57 in.	1008



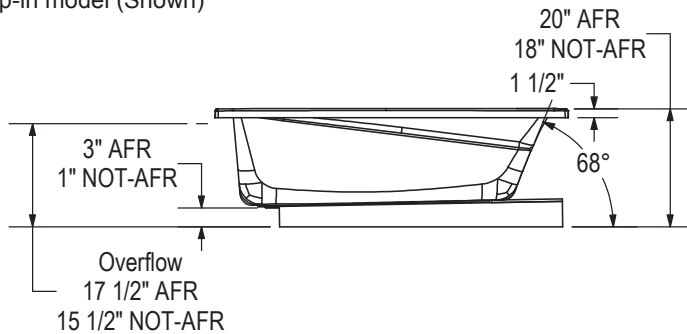
IFS Without System
Single tiling flange



IFS With System
(access panel)
Single tiling flange



1" Single integrated tiling flange (not shown)
2" Double integrated tiling flange (not shown)
Drop-in model (Shown)

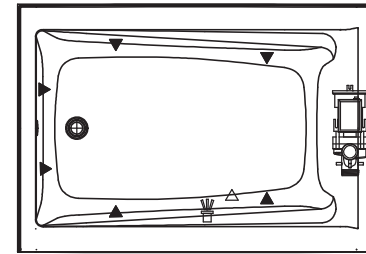


Technical drawing is universal for all Exhibit 6042 configurations.

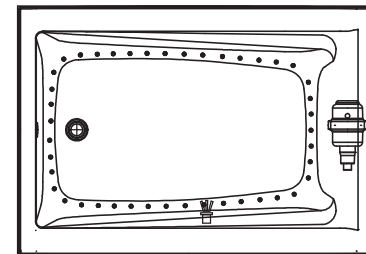
Wood support design may vary.
Single Integrated tiling flange: 1" height x 1/4" thickness (not shown)
Double Integrated tiling flange: 2" height (not shown)

All dimensions are approximate.
Structure measurement must be verified against the unit to ensure proper fit.

WHIRLPOOL SYSTEM



AIR SYSTEM



- (▲) : Indicates whirlpool jets positioning
- (△) : Indicates suction positioning
- (●) : Indicates airjets positioning
- (☼) : Indicates chromotherapy light positioning



Exhibit 6042 IFS

RECTANGULAR BATHTUBS - ACRYLIC



Material : Acrylic
 Min: 42 Gal / 191 L
 Max: 57 Gal / 259 L

Features

- › Rectangular shape bathtub in alcove installation
- › Available in Above-the-Floor Rough (AFR) or not
- › Minimalist look with discreet armrests and textured floor
- › Integrated tiling flange
- › When equipped with a system, the unit comes with an access panel

EXHIBIT 6042 IFS - 106175									
SKU	System	Color	Configuration	Dimensions & Weight	Packaging	MSRP			
106175-000-001-100	Soaker - No System	White	Left	59 7/8" x 42" x 18" / 81 lb / 37 kg	37 ft ³	\$ 1607			
106175-000-001-101			Right			\$ 1607			
106175-000-004-100		Bone	Left			\$ 1607			
106175-000-004-101			Right			\$ 1607			
106175-000-007-100		Biscuit	Left			\$ 1607			
106175-000-007-101			Right			\$ 1607			
106175-L-001-001	Whirlpool ^{1 4}	White	Left	59 7/8" x 42" x 18" / 81 lb / 37 kg	37 ft ³	\$ 3250			
106175-L-001-004		Bone				\$ 3250			
106175-L-001-007		Biscuit				\$ 3250			
106175-L-096-001	Combined Whirlpool & Aeroeffect ^{1 3}	White				Left	59 7/8" x 42" x 18" / 81 lb / 37 kg	37 ft ³	\$ 5575
106175-L-096-004		Bone							\$ 5575
106175-L-096-007		Biscuit							\$ 5575
106175-L-103-001	Aeroeffect ^{1 2 5}	White	Left	59 7/8" x 42" x 18" / 81 lb / 37 kg	37 ft ³				\$ 4379
106175-L-103-004		Bone							\$ 4379
106175-L-103-007		Biscuit							\$ 4379
106175-R-001-001	Whirlpool ^{1 4}	White				Right	59 7/8" x 42" x 18" / 81 lb / 37 kg	37 ft ³	\$ 3250
106175-R-001-004		Bone							\$ 3250
106175-R-001-007		Biscuit							\$ 3250
106175-R-096-001	Combined Whirlpool & Aeroeffect ^{1 3}	White	Right	59 7/8" x 42" x 18" / 81 lb / 37 kg	37 ft ³				\$ 5575
106175-R-096-004		Bone							\$ 5575

EXHIBIT 6042 IFS - 106175

SKU	System	Color	Configuration	Dimensions & Weight	Packaging	MSRP
106175-R-096-007	Combined Whirlpool & Aeroeffect ^{1 3}	Biscuit	Right	59 7/8" x 42" x 18" / 81 lb / 37 kg	37 ft ³	\$ 5575
106175-R-103-001	Aeroeffect ^{1 2 5}	White				\$ 4379
106175-R-103-004		Bone				\$ 4379
106175-R-103-007		Biscuit				\$ 4379

EXHIBIT 6042 IFS AFR - 106176

SKU	System	Color	Configuration	Dimensions & Weight	Packaging	MSRP	
106176-000-001-102	Soaker - No System	White	Left	59 7/8" x 42" x 20" / 81 lb / 37 kg	37 ft ³	\$ 1607	
106176-000-001-103			Right			\$ 1607	
106176-001-001-100	Whirlpool ^{1 4}		Left			\$ 3250	
106176-001-001-101			Right			\$ 3250	
106176-L-000-004	Soaker - No System	Bone	Left			\$ 1607	
106176-L-000-007		Biscuit				\$ 1607	
106176-L-001-004	Whirlpool ^{1 4}	Bone				\$ 3250	
106176-L-001-007		Biscuit				\$ 3250	
106176-L-096-001	Combined Whirlpool & Aeroeffect ^{1 3}	White				\$ 5575	
106176-L-096-004		Bone				\$ 5575	
106176-L-096-007		Biscuit				\$ 5575	
106176-L-103-001	Aeroeffect ^{1 2 5}	White				\$ 4379	
106176-L-103-004		Bone				\$ 4379	
106176-L-103-007		Biscuit				\$ 4379	
106176-R-000-004	Soaker - No System	Bone				Right	\$ 1607
106176-R-000-007		Biscuit					\$ 1607
106176-R-001-004	Whirlpool ^{1 4}	Bone		\$ 3250			
106176-R-001-007		Biscuit		\$ 3250			
106176-R-096-001	Combined Whirlpool & Aeroeffect ^{1 3}	White		\$ 5575			
106176-R-096-004		Bone		\$ 5575			
106176-R-096-007		Biscuit	\$ 5575				
106176-R-103-001	Aeroeffect ^{1 2 5}	White	\$ 4379				
106176-R-103-004		Bone	\$ 4379				
106176-R-103-007		Biscuit	\$ 4379				

COMMON OPTIONS

SKU	Description	MSRP
OPT20029-105	Metal trim kit for air push control (factory installed)	\$ 74
OPT20029-084	Available colors: Chrome (084) and Brushed Nickel (105)	\$ 74
OPT20137-004	Cable-operated waste and overflow (16 in. to 22 in.) (included in product packaging when purchased) Available colors: White (001), Bone (004), Chrome (084) and Brushed Nickel (105)	\$ 332

COMMON OPTIONS

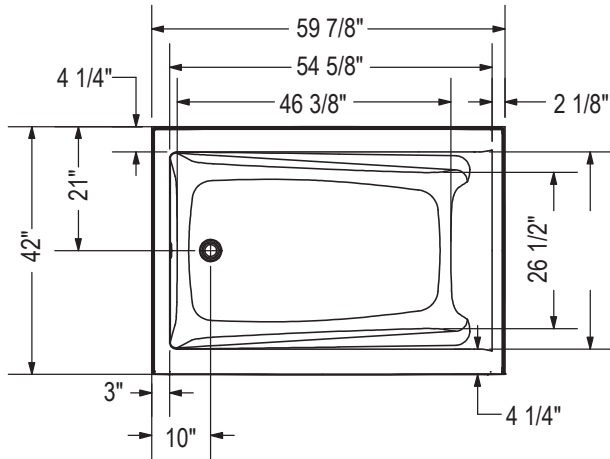
SKU	Description	MSRP
OPT20137-084		\$ 332
OPT20137-105	Cable-operated waste and overflow (16 in. to 22 in.) (included in product packaging when purchased) Available colors: White (001), Bone (004), Chrome (084) and Brushed Nickel (105)	\$ 332
OPT20137-001		\$ 332
OPT10019	Removable access panel	\$ 385
OPT10053	One chromatherapy light (factory installed) ⁵⁴	\$ 725
OPT10095	Water heater assembly for whirlpool and combined systems (factory installed)	\$ 950
OPT10106-084	Metal trim kit for whirlpool and combined systems (factory installed) Available colors: Chrome (084) and Brushed Nickel (105)	\$ 669
OPT10106-105		\$ 669

ACCESSORIES

SKU	Description	MSRP
10006923	Flexible main hose (9 ft. extension) for air push control air massage - Kit (sold separately)	\$ 191
10004306-001	White foam cushion with 2 suction pads (sold separately) Available color: White (001)	\$ 126
10028641-084	Metal trim kit for Whirlpool and combined systems (sold separately) Available colors: Chrome (084) and Brushed Nickel (105)	\$ 669
10028641-105		\$ 669
10034250-084	Metal trim kit for Aeroeffect with Air Push Control (sold separately) Available colors: Chrome (084) and Brushed Nickel (105)	\$ 74
10034250-105		\$ 74
10022491-084		\$ 332
10022491-004	Cable-operated waste and overflow (16 in. to 22 in.) (sold separately) Available colors: White (001), Bone (004), Chrome (084) and Brushed Nickel (105)	\$ 332
10022491-105		\$ 332
10022491-001		\$ 332

FOOTNOTES

No	Description
1	Components for standard colour units equipped with systems are colour-coordinated. Trim kit and/or air push with metallic finish can be added (additional charge applies). For non-standard colour units, please specify trim kit and/or air push colour (additional charge applies for metallic finishes). Please note that the positioning of the system's control could be in conflict with the door if one was installed on the unit. To insure compatibility, please contact customer service.
2	Please order flexible main hose 10006923 for installation of the blower further than 3 ft from the bathtub. For the Tandem models and the Serenade models (freestanding and drop-in), the blower is always remote and not factory installed so a 9 ft flexible main hose is included. Please note that the positioning of the system's control could be in conflict with the door if one was installed on the unit. To insure compatibility, please contact customer service.
3	The blower is not factory installed (remote). 9 ft flexible main hose included. Please note that the positioning of the system's control could be in conflict with the door if one was installed on the unit. To insure compatibility, please contact customer service.
4	For details on pump position and requirements, see technical drawings on https://www.maax.com . When there is a pump position A or B indicated on the technical drawing, please specify position when ordering.
5	For details on blower position and requirements, see technical drawings on https://www.maax.com . When there is a blower position A or B indicated on the technical drawing, please specify position when ordering.
54	A selection of units come with an access panel by default when equipped with a system. However, if the unit is only equipped with chromatherapy, the access panel will not be provided by default.



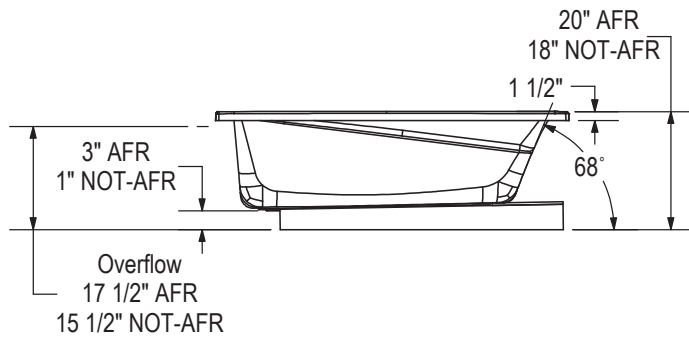
IFS Without System
Single tiling flange



IFS With System
(access panel)
Single tiling flange



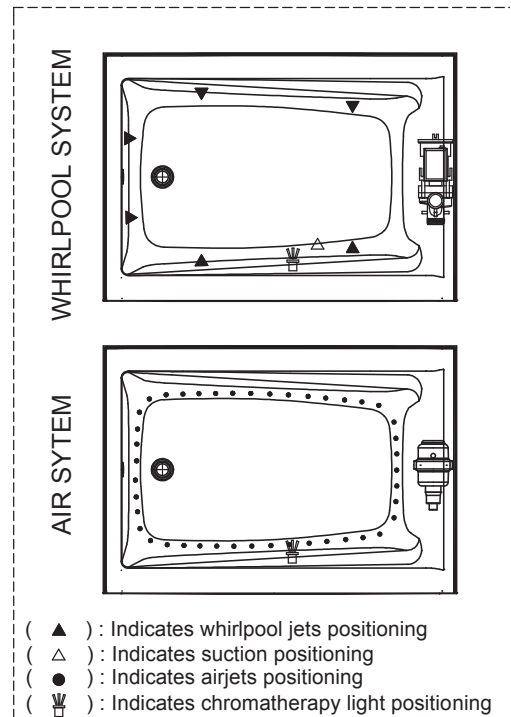
1" Single integrated tiling flange (not shown)
Drop-in model (Shown)



Technical drawing is universal for all Exhibit 6042 configurations.

Wood support design may vary.
Single Integrated tiling flange: 1" height x 1/4" thickness (not shown)

All dimensions are approximate.
Structure measurement must be verified against the unit to ensure proper fit.



- (▲) : Indicates whirlpool jets positioning
- (△) : Indicates suction positioning
- (●) : Indicates airjets positioning
- (☼) : Indicates chromatherapy light positioning

Exhibit 6042 IFS DTF



RECTANGULAR BATHTUBS - ACRYLIC



Material : Acrylic
 Min: 42 Gal / 191 L
 Max: 57 Gal / 259 L

Features

- › Rectangular shape bathtub in alcove installation
- › Available in Above-the-Floor Rough (AFR) or not
- › Minimalist look with discreet armrests and textured floor
- › Integrated double tiling flange
- › When equipped with a system, the unit comes with an access panel

EXHIBIT 6042 IFS DTF - 106231								
SKU	System	Color	Configuration	Dimensions & Weight	Packaging	MSRP		
106231-000-001-106	Soaker - No System	White	Left	59 7/8" x 42" x 18" / 81 lb / 37 kg	37 ft ³	\$ 1607		
106231-000-001-107			Right			\$ 1607		
106231-L-000-004		Bone	\$ 1607					
106231-L-000-007		Biscuit	\$ 1607					
106231-L-001-001	Whirlpool ^{1 4}	White	Left			\$ 3250		
106231-L-001-004		Bone				\$ 3250		
106231-L-001-007		Biscuit				\$ 3250		
106231-L-096-001	Combined Whirlpool & Aeroeffect ^{1 3}	White				Right	\$ 5575	
106231-L-096-004		Bone					\$ 5575	
106231-L-096-007		Biscuit					\$ 5575	
106231-L-103-001	Aeroeffect ^{1 2 5}	White						\$ 4379
106231-L-103-004		Bone						\$ 4379
106231-L-103-007		Biscuit		\$ 4379				
106231-R-000-004	Soaker - No System	Bone			\$ 1607			
106231-R-000-007		Biscuit			\$ 1607			
106231-R-001-001	Whirlpool ^{1 4}	White						\$ 3250
106231-R-001-004		Bone	\$ 3250					
106231-R-001-007		Biscuit	\$ 3250					
106231-R-096-001	Combined Whirlpool & Aeroeffect ^{1 3}	White						\$ 5575
106231-R-096-004		Bone				\$ 5575		

EXHIBIT 6042 IFS DTF - 106231

SKU	System	Color	Configuration	Dimensions & Weight	Packaging	MSRP
106231-R-096-007	Combined Whirlpool & Aeroeffect ^{1 3}	Biscuit	Right	59 7/8" x 42" x 18" / 81 lb / 37 kg	37 ft ³	\$ 5575
106231-R-103-001	Aeroeffect ^{1 2 5}	White				\$ 4379
106231-R-103-004		Bone				\$ 4379
106231-R-103-007		Biscuit				\$ 4379

EXHIBIT 6042 IFS AFR DTF - 106232

SKU	System	Color	Configuration	Dimensions & Weight	Packaging	MSRP	
106232-000-001-108	Soaker - No System	White	Left	59 7/8" x 42" x 20" / 81 lb / 37 kg	37 ft ³	\$ 1607	
106232-000-001-109			Right			\$ 1607	
106232-L-000-004		Bone	\$ 1607				
106232-L-000-007		Biscuit	\$ 1607				
106232-L-001-001	Whirlpool ^{1 4}	White	Left			\$ 3250	
106232-L-001-004		Bone				\$ 3250	
106232-L-001-007		Biscuit				\$ 3250	
106232-L-096-001	Combined Whirlpool & Aeroeffect ^{1 3}	White				\$ 5575	
106232-L-096-004		Bone				\$ 5575	
106232-L-096-007		Biscuit				\$ 5575	
106232-L-103-001	Aeroeffect ^{1 2 5}	White				\$ 4379	
106232-L-103-004		Bone				\$ 4379	
106232-L-103-007		Biscuit				\$ 4379	
106232-R-000-004	Soaker - No System	Bone				Right	\$ 1607
106232-R-000-007		Biscuit					\$ 1607
106232-R-001-001	Whirlpool ^{1 4}	White					\$ 3250
106232-R-001-004		Bone	\$ 3250				
106232-R-001-007		Biscuit	\$ 3250				
106232-R-096-001	Combined Whirlpool & Aeroeffect ^{1 3}	White	\$ 5575				
106232-R-096-004		Bone	\$ 5575				
106232-R-096-007		Biscuit	\$ 5575				
106232-R-103-001	Aeroeffect ^{1 2 5}	White	\$ 4379				
106232-R-103-004		Bone	\$ 4379				
106232-R-103-007		Biscuit	\$ 4379				

COMMON OPTIONS

SKU	Description	MSRP
OPT20029-105	Metal trim kit for air push control (factory installed)	\$ 74
OPT20029-084	Available colors: Chrome (084) and Brushed Nickel (105)	\$ 74
OPT20137-004	Cable-operated waste and overflow (16 in. to 22 in.) (included in product packaging when purchased) Available colors: White (001), Bone (004), Chrome (084) and Brushed Nickel (105)	\$ 332

COMMON OPTIONS

SKU	Description	MSRP
OPT20137-084	Cable-operated waste and overflow (16 in. to 22 in.) (included in product packaging when purchased) Available colors: White (001), Bone (004), Chrome (084) and Brushed Nickel (105)	\$ 332
OPT20137-105		\$ 332
OPT20137-001		\$ 332
OPT10019	Removable access panel	\$ 385
OPT10053	One chromatherapy light (factory installed) ⁵⁴	\$ 725
OPT10095	Water heater assembly for whirlpool and combined systems (factory installed)	\$ 950
OPT10106-084	Metal trim kit for whirlpool and combined systems (factory installed) Available colors: Chrome (084) and Brushed Nickel (105)	\$ 669
OPT10106-105		\$ 669

ACCESSORIES

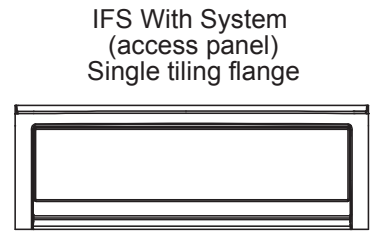
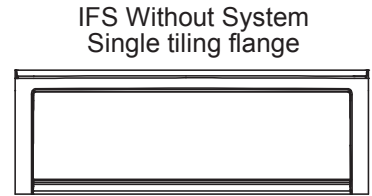
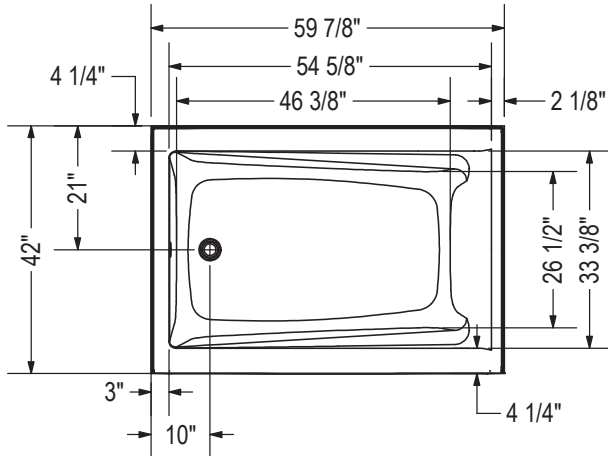
SKU	Description	MSRP
10006923	Flexible main hose (9 ft. extension) for air push control air massage - Kit (sold separately)	\$ 191
10004306-001	White foam cushion with 2 suction pads (sold separately) Available color: White (001)	\$ 126
10028641-084	Metal trim kit for Whirlpool and combined systems (sold separately) Available colors: Chrome (084) and Brushed Nickel (105)	\$ 669
10028641-105		\$ 669
10034250-084	Metal trim kit for Aeroeffect with Air Push Control (sold separately) Available colors: Chrome (084) and Brushed Nickel (105)	\$ 74
10034250-105		\$ 74
10022491-084	Cable-operated waste and overflow (16 in. to 22 in.) (sold separately) Available colors: White (001), Bone (004), Chrome (084) and Brushed Nickel (105)	\$ 332
10022491-004		\$ 332
10022491-105		\$ 332
10022491-001		\$ 332

FOOTNOTES

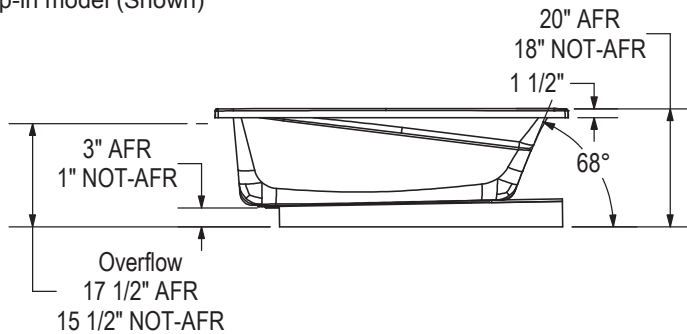
No	Description
54	A selection of units come with an access panel by default when equipped with a system. However, if the unit is only equipped with chromatherapy, the access panel will not be provided by default.

RECOMMENDED DOORS - VISIT OUR WEBSITE FOR A COMPLETE LIST OF RECOMMENDED DOORS

SKU	Product Name	Pag.
139398	Halo 56 ½-59 x 59 - 8mm	1024
139351	Incognito 57 56-59 x 56 ¾ - 6mm	1002
139354	Incognito 57 56-59 x 56 ¾ - 8mm	1006
135330	Incognito 57 Shaker 56-59 x 56 ¾ - 8mm	1000
135695	Revelation Square 56-59 x 56 ¾-59 ¼ - 8mm	1016
135692	Revelation Square 56-59 x 56 ¾-58 ¼ - 6mm	1014
136692	Revelation Round 56-59 x 56 ¾-59 ¼ - 6mm	1010
136695	Revelation Round 56-59 x 56 ¾-59 ¼ - 8 mm	1012
135320	Uptown 56-59 x 58 in. 8 mm	1018



1" Single integrated tiling flange (not shown)
2" Double integrated tiling flange (not shown)
Drop-in model (Shown)



Technical drawing is universal for all Exhibit 6042 configurations.

Wood support design may vary.
Single Integrated tiling flange: 1" height x 1/4" thickness (not shown)
Double Integrated tiling flange: 2" height (not shown)

All dimensions are approximate.
Structure measurement must be verified against the unit to ensure proper fit.

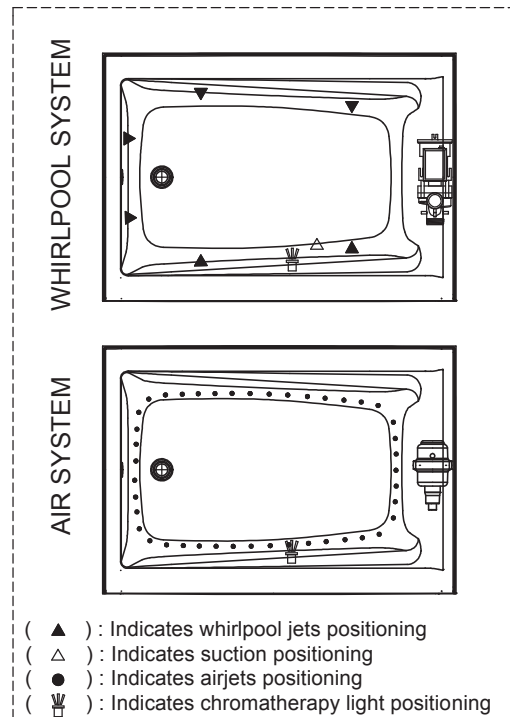




Exhibit 6632 IF

RECTANGULAR BATHTUBS - ACRYLIC



Material : Acrylic
 Min: 35 Gal / 159 L
 Max: 46 Gal / 209 L

Features

- › Rectangular shape bathtub
- › Alcove installation with tiling flange
- › Minimalist look with discreet armrests and textured floor
- › Right or left-hand drain

EXHIBIT 6632 IF - 106220						
SKU	System	Color	Configuration	Dimensions & Weight	Packaging	MSRP
106220-000-001-001	Soaker - No System	White	Left	65 7/8" x 32" x 18" / 75 lb / 34 kg	31 ft ³	\$ 1390
106220-000-001-002			Right			\$ 1390
106220-103-001-001	Aeroeffect ^{1 2 5}		Left			\$ 4162
106220-103-001-002			Right			\$ 4162
106220-L-000-004	Soaker - No System	Bone	Left			\$ 1390
106220-L-000-007		Biscuit				\$ 1390
106220-L-001-001	Whirlpool ^{1 4}	White				\$ 3033
106220-L-001-004		Bone				\$ 3033
106220-L-001-007		Biscuit				\$ 3033
106220-L-096-001	Combined Whirlpool & Aeroeffect ^{1 3}	White				\$ 5358
106220-L-096-004		Bone				\$ 5358
106220-L-096-007		Biscuit				\$ 5358
106220-L-103-004	Aeroeffect ^{1 2 5}	Bone		\$ 4162		
106220-L-103-007		Biscuit		\$ 4162		
106220-R-000-004	Soaker - No System	Bone		Right	\$ 1390	
106220-R-000-007		Biscuit			\$ 1390	
106220-R-001-001	Whirlpool ^{1 4}	White	\$ 3033			
106220-R-001-004		Bone	\$ 3033			
106220-R-001-007		Biscuit	\$ 3033			
106220-R-096-001	Combined Whirlpool & Aeroeffect ^{1 3}	White	\$ 5358			

EXHIBIT 6632 IF - 106220

SKU	System	Color	Configuration	Dimensions & Weight	Packaging	MSRP
106220-R-096-004	Combined Whirlpool & Aeroeffect ^{1 3}	Bone	Right	65 7/8" x 32" x 18" / 75 lb / 34 kg	31 ft ³	\$ 5358
106220-R-096-007		Biscuit				\$ 5358
106220-R-103-004	Aeroeffect ^{1 2 5}	Bone				\$ 4162
106220-R-103-007		Biscuit				\$ 4162

COMMON OPTIONS

SKU	Description	MSRP
OPT20137-004	Cable-operated waste and overflow (16 in. to 22 in.) (included in product packaging when purchased) Available colors: White (001), Bone (004), Chrome (084) and Brushed Nickel (105)	\$ 332
OPT20137-084		\$ 332
OPT20137-105		\$ 332
OPT20137-001		\$ 332
OPT10053	One chromatherapy light (factory installed) ⁵⁴	\$ 725
OPT10095	Water heater assembly for whirlpool and combined systems (factory installed)	\$ 950
OPT10106-084	Metal trim kit for whirlpool and combined systems (factory installed) Available colors: Chrome (084) and Brushed Nickel (105)	\$ 669
OPT10106-105		\$ 669
OPT20029-105	Metal trim kit for air push control (factory installed) Available colors: Chrome (084) and Brushed Nickel (105)	\$ 74
OPT20029-084		\$ 74

ACCESSORIES

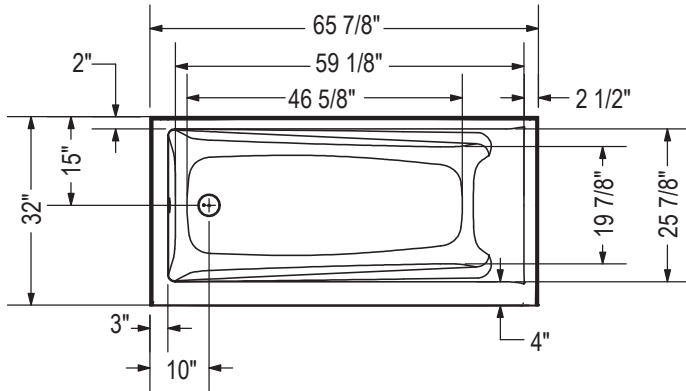
SKU	Description	MSRP
10006923	Flexible main hose (9 ft. extension) for air push control air massage - Kit (sold separately)	\$ 191
10004306-001	White foam cushion with 2 suction pads (sold separately) Available color: White (001)	\$ 126
10028641-084	Metal trim kit for Whirlpool and combined systems (sold separately) Available colors: Chrome (084) and Brushed Nickel (105)	\$ 669
10028641-105		\$ 669
10034250-084	Metal trim kit for Aeroeffect with Air Push Control (sold separately) Available colors: Chrome (084) and Brushed Nickel (105)	\$ 74
10034250-105		\$ 74
10022491-084	Cable-operated waste and overflow (16 in. to 22 in.) (sold separately) Available colors: White (001), Bone (004), Chrome (084) and Brushed Nickel (105)	\$ 332
10022491-004		\$ 332
10022491-105		\$ 332
10022491-001		\$ 332

FOOTNOTES

No	Description
1	Components for standard colour units equipped with systems are colour-coordinated. Trim kit and/or air push with metallic finish can be added (additional charge applies). For non-standard colour units, please specify trim kit and/or air push colour (additional charge applies for metallic finishes). Please note that the positioning of the system's control could be in conflict with the door if one was installed on the unit. To insure compatibility, please contact customer service.

FOOTNOTES

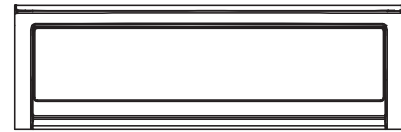
No	Description
2	Please order flexible main hose 10006923 for installation of the blower further than 3 ft from the bathtub. For the Tandem models and the Serenade models (freestanding and drop-in), the blower is always remote and not factory installed so a 9 ft flexible main hose is included. Please note that the positioning of the system's control could be in conflict with the door if one was installed on the unit. To insure compatibility, please contact customer service.
3	The blower is not factory installed (remote). 9 ft flexible main hose included. Please note that the positioning of the system's control could be in conflict with the door if one was installed on the unit. To insure compatibility, please contact customer service.
4	For details on pump position and requirements, see technical drawings on https://www.maax.com . When there is a pump position A or B indicated on the technical drawing, please specify position when ordering.
5	For details on blower position and requirements, see technical drawings on https://www.maax.com . When there is a blower position A or B indicated on the technical drawing, please specify position when ordering.
54	A selection of units come with an access panel by default when equipped with a system. However, if the unit is only equipped with chromatherapy, the access panel will not be provided by default.



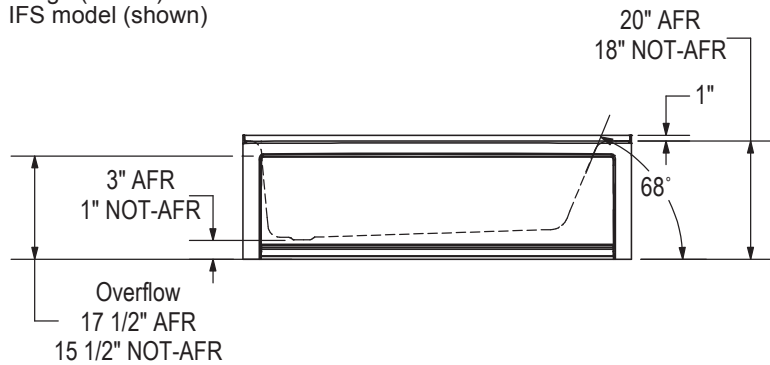
IFS Without System
Single tiling flange



IFS With System
(access panel)
Single tiling flange



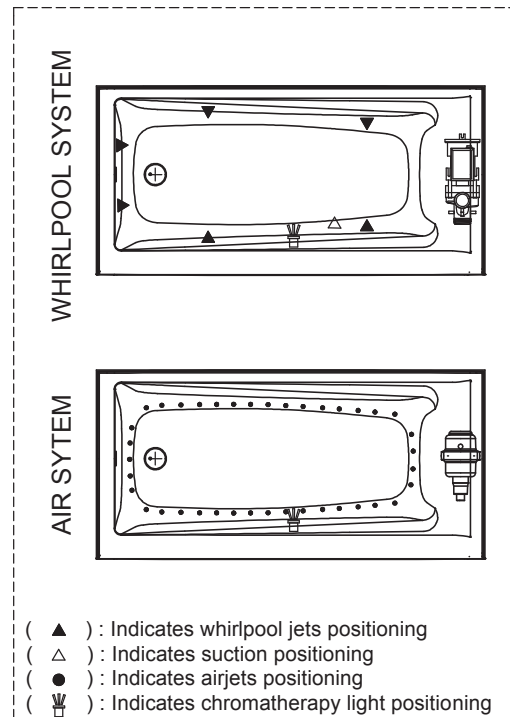
1" Single integrated tiling flange (shown)
IFS model (shown)



Technical drawing is universal for all Exhibit 6632 configurations.

Wood support design may vary.
Single Integrated tiling flange: 1" height x 1/4" thickness (shown)

All dimensions are approximate.
Structure measurement must be verified against the unit to ensure proper fit.



- (▲) : Indicates whirlpool jets positioning
- (▽) : Indicates suction positioning
- (●) : Indicates airjets positioning
- (◻) : Indicates chromatherapy light positioning



Exhibit 6632 IF DTF

RECTANGULAR BATHTUBS - ACRYLIC



Material : Acrylic
 Min: 35 Gal / 159 L
 Max: 46 Gal / 209 L

Features

- › Unique feature: minimalist look with discreet armrests
- › Textured bottom
- › Alcove installation
- › Apron with magnetic access panel available
- › Integrated double tiling flange
- › Access panel available on IFS models only

EXHIBIT 6632 IF DTF - 106233								
SKU	System	Color	Configuration	Dimensions & Weight	Packaging	MSRP		
106233-000-001-104	Soaker - No System	White	Left	65 7/8" x 32" x 18" / 75 lb / 34 kg	31 ft ³	\$ 1390		
106233-000-001-105			Right			\$ 1390		
106233-L-000-004		Bone	\$ 1390					
106233-L-000-007		Biscuit	\$ 1390					
106233-L-001-001	Whirlpool ^{1 4}	White	Left			\$ 3033		
106233-L-001-004		Bone				\$ 3033		
106233-L-001-007		Biscuit				\$ 3033		
106233-L-096-001	Combined Whirlpool & Aeroeffect ^{1 3}	White				Right	\$ 5358	
106233-L-096-004		Bone					\$ 5358	
106233-L-096-007		Biscuit					\$ 5358	
106233-L-103-001	Aeroeffect ^{1 2 5}	White					Right	\$ 4162
106233-L-103-004		Bone						\$ 4162
106233-L-103-007		Biscuit		\$ 4162				
106233-R-000-004	Soaker - No System	Bone		Right	\$ 1390			
106233-R-000-007		Biscuit			\$ 1390			
106233-R-001-001	Whirlpool ^{1 4}	White			Right			\$ 3033
106233-R-001-004		Bone	\$ 3033					
106233-R-001-007		Biscuit	\$ 3033					
106233-R-096-001	Combined Whirlpool & Aeroeffect ^{1 3}	White	Right					\$ 5358
106233-R-096-004		Bone				\$ 5358		

EXHIBIT 6632 IF DTF - 106233

SKU	System	Color	Configuration	Dimensions & Weight	Packaging	MSRP
106233-R-096-007	Combined Whirlpool & Aeroeffect ^{1 3}	Biscuit	Right	65 7/8" x 32" x 18" / 75 lb / 34 kg	31 ft ³	\$ 5358
106233-R-103-001	Aeroeffect ^{1 2 5}	White				\$ 4162
106233-R-103-004		Bone				\$ 4162
106233-R-103-007		Biscuit				\$ 4162

COMMON OPTIONS

SKU	Description	MSRP
OPT20029-105	Metal trim kit for air push control (factory installed)	\$ 74
OPT20029-084	Available colors: Chrome (084) and Brushed Nickel (105)	\$ 74
OPT20137-004	Cable-operated waste and overflow (16 in. to 22 in.) (included in product packaging when purchased) Available colors: White (001), Bone (004), Chrome (084) and Brushed Nickel (105)	\$ 332
OPT20137-084		\$ 332
OPT20137-105		\$ 332
OPT20137-001		\$ 332
OPT10019	Removable access panel	\$ 385
OPT10053	One chromatherapy light (factory installed) ⁵⁴	\$ 725
OPT10095	Water heater assembly for whirlpool and combined systems (factory installed)	\$ 950
OPT10106-084	Metal trim kit for whirlpool and combined systems (factory installed)	\$ 669
OPT10106-105	Available colors: Chrome (084) and Brushed Nickel (105)	\$ 669

ACCESSORIES

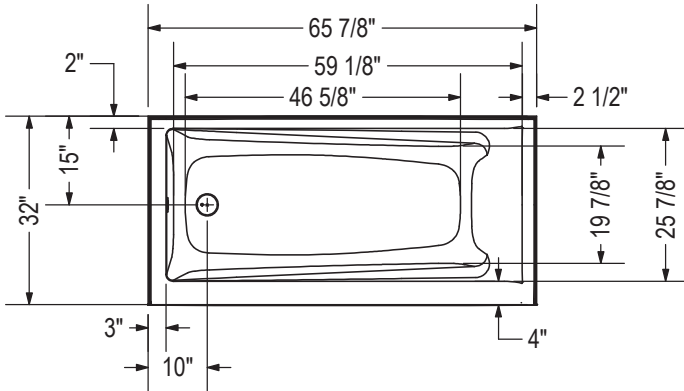
SKU	Description	MSRP
10006923	Flexible main hose (9 ft. extension) for air push control air massage - Kit (sold separately)	\$ 191
10004306-001	White foam cushion with 2 suction pads (sold separately) Available color: White (001)	\$ 126
10028641-084	Metal trim kit for Whirlpool and combined systems (sold separately)	\$ 669
10028641-105	Available colors: Chrome (084) and Brushed Nickel (105)	\$ 669
10034250-084	Metal trim kit for Aeroeffect with Air Push Control (sold separately)	\$ 74
10034250-105	Available colors: Chrome (084) and Brushed Nickel (105)	\$ 74
10022491-084	Cable-operated waste and overflow (16 in. to 22 in.) (sold separately) Available colors: White (001), Bone (004), Chrome (084) and Brushed Nickel (105)	\$ 332
10022491-004		\$ 332
10022491-105		\$ 332
10022491-001		\$ 332

FOOTNOTES

No	Description
1	Components for standard colour units equipped with systems are colour-coordinated. Trim kit and/or air push with metallic finish can be added (additional charge applies). For non-standard colour units, please specify trim kit and/or air push colour (additional charge applies for metallic finishes). Please note that the positioning of the system's control could be in conflict with the door if one was installed on the unit. To insure compatibility, please contact customer service.

FOOTNOTES

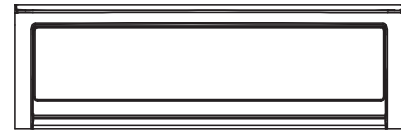
No	Description
2	Please order flexible main hose 10006923 for installation of the blower further than 3 ft from the bathtub. For the Tandem models and the Serenade models (freestanding and drop-in), the blower is always remote and not factory installed so a 9 ft flexible main hose is included. Please note that the positioning of the system's control could be in conflict with the door if one was installed on the unit. To insure compatibility, please contact customer service.
3	The blower is not factory installed (remote). 9 ft flexible main hose included. Please note that the positioning of the system's control could be in conflict with the door if one was installed on the unit. To insure compatibility, please contact customer service.
4	For details on pump position and requirements, see technical drawings on https://www.maax.com . When there is a pump position A or B indicated on the technical drawing, please specify position when ordering.
5	For details on blower position and requirements, see technical drawings on https://www.maax.com . When there is a blower position A or B indicated on the technical drawing, please specify position when ordering.
54	A selection of units come with an access panel by default when equipped with a system. However, if the unit is only equipped with chromatherapy, the access panel will not be provided by default.



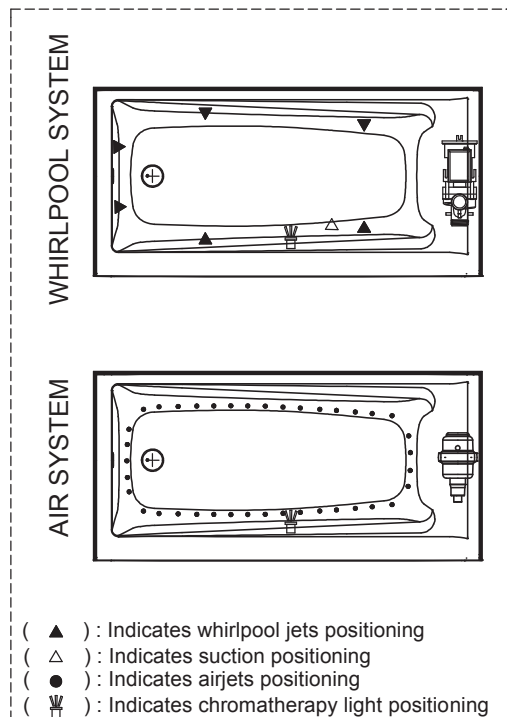
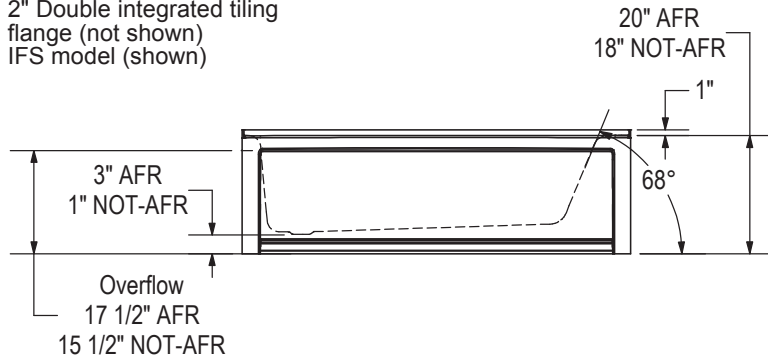
IFS Without System
Single tiling flange



IFS With System
(access panel)
Single tiling flange



1" Single integrated tiling flange (shown)
2" Double integrated tiling flange (not shown)
IFS model (shown)



Technical drawing is universal for all Exhibit 6632 configurations.

Wood support design may vary.
Single Integrated tiling flange: 1" height x 1/4" thickness (shown)
Double Integrated tiling flange: 2" height (not shown)

All dimensions are approximate.
Structure measurement must be verified against the unit to ensure proper fit.

- (▲) : Indicates whirlpool jets positioning
- (△) : Indicates suction positioning
- (●) : Indicates airjets positioning
- (☒) : Indicates chromotherapy light positioning



Exhibit 6632 IFS

RECTANGULAR BATHTUBS - ACRYLIC



Material : Acrylic
 Min: 35 Gal / 159 L
 Max: 46 Gal / 209 L

Features

- › Rectangular shape bathtub in alcove installation
- › Available in Above-the-Floor Rough (AFR) or not
- › Minimalist look with discreet armrests and textured floor
- › Integrated tiling flange
- › When equipped with a system, the unit comes with an access panel

EXHIBIT 6632 IFS - 106221								
SKU	System	Color	Configuration	Dimensions & Weight	Packaging	MSRP		
106221-000-001-100	Soaker - No System	White	Left	65 7/8" x 32" x 18" / 85 lb / 39 kg	31 ft ³	\$ 1599		
106221-000-001-101			Right			\$ 1599		
106221-L-000-004		Bone	\$ 1599					
106221-L-000-007		Biscuit	\$ 1599					
106221-L-001-001	Whirlpool ^{1 4}	White	Left			\$ 3242		
106221-L-001-004		Bone				\$ 3242		
106221-L-001-007		Biscuit				\$ 3242		
106221-L-096-001	Combined Whirlpool & Aeroeffect ^{1 3}	White				Right	\$ 5567	
106221-L-096-004		Bone					\$ 5567	
106221-L-096-007		Biscuit					\$ 5567	
106221-L-103-001	Aeroeffect ^{1 2 5}	White					Right	\$ 4371
106221-L-103-004		Bone						\$ 4371
106221-L-103-007		Biscuit		\$ 4371				
106221-R-000-004	Soaker - No System	Bone		Right	\$ 1599			
106221-R-000-007		Biscuit			\$ 1599			
106221-R-001-001	Whirlpool ^{1 4}	White			Right			\$ 3242
106221-R-001-004		Bone	\$ 3242					
106221-R-001-007		Biscuit	\$ 3242					
106221-R-096-001	Combined Whirlpool & Aeroeffect ^{1 3}	White	Right					\$ 5567
106221-R-096-004		Bone				\$ 5567		

EXHIBIT 6632 IFS - 106221

SKU	System	Color	Configuration	Dimensions & Weight	Packaging	MSRP
106221-R-096-007	Combined Whirlpool & Aeroeffect ^{1 3}	Biscuit	Right	65 7/8" x 32" x 18" / 85 lb / 39 kg	31 ft ³	\$ 5567
106221-R-103-001	Aeroeffect ^{1 2 5}	White				\$ 4371
106221-R-103-004		Bone				\$ 4371
106221-R-103-007		Biscuit				\$ 4371

EXHIBIT 6632 IFS AFR - 106222

SKU	System	Color	Configuration	Dimensions & Weight	Packaging	MSRP	
106222-000-001-102	Soaker - No System	White	Left	65 7/8" x 32" x 20" / 85 lb / 39 kg	31 ft ³	\$ 1599	
106222-000-001-103			Right			\$ 1599	
106222-001-001-001	Whirlpool ^{1 4}		Left			\$ 3242	
106222-001-001-002			Right			\$ 3242	
106222-L-000-004	Soaker - No System	Bone	Left			\$ 1599	
106222-L-000-007		Biscuit				\$ 1599	
106222-L-001-004	Whirlpool ^{1 4}	Bone				\$ 3242	
106222-L-001-007		Biscuit				\$ 3242	
106222-L-096-001	Combined Whirlpool & Aeroeffect ^{1 3}	White				\$ 5567	
106222-L-096-004		Bone				\$ 5567	
106222-L-096-007		Biscuit				\$ 5567	
106222-L-103-001	Aeroeffect ^{1 2 5}	White				\$ 4371	
106222-L-103-004		Bone				\$ 4371	
106222-L-103-007		Biscuit				\$ 4371	
106222-R-000-004	Soaker - No System	Bone				Right	\$ 1599
106222-R-000-007		Biscuit					\$ 1599
106222-R-001-004	Whirlpool ^{1 4}	Bone		\$ 3242			
106222-R-001-007		Biscuit		\$ 3242			
106222-R-096-001	Combined Whirlpool & Aeroeffect ^{1 3}	White		\$ 5567			
106222-R-096-004		Bone		\$ 5567			
106222-R-096-007		Biscuit	\$ 5567				
106222-R-103-001	Aeroeffect ^{1 2 5}	White	\$ 4371				
106222-R-103-004		Bone	\$ 4371				
106222-R-103-007		Biscuit	\$ 4371				

COMMON OPTIONS

SKU	Description	MSRP
OPT20029-105	Metal trim kit for air push control (factory installed)	\$ 74
OPT20029-084	Available colors: Chrome (084) and Brushed Nickel (105)	\$ 74
OPT20137-004	Cable-operated waste and overflow (16 in. to 22 in.) (included in product packaging when purchased) Available colors: White (001), Bone (004), Chrome (084) and Brushed Nickel (105)	\$ 332

COMMON OPTIONS

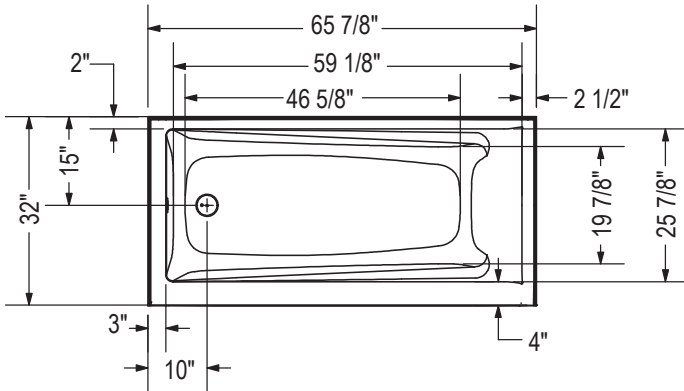
SKU	Description	MSRP
OPT20137-084		\$ 332
OPT20137-105	Cable-operated waste and overflow (16 in. to 22 in.) (included in product packaging when purchased) Available colors: White (001), Bone (004), Chrome (084) and Brushed Nickel (105)	\$ 332
OPT20137-001		\$ 332
OPT10019	Removable access panel	\$ 385
OPT10053	One chromatherapy light (factory installed) ⁵⁴	\$ 725
OPT10095	Water heater assembly for whirlpool and combined systems (factory installed)	\$ 950
OPT10106-084	Metal trim kit for whirlpool and combined systems (factory installed)	\$ 669
OPT10106-105	Available colors: Chrome (084) and Brushed Nickel (105)	\$ 669

ACCESSORIES

SKU	Description	MSRP
10006923	Flexible main hose (9 ft. extension) for air push control air massage - Kit (sold separately)	\$ 191
10004306-001	White foam cushion with 2 suction pads (sold separately) Available color: White (001)	\$ 126
10028641-084	Metal trim kit for Whirlpool and combined systems (sold separately)	\$ 669
10028641-105	Available colors: Chrome (084) and Brushed Nickel (105)	\$ 669
10034250-084	Metal trim kit for Aeroeffect with Air Push Control (sold separately)	\$ 74
10034250-105	Available colors: Chrome (084) and Brushed Nickel (105)	\$ 74
10022491-084		\$ 332
10022491-004	Cable-operated waste and overflow (16 in. to 22 in.) (sold separately)	\$ 332
10022491-105	Available colors: White (001), Bone (004), Chrome (084) and Brushed Nickel (105)	\$ 332
10022491-001		\$ 332

FOOTNOTES

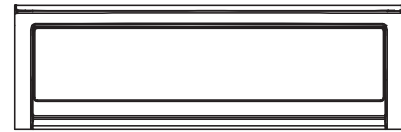
No	Description
54	A selection of units come with an access panel by default when equipped with a system. However, if the unit is only equipped with chromatherapy, the access panel will not be provided by default.



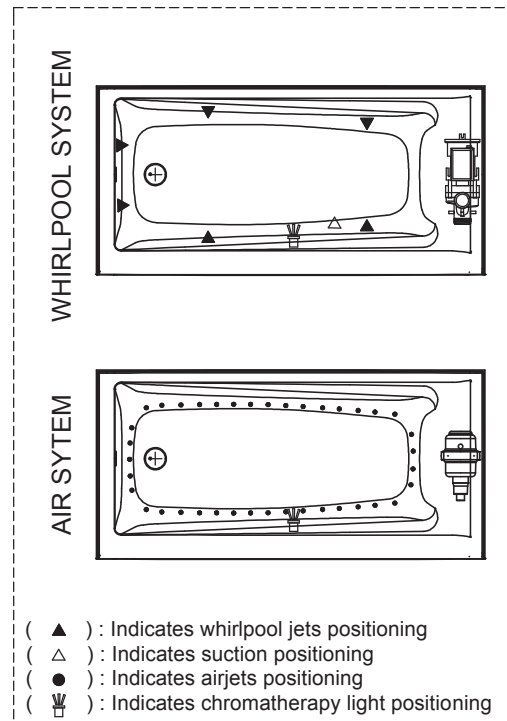
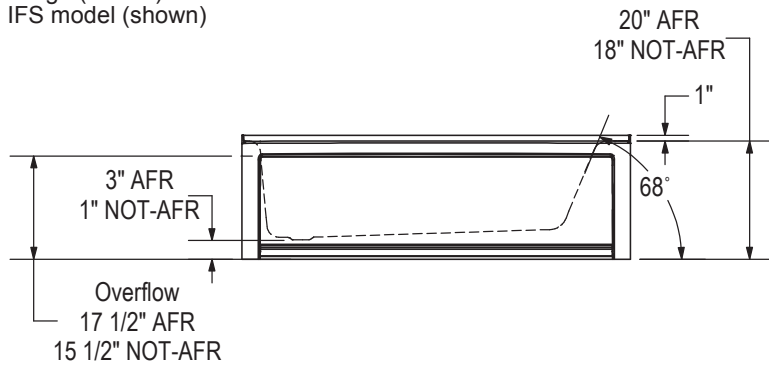
IFS Without System
Single tiling flange



IFS With System
(access panel)
Single tiling flange



1" Single integrated tiling flange (shown)
IFS model (shown)



- (▲) : Indicates whirlpool jets positioning
- (▽) : Indicates suction positioning
- (●) : Indicates airjets positioning
- (◻) : Indicates chromatherapy light positioning

Technical drawing is universal for all Exhibit 6632 configurations.

Wood support design may vary.
Single Integrated tiling flange: 1" height x 1/4" thickness (shown)

All dimensions are approximate.
Structure measurement must be verified against the unit to ensure proper fit.



Exhibit 6632 IFS DTF

RECTANGULAR BATHTUBS - ACRYLIC



Material : Acrylic
 Min: 35 Gal / 159 L
 Max: 46 Gal / 209 L

Features

- › Rectangular shape bathtub in alcove installation
- › Available in Above-the-Floor Rough (AFR) or not
- › Minimalist look with discreet armrests and textured floor
- › Integrated tiling flange
- › When equipped with a system, the unit comes with an access panel

EXHIBIT 6632 IFS DTF - 106234								
SKU	System	Color	Configuration	Dimensions & Weight	Packaging	MSRP		
106234-000-001-106	Soaker - No System	White	Left	65 7/8" x 32" x 18" / 85 lb / 39 kg	31 ft ³	\$ 1599		
106234-000-001-107			Right			\$ 1599		
106234-L-000-004		Bone	\$ 1599					
106234-L-000-007		Biscuit	\$ 1599					
106234-L-001-001	Whirlpool ^{1 4}	White	Left			\$ 3242		
106234-L-001-004		Bone				\$ 3242		
106234-L-001-007		Biscuit				\$ 3242		
106234-L-096-001	Combined Whirlpool & Aeroeffect ^{1 3}	White				Right	\$ 5567	
106234-L-096-004		Bone					\$ 5567	
106234-L-096-007		Biscuit					\$ 5567	
106234-L-103-001	Aeroeffect ^{1 2 5}	White						\$ 4371
106234-L-103-004		Bone						\$ 4371
106234-L-103-007		Biscuit		\$ 4371				
106234-R-000-004	Soaker - No System	Bone			\$ 1599			
106234-R-000-007		Biscuit			\$ 1599			
106234-R-001-001	Whirlpool ^{1 4}	White						\$ 3242
106234-R-001-004		Bone	\$ 3242					
106234-R-001-007		Biscuit	\$ 3242					
106234-R-096-001	Combined Whirlpool & Aeroeffect ^{1 3}	White						\$ 5567
106234-R-096-004		Bone				\$ 5567		

EXHIBIT 6632 IFS DTF - 106234

SKU	System	Color	Configuration	Dimensions & Weight	Packaging	MSRP
106234-R-096-007	Combined Whirlpool & Aeroeffect ^{1 3}	Biscuit	Right	65 7/8" x 32" x 18" / 85 lb / 39 kg	31 ft ³	\$ 5567
106234-R-103-001	Aeroeffect ^{1 2 5}	White				\$ 4371
106234-R-103-004		Bone				\$ 4371
106234-R-103-007		Biscuit				\$ 4371

EXHIBIT 6632 IFS AFR DTF - 106235

SKU	System	Color	Configuration	Dimensions & Weight	Packaging	MSRP	
106235-000-001-108	Soaker - No System	White	Left	65 7/8" x 32" x 20" / 85 lb / 39 kg	31 ft ³	\$ 1599	
106235-000-001-109			Right			\$ 1599	
106235-L-000-004		Bone	\$ 1599				
106235-L-000-007	Biscuit	\$ 1599					
106235-L-001-001	Whirlpool ^{1 4}	White	Left			\$ 3242	
106235-L-001-004		Bone				\$ 3242	
106235-L-001-007		Biscuit				\$ 3242	
106235-L-096-001	Combined Whirlpool & Aeroeffect ^{1 3}	White				\$ 5567	
106235-L-096-004		Bone				\$ 5567	
106235-L-096-007		Biscuit				\$ 5567	
106235-L-103-001	Aeroeffect ^{1 2 5}	White				Right	\$ 4371
106235-L-103-004		Bone					\$ 4371
106235-L-103-007		Biscuit					\$ 4371
106235-R-000-004	Soaker - No System	Bone	\$ 1599				
106235-R-000-007		Biscuit	\$ 1599				
106235-R-001-001	Whirlpool ^{1 4}	White	\$ 3242				
106235-R-001-004		Bone	\$ 3242				
106235-R-001-007		Biscuit	\$ 3242				
106235-R-096-001	Combined Whirlpool & Aeroeffect ^{1 3}	White	\$ 5567				
106235-R-096-004		Bone	\$ 5567				
106235-R-096-007		Biscuit	\$ 5567				
106235-R-103-001	Aeroeffect ^{1 2 5}	White	\$ 4371				
106235-R-103-004		Bone	\$ 4371				
106235-R-103-007		Biscuit	\$ 4371				

COMMON OPTIONS

SKU	Description	MSRP
OPT20029-105	Metal trim kit for air push control (factory installed)	\$ 74
OPT20029-084	Available colors: Chrome (084) and Brushed Nickel (105)	\$ 74
OPT20137-004	Cable-operated waste and overflow (16 in. to 22 in.) (included in product packaging when purchased) Available colors: White (001), Bone (004), Chrome (084) and Brushed Nickel (105)	\$ 332

COMMON OPTIONS

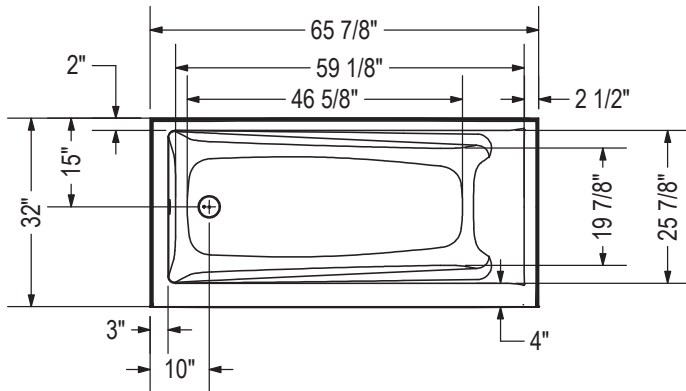
SKU	Description	MSRP
OPT20137-084		\$ 332
OPT20137-105	Cable-operated waste and overflow (16 in. to 22 in.) (included in product packaging when purchased) Available colors: White (001), Bone (004), Chrome (084) and Brushed Nickel (105)	\$ 332
OPT20137-001		\$ 332
OPT10019	Removable access panel	\$ 385
OPT10053	One chromatherapy light (factory installed) ⁵⁴	\$ 725
OPT10095	Water heater assembly for whirlpool and combined systems (factory installed)	\$ 950
OPT10106-084	Metal trim kit for whirlpool and combined systems (factory installed)	\$ 669
OPT10106-105	Available colors: Chrome (084) and Brushed Nickel (105)	\$ 669

ACCESSORIES

SKU	Description	MSRP
10006923	Flexible main hose (9 ft. extension) for air push control air massage - Kit (sold separately)	\$ 191
10004306-001	White foam cushion with 2 suction pads (sold separately) Available color: White (001)	\$ 126
10028641-084	Metal trim kit for Whirlpool and combined systems (sold separately)	\$ 669
10028641-105	Available colors: Chrome (084) and Brushed Nickel (105)	\$ 669
10034250-084	Metal trim kit for Aeroeffect with Air Push Control (sold separately)	\$ 74
10034250-105	Available colors: Chrome (084) and Brushed Nickel (105)	\$ 74
10022491-084		\$ 332
10022491-004	Cable-operated waste and overflow (16 in. to 22 in.) (sold separately)	\$ 332
10022491-105	Available colors: White (001), Bone (004), Chrome (084) and Brushed Nickel (105)	\$ 332
10022491-001		\$ 332

FOOTNOTES

No	Description
54	A selection of units come with an access panel by default when equipped with a system. However, if the unit is only equipped with chromatherapy, the access panel will not be provided by default.



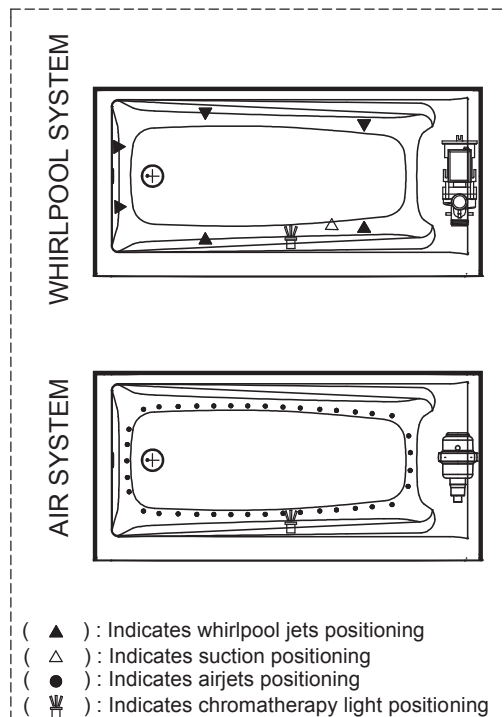
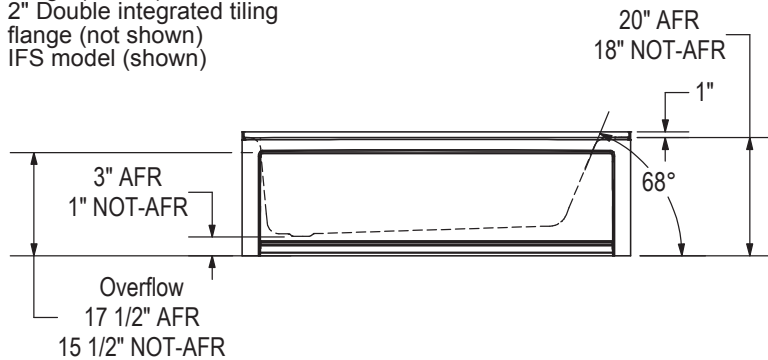
IFS Without System
Single tiling flange



IFS With System
(access panel)
Single tiling flange



1" Single integrated tiling flange (shown)
2" Double integrated tiling flange (not shown)
IFS model (shown)



Technical drawing is universal for all Exhibit 6632 configurations.

Wood support design may vary.
Single Integrated tiling flange: 1" height x 1/4" thickness (shown)
Double Integrated tiling flange: 2" height (not shown)

All dimensions are approximate.
Structure measurement must be verified against the unit to ensure proper fit.

- (▲) : Indicates whirlpool jets positioning
- (⊕) : Indicates suction positioning
- (●) : Indicates airjets positioning
- (⊞) : Indicates chromotherapy light positioning



Exhibit 6634

RECTANGULAR BATHTUBS - ACRYLIC



Material : Acrylic
 Min: 35 Gal / 159 L
 Max: 46 Gal / 209 L

Features

- › Rectangular shape bathtub
- › Drop-in installation
- › Minimalist look with discreet armrests and textured floor
- › End drain

EXHIBIT 6634 - 106219

SKU	System	Color	Configuration	Dimensions & Weight	Packaging	MSRP
106219-000-001-000	Soaker - No System	White	End	65 7/8" x 34" x 18" / 75 lb / 34 kg	31 ft ³	\$ 1390
106219-000-004		Bone				\$ 1390
106219-000-007		Biscuit				\$ 1390
106219-001-001-100	Whirlpool ^{1 4}	White				\$ 3033
106219-001-004		Bone				\$ 3033
106219-001-007		Biscuit				\$ 3033
106219-002-001-000	Multi-Pack ⁹	White				\$ 1324
106219-002-004		Bone				\$ 1324
106219-002-007		Biscuit				\$ 1324
106219-096-001	Combined Whirlpool & Aeroeffect ^{1 3}	White				\$ 5358
106219-096-004		Bone				\$ 5358
106219-096-007		Biscuit				\$ 5358
106219-103-001	Aeroeffect ^{1 2 5}	White	\$ 4162			
106219-103-004		Bone	\$ 4162			
106219-103-007		Biscuit	\$ 4162			

COMMON OPTIONS

SKU	Description	MSRP
OPT20137-004	Cable-operated waste and overflow (16 in. to 22 in.) (included in product packaging when purchased) Available colors: White (001), Bone (004), Chrome (084) and Brushed Nickel (105)	\$ 332

COMMON OPTIONS

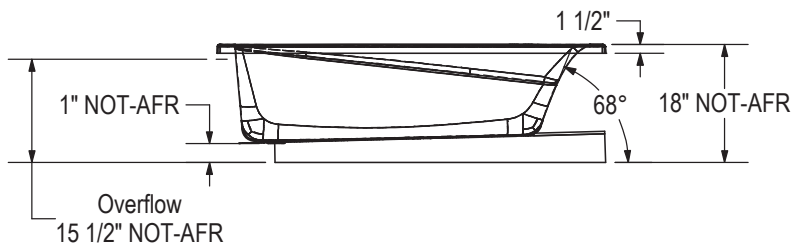
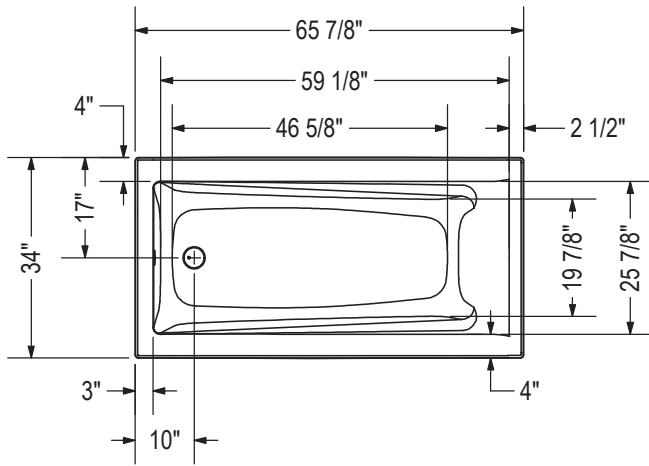
SKU	Description	MSRP
OPT20137-084		\$ 332
OPT20137-105	Cable-operated waste and overflow (16 in. to 22 in.) (included in product packaging when purchased) Available colors: White (001), Bone (004), Chrome (084) and Brushed Nickel (105)	\$ 332
OPT20137-001		\$ 332
OPT10053	One chromatherapy light (factory installed) ⁵⁴	\$ 725
OPT10095	Water heater assembly for whirlpool and combined systems (factory installed)	\$ 950
OPT10106-084	Metal trim kit for whirlpool and combined systems (factory installed)	\$ 669
OPT10106-105	Available colors: Chrome (084) and Brushed Nickel (105)	\$ 669
OPT20029-105	Metal trim kit for air push control (factory installed)	\$ 74
OPT20029-084	Available colors: Chrome (084) and Brushed Nickel (105)	\$ 74

ACCESSORIES

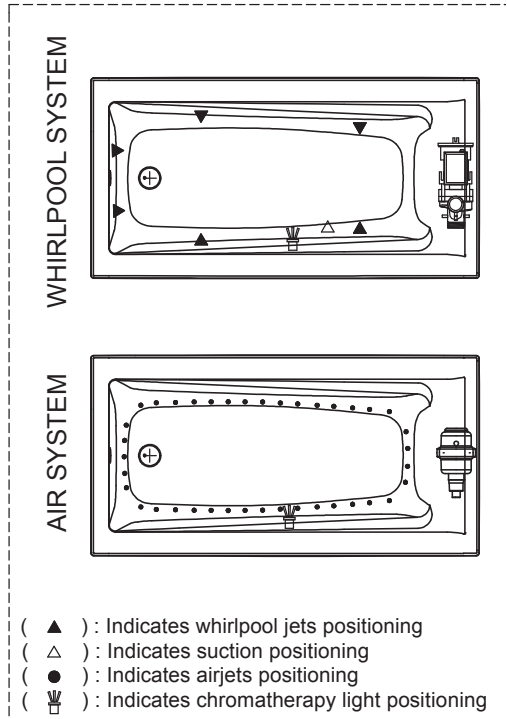
SKU	Description	MSRP
10006923	Flexible main hose (9 ft. extension) for air push control air massage - Kit (sold separately)	\$ 191
10004306-001	White foam cushion with 2 suction pads (sold separately) Available color: White (001)	\$ 126
10028641-084	Metal trim kit for Whirlpool and combined systems (sold separately)	\$ 669
10028641-105	Available colors: Chrome (084) and Brushed Nickel (105)	\$ 669
10034250-084	Metal trim kit for Aeroeffect with Air Push Control (sold separately)	\$ 74
10034250-105	Available colors: Chrome (084) and Brushed Nickel (105)	\$ 74
10022491-084		\$ 332
10022491-004	Cable-operated waste and overflow (16 in. to 22 in.) (sold separately)	\$ 332
10022491-105	Available colors: White (001), Bone (004), Chrome (084) and Brushed Nickel (105)	\$ 332
10022491-001		\$ 332

FOOTNOTES

No	Description
1	Components for standard colour units equipped with systems are colour-coordinated. Trim kit and/or air push with metallic finish can be added (additional charge applies). For non-standard colour units, please specify trim kit and/or air push colour (additional charge applies for metallic finishes). Please note that the positioning of the system's control could be in conflict with the door if one was installed on the unit. To insure compatibility, please contact customer service.
2	Please order flexible main hose 10006923 for installation of the blower further than 3 ft from the bathtub. For the Tandem models and the Serenade models (freestanding and drop-in), the blower is always remote and not factory installed so a 9 ft flexible main hose is included. Please note that the positioning of the system's control could be in conflict with the door if one was installed on the unit. To insure compatibility, please contact customer service.
3	The blower is not factory installed (remote). 9 ft flexible main hose included. Please note that the positioning of the system's control could be in conflict with the door if one was installed on the unit. To insure compatibility, please contact customer service.
4	For details on pump position and requirements, see technical drawings on https://www.maax.com . When there is a pump position A or B indicated on the technical drawing, please specify position when ordering.
5	For details on blower position and requirements, see technical drawings on https://www.maax.com . When there is a blower position A or B indicated on the technical drawing, please specify position when ordering.
54	A selection of units come with an access panel by default when equipped with a system. However, if the unit is only equipped with chromatherapy, the access panel will not be provided by default.



All dimensions are approximate.
Structure measurement must be verified against the unit to ensure proper fit.



- (▲) : Indicates whirlpool jets positioning
- (△) : Indicates suction positioning
- (●) : Indicates airjets positioning
- (◻) : Indicates chromatherapy light positioning

Exhibit 6636



Material : Acrylic
 Min: 37 Gal / 168 L
 Max: 50 Gal / 227 L

Features

- › Rectangular shape bathtub
- › Drop-in or alcove installation with tiling flange
- › Minimalist look with discreet armrests and textured floor
- › End drain

RECTANGULAR BATHTUBS - ACRYLIC

EXHIBIT 6636 - 106177

SKU	System	Color	Configuration	Dimensions & Weight	Packaging	MSRP
106177-000-001-000	Soaker - No System	White	End	65 7/8" x 36" x 18" / 78 lb / 35 kg	35 ft ³	\$ 1406
106177-000-004		Bone				\$ 1406
106177-000-007		Biscuit				\$ 1406
106177-001-001-000	Whirlpool ^{1 4}	White				\$ 3049
106177-001-004		Bone				\$ 3049
106177-001-007		Biscuit				\$ 3049
106177-002-001-100	Multi-Pack ⁹	White				\$ 7590
106177-002-004-100		Bone				\$ 7590
106177-002-007-100		Biscuit				\$ 7590
106177-096-001	Combined Whirlpool & Aeroeffect ^{1 3}	White				\$ 5374
106177-096-004		Bone				\$ 5374
106177-096-007		Biscuit				\$ 5374
106177-103-001-000	Aeroeffect ^{1 2 5}	White	\$ 4178			
106177-103-004		Bone	\$ 4178			
106177-103-007		Biscuit	\$ 4178			

COMMON OPTIONS

SKU	Description	MSRP
OPT20137-004	Cable-operated waste and overflow (16 in. to 22 in.) (included in product packaging when purchased) Available colors: White (001), Bone (004), Chrome (084) and Brushed Nickel (105)	\$ 332

COMMON OPTIONS

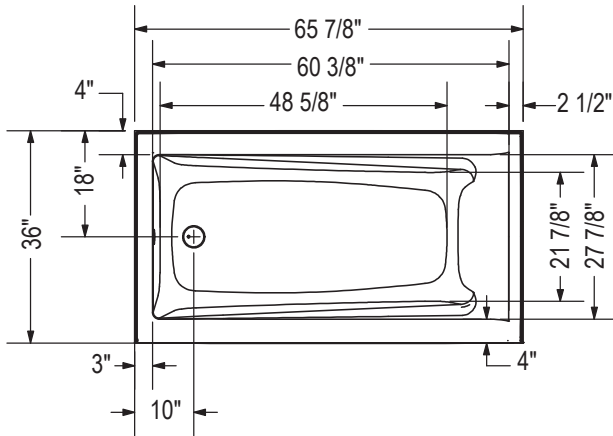
SKU	Description	MSRP
OPT20137-084		\$ 332
OPT20137-105	Cable-operated waste and overflow (16 in. to 22 in.) (included in product packaging when purchased) Available colors: White (001), Bone (004), Chrome (084) and Brushed Nickel (105)	\$ 332
OPT20137-001		\$ 332
OPT10053	One chromatherapy light (factory installed) ⁵⁴	\$ 725
OPT10095	Water heater assembly for whirlpool and combined systems (factory installed)	\$ 950
OPT10106-084	Metal trim kit for whirlpool and combined systems (factory installed)	\$ 669
OPT10106-105	Available colors: Chrome (084) and Brushed Nickel (105)	\$ 669
OPT20029-105	Metal trim kit for air push control (factory installed)	\$ 74
OPT20029-084	Available colors: Chrome (084) and Brushed Nickel (105)	\$ 74

ACCESSORIES

SKU	Description	MSRP
10006923	Flexible main hose (9 ft. extension) for air push control air massage - Kit (sold separately)	\$ 191
10004306-001	White foam cushion with 2 suction pads (sold separately) Available color: White (001)	\$ 126
10028641-084	Metal trim kit for Whirlpool and combined systems (sold separately)	\$ 669
10028641-105	Available colors: Chrome (084) and Brushed Nickel (105)	\$ 669
10034250-084	Metal trim kit for Aeroeffect with Air Push Control (sold separately)	\$ 74
10034250-105	Available colors: Chrome (084) and Brushed Nickel (105)	\$ 74
10022491-084		\$ 332
10022491-004	Cable-operated waste and overflow (16 in. to 22 in.) (sold separately)	\$ 332
10022491-105	Available colors: White (001), Bone (004), Chrome (084) and Brushed Nickel (105)	\$ 332
10022491-001		\$ 332

FOOTNOTES

No	Description
1	Components for standard colour units equipped with systems are colour-coordinated. Trim kit and/or air push with metallic finish can be added (additional charge applies). For non-standard colour units, please specify trim kit and/or air push colour (additional charge applies for metallic finishes). Please note that the positioning of the system's control could be in conflict with the door if one was installed on the unit. To insure compatibility, please contact customer service.
2	Please order flexible main hose 10006923 for installation of the blower further than 3 ft from the bathtub. For the Tandem models and the Serenade models (freestanding and drop-in), the blower is always remote and not factory installed so a 9 ft flexible main hose is included. Please note that the positioning of the system's control could be in conflict with the door if one was installed on the unit. To insure compatibility, please contact customer service.
4	For details on pump position and requirements, see technical drawings on https://www.maax.com . When there is a pump position A or B indicated on the technical drawing, please specify position when ordering.
5	For details on blower position and requirements, see technical drawings on https://www.maax.com . When there is a blower position A or B indicated on the technical drawing, please specify position when ordering.
54	A selection of units come with an access panel by default when equipped with a system. However, if the unit is only equipped with chromatherapy, the access panel will not be provided by default.



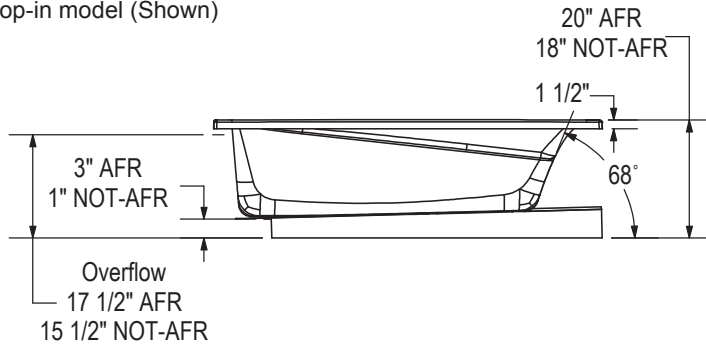
IFS Without System
Single tiling flange



IFS With System
(access panel)
Single tiling flange



1" Single integrated tiling flange (not shown)
Drop-in model (Shown)

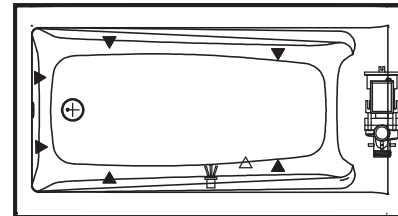


Technical drawing is universal for all Exhibit 6636 configurations.

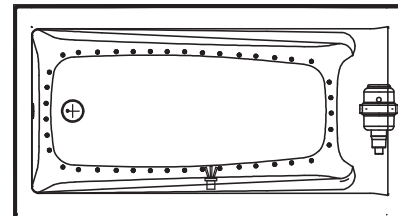
Wood support design may vary.
Single Integrated tiling flange: 1" height x 1/4" thickness (not shown)

All dimensions are approximate.
Structure measurement must be verified against the unit to ensure proper fit.

WHIRLPOOL SYSTEM



AIR SYSTEM



- (▲) : Indicates whirlpool jets positioning
- (△) : Indicates suction positioning
- (●) : Indicates airjets positioning
- (◻) : Indicates chromatherapy light positioning



Exhibit 6636 IF

RECTANGULAR BATHTUBS - ACRYLIC



Material : Acrylic
 Min: 37 Gal / 168 L
 Max: 50 Gal / 227 L

Features

- › Rectangular shape bathtub
- › Drop-in or alcove installation with tiling flange
- › Minimalist look with discreet armrests and textured floor
- › End drain

EXHIBIT 6636 IF - 106178							
SKU	System	Color	Configuration	Dimensions & Weight	Packaging	MSRP	
106178-000-001-001	Soaker - No System	White	Left	65 7/8" x 36" x 18" / 78 lb / 35 kg	35 ft ³	\$ 1406	
106178-000-001-002			Right			\$ 1406	
106178-002-001-101	Multi-Pack ⁹		Left			\$ 7590	
106178-002-001-102			Right			\$ 7590	
106178-002-004-101			Bone			Left	\$ 7590
106178-002-004-102						Right	\$ 7590
106178-002-007-101			Biscuit			Left	\$ 7590
106178-002-007-102						Right	\$ 7590
106178-L-000-004	Soaker - No System	Bone	Left			\$ 1406	
106178-L-000-007		Biscuit				\$ 1406	
106178-L-001-001	Whirlpool ^{1 4}	White				\$ 3049	
106178-L-001-004		Bone				\$ 3049	
106178-L-001-007		Biscuit				\$ 3049	
106178-L-096-001	Combined Whirlpool & Aeroeffect ^{1 3}	White				\$ 5374	
106178-L-096-004		Bone				\$ 5374	
106178-L-096-007		Biscuit				\$ 5374	
106178-L-103-001	Aeroeffect ^{1 2 5}	White		\$ 4178			
106178-L-103-004		Bone		\$ 4178			
106178-L-103-007		Biscuit		\$ 4178			
106178-R-000-004	Soaker - No System	Bone		Right	\$ 1406		

EXHIBIT 6636 IF - 106178

SKU	System	Color	Configuration	Dimensions & Weight	Packaging	MSRP
106178-R-000-007	Soaker - No System	Biscuit	Right	65 7/8" x 36" x 18" / 78 lb / 35 kg	35 ft ³	\$ 1406
106178-R-001-001	Whirlpool ^{1 4}	White				\$ 3049
106178-R-001-004		Bone				\$ 3049
106178-R-001-007		Biscuit				\$ 3049
106178-R-096-001		Combined Whirlpool & Aeroeffect ^{1 3}				White
106178-R-096-004	Bone					\$ 5374
106178-R-096-007	Biscuit					\$ 5374
106178-R-103-001	Aeroeffect ^{1 2 5}	White				\$ 4178
106178-R-103-004		Bone				\$ 4178
106178-R-103-007		Biscuit				\$ 4178

COMMON OPTIONS

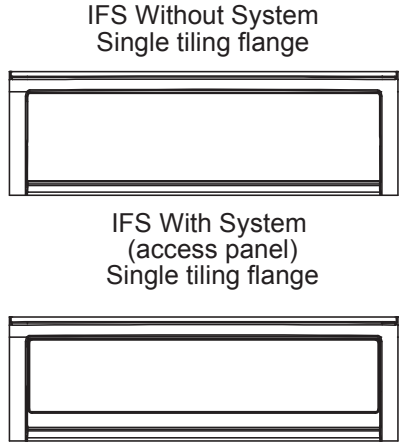
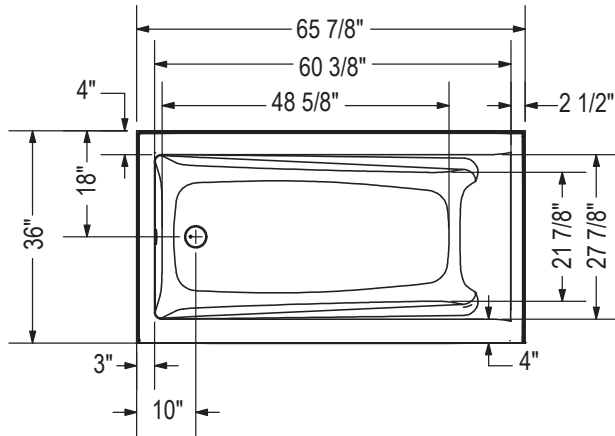
SKU	Description	MSRP
OPT20137-004	Cable-operated waste and overflow (16 in. to 22 in.) (included in product packaging when purchased) Available colors: White (001), Bone (004), Chrome (084) and Brushed Nickel (105)	\$ 332
OPT20137-084		\$ 332
OPT20137-105		\$ 332
OPT20137-001		\$ 332
OPT10053	One chromatherapy light (factory installed) ⁵⁴	\$ 725
OPT10095	Water heater assembly for whirlpool and combined systems (factory installed)	\$ 950
OPT10106-084	Metal trim kit for whirlpool and combined systems (factory installed) Available colors: Chrome (084) and Brushed Nickel (105)	\$ 669
OPT10106-105		\$ 669
OPT20029-105	Metal trim kit for air push control (factory installed) Available colors: Chrome (084) and Brushed Nickel (105)	\$ 74
OPT20029-084		\$ 74

ACCESSORIES

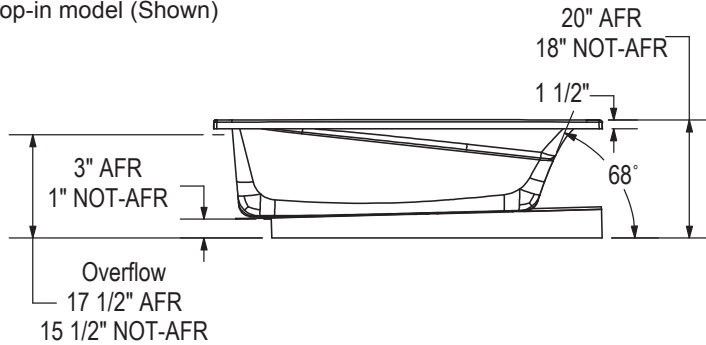
SKU	Description	MSRP
10006923	Flexible main hose (9 ft. extension) for air push control air massage - Kit (sold separately)	\$ 191
10004306-001	White foam cushion with 2 suction pads (sold separately) Available color: White (001)	\$ 126
10028641-084	Metal trim kit for Whirlpool and combined systems (sold separately) Available colors: Chrome (084) and Brushed Nickel (105)	\$ 669
10028641-105		\$ 669
10034250-084	Metal trim kit for Aeroeffect with Air Push Control (sold separately) Available colors: Chrome (084) and Brushed Nickel (105)	\$ 74
10034250-105		\$ 74
10022491-084	Cable-operated waste and overflow (16 in. to 22 in.) (sold separately) Available colors: White (001), Bone (004), Chrome (084) and Brushed Nickel (105)	\$ 332
10022491-004		\$ 332
10022491-105		\$ 332
10022491-001		\$ 332

FOOTNOTES

No	Description
1	Components for standard colour units equipped with systems are colour-coordinated. Trim kit and/or air push with metallic finish can be added (additional charge applies). For non-standard colour units, please specify trim kit and/or air push colour (additional charge applies for metallic finishes). Please note that the positioning of the system's control could be in conflict with the door if one was installed on the unit. To insure compatibility, please contact customer service.
2	Please order flexible main hose 10006923 for installation of the blower further than 3 ft from the bathtub. For the Tandem models and the Serenade models (freestanding and drop-in), the blower is always remote and not factory installed so a 9 ft flexible main hose is included. Please note that the positioning of the system's control could be in conflict with the door if one was installed on the unit. To insure compatibility, please contact customer service.
3	The blower is not factory installed (remote). 9 ft flexible main hose included. Please note that the positioning of the system's control could be in conflict with the door if one was installed on the unit. To insure compatibility, please contact customer service.
4	For details on pump position and requirements, see technical drawings on https://www.maax.com . When there is a pump position A or B indicated on the technical drawing, please specify position when ordering.
5	For details on blower position and requirements, see technical drawings on https://www.maax.com . When there is a blower position A or B indicated on the technical drawing, please specify position when ordering.
54	A selection of units come with an access panel by default when equipped with a system. However, if the unit is only equipped with chromatherapy, the access panel will not be provided by default.



1" Single integrated tiling flange (not shown)
Drop-in model (Shown)



Technical drawing is universal for all Exhibit 6636 configurations.

Wood support design may vary.
Single Integrated tiling flange: 1" height x 1/4" thickness (not shown)

All dimensions are approximate.
Structure measurement must be verified against the unit to ensure proper fit.

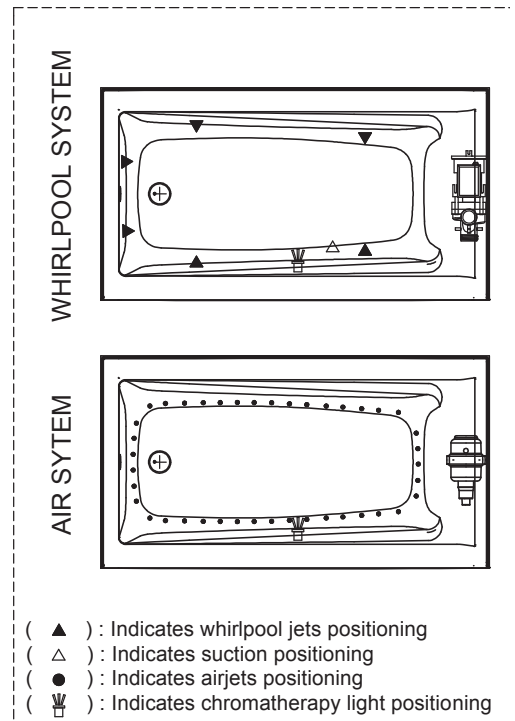


Exhibit 6636 IF DTF



RECTANGULAR BATHTUBS - ACRYLIC



Material : Acrylic
 Min: 37 Gal / 168 L
 Max: 50 Gal / 227 L

Features

- › Unique feature: minimalist look with discreet armrests
- › Textured bottom
- › Alcove installation
- › Apron with magnetic access panel available
- › Integrated double tiling flange
- › Access panel available on IFS models only

EXHIBIT 6636 IF DTF - 106236								
SKU	System	Color	Configuration	Dimensions & Weight	Packaging	MSRP		
106236-000-001-104	Soaker - No System	White	Left	65 7/8" x 36" x 18" / 78 lb / 35 kg	35 ft ³	\$ 1406		
106236-000-001-105			Right			\$ 1406		
106236-L-000-004		Bone	\$ 1406					
106236-L-000-007		Biscuit	\$ 1406					
106236-L-001-001	Whirlpool ^{1 4}	White	Left			\$ 3049		
106236-L-001-004		Bone				\$ 3049		
106236-L-001-007		Biscuit				\$ 3049		
106236-L-096-001	Combined Whirlpool & Aeroeffect ^{1 3}	White				Right	\$ 5374	
106236-L-096-004		Bone					\$ 5374	
106236-L-096-007		Biscuit					\$ 5374	
106236-L-103-001	Aeroeffect ^{1 2 5}	White					Right	\$ 4178
106236-L-103-004		Bone						\$ 4178
106236-L-103-007		Biscuit		\$ 4178				
106236-R-000-004	Soaker - No System	Bone		Right	\$ 1406			
106236-R-000-007		Biscuit			\$ 1406			
106236-R-001-001	Whirlpool ^{1 4}	White			Right			\$ 3049
106236-R-001-004		Bone	\$ 3049					
106236-R-001-007		Biscuit	\$ 3049					
106236-R-096-001	Combined Whirlpool & Aeroeffect ^{1 3}	White	Right					\$ 5374
106236-R-096-004		Bone				\$ 5374		

EXHIBIT 6636 IF DTF - 106236

SKU	System	Color	Configuration	Dimensions & Weight	Packaging	MSRP
106236-R-096-007	Combined Whirlpool & Aeroeffect ^{1 3}	Biscuit	Right	65 7/8" x 36" x 18" / 78 lb / 35 kg	35 ft ³	\$ 5374
106236-R-103-001	Aeroeffect ^{1 2 5}	White				\$ 4178
106236-R-103-004		Bone				\$ 4178
106236-R-103-007		Biscuit				\$ 4178

COMMON OPTIONS

SKU	Description	MSRP
OPT20029-105	Metal trim kit for air push control (factory installed)	\$ 74
OPT20029-084	Available colors: Chrome (084) and Brushed Nickel (105)	\$ 74
OPT20137-004	Cable-operated waste and overflow (16 in. to 22 in.) (included in product packaging when purchased) Available colors: White (001), Bone (004), Chrome (084) and Brushed Nickel (105)	\$ 332
OPT20137-084		\$ 332
OPT20137-105		\$ 332
OPT20137-001		\$ 332
OPT10019	Removable access panel	\$ 385
OPT10053	One chromatherapy light (factory installed) ⁵⁴	\$ 725
OPT10095	Water heater assembly for whirlpool and combined systems (factory installed)	\$ 950
OPT10106-084	Metal trim kit for whirlpool and combined systems (factory installed)	\$ 669
OPT10106-105	Available colors: Chrome (084) and Brushed Nickel (105)	\$ 669

ACCESSORIES

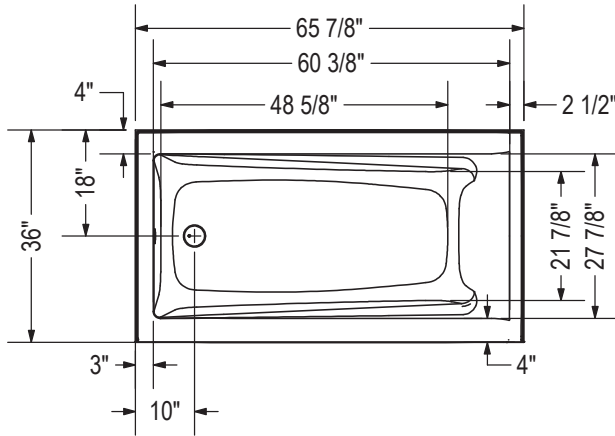
SKU	Description	MSRP
10006923	Flexible main hose (9 ft. extension) for air push control air massage - Kit (sold separately)	\$ 191
10004306-001	White foam cushion with 2 suction pads (sold separately) Available color: White (001)	\$ 126
10028641-084	Metal trim kit for Whirlpool and combined systems (sold separately)	\$ 669
10028641-105	Available colors: Chrome (084) and Brushed Nickel (105)	\$ 669
10034250-084	Metal trim kit for Aeroeffect with Air Push Control (sold separately)	\$ 74
10034250-105	Available colors: Chrome (084) and Brushed Nickel (105)	\$ 74
10022491-084	Cable-operated waste and overflow (16 in. to 22 in.) (sold separately) Available colors: White (001), Bone (004), Chrome (084) and Brushed Nickel (105)	\$ 332
10022491-004		\$ 332
10022491-105		\$ 332
10022491-001		\$ 332

FOOTNOTES

No	Description
1	Components for standard colour units equipped with systems are colour-coordinated. Trim kit and/or air push with metallic finish can be added (additional charge applies). For non-standard colour units, please specify trim kit and/or air push colour (additional charge applies for metallic finishes). Please note that the positioning of the system's control could be in conflict with the door if one was installed on the unit. To insure compatibility, please contact customer service.

FOOTNOTES

No	Description
2	Please order flexible main hose 10006923 for installation of the blower further than 3 ft from the bathtub. For the Tandem models and the Serenade models (freestanding and drop-in), the blower is always remote and not factory installed so a 9 ft flexible main hose is included. Please note that the positioning of the system's control could be in conflict with the door if one was installed on the unit. To insure compatibility, please contact customer service.
3	The blower is not factory installed (remote). 9 ft flexible main hose included. Please note that the positioning of the system's control could be in conflict with the door if one was installed on the unit. To insure compatibility, please contact customer service.
4	For details on pump position and requirements, see technical drawings on https://www.maax.com . When there is a pump position A or B indicated on the technical drawing, please specify position when ordering.
5	For details on blower position and requirements, see technical drawings on https://www.maax.com . When there is a blower position A or B indicated on the technical drawing, please specify position when ordering.
54	A selection of units come with an access panel by default when equipped with a system. However, if the unit is only equipped with chromatherapy, the access panel will not be provided by default.



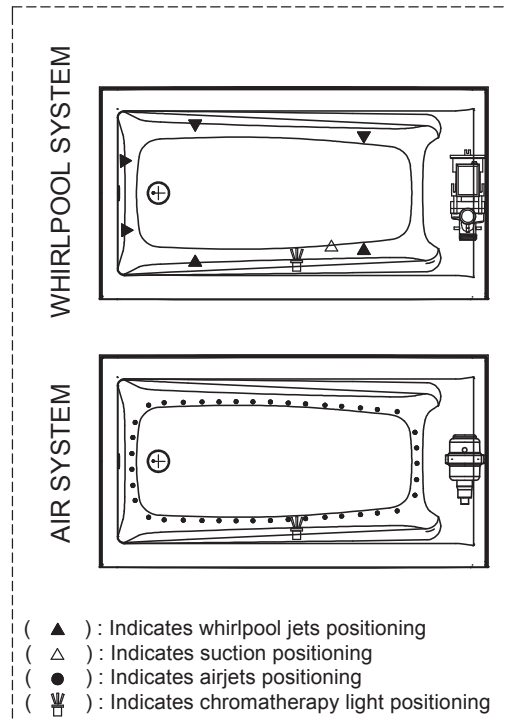
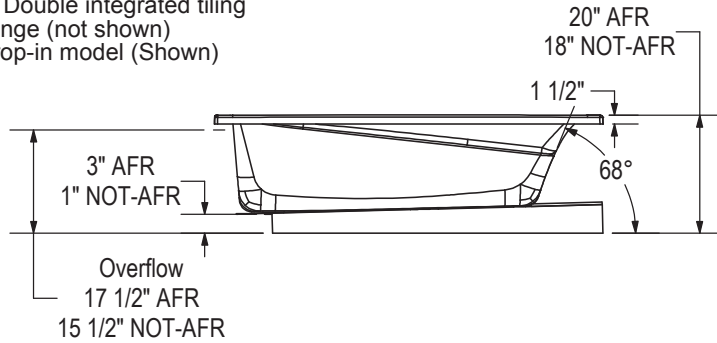
IFS Without System
Single tiling flange



IFS With System
(access panel)
Single tiling flange



1" Single integrated tiling flange (not shown)
2" Double integrated tiling flange (not shown)
Drop-in model (Shown)



- (▲): Indicates whirlpool jets positioning
- (△): Indicates suction positioning
- (●): Indicates airjets positioning
- (☼): Indicates chromatherapy light positioning

Technical drawing is universal for all Exhibit 6636 configurations.

Wood support design may vary.
Single Integrated tiling flange: 1" height x 1/4" thickness (not shown)
Double Integrated tiling flange: 2" height (not shown)

All dimensions are approximate.
Structure measurement must be verified against the unit to ensure proper fit.



Exhibit 6636 IFS

RECTANGULAR BATHTUBS - ACRYLIC



Material : Acrylic
 Min: 37 Gal / 168 L
 Max: 50 Gal / 227 L

Features

- › Rectangular shape bathtub in alcove installation
- › Available in Above-the-Floor Rough (AFR) or not
- › Minimalist look with discreet armrests and textured floor
- › Integrated tiling flange
- › When equipped with a system, the unit comes with an access panel

EXHIBIT 6636 IFS - 106179							
SKU	System	Color	Configuration	Dimensions & Weight	Packaging	MSRP	
106179-000-001-100	Soaker - No System	White	Left	65 7/8" x 36" x 18" / 88 lb / 40 kg	35 ft ³	\$ 1650	
106179-000-001-101			Right			\$ 1650	
106179-L-000-004		Bone	\$ 1650				
106179-L-000-007		Biscuit	\$ 1650				
106179-L-001-001	Whirlpool ^{1 4}	White	Left			\$ 3293	
106179-L-001-004		Bone				\$ 3293	
106179-L-001-007		Biscuit				\$ 3293	
106179-L-096-001	Combined Whirlpool & Aeroeffect ^{1 3}	White				\$ 5618	
106179-L-096-004		Bone				\$ 5618	
106179-L-096-007		Biscuit				\$ 5618	
106179-L-103-001	Aeroeffect ^{1 2 5}	White				Right	\$ 4422
106179-L-103-004		Bone					\$ 4422
106179-L-103-007		Biscuit		\$ 4422			
106179-R-000-004	Soaker - No System	Bone		\$ 1650			
106179-R-000-007		Biscuit		\$ 1650			
106179-R-001-001	Whirlpool ^{1 4}	White		\$ 3293			
106179-R-001-004		Bone	\$ 3293				
106179-R-001-007		Biscuit	\$ 3293				
106179-R-096-001	Combined Whirlpool & Aeroeffect ^{1 3}	White	\$ 5618				
106179-R-096-004		Bone	\$ 5618				

EXHIBIT 6636 IFS - 106179

SKU	System	Color	Configuration	Dimensions & Weight	Packaging	MSRP
106179-R-096-007	Combined Whirlpool & Aeroeffect ^{1 3}	Biscuit	Right	65 7/8" x 36" x 18" / 88 lb / 40 kg	35 ft ³	\$ 5618
106179-R-103-001	Aeroeffect ^{1 2 5}	White				\$ 4422
106179-R-103-004		Bone				\$ 4422
106179-R-103-007		Biscuit				\$ 4422

EXHIBIT 6636 IFS AFR - 106180

SKU	System	Color	Configuration	Dimensions & Weight	Packaging	MSRP	
106180-000-001-102	Soaker - No System	White	Left	65 7/8" x 36" x 20" / 88 lb / 40 kg	35 ft ³	\$ 1650	
106180-000-001-103			Right			\$ 1650	
106180-001-001-001	Whirlpool ^{1 4}		Left			\$ 3293	
106180-001-001-002			Right			\$ 3293	
106180-L-000-004	Soaker - No System	Bone	Left			\$ 1650	
106180-L-000-007		Biscuit				\$ 1650	
106180-L-001-004	Whirlpool ^{1 4}	Bone				\$ 3293	
106180-L-001-007		Biscuit				\$ 3293	
106180-L-096-001	Combined Whirlpool & Aeroeffect ^{1 3}	White				\$ 5618	
106180-L-096-004		Bone				\$ 5618	
106180-L-096-007		Biscuit				\$ 5618	
106180-L-103-001	Aeroeffect ^{1 2 5}	White				\$ 4422	
106180-L-103-004		Bone				\$ 4422	
106180-L-103-007		Biscuit				\$ 4422	
106180-R-000-004	Soaker - No System	Bone				Right	\$ 1650
106180-R-000-007		Biscuit					\$ 1650
106180-R-001-004	Whirlpool ^{1 4}	Bone		\$ 3293			
106180-R-001-007		Biscuit		\$ 3293			
106180-R-096-001	Combined Whirlpool & Aeroeffect ^{1 3}	White		\$ 5618			
106180-R-096-004		Bone		\$ 5618			
106180-R-096-007		Biscuit	\$ 5618				
106180-R-103-001	Aeroeffect ^{1 2 5}	White	\$ 4422				
106180-R-103-004		Bone	\$ 4422				
106180-R-103-007		Biscuit	\$ 4422				

COMMON OPTIONS

SKU	Description	MSRP
OPT20029-105	Metal trim kit for air push control (factory installed)	\$ 74
OPT20029-084	Available colors: Chrome (084) and Brushed Nickel (105)	\$ 74
OPT20137-004	Cable-operated waste and overflow (16 in. to 22 in.) (included in product packaging when purchased) Available colors: White (001), Bone (004), Chrome (084) and Brushed Nickel (105)	\$ 332

COMMON OPTIONS

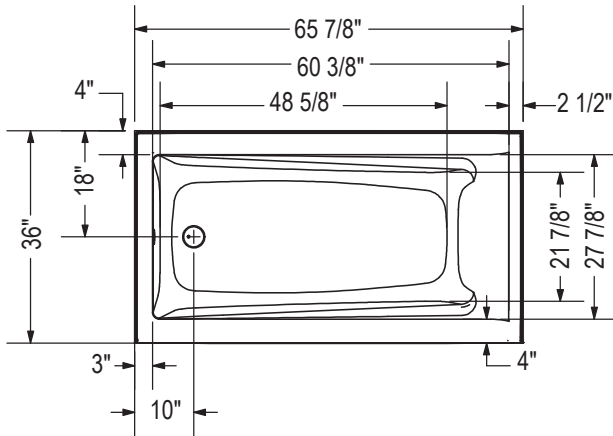
SKU	Description	MSRP
OPT20137-084		\$ 332
OPT20137-105	Cable-operated waste and overflow (16 in. to 22 in.) (included in product packaging when purchased) Available colors: White (001), Bone (004), Chrome (084) and Brushed Nickel (105)	\$ 332
OPT20137-001		\$ 332
OPT10019	Removable access panel	\$ 385
OPT10053	One chromatherapy light (factory installed) ⁵⁴	\$ 725
OPT10095	Water heater assembly for whirlpool and combined systems (factory installed)	\$ 950
OPT10106-084	Metal trim kit for whirlpool and combined systems (factory installed) Available colors: Chrome (084) and Brushed Nickel (105)	\$ 669
OPT10106-105		\$ 669

ACCESSORIES

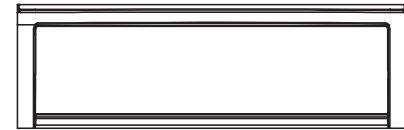
SKU	Description	MSRP
10006923	Flexible main hose (9 ft. extension) for air push control air massage - Kit (sold separately)	\$ 191
10004306-001	White foam cushion with 2 suction pads (sold separately) Available color: White (001)	\$ 126
10028641-084	Metal trim kit for Whirlpool and combined systems (sold separately) Available colors: Chrome (084) and Brushed Nickel (105)	\$ 669
10028641-105		\$ 669
10034250-084	Metal trim kit for Aeroeffect with Air Push Control (sold separately) Available colors: Chrome (084) and Brushed Nickel (105)	\$ 74
10034250-105		\$ 74
10022491-084		\$ 332
10022491-004	Cable-operated waste and overflow (16 in. to 22 in.) (sold separately) Available colors: White (001), Bone (004), Chrome (084) and Brushed Nickel (105)	\$ 332
10022491-105		\$ 332
10022491-001		\$ 332

FOOTNOTES

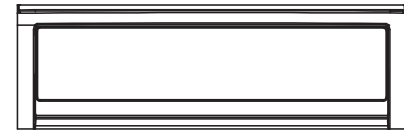
No	Description
1	Components for standard colour units equipped with systems are colour-coordinated. Trim kit and/or air push with metallic finish can be added (additional charge applies). For non-standard colour units, please specify trim kit and/or air push colour (additional charge applies for metallic finishes). Please note that the positioning of the system's control could be in conflict with the door if one was installed on the unit. To insure compatibility, please contact customer service.
2	Please order flexible main hose 10006923 for installation of the blower further than 3 ft from the bathtub. For the Tandem models and the Serenade models (freestanding and drop-in), the blower is always remote and not factory installed so a 9 ft flexible main hose is included. Please note that the positioning of the system's control could be in conflict with the door if one was installed on the unit. To insure compatibility, please contact customer service.
3	The blower is not factory installed (remote). 9 ft flexible main hose included. Please note that the positioning of the system's control could be in conflict with the door if one was installed on the unit. To insure compatibility, please contact customer service.
4	For details on pump position and requirements, see technical drawings on https://www.maax.com . When there is a pump position A or B indicated on the technical drawing, please specify position when ordering.
5	For details on blower position and requirements, see technical drawings on https://www.maax.com . When there is a blower position A or B indicated on the technical drawing, please specify position when ordering.
54	A selection of units come with an access panel by default when equipped with a system. However, if the unit is only equipped with chromatherapy, the access panel will not be provided by default.



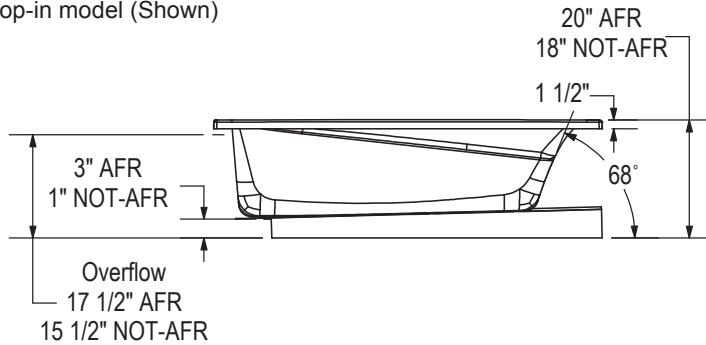
IFS Without System
Single tiling flange



IFS With System
(access panel)
Single tiling flange



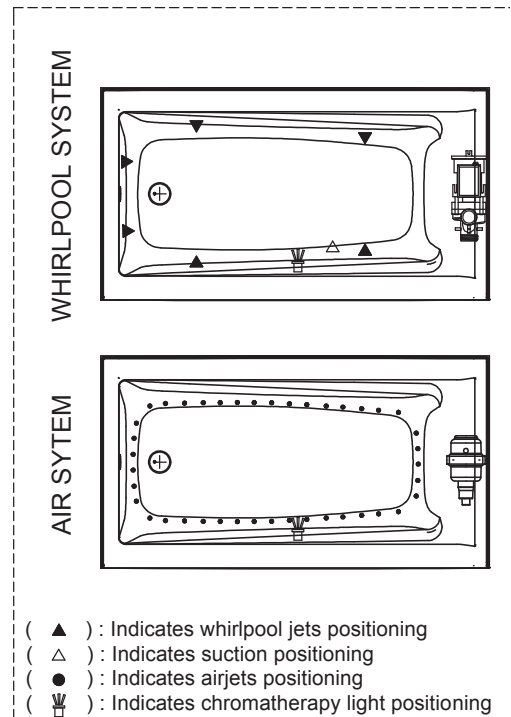
1" Single integrated tiling flange (not shown)
Drop-in model (Shown)



Technical drawing is universal for all Exhibit 6636 configurations.

Wood support design may vary.
Single Integrated tiling flange: 1" height x 1/4" thickness (not shown)

All dimensions are approximate.
Structure measurement must be verified against the unit to ensure proper fit.



- (▲) : Indicates whirlpool jets positioning
- (△) : Indicates suction positioning
- (●) : Indicates airjets positioning
- (☐) : Indicates chromatherapy light positioning

Exhibit 6636 IFS DTF



RECTANGULAR BATHTUBS - ACRYLIC



Material : Acrylic
 Min: 37 Gal / 168 L
 Max: 50 Gal / 227 L

Features

- › Rectangular shape bathtub in alcove installation
- › Available in Above-the-Floor Rough (AFR) or not
- › Minimalist look with discreet armrests and textured floor
- › Integrated tiling flange
- › When equipped with a system, the unit comes with an access panel

EXHIBIT 6636 IFS DTF - 106237								
SKU	System	Color	Configuration	Dimensions & Weight	Packaging	MSRP		
106237-000-001-106	Soaker - No System	White	Left	65 7/8" x 36" x 18" / 88 lb / 40 kg	35 ft ³	\$ 1650		
106237-000-001-107			Right			\$ 1650		
106237-L-000-004		Bone	\$ 1650					
106237-L-000-007		Biscuit	\$ 1650					
106237-L-001-001	Whirlpool ^{1 4}	White	Left			\$ 3293		
106237-L-001-004		Bone				\$ 3293		
106237-L-001-007		Biscuit				\$ 3293		
106237-L-096-001	Combined Whirlpool & Aeroeffect ^{1 3}	White				Right	\$ 5618	
106237-L-096-004		Bone					\$ 5618	
106237-L-096-007		Biscuit					\$ 5618	
106237-L-103-001	Aeroeffect ^{1 2 5}	White					Right	\$ 4422
106237-L-103-004		Bone						\$ 4422
106237-L-103-007		Biscuit		\$ 4422				
106237-R-000-004	Soaker - No System	Bone		Right	\$ 1650			
106237-R-000-007		Biscuit			\$ 1650			
106237-R-001-001	Whirlpool ^{1 4}	White			Right			\$ 3293
106237-R-001-004		Bone	\$ 3293					
106237-R-001-007		Biscuit	\$ 3293					
106237-R-096-001	Combined Whirlpool & Aeroeffect ^{1 3}	White	Right					\$ 5618
106237-R-096-004		Bone				\$ 5618		

EXHIBIT 6636 IFS DTF - 106237

SKU	System	Color	Configuration	Dimensions & Weight	Packaging	MSRP
106237-R-096-007	Combined Whirlpool & Aeroeffect ^{1 3}	Biscuit	Right	65 7/8" x 36" x 18" / 88 lb / 40 kg	35 ft ³	\$ 5618
106237-R-103-001	Aeroeffect ^{1 2 5}	White				\$ 4422
106237-R-103-004		Bone				\$ 4422
106237-R-103-007		Biscuit				\$ 4422

EXHIBIT 6636 IFS AFR DTF - 106238

SKU	System	Color	Configuration	Dimensions & Weight	Packaging	MSRP	
106238-000-001-108	Soaker - No System	White	Left	65 7/8" x 36" x 20" / 88 lb / 40 kg	35 ft ³	\$ 1650	
106238-000-001-109			Right			\$ 1650	
106238-L-000-004		Bone	\$ 1650				
106238-L-000-007	Biscuit	\$ 1650					
106238-L-001-001	Whirlpool ^{1 4}	White	Left			\$ 3293	
106238-L-001-004		Bone				\$ 3293	
106238-L-001-007		Biscuit				\$ 3293	
106238-L-096-001	Combined Whirlpool & Aeroeffect ^{1 3}	White				\$ 5618	
106238-L-096-004		Bone				\$ 5618	
106238-L-096-007		Biscuit				\$ 5618	
106238-L-103-001	Aeroeffect ^{1 2 5}	White				Right	\$ 4422
106238-L-103-004		Bone					\$ 4422
106238-L-103-007		Biscuit					\$ 4422
106238-R-000-004	Soaker - No System	Bone					\$ 1650
106238-R-000-007		Biscuit	\$ 1650				
106238-R-001-001	Whirlpool ^{1 4}	White	\$ 3293				
106238-R-001-004		Bone	\$ 3293				
106238-R-001-007		Biscuit	\$ 3293				
106238-R-096-001	Combined Whirlpool & Aeroeffect ^{1 3}	White	\$ 5618				
106238-R-096-004		Bone	\$ 5618				
106238-R-096-007		Biscuit	\$ 5618				
106238-R-103-001	Aeroeffect ^{1 2 5}	White	\$ 4422				
106238-R-103-004		Bone	\$ 4422				
106238-R-103-007		Biscuit	\$ 4422				

COMMON OPTIONS

SKU	Description	MSRP
OPT20029-105	Metal trim kit for air push control (factory installed)	\$ 74
OPT20029-084	Available colors: Chrome (084) and Brushed Nickel (105)	\$ 74
OPT20137-004	Cable-operated waste and overflow (16 in. to 22 in.) (included in product packaging when purchased) Available colors: White (001), Bone (004), Chrome (084) and Brushed Nickel (105)	\$ 332

COMMON OPTIONS

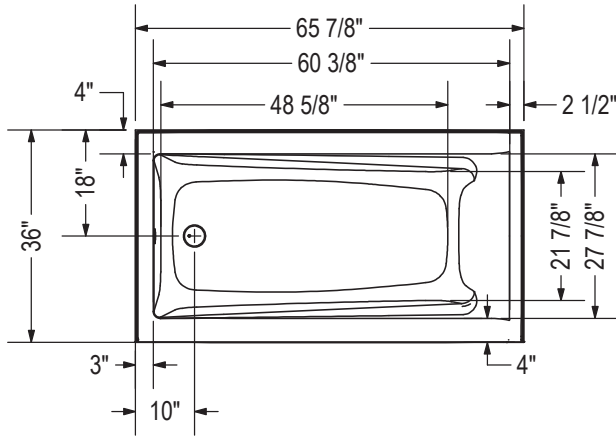
SKU	Description	MSRP
OPT20137-084		\$ 332
OPT20137-105	Cable-operated waste and overflow (16 in. to 22 in.) (included in product packaging when purchased) Available colors: White (001), Bone (004), Chrome (084) and Brushed Nickel (105)	\$ 332
OPT20137-001		\$ 332
OPT10019	Removable access panel	\$ 385
OPT10053	One chromatherapy light (factory installed) ⁵⁴	\$ 725
OPT10095	Water heater assembly for whirlpool and combined systems (factory installed)	\$ 950
OPT10106-084	Metal trim kit for whirlpool and combined systems (factory installed)	\$ 669
OPT10106-105	Available colors: Chrome (084) and Brushed Nickel (105)	\$ 669

ACCESSORIES

SKU	Description	MSRP
10006923	Flexible main hose (9 ft. extension) for air push control air massage - Kit (sold separately)	\$ 191
10004306-001	White foam cushion with 2 suction pads (sold separately) Available color: White (001)	\$ 126
10028641-084	Metal trim kit for Whirlpool and combined systems (sold separately)	\$ 669
10028641-105	Available colors: Chrome (084) and Brushed Nickel (105)	\$ 669
10034250-084	Metal trim kit for Aeroeffect with Air Push Control (sold separately)	\$ 74
10034250-105	Available colors: Chrome (084) and Brushed Nickel (105)	\$ 74
10022491-084		\$ 332
10022491-004	Cable-operated waste and overflow (16 in. to 22 in.) (sold separately)	\$ 332
10022491-105	Available colors: White (001), Bone (004), Chrome (084) and Brushed Nickel (105)	\$ 332
10022491-001		\$ 332

FOOTNOTES

No	Description
54	A selection of units come with an access panel by default when equipped with a system. However, if the unit is only equipped with chromatherapy, the access panel will not be provided by default.



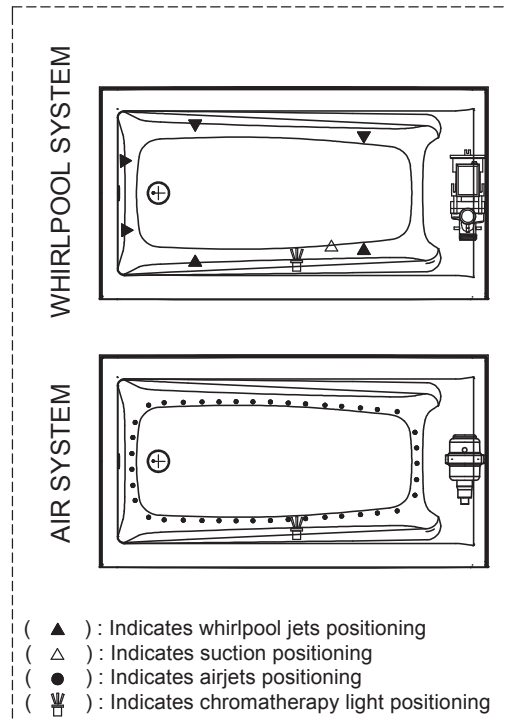
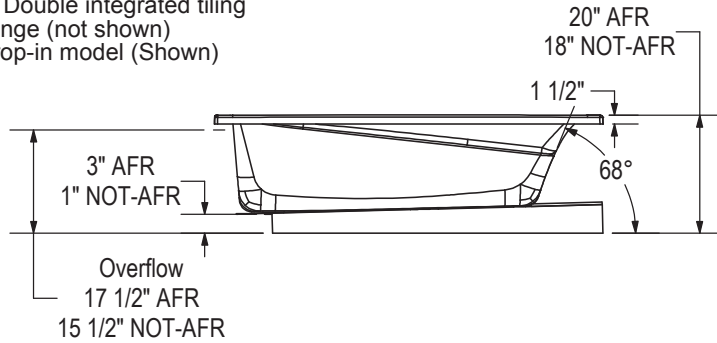
IFS Without System
Single tiling flange



IFS With System
(access panel)
Single tiling flange



1" Single integrated tiling flange (not shown)
2" Double integrated tiling flange (not shown)
Drop-in model (Shown)



Technical drawing is universal for all Exhibit 6636 configurations.

Wood support design may vary.
Single Integrated tiling flange: 1" height x 1/4" thickness (not shown)
Double Integrated tiling flange: 2" height (not shown)

All dimensions are approximate.
Structure measurement must be verified against the unit to ensure proper fit.

- (▲): Indicates whirlpool jets positioning
- (▽): Indicates suction positioning
- (●): Indicates airjets positioning
- (◻): Indicates chromatherapy light positioning



Exhibit 7232 IF

RECTANGULAR BATHTUBS - ACRYLIC



Material : Acrylic
 Min: 37 Gal / 168 L
 Max: 49 Gal / 223 L

Features

- › Rectangular shape bathtub
- › Alcove installation with tiling flange
- › Minimalist look with discreet armrests and textured floor
- › Right of left-hand drain

EXHIBIT 7232 IF - 106224						
SKU	System	Color	Configuration	Dimensions & Weight	Packaging	MSRP
106224-000-001-001	Soaker - No System	White	Left	71 7/8" x 32" x 18" / 80 lb / 36 kg	34 ft ³	\$ 1607
106224-000-001-002			Right			\$ 1607
106224-103-001-001	Aeroeffect ^{1 2 5}		Left			\$ 4379
106224-103-001-002			Right			\$ 4379
106224-L-000-004	Soaker - No System	Bone	Left			\$ 1607
106224-L-000-007		Biscuit				\$ 1607
106224-L-001-001	Whirlpool ^{1 4}	White				\$ 3250
106224-L-001-004		Bone				\$ 3250
106224-L-001-007		Biscuit				\$ 3250
106224-L-096-001	Combined Whirlpool & Aeroeffect ^{1 3}	White				\$ 5575
106224-L-096-004		Bone		\$ 5575		
106224-L-096-007		Biscuit		\$ 5575		
106224-L-103-004	Aeroeffect ^{1 2 5}	Bone		\$ 4379		
106224-L-103-007		Biscuit		\$ 4379		
106224-R-000-004	Soaker - No System	Bone	Right	\$ 1607		
106224-R-000-007		Biscuit		\$ 1607		
106224-R-001-001	Whirlpool ^{1 4}	White		\$ 3250		
106224-R-001-004		Bone		\$ 3250		
106224-R-001-007		Biscuit		\$ 3250		
106224-R-096-001	Combined Whirlpool & Aeroeffect ^{1 3}	White		\$ 5575		

EXHIBIT 7232 IF - 106224

SKU	System	Color	Configuration	Dimensions & Weight	Packaging	MSRP
106224-R-096-004	Combined Whirlpool & Aeroeffect ^{1 3}	Bone	Right	71 7/8" x 32" x 18" / 80 lb / 36 kg	34 ft ³	\$ 5575
106224-R-096-007		Biscuit				\$ 5575
106224-R-103-004	Aeroeffect ^{1 2 5}	Bone				\$ 4379
106224-R-103-007		Biscuit				\$ 4379

COMMON OPTIONS

SKU	Description	MSRP
OPT20137-004	Cable-operated waste and overflow (16 in. to 22 in.) (included in product packaging when purchased) Available colors: White (001), Bone (004), Chrome (084) and Brushed Nickel (105)	\$ 332
OPT20137-084		\$ 332
OPT20137-105		\$ 332
OPT20137-001		\$ 332
OPT10053	One chromatherapy light (factory installed) ⁵⁴	\$ 725
OPT10095	Water heater assembly for whirlpool and combined systems (factory installed)	\$ 950
OPT10106-084	Metal trim kit for whirlpool and combined systems (factory installed) Available colors: Chrome (084) and Brushed Nickel (105)	\$ 669
OPT10106-105		\$ 669
OPT20029-105	Metal trim kit for air push control (factory installed) Available colors: Chrome (084) and Brushed Nickel (105)	\$ 74
OPT20029-084		\$ 74

ACCESSORIES

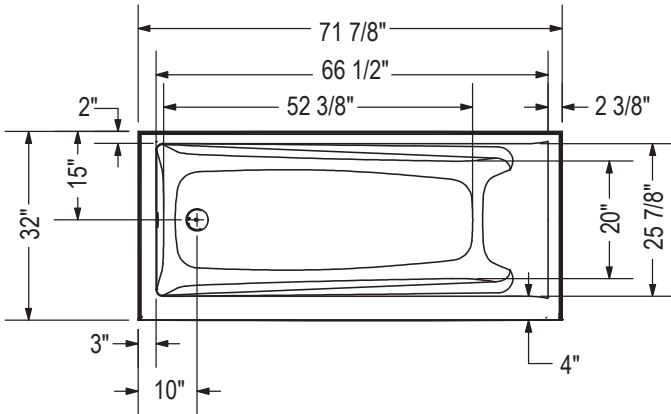
SKU	Description	MSRP
10006923	Flexible main hose (9 ft. extension) for air push control air massage - Kit (sold separately)	\$ 191
10004306-001	White foam cushion with 2 suction pads (sold separately) Available color: White (001)	\$ 126
10028641-084	Metal trim kit for Whirlpool and combined systems (sold separately) Available colors: Chrome (084) and Brushed Nickel (105)	\$ 669
10028641-105		\$ 669
10034250-084	Metal trim kit for Aeroeffect with Air Push Control (sold separately) Available colors: Chrome (084) and Brushed Nickel (105)	\$ 74
10034250-105		\$ 74
10022491-084	Cable-operated waste and overflow (16 in. to 22 in.) (sold separately) Available colors: White (001), Bone (004), Chrome (084) and Brushed Nickel (105)	\$ 332
10022491-004		\$ 332
10022491-105		\$ 332
10022491-001		\$ 332

FOOTNOTES

No	Description
1	Components for standard colour units equipped with systems are colour-coordinated. Trim kit and/or air push with metallic finish can be added (additional charge applies). For non-standard colour units, please specify trim kit and/or air push colour (additional charge applies for metallic finishes). Please note that the positioning of the system's control could be in conflict with the door if one was installed on the unit. To insure compatibility, please contact customer service.

FOOTNOTES

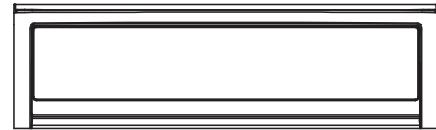
No	Description
2	Please order flexible main hose 10006923 for installation of the blower further than 3 ft from the bathtub. For the Tandem models and the Serenade models (freestanding and drop-in), the blower is always remote and not factory installed so a 9 ft flexible main hose is included. Please note that the positioning of the system's control could be in conflict with the door if one was installed on the unit. To insure compatibility, please contact customer service.
3	The blower is not factory installed (remote). 9 ft flexible main hose included. Please note that the positioning of the system's control could be in conflict with the door if one was installed on the unit. To insure compatibility, please contact customer service.
4	For details on pump position and requirements, see technical drawings on https://www.maax.com . When there is a pump position A or B indicated on the technical drawing, please specify position when ordering.
5	For details on blower position and requirements, see technical drawings on https://www.maax.com . When there is a blower position A or B indicated on the technical drawing, please specify position when ordering.
54	A selection of units come with an access panel by default when equipped with a system. However, if the unit is only equipped with chromatherapy, the access panel will not be provided by default.



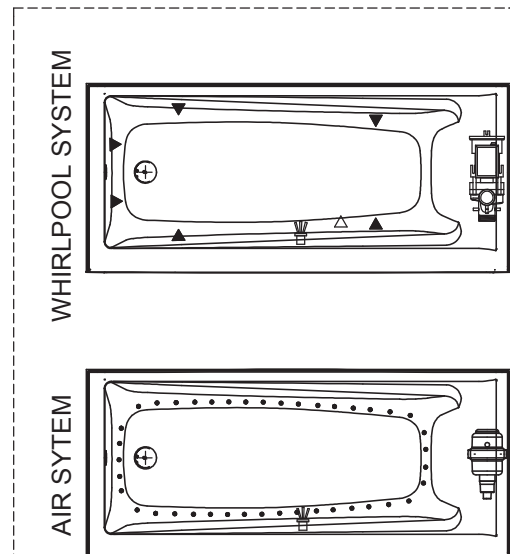
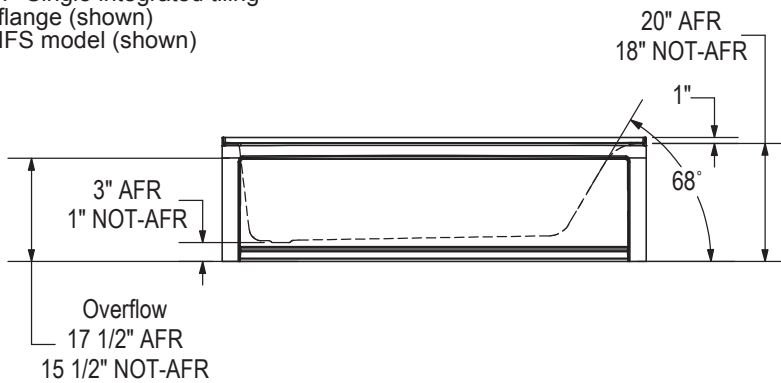
IFS Without System
Single tiling flange



IFS With System
(access panel)
Single tiling flange



1" Single integrated tiling flange (shown)
IFS model (shown)



- (▲) : Indicates whirlpool jets positioning
- (△) : Indicates suction positioning
- (●) : Indicates airjets positioning
- (☒) : Indicates chromatherapy light positioning

Technical drawing is universal for all Exhibit 7232 configurations.

Wood support design may vary.
Single Integrated tiling flange: 1" height x 1/4" thickness (shown)

All dimensions are approximate.
Structure measurement must be verified against the unit to ensure proper fit.

Exhibit 7232 IF DTF



RECTANGULAR BATHTUBS - ACRYLIC



Material : Acrylic
 Min: 37 Gal / 168 L
 Max: 49 Gal / 223 L

Features

- › Unique feature: minimalist look with discreet armrests
- › Textured bottom
- › Alcove installation
- › Integrated double tiling flange
- › Access panel available on IFS models only

EXHIBIT 7232 IF DTF - 106239								
SKU	System	Color	Configuration	Dimensions & Weight	Packaging	MSRP		
106239-000-001-104	Soaker - No System	White	Left	71 7/8" x 32" x 18" / 80 lb / 36 kg	34 ft ³	\$ 1607		
106239-000-001-105			Right			\$ 1607		
106239-L-000-004		Bone	\$ 1607					
106239-L-000-007		Biscuit	\$ 1607					
106239-L-001-001	Whirlpool ^{1 4}	White	Left			\$ 3250		
106239-L-001-004		Bone				\$ 3250		
106239-L-001-007		Biscuit				\$ 3250		
106239-L-096-001	Combined Whirlpool & Aeroeffect ^{1 3}	White				Right	\$ 5575	
106239-L-096-004		Bone					\$ 5575	
106239-L-096-007		Biscuit					\$ 5575	
106239-L-103-001	Aeroeffect ^{1 2 5}	White						\$ 4379
106239-L-103-004		Bone						\$ 4379
106239-L-103-007		Biscuit		\$ 4379				
106239-R-000-004	Soaker - No System	Bone			\$ 1607			
106239-R-000-007		Biscuit			\$ 1607			
106239-R-001-001	Whirlpool ^{1 4}	White						\$ 3250
106239-R-001-004		Bone	\$ 3250					
106239-R-001-007		Biscuit	\$ 3250					
106239-R-096-001	Combined Whirlpool & Aeroeffect ^{1 3}	White						\$ 5575
106239-R-096-004		Bone				\$ 5575		

EXHIBIT 7232 IF DTF - 106239

SKU	System	Color	Configuration	Dimensions & Weight	Packaging	MSRP
106239-R-096-007	Combined Whirlpool & Aeroeffect ^{1 3}	Biscuit	Right	71 7/8" x 32" x 18" / 80 lb / 36 kg	34 ft ³	\$ 5575
106239-R-103-001	Aeroeffect ^{1 2 5}	White				\$ 4379
106239-R-103-004		Bone				\$ 4379
106239-R-103-007		Biscuit				\$ 4379

COMMON OPTIONS

SKU	Description	MSRP
OPT20029-105	Metal trim kit for air push control (factory installed)	\$ 74
OPT20029-084	Available colors: Chrome (084) and Brushed Nickel (105)	\$ 74
OPT20137-004	Cable-operated waste and overflow (16 in. to 22 in.) (included in product packaging when purchased) Available colors: White (001), Bone (004), Chrome (084) and Brushed Nickel (105)	\$ 332
OPT20137-084		\$ 332
OPT20137-105		\$ 332
OPT20137-001		\$ 332
OPT10019	Removable access panel	\$ 385
OPT10053	One chromatherapy light (factory installed) ⁵⁴	\$ 725
OPT10095	Water heater assembly for whirlpool and combined systems (factory installed)	\$ 950
OPT10106-084	Metal trim kit for whirlpool and combined systems (factory installed)	\$ 669
OPT10106-105	Available colors: Chrome (084) and Brushed Nickel (105)	\$ 669

ACCESSORIES

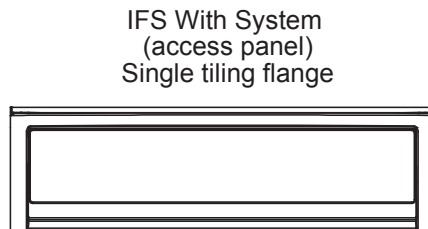
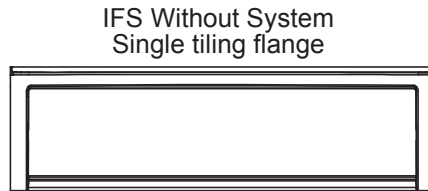
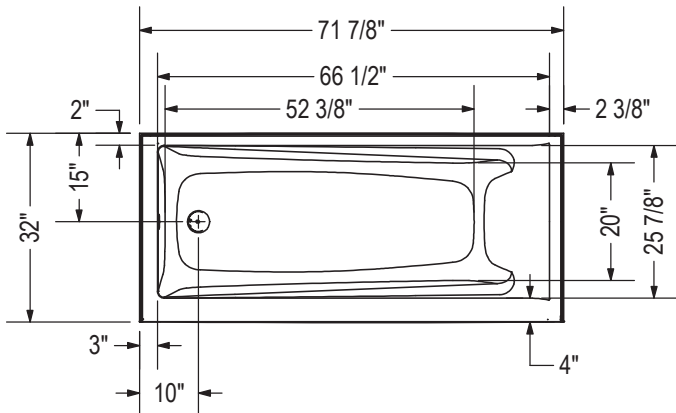
SKU	Description	MSRP
10006923	Flexible main hose (9 ft. extension) for air push control air massage - Kit (sold separately)	\$ 191
10004306-001	White foam cushion with 2 suction pads (sold separately) Available color: White (001)	\$ 126
10028641-084	Metal trim kit for Whirlpool and combined systems (sold separately)	\$ 669
10028641-105	Available colors: Chrome (084) and Brushed Nickel (105)	\$ 669
10034250-084	Metal trim kit for Aeroeffect with Air Push Control (sold separately)	\$ 74
10034250-105	Available colors: Chrome (084) and Brushed Nickel (105)	\$ 74
10022491-084	Cable-operated waste and overflow (16 in. to 22 in.) (sold separately) Available colors: White (001), Bone (004), Chrome (084) and Brushed Nickel (105)	\$ 332
10022491-004		\$ 332
10022491-105		\$ 332
10022491-001		\$ 332

FOOTNOTES

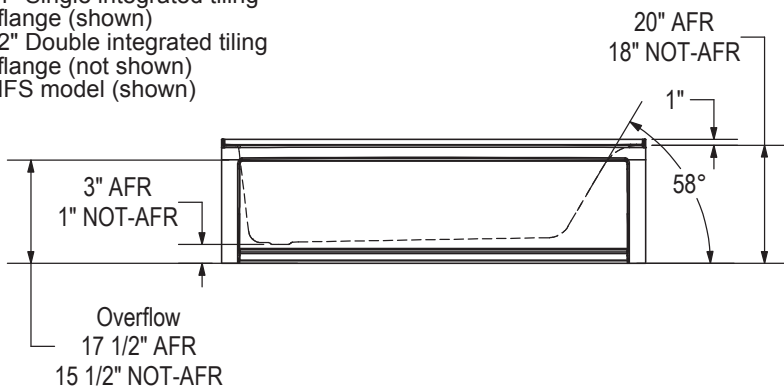
No	Description
1	Components for standard colour units equipped with systems are colour-coordinated. Trim kit and/or air push with metallic finish can be added (additional charge applies). For non-standard colour units, please specify trim kit and/or air push colour (additional charge applies for metallic finishes). Please note that the positioning of the system's control could be in conflict with the door if one was installed on the unit. To insure compatibility, please contact customer service.

FOOTNOTES

No	Description
2	Please order flexible main hose 10006923 for installation of the blower further than 3 ft from the bathtub. For the Tandem models and the Serenade models (freestanding and drop-in), the blower is always remote and not factory installed so a 9 ft flexible main hose is included. Please note that the positioning of the system's control could be in conflict with the door if one was installed on the unit. To insure compatibility, please contact customer service.
3	The blower is not factory installed (remote). 9 ft flexible main hose included. Please note that the positioning of the system's control could be in conflict with the door if one was installed on the unit. To insure compatibility, please contact customer service.
4	For details on pump position and requirements, see technical drawings on https://www.maax.com . When there is a pump position A or B indicated on the technical drawing, please specify position when ordering.
5	For details on blower position and requirements, see technical drawings on https://www.maax.com . When there is a blower position A or B indicated on the technical drawing, please specify position when ordering.
54	A selection of units come with an access panel by default when equipped with a system. However, if the unit is only equipped with chromatherapy, the access panel will not be provided by default.



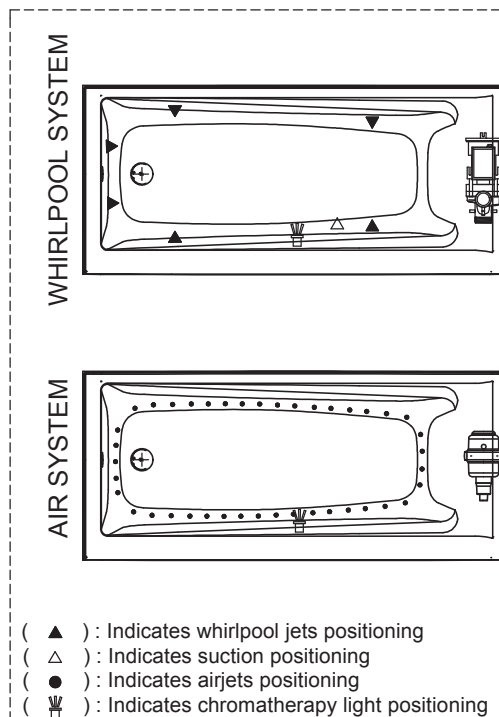
1" Single integrated tiling flange (shown)
2" Double integrated tiling flange (not shown)
IFS model (shown)



Technical drawing is universal for all Exhibit 7232 configurations.

Wood support design may vary.
Single Integrated tiling flange: 1" height x 1/4" thickness (shown)
Double Integrated tiling flange: 2" height (not shown)

All dimensions are approximate.
Structure measurement must be verified against the unit to ensure proper fit.



- (▲) : Indicates whirlpool jets positioning
- (△) : Indicates suction positioning
- (●) : Indicates airjets positioning
- (☞) : Indicates chromatherapy light positioning



Exhibit 7232 IFS

RECTANGULAR BATHTUBS - ACRYLIC



Material : Acrylic
 Min: 37 Gal / 168 L
 Max: 49 Gal / 223 L

Features

- › Rectangular shape bathtub in alcove installation
- › Available in Above-the-Floor Rough (AFR) or not
- › Minimalist look with discreet armrests and textured floor
- › Integrated tiling flange
- › When equipped with a system, the unit comes with an access panel

EXHIBIT 7232 IFS - 106225							
SKU	System	Color	Configuration	Dimensions & Weight	Packaging	MSRP	
106225-000-001-100	Soaker - No System	White	Left	71 7/8" x 32" x 18" / 92 lb / 42 kg	34 ft ³	\$ 1911	
106225-000-001-101			Right			\$ 1911	
106225-L-000-004		Bone	\$ 1911				
106225-L-000-007		Biscuit	\$ 1911				
106225-L-001-001	Whirlpool ^{1 4}	White	Left			\$ 3554	
106225-L-001-004		Bone				\$ 3554	
106225-L-001-007		Biscuit				\$ 3554	
106225-L-096-001	Combined Whirlpool & Aeroeffect ^{1 3}	White				\$ 5879	
106225-L-096-004		Bone				\$ 5879	
106225-L-096-007		Biscuit				\$ 5879	
106225-L-103-001	Aeroeffect ^{1 2 5}	White				Right	\$ 4683
106225-L-103-004		Bone					\$ 4683
106225-L-103-007		Biscuit		\$ 4683			
106225-R-000-004	Soaker - No System	Bone		\$ 1911			
106225-R-000-007		Biscuit		\$ 1911			
106225-R-001-001	Whirlpool ^{1 4}	White		\$ 3554			
106225-R-001-004		Bone	\$ 3554				
106225-R-001-007		Biscuit	\$ 3554				
106225-R-096-001	Combined Whirlpool & Aeroeffect ^{1 3}	White	\$ 5879				
106225-R-096-004		Bone	\$ 5879				

EXHIBIT 7232 IFS - 106225

SKU	System	Color	Configuration	Dimensions & Weight	Packaging	MSRP
106225-R-096-007	Combined Whirlpool & Aeroeffect ^{1 3}	Biscuit	Right	71 7/8" x 32" x 18" / 92 lb / 42 kg	34 ft ³	\$ 5879
106225-R-103-001	Aeroeffect ^{1 2 5}	White				\$ 4683
106225-R-103-004		Bone				\$ 4683
106225-R-103-007		Biscuit				\$ 4683

EXHIBIT 7232 IFS AFR - 106226

SKU	System	Color	Configuration	Dimensions & Weight	Packaging	MSRP	
106226-000-001-102	Soaker - No System	White	Left	71 7/8" x 32" x 20" / 92 lb / 42 kg	34 ft ³	\$ 1911	
106226-000-001-103			Right			\$ 1911	
106226-001-001-001	Whirlpool ^{1 4}		Left			\$ 3554	
106226-001-001-002			Right			\$ 3554	
106226-L-000-004	Soaker - No System	Bone	Left			\$ 1911	
106226-L-000-007		Biscuit				\$ 1911	
106226-L-001-004	Whirlpool ^{1 4}	Bone				\$ 3554	
106226-L-001-007		Biscuit				\$ 3554	
106226-L-096-001	Combined Whirlpool & Aeroeffect ^{1 3}	White				\$ 5879	
106226-L-096-004		Bone				\$ 5879	
106226-L-096-007		Biscuit				\$ 5879	
106226-L-103-001	Aeroeffect ^{1 2 5}	White				\$ 4683	
106226-L-103-004		Bone				\$ 4683	
106226-L-103-007		Biscuit				\$ 4683	
106226-R-000-004	Soaker - No System	Bone				Right	\$ 1911
106226-R-000-007		Biscuit					\$ 1911
106226-R-001-004	Whirlpool ^{1 4}	Bone		\$ 3554			
106226-R-001-007		Biscuit		\$ 3554			
106226-R-096-001	Combined Whirlpool & Aeroeffect ^{1 3}	White		\$ 5879			
106226-R-096-004		Bone		\$ 5879			
106226-R-096-007		Biscuit	\$ 5879				
106226-R-103-001	Aeroeffect ^{1 2 5}	White	\$ 4683				
106226-R-103-004		Bone	\$ 4683				
106226-R-103-007		Biscuit	\$ 4683				

COMMON OPTIONS

SKU	Description	MSRP
OPT20029-105	Metal trim kit for air push control (factory installed)	\$ 74
OPT20029-084	Available colors: Chrome (084) and Brushed Nickel (105)	\$ 74
OPT20137-004	Cable-operated waste and overflow (16 in. to 22 in.) (included in product packaging when purchased) Available colors: White (001), Bone (004), Chrome (084) and Brushed Nickel (105)	\$ 332

COMMON OPTIONS

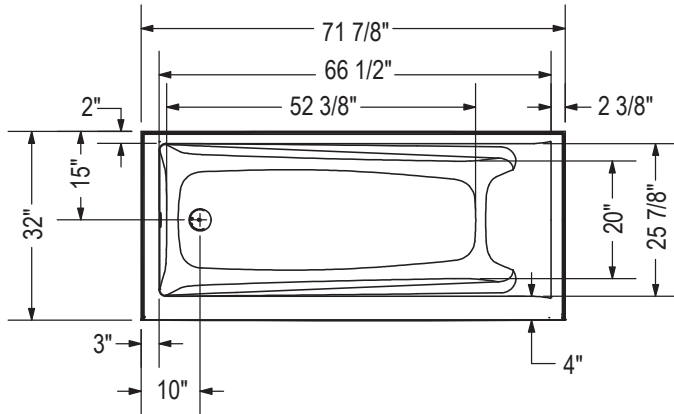
SKU	Description	MSRP
OPT20137-084		\$ 332
OPT20137-105	Cable-operated waste and overflow (16 in. to 22 in.) (included in product packaging when purchased) Available colors: White (001), Bone (004), Chrome (084) and Brushed Nickel (105)	\$ 332
OPT20137-001		\$ 332
OPT10019	Removable access panel	\$ 385
OPT10053	One chromatherapy light (factory installed) ⁵⁴	\$ 725
OPT10095	Water heater assembly for whirlpool and combined systems (factory installed)	\$ 950
OPT10106-084	Metal trim kit for whirlpool and combined systems (factory installed) Available colors: Chrome (084) and Brushed Nickel (105)	\$ 669
OPT10106-105		\$ 669

ACCESSORIES

SKU	Description	MSRP
10006923	Flexible main hose (9 ft. extension) for air push control air massage - Kit (sold separately)	\$ 191
10004306-001	White foam cushion with 2 suction pads (sold separately) Available color: White (001)	\$ 126
10028641-084	Metal trim kit for Whirlpool and combined systems (sold separately) Available colors: Chrome (084) and Brushed Nickel (105)	\$ 669
10028641-105		\$ 669
10034250-084	Metal trim kit for Aeroeffect with Air Push Control (sold separately) Available colors: Chrome (084) and Brushed Nickel (105)	\$ 74
10034250-105		\$ 74
10022491-084		\$ 332
10022491-004	Cable-operated waste and overflow (16 in. to 22 in.) (sold separately) Available colors: White (001), Bone (004), Chrome (084) and Brushed Nickel (105)	\$ 332
10022491-105		\$ 332
10022491-001		\$ 332

FOOTNOTES

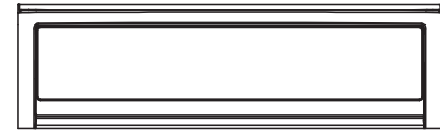
No	Description
1	Components for standard colour units equipped with systems are colour-coordinated. Trim kit and/or air push with metallic finish can be added (additional charge applies). For non-standard colour units, please specify trim kit and/or air push colour (additional charge applies for metallic finishes). Please note that the positioning of the system's control could be in conflict with the door if one was installed on the unit. To insure compatibility, please contact customer service.
2	Please order flexible main hose 10006923 for installation of the blower further than 3 ft from the bathtub. For the Tandem models and the Serenade models (freestanding and drop-in), the blower is always remote and not factory installed so a 9 ft flexible main hose is included. Please note that the positioning of the system's control could be in conflict with the door if one was installed on the unit. To insure compatibility, please contact customer service.
3	The blower is not factory installed (remote). 9 ft flexible main hose included. Please note that the positioning of the system's control could be in conflict with the door if one was installed on the unit. To insure compatibility, please contact customer service.
4	For details on pump position and requirements, see technical drawings on https://www.maax.com . When there is a pump position A or B indicated on the technical drawing, please specify position when ordering.
5	For details on blower position and requirements, see technical drawings on https://www.maax.com . When there is a blower position A or B indicated on the technical drawing, please specify position when ordering.
54	A selection of units come with an access panel by default when equipped with a system. However, if the unit is only equipped with chromatherapy, the access panel will not be provided by default.



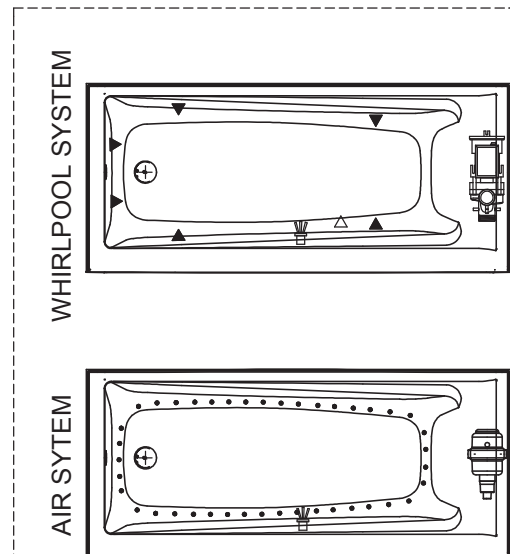
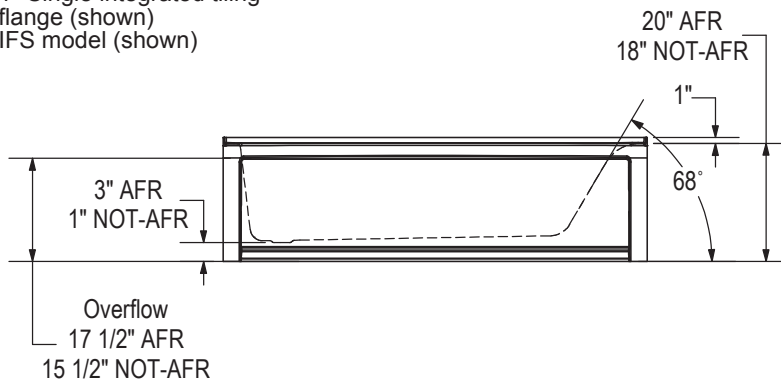
IFS Without System
Single tiling flange



IFS With System
(access panel)
Single tiling flange



1" Single integrated tiling flange (shown)
IFS model (shown)



- (▲) : Indicates whirlpool jets positioning
- (△) : Indicates suction positioning
- (●) : Indicates airjets positioning
- (☐) : Indicates chromatherapy light positioning

Technical drawing is universal for all Exhibit 7232 configurations.

Wood support design may vary.
Single Integrated tiling flange: 1" height x 1/4" thickness (shown)

All dimensions are approximate.
Structure measurement must be verified against the unit to ensure proper fit.



Exhibit 7232 IFS DTF

RECTANGULAR BATHTUBS - ACRYLIC



Material : Acrylic
 Min: 37 Gal / 168 L
 Max: 49 Gal / 223 L

Features

- › Rectangular shape bathtub in alcove installation
- › Available in Above-the-Floor Rough (AFR) or not
- › Minimalist look with discreet armrests and textured floor
- › Integrated tiling flange
- › When equipped with a system, the unit comes with an access panel

EXHIBIT 7232 IFS DTF - 106240								
SKU	System	Color	Configuration	Dimensions & Weight	Packaging	MSRP		
106240-000-001-106	Soaker - No System	White	Left	71 7/8" x 32" x 18" / 92 lb / 42 kg	34 ft ³	\$ 1911		
106240-000-001-107			Right			\$ 1911		
106240-L-000-004		Bone	\$ 1911					
106240-L-000-007		Biscuit	\$ 1911					
106240-L-001-001	Whirlpool ^{1 4}	White	Left			\$ 3554		
106240-L-001-004		Bone				\$ 3554		
106240-L-001-007		Biscuit				\$ 3554		
106240-L-096-001	Combined Whirlpool & Aeroeffect ^{1 3}	White				Right	\$ 5879	
106240-L-096-004		Bone					\$ 5879	
106240-L-096-007		Biscuit					\$ 5879	
106240-L-103-001	Aeroeffect ^{1 2 5}	White						\$ 4683
106240-L-103-004		Bone						\$ 4683
106240-L-103-007		Biscuit		\$ 4683				
106240-R-000-004	Soaker - No System	Bone			\$ 1911			
106240-R-000-007		Biscuit			\$ 1911			
106240-R-001-001	Whirlpool ^{1 4}	White						\$ 3554
106240-R-001-004		Bone	\$ 3554					
106240-R-001-007		Biscuit	\$ 3554					
106240-R-096-001	Combined Whirlpool & Aeroeffect ^{1 3}	White						\$ 5879
106240-R-096-004		Bone				\$ 5879		

EXHIBIT 7232 IFS DTF - 106240

SKU	System	Color	Configuration	Dimensions & Weight	Packaging	MSRP
106240-R-096-007	Combined Whirlpool & Aeroeffect ^{1 3}	Biscuit	Right	71 7/8" x 32" x 18" / 92 lb / 42 kg	34 ft ³	\$ 5879
106240-R-103-001	Aeroeffect ^{1 2 5}	White				\$ 4683
106240-R-103-004		Bone				\$ 4683
106240-R-103-007		Biscuit				\$ 4683

EXHIBIT 7232 IFS AFR DTF - 106241

SKU	System	Color	Configuration	Dimensions & Weight	Packaging	MSRP	
106241-000-001-108	Soaker - No System	White	Left	71 7/8" x 32" x 20" / 92 lb / 42 kg	34 ft ³	\$ 1911	
106241-000-001-109			Right			\$ 1911	
106241-L-000-004		Bone	\$ 1911				
106241-L-000-007		Biscuit	\$ 1911				
106241-L-001-001	Whirlpool ^{1 4}	White	Left			\$ 3554	
106241-L-001-004		Bone				\$ 3554	
106241-L-001-007		Biscuit				\$ 3554	
106241-L-096-001	Combined Whirlpool & Aeroeffect ^{1 3}	White				\$ 5879	
106241-L-096-004		Bone				\$ 5879	
106241-L-096-007		Biscuit				\$ 5879	
106241-L-103-001	Aeroeffect ^{1 2 5}	White				\$ 4683	
106241-L-103-004		Bone				\$ 4683	
106241-L-103-007		Biscuit				\$ 4683	
106241-R-000-004	Soaker - No System	Bone				Right	\$ 1911
106241-R-000-007		Biscuit					\$ 1911
106241-R-001-001	Whirlpool ^{1 4}	White					\$ 3554
106241-R-001-004		Bone	\$ 3554				
106241-R-001-007		Biscuit	\$ 3554				
106241-R-096-001	Combined Whirlpool & Aeroeffect ^{1 3}	White	\$ 5879				
106241-R-096-004		Bone	\$ 5879				
106241-R-096-007		Biscuit	\$ 5879				
106241-R-103-001	Aeroeffect ^{1 2 5}	White	\$ 4683				
106241-R-103-004		Bone	\$ 4683				
106241-R-103-007		Biscuit	\$ 4683				

COMMON OPTIONS

SKU	Description	MSRP
OPT20029-105	Metal trim kit for air push control (factory installed)	\$ 74
OPT20029-084	Available colors: Chrome (084) and Brushed Nickel (105)	\$ 74
OPT20137-004	Cable-operated waste and overflow (16 in. to 22 in.) (included in product packaging when purchased) Available colors: White (001), Bone (004), Chrome (084) and Brushed Nickel (105)	\$ 332

COMMON OPTIONS

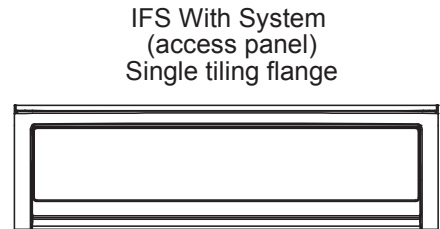
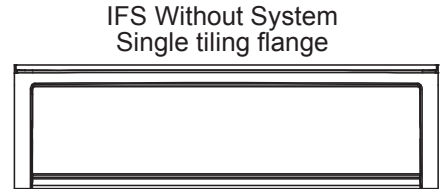
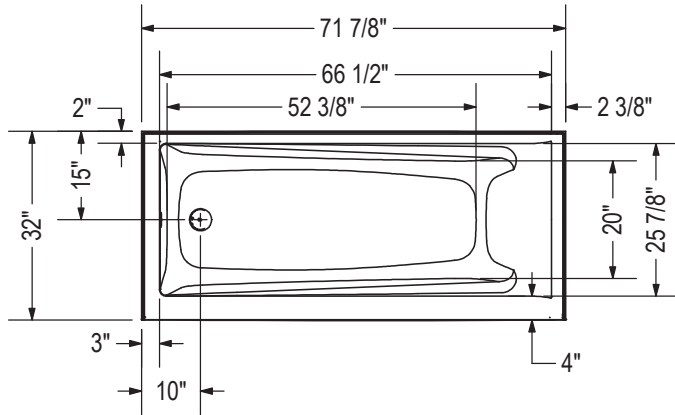
SKU	Description	MSRP
OPT20137-084		\$ 332
OPT20137-105	Cable-operated waste and overflow (16 in. to 22 in.) (included in product packaging when purchased) Available colors: White (001), Bone (004), Chrome (084) and Brushed Nickel (105)	\$ 332
OPT20137-001		\$ 332
OPT10019	Removable access panel	\$ 385
OPT10053	One chromatherapy light (factory installed) ⁵⁴	\$ 725
OPT10095	Water heater assembly for whirlpool and combined systems (factory installed)	\$ 950
OPT10106-084	Metal trim kit for whirlpool and combined systems (factory installed)	\$ 669
OPT10106-105	Available colors: Chrome (084) and Brushed Nickel (105)	\$ 669

ACCESSORIES

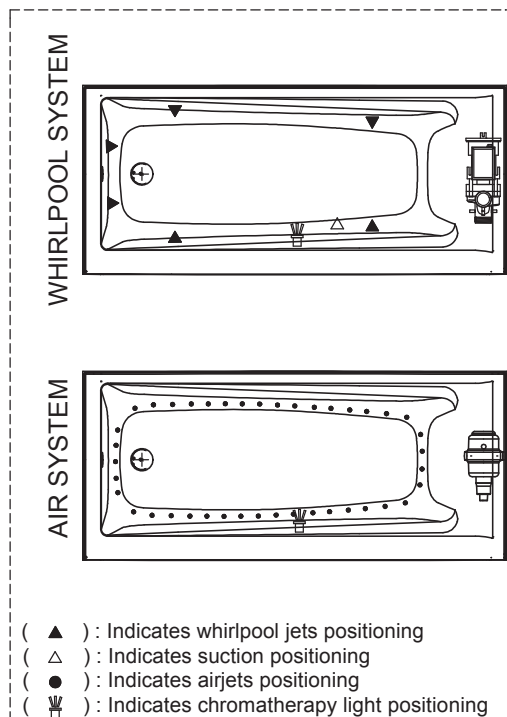
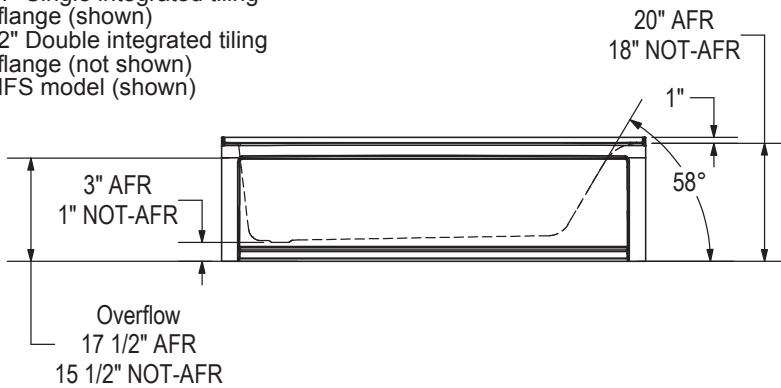
SKU	Description	MSRP
10006923	Flexible main hose (9 ft. extension) for air push control air massage - Kit (sold separately)	\$ 191
10004306-001	White foam cushion with 2 suction pads (sold separately) Available color: White (001)	\$ 126
10028641-084	Metal trim kit for Whirlpool and combined systems (sold separately)	\$ 669
10028641-105	Available colors: Chrome (084) and Brushed Nickel (105)	\$ 669
10034250-084	Metal trim kit for Aeroeffect with Air Push Control (sold separately)	\$ 74
10034250-105	Available colors: Chrome (084) and Brushed Nickel (105)	\$ 74
10022491-084		\$ 332
10022491-004	Cable-operated waste and overflow (16 in. to 22 in.) (sold separately)	\$ 332
10022491-105	Available colors: White (001), Bone (004), Chrome (084) and Brushed Nickel (105)	\$ 332
10022491-001		\$ 332

FOOTNOTES

No	Description
54	A selection of units come with an access panel by default when equipped with a system. However, if the unit is only equipped with chromatherapy, the access panel will not be provided by default.



1" Single integrated tiling flange (shown)
2" Double integrated tiling flange (not shown)
IFS model (shown)



Technical drawing is universal for all Exhibit 7232 configurations.

Wood support design may vary.
Single Integrated tiling flange: 1" height x 1/4" thickness (shown)
Double Integrated tiling flange: 2" height (not shown)

All dimensions are approximate.
Structure measurement must be verified against the unit to ensure proper fit.



Exhibit 7234

RECTANGULAR BATHTUBS - ACRYLIC



Material : Acrylic
 Min: 37 Gal / 168 L
 Max: 49 Gal / 223 L

Features

- › Rectangular shape bathtub
- › Drop-in installation
- › Minimalist look with discreet armrests and textured floor
- › End drain

EXHIBIT 7234 - 106223

SKU	System	Color	Configuration	Dimensions & Weight	Packaging	MSRP
106223-000-001-000	Soaker - No System	White	End	71 7/8" x 34" x 18" / 80 lb / 36 kg	35 ft ³	\$ 1607
106223-000-004		Bone				\$ 1607
106223-000-007		Biscuit				\$ 1607
106223-001-001-100	Whirlpool ^{1 4}	White				\$ 3250
106223-001-004		Bone				\$ 3250
106223-001-007		Biscuit				\$ 3250
106223-096-001	Combined Whirlpool & Aeroeffect ^{1 3}	White				\$ 5575
106223-096-004		Bone				\$ 5575
106223-096-007		Biscuit				\$ 5575
106223-103-001	Aeroeffect ^{1 2 5}	White				\$ 4379
106223-103-004		Bone				\$ 4379
106223-103-007		Biscuit				\$ 4379

COMMON OPTIONS

SKU	Description	MSRP
OPT10053	One chromatherapy light (factory installed) ⁵⁴	\$ 725
OPT10095	Water heater assembly for whirlpool and combined systems (factory installed)	\$ 950
OPT10106-084	Metal trim kit for whirlpool and combined systems (factory installed) Available colors: Chrome (084) and Brushed Nickel (105)	\$ 669
OPT10106-105		\$ 669

COMMON OPTIONS

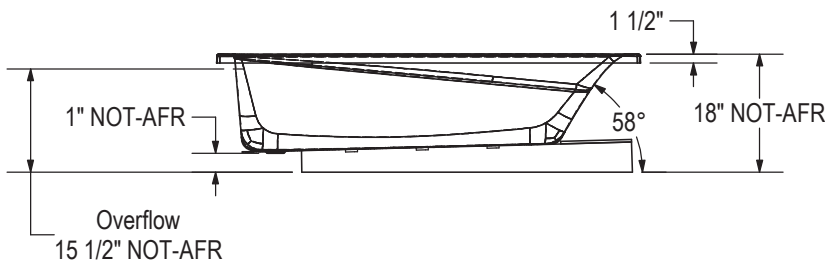
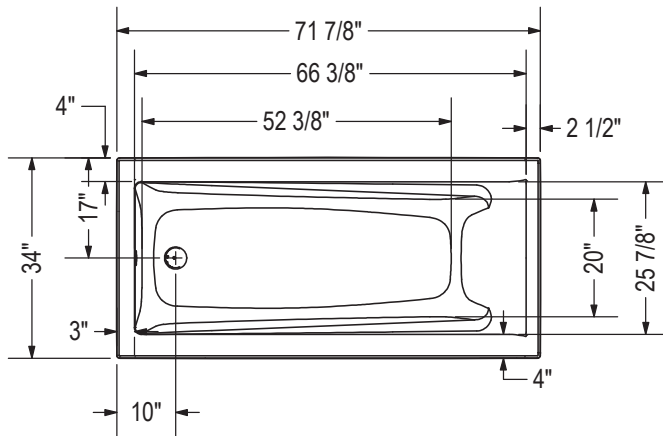
SKU	Description	MSRP
OPT20029-105	Metal trim kit for air push control (factory installed)	\$ 74
OPT20029-084	Available colors: Chrome (084) and Brushed Nickel (105)	\$ 74
OPT20137-004	Cable-operated waste and overflow (16 in. to 22 in.) (included in product packaging when purchased) Available colors: White (001), Bone (004), Chrome (084) and Brushed Nickel (105)	\$ 332
OPT20137-084		\$ 332
OPT20137-105		\$ 332
OPT20137-001		\$ 332

ACCESSORIES

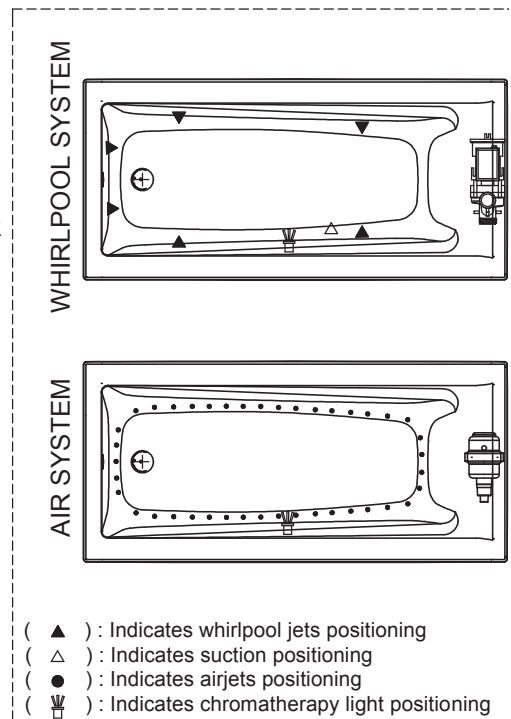
SKU	Description	MSRP
10006923	Flexible main hose (9 ft. extension) for air push control air massage - Kit (sold separately)	\$ 191
10004306-001	White foam cushion with 2 suction pads (sold separately) Available color: White (001)	\$ 126
10028641-084	Metal trim kit for Whirlpool and combined systems (sold separately) Available colors: Chrome (084) and Brushed Nickel (105)	\$ 669
10028641-105		\$ 669
10034250-084	Metal trim kit for Aeroeffect with Air Push Control (sold separately) Available colors: Chrome (084) and Brushed Nickel (105)	\$ 74
10034250-105		\$ 74
10022491-084	Cable-operated waste and overflow (16 in. to 22 in.) (sold separately) Available colors: White (001), Bone (004), Chrome (084) and Brushed Nickel (105)	\$ 332
10022491-004		\$ 332
10022491-105		\$ 332
10022491-001		\$ 332

FOOTNOTES

No	Description
1	Components for standard colour units equipped with systems are colour-coordinated. Trim kit and/or air push with metallic finish can be added (additional charge applies). For non-standard colour units, please specify trim kit and/or air push colour (additional charge applies for metallic finishes). Please note that the positioning of the system's control could be in conflict with the door if one was installed on the unit. To insure compatibility, please contact customer service.
2	Please order flexible main hose 10006923 for installation of the blower further than 3 ft from the bathtub. For the Tandem models and the Serenade models (freestanding and drop-in), the blower is always remote and not factory installed so a 9 ft flexible main hose is included. Please note that the positioning of the system's control could be in conflict with the door if one was installed on the unit. To insure compatibility, please contact customer service.
3	The blower is not factory installed (remote). 9 ft flexible main hose included. Please note that the positioning of the system's control could be in conflict with the door if one was installed on the unit. To insure compatibility, please contact customer service.
4	For details on pump position and requirements, see technical drawings on https://www.maax.com . When there is a pump position A or B indicated on the technical drawing, please specify position when ordering.
5	For details on blower position and requirements, see technical drawings on https://www.maax.com . When there is a blower position A or B indicated on the technical drawing, please specify position when ordering.
54	A selection of units come with an access panel by default when equipped with a system. However, if the unit is only equipped with chromatherapy, the access panel will not be provided by default.



All dimensions are approximate.
Structure measurement must be verified against the unit to ensure proper fit.



- (▲) : Indicates whirlpool jets positioning
- (▽) : Indicates suction positioning
- (●) : Indicates airjets positioning
- (◻) : Indicates chromatherapy light positioning



Exhibit 7236



Material : Acrylic
 Min: 40 Gal / 182 L
 Max: 53 Gal / 241 L

Features

- › Rectangular shape bathtub
- › Drop-in or alcove installation with tiling flange
- › Minimalist look with discreet armrests and textured floor
- › End drain

RECTANGULAR BATHTUBS - ACRYLIC

EXHIBIT 7236 - 106181

SKU	System	Color	Configuration	Dimensions & Weight	Packaging	MSRP
106181-000-001-000	Soaker - No System	White	End	71 7/8" x 36" x 18" / 83 lb / 38 kg	37 ft ³	\$ 1621
106181-000-004		Bone				\$ 1621
106181-000-007		Biscuit				\$ 1621
106181-001-001-000	Whirlpool ^{1 4}	White				\$ 3264
106181-001-004		Bone				\$ 3264
106181-001-007		Biscuit				\$ 3264
106181-002-001-100	Multi-Pack ⁹	White				\$ 8754
106181-002-004-100		Bone				\$ 8754
106181-002-007-100		Biscuit				\$ 8754
106181-096-001	Combined Whirlpool & Aeroeffect ^{1 3}	White				\$ 5589
106181-096-004		Bone				\$ 5589
106181-096-007		Biscuit				\$ 5589
106181-103-001-100	Aeroeffect ^{1 2 5}	White				\$ 4393
106181-103-004		Bone				\$ 4393
106181-103-007		Biscuit				\$ 4393

COMMON OPTIONS

SKU	Description	MSRP
OPT20137-004	Cable-operated waste and overflow (16 in. to 22 in.) (included in product packaging when purchased) Available colors: White (001), Bone (004), Chrome (084) and Brushed Nickel (105)	\$ 332

COMMON OPTIONS

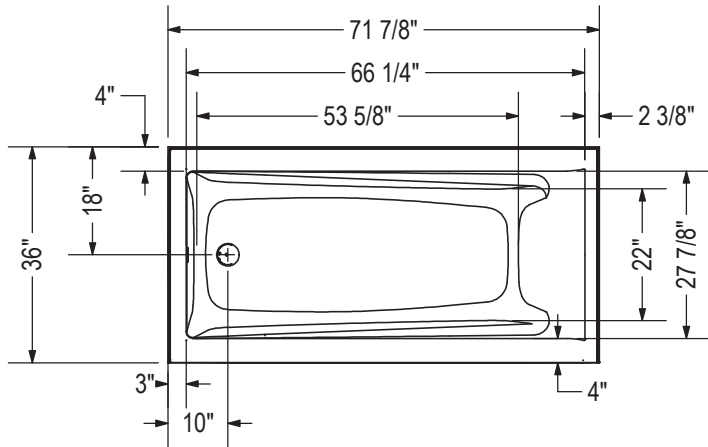
SKU	Description	MSRP
OPT20137-084		\$ 332
OPT20137-105	Cable-operated waste and overflow (16 in. to 22 in.) (included in product packaging when purchased) Available colors: White (001), Bone (004), Chrome (084) and Brushed Nickel (105)	\$ 332
OPT20137-001		\$ 332
OPT10053	One chromatherapy light (factory installed) ⁵⁴	\$ 725
OPT10095	Water heater assembly for whirlpool and combined systems (factory installed)	\$ 950
OPT10106-084	Metal trim kit for whirlpool and combined systems (factory installed)	\$ 669
OPT10106-105	Available colors: Chrome (084) and Brushed Nickel (105)	\$ 669
OPT20029-105	Metal trim kit for air push control (factory installed)	\$ 74
OPT20029-084	Available colors: Chrome (084) and Brushed Nickel (105)	\$ 74

ACCESSORIES

SKU	Description	MSRP
10006923	Flexible main hose (9 ft. extension) for air push control air massage - Kit (sold separately)	\$ 191
10004306-001	White foam cushion with 2 suction pads (sold separately) Available color: White (001)	\$ 126
10028641-084	Metal trim kit for Whirlpool and combined systems (sold separately)	\$ 669
10028641-105	Available colors: Chrome (084) and Brushed Nickel (105)	\$ 669
10034250-084	Metal trim kit for Aeroeffect with Air Push Control (sold separately)	\$ 74
10034250-105	Available colors: Chrome (084) and Brushed Nickel (105)	\$ 74
10022491-084		\$ 332
10022491-004	Cable-operated waste and overflow (16 in. to 22 in.) (sold separately)	\$ 332
10022491-105	Available colors: White (001), Bone (004), Chrome (084) and Brushed Nickel (105)	\$ 332
10022491-001		\$ 332

FOOTNOTES

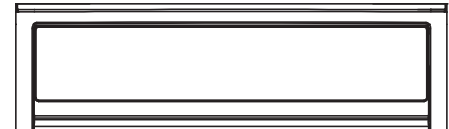
No	Description
1	Components for standard colour units equipped with systems are colour-coordinated. Trim kit and/or air push with metallic finish can be added (additional charge applies). For non-standard colour units, please specify trim kit and/or air push colour (additional charge applies for metallic finishes). Please note that the positioning of the system's control could be in conflict with the door if one was installed on the unit. To insure compatibility, please contact customer service.
2	Please order flexible main hose 10006923 for installation of the blower further than 3 ft from the bathtub. For the Tandem models and the Serenade models (freestanding and drop-in), the blower is always remote and not factory installed so a 9 ft flexible main hose is included. Please note that the positioning of the system's control could be in conflict with the door if one was installed on the unit. To insure compatibility, please contact customer service.
4	For details on pump position and requirements, see technical drawings on https://www.maax.com . When there is a pump position A or B indicated on the technical drawing, please specify position when ordering.
5	For details on blower position and requirements, see technical drawings on https://www.maax.com . When there is a blower position A or B indicated on the technical drawing, please specify position when ordering.
54	A selection of units come with an access panel by default when equipped with a system. However, if the unit is only equipped with chromatherapy, the access panel will not be provided by default.



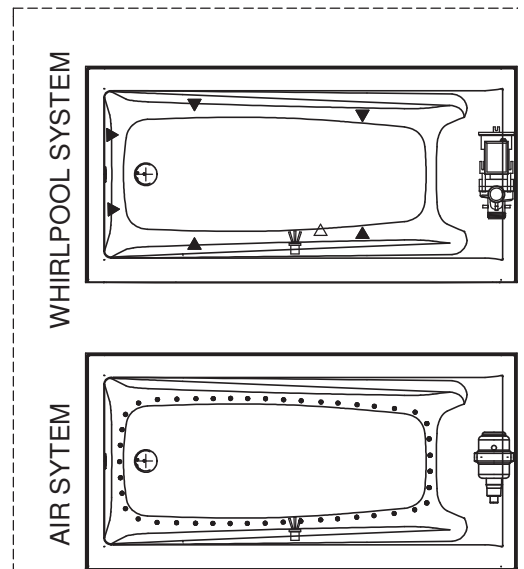
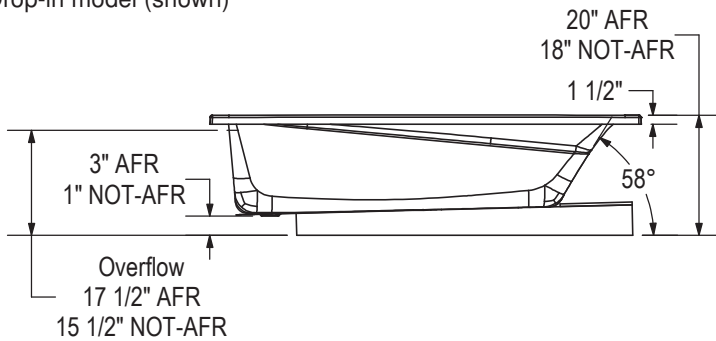
IFS Without System
Single tiling flange



IFS With System
(access panel)
Single tiling flange



1" Single integrated tiling flange (not shown)
Drop-in model (shown)



- (▲) : Indicates whirlpool jets positioning
- (△) : Indicates suction positioning
- (●) : Indicates airjets positioning
- (☐) : Indicates chromatherapy light positioning

Technical drawing is universal for all Exhibit 7236 configurations.

Wood support design may vary.
Single Integrated tiling flange: 1" height x 1/4" thickness (not shown)

All dimensions are approximate.
Structure measurement must be verified against the unit to ensure proper fit.



Exhibit 7236 IF

RECTANGULAR BATHTUBS - ACRYLIC



Material : Acrylic
 Min: 40 Gal / 182 L
 Max: 53 Gal / 241 L

Features

- › Rectangular shape bathtub
- › Drop-in or alcove installation with tiling flange
- › Minimalist look with discreet armrests and textured floor
- › End drain

EXHIBIT 7236 IF - 106182							
SKU	System	Color	Configuration	Dimensions & Weight	Packaging	MSRP	
106182-000-001-001	Soaker - No System	White	Left	71 7/8" x 36" x 18" / 83 lb / 38 kg	37 ft ³	\$ 1621	
106182-000-001-002			Right			\$ 1621	
106182-001-001-001	Whirlpool ^{1 4}		Left			\$ 3264	
106182-001-001-002			Right			\$ 3264	
106182-002-001-101	Multi-Pack ⁹		Bone			Left	\$ 8754
106182-002-001-102						Right	\$ 8754
106182-002-004-101			Biscuit			Left	\$ 8754
106182-002-004-102						Right	\$ 8754
106182-002-007-101			Biscuit			Left	\$ 8754
106182-002-007-102						Right	\$ 8754
106182-103-001-101	Aeroeffect ^{1 2 5}		White			Left	\$ 4393
106182-103-001-102						Right	\$ 4393
106182-L-000-004	Soaker - No System	Bone	Left	\$ 1621			
106182-L-000-007				Biscuit	\$ 1621		
106182-L-001-004	Whirlpool ^{1 4}			Bone	\$ 3264		
106182-L-001-007				Biscuit	\$ 3264		
106182-L-096-001	Combined Whirlpool & Aeroeffect ^{1 3}			White	\$ 5589		
106182-L-096-004				Bone	\$ 5589		
106182-L-096-007				Biscuit	\$ 5589		
106182-L-103-004				Aeroeffect ^{1 2 5}	Bone	\$ 4393	

EXHIBIT 7236 IF - 106182

SKU	System	Color	Configuration	Dimensions & Weight	Packaging	MSRP
106182-L-103-007	Aeroeffect ^{1 2 5}	Biscuit	Left	71 7/8" x 36" x 18" / 83 lb / 38 kg	37 ft ³	\$ 4393
106182-R-000-004	Soaker - No System	Bone	Right			\$ 1621
106182-R-000-007		Biscuit				\$ 1621
106182-R-001-004	Whirlpool ^{1 4}	Bone				\$ 3264
106182-R-001-007		Biscuit				\$ 3264
106182-R-096-001	Combined Whirlpool & Aeroeffect ^{1 3}	White				\$ 5589
106182-R-096-004		Bone				\$ 5589
106182-R-096-007		Biscuit				\$ 5589
106182-R-103-004	Aeroeffect ^{1 2 5}	Bone				\$ 4393
106182-R-103-007		Biscuit				\$ 4393

COMMON OPTIONS

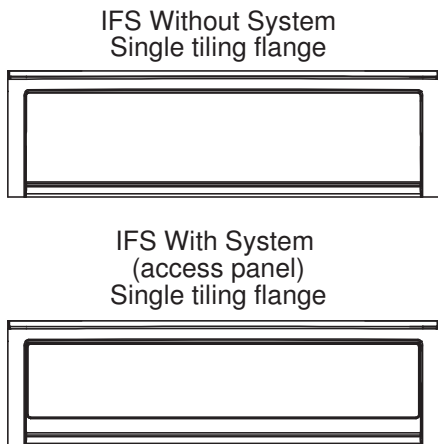
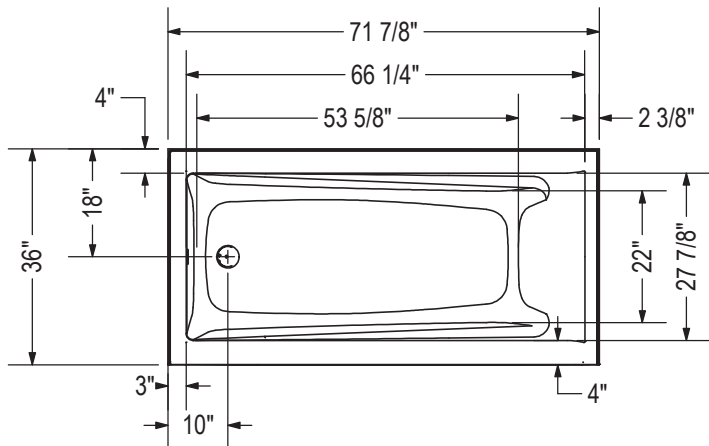
SKU	Description	MSRP
OPT20137-004	Cable-operated waste and overflow (16 in. to 22 in.) (included in product packaging when purchased) Available colors: White (001), Bone (004), Chrome (084) and Brushed Nickel (105)	\$ 332
OPT20137-084		\$ 332
OPT20137-105		\$ 332
OPT20137-001		\$ 332
OPT10053	One chromatherapy light (factory installed) ⁵⁴	\$ 725
OPT10095	Water heater assembly for whirlpool and combined systems (factory installed)	\$ 950
OPT10106-084	Metal trim kit for whirlpool and combined systems (factory installed) Available colors: Chrome (084) and Brushed Nickel (105)	\$ 669
OPT10106-105		\$ 669
OPT20029-105	Metal trim kit for air push control (factory installed) Available colors: Chrome (084) and Brushed Nickel (105)	\$ 74
OPT20029-084		\$ 74

ACCESSORIES

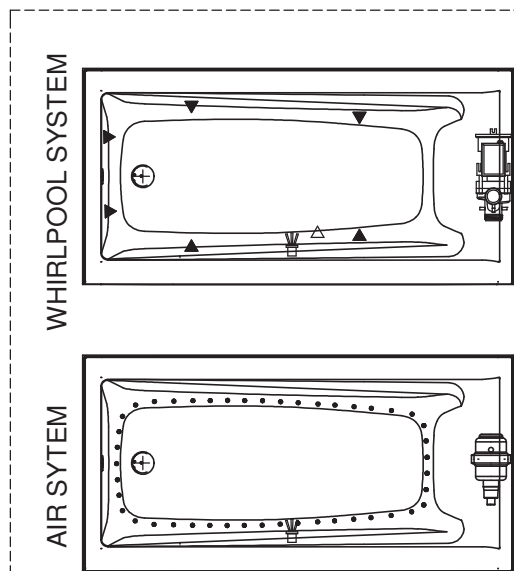
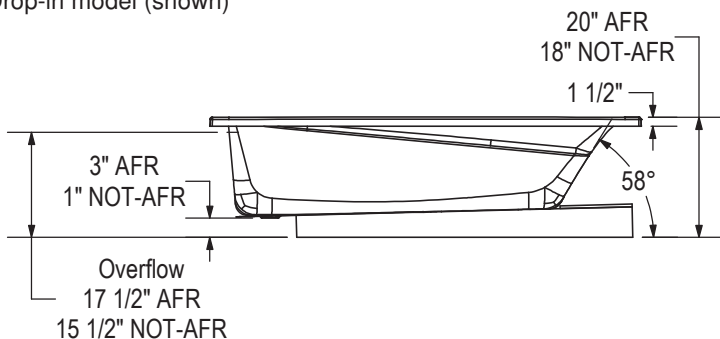
SKU	Description	MSRP
10006923	Flexible main hose (9 ft. extension) for air push control air massage - Kit (sold separately)	\$ 191
10004306-001	White foam cushion with 2 suction pads (sold separately) Available color: White (001)	\$ 126
10028641-084	Metal trim kit for Whirlpool and combined systems (sold separately) Available colors: Chrome (084) and Brushed Nickel (105)	\$ 669
10028641-105		\$ 669
10034250-084	Metal trim kit for Aeroeffect with Air Push Control (sold separately) Available colors: Chrome (084) and Brushed Nickel (105)	\$ 74
10034250-105		\$ 74
10022491-084	Cable-operated waste and overflow (16 in. to 22 in.) (sold separately) Available colors: White (001), Bone (004), Chrome (084) and Brushed Nickel (105)	\$ 332
10022491-004		\$ 332
10022491-105		\$ 332
10022491-001		\$ 332

FOOTNOTES

No	Description
1	Components for standard colour units equipped with systems are colour-coordinated. Trim kit and/or air push with metallic finish can be added (additional charge applies). For non-standard colour units, please specify trim kit and/or air push colour (additional charge applies for metallic finishes). Please note that the positioning of the system's control could be in conflict with the door if one was installed on the unit. To insure compatibility, please contact customer service.
2	Please order flexible main hose 10006923 for installation of the blower further than 3 ft from the bathtub. For the Tandem models and the Serenade models (freestanding and drop-in), the blower is always remote and not factory installed so a 9 ft flexible main hose is included. Please note that the positioning of the system's control could be in conflict with the door if one was installed on the unit. To insure compatibility, please contact customer service.
3	The blower is not factory installed (remote). 9 ft flexible main hose included. Please note that the positioning of the system's control could be in conflict with the door if one was installed on the unit. To insure compatibility, please contact customer service.
4	For details on pump position and requirements, see technical drawings on https://www.maax.com . When there is a pump position A or B indicated on the technical drawing, please specify position when ordering.
5	For details on blower position and requirements, see technical drawings on https://www.maax.com . When there is a blower position A or B indicated on the technical drawing, please specify position when ordering.
54	A selection of units come with an access panel by default when equipped with a system. However, if the unit is only equipped with chromatherapy, the access panel will not be provided by default.



1" Single integrated tiling flange (not shown)
Drop-in model (shown)



- (▲) : Indicates whirlpool jets positioning
- (△) : Indicates suction positioning
- (●) : Indicates airjets positioning
- (◻) : Indicates chromatherapy light positioning

Technical drawing is universal for all Exhibit 7236 configurations.

Wood support design may vary.
Single Integrated tiling flange: 1" height x 1/4" thickness (not shown)

All dimensions are approximate.
Structure measurement must be verified against the unit to ensure proper fit.



Exhibit 7236 IF DTF

RECTANGULAR BATHTUBS - ACRYLIC



Material : Acrylic
 Min: 40 Gal / 182 L
 Max: 53 Gal / 241 L

Features

- › Unique feature: minimalist look with discreet armrests
- › Textured bottom
- › Alcove installation
- › Apron with magnetic access panel available
- › Integrated double tiling flange
- › Access panel available on IFS models only

EXHIBIT 7236 IF DTF - 106242

SKU	System	Color	Configuration	Dimensions & Weight	Packaging	MSRP		
106242-000-001-104	Soaker - No System	White	Left	71 7/8" x 36" x 18" / 83 lb / 38 kg	37 ft ³	\$ 1621		
106242-000-001-105			Right			\$ 1621		
106242-L-000-004		Bone	\$ 1621					
106242-L-000-007		Biscuit	\$ 1621					
106242-L-001-001	Whirlpool ^{1 4}	White	Left			\$ 3264		
106242-L-001-004		Bone				\$ 3264		
106242-L-001-007		Biscuit				\$ 3264		
106242-L-096-001	Combined Whirlpool & Aeroeffect ^{1 3}	White				Right	\$ 5589	
106242-L-096-004		Bone					\$ 5589	
106242-L-096-007		Biscuit					\$ 5589	
106242-L-103-001	Aeroeffect ^{1 2 5}	White						\$ 4393
106242-L-103-004		Bone						\$ 4393
106242-L-103-007		Biscuit		\$ 4393				
106242-R-000-004	Soaker - No System	Bone			\$ 1621			
106242-R-000-007		Biscuit			\$ 1621			
106242-R-001-001	Whirlpool ^{1 4}	White						\$ 3264
106242-R-001-004		Bone	\$ 3264					
106242-R-001-007		Biscuit	\$ 3264					
106242-R-096-001	Combined Whirlpool & Aeroeffect ^{1 3}	White						\$ 5589
106242-R-096-004		Bone				\$ 5589		

EXHIBIT 7236 IF DTF - 106242

SKU	System	Color	Configuration	Dimensions & Weight	Packaging	MSRP
106242-R-096-007	Combined Whirlpool & Aeroeffect ^{1 3}	Biscuit	Right	71 7/8" x 36" x 18" / 83 lb / 38 kg	37 ft ³	\$ 5589
106242-R-103-001	Aeroeffect ^{1 2 5}	White				\$ 4393
106242-R-103-004		Bone				\$ 4393
106242-R-103-007		Biscuit				\$ 4393

COMMON OPTIONS

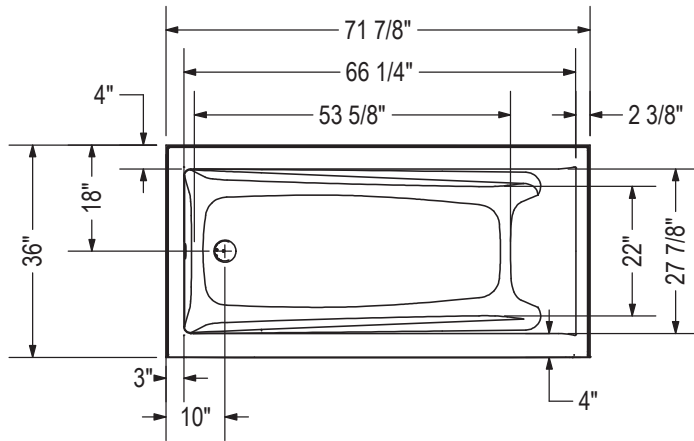
SKU	Description	MSRP
OPT20029-105	Metal trim kit for air push control (factory installed)	\$ 74
OPT20029-084	Available colors: Chrome (084) and Brushed Nickel (105)	\$ 74
OPT20137-004	Cable-operated waste and overflow (16 in. to 22 in.) (included in product packaging when purchased) Available colors: White (001), Bone (004), Chrome (084) and Brushed Nickel (105)	\$ 332
OPT20137-084		\$ 332
OPT20137-105		\$ 332
OPT20137-001		\$ 332
OPT10019	Removable access panel	\$ 385
OPT10053	One chromatherapy light (factory installed) ⁵⁴	\$ 725
OPT10095	Water heater assembly for whirlpool and combined systems (factory installed)	\$ 950
OPT10106-084	Metal trim kit for whirlpool and combined systems (factory installed)	\$ 669
OPT10106-105	Available colors: Chrome (084) and Brushed Nickel (105)	\$ 669

ACCESSORIES

SKU	Description	MSRP
10006923	Flexible main hose (9 ft. extension) for air push control air massage - Kit (sold separately)	\$ 191
10004306-001	White foam cushion with 2 suction pads (sold separately) Available color: White (001)	\$ 126
10028641-084	Metal trim kit for Whirlpool and combined systems (sold separately)	\$ 669
10028641-105	Available colors: Chrome (084) and Brushed Nickel (105)	\$ 669
10034250-084	Metal trim kit for Aeroeffect with Air Push Control (sold separately)	\$ 74
10034250-105	Available colors: Chrome (084) and Brushed Nickel (105)	\$ 74
10022491-084	Cable-operated waste and overflow (16 in. to 22 in.) (sold separately) Available colors: White (001), Bone (004), Chrome (084) and Brushed Nickel (105)	\$ 332
10022491-004		\$ 332
10022491-105		\$ 332
10022491-001		\$ 332

FOOTNOTES

No	Description
54	A selection of units come with an access panel by default when equipped with a system. However, if the unit is only equipped with chromatherapy, the access panel will not be provided by default.



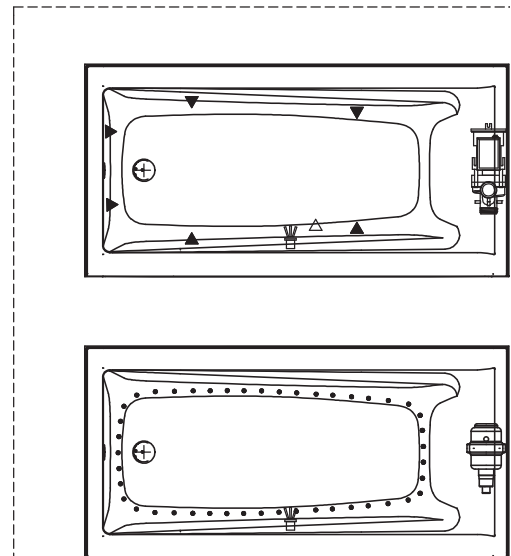
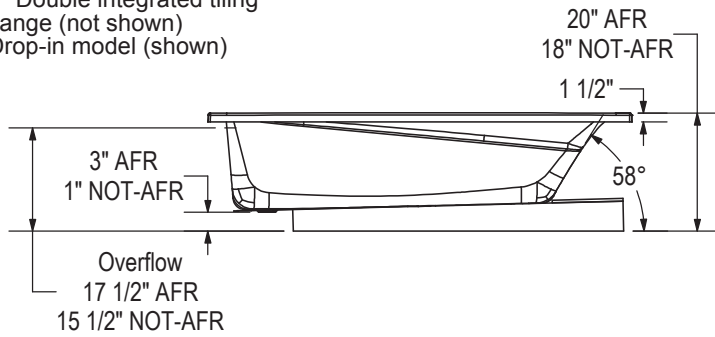
IFS Without System
Single tiling flange



IFS With System
(access panel)
Single tiling flange



1" Single integrated tiling flange (not shown)
2" Double integrated tiling flange (not shown)
Drop-in model (shown)



- (▲) : Indicates whirlpool jets positioning
- (△) : Indicates suction positioning
- (●) : Indicates airjets positioning
- (⚡) : Indicates chromatherapy light positioning

Technical drawing is universal for all Exhibit 7236 configurations.

Wood support design may vary.
Single Integrated tiling flange: 1" height x 1/4" thickness (not shown)
Double Integrated tiling flange: 2" height (not shown)

All dimensions are approximate.
Structure measurement must be verified against the unit to ensure proper fit.



Exhibit 7236 IFS



Material : Acrylic
 Min: 40 Gal / 182 L
 Max: 53 Gal / 241 L

Features

- › Rectangular shape bathtub in alcove installation
- › Available in Above-the-Floor Rough (AFR) or not
- › Minimalist look with discreet armrests and textured floor
- › Integrated tiling flange
- › When equipped with a system, the unit comes with an access panel

RECTANGULAR BATHTUBS - ACRYLIC

EXHIBIT 7236 IFS - 106183

SKU	System	Color	Configuration	Dimensions & Weight	Packaging	MSRP			
106183-000-001-100	Soaker - No System	White	Left	71 7/8" x 36" x 18" / 95 lb / 43 kg	37 ft ³	\$ 1961			
106183-000-001-101			Right			\$ 1961			
106183-000-004-100		Bone	Left			\$ 1961			
106183-000-004-101			Right			\$ 1961			
106183-000-007-100		Biscuit	Left			\$ 1961			
106183-000-007-101			Right			\$ 1961			
106183-L-001-001	Whirlpool ^{1 4}	White	Left	71 7/8" x 36" x 18" / 95 lb / 43 kg	37 ft ³	\$ 3604			
106183-L-001-004		Bone				\$ 3604			
106183-L-001-007		Biscuit				\$ 3604			
106183-L-096-001	Combined Whirlpool & Aeroeffect ^{1 3}	White				Left	71 7/8" x 36" x 18" / 95 lb / 43 kg	37 ft ³	\$ 5929
106183-L-096-004		Bone							\$ 5929
106183-L-096-007		Biscuit							\$ 5929
106183-L-103-001	Aeroeffect ^{1 2 5}	White	Left	71 7/8" x 36" x 18" / 95 lb / 43 kg	37 ft ³				\$ 4733
106183-L-103-004		Bone							\$ 4733
106183-L-103-007		Biscuit							\$ 4733
106183-R-001-001	Whirlpool ^{1 4}	White				Right	71 7/8" x 36" x 18" / 95 lb / 43 kg	37 ft ³	\$ 3604
106183-R-001-004		Bone							\$ 3604
106183-R-001-007		Biscuit							\$ 3604
106183-R-096-001	Combined Whirlpool & Aeroeffect ^{1 3}	White	Right	71 7/8" x 36" x 18" / 95 lb / 43 kg	37 ft ³				\$ 5929
106183-R-096-004		Bone							\$ 5929

EXHIBIT 7236 IFS - 106183

SKU	System	Color	Configuration	Dimensions & Weight	Packaging	MSRP
106183-R-096-007	Combined Whirlpool & Aeroeffect ^{1 3}	Biscuit	Right	71 7/8" x 36" x 18" / 95 lb / 43 kg	37 ft ³	\$ 5929
106183-R-103-001	Aeroeffect ^{1 2 5}	White				\$ 4733
106183-R-103-004		Bone				\$ 4733
106183-R-103-007		Biscuit				\$ 4733

EXHIBIT 7236 IFS AFR - 106184

SKU	System	Color	Configuration	Dimensions & Weight	Packaging	MSRP	
106184-000-001-102	Soaker - No System	White	Left	71 7/8" x 36" x 20" / 95 lb / 43 kg	37 ft ³	\$ 1961	
106184-000-001-103			Right			\$ 1961	
106184-L-000-004		Bone	\$ 1961				
106184-L-000-007		Biscuit	\$ 1961				
106184-L-001-001	Whirlpool ^{1 4}	White	Left			\$ 3604	
106184-L-001-004		Bone				\$ 3604	
106184-L-001-007		Biscuit				\$ 3604	
106184-L-096-001	Combined Whirlpool & Aeroeffect ^{1 3}	White				\$ 5929	
106184-L-096-004		Bone				\$ 5929	
106184-L-096-007		Biscuit				\$ 5929	
106184-L-103-001	Aeroeffect ^{1 2 5}	White				\$ 4733	
106184-L-103-004		Bone				\$ 4733	
106184-L-103-007		Biscuit				\$ 4733	
106184-R-000-004	Soaker - No System	Bone				Right	\$ 1961
106184-R-000-007		Biscuit					\$ 1961
106184-R-001-001	Whirlpool ^{1 4}	White					\$ 3604
106184-R-001-004		Bone	\$ 3604				
106184-R-001-007		Biscuit	\$ 3604				
106184-R-096-001	Combined Whirlpool & Aeroeffect ^{1 3}	White	\$ 5929				
106184-R-096-004		Bone	\$ 5929				
106184-R-096-007		Biscuit	\$ 5929				
106184-R-103-001	Aeroeffect ^{1 2 5}	White	\$ 4733				
106184-R-103-004		Bone	\$ 4733				
106184-R-103-007		Biscuit	\$ 4733				

COMMON OPTIONS

SKU	Description	MSRP
OPT10019	Removable access panel	\$ 385
OPT10053	One chromatherapy light (factory installed) ⁵⁴	\$ 725
OPT10095	Water heater assembly for whirlpool and combined systems (factory installed)	\$ 950

COMMON OPTIONS

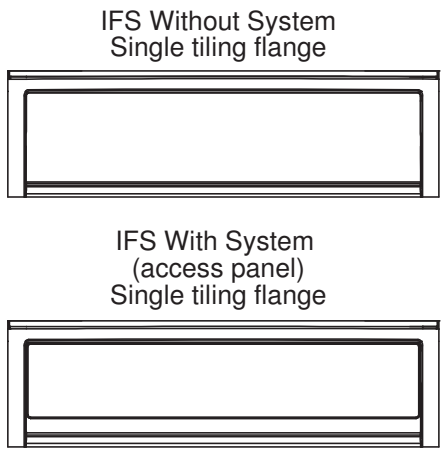
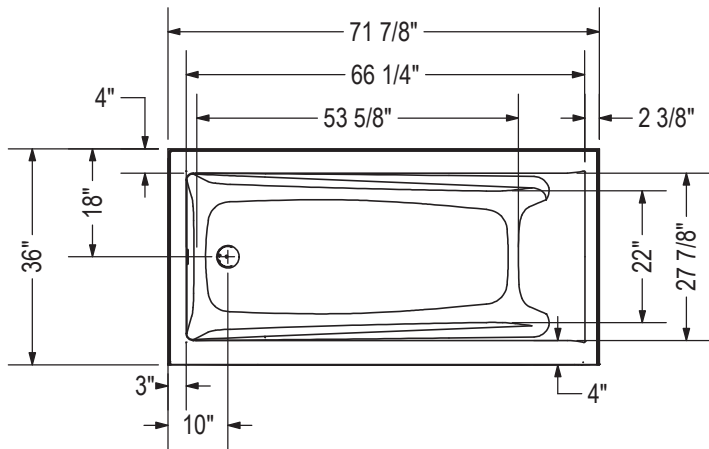
SKU	Description	MSRP
OPT10106-084	Metal trim kit for whirlpool and combined systems (factory installed)	\$ 669
OPT10106-105	Available colors: Chrome (084) and Brushed Nickel (105)	\$ 669
OPT20029-105	Metal trim kit for air push control (factory installed)	\$ 74
OPT20029-084	Available colors: Chrome (084) and Brushed Nickel (105)	\$ 74
OPT20137-004	Cable-operated waste and overflow (16 in. to 22 in.) (included in product packaging when purchased) Available colors: White (001), Bone (004), Chrome (084) and Brushed Nickel (105)	\$ 332
OPT20137-084		\$ 332
OPT20137-105		\$ 332
OPT20137-001		\$ 332
OPT20137-001		\$ 332

ACCESSORIES

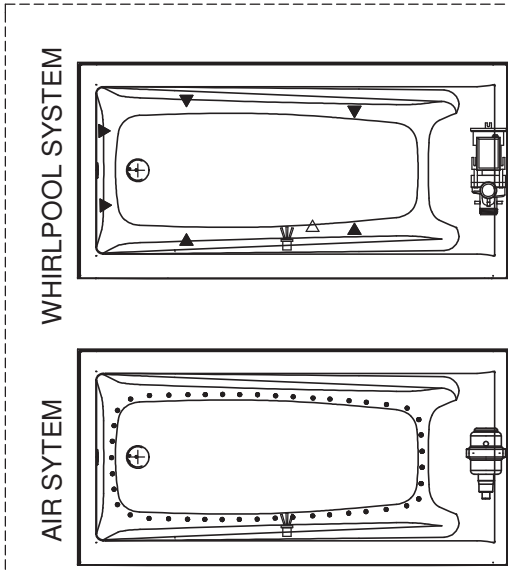
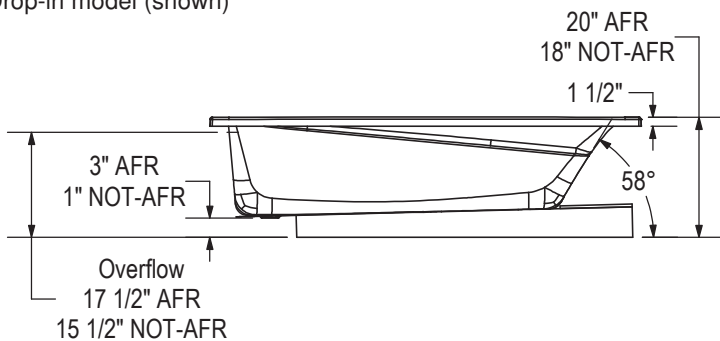
SKU	Description	MSRP
10006923	Flexible main hose (9 ft. extension) for air push control air massage - Kit (sold separately)	\$ 191
10004306-001	White foam cushion with 2 suction pads (sold separately) Available color: White (001)	\$ 126
10028641-084	Metal trim kit for Whirlpool and combined systems (sold separately)	\$ 669
10028641-105	Available colors: Chrome (084) and Brushed Nickel (105)	\$ 669
10034250-084	Metal trim kit for Aeroeffect with Air Push Control (sold separately)	\$ 74
10034250-105	Available colors: Chrome (084) and Brushed Nickel (105)	\$ 74
10022491-084	Cable-operated waste and overflow (16 in. to 22 in.) (sold separately) Available colors: White (001), Bone (004), Chrome (084) and Brushed Nickel (105)	\$ 332
10022491-004		\$ 332
10022491-105		\$ 332
10022491-001		\$ 332
10022491-001		\$ 332

FOOTNOTES

No	Description
1	Components for standard colour units equipped with systems are colour-coordinated. Trim kit and/or air push with metallic finish can be added (additional charge applies). For non-standard colour units, please specify trim kit and/or air push colour (additional charge applies for metallic finishes). Please note that the positioning of the system's control could be in conflict with the door if one was installed on the unit. To insure compatibility, please contact customer service.
4	For details on pump position and requirements, see technical drawings on https://www.maax.com . When there is a pump position A or B indicated on the technical drawing, please specify position when ordering.
54	A selection of units come with an access panel by default when equipped with a system. However, if the unit is only equipped with chromatherapy, the access panel will not be provided by default.



1" Single integrated tiling flange (not shown)
Drop-in model (shown)



- (▲) : Indicates whirlpool jets positioning
- (△) : Indicates suction positioning
- (●) : Indicates airjets positioning
- (☼) : Indicates chromatherapy light positioning

Technical drawing is universal for all Exhibit 7236 configurations.

Wood support design may vary.
Single Integrated tiling flange: 1" height x 1/4" thickness (not shown)

All dimensions are approximate.
Structure measurement must be verified against the unit to ensure proper fit.



Exhibit 7236 IFS DTF

RECTANGULAR BATHTUBS - ACRYLIC



Material : Acrylic
 Min: 40 Gal / 182 L
 Max: 53 Gal / 241 L

Features

- › Rectangular shape bathtub in alcove installation
- › Available in Above-the-Floor Rough (AFR) or not
- › Minimalist look with discreet armrests and textured floor
- › Integrated tiling flange
- › When equipped with a system, the unit comes with an access panel

EXHIBIT 7236 IFS DTF - 106243								
SKU	System	Color	Configuration	Dimensions & Weight	Packaging	MSRP		
106243-000-001-106	Soaker - No System	White	Left	71 7/8" x 36" x 18" / 95 lb / 43 kg	37 ft ³	\$ 1961		
106243-000-001-107			Right			\$ 1961		
106243-L-000-004		Bone	Left			\$ 1961		
106243-L-000-007		Biscuit				\$ 1961		
106243-L-001-001	Whirlpool ^{1 4}	White				\$ 3604		
106243-L-001-004		Bone				\$ 3604		
106243-L-001-007		Biscuit				\$ 3604		
106243-L-096-001	Combined Whirlpool & Aeroeffect ^{1 3}	White				Right	\$ 5929	
106243-L-096-004		Bone					\$ 5929	
106243-L-096-007		Biscuit					\$ 5929	
106243-L-103-001	Aeroeffect ^{1 2 5}	White					Right	\$ 4733
106243-L-103-004		Bone						\$ 4733
106243-L-103-007		Biscuit		\$ 4733				
106243-R-000-004	Soaker - No System	Bone		Right	\$ 1961			
106243-R-000-007		Biscuit	\$ 1961					
106243-R-001-001	Whirlpool ^{1 4}	White	\$ 3604					
106243-R-001-004		Bone	\$ 3604					
106243-R-001-007		Biscuit	\$ 3604					
106243-R-096-001	Combined Whirlpool & Aeroeffect ^{1 3}	White	\$ 5929					
106243-R-096-004		Bone	\$ 5929					

EXHIBIT 7236 IFS DTF - 106243

SKU	System	Color	Configuration	Dimensions & Weight	Packaging	MSRP
106243-R-096-007	Combined Whirlpool & Aeroeffect ^{1 3}	Biscuit	Right	71 7/8" x 36" x 18" / 95 lb / 43 kg	37 ft ³	\$ 5929
106243-R-103-001	Aeroeffect ^{1 2 5}	White				\$ 4733
106243-R-103-004		Bone				\$ 4733
106243-R-103-007		Biscuit				\$ 4733

EXHIBIT 7236 IFS AFR DTF - 106244

SKU	System	Color	Configuration	Dimensions & Weight	Packaging	MSRP	
106244-000-001-108	Soaker - No System	White	Left	71 7/8" x 36" x 20" / 95 lb / 43 kg	37 ft ³	\$ 1961	
106244-000-001-109			Right			\$ 1961	
106244-L-000-004		Bone	\$ 1961				
106244-L-000-007		Biscuit	\$ 1961				
106244-L-001-001	Whirlpool ^{1 4}	White	Left			\$ 3604	
106244-L-001-004		Bone				\$ 3604	
106244-L-001-007		Biscuit				\$ 3604	
106244-L-096-001	Combined Whirlpool & Aeroeffect ^{1 3}	White				Right	\$ 5929
106244-L-096-004		Bone					\$ 5929
106244-L-096-007		Biscuit					\$ 5929
106244-L-103-001	Aeroeffect ^{1 2 5}	White	\$ 4733				
106244-L-103-004		Bone	\$ 4733				
106244-L-103-007		Biscuit	\$ 4733				
106244-R-000-004	Soaker - No System	Bone	Right				\$ 1961
106244-R-000-007		Biscuit					\$ 1961
106244-R-001-001	Whirlpool ^{1 4}	White					\$ 3604
106244-R-001-004		Bone		\$ 3604			
106244-R-001-007		Biscuit		\$ 3604			
106244-R-096-001	Combined Whirlpool & Aeroeffect ^{1 3}	White		\$ 5929			
106244-R-096-004		Bone		\$ 5929			
106244-R-096-007		Biscuit		\$ 5929			
106244-R-103-001	Aeroeffect ^{1 2 5}	White		\$ 4733			
106244-R-103-004		Bone		\$ 4733			
106244-R-103-007		Biscuit		\$ 4733			

COMMON OPTIONS

SKU	Description	MSRP
OPT20029-105	Metal trim kit for air push control (factory installed)	\$ 74
OPT20029-084	Available colors: Chrome (084) and Brushed Nickel (105)	\$ 74
OPT20137-004	Cable-operated waste and overflow (16 in. to 22 in.) (included in product packaging when purchased) Available colors: White (001), Bone (004), Chrome (084) and Brushed Nickel (105)	\$ 332

COMMON OPTIONS

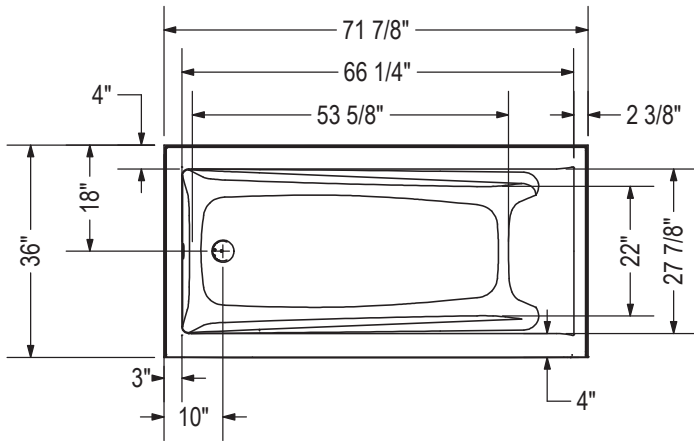
SKU	Description	MSRP
OPT20137-084		\$ 332
OPT20137-105	Cable-operated waste and overflow (16 in. to 22 in.) (included in product packaging when purchased) Available colors: White (001), Bone (004), Chrome (084) and Brushed Nickel (105)	\$ 332
OPT20137-001		\$ 332
OPT10019		Removable access panel
OPT10053	One chromatherapy light (factory installed) ⁵⁴	\$ 725
OPT10095	Water heater assembly for whirlpool and combined systems (factory installed)	\$ 950
OPT10106-084	Metal trim kit for whirlpool and combined systems (factory installed) Available colors: Chrome (084) and Brushed Nickel (105)	\$ 669
OPT10106-105		\$ 669

ACCESSORIES

SKU	Description	MSRP
10006923	Flexible main hose (9 ft. extension) for air push control air massage - Kit (sold separately)	\$ 191
10004306-001	White foam cushion with 2 suction pads (sold separately) Available color: White (001)	\$ 126
10028641-084	Metal trim kit for Whirlpool and combined systems (sold separately) Available colors: Chrome (084) and Brushed Nickel (105)	\$ 669
10028641-105		\$ 669
10034250-084	Metal trim kit for Aeroeffect with Air Push Control (sold separately) Available colors: Chrome (084) and Brushed Nickel (105)	\$ 74
10034250-105		\$ 74
10022491-084	Cable-operated waste and overflow (16 in. to 22 in.) (sold separately) Available colors: White (001), Bone (004), Chrome (084) and Brushed Nickel (105)	\$ 332
10022491-004		\$ 332
10022491-105		\$ 332
10022491-001		\$ 332

FOOTNOTES

No	Description
54	A selection of units come with an access panel by default when equipped with a system. However, if the unit is only equipped with chromatherapy, the access panel will not be provided by default.



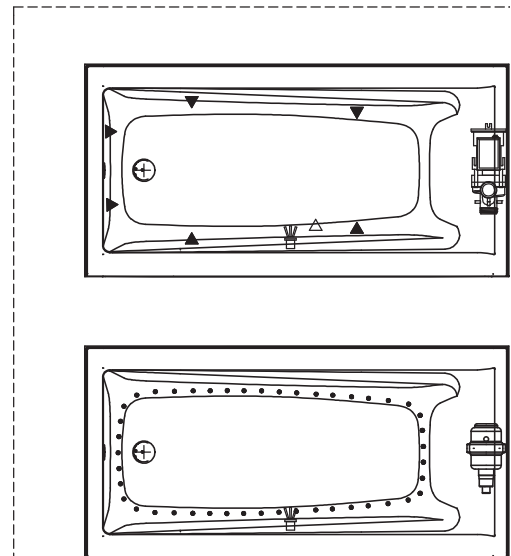
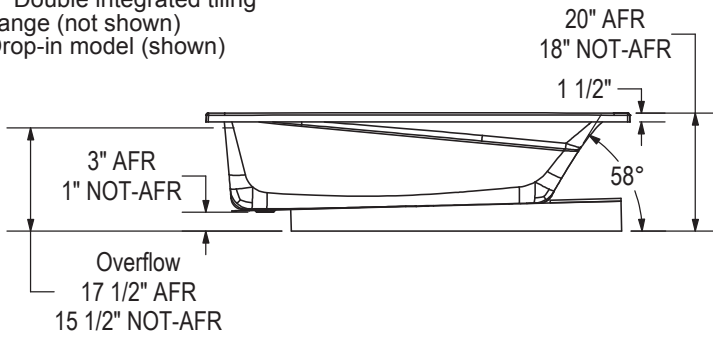
IFS Without System
Single tiling flange



IFS With System
(access panel)
Single tiling flange



1" Single integrated tiling flange (not shown)
2" Double integrated tiling flange (not shown)
Drop-in model (shown)



- (▲) : Indicates whirlpool jets positioning
- (△) : Indicates suction positioning
- (●) : Indicates airjets positioning
- (⚡) : Indicates chromotherapy light positioning

Technical drawing is universal for all Exhibit 7236 configurations.

Wood support design may vary.
Single Integrated tiling flange: 1" height x 1/4" thickness (not shown)
Double Integrated tiling flange: 2" height (not shown)

All dimensions are approximate.
Structure measurement must be verified against the unit to ensure proper fit.



Exhibit 7242



Material : Acrylic
 Min: 49 Gal / 223 L
 Max: 65 Gal / 295 L

Features

- › Rectangular shape bathtub
- › Drop-in or alcove installation with tiling flange
- › Minimalist look with discreet armrests and textured floor
- › End drain

RECTANGULAR BATHTUBS - ACRYLIC

EXHIBIT 7242 - 106185

SKU	System	Color	Configuration	Dimensions & Weight	Packaging	MSRP
106185-000-001-000	Soaker - No System	White	End	71 7/8" x 42" x 18" / 86 lb / 39 kg	44 ft ³	\$ 1758
106185-000-004		Bone				\$ 1758
106185-000-007		Biscuit				\$ 1758
106185-001-001-000	Whirlpool ^{1 4}	White				\$ 3401
106185-001-004		Bone				\$ 3401
106185-001-007		Biscuit				\$ 3401
106185-002-001-100	Multi-Pack ⁹	White				\$ 9486
106185-002-004-100		Bone				\$ 9486
106185-002-007-100		Biscuit				\$ 9486
106185-096-001	Combined Whirlpool & Aeroeffect ^{1 3}	White				\$ 5726
106185-096-004		Bone				\$ 5726
106185-096-007		Biscuit				\$ 5726
106185-103-001-000	Aeroeffect ^{1 2 5}	White	\$ 4530			
106185-103-004		Bone	\$ 4530			
106185-103-007		Biscuit	\$ 4530			

COMMON OPTIONS

SKU	Description	MSRP
OPT10053	One chromatherapy light (factory installed) ⁵⁴	\$ 725
OPT10095	Water heater assembly for whirlpool and combined systems (factory installed)	\$ 950

COMMON OPTIONS

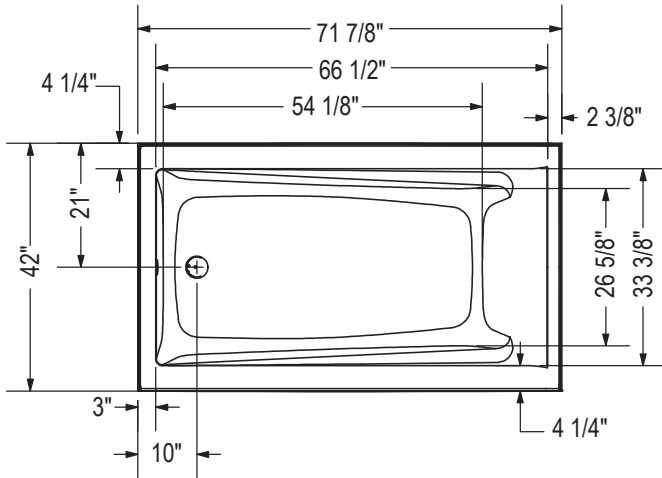
SKU	Description	MSRP
OPT10106-084	Metal trim kit for whirlpool and combined systems (factory installed)	\$ 669
OPT10106-105	Available colors: Chrome (084) and Brushed Nickel (105)	\$ 669
OPT20029-105	Metal trim kit for air push control (factory installed)	\$ 74
OPT20029-084	Available colors: Chrome (084) and Brushed Nickel (105)	\$ 74
OPT20137-004	Cable-operated waste and overflow (16 in. to 22 in.) (included in product packaging when purchased) Available colors: White (001), Bone (004), Chrome (084) and Brushed Nickel (105)	\$ 332
OPT20137-084		\$ 332
OPT20137-105		\$ 332
OPT20137-001		\$ 332
OPT20137-001		\$ 332

ACCESSORIES

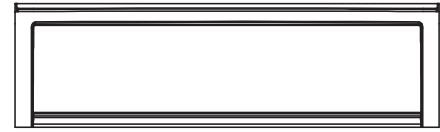
SKU	Description	MSRP
10006923	Flexible main hose (9 ft. extension) for air push control air massage - Kit (sold separately)	\$ 191
10004306-001	White foam cushion with 2 suction pads (sold separately) Available color: White (001)	\$ 126
10028641-084	Metal trim kit for Whirlpool and combined systems (sold separately)	\$ 669
10028641-105	Available colors: Chrome (084) and Brushed Nickel (105)	\$ 669
10034250-084	Metal trim kit for Aeroeffect with Air Push Control (sold separately)	\$ 74
10034250-105	Available colors: Chrome (084) and Brushed Nickel (105)	\$ 74
10022491-084	Cable-operated waste and overflow (16 in. to 22 in.) (sold separately) Available colors: White (001), Bone (004), Chrome (084) and Brushed Nickel (105)	\$ 332
10022491-004		\$ 332
10022491-105		\$ 332
10022491-001		\$ 332

FOOTNOTES

No	Description
1	Components for standard colour units equipped with systems are colour-coordinated. Trim kit and/or air push with metallic finish can be added (additional charge applies). For non-standard colour units, please specify trim kit and/or air push colour (additional charge applies for metallic finishes). Please note that the positioning of the system's control could be in conflict with the door if one was installed on the unit. To insure compatibility, please contact customer service.
2	Please order flexible main hose 10006923 for installation of the blower further than 3 ft from the bathtub. For the Tandem models and the Serenade models (freestanding and drop-in), the blower is always remote and not factory installed so a 9 ft flexible main hose is included. Please note that the positioning of the system's control could be in conflict with the door if one was installed on the unit. To insure compatibility, please contact customer service.
4	For details on pump position and requirements, see technical drawings on https://www.maax.com . When there is a pump position A or B indicated on the technical drawing, please specify position when ordering.
5	For details on blower position and requirements, see technical drawings on https://www.maax.com . When there is a blower position A or B indicated on the technical drawing, please specify position when ordering.
54	A selection of units come with an access panel by default when equipped with a system. However, if the unit is only equipped with chromatherapy, the access panel will not be provided by default.



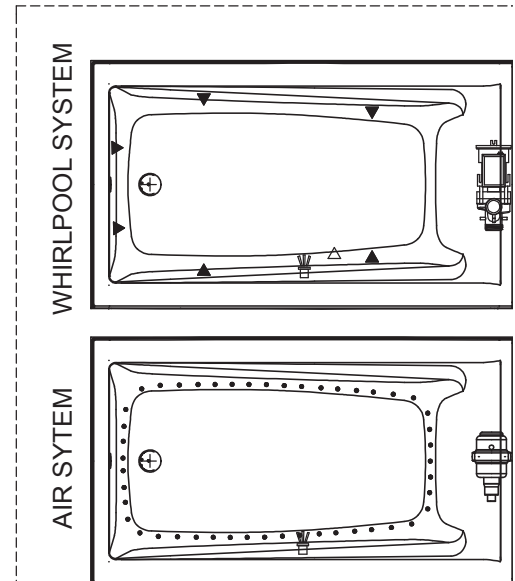
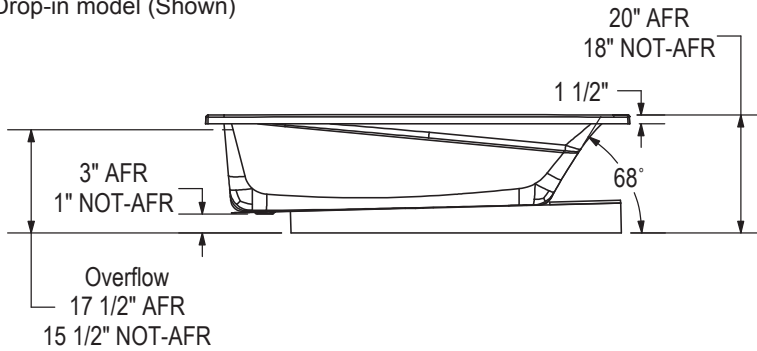
IFS Without System
Single tiling flange



IFS With System
(access panel)
Single tiling flange



1" Single integrated tiling flange (not shown)
Drop-in model (Shown)



- (▲) : Indicates whirlpool jets positioning
- (△) : Indicates suction positioning
- (●) : Indicates airjets positioning
- (☐) : Indicates chromotherapy light positioning

Technical drawing is universal for all Exhibit 7242 configurations.

Wood support design may vary.
Single Integrated tiling flange: 1" height x 1/4" thickness (not shown)

All dimensions are approximate.
Structure measurement must be verified against the unit to ensure proper fit.



Exhibit 7242 IF

RECTANGULAR BATHTUBS - ACRYLIC



Material : Acrylic
 Min: 49 Gal / 223 L
 Max: 65 Gal / 295 L

Features

- › Rectangular shape bathtub
- › Drop-in or alcove installation with tiling flange
- › Minimalist look with discreet armrests and textured floor
- › End drain

EXHIBIT 7242 IF - 106186							
SKU	System	Color	Configuration	Dimensions & Weight	Packaging	MSRP	
106186-000-001-001	Soaker - No System	White	Left	71 7/8" x 42" x 18" / 86 lb / 39 kg	44 ft ³	\$ 1758	
106186-000-001-002			Right			\$ 1758	
106186-001-001-001	Whirlpool ^{1 4}		Left			\$ 3401	
106186-001-001-002			Right			\$ 3401	
106186-002-001-101	Multi-Pack ⁹		Bone			Left	\$ 9486
106186-002-001-102						Right	\$ 9486
106186-002-004-101			Biscuit			Left	\$ 9486
106186-002-004-102						Right	\$ 9486
106186-002-007-101			Biscuit			Left	\$ 9486
106186-002-007-102						Right	\$ 9486
106186-L-000-004	Soaker - No System	Bone	Left	\$ 1758			
106186-L-000-007		Biscuit		\$ 1758			
106186-L-001-004	Whirlpool ^{1 4}	Bone		\$ 3401			
106186-L-001-007		Biscuit		\$ 3401			
106186-L-096-001	Combined Whirlpool & Aeroeffect ^{1 3}	White		\$ 5726			
106186-L-096-004		Bone		\$ 5726			
106186-L-096-007		Biscuit		\$ 5726			
106186-L-103-001	Aeroeffect ^{1 2 5}	White		\$ 4530			
106186-L-103-004		Bone		\$ 4530			
106186-L-103-007		Biscuit		\$ 4530			

EXHIBIT 7242 IF - 106186

SKU	System	Color	Configuration	Dimensions & Weight	Packaging	MSRP
106186-R-000-004	Soaker - No System	Bone	Right	71 7/8" x 42" x 18" / 86 lb / 39 kg	44 ft ³	\$ 1758
106186-R-000-007		Biscuit				\$ 1758
106186-R-001-004	Whirlpool ^{1 4}	Bone				\$ 3401
106186-R-001-007		Biscuit				\$ 3401
106186-R-096-001	Combined Whirlpool & Aeroeffect ^{1 3}	White				\$ 5726
106186-R-096-004		Bone				\$ 5726
106186-R-096-007		Biscuit				\$ 5726
106186-R-103-001	Aeroeffect ^{1 2 5}	White				\$ 4530
106186-R-103-004		Bone				\$ 4530
106186-R-103-007		Biscuit				\$ 4530

COMMON OPTIONS

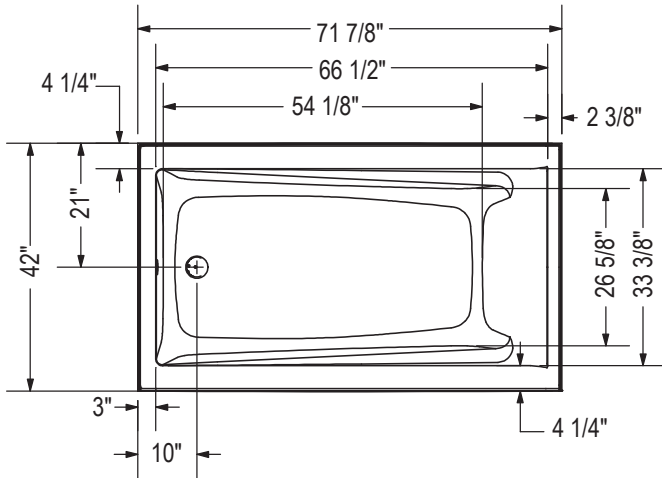
SKU	Description	MSRP
OPT20137-004	Cable-operated waste and overflow (16 in. to 22 in.) (included in product packaging when purchased) Available colors: White (001), Bone (004), Chrome (084) and Brushed Nickel (105)	\$ 332
OPT20137-084		\$ 332
OPT20137-105		\$ 332
OPT20137-001		\$ 332
OPT10053	One chromatherapy light (factory installed) ⁵⁴	\$ 725
OPT10095	Water heater assembly for whirlpool and combined systems (factory installed)	\$ 950
OPT10106-084	Metal trim kit for whirlpool and combined systems (factory installed) Available colors: Chrome (084) and Brushed Nickel (105)	\$ 669
OPT10106-105		\$ 669
OPT20029-105	Metal trim kit for air push control (factory installed) Available colors: Chrome (084) and Brushed Nickel (105)	\$ 74
OPT20029-084		\$ 74

ACCESSORIES

SKU	Description	MSRP
10006923	Flexible main hose (9 ft. extension) for air push control air massage - Kit (sold separately)	\$ 191
10004306-001	White foam cushion with 2 suction pads (sold separately) Available color: White (001)	\$ 126
10028641-084	Metal trim kit for Whirlpool and combined systems (sold separately) Available colors: Chrome (084) and Brushed Nickel (105)	\$ 669
10028641-105		\$ 669
10034250-084	Metal trim kit for Aeroeffect with Air Push Control (sold separately) Available colors: Chrome (084) and Brushed Nickel (105)	\$ 74
10034250-105		\$ 74
10022491-084	Cable-operated waste and overflow (16 in. to 22 in.) (sold separately) Available colors: White (001), Bone (004), Chrome (084) and Brushed Nickel (105)	\$ 332
10022491-004		\$ 332
10022491-105		\$ 332
10022491-001		\$ 332

FOOTNOTES

No	Description
1	Components for standard colour units equipped with systems are colour-coordinated. Trim kit and/or air push with metallic finish can be added (additional charge applies). For non-standard colour units, please specify trim kit and/or air push colour (additional charge applies for metallic finishes). Please note that the positioning of the system's control could be in conflict with the door if one was installed on the unit. To insure compatibility, please contact customer service.
2	Please order flexible main hose 10006923 for installation of the blower further than 3 ft from the bathtub. For the Tandem models and the Serenade models (freestanding and drop-in), the blower is always remote and not factory installed so a 9 ft flexible main hose is included. Please note that the positioning of the system's control could be in conflict with the door if one was installed on the unit. To insure compatibility, please contact customer service.
3	The blower is not factory installed (remote). 9 ft flexible main hose included. Please note that the positioning of the system's control could be in conflict with the door if one was installed on the unit. To insure compatibility, please contact customer service.
4	For details on pump position and requirements, see technical drawings on https://www.maax.com . When there is a pump position A or B indicated on the technical drawing, please specify position when ordering.
5	For details on blower position and requirements, see technical drawings on https://www.maax.com . When there is a blower position A or B indicated on the technical drawing, please specify position when ordering.
54	A selection of units come with an access panel by default when equipped with a system. However, if the unit is only equipped with chromatherapy, the access panel will not be provided by default.



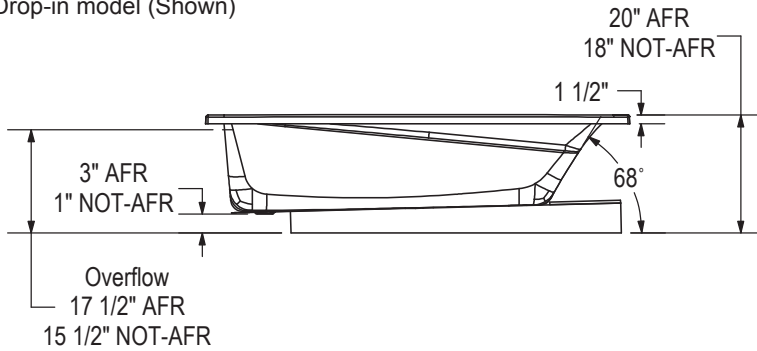
IFS Without System
Single tiling flange



IFS With System
(access panel)
Single tiling flange



1" Single integrated tiling flange (not shown)
Drop-in model (Shown)

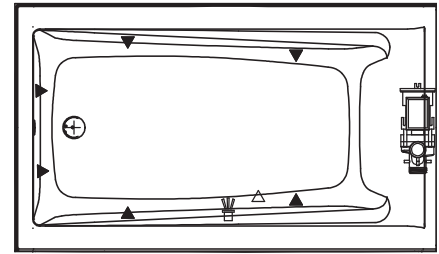


Technical drawing is universal for all Exhibit 7242 configurations.

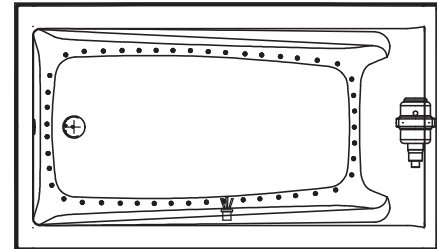
Wood support design may vary.
Single Integrated tiling flange: 1" height x 1/4" thickness (not shown)

All dimensions are approximate.
Structure measurement must be verified against the unit to ensure proper fit.

WHIRLPOOL SYSTEM



AIR SYSTEM



- (▲) : Indicates whirlpool jets positioning
- (△) : Indicates suction positioning
- (●) : Indicates airjets positioning
- (☐) : Indicates chromotherapy light positioning



Exhibit 7242 IF DTF

RECTANGULAR BATHTUBS - ACRYLIC



Material : Acrylic
 Min: 49 Gal / 223 L
 Max: 65 Gal / 295 L

Features

- › Unique feature: minimalist look with discreet armrests
- › Textured bottom
- › Alcove installation
- › Apron with magnetic access panel available
- › Integrated double tiling flange
- › Access panel available on IFS models only

EXHIBIT 7242 IF DTF - 106245

SKU	System	Color	Configuration	Dimensions & Weight	Packaging	MSRP		
106245-000-001-104	Soaker - No System	White	Left	71 7/8" x 42" x 18" / 86 lb / 39 kg	44 ft ³	\$ 1758		
106245-000-001-105			Right			\$ 1758		
106245-L-000-004		Bone	\$ 1758					
106245-L-000-007		Biscuit	\$ 1758					
106245-L-001-001	Whirlpool ^{1 4}	White	Left			\$ 3401		
106245-L-001-004		Bone				\$ 3401		
106245-L-001-007		Biscuit				\$ 3401		
106245-L-096-001	Combined Whirlpool & Aeroeffect ^{1 3}	White				Right	\$ 5726	
106245-L-096-004		Bone					\$ 5726	
106245-L-096-007		Biscuit					\$ 5726	
106245-L-103-001	Aeroeffect ^{1 2 5}	White						\$ 4530
106245-L-103-004		Bone						\$ 4530
106245-L-103-007		Biscuit		\$ 4530				
106245-R-000-004	Soaker - No System	Bone			\$ 1758			
106245-R-000-007		Biscuit			\$ 1758			
106245-R-001-001	Whirlpool ^{1 4}	White						\$ 3401
106245-R-001-004		Bone	\$ 3401					
106245-R-001-007		Biscuit	\$ 3401					
106245-R-096-001	Combined Whirlpool & Aeroeffect ^{1 3}	White						\$ 5726
106245-R-096-004		Bone				\$ 5726		

EXHIBIT 7242 IF DTF - 106245

SKU	System	Color	Configuration	Dimensions & Weight	Packaging	MSRP
106245-R-096-007	Combined Whirlpool & Aeroeffect ^{1 3}	Biscuit	Right	71 7/8" x 42" x 18" / 86 lb / 39 kg	44 ft ³	\$ 5726
106245-R-103-001	Aeroeffect ^{1 2 5}	White				\$ 4530
106245-R-103-004		Bone				\$ 4530
106245-R-103-007		Biscuit				\$ 4530

COMMON OPTIONS

SKU	Description	MSRP
OPT20029-105	Metal trim kit for air push control (factory installed)	\$ 74
OPT20029-084	Available colors: Chrome (084) and Brushed Nickel (105)	\$ 74
OPT20137-004	Cable-operated waste and overflow (16 in. to 22 in.) (included in product packaging when purchased) Available colors: White (001), Bone (004), Chrome (084) and Brushed Nickel (105)	\$ 332
OPT20137-084		\$ 332
OPT20137-105		\$ 332
OPT20137-001		\$ 332
OPT10019	Removable access panel	\$ 385
OPT10053	One chromatherapy light (factory installed) ⁵⁴	\$ 725
OPT10095	Water heater assembly for whirlpool and combined systems (factory installed)	\$ 950
OPT10106-084	Metal trim kit for whirlpool and combined systems (factory installed)	\$ 669
OPT10106-105	Available colors: Chrome (084) and Brushed Nickel (105)	\$ 669

ACCESSORIES

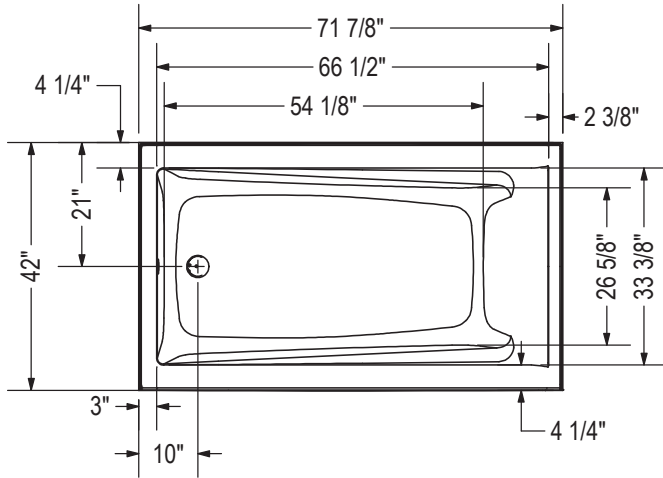
SKU	Description	MSRP
10006923	Flexible main hose (9 ft. extension) for air push control air massage - Kit (sold separately)	\$ 191
10004306-001	White foam cushion with 2 suction pads (sold separately) Available color: White (001)	\$ 126
10028641-084	Metal trim kit for Whirlpool and combined systems (sold separately)	\$ 669
10028641-105	Available colors: Chrome (084) and Brushed Nickel (105)	\$ 669
10034250-084	Metal trim kit for Aeroeffect with Air Push Control (sold separately)	\$ 74
10034250-105	Available colors: Chrome (084) and Brushed Nickel (105)	\$ 74
10022491-084	Cable-operated waste and overflow (16 in. to 22 in.) (sold separately) Available colors: White (001), Bone (004), Chrome (084) and Brushed Nickel (105)	\$ 332
10022491-004		\$ 332
10022491-105		\$ 332
10022491-001		\$ 332

FOOTNOTES

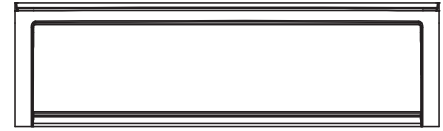
No	Description
1	Components for standard colour units equipped with systems are colour-coordinated. Trim kit and/or air push with metallic finish can be added (additional charge applies). For non-standard colour units, please specify trim kit and/or air push colour (additional charge applies for metallic finishes). Please note that the positioning of the system's control could be in conflict with the door if one was installed on the unit. To insure compatibility, please contact customer service.

FOOTNOTES

No	Description
2	Please order flexible main hose 10006923 for installation of the blower further than 3 ft from the bathtub. For the Tandem models and the Serenade models (freestanding and drop-in), the blower is always remote and not factory installed so a 9 ft flexible main hose is included. Please note that the positioning of the system's control could be in conflict with the door if one was installed on the unit. To insure compatibility, please contact customer service.
3	The blower is not factory installed (remote). 9 ft flexible main hose included. Please note that the positioning of the system's control could be in conflict with the door if one was installed on the unit. To insure compatibility, please contact customer service.
4	For details on pump position and requirements, see technical drawings on https://www.maax.com . When there is a pump position A or B indicated on the technical drawing, please specify position when ordering.
5	For details on blower position and requirements, see technical drawings on https://www.maax.com . When there is a blower position A or B indicated on the technical drawing, please specify position when ordering.
54	A selection of units come with an access panel by default when equipped with a system. However, if the unit is only equipped with chromatherapy, the access panel will not be provided by default.



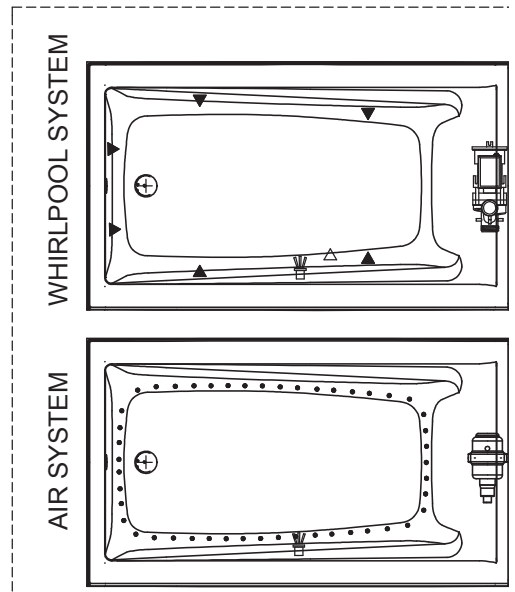
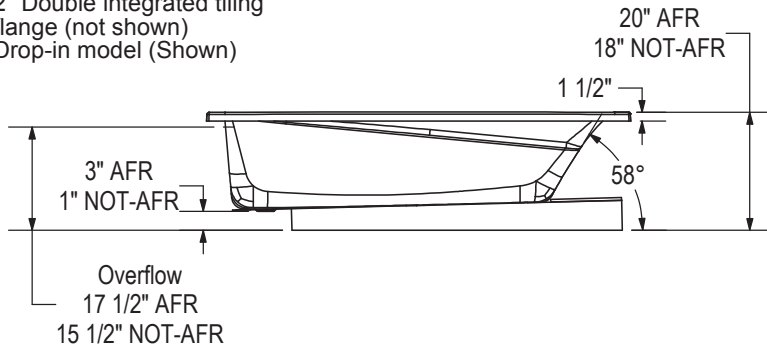
IFS Without System
Single tiling flange



IFS With System
(access panel)
Single tiling flange



1" Single integrated tiling flange (not shown)
2" Double integrated tiling flange (not shown)
Drop-in model (Shown)



- (▲) : Indicates whirlpool jets positioning
- (△) : Indicates suction positioning
- (●) : Indicates airjets positioning
- (◻) : Indicates chromatherapy light positioning

Technical drawing is universal for all Exhibit 7242 configurations.

Wood support design may vary.
Single Integrated tiling flange: 1" height x 1/4" thickness (not shown)
Double Integrated tiling flange: 2" height (not shown)

All dimensions are approximate.
Structure measurement must be verified against the unit to ensure proper fit.



Exhibit 7242 IFS

RECTANGULAR BATHTUBS - ACRYLIC



Material : Acrylic
 Min: 49 Gal / 223 L
 Max: 65 Gal / 295 L

Features

- › Rectangular shape bathtub in alcove installation
- › Available in Above-the-Floor Rough (AFR) or not
- › Minimalist look with discreet armrests and textured floor
- › Integrated tiling flange
- › When equipped with a system, the unit comes with an access panel

EXHIBIT 7242 IFS - 106187								
SKU	System	Color	Configuration	Dimensions & Weight	Packaging	MSRP		
106187-000-001-100	Soaker - No System	White	Left	71 7/8" x 42" x 18" / 98 lb / 44 kg	44 ft ³	\$ 2113		
106187-000-001-101			Right			\$ 2113		
106187-L-000-004		Bone	\$ 2113					
106187-L-000-007		Biscuit	\$ 2113					
106187-L-001-001	Whirlpool ^{1 4}	White	Left			\$ 3756		
106187-L-001-004		Bone				\$ 3756		
106187-L-001-007		Biscuit				\$ 3756		
106187-L-096-001	Combined Whirlpool & Aeroeffect ^{1 3}	White				Right	\$ 6081	
106187-L-096-004		Bone					\$ 6081	
106187-L-096-007		Biscuit					\$ 6081	
106187-L-103-001	Aeroeffect ^{1 2 5}	White					Right	\$ 4885
106187-L-103-004		Bone						\$ 4885
106187-L-103-007		Biscuit		\$ 4885				
106187-R-000-004	Soaker - No System	Bone		Right	\$ 2113			
106187-R-000-007		Biscuit			\$ 2113			
106187-R-001-001	Whirlpool ^{1 4}	White			Right			\$ 3756
106187-R-001-004		Bone	\$ 3756					
106187-R-001-007		Biscuit	\$ 3756					
106187-R-096-001	Combined Whirlpool & Aeroeffect ^{1 3}	White	Right					\$ 6081
106187-R-096-004		Bone				\$ 6081		

EXHIBIT 7242 IFS - 106187

SKU	System	Color	Configuration	Dimensions & Weight	Packaging	MSRP
106187-R-096-007	Combined Whirlpool & Aeroeffect ^{1 3}	Biscuit	Right	71 7/8" x 42" x 18" / 98 lb / 44 kg	44 ft ³	\$ 6081
106187-R-103-001	Aeroeffect ^{1 2 5}	White				\$ 4885
106187-R-103-004		Bone				\$ 4885
106187-R-103-007		Biscuit				\$ 4885

EXHIBIT 7242 IFS AFR - 106188

SKU	System	Color	Configuration	Dimensions & Weight	Packaging	MSRP	
106188-000-001-102	Soaker - No System	White	Left	71 7/8" x 42" x 20" / 98 lb / 44 kg	44 ft ³	\$ 2113	
106188-000-001-103			Right			\$ 2113	
106188-001-001-100	Whirlpool ^{1 4}		Left			\$ 3756	
106188-001-001-101			Right			\$ 3756	
106188-L-000-004	Soaker - No System	Bone	Left			\$ 2113	
106188-L-000-007		Biscuit				\$ 2113	
106188-L-001-004	Whirlpool ^{1 4}	Bone				\$ 3756	
106188-L-001-007		Biscuit				\$ 3756	
106188-L-096-001	Combined Whirlpool & Aeroeffect ^{1 3}	White				\$ 6081	
106188-L-096-004		Bone				\$ 6081	
106188-L-096-007		Biscuit				\$ 6081	
106188-L-103-001	Aeroeffect ^{1 2 5}	White				\$ 4885	
106188-L-103-004		Bone				\$ 4885	
106188-L-103-007		Biscuit				\$ 4885	
106188-R-000-004	Soaker - No System	Bone				Right	\$ 2113
106188-R-000-007		Biscuit					\$ 2113
106188-R-001-004	Whirlpool ^{1 4}	Bone		\$ 3756			
106188-R-001-007		Biscuit		\$ 3756			
106188-R-096-001	Combined Whirlpool & Aeroeffect ^{1 3}	White		\$ 6081			
106188-R-096-004		Bone		\$ 6081			
106188-R-096-007		Biscuit	\$ 6081				
106188-R-103-001	Aeroeffect ^{1 2 5}	White	\$ 4885				
106188-R-103-004		Bone	\$ 4885				
106188-R-103-007		Biscuit	\$ 4885				

COMMON OPTIONS

SKU	Description	MSRP
OPT20029-105	Metal trim kit for air push control (factory installed)	\$ 74
OPT20029-084	Available colors: Chrome (084) and Brushed Nickel (105)	\$ 74
OPT20137-004	Cable-operated waste and overflow (16 in. to 22 in.) (included in product packaging when purchased) Available colors: White (001), Bone (004), Chrome (084) and Brushed Nickel (105)	\$ 332

COMMON OPTIONS

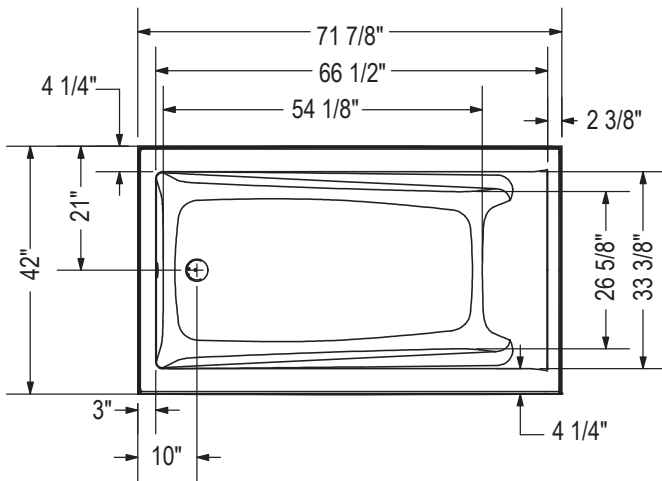
SKU	Description	MSRP
OPT20137-084		\$ 332
OPT20137-105	Cable-operated waste and overflow (16 in. to 22 in.) (included in product packaging when purchased) Available colors: White (001), Bone (004), Chrome (084) and Brushed Nickel (105)	\$ 332
OPT20137-001		\$ 332
OPT10019	Removable access panel	\$ 385
OPT10053	One chromatherapy light (factory installed) ⁵⁴	\$ 725
OPT10095	Water heater assembly for whirlpool and combined systems (factory installed)	\$ 950
OPT10106-084	Metal trim kit for whirlpool and combined systems (factory installed) Available colors: Chrome (084) and Brushed Nickel (105)	\$ 669
OPT10106-105		\$ 669

ACCESSORIES

SKU	Description	MSRP
10006923	Flexible main hose (9 ft. extension) for air push control air massage - Kit (sold separately)	\$ 191
10004306-001	White foam cushion with 2 suction pads (sold separately) Available color: White (001)	\$ 126
10028641-084	Metal trim kit for Whirlpool and combined systems (sold separately) Available colors: Chrome (084) and Brushed Nickel (105)	\$ 669
10028641-105		\$ 669
10034250-084	Metal trim kit for Aeroeffect with Air Push Control (sold separately) Available colors: Chrome (084) and Brushed Nickel (105)	\$ 74
10034250-105		\$ 74
10022491-084		\$ 332
10022491-004	Cable-operated waste and overflow (16 in. to 22 in.) (sold separately) Available colors: White (001), Bone (004), Chrome (084) and Brushed Nickel (105)	\$ 332
10022491-105		\$ 332
10022491-001		\$ 332

FOOTNOTES

No	Description
1	Components for standard colour units equipped with systems are colour-coordinated. Trim kit and/or air push with metallic finish can be added (additional charge applies). For non-standard colour units, please specify trim kit and/or air push colour (additional charge applies for metallic finishes). Please note that the positioning of the system's control could be in conflict with the door if one was installed on the unit. To insure compatibility, please contact customer service.
2	Please order flexible main hose 10006923 for installation of the blower further than 3 ft from the bathtub. For the Tandem models and the Serenade models (freestanding and drop-in), the blower is always remote and not factory installed so a 9 ft flexible main hose is included. Please note that the positioning of the system's control could be in conflict with the door if one was installed on the unit. To insure compatibility, please contact customer service.
3	The blower is not factory installed (remote). 9 ft flexible main hose included. Please note that the positioning of the system's control could be in conflict with the door if one was installed on the unit. To insure compatibility, please contact customer service.
4	For details on pump position and requirements, see technical drawings on https://www.maax.com . When there is a pump position A or B indicated on the technical drawing, please specify position when ordering.
5	For details on blower position and requirements, see technical drawings on https://www.maax.com . When there is a blower position A or B indicated on the technical drawing, please specify position when ordering.
54	A selection of units come with an access panel by default when equipped with a system. However, if the unit is only equipped with chromatherapy, the access panel will not be provided by default.



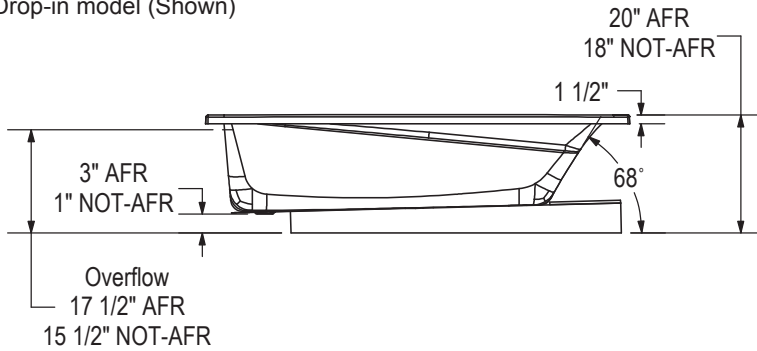
IFS Without System
Single tiling flange



IFS With System
(access panel)
Single tiling flange



1" Single integrated tiling flange (not shown)
Drop-in model (Shown)

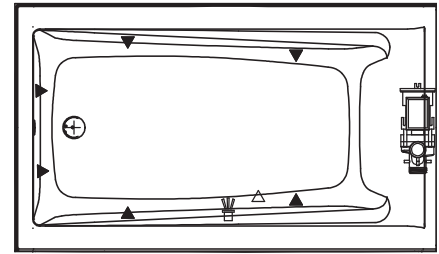


Technical drawing is universal for all Exhibit 7242 configurations.

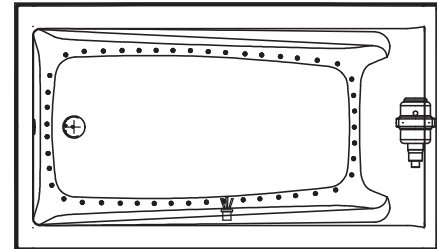
Wood support design may vary.
Single Integrated tiling flange: 1" height x 1/4" thickness (not shown)

All dimensions are approximate.
Structure measurement must be verified against the unit to ensure proper fit.

WHIRLPOOL SYSTEM



AIR SYSTEM



- (▲) : Indicates whirlpool jets positioning
- (△) : Indicates suction positioning
- (●) : Indicates airjets positioning
- (◻) : Indicates chromotherapy light positioning



Exhibit 7242 IFS DTF

RECTANGULAR BATHTUBS - ACRYLIC



Material : Acrylic
 Min: 49 Gal / 223 L
 Max: 65 Gal / 295 L

Features

- › Rectangular shape bathtub in alcove installation
- › Available in Above-the-Floor Rough (AFR) or not
- › Minimalist look with discreet armrests and textured floor
- › Integrated tiling flange
- › When equipped with a system, the unit comes with an access panel

EXHIBIT 7242 IFS DTF - 106246								
SKU	System	Color	Configuration	Dimensions & Weight	Packaging	MSRP		
106246-000-001-106	Soaker - No System	White	Left	71 7/8" x 42" x 18" / 98 lb / 44 kg	44 ft ³	\$ 2113		
106246-000-001-107			Right			\$ 2113		
106246-L-000-004		Bone	\$ 2113					
106246-L-000-007		Biscuit	\$ 2113					
106246-L-001-001	Whirlpool ^{1 4}	White	Left			\$ 3756		
106246-L-001-004		Bone				\$ 3756		
106246-L-001-007		Biscuit				\$ 3756		
106246-L-096-001	Combined Whirlpool & Aeroeffect ^{1 3}	White				Right	\$ 6081	
106246-L-096-004		Bone					\$ 6081	
106246-L-096-007		Biscuit					\$ 6081	
106246-L-103-001	Aeroeffect ^{1 2 5}	White					Right	\$ 4885
106246-L-103-004		Bone						\$ 4885
106246-L-103-007		Biscuit		\$ 4885				
106246-R-000-004	Soaker - No System	Bone		Right	\$ 2113			
106246-R-000-007		Biscuit			\$ 2113			
106246-R-001-001	Whirlpool ^{1 4}	White			Right			\$ 3756
106246-R-001-004		Bone	\$ 3756					
106246-R-001-007		Biscuit	\$ 3756					
106246-R-096-001	Combined Whirlpool & Aeroeffect ^{1 3}	White	Right					\$ 6081
106246-R-096-004		Bone				\$ 6081		

EXHIBIT 7242 IFS DTF - 106246

SKU	System	Color	Configuration	Dimensions & Weight	Packaging	MSRP
106246-R-096-007	Combined Whirlpool & Aeroeffect ^{1 3}	Biscuit	Right	71 7/8" x 42" x 18" / 98 lb / 44 kg	44 ft ³	\$ 6081
106246-R-103-001	Aeroeffect ^{1 2 5}	White				\$ 4885
106246-R-103-004		Bone				\$ 4885
106246-R-103-007		Biscuit				\$ 4885

EXHIBIT 7242 IFS AFR DTF - 106247

SKU	System	Color	Configuration	Dimensions & Weight	Packaging	MSRP	
106247-000-001-108	Soaker - No System	White	Left	71 7/8" x 42" x 20" / 98 lb / 44 kg	44 ft ³	\$ 2113	
106247-000-001-109			Right			\$ 2113	
106247-L-000-004		Bone	\$ 2113				
106247-L-000-007		Biscuit	\$ 2113				
106247-L-001-001	Whirlpool ^{1 4}	White	Left			\$ 3756	
106247-L-001-004		Bone				\$ 3756	
106247-L-001-007		Biscuit				\$ 3756	
106247-L-096-001	Combined Whirlpool & Aeroeffect ^{1 3}	White				\$ 6081	
106247-L-096-004		Bone				\$ 6081	
106247-L-096-007		Biscuit				\$ 6081	
106247-L-103-001	Aeroeffect ^{1 2 5}	White				\$ 4885	
106247-L-103-004		Bone				\$ 4885	
106247-L-103-007		Biscuit				\$ 4885	
106247-R-000-004	Soaker - No System	Bone				Right	\$ 2113
106247-R-000-007		Biscuit					\$ 2113
106247-R-001-001	Whirlpool ^{1 4}	White					\$ 3756
106247-R-001-004		Bone	\$ 3756				
106247-R-001-007		Biscuit	\$ 3756				
106247-R-096-001	Combined Whirlpool & Aeroeffect ^{1 3}	White	\$ 6081				
106247-R-096-004		Bone	\$ 6081				
106247-R-096-007		Biscuit	\$ 6081				
106247-R-103-001	Aeroeffect ^{1 2 5}	White	\$ 4885				
106247-R-103-004		Bone	\$ 4885				
106247-R-103-007		Biscuit	\$ 4885				

COMMON OPTIONS

SKU	Description	MSRP
OPT20029-105	Metal trim kit for air push control (factory installed)	\$ 74
OPT20029-084	Available colors: Chrome (084) and Brushed Nickel (105)	\$ 74
OPT20137-004	Cable-operated waste and overflow (16 in. to 22 in.) (included in product packaging when purchased) Available colors: White (001), Bone (004), Chrome (084) and Brushed Nickel (105)	\$ 332

COMMON OPTIONS

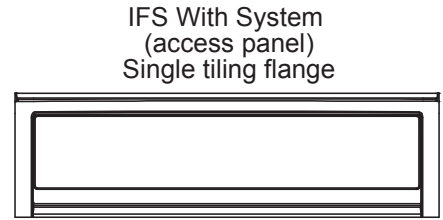
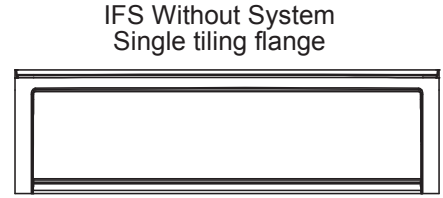
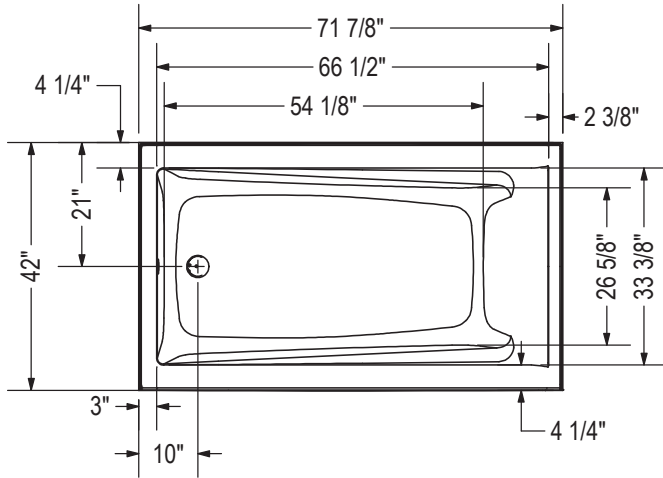
SKU	Description	MSRP
OPT20137-084		\$ 332
OPT20137-105	Cable-operated waste and overflow (16 in. to 22 in.) (included in product packaging when purchased) Available colors: White (001), Bone (004), Chrome (084) and Brushed Nickel (105)	\$ 332
OPT20137-001		\$ 332
OPT10019	Removable access panel	\$ 385
OPT10053	One chromatherapy light (factory installed) ⁵⁴	\$ 725
OPT10095	Water heater assembly for whirlpool and combined systems (factory installed)	\$ 950
OPT10106-084	Metal trim kit for whirlpool and combined systems (factory installed) Available colors: Chrome (084) and Brushed Nickel (105)	\$ 669
OPT10106-105		\$ 669

ACCESSORIES

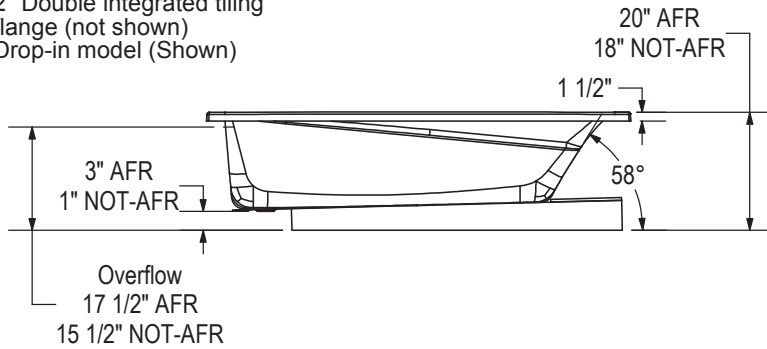
SKU	Description	MSRP
10006923	Flexible main hose (9 ft. extension) for air push control air massage - Kit (sold separately)	\$ 191
10004306-001	White foam cushion with 2 suction pads (sold separately) Available color: White (001)	\$ 126
10028641-084	Metal trim kit for Whirlpool and combined systems (sold separately) Available colors: Chrome (084) and Brushed Nickel (105)	\$ 669
10028641-105		\$ 669
10034250-084	Metal trim kit for Aeroeffect with Air Push Control (sold separately) Available colors: Chrome (084) and Brushed Nickel (105)	\$ 74
10034250-105		\$ 74
10022491-084		\$ 332
10022491-004	Cable-operated waste and overflow (16 in. to 22 in.) (sold separately) Available colors: White (001), Bone (004), Chrome (084) and Brushed Nickel (105)	\$ 332
10022491-105		\$ 332
10022491-001		\$ 332

FOOTNOTES

No	Description
54	A selection of units come with an access panel by default when equipped with a system. However, if the unit is only equipped with chromatherapy, the access panel will not be provided by default.



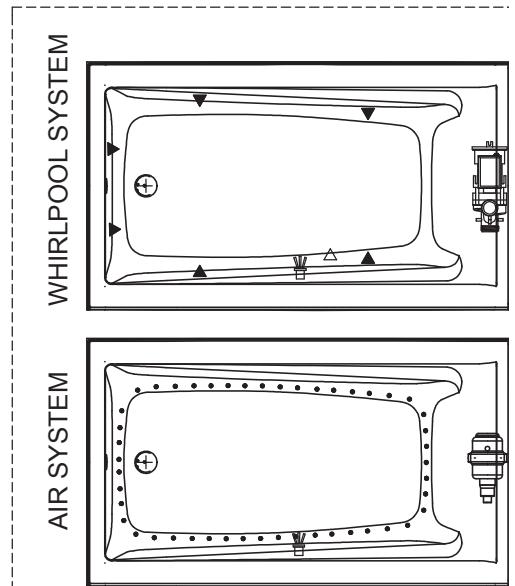
1" Single integrated tiling flange (not shown)
2" Double integrated tiling flange (not shown)
Drop-in model (Shown)



Technical drawing is universal for all Exhibit 7242 configurations.

Wood support design may vary.
Single Integrated tiling flange: 1" height x 1/4" thickness (not shown)
Double Integrated tiling flange: 2" height (not shown)

All dimensions are approximate.
Structure measurement must be verified against the unit to ensure proper fit.



- (▲) : Indicates whirlpool jets positioning
- (△) : Indicates suction positioning
- (●) : Indicates airjets positioning
- (☒) : Indicates chromatherapy light positioning



Pose 6030 - Corner left

RECTANGULAR BATHTUBS - ACRYLIC



Material : Acrylic
 Min: 33 Gal / 150 L
 Max: 41 Gal / 186 L

Features

- › Rectangular shape bathtub with choices of two deck heights (3/8 or 2 in.) Please specify when ordering.
- › Integrated flange (IF) for corner installation
- › Textured floor
- › Ample deck space for faucet installation
- › Right or left drain available

POSE 6030 IF - 106199								
SKU	System	Color	Configuration	Dimensions & Weight	Packaging	MSRP		
106199-000-001-105	Soaker - No System	White	Left	59 5/8" x 29 7/8" x 21 5/8" / 57 lb / 26 kg	26 ft ³	\$ 1214		
106199-000-001-106			Right			\$ 1214		
106199-L-000-004		Bone	\$ 1214					
106199-L-000-007		Biscuit	\$ 1214					
106199-L-001-001	Whirlpool ^{1 4}	White	Left			\$ 2857		
106199-L-001-004		Bone				\$ 2857		
106199-L-001-007		Biscuit				\$ 2857		
106199-L-096-001	Combined Whirlpool & Aeroeffect ^{1 3}	White				Right	\$ 5182	
106199-L-096-004		Bone					\$ 5182	
106199-L-096-007		Biscuit					\$ 5182	
106199-L-103-001	Aeroeffect ^{1 2 5}	White					Right	\$ 3986
106199-L-103-004		Bone						\$ 3986
106199-L-103-007		Biscuit		\$ 3986				
106199-R-000-004	Soaker - No System	Bone		Right	\$ 1214			
106199-R-000-007		Biscuit			\$ 1214			
106199-R-001-001	Whirlpool ^{1 4}	White			\$ 2857			
106199-R-001-004		Bone	\$ 2857					
106199-R-001-007		Biscuit	\$ 2857					
106199-R-096-001	Combined Whirlpool & Aeroeffect ^{1 3}	White	\$ 5182					
106199-R-096-004		Bone	\$ 5182					

POSE 6030 IF - 106199

SKU	System	Color	Configuration	Dimensions & Weight	Packaging	MSRP
106199-R-096-007	Combined Whirlpool & Aeroeffect ^{1 3}	Biscuit	Right	59 5/8" x 29 7/8" x 21 5/8" / 57 lb / 26 kg	26 ft ³	\$ 5182
106199-R-103-001	Aeroeffect ^{1 2 5}	White				\$ 3986
106199-R-103-004		Bone				\$ 3986
106199-R-103-007		Biscuit				\$ 3986

POSE 6030 IF - 106200

SKU	System	Color	Configuration	Dimensions & Weight	Packaging	MSRP	
106200-000-001-107	Soaker - No System	White	Left	59 5/8" x 29 7/8" x 21 5/8" / 57 lb / 26 kg	26 ft ³	\$ 1214	
106200-000-001-108			Right			\$ 1214	
106200-L-000-004		Bone	\$ 1214				
106200-L-000-007	Biscuit	\$ 1214					
106200-L-001-001	Whirlpool ^{1 4}	White	Left			\$ 2857	
106200-L-001-004		Bone				\$ 2857	
106200-L-001-007		Biscuit				\$ 2857	
106200-L-096-001	Combined Whirlpool & Aeroeffect ^{1 3}	White				\$ 5182	
106200-L-096-004		Bone				\$ 5182	
106200-L-096-007		Biscuit				\$ 5182	
106200-L-103-001	Aeroeffect ^{1 2 5}	White				\$ 3986	
106200-L-103-004		Bone				\$ 3986	
106200-L-103-007		Biscuit				\$ 3986	
106200-R-000-004	Soaker - No System	Bone				Right	\$ 1214
106200-R-000-007		Biscuit					\$ 1214
106200-R-001-001	Whirlpool ^{1 4}	White					\$ 2857
106200-R-001-004		Bone		\$ 2857			
106200-R-001-007		Biscuit		\$ 2857			
106200-R-096-001	Combined Whirlpool & Aeroeffect ^{1 3}	White		\$ 5182			
106200-R-096-004		Bone		\$ 5182			
106200-R-096-007		Biscuit	\$ 5182				
106200-R-103-001	Aeroeffect ^{1 2 5}	White	\$ 3986				
106200-R-103-004		Bone	\$ 3986				
106200-R-103-007		Biscuit	\$ 3986				

COMMON OPTIONS

SKU	Description	MSRP
OPT10106-084	Metal trim kit for whirlpool and combined systems (factory installed)	\$ 669
OPT10106-105	Available colors: Chrome (084) and Brushed Nickel (105)	\$ 669
OPT10260-084	Two 6-in. acrylic grab bars (factory installed) ⁸ Available colors: White (001), Bone (004), Biscuit (007), Chrome (084) and Brushed Nickel (105)	\$ 359

COMMON OPTIONS

SKU	Description	MSRP
OPT10260-007	Two 6-in. acrylic grab bars (factory installed) ⁸ Available colors: White (001), Bone (004), Biscuit (007), Chrome (084) and Brushed Nickel (105)	\$ 359
OPT10260-004		\$ 359
OPT10260-105		\$ 359
OPT10260-001		\$ 359
OPT20029-105	Metal trim kit for air push control (factory installed) Available colors: Chrome (084) and Brushed Nickel (105)	\$ 74
OPT20029-084		\$ 74
OPT20137-004	Cable-operated waste and overflow (16 in. to 22 in.) (included in product packaging when purchased) Available colors: White (001), Bone (004), Chrome (084) and Brushed Nickel (105)	\$ 332
OPT20137-084		\$ 332
OPT20137-105		\$ 332
OPT20137-001		\$ 332
OPT20205	Lite option 3/8 in. thin deck ⁶ When chosen, this option is offered at no cost	\$ 0
OPT10053	One chromatherapy light (factory installed) ⁵⁴	\$ 725
OPT10095	Water heater assembly for whirlpool and combined systems (factory installed)	\$ 950

ACCESSORIES

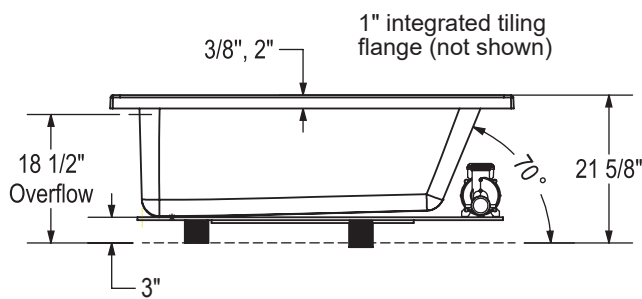
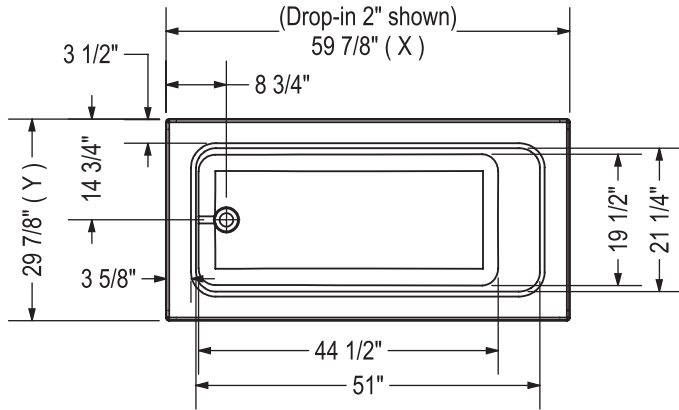
SKU	Description	MSRP
10006923	Flexible main hose (9 ft. extension) for air push control air massage - Kit (sold separately)	\$ 191
10004306-001	White foam cushion with 2 suction pads (sold separately) Available color: White (001)	\$ 126
10028641-084	Metal trim kit for Whirlpool and combined systems (sold separately) Available colors: Chrome (084) and Brushed Nickel (105)	\$ 669
10028641-105		\$ 669
10034250-084	Metal trim kit for Aeroeffect with Air Push Control (sold separately) Available colors: Chrome (084) and Brushed Nickel (105)	\$ 74
10034250-105		\$ 74
10022491-084	Cable-operated waste and overflow (16 in. to 22 in.) (sold separately) Available colors: White (001), Bone (004), Chrome (084) and Brushed Nickel (105)	\$ 332
10022491-004		\$ 332
10022491-105		\$ 332
10022491-001		\$ 332

FOOTNOTES

No	Description
1	Components for standard colour units equipped with systems are colour-coordinated. Trim kit and/or air push with metallic finish can be added (additional charge applies). For non-standard colour units, please specify trim kit and/or air push colour (additional charge applies for metallic finishes). Please note that the positioning of the system's control could be in conflict with the door if one was installed on the unit. To insure compatibility, please contact customer service.
2	Please order flexible main hose 10006923 for installation of the blower further than 3 ft from the bathtub. For the Tandem models and the Serenade models (freestanding and drop-in), the blower is always remote and not factory installed so a 9 ft flexible main hose is included. Please note that the positioning of the system's control could be in conflict with the door if one was installed on the unit. To insure compatibility, please contact customer service.
3	The blower is not factory installed (remote). 9 ft flexible main hose included. Please note that the positioning of the system's control could be in conflict with the door if one was installed on the unit. To insure compatibility, please contact customer service.
4	For details on pump position and requirements, see technical drawings on https://www.maax.com . When there is a pump position A or B indicated on the technical drawing, please specify position when ordering.

FOOTNOTES

No	Description
5	For details on blower position and requirements, see technical drawings on https://www.maax.com . When there is a blower position A or B indicated on the technical drawing, please specify position when ordering.
6	Specify 3/8 (Lite option) or 2 in. on deck height. If ordering unit with an apron, only 2 in. deck height is available.
8	Two 6 in. or 12 in. metal or acrylic grab bars are optional. Factory installed, only one positioning is possible (see technical drawings on https://www.maax.com).
54	A selection of units come with an access panel by default when equipped with a system. However, if the unit is only equipped with chromatherapy, the access panel will not be provided by default.



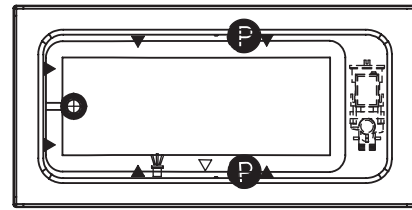
	DROP IN 2"	DROP IN 3/8"	ALCOVE / CORNER
X	59 7/8"	59 3/4"	59 5/8"
Y	29 7/8"	29 3/4"	29 7/8"

Technical drawing is universal for all 6030 configurations. External dimension (X,Y) vary depending on configuration (see chart)

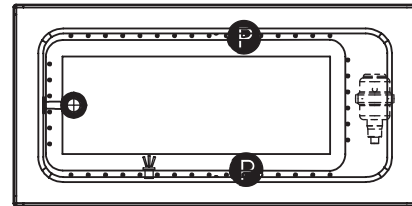
Wood support design may vary.
 Integrated tiling flange: 1" height X 1/4" thickness (not shown)
 Tiling flange position is determined by chosen configuration.

All dimensions are approximate.
 Structure measurement must be verified against the unit to ensure proper fit.

WHIRLPOOL SYSTEM

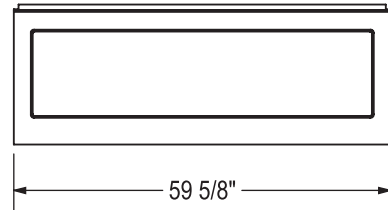


AIR SYSTEM



- (⊕) : Indicates optional grab bar positioning
- (▲) : Indicates whirlpool jets positioning
- (●) : Indicates Aerofeel airjets positioning
- (△) : Indicates suction positioning
- (☼) : Indicates chromatherapy light positioning

APRON (alcove version only)





Pose 6030 IF



Material : Acrylic
 Min: 26 Gal / 118 L
 Max: 43 Gal / 195 L

Features

- › Rectangular shape bathtub with choices of two deck heights (3/8 or 2 in.) Please specify when ordering
- › Drop-in or undermount ¹⁰ installation; model also available with integrated flange (IF) for alcove installation
- › Textured floor
- › Ample deck space for faucet installation
- › Skirt with or without access panel available

RECTANGULAR BATHTUBS - ACRYLIC

POSE 6030 - 101456						
SKU	System	Color	Configuration	Dimensions & Weight	Packaging	MSRP
101456-000-001-100	Soaker - No System	White	End	59 7/8" x 29 7/8" x 21 5/8" / 57 lb / 26 kg	26 ft ³	\$ 1214
101456-000-004		Bone				\$ 1214
101456-000-007		Biscuit				\$ 1214
101456-001-001-100	Whirlpool ^{1 4}	White				\$ 2857
101456-001-004		Bone				\$ 2857
101456-001-007		Biscuit				\$ 2857
101456-002-001-100	Multi-Pack ⁹	White				\$ 6546
101456-002-004-100		Bone				\$ 6546
101456-002-007-100		Biscuit				\$ 6546
101456-096-001-100	Combined Whirlpool & Aeroeffect ^{1 3}	White				\$ 5182
101456-096-004		Bone				\$ 5182
101456-096-007		Biscuit				\$ 5182
101456-103-001-100	Aeroeffect ^{1 2 5}	White	\$ 3986			
101456-103-004		Bone	\$ 3986			
101456-103-007		Biscuit	\$ 3986			

POSE 6030 IF - 106198						
SKU	System	Color	Configuration	Dimensions & Weight	Packaging	MSRP
106198-000-001-103	Soaker - No System	White	Left	59 5/8" x 29 7/8" x 21 5/8" / 57 lb / 26 kg	26 ft ³	\$ 1214

RECTANGULAR BATHTUBS - ACRYLIC

POSE 6030 IF - 106198

SKU	System	Color	Configuration	Dimensions & Weight	Packaging	MSRP	
106198-000-001-104	Soaker - No System	White	Right	59 5/8" x 29 7/8" x 21 5/8" / 57 lb / 26 kg	26 ft ³	\$ 1214	
106198-002-001-101			Left			\$ 6546	
106198-002-001-102	Right		\$ 6546				
106198-002-004-101	Multi-Pack ⁹		Bone			Left	\$ 6546
106198-002-004-102						Right	\$ 6546
106198-002-007-101	Biscuit		Left			\$ 6546	
106198-002-007-102		Right	\$ 6546				
106198-L-000-004	Soaker - No System	Bone	Left			\$ 1214	
106198-L-000-007		Biscuit				\$ 1214	
106198-L-001-001	Whirlpool ^{1 4}	White				\$ 2857	
106198-L-001-004		Bone				\$ 2857	
106198-L-001-007		Biscuit				\$ 2857	
106198-L-096-001	Combined Whirlpool & Aeroeffect ^{1 3}	White				\$ 5182	
106198-L-096-004		Bone				\$ 5182	
106198-L-096-007		Biscuit				\$ 5182	
106198-L-103-001	Aeroeffect ^{1 2 5}	White				\$ 3986	
106198-L-103-004		Bone				\$ 3986	
106198-L-103-007		Biscuit				\$ 3986	
106198-R-000-004	Soaker - No System	Bone				Right	\$ 1214
106198-R-000-007		Biscuit					\$ 1214
106198-R-001-001	Whirlpool ^{1 4}	White					\$ 2857
106198-R-001-004		Bone					\$ 2857
106198-R-001-007		Biscuit					\$ 2857
106198-R-096-001	Combined Whirlpool & Aeroeffect ^{1 3}	White					\$ 5182
106198-R-096-004		Bone					\$ 5182
106198-R-096-007		Biscuit					\$ 5182
106198-R-103-001	Aeroeffect ^{1 2 5}	White		\$ 3986			
106198-R-103-004		Bone		\$ 3986			
106198-R-103-007		Biscuit		\$ 3986			

COMMON OPTIONS

SKU	Description	MSRP
OPT10260-084	Two 6-in. acrylic grab bars (factory installed) ⁸ Available colors: White (001), Bone (004), Biscuit (007), Chrome (084) and Brushed Nickel (105)	\$ 359
OPT10260-007		\$ 359
OPT10260-004		\$ 359
OPT10260-105		\$ 359
OPT10260-001		\$ 359
OPT20029-105	Metal trim kit for air push control (factory installed) Available colors: Chrome (084) and Brushed Nickel (105)	\$ 74

COMMON OPTIONS

SKU	Description	MSRP
OPT20029-084	Metal trim kit for air push control (factory installed) Available colors: Chrome (084) and Brushed Nickel (105)	\$ 74
OPT20137-004	Cable-operated waste and overflow (16 in. to 22 in.) (included in product packaging when purchased) Available colors: White (001), Bone (004), Chrome (084) and Brushed Nickel (105)	\$ 332
OPT20137-084		\$ 332
OPT20137-105		\$ 332
OPT20137-001		\$ 332
OPT10053	One chromatherapy light (factory installed) ⁵⁴	\$ 725
OPT10095	Water heater assembly for whirlpool and combined systems (factory installed)	\$ 950
OPT10106-084	Metal trim kit for whirlpool and combined systems (factory installed) Available colors: Chrome (084) and Brushed Nickel (105)	\$ 669
OPT10106-105		\$ 669
OPT20205	Lite option 3/8 in. thin deck ⁶ When chosen, this option is offered at no cost	\$ 0

ACCESSORIES

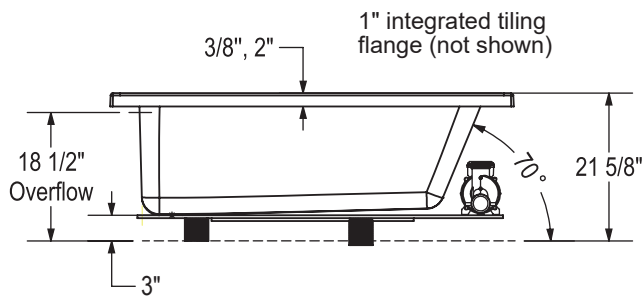
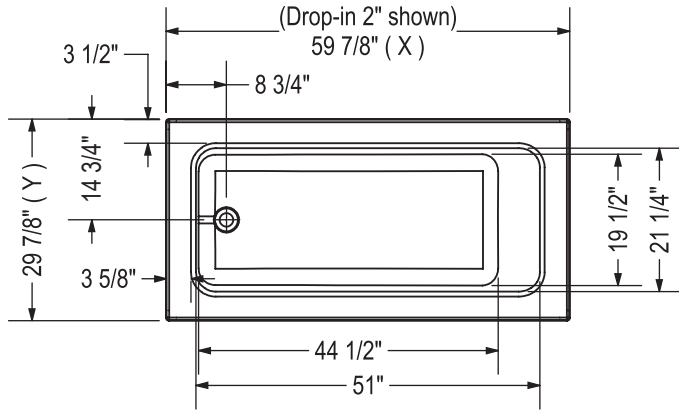
SKU	Description	MSRP
10006923	Flexible main hose (9 ft. extension) for air push control air massage - Kit (sold separately)	\$ 191
10004306-001	White foam cushion with 2 suction pads (sold separately) Available color: White (001)	\$ 126
10028641-084	Metal trim kit for Whirlpool and combined systems (sold separately) Available colors: Chrome (084) and Brushed Nickel (105)	\$ 669
10028641-105		\$ 669
10034250-084	Metal trim kit for Aeroeffect with Air Push Control (sold separately) Available colors: Chrome (084) and Brushed Nickel (105)	\$ 74
10034250-105		\$ 74
10022491-084	Cable-operated waste and overflow (16 in. to 22 in.) (sold separately) Available colors: White (001), Bone (004), Chrome (084) and Brushed Nickel (105)	\$ 332
10022491-004		\$ 332
10022491-105		\$ 332
10022491-001		\$ 332

FOOTNOTES

No	Description
1	Components for standard colour units equipped with systems are colour-coordinated. Trim kit and/or air push with metallic finish can be added (additional charge applies). For non-standard colour units, please specify trim kit and/or air push colour (additional charge applies for metallic finishes). Please note that the positioning of the system's control could be in conflict with the door if one was installed on the unit. To insure compatibility, please contact customer service.
2	Please order flexible main hose 10006923 for installation of the blower further than 3 ft from the bathtub. For the Tandem models and the Serenade models (freestanding and drop-in), the blower is always remote and not factory installed so a 9 ft flexible main hose is included. Please note that the positioning of the system's control could be in conflict with the door if one was installed on the unit. To insure compatibility, please contact customer service.
3	The blower is not factory installed (remote). 9 ft flexible main hose included. Please note that the positioning of the system's control could be in conflict with the door if one was installed on the unit. To insure compatibility, please contact customer service.
4	For details on pump position and requirements, see technical drawings on https://www.maax.com . When there is a pump position A or B indicated on the technical drawing, please specify position when ordering.
5	For details on blower position and requirements, see technical drawings on https://www.maax.com . When there is a blower position A or B indicated on the technical drawing, please specify position when ordering.
6	Specify 3/8 (Lite option) or 2 in. on deck height. If ordering unit with an apron, only 2 in. deck height is available.
8	Two 6 in. or 12 in. metal or acrylic grab bars are optional. Factory installed, only one positioning is possible (see technical drawings on https://www.maax.com).

FOOTNOTES

No	Description
10	Systems not available with units installed undermount.
54	A selection of units come with an access panel by default when equipped with a system. However, if the unit is only equipped with chromatherapy, the access panel will not be provided by default.

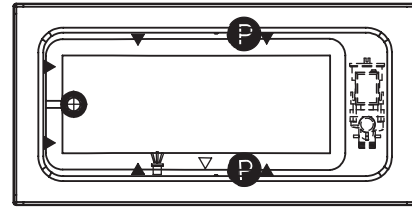


	DROP IN 2"	DROP IN 3/8"	ALCOVE / CORNER
X	59 7/8"	59 3/4"	59 5/8"
Y	29 7/8"	29 3/4"	29 7/8"

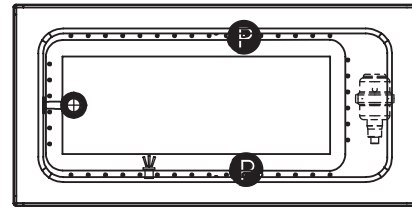
Wood support design may vary.
 Integrated tiling flange: 1" height X 1/4" thickness (not shown)
 Tiling flange position is determined by chosen configuration.

All dimensions are approximate.
 Structure measurement must be verified against the unit to ensure proper fit.

WHIRLPOOL SYSTEM

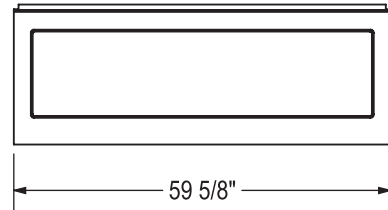


AIR SYSTEM



- (⊕) : Indicates optional grab bar positioning
- (▲) : Indicates whirlpool jets positioning
- (●) : Indicates Aerofeel airjets positioning
- (△) : Indicates suction positioning
- (☼) : Indicates chromatherapy light positioning

APRON (alcove version only)



Technical drawing is universal for all 6030 configurations.
 External dimension (X,Y) vary depending on configuration (see chart)



Pose 6032 - Corner left

RECTANGULAR BATHTUBS - ACRYLIC



Material : Acrylic
 Min: 38 Gal / 173 L
 Max: 53 Gal / 241 L

Features

- › Rectangular shape bathtub with choices of two deck heights (3/8 or 2 in.) Please specify when ordering.
- › Integrated flange (IF) for corner installation
- › Textured floor
- › Ample deck space for faucet installation
- › Right or left drain available

POSE 6032 IF - 106202								
SKU	System	Color	Configuration	Dimensions & Weight	Packaging	MSRP		
106202-000-001-113	Soaker - No System	White	Left	59 5/8" x 31 5/8" x 23 5/8" / 61 lb / 28 kg	32 ft ³	\$ 1294		
106202-000-001-114			Right			\$ 1294		
106202-L-000-004		Bone	\$ 1294					
106202-L-000-007		Biscuit	\$ 1294					
106202-L-001-001	Whirlpool ^{1 4}	White	Left			\$ 2937		
106202-L-001-004		Bone				\$ 2937		
106202-L-001-007		Biscuit				\$ 2937		
106202-L-096-001	Combined Whirlpool & Aeroeffect ^{1 3}	White				Right	\$ 5262	
106202-L-096-004		Bone					\$ 5262	
106202-L-096-007		Biscuit					\$ 5262	
106202-L-103-001	Aeroeffect ^{1 2 5}	White					Right	\$ 4066
106202-L-103-004		Bone						\$ 4066
106202-L-103-007		Biscuit		\$ 4066				
106202-R-000-004	Soaker - No System	Bone		Right	\$ 1294			
106202-R-000-007		Biscuit			\$ 1294			
106202-R-001-001	Whirlpool ^{1 4}	White			Right			\$ 2937
106202-R-001-004		Bone	\$ 2937					
106202-R-001-007		Biscuit	\$ 2937					
106202-R-096-001	Combined Whirlpool & Aeroeffect ^{1 3}	White	Right					\$ 5262
106202-R-096-004		Bone				\$ 5262		

POSE 6032 IF - 106202

SKU	System	Color	Configuration	Dimensions & Weight	Packaging	MSRP
106202-R-096-007	Combined Whirlpool & Aeroeffect ^{1 3}	Biscuit	Right	59 5/8" x 31 5/8" x 23 5/8" / 61 lb / 28 kg	32 ft ³	\$ 5262
106202-R-103-001	Aeroeffect ^{1 2 5}	White				\$ 4066
106202-R-103-004		Bone				\$ 4066
106202-R-103-007		Biscuit				\$ 4066

POSE 6032 IF - 106203

SKU	System	Color	Configuration	Dimensions & Weight	Packaging	MSRP	
106203-000-001-115	Soaker - No System	White	Left	59 5/8" x 31 5/8" x 23 5/8" / 61 lb / 28 kg	32 ft ³	\$ 1294	
106203-000-001-116			Right			\$ 1294	
106203-L-000-004		Bone	\$ 1294				
106203-L-000-007	Biscuit	\$ 1294					
106203-L-001-001	Whirlpool ^{1 4}	White	Left			\$ 2937	
106203-L-001-004		Bone				\$ 2937	
106203-L-001-007		Biscuit				\$ 2937	
106203-L-096-001	Combined Whirlpool & Aeroeffect ^{1 3}	White				\$ 5262	
106203-L-096-004		Bone				\$ 5262	
106203-L-096-007		Biscuit				\$ 5262	
106203-L-103-001	Aeroeffect ^{1 2 5}	White				Right	\$ 4066
106203-L-103-004		Bone					\$ 4066
106203-L-103-007		Biscuit					\$ 4066
106203-R-000-004	Soaker - No System	Bone					\$ 1294
106203-R-000-007		Biscuit					\$ 1294
106203-R-001-001	Whirlpool ^{1 4}	White					\$ 2937
106203-R-001-004		Bone		\$ 2937			
106203-R-001-007		Biscuit		\$ 2937			
106203-R-096-001	Combined Whirlpool & Aeroeffect ^{1 3}	White		\$ 5262			
106203-R-096-004		Bone		\$ 5262			
106203-R-096-007		Biscuit	\$ 5262				
106203-R-103-001	Aeroeffect ^{1 2 5}	White	Right	\$ 4066			
106203-R-103-004		Bone		\$ 4066			
106203-R-103-007		Biscuit		\$ 4066			

COMMON OPTIONS

SKU	Description	MSRP
OPT10106-084	Metal trim kit for whirlpool and combined systems (factory installed)	\$ 669
OPT10106-105	Available colors: Chrome (084) and Brushed Nickel (105)	\$ 669
OPT10260-084	Two 6-in. acrylic grab bars (factory installed) ⁸ Available colors: White (001), Bone (004), Biscuit (007), Chrome (084) and Brushed Nickel (105)	\$ 359

COMMON OPTIONS

SKU	Description	MSRP
OPT10260-007	Two 6-in. acrylic grab bars (factory installed) ⁸ Available colors: White (001), Bone (004), Biscuit (007), Chrome (084) and Brushed Nickel (105)	\$ 359
OPT10260-004		\$ 359
OPT10260-105		\$ 359
OPT10260-001		\$ 359
OPT20029-105	Metal trim kit for air push control (factory installed) Available colors: Chrome (084) and Brushed Nickel (105)	\$ 74
OPT20029-084		\$ 74
OPT20137-004	Cable-operated waste and overflow (16 in. to 22 in.) (included in product packaging when purchased) Available colors: White (001), Bone (004), Chrome (084) and Brushed Nickel (105)	\$ 332
OPT20137-084		\$ 332
OPT20137-105		\$ 332
OPT20137-001		\$ 332
OPT20205	Lite option 3/8 in. thin deck ⁶ When chosen, this option is offered at no cost	\$ 0
OPT10053	One chromatherapy light (factory installed) ⁵⁴	\$ 725
OPT10095	Water heater assembly for whirlpool and combined systems (factory installed)	\$ 950

ACCESSORIES

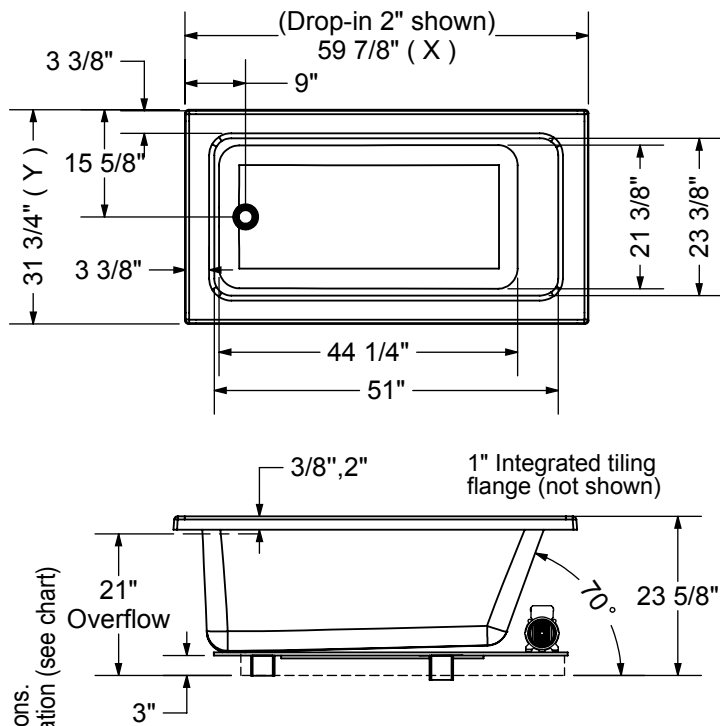
SKU	Description	MSRP
10006923	Flexible main hose (9 ft. extension) for air push control air massage - Kit (sold separately)	\$ 191
10004306-001	White foam cushion with 2 suction pads (sold separately) Available color: White (001)	\$ 126
10028641-084	Metal trim kit for Whirlpool and combined systems (sold separately) Available colors: Chrome (084) and Brushed Nickel (105)	\$ 669
10028641-105		\$ 669
10034250-084	Metal trim kit for Aeroeffect with Air Push Control (sold separately) Available colors: Chrome (084) and Brushed Nickel (105)	\$ 74
10034250-105		\$ 74
10022491-084	Cable-operated waste and overflow (16 in. to 22 in.) (sold separately) Available colors: White (001), Bone (004), Chrome (084) and Brushed Nickel (105)	\$ 332
10022491-004		\$ 332
10022491-105		\$ 332
10022491-001		\$ 332

FOOTNOTES

No	Description
1	Components for standard colour units equipped with systems are colour-coordinated. Trim kit and/or air push with metallic finish can be added (additional charge applies). For non-standard colour units, please specify trim kit and/or air push colour (additional charge applies for metallic finishes). Please note that the positioning of the system's control could be in conflict with the door if one was installed on the unit. To insure compatibility, please contact customer service.
2	Please order flexible main hose 10006923 for installation of the blower further than 3 ft from the bathtub. For the Tandem models and the Serenade models (freestanding and drop-in), the blower is always remote and not factory installed so a 9 ft flexible main hose is included. Please note that the positioning of the system's control could be in conflict with the door if one was installed on the unit. To insure compatibility, please contact customer service.
3	The blower is not factory installed (remote). 9 ft flexible main hose included. Please note that the positioning of the system's control could be in conflict with the door if one was installed on the unit. To insure compatibility, please contact customer service.
4	For details on pump position and requirements, see technical drawings on https://www.maax.com . When there is a pump position A or B indicated on the technical drawing, please specify position when ordering.

FOOTNOTES

No	Description
5	For details on blower position and requirements, see technical drawings on https://www.maax.com . When there is a blower position A or B indicated on the technical drawing, please specify position when ordering.
6	Specify 3/8 (Lite option) or 2 in. on deck height. If ordering unit with an apron, only 2 in. deck height is available.
8	Two 6 in. or 12 in. metal or acrylic grab bars are optional. Factory installed, only one positioning is possible (see technical drawings on https://www.maax.com).
54	A selection of units come with an access panel by default when equipped with a system. However, if the unit is only equipped with chromatherapy, the access panel will not be provided by default.



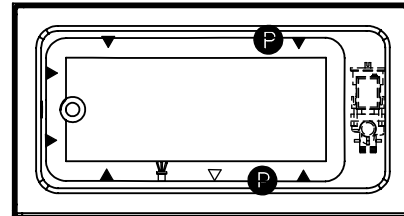
Technical drawing is universal for all 6032 configurations. External dimension (X,Y) vary depending on configuration (see chart)

	DROP IN 2"	DROP IN 3/8"	ALCOVE / CORNER
X	59 7/8"	59 3/4"	59 5/8"
Y	31 3/4"	31 5/8"	31 5/8"

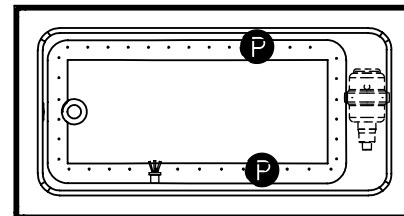
Wood support design may vary.
 Integrated tiling flange: 1" height X 1/4" thickness (not shown)
 Tiling flange position is determined by chosen configuration.

All dimensions are approximate.
 Structure measurement must be verified against the unit to ensure proper fit.

WHIRLPOOL SYSTEM

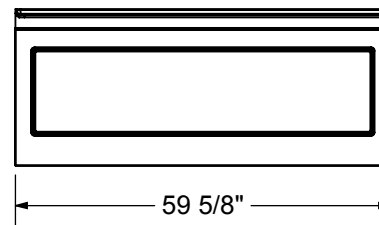


AIR SYSTEM



- (P) : Indicates optional grab bar positioning
- (▲) : Indicates whirlpool jets positioning
- (△) : Indicates suction positioning
- (●) : Indicates airjets positioning
- (☼) : Indicates chromotherapy light positioning

APRON (alcove version only)





Pose 6032 IF



Material : Acrylic
 Min: 35 Gal / 159 L
 Max: 53 Gal / 241 L

Features

- › Rectangular shape bathtub with choices of two deck heights (3/8 or 2 in.) Please specify when ordering
- › Drop-in or undermount ¹⁰ installation; model also available with integrated flange (IF) for alcove installation
- › Textured floor
- › Ample deck space for faucet installation
- › Skirt with or without access panel available

RECTANGULAR BATHTUBS - ACRYLIC

POSE 6032 - 101457

SKU	System	Color	Configuration	Dimensions & Weight	Packaging	MSRP
101457-000-001-100	Soaker - No System	White	End	59 7/8" x 31 3/4" x 23 5/8" / 61 lb / 28 kg	32 ft ³	\$ 1294
101457-000-004		Bone				\$ 1294
101457-000-007		Biscuit				\$ 1294
101457-001-001-100	Whirlpool ^{1 4}	White				\$ 2937
101457-001-004		Bone				\$ 2937
101457-001-007		Biscuit				\$ 2937
101457-002-001-100	Multi-Pack ⁹	White				\$ 6990
101457-002-004-100		Bone				\$ 6990
101457-002-007-100		Biscuit				\$ 6990
101457-096-001-100	Combined Whirlpool & Aeroeffect ^{1 3}	White				\$ 5262
101457-096-004		Bone				\$ 5262
101457-096-007		Biscuit				\$ 5262
101457-103-001-100	Aeroeffect ^{1 2 5}	White	\$ 4066			
101457-103-004		Bone	\$ 4066			
101457-103-007		Biscuit	\$ 4066			

POSE 6032 IF - 106201

SKU	System	Color	Configuration	Dimensions & Weight	Packaging	MSRP
106201-000-001-111	Soaker - No System	White	Left	59 5/8" x 31 5/8" x 23 5/8" / 61 lb / 28 kg	32 ft ³	\$ 1294

POSE 6032 IF - 106201

SKU	System	Color	Configuration	Dimensions & Weight	Packaging	MSRP	
106201-000-001-112	Soaker - No System	White	Right	59 5/8" x 31 5/8" x 23 5/8" / 61 lb / 28 kg	32 ft ³	\$ 1294	
106201-002-001-102	Multi-Pack ⁹		Left			\$ 6990	
106201-002-001-103			Right			\$ 6990	
106201-002-004-102			Bone			Left	\$ 6990
106201-002-004-103						Right	\$ 6990
106201-002-007-102			Biscuit			Left	\$ 6990
106201-002-007-103						Right	\$ 6990
106201-L-000-004		Soaker - No System	Bone			Left	\$ 1294
106201-L-000-007	Biscuit		\$ 1294				
106201-L-001-001	Whirlpool ^{1 4}	White	\$ 2937				
106201-L-001-004		Bone	\$ 2937				
106201-L-001-007		Biscuit	\$ 2937				
106201-L-096-001	Combined Whirlpool & Aeroeffect ^{1 3}	White	\$ 5262				
106201-L-096-004		Bone	\$ 5262				
106201-L-096-007		Biscuit	\$ 5262				
106201-L-103-001	Aeroeffect ^{1 2 5}	White	\$ 4066				
106201-L-103-004		Bone	\$ 4066				
106201-L-103-007		Biscuit	\$ 4066				
106201-R-000-004	Soaker - No System	Bone	Right				\$ 1294
106201-R-000-007		Biscuit					\$ 1294
106201-R-001-001	Whirlpool ^{1 4}	White					\$ 2937
106201-R-001-004		Bone					\$ 2937
106201-R-001-007		Biscuit					\$ 2937
106201-R-096-001	Combined Whirlpool & Aeroeffect ^{1 3}	White					\$ 5262
106201-R-096-004		Bone					\$ 5262
106201-R-096-007		Biscuit					\$ 5262
106201-R-103-001	Aeroeffect ^{1 2 5}	White					\$ 4066
106201-R-103-004		Bone					\$ 4066
106201-R-103-007		Biscuit		\$ 4066			

COMMON OPTIONS

SKU	Description	MSRP
OPT10095	Water heater assembly for whirlpool and combined systems (factory installed)	\$ 950
OPT10106-084	Metal trim kit for whirlpool and combined systems (factory installed) Available colors: Chrome (084) and Brushed Nickel (105)	\$ 669
OPT10106-105		\$ 669
OPT10260-084	Two 6-in. acrylic grab bars (factory installed) ⁸ Available colors: White (001), Bone (004), Biscuit (007), Chrome (084) and Brushed Nickel (105)	\$ 359
OPT10260-007		\$ 359
OPT10260-004		\$ 359

COMMON OPTIONS

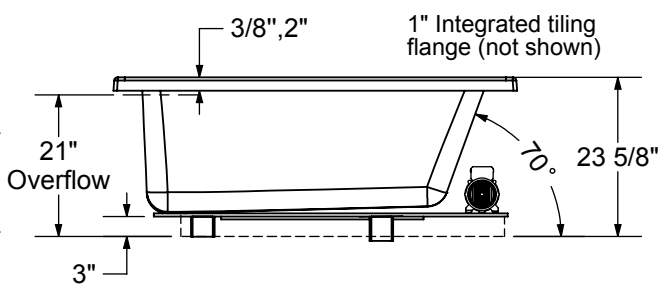
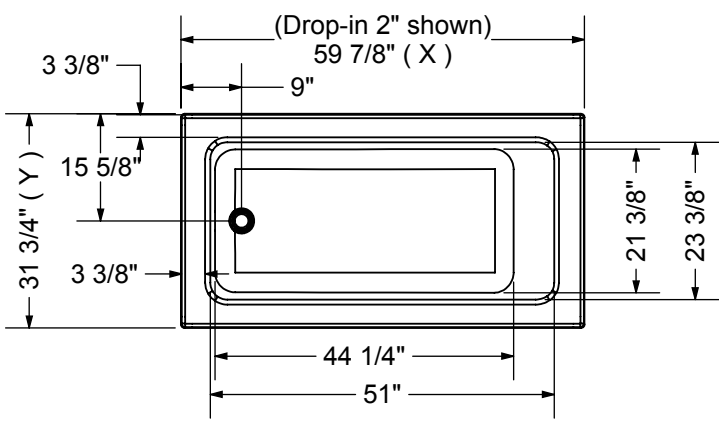
SKU	Description	MSRP
OPT10260-105	Two 6-in. acrylic grab bars (factory installed) ⁸	\$ 359
OPT10260-001	Available colors: White (001), Bone (004), Biscuit (007), Chrome (084) and Brushed Nickel (105)	\$ 359
OPT20029-105	Metal trim kit for air push control (factory installed)	\$ 74
OPT20029-084	Available colors: Chrome (084) and Brushed Nickel (105)	\$ 74
OPT20137-004	Cable-operated waste and overflow (16 in. to 22 in.) (included in product packaging when purchased) Available colors: White (001), Bone (004), Chrome (084) and Brushed Nickel (105)	\$ 332
OPT20137-084		\$ 332
OPT20137-105		\$ 332
OPT20137-001		\$ 332
OPT10053		One chromatherapy light (factory installed) ⁵⁴
101953-000-004	Acrylic apron without access panel. Specify: Standard colors: White (001), Bone (004), Biscuit (007)	\$ 450
101953-000-007		\$ 450
101953-000-001-100		\$ 450
101956-000-001-100	Acrylic apron with access panel. Specify: Standard colors: White (001), Bone (004), Biscuit (007)	\$ 534
101956-000-007		\$ 534
101956-000-004		\$ 534
OPT20205	Lite option 3/8 in. thin deck ⁶ When chosen, this option is offered at no cost	\$ 0

ACCESSORIES

SKU	Description	MSRP
10006923	Flexible main hose (9 ft. extension) for air push control air massage - Kit (sold separately)	\$ 191
10004306-001	White foam cushion with 2 suction pads (sold separately) Available color: White (001)	\$ 126
10028641-084	Metal trim kit for Whirlpool and combined systems (sold separately) Available colors: Chrome (084) and Brushed Nickel (105)	\$ 669
10028641-105		\$ 669
10034250-084	Metal trim kit for Aeroeffect with Air Push Control (sold separately) Available colors: Chrome (084) and Brushed Nickel (105)	\$ 74
10034250-105		\$ 74
10022491-084	Cable-operated waste and overflow (16 in. to 22 in.) (sold separately) Available colors: White (001), Bone (004), Chrome (084) and Brushed Nickel (105)	\$ 332
10022491-004		\$ 332
10022491-105		\$ 332
10022491-001		\$ 332

FOOTNOTES

No	Description
6	Specify 3/8 (Lite option) or 2 in. on deck height. If ordering unit with an apron, only 2 in. deck height is available.
8	Two 6 in. or 12 in. metal or acrylic grab bars are optional. Factory installed, only one positioning is possible (see technical drawings on https://www.maax.com).
10	Systems not available with units installed undermount.
54	A selection of units come with an access panel by default when equipped with a system. However, if the unit is only equipped with chromatherapy, the access panel will not be provided by default.



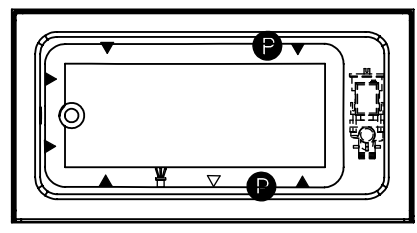
Technical drawing is universal for all 6032 configurations. External dimension (X, Y) vary depending on configuration (see chart)

	DROP IN 2"	DROP IN 3/8"	ALCOVE / CORNER
X	59 7/8"	59 3/4"	59 5/8"
Y	31 3/4"	31 5/8"	31 5/8"

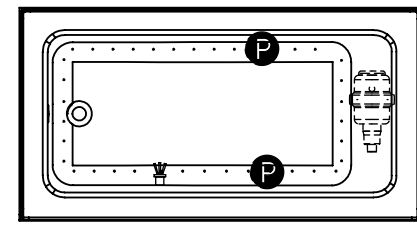
Wood support design may vary.
 Integrated tiling flange: 1" height X 1/4" thickness (not shown)
 Tiling flange position is determined by chosen configuration.

All dimensions are approximate.
 Structure measurement must be verified against the unit to ensure proper fit.

WHIRLPOOL SYSTEM

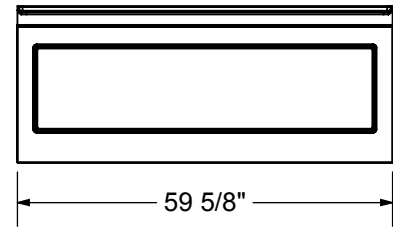


AIR SYSTEM



- (P) : Indicates optional grab bar positioning
- (▲) : Indicates whirlpool jets positioning
- (△) : Indicates suction positioning
- (●) : Indicates airjets positioning
- (☼) : Indicates chromotherapy light positioning

APRON (alcove version only)





Pose 6632 - Corner left



Material : Acrylic
 Min: 38 Gal / 173 L
 Max: 60 Gal / 273 L

Features

- › Rectangular shape bathtub with choices of two deck heights (3/8 or 2 in.) Please specify when ordering.
- › Integrated flange (IF) for corner installation
- › Textured floor
- › Ample deck space for faucet installation
- › Right or left drain available

RECTANGULAR BATHTUBS - ACRYLIC

POSE 6632 IF - 106205								
SKU	System	Color	Configuration	Dimensions & Weight	Packaging	MSRP		
106205-000-001-105	Soaker - No System	White	Left	65 3/4" x 31 5/8" x 23 1/2" / 67 lb / 30 kg	37 ft ³	\$ 1490		
106205-000-001-106			Right			\$ 1490		
106205-L-000-004		Bone	\$ 1490					
106205-L-000-007		Biscuit	\$ 1490					
106205-L-001-001	Whirlpool ^{1 4}	White	Left			\$ 3133		
106205-L-001-004		Bone				\$ 3133		
106205-L-001-007		Biscuit				\$ 3133		
106205-L-096-001	Combined Whirlpool & Aeroeffect ^{1 3}	White				Right	\$ 5458	
106205-L-096-004		Bone					\$ 5458	
106205-L-096-007		Biscuit					\$ 5458	
106205-L-103-001	Aeroeffect ^{1 2 5}	White					Right	\$ 4262
106205-L-103-004		Bone						\$ 4262
106205-L-103-007		Biscuit		\$ 4262				
106205-R-000-004	Soaker - No System	Bone		Right	\$ 1490			
106205-R-000-007		Biscuit			\$ 1490			
106205-R-001-001	Whirlpool ^{1 4}	White			Right			\$ 3133
106205-R-001-004		Bone	\$ 3133					
106205-R-001-007		Biscuit	\$ 3133					
106205-R-096-001	Combined Whirlpool & Aeroeffect ^{1 3}	White	Right					\$ 5458
106205-R-096-004		Bone				\$ 5458		

POSE 6632 IF - 106205

SKU	System	Color	Configuration	Dimensions & Weight	Packaging	MSRP
106205-R-096-007	Combined Whirlpool & Aeroeffect ^{1 3}	Biscuit	Right	65 3/4" x 31 5/8" x 23 1/2" / 67 lb / 30 kg	37 ft ³	\$ 5458
106205-R-103-001	Aeroeffect ^{1 2 5}	White				\$ 4262
106205-R-103-004		Bone				\$ 4262
106205-R-103-007		Biscuit				\$ 4262

POSE 6632 IF - 106206

SKU	System	Color	Configuration	Dimensions & Weight	Packaging	MSRP	
106206-000-001-107	Soaker - No System	White	Left	65 3/4" x 31 5/8" x 23 1/2" / 67 lb / 30 kg	37 ft ³	\$ 1490	
106206-000-001-108			Right			\$ 1490	
106206-L-000-004		Bone	\$ 1490				
106206-L-000-007	Biscuit	\$ 1490					
106206-L-001-001	Whirlpool ^{1 4}	White	Left			\$ 3133	
106206-L-001-004		Bone				\$ 3133	
106206-L-001-007		Biscuit				\$ 3133	
106206-L-096-001	Combined Whirlpool & Aeroeffect ^{1 3}	White				\$ 5458	
106206-L-096-004		Bone				\$ 5458	
106206-L-096-007		Biscuit				\$ 5458	
106206-L-103-001	Aeroeffect ^{1 2 5}	White				\$ 4262	
106206-L-103-004		Bone				\$ 4262	
106206-L-103-007		Biscuit				\$ 4262	
106206-R-000-004	Soaker - No System	Bone				Right	\$ 1490
106206-R-000-007		Biscuit					\$ 1490
106206-R-001-001	Whirlpool ^{1 4}	White					\$ 3133
106206-R-001-004		Bone		\$ 3133			
106206-R-001-007		Biscuit		\$ 3133			
106206-R-096-001	Combined Whirlpool & Aeroeffect ^{1 3}	White		\$ 5458			
106206-R-096-004		Bone		\$ 5458			
106206-R-096-007		Biscuit	\$ 5458				
106206-R-103-001	Aeroeffect ^{1 2 5}	White	\$ 4262				
106206-R-103-004		Bone	\$ 4262				
106206-R-103-007		Biscuit	\$ 4262				

COMMON OPTIONS

SKU	Description	MSRP
OPT20205	Lite option 3/8 in. thin deck ⁶ When chosen, this option is offered at no cost	\$ 0
OPT10053	One chromatherapy light (factory installed) ⁵⁴	\$ 725
OPT10095	Water heater assembly for whirlpool and combined systems (factory installed)	\$ 950

COMMON OPTIONS

SKU	Description	MSRP
OPT10106-084	Metal trim kit for whirlpool and combined systems (factory installed)	\$ 669
OPT10106-105	Available colors: Chrome (084) and Brushed Nickel (105)	\$ 669
OPT10260-084	Two 6-in. acrylic grab bars (factory installed) ⁸ Available colors: White (001), Bone (004), Biscuit (007), Chrome (084) and Brushed Nickel (105)	\$ 359
OPT10260-007		\$ 359
OPT10260-004		\$ 359
OPT10260-105		\$ 359
OPT10260-001		\$ 359
OPT20029-105		Metal trim kit for air push control (factory installed)
OPT20029-084	Available colors: Chrome (084) and Brushed Nickel (105)	\$ 74
OPT20137-004	Cable-operated waste and overflow (16 in. to 22 in.) (included in product packaging when purchased) Available colors: White (001), Bone (004), Chrome (084) and Brushed Nickel (105)	\$ 332
OPT20137-084		\$ 332
OPT20137-105		\$ 332
OPT20137-001		\$ 332
OPT20137-001		\$ 332

ACCESSORIES

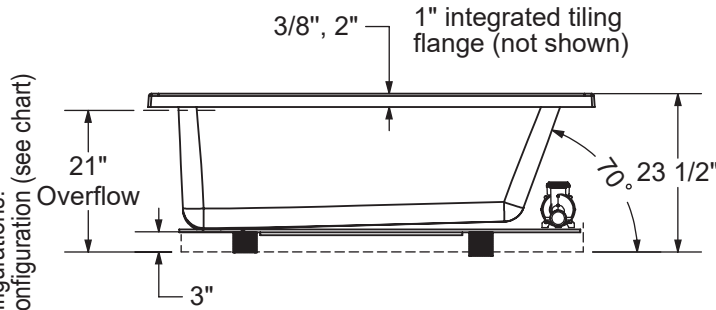
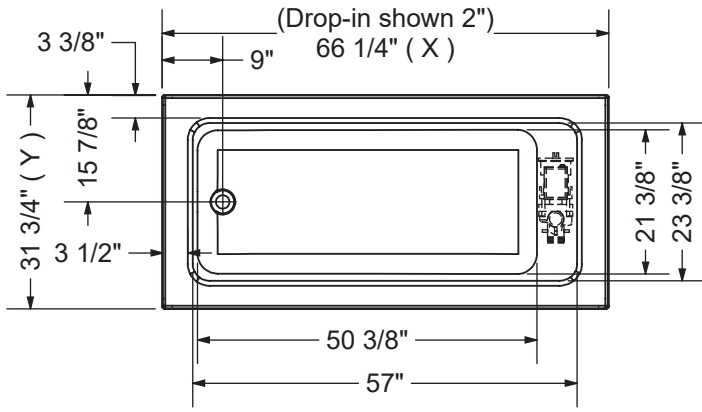
SKU	Description	MSRP
10006923	Flexible main hose (9 ft. extension) for air push control air massage - Kit (sold separately)	\$ 191
10004306-001	White foam cushion with 2 suction pads (sold separately) Available color: White (001)	\$ 126
10028641-084	Metal trim kit for Whirlpool and combined systems (sold separately)	\$ 669
10028641-105	Available colors: Chrome (084) and Brushed Nickel (105)	\$ 669
10034250-084	Metal trim kit for Aeroeffect with Air Push Control (sold separately)	\$ 74
10034250-105	Available colors: Chrome (084) and Brushed Nickel (105)	\$ 74
10022491-084	Cable-operated waste and overflow (16 in. to 22 in.) (sold separately) Available colors: White (001), Bone (004), Chrome (084) and Brushed Nickel (105)	\$ 332
10022491-004		\$ 332
10022491-105		\$ 332
10022491-001		\$ 332

FOOTNOTES

No	Description
1	Components for standard colour units equipped with systems are colour-coordinated. Trim kit and/or air push with metallic finish can be added (additional charge applies). For non-standard colour units, please specify trim kit and/or air push colour (additional charge applies for metallic finishes). Please note that the positioning of the system's control could be in conflict with the door if one was installed on the unit. To insure compatibility, please contact customer service.
2	Please order flexible main hose 10006923 for installation of the blower further than 3 ft from the bathtub. For the Tandem models and the Serenade models (freestanding and drop-in), the blower is always remote and not factory installed so a 9 ft flexible main hose is included. Please note that the positioning of the system's control could be in conflict with the door if one was installed on the unit. To insure compatibility, please contact customer service.
3	The blower is not factory installed (remote). 9 ft flexible main hose included. Please note that the positioning of the system's control could be in conflict with the door if one was installed on the unit. To insure compatibility, please contact customer service.
4	For details on pump position and requirements, see technical drawings on https://www.maax.com . When there is a pump position A or B indicated on the technical drawing, please specify position when ordering.
5	For details on blower position and requirements, see technical drawings on https://www.maax.com . When there is a blower position A or B indicated on the technical drawing, please specify position when ordering.

FOOTNOTES

No	Description
6	Specify 3/8 (Lite option) or 2 in. on deck height. If ordering unit with an apron, only 2 in. deck height is available.
8	Two 6 in. or 12 in. metal or acrylic grab bars are optional. Factory installed, only one positioning is possible (see technical drawings on https://www.maax.com).
54	A selection of units come with an access panel by default when equipped with a system. However, if the unit is only equipped with chromatherapy, the access panel will not be provided by default.



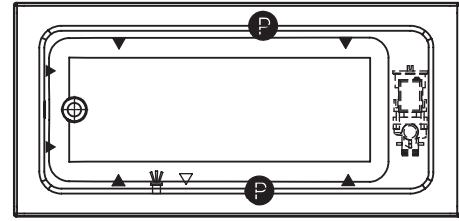
Technical drawing is universal for all 6632 configurations. External dimension (X,Y) vary depending on configuration (see chart)

	DROP IN 2"	DROP IN 3/8"	ALCOVE / CORNER
X	66 1/4"	66"	65 3/4"
Y	31 3/4"	31 5/8"	31 5/8"

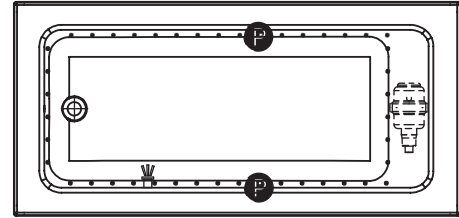
Wood support design may vary.
 Integrated tiling flange: 1" height X 1/4" thickness (not shown)
 Tiling flange position is determined by chosen configuration.

All dimensions are approximate.
 Structure measurement must be verified against the unit to ensure proper fit.

WHIRLPOOL SYSTEM

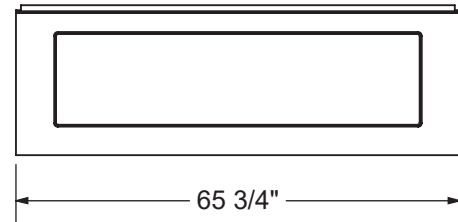


AIR SYSTEM



- (P) : Indicates optional grab bar positioning
- (▲) : Indicates whirlpool jets positioning
- (△) : Indicates suction positioning
- (●) : Indicate airjets positioning
- (☼) : Indicates chromatherapy light positioning

APRON (alcove version only)





Pose 6632 IF

RECTANGULAR BATHTUBS - ACRYLIC



Material : Acrylic

Min: 39 Gal / 177 L

Max: 60 Gal / 273 L

Features

- › Rectangular shape bathtub with choices of two deck heights (3/8 or 2 in.) Please specify when ordering
- › Drop-in or undermount ¹⁰ installation; model also available with integrated flange (IF) for alcove installation
- › Textured floor
- › Ample deck space for faucet installation
- › Skirt with or without access panel available

POSE 6632 - 101458

SKU	System	Color	Configuration	Dimensions & Weight	Packaging	MSRP
101458-000-001-100	Soaker - No System	White	End	66 1/4" x 31 3/4" x 23 1/2" / 67 lb / 30 kg	37 ft ³	\$ 1490
101458-000-004		Bone				\$ 1490
101458-000-007		Biscuit				\$ 1490
101458-001-001-100	Whirlpool ^{1 4}	White				\$ 3133
101458-001-004		Bone				\$ 3133
101458-001-007		Biscuit				\$ 3133
101458-002-001-100	Multi-Pack ⁹	White				\$ 8046
101458-002-004-100		Bone				\$ 8046
101458-002-007-100		Biscuit				\$ 8046
101458-096-001-100	Combined Whirlpool & Aeroeffect ^{1 3}	White				\$ 5458
101458-096-004		Bone				\$ 5458
101458-096-007		Biscuit				\$ 5458
101458-103-001-100	Aeroeffect ^{1 2 5}	White	\$ 4262			
101458-103-004		Bone	\$ 4262			
101458-103-007		Biscuit	\$ 4262			

POSE 6632 IF - 106204

SKU	System	Color	Configuration	Dimensions & Weight	Packaging	MSRP
106204-000-001-103	Soaker - No System	White	Left	65 3/4" x 31 3/4" x 23 1/2" / 67 lb / 30 kg	37 ft ³	\$ 1490

POSE 6632 IF - 106204

SKU	System	Color	Configuration	Dimensions & Weight	Packaging	MSRP	
106204-000-001-104	Soaker - No System	White	Right	65 3/4" x 31 3/4" x 23 1/2" / 67 lb / 30 kg	37 ft ³	\$ 1490	
106204-002-001-101	Multi-Pack ⁹		Left			\$ 8046	
106204-002-001-102			Right			\$ 8046	
106204-002-004-101			Bone			Left	\$ 8046
106204-002-004-102						Right	\$ 8046
106204-002-007-101			Biscuit			Left	\$ 8046
106204-002-007-102						Right	\$ 8046
106204-L-000-004		Soaker - No System	Bone			Left	\$ 1490
106204-L-000-007	Biscuit		\$ 1490				
106204-L-001-001	Whirlpool ^{1 4}	White	\$ 3133				
106204-L-001-004		Bone	\$ 3133				
106204-L-001-007		Biscuit	\$ 3133				
106204-L-096-001	Combined Whirlpool & Aeroeffect ^{1 3}	White	\$ 5458				
106204-L-096-004		Bone	\$ 5458				
106204-L-096-007		Biscuit	\$ 5458				
106204-L-103-001	Aeroeffect ^{1 2 5}	White	\$ 4262				
106204-L-103-004		Bone	\$ 4262				
106204-L-103-007		Biscuit	\$ 4262				
106204-R-000-004	Soaker - No System	Bone	Right				\$ 1490
106204-R-000-007		Biscuit					\$ 1490
106204-R-001-001	Whirlpool ^{1 4}	White					\$ 3133
106204-R-001-004		Bone					\$ 3133
106204-R-001-007		Biscuit					\$ 3133
106204-R-096-001	Combined Whirlpool & Aeroeffect ^{1 3}	White					\$ 5458
106204-R-096-004		Bone					\$ 5458
106204-R-096-007		Biscuit					\$ 5458
106204-R-103-001	Aeroeffect ^{1 2 5}	White					\$ 4262
106204-R-103-004		Bone					\$ 4262
106204-R-103-007		Biscuit		\$ 4262			

COMMON OPTIONS

SKU	Description	MSRP
OPT10095	Water heater assembly for whirlpool and combined systems (factory installed)	\$ 950
OPT10106-084	Metal trim kit for whirlpool and combined systems (factory installed) Available colors: Chrome (084) and Brushed Nickel (105)	\$ 669
OPT10106-105		\$ 669
OPT10260-084	Two 6-in. acrylic grab bars (factory installed) ⁸ Available colors: White (001), Bone (004), Biscuit (007), Chrome (084) and Brushed Nickel (105)	\$ 359
OPT10260-007		\$ 359
OPT10260-004		\$ 359

COMMON OPTIONS

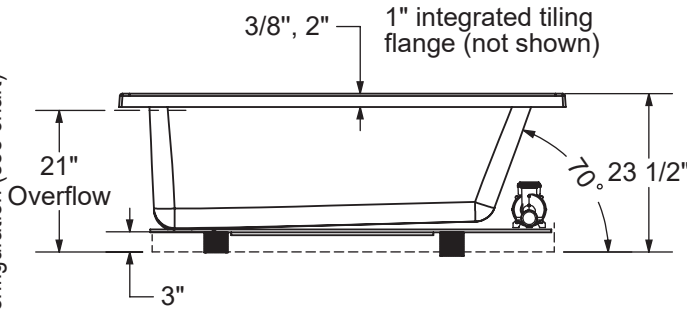
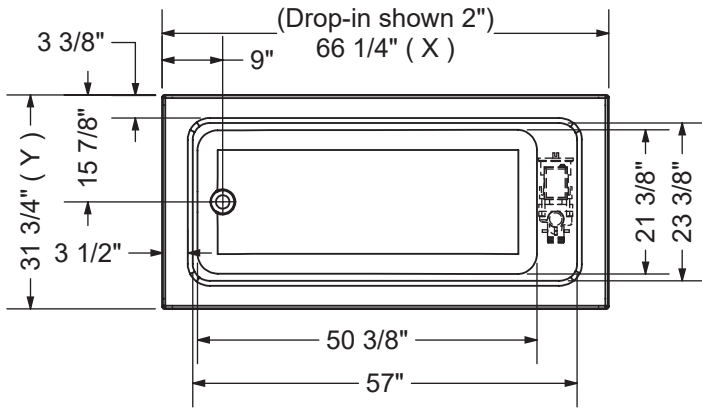
SKU	Description	MSRP
OPT10260-105	Two 6-in. acrylic grab bars (factory installed) ⁸	\$ 359
OPT10260-001	Available colors: White (001), Bone (004), Biscuit (007), Chrome (084) and Brushed Nickel (105)	\$ 359
OPT20029-105	Metal trim kit for air push control (factory installed)	\$ 74
OPT20029-084	Available colors: Chrome (084) and Brushed Nickel (105)	\$ 74
OPT20137-004	Cable-operated waste and overflow (16 in. to 22 in.) (included in product packaging when purchased) Available colors: White (001), Bone (004), Chrome (084) and Brushed Nickel (105)	\$ 332
OPT20137-084		\$ 332
OPT20137-105		\$ 332
OPT20137-001		\$ 332
OPT10053		One chromatherapy light (factory installed) ⁵⁴
101954-000-001-100	Acrylic apron without access panel. Specify: Standard colors: White (001), Bone (004), Biscuit (007)	\$ 556
101954-000-004		\$ 556
101954-000-007		\$ 556
101957-000-001-100	Acrylic apron with access panel. Specify: Standard colors: White (001), Bone (004), Biscuit (007)	\$ 662
101957-000-007		\$ 662
101957-000-004		\$ 662
OPT20205	Lite option 3/8 in. thin deck ⁶ When chosen, this option is offered at no cost	\$ 0

ACCESSORIES

SKU	Description	MSRP
10006923	Flexible main hose (9 ft. extension) for air push control air massage - Kit (sold separately)	\$ 191
10004306-001	White foam cushion with 2 suction pads (sold separately) Available color: White (001)	\$ 126
10028641-084	Metal trim kit for Whirlpool and combined systems (sold separately) Available colors: Chrome (084) and Brushed Nickel (105)	\$ 669
10028641-105		\$ 669
10034250-084	Metal trim kit for Aeroeffect with Air Push Control (sold separately) Available colors: Chrome (084) and Brushed Nickel (105)	\$ 74
10034250-105		\$ 74
10022491-084	Cable-operated waste and overflow (16 in. to 22 in.) (sold separately) Available colors: White (001), Bone (004), Chrome (084) and Brushed Nickel (105)	\$ 332
10022491-004		\$ 332
10022491-105		\$ 332
10022491-001		\$ 332

FOOTNOTES

No	Description
6	Specify 3/8 (Lite option) or 2 in. on deck height. If ordering unit with an apron, only 2 in. deck height is available.
8	Two 6 in. or 12 in. metal or acrylic grab bars are optional. Factory installed, only one positioning is possible (see technical drawings on https://www.maax.com).
10	Systems not available with units installed undermount.
54	A selection of units come with an access panel by default when equipped with a system. However, if the unit is only equipped with chromatherapy, the access panel will not be provided by default.



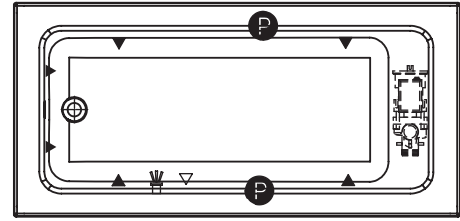
Technical drawing is universal for all 6632 configurations. External dimension (X,Y) vary depending on configuration (see chart)

	DROP IN 2"	DROP IN 3/8"	ALCOVE / CORNER
X	66 1/4"	66"	65 3/4"
Y	31 3/4"	31 5/8"	31 5/8"

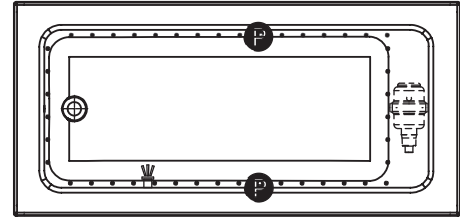
Wood support design may vary.
 Integrated tiling flange: 1" height X 1/4" thickness (not shown)
 Tiling flange position is determined by chosen configuration.

All dimensions are approximate.
 Structure measurement must be verified against the unit to ensure proper fit.

WHIRLPOOL SYSTEM

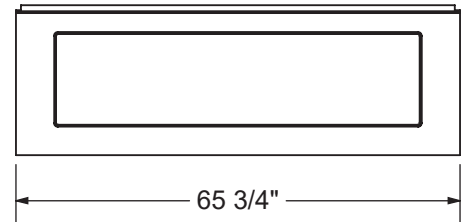


AIR SYSTEM



- (P) : Indicates optional grab bar positioning
- (▲) : Indicates whirlpool jets positioning
- (△) : Indicates suction positioning
- (●) : Indicate airjets positioning
- (☼) : Indicates chromatherapy light positioning

APRON (alcove version only)





Pose 6636 - Corner left

RECTANGULAR BATHTUBS - ACRYLIC



Material : Acrylic
 Min: 48 Gal / 218 L
 Max: 71 Gal / 323 L

Features

- › Rectangular shape bathtub with choices of two deck heights (3/8 or 2 in.) Please specify when ordering.
- › Integrated flange (IF) for corner installation
- › Textured floor
- › Ample deck space for faucet installation
- › Right or left drain available

POSE 6636 IF - 106208								
SKU	System	Color	Configuration	Dimensions & Weight	Packaging	MSRP		
106208-000-001-111	Soaker - No System	White	Left	65 3/4" x 35 5/8" x 23 5/8" / 75 lb / 34 kg	39 ft ³	\$ 1603		
106208-000-001-112			Right			\$ 1603		
106208-L-000-004		Bone	Left			\$ 1603		
106208-L-000-007		Biscuit				\$ 1603		
106208-L-001-001	Whirlpool ^{1 4}	White				\$ 3246		
106208-L-001-004		Bone				\$ 3246		
106208-L-001-007		Biscuit				\$ 3246		
106208-L-096-001	Combined Whirlpool & Aeroeffect ^{1 3}	White				Right	\$ 5571	
106208-L-096-004		Bone					\$ 5571	
106208-L-096-007		Biscuit					\$ 5571	
106208-L-103-001	Aeroeffect ^{1 2 5}	White					Right	\$ 4375
106208-L-103-004		Bone						\$ 4375
106208-L-103-007		Biscuit		\$ 4375				
106208-R-000-004	Soaker - No System	Bone		Right	\$ 1603			
106208-R-000-007		Biscuit	\$ 1603					
106208-R-001-001	Whirlpool ^{1 4}	White	\$ 3246					
106208-R-001-004		Bone	\$ 3246					
106208-R-001-007		Biscuit	\$ 3246					
106208-R-096-001	Combined Whirlpool & Aeroeffect ^{1 3}	White	\$ 5571					
106208-R-096-004		Bone	\$ 5571					

POSE 6636 IF - 106208

SKU	System	Color	Configuration	Dimensions & Weight	Packaging	MSRP
106208-R-096-007	Combined Whirlpool & Aeroeffect ^{1 3}	Biscuit	Right	65 3/4" x 35 5/8" x 23 5/8" / 75 lb / 34 kg	39 ft ³	\$ 5571
106208-R-103-001	Aeroeffect ^{1 2 5}	White				\$ 4375
106208-R-103-004		Bone				\$ 4375
106208-R-103-007		Biscuit				\$ 4375

POSE 6636 IF - 106209

SKU	System	Color	Configuration	Dimensions & Weight	Packaging	MSRP	
106209-000-001-113	Soaker - No System	White	Left	65 3/4" x 35 5/8" x 23 5/8" / 75 lb / 34 kg	39 ft ³	\$ 1603	
106209-000-001-114			Right			\$ 1603	
106209-L-000-004		Bone	\$ 1603				
106209-L-000-007	Biscuit	\$ 1603					
106209-L-001-001	Whirlpool ^{1 4}	White	Left			\$ 3246	
106209-L-001-004		Bone				\$ 3246	
106209-L-001-007		Biscuit				\$ 3246	
106209-L-096-001	Combined Whirlpool & Aeroeffect ^{1 3}	White				\$ 5571	
106209-L-096-004		Bone				\$ 5571	
106209-L-096-007		Biscuit				\$ 5571	
106209-L-103-001	Aeroeffect ^{1 2 5}	White				\$ 4375	
106209-L-103-004		Bone				\$ 4375	
106209-L-103-007		Biscuit				\$ 4375	
106209-R-000-004	Soaker - No System	Bone				Right	\$ 1603
106209-R-000-007		Biscuit					\$ 1603
106209-R-001-001	Whirlpool ^{1 4}	White					\$ 3246
106209-R-001-004		Bone		\$ 3246			
106209-R-001-007		Biscuit		\$ 3246			
106209-R-096-001	Combined Whirlpool & Aeroeffect ^{1 3}	White		\$ 5571			
106209-R-096-004		Bone		\$ 5571			
106209-R-096-007		Biscuit	\$ 5571				
106209-R-103-001	Aeroeffect ^{1 2 5}	White	\$ 4375				
106209-R-103-004		Bone	\$ 4375				
106209-R-103-007		Biscuit	\$ 4375				

COMMON OPTIONS

SKU	Description	MSRP
OPT10106-084	Metal trim kit for whirlpool and combined systems (factory installed)	\$ 669
OPT10106-105	Available colors: Chrome (084) and Brushed Nickel (105)	\$ 669
OPT10260-084	Two 6-in. acrylic grab bars (factory installed) ⁸ Available colors: White (001), Bone (004), Biscuit (007), Chrome (084) and Brushed Nickel (105)	\$ 359

COMMON OPTIONS

SKU	Description	MSRP
OPT10260-007	Two 6-in. acrylic grab bars (factory installed) ⁸ Available colors: White (001), Bone (004), Biscuit (007), Chrome (084) and Brushed Nickel (105)	\$ 359
OPT10260-004		\$ 359
OPT10260-105		\$ 359
OPT10260-001		\$ 359
OPT20029-105	Metal trim kit for air push control (factory installed) Available colors: Chrome (084) and Brushed Nickel (105)	\$ 74
OPT20029-084		\$ 74
OPT20137-004	Cable-operated waste and overflow (16 in. to 22 in.) (included in product packaging when purchased) Available colors: White (001), Bone (004), Chrome (084) and Brushed Nickel (105)	\$ 332
OPT20137-084		\$ 332
OPT20137-105		\$ 332
OPT20137-001		\$ 332
OPT20205	Lite option 3/8 in. thin deck ⁶ When chosen, this option is offered at no cost	\$ 0
OPT10053	One chromatherapy light (factory installed) ⁵⁴	\$ 725
OPT10095	Water heater assembly for whirlpool and combined systems (factory installed)	\$ 950

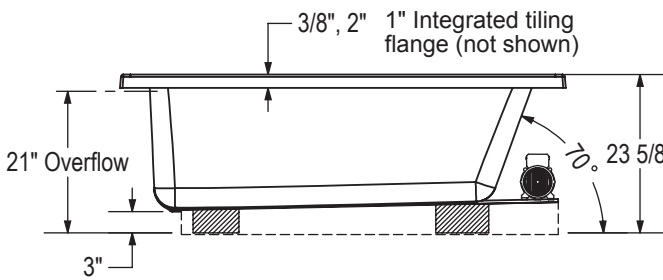
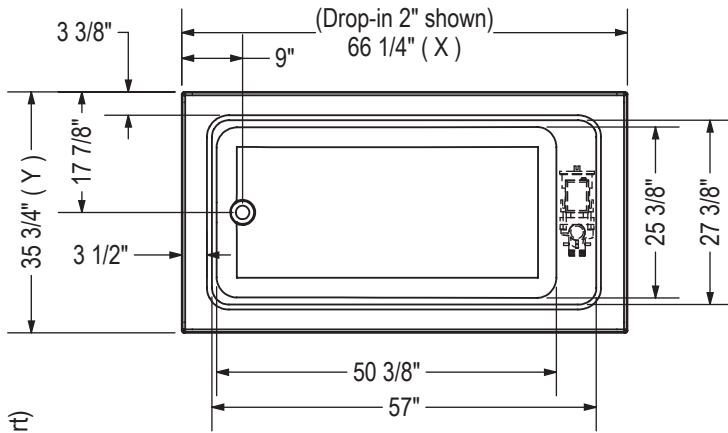
ACCESSORIES

SKU	Description	MSRP
10006923	Flexible main hose (9 ft. extension) for air push control air massage - Kit (sold separately)	\$ 191
10004306-001	White foam cushion with 2 suction pads (sold separately) Available color: White (001)	\$ 126
10028641-084	Metal trim kit for Whirlpool and combined systems (sold separately) Available colors: Chrome (084) and Brushed Nickel (105)	\$ 669
10028641-105		\$ 669
10034250-084	Metal trim kit for Aeroeffect with Air Push Control (sold separately) Available colors: Chrome (084) and Brushed Nickel (105)	\$ 74
10034250-105		\$ 74
10022491-084	Cable-operated waste and overflow (16 in. to 22 in.) (sold separately) Available colors: White (001), Bone (004), Chrome (084) and Brushed Nickel (105)	\$ 332
10022491-004		\$ 332
10022491-105		\$ 332
10022491-001		\$ 332

FOOTNOTES

No	Description
6	Specify 3/8 (Lite option) or 2 in. on deck height. If ordering unit with an apron, only 2 in. deck height is available.
8	Two 6 in. or 12 in. metal or acrylic grab bars are optional. Factory installed, only one positioning is possible (see technical drawings on https://www.maax.com).
54	A selection of units come with an access panel by default when equipped with a system. However, if the unit is only equipped with chromatherapy, the access panel will not be provided by default.

Technical drawing is universal for all 6636 configurations. External dimension (X,Y) vary depending on configuration (see chart)

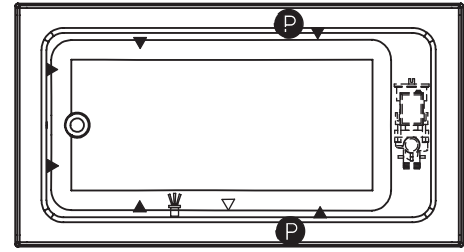


	DROP IN 2"	DROP IN 3/8"	ALCOVE / CORNER
X	66 1/4"	66"	65 3/4"
Y	35 3/4"	35 5/8"	35 5/8"

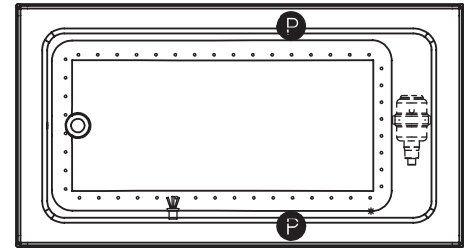
Wood support design may vary.
 Integrated tiling flange: 1" height X 1/4" thickness (not shown)
 Tiling flange position is determined by chosen configuration.

All dimensions are approximate.
 Structure measurement must be verified against the unit to ensure proper fit.

WHIRLPOOL SYSTEM

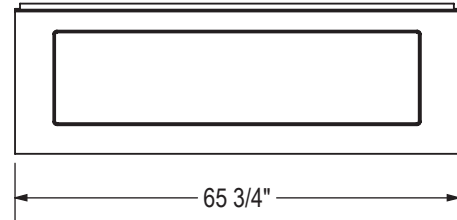


AIR SYSTEM



- (P) : Indicates optional grab bar positioning
- (▲) : Indicates whirlpool jets positioning
- (△) : Indicates suction positioning
- (●) : Indicates airjets positioning
- (☛) : Indicates chromatherapy light positioning

APRON (alcove version only)





Pose 6636 IF

RECTANGULAR BATHTUBS - ACRYLIC



Material : Acrylic
 Min: 46 Gal / 209 L
 Max: 71 Gal / 323 L

Features

- › Rectangular shape bathtub with choices of two deck heights (3/8 or 2 in.) Please specify when ordering
- › Drop-in or undermount ¹⁰ installation; model also available with integrated flange (IF) for alcove installation
- › Textured floor
- › Ample deck space for faucet installation
- › Skirt with or without access panel available

POSE 6636 - 101459						
SKU	System	Color	Configuration	Dimensions & Weight	Packaging	MSRP
101459-000-001-100	Soaker - No System	White	End	66 1/4" x 35 3/4" x 23 5/8" / 75 lb / 34 kg	39 ft ³	\$ 1603
101459-000-004		Bone				\$ 1603
101459-000-007		Biscuit				\$ 1603
101459-001-001-100	Whirlpool ^{1 4}	White				\$ 3246
101459-001-004		Bone				\$ 3246
101459-001-007		Biscuit				\$ 3246
101459-002-001-100	Multi-Pack ⁹	White				\$ 8670
101459-002-004-100		Bone				\$ 8670
101459-002-007-100		Biscuit				\$ 8670
101459-096-001-100	Combined Whirlpool & Aeroeffect ^{1 3}	White				\$ 5571
101459-096-004		Bone				\$ 5571
101459-096-007		Biscuit				\$ 5571
101459-103-001-100	Aeroeffect ^{1 2 5}	White				\$ 4375
101459-103-004		Bone				\$ 4375
101459-103-007		Biscuit				\$ 4375

POSE 6636 IF - 106207						
SKU	System	Color	Configuration	Dimensions & Weight	Packaging	MSRP
106207-000-001-109	Soaker - No System	White	Left	65 3/4" x 35 5/8" x 23 5/8" / 75 lb / 34 kg	39 ft ³	\$ 1603

POSE 6636 IF - 106207

SKU	System	Color	Configuration	Dimensions & Weight	Packaging	MSRP	
106207-000-001-110	Soaker - No System	White	Right	65 3/4" x 35 5/8" x 23 5/8" / 75 lb / 34 kg	39 ft ³	\$ 1603	
106207-002-001-101	Multi-Pack ⁹		Left			\$ 8670	
106207-002-001-102			Right			\$ 8670	
106207-002-004-101			Bone			Left	\$ 8670
106207-002-004-102						Right	\$ 8670
106207-002-007-101			Biscuit			Left	\$ 8670
106207-002-007-102						Right	\$ 8670
106207-L-000-004		Soaker - No System	Bone			Left	\$ 1603
106207-L-000-007	Biscuit		\$ 1603				
106207-L-001-001	Whirlpool ^{1 4}	White	\$ 3246				
106207-L-001-004		Bone	\$ 3246				
106207-L-001-007		Biscuit	\$ 3246				
106207-L-096-001	Combined Whirlpool & Aeroeffect ^{1 3}	White	\$ 5571				
106207-L-096-004		Bone	\$ 5571				
106207-L-096-007		Biscuit	\$ 5571				
106207-L-103-001	Aeroeffect ^{1 2 5}	White	\$ 4375				
106207-L-103-004		Bone	\$ 4375				
106207-L-103-007		Biscuit	\$ 4375				
106207-R-000-004	Soaker - No System	Bone	Right				\$ 1603
106207-R-000-007		Biscuit					\$ 1603
106207-R-001-001	Whirlpool ^{1 4}	White					\$ 3246
106207-R-001-004		Bone					\$ 3246
106207-R-001-007		Biscuit					\$ 3246
106207-R-096-001	Combined Whirlpool & Aeroeffect ^{1 3}	White					\$ 5571
106207-R-096-004		Bone					\$ 5571
106207-R-096-007		Biscuit					\$ 5571
106207-R-103-001	Aeroeffect ^{1 2 5}	White					\$ 4375
106207-R-103-004		Bone					\$ 4375
106207-R-103-007		Biscuit		\$ 4375			

COMMON OPTIONS

SKU	Description	MSRP
OPT10095	Water heater assembly for whirlpool and combined systems (factory installed)	\$ 950
OPT10106-084	Metal trim kit for whirlpool and combined systems (factory installed) Available colors: Chrome (084) and Brushed Nickel (105)	\$ 669
OPT10106-105		\$ 669
OPT10260-084	Two 6-in. acrylic grab bars (factory installed) ⁸ Available colors: White (001), Bone (004), Biscuit (007), Chrome (084) and Brushed Nickel (105)	\$ 359
OPT10260-007		\$ 359
OPT10260-004		\$ 359

COMMON OPTIONS

SKU	Description	MSRP
OPT10260-105	Two 6-in. acrylic grab bars (factory installed) ⁸	\$ 359
OPT10260-001	Available colors: White (001), Bone (004), Biscuit (007), Chrome (084) and Brushed Nickel (105)	\$ 359
OPT20029-105	Metal trim kit for air push control (factory installed)	\$ 74
OPT20029-084	Available colors: Chrome (084) and Brushed Nickel (105)	\$ 74
OPT20137-004	Cable-operated waste and overflow (16 in. to 22 in.) (included in product packaging when purchased) Available colors: White (001), Bone (004), Chrome (084) and Brushed Nickel (105)	\$ 332
OPT20137-084		\$ 332
OPT20137-105		\$ 332
OPT20137-001		\$ 332
OPT10053		One chromatherapy light (factory installed) ⁵⁴
101954-000-001-100	Acrylic apron without access panel. Specify: Standard colors: White (001), Bone (004), Biscuit (007)	\$ 556
101954-000-004		\$ 556
101954-000-007		\$ 556
101957-000-001-100	Acrylic apron with access panel. Specify: Standard colors: White (001), Bone (004), Biscuit (007)	\$ 662
101957-000-007		\$ 662
101957-000-004		\$ 662
OPT20205	Lite option 3/8 in. thin deck ⁶ When chosen, this option is offered at no cost	\$ 0

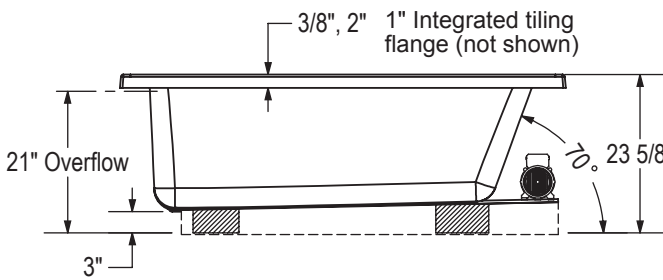
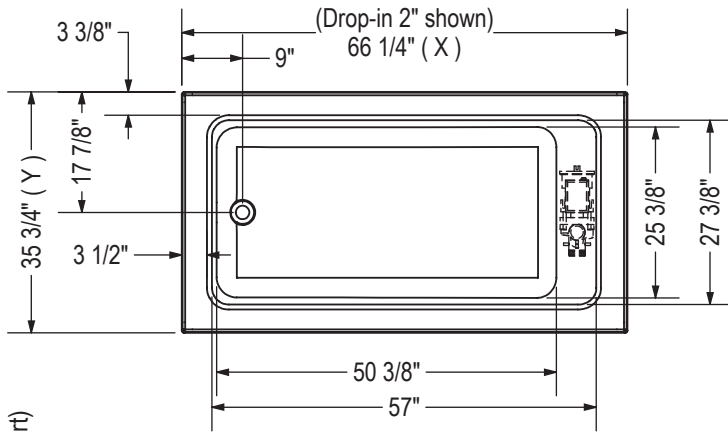
ACCESSORIES

SKU	Description	MSRP
10006923	Flexible main hose (9 ft. extension) for air push control air massage - Kit (sold separately)	\$ 191
10004306-001	White foam cushion with 2 suction pads (sold separately) Available color: White (001)	\$ 126
10028641-084	Metal trim kit for Whirlpool and combined systems (sold separately) Available colors: Chrome (084) and Brushed Nickel (105)	\$ 669
10028641-105		\$ 669
10034250-084	Metal trim kit for Aeroeffect with Air Push Control (sold separately) Available colors: Chrome (084) and Brushed Nickel (105)	\$ 74
10034250-105		\$ 74
10022491-084	Cable-operated waste and overflow (16 in. to 22 in.) (sold separately) Available colors: White (001), Bone (004), Chrome (084) and Brushed Nickel (105)	\$ 332
10022491-004		\$ 332
10022491-105		\$ 332
10022491-001		\$ 332

FOOTNOTES

No	Description
6	Specify 3/8 (Lite option) or 2 in. on deck height. If ordering unit with an apron, only 2 in. deck height is available.
8	Two 6 in. or 12 in. metal or acrylic grab bars are optional. Factory installed, only one positioning is possible (see technical drawings on https://www.maax.com).
10	Systems not available with units installed undermount.
54	A selection of units come with an access panel by default when equipped with a system. However, if the unit is only equipped with chromatherapy, the access panel will not be provided by default.

Technical drawing is universal for all 6636 configurations. External dimension (X,Y) vary depending on configuration (see chart)

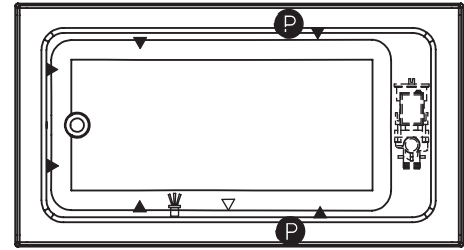


	DROP IN 2"	DROP IN 3/8"	ALCOVE / CORNER
X	66 1/4"	66"	65 3/4"
Y	35 3/4"	35 5/8"	35 5/8"

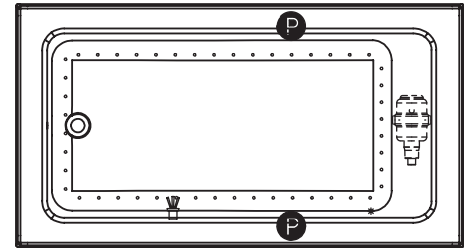
Wood support design may vary.
 Integrated tiling flange: 1" height X 1/4" thickness (not shown)
 Tiling flange position is determined by chosen configuration.

All dimensions are approximate.
 Structure measurement must be verified against the unit to ensure proper fit.

WHIRLPOOL SYSTEM

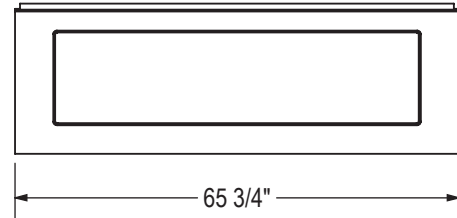


AIR SYSTEM



- (P) : Indicates optional grab bar positioning
- (▲) : Indicates whirlpool jets positioning
- (△) : Indicates suction positioning
- (●) : Indicates airjets positioning
- (💡) : Indicates chromotherapy light positioning

APRON (alcove version only)





Pose 7236 - Corner left

RECTANGULAR BATHTUBS - ACRYLIC



Material : Acrylic

Min: 59 Gal / 268 L

Max: 75 Gal / 341 L

Features

- › Rectangular shape bathtub with choices of two deck heights (3/8 or 2 in.) Please specify when ordering.
- › Integrated flange (IF) for corner installation
- › Textured floor
- › Ample deck space for faucet installation
- › Right or left drain available

POSE 7236 IF - 106211								
SKU	System	Color	Configuration	Dimensions & Weight	Packaging	MSRP		
106211-000-001-105	Soaker - No System	White	Left	71 1/2" x 35 3/8" x 23 5/8" / 82 lb / 37 kg	42 ft ³	\$ 1724		
106211-000-001-106			Right			\$ 1724		
106211-L-000-004		Bone	\$ 1724					
106211-L-000-007		Biscuit	\$ 1724					
106211-L-001-001	Whirlpool ^{1 4}	White	Left			\$ 3367		
106211-L-001-004		Bone				\$ 3367		
106211-L-001-007		Biscuit				\$ 3367		
106211-L-096-001	Combined Whirlpool & Aeroeffect ^{1 3}	White				Right	\$ 5692	
106211-L-096-004		Bone					\$ 5692	
106211-L-096-007		Biscuit					\$ 5692	
106211-L-103-001	Aeroeffect ^{1 2 5}	White					Right	\$ 4496
106211-L-103-004		Bone						\$ 4496
106211-L-103-007		Biscuit		\$ 4496				
106211-R-000-004	Soaker - No System	Bone		Right	\$ 1724			
106211-R-000-007		Biscuit			\$ 1724			
106211-R-001-001	Whirlpool ^{1 4}	White			Right			\$ 3367
106211-R-001-004		Bone	\$ 3367					
106211-R-001-007		Biscuit	\$ 3367					
106211-R-096-001	Combined Whirlpool & Aeroeffect ^{1 3}	White	Right					\$ 5692
106211-R-096-004		Bone				\$ 5692		

POSE 7236 IF - 106211

SKU	System	Color	Configuration	Dimensions & Weight	Packaging	MSRP
106211-R-096-007	Combined Whirlpool & Aeroeffect ^{1 3}	Biscuit	Right	71 1/2" x 35 3/8" x 23 5/8" / 82 lb / 37 kg	42 ft ³	\$ 5692
106211-R-103-001	Aeroeffect ^{1 2 5}	White				\$ 4496
106211-R-103-004		Bone				\$ 4496
106211-R-103-007		Biscuit				\$ 4496

POSE 7236 IF - 106212

SKU	System	Color	Configuration	Dimensions & Weight	Packaging	MSRP	
106212-000-001-107	Soaker - No System	White	Left	71 1/2" x 35 3/8" x 23 5/8" / 82 lb / 37 kg	42 ft ³	\$ 1724	
106212-000-001-108			Right			\$ 1724	
106212-L-000-004		Bone	\$ 1724				
106212-L-000-007	Biscuit	\$ 1724					
106212-L-001-001	Whirlpool ^{1 4}	White	Left			\$ 3367	
106212-L-001-004		Bone				\$ 3367	
106212-L-001-007		Biscuit				\$ 3367	
106212-L-096-001	Combined Whirlpool & Aeroeffect ^{1 3}	White				\$ 5692	
106212-L-096-004		Bone				\$ 5692	
106212-L-096-007		Biscuit				\$ 5692	
106212-L-103-001	Aeroeffect ^{1 2 5}	White				\$ 4496	
106212-L-103-004		Bone				\$ 4496	
106212-L-103-007		Biscuit				\$ 4496	
106212-R-000-004	Soaker - No System	Bone				Right	\$ 1724
106212-R-000-007		Biscuit					\$ 1724
106212-R-001-001	Whirlpool ^{1 4}	White					\$ 3367
106212-R-001-004		Bone					\$ 3367
106212-R-001-007		Biscuit					\$ 3367
106212-R-096-001	Combined Whirlpool & Aeroeffect ^{1 3}	White					\$ 5692
106212-R-096-004		Bone					\$ 5692
106212-R-096-007		Biscuit	\$ 5692				
106212-R-103-001	Aeroeffect ^{1 2 5}	White	\$ 4496				
106212-R-103-004		Bone	\$ 4496				
106212-R-103-007		Biscuit	\$ 4496				

COMMON OPTIONS

SKU	Description	MSRP
OPT10106-084	Metal trim kit for whirlpool and combined systems (factory installed)	\$ 669
OPT10106-105	Available colors: Chrome (084) and Brushed Nickel (105)	\$ 669
OPT10260-084	Two 6-in. acrylic grab bars (factory installed) ⁸ Available colors: White (001), Bone (004), Biscuit (007), Chrome (084) and Brushed Nickel (105)	\$ 359

COMMON OPTIONS

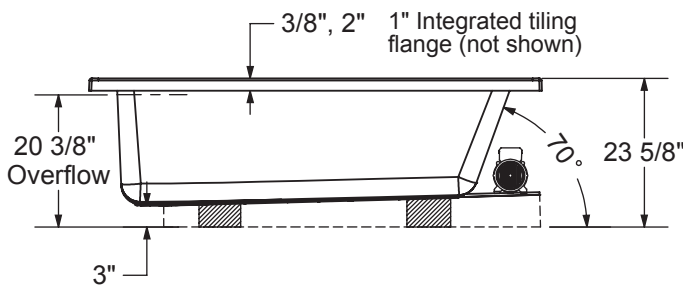
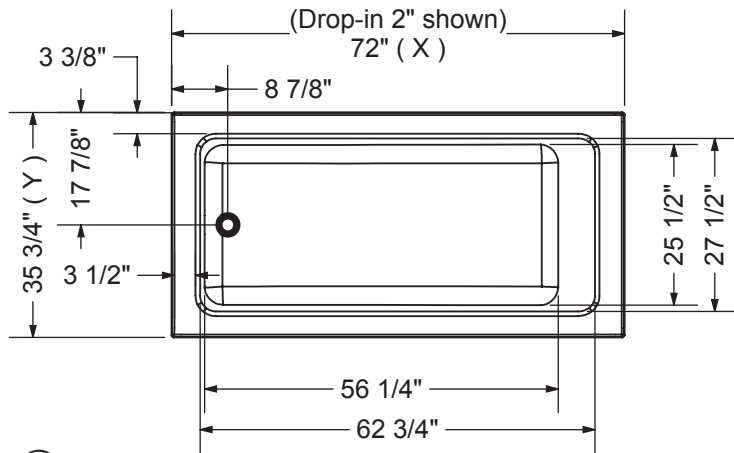
SKU	Description	MSRP
OPT10260-007	Two 6-in. acrylic grab bars (factory installed) ⁸ Available colors: White (001), Bone (004), Biscuit (007), Chrome (084) and Brushed Nickel (105)	\$ 359
OPT10260-004		\$ 359
OPT10260-105		\$ 359
OPT10260-001		\$ 359
OPT20029-105	Metal trim kit for air push control (factory installed) Available colors: Chrome (084) and Brushed Nickel (105)	\$ 74
OPT20029-084		\$ 74
OPT20137-004	Cable-operated waste and overflow (16 in. to 22 in.) (included in product packaging when purchased) Available colors: White (001), Bone (004), Chrome (084) and Brushed Nickel (105)	\$ 332
OPT20137-084		\$ 332
OPT20137-105		\$ 332
OPT20137-001		\$ 332
OPT20205	Lite option 3/8 in. thin deck ⁶ When chosen, this option is offered at no cost	\$ 0
OPT10053	One chromatherapy light (factory installed) ⁵⁴	\$ 725
OPT10095	Water heater assembly for whirlpool and combined systems (factory installed)	\$ 950

ACCESSORIES

SKU	Description	MSRP
10006923	Flexible main hose (9 ft. extension) for air push control air massage - Kit (sold separately)	\$ 191
10004306-001	White foam cushion with 2 suction pads (sold separately) Available color: White (001)	\$ 126
10028641-084	Metal trim kit for Whirlpool and combined systems (sold separately) Available colors: Chrome (084) and Brushed Nickel (105)	\$ 669
10028641-105		\$ 669
10034250-084	Metal trim kit for Aeroeffect with Air Push Control (sold separately) Available colors: Chrome (084) and Brushed Nickel (105)	\$ 74
10034250-105		\$ 74
10022491-084	Cable-operated waste and overflow (16 in. to 22 in.) (sold separately) Available colors: White (001), Bone (004), Chrome (084) and Brushed Nickel (105)	\$ 332
10022491-004		\$ 332
10022491-105		\$ 332
10022491-001		\$ 332

FOOTNOTES

No	Description
6	Specify 3/8 (Lite option) or 2 in. on deck height. If ordering unit with an apron, only 2 in. deck height is available.
8	Two 6 in. or 12 in. metal or acrylic grab bars are optional. Factory installed, only one positioning is possible (see technical drawings on https://www.maax.com).
54	A selection of units come with an access panel by default when equipped with a system. However, if the unit is only equipped with chromatherapy, the access panel will not be provided by default.

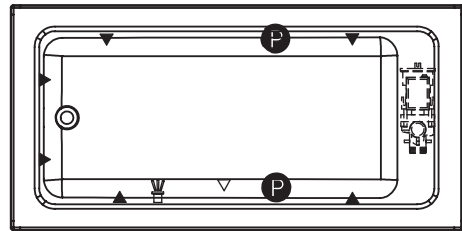


Technical drawing is universal for all 7236 configurations. External dimension (X,Y) vary depending on configuration (see chart)

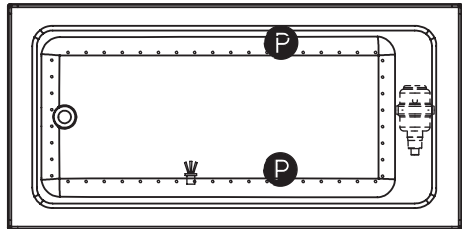
	DROP IN 2"	DROP IN 3/8"	ALCOVE / CORNER
X	72"	71 7/8"	71 1/2"
Y	35 3/4"	35 5/8"	35 3/8"

Wood support design may vary.
 Integrated tiling flange: 1" height X 1/4" thickness (not shown)
 Tiling flange position is determined by chosen configuration.
 All dimensions are approximate.
 Structure measurement must be verified against the unit to ensure proper fit.

WHIRLPOOL SYSTEM

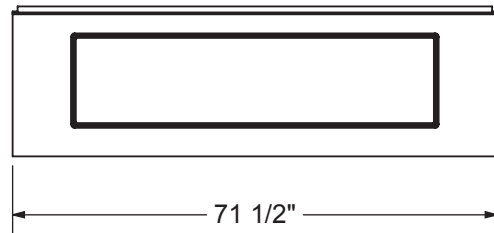


AIR SYSTEM



- (P) : Indicates optional grab bar positioning
- (▲) : Indicates whirlpool jets positioning
- (△) : Indicates suction positioning
- (●) : Indicates airjets positioning
- (☼) : Indicates chromotherapy light positioning

APRON (alcove version only)





Pose 7236 IF

RECTANGULAR BATHTUBS - ACRYLIC



Material : Acrylic

Min: 49 Gal / 223 L

Max: 77 Gal / 350 L

Features

- › Rectangular shape bathtub with choices of two deck heights (3/8 or 2 in.) Please specify when ordering
- › Drop-in or undermount ¹⁰ installation; model also available with integrated flange (IF) for alcove installation
- › Textured floor
- › Ample deck space for faucet installation
- › Skirt with or without access panel available

POSE 7236 - 101460

SKU	System	Color	Configuration	Dimensions & Weight	Packaging	MSRP
101460-000-001-100	Soaker - No System	White	End	72" x 35 3/4" x 23 5/8" / 82 lb / 37 kg	42 ft ³	\$ 1724
101460-000-004		Bone				\$ 1724
101460-000-007		Biscuit				\$ 1724
101460-001-001-100	Whirlpool ^{1 4}	White				\$ 3367
101460-001-004		Bone				\$ 3367
101460-001-007		Biscuit				\$ 3367
101460-002-001-100	Multi-Pack ⁹	White				\$ 9300
101460-002-004-100		Bone				\$ 9300
101460-002-007-100		Biscuit				\$ 9300
101460-096-001-100	Combined Whirlpool & Aeroeffect ^{1 3}	White				\$ 5692
101460-096-004		Bone				\$ 5692
101460-096-007		Biscuit				\$ 5692
101460-103-001-100	Aeroeffect ^{1 2 5}	White	\$ 4496			
101460-103-004		Bone	\$ 4496			
101460-103-007		Biscuit	\$ 4496			

POSE 7236 IF - 106210

SKU	System	Color	Configuration	Dimensions & Weight	Packaging	MSRP
106210-000-001-103	Soaker - No System	White	Left	71 1/2" x 35 3/4" x 23 5/8" / 82 lb / 37 kg	42 ft ³	\$ 1724

POSE 7236 IF - 106210

SKU	System	Color	Configuration	Dimensions & Weight	Packaging	MSRP	
106210-000-001-104	Soaker - No System	White	Right	71 1/2" x 35 3/4" x 23 5/8" / 82 lb / 37 kg	42 ft ³	\$ 1724	
106210-002-001-101	Multi-Pack ⁹		Left			\$ 9300	
106210-002-001-102			Right			\$ 9300	
106210-002-004-101			Bone			Left	\$ 9300
106210-002-004-102						Right	\$ 9300
106210-002-007-101			Biscuit			Left	\$ 9300
106210-002-007-102						Right	\$ 9300
106210-L-000-004		Soaker - No System	Bone			Left	\$ 1724
106210-L-000-007	Biscuit		\$ 1724				
106210-L-001-001	Whirlpool ^{1 4}	White	\$ 3367				
106210-L-001-004		Bone	\$ 3367				
106210-L-001-007		Biscuit	\$ 3367				
106210-L-096-001	Combined Whirlpool & Aeroeffect ^{1 3}	White	\$ 5692				
106210-L-096-004		Bone	\$ 5692				
106210-L-096-007		Biscuit	\$ 5692				
106210-L-103-001	Aeroeffect ^{1 2 5}	White	\$ 4496				
106210-L-103-004		Bone	\$ 4496				
106210-L-103-007		Biscuit	\$ 4496				
106210-R-000-004	Soaker - No System	Bone	Right				\$ 1724
106210-R-000-007		Biscuit					\$ 1724
106210-R-001-001	Whirlpool ^{1 4}	White					\$ 3367
106210-R-001-004		Bone					\$ 3367
106210-R-001-007		Biscuit					\$ 3367
106210-R-096-001	Combined Whirlpool & Aeroeffect ^{1 3}	White					\$ 5692
106210-R-096-004		Bone					\$ 5692
106210-R-096-007		Biscuit					\$ 5692
106210-R-103-001	Aeroeffect ^{1 2 5}	White					\$ 4496
106210-R-103-004		Bone					\$ 4496
106210-R-103-007		Biscuit		\$ 4496			

COMMON OPTIONS

SKU	Description	MSRP
OPT10095	Water heater assembly for whirlpool and combined systems (factory installed)	\$ 950
OPT10106-084	Metal trim kit for whirlpool and combined systems (factory installed) Available colors: Chrome (084) and Brushed Nickel (105)	\$ 669
OPT10106-105		\$ 669
OPT10260-084	Two 6-in. acrylic grab bars (factory installed) ⁸ Available colors: White (001), Bone (004), Biscuit (007), Chrome (084) and Brushed Nickel (105)	\$ 359
OPT10260-007		\$ 359
OPT10260-004		\$ 359

COMMON OPTIONS

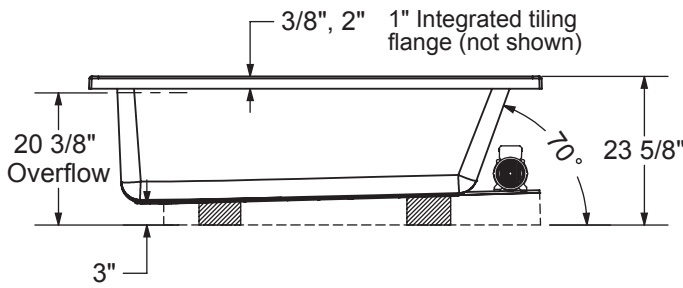
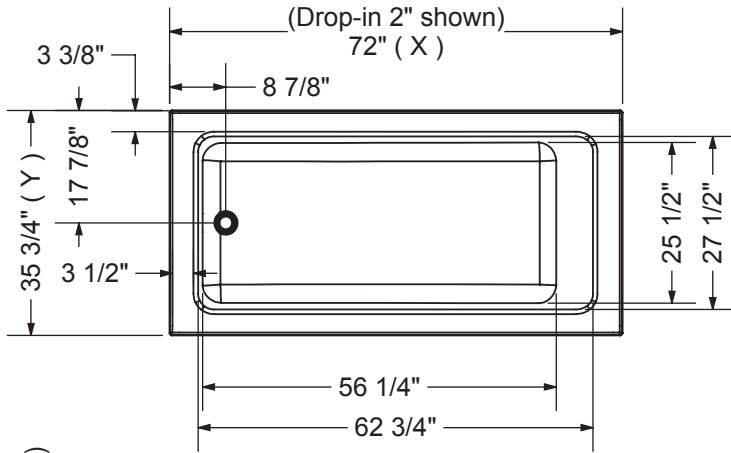
SKU	Description	MSRP
OPT10260-105	Two 6-in. acrylic grab bars (factory installed) ⁸	\$ 359
OPT10260-001	Available colors: White (001), Bone (004), Biscuit (007), Chrome (084) and Brushed Nickel (105)	\$ 359
OPT20029-105	Metal trim kit for air push control (factory installed)	\$ 74
OPT20029-084	Available colors: Chrome (084) and Brushed Nickel (105)	\$ 74
OPT20137-004	Cable-operated waste and overflow (16 in. to 22 in.) (included in product packaging when purchased) Available colors: White (001), Bone (004), Chrome (084) and Brushed Nickel (105)	\$ 332
OPT20137-084		\$ 332
OPT20137-105		\$ 332
OPT20137-001		\$ 332
OPT10053		One chromatherapy light (factory installed) ⁵⁴
101955-000-004	Acrylic apron without access panel. Specify: Standard colors: White (001), Bone (004), Biscuit (007)	\$ 556
101955-000-007		\$ 556
101955-000-001-100		\$ 556
101958-000-004	Acrylic apron with access panel. Specify: Standard colors: White (001), Bone (004), Biscuit (007)	\$ 662
101958-000-007		\$ 662
101958-000-001-100		\$ 662
OPT20205	Lite option 3/8 in. thin deck ⁶ When chosen, this option is offered at no cost	\$ 0

ACCESSORIES

SKU	Description	MSRP
10006923	Flexible main hose (9 ft. extension) for air push control air massage - Kit (sold separately)	\$ 191
10004306-001	White foam cushion with 2 suction pads (sold separately) Available color: White (001)	\$ 126
10028641-084	Metal trim kit for Whirlpool and combined systems (sold separately) Available colors: Chrome (084) and Brushed Nickel (105)	\$ 669
10028641-105		\$ 669
10034250-084	Metal trim kit for Aeroeffect with Air Push Control (sold separately) Available colors: Chrome (084) and Brushed Nickel (105)	\$ 74
10034250-105		\$ 74
10022491-084	Cable-operated waste and overflow (16 in. to 22 in.) (sold separately) Available colors: White (001), Bone (004), Chrome (084) and Brushed Nickel (105)	\$ 332
10022491-004		\$ 332
10022491-105		\$ 332
10022491-001		\$ 332

FOOTNOTES

No	Description
6	Specify 3/8 (Lite option) or 2 in. on deck height. If ordering unit with an apron, only 2 in. deck height is available.
8	Two 6 in. or 12 in. metal or acrylic grab bars are optional. Factory installed, only one positioning is possible (see technical drawings on https://www.maax.com).
10	Systems not available with units installed undermount.
54	A selection of units come with an access panel by default when equipped with a system. However, if the unit is only equipped with chromatherapy, the access panel will not be provided by default.

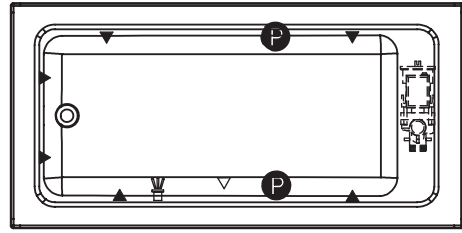


Technical drawing is universal for all 7236 configurations. External dimension (X,Y) vary depending on configuration (see chart)

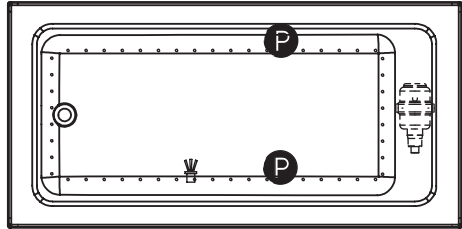
	DROP IN 2"	DROP IN 3/8"	ALCOVE / CORNER
X	72"	71 7/8"	71 1/2"
Y	35 3/4"	35 5/8"	35 3/8"

Wood support design may vary.
 Integrated tiling flange: 1" height X 1/4" thickness (not shown)
 Tiling flange position is determined by chosen configuration.
 All dimensions are approximate.
 Structure measurement must be verified against the unit to ensure proper fit.

WHIRLPOOL SYSTEM

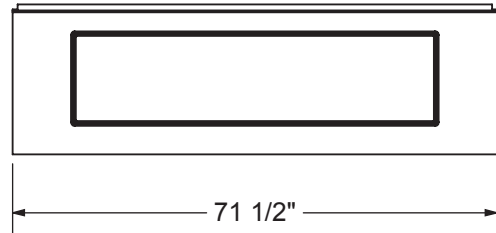


AIR SYSTEM



- (P) : Indicates optional grab bar positioning
- (▲) : Indicates whirlpool jets positioning
- (△) : Indicates suction positioning
- (●) : Indicates airjets positioning
- (💡) : Indicates chromotherapy light positioning

APRON (alcove version only)





Pose 7242 - Corner left

RECTANGULAR BATHTUBS - ACRYLIC



Material : Acrylic
 Min: 40 Gal / 182 L
 Max: 97 Gal / 441 L

Features

- › Rectangular shape bathtub with choices of two deck heights (3/8 or 2 in.) Please specify when ordering.
- › Integrated flange (IF) for corner installation
- › Textured floor
- › Ample deck space for faucet installation
- › Right or left drain available

POSE 7242 IF - 106214								
SKU	System	Color	Configuration	Dimensions & Weight	Packaging	MSRP		
106214-000-001-107	Soaker - No System	White	Left	71 1/2" x 41 5/8" x 23 5/8" / 95 lb / 43 kg	49 ft ³	\$ 1878		
106214-000-001-108			Right			\$ 1878		
106214-L-000-004		Bone	\$ 1878					
106214-L-000-007		Biscuit	\$ 1878					
106214-L-001-001	Whirlpool ^{1 4}	White	Left			\$ 3521		
106214-L-001-004		Bone				\$ 3521		
106214-L-001-007		Biscuit				\$ 3521		
106214-L-096-001	Combined Whirlpool & Aeroeffect ^{1 3}	White				Right	\$ 5846	
106214-L-096-004		Bone					\$ 5846	
106214-L-096-007		Biscuit					\$ 5846	
106214-L-103-001	Aeroeffect ^{1 2 5}	White						\$ 4650
106214-L-103-004		Bone						\$ 4650
106214-L-103-007		Biscuit		\$ 4650				
106214-R-000-004	Soaker - No System	Bone			\$ 1878			
106214-R-000-007		Biscuit			\$ 1878			
106214-R-001-001	Whirlpool ^{1 4}	White						\$ 3521
106214-R-001-004		Bone	\$ 3521					
106214-R-001-007		Biscuit	\$ 3521					
106214-R-096-001	Combined Whirlpool & Aeroeffect ^{1 3}	White						\$ 5846
106214-R-096-004		Bone				\$ 5846		

POSE 7242 IF - 106214

SKU	System	Color	Configuration	Dimensions & Weight	Packaging	MSRP
106214-R-096-007	Combined Whirlpool & Aeroeffect ^{1 3}	Biscuit	Right	71 1/2" x 41 5/8" x 23 5/8" / 95 lb / 43 kg	49 ft ³	\$ 5846
106214-R-103-001	Aeroeffect ^{1 2 5}	White				\$ 4650
106214-R-103-004		Bone				\$ 4650
106214-R-103-007		Biscuit				\$ 4650

POSE 7242 IF - 106215

SKU	System	Color	Configuration	Dimensions & Weight	Packaging	MSRP	
106215-000-001-105	Soaker - No System	White	Left	71 1/2" x 41 5/8" x 23 5/8" / 95 lb / 43 kg	49 ft ³	\$ 1878	
106215-000-001-106			Right			\$ 1878	
106215-L-000-004		Bone	\$ 1878				
106215-L-000-007		Biscuit	\$ 1878				
106215-L-001-001	Whirlpool ^{1 4}	White	Left			\$ 3521	
106215-L-001-004		Bone				\$ 3521	
106215-L-001-007		Biscuit				\$ 3521	
106215-L-096-001	Combined Whirlpool & Aeroeffect ^{1 3}	White				\$ 5846	
106215-L-096-004		Bone				\$ 5846	
106215-L-096-007		Biscuit				\$ 5846	
106215-L-103-001	Aeroeffect ^{1 2 5}	White				\$ 4650	
106215-L-103-004		Bone				\$ 4650	
106215-L-103-007		Biscuit				\$ 4650	
106215-R-000-004	Soaker - No System	Bone				Right	\$ 1878
106215-R-000-007		Biscuit					\$ 1878
106215-R-001-001	Whirlpool ^{1 4}	White					\$ 3521
106215-R-001-004		Bone		\$ 3521			
106215-R-001-007		Biscuit		\$ 3521			
106215-R-096-001	Combined Whirlpool & Aeroeffect ^{1 3}	White		\$ 5846			
106215-R-096-004		Bone		\$ 5846			
106215-R-096-007		Biscuit	\$ 5846				
106215-R-103-001	Aeroeffect ^{1 2 5}	White	\$ 4650				
106215-R-103-004		Bone	\$ 4650				
106215-R-103-007		Biscuit	\$ 4650				

COMMON OPTIONS

SKU	Description	MSRP
OPT20205	Lite option 3/8 in. thin deck ⁶ When chosen, this option is offered at no cost	\$ 0
OPT10053	One chromatherapy light (factory installed) ⁵⁴	\$ 725
OPT10095	Water heater assembly for whirlpool and combined systems (factory installed)	\$ 950

COMMON OPTIONS

SKU	Description	MSRP
OPT10106-084	Metal trim kit for whirlpool and combined systems (factory installed)	\$ 669
OPT10106-105	Available colors: Chrome (084) and Brushed Nickel (105)	\$ 669
OPT10260-084	Two 6-in. acrylic grab bars (factory installed) ⁸ Available colors: White (001), Bone (004), Biscuit (007), Chrome (084) and Brushed Nickel (105)	\$ 359
OPT10260-007		\$ 359
OPT10260-004		\$ 359
OPT10260-105		\$ 359
OPT10260-001		\$ 359
OPT20029-105		Metal trim kit for air push control (factory installed)
OPT20029-084	Available colors: Chrome (084) and Brushed Nickel (105)	\$ 74
OPT20137-004	Cable-operated waste and overflow (16 in. to 22 in.) (included in product packaging when purchased) Available colors: White (001), Bone (004), Chrome (084) and Brushed Nickel (105)	\$ 332
OPT20137-084		\$ 332
OPT20137-105		\$ 332
OPT20137-001		\$ 332
OPT20137-001		\$ 332

ACCESSORIES

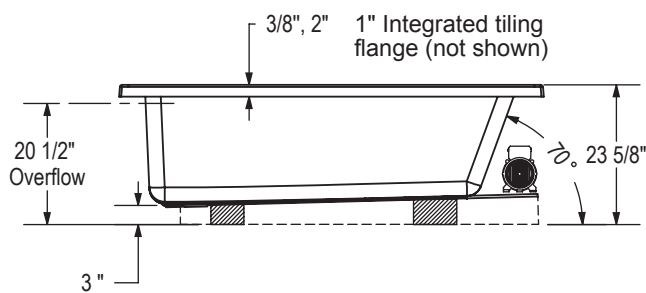
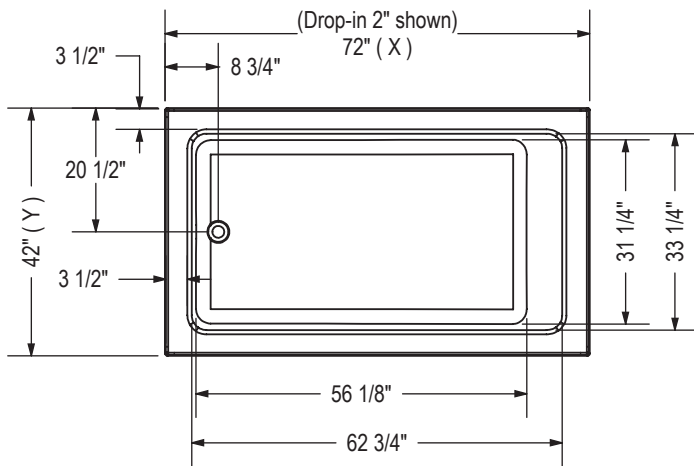
SKU	Description	MSRP
10006923	Flexible main hose (9 ft. extension) for air push control air massage - Kit (sold separately)	\$ 191
10004306-001	White foam cushion with 2 suction pads (sold separately) Available color: White (001)	\$ 126
10028641-084	Metal trim kit for Whirlpool and combined systems (sold separately)	\$ 669
10028641-105	Available colors: Chrome (084) and Brushed Nickel (105)	\$ 669
10034250-084	Metal trim kit for Aeroeffect with Air Push Control (sold separately)	\$ 74
10034250-105	Available colors: Chrome (084) and Brushed Nickel (105)	\$ 74
10022491-084	Cable-operated waste and overflow (16 in. to 22 in.) (sold separately) Available colors: White (001), Bone (004), Chrome (084) and Brushed Nickel (105)	\$ 332
10022491-004		\$ 332
10022491-105		\$ 332
10022491-001		\$ 332

FOOTNOTES

No	Description
1	Components for standard colour units equipped with systems are colour-coordinated. Trim kit and/or air push with metallic finish can be added (additional charge applies). For non-standard colour units, please specify trim kit and/or air push colour (additional charge applies for metallic finishes). Please note that the positioning of the system's control could be in conflict with the door if one was installed on the unit. To insure compatibility, please contact customer service.
2	Please order flexible main hose 10006923 for installation of the blower further than 3 ft from the bathtub. For the Tandem models and the Serenade models (freestanding and drop-in), the blower is always remote and not factory installed so a 9 ft flexible main hose is included. Please note that the positioning of the system's control could be in conflict with the door if one was installed on the unit. To insure compatibility, please contact customer service.
3	The blower is not factory installed (remote). 9 ft flexible main hose included. Please note that the positioning of the system's control could be in conflict with the door if one was installed on the unit. To insure compatibility, please contact customer service.
4	For details on pump position and requirements, see technical drawings on https://www.maax.com . When there is a pump position A or B indicated on the technical drawing, please specify position when ordering.
5	For details on blower position and requirements, see technical drawings on https://www.maax.com . When there is a blower position A or B indicated on the technical drawing, please specify position when ordering.

FOOTNOTES

No	Description
6	Specify 3/8 (Lite option) or 2 in. on deck height. If ordering unit with an apron, only 2 in. deck height is available.
8	Two 6 in. or 12 in. metal or acrylic grab bars are optional. Factory installed, only one positioning is possible (see technical drawings on https://www.maax.com).
54	A selection of units come with an access panel by default when equipped with a system. However, if the unit is only equipped with chromatherapy, the access panel will not be provided by default.



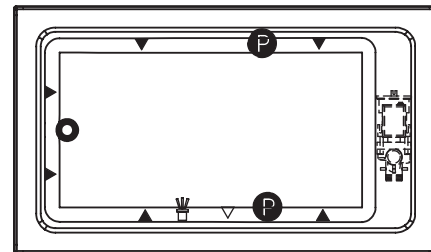
Technical drawing is universal for all 7242 configurations. External dimension (X,Y) vary depending on configuration (see chart)

	DROP IN 2"	DROP IN 3/8"	ALCOVE / CORNER
X	72"	71 3/4"	71 1/2"
Y	42"	41 1/2"	41 5/8"

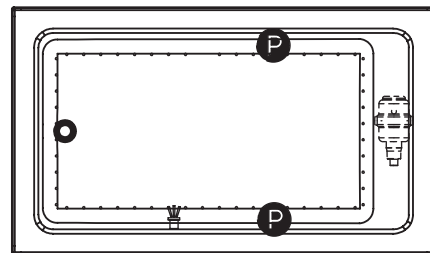
Wood support design may vary.
 Integrated tiling flange: 1" height X 1/4" thickness (not shown)
 Tiling flange position is determined by chosen configuration.

All dimensions are approximate.
 Structure measurement must be verified against the unit to ensure proper fit.

WHIRLPOOL SYSTEM

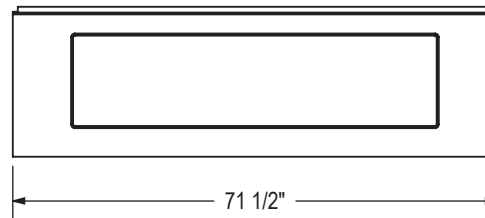


AIR SYSTEM



- ⊕ : Indicates optional grab bar positioning
- (▲) : Indicates whirlpool jets positioning
- (△) : Indicates suction positioning
- (●) : Indicates Aerofeel airjets positioning
- (✨) : Indicates chromatherapy light positioning

APRON (alcove version only)





Pose 7242 IF



Material : Acrylic
 Min: 62 Gal / 282 L
 Max: 97 Gal / 441 L

Features

- › Rectangular shape bathtub with choices of two deck heights (3/8 or 2 in.) Please specify when ordering
- › Drop-in or undermount ¹⁰ installation; model also available with integrated flange (IF) for alcove installation
- › Textured floor
- › Ample deck space for faucet installation
- › Skirt with or without access panel available

RECTANGULAR BATHTUBS - ACRYLIC

POSE 7242 - 101461

SKU	System	Color	Configuration	Dimensions & Weight	Packaging	MSRP
101461-000-001-100	Soaker - No System	White	End	72" x 42" x 23 5/8" / 95 lb / 43 kg	49 ft ³	\$ 1878
101461-000-004		Bone				\$ 1878
101461-000-007		Biscuit				\$ 1878
101461-001-001-100	Whirlpool ^{1 4}	White				\$ 3521
101461-001-004		Bone				\$ 3521
101461-001-007		Biscuit				\$ 3521
101461-002-001-100	Multi-Pack ⁹	White				\$ 10158
101461-002-004-100		Bone				\$ 10158
101461-002-007-100		Biscuit				\$ 10158
101461-096-001-100	Combined Whirlpool & Aeroeffect ^{1 3}	White				\$ 5846
101461-096-004		Bone				\$ 5846
101461-096-007		Biscuit				\$ 5846
101461-103-001-100	Aeroeffect ^{1 2 5}	White	\$ 4650			
101461-103-004		Bone	\$ 4650			
101461-103-007		Biscuit	\$ 4650			

POSE 7242 IF - 106213

SKU	System	Color	Configuration	Dimensions & Weight	Packaging	MSRP
106213-000-001-103	Soaker - No System	White	Left	72" x 42" x 23 5/8" / 95 lb / 43 kg	49 ft ³	\$ 1878

POSE 7242 IF - 106213

SKU	System	Color	Configuration	Dimensions & Weight	Packaging	MSRP	
106213-000-001-104	Soaker - No System	White	Right	72" x 42" x 23 5/8" / 95 lb / 43 kg	49 ft ³	\$ 1878	
106213-000-004-103		Bone	Left			\$ 1878	
106213-000-004-104			Right			\$ 1878	
106213-000-007-103		Biscuit	Left			\$ 1878	
106213-000-007-104			Right			\$ 1878	
106213-002-001-101		Multi-Pack ⁹	White			Left	\$ 10158
106213-002-001-102	Right					\$ 10158	
106213-002-004-101	Bone		Left			\$ 10158	
106213-002-004-102			Right			\$ 10158	
106213-002-007-101	Biscuit		Left			\$ 10158	
106213-002-007-102			Right			\$ 10158	
106213-L-001-001	Whirlpool ^{1 4}	White	Left			\$ 3521	
106213-L-001-004		Bone				\$ 3521	
106213-L-001-007		Biscuit				\$ 3521	
106213-L-096-001	Combined Whirlpool & Aeroeffect ^{1 3}	White				Left	\$ 5846
106213-L-096-004		Bone					\$ 5846
106213-L-096-007		Biscuit					\$ 5846
106213-L-103-001	Aeroeffect ^{1 2 5}	White				Right	\$ 4650
106213-L-103-004		Bone					\$ 4650
106213-L-103-007		Biscuit					\$ 4650
106213-R-001-001	Whirlpool ^{1 4}	White		Right	\$ 3521		
106213-R-001-004		Bone			\$ 3521		
106213-R-001-007		Biscuit			\$ 3521		
106213-R-096-001	Combined Whirlpool & Aeroeffect ^{1 3}	White			Right		\$ 5846
106213-R-096-004		Bone					\$ 5846
106213-R-096-007		Biscuit					\$ 5846
106213-R-103-001	Aeroeffect ^{1 2 5}	White			Right		\$ 4650
106213-R-103-004		Bone					\$ 4650
106213-R-103-007		Biscuit					\$ 4650

COMMON OPTIONS

SKU	Description	MSRP
OPT10095	Water heater assembly for whirlpool and combined systems (factory installed)	\$ 950
OPT10106-084	Metal trim kit for whirlpool and combined systems (factory installed) Available colors: Chrome (084) and Brushed Nickel (105)	\$ 669
OPT10106-105		\$ 669
OPT10260-084	Two 6-in. acrylic grab bars (factory installed) ⁸ Available colors: White (001), Bone (004), Biscuit (007), Chrome (084) and Brushed Nickel (105)	\$ 359
OPT10260-007		\$ 359
OPT10260-004		\$ 359

COMMON OPTIONS

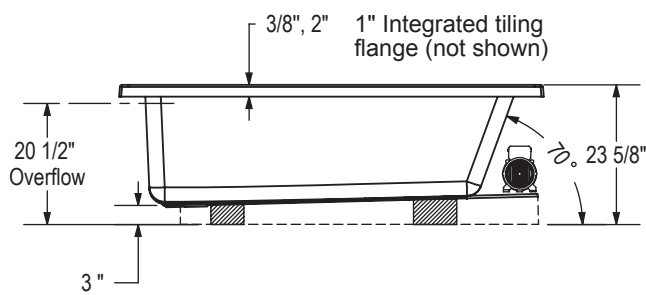
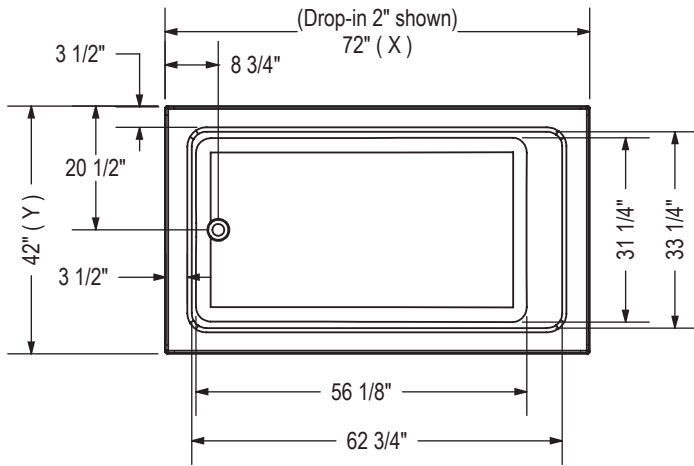
SKU	Description	MSRP
OPT10260-105	Two 6-in. acrylic grab bars (factory installed) ⁸	\$ 359
OPT10260-001	Available colors: White (001), Bone (004), Biscuit (007), Chrome (084) and Brushed Nickel (105)	\$ 359
OPT20029-105	Metal trim kit for air push control (factory installed)	\$ 74
OPT20029-084	Available colors: Chrome (084) and Brushed Nickel (105)	\$ 74
OPT20137-004	Cable-operated waste and overflow (16 in. to 22 in.) (included in product packaging when purchased) Available colors: White (001), Bone (004), Chrome (084) and Brushed Nickel (105)	\$ 332
OPT20137-084		\$ 332
OPT20137-105		\$ 332
OPT20137-001		\$ 332
OPT10053		One chromatherapy light (factory installed) ⁵⁴
101955-000-004	Acrylic apron without access panel. Specify: Standard colors: White (001), Bone (004), Biscuit (007)	\$ 556
101955-000-007		\$ 556
101955-000-001-100		\$ 556
101958-000-004	Acrylic apron with access panel. Specify: Standard colors: White (001), Bone (004), Biscuit (007)	\$ 662
101958-000-007		\$ 662
101958-000-001-100		\$ 662
OPT20205	Lite option 3/8 in. thin deck ⁶ When chosen, this option is offered at no cost	\$ 0

ACCESSORIES

SKU	Description	MSRP
10006923	Flexible main hose (9 ft. extension) for air push control air massage - Kit (sold separately)	\$ 191
10004306-001	White foam cushion with 2 suction pads (sold separately) Available color: White (001)	\$ 126
10028641-084	Metal trim kit for Whirlpool and combined systems (sold separately) Available colors: Chrome (084) and Brushed Nickel (105)	\$ 669
10028641-105		\$ 669
10034250-084	Metal trim kit for Aeroeffect with Air Push Control (sold separately) Available colors: Chrome (084) and Brushed Nickel (105)	\$ 74
10034250-105		\$ 74
10022491-084	Cable-operated waste and overflow (16 in. to 22 in.) (sold separately) Available colors: White (001), Bone (004), Chrome (084) and Brushed Nickel (105)	\$ 332
10022491-004		\$ 332
10022491-105		\$ 332
10022491-001		\$ 332

FOOTNOTES

No	Description
6	Specify 3/8 (Lite option) or 2 in. on deck height. If ordering unit with an apron, only 2 in. deck height is available.
8	Two 6 in. or 12 in. metal or acrylic grab bars are optional. Factory installed, only one positioning is possible (see technical drawings on https://www.maax.com).
10	Systems not available with units installed undermount.
54	A selection of units come with an access panel by default when equipped with a system. However, if the unit is only equipped with chromatherapy, the access panel will not be provided by default.



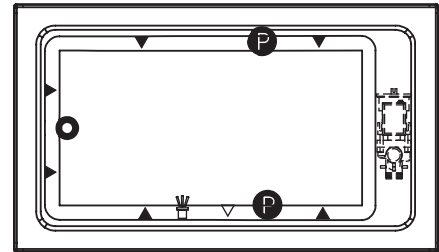
Technical drawing is universal for all 7242 configurations. External dimension (X,Y) vary depending on configuration (see chart)

	DROP IN 2"	DROP IN 3/8"	ALCOVE / CORNER
X	72"	71 3/4"	71 1/2"
Y	42"	41 1/2"	41 5/8"

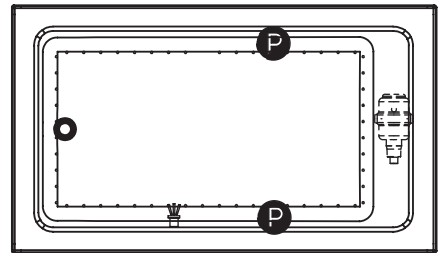
Wood support design may vary.
 Integrated tiling flange: 1" height X 1/4" thickness (not shown)
 Tiling flange position is determined by chosen configuration.

All dimensions are approximate.
 Structure measurement must be verified against the unit to ensure proper fit.

WHIRLPOOL SYSTEM

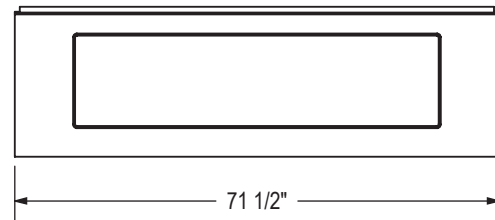


AIR SYSTEM



- Ⓟ : Indicates optional grab bar positioning
- (▲) : Indicates whirlpool jets positioning
- (●) : Indicates suction positioning
- (●) : Indicates Aerofeel airjets positioning
- (☞) : Indicates chromotherapy light positioning

APRON (alcove version only)





Rubix 6030



Material : Acrylic
 Min: 28 Gal / 127 L
 Max: 45 Gal / 205 L

Features

- › Alcove installation
- › Acrylic surface resistant to stains
- › Available in white, bone or biscuit color to complement any bathroom decor
- › Available in left-hand and right-hand drain configurations to fit your specific bathroom layout
- › Integrated flat skirt and tiling flange
- › Available in an Above-the-Floor Rough (AFR) configuration for easier drain, waste and overflow installation
- › Adds a modern look to any bathroom
- › Proudly made in North America
- › Compatible with UTile for an easy wall solution

RECTANGULAR BATHTUBS - ACRYLIC

RUBIX 6030 - 105815

SKU	System	Color	Configuration	Dimensions & Weight	Packaging	MSRP
105815-000-001-001	Soaker - No System	White	Left	59 3/4" x 30" x 18 3/8" / 77 lb / 35 kg	27 ft³	\$ 1247
105815-000-001-002			Right			\$ 1247
105815-000-004-001		Bone	Left			\$ 1247
105815-000-004-002			Right			\$ 1247
105815-000-007-001		Biscuit	Left			\$ 1247
105815-000-007-002			Right			\$ 1247

RUBIX 6030 AFR - 105816

SKU	System	Color	Configuration	Dimensions & Weight	Packaging	MSRP
105816-000-001-101	Soaker - No System	White	Left	59 3/4" x 30" x 20 3/8" / 77 lb / 35 kg	33 ft³	\$ 1247
105816-000-001-102			Right			\$ 1247
105816-L-000-004		Bone	Left			\$ 1247
105816-L-000-007						Biscuit
105816-R-000-004		Bone	Right			\$ 1247
105816-R-000-007						Biscuit

COMMON OPTIONS

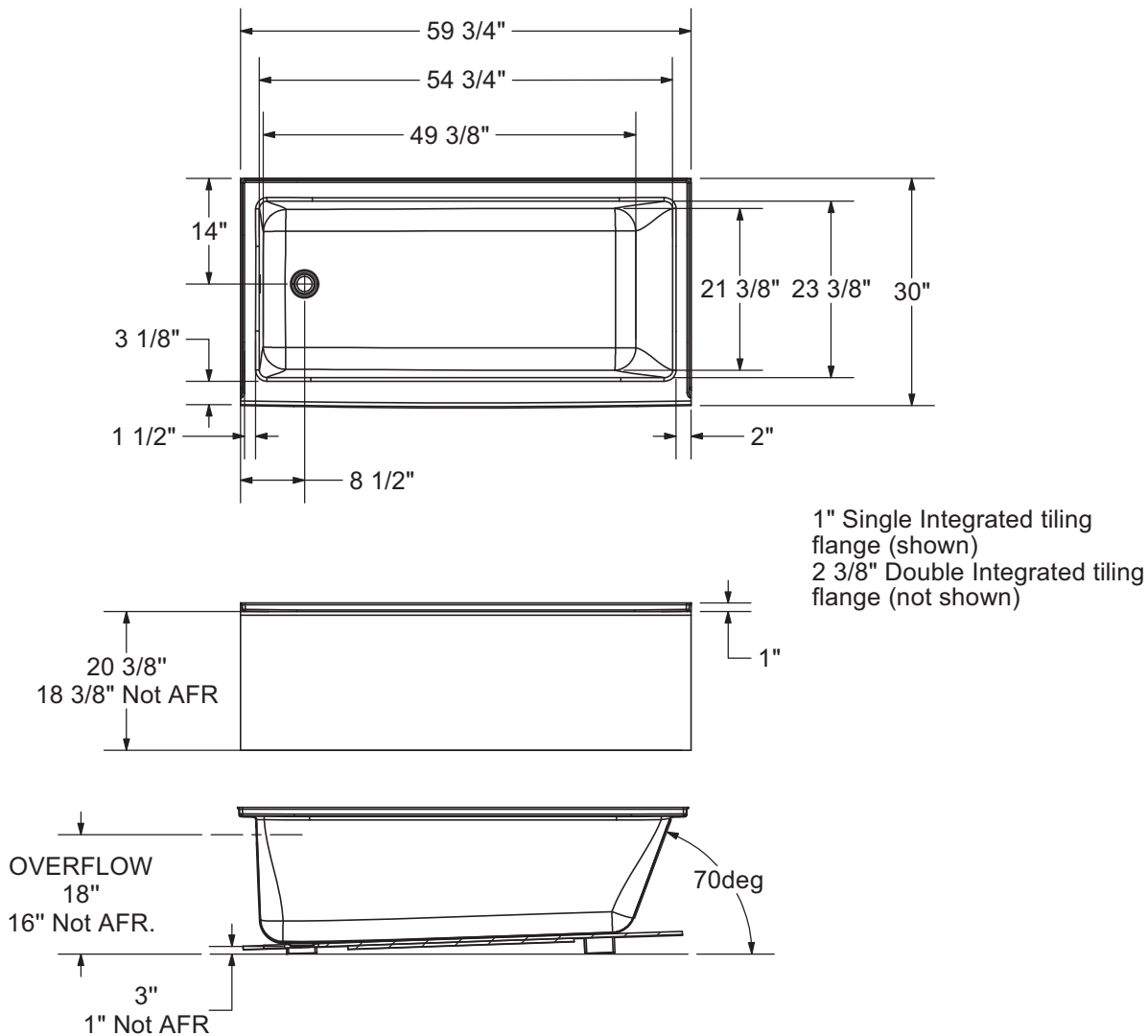
SKU	Description	MSRP
OPT20137-004	Cable-operated waste and overflow (16 in. to 22 in.) (included in product packaging when purchased) Available colors: White (001), Bone (004), Chrome (084) and Brushed Nickel (105)	\$ 332
OPT20137-084		\$ 332
OPT20137-105		\$ 332
OPT20137-001		\$ 332

ACCESSORIES

SKU	Description	MSRP
10004306-001	White foam cushion with 2 suction pads (sold separately) Available color: White (001)	\$ 126
10022491-084	Cable-operated waste and overflow (16 in. to 22 in.) (sold separately) Available colors: White (001), Bone (004), Chrome (084) and Brushed Nickel (105)	\$ 332
10022491-004		\$ 332
10022491-105		\$ 332
10022491-001		\$ 332

RECOMMENDED DOORS - VISIT OUR WEBSITE FOR A COMPLETE LIST OF RECOMMENDED DOORS

SKU	Product Name	Pag.
139398	Halo 56 ½-59 x 59 - 8mm	1024
139351	Incognito 57 56-59 x 56 ¾ - 6mm	1002
139354	Incognito 57 56-59 x 56 ¾ - 8mm	1006
135330	Incognito 57 Shaker 56-59 x 56 ¾ - 8mm	1000
135695	Revelation Square 56-59 x 56 ¾-59 ¼ - 8mm	1016
135692	Revelation Square 56-59 x 56 ¾-58 ¼ - 6mm	1014
136692	Revelation Round 56-59 x 56 ¾-59 ¼ - 6mm	1010
136695	Revelation Round 56-59 x 56 ¾-59 ¼ - 8 mm	1012
135320	Uptown 56-59 x 58 in. 8 mm	1018
138485	Vela 56 ½-59 x 59 - 8mm	1022
138480		1020
134661	Kameleon SC 55-59 x 57 - 6mm	989
134573	Kameleon 55-59 x 57 - 8mm	992
134670	Kameleon SC 55-59 x 57 - 8mm	984
134561	Kameleon 55-59 x 57 - 6mm	995
138994	Luminescence SlidingDoor 56 ½-59 x 55 ½-57 ½ - 6mm	1026
105410	Polar 54-59 ½ x 57 in.	1008



Wood support design may vary.
 Single Integrated tiling flange: 1" height x 1/4" thickness (shown)
 Double Integrated tiling flange: 2 3/8" height (not shown)
 All dimensions are approximate. Structure measurements must be verified against the unit to ensure proper fit.

Rubix 6030 DTF



RECTANGULAR BATHTUBS - ACRYLIC



Material : Acrylic
 Min: 28 Gal / 127 L
 Max: 45 Gal / 205 L

Features

- › Narrow end decks, long bathing well and smooth bottom
- › Cubic design
- › Integrated flat apron and double tiling flange
- › Right or left drain
- › Alcove installation

RUBIX 6030 DTF - 105817						
SKU	System	Color	Configuration	Dimensions & Weight	Packaging	MSRP
105817-L-000-001	Soaker - No System	White	Left	59 3/4" x 30" x 18 3/8" / 77 lb / 35 kg	27 ft ³	\$ 1247
105817-L-000-004		Bone				\$ 1247
105817-L-000-007		Biscuit				\$ 1247
105817-R-000-001		White	Right			\$ 1247
105817-R-000-004		Bone				\$ 1247
105817-R-000-007		Biscuit				\$ 1247

RUBIX 6030 AFR DTF - 105818						
SKU	System	Color	Configuration	Dimensions & Weight	Packaging	MSRP
105818-L-000-001	Soaker - No System	White	Left	59 3/4" x 30" x 20 3/8" / 77 lb / 35 kg	33 ft ³	\$ 1247
105818-L-000-004		Bone				\$ 1247
105818-L-000-007		Biscuit				\$ 1247
105818-R-000-001		White	Right			\$ 1247
105818-R-000-004		Bone				\$ 1247
105818-R-000-007		Biscuit				\$ 1247

COMMON OPTIONS

SKU	Description	MSRP
OPT20137-004	Cable-operated waste and overflow (16 in. to 22 in.) (included in product packaging when purchased) Available colors: White (001), Bone (004), Chrome (084) and Brushed Nickel (105)	\$ 332
OPT20137-084		\$ 332
OPT20137-105		\$ 332
OPT20137-001		\$ 332

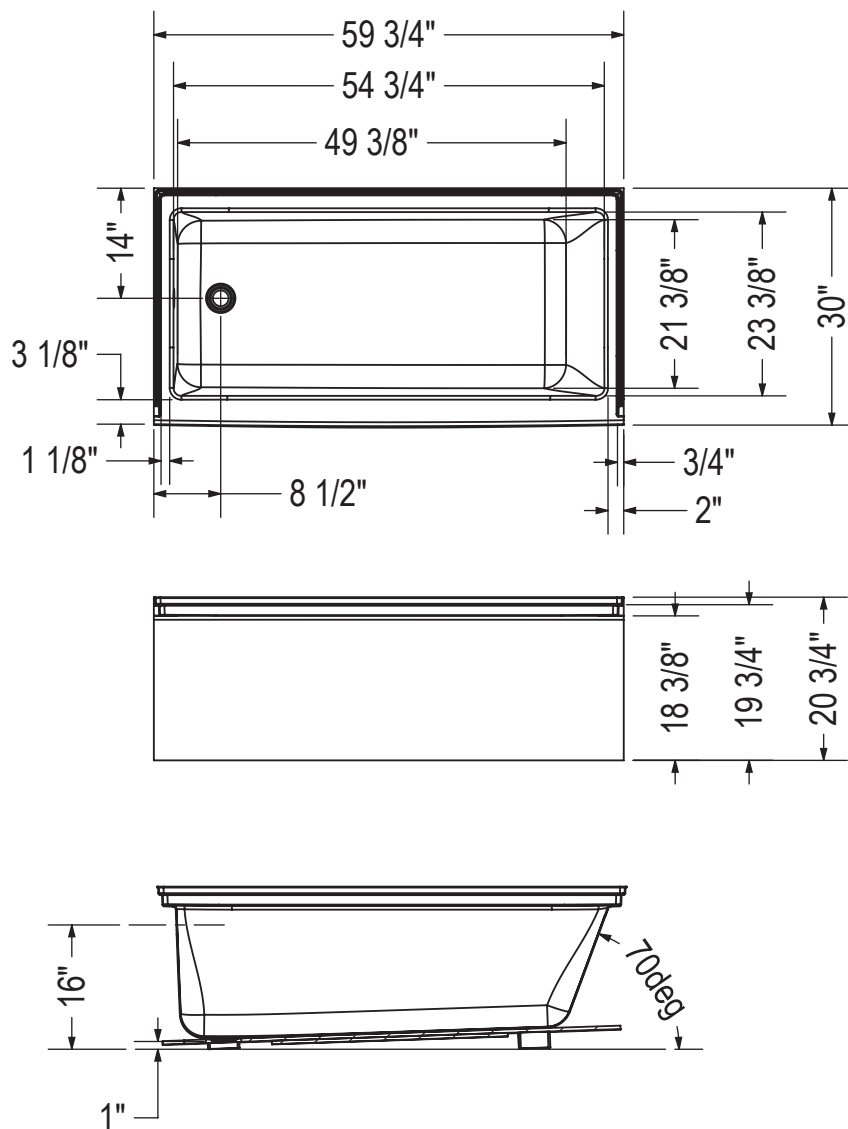
ACCESSORIES

SKU	Description	MSRP
10004306-001	White foam cushion with 2 suction pads (sold separately) Available color: White (001)	\$ 126
10022491-084	Cable-operated waste and overflow (16 in. to 22 in.) (sold separately) Available colors: White (001), Bone (004), Chrome (084) and Brushed Nickel (105)	\$ 332
10022491-004		\$ 332
10022491-105		\$ 332
10022491-001		\$ 332

RECOMMENDED DOORS - VISIT OUR WEBSITE FOR A COMPLETE LIST OF RECOMMENDED DOORS

SKU	Product Name	Pag.
139398	Halo 56 ½-59 x 59 - 8mm	1024
139351	Incognito 57 56-59 x 56 ¾ - 6mm	1002
139354	Incognito 57 56-59 x 56 ¾ - 8mm	1006
135330	Incognito 57 Shaker 56-59 x 56 ¾ - 8mm	1000
135695	Revelation Square 56-59 x 56 ¾-59 ¼ - 8mm	1016
135692	Revelation Square 56-59 x 56 ¾-58 ¼ - 6mm	1014
136692	Revelation Round 56-59 x 56 ¾-59 ¼ - 6mm	1010
136695	Revelation Round 56-59 x 56 ¾-59 ¼ - 8 mm	1012
135320	Uptown 56-59 x 58 in. 8 mm	1018
138485	Vela 56 ½-59 x 59 - 8mm	1022
138480		1020
134661	Kameleon SC 55-59 x 57 - 6mm	989
134573	Kameleon 55-59 x 57 - 8mm	992
134670	Kameleon SC 55-59 x 57 - 8mm	984
134561	Kameleon 55-59 x 57 - 6mm	995
138994	Luminescence SlidingDoor 56 ½-59 x 55 ½-57 ½ - 6mm	1026
105410	Polar 54-59 ½ x 57 in.	1008

DTF



All dimensions are approximate. Structure measurements must be verified against the unit to ensure proper fit.

Rubix 6032



Material : Acrylic
 Min: 25 Gal / 114 L
 Max: 49 Gal / 223 L

Features

- › Rectangular shape bathtub in alcove installation
- › Available in Above-the-Floor Rough (AFR) or not
- › Right or left-hand drain
- › Cubic design
- › Integrated flat skirt and tiling flange
- › Compatible with U tile shower wall panels
- › Available with an optional pre-installed white linear overflow for non-high rise construction

RECTANGULAR BATHTUBS - ACRYLIC

RUBIX 6032 AFR - 105704						
SKU	System	Color	Configuration	Dimensions & Weight	Packaging	MSRP
105704-000-001-101	Soaker - No System	White	Left	59 3/4" x 32" x 20 3/8" / 80 lb / 36 kg	33 ft ³	\$ 1283
105704-000-001-102			Right			\$ 1283
105704-000-007-101		Biscuit	Left			\$ 1283
105704-000-007-102			Right			\$ 1283
105704-L-000-004		Bone	Left			\$ 1283
105704-R-000-004			Right			\$ 1283

RUBIX 6032 - 105705						
SKU	System	Color	Configuration	Dimensions & Weight	Packaging	MSRP
105705-000-001-001	Soaker - No System	White	Left	59 3/4" x 32" x 18 3/8" / 80 lb / 36 kg	27 ft ³	\$ 1283
105705-000-001-002			Right			\$ 1283
105705-000-004-001		Bone	Left			\$ 1283
105705-000-004-002			Right			\$ 1283
105705-000-007-001		Biscuit	Left			\$ 1283
105705-000-007-002			Right			\$ 1283

COMMON OPTIONS

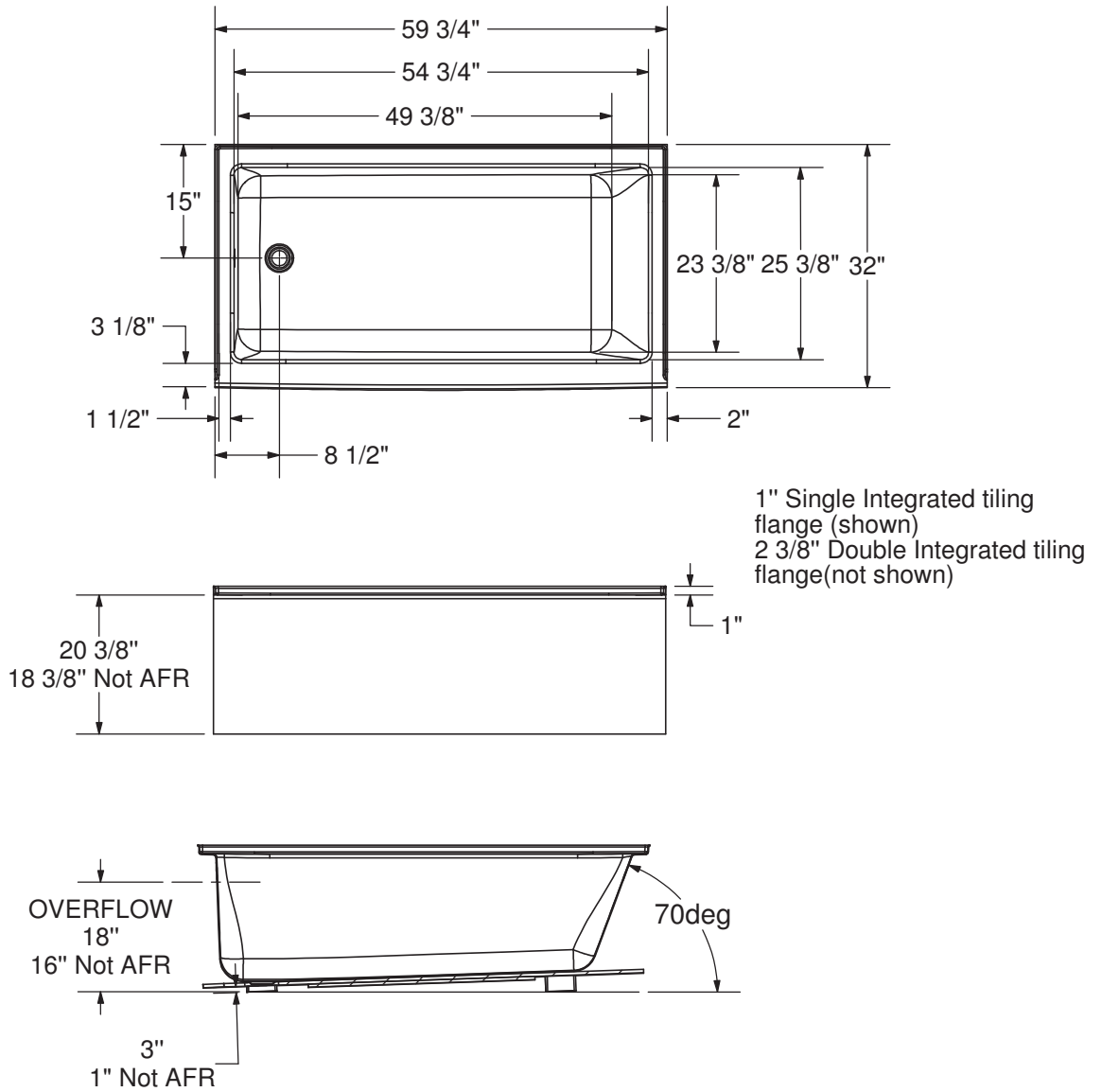
SKU	Description	MSRP
OPT20137-004	Cable-operated waste and overflow (16 in. to 22 in.) (included in product packaging when purchased) Available colors: White (001), Bone (004), Chrome (084) and Brushed Nickel (105)	\$ 332
OPT20137-084		\$ 332
OPT20137-105		\$ 332
OPT20137-001		\$ 332
OPT20341-001	Linear overflow and pop-up drain for non-high rise construction featuring direct drain pre-installed in the factory Available color: White (001)	\$ 225

ACCESSORIES

SKU	Description	MSRP
10004306-001	White foam cushion with 2 suction pads (sold separately) Available color: White (001)	\$ 126
10022491-084	Cable-operated waste and overflow (16 in. to 22 in.) (sold separately) Available colors: White (001), Bone (004), Chrome (084) and Brushed Nickel (105)	\$ 332
10022491-004		\$ 332
10022491-105		\$ 332
10022491-001		\$ 332

RECOMMENDED DOORS - VISIT OUR WEBSITE FOR A COMPLETE LIST OF RECOMMENDED DOORS

SKU	Product Name	Pag.
139398	Halo 56 ½-59 x 59 - 8mm	1024
139351	Incognito 57 56-59 x 56 ¾ - 6mm	1002
139354	Incognito 57 56-59 x 56 ¾ - 8mm	1006
135330	Incognito 57 Shaker 56-59 x 56 ¾ - 8mm	1000
135695	Revelation Square 56-59 x 56 ¾-59 ¼ - 8mm	1016
135692	Revelation Square 56-59 x 56 ¾-58 ¼ - 6mm	1014
136692	Revelation Round 56-59 x 56 ¾-59 ¼ - 6mm	1010
136695	Revelation Round 56-59 x 56 ¾-59 ¼ - 8 mm	1012
135320	Uptown 56-59 x 58 in. 8 mm	1018
138485	Vela 56 ½-59 x 59 - 8mm	1022
138480		1020
134661	Kameleon SC 55-59 x 57 - 6mm	989
134573	Kameleon 55-59 x 57 - 8mm	992
134670	Kameleon SC 55-59 x 57 - 8mm	984
134561	Kameleon 55-59 x 57 - 6mm	995
138994	Luminescence SlidingDoor 56 ½-59 x 55 ½-57 ½ - 6mm	1026
105410	Polar 54-59 ½ x 57 in.	1008



Wood support design may vary.
 Single Integrated tiling flange: 1" height x 1/4" thickness (shown)
 All dimensions are approximate. Structure measurements must be verified against the unit to ensure proper fit.



Rubix 6032 DTF

RECTANGULAR BATHTUBS - ACRYLIC



Material : Acrylic
 Min: 25 Gal / 114 L
 Max: 49 Gal / 223 L

Features

- › Narrow end decks, long bathing well and smooth bottom
- › Cubic design
- › Integrated flat apron and double tiling flange
- › Right or left drain
- › Alcove installation

RUBIX 6032 DTF - 105819						
SKU	System	Color	Configuration	Dimensions & Weight	Packaging	MSRP
105819-L-000-001	Soaker - No System	White	Left	59 3/4" x 32" x 18 3/8" / 80 lb / 36 kg	27 ft ³	\$ 1283
105819-L-000-004		Bone				\$ 1283
105819-L-000-007		Biscuit				\$ 1283
105819-R-000-001		White	Right			\$ 1283
105819-R-000-004		Bone				\$ 1283
105819-R-000-007		Biscuit				\$ 1283

RUBIX 6032 AFR DTF - 105820						
SKU	System	Color	Configuration	Dimensions & Weight	Packaging	MSRP
105820-L-000-001	Soaker - No System	White	Left	59 3/4" x 32" x 20 3/8" / 80 lb / 36 kg	33 ft ³	\$ 1283
105820-L-000-004		Bone				\$ 1283
105820-L-000-007		Biscuit				\$ 1283
105820-R-000-001		White	Right			\$ 1283
105820-R-000-004		Bone				\$ 1283
105820-R-000-007		Biscuit				\$ 1283

COMMON OPTIONS

SKU	Description	MSRP
OPT20137-004	Cable-operated waste and overflow (16 in. to 22 in.) (included in product packaging when purchased) Available colors: White (001), Bone (004), Chrome (084) and Brushed Nickel (105)	\$ 332
OPT20137-084		\$ 332
OPT20137-105		\$ 332
OPT20137-001		\$ 332

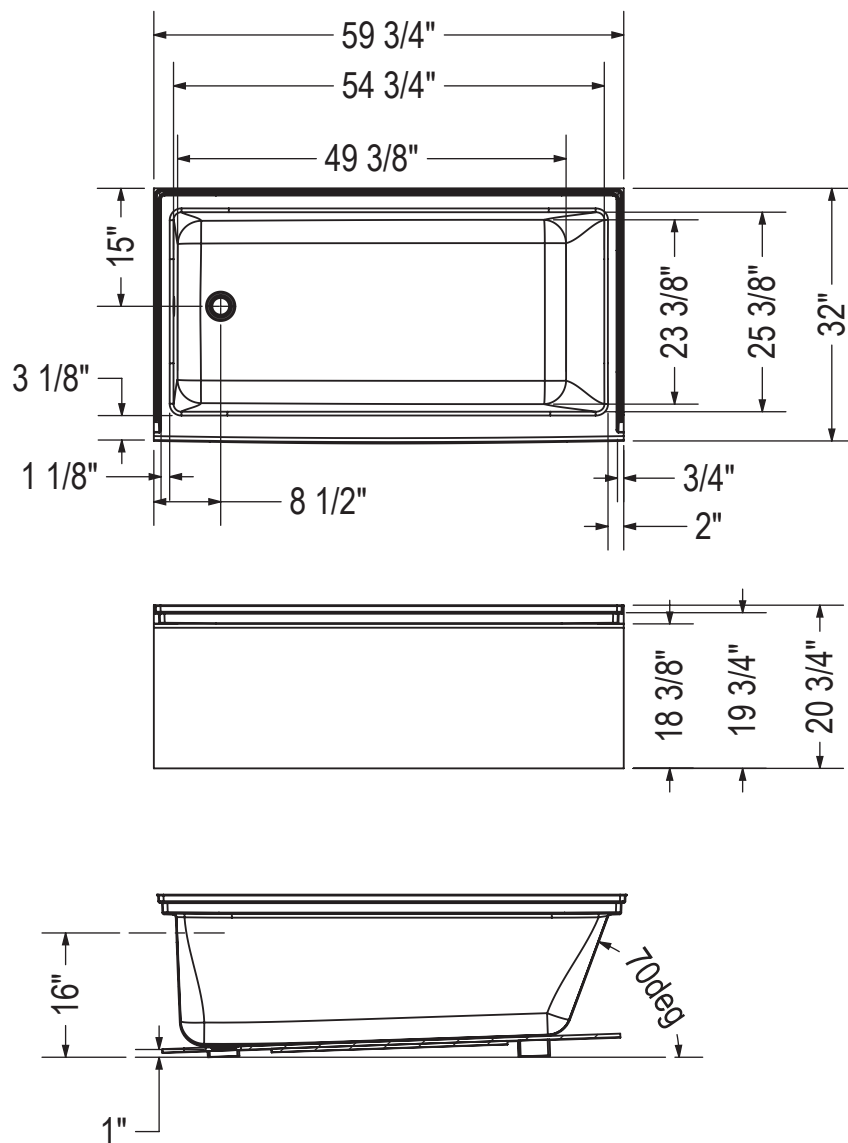
ACCESSORIES

SKU	Description	MSRP
10004306-001	White foam cushion with 2 suction pads (sold separately) Available color: White (001)	\$ 126
10022491-084	Cable-operated waste and overflow (16 in. to 22 in.) (sold separately) Available colors: White (001), Bone (004), Chrome (084) and Brushed Nickel (105)	\$ 332
10022491-004		\$ 332
10022491-105		\$ 332
10022491-001		\$ 332

RECOMMENDED DOORS - VISIT OUR WEBSITE FOR A COMPLETE LIST OF RECOMMENDED DOORS

SKU	Product Name	Pag.
139398	Halo 56 ½-59 x 59 - 8mm	1024
139351	Incognito 57 56-59 x 56 ¾ - 6mm	1002
139354	Incognito 57 56-59 x 56 ¾ - 8mm	1006
135330	Incognito 57 Shaker 56-59 x 56 ¾ - 8mm	1000
135695	Revelation Square 56-59 x 56 ¾-59 ¼ - 8mm	1016
135692	Revelation Square 56-59 x 56 ¾-58 ¼ - 6mm	1014
136692	Revelation Round 56-59 x 56 ¾-59 ¼ - 6mm	1010
136695	Revelation Round 56-59 x 56 ¾-59 ¼ - 8 mm	1012
135320	Uptown 56-59 x 58 in. 8 mm	1018
138485	Vela 56 ½-59 x 59 - 8mm	1022
138480		1020
134661	Kameleon SC 55-59 x 57 - 6mm	989
134573	Kameleon 55-59 x 57 - 8mm	992
134670	Kameleon SC 55-59 x 57 - 8mm	984
134561	Kameleon 55-59 x 57 - 6mm	995
138994	Luminescence SlidingDoor 56 ½-59 x 55 ½-57 ½ - 6mm	1026
105410	Polar 54-59 ½ x 57 in.	1008

DTF



All dimensions are approximate. Structure measurements must be verified against the unit to ensure proper fit.

Rubix 6632



Material : Acrylic
 Min: 36 Gal / 164 L
 Max: 53 Gal / 241 L

Features

- › Rectangular shape bathtub in alcove installation
- › Available in Above-the-Floor Rough (AFR) or not
- › Right or left-hand drain
- › Cubic design
- › Integrated flat skirt and tiling flange

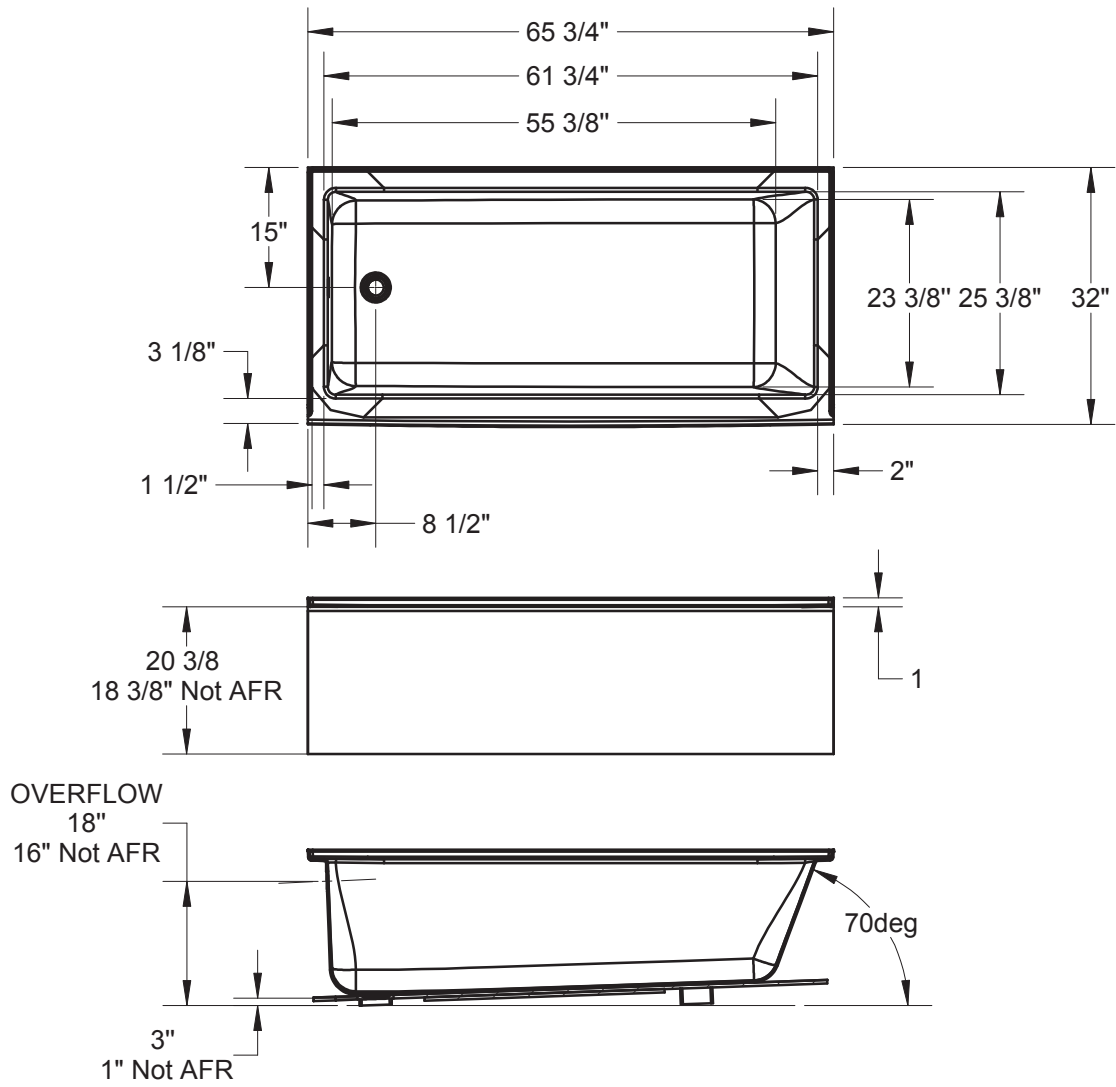
RUBIX 6632 AFR - 105734						
SKU	System	Color	Configuration	Dimensions & Weight	Packaging	MSRP
105734-000-001-101	Soaker - No System	White	Left	65 3/4" x 32" x 20 3/8" / 96 lb / 44 kg	35 ft³	\$ 1748
105734-000-001-102			Right			\$ 1748

RUBIX 6632 - 105735						
SKU	System	Color	Configuration	Dimensions & Weight	Packaging	MSRP
105735-000-001-001	Soaker - No System	White	Left	65 3/4" x 32" x 18 3/8" / 96 lb / 44 kg	35 ft³	\$ 1748
105735-000-001-002			Right			\$ 1748

COMMON OPTIONS		
SKU	Description	MSRP
OPT20137-004	Cable-operated waste and overflow (16 in. to 22 in.) (included in product packaging when purchased) Available colors: White (001), Bone (004), Chrome (084) and Brushed Nickel (105)	\$ 332
OPT20137-084		\$ 332
OPT20137-105		\$ 332
OPT20137-001		\$ 332

ACCESSORIES		
SKU	Description	MSRP
10004306-001	White foam cushion with 2 suction pads (sold separately) Available color: White (001)	\$ 126

ACCESSORIES		
SKU	Description	MSRP
10022491-084	Cable-operated waste and overflow (16 in. to 22 in.) (sold separately) Available colors: White (001), Bone (004), Chrome (084) and Brushed Nickel (105)	\$ 332
10022491-004		\$ 332
10022491-105		\$ 332
10022491-001		\$ 332



Wood support design may vary.
 Single Integrated tiling flange: 1" height x 1/4" thickness (shown)
 All dimensions are approximate. Structure measurements must be verified against the unit to ensure proper fit.



Rubix Access 6030

RECTANGULAR BATHTUBS - ACRYLIC



Material : Acrylic
 Min: 28 Gal / 127 L
 Max: 29 Gal / 132 L

Features

- › Alcove bathtub with integrated flat skirt and tiling flange
- › Available in Above-the-Floor Rough (AFR) or not
- › Low deck height of 16 in. (AFR) or 14 in.
- › Stabili-T anti-slip bottom meeting ADA, ANSI or CSA requirements
- › Compliant with accessibility codes when properly installed
- › Compatible with Utile wall panels
- › Cubic design

RUBIX ACCESS 6030 - 106348

SKU	System	Color	Configuration	Dimensions & Weight	Packaging	MSRP
106348-000-001-001	Soaker - No System	White	Left	59 7/8" x 30 1/8" x 14" / 75 lb / 34 kg	21 ft ³	\$ 1208
106348-000-001-002			Right			\$ 1208

RUBIX ACCESS 6030 AFR - 106349

SKU	System	Color	Configuration	Dimensions & Weight	Packaging	MSRP
106349-000-001-100	Soaker - No System	White	Left	59 7/8" x 30 1/8" x 16" / 75 lb / 34 kg	21 ft ³	\$ 1208
106349-000-001-101			Right			\$ 1208

COMMON OPTIONS

SKU	Description	MSRP
OPT20137-004	Cable-operated waste and overflow (16 in. to 22 in.) (included in product packaging when purchased) Available colors: White (001), Bone (004), Chrome (084) and Brushed Nickel (105)	\$ 332
OPT20137-084		\$ 332
OPT20137-105		\$ 332
OPT20137-001		\$ 332

ACCESSORIES

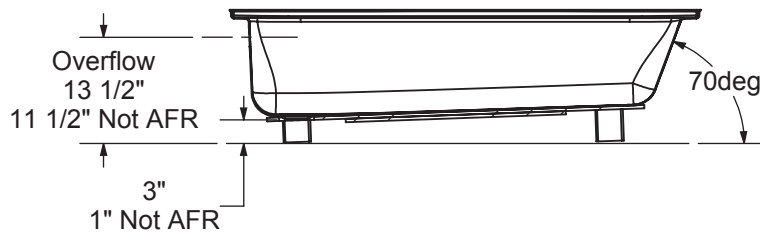
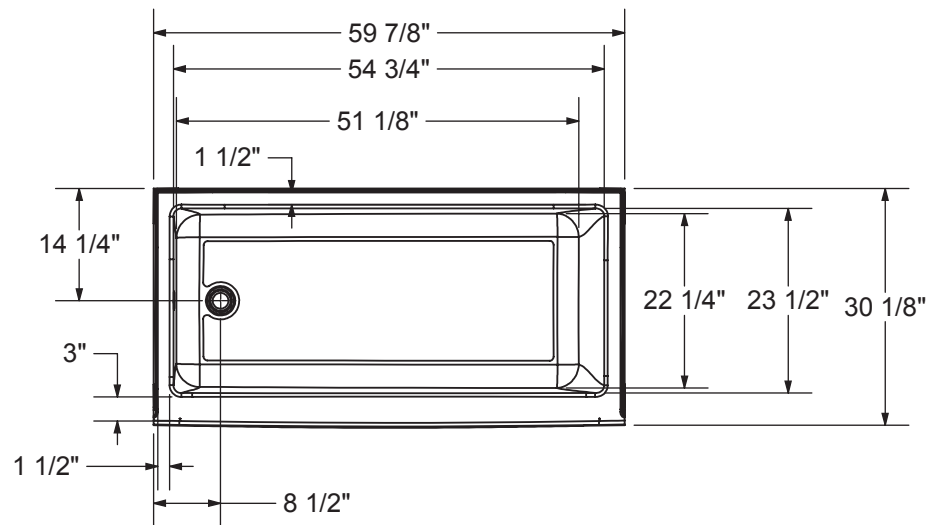
SKU	Description	MSRP
10004306-001	White foam cushion with 2 suction pads (sold separately) Available color: White (001)	\$ 126

ACCESSORIES

SKU	Description	MSRP
10022491-084	Cable-operated waste and overflow (16 in. to 22 in.) (sold separately) Available colors: White (001), Bone (004), Chrome (084) and Brushed Nickel (105)	\$ 332
10022491-004		\$ 332
10022491-105		\$ 332
10022491-001		\$ 332

RECOMMENDED DOORS - VISIT OUR WEBSITE FOR A COMPLETE LIST OF RECOMMENDED DOORS

SKU	Product Name	Pag.
139398	Halo 56 ½-59 x 59 - 8mm	1024
139351	Incognito 57 56-59 x 56 ¾ - 6mm	1002
139354	Incognito 57 56-59 x 56 ¾ - 8mm	1006
135330	Incognito 57 Shaker 56-59 x 56 ¾ - 8mm	1000
135695	Revelation Square 56-59 x 56 ¾-59 ¼ - 8mm	1016
135692	Revelation Square 56-59 x 56 ¾-58 ¼ - 6mm	1014
136692	Revelation Round 56-59 x 56 ¾-59 ¼ - 6mm	1010
136695	Revelation Round 56-59 x 56 ¾-59 ¼ - 8 mm	1012
135320	Uptown 56-59 x 58 in. 8 mm	1018
138485	Vela 56 ½-59 x 59 - 8mm	1022
138480		1020
134661	Kameleon SC 55-59 x 57 - 6mm	989
134573	Kameleon 55-59 x 57 - 8mm	992
134670	Kameleon SC 55-59 x 57 - 8mm	984
134561	Kameleon 55-59 x 57 - 6mm	995
138994	Luminescence SlidingDoor 56 ½-59 x 55 ½-57 ½ - 6mm	1026
105410	Polar 54-59 ½ x 57 in.	1008



Wood support design may vary.
 All dimensions are approximate. Structure measurements
 must be verified against the unit to ensure proper fit.



Talisman



Material : Acrylic
 Min: 31 Gal / 141 L
 Max: 56 Gal / 255 L

Features

- › Oval shape bathtub
- › Alcove or drop-in installation
- › Optional nailing flange available
- › Armrests and textured floor
- › End drain

RECTANGULAR BATHTUBS - ACRYLIC

TALISMAN - 100106

SKU	System	Color	Configuration	Dimensions & Weight	Packaging	MSRP
100106-000-001-000	Soaker - No System	White	End	71 3/8" x 42" x 19" / 99 lb / 45 kg	38 ft ³	\$ 1594
100106-000-004-000		Bone				\$ 1594
100106-000-007-000		Biscuit				\$ 1594
100106-001-001-000	Whirlpool ^{1 4}	White				\$ 3237
100106-001-004-000		Bone				\$ 3237
100106-001-007-000		Biscuit				\$ 3237
100106-002-001-000	Multi-Pack ⁹	White				\$ 8604
100106-002-004		Bone				\$ 8604
100106-002-007		Biscuit				\$ 8604
100106-096-001	Combined Whirlpool & Aeroeffect ^{1 3}	White				\$ 5562
100106-096-004		Bone				\$ 5562
100106-096-007		Biscuit				\$ 5562
100106-103-001-100	Aeroeffect ^{1 2 5}	White	\$ 4366			
100106-103-004		Bone	\$ 4366			
100106-103-007		Biscuit	\$ 4366			

COMMON OPTIONS

SKU	Description	MSRP
OPT10004	Nailing flange (factory installed) OPT10004-R Right-hand drain OPT10004-L Left-hand drain Note: For corner bathtubs, there is no need to specify a right or left-hand side when ordering this option. The flange will be installed on both sides of the unit.	\$ 180
OPT10053	One chromatherapy light (factory installed) ⁵⁴	\$ 725
OPT10095	Water heater assembly for whirlpool and combined systems (factory installed)	\$ 950
OPT10106-084	Metal trim kit for whirlpool and combined systems (factory installed)	\$ 669
OPT10106-105	Available colors: Chrome (084) and Brushed Nickel (105)	\$ 669
OPT20029-105	Metal trim kit for air push control (factory installed)	\$ 74
OPT20029-084	Available colors: Chrome (084) and Brushed Nickel (105)	\$ 74
OPT20137-004		\$ 332
OPT20137-084	Cable-operated waste and overflow (16 in. to 22 in.) (included in product packaging when purchased)	\$ 332
OPT20137-105	Available colors: White (001), Bone (004), Chrome (084) and Brushed Nickel (105)	\$ 332
OPT20137-001		\$ 332

ACCESSORIES

SKU	Description	MSRP
10006923	Flexible main hose (9 ft. extension) for air push control air massage - Kit (sold separately)	\$ 191
10063099	Nailing flange (sold separately)	\$ 180
10004306-001	White foam cushion with 2 suction pads (sold separately) Available color: White (001)	\$ 126
10006887-105	Metal trim kit for Whirlpool and combined systems (sold separately)	\$ 669
10006887-084	Available colors: Chrome (084) and Brushed Nickel (105)	\$ 669
10034250-084	Metal trim kit for Aeroeffect with Air Push Control (sold separately)	\$ 74
10034250-105	Available colors: Chrome (084) and Brushed Nickel (105)	\$ 74
10022491-084		\$ 332
10022491-004	Cable-operated waste and overflow (16 in. to 22 in.) (sold separately)	\$ 332
10022491-105	Available colors: White (001), Bone (004), Chrome (084) and Brushed Nickel (105)	\$ 332
10022491-001		\$ 332

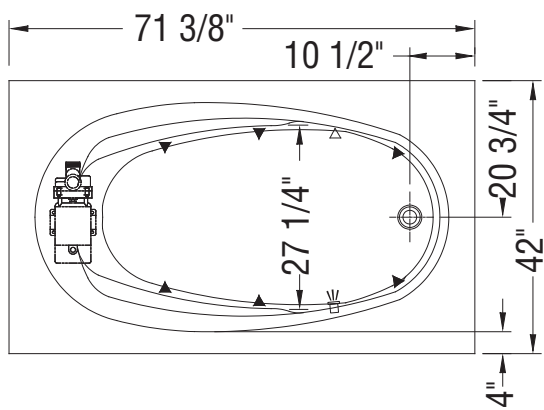
FOOTNOTES

No	Description
1	Components for standard colour units equipped with systems are colour-coordinated. Trim kit and/or air push with metallic finish can be added (additional charge applies). For non-standard colour units, please specify trim kit and/or air push colour (additional charge applies for metallic finishes). Please note that the positioning of the system's control could be in conflict with the door if one was installed on the unit. To insure compatibility, please contact customer service.
2	Please order flexible main hose 10006923 for installation of the blower further than 3 ft from the bathtub. For the Tandem models and the Serenade models (freestanding and drop-in), the blower is always remote and not factory installed so a 9 ft flexible main hose is included. Please note that the positioning of the system's control could be in conflict with the door if one was installed on the unit. To insure compatibility, please contact customer service.
3	The blower is not factory installed (remote). 9 ft flexible main hose included. Please note that the positioning of the system's control could be in conflict with the door if one was installed on the unit. To insure compatibility, please contact customer service.
4	For details on pump position and requirements, see technical drawings on https://www.maax.com . When there is a pump position A or B indicated on the technical drawing, please specify position when ordering.

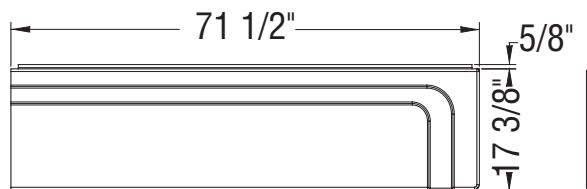
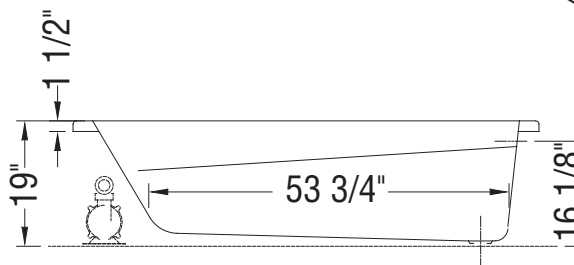
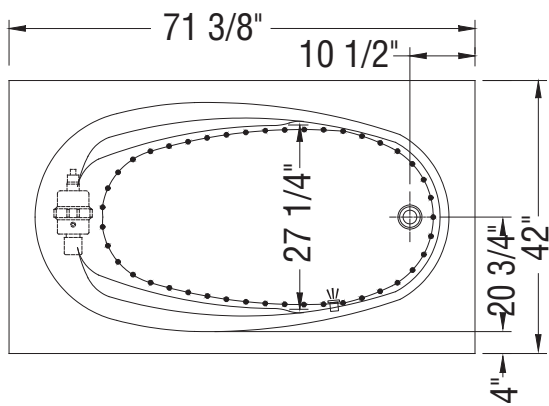
FOOTNOTES

No	Description
5	For details on blower position and requirements, see technical drawings on https://www.maax.com . When there is a blower position A or B indicated on the technical drawing, please specify position when ordering.
54	A selection of units come with an access panel by default when equipped with a system. However, if the unit is only equipped with chromatherapy, the access panel will not be provided by default.

WHIRLPOOL SYSTEM



AIR SYSTEM



- (▲): Indicates Whirlpool jets positioning
- (●): Indicates airjets positioning
- (△): Indicates suction positioning
- (☞): Indicates chromatherapy light positioning

All dimensions are approximate. Structure measurements must be verified against the unit to ensure proper fit.

Temple



Material : Acrylic
 Min: 29 Gal / 132 L
 Max: 46 Gal / 209 L

Features

- › Rectangular bathtub with oval bathing well
- › Drop-in installation
- › Optional nailing flange available
- › Armrests and textured floor
- › End drain

RECTANGULAR BATHTUBS - ACRYLIC

TEMPLE - 100027						
SKU	System	Color	Configuration	Dimensions & Weight	Packaging	MSRP
100027-000-001-000	Soaker - No System	White	End	59 3/4" x 40 3/4" x 18 3/4" / 100 lb / 45 kg	28 ft ³	\$ 1292
100027-000-004-000		Bone				\$ 1292
100027-000-007-000		Biscuit				\$ 1292
100027-001-001-000	Whirlpool ^{1 4}	White				\$ 2935
100027-001-004-000		Bone				\$ 2935
100027-001-007-000		Biscuit				\$ 2935
100027-002-001-000	Multi-Pack ⁹	White				\$ 6972
100027-002-004-000		Bone				\$ 6972
100027-002-007-000		Biscuit				\$ 6972
100027-096-001	Combined Whirlpool & Aeroeffect ^{1 3}	White				\$ 5260
100027-096-004		Bone				\$ 5260
100027-096-007		Biscuit				\$ 5260
100027-103-001-100	Aeroeffect ^{1 2 5}	White				\$ 4064
100027-103-004		Bone	\$ 4064			
100027-103-007		Biscuit	\$ 4064			

COMMON OPTIONS		
SKU	Description	MSRP
OPT10095	Water heater assembly for whirlpool and combined systems (factory installed)	\$ 950

COMMON OPTIONS

SKU	Description	MSRP
OPT10106-084	Metal trim kit for whirlpool and combined systems (factory installed) Available colors: Chrome (084) and Brushed Nickel (105)	\$ 669
OPT10106-105		\$ 669
OPT20029-105	Metal trim kit for air push control (factory installed) Available colors: Chrome (084) and Brushed Nickel (105)	\$ 74
OPT20029-084		\$ 74
OPT20137-004	Cable-operated waste and overflow (16 in. to 22 in.) (included in product packaging when purchased) Available colors: White (001), Bone (004), Chrome (084) and Brushed Nickel (105)	\$ 332
OPT20137-084		\$ 332
OPT20137-105		\$ 332
OPT20137-001		\$ 332
OPT10004	Nailing flange (factory installed) OPT10004-R Right-hand drain OPT10004-L Left-hand drain Note: For corner bathtubs, there is no need to specify a right or left-hand side when ordering this option. The flange will be installed on both sides of the unit.	\$ 180
OPT10053	One chromatherapy light (factory installed) ⁵⁴	\$ 725

ACCESSORIES

SKU	Description	MSRP
10006918	Tiling flange, 1 x 61 1/4 in., 2 x 42 in. (sold separately)	\$ 121
10006923	Flexible main hose (9 ft. extension) for air push control air massage - Kit (sold separately)	\$ 191
10063099	Nailing flange (sold separately)	\$ 180
10004306-001	White foam cushion with 2 suction pads (sold separately) Available color: White (001)	\$ 126
10006887-105	Metal trim kit for Whirlpool and combined systems (sold separately) Available colors: Chrome (084) and Brushed Nickel (105)	\$ 669
10006887-084		\$ 669
10034250-084	Metal trim kit for Aeroeffect with Air Push Control (sold separately) Available colors: Chrome (084) and Brushed Nickel (105)	\$ 74
10034250-105		\$ 74
10022491-084	Cable-operated waste and overflow (16 in. to 22 in.) (sold separately) Available colors: White (001), Bone (004), Chrome (084) and Brushed Nickel (105)	\$ 332
10022491-004		\$ 332
10022491-105		\$ 332
10022491-001		\$ 332

FOOTNOTES

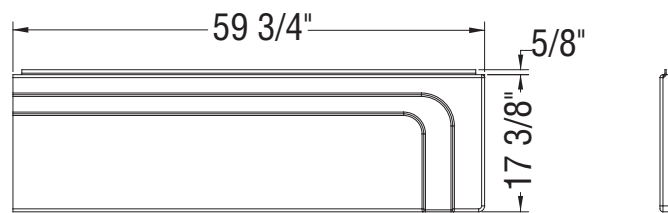
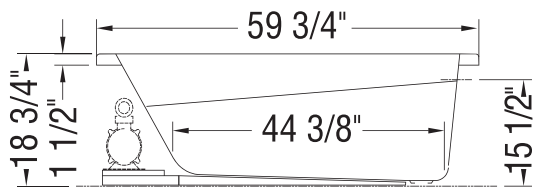
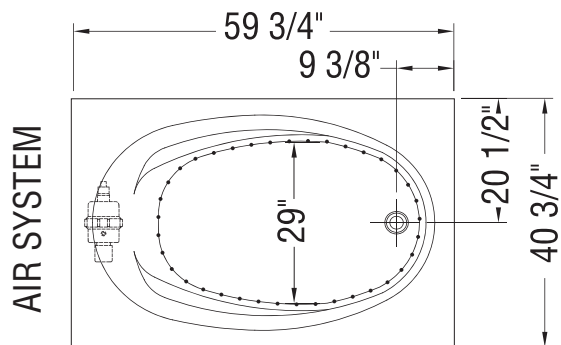
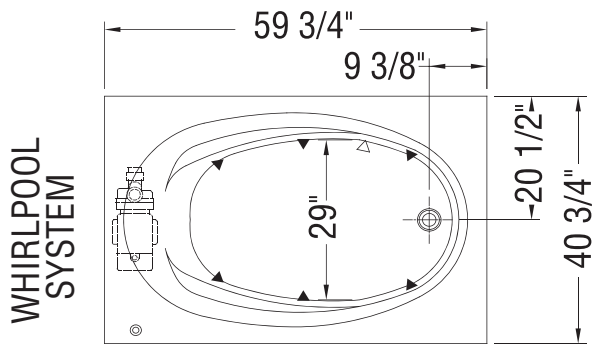
No	Description
1	Components for standard colour units equipped with systems are colour-coordinated. Trim kit and/or air push with metallic finish can be added (additional charge applies). For non-standard colour units, please specify trim kit and/or air push colour (additional charge applies for metallic finishes). Please note that the positioning of the system's control could be in conflict with the door if one was installed on the unit. To insure compatibility, please contact customer service.
2	Please order flexible main hose 10006923 for installation of the blower further than 3 ft from the bathtub. For the Tandem models and the Serenade models (freestanding and drop-in), the blower is always remote and not factory installed so a 9 ft flexible main hose is included. Please note that the positioning of the system's control could be in conflict with the door if one was installed on the unit. To insure compatibility, please contact customer service.
3	The blower is not factory installed (remote). 9 ft flexible main hose included. Please note that the positioning of the system's control could be in conflict with the door if one was installed on the unit. To insure compatibility, please contact customer service.
4	For details on pump position and requirements, see technical drawings on https://www.maax.com . When there is a pump position A or B indicated on the technical drawing, please specify position when ordering.

FOOTNOTES

No	Description
5	For details on blower position and requirements, see technical drawings on https://www.maax.com . When there is a blower position A or B indicated on the technical drawing, please specify position when ordering.
54	A selection of units come with an access panel by default when equipped with a system. However, if the unit is only equipped with chromatherapy, the access panel will not be provided by default.

RECOMMENDED DOORS - VISIT OUR WEBSITE FOR A COMPLETE LIST OF RECOMMENDED DOORS

SKU	Product Name	Pag.
139398	Halo 56 ½-59 x 59 - 8mm	1024
139351	Incognito 57 56-59 x 56 ¾ - 6mm	1002
139354	Incognito 57 56-59 x 56 ¾ - 8mm	1006
135330	Incognito 57 Shaker 56-59 x 56 ¾ - 8mm	1000
135695	Revelation Square 56-59 x 56 ¾-59 ¼ - 8mm	1016
135692	Revelation Square 56-59 x 56 ¾-58 ¼ - 6mm	1014
136692	Revelation Round 56-59 x 56 ¾-59 ¼ - 6mm	1010
136695	Revelation Round 56-59 x 56 ¾-59 ¼ - 8 mm	1012
135320	Uptown 56-59 x 58 in. 8 mm	1018
138485	Vela 56 ½-59 x 59 - 8mm	1022
138480		1020
134661	Kameleon SC 55-59 x 57 - 6mm	989
134573	Kameleon 55-59 x 57 - 8mm	992
134670	Kameleon SC 55-59 x 57 - 8mm	984
134561	Kameleon 55-59 x 57 - 6mm	995
138994	Luminescence SlidingDoor 56 ½-59 x 55 ½-57 ½ - 6mm	1026
105410	Polar 54-59 ½ x 57 in.	1008



- (▲): Indicates Whirlpool jets positioning
- (●): Indicates airjets positioning
- (△): Indicates suction positioning

All dimensions are approximate. Structure measurements must be verified against the unit to ensure proper fit.

Vichy 6032 IFS



RECTANGULAR BATHTUBS - ACRYLIC



Material : Acrylic
 Min: 26 Gal / 118 L
 Max: 38 Gal / 173 L

Features

- > Relaxing armrests and ergonomic backrest
- > Headrest
- > Integrated apron with optional access panel (specify when ordering)
- > Tiling flange
- > Available with right or left-hand drain

VICHY 6032 - 102941

SKU	System	Color	Configuration	Dimensions & Weight	Packaging	MSRP				
102941-000-001-001	Soaker - No System	White	Left	59 7/8" x 33 3/8" x 20" / 78 lb / 35 kg	26 ft ³	\$ 1314				
102941-000-001-002			Right			\$ 1314				
102941-000-004-001		Bone	Left			\$ 1314				
102941-000-004-002			Right			\$ 1314				
102941-000-007-001		Biscuit	Left			\$ 1314				
102941-000-007-002			Right			\$ 1314				
102941-001-001-001	Whirlpool ^{1 4}	White	Left			59 7/8" x 33 3/8" x 20" / 78 lb / 35 kg	26 ft ³	\$ 2957		
102941-001-001-002			Right					\$ 2957		
102941-001-004-001		Bone	Left					\$ 2957		
102941-001-004-002			Right					\$ 2957		
102941-001-007-001		Biscuit	Left					\$ 2957		
102941-001-007-002			Right					\$ 2957		
102941-103-001-100	Aeroeffect ^{1 2 5}	White	Left	59 7/8" x 33 3/8" x 20" / 78 lb / 35 kg	26 ft ³			\$ 4086		
102941-103-001-101			Right					\$ 4086		
102941-L-096-001	Combined Whirlpool & Aeroeffect ^{1 3}	Bone	Left					59 7/8" x 33 3/8" x 20" / 78 lb / 35 kg	26 ft ³	\$ 5282
102941-L-096-004										\$ 5282
102941-L-096-007										\$ 5282
102941-L-103-004	Aeroeffect ^{1 2 5}	Bone	59 7/8" x 33 3/8" x 20" / 78 lb / 35 kg							26 ft ³
102941-L-103-007		Biscuit				\$ 4086				
102941-R-096-001	Combined Whirlpool & Aeroeffect ^{1 3}	White				Right	\$ 5282			

VICHY 6032 - 102941

SKU	System	Color	Configuration	Dimensions & Weight	Packaging	MSRP
102941-R-096-004	Combined Whirlpool & Aeroeffect ^{1 3}	Bone	Right	59 7/8" x 33 3/8" x 20" / 78 lb / 35 kg	26 ft ³	\$ 5282
102941-R-096-007		Biscuit				\$ 5282
102941-R-103-004	Aeroeffect ^{1 2 5}	Bone				\$ 4086
102941-R-103-007		Biscuit				\$ 4086

COMMON OPTIONS

SKU	Description	MSRP
OPT20029-105	Metal trim kit for air push control (factory installed)	\$ 74
OPT20029-084	Available colors: Chrome (084) and Brushed Nickel (105)	\$ 74
OPT20137-004	Cable-operated waste and overflow (16 in. to 22 in.) (included in product packaging when purchased) Available colors: White (001), Bone (004), Chrome (084) and Brushed Nickel (105)	\$ 332
OPT20137-084		\$ 332
OPT20137-105		\$ 332
OPT20137-001		\$ 332
OPT10053	One chromatherapy light (factory installed) ⁵⁴	\$ 725
OPT10095	Water heater assembly for whirlpool and combined systems (factory installed)	\$ 950
OPT10106-084	Metal trim kit for whirlpool and combined systems (factory installed) Available colors: Chrome (084) and Brushed Nickel (105)	\$ 669
OPT10106-105		\$ 669

ACCESSORIES

SKU	Description	MSRP
10006923	Flexible main hose (9 ft. extension) for air push control air massage - Kit (sold separately)	\$ 191
10004306-001	White foam cushion with 2 suction pads (sold separately) Available color: White (001)	\$ 126
10006887-105	Metal trim kit for Whirlpool and combined systems (sold separately) Available colors: Chrome (084) and Brushed Nickel (105)	\$ 669
10006887-084		\$ 669
10034250-084	Metal trim kit for Aeroeffect with Air Push Control (sold separately) Available colors: Chrome (084) and Brushed Nickel (105)	\$ 74
10034250-105		\$ 74
10022491-084	Cable-operated waste and overflow (16 in. to 22 in.) (sold separately) Available colors: White (001), Bone (004), Chrome (084) and Brushed Nickel (105)	\$ 332
10022491-004		\$ 332
10022491-105		\$ 332
10022491-001		\$ 332

FOOTNOTES

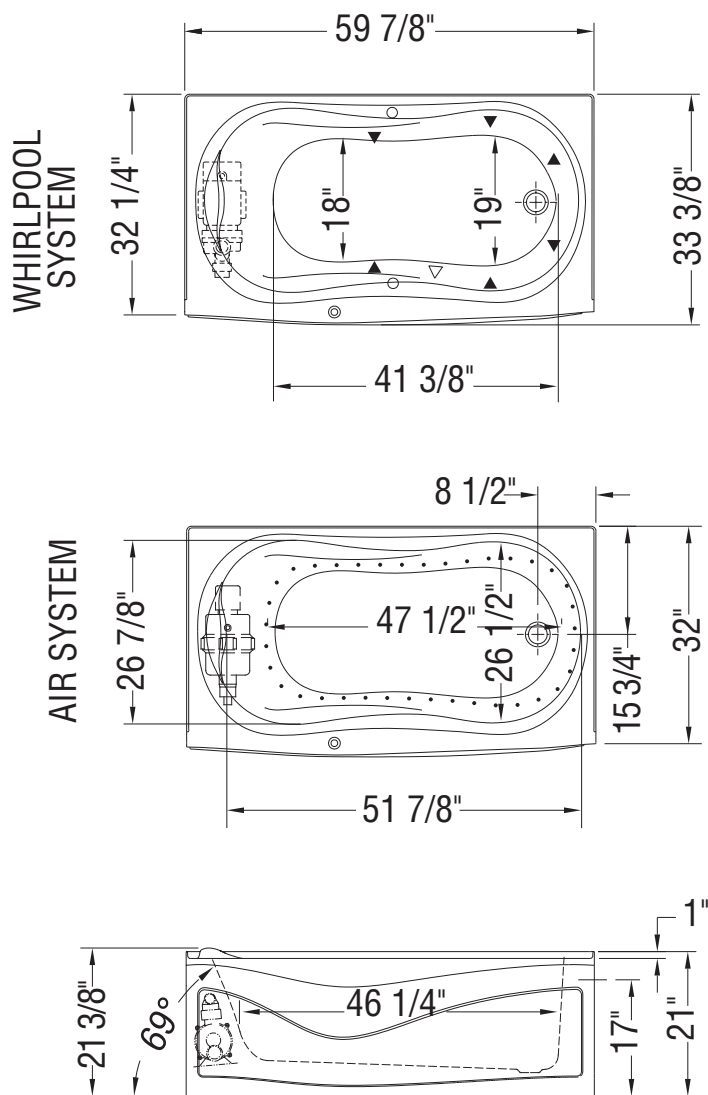
No	Description
1	Components for standard colour units equipped with systems are colour-coordinated. Trim kit and/or air push with metallic finish can be added (additional charge applies). For non-standard colour units, please specify trim kit and/or air push colour (additional charge applies for metallic finishes). Please note that the positioning of the system's control could be in conflict with the door if one was installed on the unit. To insure compatibility, please contact customer service.

FOOTNOTES

No	Description
2	Please order flexible main hose 10006923 for installation of the blower further than 3 ft from the bathtub. For the Tandem models and the Serenade models (freestanding and drop-in), the blower is always remote and not factory installed so a 9 ft flexible main hose is included. Please note that the positioning of the system's control could be in conflict with the door if one was installed on the unit. To insure compatibility, please contact customer service.
3	The blower is not factory installed (remote). 9 ft flexible main hose included. Please note that the positioning of the system's control could be in conflict with the door if one was installed on the unit. To insure compatibility, please contact customer service.
4	For details on pump position and requirements, see technical drawings on https://www.maax.com . When there is a pump position A or B indicated on the technical drawing, please specify position when ordering.
5	For details on blower position and requirements, see technical drawings on https://www.maax.com . When there is a blower position A or B indicated on the technical drawing, please specify position when ordering.
11	Apron access panel is included with a Whirlpool or combined system.
54	A selection of units come with an access panel by default when equipped with a system. However, if the unit is only equipped with chromatherapy, the access panel will not be provided by default.

RECOMMENDED DOORS - VISIT OUR WEBSITE FOR A COMPLETE LIST OF RECOMMENDED DOORS

SKU	Product Name	Pag.
139398	Halo 56 ½-59 x 59 - 8mm	1024
139351	Incognito 57 56-59 x 56 ¾ - 6mm	1002
139354	Incognito 57 56-59 x 56 ¾ - 8mm	1006
135330	Incognito 57 Shaker 56-59 x 56 ¾ - 8mm	1000
135695	Revelation Square 56-59 x 56 ¾-59 ¼ - 8mm	1016
135692	Revelation Square 56-59 x 56 ¾-58 ¼ - 6mm	1014
136692	Revelation Round 56-59 x 56 ¾-59 ¼ - 6mm	1010
136695	Revelation Round 56-59 x 56 ¾-59 ¼ - 8 mm	1012
135320	Uptown 56-59 x 58 in. 8 mm	1018
138485	Vela 56 ½-59 x 59 - 8mm	1022
138480		1020
134661	Kameleon SC 55-59 x 57 - 6mm	989
134573	Kameleon 55-59 x 57 - 8mm	992
134670	Kameleon SC 55-59 x 57 - 8mm	984
134561	Kameleon 55-59 x 57 - 6mm	995
138994	Luminescence SlidingDoor 56 ½-59 x 55 ½-57 ½ - 6mm	1026
105410	Polar 54-59 ½ x 57 in.	1008



- (▲): Indicates Whirlpool jets positioning
- (●): Indicates airjets positioning
- (△): Indicates suction positioning

All dimensions are approximate. Structure measurements must be verified against the unit to ensure proper fit.



Mackenzie 6030



Material : AcrylX
 Max: 42 Gal / 193 L

Features

- › Modern minimalist and comfortable design
- › Integrated flat skirt and tiling flange
- › Textured bottom
- › Compatible with U tile shower wall panels
- › Available in Above-the-Floor Rough (AFR) or not

RECTANGULAR BATHTUBS - ACRYLX

MACKENZIE 6030 AFR - 106664

SKU	System	Color	Configuration	Dimensions & Weight	Packaging	MSRP
106664-L-000-002	Soaker - No System	White	Left	59 3/4" x 31" x 20" / 71 lb / 32 kg	26.5 ft ³	\$ 1354
106664-R-000-002			Right			\$ 1354

MACKENZIE 6030 - 106665

SKU	System	Color	Configuration	Dimensions & Weight	Packaging	MSRP
106665-000-002-100	Soaker - No System	White	Left	59 3/4" x 31" x 18" / 71 lb / 32 kg	26.5 ft ³	\$ 1354
106665-000-002-101			Right			\$ 1354

COMMON OPTIONS

SKU	Description	MSRP
OPT20137-004	Cable-operated waste and overflow (16 in. to 22 in.) (included in product packaging when purchased) Available colors: White (001), Bone (004), Chrome (084) and Brushed Nickel (105)	\$ 332
OPT20137-084		\$ 332
OPT20137-105		\$ 332
OPT20137-001		\$ 332

ACCESSORIES

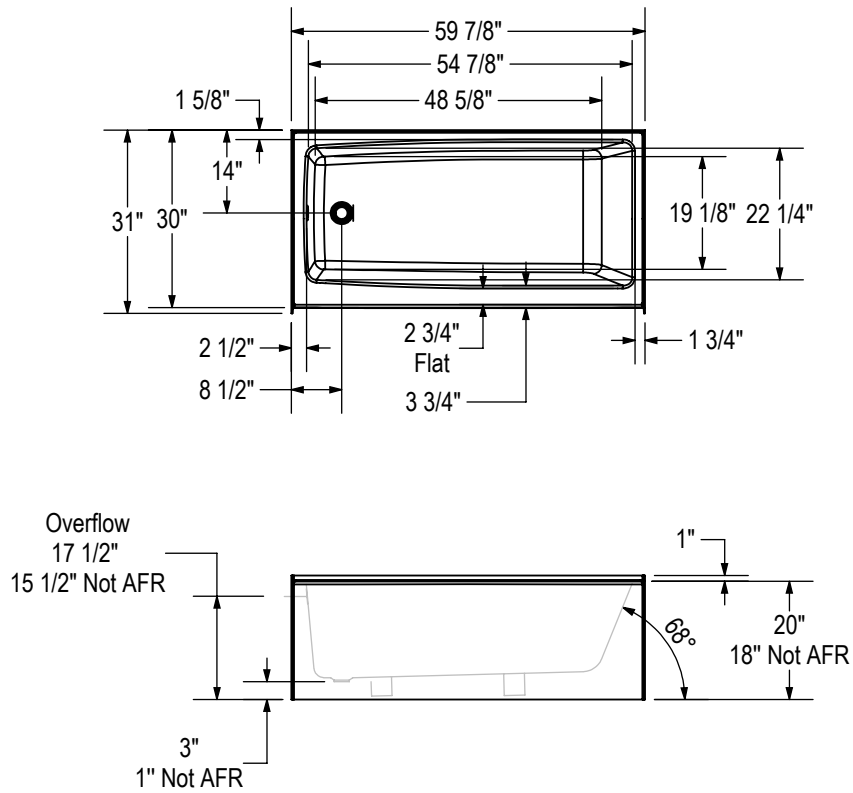
SKU	Description	MSRP
10004306-001	White foam cushion with 2 suction pads (sold separately) Available color: White (001)	\$ 126

ACCESSORIES

SKU	Description	MSRP
10022491-084	Cable-operated waste and overflow (16 in. to 22 in.) (sold separately) Available colors: White (001), Bone (004), Chrome (084) and Brushed Nickel (105)	\$ 332
10022491-004		\$ 332
10022491-105		\$ 332
10022491-001		\$ 332

RECOMMENDED DOORS - VISIT OUR WEBSITE FOR A COMPLETE LIST OF RECOMMENDED DOORS

SKU	Product Name	Pag.
139398	Halo 56 ½-59 x 59 - 8mm	1024
139351	Incognito 57 56-59 x 56 ¾ - 6mm	1002
139354	Incognito 57 56-59 x 56 ¾ - 8mm	1006
135330	Incognito 57 Shaker 56-59 x 56 ¾ - 8mm	1000
135695	Revelation Square 56-59 x 56 ¾-59 ¼ - 8mm	1016
135692	Revelation Square 56-59 x 56 ¾-58 ¼ - 6mm	1014
136692	Revelation Round 56-59 x 56 ¾-59 ¼ - 6mm	1010
136695	Revelation Round 56-59 x 56 ¾-59 ¼ - 8 mm	1012
135320	Uptown 56-59 x 58 in. 8 mm	1018
138485	Vela 56 ½-59 x 59 - 8mm	1022
138480		1020
134661	Kameleon SC 55-59 x 57 - 6mm	989
134573	Kameleon 55-59 x 57 - 8mm	992
134670	Kameleon SC 55-59 x 57 - 8mm	984
134561	Kameleon 55-59 x 57 - 6mm	995
138994	Luminescence SlidingDoor 56 ½-59 x 55 ½-57 ½ - 6mm	1026
105410	Polar 54-59 ½ x 57 in.	1008



Wood support design may vary.

All dimensions are approximate. Structure measurements must be verified against the unit to ensure proper fit.



Mackenzie 6032

RECTANGULAR BATHTUBS - ACRYLX



Material : AcrylX
 Max: 48 Gal / 218 L

Features

- › Modern minimalist and comfortable design
- › Integrated flat skirt and tiling flange
- › Textured bottom
- › Available in Above-the-Floor Rough (AFR) or not
- › Compatible with U tile shower panels

MACKENZIE 6032 AFR - 106668

SKU	System	Color	Configuration	Dimensions & Weight	Packaging	MSRP
106668-L-000-002	Soaker - No System	White	Left	59 3/4" x 33" x 20" / 75 lb / 34 kg	28.6 ft ³	\$ 1389
106668-R-000-002			Right			\$ 1389

MACKENZIE 6032 - 106669

SKU	System	Color	Configuration	Dimensions & Weight	Packaging	MSRP
106669-000-002-100	Soaker - No System	White	Left	59 3/4" x 33" x 18" / 75 lb / 34 kg	28.6 ft ³	\$ 1389
106669-000-002-101			Right			\$ 1389

COMMON OPTIONS

SKU	Description	MSRP
OPT20137-004	Cable-operated waste and overflow (16 in. to 22 in.) (included in product packaging when purchased) Available colors: White (001), Bone (004), Chrome (084) and Brushed Nickel (105)	\$ 332
OPT20137-084		\$ 332
OPT20137-105		\$ 332
OPT20137-001		\$ 332

ACCESSORIES

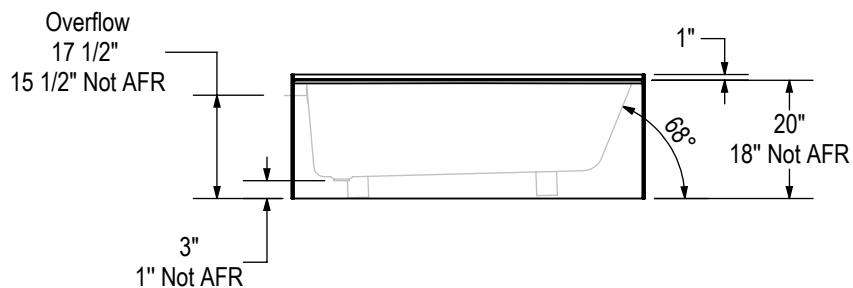
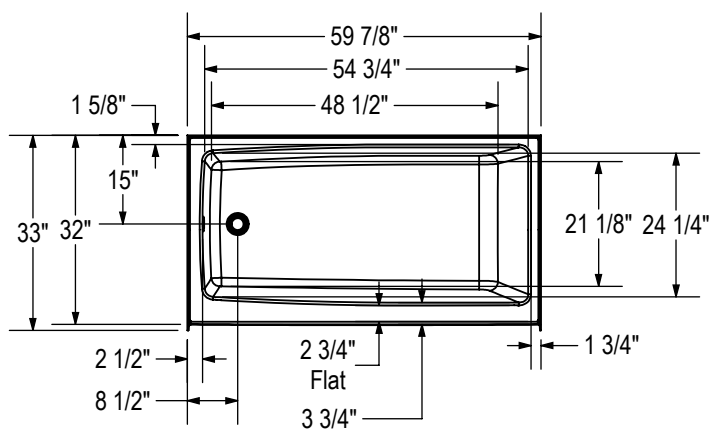
SKU	Description	MSRP
10004306-001	White foam cushion with 2 suction pads (sold separately) Available color: White (001)	\$ 126

ACCESSORIES

SKU	Description	MSRP
10022491-084	Cable-operated waste and overflow (16 in. to 22 in.) (sold separately) Available colors: White (001), Bone (004), Chrome (084) and Brushed Nickel (105)	\$ 332
10022491-004		\$ 332
10022491-105		\$ 332
10022491-001		\$ 332

RECOMMENDED DOORS - VISIT OUR WEBSITE FOR A COMPLETE LIST OF RECOMMENDED DOORS

SKU	Product Name	Pag.
139398	Halo 56 ½-59 x 59 - 8mm	1024
139351	Incognito 57 56-59 x 56 ¾ - 6mm	1002
139354	Incognito 57 56-59 x 56 ¾ - 8mm	1006
135330	Incognito 57 Shaker 56-59 x 56 ¾ - 8mm	1000
135695	Revelation Square 56-59 x 56 ¾-59 ¼ - 8mm	1016
135692	Revelation Square 56-59 x 56 ¾-58 ¼ - 6mm	1014
136692	Revelation Round 56-59 x 56 ¾-59 ¼ - 6mm	1010
136695	Revelation Round 56-59 x 56 ¾-59 ¼ - 8 mm	1012
135320	Uptown 56-59 x 58 in. 8 mm	1018
138485	Vela 56 ½-59 x 59 - 8mm	1022
138480		1020
134661	Kameleon SC 55-59 x 57 - 6mm	989
134573	Kameleon 55-59 x 57 - 8mm	992
134670	Kameleon SC 55-59 x 57 - 8mm	984
134561	Kameleon 55-59 x 57 - 6mm	995
138994	Luminescence SlidingDoor 56 ½-59 x 55 ½-57 ½ - 6mm	1026
105410	Polar 54-59 ½ x 57 in.	1008



Wood support design may vary.

All dimensions are approximate. Structure measurements must be verified against the unit to ensure proper fit.



Mackenzie Corner 6030



Material : AcrylX
 Max: 41 Gal / 184 L

Features

- › Seamless 1-piece corner style bathtub
- › Modern minimalist design with a freestanding look
- › Right or left-hand drain (drain is always on the wall side)
- › Integrated flat skirt and tiling flange
- › Textured bottom
- › Available with or without Above-the-Floor Rough (AFR)

RECTANGULAR BATHTUBS - ACRYLX

MACKENZIE 6030 - 106811

SKU	System	Color	Configuration	Dimensions & Weight	Packaging	MSRP
106811-000-002-001	Soaker - No System	White	Left	59 7/8" x 30" x 18" / 70 lb / 32 kg	26.5 ft ³	\$ 2215
106811-000-002-002			Right			\$ 2215

MACKENZIE 6030 AFR - 106812

SKU	System	Color	Configuration	Dimensions & Weight	Packaging	MSRP
106812-000-002-101	Soaker - No System	White	Left	59 7/8" x 30" x 20" / 70 lb / 32 kg	26.5 ft ³	\$ 2215
106812-000-002-102			Right			\$ 2215

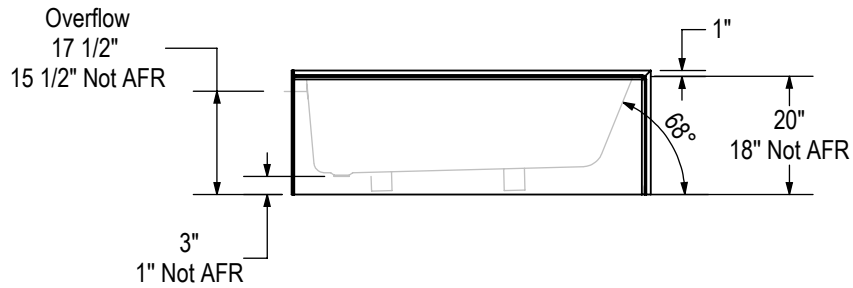
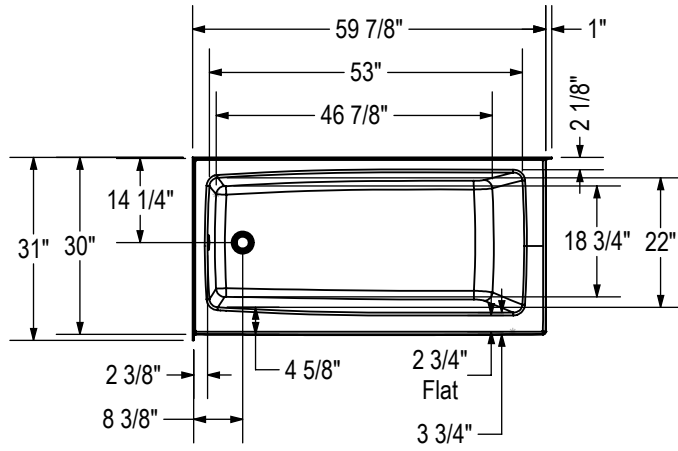
COMMON OPTIONS

SKU	Description	MSRP
OPT20137-004	Cable-operated waste and overflow (16 in. to 22 in.) (included in product packaging when purchased) Available colors: White (001), Bone (004), Chrome (084) and Brushed Nickel (105)	\$ 332
OPT20137-084		\$ 332
OPT20137-105		\$ 332
OPT20137-001		\$ 332

ACCESSORIES

SKU	Description	MSRP
10004306-001	White foam cushion with 2 suction pads (sold separately) Available color: White (001)	\$ 126

ACCESSORIES		
SKU	Description	MSRP
10022491-084	Cable-operated waste and overflow (16 in. to 22 in.) (sold separately) Available colors: White (001), Bone (004), Chrome (084) and Brushed Nickel (105)	\$ 332
10022491-004		\$ 332
10022491-105		\$ 332
10022491-001		\$ 332



Wood support design may vary.

All dimensions are approximate. Structure measurements must be verified against the unit to ensure proper fit.



Mackenzie Corner 6032

RECTANGULAR BATHTUBS - ACRYLX



Material : AcrylX
 Max: 44 Gal / 201 L

Features

- › Seamless 1-piece corner style bathtub
- › Modern minimalist design with a freestanding look
- › Right or left-hand drain (drain is always on the wall side)
- › Integrated flat skirt and tiling flange
- › Textured bottom
- › Available with or without Above-the-Floor Rough (AFR)

MACKENZIE 6032 - 106813

SKU	System	Color	Configuration	Dimensions & Weight	Packaging	MSRP
106813-000-002-001	Soaker - No System	White	Left	59 7/8" x 32" x 18" / 75 lb / 34 kg	28.6 ft³	\$ 2296
106813-000-002-002			Right			\$ 2296

MACKENZIE 6032 AFR - 106814

SKU	System	Color	Configuration	Dimensions & Weight	Packaging	MSRP
106814-000-002-101	Soaker - No System	White	Left	59 7/8" x 32" x 20" / 75 lb / 34 kg	28.6 ft³	\$ 2296
106814-000-002-102			Right			\$ 2296

COMMON OPTIONS

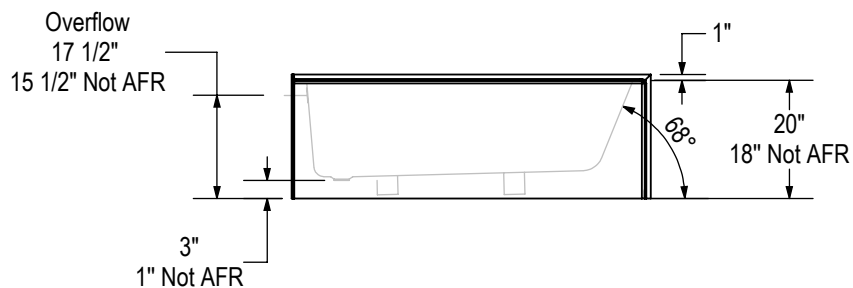
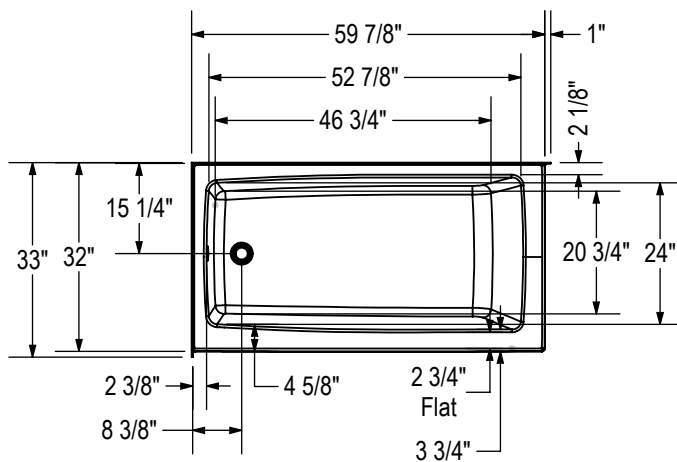
SKU	Description	MSRP
OPT20137-004	Cable-operated waste and overflow (16 in. to 22 in.) (included in product packaging when purchased) Available colors: White (001), Bone (004), Chrome (084) and Brushed Nickel (105)	\$ 332
OPT20137-084		\$ 332
OPT20137-105		\$ 332
OPT20137-001		\$ 332

ACCESSORIES

SKU	Description	MSRP
10004306-001	White foam cushion with 2 suction pads (sold separately) Available color: White (001)	\$ 126

ACCESSORIES

SKU	Description	MSRP
10022491-084	Cable-operated waste and overflow (16 in. to 22 in.) (sold separately) Available colors: White (001), Bone (004), Chrome (084) and Brushed Nickel (105)	\$ 332
10022491-004		\$ 332
10022491-105		\$ 332
10022491-001		\$ 332



Wood support design may vary.

All dimensions are approximate. Structure measurements must be verified against the unit to ensure proper fit.



Mackenzie Corner Access 6030



Material : AcrylX
 Max: 27 Gal / 123 L

Features

- › Seamless 1-piece corner style bathtub
- › Modern minimalist design with a freestanding look
- › Right or left-hand drain (drain is always on the wall side)
- › Integrated flat skirt and tiling flange
- › Textured bottom
- › Available with or without Above-the-Floor Rough (AFR)

RECTANGULAR BATHTUBS - ACRYLX

MACKENZIE ACCESS 6030 - 106815

SKU	System	Color	Configuration	Dimensions & Weight	Packaging	MSRP
106815-000-002-001	Soaker - No System	White	Left	59 7/8" x 30" x 14" / 60 lb / 27 kg	21.5 ft ³	\$ 2215
106815-000-002-002			Right			\$ 2215

MACKENZIE ACCESS 6030 AFR - 106816

SKU	System	Color	Configuration	Dimensions & Weight	Packaging	MSRP
106816-000-002-101	Soaker - No System	White	Left	59 7/8" x 30" x 16" / 60 lb / 27 kg	21.5 ft ³	\$ 2215
106816-000-002-102			Right			\$ 2215

COMMON OPTIONS

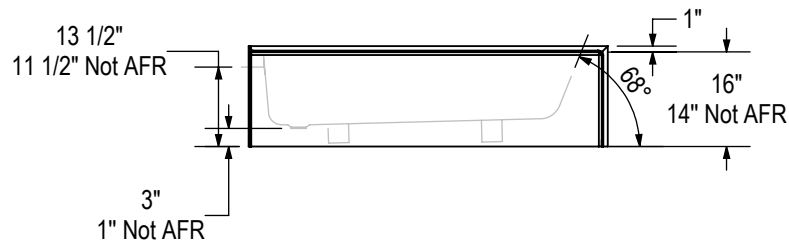
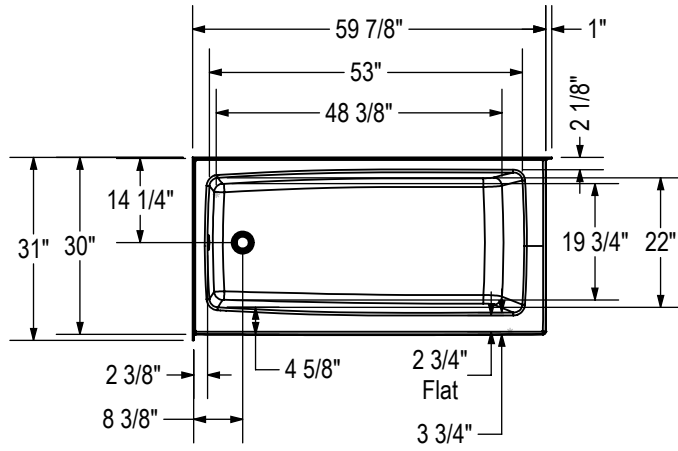
SKU	Description	MSRP
OPT20137-004	Cable-operated waste and overflow (16 in. to 22 in.) (included in product packaging when purchased) Available colors: White (001), Bone (004), Chrome (084) and Brushed Nickel (105)	\$ 332
OPT20137-084		\$ 332
OPT20137-105		\$ 332
OPT20137-001		\$ 332

ACCESSORIES

SKU	Description	MSRP
10004306-001	White foam cushion with 2 suction pads (sold separately) Available color: White (001)	\$ 126

ACCESSORIES

SKU	Description	MSRP
10022491-084	Cable-operated waste and overflow (16 in. to 22 in.) (sold separately) Available colors: White (001), Bone (004), Chrome (084) and Brushed Nickel (105)	\$ 332
10022491-004		\$ 332
10022491-105		\$ 332
10022491-001		\$ 332



Wood support design may vary.

All dimensions are approximate. Structure measurements must be verified against the unit to ensure proper fit.

TOF-3060



RECTANGULAR BATHTUBS - ACRYLX



Material : AcrylX

Min: 19.8 Gal / 90 L

Max: 31 Gal / 141 L

Features

- > 1 1/2 in. wrap around backsplash
- > Integrated apron and tiling flange
- > Textured floor
- > Right or left drain
- > Alcove installation

TOF-3060 - 145008

SKU	System	Color	Configuration	Dimensions & Weight	Packaging	MSRP
145008-000-002-084	Soaker - No System	White	Left	59 3/4" x 29 7/8" x 17 1/2" / 52 lb / 24 kg	28 ft ³	\$ 1062
145008-000-002-085			Right			\$ 1062

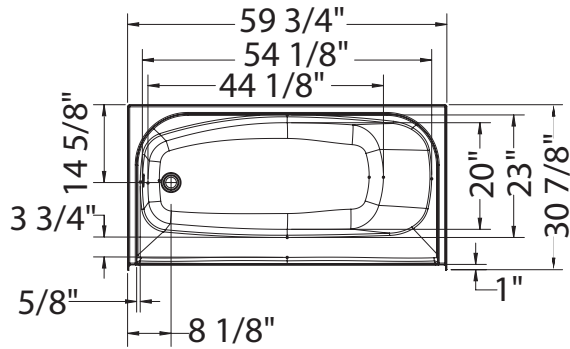
TOF-3060 AFR - 145009

SKU	System	Color	Configuration	Dimensions & Weight	Packaging	MSRP
145009-000-002-584	Soaker - No System	White	Left	59 3/4" x 29 7/8" x 19 7/8" / 52 lb / 24 kg	28 ft ³	\$ 1062
145009-000-002-585			Right			\$ 1062

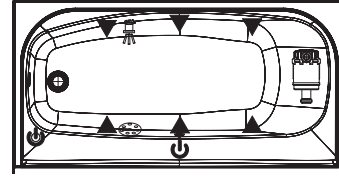
ACCESSORIES

SKU	Description	MSRP
10004306-001	White foam cushion with 2 suction pads (sold separately) Available color: White (001)	\$ 126
10024636-002	Tile Adaptor (for door installation) Available colors: White (002), Bone (004) and Biscuit (007)	\$ 238
10024636-004		\$ 238
10024636-007		\$ 238
10022491-084	Cable-operated waste and overflow (16 in. to 22 in.) (sold separately) Available colors: White (001), Bone (004), Chrome (084) and Brushed Nickel (105)	\$ 332
10022491-004		\$ 332
10022491-105		\$ 332
10022491-001		\$ 332

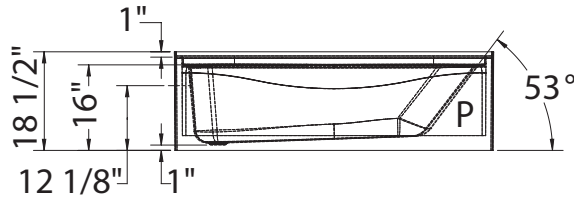
NO SYSTEM



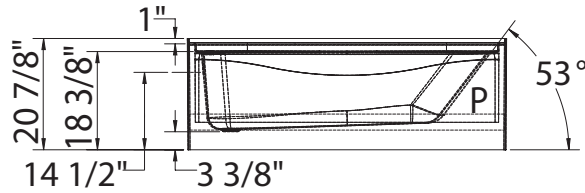
WHIRLPOOL WITH CHROMATHERAPY



NOT ABOVE-THE-FLOOR



ABOVE-THE-FLOOR



- (▲): Indicates Whirlpool jets positioning
- (△): Indicates suction positioning
- (▼): Indicates chromatherapy light positioning

All dimensions are approximate. Structure measurements must be verified against the unit to ensure proper fit.

TOF-3260



RECTANGULAR BATHTUBS - ACRYLX



Material : AcrylX
 Min: 26 Gal / 118 L
 Max: 32 Gal / 145 L

Features

- › 3 in. wrap around backsplash
- › Integrated apron and tiling flange
- › Textured floor
- › Right or left drain
- › Alcove installation

TOF-3260 - 145014

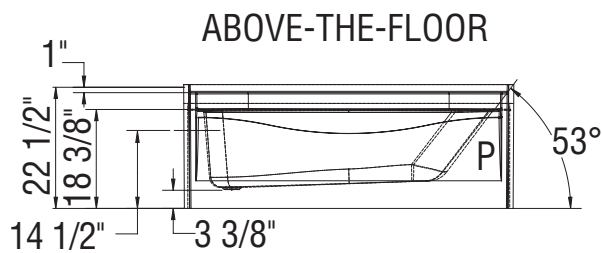
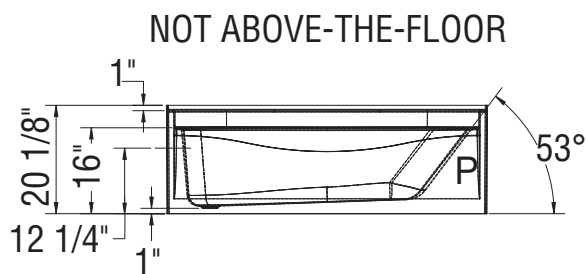
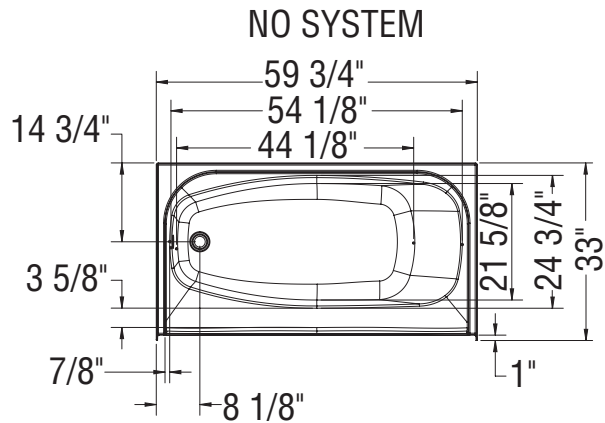
SKU	System	Color	Configuration	Dimensions & Weight	Packaging	MSRP
145014-000-002-084	Soaker - No System	White	Left	59 3/4" x 33" x 19 1/8" / 52 lb / 24 kg	28 ft ³	\$ 1165
145014-000-002-085			Right			\$ 1165

TOF-3260 AFR - 145015

SKU	System	Color	Configuration	Dimensions & Weight	Packaging	MSRP
145015-000-002-584	Soaker - No System	White	Left	59 3/4" x 33" x 21 1/2" / 52 lb / 24 kg	28 ft ³	\$ 1165
145015-000-002-585			Right			\$ 1165

ACCESSORIES

SKU	Description	MSRP
10004306-001	White foam cushion with 2 suction pads (sold separately) Available color: White (001)	\$ 126
10024636-002	Tile Adaptor (for door installation) Available colors: White (002), Bone (004) and Biscuit (007)	\$ 238
10024636-004		\$ 238
10024636-007		\$ 238
10022491-084	Cable-operated waste and overflow (16 in. to 22 in.) (sold separately) Available colors: White (001), Bone (004), Chrome (084) and Brushed Nickel (105)	\$ 332
10022491-004		\$ 332
10022491-105		\$ 332
10022491-001		\$ 332



All dimensions are approximate. Structure measurements must be verified against the unit to ensure proper fit.

Medicine Cabinets & Sink



Element single view – medicine cabinet



Element Bi-View



Features

- › This MAAX ELEMENT medicine cabinet has a 24-inch width by 26-inch height with a 5-inch depth, has two pivoting panels and a classic 1/2-inch beveled edge and polished chrome base.
- › All MAAX medicine cabinets are made of anodized aluminum, which provides great robustness. This feature gives you a cabinet that resists corrosion and will keep a smooth finish for many years.
- › MAAX Slide Edge technology makes it easy to adjust shelves. This patented innovation lets you choose the height you need for the shelves while having a smooth surface that doesn't accumulate dust.
- › The Smove soft closing mechanism is included with all MAAX medicine cabinets. This device acts as a real shock absorber while allowing the complete closing of the medicine cabinet door.
- › Our revolutionary Smove system works like a stopper, which absorbs the shock of the door, while preventing it from closing abruptly, and then proceeds to complete the closing motion very gently.
- › MAAX medicine cabinets have adjustable hinges including a clip fixing to allow the doors of the Bi-View models to be opened at 170 ° and easy access to the contents of the cabinet.

BV2426 - 124901

SKU	Glass / Finish	Dimensions & Weight	Packaging	MSRP
124901-801-084-000	Beveled Edge / Chrome	24" x 26" x 5" / 39 lb / 18 kg	5.17 ft ³	\$ 931

BV2430 - 126528

SKU	Glass / Finish	Dimensions & Weight	Packaging	MSRP
126528-801-084-000	Beveled Edge / Chrome	24" x 30" x 5" / 44 lb / 20 kg	4.79 ft ³	\$ 1339

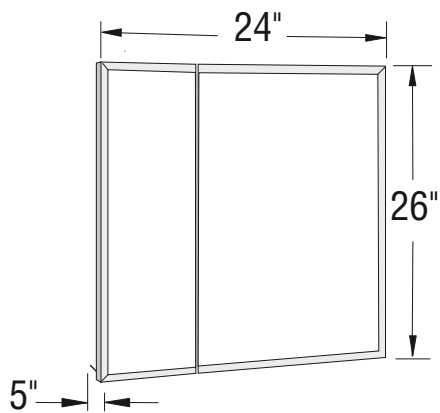
BV3030 - 126529

SKU	Glass / Finish	Dimensions & Weight	Packaging	MSRP
126529-801-084-000	Beveled Edge / Chrome	30" x 30" x 5" / 55 lb / 25 kg	5.94 ft ³	\$ 1494

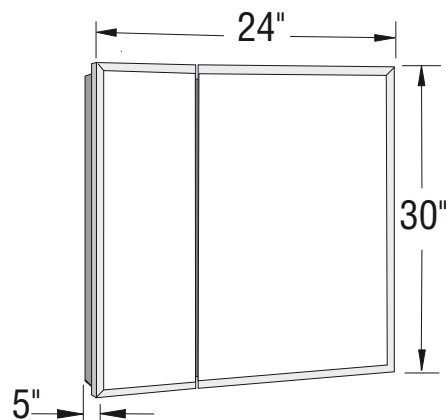
BV3630 - 126530

SKU	Glass / Finish	Dimensions & Weight	Packaging	MSRP
126530-801-084-000	Beveled Edge / Chrome	36" x 30" x 5" / 66 lb / 30 kg	7.08 ft ³	\$ 1648

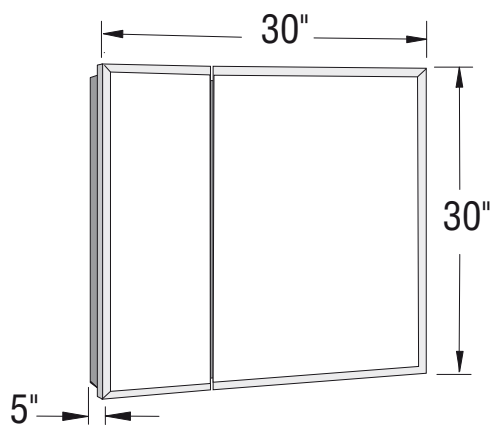
BI-VIEW



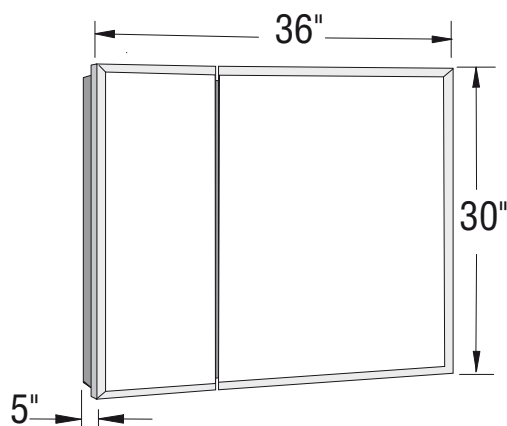
BV2426



BV2430



BV3030



BV3630

All dimensions are approximate. Structure measurements must be verified against the unit to ensure proper fit



Element Single View

SINGLE VIEW



Features

- › This MAAX ELEMENT medicine cabinet has a 18-inch width by 30-inch height with a 5-inch depth, has one pivoting panel and a classic 1/2-inch beveled edge and polished chrome base.
- › All MAAX medicine cabinets are made of anodized aluminum, which provides great robustness. This feature gives you a cabinet that resists corrosion and will keep a smooth finish for many years.
- › MAAX Slide Edge technology makes it easy to adjust shelves. This patented innovation lets you choose the height you need for the shelves while having a smooth surface that doesn't accumulate dust.
- › The Smove soft closing mechanism is included with all MAAX medicine cabinets. This device acts as a real shock absorber while allowing the complete closing of the medicine cabinet door.
- › Our revolutionary Smove system works like a stopper, which absorbs the shock of the door, while preventing it from closing abruptly, and then proceeds to complete the closing motion very gently.
- › MAAX medicine cabinets have adjustable hinges including a clip fixing to allow the door of the Single View models to be opened at 170 ° and easy access to the contents of the cabinet.

SV1830 - 124903				
SKU	Glass / Finish	Dimensions & Weight	Packaging	MSRP
124903-800-084-000	Pencil Edge / Chrome	18" x 30" x 5" / 36 lb / 16 kg	4.18 ft ³	\$ 931
124903-801-084-000	Beveled Edge / Chrome			\$ 949

SV1636 - 124905				
SKU	Glass / Finish	Dimensions & Weight	Packaging	MSRP
124905-801-084-000	Beveled Edge / Chrome	16" x 36" x 5" / 40 lb / 18 kg	6.1 ft ³	\$ 829

SV1230 - 126521				
SKU	Glass / Finish	Dimensions & Weight	Packaging	MSRP
126521-801-084-000	Beveled Edge / Chrome	12" x 30" x 5" / 26 lb / 12 kg	2.91 ft ³	\$ 829

SV1530 - 126522

SKU	Glass / Finish	Dimensions & Weight	Packaging	MSRP
126522-800-084-000	Pencil Edge / Chrome	15" x 30" x 5" / 34 lb / 15 kg	3.17 ft ³	\$ 868
126522-801-084-000	Beveled Edge / Chrome			\$ 889

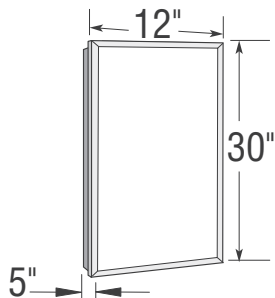
SV2030 - 126524

SKU	Glass / Finish	Dimensions & Weight	Packaging	MSRP
126524-800-084-000	Pencil Edge / Chrome	20" x 30" x 5" / 38 lb / 17 kg	4.18 ft ³	\$ 979
126524-801-084-000	Beveled Edge / Chrome			\$ 1001

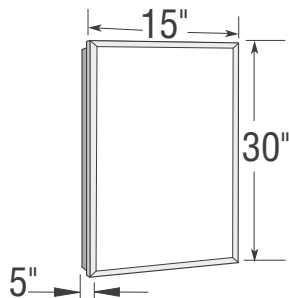
SV2430 - 126526

SKU	Glass / Finish	Dimensions & Weight	Packaging	MSRP
126526-800-084-000	Pencil Edge / Chrome	24" x 30" x 5" / 41 lb / 19 kg	4.56 ft ³	\$ 1136
126526-801-084-000	Beveled Edge / Chrome			\$ 1168

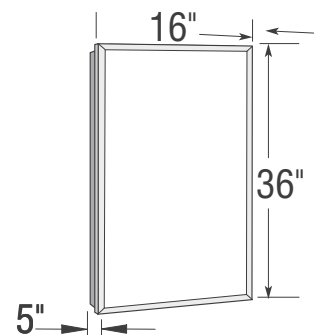
Beveled Mirrors



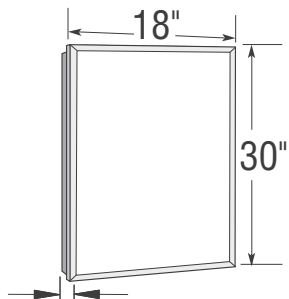
SV1230



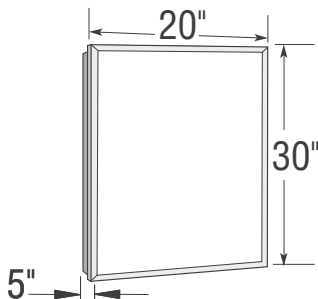
SV1530



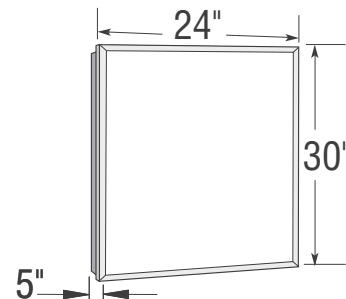
SV1636



SV1830

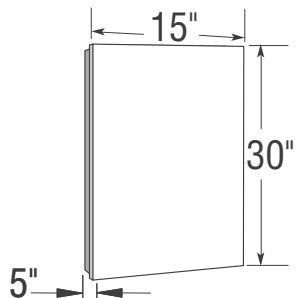


SV2030

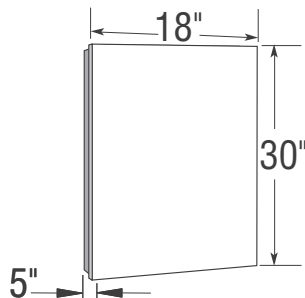


SV2430

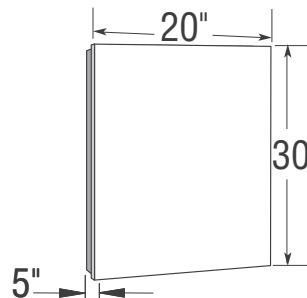
Pencil Edge Mirrors



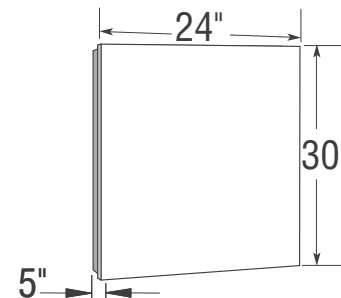
SV1530



SV1830



SV2030



SV2430

All dimensions are approximate. Structure measurements must be verified against the unit to ensure proper fit



Element Single View with Design



Features

- › Exclusive slide shelf system, Slide Edge® and shock-absorbing strip
- › Plano hinges or six-way adjustable 170° hinge
- › Two (SVD2030) or three (SVD2436) adjustable glass shelves ¼" (6 mm) thick
- › Mirror trim kit for surface mount included
- › Reversible cabinet
- › Rough wall opening: 13½" x 17½" x 3"

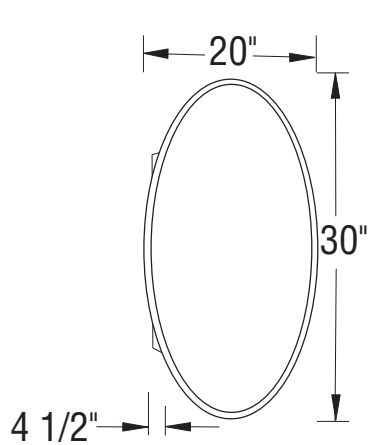
SINGLE VIEW

SVD2030 - 126548

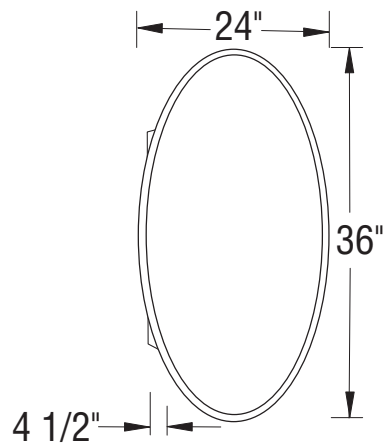
SKU	Glass / Finish	Dimensions & Weight	Packaging	MSRP
126548-801-001-000	Beveled Edge / White	20" x 30" x 4 1/2" / 38 lb / 17 kg	4.18 ft ³	\$ 1391

SVD2436 - 126549

SKU	Glass / Finish	Dimensions & Weight	Packaging	MSRP
126549-801-001-000	Beveled Edge / White	24" x 36" x 4 1/2" / 49 lb / 22 kg	5.47 ft ³	\$ 1494



SVD2030



SVD2436

All dimensions are approximate. Structure measurements must be verified against the unit to ensure proper fit



Evia



Material : Acrylic

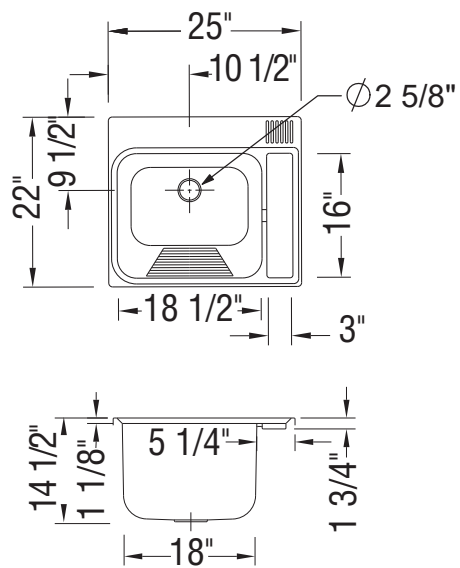
Features

- › Made with acrylic reinforced with fiberglass making a strong and durable laundry sink
- › Stain resistant material easy to clean making it the perfect fit for your laundry room or garage
- › Soap dish and drip tray with recessed edge preventing water from dripping, keeping your area tidy and easy to clean
- › Practical built-in wash board
- › Drop-in fit for easy installation
- › 14 1/2" deep for spacious working area

SINKS

EVIA - 100898

SKU	Color	Configuration	Dimensions & Weight	MSRP
100898-000-001-000	White		22" x 25" x 14 1/2" / 20 lb / 9 kg	\$ 618
100898-000-004-000	Bone			\$ 618
100898-000-007-000	Biscuit			\$ 618



All dimensions are approximate. Structure measurements must be verified against the unit to ensure proper fit.



Element Tri-View



Features

- › Proudly made in Canada
- › This MAAX ELEMENT medicine cabinet has a 30-inch width by 31-inch height with a 5-inch depth, has three pivoting panels and a classic 1/2-inch beveled edge and polished chrome base.
- › All MAAX medicine cabinets are made of anodized aluminum, which provides great robustness. This feature gives you a cabinet that resists corrosion and will keep a smooth finish for many years.
- › MAAX Slide Edge technology makes it easy to adjust shelves. This patented innovation lets you choose the height you need for the shelves while having a smooth surface that doesn't accumulate dust.
- › The Smove soft closing mechanism is included with all MAAX medicine cabinets. This device acts as a real shock absorber while allowing the complete closing of the medicine cabinet door.
- › Our revolutionary Smove system works like a stopper, which absorbs the shock of the door, while preventing it from closing abruptly, and then proceeds to complete the closing motion very gently.
- › MAAX medicine cabinets have adjustable hinges including a clip fixing to allow the doors of the Tri-View models to be opened at 170 ° and easy access to the contents of the cabinet.

TRI-VIEW

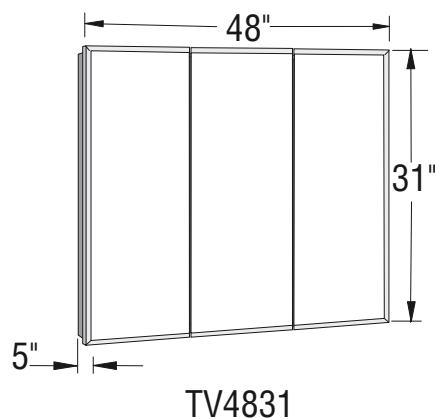
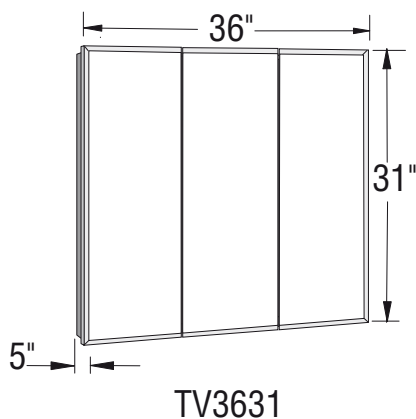
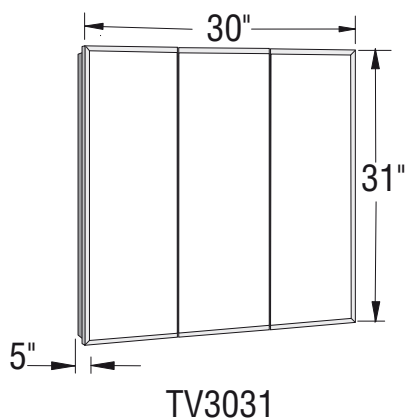
TV3031 - 126531				
SKU	Glass / Finish	Dimensions & Weight	Packaging	MSRP
126531-801-084-000	Beveled Edge / Chrome	30" x 31" x 5" / 68 lb / 31 kg	5 ft ³	\$ 1444

TV3631 - 126532				
SKU	Glass / Finish	Dimensions & Weight	Packaging	MSRP
126532-801-084-000	Beveled Edge / Chrome	36" x 31" x 5" / 83 lb / 38 kg	6 ft ³	\$ 1595

TV4831 - 126533				
SKU	Glass / Finish	Dimensions & Weight	Packaging	MSRP
126533-801-084-000	Beveled Edge / Chrome	48" x 31" x 5" / 102 lb / 46 kg	8 ft ³	\$ 1903

FOOTNOTES

No	Description
R	



All dimensions are approximate. Structure measurements must be verified against the unit to ensure proper fit

Shower Bases



B3X 4836 corner base with Halo door

Rectangular Base 4234 - 3 in



Material : Acrylic

Features

- > 42x34 Acrylic Alcove Shower Base with Center Drain in White, direct to stud installation
- > 3 in. low threshold
- > Durable high shine acrylic stays warm to the touch and is easy to clean
- > Textured bottom
- > Center drain - consult MAAX technical drawing (specification) for exact dimensions
- > Limited warranty is for a period of 25 years, phone # 1-877-GET-MAAX

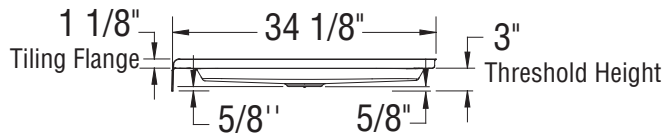
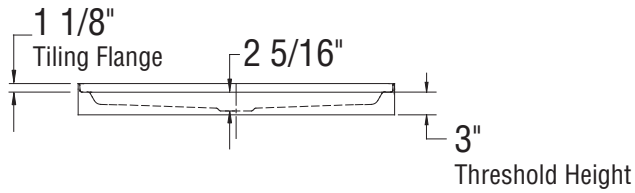
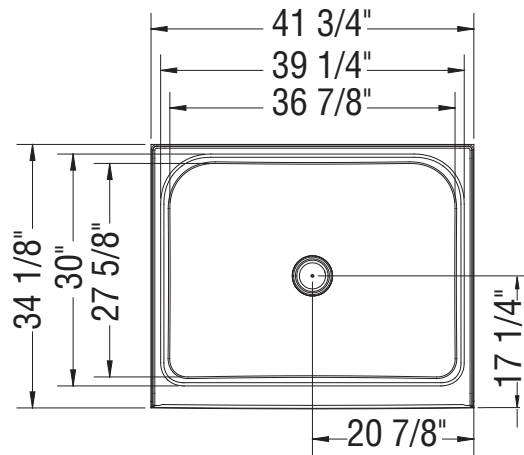
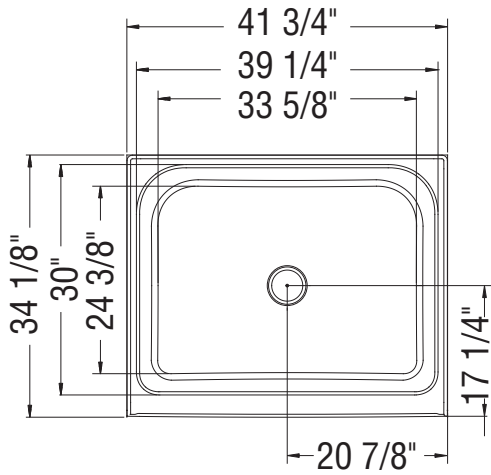


RECTANGULAR BASE 4234 - 3 IN - 102001

SKU	Color	Configuration	Dimensions & Weight	Packaging	MSRP
102001-000-001-000	White	Center / Alcove	41 3/4" x 34 1/8" x 4 1/8" / 48 lb / 22 kg	9.6 ft ³	\$ 923

RECOMMENDED DOORS - VISIT OUR WEBSITE FOR A COMPLETE LIST OF RECOMMENDED DOORS

SKU	Product Name	Pag.
138268	Manhattan 39-41 x 68 - 6mm	761
138520	Incognito 74 39-42x74in. 8mm	723
139576	Reveal Sleek 71 38-41 x 71 1/2 - 8mm	774
134562	Kameleon 40-44 x 71 - 6mm	713
134662	Kameleon SC 40-44 x 71 - 6mm	701
136679	Reveal 71 38-41 x 71 1/2 - 8 mm	772



All dimensions are approximate. Structure measurements must be verified against the unit to ensure proper fit.

Rectangular Base 4236 - 3 in.



Material : Acrylic

Features

- › 42x36 Acrylic Alcove Shower Base with Center Drain in White, direct to stud installation
- › 3 in. low threshold
- › Durable high shine acrylic stays warm to the touch and is easy to clean
- › Textured bottom
- › Center drain - consult MAAX technical drawing (specification) for exact dimensions
- › Limited warranty is for a period of 25 years, phone # 1-877-GET-MAAX

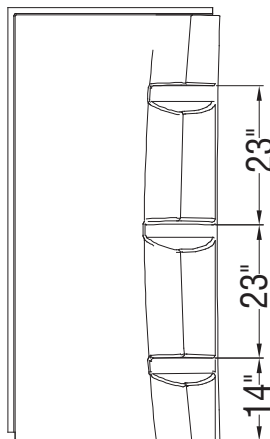
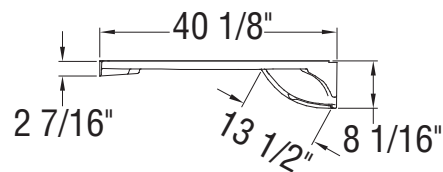
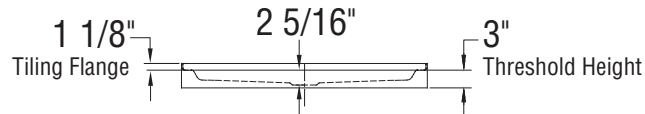
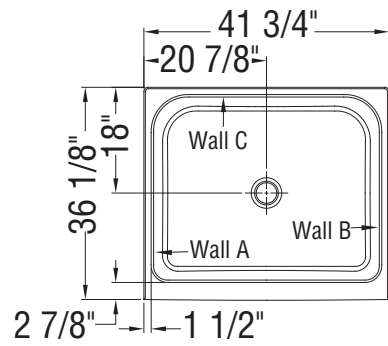
ALCOVE BASES - ACRYLIC

RECTANGULAR BASE 4236 - 3 IN. - 105718

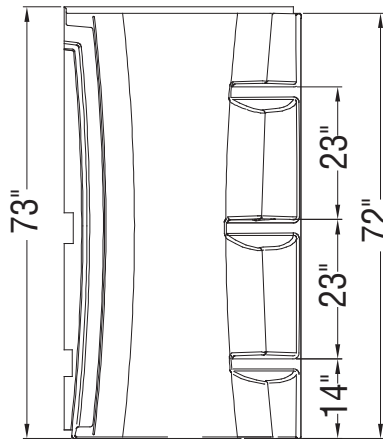
SKU	Color	Configuration	Dimensions & Weight	Packaging	MSRP
105718-000-001-000	White	Center / Alcove	41 3/4" x 36 1/8" x 4 1/8" / 48 lb / 22 kg	9.6 ft ³	\$ 940

RECOMMENDED DOORS - VISIT OUR WEBSITE FOR A COMPLETE LIST OF RECOMMENDED DOORS

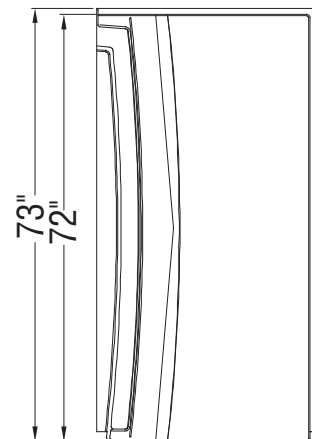
SKU	Product Name	Pag.
138268	Manhattan 39-41 x 68 - 6mm	761
138520	Incognito 74 39-42x74in. 8mm	723
139576	Reveal Sleek 71 38-41 x 71 1/2 - 8mm	774
134562	Kameleon 40-44 x 71 - 6mm	713
134662	Kameleon SC 40-44 x 71 - 6mm	701
136679	Reveal 71 38-41 x 71 1/2 - 8 mm	772



Wall A



Wall C



Wall B

All dimensions are approximate. Structure measurements must be verified against the unit to ensure proper fit.



Rectangular Base 4832 - 3 in



Material : Acrylic

Features

- › Low threshold base
- › Textured bottom
- › Deflecting strip preventing water penetration behind the shower
- › Alcove installation
- › Easy front installation walls with snap clips are available
- › Center drain

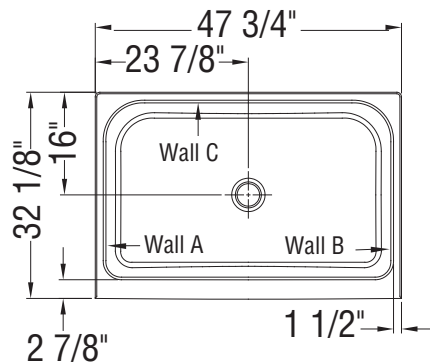
ALCOVE BASES - ACRYLIC

RECTANGULAR BASE 4832 - 3 IN - 101433

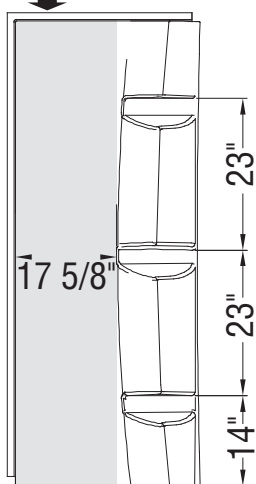
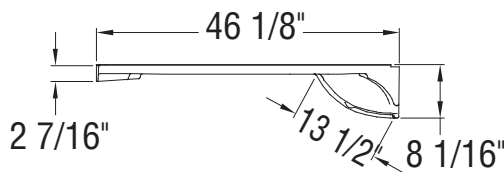
SKU	Color	Configuration	Dimensions & Weight	Packaging	MSRP
101433-000-001-000	White	Center / Alcove	47 3/4" x 32 1/8" x 4 1/8" / 50 lb / 23 kg	9.6 ft ³	\$ 940

RECOMMENDED DOORS - VISIT OUR WEBSITE FOR A COMPLETE LIST OF RECOMMENDED DOORS

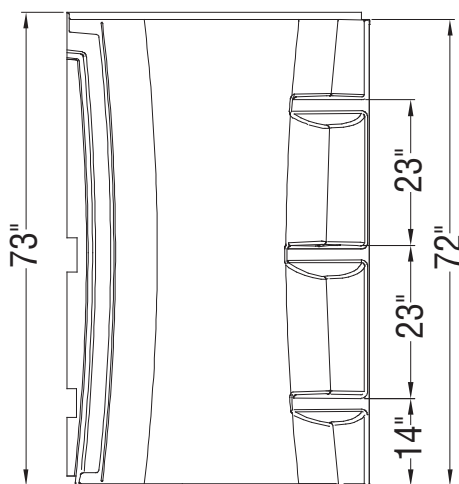
SKU	Product Name	Pag.
135321	Uptown 44-47 x 76 in. 8 mm	741
138950	Halo Pro 44 1/2-47 x 78 3/4 - 8mm	792
135334	Incognito 76 44-47 x 76 - 8mm	727
139352	Incognito 70 44-47 x 70 1/2 - 8mm	721
139349	Incognito 44-47 x 70 1/2 in. 6mm	719
138460	Vela 44 1/2-47 x 78 3/4 - 8mm	781
136693	Revelation Round 44-47 x 70 1/2-73 - 8mm	735
135690	Revelation Square 44-47 x 70 1/2-73 - 6mm	737
134563	Kameleon 43-47 x 71 - 6mm	710
135323	Uptown 44-47 x 76 in. 8 mm	802
135325	Uptown 45-47 x 76 in. 8 mm	777
134663	Kameleon SC 43-47 x 71 - 6mm	704
139578	Reveal Sleek 71 44-47 x 71 1/2 - 8mm	775
134571	Kameleon 43-47 x 71 - 8mm	715
135870	Nebula 44 1/2-46 1/2 x 78 3/4 - 8mm	779



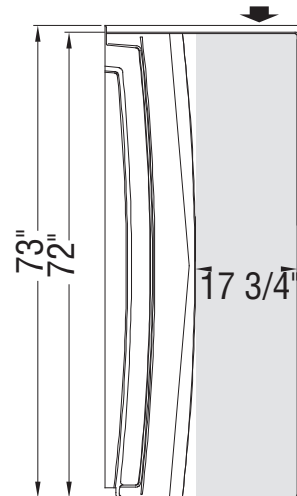
Important
Center your plumbing in the highlighted area. Exact plumbing position may vary upon model specifications, please refer to the supplier's instructions for more details



Wall A



Wall C



Wall B

All dimensions are approximate. Structure measurements must be verified against the unit to ensure proper fit.

Rectangular Base 4834 - 3 in



Material : Acrylic

Features

- › 48x34 Acrylic Alcove Shower Base with Center Drain in White, direct to stud installation
- › 3 in. low threshold
- › Durable high shine acrylic stays warm to the touch and is easy to clean
- › Textured bottom
- › Center drain - consult MAAX technical drawing (specification) for exact dimensions
- › Limited warranty is for a period of 25 years, phone # 1-877-GET-MAAX

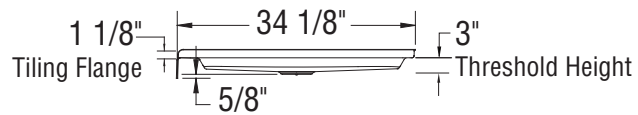
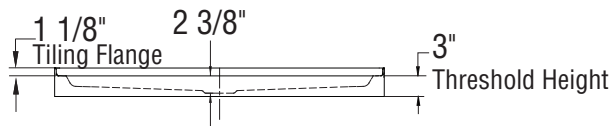
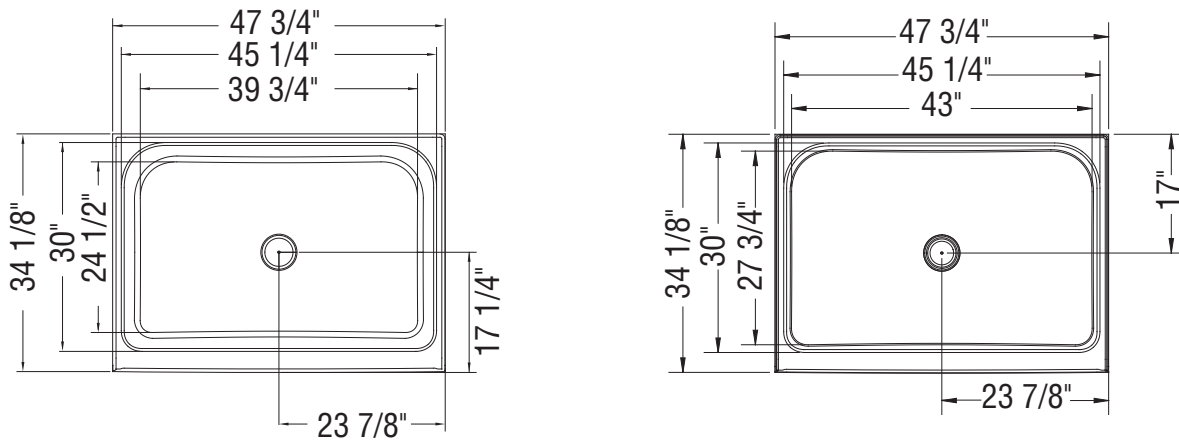


RECTANGULAR BASE 4834 - 3 IN - 102002

SKU	Color	Configuration	Dimensions & Weight	Packaging	MSRP
102002-000-001-000	White	Center / Alcove	47 3/4" x 34 1/8" x 4 1/8" / 52 lb / 24 kg	9.6 ft ³	\$ 961

RECOMMENDED DOORS - VISIT OUR WEBSITE FOR A COMPLETE LIST OF RECOMMENDED DOORS

SKU	Product Name	Pag.
135321	Uptown 44-47 x 76 in. 8 mm	741
138950	Halo Pro 44 1/2-47 x 78 3/4 - 8mm	792
135334	Incognito 76 44-47 x 76 - 8mm	727
139352	Incognito 70 44-47 x 70 1/2 - 8mm	721
139349	Incognito 44-47 x 70 1/2 in. 6mm	719
138460	Vela 44 1/2-47 x 78 3/4 - 8mm	781
136693	Revelation Round 44-47 x 70 1/2-73 - 8mm	735
135690	Revelation Square 44-47 x 70 1/2-73 - 6mm	737
134563	Kameleon 43-47 x 71 - 6mm	710
135323	Uptown 44-47 x 76 in. 8 mm	802
135325	Uptown 45-47 x 76 in. 8 mm	777
134663	Kameleon SC 43-47 x 71 - 6mm	704
139578	Reveal Sleek 71 44-47 x 71 1/2 - 8mm	775
134571	Kameleon 43-47 x 71 - 8mm	715
135870	Nebula 44 1/2-46 1/2 x 78 3/4 - 8mm	779



All dimensions are approximate. Structure measurements must be verified against the unit to ensure proper fit.



Rectangular Base 4836 - 3 in



Material : Acrylic

Features

- > Proudly made in Canada
- > 48 x36 Acrylic Alcove Shower Base with Center Drain in White, direct to stud installation
- > 3 in. low threshold
- > Durable high shine acrylic stays warm to the touch and is easy to clean
- > Textured bottom
- > Center drain - consult MAAX technical drawing (specification) for exact dimensions
- > Limited warranty is for a period of 25 years, phone # 1-877-GET-MAAX

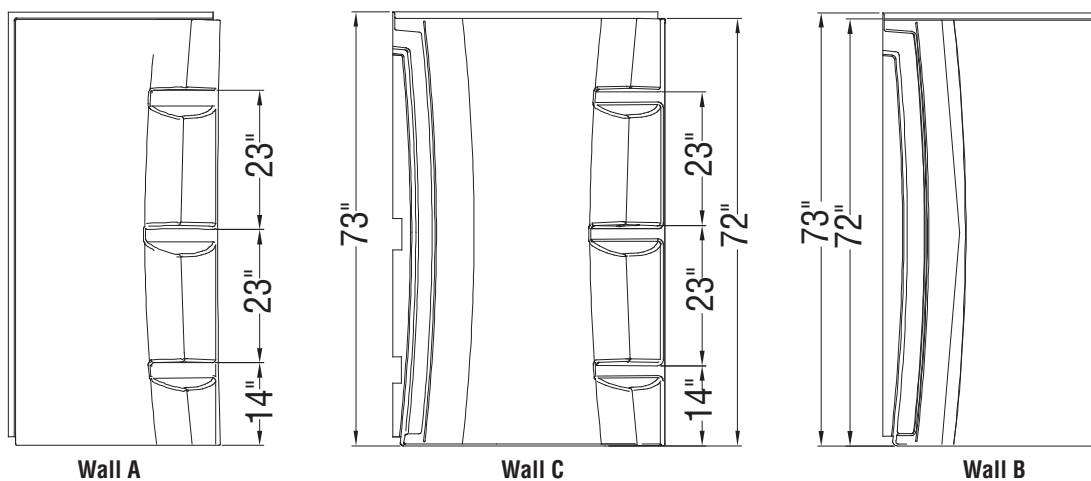
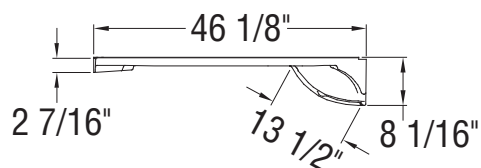
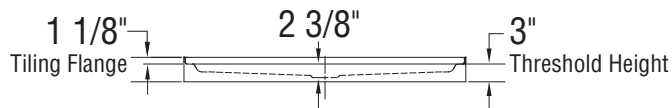
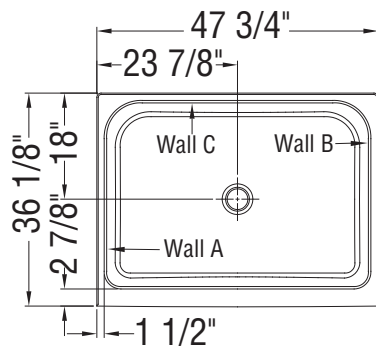
ALCOVE BASES - ACRYLIC

RECTANGULAR BASE 4836 - 3 IN - 105717

SKU	Color	Configuration	Dimensions & Weight	Packaging	MSRP
105717-000-001-000	White	Center / Alcove	47 3/4" x 36 1/8" x 4 1/8" / 53 lb / 24 kg	9.6 ft ³	\$ 982

RECOMMENDED DOORS - VISIT OUR WEBSITE FOR A COMPLETE LIST OF RECOMMENDED DOORS

SKU	Product Name	Pag.
135321	Uptown 44-47 x 76 in. 8 mm	741
138950	Halo Pro 44 1/2-47 x 78 3/4 - 8mm	792
135334	Incognito 76 44-47 x 76 - 8mm	727
139352	Incognito 70 44-47 x 70 1/2 - 8mm	721
139349	Incognito 44-47 x 70 1/2 in. 6mm	719
138460	Vela 44 1/2-47 x 78 3/4 - 8mm	781
136693	Revelation Round 44-47 x 70 1/2-73 - 8mm	735
135690	Revelation Square 44-47 x 70 1/2-73 - 6mm	737
134563	Kameleon 43-47 x 71 - 6mm	710
135323	Uptown 44-47 x 76 in. 8 mm	802
135325	Uptown 45-47 x 76 in. 8 mm	777
134663	Kameleon SC 43-47 x 71 - 6mm	704
139578	Reveal Sleek 71 44-47 x 71 1/2 - 8mm	775
134571	Kameleon 43-47 x 71 - 8mm	715
135870	Nebula 44 1/2-46 1/2 x 78 3/4 - 8mm	779



All dimensions are approximate. Structure measurements must be verified against the unit to ensure proper fit.



Rectangular Base 6030 - 3 in



Material : Acrylic

Features

- › Proudly made in Canada
- › 60x30 Acrylic Alcove Shower Base with Right-Hand Drain in White, direct to stud installation
- › 3 in. low threshold
- › Durable high shine acrylic stays warm to the touch and is easy to clean, available in white only
- › Textured bottom
- › Limited warranty is for a period of 25 years, phone # 1-877-GET-MAAX

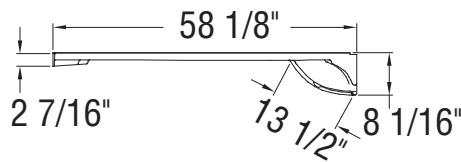
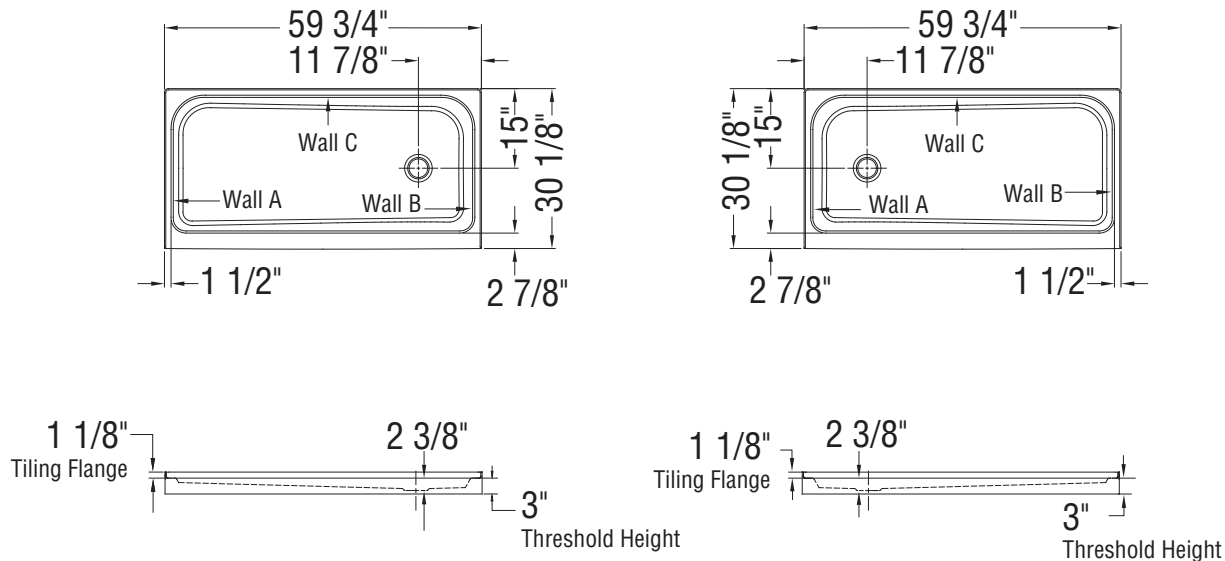
ALCOVE BASES - ACRYLIC

RECTANGULAR BASE 6030 - 3 IN - 105707

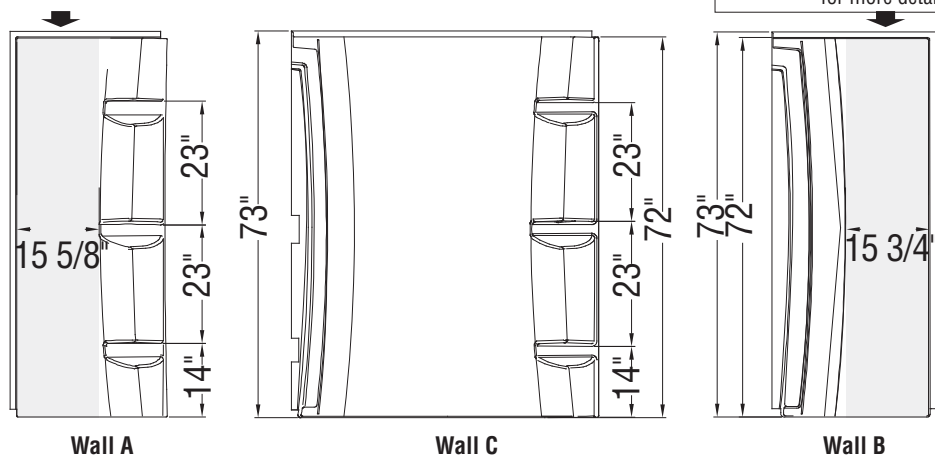
SKU	Color	Configuration	Dimensions & Weight	Packaging	MSRP
105707-000-001-001	White	Left / Alcove	59 3/4" x 30 1/8" x 4 1/8" / 53 lb / 24 kg	12 ft ³	\$ 1177
105707-000-001-002		Right / Alcove			\$ 1177

RECOMMENDED DOORS - VISIT OUR WEBSITE FOR A COMPLETE LIST OF RECOMMENDED DOORS

SKU	Product Name	Pag.
138277	Manhattan 57-59 x 68 - 6mm	763
138997	Halo 56 1/2-59 x 78 3/4 - 8mm	796
139353	Incognito 70 56-59 x 70 1/2 - 8mm	721
139350	Incognito 56-59 x 70 1/2 in. 6mm	719
135332	Incognito 76 Shaker 56-59 x 76 - 8mm	725
135335	Incognito 76 56-59 x 76 - 8mm	727
136335	Incognito 76 Smoke 56-59 x 76 - 8mm	729
135694	Revelation Square 56-59 x 70 1/2-73 - 8mm	739
136691	Revelation Round 56-59 x 70 1/2-73 - 6mm	733
135691	Revelation Square 56-59 x 70 1/2-73 - 6mm	737
136694	Revelation Round 56-59 x 70 1/2-73 - 8mm	735
135322	Uptown 56-59 x 76 in. 8 mm	741
135324		802
135326	Uptown 57-59 x 76 in. 8 mm	777
135238	Connect Pro 57-58 1/2 x 76 - 6mm	787



Important
Center your plumbing in the highlighted area. Exact plumbing position may vary upon model specifications, please refer to the supplier's instructions for more details



All dimensions are approximate. Structure measurements must be verified against the unit to ensure proper fit.



Rectangular Base 6032 - 3 in



Material : Acrylic

Features

- > 60x32 Acrylic Alcove Shower Base with Left-Hand Drain in White, direct to stud installation
- > 3 in. low threshold
- > Durable high shine acrylic stays warm to the touch and is easy to clean
- > Textured bottom
- > Limited warranty is for a period of 25 years, phone # 1-877-GET-MAAX

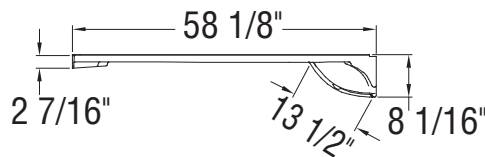
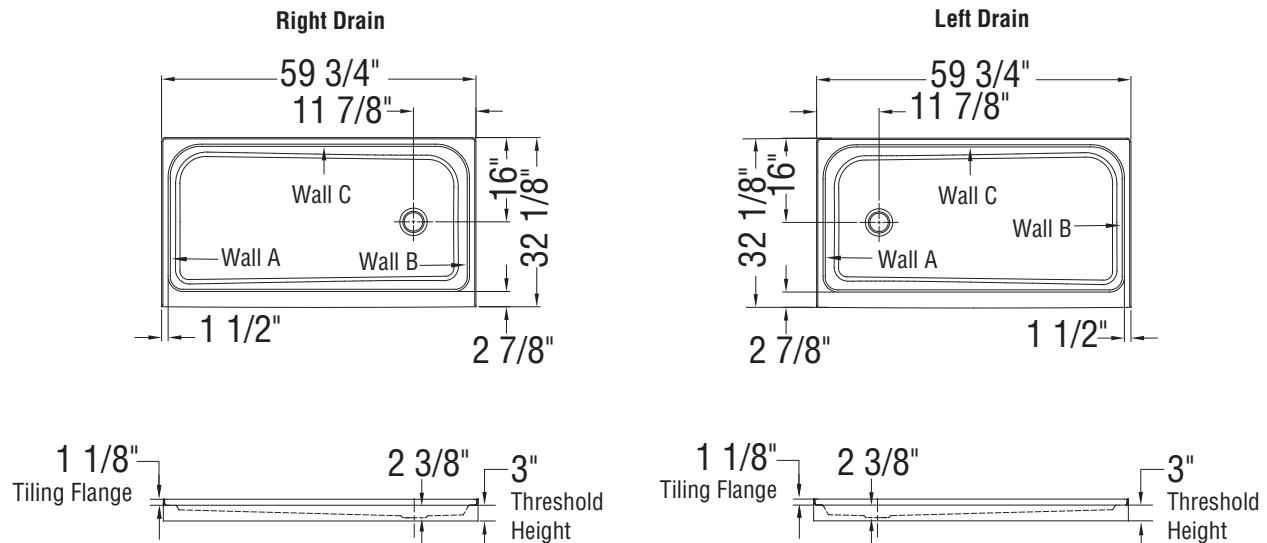
ALCOVE BASES - ACRYLIC

RECTANGULAR BASE 6032 - 3 IN - 105706

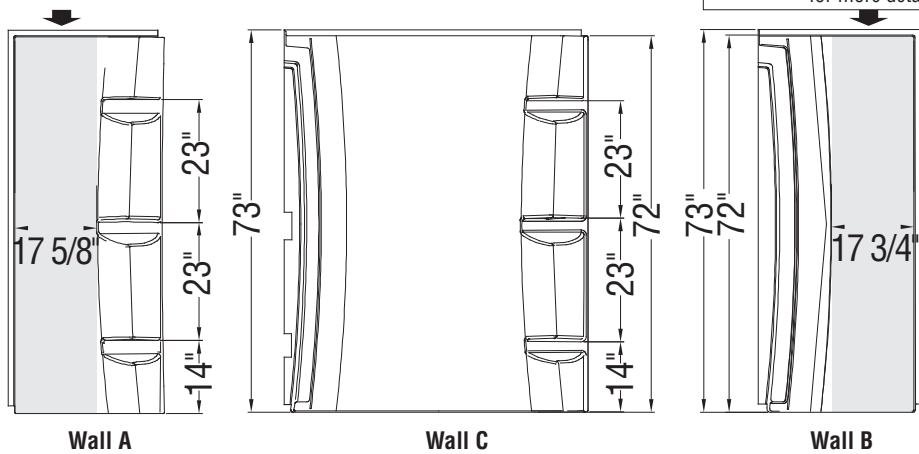
SKU	Color	Configuration	Dimensions & Weight	Packaging	MSRP
105706-000-001-001	White	Left / Alcove	59 3/4" x 32 1/8" x 4 1/8" / 55 lb / 25 kg	12 ft ³	\$ 1177
105706-000-001-002		Right / Alcove			\$ 1177

RECOMMENDED DOORS - VISIT OUR WEBSITE FOR A COMPLETE LIST OF RECOMMENDED DOORS

SKU	Product Name	Pag.
138277	Manhattan 57-59 x 68 - 6mm	763
138997	Halo 56 1/2-59 x 78 3/4 - 8mm	796
139353	Incognito 70 56-59 x 70 1/2 - 8mm	721
139350	Incognito 56-59 x 70 1/2 in. 6mm	719
135332	Incognito 76 Shaker 56-59 x 76 - 8mm	725
135335	Incognito 76 56-59 x 76 - 8mm	727
136335	Incognito 76 Smoke 56-59 x 76 - 8mm	729
135694	Revelation Square 56-59 x 70 1/2-73 - 8mm	739
136691	Revelation Round 56-59 x 70 1/2-73 - 6mm	733
135691	Revelation Square 56-59 x 70 1/2-73 - 6mm	737
136694	Revelation Round 56-59 x 70 1/2-73 - 8mm	735
135322	Uptown 56-59 x 76 in. 8 mm	741
135324		802
135326	Uptown 57-59 x 76 in. 8 mm	777
135238	Connect Pro 57-58 1/2 x 76 - 6mm	787



Important
Center your plumbing in the highlighted area. Exact plumbing position may vary upon model specifications, please refer to the supplier's instructions for more details



All dimensions are approximate. Structure measurements must be verified against the unit to ensure proper fit.

Rectangular Base 6034 - 3 in



Material : Acrylic

Features

- › 60x34 Acrylic Alcove Shower Base with Center Drain in White, direct to stud installation
- › 3 in. low threshold
- › Durable high shine acrylic stays warm to the touch and is easy to clean
- › Textured bottom
- › Center drain - consult MAAX technical drawing (specification) for exact dimensions
- › Limited warranty is for a period of 25 years, phone # 1-877-GET-MAAX

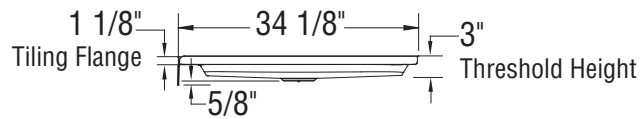
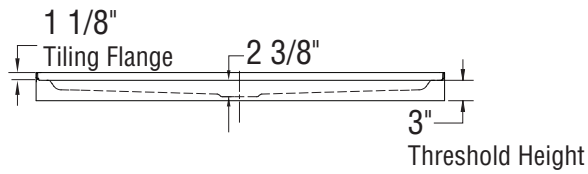
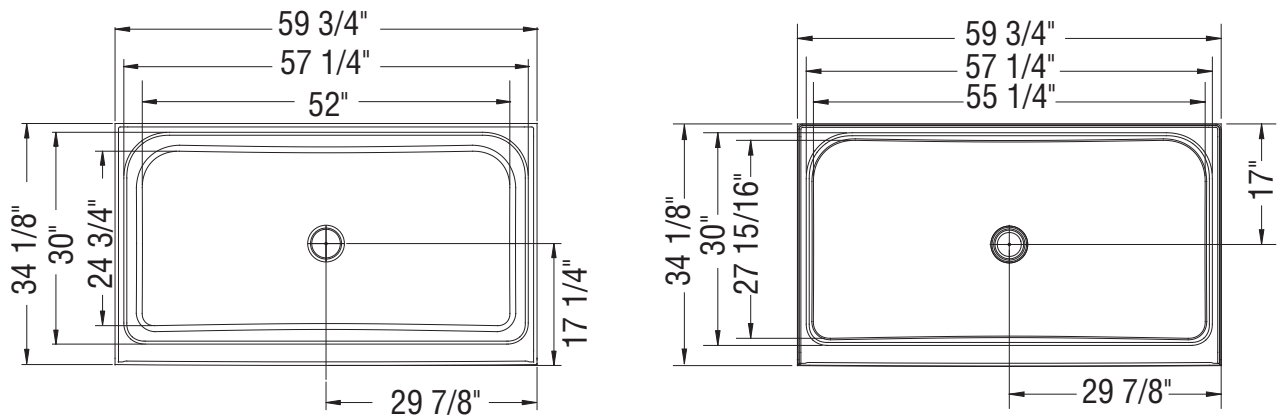


RECTANGULAR BASE 6034 - 3 IN - 102003

SKU	Color	Configuration	Dimensions & Weight	Packaging	MSRP
102003-000-001-000	White	Center / Alcove	59 3/4" x 34 1/8" x 4 1/8" / 58 lb / 26 kg	12 ft ³	\$ 1097

RECOMMENDED DOORS - VISIT OUR WEBSITE FOR A COMPLETE LIST OF RECOMMENDED DOORS

SKU	Product Name	Pag.
138277	Manhattan 57-59 x 68 - 6mm	763
138997	Halo 56 1/2-59 x 78 3/4 - 8mm	796
139353	Incognito 70 56-59 x 70 1/2 - 8mm	721
139350	Incognito 56-59 x 70 1/2 in. 6mm	719
135332	Incognito 76 Shaker 56-59 x 76 - 8mm	725
135335	Incognito 76 56-59 x 76 - 8mm	727
136335	Incognito 76 Smoke 56-59 x 76 - 8mm	729
135694	Revelation Square 56-59 x 70 1/2-73 - 8mm	739
136691	Revelation Round 56-59 x 70 1/2-73 - 6mm	733
135691	Revelation Square 56-59 x 70 1/2-73 - 6mm	737
136694	Revelation Round 56-59 x 70 1/2-73 - 8mm	735
135322	Uptown 56-59 x 76 in. 8 mm	741
135324		802
135326	Uptown 57-59 x 76 in. 8 mm	777
135238	Connect Pro 57-58 1/2 x 76 - 6mm	787



All dimensions are approximate. Structure measurements must be verified against the unit to ensure proper fit.

Rectangular Base 6036 - R/L Drain - 3 in.



ALCOVE BASES - ACRYLIC



Material : Acrylic

Features

- > 60x36 Acrylic Alcove Shower Base with Center Drain in White, direct to stud installation
- > 3 in. low threshold
- > Durable high shine acrylic stays warm to the touch and is easy to clean
- > Textured bottom
- > Center drain - consult MAAX technical drawing (specification) for exact dimensions
- > Limited warranty is for a period of 25 years, phone # 1-877-GET-MAAX

RECTANGULAR BASE 6036 - 3 IN - 105664

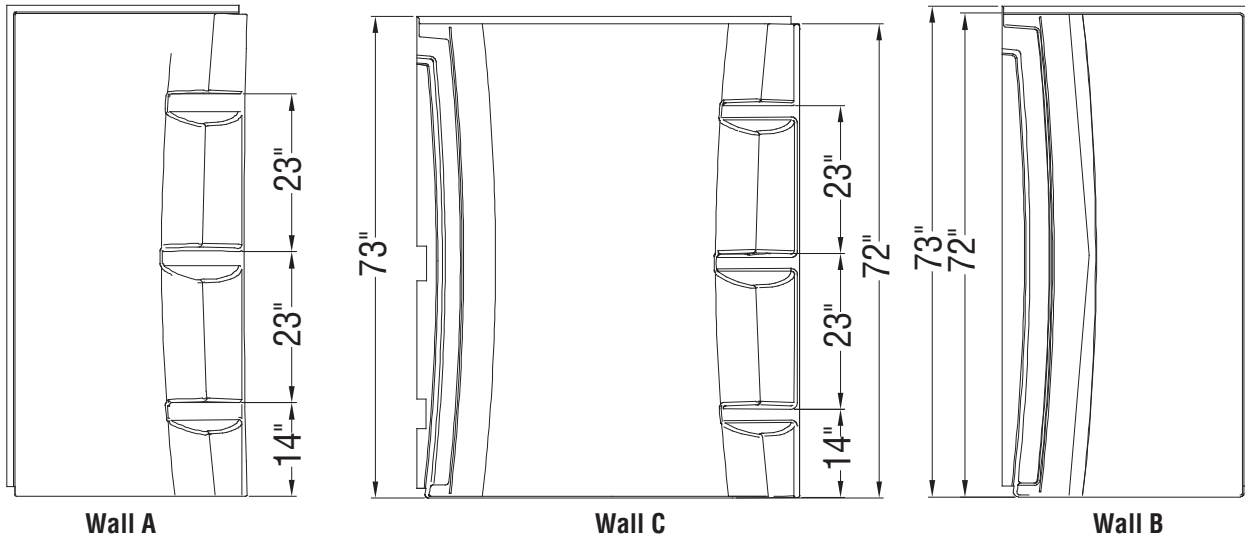
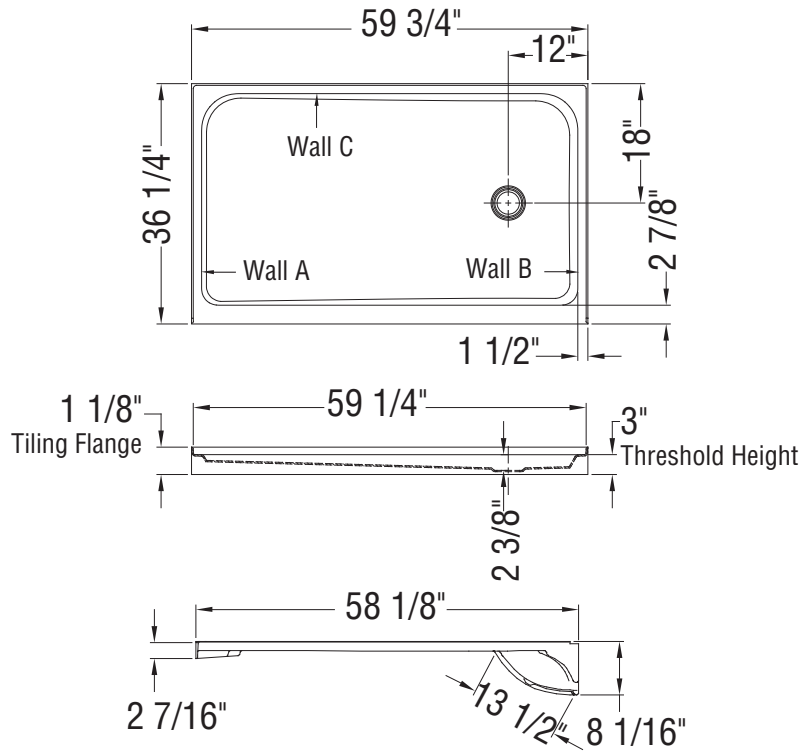
SKU	Color	Configuration	Dimensions & Weight	Packaging	MSRP
105664-000-001-000	White	Center / Alcove	59 3/4" x 36 1/8" x 4 1/8" / 58 lb / 26 kg	12 ft ³	\$ 1214

RECTANGULAR BASE 6036 - R/L DRAIN - 3 IN. - 105666

SKU	Color	Configuration	Dimensions & Weight	Packaging	MSRP
105666-000-001-001	White	Left / Alcove	59 3/4" x 36 1/4" x 4 1/8" / 58 lb / 26 kg	12 ft ³	\$ 1214
105666-000-001-002		Right / Alcove			\$ 1214

RECOMMENDED DOORS - VISIT OUR WEBSITE FOR A COMPLETE LIST OF RECOMMENDED DOORS

SKU	Product Name	Pag.
138277	Manhattan 57-59 x 68 - 6mm	763
138997	Halo 56 1/2-59 x 78 3/4 - 8mm	796
139353	Incognito 70 56-59 x 70 1/2 - 8mm	721
139350	Incognito 56-59 x 70 1/2 in. 6mm	719
135332	Incognito 76 Shaker 56-59 x 76 - 8mm	725
135335	Incognito 76 56-59 x 76 - 8mm	727
136335	Incognito 76 Smoke 56-59 x 76 - 8mm	729
135694	Revelation Square 56-59 x 70 1/2-73 - 8mm	739



All dimensions are approximate. Structure measurements must be verified against the unit to ensure proper fit.



Rectangular Base 6042 - 3 in



Material : Acrylic

Features

- › Low threshold base
- › Textured bottom
- › Deflecting strip preventing water penetration behind the shower
- › Alcove installation
- › Easy front installation walls with snap clips are available
- › Centre drain

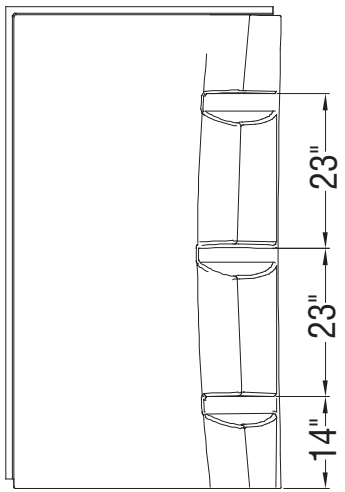
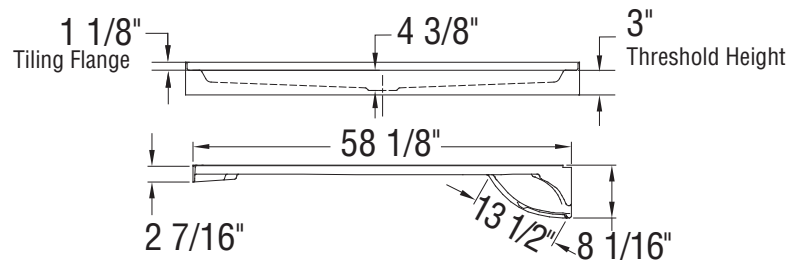
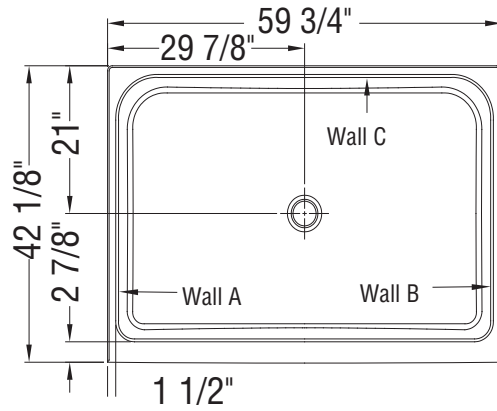
ALCOVE BASES - ACRYLIC

RECTANGULAR BASE 6042 - 3 IN - 105716

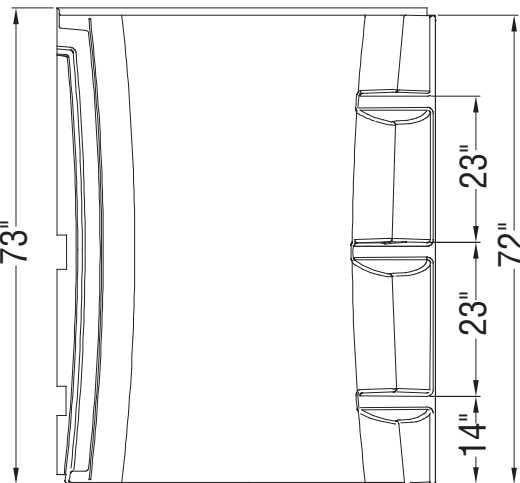
SKU	Color	Configuration	Dimensions & Weight	Packaging	MSRP
105716-000-001-000	White	Center / Alcove	59 3/4" x 42 1/8" x 4 1/8" / 60 lb / 27 kg	14 ft ³	\$ 1334

RECOMMENDED DOORS - VISIT OUR WEBSITE FOR A COMPLETE LIST OF RECOMMENDED DOORS

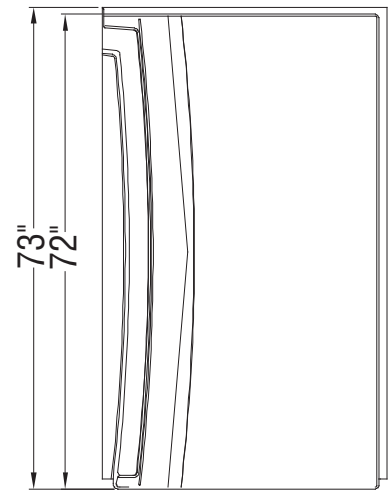
SKU	Product Name	Pag.
138277	Manhattan 57-59 x 68 - 6mm	763
138997	Halo 56 1/2-59 x 78 3/4 - 8mm	796
139353	Incognito 70 56-59 x 70 1/2 - 8mm	721
139350	Incognito 56-59 x 70 1/2 in. 6mm	719
135332	Incognito 76 Shaker 56-59 x 76 - 8mm	725
135335	Incognito 76 56-59 x 76 - 8mm	727
136335	Incognito 76 Smoke 56-59 x 76 - 8mm	729
135694	Revelation Square 56-59 x 70 1/2-73 - 8mm	739
136691	Revelation Round 56-59 x 70 1/2-73 - 6mm	733
135691	Revelation Square 56-59 x 70 1/2-73 - 6mm	737
136694	Revelation Round 56-59 x 70 1/2-73 - 8mm	735
135322	Uptown 56-59 x 76 in. 8 mm	741
135324		802
135326	Uptown 57-59 x 76 in. 8 mm	777
135238	Connect Pro 57-58 1/2 x 76 - 6mm	787



Wall A



Wall C



Wall B

All dimensions are approximate. Structure measurements must be verified against the unit to ensure proper fit.

Square Base 32 - Alcove - 3 in



Material : Acrylic

Features

- › Proudly made in Canada
- › 32x32 Acrylic Alcove Shower Base with Off-Center Drain in White
- › 3 in. low threshold
- › Durable high shine acrylic stays warm to the touch and is easy to clean
- › Textured bottom
- › Off-center drain - consult MAAX technical drawing (specification) for exact dimensions
- › Limited warranty is for a period of 25 years, phone # 1-877-GET-MAAX

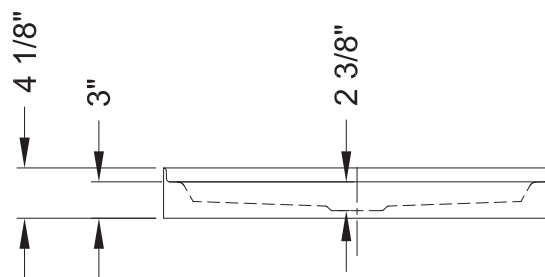
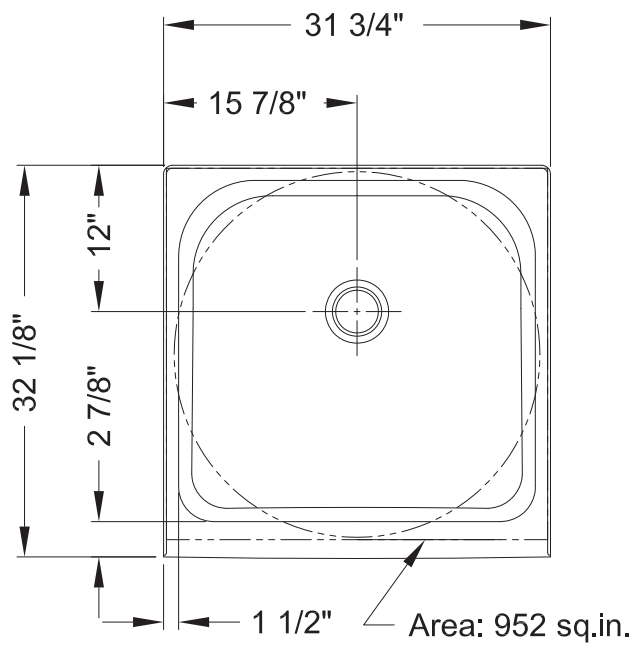
ALCOVE BASES - ACRYLIC

SQUARE BASE 32 - ALCOVE - 3 IN - 105663

SKU	Color	Configuration	Dimensions & Weight	Packaging	MSRP
105663-000-001-000	White	Back End Drain / Alcove	31 3/4" x 32 1/8" x 4 1/8" / 30 lb / 14 kg	6 ft ³	\$ 684

RECOMMENDED DOORS - VISIT OUR WEBSITE FOR A COMPLETE LIST OF RECOMMENDED DOORS

SKU	Product Name	Pag.
138263	Manhattan 29-31 x 68 - 6mm	757
105416	Madono 28 1/2-30 1/2 x 67 - 6mm	754
136732	Polar Pivot 29-30 3/4 x 64 1/2 in.	769
136645	Pivolok 29-30 3/4 x 64 1/2 in.	767



All dimensions are approximate and subject to change without prior notice.
Please refer to installation guide before installing unit.

Square Base 36 - Alcove - 3 in



Material : Acrylic

Features

- › Proudly made in Canada
- › 36x36 Acrylic Alcove Shower Base with Off-Center Drain in White, direct to stud installation
- › 3 in. low threshold
- › Durable high shine acrylic stays warm to the touch and is easy to clean, available in white only
- › Textured bottom
- › Off-center drain - consult MAAX technical drawing (specification) for exact dimensions
- › Limited warranty is for a period of 25 years, phone # 1-877-GET-MAAX

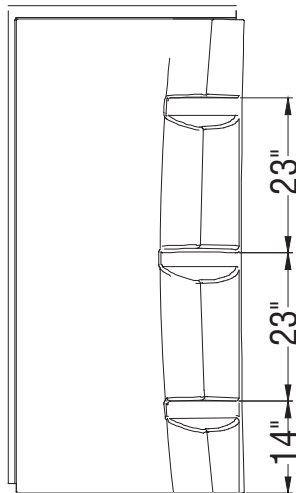
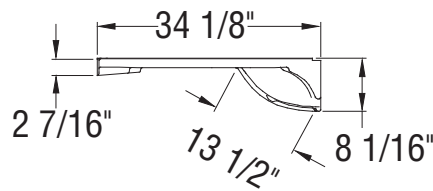
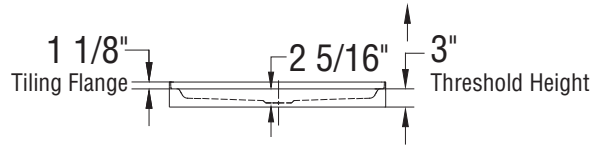
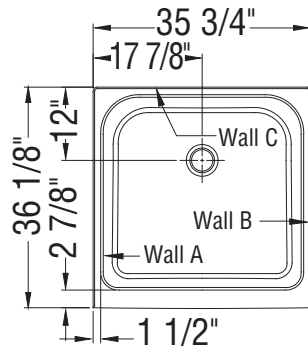
ALCOVE BASES - ACRYLIC

SQUARE BASE 36 - ALCOVE - 3 IN - 101430

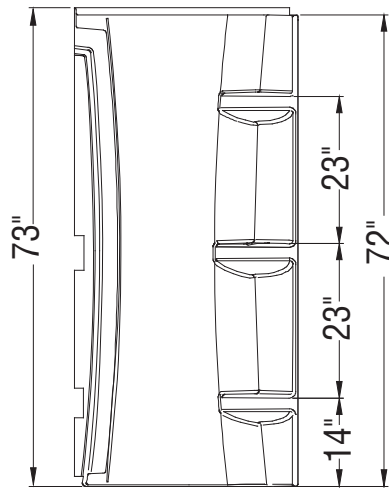
SKU	Color	Configuration	Dimensions & Weight	Packaging	MSRP
101430-000-001-000	White	Back End Drain / Alcove	36 1/8" x 36 1/8" x 4 1/8" / 40 lb / 18 kg	8.93 ft ³	\$ 747

RECOMMENDED DOORS - VISIT OUR WEBSITE FOR A COMPLETE LIST OF RECOMMENDED DOORS

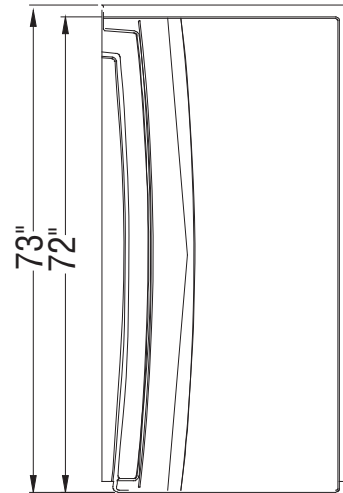
SKU	Product Name	Pag.
138265	Manhattan 33-35 x 68 - 6mm	757
139575	Reveal Sleek 71 32 1/2-35 1/2 x 71 1/2 - 8mm	774
139584	Capella 78 32 1/2-35 1/2 x 78 - 8mm	743
137835	ModulR 36 x 78 - 8mm	748
105418	Madono 34 1/2-36 1/2 x 67 - 6mm	754
136676	Reveal 71 32 1/2-35 1/2 x 71 1/2 - 8mm	771
136733	Polar Pivot 33-34 3/4 x 64 1/2 in.	769
136435	Pivolok Deluxe 32 1/2-37 x 64 1/2 in.	765
136656	Pivolok 33-34 3/4 x 64 1/2 in.	767



Wall A



Wall C



Wall B

All dimensions are approximate. Structure measurements must be verified against the unit to ensure proper fit.

Square Base 42 - Alcove - 3 in



Material : Acrylic

Features

- › 42x42 Acrylic Alcove Shower Base with Center Drain in White, direct to stud installation
- › 3 in. low threshold
- › Durable high shine acrylic stays warm to the touch and is easy to clean
- › Textured bottom
- › Center drain - consult MAAX technical drawing (specification) for exact dimensions
- › Limited warranty is for a period of 25 years, phone # 1-877-GET-MAAX

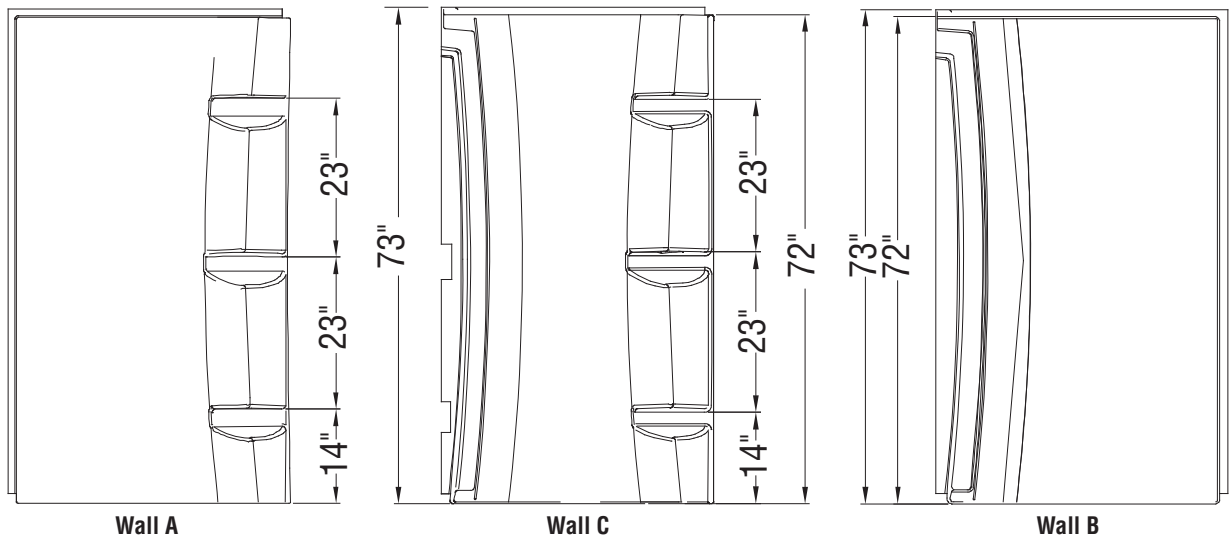
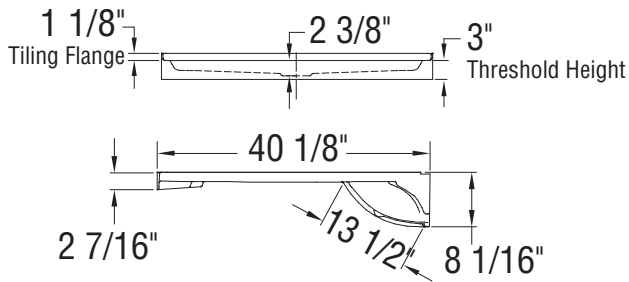
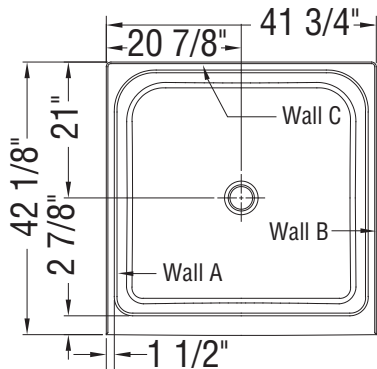
ALCOVE BASES - ACRYLIC

SQUARE BASE 42 - ALCOVE - 3 IN - 105714

SKU	Color	Configuration	Dimensions & Weight	Packaging	MSRP
105714-000-001-000	White	Center / Alcove	41 3/4" x 42 1/8" x 4 1/8" / 42 lb / 19 kg	9.9 ft ³	\$ 940

RECOMMENDED DOORS - VISIT OUR WEBSITE FOR A COMPLETE LIST OF RECOMMENDED DOORS

SKU	Product Name	Pag.
138268	Manhattan 39-41 x 68 - 6mm	761
138520	Incognito 74 39-42x74in. 8mm	723
139576	Reveal Sleek 71 38-41 x 71 1/2 - 8mm	774
134562	Kameleon 40-44 x 71 - 6mm	713
134662	Kameleon SC 40-44 x 71 - 6mm	701
136679	Reveal 71 38-41 x 71 1/2 - 8 mm	772



All dimensions are approximate. Structure measurements must be verified against the unit to ensure proper fit.

SPL 3232



Material : AcrylX

Features

- › Base available with 3 3/8" or 7" (AFR) threshold
- › Integrated tiling flange
- › Textured floor
- › Center drain
- › Available with Above-the-Floor Rough (AFR)

ALCOVE BASES - ACRYLX

SPL 3232 - 145020

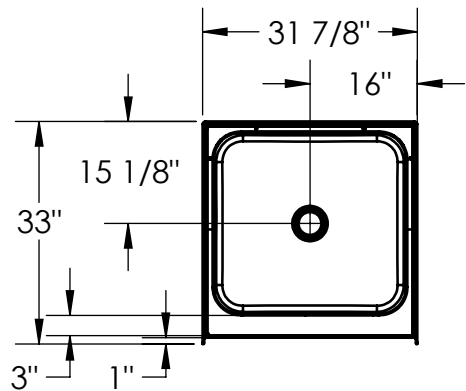
SKU	Color	Configuration	Dimensions & Weight	Packaging	MSRP
145020-000-002-083	White	Center / Alcove	31 7/8" x 32" x 4 3/8" / 32 lb / 15 kg	6.9 ft ³	\$ 636

SPL 3232 AFR - 145021

SKU	Color	Configuration	Dimensions & Weight	Packaging	MSRP
145021-000-002-583	White	Center / Alcove	31 7/8" x 32" x 7 7/8" / 32 lb / 15 kg	6.9 ft ³	\$ 636

RECOMMENDED DOORS - VISIT OUR WEBSITE FOR A COMPLETE LIST OF RECOMMENDED DOORS

SKU	Product Name	Pag.
138263	Manhattan 29-31 x 68 - 6mm	757
105416	Madono 28 1/2-30 1/2 x 67 - 6mm	754
136732	Polar Pivot 29-30 3/4 x 64 1/2 in.	769
136645	Pivolok 29-30 3/4 x 64 1/2 in.	767



NOT ABOVE THE FLOOR



All dimensions are approximate. Structure measurements must be verified against the unit to ensure proper fit.



SPL 3636



Material : AcrylX

Features

- › Base available with 3 3/8" or 7" (AFR) threshold
- › Integrated tiling flange
- › Textured floor
- › Center drain
- › Available with Above-the-Floor Rough (AFR)

ALCOVE BASES - ACRYLX

SPL 3636 - 145026

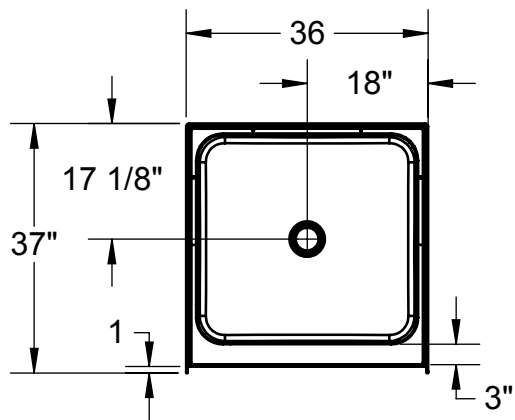
SKU	Color	Configuration	Dimensions & Weight	Packaging	MSRP
145026-000-002-083	White	Center / Alcove	35 7/8" x 36" x 4 3/8" / 35 lb / 16 kg	7.4 ft ³	\$ 712

SPL 3636 AFR - 145027

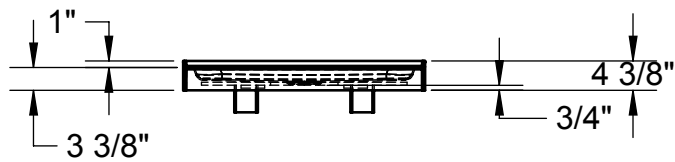
SKU	Color	Configuration	Dimensions & Weight	Packaging	MSRP
145027-000-002-583	White	Center / Alcove	35 7/8" x 36" x 7 7/8" / 35 lb / 16 kg	7.4 ft ³	\$ 712

RECOMMENDED DOORS - VISIT OUR WEBSITE FOR A COMPLETE LIST OF RECOMMENDED DOORS

SKU	Product Name	Pag.
138265	Manhattan 33-35 x 68 - 6mm	757
139575	Reveal Sleek 71 32 1/2-35 1/2 x 71 1/2 - 8mm	774
139584	Capella 78 32 1/2-35 1/2 x 78 - 8mm	743
137835	ModulR 36 x 78 - 8mm	748
136676	Reveal 71 32 1/2-35 1/2 x 71 1/2 - 8mm	771
136733	Polar Pivot 33-34 3/4 x 64 1/2 in.	769
136435	Pivolok Deluxe 32 1/2-37 x 64 1/2 in.	765
136656	Pivolok 33-34 3/4 x 64 1/2 in.	767



Not above the Floor



All dimensions are approximate. Structure measurements must be verified against the unit to ensure proper fit.

SPS 3060



Material : AcrylX

Features

- › Base available in 6 in. (AFR) or 4 in. low height
- › Rectangular shower base
- › Integrated tiling flange
- › Right or left integrated seat
- › Textured floor
- › Right, left or center drain

ALCOVE BASES - ACRYLX

SPS 3060 - 145038

SKU	Color	Configuration	Dimensions & Weight	Packaging	MSRP
145038-000-002-083	White	Center / Alcove	59 7/8" x 30" x 20 1/8" / 52 lb / 24 kg	28 ft ³	\$ 1072
145038-000-002-084		Right / Alcove			\$ 1072
145038-000-002-085		Left / Alcove			\$ 1072

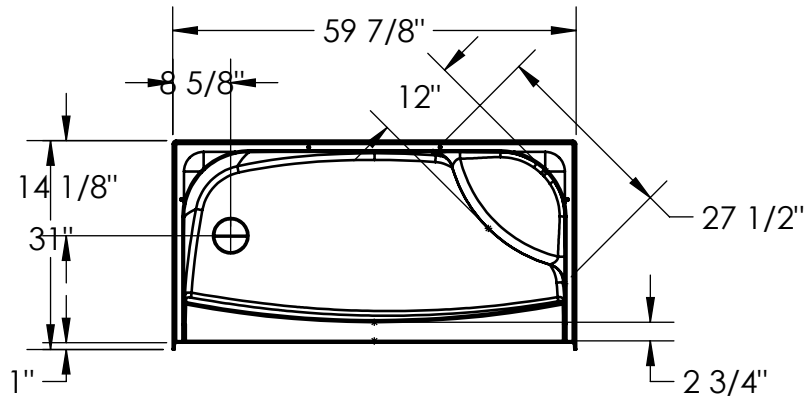
SPS 3060 AFR - 145039

SKU	Color	Configuration	Dimensions & Weight	Packaging	MSRP
145039-000-002-583	White	Center / Alcove	59 7/8" x 30" x 22 1/8" / 52 lb / 24 kg	28 ft ³	\$ 1072
145039-000-002-584		Right / Alcove			\$ 1072
145039-000-002-585		Left / Alcove			\$ 1072

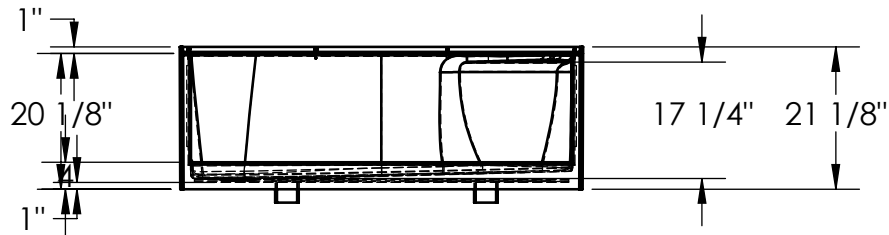
ACCESSORIES

SKU	Description	MSRP
10024636-002	Tile Adaptor (for door installation) Available colors: White (002), Bone (004) and Biscuit (007)	\$ 238
10024636-004		\$ 238
10024636-007		\$ 238

RIGHT SEAT SHOWN LEFT SEAT SYMMETRICAL



NOT ABOVE THE FLOOR



All dimensions are approximate. Structure measurements must be verified against the unit to ensure proper fit.

SPS 3448



Material : AcrylX

Features

- › Base available in 6 in. (AFR) or 4 in. low height
- › Integrated tiling flange
- › Right or left integrated seat
- › Textured floor
- › Center drain

ALCOVE BASES - ACRYLX

SPS 3448 - 145032

SKU	Color	Configuration	Dimensions & Weight	Packaging	MSRP
145032-000-002-083	White	Center / Alcove	47 7/8" x 33 5/8" x 20 1/8" / 45 lb / 20 kg	24.6 ft ³	\$ 927
145032-000-002-084					\$ 927
145032-000-002-085					\$ 927

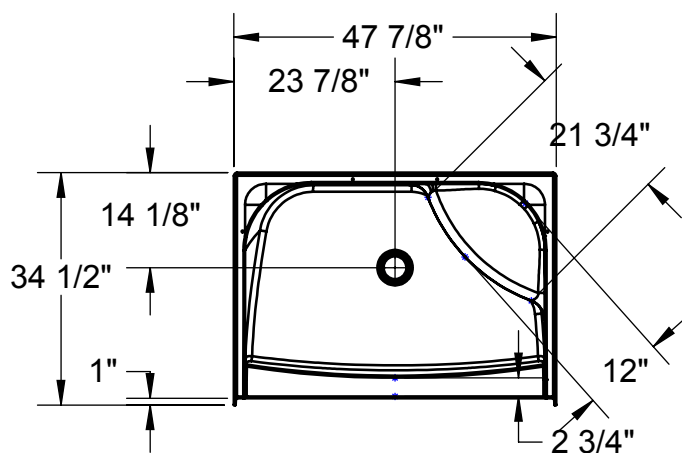
SPS 3448 AFR - 145033

SKU	Color	Configuration	Dimensions & Weight	Packaging	MSRP
145033-000-002-583	White	Center / Alcove	47 7/8" x 33 5/8" x 22 1/8" / 45 lb / 20 kg	24.6 ft ³	\$ 927
145033-000-002-584					\$ 927
145033-000-002-585					\$ 927

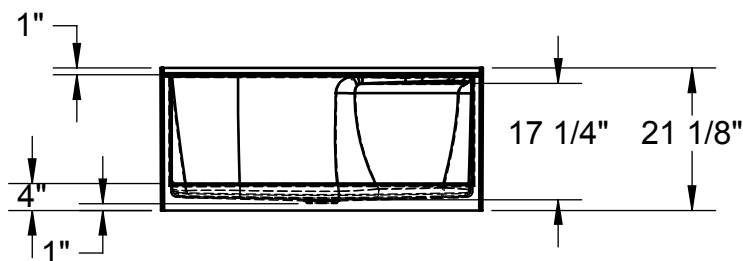
ACCESSORIES

SKU	Description	MSRP
10024636-002	Tile Adaptor (for door installation) Available colors: White (002), Bone (004) and Biscuit (007)	\$ 238
10024636-004		\$ 238
10024636-007		\$ 238

RIGHT SEAT SHOWN LEFT SEAT SYMMETRICAL



NOT ABOVE -THE-FLOOR



All dimensions are approximate. Structure measurements must be verified against the unit to ensure proper fit.

SPS 3460



Material : AcrylX

Features

- › Rectangular shower base
- › Integrated tiling flange
- › Right or left integrated seat
- › Textured floor
- › Right, left or center drain

ALCOVE BASES - ACRYLX

SPS 3460 - 145044

SKU	Color	Configuration	Dimensions & Weight	Packaging	MSRP
145044-000-002-083	White	Center / Alcove	59 7/8" x 33 1/2" x 20 1/8" / 55 lb / 25 kg	28 ft ³	\$ 1123
145044-000-002-084		Right / Alcove			\$ 1123
145044-000-002-085		Left / Alcove			\$ 1123

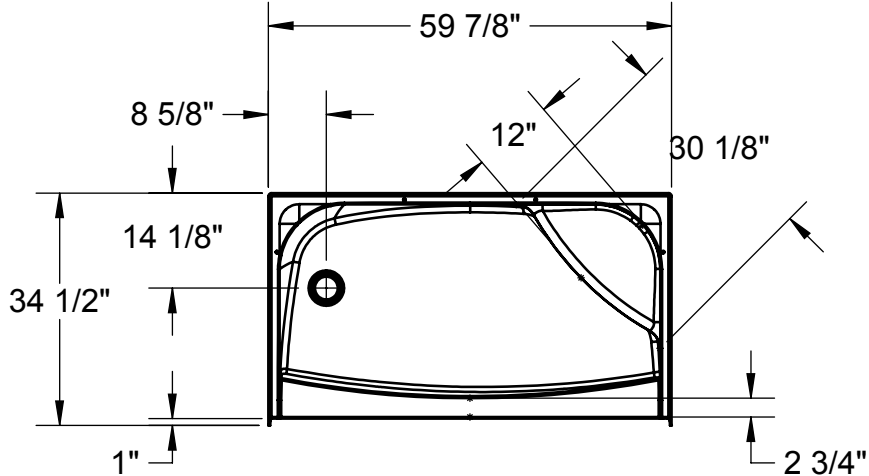
SPS 3460 AFR - 145045

SKU	Color	Configuration	Dimensions & Weight	Packaging	MSRP
145045-000-002-583	White	Center / Alcove	59 7/8" x 33 1/2" x 22 1/8" / 55 lb / 25 kg	28 ft ³	\$ 1123
145045-000-002-584		Right / Alcove			\$ 1123
145045-000-002-585		Left / Alcove			\$ 1123

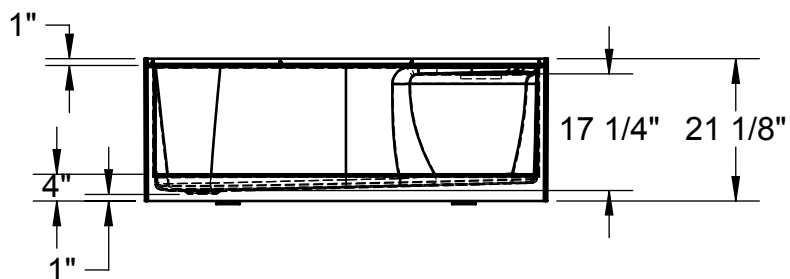
ACCESSORIES

SKU	Description	MSRP
10024636-002	Tile Adaptor (for door installation) Available colors: White (002), Bone (004) and Biscuit (007)	\$ 238
10024636-004		\$ 238
10024636-007		\$ 238

RIGHT SEAT SHOWN LEFT SEAT SYMMETRICAL



NOT ABOVE THE FLOOR



All dimensions are approximate. Structure measurements must be verified against the unit to ensure proper fit.



B3Round 3636



Material : Acrylic

Features

- › Model Size : 35 7/8 L in. X 35 7/8 W in. X 3 H in.
- › Acrylic square shower base with round drain
- › Low 3 in. threshold base allowing an easy and safe access
- › Certain configurations available with Stabili-T anti-slip bottom meeting ADA, ANSI or CSA
- › Multiple configurations available to accommodate different types of installation
- › Compatible with Utile, most glue-up shower walls and ceramic tiles
- › Integrated leak proof tiling flanges
- › 25-year warranty for peace of mind
- › High gloss finish resistant to dulling, scratching, and fading

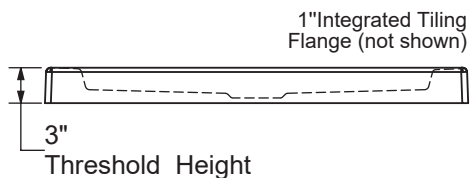
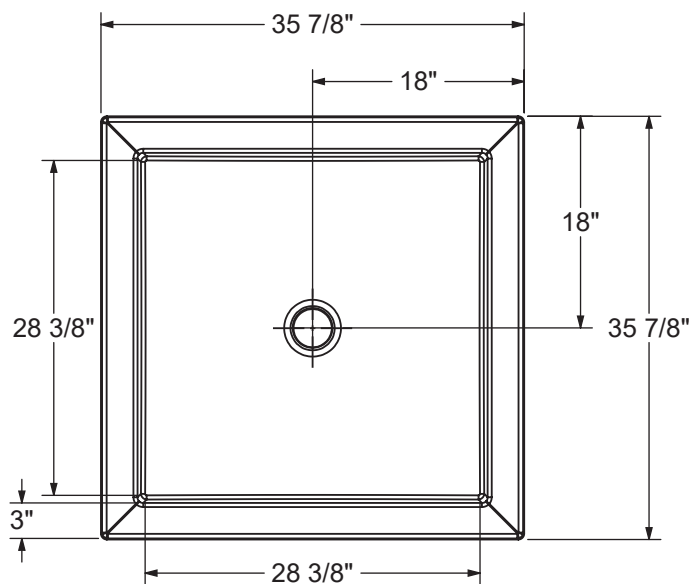
CONFIGURABLE SHOWER BASES

B3ROUND 3636 - 410000

SKU	Color	Configuration	Dimensions & Weight	Packaging	MSRP
410000-500-001-000	White	Center / Corner Left or Right	35 7/8" x 35 7/8" x 3" / 35 lb / 16 kg	29.781972249349 ft ³	\$ 747
410000-501-001-000		Center / Alcove			\$ 747
410000-505-001-000		Center / Wall Mounted			\$ 747
410000-540-001-000		Center / Corner Left or Right - Stabili-T			\$ 747
410000-541-001-000		Center / Alcove - Stabili-T			\$ 747

RECOMMENDED DOORS - VISIT OUR WEBSITE FOR A COMPLETE LIST OF RECOMMENDED DOORS

SKU	Product Name	Pag.
139575	Reveal Sleek 71 32 1/2-35 1/2 x 71 1/2 - 8mm	774
139584	Capella 78 32 1/2-35 1/2 x 78 - 8mm	743
136676	Reveal 71 32 1/2-35 1/2 x 71 1/2 - 8mm	771



This technical drawing is universal for every 3636 configuration.

Integrated tiling flange : 1" height x 1/4" thick (not shown)
 Tiling flange position is determined by chosen configuration.

All dimensions are approximate. Structure measurements must be verified against the unit to ensure proper fit.



B3Round 4236



Material : Acrylic

Features

- › Model Size : 41 7/8 L in. X 35 7/8 W in. X 3 H in.
- › Acrylic rectangular shower base with round drain
- › Low 3 in. threshold base allowing an easy and safe access
- › Certain configurations available with Stabili-T anti-slip bottom meeting ADA, ANSI or CSA
- › Multiple configurations available to accomodate different types of installation
- › Compatible with most glue-up Shower walls and ceramic tiles
- › Integrated leak proof tiling flanges
- › 25-year warranty for peace of mind
- › High gloss finish resistant to dulling, scratching, and fading

CONFIGURABLE SHOWER BASES

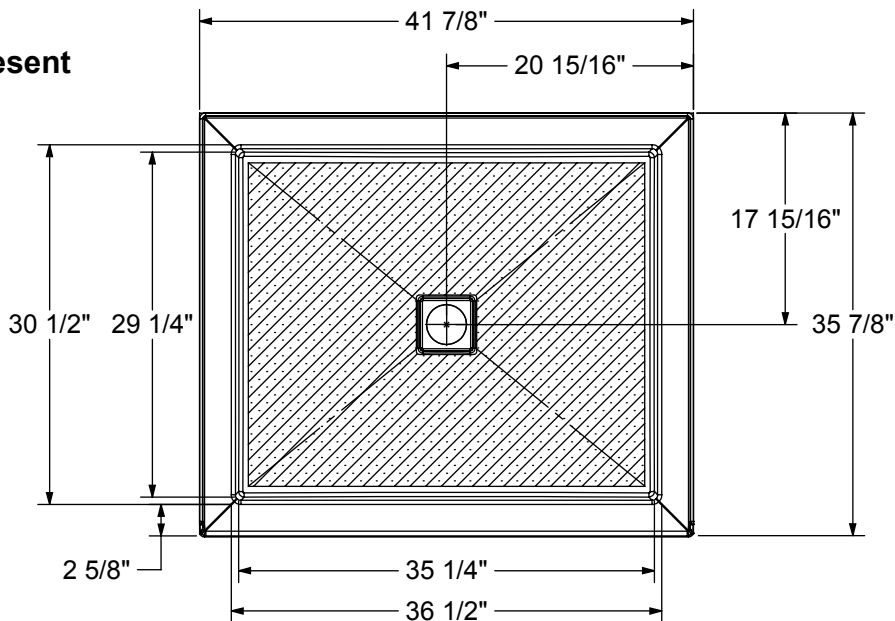
B3ROUND 4236 - 410034

SKU	Color	Configuration	Dimensions & Weight	Packaging	MSRP
410034-541-001-000	White	Center / Alcove – Stabili-T	41 7/8" x 35 7/8" x 3" / 45 lb / 20 kg	46.1211140950521 ft ³	\$ 940
410034-542-001-000		Center / Corner Left - Stabili-T			\$ 940
410034-543-001-000		Center / Corner Right – Stabili-T			\$ 940

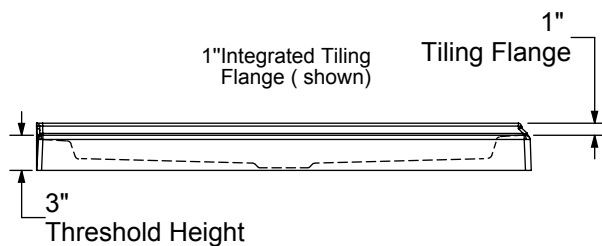
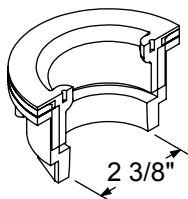
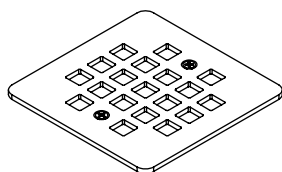
RECOMMENDED DOORS - VISIT OUR WEBSITE FOR A COMPLETE LIST OF RECOMMENDED DOORS

SKU	Product Name	Pag.
139576	Reveal Sleek 71 38-41 x 71 ½ - 8mm	774
136679	Reveal 71 38-41 x 71 ½ - 8 mm	772

The hatched area represent the antislip surface



DRAIN INCLUDED ON B3 SQUARE ONLY



This technical drawing is universal for every 4236 configuration.

Integrated tiling flange : 1" height x 1/4" thick
 Tiling flange position is determined by chosen configuration.

All dimensions are approximate. Structure measurements must be verified against the unit to ensure proper fit.



B3Round 4832



Material : Acrylic

Features

- › Model Size : 47 7/8 L in. X 31 7/8 W in. X 3 H in.
- › Acrylic rectangular shower base with round drain
- › Low 3 in. threshold base allowing an easy and safe access
- › Certain configurations available with Stabili-T anti-slip bottom meeting ADA, ANSI or CSA
- › Multiple configurations available to accomodate different types of installation
- › Compatible with Utile, most glue-up shower walls and ceramic tiles
- › Integrated leak proof tiling flanges
- › 25-year warranty for peace of mind
- › High gloss finish resistant to dulling, scratching, and fading

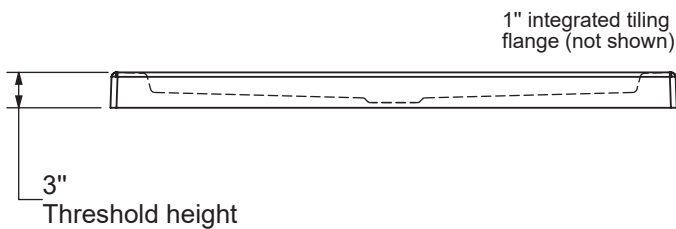
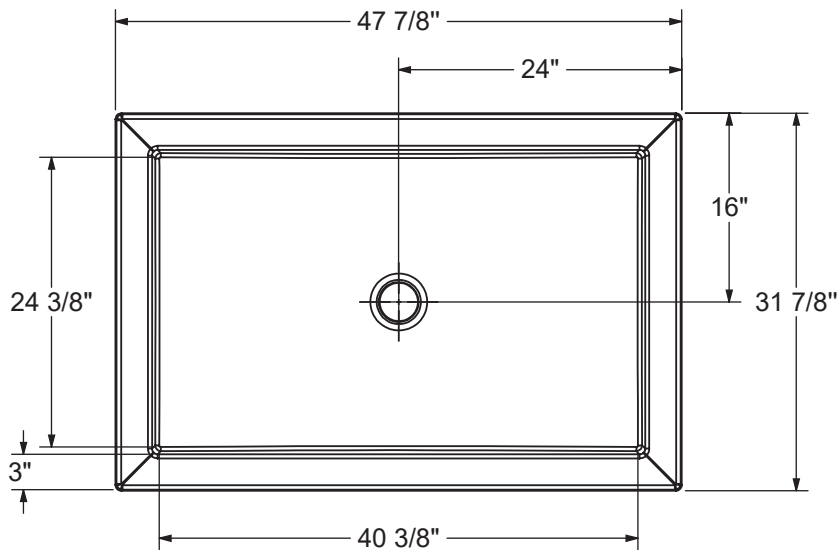
CONFIGURABLE SHOWER BASES

B3ROUND 4832 - 410001

SKU	Color	Configuration	Dimensions & Weight	Packaging	MSRP
410001-501-001-000	White	Center / Alcove	47 7/8" x 31 7/8" x 3" / 41 lb / 19 kg	65.3675220630787 ft ³	\$ 940
410001-502-001-000		Center / Corner Left			\$ 940
410001-503-001-000		Center / Corner Right			\$ 940
410001-504-001-000		Center / Alcove Deep			\$ 940
410001-505-001-000		Center / Wall Mounted			\$ 940
410001-506-001-000		Center / Tunnel			\$ 940
410001-541-001-000		Center / Alcove – Stabili-T			\$ 940
410001-542-001-000		Center / Corner Left - Stabili-T			\$ 940
410001-543-001-000		Center / Corner Right – Stabili-T			\$ 940

RECOMMENDED DOORS - VISIT OUR WEBSITE FOR A COMPLETE LIST OF RECOMMENDED DOORS

SKU	Product Name	Pag.
135321	Uptown 44-47 x 76 in. 8 mm	741
138950	Halo Pro 44 ½-47 x 78 ¾ - 8mm	792
135334	Incognito 76 44-47 x 76 - 8mm	727
139352	Incognito 70 44-47 x 70 ½ - 8mm	721
139349	Incognito 44-47 x 70 ½ in. 6mm	719
138460	Vela 44 ½-47 x 78 ¾ - 8mm	781
136693	Revelation Round 44-47 x 70 ½-73 - 8mm	735
135690	Revelation Square 44-47 x 70 ½-73 - 6mm	737



This technical drawing is universal for every 4832 configuration.

Integrated tiling flange : 1" height x 1/4" thick (not shown)
 Tiling flange position is determined by chosen configuration.

All dimensions are approximate. Structure measurements must be verified against the unit to ensure proper fit.



B3Round 4834



Material : Acrylic

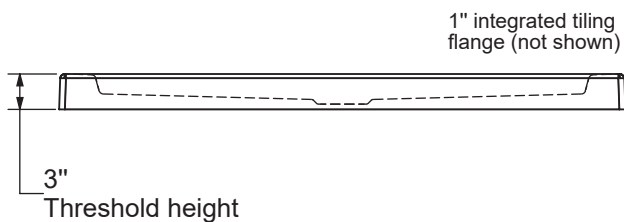
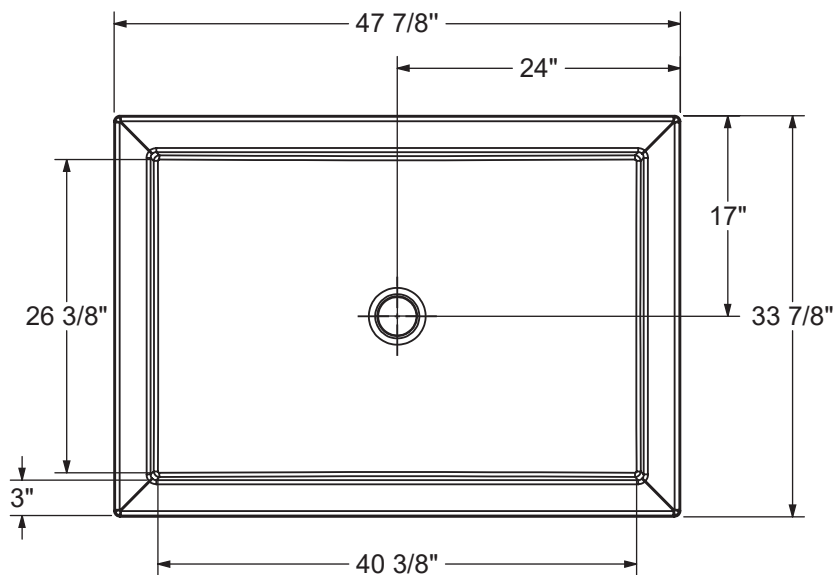
Features

- › Model Size : 47 7/8 L in. X 33 7/8 W in. X 3 H in.
- › Acrylic rectangular shower base with round drain
- › Low 3 in. threshold base allowing an easy and safe access
- › Certain configurations available with Stabili-T anti-slip bottom meeting ADA, ANSI or CSA
- › Multiple configurations available to accomodate different types of installation
- › Compatible with most glue-up Shower walls and ceramic tiles
- › Integrated leak proof tiling flanges
- › 25-year warranty for peace of mind
- › High gloss finish resistant to dulling, scratching, and fading

CONFIGURABLE SHOWER BASES

B3ROUND 4834 - 410002

SKU	Color	Configuration	Dimensions & Weight	Packaging	MSRP
410002-501-001-000	White	Center / Alcove	47 7/8" x 33 7/8" x 3" / 44 lb / 20 kg	52.7295125325521 ft ³	\$ 961
410002-502-001-000		Center / Corner Left			\$ 961
410002-503-001-000		Center / Corner Right			\$ 961
410002-504-001-000		Center / Alcove Deep			\$ 961
410002-505-001-000		Center / Wall Mounted			\$ 961
410002-506-001-000		Center / Tunnel			\$ 961
410002-541-001-000		Center / Alcove – Stabili-T			\$ 961
410002-542-001-000		Center / Corner Left - Stabili-T			\$ 961
410002-543-001-000		Center / Corner Right – Stabili-T			\$ 961



This technical drawing is universal for every 4834 configuration.

Integrated tiling flange : 1" height x 1/4" thick (not shown)
 Tiling flange position is determined by chosen configuration.

All dimensions are approximate. Structure measurements must be verified against the unit to ensure proper fit.



B3Round 4836



Material : Acrylic

Features

- › Model Size : 47 7/8 L in. X 35 7/8 W in. X 3 H in.
- › Acrylic rectangular shower base with round drain
- › Low 3 in. threshold base allowing an easy and safe access
- › Certain configurations available with Stabili-T anti-slip bottom meeting ADA, ANSI or CSA
- › Multiple configurations available to accomodate different types of installation
- › Compatible with Utile, most glue-up shower walls and ceramic tiles
- › Integrated leak proof tiling flanges
- › 25-year warranty for peace of mind
- › High gloss finish resistant to dulling, scratching, and fading

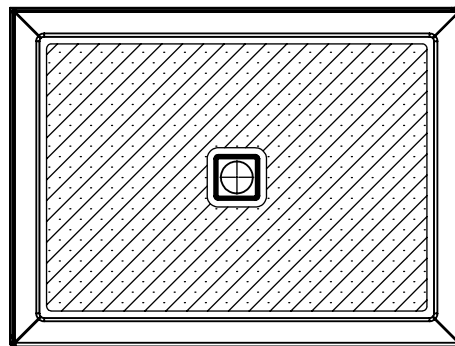
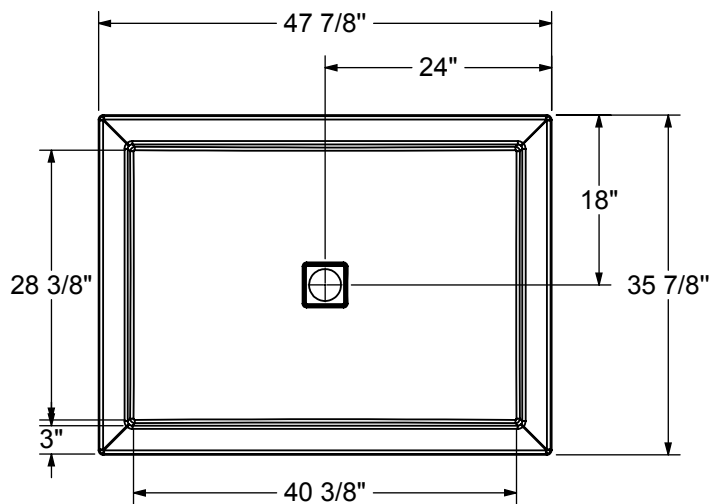
CONFIGURABLE SHOWER BASES

B3ROUND 4836 - 410003

SKU	Color	Configuration	Dimensions & Weight	Packaging	MSRP
410003-501-001-000	White	Center / Alcove	47 7/8" x 35 7/8" x 3" / 47 lb / 21 kg	52.7295125325521 ft ³	\$ 982
410003-502-001-000		Center / Corner Left			\$ 982
410003-503-001-000		Center / Corner Right			\$ 982
410003-504-001-000		Center / Alcove Deep			\$ 982
410003-505-001-000		Center / Wall Mounted			\$ 982
410003-506-001-000		Center / Tunnel			\$ 982
410003-541-001-000		Center / Alcove – Stabili-T			\$ 982
410003-542-001-000		Center / Corner Left - Stabili-T			\$ 982
410003-543-001-000		Center / Corner Right – Stabili-T			\$ 982

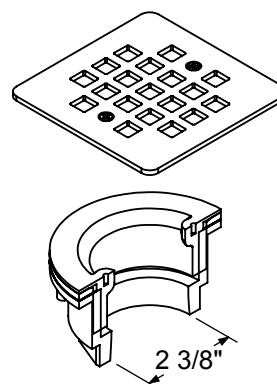
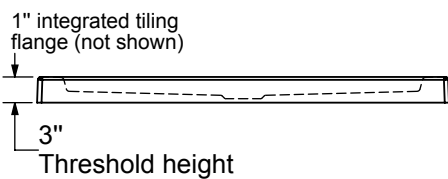
RECOMMENDED DOORS - VISIT OUR WEBSITE FOR A COMPLETE LIST OF RECOMMENDED DOORS

SKU	Product Name	Pag.
138996	Halo 44 1/2-47 x 78 3/4 - 8mm	796
135321	Uptown 44-47 x 76 in. 8 mm	741
135323		802
135325	Uptown 45-47 x 76 in. 8 mm	777
135236	Connect Pro 45-46 1/2 x 76 - 6mm	787
139578	Reveal Sleek 71 44-47 x 71 1/2 - 8mm	775
138540	Halo Pro GS 44 1/2-47 X 78 3/4 - 8mm	790
136956	Duel Alto 44-47 X 78 - 8 mm	695



The hatched area represent the anti-slip surface

DRAIN INCLUDED ON B3 SQUARE ONLY



This technical drawing is universal for every 4836 configuration.

Integrated tiling flange : 1" height x 1/4" thick (not shown)
 Tiling flange position is determined by chosen configuration.

All dimensions are approximate. Structure measurements must be verified against the unit to ensure proper fit.



B3Round 4842



Material : Acrylic

Features

- › Model Size : 47 7/8 L in. X 41 7/8 W in. X 3 H in.
- › Acrylic rectangular shower base with round drain
- › Low 3 in. threshold base allowing an easy and safe access
- › Certain configurations available with Stabili-T anti-slip bottom meeting ADA, ANSI or CSA
- › Multiple configurations available to accomodate different types of installation
- › Compatible with most glue-up Shower walls and ceramic tiles
- › Integrated leak proof tiling flanges
- › 25-year warranty for peace of mind
- › High gloss finish resistant to dulling, scratching, and fading

CONFIGURABLE SHOWER BASES

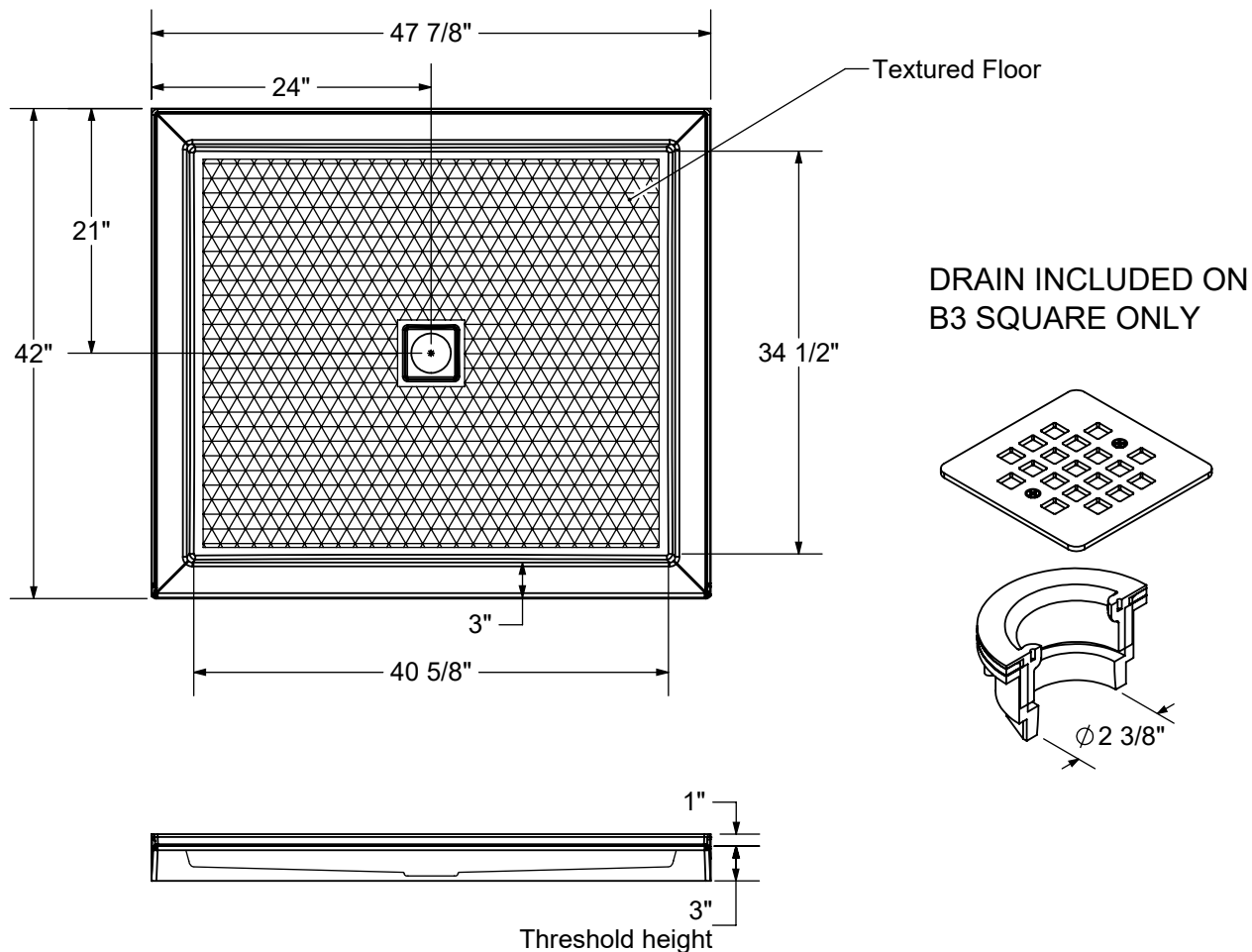
B3ROUND 4842 - 410043

SKU	Color	Configuration	Dimensions & Weight	Packaging	MSRP
410043-541-001-000	White	Center / Alcove – Stabili-T	47 7/8" x 41 7/8" x 3" / 56 lb / 25 kg	4.64066116898148 ft ³	\$ 1284
410043-542-001-000		Center / Corner Left - Stabili-T			\$ 1284
410043-543-001-000		Center / Corner Right – Stabili-T			\$ 1284
410043-544-001-000		Center / Alcove Deep - Stabili-T			\$ 1284

RECOMMENDED DOORS - VISIT OUR WEBSITE FOR A COMPLETE LIST OF RECOMMENDED DOORS

SKU	Product Name	Pag.
138268	Manhattan 39-41 x 68 - 6mm	761
138520	Incognito 74 39-42x74in. 8mm	723
139576	Reveal Sleek 71 38-41 x 71 ½ - 8mm	774
134562	Kameleon 40-44 x 71 - 6mm	713
134662	Kameleon SC 40-44 x 71 - 6mm	701
136679	Reveal 71 38-41 x 71 ½ - 8 mm	772

BASE MODEL



- All dimensions are approximate
- Structure measurements must be verified against the unit to ensure proper fit
- Installation to be completed in accordance with manufacturers specifications
- Do not scale drawings

B3Round 6030



Material : Acrylic

Features

- › Model Size : 59 7/8 L in. X 29 7/8 W in. X 3 H in.
- › Acrylic rectangular shower base with round drain
- › Low 3 in. threshold base allowing an easy and safe access
- › Certain configurations available with Stabili-T anti-slip bottom meeting ADA, ANSI or CSA
- › Multiple configurations available to accomodate different types of installation
- › Compatible with most glue-up Shower walls and ceramic tiles
- › Integrated leak proof tiling flanges
- › 25-year warranty for peace of mind
- › High gloss finish resistant to dulling, scratching, and fading

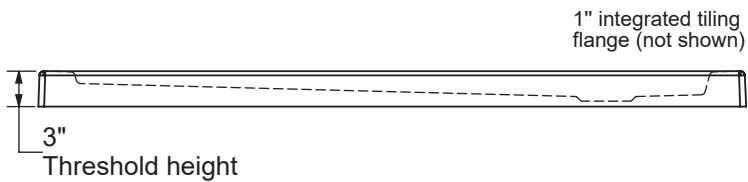
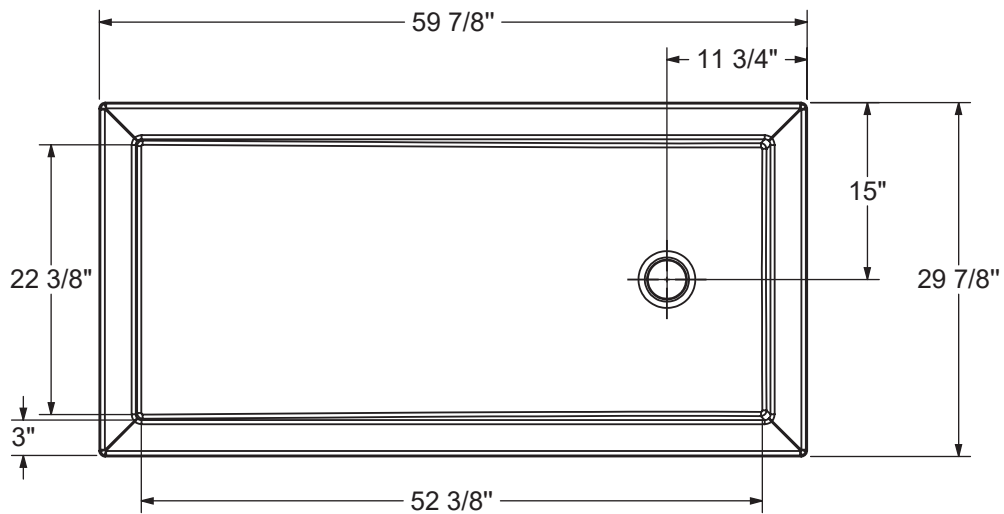


CONFIGURABLE SHOWER BASES

B3ROUND 6030 - 410004					
SKU	Color	Configuration	Dimensions & Weight	Packaging	MSRP
410004-501-001-001	White	Left / Alcove	59 7/8" x 29 7/8" x 3" / 52 lb / 24 kg	81.7520706741898 ft ³	\$ 1177
410004-501-001-002		Right / Alcove			\$ 1177
410004-502-001-001		Left / Corner Left			\$ 1177
410004-503-001-002		Right / Corner Right			\$ 1177
410004-504-001-000		Back End Drain / Alcove Deep			\$ 1177
410004-505-001-001		Left / Wall Mounted			\$ 1177
410004-505-001-002		Right / Wall Mounted			\$ 1177
410004-541-001-001		Left / Alcove – Stabili-T			\$ 1177
410004-541-001-002		Right / Alcove – Stabili-T			\$ 1177
410004-542-001-001		Left / Corner Left - Stabili-T			\$ 1177
410004-543-001-002		Right / Corner Right – Stabili-T			\$ 1177

RECOMMENDED DOORS - VISIT OUR WEBSITE FOR A COMPLETE LIST OF RECOMMENDED DOORS

SKU	Product Name	Pag.
138277	Manhattan 57-59 x 68 - 6mm	763
138997	Halo 56 ½-59 x 78 ¾ - 8mm	796
139353	Incognito 70 56-59 x 70 ½ - 8mm	721
139350	Incognito 56-59 x 70 ½ in. 6mm	719
135332	Incognito 76 Shaker 56-59 x 76 - 8mm	725
135335	Incognito 76 56-59 x 76 - 8mm	727



This technical drawing is universal for every 6030 configuration.

Integrated tiling flange : 1" height x 1/4" thick (not shown)
 Tiling flange position is determined by chosen configuration.

All dimensions are approximate. Structure measurements must be verified against the unit to ensure proper fit.

B3Round 6032



Material : Acrylic

Features

- › Model Size : 59 7/8 L in. X 31 7/8 W in. X 3 H in.
- › Acrylic rectangular shower base with round drain
- › Low 3 in. threshold base allowing an easy and safe access
- › Certain configurations available with Stabili-T anti-slip bottom meeting ADA, ANSI or CSA
- › Multiple configurations available to accomodate different types of installation
- › Compatible with Utile, most glue-up shower walls and ceramic tiles
- › Integrated leak proof tiling flanges
- › 25-year warranty for peace of mind
- › High gloss finish resistant to dulling, scratching, and fading



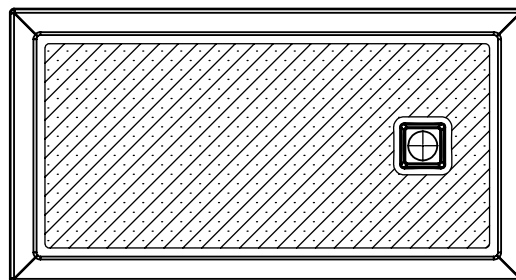
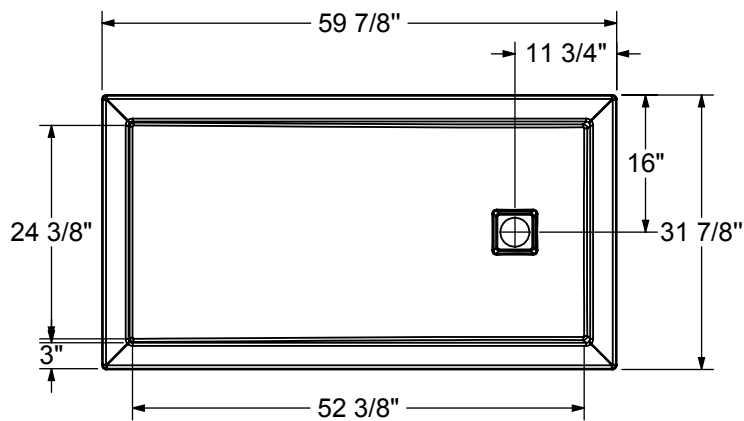
CONFIGURABLE SHOWER BASES

B3ROUND 6032 - 410005

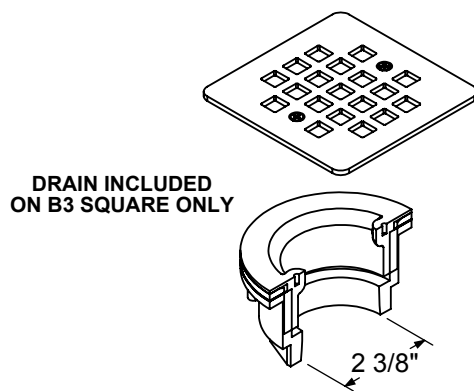
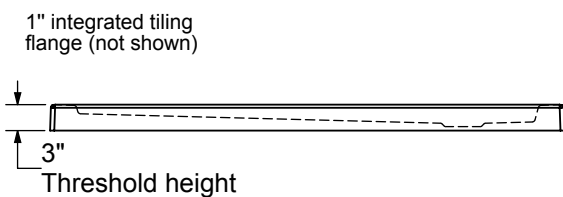
SKU	Color	Configuration	Dimensions & Weight	Packaging	MSRP
410005-501-001-001	White	Left / Alcove	59 7/8" x 31 7/8" x 3" / 55 lb / 25 kg	65.9463094075521 ft ³	\$ 1177
410005-501-001-002		Right / Alcove			\$ 1177
410005-502-001-001		Left / Corner Left			\$ 1177
410005-503-001-002		Right / Corner Right			\$ 1177
410005-504-001-000		Back End Drain / Alcove Deep			\$ 1177
410005-505-001-001		Left / Wall Mounted			\$ 1177
410005-505-001-002		Right / Wall Mounted			\$ 1177
410005-506-001-104		Back End Drain / Tunnel			\$ 1177
410005-541-001-001		Left / Alcove – Stabili-T			\$ 1177
410005-541-001-002		Right / Alcove – Stabili-T			\$ 1177
410005-542-001-001		Left / Corner Left - Stabili-T			\$ 1177
410005-543-001-002		Right / Corner Right – Stabili-T			\$ 1177

RECOMMENDED DOORS - VISIT OUR WEBSITE FOR A COMPLETE LIST OF RECOMMENDED DOORS

SKU	Product Name	Pag.
138997	Halo 56 ½-59 x 78 ¾ - 8mm	796
135322	Uptown 56-59 x 76 in. 8 mm	741
135324		802
135326	Uptown 57-59 x 76 in. 8 mm	777
135238	Connect Pro 57-58 ½ x 76 - 6mm	787



The hatched area represent the antislip surface



DRAIN INCLUDED ON B3 SQUARE ONLY

This technical drawing is universal for every 6032 configuration.

Integrated tiling flange : 1" height x 1/4" thick (not shown)
 Tiling flange position is determined by chosen configuration.

All dimensions are approximate. Structure measurements must be verified against the unit to ensure proper fit.

B3Round 6034



Material : Acrylic

Features

- › Model Size : 59 7/8 L in. X 33 7/8 W in. X 3 H in.
- › Acrylic rectangular shower base with round drain
- › Low 3 in. threshold base allowing an easy and safe access
- › Certain configurations available with Stabili-T anti-slip bottom meeting ADA, ANSI or CSA
- › Multiple configurations available to accomodate different types of installation
- › Compatible with most glue-up Shower walls and ceramic tiles
- › Integrated leak proof tiling flanges
- › 25-year warranty for peace of mind
- › High gloss finish resistant to dulling, scratching, and fading



CONFIGURABLE SHOWER BASES

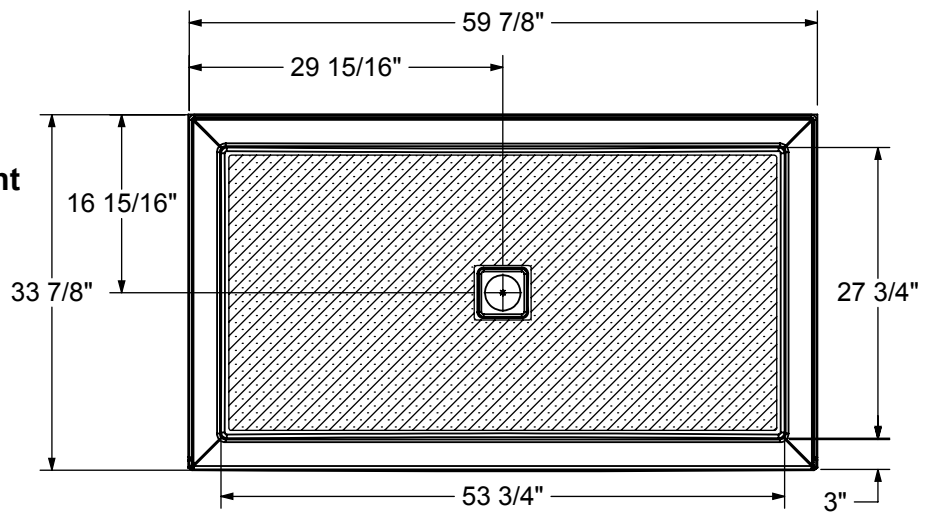
B3ROUND 6034 - 410035

SKU	Color	Configuration	Dimensions & Weight	Packaging	MSRP
410035-541-001-000	White	Center / Alcove – Stabili-T	59 7/8" x 33 7/8" x 3" / 57 lb / 26 kg	65.9463094075521 ft ³	\$ 1194
410035-541-001-001		Left / Alcove – Stabili-T			\$ 1194
410035-541-001-002		Right / Alcove – Stabili-T			\$ 1194
410035-542-001-000		Center / Corner Left - Stabili-T			\$ 1194
410035-542-001-001		Left / Corner Left - Stabili-T			\$ 1194
410035-543-001-000		Center / Corner Right – Stabili-T			\$ 1194
410035-543-001-002		Right / Corner Right – Stabili-T			\$ 1194

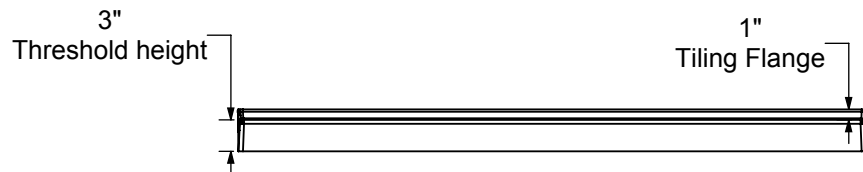
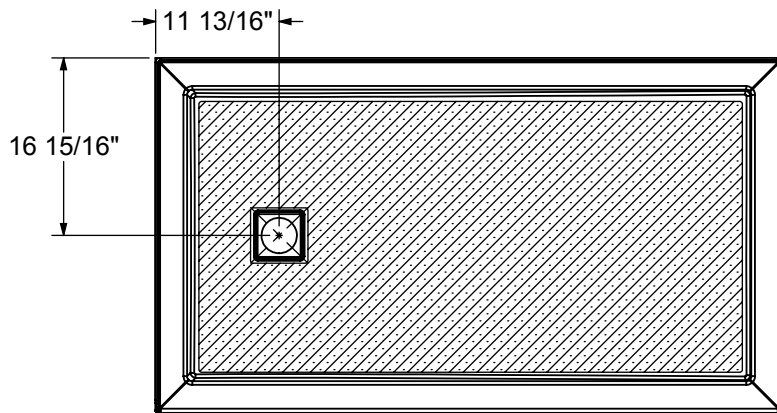
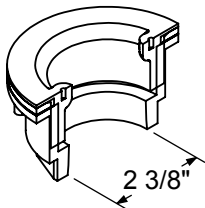
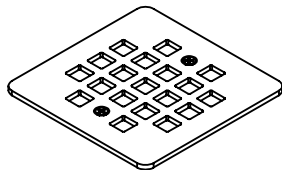
RECOMMENDED DOORS - VISIT OUR WEBSITE FOR A COMPLETE LIST OF RECOMMENDED DOORS

SKU	Product Name	Pag.
138997	Halo 56 ½-59 x 78 ¾ - 8mm	796
139580	Reveal Sleek 71 56-59 x 71 ½ - 8mm	775
136672	Reveal 71 56-59 x 71 ½ - 8mm	771

The hatched area represent the antislip surface



DRAIN INCLUDED ON B3 SQUARE ONLY



This technical drawing is universal for every 6034 configuration.

Integrated tiling flange : 1" height x 1/4" thick
 Tiling flange position is determined by chosen configuration.

All dimensions are approximate. Structure measurements must be verified against the unit to ensure proper fit.



B3Round 6036



Material : Acrylic

Features

- › Model Size : 59 7/8 L in. X 35 7/8 W in. X 3 H in.
- › Acrylic rectangular shower base with round drain
- › Low 3 in. threshold base allowing an easy and safe access
- › Certain configurations available with Stabili-T anti-slip bottom meeting ADA, ANSI or CSA
- › Multiple configurations available to accomodate different types of installation
- › Compatible with Utile, most glue-up shower walls and ceramic tiles
- › Integrated leak proof tiling flanges
- › 25-year warranty for peace of mind
- › High gloss finish resistant to dulling, scratching, and fading

CONFIGURABLE SHOWER BASES

B3ROUND 6036 - 410006					
SKU	Color	Configuration	Dimensions & Weight	Packaging	MSRP
410006-501-001-000	White	Center / Alcove	59 7/8" x 35 7/8" x 3" / 62 lb / 28 kg	65.9463094075521 ft ³	\$ 1214
410006-501-001-001		Left / Alcove			\$ 1214
410006-501-001-002		Right / Alcove			\$ 1214
410006-502-001-000		Center / Corner Left			\$ 1214
410006-502-001-001		Left / Corner Left			\$ 1214
410006-503-001-000		Center / Corner Right			\$ 1214
410006-503-001-002		Right / Corner Right			\$ 1214
410006-504-001-000		Back End Drain / Alcove Deep			\$ 1214
410006-504-001-102		Center / Alcove Deep			\$ 1214
410006-505-001-000		Center / Wall Mounted			\$ 1214
410006-505-001-001		Left / Wall Mounted			\$ 1214
410006-505-001-002		Right / Wall Mounted			\$ 1214
410006-506-001-000		Center / Tunnel			\$ 1214
410006-506-001-100		Back End Drain / Tunnel			\$ 1214
410006-541-001-000		Center / Alcove – Stabili-T			\$ 1214
410006-541-001-001		Left / Alcove – Stabili-T			\$ 1214
410006-541-001-002		Right / Alcove – Stabili-T			\$ 1214
410006-542-001-000		Center / Corner Left - Stabili-T			\$ 1214
410006-542-001-001		Left / Corner Left - Stabili-T			\$ 1214
410006-543-001-000		Center / Corner Right – Stabili-T			\$ 1214

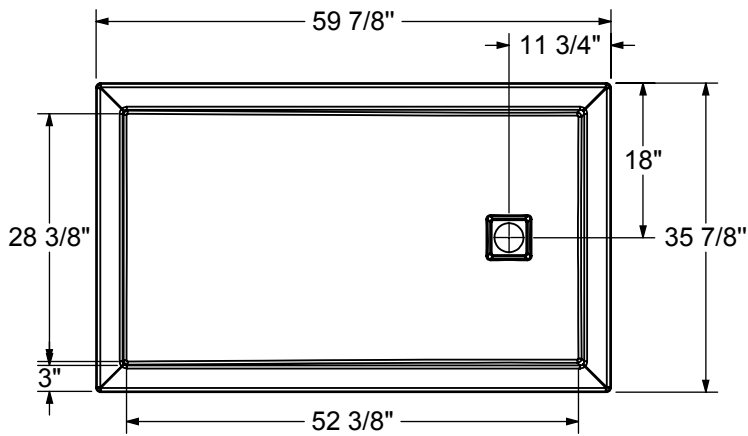
B3ROUND 6036 - 410006

SKU	Color	Configuration	Dimensions & Weight	Packaging	MSRP
410006-543-001-002	White	Right / Corner Right – Stabili-T	59 7/8" x 35 7/8" x 3" / 62 lb / 28 kg	65.9463094075521 ft ³	\$ 1214

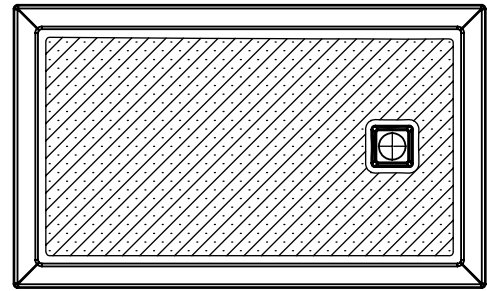
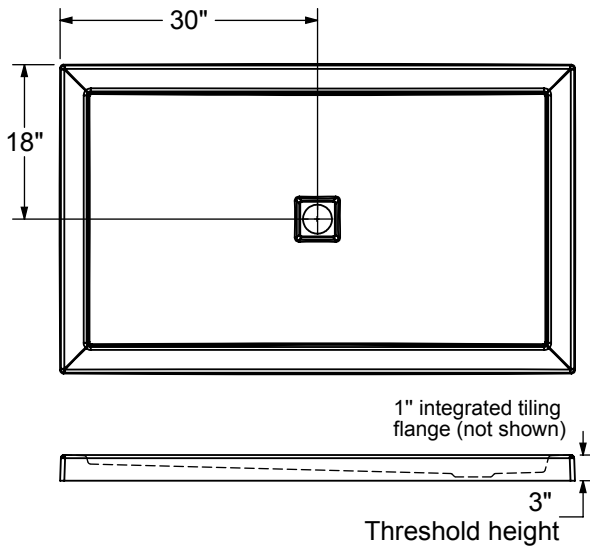
RECOMMENDED DOORS - VISIT OUR WEBSITE FOR A COMPLETE LIST OF RECOMMENDED DOORS

SKU	Product Name	Pag.
138997	Halo 56 1/2-59 x 78 3/4 - 8mm	796
135322	Uptown 56-59 x 76 in. 8 mm	741
135324		802
135326	Uptown 57-59 x 76 in. 8 mm	777
135238	Connect Pro 57-58 1/2 x 76 - 6mm	787
139580	Reveal Sleek 71 56-59 x 71 1/2 - 8mm	775
138541	Halo Pro GS 56 1/2-59 X 78 3/4 - 8mm	790
136955	Duel Alto 56-59 X 78 - 8 mm	695
135875	Nebula 56 1/2-58 1/2 x 78 3/4 - 8mm	779
139587	Capella 78 56-59 x 78 - 8mm	743
136672	Reveal 71 56-59 x 71 1/2 - 8mm	771

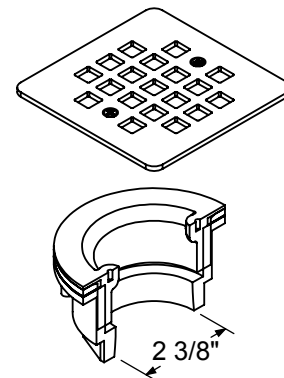
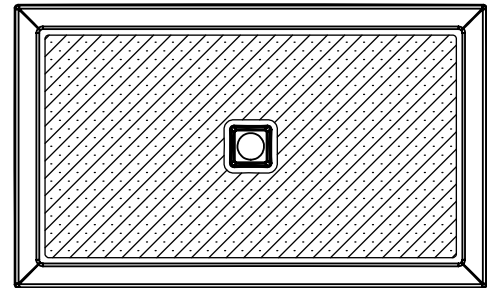
CONFIGURABLE SHOWER BASES



**DRAIN INCLUDED
ON B3 SQUARE ONLY**



The hatched area represent the anti-slip surface



This technical drawing is universal for every 6036 configuration.

Integrated tiling flange : 1" height x 1/4" thick (not shown)
Tiling flange position is determined by chosen configuration.

All dimensions are approximate. Structure measurements must be verified against the unit to ensure proper fit.



B3Round 6042

CONFIGURABLE SHOWER BASES



Material : Acrylic

Features

- › Model Size : 59 7/8 L in. X 41 7/8 W in. X 3 H in.
- › Acrylic rectangular shower base with round drain
- › Low 3 in. threshold base allowing an easy and safe access
- › Certain configurations available with Stabili-T anti-slip bottom meeting ADA, ANSI or CSA
- › Multiple configurations available to accommodate different types of installation
- › Compatible with most glue-up Shower walls and ceramic tiles
- › Integrated leak proof tiling flanges
- › 25-year warranty for peace of mind
- › High gloss finish resistant to dulling, scratching, and fading

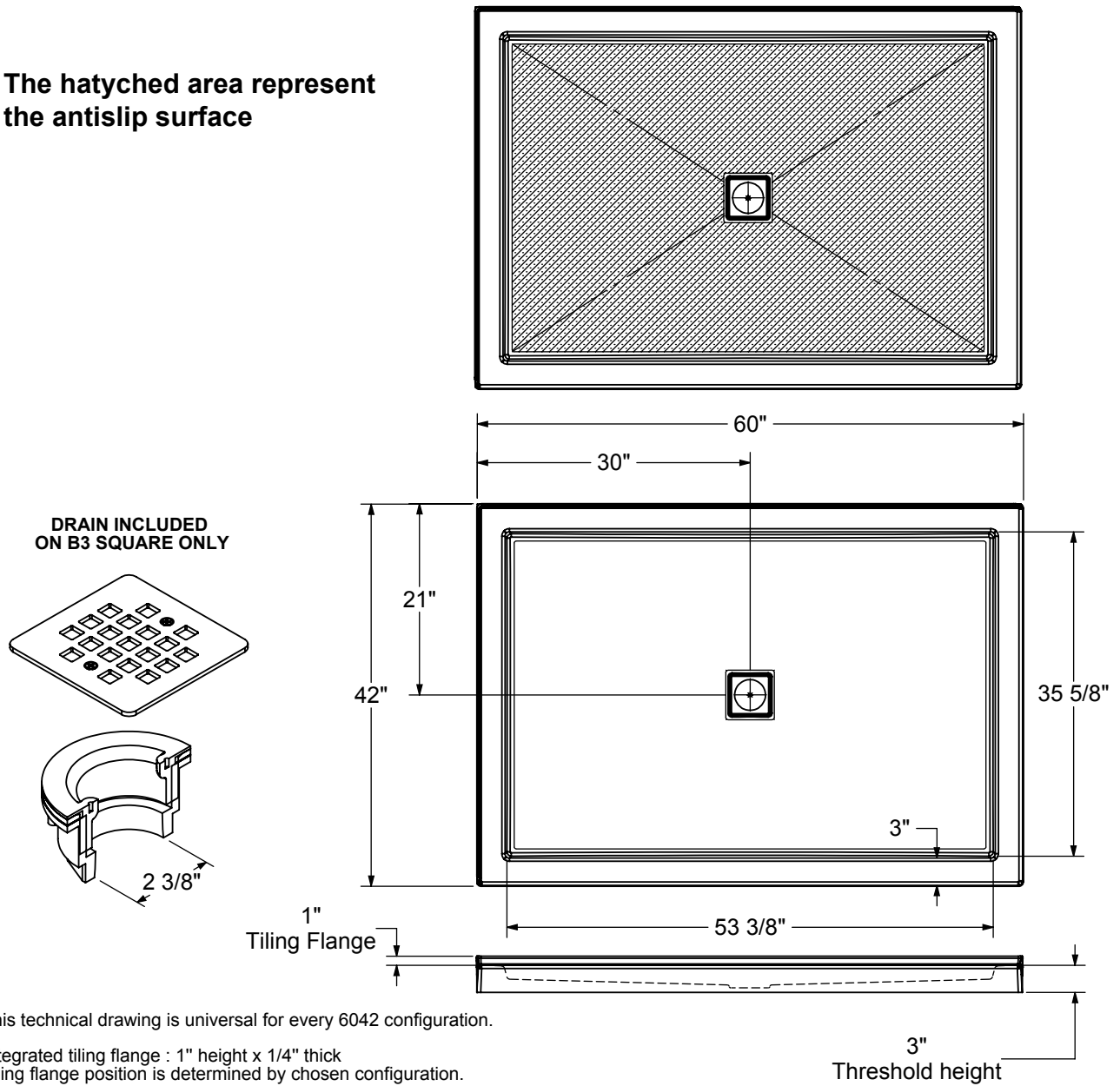
B3ROUND 6042 - 410036

SKU	Color	Configuration	Dimensions & Weight	Packaging	MSRP
410036-541-001-000	White	Center / Alcove – Stabili-T	59 7/8" x 41 7/8" x 3" / 59 lb / 27 kg	65.9463094075521 ft ³	\$ 1251
410036-542-001-000		Center / Corner Left - Stabili-T			\$ 1251
410036-543-001-000		Center / Corner Right – Stabili-T			\$ 1251

RECOMMENDED DOORS - VISIT OUR WEBSITE FOR A COMPLETE LIST OF RECOMMENDED DOORS

SKU	Product Name	Pag.
138277	Manhattan 57-59 x 68 - 6mm	763
138997	Halo 56 ½-59 x 78 ¾ - 8mm	796
139353	Incognito 70 56-59 x 70 ½ - 8mm	721
139350	Incognito 56-59 x 70 ½ in. 6mm	719
135332	Incognito 76 Shaker 56-59 x 76 - 8mm	725
135335	Incognito 76 56-59 x 76 - 8mm	727
136335	Incognito 76 Smoke 56-59 x 76 - 8mm	729
135694	Revelation Square 56-59 x 70 ½-73 - 8mm	739
136691	Revelation Round 56-59 x 70 ½-73 - 6mm	733
135691	Revelation Square 56-59 x 70 ½-73 - 6mm	737
136694	Revelation Round 56-59 x 70 ½-73 - 8mm	735
135322	Uptown 56-59 x 76 in. 8 mm	741
135324		802
135326		777

The hatched area represent the antislip surface



This technical drawing is universal for every 6042 configuration.

Integrated tiling flange : 1" height x 1/4" thick
 Tiling flange position is determined by chosen configuration.

All dimensions are approximate. Structure measurements must be verified against the unit to ensure proper fit.



B3Square 3636

CONFIGURABLE SHOWER BASES



Material : Acrylic

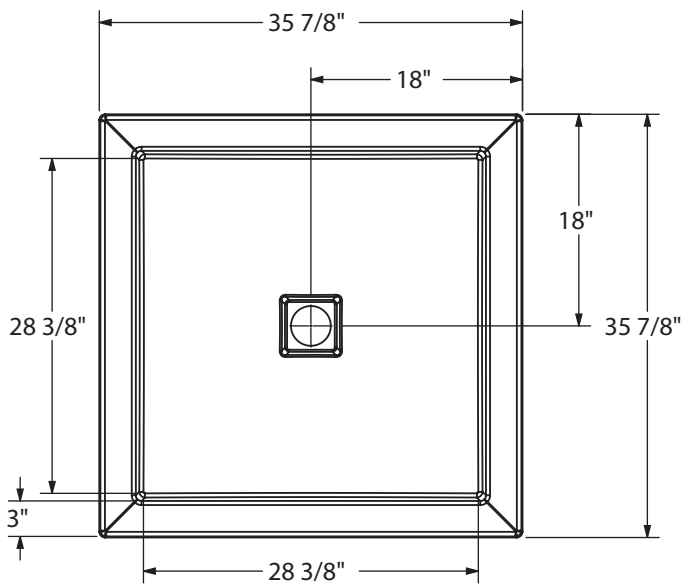
Features

- › Acrylic rectangular shower base with square drain
- › Low 3 in. threshold base allowing an easy and safe access
- › Certain configurations available with Stabili-T anti-slip bottom meeting ADA, ANSI or CSA
- › Multiple configurations available to accomodate different types of installation
- › Chrome grid and drain included (ABS or PVC available)
- › Compatible with Utile, most glue-up shower walls and ceramic tiles
- › Integrated leak proof tiling flanges
- › Easy to clean and stain-resistant acrylic finish
- › Inclus la quincaillerie de drain pour une installation facile

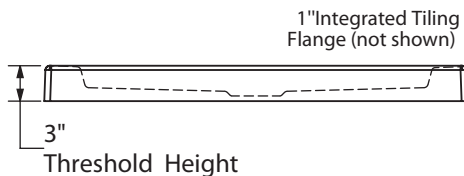
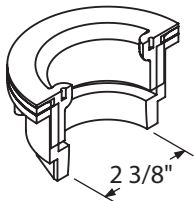
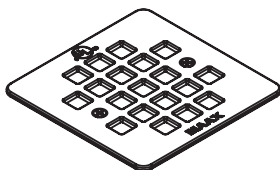
B3SQUARE 3636 - 420000					
SKU	Color	Configuration	Dimensions & Weight	Packaging	MSRP
420000-500-001-100	White	Center / Corner Left or Right	35 7/8" x 35 7/8" x 3" / 35 lb / 16 kg	48.9829734519676 ft ³	\$ 817
420000-501-001-100		Center / Alcove			\$ 817
420000-505-001-100		Center / Wall Mounted			\$ 817
420000-540-001-100		Center / Corner Left or Right - Stabili-T			\$ 817
420000-541-001-100		Center / Alcove - Stabili-T			\$ 817

COMMON OPTIONS		
SKU	Description	MSRP
OPT20253-340	ABS Square drain Available colors: Chrome (084), Brushed Nickel (305), Dark Bronze (173), Matte Black (340) and Brushed gold (343)	\$ 87
OPT20253-305		\$ 52
OPT20253-343		\$ 87
OPT20253-084		\$ 0
OPT20253-173		\$ 87
OPT20254-173	PVC Square drain Available colors: Chrome (084), Brushed Nickel (305), Dark Bronze (173), Matte Black (340) and Brushed Gold (343)	\$ 87
OPT20254-305		\$ 52
OPT20254-340		\$ 87
OPT20254-343		\$ 87
OPT20254-084		\$ 0
OPT20208-084	PVC drain to respect National Building Code of Canada (CAN/ULC-S102.2 flame and smoke protection) for high rise construction (included in product packaging) Available color: Chrome (084)	\$ 88

ACCESSORIES		
SKU	Description	MSRP
10029133-084	PVC drain to respect National Building Code of Canada (CAN/ULC-S102.2 flame and smoke protection) for high rise construction (sold separately - grid not included) Available color: Chrome (084)	\$ 88
10038458-305-600	Square drain grid Available colors: White (001)Chrome (084), Dark Bronze (173), Brushed Nickel (305), Matte Black (340) and Brushed Gold (343)	\$ 52
10038458-084-600		\$ 52
10038458-173-600		\$ 87
10038458-340-600		\$ 87
10038458-001-600		\$ 87
10038458-343-600		\$ 87



DRAIN INCLUDED ON B3 SQUARE ONLY



This technical drawing is universal for every 3636 configuration.

Integrated tiling flange : 1" height x 1/4" thick (not shown)
Tiling flange position is determined by chosen configuration.

All dimensions are approximate. Structure measurements must be verified against the unit to ensure proper fit.



B3Square 4236



Material : Acrylic

Features

- › Acrylic rectangular shower base with square drain
- › Low 3 in. threshold base allowing an easy and safe access
- › Certain configurations available with Stabili-T anti-slip bottom meeting ADA, ANSI or CSA
- › Multiple configurations available to accomodate different types of installation
- › Chrome grid and drain included (ABS or PVC available)
- › Compatible with most glue-up Shower walls and ceramic tiles
- › Integrated leak proof tiling flanges
- › Easy to clean and stain-resistant acrylic finish
- › Inclus la quincaillerie de drain pour une installation facile

CONFIGURABLE SHOWER BASES

B3SQUARE 4236 - 420034

SKU	Color	Configuration	Dimensions & Weight	Packaging	MSRP
420034-501-001-100	White	Center / Alcove	41 7/8" x 35 7/8" x 3" / 45 lb / 20 kg	46.1976001880787 ft ³	\$ 1014
420034-502-001-100		Center / Corner Left			\$ 1014
420034-503-001-100		Center / Corner Right			\$ 1014
420034-541-001-100		Center / Alcove – Stabili-T			\$ 1014
420034-542-001-100		Center / Corner Left - Stabili-T			\$ 1014
420034-543-001-100		Center / Corner Right – Stabili-T			\$ 1014

COMMON OPTIONS

SKU	Description	MSRP
OPT20208-084	PVC drain to respect National Building Code of Canada (CAN/ULC-S102.2 flame and smoke protection) for high rise construction (included in product packaging) Available color: Chrome (084)	\$ 88
OPT20253-340	ABS Square drain Available colors: Chrome (084), Brushed Nickel (305), Dark Bronze (173), Matte Black (340) and Brushed gold (343)	\$ 87
OPT20253-305		\$ 52
OPT20253-343		\$ 87
OPT20253-084		\$ 0
OPT20253-173		\$ 87
OPT20254-173		\$ 87
OPT20254-305	PVC Square drain Available colors: Chrome (084), Brushed Nickel (305), Dark Bronze (173), Matte Black (340) and Brushed Gold (343)	\$ 52
OPT20254-340		\$ 87

COMMON OPTIONS

SKU	Description	MSRP
OPT20254-343	PVC Square drain	\$ 87
OPT20254-084	Available colors: Chrome (084), Brushed Nickel (305), Dark Bronze (173), Matte Black (340) and Brushed Gold (343)	\$ 0

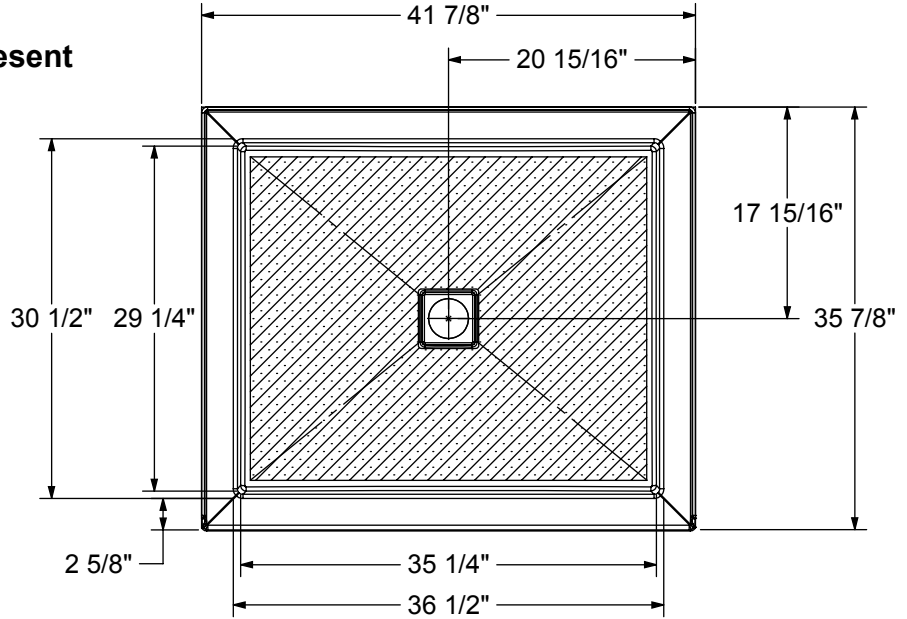
ACCESSORIES

SKU	Description	MSRP
10029133-084	PVC drain to respect National Building Code of Canada (CAN/ULC-S102.2 flame and smoke protection) for high rise construction (sold separately - grid not included) Available color: Chrome (084)	\$ 88
10038458-305-600	Square drain grid Available colors: White (001)Chrome (084), Dark Bronze (173), Brushed Nickel (305), Matte Black (340) and Brushed Gold (343)	\$ 52
10038458-084-600		\$ 52
10038458-173-600		\$ 87
10038458-340-600		\$ 87
10038458-001-600		\$ 87
10038458-343-600		\$ 87

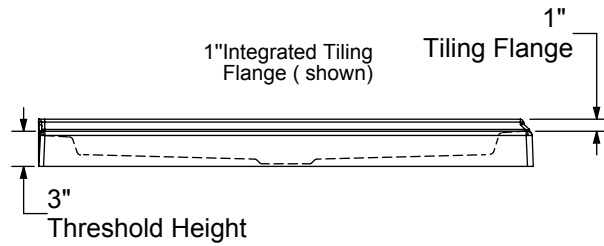
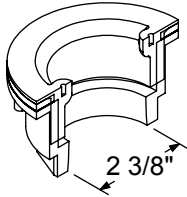
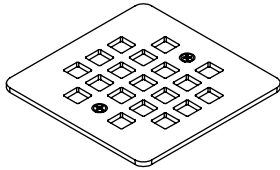
RECOMMENDED DOORS - VISIT OUR WEBSITE FOR A COMPLETE LIST OF RECOMMENDED DOORS

SKU	Product Name	Pag.
139576	Reveal Sleek 71 38-41 x 71 ½ - 8mm	774
136679	Reveal 71 38-41 x 71 ½ - 8 mm	772

The hatched area represent the antislip surface



DRAIN INCLUDED ON B3 SQUARE ONLY



This technical drawing is universal for every 4236 configuration.

Integrated tiling flange : 1" height x 1/4" thick
 Tiling flange position is determined by chosen configuration.

All dimensions are approximate. Structure measurements must be verified against the unit to ensure proper fit.



B3Square 4832

CONFIGURABLE SHOWER BASES



Material : Acrylic

Features

- › Acrylic rectangular shower base with square drain
- › Low 3 in. threshold base allowing an easy and safe access
- › Certain configurations available with Stabili-T anti-slip bottom meeting ADA, ANSI or CSA
- › Multiple configurations available to accomodate different types of installation
- › Chrome grid and drain included (ABS or PVC available)
- › Compatible with Utile, most glue-up shower walls and ceramic tiles
- › Integrated leak proof tiling flanges
- › Easy to clean and stain-resistant acrylic finish
- › Inclus la quincaillerie de drain pour une installation facile

B3SQUARE 4832 - 420001

SKU	Color	Configuration	Dimensions & Weight	Packaging	MSRP
420001-501-001-100	White	Center / Alcove	47 7/8" x 31 7/8" x 3" / 41 lb / 19 kg	65.3675220630787 ft ³	\$ 1014
420001-502-001-100		Center / Corner Left			\$ 1014
420001-503-001-100		Center / Corner Right			\$ 1014
420001-504-001-100		Center / Alcove Deep			\$ 1014
420001-505-001-100		Center / Wall Mounted			\$ 1014
420001-506-001-100		Center / Tunnel			\$ 1014
420001-541-001-102		Center / Alcove – Stabili-T			\$ 1014
420001-542-001-100		Center / Corner Left - Stabili-T			\$ 1014
420001-543-001-100		Center / Corner Right – Stabili-T			\$ 1014

COMMON OPTIONS

SKU	Description	MSRP
OPT20253-340	ABS Square drain Available colors: Chrome (084), Brushed Nickel (305), Dark Bronze (173), Matte Black (340) and Brushed gold (343)	\$ 87
OPT20253-305		\$ 52
OPT20253-343		\$ 87
OPT20253-084		\$ 0
OPT20253-173		\$ 87
OPT20254-173		PVC Square drain
OPT20254-305	Available colors: Chrome (084), Brushed Nickel (305), Dark Bronze (173), Matte Black (340) and Brushed Gold (343)	\$ 52

COMMON OPTIONS

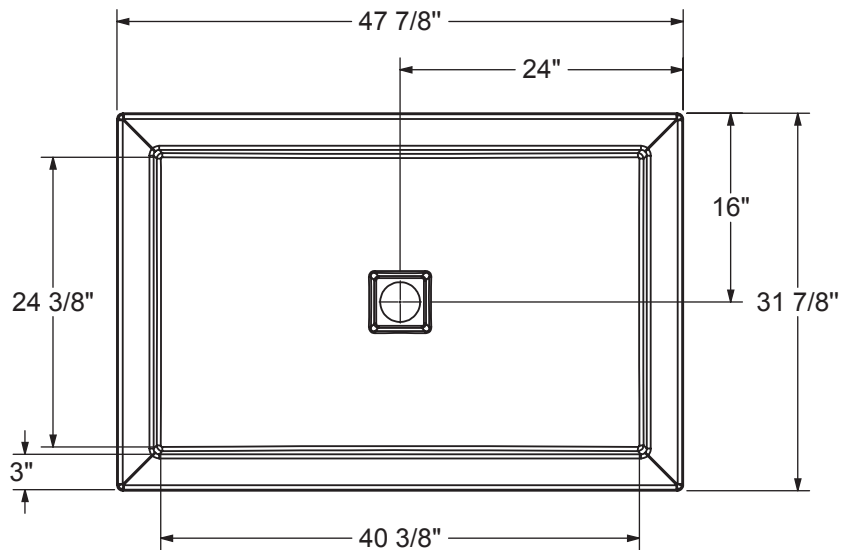
SKU	Description	MSRP
OPT20254-340	PVC Square drain Available colors: Chrome (084), Brushed Nickel (305), Dark Bronze (173), Matte Black (340) and Brushed Gold (343)	\$ 87
OPT20254-343		\$ 87
OPT20254-084		\$ 0
OPT20208-084	PVC drain to respect National Building Code of Canada (CAN/ULC-S102.2 flame and smoke protection) for high rise construction (included in product packaging) Available color: Chrome (084)	\$ 88

ACCESSORIES

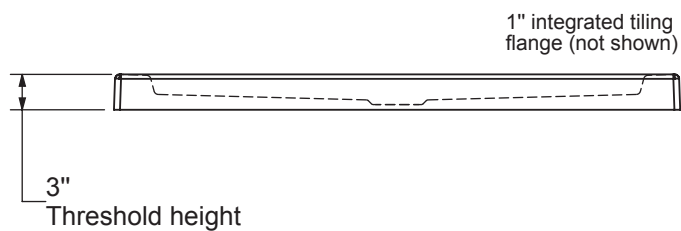
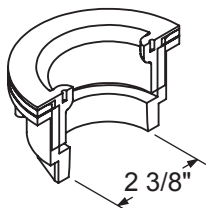
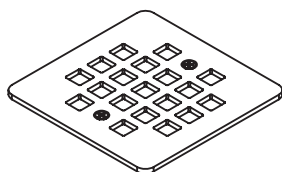
SKU	Description	MSRP
10029133-084	PVC drain to respect National Building Code of Canada (CAN/ULC-S102.2 flame and smoke protection) for high rise construction (sold separately - grid not included) Available color: Chrome (084)	\$ 88
10038458-305-600	Square drain grid Available colors: White (001)Chrome (084), Dark Bronze (173), Brushed Nickel (305), Matte Black (340) and Brushed Gold (343)	\$ 52
10038458-084-600		\$ 52
10038458-173-600		\$ 87
10038458-340-600		\$ 87
10038458-001-600		\$ 87
10038458-343-600		\$ 87

RECOMMENDED DOORS - VISIT OUR WEBSITE FOR A COMPLETE LIST OF RECOMMENDED DOORS

SKU	Product Name	Pag.
135321	Uptown 44-47 x 76 in. 8 mm	741
138950	Halo Pro 44 ½-47 x 78 ¾ - 8mm	792
135334	Incognito 76 44-47 x 76 - 8mm	727
139352	Incognito 70 44-47 x 70 ½ - 8mm	721
139349	Incognito 44-47 x 70 ½ in. 6mm	719
138460	Vela 44 ½-47 x 78 ¾ - 8mm	781
136693	Revelation Round 44-47 x 70 ½-73 - 8mm	735
135690	Revelation Square 44-47 x 70 ½-73 - 6mm	737
134563	Kameleon 43-47 x 71 - 6mm	710
135323	Uptown 44-47 x 76 in. 8 mm	802
135325	Uptown 45-47 x 76 in. 8 mm	777
134663	Kameleon SC 43-47 x 71 - 6mm	704
139578	Reveal Sleek 71 44-47 x 71 ½ - 8mm	775
134571	Kameleon 43-47 x 71 - 8mm	715
135870	Nebula 44 ½-46 ½ x 78 ¾ - 8mm	779
138954	Halo Pro TB 44 ½-47 x 78 ¾ - 8mm	794
135331	Incognito 76 Shaker 44-47 x 76 - 8mm	725
137421	Odyssey SC 45-47 1/2 x 78 - 8 mm	800
136956	Duel Alto 44-47 X 78 - 8 mm	695



DRAIN INCLUDED
ON B3 SQUARE ONLY



This technical drawing is universal for every 4832 configuration.

Integrated tiling flange : 1" height x 1/4" thick (not shown)
Tiling flange position is determined by chosen configuration.

All dimensions are approximate. Structure measurements must be verified against the unit to ensure proper fit.



B3Square 4834



Material : Acrylic

Features

- › Acrylic rectangular shower base with square drain
- › Low 3 in. threshold base allowing an easy and safe access
- › Certain configurations available with Stabili-T anti-slip bottom meeting ADA, ANSI or CSA
- › Multiple configurations available to accomodate different types of installation
- › Chrome grid and drain included (ABS or PVC available)
- › Compatible with most glue-up Shower walls and ceramic tiles
- › Integrated leak proof tiling flanges
- › Easy to clean and stain-resistant acrylic finish
- › Inclus la quincaillerie de drain pour une installation facile

CONFIGURABLE SHOWER BASES

B3SQUARE 4834 - 420002

SKU	Color	Configuration	Dimensions & Weight	Packaging	MSRP
420002-501-001-100	White	Center / Alcove	47 7/8" x 33 7/8" x 3" / 44 lb / 20 kg	65.3675220630787 ft ³	\$ 1034
420002-502-001-100		Center / Corner Left			\$ 1034
420002-503-001-100		Center / Corner Right			\$ 1034
420002-504-001-100		Center / Alcove Deep			\$ 1034
420002-505-001-100		Center / Wall Mounted			\$ 1034
420002-506-001-100		Center / Tunnel			\$ 1034
420002-541-001-100		Center / Alcove – Stabili-T			\$ 1034
420002-542-001-100		Center / Corner Left - Stabili-T			\$ 1034
420002-543-001-100		Center / Corner Right – Stabili-T			\$ 1034

COMMON OPTIONS

SKU	Description	MSRP
OPT20253-340	ABS Square drain Available colors: Chrome (084), Brushed Nickel (305), Dark Bronze (173), Matte Black (340) and Brushed gold (343)	\$ 87
OPT20253-305		\$ 52
OPT20253-343		\$ 87
OPT20253-084		\$ 0
OPT20253-173		\$ 87
OPT20208-084	PVC drain to respect National Building Code of Canada (CAN/ULC-S102.2 flame and smoke protection) for high rise construction (included in product packaging) Available color: Chrome (084)	\$ 88

COMMON OPTIONS

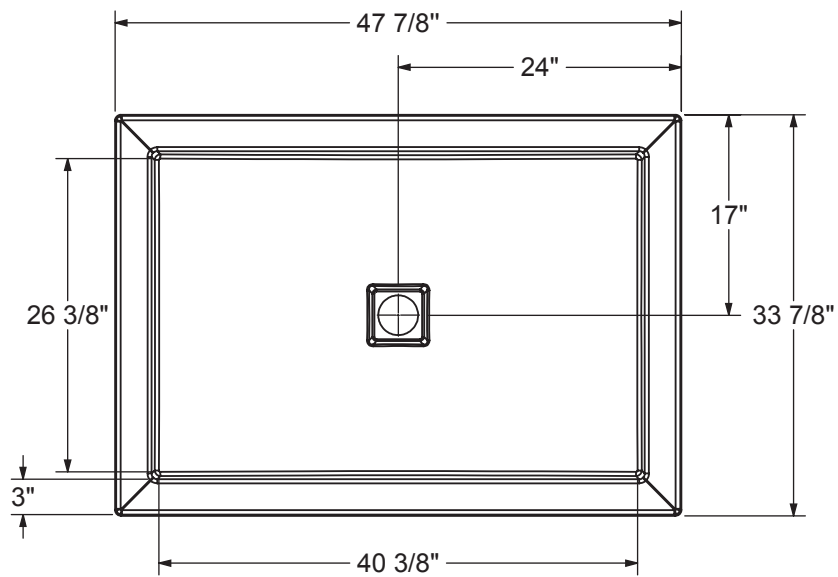
SKU	Description	MSRP
OPT20254-173	PVC Square drain Available colors: Chrome (084), Brushed Nickel (305), Dark Bronze (173), Matte Black (340) and Brushed Gold (343)	\$ 87
OPT20254-305		\$ 52
OPT20254-340		\$ 87
OPT20254-343		\$ 87
OPT20254-084		\$ 0

ACCESSORIES

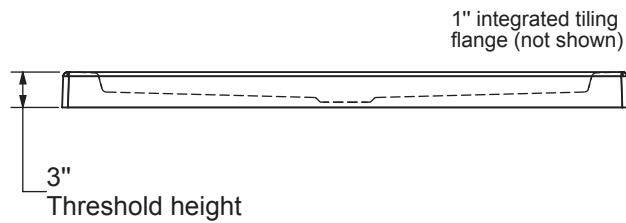
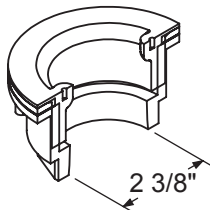
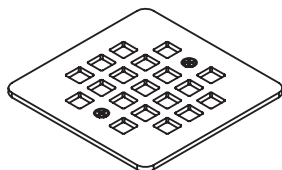
SKU	Description	MSRP
10038458-305-600	Square drain grid Available colors: White (001)Chrome (084), Dark Bronze (173), Brushed Nickel (305), Matte Black (340) and Brushed Gold (343)	\$ 52
10038458-084-600		\$ 52
10038458-173-600		\$ 87
10038458-340-600		\$ 87
10038458-001-600		\$ 87
10038458-343-600		\$ 87
10029133-084	PVC drain to respect National Building Code of Canada (CAN/ULC-S102.2 flame and smoke protection) for high rise construction (sold separately - grid not included) Available color: Chrome (084)	\$ 88

RECOMMENDED DOORS - VISIT OUR WEBSITE FOR A COMPLETE LIST OF RECOMMENDED DOORS

SKU	Product Name	Pag.
135321	Uptown 44-47 x 76 in. 8 mm	741
138950	Halo Pro 44 ½-47 x 78 ¾ - 8mm	792
135334	Incognito 76 44-47 x 76 - 8mm	727
139352	Incognito 70 44-47 x 70 ½ - 8mm	721
139349	Incognito 44-47 x 70 ½ in. 6mm	719
138460	Vela 44 ½-47 x 78 ¾ - 8mm	781
136693	Revelation Round 44-47 x 70 ½-73 - 8mm	735
135690	Revelation Square 44-47 x 70 ½-73 - 6mm	737
134563	Kameleon 43-47 x 71 - 6mm	710
135323	Uptown 44-47 x 76 in. 8 mm	802
135325	Uptown 45-47 x 76 in. 8 mm	777
134663	Kameleon SC 43-47 x 71 - 6mm	704
139578	Reveal Sleek 71 44-47 x 71 ½ - 8mm	775
134571	Kameleon 43-47 x 71 - 8mm	715
135870	Nebula 44 ½-46 ½ x 78 ¾ - 8mm	779
138954	Halo Pro TB 44 ½-47 x 78 ¾ - 8mm	794
135331	Incognito 76 Shaker 44-47 x 76 - 8mm	725
137421	Odyssey SC 45-47 1/2 x 78 - 8 mm	800
136956	Duel Alto 44-47 X 78 - 8 mm	695



DRAIN INCLUDED
ON B3 SQUARE ONLY



This technical drawing is universal for every 4834 configuration.

Integrated tiling flange : 1" height x 1/4" thick (not shown)
 Tiling flange position is determined by chosen configuration.

All dimensions are approximate. Structure measurements must be verified against the unit to ensure proper fit.



B3Square 4836

CONFIGURABLE SHOWER BASES



Material : Acrylic

Features

- › Acrylic rectangular shower base with square drain
- › Low 3 in. threshold base allowing an easy and safe access
- › Certain configurations available with Stabili-T anti-slip bottom meeting ADA, ANSI or CSA
- › Multiple configurations available to accomodate different types of installation
- › Chrome grid and drain included (ABS or PVC available)
- › Compatible with Utile, most glue-up shower walls and ceramic tiles
- › Integrated leak proof tiling flanges
- › Easy to clean and stain-resistant acrylic finish
- › Inclus la quincaillerie de drain pour une installation facile

B3SQUARE 4836 - 420003

SKU	Color	Configuration	Dimensions & Weight	Packaging	MSRP
420003-501-001-100	White	Center / Alcove	47 7/8" x 35 7/8" x 3" / 47 lb / 21 kg	65.3675220630787 ft ³	\$ 1054
420003-502-001-100		Center / Corner Left			\$ 1054
420003-503-001-100		Center / Corner Right			\$ 1054
420003-504-001-100		Center / Alcove Deep			\$ 1054
420003-505-001-100		Center / Wall Mounted			\$ 1054
420003-506-001-100		Center / Tunnel			\$ 1054
420003-541-001-100		Center / Alcove – Stabili-T			\$ 1054
420003-542-001-100		Center / Corner Left - Stabili-T			\$ 1054
420003-543-001-100		Center / Corner Right – Stabili-T			\$ 1054

COMMON OPTIONS

SKU	Description	MSRP
OPT20253-340	ABS Square drain Available colors: Chrome (084), Brushed Nickel (305), Dark Bronze (173), Matte Black (340) and Brushed gold (343)	\$ 87
OPT20253-305		\$ 52
OPT20253-343		\$ 87
OPT20253-084		\$ 0
OPT20253-173		\$ 87
OPT20208-084	PVC drain to respect National Building Code of Canada (CAN/ULC-S102.2 flame and smoke protection) for high rise construction (included in product packaging) Available color: Chrome (084)	\$ 88

COMMON OPTIONS

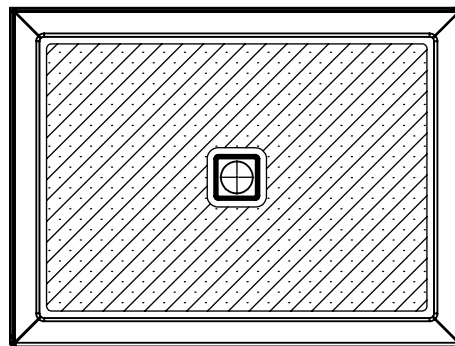
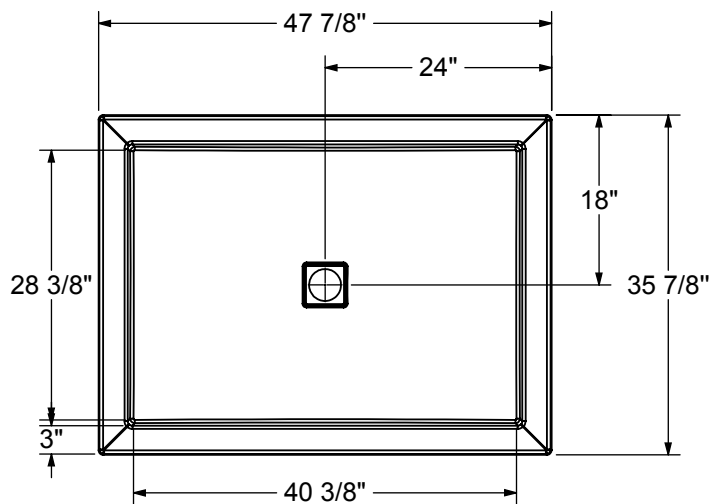
SKU	Description	MSRP
OPT20254-173	PVC Square drain Available colors: Chrome (084), Brushed Nickel (305), Dark Bronze (173), Matte Black (340) and Brushed Gold (343)	\$ 87
OPT20254-305		\$ 52
OPT20254-340		\$ 87
OPT20254-343		\$ 87
OPT20254-084		\$ 0

ACCESSORIES

SKU	Description	MSRP
10038458-305-600	Square drain grid Available colors: White (001)Chrome (084), Dark Bronze (173), Brushed Nickel (305), Matte Black (340) and Brushed Gold (343)	\$ 52
10038458-084-600		\$ 52
10038458-173-600		\$ 87
10038458-340-600		\$ 87
10038458-001-600		\$ 87
10038458-343-600		\$ 87
10029133-084	PVC drain to respect National Building Code of Canada (CAN/ULC-S102.2 flame and smoke protection) for high rise construction (sold separately - grid not included) Available color: Chrome (084)	\$ 88

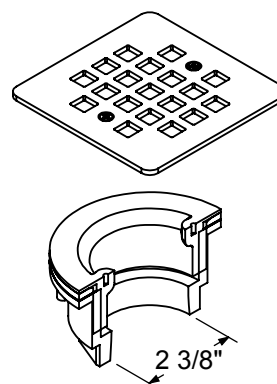
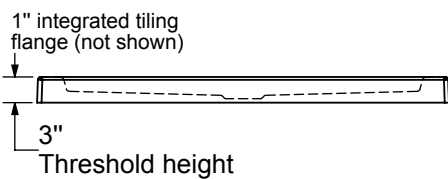
RECOMMENDED DOORS - VISIT OUR WEBSITE FOR A COMPLETE LIST OF RECOMMENDED DOORS

SKU	Product Name	Pag.
138996	Halo 44 ½-47 x 78 ¾ - 8mm	796
135321	Uptown 44-47 x 76 in. 8 mm	741
135323		802
135325	Uptown 45-47 x 76 in. 8 mm	777
135236	Connect Pro 45-46 ½ x 76 - 6mm	787
139578	Reveal Sleek 71 44-47 x 71 ½ - 8mm	775
138540	Halo Pro GS 44 1/2-47 X 78 3/4 - 8mm	790
136956	Duel Alto 44-47 X 78 - 8 mm	695
135870	Nebula 44 ½-46 ½ x 78 ¾ - 8mm	779
139586	Capella 78 44-47 x 78 - 8mm	743
136671	Reveal 71 44-47 x 71 ½ - 8mm	771



The hatched area represent the anti-slip surface

DRAIN INCLUDED ON B3 SQUARE ONLY



This technical drawing is universal for every 4836 configuration.

Integrated tiling flange : 1" height x 1/4" thick (not shown)
 Tiling flange position is determined by chosen configuration.

All dimensions are approximate. Structure measurements must be verified against the unit to ensure proper fit.



B3Square 4842



Material : Acrylic

Features

- › Acrylic rectangular shower base with square drain
- › Low 3 in. threshold base allowing an easy and safe access
- › Certain configurations available with Stabili-T anti-slip bottom meeting ADA, ANSI or CSA
- › Multiple configurations available to accommodate different types of installation
- › Chrome grid and drain included (ABS or PVC available)
- › Compatible with most glue-up Shower walls and ceramic tiles
- › Integrated leak proof tiling flanges
- › Easy to clean and stain-resistant acrylic finish
- › High gloss finish resistant to dulling, scratching, and fading

CONFIGURABLE SHOWER BASES

B3SQUARE 4842 - 420043

SKU	Color	Configuration	Dimensions & Weight	Packaging	MSRP
420043-541-001-100	White	Center / Alcove – Stabili-T	47 7/8" x 41 7/8" x 3" / 56 lb / 25 kg	4.64066116898148 ft³	\$ 1379
420043-542-001-100		Center / Corner Left - Stabili-T			\$ 1379
420043-543-001-100		Center / Corner Right – Stabili-T			\$ 1379
420043-544-001-100		Center / Alcove Deep - Stabili-T			\$ 1379

COMMON OPTIONS

SKU	Description	MSRP
OPT20253-340	ABS Square drain Available colors: Chrome (084), Brushed Nickel (305), Dark Bronze (173), Matte Black (340) and Brushed gold (343)	\$ 87
OPT20253-305		\$ 52
OPT20253-343		\$ 87
OPT20253-084		\$ 0
OPT20253-173		\$ 87
OPT20208-084	PVC drain to respect National Building Code of Canada (CAN/ULC-S102.2 flame and smoke protection) for high rise construction (included in product packaging) Available color: Chrome (084)	\$ 88
OPT20254-173	PVC Square drain Available colors: Chrome (084), Brushed Nickel (305), Dark Bronze (173), Matte Black (340) and Brushed Gold (343)	\$ 87
OPT20254-305		\$ 52
OPT20254-340		\$ 87
OPT20254-343		\$ 87
OPT20254-084		\$ 0
OPT20254-173		\$ 87

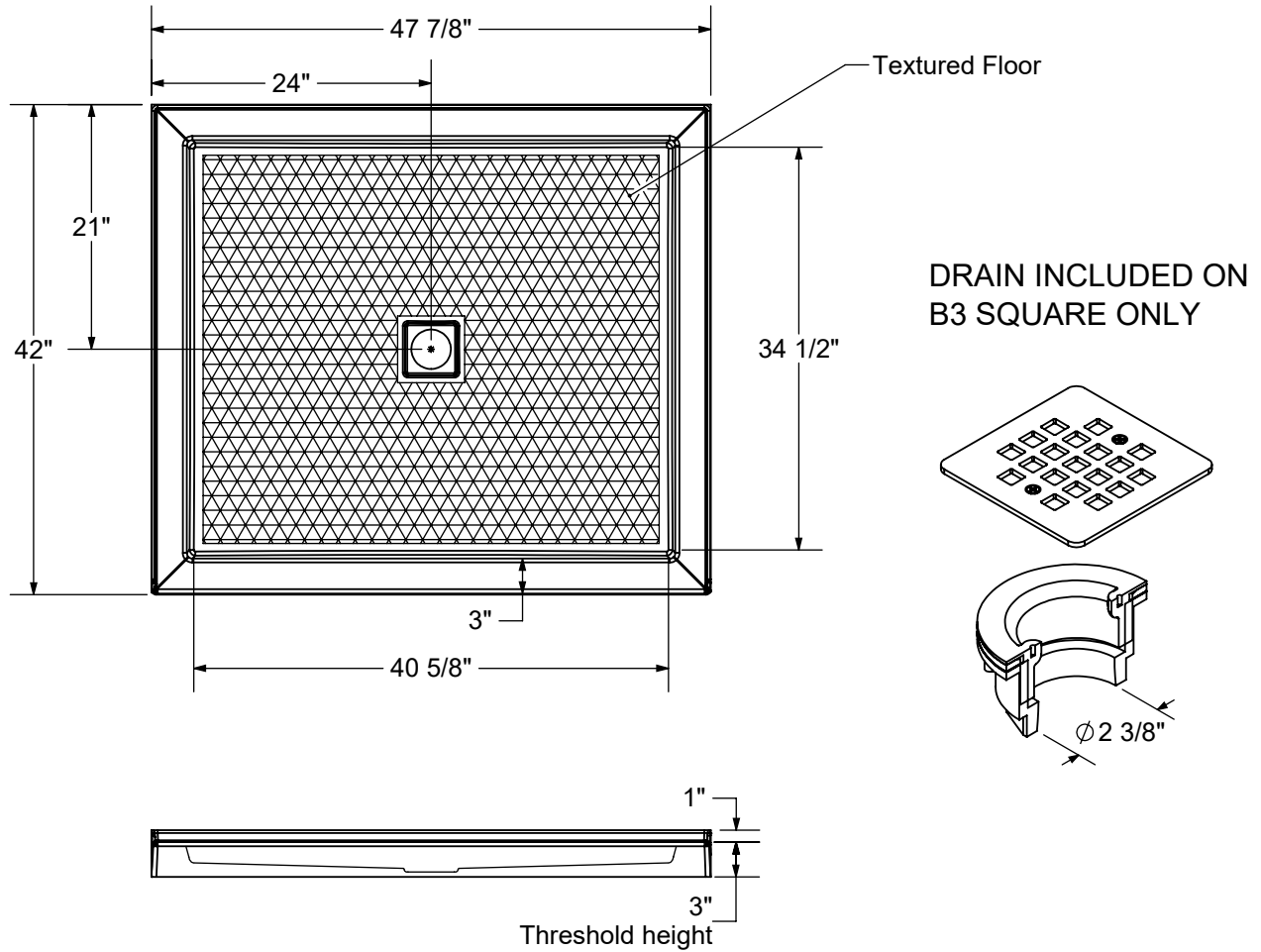
ACCESSORIES

SKU	Description	MSRP
10038458-305-600	Square drain grid Available colors: White (001)Chrome (084), Dark Bronze (173), Brushed Nickel (305), Matte Black (340) and Brushed Gold (343)	\$ 52
10038458-084-600		\$ 52
10038458-173-600		\$ 87
10038458-340-600		\$ 87
10038458-001-600		\$ 87
10038458-343-600		\$ 87
10029133-084		PVC drain to respect National Building Code of Canada (CAN/ULC-S102.2 flame and smoke protection) for high rise construction (sold separately - grid not included) Available color: Chrome (084)

RECOMMENDED DOORS - VISIT OUR WEBSITE FOR A COMPLETE LIST OF RECOMMENDED DOORS

SKU	Product Name	Pag.
138996	Halo 44 ½-47 x 78 ¾ - 8mm	796

BASE MODEL



CONFIGURABLE SHOWER BASES

- All dimensions are approximate
- Structure measurements must be verified against the unit to ensure proper fit
- Installation to be completed in accordance with manufacturers specifications
- Do not scale drawings



B3Square 6030

CONFIGURABLE SHOWER BASES



Material : Acrylic

Features

- › Acrylic rectangular shower base with square drain
- › Low 3 in. threshold base allowing an easy and safe access
- › Certain configurations available with Stabili-T anti-slip bottom meeting ADA, ANSI or CSA
- › Multiple configurations available to accomodate different types of installation
- › Chrome grid and drain included (ABS or PVC available)
- › Compatible with most glue-up Shower walls and ceramic tiles
- › Integrated leak proof tiling flanges
- › Easy to clean and stain-resistant acrylic finish
- › Inclus la quincaillerie de drain pour une installation facile

B3SQUARE 6030 - 420004

SKU	Color	Configuration	Dimensions & Weight	Packaging	MSRP
420004-501-001-100	White	Left / Alcove	59 7/8" x 29 7/8" x 3" / 52 lb / 24 kg	81.7520706741898 ft³	\$ 1249
420004-501-001-101		Right / Alcove			\$ 1249
420004-502-001-100		Left / Corner Left			\$ 1249
420004-503-001-100		Right / Corner Right			\$ 1249
420004-504-001-100		Back End Drain / Alcove Deep			\$ 1249
420004-505-001-100		Left / Wall Mounted			\$ 1249
420004-505-001-101		Right / Wall Mounted			\$ 1249
420004-541-001-104		Left / Alcove – Stabili-T			\$ 1249
420004-541-001-105		Right / Alcove – Stabili-T			\$ 1249
420004-542-001-100		Left / Corner Left - Stabili-T			\$ 1249
420004-543-001-100		Right / Corner Right – Stabili-T			\$ 1249

COMMON OPTIONS

SKU	Description	MSRP
OPT20253-340	ABS Square drain Available colors: Chrome (084), Brushed Nickel (305), Dark Bronze (173), Matte Black (340) and Brushed gold (343)	\$ 87
OPT20253-305		\$ 52
OPT20253-343		\$ 87
OPT20253-084		\$ 0
OPT20253-173		\$ 87
OPT20253-343		\$ 87

COMMON OPTIONS

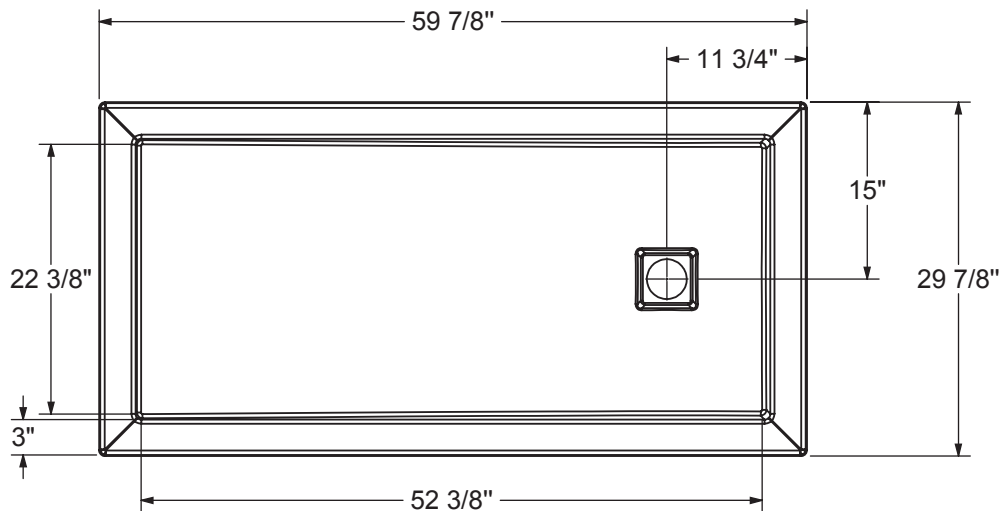
SKU	Description	MSRP
OPT20254-173	PVC Square drain Available colors: Chrome (084), Brushed Nickel (305), Dark Bronze (173), Matte Black (340) and Brushed Gold (343)	\$ 87
OPT20254-305		\$ 52
OPT20254-340		\$ 87
OPT20254-343		\$ 87
OPT20254-084		\$ 0
OPT20208-084	PVC drain to respect National Building Code of Canada (CAN/ULC-S102.2 flame and smoke protection) for high rise construction (included in product packaging) Available color: Chrome (084)	\$ 88

ACCESSORIES

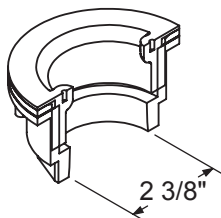
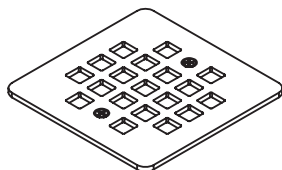
SKU	Description	MSRP
10038458-305-600	Square drain grid Available colors: White (001)Chrome (084), Dark Bronze (173), Brushed Nickel (305), Matte Black (340) and Brushed Gold (343)	\$ 52
10038458-084-600		\$ 52
10038458-173-600		\$ 87
10038458-340-600		\$ 87
10038458-001-600		\$ 87
10038458-343-600		\$ 87
10029133-084	PVC drain to respect National Building Code of Canada (CAN/ULC-S102.2 flame and smoke protection) for high rise construction (sold separately - grid not included) Available color: Chrome (084)	\$ 88

RECOMMENDED DOORS - VISIT OUR WEBSITE FOR A COMPLETE LIST OF RECOMMENDED DOORS

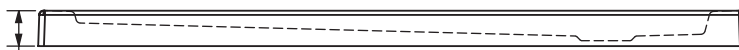
SKU	Product Name	Pag.
138997	Halo 56 1/2-59 x 78 3/4 - 8mm	796



DRAIN INCLUDED FOR B3 SQUARE ONLY



1" integrated tiling flange (not shown)



3" Threshold height

This technical drawing is universal for every 6030 configuration.

Integrated tiling flange : 1" height x 1/4" thick (not shown)
 Tiling flange position is determined by chosen configuration.

All dimensions are approximate. Structure measurements must be verified against the unit to ensure proper fit.



B3Square 6032



Material : Acrylic

Features

- › Acrylic rectangular shower base with square drain
- › Low 3 in. threshold base allowing an easy and safe access
- › Certain configurations available with Stabili-T anti-slip bottom meeting ADA, ANSI or CSA
- › Multiple configurations available to accomodate different types of installation
- › Chrome grid and drain included (ABS or PVC available)
- › Compatible with Utile, most glue-up shower walls and ceramic tiles
- › Integrated leak proof tiling flanges
- › Easy to clean and stain-resistant acrylic finish
- › Inclus la quincaillerie de drain pour une installation facile

CONFIGURABLE SHOWER BASES

B3SQUARE 6032 - 420005

SKU	Color	Configuration	Dimensions & Weight	Packaging	MSRP
420005-501-001-100	White	Left / Alcove	59 7/8" x 31 7/8" x 3" / 55 lb / 25 kg	81.7520706741898 ft ³	\$ 1249
420005-501-001-101		Right / Alcove			\$ 1249
420005-502-001-100		Left / Corner Left			\$ 1249
420005-503-001-100		Right / Corner Right			\$ 1249
420005-504-001-100		Back End Drain / Alcove Deep			\$ 1249
420005-505-001-100		Left / Wall Mounted			\$ 1249
420005-505-001-101		Right / Wall Mounted			\$ 1249
420005-506-001-104		Back End Drain / Tunnel			\$ 1249
420005-541-001-100		Left / Alcove – Stabili-T			\$ 1249
420005-541-001-101		Right / Alcove – Stabili-T			\$ 1249
420005-542-001-100		Left / Corner Left - Stabili-T			\$ 1249
420005-543-001-100		Right / Corner Right – Stabili-T			\$ 1249

COMMON OPTIONS

SKU	Description	MSRP
OPT20253-340	ABS Square drain Available colors: Chrome (084), Brushed Nickel (305), Dark Bronze (173), Matte Black (340) and Brushed gold (343)	\$ 87
OPT20253-305		\$ 52
OPT20253-343		\$ 87
OPT20253-084		\$ 0

COMMON OPTIONS

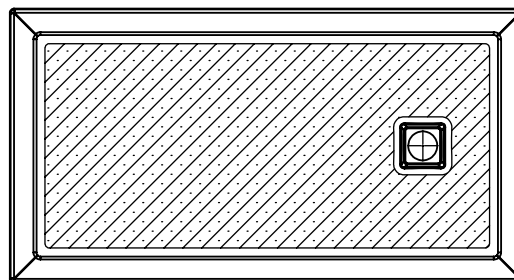
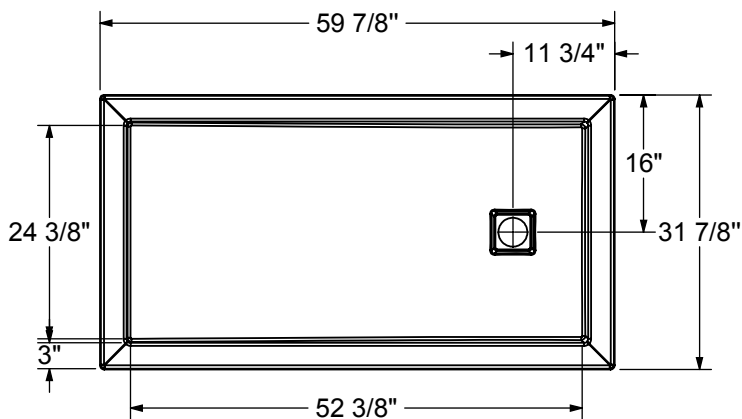
SKU	Description	MSRP
OPT20253-173	ABS Square drain Available colors: Chrome (084), Brushed Nickel (305), Dark Bronze (173), Matte Black (340) and Brushed gold (343)	\$ 87
OPT20254-173	PVC Square drain Available colors: Chrome (084), Brushed Nickel (305), Dark Bronze (173), Matte Black (340) and Brushed Gold (343)	\$ 87
OPT20254-305		\$ 52
OPT20254-340		\$ 87
OPT20254-343		\$ 87
OPT20254-084		\$ 0
OPT20208-084	PVC drain to respect National Building Code of Canada (CAN/ULC-S102.2 flame and smoke protection) for high rise construction (included in product packaging) Available color: Chrome (084)	\$ 88

ACCESSORIES

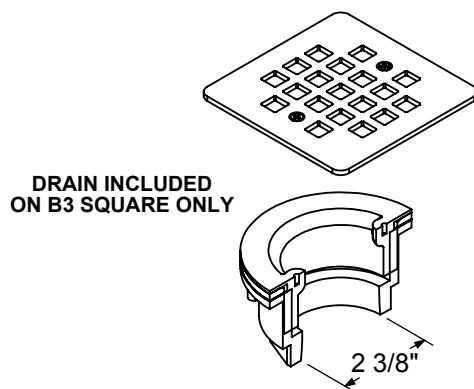
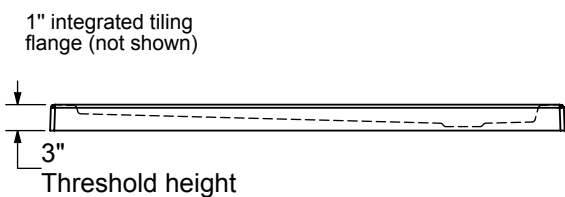
SKU	Description	MSRP
10038458-305-600	Square drain grid Available colors: White (001)Chrome (084), Dark Bronze (173), Brushed Nickel (305), Matte Black (340) and Brushed Gold (343)	\$ 52
10038458-084-600		\$ 52
10038458-173-600		\$ 87
10038458-340-600		\$ 87
10038458-001-600		\$ 87
10038458-343-600		\$ 87
10029133-084	PVC drain to respect National Building Code of Canada (CAN/ULC-S102.2 flame and smoke protection) for high rise construction (sold separately - grid not included) Available color: Chrome (084)	\$ 88

RECOMMENDED DOORS - VISIT OUR WEBSITE FOR A COMPLETE LIST OF RECOMMENDED DOORS

SKU	Product Name	Pag.
138277	Manhattan 57-59 x 68 - 6mm	763
138997	Halo 56 ½-59 x 78 ¾ - 8mm	796
139353	Incognito 70 56-59 x 70 ½ - 8mm	721
139350	Incognito 56-59 x 70 ½ in. 6mm	719
135332	Incognito 76 Shaker 56-59 x 76 - 8mm	725
135335	Incognito 76 56-59 x 76 - 8mm	727
136335	Incognito 76 Smoke 56-59 x 76 - 8mm	729
135694	Revelation Square 56-59 x 70 ½-73 - 8mm	739
136691	Revelation Round 56-59 x 70 ½-73 - 6mm	733
135691	Revelation Square 56-59 x 70 ½-73 - 6mm	737
136694	Revelation Round 56-59 x 70 ½-73 - 8mm	735
135322	Uptown 56-59 x 76 in. 8 mm	741
135324		802
135326	Uptown 57-59 x 76 in. 8 mm	777
135238	Connect Pro 57-58 ½ x 76 - 6mm	787
139580	Reveal Sleek 71 56-59 x 71 ½ - 8mm	775



The hatched area represent the antislip surface



DRAIN INCLUDED ON B3 SQUARE ONLY

This technical drawing is universal for every 6032 configuration.

Integrated tiling flange : 1" height x 1/4" thick (not shown)
 Tiling flange position is determined by chosen configuration.

All dimensions are approximate. Structure measurements must be verified against the unit to ensure proper fit.



B3Square 6034

CONFIGURABLE SHOWER BASES



Material : Acrylic

Features

- › Acrylic rectangular shower base with square drain
- › Low 3 in. threshold base allowing an easy and safe access
- › Certain configurations available with Stabili-T anti-slip bottom meeting ADA, ANSI or CSA
- › Multiple configurations available to accommodate different types of installation
- › Chrome grid and drain included (ABS or PVC available)
- › Compatible with most glue-up Shower walls and ceramic tiles
- › Integrated leak proof tiling flanges
- › Easy to clean and stain-resistant acrylic finish
- › Inclus la quincaillerie de drain pour une installation facile

B3SQUARE 6034 - 420035

SKU	Color	Configuration	Dimensions & Weight	Packaging	MSRP
420035-501-001-100	White	Left / Alcove	59 7/8" x 33 7/8" x 3" / 57 lb / 26 kg	81.7520706741898 ft ³	\$ 1267
420035-501-001-101		Right / Alcove			\$ 1267
420035-501-001-102		Center / Alcove			\$ 1267
420035-502-001-100		Left / Corner Left			\$ 1267
420035-502-001-101		Center / Corner Left			\$ 1267
420035-503-001-100		Right / Corner Right			\$ 1267
420035-503-001-101		Center / Corner Right			\$ 1267
420035-541-001-100		Left / Alcove – Stabili-T			\$ 1267
420035-541-001-101		Right / Alcove – Stabili-T			\$ 1267
420035-541-001-102		Center / Alcove – Stabili-T			\$ 1267
420035-542-001-100		Left / Corner Left - Stabili-T			\$ 1267
420035-542-001-101		Center / Corner Left - Stabili-T			\$ 1267
420035-543-001-100		Right / Corner Right – Stabili-T			\$ 1267
420035-543-001-101		Center / Corner Right – Stabili-T			\$ 1267

COMMON OPTIONS

SKU	Description	MSRP
OPT20208-084	PVC drain to respect National Building Code of Canada (CAN/ULC-S102.2 flame and smoke protection) for high rise construction (included in product packaging) Available color: Chrome (084)	\$ 88

COMMON OPTIONS

SKU	Description	MSRP
OPT20253-340	ABS Square drain Available colors: Chrome (084), Brushed Nickel (305), Dark Bronze (173), Matte Black (340) and Brushed gold (343)	\$ 87
OPT20253-305		\$ 52
OPT20253-343		\$ 87
OPT20253-084		\$ 0
OPT20253-173		\$ 87
OPT20254-173	PVC Square drain Available colors: Chrome (084), Brushed Nickel (305), Dark Bronze (173), Matte Black (340) and Brushed Gold (343)	\$ 87
OPT20254-305		\$ 52
OPT20254-340		\$ 87
OPT20254-343		\$ 87
OPT20254-084		\$ 0

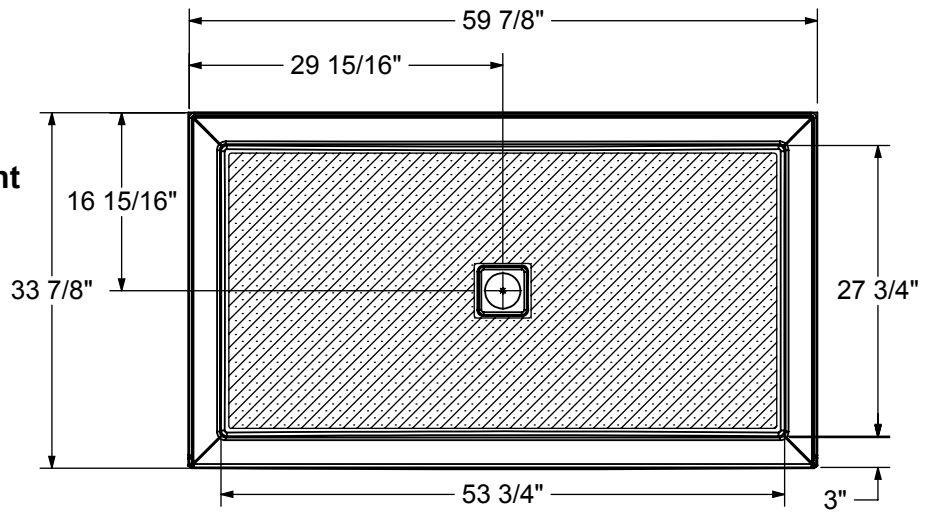
ACCESSORIES

SKU	Description	MSRP
10029133-084	PVC drain to respect National Building Code of Canada (CAN/ULC-S102.2 flame and smoke protection) for high rise construction (sold separately - grid not included) Available color: Chrome (084)	\$ 88
10038458-305-600	Square drain grid Available colors: White (001)Chrome (084), Dark Bronze (173), Brushed Nickel (305), Matte Black (340) and Brushed Gold (343)	\$ 52
10038458-084-600		\$ 52
10038458-173-600		\$ 87
10038458-340-600		\$ 87
10038458-001-600		\$ 87
10038458-343-600		\$ 87

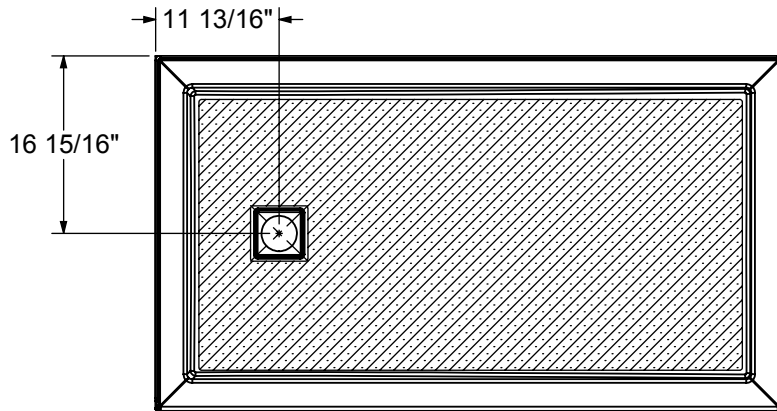
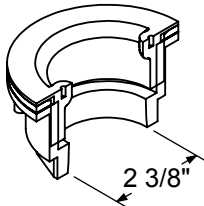
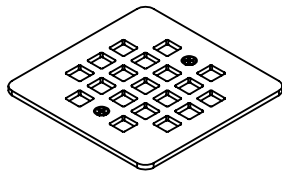
RECOMMENDED DOORS - VISIT OUR WEBSITE FOR A COMPLETE LIST OF RECOMMENDED DOORS

SKU	Product Name	Pag.
138997	Halo 56 ½-59 x 78 ¾ - 8mm	796
139580	Reveal Sleek 71 56-59 x 71 ½ - 8mm	775
136672	Reveal 71 56-59 x 71 ½ - 8mm	771

The hatched area represent the antislip surface

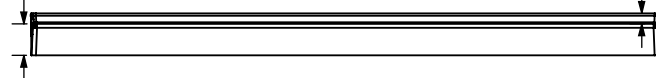


DRAIN INCLUDED ON B3 SQUARE ONLY



3" Threshold height

1" Tiling Flange



This technical drawing is universal for every 6034 configuration.

Integrated tiling flange : 1" height x 1/4" thick
 Tiling flange position is determined by chosen configuration.

All dimensions are approximate. Structure measurements must be verified against the unit to ensure proper fit.

B3Square 6036



Material : Acrylic

Features

- › Acrylic rectangular shower base with square drain
- › Low 3 in. threshold base allowing an easy and safe access
- › Certain configurations available with Stabili-T anti-slip bottom meeting ADA, ANSI or CSA
- › Multiple configurations available to accomodate different types of installation
- › Chrome grid and drain included (ABS or PVC available)
- › Compatible with Utile, most glue-up shower walls and ceramic tiles
- › Integrated leak proof tiling flanges
- › Easy to clean and stain-resistant acrylic finish
- › Inclus la quincaillerie de drain pour une installation facile

CONFIGURABLE SHOWER BASES

B3SQUARE 6036 - 420006

SKU	Color	Configuration	Dimensions & Weight	Packaging	MSRP
420006-501-001-100	White	Left / Alcove	59 7/8" x 35 7/8" x 3" / 62 lb / 28 kg	81.7520706741898 ft ³	\$ 1286
420006-501-001-101		Right / Alcove			\$ 1286
420006-501-001-102		Center / Alcove			\$ 1286
420006-502-001-100		Left / Corner Left			\$ 1286
420006-502-001-101		Center / Corner Left			\$ 1286
420006-503-001-100		Right / Corner Right			\$ 1286
420006-503-001-101		Center / Corner Right			\$ 1286
420006-504-001-100		Back End Drain / Alcove Deep			\$ 1286
420006-504-001-101		Center / Alcove Deep			\$ 1286
420006-505-001-100		Left / Wall Mounted			\$ 1286
420006-505-001-101		Right / Wall Mounted			\$ 1286
420006-505-001-102		Center / Wall Mounted			\$ 1286
420006-506-001-100		Center / Tunnel			\$ 1286
420006-506-001-107		Back End Drain / Tunnel			\$ 1286
420006-541-001-100		Left / Alcove – Stabili-T			\$ 1286
420006-541-001-101		Right / Alcove – Stabili-T			\$ 1286
420006-541-001-102		Center / Alcove – Stabili-T			\$ 1286
420006-542-001-101		Center / Corner Left - Stabili-T			\$ 1286
420006-542-001-104		Left / Corner Left - Stabili-T			\$ 1286
420006-543-001-100		Right / Corner Right – Stabili-T			\$ 1286

B3SQUARE 6036 - 420006

SKU	Color	Configuration	Dimensions & Weight	Packaging	MSRP
420006-543-001-101	White	Center / Corner Right – Stabili-T	59 7/8" x 35 7/8" x 3" / 62 lb / 28 kg	81.7520706741898 ft ³	\$ 1286

COMMON OPTIONS

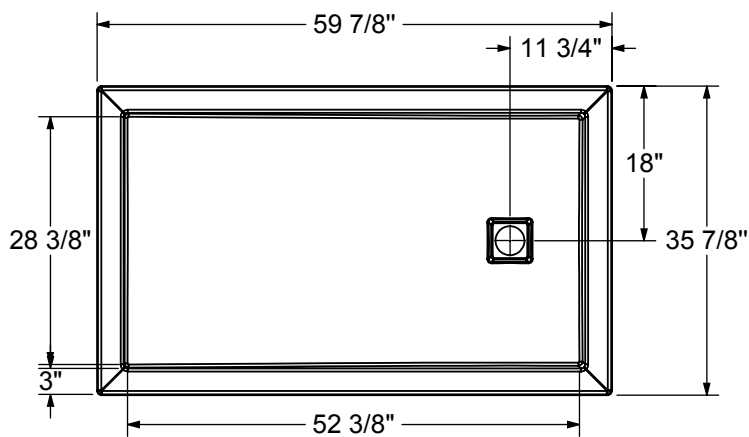
SKU	Description	MSRP
OPT20253-340	ABS Square drain Available colors: Chrome (084), Brushed Nickel (305), Dark Bronze (173), Matte Black (340) and Brushed gold (343)	\$ 87
OPT20253-305		\$ 52
OPT20253-343		\$ 87
OPT20253-084		\$ 0
OPT20253-173		\$ 87
OPT20254-173	PVC Square drain Available colors: Chrome (084), Brushed Nickel (305), Dark Bronze (173), Matte Black (340) and Brushed Gold (343)	\$ 87
OPT20254-305		\$ 52
OPT20254-340		\$ 87
OPT20254-343		\$ 87
OPT20254-084		\$ 0
OPT20208-084	PVC drain to respect National Building Code of Canada (CAN/ULC-S102.2 flame and smoke protection) for high rise construction (included in product packaging) Available color: Chrome (084)	\$ 88

ACCESSORIES

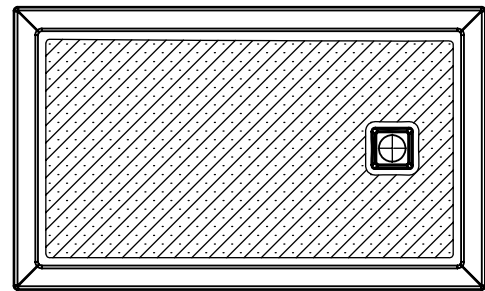
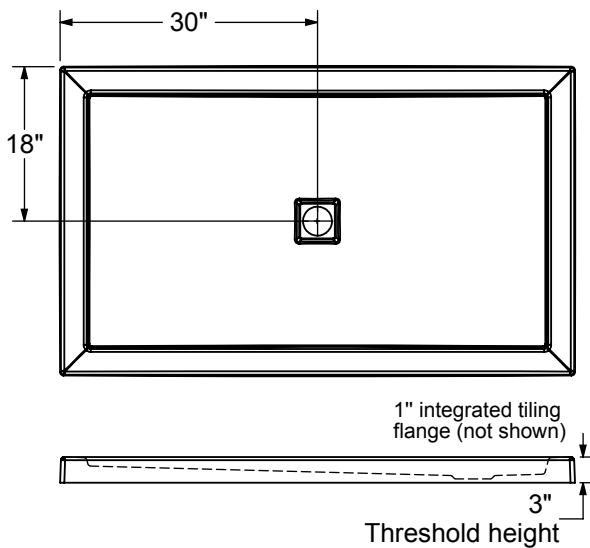
SKU	Description	MSRP
10038458-305-600	Square drain grid Available colors: White (001)Chrome (084), Dark Bronze (173), Brushed Nickel (305), Matte Black (340) and Brushed Gold (343)	\$ 52
10038458-084-600		\$ 52
10038458-173-600		\$ 87
10038458-340-600		\$ 87
10038458-001-600		\$ 87
10038458-343-600		\$ 87
10029133-084	PVC drain to respect National Building Code of Canada (CAN/ULC-S102.2 flame and smoke protection) for high rise construction (sold separately - grid not included) Available color: Chrome (084)	\$ 88

RECOMMENDED DOORS - VISIT OUR WEBSITE FOR A COMPLETE LIST OF RECOMMENDED DOORS

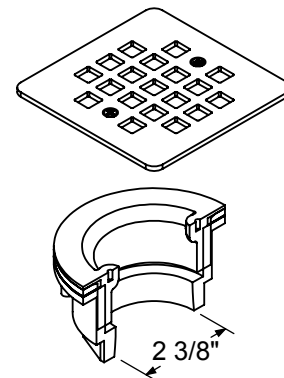
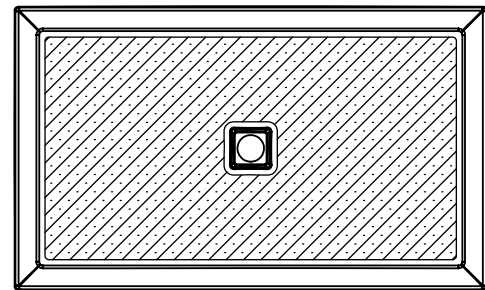
SKU	Product Name	Pag.
138277	Manhattan 57-59 x 68 - 6mm	763
138997	Halo 56 ½-59 x 78 ¾ - 8mm	796
139353	Incognito 70 56-59 x 70 ½ - 8mm	721
139350	Incognito 56-59 x 70 ½ in. 6mm	719
135332	Incognito 76 Shaker 56-59 x 76 - 8mm	725
135335	Incognito 76 56-59 x 76 - 8mm	727
136335	Incognito 76 Smoke 56-59 x 76 - 8mm	729



**DRAIN INCLUDED
ON B3 SQUARE ONLY**



The hatched area represent the anti-slip surface



This technical drawing is universal for every 6036 configuration.

Integrated tiling flange : 1" height x 1/4" thick (not shown)
Tiling flange position is determined by chosen configuration.

All dimensions are approximate. Structure measurements must be verified against the unit to ensure proper fit.



B3Square 6042

CONFIGURABLE SHOWER BASES



Material : Acrylic

Features

- › Acrylic rectangular shower base with square drain
- › Low 3 in. threshold base allowing an easy and safe access
- › Certain configurations available with Stabili-T anti-slip bottom meeting ADA, ANSI or CSA
- › Multiple configurations available to accomodate different types of installation
- › Chrome grid and drain included (ABS or PVC available)
- › Compatible with most glue-up Shower walls and ceramic tiles
- › Integrated leak proof tiling flanges
- › Easy to clean and stain-resistant acrylic finish
- › Inclus la quincaillerie de drain pour une installation facile

B3SQUARE 6042 - 420036

SKU	Color	Configuration	Dimensions & Weight	Packaging	MSRP
420036-501-001-100	White	Center / Alcove	59 7/8" x 41 7/8" x 3" / 59 lb / 27 kg	81.7520706741898 ft ³	\$ 1323
420036-502-001-100		Center / Corner Left			\$ 1323
420036-503-001-100		Center / Corner Right			\$ 1323
420036-541-001-100		Center / Alcove – Stabili-T			\$ 1323
420036-542-001-100		Center / Corner Left - Stabili-T			\$ 1323
420036-543-001-100		Center / Corner Right – Stabili-T			\$ 1323

COMMON OPTIONS

SKU	Description	MSRP
OPT20208-084	PVC drain to respect National Building Code of Canada (CAN/ULC-S102.2 flame and smoke protection) for high rise construction (included in product packaging) Available color: Chrome (084)	\$ 88
OPT20253-340	ABS Square drain Available colors: Chrome (084), Brushed Nickel (305), Dark Bronze (173), Matte Black (340) and Brushed gold (343)	\$ 87
OPT20253-305		\$ 52
OPT20253-343		\$ 87
OPT20253-084		\$ 0
OPT20253-173		\$ 87
OPT20254-173		\$ 87
OPT20254-305	PVC Square drain Available colors: Chrome (084), Brushed Nickel (305), Dark Bronze (173), Matte Black (340) and Brushed Gold (343)	\$ 52
OPT20254-340		\$ 87

COMMON OPTIONS

SKU	Description	MSRP
OPT20254-343	PVC Square drain	\$ 87
OPT20254-084	Available colors: Chrome (084), Brushed Nickel (305), Dark Bronze (173), Matte Black (340) and Brushed Gold (343)	\$ 0

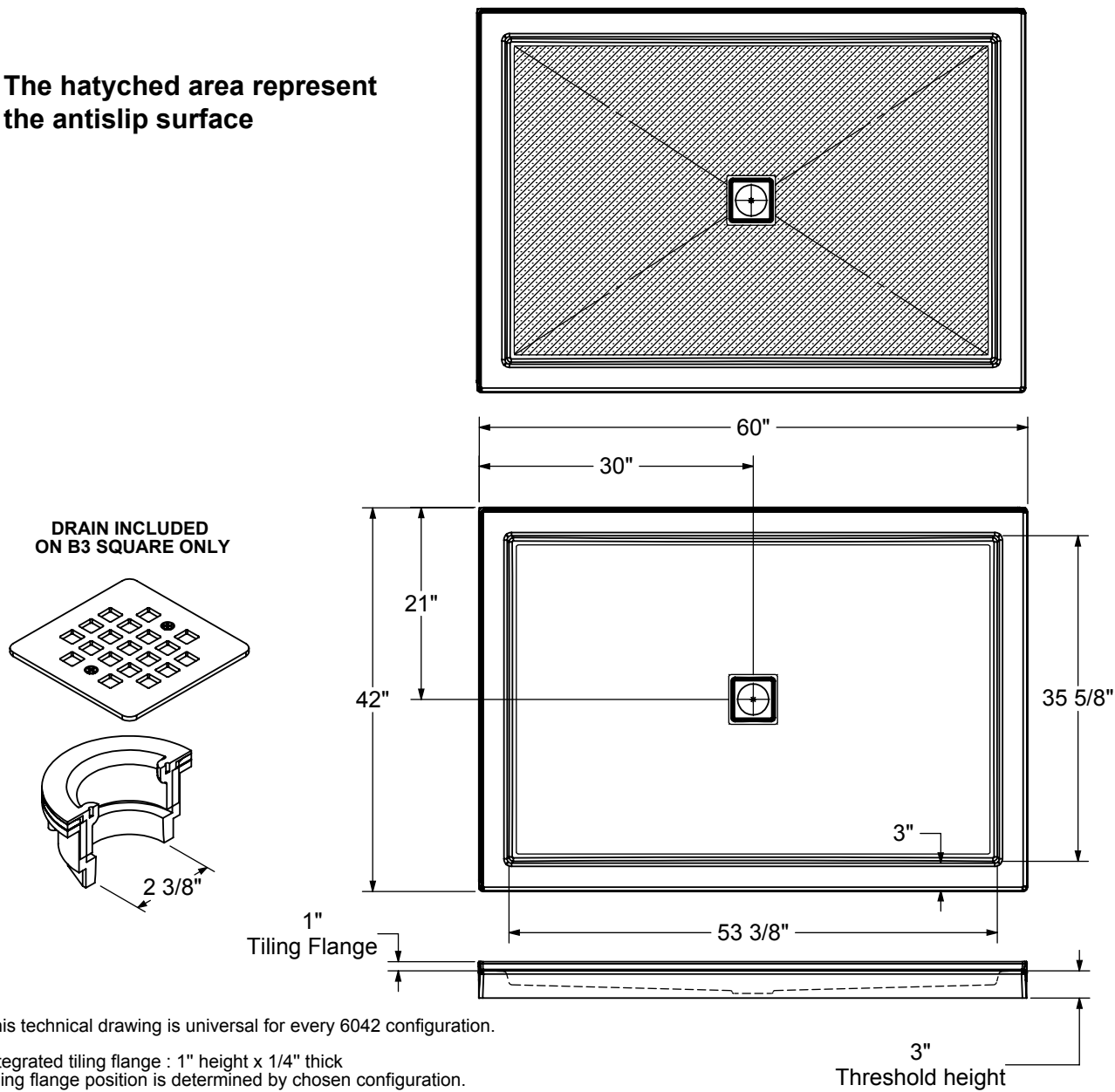
ACCESSORIES

SKU	Description	MSRP
10029133-084	PVC drain to respect National Building Code of Canada (CAN/ULC-S102.2 flame and smoke protection) for high rise construction (sold separately - grid not included) Available color: Chrome (084)	\$ 88
10038458-305-600	Square drain grid Available colors: White (001)Chrome (084), Dark Bronze (173), Brushed Nickel (305), Matte Black (340) and Brushed Gold (343)	\$ 52
10038458-084-600		\$ 52
10038458-173-600		\$ 87
10038458-340-600		\$ 87
10038458-001-600		\$ 87
10038458-343-600		\$ 87

RECOMMENDED DOORS - VISIT OUR WEBSITE FOR A COMPLETE LIST OF RECOMMENDED DOORS

SKU	Product Name	Pag.
138997	Halo 56 ½-59 x 78 ¾ - 8mm	796

The hatched area represent the antislip surface



This technical drawing is universal for every 6042 configuration.

Integrated tiling flange : 1" height x 1/4" thick
 Tiling flange position is determined by chosen configuration.

All dimensions are approximate. Structure measurements must be verified against the unit to ensure proper fit.



B3Square 7236



Material : Acrylic

Features

- › Acrylic rectangular shower base with square drain
- › Low 3 in. threshold base allowing an easy and safe access
- › Certain configurations available with Stabili-T anti-slip bottom meeting ADA, ANSI or CSA
- › Multiple configurations available to accomodate different types of installation
- › Chrome grid and drain included (ABS or PVC available)
- › Compatible with most glue-up Shower walls and ceramic tiles
- › Integrated leak proof tiling flanges
- › Easy to clean and stain-resistant acrylic finish
- › Inclus la quincaillerie de drain pour une installation facile

CONFIGURABLE SHOWER BASES

B3SQUARE 7236 - 420042

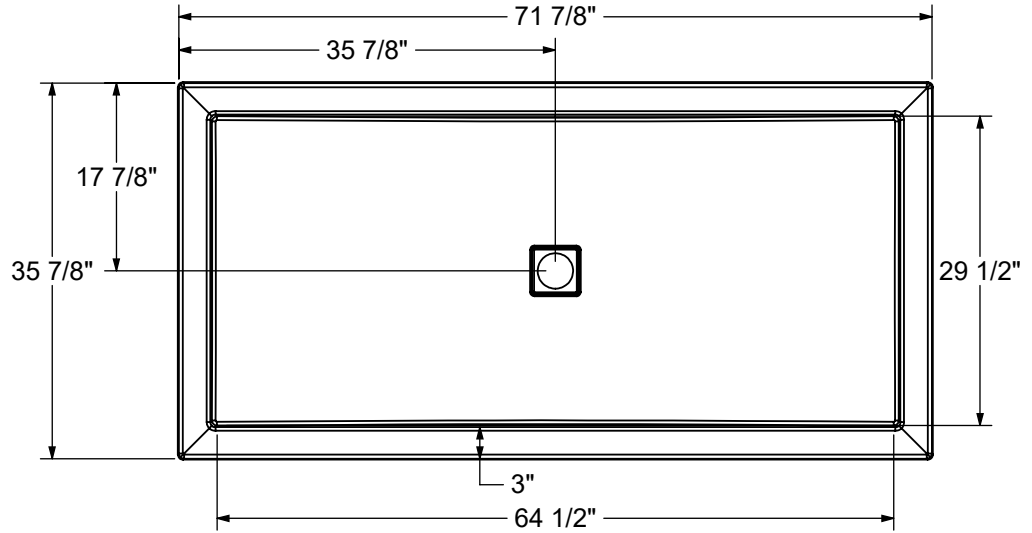
SKU	Color	Configuration	Dimensions & Weight	Packaging	MSRP
420042-501-001-000	White	Center / Alcove	71 7/8" x 35 7/8" x 3" / 60 lb / 27 kg	18.5926649305556 ft ³	\$ 1335
420042-502-001-000		Center / Corner Left			\$ 1335
420042-503-001-000		Center / Corner Right			\$ 1335

COMMON OPTIONS

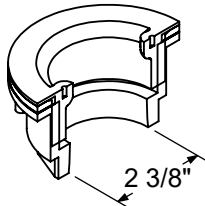
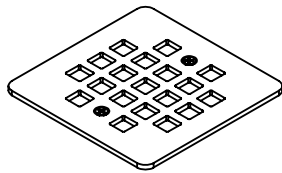
SKU	Description	MSRP
OPT20208-084	PVC drain to respect National Building Code of Canada (CAN/ULC-S102.2 flame and smoke protection) for high rise construction (included in product packaging) Available color: Chrome (084)	\$ 88
OPT20253-340	ABS Square drain Available colors: Chrome (084), Brushed Nickel (305), Dark Bronze (173), Matte Black (340) and Brushed gold (343)	\$ 87
OPT20253-305		\$ 52
OPT20253-343		\$ 87
OPT20253-084		\$ 0
OPT20253-173		\$ 87
OPT20254-173	PVC Square drain Available colors: Chrome (084), Brushed Nickel (305), Dark Bronze (173), Matte Black (340) and Brushed Gold (343)	\$ 87
OPT20254-305		\$ 52
OPT20254-340		\$ 87
OPT20254-343		\$ 87
OPT20254-084		\$ 0

ACCESSORIES

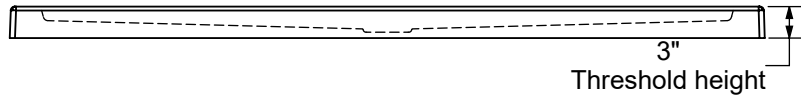
SKU	Description	MSRP
10029133-084	PVC drain to respect National Building Code of Canada (CAN/ULC-S102.2 flame and smoke protection) for high rise construction (sold separately - grid not included) Available color: Chrome (084)	\$ 88
10038458-305-600	Square drain grid Available colors: White (001)Chrome (084), Dark Bronze (173), Brushed Nickel (305), Matte Black (340) and Brushed Gold (343)	\$ 52
10038458-084-600		\$ 52
10038458-173-600		\$ 87
10038458-340-600		\$ 87
10038458-001-600		\$ 87
10038458-343-600		\$ 87



**DRAIN INCLUDED
ON B3 SQUARE ONLY**



1" integrated tiling
flange (not shown)



This technical drawing is universal for every 7236 configuration.

Integrated tiling flange : 1" height x 1/4" thick
Tiling flange position is determined by chosen configuration.

All dimensions are approximate. Structure measurements
must be verified against the unit to ensure proper fit.



B3X 3636 - Alcove

CONFIGURABLE SHOWER BASES



Material : Acrylic

Features

- › 3 1/4 in. threshold acrylic shower base with square center drain
- › Optimized floor design improving showering space
- › Available with Stabili-T anti-slip bottom meeting ADA, ANSI or CSA requirements
- › 2 1/2 in. high tiling flanges to ensure watertightness
- › Integrated weep holes providing superior water management
- › Square chrome grid and ABS drain included (Upgrade PVC Option available)
- › Multiple grid finishes available

B3X 3636 - 420020

SKU	Color	Configuration	Dimensions & Weight	Packaging	MSRP
420020-501-001-000	White	Center / Alcove	35 7/8" x 35 7/8" x 4" / 35 lb / 16 kg	5.2 ft ³	\$ 849
420020-541-001-000		Center / Alcove – Stabili-T			\$ 849

COMMON OPTIONS

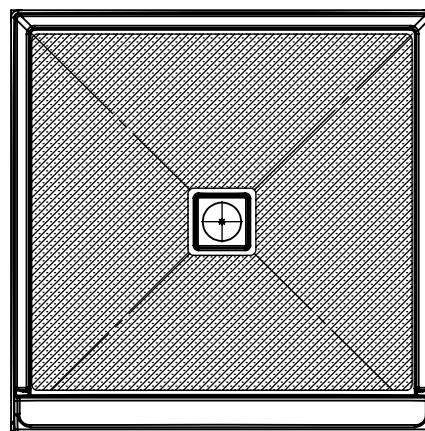
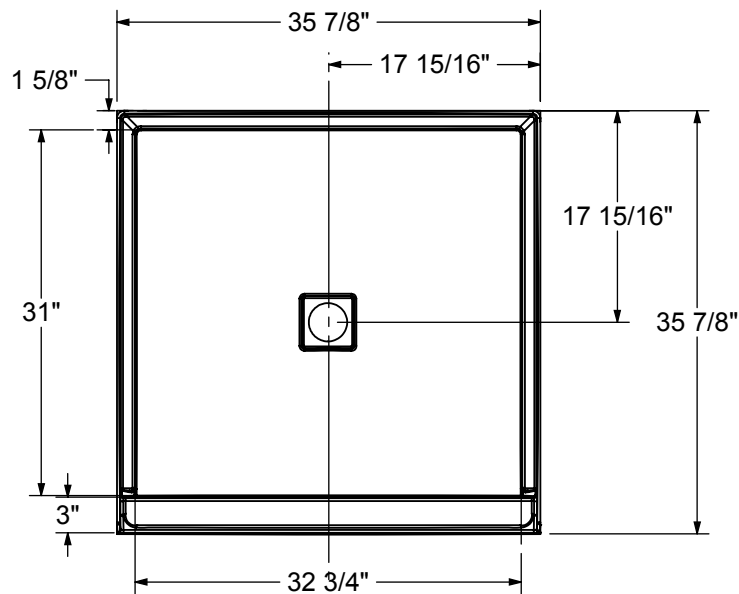
SKU	Description	MSRP
OPT20253-340	ABS Square drain Available colors: Chrome (084), Brushed Nickel (305), Dark Bronze (173), Matte Black (340) and Brushed gold (343)	\$ 87
OPT20253-305		\$ 52
OPT20253-343		\$ 87
OPT20253-084		\$ 0
OPT20253-173		\$ 87
OPT20208-084		PVC drain to respect National Building Code of Canada (CAN/ULC-S102.2 flame and smoke protection) for high rise construction (included in product packaging) Available color: Chrome (084)
OPT20254-173	PVC Square drain Available colors: Chrome (084), Brushed Nickel (305), Dark Bronze (173), Matte Black (340) and Brushed Gold (343)	\$ 87
OPT20254-305		\$ 52
OPT20254-340		\$ 87
OPT20254-343		\$ 87
OPT20254-084		\$ 0

ACCESSORIES

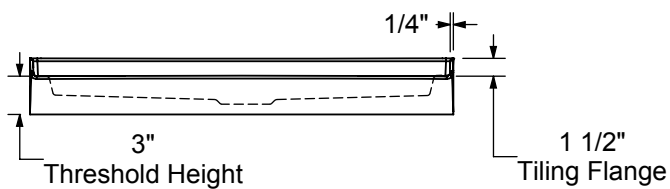
SKU	Description	MSRP
10038458-305-600	Square drain grid Available colors: White (001)Chrome (084), Dark Bronze (173), Brushed Nickel (305), Matte Black (340) and Brushed Gold (343)	\$ 52
10038458-084-600		\$ 52
10038458-173-600		\$ 87
10038458-340-600		\$ 87
10038458-001-600		\$ 87
10038458-343-600		\$ 87
10029133-084	PVC drain to respect National Building Code of Canada (CAN/ULC-S102.2 flame and smoke protection) for high rise construction (sold separately - grid not included) Available color: Chrome (084)	\$ 88

RECOMMENDED DOORS - VISIT OUR WEBSITE FOR A COMPLETE LIST OF RECOMMENDED DOORS

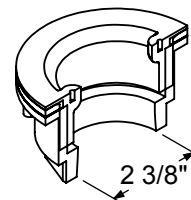
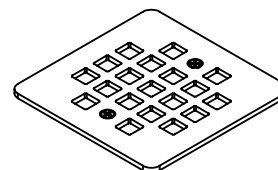
SKU	Product Name	Pag.
138265	Manhattan 33-35 x 68 - 6mm	757
139575	Reveal Sleek 71 32 ½-35 ½ x 71 ½ - 8mm	774
139584	Capella 78 32 ½-35 ½ x 78 - 8mm	743
137835	ModulR 36 x 78 - 8mm	748
136676	Reveal 71 32 ½-35 ½ x 71 ½ - 8mm	771
136733	Polar Pivot 33-34 ¾ x 64 ½ in.	769
136435	Pivolok Deluxe 32 ½-37 x 64 ½ in.	765
136656	Pivolok 33-34 ¾ x 64 ½ in.	767



The hatched area represent the anti-slip surface



DRAIN INCLUDED ON B3 SQUARE ONLY



All dimensions are approximate. Structure measurements must be verified against the unit to ensure proper fit.



B3X 3636 - Corner



Material : Acrylic

Features

- › 3 1/4 in. threshold acrylic shower base with square center drain
- › Optimized floor design improving showering space
- › Available with Stabili-T anti-slip bottom meeting ADA, ANSI or CSA requirements
- › 2 1/2 in. high tiling flanges to ensure watertightness
- › Integrated weep holes providing superior water management
- › Square chrome grid and ABS drain included (Upgrade PVC Option available)
- › Multiple grid finishes available

CONFIGURABLE SHOWER BASES

B3X 3636 - 420021

SKU	Color	Configuration	Dimensions & Weight	Packaging	MSRP
420021-500-001-000	White	Center / Corner Left or Right	35 7/8" x 35 7/8" x 4" / 35 lb / 16 kg	5.2 ft³	\$ 849
420021-540-001-000		Center / Corner Left or Right - Stabili-T			\$ 849

COMMON OPTIONS

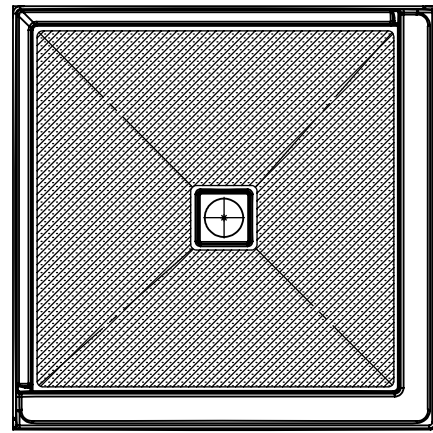
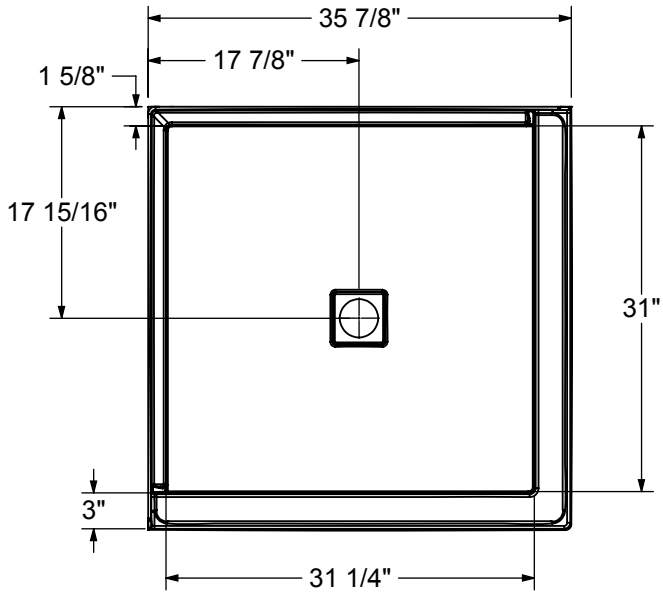
SKU	Description	MSRP
OPT20208-084	PVC drain to respect National Building Code of Canada (CAN/ULC-S102.2 flame and smoke protection) for high rise construction (included in product packaging) Available color: Chrome (084)	\$ 88
OPT20253-340	ABS Square drain Available colors: Chrome (084), Brushed Nickel (305), Dark Bronze (173), Matte Black (340) and Brushed gold (343)	\$ 87
OPT20253-305		\$ 52
OPT20253-343		\$ 87
OPT20253-084		\$ 0
OPT20253-173		\$ 87
OPT20254-173		PVC Square drain Available colors: Chrome (084), Brushed Nickel (305), Dark Bronze (173), Matte Black (340) and Brushed Gold (343)
OPT20254-305	\$ 52	
OPT20254-340	\$ 87	
OPT20254-343	\$ 87	
OPT20254-084	\$ 0	

ACCESSORIES

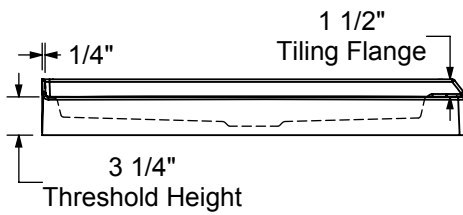
SKU	Description	MSRP
10029133-084	PVC drain to respect National Building Code of Canada (CAN/ULC-S102.2 flame and smoke protection) for high rise construction (sold separately - grid not included) Available color: Chrome (084)	\$ 88
10038458-305-600	Square drain grid Available colors: White (001)Chrome (084), Dark Bronze (173), Brushed Nickel (305), Matte Black (340) and Brushed Gold (343)	\$ 52
10038458-084-600		\$ 52
10038458-173-600		\$ 87
10038458-340-600		\$ 87
10038458-001-600		\$ 87
10038458-343-600		\$ 87

RECOMMENDED DOORS - VISIT OUR WEBSITE FOR A COMPLETE LIST OF RECOMMENDED DOORS

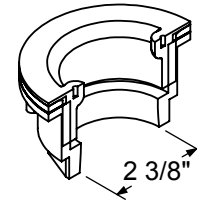
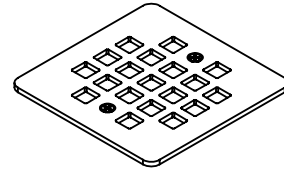
SKU	Product Name	Pag.
139575	Reveal Sleek 71 32 1/2-35 1/2 x 71 1/2 - 8mm	774
139584	Capella 78 32 1/2-35 1/2 x 78 - 8mm	743
136676	Reveal 71 32 1/2-35 1/2 x 71 1/2 - 8mm	771



The hatched area represent the antislip surface



DRAIN INCLUDED ON B3 SQUARE ONLY



All dimensions are approximate. Structure measurements must be verified against the unit to ensure proper fit.



B3X 4236 - Alcove

CONFIGURABLE SHOWER BASES



Material : Acrylic

Features

- › 3 1/4 in. threshold acrylic shower base with square center drain
- › Optimized floor design improving showering space
- › Available with Stabili-T anti-slip bottom meeting ADA, ANSI or CSA requirements
- › 2 1/2 in. high tiling flanges to ensure watertightness
- › Integrated weep holes providing superior water management
- › Square chrome grid and ABS drain included (Upgrade PVC Option available)
- › Multiple grid finishes available

B3X 4236 - 420039

SKU	Color	Configuration	Dimensions & Weight	Packaging	MSRP
420039-501-001-000	White	Center / Alcove	41 7/8" x 35 7/8" x 4" / 45 lb / 20 kg	6 ft ³	\$ 1055
420039-541-001-000		Center / Alcove – Stabili-T			\$ 1055

COMMON OPTIONS

SKU	Description	MSRP
OPT20208-084	PVC drain to respect National Building Code of Canada (CAN/ULC-S102.2 flame and smoke protection) for high rise construction (included in product packaging) Available color: Chrome (084)	\$ 88
OPT20253-340	ABS Square drain Available colors: Chrome (084), Brushed Nickel (305), Dark Bronze (173), Matte Black (340) and Brushed gold (343)	\$ 87
OPT20253-305		\$ 52
OPT20253-343		\$ 87
OPT20253-084		\$ 0
OPT20253-173		\$ 87
OPT20254-173		PVC Square drain Available colors: Chrome (084), Brushed Nickel (305), Dark Bronze (173), Matte Black (340) and Brushed Gold (343)
OPT20254-305	\$ 52	
OPT20254-340	\$ 87	
OPT20254-343	\$ 87	
OPT20254-084	\$ 0	

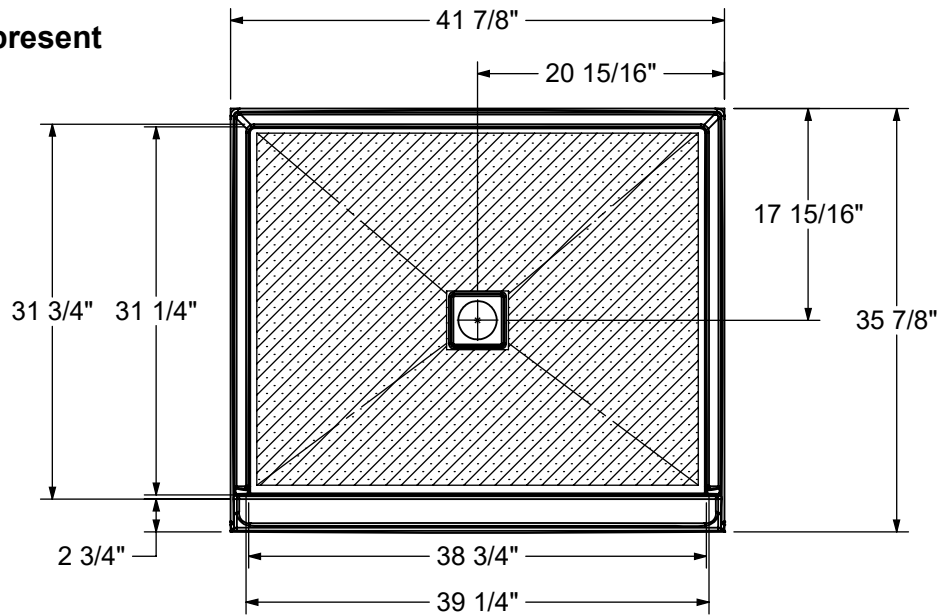
ACCESSORIES

SKU	Description	MSRP
10029133-084	PVC drain to respect National Building Code of Canada (CAN/ULC-S102.2 flame and smoke protection) for high rise construction (sold separately - grid not included) Available color: Chrome (084)	\$ 88
10038458-305-600	Square drain grid Available colors: White (001)Chrome (084), Dark Bronze (173), Brushed Nickel (305), Matte Black (340) and Brushed Gold (343)	\$ 52
10038458-084-600		\$ 52
10038458-173-600		\$ 87
10038458-340-600		\$ 87
10038458-001-600		\$ 87
10038458-343-600		\$ 87

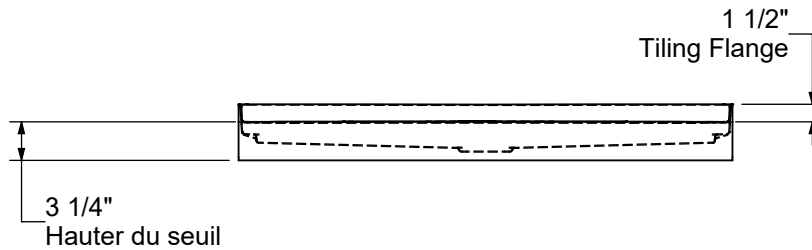
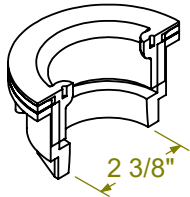
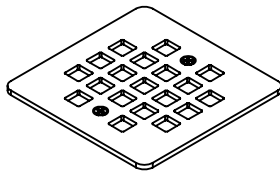
RECOMMENDED DOORS - VISIT OUR WEBSITE FOR A COMPLETE LIST OF RECOMMENDED DOORS

SKU	Product Name	Pag.
138268	Manhattan 39-41 x 68 - 6mm	761
138520	Incognito 74 39-42x74in. 8mm	723
139576	Reveal Sleek 71 38-41 x 71 ½ - 8mm	774
134562	Kameleon 40-44 x 71 - 6mm	713
134662	Kameleon SC 40-44 x 71 - 6mm	701
136679	Reveal 71 38-41 x 71 ½ - 8 mm	772

The hatched area represent the antislip surface



DRAIN INCLUDED ON B3 SQUARE ONLY



This technical drawing is universal for every 4236 configuration.

Integrated tiling flange : 1 1/2" height x 1/4" thick
 Tiling flange position is determined by chosen configuration.

All dimensions are approximate. Structure measurements must be verified against the unit to ensure proper fit.



B3X 4236 - Corner



Material : Acrylic

Features

- › 3 1/4 in. threshold acrylic shower base with square center drain
- › Optimized floor design improving showering space
- › Available with Stabili-T anti-slip bottom meeting ADA, ANSI or CSA requirements
- › 2 1/2 in. high tiling flanges to ensure watertightness
- › Integrated weep holes providing superior water management
- › Square chrome grid and ABS drain included (Upgrade PVC Option available)
- › Multiple grid finishes available
- › Left corner installation

CONFIGURABLE SHOWER BASES

B3X 4236 - 420040

SKU	Color	Configuration	Dimensions & Weight	Packaging	MSRP
420040-502-001-000	White	Center / Corner Left	41 7/8" x 35 7/8" x 4" / 45 lb / 20 kg	6 ft ³	\$ 1055
420040-542-001-000		Center / Corner Left - Stabili-T			\$ 1055

B3X 4236 - 420041

SKU	Color	Configuration	Dimensions & Weight	Packaging	MSRP
420041-503-001-000	White	Center / Corner Right	41 7/8" x 35 7/8" x 4" / 45 lb / 20 kg	6 ft ³	\$ 1055
420041-543-001-000		Center / Corner Right - Stabili-T			\$ 1055

COMMON OPTIONS

SKU	Description	MSRP
OPT20208-084	PVC drain to respect National Building Code of Canada (CAN/ULC-S102.2 flame and smoke protection) for high rise construction (included in product packaging) Available color: Chrome (084)	\$ 88
OPT20253-340	ABS Square drain Available colors: Chrome (084), Brushed Nickel (305), Dark Bronze (173), Matte Black (340) and Brushed gold (343)	\$ 87
OPT20253-305		\$ 52
OPT20253-343		\$ 87
OPT20253-084		\$ 0
OPT20253-173		\$ 87
OPT20254-173		PVC Square drain Available colors: Chrome (084), Brushed Nickel (305), Dark Bronze (173), Matte Black (340) and Brushed Gold (343)

COMMON OPTIONS

SKU	Description	MSRP
OPT20254-305	PVC Square drain Available colors: Chrome (084), Brushed Nickel (305), Dark Bronze (173), Matte Black (340) and Brushed Gold (343)	\$ 52
OPT20254-340		\$ 87
OPT20254-343		\$ 87
OPT20254-084		\$ 0

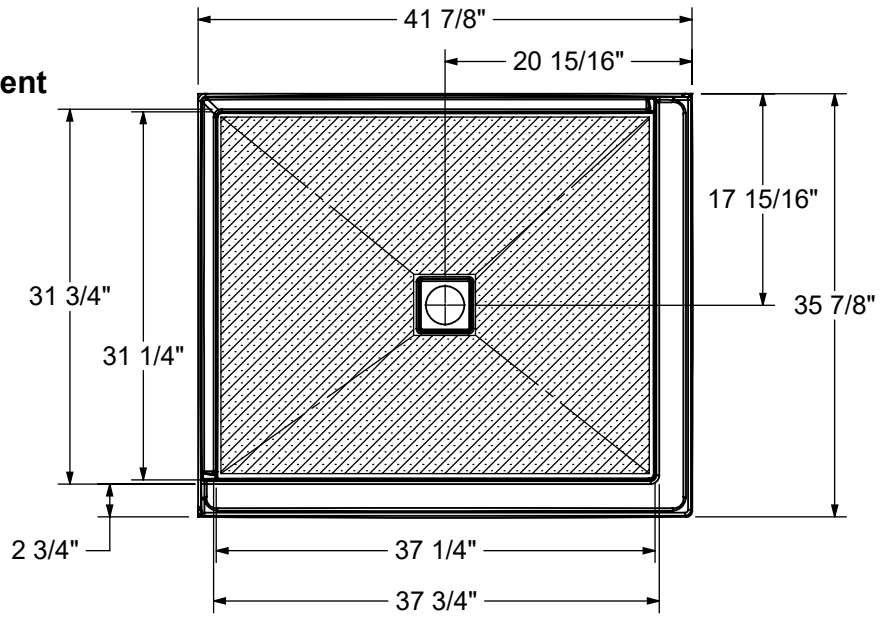
ACCESSORIES

SKU	Description	MSRP
10029133-084	PVC drain to respect National Building Code of Canada (CAN/ULC-S102.2 flame and smoke protection) for high rise construction (sold separately - grid not included) Available color: Chrome (084)	\$ 88
10038458-305-600	Square drain grid Available colors: White (001)Chrome (084), Dark Bronze (173), Brushed Nickel (305), Matte Black (340) and Brushed Gold (343)	\$ 52
10038458-084-600		\$ 52
10038458-173-600		\$ 87
10038458-340-600		\$ 87
10038458-001-600		\$ 87
10038458-343-600		\$ 87

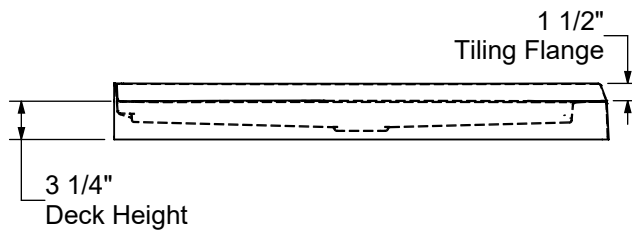
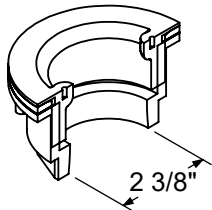
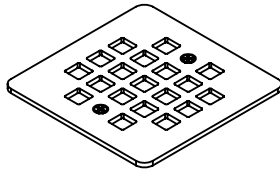
RECOMMENDED DOORS - VISIT OUR WEBSITE FOR A COMPLETE LIST OF RECOMMENDED DOORS

SKU	Product Name	Pag.
139576	Reveal Sleek 71 38-41 x 71 ½ - 8mm	774
136679	Reveal 71 38-41 x 71 ½ - 8 mm	772

The hatched area represent the antislip surface



DRAIN INCLUDED ON B3 SQUARE ONLY



This technical drawing is universal for every 4236 configuration.

Integrated tiling flange : 1 1/2" height x 1/4" thick
 Tiling flange position is determined by chosen configuration.

All dimensions are approximate. Structure measurements must be verified against the unit to ensure proper fit.



B3X 4836 - Alcove

CONFIGURABLE SHOWER BASES



Material : Acrylic

Features

- › 3 1/4 in. threshold acrylic shower base with square center drain
- › Optimized floor design improving showering space
- › Available with Stabili-T anti-slip bottom meeting ADA, ANSI or CSA requirements
- › 2 1/2 in. high tiling flanges to ensure watertightness
- › Integrated weep holes providing superior water management
- › Square chrome grid and ABS drain included (Upgrade PVC Option available)
- › Multiple grid finishes available

B3X 4836 - 420030

SKU	Color	Configuration	Dimensions & Weight	Packaging	MSRP
420030-501-001-000	White	Center / Alcove	47 7/8" x 35 7/8" x 4" / 47 lb / 21 kg	6.9 ft ³	\$ 1096
420030-541-001-000		Center / Alcove – Stabili-T			\$ 1096

COMMON OPTIONS

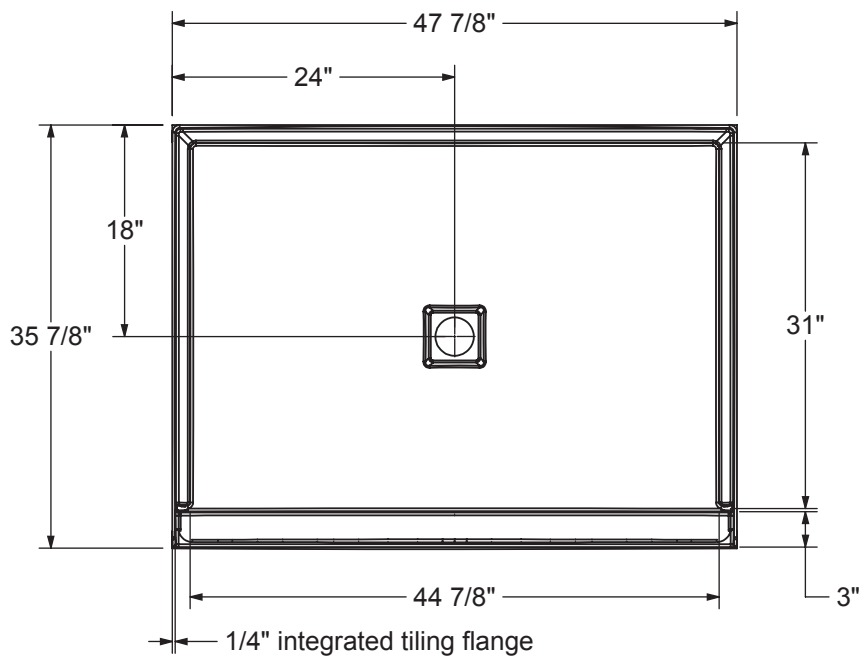
SKU	Description	MSRP
OPT20208-084	PVC drain to respect National Building Code of Canada (CAN/ULC-S102.2 flame and smoke protection) for high rise construction (included in product packaging) Available color: Chrome (084)	\$ 88
OPT20253-340	ABS Square drain Available colors: Chrome (084), Brushed Nickel (305), Dark Bronze (173), Matte Black (340) and Brushed gold (343)	\$ 87
OPT20253-305		\$ 52
OPT20253-343		\$ 87
OPT20253-084		\$ 0
OPT20253-173		\$ 87
OPT20254-173		PVC Square drain Available colors: Chrome (084), Brushed Nickel (305), Dark Bronze (173), Matte Black (340) and Brushed Gold (343)
OPT20254-305	\$ 52	
OPT20254-340	\$ 87	
OPT20254-343	\$ 87	
OPT20254-084	\$ 0	

ACCESSORIES

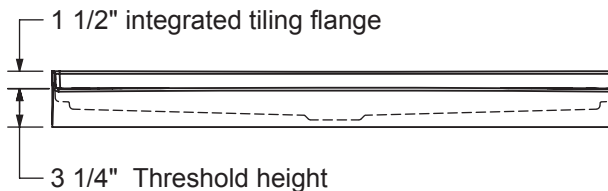
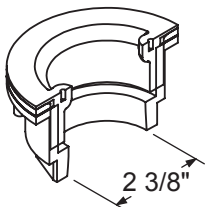
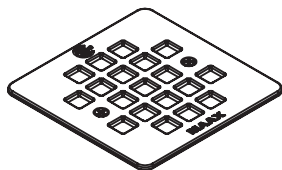
SKU	Description	MSRP
10038458-305-600	Square drain grid Available colors: White (001)Chrome (084), Dark Bronze (173), Brushed Nickel (305), Matte Black (340) and Brushed Gold (343)	\$ 52
10038458-084-600		\$ 52
10038458-173-600		\$ 87
10038458-340-600		\$ 87
10038458-001-600		\$ 87
10038458-343-600		\$ 87
10029133-084		PVC drain to respect National Building Code of Canada (CAN/ULC-S102.2 flame and smoke protection) for high rise construction (sold separately - grid not included) Available color: Chrome (084)

RECOMMENDED DOORS - VISIT OUR WEBSITE FOR A COMPLETE LIST OF RECOMMENDED DOORS

SKU	Product Name	Pag.
135321	Uptown 44-47 x 76 in. 8 mm	741
138950	Halo Pro 44 ½-47 x 78 ¾ - 8mm	792
135334	Incognito 76 44-47 x 76 - 8mm	727
139352	Incognito 70 44-47 x 70 ½ - 8mm	721
139349	Incognito 44-47 x 70 ½ in. 6mm	719
138460	Vela 44 ½-47 x 78 ¾ - 8mm	781
136693	Revelation Round 44-47 x 70 ½-73 - 8mm	735
135690	Revelation Square 44-47 x 70 ½-73 - 6mm	737
134563	Kameleon 43-47 x 71 - 6mm	710
135323	Uptown 44-47 x 76 in. 8 mm	802
135325	Uptown 45-47 x 76 in. 8 mm	777
134663	Kameleon SC 43-47 x 71 - 6mm	704
139578	Reveal Sleek 71 44-47 x 71 ½ - 8mm	775
134571	Kameleon 43-47 x 71 - 8mm	715
135870	Nebula 44 ½-46 ½ x 78 ¾ - 8mm	779
138954	Halo Pro TB 44 ½-47 x 78 ¾ - 8mm	794
135331	Incognito 76 Shaker 44-47 x 76 - 8mm	725
137421	Odyssey SC 45-47 1/2 x 78 - 8 mm	800
136956	Duel Alto 44-47 X 78 - 8 mm	695
139586	Capella 78 44-47 x 78 - 8mm	743
138465	Vela 44 ½-47 x 78 ¾ - 8mm	784
134674	Kameleon SC 43-47 x 71 - 8mm	707
135693	Revelation Square 44-47 x 70 ½-73 - 8mm	739
138996	Halo 44 ½-47 x 78 ¾ - 8mm	796
138992	Luminescence 44 ½-47 x 70 ½-72 - 6mm	798
136671	Reveal 71 44-47 x 71 ½ - 8mm	771
105413	Polar 42-47 ½ x 68 in.	731
138271	Manhattan 45-47 x 68 - 6mm	761



DRAIN INCLUDED



All dimensions are approximate. Structure measurements must be verified against the unit to ensure proper fit.

B3X 4836 - Corner



Material : Acrylic

Features

- › 3 1/4 in. threshold acrylic shower base with square center drain
- › Optimized floor design improving showering space
- › Available with Stabili-T anti-slip bottom meeting ADA, ANSI or CSA requirements
- › 2 1/2 in. high tiling flanges to ensure watertightness
- › Integrated weep holes providing superior water management
- › Square chrome grid and ABS drain included (Upgrade PVC Option available)
- › Multiple grid finishes available
- › Left corner installation

CONFIGURABLE SHOWER BASES

B3X 4836 - 420028

SKU	Color	Configuration	Dimensions & Weight	Packaging	MSRP
420028-502-001-000	White	Center / Corner Left	47 7/8" x 35 7/8" x 4" / 47 lb / 21 kg	6.9 ft ³	\$ 1096
420028-542-001-000		Center / Corner Left - Stabili-T			\$ 1096

B3X 4836 - 420029

SKU	Color	Configuration	Dimensions & Weight	Packaging	MSRP
420029-503-001-000	White	Center / Corner Right	47 7/8" x 35 7/8" x 4" / 47 lb / 21 kg	6.9 ft ³	\$ 1096
420029-543-001-000		Center / Corner Right - Stabili-T			\$ 1096

COMMON OPTIONS

SKU	Description	MSRP
OPT20208-084	PVC drain to respect National Building Code of Canada (CAN/ULC-S102.2 flame and smoke protection) for high rise construction (included in product packaging) Available color: Chrome (084)	\$ 88
OPT20254-173	PVC Square drain Available colors: Chrome (084), Brushed Nickel (305), Dark Bronze (173), Matte Black (340) and Brushed Gold (343)	\$ 87
OPT20254-305		\$ 52
OPT20254-340		\$ 87
OPT20254-343		\$ 87
OPT20254-084		\$ 0
OPT20253-340		ABS Square drain Available colors: Chrome (084), Brushed Nickel (305), Dark Bronze (173), Matte Black (340) and Brushed gold (343)

COMMON OPTIONS

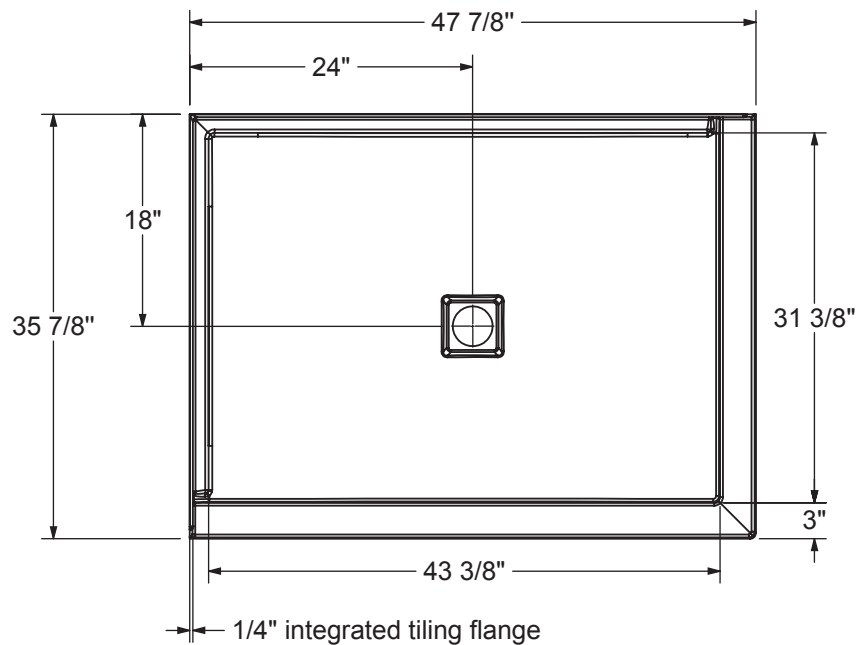
SKU	Description	MSRP
OPT20253-305	ABS Square drain Available colors: Chrome (084), Brushed Nickel (305), Dark Bronze (173), Matte Black (340) and Brushed gold (343)	\$ 52
OPT20253-343		\$ 87
OPT20253-084		\$ 0
OPT20253-173		\$ 87

ACCESSORIES

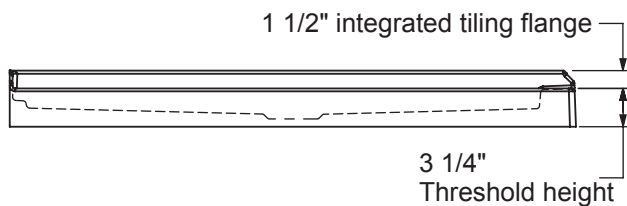
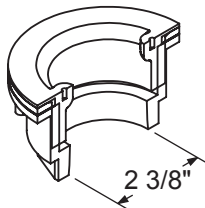
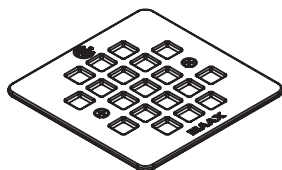
SKU	Description	MSRP
10029133-084	PVC drain to respect National Building Code of Canada (CAN/ULC-S102.2 flame and smoke protection) for high rise construction (sold separately - grid not included) Available color: Chrome (084)	\$ 88
10038458-305-600	Square drain grid Available colors: White (001)Chrome (084), Dark Bronze (173), Brushed Nickel (305), Matte Black (340) and Brushed Gold (343)	\$ 52
10038458-084-600		\$ 52
10038458-173-600		\$ 87
10038458-340-600		\$ 87
10038458-001-600		\$ 87
10038458-343-600		\$ 87

RECOMMENDED DOORS - VISIT OUR WEBSITE FOR A COMPLETE LIST OF RECOMMENDED DOORS

SKU	Product Name	Pag.
138996	Halo 44 ½-47 x 78 ¾ - 8mm	796
135321	Uptown 44-47 x 76 in. 8 mm	741
135323		802
135325	Uptown 45-47 x 76 in. 8 mm	777
135236	Connect Pro 45-46 ½ x 76 - 6mm	787
139578	Reveal Sleek 71 44-47 x 71 ½ - 8mm	775
138540	Halo Pro GS 44 1/2-47 X 78 3/4 - 8mm	790
136956	Duel Alto 44-47 X 78 - 8 mm	695
135870	Nebula 44 ½-46 ½ x 78 ¾ - 8mm	779
139586	Capella 78 44-47 x 78 - 8mm	743
136671	Reveal 71 44-47 x 71 ½ - 8mm	771



DRAIN INCLUDED



All dimensions are approximate. Structure measurements must be verified against the unit to ensure proper fit.



B3X 6032 - Alcove

CONFIGURABLE SHOWER BASES



Material : Acrylic

Features

- › 3 1/4 in. threshold acrylic shower base with square center drain
- › Optimized floor design improving showering space
- › Available with Stabili-T anti-slip bottom meeting ADA, ANSI or CSA requirements
- › Right or left drain
- › 2 1/2 in. high tiling flanges to ensure watertightness
- › Integrated weep holes providing superior water management
- › Square chrome grid and ABS drain included (Upgrade PVC Option available)
- › Multiple grid finishes available

B3X 6032 - 420022

SKU	Color	Configuration	Dimensions & Weight	Packaging	MSRP
420022-501-001-000	White	Left / Alcove	59 7/8" x 31 7/8" x 4" / 55 lb / 25 kg	7.6 ft ³	\$ 1290
420022-541-001-000		Left / Alcove – Stabili-T			\$ 1290

B3X 6032 - 420023

SKU	Color	Configuration	Dimensions & Weight	Packaging	MSRP
420023-501-001-000	White	Right / Alcove	59 7/8" x 31 7/8" x 4" / 55 lb / 25 kg	7.6 ft ³	\$ 1290
420023-541-001-000		Right / Alcove – Stabili-T			\$ 1290

COMMON OPTIONS

SKU	Description	MSRP
OPT20208-084	PVC drain to respect National Building Code of Canada (CAN/ULC-S102.2 flame and smoke protection) for high rise construction (included in product packaging) Available color: Chrome (084)	\$ 88
OPT20253-340	ABS Square drain Available colors: Chrome (084), Brushed Nickel (305), Dark Bronze (173), Matte Black (340) and Brushed gold (343)	\$ 87
OPT20253-305		\$ 52
OPT20253-343		\$ 87
OPT20253-084		\$ 0
OPT20253-173		\$ 87
OPT20254-173	PVC Square drain Available colors: Chrome (084), Brushed Nickel (305), Dark Bronze (173), Matte Black (340) and Brushed Gold (343)	\$ 87

COMMON OPTIONS

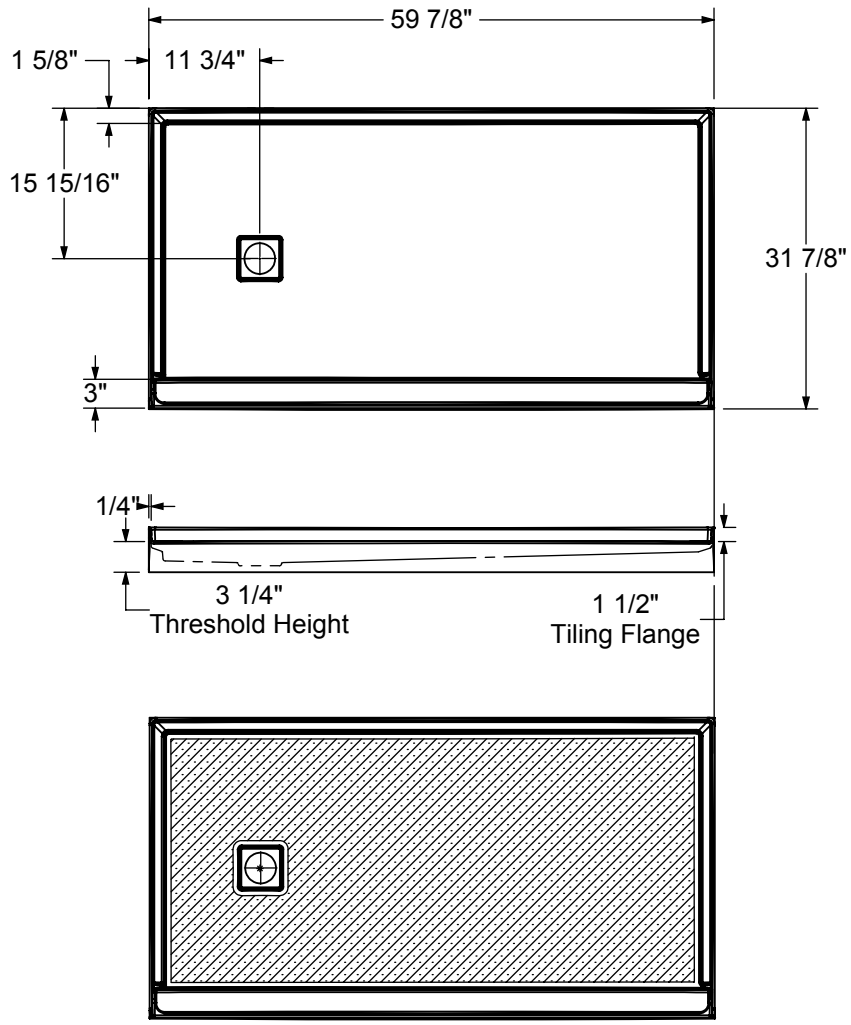
SKU	Description	MSRP
OPT20254-305	PVC Square drain Available colors: Chrome (084), Brushed Nickel (305), Dark Bronze (173), Matte Black (340) and Brushed Gold (343)	\$ 52
OPT20254-340		\$ 87
OPT20254-343		\$ 87
OPT20254-084		\$ 0

ACCESSORIES

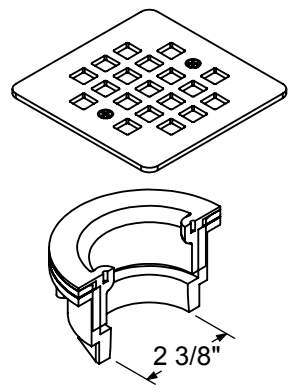
SKU	Description	MSRP
10038458-305-600	Square drain grid Available colors: White (001)Chrome (084), Dark Bronze (173), Brushed Nickel (305), Matte Black (340) and Brushed Gold (343)	\$ 52
10038458-084-600		\$ 52
10038458-173-600		\$ 87
10038458-340-600		\$ 87
10038458-001-600		\$ 87
10038458-343-600		\$ 87
10029133-084	PVC drain to respect National Building Code of Canada (CAN/ULC-S102.2 flame and smoke protection) for high rise construction (sold separately - grid not included) Available color: Chrome (084)	\$ 88

RECOMMENDED DOORS - VISIT OUR WEBSITE FOR A COMPLETE LIST OF RECOMMENDED DOORS

SKU	Product Name	Pag.
138277	Manhattan 57-59 x 68 - 6mm	763
138997	Halo 56 ½-59 x 78 ¾ - 8mm	796
139353	Incognito 70 56-59 x 70 ½ - 8mm	721
139350	Incognito 56-59 x 70 ½ in. 6mm	719
135332	Incognito 76 Shaker 56-59 x 76 - 8mm	725
135335	Incognito 76 56-59 x 76 - 8mm	727
136335	Incognito 76 Smoke 56-59 x 76 - 8mm	729
135694	Revelation Square 56-59 x 70 ½-73 - 8mm	739
136691	Revelation Round 56-59 x 70 ½-73 - 6mm	733
135691	Revelation Square 56-59 x 70 ½-73 - 6mm	737
136694	Revelation Round 56-59 x 70 ½-73 - 8mm	735
135322	Uptown 56-59 x 76 in. 8 mm	741
135324		802
135326	Uptown 57-59 x 76 in. 8 mm	777
135238	Connect Pro 57-58 ½ x 76 - 6mm	787
139580	Reveal Sleek 71 56-59 x 71 ½ - 8mm	775
138956	Halo Pro TB 56 ½-59 x 78 ¾ - 8mm	794
138952	Halo Pro 56 ½-59 x 78 ¾ - 8mm	792
138541	Halo Pro GS 56 1/2-59 X 78 3/4 - 8mm	790
136955	Duel Alto 56-59 X 78 - 8 mm	695



DRAIN INCLUDED ON B3X SQUARE ONLY



The hatched area represent the antislip surface

All dimensions are approximate. Structure measurements must be verified against the unit to ensure proper fit.



B3X 6032 - Corner



Material : Acrylic

Features

- › 3 1/4 in. threshold acrylic shower base with square center drain
- › Optimized floor design improving showering space
- › Available with Stabili-T anti-slip bottom meeting ADA, ANSI or CSA requirements
- › Right or left drain
- › 2 1/2 in. high tiling flanges to ensure watertightness
- › Integrated weep holes providing superior water management
- › Square chrome grid and ABS drain included (Upgrade PVC Option available)
- › Multiple grid finishes available

CONFIGURABLE SHOWER BASES

B3X 6032 - 420024

SKU	Color	Configuration	Dimensions & Weight	Packaging	MSRP
420024-502-001-000	White	Left / Corner Left	59 7/8" x 31 7/8" x 4" / 55 lb / 25 kg	7.2 ft³	\$ 1290
420024-542-001-000		Left / Corner Left - Stabili-T			\$ 1290

B3X 6032 - 420025

SKU	Color	Configuration	Dimensions & Weight	Packaging	MSRP
420025-503-001-000	White	Right / Corner Right	59 7/8" x 31 7/8" x 4" / 55 lb / 25 kg	7.2 ft³	\$ 1290
420025-543-001-000		Right / Corner Right - Stabili-T			\$ 1290

COMMON OPTIONS

SKU	Description	MSRP
OPT20208-084	PVC drain to respect National Building Code of Canada (CAN/ULC-S102.2 flame and smoke protection) for high rise construction (included in product packaging) Available color: Chrome (084)	\$ 88
OPT20253-340	ABS Square drain Available colors: Chrome (084), Brushed Nickel (305), Dark Bronze (173), Matte Black (340) and Brushed gold (343)	\$ 87
OPT20253-305		\$ 52
OPT20253-343		\$ 87
OPT20253-084		\$ 0
OPT20253-173		\$ 87
OPT20254-173	PVC Square drain Available colors: Chrome (084), Brushed Nickel (305), Dark Bronze (173), Matte Black (340) and Brushed Gold (343)	\$ 87

COMMON OPTIONS

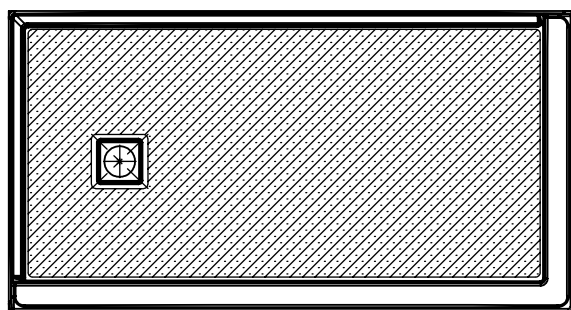
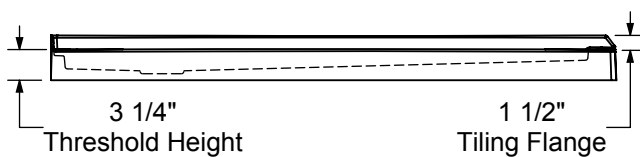
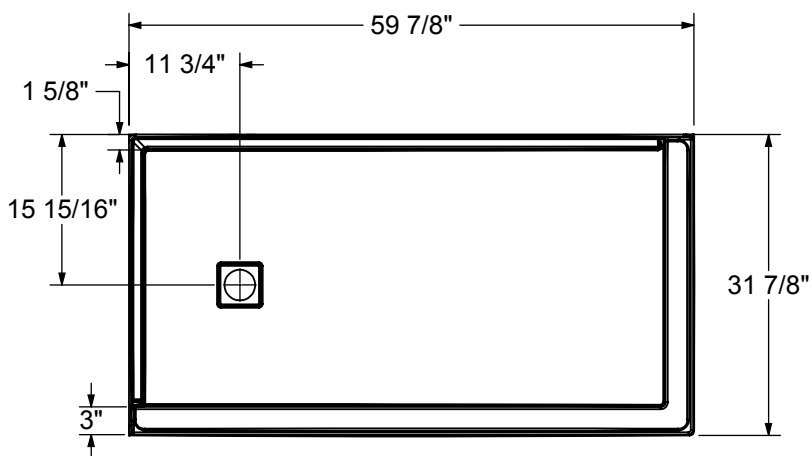
SKU	Description	MSRP
OPT20254-305	PVC Square drain Available colors: Chrome (084), Brushed Nickel (305), Dark Bronze (173), Matte Black (340) and Brushed Gold (343)	\$ 52
OPT20254-340		\$ 87
OPT20254-343		\$ 87
OPT20254-084		\$ 0

ACCESSORIES

SKU	Description	MSRP
10029133-084	PVC drain to respect National Building Code of Canada (CAN/ULC-S102.2 flame and smoke protection) for high rise construction (sold separately - grid not included) Available color: Chrome (084)	\$ 88
10038458-305-600	Square drain grid Available colors: White (001)Chrome (084), Dark Bronze (173), Brushed Nickel (305), Matte Black (340) and Brushed Gold (343)	\$ 52
10038458-084-600		\$ 52
10038458-173-600		\$ 87
10038458-340-600		\$ 87
10038458-001-600		\$ 87
10038458-343-600		\$ 87

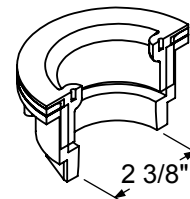
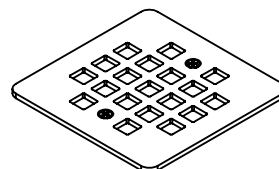
RECOMMENDED DOORS - VISIT OUR WEBSITE FOR A COMPLETE LIST OF RECOMMENDED DOORS

SKU	Product Name	Pag.
138997	Halo 56 1/2-59 x 78 3/4 - 8mm	796
135322	Uptown 56-59 x 76 in. 8 mm	741
135324		802
135326	Uptown 57-59 x 76 in. 8 mm	777
135238	Connect Pro 57-58 1/2 x 76 - 6mm	787
139580	Reveal Sleek 71 56-59 x 71 1/2 - 8mm	775
138541	Halo Pro GS 56 1/2-59 X 78 3/4 - 8mm	790
136955	Duel Alto 56-59 X 78 - 8 mm	695
139587	Capella 78 56-59 x 78 - 8mm	743
136672	Reveal 71 56-59 x 71 1/2 - 8mm	771



The hatched area represent the antislip surface

DRAIN INCLUDED ON B3 SQUARE ONLY



All dimensions are approximate. Structure measurements must be verified against the unit to ensure proper fit.

B3X 6036 - Alcove



CONFIGURABLE SHOWER BASES



Material : Acrylic

Features

- › 3 1/4 in. threshold acrylic shower base with square center drain
- › Optimized floor design improving showering space
- › Available with Stabili-T anti-slip bottom meeting ADA, ANSI or CSA requirements
- › 2 1/2 in. high tiling flanges to ensure watertightness
- › Integrated weep holes providing superior water management
- › Square chrome grid and ABS drain included (Upgrade PVC Option available)
- › Multiple grid finishes available

B3X 6036 - 420031

SKU	Color	Configuration	Dimensions & Weight	Packaging	MSRP
420031-501-001-000	White	Center / Alcove	59 7/8" x 35 7/8" x 4" / 62 lb / 28 kg	8.5 ft ³	\$ 1327
420031-541-001-000		Center / Alcove – Stabili-T			\$ 1327

COMMON OPTIONS

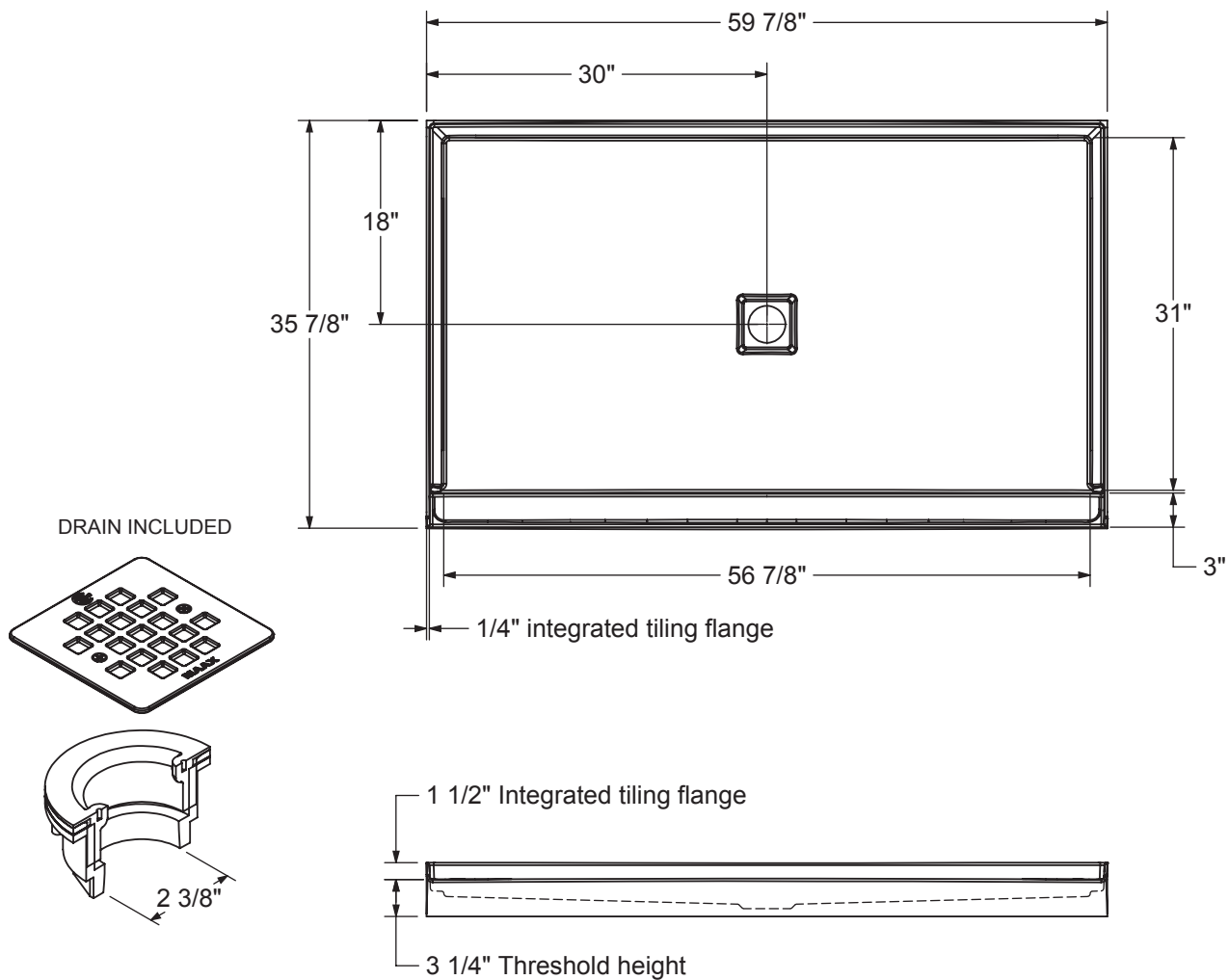
SKU	Description	MSRP
OPT20208-084	PVC drain to respect National Building Code of Canada (CAN/ULC-S102.2 flame and smoke protection) for high rise construction (included in product packaging) Available color: Chrome (084)	\$ 88
OPT20254-173	PVC Square drain Available colors: Chrome (084), Brushed Nickel (305), Dark Bronze (173), Matte Black (340) and Brushed Gold (343)	\$ 87
OPT20254-305		\$ 52
OPT20254-340		\$ 87
OPT20254-343		\$ 87
OPT20254-084		\$ 0
OPT20253-340		ABS Square drain Available colors: Chrome (084), Brushed Nickel (305), Dark Bronze (173), Matte Black (340) and Brushed gold (343)
OPT20253-305	\$ 52	
OPT20253-343	\$ 87	
OPT20253-084	\$ 0	
OPT20253-173	\$ 87	

ACCESSORIES

SKU	Description	MSRP
10029133-084	PVC drain to respect National Building Code of Canada (CAN/ULC-S102.2 flame and smoke protection) for high rise construction (sold separately - grid not included) Available color: Chrome (084)	\$ 88
10038458-305-600	Square drain grid Available colors: White (001)Chrome (084), Dark Bronze (173), Brushed Nickel (305), Matte Black (340) and Brushed Gold (343)	\$ 52
10038458-084-600		\$ 52
10038458-173-600		\$ 87
10038458-340-600		\$ 87
10038458-001-600		\$ 87
10038458-343-600		\$ 87

RECOMMENDED DOORS - VISIT OUR WEBSITE FOR A COMPLETE LIST OF RECOMMENDED DOORS

SKU	Product Name	Pag.
138277	Manhattan 57-59 x 68 - 6mm	763
138997	Halo 56 ½-59 x 78 ¾ - 8mm	796
139353	Incognito 70 56-59 x 70 ½ - 8mm	721
139350	Incognito 56-59 x 70 ½ in. 6mm	719
135332	Incognito 76 Shaker 56-59 x 76 - 8mm	725
135335	Incognito 76 56-59 x 76 - 8mm	727
136335	Incognito 76 Smoke 56-59 x 76 - 8mm	729
135694	Revelation Square 56-59 x 70 ½-73 - 8mm	739
136691	Revelation Round 56-59 x 70 ½-73 - 6mm	733
135691	Revelation Square 56-59 x 70 ½-73 - 6mm	737
136694	Revelation Round 56-59 x 70 ½-73 - 8mm	735
135322	Uptown 56-59 x 76 in. 8 mm	741
135324		802
135326	Uptown 57-59 x 76 in. 8 mm	777
135238	Connect Pro 57-58 ½ x 76 - 6mm	787
139580	Reveal Sleek 71 56-59 x 71 ½ - 8mm	775
138956	Halo Pro TB 56 ½-59 x 78 ¾ - 8mm	794
138952	Halo Pro 56 ½-59 x 78 ¾ - 8mm	792
138541	Halo Pro GS 56 1/2-59 X 78 3/4 - 8mm	790
136955	Duel Alto 56-59 X 78 - 8 mm	695
138762	Inverto 56-59 x 70 ½-74 - 8mm	718
137420	Odyssey SC 57-59 1/2 x 78 - 8 mm	800
138475	Vela 56 ½-59 x 78 ¾ - 8mm	784
135875	Nebula 56 ½-58 ½ x 78 ¾ - 8mm	779
139587	Capella 78 56-59 x 78 - 8mm	743
137832	ModulR 60 x 78 - 8mm	748
134675	Kameleon SC 55-59 x 71 - 8mm	707
134572	Kameleon 55-59 x 71 - 8mm	715



All dimensions are approximate. Structure measurements must be verified against the unit to ensure proper fit.

B3X 6036 - Corner



Material : Acrylic

Features

- › 3 1/4 in. threshold acrylic shower base with square center drain
- › Optimized floor design improving showering space
- › Available with Stabili-T anti-slip bottom meeting ADA, ANSI or CSA requirements
- › 2 1/2 in. high tiling flanges to ensure watertightness
- › Integrated weep holes providing superior water management
- › Square chrome grid and ABS drain included (Upgrade PVC Option available)
- › Multiple grid finishes available
- › Left corner installation

CONFIGURABLE SHOWER BASES

B3X 6036 - 420032

SKU	Color	Configuration	Dimensions & Weight	Packaging	MSRP
420032-502-001-000	White	Center / Corner Left	59 7/8" x 35 7/8" x 4" / 62 lb / 28 kg	8.5 ft ³	\$ 1327
420032-542-001-000		Center / Corner Left - Stabili-T			\$ 1327

B3X 6036 - 420033

SKU	Color	Configuration	Dimensions & Weight	Packaging	MSRP
420033-503-001-000	White	Center / Corner Right	59 7/8" x 35 7/8" x 4" / 62 lb / 28 kg	8.5 ft ³	\$ 1327
420033-543-001-000		Center / Corner Right - Stabili-T			\$ 1327

COMMON OPTIONS

SKU	Description	MSRP
OPT20254-173	PVC Square drain Available colors: Chrome (084), Brushed Nickel (305), Dark Bronze (173), Matte Black (340) and Brushed Gold (343)	\$ 87
OPT20254-305		\$ 52
OPT20254-340		\$ 87
OPT20254-343		\$ 87
OPT20254-084		\$ 0
OPT20208-084	PVC drain to respect National Building Code of Canada (CAN/ULC-S102.2 flame and smoke protection) for high rise construction (included in product packaging) Available color: Chrome (084)	\$ 88
OPT20253-340	ABS Square drain Available colors: Chrome (084), Brushed Nickel (305), Dark Bronze (173), Matte Black (340) and Brushed gold (343)	\$ 87

COMMON OPTIONS

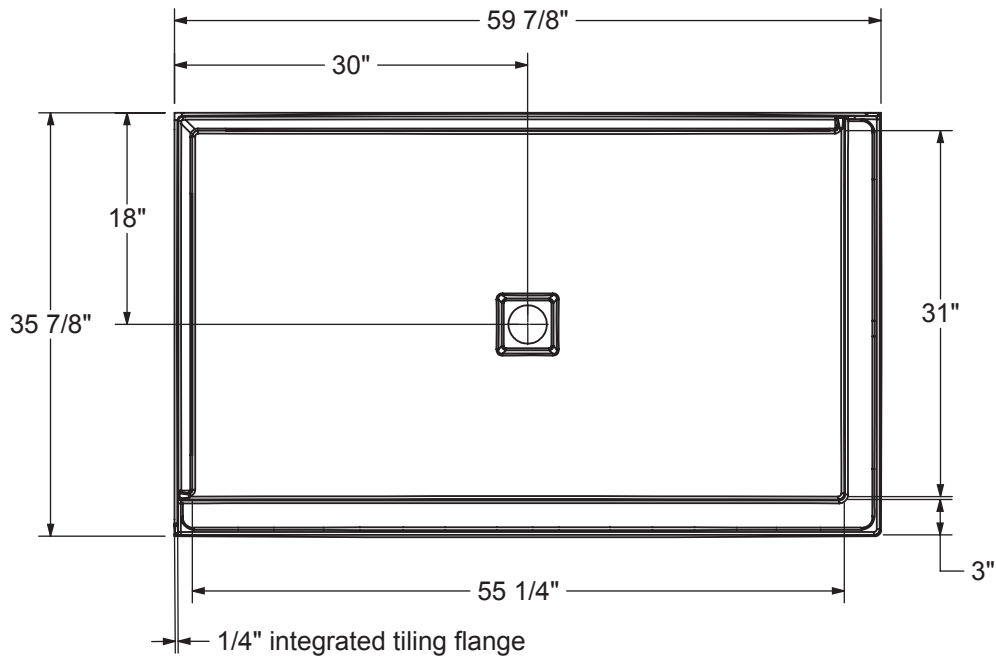
SKU	Description	MSRP
OPT20253-305	ABS Square drain Available colors: Chrome (084), Brushed Nickel (305), Dark Bronze (173), Matte Black (340) and Brushed gold (343)	\$ 52
OPT20253-343		\$ 87
OPT20253-084		\$ 0
OPT20253-173		\$ 87

ACCESSORIES

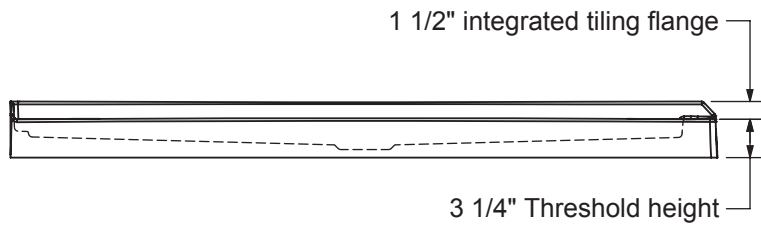
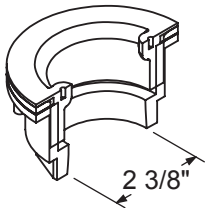
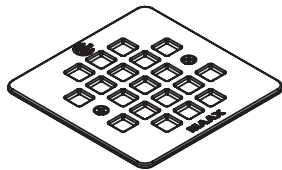
SKU	Description	MSRP
10029133-084	PVC drain to respect National Building Code of Canada (CAN/ULC-S102.2 flame and smoke protection) for high rise construction (sold separately - grid not included) Available color: Chrome (084)	\$ 88
10038458-305-600	Square drain grid Available colors: White (001)Chrome (084), Dark Bronze (173), Brushed Nickel (305), Matte Black (340) and Brushed Gold (343)	\$ 52
10038458-084-600		\$ 52
10038458-173-600		\$ 87
10038458-340-600		\$ 87
10038458-001-600		\$ 87
10038458-343-600		\$ 87

RECOMMENDED DOORS - VISIT OUR WEBSITE FOR A COMPLETE LIST OF RECOMMENDED DOORS

SKU	Product Name	Pag.
138997	Halo 56 1/2-59 x 78 3/4 - 8mm	796
135322	Uptown 56-59 x 76 in. 8 mm	741
135324		802
135326	Uptown 57-59 x 76 in. 8 mm	777
135238	Connect Pro 57-58 1/2 x 76 - 6mm	787
139580	Reveal Sleek 71 56-59 x 71 1/2 - 8mm	775
138541	Halo Pro GS 56 1/2-59 X 78 3/4 - 8mm	790
136955	Duel Alto 56-59 X 78 - 8 mm	695
135875	Nebula 56 1/2-58 1/2 x 78 3/4 - 8mm	779
139587	Capella 78 56-59 x 78 - 8mm	743
136672	Reveal 71 56-59 x 71 1/2 - 8mm	771



DRAIN INCLUDED



All dimensions are approximate. Structure measurements must be verified against the unit to ensure proper fit.



Neo-angle Base 36 - 3 in

CORNER BASES - ACRYLIC



Material : Acrylic

Features

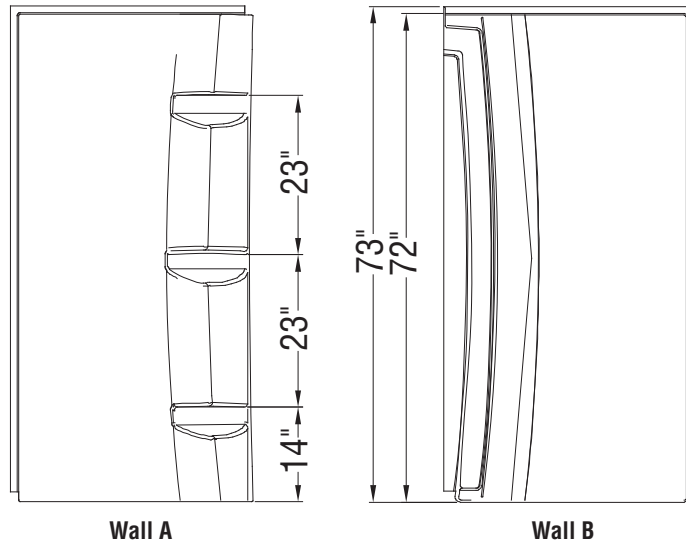
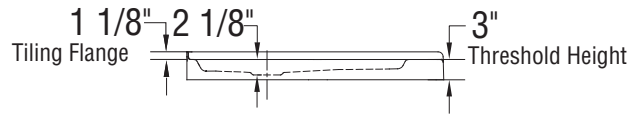
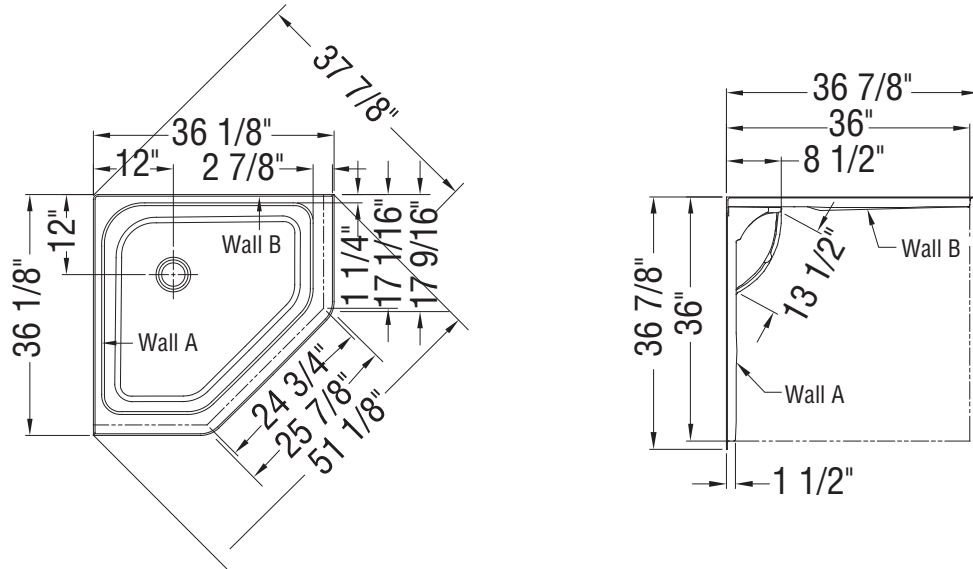
- › Low threshold base
- › Corner drain; textured bottom
- › Deflecting strip preventing water penetration behind the shower
- › Corner installation
- › Easy front installation walls with snap clips are available

NEO-ANGLE BASE 36 - 3 IN - 101422

SKU	Color	Configuration	Dimensions & Weight	Packaging	MSRP
101422-000-001-000	White	Corner / Corner Left or Right	36 1/8" x 36 1/8" x 4 1/8" / 36 lb / 16 kg	8.93 ft ³	\$ 747

RECOMMENDED DOORS - VISIT OUR WEBSITE FOR A COMPLETE LIST OF RECOMMENDED DOORS

SKU	Product Name	Pag.
137440	Radia Neo-angle 36 x 36 x 71 ½ - 6mm	821



All dimensions are approximate. Structure measurements must be verified against the unit to ensure proper fit.



Neo-angle Base 38 - 3 in

CORNER BASES - ACRYLIC



Material : Acrylic

Features

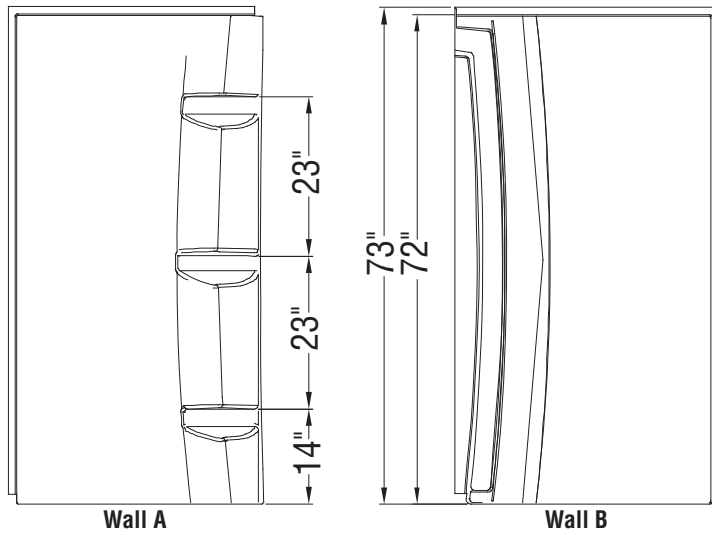
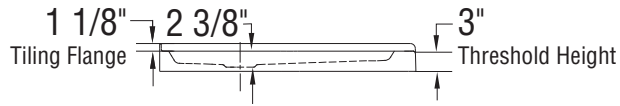
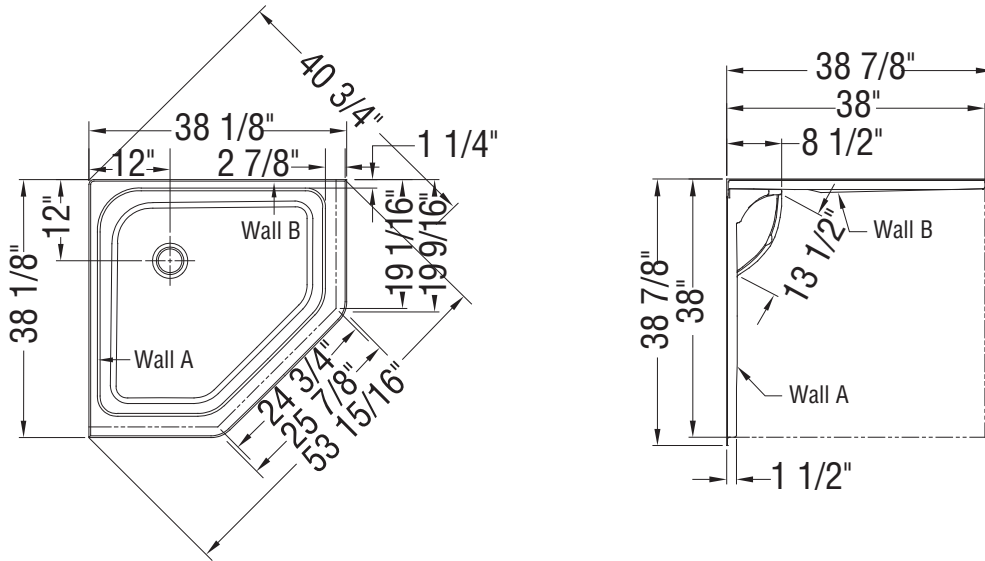
- › Proudly made in Canada
- › Direct to stud corner installation that will save time and money
- › Durable high shine acrylic stays warm to the touch and is easy to clean
- › 3-inch low threshold for easy access
- › Textured bottom for added safety
- › Walls with convenient foot rest available, designed to be easier to clean
- › Ensure fit with MAAX Radia Corner Door # 137441-900

NEO-ANGLE BASE 38 - 3 IN - 101423

SKU	Color	Configuration	Dimensions & Weight	Packaging	MSRP
101423-000-001-000	White	Corner / Corner Left or Right	38 1/8" x 38 1/8" x 4 1/8" / 38 lb / 17 kg	8.93 ft³	\$ 824

RECOMMENDED DOORS - VISIT OUR WEBSITE FOR A COMPLETE LIST OF RECOMMENDED DOORS

SKU	Product Name	Pag.
137441	Radia Neo-angle 38 x 38 x 71 ½ - 6mm	821



All dimensions are approximate. Structure measurements must be verified against the unit to ensure proper fit.



Neo-angle Base 40 - 3 in

CORNER BASES - ACRYLIC



Material : Acrylic

Features

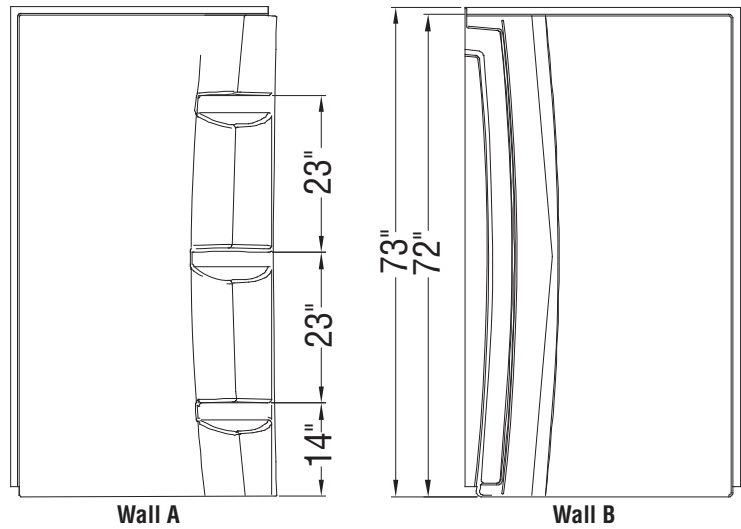
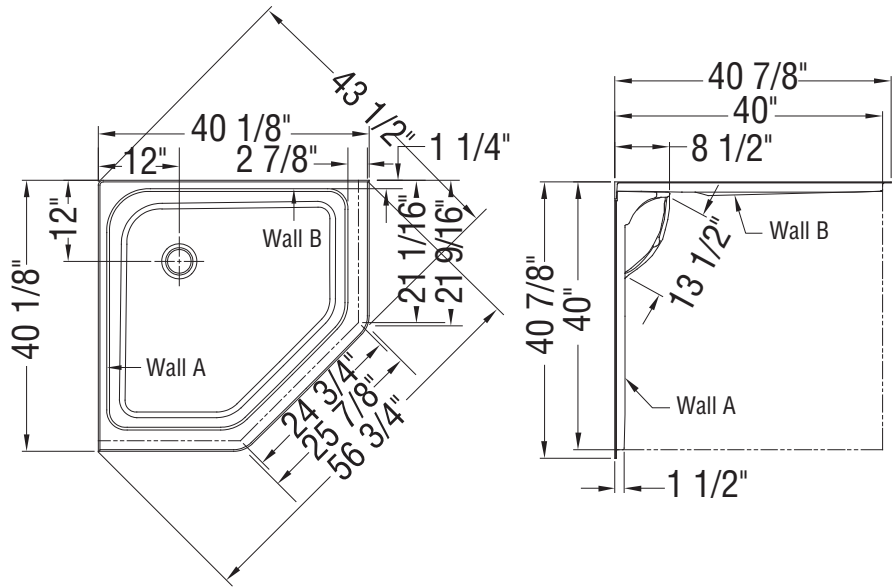
- › Direct to stud corner installation that will save time and money
- › Durable high shine acrylic stays warm to the touch and is easy to clean
- › 3-inch low threshold for easy access
- › Textured bottom for added safety
- › Walls with convenient foot rest available, designed to be easier to clean
- › Ensure fit with MAAX Radia Corner Door # 137442-900

NEO-ANGLE BASE 40 - 3 IN - 101424

SKU	Color	Configuration	Dimensions & Weight	Packaging	MSRP
101424-000-001-000	White	Corner / Corner Left or Right	40 1/8" x 40 1/8" x 4 1/8" / 40 lb / 18 kg	9.9 ft ³	\$ 940

RECOMMENDED DOORS - VISIT OUR WEBSITE FOR A COMPLETE LIST OF RECOMMENDED DOORS

SKU	Product Name	Pag.
137442	Radia Neo-angle 40 x 40 x 71 1/2 - 6mm	821



All dimensions are approximate. Structure measurements must be verified against the unit to ensure proper fit.



Neo-angle Base 42 - 3 in

CORNER BASES - ACRYLIC



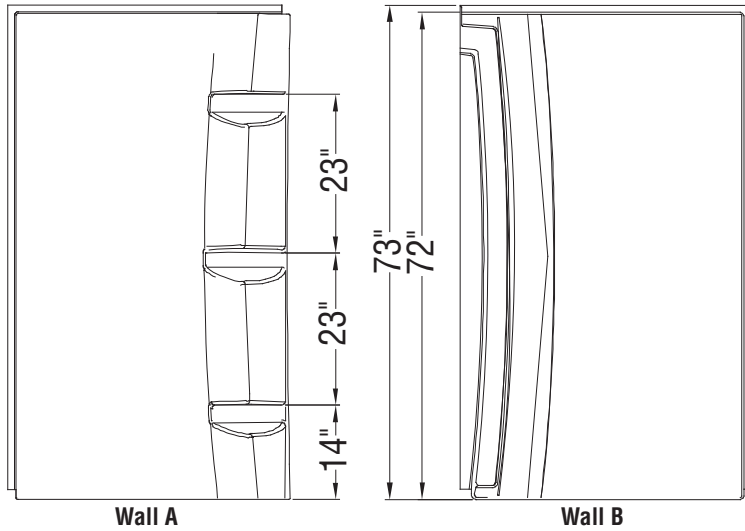
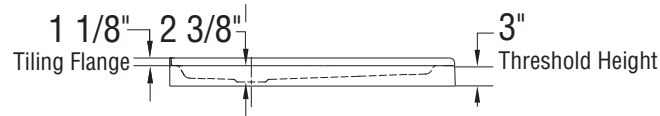
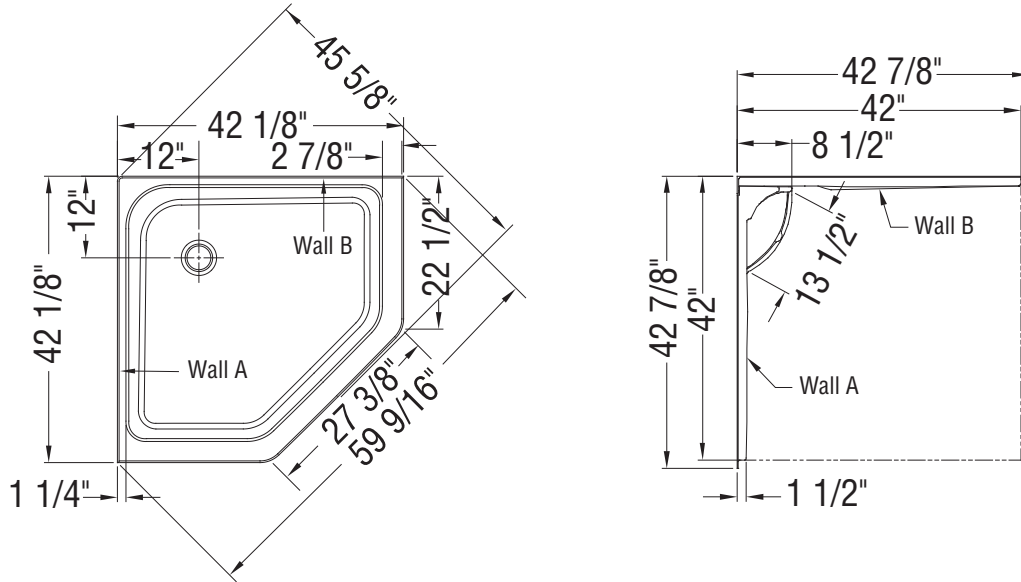
Material : Acrylic

Features

- › Proudly made in Canada
- › 42x42 Acrylic Neo-Angle Base with Corner Drain in White, direct to stud installation
- › 3 in. low threshold
- › Durable high shine acrylic stays warm to the touch and is easy to clean, available in white only
- › Textured bottom
- › Off-center drain - consult MAAX technical drawing (specification) for exact dimensions
- › Limited warranty is for a period of 25 years, phone # 1-877-GET-MAAX

NEO-ANGLE BASE 42 - 3 IN - 101425

SKU	Color	Configuration	Dimensions & Weight	Packaging	MSRP
101425-000-001-000	White	Corner / Corner Left or Right	42 1/8" x 42 1/8" x 4 1/8" / 42 lb / 19 kg	9.9 ft ³	\$ 1021



All dimensions are approximate. Structure measurements must be verified against the unit to ensure proper fit.



Neo-round Base 32 - 3 in

CORNER BASES - ACRYLIC



Material : Acrylic

Features

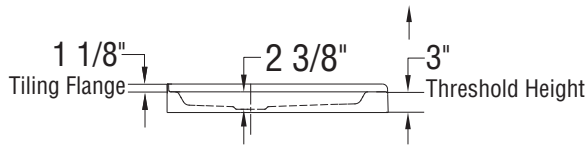
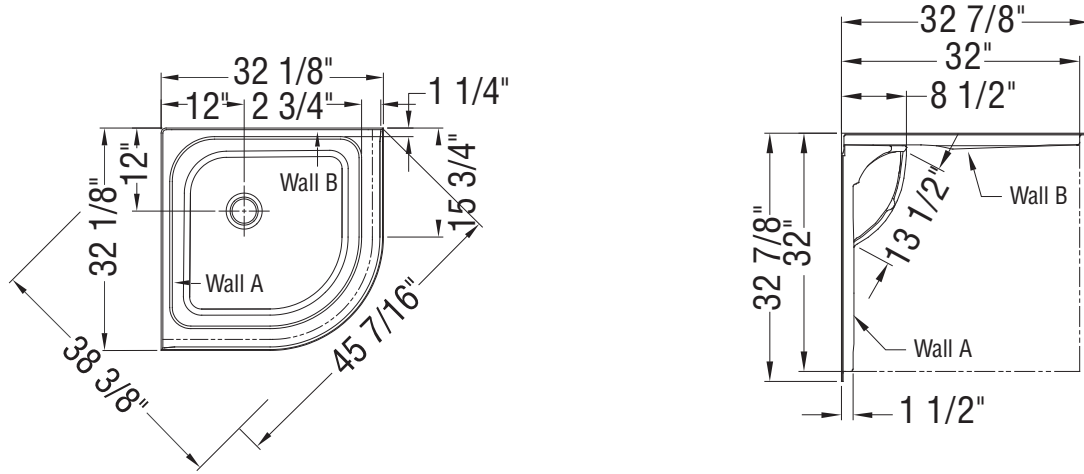
- › Direct to stud corner installation that will save time and money
- › Durable high shine acrylic stays warm to the touch and is easy to clean
- › 3-inch low threshold for easy access
- › Textured bottom for added safety
- › Walls with convenient foot rest available, designed to be easier to clean
- › Ensure fit with MAAX Radia Corner Door # 137443-900

NEO-ROUND BASE 32 - 3 IN - 101426

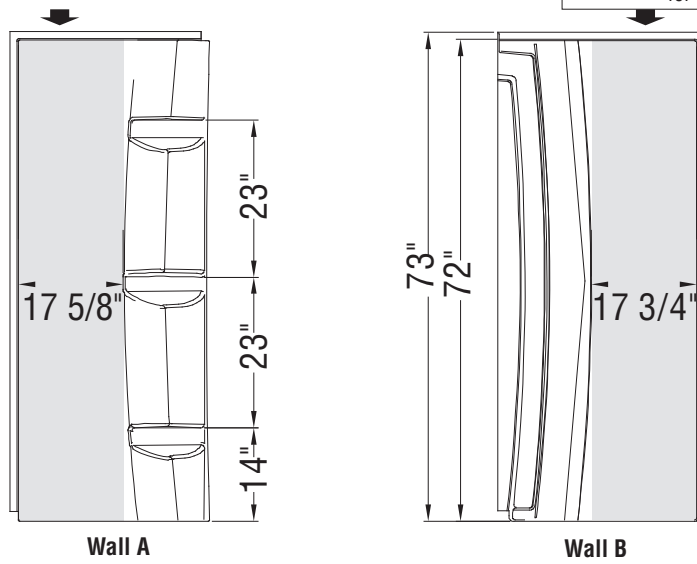
SKU	Color	Configuration	Dimensions & Weight	Packaging	MSRP
101426-000-001-000	White	Corner / Corner Left or Right	32 1/8" x 32 1/8" x 4 1/8" / 32 lb / 15 kg	6 ft ³	\$ 684

RECOMMENDED DOORS - VISIT OUR WEBSITE FOR A COMPLETE LIST OF RECOMMENDED DOORS

SKU	Product Name	Pag.
137443	Radia Neo-round 32 x 32 x 71 ½ - 6mm	823



Important
 Center your plumbing in the highlighted area. Exact plumbing position may vary upon model specifications, please refer to the supplier's instructions for more details



All dimensions are approximate. Structure measurements must be verified against the unit to ensure proper fit.



Neo-round Base 36 - 3 in

CORNER BASES - ACRYLIC



Material : Acrylic

Features

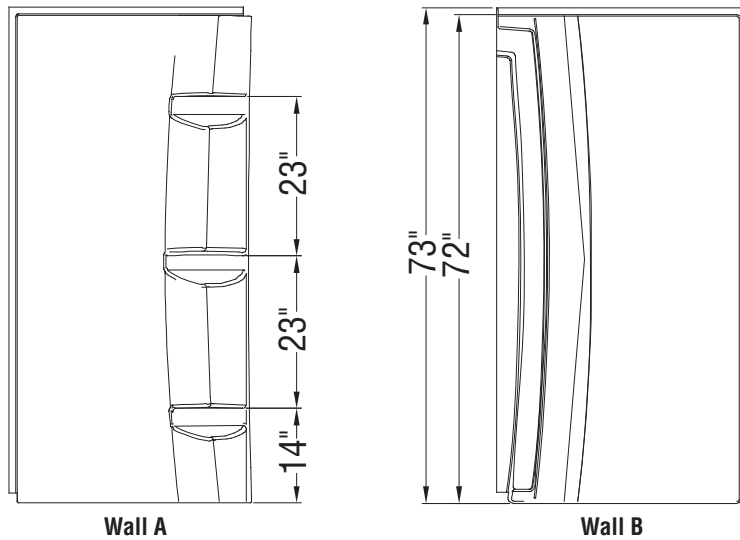
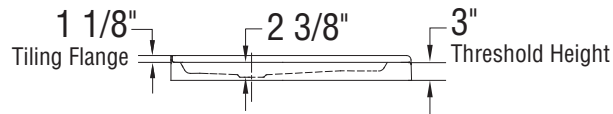
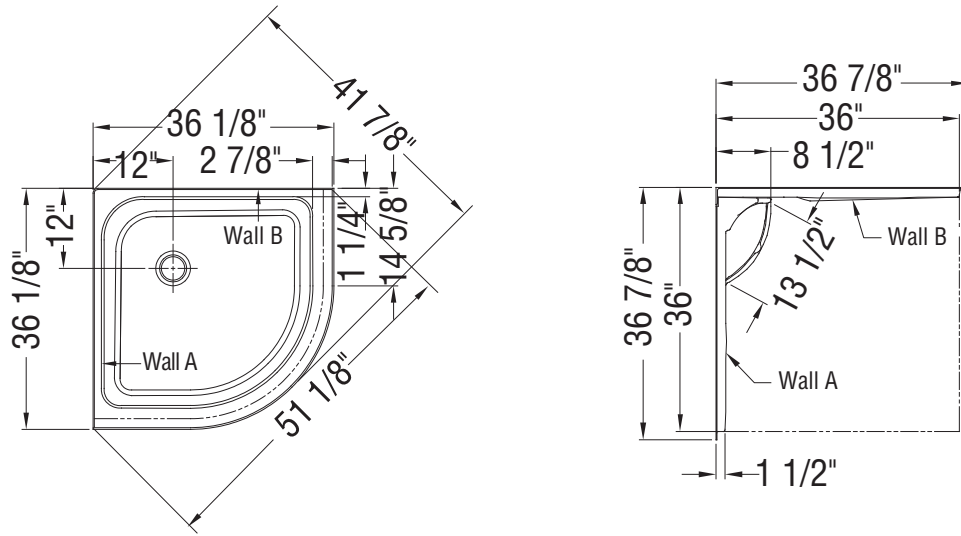
- › Proudly made in Canada
- › Direct to stud corner installation that will save time and money
- › Durable high shine acrylic stays warm to the touch and is easy to clean
- › 3-inch low threshold for easy access
- › Textured bottom for added safety
- › Walls with convenient foot rest available, designed to be easier to clean
- › Ensure fit with MAAX Radia Corner Door # 137444-900

NEO-ROUND BASE 36 - 3 IN - 101427

SKU	Color	Configuration	Dimensions & Weight	Packaging	MSRP
101427-000-001-000	White	Corner / Corner Left or Right	36 1/8" x 36 1/8" x 4 1/8" / 36 lb / 16 kg	8.93 ft ³	\$ 747

RECOMMENDED DOORS - VISIT OUR WEBSITE FOR A COMPLETE LIST OF RECOMMENDED DOORS

SKU	Product Name	Pag.
137444	Radia Neo-round 36 x 36 x 71 ½ - 6mm	823



All dimensions are approximate. Structure measurements must be verified against the unit to ensure proper fit.



Neo-round Base 40 - 3 in

CORNER BASES - ACRYLIC



Material : Acrylic

Features

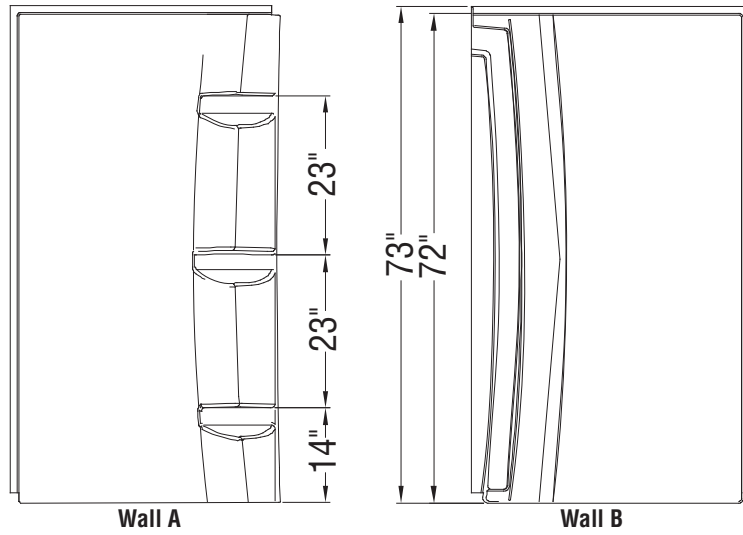
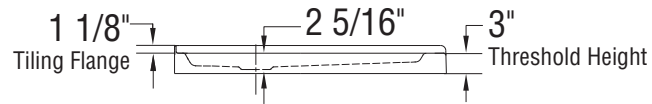
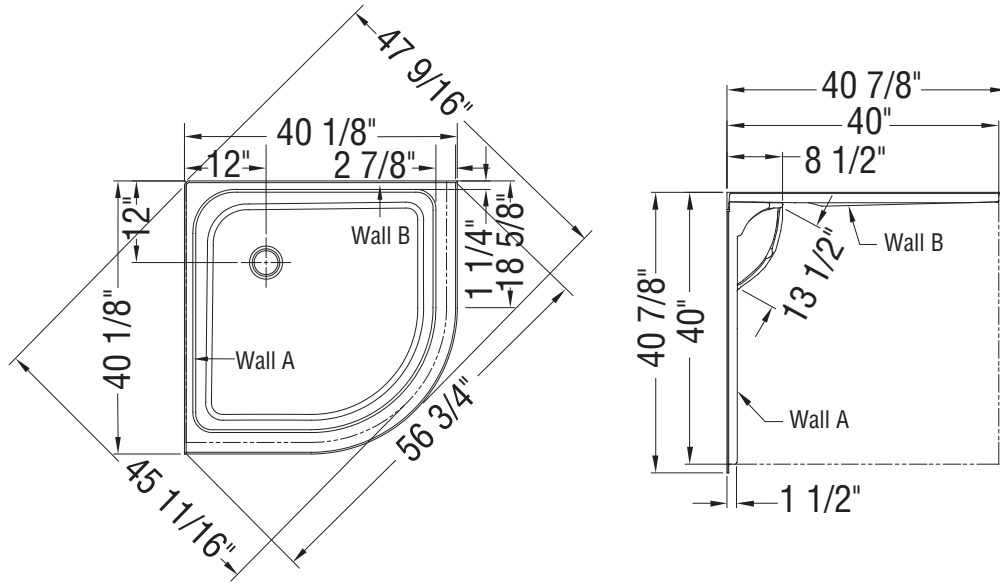
- › Direct to stud corner installation that will save time and money
- › Durable high shine acrylic stays warm to the touch and is easy to clean
- › 3-inch low threshold for easy access
- › Textured bottom for added safety
- › Walls with convenient foot rest available, designed to be easier to clean
- › Ensure fit with MAAX Radia Corner Door # 137445-900

NEO-ROUND BASE 40 - 3 IN - 101428

SKU	Color	Configuration	Dimensions & Weight	Packaging	MSRP
101428-000-001-000	White	Corner / Corner Left or Right	40 1/8" x 40 1/8" x 4 1/8" / 40 lb / 18 kg	8.93 ft ³	\$ 940

RECOMMENDED DOORS - VISIT OUR WEBSITE FOR A COMPLETE LIST OF RECOMMENDED DOORS

SKU	Product Name	Pag.
137445	Radia Neo-round 40 x 40 x 71 1/2 - 6mm	823

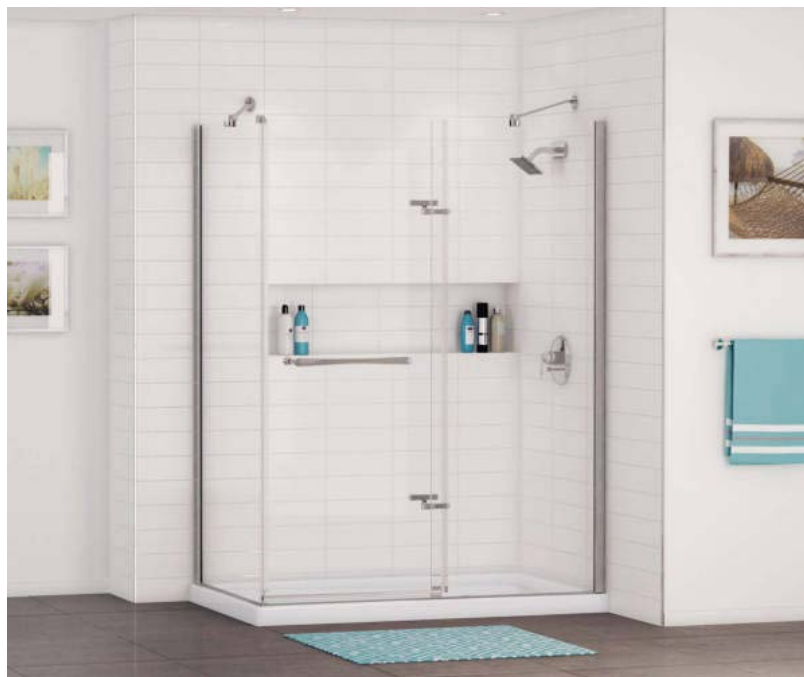


All dimensions are approximate. Structure measurements must be verified against the unit to ensure proper fit.

Rectangular Base 6036 - Corner L/R - 3 in.



CORNER BASES - ACRYLIC



Material : Acrylic

Features

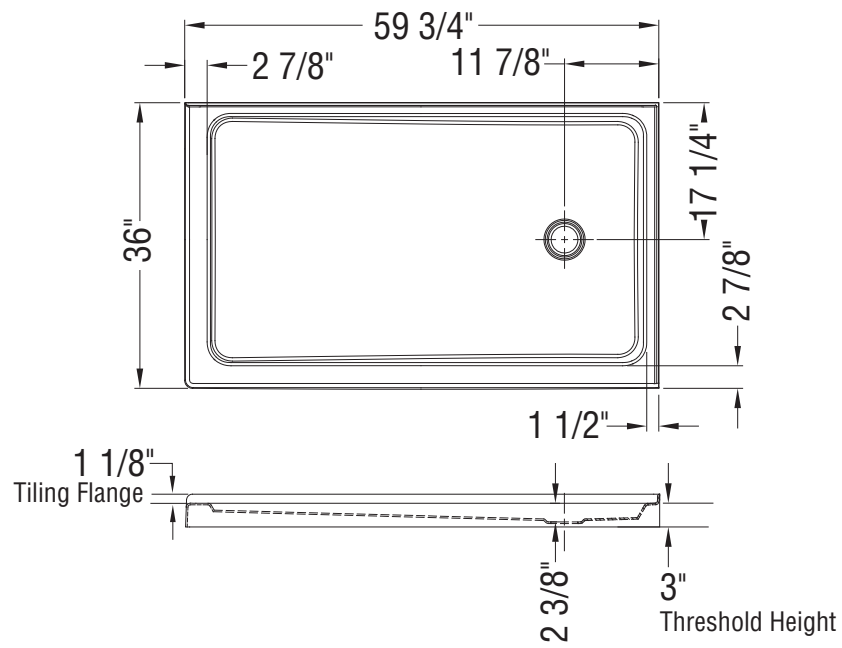
- > 60x36 Acrylic Alcove Shower Base with Left-Hand Drain in White, direct to stud installation
- > 3 in. low threshold
- > Durable high shine acrylic stays warm to the touch and is easy to clean
- > Textured bottom
- > Limited warranty is for a period of 25 years, phone # 1-877-GET-MAAX

RECTANGULAR BASE 6036 - CORNER L/R - 3 IN. - 105594

SKU	Color	Configuration	Dimensions & Weight	Packaging	MSRP
105594-000-001-001	White	Left / Corner Left or Right	59 3/4" x 36 1/4" x 4 1/8" / 58 lb / 26 kg	12 ft ³	\$ 1214
105594-000-001-002		Right / Corner Left or Right			\$ 1214

RECOMMENDED DOORS - VISIT OUR WEBSITE FOR A COMPLETE LIST OF RECOMMENDED DOORS

SKU	Product Name	Pag.
138997	Halo 56 1/2-59 x 78 3/4 - 8mm	796
135322	Uptown 56-59 x 76 in. 8 mm	741
135324		802
135326	Uptown 57-59 x 76 in. 8 mm	777
135238	Connect Pro 57-58 1/2 x 76 - 6mm	787
139580	Reveal Sleek 71 56-59 x 71 1/2 - 8mm	775
138541	Halo Pro GS 56 1/2-59 X 78 3/4 - 8mm	790
136955	Duel Alto 56-59 X 78 - 8 mm	695
135875	Nebula 56 1/2-58 1/2 x 78 3/4 - 8mm	779
139587	Capella 78 56-59 x 78 - 8mm	743
136672	Reveal 71 56-59 x 71 1/2 - 8mm	771



All dimensions are approximate. Structure measurements must be verified against the unit to ensure proper fit.



Round Base 36 - 3 in

CORNER BASES - ACRYLIC



Material : Acrylic

Features

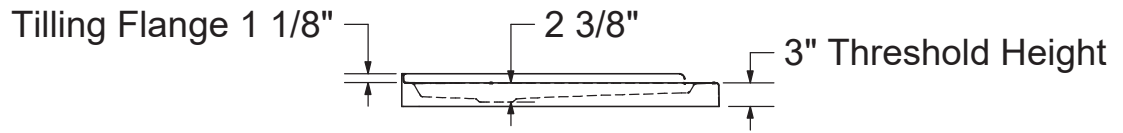
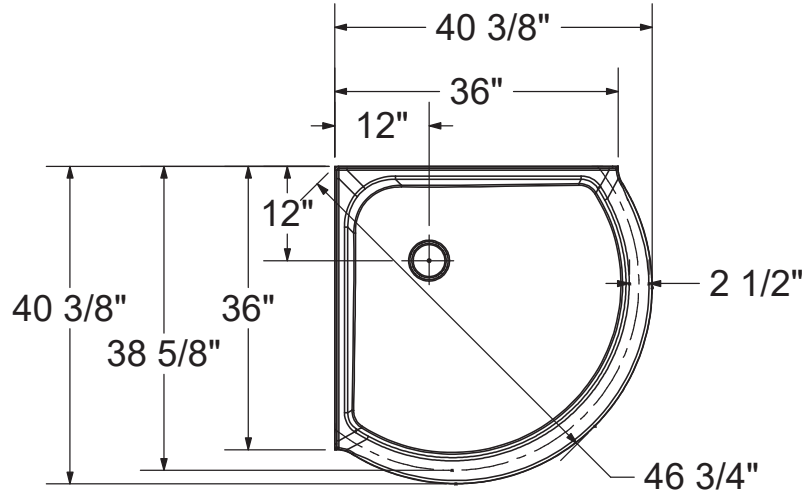
- › Proudly made in Canada
- › Direct to stud installation, save time and money
- › Sturdy 2-piece acrylic walls with built-in shelves
- › Integrated convenient footrest
- › Easy front installation with snap clips
- › Build from high quality acrylic that is easy to clean
- › Compatible with MAAX 36 inch corner bases

ROUND BASE 36 - 3 IN - 101429

SKU	Color	Configuration	Dimensions & Weight	Packaging	MSRP
101429-000-001-000	White	Corner / Corner Left or Right	36 1/8" x 36 1/8" x 4 1/8" / 36 lb / 16 kg	8.93 ft ³	\$ 982

RECOMMENDED DOORS - VISIT OUR WEBSITE FOR A COMPLETE LIST OF RECOMMENDED DOORS

SKU	Product Name	Pag.
137446	Radia Round 36 x 36 x 71 1/2 - 6mm	826



All dimensions are approximate. Structure measurements must be verified against the unit to ensure proper fit.

Square Base 32 - Corner - 3 in



CORNER BASES - ACRYLIC



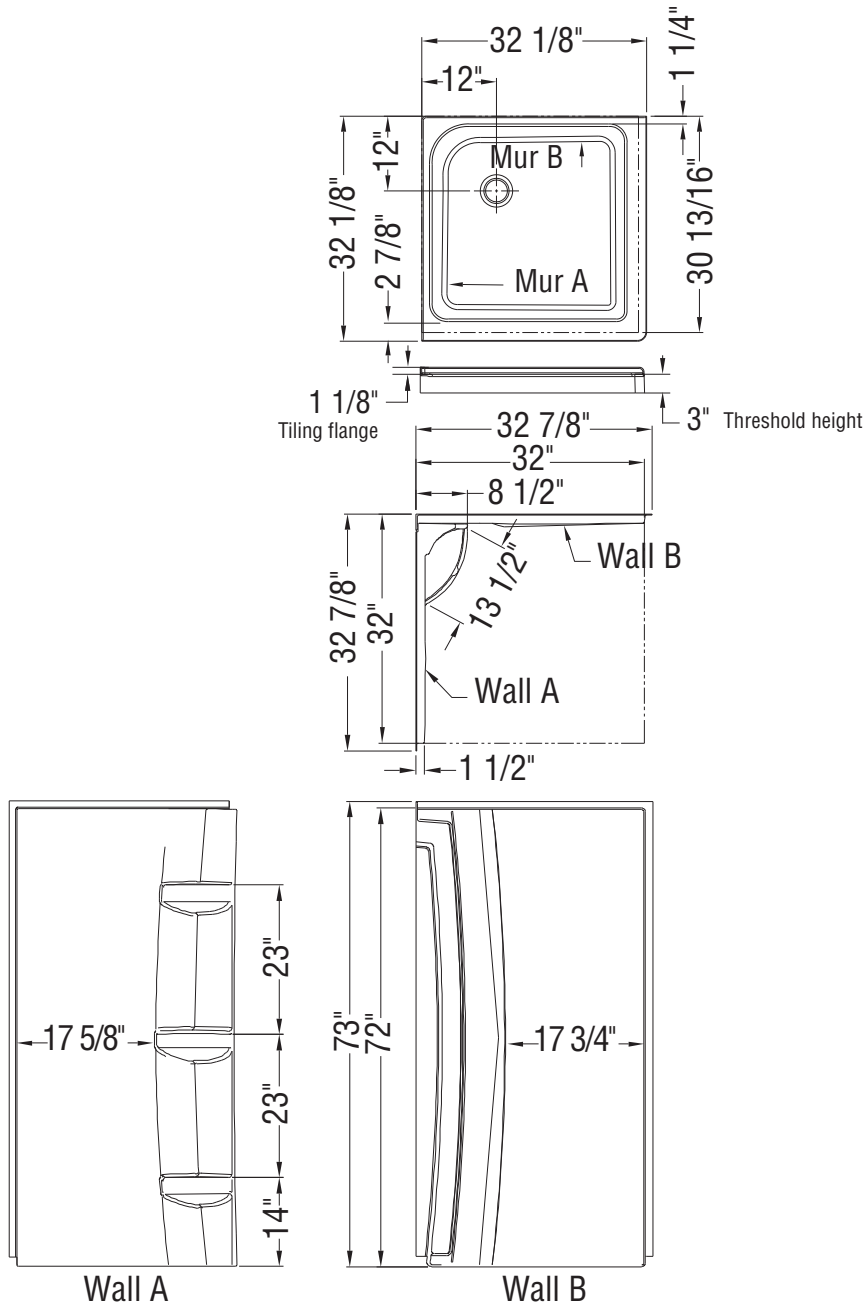
Material : Acrylic

Features

- › Direct to stud corner installation that will save time and money
- › Durable high shine acrylic stays warm to the touch and is easy to clean
- › 3-inch low threshold for easy access
- › Textured bottom for added safety
- › Walls with convenient foot rest available, designed to be easier to clean
- › Ensure fit with MAAX Radia Corner Door # 137447-900

SQUARE BASE 32 - CORNER - 3 IN - 101431

SKU	Color	Configuration	Dimensions & Weight	Packaging	MSRP
101431-000-001-000	White	Corner / Corner Left or Right	32 1/8" x 32 1/8" x 4 1/8" / 30 lb / 14 kg	6 ft ³	\$ 684



All dimensions are approximate. Structure measurements must be verified against the unit to ensure proper fit.

Square Base 36 - Corner - 3 in



CORNER BASES - ACRYLIC



Material : Acrylic

Features

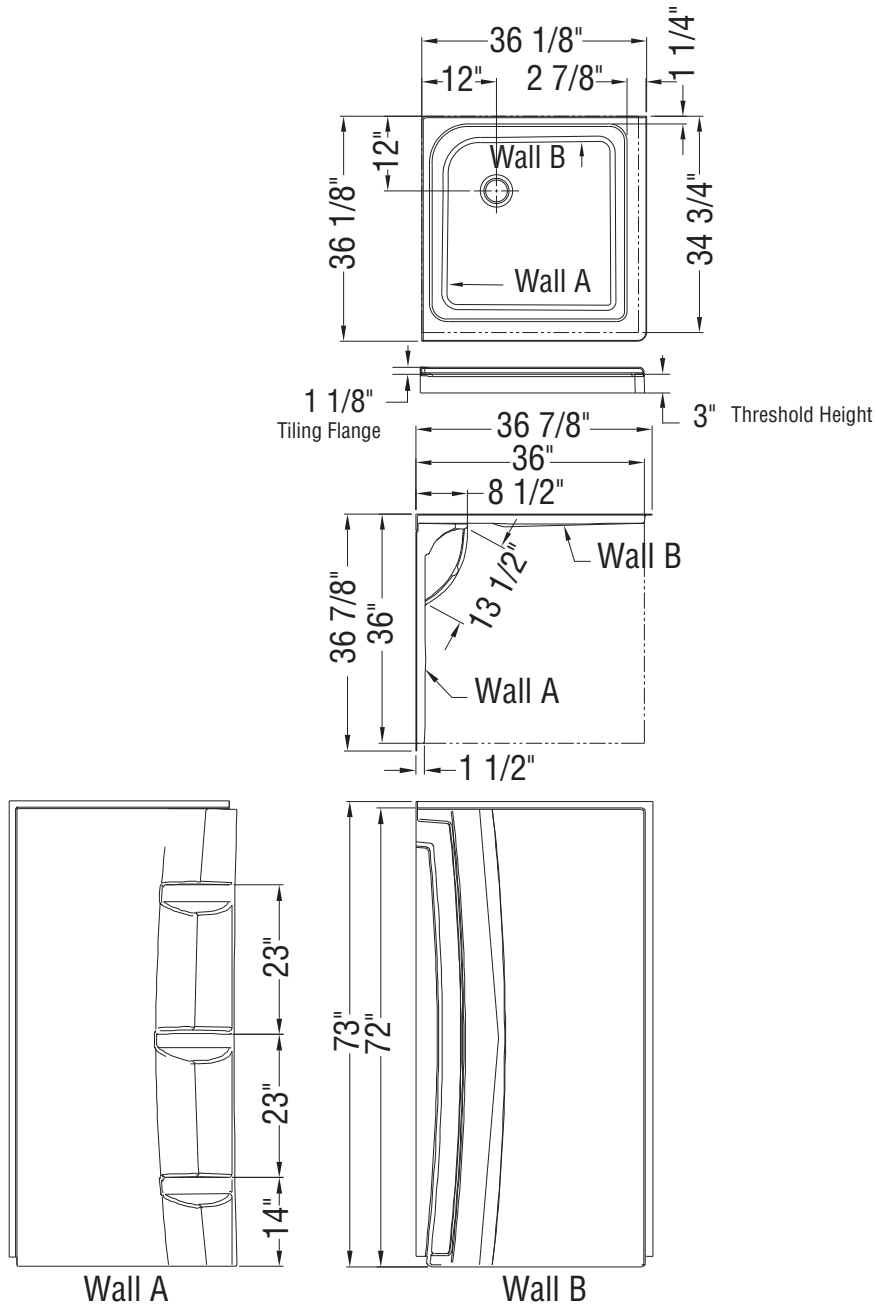
- › Direct to stud corner installation that will save time and money
- › Durable high shine acrylic stays warm to the touch and is easy to clean
- › 3-inch low threshold for easy access
- › Textured bottom for added safety
- › Walls with convenient foot rest available, designed to be easier to clean
- › Ensure fit with MAAX Radia Corner Door # 137448-900

SQUARE BASE 36 - CORNER - 3 IN - 101432

SKU	Color	Configuration	Dimensions & Weight	Packaging	MSRP
101432-000-001-000	White	Corner / Corner Left or Right	36 1/8" x 36 1/8" x 4 1/8" / 40 lb / 18 kg	8.93 ft ³	\$ 747

RECOMMENDED DOORS - VISIT OUR WEBSITE FOR A COMPLETE LIST OF RECOMMENDED DOORS

SKU	Product Name	Pag.
139575	Reveal Sleek 71 32 1/2-35 1/2 x 71 1/2 - 8mm	774
137448	Radia Square 36 x 36 x 71 1/2 - 6mm	828
139584	Capella 78 32 1/2-35 1/2 x 78 - 8mm	743
136676	Reveal 71 32 1/2-35 1/2 x 71 1/2 - 8mm	771



All dimensions are approximate. Structure measurements must be verified against the unit to ensure proper fit.



Fossil 6036 Base

SHOWER BASES - NATURAL STONE



Material : NaturalStone

Features

- › Natural stone textured finish shower base
- › Graphite color
- › Alcove & corner configuration (Glue-on tiling flange included)
- › 1.38" height - No threshold
- › End drain
- › Color-matched square drain cover
- › Compatible doors: Vela and Nebula
- › 10 year warranty

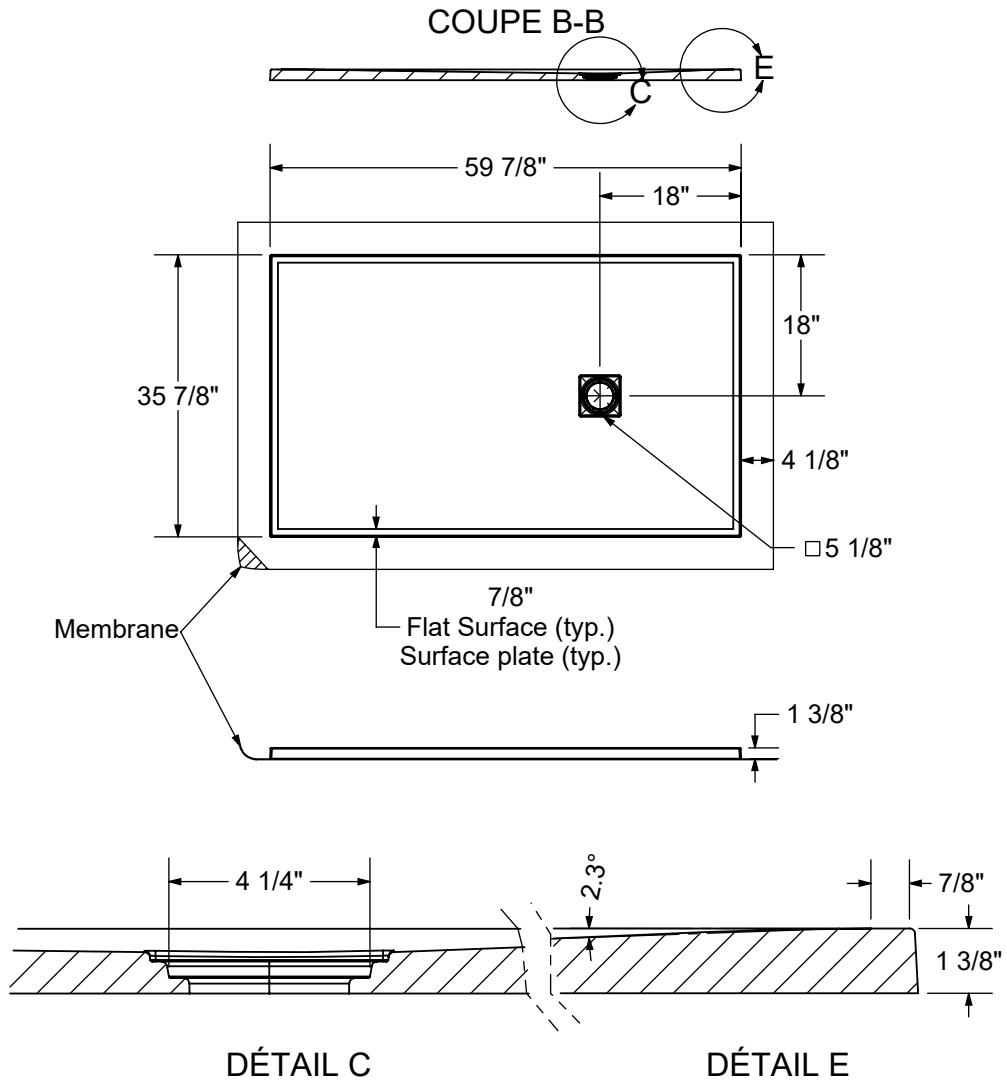
FOSSIL 6036 - 106881

SKU	Color	Configuration	Dimensions & Weight	Packaging	MSRP
106881-526-905-100	Graphite	End / Alcove or Corner	59 7/8" x 35 7/8" x 1 3/8" / 73 lb / 33 kg	5.6 ft ³	\$ 2821

RECOMMENDED DOORS - VISIT OUR WEBSITE FOR A COMPLETE LIST OF RECOMMENDED DOORS

SKU	Product Name	Pag.
138277	Manhattan 57-59 x 68 - 6mm	763
138997	Halo 56 ½-59 x 78 ¾ - 8mm	796
139353	Incognito 70 56-59 x 70 ½ - 8mm	721
139350	Incognito 56-59 x 70 ½ in. 6mm	719
135332	Incognito 76 Shaker 56-59 x 76 - 8mm	725
135335	Incognito 76 56-59 x 76 - 8mm	727
136335	Incognito 76 Smoke 56-59 x 76 - 8mm	729
135694	Revelation Square 56-59 x 70 ½-73 - 8mm	739
136691	Revelation Round 56-59 x 70 ½-73 - 6mm	733
135691	Revelation Square 56-59 x 70 ½-73 - 6mm	737
136694	Revelation Round 56-59 x 70 ½-73 - 8mm	735
135322	Uptown 56-59 x 76 in. 8 mm	741
135324		802
135326	Uptown 57-59 x 76 in. 8 mm	777
135238	Connect Pro 57-58 ½ x 76 - 6mm	787

BASE MODEL/ MODELE DE BASE



- All dimensions are approximate/Les dimensions sont approximatives
- Structure measurements must be verified against the unit to ensure proper fit/Dimensions de l'unité doivent être vérifiées avant l'installation
- Installation to be completed in accordance with manufacturers specifications/Installation doit être faite selon les instructions du fabricant
- Do not scale drawings/Ne pas mettre à l'échelle les dessins

Shower Doors



Luminescence shower door with B3Square 4832 shower base



Duel Alto Shower Doors



Material : Tempered Glass

Features

- › 8 mm (5/16") tempered glass
- › 78" high clear glass panel
- › GlassShield® technology pre-installed - provides extra layer of security for homes with children or elderly residents
- › Large knob on opposite side of handle for easy opening and closing.
- › Sleek and square elements for a modern look
- › High quality rollers for smooth glide
- › The frameless design brings a sense of spaciousness to the room and creates a sleek, minimalist look.
- › Header leveling and locking System innovation allows for header adjustment
- › 1/2" out-of-plumb adjustment

ALCOVE DOORS - BYPASS

DUEL ALTO 56-59 X 78 - 8 MM - 136955

SKU	Glass / Finish	Door Opening	Dimensions & Weight	MSRP
136955-810-084-000	Clear GlassShield / Chrome	Reversible	56" - 59" x 78" / 137 lb / 62 kg	\$ 1774
136955-810-280-000	Clear GlassShield / Chrome and Matte White			\$ 1859
136955-810-289-000	Clear GlassShield / Brushed Nickel and Matte Black			\$ 1921
136955-810-290-000	Clear GlassShield / Brushed Nickel and Matte White			\$ 1921
136955-810-305-000	Clear GlassShield / Brushed Nickel			\$ 1836
136955-810-340-000	Clear GlassShield / Matte Black			\$ 1836
136955-810-350-000	Clear GlassShield / Chrome and Matte Black			\$ 1859
136955-810-360-000	Clear GlassShield / Matte Black and Chrome			\$ 1921
136955-810-380-000	Clear GlassShield / Matte Black and Brushed Gold			\$ 1921

DUEL ALTO 44-47 X 78 - 8 MM - 136956

SKU	Glass / Finish	Door Opening	Dimensions & Weight	MSRP
136956-810-084-000	Clear GlassShield / Chrome	Reversible	44" - 47" x 78" / 110 lb / 50 kg	\$ 1648
136956-810-280-000	Clear GlassShield / Chrome and Matte White			\$ 1733
136956-810-289-000	Clear GlassShield / Brushed Nickel and Matte Black			\$ 1795
136956-810-290-000	Clear GlassShield / Brushed Nickel and Matte White			\$ 1795

DUEL ALTO 44-47 X 78 - 8 MM - 136956

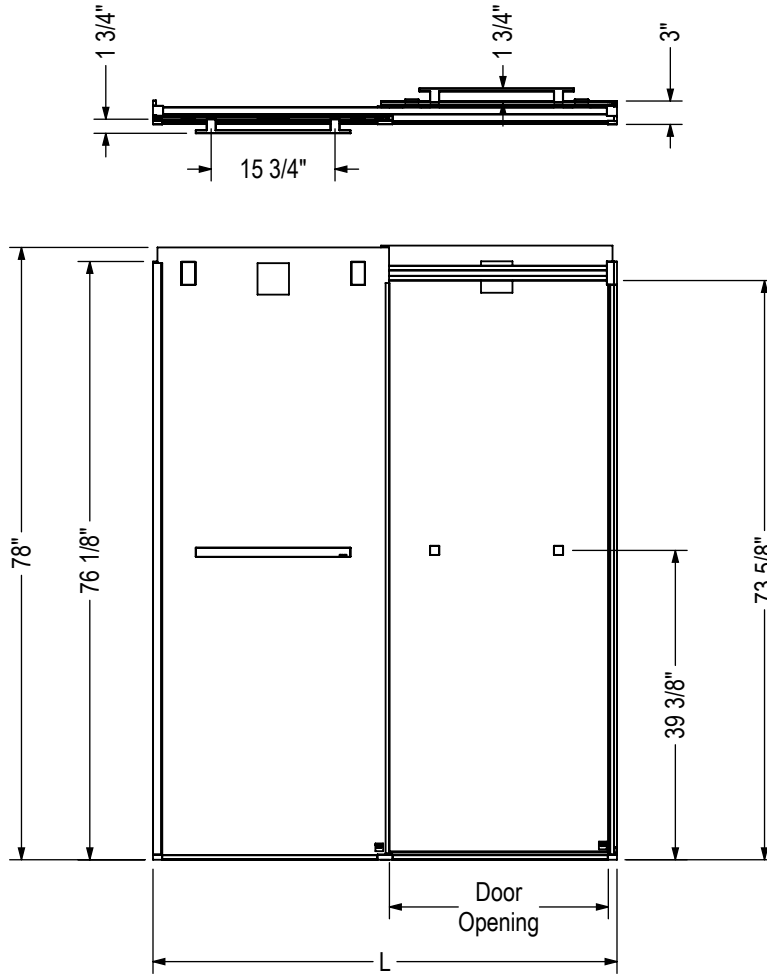
SKU	Glass / Finish	Door Opening	Dimensions & Weight	MSRP
136956-810-305-000	Clear GlassShield / Brushed Nickel	Reversible	44" - 47" x 78" / 110 lb / 50 kg	\$ 1710
136956-810-340-000	Clear GlassShield / Matte Black			\$ 1774
136956-810-350-000	Clear GlassShield / Chrome and Matte Black			\$ 1733
136956-810-360-000	Clear GlassShield / Matte Black and Chrome			\$ 1859
136956-810-380-000	Clear GlassShield / Matte Black and Brushed Gold			\$ 1859

ACCESSORIES

SKU	Description	MSRP
10068850-291-600	Mixed Finish Hardware Replacement Kit for Duel and Duel Alto. Available finishes: Chrome (084), Matte White (291), Brushed Nickel (340) and Brushed Gold (343)	\$ 100
10068850-084-600		\$ 100
10068850-343-600		\$ 100
10068850-340-600		\$ 100
10068850-340-600		\$ 100

ALCOVE DOORS - BYPASS

STANDARD



Code	Description	L Adjustable	Door Opening	Wall Adjustment
136955	Duel Alto Bypass 56" - 59" x 78"	56" - 59"	24 1/2" - 27 1/2"	1/2" per wall jamb
136956	Duel Alto Bypass 44" - 47" x 78"	44" - 47"	18 1/2" - 21 1/2"	1/2" per wall jamb

All dimensions are approximate. Structure measurements must be verified against the unit to ensure proper fit.

Kameleon SC Shower Doors - 6 mm



ALCOVE DOORS - BYPASS



Material : Tempered Glass

Features

- › Innovative SOFT CLOSE by MAAX prevents slamming
- › Silent guide eliminates the rattling noise
- › High quality rollers for smooth glide
- › Safety features: header lock and panel anti-jump
- › 6mm tempered glass and frame color choice
- › Modern towel bar
- › Reversible header: one side round and one side flat

KAMELEON SC 55-59 X 71 - 6MM - 134665

SKU	Glass / Finish	Door Opening	Dimensions & Weight	Packaging	MSRP
134665-900-084-000	Clear / Chrome	Reversible	55" - 59" x 71" / 106 lb / 48 kg	5.56 ft ³	\$ 1026
134665-900-172-000	Clear / Dark Bronze				\$ 1093
134665-900-305-000	Clear / Brushed Nickel				\$ 1071
134665-900-340-000	Clear / Matte Black				\$ 1093

COMMON OPTIONS

SKU	Description	MSRP
OPT20248-084	24 in. Square towel bar Available colours: Chrome (084), Dark Bronze (172) and Brushed Nickel (305)	\$ 113
OPT20248-305		\$ 121
OPT20248-172		\$ 125
OPT20246-084	24 in. T-round towel bar Available colours: Chrome (084), Dark Bronze (172) and Brushed Nickel (305)	\$ 113
OPT20246-305		\$ 121
OPT20246-172		\$ 125

ACCESSORIES

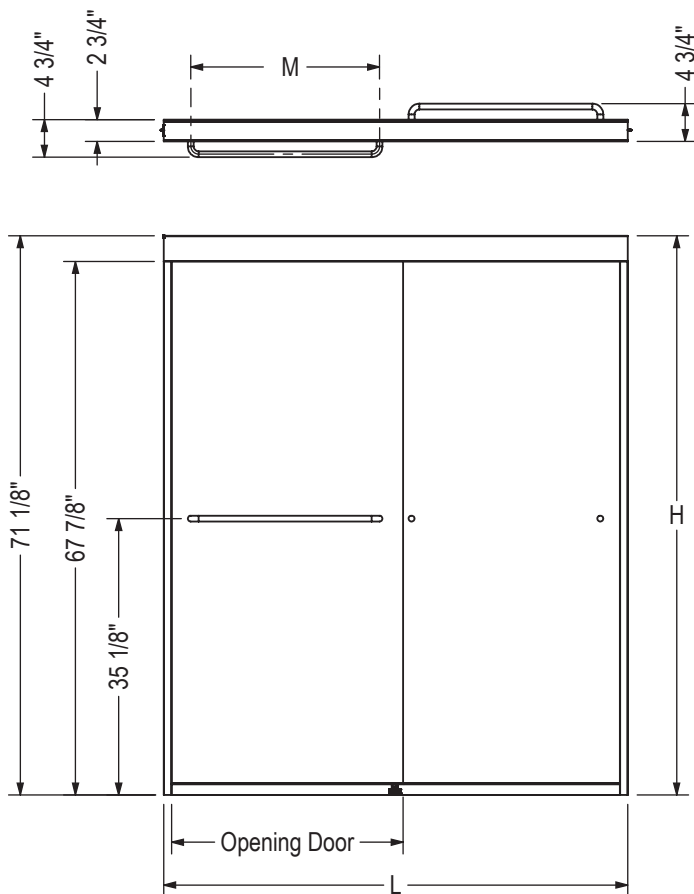
SKU	Description	MSRP
10068376-305	24 in. Square towel bar Available colours: Chrome (084), Dark Bronze (172) and Brushed Nickel (305)	\$ 259
10068376-172		\$ 268

ACCESSORIES

SKU	Description	MSRP
10068376-084	24 in. Square towel bar Available colours: Chrome (084), Dark Bronze (172) and Brushed Nickel (305)	\$ 250
10068402-092-600	Watertight kit for Mirolin tub shower and shower	\$ 97
10068410-005-601	Soft Close by MAAX for Kameleon/Aura doors only	\$ 186

STANDARD

ALCOVE DOORS - BYPASS



Description	Opening Door Adjustable	M	L Adjustable	H
Shower Door 40"-44"x71"x6mm	15 1/2" - 19 1/2"	18"	40" - 44"	71"
Shower Door 43"-47"x71"x6mm	18 1/2" - 22 1/2"	18"	43" - 47"	71"
Shower Door 51"-55"x71"x6mm	21 1/2" - 25 1/2"	24"	51" - 55"	71"
Shower Door 55"-59"x71"x6mm	23 1/2" - 27 1/2"	24"	55" - 59"	71"

All dimensions are approximate. Structure measurements must be verified against the unit to ensure proper fit.

Kameleon SC Shower Doors - 6 mm



Material : Tempered Glass

Features

- › Innovative SOFT CLOSE by MAAX prevents slamming
- › Silent guide eliminates the rattling noise
- › High quality rollers for smooth glide
- › Safety features: header lock and panel anti-jump
- › 6mm tempered glass and frame color choice
- › Modern towel bar
- › Reversible header: one side round and one side flat

ALCOVE DOORS - BYPASS

KAMELEON SC 40-44 X 71 - 6MM - 134662

SKU	Glass / Finish	Door Opening	Dimensions & Weight	Packaging	MSRP
134662-900-084-000	Clear / Chrome	Reversible	40" - 44" x 71" / 84 lb / 38 kg	6.4 ft ³	\$ 957

KAMELEON SC 51-55 X 71 - 6MM - 134664

SKU	Glass / Finish	Door Opening	Dimensions & Weight	Packaging	MSRP
134664-900-084-000	Clear / Chrome	Reversible	51" - 55" x 71" / 98 lb / 44 kg	5.27 ft ³	\$ 1201

COMMON OPTIONS

SKU	Description	MSRP
OPT20245-305	18 in. T-round towel bar Available colors: Chrome (084) , Dark Bronze (172) and Brushed Nickel (305)	\$ 103
OPT20245-172		\$ 108
OPT20245-084		\$ 97
OPT20247-305	18 in. Square towel bar Available colours: Chrome (084), Dark Bronze (172) and Brushed Nickel (305)	\$ 103
OPT20247-084		\$ 97
OPT20247-172		\$ 108

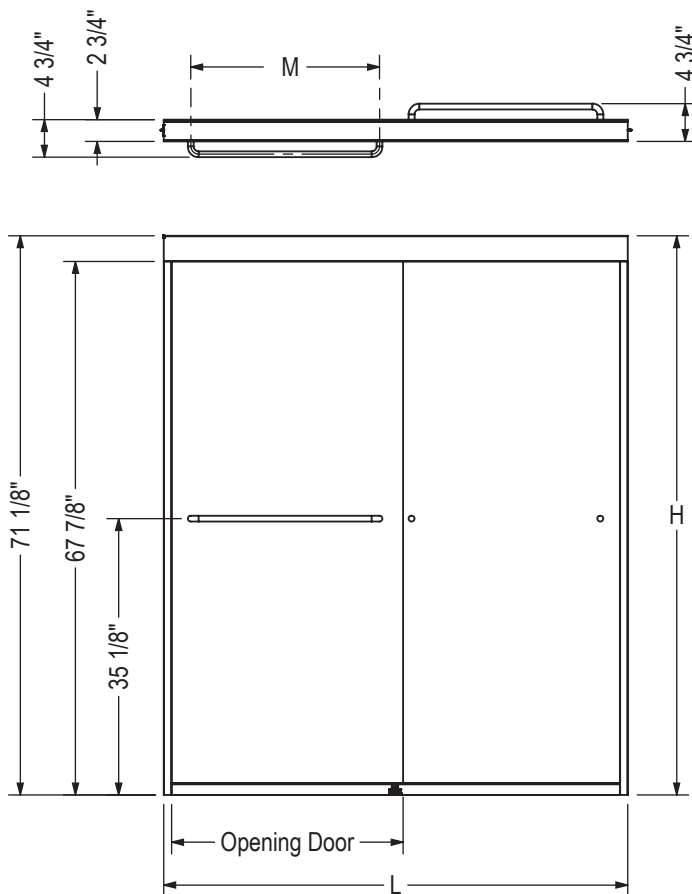
ACCESSORIES

SKU	Description	MSRP
10068402-092-600	Watertight kit for Mirolin tub shower and shower	\$ 97

ACCESSORIES

SKU	Description	MSRP
10068410-005-601	Soft Close by MAAx for Kameleon/Aura doors only	\$ 186

STANDARD



Description	Opening Door Adjustable	M	L Adjustable	H
Shower Door 40"-44"x71"x6mm	15 1/2" - 19 1/2"	18"	40" - 44"	71"
Shower Door 43"-47"x71"x6mm	18 1/2" - 22 1/2"	18"	43" - 47"	71"
Shower Door 51"-55"x71"x6mm	21 1/2" - 25 1/2"	24"	51" - 55"	71"
Shower Door 55"-59"x71"x6mm	23 1/2" - 27 1/2"	24"	55" - 59"	71"

All dimensions are approximate. Structure measurements must be verified against the unit to ensure proper fit.

Kameleon SC Shower Doors - 6 mm



ALCOVE DOORS - BYPASS



Material : Tempered Glass

Features

- › Innovative SOFT CLOSE by MAAX prevents slamming
- › Silent guide eliminates the rattling noise
- › High quality rollers for smooth glide
- › Safety features: header lock and panel anti-jump
- › 6mm tempered glass and frame color choice
- › Modern towel bar
- › Reversible header: one side round and one side flat

KAMELEON SC 43-47 X 71 - 6MM - 134663

SKU	Glass / Finish	Door Opening	Dimensions & Weight	Packaging	MSRP
134663-900-084-000	Clear / Chrome	Reversible	43" - 47" x 71" / 90 lb / 41 kg	4.69 ft ³	\$ 992
134663-900-172-000	Clear / Dark Bronze				\$ 1051
134663-900-305-000	Clear / Brushed Nickel				\$ 1038
134663-900-340-000	Clear / Matte Black				\$ 1051

COMMON OPTIONS

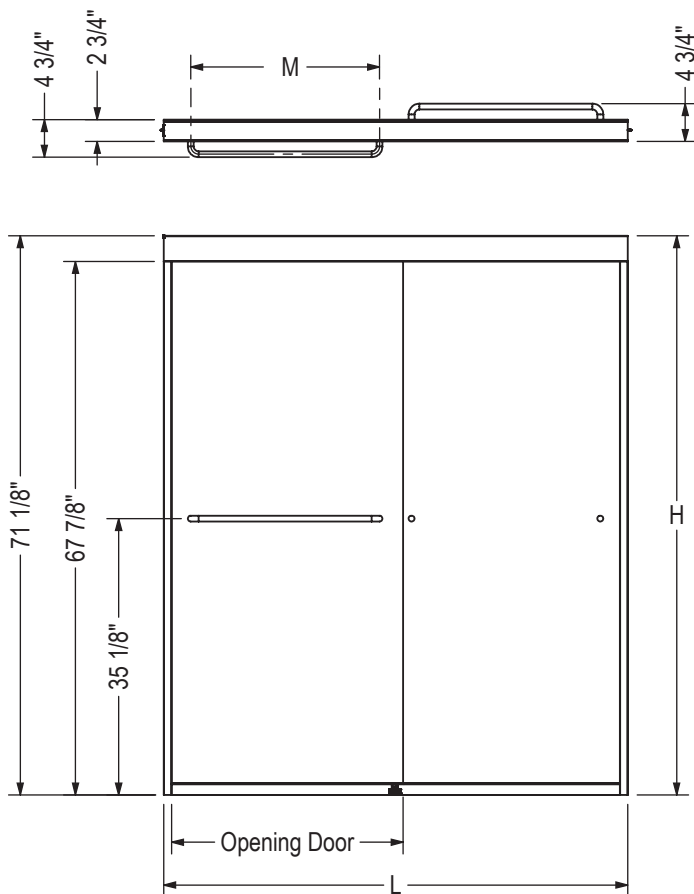
SKU	Description	MSRP
OPT20246-084	24 in. T-round towel bar Available colours: Chrome (084), Dark Bronze (172) and Brushed Nickel (305)	\$ 113
OPT20246-305		\$ 121
OPT20246-172		\$ 125
OPT20247-305	18 in. Square towel bar Available colours: Chrome (084), Dark Bronze (172) and Brushed Nickel (305)	\$ 103
OPT20247-084		\$ 97
OPT20247-172		\$ 108
OPT20248-084	24 in. Square towel bar Available colours: Chrome (084), Dark Bronze (172) and Brushed Nickel (305)	\$ 113
OPT20248-305		\$ 121
OPT20248-172		\$ 125
OPT20245-305	18 in. T-round towel bar Available colors: Chrome (084) , Dark Bronze (172) and Brushed Nickel (305)	\$ 103
OPT20245-172		\$ 108
OPT20245-084		\$ 97

ACCESSORIES

SKU	Description	MSRP
10068376-305	24 in. Square towel bar Available colours: Chrome (084), Dark Bronze (172) and Brushed Nickel (305)	\$ 259
10068376-172		\$ 268
10068376-084		\$ 250
10068402-092-600	Watertight kit for Mirolin tub shower and shower	\$ 97
10068410-005-601	Soft Close by MAAX for Kameleon/Aura doors only	\$ 186

STANDARD

ALCOVE DOORS - BYPASS



Description	Opening Door Adjustable	M	L Adjustable	H
Shower Door 40"-44"x71"x6mm	15 1/2" - 19 1/2"	18"	40" - 44"	71"
Shower Door 43"-47"x71"x6mm	18 1/2" - 22 1/2"	18"	43" - 47"	71"
Shower Door 51"-55"x71"x6mm	21 1/2" - 25 1/2"	24"	51" - 55"	71"
Shower Door 55"-59"x71"x6mm	23 1/2" - 27 1/2"	24"	55" - 59"	71"

All dimensions are approximate. Structure measurements must be verified against the unit to ensure proper fit.

Kameleon SC Shower Doors - 8 mm



Material : Tempered Glass

Features

- › Innovative SOFT CLOSE by MAAX prevents slamming
- › Silent guide eliminates the rattling noise
- › High quality rollers for smooth glide
- › Safety features: header lock and panel anti-jump
- › 8 mm tempered glass and frame color choice
- › Modern towel bar
- › Reversible header: one side round and one side flat

ALCOVE DOORS - BYPASS

KAMELEON SC 43-47 X 71 - 8MM - 134674

SKU	Glass / Finish	Door Opening	Dimensions & Weight	Packaging	MSRP
134674-900-084-000	Clear / Chrome	Reversible	43" - 47" x 71" / 116 lb / 53 kg	4.69 ft ³	\$ 1134
134674-900-172-000	Clear / Dark Bronze				\$ 1205
134674-900-305-000	Clear / Brushed Nickel				\$ 1184
134674-900-340-000	Clear / Matte Black				\$ 1205

KAMELEON SC 55-59 X 71 - 8MM - 134675

SKU	Glass / Finish	Door Opening	Dimensions & Weight	Packaging	MSRP
134675-900-084-000	Clear / Chrome	Reversible	55" - 59" x 71" / 137 lb / 62 kg	5.56 ft ³	\$ 1169
134675-900-172-000	Clear / Dark Bronze				\$ 1242
134675-900-305-000	Clear / Brushed Nickel				\$ 1221
134675-900-340-000	Clear / Matte Black				\$ 1242

COMMON OPTIONS

SKU	Description	MSRP
OPT20245-305		\$ 103
OPT20245-172	18 in. T-round towel bar Available colors: Chrome (084) , Dark Bronze (172) and Brushed Nickel (305)	\$ 108
OPT20245-084		\$ 97
OPT20246-084	24 in. T-round towel bar Available colours: Chrome (084), Dark Bronze (172) and Brushed Nickel (305)	\$ 113

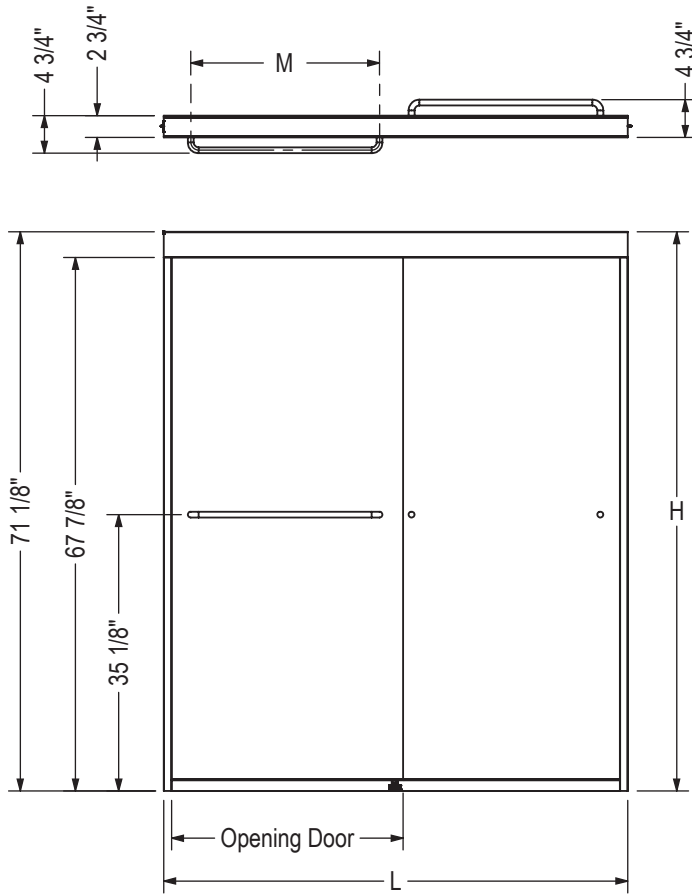
COMMON OPTIONS

SKU	Description	MSRP
OPT20246-305	24 in. T-round towel bar	\$ 121
OPT20246-172	Available colours: Chrome (084), Dark Bronze (172) and Brushed Nickel (305)	\$ 125
OPT20247-305	18 in. Square towel bar Available colours: Chrome (084), Dark Bronze (172) and Brushed Nickel (305)	\$ 103
OPT20247-084		\$ 97
OPT20247-172		\$ 108
OPT20248-084	24 in. Square towel bar Available colours: Chrome (084), Dark Bronze (172) and Brushed Nickel (305)	\$ 113
OPT20248-305		\$ 121
OPT20248-172		\$ 125

ACCESSORIES

SKU	Description	MSRP
10068376-305	24 in. Square towel bar Available colours: Chrome (084), Dark Bronze (172) and Brushed Nickel (305)	\$ 259
10068376-172		\$ 268
10068376-084		\$ 250
10068402-092-600	Watertight kit for Mirolin tub shower and shower	\$ 97
10068410-005-601	Soft Close by MAAX for Kameleon/Aura doors only	\$ 186

STANDARD



Description	Opening Door Adjustable	M	L Adjustable	H
Shower Door 43"-47"x71"x8mm	18 1/2" - 22 1/2"	18"	43" - 47"	71"
Shower Door 55"-59"x71"x8mm	23 1/2" - 27 1/2"	24"	55" - 59"	71"

All dimensions are approximate. Structure measurements must be verified against the unit to ensure proper fit.

Kameleon Shower Doors - 6 mm



ALCOVE DOORS - BYPASS



Material : Tempered Glass

Features

- › Silent guide eliminates the rattling noise
- › High quality rollers for smooth glide
- › Safety features: header lock and panel anti-jump
- › Clear and privacy glass options with frame color choice
- › Rounded towel bar for a clean and versatile look
- › Reversible header: one side round and one side flat

KAMELEON 43-47 X 71 - 6MM - 134563

SKU	Glass / Finish	Door Opening	Dimensions & Weight	Packaging	MSRP
134563-900-084-000	Clear / Chrome	Reversible	43" - 47" x 71" / 90 lb / 41 kg	4.69 ft ³	\$ 873
134563-900-172-000	Clear / Dark Bronze				\$ 934
134563-900-305-000	Clear / Brushed Nickel				\$ 917
134563-900-340-000	Clear / Matte Black				\$ 934
134563-978-084-000	Frosted / Chrome				\$ 1032
134563-978-172-000	Frosted / Dark Bronze				\$ 1102
134563-978-305-000	Frosted / Brushed Nickel				\$ 1082

KAMELEON 55-59 X 71 - 6MM - 134565

SKU	Glass / Finish	Door Opening	Dimensions & Weight	Packaging	MSRP
134565-900-084-000	Clear / Chrome	Reversible	55" - 59" x 71" / 106 lb / 48 kg	5.56 ft ³	\$ 907
134565-900-172-000	Clear / Dark Bronze				\$ 970
134565-900-305-000	Clear / Brushed Nickel				\$ 953
134565-900-340-000	Clear / Matte Black				\$ 970
134565-978-084-000	Frosted / Chrome				\$ 1070
134565-978-172-000	Frosted / Dark Bronze				\$ 1145
134565-978-305-000	Frosted / Brushed Nickel				\$ 1125

COMMON OPTIONS

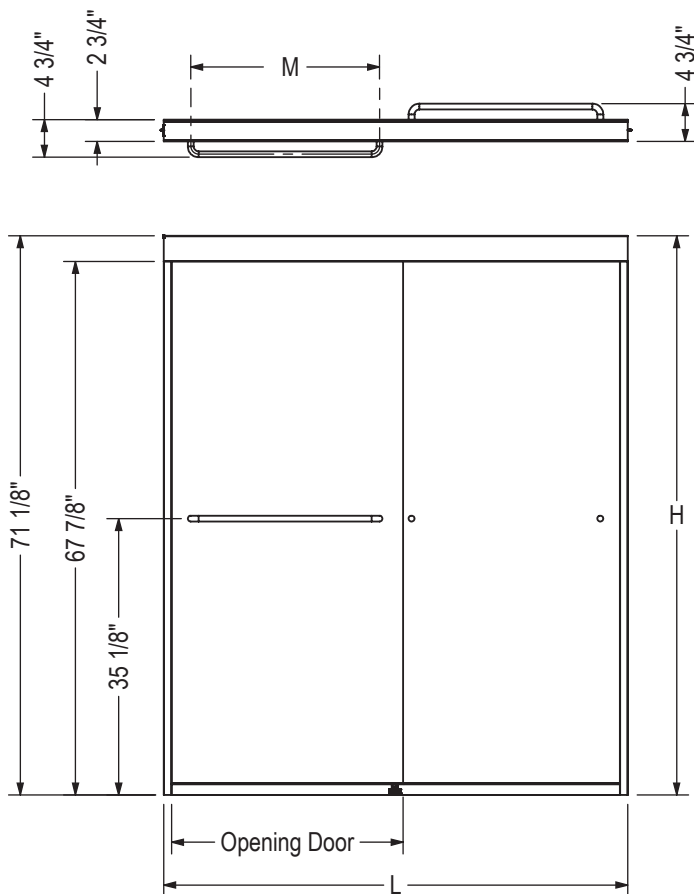
SKU	Description	MSRP
OPT20245-305	18 in. T-round towel bar Available colors: Chrome (084) , Dark Bronze (172) and Brushed Nickel (305)	\$ 103
OPT20245-172		\$ 108
OPT20245-084		\$ 97
OPT20247-305	18 in. Square towel bar Available colours: Chrome (084), Dark Bronze (172) and Brushed Nickel (305)	\$ 103
OPT20247-084		\$ 97
OPT20247-172		\$ 108

ACCESSORIES

SKU	Description	MSRP
10068402-092-600	Watertight kit for Mirolin tub shower and shower	\$ 97
10068410-005-601	Soft Close by MAAX for Kameleon/Aura doors only	\$ 186

STANDARD

ALCOVE DOORS - BYPASS



Description	Opening Door Adjustable	M	L Adjustable	H
Shower Door 40"-44"x71"x6mm	15 1/2" - 19 1/2"	18"	40" - 44"	71"
Shower Door 43"-47"x71"x6mm	18 1/2" - 22 1/2"	18"	43" - 47"	71"
Shower Door 51"-55"x71"x6mm	21 1/2" - 25 1/2"	24"	51" - 55"	71"
Shower Door 55"-59"x71"x6mm	23 1/2" - 27 1/2"	24"	55" - 59"	71"

All dimensions are approximate. Structure measurements must be verified against the unit to ensure proper fit.

Kameleon Shower Doors - 6 mm



Material : Tempered Glass

Features

- › Silent guide eliminates the rattling noise
- › High quality rollers for smooth glide
- › Safety features: header lock and panel anti-jump
- › 6 mm tempered glass and frame color choice
- › Modern towel bar
- › Reversible header: one side round and one side flat

ALCOVE DOORS - BYPASS

KAMELEON 40-44 X 71 - 6MM - 134562

SKU	Glass / Finish	Door Opening	Dimensions & Weight	Packaging	MSRP
134562-900-084-000	Clear / Chrome	Reversible	40" - 44" x 71" / 84 lb / 38 kg	4.4 ft ³	\$ 837

KAMELEON 51-55 X 71 - 6MM - 134564

SKU	Glass / Finish	Door Opening	Dimensions & Weight	Packaging	MSRP
134564-900-084-000	Clear / Chrome	Reversible	51" - 55" x 71" / 98 lb / 44 kg	5.27 ft ³	\$ 1059

COMMON OPTIONS

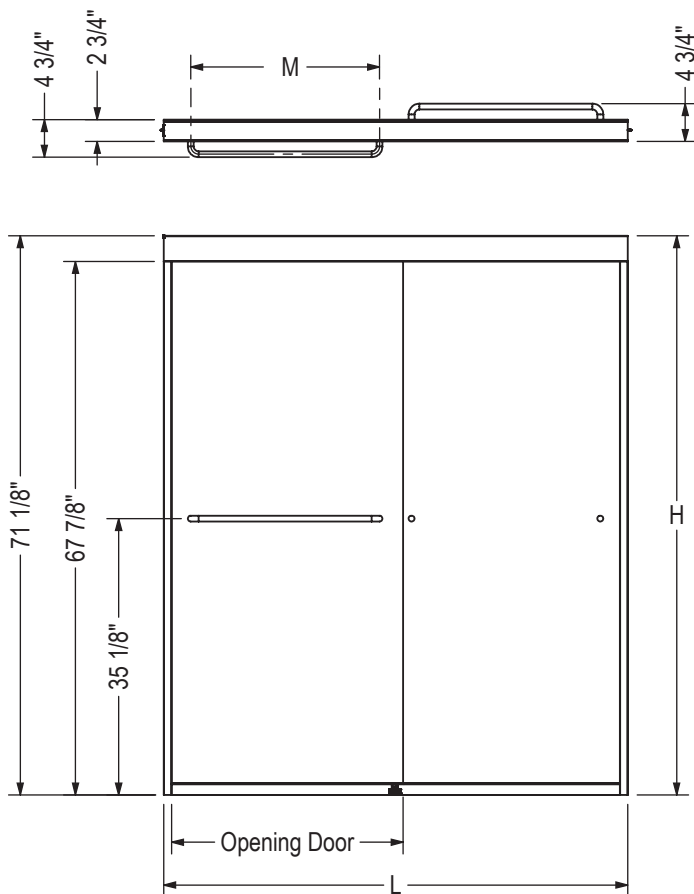
SKU	Description	MSRP
OPT20245-305	18 in. T-round towel bar Available colors: Chrome (084) , Dark Bronze (172) and Brushed Nickel (305)	\$ 103
OPT20245-172		\$ 108
OPT20245-084		\$ 97
OPT20247-305	18 in. Square towel bar Available colours: Chrome (084), Dark Bronze (172) and Brushed Nickel (305)	\$ 103
OPT20247-084		\$ 97
OPT20247-172		\$ 108

ACCESSORIES

SKU	Description	MSRP
10068402-092-600	Watertight kit for Mirolin tub shower and shower	\$ 97

STANDARD

ALCOVE DOORS - BYPASS



Description	Opening Door Adjustable	M	L Adjustable	H
Shower Door 40"-44"x71"x6mm	15 1/2" - 19 1/2"	18"	40" - 44"	71"
Shower Door 43"-47"x71"x6mm	18 1/2" - 22 1/2"	18"	43" - 47"	71"
Shower Door 51"-55"x71"x6mm	21 1/2" - 25 1/2"	24"	51" - 55"	71"
Shower Door 55"-59"x71"x6mm	23 1/2" - 27 1/2"	24"	55" - 59"	71"

All dimensions are approximate. Structure measurements must be verified against the unit to ensure proper fit.

Kameleon Shower Doors - 8 mm



Material : Tempered Glass

Features

- › Silent guide eliminates the rattling noise
- › High quality rollers for smooth glide
- › Safety features: header lock and panel anti-jump
- › 8 mm tempered glass and frame color choice
- › Modern towel bar
- › Reversible header: one side round and one side flat

ALCOVE DOORS - BYPASS

KAMELEON 43-47 X 71 - 8MM - 134571

SKU	Glass / Finish	Door Opening	Dimensions & Weight	Packaging	MSRP
134571-900-084-000	Clear / Chrome	Reversible	43" - 47" x 71" / 116 lb / 53 kg	4.69 ft ³	\$ 1015
134571-900-172-000	Clear / Dark Bronze				\$ 1085
134571-900-305-000	Clear / Brushed Nickel				\$ 1066
134571-900-340-000	Clear / Matte Black				\$ 1085

KAMELEON 55-59 X 71 - 8MM - 134572

SKU	Glass / Finish	Door Opening	Dimensions & Weight	Packaging	MSRP
134572-900-084-000	Clear / Chrome	Reversible	55" - 59" x 71" / 137 lb / 62 kg	5.56 ft ³	\$ 1048
134572-900-172-000	Clear / Dark Bronze				\$ 1122
134572-900-305-000	Clear / Brushed Nickel				\$ 1101
134572-900-340-000	Clear / Matte Black				\$ 1122

COMMON OPTIONS

SKU	Description	MSRP
OPT20245-305		\$ 103
OPT20245-172	18 in. T-round towel bar Available colors: Chrome (084) , Dark Bronze (172) and Brushed Nickel (305)	\$ 108
OPT20245-084		\$ 97
OPT20247-305	18 in. Square towel bar Available colours: Chrome (084), Dark Bronze (172) and Brushed Nickel (305)	\$ 103

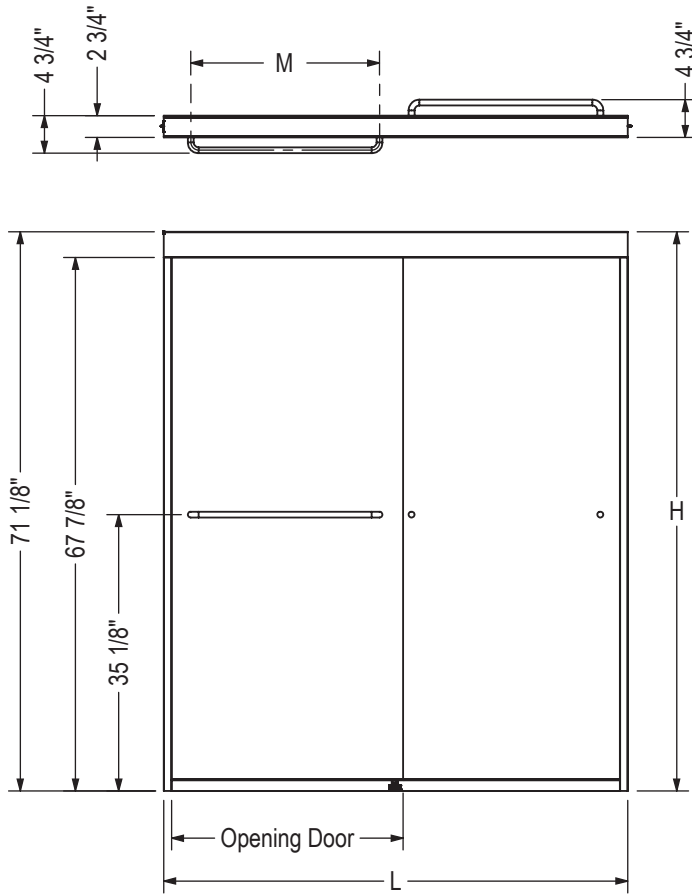
COMMON OPTIONS

SKU	Description	MSRP
OPT20247-084	18 in. Square towel bar	\$ 97
OPT20247-172	Available colours: Chrome (084), Dark Bronze (172) and Brushed Nickel (305)	\$ 108

ACCESSORIES

SKU	Description	MSRP
10068402-092-600	Watertight kit for Mirolin tub shower and shower	\$ 97
10068410-005-601	Soft Close by MAAX for Kameleon/Aura doors only	\$ 186

STANDARD



Description	Opening Door Adjustable	M	L Adjustable	H
Shower Door 43"-47"x71"x8mm	18 1/2" - 22 1/2"	18"	43" - 47"	71"
Shower Door 55"-59"x71"x8mm	23 1/2" - 27 1/2"	24"	55" - 59"	71"

All dimensions are approximate. Structure measurements must be verified against the unit to ensure proper fit.



Material : Tempered Glass

Features

- › Frameless clear glass panels 8mm (5/16-inch) thick
- › Available in 3 finishes: Chrome, Brushed Nickel, Dark Bronze
- › Bathub and tub shower are sold separately, explore our wide variety of Bathub and tub shower
- › Bi-directional glass panels for flexible entry and easy access to fixtures on the left or right-hand side
- › The door provides a watertight seal, to prevent leaks or spills during use
- › Reversible, allowing for left or right opening to accommodate different bathroom layouts
- › Silent guide that eliminates the rattling noise
- › Improved safety features that lock the header and firmly secures frame to door jamb
- › Warranty: 10 years

INVERTO 56-59 X 70 1/2-74 - 8MM - 138762

SKU	Glass / Finish	Door Opening	Dimensions & Weight	Packaging	MSRP
138762-900-084-000	Clear / Chrome	Reversible	56" - 59" x 74" / 128 lb / 58 kg	4.84 ft ³	\$ 1490
138762-900-173-000	Clear / Dark Bronze				\$ 1716
138762-900-305-000	Clear / Brushed Nickel				\$ 1597

Incognito 70 Shower Doors - 6 mm



Material : Tempered Glass

Features

- › Components that connect seamlessly for an effortless assembly
- › Expandable Sill, no cutting required to adjust
- › Large knob on the opposite side of the handle, to allow for an easier opening and closing
- › Hand adjustment to perfect the fit in the alcove
- › Fits on showers with a wall height of at least 70.5in
- › Integrated bumper at the top and the bottom

ALCOVE DOORS - BYPASS

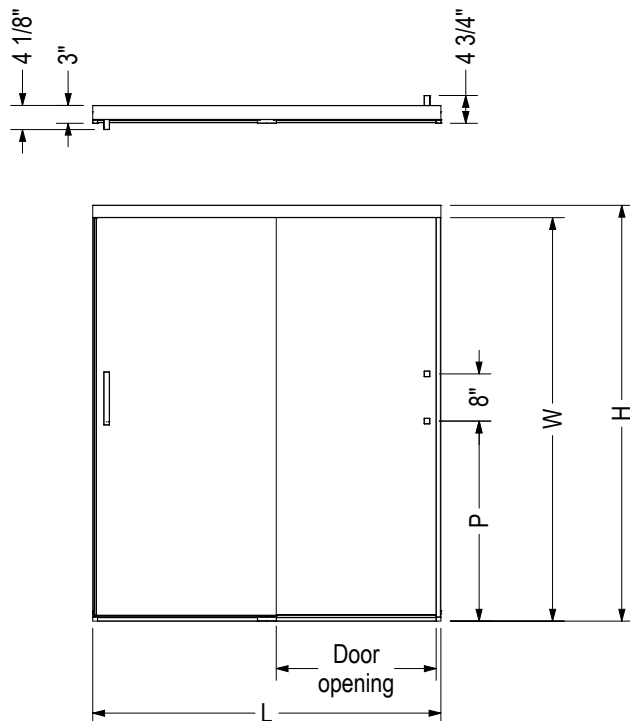
INCOGNITO 44-47 X 70 1/2 IN. 6MM - 139349

SKU	Glass / Finish	Door Opening	Dimensions & Weight	Packaging	MSRP
139349-900-084-000	Clear / Chrome	Reversible	44" - 47" x 70 1/2" / 110 lb / 50 kg	3.47 ft ³	\$ 856
139349-900-173-000	Clear / Dark Bronze				\$ 922
139349-900-305-000	Clear / Brushed Nickel				\$ 900
139349-900-340-000	Clear / Matte Black				\$ 922

INCOGNITO 56-59 X 70 1/2 IN. 6MM - 139350

SKU	Glass / Finish	Door Opening	Dimensions & Weight	Packaging	MSRP
139350-900-084-000	Clear / Chrome	Reversible	56" - 59" x 70 1/2" / 120 lb / 54 kg	3.94 ft ³	\$ 941
139350-900-173-000	Clear / Dark Bronze				\$ 1011
139350-900-305-000	Clear / Brushed Nickel				\$ 988
139350-900-340-000	Clear / Matte Black				\$ 1011

STANDARD



Code	Description	H	W	L Adjustable	Door Opening	P	Wall adjustment
139349	Incognito 6mm 70 1/2" x 44 - 47"	70 1/2"	68 3/8"	44" - 47"	17 1/8" - 21 1/8"	33 7/8"	1/2"
139350	Incognito 6mm 70 1/2" x 56 - 59"	70 1/2"	68 3/8"	56" - 59"	23 1/8" - 27 1/8"	33 7/8"	1/2"
139351	Incognito 6mm 56 3/4" x 56 - 59"	56 3/4"	54 5/8"	56" - 59"	23 1/8" - 27 1/8"	18 7/8"	1/2"
139352	Incognito 8mm 70 1/2" x 44 - 47"	70 1/2"	68 3/8"	44" - 47"	17 1/8" - 21 1/8"	33 7/8"	1/2"
139353	Incognito 8mm 70 1/2" x 56 - 59"	70 1/2"	68 3/8"	56" - 59"	23 1/8" - 27 1/8"	33 7/8"	1/2"
139354	Incognito 8mm 56 3/4" x 56 - 59"	56 3/4"	54 5/8"	56" - 59"	23 1/8" - 27 1/8"	18 7/8"	1/2"

All dimensions are approximate. Structure measurements must be verified against the unit to ensure proper fit.

Incognito 70 Shower Doors - 8 mm



Material : Tempered Glass

Features

- › Configuration consists of Bi-directional glass panels for flexible entry and easy access to fixtures on the left or right-hand side
- › Elegant design and sleek finish add a touch of sophistication to your bathroom
- › Made from high-quality materials, ensuring durability and longevity
- › 8 mm (5/16") tempered glass
- › Easy installation process saves time and hassle
- › Stainless steel hardware and rollers provide a smooth and quiet sliding experience
- › Bottom track design allows for easy access for cleaning and maintenance
- › Made in North-America
- › 1/2" out-of-plumb adjustment, ensuring a perfect fit in any bathroom

ALCOVE DOORS - BYPASS

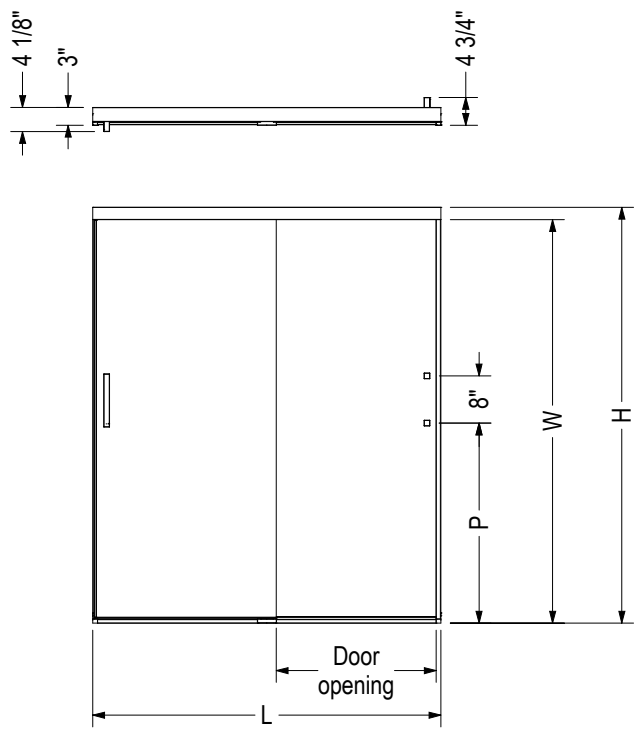
INCOGNITO 70 44-47 X 70 1/2 - 8MM - 139352

SKU	Glass / Finish	Door Opening	Dimensions & Weight	Packaging	MSRP
139352-900-084-000	Clear / Chrome	Reversible	44" - 47" x 70 1/2" / 130 lb / 59 kg	3.47 ft ³	\$ 970
139352-900-305-000	Clear / Brushed Nickel				\$ 1033
139352-900-340-000	Clear / Matte Black				\$ 1033

INCOGNITO 70 56-59 X 70 1/2 - 8MM - 139353

SKU	Glass / Finish	Door Opening	Dimensions & Weight	Packaging	MSRP
139353-900-084-000	Clear / Chrome	Reversible	56" - 59" x 70 1/2" / 140 lb / 63 kg	3.94 ft ³	\$ 1051
139353-900-305-000	Clear / Brushed Nickel				\$ 1115
139353-900-340-000	Clear / Matte Black				\$ 1115

STANDARD



Code	Description	H	W	L Adjustable	Door Opening	P	Wall adjustment
139349	Incognito 6mm 70 1/2" x 44 - 47"	70 1/2"	68 3/8"	44" - 47"	17 1/8" - 21 1/8"	33 7/8"	1/2"
139350	Incognito 6mm 70 1/2" x 56 - 59"	70 1/2"	68 3/8"	56" - 59"	23 1/8" - 27 1/8"	33 7/8"	1/2"
139351	Incognito 6mm 56 3/4" x 56 - 59"	56 3/4"	54 5/8"	56" - 59"	23 1/8" - 27 1/8"	18 7/8"	1/2"
139352	Incognito 8mm 70 1/2" x 44 - 47"	70 1/2"	68 3/8"	44" - 47"	17 1/8" - 21 1/8"	33 7/8"	1/2"
139353	Incognito 8mm 70 1/2" x 56 - 59"	70 1/2"	68 3/8"	56" - 59"	23 1/8" - 27 1/8"	33 7/8"	1/2"
139354	Incognito 8mm 56 3/4" x 56 - 59"	56 3/4"	54 5/8"	56" - 59"	23 1/8" - 27 1/8"	18 7/8"	1/2"

All dimensions are approximate. Structure measurements must be verified against the unit to ensure proper fit.

Incognito 74 Shower Doors - 8 mm



Material : Tempered Glass

Features

- › Components that connect seamlessly for an effortless assembly
- › Large knob on the opposite side of the handle, to allow for an easier opening and closing
- › Hand adjustable positioning
- › Fits on showers with a wall height of at least 74 in.
- › Slim header and thin edges accentuate the minimalist look
- › Safety features: top and bottom integrated bumper to prevent slamming

ALCOVE DOORS - BYPASS

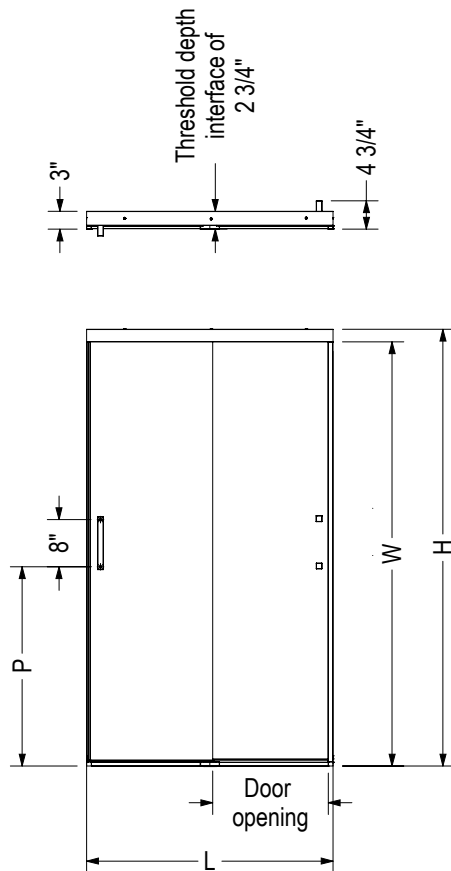
INCOGNITO 74 39-42X74IN. 8MM - 138520

SKU	Glass / Finish	Door Opening	Dimensions & Weight	MSRP
138520-900-084-000	Clear / Chrome	Reversible	39" - 42" x 74" / 104 lb / 47 kg	\$ 970
138520-900-305-000	Clear / Brushed Nickel			\$ 1033
138520-900-340-000	Clear / Matte Black			\$ 1060

INCOGNITO 74 51-54X74IN. 8MM - 138521

SKU	Glass / Finish	Door Opening	Dimensions & Weight	MSRP
138521-900-084-000	Clear / Chrome	Reversible	51" - 54" x 74" / 132 lb / 60 kg	\$ 1051
138521-900-305-000	Clear / Brushed Nickel			\$ 1115
138521-900-340-000	Clear / Matte Black			\$ 1142

STANDARD



Code	Description	H	W	L Adjustable	Door opening	P	Wall adjustment
138520	Incognito 74" 39 - 42" x 74"	74"	71 7/8"	39" - 42"	16 1/2" - 19 1/2"	34 1/8"	1/2"
138521	Incognito 74" 51 - 54" x 74"	74"	68 3/8"	51" - 54"	22 1/2" - 25 1/2"	34 1/8"	1/2"
138522	Incognito 56 3/4" 51 - 54" x 56 3/4"	56 3/4"	54 5/8"	51" - 54"	22 1/2" - 25 1/2"	19 1/8"	1/2"

All dimensions are approximate. Structure measurement must be verified against the unit to ensure proper fit.



Incognito 76 Shaker Shower Doors



Material : Tempered Glass

Features

- › Glass thickness: 8 mm
- › 2 in , slim header provides a sleek look
- › Features convenient towel bar
- › Detachable door guide is easy to clean
- › Wheel catcher feature keeps door open or closed

ALCOVE DOORS - BYPASS

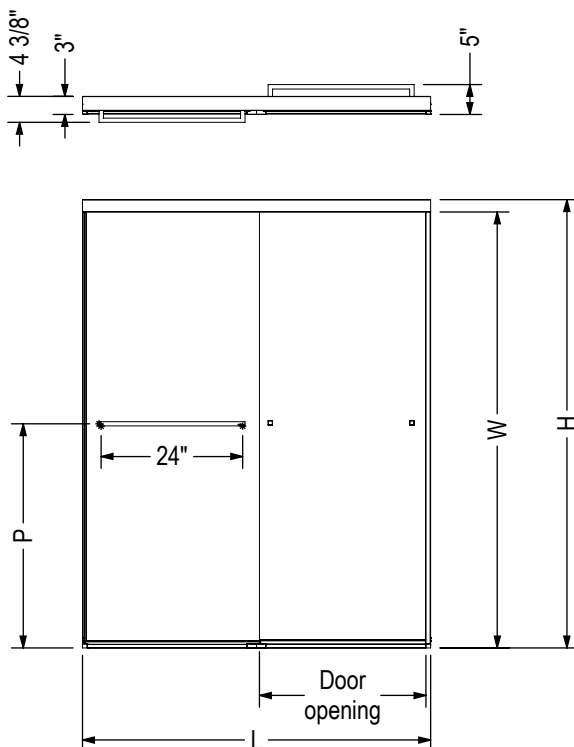
INCOGNITO 76 SHAKER 44-47 X 76 - 8MM - 135331

SKU	Glass / Finish	Door Opening	Dimensions & Weight	Packaging	MSRP
135331-972-340-000	Shaker / Matte Black	Reversible	44" - 47" x 76" / 144 lb / 65 kg	4.48 ft ³	\$ 1273

INCOGNITO 76 SHAKER 56-59 X 76 - 8MM - 135332

SKU	Glass / Finish	Door Opening	Dimensions & Weight	Packaging	MSRP
135332-972-340-000	Shaker / Matte Black	Reversible	56" - 59" x 76" / 116 lb / 53 kg	4.89 ft ³	\$ 1354

STANDARD



Code	Description	H	W	L Adjustable	Door opening	P	Wall adjustment
135331	Incognito 76 Shaker 8mm 76" x 44 - 47"	76"	73 7/8"	44" - 47"	18 1/4" - 22 1/4"	38"	1/2"
135332	Incognito 76 Shaker 8mm 76" x 56 - 59"	76"	73 7/8"	56" - 59"	24 1/4" - 28 1/4"	38"	1/2"
135330	Incognito Shaker 8mm 56 3/4" x 56 - 59"	56 3/4"	54 5/8"	56" - 59"	24 1/4" - 28 1/4"	28"	1/2"
135334	Incognito 76 8mm 76" x 44 - 47"	76"	73 7/8"	44" - 47"	18 1/4" - 22 1/4"	38"	1/2"
134335	Incognito 76 8mm 76" x 56 - 59"	76"	73 7/8"	56" - 59"	24 1/4" - 28 1/4"	38"	1/2"

All dimensions are approximate. Structure measurements must be verified against the unit to ensure proper fit.

Incognito 76 Shower Doors - 8 mm



Material : Tempered Glass

Features

- › Components that connect seamlessly for an effortless assembly
- › Expandable Sill, no cutting required to adjust
- › Large knob on the opposite side of the handle, to allows for an easier opening and closing
- › Hand adjustment to perfect the fit in the alcove
- › Slim header and thin edges accentuate the minimalist look
- › Safety features: top and bottom integrated bumper to prevent slamming

ALCOVE DOORS - BYPASS

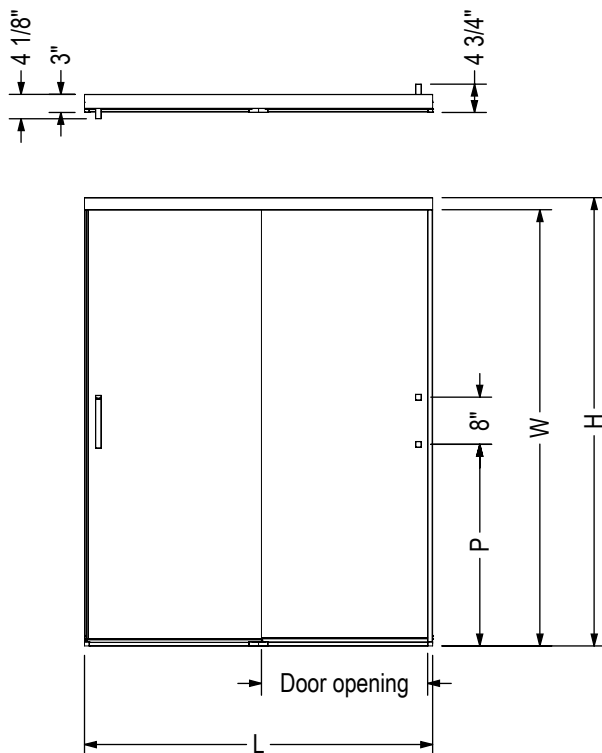
INCOGNITO 76 44-47 X 76 - 8MM - 135334

SKU	Glass / Finish	Door Opening	Dimensions & Weight	Packaging	MSRP
135334-900-084-000	Clear / Chrome	Reversible	44" - 47" x 76" / 144 lb / 65 kg	4.48 ft ³	\$ 1051
135334-900-305-000	Clear / Brushed Nickel				\$ 1105
135334-900-340-000	Clear / Matte Black				\$ 1131

INCOGNITO 76 56-59 X 76 - 8MM - 135335

SKU	Glass / Finish	Door Opening	Dimensions & Weight	Packaging	MSRP
135335-900-084-000	Clear / Chrome	Reversible	56" - 59" x 76" / 116 lb / 53 kg	4.89 ft ³	\$ 1134
135335-900-305-000	Clear / Brushed Nickel				\$ 1191
135335-900-340-000	Clear / Matte Black				\$ 1219

STANDARD



Code	Description	H	W	L Adjustable	Door opening	P	Wall adjustment
139354	Incognito 8mm 56 3/4" x 56 - 59"	56 3/4"	54 5/8"	56" - 59"	24 1/4" - 28 1/4"	18 7/8"	1/2"
135334	Incognito 8mm 76" x 44 - 47"	76"	73 7/8"	44" - 47"	18 1/4" - 22 1/4"	33 7/8"	1/2"
135335	Incognito 8mm 76" x 56 - 59"	76"	73 7/8"	56" - 59"	24 1/4" - 28 1/4"	33 7/8"	1/2"

All dimensions are approximate. Structure measurements must be verified against the unit to ensure proper fit.



Incognito 76 Smoke Shower Doors



Material : Tempered Glass

Features

- › Components that connect seamlessly for an effortless assembly
- › Expandable Sill, no cutting required to adjust
- › Large knob on the opposite side of the handle, to allows for an easier opening and closing
- › Hand adjustment to perfect the fit in the alcove
- › Integrated bumper at the top and the bottom
- › Slim header and thin edges accentuate the minimalist look

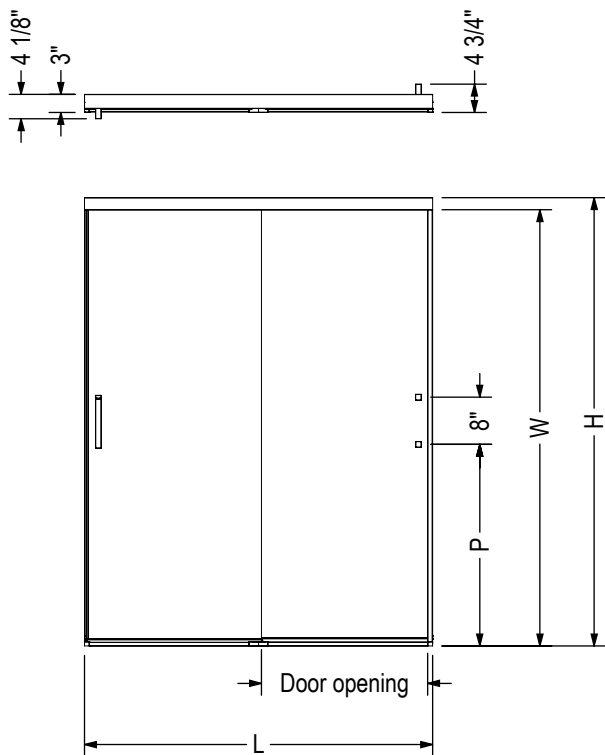
ALCOVE DOORS - BYPASS

INCOGNITO 76 SMOKE 56-59 X 76 - 8MM - 136335

SKU	Glass / Finish	Door Opening	Dimensions & Weight	Packaging	MSRP
136335-973-340-000	Dark Smoke / Matte Black	Reversible	56" - 59" x 76" / 116 lb / 53 kg	4.88 ft ³	\$ 1288
136335-975-340-000	Light Smoke / Matte Black				\$ 1288

STANDARD

ALCOVE DOORS - BYPASS



Code	Description	H	W	L Adjustable	Door opening	P	Wall adjustment
135335	Incognito Smoke 8mm 76" x 56 - 59"	76"	73 7/8"	56" - 59"	24 1/4" - 28 1/4"	33 7/8"	1/2"

All dimensions are approximate. Structure measurements must be verified against the unit to ensure proper fit.



Polar Shower Doors

ALCOVE DOORS - BYPASS



Material : Tempered Glass

Features

- › Raindrop 4 mm tempered glass for more intimacy
- › Chrome frame for a clean simple look
- › Bathub and tub shower are sold separately, explore our wide variety of Bathub and tub shower
- › Bypass door configuration features two sliding panel
- › The EZ Klean bottom track drains water away and significantly reduces maintenance
- › Reversible, allowing for left or right opening to accommodate different bathroom layouts
- › Smooth Sliding Door Functionality enhances accessibility and convenience while elevating the aesthetics of your shower space.
- › Proudly made in Canada
- › Warranty: 10 years

POLAR 54-59 1/2 X 68 IN. - 105412

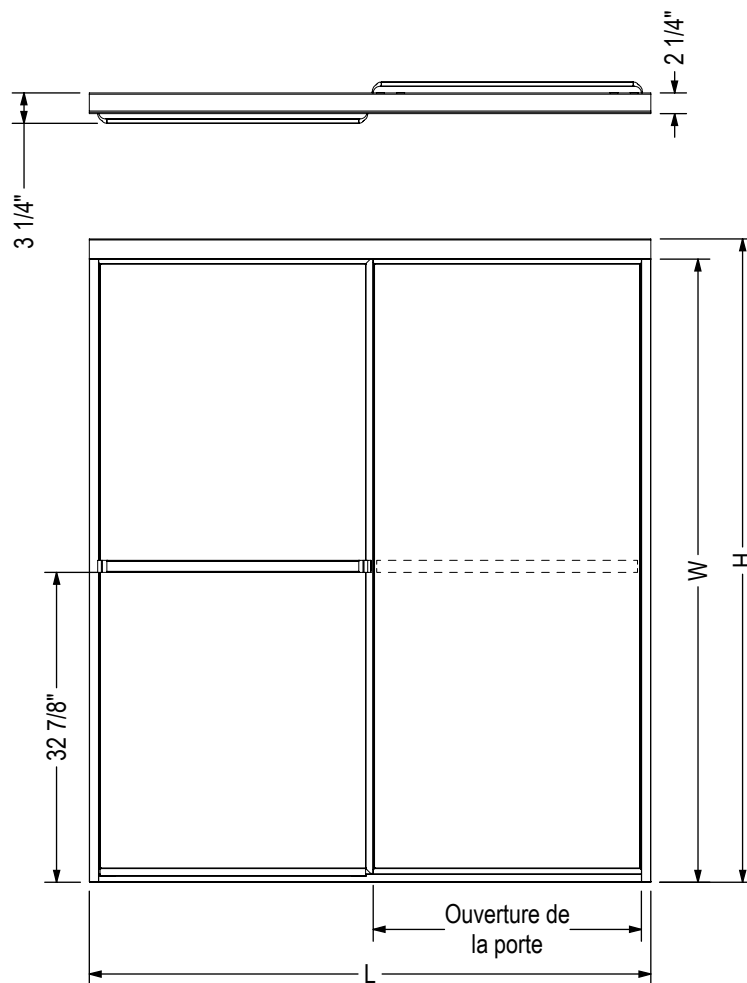
SKU	Glass / Finish	Door Opening	Dimensions & Weight	Packaging	MSRP
105412-970-084-000	Raindrop / Chrome	Lateral	54" - 59 1/2" x 68" / 68 lb / 31 kg	4.59 ft ³	\$ 796

POLAR 42-47 1/2 X 68 IN. - 105413

SKU	Glass / Finish	Door Opening	Dimensions & Weight	Packaging	MSRP
105413-970-084-000	Raindrop / Chrome	Lateral	42" - 47 1/2" x 68" / 53 lb / 24 kg	3.93 ft ³	\$ 743

STANDARD

ALCOVE DOORS - BYPASS



Code	Description	H	W	L Ajustable	Ouverture de la porte
105410	Polar 54" - 59 1/2" x 57"	57"	55"	54" - 59 1/2"	26" - 28 1/2"
105412	Polar 54" - 59 1/2" x 68"	68"	66"	54" - 59 1/2"	26" - 28 1/2"
105413	Polar 42" - 47 1/2" x 68"	68"	66"	42" - 47 1/2"	20" - 22 1/2"

Toutes ces dimensions sont approximatives. Afin d'assurer une installation parfaite, les dimensions de la structure doivent être vérifiées à partir de l'unité.

Revelation Round Shower Doors - 6 mm



ALCOVE DOORS - BYPASS



Material : Tempered Glass

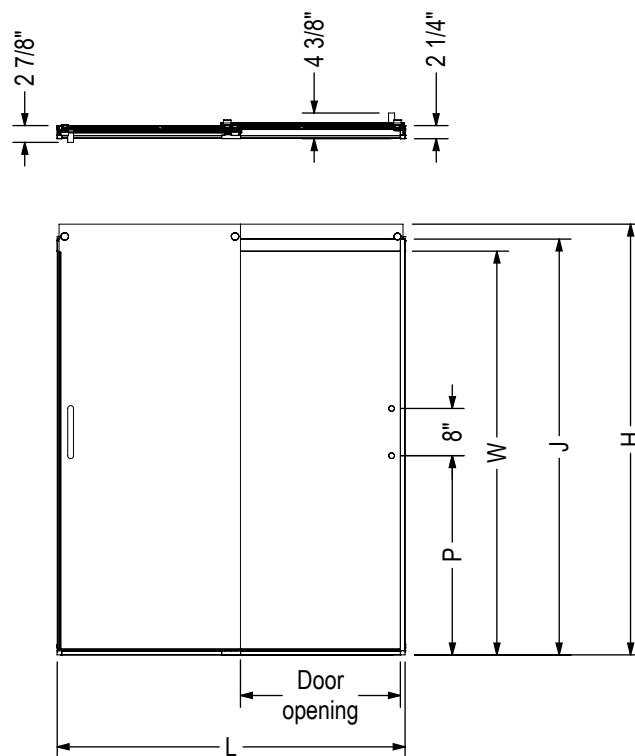
Features

- Made from high-quality 6 mm (1/4") thick glass, ensuring durability and safety.
- Reversible, allowing installation for left or right openings to accommodate different bathroom layouts.
- Easy installation process saves time and hassle.
- The door provides a watertight seal, ensuring no leaks or spills occur during use.

REVELATION ROUND 44-47 X 70 1/2-73 IN 6 MM - 136690					
SKU	Glass / Finish	Door Opening	Dimensions & Weight	Packaging	MSRP
136690-900-084-000	Clear / Chrome	Reversible	44" - 47" x 70 1/2" / 82 lb / 37 kg	3.96 ft ³	\$ 921
136690-900-305-000	Clear / Brushed Nickel				\$ 981
136690-900-340-000	Clear / Matte Black				\$ 1015

REVELATION ROUND 56-59 X 70 1/2-73 IN 6MM - 136691					
SKU	Glass / Finish	Door Opening	Dimensions & Weight	Packaging	MSRP
136691-900-084-000	Clear / Chrome	Reversible	56" - 59" x 70 1/2" / 105 lb / 48 kg	4.55 ft ³	\$ 1000
136691-900-305-000	Clear / Brushed Nickel				\$ 1066
136691-900-340-000	Clear / Matte Black				\$ 1095

STANDARD



Code	Description	H	J	W	L Adjustable	Door Opening	P	Wall adjustment
139690	Revelation 6mm 70 1/2"-73" x 43 - 47"	73"	70 1/2"	68 3/8"	43" - 47"	16" - 20"	33 7/8"	1/2"
139691	Revelation 6mm 70 1/2"-73" x 55 - 59"	73"	70 1/2"	68 3/8"	55" - 59"	22" - 26"	33 7/8"	1/2"
139692	Revelation 6mm 56 3/4"-59 1/4" x 55 - 59"	59 1/4"	56 3/4"	54 5/8"	55" - 59"	22" - 26"	18 7/8"	1/2"
139693	Revelation 8mm 70 1/2"-73" x 43 - 47"	73"	70 1/2"	68 3/8"	43" - 47"	16" - 20"	33 7/8"	1/2"
139694	Revelation 8mm 70 1/2"-73" x 55 - 59"	73"	70 1/2"	68 3/8"	55" - 59"	22" - 26"	33 7/8"	1/2"
139695	Revelation 8mm 56 3/4"-59 1/4" x 55 - 59"	59 1/4"	56 3/4"	54 5/8"	55" - 59"	22" - 26"	18 7/8"	1/2"

All dimensions are approximate. Structure measurements must be verified against the unit to ensure proper fit.

Revelation Round Shower Doors - 8 mm



ALCOVE DOORS - BYPASS



Material : Tempered Glass

Features

- › Components that connect seamlessly for an effortless assembly
- › Exposed double set of wheels
- › Exposed double set of wheels
- › Handle outside / Big knob inside
- › Expandable Sill; No cutting required to adjust
- › Anti-jump features hidden in the frame
- › Detachable door guide to distance the glass for an easier cleaning

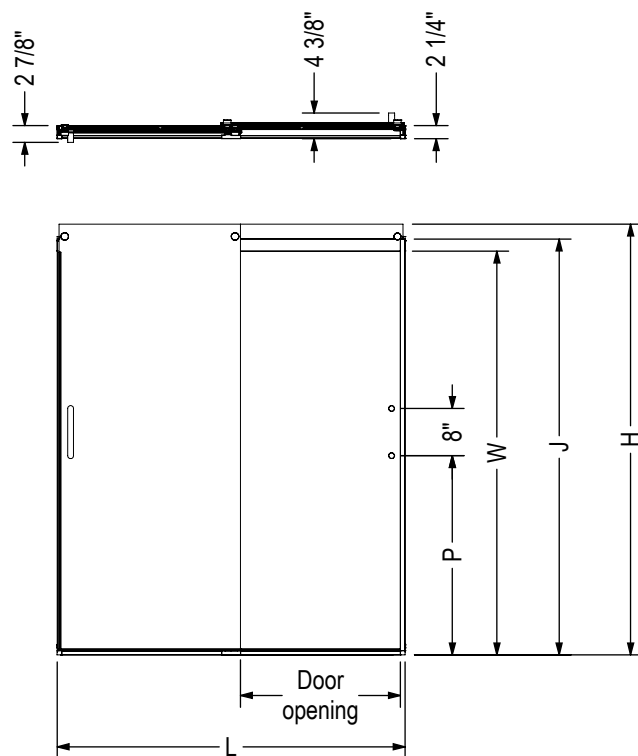
REVELATION ROUND 44-47 X 70 1/2-73 - 8MM - 136693

SKU	Glass / Finish	Door Opening	Dimensions & Weight	Packaging	MSRP
136693-900-084-000	Clear / Chrome	Reversible	44" - 47" x 73" / 130 lb / 59 kg	3.47 ft ³	\$ 1021
136693-900-305-000	Clear / Brushed Nickel				\$ 1083
136693-900-340-000	Clear / Matte Black				\$ 1115

REVELATION ROUND 56-59 X 70 1/2-73 - 8MM - 136694

SKU	Glass / Finish	Door Opening	Dimensions & Weight	Packaging	MSRP
136694-900-084-000	Clear / Chrome	Reversible	56" - 59" x 73" / 140 lb / 63 kg	3.94 ft ³	\$ 1102
136694-900-305-000	Clear / Brushed Nickel				\$ 1166
136694-900-340-000	Clear / Matte Black				\$ 1196

STANDARD



Code	Description	H	J	W	L Adjustable	Door Opening	P	Wall adjustment
139690	Revelation 6mm 70 1/2"-73" x 43 - 47"	73"	70 1/2"	68 3/8"	43" - 47"	16" - 20"	33 7/8"	1/2"
139691	Revelation 6mm 70 1/2"-73" x 55 - 59"	73"	70 1/2"	68 3/8"	55" - 59"	22" - 26"	33 7/8"	1/2"
139692	Revelation 6mm 56 3/4"-59 1/4" x 55 - 59"	59 1/4"	56 3/4"	54 5/8"	55" - 59"	22" - 26"	18 7/8"	1/2"
139693	Revelation 8mm 70 1/2"-73" x 43 - 47"	73"	70 1/2"	68 3/8"	43" - 47"	16" - 20"	33 7/8"	1/2"
139694	Revelation 8mm 70 1/2"-73" x 55 - 59"	73"	70 1/2"	68 3/8"	55" - 59"	22" - 26"	33 7/8"	1/2"
139695	Revelation 8mm 56 3/4"-59 1/4" x 55 - 59"	59 1/4"	56 3/4"	54 5/8"	55" - 59"	22" - 26"	18 7/8"	1/2"

All dimensions are approximate. Structure measurements must be verified against the unit to ensure proper fit.

Revelation Square Shower Doors - 6 mm



ALCOVE DOORS - BYPASS



Material : Tempered Glass

Features

- > Components that connect seamlessly for an effortless assembly
- > Exposed double set of wheels
- > Handle outside / Big knob inside
- > Anti-jump features hidden in the frame

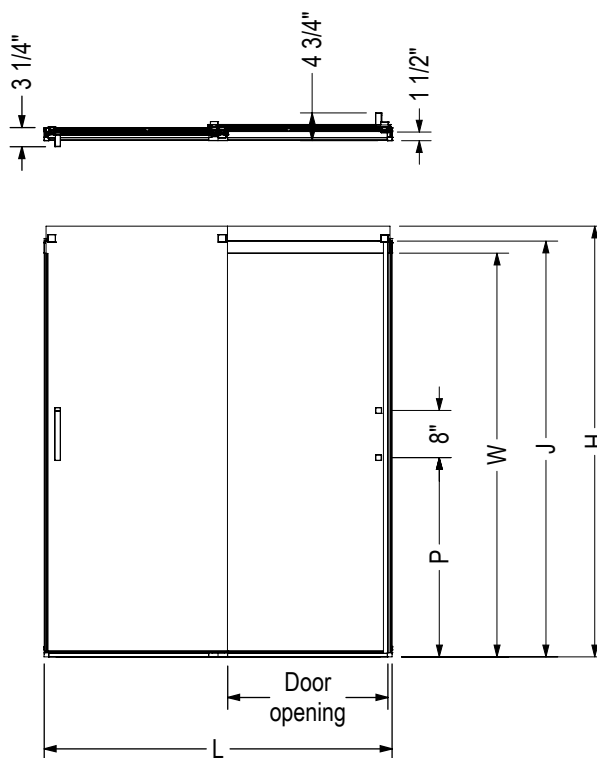
REVELATION SQUARE 44-47 X 70 1/2-73 - 6MM - 135690

SKU	Glass / Finish	Door Opening	Dimensions & Weight	Packaging	MSRP
135690-900-084-000	Clear / Chrome	Reversible	44" - 47" x 73" / 110 lb / 50 kg	3.47 ft ³	\$ 921
135690-900-305-000	Clear / Brushed Nickel				\$ 981
135690-900-340-000	Clear / Matte Black				\$ 1015

REVELATION SQUARE 56-59 X 70 1/2-73 - 6MM - 135691

SKU	Glass / Finish	Door Opening	Dimensions & Weight	Packaging	MSRP
135691-900-084-000	Clear / Chrome	Reversible	56" - 59" x 73" / 120 lb / 54 kg	3.94 ft ³	\$ 1000
135691-900-305-000	Clear / Brushed Nickel				\$ 1066
135691-900-340-000	Clear / Matte Black				\$ 1095

STANDARD



Code	Description	H	J	W	L Adjustable	Door Opening	P	Wall adjustment
134690	Revelation SQ 6mm 70 1/2"-73" x 43 - 47"	73"	70 1/2"	68 3/8"	43" - 47"	16" - 20"	33 7/8"	1/2"
134691	Revelation SQ 6mm 70 1/2"-73" x 55 - 59"	73"	70 1/2"	68 3/8"	55" - 59"	22" - 26"	33 7/8"	1/2"
134692	Revelation SQ 6mm 56 3/4"-59 1/4" x 55 - 59"	59 1/4"	56 3/4"	54 5/8"	55" - 59"	22" - 26"	18 7/8"	1/2"
134693	Revelation SQ 8mm 70 1/2"-73" x 43 - 47"	73"	70 1/2"	68 3/8"	43" - 47"	16" - 20"	33 7/8"	1/2"
134694	Revelation SQ 8mm 70 1/2"-73" x 55 - 59"	73"	70 1/2"	68 3/8"	55" - 59"	22" - 26"	33 7/8"	1/2"
134695	Revelation SQ 8mm 56 3/4"-59 1/4" x 55 - 59"	59 1/4"	56 3/4"	54 5/8"	55" - 59"	22" - 26"	18 7/8"	1/2"

All dimensions are approximate. Structure measurements must be verified against the unit to ensure proper fit.

Revelation Square Shower Doors - 8 mm



ALCOVE DOORS - BYPASS



Material : Tempered Glass

Features

- > Components that connect seamlessly for an effortless assembly
- > Exposed double set of wheels
- > Handle outside / Big knob inside
- > Anti-jump features hidden in the frame

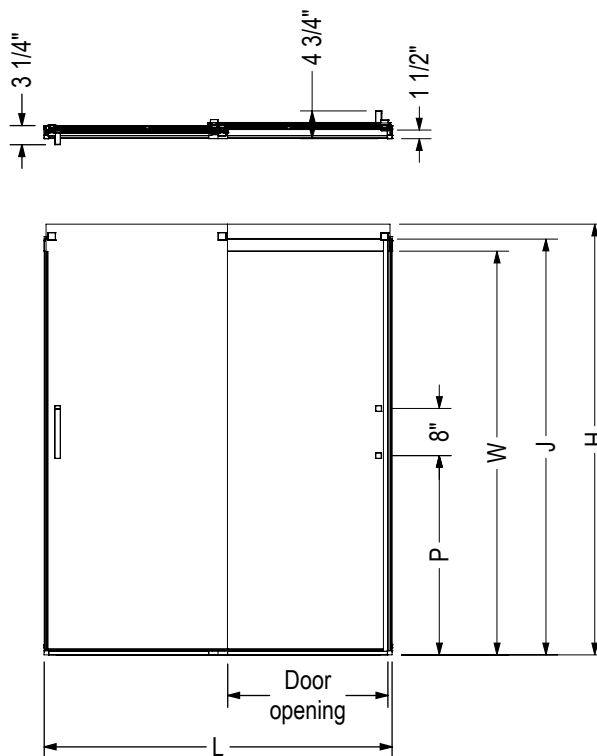
REVELATION SQUARE 44-47 X 70 1/2-73 - 8MM - 135693

SKU	Glass / Finish	Door Opening	Dimensions & Weight	Packaging	MSRP
135693-900-084-000	Clear / Chrome	Reversible	44" - 47" x 73" / 130 lb / 59 kg	3.47 ft³	\$ 1021
135693-900-305-000	Clear / Brushed Nickel				\$ 1083
135693-900-340-000	Clear / Matte Black				\$ 1115

REVELATION SQUARE 56-59 X 70 1/2-73 - 8MM - 135694

SKU	Glass / Finish	Door Opening	Dimensions & Weight	Packaging	MSRP
135694-900-084-000	Clear / Chrome	Reversible	56" - 59" x 73" / 140 lb / 63 kg	3.94 ft³	\$ 1102
135694-900-305-000	Clear / Brushed Nickel				\$ 1166
135694-900-340-000	Clear / Matte Black				\$ 1196

STANDARD



Code	Description	H	J	W	L Adjustable	Door Opening	P	Wall adjustment
134690	Revelation SQ 6mm 70 1/2"-73" x 43 - 47"	73"	70 1/2"	68 3/8"	43" - 47"	16" - 20"	33 7/8"	1/2"
134691	Revelation SQ 6mm 70 1/2"-73" x 55 - 59"	73"	70 1/2"	68 3/8"	55" - 59"	22" - 26"	33 7/8"	1/2"
134692	Revelation SQ 6mm 56 3/4"-59 1/4" x 55 - 59"	59 1/4"	56 3/4"	54 5/8"	55" - 59"	22" - 26"	18 7/8"	1/2"
134693	Revelation SQ 8mm 70 1/2"-73" x 43 - 47"	73"	70 1/2"	68 3/8"	43" - 47"	16" - 20"	33 7/8"	1/2"
134694	Revelation SQ 8mm 70 1/2"-73" x 55 - 59"	73"	70 1/2"	68 3/8"	55" - 59"	22" - 26"	33 7/8"	1/2"
134695	Revelation SQ 8mm 56 3/4"-59 1/4" x 55 - 59"	59 1/4"	56 3/4"	54 5/8"	55" - 59"	22" - 26"	18 7/8"	1/2"

All dimensions are approximate. Structure measurements must be verified against the unit to ensure proper fit.



Uptown Shower Doors



Material : Tempered Glass

Features

- › 7 mm (5/16") tempered glass
- › Configuration consists of Two Sliding Door
- › Available in 4 Stylish Finishes
- › DIY Product for an easy installation
- › Fits on showers, walls and tile
- › Innovative Soft Close by MAAX technology prevents slamming
- › Glass panels come with the Lotus Easy Clean Glass Protection to repel soap and water stains for carefree maintenance
- › Reversible panel for easy corner installation on the left or on the right
- › 3/8" out-of-plumb adjustment

ALCOVE DOORS - BYPASS

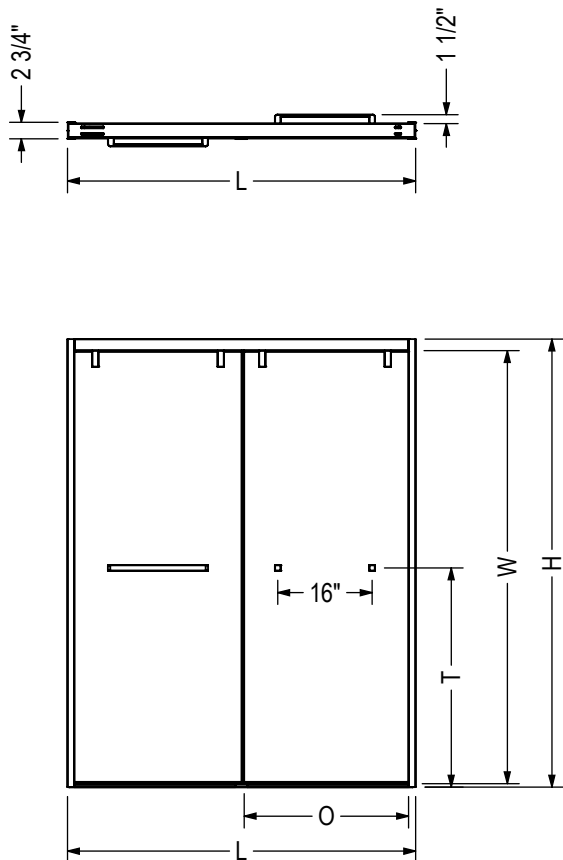
UPTOWN 44-47 X 76 IN. 8 MM - 135321

SKU	Glass / Finish	Door Opening	Dimensions & Weight	Packaging	MSRP
135321-900-084-000	Clear / Chrome	Reversible	44" - 47" x 76" / 112 lb / 51 kg	4.944 ft ³	\$ 1423
135321-900-305-000	Clear / Brushed Nickel				\$ 1498
135321-900-340-000	Clear / Matte Black				\$ 1528

UPTOWN 56-59 X 76 IN. 8 MM - 135322

SKU	Glass / Finish	Door Opening	Dimensions & Weight	Packaging	MSRP
135322-900-084-000	Clear / Chrome	Reversible	56" - 59" x 76" / 138 lb / 63 kg	6.039 ft ³	\$ 1510
135322-900-305-000	Clear / Brushed Nickel				\$ 1585
135322-900-340-000	Clear / Matte Black				\$ 1624

STANDARD



Code	Description	H	L	O	T	W
135320	Uptown Bypass Tub door 58" x 56" - 59"	58"	56" - 59"	24 7/8" - 27 7/8"	28 1/4"	55 1/2"
135321	Uptown Bypass door 76" x 44" - 47"	76"	44" - 47"	18 7/8" - 21 7/8"	37 1/8"	73 1/2"
135322	Uptown Bypass door 76" x 56" - 59"	76"	56" - 59"	24 7/8" - 27 7/8"	37 1/8"	73 1/2"

Wall adjustment = 3/8"

All dimensions are approximate. Structure measurements must be verified against the unit to ensure proper fit.



Capella Shower Doors



Material : Tempered Glass

Features

- › GlassShield® technology pre-installed - provides extra layer of security for homes with children or elderly residents
- › Wide opening to ease the access in and out of the shower
- › Strongly built sill, permanently fixed on the base, better water barrier
- › Hinge with patent mechanism that offers 3 in. of lateral adjustment
- › Additional 3/4 in. of out-of-plumb adjustment
- › Header-less door, no height restriction
- › New design, 1 7/8in deep, makes it compatible with many bases and tile solutions
- › Reversible showers door allowing left or right opening
- › Magnetized closure provides watertight solution
- › Combine with a Return Panel Capella, for a corner shower solution
- › Support arm to increase sturdiness included

ALCOVE DOORS - PIVOT

CAPELLA 78 32 1/2-35 1/2 X 78 - 8MM - 139584

SKU	Glass / Finish	Door Opening	Dimensions & Weight	MSRP
139584-810-084-000	Clear GlassShield / Chrome	Reversible	32 1/2" - 35 1/2" x 78" / 104 lb / 47 kg	\$ 1434
139584-810-305-000	Clear GlassShield / Brushed Nickel			\$ 1505
139584-810-340-000	Clear GlassShield / Matte Black			\$ 1541

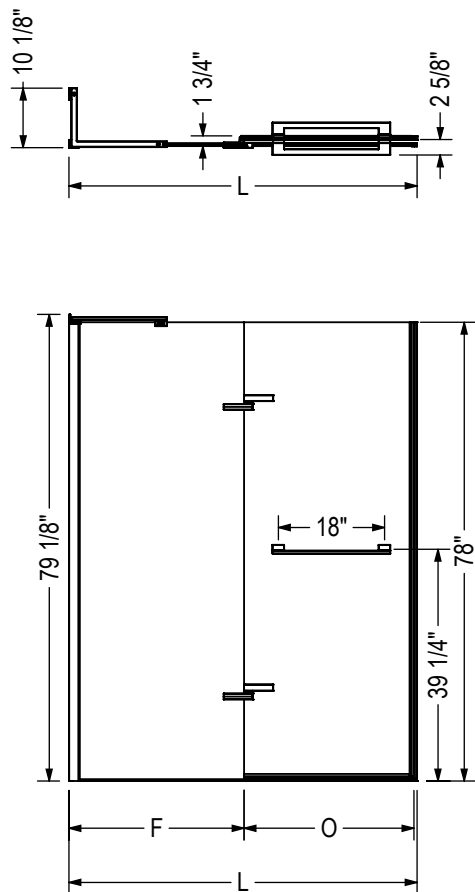
CAPELLA 78 44-47 X 78 - 8MM - 139586

SKU	Glass / Finish	Door Opening	Dimensions & Weight	MSRP
139586-810-084-000	Clear GlassShield / Chrome	Reversible	44" - 47" x 78" / 123 lb / 56 kg	\$ 1648
139586-810-305-000	Clear GlassShield / Brushed Nickel			\$ 1710
139586-810-340-000	Clear GlassShield / Matte Black			\$ 1774

CAPELLA 78 56-59 X 78 - 8MM - 139587

SKU	Glass / Finish	Door Opening	Dimensions & Weight	MSRP
139587-810-084-000	Clear GlassShield / Chrome	Reversible	56" - 59" x 78" / 148 lb / 67 kg	\$ 1774
139587-810-305-000	Clear GlassShield / Brushed Nickel			\$ 1836
139587-810-340-000	Clear GlassShield / Matte Black			\$ 1836

STANDARD



Code	Description	L	F	O
139584	Capella 78" x 32 1/2" - 35 1/2"	32 1/2" - 35 1/2"	5 3/8"	23 3/4" - 26 3/4"
139586	Capella 78" x 44" - 47"	44" - 47"	16 7/8"	23 3/4" - 26 3/4"
139587	Capella 78" x 56" - 59"	56" - 59"	28 7/8"	23 3/4" - 26 3/4"

- Wall adjustment = 3/4"

All dimensions are approximate. Structure measurements must be verified against the unit to ensure proper fit.



ModulR 2 Shower Doors



Material : Tempered Glass

Features

- Pivot door
- 8mm tempered glass with lotus glass protection
- Magnetic closure for increased watertightness
- Reversible doors for left or right opening

MODULR 2 TUNNEL 32 X 78 - 8MM - 137933

SKU	Glass / Finish	Door Opening	Dimensions & Weight	MSRP
137933-900-084-000	Clear / Chrome	Reversible	32" - 32" x 78" / 72.52 lb / 33 kg	\$ 2488
137933-900-305-000	Clear / Brushed Nickel			\$ 2681

MODULR 2 TUNNEL 34 X 78 - 8MM - 137935

SKU	Glass / Finish	Door Opening	Dimensions & Weight	MSRP
137935-900-084-000	Clear / Chrome	Reversible	34" - 34" x 78" / 72.52 lb / 33 kg	\$ 2512
137935-900-305-000	Clear / Brushed Nickel			\$ 2705

MODULR 2 TUNNEL 36 X 78 - 8MM - 137937

SKU	Glass / Finish	Door Opening	Dimensions & Weight	MSRP
137937-900-084-000	Clear / Chrome	Reversible	36" - 36" x 78" / 90 lb / 41 kg	\$ 2528
137937-900-305-000	Clear / Brushed Nickel			\$ 2733

ACCESSORIES

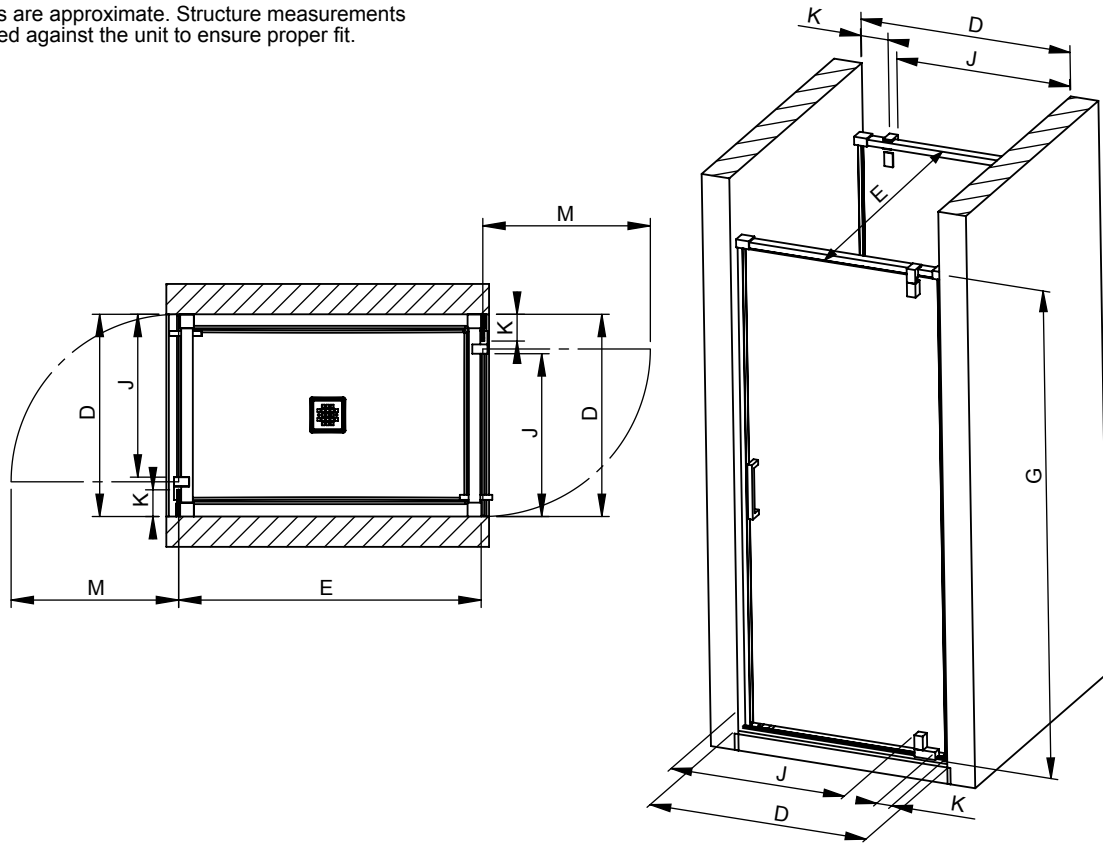
SKU	Description	MSRP
10060311	Corner glass shelf (9 3/8 x 9 3/8 in.) (sold separately) 10 mm frosted glass with a clear band along the edge Compatible with Utile and tile shower walls	\$ 158
10068586-305-603	10068586-XXX-603 - Designer handle 8" Available colours: Chrome (084), Brushed Nickel (305)	\$ 233

ACCESSORIES

SKU	Description	MSRP
10068586-084-603	10068586-XXX-603 - Designer handle 8" Available colours: Chrome (084), Brushed Nickel (305)	\$ 215

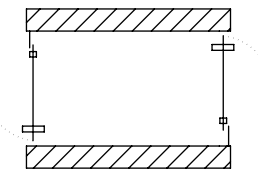
All dimensions are approximate. Structure measurements must be verified against the unit to ensure proper fit.

**Moduir PIVOT SHOWER DOOR:
TUNNEL 32/34" DOUBLE (506)**



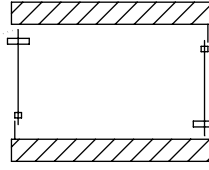
All complementary installation can be also build from the same listed product

PIVOT ON LEFT



506PP OPTIONAL

PIVOT ON RIGHT



506PP AS SHOWN

PRODUCT	BASE SIZE	G	D	E	J	M
		HEIGHT (top of glass)	WIDTH (min-max)	DEPTH (min-max)	DOOR ACCESS (maximum)	ENCUMBRANCE
137933	48X32	78"	30-1/8" - 31-3/8"	45-1/4" - 46-3/4"	26-1/2"	24-3/8"
137935	48X34		32-1/8" - 33-3/8"			
137933	60X32		30-1/8" - 31-3/8"	57-1/4" - 58-3/4"		

ALCOVE DOORS - PIVOT



ModulR Alcove Shower Doors

ALCOVE DOORS - PIVOT



Material : Tempered Glass

Features

- Pivot door
- 8mm tempered glass with lotus glass protection
- Magnetic closure for increased watertightness
- Reversible doors for left or right opening

MODULR 60 X 78 - 8MM - 137832

SKU	Glass / Finish	Door Opening	Dimensions & Weight	Packaging	MSRP
137832-900-084-000	Clear / Chrome	Reversible	57 1/8" - 59" x 78" / 92 lb / 42 kg	5.74 ft ³	\$ 1694
137832-900-305-000	Clear / Brushed Nickel				\$ 1823

MODULR 48 X 78 - 8MM - 137833

SKU	Glass / Finish	Door Opening	Dimensions & Weight	Packaging	MSRP
137833-900-084-000	Clear / Chrome	Reversible	45 1/8" - 47" x 78" / 92 lb / 42 kg	5.74 ft ³	\$ 1481
137833-900-305-000	Clear / Brushed Nickel				\$ 1593

MODULR 36 X 78 - 8MM - 137835

SKU	Glass / Finish	Door Opening	Dimensions & Weight	Packaging	MSRP
137835-900-084-000	Clear / Chrome	Reversible	33 1/8" - 34 5/8" x 78" / 92 lb / 42 kg	5.74 ft ³	\$ 1266
137835-900-305-000	Clear / Brushed Nickel				\$ 1367

MODULR 34 X 78 - 8MM - 137836

SKU	Glass / Finish	Door Opening	Dimensions & Weight	Packaging	MSRP
137836-900-084-000	Clear / Chrome	Reversible	57 1/8" - 46 5/8" x 78" / 136 lb / 62 kg	10.11 ft ³	\$ 1259
137836-900-305-000	Clear / Brushed Nickel				\$ 1355

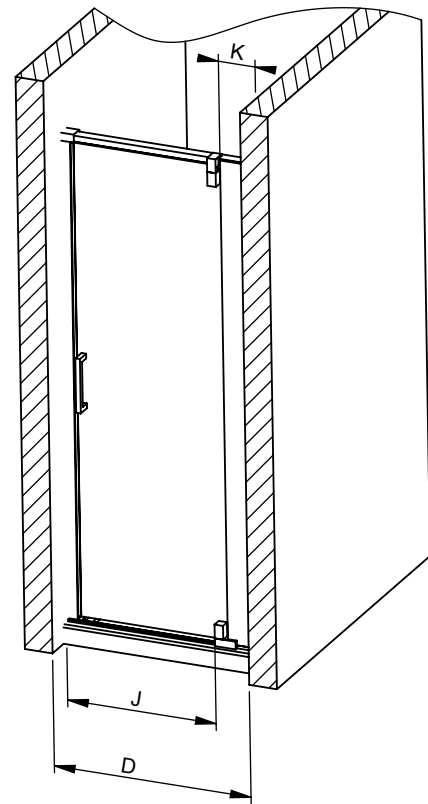
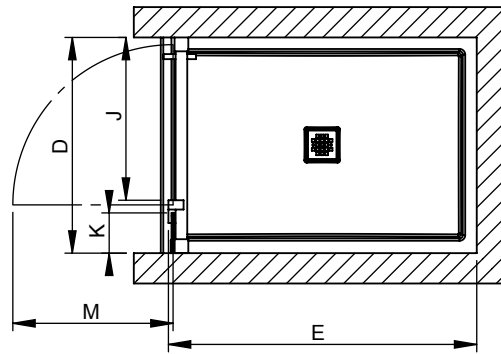
ACCESSORIES

SKU	Description	MSRP
10060311	Corner glass shelf (9 3/8 x 9 3/8 in.) (sold separately) 10 mm frosted glass with a clear band along the edge Compatible with Utile and tile shower walls	\$ 158
10068586-305-603	10068586-XXX-603 - Designer handle 8"	\$ 233
10068586-084-603	Available colours: Chrome (084), Brushed Nickel (305)	\$ 215

All dimensions are approximate. Structure measurements must be verified against the unit to ensure proper fit.

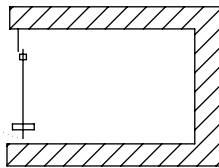
ALCOVE DOORS - PIVOT

ModuIR PIVOT SHOWER DOOR:
DEEP ALCOVE 32/34" (504)



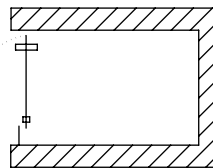
All complementary installation can be also build from the same listed product

PIVOT ON LEFT



504 OPTIONAL

PIVOT ON RIGHT



504 AS SHOWN

PRODUCT	BASE SIZE	G	E	D	J	K	M
		HEIGHT (top of glass)	DEPTH (min-max)	WIDTH (min-max)	DOOR ACCESS (maximum)	FIXED PANEL	ENCUMBRANCE
137837	48X32	78"	45-1/8" - 46-5/8"	30-1/4" - 31-1/2"	26-1/2"		27-3/16"
137836	48X34			32-1/4" - 33-1/2"			
137837	60X32		57-1/8" - 58-5/8"	30-1/4" - 31-1/2"			

ModulR Wall-Mounted Shower Doors



Material : Tempered Glass

Features

- > • Pivot door
- 8mm tempered glass with lotus glass protection
- Magnetic closure for increased watertightness
- Reversible doors for left or right opening

ALCOVE DOORS - PIVOT

MODULR WALL-MOUNTED 48 X 36 X 78 - 8MM - 137863

SKU	Glass / Finish	Door Opening	Dimensions & Weight	MSRP
137863-900-084-000	Clear / Chrome	Reversible	48" - 48" x 78" / 192.5 lb / 87 kg	\$ 2471
137863-900-305-000	Clear / Brushed Nickel			\$ 2654

MODULR WALL-MOUNTED 48 X 34 X 78 - 8MM - 137864

SKU	Glass / Finish	Door Opening	Dimensions & Weight	MSRP
137864-900-084-000	Clear / Chrome	Reversible	48" - 48" x 78" / 206 lb / 93 kg	\$ 2455
137864-900-305-000	Clear / Brushed Nickel			\$ 2642

MODULR WALL-MOUNTED 48 X 32 X 78 - 8MM - 137865

SKU	Glass / Finish	Door Opening	Dimensions & Weight	MSRP
137865-900-084-000	Clear / Chrome	Reversible	48" - 48" x 78" / 180.5 lb / 82 kg	\$ 2444
137865-900-305-000	Clear / Brushed Nickel			\$ 2630

MODULR WALL-MOUNTED 60 X 36 X 78 - 8MM - 137873

SKU	Glass / Finish	Door Opening	Dimensions & Weight	MSRP
137873-900-084-000	Clear / Chrome	Reversible	60" - 60" x 78" / 82.26 lb / 37 kg	\$ 2681
137873-900-305-000	Clear / Brushed Nickel			\$ 2885

MODULR WALL-MOUNTED 60 X 32 X 78 - 8MM - 137874

SKU	Glass / Finish	Door Opening	Dimensions & Weight	MSRP
137874-900-084-000	Clear / Chrome	Reversible	60" - 60" x 78" / 208 lb / 94 kg	\$ 2654
137874-900-305-000	Clear / Brushed Nickel			\$ 2861

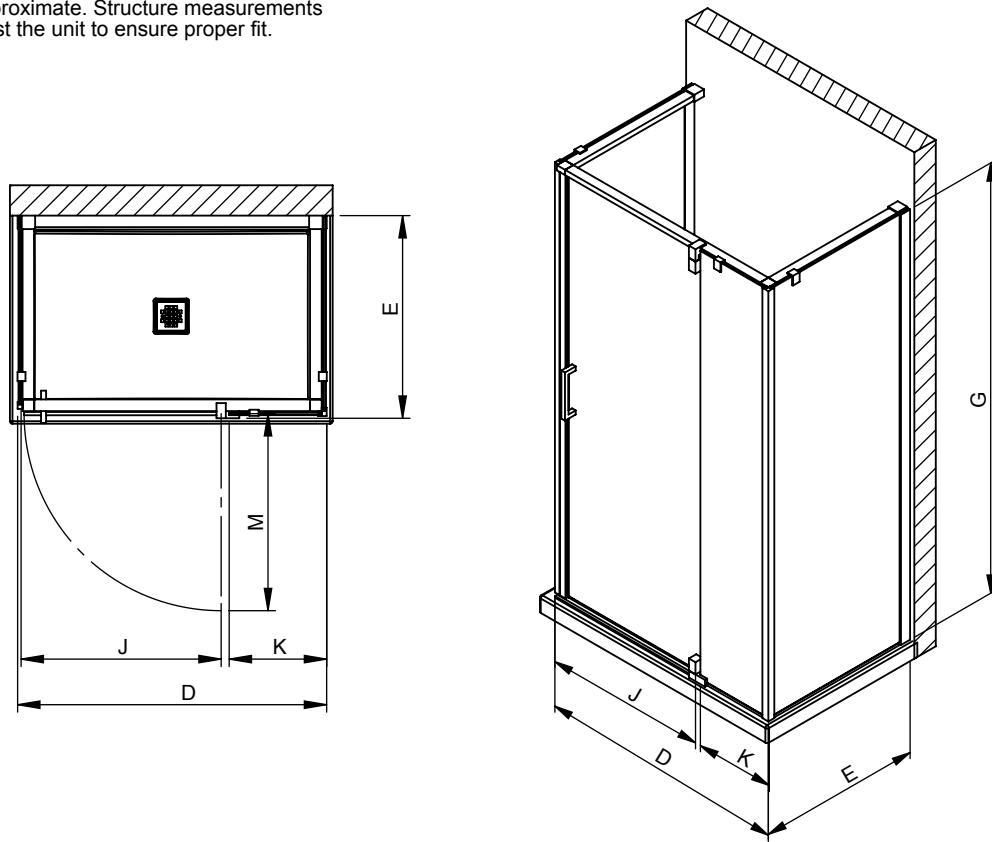
ACCESSORIES

SKU	Description	MSRP
10060311	Corner glass shelf (9 3/8 x 9 3/8 in.) (sold separately) 10 mm frosted glass with a clear band along the edge Compatible with Utile and tile shower walls	\$ 158
10068586-305-603	10068586-XXX-603 - Designer handle 8"	\$ 233
10068586-084-603	Available colours: Chrome (084), Brushed Nickel (305)	\$ 215

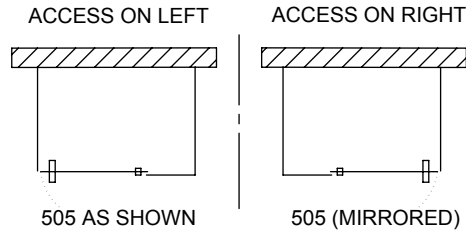
ALCOVE DOORS - PIVOT

All dimensions are approximate. Structure measurements must be verified against the unit to ensure proper fit.

Moduir PIVOT SHOWER DOOR:
WALLMOUNT SHOWER (505)



All complementary installation can be also build from the same listed product



PRODUCT	BASE SIZE	G	D	E	J	K	M
		HEIGHT (top of glass)	WIDTH (min-max)	DEPTH (min-max)	DOOR ACCESS (maximum)	FIXED PANEL	FLOOR-CLEARANCE
137865	48X32	78"	45-1/2" - 47"	30-1/8" - 31-3/8"	26-1/2"	15-1/4"-15-1/2"	27-7/8"
137864	48X34			32-1/8" - 33-3/8"			
137863	48X36			34-1/8" - 35-3/8"			
137874	60X32			30-1/8" - 31-3/8"			
137873	60X36			34-1/8" - 35-3/8"			



Madono Shower Doors

ALCOVE DOORS - PIVOT



Material : Tempered Glass

Features

- > 1-panel 1/4 in./6 mm frameless pivot door for alcove shower
- > Chrome knob for a clean simple look
- > Reversible door for left or right opening

MADONO 28 1/2-30 1/2 X 67 - 6MM - 105416

SKU	Glass / Finish	Door Opening	Dimensions & Weight	Packaging	MSRP
105416-900-084-000	Clear / Chrome	Reversible	28 1/2" - 30 1/2" x 67" / 32.0 lb / 15 kg	3.62 ft ³	\$ 562

MADONO 31 1/2-33 1/2 X 67 - 6MM - 105417

SKU	Glass / Finish	Door Opening	Dimensions & Weight	Packaging	MSRP
105417-900-084-000	Clear / Chrome	Reversible	31 1/2" - 33 1/2" x 67" / 34.0 lb / 15 kg	3.99 ft ³	\$ 598

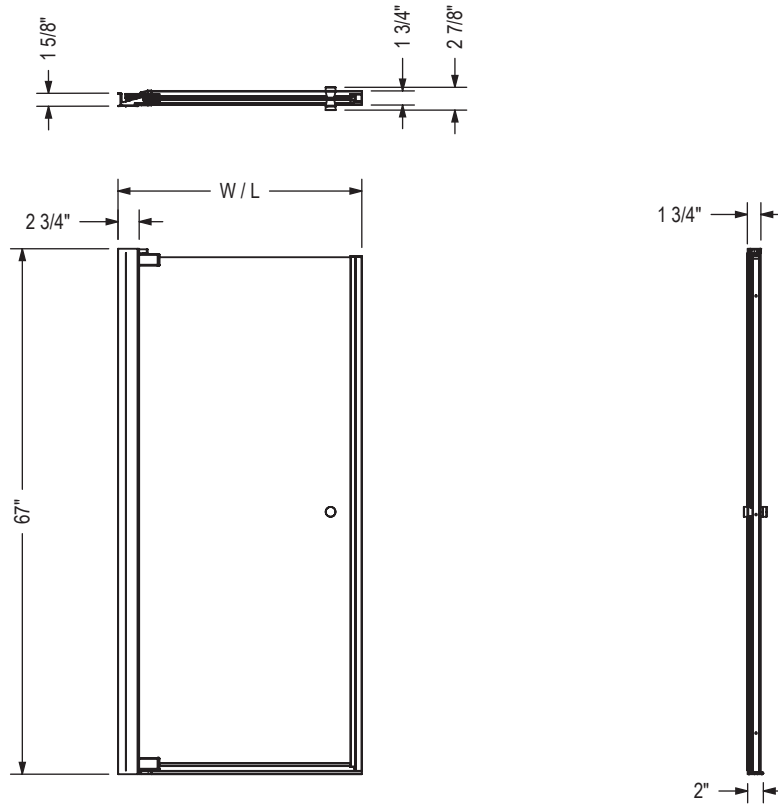
MADONO 34 1/2-36 1/2 X 67 - 6MM - 105418

SKU	Glass / Finish	Door Opening	Dimensions & Weight	Packaging	MSRP
105418-900-084-000	Clear / Chrome	Reversible	34 1/2" - 36 1/2" x 67" / 46 lb / 21 kg	3.99 ft ³	\$ 635

MADONO 24 1/2-26 1/2 X 67 - 6MM - 105420

SKU	Glass / Finish	Door Opening	Dimensions & Weight	Packaging	MSRP
105420-900-084-000	Clear / Chrome	Reversible	24 1/2" - 26 1/2" x 67" / 40 lb / 18 kg	3.62 ft ³	\$ 522

STANDARD



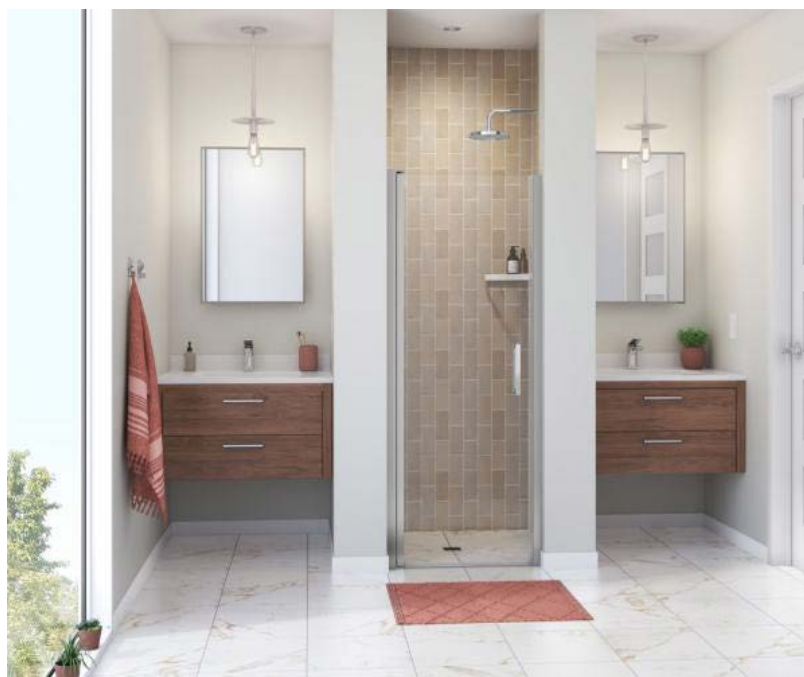
Code	Description	H	W / L
105420/105419	Madono / Insight 24-1/2" - 26-1/2"	67"	24-1/2" - 26-1/2"
105416/105316	Madono / Insight 28-1/2" - 30-1/2"	67"	28-1/2" - 30-1/2"
105417/105317	Madono / Insight 31-1/2" - 33-1/2"	67"	31-1/2" - 33-1/2"
105418/105318	Madono / Insight 34-1/2" - 36-1/2"	67"	34-1/2" - 36-1/2"

All dimensions are approximate. Structure measurements must be verified against the unit to ensure proper fit.



Manhattan 1 Panel Shower Doors

ALCOVE DOORS - PIVOT



Material : Tempered Glass

Features

- › Frameless Pivot door for Alcove Installation
- › Available in 3 stylish finishes and 18 sizes
- › 6mm (1/4") clear tempered glass
- › 2" of lateral adjustment integrated into each door. For an additional 1/2-inch, see filler sold separately (SKU 10041204)
- › Door pivoting inside and outside (180 degrees)
- › Slim interface of 7/8" (22mm) to fit on most shower bases
- › No threshold piece for ease of cleaning and easy access
- › No height restrictions
- › Wide opening for comfortable access

MANHATTAN 23-25 X 68 - 6MM - 138260

SKU	Glass / Finish	Door Opening	Dimensions & Weight	Packaging	MSRP
138260-900-084-100	Clear / Chrome	Reversible	23" - 25" x 68" / 36 lb / 16 kg	5.147 ft ³	\$ 470
138260-900-084-101					\$ 470
138260-900-305-100	Clear / Brushed Nickel				\$ 493
138260-900-305-101					\$ 493
138260-900-340-100	Clear / Matte Black				\$ 516
138260-900-340-101					\$ 516

MANHATTAN 25-27 X 68 - 6MM - 138261

SKU	Glass / Finish	Door Opening	Dimensions & Weight	Packaging	MSRP
138261-900-084-100	Clear / Chrome	Reversible	25" - 27" x 68" / 38 lb / 17 kg	4.049 ft ³	\$ 505
138261-900-084-101					\$ 505
138261-900-305-100	Clear / Brushed Nickel				\$ 531
138261-900-305-101					\$ 531
138261-900-340-100	Clear / Matte Black				\$ 556
138261-900-340-101					\$ 556

MANHATTAN 27-29 X 68 - 6MM - 138262

SKU	Glass / Finish	Door Opening	Dimensions & Weight	Packaging	MSRP
138262-900-084-100	Clear / Chrome	Reversible	27" - 29" x 68" / 40 lb / 18 kg	4.461 ft ³	\$ 541
138262-900-084-101					\$ 541
138262-900-305-100	Clear / Brushed Nickel				\$ 568
138262-900-305-101					\$ 568
138262-900-340-100	Clear / Matte Black				\$ 595
138262-900-340-101					\$ 595

MANHATTAN 29-31 X 68 - 6MM - 138263

SKU	Glass / Finish	Door Opening	Dimensions & Weight	Packaging	MSRP
138263-900-084-100	Clear / Chrome	Reversible	29" - 31" x 68" / 44 lb / 20 kg	4.461 ft ³	\$ 578
138263-900-084-101					\$ 578
138263-900-305-100	Clear / Brushed Nickel				\$ 607
138263-900-305-101					\$ 607
138263-900-340-100	Clear / Matte Black				\$ 636
138263-900-340-101					\$ 636

MANHATTAN 31-33 X 68 - 6MM - 138264

SKU	Glass / Finish	Door Opening	Dimensions & Weight	Packaging	MSRP
138264-900-084-100	Clear / Chrome	Reversible	31" - 33" x 68" / 46 lb / 21 kg	4.804 ft ³	\$ 618
138264-900-084-101					\$ 618
138264-900-305-100	Clear / Brushed Nickel				\$ 649
138264-900-305-101					\$ 649
138264-900-340-100	Clear / Matte Black				\$ 680
138264-900-340-101					\$ 680

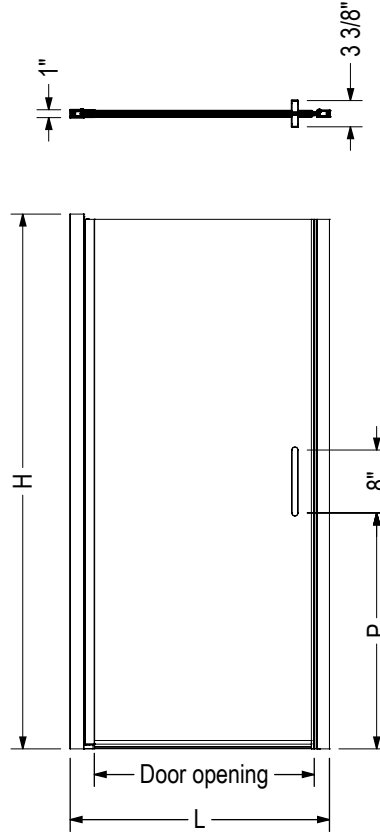
MANHATTAN 33-35 X 68 - 6MM - 138265

SKU	Glass / Finish	Door Opening	Dimensions & Weight	Packaging	MSRP
138265-900-084-100	Clear / Chrome	Reversible	33" - 35" x 68" / 50 lb / 23 kg	5.147 ft ³	\$ 663
138265-900-084-101					\$ 663
138265-900-305-100	Clear / Brushed Nickel				\$ 696
138265-900-305-101					\$ 696
138265-900-340-100	Clear / Matte Black				\$ 729
138265-900-340-101					\$ 729

ACCESSORIES

SKU	Description	MSRP
10041204-340-001		\$ 86
10041204-305-001	Manhattan Shower Door Filler 1/2 in. Available finishes: Chrome (084), Brushed Nickel (305) and Matte Black (340)	\$ 82
10041204-084-001		\$ 78

STANDARD



Code	Description	H	L Adjustable	Door opening	P
138260	Manhattan 68" x 23" - 25"	68"	23" - 25"	18 3/8"	30"
138261	Manhattan 68" x 25" - 27"	68"	25" - 27"	20 3/8"	30"
138262	Manhattan 68" x 27" - 29"	68"	27" - 29"	22 3/8"	30"
138263	Manhattan 68" x 29" - 31"	68"	29" - 31"	24 3/8"	30"
138264	Manhattan 68" x 31" - 33"	68"	31" - 33"	26 3/8"	30"
138265	Manhattan 68" x 33" - 35"	68"	33" - 35"	28 3/8"	30"

All dimensions are approximate. Structure measurements must be verified against the unit to ensure proper fit.



Manhattan 2 Panel Shower Doors

ALCOVE DOORS - PIVOT



Material : Tempered Glass

Features

- › Frameless Pivot door for Alcove Installation
- › Available in 3 stylish finishes and 18 sizes
- › 6mm (1/4") clear tempered glass
- › 2" of lateral adjustment integrated into each door. For an additional 1/2-inch, see filler sold separately (SKU 10041204)
- › Door pivoting inside and outside (180 degrees)
- › Slim interface of 7/8" (22mm) to fit on most shower bases
- › No threshold piece for ease of cleaning and easy access
- › No height restrictions
- › Wide opening for comfortable access

MANHATTAN 35-37 X 68 - 6MM - 138266

SKU	Glass / Finish	Door Opening	Dimensions & Weight	Packaging	MSRP
138266-900-084-100	Clear / Chrome	Reversible	35" - 37" x 68" / 54 lb / 24 kg	4.461 ft ³	\$ 729
138266-900-084-101					\$ 729
138266-900-305-100	Clear / Brushed Nickel				\$ 765
138266-900-305-101					\$ 765
138266-900-340-100	Clear / Matte Black				\$ 802
138266-900-340-101					\$ 802

MANHATTAN 37-39 X 68 - 6MM - 138267

SKU	Glass / Finish	Door Opening	Dimensions & Weight	Packaging	MSRP
138267-900-084-100	Clear / Chrome	Reversible	37" - 39" x 68" / 58 lb / 26 kg	5.147 ft ³	\$ 750
138267-900-084-101					\$ 750
138267-900-305-100	Clear / Brushed Nickel				\$ 788
138267-900-305-101					\$ 788
138267-900-340-100	Clear / Matte Black				\$ 826
138267-900-340-101					\$ 826

MANHATTAN 39-41 X 68 - 6MM - 138268

SKU	Glass / Finish	Door Opening	Dimensions & Weight	Packaging	MSRP
138268-900-084-100	Clear / Chrome	Reversible	39" - 41" x 68" / 60 lb / 27 kg	5.147 ft ³	\$ 773
138268-900-084-101					\$ 773
138268-900-305-100	Clear / Brushed Nickel				\$ 812
138268-900-305-101					\$ 812
138268-900-340-100	Clear / Matte Black				\$ 850
138268-900-340-101					\$ 850

MANHATTAN 41-43 X 68 - 6MM - 138269

SKU	Glass / Finish	Door Opening	Dimensions & Weight	Packaging	MSRP
138269-900-084-100	Clear / Chrome	Reversible	41" - 43" x 68" / 62 lb / 28 kg	4.461 ft ³	\$ 796
138269-900-084-101					\$ 796
138269-900-305-100	Clear / Brushed Nickel				\$ 836
138269-900-305-101					\$ 836
138269-900-340-100	Clear / Matte Black				\$ 876
138269-900-340-101					\$ 876

MANHATTAN 43-45 X 68 - 6MM - 138270

SKU	Glass / Finish	Door Opening	Dimensions & Weight	Packaging	MSRP
138270-900-084-100	Clear / Chrome	Reversible	43" - 45" x 68" / 66 lb / 30 kg	4.804 ft ³	\$ 820
138270-900-084-101					\$ 820
138270-900-305-100	Clear / Brushed Nickel				\$ 862
138270-900-305-101					\$ 862
138270-900-340-100	Clear / Matte Black				\$ 902
138270-900-340-101					\$ 902

MANHATTAN 45-47 X 68 - 6MM - 138271

SKU	Glass / Finish	Door Opening	Dimensions & Weight	Packaging	MSRP
138271-900-084-100	Clear / Chrome	Reversible	45" - 47" x 68" / 70 lb / 32 kg	3.809 ft ³	\$ 845
138271-900-084-101					\$ 845
138271-900-305-100	Clear / Brushed Nickel				\$ 887
138271-900-305-101					\$ 887
138271-900-340-100	Clear / Matte Black				\$ 930
138271-900-340-101					\$ 930

MANHATTAN 47-49 X 68 - 6MM - 138272

SKU	Glass / Finish	Door Opening	Dimensions & Weight	Packaging	MSRP
138272-900-084-100	Clear / Chrome	Reversible	47" - 49" x 68" / 72 lb / 33 kg	4.461 ft ³	\$ 870
138272-900-084-101					\$ 870
138272-900-305-100	Clear / Brushed Nickel				\$ 914
138272-900-305-101					\$ 914
138272-900-340-100	Clear / Matte Black				\$ 958
138272-900-340-101					\$ 958

MANHATTAN 49-51 X 68 - 6MM - 138273

SKU	Glass / Finish	Door Opening	Dimensions & Weight	Packaging	MSRP
138273-900-084-100	Clear / Chrome	Reversible	49" - 51" x 68" / 74 lb / 34 kg	4.804 ft ³	\$ 896
138273-900-084-101					\$ 896
138273-900-305-100	Clear / Brushed Nickel				\$ 941
138273-900-305-101					\$ 941
138273-900-340-100	Clear / Matte Black				\$ 986
138273-900-340-101					\$ 986

MANHATTAN 51-53 X 68 - 6MM - 138274

SKU	Glass / Finish	Door Opening	Dimensions & Weight	Packaging	MSRP
138274-900-084-100	Clear / Chrome	Reversible	51" - 53" x 68" / 76 lb / 34 kg	4.804 ft ³	\$ 924
138274-900-084-101					\$ 924
138274-900-305-100	Clear / Brushed Nickel				\$ 970
138274-900-305-101					\$ 970
138274-900-340-100	Clear / Matte Black				\$ 1016
138274-900-340-101					\$ 1016

MANHATTAN 53-55 X 68 - 6MM - 138275

SKU	Glass / Finish	Door Opening	Dimensions & Weight	Packaging	MSRP
138275-900-084-100	Clear / Chrome	Reversible	53" - 55" x 68" / 80 lb / 36 kg	4.804 ft ³	\$ 950
138275-900-084-101					\$ 950
138275-900-305-100	Clear / Brushed Nickel				\$ 998
138275-900-305-101					\$ 998
138275-900-340-100	Clear / Matte Black				\$ 1045
138275-900-340-101					\$ 1045

MANHATTAN 55-57 X 68 - 6MM - 138276

SKU	Glass / Finish	Door Opening	Dimensions & Weight	Packaging	MSRP
138276-900-084-100	Clear / Chrome	Reversible	55" - 57" x 68" / 82 lb / 37 kg	4.804 ft ³	\$ 979
138276-900-084-101					\$ 979
138276-900-305-100	Clear / Brushed Nickel				\$ 1028
138276-900-305-101					\$ 1028
138276-900-340-100	Clear / Matte Black				\$ 1077
138276-900-340-101					\$ 1077

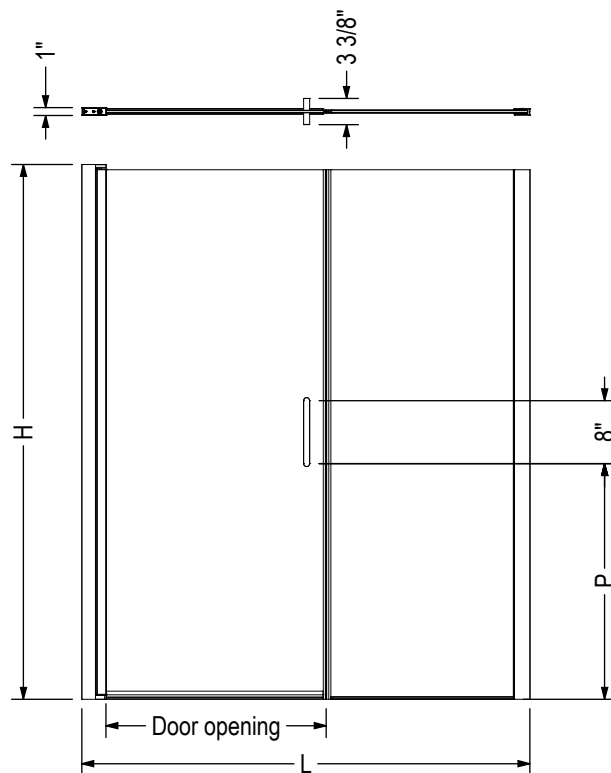
MANHATTAN 57-59 X 68 - 6MM - 138277

SKU	Glass / Finish	Door Opening	Dimensions & Weight	Packaging	MSRP
138277-900-084-100	Clear / Chrome	Reversible	57" - 59" x 68" / 84 lb / 38 kg	5.08 ft ³	\$ 1009
138277-900-084-101					\$ 1009
138277-900-305-100	Clear / Brushed Nickel				\$ 1060
138277-900-305-101					\$ 1060
138277-900-340-100	Clear / Matte Black				\$ 1110
138277-900-340-101					\$ 1110

ACCESSORIES

SKU	Description	MSRP
10041204-340-001		\$ 86
10041204-305-001	Manhattan Shower Door Filler 1/2 in. Available finishes: Chrome (084), Brushed Nickel (305) and Matte Black (340)	\$ 82
10041204-084-001		\$ 78
10037592-084-601		\$ 78
10037592-340-601	Fixed Panel Support Bar for Extra Support. Available finishes: Chrome (084), Brushed Nickel (305) and Matte Black (340)	\$ 80
10037592-305-601		\$ 77

STANDARD



Code	Description	H	L Adjustable	Door opening	P
138266	Manhattan 68" x 35" - 37"	68"	35" - 37"	24 3/8"	30"
138267	Manhattan 68" x 37" - 39"	68"	37" - 39"	26 3/8"	30"
138268	Manhattan 68" x 39" - 41"	68"	39" - 41"	28 3/8"	30"
138269	Manhattan 68" x 41" - 43"	68"	41" - 43"	24 3/8"	30"
138270	Manhattan 68" x 43" - 45"	68"	43" - 45"	26 3/8"	30"
138271	Manhattan 68" x 45" - 47"	68"	45" - 47"	28 3/8"	30"
138272	Manhattan 68" x 47" - 49"	68"	47" - 49"	24 3/8"	30"
138273	Manhattan 68" x 49" - 51"	68"	49" - 51"	26 3/8"	30"
138274	Manhattan 68" x 51" - 53"	68"	51" - 53"	28 3/8"	30"
138275	Manhattan 68" x 53" - 55"	68"	53" - 55"	24 3/8"	30"
138276	Manhattan 68" x 55" - 57"	68"	55" - 57"	26 3/8"	30"
138277	Manhattan 68" x 57" - 59"	68"	57" - 59"	28 3/8"	30"

All dimensions are approximate. Structure measurements must be verified against the unit to ensure proper fit.



Pivolok Deluxe Shower Doors



Material : Tempered Glass

Features

- › 1-panel framed pivot door for alcove shower
- › Full-length magnetic catch concealed in the door edge which allows the door to close tightly
- › Reversible door for left or right installation
- › Framed integrated channel redirects water toward the inside of the shower
- › Fixed panel allows to increase the adjustment to fit wider shower openings

ALCOVE DOORS - PIVOT

PIVOLOK DELUXE 32 1/2-37 X 64 1/2 IN. - 136435

SKU	Glass / Finish	Door Opening	Dimensions & Weight	Packaging	MSRP
136435-900-084-000	Clear / Chrome	Reversible	32 1/2" - 37" x 64 1/2" / 44 lb / 20 kg	3.48 ft ³	\$ 580



Pivolok Shower Doors

ALCOVE DOORS - PIVOT



Material : Tempered Glass

Features

- › 1-panel framed pivot door for alcove shower
- › Full-length magnetic catch allows the door to close tightly
- › Reversible door for left or right installation
- › Integrated channel redirects water toward the inside of the shower
- › Full-length aluminum pull reinforces door and doubles as a handle

PIVOLOK 19-20 ¾ X 64 ½ IN. - 136605

SKU	Glass / Finish	Door Opening	Dimensions & Weight	Packaging	MSRP
136605-900-084-000	Clear / Chrome	Reversible	19" - 20 3/4" x 64 1/2" / 25 lb / 11 kg	2.25 ft³	\$ 372
136605-970-084-000	Raindrop / Chrome				\$ 372

PIVOLOK 21-22 ¾ X 64 ½ IN. - 136615

SKU	Glass / Finish	Door Opening	Dimensions & Weight	Packaging	MSRP
136615-900-084-000	Clear / Chrome	Reversible	21" - 22 3/4" x 64 1/2" / 28 lb / 13 kg	2.41 ft³	\$ 372
136615-970-084-000	Raindrop / Chrome				\$ 372

PIVOLOK 23-24 ¾ X 64 ½ IN. - 136625

SKU	Glass / Finish	Door Opening	Dimensions & Weight	Packaging	MSRP
136625-900-084-000	Clear / Chrome	Reversible	23" - 24 3/4" x 64 1/2" / 32 lb / 15 kg	2.64 ft³	\$ 389
136625-970-084-000	Raindrop / Chrome				\$ 389

PIVOLOK 25-26 ¾ X 64 ½ IN. - 136626

SKU	Glass / Finish	Door Opening	Dimensions & Weight	Packaging	MSRP
136626-900-084-000	Clear / Chrome	Reversible	25" - 26 3/4" x 64 1/2" / 31 lb / 14 kg	2.53 ft³	\$ 389
136626-970-084-000	Raindrop / Chrome				\$ 389

PIVOLOK 27-28 ¾ X 64 ½ IN. - 136635

SKU	Glass / Finish	Door Opening	Dimensions & Weight	Packaging	MSRP
136635-900-084-000	Clear / Chrome	Reversible	27" - 28 ¾" x 64 ½" / 34 lb / 15 kg	3.08 ft³	\$ 403
136635-970-084-000	Raindrop / Chrome				\$ 403

PIVOLOK 29-30 ¾ X 64 ½ IN. - 136645

SKU	Glass / Finish	Door Opening	Dimensions & Weight	Packaging	MSRP
136645-900-084-000	Clear / Chrome	Reversible	29" - 30 ¾" x 64 ½" / 35 lb / 16 kg	3.23 ft³	\$ 419
136645-970-084-000	Raindrop / Chrome				\$ 419

PIVOLOK 31-32 ¾ X 64 ½ IN. - 136655

SKU	Glass / Finish	Door Opening	Dimensions & Weight	Packaging	MSRP
136655-900-084-000	Clear / Chrome	Reversible	31" - 32 ¾" x 64 ½" / 37 lb / 17 kg	3.24 ft³	\$ 435
136655-970-084-000	Raindrop / Chrome				\$ 435

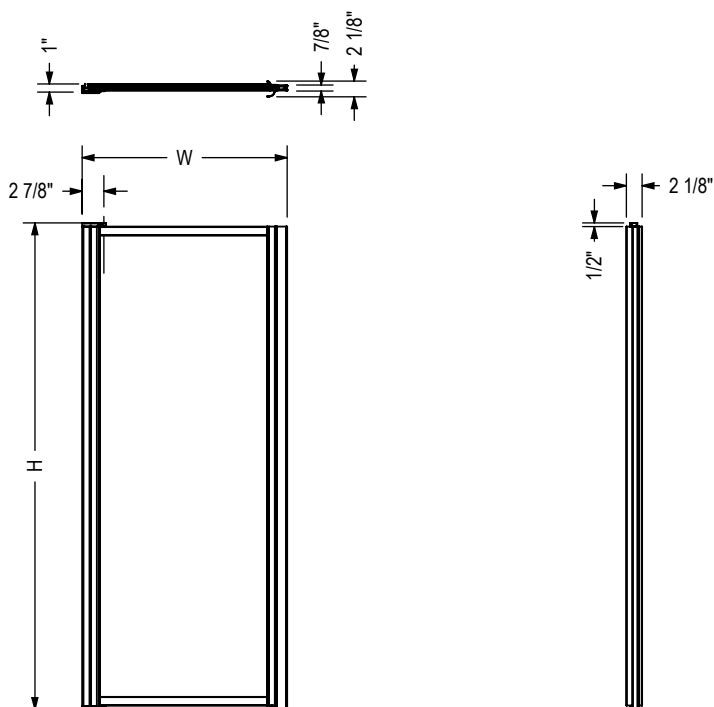
PIVOLOK 33-34 ¾ X 64 ½ IN. - 136656

SKU	Glass / Finish	Door Opening	Dimensions & Weight	Packaging	MSRP
136656-900-084-000	Clear / Chrome	Reversible	33" - 34 ¾" x 64 ½" / 38 lb / 17 kg	3.35 ft³	\$ 449
136656-970-084-000	Raindrop / Chrome				\$ 449

ACCESSORIES

SKU	Description	MSRP
10041702-000-601	Wall jamb kit to fit Mirolin units	\$ 100

STANDARD



Code	Description	H	W
136605	Door Pivolok 19" - 20 3/4"	64 1/2"	19" - 20 3/4"
136615	Door Pivolok 21" - 22 3/4"	64 1/2"	21" - 22 3/4"
136625	Door Pivolok 23" - 24 3/4"	64 1/2"	23" - 24 3/4"
136626	Door Pivolok 25" - 26 3/4"	64 1/2"	25" - 26 3/4"
136635	Door Pivolok 27" - 28 3/4"	64 1/2"	27" - 28 3/4"
136645	Door Pivolok 29" - 30 3/4"	64 1/2"	29" - 30 3/4"
136655	Door Pivolok 31" - 32 3/4"	64 1/2"	31" - 32 3/4"
136656	Door Pivolok 33" - 34 3/4"	64 1/2"	33" - 34 3/4"

All dimensions are approximate. Structure measurements must be verified against the unit to ensure proper fit.



Polar Shower Doors

ALCOVE DOORS - PIVOT



Material : Tempered Glass

Features

- › Raindrop 4 mm tempered glass for more intimacy
- › Chrome finish frame with integrated vertical handle for a clean look
- › Pivoting door provides a wide opening for ease of access in and out of the shower
- › Reversible, allowing for left or right opening to accommodate different bathroom layouts
- › Full-length magnetic door latch ensures the door remains securely closed
- › Out of plumb adjustment in the wall profile
- › Door made of luxurious ANSI certified tempered glass for your safety
- › Proudly made in Canada
- › Warranty: 10 years

POLAR PIVOT 27-28 3/4 X 64 1/2 IN. - 136730

SKU	Glass / Finish	Door Opening	Dimensions & Weight	Packaging	MSRP
136730-970-084-000	Raindrop / Chrome	Reversible	27" - 28 3/4" x 64 1/2" / 34 lb / 15 kg	3.08 ft ³	\$ 403

POLAR PIVOT 31-32 3/4 X 64 1/2 IN. - 136731

SKU	Glass / Finish	Door Opening	Dimensions & Weight	Packaging	MSRP
136731-970-084-000	Raindrop / Chrome	Reversible	31" - 32 3/4" x 64 1/2" / 34 lb / 15 kg	3.08 ft ³	\$ 435

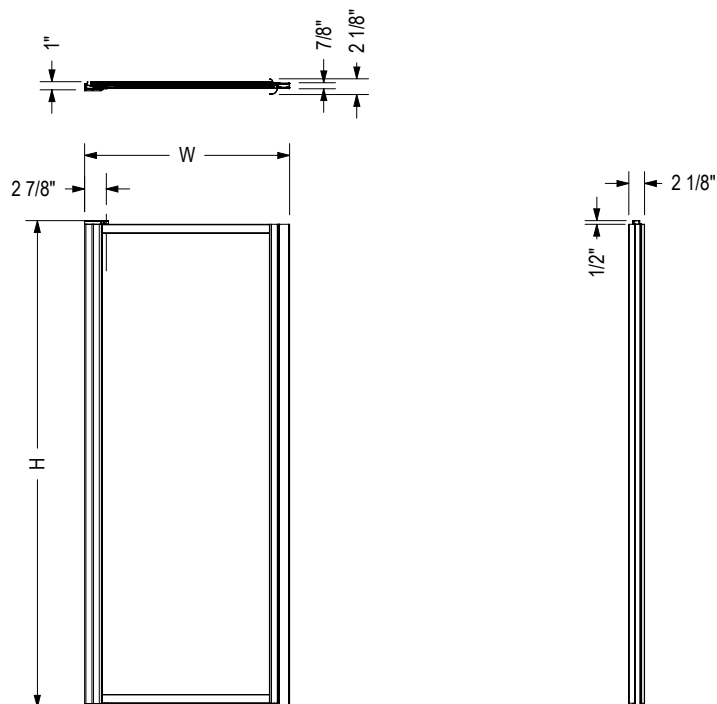
POLAR PIVOT 29-30 3/4 X 64 1/2 IN. - 136732

SKU	Glass / Finish	Door Opening	Dimensions & Weight	Packaging	MSRP
136732-970-084-000	Raindrop / Chrome	Reversible	29" - 30 3/4" x 64 1/2" / 34 lb / 15 kg	3.08 ft ³	\$ 419

POLAR PIVOT 33-34 3/4 X 64 1/2 IN. - 136733

SKU	Glass / Finish	Door Opening	Dimensions & Weight	Packaging	MSRP
136733-970-084-000	Raindrop / Chrome	Reversible	33" - 34 3/4" x 64 1/2" / 34 lb / 15 kg	3.08 ft ³	\$ 449

STANDARD



Code	Description	H	W
136730	Door Polar Pivot 27" - 28 3/4"	64 1/2"	27" - 28 3/4"
136732	Door Polar Pivot 29" - 30 3/4"	64 1/2"	29" - 30 3/4"
136731	Door Polar Pivot 31" - 32 3/4"	64 1/2"	31" - 32 3/4"
136733	Door Polar Pivot 33" - 34 3/4"	64 1/2"	33" - 34 3/4"

All dimensions are approximate. Structure measurements must be verified against the unit to ensure proper fit.



Reveal 71 Shower Doors



Material : Tempered Glass

Features

- › 8 mm tempered glass panels
- › Available in 3 finishes: Chrome, Brushed Nickel, Matte Black to match your door
- › Pivoting door provides a wide opening for ease of access in and out of the shower
- › The frameless design brings a sense of spaciousness to the room and creates a sleek, minimalist look
- › Reversible, allowing for left or right opening to accommodate different bathroom layouts
- › 3 in. of lateral adjustment to fit many shower opening
- › Proudly made in Canada
- › Warranty: 10 years
- › MAAX shower doors come with a proven history of quality and style, leading the market in bathware solutions

ALCOVE DOORS - PIVOT

REVEAL 71 44-47 X 71 1/2 - 8MM - 136671

SKU	Glass / Finish	Door Opening	Dimensions & Weight	Packaging	MSRP
136671-900-084-000	Clear / Chrome	Reversible	44" - 47" x 71 1/2" / 118 lb / 54 kg	5.22 ft ³	\$ 1259
136671-900-173-000	Clear / Dark Bronze				\$ 1354
136671-900-305-000	Clear / Brushed Nickel				\$ 1321

REVEAL 71 56-59 X 71 1/2 - 8MM - 136672

SKU	Glass / Finish	Door Opening	Dimensions & Weight	Packaging	MSRP
136672-900-084-000	Clear / Chrome	Reversible	56" - 59" x 71 1/2" / 142 lb / 64 kg	5.22 ft ³	\$ 1384
136672-900-173-000	Clear / Dark Bronze				\$ 1479
136672-900-305-000	Clear / Brushed Nickel				\$ 1448

REVEAL 71 32 1/2-35 1/2 X 71 1/2 - 8MM - 136676

SKU	Glass / Finish	Door Opening	Dimensions & Weight	Packaging	MSRP
136676-900-084-000	Clear / Chrome	Reversible	32 1/2" - 35 1/2" x 71 1/2" / 110 lb / 50 kg	5.2 ft ³	\$ 1134
136676-900-173-000	Clear / Dark Bronze		32 1/2" - 35 1/2" x 71 1/2" / 100 lb / 45 kg		\$ 1228
136676-900-305-000	Clear / Brushed Nickel		\$ 1196		

REVEAL 71 41 1/2-44 1/2 X 71 1/2 - 8MM - 136677

SKU	Glass / Finish	Door Opening	Dimensions & Weight	Packaging	MSRP
136677-900-084-000	Clear / Chrome	Reversible	41 1/2" - 44 1/2" x 71 1/2" / 121 lb / 55 kg	5.2 ft ³	\$ 1228
136677-900-173-000	Clear / Dark Bronze		41 1/2" - 44 1/2" x 71 1/2" / 111 lb / 50 kg		\$ 1321
136677-900-305-000	Clear / Brushed Nickel				\$ 1291

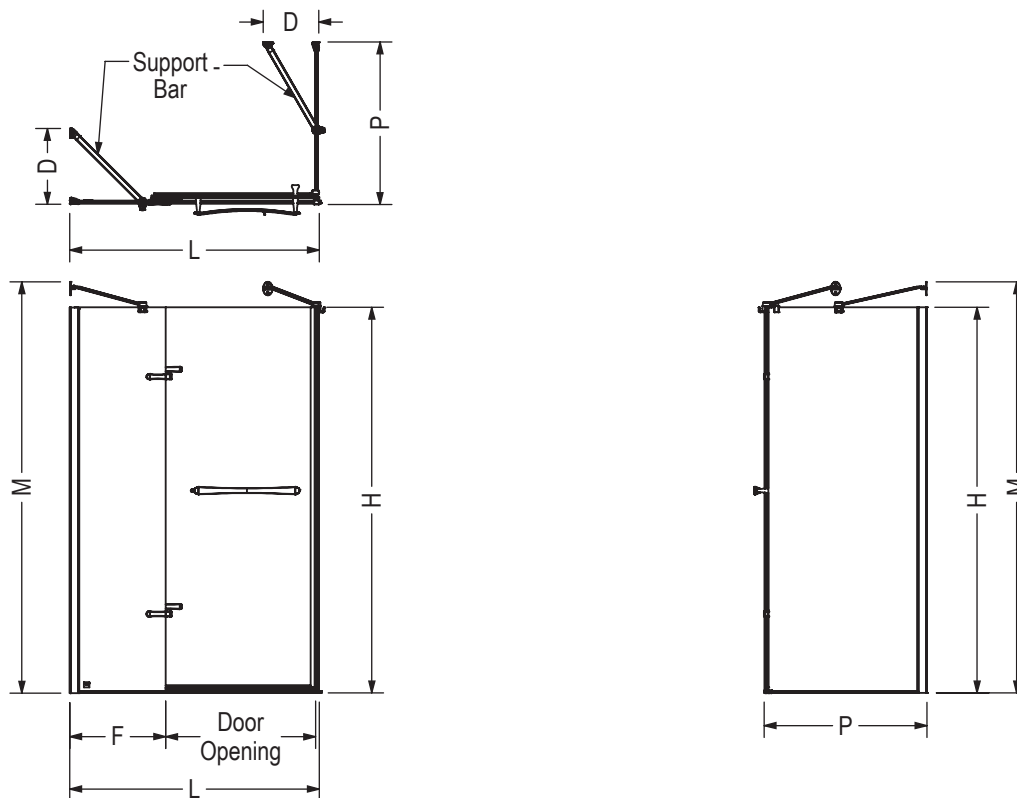
REVEAL 71 38-41 X 71 1/2 - 8 MM - 136679

SKU	Glass / Finish	Door Opening	Dimensions & Weight	Packaging	MSRP
136679-900-084-000	Clear / Chrome	Reversible	38" - 41" x 71 1/2" / 114 lb / 52 kg	5.2 ft ³	\$ 1196
136679-900-173-000	Clear / Dark Bronze		38" - 41" x 71 1/2" / 104 lb / 47 kg		\$ 1291
136679-900-305-000	Clear / Brushed Nickel				\$ 1259

REVEAL 71 51 1/2-54 1/2 X 71 1/2 - 8MM - 136883

SKU	Glass / Finish	Door Opening	Dimensions & Weight	Packaging	MSRP
136883-900-084-000	Clear / Chrome	Reversible	51 1/2" - 54 1/2" x 71 1/2" / 142 lb / 64 kg	5.2 ft ³	\$ 1315
136883-900-173-000	Clear / Dark Bronze		51 1/2" - 54 1/2" x 71 1/2" / 132 lb / 60 kg		\$ 1409
136883-900-305-000	Clear / Brushed Nickel				\$ 1378

STANDARD



ALCOVE DOORS - PIVOT

Code	Description	H	M	L Adjustable	F	P Adjustable	D Adjustable	Door Opening	Wall Adjustment	Support Bar
136676	Reveal 71.5 x 32.5" - 35.5"	71 1/2"	76 1/4"	32.5" - 35.5"	6 1/4"			23" - 26"	3/4"	
136679	Reveal 71.5 x 38" - 41"	71 1/2"	76 1/4"	38" - 41"	11 3/4"			23" - 26"	3/4"	
136677	Reveal 71.5 x 41.5" - 44.5"	71 1/2"	76 1/4"	41.5" - 44.5"	15 1/4"			23" - 26"	3/4"	
136671	Reveal 71.5 x 44" - 47"	71 1/2"	76 1/4"	44" - 47"	17 1/4"		9" - 15"	23" - 26"	3/4"	X
136883	Reveal 71.5 x 51.5" - 54.5"	71 1/2"	76 1/4"	51.5" - 54.5"	25 1/4"		9" - 15"	23" - 26"	3/4"	X
136672	Reveal 71.5 x 56" - 59"	71 1/2"	76 1/4"	56" - 59"	30"		9" - 15"	23" - 26"	3/4"	X
136673	Return Panel 32"	71 1/2"	76 1/4"			29 7/8"	9" - 15"		3/4"	X
136674	Return Panel 34"	71 1/2"	76 1/4"			31 7/8"	9" - 15"		3/4"	X
136675	Return Panel 36"	71 1/2"	76 1/4"			33 7/8"	9" - 15"		3/4"	X

All dimensions are approximate. Structure measurements must be verified against the unit to ensure proper fit.



Reveal Sleek 71 Shower Doors

ALCOVE DOORS - PIVOT



Material : Tempered Glass

Features

- › Strongly built sill, permanently fixed on the base, better water barrier
- › Strongly built sill, permanently fixed on the base, better water barrier
- › Hinge with patent mechanism that offers 3 in. of lateral adjustment
- › Additional 3/4 in. of out-of-plumb adjustment
- › Header-less door, no height restriction
- › New design, 1 7/8 in. deep, makes it compatible with many bases and tile solutions

REVEAL SLEEK 71 32 1/2-35 1/2 X 71 1/2 - 8MM - 139575

SKU	Glass / Finish	Door Opening	Dimensions & Weight	Packaging	MSRP
139575-900-084-000	Clear / Chrome	Reversible	32 1/2" - 35 1/2" x 71 1/2" / 100 lb / 45 kg	4.722222222222222 ft ³	\$ 1162
139575-900-173-000	Clear / Dark Bronze				\$ 1250
139575-900-305-000	Clear / Brushed Nickel				\$ 1221
139575-900-340-000	Clear / Matte Black				\$ 1250

REVEAL SLEEK 71 38-41 X 71 1/2 - 8MM - 139576

SKU	Glass / Finish	Door Opening	Dimensions & Weight	Packaging	MSRP
139576-900-084-000	Clear / Chrome	Reversible	38" - 41" x 71 1/2" / 114 lb / 52 kg	4.72 ft ³	\$ 1227
139576-900-173-000	Clear / Dark Bronze				\$ 1320
139576-900-305-000	Clear / Brushed Nickel				\$ 1288
139576-900-340-000	Clear / Matte Black				\$ 1320

REVEAL SLEEK 71 41 1/2-44 1/2 X 71 1/2 - 8MM - 139577

SKU	Glass / Finish	Door Opening	Dimensions & Weight	Packaging	MSRP
139577-900-084-000	Clear / Chrome	Reversible	41 1/2" - 44 1/2" x 71 1/2" / 116 lb / 53 kg	4.722 ft ³	\$ 1259
139577-900-173-000	Clear / Dark Bronze				\$ 1354
139577-900-305-000	Clear / Brushed Nickel				\$ 1321
139577-900-340-000	Clear / Matte Black				\$ 1354

REVEAL SLEEK 71 44-47 X 71 1/2 - 8MM - 139578

SKU	Glass / Finish	Door Opening	Dimensions & Weight	Packaging	MSRP
139578-900-084-000	Clear / Chrome	Reversible	44" - 47" x 71 1/2" / 118 lb / 54 kg	2 ft ³	\$ 1291
139578-900-173-000	Clear / Dark Bronze				\$ 1387
139578-900-305-000	Clear / Brushed Nickel				\$ 1355
139578-900-340-000	Clear / Matte Black				\$ 1387

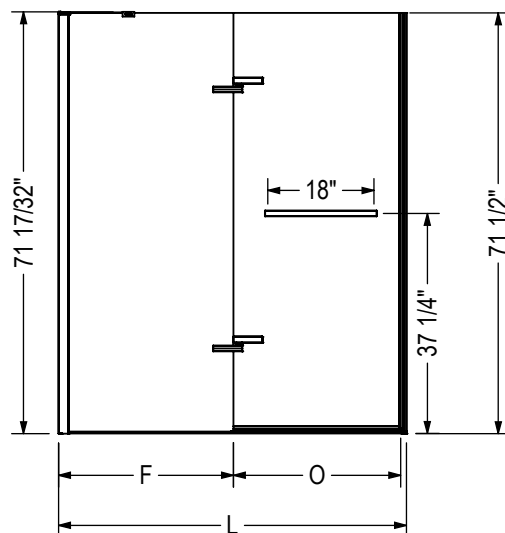
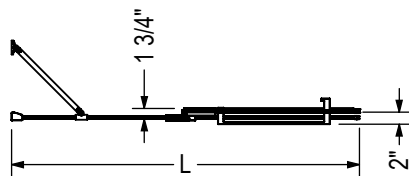
REVEAL SLEEK 71 51 1/2-54 1/2 X 71 1/2 - 8MM - 139579

SKU	Glass / Finish	Door Opening	Dimensions & Weight	Packaging	MSRP
139579-900-084-000	Clear / Chrome	Reversible	51 1/2" - 54 1/2" x 71 1/2" / 125 lb / 57 kg	4.72 ft ³	\$ 1350
139579-900-173-000	Clear / Dark Bronze				\$ 1451
139579-900-305-000	Clear / Brushed Nickel				\$ 1419
139579-900-340-000	Clear / Matte Black				\$ 1451

REVEAL SLEEK 71 56-59 X 71 1/2 - 8MM - 139580

SKU	Glass / Finish	Door Opening	Dimensions & Weight	Packaging	MSRP
139580-900-084-000	Clear / Chrome	Reversible	56" - 59" x 71 1/2" / 142 lb / 64 kg	4.72 ft ³	\$ 1421
139580-900-173-000	Clear / Dark Bronze				\$ 1526
139580-900-305-000	Clear / Brushed Nickel				\$ 1492
139580-900-340-000	Clear / Matte Black				\$ 1526

STANDARD



Code	Description	L	F	O
139575	Reveal Sleek 71 1/2" x 32 1/2" - 35 1/2"	32 1/2" - 35 1/2"	5 3/8"	23 3/4" - 26 3/4"
139576	Reveal Sleek 71 1/2" x 38" - 41"	38" - 41"	10 7/8"	23 3/4" - 26 3/4"
139577	Reveal Sleek 71 1/2" x 41 1/2" - 44 1/2"	41 1/2" - 44 1/2"	14 3/8"	23 3/4" - 26 3/4"
139578	Reveal Sleek 71 1/2" x 44" - 47"	44" - 47"	16 7/8"	23 3/4" - 26 3/4"
139579	Reveal Sleek 71 1/2" x 51 1/2" - 54 1/2"	51 1/2" - 54 1/2"	24 3/8"	23 3/4" - 26 3/4"
139580	Reveal Sleek 71 1/2" x 56" - 59"	56" - 59"	28 7/8"	23 3/4" - 26 3/4"

- Wall adjustment = 3/4"

All dimensions are approximate. Structure measurements must be verified against the unit to ensure proper fit.



Uptown Pivot Shower Doors



Material : Tempered Glass

Features

- › 8 mm (5/16") tempered glass with Lotus easy clean protection
- › 76in high clear glass panel (Walkthrough 73-7/8in)
- › Thin header structure for a minimalist look
- › Handle available in Stylish fashion mixed material finish
- › Designed in North America
- › DIY Product for an easy installation
- › Pivoting doors provide a wide opening for ease of access in and out of the shower
- › 16 in. long handle provides an heavy feel & elegance
- › 1/2" out-of-plumb adjustment

ALCOVE DOORS - PIVOT

UPTOWN 45-47 X 76 IN. 8 MM - 135325

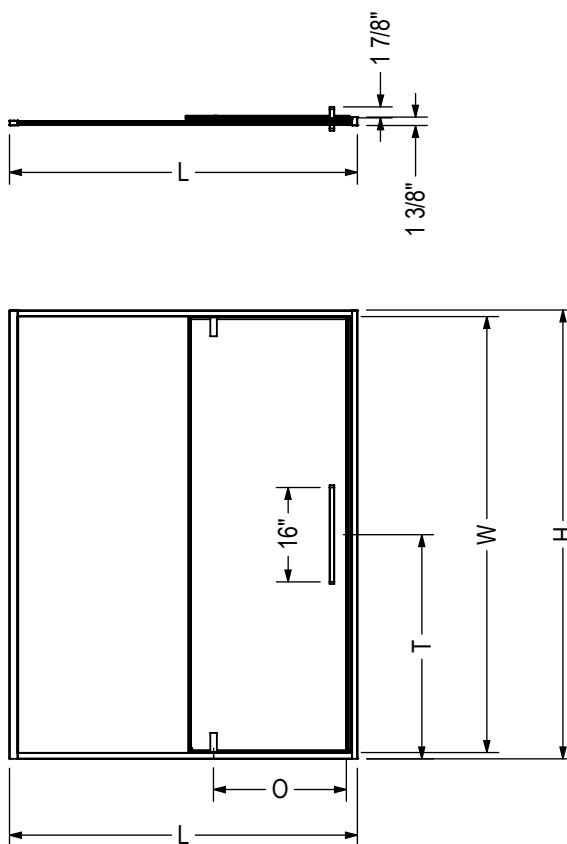
SKU	Glass / Finish	Door Opening	Dimensions & Weight	Packaging	MSRP
135325-900-084-000	Clear / Chrome	Reversible	45" - 47" x 76" / 131 lb / 59 kg	5.227 ft ³	\$ 1423
135325-900-173-000	Clear / Dark Bronze				\$ 1528
135325-900-282-000	Clear / Chrome and White Marble				\$ 1491
135325-900-283-000	Clear / Dark Bronze and Beige Marble				\$ 1596
135325-900-285-000	Clear / Matte Black and Wood				\$ 1596
135325-900-305-000	Clear / Brushed Nickel				\$ 1498
135325-900-340-000	Clear / Matte Black				\$ 1528

UPTOWN 57-59 X 76 IN. 8 MM - 135326

SKU	Glass / Finish	Door Opening	Dimensions & Weight	Packaging	MSRP
135326-900-084-000	Clear / Chrome	Reversible	57" - 59" x 76" / 139 lb / 63 kg	6.78 ft ³	\$ 1510
135326-900-173-000	Clear / Dark Bronze				\$ 1624
135326-900-282-000	Clear / Chrome and White Marble				\$ 1578
135326-900-283-000	Clear / Dark Bronze and Beige Marble				\$ 1692
135326-900-285-000	Clear / Matte Black and Wood				\$ 1692
135326-900-305-000	Clear / Brushed Nickel				\$ 1585
135326-900-340-000	Clear / Matte Black				\$ 1624

STANDARD

ALCOVE DOORS - PIVOT



Code	Description	H	L	O	T	W
135325	Uptown Pivot 76" x 45" - 47"	76"	45" - 47"	22 3/4"	38"	73 7/8"
135326	Uptown Pivot 76" x 57" - 59"	76"	57" - 59"	22 3/4"	38"	73 7/8"

Wall adjustment = 1/2"

All dimensions are approximate. Structure measurements must be verified against the unit to ensure proper fit.



Nebula Shower Doors



Material : Tempered Glass

Features

- › Unique contemporary barn door look with a minimalist design
- › Slim stainless header with 18 in. handle
- › Available in 3 stylish finishes: Chrome, Brushed Nickel and Matte Black
- › 78 3/4" high clear glass panel
- › 8 mm (5/16") tempered glass with Lotus easy clean protection
- › Detachable door guide to distance the glass when cleaning
- › Reversible shower door for left or right opening
- › Available in a corner configuration with a Nebula return panel

ALCOVE DOORS - SLIDING

NEBULA 44 1/2-46 1/2 X 78 3/4 - 8MM - 135870

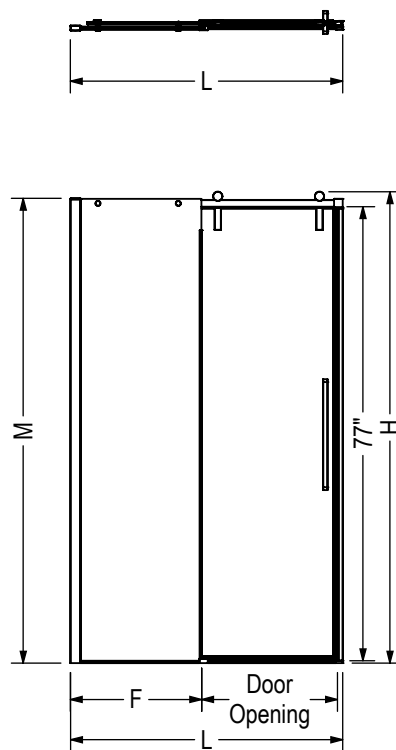
SKU	Glass / Finish	Door Opening	Dimensions & Weight	Packaging	MSRP
135870-900-084-000	Clear / Chrome	Reversible	44 1/2" - 46 1/2" x 78 3/4" / 124 lb / 56 kg	5.75 ft ³	\$ 1303
135870-900-305-000	Clear / Brushed Nickel				\$ 1354
135870-900-340-000	Clear / Matte Black				\$ 1399

NEBULA 56 1/2-58 1/2 X 78 3/4 - 8MM - 135875

SKU	Glass / Finish	Door Opening	Dimensions & Weight	Packaging	MSRP
135875-900-084-000	Clear / Chrome	Reversible	56 1/2" - 58 1/2" x 78 3/4" / 154 lb / 70 kg	7.19 ft ³	\$ 1419
135875-900-305-000	Clear / Brushed Nickel				\$ 1471
135875-900-340-000	Clear / Matte Black				\$ 1523

STANDARD

ALCOVE DOORS - SLIDING



Code	Description	H	M	L Adjustable	F	Door Opening	Wall Adjustment
135870	Nebula 44 1/2" x 46 1/2" x 78 3/4"	80"	78 3/4"	44 1/2" - 46 1/2"	21 1/2"	17 1/8" - 19 1/8"	3/4"
135875	Nebula 56 1/2" x 58 1/2" x 78 3/4"	80"	78 3/4"	56 1/2" - 58 1/2"	27 1/2"	23 1/8" - 25 1/8"	3/4"

All dimensions are approximate. Structure measurements must be verified against the unit to ensure proper fit.

Vela Shower Doors



Material : Tempered Glass

Features

- › Rollers and handle offered in 7 different finishes (monochrome or mix-finishes)
- › 78 3/4" high clear glass panel 8 mm (5/16") tempered glass with Lotus easy clean protection
- › Detachable door guide to distance the glass when cleaning
- › Reversible shower door for left or right opening
- › Also available in a corner configuration with a HALO return panel
- › This configuration is shipped in 2 boxes

ALCOVE DOORS - SLIDING

VELA 44 1/2-47 X 78 3/4 - 8MM - 138460

SKU	Glass / Finish	Door Opening	Dimensions & Weight	Packaging	MSRP
138460-900-084-000	Clear / Chrome	Reversible	44 1/2" - 47" x 78 3/4" / 130 lb / 59 kg	9.98 ft ³	\$ 1485
138460-900-280-000	Clear / Chrome and Matte White				\$ 1820
138460-900-305-000	Clear / Brushed Nickel				\$ 1547
138460-900-340-000	Clear / Matte Black				\$ 1610
138460-900-350-000	Clear / Chrome and Matte Black				\$ 1547
138460-900-360-000	Clear / Matte Black and Chrome				\$ 1610
138460-900-370-000	Clear / Matte Black and Brushed Nickel				\$ 1610
138460-900-380-000	Clear / Matte Black and Brushed Gold				\$ 1706

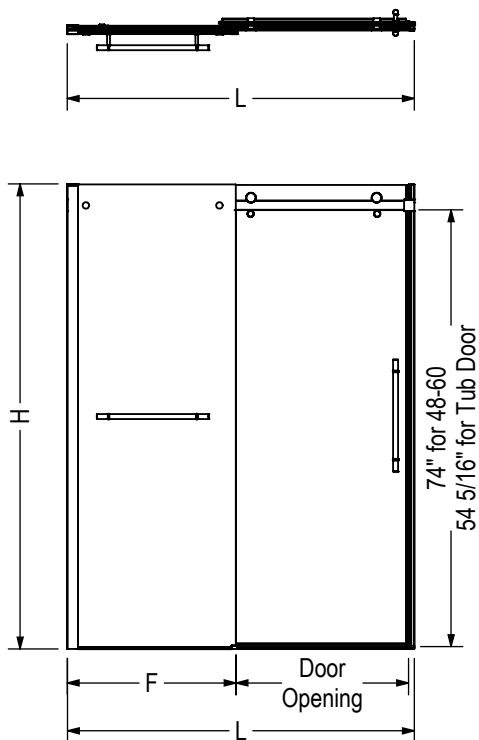
VELA 56 1/2-59 X 78 3/4 - 8MM - 138470

SKU	Glass / Finish	Door Opening	Dimensions & Weight	Packaging	MSRP
138470-900-084-000	Clear / Chrome	Reversible	56 1/2" - 59" x 78 3/4" / 156 lb / 71 kg	11.58 ft ³	\$ 1610
138470-900-280-000	Clear / Chrome and Matte White				\$ 1968
138470-900-305-000	Clear / Brushed Nickel				\$ 1673
138470-900-340-000	Clear / Matte Black				\$ 1673
138470-900-350-000	Clear / Chrome and Matte Black				\$ 1673
138470-900-360-000	Clear / Matte Black and Chrome				\$ 1699
138470-900-370-000	Clear / Matte Black and Brushed Nickel				\$ 1699
138470-900-380-000	Clear / Matte Black and Brushed Gold				\$ 1768

ACCESSORIES

SKU	Description	MSRP
10060311	Corner glass shelf (9 3/8 x 9 3/8 in.) (sold separately) 10 mm frosted glass with a clear band along the edge Compatible with Utile and tile shower walls	\$ 158

STANDARD



Code	Description	H	L Adjustable	F	Door Opening	Wall Adjustment
138460	Vela 78 3/4" x 47" without towel bar	78 3/4"	44 1/2" - 47"	22 1/2"	16 1/4" - 18 3/4"	1"
138465	Vela 78 3/4" x 47" with towel bar	78 3/4"	44 1/2" - 47"	22 1/2"	16 1/4" - 18 3/4"	1"
138470	Vela 78 3/4" x 59" without towel bar	78 3/4"	56 1/2" - 59"	28 5/8"	22 1/8" - 24 5/8"	1"
138475	Vela 78 3/4" x 59" with towel bar	78 3/4"	56 1/2" - 59"	28 5/8"	22 1/8" - 24 5/8"	1"
138480	Vela 59" x 59" without towel bar	59"	56 1/2" - 59"	28 5/8"	22 1/8" - 24 5/8"	1"
138485	Vela 59" x 59" with towel bar	59"	56 1/2" - 59"	28 5/8"	22 1/8" - 24 5/8"	1"

All dimensions are approximate. Structure measurements must be verified against the unit to ensure proper fit.

Vela Shower Doors with Towel Bar



ALCOVE DOORS - SLIDING



Material : Tempered Glass

Features

- › Rollers and handle offered in 7 different finishes (monochrome or mix-finishes)
- › 78 3/4" high clear glass panel 8 mm (5/16") tempered glass with Lotus easy clean protection
- › Detachable door guide to distance the glass when cleaning
- › Reversible shower door for left or right opening
- › Also available in a corner configuration with a HALO return panel
- › This configuration is shipped in 2 boxes
- › With a convenient towel bar on the fix panel

VELA 44 1/2-47 X 78 3/4 - 8MM - 138465

SKU	Glass / Finish	Door Opening	Dimensions & Weight	Packaging	MSRP
138465-900-084-000	Clear / Chrome	Reversible	44 1/2" - 47" x 78 3/4" / 130 lb / 59 kg	9.98 ft ³	\$ 1580
138465-900-280-000	Clear / Chrome and Matte White				\$ 1931
138465-900-305-000	Clear / Brushed Nickel				\$ 1642
138465-900-340-000	Clear / Matte Black				\$ 1706
138465-900-350-000	Clear / Chrome and Matte Black				\$ 1642
138465-900-360-000	Clear / Matte Black and Chrome				\$ 1706
138465-900-370-000	Clear / Matte Black and Brushed Nickel				\$ 1706
138465-900-380-000	Clear / Matte Black and Brushed Gold				\$ 1799

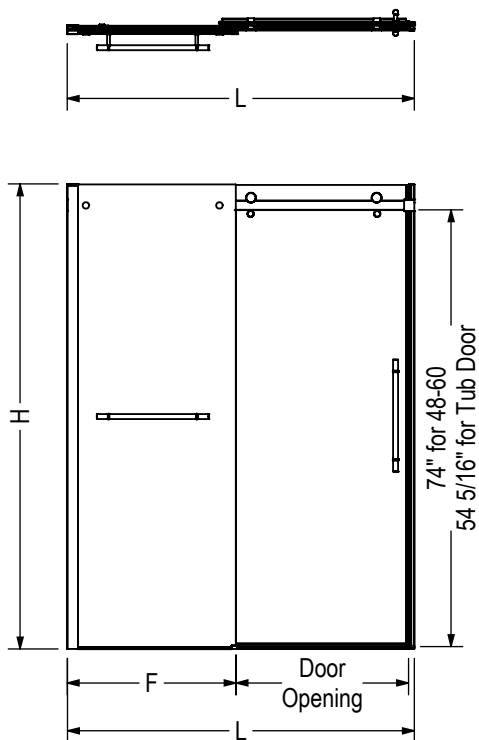
VELA 56 1/2-59 X 78 3/4 - 8MM - 138475

SKU	Glass / Finish	Door Opening	Dimensions & Weight	Packaging	MSRP
138475-900-084-000	Clear / Chrome	Reversible	56 1/2" - 59" x 78 3/4" / 156 lb / 71 kg	11.58 ft ³	\$ 1706
138475-900-280-000	Clear / Chrome and Matte White				\$ 2079
138475-900-305-000	Clear / Brushed Nickel				\$ 1768
138475-900-340-000	Clear / Matte Black				\$ 1768
138475-900-350-000	Clear / Chrome and Matte Black				\$ 1768
138475-900-360-000	Clear / Matte Black and Chrome				\$ 1792
138475-900-370-000	Clear / Matte Black and Brushed Nickel				\$ 1792
138475-900-380-000	Clear / Matte Black and Brushed Gold				\$ 1861

ACCESSORIES

SKU	Description	MSRP
10060311	Corner glass shelf (9 3/8 x 9 3/8 in.) (sold separately) 10 mm frosted glass with a clear band along the edge Compatible with Utile and tile shower walls	\$ 158

STANDARD



Code	Description	H	L Adjustable	F	Door Opening	Wall Adjustment
138460	Vela 78 3/4" x 47" without towel bar	78 3/4"	44 1/2" - 47"	22 1/2"	16 1/4" - 18 3/4"	1"
138465	Vela 78 3/4" x 47" with towel bar	78 3/4"	44 1/2" - 47"	22 1/2"	16 1/4" - 18 3/4"	1"
138470	Vela 78 3/4" x 59" without towel bar	78 3/4"	56 1/2" - 59"	28 5/8"	22 1/8" - 24 5/8"	1"
138475	Vela 78 3/4" x 59" with towel bar	78 3/4"	56 1/2" - 59"	28 5/8"	22 1/8" - 24 5/8"	1"
138480	Vela 59" x 59" without towel bar	59"	56 1/2" - 59"	28 5/8"	22 1/8" - 24 5/8"	1"
138485	Vela 59" x 59" with towel bar	59"	56 1/2" - 59"	28 5/8"	22 1/8" - 24 5/8"	1"

All dimensions are approximate. Structure measurements must be verified against the unit to ensure proper fit.



Connect Pro Shower Doors

ALCOVE DOORS - SLIDING



Material : Tempered Glass

Features

- › Configuration consists of a Stationary Panel and Sliding Door
- › For corner or alcove showers and for tile or pre-cast wall installations 76" and higher, we suggest Connect Pro doors.
- › Requires no cutting the door frame expands to adjust to the walls
- › Glass panels come with the Lotus Easy Clean Glass Protection to repel soap and water stains for carefree maintenance
- › Designed in North America
- › Solid expandable frame that provides 1.5 in. adjustment with ClickConnect corner joint
- › Fast, no-cut installation
- › Reversible door for easy left -or right- opening installation

CONNECT PRO 43 1/2-45 X 76 - 6MM - 135235

SKU	Glass / Finish	Door Opening	Dimensions & Weight	Packaging	MSRP
135235-900-084-000	Clear / Chrome	Reversible	43 1/2" - 45" x 76" / 78 lb / 35 kg	14.28 ft ³	\$ 1048
135235-900-340-000	Clear / Matte Black				\$ 1153

CONNECT PRO 45-46 1/2 X 76 - 6MM - 135236

SKU	Glass / Finish	Door Opening	Dimensions & Weight	Packaging	MSRP
135236-900-084-000	Clear / Chrome	Reversible	45" - 46 1/2" x 76" / 82 lb / 37 kg	15.02 ft ³	\$ 1048
135236-900-340-000	Clear / Matte Black				\$ 1153

CONNECT PRO 55 1/2-57 X 76 - 6MM - 135237

SKU	Glass / Finish	Door Opening	Dimensions & Weight	Packaging	MSRP
135237-900-084-000	Clear / Chrome	Reversible	55 1/2" - 57" x 76" / 98 lb / 44 kg	17.95 ft ³	\$ 1115
135237-900-340-000	Clear / Matte Black				\$ 1227

CONNECT PRO 57-58 1/2 X 76 - 6MM - 135238

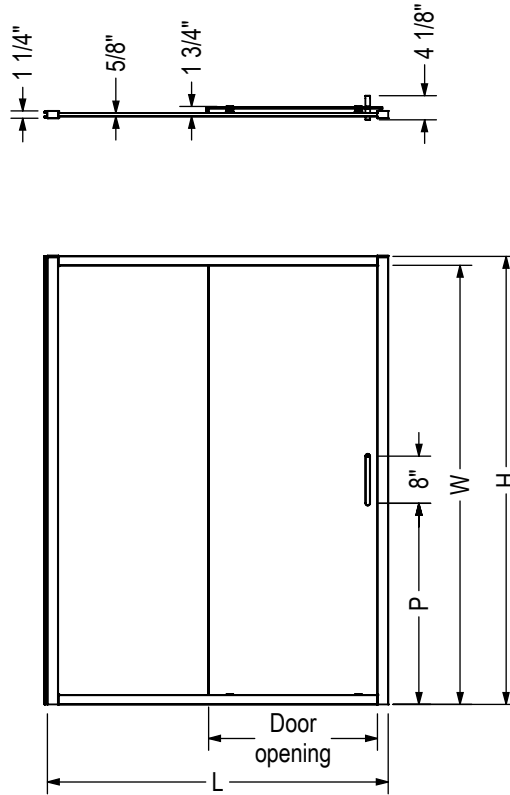
SKU	Glass / Finish	Door Opening	Dimensions & Weight	Packaging	MSRP
135238-900-084-000	Clear / Chrome	Reversible	57" - 58 1/2" x 76" / 101 lb / 46 kg	18.48 ft ³	\$ 1115
135238-900-340-000	Clear / Matte Black				\$ 1227

ACCESSORIES

SKU	Description	MSRP
10041135-084	Connect PRO Shower Door Filler Available finishes: Chrome (084), Brushed Nickel (305) and Matte Black (340)	\$ 100
10041135-305		\$ 108
10041135-340		\$ 108

ALCOVE DOORS - SLIDING

STANDARD



Code	Description	H	W	L Adjustable	Door opening	P
135235	Connect Pro 76" x 43 1/2" - 45"	76"	74 3/8"	43 1/2" - 45"	17 13/16" - 18 9/16"	34 1/8"
135236	Connect Pro 76" x 45" - 46 1/2"	76"	74 3/8"	45" - 46 1/2"	18 9/16" - 19 5/16"	34 1/8"
135237	Connect Pro 76" x 55 1/2" - 57"	76"	74 3/8"	55 1/2" - 57"	23 13/16" - 24 9/16"	34 1/8"
135238	Connect Pro 76" x 57" - 58 1/2"	76"	74 3/8"	57" - 58 1/2"	24 9/16" - 25 5/16"	34 1/8"

All dimensions are approximate. Structure measurements must be verified against the unit to ensure proper fit.



Halo Pro GS Shower Doors

ALCOVE DOORS - SLIDING



Material : Tempered Glass

Features

- › 8 mm tempered glass panels with MAAX new Shatter-Resistant Technology, GlassShield®
- › Available in 2 finishes: Chrome and Matte Black
- › Halo Pro is specifically designed for the trained installer in mind
- › Sliding door configuration features one sliding glass panel and one stationary panel
- › The door provides a watertight seal, ensuring no leaks or spills occur during use
- › Reversible, allowing for left or right opening to accommodate different bathroom layouts
- › For a corner shower: combine a Halo return panel and an Halo Pro alcove door
- › Glass panels come with the Lotus Easy Clean Glass Protection to repel soap and water stains for carefree maintenance
- › Compatible with MAAX's full line of shower bases and walls, making it a versatile addition to any bathroom, validate all dimensions and measure on site before your final selection.

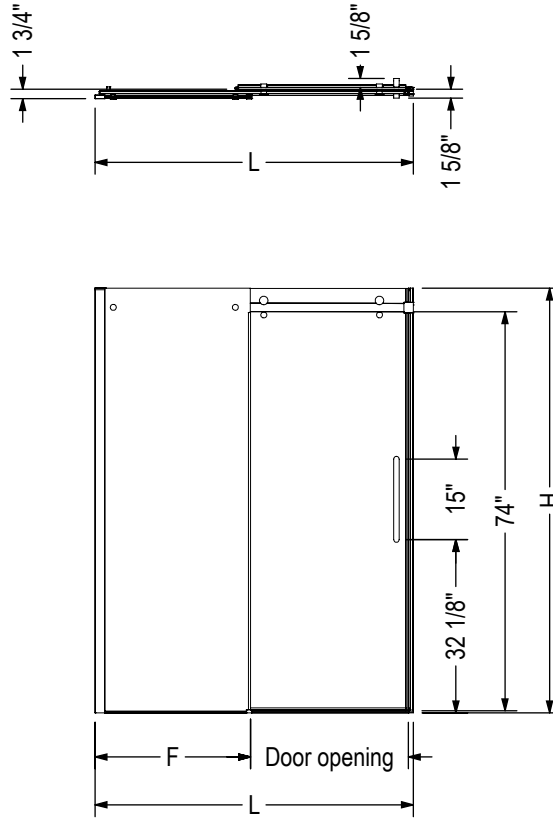
HALO PRO GS 44 1/2-47 X 78 3/4 - 8MM - 138540

SKU	Glass / Finish	Door Opening	Dimensions & Weight	Packaging	MSRP
138540-810-084-000	Clear GlassShield / Chrome	Lateral	44 1/2" - 47" x 78 3/4" / 110 lb / 50 kg	8.65740740740741 ft ³	\$ 1446
138540-810-340-000	Clear GlassShield / Matte Black				\$ 1543

HALO PRO GS 56 1/2-59 X 78 3/4 - 8MM - 138541

SKU	Glass / Finish	Door Opening	Dimensions & Weight	Packaging	MSRP
138541-810-084-000	Clear GlassShield / Chrome	Lateral	56 1/2" - 59" x 78 3/4" / 138 lb / 63 kg	10.6864872685185 ft ³	\$ 1571
138541-810-340-000	Clear GlassShield / Matte Black				\$ 1678

STANDARD



Code	Description	H	L Adjustable	F	P Adjustable	Door Opening	Wall Adjustment
136540	Halo Pro GS 78 3/4" x 47"	78 3/4"	44 1/2" - 47"	22 1/2"	-	16 1/4" - 18 3/4"	1"
136541	Halo Pro GS 78 3/4" x 59"	78 3/4"	56 1/2" - 59"	28 5/8"	-	22 1/8" - 24 5/8"	1"

All dimensions are approximate. Structure measurements must be verified against the unit to ensure proper fit.



Halo Pro Shower Doors

ALCOVE DOORS - SLIDING



Material : Tempered Glass

Features

- › 8 mm tempered glass panels
- › Available in 2 finishes: Chrome and Matte Black
- › Halo Pro is specifically designed for the trained installer in mind
- › Sliding door configuration features one sliding glass panel and one stationary panel
- › The door provides a watertight seal, ensuring no leaks or spills occur during use
- › Reversible, allowing for left or right opening to accommodate different bathroom layouts
- › For a corner shower: combine a Halo return panel and an Halo Pro alcove door
- › Glass panels come with the Lotus Easy Clean Glass Protection to repel soap and water stains for carefree maintenance
- › Compatible with MAAX's full line of shower bases and walls, making it a versatile addition to any bathroom, validate all dimensions and measure on site before your final selection.

HALO PRO 44 1/2-47 X 78 3/4 - 8MM - 138950

SKU	Glass / Finish	Door Opening	Dimensions & Weight	Packaging	MSRP
138950-900-084-000	Clear / Chrome	Lateral	44 1/2" - 47" x 78 3/4" / 109 lb / 49 kg	8.30078125 ft ³	\$ 1284
138950-900-340-000	Clear / Matte Black				\$ 1381

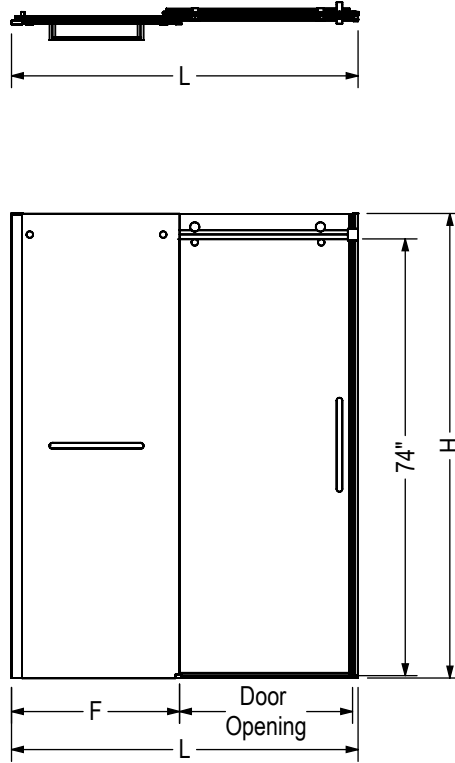
HALO PRO 56 1/2-59 X 78 3/4 - 8MM - 138952

SKU	Glass / Finish	Door Opening	Dimensions & Weight	Packaging	MSRP
138952-900-084-000	Clear / Chrome	Lateral	56 1/2" - 59" x 78 3/4" / 123 lb / 56 kg	8.42375578703704 ft ³	\$ 1409
138952-900-340-000	Clear / Matte Black				\$ 1516

ACCESSORIES

SKU	Description	MSRP
10060311	Corner glass shelf (9 3/8 x 9 3/8 in.) (sold separately) 10 mm frosted glass with a clear band along the edge Compatible with Utile and tile shower walls	\$ 158

STANDARD



Code	Description	H	L Adjustable	F	Door Opening	Wall Adjustment
138950	Halo Pro 78 3/4" x 47" without Towel bar	78 3/4"	44 1/2" - 47"	22 1/2"	16 1/4" - 18 3/4"	1"
138954	Halo Pro 78 3/4" x 47" with Towel bar	78 3/4"	44 1/2" - 47"	22 1/2"	16 1/4" - 18 3/4"	1"
138952	Halo Pro 78 3/4" x 59" without Towel bar	78 3/4"	56 1/2" - 59"	28 5/8"	22 1/8" - 24 5/8"	1"
138956	Halo Pro 78 3/4" x 59" with Towel bar	78 3/4"	56 1/2" - 59"	28 5/8"	22 1/8" - 24 5/8"	1"

All dimensions are approximate. Structure measurements must be verified against the unit to ensure proper fit.



Halo Pro TB Shower Doors

ALCOVE DOORS - SLIDING



Material : Tempered Glass

Features

- › 8 mm tempered glass panels
- › Available in 2 finishes: Chrome and Matte Black
- › Halo Pro is specifically designed for the trained installer in mind
- › Sliding door configuration features one sliding glass panel and one stationary panel and a towel bar on the fix panel
- › The door provides a watertight seal, ensuring no leaks or spills occur during use
- › Reversible, allowing for left or right opening to accommodate different bathroom layouts
- › For a corner shower: combine a Halo return panel and an Halo Pro alcove door
- › Glass panels come with the Lotus Easy Clean Glass Protection to repel soap and water stains for carefree maintenance
- › Compatible with MAAX's full line of shower bases and walls, making it a versatile addition to any bathroom, validate all dimensions and measure on site before your final selection.

HALO PRO TB 44 1/2-47 X 78 3/4 - 8MM - 138954

SKU	Glass / Finish	Door Opening	Dimensions & Weight	Packaging	MSRP
138954-900-084-000	Clear / Chrome	Lateral	44 1/2" - 47" x 78 3/4" / 109 lb / 49 kg	8.3740234375 ft ³	\$ 1378
138954-900-340-000	Clear / Matte Black				\$ 1481

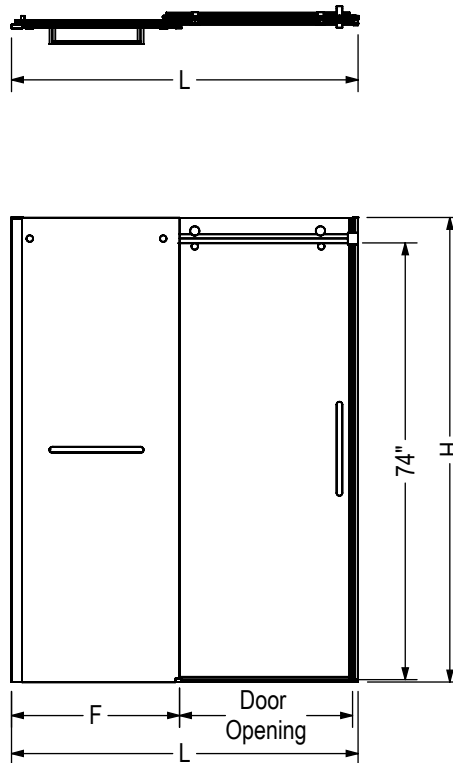
HALO PRO TB 56 1/2-59 X 78 3/4 - 8MM - 138956

SKU	Glass / Finish	Door Opening	Dimensions & Weight	Packaging	MSRP
138956-900-084-000	Clear / Chrome	Lateral	56 1/2" - 59" x 78 3/4" / 123 lb / 56 kg	9.80128761574074 ft ³	\$ 1503
138956-900-340-000	Clear / Matte Black				\$ 1617

ACCESSORIES

SKU	Description	MSRP
10060311	Corner glass shelf (9 3/8 x 9 3/8 in.) (sold separately) 10 mm frosted glass with a clear band along the edge Compatible with Utile and tile shower walls	\$ 158

STANDARD



Code	Description	H	L Adjustable	F	Door Opening	Wall Adjustment
138950	Halo Pro 78 3/4" x 47" without Towel bar	78 3/4"	44 1/2" - 47"	22 1/2"	16 1/4" - 18 3/4"	1"
138954	Halo Pro 78 3/4" x 47" with Towel bar	78 3/4"	44 1/2" - 47"	22 1/2"	16 1/4" - 18 3/4"	1"
138952	Halo Pro 78 3/4" x 59" without Towel bar	78 3/4"	56 1/2" - 59"	28 5/8"	22 1/8" - 24 5/8"	1"
138956	Halo Pro 78 3/4" x 59" with Towel bar	78 3/4"	56 1/2" - 59"	28 5/8"	22 1/8" - 24 5/8"	1"

All dimensions are approximate. Structure measurements must be verified against the unit to ensure proper fit.



Halo Shower Doors

ALCOVE DOORS - SLIDING



Material : Tempered Glass

Features

- › 8 mm tempered glass panels
- › Available in 4 finishes: Chrome, Brushed Nickel, Dark Bronze, Matte Black
- › Compatible with MAAX's full line of shower bases and walls, making it a versatile addition to any bathroom
- › Sliding door configuration features one sliding glass panel and one stationary panel
- › Ball bearing roller technology along a friction-free stainless steel rail system for a smooth and quiet opening
- › The frameless design brings a sense of spaciousness to the room and creates a sleek, minimalist look
- › Glass panels come with the Lotus Easy Clean Glass Protection to repel soap and water stains for carefree maintenance
- › Compatible with MAAX's Utile wall system, allowing for a seamless and coordinated installation with the shower door, creating a cohesive and stylish bathroom design
- › Warranty: 10 years

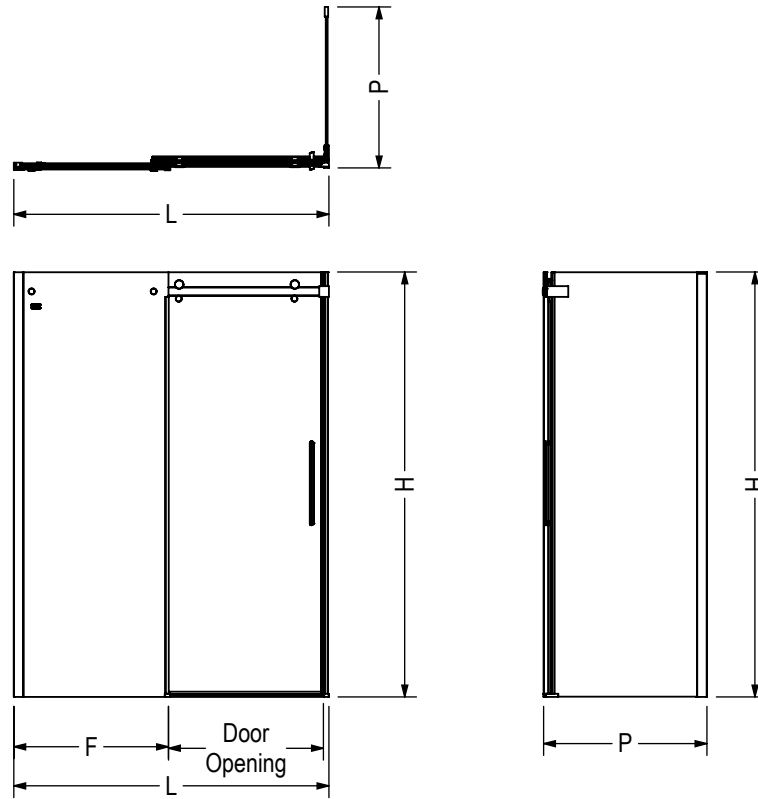
HALO 44 1/2-47 X 78 3/4 - 8MM - 138996

SKU	Glass / Finish	Door Opening	Dimensions & Weight	Packaging	MSRP
138996-900-084-000	Clear / Chrome	Reversible	44 1/2" - 47" x 78 3/4" / 144 lb / 65 kg	6 ft ³	\$ 1259
138996-900-173-000	Clear / Dark Bronze		44 1/2" - 47" x 78 3/4" / 116 lb / 53 kg		\$ 1354
138996-900-305-000	Clear / Brushed Nickel		44 1/2" - 47" x 78 3/4" / 144 lb / 65 kg		\$ 1321
138996-900-340-000	Clear / Matte Black	Lateral	44 1/2" - 47" x 78 3/4" / 132 lb / 60 kg		\$ 1354

HALO 56 1/2-59 X 78 3/4 - 8MM - 138997

SKU	Glass / Finish	Door Opening	Dimensions & Weight	Packaging	MSRP
138997-900-084-000	Clear / Chrome	Reversible	56 1/2" - 59" x 78 3/4" / 174 lb / 79 kg	7.2 ft ³	\$ 1384
138997-900-173-000	Clear / Dark Bronze		56 1/2" - 59" x 78 3/4" / 137 lb / 62 kg		\$ 1479
138997-900-305-000	Clear / Brushed Nickel		56 1/2" - 59" x 78 3/4" / 174 lb / 79 kg		\$ 1448
138997-900-340-000	Clear / Matte Black	Lateral	56 1/2" - 59" x 78 3/4" / 162 lb / 73 kg		\$ 1479

STANDARD



Code	Description	H	L Adjustable	F	P Adjustable	Door Opening	Wall Adjustment
138996	Halo 78 3/4" x 47"	78 3/4"	44 1/2" - 47"	22 1/2"	-	16 1/4" - 18 3/4"	1"
138997	Halo 78 3/4" x 59"	78 3/4"	56 1/2" - 59"	28 5/8"	-	22 1/8" - 24 5/8"	1"
139393	Return Panel 30"	78 3/4"	-	-	27 7/8"	-	1"
138998	Return Panel 32"	78 3/4"	-	-	29 7/8"	-	1"
139395	Return Panel 34"	78 3/4"	-	-	31 7/8"	-	1"
139396	Return Panel 36"	78 3/4"	-	-	33 7/8"	-	1"
139394	Return Panel 42"	78 3/4"	-	-	39 7/8"	-	1"

All dimensions are approximate. Structure measurements must be verified against the unit to ensure proper fit.



Luminescence Shower Doors

ALCOVE DOORS - SLIDING



Material : Tempered Glass

Features

- › Elegant 1/4 -inch (6 mm) clear tempered glass with minimalist hardware
- › Fits showers with 70 1/2 -inch wall clearance, glass extends to 72 -inch
- › Ball bearing roller system, for a quiet and gentle close
- › Door is reversible, provides a right or left opening for ease of installation

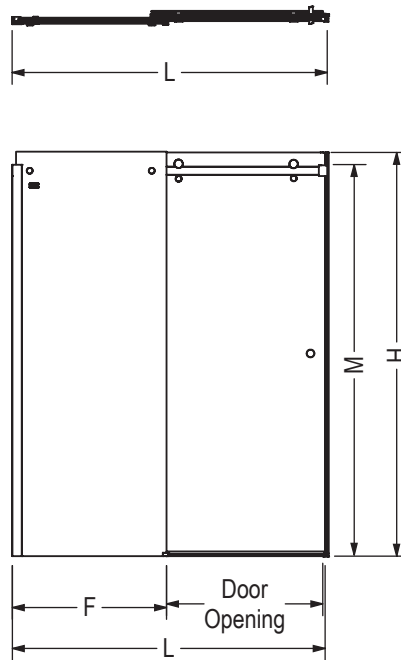
LUMINESCENCE 44 1/2-47 X 70 1/2-72 - 6MM - 138992

SKU	Glass / Finish	Door Opening	Dimensions & Weight	Packaging	MSRP
138992-900-084-000	Clear / Chrome	Reversible	44 1/2" - 47" x 70 1/2" / 84 lb / 38 kg	4.04 ft ³	\$ 1021
138992-900-173-000	Clear / Dark Bronze				\$ 1115

LUMINESCENCE 56 1/2-59 X 70 1/2-72 - 6MM - 138993

SKU	Glass / Finish	Door Opening	Dimensions & Weight	Packaging	MSRP
138993-900-173-000	Clear / Dark Bronze	Reversible	56 1/2" - 59" x 70 1/2" / 106 lb / 48 kg	5 ft ³	\$ 1166

STANDARD



Code	Description	H	M	L Adjustable	F	Door Opening	Wall Adjustment
138992	Luminescence 44 1/2"-47" x 70 1/2"	72"	70 1/2"	44 1/2" - 47"	22 1/2"	18 3/8"	1"
138993	Luminescence 56 1/2"-59" x 70 1/2"	72"	70 1/2"	56 1/2" - 59"	28 5/8"	24 1/2"	1"

All dimensions are approximate. Structure measurements must be verified against the unit to ensure proper fit.



Odyssey SC Shower Doors

ALCOVE DOORS - SLIDING



Material : Tempered Glass

Features

- › 8 mm (5/16") tempered glass with Lotus easy clean protection
- › Slim stainless header that requires no cut to ease installation
- › Innovative double SOFT CLOSE by MAAX prevents slamming
- › Double-sided handle designed for comfort
- › Detachable door guide to distance the glass when cleaning
- › 78" high clear glass panel
- › High quality rollers for smooth glide
- › Reversible shower door for left or right opening
- › 5/8" out-of-plumb adjustment

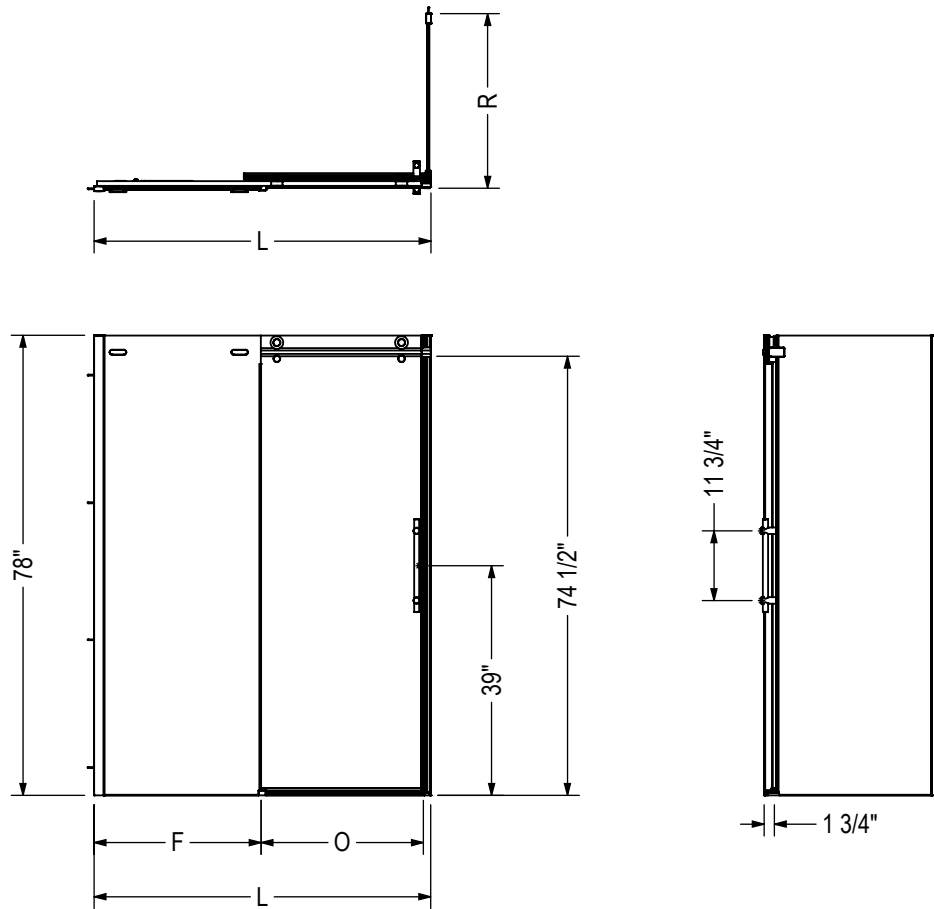
ODYSSEY SC 57-59 1/2 X 78 - 8 MM - 137420

SKU	Glass / Finish	Door Opening	Dimensions & Weight	Packaging	MSRP
137420-900-084-000	Clear / Chrome	Reversible	57" - 59 1/2" x 78" / 141.18 lb / 64 kg	6.99 ft ³	\$ 1650
137420-900-305-000	Clear / Brushed Nickel				\$ 1733
137420-900-340-000	Clear / Matte Black		\$ 1774		
137420-900-343-000	Clear / Brushed Gold		\$ 1980		

ODYSSEY SC 45-47 1/2 X 78 - 8 MM - 137421

SKU	Glass / Finish	Door Opening	Dimensions & Weight	Packaging	MSRP
137421-900-084-000	Clear / Chrome	Reversible	45" - 47 1/2" x 78" / 115.39 lb / 52 kg	5.76 ft ³	\$ 1485
137421-900-305-000	Clear / Brushed Nickel				\$ 1560
137421-900-340-000	Clear / Matte Black		\$ 1597		
137421-900-343-000	Clear / Brushed Gold		\$ 1783		

STANDARD



Code	Description	L Adjustable	F	O	R	Wall adjustment
137420	Odyssey Slider door 57"-59 1/2" x 78"	57" - 59 1/2"	27 7/8"	24 1/2" - 25"	-	5/8"
137421	Odyssey Slider door 45"-47 1/2" x 78"	45" - 47 1/2"	21 7/8"	18 1/4" - 18 3/4"	-	5/8"
137422	ODYSSEY RETURN PANEL 32"	-	-	-	29 3/4" - 30 1/2"	3/4"

All dimensions are approximate. Structure measurements must be verified against the unit to ensure proper fit.



Uptown Slider Shower Doors

ALCOVE DOORS - SLIDING



Material : Tempered Glass

Features

- › 7 mm (5/16") tempered glass
- › Configuration consists of a Stationary Panel and Sliding Door
- › Available in 6 stylish finishes (monochrome or mixed-finishes)
- › Handle available in Stylish fashion mixed material finish
- › Fits on showers, walls and tile
- › Innovative Soft Close by MAAX technology prevents slamming
- › Glass panels come with the Lotus Easy Clean Glass Protection to repel soap and water stains for carefree maintenance
- › Reversible panel for easy corner installation on the left or on the right
- › 1/2" out-of-plumb adjustment

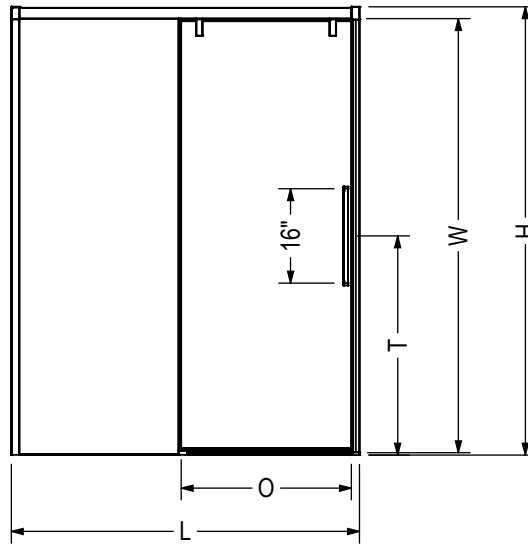
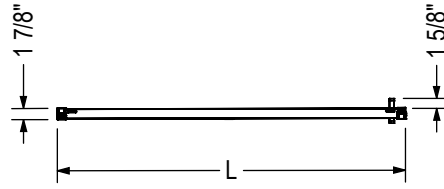
UPTOWN 44-47 X 76 IN. 8 MM - 135323

SKU	Glass / Finish	Door Opening	Dimensions & Weight	Packaging	MSRP
135323-900-084-000	Clear / Chrome	Reversible	44" - 47" x 76" / 107 lb / 49 kg	5.65 ft ³	\$ 1423
135323-900-173-000	Clear / Dark Bronze				\$ 1528
135323-900-282-000	Clear / Chrome and White Marble				\$ 1491
135323-900-283-000	Clear / Dark Bronze and Beige Marble				\$ 1596
135323-900-285-000	Clear / Matte Black and Wood				\$ 1596
135323-900-305-000	Clear / Brushed Nickel				\$ 1498
135323-900-340-000	Clear / Matte Black				\$ 1528

UPTOWN 56-59 X 76 IN. 8 MM - 135324

SKU	Glass / Finish	Door Opening	Dimensions & Weight	Packaging	MSRP
135324-900-084-000	Clear / Chrome	Reversible	56" - 59" x 76" / 133 lb / 60 kg	6.816 ft ³	\$ 1510
135324-900-173-000	Clear / Dark Bronze				\$ 1624
135324-900-282-000	Clear / Chrome and White Marble				\$ 1578
135324-900-283-000	Clear / Dark Bronze and Beige Marble				\$ 1692
135324-900-285-000	Clear / Matte Black and Wood				\$ 1692
135324-900-305-000	Clear / Brushed Nickel				\$ 1585
135324-900-340-000	Clear / Matte Black				\$ 1624

STANDARD



Code	Description	H	L	O	T	W
135323	Uptown Slider 76" x 44" - 47"	76"	44" - 47"	16" - 19"	37 1/8"	73 1/2"
135324	Uptown Slider 76" x 56" - 59"	76"	56" - 59"	22" - 25"	37 1/8"	73 1/2"

Wall adjustment = 1/2"

All dimensions are approximate. Structure measurements must be verified against the unit to ensure proper fit.



ModulR Corner Shower Doors

CORNER DOORS - PIVOT



Material : Tempered Glass

Features

- > • Pivot door
- 8mm tempered glass with lotus glass protection
- Magnetic closure for increased watertightness
- Reversible doors for left or right opening

MODULR 36 X 36 X 78 - 8MM - 137856

SKU	Glass / Finish	Door Opening	Dimensions & Weight	MSRP
137856-900-084-000	Clear / Chrome	Reversible	" x " x 78" / 162.52 lb / 74 kg	\$ 1759
137856-900-305-000	Clear / Brushed Nickel			\$ 1900

MODULR 48 X 36 X 78 - 8MM - 137857

SKU	Glass / Finish	Door Opening	Dimensions & Weight	MSRP
137857-900-084-000	Clear / Chrome	Reversible	" x " x 78" / 202.24 lb / 92 kg	\$ 1976
137857-900-305-000	Clear / Brushed Nickel			\$ 2123

MODULR 48 X 34 X 78 - 8MM - 137858

SKU	Glass / Finish	Door Opening	Dimensions & Weight	MSRP
137858-900-084-000	Clear / Chrome	Reversible	" x " x 78" / 196.24 lb / 89 kg	\$ 1971
137858-900-305-000	Clear / Brushed Nickel			\$ 2117

MODULR 48 X 32 X 78 - 8MM - 137859

SKU	Glass / Finish	Door Opening	Dimensions & Weight	MSRP
137859-900-084-000	Clear / Chrome	Reversible	" x " x 78" / 190.24 lb / 86 kg	\$ 1963
137859-900-305-000	Clear / Brushed Nickel			\$ 2111

MODULR 60 X 36 X 78 - 8MM - 137869

SKU	Glass / Finish	Door Opening	Dimensions & Weight	MSRP
137869-900-084-000	Clear / Chrome	Reversible	" x " x 78" / 229.78 lb / 104 kg	\$ 2187
137869-900-305-000	Clear / Brushed Nickel			\$ 2355

MODULR 60 X 32 X 78 - 8MM - 137870

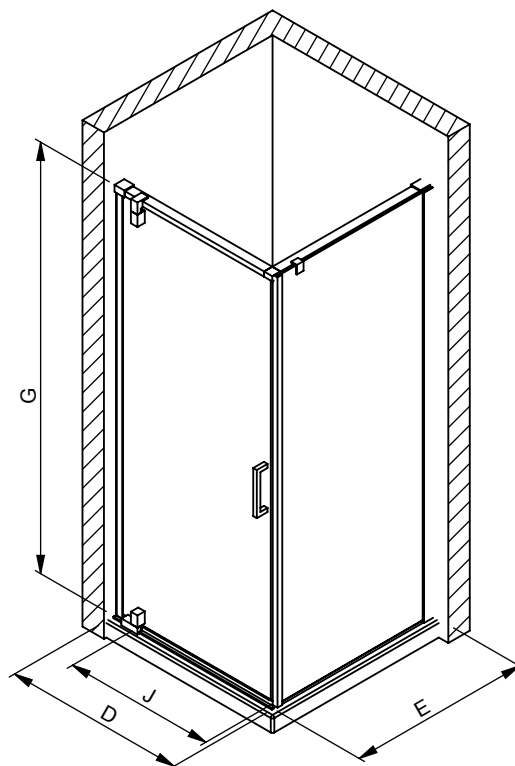
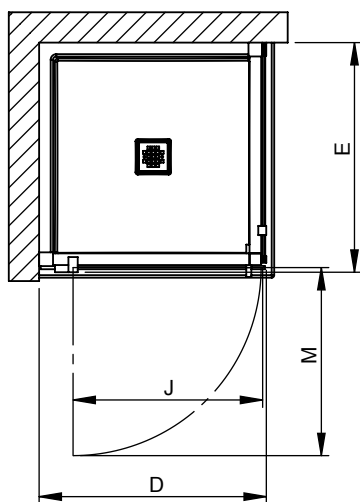
SKU	Glass / Finish	Door Opening	Dimensions & Weight	MSRP
137870-900-084-000	Clear / Chrome	Reversible	" x " x 78" / 217.78 lb / 99 kg	\$ 2175
137870-900-305-000	Clear / Brushed Nickel			\$ 2341

ACCESSORIES

SKU	Description	MSRP
10060311	Corner glass shelf (9 3/8 x 9 3/8 in.) (sold separately) 10 mm frosted glass with a clear band along the edge Compatible with Utile and tile shower walls	\$ 158
10068586-305-603	10068586-XXX-603 - Designer handle 8"	\$ 233
10068586-084-603	Available colours: Chrome (084), Brushed Nickel (305)	\$ 215

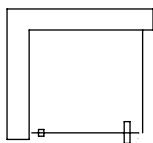
All dimensions are approximate. Structure measurements must be verified against the unit to ensure proper fit.

Moduir PIVOT SHOWER DOOR:
CORNER 36" (500)



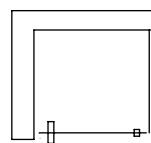
All complementary installation can be also build from the same listed product

CLOSE ON PANEL (RECOMMENDED)



500 (AS SHOWN)

CLOSE ON WALL (LIMITED ADJUSTMENT)



500 (OPTIONAL)

PRODUCT	BASE SIZE	G	D	E	J	M
		HEIGHT (top of glass)	WIDTH (min-max)	DEPTH (min-max)	DOOR ACCESS (maximum)	ENCUMBRANCE
137856	36X36	78"	34-5/8"	34-1/8" - 35-3/8"	26-1/2"	27-8/7"



Link Curve Neo-angle

CORNER DOORS - PIVOT



Material : Tempered Glass

Features

- › 8 mm frameless neo-angle door with Lotus glass protection
- › Chrome, brushed nickel or dark bronze hardware available
- › Flush mount hinges on inside glass for easy cleaning
- › Reversible door for right or left-hand door opening
- › Rounded handle and hinges

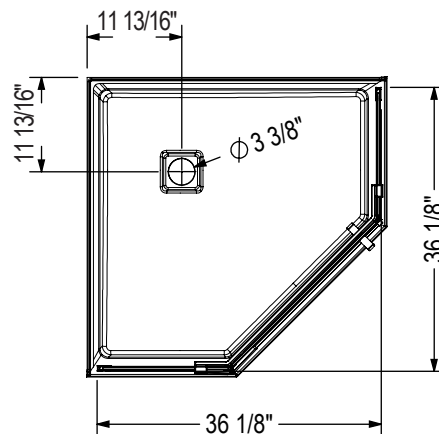
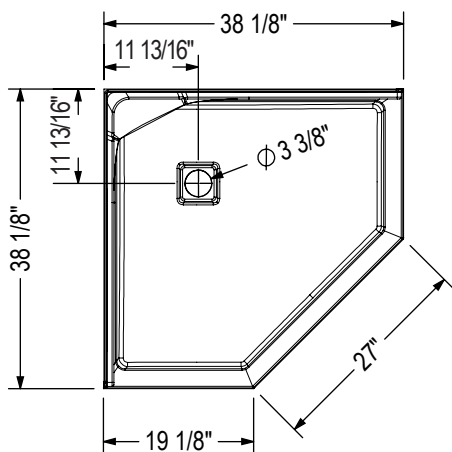
LINK CURVE NEO-ANGLE 38 X 38 X 75 - 8MM - 137280

SKU	Glass / Finish	Door Opening	Dimensions & Weight	Packaging	MSRP
137280-900-084-000	Clear / Chrome	Reversible	" x " x 75" / 143 lb / 65 kg	3.67 ft ³	\$ 1220
137280-900-173-000	Clear / Dark Bronze				\$ 1409
137280-900-305-000	Clear / Brushed Nickel				\$ 1311

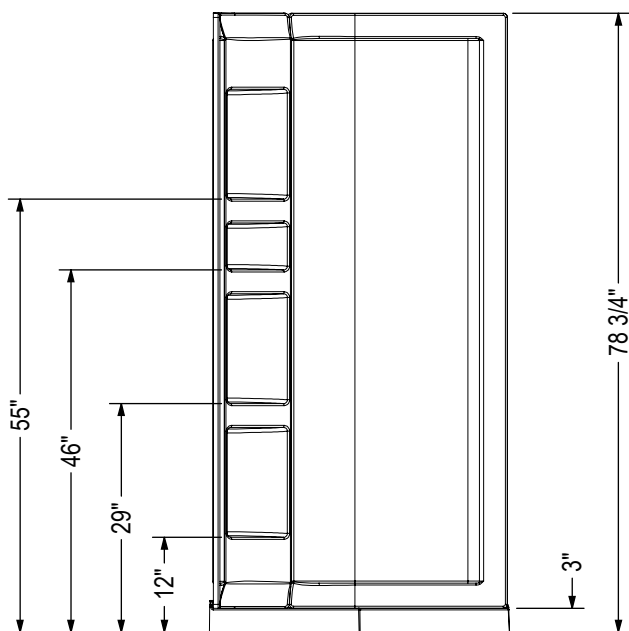
LINK CURVE NEO-ANGLE 40 X 40 X 75 - 8MM - 137281

SKU	Glass / Finish	Door Opening	Dimensions & Weight	Packaging	MSRP
137281-900-084-000	Clear / Chrome	Reversible	" x " x 75" / 147.7 lb / 67 kg	3.67 ft ³	\$ 1312
137281-900-173-000	Clear / Dark Bronze				\$ 1517
137281-900-305-000	Clear / Brushed Nickel				\$ 1411

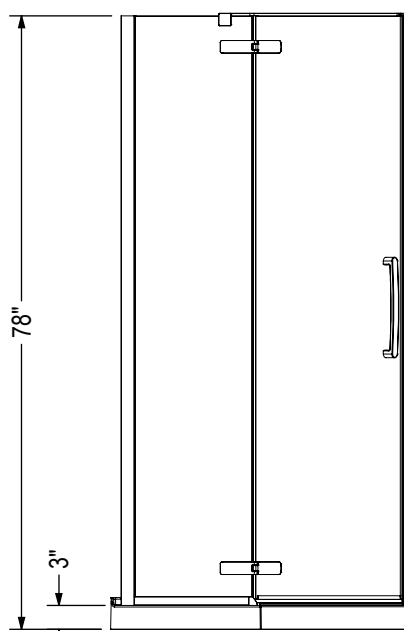
STANDARD



-Door opening : 26 1/8"
-Wall jamb adjustment : 3/4"



ACRYLIC WALLS - WITHOUT DOOR



NO ACRYLIC WALLS - WITH DOOR

All dimensions are approximate. Structure measurements must be verified against the unit to ensure proper fit.



Link Curve Rectangular



Material : Tempered Glass

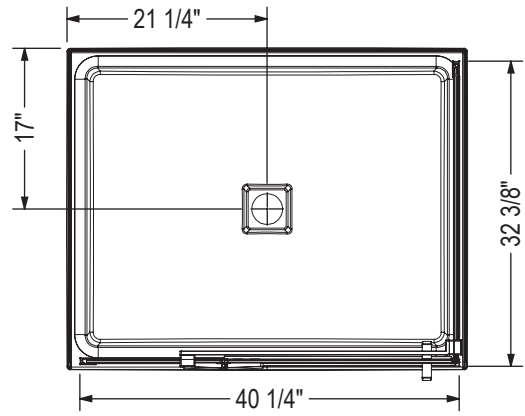
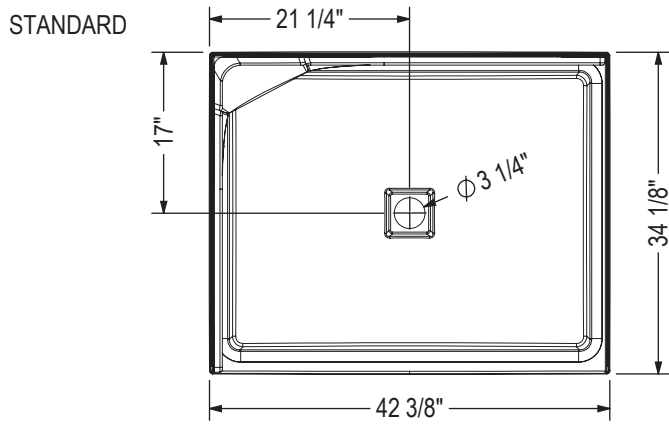
Features

- › 8 mm frameless rectangular door with Lotus glass protection
- › Chrome, Brushed Nickel or Dark Bronze hardware available
- › Flush mount hinges on inside glass for easy cleaning
- › Rounded handle and hinges

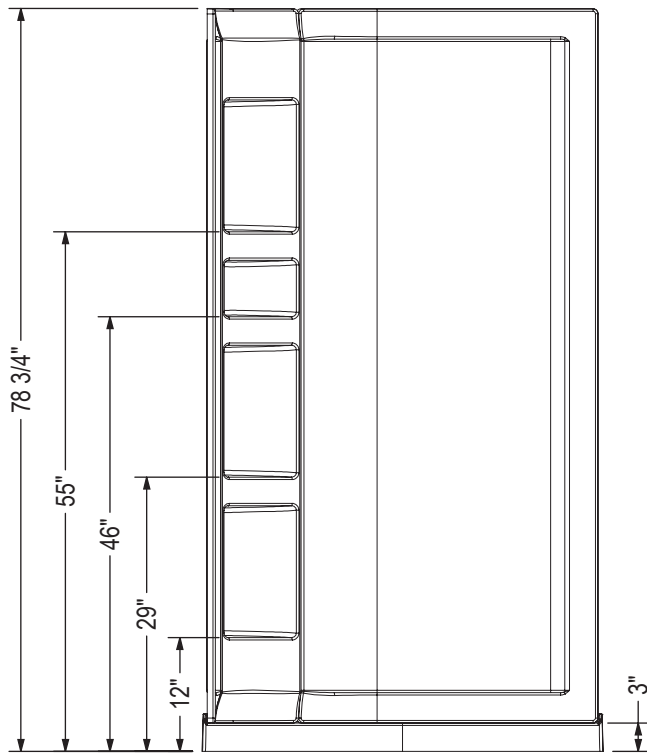
CORNER DOORS - PIVOT

LINK CURVE RECTANGULAR 42 X 34 X 75 - 8MM - 133302

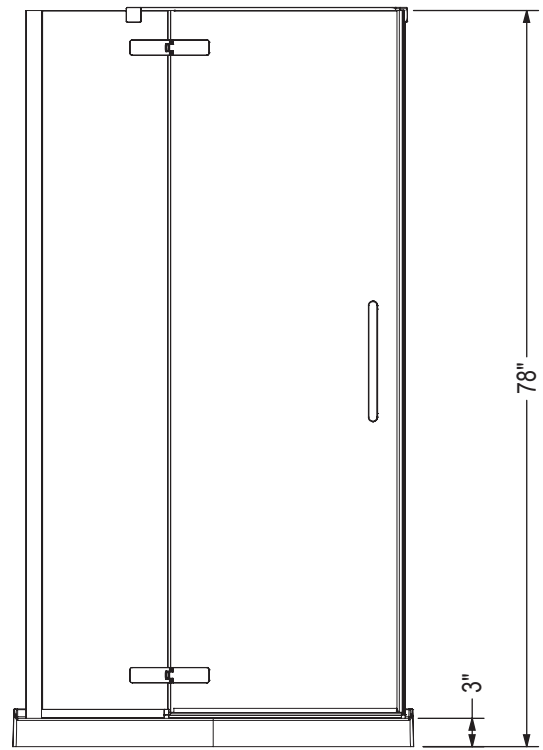
SKU	Glass / Finish	Door Opening	Dimensions & Weight	Packaging	MSRP
133302-900-084-000	Clear / Chrome	Reversible	42" x 34" x 75" / 165 lb / 75 kg	4.66 ft ³	\$ 1573
133302-900-173-000	Clear / Dark Bronze				\$ 1816
133302-900-305-000	Clear / Brushed Nickel				\$ 1690
133302-900-340-000	Clear / Matte Black				\$ 1816



-Door opening : 23 3/4"
 -Wall jamb adjustment : 3/4"



ACRYLIC WALLS - WITHOUT DOOR



NO ACRYLIC WALLS - WITH DOOR

All dimensions are approximate. Structure measurements must be verified against the unit to ensure proper fit.



Link Neo-angle



Material : Tempered Glass

Features

- › 8 mm frameless neo-angle door with Lotus glass protection
- › Chrome, Brushed Nickel or Dark Bronze hardware available
- › Flush mount hinges on inside glass for easy cleaning
- › Reversible right or left-hand door opening
- › Straight handle and hinges

CORNER DOORS - PIVOT

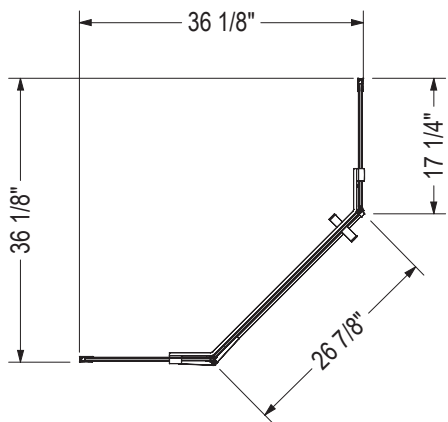
LINK NEO-ANGLE 38 X 38 X 75 - 8MM - 136315

SKU	Glass / Finish	Door Opening	Dimensions & Weight	Packaging	MSRP
136315-900-084-000	Clear / Chrome	Reversible	" x " x 75" / 143 lb / 65 kg	3.67 ft ³	\$ 1220
136315-900-173-000	Clear / Dark Bronze				\$ 1409
136315-900-305-000	Clear / Brushed Nickel				\$ 1311
136315-900-340-000	Clear / Matte Black				\$ 1220

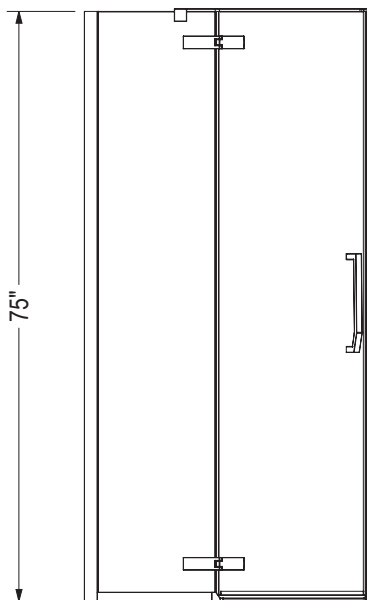
LINK NEO-ANGLE 40 X 40 X 75 - 8MM - 136321

SKU	Glass / Finish	Door Opening	Dimensions & Weight	Packaging	MSRP
136321-900-084-000	Clear / Chrome	Reversible	" x " x 75" / 148 lb / 67 kg	3.67 ft ³	\$ 1312
136321-900-173-000	Clear / Dark Bronze				\$ 1517
136321-900-305-000	Clear / Brushed Nickel				\$ 1411
136321-900-340-000	Clear / Matte Black				\$ 1517

STANDARD



- Door opening : 26 1/8"
- Wall jamb adjustment : 3/4"



All dimensions are approximate. Structure measurements must be verified against the unit to ensure proper fit.



Link Rectangular



Material : Tempered Glass

Features

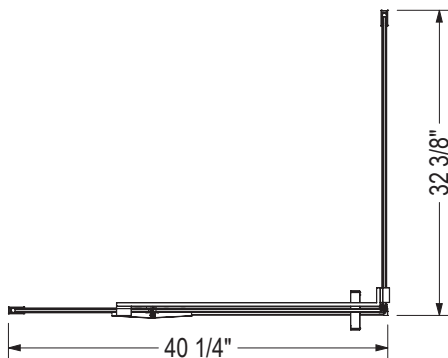
- › 8 mm frameless rectangular door with Lotus glass protection
- › Chrome, Brushed Nickel or Dark Bronze hardware available
- › Flush mount hinges on inside glass for easy cleaning
- › Reversible right or left-hand door opening
- › Straight handle and hinges

CORNER DOORS - PIVOT

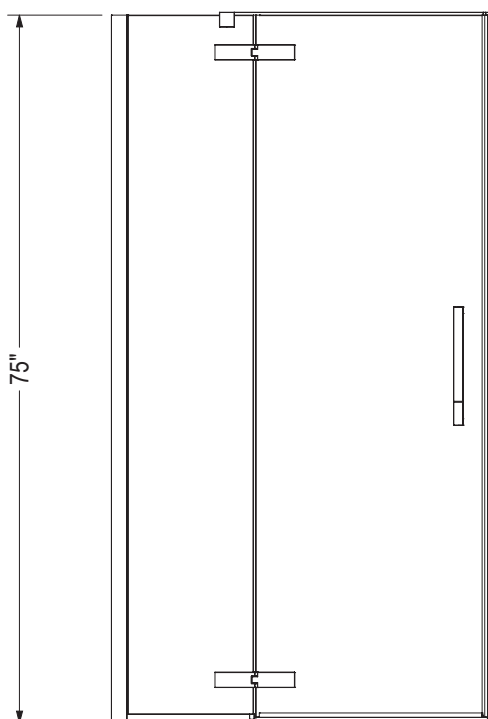
LINK RECTANGULAR 42 X 34 X 75 - 8MM - 136330

SKU	Glass / Finish	Door Opening	Dimensions & Weight	Packaging	MSRP
136330-900-084-000	Clear / Chrome	Reversible	42" x 34" x 75" / 165 lb / 75 kg	4.66 ft ³	\$ 1573
136330-900-173-000	Clear / Dark Bronze				\$ 1816
136330-900-305-000	Clear / Brushed Nickel				\$ 1690

STANDARD



- Door opening : 23 3/4"
- Wall jamb adjustment : 3/4"



All dimensions are approximate. Structure measurements must be verified against the unit to ensure proper fit.



Silhouette Neo-angle



Material : Tempered Glass

Features

- > Neo-angle framed pivot door for corner shower
- > Full-length aluminium pull adds reinforcement and doubles as a handle
- > Reversible door for left or right opening
- > Gutter is integrated in the inside of the door
- > Adjustable pivot mechanism

CORNER DOORS - PIVOT

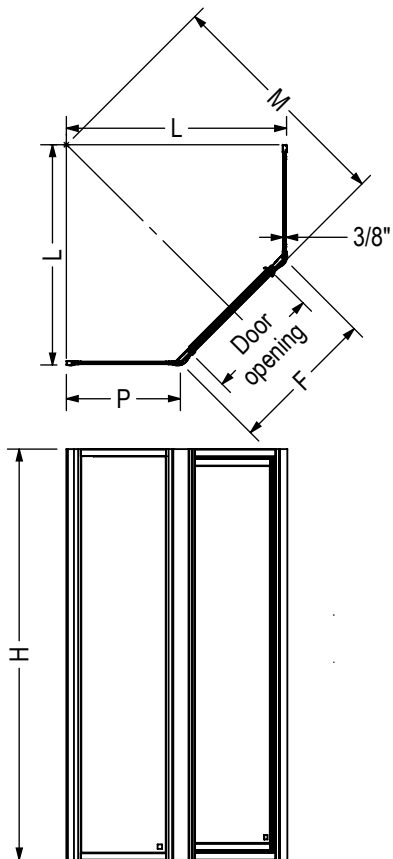
SILHOUETTE NEO-ANGLE PIVOT 38 X 38 X 70 IN. - 137901

SKU	Glass / Finish	Door Opening	Dimensions & Weight	Packaging	MSRP
137901-900-084-000	Clear / Chrome	Central	" x " x 70" / 77 lb / 35 kg	5.76 ft ³	\$ 849
137901-970-084-000	Raindrop / Chrome				\$ 849

SILHOUETTE NEO-ANGLE PIVOT 36 X 36 X 70 IN. - 137904

SKU	Glass / Finish	Door Opening	Dimensions & Weight	Packaging	MSRP
137904-900-084-000	Clear / Chrome	Central	" x " x 70" / 74 lb / 34 kg	5.44 ft ³	\$ 820
137904-970-084-000	Raindrop / Chrome				\$ 820

STANDARD



Code	Description	H	M Adjustable	L Adjustable	Door opening	F Adjustable	P Adjustable	Wall adjustment
137700	Silhouette Plus Pivot 36" x 70"	69 5/8"	32 1/4" - 35 1/8"	31 1/4" - 33 3/4"	17 3/4"	23 3/8" - 24 7/8"	14 3/8" - 15 7/8"	2 1/2"
137710	Silhouette Plus Pivot 38" x 70"	69 5/8"	37 1/4" - 40 1/8"	34 3/4" - 37 1/4"	17 1/2"	23 3/8" - 24 7/8"	17 7/8" - 19 3/8"	2 1/2"
137720	Silhouette Plus Pivot 36" x 70"	69 5/8"	34 5/8" - 37 1/2"	33 1/8" - 35 3/4"	18 1/2"	24 1/8" - 25 5/8"	15 3/4" - 17 1/4"	2 1/2"
137730	Silhouette Plus Pivot 38 - 40" x 70"	69 5/8"	37 5/8" - 40 1/2"	35 1/4" - 37 7/8"	18 1/2"	24 1/8" - 25 5/8"	17 7/8" - 19 3/8"	2 1/2"
137750	Silhouette Plus Pivot 38 - 40" x 70"	69 5/8"	38 1/8" - 41"	37" - 39 1/2"	22 1/4"	27 7/8" - 29 3/8"	16 7/8" - 18 3/8"	2 1/2"
137760	Silhouette Plus Pivot 42" x 70"	69 5/8"	41" - 43 7/8"	39" - 41 1/2"	22 1/4"	27 7/8" - 29 3/8"	18 7/8" - 20 3/8"	2 1/2"

All dimensions are approximate. Structure measurement must be verified against the unit to ensure proper fit.



Silhouette Plus Neo-angle



Material : Tempered Glass

Features

- > Neo-angle framed pivot door for corner shower
- > Full-length aluminium pull reinforces doors and doubles as a handle
- > Reversible door for left or right opening
- > Gutter is integrated in the inside of the door
- > 6 ways to adjust door to irregular base

CORNER DOORS - PIVOT

SILHOUETTE PLUS NEO-ANGLE 38 X 38 X 70 IN. - 137710

SKU	Glass / Finish	Door Opening	Dimensions & Weight	Packaging	MSRP
137710-900-084-000	Clear / Chrome	Reversible	" x " x 70" / 73 lb / 33 kg	5.39 ft ³	\$ 971
137710-965-084-000	Hammer / Chrome				\$ 971

SILHOUETTE PLUS NEO-ANGLE 36 X 36 X 70 IN. - 137720

SKU	Glass / Finish	Door Opening	Dimensions & Weight	Packaging	MSRP
137720-900-084-000	Clear / Chrome	Reversible	" x " x 70" / 72 lb / 33 kg	5.55 ft ³	\$ 964
137720-965-084-000	Hammer / Chrome				\$ 964

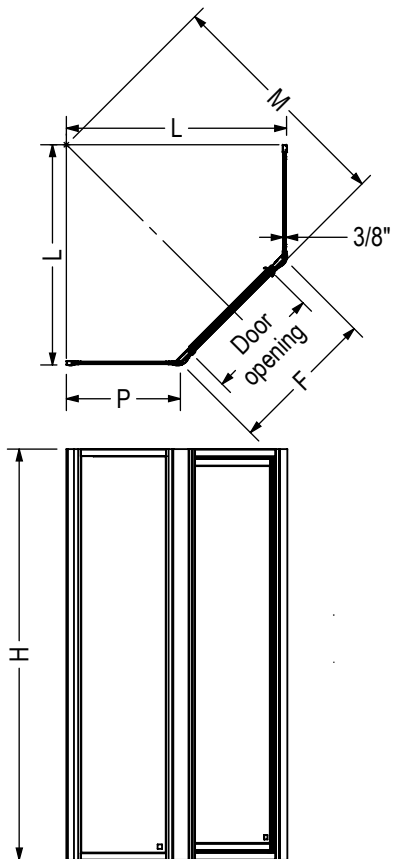
SILHOUETTE PLUS NEO-ANGLE 38 X 38-40 X 40 X 70 IN. - 137730

SKU	Glass / Finish	Door Opening	Dimensions & Weight	Packaging	MSRP
137730-900-084-000	Clear / Chrome	Reversible	" x " x 70" / 71 lb / 32 kg	5.42 ft ³	\$ 979
137730-965-084-000	Hammer / Chrome				\$ 979

SILHOUETTE PLUS NEO-ANGLE 38 X 38-40 X 40 X 70 IN. - 137750

SKU	Glass / Finish	Door Opening	Dimensions & Weight	Packaging	MSRP
137750-965-084-000	Hammer / Chrome	Reversible	" x " x 70" / 78 lb / 35 kg	6.19 ft ³	\$ 992

STANDARD



Code	Description	H	M Adjustable	L Adjustable	Door opening	F Adjustable	P Adjustable	Wall adjustment
137700	Silhouette Plus Pivot 36" x 70"	69 5/8"	32 1/4" - 35 1/8"	31 1/4" - 33 3/4"	17 3/4"	23 3/8" - 24 7/8"	14 3/8" - 15 7/8"	2 1/2"
137710	Silhouette Plus Pivot 38" x 70"	69 5/8"	37 1/4" - 40 1/8"	34 3/4" - 37 1/4"	17 1/2"	23 3/8" - 24 7/8"	17 7/8" - 19 3/8"	2 1/2"
137720	Silhouette Plus Pivot 36" x 70"	69 5/8"	34 5/8" - 37 1/2"	33 1/8" - 35 3/4"	18 1/2"	24 1/8" - 25 5/8"	15 3/4" - 17 1/4"	2 1/2"
137730	Silhouette Plus Pivot 38 - 40" x 70"	69 5/8"	37 5/8" - 40 1/2"	35 1/4" - 37 7/8"	18 1/2"	24 1/8" - 25 5/8"	17 7/8" - 19 3/8"	2 1/2"
137750	Silhouette Plus Pivot 38 - 40" x 70"	69 5/8"	38 1/8" - 41"	37" - 39 1/2"	22 1/4"	27 7/8" - 29 3/8"	16 7/8" - 18 3/8"	2 1/2"
137760	Silhouette Plus Pivot 42" x 70"	69 5/8"	41" - 43 7/8"	39" - 41 1/2"	22 1/4"	27 7/8" - 29 3/8"	18 7/8" - 20 3/8"	2 1/2"

All dimensions are approximate. Structure measurement must be verified against the unit to ensure proper fit.



Halo Round



Features

- › 75 5/8" high luxury clear glass panel
- › 8mm (5/16") tempered glass with chrome hardware
- › Ball bearing roller technology allowing for 1/4" adjustment
- › For installation with round shower base and ceramic walls
- › Available as left or right opening specify when ordering

CORNER DOORS - SLIDING

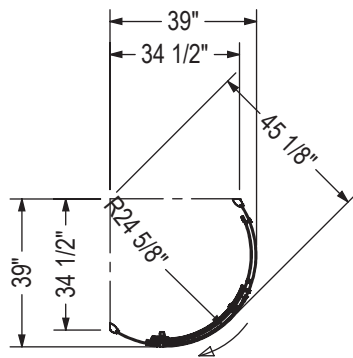
HALO ROUND - 139399L

SKU	Glass / Finish	Door Opening	Dimensions & Weight	Packaging	MSRP
139399-900-084-001	Clear / Chrome	Lateral	" x " x 75 5/8" / 185 lb / 84 kg	21.4 ft ³	\$ 1528

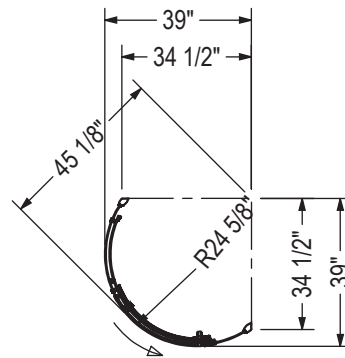
HALO ROUND - 139399R

SKU	Glass / Finish	Door Opening	Dimensions & Weight	Packaging	MSRP
139399-900-084-002	Clear / Chrome	Lateral	" x " x 75 5/8" / 185 lb / 84 kg	21.4 ft ³	\$ 1528

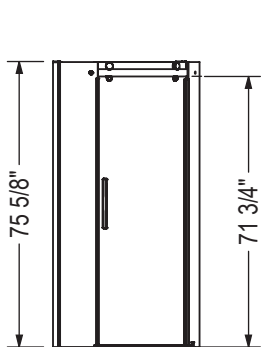
STANDARD



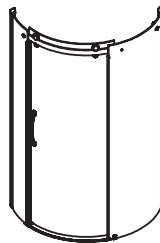
- Closing direction of the door
- Door opening : 22"



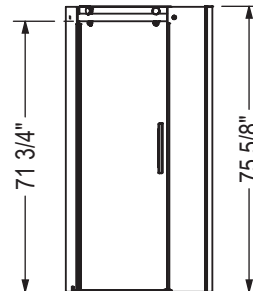
- Closing direction of the door
- Door opening : 22"



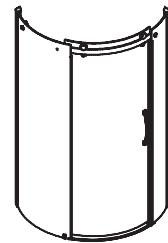
LEFT



139399-900-084-001
or 139399-L-900-084



RIGHT



139399-900-084-002
or 139399-R-900-084

All dimensions are approximate. Structure measurements must be verified against the unit to ensure proper fit.



Radia Neo-angle



Material : Tempered Glass

Features

- › Magnetic and aluminium extrusion for a better watertight closure as well as provide panel rigidity
- › Features MAAX Clip-and-Push System that allows to detach the bottom wheels to clean the track
- › Reversible door for right or left opening, panels are pre-assembled with the hardware and side jambs for fast and easy installation
- › 3/4-inch of out of plumb adjustment for those not so perfect walls
- › Ensure fit with MAAX Acrylic base # 101422-000-001-000

CORNER DOORS - SLIDING

RADIA NEO-ANGLE 36 X 36 X 71 1/2 - 6MM - 137440

SKU	Glass / Finish	Door Opening	Dimensions & Weight	Packaging	MSRP
137440-900-084-000	Clear / Chrome	Central	" x " x 71 1/2" / 121 lb / 55 kg	5.54 ft ³	\$ 990
137440-900-305-000	Clear / Brushed Nickel				\$ 1066
137440-900-340-000	Clear / Matte Black				\$ 1066

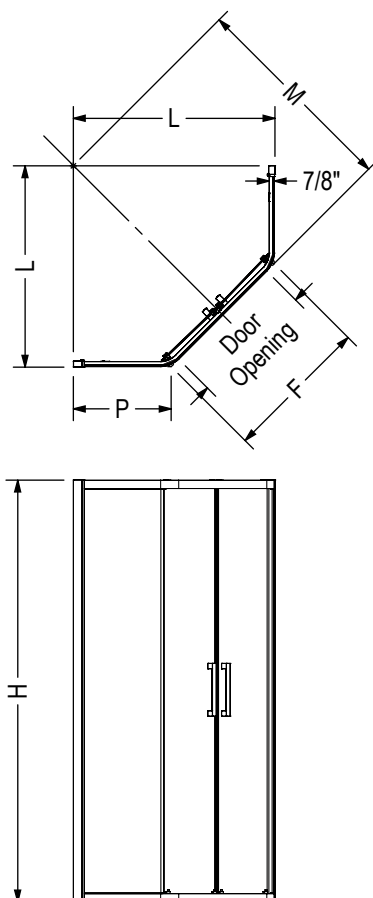
RADIA NEO-ANGLE 38 X 38 X 71 1/2 - 6MM - 137441

SKU	Glass / Finish	Door Opening	Dimensions & Weight	Packaging	MSRP
137441-900-084-000	Clear / Chrome	Central	" x " x 71 1/2" / 127 lb / 58 kg	5.62 ft ³	\$ 1026
137441-900-305-000	Clear / Brushed Nickel				\$ 1105
137441-900-340-000	Clear / Matte Black				\$ 1105

RADIA NEO-ANGLE 40 X 40 X 71 1/2 - 6MM - 137442

SKU	Glass / Finish	Door Opening	Dimensions & Weight	Packaging	MSRP
137442-900-084-000	Clear / Chrome	Central	" x " x 71 1/2" / 134 lb / 61 kg	5.97 ft ³	\$ 1067
137442-900-305-000	Clear / Brushed Nickel				\$ 1148
137442-900-340-000	Clear / Matte Black				\$ 1148

STANDARD



Code	Description	H	M	L	P Adjustable	F	Door Opening	Wall Adjustment
137440	RADIA N-A 36" X 36" X 71.5"	71 5/8"	35 5/8"	34 1/2"	14 9/16" - 15 1/4"	26 3/8"	18 5/16"	3/4"
137441	RADIA N-A 38" X 38" X 71.5"	71 5/8"	37 7/8"	35 5/8"	16 1/8" - 16 13/16"	26 7/16"	18 5/16"	3/4"
137442	RADIA N-A 40" X 40" X 71.5"	71 5/8"	40 15/16"	37 13/16"	18 3/16" - 18 7/8"	26 1/2"	18 5/16"	3/4"

All dimensions are approximate. Structure measurements must be verified against the unit to ensure proper fit.



Radia Neo-round



Material : Tempered Glass

Features

- › 6 mm tempered glass with Lotus Easy Clean Glass Protection - repels soap and water stains for care-free maintenance
- › Magnetic and aluminium extrusion for a better watertight closure as well as provide panel rigidity
- › Features MAAX Clip-and-Push System that allows to detach the bottom wheels to clean the track
- › Reversible door for right or left opening, panels are pre-assembled with the hardware and side jambs for fast and easy installation
- › 3/4-inch of out of plumb adjustment for those not so perfect walls
- › Ensure fit with MAAX Acrylic base # 101426-000-001-000

CORNER DOORS - SLIDING

RADIA NEO-ROUND 32 X 32 X 71 1/2 - 6MM - 137443

SKU	Glass / Finish	Door Opening	Dimensions & Weight	Packaging	MSRP
137443-900-084-000	Clear / Chrome	Central	" x " x 71 1/2" / 112 lb / 51 kg	5.3 ft ³	\$ 1015
137443-900-305-000	Clear / Brushed Nickel				\$ 1093
137443-900-340-000	Clear / Matte Black				\$ 1093

RADIA NEO-ROUND 36 X 36 X 71 1/2 - 6MM - 137444

SKU	Glass / Finish	Door Opening	Dimensions & Weight	Packaging	MSRP
137444-900-084-000	Clear / Chrome	Central	" x " x 71 5/8" / 118 lb / 54 kg	6 ft ³	\$ 1053
137444-900-305-000	Clear / Brushed Nickel				\$ 1134
137444-900-340-000	Clear / Matte Black				\$ 1134

RADIA NEO-ROUND 40 X 40 X 71 1/2 - 6MM - 137445

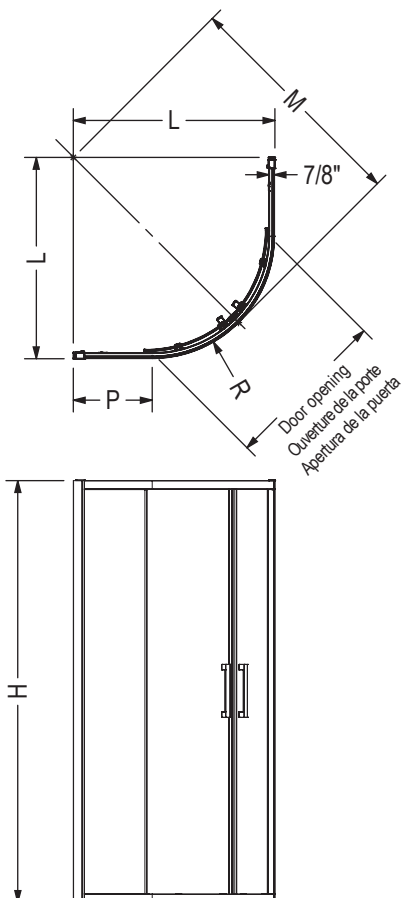
SKU	Glass / Finish	Door Opening	Dimensions & Weight	Packaging	MSRP
137445-900-084-000	Clear / Chrome	Central	" x " x 71 1/2" / 125 lb / 57 kg	6.25 ft ³	\$ 1093
137445-900-305-000	Clear / Brushed Nickel				\$ 1173
137445-900-340-000	Clear / Matte Black				\$ 1173

RADIA NEO-ROUND 38 X 38 X 71 1/2 - 6MM - 137449

SKU	Glass / Finish	Door Opening	Dimensions & Weight	Packaging	MSRP
137449-900-084-000	Clear / Chrome	Central	" x " x 71 1/2" / 112 lb / 51 kg	8.052 ft ³	\$ 1079
137449-900-340-000	Clear / Matte Black				\$ 1160

CORNER DOORS - SLIDING

STANDARD



Code Código	Description Descripción	H	M	L	P Adjustable	R	Door opening Ouverture de la porte Apertura de la puerta	Wall adjustment Ajustement du mur Ajuste de la pared
137443	RADIA N-R 32" X 32" X 71.5"	71 1/2"	37 7/8"	29 7/8"	14 7/8" - 15 5/8"	14 9/16"	17 1/2"	3/4"
137444	RADIA N-R 36" X 36" X 71.5"	71 1/2"	39 5/8"	34 1/8"	13" - 13 3/4"	20 5/8"	20 1/2"	3/4"
137449	RADIA N-R 38" X 38" X 71.5"	71 1/2"	42 3/8"	36 1/8"	15" - 15 3/4"	20 5/8"	21 1/4"	3/4"
137445	RADIA N-R 40" X 40" X 71.5"	71 1/2"	44 5/8"	37 5/8"	16 1/2" - 17 1/4"	20 11/16"	22 5/8"	3/4"

All dimensions are approximate. Structure measurements must be verified against the unit to ensure proper fit.

Toutes ces dimensions sont approximatives. Afin d'assurer une installation parfaite, les dimensions de la structure doivent être vérifiées à partir de l'unité.

Todas las dimensiones son aproximadas. Las medidas de la estructura deben ser verificadas contra la unidad para asegurar el ajuste apropiado.



Radia Round

CORNER DOORS - SLIDING



Material : Tempered Glass

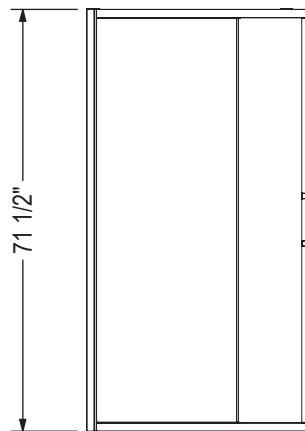
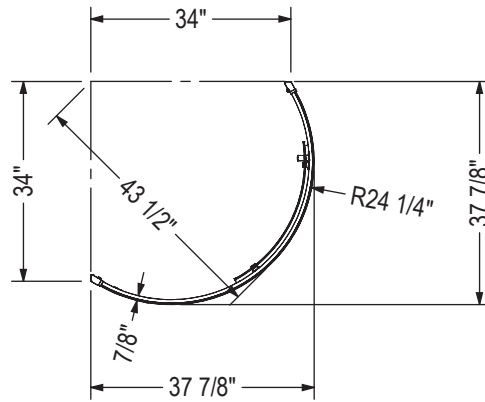
Features

- › Magnetic and aluminium extrusion for a better watertight closure as well as provide panel rigidity
- › Features MAAX Clip-and-Push System that allows to detach the bottom wheels to clean the track
- › Reversible door for right or left opening, panels are pre-assembled with the hardware and side jambs for fast and easy installation
- › 3/4-inch of out of plumb adjustment for those not so perfect walls
- › Ensure fit with MAAX Acrylic base # 105049-000-001-000

RADIA ROUND 36 X 36 X 71 1/2 - 6MM - 137446

SKU	Glass / Finish	Door Opening	Dimensions & Weight	Packaging	MSRP
137446-900-084-000	Clear / Chrome	Reversible	" x " x 71 1/2" / 118 lb / 54 kg	8.48 ft ³	\$ 1220
137446-900-305-000	Clear / Brushed Nickel		" x " x 71 1/2" / 108 lb / 49 kg		\$ 1312
137446-900-340-000	Clear / Matte Black		" x " x 71 1/2" / 108 lb / 49 kg		\$ 1312

STANDARD



Code	Description	Door Opening	Wall Adjustment
137446	RADIA Round 36" X 36" X 71.5"	22 1/8"	3/4"

All dimensions are approximate. Structure measurements must be verified against the unit to ensure proper fit.



Radia Square

CORNER DOORS - SLIDING



Material : Tempered Glass

Features

- › 6 mm tempered glass with Lotus Easy Clean Glass Protection - repels soap and water stains for care-free maintenance
- › Magnetic and aluminium extrusion for a better watertight closure as well as provide panel rigidity
- › Features MAAX Clip-and-Push System that allows to detach the bottom wheels to clean the track
- › Reversible door for right or left opening, panels are pre-assembled with the hardware and side jambs for fast and easy installation
- › 3/4-inch of out of plumb adjustment for those not so perfect walls
- › Ensure fit with MAAX Acrylic base # 101431-000-001-000

RADIA SQUARE 32 X 32 X 71 1/2 - 6MM - 137447

SKU	Glass / Finish	Door Opening	Dimensions & Weight	Packaging	MSRP
137447-900-084-000	Clear / Chrome	Central	" x " x 71 1/2" / 101 lb / 46 kg	4.73 ft ³	\$ 1093
137447-900-305-000	Clear / Brushed Nickel				\$ 1173
137447-900-340-000	Clear / Matte Black				\$ 1173
137447-977-340-000	French / Matte Black				\$ 1291

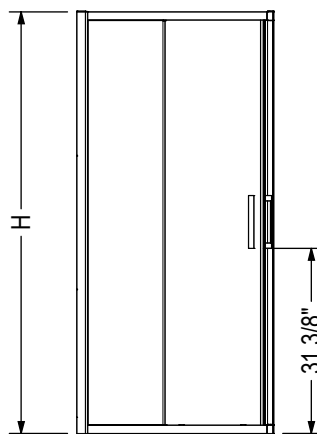
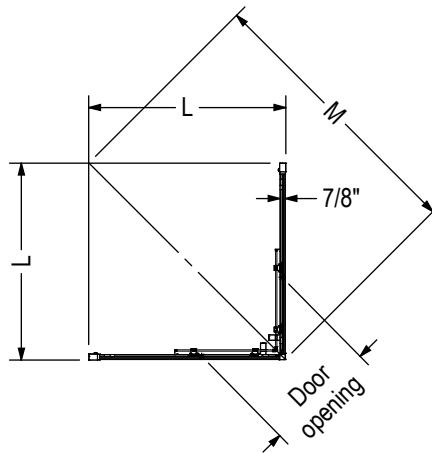
RADIA SQUARE 36 X 36 X 71 1/2 - 6MM - 137448

SKU	Glass / Finish	Door Opening	Dimensions & Weight	Packaging	MSRP
137448-900-084-000	Clear / Chrome	Central	" x " x 71 1/2" / 108 lb / 49 kg	5.26 ft ³	\$ 1131
137448-900-305-000	Clear / Brushed Nickel				\$ 1216
137448-900-340-000	Clear / Matte Black				\$ 1216
137448-972-340-000	Shaker / Matte Black				\$ 1338
137448-977-340-000	French / Matte Black				\$ 1338

RADIA SQUARE 42 X 42 X 71 1/2 - 6MM - 137451

SKU	Glass / Finish	Door Opening	Dimensions & Weight	Packaging	MSRP
137451-900-084-000	Clear / Chrome		" x " x 71 1/2" / 125 lb / 57 kg	6.5 ft ³	\$ 1169
137451-900-340-000	Clear / Matte Black				\$ 1256
137451-977-340-000	French / Matte Black				\$ 1382

STANDARD



Code	Description	H	L Adjustable	Door Opening	Wall adjustment
137447	RADIA Square 32" X 32" X 71.5"	71 5/8"	29 7/8" - 30 5/8"	15 3/16"	3/4"
137448	RADIA Square 36" X 36" X 71.5"	71 5/8"	32 15/16" - 33 3/4"	17 5/16"	3/4"
137451	RADIA Square 42" X 42" X 71.5"	71 5/8"	40 3/4" - 41 1/2"	22 13/16"	3/4"

All dimensions are approximate. Structure measurements must be verified against the unit to ensure proper fit.



Capella Return Panels

RETURN PANELS



Material : Tempered Glass

Features

- › GlassShield® technology pre-installed - provides extra layer of security for homes with children or elderly residents
- › 8 mm (5/16 in.) tempered glass with a height of 78 in.
- › Includes a support arm to stabilize the panel
- › 3 finishes: Chrome, Brushed Nickel and Matte Black
- › Can be installed on the left or right side
- › Offered in 32 and 36 in. wide to fit standard bases dimensions

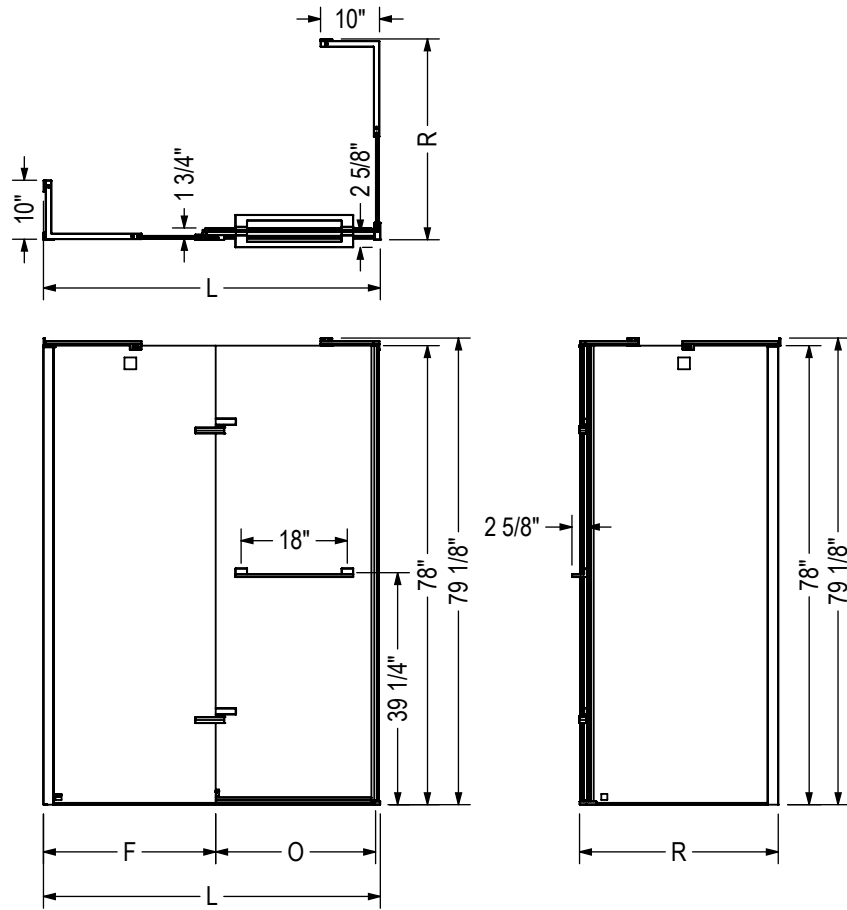
CAPELLA 78 RETURN PANEL FOR 32 IN. - 139588

SKU	Color	Configuration	Dimensions & Weight	MSRP
139588-810-084-000	Clear GlassShield / Chrome		29 5/8" - 30 5/8" x 78" / 77 lb / 35 kg	\$ 710
139588-810-305-000	Clear GlassShield / Brushed Nickel			\$ 760
139588-810-340-000	Clear GlassShield / Matte Black			\$ 794

CAPELLA 78 RETURN PANEL FOR 36 IN. - 139590

SKU	Color	Configuration	Dimensions & Weight	MSRP
139590-810-084-000	Clear GlassShield / Chrome		33 5/8" - 34 5/8" x 78" / 83 lb / 38 kg	\$ 750
139590-810-305-000	Clear GlassShield / Brushed Nickel			\$ 804
139590-810-340-000	Clear GlassShield / Matte Black			\$ 841

STANDARD



Code	Description	L	F	R	O
139584	Capella 78" x 32 1/2" - 35 1/2"	32 1/2" - 35 1/2"	5 3/8"	-	23 3/4" - 26 3/4"
139586	Capella 78" x 44" - 47"	44" - 47"	16 7/8"	-	23 3/4" - 26 3/4"
139587	Capella 78" x 56" - 59"	56" - 59"	28 7/8"	-	23 3/4" - 26 3/4"
139588	Capella Return Panel 32"	-	-	29 11/16" - 30 11/16"	-
139590	Capella Return Panel 36"	-	-	33 11/16" - 34 11/16"	-

- Wall adjustment door = 3/4"
- Wall adjustment return panel = 1"

All dimensions are approximate. Structure measurements must be verified against the unit to ensure proper fit.



Duel Alto Return Panels

RETURN PANELS



Material : Tempered Glass

Features

- › 8mm (5/16 in) tempered certified glass panel
- › 78in high clear glass panel
- › Glass panels come with the Lotus Easy Clean Glass Protection to repel soap and water stains for carefree maintenance
- › Configuration consists of a single panel to be combined with a Duel Alto shower door
- › For corner showers and for tile or pre-cast wall installations 78" and higher. For an optimal fit we recommend the Duel Alto collection doors.
- › Reversible panel for easy corner installation on the left or on the right
- › Out of plumb adjustment in the wall profile
- › GlassShield® technology pre-installed - provides extra layer of security for homes with children or elderly residents
- › Due to the weight and height of the glass, we recommend a 2 person team to install this product

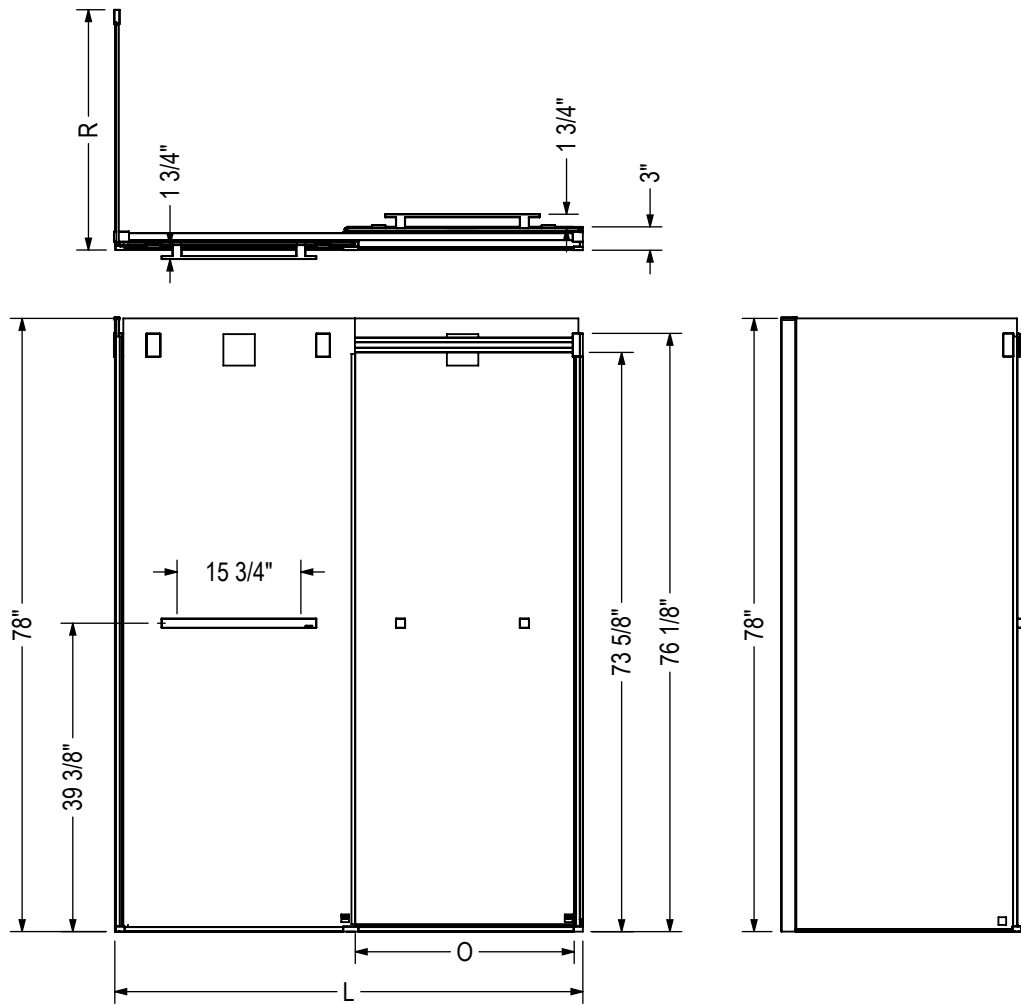
DUEL ALTO RETURN PANEL 32 X 78 - 8 MM - 139953

SKU	Color	Configuration	Dimensions & Weight	MSRP
139953-810-084-000	Clear GlassShield / Chrome		30" - 31" x 78" / 65 lb / 29 kg	\$ 710
139953-810-305-000	Clear GlassShield / Brushed Nickel			\$ 760
139953-810-340-000	Clear GlassShield / Matte Black			\$ 794

DUEL ALTO RETURN PANEL 36 X 78 - 8 MM - 139954

SKU	Color	Configuration	Dimensions & Weight	MSRP
139954-810-084-000	Clear GlassShield / Chrome		35" - 34" x 78" / 75 lb / 34 kg	\$ 750
139954-810-305-000	Clear GlassShield / Brushed Nickel			\$ 804
139954-810-340-000	Clear GlassShield / Matte Black			\$ 841

STANDARD



Code	Description	L	O	R
136955	Duel Alto Bypass 56" - 59" x 78"	56" - 59"	24 1/2" - 27 1/2"	-
136956	Duel Alto Bypass 44" - 47" x 78"	44" - 47"	18 1/2" - 21 1/2"	-
136953	Duel Alto Return Panel 32"	-	-	30" - 31"
136954	Duel Alto Return Panel 36"	-	-	34" - 35"

All dimensions are approximate. Structure measurements must be verified against the unit to ensure proper fit.

- Wall adjustment door = 1/2"
- Wall adjustment return panel = 1"



Nebula Return Panel

RETURN PANELS



Material : Tempered Glass

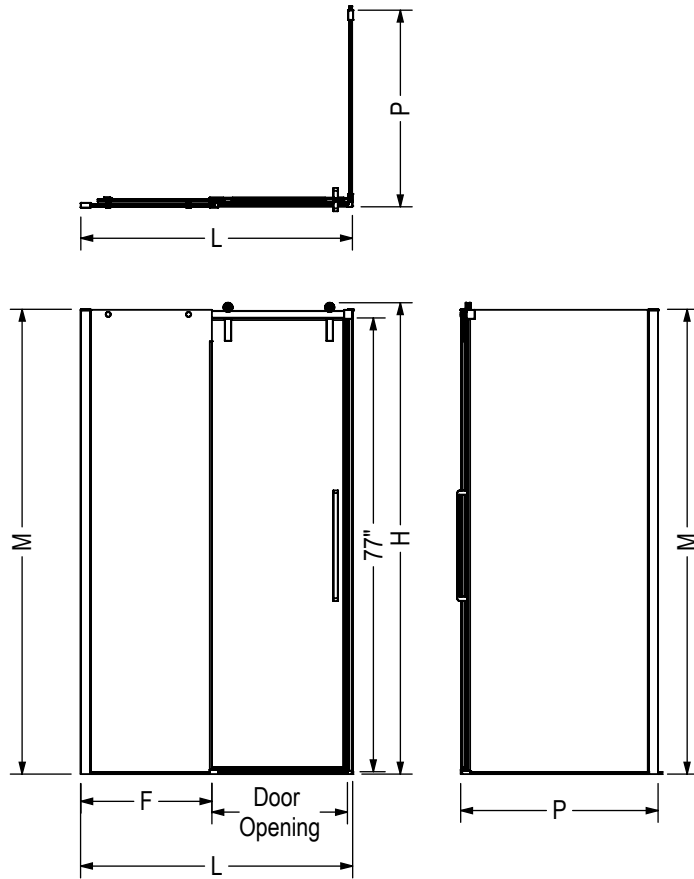
Features

- › 8 mm (5/16 in.) tempered glass with a height of 78 3/4 in.
- › Lotus easy clean protection for effortless maintenance
- › Return panel for 36" wide shower bases
- › Add 1 return panel to a Nebula sliding alcove door for a corner unit
- › 3 finishes: Chrome, Brushed Nickel, Matte Black

NEBULA RETURN PANEL FOR 36 IN. - 135865

SKU	Color	Configuration	Dimensions & Weight	Packaging	MSRP
135865-900-084-000	Clear / Chrome		34 1/4" - 35" x 78 3/4" / 83 lb / 38 kg	5 ft ³	\$ 612
135865-900-305-000	Clear / Brushed Nickel				\$ 637
135865-900-340-000	Clear / Matte Black				\$ 656

STANDARD



Code	Description	H	M	L Adjustable	F	P Adjustable	Door Opening	Wall Adjustment
135870	Nebula 44 1/2" x 46 1/2" x 78 3/4"	80"	78 3/4"	44 1/2" - 46 1/2"	21 1/2"	-	17 1/8" - 19 1/8"	3/4"
135875	Nebula 56 1/2" x 58 1/2" x 78 3/4"	80"	78 3/4"	56 1/2" - 58 1/2"	27 1/2"	-	23 1/8" - 25 1/8"	3/4"
135865	Return Panel 36"	80"	78 3/4"	-	-	34 1/4" - 35"	-	3/4"

All dimensions are approximate. Structure measurements must be verified against the unit to ensure proper fit.



Connect Pro Return Panels

RETURN PANELS



Material : Tempered Glass

Features

- › Configuration consists of a Stationary Panel to be combined with a Connect Pro shower door
- › Frame and hardware finish: Chrome
- › For corner showers and for tile or pre-cast wall installations 76" and higher, we suggest Connect Pro doors.
- › Requires no cutting the door frame expands to adjust to the walls
- › 1/4in (6mm) Glass panels come with the Lotus Easy Clean Glass Protection to repel soap and water stains for carefree maintenance
- › Designed in North America
- › Pre-installed aluminum profile on return panels
- › Fast, no-cut installation
- › Out of plumb adjustment in the wall profile

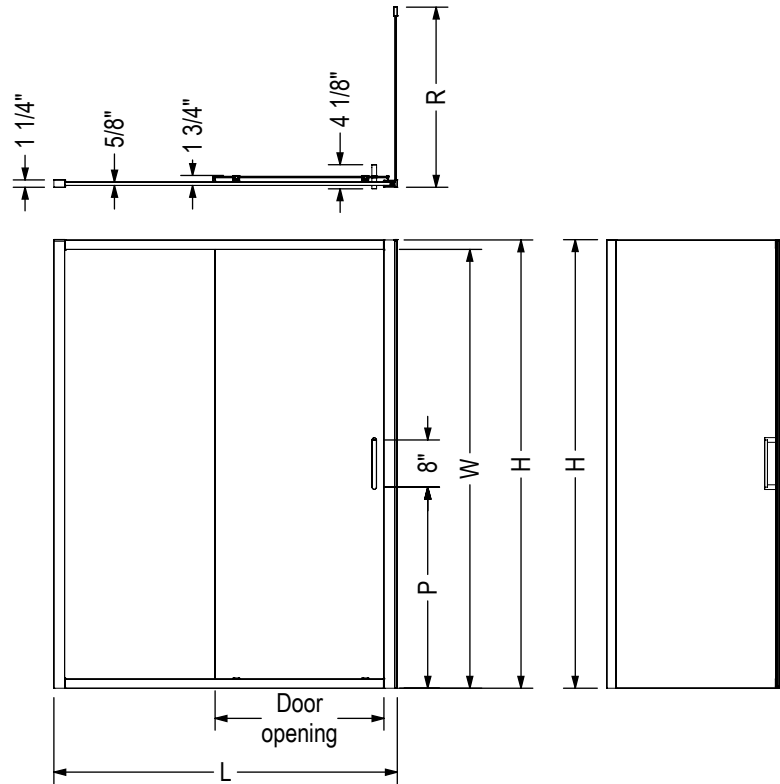
CONNECT PRO RETURN PANEL 32 X 76 - 6MM - 135239

SKU	Color	Configuration	Dimensions & Weight	Packaging	MSRP
135239-900-084-000	Clear / Chrome		30 1/8" - 30 7/8" x 76" / 57 lb / 26 kg	7.31 ft³	\$ 365
135239-900-340-000	Clear / Matte Black				\$ 438

CONNECT PRO RETURN PANEL 36 X 76 - 6MM - 135240

SKU	Color	Configuration	Dimensions & Weight	Packaging	MSRP
135240-900-084-000	Clear / Chrome		34 1/8" - 34 7/8" x 76" / 65 lb / 29 kg	8.34 ft³	\$ 397
135240-900-340-000	Clear / Matte Black				\$ 473

STANDARD



Code	Description	H	W	L Adjustable	Door opening	P	R
135235	Connect Pro 76" x 43 1/2" - 45"	76"	74 3/8"	43 1/2" - 45"	17 13/16" - 18 9/16"	34 1/8"	-
135236	Connect Pro 76" x 45" - 46 1/2"	76"	74 3/8"	45" - 46 1/2"	18 9/16" - 19 5/16"	34 1/8"	-
135237	Connect Pro 76" x 55 1/2" - 57"	76"	74 3/8"	55 1/2" - 57"	23 13/16" - 24 9/16"	34 1/8"	-
135238	Connect Pro 76" x 57" - 58 1/2"	76"	74 3/8"	57" - 58 1/2"	24 9/16" - 25 5/16"	34 1/8"	-
135239	Connect Pro Return panel 32"	76"	-	-	-	-	30 1/8" - 30 7/8"
135240	Connect Pro Return panel 36"	76"	-	-	-	-	34 1/8" - 34 1/8"

All dimensions are approximate. Structure measurements must be verified against the unit to ensure proper fit.

- Wall adjustment return panel = 3/4"



Halo Pro GS Return Panels

RETURN PANELS



Material : Tempered Glass

Features

- › 8 mm tempered glass panels with MAAX new Shatter-Resistant Technology, GlassShield®
- › Available in 2 finishes: Chrome and Matte Black
- › Return Panel for Corner Shower, compatible with Halo Pro GlassShield® (GS)
- › The frameless design brings a sense of spaciousness to the room and creates a sleek, minimalist look
- › Reversible panel for easy corner installation on the left or on the right
- › Glass panels come with the Lotus Easy Clean Glass Protection to repel soap and water stains for carefree maintenance
- › Easy assembly between door and return panel
- › Compatible with MAAX's Utile wall system, allowing for a seamless and coordinated installation with the shower door, creating a cohesive and stylish bathroom design
- › Warranty: 10 years

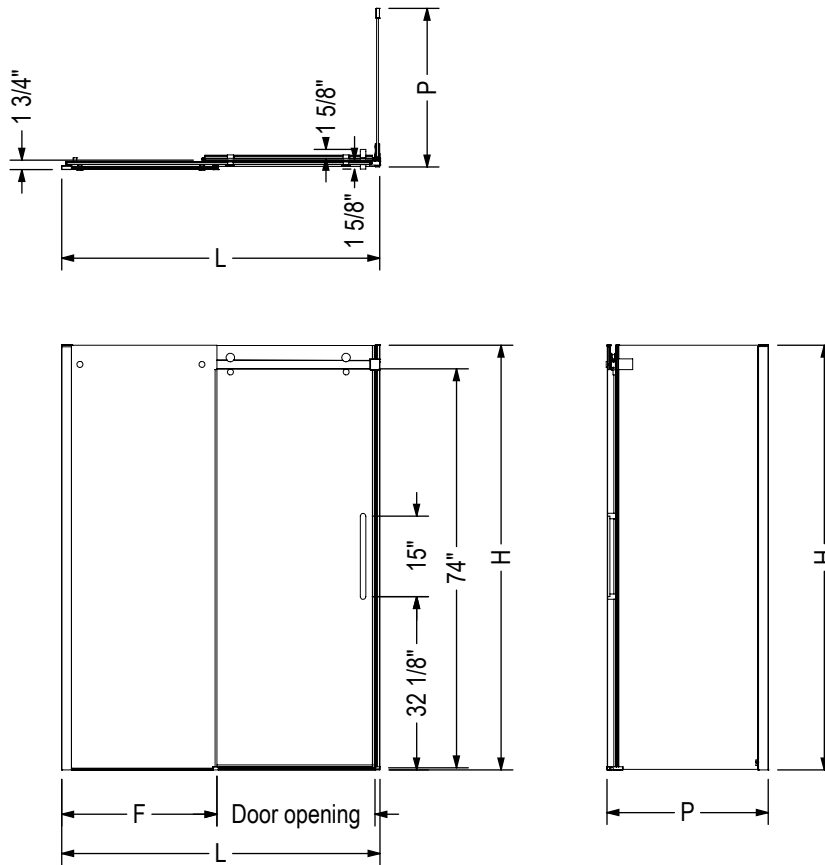
HALO PRO GS RETURN PANEL FOR 32 IN. - 136542

SKU	Color	Configuration	Dimensions & Weight	Packaging	MSRP
136542-810-084-000	Clear GlassShield / Chrome		28 3/4" - 29 7/8" x 78 3/4" / 52 lb / 24 kg	4.66688368055556 ft ³	\$ 710
136542-810-340-000	Clear GlassShield / Matte Black				\$ 794

HALO PRO GS RETURN PANEL FOR 36 IN. - 136543

SKU	Color	Configuration	Dimensions & Weight	Packaging	MSRP
136543-810-084-000	Clear GlassShield / Chrome		32 3/4" - 33 7/8" x 78 3/4" / 62 lb / 28 kg	5.34324363425926 ft ³	\$ 750
136543-810-340-000	Clear GlassShield / Matte Black				\$ 841

STANDARD



Code	Description	H	L Adjustable	F	P Adjustable	Door Opening	Wall Adjustment
136540	Halo Pro GS 78 3/4" x 47"	78 3/4"	44 1/2" - 47"	22 1/2"	-	16 1/4" - 18 3/4"	1"
136541	Halo Pro GS 78 3/4" x 59"	78 3/4"	56 1/2" - 59"	28 5/8"	-	22 1/8" - 24 5/8"	1"
136542	Halo Pro GS RP 32"	78 3/4"	-	-	29 7/8"	-	1"
136543	Halo Pro GS RP 36"	78 3/4"	-	-	33 7/8"	-	1"

All dimensions are approximate. Structure measurements must be verified against the unit to ensure proper fit.



Halo Return Panels

RETURN PANELS



Material : Tempered Glass

Features

- › 8 mm tempered glass panels
- › Available in 4 finishes: Chrome, Brushed Nickel, Dark Bronze, Matte Black
- › Return Panel for Corner Shower, compatible with Halo, Halo Pro and Vela doors
- › The frameless design brings a sense of spaciousness to the room and creates a sleek, minimalist look
- › Reversible panel for easy corner installation on the left or on the right
- › Glass panels come with the Lotus Easy Clean Glass Protection to repel soap and water stains for carefree maintenance
- › Easy assembly between door and return panel
- › Compatible with MAAX's Utile wall system, allowing for a seamless and coordinated installation with the shower door, creating a cohesive and stylish bathroom design
- › Warranty: 10 years

HALO RETURN PANEL FOR 30 IN. - 139393

SKU	Color	Configuration	Dimensions & Weight	Packaging	MSRP
139393-900-084-000	Clear / Chrome		26 3/4" - 27 7/8" x 78 3/4" / 60 lb / 27 kg	4.86979166666667 ft ³	\$ 635
139393-900-173-000	Clear / Dark Bronze				\$ 717
139393-900-305-000	Clear / Brushed Nickel				\$ 683
139393-900-340-000	Clear / Matte Black				\$ 717

HALO RETURN PANEL FOR 42 IN. - 139394

SKU	Color	Configuration	Dimensions & Weight	Packaging	MSRP
139394-900-084-000	Clear / Chrome		38 7/8" - 39 7/8" x 78 3/4" / 82 lb / 37 kg	6.78819444444445 ft ³	\$ 720
139394-900-173-000	Clear / Dark Bronze				\$ 811
139394-900-305-000	Clear / Brushed Nickel				\$ 774
139394-900-340-000	Clear / Matte Black				\$ 811

HALO RETURN PANEL FOR 34 IN. - 139395

SKU	Color	Configuration	Dimensions & Weight	Packaging	MSRP
139395-900-084-000	Clear / Chrome		30 7/8" - 31 7/8" x 78 3/4" / 68 lb / 31 kg	6 ft ³	\$ 677

HALO RETURN PANEL FOR 34 IN. - 139395

SKU	Color	Configuration	Dimensions & Weight	Packaging	MSRP
139395-900-173-000	Clear / Dark Bronze		30 7/8" - 31 7/8" x 78 3/4" / 68 lb / 31 kg	6 ft ³	\$ 762
139395-900-305-000	Clear / Brushed Nickel				\$ 726
139395-900-340-000	Clear / Matte Black				\$ 762

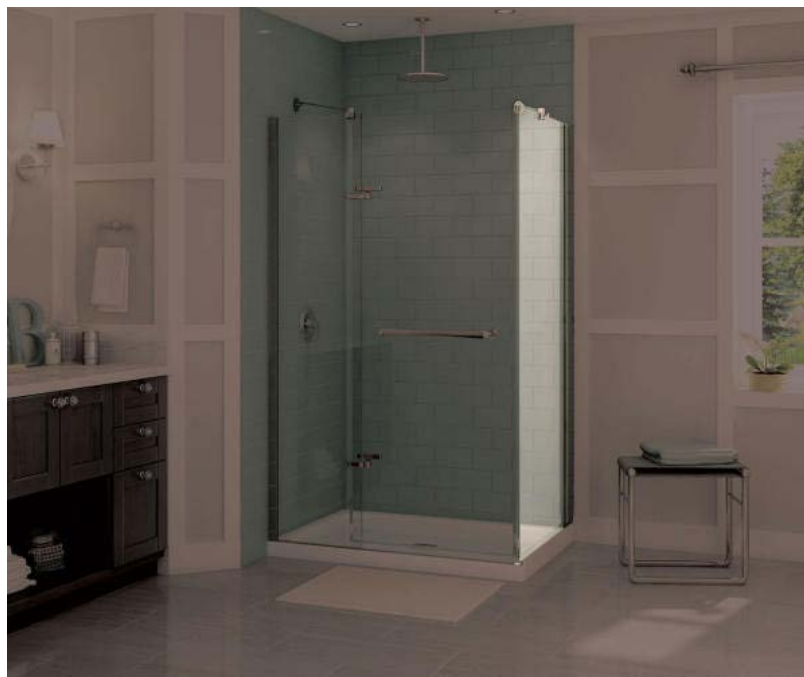
HALO RETURN PANEL FOR 36 IN. - 139396

SKU	Color	Configuration	Dimensions & Weight	Packaging	MSRP
139396-900-084-000	Clear / Chrome		32 7/8" - 33 7/8" x 78 3/4" / 72 lb / 33 kg	6.50868055555556 ft ³	\$ 696
139396-900-173-000	Clear / Dark Bronze				\$ 786
139396-900-305-000	Clear / Brushed Nickel				\$ 749
139396-900-340-000	Clear / Matte Black				\$ 786



Reveal 71 Return Panels

RETURN PANELS



Material : Tempered Glass

Features

- › 8 mm tempered glass panels
- › Available in 3 finishes: Chrome, Brushed Nickel, Matte Black to match your door
- › Return Panel for Corner Shower
- › The frameless design brings a sense of spaciousness to the room and creates a sleek, minimalist look
- › Reversible panel for easy corner installation on the left or on the right
- › Add 1 return panel to a Reveal 71 alcove door for a corner unit
- › Easy assembly between door and return panel
- › Proudly made in Canada
- › Warranty: 10 years

REVEAL 71 32 X 71 1/2 - 8MM - 136673

SKU	Color	Configuration	Dimensions & Weight	Packaging	MSRP
136673-900-084-000	Clear / Chrome		28 3/4" - 29 7/8" x 71 1/2" / 74 lb / 34 kg	5.22 ft ³	\$ 725
136673-900-173-000	Clear / Dark Bronze				\$ 837
136673-900-305-000	Clear / Brushed Nickel				\$ 781

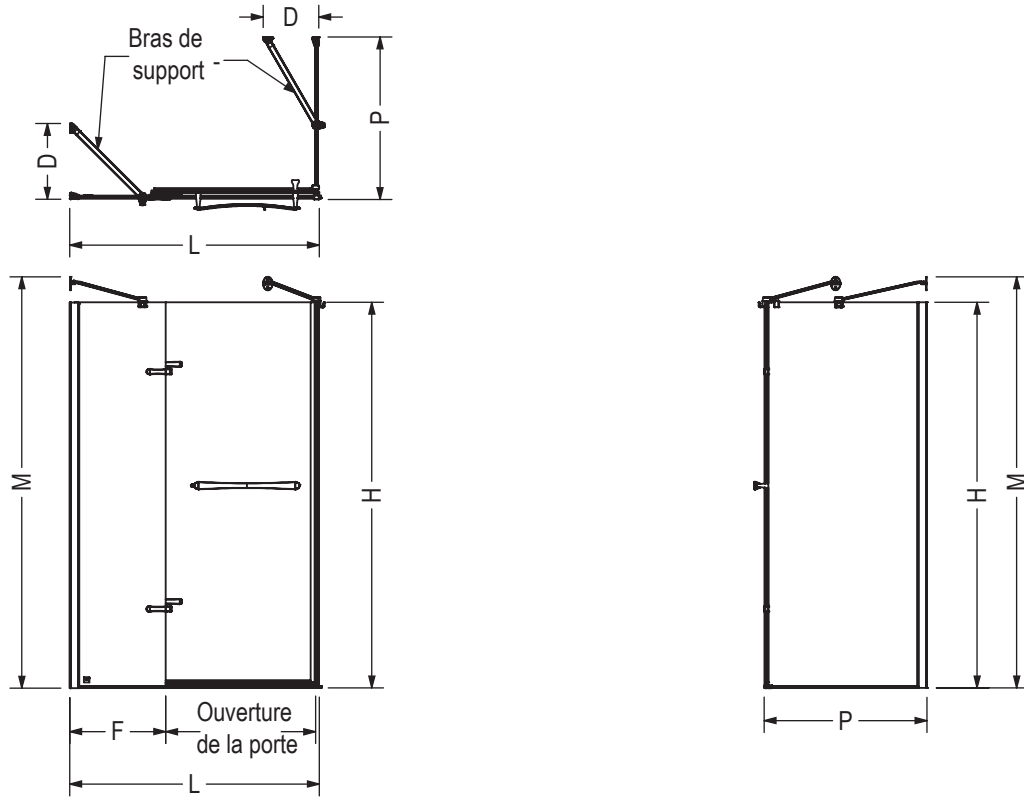
REVEAL 71 RETURN PANEL FOR 34 IN. - 136674

SKU	Color	Configuration	Dimensions & Weight	Packaging	MSRP
136674-900-084-000	Clear / Chrome		30 3/4" - 31 7/8" x 71 1/2" / 75 lb / 34 kg	5.3 ft ³	\$ 746
136674-900-173-000	Clear / Dark Bronze				\$ 856
136674-900-305-000	Clear / Brushed Nickel				\$ 801

REVEAL 71 RETURN PANEL FOR 36 IN. - 136675

SKU	Color	Configuration	Dimensions & Weight	Packaging	MSRP
136675-900-084-000	Clear / Chrome		32 3/4" - 33 7/8" x 71 1/2" / 80 lb / 36 kg	5.3 ft ³	\$ 765
136675-900-173-000	Clear / Dark Bronze				\$ 879
136675-900-305-000	Clear / Brushed Nickel				\$ 825

STANDARD



Code	Description	H	M	L Ajustable	F	P Ajustable	D Ajustable	Ouverture de la porte	Ajustement Mural	Bras de support
136676	Reveal 71.5 x 32.5" - 35.5"	71 1/2"	76 1/4"	32.5" - 35.5"	6 1/4"			23" - 26"	3/4"	
136679	Reveal 71.5 x 38" - 41"	71 1/2"	76 1/4"	38" - 41"	11 3/4"			23" - 26"	3/4"	
136677	Reveal 71.5 x 41.5" - 44.5"	71 1/2"	76 1/4"	41.5" - 44.5"	15 1/4"			23" - 26"	3/4"	
136671	Reveal 71.5 x 44" - 47"	71 1/2"	76 1/4"	44" - 47"	17 1/4"		9" - 15"	23" - 26"	3/4"	X
136883	Reveal 71.5 x 51.5" - 54.5"	71 1/2"	76 1/4"	51.5" - 54.5"	25 1/4"		9" - 15"	23" - 26"	3/4"	X
136672	Reveal 71.5 x 56" - 59"	71 1/2"	76 1/4"	56" - 59"	30"		9" - 15"	23" - 26"	3/4"	X
136673	Return Panel 32"	71 1/2"	76 1/4"			29 7/8"	9" - 15"		3/4"	X
136674	Return Panel 34"	71 1/2"	76 1/4"			31 7/8"	9" - 15"		3/4"	X
136675	Return Panel 36"	71 1/2"	76 1/4"			33 7/8"	9" - 15"		3/4"	X

Toutes ces dimensions sont approximatives. Afin d'assurer une installation parfaite, les dimensions de la structure doivent être vérifiées à partir de l'unité.



Reveal Sleek 71 Return Panels

RETURN PANELS



Material : Tempered Glass

Features

- › For installation on acrylic walls, ceramic and Utile
- › For a corner unit, add 1 return panel to a Reveal Sleek alcove door
- › For a corner unit, add 1 return panel to a Reveal Sleek alcove door
- › 8 mm (5/16 in.) tempered glass with a height of 71 1/2 in.
- › Includes a support arm to stabilize the panel
- › Can be installed on the left or right side
- › Offered in 32, 34 and 36 in. wide to fit standard bases dimensions

REVEAL SLEEK 71 RETURN PANEL FOR 32 IN. - 139581

SKU	Color	Configuration	Dimensions & Weight	Packaging	MSRP
139581-900-084-000	Clear / Chrome		29 3/8" - 30 3/8" x 71 1/2" / 74 lb / 34 kg	4.722 ft ³	\$ 468
139581-900-173-000	Clear / Dark Bronze				\$ 502
139581-900-305-000	Clear / Brushed Nickel				\$ 492
139581-900-340-000	Clear / Matte Black				\$ 502

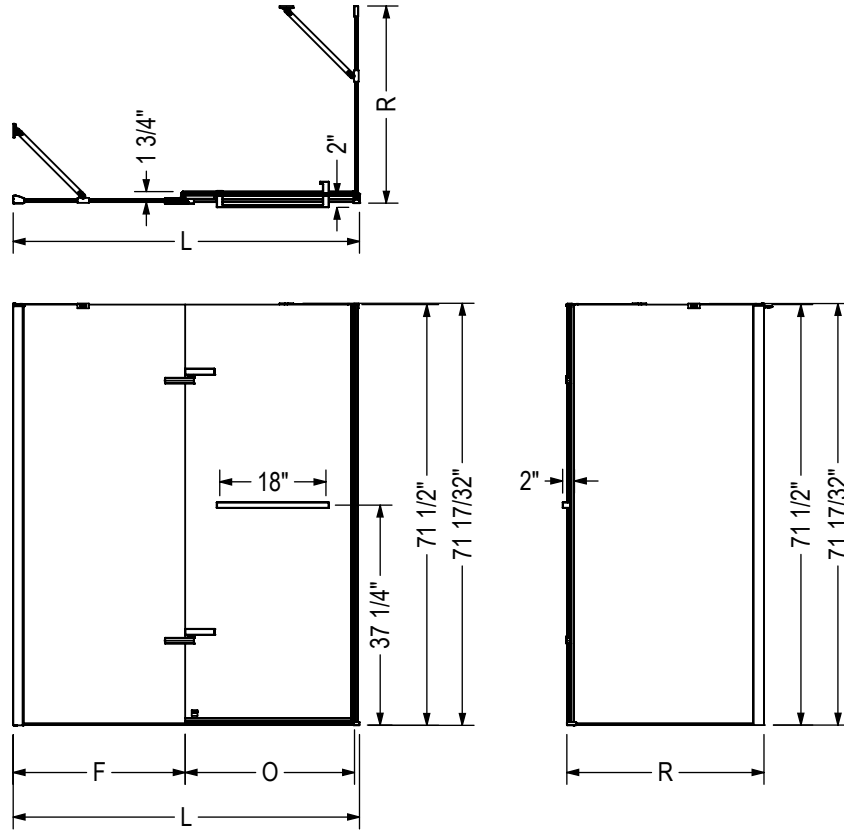
REVEAL SLEEK 71 RETURN PANEL FOR 34 IN. - 139582

SKU	Color	Configuration	Dimensions & Weight	Packaging	MSRP
139582-900-084-000	Clear / Chrome		31 3/8" - 32 3/8" x 71 1/2" / 75 lb / 34 kg	5.972 ft ³	\$ 499
139582-900-173-000	Clear / Dark Bronze				\$ 538
139582-900-305-000	Clear / Brushed Nickel				\$ 523
139582-900-340-000	Clear / Matte Black				\$ 538

REVEAL SLEEK 71 RETURN PANEL FOR 36 IN. - 139583

SKU	Color	Configuration	Dimensions & Weight	Packaging	MSRP
139583-900-084-000	Clear / Chrome		33 3/8" - 34 3/8" x 71 1/2" / 80 lb / 36 kg	5.972 ft ³	\$ 531
139583-900-173-000	Clear / Dark Bronze				\$ 570
139583-900-305-000	Clear / Brushed Nickel				\$ 558
139583-900-340-000	Clear / Matte Black				\$ 570

STANDARD



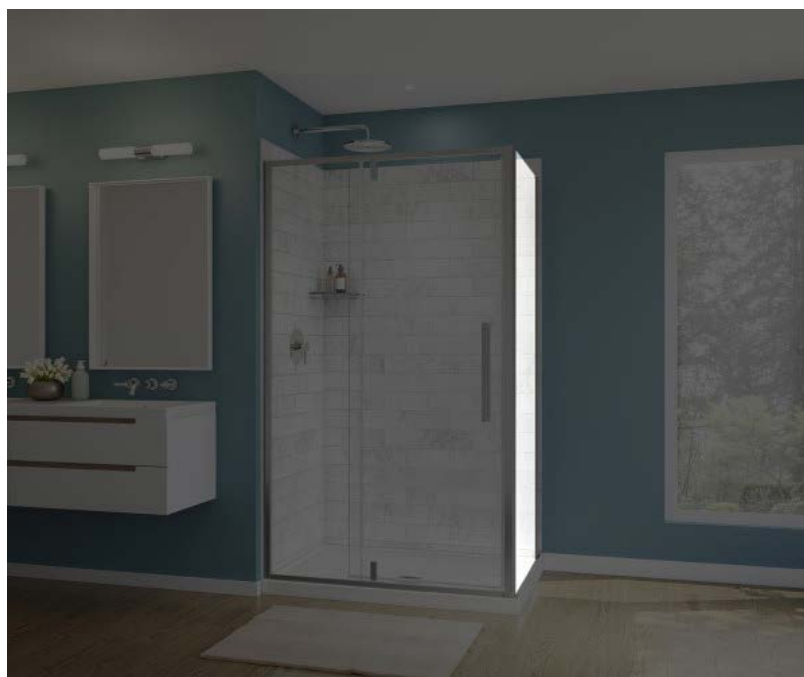
Code	Description	L	F	R	O	Wall Adjustment Return panel (R)	Wall Adjustment Fixed panel (F)
139575	Reveal Sleek 71 1/2" x 32 1/2" - 35 1/2"	32 1/2" - 35 1/2"	5 3/8"	-	23 3/4" - 26 3/4"	-	3/4"
139576	Reveal Sleek 71 1/2" x 38" - 41"	38" - 41"	10 7/8"	-	23 3/4" - 26 3/4"	-	3/4"
139577	Reveal Sleek 71 1/2" x 41 1/2" - 44 1/2"	41 1/2" - 44 1/2"	14 3/8"	-	23 3/4" - 26 3/4"	-	3/4"
139578	Reveal Sleek 71 1/2" x 44" - 47"	44" - 47"	16 7/8"	-	23 3/4" - 26 3/4"	-	3/4"
139579	Reveal Sleek 71 1/2" x 51 1/2" - 54 1/2"	51 1/2" - 54 1/2"	24 3/8"	-	23 3/4" - 26 3/4"	-	3/4"
139580	Reveal Sleek 71 1/2" x 56" - 59"	56" - 59"	28 7/8"	-	23 3/4" - 26 3/4"	-	3/4"
139581	Reveal Sleek Return Panel 32"	-	-	29 7/16" - 30 7/16"	-	1"	-
139582	Reveal Sleek Return Panel 34"	-	-	31 7/16" - 32 7/16"	-	1"	-
139583	Reveal Sleek Return Panel 36"	-	-	33 7/16" - 34 7/16"	-	1"	-

All dimensions are approximate. Structure measurements must be verified against the unit to ensure proper fit.



Uptown Return Panels

RETURN PANELS



Material : Tempered Glass

Features

- › 8 mm (5/16") tempered glass
- › Configuration consists of a single panel to be combined with a Uptown shower door (Bypass, Slider, Pivot)
- › Configuration consists of a single panel to be combined with a Uptown shower door (Bypass, Slider, Pivot)
- › 76in high clear glass panel
- › Glass panels come with the Lotus Easy Clean Glass Protection to repel soap and water stains for carefree maintenance
- › Reversible panel for easy corner installation on the left or on the right
- › Out of plumb adjustment in the wall profile
- › Easy assembly between door and return panel
- › Due to the weight and height of the glass, we recommend a 2 person team to install this product

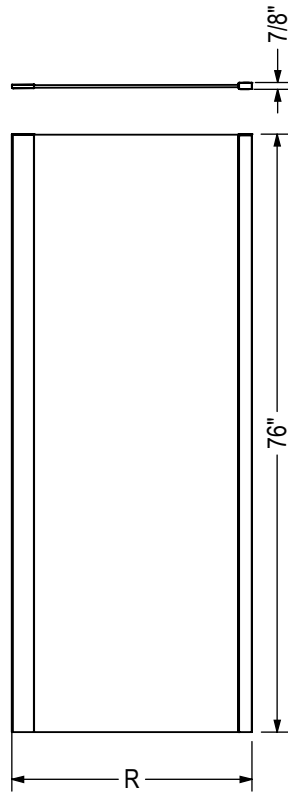
UPTOWN RETURN PANEL 32 X 76 - 8 MM - 135327

SKU	Color	Configuration	Dimensions & Weight	Packaging	MSRP
135327-900-084-000	Clear / Chrome		30 1/8" - 30 7/8" x 76" / 67 lb / 30 kg	4.03 ft ³	\$ 531
135327-900-305-000	Clear / Brushed Nickel				\$ 563
135327-900-340-000	Clear / Matte Black				\$ 575

UPTOWN RETURN PANEL 36 X 76 - 8 MM - 135328

SKU	Color	Configuration	Dimensions & Weight	Packaging	MSRP
135328-900-084-000	Clear / Chrome		34 1/8" - 34 7/8" x 76" / 73 lb / 33 kg	4.52 ft ³	\$ 593
135328-900-305-000	Clear / Brushed Nickel				\$ 624
135328-900-340-000	Clear / Matte Black				\$ 645

STANDARD



Code	Description	R
137391	Uptown Return Panel for 32" base	30 1/8" - 30 7/8"
137392	Uptown Return Panel for 36" base	34 1/8" - 34 7/8"

- Wall adjustment = 3/4"

All dimensions are approximate. Structure measurements must be verified against the unit to ensure proper fit.



Halo Return Panels

RETURN PANELS



Material : Tempered Glass

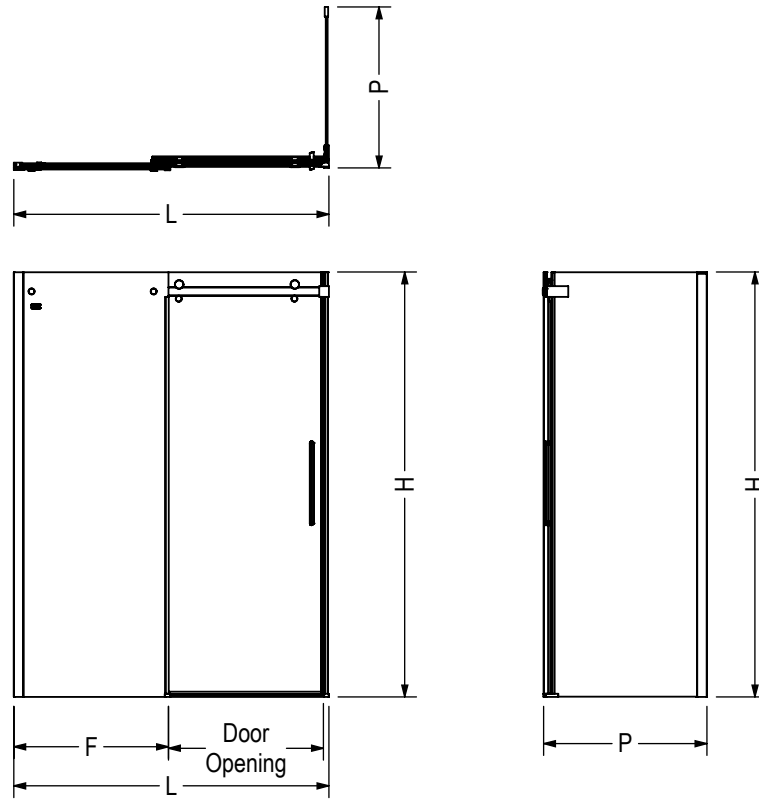
Features

- › 8 mm tempered glass panels
- › Available in 4 finishes: Chrome, Brushed Nickel, Dark Bronze, Matte Black
- › Return Panel for Corner Shower, compatible with Halo, Halo Pro and Vela doors
- › The frameless design brings a sense of spaciousness to the room and creates a sleek, minimalist look
- › Reversible panel for easy corner installation on the left or on the right
- › Glass panels come with the Lotus Easy Clean Glass Protection to repel soap and water stains for carefree maintenance
- › Easy assembly between door and return panel
- › Compatible with MAAX's Utile wall system, allowing for a seamless and coordinated installation with the shower door, creating a cohesive and stylish bathroom design
- › Warranty: 10 years

HALO RETURN PANEL FOR 32 IN. - 139998

SKU	Color	Configuration	Dimensions & Weight	Packaging	MSRP
138998-900-084-000	Clear / Chrome		28 3/4" - 29 7/8" x 78 3/4" / 131 lb / 59 kg	7.7 ft ³	\$ 656
138998-900-173-000	Clear / Dark Bronze				\$ 739
138998-900-305-000	Clear / Brushed Nickel		28 3/4" - 29 7/8" x 78 3/4" / 118 lb / 54 kg		\$ 705
138998-900-340-000	Clear / Matte Black				\$ 739

STANDARD



Code	Description	H	L Adjustable	F	P Adjustable	Door Opening	Wall Adjustment
138996	Halo 78 3/4" x 47"	78 3/4"	44 1/2" - 47"	22 1/2"	-	16 1/4" - 18 3/4"	1"
138997	Halo 78 3/4" x 59"	78 3/4"	56 1/2" - 59"	28 5/8"	-	22 1/8" - 24 5/8"	1"
139393	Return Panel 30"	78 3/4"	-	-	27 7/8"	-	1"
138998	Return Panel 32"	78 3/4"	-	-	29 7/8"	-	1"
139395	Return Panel 34"	78 3/4"	-	-	31 7/8"	-	1"
139396	Return Panel 36"	78 3/4"	-	-	33 7/8"	-	1"
139394	Return Panel 42"	78 3/4"	-	-	39 7/8"	-	1"

All dimensions are approximate. Structure measurements must be verified against the unit to ensure proper fit.



Incognito 76 Return Panels

RETURN PANELS



Material : Tempered Glass

Features

- › Tempered Glass panels 5/16 in. (8 mm) with 76 in. high
- › Return Panels available in 32 in. and 36 in. wide
- › Add 1 return panel to a Incognito bypass alcove door for a corner unit
- › 4 finishes: Chrome, Brushed Nickel, Matte Black and Shaker pattern

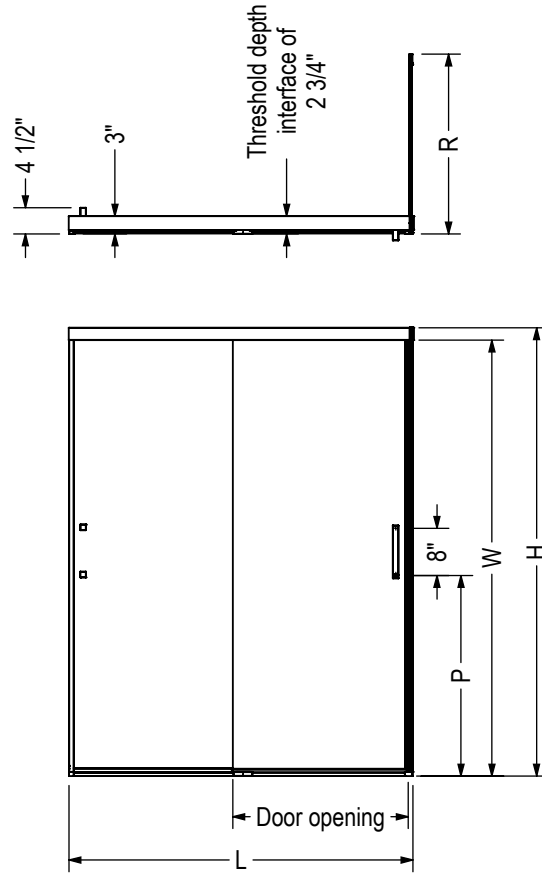
INCOGNITO 76 RETURN PANEL FOR 32 IN. BASE - 136560

SKU	Color	Configuration	Dimensions & Weight	Packaging	MSRP
136560-900-084-000	Clear / Chrome		30" - 31" x 76" / 70 lb / 32 kg	5.48 ft ³	\$ 495
136560-900-305-000	Clear / Brushed Nickel				\$ 521
136560-900-340-000	Clear / Matte Black				\$ 533
136560-972-340-000	Shaker / Matte Black				\$ 547

INCOGNITO 76 RETURN PANEL FOR 36IN. - 136561

SKU	Color	Configuration	Dimensions & Weight	Packaging	MSRP
136561-900-084-000	Clear / Chrome		34" - 35" x 76" / 74 lb / 34 kg	5.44 ft ³	\$ 556
136561-900-305-000	Clear / Brushed Nickel				\$ 583
136561-900-340-000	Clear / Matte Black				\$ 598
136561-972-340-000	Shaker / Matte Black				\$ 612

STANDARD



Code	Description	H	W	L Adjustable	Door opening	P	R	Wall adjustment
135334	Incognito 76" 44 - 47" x 76"	76"	73 7/8"	44" - 47"	18 1/4" - 22 1/4"	33 7/8"	-	1/2"
135335	Incognito 76" 56 - 59" x 76"	76"	73 7/8"	56" - 59"	24 1/4" - 28 1/4"	33 7/8"	-	1/2"
136560	Incognito RP 32"	76"	-	-	-	-	30" - 31"	1"
136561	Incognito RP 36"	76"	-	-	-	-	34" - 35"	1"

All dimensions are approximate. Structure measurements must be verified against the unit to ensure proper fit.



Edge Duo Shower Screen

SCREENS



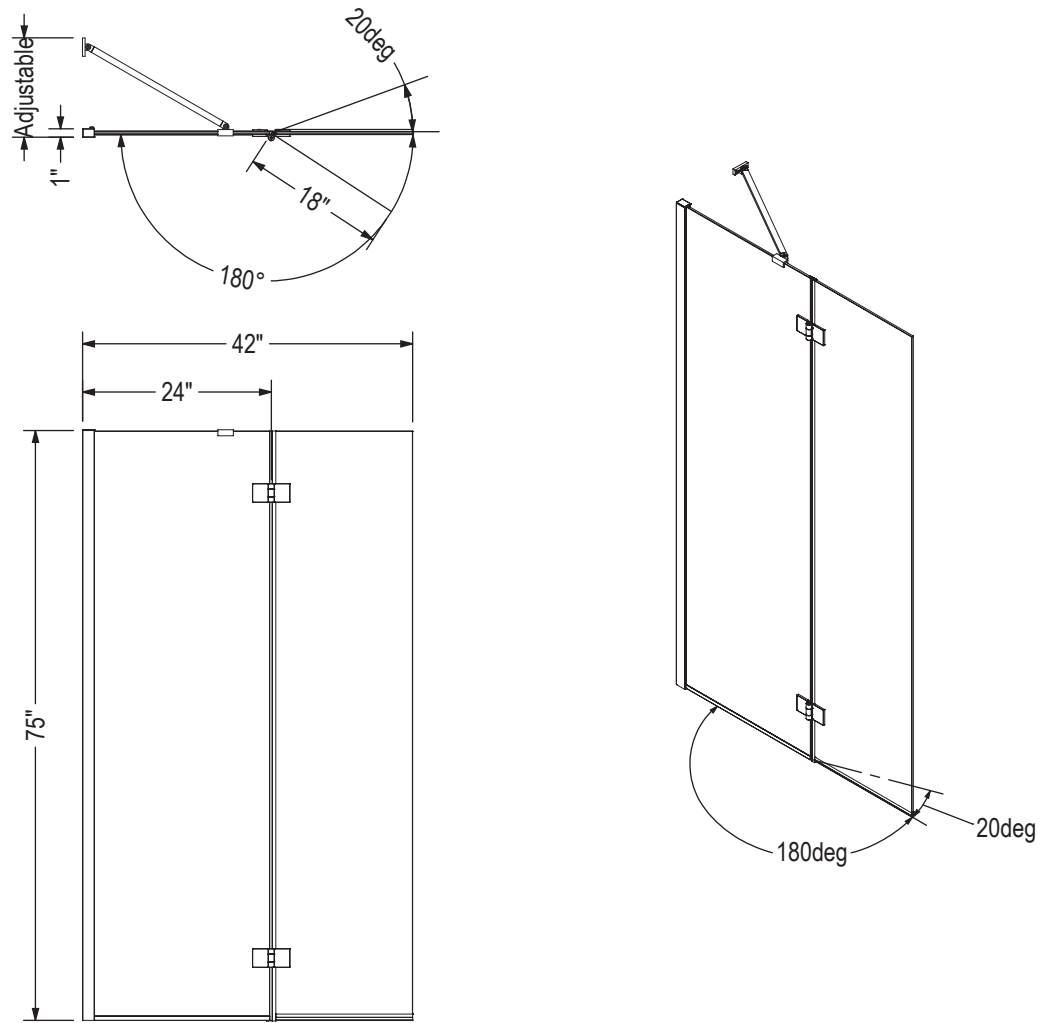
Material : Tempered Glass

Features

- > 8 mm tempered glass with Lotus glass protection
- > Double glass; one fix 24 in. and one pivot 18 in.; This gives you a wide access to get in and out while making the corner watertight
- > Easy access to faucets
- > The moving panel can tilt slightly inside the tub to prevent water spill
- > Fixed panel clears most toilets or vanities

EDGE DUO 42 X 75 - 8MM - 137504					
SKU	Color	Configuration	Dimensions & Weight	Packaging	MSRP
137504-900-084-000	Clear / Chrome		41" - 42" x 75" / 77 lb / 35 kg	3.5 ft ³	\$ 1124
137504-900-305-000	Clear / Brushed Nickel				\$ 1207

STANDARD



Code	Description	Wall Adjustment
137504	EDGE Duo Shower 42" X 75"	3/8"

All dimensions are approximate. Structure measurements must be verified against the unit to ensure proper fit.

Showers



AlliaTS 6034 — Incognito-Matte Black



Stamina 48-I (1-piece)



Material : Acrylic

Features

- › Spacious shower with improved ergonomics
- › 1 or 3-piece shower with roof cap
- › Integrated shelves, specify Chrome or Brushed Nickel guard rail ⁵⁶
- › 12-in. acrylic grab bar ²⁸ and soap dishes included
- › Customize the shower: specify right or left seat
- › Optional roof halogen light
- › For White shower, grab bar is color-coordinated. For all other shower colors, please specify grab bar color (Chrome Brushed Nickel without extra charge), see accessories.

ALCOVE SHOWERS - ACRYLIC

STAMINA 48-I (1-PIECE) - 101139

SKU	Color	Configuration	Dimensions & Weight	Packaging	MSRP
101139-000-001-100	White	Center	51" x 35 3/4" x 85 1/4" / 160 lb / 73 kg	89 ft ³	\$ 3042
101139-000-001-104					\$ 3042

STAMINA 48-I (3-PIECE) - 101139S

SKU	Color	Configuration	Dimensions & Weight	Packaging	MSRP
101139-000-001-102	White	Center	51" x 35 3/4" x 85 1/4" / 160 lb / 73 kg	89 ft ³	\$ 3775
101139-000-001-106					\$ 3775

COMMON OPTIONS

SKU	Description	MSRP
OPT10109-084	Metallic finish handle replacing Acrylic handle Available colors: Chrome (084) and Brushed Nickel (105)	\$ 345
OPT10109-105		\$ 345

ACCESSORIES

SKU	Description	MSRP
10000041-105	Shower Drain (sold separately)	\$ 52
10000041-084	PVC quick caulking shower drain, compression type Specify grid color: Chrome (084) or Brushed Nickel (105)	
10000043-084	Shower Drain (sold separately) 2-piece ABS shower drain with Chrome stainless steel grid	\$ 49

ACCESSORIES

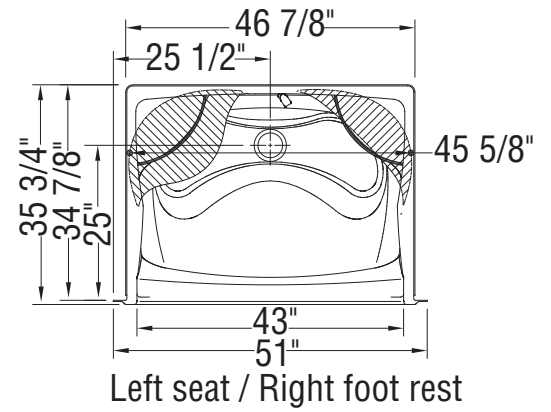
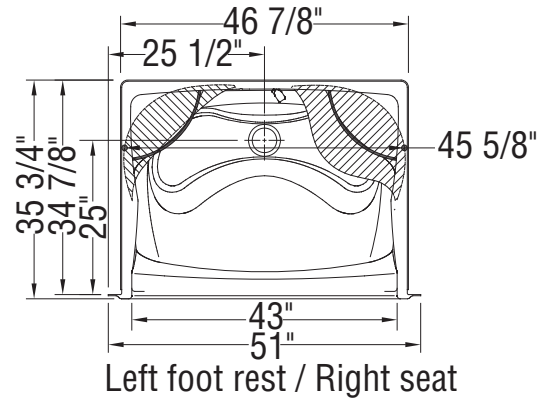
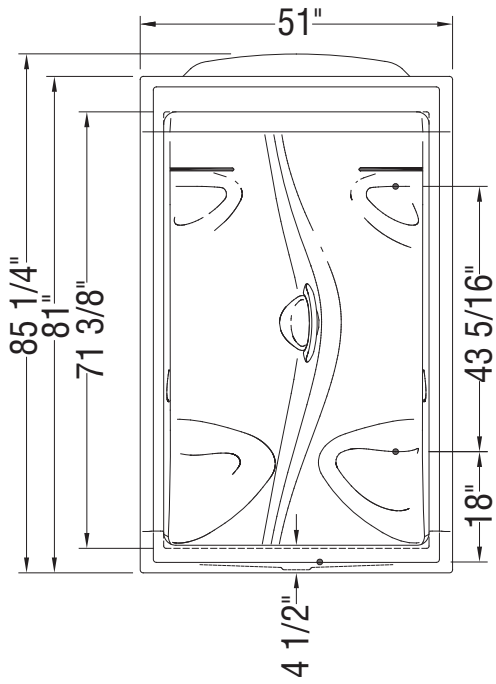
SKU	Description	MSRP
10033258	Single shower light 120V (sold separately)	\$ 451
10004349-001	ABS shower drain with ABS grid (sold separately)	\$ 18
10004349-004	Available color: White (001) and Bone (004)	\$ 18

FOOTNOTES

No	Description
28	Handles for standard colour units are colour-coordinated. Handles with metallic finish can be added (additional charge applies). For non-standard colour units, please specify handle colour (additional charge applies for metallic finishes).
56	This unit includes integrated shelves with a guard rail. Please specify a chrome or brushed nickel finish for the guard rail in your order.

RECOMMENDED DOORS - VISIT OUR WEBSITE FOR A COMPLETE LIST OF RECOMMENDED DOORS

SKU	Product Name	Pag.
134662	Kameleon SC 40-44 x 71 - 6mm	701
138270	Manhattan 43-45 x 68 - 6mm	761
134562	Kameleon 40-44 x 71 - 6mm	713
138269	Manhattan 41-43 x 68 - 6mm	761
134563	Kameleon 43-47 x 71 - 6mm	710
105413	Polar 42-47 ½ x 68 in.	731
134674	Kameleon SC 43-47 x 71 - 8mm	707
134571	Kameleon 43-47 x 71 - 8mm	715
134663	Kameleon SC 43-47 x 71 - 6mm	704



Flat surface for the installation of the valve 8-in. diameter

All dimensions are approximate. Structure measurements must be verified against the unit to ensure proper fit.

Stamina 48-II (1-piece)



ALCOVE SHOWERS - ACRYLIC



Material : Acrylic

Features

- › Spacious shower with improved ergonomics
- › 1 or 2-piece shower without roof cap
- › 12 in. acrylic grab bar and soap dish included
- › Customize the shower: specify right or left seat
- › Integrated shelves, specify Chrome or Brushed Nickel guard rail
- › For White shower, grab bar is color-coordinated

STAMINA 48-II (1-PIECE) - 101140					
SKU	Color	Configuration	Dimensions & Weight	Packaging	MSRP
101140-000-001-100	White	Center	51" x 35 3/4" x 76 3/8" / 151 lb / 68 kg	77 ft ³	\$ 2792
101140-000-001-101					\$ 2792

STAMINA 48-II (2-PIECE) - 101140S					
SKU	Color	Configuration	Dimensions & Weight	Packaging	MSRP
101140-000-001-106	White	Center	51" x 35 3/4" x 76 3/8" / 151 lb / 68 kg	77 ft ³	\$ 3612
101140-000-001-107					\$ 3612

COMMON OPTIONS		
SKU	Description	MSRP
OPT10109-084	Metallic finish handle replacing Acrylic handle Available colors: Chrome (084) and Brushed Nickel (105)	\$ 345
OPT10109-105		\$ 345

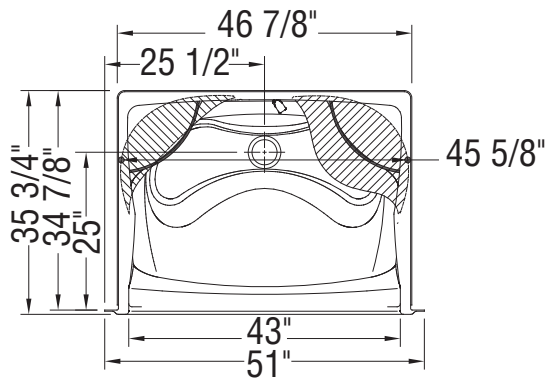
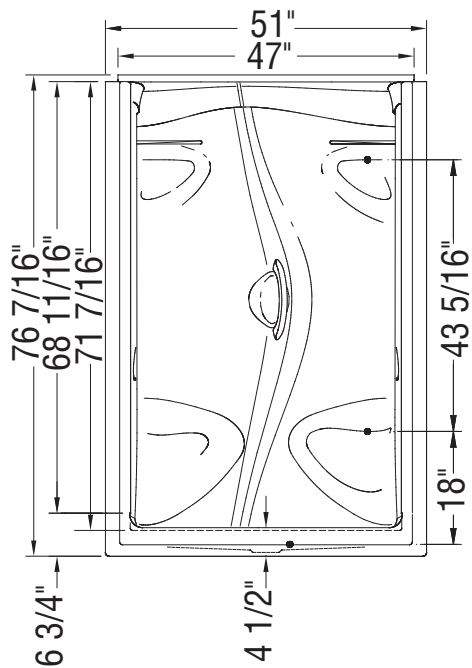
ACCESSORIES		
SKU	Description	MSRP
10000041-105	Shower Drain (sold separately) PVC quick caulking shower drain, compression type	\$ 52
10000041-084	Specify grid color: Chrome (084) or Brushed Nickel (105)	\$ 52
10000043-084	Shower Drain (sold separately) 2-piece ABS shower drain with Chrome stainless steel grid	\$ 49

ACCESSORIES

SKU	Description	MSRP
10004349-001	ABS shower drain with ABS grid (sold separately)	\$ 18
10004349-004	Available color: White (001) and Bone (004)	\$ 18

RECOMMENDED DOORS - VISIT OUR WEBSITE FOR A COMPLETE LIST OF RECOMMENDED DOORS

SKU	Product Name	Pag.
134662	Kameleon SC 40-44 x 71 - 6mm	701
138270	Manhattan 43-45 x 68 - 6mm	761
134562	Kameleon 40-44 x 71 - 6mm	713
138269	Manhattan 41-43 x 68 - 6mm	761
134563	Kameleon 43-47 x 71 - 6mm	710
105413	Polar 42-47 ½ x 68 in.	731
134674	Kameleon SC 43-47 x 71 - 8mm	707
134571	Kameleon 43-47 x 71 - 8mm	715
134663	Kameleon SC 43-47 x 71 - 6mm	704



Left foot rest / Right seat

Flat surface for the installation of the valve 8-in. diameter

All dimensions are approximate. Structure measurements must be verified against the unit to ensure proper fit.

Stamina 60-I (1-piece)



Material : Acrylic

Features

- › Spacious shower with improved ergonomics
- › 1 or 3-piece shower with roof cap
- › 12 in. acrylic grab bar ²⁸ and soap dish included
- › Customize the shower: specify R/L or 2 seats
- › Integrated shelves, specify Chrome or Brushed Nickel guard rail ⁵⁶

ALCOVE SHOWERS - ACRYLIC

STAMINA 60-I (1-PIECE) - 101141

SKU	Color	Configuration	Dimensions & Weight	Packaging	MSRP
101141-000-001-102	White	Left	59 1/2" x 35 3/4" x 85 1/4" / 167 lb / 76 kg	104 ft ³	\$ 3120
101141-000-001-106		Right			\$ 3120
101141-000-001-110		Left			\$ 3120
101141-000-001-111		Right			\$ 3120

STAMINA 60-I (3-PIECE) - 101141S

SKU	Color	Configuration	Dimensions & Weight	Packaging	MSRP
101141-000-001-104	White	Left	59 1/2" x 35 3/4" x 85 1/4" / 167 lb / 76 kg	104 ft ³	\$ 4062
101141-000-001-108		Right			\$ 4062
101141-000-001-114		Left			\$ 4062
101141-000-001-115		Right			\$ 4062

COMMON OPTIONS

SKU	Description	MSRP
OPT10109-084	Metallic finish handle replacing Acrylic handle	\$ 345
OPT10109-105	Available colors: Chrome (084) and Brushed Nickel (105)	\$ 345

ACCESSORIES

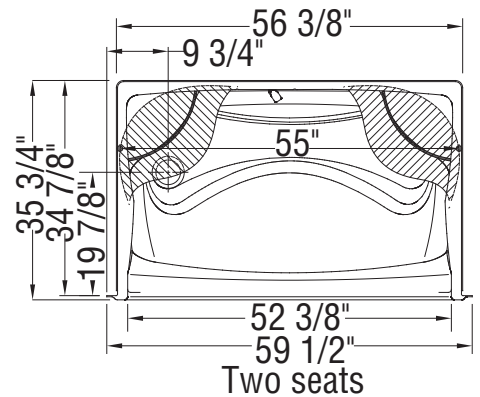
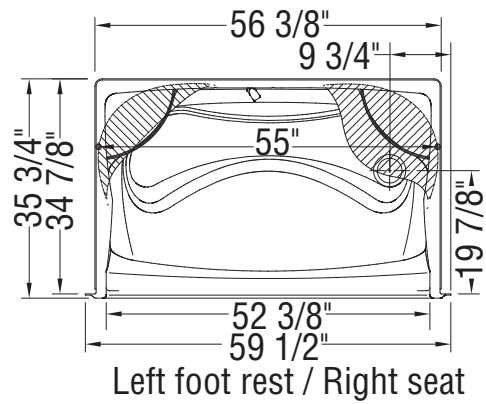
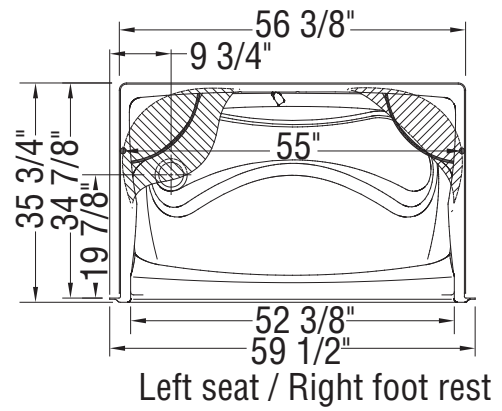
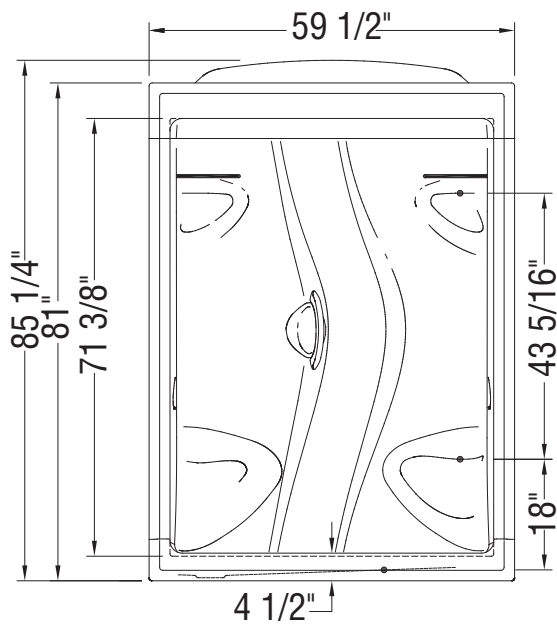
SKU	Description	MSRP
10000041-105	Shower Drain (sold separately)	\$ 52
10000041-084	PVC quick caulking shower drain, compression type Specify grid color: Chrome (084) or Brushed Nickel (105)	\$ 52
10000043-084	Shower Drain (sold separately) 2-piece ABS shower drain with Chrome stainless steel grid	\$ 49
10033258	Single shower light 120V (sold separately)	\$ 451
10004349-001	ABS shower drain with ABS grid (sold separately)	\$ 18
10004349-004	Available color: White (001) and Bone (004)	\$ 18

FOOTNOTES

No	Description
28	Handles for standard colour units are colour-coordinated. Handles with metallic finish can be added (additional charge applies). For non-standard colour units, please specify handle colour (additional charge applies for metallic finishes).
56	This unit includes integrated shelves with a guard rail. Please specify a chrome or brushed nickel finish for the guard rail in your order.

RECOMMENDED DOORS - VISIT OUR WEBSITE FOR A COMPLETE LIST OF RECOMMENDED DOORS

SKU	Product Name	Pag.
138274	Manhattan 51-53 x 68 - 6mm	762
134564	Kameleon 51-55 x 71 - 6mm	713
134664	Kameleon SC 51-55 x 71 - 6mm	701



Flat surface for the installation of the valve 8-in. diameter

All dimensions are approximate. Structure measurements must be verified against the unit to ensure proper fit.

Stamina 60-II (1-piece)



ALCOVE SHOWERS - ACRYLIC



Material : Acrylic

Features

- › Spacious shower with improved ergonomics
- › 1 or 2-piece shower without roof cap
- › Integrated shelves, specify Chrome or Brushed Nickel guard rail ⁵⁶
- › 12 in. acrylic grab bar ²⁸ and soap dish included
- › Customize the shower: specify R/L or 2 seats

STAMINA 60-II (1-PIECE) - 101142

SKU	Color	Configuration	Dimensions & Weight	Packaging	MSRP
101142-000-001-100	White	Left	59 1/2" x 35 3/4" x 76 3/8" / 150 lb / 68 kg	90 ft ³	\$ 2955
101142-000-001-101		Right			\$ 2955
101142-000-001-104		Left			\$ 2955
101142-000-001-105		Right			\$ 2955

STAMINA 60-II (2-PIECE) - 101142S

SKU	Color	Configuration	Dimensions & Weight	Packaging	MSRP
101142-000-001-112	White	Left	59 1/2" x 35 3/4" x 76 3/8" / 150 lb / 68 kg	90 ft ³	\$ 3900
101142-000-001-113		Right			\$ 3900
101142-000-001-116		Left			\$ 3900
101142-000-001-117		Right			\$ 3900

COMMON OPTIONS

SKU	Description	MSRP
OPT10109-084	Metallic finish handle replacing Acrylic handle	\$ 345
OPT10109-105	Available colors: Chrome (084) and Brushed Nickel (105)	\$ 345

ACCESSORIES

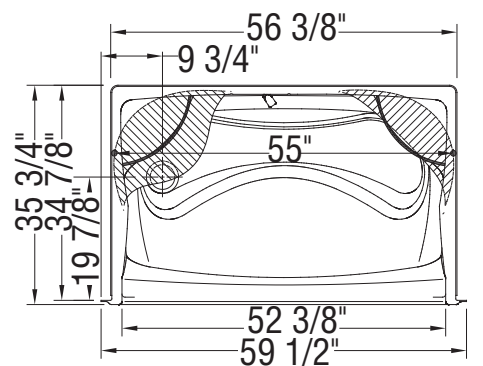
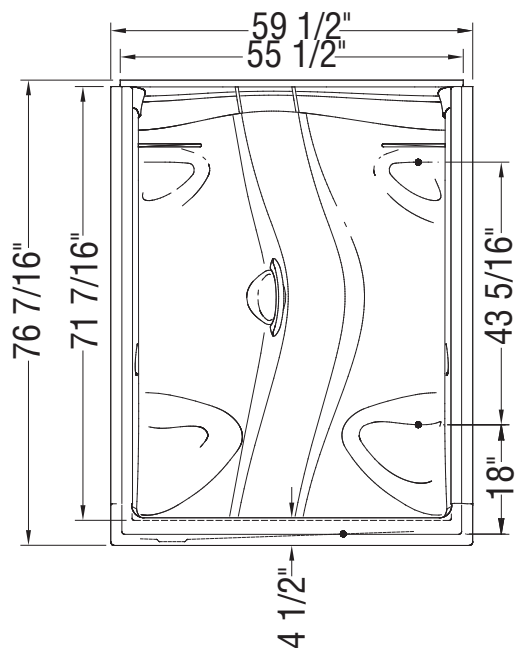
SKU	Description	MSRP
10000041-105	Shower Drain (sold separately) PVC quick caulking shower drain, compression type	\$ 52
10000041-084	Specify grid color: Chrome (084) or Brushed Nickel (105)	\$ 52
10000043-084	Shower Drain (sold separately) 2-piece ABS shower drain with Chrome stainless steel grid	\$ 49
10004349-001	ABS shower drain with ABS grid (sold separately)	\$ 18
10004349-004	Available color: White (001) and Bone (004)	\$ 18

FOOTNOTES

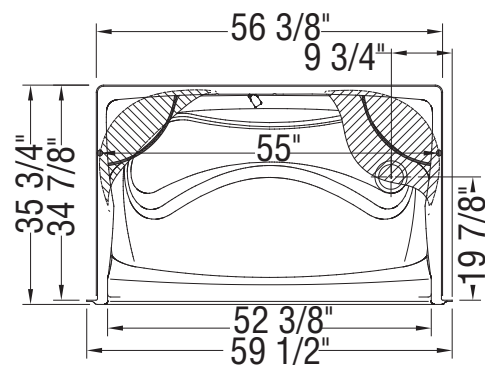
No	Description
28	Handles for standard colour units are colour-coordinated. Handles with metallic finish can be added (additional charge applies). For non-standard colour units, please specify handle colour (additional charge applies for metallic finishes).
56	This unit includes integrated shelves with a guard rail. Please specify a chrome or brushed nickel finish for the guard rail in your order.

RECOMMENDED DOORS - VISIT OUR WEBSITE FOR A COMPLETE LIST OF RECOMMENDED DOORS

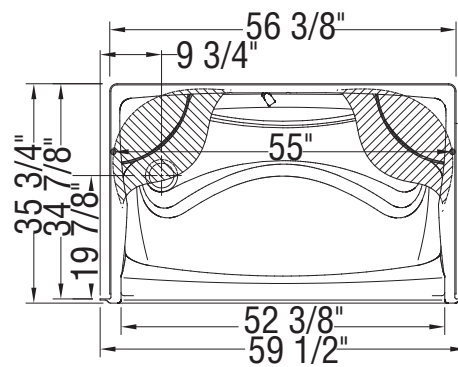
SKU	Product Name	Pag.
138274	Manhattan 51-53 x 68 - 6mm	762
134564	Kameleon 51-55 x 71 - 6mm	713
134664	Kameleon SC 51-55 x 71 - 6mm	701



Left seat / Right foot rest



Left foot rest / Right seat



Two seats

Flat surface for the installation of the valve 8-in. diameter
 All dimensions are approximate. Structure measurements
 must be verified against the unit to ensure proper fit.

60NHS (1-piece)



Material : Acrylic

Features

- > 1 piece shower with roof cap
- > Integrated soap dishes, grab bars and curtain rod
- > Unique features: reinforced walls and easy access design
- > Optional built-in or fold up seat (specify left or right)
46

ALCOVE SHOWERS - ACRYLIC

60NHS (1-PIECE) - 105083					
SKU	Color	Configuration	Dimensions & Weight	Packaging	MSRP
105083-000-001-000	White	Center	84" x 36 7/8" x 66" / 254 lb / 115 kg	132 ft ³	\$ 5896
105083-000-001-001					\$ 5896
105083-000-001-002					\$ 5896

COMMON OPTIONS		
SKU	Description	MSRP
OPT20202	Rectangular fold up seat with naugahyde White cushion. 17 1/2 x 18 in. OPT 20202-R right-hand seat OPT 20202-L left-hand seat	\$ 1504

ACCESSORIES		
SKU	Description	MSRP
10004202-106	24 in. straight grab bar Available color: Stainless Steel (106)	\$ 452
10000059-106	30 in. straight grab bar Available color: Stainless Steel (106)	\$ 205
10000064	Solid Brass drain with Stainless Steel grid. Quick caulk seal fits a 2 in. schedule 40 steel or plastic pipe.	\$ 83
10004205-106	18 x 32 in. horizontal L-shaped grab bar Available color: Stainless Steel (106)	\$ 443
10006896-084	Chrome faucet kit Includes hand-held shower with 24 in. slide bar, pressure balance mixing valve, vacuum breaker and 60 in. hose.	\$ 933
10020633-002	72 in. White vinyl shower curtain with Stainless Steel hooks (sold separately) ⁴⁷	\$ 303
10038050	Rectangular fold up seat with naugahyde White cushion. 17 1/2 x 18 in.	\$ 1504

ACCESSORIES

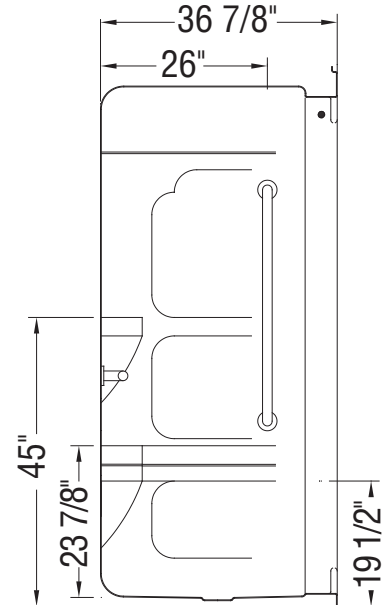
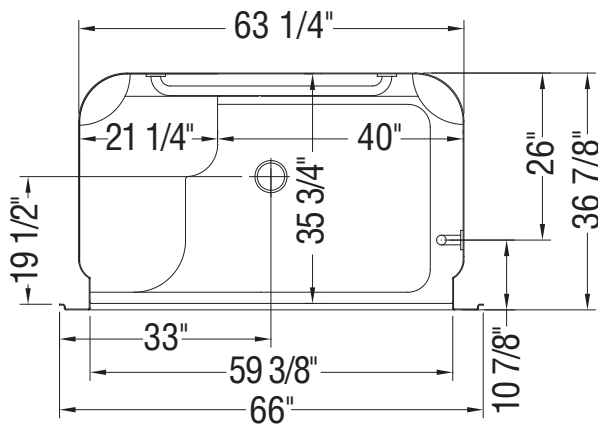
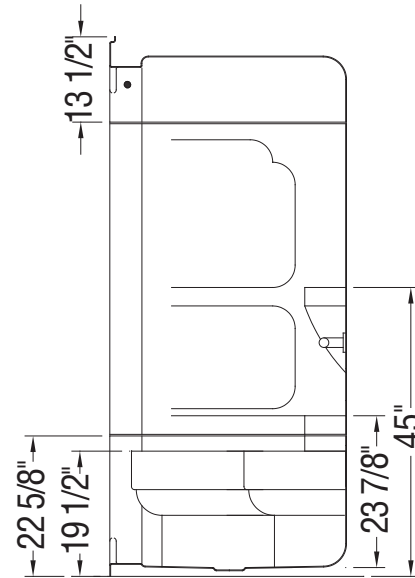
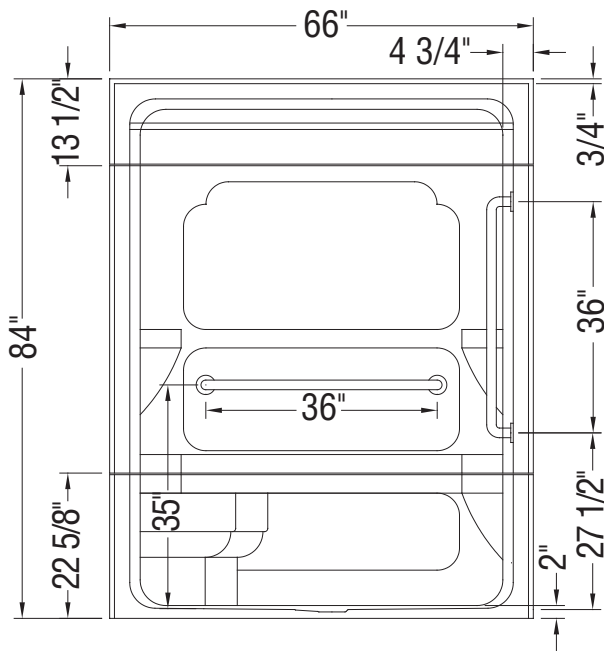
SKU	Description	MSRP
10004204-106	36 in. straight grab bar Available color: Stainless Steel (106)	\$ 226

FOOTNOTES

No	Description
46	When facing the unit.
47	The curtain clearance from the floor is 3 in.

RECOMMENDED DOORS - VISIT OUR WEBSITE FOR A COMPLETE LIST OF RECOMMENDED DOORS

SKU	Product Name	Pag.
105412	Polar 54-59 ½ x 68 in.	731



All dimensions are approximate. Structure measurements must be verified against the unit to ensure proper fit.

Allia SH-3636 (1-piece)



ALCOVE SHOWERS - ACRYLIC



Material : Acrylic

Features

- > 1-piece shower with 3 1/4 in. low threshold
- > Wide 3-level corner shelves
- > Standard : 12 in. white grab bar ²⁹ - Drain & chrome grid
- > Center drain, smooth floor
- > Optional grab bars available (grab bar installed on back wall replaces standard bar)
- > All grab bars can support up to 300 lbs
- > Available in White only

ALLIA SH-3636 (1-PIECE) - 107007

SKU	Color	Configuration	Dimensions & Weight	Packaging	MSRP
107007-000-001	White	Center	36" x 36 1/2" x 79" / 127 lb / 58 kg	70 ft ³	\$ 2223

ALLIA SH-3636 (2-PIECE) - 107007S

SKU	Color	Configuration	Dimensions & Weight	Packaging	MSRP
107007-S-000-001-	White	Center	36" x 36 1/2" x 79" / 127 lb / 58 kg	70 ft ³	\$ 2754

COMMON OPTIONS

SKU	Description	MSRP
OPT20203-B-002	18 in. Modern straight grab bar ³⁰	\$ 269
OPT20203-B-105	OPT 20203-B-XXX Horizontal grab bar on back wall	\$ 269
OPT20203-B-084	Available colours: White (002), Chrome (084) and Brushed Nickel (105)	\$ 269
OPT20203-L-105	18 in. Modern straight grab bar ³⁰	\$ 269
OPT20203-L-002	OPT 20203-L-XXX Vertical grab bar on left wall	\$ 269
OPT20203-L-084	Available colours: White (002), Chrome (084) and Brushed Nickel (105)	\$ 269
OPT20203-R-084	18 in. Modern straight grab bar ³⁰	\$ 269
OPT20203-R-002	OPT 20203-R-XXX Vertical grab bar on right wall	\$ 269
OPT20203-R-105	Available colours: White (002), Chrome (084) and Brushed Nickel (105)	\$ 269

COMMON OPTIONS

SKU	Description	MSRP
OPT20204-L-084	24 in. Modern straight grab bar ³⁰	\$ 315
OPT20204-L-105	OPT 20204-L-XXX Vertical grab bar on left wall	\$ 315
OPT20204-L-002	Available colours: White (002), Chrome (084) and Brushed Nickel (105)	\$ 315
OPT20204-R-002	24 in. Modern straight grab bar ³⁰	\$ 315
OPT20204-R-084	OPT 20204-R-XXX Vertical grab bar on right wall	\$ 315
OPT20204-R-105	Available colours: White (002), Chrome (084) and Brushed Nickel (105)	\$ 315
OPT20212-B	Back Wall reinforcement for future grab installation ³³	\$ 100
OPT20212-L	Left Wall reinforcement for future grab installation ³³	\$ 100
OPT20212-R	Right Wall reinforcement for future grab installation ³³	\$ 100
OPT20408-L-105	Package A ³⁰ OPT 20408-L-XXX Vertical grab bar on left wall, horizontal grab bar on back wall	\$ 536
OPT20408-L-002	Package includes : • 24 in. Vertical grab bar on side wall	\$ 536
OPT20408-L-084	• 18 in. Horizontal grab bar on back wall Available colours: White (002), Chrome (084) and Brushed Nickel (105)	\$ 536
OPT20408-R-084	Package A ³⁰ OPT 20408-R-XXX Vertical grab bar on Right wall, horizontal grab bar on back wall	\$ 536
OPT20408-R-002	Package includes : • 24 in. Vertical grab bar on side wall	\$ 536
OPT20408-R-105	• 18 in. Horizontal grab bar on back wall Available colours: White (002), Chrome (084) and Brushed Nickel (105)	\$ 536
OPT10189	Three-wall reinforcement for future grab bar installation ³³	\$ 290
OPT20055-106	36 in. curtain rod with installation kit Available color: Stainless Steel (106)	\$ 178
OPT20220-002	Shelf guard rails (factory installed)	\$ 280
OPT20220-105	Available colours: White (002), Chrome (084), Brushed Nickel (105)	\$ 280
OPT20220-084		\$ 280

ACCESSORIES

SKU	Description	MSRP
10000041-105	Shower Drain (sold separately)	\$ 52
10000041-084	PVC quick caulking shower drain, compression type Specify grid color: Chrome (084) or Brushed Nickel (105)	\$ 52
10000043-084	Shower Drain (sold separately) 2-piece ABS shower drain with Chrome stainless steel grid	\$ 49
10004349-001	ABS shower drain with ABS grid (sold separately)	\$ 18
10004349-004	Available color: White (001) and Bone (004)	\$ 18
10028765-105	24 in. modern straight grab bar ³⁶	\$ 315
10028765-084	Specify color: White (002), Chrome (084), Brushed Nickel (105)	\$ 315
10028765-002		\$ 315
10029996-084	18 in. modern straight grab bar with flange (front installation)	\$ 315
10029996-002	Specify colour: White (002), Chrome (084), Brushed Nickel (105)	\$ 315
10029996-105		\$ 315
10029997-002	24 in. modern straight grab bar with flange (front installation)	\$ 359
10029997-105	Specify color: White (002), Chrome (084), Brushed Nickel (105)	\$ 359
10029997-084		\$ 359

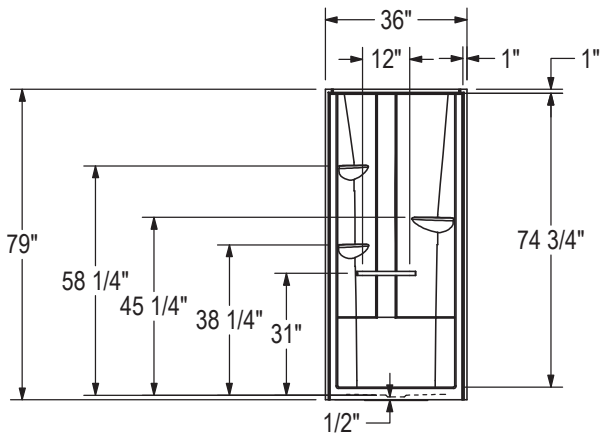
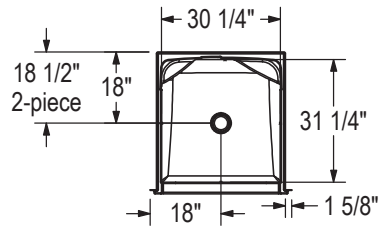
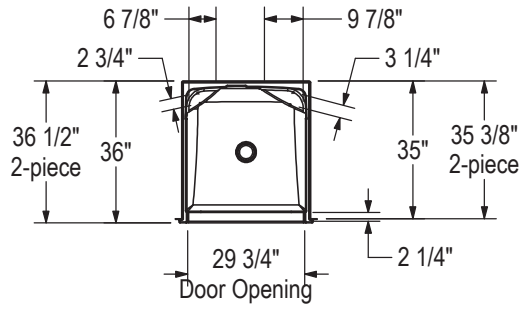
FOOTNOTES

No	Description
29	Standard grab bars for standard colour units are colour-coordinated.
30	Please see technical drawings on https://www.maax.com for grab bar and/or seat positioning.
33	Please see technical drawings on https://www.maax.com for reinforcement positioning and size.
36	
36	

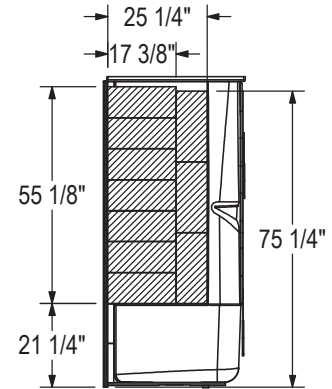
RECOMMENDED DOORS - VISIT OUR WEBSITE FOR A COMPLETE LIST OF RECOMMENDED DOORS

SKU	Product Name	Pag.
138263	Manhattan 29-31 x 68 - 6mm	757
105416	Madono 28 ½-30 ½ x 67 - 6mm	754
136645	Pivolok 29-30 ¾ x 64 ½ in.	767

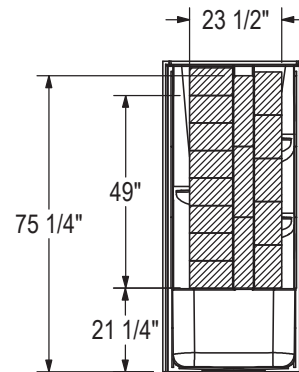
STANDARD
1 PIECE MODEL SHOWN



OPTIONAL REINFORCEMENT
(Left shown, Right symmetrical)



OPTIONAL REINFORCEMENT
(Back Wall)



All dimensions are approximate. Structure measurements must be verified against the unit to ensure proper fit.

Allia SH-4834 (1-piece)



ALCOVE SHOWERS - ACRYLIC



Material : Acrylic

Features

- > 1-piece shower with 3 1/4 in. low threshold
- > Right, Left or no molded seat
- > Optional fold down seat available
- > Standard : 12 in. white grab bar - Drain & chrome grid
- > Optional grab bars available (grab bar installed on back wall replaces standard bar)
- > All grab bars can support up to 300 lbs
- > Wide 3-level corner shelves
- > Center drain, smooth floor
- > Available in White only

ALLIA SH-4834 (1-PIECE) - 107005

SKU	Color	Configuration	Dimensions & Weight	Packaging	MSRP
107005-000-001	White	Center	48" x 34" x 79" / 138 lb / 63 kg	90 ft ³	\$ 2409
107005-L-000-001					\$ 2409
107005-R-000-001					\$ 2409

ALLIA SH-4834 (2-PIECE) - 107005S

SKU	Color	Configuration	Dimensions & Weight	Packaging	MSRP
107005-S-000-001-	White	Center	48" x 34 1/2" x 79" / 138 lb / 63 kg	90 ft ³	\$ 2981
107005-SL-000-001					\$ 2981
107005-SR-000-001					\$ 2981

COMMON OPTIONS

SKU	Description	MSRP
OPT10189	Three-wall reinforcement for future grab bar installation ³³	\$ 290
OPT20054-106	48 in. curtain rod with installation kit Available color: Stainless Steel (106)	\$ 201
OPT20220-002	Shelf guard rails (factory installed) Available colours: White (002), Chrome (084), Brushed Nickel (105)	\$ 280
OPT20220-105		\$ 280
OPT20220-084		\$ 280
OPT20203-B-002	18 in. Modern straight grab bar ³⁰ OPT 20203-B-XXX Horizontal grab bar on back wall Available colours: White (002), Chrome (084) and Brushed Nickel (105)	\$ 269

COMMON OPTIONS

SKU	Description	MSRP
OPT20203-B-105	18 in. Modern straight grab bar ³⁰ OPT 20203-B-XXX Horizontal grab bar on back wall	\$ 269
OPT20203-B-084	Available colours: White (002), Chrome (084) and Brushed Nickel (105)	\$ 269
OPT20203-L-105	18 in. Modern straight grab bar ³⁰	\$ 269
OPT20203-L-002	OPT 20203-L-XXX Vertical grab bar on left wall	\$ 269
OPT20203-L-084	Available colours: White (002), Chrome (084) and Brushed Nickel (105)	\$ 269
OPT20203-R-084	18 in. Modern straight grab bar ³⁰	\$ 269
OPT20203-R-002	OPT 20203-R-XXX Vertical grab bar on right wall	\$ 269
OPT20203-R-105	Available colours: White (002), Chrome (084) and Brushed Nickel (105)	\$ 269
OPT20204-B-002	24 in. Modern straight grab bar ³⁰	\$ 315
OPT20204-B-084	OPT 20204-B-XXX Horizontal grab bar on back wall	\$ 315
OPT20204-B-105	Available colours: White (002), Chrome (084) and Brushed Nickel (105)	\$ 315
OPT20204-L-084	24 in. Modern straight grab bar ³⁰	\$ 315
OPT20204-L-105	OPT 20204-L-XXX Vertical grab bar on left wall	\$ 315
OPT20204-L-002	Available colours: White (002), Chrome (084) and Brushed Nickel (105)	\$ 315
OPT20204-R-002	24 in. Modern straight grab bar ³⁰	\$ 315
OPT20204-R-084	OPT 20204-R-XXX Vertical grab bar on right wall	\$ 315
OPT20204-R-105	Available colours: White (002), Chrome (084) and Brushed Nickel (105)	\$ 315
OPT20212-B	Back Wall reinforcement for future grab installation ³³	\$ 100
OPT20212-L	Left Wall reinforcement for future grab installation ³³	\$ 100
OPT20212-R	Right Wall reinforcement for future grab installation ³³	\$ 100
OPT20218-L-002	23 in. Curved grab bar (back wall) ^{30, 31}	\$ 493
OPT20218-L-084	OPT20218-L-XXX Left-hand curved grab bar on back wall	\$ 493
OPT20218-L-105	Available colours: White (002), Chrome (084) and Brushed Nickel (105)	\$ 493
OPT20218-R-002	23 in. Curved grab bar (back wall) ^{30, 31}	\$ 493
OPT20218-R-084	OPT20218-R-XXX Right-hand curved grab bar on back wall	\$ 493
OPT20218-R-105	Available colours: White (002), Chrome (084) and Brushed Nickel (105)	\$ 493
OPT20219-L-084	Pivot grab bar (back wall) ³⁰³² OPT 20219-L-XXX Left-hand pivot grab bar on back wall Available colours: Chrome (084)	\$ 1867
OPT20219-R-084	Pivot grab bar (back wall) ³⁰³² OPT 20219-R-XXX Right-hand pivot grab bar on back wall Available colours: Chrome (084)	\$ 1867
OPT20405-L-105	Package A ³⁰ OPT 20405-L-XXX Vertical grab bar on left wall, horizontal grab bar on back wall	\$ 536
OPT20405-L-084	Package includes :	\$ 536
OPT20405-L-002	• 24 in. Vertical grab bar on side wall • 24 in. Horizontal grab bar on back wall Available colours: White (002), Chrome (084) and Brushed Nickel (105)	\$ 536
OPT20405-R-002	Package A ³⁰ OPT 20405-R-XXX Vertical grab bar on right wall, horizontal grab bar on back wall Package includes : • 24 in. Vertical grab bar on side wall • 24 in. Horizontal grab bar on back wall Available colours: White (002), Chrome (084) and Brushed Nickel (105)	\$ 536

COMMON OPTIONS

SKU	Description	MSRP
OPT20405-R-084	Package A ³⁰ OPT 20405-R-XXX Vertical grab bar on right wall, horizontal grab bar on back wall	\$ 536
OPT20405-R-105	Package includes : • 24 in. Vertical grab bar on side wall • 24 in. Horizontal grab bar on back wall Available colours: White (002), Chrome (084) and Brushed Nickel (105)	\$ 536
OPT20406-L-084	Package B ³⁰³¹ OPT 20406-L-XXX Vertical grab bar on left wall, left-hand curved grab bar on back wall	\$ 714
OPT20406-L-002	Package includes : • 24 in. Vertical grab bar on side wall	\$ 714
OPT20406-L-105	• 23 in. Curved grab bar on back wall Available colours: White (002), Chrome (084) and Brushed Nickel (105)	\$ 714
OPT20406-R-002	Package B ³⁰³¹ OPT 20406-R-XXX Vertical grab bar on right wall, right-hand curved grab bar on back wall	\$ 714
OPT20406-R-084	Package includes : • 24 in. Vertical grab bar on side wall	\$ 714
OPT20406-R-105	• 23 in. Curved grab bar on back wall Available colours: White (002), Chrome (084) and Brushed Nickel (105)	\$ 714
OPT20407-L-084	Package C ³⁰³² OPT 20407-L-XXX 2 x Vertical grab bars on side walls, left-hand pivot grab bar on back wall	\$ 2308
OPT20407-L-105	Package includes : • 2 x 24 in. Vertical grab bar on side walls • Pivot grab bar on back wall Available colours: Chrome (084) and Brushed Nickel (105)	\$ 2308
OPT20407-R-105	Package C ³⁰³² OPT 20407-R-XXX 2 x Vertical grab bars on side walls, right-hand pivot grab bar on back wall	\$ 2308
OPT20407-R-084	Package includes : • 2 x 24 in. Vertical grab bar on side walls • Pivot grab bar on back wall Available colours: Chrome (084) and Brushed Nickel (105)	\$ 2308

ACCESSORIES

SKU	Description	MSRP
10000041-105	Shower Drain (sold separately) PVC quick caulking shower drain, compression type	\$ 52
10000041-084	Specify grid color: Chrome (084) or Brushed Nickel (105)	\$ 52
10029997-002		\$ 359
10029997-105	24 in. modern straight grab bar with flange (front installation) Specify color: White (002), Chrome (084), Brushed Nickel (105)	\$ 359
10029997-084		\$ 359
10030093-084		\$ 536
10030093-002	23 in. Curved left-hand grab bar with flange (front installation) Specify colour: White (002), Chrome (084), Brushed Nickel (105)	\$ 536
10030093-105		\$ 536
10030094-084		\$ 536
10030094-105	23 in. Curved right-hand grab bar with flange (front installation) Specify colour: White (002), Chrome (084), Brushed Nickel (105)	\$ 536
10030094-002		\$ 536
10000043-084	Shower Drain (sold separately) 2-piece ABS shower drain with Chrome stainless steel grid	\$ 49
10004349-001	ABS shower drain with ABS grid (sold separately)	\$ 18
10004349-004	Available color: White (001) and Bone (004)	\$ 18
10028765-105		\$ 315
10028765-084	24 in. modern straight grab bar ³⁶ Specify color: White (002), Chrome (084), Brushed Nickel (105)	\$ 315
10028765-002		\$ 315
10028917-002	Rectangular fold-down White polyurethane seat ³⁷ Available trimming colours: White (002), Chrome (084) and Brushed Nickel (105)	\$ 581

ACCESSORIES

SKU	Description	MSRP
10028917-084	Rectangular fold-down White polyurethane seat ³⁷	\$ 581
10028917-105	Available trimming colours: White (002), Chrome (084) and Brushed Nickel (105)	\$ 581
10029251-084	23 in. Left hand curved grab bar ³⁶ Left refers to the upper section of the curved bar Specify color: White (002), Chrome (084), Brushed Nickel (105)	\$ 493
10029251-105		\$ 493
10029251-002		\$ 493
10029252-002	23 in. Right hand curved grab bar ³⁶ Right refers to the upper section of the curved bar Specify color: White (002), Chrome (084), Brushed Nickel (105)	\$ 493
10029252-084		\$ 493
10029252-105		\$ 493
10029996-084	18 in. modern straight grab bar with flange (front installation) Specify colour: White (002), Chrome (084), Brushed Nickel (105)	\$ 315
10029996-002		\$ 315
10029996-105		\$ 315

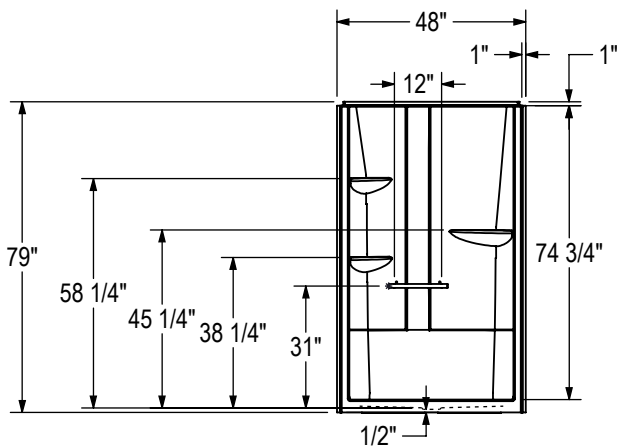
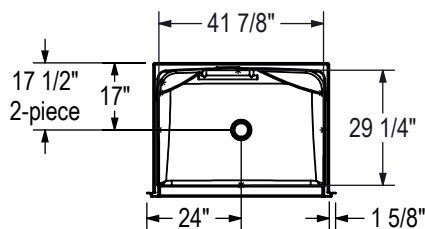
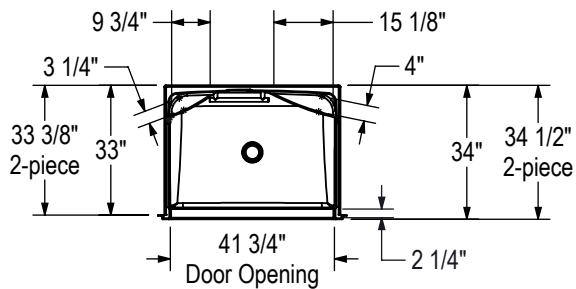
FOOTNOTES

No	Description
30	Please see technical drawings on https://www.maax.com for grab bar and/or seat positioning.
31	Right (R)/Left (L) refers to the upper section of the ergonomic grab bar.
32	Right/Left refers to the pivot direction of the bar (from closed to open position).
33	Please see technical drawings on https://www.maax.com for reinforcement positioning and size.
36	Rear access grab bar installation. Must be secured onto unit prior to alcove unit insert.
37	Rear access seat installation. Must be secured onto unit prior to alcove unit insert.
36	

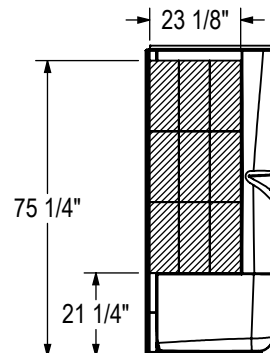
RECOMMENDED DOORS - VISIT OUR WEBSITE FOR A COMPLETE LIST OF RECOMMENDED DOORS

SKU	Product Name	Pag.
138269	Manhattan 41-43 x 68 - 6mm	761
138520	Incognito 74 39-42x74in. 8mm	723
139577	Reveal Sleek 71 41 ½-44 ½ x 71 ½ - 8mm	774
134562	Kameleon 40-44 x 71 - 6mm	713
134662	Kameleon SC 40-44 x 71 - 6mm	701
136677	Reveal 71 41 ½-44 ½ x 71 ½ - 8mm	772

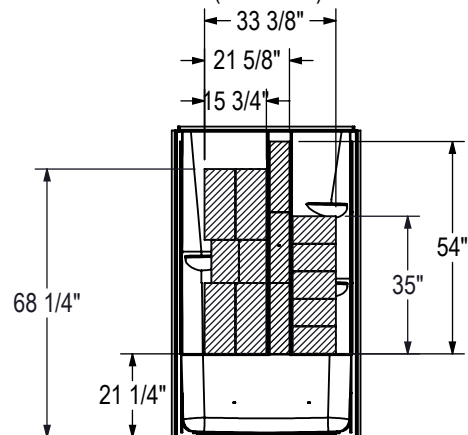
STANDARD
1 PIECE MODEL SHOWN



OPTIONAL REINFORCEMENT
(Left shown)



OPTIONAL REINFORCEMENT
(Back Wall)



All dimensions are approximate. Structure measurements must be verified against the unit to ensure proper fit.

Allia SH-6034 (1-piece)



Material : Acrylic

Features

- › 1-piece shower with 3 1/4 in. low threshold
- › Right, Left, two molded seats or no seat and right, left or center drain (drain included)
- › Optional fold down seat available
- › Standard : 12 in. white grab bar - Drain & chrome grid
- › Optional grab bars available (grab bar installed on back wall replaces standard bar)
- › All grab bars can support up to 300 lbs
- › Wide 3-level corner shelves
- › Smooth floor
- › Available in White only

ALCOVE SHOWERS - ACRYLIC

ALLIA SH-6034 (1-PIECE) - 107003

SKU	Color	Configuration	Dimensions & Weight	Packaging	MSRP
107003-2-000-001	White	Center	60" x 34" x 79" / 151 lb / 68 kg	106 ft ³	\$ 2759
107003-LC-000-001					\$ 2759
107003-LR-000-001		Right			\$ 2759
107003-NC-000-001		Center			\$ 2759
107003-NL-000-001		Left			\$ 2759
107003-NR-000-001		Right			\$ 2759
107003-RC-000-001		Center			\$ 2759
107003-RL-000-001		Left			\$ 2759

ALLIA SH-6034 (2-PIECE) - 107003S

SKU	Color	Configuration	Dimensions & Weight	Packaging	MSRP
107003-S2-000-001	White	Center	60" x 34 1/2" x 79" / 151 lb / 68 kg	106 ft ³	\$ 3406
107003-SLC-000-001					\$ 3406
107003-SLR-000-001		Right			\$ 3406
107003-SNC-000-001		Center			\$ 3406
107003-SNL-000-001		Left			\$ 3406
107003-SNR-000-001		Right			\$ 3406
107003-SRC-000-001		Center			\$ 3406
107003-SRL-000-001		Left			\$ 3406

COMMON OPTIONS

SKU	Description	MSRP
OPT10189	Three-wall reinforcement for future grab bar installation ³³	\$ 290
OPT20056-106	60 in. curtain rod with installation kit Available color: Stainless Steel (106)	\$ 227
OPT20220-002		\$ 280
OPT20220-105	Shelf guard rails (factory installed) Available colours: White (002), Chrome (084), Brushed Nickel (105)	\$ 280
OPT20220-084		\$ 280
OPT20203-B-002		\$ 269
OPT20203-B-105	18 in. Modern straight grab bar ³⁰ OPT 20203-B-XXX Horizontal grab bar on back wall Available colours: White (002), Chrome (084) and Brushed Nickel (105)	\$ 269
OPT20203-B-084		\$ 269
OPT20203-L-105		\$ 269
OPT20203-L-002	18 in. Modern straight grab bar ³⁰ OPT 20203-L-XXX Vertical grab bar on left wall Available colours: White (002), Chrome (084) and Brushed Nickel (105)	\$ 269
OPT20203-L-084		\$ 269
OPT20203-R-084		\$ 269
OPT20203-R-002	18 in. Modern straight grab bar ³⁰ OPT 20203-R-XXX Vertical grab bar on right wall Available colours: White (002), Chrome (084) and Brushed Nickel (105)	\$ 269
OPT20203-R-105		\$ 269
OPT20204-B-002		\$ 315
OPT20204-B-084	24 in. Modern straight grab bar ³⁰ OPT 20204-B-XXX Horizontal grab bar on back wall Available colours: White (002), Chrome (084) and Brushed Nickel (105)	\$ 315
OPT20204-B-105		\$ 315
OPT20204-L-084		\$ 315
OPT20204-L-105	24 in. Modern straight grab bar ³⁰ OPT 20204-L-XXX Vertical grab bar on left wall Available colours: White (002), Chrome (084) and Brushed Nickel (105)	\$ 315
OPT20204-L-002		\$ 315
OPT20204-R-002		\$ 315
OPT20204-R-084	24 in. Modern straight grab bar ³⁰ OPT 20204-R-XXX Vertical grab bar on right wall Available colours: White (002), Chrome (084) and Brushed Nickel (105)	\$ 315
OPT20204-R-105		\$ 315
OPT20212-B	Back Wall reinforcement for future grab installation ³³	\$ 100
OPT20212-L	Left Wall reinforcement for future grab installation ³³	\$ 100
OPT20212-R	Right Wall reinforcement for future grab installation ³³	\$ 100
OPT20216-B-002		\$ 359
OPT20216-B-105	30 in. Modern straight grab bar ³⁰ OPT 20216-B-XXX Horizontal grab bar on back wall Available colours: White (002), Chrome (084) and Brushed Nickel (105)	\$ 359
OPT20216-B-084		\$ 359
OPT20216-L-002		\$ 359
OPT20216-L-105	30 in. Modern straight grab bar ³⁰ OPT 20216-L-XXX Vertical grab bar on left wall Available colours: White (002), Chrome (084) and Brushed Nickel (105)	\$ 359
OPT20216-L-084		\$ 359
OPT20216-R-002		\$ 359
OPT20216-R-105	30 in. Modern straight grab bar ³⁰ OPT 20216-R-XXX Vertical grab bar on right wall Available colours: White (002), Chrome (084) and Brushed Nickel (105)	\$ 359
OPT20216-R-084		\$ 359
OPT20219-L-084	Pivot grab bar (back wall) ³⁰³² OPT 20219-L-XXX Left-hand pivot grab bar on back wall Available colours: Chrome (084)	\$ 1867
OPT20219-R-084	Pivot grab bar (back wall) ³⁰³² OPT 20219-R-XXX Right-hand pivot grab bar on back wall Available colours: Chrome (084)	\$ 1867

COMMON OPTIONS

SKU	Description	MSRP
OPT20221-L-105	Fold-down seat (factory installed) ^{30, 34, 35}	\$ 581
OPT20221-L-002	OPT 20221-L-XXX Left side wall	\$ 581
OPT20221-L-084	Specify trimming colour: White (002), Chrome (084), Brushed Nickel (105)	\$ 581
OPT20221-R-002	Fold-down seat (factory installed) ^{30, 34, 35}	\$ 581
OPT20221-R-105	OPT 20221-R-XXX Reft side wall	\$ 581
OPT20221-R-084	Specify trimming colour: White (002), Chrome (084), Brushed Nickel (105)	\$ 581
OPT20403-L-105	Package A ³⁰ OPT 20403-L-XXX Vertical grab bar on left wall, horizontal grab bar on back wall	\$ 536
OPT20403-L-002	Package includes : • 24 in. Vertical grab bar on side wall	\$ 536
OPT20403-L-084	• 30 in. Horizontal grab bar on back wall Available colours: White (002), Chrome (084) and Brushed Nickel (105)	\$ 536
OPT20403-R-084	Package A ³⁰ OPT 20403-R-XXX Vertical grab bar on right wall, horizontal grab bar on back wall	\$ 536
OPT20403-R-002	Package includes : • 24 in. Vertical grab bar on side wall	\$ 536
OPT20403-R-105	• 30 in. Horizontal grab bar on back wall Available colours: White (002), Chrome (084) and Brushed Nickel (105)	\$ 536
OPT20404-L-105	Package B ^{30, 31} OPT 20404-L-XXX Vertical grab bar on left wall, left-hand curved grab bar on back wall	\$ 714
OPT20404-L-084	Package includes : • 24 in. Vertical grab bar on side wall	\$ 714
OPT20404-L-002	• 32 in. Horizontal grab bar on back wall Available colors: White (002), Chrome (084) and Brushed Nickel (105)	\$ 714
OPT20404-R-002	Package B ^{30, 31} OPT 20404-R-XXX Vertical grab bar on right wall, right-hand curved grab bar on back wall	\$ 714
OPT20404-R-084	Package includes : • 24 in. Vertical grab bar on side wall	\$ 714
OPT20404-R-105	• 32 in. Horizontal grab bar on back wall Available colours: White (002), Chrome (084) and Brushed Nickel (105)	\$ 714
OPT20407-L-084	Package C ³⁰³² OPT 20407-L-XXX 2 x Vertical grab bars on side walls, left-hand pivot grab bar on back wall	\$ 2308
OPT20407-L-105	Package includes : • 2 x 24 in. Vertical grab bar on side walls • Pivot grab bar on back wall Available colours: Chrome (084) and Brushed Nickel (105)	\$ 2308
OPT20407-R-105	Package C ³⁰³² OPT 20407-R-XXX 2 x Vertical grab bars on side walls, right-hand pivot grab bar on back wall	\$ 2308
OPT20407-R-084	Package includes : • 2 x 24 in. Vertical grab bar on side walls • Pivot grab bar on back wall Available colours: Chrome (084) and Brushed Nickel (105)	\$ 2308
OPT20217-L-105	32 in. Curved grab bar (back wall) ³⁰³¹	\$ 536
OPT20217-L-002	OPT 20217-L-XXX Left-hand curved grab bar on back wall	\$ 536
OPT20217-L-084	Available colours: White (002), Chrome (084) and Brushed Nickel (105)	\$ 536
OPT20217-R-002	32 in. Curved grab bar (back wall) ³⁰³¹	\$ 536
OPT20217-R-105	OPT 20217-R-XXX Right-hand curved grab bar on back wall	\$ 536
OPT20217-R-084	Available colours: White (002), Chrome (084) and Brushed Nickel (105)	\$ 536

ACCESSORIES

SKU	Description	MSRP
10000041-105	Shower Drain (sold separately)	\$ 52
10000041-084	PVC quick caulking shower drain, compression type Specify grid color: Chrome (084) or Brushed Nickel (105)	\$ 52
10029997-002	24 in. modern straight grab bar with flange (front installation) Specify color: White (002), Chrome (084), Brushed Nickel (105)	\$ 359

ACCESSORIES

SKU	Description	MSRP
10029997-105	24 in. modern straight grab bar with flange (front installation)	\$ 359
10029997-084	Specify color: White (002), Chrome (084), Brushed Nickel (105)	\$ 359
10029998-084		\$ 403
10029998-002	30 in. modern straight grab bar with flange (front installation)	\$ 403
10029998-105	Specify colour: White (002), Chrome (084), Brushed Nickel (105)	\$ 403
10030095-002		\$ 581
10030095-084	32 in. curved left-hand grab bar with flange (front installation)	\$ 581
10030095-105	Specify colour: White (002), Chrome (084), Brushed Nickel (105)	\$ 581
10030097-084		\$ 581
10030097-002	32 in. curved right-hand grab bar with flange (front installation)	\$ 581
10030097-105	Specify colour: White (002), Chrome (084), Brushed Nickel (105)	\$ 581
10000043-084	Shower Drain (sold separately) 2-piece ABS shower drain with Chrome stainless steel grid	\$ 49
10004349-001	ABS shower drain with ABS grid (sold separately)	\$ 18
10004349-004	Available color: White (001) and Bone (004)	\$ 18
10028765-105		\$ 315
10028765-084	24 in. modern straight grab bar ³⁶	\$ 315
10028765-002	Specify color: White (002), Chrome (084), Brushed Nickel (105)	\$ 315
10028917-002		\$ 581
10028917-084	Rectangular fold-down White polyurethane seat ³⁷	\$ 581
10028917-105	Available trimming colours: White (002), Chrome (084) and Brushed Nickel (105)	\$ 581
10029248-105		\$ 359
10029248-002	30 in. Modern straight grab bar ³⁶	\$ 359
10029248-084	Specify color: White (002), Chrome (084), Brushed Nickel (105)	\$ 359
10029253-002		\$ 536
10029253-084	32 in. Left hand curved grab bar ³⁶	\$ 536
10029253-105	Left refers to the upper section of the curved bar Specify color: White (002), Chrome (084), Brushed Nickel (105)	\$ 536
10029254-084		\$ 536
10029254-002	32 in. Right hand curved grab bar ³⁶	\$ 536
10029254-105	Right refers to the upper section of the curved bar Specify color: White (002), Chrome (084), Brushed Nickel (105)	\$ 536

FOOTNOTES

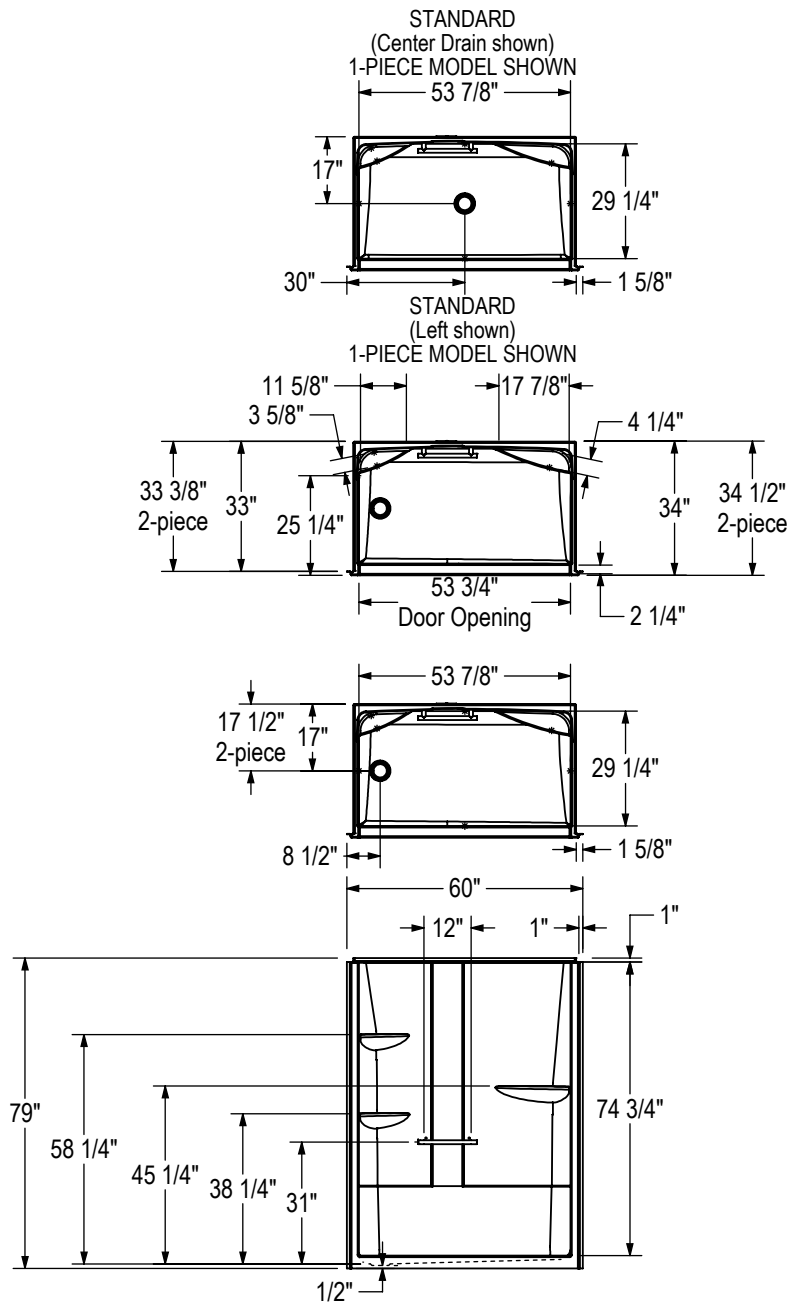
No	Description
30	Please see technical drawings on https://www.maax.com for grab bar and/or seat positioning.
31	Right (R)/Left (L) refers to the upper section of the ergonomic grab bar.
32	Right/Left refers to the pivot direction of the bar (from closed to open position).
33	Please see technical drawings on https://www.maax.com for reinforcement positioning and size.
34	Fold-down seat only available when unit ordered with no integrated seat.
35	Fold down seat is not available on sectional units.

FOOTNOTES

No	Description
36	Rear access grab bar installation. Must be secured onto unit prior to alcove unit insert.
36	
37	Rear access seat installation. Must be secured onto unit prior to alcove unit insert.
36	

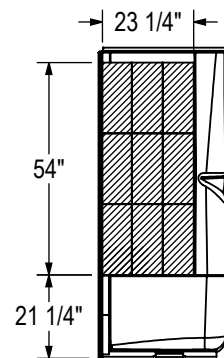
RECOMMENDED DOORS - VISIT OUR WEBSITE FOR A COMPLETE LIST OF RECOMMENDED DOORS

SKU	Product Name	Pag.
138275	Manhattan 53-55 x 68 - 6mm	762
138521	Incognito 74 51-54x74in. 8mm	723
139579	Reveal Sleek 71 51 ½-54 ½ x 71 ½ - 8mm	775
134564	Kameleon 51-55 x 71 - 6mm	713
134664	Kameleon SC 51-55 x 71 - 6mm	701
136883	Reveal 71 51 ½-54 ½ x 71 ½ - 8mm	772

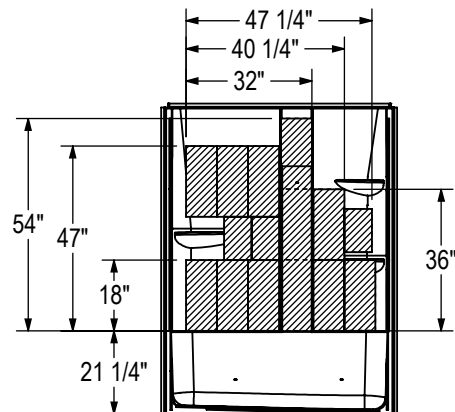


All dimensions are approximate. Structure measurements must be verified against the unit to ensure proper fit.

OPTIONAL REINFORCEMENT
(Left shown)



OPTIONAL REINFORCEMENT
(Back Wall)



Allia SHR-3636 1-piece



ALCOVE SHOWERS - ACRYLIC



Material : Acrylic

Features

- > 1-piece shower with 3 1/4 in. low threshold and integrated roofcap
- > Wide 3-level corner shelves
- > Standard : 12 in. white grab bar - Drain & chrome grid
- > Center drain, smooth floor
- > Optional grab bars available (grab bar installed on back wall replaces standard bar)
- > All grab bars can support up to 300 lbs
- > Available in White only

ALLIA SHR-3636 1-PIECE - 107006

SKU	Color	Configuration	Dimensions & Weight	Packaging	MSRP
107006-000-001	White	Center	36" x 36" x 88" / 142 lb / 64 kg	78 ft ³	\$ 2364

ALLIA SHR-3636 (3-PIECE) - 107006S

SKU	Color	Configuration	Dimensions & Weight	Packaging	MSRP
107006-S-000-001-	White	Center	36" x 36 1/2" x 88" / 142 lb / 64 kg	78 ft ³	\$ 2864

COMMON OPTIONS

SKU	Description	MSRP
OPT20203-B-002	18 in. Modern straight grab bar ³⁰	\$ 269
OPT20203-B-105	OPT 20203-B-XXX Horizontal grab bar on back wall	\$ 269
OPT20203-B-084	Available colours: White (002), Chrome (084) and Brushed Nickel (105)	\$ 269
OPT20203-L-105	18 in. Modern straight grab bar ³⁰	\$ 269
OPT20203-L-002	OPT 20203-L-XXX Vertical grab bar on left wall	\$ 269
OPT20203-L-084	Available colours: White (002), Chrome (084) and Brushed Nickel (105)	\$ 269
OPT20203-R-084	18 in. Modern straight grab bar ³⁰	\$ 269
OPT20203-R-002	OPT 20203-R-XXX Vertical grab bar on right wall	\$ 269
OPT20203-R-105	Available colours: White (002), Chrome (084) and Brushed Nickel (105)	\$ 269

COMMON OPTIONS

SKU	Description	MSRP
OPT20204-B-002	24 in. Modern straight grab bar ³⁰	\$ 315
OPT20204-B-084	OPT 20204-B-XXX Horizontal grab bar on back wall	\$ 315
OPT20204-B-105	Available colours: White (002), Chrome (084) and Brushed Nickel (105)	\$ 315
OPT20204-L-084	24 in. Modern straight grab bar ³⁰	\$ 315
OPT20204-L-105	OPT 20204-L-XXX Vertical grab bar on left wall	\$ 315
OPT20204-L-002	Available colours: White (002), Chrome (084) and Brushed Nickel (105)	\$ 315
OPT20204-R-002	24 in. Modern straight grab bar ³⁰	\$ 315
OPT20204-R-084	OPT 20204-R-XXX Vertical grab bar on right wall	\$ 315
OPT20204-R-105	Available colours: White (002), Chrome (084) and Brushed Nickel (105)	\$ 315
OPT20212-B	Back Wall reinforcement for future grab installation ³³	\$ 100
OPT20212-L	Left Wall reinforcement for future grab installation ³³	\$ 100
OPT20212-R	Right Wall reinforcement for future grab installation ³³	\$ 100
OPT20408-L-105	Package A ³⁰	\$ 536
OPT20408-L-002	OPT 20408-L-XXX Vertical grab bar on left wall, horizontal grab bar on back wall	\$ 536
OPT20408-L-084	Package includes : • 24 in. Vertical grab bar on side wall • 18 in. Horizontal grab bar on back wall Available colours: White (002), Chrome (084) and Brushed Nickel (105)	\$ 536
OPT20408-R-084	Package A ³⁰	\$ 536
OPT20408-R-002	OPT 20408-R-XXX Vertical grab bar on Right wall, horizontal grab bar on back wall	\$ 536
OPT20408-R-105	Package includes : • 24 in. Vertical grab bar on side wall • 18 in. Horizontal grab bar on back wall Available colours: White (002), Chrome (084) and Brushed Nickel (105)	\$ 536
OPT10189	Three-wall reinforcement for future grab bar installation ³³	\$ 290
OPT20055-106	36 in. curtain rod with installation kit Available color: Stainless Steel (106)	\$ 178
OPT20220-002		\$ 280
OPT20220-105	Shelf guard rails (factory installed) Available colours: White (002), Chrome (084), Brushed Nickel (105)	\$ 280
OPT20220-084		\$ 280

ACCESSORIES

SKU	Description	MSRP
10000041-105	Shower Drain (sold separately)	\$ 52
10000041-084	PVC quick caulking shower drain, compression type Specify grid color: Chrome (084) or Brushed Nickel (105)	\$ 52
10000043-084	Shower Drain (sold separately) 2-piece ABS shower drain with Chrome stainless steel grid	\$ 49
10004349-001	ABS shower drain with ABS grid (sold separately)	\$ 18
10004349-004	Available color: White (001) and Bone (004)	\$ 18
10028765-105		\$ 315
10028765-084	24 in. modern straight grab bar ³⁶	\$ 315
10028765-002	Specify color: White (002), Chrome (084), Brushed Nickel (105)	\$ 315
10029996-084		\$ 315
10029996-002	18 in. modern straight grab bar with flange (front installation)	\$ 315
10029996-105	Specify colour: White (002), Chrome (084), Brushed Nickel (105)	\$ 315

ACCESSORIES

SKU	Description	MSRP
10029997-002		\$ 359
10029997-105	24 in. modern straight grab bar with flange (front installation) Specify color: White (002), Chrome (084), Brushed Nickel (105)	\$ 359
10029997-084		\$ 359

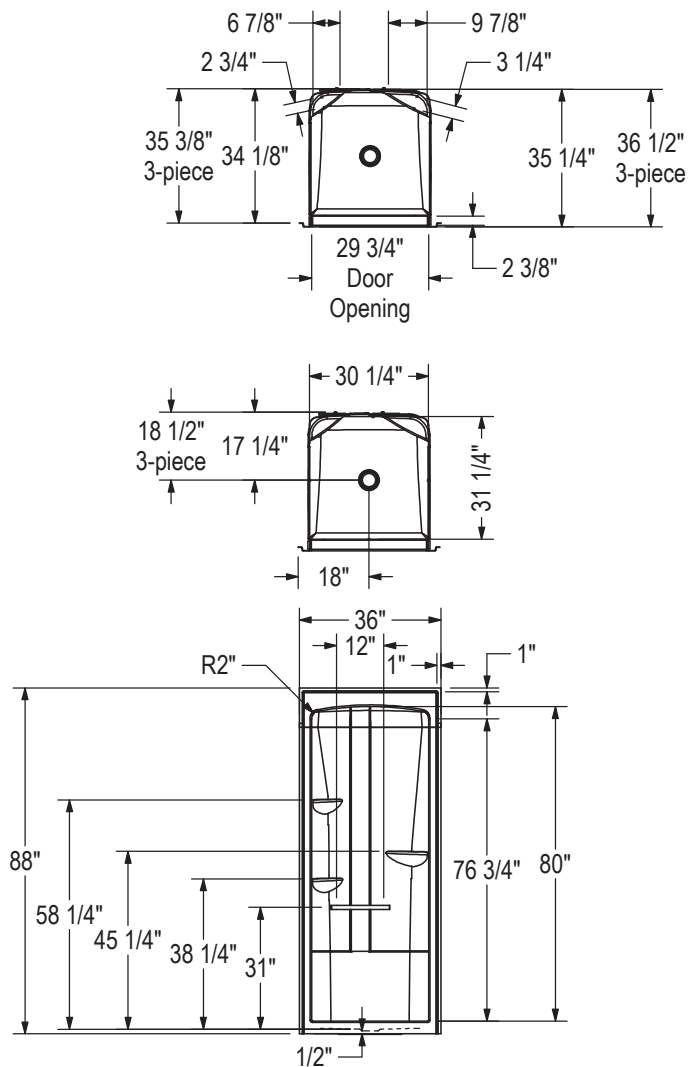
FOOTNOTES

No	Description
30	Please see technical drawings on https://www.maax.com for grab bar and/or seat positioning.
33	Please see technical drawings on https://www.maax.com for reinforcement positioning and size.
36	Rear access grab bar installation. Must be secured onto unit prior to alcove unit insert.
36	

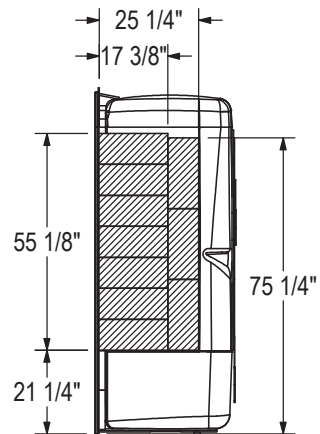
RECOMMENDED DOORS - VISIT OUR WEBSITE FOR A COMPLETE LIST OF RECOMMENDED DOORS

SKU	Product Name	Pag.
138263	Manhattan 29-31 x 68 - 6mm	757
105416	Madono 28 ½-30 ½ x 67 - 6mm	754
136645	Pivolok 29-30 ¾ x 64 ½ in.	767

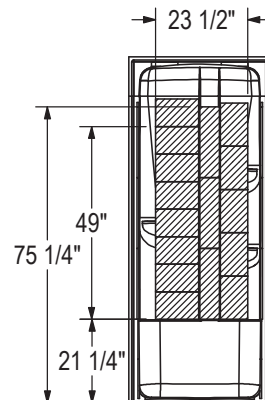
STANDARD
1-PIECE MODEL SHOWN



OPTIONAL REINFORCEMENT
(Left shown, Right symmetrical)



OPTIONAL REINFORCEMENT
(Back Wall)



All dimensions are approximate. Structure measurements must be verified against the unit to ensure proper fit.

Allia SHR-4834 (1-piece)



Material : Acrylic

Features

- > 1-piece shower with 3 1/4 in. low threshold and integrated roofcap
- > Right, Left or no molded seat
- > Optional fold down seat available
- > Standard : 12 in. white grab bar - Drain & chrome grid
- > Optional grab bars available (grab bar installed on back wall replaces standard bar)
- > All grab bars can support up to 300 lbs
- > Wide 3-level corner shelves
- > Center drain, smooth floor
- > Available in White only

ALCOVE SHOWERS - ACRYLIC

ALLIA SHR-4834 (1-PIECE) - 107004

SKU	Color	Configuration	Dimensions & Weight	Packaging	MSRP
107004-000-001	White	Center	48" x 34" x 88" / 154 lb / 70 kg	100 ft ³	\$ 2565
107004-L-000-001					\$ 2565
107004-R-000-001					\$ 2565

ALLIA SHR-4834 (3-PIECE) - 107004S

SKU	Color	Configuration	Dimensions & Weight	Packaging	MSRP
107004-S-000-001-	White	Center	48" x 34 1/2" x 88" / 154 lb / 70 kg	100 ft ³	\$ 3109
107004-SL-000-001					\$ 3109
107004-SR-000-001					\$ 3109

COMMON OPTIONS

SKU	Description	MSRP
OPT10189	Three-wall reinforcement for future grab bar installation ³³	\$ 290
OPT20054-106	48 in. curtain rod with installation kit Available color: Stainless Steel (106)	\$ 201
OPT20220-002	Shelf guard rails (factory installed) Available colours: White (002), Chrome (084), Brushed Nickel (105)	\$ 280
OPT20220-105		\$ 280
OPT20220-084		\$ 280
OPT20203-B-002	18 in. Modern straight grab bar ³⁰ OPT 20203-B-XXX Horizontal grab bar on back wall Available colours: White (002), Chrome (084) and Brushed Nickel (105)	\$ 269

COMMON OPTIONS

SKU	Description	MSRP
OPT20203-B-105	18 in. Modern straight grab bar ³⁰ OPT 20203-B-XXX Horizontal grab bar on back wall	\$ 269
OPT20203-B-084	Available colours: White (002), Chrome (084) and Brushed Nickel (105)	\$ 269
OPT20203-L-105	18 in. Modern straight grab bar ³⁰	\$ 269
OPT20203-L-002	OPT 20203-L-XXX Vertical grab bar on left wall	\$ 269
OPT20203-L-084	Available colours: White (002), Chrome (084) and Brushed Nickel (105)	\$ 269
OPT20203-R-084	18 in. Modern straight grab bar ³⁰	\$ 269
OPT20203-R-002	OPT 20203-R-XXX Vertical grab bar on right wall	\$ 269
OPT20203-R-105	Available colours: White (002), Chrome (084) and Brushed Nickel (105)	\$ 269
OPT20204-B-002	24 in. Modern straight grab bar ³⁰	\$ 315
OPT20204-B-084	OPT 20204-B-XXX Horizontal grab bar on back wall	\$ 315
OPT20204-B-105	Available colours: White (002), Chrome (084) and Brushed Nickel (105)	\$ 315
OPT20204-L-084	24 in. Modern straight grab bar ³⁰	\$ 315
OPT20204-L-105	OPT 20204-L-XXX Vertical grab bar on left wall	\$ 315
OPT20204-L-002	Available colours: White (002), Chrome (084) and Brushed Nickel (105)	\$ 315
OPT20204-R-002	24 in. Modern straight grab bar ³⁰	\$ 315
OPT20204-R-084	OPT 20204-R-XXX Vertical grab bar on right wall	\$ 315
OPT20204-R-105	Available colours: White (002), Chrome (084) and Brushed Nickel (105)	\$ 315
OPT20212-B	Back Wall reinforcement for future grab installation ³³	\$ 100
OPT20212-L	Left Wall reinforcement for future grab installation ³³	\$ 100
OPT20212-R	Right Wall reinforcement for future grab installation ³³	\$ 100
OPT20218-L-002	23 in. Curved grab bar (back wall) ^{30, 31}	\$ 493
OPT20218-L-084	OPT20218-L-XXX Left-hand curved grab bar on back wall	\$ 493
OPT20218-L-105	Available colours: White (002), Chrome (084) and Brushed Nickel (105)	\$ 493
OPT20218-R-002	23 in. Curved grab bar (back wall) ^{30, 31}	\$ 493
OPT20218-R-084	OPT20218-R-XXX Right-hand curved grab bar on back wall	\$ 493
OPT20218-R-105	Available colours: White (002), Chrome (084) and Brushed Nickel (105)	\$ 493
OPT20219-L-084	Pivot grab bar (back wall) ³⁰³² OPT 20219-L-XXX Left-hand pivot grab bar on back wall Available colours: Chrome (084)	\$ 1867
OPT20219-R-084	Pivot grab bar (back wall) ³⁰³² OPT 20219-R-XXX Right-hand pivot grab bar on back wall Available colours: Chrome (084)	\$ 1867
OPT20221-L-105	Fold-down seat (factory installed) ^{30, 34, 35}	\$ 581
OPT20221-L-002	OPT 20221-L-XXX Left side wall	\$ 581
OPT20221-L-084	Specify trimming colour: White (002), Chrome (084), Brushed Nickel (105)	\$ 581
OPT20221-R-002	Fold-down seat (factory installed) ^{30, 34, 35}	\$ 581
OPT20221-R-105	OPT 20221-R-XXX Reft side wall	\$ 581
OPT20221-R-084	Specify trimming colour: White (002), Chrome (084), Brushed Nickel (105)	\$ 581
OPT20405-L-105	Package A ³⁰ OPT 20405-L-XXX Vertical grab bar on left wall, horizontal grab bar on back wall Package includes : • 24 in. Vertical grab bar on side wall • 24 in. Horizontal grab bar on back wall Available colours: White (002), Chrome (084) and Brushed Nickel (105)	\$ 536

COMMON OPTIONS

SKU	Description	MSRP
OPT20405-L-084	Package A ³⁰ OPT 20405-L-XXX Vertical grab bar on left wall, horizontal grab bar on back wall	\$ 536
OPT20405-L-002	Package includes : • 24 in. Vertical grab bar on side wall • 24 in. Horizontal grab bar on back wall Available colours: White (002), Chrome (084) and Brushed Nickel (105)	\$ 536
OPT20405-R-002	Package A ³⁰ OPT 20405-R-XXX Vertical grab bar on right wall, horizontal grab bar on back wall	\$ 536
OPT20405-R-084	Package includes : • 24 in. Vertical grab bar on side wall	\$ 536
OPT20405-R-105	• 24 in. Horizontal grab bar on back wall Available colours: White (002), Chrome (084) and Brushed Nickel (105)	\$ 536
OPT20406-L-084	Package B ³⁰³¹ OPT 20406-L-XXX Vertical grab bar on left wall, left-hand curved grab bar on back wall	\$ 714
OPT20406-L-002	Package includes : • 24 in. Vertical grab bar on side wall • 23 in. Curved grab bar on back wall	\$ 714
OPT20406-L-105	Available colours: White (002), Chrome (084) and Brushed Nickel (105)	\$ 714
OPT20406-R-002	Package B ³⁰³¹ OPT 20406-R-XXX Vertical grab bar on right wall, right-hand curved grab bar on back wall	\$ 714
OPT20406-R-084	Package includes : • 24 in. Vertical grab bar on side wall	\$ 714
OPT20406-R-105	• 23 in. Curved grab bar on back wall Available colours: White (002), Chrome (084) and Brushed Nickel (105)	\$ 714
OPT20407-L-084	Package C ³⁰³² OPT 20407-L-XXX 2 x Vertical grab bars on side walls, left-hand pivot grab bar on back wall	\$ 2308
OPT20407-L-105	Package includes : • 2 x 24 in. Vertical grab bar on side walls • Pivot grab bar on back wall Available colours: Chrome (084) and Brushed Nickel (105)	\$ 2308
OPT20407-R-105	Package C ³⁰³² OPT 20407-R-XXX 2 x Vertical grab bars on side walls, right-hand pivot grab bar on back wall	\$ 2308
OPT20407-R-084	Package includes : • 2 x 24 in. Vertical grab bar on side walls • Pivot grab bar on back wall Available colours: Chrome (084) and Brushed Nickel (105)	\$ 2308

ACCESSORIES

SKU	Description	MSRP
10029996-084		\$ 315
10029996-002	18 in. modern straight grab bar with flange (front installation) Specify colour: White (002), Chrome (084), Brushed Nickel (105)	\$ 315
10029996-105		\$ 315
10029997-002		\$ 359
10029997-105	24 in. modern straight grab bar with flange (front installation) Specify color: White (002), Chrome (084), Brushed Nickel (105)	\$ 359
10029997-084		\$ 359
10030093-084		\$ 536
10030093-002	23 in. Curved left-hand grab bar with flange (front installation) Specify colour: White (002), Chrome (084), Brushed Nickel (105)	\$ 536
10030093-105		\$ 536
10030094-084		\$ 536
10030094-105	23 in. Curved right-hand grab bar with flange (front installation) Specify colour: White (002), Chrome (084), Brushed Nickel (105)	\$ 536
10030094-002		\$ 536
10000041-105	Shower Drain (sold separately) PVC quick caulking shower drain, compression type Specify grid color: Chrome (084) or Brushed Nickel (105)	\$ 52

ACCESSORIES

SKU	Description	MSRP
10000041-084	Shower Drain (sold separately) PVC quick caulking shower drain, compression type Specify grid color: Chrome (084) or Brushed Nickel (105)	\$ 52
10000043-084	Shower Drain (sold separately) 2-piece ABS shower drain with Chrome stainless steel grid	\$ 49
10004349-001	ABS shower drain with ABS grid (sold separately)	\$ 18
10004349-004	Available color: White (001) and Bone (004)	\$ 18
10028765-105		\$ 315
10028765-084	24 in. modern straight grab bar ³⁶ Specify color: White (002), Chrome (084), Brushed Nickel (105)	\$ 315
10028765-002		\$ 315
10028917-002		\$ 581
10028917-084	Rectangular fold-down White polyurethane seat ³⁷ Available trimming colours: White (002), Chrome (084) and Brushed Nickel (105)	\$ 581
10028917-105		\$ 581
10029251-084		\$ 493
10029251-105	23 in. Left hand curved grab bar ³⁶ Left refers to the upper section of the curved bar Specify color: White (002), Chrome (084), Brushed Nickel (105)	\$ 493
10029251-002		\$ 493
10029252-002		\$ 493
10029252-084	23 in. Right hand curved grab bar ³⁶ Right refers to the upper section of the curved bar Specify color: White (002), Chrome (084), Brushed Nickel (105)	\$ 493
10029252-105		\$ 493

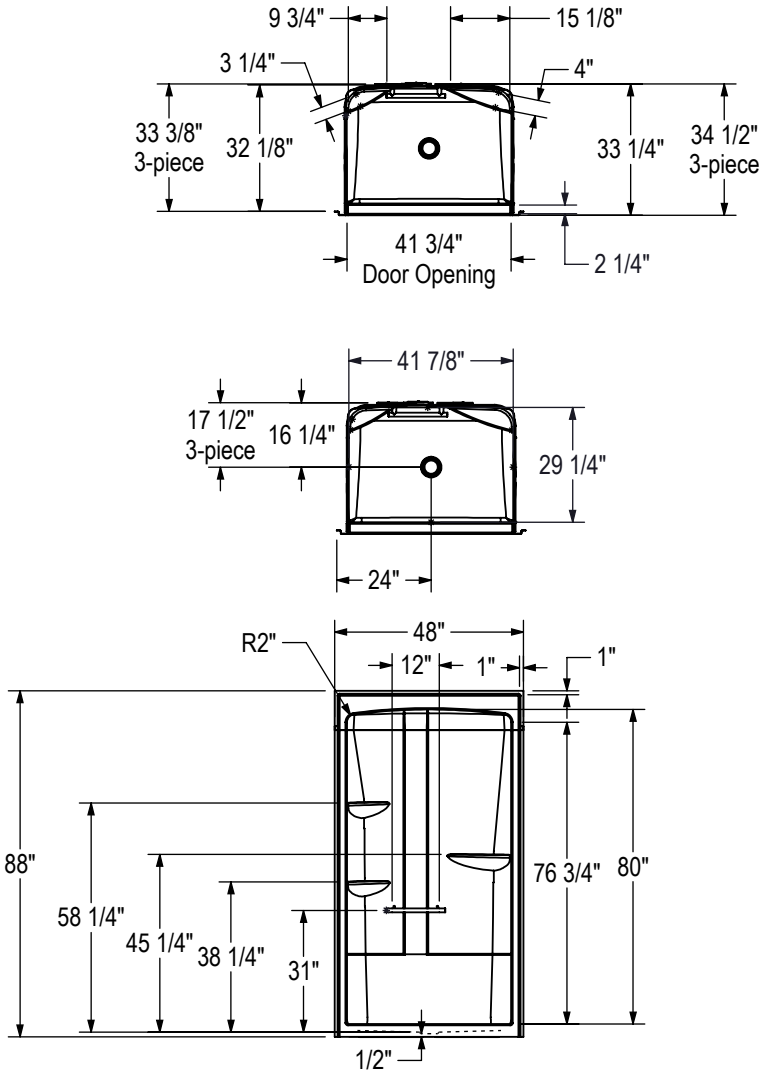
FOOTNOTES

No	Description
30	Please see technical drawings on https://www.maax.com for grab bar and/or seat positioning.
31	Right (R)/Left (L) refers to the upper section of the ergonomic grab bar.
32	Right/Left refers to the pivot direction of the bar (from closed to open position).
33	Please see technical drawings on https://www.maax.com for reinforcement positioning and size.
34	Fold-down seat only available when unit ordered with no integrated seat.
35	Fold down seat is not available on sectional units.
36	Rear access grab bar installation. Must be secured onto unit prior to alcove unit insert.
37	Rear access seat installation. Must be secured onto unit prior to alcove unit insert.
36	

RECOMMENDED DOORS - VISIT OUR WEBSITE FOR A COMPLETE LIST OF RECOMMENDED DOORS

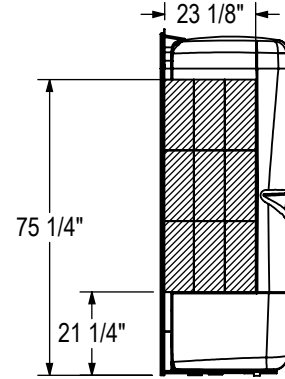
SKU	Product Name	Pag.
138269	Manhattan 41-43 x 68 - 6mm	761
138520	Incognito 74 39-42x74in. 8mm	723
139577	Reveal Sleek 71 41 ½-44 ½ x 71 ½ - 8mm	774
134562	Kameleon 40-44 x 71 - 6mm	713
134662	Kameleon SC 40-44 x 71 - 6mm	701
136677	Reveal 71 41 ½-44 ½ x 71 ½ - 8mm	772

STANDARD
1-PIECE MODEL SHOWN

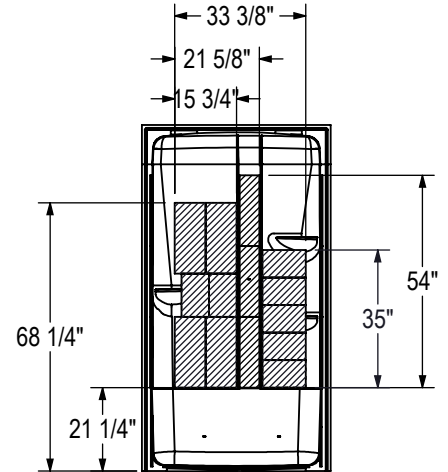


All dimensions are approximate. Structure measurements must be verified against the unit to ensure proper fit.

OPTIONAL REINFORCEMENT
(Left shown)



OPTIONAL REINFORCEMENT
(Back Wall)



Allia SHR-6034 (1-piece)



ALCOVE SHOWERS - ACRYLIC



Material : Acrylic

Features

- › 1-piece shower with 3 1/4 in. low threshold and integrated roofcap
- › Right, Left, two molded seats or no seat and right, left or center drain (drain included)
- › Optional fold down seat available
- › Standard : 12 in. white grab bar - Drain & chrome grid
- › Optional grab bars available (grab bar installed on back wall replaces standard bar)
- › All grab bars can support up to 300 lbs
- › Wide 3-level corner shelves
- › Smooth floor

ALLIA SHR-6034 (1-PIECE) - 107002

SKU	Color	Configuration	Dimensions & Weight	Packaging	MSRP
107002-2-000-001	White	Center	60" x 34" x 88" / 169 lb / 77 kg	116 ft ³	\$ 2954
107002-LC-000-001					\$ 2954
107002-LR-000-001		Right			\$ 2954
107002-NC-000-001		Center			\$ 2954
107002-NL-000-001		Left			\$ 2954
107002-NR-000-001		Right			\$ 2954
107002-RC-000-001		Center			\$ 2954
107002-RL-000-001		Left			\$ 2954

ALLIA SHR-6034 (3-PIECE) - 107002S

SKU	Color	Configuration	Dimensions & Weight	Packaging	MSRP
107002-S2-000-001	White	Center	60" x 34 1/2" x 88" / 169 lb / 77 kg	116 ft ³	\$ 3552
107002-SLC-000-001					\$ 3552
107002-SLR-000-001		Right			\$ 3552
107002-SNC-000-001		Center			\$ 3552
107002-SNL-000-001		Left			\$ 3552
107002-SNR-000-001		Right			\$ 3552
107002-SRC-000-001		Center			\$ 3552
107002-SRL-000-001		Left			\$ 3552

COMMON OPTIONS

SKU	Description	MSRP
OPT10189	Three-wall reinforcement for future grab bar installation ³³	\$ 290
OPT20056-106	60 in. curtain rod with installation kit Available color: Stainless Steel (106)	\$ 227
OPT20220-002		\$ 280
OPT20220-105	Shelf guard rails (factory installed) Available colours: White (002), Chrome (084), Brushed Nickel (105)	\$ 280
OPT20220-084		\$ 280
OPT20203-B-002	18 in. Modern straight grab bar ³⁰	\$ 269
OPT20203-B-105	OPT 20203-B-XXX Horizontal grab bar on back wall Available colours: White (002), Chrome (084) and Brushed Nickel (105)	\$ 269
OPT20203-B-084		\$ 269
OPT20203-L-105	18 in. Modern straight grab bar ³⁰	\$ 269
OPT20203-L-002	OPT 20203-L-XXX Vertical grab bar on left wall Available colours: White (002), Chrome (084) and Brushed Nickel (105)	\$ 269
OPT20203-L-084		\$ 269
OPT20203-R-084	18 in. Modern straight grab bar ³⁰	\$ 269
OPT20203-R-002	OPT 20203-R-XXX Vertical grab bar on right wall Available colours: White (002), Chrome (084) and Brushed Nickel (105)	\$ 269
OPT20203-R-105		\$ 269
OPT20204-B-002	24 in. Modern straight grab bar ³⁰	\$ 315
OPT20204-B-084	OPT 20204-B-XXX Horizontal grab bar on back wall Available colours: White (002), Chrome (084) and Brushed Nickel (105)	\$ 315
OPT20204-B-105		\$ 315
OPT20204-L-084	24 in. Modern straight grab bar ³⁰	\$ 315
OPT20204-L-105	OPT 20204-L-XXX Vertical grab bar on left wall Available colours: White (002), Chrome (084) and Brushed Nickel (105)	\$ 315
OPT20204-L-002		\$ 315
OPT20204-R-002	24 in. Modern straight grab bar ³⁰	\$ 315
OPT20204-R-084	OPT 20204-R-XXX Vertical grab bar on right wall Available colours: White (002), Chrome (084) and Brushed Nickel (105)	\$ 315
OPT20204-R-105		\$ 315
OPT20212-B	Back Wall reinforcement for future grab installation ³³	\$ 100
OPT20212-L	Left Wall reinforcement for future grab installation ³³	\$ 100
OPT20212-R	Right Wall reinforcement for future grab installation ³³	\$ 100
OPT20216-B-002	30 in. Modern straight grab bar ³⁰	\$ 359
OPT20216-B-105	OPT 20216-B-XXX Horizontal grab bar on back wall Available colours: White (002), Chrome (084) and Brushed Nickel (105)	\$ 359
OPT20216-B-084		\$ 359
OPT20216-L-002	30 in. Modern straight grab bar ³⁰	\$ 359
OPT20216-L-105	OPT 20216-L-XXX Vertical grab bar on left wall Available colours: White (002), Chrome (084) and Brushed Nickel (105)	\$ 359
OPT20216-L-084		\$ 359
OPT20216-R-002	30 in. Modern straight grab bar ³⁰	\$ 359
OPT20216-R-105	OPT 20216-R-XXX Vertical grab bar on right wall Available colours: White (002), Chrome (084) and Brushed Nickel (105)	\$ 359
OPT20216-R-084		\$ 359
OPT20219-L-084	Pivot grab bar (back wall) ³⁰³² OPT 20219-L-XXX Left-hand pivot grab bar on back wall Available colours: Chrome (084)	\$ 1867
OPT20219-R-084	Pivot grab bar (back wall) ³⁰³² OPT 20219-R-XXX Right-hand pivot grab bar on back wall Available colours: Chrome (084)	\$ 1867

COMMON OPTIONS

SKU	Description	MSRP
OPT20403-L-105	Package A ³⁰ OPT 20403-L-XXX Vertical grab bar on left wall, horizontal grab bar on back wall	\$ 536
OPT20403-L-002	Package includes : • 24 in. Vertical grab bar on side wall • 30 in. Horizontal grab bar on back wall	\$ 536
OPT20403-L-084	Available colours: White (002), Chrome (084) and Brushed Nickel (105)	\$ 536
OPT20403-R-084	Package A ³⁰ OPT 20403-R-XXX Vertical grab bar on right wall, horizontal grab bar on back wall	\$ 536
OPT20403-R-002	Package includes : • 24 in. Vertical grab bar on side wall • 30 in. Horizontal grab bar on back wall	\$ 536
OPT20403-R-105	Available colours: White (002), Chrome (084) and Brushed Nickel (105)	\$ 536
OPT20404-L-105	Package B ^{30, 31} OPT 20404-L-XXX Vertical grab bar on left wall, left-hand curved grab bar on back wall	\$ 714
OPT20404-L-084	Package includes : • 24 in. Vertical grab bar on side wall • 32 in. Horizontal grab bar on back wall	\$ 714
OPT20404-L-002	Available colors: White (002), Chrome (084) and Brushed Nickel (105)	\$ 714
OPT20404-R-002	Package B ^{30, 31} OPT 20404-R-XXX Vertical grab bar on right wall, right-hand curved grab bar on back wall	\$ 714
OPT20404-R-084	Package includes : • 24 in. Vertical grab bar on side wall • 32 in. Horizontal grab bar on back wall	\$ 714
OPT20404-R-105	Available colors: White (002), Chrome (084) and Brushed Nickel (105)	\$ 714
OPT20407-L-084	Package C ³⁰³² OPT 20407-L-XXX 2 x Vertical grab bars on side walls, left-hand pivot grab bar on back wall	\$ 2308
OPT20407-L-105	Package includes : • 2 x 24 in. Vertical grab bar on side walls • Pivot grab bar on back wall	\$ 2308
OPT20407-R-105	Package C ³⁰³² OPT 20407-R-XXX 2 x Vertical grab bars on side walls, right-hand pivot grab bar on back wall	\$ 2308
OPT20407-R-084	Package includes : • 2 x 24 in. Vertical grab bar on side walls • Pivot grab bar on back wall	\$ 2308
OPT20217-L-105	32 in. Curved grab bar (back wall) ³⁰³¹	\$ 536
OPT20217-L-002	OPT 20217-L-XXX Left-hand curved grab bar on back wall	\$ 536
OPT20217-L-084	Available colours: White (002), Chrome (084) and Brushed Nickel (105)	\$ 536
OPT20217-R-002	32 in. Curved grab bar (back wall) ³⁰³¹	\$ 536
OPT20217-R-105	OPT 20217-R-XXX Right-hand curved grab bar on back wall	\$ 536
OPT20217-R-084	Available colours: White (002), Chrome (084) and Brushed Nickel (105)	\$ 536

ACCESSORIES

SKU	Description	MSRP
10029997-002		\$ 359
10029997-105	24 in. modern straight grab bar with flange (front installation) Specify color: White (002), Chrome (084), Brushed Nickel (105)	\$ 359
10029997-084		\$ 359
10029998-084		\$ 403
10029998-002	30 in. modern straight grab bar with flange (front installation) Specify colour: White (002), Chrome (084), Brushed Nickel (105)	\$ 403
10029998-105		\$ 403
10030095-002		\$ 581
10030095-084	32 in. curved left-hand grab bar with flange (front installation) Specify colour: White (002), Chrome (084), Brushed Nickel (105)	\$ 581
10030095-105		\$ 581

ACCESSORIES

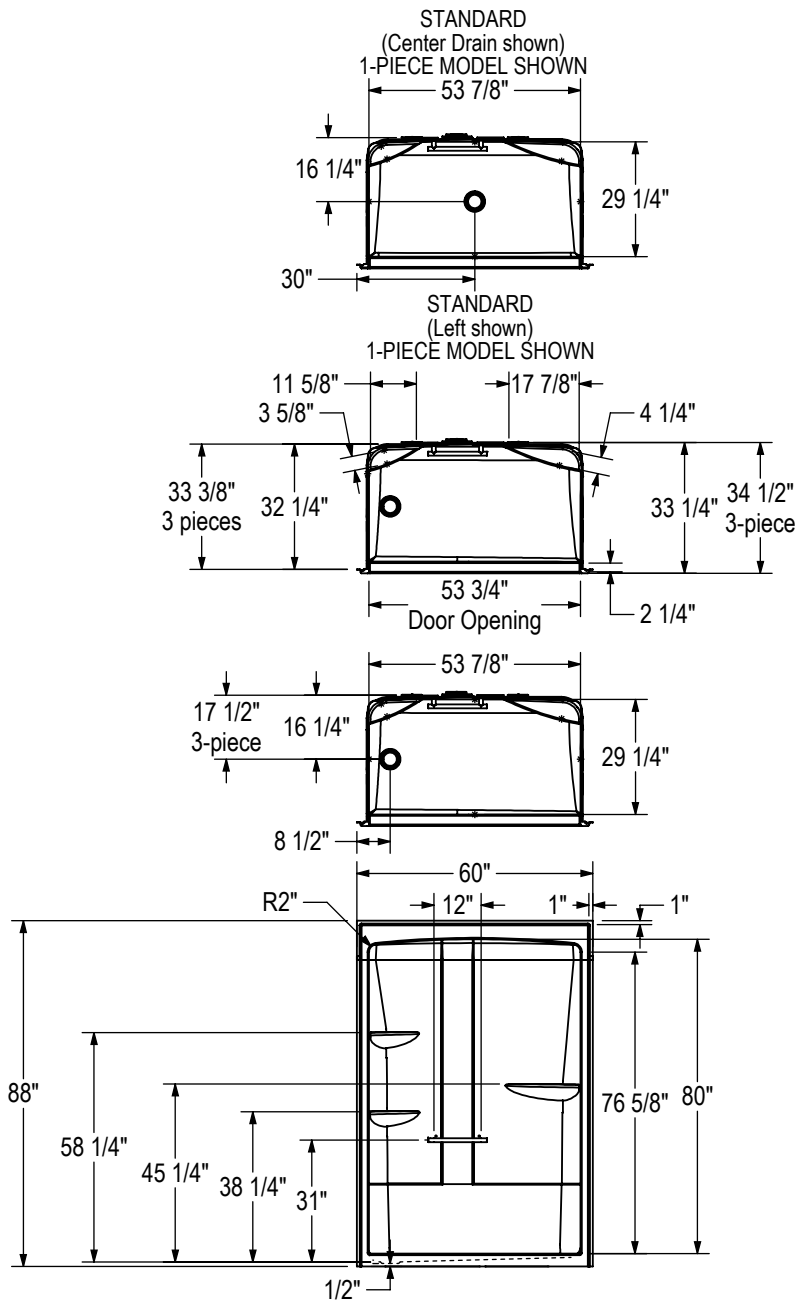
SKU	Description	MSRP
10030097-084		\$ 581
10030097-002	32 in. curved right-hand grab bar with flange (front installation) Specify colour: White (002), Chrome (084), Brushed Nickel (105)	\$ 581
10030097-105		\$ 581
10000041-105	Shower Drain (sold separately) PVC quick caulking shower drain, compression type	\$ 52
10000041-084	Specify grid color: Chrome (084) or Brushed Nickel (105)	\$ 52
10000043-084	Shower Drain (sold separately) 2-piece ABS shower drain with Chrome stainless steel grid	\$ 49
10004349-001	ABS shower drain with ABS grid (sold separately)	\$ 18
10004349-004	Available color: White (001) and Bone (004)	\$ 18
10028765-105		\$ 315
10028765-084	24 in. modern straight grab bar ³⁶ Specify color: White (002), Chrome (084), Brushed Nickel (105)	\$ 315
10028765-002		\$ 315
10029248-105		\$ 359
10029248-002	30 in. Modern straight grab bar ³⁶ Specify color: White (002), Chrome (084), Brushed Nickel (105)	\$ 359
10029248-084		\$ 359
10029253-002		\$ 536
10029253-084	32 in. Left hand curved grab bar ³⁶ Left refers to the upper section of the curved bar Specify color: White (002), Chrome (084), Brushed Nickel (105)	\$ 536
10029253-105		\$ 536
10029254-084		\$ 536
10029254-002	32 in. Right hand curved grab bar ³⁶ Right refers to the upper section of the curved bar Specify color: White (002), Chrome (084), Brushed Nickel (105)	\$ 536
10029254-105		\$ 536

FOOTNOTES

No	Description
30	Please see technical drawings on https://www.maax.com for grab bar and/or seat positioning.
31	Right (R)/Left (L) refers to the upper section of the ergonomic grab bar.
32	Right/Left refers to the pivot direction of the bar (from closed to open position).
33	Please see technical drawings on https://www.maax.com for reinforcement positioning and size.
36	
36	Rear access grab bar installation. Must be secured onto unit prior to alcove unit insert.
36	

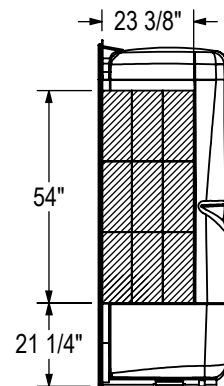
RECOMMENDED DOORS - VISIT OUR WEBSITE FOR A COMPLETE LIST OF RECOMMENDED DOORS

SKU	Product Name	Pag.
138275	Manhattan 53-55 x 68 - 6mm	762
138521	Incognito 74 51-54x74in. 8mm	723
139579	Reveal Sleek 71 51 ½-54 ½ x 71 ½ - 8mm	775
134564	Kameleon 51-55 x 71 - 6mm	713
134664	Kameleon SC 51-55 x 71 - 6mm	701

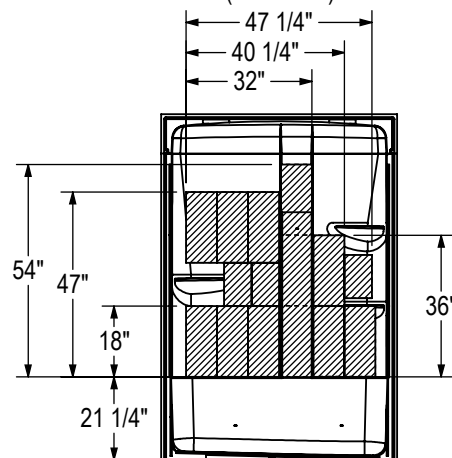


All dimensions are approximate. Structure measurements must be verified against the unit to ensure proper fit.

OPTIONAL REINFORCEMENT
(Left shown)



OPTIONAL REINFORCEMENT
(Back Wall)





Biarritz 40



Material : AcrylX

Features

- > 1-piece shower without roof cap
- > Integrated shelves

ALCOVE SHOWERS - ACRYLX

BIARRITZ 40 - 100959

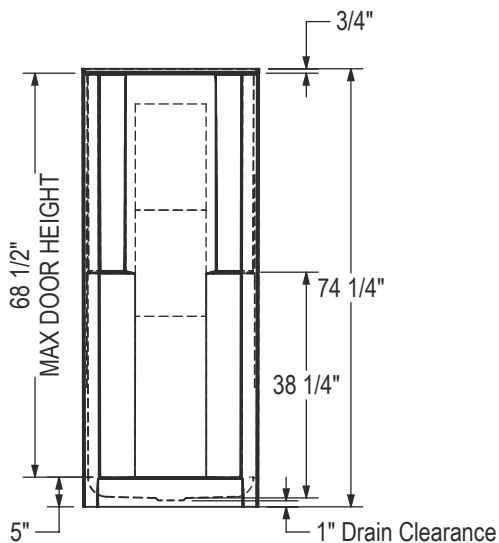
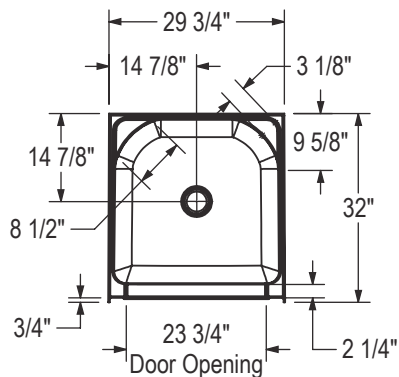
SKU	Color	Configuration	Dimensions & Weight	Packaging	MSRP
100959-000-002-200	White	Center	29 3/4" x 32" x 74 3/8" / 73 lb / 33 kg	44 ft ³	\$ 1112

ACCESSORIES

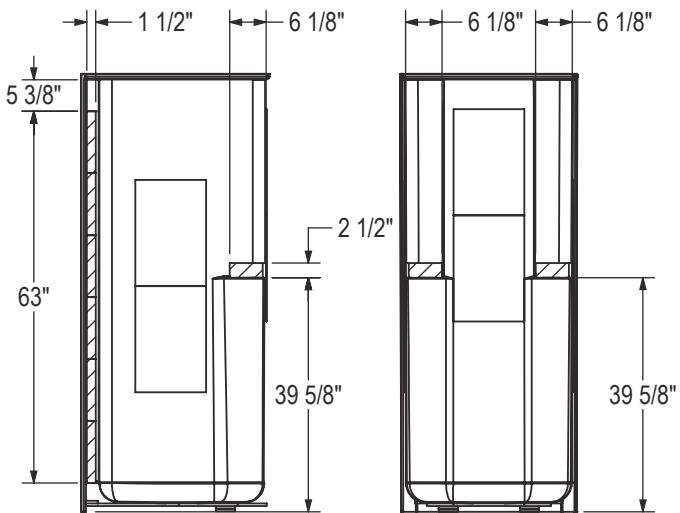
SKU	Description	MSRP
10000041-105	Shower Drain (sold separately) PVC quick caulking shower drain, compression type	\$ 52
10000041-084	Specify grid color: Chrome (084) or Brushed Nickel (105)	\$ 52
10000043-084	Shower Drain (sold separately) 2-piece ABS shower drain with Chrome stainless steel grid	\$ 49
10004349-001	ABS shower drain with ABS grid (sold separately)	\$ 18
10004349-004	Available color: White (001) and Bone (004)	\$ 18

RECOMMENDED DOORS - VISIT OUR WEBSITE FOR A COMPLETE LIST OF RECOMMENDED DOORS

SKU	Product Name	Pag.
138260	Manhattan 23-25 x 68 - 6mm	756
136625	Pivolok 23-24 3/4 x 64 1/2 in.	766



REINFORCEMENT BACKING



All dimensions are approximate. Structure measurements must be verified against the unit to ensure proper fit.



Biarritz 80



Material : AcrylX

Features

- > 1-piece shower without roof cap
- > Integrated shelves

ALCOVE SHOWERS - ACRYLX

BIARRITZ 80 - 100971

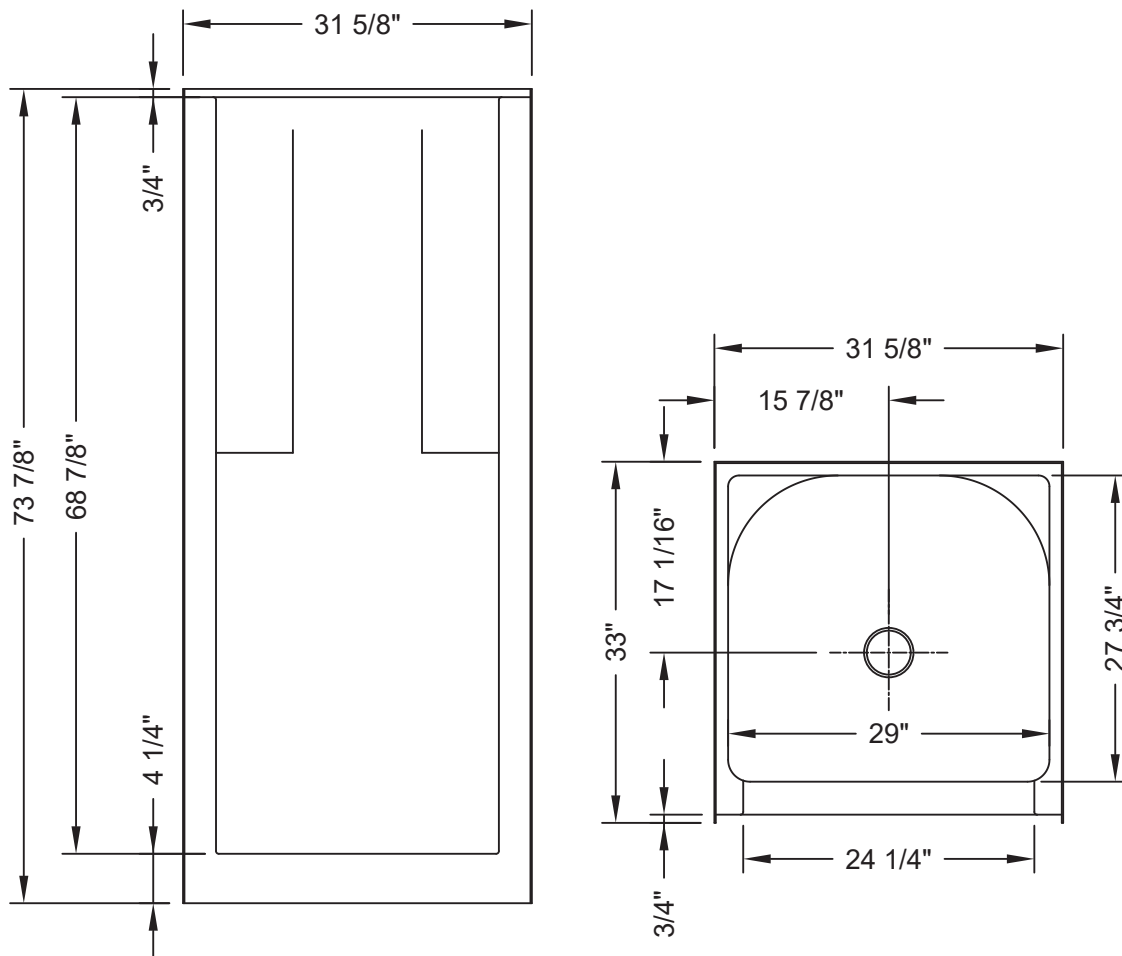
SKU	Color	Configuration	Dimensions & Weight	Packaging	MSRP
100971-000-002-000	White	Center	31 5/8" x 33" x 73 7/8" / 69 lb / 31 kg	47 ft ³	\$ 1204

ACCESSORIES

SKU	Description	MSRP
10000041-105	Shower Drain (sold separately) PVC quick caulking shower drain, compression type	\$ 52
10000041-084	Specify grid color: Chrome (084) or Brushed Nickel (105)	\$ 52
10000043-084	Shower Drain (sold separately) 2-piece ABS shower drain with Chrome stainless steel grid	\$ 49
10004349-001	ABS shower drain with ABS grid (sold separately)	\$ 18
10004349-004	Available color: White (001) and Bone (004)	\$ 18

RECOMMENDED DOORS - VISIT OUR WEBSITE FOR A COMPLETE LIST OF RECOMMENDED DOORS

SKU	Product Name	Pag.
138260	Manhattan 23-25 x 68 - 6mm	756
136625	Pivolok 23-24 3/4 x 64 1/2 in.	766



All dimensions are approximate. Structure measurements must be verified against the unit to ensure proper fit.

Biarritz 85



Material : AcrylX

Features

- > 1-piece shower without roof cap
- > Integrated shelves

ALCOVE SHOWERS - ACRYLX

BIARRITZ 85 - 100973

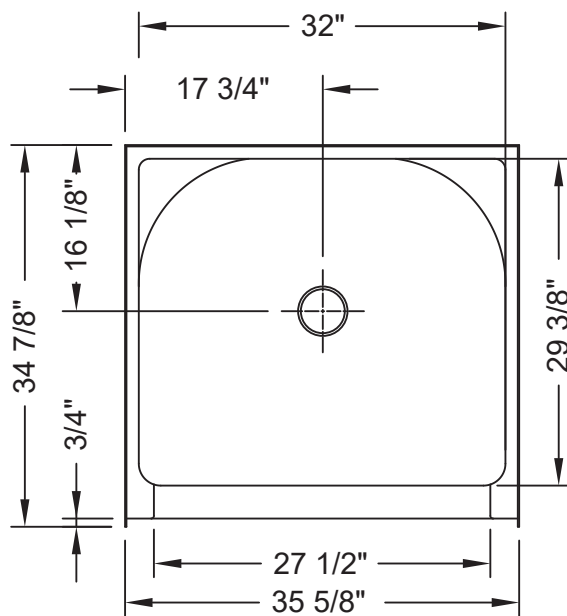
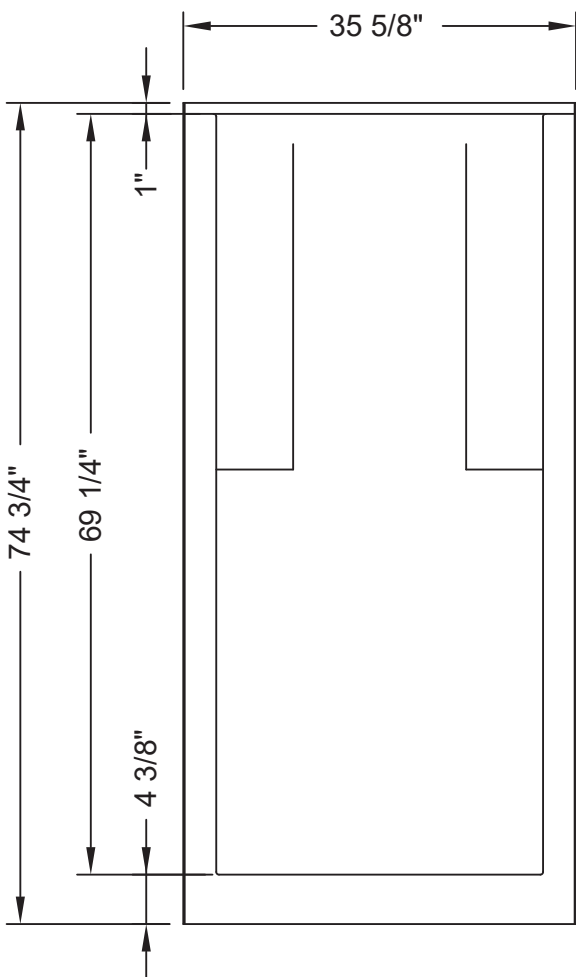
SKU	Color	Configuration	Dimensions & Weight	Packaging	MSRP
100973-000-002-200	White	Center	35 5/8" x 34 7/8" x 75 1/2" / 78 lb / 35 kg	55 ft ³	\$ 1611

ACCESSORIES

SKU	Description	MSRP
10000041-105	Shower Drain (sold separately) PVC quick caulking shower drain, compression type	\$ 52
10000041-084	Specify grid color: Chrome (084) or Brushed Nickel (105)	\$ 52
10000043-084	Shower Drain (sold separately) 2-piece ABS shower drain with Chrome stainless steel grid	\$ 49
10004349-001	ABS shower drain with ABS grid (sold separately)	\$ 18
10004349-004	Available color: White (001) and Bone (004)	\$ 18

RECOMMENDED DOORS - VISIT OUR WEBSITE FOR A COMPLETE LIST OF RECOMMENDED DOORS

SKU	Product Name	Pag.
138262	Manhattan 27-29 x 68 - 6mm	757
136635	Pivolok 27-28 ¾ x 64 ½ in.	767



All dimensions are approximate. Structure measurements must be verified against the unit to ensure proper fit.



Carlton I



Material : AcrylX

Features

- > 1-piece shower without roof cap
- > Integrated shelf and seat
- > Center drain

ALCOVE SHOWERS - ACRYLX

CARLTON I - 100961

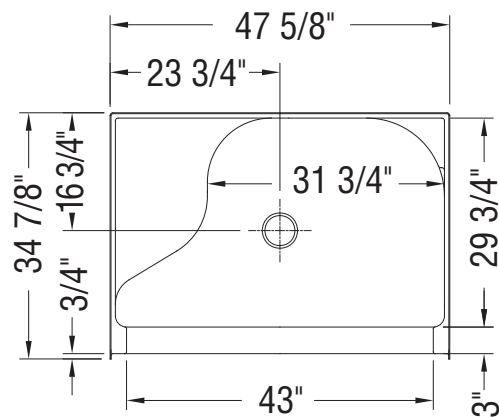
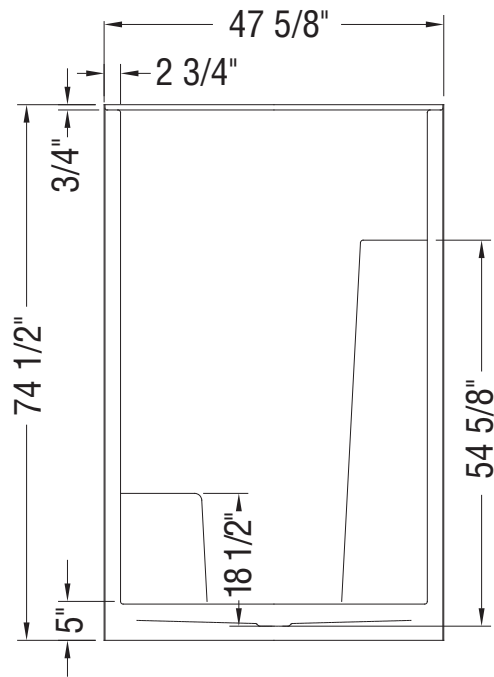
SKU	Color	Configuration	Dimensions & Weight	Packaging	MSRP
100961-000-002-001	White	Center	47 5/8" x 34 7/8" x 74 1/2" / 109 lb / 49 kg	74 ft³	\$ 2194
100961-000-002-002					\$ 2194

ACCESSORIES

SKU	Description	MSRP
10000041-105	Shower Drain (sold separately) PVC quick caulking shower drain, compression type	\$ 52
10000041-084	Specify grid color: Chrome (084) or Brushed Nickel (105)	\$ 52
10000043-084	Shower Drain (sold separately) 2-piece ABS shower drain with Chrome stainless steel grid	\$ 49
10004349-001	ABS shower drain with ABS grid (sold separately)	\$ 18
10004349-004	Available color: White (001) and Bone (004)	\$ 18

RECOMMENDED DOORS - VISIT OUR WEBSITE FOR A COMPLETE LIST OF RECOMMENDED DOORS

SKU	Product Name	Pag.
138269	Manhattan 41-43 x 68 - 6mm	761
138270	Manhattan 43-45 x 68 - 6mm	761
105413	Polar 42-47 ½ x 68 in.	731



All dimensions are approximate. Structure measurements must be verified against the unit to ensure proper fit.



Icon SH 4834



Material : AcrylX

Features

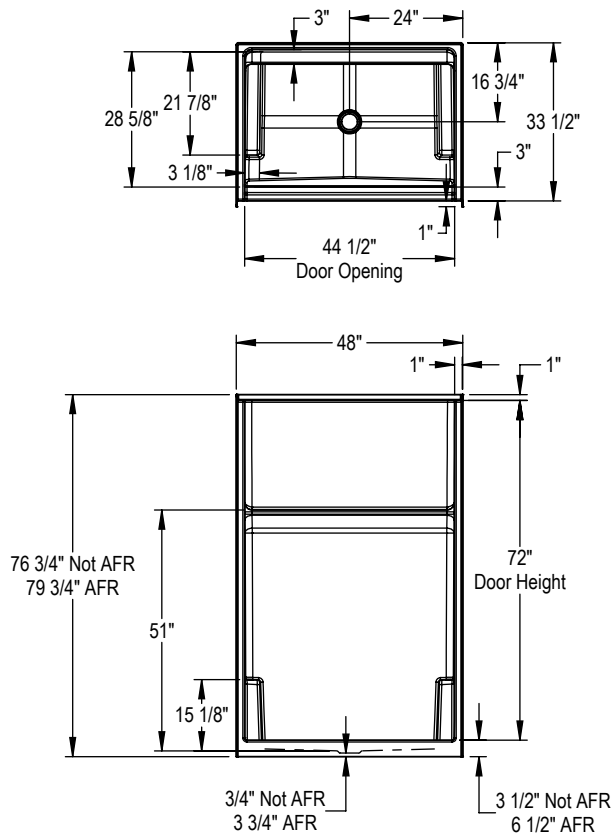
- › Made of AcrylX applied acrylic for improved durability
- › Smooth Walls for a modern and minimalist look
- › Flat walls to easily accommodate future grab bars
- › Slip-resistant textured bottom for additional safety
- › Built-in shelf provide generous storage space, making it easy to keep bathing essentials organized
- › Two integrated and convenient footrests
- › 1 Piece construction for easy installation and maintenance
- › Available with and without an Above-the-Floor Rough (AFR) configuration
- › Pair with the optional teak wood seat to add functionality to the shower space

ALCOVE SHOWERS - ACRYLX

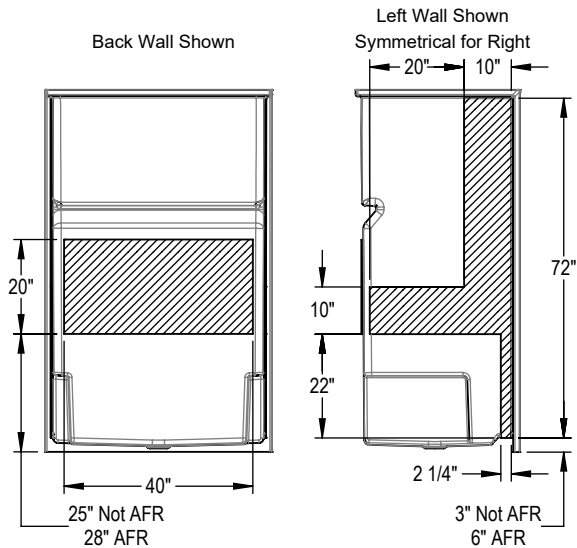
ICON SH 4834 - 107426

SKU	Color	Configuration	Dimensions & Weight	Packaging	MSRP
107426-000-002-000	White	Center	48" x 33 1/2" x 75 1/2" / 135 lb / 61 kg	74.09 ft ³	\$ 2305

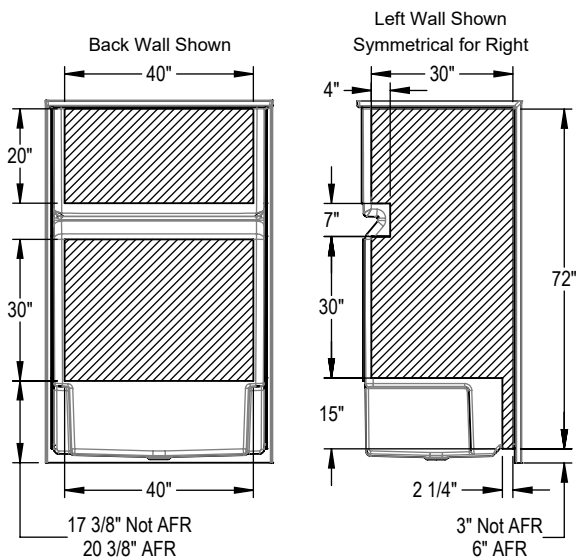
BASE MODEL
Center Drain Shown



BUILDER BACKING OPTION



FULL BACKING OPTION



All dimensions are approximate. Structure measurements must be verified against the unit to ensure proper fit.



Icon SH 4834X AFR



Material : AcrylX

Features

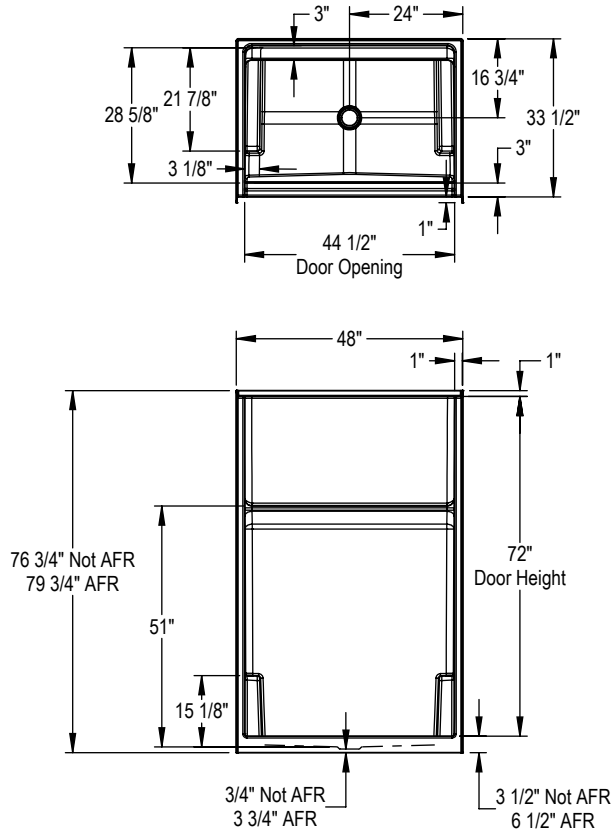
- › Made of AcrylX applied acrylic for improved durability
- › Smooth Walls for a modern and minimalist look
- › Flat walls to easily accommodate future grab bars
- › Slip-resistant textured bottom for additional safety
- › Built-in shelf provide generous storage space, making it easy to keep bathing essentials organized
- › Two integrated and convenient footrests
- › 1 Piece construction for easy installation and maintenance
- › Available with and without an Above-the-Floor Rough (AFR) configuration
- › Pair with the optional teak wood seat to add functionality to the shower space

ALCOVE SHOWERS - ACRYLX

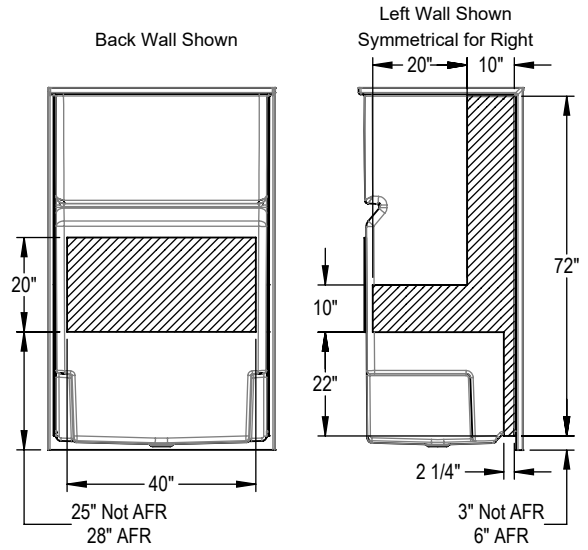
ICON SH 4834X AFR - 107427

SKU	Color	Configuration	Dimensions & Weight	Packaging	MSRP
107427-000-002-500	White	Center	48" x 33 1/2" x 78 1/2" / 138 lb / 63 kg	76.99 ft ³	\$ 2305

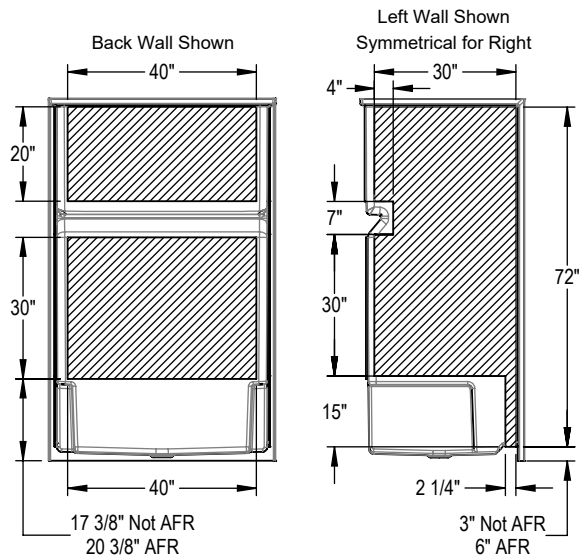
BASE MODEL
Center Drain Shown



BUILDER BACKING OPTION



FULL BACKING OPTION



All dimensions are approximate. Structure measurements must be verified against the unit to ensure proper fit.

ALCOVE SHOWERS - ACRYLX



KDS 3060



Material : AcrylX

Features

- › Product also available with Above-the-Floor Rough
- › 4-piece shower with low threshold base
- › Large top corner shelves, wide soap dish and acrylic handle ²⁸
- › Right seat, left seat or no seat configuration
- › Unique feature: PIN system for easy front installation
- › All grab bars can support up to 300 lbs

ALCOVE SHOWERS - ACRYLX

KDS 3060 - 145036

SKU	Color	Configuration	Dimensions & Weight	Packaging	MSRP
145036-000-002-093	White	Center	59 3/4" x 30" x 80 1/8" / 152 lb / 69 kg	99 ft ³	\$ 2375
145036-000-002-094		Right			\$ 2375
145036-000-002-095		Left			\$ 2375

KDS 3060 AFR - 145037

SKU	Color	Configuration	Dimensions & Weight	Packaging	MSRP
145037-000-002-593	White	Center	59 3/4" x 30" x 82 1/4" / 152 lb / 69 kg	99 ft ³	\$ 2375
145037-000-002-594		Right			\$ 2375
145037-000-002-595		Left			\$ 2375

COMMON OPTIONS

SKU	Description	MSRP
OPT20212-B	Back Wall reinforcement for future grab installation ³³	\$ 100
OPT20212-L	Left Wall reinforcement for future grab installation ³³	\$ 100
OPT20212-R	Right Wall reinforcement for future grab installation ³³	\$ 100
OPT10109-084	Metallic finish handle replacing Acrylic handle Available colors: Chrome (084) and Brushed Nickel (105)	\$ 345
OPT10109-105		\$ 345
OPT20203-B-002	18 in. Modern straight grab bar ³⁰ OPT 20203-B-XXX Horizontal grab bar on back wall Available colours: White (002), Chrome (084) and Brushed Nickel (105)	\$ 269

COMMON OPTIONS

SKU	Description	MSRP
OPT20203-B-105	18 in. Modern straight grab bar ³⁰	\$ 269
OPT20203-B-084	OPT 20203-B-XXX Horizontal grab bar on back wall Available colours: White (002), Chrome (084) and Brushed Nickel (105)	\$ 269
OPT20203-L-105	18 in. Modern straight grab bar ³⁰	\$ 269
OPT20203-L-002	OPT 20203-L-XXX Vertical grab bar on left wall Available colours: White (002), Chrome (084) and Brushed Nickel (105)	\$ 269
OPT20203-L-084	Available colours: White (002), Chrome (084) and Brushed Nickel (105)	\$ 269
OPT20203-R-084	18 in. Modern straight grab bar ³⁰	\$ 269
OPT20203-R-002	OPT 20203-R-XXX Vertical grab bar on right wall Available colours: White (002), Chrome (084) and Brushed Nickel (105)	\$ 269
OPT20203-R-105	Available colours: White (002), Chrome (084) and Brushed Nickel (105)	\$ 269
OPT20204-B-002	24 in. Modern straight grab bar ³⁰	\$ 315
OPT20204-B-084	OPT 20204-B-XXX Horizontal grab bar on back wall Available colours: White (002), Chrome (084) and Brushed Nickel (105)	\$ 315
OPT20204-B-105	Available colours: White (002), Chrome (084) and Brushed Nickel (105)	\$ 315
OPT20204-L-084	24 in. Modern straight grab bar ³⁰	\$ 315
OPT20204-L-105	OPT 20204-L-XXX Vertical grab bar on left wall Available colours: White (002), Chrome (084) and Brushed Nickel (105)	\$ 315
OPT20204-L-002	Available colours: White (002), Chrome (084) and Brushed Nickel (105)	\$ 315
OPT20204-R-002	24 in. Modern straight grab bar ³⁰	\$ 315
OPT20204-R-084	OPT 20204-R-XXX Vertical grab bar on right wall Available colours: White (002), Chrome (084) and Brushed Nickel (105)	\$ 315
OPT20204-R-105	Available colours: White (002), Chrome (084) and Brushed Nickel (105)	\$ 315
145040-000-002-095	Shower base only with PIN system	\$ 1070
145040-000-002-094	145040-R-000-XXX Right seat, left drain 145040-L-000-XXX Left seat, right drain	\$ 1070
145040-000-002-093	145040-000-XXX No seat, center drain	\$ 1070
145048-000-002-090	Side walls (right and left) for KDTS 2954, KDTS 3060 and KDS 3060	\$ 647
145061-000-002-090	Back wall for KDTS 3060, KDTS 3260, KDS 3060 and KDS 3460 ²⁸	\$ 659

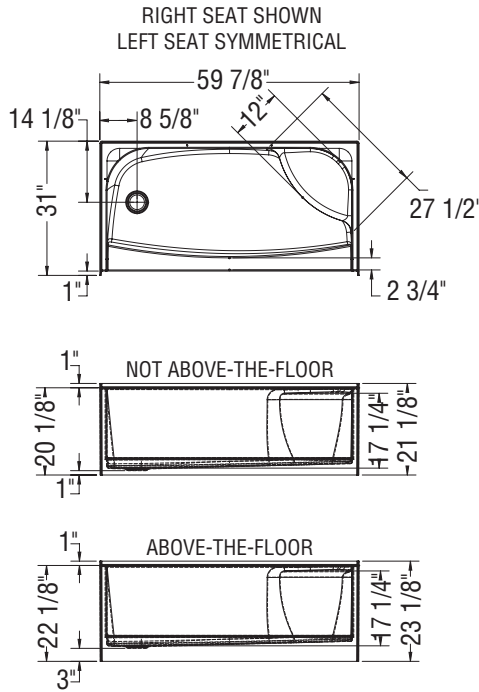
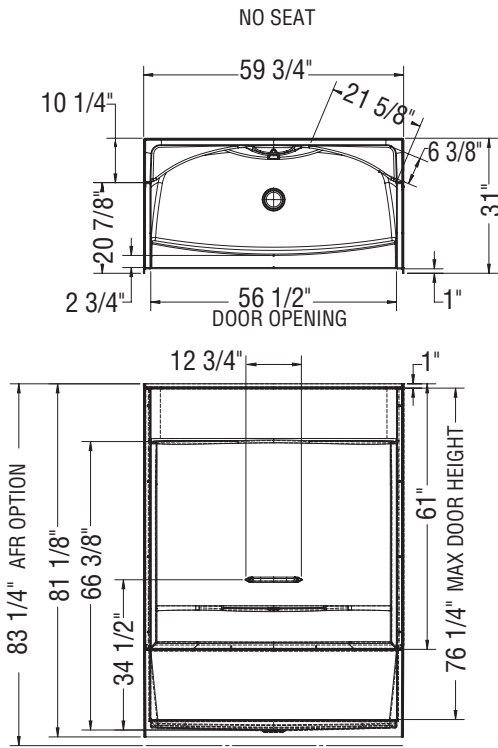
FOOTNOTES

No	Description
28	Handles for standard colour units are colour-coordinated. Handles with metallic finish can be added (additional charge applies). For non-standard colour units, please specify handle colour (additional charge applies for metallic finishes).
30	Please see technical drawings on https://www.maax.com for grab bar and/or seat positioning.
33	Please see technical drawings on https://www.maax.com for reinforcement positioning and size.

RECOMMENDED DOORS - VISIT OUR WEBSITE FOR A COMPLETE LIST OF RECOMMENDED DOORS

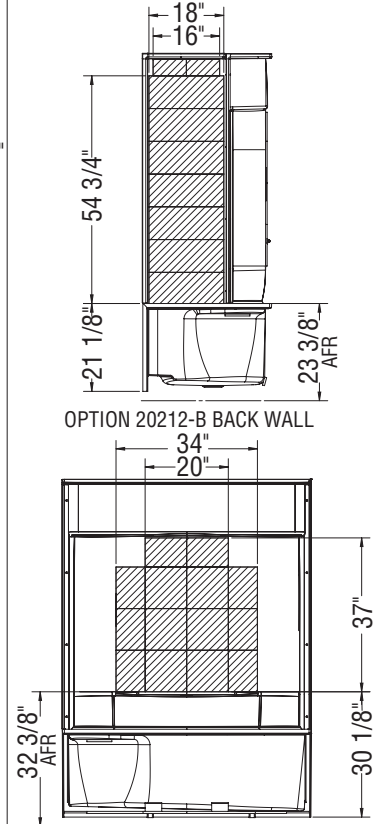
SKU	Product Name	Pag.
138276	Manhattan 55-57 x 68 - 6mm	763
139353	Incognito 70 56-59 x 70 ½ - 8mm	721
139350	Incognito 56-59 x 70 ½ in. 6mm	719
135694	Revelation Square 56-59 x 70 ½-73 - 8mm	739
136691	Revelation Round 56-59 x 70 ½-73 - 6mm	733
135691	Revelation Square 56-59 x 70 ½-73 - 6mm	737

STANDARD

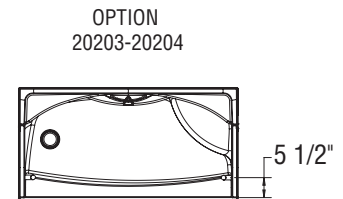
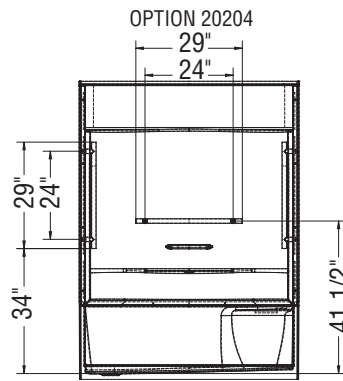
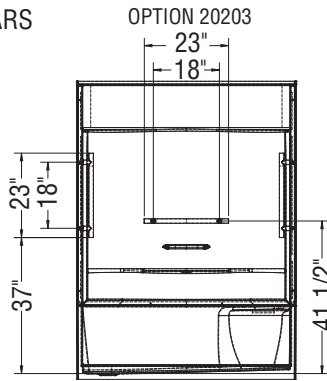


REINFORCEMENT BACKING

OPTION 20212-R RIGHT WALL SHOWN
OPTION 20212-L LEFT WALL SYMMETRICAL



GRAB BARS

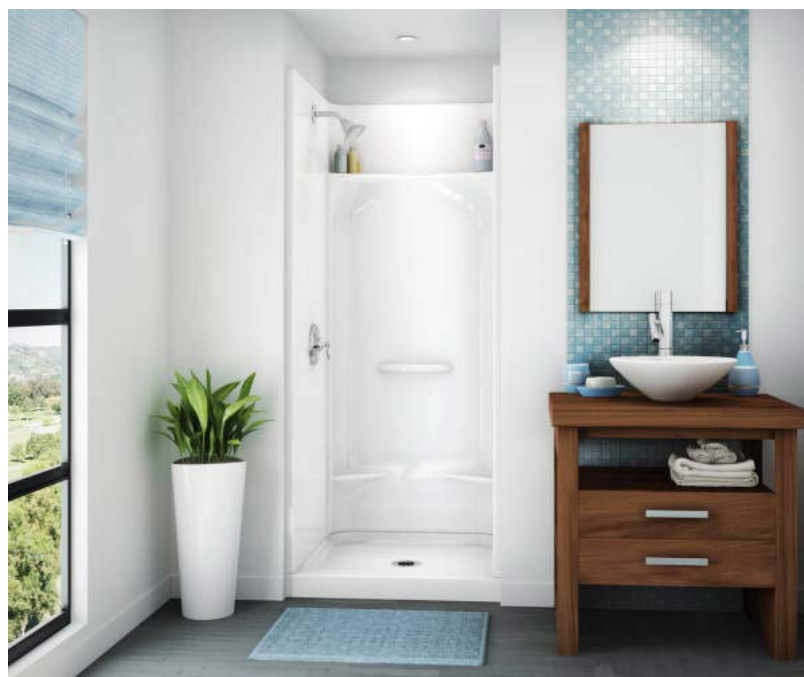


All dimensions are approximate. Structure measurements must be verified against the unit to ensure proper fit.



KDS 3232

ALCOVE SHOWERS - ACRYLX



Material : AcrylX

Features

- › Product available with Above-the-Floor Rough
- › 4-piece shower with low threshold base
- › Large top corner shelves, convenient footrests and acrylic handle ²⁸
- › Center drain
- › Unique feature: PIN system for easy front installation
- › All grab bars can support up to 300 lbs

KDS 3232 - 145018

SKU	Color	Configuration	Dimensions & Weight	Packaging	MSRP
145018-000-002-093	White	Center	31 7/8" x 32" x 76" / 122 lb / 55 kg	52 ft ³	\$ 1802

KDS 3232 AFR - 145019

SKU	Color	Configuration	Dimensions & Weight	Packaging	MSRP
145019-000-002-593	White	Center	31 7/8" x 32" x 79 1/2" / 122 lb / 55 kg	52 ft ³	\$ 1802

COMMON OPTIONS

SKU	Description	MSRP
OPT20212-L	Left Wall reinforcement for future grab installation ³³	\$ 100
OPT20212-R	Right Wall reinforcement for future grab installation ³³	\$ 100
OPT10109-084	Metallic finish handle replacing Acrylic handle	\$ 345
OPT10109-105	Available colors: Chrome (084) and Brushed Nickel (105)	\$ 345
OPT20203-B-002	18 in. Modern straight grab bar ³⁰	\$ 269
OPT20203-B-105	OPT 20203-B-XXX Horizontal grab bar on back wall	\$ 269
OPT20203-B-084	Available colours: White (002), Chrome (084) and Brushed Nickel (105)	\$ 269
OPT20203-L-105	18 in. Modern straight grab bar ³⁰ OPT 20203-L-XXX Vertical grab bar on left wall Available colours: White (002), Chrome (084) and Brushed Nickel (105)	\$ 269

COMMON OPTIONS

SKU	Description	MSRP
OPT20203-L-002	18 in. Modern straight grab bar ³⁰	\$ 269
OPT20203-L-084	OPT 20203-L-XXX Vertical grab bar on left wall Available colours: White (002), Chrome (084) and Brushed Nickel (105)	\$ 269
OPT20203-R-084	18 in. Modern straight grab bar ³⁰	\$ 269
OPT20203-R-002	OPT 20203-R-XXX Vertical grab bar on right wall Available colours: White (002), Chrome (084) and Brushed Nickel (105)	\$ 269
OPT20203-R-105	18 in. Modern straight grab bar ³⁰	\$ 269
OPT20204-L-084	24 in. Modern straight grab bar ³⁰	\$ 315
OPT20204-L-105	OPT 20204-L-XXX Vertical grab bar on left wall Available colours: White (002), Chrome (084) and Brushed Nickel (105)	\$ 315
OPT20204-L-002	24 in. Modern straight grab bar ³⁰	\$ 315
OPT20204-R-002	24 in. Modern straight grab bar ³⁰	\$ 315
OPT20204-R-084	OPT 20204-R-XXX Vertical grab bar on right wall Available colours: White (002), Chrome (084) and Brushed Nickel (105)	\$ 315
OPT20204-R-105	24 in. Modern straight grab bar ³⁰	\$ 315
OPT20212-B	Back Wall reinforcement for future grab installation ³³	\$ 100
145022-000-002-093	Shower base only with PIN system 145022-000-XXX Center drain	\$ 636
145054-000-002-090	Side walls (right and left) for KDS 3232 and KDS 3636	\$ 649
145062-000-002-090	Back wall for KDS 3232 ²⁸	\$ 518

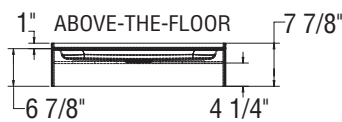
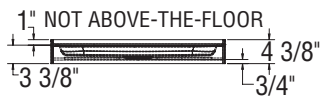
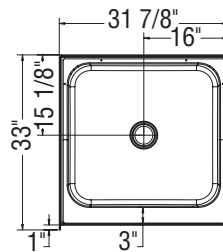
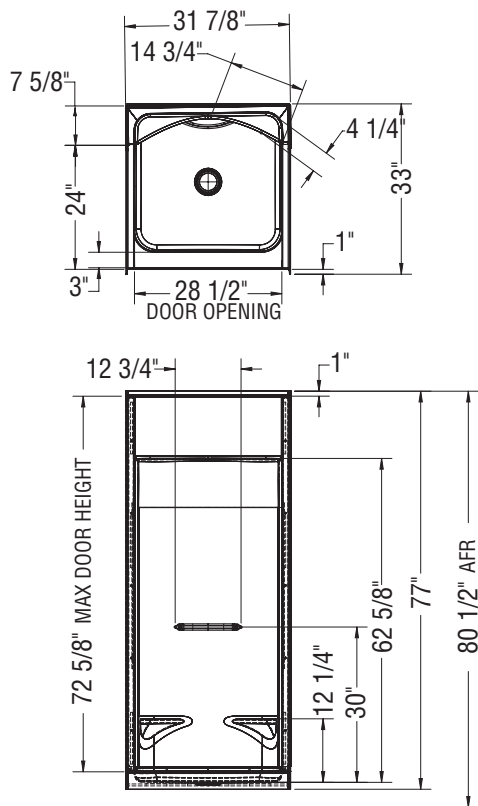
FOOTNOTES

No	Description
28	Handles for standard colour units are colour-coordinated. Handles with metallic finish can be added (additional charge applies). For non-standard colour units, please specify handle colour (additional charge applies for metallic finishes).
30	Please see technical drawings on https://www.maax.com for grab bar and/or seat positioning.
33	Please see technical drawings on https://www.maax.com for reinforcement positioning and size.

RECOMMENDED DOORS - VISIT OUR WEBSITE FOR A COMPLETE LIST OF RECOMMENDED DOORS

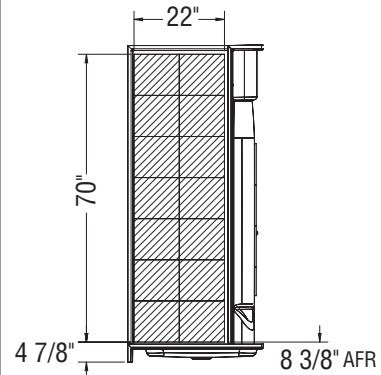
SKU	Product Name	Pag.
138262	Manhattan 27-29 x 68 - 6mm	757
105416	Madono 28 ½-30 ½ x 67 - 6mm	754
136635	Pivolok 27-28 ¾ x 64 ½ in.	767

STANDARD

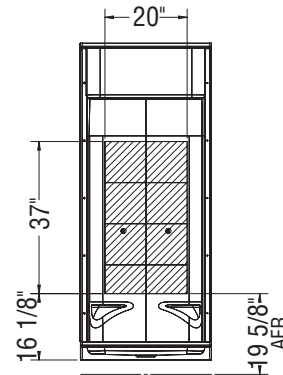


REINFORCEMENT BACKING

OPTION 20212-R RIGHT WALL SHOWN
OPTION 20212-L LEFT WALL SYMMETRICAL

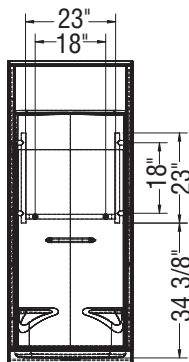


OPTION 20212-B BACK WALL

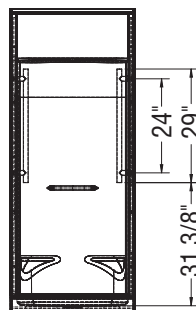


GRAB BARS

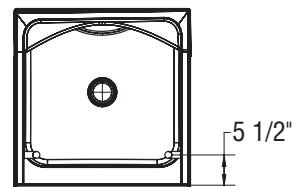
OPTION 20203



OPTION 20204



OPTION 20203-20204



All dimensions are approximate. Structure measurements must be verified against the unit to ensure proper fit.



KDS 3448



Material : AcrylX

Features

- › Product also available with Above-the-Floor Rough
- › 4-piece shower with low threshold base
- › Large top corner shelves, convenient footrests and acrylic handle ²⁸
- › Right seat, left seat or no seat configuration
- › Unique feature: PIN system for easy front installation
- › All grab bars can support up to 300 lbs

ALCOVE SHOWERS - ACRYLX

KDS 3448 - 145030

SKU	Color	Configuration	Dimensions & Weight	Packaging	MSRP
145030-000-002-093	White	Center	47 7/8" x 33 5/8" x 80 1/8" / 141 lb / 64 kg	83 ft ³	\$ 2254
145030-000-002-094					\$ 2254
145030-000-002-095					\$ 2254

KDS 3448 AFR - 145031

SKU	Color	Configuration	Dimensions & Weight	Packaging	MSRP
145031-000-002-593	White	Center	47 7/8" x 33 5/8" x 82 1/4" / 141 lb / 64 kg	83 ft ³	\$ 2254
145031-000-002-594					\$ 2254
145031-000-002-595					\$ 2254

COMMON OPTIONS

SKU	Description	MSRP
OPT20212-L	Left Wall reinforcement for future grab installation ³³	\$ 100
OPT20212-R	Right Wall reinforcement for future grab installation ³³	\$ 100
OPT10109-084	Metallic finish handle replacing Acrylic handle	\$ 345
OPT10109-105	Available colors: Chrome (084) and Brushed Nickel (105)	\$ 345
OPT20203-B-002	18 in. Modern straight grab bar ³⁰ OPT 20203-B-XXX Horizontal grab bar on back wall Available colours: White (002), Chrome (084) and Brushed Nickel (105)	\$ 269

COMMON OPTIONS

SKU	Description	MSRP
OPT20203-B-105	18 in. Modern straight grab bar ³⁰	\$ 269
OPT20203-B-084	OPT 20203-B-XXX Horizontal grab bar on back wall Available colours: White (002), Chrome (084) and Brushed Nickel (105)	\$ 269
OPT20203-L-105	18 in. Modern straight grab bar ³⁰	\$ 269
OPT20203-L-002	OPT 20203-L-XXX Vertical grab bar on left wall Available colours: White (002), Chrome (084) and Brushed Nickel (105)	\$ 269
OPT20203-L-084	Available colours: White (002), Chrome (084) and Brushed Nickel (105)	\$ 269
OPT20203-R-084	18 in. Modern straight grab bar ³⁰	\$ 269
OPT20203-R-002	OPT 20203-R-XXX Vertical grab bar on right wall Available colours: White (002), Chrome (084) and Brushed Nickel (105)	\$ 269
OPT20203-R-105	Available colours: White (002), Chrome (084) and Brushed Nickel (105)	\$ 269
OPT20204-L-084	24 in. Modern straight grab bar ³⁰	\$ 315
OPT20204-L-105	OPT 20204-L-XXX Vertical grab bar on left wall Available colours: White (002), Chrome (084) and Brushed Nickel (105)	\$ 315
OPT20204-L-002	Available colours: White (002), Chrome (084) and Brushed Nickel (105)	\$ 315
OPT20204-R-002	24 in. Modern straight grab bar ³⁰	\$ 315
OPT20204-R-084	OPT 20204-R-XXX Vertical grab bar on right wall Available colours: White (002), Chrome (084) and Brushed Nickel (105)	\$ 315
OPT20204-R-105	Available colours: White (002), Chrome (084) and Brushed Nickel (105)	\$ 315
OPT20212-B	Back Wall reinforcement for future grab installation ³³	\$ 100
145035-000-002-594	Shower base only with AFR with pin system 145035-R-000-XXX Above-the-Floor Rough, Right seat, center drain	\$ 927
145035-000-002-593	145035-L-000-XXX Above-the-Floor Rough, Left seat, center drain	\$ 927
145035-000-002-595	145035-000-XXX Above-the-Floor Rough, No seat, center drain	\$ 927
145057-000-002-090	Side walls (right and left) for KDS 3448 and KDS 3460	\$ 710
145064-000-002-090	Back wall for KDS 3448 ²⁸	\$ 617

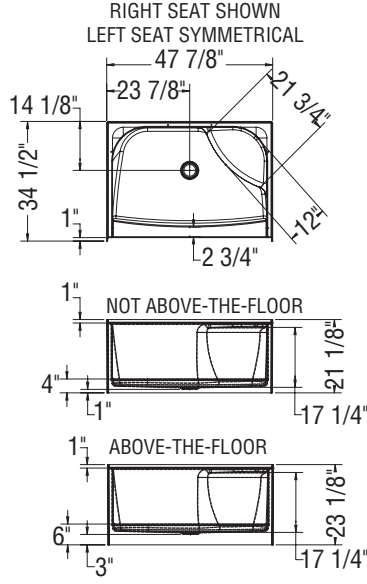
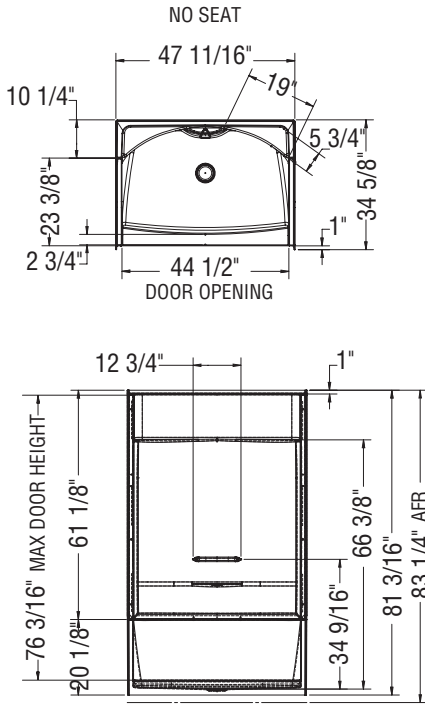
FOOTNOTES

No	Description
28	Handles for standard colour units are colour-coordinated. Handles with metallic finish can be added (additional charge applies). For non-standard colour units, please specify handle colour (additional charge applies for metallic finishes).
30	Please see technical drawings on https://www.maax.com for grab bar and/or seat positioning.
33	Please see technical drawings on https://www.maax.com for reinforcement positioning and size.

RECOMMENDED DOORS - VISIT OUR WEBSITE FOR A COMPLETE LIST OF RECOMMENDED DOORS

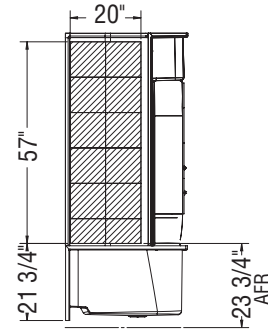
SKU	Product Name	Pag.
138270	Manhattan 43-45 x 68 - 6mm	761
139352	Incognito 70 44-47 x 70 ½ - 8mm	721
139349	Incognito 44-47 x 70 ½ in. 6mm	719
136690	Revelation Round 44-47 x 70 ½-73 - 6mm	733
135693	Revelation Square 44-47 x 70 ½-73 - 8mm	739
136693	Revelation Round 44-47 x 70 ½-73 - 8mm	735
135690	Revelation Square 44-47 x 70 ½-73 - 6mm	737
135235	Connect Pro 43 ½-45 x 76 - 6mm	787

STANDARD

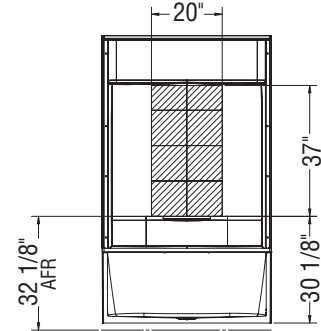


REINFORCEMENT BACKING

OPTION 20212-R RIGHT WALL SHOWN
OPTION 20212-L LEFT WALL SYMMETRICAL

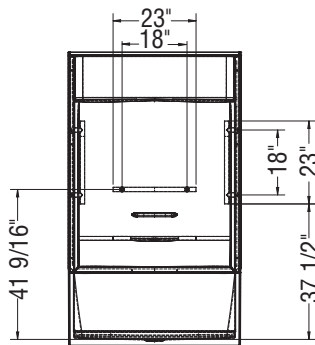


OPTION 20212-B BACK WALL

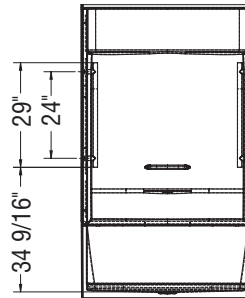


GRAB BARS

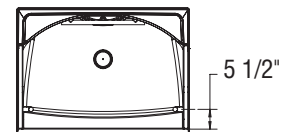
OPTION 20203



OPTION 20204



OPTION
20203-20204



All dimensions are approximate. Structure measurements must be verified against the unit to ensure proper fit.
*Dimensions indicated on product pages exclude tiling flanges.



KDS 3460

ALCOVE SHOWERS - ACRYLX



Material : AcrylX

Features

- › Product also available with Above-the-Floor Rough
- › 4-piece shower with low threshold base
- › Large top corner shelves, wide soap dish and standard acrylic handle ²⁸
- › Right seat, left seat or no seat configuration
- › Unique feature: PIN system for easy front installation
- › All grab bars can support up to 300 lbs

KDS 3460 - 145042

SKU	Color	Configuration	Dimensions & Weight	Packaging	MSRP
145042-000-002-093	White	Center	59 3/4" x 33 1/2" x 80 1/8" / 155 lb / 70 kg	105 ft ³	\$ 2491
145042-000-002-094		Right			\$ 2491
145042-000-002-095		Left			\$ 2491

KDS 3460 AFR - 145043

SKU	Color	Configuration	Dimensions & Weight	Packaging	MSRP
145043-000-002-593	White	Center	59 3/4" x 33 1/2" x 82 1/8" / 155 lb / 70 kg	105 ft ³	\$ 2491
145043-000-002-594		Right			\$ 2491
145043-000-002-595		Left			\$ 2491

COMMON OPTIONS

SKU	Description	MSRP
OPT20212-B	Back Wall reinforcement for future grab installation ³³	\$ 100
OPT20212-L	Left Wall reinforcement for future grab installation ³³	\$ 100
OPT20212-R	Right Wall reinforcement for future grab installation ³³	\$ 100
OPT10109-084	Metallic finish handle replacing Acrylic handle Available colors: Chrome (084) and Brushed Nickel (105)	\$ 345
OPT10109-105		\$ 345
OPT20203-B-002	18 in. Modern straight grab bar ³⁰ OPT 20203-B-XXX Horizontal grab bar on back wall Available colours: White (002), Chrome (084) and Brushed Nickel (105)	\$ 269

COMMON OPTIONS

SKU	Description	MSRP
OPT20203-B-105	18 in. Modern straight grab bar ³⁰	\$ 269
OPT20203-B-084	OPT 20203-B-XXX Horizontal grab bar on back wall Available colours: White (002), Chrome (084) and Brushed Nickel (105)	\$ 269
OPT20203-L-105	18 in. Modern straight grab bar ³⁰	\$ 269
OPT20203-L-002	OPT 20203-L-XXX Vertical grab bar on left wall Available colours: White (002), Chrome (084) and Brushed Nickel (105)	\$ 269
OPT20203-L-084	18 in. Modern straight grab bar ³⁰	\$ 269
OPT20203-R-084	18 in. Modern straight grab bar ³⁰	\$ 269
OPT20203-R-002	OPT 20203-R-XXX Vertical grab bar on right wall Available colours: White (002), Chrome (084) and Brushed Nickel (105)	\$ 269
OPT20203-R-105	18 in. Modern straight grab bar ³⁰	\$ 269
OPT20204-B-002	24 in. Modern straight grab bar ³⁰	\$ 315
OPT20204-B-084	OPT 20204-B-XXX Horizontal grab bar on back wall Available colours: White (002), Chrome (084) and Brushed Nickel (105)	\$ 315
OPT20204-B-105	24 in. Modern straight grab bar ³⁰	\$ 315
OPT20204-L-084	24 in. Modern straight grab bar ³⁰	\$ 315
OPT20204-L-105	OPT 20204-L-XXX Vertical grab bar on left wall Available colours: White (002), Chrome (084) and Brushed Nickel (105)	\$ 315
OPT20204-L-002	24 in. Modern straight grab bar ³⁰	\$ 315
OPT20204-R-002	24 in. Modern straight grab bar ³⁰	\$ 315
OPT20204-R-084	OPT 20204-R-XXX Vertical grab bar on right wall Available colours: White (002), Chrome (084) and Brushed Nickel (105)	\$ 315
OPT20204-R-105	24 in. Modern straight grab bar ³⁰	\$ 315
145047-000-002-593	Shower base only with AFR with PIN system 145047-R-000-XXX Above-the-Floor Rough, Right seat, left drain	\$ 1123
145047-000-002-594	145047-L-000-XXX Above-the-Floor Rough, Left seat, right drain	\$ 1123
145047-000-002-595	145047-000-XXX Above-the-Floor Rough, No seat, center drain	\$ 1123
145057-000-002-090	Side walls (right and left) for KDS 3448 and KDS 3460	\$ 710
145061-000-002-090	Back wall for KDTS 3060, KDTS 3260, KDS 3060 and KDS 3460 ²⁸	\$ 659

FOOTNOTES

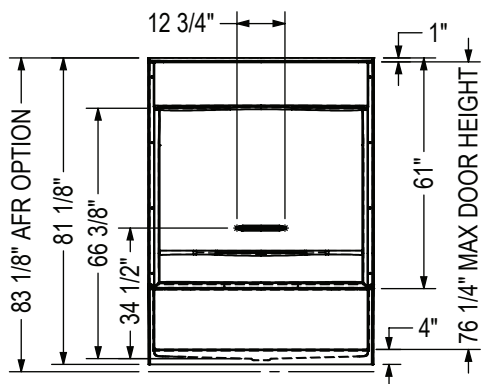
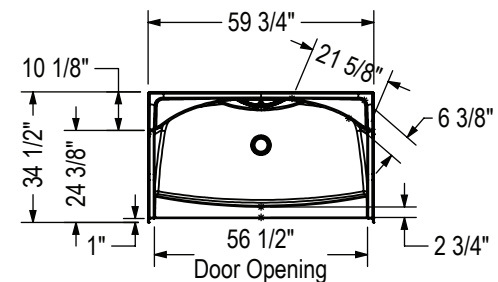
No	Description
28	Handles for standard colour units are colour-coordinated. Handles with metallic finish can be added (additional charge applies). For non-standard colour units, please specify handle colour (additional charge applies for metallic finishes).
30	Please see technical drawings on https://www.maax.com for grab bar and/or seat positioning.
33	Please see technical drawings on https://www.maax.com for reinforcement positioning and size.

RECOMMENDED DOORS - VISIT OUR WEBSITE FOR A COMPLETE LIST OF RECOMMENDED DOORS

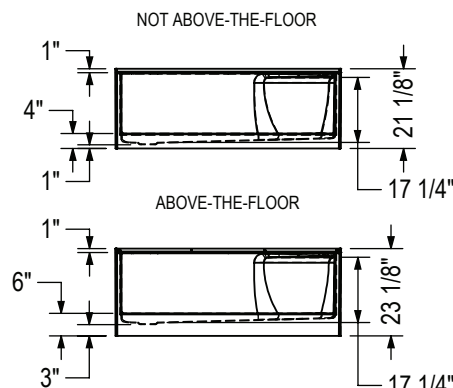
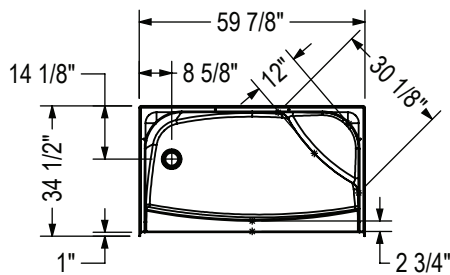
SKU	Product Name	Pag.
138276	Manhattan 55-57 x 68 - 6mm	763
139353	Incognito 70 56-59 x 70 ½ - 8mm	721
139350	Incognito 56-59 x 70 ½ in. 6mm	719
135694	Revelation Square 56-59 x 70 ½-73 - 8mm	739
136691	Revelation Round 56-59 x 70 ½-73 - 6mm	733

STANDARD

NO SEAT

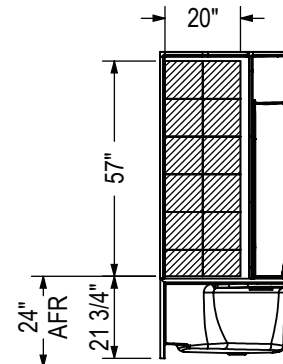


RIGHT SEAT SHOWN
LEFT SEAT SYMMETRICAL

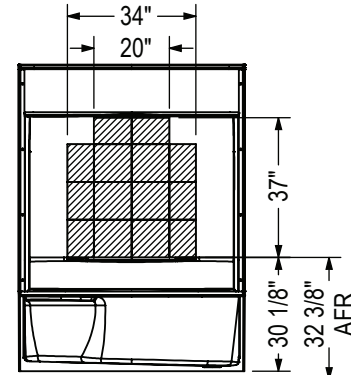


REINFORCEMENT BACKING

OPTION 20212-R RIGHT WALL SHOWN
OPTION 20212-L LEFT WALL SYMMETRICAL

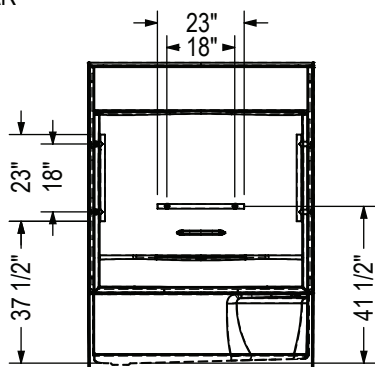


OPTION 20212-B BACK WALL

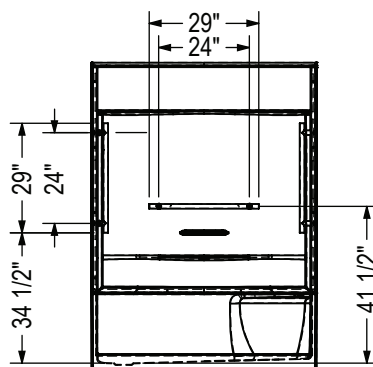


GRAB BAR

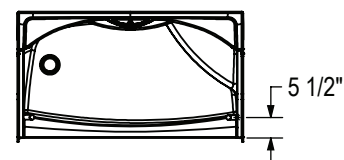
OPTION 20203



OPTION 20204



OPTION
20203-20204



All dimensions are approximate. Structure measurements must be verified against the unit to ensure proper fit.

KDS 3636



Material : AcrylX

Features

- › Product also available with Above-the-Floor Rough
- › 4-piece shower with low threshold base
- › Large top corner shelves, convenient footrest and acrylic handle ²⁸
- › Center drain
- › Unique feature: PIN system for easy front installation
- › All grab bars can support up to 300 lbs

ALCOVE SHOWERS - ACRYLX

KDS 3636 - 145024

SKU	Color	Configuration	Dimensions & Weight	Packaging	MSRP
145024-000-002-093	White	Center	35 7/8" x 36" x 76" / 132 lb / 60 kg	64 ft ³	\$ 2010

KDS 3636 AFR - 145025

SKU	Color	Configuration	Dimensions & Weight	Packaging	MSRP
145025-000-002-593	White	Center	35 7/8" x 36" x 79 1/2" / 132 lb / 60 kg	64 ft ³	\$ 2010

COMMON OPTIONS

SKU	Description	MSRP
OPT20204-R-002	24 in. Modern straight grab bar ³⁰	\$ 315
OPT20204-R-084	OPT 20204-R-XXX Vertical grab bar on right wall	\$ 315
OPT20204-R-105	Available colours: White (002), Chrome (084) and Brushed Nickel (105)	\$ 315
OPT20212-B	Back Wall reinforcement for future grab installation ³³	\$ 100
OPT20212-L	Left Wall reinforcement for future grab installation ³³	\$ 100
OPT20212-R	Right Wall reinforcement for future grab installation ³³	\$ 100
OPT10109-084	Metallic finish handle replacing Acrylic handle	\$ 345
OPT10109-105	Available colors: Chrome (084) and Brushed Nickel (105)	\$ 345
OPT20203-B-002	18 in. Modern straight grab bar ³⁰ OPT 20203-B-XXX Horizontal grab bar on back wall Available colours: White (002), Chrome (084) and Brushed Nickel (105)	\$ 269

COMMON OPTIONS

SKU	Description	MSRP
OPT20203-B-105	18 in. Modern straight grab bar ³⁰	\$ 269
OPT20203-B-084	OPT 20203-B-XXX Horizontal grab bar on back wall Available colours: White (002), Chrome (084) and Brushed Nickel (105)	\$ 269
OPT20203-L-105	18 in. Modern straight grab bar ³⁰	\$ 269
OPT20203-L-002	OPT 20203-L-XXX Vertical grab bar on left wall Available colours: White (002), Chrome (084) and Brushed Nickel (105)	\$ 269
OPT20203-L-084		\$ 269
OPT20203-R-084	18 in. Modern straight grab bar ³⁰	\$ 269
OPT20203-R-002	OPT 20203-R-XXX Vertical grab bar on right wall Available colours: White (002), Chrome (084) and Brushed Nickel (105)	\$ 269
OPT20203-R-105		\$ 269
OPT20204-L-084	24 in. Modern straight grab bar ³⁰	\$ 315
OPT20204-L-105	OPT 20204-L-XXX Vertical grab bar on left wall Available colours: White (002), Chrome (084) and Brushed Nickel (105)	\$ 315
OPT20204-L-002		\$ 315
145029-000-002-593	Shower base only with AFR and PIN system 145029-000-XXX Above-the-Floor Rough, Center drain	\$ 712
145054-000-002-090	Side walls (right and left) for KDS 3232 and KDS 3636	\$ 649
145063-000-002-090	Back wall for KDS 3636 ²⁸	\$ 649

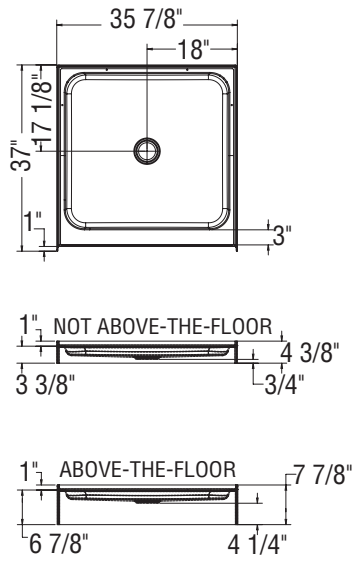
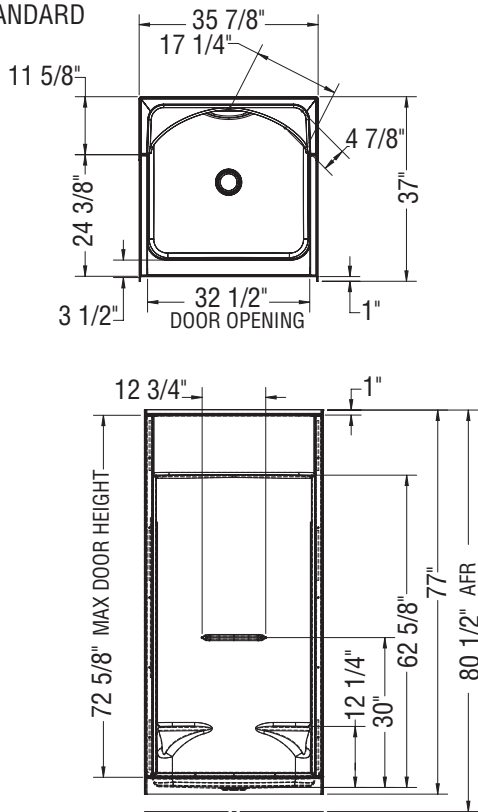
FOOTNOTES

No	Description
28	Handles for standard colour units are colour-coordinated. Handles with metallic finish can be added (additional charge applies). For non-standard colour units, please specify handle colour (additional charge applies for metallic finishes).
30	Please see technical drawings on https://www.maax.com for grab bar and/or seat positioning.
33	Please see technical drawings on https://www.maax.com for reinforcement positioning and size.

RECOMMENDED DOORS - VISIT OUR WEBSITE FOR A COMPLETE LIST OF RECOMMENDED DOORS

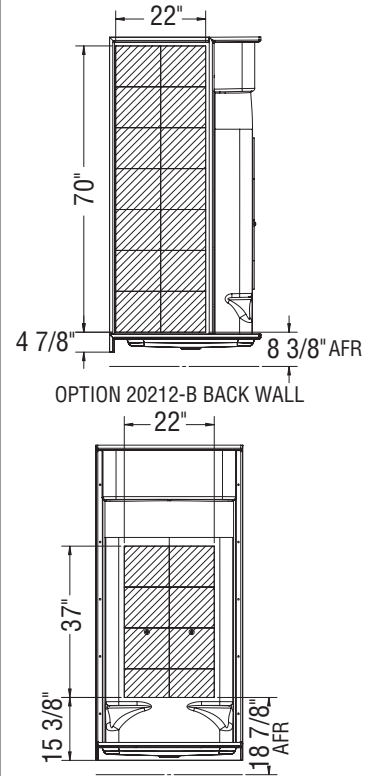
SKU	Product Name	Pag.
136655	Pivolok 31-32 ¾ x 64 ½ in.	767

STANDARD



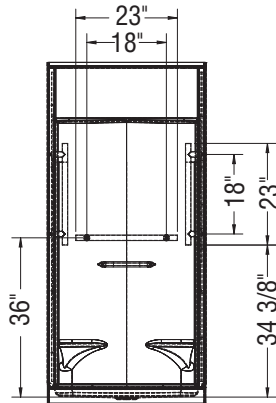
REINFORCEMENT BACKING

OPTION 20212-R RIGHT WALL SHOWN
OPTION 20212-L LEFT WALL SYMMETRICAL

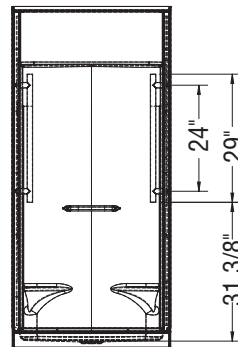


GRAB BARS

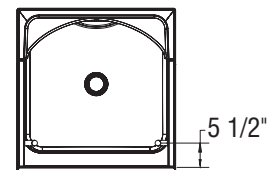
OPTION 20203



OPTION 20204



OPTION 20203-20204



All dimensions are approximate. Structure measurements must be verified against the unit to ensure proper fit.

SS32



ALCOVE SHOWERS - ACRYLX



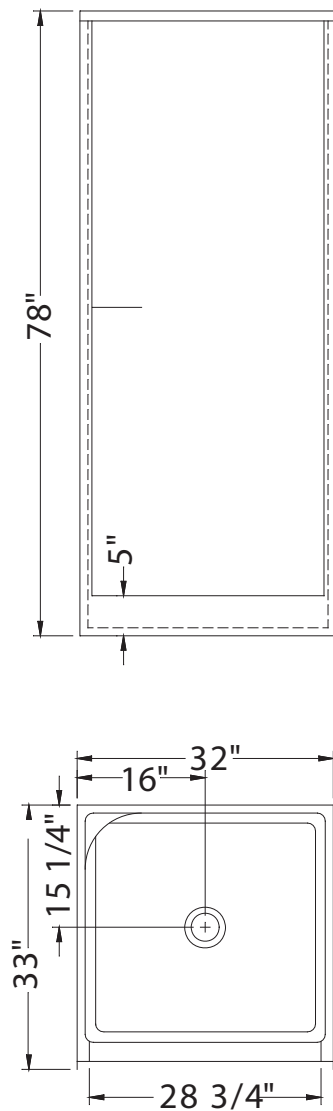
Material : AcrylX

Features

- > 1-piece shower without roof cap
- > Integrated shelf
- > Center drain

SS32 - 140085					
SKU	Color	Configuration	Dimensions & Weight	Packaging	MSRP
140085-000-002-000	White	Center	32" x 33" x 78" / 102 lb / 46 kg	55 ft ³	\$ 1816

RECOMMENDED DOORS - VISIT OUR WEBSITE FOR A COMPLETE LIST OF RECOMMENDED DOORS		
SKU	Product Name	Pag.
138262	Manhattan 27-29 x 68 - 6mm	757
105416	Madono 28 ½-30 ½ x 67 - 6mm	754
136635	Pivolok 27-28 ¾ x 64 ½ in.	767



All dimensions are approximate. Structure measurements must be verified against the unit to ensure proper fit.

SS3260



ALCOVE SHOWERS - ACRYLX



Material : AcrylX

Features

- › Made of AcrylX™ applied acrylic for improved durability
- › Walls designed to facilitate the addition of grab bars
- › Slip-resistant textured bottom for additional safety
- › Built-in shelves provide generous storage space, making it easy to keep bathing essentials organized
- › Full length built-in storage solution without having the need to alter the wall stud structure
- › Integrated seating option on either the right or left side, ensuring optimal comfort
- › One-piece construction that allows for an easy installation and maintenance
- › Integrated tiling flange for an effective installation
- › 3.5 in. threshold for an effortless access

SS3260 - 107106					
SKU	Color	Configuration	Dimensions & Weight	Packaging	MSRP
107106-000-002-001	White	Center	60" x 33" x 78" / 115 lb / 52 kg	90.59 ft³	\$ 2501
107106-000-002-002					\$ 2501

COMMON OPTIONS		
SKU	Description	MSRP
OPT20203-B-002	18 in. Modern straight grab bar ³⁰	\$ 269
OPT20203-B-105	OPT 20203-B-XXX Horizontal grab bar on back wall	\$ 269
OPT20203-B-084	Available colours: White (002), Chrome (084) and Brushed Nickel (105)	\$ 269
OPT20203-L-105	18 in. Modern straight grab bar ³⁰	\$ 269
OPT20203-L-002	OPT 20203-L-XXX Vertical grab bar on left wall	\$ 269
OPT20203-L-084	Available colours: White (002), Chrome (084) and Brushed Nickel (105)	\$ 269
OPT20203-R-084	18 in. Modern straight grab bar ³⁰	\$ 269
OPT20203-R-002	OPT 20203-R-XXX Vertical grab bar on right wall	\$ 269
OPT20203-R-105	Available colours: White (002), Chrome (084) and Brushed Nickel (105)	\$ 269
OPT20204-B-002	24 in. Modern straight grab bar ³⁰	\$ 315
OPT20204-B-084	OPT 20204-B-XXX Horizontal grab bar on back wall	\$ 315
OPT20204-B-105	Available colours: White (002), Chrome (084) and Brushed Nickel (105)	\$ 315
OPT20204-L-084	24 in. Modern straight grab bar ³⁰	\$ 315
OPT20204-L-002	OPT 20204-L-XXX Vertical grab bar on left wall	\$ 315
OPT20204-L-084	Available colours: White (002), Chrome (084) and Brushed Nickel (105)	\$ 315

COMMON OPTIONS

SKU	Description	MSRP
OPT20204-L-105	24 in. Modern straight grab bar ³⁰	\$ 315
OPT20204-L-002	OPT 20204-L-XXX Vertical grab bar on left wall Available colours: White (002), Chrome (084) and Brushed Nickel (105)	\$ 315
OPT20204-R-002	24 in. Modern straight grab bar ³⁰	\$ 315
OPT20204-R-084	OPT 20204-R-XXX Vertical grab bar on right wall	\$ 315
OPT20204-R-105	Available colours: White (002), Chrome (084) and Brushed Nickel (105)	\$ 315
OPT20212-B	Back Wall reinforcement for future grab installation ³³	\$ 100
OPT20212-L	Left Wall reinforcement for future grab installation ³³	\$ 100
OPT20212-R	Right Wall reinforcement for future grab installation ³³	\$ 100

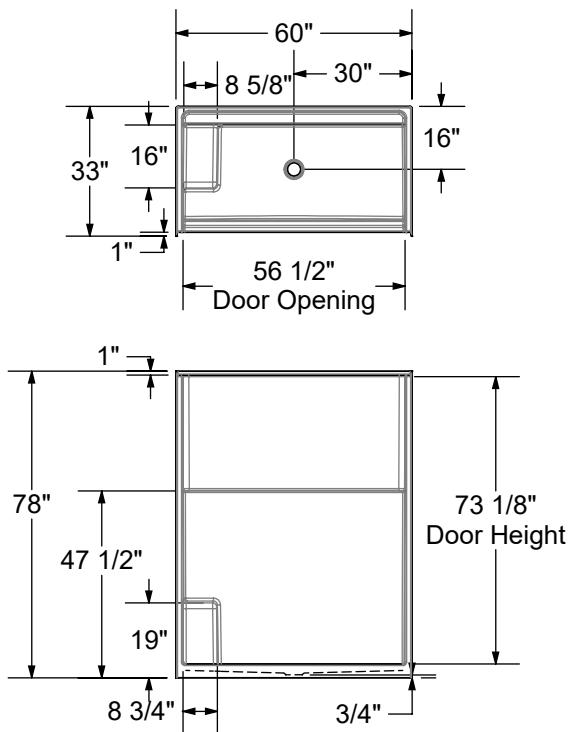
FOOTNOTES

No	Description
30	Please see technical drawings on https://www.maax.com for grab bar and/or seat positioning.
33	Please see technical drawings on https://www.maax.com for reinforcement positioning and size.

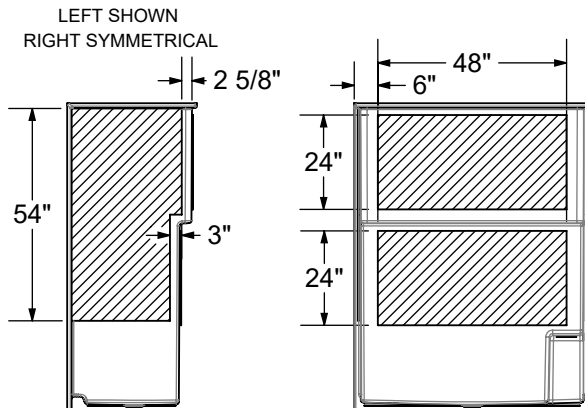
RECOMMENDED DOORS - VISIT OUR WEBSITE FOR A COMPLETE LIST OF RECOMMENDED DOORS

SKU	Product Name	Pag.
138276	Manhattan 55-57 x 68 - 6mm	763
139353	Incognito 70 56-59 x 70 ½ - 8mm	721
139350	Incognito 56-59 x 70 ½ in. 6mm	719
135694	Revelation Square 56-59 x 70 ½-73 - 8mm	739
136691	Revelation Round 56-59 x 70 ½-73 - 6mm	733
135691	Revelation Square 56-59 x 70 ½-73 - 6mm	737
136694	Revelation Round 56-59 x 70 ½-73 - 8mm	735
139580	Reveal Sleek 71 56-59 x 71 ½ - 8mm	775
134675	Kameleon SC 55-59 x 71 - 8mm	707
134572	Kameleon 55-59 x 71 - 8mm	715
134665	Kameleon SC 55-59 x 71 - 6mm	698
134565	Kameleon 55-59 x 71 - 6mm	710
138993	Luminescence 56 ½-59 x 70 ½-72 - 6mm	798
136672	Reveal 71 56-59 x 71 ½ - 8mm	771
105412	Polar 54-59 ½ x 68 in.	731

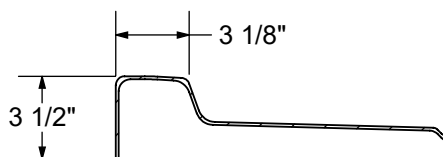
BASE MODEL



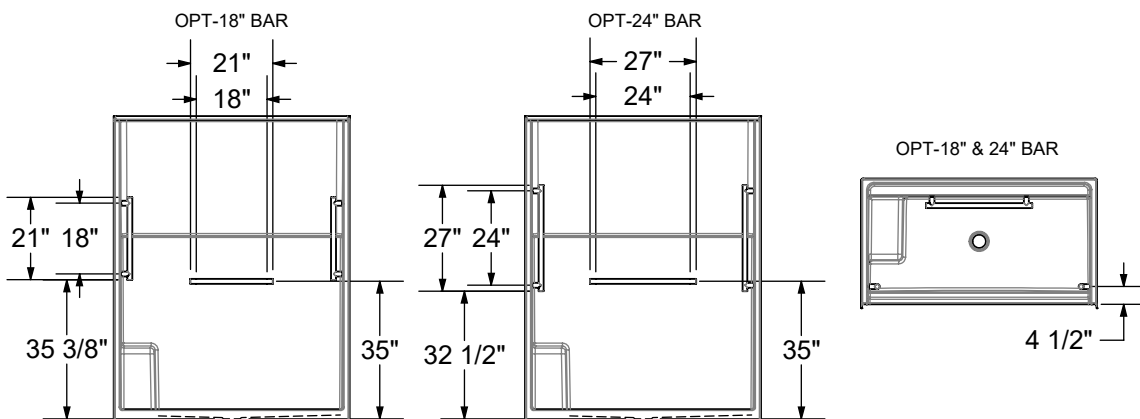
OPT - REINFORCEMENT



THRESHOLD DETAIL



OPT - GRAB BAR



- All dimensions are approximate. Structure measurements must be verified against the unit to ensure proper fit
- Installation to be completed in accordance with manufacturers specifications
- Do not scale drawings

SS3648 R/L



Material : AcrylX

Features

- > 1-piece shower without roof cap
- > Integrated seat (specify left or right) and shelves
- > Center drain

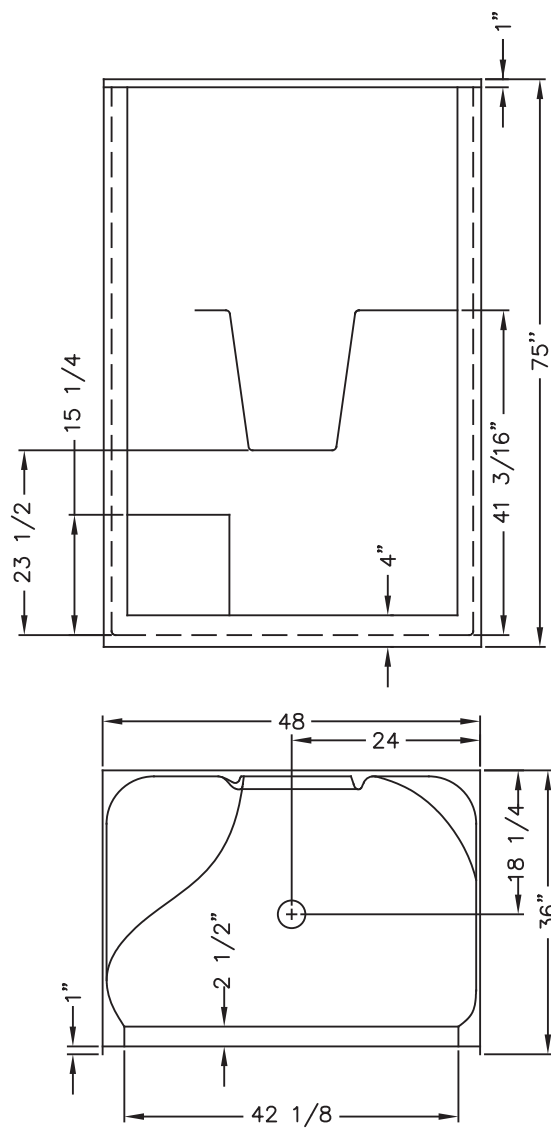
ALCOVE SHOWERS - ACRYLX

SS3648 R/L - 140087

SKU	Color	Configuration	Dimensions & Weight	Packaging	MSRP
140087-000-002-001	White	Center	48" x 36" x 75" / 115 lb / 52 kg	86 ft ³	\$ 2361
140087-000-002-002					\$ 2361

RECOMMENDED DOORS - VISIT OUR WEBSITE FOR A COMPLETE LIST OF RECOMMENDED DOORS

SKU	Product Name	Pag.
138269	Manhattan 41-43 x 68 - 6mm	761
105413	Polar 42-47 ½ x 68 in.	731



All dimensions are approximate. Structure measurements must be verified against the unit to ensure proper fit.

SS3660



Material : AcrylX

Features

- > 1-piece shower without roof cap
- > Integrated shelves and seats
- > Center drain

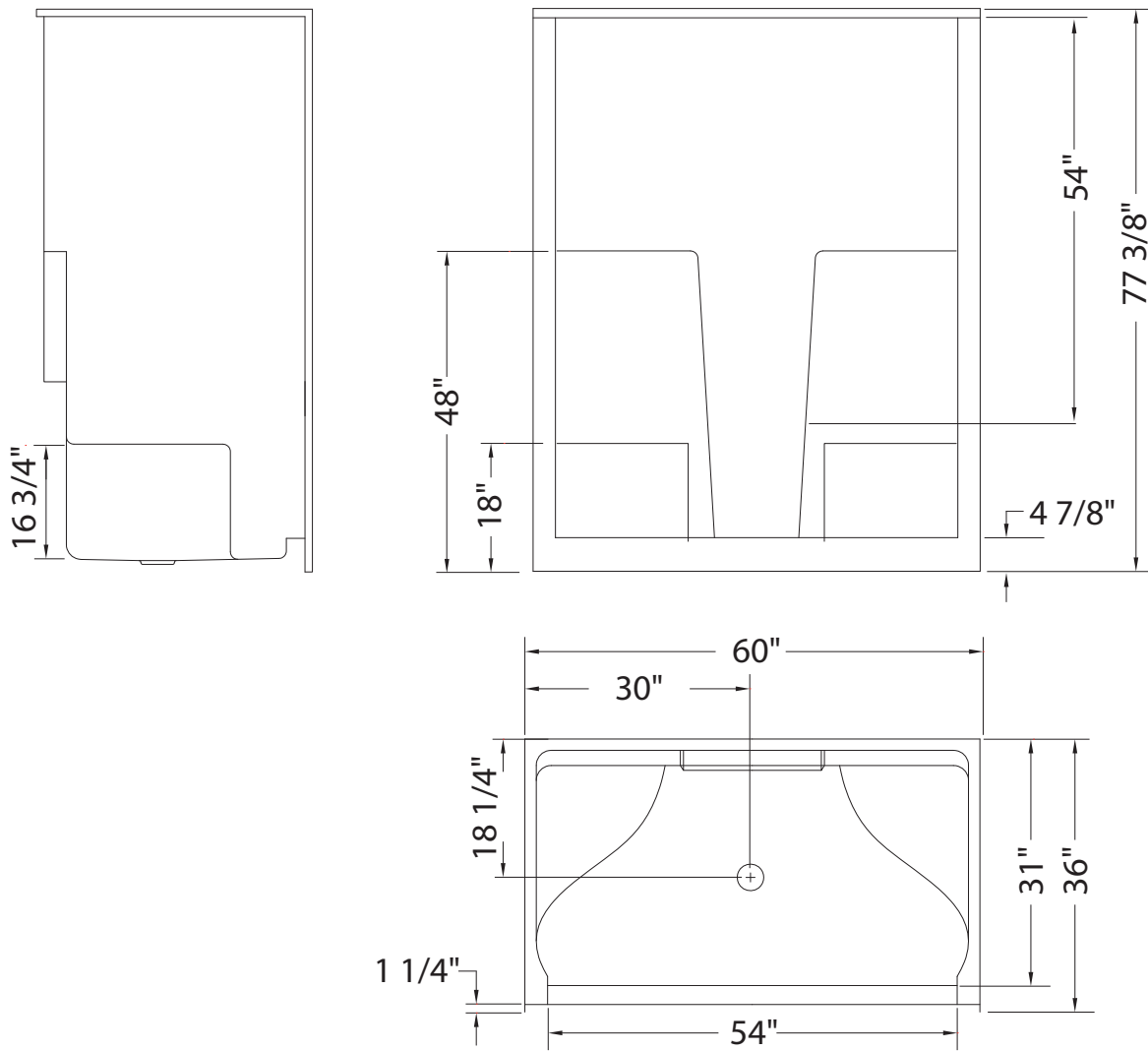
ALCOVE SHOWERS - ACRYLX

SS3660 - 140088

SKU	Color	Configuration	Dimensions & Weight	Packaging	MSRP
140088-000-002-000	White	Center	60" x 36" x 77.325" / 130 lb / 59 kg	105 ft ³	\$ 2384

RECOMMENDED DOORS - VISIT OUR WEBSITE FOR A COMPLETE LIST OF RECOMMENDED DOORS

SKU	Product Name	Pag.
138275	Manhattan 53-55 x 68 - 6mm	762
105412	Polar 54-59 ½ x 68 in.	731



All dimensions are approximate. Structure measurements must be verified against the unit to ensure proper fit.

SS3660 R/L



Material : AcrylX

Features

- > 1-piece shower without roof cap
- > Integrated shelves and seat
- > Center drain

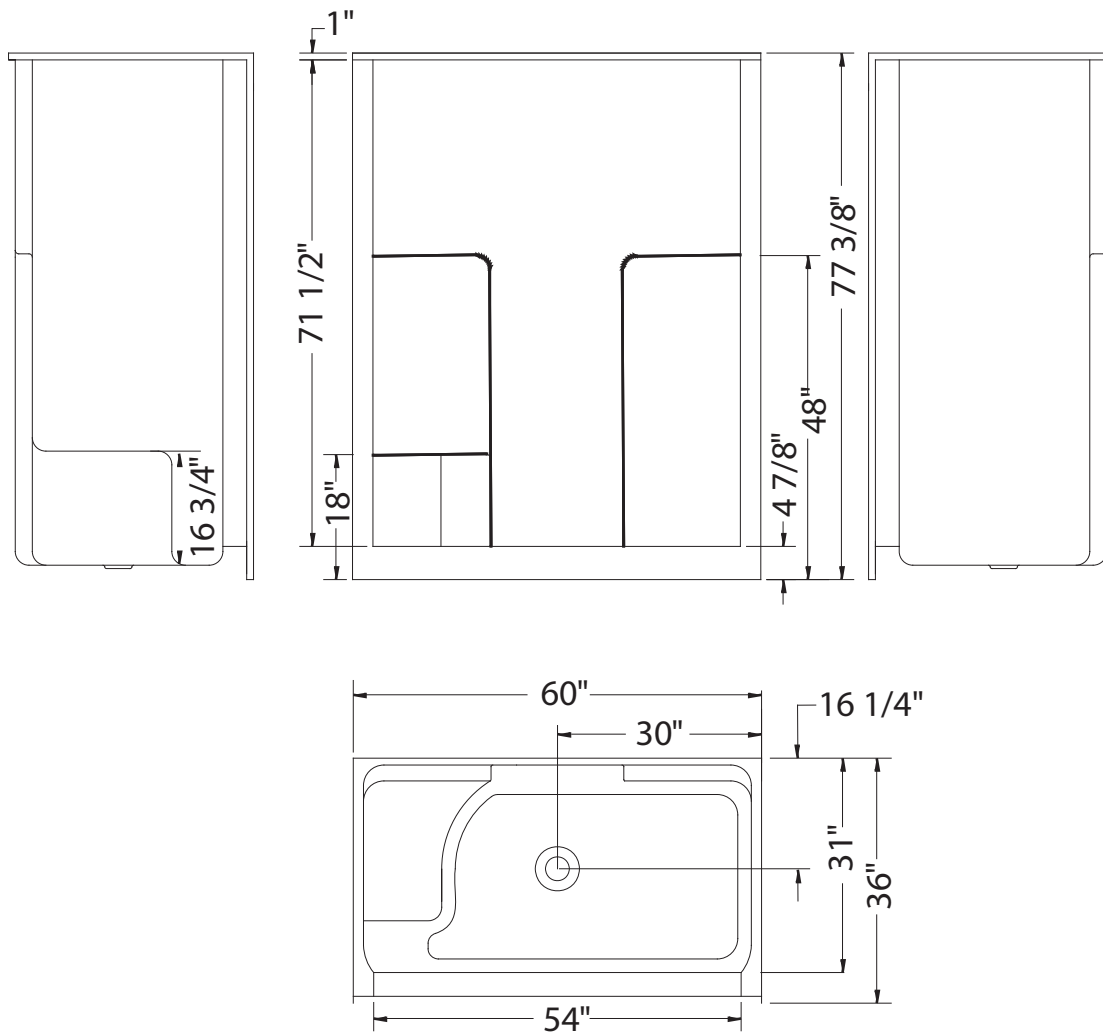
ALCOVE SHOWERS - ACRYLX

SS3660 R/L - 102676

SKU	Color	Configuration	Dimensions & Weight	Packaging	MSRP
102676-000-002-001	White	Center	60" x 36" x 77 3/8" / 130 lb / 59 kg	105 ft³	\$ 2502
102676-000-002-002					\$ 2502

RECOMMENDED DOORS - VISIT OUR WEBSITE FOR A COMPLETE LIST OF RECOMMENDED DOORS

SKU	Product Name	Pag.
138275	Manhattan 53-55 x 68 - 6mm	762
134564	Kameleon 51-55 x 71 - 6mm	713
134664	Kameleon SC 51-55 x 71 - 6mm	701
105412	Polar 54-59 ½ x 68 in.	731



All dimensions are approximate. Structure measurements must be verified against the unit to ensure proper fit.

SST3648



Material : AcrylX

Features

- > 1-piece shower without roof cap
- > Integrated seats and shelves
- > Unique feature: tile pattern finish
- > Center drain

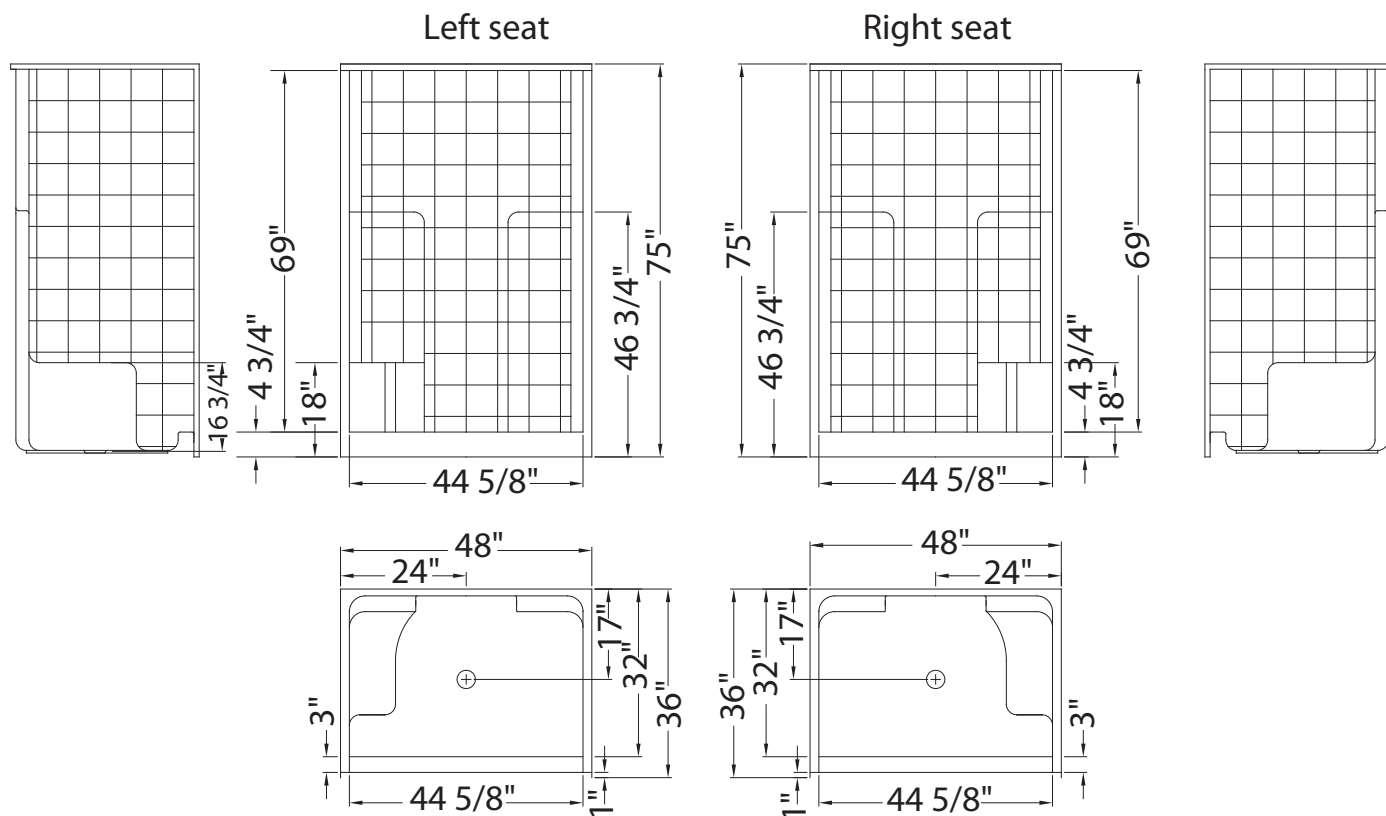
ALCOVE SHOWERS - ACRYLX

SST3648 - 140546

SKU	Color	Configuration	Dimensions & Weight	Packaging	MSRP
140546-000-002-011	White	Center	48" x 36" x 75" / 133 lb / 60 kg	101 ft ³	\$ 1553

RECOMMENDED DOORS - VISIT OUR WEBSITE FOR A COMPLETE LIST OF RECOMMENDED DOORS

SKU	Product Name	Pag.
138270	Manhattan 43-45 x 68 - 6mm	761
138950	Halo Pro 44 ½-47 x 78 ¾ - 8mm	792
135334	Incognito 76 44-47 x 76 - 8mm	727
139352	Incognito 70 44-47 x 70 ½ - 8mm	721
139349	Incognito 44-47 x 70 ½ in. 6mm	719
138460	Vela 44 ½-47 x 78 ¾ - 8mm	781
136693	Revelation Round 44-47 x 70 ½-73 - 8mm	735
135690	Revelation Square 44-47 x 70 ½-73 - 6mm	737
134563	Kameleon 43-47 x 71 - 6mm	710
135323	Uptown 44-47 x 76 in. 8 mm	802
139578	Reveal Sleek 71 44-47 x 71 ½ - 8mm	775
134571	Kameleon 43-47 x 71 - 8mm	715
135870	Nebula 44 ½-46 ½ x 78 ¾ - 8mm	779
138954	Halo Pro TB 44 ½-47 x 78 ¾ - 8mm	794
135331	Incognito 76 Shaker 44-47 x 76 - 8mm	725



All dimensions are approximate. Structure measurements must be verified against the unit to ensure proper fit.

SST3660



Material : AcrylX

Features

- > 1-piece shower without roof cap
- > Integrated shelves and seats
- > Unique feature: tile pattern finish

ALCOVE SHOWERS - ACRYLX

SST3660 - 140093

SKU	Color	Configuration	Dimensions & Weight	Packaging	MSRP
140093-000-002-000	White	Center	60" x 36" x 72" / 133 lb / 60 kg	101 ft ³	\$ 2384

COMMON OPTIONS

SKU	Description	MSRP
OPT20212-B	Back Wall reinforcement for future grab installation ³³	\$ 100
OPT20212-L	Left Wall reinforcement for future grab installation ³³	\$ 100
OPT20212-R	Right Wall reinforcement for future grab installation ³³	\$ 100

FOOTNOTES

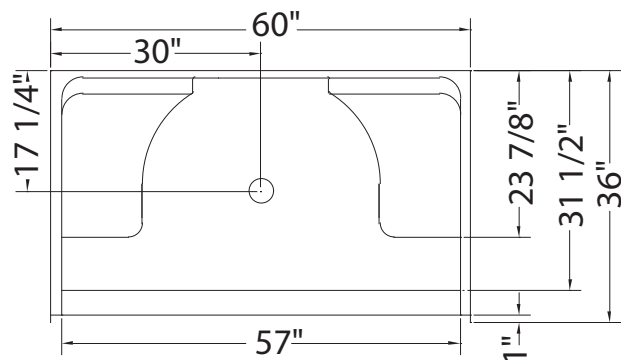
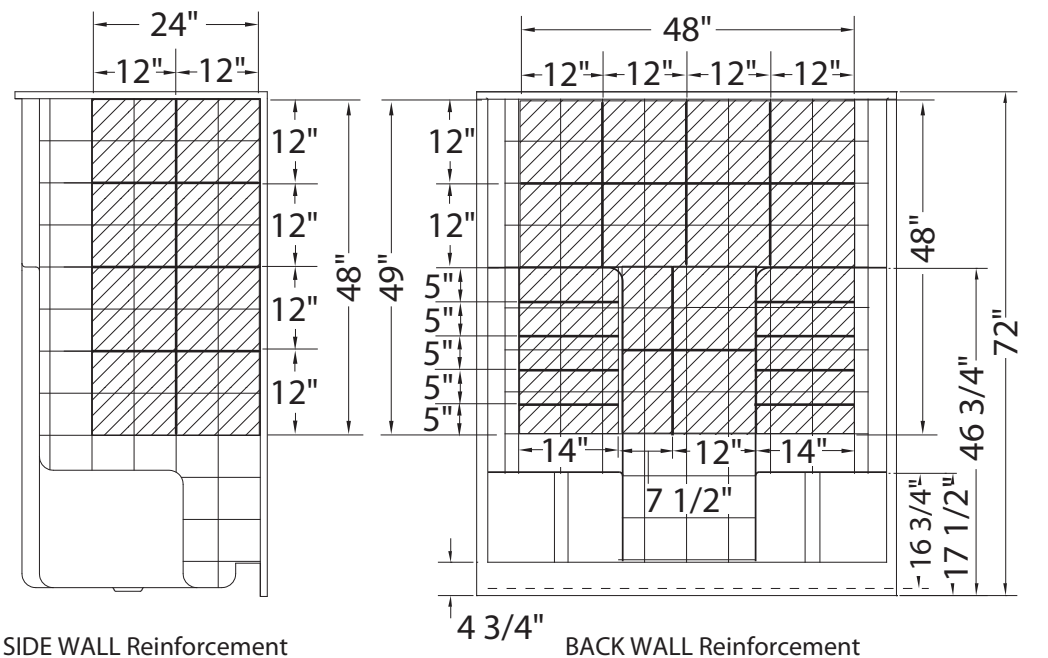
No	Description
33	Please see technical drawings on https://www.maax.com for reinforcement positioning and size.

RECOMMENDED DOORS - VISIT OUR WEBSITE FOR A COMPLETE LIST OF RECOMMENDED DOORS

SKU	Product Name	Pag.
138277	Manhattan 57-59 x 68 - 6mm	763
138997	Halo 56 ½-59 x 78 ¾ - 8mm	796
139353	Incognito 70 56-59 x 70 ½ - 8mm	721
139350	Incognito 56-59 x 70 ½ in. 6mm	719

Full Wall Reinforcement Shown

ALCOVE SHOWERS - ACRYLX



All dimensions are approximate. Structure measurements must be verified against the unit to ensure proper fit.

US36



Material : AcrylX

Features

- > 1-piece shower without roof cap
- > Integrated shelves
- > Center drain

ALCOVE SHOWERS - ACRYLX

US36 - 102613

SKU	Color	Configuration	Dimensions & Weight	Packaging	MSRP
102613-000-002-000	White	Center	36" x 36" x 79 1/4" / 112 lb / 51 kg	66 ft ³	\$ 1532

COMMON OPTIONS

SKU	Description	MSRP
OPT20212-B	Back Wall reinforcement for future grab installation ³³	\$ 100
OPT20212-L	Left Wall reinforcement for future grab installation ³³	\$ 100
OPT20212-R	Right Wall reinforcement for future grab installation ³³	\$ 100

FOOTNOTES

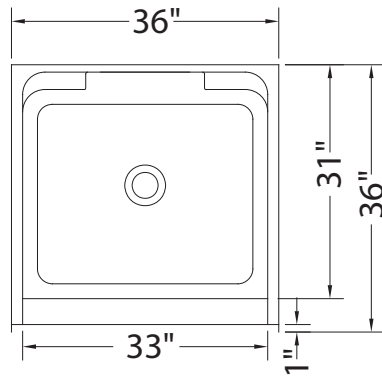
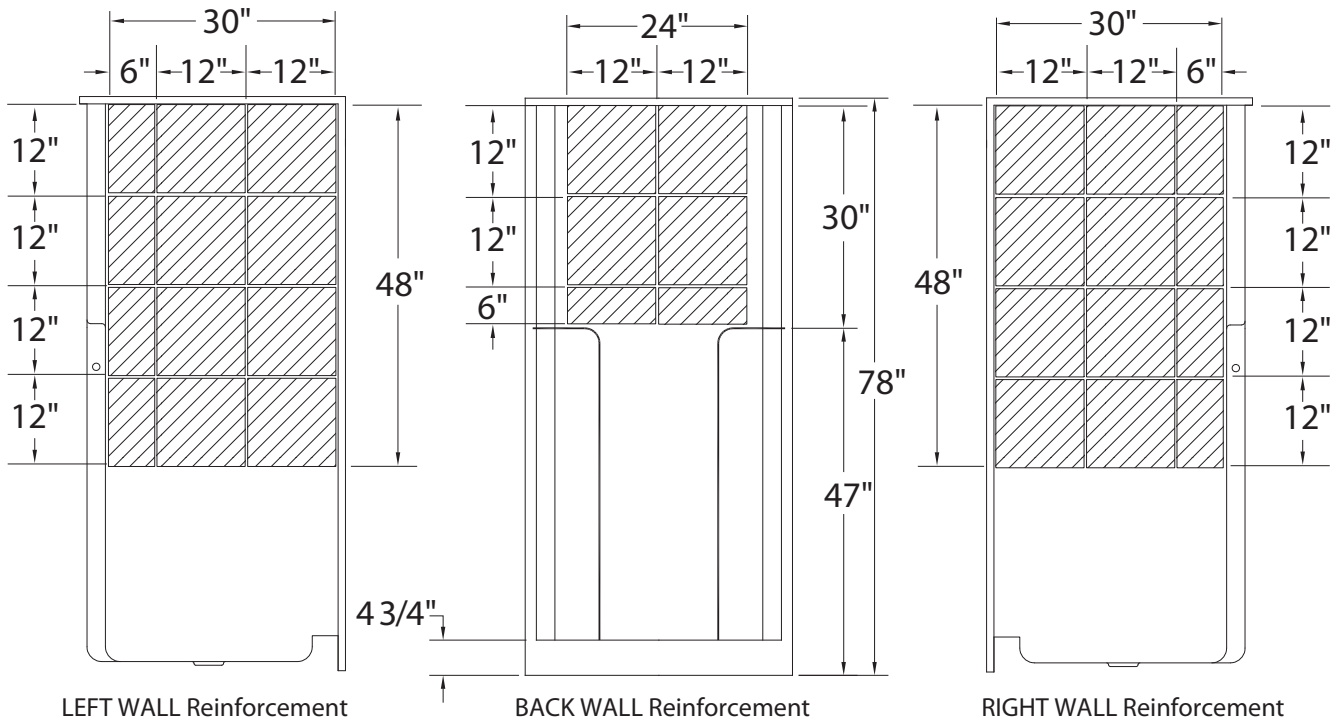
No	Description
33	Please see technical drawings on https://www.maax.com for reinforcement positioning and size.

RECOMMENDED DOORS - VISIT OUR WEBSITE FOR A COMPLETE LIST OF RECOMMENDED DOORS

SKU	Product Name	Pag.
138264	Manhattan 31-33 x 68 - 6mm	757
138265	Manhattan 33-35 x 68 - 6mm	757
139575	Reveal Sleek 71 3/2-35 1/2 x 71 1/2 - 8mm	774
105417	Madono 31 1/2-33 1/2 x 67 - 6mm	754

Full Wall Reinforcement Shown

ALCOVE SHOWERS - ACRYLX



All dimensions are approximate. Structure measurements must be verified against the unit to ensure proper fit.



Freestyle 37 Neo-angle (1-Piece)



Material : Acrylic

Features

- > 1 or 2-piece shower
- > 2 large shelves and integrated soap dish
- > Customize the shower: specify seat or footrest
- > Optional roof cap
- > Optional roof cap light
- > Integrated shelves, specify Chrome or Brushed Nickel guard rail ⁵⁶

CORNER SHOWERS - ACRYLIC

FREESTYLE 37 NEO-ANGLE (1-PIECE) - 102994

SKU	Color	Configuration	Dimensions & Weight	Packaging	MSRP
102994-000-001-101	White	Corner	36 1/2" x 36 1/2" x 77 1/2" / 98 lb / 44 kg	75 ft ³	\$ 2056
102994-000-001-102					\$ 2056

FREESTYLE 37 NEO-ANGLE (2-PIECE) - 102994S

SKU	Color	Configuration	Dimensions & Weight	Packaging	MSRP
102994-000-001-100	White	Corner	36 1/2" x 36 1/2" x 77 3/4" / 100 lb / 45 kg	75 ft ³	\$ 2263
102994-S-000-001-					\$ 2263

COMMON OPTIONS

SKU	Description	MSRP
105103-000-001-000	Roof cap Available in White only (001)	\$ 796

ACCESSORIES

SKU	Description	MSRP
10000041-105	Shower Drain (sold separately) PVC quick caulking shower drain, compression type	\$ 52
10000041-084	Specify grid color: Chrome (084) or Brushed Nickel (105)	\$ 52
10000043-084	Shower Drain (sold separately) 2-piece ABS shower drain with Chrome stainless steel grid	\$ 49
10033258	Single shower light 120V (sold separately)	\$ 451

ACCESSORIES

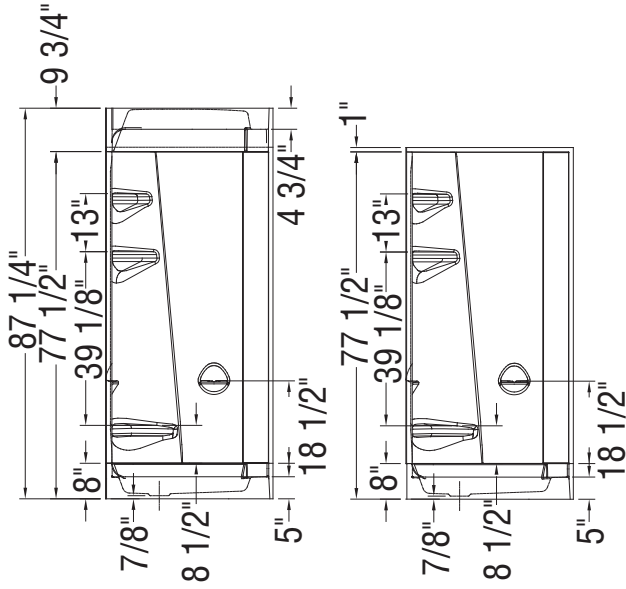
SKU	Description	MSRP
10004349-001	ABS shower drain with ABS grid (sold separately)	\$ 18
10004349-004	Available color: White (001) and Bone (004)	\$ 18

FOOTNOTES

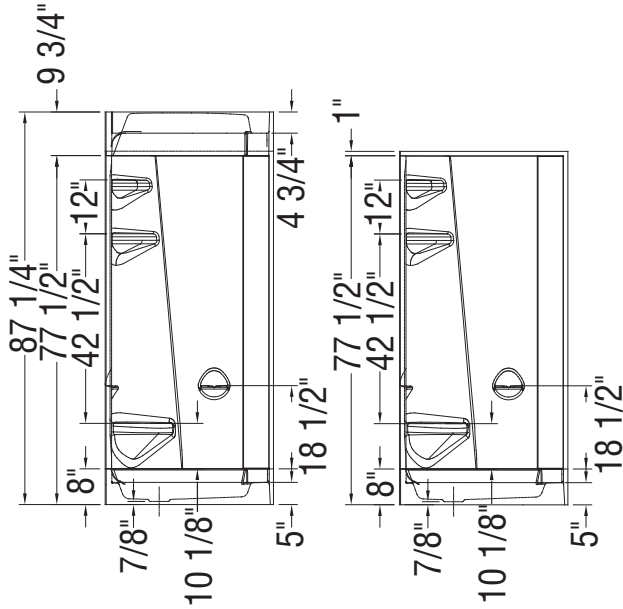
No	Description
56	This unit includes integrated shelves with a guard rail. Please specify a chrome or brushed nickel finish for the guard rail in your order.

RECOMMENDED DOORS - VISIT OUR WEBSITE FOR A COMPLETE LIST OF RECOMMENDED DOORS

SKU	Product Name	Pag.
137440	Radia Neo-angle 36 x 36 x 71 1/2 - 6mm	821



With footrest



With seat

All dimensions are approximate. Structure measurements must be verified against the unit to ensure proper fit.



Freestyle 37 Neo-round (1-piece)

CORNER SHOWERS - ACRYLIC



Material : Acrylic

Features

- > 1 or 2-piece shower
- > 2 large shelves and integrated soap dish
- > Customize the shower: specify seat or footrest
- > Optional roof cap
- > Optional roof cap light
- > Integrated shelves, specify Chrome or Brushed Nickel guard rail ⁵⁶

FREESTYLE 37 NEO-ROUND (1-PIECE) - 102995

SKU	Color	Configuration	Dimensions & Weight	Packaging	MSRP
102995-000-001-103	White	Corner	36 1/2" x 36 1/2" x 77 1/2" / 96 lb / 44 kg	75 ft ³	\$ 2056
102995-000-001-106					\$ 2056

FREESTYLE 37 NEO-ROUND (2-PIECE) - 102995S

SKU	Color	Configuration	Dimensions & Weight	Packaging	MSRP
102995-000-001-102	White	Corner	36 1/2" x 36 1/2" x 77 3/4" / 98 lb / 44 kg	75 ft ³	\$ 2264
102995-000-001-107					\$ 2264

COMMON OPTIONS

SKU	Description	MSRP
105104-000-001-000	Roof cap Available in White only (001)	\$ 796

ACCESSORIES

SKU	Description	MSRP
10000041-105	Shower Drain (sold separately) PVC quick caulking shower drain, compression type	\$ 52
10000041-084	Specify grid color: Chrome (084) or Brushed Nickel (105)	\$ 52
10000043-084	Shower Drain (sold separately) 2-piece ABS shower drain with Chrome stainless steel grid	\$ 49
10033258	Single shower light 120V (sold separately)	\$ 451

ACCESSORIES

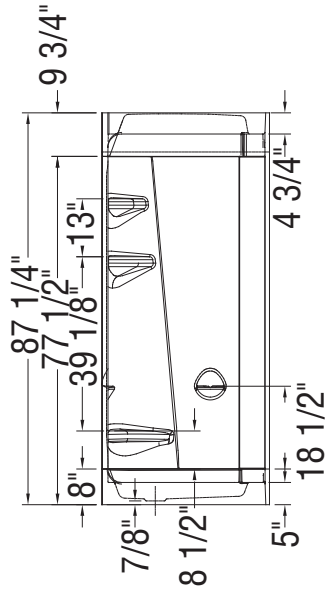
SKU	Description	MSRP
10004349-001	ABS shower drain with ABS grid (sold separately)	\$ 18
10004349-004	Available color: White (001) and Bone (004)	\$ 18

FOOTNOTES

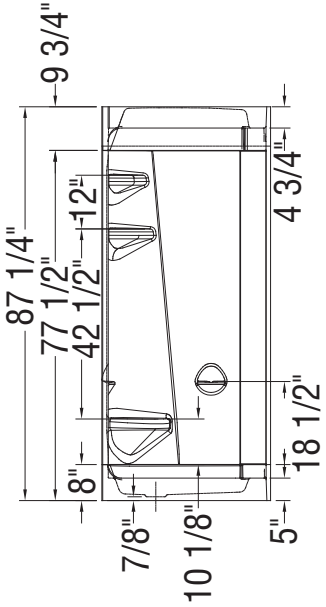
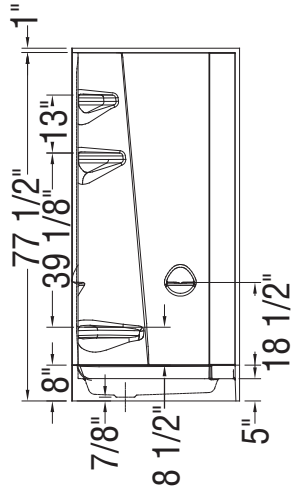
No	Description
56	This unit includes integrated shelves with a guard rail. Please specify a chrome or brushed nickel finish for the guard rail in your order.

RECOMMENDED DOORS - VISIT OUR WEBSITE FOR A COMPLETE LIST OF RECOMMENDED DOORS

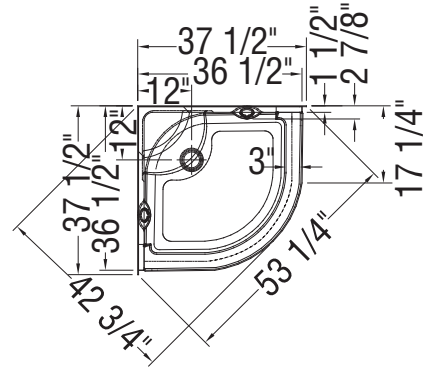
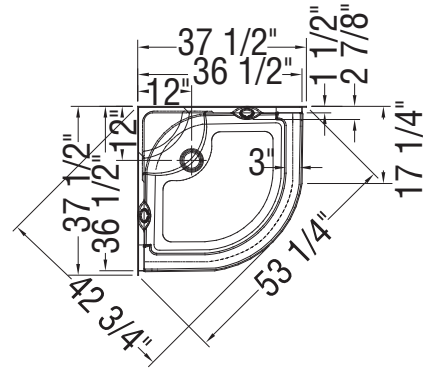
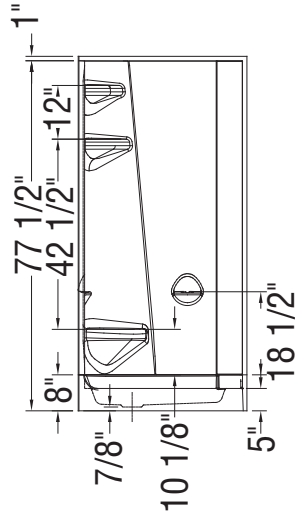
SKU	Product Name	Pag.
137444	Radia Neo-round 36 x 36 x 71 ½ - 6mm	823



With footrest



With seat



All dimensions are approximate. Structure measurements must be verified against the unit to ensure proper fit.



Freestyle 37 Round (1-piece)



Material : Acrylic

Features

- > 1 or 2-piece shower
- > 2 large shelves and integrated soap dish
- > Customize the shower: specify seat or footrest
- > Optional roof cap
- > Optional roof cap light
- > Integrated shelves, specify Chrome or Brushed Nickel guard rail ⁵⁶

CORNER SHOWERS - ACRYLIC

FREESTYLE 37 ROUND (1-PIECE) - 102996

SKU	Color	Configuration	Dimensions & Weight	Packaging	MSRP
102996-000-001-102	White	Corner	36 1/2" x 36 1/2" x 77 1/2" / 103 lb / 47 kg	75 ft ³	\$ 2388
102996-000-001-104					\$ 2388

FREESTYLE 37 ROUND (2-PIECE) - 102996S

SKU	Color	Configuration	Dimensions & Weight	Packaging	MSRP
102996-000-001-103	White	Corner	36 1/2" x 36 1/2" x 77 3/4" / 103 lb / 47 kg	75 ft ³	\$ 2593
102996-000-001-105					\$ 2593

COMMON OPTIONS

SKU	Description	MSRP
105105-000-001-000	Roof cap Available in White only (001)	\$ 796

ACCESSORIES

SKU	Description	MSRP
10000041-105	Shower Drain (sold separately) PVC quick caulking shower drain, compression type	\$ 52
10000041-084	Specify grid color: Chrome (084) or Brushed Nickel (105)	\$ 52
10000043-084	Shower Drain (sold separately) 2-piece ABS shower drain with Chrome stainless steel grid	\$ 49
10033258	Single shower light 120V (sold separately)	\$ 451

ACCESSORIES

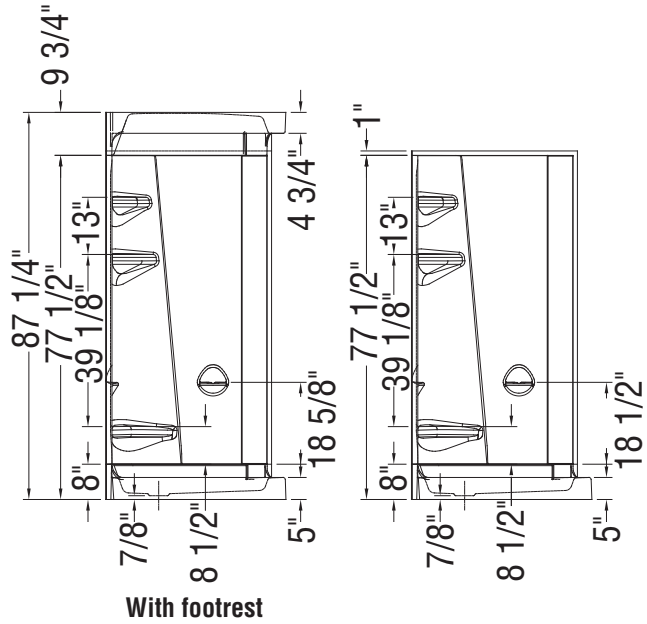
SKU	Description	MSRP
10004349-001	ABS shower drain with ABS grid (sold separately)	\$ 18
10004349-004	Available color: White (001) and Bone (004)	\$ 18

FOOTNOTES

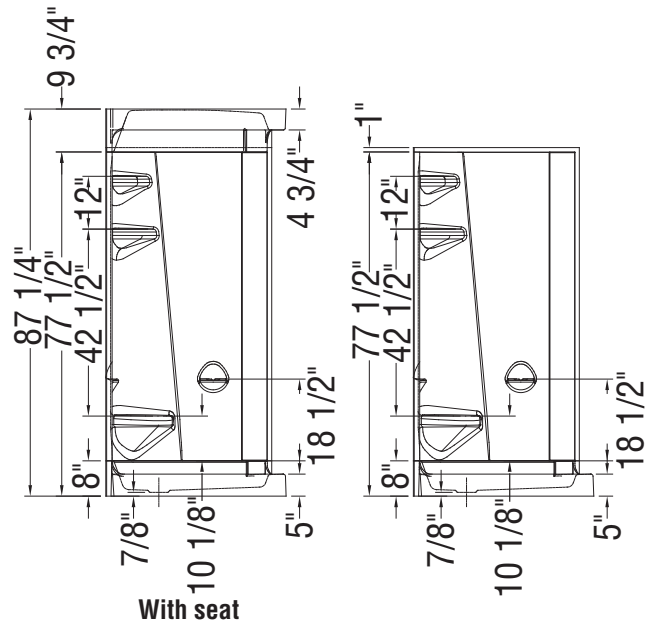
No	Description
56	This unit includes integrated shelves with a guard rail. Please specify a chrome or brushed nickel finish for the guard rail in your order.

RECOMMENDED DOORS - VISIT OUR WEBSITE FOR A COMPLETE LIST OF RECOMMENDED DOORS

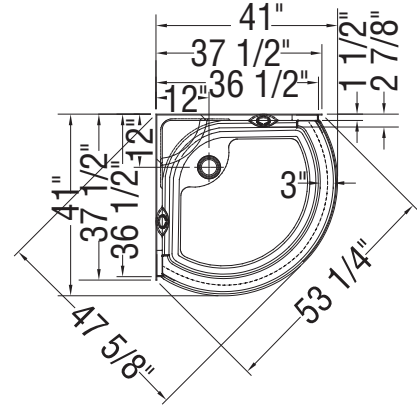
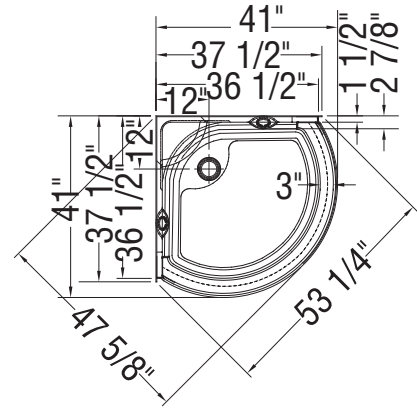
SKU	Product Name	Pag.
137446	Radia Round 36 x 36 x 71 ½ - 6mm	826



With footrest



With seat



All dimensions are approximate and subject to change without prior notice. Please refer to installation guide before installing unit.



Freestyle 40 Neo-angle (1-piece)

CORNER SHOWERS - ACRYLIC



Material : Acrylic

Features

- > 1 or 2-piece shower
- > 2 large shelves and integrated soap dish
- > Customize the shower: specify seat or footrest
- > Optional roof cap
- > Optional roof cap light
- > Integrated shelves, specify Chrome or Brushed Nickel guard rail

FREESTYLE 40 NEO-ANGLE (1-PIECE) - 102997

SKU	Color	Configuration	Dimensions & Weight	Packaging	MSRP
102997-000-001-100	White	Corner	39 1/2" x 39 1/2" x 77 1/2" / 107 lb / 49 kg	75 ft ³	\$ 2377
102997-C-000-001					\$ 2377

FREESTYLE 40 NEO-ANGLE (2-PIECE) - 102997S

SKU	Color	Configuration	Dimensions & Weight	Packaging	MSRP
102997-S-000-001-	White	Corner	39 1/2" x 39 1/2" x 77 3/4" / 109 lb / 49 kg	75 ft ³	\$ 2593
102997-SC-000-001					\$ 2593

COMMON OPTIONS

SKU	Description	MSRP
105106-000-001-000	Roof cap Available in White only (001)	\$ 837

ACCESSORIES

SKU	Description	MSRP
10000041-105	Shower Drain (sold separately) PVC quick caulking shower drain, compression type	\$ 52
10000041-084	Specify grid color: Chrome (084) or Brushed Nickel (105)	\$ 52
10000043-084	Shower Drain (sold separately) 2-piece ABS shower drain with Chrome stainless steel grid	\$ 49
10033258	Single shower light 120V (sold separately)	\$ 451

ACCESSORIES

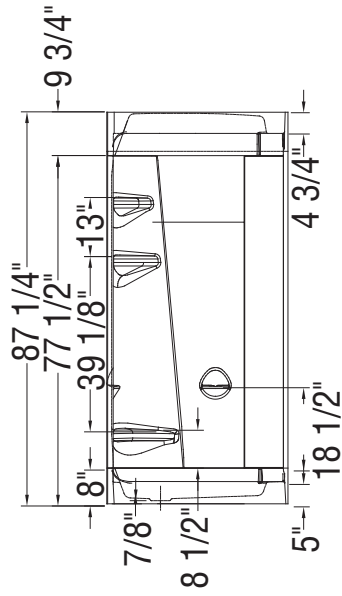
SKU	Description	MSRP
10004349-001	ABS shower drain with ABS grid (sold separately)	\$ 18
10004349-004	Available color: White (001) and Bone (004)	\$ 18

FOOTNOTES

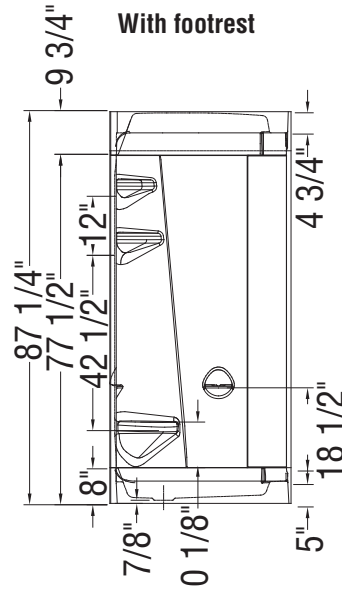
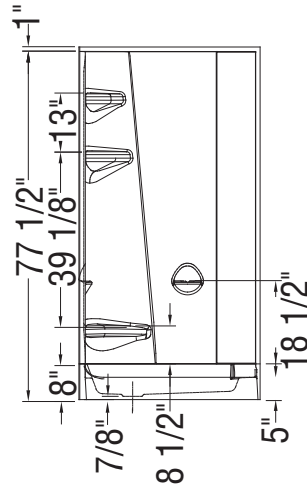
No	Description
56	This unit includes integrated shelves with a guard rail. Please specify a chrome or brushed nickel finish for the guard rail in your order.

RECOMMENDED DOORS - VISIT OUR WEBSITE FOR A COMPLETE LIST OF RECOMMENDED DOORS

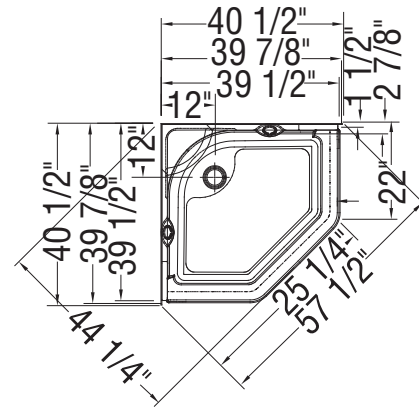
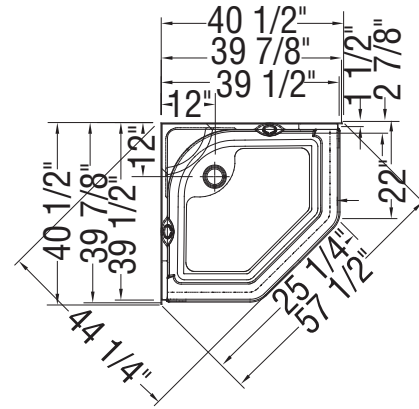
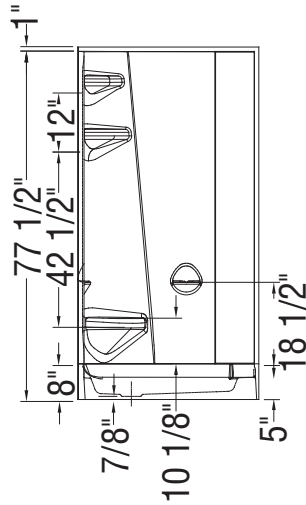
SKU	Product Name	Pag.
137442	Radia Neo-angle 40 x 40 x 71 ½ - 6mm	821



With footrest



With seat



All dimensions are approximate. Structure measurements must be verified against the unit to ensure proper fit.



Freestyle 40 Neo-round (1-piece)



Material : Acrylic

Features

- > 1 or 2-piece shower
- > 2 large shelves and integrated soap dish
- > Customize the shower: specify seat or footrest
- > Optional roof cap
- > Optional roof cap light
- > Integrated shelves, specify Chrome or Brushed Nickel guard rail ⁵⁶

CORNER SHOWERS - ACRYLIC

FREESTYLE 40 NEO-ROUND (1-PIECE) - 102998

SKU	Color	Configuration	Dimensions & Weight	Packaging	MSRP
102998-000-001-100	White	Corner	39 1/2" x 39 1/2" x 77 1/2" / 107 lb / 49 kg	75 ft ³	\$ 2388
102998-000-001-103					\$ 2388

FREESTYLE 40 NEO-ROUND (2-PIECE) - 102998S

SKU	Color	Configuration	Dimensions & Weight	Packaging	MSRP
102998-000-001-101	White	Corner	39 1/2" x 39 1/2" x 77 3/4" / 107 lb / 49 kg	75 ft ³	\$ 2594
102998-000-001-102					\$ 2594

COMMON OPTIONS

SKU	Description	MSRP
105107-000-001-000	Roof cap Available in White only (001)	\$ 837

ACCESSORIES

SKU	Description	MSRP
10000041-105	Shower Drain (sold separately) PVC quick caulking shower drain, compression type	\$ 52
10000041-084	Specify grid color: Chrome (084) or Brushed Nickel (105)	\$ 52
10000043-084	Shower Drain (sold separately) 2-piece ABS shower drain with Chrome stainless steel grid	\$ 49
10033258	Single shower light 120V (sold separately)	\$ 451

ACCESSORIES

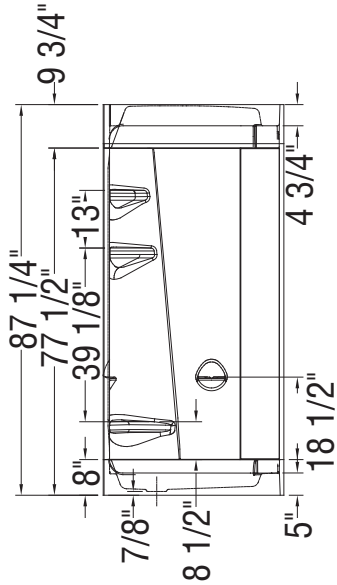
SKU	Description	MSRP
10004349-001	ABS shower drain with ABS grid (sold separately)	\$ 18
10004349-004	Available color: White (001) and Bone (004)	\$ 18

FOOTNOTES

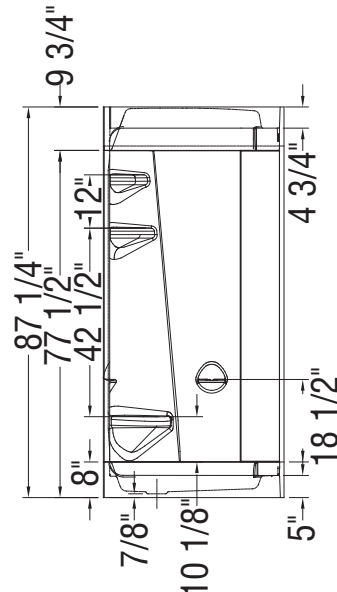
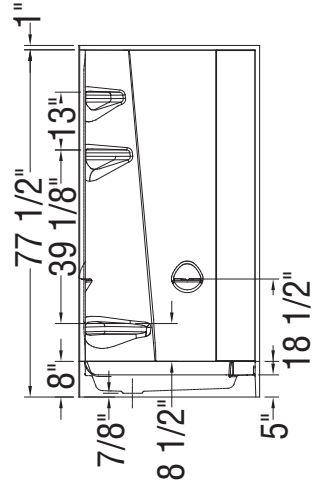
No	Description
56	This unit includes integrated shelves with a guard rail. Please specify a chrome or brushed nickel finish for the guard rail in your order.

RECOMMENDED DOORS - VISIT OUR WEBSITE FOR A COMPLETE LIST OF RECOMMENDED DOORS

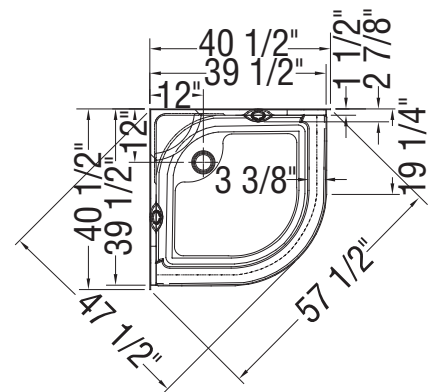
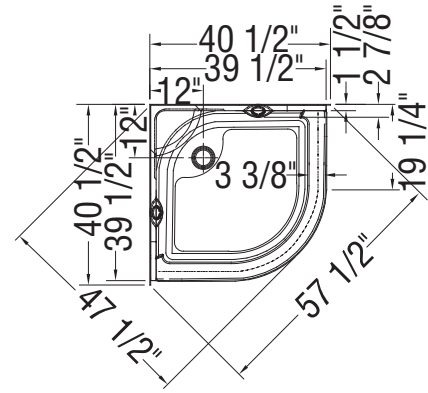
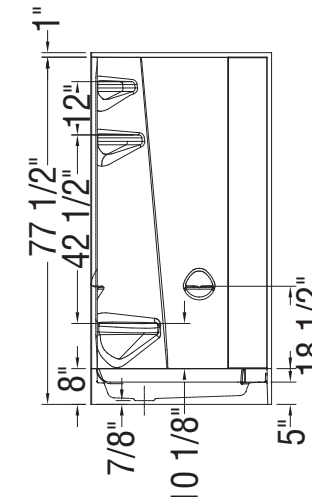
SKU	Product Name	Pag.
137445	Radia Neo-round 40 x 40 x 71 ½ - 6mm	823



With footrest



With seat



All dimensions are approximate. Structure measurements must be verified against the unit to ensure proper fit.

Freestyle 40 Round (1-piece)



CORNER SHOWERS - ACRYLIC



Material : Acrylic

Features

- > 1 or 2-piece shower
- > 2 large shelves and integrated soap dish
- > Customize the shower: specify seat or footrest
- > Optional roof cap
- > Optional roof cap light
- > Integrated shelves, specify Chrome or Brushed Nickel guard rail
- > Please specify the color of the guardrails when ordering

FREESTYLE 40 ROUND (1-PIECE) - 102999

SKU	Color	Configuration	Dimensions & Weight	Packaging	MSRP
102999-000-001-100	White	Corner	39 1/2" x 39 1/2" x 77 1/2" / 108 lb / 49 kg	100 ft ³	\$ 2722
102999-C-000-001					\$ 2722

FREESTYLE 40 ROUND (2-PIECE) - 102999S

SKU	Color	Configuration	Dimensions & Weight	Packaging	MSRP
102999-S-000-001-	White	Corner	39 1/2" x 39 1/2" x 77 3/4" / 110 lb / 50 kg	100 ft ³	\$ 2929
102999-SC-000-001					\$ 2929

COMMON OPTIONS

SKU	Description	MSRP
105108-000-001-000	Roof cap Available in White only (001)	\$ 837

ACCESSORIES

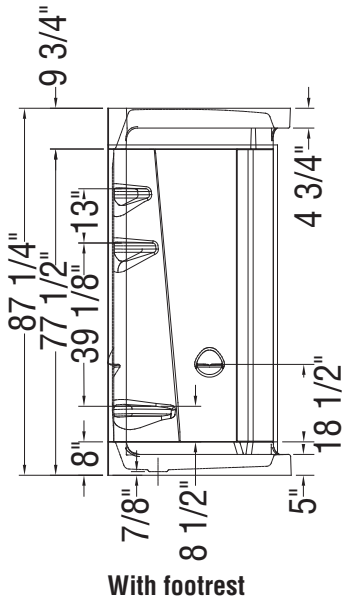
SKU	Description	MSRP
10000041-105	Shower Drain (sold separately) PVC quick caulking shower drain, compression type	\$ 52
10000041-084	Specify grid color: Chrome (084) or Brushed Nickel (105)	\$ 52
10000043-084	Shower Drain (sold separately) 2-piece ABS shower drain with Chrome stainless steel grid	\$ 49
10033258	Single shower light 120V (sold separately)	\$ 451

ACCESSORIES

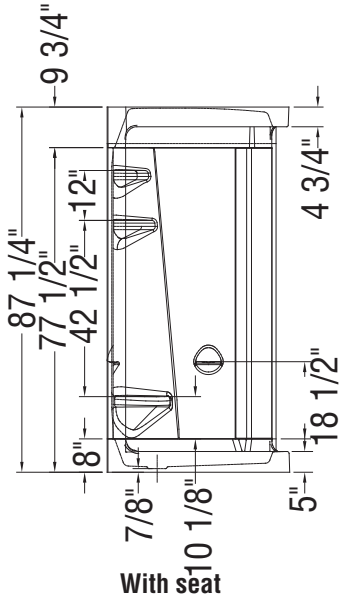
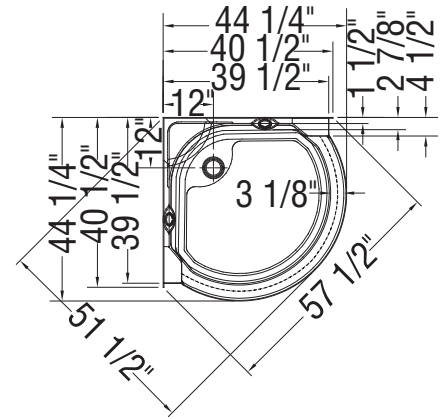
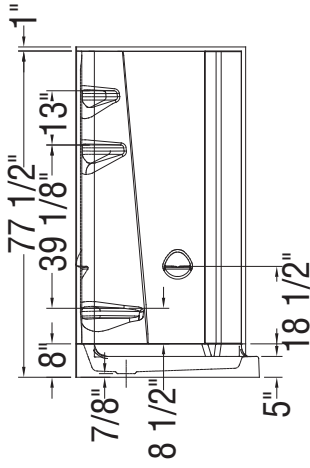
SKU	Description	MSRP
10004349-001	ABS shower drain with ABS grid (sold separately)	\$ 18
10004349-004	Available color: White (001) and Bone (004)	\$ 18

RECOMMENDED DOORS - VISIT OUR WEBSITE FOR A COMPLETE LIST OF RECOMMENDED DOORS

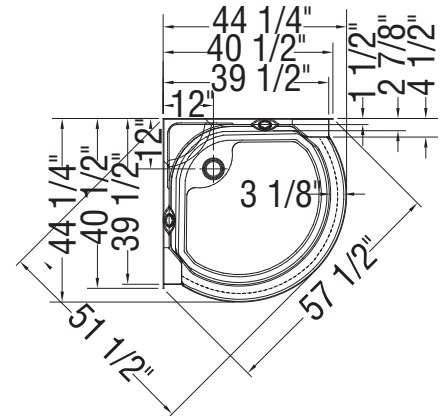
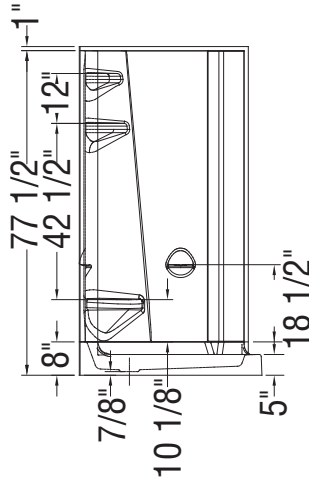
SKU	Product Name	Pag.
137446	Radia Round 36 x 36 x 71 ½ - 6mm	826



With footrest



With seat



All dimensions are approximate. Structure measurements must be verified against the unit to ensure proper fit.

Brio II



Material : Acrylic

Features

- > 1-piece neo-angle corner shower with optional roof cap
- > Integrated shelves, soap dish and footrest
- > Optional roof cap light (recommended)

CORNER SHOWERS - ACRYLIC

BRIO II - 102498

SKU	Color	Configuration	Dimensions & Weight	Packaging	MSRP
102498-000-001-000	White	Center	39 1/2" x 39 1/2" x 77 3/4" / 107 lb / 49 kg	75 ft ³	\$ 2001

COMMON OPTIONS

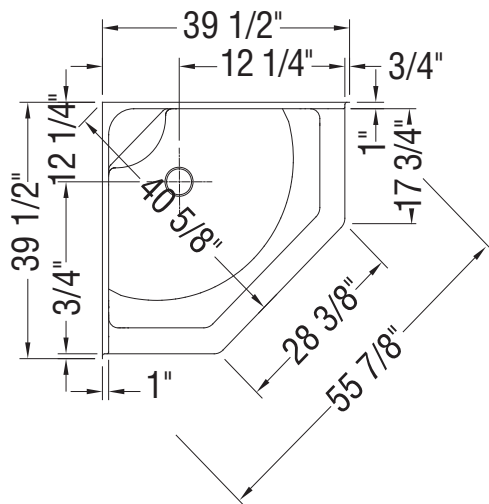
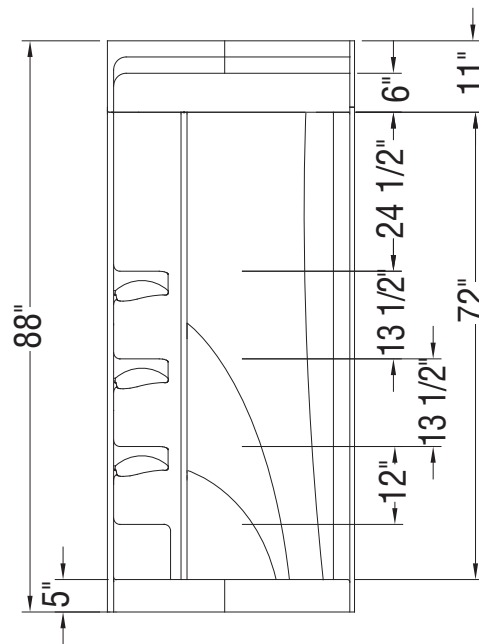
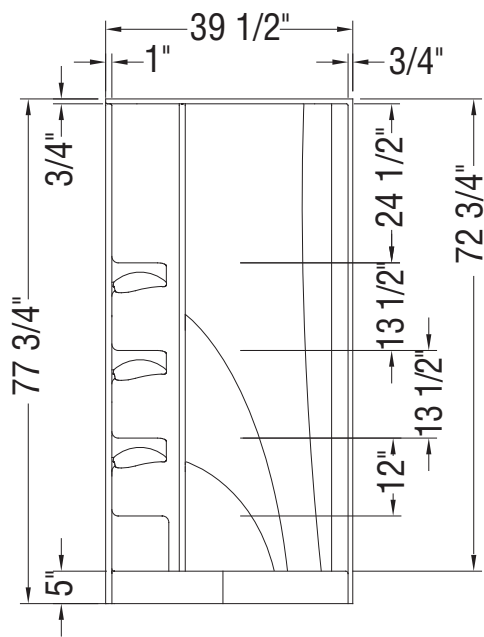
SKU	Description	MSRP
102511-000-001-000	Roof cap Standard color: White (001)	\$ 930

ACCESSORIES

SKU	Description	MSRP
10000041-105	Shower Drain (sold separately) PVC quick caulking shower drain, compression type	\$ 52
10000041-084	Specify grid color: Chrome (084) or Brushed Nickel (105)	\$ 52
10000043-084	Shower Drain (sold separately) 2-piece ABS shower drain with Chrome stainless steel grid	\$ 49
10004349-001	ABS shower drain with ABS grid (sold separately)	\$ 18
10004349-004	Available color: White (001) and Bone (004)	\$ 18

RECOMMENDED DOORS - VISIT OUR WEBSITE FOR A COMPLETE LIST OF RECOMMENDED DOORS

SKU	Product Name	Pag.
137441	Radia Neo-angle 38 x 38 x 71 1/2 - 6mm	821



All dimensions are approximate. Structure measurements must be verified against the unit to ensure proper fit.



Novello II



Material : Acrylic

Features

- > 1-piece neo-round corner shower with optional roof cap
- > Integrated footrest, shelves and soap dish
- > Optional roof cap light (recommended)

CORNER SHOWERS - ACRYLIC

NOVELLO II - 102492

SKU	Color	Configuration	Dimensions & Weight	Packaging	MSRP
102492-000-001-000	White	Center	37" x 37" x 77 1/2" / 98 lb / 44 kg	69 ft³	\$ 1993

COMMON OPTIONS

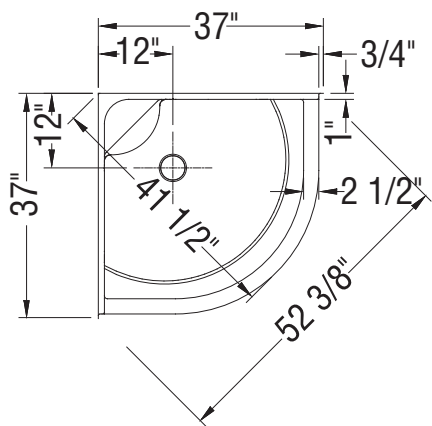
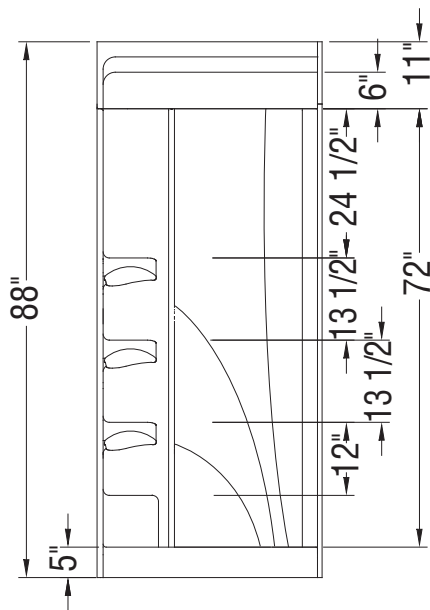
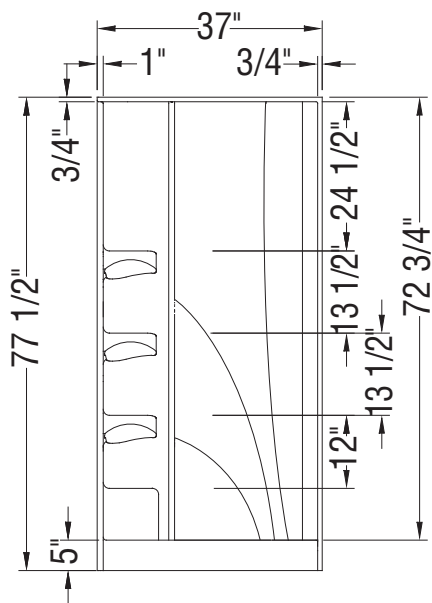
SKU	Description	MSRP
102505-000-001-000	Roof cap Standard colour: White (001)	\$ 875

ACCESSORIES

SKU	Description	MSRP
10000041-105	Shower Drain (sold separately) PVC quick caulking shower drain, compression type	\$ 52
10000041-084	Specify grid color: Chrome (084) or Brushed Nickel (105)	\$ 52
10000043-084	Shower Drain (sold separately) 2-piece ABS shower drain with Chrome stainless steel grid	\$ 49
10004349-001	ABS shower drain with ABS grid (sold separately)	\$ 18
10004349-004	Available color: White (001) and Bone (004)	\$ 18

RECOMMENDED DOORS - VISIT OUR WEBSITE FOR A COMPLETE LIST OF RECOMMENDED DOORS

SKU	Product Name	Pag.
137444	Radia Neo-round 36 x 36 x 71 1/2 - 6mm	823



All dimensions are approximate. Structure measurements must be verified against the unit to ensure proper fit.

CSS36



Material : AcrylX

Features

- > 1-piece neo-angle corner shower without roof cap
- > Integrated shelf
- > Center drain

CORNER SHOWERS - ACRYLX

CSS36 - 140007

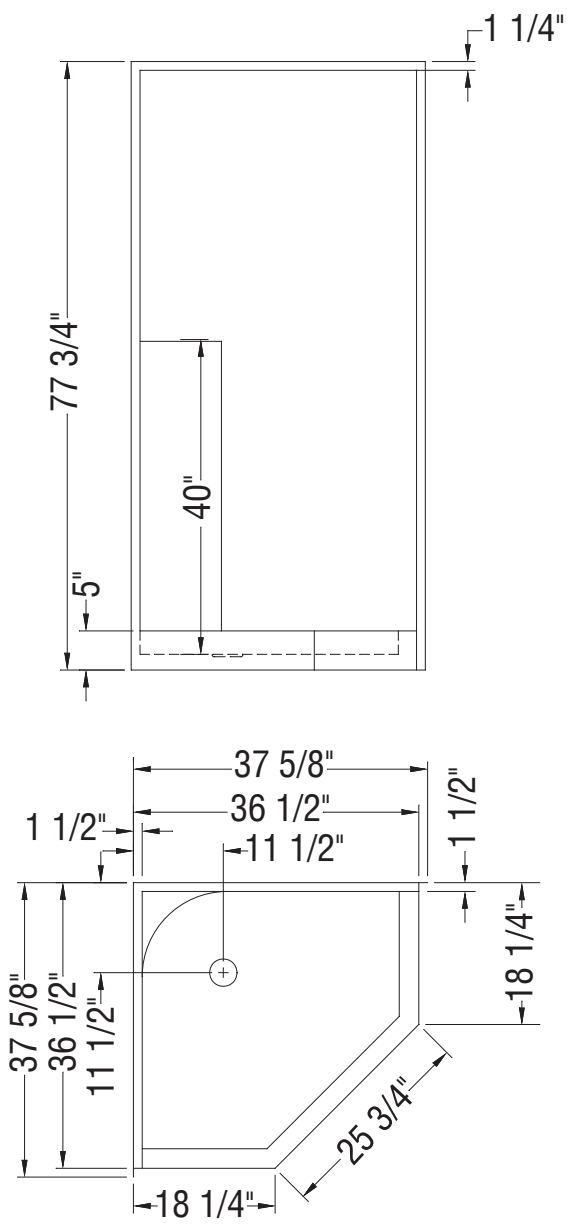
SKU	Color	Configuration	Dimensions & Weight	Packaging	MSRP
140007-000-002-000	White	Center	37 5/8" x 37 5/8" x 77 3/4" / 109 lb / 49 kg	70 ft ³	\$ 2045

ACCESSORIES

SKU	Description	MSRP
10000041-105	Shower Drain (sold separately) PVC quick caulking shower drain, compression type	\$ 52
10000041-084	Specify grid color: Chrome (084) or Brushed Nickel (105)	\$ 52
10000043-084	Shower Drain (sold separately) 2-piece ABS shower drain with Chrome stainless steel grid	\$ 49
10004349-001	ABS shower drain with ABS grid (sold separately)	\$ 18
10004349-004	Available color: White (001) and Bone (004)	\$ 18

RECOMMENDED DOORS - VISIT OUR WEBSITE FOR A COMPLETE LIST OF RECOMMENDED DOORS

SKU	Product Name	Pag.
137440	Radia Neo-angle 36 x 36 x 71 1/2 - 6mm	821
137720	Silhouette Plus Neo-angle 36 x 36 x 70 in.	817
137904	Silhouette Neo-angle Pivot 36 x 36 x 70 in.	815



All dimensions are approximate. Structure measurements must be verified against the unit to ensure proper fit.



CSS40



Material : AcrylX

Features

- > 1-piece neo-angle corner shower without roof cap
- > Integrated shelf
- > Center drain

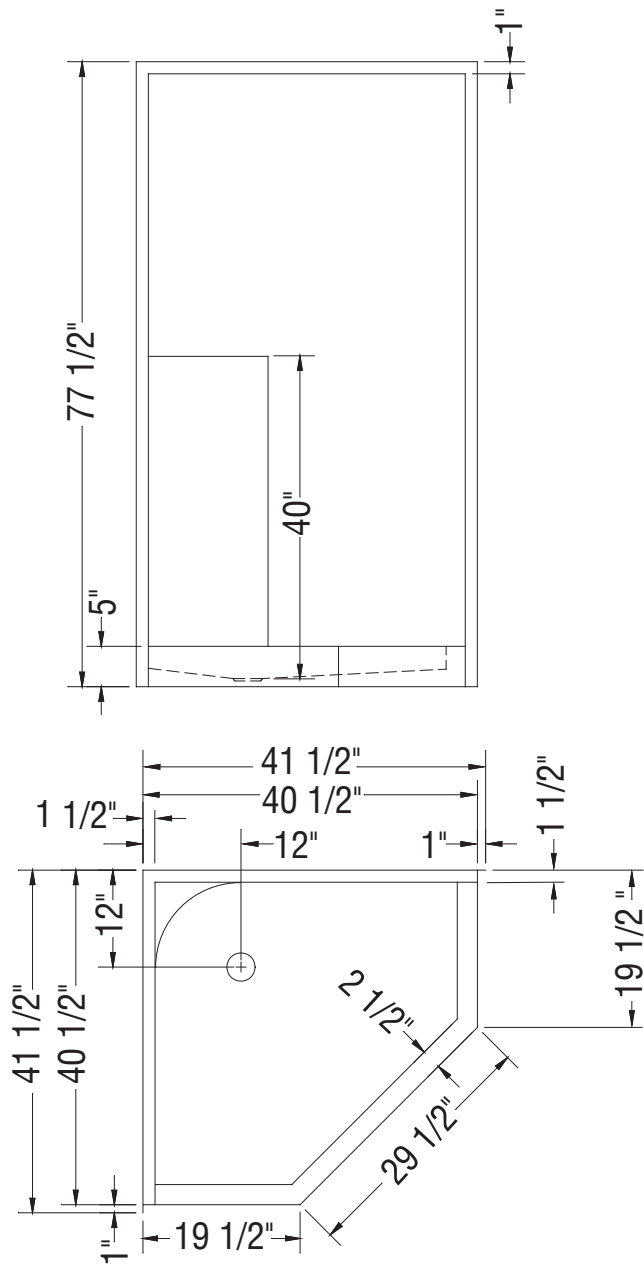
CORNER SHOWERS - ACRYLX

CSS40 - 140009

SKU	Color	Configuration	Dimensions & Weight	Packaging	MSRP
140009-000-002-000	White	Center	41 1/2" x 41 1/2" x 77 1/2" / 109 lb / 49 kg	100 ft ³	\$ 2235

ACCESSORIES

SKU	Description	MSRP
10000041-105	Shower Drain (sold separately) PVC quick caulking shower drain, compression type	\$ 52
10000041-084	Specify grid color: Chrome (084) or Brushed Nickel (105)	\$ 52
10000043-084	Shower Drain (sold separately) 2-piece ABS shower drain with Chrome stainless steel grid	\$ 49
10004349-001	ABS shower drain with ABS grid (sold separately)	\$ 18
10004349-004	Available color: White (001) and Bone (004)	\$ 18



Toutes ces dimensions sont approximatives.
 Afin d'assurer une installation parfaite, les dimensions
 de la structure doivent être vérifiées à partir de l'unité.



Galaxie II



Material : AcrylX

Features

- > 1-piece neo-round corner shower
- > Integrated shelves and soap dish
- > Center drain

CORNER SHOWERS - ACRYLX

GALAXIE II - 105222

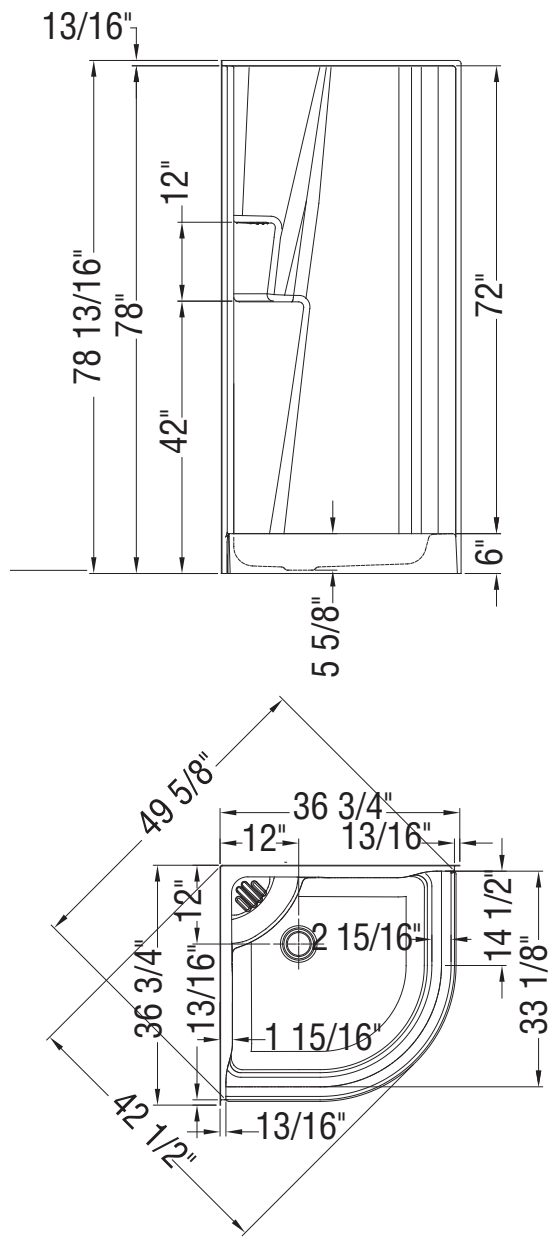
SKU	Color	Configuration	Dimensions & Weight	Packaging	MSRP
105222-000-002-000	White	Center	36 3/4" x 36 3/4" x 78 3/4" / 88 lb / 40 kg	35 ft ³	\$ 1702

ACCESSORIES

SKU	Description	MSRP
10000041-105	Shower Drain (sold separately)	\$ 52
10000041-084	PVC quick caulking shower drain, compression type Specify grid color: Chrome (084) or Brushed Nickel (105)	\$ 52
10000043-084	Shower Drain (sold separately) 2-piece ABS shower drain with Chrome stainless steel grid	\$ 49
10004349-001	ABS shower drain with ABS grid (sold separately)	\$ 18
10004349-004	Available color: White (001) and Bone (004)	\$ 18

RECOMMENDED DOORS - VISIT OUR WEBSITE FOR A COMPLETE LIST OF RECOMMENDED DOORS

SKU	Product Name	Pag.
137444	Radia Neo-round 36 x 36 x 71 1/2 - 6mm	823



All dimensions are approximate. Structure measurements must be verified against the unit to ensure proper fit.



Imperial II



Material : AcrylX

Features

- > 1-piece neo-angle corner shower without roof cap
- > Integrated shelves
- > Center drain

CORNER SHOWERS - ACRYLX

IMPERIAL II - 105219

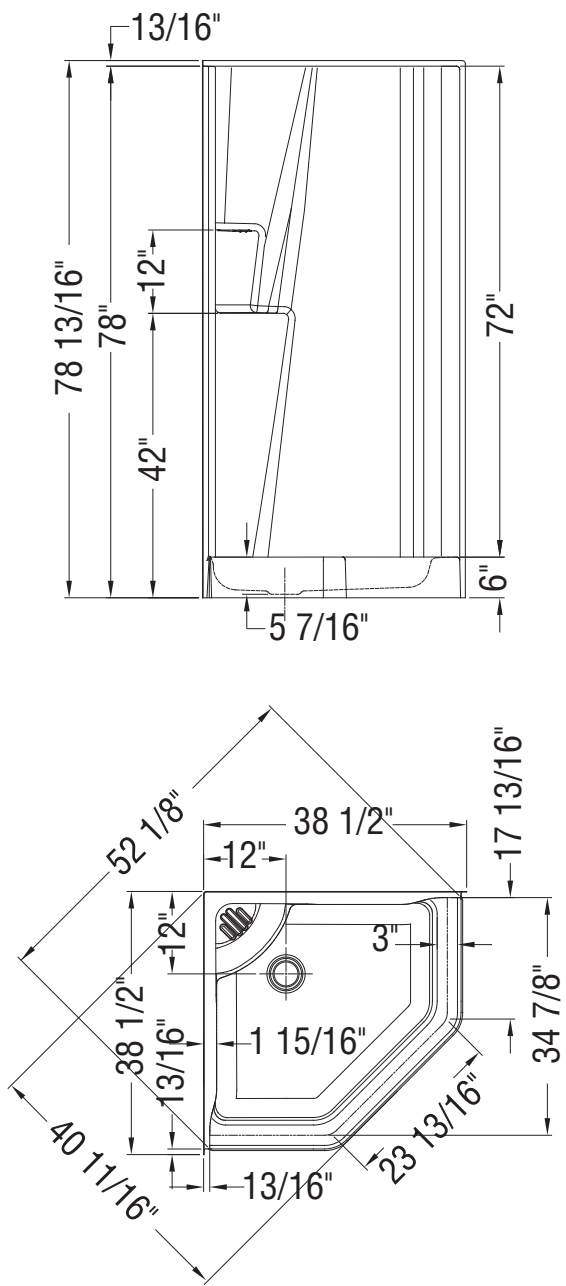
SKU	Color	Configuration	Dimensions & Weight	Packaging	MSRP
105219-000-002-000	White	Center	38 1/2" x 38 1/2" x 78 3/4" / 90 lb / 41 kg	73 ft ³	\$ 1711

ACCESSORIES

SKU	Description	MSRP
10000041-105	Shower Drain (sold separately) PVC quick caulking shower drain, compression type	\$ 52
10000041-084	Specify grid color: Chrome (084) or Brushed Nickel (105)	\$ 52
10000043-084	Shower Drain (sold separately) 2-piece ABS shower drain with Chrome stainless steel grid	\$ 49
10004349-001	ABS shower drain with ABS grid (sold separately)	\$ 18
10004349-004	Available color: White (001) and Bone (004)	\$ 18

RECOMMENDED DOORS - VISIT OUR WEBSITE FOR A COMPLETE LIST OF RECOMMENDED DOORS

SKU	Product Name	Pag.
137441	Radia Neo-angle 38 x 38 x 71 1/2 - 6mm	821
137901	Silhouette Neo-angle Pivot 38 x 38 x 70 in.	815
137710	Silhouette Plus Neo-angle 38 x 38 x 70 in.	817



All dimensions are approximate. Structure measurements must be verified against the unit to ensure proper fit.

SECCSS36



Material : AcrylX

Features

- › 2-piece neo-angle corner shower without roof cap
- › Sectional unit ideal for renovation projects
- › Integrated soap dish
- › Center drain

CORNER SHOWERS - ACRYLX

SECCSS36 - 140079

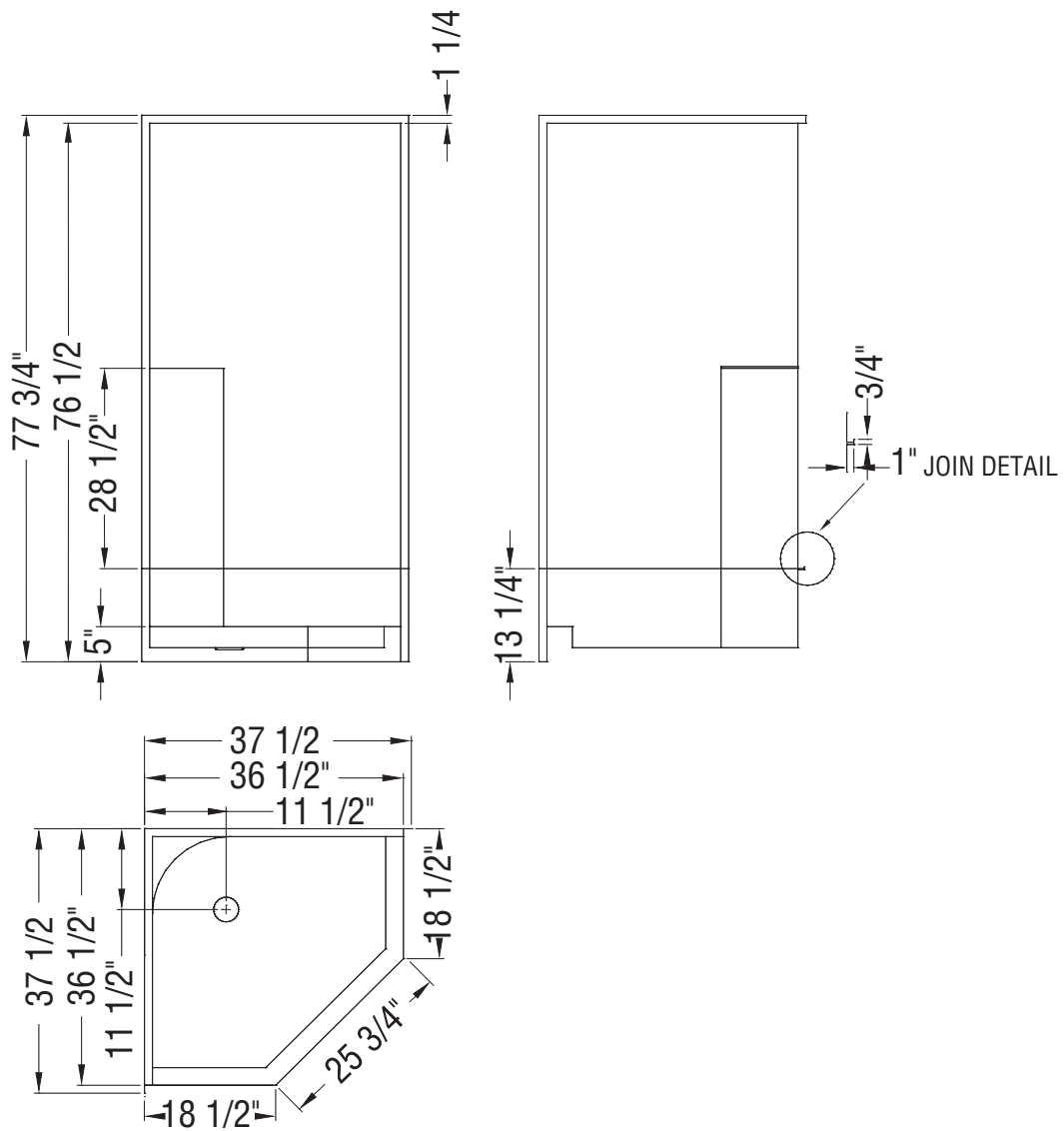
SKU	Color	Configuration	Dimensions & Weight	Packaging	MSRP
140079-000-002-003	White	Center	37 1/2" x 37 1/2" x 77 3/4" / 111 lb / 50 kg	70 ft ³	\$ 2800

ACCESSORIES

SKU	Description	MSRP
10000041-105	Shower Drain (sold separately) PVC quick caulking shower drain, compression type	\$ 52
10000041-084	Specify grid color: Chrome (084) or Brushed Nickel (105)	\$ 52
10000043-084	Shower Drain (sold separately) 2-piece ABS shower drain with Chrome stainless steel grid	\$ 49
10004349-001	ABS shower drain with ABS grid (sold separately)	\$ 18
10004349-004	Available color: White (001) and Bone (004)	\$ 18

RECOMMENDED DOORS - VISIT OUR WEBSITE FOR A COMPLETE LIST OF RECOMMENDED DOORS

SKU	Product Name	Pag.
137440	Radia Neo-angle 36 x 36 x 71 1/2 - 6mm	821



All dimensions are approximate. Structure measurements must be verified against the unit to ensure proper fit.

Tub Doors



Uptown with Bypass tub door



Edge Access Tub Screen

SCREENS



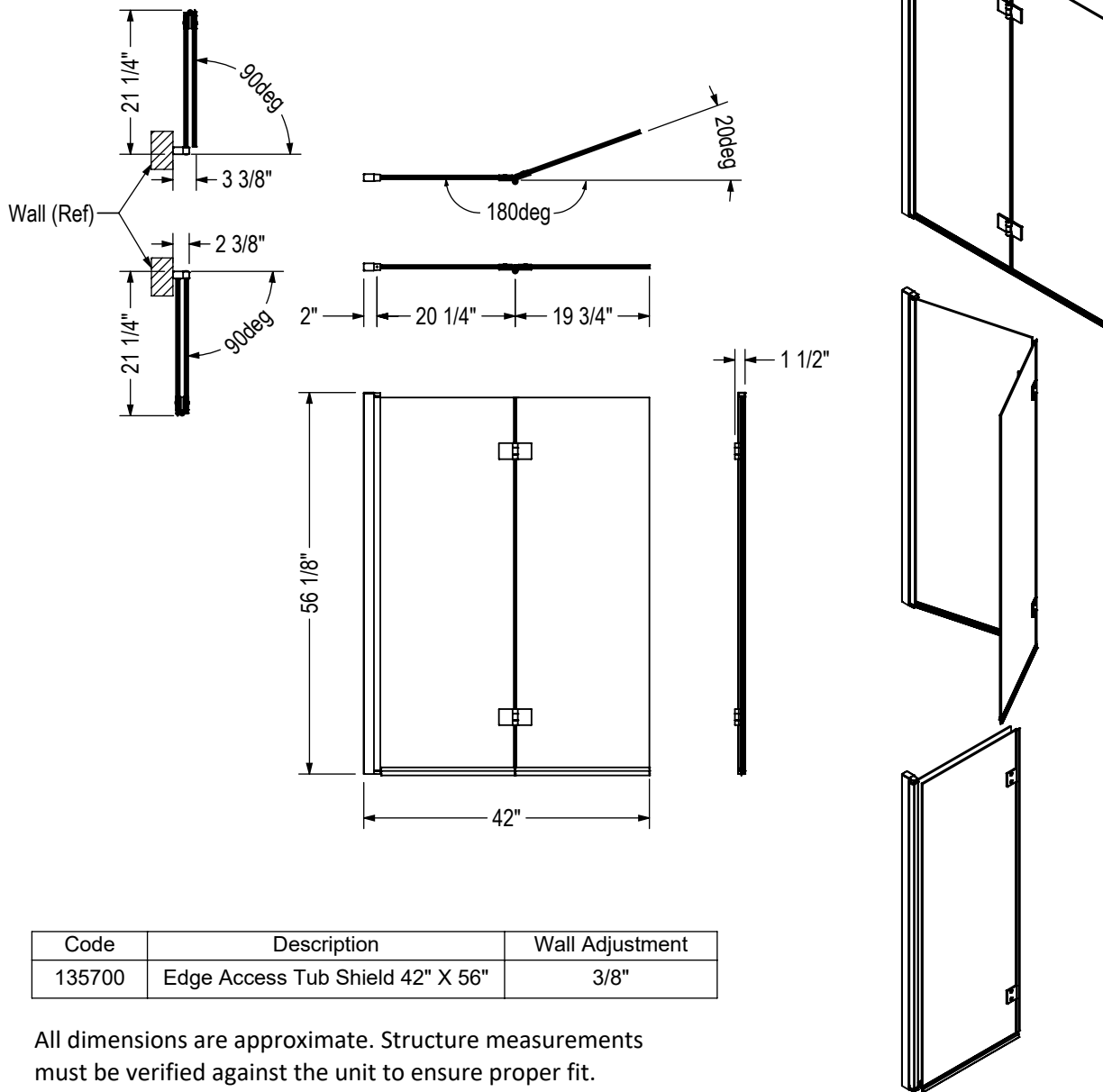
Material : Tempered Glass

Features

- › 6 mm tempered glass with Lotus glass protection
- › Double Pivoting panels: makes it easy to clean the panels and the tub
- › Easy access to faucets
- › Pivots inward and outward, maximizes the tub access to provide care
- › Ideal for slanted ceilings

EDGE ACCESS PIVOT 42 X 56 - 6MM - 137600

SKU	Color	Configuration	Dimensions & Weight	Packaging	MSRP
137600-900-084-000	Clear / Chrome		42" - 42" x 56" / 61 lb / 28 kg	2.84 ft ³	\$ 757
137600-900-340-000	Clear / Matte Black				\$ 814



Code	Description	Wall Adjustment
135700	Edge Access Tub Shield 42" X 56"	3/8"

All dimensions are approximate. Structure measurements must be verified against the unit to ensure proper fit.



Edge Duo Tub Screen

SCREENS



Material : Tempered Glass

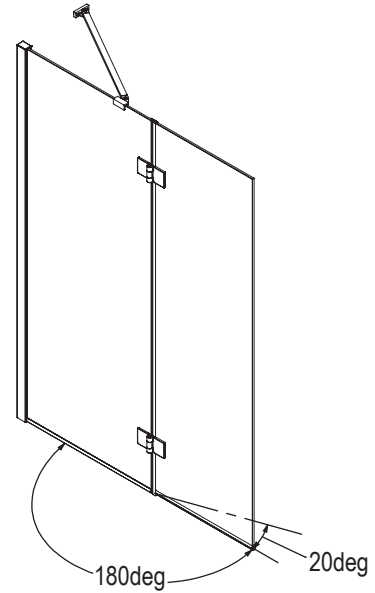
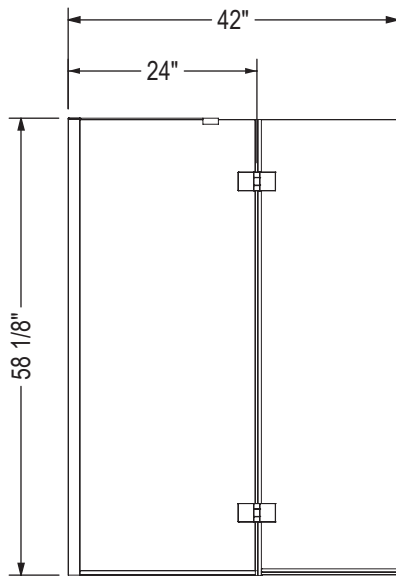
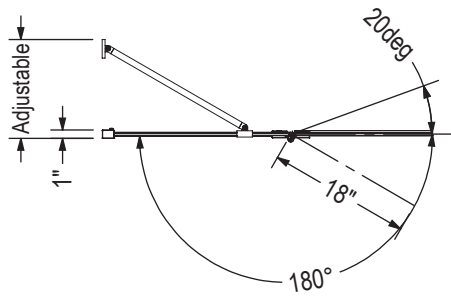
Features

- > 8 mm tempered glass with Lotus glass protection
- > Double glass; one fix 24 in. and one pivot 18 in.; This gives you a wide access to get in and out while making the corner watertight
- > Easy access to faucets
- > The moving panel can tilt slightly inside the tub to prevent water spill
- > Fixed panel clears most toilets or vanities

EDGE DUO 42 X 58 - 8MM - 137502

SKU	Color	Configuration	Dimensions & Weight	Packaging	MSRP
137502-900-084-000	Clear / Chrome		41" - 42" x 58" / 48 lb / 22 kg	2.7 ft ³	\$ 900
137502-900-305-000	Clear / Brushed Nickel				\$ 969

STANDARD



Code	Description	Wall Adjustment
137502	EDGE Duo Tub 42" X 58"	3/8"

All dimensions are approximate. Structure measurements must be verified against the unit to ensure proper fit.



Edge Square Tub Screen

SCREENS



Material : Tempered Glass

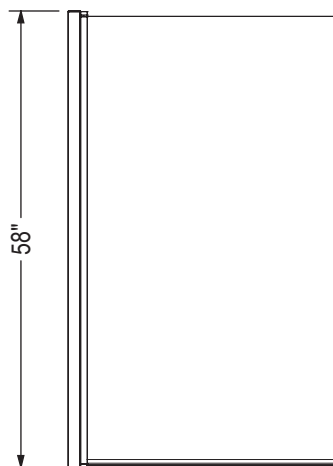
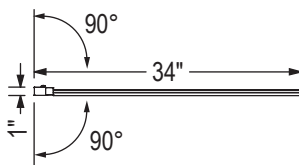
Features

- › 8 mm tempered glass with Lotus glass protection with a Square pivot
- › Lifting pivot single panel: nothing on the tub, makes it easy to clean the panel and the tub
- › Pivots 90 degrees inward and outward, maximizes the tub access to provide care and an easy access to faucets
- › Ideal for slanted ceilings

EDGE SQUARE 34 X 58 - 8MM - 137501

SKU	Color	Configuration	Dimensions & Weight	Packaging	MSRP
137501-900-084-000	Clear / Chrome		33" - 34" x 58" / 40 lb / 18 kg	2.82 ft³	\$ 677
137501-900-305-000	Clear / Brushed Nickel				\$ 726

STANDARD



Code	Description	Wall Adjustment
137501	EDGE Square Tub 34" X 58"	3/8"

All dimensions are approximate. Structure measurements must be verified against the unit to ensure proper fit.



Edge Tub Screen

SCREENS



Material : Tempered Glass

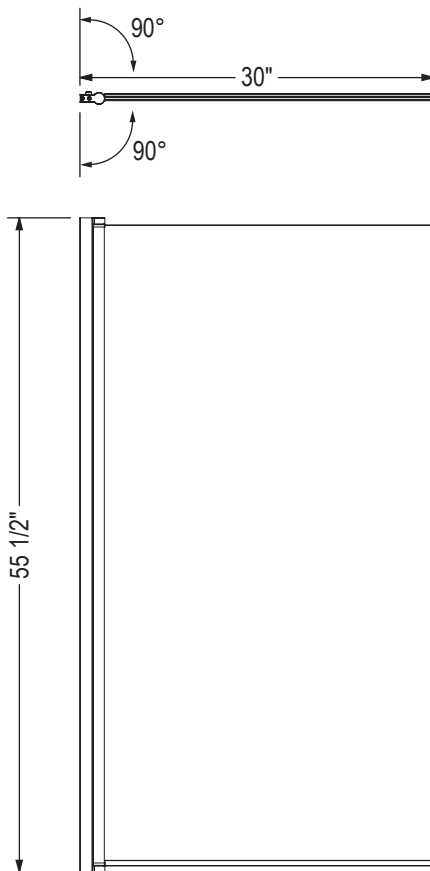
Features

- › 6 mm tempered glass with Lotus glass protection
- › Lifting pivot single panel: nothing on the tub, makes it easy to clean the panel and the tub
- › Easy access to faucets
- › Pivots 90 degrees inward and outward, maximizes the tub access to provide care
- › Ideal for slanted ceilings

EDGE 30 X 55 1/2 - 6MM - 137500

SKU	Color	Configuration	Dimensions & Weight	Packaging	MSRP
137500-900-084-000	Clear / Chrome		29" - 30" x 55 1/2" / 26 lb / 12 kg	2.65 ft ³	\$ 612

STANDARD



Code	Description	Wall Adjustment
137500	EDGE Tub 30" X 55 1/2"	3/8"

All dimensions are approximate. Structure measurements must be verified against the unit to ensure proper fit.

Kameleon SC Tub Door - 8 mm



TUB DOORS - BYPASS



Material : Tempered Glass

Features

- › Innovative SOFT CLOSE by MAAX prevents slamming
- › Silent guide eliminates the rattling noise
- › High quality rollers for smooth glide
- › Safety features: header lock and panel anti-jump
- › 8 mm tempered glass and frame color choice
- › Modern towel bar
- › Reversible header: one side round and one side flat

KAMELEON SC 55-59 X 57 - 8MM - 134670

SKU	Color	Door Opening	Dimensions & Weight	Packaging	MSRP
134670-900-084-000	Clear / Chrome	Reversible	55" - 59" x 57" / 110 lb / 50 kg	4.58 ft ³	\$ 1134
134670-900-172-000	Clear / Dark Bronze				\$ 1205
134670-900-305-000	Clear / Brushed Nickel				\$ 1184
134670-900-340-000	Clear / Matte Black				\$ 1205

COMMON OPTIONS

SKU	Description	MSRP
OPT20246-084	24 in. T-round towel bar Available colours: Chrome (084), Dark Bronze (172) and Brushed Nickel (305)	\$ 113
OPT20246-305		\$ 121
OPT20246-172		\$ 125
OPT20248-084	24 in. Square towel bar Available colours: Chrome (084), Dark Bronze (172) and Brushed Nickel (305)	\$ 113
OPT20248-305		\$ 121
OPT20248-172		\$ 125

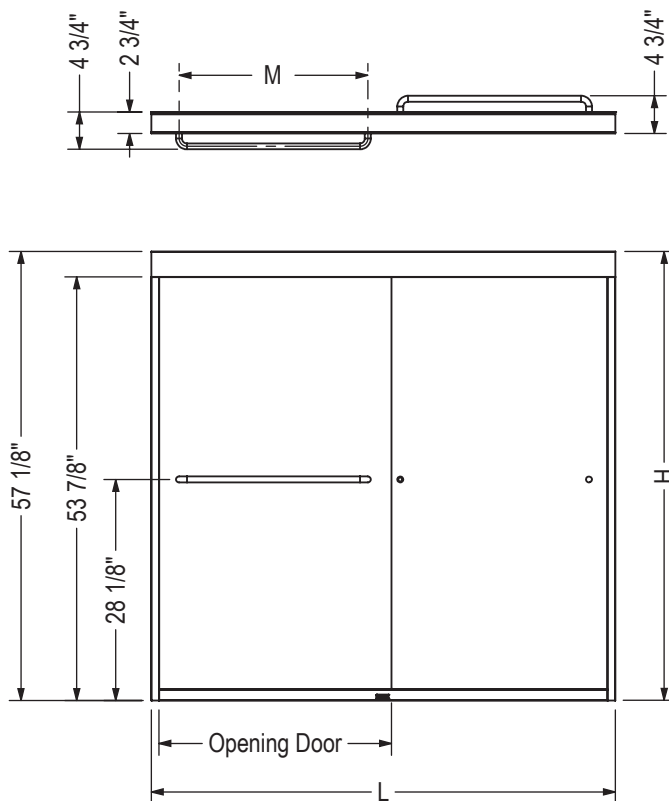
ACCESSORIES

SKU	Description	MSRP
10068376-305	24 in. Square towel bar Available colours: Chrome (084), Dark Bronze (172) and Brushed Nickel (305)	\$ 259
10068376-172		\$ 268

ACCESSORIES

SKU	Description	MSRP
10068376-084	24 in. Square towel bar Available colours: Chrome (084), Dark Bronze (172) and Brushed Nickel (305)	\$ 250
10068402-092-600	Watertight kit for Mirolin tub shower and shower	\$ 97
10068410-005-601	Soft Close by MAAX for Kameleon/Aura doors only	\$ 186

STANDARD



Description	Opening Door Adjustable	M	L Adjustable	H
Tub Door 55"x59"x8mm	23 1/2" - 27 1/2"	24"	55" - 59"	57"

All dimensions are approximate. Structure measurements must be verified against the unit to ensure proper fit.

Kameleon SC Tub Doors - 6 mm



Material : Tempered Glass

Features

- › Innovative SOFT CLOSE by MAAX prevents slamming
- › Silent guide eliminates the rattling noise
- › High quality rollers for smooth glide
- › Safety features: header lock and panel anti-jump
- › 6 mm tempered glass and frame color choice
- › Modern towel bar
- › Reversible header: one side round and one side flat

TUB DOORS - BYPASS

KAMELEON SC 51-55 X 57 - 6MM - 134660

SKU	Color	Door Opening	Dimensions & Weight	Packaging	MSRP
134660-900-084-000	Clear / Chrome	Reversible	51" - 55" x 57" / 85 lb / 39 kg	4.11 ft ³	\$ 957

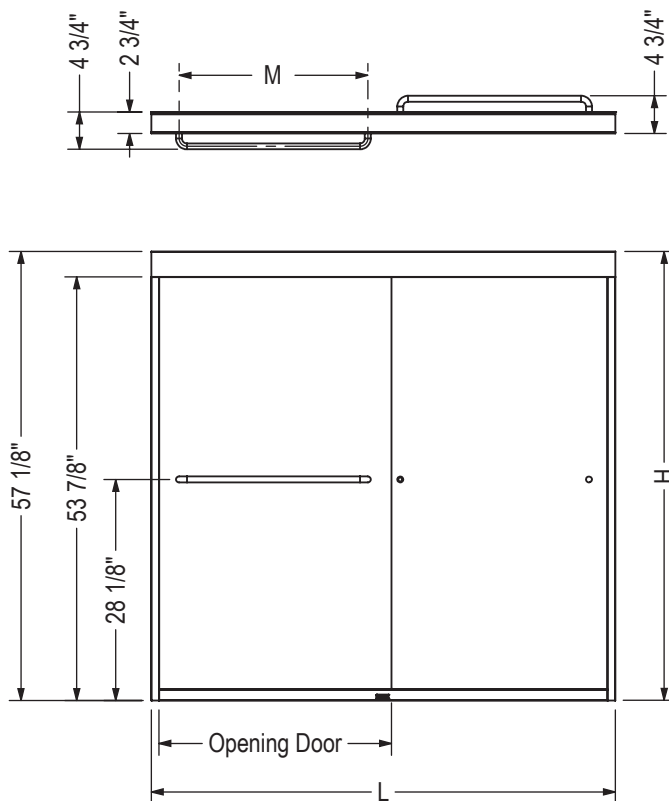
COMMON OPTIONS

SKU	Description	MSRP
OPT20246-084	24 in. T-round towel bar Available colours: Chrome (084), Dark Bronze (172) and Brushed Nickel (305)	\$ 113
OPT20246-305		\$ 121
OPT20246-172		\$ 125
OPT20248-084	24 in. Square towel bar Available colours: Chrome (084), Dark Bronze (172) and Brushed Nickel (305)	\$ 113
OPT20248-305		\$ 121
OPT20248-172		\$ 125

ACCESSORIES

SKU	Description	MSRP
10068376-305	24 in. Square towel bar Available colours: Chrome (084), Dark Bronze (172) and Brushed Nickel (305)	\$ 259
10068376-172		\$ 268
10068376-084		\$ 250
10068402-092-600	Watertight kit for Mirolin tub shower and shower	\$ 97
10068410-005-601	Soft Close by MAAX for Kameleon/Aura doors only	\$ 186

STANDARD



Description	Opening Door Adjustable	M	L Adjustable	H
Tub Door 51"x55"x6mm	21 1/2" - 25 1/2"	24"	51" - 55"	57"
Tub Door 55"x59"x6mm	23 1/2" - 27 1/2"	24"	55" - 59"	57"

All dimensions are approximate. Structure measurements must be verified against the unit to ensure proper fit.

Kameleon SC Tub Doors - 6 mm



Material : Tempered Glass

Features

- › Innovative SOFT CLOSE by MAAX prevents slamming
- › Silent guide eliminates the rattling noise
- › High quality rollers for smooth glide
- › Safety features: header lock and panel anti-jump
- › 6mm tempered glass and frame color choice
- › Modern towel bar
- › Reversible header: one side round and one side flat

TUB DOORS - BYPASS

KAMELEON SC 55-59 X 57 - 6MM - 134661

SKU	Color	Door Opening	Dimensions & Weight	Packaging	MSRP
134661-900-084-000	Clear / Chrome	Reversible	55" - 59" x 57" / 85 lb / 39 kg	4.58 ft ³	\$ 992
134661-900-172-000	Clear / Dark Bronze				\$ 1051
134661-900-305-000	Clear / Brushed Nickel				\$ 1038
134661-900-340-000	Clear / Matte Black				\$ 1051

COMMON OPTIONS

SKU	Description	MSRP
OPT20246-084	24 in. T-round towel bar Available colours: Chrome (084), Dark Bronze (172) and Brushed Nickel (305)	\$ 113
OPT20246-305		\$ 121
OPT20246-172		\$ 125
OPT20248-084	24 in. Square towel bar Available colours: Chrome (084), Dark Bronze (172) and Brushed Nickel (305)	\$ 113
OPT20248-305		\$ 121
OPT20248-172		\$ 125

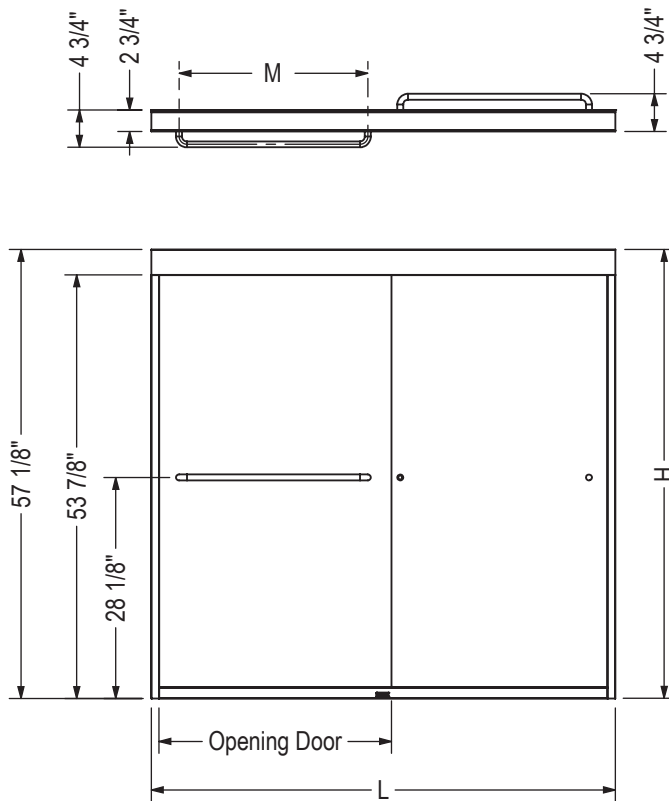
ACCESSORIES

SKU	Description	MSRP
10068376-305	24 in. Square towel bar Available colours: Chrome (084), Dark Bronze (172) and Brushed Nickel (305)	\$ 259
10068376-172		\$ 268

ACCESSORIES

SKU	Description	MSRP
10068376-084	24 in. Square towel bar Available colours: Chrome (084), Dark Bronze (172) and Brushed Nickel (305)	\$ 250
10068402-092-600	Watertight kit for Mirolin tub shower and shower	\$ 97
10068410-005-601	Soft Close by MAAx for Kameleon/Aura doors only	\$ 186

STANDARD



Description	Opening Door Adjustable	M	L Adjustable	H
Tub Door 51"x55"x6mm	21 1/2" - 25 1/2"	24"	51" - 55"	57"
Tub Door 55"x59"x6mm	23 1/2" - 27 1/2"	24"	55" - 59"	57"

All dimensions are approximate. Structure measurements must be verified against the unit to ensure proper fit.



Kameleon Tub Door - 8 mm

TUB DOORS - BYPASS



Material : Tempered Glass

Features

- › Silent guide eliminates the rattling noise
- › High quality rollers for smooth glide
- › Safety features: header lock and panel anti-jump
- › 8 mm tempered glass and frame color choice
- › Modern towel bar
- › Reversible header: one side round and one side flat

KAMELEON 55-59 X 57 - 8MM - 134573

SKU	Color	Door Opening	Dimensions & Weight	Packaging	MSRP
134573-900-084-000	Clear / Chrome	Reversible	55" - 59" x 57" / 110 lb / 50 kg	4.58 ft ³	\$ 1015
134573-900-172-000	Clear / Dark Bronze				\$ 1085
134573-900-305-000	Clear / Brushed Nickel				\$ 1066
134573-900-340-000	Clear / Matte Black				\$ 1085

COMMON OPTIONS

SKU	Description	MSRP
OPT20246-084	24 in. T-round towel bar Available colours: Chrome (084), Dark Bronze (172) and Brushed Nickel (305)	\$ 113
OPT20246-305		\$ 121
OPT20246-172		\$ 125
OPT20248-084	24 in. Square towel bar Available colours: Chrome (084), Dark Bronze (172) and Brushed Nickel (305)	\$ 113
OPT20248-305		\$ 121
OPT20248-172		\$ 125

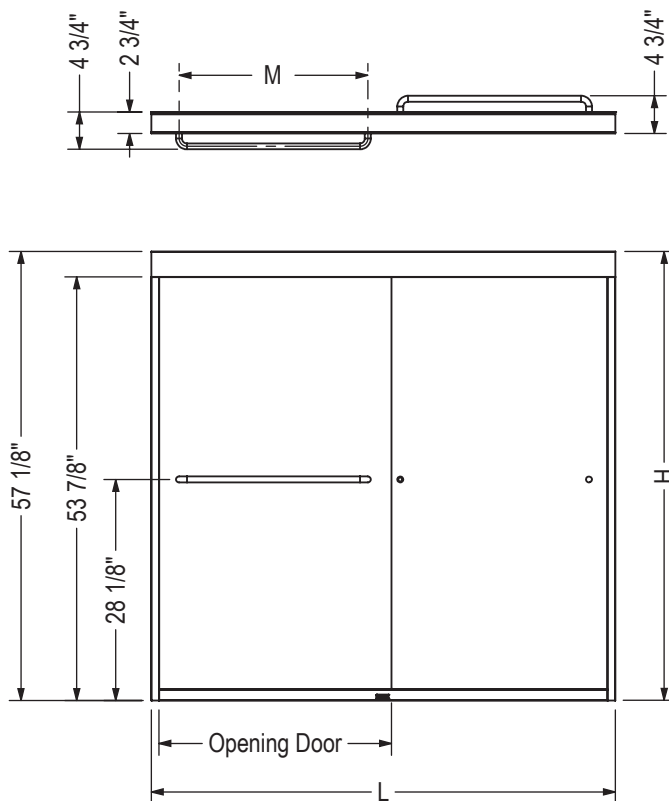
ACCESSORIES

SKU	Description	MSRP
10068376-305	24 in. Square towel bar Available colours: Chrome (084), Dark Bronze (172) and Brushed Nickel (305)	\$ 259
10068376-172		\$ 268

ACCESSORIES

SKU	Description	MSRP
10068376-084	24 in. Square towel bar Available colours: Chrome (084), Dark Bronze (172) and Brushed Nickel (305)	\$ 250
10068402-092-600	Watertight kit for Mirolin tub shower and shower	\$ 97
10068410-005-601	Soft Close by MAAX for Kameleon/Aura doors only	\$ 186

STANDARD



Description	Opening Door Adjustable	M	L Adjustable	H
Tub Door 55"x59"x8mm	23 1/2" - 27 1/2"	24"	55" - 59"	57"

All dimensions are approximate. Structure measurements must be verified against the unit to ensure proper fit.



Kameleon Tub Doors - 6 mm



Material : Tempered Glass

Features

- › Silent guide eliminates the rattling noise
- › High quality rollers for smooth glide
- › Safety features: header lock and panel anti-jump
- › Clear and privacy glass options with frame color choice
- › Rounded towel bar for a clean and versatile look
- › Reversible header: one side round and one side flat

TUB DOORS - BYPASS

KAMELEON 55-59 X 57 - 6MM - 134561

SKU	Color	Door Opening	Dimensions & Weight	Packaging	MSRP
134561-900-084-000	Clear / Chrome	Reversible	55" - 59" x 57" / 85 lb / 39 kg	4.58 ft ³	\$ 873
134561-900-172-000	Clear / Dark Bronze				\$ 934
134561-900-305-000	Clear / Brushed Nickel				\$ 917
134561-900-340-000	Clear / Matte Black				\$ 934
134561-978-084-000	Frosted / Chrome				\$ 1032
134561-978-172-000	Frosted / Dark Bronze				\$ 1102
134561-978-305-000	Frosted / Brushed Nickel				\$ 1082

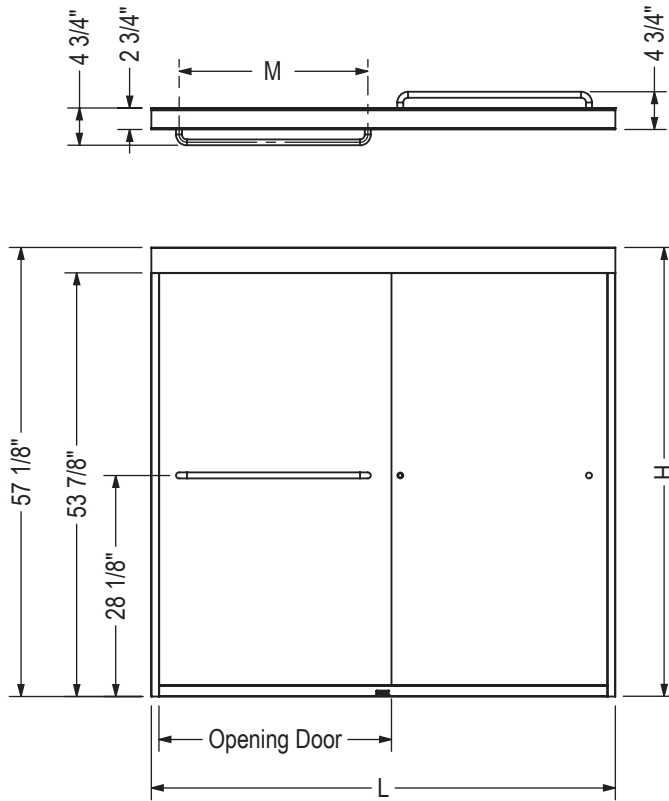
COMMON OPTIONS

SKU	Description	MSRP
OPT20246-084	24 in. T-round towel bar Available colours: Chrome (084), Dark Bronze (172) and Brushed Nickel (305)	\$ 113
OPT20246-305		\$ 121
OPT20246-172		\$ 125
OPT20248-084	24 in. Square towel bar Available colours: Chrome (084), Dark Bronze (172) and Brushed Nickel (305)	\$ 113
OPT20248-305		\$ 121
OPT20248-172		\$ 125

ACCESSORIES

SKU	Description	MSRP
10068376-305	24 in. Square towel bar Available colours: Chrome (084), Dark Bronze (172) and Brushed Nickel (305)	\$ 259
10068376-172		\$ 268
10068376-084		\$ 250
10068402-092-600	Watertight kit for Mirolin tub shower and shower	\$ 97
10068410-005-601	Soft Close by MAAX for Kameleon/Aura doors only	\$ 186

STANDARD



Description	Opening Door Adjustable	M	L Adjustable	H
Tub Door 51"x55"x6mm	21 1/2" - 25 1/2"	24"	51" - 55"	57"
Tub Door 55"x59"x6mm	23 1/2" - 27 1/2"	24"	55" - 59"	57"

All dimensions are approximate. Structure measurements must be verified against the unit to ensure proper fit.



Kameleon Tub Doors - 6 mm

TUB DOORS - BYPASS



Material : Tempered Glass

Features

- › Silent guide eliminates the rattling noise
- › High quality rollers for smooth glide
- › Safety features: header lock and panel anti-jump
- › Clear glass with frame color choice
- › Rounded towel bar for a clean and versatile look
- › Reversible header: one side round and one side flat

KAMELEON 51-55 X 57 - 6MM - 134560

SKU	Color	Door Opening	Dimensions & Weight	Packaging	MSRP
134560-900-084-000	Clear / Chrome	Reversible	51" - 55" x 57" / 85 lb / 39 kg	4.11 ft ³	\$ 837

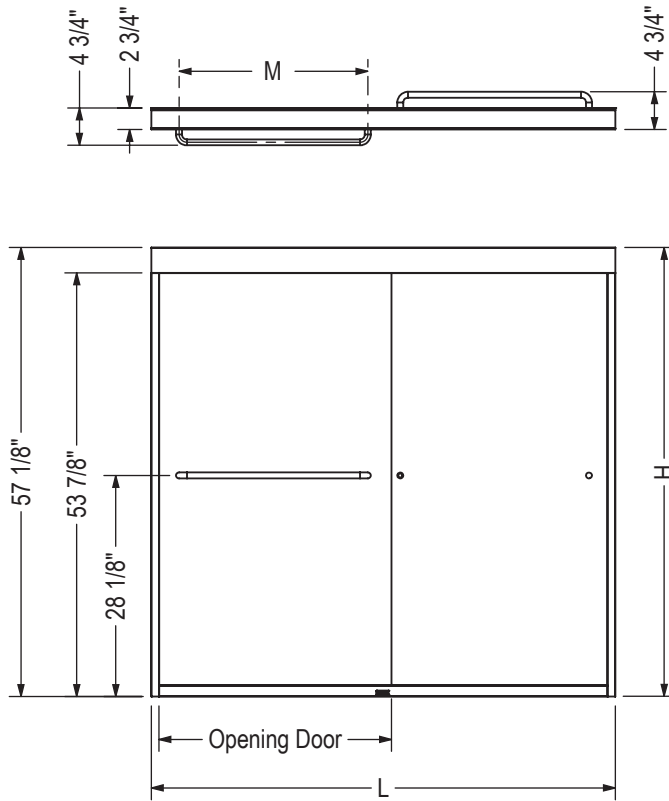
COMMON OPTIONS

SKU	Description	MSRP
OPT20246-084	24 in. T-round towel bar Available colours: Chrome (084), Dark Bronze (172) and Brushed Nickel (305)	\$ 113
OPT20246-305		\$ 121
OPT20246-172		\$ 125
OPT20248-084	24 in. Square towel bar Available colours: Chrome (084), Dark Bronze (172) and Brushed Nickel (305)	\$ 113
OPT20248-305		\$ 121
OPT20248-172		\$ 125

ACCESSORIES

SKU	Description	MSRP
10068376-305	24 in. Square towel bar Available colours: Chrome (084), Dark Bronze (172) and Brushed Nickel (305)	\$ 259
10068376-172		\$ 268
10068376-084		\$ 250
10068402-092-600	Watertight kit for Mirolin tub shower and shower	\$ 97
10068410-005-601	Soft Close by MAAX for Kameleon/Aura doors only	\$ 186

STANDARD



Description	Opening Door Adjustable	M	L Adjustable	H
Tub Door 51"x55"x6mm	21 1/2" - 25 1/2"	24"	51" - 55"	57"
Tub Door 55"x59"x6mm	23 1/2" - 27 1/2"	24"	55" - 59"	57"

All dimensions are approximate. Structure measurements must be verified against the unit to ensure proper fit.



Incognito 57 Shaker Tub Door

TUB DOORS - BYPASS



Material : Tempered Glass

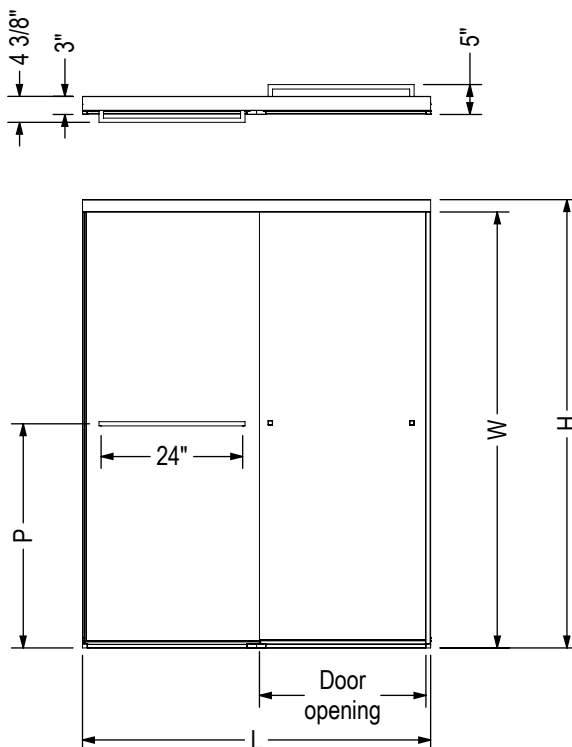
Features

- › Shaker style glass design, inspired by French door style
- › Glass thickness: 8 mm
- › 2 in , slim header provides a sleek look
- › Features convenient towel bar
- › Detachable door guide is easy to clean
- › Wheel catcher feature keeps door open or closed

INCOGNITO 57 SHAKER 56-59 X 56 3/4 - 8MM - 135330

SKU	Color	Door Opening	Dimensions & Weight	Packaging	MSRP
135330-972-340-000	Shaker / Matte Black	Reversible	56" - 59" x 56 3/4" / 112 lb / 51 kg	3 ft ³	\$ 1246

STANDARD



TUB DOORS - BYPASS

Code	Description	H	W	L Adjustable	Door opening	P	Wall adjustment
135331	Incognito 76 Shaker 8mm 76" x 44 - 47"	76"	73 7/8"	44" - 47"	18 1/4" - 22 1/4"	38"	1/2"
135332	Incognito 76 Shaker 8mm 76" x 56 - 59"	76"	73 7/8"	56" - 59"	24 1/4" - 28 1/4"	38"	1/2"
135330	Incognito Shaker 8mm 56 3/4" x 56 - 59"	56 3/4"	54 5/8"	56" - 59"	24 1/4" - 28 1/4"	28"	1/2"

All dimensions are approximate. Structure measurements must be verified against the unit to ensure proper fit.

Incognito 57 Tub Door - 6 mm



TUB DOORS - BYPASS



Material : Tempered Glass

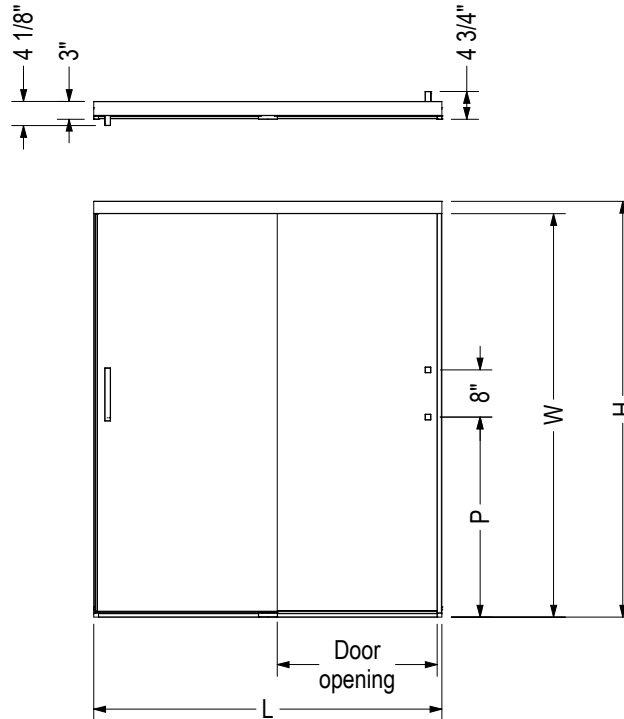
Features

- › Components that connect seamlessly for an effortless assembly
- › Expandable Sill, no cutting required to adjust
- › Large knob on the opposite side of the handle, to allows for an easier opening and closing
- › Hand adjustment to perfect the fit in the alcove
- › Fits on showers with a wall height of at least 56.75in
- › Integrated bumper at the top and the bottom

INCOGNITO 57 56-59 X 56 3/4 - 6MM - 139351

SKU	Color	Door Opening	Dimensions & Weight	Packaging	MSRP
139351-900-084-000	Clear / Chrome	Reversible	56" - 59" x 56 3/4" / 105 lb / 48 kg	3 ft ³	\$ 832
139351-900-173-000	Clear / Dark Bronze				\$ 896
139351-900-305-000	Clear / Brushed Nickel				\$ 873
139351-900-340-000	Clear / Matte Black				\$ 896

STANDARD



Code	Description	H	W	L Adjustable	Door Opening	P	Wall adjustment
139349	Incognito 6mm 70 1/2" x 44 - 47"	70 1/2"	68 3/8"	44" - 47"	17 1/8" - 21 1/8"	33 7/8"	1/2"
139350	Incognito 6mm 70 1/2" x 56 - 59"	70 1/2"	68 3/8"	56" - 59"	23 1/8" - 27 1/8"	33 7/8"	1/2"
139351	Incognito 6mm 56 3/4" x 56 - 59"	56 3/4"	54 5/8"	56" - 59"	23 1/8" - 27 1/8"	18 7/8"	1/2"
139352	Incognito 8mm 70 1/2" x 44 - 47"	70 1/2"	68 3/8"	44" - 47"	17 1/8" - 21 1/8"	33 7/8"	1/2"
139353	Incognito 8mm 70 1/2" x 56 - 59"	70 1/2"	68 3/8"	56" - 59"	23 1/8" - 27 1/8"	33 7/8"	1/2"
139354	Incognito 8mm 56 3/4" x 56 - 59"	56 3/4"	54 5/8"	56" - 59"	23 1/8" - 27 1/8"	18 7/8"	1/2"

All dimensions are approximate. Structure measurements must be verified against the unit to ensure proper fit.



Incognito 57 Tub Doors - 8 mm

TUB DOORS - BYPASS



Material : Tempered Glass

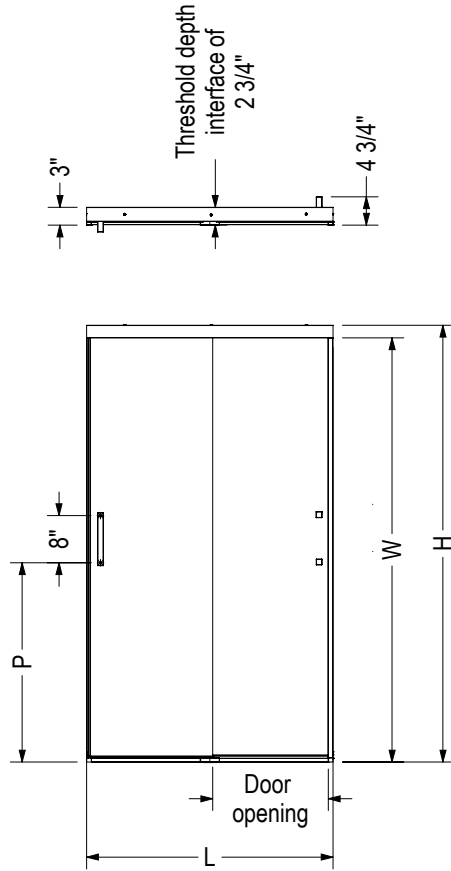
Features

- › Components that connect seamlessly for an effortless assembly
- › Large knob on the opposite side of the handle, to allow for an easier opening and closing
- › Hand adjustable positioning
- › Fits on showers with a wall height of at least 56.75 in.
- › Slim header and thin edges accentuate the minimalist look
- › Safety features: top and bottom integrated bumper to prevent slamming

INCOGNITO 57 51-54 X 56 3/4 IN. 8MM - 138522

SKU	Color	Door Opening	Dimensions & Weight	MSRP
138522-900-084-000	Clear / Chrome	Reversible	51" - 54" x 56 3/4" / 110 lb / 50 kg	\$ 945
138522-900-305-000	Clear / Brushed Nickel			\$ 1008
138522-900-340-000	Clear / Matte Black			\$ 1033

STANDARD



Code	Description	H	W	L Adjustable	Door opening	P	Wall adjustment
138520	Incognito 74" 39 - 42" x 74"	74"	71 7/8"	39" - 42"	16 1/2" - 19 1/2"	34 1/8"	1/2"
138521	Incognito 74" 51 - 54" x 74"	74"	68 3/8"	51" - 54"	22 1/2" - 25 1/2"	34 1/8"	1/2"
138522	Incognito 56 3/4" 51 - 54" x 56 3/4"	56 3/4"	54 5/8"	51" - 54"	22 1/2" - 25 1/2"	19 1/8"	1/2"

All dimensions are approximate. Structure measurement must be verified against the unit to ensure proper fit.



Incognito 57 Tub Doors - 8 mm

TUB DOORS - BYPASS



Material : Tempered Glass

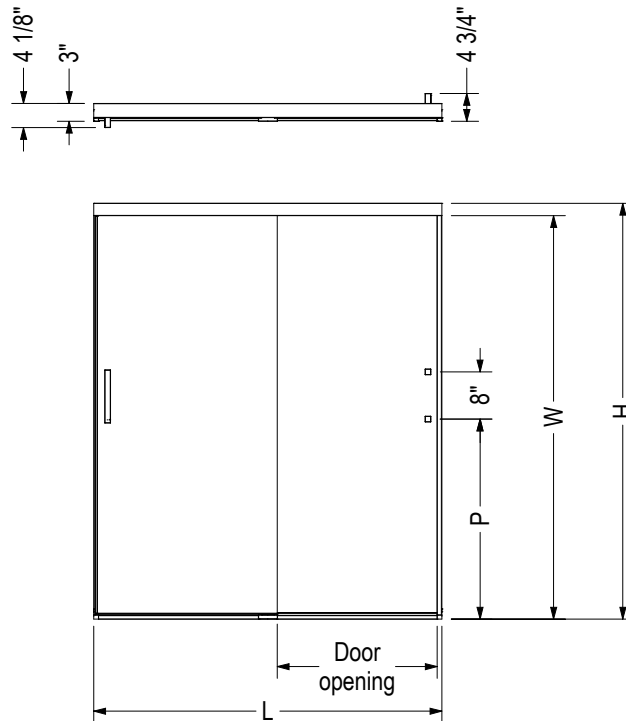
Features

- › Components that connect seamlessly for an effortless assembly
- › Large knob on the opposite side of the handle, to allow for an easier opening and closing
- › Hand adjustment to perfect the fit in the alcove
- › Fits on showers with a wall height of at least 56.75in
- › Slim header and thin edges accentuate the minimalist look
- › Safety features: top and bottom integrated bumper to prevent slamming

INCOGNITO 56-59 X 56 3/4 IN. 8 MM - 139354

SKU	Color	Door Opening	Dimensions & Weight	Packaging	MSRP
139354-900-084-000	Clear / Chrome	Reversible	56" - 59" x 56 3/4" / 120 lb / 54 kg	3 ft ³	\$ 945
139354-900-305-000	Clear / Brushed Nickel				\$ 1008
139354-900-340-000	Clear / Matte Black				\$ 1008

STANDARD



TUB DOORS - BYPASS

Code	Description	H	W	L Adjustable	Door Opening	P	Wall adjustment
139349	Incognito 6mm 70 1/2" x 44 - 47"	70 1/2"	68 3/8"	44" - 47"	17 1/8" - 21 1/8"	33 7/8"	1/2"
139350	Incognito 6mm 70 1/2" x 56 - 59"	70 1/2"	68 3/8"	56" - 59"	23 1/8" - 27 1/8"	33 7/8"	1/2"
139351	Incognito 6mm 56 3/4" x 56 - 59"	56 3/4"	54 5/8"	56" - 59"	23 1/8" - 27 1/8"	18 7/8"	1/2"
139352	Incognito 8mm 70 1/2" x 44 - 47"	70 1/2"	68 3/8"	44" - 47"	17 1/8" - 21 1/8"	33 7/8"	1/2"
139353	Incognito 8mm 70 1/2" x 56 - 59"	70 1/2"	68 3/8"	56" - 59"	23 1/8" - 27 1/8"	33 7/8"	1/2"
139354	Incognito 8mm 56 3/4" x 56 - 59"	56 3/4"	54 5/8"	56" - 59"	23 1/8" - 27 1/8"	18 7/8"	1/2"

All dimensions are approximate. Structure measurements must be verified against the unit to ensure proper fit.



Polar Tub Door

TUB DOORS - BYPASS



Material : Tempered Glass

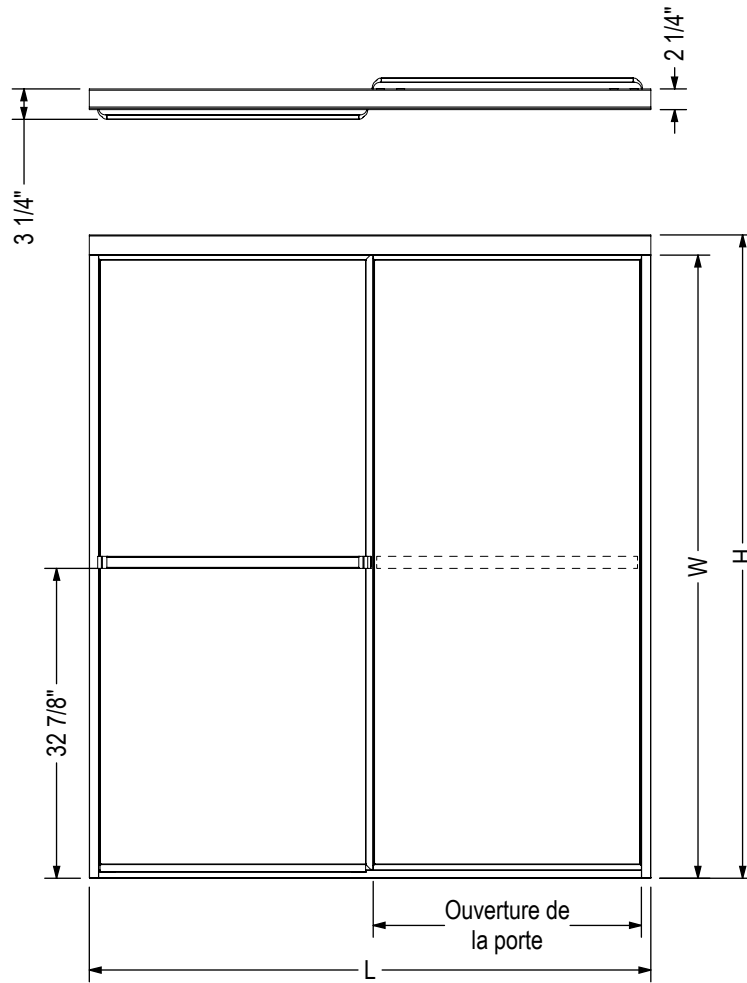
Features

- › Raindrop 4 mm tempered glass for more intimacy
- › Chrome frame for a clean simple look
- › Bathub and tub shower are sold separately, explore our wide variety of Bathub and tub shower
- › Bypass door configuration features two sliding panel
- › The EZ Klean bottom track drains water away and significantly reduces maintenance
- › Reversible, allowing for left or right opening to accommodate different bathroom layouts
- › Smooth Sliding Door Functionality enhances accessibility and convenience while elevating the aesthetics of your shower space.
- › Proudly made in Canada
- › Warranty: 10 years

POLAR 54-59 1/2 X 57 IN. - 105410

SKU	Color	Door Opening	Dimensions & Weight	Packaging	MSRP
105410-970-084-000	Raindrop / Chrome	Lateral	55" - 59 1/2" x 57" / 50 lb / 23 kg	3.28 ft ³	\$ 681

STANDARD



Code	Description	H	W	L Ajustable	Ouverture de la porte
105410	Polar 54" - 59 1/2" x 57"	57"	55"	54" - 59 1/2"	26" - 28 1/2"
105412	Polar 54" - 59 1/2" x 68"	68"	66"	54" - 59 1/2"	26" - 28 1/2"
105413	Polar 42" - 47 1/2" x 68"	68"	66"	42" - 47 1/2"	20" - 22 1/2"

Toutes ces dimensions sont approximatives. Afin d'assurer une installation parfaite, les dimensions de la structure doivent être vérifiées à partir de l'unité.

Revelation Round Tub Door - 6 mm



TUB DOORS - BYPASS



Material : Tempered Glass

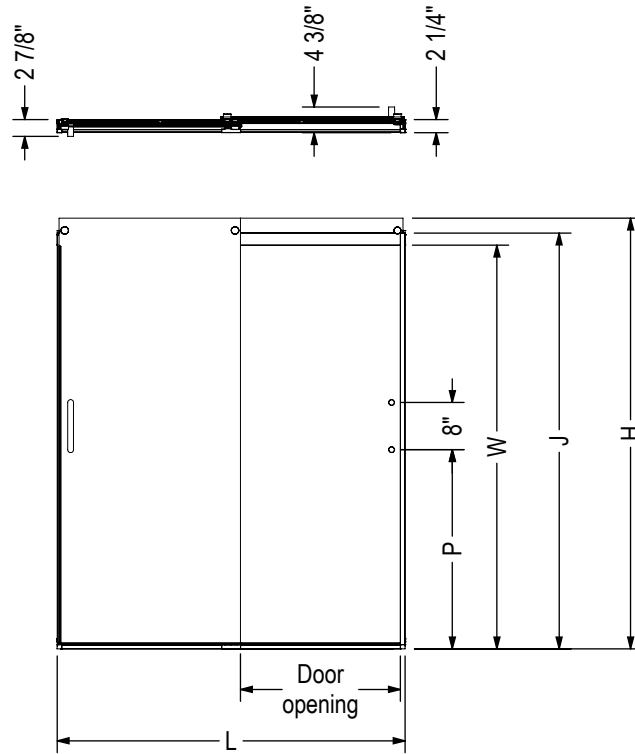
Features

- Made from high-quality 6 mm (1/4") thick glass, ensuring durability and safety.
- Reversible, allowing installation for left or right openings to accommodate different bathroom layouts.
- Easy installation process saves time and hassle.
- The door provides a watertight seal, ensuring no leaks or spills occur during use.

REVELATION ROUND 56-59 X 56 3/4-59 1/4 IN 6MM - 136692

SKU	Color	Door Opening	Dimensions & Weight	Packaging	MSRP
136692-900-084-000	Clear / Chrome	Reversible	56" - 59" x 59 1/4" / 82 lb / 37 kg	3.64 ft ³	\$ 896
136692-900-305-000	Clear / Brushed Nickel				\$ 957
136692-900-340-000	Clear / Matte Black				\$ 990

STANDARD



Code	Description	H	J	W	L Adjustable	Door Opening	P	Wall adjustment
139690	Revelation 6mm 70 1/2"-73" x 43 - 47"	73"	70 1/2"	68 3/8"	43" - 47"	16" - 20"	33 7/8"	1/2"
139691	Revelation 6mm 70 1/2"-73" x 55 - 59"	73"	70 1/2"	68 3/8"	55" - 59"	22" - 26"	33 7/8"	1/2"
139692	Revelation 6mm 56 3/4"-59 1/4" x 55 - 59"	59 1/4"	56 3/4"	54 5/8"	55" - 59"	22" - 26"	18 7/8"	1/2"
139693	Revelation 8mm 70 1/2"-73" x 43 - 47"	73"	70 1/2"	68 3/8"	43" - 47"	16" - 20"	33 7/8"	1/2"
139694	Revelation 8mm 70 1/2"-73" x 55 - 59"	73"	70 1/2"	68 3/8"	55" - 59"	22" - 26"	33 7/8"	1/2"
139695	Revelation 8mm 56 3/4"-59 1/4" x 55 - 59"	59 1/4"	56 3/4"	54 5/8"	55" - 59"	22" - 26"	18 7/8"	1/2"

All dimensions are approximate. Structure measurements must be verified against the unit to ensure proper fit.

Revelation Round Tub Door - 8 mm



TUB DOORS - BYPASS



Material : Tempered Glass

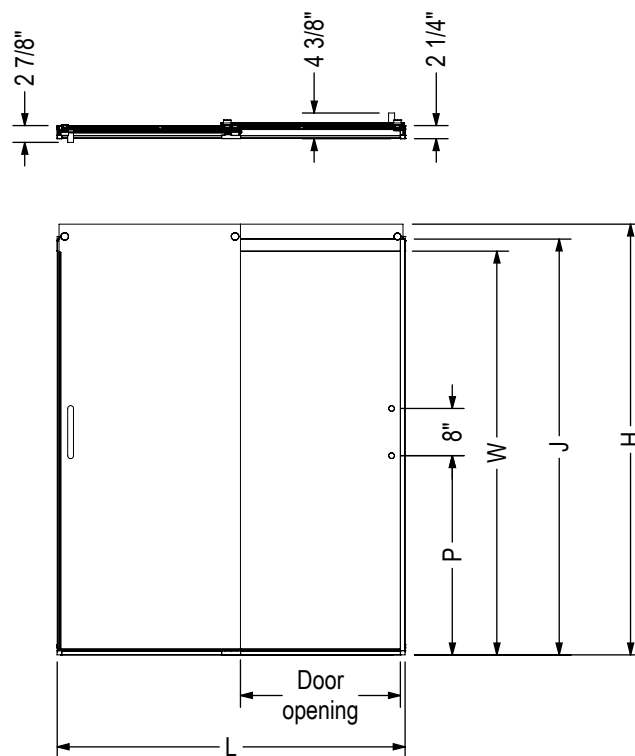
Features

- › Components that connect seamlessly for an effortless assembly
- › Exposed double set of wheels
- › Exposed double set of wheels
- › Handle outside / Big knob inside
- › Expandable Sill; No cutting required to adjust
- › Anti-jump features hidden in the frame
- › Detachable door guide to distance the glass for an easier cleaning

REVELATION ROUND 56-59 X 56 3/4-59 1/4 - 8 MM - 136695

SKU	Color	Door Opening	Dimensions & Weight	Packaging	MSRP
136695-900-084-000	Clear / Chrome	Reversible	56" - 59" x 59 1/4" / 120 lb / 54 kg	3 ft ³	\$ 996
136695-900-305-000	Clear / Brushed Nickel				\$ 1059
136695-900-340-000	Clear / Matte Black				\$ 1089

STANDARD



Code	Description	H	J	W	L Adjustable	Door Opening	P	Wall adjustment
139690	Revelation 6mm 70 1/2"-73" x 43 - 47"	73"	70 1/2"	68 3/8"	43" - 47"	16" - 20"	33 7/8"	1/2"
139691	Revelation 6mm 70 1/2"-73" x 55 - 59"	73"	70 1/2"	68 3/8"	55" - 59"	22" - 26"	33 7/8"	1/2"
139692	Revelation 6mm 56 3/4"-59 1/4" x 55 - 59"	59 1/4"	56 3/4"	54 5/8"	55" - 59"	22" - 26"	18 7/8"	1/2"
139693	Revelation 8mm 70 1/2"-73" x 43 - 47"	73"	70 1/2"	68 3/8"	43" - 47"	16" - 20"	33 7/8"	1/2"
139694	Revelation 8mm 70 1/2"-73" x 55 - 59"	73"	70 1/2"	68 3/8"	55" - 59"	22" - 26"	33 7/8"	1/2"
139695	Revelation 8mm 56 3/4"-59 1/4" x 55 - 59"	59 1/4"	56 3/4"	54 5/8"	55" - 59"	22" - 26"	18 7/8"	1/2"

All dimensions are approximate. Structure measurements must be verified against the unit to ensure proper fit.

Revelation Square Tub Door - 6 mm



TUB DOORS - BYPASS



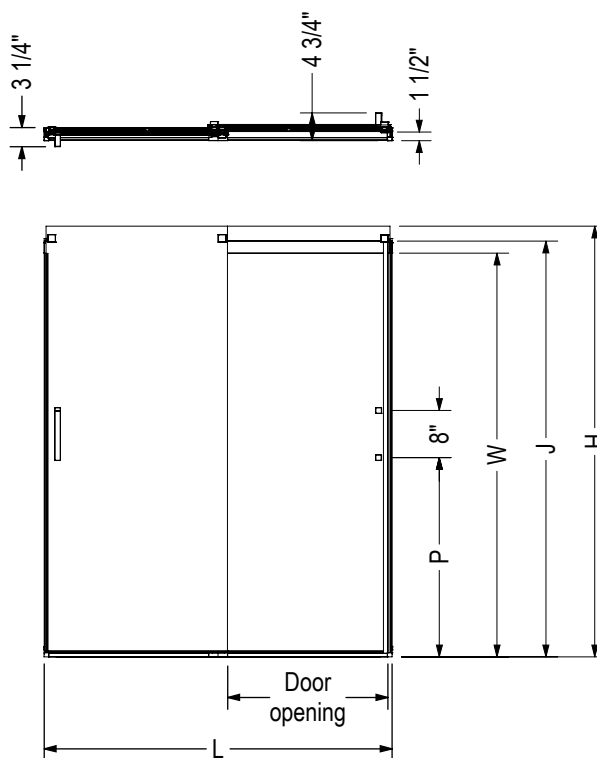
Material : Tempered Glass

Features

- > Components that connect seamlessly for an effortless assembly
- > Exposed double set of wheels
- > Handle outside / Big knob inside
- > Anti-jump features hidden in the frame

REVELATION SQUARE 56-59 X 56 3/4-58 1/4 - 6MM - 135692					
SKU	Color	Door Opening	Dimensions & Weight	Packaging	MSRP
135692-900-084-000	Clear / Chrome	Reversible	56" - 59" x 59 1/4" / 105 lb / 48 kg	3 ft ³	\$ 896
135692-900-305-000	Clear / Brushed Nickel				\$ 957
135692-900-340-000	Clear / Matte Black				\$ 990

STANDARD



TUB DOORS - BYPASS

Code	Description	H	J	W	L Adjustable	Door Opening	P	Wall adjustment
134690	Revelation SQ 6mm 70 1/2"-73" x 43 - 47"	73"	70 1/2"	68 3/8"	43" - 47"	16" - 20"	33 7/8"	1/2"
134691	Revelation SQ 6mm 70 1/2"-73" x 55 - 59"	73"	70 1/2"	68 3/8"	55" - 59"	22" - 26"	33 7/8"	1/2"
134692	Revelation SQ 6mm 56 3/4"-59 1/4" x 55 - 59"	59 1/4"	56 3/4"	54 5/8"	55" - 59"	22" - 26"	18 7/8"	1/2"
134693	Revelation SQ 8mm 70 1/2"-73" x 43 - 47"	73"	70 1/2"	68 3/8"	43" - 47"	16" - 20"	33 7/8"	1/2"
134694	Revelation SQ 8mm 70 1/2"-73" x 55 - 59"	73"	70 1/2"	68 3/8"	55" - 59"	22" - 26"	33 7/8"	1/2"
134695	Revelation SQ 8mm 56 3/4"-59 1/4" x 55 - 59"	59 1/4"	56 3/4"	54 5/8"	55" - 59"	22" - 26"	18 7/8"	1/2"

All dimensions are approximate. Structure measurements must be verified against the unit to ensure proper fit.

Revelation Square Tub Door - 8 mm



TUB DOORS - BYPASS



Material : Tempered Glass

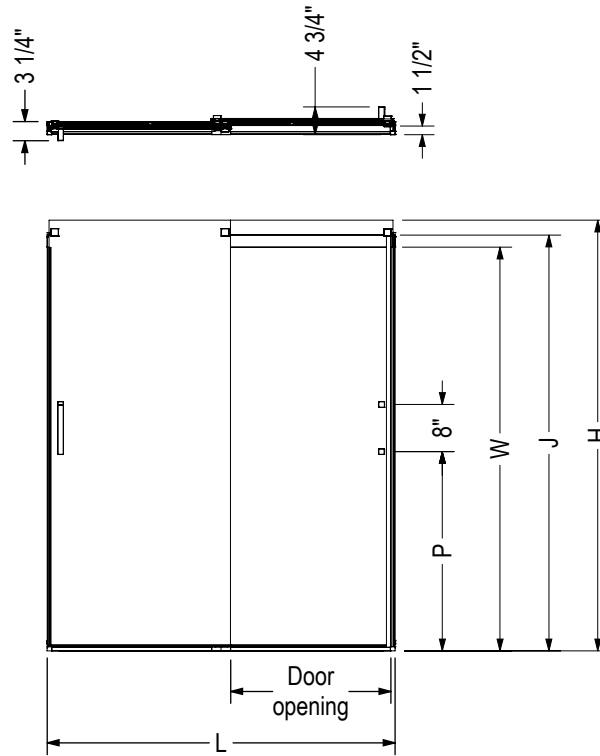
Features

- › Components that connect seamlessly for an effortless assembly
- › Exposed double set of wheels
- › Handle outside / Big knob inside
- › Anti-jump features hidden in the frame

REVELATION SQUARE 56-59 X 56 3/4-59 1/4 - 8MM - 135695

SKU	Color	Door Opening	Dimensions & Weight	Packaging	MSRP
135695-900-084-000	Clear / Chrome	Reversible	56" - 59" x 59 1/4" / 120 lb / 54 kg	3 ft ³	\$ 996
135695-900-305-000	Clear / Brushed Nickel				\$ 1059
135695-900-340-000	Clear / Matte Black				\$ 1089

STANDARD



Code	Description	H	J	W	L Adjustable	Door Opening	P	Wall adjustment
134690	Revelation SQ 6mm 70 1/2"-73" x 43 - 47"	73"	70 1/2"	68 3/8"	43" - 47"	16" - 20"	33 7/8"	1/2"
134691	Revelation SQ 6mm 70 1/2"-73" x 55 - 59"	73"	70 1/2"	68 3/8"	55" - 59"	22" - 26"	33 7/8"	1/2"
134692	Revelation SQ 6mm 56 3/4"-59 1/4" x 55 - 59"	59 1/4"	56 3/4"	54 5/8"	55" - 59"	22" - 26"	18 7/8"	1/2"
134693	Revelation SQ 8mm 70 1/2"-73" x 43 - 47"	73"	70 1/2"	68 3/8"	43" - 47"	16" - 20"	33 7/8"	1/2"
134694	Revelation SQ 8mm 70 1/2"-73" x 55 - 59"	73"	70 1/2"	68 3/8"	55" - 59"	22" - 26"	33 7/8"	1/2"
134695	Revelation SQ 8mm 56 3/4"-59 1/4" x 55 - 59"	59 1/4"	56 3/4"	54 5/8"	55" - 59"	22" - 26"	18 7/8"	1/2"

All dimensions are approximate. Structure measurements must be verified against the unit to ensure proper fit.



Uptown Bypass Tub Door

TUB DOORS - BYPASS



Material : Tempered Glass

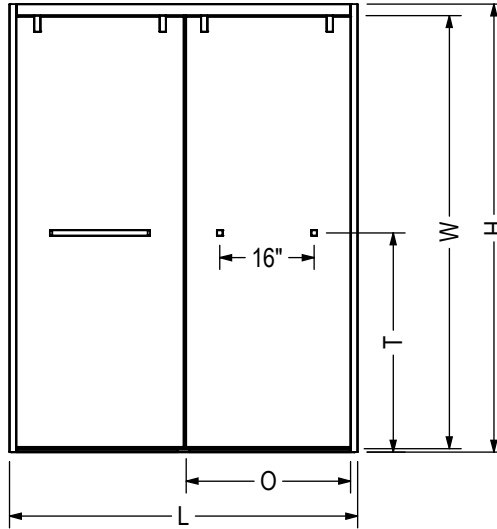
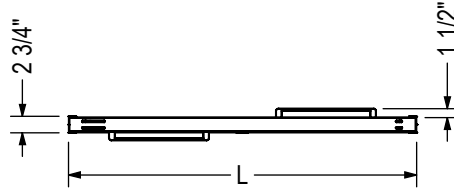
Features

- › 8 mm (5/16") tempered glass
- › Configuration consists of Bi-directional glass panels for flexible entry and easy access to fixtures on the left or right-hand side
- › Available in 4 Stylish Finishes
- › DIY Product for an easy installation
- › Fits on showers, walls and tile
- › Innovative Soft Close by MAAX technology prevents slamming
- › Glass panels come with the Lotus Easy Clean Glass Protection to repel soap and water stains for carefree maintenance
- › Reversible panel for easy corner installation on the left or on the right
- › Available in 4 Stylish Finishes

UPTOWN 56-59 X 58 IN. 8 MM - 135320

SKU	Color	Door Opening	Dimensions & Weight	Packaging	MSRP
135320-900-084-000	Clear / Chrome	Reversible	56" - 59" x 58" / 106 lb / 48 kg	4.732 ft ³	\$ 1348
135320-900-305-000	Clear / Brushed Nickel				\$ 1417
135320-900-340-000	Clear / Matte Black				\$ 1449

STANDARD



Code	Description	H	L	O	T	W
135320	Uptown Bypass Tub door 58" x 56" - 59"	58"	56" - 59"	24 7/8" - 27 7/8"	28 1/4"	55 1/2"
135321	Uptown Bypass door 76" x 44" - 47"	76"	44" - 47"	18 7/8" - 21 7/8"	37 1/8"	73 1/2"
135322	Uptown Bypass door 76" x 56" - 59"	76"	56" - 59"	24 7/8" - 27 7/8"	37 1/8"	73 1/2"

Wall adjustment = 3/8"

All dimensions are approximate. Structure measurements must be verified against the unit to ensure proper fit.

Vela Tub Door



TUB DOORS - SLIDING



Material : Tempered Glass

Features

- › Rollers and handle offered in 7 different finishes (monochrome or mix-finishes)
- › 59" high clear glass panel 8 mm (5/16") tempered glass with Lotus easy clean protection
- › Detachable door guide to distance the glass when cleaning
- › Reversible tub shower door for left or right opening
- › This configuration is shipped in 2 boxes

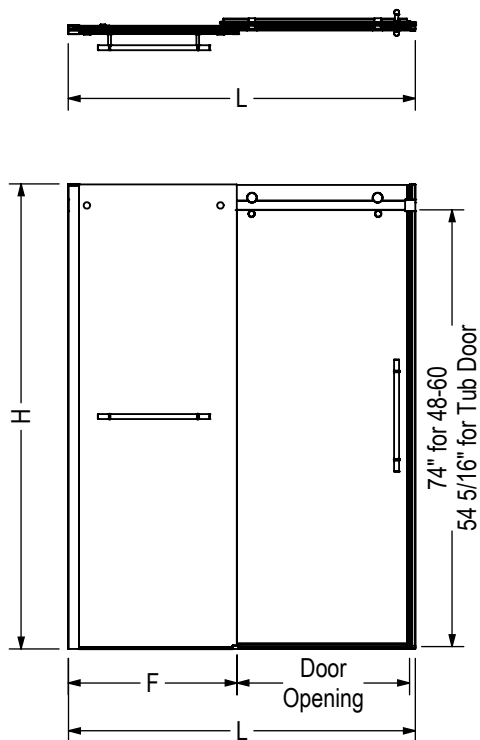
VELA 56 1/2-59 X 59 - 8MM - 138480

SKU	Color	Door Opening	Dimensions & Weight	Packaging	MSRP
138480-900-084-000	Clear / Chrome	Reversible	56 1/2" - 59" x 59" / 120 lb / 54 kg	8.82 ft ³	\$ 1485
138480-900-280-000	Clear / Chrome and Matte White				\$ 1820
138480-900-305-000	Clear / Brushed Nickel				\$ 1547
138480-900-340-000	Clear / Matte Black				\$ 1610
138480-900-350-000	Clear / Chrome and Matte Black				\$ 1547
138480-900-360-000	Clear / Matte Black and Chrome				\$ 1610
138480-900-370-000	Clear / Matte Black and Brushed Nickel				\$ 1610
138480-900-380-000	Clear / Matte Black and Brushed Gold				\$ 1706

ACCESSORIES

SKU	Description	MSRP
10060311	Corner glass shelf (9 3/8 x 9 3/8 in.) (sold separately) 10 mm frosted glass with a clear band along the edge Compatible with Utile and tile shower walls	\$ 158

STANDARD



TUB DOORS - SLIDING

Code	Description	H	L Adjustable	F	Door Opening	Wall Adjustment
138460	Vela 78 3/4" x 47" without towel bar	78 3/4"	44 1/2" - 47"	22 1/2"	16 1/4" - 18 3/4"	1"
138465	Vela 78 3/4" x 47" with towel bar	78 3/4"	44 1/2" - 47"	22 1/2"	16 1/4" - 18 3/4"	1"
138470	Vela 78 3/4" x 59" without towel bar	78 3/4"	56 1/2" - 59"	28 5/8"	22 1/8" - 24 5/8"	1"
138475	Vela 78 3/4" x 59" with towel bar	78 3/4"	56 1/2" - 59"	28 5/8"	22 1/8" - 24 5/8"	1"
138480	Vela 59" x 59" without towel bar	59"	56 1/2" - 59"	28 5/8"	22 1/8" - 24 5/8"	1"
138485	Vela 59" x 59" with towel bar	59"	56 1/2" - 59"	28 5/8"	22 1/8" - 24 5/8"	1"

All dimensions are approximate. Structure measurements must be verified against the unit to ensure proper fit.

Vela Tub Door with Towel Bar



TUB DOORS - SLIDING



Material : Tempered Glass

Features

- › Rollers and handle offered in 7 different finishes (monochrome or mix-finishes)
- › 59" high clear glass panel 8 mm (5/16") tempered glass with Lotus easy clean protection
- › Detachable door guide to distance the glass when cleaning
- › Reversible tub shower door for left or right opening
- › This configuration is shipped in 2 boxes
- › With a convenient towel bar on the fix panel

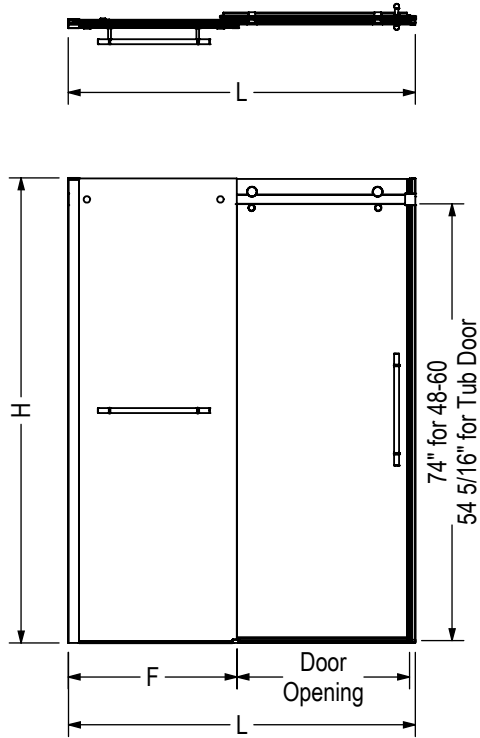
VELA 56 1/2-59 X 59 - 8MM - 138485

SKU	Color	Door Opening	Dimensions & Weight	Packaging	MSRP
138485-900-084-000	Clear / Chrome	Reversible	56 1/2" - 59" x 59" / 120 lb / 54 kg	8.82 ft ³	\$ 1580
138485-900-280-000	Clear / Chrome and Matte White				\$ 1931
138485-900-305-000	Clear / Brushed Nickel				\$ 1642
138485-900-340-000	Clear / Matte Black				\$ 1706
138485-900-350-000	Clear / Chrome and Matte Black				\$ 1642
138485-900-360-000	Clear / Matte Black and Chrome				\$ 1706
138485-900-370-000	Clear / Matte Black and Brushed Nickel				\$ 1706
138485-900-380-000	Clear / Matte Black and Brushed Gold				\$ 1799

ACCESSORIES

SKU	Description	MSRP
10060311	Corner glass shelf (9 3/8 x 9 3/8 in.) (sold separately) 10 mm frosted glass with a clear band along the edge Compatible with Utile and tile shower walls	\$ 158

STANDARD



Code	Description	H	L Adjustable	F	Door Opening	Wall Adjustment
138460	Vela 78 3/4" x 47" without towel bar	78 3/4"	44 1/2" - 47"	22 1/2"	16 1/4" - 18 3/4"	1"
138465	Vela 78 3/4" x 47" with towel bar	78 3/4"	44 1/2" - 47"	22 1/2"	16 1/4" - 18 3/4"	1"
138470	Vela 78 3/4" x 59" without towel bar	78 3/4"	56 1/2" - 59"	28 5/8"	22 1/8" - 24 5/8"	1"
138475	Vela 78 3/4" x 59" with towel bar	78 3/4"	56 1/2" - 59"	28 5/8"	22 1/8" - 24 5/8"	1"
138480	Vela 59" x 59" without towel bar	59"	56 1/2" - 59"	28 5/8"	22 1/8" - 24 5/8"	1"
138485	Vela 59" x 59" with towel bar	59"	56 1/2" - 59"	28 5/8"	22 1/8" - 24 5/8"	1"

All dimensions are approximate. Structure measurements must be verified against the unit to ensure proper fit.



Halo Tub Door

TUB DOORS - SLIDING



Material : Tempered Glass

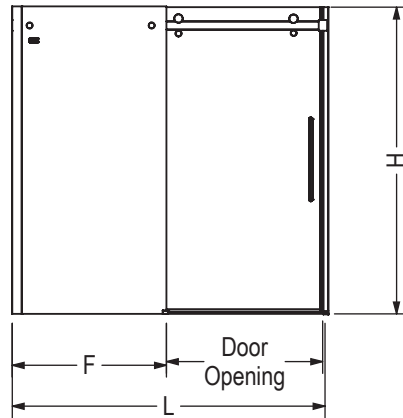
Features

- › 8 mm tempered glass panels
- › Available in 4 finishes: Chrome, Brushed Nickel, Dark Bronze, Matte Black
- › Compatible with MAAX's Utile tub wall system, allowing for a seamless and coordinated installation with the shower door, creating a cohesive and stylish bathroom design
- › Sliding door configuration features one sliding glass panel and one stationary panel
- › Ball bearing roller technology along a friction-free stainless steel rail system for a smooth and quiet opening
- › The frameless design brings a sense of spaciousness to the room and creates a sleek, minimalist look.
- › Glass panels come with the Lotus Easy Clean Glass Protection to repel soap and water stains for carefree maintenance
- › Compatible with MAAX's Utile tub wall system, allowing for a seamless and coordinated installation with the shower door, creating a cohesive and stylish bathroom design
- › Warranty: 10 years

HALO 56 1/2-59 X 59 - 8MM - 139398

SKU	Color	Door Opening	Dimensions & Weight	Packaging	MSRP
139398-900-084-000	Clear / Chrome	Lateral	56 1/2" - 59" x 59" / 131 lb / 59 kg	7.7 ft ³	\$ 1234
139398-900-173-000	Clear / Dark Bronze	Reversible	56 1/2" - 59" x 59" / 108 lb / 49 kg		\$ 1329
139398-900-305-000	Clear / Brushed Nickel				\$ 1297
139398-900-340-000	Clear / Matte Black	Lateral	56 1/2" - 59" x 59" / 118 lb / 54 kg		\$ 1329

STANDARD



Code	Description	H	L Adjustable	F	Door Opening	Wall Adjustment
139398	Halo TUBDOOR 59" x 59"	59"	56 1/2" - 59"	28 5/8"	24 1/2"	1"

All dimensions are approximate. Structure measurements must be verified against the unit to ensure proper fit.



Luminescence Tub Door

TUB DOORS - SLIDING



Material : Tempered Glass

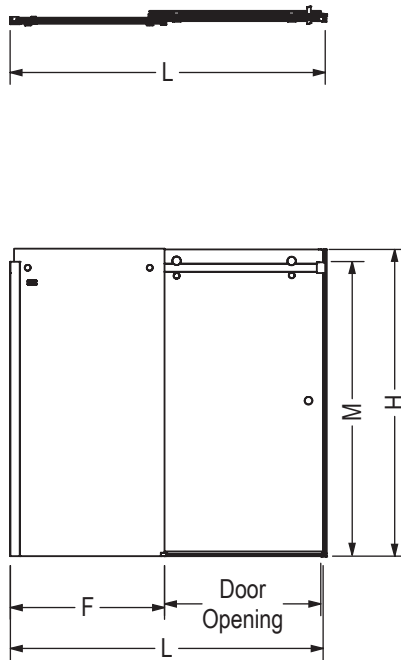
Features

- › Fits showers with 55 1/2 -inch wall clearance, glass extends to 57 1/2 -inch
- › Ball bearing roller system, for a quiet and gentle close
- › Door is reversible, provides a right or left opening for ease of installation

LUMINESCENCE SLIDINGDOOR 56 1/2-59 X 55 1/2-57 1/2 - 6MM - 138994

SKU	Color	Door Opening	Dimensions & Weight	Packaging	MSRP
138994-900-084-000	Clear / Chrome	Reversible	56 1/2" - 59" x 55 1/2" / 86 lb / 39 kg	4.02 ft ³	\$ 1000
138994-900-305-000	Clear / Brushed Nickel				\$ 1066

STANDARD



Code	Description	H	M	L Adjustable	F	Door Opening	Wall Adjustment
138994	Luminescence 56 1/2"-59" x 55 1/2"	57 1/2"	55 1/2"	56 1/2" - 59"	28 5/8"	24 1/2"	1"

All dimensions are approximate. Structure measurements must be verified against the unit to ensure proper fit.

Tub Showers



AlliaTS 6034—Incognito-Matte Black

Allia Access TS-6032 (1-Piece)



Material : Acrylic

Features

- › 1-piece tub shower
- › Accessible low deck height of 16in
- › Stabili-T anti-slip bottom meeting ADA, ANSI or CSA requirements
- › 3 in. Above-the-Floor Rough Right or Left-hand drain
- › Wide 3-level corner shelves
- › Standard : 12 in. white grab bar
- › Optional grab bars available
- › All grab bars and seat can support up to 300 lbs
- › Available in White (001) only

TUB SHOWERS - ACRYLIC

ALLIA ACCESS TS-6032 (1-PIECE) - 107009

SKU	System	Color	Configuration	Dimensions & Weight	MSRP
107009-L-000-001	Soaker - No System	White	Left	60" x 32" x 79" / 155 lb / 70 kg	\$ 2304
107009-R-000-001			Right		\$ 2304

ALLIA ACCESS TS-6032 (2-PIECE) - 107009S

SKU	System	Color	Configuration	Dimensions & Weight	MSRP
107009-SL-000-001	Soaker - No System	White	Left	60" x 32 1/2" x 79" / 155 lb / 70 kg	\$ 2704
107009-SR-000-001			Right		\$ 2704

COMMON OPTIONS

SKU	Description	MSRP
OPT20203-B-002	18 in. Modern straight grab bar ³⁰	\$ 269
OPT20203-B-105	OPT 20203-B-XXX Horizontal grab bar on back wall	\$ 269
OPT20203-B-084	Available colours: White (002), Chrome (084) and Brushed Nickel (105)	\$ 269
OPT20203-L-105	18 in. Modern straight grab bar ³⁰	\$ 269
OPT20203-L-002	OPT 20203-L-XXX Vertical grab bar on left wall	\$ 269
OPT20203-L-084	Available colours: White (002), Chrome (084) and Brushed Nickel (105)	\$ 269
OPT20203-R-084	18 in. Modern straight grab bar ³⁰ OPT 20203-R-XXX Vertical grab bar on right wall Available colours: White (002), Chrome (084) and Brushed Nickel (105)	\$ 269

COMMON OPTIONS

SKU	Description	MSRP
OPT20203-R-002	18 in. Modern straight grab bar ³⁰ OPT 20203-R-XXX Vertical grab bar on right wall	\$ 269
OPT20203-R-105	Available colours: White (002), Chrome (084) and Brushed Nickel (105)	\$ 269
OPT20204-B-002	24 in. Modern straight grab bar ³⁰	\$ 315
OPT20204-B-084	OPT 20204-B-XXX Horizontal grab bar on back wall	\$ 315
OPT20204-B-105	Available colours: White (002), Chrome (084) and Brushed Nickel (105)	\$ 315
OPT20204-L-084	24 in. Modern straight grab bar ³⁰	\$ 315
OPT20204-L-105	OPT 20204-L-XXX Vertical grab bar on left wall	\$ 315
OPT20204-L-002	Available colours: White (002), Chrome (084) and Brushed Nickel (105)	\$ 315
OPT20204-R-002	24 in. Modern straight grab bar ³⁰	\$ 315
OPT20204-R-084	OPT 20204-R-XXX Vertical grab bar on right wall	\$ 315
OPT20204-R-105	Available colours: White (002), Chrome (084) and Brushed Nickel (105)	\$ 315
OPT20212-B	Back Wall reinforcement for future grab installation ³³	\$ 100
OPT20212-L	Left Wall reinforcement for future grab installation ³³	\$ 100
OPT20212-R	Right Wall reinforcement for future grab installation ³³	\$ 100
OPT20216-B-002	30 in. Modern straight grab bar ³⁰	\$ 359
OPT20216-B-105	OPT 20216-B-XXX Horizontal grab bar on back wall	\$ 359
OPT20216-B-084	Available colours: White (002), Chrome (084) and Brushed Nickel (105)	\$ 359
OPT20216-L-002	30 in. Modern straight grab bar ³⁰	\$ 359
OPT20216-L-105	OPT 20216-L-XXX Vertical grab bar on left wall	\$ 359
OPT20216-L-084	Available colours: White (002), Chrome (084) and Brushed Nickel (105)	\$ 359
OPT20216-R-002	30 in. Modern straight grab bar ³⁰	\$ 359
OPT20216-R-105	OPT 20216-R-XXX Vertical grab bar on right wall	\$ 359
OPT20216-R-084	Available colours: White (002), Chrome (084) and Brushed Nickel (105)	\$ 359
OPT20219-L-084	Pivot grab bar (back wall) ³⁰³² OPT 20219-L-XXX Left-hand pivot grab bar on back wall Available colours: Chrome (084)	\$ 1867
OPT20219-R-084	Pivot grab bar (back wall) ³⁰³² OPT 20219-R-XXX Right-hand pivot grab bar on back wall Available colours: Chrome (084)	\$ 1867
OPT20217-L-105	32 in. Curved grab bar (back wall) ³⁰³¹	\$ 536
OPT20217-L-002	OPT 20217-L-XXX Left-hand curved grab bar on back wall	\$ 536
OPT20217-L-084	Available colours: White (002), Chrome (084) and Brushed Nickel (105)	\$ 536
OPT20217-R-002	32 in. Curved grab bar (back wall) ³⁰³¹	\$ 536
OPT20217-R-105	OPT 20217-R-XXX Right-hand curved grab bar on back wall	\$ 536
OPT20217-R-084	Available colours: White (002), Chrome (084) and Brushed Nickel (105)	\$ 536
OPT10189	Three-wall reinforcement for future grab bar installation ³³	\$ 290
OPT20056-106	60 in. curtain rod with installation kit Available color: Stainless Steel (106)	\$ 227
OPT20137-004		\$ 332
OPT20137-084	Cable-operated waste and overflow (16 in. to 22 in.) (included in product packaging when purchased)	\$ 332
OPT20137-105	Available colors: White (001), Bone (004), Chrome (084) and Brushed Nickel (105)	\$ 332
OPT20137-001		\$ 332

COMMON OPTIONS

SKU	Description	MSRP
OPT20220-002	Shelf guard rails (factory installed) Available colours: White (002), Chrome (084), Brushed Nickel (105)	\$ 280
OPT20220-105		\$ 280
OPT20220-084		\$ 280

ACCESSORIES

SKU	Description	MSRP
10004306-001	White foam cushion with 2 suction pads (sold separately) Available color: White (001)	\$ 126
10028765-105	24 in. modern straight grab bar ³⁶ Specify color: White (002), Chrome (084), Brushed Nickel (105)	\$ 315
10028765-084		\$ 315
10028765-002		\$ 315
10029248-105	30 in. Modern straight grab bar ³⁶ Specify color: White (002), Chrome (084), Brushed Nickel (105)	\$ 359
10029248-002		\$ 359
10029248-084		\$ 359
10029253-002	32 in. Left hand curved grab bar ³⁶ Left refers to the upper section of the curved bar Specify color: White (002), Chrome (084), Brushed Nickel (105)	\$ 536
10029253-084		\$ 536
10029253-105		\$ 536
10029254-084	32 in. Right hand curved grab bar ³⁶ Right refers to the upper section of the curved bar Specify color: White (002), Chrome (084), Brushed Nickel (105)	\$ 536
10029254-002		\$ 536
10029254-105		\$ 536
10029996-084	18 in. modern straight grab bar with flange (front installation) Specify colour: White (002), Chrome (084), Brushed Nickel (105)	\$ 315
10029996-002		\$ 315
10029996-105		\$ 315
10029997-002	24 in. modern straight grab bar with flange (front installation) Specify color: White (002), Chrome (084), Brushed Nickel (105)	\$ 359
10029997-105		\$ 359
10029997-084		\$ 359
10029998-084	30 in. modern straight grab bar with flange (front installation) Specify colour: White (002), Chrome (084), Brushed Nickel (105)	\$ 403
10029998-002		\$ 403
10029998-105		\$ 403
10030095-002	32 in. curved left-hand grab bar with flange (front installation) Specify colour: White (002), Chrome (084), Brushed Nickel (105)	\$ 581
10030095-084		\$ 581
10030095-105		\$ 581
10030097-084	32 in. curved right-hand grab bar with flange (front installation) Specify colour: White (002), Chrome (084), Brushed Nickel (105)	\$ 581
10030097-002		\$ 581
10030097-105		\$ 581
10022491-084	Cable-operated waste and overflow (16 in. to 22 in.) (sold separately) Available colors: White (001), Bone (004), Chrome (084) and Brushed Nickel (105)	\$ 332
10022491-004		\$ 332
10022491-105		\$ 332
10022491-001		\$ 332

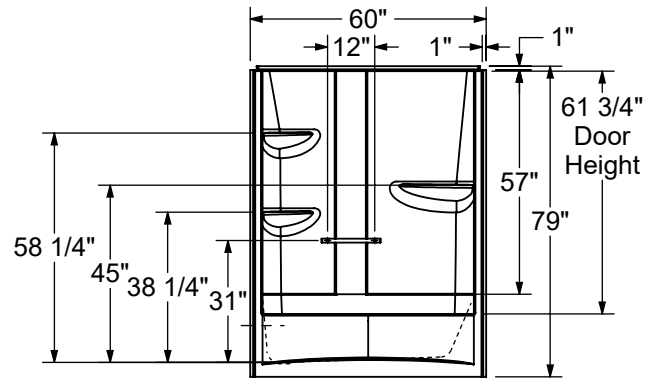
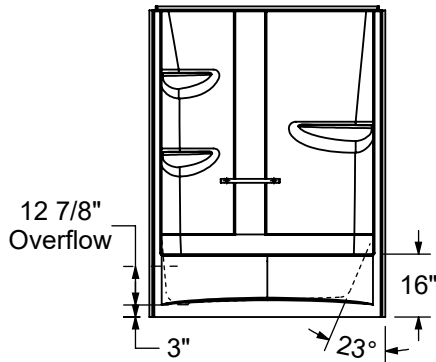
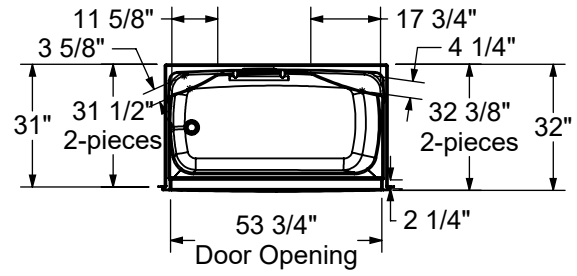
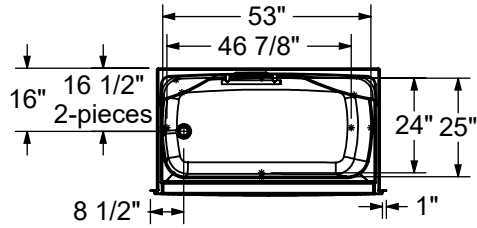
FOOTNOTES

No	Description
30	Please see technical drawings on https://www.maax.com for grab bar and/or seat positioning.
31	Right (R)/Left (L) refers to the upper section of the ergonomic grab bar.
32	Right/Left refers to the pivot direction of the bar (from closed to open position).
33	Please see technical drawings on https://www.maax.com for reinforcement positioning and size.
36	Rear access grab bar installation. Must be secured onto unit prior to alcove unit insert.
36	
36	

RECOMMENDED DOORS - VISIT OUR WEBSITE FOR A COMPLETE LIST OF RECOMMENDED DOORS

SKU	Product Name	Pag.
138522	Incognito 57 51-54 x 56 3/4 in. 8mm	1004
134560	Kameleon 51-55 x 57 - 6mm	998
134660	Kameleon SC 51-55 x 57 - 6mm	987

STANDARD
(Left shown)



All dimensions are approximate. Structure measurements must be verified against the unit to ensure proper fit.

Allia Access TSR-6032 (1-Piece)



TUB SHOWERS - ACRYLIC



Material : Acrylic

Features

- › 1-piece tub shower with integrated roofcap
- › Accessible low deck height of 16in
- › Stabili-T anti-slip bottom meeting ADA, ANSI or CSA requirements
- › 3 in. Above-the-Floor Rough - Right or Left-hand drain
- › Wide 3-level corner shelves
- › Standard : 12 in. white grab bar
- › Optional grab bars available
- › All grab bars and seat can support up to 300 lbs
- › Available in White (001) only

ALLIA ACCESS TSR-6032 (1-PIECE) - 107008

SKU	System	Color	Configuration	Dimensions & Weight	MSRP
107008-L-000-001	Soaker - No System	White	Left	60" x 32" x 88" / 166 lb / 75 kg	\$ 2642
107008-R-000-001			Right		\$ 2642

ALLIA ACCESS TSR-6032 (3-PIECE) - 107008S

SKU	System	Color	Configuration	Dimensions & Weight	MSRP
107008-SL-000-001	Soaker - No System	White	Left	60" x 32 1/2" x 88" / 166 lb / 75 kg	\$ 2850
107008-SR-000-001			Right		\$ 2850

COMMON OPTIONS

SKU	Description	MSRP
OPT20203-B-002	18 in. Modern straight grab bar ³⁰	\$ 269
OPT20203-B-105	OPT 20203-B-XXX Horizontal grab bar on back wall	\$ 269
OPT20203-B-084	Available colours: White (002), Chrome (084) and Brushed Nickel (105)	\$ 269
OPT20203-L-105	18 in. Modern straight grab bar ³⁰	\$ 269
OPT20203-L-002	OPT 20203-L-XXX Vertical grab bar on left wall	\$ 269
OPT20203-L-084	Available colours: White (002), Chrome (084) and Brushed Nickel (105)	\$ 269
OPT20203-R-084	18 in. Modern straight grab bar ³⁰ OPT 20203-R-XXX Vertical grab bar on right wall Available colours: White (002), Chrome (084) and Brushed Nickel (105)	\$ 269

COMMON OPTIONS

SKU	Description	MSRP
OPT20203-R-002	18 in. Modern straight grab bar ³⁰ OPT 20203-R-XXX Vertical grab bar on right wall	\$ 269
OPT20203-R-105	Available colours: White (002), Chrome (084) and Brushed Nickel (105)	\$ 269
OPT20204-B-002	24 in. Modern straight grab bar ³⁰	\$ 315
OPT20204-B-084	OPT 20204-B-XXX Horizontal grab bar on back wall	\$ 315
OPT20204-B-105	Available colours: White (002), Chrome (084) and Brushed Nickel (105)	\$ 315
OPT20204-L-084	24 in. Modern straight grab bar ³⁰	\$ 315
OPT20204-L-105	OPT 20204-L-XXX Vertical grab bar on left wall	\$ 315
OPT20204-L-002	Available colours: White (002), Chrome (084) and Brushed Nickel (105)	\$ 315
OPT20204-R-002	24 in. Modern straight grab bar ³⁰	\$ 315
OPT20204-R-084	OPT 20204-R-XXX Vertical grab bar on right wall	\$ 315
OPT20204-R-105	Available colours: White (002), Chrome (084) and Brushed Nickel (105)	\$ 315
OPT20212-B	Back Wall reinforcement for future grab installation ³³	\$ 100
OPT20212-L	Left Wall reinforcement for future grab installation ³³	\$ 100
OPT20212-R	Right Wall reinforcement for future grab installation ³³	\$ 100
OPT20216-B-002	30 in. Modern straight grab bar ³⁰	\$ 359
OPT20216-B-105	OPT 20216-B-XXX Horizontal grab bar on back wall	\$ 359
OPT20216-B-084	Available colours: White (002), Chrome (084) and Brushed Nickel (105)	\$ 359
OPT20216-L-002	30 in. Modern straight grab bar ³⁰	\$ 359
OPT20216-L-105	OPT 20216-L-XXX Vertical grab bar on left wall	\$ 359
OPT20216-L-084	Available colours: White (002), Chrome (084) and Brushed Nickel (105)	\$ 359
OPT20216-R-002	30 in. Modern straight grab bar ³⁰	\$ 359
OPT20216-R-105	OPT 20216-R-XXX Vertical grab bar on right wall	\$ 359
OPT20216-R-084	Available colours: White (002), Chrome (084) and Brushed Nickel (105)	\$ 359
OPT20219-L-084	Pivot grab bar (back wall) ³⁰³² OPT 20219-L-XXX Left-hand pivot grab bar on back wall Available colours: Chrome (084)	\$ 1867
OPT20219-R-084	Pivot grab bar (back wall) ³⁰³² OPT 20219-R-XXX Right-hand pivot grab bar on back wall Available colours: Chrome (084)	\$ 1867
OPT20217-L-105	32 in. Curved grab bar (back wall) ³⁰³¹	\$ 536
OPT20217-L-002	OPT 20217-L-XXX Left-hand curved grab bar on back wall	\$ 536
OPT20217-L-084	Available colours: White (002), Chrome (084) and Brushed Nickel (105)	\$ 536
OPT20217-R-002	32 in. Curved grab bar (back wall) ³⁰³¹	\$ 536
OPT20217-R-105	OPT 20217-R-XXX Right-hand curved grab bar on back wall	\$ 536
OPT20217-R-084	Available colours: White (002), Chrome (084) and Brushed Nickel (105)	\$ 536
OPT10189	Three-wall reinforcement for future grab bar installation ³³	\$ 290
OPT20056-106	60 in. curtain rod with installation kit Available color: Stainless Steel (106)	\$ 227
OPT20137-004		\$ 332
OPT20137-084	Cable-operated waste and overflow (16 in. to 22 in.) (included in product packaging when purchased)	\$ 332
OPT20137-105	Available colors: White (001), Bone (004), Chrome (084) and Brushed Nickel (105)	\$ 332
OPT20137-001		\$ 332

COMMON OPTIONS

SKU	Description	MSRP
OPT20220-002	Shelf guard rails (factory installed) Available colours: White (002), Chrome (084), Brushed Nickel (105)	\$ 280
OPT20220-105		\$ 280
OPT20220-084		\$ 280

ACCESSORIES

SKU	Description	MSRP
10004306-001	White foam cushion with 2 suction pads (sold separately) Available color: White (001)	\$ 126
10028765-105	24 in. modern straight grab bar ³⁶ Specify color: White (002), Chrome (084), Brushed Nickel (105)	\$ 315
10028765-084		\$ 315
10028765-002		\$ 315
10029248-105	30 in. Modern straight grab bar ³⁶ Specify color: White (002), Chrome (084), Brushed Nickel (105)	\$ 359
10029248-002		\$ 359
10029248-084		\$ 359
10029253-002	32 in. Left hand curved grab bar ³⁶ Left refers to the upper section of the curved bar Specify color: White (002), Chrome (084), Brushed Nickel (105)	\$ 536
10029253-084		\$ 536
10029253-105		\$ 536
10029254-084	32 in. Right hand curved grab bar ³⁶ Right refers to the upper section of the curved bar Specify color: White (002), Chrome (084), Brushed Nickel (105)	\$ 536
10029254-002		\$ 536
10029254-105		\$ 536
10029996-084	18 in. modern straight grab bar with flange (front installation) Specify colour: White (002), Chrome (084), Brushed Nickel (105)	\$ 315
10029996-002		\$ 315
10029996-105		\$ 315
10029997-002	24 in. modern straight grab bar with flange (front installation) Specify color: White (002), Chrome (084), Brushed Nickel (105)	\$ 359
10029997-105		\$ 359
10029997-084		\$ 359
10029998-084	30 in. modern straight grab bar with flange (front installation) Specify colour: White (002), Chrome (084), Brushed Nickel (105)	\$ 403
10029998-002		\$ 403
10029998-105		\$ 403
10030095-002	32 in. curved left-hand grab bar with flange (front installation) Specify colour: White (002), Chrome (084), Brushed Nickel (105)	\$ 581
10030095-084		\$ 581
10030095-105		\$ 581
10030097-084	32 in. curved right-hand grab bar with flange (front installation) Specify colour: White (002), Chrome (084), Brushed Nickel (105)	\$ 581
10030097-002		\$ 581
10030097-105		\$ 581
10022491-084	Cable-operated waste and overflow (16 in. to 22 in.) (sold separately) Available colors: White (001), Bone (004), Chrome (084) and Brushed Nickel (105)	\$ 332
10022491-004		\$ 332
10022491-105		\$ 332
10022491-001		\$ 332

FOOTNOTES

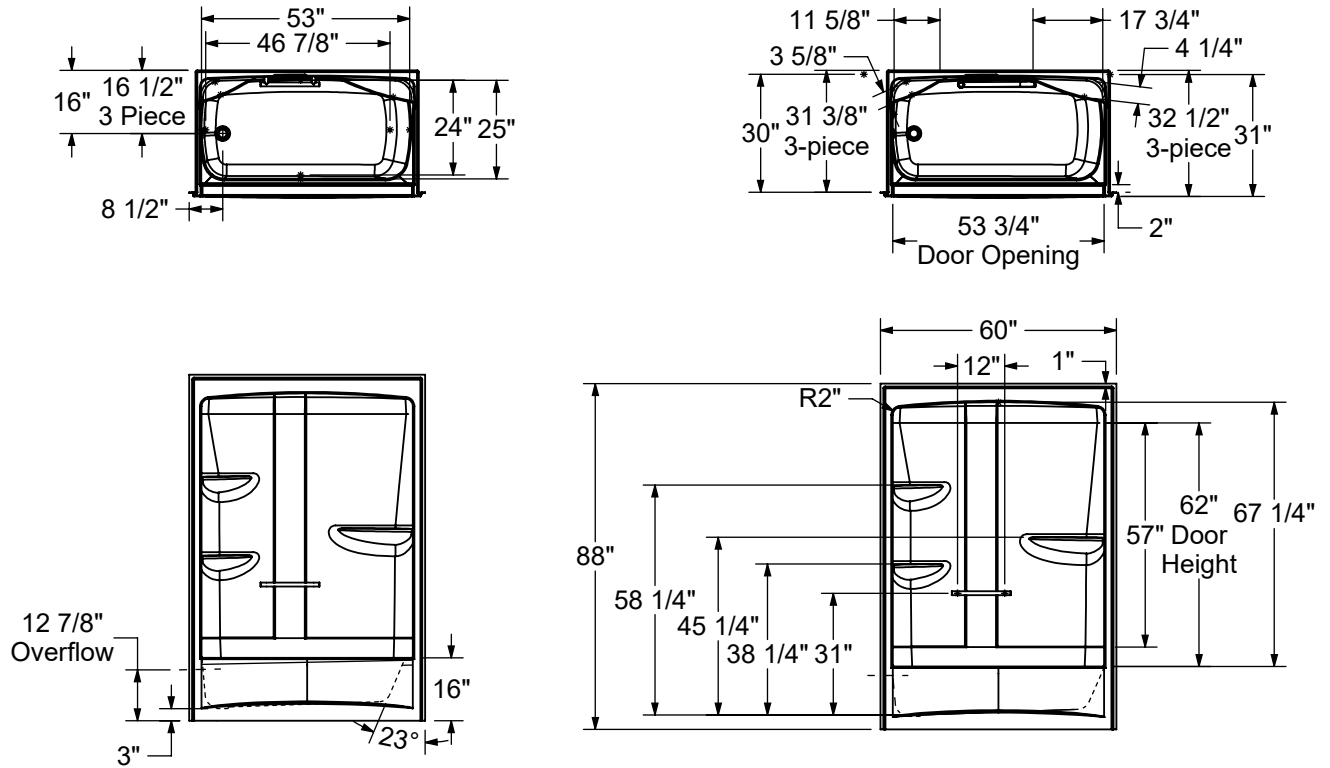
No	Description
30	Please see technical drawings on https://www.maax.com for grab bar and/or seat positioning.
31	Right (R)/Left (L) refers to the upper section of the ergonomic grab bar.
32	Right/Left refers to the pivot direction of the bar (from closed to open position).
33	Please see technical drawings on https://www.maax.com for reinforcement positioning and size.
36	Rear access grab bar installation. Must be secured onto unit prior to alcove unit insert.
36	
36	

RECOMMENDED DOORS - VISIT OUR WEBSITE FOR A COMPLETE LIST OF RECOMMENDED DOORS

SKU	Product Name	Pag.
138522	Incognito 57 51-54 x 56 3/4 in. 8mm	1004
134560	Kameleon 51-55 x 57 - 6mm	998
134660	Kameleon SC 51-55 x 57 - 6mm	987

STANDARD
(Left shown)

TUB SHOWERS - ACRYLIC



All dimensions are approximate. Structure measurements must be verified against the unit to ensure proper fit.

Allia TS-6032 (1-piece)



Material : Acrylic
 Min: 32 Gal / 144 L
 Max: 41 Gal / 185 L

Features

- › 1 or 2-Piece tub shower
- › Wide 3-level corner shelves
- › Standard 12 inch color-coordinated grab bar
- › Comes with an access panel when equipped with a system
- › Optional grab bars available
- › Unique feature: 3 inch Above-the-Floor Rough ³⁸
- › Right or left-hand drain
- › Available in White only

TUB SHOWERS - ACRYLIC

ALLIA TS-6032 (1 PIECE) - 107001

SKU	System	Color	Configuration	Dimensions & Weight	Packaging	MSRP
107001-L-000-001	Soaker - No System	White	Left	60" x 32" x 79" / 155 lb / 70 kg	101 ft ³	\$ 2304
107001-L-001-001	Whirlpool ^{1 4}					\$ 3947
107001-L-096-001	Combined Whirlpool & Aeroeffect ^{1 3}					\$ 6272
107001-L-103-001	Aeroeffect ^{1 2 5}					\$ 5076
107001-R-000-001	Soaker - No System		Right			\$ 2304
107001-R-001-001	Whirlpool ^{1 4}					\$ 3947
107001-R-096-001	Combined Whirlpool & Aeroeffect ^{1 3}					\$ 6272
107001-R-103-001	Aeroeffect ^{1 2 5}					\$ 5076

ALLIA TS-6032 (2-PIECE) - 107001S

SKU	System	Color	Configuration	Dimensions & Weight	Packaging	MSRP
107001-SL-000-001	Soaker - No System	White	Left	60" x 33" x 79" / 155 lb / 70 kg	101 ft ³	\$ 2704
107001-SL-001-001	Whirlpool ^{1 4}					\$ 4347
107001-SL-096-001	Combined Whirlpool & Aeroeffect ^{1 3}					\$ 6672
107001-SL-103-001	Aeroeffect ^{1 2 5}					\$ 5476
107001-SR-000-001	Soaker - No System		Right			\$ 2704
107001-SR-001-001	Whirlpool ^{1 4}					\$ 4347
107001-SR-096-001	Combined Whirlpool & Aeroeffect ^{1 3}					\$ 6672
107001-SR-103-001	Aeroeffect ^{1 2 5}					\$ 5476

COMMON OPTIONS

SKU	Description	MSRP
OPT20203-B-002	18 in. Modern straight grab bar ³⁰	\$ 269
OPT20203-B-105	OPT 20203-B-XXX Horizontal grab bar on back wall	\$ 269
OPT20203-B-084	Available colours: White (002), Chrome (084) and Brushed Nickel (105)	\$ 269
OPT20203-L-105	18 in. Modern straight grab bar ³⁰	\$ 269
OPT20203-L-002	OPT 20203-L-XXX Vertical grab bar on left wall	\$ 269
OPT20203-L-084	Available colours: White (002), Chrome (084) and Brushed Nickel (105)	\$ 269
OPT20203-R-084	18 in. Modern straight grab bar ³⁰	\$ 269
OPT20203-R-002	OPT 20203-R-XXX Vertical grab bar on right wall	\$ 269
OPT20203-R-105	Available colours: White (002), Chrome (084) and Brushed Nickel (105)	\$ 269
OPT20204-B-002	24 in. Modern straight grab bar ³⁰	\$ 315
OPT20204-B-084	OPT 20204-B-XXX Horizontal grab bar on back wall	\$ 315
OPT20204-B-105	Available colours: White (002), Chrome (084) and Brushed Nickel (105)	\$ 315
OPT20204-L-084	24 in. Modern straight grab bar ³⁰	\$ 315
OPT20204-L-105	OPT 20204-L-XXX Vertical grab bar on left wall	\$ 315
OPT20204-L-002	Available colours: White (002), Chrome (084) and Brushed Nickel (105)	\$ 315
OPT20204-R-002	24 in. Modern straight grab bar ³⁰	\$ 315
OPT20204-R-084	OPT 20204-R-XXX Vertical grab bar on right wall	\$ 315
OPT20204-R-105	Available colours: White (002), Chrome (084) and Brushed Nickel (105)	\$ 315
OPT20212-B	Back Wall reinforcement for future grab installation ³³	\$ 100
OPT20212-L	Left Wall reinforcement for future grab installation ³³	\$ 100
OPT20212-R	Right Wall reinforcement for future grab installation ³³	\$ 100
OPT20216-B-002	30 in. Modern straight grab bar ³⁰	\$ 359
OPT20216-B-105	OPT 20216-B-XXX Horizontal grab bar on back wall	\$ 359
OPT20216-B-084	Available colours: White (002), Chrome (084) and Brushed Nickel (105)	\$ 359
OPT20216-L-002	30 in. Modern straight grab bar ³⁰	\$ 359
OPT20216-L-105	OPT 20216-L-XXX Vertical grab bar on left wall	\$ 359
OPT20216-L-084	Available colours: White (002), Chrome (084) and Brushed Nickel (105)	\$ 359
OPT20216-R-002	30 in. Modern straight grab bar ³⁰	\$ 359
OPT20216-R-105	OPT 20216-R-XXX Vertical grab bar on right wall	\$ 359
OPT20216-R-084	Available colours: White (002), Chrome (084) and Brushed Nickel (105)	\$ 359
OPT20219-L-084	Pivot grab bar (back wall) ³⁰³² OPT 20219-L-XXX Left-hand pivot grab bar on back wall Available colours: Chrome (084)	\$ 1867
OPT20219-R-084	Pivot grab bar (back wall) ³⁰³² OPT 20219-R-XXX Right-hand pivot grab bar on back wall Available colours: Chrome (084)	\$ 1867
OPT20400-L-084	Package A ³⁰ OPT 20400-L-XXX Vertical grab bar on left wall, horizontal grab bar on back wall Package includes : • 24 in. Vertical grab bar on side wall • 30 in. Horizontal grab bar on back wall Available colors: White (002), Chrome (084) and Brushed Nickel (105)	\$ 486

COMMON OPTIONS

SKU	Description	MSRP
OPT20400-L-105	Package A ³⁰ OPT 20400-L-XXX Vertical grab bar on left wall, horizontal grab bar on back wall	\$ 486
OPT20400-L-002	Package includes : • 24 in. Vertical grab bar on side wall • 30 in. Horizontal grab bar on back wall Available colors: White (002), Chrome (084) and Brushed Nickel (105)	\$ 486
OPT20400-R-002	Package A ³⁰ OPT 20400-R-XXX Vertical grab bar on right wall, horizontal grab bar on back wall	\$ 486
OPT20400-R-084	Package includes : • 24 in. Vertical grab bar on side wall	\$ 486
OPT20400-R-105	• 30 in. Horizontal grab bar on back wall Available colors: White (002), Chrome (084) and Brushed Nickel (105)	\$ 486
OPT20401-L-084	Package B ^{30, 31} OPT 20401-L-XXX Vertical grab bar on left wall, left-hand curved grab bar on back wall	\$ 663
OPT20401-L-105	Package includes : • 24 in. Vertical grab bar on side wall	\$ 663
OPT20401-L-002	• 32 in. Horizontal grab bar on back wall Available colors: White (002), Chrome (084) and Brushed Nickel (105)	\$ 663
OPT20401-R-084	Package B ^{30, 31} OPT 20401-R-XXX Vertical grab bar on right wall, right-hand curved grab bar on back wall	\$ 663
OPT20401-R-105	Package includes : • 24 in. Vertical grab bar on side wall	\$ 663
OPT20401-R-002	• 32 in. Horizontal grab bar on back wall Available colors: White (002), Chrome (084) and Brushed Nickel (105)	\$ 663
OPT20402-L-084	Package C ^{30, 32} OPT 20402-L-XXX 2 x Vertical grab bars on side walls, left-hand pivot grab bar on back wall	\$ 2216
OPT20402-L-084	Package includes : • 2 x 24 in. Vertical grab bar on side walls • Pivot grab bar on back wall Available colors: Chrome (084) and Brushed Nickel (105)	\$ 2216
OPT20402-R-084	Package C ^{30, 32} OPT 20402-R-XXX 2 x Vertical grab bars on side walls, right-hand pivot grab bar on back wall	\$ 2216
OPT20402-R-084	Package includes : • 2 x 24 in. Vertical grab bar on side walls • Pivot grab bar on back wall Available colors: Chrome (084) and Brushed Nickel (105)	\$ 2216
OPT20217-L-105	32 in. Curved grab bar (back wall) ³⁰³¹	\$ 536
OPT20217-L-002	OPT 20217-L-XXX Left-hand curved grab bar on back wall	\$ 536
OPT20217-L-084	Available colours: White (002), Chrome (084) and Brushed Nickel (105)	\$ 536
OPT20217-R-002	32 in. Curved grab bar (back wall) ³⁰³¹	\$ 536
OPT20217-R-105	OPT 20217-R-XXX Right-hand curved grab bar on back wall	\$ 536
OPT20217-R-084	Available colours: White (002), Chrome (084) and Brushed Nickel (105)	\$ 536
OPT10053	One chromatherapy light (factory installed) ⁵⁴	\$ 725
OPT10095	Water heater assembly for whirlpool and combined systems (factory installed)	\$ 950
OPT10189	Three-wall reinforcement for future grab bar installation ³³	\$ 290
OPT10106-084	Metal trim kit for whirlpool and combined systems (factory installed)	\$ 669
OPT10106-105	Available colors: Chrome (084) and Brushed Nickel (105)	\$ 669
OPT20029-105	Metal trim kit for air push control (factory installed)	\$ 74
OPT20029-084	Available colors: Chrome (084) and Brushed Nickel (105)	\$ 74
OPT20056-106	60 in. curtain rod with installation kit Available color: Stainless Steel (106)	\$ 227
OPT20137-004		\$ 332
OPT20137-084	Cable-operated waste and overflow (16 in. to 22 in.) (included in product packaging when purchased)	\$ 332
OPT20137-105	Available colors: White (001), Bone (004), Chrome (084) and Brushed Nickel (105)	\$ 332
OPT20137-001		\$ 332

COMMON OPTIONS

SKU	Description	MSRP
OPT20220-002		\$ 280
OPT20220-105	Shelf guard rails (factory installed) Available colours: White (002), Chrome (084), Brushed Nickel (105)	\$ 280
OPT20220-084		\$ 280

ACCESSORIES

SKU	Description	MSRP
10006923	Flexible main hose (9 ft. extension) for air push control air massage - Kit (sold separately)	\$ 191
10004306-001	White foam cushion with 2 suction pads (sold separately) Available color: White (001)	\$ 126
10006887-105	Metal trim kit for Whirlpool and combined systems (sold separately)	\$ 669
10006887-084	Available colors: Chrome (084) and Brushed Nickel (105)	\$ 669
10028765-105		\$ 315
10028765-084	24 in. modern straight grab bar ³⁶ Specify color: White (002), Chrome (084), Brushed Nickel (105)	\$ 315
10028765-002		\$ 315
10029248-105		\$ 359
10029248-002	30 in. Modern straight grab bar ³⁶ Specify color: White (002), Chrome (084), Brushed Nickel (105)	\$ 359
10029248-084		\$ 359
10029253-002		\$ 536
10029253-084	32 in. Left hand curved grab bar ³⁶ Left refers to the upper section of the curved bar Specify color: White (002), Chrome (084), Brushed Nickel (105)	\$ 536
10029253-105		\$ 536
10029254-084		\$ 536
10029254-002	32 in. Right hand curved grab bar ³⁶ Right refers to the upper section of the curved bar Specify color: White (002), Chrome (084), Brushed Nickel (105)	\$ 536
10029254-105		\$ 536
10029996-084		\$ 315
10029996-002	18 in. modern straight grab bar with flange (front installation) Specify colour: White (002), Chrome (084), Brushed Nickel (105)	\$ 315
10029996-105		\$ 315
10029997-002		\$ 359
10029997-105	24 in. modern straight grab bar with flange (front installation) Specify color: White (002), Chrome (084), Brushed Nickel (105)	\$ 359
10029997-084		\$ 359
10029998-084		\$ 403
10029998-002	30 in. modern straight grab bar with flange (front installation) Specify colour: White (002), Chrome (084), Brushed Nickel (105)	\$ 403
10029998-105		\$ 403
10030095-002		\$ 581
10030095-084	32 in. curved left-hand grab bar with flange (front installation) Specify colour: White (002), Chrome (084), Brushed Nickel (105)	\$ 581
10030095-105		\$ 581
10030097-084		\$ 581
10030097-002	32 in. curved right-hand grab bar with flange (front installation) Specify colour: White (002), Chrome (084), Brushed Nickel (105)	\$ 581
10030097-105		\$ 581
10034250-084	Metal trim kit for Aeroeffect with Air Push Control (sold separately) Available colors: Chrome (084) and Brushed Nickel (105)	\$ 74

ACCESSORIES

SKU	Description	MSRP
10034250-105	Metal trim kit for Aeroeffect with Air Push Control (sold separately) Available colors: Chrome (084) and Brushed Nickel (105)	\$ 74
10022491-084	Cable-operated waste and overflow (16 in. to 22 in.) (sold separately) Available colors: White (001), Bone (004), Chrome (084) and Brushed Nickel (105)	\$ 332
10022491-004		\$ 332
10022491-105		\$ 332
10022491-001		\$ 332

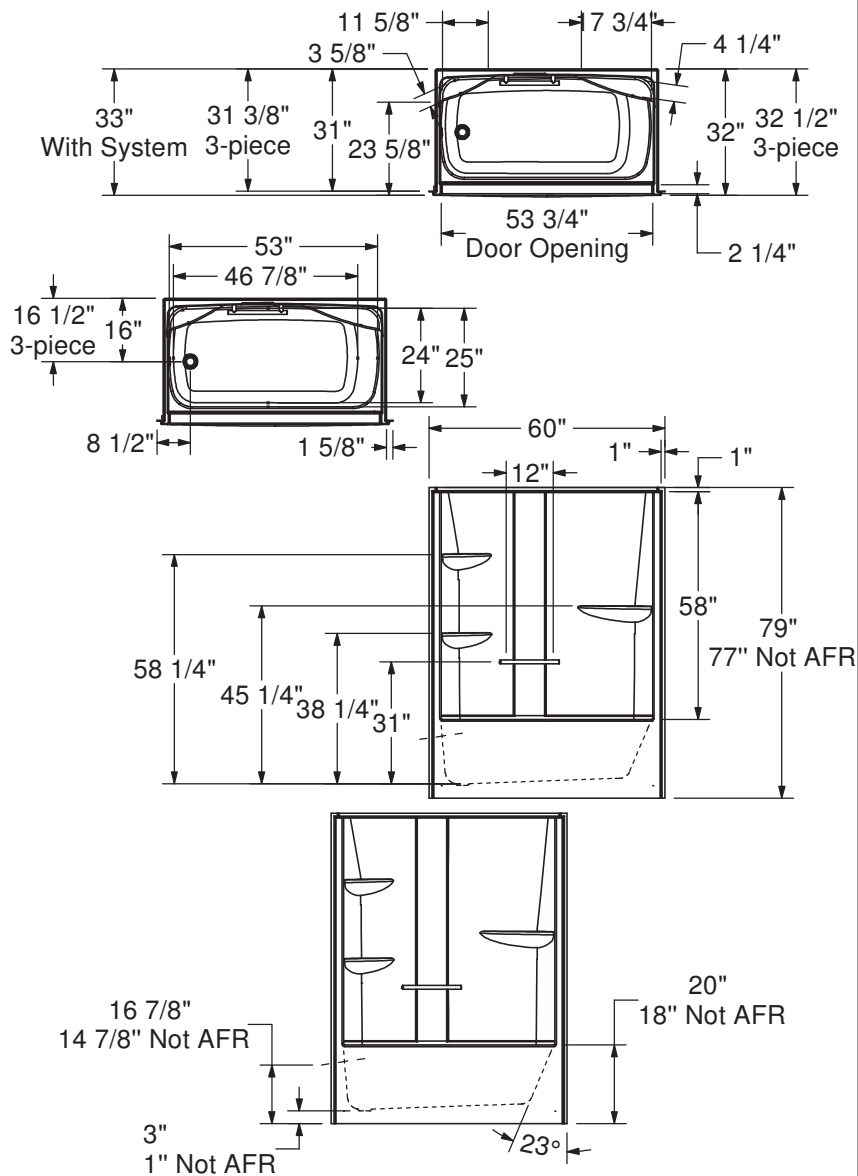
FOOTNOTES

No	Description
1	Components for standard colour units equipped with systems are colour-coordinated. Trim kit and/or air push with metallic finish can be added (additional charge applies). For non-standard colour units, please specify trim kit and/or air push colour (additional charge applies for metallic finishes). Please note that the positioning of the system's control could be in conflict with the door if one was installed on the unit. To insure compatibility, please contact customer service.
2	Please order flexible main hose 10006923 for installation of the blower further than 3 ft from the bathtub. For the Tandem models and the Serenade models (freestanding and drop-in), the blower is always remote and not factory installed so a 9 ft flexible main hose is included. Please note that the positioning of the system's control could be in conflict with the door if one was installed on the unit. To insure compatibility, please contact customer service.
3	The blower is not factory installed (remote). 9 ft flexible main hose included. Please note that the positioning of the system's control could be in conflict with the door if one was installed on the unit. To insure compatibility, please contact customer service.
4	For details on pump position and requirements, see technical drawings on https://www.maax.com . When there is a pump position A or B indicated on the technical drawing, please specify position when ordering.
5	For details on blower position and requirements, see technical drawings on https://www.maax.com . When there is a blower position A or B indicated on the technical drawing, please specify position when ordering.
28	Handles for standard colour units are colour-coordinated. Handles with metallic finish can be added (additional charge applies). For non-standard colour units, please specify handle colour (additional charge applies for metallic finishes).
30	Please see technical drawings on https://www.maax.com for grab bar and/or seat positioning.
31	Right (R)/Left (L) refers to the upper section of the ergonomic grab bar.
32	Right/Left refers to the pivot direction of the bar (from closed to open position).
33	Please see technical drawings on https://www.maax.com for reinforcement positioning and size.
36	Rear access grab bar installation. Must be secured onto unit prior to alcove unit insert.
38	Please specify non-AFR when ordering a non-AFR configuration.
54	A selection of units come with an access panel by default when equipped with a system. However, if the unit is only equipped with chromatherapy, the access panel will not be provided by default.
36	
36	

RECOMMENDED DOORS - VISIT OUR WEBSITE FOR A COMPLETE LIST OF RECOMMENDED DOORS

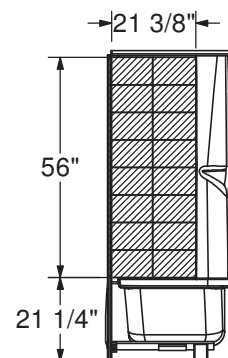
SKU	Product Name	Pag.
138522	Incognito 57 51-54 x 56 3/4 in. 8mm	1004
134560	Kameleon 51-55 x 57 - 6mm	998
134660	Kameleon SC 51-55 x 57 - 6mm	987

STANDARD
(Left shown, Right symmetrical)
1-PIECE MODEL SHOWN

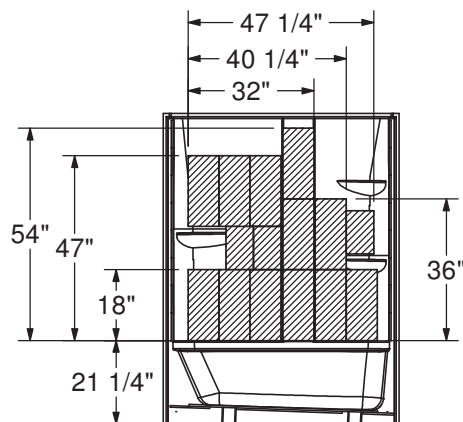


All dimensions are approximate. Structure measurements must be verified against the unit to ensure proper fit.

OPTIONAL REINFORCEMENT
(Left shown, Right symmetrical)



OPTIONAL REINFORCEMENT
(Back Wall)



Allia TSR-6032 (1-piece)



Material : Acrylic
 Min: 32 Gal / 144 L
 Max: 41 Gal / 185 L

Features

- › 1-piece tub shower with integrated roofcap
- › Wide 3-level corner shelves
- › Standard : 12 in. white grab bar
- › Optional grab bars available
- › Unique feature: 3 in. Above-the-Floor Rough ³⁸
- › Right or left-hand drain
- › All grab bars and seat can support up to 300 lbs
- › Available in White (001) only

TUB SHOWERS - ACRYLIC

ALLIA TSR-6032 (1 PIECE) - 107000

SKU	System	Color	Configuration	Dimensions & Weight	Packaging	MSRP
107000-L-000-001	Soaker - No System	White	Left	60" x 32" x 88" / 173 lb / 78 kg	111 ft ³	\$ 2642
107000-L-001-001	Whirlpool ^{1 4}					\$ 4285
107000-L-096-001	Combined Whirlpool & Aeroeffect ^{1 3}					\$ 6610
107000-L-103-001	Aeroeffect ^{1 2 5}					\$ 5414
107000-R-000-001	Soaker - No System		Right			\$ 2642
107000-R-001-001	Whirlpool ^{1 4}					\$ 4285
107000-R-096-001	Combined Whirlpool & Aeroeffect ^{1 3}					\$ 6610
107000-R-103-001	Aeroeffect ^{1 2 5}					\$ 5414

ALLIA TSR-6032 (3-PIECE) - 107000S

SKU	System	Color	Configuration	Dimensions & Weight	Packaging	MSRP
107000-SL-000-001	Soaker - No System	White	Left	60" x 32 1/2" x 88" / 173 lb / 78 kg	111 ft ³	\$ 2850
107000-SL-001-001	Whirlpool ^{1 4}					\$ 4493
107000-SL-096-001	Combined Whirlpool & Aeroeffect ^{1 3}					\$ 6818
107000-SL-103-001	Aeroeffect ^{1 2 5}					\$ 5622
107000-SR-000-001	Soaker - No System		Right			\$ 2850
107000-SR-001-001	Whirlpool ^{1 4}					\$ 4493
107000-SR-096-001	Combined Whirlpool & Aeroeffect ^{1 3}					\$ 6818
107000-SR-103-001	Aeroeffect ^{1 2 5}					\$ 5622

COMMON OPTIONS

SKU	Description	MSRP
OPT20203-B-002	18 in. Modern straight grab bar ³⁰	\$ 269
OPT20203-B-105	OPT 20203-B-XXX Horizontal grab bar on back wall	\$ 269
OPT20203-B-084	Available colours: White (002), Chrome (084) and Brushed Nickel (105)	\$ 269
OPT20203-L-105	18 in. Modern straight grab bar ³⁰	\$ 269
OPT20203-L-002	OPT 20203-L-XXX Vertical grab bar on left wall	\$ 269
OPT20203-L-084	Available colours: White (002), Chrome (084) and Brushed Nickel (105)	\$ 269
OPT20203-R-084	18 in. Modern straight grab bar ³⁰	\$ 269
OPT20203-R-002	OPT 20203-R-XXX Vertical grab bar on right wall	\$ 269
OPT20203-R-105	Available colours: White (002), Chrome (084) and Brushed Nickel (105)	\$ 269
OPT20204-B-002	24 in. Modern straight grab bar ³⁰	\$ 315
OPT20204-B-084	OPT 20204-B-XXX Horizontal grab bar on back wall	\$ 315
OPT20204-B-105	Available colours: White (002), Chrome (084) and Brushed Nickel (105)	\$ 315
OPT20204-L-084	24 in. Modern straight grab bar ³⁰	\$ 315
OPT20204-L-105	OPT 20204-L-XXX Vertical grab bar on left wall	\$ 315
OPT20204-L-002	Available colours: White (002), Chrome (084) and Brushed Nickel (105)	\$ 315
OPT20204-R-002	24 in. Modern straight grab bar ³⁰	\$ 315
OPT20204-R-084	OPT 20204-R-XXX Vertical grab bar on right wall	\$ 315
OPT20204-R-105	Available colours: White (002), Chrome (084) and Brushed Nickel (105)	\$ 315
OPT20212-B	Back Wall reinforcement for future grab installation ³³	\$ 100
OPT20212-L	Left Wall reinforcement for future grab installation ³³	\$ 100
OPT20212-R	Right Wall reinforcement for future grab installation ³³	\$ 100
OPT20216-B-002	30 in. Modern straight grab bar ³⁰	\$ 359
OPT20216-B-105	OPT 20216-B-XXX Horizontal grab bar on back wall	\$ 359
OPT20216-B-084	Available colours: White (002), Chrome (084) and Brushed Nickel (105)	\$ 359
OPT20216-L-002	30 in. Modern straight grab bar ³⁰	\$ 359
OPT20216-L-105	OPT 20216-L-XXX Vertical grab bar on left wall	\$ 359
OPT20216-L-084	Available colours: White (002), Chrome (084) and Brushed Nickel (105)	\$ 359
OPT20216-R-002	30 in. Modern straight grab bar ³⁰	\$ 359
OPT20216-R-105	OPT 20216-R-XXX Vertical grab bar on right wall	\$ 359
OPT20216-R-084	Available colours: White (002), Chrome (084) and Brushed Nickel (105)	\$ 359
OPT20219-L-084	Pivot grab bar (back wall) ³⁰³² OPT 20219-L-XXX Left-hand pivot grab bar on back wall Available colours: Chrome (084)	\$ 1867
OPT20219-R-084	Pivot grab bar (back wall) ³⁰³² OPT 20219-R-XXX Right-hand pivot grab bar on back wall Available colours: Chrome (084)	\$ 1867
OPT20400-L-084	Package A ³⁰ OPT 20400-L-XXX Vertical grab bar on left wall, horizontal grab bar on back wall Package includes : • 24 in. Vertical grab bar on side wall • 30 in. Horizontal grab bar on back wall Available colors: White (002), Chrome (084) and Brushed Nickel (105)	\$ 486

COMMON OPTIONS

SKU	Description	MSRP
OPT20400-L-105	Package A ³⁰ OPT 20400-L-XXX Vertical grab bar on left wall, horizontal grab bar on back wall	\$ 486
OPT20400-L-002	Package includes : • 24 in. Vertical grab bar on side wall • 30 in. Horizontal grab bar on back wall Available colors: White (002), Chrome (084) and Brushed Nickel (105)	\$ 486
OPT20400-R-002	Package A ³⁰ OPT 20400-R-XXX Vertical grab bar on right wall, horizontal grab bar on back wall	\$ 486
OPT20400-R-084	Package includes : • 24 in. Vertical grab bar on side wall	\$ 486
OPT20400-R-105	• 30 in. Horizontal grab bar on back wall Available colors: White (002), Chrome (084) and Brushed Nickel (105)	\$ 486
OPT20401-L-084	Package B ^{30, 31} OPT 20401-L-XXX Vertical grab bar on left wall, left-hand curved grab bar on back wall	\$ 663
OPT20401-L-105	Package includes : • 24 in. Vertical grab bar on side wall	\$ 663
OPT20401-L-002	• 32 in. Horizontal grab bar on back wall Available colors: White (002), Chrome (084) and Brushed Nickel (105)	\$ 663
OPT20401-R-084	Package B ^{30, 31} OPT 20401-R-XXX Vertical grab bar on right wall, right-hand curved grab bar on back wall	\$ 663
OPT20401-R-105	Package includes : • 24 in. Vertical grab bar on side wall	\$ 663
OPT20401-R-002	• 32 in. Horizontal grab bar on back wall Available colors: White (002), Chrome (084) and Brushed Nickel (105)	\$ 663
OPT20402-L-084	Package C ^{30, 32} OPT 20402-L-XXX 2 x Vertical grab bars on side walls, left-hand pivot grab bar on back wall	\$ 2216
OPT20402-L-084	Package includes : • 2 x 24 in. Vertical grab bar on side walls • Pivot grab bar on back wall Available colors: Chrome (084) and Brushed Nickel (105)	\$ 2216
OPT20402-R-084	Package C ^{30, 32} OPT 20402-R-XXX 2 x Vertical grab bars on side walls, right-hand pivot grab bar on back wall	\$ 2216
OPT20402-R-084	Package includes : • 2 x 24 in. Vertical grab bar on side walls • Pivot grab bar on back wall Available colors: Chrome (084) and Brushed Nickel (105)	\$ 2216
OPT20217-L-105	32 in. Curved grab bar (back wall) ³⁰³¹	\$ 536
OPT20217-L-002	OPT 20217-L-XXX Left-hand curved grab bar on back wall	\$ 536
OPT20217-L-084	Available colours: White (002), Chrome (084) and Brushed Nickel (105)	\$ 536
OPT20217-R-002	32 in. Curved grab bar (back wall) ³⁰³¹	\$ 536
OPT20217-R-105	OPT 20217-R-XXX Right-hand curved grab bar on back wall	\$ 536
OPT20217-R-084	Available colours: White (002), Chrome (084) and Brushed Nickel (105)	\$ 536
OPT10053	One chromatherapy light (factory installed) ⁵⁴	\$ 725
OPT10095	Water heater assembly for whirlpool and combined systems (factory installed)	\$ 950
OPT10189	Three-wall reinforcement for future grab bar installation ³³	\$ 290
OPT10106-084	Metal trim kit for whirlpool and combined systems (factory installed)	\$ 669
OPT10106-105	Available colors: Chrome (084) and Brushed Nickel (105)	\$ 669
OPT20029-105	Metal trim kit for air push control (factory installed)	\$ 74
OPT20029-084	Available colors: Chrome (084) and Brushed Nickel (105)	\$ 74
OPT20056-106	60 in. curtain rod with installation kit Available color: Stainless Steel (106)	\$ 227
OPT20137-004		\$ 332
OPT20137-084	Cable-operated waste and overflow (16 in. to 22 in.) (included in product packaging when purchased)	\$ 332
OPT20137-105	Available colors: White (001), Bone (004), Chrome (084) and Brushed Nickel (105)	\$ 332
OPT20137-001		\$ 332

COMMON OPTIONS

SKU	Description	MSRP
OPT20220-002		\$ 280
OPT20220-105	Shelf guard rails (factory installed) Available colours: White (002), Chrome (084), Brushed Nickel (105)	\$ 280
OPT20220-084		\$ 280

ACCESSORIES

SKU	Description	MSRP
10006923	Flexible main hose (9 ft. extension) for air push control air massage - Kit (sold separately)	\$ 191
10004306-001	White foam cushion with 2 suction pads (sold separately) Available color: White (001)	\$ 126
10006887-105	Metal trim kit for Whirlpool and combined systems (sold separately)	\$ 669
10006887-084	Available colors: Chrome (084) and Brushed Nickel (105)	\$ 669
10028765-105		\$ 315
10028765-084	24 in. modern straight grab bar ³⁶ Specify color: White (002), Chrome (084), Brushed Nickel (105)	\$ 315
10028765-002		\$ 315
10029248-105		\$ 359
10029248-002	30 in. Modern straight grab bar ³⁶ Specify color: White (002), Chrome (084), Brushed Nickel (105)	\$ 359
10029248-084		\$ 359
10029253-002		\$ 536
10029253-084	32 in. Left hand curved grab bar ³⁶ Left refers to the upper section of the curved bar Specify color: White (002), Chrome (084), Brushed Nickel (105)	\$ 536
10029253-105		\$ 536
10029254-084		\$ 536
10029254-002	32 in. Right hand curved grab bar ³⁶ Right refers to the upper section of the curved bar Specify color: White (002), Chrome (084), Brushed Nickel (105)	\$ 536
10029254-105		\$ 536
10029996-084		\$ 315
10029996-002	18 in. modern straight grab bar with flange (front installation) Specify colour: White (002), Chrome (084), Brushed Nickel (105)	\$ 315
10029996-105		\$ 315
10029997-002		\$ 359
10029997-105	24 in. modern straight grab bar with flange (front installation) Specify color: White (002), Chrome (084), Brushed Nickel (105)	\$ 359
10029997-084		\$ 359
10029998-084		\$ 403
10029998-002	30 in. modern straight grab bar with flange (front installation) Specify colour: White (002), Chrome (084), Brushed Nickel (105)	\$ 403
10029998-105		\$ 403
10030095-002		\$ 581
10030095-084	32 in. curved left-hand grab bar with flange (front installation) Specify colour: White (002), Chrome (084), Brushed Nickel (105)	\$ 581
10030095-105		\$ 581
10030097-084		\$ 581
10030097-002	32 in. curved right-hand grab bar with flange (front installation) Specify colour: White (002), Chrome (084), Brushed Nickel (105)	\$ 581
10030097-105		\$ 581
10034250-084	Metal trim kit for Aeroeffect with Air Push Control (sold separately) Available colors: Chrome (084) and Brushed Nickel (105)	\$ 74

ACCESSORIES

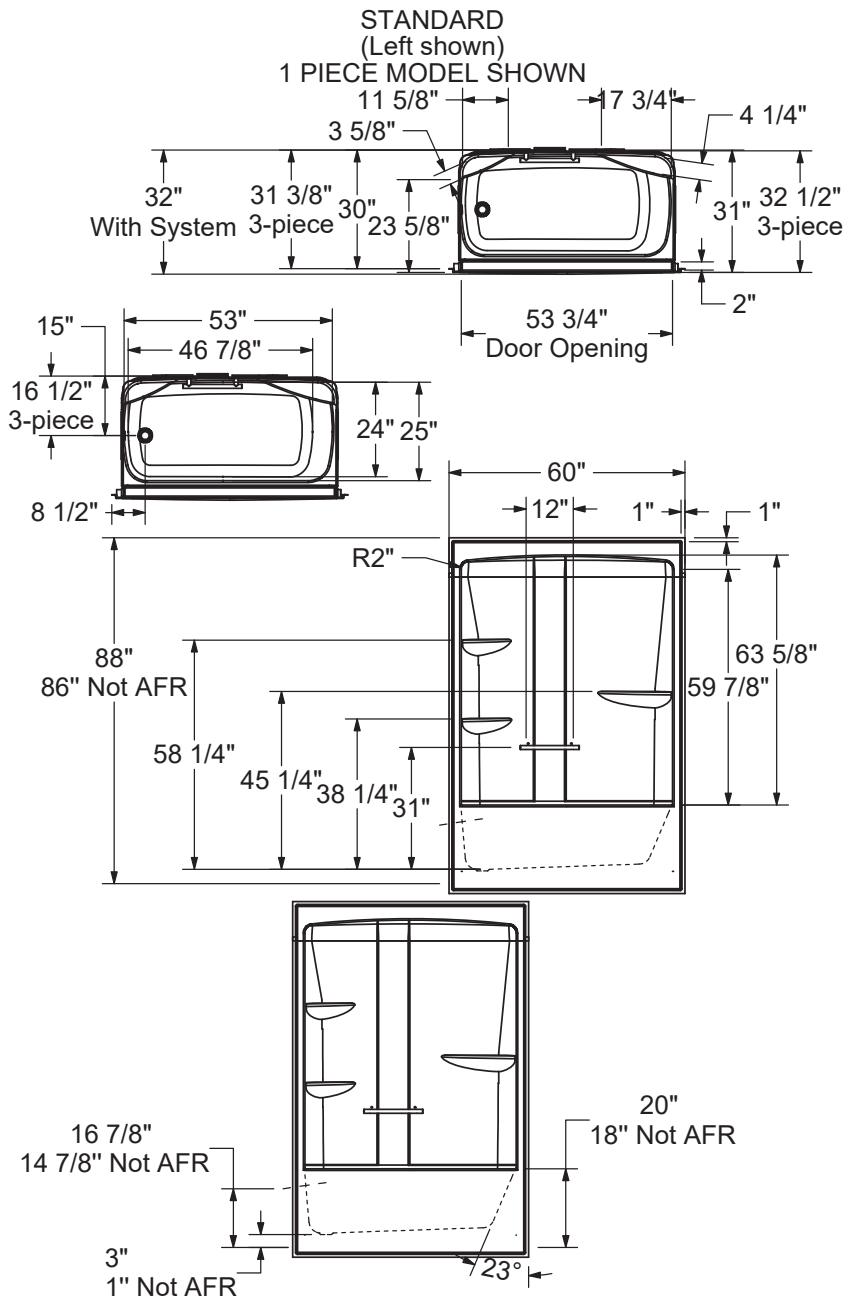
SKU	Description	MSRP
10034250-105	Metal trim kit for Aeroeffect with Air Push Control (sold separately) Available colors: Chrome (084) and Brushed Nickel (105)	\$ 74
10022491-084	Cable-operated waste and overflow (16 in. to 22 in.) (sold separately) Available colors: White (001), Bone (004), Chrome (084) and Brushed Nickel (105)	\$ 332
10022491-004		\$ 332
10022491-105		\$ 332
10022491-001		\$ 332

FOOTNOTES

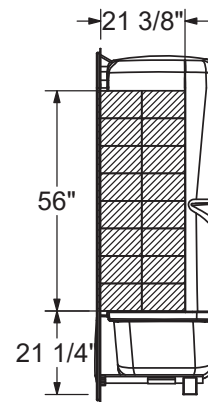
No	Description
1	Components for standard colour units equipped with systems are colour-coordinated. Trim kit and/or air push with metallic finish can be added (additional charge applies). For non-standard colour units, please specify trim kit and/or air push colour (additional charge applies for metallic finishes). Please note that the positioning of the system's control could be in conflict with the door if one was installed on the unit. To insure compatibility, please contact customer service.
2	Please order flexible main hose 10006923 for installation of the blower further than 3 ft from the bathtub. For the Tandem models and the Serenade models (freestanding and drop-in), the blower is always remote and not factory installed so a 9 ft flexible main hose is included. Please note that the positioning of the system's control could be in conflict with the door if one was installed on the unit. To insure compatibility, please contact customer service.
3	The blower is not factory installed (remote). 9 ft flexible main hose included. Please note that the positioning of the system's control could be in conflict with the door if one was installed on the unit. To insure compatibility, please contact customer service.
4	For details on pump position and requirements, see technical drawings on https://www.maax.com . When there is a pump position A or B indicated on the technical drawing, please specify position when ordering.
5	For details on blower position and requirements, see technical drawings on https://www.maax.com . When there is a blower position A or B indicated on the technical drawing, please specify position when ordering.
30	Please see technical drawings on https://www.maax.com for grab bar and/or seat positioning.
31	Right (R)/Left (L) refers to the upper section of the ergonomic grab bar.
32	Right/Left refers to the pivot direction of the bar (from closed to open position).
33	Please see technical drawings on https://www.maax.com for reinforcement positioning and size.
36	Rear access grab bar installation. Must be secured onto unit prior to alcove unit insert.
38	Please specify non-AFR when ordering a non-AFR configuration.
54	A selection of units come with an access panel by default when equipped with a system. However, if the unit is only equipped with chromatherapy, the access panel will not be provided by default.
36	
36	

RECOMMENDED DOORS - VISIT OUR WEBSITE FOR A COMPLETE LIST OF RECOMMENDED DOORS

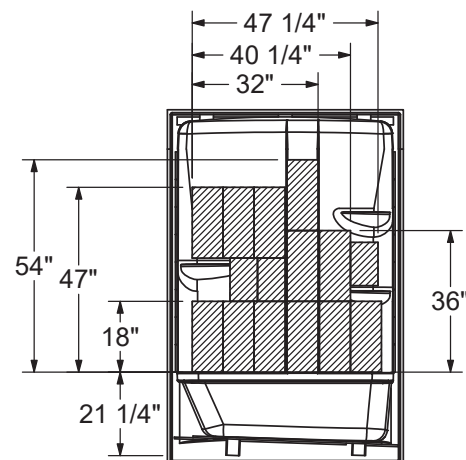
SKU	Product Name	Pag.
138522	Incognito 57 51-54 x 56 3/4 in. 8mm	1004
134560	Kameleon 51-55 x 57 - 6mm	998
134660	Kameleon SC 51-55 x 57 - 6mm	987



OPTIONAL REINFORCEMENT (Left shown)



OPTIONAL REINFORCEMENT (Back Wall)



All dimensions are approximate. Structure measurements must be verified against the unit to ensure proper fit.

BG6034C



Material : AcrylX
 Min: 19 Gal / 86 L
 Max: 27 Gal / 123 L

Features

- > 1-piece tub shower without roof cap
- > Built-in shelves
- > Center drain

TUB SHOWERS - ACRYLX

BG6034C - 140001						
SKU	System	Color	Configuration	Dimensions & Weight	Packaging	MSRP
140001-000-002-000	Soaker - No System	White	Center	60" x 34" x 73 3/4" / 140 lb / 63 kg	98 ft ³	\$ 1733
140001-001-002-000	Whirlpool ^{1 4}					\$ 3376

COMMON OPTIONS		
SKU	Description	MSRP
OPT10053	One chromatherapy light (factory installed) ⁵⁴	\$ 725
OPT10095	Water heater assembly for whirlpool and combined systems (factory installed)	\$ 950
OPT10106-084	Metal trim kit for whirlpool and combined systems (factory installed) Available colors: Chrome (084) and Brushed Nickel (105)	\$ 669
OPT10106-105		\$ 669
OPT20137-004	Cable-operated waste and overflow (16 in. to 22 in.) (included in product packaging when purchased) Available colors: White (001), Bone (004), Chrome (084) and Brushed Nickel (105)	\$ 332
OPT20137-084		\$ 332
OPT20137-105		\$ 332
OPT20137-001		\$ 332

ACCESSORIES		
SKU	Description	MSRP
10004306-001	White foam cushion with 2 suction pads (sold separately) Available color: White (001)	\$ 126
10006887-105	Metal trim kit for Whirlpool and combined systems (sold separately) Available colors: Chrome (084) and Brushed Nickel (105)	\$ 669

ACCESSORIES

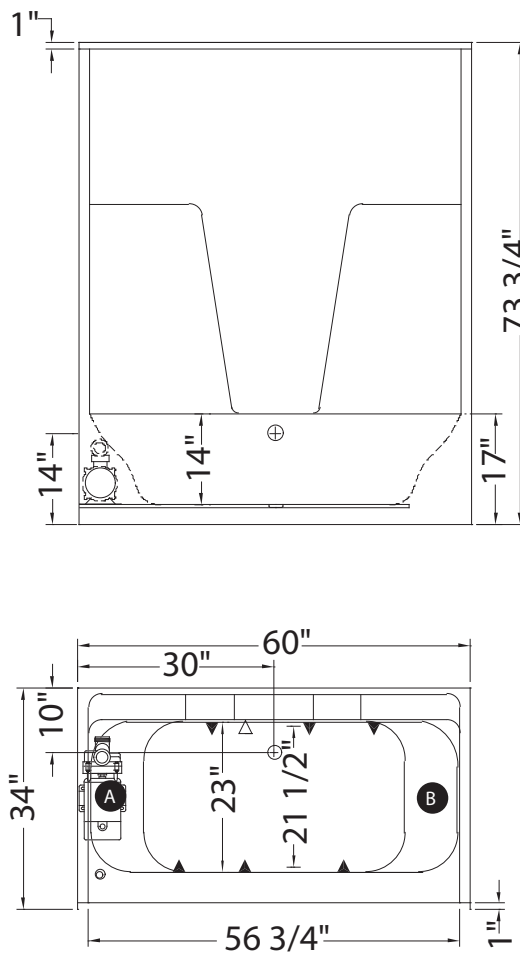
SKU	Description	MSRP
10006887-084	Metal trim kit for Whirlpool and combined systems (sold separately) Available colors: Chrome (084) and Brushed Nickel (105)	\$ 669
10022491-084	Cable-operated waste and overflow (16 in. to 22 in.) (sold separately) Available colors: White (001), Bone (004), Chrome (084) and Brushed Nickel (105)	\$ 332
10022491-004		\$ 332
10022491-105		\$ 332
10022491-001		\$ 332

FOOTNOTES

No	Description
1	Components for standard colour units equipped with systems are colour-coordinated. Trim kit and/or air push with metallic finish can be added (additional charge applies). For non-standard colour units, please specify trim kit and/or air push colour (additional charge applies for metallic finishes). Please note that the positioning of the system's control could be in conflict with the door if one was installed on the unit. To insure compatibility, please contact customer service.
4	For details on pump position and requirements, see technical drawings on https://www.maax.com . When there is a pump position A or B indicated on the technical drawing, please specify position when ordering.
54	A selection of units come with an access panel by default when equipped with a system. However, if the unit is only equipped with chromatherapy, the access panel will not be provided by default.

RECOMMENDED DOORS - VISIT OUR WEBSITE FOR A COMPLETE LIST OF RECOMMENDED DOORS

SKU	Product Name	Pag.
138994	Luminescence SlidingDoor 56 ½-59 x 55 ½-57 ½ - 6mm	1026



- Ⓐ : Standard blower and/or pump location
- Ⓑ : Optional blower and/or pump location
- (▲): Indicates Whirlpool jets positioning
- (△): Indicates suction positioning

All dimensions are approximate. Structure measurements must be verified against the unit to ensure proper fit.



Icon TS6032

TUB SHOWERS - ACRYLX



Material : AcrylX

Features

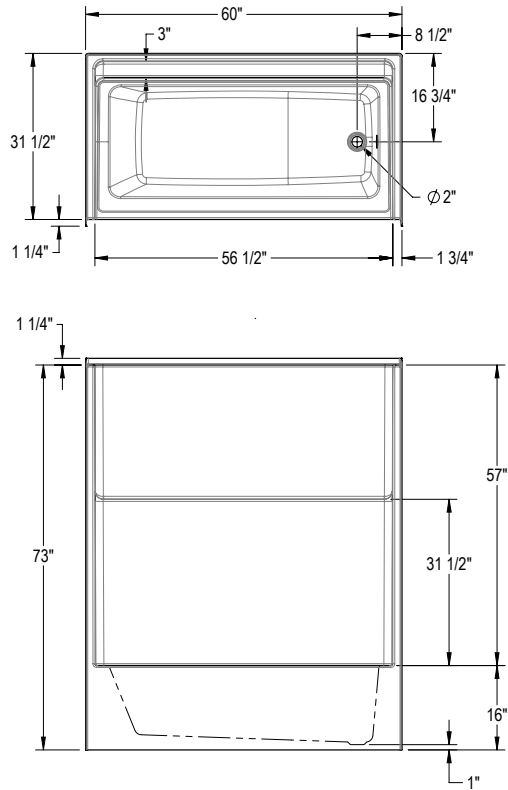
- › Made of AcrylX applied acrylic for improved durability
- › 1-Piece construction for reliable water containment
- › Smooth walls for a modern and minimalist look
- › Left-hand or right-hand drain configuration
- › Ample shelf capacity
- › Flat walls to easily accommodate future grab bars
- › Standard non-AFR (above-the-floor rough)
- › Slip-resistant textured bottom for additional safety
- › Warranty: 25 years

ICON TS6032 - 107157

SKU	System	Color	Configuration	Dimensions & Weight	Packaging	MSRP
107157-000-002-001	Soaker - No System	White	Left	60" x 32 3/4" x 74 1/4" / 135 lb / 61 kg	84.43359375 ft ³	\$ 2215
107157-000-002-002			Right			\$ 2215

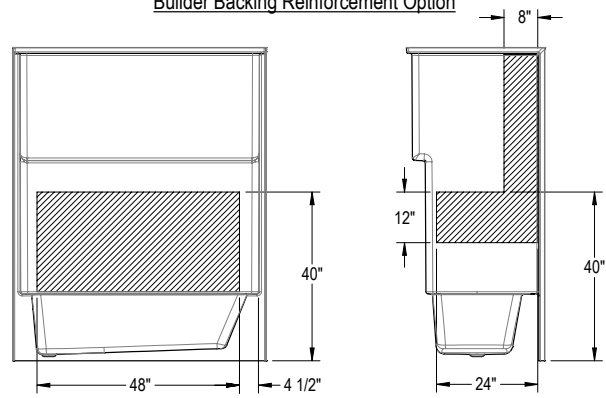
ICON TS6032X AFR - 107164

SKU	System	Color	Configuration	Dimensions & Weight	Packaging	MSRP
107164-000-002-501	Soaker - No System	White	Left	60" x 32 3/4" x 76 1/4" / 138 lb / 63 kg	86.7078993055556 ft ³	\$ 2215
107164-000-002-502			Right			\$ 2215

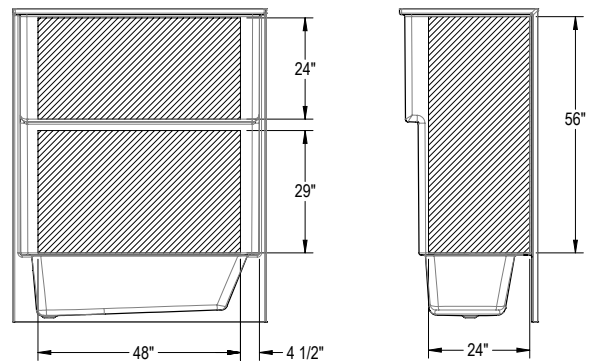


All dimensions are approximate. Structure measurements must be verified against the unit to ensure proper fit.

Builder Backing Reinforcement Option



Full Wall Reinforcement Option





KDTS 3060

TUB SHOWERS - ACRYLX



Material : AcrylX

Features

- › Product also available with Above-the-Floor Rough (AFR) feature
- › 4-piece tub shower
- › Large top corner shelves, wide soap dish and acrylic handle ²⁸
- › Unique feature: PIN system for easy front installation
- › Optional wall reinforcement and grab bars
- › All grab bars can support up to 300 lbs

KDTS 3060 - 145006

SKU	System	Color	Configuration	Dimensions & Weight	Packaging	MSRP
145006-000-002-094	Soaker - No System	White	Left	59 7/8" x 30 1/8" x 77 1/2" / 152 lb / 69 kg	99 ft ³	\$ 2367
145006-000-002-095			Right			\$ 2367

KDTS 3060 AFR - 145007

SKU	System	Color	Configuration	Dimensions & Weight	Packaging	MSRP
145007-000-002-594	Soaker - No System	White	Left	59 7/8" x 30 1/8" x 79 5/8" / 152 lb / 69 kg	99 ft ³	\$ 2367
145007-000-002-595			Right			\$ 2367

COMMON OPTIONS

SKU	Description	MSRP
OPT20203-R-084	18 in. Modern straight grab bar ³⁰ OPT 20203-R-XXX Vertical grab bar on right wall Available colours: White (002), Chrome (084) and Brushed Nickel (105)	\$ 269
OPT20203-R-002		\$ 269
OPT20203-R-105		\$ 269
OPT20204-B-002	24 in. Modern straight grab bar ³⁰ OPT 20204-B-XXX Horizontal grab bar on back wall Available colours: White (002), Chrome (084) and Brushed Nickel (105)	\$ 315
OPT20204-B-084		\$ 315
OPT20204-B-105		\$ 315
OPT20204-L-084	24 in. Modern straight grab bar ³⁰ OPT 20204-L-XXX Vertical grab bar on left wall Available colours: White (002), Chrome (084) and Brushed Nickel (105)	\$ 315

COMMON OPTIONS

SKU	Description	MSRP
OPT20204-L-105	24 in. Modern straight grab bar ³⁰	\$ 315
OPT20204-L-002	OPT 20204-L-XXX Vertical grab bar on left wall Available colours: White (002), Chrome (084) and Brushed Nickel (105)	\$ 315
OPT20204-R-002	24 in. Modern straight grab bar ³⁰	\$ 315
OPT20204-R-084	OPT 20204-R-XXX Vertical grab bar on right wall Available colours: White (002), Chrome (084) and Brushed Nickel (105)	\$ 315
OPT20204-R-105	Available colours: White (002), Chrome (084) and Brushed Nickel (105)	\$ 315
OPT20212-B	Back Wall reinforcement for future grab installation ³³	\$ 100
OPT20212-L	Left Wall reinforcement for future grab installation ³³	\$ 100
OPT20212-R	Right Wall reinforcement for future grab installation ³³	\$ 100
OPT10109-084	Metallic finish handle replacing Acrylic handle	\$ 345
OPT10109-105	Available colors: Chrome (084) and Brushed Nickel (105)	\$ 345
OPT20203-B-002	18 in. Modern straight grab bar ³⁰	\$ 269
OPT20203-B-105	OPT 20203-B-XXX Horizontal grab bar on back wall Available colours: White (002), Chrome (084) and Brushed Nickel (105)	\$ 269
OPT20203-B-084	Available colours: White (002), Chrome (084) and Brushed Nickel (105)	\$ 269
OPT20203-L-105	18 in. Modern straight grab bar ³⁰	\$ 269
OPT20203-L-002	OPT 20203-L-XXX Vertical grab bar on left wall Available colours: White (002), Chrome (084) and Brushed Nickel (105)	\$ 269
OPT20203-L-084	Available colours: White (002), Chrome (084) and Brushed Nickel (105)	\$ 269
145010-000-002-094	Tub only with PIN system 145010-R-000-XXX Right-hand drain	\$ 1062
145010-000-002-095	145010-L-000-XXX Left-hand drain	\$ 1062
145048-000-002-090	Side walls (right and left) for KDTS 2954, KDTS 3060 and KDS 3060	\$ 647
145061-000-002-090	Back wall for KDTS 3060, KDTS 3260, KDS 3060 and KDS 3460 ²⁸	\$ 659

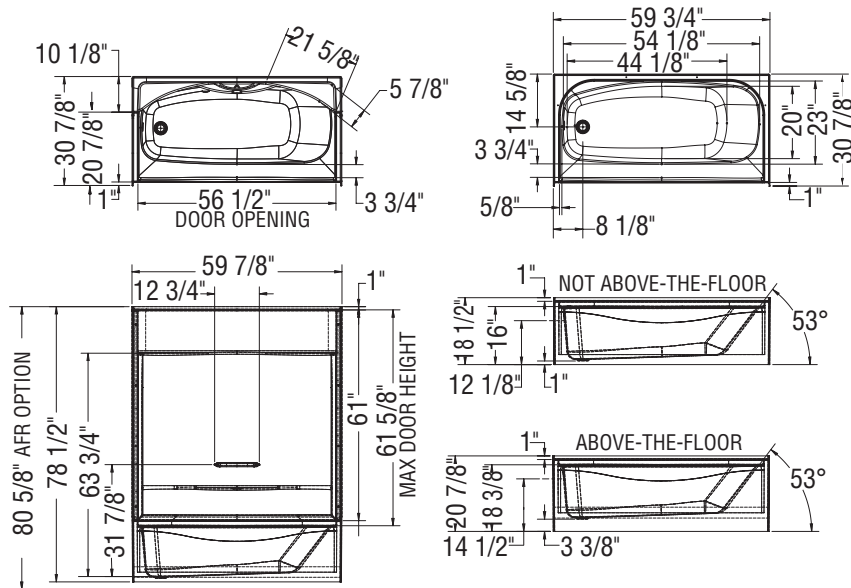
ACCESSORIES

SKU	Description	MSRP
10004306-001	White foam cushion with 2 suction pads (sold separately) Available color: White (001)	\$ 126
10022491-084	Cable-operated waste and overflow (16 in. to 22 in.) (sold separately) Available colors: White (001), Bone (004), Chrome (084) and Brushed Nickel (105)	\$ 332
10022491-004		\$ 332
10022491-105		\$ 332
10022491-001		\$ 332

FOOTNOTES

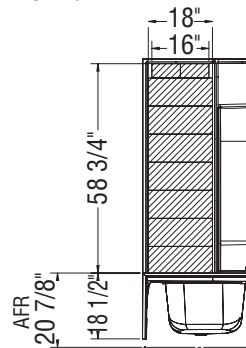
No	Description
28	Handles for standard colour units are colour-coordinated. Handles with metallic finish can be added (additional charge applies). For non-standard colour units, please specify handle colour (additional charge applies for metallic finishes).
30	Please see technical drawings on https://www.maax.com for grab bar and/or seat positioning.
33	Please see technical drawings on https://www.maax.com for reinforcement positioning and size.

STANDARD

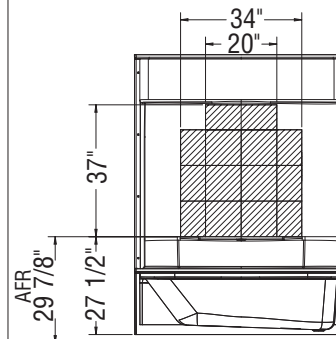


REINFORCEMENT BACKING

OPTION 20212-R RIGHT WALL SHOWN
OPTION 20212-L LEFT WALL SYMMETRICAL

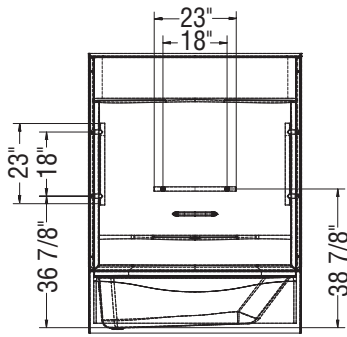


OPTION 20212-B BACK WALL

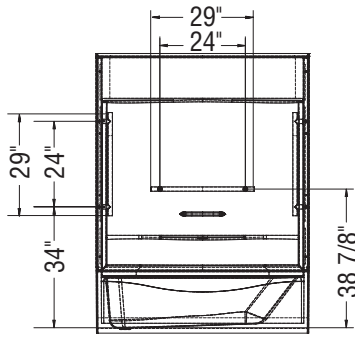


GRAB BARS

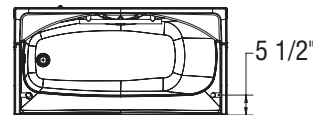
OPTION 20203



OPTION 20204



OPTION 20203-20204



All dimensions are approximate. Structure measurements must be verified against the unit to ensure proper fit.

KDTS 3260



Material : AcrylX

Features

- › Product available with or without Above-the-Floor Rough feature
- › 4-piece tub shower
- › Large top corner shelves, wide soap dish and acrylic handle ²⁸
- › Optional wall reinforcement and grab bar
- › Unique feature: PIN system for easier front installation
- › All grab bars can support up to 300 lbs

TUB SHOWERS - ACRYLX

KDTS 3260 - 145012

SKU	System	Color	Configuration	Dimensions & Weight	Packaging	MSRP
145012-000-002-094	Soaker - No System	White	Left	59 7/8" x 32" x 79 1/4" / 152 lb / 69 kg	105 ft ³	\$ 2474
145012-000-002-095			Right			\$ 2474

KDTS 3260 AFR - 145013

SKU	System	Color	Configuration	Dimensions & Weight	Packaging	MSRP
145013-000-002-594	Soaker - No System	White	Left	59 7/8" x 32" x 81 3/4" / 152 lb / 69 kg	105 ft ³	\$ 2474
145013-000-002-595			Right			\$ 2474

COMMON OPTIONS

SKU	Description	MSRP
OPT20203-R-084	18 in. Modern straight grab bar ³⁰ OPT 20203-R-XXX Vertical grab bar on right wall Available colours: White (002), Chrome (084) and Brushed Nickel (105)	\$ 269
OPT20203-R-002		\$ 269
OPT20203-R-105		\$ 269
OPT20204-B-002	24 in. Modern straight grab bar ³⁰ OPT 20204-B-XXX Horizontal grab bar on back wall Available colours: White (002), Chrome (084) and Brushed Nickel (105)	\$ 315
OPT20204-B-084		\$ 315
OPT20204-B-105		\$ 315
OPT20204-L-084	24 in. Modern straight grab bar ³⁰ OPT 20204-L-XXX Vertical grab bar on left wall Available colours: White (002), Chrome (084) and Brushed Nickel (105)	\$ 315

COMMON OPTIONS

SKU	Description	MSRP
OPT20204-L-105	24 in. Modern straight grab bar ³⁰	\$ 315
OPT20204-L-002	OPT 20204-L-XXX Vertical grab bar on left wall Available colours: White (002), Chrome (084) and Brushed Nickel (105)	\$ 315
OPT20204-R-002	24 in. Modern straight grab bar ³⁰	\$ 315
OPT20204-R-084	OPT 20204-R-XXX Vertical grab bar on right wall Available colours: White (002), Chrome (084) and Brushed Nickel (105)	\$ 315
OPT20204-R-105	Available colours: White (002), Chrome (084) and Brushed Nickel (105)	\$ 315
OPT20212-B	Back Wall reinforcement for future grab installation ³³	\$ 100
OPT20212-L	Left Wall reinforcement for future grab installation ³³	\$ 100
OPT20212-R	Right Wall reinforcement for future grab installation ³³	\$ 100
OPT10109-084	Metallic finish handle replacing Acrylic handle	\$ 345
OPT10109-105	Available colors: Chrome (084) and Brushed Nickel (105)	\$ 345
OPT20203-B-002	18 in. Modern straight grab bar ³⁰	\$ 269
OPT20203-B-105	OPT 20203-B-XXX Horizontal grab bar on back wall Available colours: White (002), Chrome (084) and Brushed Nickel (105)	\$ 269
OPT20203-B-084	Available colours: White (002), Chrome (084) and Brushed Nickel (105)	\$ 269
OPT20203-L-105	18 in. Modern straight grab bar ³⁰	\$ 269
OPT20203-L-002	OPT 20203-L-XXX Vertical grab bar on left wall Available colours: White (002), Chrome (084) and Brushed Nickel (105)	\$ 269
OPT20203-L-084	Available colours: White (002), Chrome (084) and Brushed Nickel (105)	\$ 269
145017-000-002-595	Tub only with PIN system (AFR) 145017-R-000-XXX Right-hand drain	\$ 1165
145017-000-002-594	145017-L-000-XXX Left-hand drain	\$ 1165
145051-000-002-090	Side walls (right and left) for KDTS 3260	\$ 650
145061-000-002-090	Back wall for KDTS 3060, KDTS 3260, KDS 3060 and KDS 3460 ²⁸	\$ 659

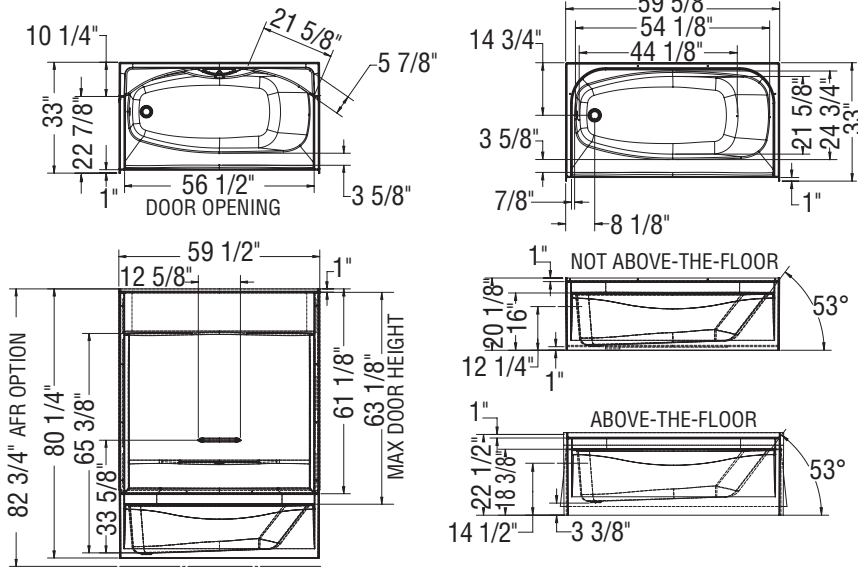
ACCESSORIES

SKU	Description	MSRP
10004306-001	White foam cushion with 2 suction pads (sold separately) Available color: White (001)	\$ 126
10022491-084	Cable-operated waste and overflow (16 in. to 22 in.) (sold separately) Available colors: White (001), Bone (004), Chrome (084) and Brushed Nickel (105)	\$ 332
10022491-004		\$ 332
10022491-105		\$ 332
10022491-001		\$ 332

FOOTNOTES

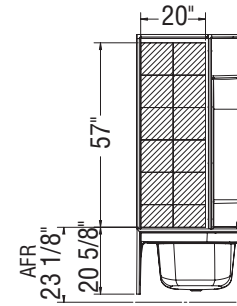
No	Description
28	Handles for standard colour units are colour-coordinated. Handles with metallic finish can be added (additional charge applies). For non-standard colour units, please specify handle colour (additional charge applies for metallic finishes).
30	Please see technical drawings on https://www.maax.com for grab bar and/or seat positioning.
33	Please see technical drawings on https://www.maax.com for reinforcement positioning and size.

STANDARD

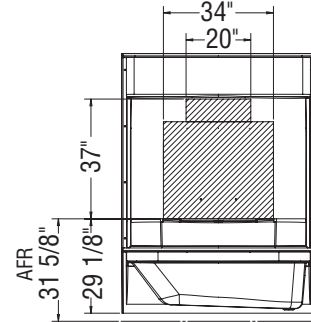


REINFORCEMENT BACKING

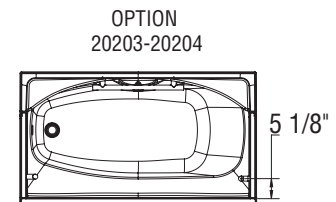
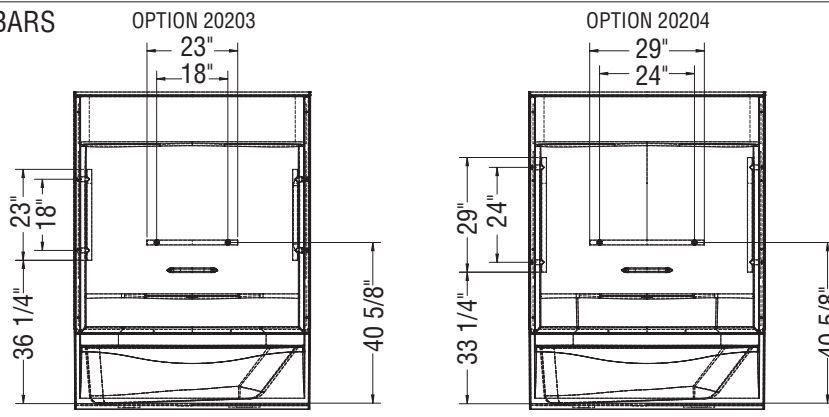
OPTION 20212-R RIGHT WALL SHOWN
OPTION 20212-L LEFT WALL SYMMETRICAL



OPTION 20212-B BACK WALL



GRAB BARS



All dimensions are approximate. Structure measurements must be verified against the unit to ensure proper fit.

TSEA Plus



TUB SHOWERS - ACRYLX



Material : AcrylX
 Min: 30 Gal / 136 L
 Max: 40 Gal / 182 L

Features

- > 1-piece tub shower without roof cap
- > Integrated wide shelves
- > 20 in. apron, 13 3/8 in. deep bathing well
- > Above-the-Floor Rough (AFR)
- > Optional wall reinforcement and grab bars
- > Textured bottom

TSEA PLUS - 105674						
SKU	System	Color	Configuration	Dimensions & Weight	Packaging	MSRP
105674-000-002-001	Soaker - No System	White	Left	59 3/4" x 32" x 78" / 123 lb / 56 kg	91.3 ft ³	\$ 2215
105674-000-002-002			Right			\$ 2215
105674-L-001-002	Whirlpool ^{1 4}		Left			\$ 3858
105674-R-001-002			Right			\$ 3858

COMMON OPTIONS		
SKU	Description	MSRP
OPT20203-R-084	18 in. Modern straight grab bar ³⁰	\$ 269
OPT20203-R-002	OPT 20203-R-XXX Vertical grab bar on right wall	\$ 269
OPT20203-R-105	Available colours: White (002), Chrome (084) and Brushed Nickel (105)	\$ 269
OPT20204-B-002	24 in. Modern straight grab bar ³⁰	\$ 315
OPT20204-B-084	OPT 20204-B-XXX Horizontal grab bar on back wall	\$ 315
OPT20204-B-105	Available colours: White (002), Chrome (084) and Brushed Nickel (105)	\$ 315
OPT20204-L-084	24 in. Modern straight grab bar ³⁰	\$ 315
OPT20204-L-105	OPT 20204-L-XXX Vertical grab bar on left wall	\$ 315
OPT20204-L-002	Available colours: White (002), Chrome (084) and Brushed Nickel (105)	\$ 315
OPT20204-R-002	24 in. Modern straight grab bar ³⁰	\$ 315
OPT20204-R-084	OPT 20204-R-XXX Vertical grab bar on right wall	\$ 315
OPT20204-R-105	Available colours: White (002), Chrome (084) and Brushed Nickel (105)	\$ 315
OPT20212-B	Back Wall reinforcement for future grab installation ³³	\$ 100

COMMON OPTIONS

SKU	Description	MSRP
OPT20212-L	Left Wall reinforcement for future grab installation ³³	\$ 100
OPT20212-R	Right Wall reinforcement for future grab installation ³³	\$ 100
OPT10053	One chromatherapy light (factory installed) ⁵⁴	\$ 725
OPT10095	Water heater assembly for whirlpool and combined systems (factory installed)	\$ 950
OPT10106-084	Metal trim kit for whirlpool and combined systems (factory installed)	\$ 669
OPT10106-105	Available colors: Chrome (084) and Brushed Nickel (105)	\$ 669
OPT20137-004	Cable-operated waste and overflow (16 in. to 22 in.) (included in product packaging when purchased) Available colors: White (001), Bone (004), Chrome (084) and Brushed Nickel (105)	\$ 332
OPT20137-084		\$ 332
OPT20137-105		\$ 332
OPT20137-001		\$ 332
OPT20203-B-002	18 in. Modern straight grab bar ³⁰ OPT 20203-B-XXX Horizontal grab bar on back wall Available colours: White (002), Chrome (084) and Brushed Nickel (105)	\$ 269
OPT20203-B-105		\$ 269
OPT20203-B-084		\$ 269
OPT20203-L-105	18 in. Modern straight grab bar ³⁰ OPT 20203-L-XXX Vertical grab bar on left wall Available colours: White (002), Chrome (084) and Brushed Nickel (105)	\$ 269
OPT20203-L-002		\$ 269
OPT20203-L-084		\$ 269

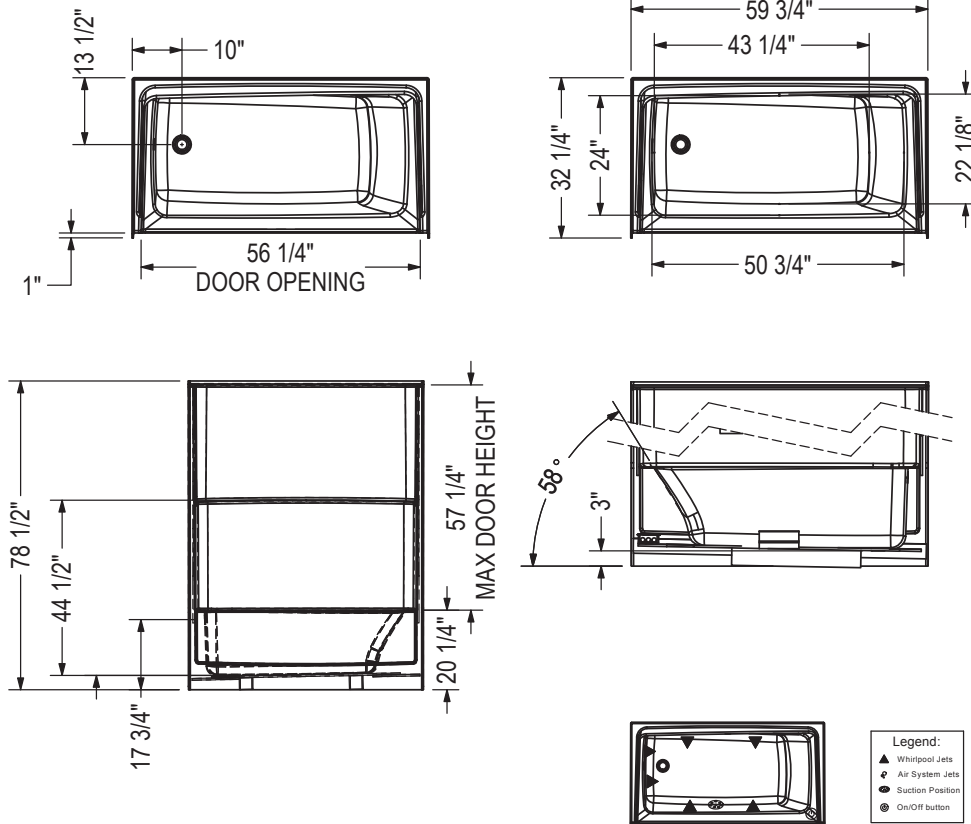
ACCESSORIES

SKU	Description	MSRP
10004306-001	White foam cushion with 2 suction pads (sold separately) Available color: White (001)	\$ 126
10006887-105	Metal trim kit for Whirlpool and combined systems (sold separately) Available colors: Chrome (084) and Brushed Nickel (105)	\$ 669
10006887-084		\$ 669
10022491-084	Cable-operated waste and overflow (16 in. to 22 in.) (sold separately) Available colors: White (001), Bone (004), Chrome (084) and Brushed Nickel (105)	\$ 332
10022491-004		\$ 332
10022491-105		\$ 332
10022491-001		\$ 332

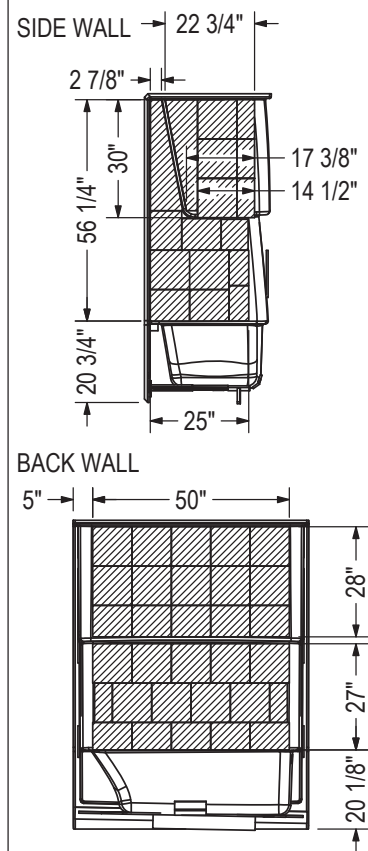
FOOTNOTES

No	Description
1	Components for standard colour units equipped with systems are colour-coordinated. Trim kit and/or air push with metallic finish can be added (additional charge applies). For non-standard colour units, please specify trim kit and/or air push colour (additional charge applies for metallic finishes). Please note that the positioning of the system's control could be in conflict with the door if one was installed on the unit. To insure compatibility, please contact customer service.
4	For details on pump position and requirements, see technical drawings on https://www.maax.com . When there is a pump position A or B indicated on the technical drawing, please specify position when ordering.
30	Please see technical drawings on https://www.maax.com for grab bar and/or seat positioning.
33	Please see technical drawings on https://www.maax.com for reinforcement positioning and size.
54	A selection of units come with an access panel by default when equipped with a system. However, if the unit is only equipped with chromatherapy, the access panel will not be provided by default.

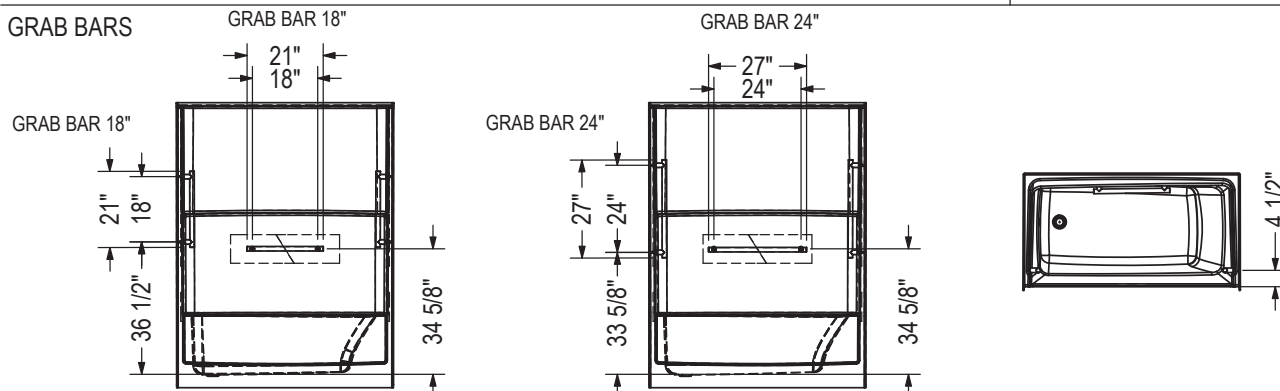
STANDARD



OPTIONAL REINFORCEMENT



GRAB BARS



All dimensions are approximate. Structure measurements must be verified against the unit to ensure proper fit.

TSEA62



Material : AcrylX
 Min: 30 Gal / 137 L
 Max: 43 Gal / 196 L

Features

- > 1-piece tub shower without roof cap
- > Integrated shelf

TUB SHOWERS - ACRYLX

TSEA62 - 140100

SKU	System	Color	Configuration	Dimensions & Weight	Packaging	MSRP
140100-000-002-001	Soaker - No System	White	Left	59 7/8" x 31" x 74" / 130 lb / 59 kg	90 ft ³	\$ 2101
140100-000-002-002			Right			\$ 2101
140100-001-002-001	Whirlpool ^{1 4}		Left			\$ 3744
140100-001-002-002			Right			\$ 3744

COMMON OPTIONS

SKU	Description	MSRP
OPT10053	One chromatherapy light (factory installed) ⁵⁴	\$ 725
OPT10095	Water heater assembly for whirlpool and combined systems (factory installed)	\$ 950
OPT10106-084	Metal trim kit for whirlpool and combined systems (factory installed) Available colors: Chrome (084) and Brushed Nickel (105)	\$ 669
OPT10106-105		\$ 669
OPT20212-B	Back Wall reinforcement for future grab installation ³³	\$ 100
OPT20212-L	Left Wall reinforcement for future grab installation ³³	\$ 100
OPT20212-R	Right Wall reinforcement for future grab installation ³³	\$ 100

ACCESSORIES

SKU	Description	MSRP
10004306-001	White foam cushion with 2 suction pads (sold separately) Available color: White (001)	\$ 126

ACCESSORIES

SKU	Description	MSRP
10006887-105	Metal trim kit for Whirlpool and combined systems (sold separately)	\$ 669
10006887-084	Available colors: Chrome (084) and Brushed Nickel (105)	\$ 669

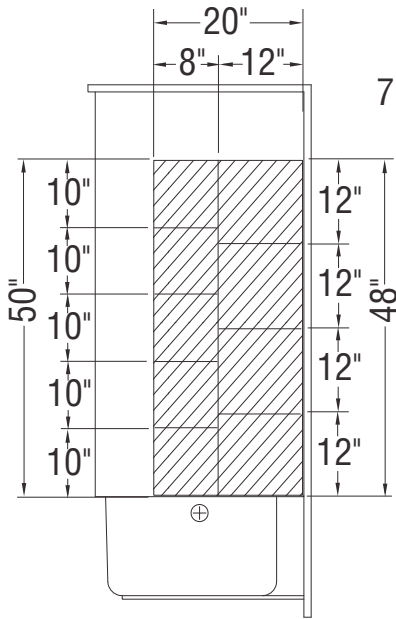
FOOTNOTES

No	Description
1	Components for standard colour units equipped with systems are colour-coordinated. Trim kit and/or air push with metallic finish can be added (additional charge applies). For non-standard colour units, please specify trim kit and/or air push colour (additional charge applies for metallic finishes). Please note that the positioning of the system's control could be in conflict with the door if one was installed on the unit. To insure compatibility, please contact customer service.
4	For details on pump position and requirements, see technical drawings on https://www.maax.com . When there is a pump position A or B indicated on the technical drawing, please specify position when ordering.
33	Please see technical drawings on https://www.maax.com for reinforcement positioning and size.
54	A selection of units come with an access panel by default when equipped with a system. However, if the unit is only equipped with chromatherapy, the access panel will not be provided by default.

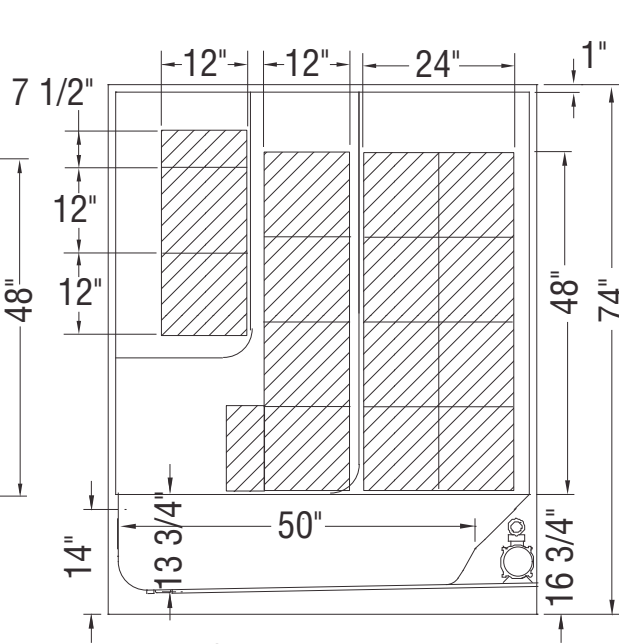
RECOMMENDED DOORS - VISIT OUR WEBSITE FOR A COMPLETE LIST OF RECOMMENDED DOORS

SKU	Product Name	Pag.
138994	Luminescence SlidingDoor 56 ½-59 x 55 ½-57 ½ - 6mm	1026

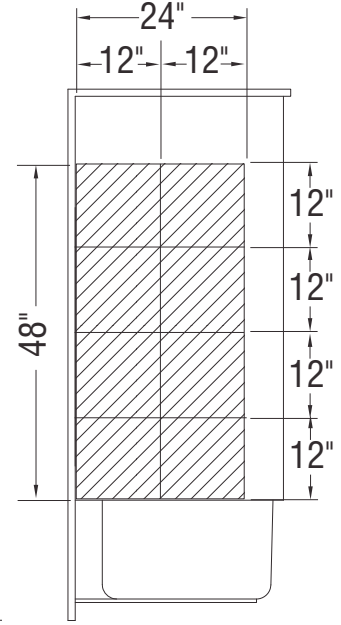
Full Wall Reinforcement Shown



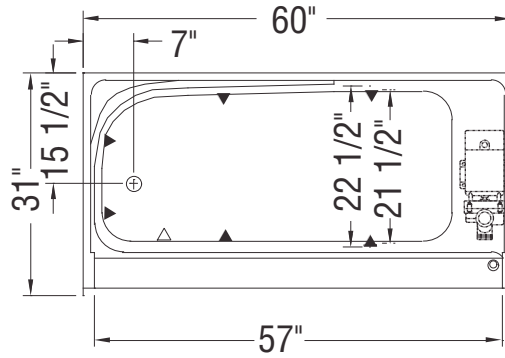
LEFT WALL Reinforcement



BACK WALL Reinforcement



RIGHT WALL Reinforcement



(▲): Indicates Whirlpool jets positioning
 (⊖): Indicates suction positioning

All dimensions are approximate. Structure measurements must be verified against the unit to ensure proper fit.

TSEA72



TUB SHOWERS - ACRYLX



Material : AcrylX
 Min: 31 Gal / 140 L
 Max: 44 Gal / 200 L

Features

- > 1-piece tub shower without roof cap
- > Integrated shelf, headrest and soap dish

TSEA72 - 140103						
SKU	System	Color	Configuration	Dimensions & Weight	Packaging	MSRP
140103-000-002-001	Soaker - No System	White	Left	71 3/4" x 35 3/4" x 75" / 162 lb / 73 kg	125 ft ³	\$ 2692
140103-000-002-002			Right			\$ 2692
140103-001-002-001	Whirlpool ^{1 4}		Left			\$ 4335
140103-001-002-002			Right			\$ 4335

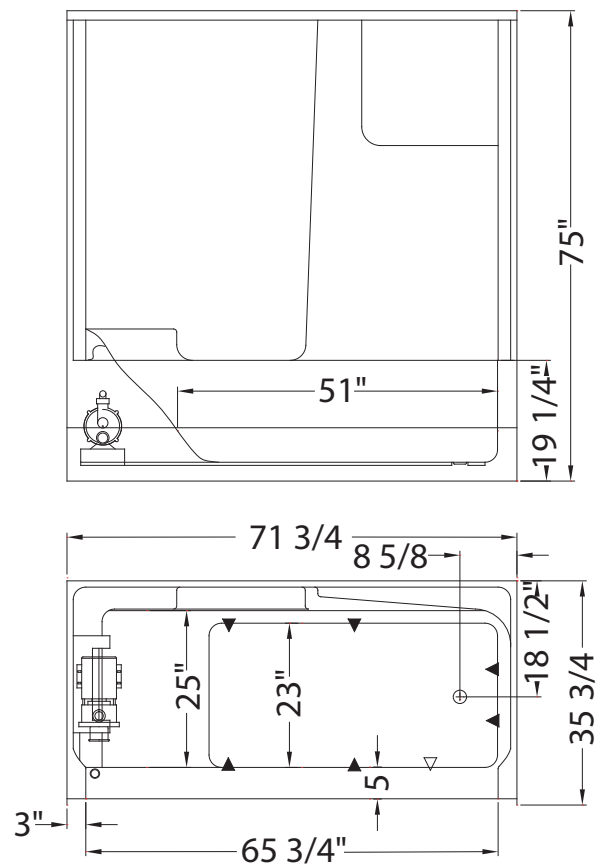
COMMON OPTIONS		
SKU	Description	MSRP
OPT10053	One chromatherapy light (factory installed) ⁵⁴	\$ 725
OPT10095	Water heater assembly for whirlpool and combined systems (factory installed)	\$ 950
OPT10106-084	Metal trim kit for whirlpool and combined systems (factory installed) Available colors: Chrome (084) and Brushed Nickel (105)	\$ 669
OPT10106-105		\$ 669
OPT20137-004	Cable-operated waste and overflow (16 in. to 22 in.) (included in product packaging when purchased) Available colors: White (001), Bone (004), Chrome (084) and Brushed Nickel (105)	\$ 332
OPT20137-084		\$ 332
OPT20137-105		\$ 332
OPT20137-001		\$ 332

ACCESSORIES

SKU	Description	MSRP
10006887-105	Metal trim kit for Whirlpool and combined systems (sold separately) Available colors: Chrome (084) and Brushed Nickel (105)	\$ 669
10006887-084		\$ 669
10022491-084	Cable-operated waste and overflow (16 in. to 22 in.) (sold separately) Available colors: White (001), Bone (004), Chrome (084) and Brushed Nickel (105)	\$ 332
10022491-004		\$ 332
10022491-105		\$ 332
10022491-001		\$ 332

FOOTNOTES

No	Description
1	Components for standard colour units equipped with systems are colour-coordinated. Trim kit and/or air push with metallic finish can be added (additional charge applies). For non-standard colour units, please specify trim kit and/or air push colour (additional charge applies for metallic finishes). Please note that the positioning of the system's control could be in conflict with the door if one was installed on the unit. To insure compatibility, please contact customer service.
4	For details on pump position and requirements, see technical drawings on https://www.maax.com . When there is a pump position A or B indicated on the technical drawing, please specify position when ordering.
54	A selection of units come with an access panel by default when equipped with a system. However, if the unit is only equipped with chromatherapy, the access panel will not be provided by default.



(▲): Indicates Whirlpool jets positioning

(△): Indicates suction positioning

All dimensions are approximate. Structure measurements must be verified against the unit to ensure proper fit.

TSO6042



Material : AcrylX
 Min: 41 Gal / 186 L
 Max: 57 Gal / 259 L

Features

- > 1-piece tub shower without roof cap
- > Integrated soap dishes
- > Centre drain

TUB SHOWERS - ACRYLX

TSO6042 - 140105						
SKU	System	Color	Configuration	Dimensions & Weight	Packaging	MSRP
140105-000-002-000	Soaker - No System	White	Center	60" x 42" x 72" / 130 lb / 59 kg	117 ft ³	\$ 2262
140105-001-002-000	Whirlpool ^{1 4}					\$ 3905

COMMON OPTIONS		
SKU	Description	MSRP
OPT10053	One chromatherapy light (factory installed) ⁵⁴	\$ 725
OPT10106-084	Metal trim kit for whirlpool and combined systems (factory installed) Available colors: Chrome (084) and Brushed Nickel (105)	\$ 669
OPT10106-105		\$ 669
OPT20137-004	Cable-operated waste and overflow (16 in. to 22 in.) (included in product packaging when purchased) Available colors: White (001), Bone (004), Chrome (084) and Brushed Nickel (105)	\$ 332
OPT20137-084		\$ 332
OPT20137-105		\$ 332
OPT20137-001		\$ 332

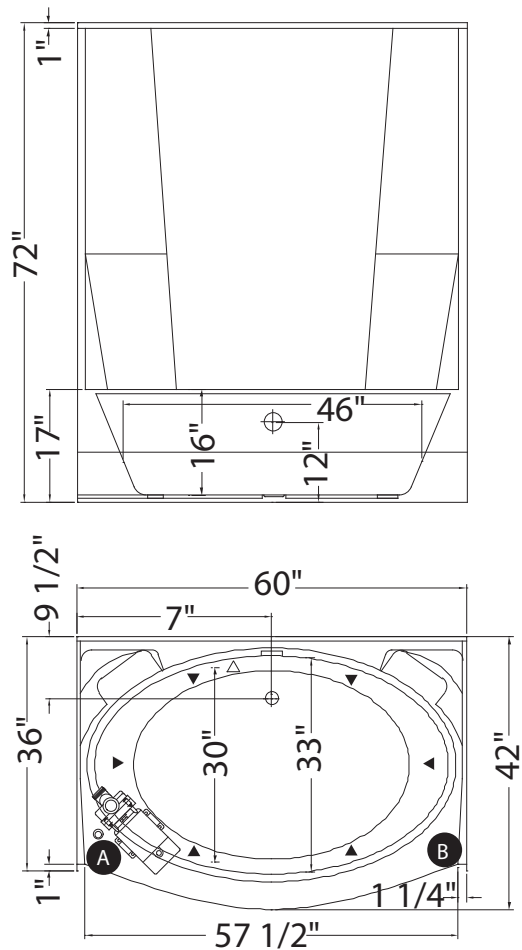
ACCESSORIES		
SKU	Description	MSRP
10004306-001	White foam cushion with 2 suction pads (sold separately) Available color: White (001)	\$ 126
10006887-105	Metal trim kit for Whirlpool and combined systems (sold separately) Available colors: Chrome (084) and Brushed Nickel (105)	\$ 669
10006887-084		\$ 669

ACCESSORIES

SKU	Description	MSRP
10022491-084	Cable-operated waste and overflow (16 in. to 22 in.) (sold separately) Available colors: White (001), Bone (004), Chrome (084) and Brushed Nickel (105)	\$ 332
10022491-004		\$ 332
10022491-105		\$ 332
10022491-001		\$ 332

FOOTNOTES

No	Description
1	Components for standard colour units equipped with systems are colour-coordinated. Trim kit and/or air push with metallic finish can be added (additional charge applies). For non-standard colour units, please specify trim kit and/or air push colour (additional charge applies for metallic finishes). Please note that the positioning of the system's control could be in conflict with the door if one was installed on the unit. To insure compatibility, please contact customer service.
4	For details on pump position and requirements, see technical drawings on https://www.maax.com . When there is a pump position A or B indicated on the technical drawing, please specify position when ordering.
54	A selection of units come with an access panel by default when equipped with a system. However, if the unit is only equipped with chromatherapy, the access panel will not be provided by default.



- Ⓐ : Standard blower and/or pump location
- Ⓑ : Optional blower and/or pump location
- (▲): Indicates Whirlpool jets positioning
- (△): Indicates suction positioning

All dimensions are approximate. Structure measurements must be verified against the unit to ensure proper fit.

TSTEA Plus



TUB SHOWERS - ACRYLX



Material : AcrylX
 Min: 29 Gal / 137 L
 Max: 40 Gal / 185 L

Features

- > 1-piece tub shower without roof cap
- > Integrated wide shelves
- > 8 in. tile pattern
- > 20 in. apron, 13 3/8 in. deep bathing well
- > Above-the-Floor Rough
- > Optional wall reinforcement and grab bars

TSTEA PLUS - 105930						
SKU	System	Color	Configuration	Dimensions & Weight	Packaging	MSRP
105930-000-002-001	Soaker - No System	White	Left	59 3/4" x 32" x 78" / 123 lb / 56 kg	91.3 ft ³	\$ 2215
105930-000-002-002			Right			\$ 2215
105930-L-001-002	Whirlpool ^{1 4}		Left			\$ 3858
105930-R-001-002			Right			\$ 3858

COMMON OPTIONS		
SKU	Description	MSRP
OPT20203-R-084	18 in. Modern straight grab bar ³⁰	\$ 269
OPT20203-R-002	OPT 20203-R-XXX Vertical grab bar on right wall	\$ 269
OPT20203-R-105	Available colours: White (002), Chrome (084) and Brushed Nickel (105)	\$ 269
OPT20204-B-002	24 in. Modern straight grab bar ³⁰	\$ 315
OPT20204-B-084	OPT 20204-B-XXX Horizontal grab bar on back wall	\$ 315
OPT20204-B-105	Available colours: White (002), Chrome (084) and Brushed Nickel (105)	\$ 315
OPT20204-L-084	24 in. Modern straight grab bar ³⁰	\$ 315
OPT20204-L-105	OPT 20204-L-XXX Vertical grab bar on left wall	\$ 315
OPT20204-L-002	Available colours: White (002), Chrome (084) and Brushed Nickel (105)	\$ 315
OPT20204-R-002	24 in. Modern straight grab bar ³⁰	\$ 315
OPT20204-R-084	OPT 20204-R-XXX Vertical grab bar on right wall	\$ 315
OPT20204-R-105	Available colours: White (002), Chrome (084) and Brushed Nickel (105)	\$ 315
OPT20212-B	Back Wall reinforcement for future grab installation ³³	\$ 100

COMMON OPTIONS

SKU	Description	MSRP
OPT20212-L	Left Wall reinforcement for future grab installation ³³	\$ 100
OPT20212-R	Right Wall reinforcement for future grab installation ³³	\$ 100
OPT10053	One chromatherapy light (factory installed) ⁵⁴	\$ 725
OPT10095	Water heater assembly for whirlpool and combined systems (factory installed)	\$ 950
OPT10106-084	Metal trim kit for whirlpool and combined systems (factory installed)	\$ 669
OPT10106-105	Available colors: Chrome (084) and Brushed Nickel (105)	\$ 669
OPT20137-004	Cable-operated waste and overflow (16 in. to 22 in.) (included in product packaging when purchased) Available colors: White (001), Bone (004), Chrome (084) and Brushed Nickel (105)	\$ 332
OPT20137-084		\$ 332
OPT20137-105		\$ 332
OPT20137-001		\$ 332
OPT20203-B-002	18 in. Modern straight grab bar ³⁰ OPT 20203-B-XXX Horizontal grab bar on back wall Available colours: White (002), Chrome (084) and Brushed Nickel (105)	\$ 269
OPT20203-B-105		\$ 269
OPT20203-B-084		\$ 269
OPT20203-L-105	18 in. Modern straight grab bar ³⁰ OPT 20203-L-XXX Vertical grab bar on left wall Available colours: White (002), Chrome (084) and Brushed Nickel (105)	\$ 269
OPT20203-L-002		\$ 269
OPT20203-L-084		\$ 269

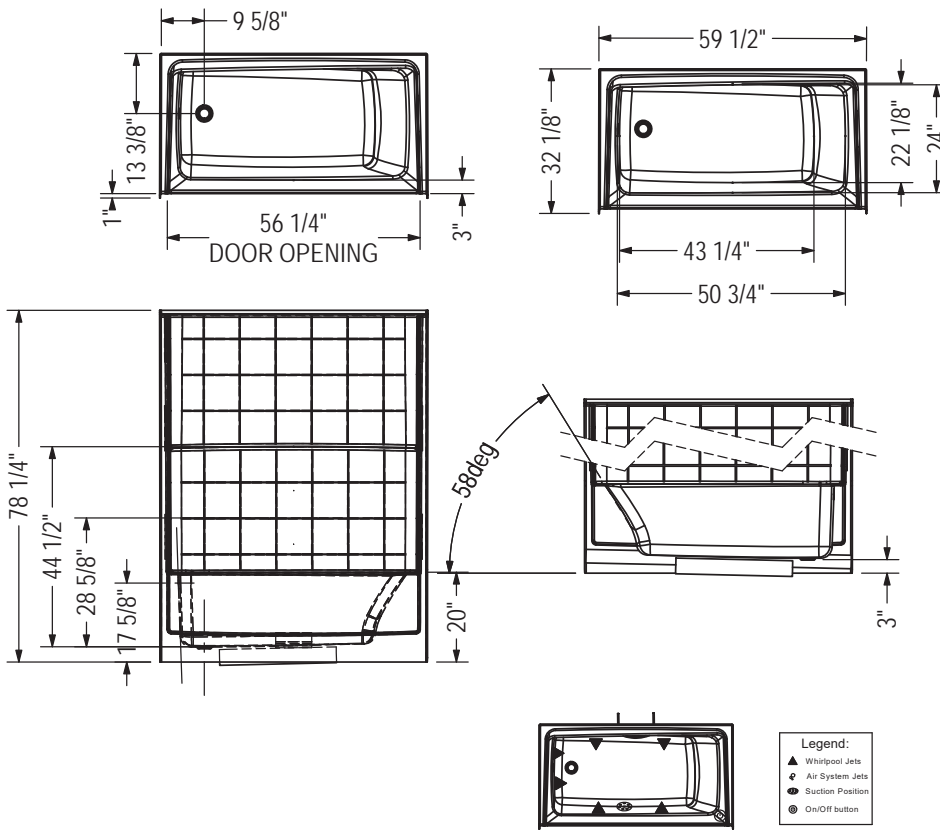
ACCESSORIES

SKU	Description	MSRP
10004306-001	White foam cushion with 2 suction pads (sold separately) Available color: White (001)	\$ 126
10006887-105	Metal trim kit for Whirlpool and combined systems (sold separately) Available colors: Chrome (084) and Brushed Nickel (105)	\$ 669
10006887-084		\$ 669
10022491-084	Cable-operated waste and overflow (16 in. to 22 in.) (sold separately) Available colors: White (001), Bone (004), Chrome (084) and Brushed Nickel (105)	\$ 332
10022491-004		\$ 332
10022491-105		\$ 332
10022491-001		\$ 332

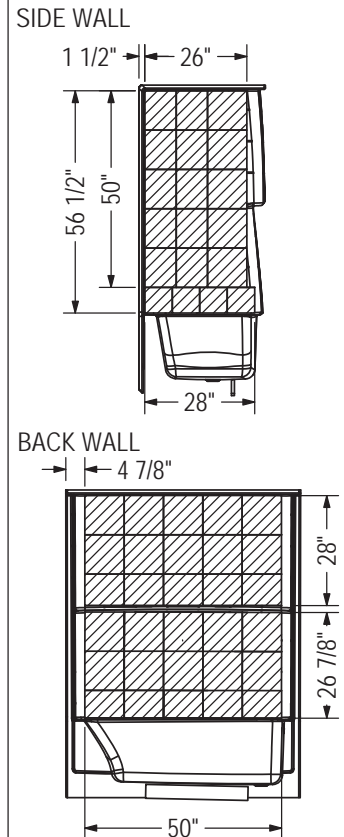
FOOTNOTES

No	Description
1	Components for standard colour units equipped with systems are colour-coordinated. Trim kit and/or air push with metallic finish can be added (additional charge applies). For non-standard colour units, please specify trim kit and/or air push colour (additional charge applies for metallic finishes). Please note that the positioning of the system's control could be in conflict with the door if one was installed on the unit. To insure compatibility, please contact customer service.
4	For details on pump position and requirements, see technical drawings on https://www.maax.com . When there is a pump position A or B indicated on the technical drawing, please specify position when ordering.
30	Please see technical drawings on https://www.maax.com for grab bar and/or seat positioning.
33	Please see technical drawings on https://www.maax.com for reinforcement positioning and size.
54	A selection of units come with an access panel by default when equipped with a system. However, if the unit is only equipped with chromatherapy, the access panel will not be provided by default.

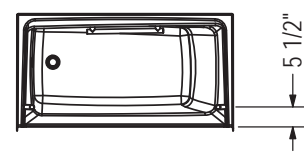
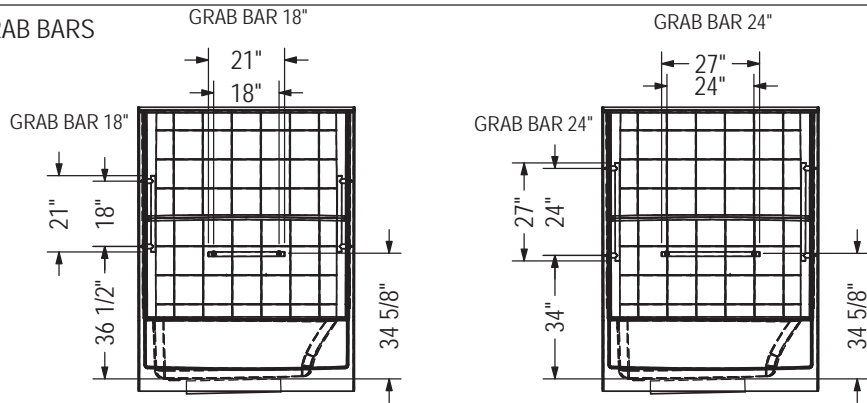
STANDARD



REINFORCEMENT BACKING



GRAB BARS



All dimensions are approximate. Structure measurements must be verified against the unit to ensure proper fit.

Walls



Denso 3636 corner walls



Back wall - 32x72 in.

ACRYLIC WALLS



Material : Acrylic

Features

- › Back wall
- › Integrated convenient footrest
- › Designed for ease of maintenance
- › Easy front installation with snap clips

BACK WALL - 32X72 IN. - 105068

SKU	Color	Pattern	Dimensions & Weight	Packaging	MSRP
105068-000-001-000	White	Smooth wall	32" x 72" x 1 1/2" / 38 lb / 17 kg	14 ft ³	\$ 767

BACK WALL - 36X72 IN. - 105069

SKU	Color	Pattern	Dimensions & Weight	Packaging	MSRP
105069-000-001-000	White	Smooth wall	36" x 72" x 1 1/2" / 42 lb / 19 kg	14 ft ³	\$ 767

BACK WALL - 42X72 IN. - 105070

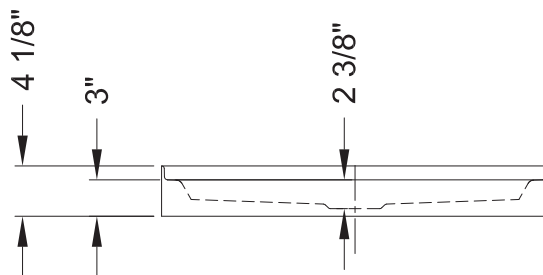
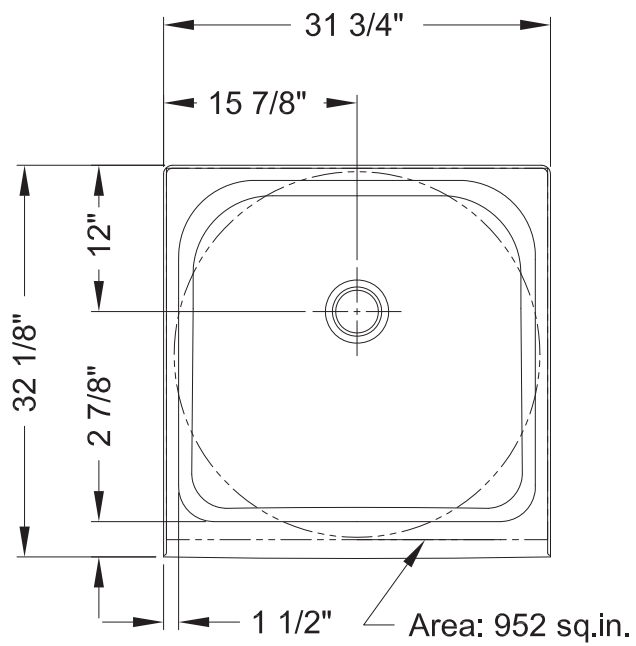
SKU	Color	Pattern	Dimensions & Weight	Packaging	MSRP
105070-000-001-000	White	Smooth wall	42" x 72" x 1 1/2" / 42 lb / 19 kg	14 ft ³	\$ 842

BACK WALL - 48X72 IN. - 105071

SKU	Color	Pattern	Dimensions & Weight	Packaging	MSRP
105071-000-001-000	White	Smooth wall	48" x 72" x 1 1/2" / 48 lb / 22 kg	18 ft ³	\$ 1049

BACK WALL - 60X72 IN. - 105072

SKU	Color	Pattern	Dimensions & Weight	Packaging	MSRP
105072-000-001-000	White	Smooth wall	60" x 72" x 1 1/2" / 52 lb / 24 kg	23 ft ³	\$ 1089



All dimensions are approximate and subject to change without prior notice.
Please refer to installation guide before installing unit.

Wall set (2 walls) 30x72 in.



Material : Acrylic

Features

- › Wall set (2 walls)
- › Integrated convenient footrest
- › Designed for ease of maintenance
- › Easy front installation with snap clips

ACRYLIC WALLS

WALL SET (2 WALLS) 30X72 IN. - 105062

SKU	Color	Pattern	Dimensions & Weight	Packaging	MSRP
105062-000-001-000	White	Smooth wall	30" x 30" x 72" / 53 lb / 24 kg	17 ft ³	\$ 1010

WALL SET (2 WALLS) 32X72 IN. - 105063

SKU	Color	Pattern	Dimensions & Weight	Packaging	MSRP
105063-000-001-000	White	Smooth wall	32" x 32" x 72" / 57 lb / 26 kg	17 ft ³	\$ 1089

WALL SET 36X72 IN. - 105064

SKU	Color	Pattern	Dimensions & Weight	Packaging	MSRP
105064-000-001-000	White	Smooth wall	36" x 36" x 72" / 64 lb / 29 kg	17 ft ³	\$ 1211

WALL SET (2 WALLS) 38X72 IN. - 105065

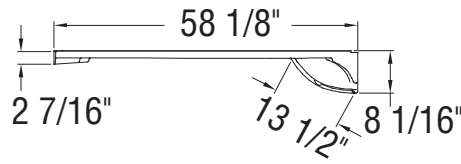
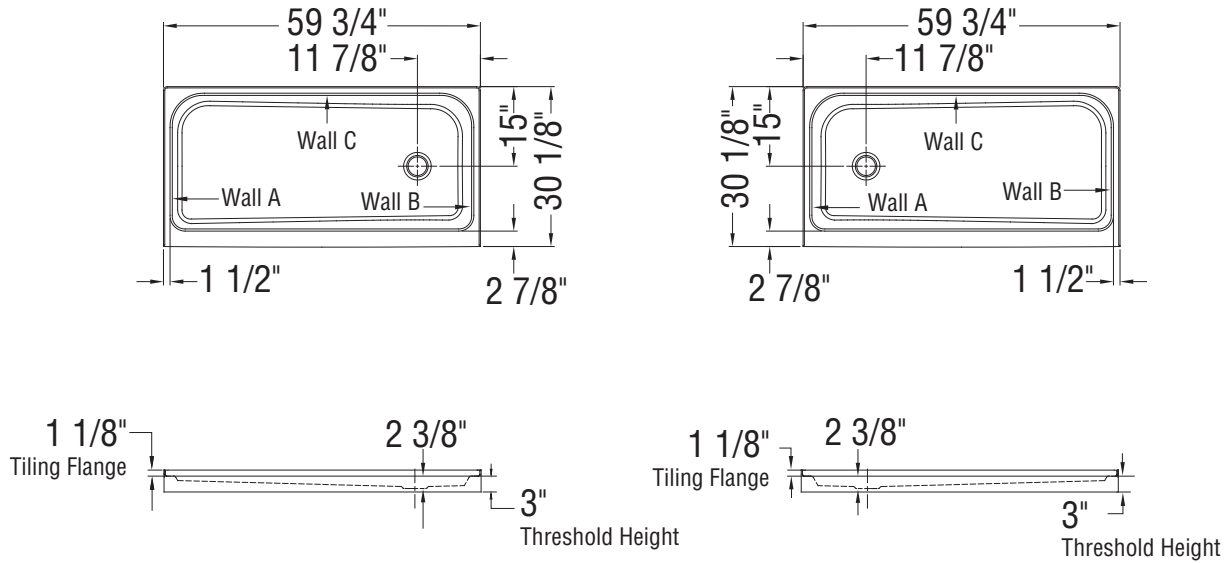
SKU	Color	Pattern	Dimensions & Weight	Packaging	MSRP
105065-000-001-000	White	Smooth wall	38" x 38" x 72" / 68 lb / 31 kg	20 ft ³	\$ 1251

WALL SET 40X72 IN. - 105066

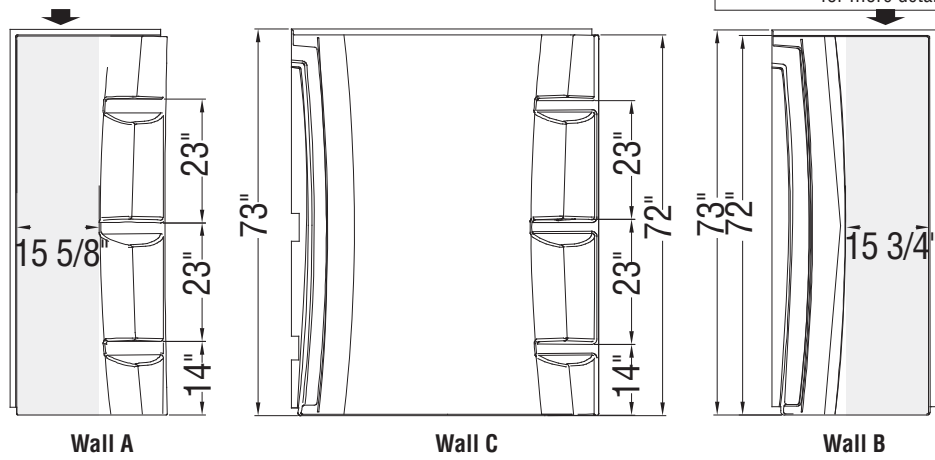
SKU	Color	Pattern	Dimensions & Weight	Packaging	MSRP
105066-000-001-000	White	Smooth wall	40" x 40" x 72" / 71 lb / 32 kg	20 ft ³	\$ 1333

WALL SET (2 WALLS) 42X72 IN. - 105067

SKU	Color	Pattern	Dimensions & Weight	Packaging	MSRP
105067-000-001-000	White	Smooth wall	42" x 42" x 72" / 75 lb / 34 kg	20 ft ³	\$ 1428



Important
Center your plumbing in the highlighted area. Exact plumbing position may vary upon model specifications, please refer to the supplier's instructions for more details

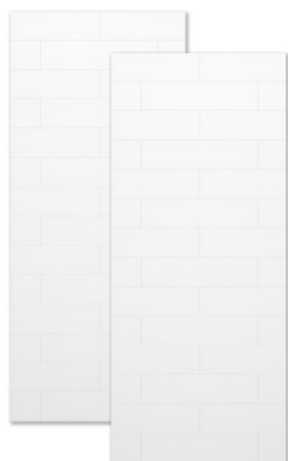


All dimensions are approximate. Structure measurements must be verified against the unit to ensure proper fit.



Denso 36 in. Wall Kit - Modern Subway

DENSO



Material : SolidSurface

Features

- › Install by itself for a corner shower or Pair with Denso backwall in either 50-inch width (107226-000-270-000) or 62-inch width (107225-000-270-000) for an alcove shower or tub-shower installation
- › Composite walls made of durable high-quality SolidSurface material for an unprecedented peace of mind, with realistic tile look and textured grout lines for a stunning look at a lower cost.
- › Solid 1-piece wall panels designed to be cut-to-fit to ensure compatibility with all configurations, to be installed directly on drywall or over tile for maximum versatility.
- › For added convenience built in a stylish storage solution, see MAAX Glass Shelves featured in the image carousel. Refer to part number: 10042818 Corner Shelf, 10042819 Rectangular Shelf.
- › Compatible with most existing bathtub, shower bases and shower doors. Take a look at MAAX's vast product line for inspiration: <https://www.homedepot.ca/search?q=maax#q=maax>

DENSO 36 IN. - MODERN SUBWAY - 107223

SKU	Color	Pattern	Dimensions & Weight	MSRP
107223-000-270-000	White	Modern Subway Tile	36" x 1/4" x 84" / 80 lb / 36 kg	\$ 1493

DENSO 42 IN. - MODERN SUBWAY - 107224

SKU	Color	Pattern	Dimensions & Weight	MSRP
107224-000-270-000	White	Modern Subway Tile	42" x 1/4" x 84" / 93 lb / 42 kg	\$ 1779

ACCESSORIES

SKU	Description	MSRP
10042818-340	Corner metal and glass shelf (9 5/8 x 9 5/8 in.) Removable tempered glass to ease the cleaning	\$ 143
10042818-201	Ledge to secure the products in place Compatible with most wall solutions	\$ 143
10042818-276	Available colors: Glossy White (276) Matte Black (340)	\$ 143

ACCESSORIES

SKU	Description	MSRP
10042818-343	Corner metal and glass shelf (9 5/8 x 9 5/8 in.) Removable tempered glass to ease the cleaning Ledge to secure the products in place Compatible with most wall solutions Available colors: Glossy White (276) Matte Black (340)	\$ 143
10060311	Corner glass shelf (9 3/8 x 9 3/8 in.) (sold separately) 10 mm frosted glass with a clear band along the edge Compatible with Utile and tile shower walls	\$ 158
10042819-340	Rectangular metal and glass shelf (13 5/8 x 4 5/8 in.) Removable tempered glass to ease the cleaning Ledge to secure the products in place Compatible with most wall solutions Available colors: Glossy White (276) Matte Black (340)	\$ 143
10042819-201		\$ 143
10042819-276		\$ 143
10042819-343		\$ 143

RECOMMENDED DOORS - VISIT OUR WEBSITE FOR A COMPLETE LIST OF RECOMMENDED DOORS

SKU	Product Name	Pag.
137443	Radia Neo-round 32 x 32 x 71 ½ - 6mm	823
137447	Radia Square 32 x 32 x 71 ½ - 6mm	828
137444	Radia Neo-round 36 x 36 x 71 ½ - 6mm	823
137448	Radia Square 36 x 36 x 71 ½ - 6mm	828
137446	Radia Round 36 x 36 x 71 ½ - 6mm	826
137440	Radia Neo-angle 36 x 36 x 71 ½ - 6mm	821

Denso 36 in. Wall Kit - Traditional Subway



Material : SolidSurface

Features

- › 36-inch wide shower or tub-shower 2 sidewalls kit with a 12-inch by 24-inch horizontal Traditional Subway Tile pattern in a beautiful matte white finish
- › Install by itself for a corner shower or Pair with Denso backwall in either 50-inch width (107230-000-270-000) or 62-inch width (107229-000-270-000) for an alcove shower or tub-shower installation
- › Composite walls made of durable high-quality SolidSurface material for an unprecedented peace of mind, with realistic tile look and textured grout lines for a stunning look at a lower cost.
- › Solid 1-piece wall panels designed to be cut-to-fit to ensure compatibility with all configurations, to be installed directly on drywall or over tile for maximum versatility.
- › For added convenience built in a stylish storage solution, see MAAX Glass Shelves featured in the image carousel. Refer to part number: 10042818 Corner Shelf, 10042819 Rectangular Shelf.
- › Compatible with most existing bathtub, shower bases and shower doors. Take a look at MAAX's vast product line for inspiration: <https://www.homedepot.ca/search?q=maax#!q=maax>



DENSO 36 IN. - TRADITIONAL SUBWAY - 107227

SKU	Color	Pattern	Dimensions & Weight	MSRP
107227-000-270-000	White	Traditional Subway Tile	36" x 1/4" x 84" / 80 lb / 36 kg	\$ 1493

DENSO 42 IN. - TRADITIONAL SUBWAY - 107228

SKU	Color	Pattern	Dimensions & Weight	MSRP
107228-000-270-000	White	Traditional Subway Tile	42" x 1/4" x 84" / 93 lb / 42 kg	\$ 1779

ACCESSORIES

SKU	Description	MSRP
10042818-340	Corner metal and glass shelf (9 5/8 x 9 5/8 in.) Removable tempered glass to ease the cleaning Ledge to secure the products in place Compatible with most wall solutions Available colors: Glossy White (276) Matte Black (340)	\$ 143

ACCESSORIES

SKU	Description	MSRP
10042818-201	Corner metal and glass shelf (9 5/8 x 9 5/8 in.) Removable tempered glass to ease the cleaning	\$ 143
10042818-276	Ledge to secure the products in place Compatible with most wall solutions	\$ 143
10042818-343	Available colors: Glossy White (276) Matte Black (340)	\$ 143
10060311	Corner glass shelf (9 3/8 x 9 3/8 in.) (sold separately) 10 mm frosted glass with a clear band along the edge Compatible with Utile and tile shower walls	\$ 158
10042819-340	Rectangular metal and glass shelf (13 5/8 x 4 5/8 in.) Removable tempered glass to ease the cleaning Ledge to secure the products in place Compatible with most wall solutions Available colors: Glossy White (276) Matte Black (340)	\$ 143
10042819-201		\$ 143
10042819-276		\$ 143
10042819-343		\$ 143

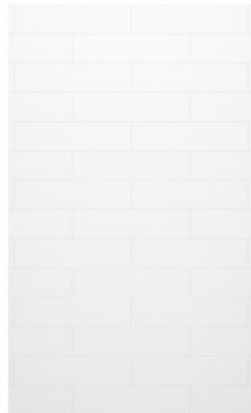
RECOMMENDED DOORS - VISIT OUR WEBSITE FOR A COMPLETE LIST OF RECOMMENDED DOORS

SKU	Product Name	Pag.
137443	Radia Neo-round 32 x 32 x 71 ½ - 6mm	823
137447	Radia Square 32 x 32 x 71 ½ - 6mm	828
137444	Radia Neo-round 36 x 36 x 71 ½ - 6mm	823
137448	Radia Square 36 x 36 x 71 ½ - 6mm	828
137446	Radia Round 36 x 36 x 71 ½ - 6mm	826
137440	Radia Neo-angle 36 x 36 x 71 ½ - 6mm	821



Denso 50 in. Back Wall - Modern Subway

DENSO



Material : SolidSurface

Features

- › 50-inch wide shower or tub-shower backwall with a 6-inch by 24-inch horizontal Modern Subway Tile pattern in a beautiful matte white finish
- › Pair with Denso 2-piece sidewalls kit in either 36-inch width (107223-000-270-000) or 42-inch width (107224-000-270-000) for either a corner or a alcove installation
- › Composite walls made of durable high-quality SolidSurface material for an unprecedented peace of mind, with realistic tile look and textured grout lines for a stunning look at a lower cost.
- › Solid 1-piece wall panels designed to be cut-to-fit to ensure compatibility with all configurations, to be installed directly on drywall or over tile for maximum versatility.
- › For added convenience built in a stylish storage solution, see MAAX Glass Shelves featured in the image carousel. Refer to part number: 10042818 Corner Shelf, 10042819 Rectangular Shelf.
- › Compatible with most existing bathtub, shower bases and shower doors. Take a look at MAAX's vast product line for inspiration: <https://www.homedepot.ca/search?q=maax#!q=maax>

DENSO 50 IN. BACK WALL - MODERN SUBWAY - 107226

SKU	Color	Pattern	Dimensions & Weight	MSRP
107226-000-270-000	White	Modern Subway Tile	50" x 84" x 1/4" / 56 lb / 25 kg	\$ 1744

DENSO 50 IN. BACK WALL - TRADITIONAL SUBWAY - 107230

SKU	Color	Pattern	Dimensions & Weight	MSRP
107230-000-270-000	White	Traditional Subway Tile	50" x 84" x 1/4" / 56 lb / 25 kg	\$ 1744

ACCESSORIES

SKU	Description	MSRP
10042818-340	Corner metal and glass shelf (9 5/8 x 9 5/8 in.) Removable tempered glass to ease the cleaning Ledge to secure the products in place Compatible with most wall solutions Available colors: Glossy White (276) Matte Black (340)	\$ 143

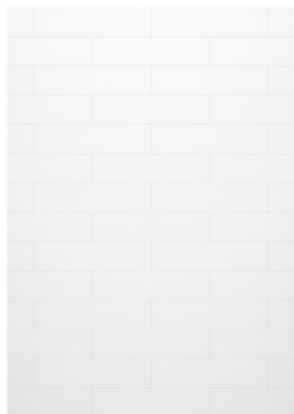
ACCESSORIES

SKU	Description	MSRP
10042818-201	Corner metal and glass shelf (9 5/8 x 9 5/8 in.) Removable tempered glass to ease the cleaning	\$ 143
10042818-276	Ledge to secure the products in place Compatible with most wall solutions	\$ 143
10042818-343	Available colors: Glossy White (276) Matte Black (340)	\$ 143
10060311	Corner glass shelf (9 3/8 x 9 3/8 in.) (sold separately) 10 mm frosted glass with a clear band along the edge Compatible with Utile and tile shower walls	\$ 158
10042819-340	Rectangular metal and glass shelf (13 5/8 x 4 5/8 in.) Removable tempered glass to ease the cleaning Ledge to secure the products in place Compatible with most wall solutions Available colors: Glossy White (276) Matte Black (340)	\$ 143
10042819-201		\$ 143
10042819-276		\$ 143
10042819-343		\$ 143



Denso 62 in. Back Wall - Modern Subway

DENSO



Material : SolidSurface

Features

- › Pair with Denso 2-piece sidewalls kit in either 36-inch width (107223-000-270-000) or 42-inch width (107224-000-270-000) for either a corner or a alcove installation
- › Composite walls made of durable high-quality SolidSurface material for an unprecedented peace of mind, with realistic tile look and textured grout lines for a stunning look at a lower cost.
- › Solid 1-piece wall panels designed to be cut-to-fit to ensure compatibility with all configurations, to be installed directly on drywall or over tile for maximum versatility.
- › For added convenience built in a stylish storage solution, see MAAX Glass Shelves featured in the image carousel. Refer to part number: 10042818 Corner Shelf, 10042819 Rectangular Shelf.
- › Compatible with most existing bathtub, shower bases and shower doors. Take a look at MAAX's vast product line for inspiration: <https://www.homedepot.ca/search?q=maax#q=maax>

DENSO 62 IN. BACK WALL - MODERN SUBWAY - 107225

SKU	Color	Pattern	Dimensions & Weight	MSRP
107225-000-270-000	White	Modern Subway Tile	62" x 84" x 1/4" / 69 lb / 31 kg	\$ 1994

DENSO 62 IN. BACK WALL - TRADITIONAL SUBWAY - 107229

SKU	Color	Pattern	Dimensions & Weight	MSRP
107229-000-270-000	White	Traditional Subway Tile	62" x 84" x 1/4" / 69 lb / 31 kg	\$ 1994

ACCESSORIES

SKU	Description	MSRP
10042818-340	Corner metal and glass shelf (9 5/8 x 9 5/8 in.) Removable tempered glass to ease the cleaning	\$ 143
10042818-201	Ledge to secure the products in place Compatible with most wall solutions	\$ 143
10042818-276	Available colors: Glossy White (276) Matte Black (340)	\$ 143

ACCESSORIES

SKU	Description	MSRP
10042818-343	Corner metal and glass shelf (9 5/8 x 9 5/8 in.) Removable tempered glass to ease the cleaning Ledge to secure the products in place Compatible with most wall solutions Available colors: Glossy White (276) Matte Black (340)	\$ 143
10060311	Corner glass shelf (9 3/8 x 9 3/8 in.) (sold separately) 10 mm frosted glass with a clear band along the edge Compatible with Utile and tile shower walls	\$ 158
10042819-340	Rectangular metal and glass shelf (13 5/8 x 4 5/8 in.) Removable tempered glass to ease the cleaning Ledge to secure the products in place Compatible with most wall solutions Available colors: Glossy White (276) Matte Black (340)	\$ 143
10042819-201		\$ 143
10042819-276		\$ 143
10042819-343		\$ 143

NexTile 4-piece Tub Wall Set



Material : Composite

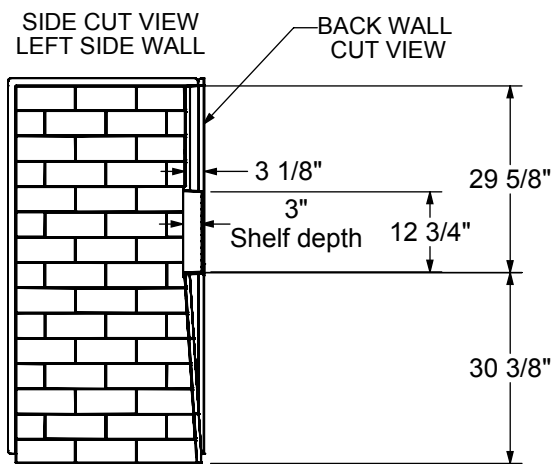
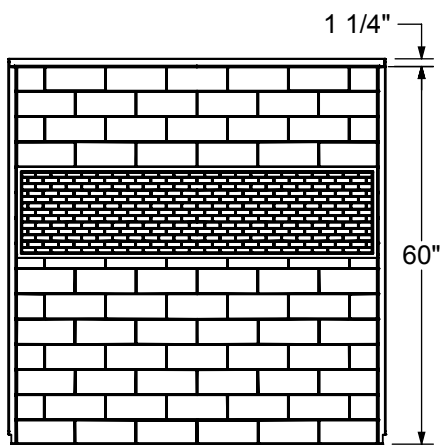
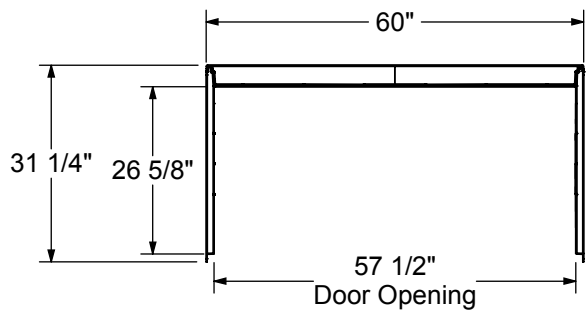
Features

- › Subway tile design with realistic grout texture without the upkeep or high price tag
- › 4-piece direct-to-stud design for easy handling and a quick, 1 person installation
- › Spacious wall-to-wall storage niche with a beautiful accent mosaic tile pattern
- › Compatible with most 60-inch x 30-inch bathtub
- › Pair with one of these Maax tub for a hassle-free solution : New Town 60x30 IFS, Avenue 60x30, Nomad 60x30, Nomad 60x30 AFR, Bosca 60 x 30



NEXTILE 6030 - 106542

SKU	Color	Pattern	Dimensions & Weight	Packaging	MSRP
106542-000-270-000	White	Classic Subway Tile	60" x 30" x 60" / 105 lb / 48 kg	15.9 ft ³	\$ 1526

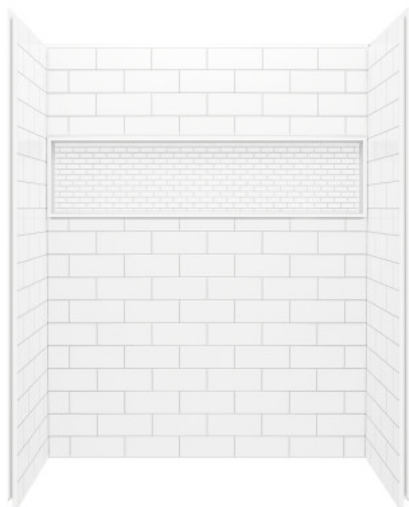


All dimensions are approximate. Structure measurements must be verified against the unit to ensure proper fit.



Nextile 6032

NEXTILE



Material : Composite

Features

- › 4-piece compression molded composite with subway tile look, textured grout lines, and built-in storage niche
- › Compatible with selected 60" x 32" shower bases
- › Fast direct-to-stud installation
- › Panels easily fit through existing doorways and can be installed by one person
- › No surface coating to chip or crack - color runs throughout

NEXTILE 6032 SHOWER WALL KIT - 107352

SKU	Color	Pattern	Dimensions & Weight	MSRP
107352-000-270-000	White	Classic Subway Tile	60" x 32" x 74" / 105 lb / 48 kg	\$ 2253



Single Back Walls



Material : Composite
Features

- › Combine with a two side walls for an alcove installation and one side wall for a corner installation
- › Direct-to-stud installation
- › Installs easily in just 1 day versus 3 days for standard ceramic tile
- › Mistake-proof Ulok installation system allows you to perfectly align the panels, slip them together and lock them into place
- › Proudly made in North America
- › Featuring Evergrout™: the first realistic and textured grout lines with that won't crack or leak
- › No tile or grout protective sealer required
- › Solid, 1-piece wall panel: sturdy and durable allows for installation of grab bars and other accessories

UTILE

UTILE 36 BACK WALL - 103416					
SKU	Color	Pattern	Dimensions & Weight	Packaging	MSRP
103416-301-526-000	Tux	Metro	36" x 80" x 1 1/8" / 53 lb / 24 kg	3.333 ft ³	\$ 776
103416-304-516-000	Vapor	Factory Rough			\$ 826
103416-307-508-000	Carrara	Marble			\$ 826
103416-312-504-000	Permafrost	Organik			\$ 776
103416-312-505-000	Clay				\$ 776
103416-312-507-000	Loam				\$ 776

UTILE 48 BACK WALL - 103421					
SKU	Color	Pattern	Dimensions & Weight	Packaging	MSRP
103421-301-526-000	Tux	Metro	48" x 80" x 1 1/8" / 77 lb / 35 kg	3.599 ft ³	\$ 963
103421-304-516-000	Vapor	Factory Rough			\$ 1026
103421-305-517-000	Smoke	Factory Sleek			\$ 1026
103421-306-512-000	Taupe	Erosion			\$ 1026
103421-306-513-000	Bora white				\$ 1026
103421-306-514-000	Pebble grey				\$ 1026
103421-306-515-000	Charcoal				\$ 1026
103421-307-508-000	Carrara	Marble			\$ 1026
103421-312-504-000	Permafrost	Organik			\$ 963
103421-312-505-000	Clay				\$ 963

UTILE 48 BACK WALL - 103421

SKU	Color	Pattern	Dimensions & Weight	Packaging	MSRP
103421-312-507-000	Loam	Organik	48" x 80" x 1 1/8" / 77 lb / 35 kg	3.599 ft ³	\$ 963

UTILE 60 BACK WALL - 103422

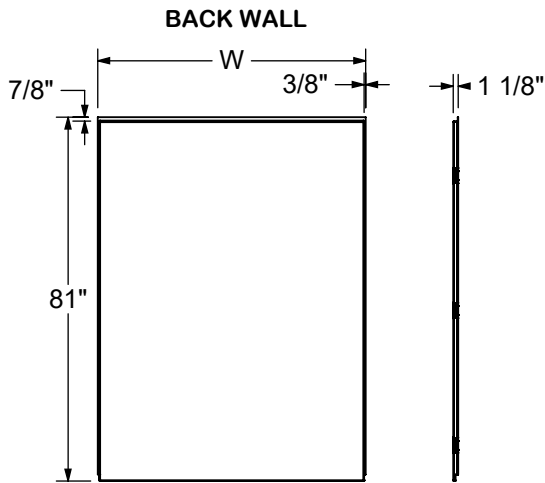
SKU	Color	Pattern	Dimensions & Weight	Packaging	MSRP
103422-301-526-000	Tux	Metro	60" x 80" x 1 1/8" / 96 lb / 44 kg	4.462 ft ³	\$ 1146
103422-304-516-000	Vapor	Factory Rough			\$ 1220
103422-305-517-000	Smoke	Factory Sleek			\$ 1220
103422-306-512-000	Taupe	Erosion			\$ 1220
103422-306-513-000	Bora white				\$ 1220
103422-306-514-000	Pebble grey				\$ 1220
103422-306-515-000	Charcoal				\$ 1220
103422-307-508-000	Carrara	Marble			\$ 1220
103422-312-504-000	Permafrost	Organik			\$ 1146
103422-312-505-000	Clay				\$ 1146
103422-312-507-000	Loam				\$ 1146

ACCESSORIES

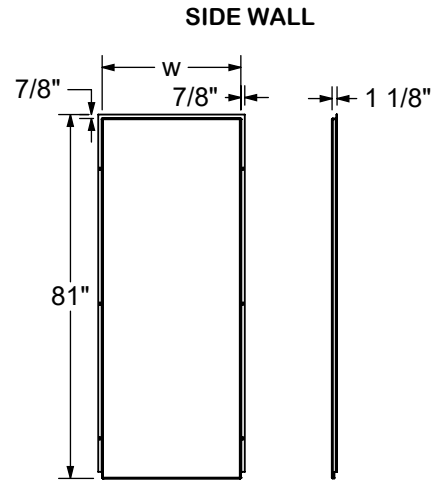
SKU	Description	MSRP
10042818-340	Corner metal and glass shelf (9 5/8 x 9 5/8 in.) Removable tempered glass to ease the cleaning Ledge to secure the products in place Compatible with most wall solutions Available colors: Glossy White (276) Matte Black (340)	\$ 143
10042818-201		\$ 143
10042818-276		\$ 143
10042818-343		\$ 143
10042819-340	Rectangular metal and glass shelf (13 5/8 x 4 5/8 in.) Removable tempered glass to ease the cleaning Ledge to secure the products in place Compatible with most wall solutions Available colors: Glossy White (276) Matte Black (340)	\$ 143
10042819-201		\$ 143
10042819-276		\$ 143
10042819-343		\$ 143
10030084-002	42 in. modern straight grab bar with flange (front installation) Specify color: White (002), Chrome (084)	\$ 469
10030094-084	23 in. Curved right-hand grab bar with flange (front installation) Specify colour: White (002), Chrome (084), Brushed Nickel (105)	\$ 536
10030094-105		\$ 536
10030094-002		\$ 536
10030095-002	32 in. curved left-hand grab bar with flange (front installation) Specify colour: White (002), Chrome (084), Brushed Nickel (105)	\$ 581
10030095-084		\$ 581
10030095-105		\$ 581
10030097-084	32 in. curved right-hand grab bar with flange (front installation) Specify colour: White (002), Chrome (084), Brushed Nickel (105)	\$ 581
10030097-002		\$ 581
10030097-105		\$ 581

ACCESSORIES

SKU	Description	MSRP
10030100-002	37 in. modern curved left-hand grab bar with flange (front installation) Specify color: White (002), Chrome (084), Brushed Nickel (105)	\$ 594
10030101-002	37 in. modern curved right-hand grab bar with flange (front installation) Specify color: White (002), Chrome (084), Brushed Nickel (105)	\$ 594
10030101-105		\$ 594
10060311	Corner glass shelf (9 3/8 x 9 3/8 in.) (sold separately) 10 mm frosted glass with a clear band along the edge Compatible with Utile and tile shower walls	\$ 158
10060315	10 Corner glass shelf (9 3/8 X 9 3/8 in) 10 mm frosted glass with a clear band along the edge	\$ 1511
10029996-084	18 in. modern straight grab bar with flange (front installation) Specify colour: White (002), Chrome (084), Brushed Nickel (105)	\$ 315
10029996-002		\$ 315
10029996-105		\$ 315
10029997-002	24 in. modern straight grab bar with flange (front installation) Specify color: White (002), Chrome (084), Brushed Nickel (105)	\$ 359
10029997-105		\$ 359
10029997-084		\$ 359
10029998-084	30 in. modern straight grab bar with flange (front installation) Specify colour: White (002), Chrome (084), Brushed Nickel (105)	\$ 403
10029998-002		\$ 403
10029998-105		\$ 403
10029999-105	36 in. modern straight grab bar with flange (front installation) Specify colour: White (002), Chrome (084), Brushed Nickel (105)	\$ 427
10029999-002		\$ 427
10029999-084		\$ 427
10030086-002	48 in. modern straight grab bar with flange (front installation) Specify color: White (002), Chrome (084), Brushed Nickel (105)	\$ 501
10030086-105		\$ 501
10030086-084		\$ 501
10030093-084	23 in. Curved left-hand grab bar with flange (front installation) Specify colour: White (002), Chrome (084), Brushed Nickel (105)	\$ 536
10030093-002		\$ 536
10030093-105		\$ 536



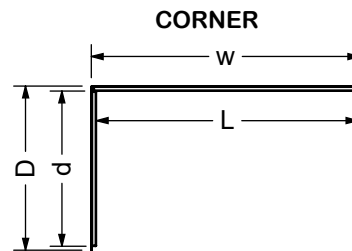
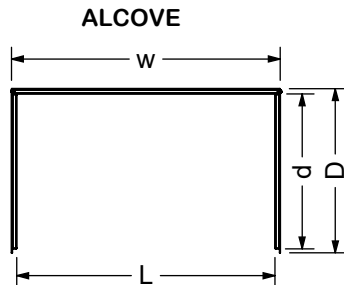
Code	Description	W (in.)
103416	Utile 36 in. back wall	35 1/4
103421	Utile 48 in. Back wall	47 5/8
103422	Utile 60 in. Back wall	59 5/8



Code	Description	W (in.)
103419	Utile 32 in. side wall	32 1/2
103415	Utile 36 in. side wall	36 1/4

TOP VIEW (ASSEMBLED)

Configuration	W (in.)	L alcove (in.)	L corner (in.)	D (in.)	d (in.)
Utile 3636	35 7/8	33 1/2	N/A	36 1/2	34 1/2
Utile 4832	47 3/4	45 1/2	46 1/4	32 3/4	30 3/4
Utile 4836	47 3/4	45 1/2	46 1/4	36 1/2	34 1/2
Utile 6032	59 3/4	57 1/2	58 1/8	32 3/4	30 3/4
Utile 6036	59 3/4	57 1/2	58 1/8	36 1/2	34 1/2



This product is designed to be installed in a building that conforms with the requirements of the National Building Code of Canada 2005

All dimensions are approximate. Structure measurements must be verified against the unit to ensure proper fit.



Single Side Walls



Material : Composite

Features

- › Combine with a back wall and two side walls for an alcove installation and one side wall for a corner installation
- › Direct-to-stud installation
- › Installs easily in just 1 day versus 3 days for standard ceramic tile
- › Mistake-proof Ulok installation system allows you to perfectly align the panels, slip them together and lock them into place
- › Proudly made in North America
- › Featuring Evergrout™: the first realistic and textured grout lines with that won't crack or leak
- › No tile or grout protective sealer required
- › Solid, 1-piece wall panel: sturdy and durable allows for installation of grab bars and other accessories

UTILE

UTILE 36 SIDE WALL - 103415

SKU	Color	Pattern	Dimensions & Weight	Packaging	MSRP
103415-301-526-000	Tux	Metro	36" x 80" x 1 1/8" / 53 lb / 24 kg	2.7 ft ³	\$ 646
103415-304-516-000	Vapor	Factory Rough			\$ 688
103415-305-517-000	Smoke	Factory Sleek			\$ 688
103415-306-512-000	Taupe	Erosion			\$ 688
103415-306-513-000	Bora white				\$ 688
103415-306-514-000	Pebble grey				\$ 688
103415-306-515-000	Charcoal				\$ 688
103415-307-508-000	Carrara	Marble			\$ 688
103415-312-504-000	Permafrost	Organik			\$ 646
103415-312-505-000	Clay				\$ 646
103415-312-507-000	Loam				\$ 646

UTILE 32 SIDE WALL - 103419

SKU	Color	Pattern	Dimensions & Weight	Packaging	MSRP
103419-301-526-000	Tux	Metro	32" x 80" x 1 1/8" / 51 lb / 23 kg	2.452 ft ³	\$ 573
103419-304-516-000	Vapor	Factory Rough			\$ 612
103419-305-517-000	Smoke	Factory Sleek			\$ 612
103419-306-512-000	Taupe	Erosion			\$ 612
103419-306-513-000	Bora white				\$ 612

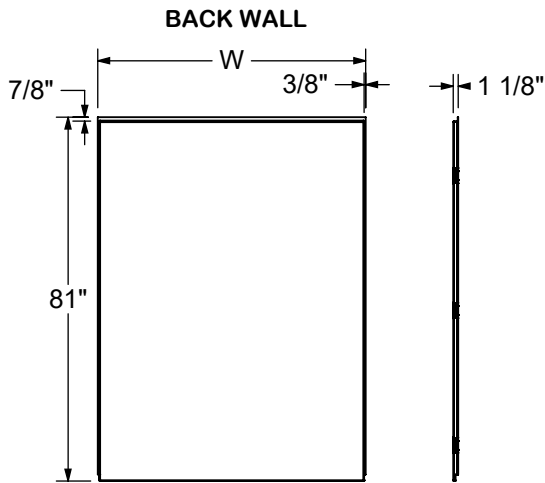
UTILE 32 SIDE WALL - 103419

SKU	Color	Pattern	Dimensions & Weight	Packaging	MSRP
103419-306-514-000	Pebble grey	Erosion	32" x 80" x 1 1/8" / 51 lb / 23 kg	2.452 ft ³	\$ 612
103419-306-515-000	Charcoal				\$ 612
103419-307-508-000	Carrara	Marble			\$ 612
103419-312-504-000	Permafrost	Organik			\$ 573
103419-312-505-000	Clay				\$ 573
103419-312-507-000	Loam				\$ 573

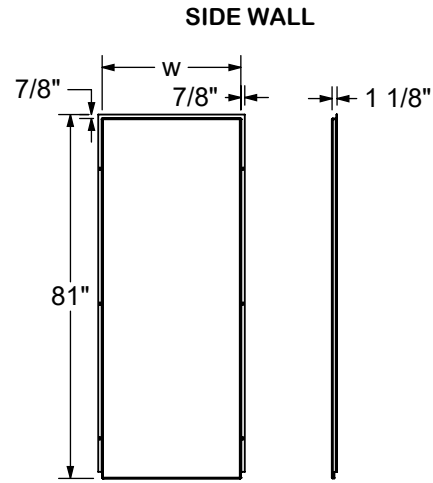
ACCESSORIES

SKU	Description	MSRP
10042818-340	Corner metal and glass shelf (9 5/8 x 9 5/8 in.) Removable tempered glass to ease the cleaning Ledge to secure the products in place Compatible with most wall solutions Available colors: Glossy White (276) Matte Black (340)	\$ 143
10042818-201		\$ 143
10042818-276		\$ 143
10042818-343		\$ 143
10042819-340	Rectangular metal and glass shelf (13 5/8 x 4 5/8 in.) Removable tempered glass to ease the cleaning Ledge to secure the products in place Compatible with most wall solutions Available colors: Glossy White (276) Matte Black (340)	\$ 143
10042819-201		\$ 143
10042819-276		\$ 143
10042819-343		\$ 143

UTILE



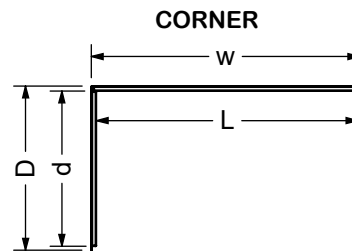
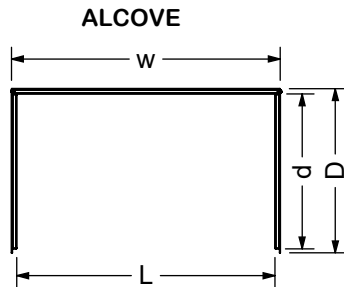
Code	Description	W (in.)
103416	Utile 36 in. back wall	35 1/4
103421	Utile 48 in. Back wall	47 5/8
103422	Utile 60 in. Back wall	59 5/8



Code	Description	W (in.)
103419	Utile 32 in. side wall	32 1/2
103415	Utile 36 in. side wall	36 1/4

TOP VIEW (ASSEMBLED)

Configuration	W (in.)	L alcove (in.)	L corner (in.)	D (in.)	d (in.)
Utile 3636	35 7/8	33 1/2	N/A	36 1/2	34 1/2
Utile 4832	47 3/4	45 1/2	46 1/4	32 3/4	30 3/4
Utile 4836	47 3/4	45 1/2	46 1/4	36 1/2	34 1/2
Utile 6032	59 3/4	57 1/2	58 1/8	32 3/4	30 3/4
Utile 6036	59 3/4	57 1/2	58 1/8	36 1/2	34 1/2



This product is designed to be installed in a building that conforms with the requirements of the National Building Code of Canada 2005

All dimensions are approximate. Structure measurements must be verified against the unit to ensure proper fit.

Wall Kits - Alcove Shower



UTILE



Material : Composite

Features

- › Shower kit includes: 1 back wall, 1 side wall and one corner glass shelf
- › Direct-to-stud installation
- › Installs easily in just 1 day versus 3 days for standard ceramic tile
- › Mistake-proof Ulok installation system allows you to perfectly align the panels, slip them together and lock them into place
- › Proudly made in North-America
- › Featuring Evergrout™: the first realistic and textured grout lines with that won't crack or leak
- › No tile or grout protective sealer required
- › Solid, 1-piece wall panel: sturdy and durable allows for installation of grab bars and other accessories

UTILE 4832 SHOWER WALL KIT - 107459

SKU	Color	Pattern	Dimensions & Weight	Packaging	MSRP
107459-301-526-000	Tux	Metro	48" x 32" x 80" / 178 lb / 81 kg	1.778 ft ³	\$ 2108
107459-304-516-000	Vapor	Factory Rough			\$ 2250
107459-305-517-000	Smoke	Factory Sleek			\$ 2250
107459-306-512-000	Taupe	Erosion			\$ 2250
107459-306-513-000	Bora white				\$ 2250
107459-306-514-000	Pebble grey				\$ 2250
107459-306-515-000	Charcoal				\$ 2250
107459-307-508-000	Carrara	Marble			\$ 2250
107459-312-504-000	Permafrost	Organik			\$ 2108
107459-312-505-000	Clay				\$ 2108
107459-312-507-000	Loam				\$ 2108

UTILE 4836 SHOWER WALL KIT - 107460

SKU	Color	Pattern	Dimensions & Weight	Packaging	MSRP
107460-301-526-000	Tux	Metro	48" x 36" x 80" / 183 lb / 83 kg	2.0 ft ³	\$ 2255
107460-304-516-000	Vapor	Factory Rough			\$ 2401
107460-305-517-000	Smoke	Factory Sleek			\$ 2401
107460-306-512-000	Taupe	Erosion			\$ 2401
107460-306-513-000	Bora white				\$ 2401

UTILE 4836 SHOWER WALL KIT - 107460

SKU	Color	Pattern	Dimensions & Weight	Packaging	MSRP
107460-306-514-000	Pebble grey	Erosion	48" x 36" x 80" / 183 lb / 83 kg	2.0 ft ³	\$ 2401
107460-306-515-000	Charcoal				\$ 2401
107460-307-508-000	Carrara	Marble			\$ 2401
107460-312-504-000	Permafrost	Organik			\$ 2255
107460-312-505-000	Clay				\$ 2255
107460-312-507-000	Loam				\$ 2255

UTILE 6032 SHOWER WALL KIT - 107463

SKU	Color	Pattern	Dimensions & Weight	Packaging	MSRP
107463-301-526-000	Tux	Metro	60" x 32" x 80" / 198 lb / 90 kg	2.222 ft ³	\$ 2292
107463-304-516-000	Vapor	Factory Rough			\$ 2444
107463-305-517-000	Smoke	Factory Sleek			\$ 2444
107463-306-512-000	Taupe	Erosion			\$ 2444
107463-306-513-000	Bora white				\$ 2444
107463-306-514-000	Pebble grey				\$ 2444
107463-306-515-000	Charcoal				\$ 2444
107463-307-508-000	Carrara	Marble			\$ 2444
107463-312-504-000	Permafrost	Organik			\$ 2292
107463-312-505-000	Clay				\$ 2292
107463-312-507-000	Loam				\$ 2292

UTILE 6036 SHOWER WALL KIT - 107464

SKU	Color	Pattern	Dimensions & Weight	Packaging	MSRP
107464-301-526-000	Tux	Metro	60" x 36" x 80" / 202 lb / 92 kg	2.5 ft ³	\$ 2438
107464-304-516-000	Vapor	Factory Rough			\$ 2596
107464-305-517-000	Smoke	Factory Sleek			\$ 2596
107464-306-512-000	Taupe	Erosion			\$ 2596
107464-306-513-000	Bora white				\$ 2596
107464-306-514-000	Pebble grey				\$ 2596
107464-306-515-000	Charcoal				\$ 2596
107464-307-508-000	Carrara	Marble			\$ 2596
107464-312-504-000	Permafrost	Organik			\$ 2438
107464-312-505-000	Clay				\$ 2438
107464-312-507-000	Loam				\$ 2438

UTILE 3636 SHOWER WALL KIT - 107479

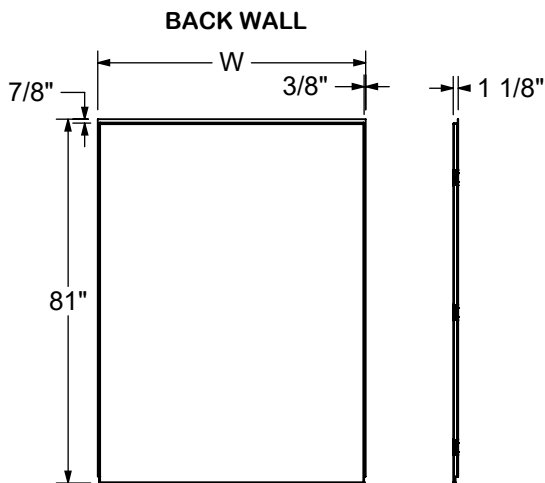
SKU	Color	Pattern	Dimensions & Weight	Packaging	MSRP
107479-301-526-000	Tux	Metro	36" x 36" x 80" / 159 lb / 72 kg	1.5 ft ³	\$ 2068
107479-304-516-000	Vapor	Factory Rough			\$ 2201
107479-307-508-000	Carrara	Marble			\$ 2201
107479-312-504-000	Permafrost	Organik			\$ 2068
107479-312-505-000	Clay				\$ 2068
107479-312-507-000	Loam				\$ 2068

ACCESSORIES

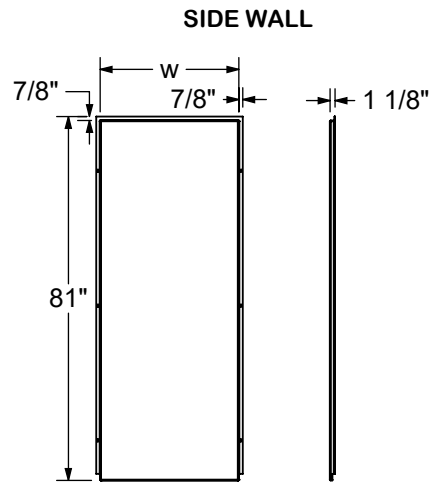
SKU	Description	MSRP
10029996-084	18 in. modern straight grab bar with flange (front installation) Specify colour: White (002), Chrome (084), Brushed Nickel (105)	\$ 315
10029996-002		\$ 315
10029996-105		\$ 315
10030093-084	23 in. Curved left-hand grab bar with flange (front installation) Specify colour: White (002), Chrome (084), Brushed Nickel (105)	\$ 536
10030093-002		\$ 536
10030093-105		\$ 536
10030094-084	23 in. Curved right-hand grab bar with flange (front installation) Specify colour: White (002), Chrome (084), Brushed Nickel (105)	\$ 536
10030094-105		\$ 536
10030094-002		\$ 536
10029997-002	24 in. modern straight grab bar with flange (front installation) Specify colour: White (002), Chrome (084), Brushed Nickel (105)	\$ 359
10029997-105		\$ 359
10029997-084		\$ 359
10029998-084	30 in. modern straight grab bar with flange (front installation) Specify colour: White (002), Chrome (084), Brushed Nickel (105)	\$ 403
10029998-002		\$ 403
10029998-105		\$ 403
10030095-002	32 in. curved left-hand grab bar with flange (front installation) Specify colour: White (002), Chrome (084), Brushed Nickel (105)	\$ 581
10030095-084		\$ 581
10030095-105		\$ 581
10030097-084	32 in. curved right-hand grab bar with flange (front installation) Specify colour: White (002), Chrome (084), Brushed Nickel (105)	\$ 581
10030097-002		\$ 581
10030097-105		\$ 581
10029999-105	36 in. modern straight grab bar with flange (front installation) Specify colour: White (002), Chrome (084), Brushed Nickel (105)	\$ 427
10029999-002		\$ 427
10029999-084		\$ 427
10030100-002	37 in. modern curved left-hand grab bar with flange (front installation) Specify color: White (002), Chrome (084), Brushed Nickel (105)	\$ 594
10030101-002	37 in. modern curved right-hand grab bar with flange (front installation) Specify color: White (002), Chrome (084), Brushed Nickel (105)	\$ 594
10030101-105		\$ 594
10030084-002	42 in. modern straight grab bar with flange (front installation) Specify color: White (002), Chrome (084)	\$ 469

ACCESSORIES

SKU	Description	MSRP
10030086-002		\$ 501
10030086-105	48 in. modern straight grab bar with flange (front installation) Specify color: White (002), Chrome (084), Brushed Nickel (105)	\$ 501
10030086-084		\$ 501
10060311	Corner glass shelf (9 3/8 x 9 3/8 in.) (sold separately) 10 mm frosted glass with a clear band along the edge Compatible with Utile and tile shower walls	\$ 158
10042819-340		\$ 143
10042819-201	Rectangular metal and glass shelf (13 5/8 x 4 5/8 in.) Removable tempered glass to ease the cleaning Ledge to secure the products in place	\$ 143
10042819-276	Compatible with most wall solutions	\$ 143
10042819-343	Available colors: Glossy White (276) Matte Black (340)	\$ 143
10042818-340		\$ 143
10042818-201	Corner metal and glass shelf (9 5/8 x 9 5/8 in.) Removable tempered glass to ease the cleaning Ledge to secure the products in place	\$ 143
10042818-276	Compatible with most wall solutions	\$ 143
10042818-343	Available colors: Glossy White (276) Matte Black (340)	\$ 143



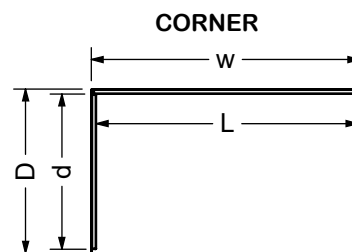
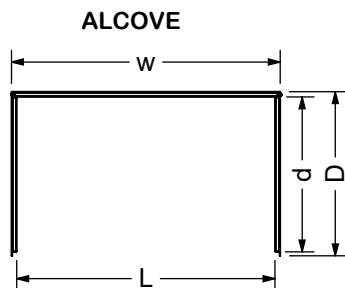
Code	Description	W (in.)
103416	Utile 36 in. back wall	35 1/4
103421	Utile 48 in. Back wall	47 5/8
103422	Utile 60 in. Back wall	59 5/8



Code	Description	W (in.)
103419	Utile 32 in. side wall	32 1/2
103415	Utile 36 in. side wall	36 1/4

TOP VIEW (ASSEMBLED)

Configuration	W (in.)	L alcove (in.)	L corner (in.)	D (in.)	d (in.)
Utile 3636	35 7/8	33 1/2	N/A	36 1/2	34 1/2
Utile 4832	47 3/4	45 1/2	46 1/4	32 3/4	30 3/4
Utile 4836	47 3/4	45 1/2	46 1/4	36 1/2	34 1/2
Utile 6032	59 3/4	57 1/2	58 1/8	32 3/4	30 3/4
Utile 6036	59 3/4	57 1/2	58 1/8	36 1/2	34 1/2



This product is designed to be installed in a building that conforms with the requirements of the National Building Code of Canada 2005

All dimensions are approximate. Structure measurements must be verified against the unit to ensure proper fit.

Wall Kits - Corner Shower



Material : Composite

Features

- › Shower kit includes: 2 shower walls with a corner glass shelf
- › 4 H x 12 L in. glossy subway tile
- › Direct-to-stud installation
- › Installs easily in just 1 day versus 3 days for standard ceramic tile
- › Mistake-proof positioning strip allows you to position the panels into place and perfectly align them in the corner
- › Proudly made in North America
- › Featuring Evergrout™: the first realistic and textured grout lines with that won't crack or leak
- › No tile or grout protective sealer required
- › Solid, 1-piece wall panel: sturdy and durable allows for installation of grab bars and other accessories

UTILE

UTILE 3636 SHOWER WALL KIT - 103388

SKU	Color	Pattern	Dimensions & Weight	Packaging	MSRP
103388-301-526-000	Tux	Metro	36" x 36" x 80" / 82 lb / 37 kg	1.5 ft ³	\$ 1292
103388-304-516-000	Vapor	Factory Rough			\$ 1375
103388-307-508-000	Carrara	Marble			\$ 1375
103388-312-504-000	Permafrost	Organik			\$ 1292
103388-312-505-000	Clay				\$ 1292
103388-312-507-000	Loam				\$ 1292

UTILE 4832 SHOWER WALL KIT - 107461

SKU	Color	Pattern	Dimensions & Weight	Packaging	MSRP
107461-301-526-000	Tux	Metro	48" x 32" x 80" / 128 lb / 58 kg	1.778 ft ³	\$ 1536
107461-304-516-000	Vapor	Factory Rough			\$ 1638
107461-305-517-000	Smoke	Factory Sleek			\$ 1638
107461-306-512-000	Taupe	Erosion			\$ 1638
107461-306-513-000	Bora white				\$ 1638
107461-306-514-000	Pebble grey				\$ 1638
107461-306-515-000	Charcoal				\$ 1638
107461-307-508-000	Carrara	Marble			\$ 1638
107461-312-504-000	Permafrost	Organik			\$ 1536
107461-312-505-000	Clay				\$ 1536

UTILE 4832 SHOWER WALL KIT - 107461

SKU	Color	Pattern	Dimensions & Weight	Packaging	MSRP
107461-312-507-000	Loam	Organik	48" x 32" x 80" / 128 lb / 58 kg	1.778 ft ³	\$ 1536

UTILE 4836 SHOWER WALL KIT - 107462

SKU	Color	Pattern	Dimensions & Weight	Packaging	MSRP
107462-301-526-000	Tux	Metro	48" x 36" x 80" / 130 lb / 59 kg	2.0 ft ³	\$ 1609
107462-304-516-000	Vapor	Factory Rough			\$ 1713
107462-305-517-000	Smoke	Factory Sleek			\$ 1713
107462-306-512-000	Taupe	Erosion			\$ 1713
107462-306-513-000	Bora white				\$ 1713
107462-306-514-000	Pebble grey				\$ 1713
107462-306-515-000	Charcoal				\$ 1713
107462-307-508-000	Carrara	Marble			\$ 1713
107462-312-504-000	Permafrost	Organik			\$ 1609
107462-312-505-000	Clay				\$ 1609
107462-312-507-000	Loam				\$ 1609

UTILE 6032 SHOWER WALL KIT - 107465

SKU	Color	Pattern	Dimensions & Weight	Packaging	MSRP
107465-301-526-000	Tux	Metro	60" x 32" x 80" / 147 lb / 67 kg	2.222 ft ³	\$ 1719
107465-304-516-000	Vapor	Factory Rough			\$ 1832
107465-305-517-000	Smoke	Factory Sleek			\$ 1832
107465-306-512-000	Taupe	Erosion			\$ 1832
107465-306-513-000	Bora white				\$ 1832
107465-306-514-000	Pebble grey				\$ 1832
107465-306-515-000	Charcoal				\$ 1832
107465-307-508-000	Carrara	Marble			\$ 1832
107465-312-504-000	Permafrost	Organik			\$ 1719
107465-312-505-000	Clay				\$ 1719
107465-312-507-000	Loam				\$ 1719

UTILE 6036 SHOWER WALL KIT - 107466

SKU	Color	Pattern	Dimensions & Weight	Packaging	MSRP
107466-301-526-000	Tux	Metro	60" x 36" x 80" / 150 lb / 68 kg	2.5 ft ³	\$ 1792
107466-304-516-000	Vapor	Factory Rough			\$ 1908
107466-305-517-000	Smoke	Factory Sleek			\$ 1908
107466-306-512-000	Taupe	Erosion			\$ 1908

UTILE 6036 SHOWER WALL KIT - 107466

SKU	Color	Pattern	Dimensions & Weight	Packaging	MSRP
107466-306-513-000	Bora white	Erosion	60" x 36" x 80" / 150 lb / 68 kg	2.5 ft ³	\$ 1908
107466-306-514-000	Pebble grey				\$ 1908
107466-306-515-000	Charcoal				\$ 1908
107466-307-508-000	Carrara	Marble			\$ 1908
107466-312-504-000	Permafrost	Organik			\$ 1792
107466-312-505-000	Clay				\$ 1792
107466-312-507-000	Loam				\$ 1792

ACCESSORIES

SKU	Description	MSRP
10029996-084	18 in. modern straight grab bar with flange (front installation) Specify colour: White (002), Chrome (084), Brushed Nickel (105)	\$ 315
10029996-002		\$ 315
10029996-105		\$ 315
10030093-084	23 in. Curved left-hand grab bar with flange (front installation) Specify colour: White (002), Chrome (084), Brushed Nickel (105)	\$ 536
10030093-002		\$ 536
10030093-105		\$ 536
10030094-084	23 in. Curved right-hand grab bar with flange (front installation) Specify colour: White (002), Chrome (084), Brushed Nickel (105)	\$ 536
10030094-105		\$ 536
10030094-002		\$ 536
10029997-002	24 in. modern straight grab bar with flange (front installation) Specify color: White (002), Chrome (084), Brushed Nickel (105)	\$ 359
10029997-105		\$ 359
10029997-084		\$ 359
10029998-084	30 in. modern straight grab bar with flange (front installation) Specify colour: White (002), Chrome (084), Brushed Nickel (105)	\$ 403
10029998-002		\$ 403
10029998-105		\$ 403
10030095-002	32 in. curved left-hand grab bar with flange (front installation) Specify colour: White (002), Chrome (084), Brushed Nickel (105)	\$ 581
10030095-084		\$ 581
10030095-105		\$ 581
10030097-084	32 in. curved right-hand grab bar with flange (front installation) Specify colour: White (002), Chrome (084), Brushed Nickel (105)	\$ 581
10030097-002		\$ 581
10030097-105		\$ 581
10029999-105	36 in. modern straight grab bar with flange (front installation) Specify colour: White (002), Chrome (084), Brushed Nickel (105)	\$ 427
10029999-002		\$ 427
10029999-084		\$ 427
10030084-002	42 in. modern straight grab bar with flange (front installation) Specify color: White (002), Chrome (084)	\$ 469
10030086-002	48 in. modern straight grab bar with flange (front installation) Specify color: White (002), Chrome (084), Brushed Nickel (105)	\$ 501
10030086-105		\$ 501

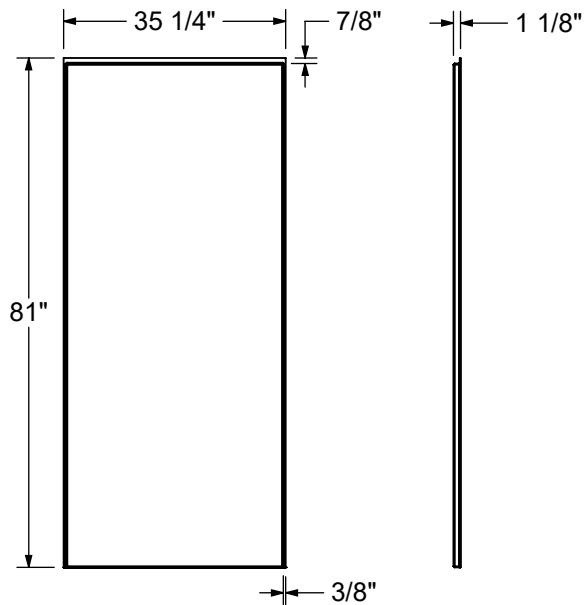
ACCESSORIES

SKU	Description	MSRP
10030086-084	48 in. modern straight grab bar with flange (front installation) Specify color: White (002), Chrome (084), Brushed Nickel (105)	\$ 501
10060311	Corner glass shelf (9 3/8 x 9 3/8 in.) (sold separately) 10 mm frosted glass with a clear band along the edge Compatible with Utile and tile shower walls	\$ 158
10042819-340	Rectangular metal and glass shelf (13 5/8 x 4 5/8 in.) Removable tempered glass to ease the cleaning Ledge to secure the products in place Compatible with most wall solutions Available colors: Glossy White (276) Matte Black (340)	\$ 143
10042819-201		\$ 143
10042819-276		\$ 143
10042819-343		\$ 143
10042818-340	Corner metal and glass shelf (9 5/8 x 9 5/8 in.) Removable tempered glass to ease the cleaning Ledge to secure the products in place Compatible with most wall solutions Available colors: Glossy White (276) Matte Black (340)	\$ 143
10042818-201		\$ 143
10042818-276		\$ 143
10042818-343		\$ 143

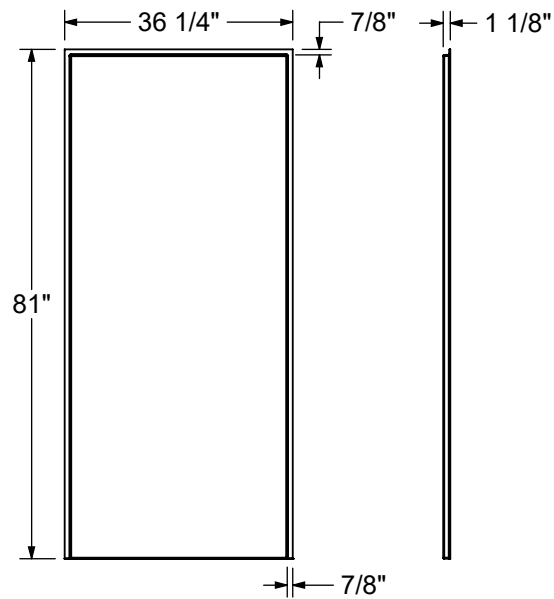
RECOMMENDED DOORS - VISIT OUR WEBSITE FOR A COMPLETE LIST OF RECOMMENDED DOORS

SKU	Product Name	Pag.
137444	Radia Neo-round 36 x 36 x 71 1/2 - 6mm	823
137448	Radia Square 36 x 36 x 71 1/2 - 6mm	828
137446	Radia Round 36 x 36 x 71 1/2 - 6mm	826
137440	Radia Neo-angle 36 x 36 x 71 1/2 - 6mm	821

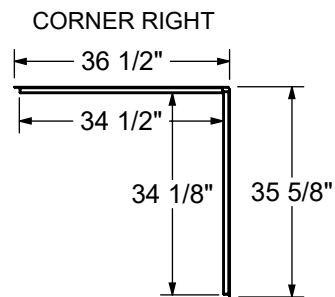
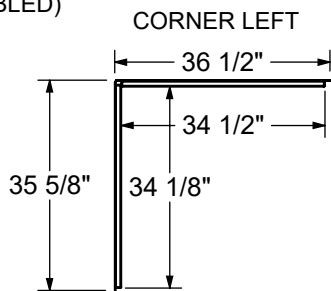
WALL B



WALL S



TOP VIEW (ASSEMBLED)



This product is designed to be installed in a building that conforms with the requirements of the National Building Code of Canada 2005

All dimensions are approximate. Structure measurements must be verified against the unit to ensure proper fit.

UTILE

Wall Kits - Tub



UTILE



Material : Composite
Features

- › Tub shower kit includes: 1 back wall, 2 side walls and one corner glass shelf
- › 4 H x 12 L in. glossy subway tile
- › Direct-to-stud installation
- › Installs easily in just 1 day versus 3 days for standard ceramic tile
- › Mistake-proof Ulok installation system allows you to perfectly align the panels, slip them together and lock them into place
- › Proudly made in North America
- › Featuring Evergrout™: the first realistic and textured grout lines with that won't crack or leak
- › No tile or grout protective sealer required
- › Solid, 1-piece wall panel: sturdy and durable allows for installation of grab bars and other accessories

UTILE 6032 TUB WALL KIT - 103418					
SKU	Color	Pattern	Dimensions & Weight	Packaging	MSRP
103418-301-526-000	Tux	Metro	60" x 32" x 60" / 145 lb / 66 kg	6.49 ft ³	\$ 1886
103418-307-508-000	Carrara	Marble			\$ 2009
103418-312-504-000	Permafrost	Organik			\$ 1886
103418-312-505-000	Clay				\$ 1886
103418-312-507-000	Loam				\$ 1886

UTILE 6030 TUB WALL KIT - 103424					
SKU	Color	Pattern	Dimensions & Weight	Packaging	MSRP
103424-301-526-000	Tux	Metro	60" x 30" x 60" / 125 lb / 57 kg	6.22 ft ³	\$ 1715
103424-307-508-000	Carrara	Marble			\$ 1826
103424-312-504-000	Permafrost	Organik			\$ 1715
103424-312-505-000	Clay				\$ 1715
103424-312-507-000	Loam				\$ 1715

ACCESSORIES		
SKU	Description	MSRP
10042818-340	Corner metal and glass shelf (9 5/8 x 9 5/8 in.) Removable tempered glass to ease the cleaning Ledge to secure the products in place Compatible with most wall solutions Available colors: Glossy White (276) Matte Black (340)	\$ 143

ACCESSORIES

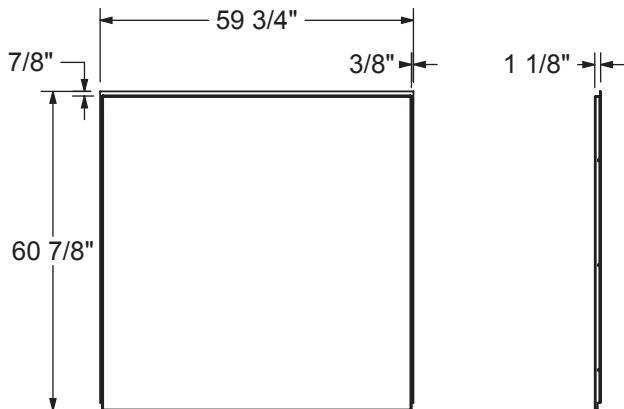
SKU	Description	MSRP
10042818-201	Corner metal and glass shelf (9 5/8 x 9 5/8 in.) Removable tempered glass to ease the cleaning	\$ 143
10042818-276	Ledge to secure the products in place Compatible with most wall solutions	\$ 143
10042818-343	Available colors: Glossy White (276) Matte Black (340)	\$ 143
10042819-340	Rectangular metal and glass shelf (13 5/8 x 4 5/8 in.) Removable tempered glass to ease the cleaning	\$ 143
10042819-201	Ledge to secure the products in place Compatible with most wall solutions	\$ 143
10042819-276	Available colors: Glossy White (276) Matte Black (340)	\$ 143
10042819-343		\$ 143
10030084-002	42 in. modern straight grab bar with flange (front installation) Specify color: White (002), Chrome (084)	\$ 469
10030094-084		\$ 536
10030094-105	23 in. Curved right-hand grab bar with flange (front installation) Specify colour: White (002), Chrome (084), Brushed Nickel (105)	\$ 536
10030094-002		\$ 536
10030095-002		\$ 581
10030095-084	32 in. curved left-hand grab bar with flange (front installation) Specify colour: White (002), Chrome (084), Brushed Nickel (105)	\$ 581
10030095-105		\$ 581
10030097-084		\$ 581
10030097-002	32 in. curved right-hand grab bar with flange (front installation) Specify colour: White (002), Chrome (084), Brushed Nickel (105)	\$ 581
10030097-105		\$ 581
10030100-002	37 in. modern curved left-hand grab bar with flange (front installation) Specify color: White (002), Chrome (084), Brushed Nickel (105)	\$ 594
10030101-002		\$ 594
10030101-105	37 in. modern curved right-hand grab bar with flange (front installation) Specify color: White (002), Chrome (084), Brushed Nickel (105)	\$ 594
10060311	Corner glass shelf (9 3/8 x 9 3/8 in.) (sold separately) 10 mm frosted glass with a clear band along the edge Compatible with Utile and tile shower walls	\$ 158
10060315	10 Corner glass shelf (9 3/8 X 9 3/8 in) 10 mm frosted glass with a clear band along the edge	\$ 1511
10029996-084		\$ 315
10029996-002	18 in. modern straight grab bar with flange (front installation) Specify colour: White (002), Chrome (084), Brushed Nickel (105)	\$ 315
10029996-105		\$ 315
10029997-002		\$ 359
10029997-105	24 in. modern straight grab bar with flange (front installation) Specify color: White (002), Chrome (084), Brushed Nickel (105)	\$ 359
10029997-084		\$ 359
10029998-084		\$ 403
10029998-002	30 in. modern straight grab bar with flange (front installation) Specify colour: White (002), Chrome (084), Brushed Nickel (105)	\$ 403
10029998-105		\$ 403
10029999-105		\$ 427
10029999-002	36 in. modern straight grab bar with flange (front installation) Specify colour: White (002), Chrome (084), Brushed Nickel (105)	\$ 427
10029999-084		\$ 427
10030086-002		\$ 501
10030086-105	48 in. modern straight grab bar with flange (front installation) Specify color: White (002), Chrome (084), Brushed Nickel (105)	\$ 501
10030086-084		\$ 501

ACCESSORIES

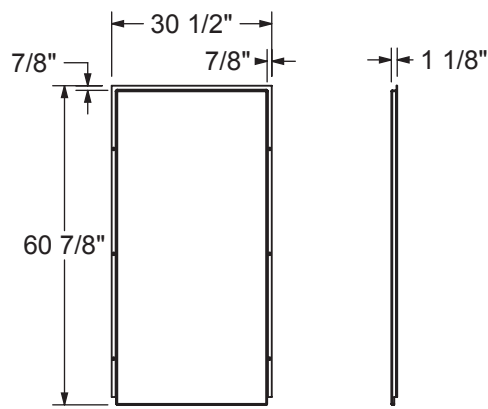
SKU	Description	MSRP
10030093-084		\$ 536
10030093-002	23 in. Curved left-hand grab bar with flange (front installation) Specify colour: White (002), Chrome (084), Brushed Nickel (105)	\$ 536
10030093-105		\$ 536

UTILE

BACK WALL

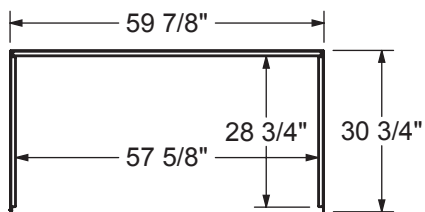


SIDE WALL



UTILE

TOP VIEW (ASSEMBLED)



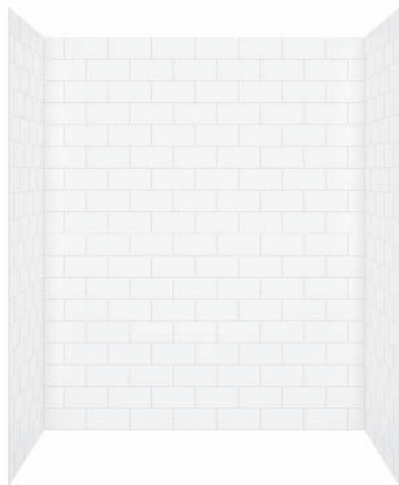
This product is designed to be installed in a building that conforms with the requirements of the National Building Code of Canada 2005

All dimensions are approximate. Structure measurements must be verified against the unit to ensure proper fit.

Wall Kits - Alcove Shower - Subway



VERSALINE



Material : SolidSurface

Features

- › Shower kit includes: 2-piece back wall, 2 side walls, finishing trims, double face tape and silicone application tool
- › Glue-up installation
- › Realistic tile wall look made of durable solid surface material with textured grout lines
- › 4-piece wall set packaged in one compact box making it easy to handle and install
- › Proudly made in North America
- › Panels can be easily cut to adapt to most shower spaces up to 36 in. deep and fit on most products
- › Featuring Evergrout™: the first realistic and textured grout lines with that won't crack or leak
- › No tile or grout protective sealer required
- › Installs easily in just 1 day versus 3 days for standard ceramic tile

VERSALINE 6036 SUBWAY SHOWER WALL KIT - 107180

SKU	Color	Pattern	Dimensions & Weight	Packaging	MSRP
107180-000-270-000	White	Classic Subway Tile	60" x 36 1/4" x 72" / 90 lb / 41 kg	5.64 ft ³	\$ 1879

VERSALINE 4836 SUBWAY SHOWER WALL KIT - 107182

SKU	Color	Pattern	Dimensions & Weight	Packaging	MSRP
107182-000-270-000	White	Classic Subway Tile	48" x 36 1/4" x 72" / 85 lb / 39 kg	5.64 ft ³	\$ 1681

ACCESSORIES

SKU	Description	MSRP
10042818-340	Corner metal and glass shelf (9 5/8 x 9 5/8 in.) Removable tempered glass to ease the cleaning Ledge to secure the products in place Compatible with most wall solutions Available colors: Glossy White (276) Matte Black (340)	\$ 143
10042818-201		\$ 143
10042818-276		\$ 143
10042818-343		\$ 143
10042819-340	Rectangular metal and glass shelf (13 5/8 x 4 5/8 in.) Removable tempered glass to ease the cleaning Ledge to secure the products in place Compatible with most wall solutions Available colors: Glossy White (276) Matte Black (340)	\$ 143
10042819-201		\$ 143
10042819-276		\$ 143
10042819-343		\$ 143

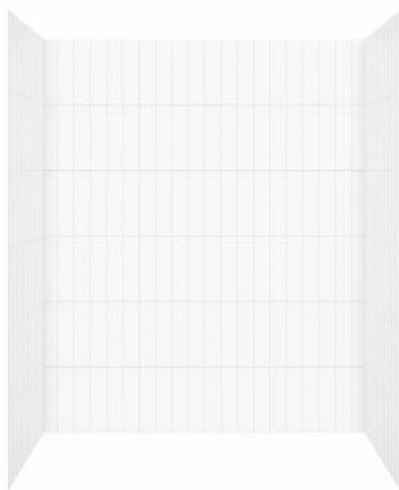
Wall Kits - Alcove Shower - Vertical



Material : SolidSurface

Features

- › Shower kit includes: 2-piece back wall, 2 side walls, finishing trims, double face tape and silicone application tool
- › Glue-up installation
- › Realistic tile wall look made of durable solid surface material with textured grout lines
- › 4-piece wall set packaged in one compact box making it easy to handle and install
- › Proudly made in North America
- › Panels can be easily cut to adapt to most shower spaces up to 36 in. deep and fit on most products
- › Featuring Evergrout™: the first realistic and textured grout lines with that won't crack or leak
- › No tile or grout protective sealer required
- › Installs easily in just 1 day versus 3 days for standard ceramic tile



VERSALINE 6036 VERTICAL SHOWER WALL KIT - 107181

SKU	Color	Pattern	Dimensions & Weight	Packaging	MSRP
107181-000-270-000	White	Textured Vertical	60" x 36 1/4" x 72" / 90 lb / 41 kg	5.64 ft ³	\$ 1879

VERSALINE 4836 VERTICAL SHOWER WALL KIT - 107183

SKU	Color	Pattern	Dimensions & Weight	Packaging	MSRP
107183-000-270-000	White	Textured Vertical	48" x 36 1/4" x 72" / 85 lb / 39 kg	5.64 ft ³	\$ 1681

ACCESSORIES

SKU	Description	MSRP
10042818-340	Corner metal and glass shelf (9 5/8 x 9 5/8 in.)	\$ 143
10042818-201	Removable tempered glass to ease the cleaning	\$ 143
10042818-276	Ledge to secure the products in place	\$ 143
10042818-276	Compatible with most wall solutions	\$ 143
10042818-343	Available colors: Glossy White (276) Matte Black (340)	\$ 143
10042819-340	Rectangular metal and glass shelf (13 5/8 x 4 5/8 in.)	\$ 143
10042819-201	Removable tempered glass to ease the cleaning	\$ 143
10042819-276	Ledge to secure the products in place	\$ 143
10042819-276	Compatible with most wall solutions	\$ 143
10042819-343	Available colors: Glossy White (276) Matte Black (340)	\$ 143

MAAX[®]

Enjoy the experience

For any questions or comments, please contact info@maax.com

1-877-GET-MAAX
(1-877-438-6229)

Order processing

Eastern Canada
saccanada@maax.com

Western Canada
customercare.bellingham@maax.com

Technical Services

Bathtubs, Tub Showers and Showers
bsav@maax.com

Doors, Shower Kits and Medicine Cabinets
lsav@maax.com

www.maax.ca

