

20
24



Collection
Professional
Walls & Bases
Shower Doors

National Price List USA

Effective August 2024

MAAX[®]

MOVING / forward

A better experience means always moving forward

We're inspired by you. You're constantly in motion, and never stop looking ahead. And your style is constantly evolving, helping refine the trends of tomorrow. That is why we believe to best serve you, we must always be moving forward — never complacent — finding new ways to enhance your success and enjoyment. We never stop asking questions or exploring innovative new opportunities to make business easier, products better and results more inspiring, no matter what the project. We are driven to continuously push the bounds, creating the best possible bathware experience.



● CORNER BATHTUBS - ACRYLIC

| | | |
|----------------------|--------|----|
| Tandem 5454 | 100875 | 11 |
| Tandem II 6060 | 100054 | 15 |
| Tryst | 100053 | 19 |

● FREESTANDING BATHTUBS - ACRYLIC

| | | |
|----------------------|--------|----|
| Ariosa 6032 | 106266 | 23 |
| Ariosa 6636 | 106267 | 26 |
| Elina | 106389 | 29 |
| Ella Sleek | 105744 | 32 |
| Jazz F | 105359 | 35 |
| Joan | 106387 | 38 |
| Oberto | 106386 | 41 |
| Optik 6032 F | 105571 | 44 |
| Optik 6636 F | 105742 | 47 |
| Renata 6731 | 107173 | 50 |
| Valentina 6731 | 107174 | 52 |
| Villi | 106388 | 54 |

● FREESTANDING BATHTUBS - ACRYLIC

| | | |
|--------------------|--------|----|
| Chorale 6030 | 107675 | 57 |
| Chorale 6731 | 107674 | 59 |
| Louie 5829 | 106384 | 61 |
| Louie 6731 | 106385 | 64 |
| Malibra 6730 | 107678 | 67 |
| Mirella 6029 | 107676 | 69 |
| Mirella 6729 | 107677 | 71 |
| Nota 6731 | 107679 | 73 |
| Sinfoni 5928 | 107681 | 75 |
| Sinfoni 6729 | 107680 | 77 |
| Souvenir | 106619 | 79 |

● FREESTANDING BATHTUBS - ACRYLIC

| | | |
|--------------|--------|----|
| Lounge | 105798 | 81 |
|--------------|--------|----|

● FREESTANDING BATHTUBS - ACRYLIC

| | | |
|-------------------|--------|-----|
| Brioso 6042 | 103901 | 84 |
| Brioso 6636 | 103903 | 87 |
| Eldora 5832 | 106992 | 90 |
| Eldora 6434 | 106993 | 92 |
| Finlay | 106997 | 94 |
| Fontana | 106994 | 96 |
| Golan 5829 | 107519 | 98 |
| Golan 6429 | 107520 | 100 |
| Pocono | 106995 | 102 |
| Sonoma | 106996 | 104 |

● FREESTANDING BATHTUBS - ACRYLIC

| | | |
|-------------------|--------|-----|
| Delsia 6032 | 106192 | 106 |
| Delsia 6636 | 106193 | 109 |
| Elinor | 106426 | 112 |
| Sax | 105797 | 115 |

● OVAL BATHTUBS - ACRYLIC

| | | |
|------------------|--------|-----|
| Aigo | 102788 | 118 |
| Calla 6042 | 101058 | 121 |
| Calla 6642 | 100075 | 124 |

| | | |
|----------------------|--------|-----|
| Calla 7242 | 101059 | 127 |
| Eterne 7236 | 101317 | 130 |
| Eterne 7242 | 101318 | 133 |
| Jazz (Drop-in) | 105509 | 136 |
| Living 6042 | 102863 | 139 |
| Living 6636 | 102761 | 142 |
| Living 6642 | 102865 | 145 |
| Living 7236 | 102759 | 148 |
| Living 7242 | 102757 | 151 |

● OVAL BATHTUBS - ACRYLIC

| | | |
|--------------------|--------|-----|
| Arno 6040 | 106459 | 154 |
| Arno 7242 | 106460 | 156 |
| Panaro 6042 | 106457 | 158 |
| Panaro 7242 | 106458 | 160 |
| Saturna 6036 | 106167 | 162 |
| Saturna 7236 | 106168 | 165 |
| Talma 7242 | 106169 | 168 |
| Twilight | 100021 | 171 |
| Tympani | 100028 | 174 |

● RECTANGULAR BATHTUBS - ACRYLIC

| | | |
|-------------------------------------|--------|-----|
| Aiiki 6636 | 102787 | 177 |
| Aiiki 7236 | 102786 | 180 |
| Aiiki 7242 | 102785 | 183 |
| Baccarat | 102945 | 186 |
| Melodie | 100073 | 189 |
| ModulR 6032 - Corner left | 410008 | 192 |
| | 410011 | 192 |
| ModulR 6032 - Corner right | 410007 | 195 |
| | 410010 | 195 |
| ModulR 6032 IF - Alcove | 410021 | 198 |
| | 410022 | 198 |
| ModulR 6032 - Drop-in | 410023 | 198 |
| | 410024 | 198 |
| ModulR 6032 - Wall-Mount | 410009 | 201 |
| | 410012 | 201 |
| ModulR 6032 IF - Corner left | 410027 | 204 |
| | 410028 | 204 |
| ModulR 6032 IF - Corner right | 410025 | 207 |
| | 410026 | 207 |
| Optik 6032 | 101265 | 210 |
| Optik 6636 | 101269 | 214 |
| Optik 6636 C | 105743 | 218 |
| Optik 7236 | 101270 | 221 |
| Optik 7242 | 101275 | 224 |
| Release 6032 | 105310 | 227 |
| Release 6036 | 105311 | 231 |
| Topaz 6032 | 101054 | 235 |
| Topaz 6036 | 101055 | 238 |
| Topaz 6636 | 101056 | 241 |
| Topaz 7236 | 101057 | 244 |

● RECTANGULAR BATHTUBS - ACRYLIC

| | | |
|----------------------------|--------|-----|
| Exhibit 6030 IFS AFR | 105511 | 247 |
| Exhibit 6030 IFS | 105519 | 248 |
| Exhibit 6032 | 105513 | 251 |

| | | | | | |
|--------------------------|--------|-----|--|------------|-----|
| Exhibit 6032 IF | 105514 | 251 | Pose 7242 - Corner right | 106215 | 392 |
| Exhibit 6032 IFS AFR | 105512 | 255 | Pose 7242 | 101461 | 396 |
| Exhibit 6032 IFS | 105520 | 256 | Pose 7242 IF | 106213 | 396 |
| Exhibit 6036 | 106170 | 259 | Rubix 6030 | 105815 | 400 |
| Exhibit 6036 IF | 106171 | 262 | Rubix 6030 AFR | 105816 | 400 |
| Exhibit 6036 IFS | 106172 | 266 | Rubix 6032 AFR | 105704 | 403 |
| Exhibit 6036 IFS AFR | 106173 | 267 | Rubix 6032 | 105705 | 403 |
| Exhibit 6042 | 106250 | 270 | Rubix 6632 AFR | 105734 | 406 |
| Exhibit 6042 IF | 106174 | 273 | Rubix 6632 | 105735 | 406 |
| Exhibit 6042 IFS | 106175 | 277 | Rubix Access 6030 | 106348 | 409 |
| Exhibit 6042 IFS AFR | 106176 | 278 | Rubix Access 6030 AFR | 106349 | 409 |
| Exhibit 6632 IF | 106220 | 281 | Talisman | 100106 | 412 |
| Exhibit 6632 IFS | 106221 | 285 | Tempest | 100103 | 415 |
| Exhibit 6632 IFS AFR | 106222 | 286 | Temple | 100027 | 419 |
| Exhibit 6634 | 106219 | 289 | Tenderness 6032 | 102201 | 422 |
| Exhibit 6636 | 106177 | 292 | Tenderness 6036 | 102202 | 426 |
| Exhibit 6636 IF | 106178 | 295 | Tenderness 6042 | 102205 | 430 |
| Exhibit 6636 IFS | 106179 | 299 | Tenderness 6636 | 102203 | 434 |
| Exhibit 6636 IFS AFR | 106180 | 300 | Tenderness 7236 | 102204 | 438 |
| Exhibit 7232 IF | 106224 | 303 | Timeless | 100104 | 442 |
| Exhibit 7232 IFS | 106225 | 307 | | | |
| Exhibit 7232 IFS AFR | 106226 | 308 | | | |
| Exhibit 7234 | 106223 | 311 | ● RECTANGULAR BATHTUBS - ACRYLX | | |
| Exhibit 7236 | 106181 | 314 | Mackenzie Corner 6030 | 106811 | 446 |
| Exhibit 7236 IF | 106182 | 317 | Mackenzie Corner 6030 AFR | 106812 | 446 |
| Exhibit 7236 IFS | 106183 | 321 | Mackenzie Corner 6032 | 106813 | 449 |
| Exhibit 7236 IFS AFR | 106184 | 322 | Mackenzie Corner 6032 AFR | 106814 | 449 |
| Exhibit 7242 | 106185 | 325 | Mackenzie Corner Access 6030 | 106815 | 452 |
| Exhibit 7242 IF | 106186 | 328 | Mackenzie Corner Access 6030 AFR | 106816 | 452 |
| Exhibit 7242 IFS | 106187 | 332 | | | |
| Exhibit 7242 IFS AFR | 106188 | 333 | MEDICINE CABINETS AND SINKS | 456 | |
| Lopez 6036 | 102226 | 336 | ● BI-VIEW | | |
| Lopez 6636 | 100074 | 340 | Element Bi-View | 124901 | 456 |
| Lopez 7236 | 102227 | 344 | BV2430 | 126528 | 456 |
| Pose 6030 - Corner left | 106199 | 348 | BV3030 | 126529 | 456 |
| Pose 6030 - Corner right | 106200 | 349 | BV3630 | 126530 | 457 |
| Pose 6030 | 101456 | 353 | | | |
| Pose 6030 IF | 106198 | 353 | ● SINGLE VIEW | | |
| Pose 6032 - Corner left | 106202 | 357 | SV1830 | 124903 | 459 |
| Pose 6032 - Corner right | 106203 | 358 | SV1636 | 124905 | 459 |
| Pose 6032 | 101457 | 362 | Element Single View | 126521 | 459 |
| Pose 6032 IF | 106201 | 362 | SV1530 | 126522 | 460 |
| Pose 6632 - Corner left | 106205 | 366 | SV2030 | 126524 | 460 |
| Pose 6632 - Corner right | 106206 | 367 | SV2430 | 126526 | 460 |
| Pose 6632 | 101458 | 371 | Element Single View with Design | 126548 | 462 |
| Pose 6632 IF | 106204 | 371 | SVD2436 | 126549 | 462 |
| Pose 6636 - Corner left | 106208 | 375 | | | |
| Pose 6636 - Corner right | 106209 | 376 | ● TRI-VIEW | | |
| Pose 6636 | 101459 | 379 | Element Tri-View | 126531 | 464 |
| Pose 6636 IF | 106207 | 379 | TV3631 | 126532 | 464 |
| Pose 7236 - Corner left | 106211 | 383 | TV4831 | 126533 | 464 |
| Pose 7236 - Corner right | 106212 | 384 | | | |
| Pose 7236 | 101460 | 387 | SHOWER BASES | 467 | |
| Pose 7236 IF | 106210 | 387 | ● ALCOVE BASES - ACRYLIC | | |
| Pose 7242 - Corner left | 106214 | 391 | Rectangular Base 4234 - 3 in | 102001 | 467 |
| | | | Rectangular Base 4236 - 3 in | 105718 | 469 |
| | | | Rectangular Base 4832 - 3 in | 101433 | 471 |
| | | | Rectangular Base 4834 - 3 in | 102002 | 473 |

| | | |
|--|--------|-----|
| Rectangular Base 4836 - 3 in | 105717 | 475 |
| Rectangular Base 6030 - 3 in | 105707 | 477 |
| Rectangular Base 6032 - 3 in | 105706 | 479 |
| Rectangular Base 6034 - 3 in | 102003 | 481 |
| Rectangular Base 6036 - 3 in | 105664 | 483 |
| Rectangular Base 6036 - R/L Drain - 3 in | 105666 | 483 |
| Rectangular Base 6042 - 3 in | 105716 | 485 |
| Square Base 32 - Alcove - 3 in | 105663 | 487 |
| Square Base 36 - Alcove - 3 in | 101430 | 489 |
| Square Base 42 - Alcove - 3 in | 105714 | 491 |

● CONFIGURABLE SHOWER BASES

| | | |
|-------------------|--------|-----|
| B3Round 3636 | 410000 | 493 |
| B3Round 4236 | 410034 | 495 |
| B3Round 4832 | 410001 | 497 |
| B3Round 4834 | 410002 | 499 |
| B3Round 4836 | 410003 | 501 |
| B3Round 4842 | 410043 | 503 |
| B3Round 6030 | 410004 | 505 |
| B3Round 6032 | 410005 | 507 |
| B3Round 6034 | 410035 | 509 |
| B3Round 6036 | 410006 | 511 |
| B3Round 6042 | 410036 | 514 |
| B3Square 3636 | 420000 | 516 |
| B3Square 4236 | 420034 | 519 |
| B3Square 4832 | 420001 | 522 |
| B3Square 4834 | 420002 | 525 |
| B3Square 4836 | 420003 | 528 |
| B3Square 4842 | 420043 | 531 |
| B3Square 6030 | 420004 | 534 |
| B3Square 6032 | 420005 | 537 |
| B3Square 6034 | 420035 | 540 |
| B3Square 6036 | 420006 | 543 |
| B3Square 6042 | 420036 | 546 |
| B3Square 7236 | 420042 | 549 |
| B3X 3636 - Alcove | 420020 | 552 |
| B3X 3636 - Corner | 420021 | 555 |
| B3X 4236 - Alcove | 420039 | 558 |
| B3X 4236 - Corner | 420040 | 561 |
| | 420041 | 561 |
| B3X 4836 - Alcove | 420030 | 564 |
| B3X 4836 - Corner | 420028 | 567 |
| | 420029 | 567 |
| B3X 6032 - Alcove | 420022 | 570 |
| | 420023 | 570 |
| B3X 6032 - Corner | 420024 | 573 |
| | 420025 | 573 |
| B3X 6036 - Alcove | 420031 | 576 |
| B3X 6036 - Corner | 420032 | 579 |
| | 420033 | 579 |

● CORNER BASES - ACRYLIC

| | | |
|--------------------------|--------|-----|
| Neo-angle Base 36 - 3 in | 101422 | 582 |
| Neo-angle Base 38 - 3 in | 101423 | 584 |
| Neo-angle Base 40 - 3 in | 101424 | 586 |
| Neo-angle Base 42 - 3 in | 101425 | 588 |

| | | |
|---|--------|-----|
| Neo-round Base 32 - 3 in | 101426 | 590 |
| Neo-round Base 36 - 3 in | 101427 | 592 |
| Neo-round Base 40 - 3 in | 101428 | 594 |
| Rectangular Base 6036 - Corner L/R - 3 in | 105594 | 596 |
| Round Base 36 - 3 in | 101429 | 598 |
| Square Base 32 - Corner - 3 in | 101431 | 600 |
| Square Base 36 - Corner - 3 in | 101432 | 602 |

SHOWER DOORS

605

● ALCOVE DOORS - BYPASS

| | | |
|------------------------|--------|-----|
| Duel Alto Shower Doors | 136955 | 605 |
| | 136956 | 605 |

● ALCOVE DOORS - BYPASS

| | | |
|---------------------------------|--------|-----|
| Kameleon SC Shower Doors - 6 mm | 134662 | 611 |
| | 134663 | 613 |
| | 134664 | 611 |
| | 134665 | 608 |
| Kameleon SC Shower Doors - 8 mm | 134674 | 616 |
| | 134675 | 616 |
| Kameleon Shower Doors - 6 mm | 134562 | 622 |
| | 134563 | 619 |
| | 134564 | 622 |
| | 134565 | 619 |
| Kameleon Shower Doors - 8 mm | 134571 | 624 |
| | 134572 | 624 |

● ALCOVE DOORS - BYPASS

| | | |
|---------------------------------------|--------|-----|
| Inverto Shower Doors | 138762 | 627 |
| Incognito 70 Shower Doors - 6 mm | 139349 | 628 |
| | 139350 | 628 |
| Incognito 70 Shower Doors - 8 mm | 139352 | 630 |
| | 139353 | 630 |
| Incognito 74 Shower Doors - 8 mm | 138520 | 632 |
| | 138521 | 632 |
| Incognito 76 Shaker Shower Doors | 135331 | 634 |
| | 135332 | 634 |
| Incognito 76 Shower Doors - 8 mm | 135334 | 636 |
| | 135335 | 636 |
| Incognito 76 Smoke Shower Doors | 136335 | 638 |
| Polar Shower Doors | 105412 | 640 |
| | 105413 | 640 |
| Revelation Round Shower Doors - 6 mm | 136690 | 642 |
| | 136691 | 642 |
| Revelation Round Shower Doors - 8 mm | 136693 | 644 |
| | 136694 | 644 |
| Revelation Square Shower Doors - 6 mm | 135690 | 646 |
| | 135691 | 646 |
| Revelation Square Shower Doors - 8 mm | 135693 | 648 |
| | 135694 | 648 |
| Uptown Shower Doors | 135321 | 650 |
| Uptown Bypass Shower Doors | 135322 | 650 |

● ALCOVE DOORS - PIVOT

| | | |
|----------------------|--------|-----|
| Capella Shower Doors | 139584 | 652 |
| | 139586 | 652 |
| | 139587 | 652 |

| | | |
|----------------------------------|--------|-----|
| ModulR 2 Shower Doors | 137933 | 654 |
| | 137935 | 654 |
| | 137937 | 654 |
| ModulR Alcove Shower Doors | 137832 | 657 |
| | 137833 | 657 |
| | 137835 | 657 |
| | 137836 | 657 |
| ModulR Wall-Mounted Shower Doors | 137863 | 660 |
| | 137864 | 660 |
| | 137865 | 660 |
| | 137873 | 660 |
| | 137874 | 661 |

● **ALCOVE DOORS - PIVOT**

| | | |
|--------------------------------|--------|-----|
| Madono Shower Doors | 105416 | 663 |
| | 105417 | 663 |
| | 105418 | 663 |
| | 105420 | 663 |
| Manhattan 1 Panel Shower Doors | 138260 | 665 |
| | 138261 | 665 |
| | 138262 | 666 |
| | 138263 | 666 |
| | 138264 | 666 |
| | 138265 | 666 |
| Manhattan 2 Panel Shower Doors | 138266 | 669 |
| | 138267 | 669 |
| | 138268 | 670 |
| | 138269 | 670 |
| | 138270 | 670 |
| | 138271 | 670 |
| | 138272 | 671 |
| | 138273 | 671 |
| | 138274 | 671 |
| | 138275 | 671 |
| | 138276 | 672 |
| | 138277 | 672 |
| Pivolok Deluxe Shower Doors | 136435 | 674 |
| Pivolok Shower Doors | 136605 | 675 |
| | 136615 | 675 |
| | 136625 | 675 |
| | 136626 | 675 |
| | 136635 | 676 |
| | 136645 | 676 |
| | 136655 | 676 |
| | 136656 | 676 |
| Polar Shower Doors | 136730 | 678 |
| | 136731 | 678 |
| | 136732 | 678 |
| | 136733 | 678 |
| Reveal 71 Shower Doors | 136676 | 680 |
| | 136677 | 680 |
| | 136679 | 680 |
| | 136883 | 681 |

| | | |
|------------------------------|--------|-----|
| Reveal Sleek 71 Shower Doors | 139575 | 683 |
| | 139576 | 683 |
| | 139577 | 683 |
| | 139578 | 684 |
| | 139579 | 684 |
| | 139580 | 684 |
| Uptown Pivot Shower Doors | 135325 | 686 |
| | 135326 | 686 |

● **ALCOVE DOORS - SLIDING**

| | | |
|----------------------------------|--------|-----|
| Nebula Shower Doors | 135870 | 688 |
| | 135875 | 688 |
| Vela Shower Doors | 138460 | 690 |
| | 138470 | 690 |
| Vela Shower Doors with Towel Bar | 138465 | 693 |
| | 138475 | 693 |

● **ALCOVE DOORS - SLIDING**

| | | |
|--------------------------|--------|-----|
| Connect Pro Shower Doors | 135235 | 696 |
| | 135236 | 696 |
| | 135237 | 696 |
| | 135238 | 696 |
| Halo Pro GS Shower Doors | 138540 | 699 |
| | 138541 | 699 |
| Halo Pro Shower Doors | 138950 | 701 |
| | 138952 | 701 |
| Halo Pro TB Shower Doors | 138954 | 703 |
| | 138956 | 703 |

● **ALCOVE DOORS - SLIDING**

| | | |
|----------------------------|--------|-----|
| Halo Shower Doors | 138996 | 705 |
| | 138997 | 705 |
| Luminescence Shower Doors | 138992 | 707 |
| | 138993 | 707 |
| Odyssey SC Shower Doors | 137420 | 709 |
| | 137421 | 709 |
| Uptown Slider Shower Doors | 135323 | 711 |
| | 135324 | 711 |

● **CORNER DOORS - PIVOT**

| | | |
|----------------------------|--------|-----|
| ModulR Corner Shower Doors | 137856 | 713 |
| | 137857 | 713 |
| | 137858 | 713 |
| | 137859 | 713 |
| | 137869 | 714 |
| | 137870 | 714 |

● **CORNER DOORS - PIVOT**

| | | |
|------------------------|--------|-----|
| Link Curve Neo-angle | 137280 | 716 |
| | 137281 | 716 |
| Link Curve Rectangular | 133302 | 718 |
| Link Neo-angle | 136315 | 720 |
| | 136321 | 720 |
| Link Rectangular | 136330 | 722 |

● **CORNER DOORS - PIVOT**

| | | |
|----------------------|--------|-----|
| Silhouette Neo-angle | 137901 | 724 |
| | 137904 | 724 |

| | | |
|---------------------------------|-------------|-----|
| Silhouette Plus Neo-angle | 137710..... | 726 |
| | 137720..... | 726 |
| | 137730..... | 726 |
| | 137750..... | 726 |

● CORNER DOORS - SLIDING

| | | |
|-----------------------|--------------|-----|
| Halo Round | 139399L..... | 728 |
| | 139399R..... | 728 |
| Radia Neo-angle | 137440..... | 730 |
| | 137441..... | 730 |
| | 137442..... | 730 |
| Radia Neo-round | 137443..... | 732 |
| | 137444..... | 732 |
| | 137445..... | 732 |
| | 137449..... | 733 |
| Radia Round | 137446..... | 735 |
| Radia Square | 137447..... | 737 |
| | 137448..... | 737 |
| | 137451..... | 737 |

● RETURN PANELS

| | | |
|-------------------------------|-------------|-----|
| Capella Return Panels | 139588..... | 739 |
| | 139590..... | 739 |
| Duel Alto Return Panels | 139953..... | 741 |
| | 139954..... | 741 |
| Nebula Return Panel | 135865..... | 743 |

● RETURN PANELS

| | | |
|---------------------------------|-------------|-----|
| Connect Pro Return Panels | 135239..... | 745 |
| | 135240..... | 745 |
| Halo Pro GS Return Panels | 136542..... | 747 |
| | 136543..... | 747 |

● RETURN PANELS

| | | |
|-------------------------------------|-------------|-----|
| Halo Return Panels | 139393..... | 749 |
| | 139394..... | 749 |
| | 139395..... | 749 |
| | 139396..... | 750 |
| Reveal 71 Return Panels | 136673..... | 751 |
| | 136674..... | 751 |
| | 136675..... | 751 |
| Reveal Sleek 71 Return Panels | 139581..... | 752 |
| | 139582..... | 752 |
| | 139583..... | 752 |
| Uptown Return Panels | 135327..... | 754 |
| | 135328..... | 754 |

● RETURN PANELS

| | | |
|----------------------------------|-------------|-----|
| Halo Return Panels | 139998..... | 756 |
| Incognito 76 Return Panels | 136560..... | 758 |
| | 136561..... | 758 |

● SCREENS

| | | |
|------------------------------|-------------|-----|
| Edge Duo Shower Screen | 137504..... | 760 |
|------------------------------|-------------|-----|

SHOWERS 763

● ALCOVE SHOWERS - ACRYLIC

| | | |
|------------------------------|--------------|-----|
| Stamina 48-I (1-piece) | 101139..... | 763 |
| Stamina 48-I (3-piece) | 101139S..... | 763 |

| | | |
|-------------------------------|--------------|-----|
| Stamina 48-II (1-piece) | 101140..... | 766 |
| Stamina 48-II (2-piece) | 101140S..... | 766 |
| Stamina 60-I (1-piece) | 101141..... | 769 |
| Stamina 60-I (3-piece) | 101141S..... | 769 |
| Stamina 60-II (1-piece) | 101142..... | 772 |
| Stamina 60-II (2-piece) | 101142S..... | 772 |

● ALCOVE SHOWERS - ACRYLIC

| | | |
|--------------------------------|--------------|-----|
| Allia SH-3636 (1-piece) | 107007..... | 775 |
| Allia SH-3636 (2-piece) | 107007S..... | 775 |
| Allia SH-4834 (1-piece) | 107005..... | 779 |
| Allia SH-4834 (2-piece) | 107005S..... | 779 |
| Allia SH-6034 (1-piece) | 107003..... | 784 |
| Allia SH-6034 (2-piece) | 107003S..... | 784 |
| Allia SHR-3636 1-piece | 107006..... | 790 |
| Allia SHR-3636 (3-piece) | 107006S..... | 790 |
| Allia SHR-4834 (1-piece) | 107004..... | 794 |
| Allia SHR-4834 (3-piece) | 107004S..... | 794 |
| Allia SHR-6034 (1-piece) | 107002..... | 799 |
| Allia SHR-6034 (3-piece) | 107002S..... | 799 |
| E148 | 103677..... | 804 |
| E160 | 103676..... | 806 |
| M148 | 103675..... | 808 |
| M160 | 103674..... | 810 |

● CORNER SHOWERS - ACRYLIC

| | | |
|--|--------------|-----|
| Freestyle 37 Neo-angle (1-Piece) | 102994..... | 811 |
| Freestyle 37 Neo-angle (2-piece) | 102994S..... | 811 |
| Freestyle 37 Neo-round (1-piece) | 102995..... | 814 |
| Freestyle 37 Neo-round (2-piece) | 102995S..... | 814 |
| Freestyle 37 Round (1-piece) | 102996..... | 817 |
| Freestyle 37 Round (2-piece) | 102996S..... | 817 |
| Freestyle 40 Neo-angle (1-piece) | 102997..... | 820 |
| Freestyle 40 Neo-angle (2-piece) | 102997S..... | 820 |
| Freestyle 40 Neo-round (1-piece) | 102998..... | 823 |
| Freestyle 40 Neo-round (2-piece) | 102998S..... | 823 |
| Freestyle 40 Round (1-piece) | 102999..... | 826 |
| Freestyle 40 Round (2-piece) | 102999S..... | 826 |

TUB DOORS 830

● SCREENS

| | | |
|------------------------------|-------------|-----|
| Edge Access Tub Screen | 137600..... | 830 |
| Edge Duo Tub Screen | 137502..... | 832 |
| Edge Square Tub Screen | 137501..... | 834 |
| Edge Tub Screen | 137500..... | 836 |

● TUB DOORS - BYPASS

| | | |
|------------------------------------|-------------|-----|
| Kameleon SC Tub Door - 8 mm | 134670..... | 838 |
| Kameleon SC Tub Doors - 6 mm | 134660..... | 841 |
| | 134661..... | 843 |
| Kameleon Tub Door - 8 mm | 134573..... | 846 |
| Kameleon Tub Doors - 6 mm | 134560..... | 852 |
| | 134561..... | 849 |

● TUB DOORS - BYPASS

| | | |
|------------------------------------|-------------|-----|
| Incognito 57 Shaker Tub Door | 135330..... | 854 |
| Incognito 57 Tub Door - 6 mm | 139351..... | 856 |

| | | |
|---|-------------|-----|
| Incognito 57 Tub Doors - 8 mm | 138522..... | 858 |
| | 139354..... | 860 |
| Polar Tub Door | 105410..... | 862 |
| Revelation Round Tub Door - 6 mm | 136692..... | 864 |
| Revelation Round Tub Door - 8 mm | 136695..... | 866 |
| Revelation Square Tub Door - 6 mm | 135692..... | 868 |
| Revelation Square Tub Door - 8 mm | 135695..... | 870 |
| Uptown Bypass Tub Door | 135320..... | 872 |

● **TUB DOORS - SLIDING**

| | | |
|------------------------------------|-------------|-----|
| Vela Tub Door | 138480..... | 874 |
| Vela Tub Door with Towel Bar | 138485..... | 876 |

● **TUB DOORS - SLIDING**

| | | |
|-----------------------------|-------------|-----|
| Halo Tub Door | 139398..... | 878 |
| Luminescence Tub Door | 138994..... | 880 |

TUB SHOWERS **883**

● **TUB SHOWERS - ACRYLIC**

| | | |
|--------------------------------|--------------|-----|
| Allia TS-6032 (1-piece) | 107001..... | 883 |
| Allia TS-6032 (2-piece) | 107001S..... | 883 |
| Allia TSR-6032 (1-piece) | 107000..... | 889 |
| Allia TSR-6032 (3-piece) | 107000S..... | 889 |
| CAE206S | 103678..... | 895 |
| M260 | 103679..... | 897 |

WALLS **900**

● **ACRYLIC WALLS**

| | | |
|-----------------------------------|-------------|-----|
| Back wall - 32x72 in. | 105068..... | 900 |
| Back wall - 36x72 in. | 105069..... | 900 |
| Back wall - 42x72 in. | 105070..... | 900 |
| Back wall - 48x72 in. | 105071..... | 900 |
| Back wall - 60x72 in. | 105072..... | 901 |
| Wall set (2 walls) 30x72 in. | 105062..... | 903 |
| Wall set (2 walls) 32x72 in. | 105063..... | 903 |
| Wall set (2 walls) 36x72 in. | 105064..... | 903 |
| Wall set (2 walls) 38x72 in. | 105065..... | 903 |
| Wall set (2 walls) 40x72 in. | 105066..... | 904 |
| Wall set (2 walls) 42x72 in. | 105067..... | 904 |

● **UTILE**

| | | |
|---------------------------------|-------------|-----|
| Single Back Walls | 103416..... | 906 |
| | 103421..... | 906 |
| | 103422..... | 907 |
| Single Side Walls | 103415..... | 910 |
| | 103419..... | 910 |
| Wall Kits - Alcove Shower | 107459..... | 913 |
| | 107460..... | 913 |
| | 107463..... | 914 |
| | 107464..... | 914 |
| | 107479..... | 915 |
| Wall Kits - Corner Shower | 103388..... | 918 |
| | 107461..... | 918 |
| | 107462..... | 919 |
| | 107465..... | 919 |
| | 107466..... | 919 |

| | | |
|-----------------------|-------------|-----|
| Wall Kits - Tub | 103418..... | 923 |
| | 103424..... | 923 |

● **VERSALINE**

| | | |
|--|-------------|-----|
| Wall Kits - Alcove Shower - Subway | 107180..... | 927 |
| | 107182..... | 927 |
| Wall Kits - Alcove Shower - Vertical | 107181..... | 928 |
| | 107183..... | 928 |

Bathtubs



Odetta 5832 — AcrylX Freestanding Center Drain Bathtub



Tandem 5454



Material : Acrylic
 Min: 52 Gal / 195 L
 Max: 68 Gal / 259 L

Features

- › Corner shape bathtub
- › Drop-in installation or corner installation with optional nailing flange
- › Textured floor with integrated seat
- › Center drain
- › Skirt available

CORNER BATHTUBS - ACRYLIC

TANDEM 5454 - 100875

| SKU | System | Color | Configuration | Dimensions & Weight | Packaging | MSRP | |
|--------------------|--|---------|---------------|---|--------------------|---------|---------|
| 100875-000-001-000 | Soaker - No System | White | Center | 54 1/8" x 54 1/8" x 18 1/4" / 78 lb / 35 kg | 35 ft ³ | \$ 1419 | |
| 100875-000-001-010 | | | | | | \$ 1419 | |
| 100875-000-004-000 | | Bone | | | | \$ 1419 | |
| 100875-000-004-010 | | | | | | \$ 1419 | |
| 100875-000-007-000 | | Biscuit | | | | \$ 1419 | |
| 100875-000-007-010 | | | | | | \$ 1419 | |
| 100875-003-001-000 | Whirlpool ^{1 4} | White | | | | | \$ 2767 |
| 100875-003-001-010 | | | | | | \$ 2767 | |
| 100875-003-004-000 | | Bone | | | | \$ 2767 | |
| 100875-003-004-010 | | | | | | \$ 2767 | |
| 100875-003-007-000 | | Biscuit | | | | \$ 2767 | |
| 100875-003-007-010 | | | | | | \$ 2767 | |
| 100875-097-001 | Combined Whirlpool & Aeroeffect ^{1 3} | White | | \$ 4665 | | | |
| 100875-097-004 | | Bone | \$ 4665 | | | | |
| 100875-097-007 | | Biscuit | \$ 4665 | | | | |
| 100875-103-001 | Aeroeffect ^{1 2 5} | White | | \$ 3680 | | | |
| 100875-103-004 | | Bone | \$ 3680 | | | | |
| 100875-103-007 | | Biscuit | \$ 3680 | | | | |
| 100875-RL-097-001 | Combined Whirlpool & Aeroeffect ^{1 3} | White | | \$ 4665 | | | |
| 100875-RL-097-004 | | Bone | \$ 4665 | | | | |

TANDEM 5454 - 100875

| SKU | System | Color | Configuration | Dimensions & Weight | Packaging | MSRP |
|-------------------|--|---------|---------------|---|--------------------|---------|
| 100875-RL-097-007 | Combined Whirlpool & Aeroeffect ^{1 3} | Biscuit | Center | 54 1/8" x 54 1/8" x 18 1/4" / 78 lb / 35 kg | 35 ft ³ | \$ 4665 |
| 100875-RL-103-001 | Aeroeffect ^{1 2 5} | White | | | | \$ 3680 |
| 100875-RL-103-004 | | Bone | | | | \$ 3680 |
| 100875-RL-103-007 | | Biscuit | | | | \$ 3680 |

COMMON OPTIONS

| SKU | Description | MSRP |
|--------------------|--|--|
| OPT10053 | One chromatherapy light (factory installed) ⁵⁴ | \$ 641 |
| OPT10095 | Water heater assembly for whirlpool and combined systems (factory installed) | \$ 908 |
| OPT10106-084 | Metal trim kit for whirlpool and combined systems (factory installed) Available colors: Chrome (084) and Brushed Nickel (105) | \$ 568 |
| OPT10106-105 | | \$ 568 |
| OPT10113-007 | 6-in. acrylic grab bar (factory installed) ⁷ Available colors: White (001), Bone (004), Biscuit (007), Chrome (084) and Brushed Nickel (105) | \$ 238 |
| OPT10113-004 | | \$ 238 |
| OPT10113-001 | | \$ 238 |
| OPT10113-084 | | \$ 238 |
| OPT10113-105 | | \$ 238 |
| OPT20029-105 | | Metal trim kit for air push control (factory installed) Available colors: Chrome (084) and Brushed Nickel (105) |
| OPT20029-084 | \$ 50 | |
| OPT20137-004 | Cable-operated waste and overflow (16 in. to 22 in.) (included in product packaging when purchased) Available colors: White (001), Bone (004), Chrome (084) and Brushed Nickel (105) | \$ 238 |
| OPT20137-084 | | \$ 238 |
| OPT20137-105 | | \$ 238 |
| OPT20137-001 | | \$ 238 |
| OPT10004 | Nailing flange (factory installed) OPT10004-R Right-hand drain OPT10004-L Left-hand drain Note: For corner bathtubs, there is no need to specify a right or left-hand side when ordering this option. The flange will be installed on both sides of the unit. | \$ 187 |
| 100250-000-001-000 | 1-piece acrylic apron (reinforced with fiberglass) Specify: Standard colors: White (001), Bone (004), Biscuit (007) | \$ 785 |
| 100250-000-007-000 | | \$ 785 |
| 100250-000-004-000 | | \$ 785 |

ACCESSORIES

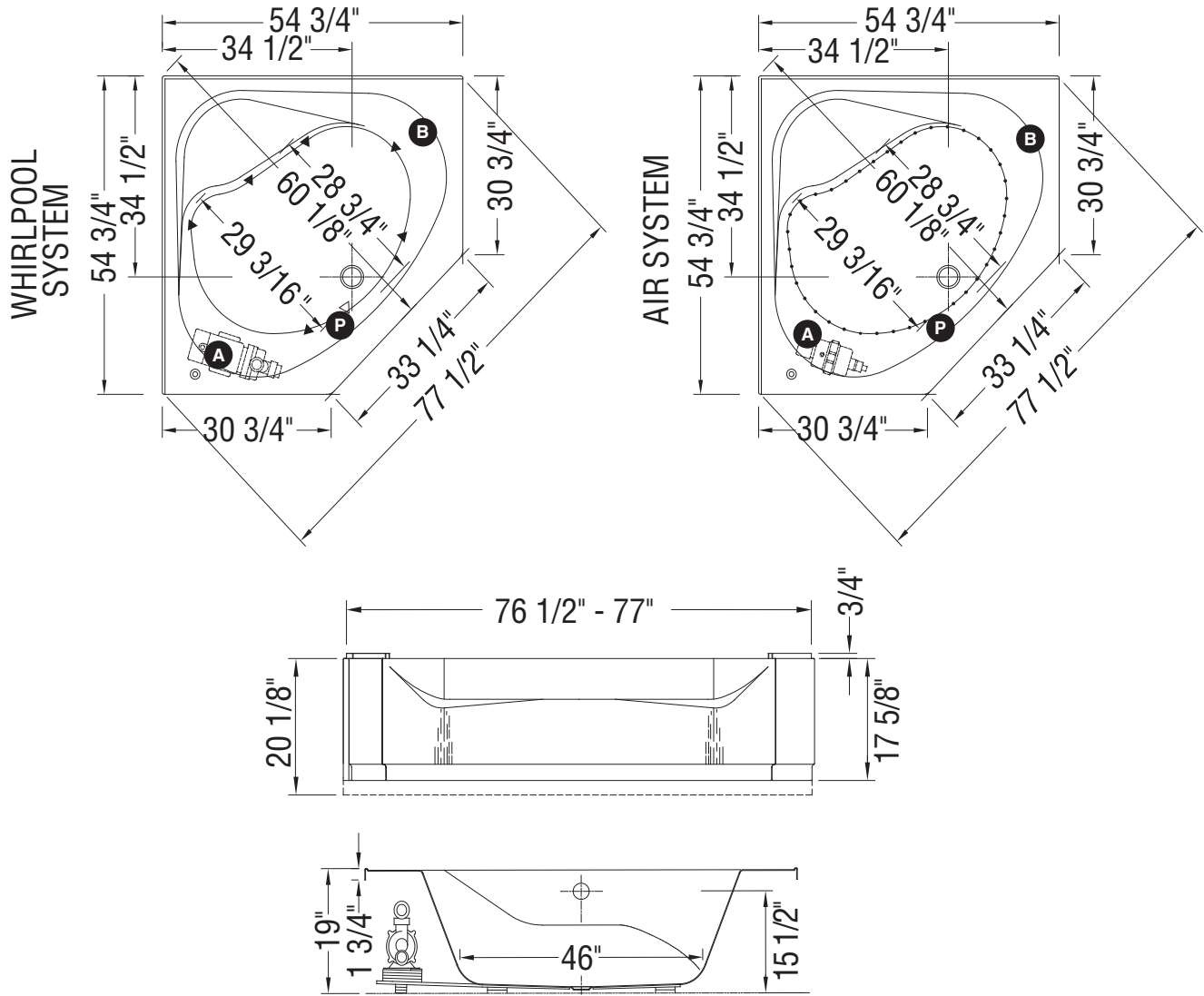
| SKU | Description | MSRP |
|--------------|--|--------|
| 10006923 | Flexible main hose (9 ft. extension) for air push control air massage - Kit (sold separately) | \$ 166 |
| 10063099 | Nailing flange (sold separately) | \$ 187 |
| 10004306-001 | White foam cushion with 2 suction pads (sold separately) Available color: White (001) | \$ 120 |
| 10006887-105 | Metal trim kit for Whirlpool and combined systems (sold separately) Available colors: Chrome (084) and Brushed Nickel (105) | \$ 568 |
| 10006887-084 | | \$ 568 |
| 10034250-084 | Metal trim kit for Aeroeffect with Air Push Control (sold separately) Available colors: Chrome (084) and Brushed Nickel (105) | \$ 50 |

ACCESSORIES

| SKU | Description | MSRP |
|--------------|--|--------|
| 10034250-105 | Metal trim kit for Aeroeffect with Air Push Control (sold separately) Available colors: Chrome (084) and Brushed Nickel (105) | \$ 50 |
| 10022491-084 | Cable-operated waste and overflow (16 in. to 22 in.) (sold separately) Available colors: White (001), Bone (004), Chrome (084) and Brushed Nickel (105) | \$ 238 |
| 10022491-004 | | \$ 238 |
| 10022491-105 | | \$ 238 |
| 10022491-001 | | \$ 238 |

FOOTNOTES

| No | Description |
|----|---|
| 1 | Components for standard colour units equipped with systems are colour-coordinated. Trim kit and/or air push with metallic finish can be added (additional charge applies). For non-standard colour units, please specify trim kit and/or air push colour (additional charge applies for metallic finishes). Please note that the positioning of the system's control could be in conflict with the door if one was installed on the unit. To insure compatibility, please contact customer service. |
| 2 | Please order flexible main hose 10006923 for installation of the blower further than 3 ft from the bathtub. For the Tandem models and the Serenade models (freestanding and drop-in), the blower is always remote and not factory installed so a 9 ft flexible main hose is included. Please note that the positioning of the system's control could be in conflict with the door if one was installed on the unit. To insure compatibility, please contact customer service. |
| 3 | The blower is not factory installed (remote). 9 ft flexible main hose included. Please note that the positioning of the system's control could be in conflict with the door if one was installed on the unit. To insure compatibility, please contact customer service. |
| 4 | For details on pump position and requirements, see technical drawings on https://www.maax.com . When there is a pump position A or B indicated on the technical drawing, please specify position when ordering. |
| 5 | For details on blower position and requirements, see technical drawings on https://www.maax.com . When there is a blower position A or B indicated on the technical drawing, please specify position when ordering. |
| 7 | One 6 in. metal or acrylic grab bar is optional. Factory installed, only one positioning is possible (see technical drawings on https://www.maax.com). |
| 9 | 6-Pack bathtubs are only available when units are without systems and in a standard colour. |
| 54 | A selection of units come with an access panel by default when equipped with a system. However, if the unit is only equipped with chromatherapy, the access panel will not be provided by default. |



- (A) : Standard blower and/or pump location
- (B) : Optional blower and/or pump location
- (P) : Indicates optional grab bar positioning
- (▲) : Indicates Whirlpool jets positioning
- (●) : Indicates airjets positioning
- (△) : Indicates suction positioning

All dimensions are approximate. Structure measurements must be verified against the unit to ensure proper fit.



Tandem II 6060



Material : Acrylic
 Min: 40 Gal / 150 L
 Max: 61 Gal / 232 L

Features

- › Corner shape bathtub
- › Drop-in or corner installation (optional nailing flange available)
- › Textured floor
- › Center drain
- › Apron available
- › Tilling flange available

TANDEM II 6060 - 100054

| SKU | System | Color | Configuration | Dimensions & Weight | Packaging | MSRP |
|--------------------|--|---------|---------------|-------------------------------------|--------------------|---------|
| 100054-000-001-000 | Soaker - No System | White | Center | 60" x 60" x 18 3/4" / 85 lb / 39 kg | 35 ft ³ | \$ 1929 |
| 100054-000-004-000 | | Bone | | | | \$ 1929 |
| 100054-000-007-000 | | Biscuit | | | | \$ 1929 |
| 100054-003-001-000 | Whirlpool ^{1 4} | White | | | | \$ 3277 |
| 100054-003-004-000 | | Bone | | | | \$ 3277 |
| 100054-003-007-000 | | Biscuit | | | | \$ 3277 |
| 100054-097-001 | Combined Whirlpool & Aeroeffect ^{1 3} | White | | | | \$ 5175 |
| 100054-097-004 | | Bone | | | | \$ 5175 |
| 100054-097-007 | | Biscuit | | | | \$ 5175 |
| 100054-103-001-100 | Aeroeffect ^{1 2 5} | White | | | | \$ 4190 |
| 100054-103-004 | | Bone | | | | \$ 4190 |
| 100054-103-007 | | Biscuit | | | | \$ 4190 |

COMMON OPTIONS

| SKU | Description | MSRP |
|--------------|--|--------|
| OPT10053 | One chromatherapy light (factory installed) ⁵⁴ | \$ 641 |
| OPT10095 | Water heater assembly for whirlpool and combined systems (factory installed) | \$ 908 |
| OPT10352 | Access panels option for apron | \$ 268 |
| OPT10106-084 | Metal trim kit for whirlpool and combined systems (factory installed) Available colors: Chrome (084) and Brushed Nickel (105) | \$ 568 |

COMMON OPTIONS

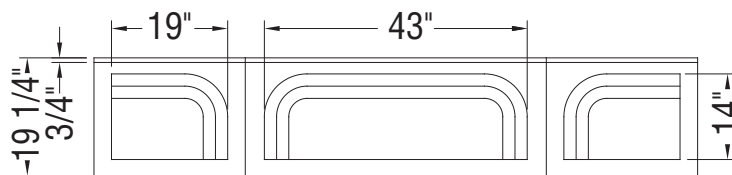
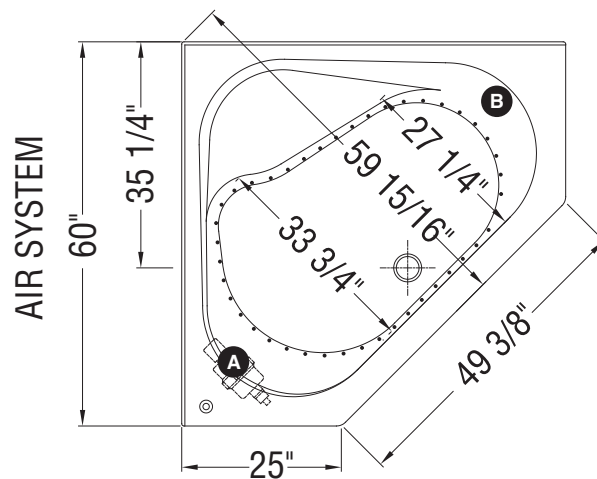
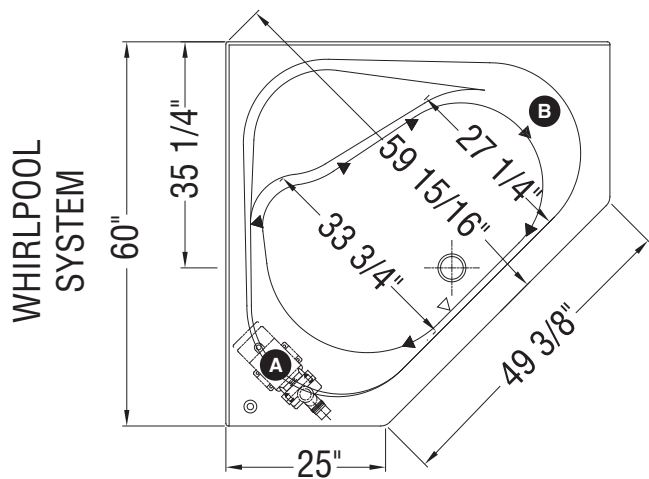
| SKU | Description | MSRP |
|--------------------|--|--|
| OPT10106-105 | Metal trim kit for whirlpool and combined systems (factory installed) Available colors: Chrome (084) and Brushed Nickel (105) | \$ 568 |
| OPT10113-007 | 6-in. acrylic grab bar (factory installed) ⁷ Available colors: White (001), Bone (004), Biscuit (007), Chrome (084) and Brushed Nickel (105) | \$ 238 |
| OPT10113-004 | | \$ 238 |
| OPT10113-001 | | \$ 238 |
| OPT10113-084 | | \$ 238 |
| OPT10113-105 | | \$ 238 |
| OPT20029-105 | | Metal trim kit for air push control (factory installed) Available colors: Chrome (084) and Brushed Nickel (105) |
| OPT20029-084 | | \$ 50 |
| OPT20137-004 | Cable-operated waste and overflow (16 in. to 22 in.) (included in product packaging when purchased) Available colors: White (001), Bone (004), Chrome (084) and Brushed Nickel (105) | \$ 238 |
| OPT20137-084 | | \$ 238 |
| OPT20137-105 | | \$ 238 |
| OPT20137-001 | | \$ 238 |
| OPT10004 | Nailing flange (factory installed) OPT10004-R Right-hand drain OPT10004-L Left-hand drain Note: For corner bathtubs, there is no need to specify a right or left-hand side when ordering this option. The flange will be installed on both sides of the unit. | \$ 187 |
| 100251-000-001-000 | 1-piece acrylic apron (reinforced with fiberglass) Specify: Standard colors: White (001), Bone (004), Biscuit (007) | \$ 785 |
| 100251-000-007-100 | | \$ 785 |
| 100251-000-004-100 | | \$ 785 |

ACCESSORIES

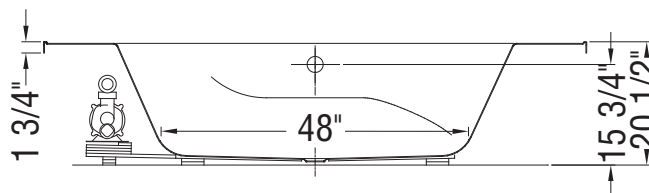
| SKU | Description | MSRP |
|--------------|--|--------|
| 10006920 | Tiling flange, 2 x 60 in. (sold separately) | \$ 121 |
| 10006923 | Flexible main hose (9 ft. extension) for air push control air massage - Kit (sold separately) | \$ 166 |
| 10063099 | Nailing flange (sold separately) | \$ 187 |
| 10004306-001 | White foam cushion with 2 suction pads (sold separately) Available color: White (001) | \$ 120 |
| 10006887-105 | Metal trim kit for Whirlpool and combined systems (sold separately) Available colors: Chrome (084) and Brushed Nickel (105) | \$ 568 |
| 10006887-084 | | \$ 568 |
| 10034250-084 | Metal trim kit for Aeroeffect with Air Push Control (sold separately) Available colors: Chrome (084) and Brushed Nickel (105) | \$ 50 |
| 10034250-105 | | \$ 50 |
| 10022491-084 | Cable-operated waste and overflow (16 in. to 22 in.) (sold separately) Available colors: White (001), Bone (004), Chrome (084) and Brushed Nickel (105) | \$ 238 |
| 10022491-004 | | \$ 238 |
| 10022491-105 | | \$ 238 |
| 10022491-001 | | \$ 238 |

FOOTNOTES

| No | Description |
|----|---|
| 1 | Components for standard colour units equipped with systems are colour-coordinated. Trim kit and/or air push with metallic finish can be added (additional charge applies). For non-standard colour units, please specify trim kit and/or air push colour (additional charge applies for metallic finishes). Please note that the positioning of the system's control could be in conflict with the door if one was installed on the unit. To insure compatibility, please contact customer service. |
| 2 | Please order flexible main hose 10006923 for installation of the blower further than 3 ft from the bathtub. For the Tandem models and the Serenade models (freestanding and drop-in), the blower is always remote and not factory installed so a 9 ft flexible main hose is included. Please note that the positioning of the system's control could be in conflict with the door if one was installed on the unit. To insure compatibility, please contact customer service. |
| 3 | The blower is not factory installed (remote). 9 ft flexible main hose included. Please note that the positioning of the system's control could be in conflict with the door if one was installed on the unit. To insure compatibility, please contact customer service. |
| 4 | For details on pump position and requirements, see technical drawings on https://www.maax.com . When there is a pump position A or B indicated on the technical drawing, please specify position when ordering. |
| 5 | For details on blower position and requirements, see technical drawings on https://www.maax.com . When there is a blower position A or B indicated on the technical drawing, please specify position when ordering. |
| 7 | One 6 in. metal or acrylic grab bar is optional. Factory installed, only one positioning is possible (see technical drawings on https://www.maax.com). |
| 54 | A selection of units come with an access panel by default when equipped with a system. However, if the unit is only equipped with chromatherapy, the access panel will not be provided by default. |



Note: In front view, skirt is shown flat.



- (A) : Standard blower and/or pump location
- (B) : Optional blower and/or pump location
- (▲) : Indicates Whirlpool jets positioning
- (●) : Indicates airjets positioning
- (△) : Indicates suction positioning

All dimensions are approximate. Structure measurements must be verified against the unit to ensure proper fit.

Tryst



Material : Acrylic
 Min: 50 Gal / 191 L
 Max: 66 Gal / 250 L

Features

- › Corner shape bathtub
- › Drop-in or corner installation
- › Integrated armrests and textured floor
- › Center drain
- › Apron and nailing flange available

TRYST - 100053

| SKU | System | Color | Configuration | Dimensions & Weight | Packaging | MSRP |
|--------------------|--|---------|---------------|--|--------------------|---------|
| 100053-000-001-000 | Soaker - No System | White | Center | 59 1/4" x 59 1/4" x 18 5/8" / 105 lb / 48 kg | 44 ft ³ | \$ 1667 |
| 100053-000-004-000 | | Bone | | | | \$ 1667 |
| 100053-000-007-000 | | Biscuit | | | | \$ 1667 |
| 100053-003-001-000 | Whirlpool ^{1 4} | White | | | | \$ 3015 |
| 100053-003-004-000 | | Bone | | | | \$ 3015 |
| 100053-003-007-000 | | Biscuit | | | | \$ 3015 |
| 100053-097-001 | Combined Whirlpool & Aeroeffect ^{1 3} | White | | | | \$ 4913 |
| 100053-097-004 | | Bone | | | | \$ 4913 |
| 100053-097-007 | | Biscuit | | | | \$ 4913 |
| 100053-103-001-100 | Aeroeffect ^{1 2 5} | White | | | | \$ 3928 |
| 100053-103-004 | | Bone | | | | \$ 3928 |
| 100053-103-007 | | Biscuit | | | | \$ 3928 |

COMMON OPTIONS

| SKU | Description | MSRP |
|----------|--|--------|
| OPT10004 | Nailing flange (factory installed) OPT10004-R Right-hand drain OPT10004-L Left-hand drain Note: For corner bathtubs, there is no need to specify a right or left-hand side when ordering this option. The flange will be installed on both sides of the unit. | \$ 187 |
| OPT10053 | One chromatherapy light (factory installed) ⁵⁴ | \$ 641 |
| OPT10095 | Water heater assembly for whirlpool and combined systems (factory installed) | \$ 908 |

COMMON OPTIONS

| SKU | Description | MSRP |
|--------------------|---|--------|
| OPT10352 | Access panels option for apron | \$ 268 |
| OPT10106-084 | Metal trim kit for whirlpool and combined systems (factory installed) | \$ 568 |
| OPT10106-105 | Available colors: Chrome (084) and Brushed Nickel (105) | \$ 568 |
| OPT20029-105 | Metal trim kit for air push control (factory installed) | \$ 50 |
| OPT20029-084 | Available colors: Chrome (084) and Brushed Nickel (105) | \$ 50 |
| OPT20137-004 | Cable-operated waste and overflow (16 in. to 22 in.) (included in product packaging when purchased) Available colors: White (001), Bone (004), Chrome (084) and Brushed Nickel (105) | \$ 238 |
| OPT20137-084 | | \$ 238 |
| OPT20137-105 | | \$ 238 |
| OPT20137-001 | | \$ 238 |
| 100985-000-007-000 | Acrylic apron without access panel Specify: Standard colors: White (001), Bone (004), Biscuit (007) | \$ 785 |
| 100985-000-004-000 | | \$ 785 |
| 100985-000-001-000 | | \$ 785 |

ACCESSORIES

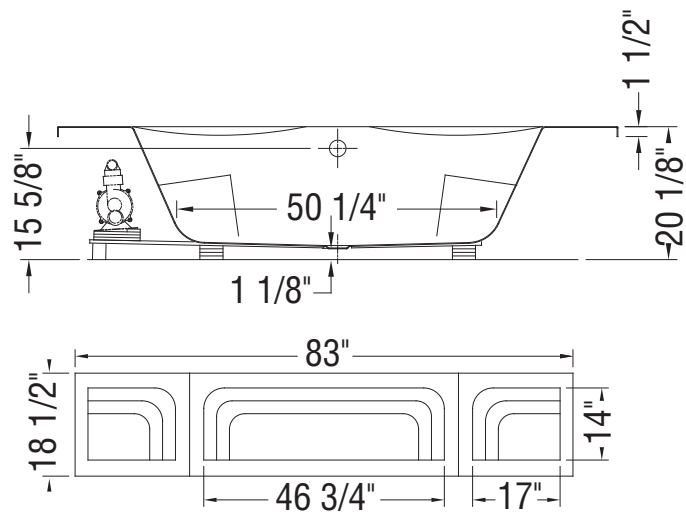
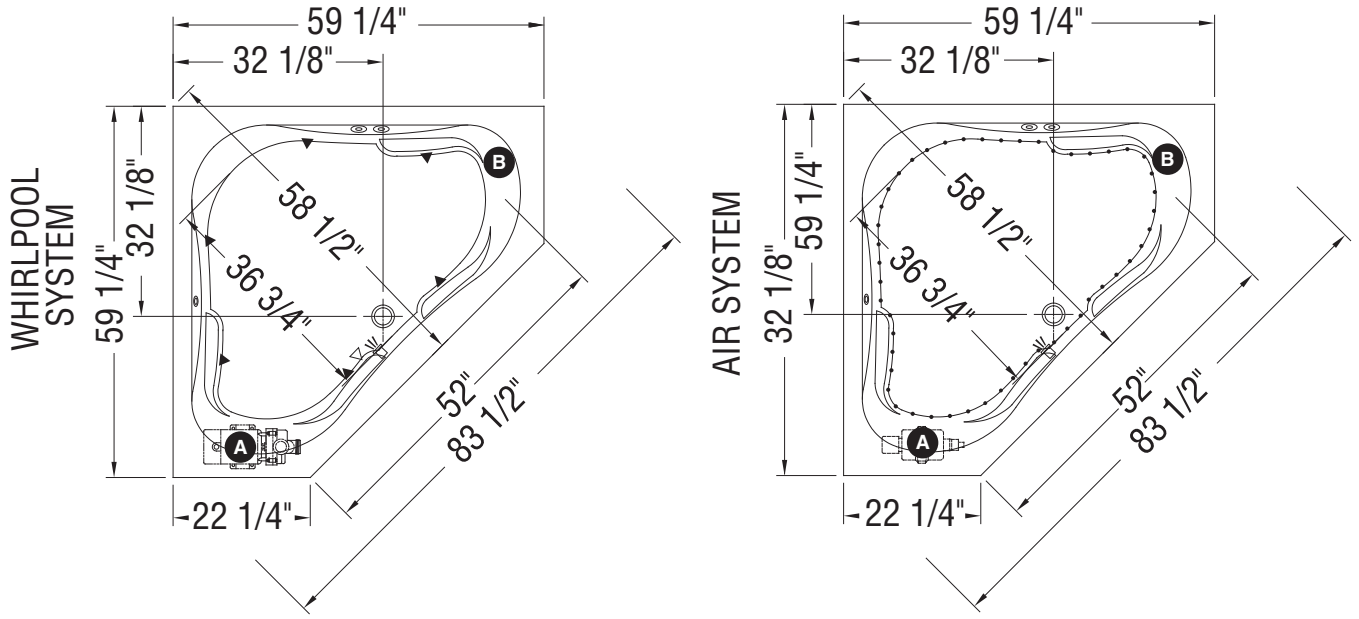
| SKU | Description | MSRP |
|--------------|--|--------|
| 10006920 | Tiling flange, 2 x 60 in. (sold separately) | \$ 121 |
| 10006923 | Flexible main hose (9 ft. extension) for air push control air massage - Kit (sold separately) | \$ 166 |
| 10063099 | Nailing flange (sold separately) | \$ 187 |
| 10004306-001 | White foam cushion with 2 suction pads (sold separately) Available color: White (001) | \$ 120 |
| 10006887-105 | Metal trim kit for Whirlpool and combined systems (sold separately) | \$ 568 |
| 10006887-084 | Available colors: Chrome (084) and Brushed Nickel (105) | \$ 568 |
| 10034250-084 | Metal trim kit for Aeroeffect with Air Push Control (sold separately) | \$ 50 |
| 10034250-105 | Available colors: Chrome (084) and Brushed Nickel (105) | \$ 50 |
| 10022491-084 | Cable-operated waste and overflow (16 in. to 22 in.) (sold separately) Available colors: White (001), Bone (004), Chrome (084) and Brushed Nickel (105) | \$ 238 |
| 10022491-004 | | \$ 238 |
| 10022491-105 | | \$ 238 |
| 10022491-001 | | \$ 238 |

FOOTNOTES

| No | Description |
|----|---|
| 1 | Components for standard colour units equipped with systems are colour-coordinated. Trim kit and/or air push with metallic finish can be added (additional charge applies). For non-standard colour units, please specify trim kit and/or air push colour (additional charge applies for metallic finishes). Please note that the positioning of the system's control could be in conflict with the door if one was installed on the unit. To insure compatibility, please contact customer service. |
| 2 | Please order flexible main hose 10006923 for installation of the blower further than 3 ft from the bathtub. For the Tandem models and the Serenade models (freestanding and drop-in), the blower is always remote and not factory installed so a 9 ft flexible main hose is included. Please note that the positioning of the system's control could be in conflict with the door if one was installed on the unit. To insure compatibility, please contact customer service. |
| 3 | The blower is not factory installed (remote). 9 ft flexible main hose included. Please note that the positioning of the system's control could be in conflict with the door if one was installed on the unit. To insure compatibility, please contact customer service. |
| 4 | For details on pump position and requirements, see technical drawings on https://www.maax.com . When there is a pump position A or B indicated on the technical drawing, please specify position when ordering. |

FOOTNOTES

| No | Description |
|----|--|
| 5 | For details on blower position and requirements, see technical drawings on https://www.maax.com . When there is a blower position A or B indicated on the technical drawing, please specify position when ordering. |
| 54 | A selection of units come with an access panel by default when equipped with a system. However, if the unit is only equipped with chromatherapy, the access panel will not be provided by default. |



- (A) : Standard blower and/or pump location
- (B) : Optional blower and/or pump location
- (▲) : Indicates Whirlpool jets positioning
- (•) : Indicates airjets positioning
- (△) : Indicates suction positioning
- (☼) : Indicates chromatherapy light positioning

All dimensions are approximate. Structure measurements must be verified against the unit to ensure proper fit.

Ariosa 6032



Material : Acrylic
 Max: 46 Gal / 173 L

Features

- › Acrylic surface resistant to stains
- › 2-piece bathtub for an easy installation
- › Available in white, thunder gray, sterling silver or black color to complement any bathroom decor
- › Available in an Above-the-Floor Rough (AFR) configuration for easier drain, waste and overflow installation
- › Compatible with MAAX F2 Drain connector to save time and money on installation
- › MAAX innovative leveling legs for easy installation
- › Spacious 1-person bath
- › Proudly made in North America
- › High gloss finish resistant to dulling, scratching, and fading

FREESTANDING BATHTUBS - ACRYLIC

ARIOSIA 6032 - 106266

| SKU | System | Color | Configuration | Dimensions & Weight | Packaging | MSRP |
|--------------------|--------------------|-----------------|---------------|-------------------------------------|-----------|---------|
| 106266-000-001-100 | Soaker - No System | White | End | 60 1/4" x 32" x 28" / 77 lb / 35 kg | 39.3 ft³ | \$ 2795 |
| 106266-000-001-101 | | Sterling Silver | | | | \$ 3195 |
| 106266-000-001-102 | | Black | | | | \$ 3195 |
| 106266-000-001-103 | | Thunder Gray | | | | \$ 3195 |

COMMON OPTIONS

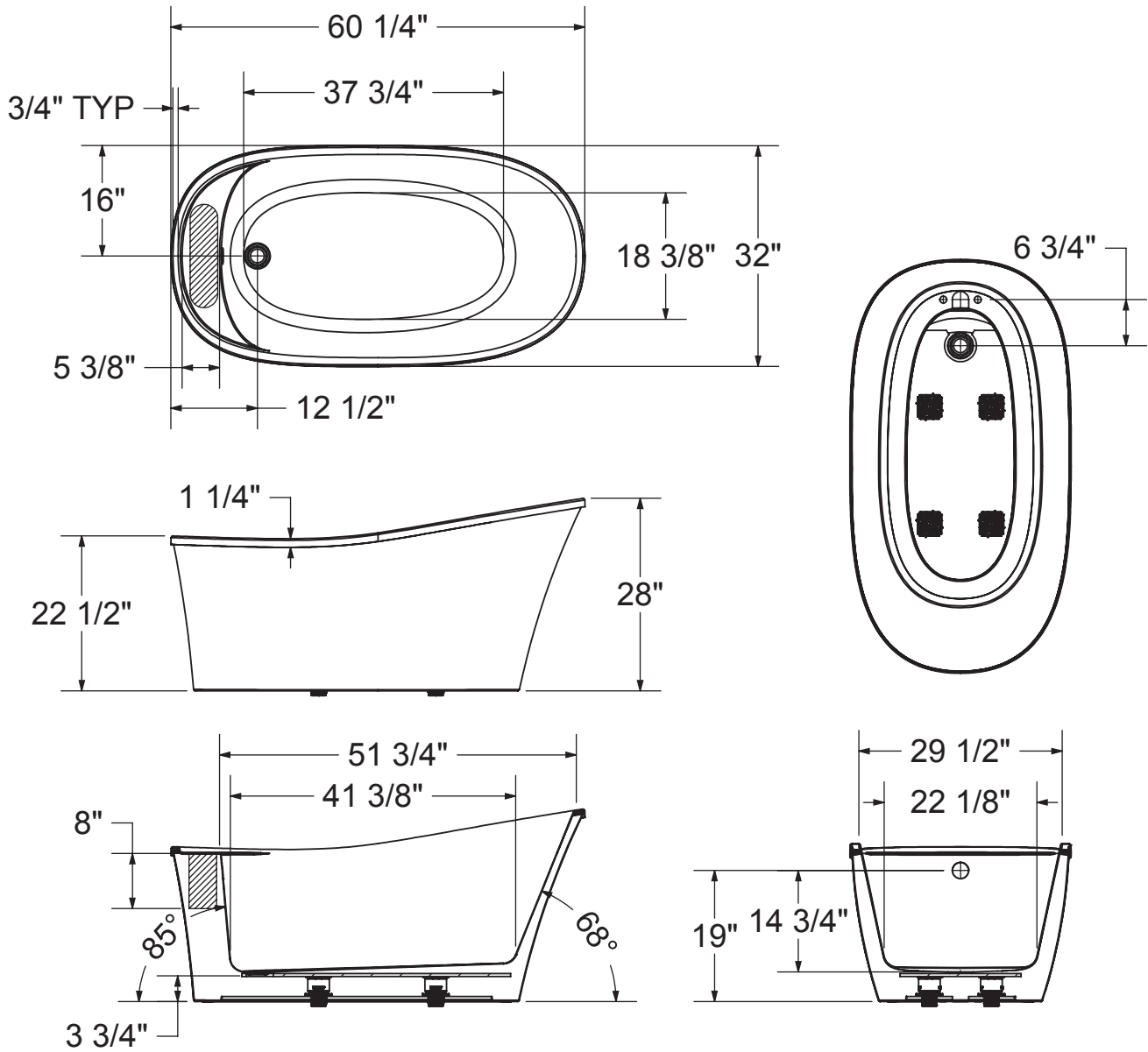
| SKU | Description | MSRP |
|--------------------|---|---------|
| OPT20252 | Linear Waste & Overflow with pack of 3 finishes (Chrome, Brushed Nickel & Dark Bronze) | \$ 369 |
| OPT20137-004 | Cable-operated waste and overflow (16 in. to 22 in.) (included in product packaging when purchased) Available colors: White (001), Bone (004), Chrome (084) and Brushed Nickel (105) | \$ 238 |
| OPT20137-084 | | \$ 238 |
| OPT20137-105 | | \$ 238 |
| OPT20137-001 | | \$ 238 |
| OPT20250-084 | Brass flexible waste and overflow for high-rise construction | \$ 359 |
| OPT20250-105 | Available colors: Chrome (084) and Brushed Nickel (105) | \$ 423 |
| 106268-000-019-000 | Apron only (sold separately as a replacement part) Available standard apron colors: White (002) Available non-standard apron colors: Thunder Grey (019), Sterling Silver (006) and Black (015) | \$ 2010 |


COMMON OPTIONS

| SKU | Description | MSRP |
|--------------------|--|---------|
| 106268-000-002-000 | Apron only (sold separately as a replacement part) | \$ 1610 |
| 106268-000-006-000 | Available standard apron colors: White (002) Available non-standard apron colors: | \$ 2010 |
| 106268-000-015-000 | Thunder Grey (019), Sterling Silver (006) and Black (015) | \$ 2010 |

ACCESSORIES

| SKU | Description | MSRP |
|--------------|---|---------|
| 10032747 | F ² Drain - ABS kit for freestanding bathtub installation (sold separately) Minimum space required for assembly is 10 3/8 inches Compatible exclusively with MAAX freestanding bathtubs. | \$ 198 |
| 10032757 | F ² Drain - Pack of 12 ABS kits for freestanding bathtub installation (sold separately) Minimum space required for assembly is 10 3/8 inches Compatible exclusively with MAAX freestanding bathtubs. | \$ 2282 |
| 10034335 | Positioning template for Ariosia 6032 freestanding installation (sold separately) | \$ 89 |
| 10034341 | F ² Drain - PVC kit for freestanding bathtub installation (sold separately) Minimum space required for assembly is 10 3/8 inches Compatible exclusively with MAAX freestanding bathtubs. | \$ 198 |
| 10004306-001 | White foam cushion with 2 suction pads (sold separately) Available color: White (001) | \$ 120 |
| 10025081-084 | Waste and overflow 27 in. flexible neck (sold separately) | \$ 432 |
| 10025081-105 | Available colors: Chrome (084) and Brushed Nickel (105) | \$ 432 |
| 10032808-084 | Brass flexible waste and overflow for high construction (sold separately) | \$ 359 |
| 10032808-105 | Available colors: Chrome (084) and Brushed Nickel (105) | \$ 423 |
| 10022491-084 | | \$ 238 |
| 10022491-004 | Cable-operated waste and overflow (16 in. to 22 in.) (sold separately) | \$ 238 |
| 10022491-105 | Available colors: White (001), Bone (004), Chrome (084) and Brushed Nickel (105) | \$ 238 |
| 10022491-001 | | \$ 238 |



(): Recommended facet area of 15" (L) x 4" (W).
Depth recommended for straight pipes 8".

All dimensions are approximate. Structure measurements must be verified against the unit to ensure proper fit.

Ariosa 6636



FREESTANDING BATHTUBS - ACRYLIC



Material : Acrylic
 Max: 56 Gal / 214 L

Features

- › Acrylic surface resistant to stains
- › 2-piece bathtub for an easy installation
- › Available in white, thunder gray, sterling silver or black color to complement any bathroom decor
- › Available in an Above-the-Floor Rough (AFR) configuration for easier drain, waste and overflow installation
- › Compatible with MAAX F2 Drain connector to save time and money on installation
- › MAAX innovative leveling legs for easy installation
- › Spacious 2-person bath
- › Proudly made in North America
- › High gloss finish resistant to dulling, scratching, and fading

| ARIOSA 6636 - 106267 | | | | | | |
|----------------------|--------------------|-----------------|---------------|-------------------------------------|-----------------------|---------|
| SKU | System | Color | Configuration | Dimensions & Weight | Packaging | MSRP |
| 106267-000-001-100 | Soaker - No System | White | Center | 66" x 36" x 27 3/8" / 88 lb / 40 kg | 47.27 ft ³ | \$ 3213 |
| 106267-000-001-101 | | Sterling Silver | | | | \$ 3613 |
| 106267-000-001-102 | | Black | | | | \$ 3613 |
| 106267-000-001-103 | | Thunder Gray | | | | \$ 3613 |

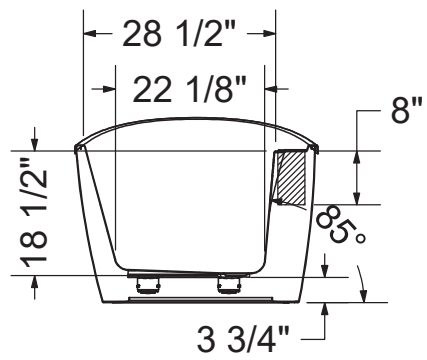
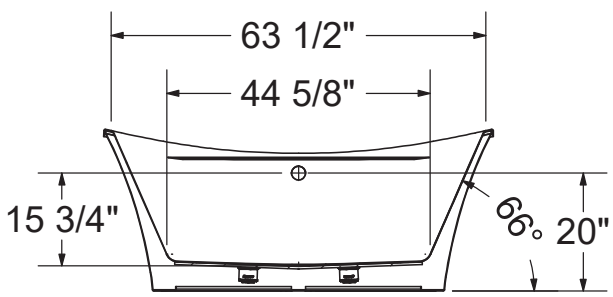
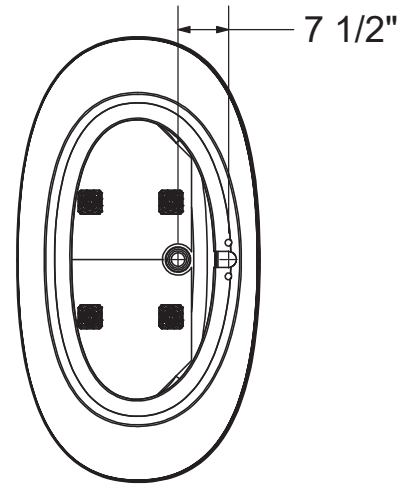
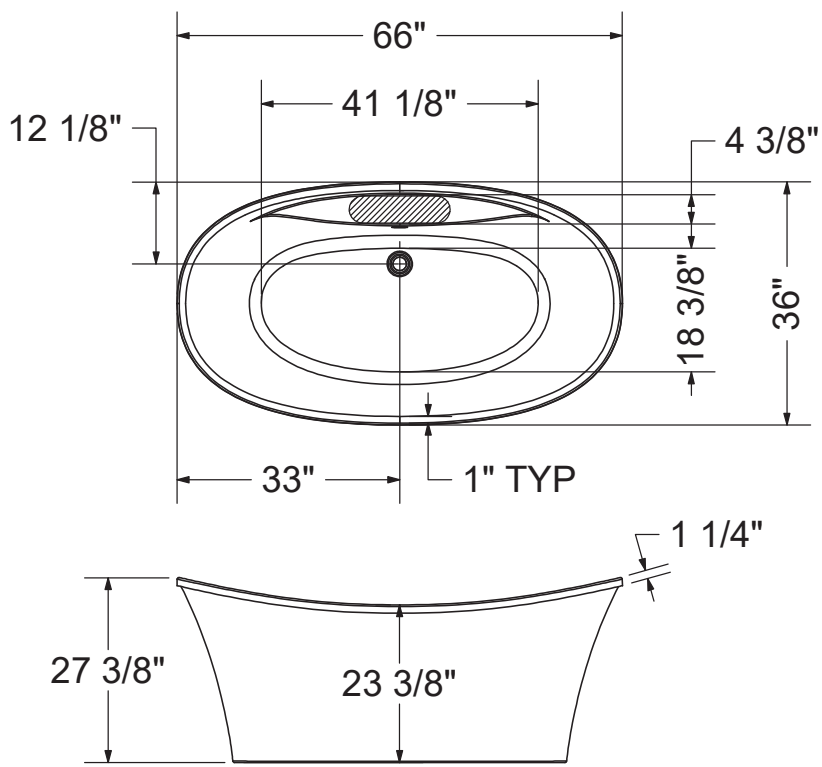
| COMMON OPTIONS | | |
|--------------------|---|---------|
| SKU | Description | MSRP |
| OPT20252 | Linear Waste & Overflow with pack of 3 finishes (Chrome, Brushed Nickel & Dark Bronze) | \$ 369 |
| OPT20137-004 | Cable-operated waste and overflow (16 in. to 22 in.) (included in product packaging when purchased) Available colors: White (001), Bone (004), Chrome (084) and Brushed Nickel (105) | \$ 238 |
| OPT20137-084 | | \$ 238 |
| OPT20137-105 | | \$ 238 |
| OPT20137-001 | | \$ 238 |
| OPT20250-084 | Brass flexible waste and overflow for high-rise construction | \$ 359 |
| OPT20250-105 | Available colors: Chrome (084) and Brushed Nickel (105) | \$ 423 |
| 106269-000-006-000 | Apron only (sold separately as a replacement part) Available standard apron colors: White (002) Available non-standard apron colors: Thunder Grey (019), Sterling Silver (006) and Black (015) | \$ 2216 |


COMMON OPTIONS

| SKU | Description | MSRP |
|--------------------|--|---------|
| 106269-000-019-000 | Apron only (sold separately as a replacement part) | \$ 2216 |
| 106269-000-002-000 | Available standard apron colors: White (002) Available non-standard apron colors: | \$ 1816 |
| 106269-000-015-000 | Thunder Grey (019), Sterling Silver (006) and Black (015) | \$ 2216 |

ACCESSORIES

| SKU | Description | MSRP |
|--------------|---|---------|
| 10032747 | F ² Drain - ABS kit for freestanding bathtub installation (sold separately) Minimum space required for assembly is 10 3/8 inches Compatible exclusively with MAAX freestanding bathtubs. | \$ 198 |
| 10032757 | F ² Drain - Pack of 12 ABS kits for freestanding bathtub installation (sold separately) Minimum space required for assembly is 10 3/8 inches Compatible exclusively with MAAX freestanding bathtubs. | \$ 2282 |
| 10034336 | Positioning template for Ariosia 6636 freestanding installation (sold separately) | \$ 89 |
| 10034341 | F ² Drain - PVC kit for freestanding bathtub installation (sold separately) Minimum space required for assembly is 10 3/8 inches Compatible exclusively with MAAX freestanding bathtubs. | \$ 198 |
| 10004306-001 | White foam cushion with 2 suction pads (sold separately) Available color: White (001) | \$ 120 |
| 10025081-084 | Waste and overflow 27 in. flexible neck (sold separately) | \$ 432 |
| 10025081-105 | Available colors: Chrome (084) and Brushed Nickel (105) | \$ 432 |
| 10032808-084 | Brass flexible waste and overflow for high construction (sold separately) | \$ 359 |
| 10032808-105 | Available colors: Chrome (084) and Brushed Nickel (105) | \$ 423 |
| 10022491-084 | | \$ 238 |
| 10022491-004 | Cable-operated waste and overflow (16 in. to 22 in.) (sold separately) | \$ 238 |
| 10022491-105 | Available colors: White (001), Bone (004), Chrome (084) and Brushed Nickel (105) | \$ 238 |
| 10022491-001 | | \$ 238 |



(): Recommended faucet area of 15" (L) x 4" (W).
Depth recommended for straight pipes 8".

All dimensions are approximate. Structure measurements must be verified against the unit to ensure proper fit.

Elina



Material : Acrylic
 Max: 95 Gal / 359 L

Features

- › Seamless 1-piece bathtub with a symmetrical look
- › Maximized bathing well with comfortable raised backrests and center drain
- › Linear-rounded overflow and drain in chrome (pre-installed)
- › F² Drain compatible
- › Only offered in white with optional trim finishes available
- › MAAX innovative leveling legs for easy installation

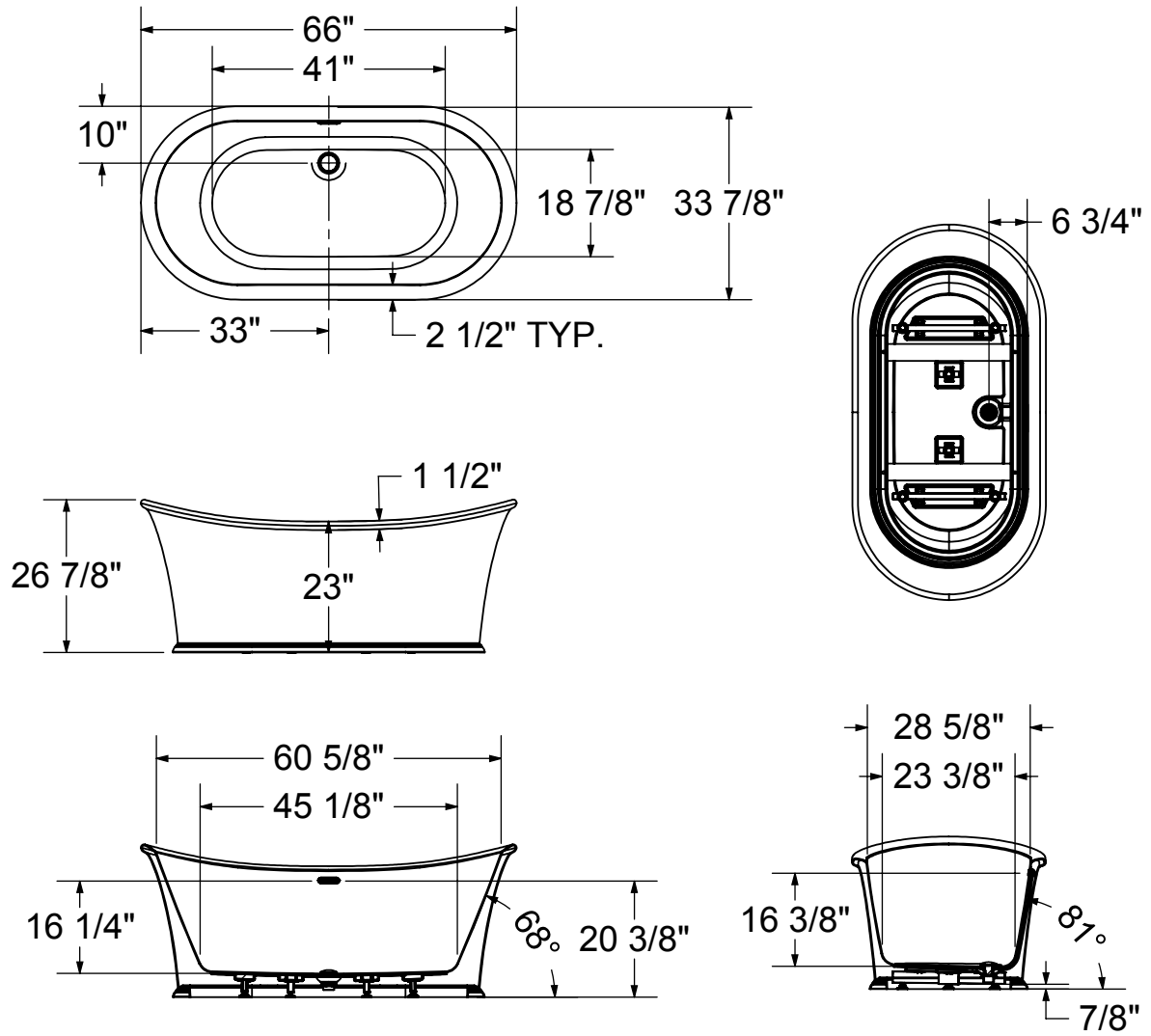
FREESTANDING BATHTUBS - ACRYLIC

| ELINA - 106389 | | | | | | |
|--------------------|--------------------|-------|---------------|--|--------------------|---------|
| SKU | System | Color | Configuration | Dimensions & Weight | Packaging | MSRP |
| 106389-000-001-000 | Soaker - No System | White | Center | 66" x 33 7/8" x 26 7/8" / 137 lb / 62 kg | 45 ft ³ | \$ 3964 |

| COMMON OPTIONS | | |
|----------------|--|--------|
| SKU | Description | MSRP |
| OPT20262-340 | Linear-rounded overflow and waste metal trim kit Available colors: White (002), Brushed Nickel (105), Dark Bronze (173) and Matte Black (340) | \$ 290 |
| OPT20262-002 | | \$ 290 |
| OPT20262-105 | | \$ 290 |
| OPT20262-173 | | \$ 290 |

| ACCESSORIES | | |
|-------------|---|---------|
| SKU | Description | MSRP |
| 10032747 | F ² Drain - ABS kit for freestanding bathtub installation (sold separately) Minimum space required for assembly is 10 3/8 inches Compatible exclusively with MAAX freestanding bathtubs. | \$ 198 |
| 10032757 | F ² Drain - Pack of 12 ABS kits for freestanding bathtub installation (sold separately) Minimum space required for assembly is 10 3/8 inches Compatible exclusively with MAAX freestanding bathtubs. | \$ 2282 |
| 10034341 | F ² Drain - PVC kit for freestanding bathtub installation (sold separately) Minimum space required for assembly is 10 3/8 inches Compatible exclusively with MAAX freestanding bathtubs. | \$ 198 |
| 10037818 | Positioning template for Elina freestanding installation (sold separately) | \$ 89 |

| ACCESSORIES | | |
|--------------|--|--------|
| SKU | Description | MSRP |
| 10037678-105 | Round waste metal trim Available colors: White (002), Chrome (084), Brushed Nickel (105), Dark Bronze (173) and Matte Black (340) | \$ 194 |
| 10037678-340 | | \$ 194 |
| 10037678-002 | | \$ 194 |
| 10037678-084 | | \$ 194 |
| 10037678-173 | | \$ 194 |
| 10037675-002 | Linear-rounded overflow metal trim Available colors: White (002), Chrome (084), Brushed Nickel (105), Dark Bronze (173) and Matte Black (340) | \$ 99 |
| 10037675-084 | | \$ 99 |
| 10037675-173 | | \$ 99 |
| 10037675-340 | | \$ 99 |
| 10037675-105 | | \$ 99 |



All dimensions are approximate. Structure measurements must be verified against the unit to ensure proper fit.

Ella Sleek



FREESTANDING BATHTUBS - ACRYLIC



Material : Acrylic
 Max: 61 Gal / 232 L

Features

- › Classic oval 2-piece freestanding bathtub with concealed seam
- › Comfortable backrest and ample deck space for faucet installation
- › MAAX innovative leveling legs for easy installation
- › Above-the-Floor Rough (AFR) and F² Drain compatible
- › Apron available in standard colors and 3 designer colors
- › No massage systems available
- › Center drain

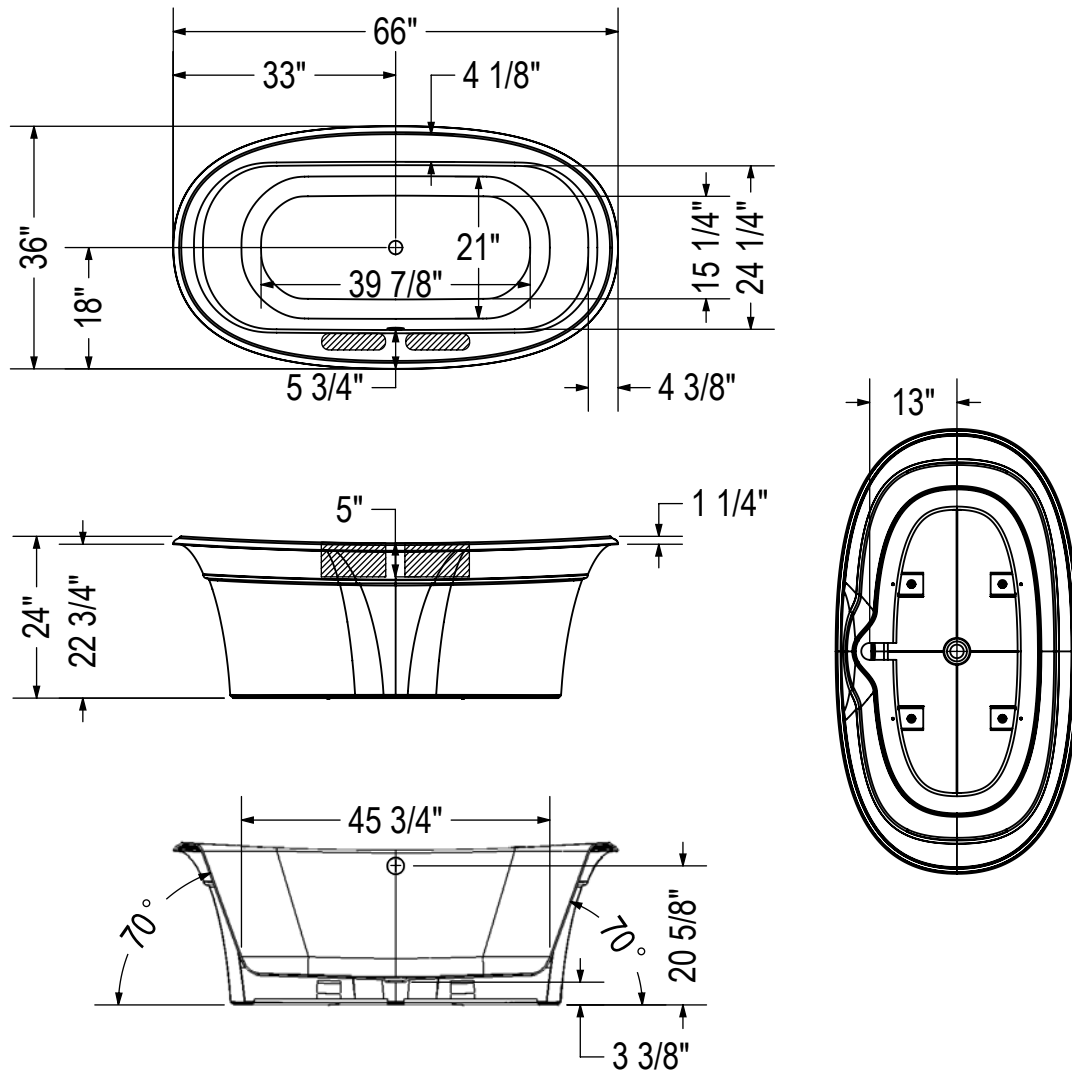
| ELLA SLEEK - 105744 | | | | | | |
|---------------------|--------------------|-----------------|---------------|----------------------------------|--------------------|---------|
| SKU | System | Color | Configuration | Dimensions & Weight | Packaging | MSRP |
| 105744-000-001-100 | Soaker - No System | White | Center | 66" x 36" x 24" / 149 lb / 68 kg | 37 ft ³ | \$ 3213 |
| 105744-000-001-103 | | Sterling Silver | | | | \$ 3613 |
| 105744-000-001-104 | | Thunder Gray | | | | \$ 3613 |
| 105744-000-015 | | Black | | | | \$ 3613 |


| COMMON OPTIONS | | |
|----------------|--|---------|
| SKU | Description | MSRP |
| 106023-000-015 | | \$ 2216 |
| 106023-000-019 | Apron only (sold separately as a replacement part) Available standard apron colors: White (002) | \$ 2216 |
| 106023-000-006 | Available non-standard apron colors: Thunder Grey (019), Sterling Silver (006) or Black (015) | \$ 2216 |
| 106023-000-002 | | \$ 1816 |

| ACCESSORIES | | |
|-------------|---|---------|
| SKU | Description | MSRP |
| 10032736 | Positioning template for Ella 6636 freestanding installation (sold separately) | \$ 89 |
| 10032747 | F ² Drain - ABS kit for freestanding bathtub installation (sold separately) Minimum space required for assembly is 10 3/8 inches Compatible exclusively with MAAX freestanding bathtubs. | \$ 198 |
| 10032757 | F ² Drain - Pack of 12 ABS kits for freestanding bathtub installation (sold separately) Minimum space required for assembly is 10 3/8 inches Compatible exclusively with MAAX freestanding bathtubs. | \$ 2282 |

ACCESSORIES

| SKU | Description | MSRP |
|--------------|---|--------|
| 10034341 | F ² Drain - PVC kit for freestanding bathtub installation (sold separately) Minimum space required for assembly is 10 3/8 inches Compatible exclusively with MAAX freestanding bathtubs. | \$ 198 |
| 10004306-001 | White foam cushion with 2 suction pads (sold separately) Available color: White (001) | \$ 120 |
| 10025720-105 | Waste and overflow 33 in. flexible neck (sold separately) | \$ 432 |
| 10025720-084 | Available colors: Chrome (084) and Brushed Nickel (105) | \$ 432 |



(): Recommended faucet area 2 sections of 10" (L) x 2 1/2" (W)
Depth recommended for straight pipes 5".

All dimensions are approximate. Structure measurements must be verified against the unit to ensure proper fit.

Jazz F



Material : Acrylic
 Min: 58 Gal / 218 L
 Max: 76 Gal / 286 L

Features

- > Freestanding bathtub
- > Acrylic surface resistant to stains
- > MAAX innovative leveling legs for easy installation
- > Compatible with MAAX F2 Drain connector to save time and money on installation
- > Available in an Above-the-Floor Rough (AFR) configuration for easier drain, waste and overflow installation
- > 2-piece bathtub for easy transportation and seamless installation
- > High gloss finish resistant to dulling, scratching, and fading
- > Proudly made in North America
- > Adds a modern look to any bathroom

FREESTANDING BATHTUBS - ACRYLIC

JAZZ F - 105359

| SKU | System | Color | Configuration | Dimensions & Weight | Packaging | MSRP |
|----------------|-------------------------|-------|---------------|----------------------------------|--------------------|---------|
| 105359-000-001 | Soaker - No System | White | Center | 66" x 36" x 24" / 149 lb / 68 kg | 37 ft ³ | \$ 3022 |
| 105359-055-001 | Aerofeel ^{1 5} | | | | | \$ 6667 |

COMMON OPTIONS

| SKU | Description | MSRP |
|--------------|---|--------|
| OPT10054 | Two chromatherapy lights for bathtubs without waterfall (factory installed) | \$ 871 |
| OPT10119-105 | Metal trim kit for Aerofeel electronic control (factory installed) | \$ 74 |
| OPT10119-084 | Available colors: Chrome (084) and Brushed Nickel (105) | \$ 74 |

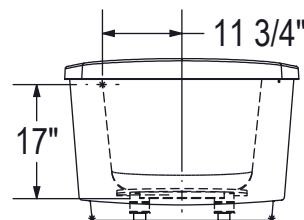
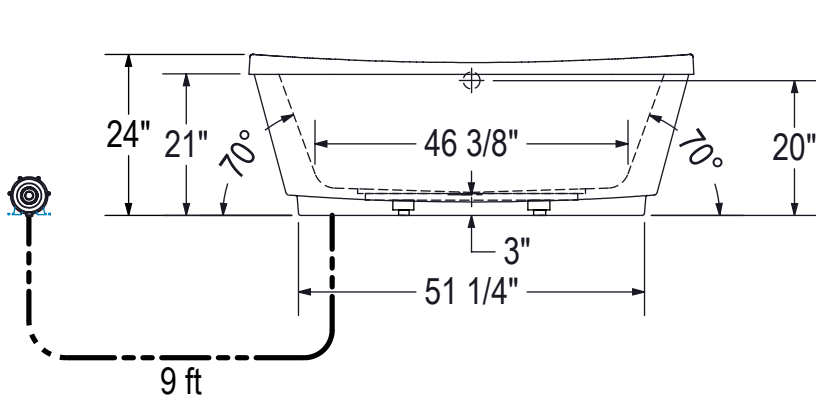
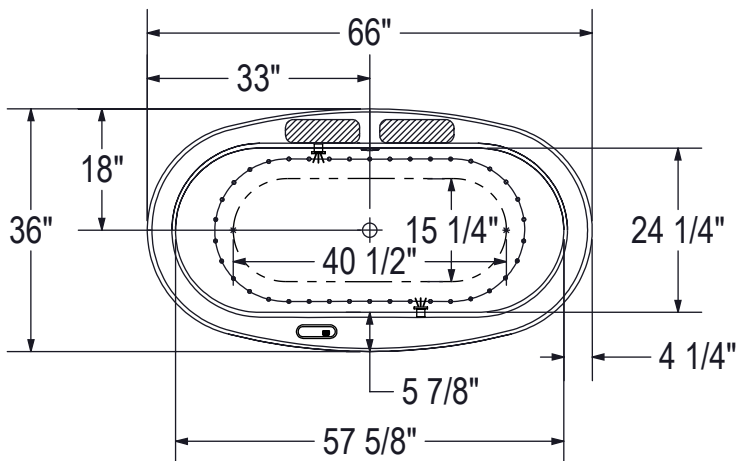
ACCESSORIES

| SKU | Description | MSRP |
|----------|---|---------|
| 10027224 | Positioning template for Jazz freestanding installation (sold separately) | \$ 89 |
| 10032747 | F ² Drain - ABS kit for freestanding bathtub installation (sold separately) Minimum space required for assembly is 10 3/8 inches Compatible exclusively with MAAX freestanding bathtubs. | \$ 198 |
| 10032757 | F ² Drain - Pack of 12 ABS kits for freestanding bathtub installation (sold separately) Minimum space required for assembly is 10 3/8 inches Compatible exclusively with MAAX freestanding bathtubs. | \$ 2282 |
| 10033272 | Flexible main hose for electronic control air massage - kit (sold separately) 15 ft. extension | \$ 295 |

| ACCESSORIES | | |
|--------------|---|--------|
| SKU | Description | MSRP |
| 10034341 | F ² Drain - PVC kit for freestanding bathtub installation (sold separately) Minimum space required for assembly is 10 3/8 inches Compatible exclusively with MAAX freestanding bathtubs. | \$ 198 |
| 10004306-001 | White foam cushion with 2 suction pads (sold separately) Available color: White (001) | \$ 120 |
| 10025720-105 | Waste and overflow 33 in. flexible neck (sold separately) | \$ 432 |
| 10025720-084 | Available colors: Chrome (084) and Brushed Nickel (105) | \$ 432 |

| FOOTNOTES | |
|-----------|---|
| No | Description |
| 1 | Components for standard colour units equipped with systems are colour-coordinated. Trim kit and/or air push with metallic finish can be added (additional charge applies). For non-standard colour units, please specify trim kit and/or air push colour (additional charge applies for metallic finishes). Please note that the positioning of the system's control could be in conflict with the door if one was installed on the unit. To insure compatibility, please contact customer service. |
| 5 | For details on blower position and requirements, see technical drawings on https://www.maax.com . When there is a blower position A or B indicated on the technical drawing, please specify position when ordering. |

AIR SYSTEM



- (●) : Indicates Aerofeel airjets positioning
- (☀) : Indicates chromatherapy light positioning
- (▨) : Recommended faucet area 2 sections of 12" (L) x 3 1/2" (W).

Blower must be installed at a distance.

All dimensions are approximate. Structure measurements must be verified against the unit to ensure proper fit.

Joan



FREESTANDING BATHTUBS - ACRYLIC



Material : Acrylic
 Max: 73 Gal / 277 L

Features

- › Seamless 1-piece bathtub with asymmetrical look
- › Maximized bathing well with comfortable raised backrest and end drain
- › Linear overflow in chrome and unique hidden drain (pre-installed)
- › F² Drain compatible
- › Only offered in white with optional trim finishes available
- › MAAX innovative leveling legs for easy installation

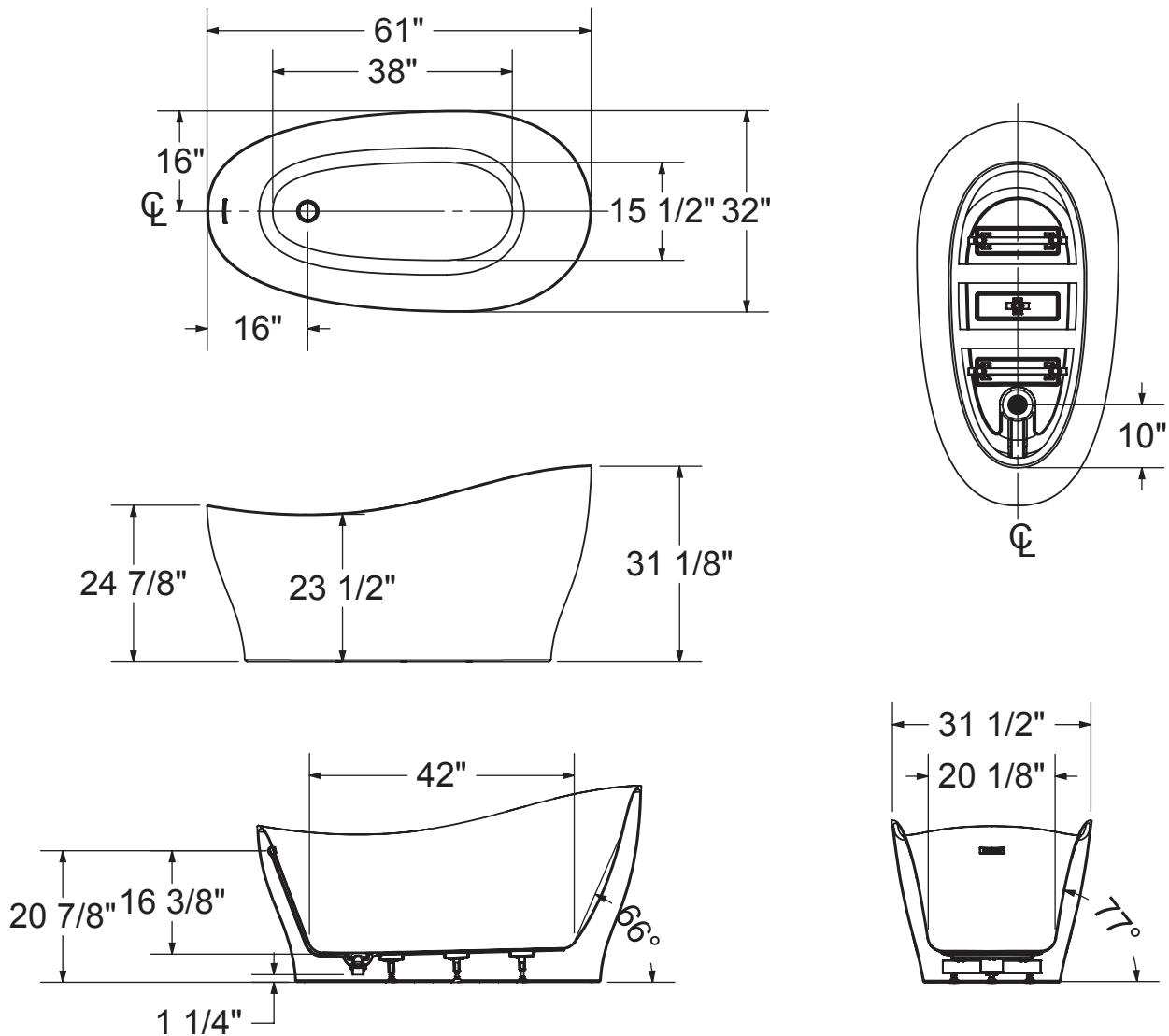
| JOAN - 106387 | | | | | | |
|--------------------|--------------------|-------|---------------|--------------------------------------|--------------------|---------|
| SKU | System | Color | Configuration | Dimensions & Weight | Packaging | MSRP |
| 106387-000-001-000 | Soaker - No System | White | End | 61" x 32" x 31 1/8" / 121 lb / 55 kg | 40 ft ³ | \$ 3242 |

| COMMON OPTIONS | | |
|----------------|--|--------|
| SKU | Description | MSRP |
| OPT20263-340 | Linear overflow metal trim Available colors: White (002), Brushed Nickel (105), Dark Bronze (173) and Matte Black (340) | \$ 141 |
| OPT20263-173 | | \$ 141 |
| OPT20263-105 | | \$ 141 |
| OPT20263-002 | | \$ 141 |

| ACCESSORIES | | |
|-------------|---|---------|
| SKU | Description | MSRP |
| 10032747 | F ² Drain - ABS kit for freestanding bathtub installation (sold separately) Minimum space required for assembly is 10 3/8 inches Compatible exclusively with MAAX freestanding bathtubs. | \$ 198 |
| 10032757 | F ² Drain - Pack of 12 ABS kits for freestanding bathtub installation (sold separately) Minimum space required for assembly is 10 3/8 inches Compatible exclusively with MAAX freestanding bathtubs. | \$ 2282 |
| 10034341 | F ² Drain - PVC kit for freestanding bathtub installation (sold separately) Minimum space required for assembly is 10 3/8 inches Compatible exclusively with MAAX freestanding bathtubs. | \$ 198 |
| 10037816 | Positioning template for Joan freestanding installation (sold separately) | \$ 89 |

ACCESSORIES

| SKU | Description | MSRP |
|--------------|--|--------|
| 10037679-001 | White hidden drain cover Available colors: White (001) | \$ 315 |
| 10037884-002 | Linear overflow metal trim Available colors: White (002), Chrome (084), Brushed Nickel (105), Dark Bronze (173) and Matte Black (340) | \$ 141 |
| 10037884-105 | | \$ 141 |
| 10037884-173 | | \$ 141 |
| 10037884-084 | | \$ 141 |
| 10037884-340 | | \$ 141 |
| 10037884-084 | | \$ 141 |



All dimensions are approximate. Structure measurements must be verified against the unit to ensure proper fit.

Oberto



Material : Acrylic
 Max: 91 Gal / 345 L

Features

- › Freestanding bathtub
- › Seamless 1-piece bathtub with a symmetrical look
- › Acrylic surface resistant to stains
- › Compatible with MAAX F2 Drain connector to save time and money on installation
- › Ample deck space for faucet installation
- › Waste and overflow included in chrome and pre-installed to save time on installation
- › Offered only in white with optional trim finishes available
- › MAAX innovative leveling legs for easy installation
- › Available in central drain configurations only

FREESTANDING BATHTUBS - ACRYLIC

OBERTO 6731 - 106386

| SKU | System | Color | Configuration | Dimensions & Weight | Packaging | MSRP |
|--------------------|--------------------|-------|---------------|----------------------------------|--------------------|---------|
| 106386-000-001-000 | Soaker - No System | White | Center | 67" x 31" x 23" / 132 lb / 60 kg | 36 ft ³ | \$ 3454 |

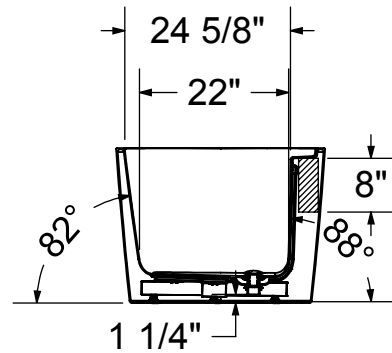
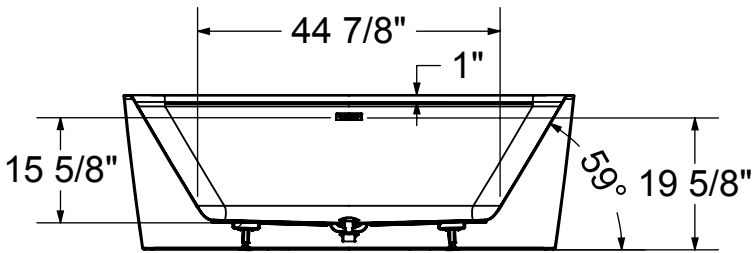
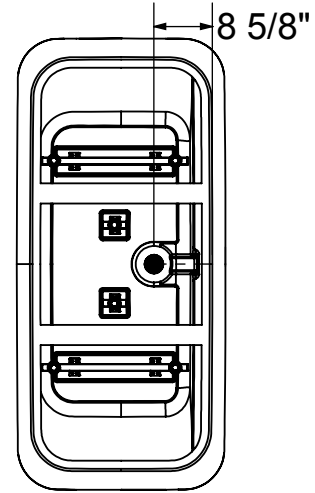
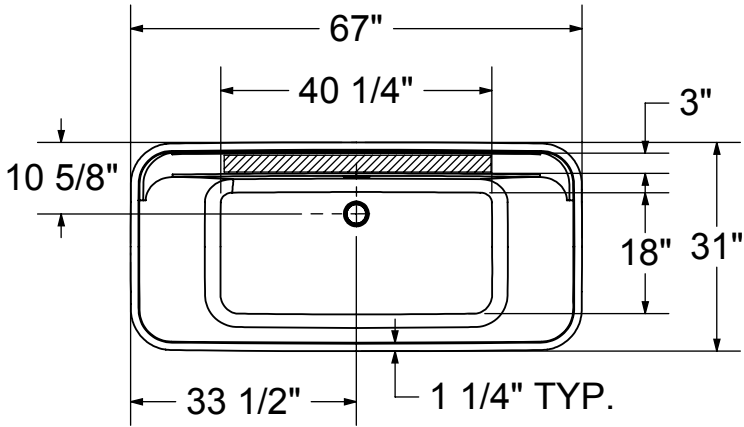
COMMON OPTIONS


| SKU | Description | MSRP |
|--------------|--|--------|
| OPT20260-105 | Linear overflow and waste metal trim kit Available colors: White (002), Brushed Nickel (105), Dark Bronze (173) and Matte Black (340) | \$ 290 |
| OPT20260-002 | | \$ 290 |
| OPT20260-340 | | \$ 290 |
| OPT20260-173 | | \$ 290 |

ACCESSORIES

| SKU | Description | MSRP |
|----------|---|---------|
| 10032747 | F ² Drain - ABS kit for freestanding bathtub installation (sold separately) Minimum space required for assembly is 10 3/8 inches Compatible exclusively with MAAX freestanding bathtubs. | \$ 198 |
| 10032757 | F ² Drain - Pack of 12 ABS kits for freestanding bathtub installation (sold separately) Minimum space required for assembly is 10 3/8 inches Compatible exclusively with MAAX freestanding bathtubs. | \$ 2282 |
| 10034341 | F ² Drain - PVC kit for freestanding bathtub installation (sold separately) Minimum space required for assembly is 10 3/8 inches Compatible exclusively with MAAX freestanding bathtubs. | \$ 198 |
| 10037815 | Positioning template for Oberto freestanding installation (sold separately) | \$ 89 |

| ACCESSORIES | | |
|--------------|--|--------|
| SKU | Description | MSRP |
| 10037670-105 | Linear overflow metal trim Available colors: White (002), Chrome (084), Brushed Nickel (105), Dark Bronze (173) and Matte Black (340) | \$ 99 |
| 10037670-002 | | \$ 99 |
| 10037670-084 | | \$ 99 |
| 10037670-173 | | \$ 99 |
| 10037670-340 | | \$ 99 |
| 10037678-105 | Round waste metal trim Available colors: White (002), Chrome (084), Brushed Nickel (105), Dark Bronze (173) and Matte Black (340) | \$ 194 |
| 10037678-340 | | \$ 194 |
| 10037678-002 | | \$ 194 |
| 10037678-084 | | \$ 194 |
| 10037678-173 | | \$ 194 |



 Recommended faucet area of 40" (L) x 4" (W).
Depth recommended for straight pipes 8".

All dimensions are approximate. Structure measurements must be verified against the unit to ensure proper fit.

Optik 6032 F



FREESTANDING BATHTUBS - ACRYLIC



Material : Acrylic
 Min: 42 Gal / 159 L
 Max: 55 Gal / 209 L

Features

- › Sleek 2-piece freestanding combines straight and curvaceous lines
- › Inclined backrest, curvaceous inset armrests, deep bathing well
- › Ample deck space for faucet installation
- › MAAX innovative leveling legs for easy installation
- › Above-the-Floor Rough (AFR) and F² Drain compatible
- › Apron available in standard colors and 3 designer colors
- › Air massage system available
- › End drain

| OPTIK 6032 F - 105571 | | | | | | |
|-----------------------|-------------------------|-----------------|---------------|----------------------------------|--------------------|---------|
| SKU | System | Color | Configuration | Dimensions & Weight | Packaging | MSRP |
| 105571-000-001-100 | Soaker - No System | White | End | 60" x 32" x 23" / 135 lb / 61 kg | 29 ft ³ | \$ 2795 |
| 105571-000-001-101 | | Sterling Silver | | | | \$ 3195 |
| 105571-000-001-102 | | Thunder Gray | | | | \$ 3195 |
| 105571-000-001-105 | | Black | | | | \$ 3195 |
| 105571-055-001-100 | Aerofeel ^{1 5} | White | | | | \$ 6440 |
| 105571-055-006 | | Sterling Silver | | | | \$ 6840 |
| 105571-055-015 | | Black | | | | \$ 6840 |
| 105571-055-019 | | Thunder Gray | | | | \$ 6840 |

| COMMON OPTIONS | | |
|--------------------|--|---------|
| SKU | Description | MSRP |
| OPT10054 | Two chromatherapy lights for bathtubs without waterfall (factory installed) | \$ 871 |
| OPT10119-105 | Metal trim kit for Aerofeel electronic control (factory installed) | \$ 74 |
| OPT10119-084 | Available colors: Chrome (084) and Brushed Nickel (105) | \$ 74 |
| 105572-000-019-000 | Apron only (sold separately as a replacement part) Available standard apron color: | \$ 2010 |
| 105572-000-015 | White (002) | \$ 2010 |
| 105572-000-004-000 | Available non-standard apron colors: Thunder Grey (019), Sterling Silver (006), Black (015) | \$ 1610 |

COMMON OPTIONS

| SKU | Description | MSRP |
|--------------------|--|---------|
| 105572-000-006-000 | Apron only (sold separately as a replacement part) Available standard apron color: White (002) Available non-standard apron colors: Thunder Grey (019), Sterling Silver (006), Black (015) | \$ 2010 |
| OPT20137-004 | Cable-operated waste and overflow (16 in. to 22 in.) (included in product packaging when purchased) Available colors: White (001), Bone (004), Chrome (084) and Brushed Nickel (105) | \$ 238 |
| OPT20137-084 | | \$ 238 |
| OPT20137-105 | | \$ 238 |
| OPT20137-001 | | \$ 238 |

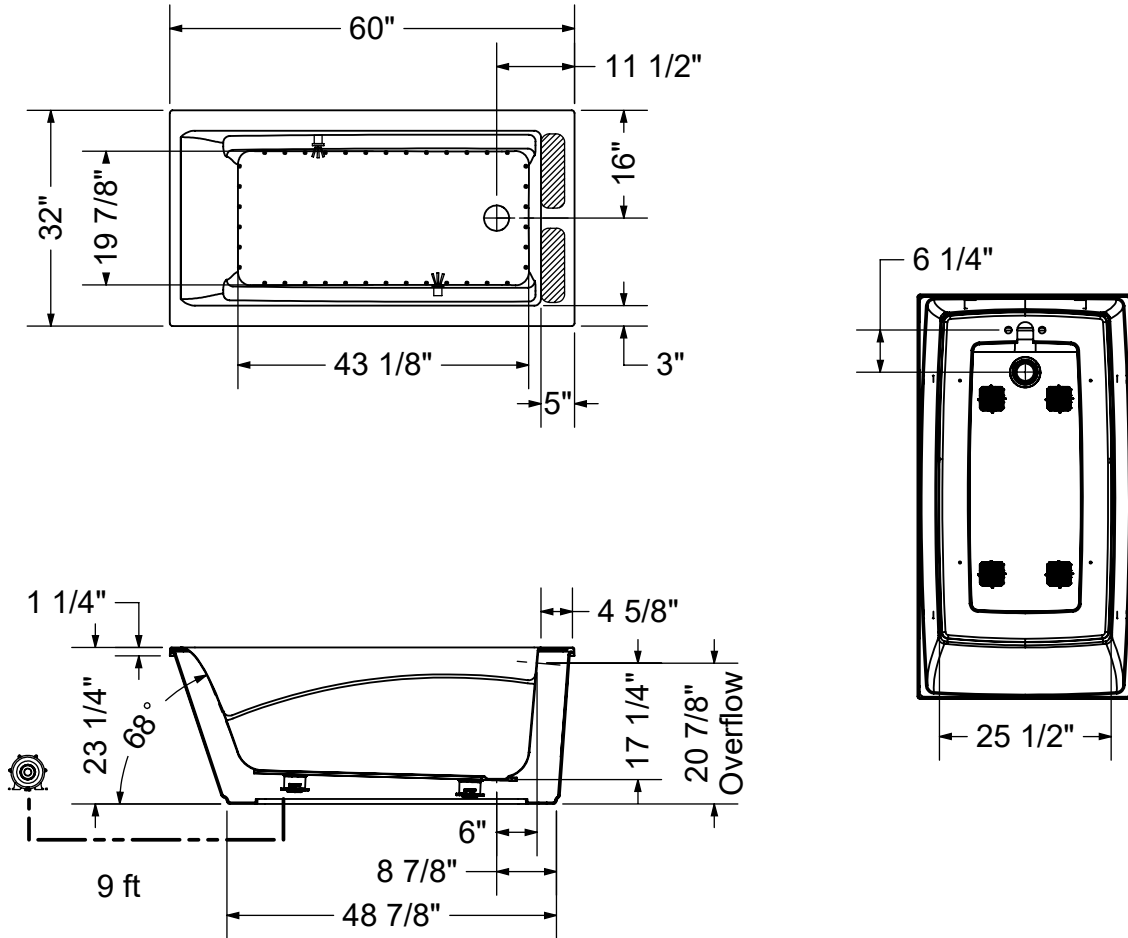
ACCESSORIES

| SKU | Description | MSRP |
|--------------|---|---------|
| 10013029-015 | Minimalist cushion (magnetic) (sold separately for Optik and Aiiki) Available colors: White (001) and Black (015) | \$ 219 |
| 10013029-001 | | \$ 219 |
| 10032739 | Positioning template for freestanding bathtub installation (sold separately) | \$ 89 |
| 10032747 | F ² Drain - ABS kit for freestanding bathtub installation (sold separately) Minimum space required for assembly is 10 3/8 inches Compatible exclusively with MAAX freestanding bathtubs. | \$ 198 |
| 10032757 | F ² Drain - Pack of 12 ABS kits for freestanding bathtub installation (sold separately) Minimum space required for assembly is 10 3/8 inches Compatible exclusively with MAAX freestanding bathtubs. | \$ 2282 |
| 10033272 | Flexible main hose for electronic control air massage - kit (sold separately) 15 ft. extension | \$ 295 |
| 10034341 | F ² Drain - PVC kit for freestanding bathtub installation (sold separately) Minimum space required for assembly is 10 3/8 inches Compatible exclusively with MAAX freestanding bathtubs. | \$ 198 |
| 10022491-084 | Cable-operated waste and overflow (16 in. to 22 in.) (sold separately) Available colors: White (001), Bone (004), Chrome (084) and Brushed Nickel (105) | \$ 238 |
| 10022491-004 | | \$ 238 |
| 10022491-105 | | \$ 238 |
| 10022491-001 | | \$ 238 |

FOOTNOTES

| No | Description |
|----|---|
| 1 | Components for standard colour units equipped with systems are colour-coordinated. Trim kit and/or air push with metallic finish can be added (additional charge applies). For non-standard colour units, please specify trim kit and/or air push colour (additional charge applies for metallic finishes). Please note that the positioning of the system's control could be in conflict with the door if one was installed on the unit. To insure compatibility, please contact customer service. |
| 5 | For details on blower position and requirements, see technical drawings on https://www.maax.com . When there is a blower position A or B indicated on the technical drawing, please specify position when ordering. |

AIR SYSTEM



- (●) : Indicates airjets positioning
- (☼) : Indicates chromatherapy light positioning
- (▨) : Recommended faucet area 2 sections of 12" (L) x 3 1/2" (W).

Blower must be installed at a distance

All dimensions are approximate. Structure measurements must be verified against the unit to ensure proper fit.



Optik 6636 F



Material : Acrylic
 Min: 47 Gal / 177 L
 Max: 70 Gal / 264 L

Features

- › Freestanding bathtub
- › Acrylic surface resistant to stains
- › MAAX innovative leveling legs for easy installation
- › Compatible with MAAX F2 Drain connector to save time and money on installation
- › 2-piece bathtub for easy transportation and seamless installation
- › Proudly made in North America
- › Available in white, thunder gray, sterling silver or black color to complement any bathroom decor
- › Curvaceous inset armrests for optimal comfort
- › Available in an Above-the-Floor Rough (AFR) configuration for easier drain, waste and overflow installation

FREESTANDING BATHTUBS - ACRYLIC

OPTIK 6636 F - 105742

| SKU | System | Color | Configuration | Dimensions & Weight | Packaging | MSRP |
|--------------------|-------------------------|-----------------|---------------|----------------------------------|--------------------|---------|
| 105742-000-001-100 | Soaker - No System | White | Center | 66" x 36" x 24" / 140 lb / 63 kg | 37 ft ³ | \$ 3213 |
| 105742-000-001-103 | | Sterling Silver | | | | \$ 3613 |
| 105742-000-001-104 | | Thunder Gray | | | | \$ 3613 |
| 105742-000-015 | | Black | | | | \$ 3613 |
| 105742-055-001-105 | Aerofeel ^{1 5} | Sterling Silver | | | | \$ 7258 |
| 105742-055-001-107 | | Thunder Gray | | | | \$ 7258 |
| 105742-055-001-114 | | White | | | | \$ 6858 |
| 105742-055-015 | | Black | | | | \$ 7258 |

COMMON OPTIONS

| SKU | Description | MSRP |
|----------------|---|---------|
| OPT10054 | Two chromatherapy lights for bathtubs without waterfall (factory installed) | \$ 871 |
| OPT10119-105 | Metal trim kit for Aerofeel electronic control (factory installed) Available colors: Chrome (084) and Brushed Nickel (105) | \$ 74 |
| OPT10119-084 | | \$ 74 |
| 106022-000-015 | Apron only (sold separately as a replacement part) Available standard apron color: White (002) Available non-standard apron colors: Thunder Grey (019), Silver Grey (006) or Black (015) | \$ 2216 |

COMMON OPTIONS

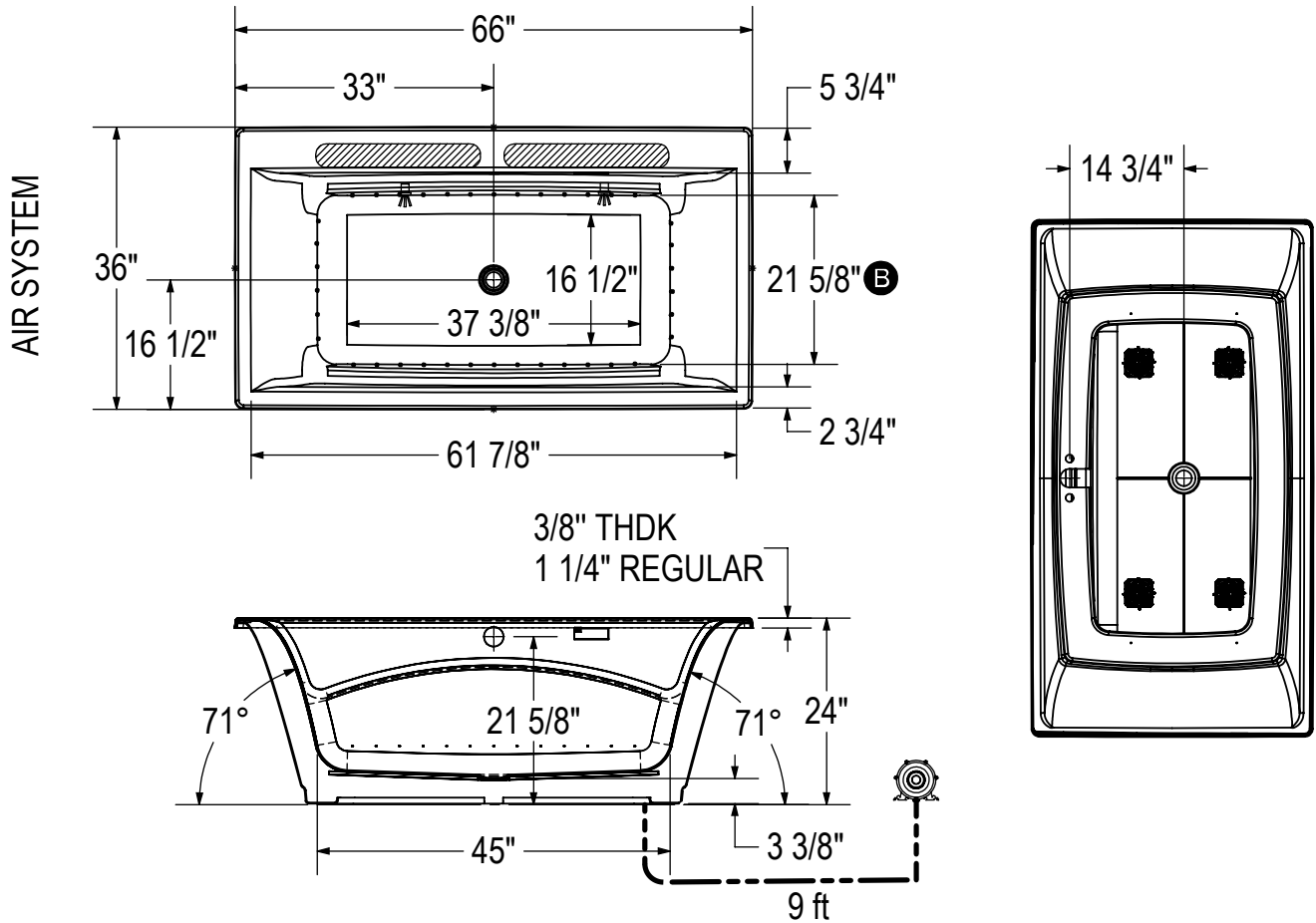
| SKU | Description | MSRP |
|--------------------|---|---------|
| 106022-000-002-000 | Apron only (sold separately as a replacement part) | \$ 1816 |
| 106022-000-019 | Available standard apron color: White (002) Available non-standard apron colors: Thunder Grey (019), Silver Grey (006) or Black (015) | \$ 2216 |
| 106022-000-006 | | \$ 2216 |

ACCESSORIES

| SKU | Description | MSRP |
|--------------|---|---------|
| 10013029-015 | Minimalist cushion (magnetic) (sold separately for Optik and Aiiki) | \$ 219 |
| 10013029-001 | Available colors: White (001) and Black (015) | \$ 219 |
| 10028785 | Positioning template for Optik 6636 freestanding installation (sold separately) | \$ 89 |
| 10032747 | F ² Drain - ABS kit for freestanding bathtub installation (sold separately) Minimum space required for assembly is 10 3/8 inches Compatible exclusively with MAAX freestanding bathtubs. | \$ 198 |
| 10032757 | F ² Drain - Pack of 12 ABS kits for freestanding bathtub installation (sold separately) Minimum space required for assembly is 10 3/8 inches Compatible exclusively with MAAX freestanding bathtubs. | \$ 2282 |
| 10033272 | Flexible main hose for electronic control air massage - kit (sold separately) 15 ft. extension | \$ 295 |
| 10034341 | F ² Drain - PVC kit for freestanding bathtub installation (sold separately) Minimum space required for assembly is 10 3/8 inches Compatible exclusively with MAAX freestanding bathtubs. | \$ 198 |
| 10025720-105 | Waste and overflow 33 in. flexible neck (sold separately) | \$ 432 |
| 10025720-084 | Available colors: Chrome (084) and Brushed Nickel (105) | \$ 432 |

FOOTNOTES

| No | Description |
|----|---|
| 1 | Components for standard colour units equipped with systems are colour-coordinated. Trim kit and/or air push with metallic finish can be added (additional charge applies). For non-standard colour units, please specify trim kit and/or air push colour (additional charge applies for metallic finishes). Please note that the positioning of the system's control could be in conflict with the door if one was installed on the unit. To insure compatibility, please contact customer service. |
| 5 | For details on blower position and requirements, see technical drawings on https://www.maax.com . When there is a blower position A or B indicated on the technical drawing, please specify position when ordering. |



Ⓑ : Specify remote blower location when ordering

(●) : Indicates airjets positioning

(☼) : Indicates chromatherapy light positioning

(▨) : Recommended faucet area 2 sections of 20" (L) x 3 1/4" (W).

Blower must be installed at a distance.

All dimensions are approximate. Structure measurements must be verified against the unit to ensure proper fit.



Renata 6731

FREESTANDING BATHTUBS - ACRYLIC



Material : Acrylic
 Max: 75 Gal / 341 L

Features

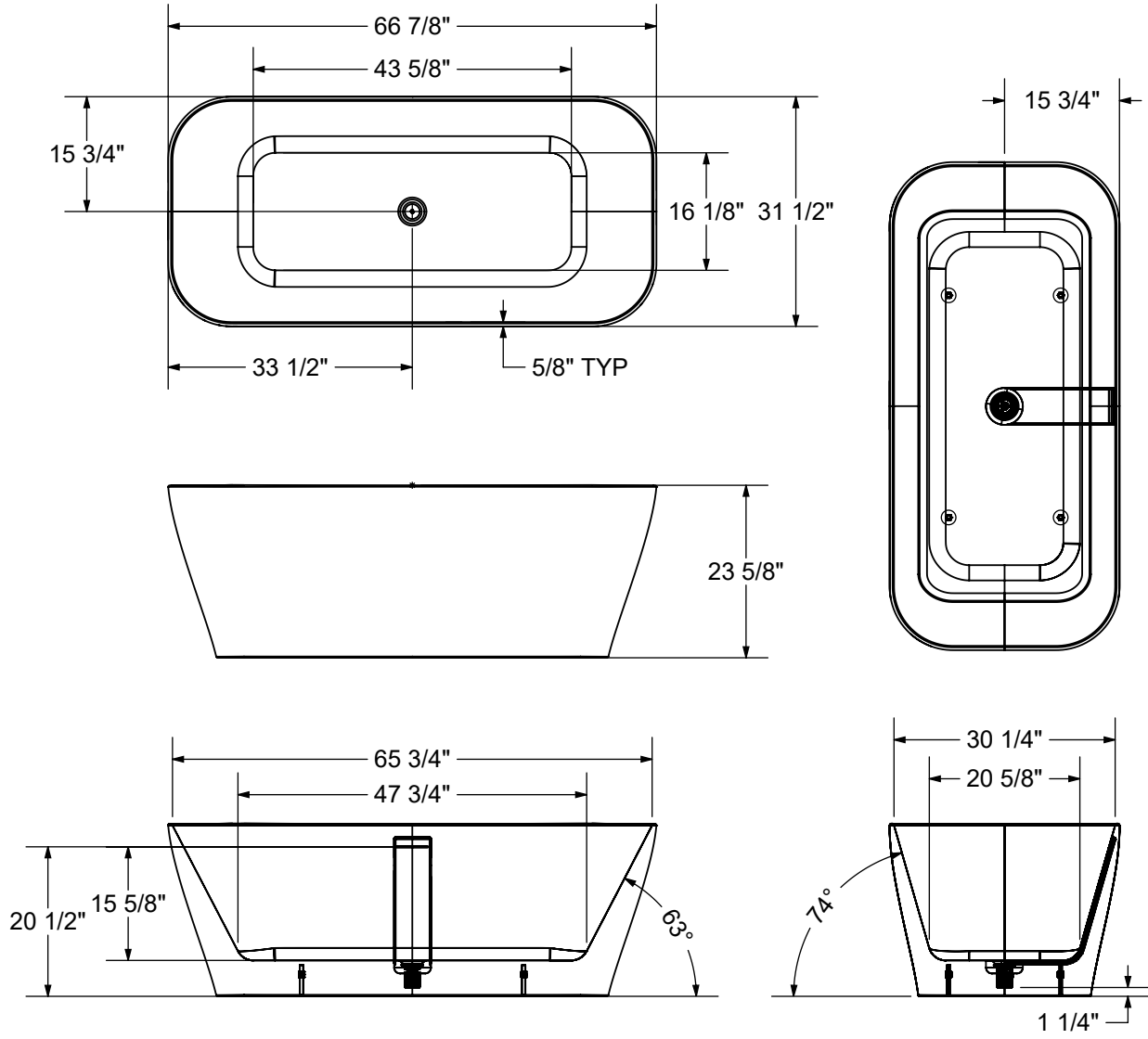
- › Matte Finish
- › Slim profile with clean thin edges
- › Seamless 1-piece minimalist and versatile design to fit any bathroom style
- › Trimless linear overflow and white pop-up drain to match any faucet finish
- › Waste and overflow included and pre-installed to save time on installation
- › Compatible with MAAX F2 Drain to save time and money on installation
- › Comes with leveling legs for ease of installation

RENATA - 107173

| SKU | System | Color | Configuration | Dimensions & Weight | Packaging | MSRP |
|--------------------|--------------------|-------------|---------------|--|-----------------------|---------|
| 107173-000-240-000 | Soaker - No System | Matte White | Center | 66.88" x 31 1/2" x 23.63" / 121 lb / 55 kg | 72.65 ft ³ | \$ 4693 |

ACCESSORIES

| SKU | Description | MSRP |
|----------|---|---------|
| 10032747 | F ² Drain - ABS kit for freestanding bathtub installation (sold separately) Minimum space required for assembly is 10 3/8 inches Compatible exclusively with MAAX freestanding bathtubs. | \$ 198 |
| 10032757 | F ² Drain - Pack of 12 ABS kits for freestanding bathtub installation (sold separately) Minimum space required for assembly is 10 3/8 inches Compatible exclusively with MAAX freestanding bathtubs. | \$ 2282 |
| 10034341 | F ² Drain - PVC kit for freestanding bathtub installation (sold separately) Minimum space required for assembly is 10 3/8 inches Compatible exclusively with MAAX freestanding bathtubs. | \$ 198 |



- All dimensions are approximate
- Structure measurements must be verified against the unit to ensure proper fit
- Installation to be completed in accordance with manufacturers specifications
- Do not scale drawings

Valentina 6731



FREESTANDING BATHTUBS - ACRYLIC



Material : Acrylic
 Max: 63 Gal / 286 L

Features

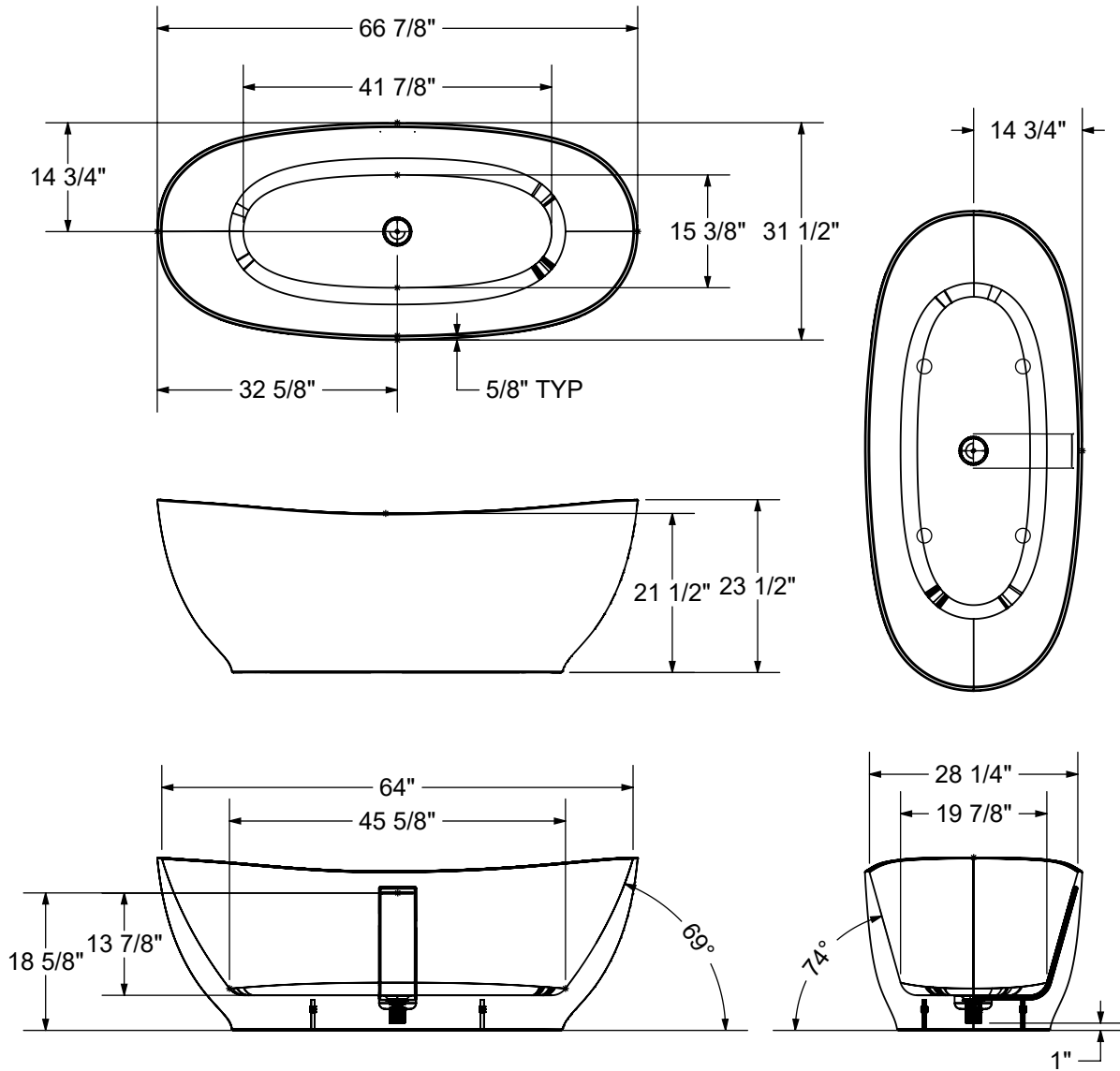
- › Matte Finish
- › Slim profile with clean thin edges
- › Seamless 1-piece minimalist and versatile design to fit any bathroom style
- › Trimless linear overflow and white pop-up drain to match any faucet finish
- › Waste and overflow included and pre-installed to save time on installation
- › Compatible with MAAX F2 Drain to save time and money on installation
- › Comes with leveling legs for ease of installation

VALENTINA - 107174

| SKU | System | Color | Configuration | Dimensions & Weight | Packaging | MSRP |
|--------------------|--------------------|-------------|---------------|---|-----------------------|---------|
| 107174-000-240-000 | Soaker - No System | Matte White | Center | 66 7/8" x 31 1/2" x 23 1/2" / 95 lb / 43 kg | 78.97 ft ³ | \$ 4927 |

ACCESSORIES

| SKU | Description | MSRP |
|----------|---|---------|
| 10032747 | F ² Drain - ABS kit for freestanding bathtub installation (sold separately) Minimum space required for assembly is 10 3/8 inches Compatible exclusively with MAAX freestanding bathtubs. | \$ 198 |
| 10032757 | F ² Drain - Pack of 12 ABS kits for freestanding bathtub installation (sold separately) Minimum space required for assembly is 10 3/8 inches Compatible exclusively with MAAX freestanding bathtubs. | \$ 2282 |
| 10034341 | F ² Drain - PVC kit for freestanding bathtub installation (sold separately) Minimum space required for assembly is 10 3/8 inches Compatible exclusively with MAAX freestanding bathtubs. | \$ 198 |



- All dimensions are approximate
- Structure measurements must be verified against the unit to ensure proper fit
- Installation to be completed in accordance with manufacturers specifications
- Do not scale drawings

Villi



FREESTANDING BATHTUBS - ACRYLIC



Material : Acrylic
 Max: 96 Gal / 364 L

Features

- › Seamless 1-piece bathtub with a symmetrical look
- › Maximized bathing well with comfortable raised backrests and off-center drain
- › Linear overflow in chrome and unique hidden drain (pre-installed)
- › F² Drain compatible
- › Only offered in white with optional trim finishes available
- › MAAX innovative leveling legs for easy installation

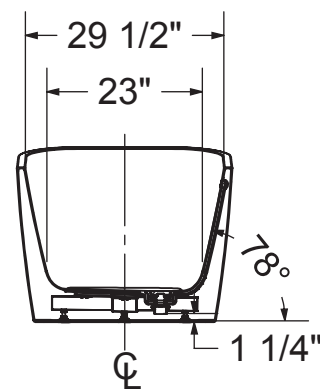
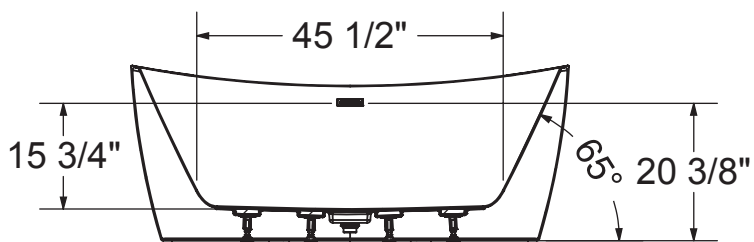
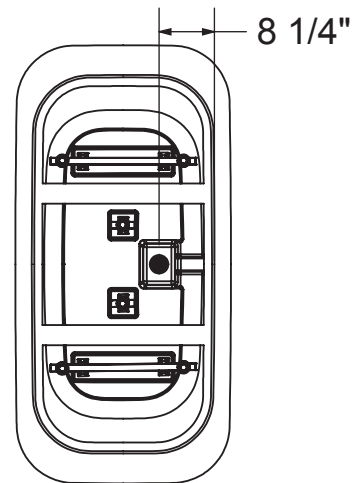
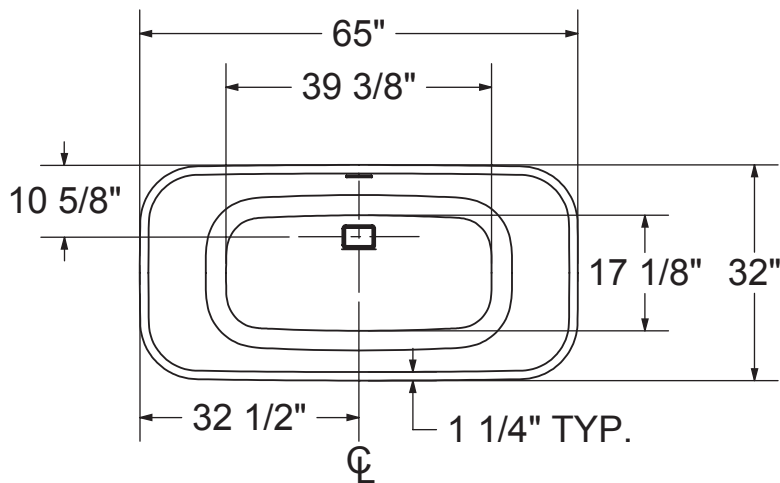
| VILLI - 106388 | | | | | | |
|--------------------|--------------------|-------|---------------|--------------------------------------|--------------------|---------|
| SKU | System | Color | Configuration | Dimensions & Weight | Packaging | MSRP |
| 106388-000-001-000 | Soaker - No System | White | Center | 65" x 32" x 25 3/4" / 132 lb / 60 kg | 36 ft ³ | \$ 3648 |

| COMMON OPTIONS | | |
|----------------|--|-------|
| SKU | Description | MSRP |
| OPT20261-105 | Linear overflow metal trim Available colors: White (002), Brushed Nickel (105), Dark Bronze (173) and Matte Black (340) | \$ 99 |
| OPT20261-002 | | \$ 99 |
| OPT20261-173 | | \$ 99 |
| OPT20261-340 | | \$ 99 |

| ACCESSORIES | | |
|-------------|---|---------|
| SKU | Description | MSRP |
| 10032747 | F ² Drain - ABS kit for freestanding bathtub installation (sold separately) Minimum space required for assembly is 10 3/8 inches Compatible exclusively with MAAX freestanding bathtubs. | \$ 198 |
| 10032757 | F ² Drain - Pack of 12 ABS kits for freestanding bathtub installation (sold separately) Minimum space required for assembly is 10 3/8 inches Compatible exclusively with MAAX freestanding bathtubs. | \$ 2282 |
| 10034341 | F ² Drain - PVC kit for freestanding bathtub installation (sold separately) Minimum space required for assembly is 10 3/8 inches Compatible exclusively with MAAX freestanding bathtubs. | \$ 198 |
| 10037817 | Positioning template for Villi freestanding installation (sold separately) | \$ 89 |

ACCESSORIES

| SKU | Description | MSRP |
|--------------|--|--------|
| 10037670-105 | Linear overflow metal trim Available colors: White (002), Chrome (084), Brushed Nickel (105), Dark Bronze (173) and Matte Black (340) | \$ 99 |
| 10037670-002 | | \$ 99 |
| 10037670-084 | | \$ 99 |
| 10037670-173 | | \$ 99 |
| 10037670-340 | | \$ 99 |
| 10037680-001 | White hidden drain cover Available colors: White (001) | \$ 376 |



All dimensions are approximate. Structure measurements must be verified against the unit to ensure proper fit.



Chorale 6030



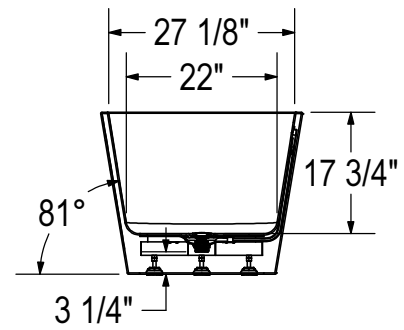
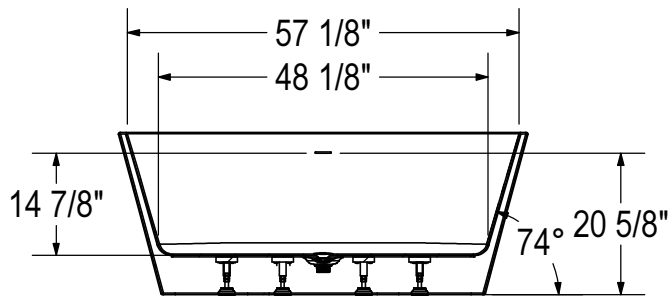
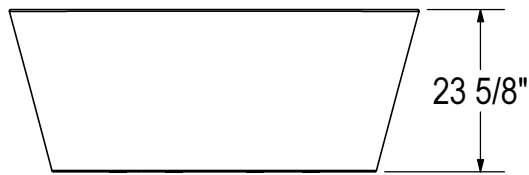
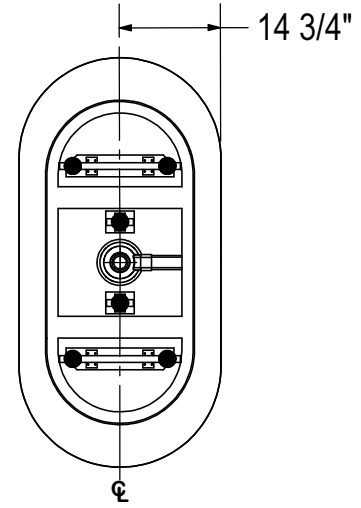
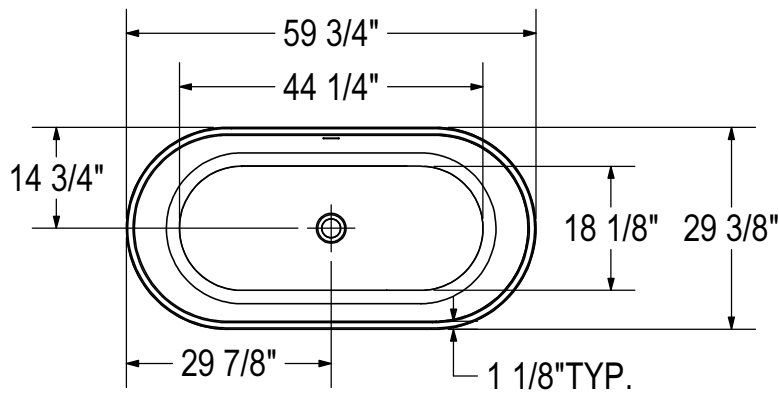
Material : Acrylic
 Max: 77 Gal / 291 L

Features

- › Seamless 1-piece minimalist and versatile design to fit any bathroom style
- › Trimless linear overflow and white pop-up drain to match any faucet finish
- › Hygienic, non-porous acrylic surface for easy cleaning
- › High gloss finish resistant to dulling, scratching, and fading
- › 25-year limited warranty for your peace of mind
- › 1-person bath with maximized bathing well designed for optimal comfort
- › Waste and overflow included and pre-installed to save time on installation
- › Comes with leveling legs for ease of installation
- › Compatible with MAAX F2 Drain to save time and money on installation

FREESTANDING BATHTUBS - ACRYLIC

| CHORALE 6030 - 107675 | | | | | | |
|-----------------------|--------------------|-------|---------------|---|---------------------------------|---------|
| SKU | System | Color | Configuration | Dimensions & Weight | Packaging | MSRP |
| 107675-000-001-000 | Soaker - No System | White | Center | 59 3/4" x 29 3/8" x 23 5/8" / 74.8 lb / 34 kg | 35.162037037037 ft ³ | \$ 1820 |
| 107675-000-001-100 | | Black | | | | \$ 1920 |



All dimensions are approximate. Structure measurements must be verified against the unit to ensure proper fit.



Chorale 6731



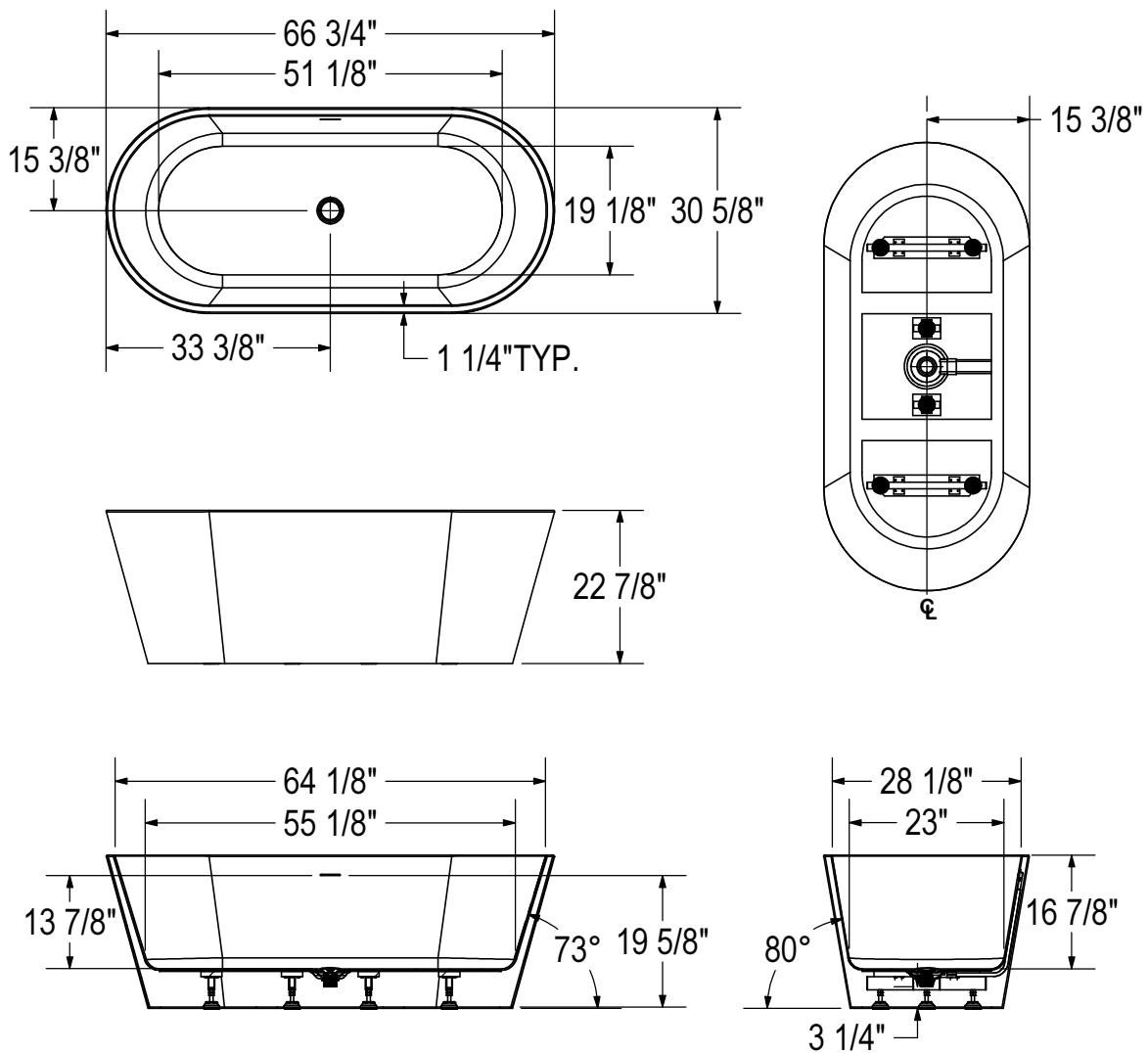
Material : Acrylic
 Max: 86 Gal / 327 L

Features

- › Seamless 1-piece minimalist and versatile design to fit any bathroom style
- › Trimless linear overflow and white pop-up drain to match any faucet finish
- › Hygienic, non-porous acrylic surface for easy cleaning
- › High gloss finish resistant to dulling, scratching, and fading
- › 25-year limited warranty for your peace of mind
- › 2-person bath with maximized bathing well designed for optimal comfort
- › Waste and overflow included and pre-installed to save time on installation
- › Comes with leveling legs for ease of installation
- › Compatible with MAAX F2 Drain to save time and money on installation

FREESTANDING BATHTUBS - ACRYLIC

| CHORALE 6731 - 107674 | | | | | | |
|-----------------------|--------------------|-------|---------------|--|----------------------------------|---------|
| SKU | System | Color | Configuration | Dimensions & Weight | Packaging | MSRP |
| 107674-000-001-000 | Soaker - No System | White | Center | 66 3/4" x 30 5/8" x 22 7/8" / 132 lb / 60 kg | 40.5594618055556 ft ³ | \$ 1870 |
| 107674-000-001-100 | | Black | | | | \$ 1970 |



All dimensions are approximate. Structure measurements must be verified against the unit to ensure proper fit.



Louie 5829



Material : Acrylic
 Max: 62 Gal / 236 L

Features

- › Freestanding bathtub
- › Acrylic surface resistant to stains
- › MAAX innovative leveling legs for easy installation
- › Compatible with MAAX F2 Drain connector to save time and money on installation
- › Seamless 1-piece bathtub with a symmetrical look
- › High gloss finish resistant to dulling, scratching, and fading
- › Deep soak bathing for ultimate relaxation
- › Pre-installed linear overflow and waste drain in chrome
- › Available in central drain configurations only

FREESTANDING BATHTUBS - ACRYLIC

LOUIE 5829 - 106384

| SKU | System | Color | Configuration | Dimensions & Weight | Packaging | MSRP |
|--------------------|--------------------|-------|---------------|--|-----------|---------|
| 106384-000-001-000 | Soaker - No System | White | Center | 58 1/4" x 28 7/8" x 22 7/8" / 119 lb / 54 kg | 31 ft³ | \$ 2767 |

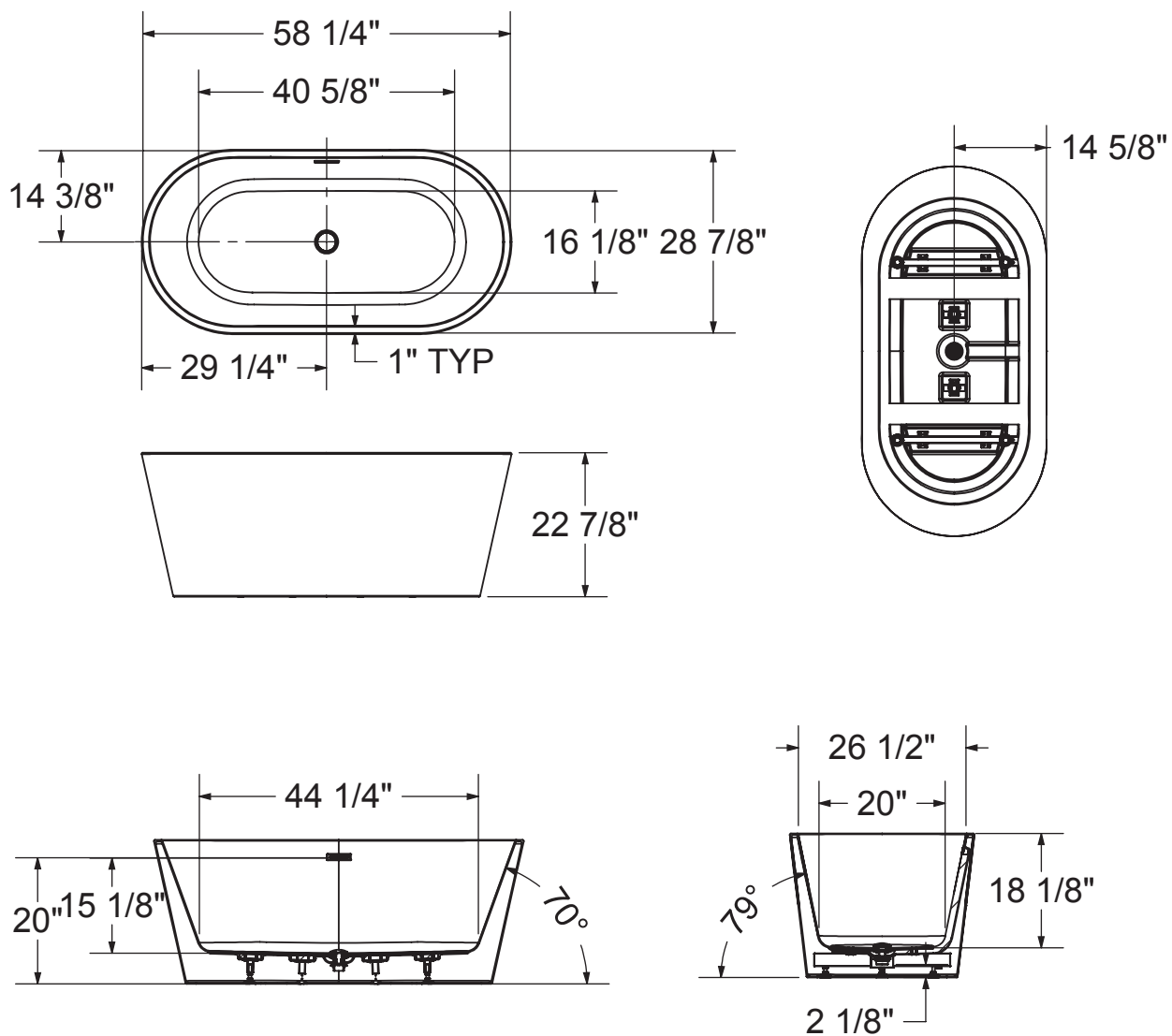
COMMON OPTIONS

| SKU | Description | MSRP |
|--------------|--|--------|
| OPT20260-105 | Linear overflow and waste metal trim kit Available colors: White (002), Brushed Nickel (105), Dark Bronze (173) and Matte Black (340) | \$ 290 |
| OPT20260-002 | | \$ 290 |
| OPT20260-340 | | \$ 290 |
| OPT20260-173 | | \$ 290 |

ACCESSORIES

| SKU | Description | MSRP |
|----------|---|---------|
| 10032747 | F ² Drain - ABS kit for freestanding bathtub installation (sold separately) Minimum space required for assembly is 10 3/8 inches Compatible exclusively with MAAX freestanding bathtubs. | \$ 198 |
| 10032757 | F ² Drain - Pack of 12 ABS kits for freestanding bathtub installation (sold separately) Minimum space required for assembly is 10 3/8 inches Compatible exclusively with MAAX freestanding bathtubs. | \$ 2282 |
| 10034341 | F ² Drain - PVC kit for freestanding bathtub installation (sold separately) Minimum space required for assembly is 10 3/8 inches Compatible exclusively with MAAX freestanding bathtubs. | \$ 198 |
| 10037813 | Positioning template (sold separately) | \$ 89 |

| ACCESSORIES | | |
|--------------|--|--------|
| SKU | Description | MSRP |
| 10037670-105 | Linear overflow metal trim Available colors: White (002), Chrome (084), Brushed Nickel (105), Dark Bronze (173) and Matte Black (340) | \$ 99 |
| 10037670-002 | | \$ 99 |
| 10037670-084 | | \$ 99 |
| 10037670-173 | | \$ 99 |
| 10037670-340 | | \$ 99 |
| 10037678-105 | Round waste metal trim Available colors: White (002), Chrome (084), Brushed Nickel (105), Dark Bronze (173) and Matte Black (340) | \$ 194 |
| 10037678-340 | | \$ 194 |
| 10037678-002 | | \$ 194 |
| 10037678-084 | | \$ 194 |
| 10037678-173 | | \$ 194 |



All dimensions are approximate. Structure measurements must be verified against the unit to ensure proper fit.



Louie 6731

FREESTANDING BATHTUBS - ACRYLIC



Material : Acrylic
 Max: 70 Gal / 264 L

Features

- › Seamless 1-piece bathtub with symmetrical look
- › Maximised bathing well with comfortable backrests and center drain
- › Linear overflow and waste in chrome (pre-installed)
- › F² Drain compatible
- › MAAX innovative leveling legs for easy installation
- › Only offered in white with optional trim finishes available

LOUIE 6731 - 106385

| SKU | System | Color | Configuration | Dimensions & Weight | Packaging | MSRP |
|--------------------|--------------------|-------|---------------|---|--------------------|---------|
| 106385-000-001-000 | Soaker - No System | White | Center | 66 7/8" x 31 1/4" x 23" / 92 lb / 42 kg | 36 ft ³ | \$ 3225 |

COMMON OPTIONS

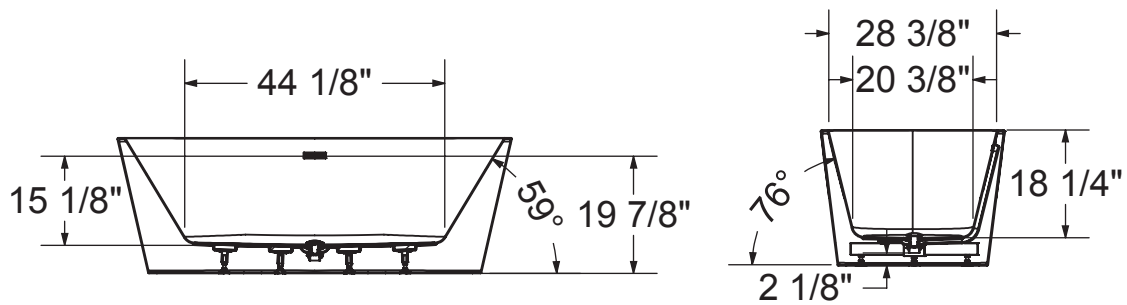
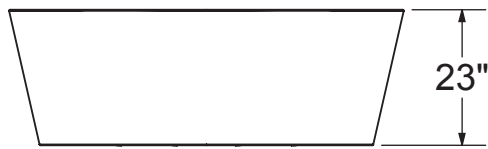
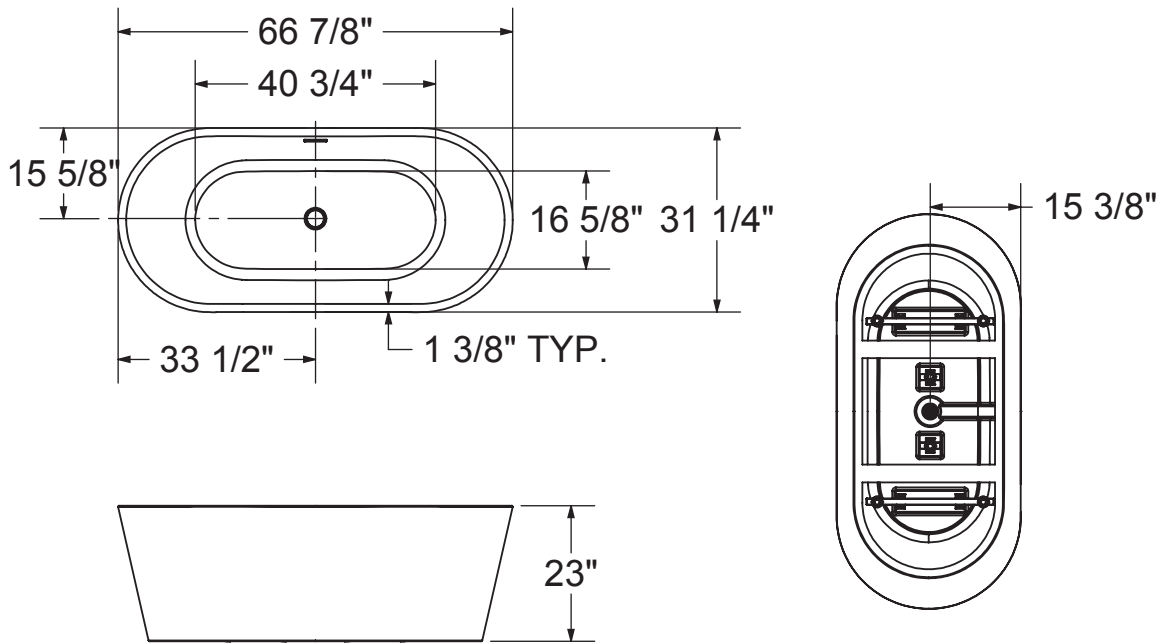
| SKU | Description | MSRP |
|--------------|--|--------|
| OPT20260-105 | Linear overflow and waste metal trim kit Available colors: White (002), Brushed Nickel (105), Dark Bronze (173) and Matte Black (340) | \$ 290 |
| OPT20260-002 | | \$ 290 |
| OPT20260-340 | | \$ 290 |
| OPT20260-173 | | \$ 290 |

ACCESSORIES

| SKU | Description | MSRP |
|----------|---|---------|
| 10032747 | F ² Drain - ABS kit for freestanding bathtub installation (sold separately) Minimum space required for assembly is 10 3/8 inches Compatible exclusively with MAAX freestanding bathtubs. | \$ 198 |
| 10032757 | F ² Drain - Pack of 12 ABS kits for freestanding bathtub installation (sold separately) Minimum space required for assembly is 10 3/8 inches Compatible exclusively with MAAX freestanding bathtubs. | \$ 2282 |
| 10034341 | F ² Drain - PVC kit for freestanding bathtub installation (sold separately) Minimum space required for assembly is 10 3/8 inches Compatible exclusively with MAAX freestanding bathtubs. | \$ 198 |
| 10037814 | Positioning template (sold separately) | \$ 89 |

ACCESSORIES

| SKU | Description | MSRP |
|--------------|--|--------|
| 10037670-105 | Linear overflow metal trim Available colors: White (002), Chrome (084), Brushed Nickel (105), Dark Bronze (173) and Matte Black (340) | \$ 99 |
| 10037670-002 | | \$ 99 |
| 10037670-084 | | \$ 99 |
| 10037670-173 | | \$ 99 |
| 10037670-340 | | \$ 99 |
| 10037678-105 | Round waste metal trim Available colors: White (002), Chrome (084), Brushed Nickel (105), Dark Bronze (173) and Matte Black (340) | \$ 194 |
| 10037678-340 | | \$ 194 |
| 10037678-002 | | \$ 194 |
| 10037678-084 | | \$ 194 |
| 10037678-173 | | \$ 194 |



All dimensions are approximate. Structure measurements must be verified against the unit to ensure proper fit.



Malibra 6730



Material : Acrylic
 Max: 92 Gal / 350 L

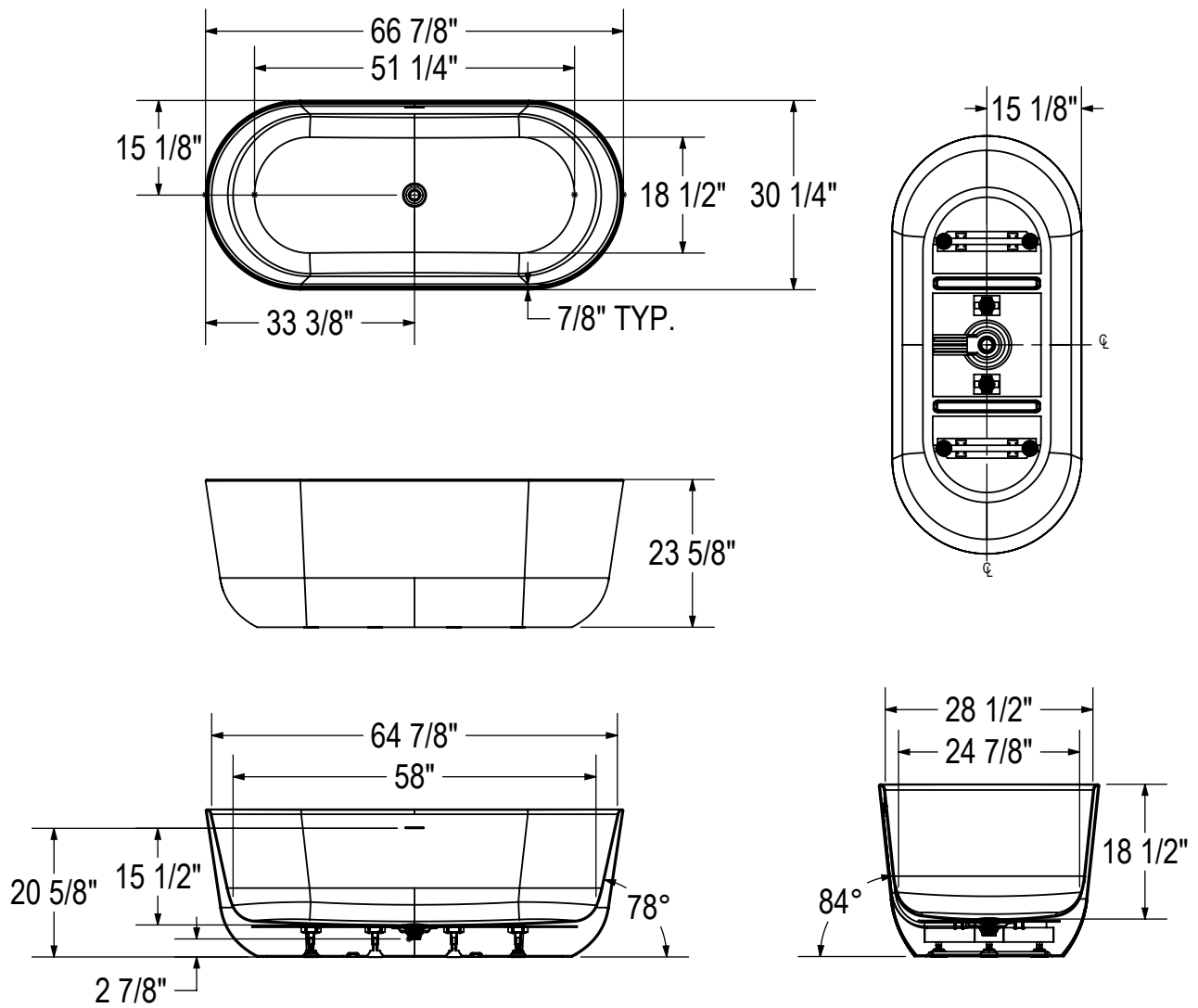
Features

- › Seamless 1-piece minimalist and versatile design to fit any bathroom style
- › Trimless linear overflow and white pop-up drain to match any faucet finish
- › Hygienic, non-porous acrylic surface for easy cleaning
- › High gloss finish resistant to dulling, scratching, and fading
- › 25-year limited warranty for your peace of mind
- › 2-person bath with maximized bathing well designed for optimal comfort
- › Waste and overflow included and pre-installed to save time on installation
- › Comes with leveling legs for ease of installation
- › Compatible with MAAX F2 Drain to save time and money on installation

FREESTANDING BATHTUBS - ACRYLIC

MALIBRA 6730 - 107678

| SKU | System | Color | Configuration | Dimensions & Weight | Packaging | MSRP |
|--------------------|--------------------|-------|---------------|--|-----------------------------------|---------|
| 107678-000-001-000 | Soaker - No System | White | Center | 66 7/8" x 30 1/4" x 23 5/8" / 107.8 lb / 49 kg | 39.13194444444444 ft ³ | \$ 1870 |



All dimensions are approximate. Structure measurements must be verified against the unit to ensure proper fit.



Mirella 6029



Material : Acrylic
 Max: 78 Gal / 295 L

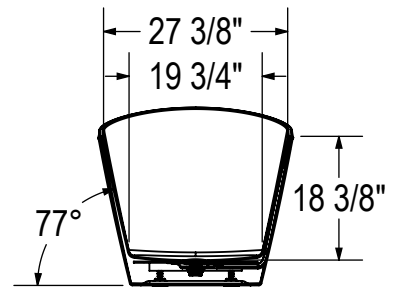
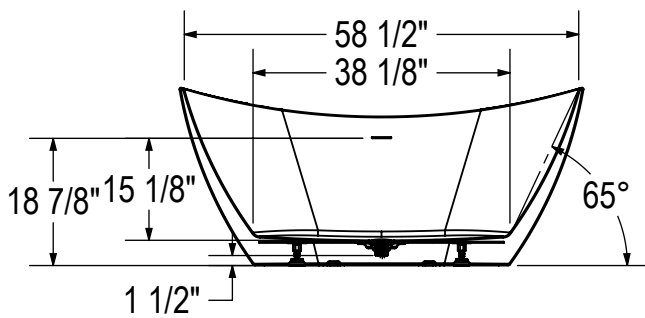
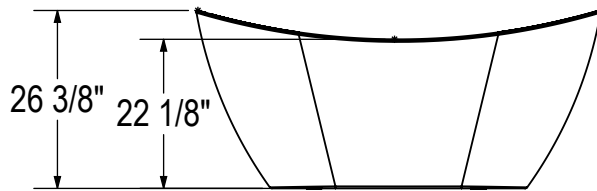
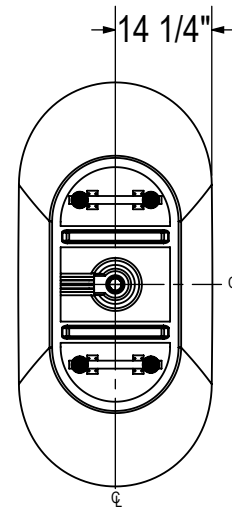
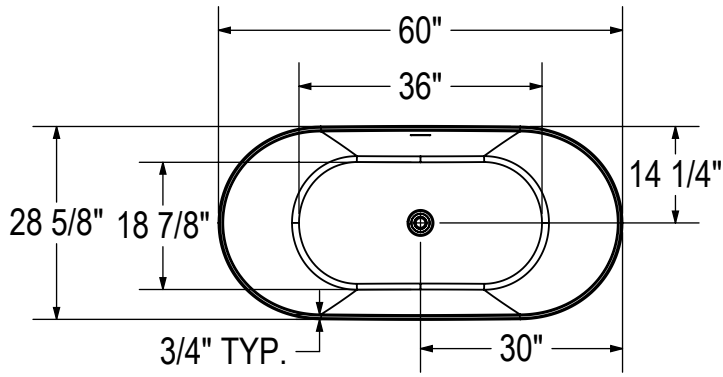
Features

- › Seamless 1-piece minimalist and versatile design to fit any bathroom style
- › Trimless linear overflow and white pop-up drain to match any faucet finish
- › Hygienic, non-porous acrylic surface for easy cleaning
- › High gloss finish resistant to dulling, scratching, and fading
- › 25-year limited warranty for your peace of mind
- › 1-person bath with maximized bathing well designed for optimal comfort
- › Waste and overflow included and pre-installed to save time on installation
- › Comes with leveling legs for ease of installation
- › Compatible with MAAX F2 Drain to save time and money on installation

FREESTANDING BATHTUBS - ACRYLIC

MIRELLA 6029 - 107676

| SKU | System | Color | Configuration | Dimensions & Weight | Packaging | MSRP |
|--------------------|--------------------|-------|---------------|---|-----------------------------------|---------|
| 107676-000-001-000 | Soaker - No System | White | Center | 59 3/4" x 28 5/8" x 26 3/8" / 74.8 lb / 34 kg | 38.31944444444444 ft ³ | \$ 1895 |



All dimensions are approximate. Structure measurements must be verified against the unit to ensure proper fit.



Mirella 6729



Material : Acrylic
 Max: 84 Gal / 318 L

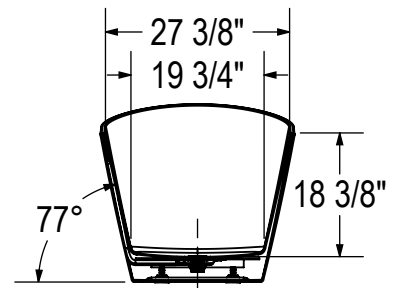
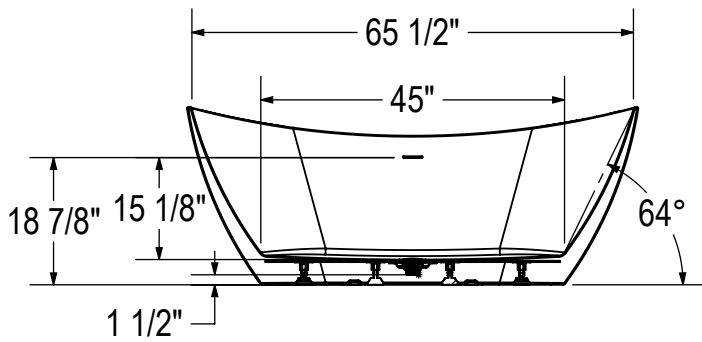
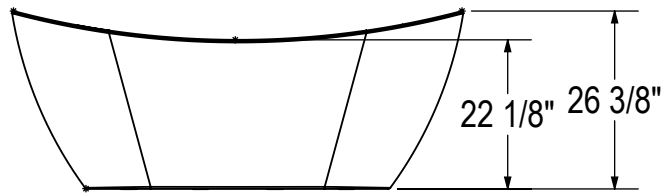
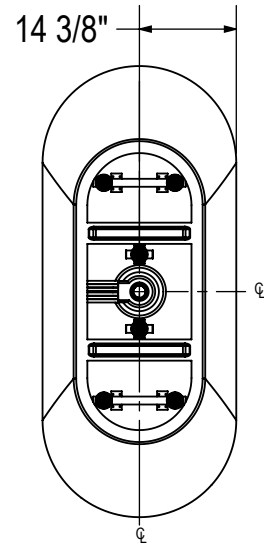
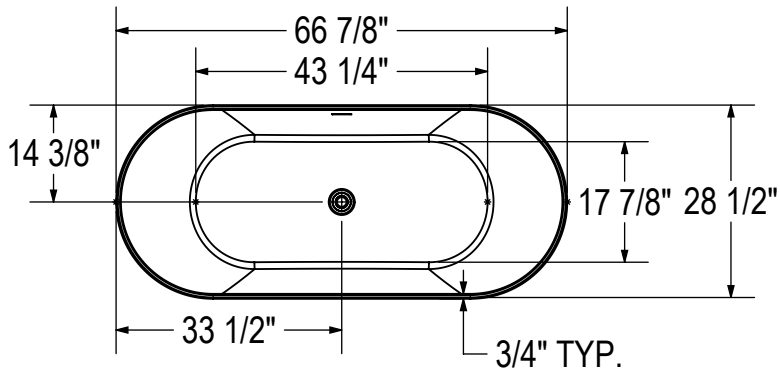
Features

- › Seamless 1-piece minimalist and versatile design to fit any bathroom style
- › Trimless linear overflow and white pop-up drain to match any faucet finish
- › Hygienic, non-porous acrylic surface for easy cleaning
- › High gloss finish resistant to dulling, scratching, and fading
- › 25-year limited warranty for your peace of mind
- › 2-person bath with maximized bathing well designed for optimal comfort
- › Waste and overflow included and pre-installed to save time on installation
- › Comes with leveling legs for ease of installation
- › Compatible with MAAX F2 Drain to save time and money on installation

FREESTANDING BATHTUBS - ACRYLIC

MIRELLA 6729 - 107677

| SKU | System | Color | Configuration | Dimensions & Weight | Packaging | MSRP |
|--------------------|--------------------|-------|---------------|--|-----------------------------------|---------|
| 107677-000-001-000 | Soaker - No System | White | Center | 66 7/8" x 28 1/2" x 26 3/8" / 101.2 lb / 46 kg | 42.64583333333333 ft ³ | \$ 1945 |



All dimensions are approximate. Structure measurements must be verified against the unit to ensure proper fit.



Nota 6731



Material : Acrylic
 Max: 103 Gal / 391 L

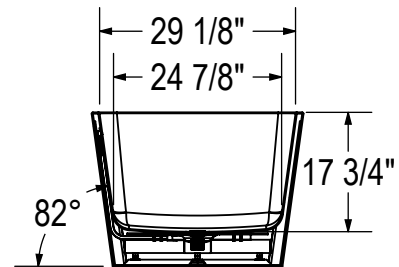
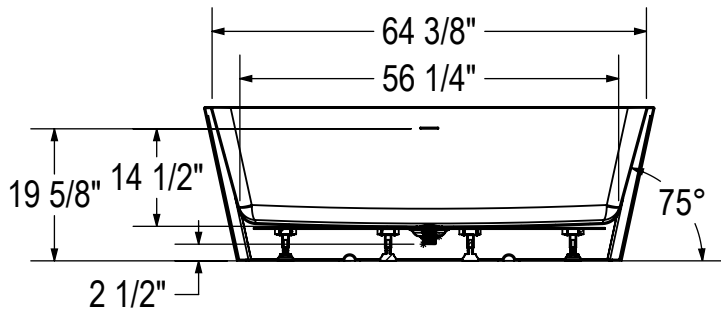
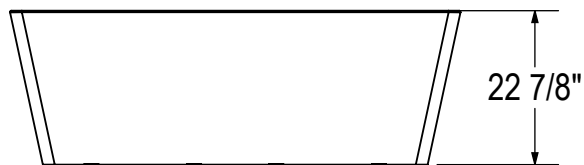
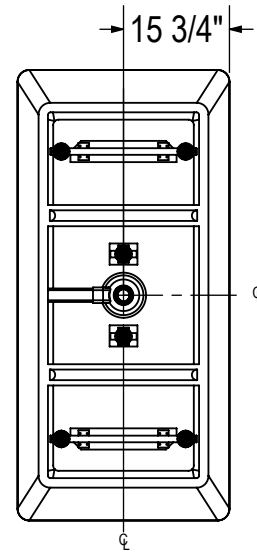
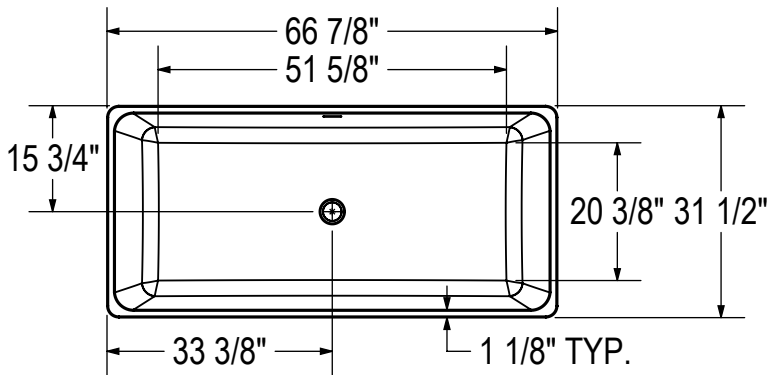
Features

- › Seamless 1-piece minimalist and versatile design to fit any bathroom style
- › Trimless linear overflow and white pop-up drain to match any faucet finish
- › Hygienic, non-porous acrylic surface for easy cleaning
- › High gloss finish resistant to dulling, scratching, and fading
- › 25-year limited warranty for your peace of mind
- › 2-person bath with maximized bathing well designed for optimal comfort
- › Waste and overflow included and pre-installed to save time on installation
- › Comes with leveling legs for ease of installation
- › Compatible with MAAX F2 Drain to save time and money on installation

FREESTANDING BATHTUBS - ACRYLIC

NOTA 6731 - 107679

| SKU | System | Color | Configuration | Dimensions & Weight | Packaging | MSRP |
|--------------------|--------------------|-------|---------------|--|----------------------------------|---------|
| 107679-000-001-000 | Soaker - No System | White | Center | 66 7/8" x 31 1/2" x 22 7/8" / 132 lb / 60 kg | 40.5594618055556 ft ³ | \$ 1970 |



All dimensions are approximate. Structure measurements must be verified against the unit to ensure proper fit.



Sinfoni 5928



Material : Acrylic
 Max: 58 Gal / 218 L

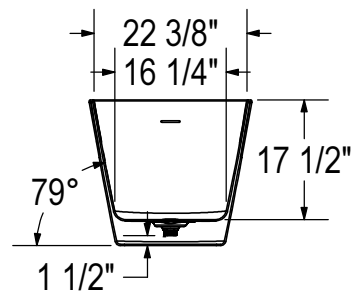
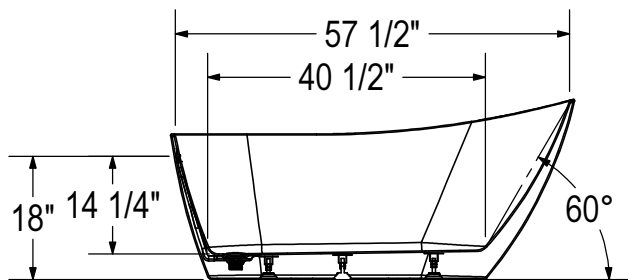
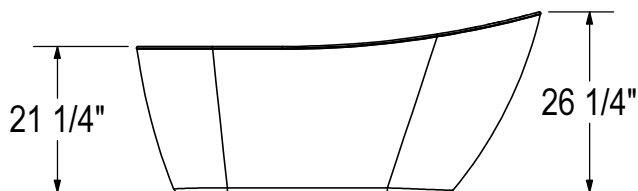
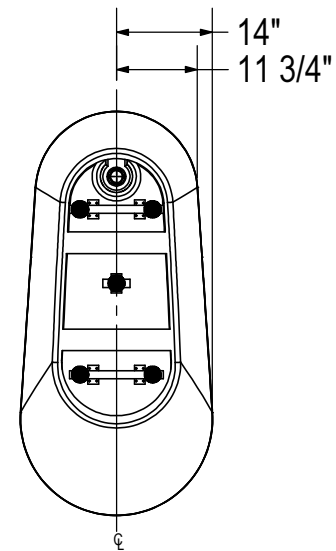
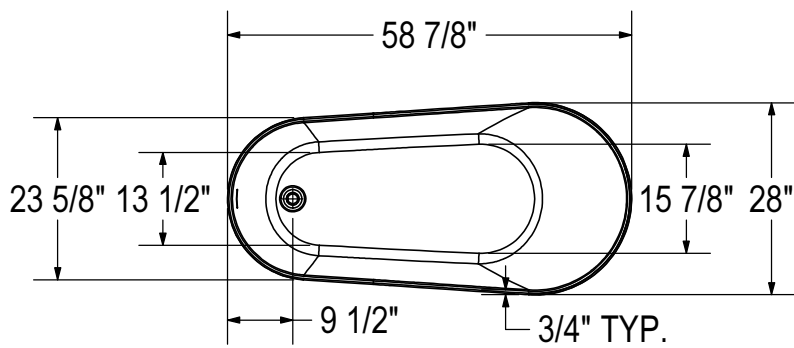
Features

- › Seamless 1-piece minimalist and versatile design to fit any bathroom style
- › Trimless linear overflow and white pop-up drain to match any faucet finish
- › Hygienic, non-porous acrylic surface for easy cleaning
- › High gloss finish resistant to dulling, scratching, and fading
- › 25-year limited warranty for your peace of mind
- › 1-person bath with maximized bathing well designed for optimal comfort
- › Waste and overflow included and pre-installed to save time on installation
- › Comes with leveling legs for ease of installation
- › Compatible with MAAX F2 Drain to save time and money on installation

FREESTANDING BATHTUBS - ACRYLIC

SINFONI 5928 - 107681

| SKU | System | Color | Configuration | Dimensions & Weight | Packaging | MSRP |
|--------------------|--------------------|-------|---------------|---|----------------------------------|---------|
| 107681-000-001-000 | Soaker - No System | White | End | 58 7/8" x 28" x 26 1/4" / 85.8 lb / 39 kg | 38.1759259259259 ft ³ | \$ 1820 |



All dimensions are approximate. Structure measurements must be verified against the unit to ensure proper fit.



Sinfoni 6729



Material : Acrylic
 Max: 65 Gal / 245 L

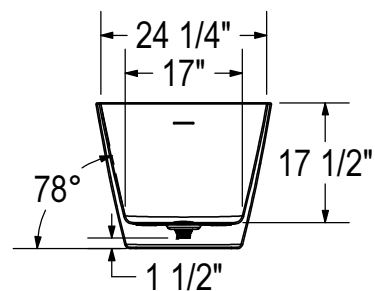
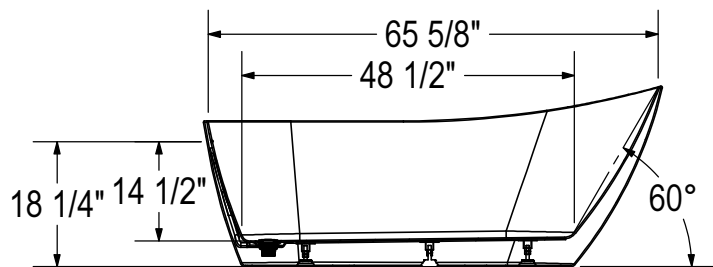
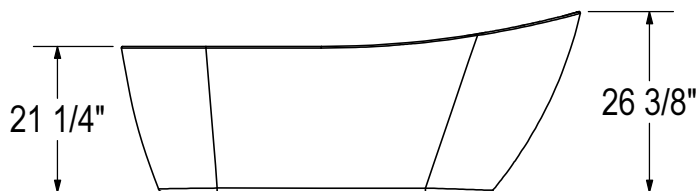
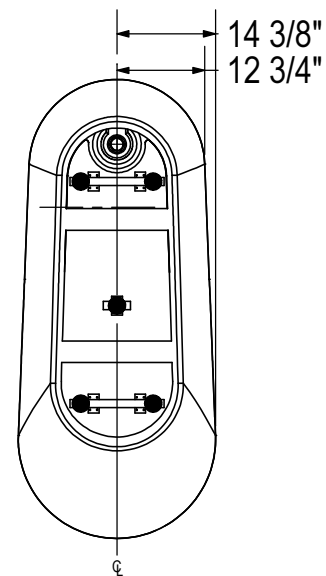
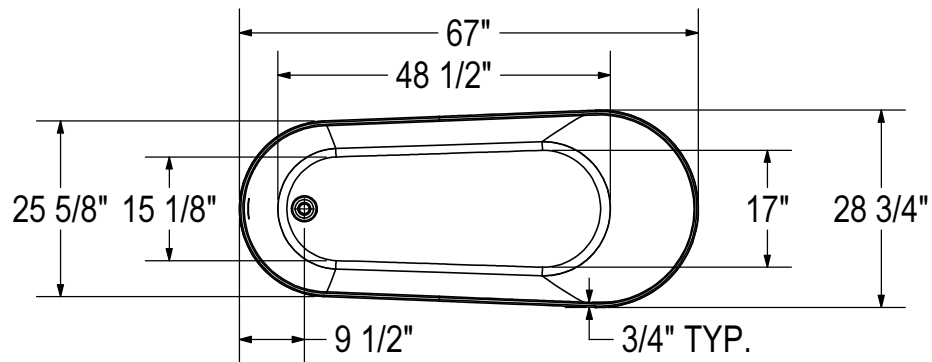
Features

- › Seamless 1-piece minimalist and versatile design to fit any bathroom style
- › Trimless linear overflow and white pop-up drain to match any faucet finish
- › Hygienic, non-porous acrylic surface for easy cleaning
- › High gloss finish resistant to dulling, scratching, and fading
- › 25-year limited warranty for your peace of mind
- › 1-person bath with maximized bathing well designed for optimal comfort
- › Waste and overflow included and pre-installed to save time on installation
- › Comes with leveling legs for ease of installation
- › Compatible with MAAX F2 Drain to save time and money on installation

FREESTANDING BATHTUBS - ACRYLIC

SINFONI 6729 - 107680

| SKU | System | Color | Configuration | Dimensions & Weight | Packaging | MSRP |
|--------------------|--------------------|-------|---------------|--|----------------------------------|---------|
| 107680-000-001-000 | Soaker - No System | White | End | 67" x 28 3/4" x 26 3/8" / 140.8 lb / 64 kg | 45.3111979166667 ft ³ | \$ 1870 |



All dimensions are approximate. Structure measurements must be verified against the unit to ensure proper fit.



Souvenir



Material : Acrylic
 Min: 52 Gal / 195 L
 Max: 72 Gal / 273 L

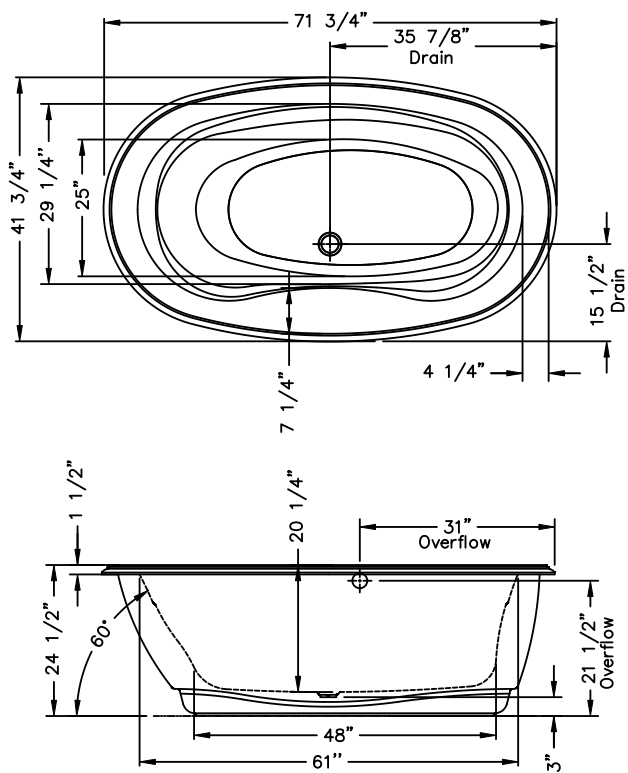
Features

- › 2-piece freestanding bathtub with concealed seam
- › Comfortable, ergonomic design with relaxing armrests
- › Ample deck space for faucet installation
- › Freestanding installation with center drain
- › MAAX innovative leveling legs for easy installation

FREESTANDING BATHTUBS - ACRYLIC

SOUVENIR - 106619

| SKU | System | Color | Configuration | Dimensions & Weight | MSRP |
|--------------------|--------------------|-------|---------------|--|---------|
| 106619-000-001-000 | Soaker - No System | White | Center | 71 3/4" x 41 3/4" x 24 1/2" / 146 lb / 66 kg | \$ 3856 |



- All dimensions are approximate
- Structure measurements must be verified against the unit to ensure proper fit
- Installation to be completed in accordance with manufacturers specifications
- Do not scale drawings

Lounge



Material : Acrylic
 Max: 68 Gal / 259 L

Features

- › Acrylic surface resistant to stains
- › Bathtub skirt available in 4 colours: White, Sterling Silver, Black, Thunder Grey
- › Maximized bathing well with comfortable backrest
- › 2-piece bathtub for easy transportation and seamless installation
- › Compatible with F2 drain connector to save time and money on installation
- › MAAX innovative leveling legs for easy installation
- › High gloss finish resistant to dulling, scratching, and fading
- › Minimalist and versatile design to fit any bathroom
- › Product warranty: 25-year

FREESTANDING BATHTUBS - ACRYLIC

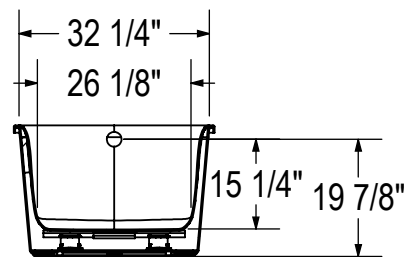
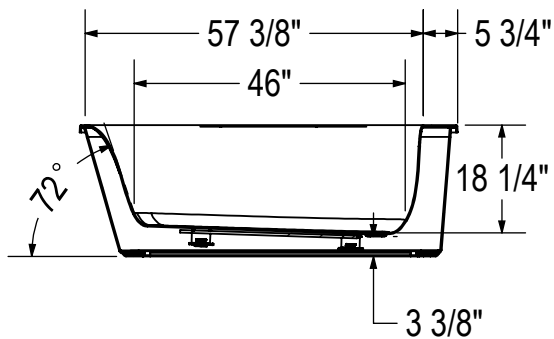
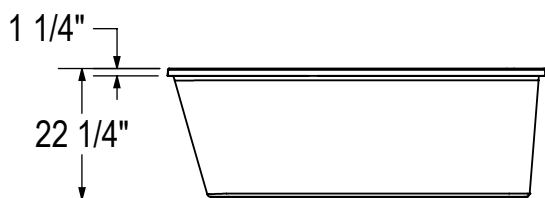
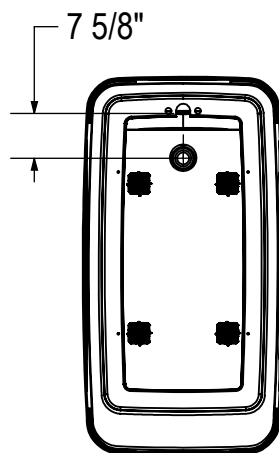
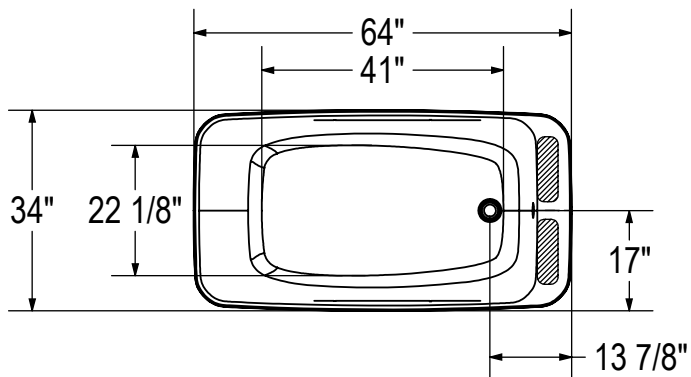
| LOUNGE 6434 - 105798 | | | | | | |
|----------------------|--------------------|-----------------|---------------|--------------------------------------|-------------|---------|
| SKU | System | Color | Configuration | Dimensions & Weight | Packaging | MSRP |
| 105798-000-001-100 | Soaker - No System | White | End | 64" x 34" x 22 1/4" / 160 lb / 73 kg | 31.7832 ft³ | \$ 2795 |
| 105798-000-001-105 | | Black | | | | \$ 3095 |
| 105798-000-001-106 | | Sterling Silver | | | | \$ 3095 |
| 105798-000-001-107 | | Thunder Gray | | | | \$ 3095 |


| COMMON OPTIONS | | |
|--------------------|---|---------|
| SKU | Description | MSRP |
| OPT20137-004 | Cable-operated waste and overflow (16 in. to 22 in.) (included in product packaging when purchased) Available colors: White (001), Bone (004), Chrome (084) and Brushed Nickel (105) | \$ 238 |
| OPT20137-084 | | \$ 238 |
| OPT20137-105 | | \$ 238 |
| OPT20137-001 | | \$ 238 |
| 106021-000-002-000 | Apron only (sold separately as a replacement part) Available standard apron color: White apron (002) | \$ 1464 |

| ACCESSORIES | | |
|-------------|---|--------|
| SKU | Description | MSRP |
| 10032737 | Positioning template for Lounge freestanding installation (sold separately) | \$ 89 |
| 10032747 | F² Drain - ABS kit for freestanding bathtub installation (sold separately) Minimum space required for assembly is 10 3/8 inches Compatible exclusively with MAAX freestanding bathtubs. | \$ 198 |

ACCESSORIES

| SKU | Description | MSRP |
|--------------|---|---------|
| 10032757 | F ² Drain - Pack of 12 ABS kits for freestanding bathtub installation (sold separately) Minimum space required for assembly is 10 3/8 inches Compatible exclusively with MAAX freestanding bathtubs. | \$ 2282 |
| 10034341 | F ² Drain - PVC kit for freestanding bathtub installation (sold separately) Minimum space required for assembly is 10 3/8 inches Compatible exclusively with MAAX freestanding bathtubs. | \$ 198 |
| 10004306-001 | White foam cushion with 2 suction pads (sold separately) Available color: White (001) | \$ 120 |
| 10022491-084 | Cable-operated waste and overflow (16 in. to 22 in.) (sold separately) Available colors: White (001), Bone (004), Chrome (084) and Brushed Nickel (105) | \$ 238 |
| 10022491-004 | | \$ 238 |
| 10022491-105 | | \$ 238 |
| 10022491-001 | | \$ 238 |



() : Recommended faucet area 2 sections of 12" (L) x 3 1/2" (W).

All dimensions are approximate. Structure measurements must be verified against the unit to ensure proper fit.



Brioso 6042

FREESTANDING BATHTUBS - ACRYLX



Material : AcrylX™

Max: 66 Gal / 250 L

Features

- › 2-piece bathtub with transitional look and concealed seam
- › Ample deck space for faucet installation
- › No systems available
- › Maximized bathing well with center drain
- › Above-the-Floor Rough (AFR)
- › MAAX innovative leveling legs for easy installation
- › F² Drain compatible for fast & easy installation
- › Bathtub skirt available in 4 colours: White, Sterling Silver, Black, Thunder Grey

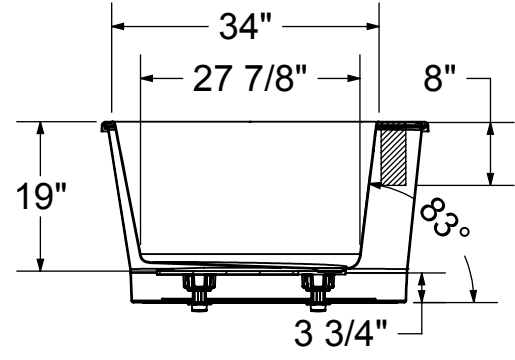
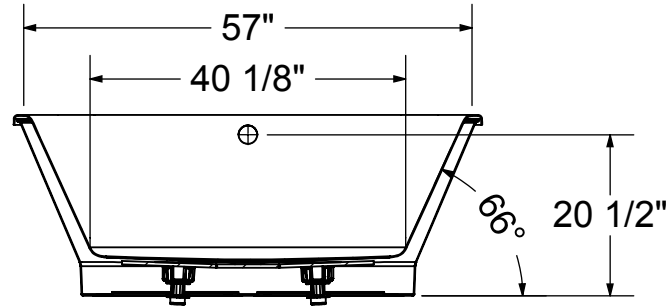
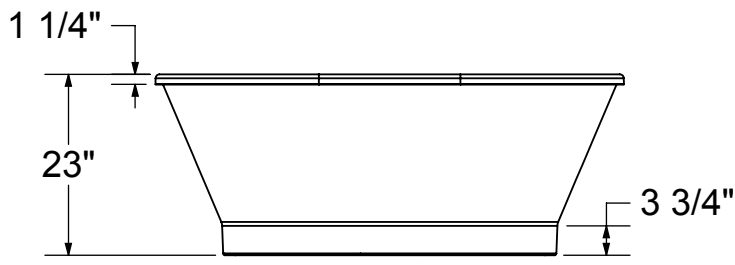
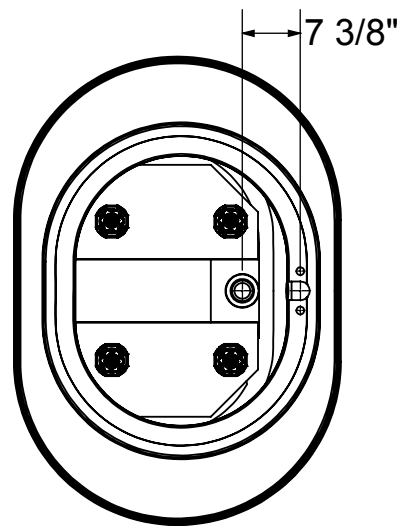
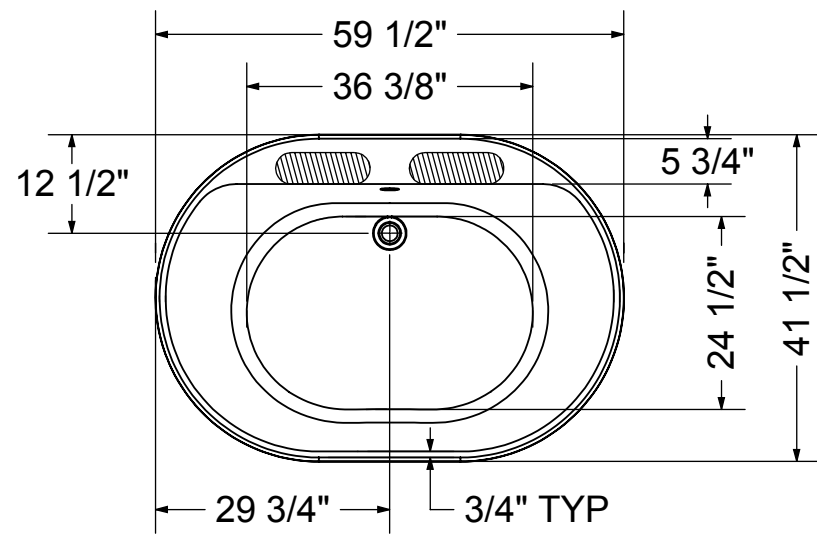
BRIOSO 6042 - 103901


| SKU | System | Color | Configuration | Dimensions & Weight | Packaging | MSRP |
|--------------------|--------------------|-----------------|---------------|----------------------------------|--------------------|---------|
| 103901-000-002-100 | Soaker - No System | White | Center | 60" x 42" x 23" / 101 lb / 46 kg | 46 ft ³ | \$ 2290 |
| 103901-000-002-102 | | Black | | | | \$ 2590 |
| 103901-000-002-113 | | Sterling Silver | | | | \$ 2590 |
| 103901-000-002-114 | | Thunder Gray | | | | \$ 2590 |

COMMON OPTIONS

| SKU | Description | MSRP |
|--------------------|---|---------|
| OPT20252 | Linear Waste & Overflow with pack of 3 finishes (Chrome, Brushed Nickel & Dark Bronze) | \$ 369 |
| OPT20137-004 | Cable-operated waste and overflow (16 in. to 22 in.) (included in product packaging when purchased) Available colors: White (001), Bone (004), Chrome (084) and Brushed Nickel (105) | \$ 238 |
| OPT20137-084 | | \$ 238 |
| OPT20137-105 | | \$ 238 |
| OPT20137-001 | | \$ 238 |
| OPT20210-084 | Waste and overflow (16 in. to 22 in.) (included in product packaging when purchased) Available colors: Chrome (084) and Brushed Nickel (105) | \$ 84 |
| OPT20210-105 | | \$ 123 |
| OPT20250-084 | Brass flexible waste and overflow for high-rise construction Available colors: Chrome (084) and Brushed Nickel (105) | \$ 359 |
| OPT20250-105 | | \$ 423 |
| 106158-000-015-000 | Apron only (sold separately as a replacement part) | \$ 1904 |
| 106158-000-002-000 | Available standard apron color: White apron (002) | \$ 1604 |

| ACCESSORIES | | |
|--------------|---|---------|
| SKU | Description | MSRP |
| 10012135-105 | Waste and overflow (16 to 22 in.) (sold separately) | \$ 123 |
| 10012135-084 | Available colors: Chrome (084) and Brushed Nickel (105) | \$ 84 |
| 10032747 | F ² Drain - ABS kit for freestanding bathtub installation (sold separately) Minimum space required for assembly is 10 3/8 inches Compatible exclusively with MAAX freestanding bathtubs. | \$ 198 |
| 10032757 | F ² Drain - Pack of 12 ABS kits for freestanding bathtub installation (sold separately) Minimum space required for assembly is 10 3/8 inches Compatible exclusively with MAAX freestanding bathtubs. | \$ 2282 |
| 10034337 | Positioning template for Brioso 6042 freestanding installation (sold separately) | \$ 89 |
| 10034341 | F ² Drain - PVC kit for freestanding bathtub installation (sold separately) Minimum space required for assembly is 10 3/8 inches Compatible exclusively with MAAX freestanding bathtubs. | \$ 198 |
| 10004306-001 | White foam cushion with 2 suction pads (sold separately) Available color: White (001) | \$ 120 |
| 10032808-084 | Brass flexible waste and overflow for high construction (sold separately) | \$ 359 |
| 10032808-105 | Available colors: Chrome (084) and Brushed Nickel (105) | \$ 423 |
| 10022491-084 | | \$ 238 |
| 10022491-004 | Cable-operated waste and overflow (16 in. to 22 in.) (sold separately) | \$ 238 |
| 10022491-105 | Available colors: White (001), Bone (004), Chrome (084) and Brushed Nickel (105) | \$ 238 |
| 10022491-001 | | \$ 238 |



 : Recommended faucet area 2 sections of 12" (L) x 4" (W).
Depth recommended for straight pipes 8".

All dimensions are approximate. Structure measurements must be verified against the unit to ensure proper fit.

Brioso 6636



Material : AcrylX™
 Max: 68 Gal / 259 L

Features

- › Freestanding installation
- › AcrylX™ surface resistant to stains
- › MAAX innovative leveling legs for easy installation
- › Compatible with MAAX F2 Drain connector to save time and money on installation
- › Available in an Above-the-Floor Rough (AFR) configuration for easier drain, waste and overflow installation
- › 2-piece bathtub for easy transportation and seamless installation
- › High gloss finish resistant to dulling, scratching, and fading
- › Proudly made in North America
- › Available in white, thunder gray, sterling silver or black color to complement any bathroom decor

FREESTANDING BATHTUBS - ACRYLX

| BRIOSO 6636 - 103903 | | | | | | |
|----------------------|--------------------|-----------------|---------------|----------------------------------|-----------|---------|
| SKU | System | Color | Configuration | Dimensions & Weight | Packaging | MSRP |
| 103903-000-002-100 | Soaker - No System | White | Center | 66" x 36" x 23" / 106 lb / 48 kg | 44 ft³ | \$ 2290 |
| 103903-000-002-102 | | Black | | | | \$ 2590 |
| 103903-000-002-113 | | Sterling Silver | | | | \$ 2590 |
| 103903-000-002-114 | | Thunder Gray | | | | \$ 2590 |

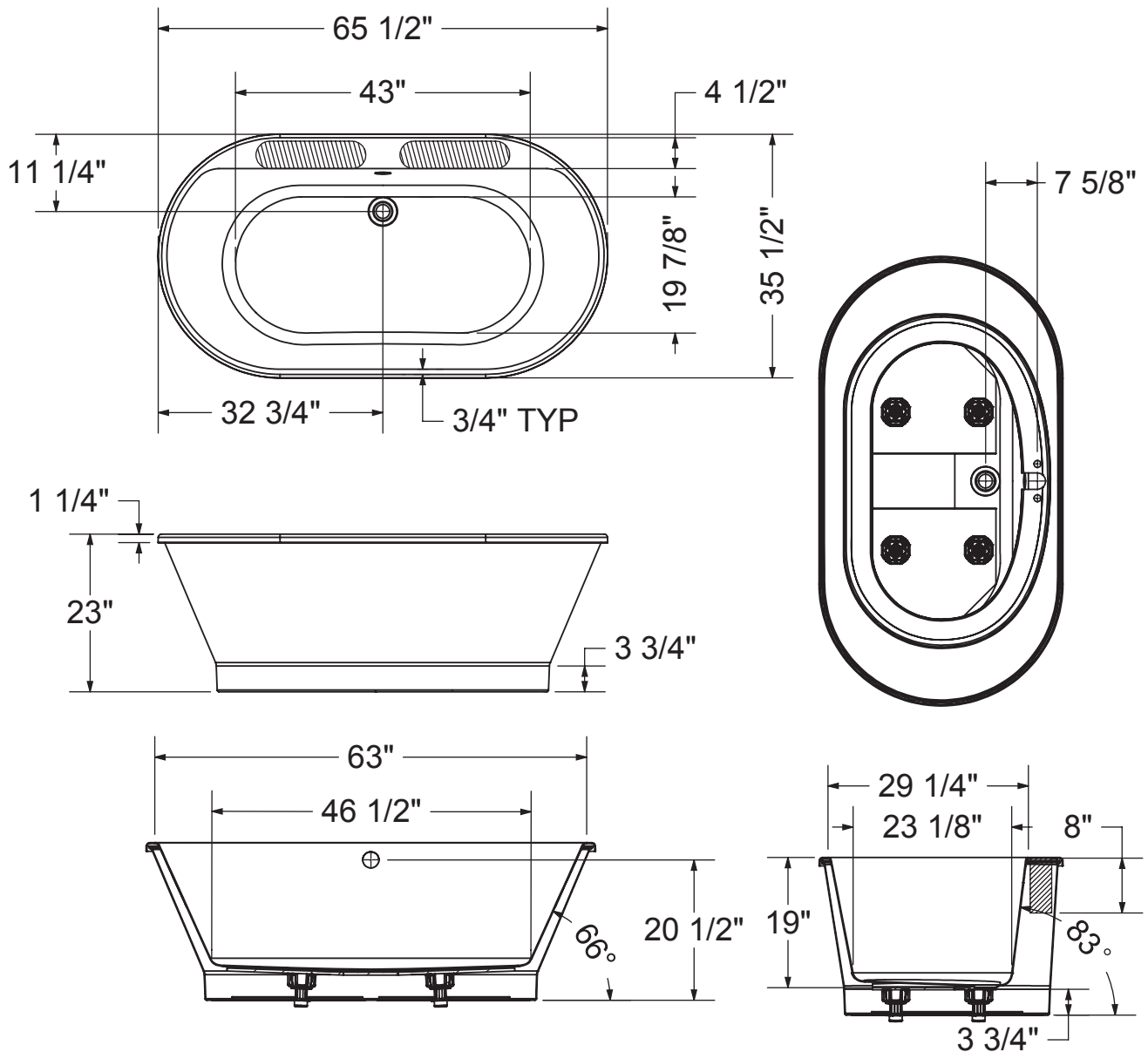
| COMMON OPTIONS | | |
|--------------------|---|---------|
| SKU | Description | MSRP |
| OPT20252 | Linear Waste & Overflow with pack of 3 finishes (Chrome, Brushed Nickel & Dark Bronze) | \$ 369 |
| OPT20137-004 | Cable-operated waste and overflow (16 in. to 22 in.) (included in product packaging when purchased) Available colors: White (001), Bone (004), Chrome (084) and Brushed Nickel (105) | \$ 238 |
| OPT20137-084 | | \$ 238 |
| OPT20137-105 | | \$ 238 |
| OPT20137-001 | | \$ 238 |
| OPT20210-084 | Waste and overflow (16 in. to 22 in.) (included in product packaging when purchased) Available colors: Chrome (084) and Brushed Nickel (105) | \$ 84 |
| OPT20210-105 | | \$ 123 |
| OPT20250-084 | Brass flexible waste and overflow for high-rise construction Available colors: Chrome (084) and Brushed Nickel (105) | \$ 359 |
| OPT20250-105 | | \$ 423 |
| 106157-000-015-000 | Apron only (sold separately as a replacement part) Available standard apron color: White apron (002) | \$ 1904 |


COMMON OPTIONS

| SKU | Description | MSRP |
|--------------------|---|---------|
| 106157-000-002-000 | Apron only (sold separately as a replacement part) Available standard apron color: White apron (002) | \$ 1604 |

ACCESSORIES

| SKU | Description | MSRP |
|--------------|---|---------|
| 10012135-105 | Waste and overflow (16 to 22 in.) (sold separately) | \$ 123 |
| 10012135-084 | Available colors: Chrome (084) and Brushed Nickel (105) | \$ 84 |
| 10032747 | F ² Drain - ABS kit for freestanding bathtub installation (sold separately) Minimum space required for assembly is 10 3/8 inches Compatible exclusively with MAAX freestanding bathtubs. | \$ 198 |
| 10032757 | F ² Drain - Pack of 12 ABS kits for freestanding bathtub installation (sold separately) Minimum space required for assembly is 10 3/8 inches Compatible exclusively with MAAX freestanding bathtubs. | \$ 2282 |
| 10034338 | Positioning template for Briosso 6636 freestanding installation (sold separately) | \$ 89 |
| 10034341 | F ² Drain - PVC kit for freestanding bathtub installation (sold separately) Minimum space required for assembly is 10 3/8 inches Compatible exclusively with MAAX freestanding bathtubs. | \$ 198 |
| 10004306-001 | White foam cushion with 2 suction pads (sold separately) Available color: White (001) | \$ 120 |
| 10032808-084 | Brass flexible waste and overflow for high construction (sold separately) | \$ 359 |
| 10032808-105 | Available colors: Chrome (084) and Brushed Nickel (105) | \$ 423 |
| 10022491-084 | Cable-operated waste and overflow (16 in. to 22 in.) (sold separately) Available colors: White (001), Bone (004), Chrome (084) and Brushed Nickel (105) | \$ 238 |
| 10022491-004 | | \$ 238 |
| 10022491-105 | | \$ 238 |
| 10022491-001 | | \$ 238 |
| 10022491-001 | | \$ 238 |



(): Recommended faucet area 2 sections of 16" (L) x 4" (W).
Depth recommended for straight pipes 8".

All dimensions are approximate. Structure measurements must be verified against the unit to ensure proper fit.

Eldora 5832



FREESTANDING BATHTUBS - ACRYLX



Material : AcrylX™

Max: 60 Gal / 226 L

Features

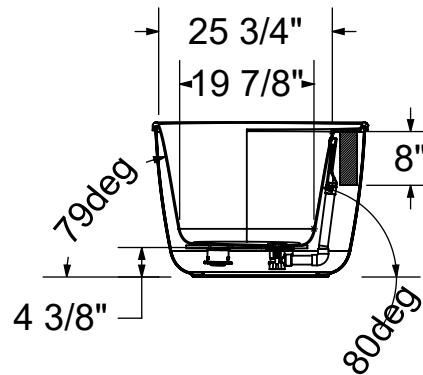
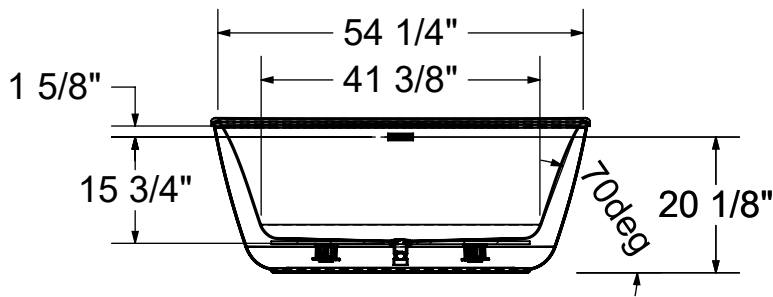
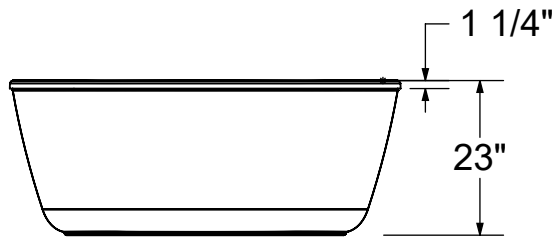
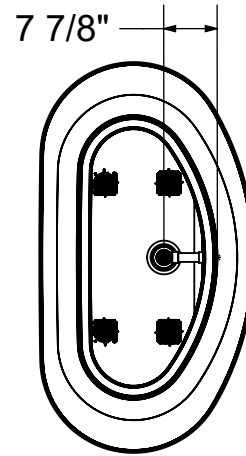
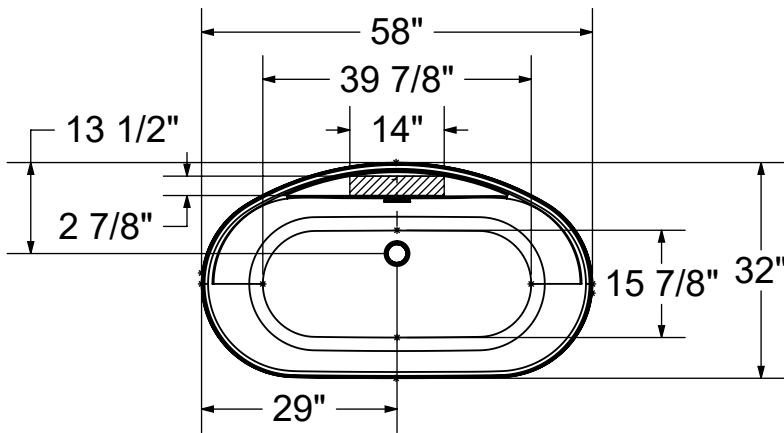
- › Linear waste and overflow included and factory installed
- › Faucet installation can be deck-mounted or floor-mounted
- › Maximized bathing well with comfortable backrest
- › Perfect for small footprint bathroom
- › Above-the-Floor Rough (AFR) and F2 Drain compatible
- › MAAX innovative leveling legs for easy installation


ELDORA 5832 - 106992

| SKU | System | Color | Configuration | Dimensions & Weight | Packaging | MSRP |
|--------------------|--------------------|-------|---------------|----------------------------------|--------------------|---------|
| 106992-000-002-100 | Soaker - No System | White | Center | 58" x 32" x 23" / 120 lb / 54 kg | 33 ft ³ | \$ 2432 |

ACCESSORIES

| SKU | Description | MSRP |
|--------------|---|---------|
| 10032747 | F ² Drain - ABS kit for freestanding bathtub installation (sold separately) Minimum space required for assembly is 10 3/8 inches Compatible exclusively with MAAX freestanding bathtubs. | \$ 198 |
| 10032757 | F ² Drain - Pack of 12 ABS kits for freestanding bathtub installation (sold separately) Minimum space required for assembly is 10 3/8 inches Compatible exclusively with MAAX freestanding bathtubs. | \$ 2282 |
| 10034341 | F ² Drain - PVC kit for freestanding bathtub installation (sold separately) Minimum space required for assembly is 10 3/8 inches Compatible exclusively with MAAX freestanding bathtubs. | \$ 198 |
| 10004306-001 | White foam cushion with 2 suction pads (sold separately) Available color: White (001) | \$ 120 |
| 10034729 | Positioning template for Eldora 5832 & Emica 5832 freestanding bathtubs installation (sold separately) | \$ 89 |



() Recommended faucet area 1 section of 14" (L) x 2 7/8" (W).
Depth recommended for straight pipes 8".

All dimensions are approximate. Structure measurements must be verified against the unit to ensure proper fit.

Eldora 6434



FREESTANDING BATHTUBS - ACRYLX



Material : AcrylX™

Max: 68 Gal / 258 L

Features

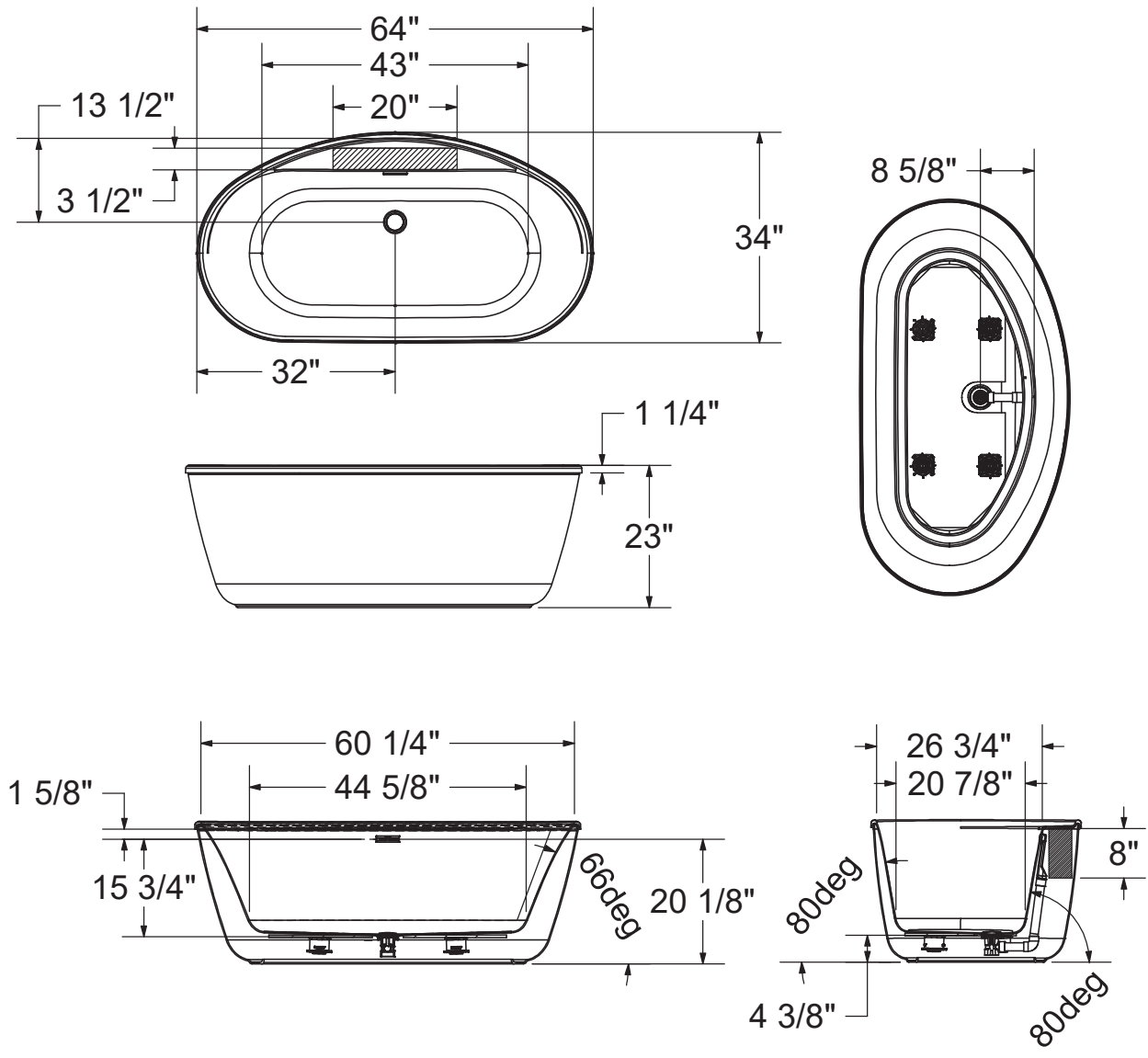
- › 2-piece bathtub - transports and installs easily
- › Linear waste and overflow included and factory installed
- › Faucet installation can be deck-mounted or floor-mounted
- › Maximized bathing well with comfortable backrest
- › Perfect for small footprint bathroom
- › Above-the-Floor Rough (AFR) and F2 Drain compatible
- › MAAX innovative leveling legs for easy installation


ELDORA 6434 - 106993

| SKU | System | Color | Configuration | Dimensions & Weight | Packaging | MSRP |
|--------------------|--------------------|-------|---------------|----------------------------------|--------------------|---------|
| 106993-000-002-100 | Soaker - No System | White | Center | 64" x 34" x 23" / 130 lb / 59 kg | 38 ft ³ | \$ 2775 |

ACCESSORIES

| SKU | Description | MSRP |
|--------------|---|---------|
| 10032747 | F ² Drain - ABS kit for freestanding bathtub installation (sold separately) Minimum space required for assembly is 10 3/8 inches Compatible exclusively with MAAX freestanding bathtubs. | \$ 198 |
| 10032757 | F ² Drain - Pack of 12 ABS kits for freestanding bathtub installation (sold separately) Minimum space required for assembly is 10 3/8 inches Compatible exclusively with MAAX freestanding bathtubs. | \$ 2282 |
| 10034341 | F ² Drain - PVC kit for freestanding bathtub installation (sold separately) Minimum space required for assembly is 10 3/8 inches Compatible exclusively with MAAX freestanding bathtubs. | \$ 198 |
| 10004306-001 | White foam cushion with 2 suction pads (sold separately) Available color: White (001) | \$ 120 |
| 10034728 | Positioning template for Eldora 6434 & Emica 6434 freestanding bathtubs installation (sold separately) | \$ 89 |



() Recommended faucet area 1 section of 20" (L) x 3 1/2" (W). Depth recommended for straight pipes 8".

All dimensions are approximate. Structure measurements must be verified against the unit to ensure proper fit.

Finlay



FREESTANDING BATHTUBS - ACRYLX



Material : AcrylX™

Max: 62 Gal / 236 L

Features

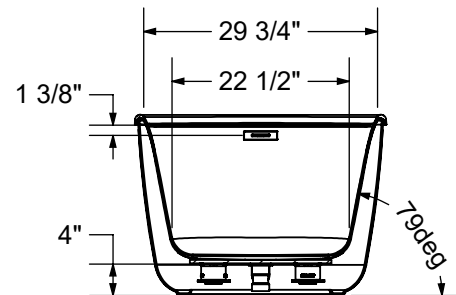
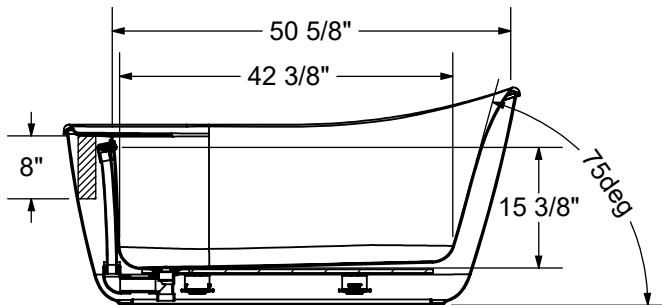
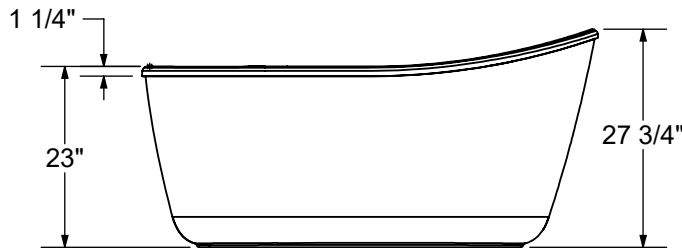
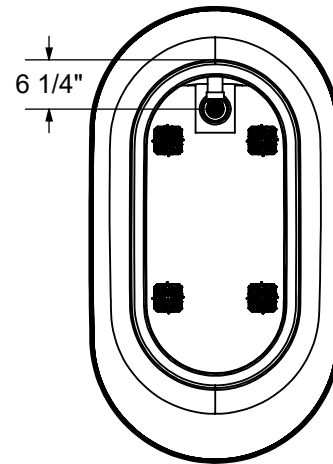
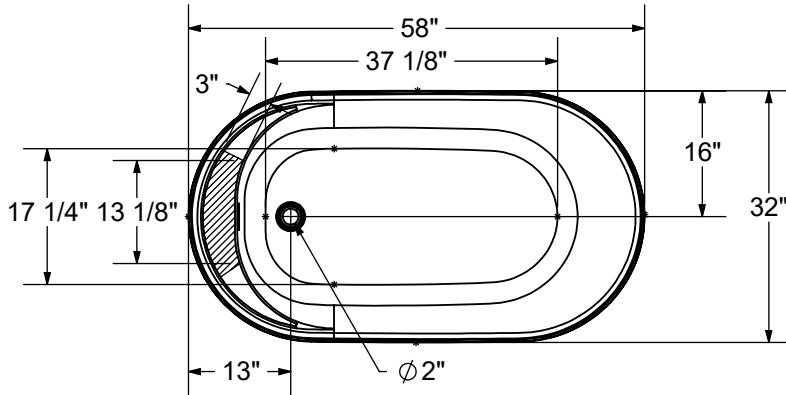
- › 2-piece AcrylX™ bathtub - transports and installs easily
- › Linear waste and overflow included and factory installed
- › White overflow trim and pop-up drain
- › Faucet installation can be deck-mounted or floor-mounted
- › Above-the-Floor Rough (AFR) and F2 Drain compatible
- › Maximized bathing well with comfortable backrest
- › Maax innovative leveling legs for easy installation
- › Perfect for small footprint bathroom


FINLAY - 106997

| SKU | System | Color | Configuration | Dimensions & Weight | Packaging | MSRP |
|--------------------|--------------------|-------|---------------|--------------------------------------|-----------|---------|
| 106997-000-002-100 | Soaker - No System | White | End | 58" x 32" x 27 3/4" / 105 lb / 48 kg | 35 ft³ | \$ 2196 |

ACCESSORIES

| SKU | Description | MSRP |
|--------------|---|---------|
| 10032747 | F² Drain - ABS kit for freestanding bathtub installation (sold separately) Minimum space required for assembly is 10 3/8 inches Compatible exclusively with MAAX freestanding bathtubs. | \$ 198 |
| 10032757 | F² Drain - Pack of 12 ABS kits for freestanding bathtub installation (sold separately) Minimum space required for assembly is 10 3/8 inches Compatible exclusively with MAAX freestanding bathtubs. | \$ 2282 |
| 10034341 | F² Drain - PVC kit for freestanding bathtub installation (sold separately) Minimum space required for assembly is 10 3/8 inches Compatible exclusively with MAAX freestanding bathtubs. | \$ 198 |
| 10004306-001 | White foam cushion with 2 suction pads (sold separately) Available color: White (001) | \$ 120 |



- All dimensions are approximate
 - Structure measurements must be verified against the unit to ensure proper fit
 - Installation to be completed in accordance with manufacturers specifications
 - Do not scale drawings
- () Recommended faucet area of 13 1/8" (L) x 3" (W). Depth recommended for straight pipes 8".

Fontana



FREESTANDING BATHTUBS - ACRYLX



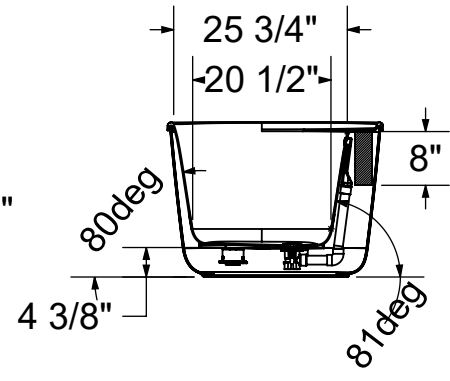
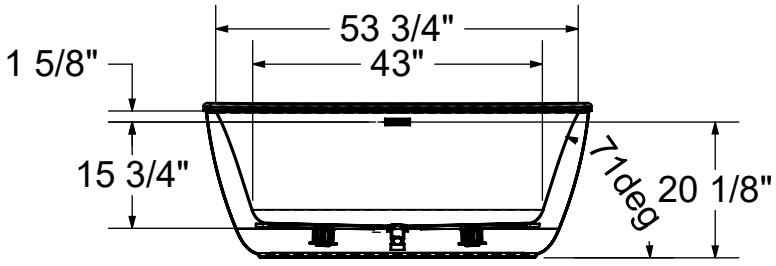
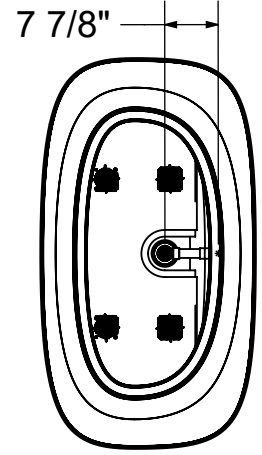
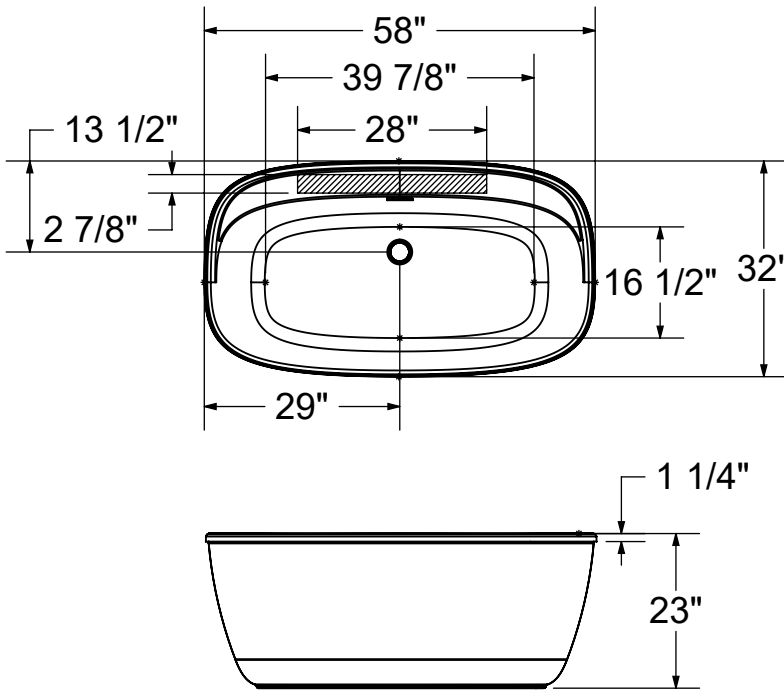
Material : AcrylX™
 Max: 61 Gal / 230 L


Features

- › Linear waste and overflow included and factory installed
- › Faucet installation can be deck-mounted or floor-mounted
- › Maximized bathing well with comfortable backrest
- › Perfect for small footprint bathroom
- › Above-the-Floor Rough (AFR) and F2 Drain compatible
- › MAAX innovative leveling legs for easy installation

| FONTANA - 106994 | | | | | | |
|--------------------|--------------------|-------|---------------|----------------------------------|--------------------|---------|
| SKU | System | Color | Configuration | Dimensions & Weight | Packaging | MSRP |
| 106994-000-002-000 | Soaker - No System | White | Center | 58" x 32" x 23" / 120 lb / 54 kg | 33 ft ³ | \$ 2528 |

| ACCESSORIES | | |
|--------------|---|---------|
| SKU | Description | MSRP |
| 10032747 | F ² Drain - ABS kit for freestanding bathtub installation (sold separately) Minimum space required for assembly is 10 3/8 inches Compatible exclusively with MAAX freestanding bathtubs. | \$ 198 |
| 10032757 | F ² Drain - Pack of 12 ABS kits for freestanding bathtub installation (sold separately) Minimum space required for assembly is 10 3/8 inches Compatible exclusively with MAAX freestanding bathtubs. | \$ 2282 |
| 10034341 | F ² Drain - PVC kit for freestanding bathtub installation (sold separately) Minimum space required for assembly is 10 3/8 inches Compatible exclusively with MAAX freestanding bathtubs. | \$ 198 |
| 10004306-001 | White foam cushion with 2 suction pads (sold separately) Available color: White (001) | \$ 120 |
| 10034730 | Positioning template for Odetta & Fontana freestanding bathtubs installation (sold separately) | \$ 89 |



() Recommended faucet area 1 section of 28" (L) x 2 7/8" (W).
Depth recommended for straight pipes 8".

All dimensions are approximate. Structure measurements must be verified against the unit to ensure proper fit.

Golan 5829



FREESTANDING BATHTUBS - ACRYLX



Material : AcrylX™
 Max: 57 Gal / 217 L

Features

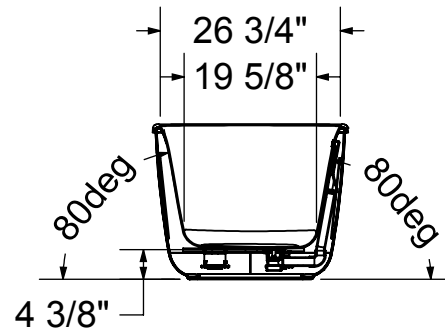
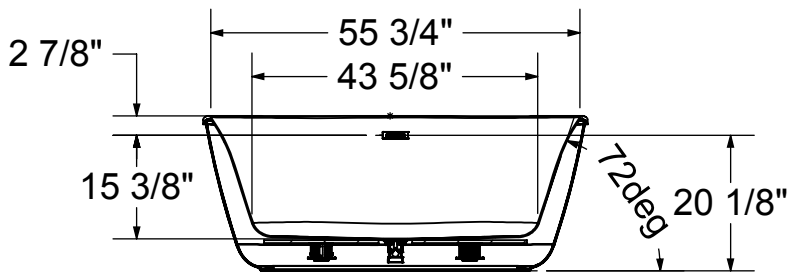
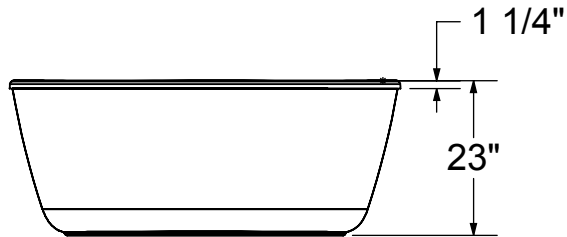
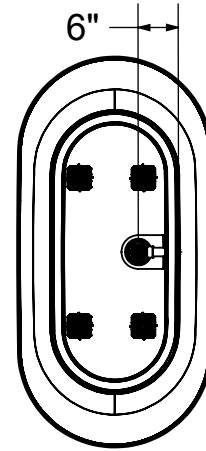
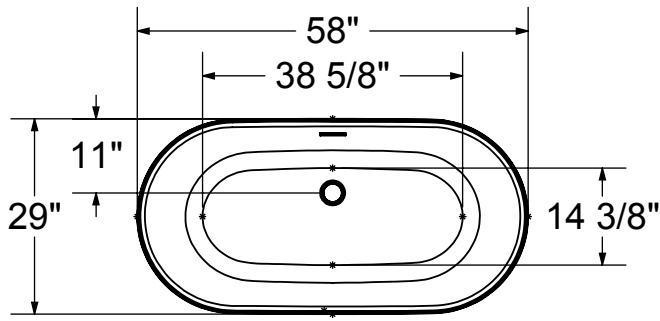
- › 2-piece bathtub for an easy installation
- › High gloss finish resistant to dulling, scratching, and fading
- › AcrylX surface resistant to stains
- › Maximized bathing designed for optimal comfort
- › Waste and overflow included and pre-installed to save time on installation
- › Comes with leveling legs for ease of installation
- › Compatible with MAAX F2 Drain connector to save time and money on installation
- › Freestanding bathtub
- › Proudly made in North America

GOLAN 5829 - 107519

| SKU | System | Color | Configuration | Dimensions & Weight | Packaging | MSRP |
|--------------------|--------------------|-------|---------------|----------------------------------|-----------|---------|
| 107519-000-002-000 | Soaker - No System | White | Center | 58" x 29" x 23" / 105 lb / 48 kg | 33 ft³ | \$ 2565 |

ACCESSORIES

| SKU | Description | MSRP |
|--------------|---|---------|
| 10032747 | F² Drain - ABS kit for freestanding bathtub installation (sold separately) Minimum space required for assembly is 10 3/8 inches Compatible exclusively with MAAX freestanding bathtubs. | \$ 198 |
| 10032757 | F² Drain - Pack of 12 ABS kits for freestanding bathtub installation (sold separately) Minimum space required for assembly is 10 3/8 inches Compatible exclusively with MAAX freestanding bathtubs. | \$ 2282 |
| 10034341 | F² Drain - PVC kit for freestanding bathtub installation (sold separately) Minimum space required for assembly is 10 3/8 inches Compatible exclusively with MAAX freestanding bathtubs. | \$ 198 |
| 10004306-001 | White foam cushion with 2 suction pads (sold separately) Available color: White (001) | \$ 120 |



All dimensions are approximate. Structure measurements must be verified against the unit to ensure proper fit.



Golan 6429

FREESTANDING BATHTUBS - ACRYLX



Material : AcrylX™

Max: 63 Gal / 240 L

Features

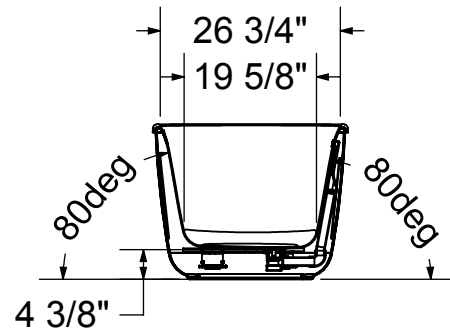
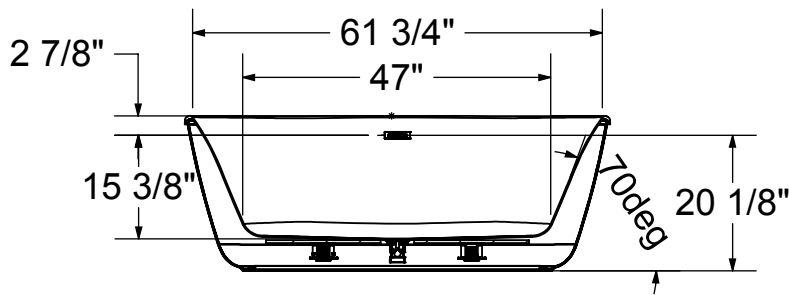
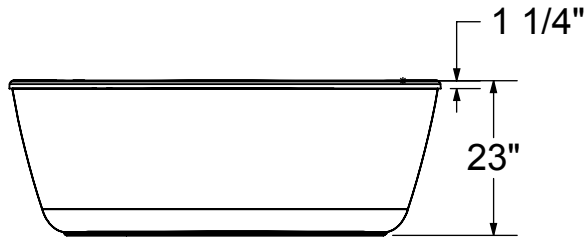
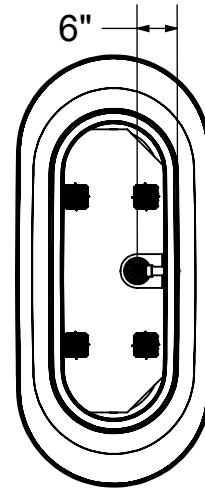
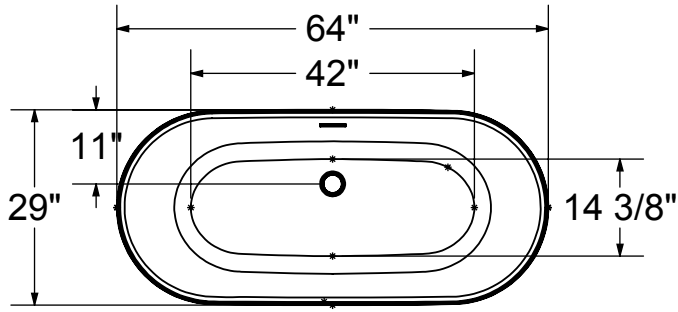
- › 2-piece bathtub - transports and installs easily
- › Linear waste and overflow included and factory installed
- › Above-the-Floor Rough (AFR) and F2 Drain compatible
- › MAAX innovative leveling legs for easy installation
- › Maximized bathing well with comfortable backrest
- › Minimalist design
- › Perfect for small footprint bathrooms

GOLAN 6429 - 107520

| SKU | System | Color | Configuration | Dimensions & Weight | Packaging | MSRP |
|--------------------|--------------------|-------|---------------|----------------------------------|--------------------|---------|
| 107520-000-002-000 | Soaker - No System | White | Center | 64" x 29" x 23" / 115 lb / 52 kg | 38 ft ³ | \$ 3536 |

ACCESSORIES

| SKU | Description | MSRP |
|--------------|---|---------|
| 10032747 | F ² Drain - ABS kit for freestanding bathtub installation (sold separately) Minimum space required for assembly is 10 3/8 inches Compatible exclusively with MAAX freestanding bathtubs. | \$ 198 |
| 10032757 | F ² Drain - Pack of 12 ABS kits for freestanding bathtub installation (sold separately) Minimum space required for assembly is 10 3/8 inches Compatible exclusively with MAAX freestanding bathtubs. | \$ 2282 |
| 10034341 | F ² Drain - PVC kit for freestanding bathtub installation (sold separately) Minimum space required for assembly is 10 3/8 inches Compatible exclusively with MAAX freestanding bathtubs. | \$ 198 |
| 10004306-001 | White foam cushion with 2 suction pads (sold separately) Available color: White (001) | \$ 120 |



All dimensions are approximate. Structure measurements must be verified against the unit to ensure proper fit.

Pocono



FREESTANDING BATHTUBS - ACRYLX



Material : AcrylX™

Max: 66 Gal / 250 L

Features

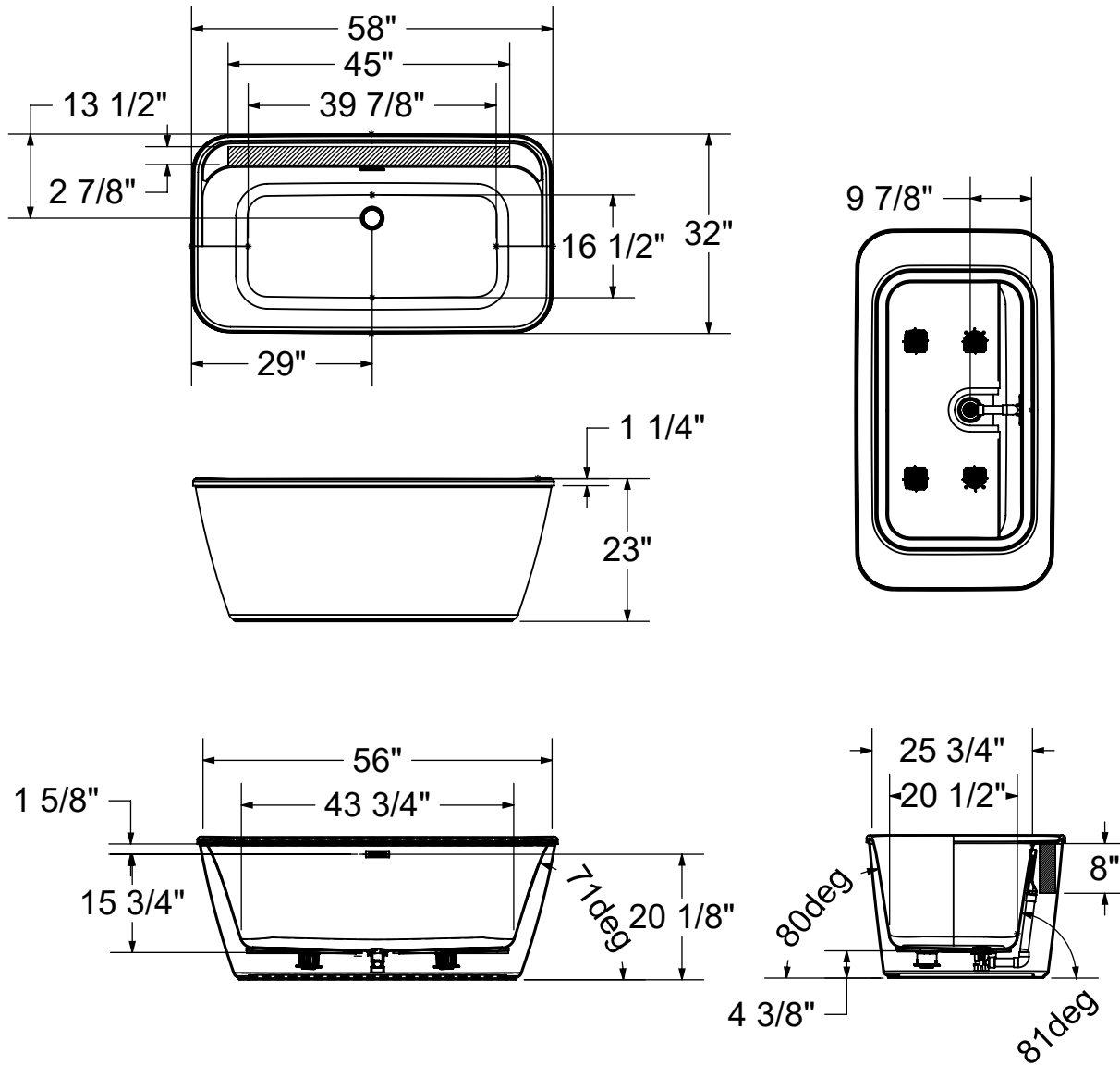
- › 2-piece bathtub - transports and installs easily
- › Linear waste and overflow included and factory installed
- › Faucet installation can be deck-mounted or floor-mounted
- › Maximized bathing well with comfortable backrest
- › Perfect for small footprint bathroom
- › Above-the-Floor Rough (AFR) and F2 Drain compatible
- › MAAX innovative leveling legs for easy installation


POCONO - 106995

| SKU | System | Color | Configuration | Dimensions & Weight | Packaging | MSRP |
|--------------------|--------------------|-------|---------------|----------------------------------|--------------------|---------|
| 106995-000-002-000 | Soaker - No System | White | Center | 58" x 32" x 23" / 120 lb / 54 kg | 33 ft ³ | \$ 2528 |

ACCESSORIES

| SKU | Description | MSRP |
|--------------|---|---------|
| 10032747 | F ² Drain - ABS kit for freestanding bathtub installation (sold separately) Minimum space required for assembly is 10 3/8 inches Compatible exclusively with MAAX freestanding bathtubs. | \$ 198 |
| 10032757 | F ² Drain - Pack of 12 ABS kits for freestanding bathtub installation (sold separately) Minimum space required for assembly is 10 3/8 inches Compatible exclusively with MAAX freestanding bathtubs. | \$ 2282 |
| 10034341 | F ² Drain - PVC kit for freestanding bathtub installation (sold separately) Minimum space required for assembly is 10 3/8 inches Compatible exclusively with MAAX freestanding bathtubs. | \$ 198 |
| 10004306-001 | White foam cushion with 2 suction pads (sold separately) Available color: White (001) | \$ 120 |
| 10034772 | Positioning template for Kai & Pocono freestanding bathtubs installation (sold separately) | \$ 89 |



() Recommended faucet area 1 section of 45" (L) x 2 7/8" (W).
Depth recommended for straight pipes 8".

All dimensions are approximate. Structure measurements must be verified against the unit to ensure proper fit.

Sonoma



FREESTANDING BATHTUBS - ACRYLX



Material : AcrylX™
 Max: 58 Gal / 220 L

Features

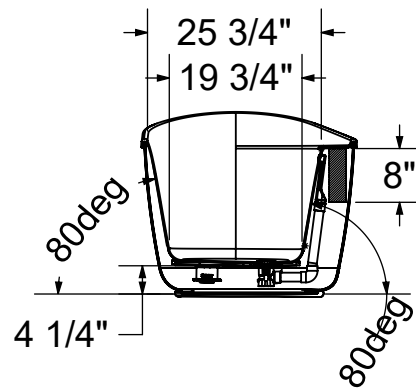
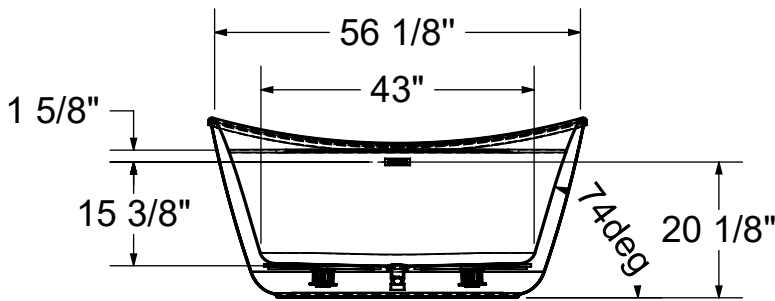
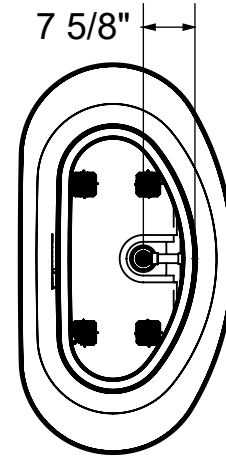
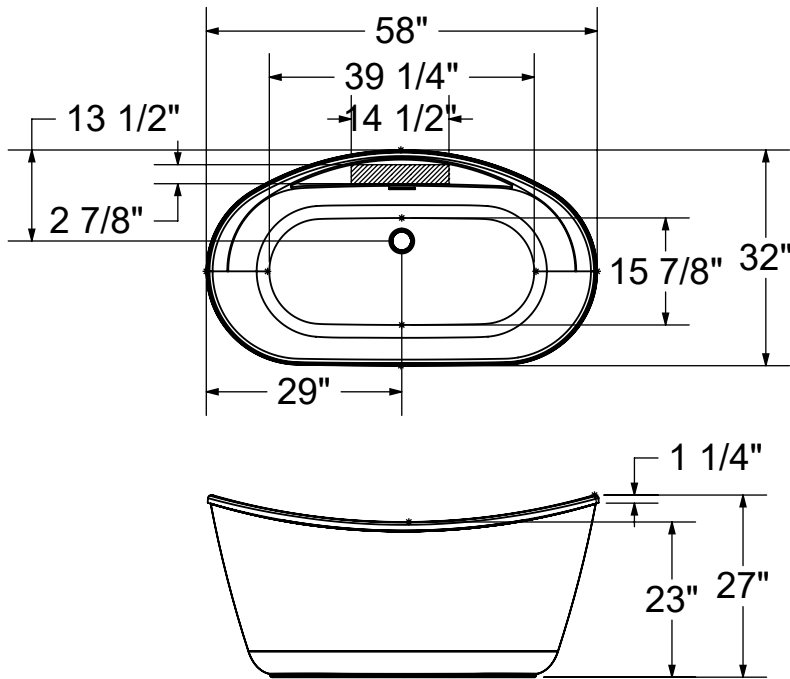
- › Freestanding bathtub
- › AcrylX™ surface resistant to stains
- › Above-the-floor rough (AFR) to allow for easy plumbing installation without having to relocate the existing drain
- › 2-piece bathtub for easy transportation and seamless installation
- › Compatible with F2 drain connector to save time and money on installation
- › MAAX innovative leveling legs for easy installation
- › High gloss finish resistant to dulling, scratching, and fading
- › Minimalist and versatile design to fit any bathroom style
- › Proudly made in North America


SONOMA - 106996

| SKU | System | Color | Configuration | Dimensions & Weight | Packaging | MSRP |
|--------------------|--------------------|-------|---------------|----------------------------------|--------------------|---------|
| 106996-000-002-000 | Soaker - No System | White | Center | 58" x 32" x 27" / 120 lb / 54 kg | 33 ft ³ | \$ 2528 |

ACCESSORIES

| SKU | Description | MSRP |
|--------------|---|---------|
| 10032747 | F ² Drain - ABS kit for freestanding bathtub installation (sold separately) Minimum space required for assembly is 10 3/8 inches Compatible exclusively with MAAX freestanding bathtubs. | \$ 198 |
| 10032757 | F ² Drain - Pack of 12 ABS kits for freestanding bathtub installation (sold separately) Minimum space required for assembly is 10 3/8 inches Compatible exclusively with MAAX freestanding bathtubs. | \$ 2282 |
| 10034341 | F ² Drain - PVC kit for freestanding bathtub installation (sold separately) Minimum space required for assembly is 10 3/8 inches Compatible exclusively with MAAX freestanding bathtubs. | \$ 198 |
| 10004306-001 | White foam cushion with 2 suction pads (sold separately) Available color: White (001) | \$ 120 |
| 10034773 | Positioning template for Suna & Sonoma freestanding bathtubs installation (sold separately) | \$ 89 |



() Recommended faucet area 1 section of 14 1/2" (L) x 2 7/8" (W).
Depth recommended for straight pipes 8".

All dimensions are approximate. Structure measurements must be verified against the unit to ensure proper fit.



Delsia 6032

FREESTANDING BATHTUBS - ACRYLX



Material : AcrylX™

Max: 48 Gal / 182 L

Features

- › AcrylX™ surface resistant to stains
- › Bathtub skirt available in 4 colours: White, Sterling Silver, Black, Thunder Grey
- › 2-piece bathtub for easy transportation and seamless installation
- › Compatible with F2 drain connector to save time and money on installation
- › Maximized bathing well and raised backrest
- › MAAX innovative leveling legs for easy installation
- › High gloss finish resistant to dulling, scratching, and fading
- › Classy transitional design to fit any bathroom
- › Product Warranty: limited lifetime

DELSIA 6032 - 106192

| SKU | System | Color | Configuration | Dimensions & Weight | Packaging | MSRP |
|--------------------|--------------------|-----------------|---------------|-------------------------------------|-------------|---------|
| 106192-000-002-104 | Soaker - No System | White | Center | 60" x 32" x 26 5/8" / 95 lb / 43 kg | 31.7832 ft³ | \$ 2142 |
| 106192-000-002-124 | | Black | | | | \$ 2442 |
| 106192-000-002-125 | | Sterling Silver | | | | \$ 2442 |
| 106192-000-002-126 | | Thunder Gray | | | | \$ 2442 |

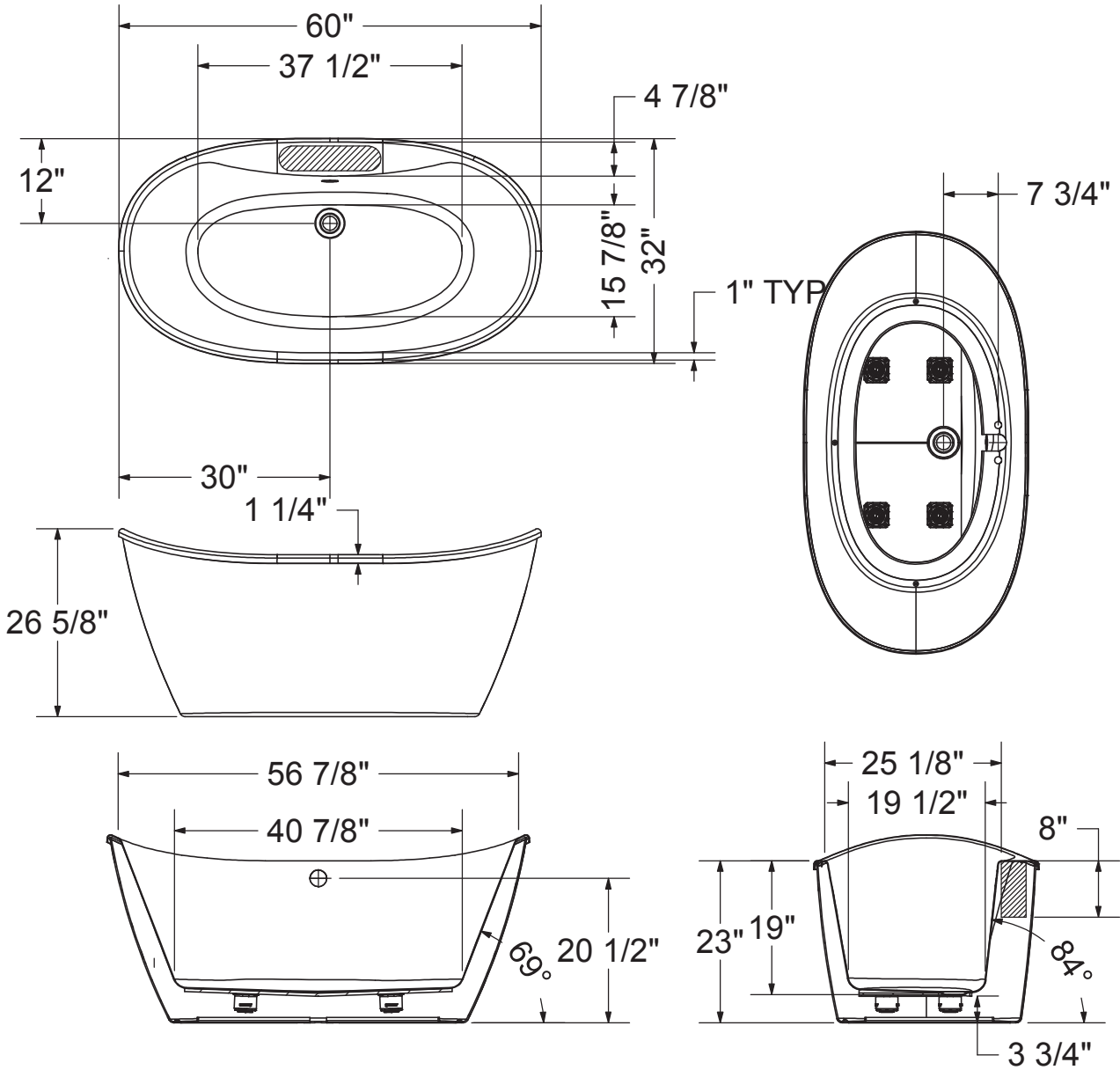
COMMON OPTIONS


| SKU | Description | MSRP |
|--------------------|---|---------|
| OPT20137-004 | Cable-operated waste and overflow (16 in. to 22 in.) (included in product packaging when purchased) Available colors: White (001), Bone (004), Chrome (084) and Brushed Nickel (105) | \$ 238 |
| OPT20137-084 | | \$ 238 |
| OPT20137-105 | | \$ 238 |
| OPT20137-001 | | \$ 238 |
| OPT20210-084 | Waste and overflow (16 in. to 22 in.) (included in product packaging when purchased) Available colors: Chrome (084) and Brushed Nickel (105) | \$ 84 |
| OPT20210-105 | | \$ 123 |
| 106194-000-002-000 | Apron only (sold separately as a replacement part) Available standard apron color: White apron (002) | \$ 1293 |

ACCESSORIES

| SKU | Description | MSRP |
|--------------|--|--------|
| 10012135-105 | Waste and overflow (16 to 22 in.) (sold separately) Available colors: Chrome (084) and Brushed Nickel (105) | \$ 123 |

| ACCESSORIES | | |
|--------------------|---|-------------|
| SKU | Description | MSRP |
| 10012135-084 | Waste and overflow (16 to 22 in.) (sold separately) Available colors: Chrome (084) and Brushed Nickel (105) | \$ 84 |
| 10032747 | F ² Drain - ABS kit for freestanding bathtub installation (sold separately) Minimum space required for assembly is 10 3/8 inches Compatible exclusively with MAAX freestanding bathtubs. | \$ 198 |
| 10032757 | F ² Drain - Pack of 12 ABS kits for freestanding bathtub installation (sold separately) Minimum space required for assembly is 10 3/8 inches Compatible exclusively with MAAX freestanding bathtubs. | \$ 2282 |
| 10034341 | F ² Drain - PVC kit for freestanding bathtub installation (sold separately) Minimum space required for assembly is 10 3/8 inches Compatible exclusively with MAAX freestanding bathtubs. | \$ 198 |
| 10037415 | Positioning template for Delsia 6032 freestanding installation (sold separately) | \$ 89 |
| 10004306-001 | White foam cushion with 2 suction pads (sold separately) Available color: White (001) | \$ 120 |
| 10022491-084 | Cable-operated waste and overflow (16 in. to 22 in.) (sold separately) Available colors: White (001), Bone (004), Chrome (084) and Brushed Nickel (105) | \$ 238 |
| 10022491-004 | | \$ 238 |
| 10022491-105 | | \$ 238 |
| 10022491-001 | | \$ 238 |
| 10022491-001 | | \$ 238 |



(): Recommended faucet area of 15" (L) x 3-1/2" (W).
Depth recommended for straight pipes 8".

All dimensions are approximate. Structure measurements must be verified against the unit to ensure proper fit.



Delsia 6636



Material : AcrylX™
 Max: 59 Gal / 223 L

Features

- › AcrylX™ surface resistant to stains
- › Available in timeless white colour
- › Maximized bathing well
- › 2-piece bathtub for easy transportation and seamless installation
- › Compatible with F2 drain connector to save time and money on installation
- › MAAX innovative leveling legs for easy installation
- › High gloss finish resistant to dulling, scratching, and fading
- › Minimalist and versatile design to fit any bathroom
- › Product Warranty: limited lifetime

FREESTANDING BATHTUBS - ACRYLX

DELSIA 6636 - 106193

| SKU | System | Color | Configuration | Dimensions & Weight | Packaging | MSRP |
|--------------------|--------------------|-----------------|---------------|--------------------------------------|-------------|---------|
| 106193-000-002-104 | Soaker - No System | White | Center | 66" x 36" x 26 5/8" / 110 lb / 50 kg | 38.8461 ft³ | \$ 2569 |
| 106193-000-002-124 | | Black | | | | \$ 2869 |
| 106193-000-002-125 | | Sterling Silver | | | | \$ 2869 |
| 106193-000-002-126 | | Thunder Gray | | | | \$ 2869 |

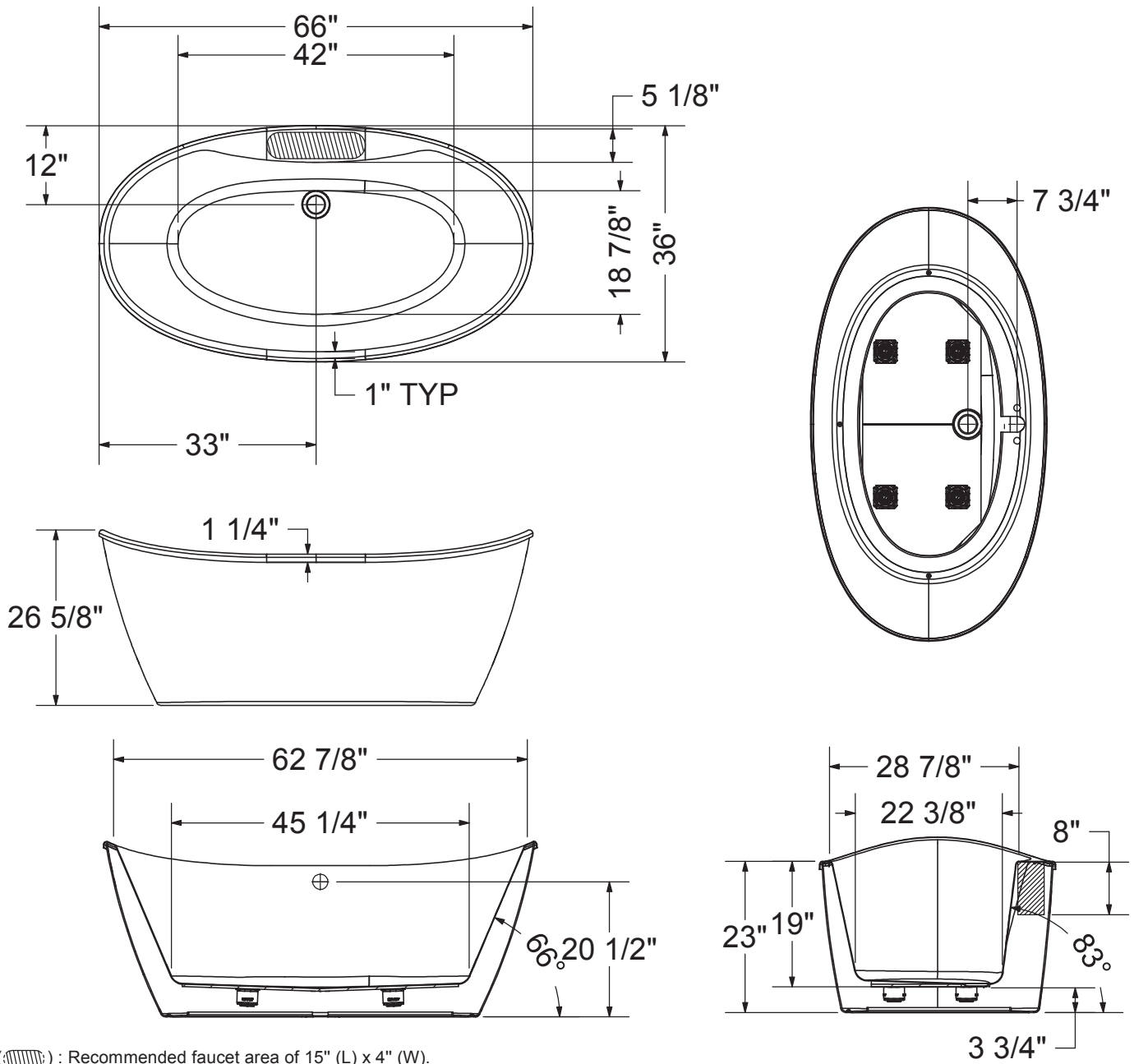
COMMON OPTIONS


| SKU | Description | MSRP |
|--------------------|---|---------|
| OPT20137-004 | Cable-operated waste and overflow (16 in. to 22 in.) (included in product packaging when purchased) Available colors: White (001), Bone (004), Chrome (084) and Brushed Nickel (105) | \$ 238 |
| OPT20137-084 | | \$ 238 |
| OPT20137-105 | | \$ 238 |
| OPT20137-001 | | \$ 238 |
| OPT20210-084 | Waste and overflow (16 in. to 22 in.) (included in product packaging when purchased) Available colors: Chrome (084) and Brushed Nickel (105) | \$ 84 |
| OPT20210-105 | | \$ 123 |
| 106195-000-002-000 | Apron only (sold separately as a replacement part) Available standard apron color: White apron (002) | \$ 1532 |

ACCESSORIES

| SKU | Description | MSRP |
|--------------|--|--------|
| 10012135-105 | Waste and overflow (16 to 22 in.) (sold separately) Available colors: Chrome (084) and Brushed Nickel (105) | \$ 123 |

| ACCESSORIES | | |
|--------------|---|---------|
| SKU | Description | MSRP |
| 10012135-084 | Waste and overflow (16 to 22 in.) (sold separately) Available colors: Chrome (084) and Brushed Nickel (105) | \$ 84 |
| 10032747 | F ² Drain - ABS kit for freestanding bathtub installation (sold separately) Minimum space required for assembly is 10 3/8 inches Compatible exclusively with MAAX freestanding bathtubs. | \$ 198 |
| 10032757 | F ² Drain - Pack of 12 ABS kits for freestanding bathtub installation (sold separately) Minimum space required for assembly is 10 3/8 inches Compatible exclusively with MAAX freestanding bathtubs. | \$ 2282 |
| 10034341 | F ² Drain - PVC kit for freestanding bathtub installation (sold separately) Minimum space required for assembly is 10 3/8 inches Compatible exclusively with MAAX freestanding bathtubs. | \$ 198 |
| 10037416 | Positioning template for Delsia 6636 freestanding installation (sold separately) | \$ 89 |
| 10004306-001 | White foam cushion with 2 suction pads (sold separately) Available color: White (001) | \$ 120 |
| 10022491-084 | Cable-operated waste and overflow (16 in. to 22 in.) (sold separately) Available colors: White (001), Bone (004), Chrome (084) and Brushed Nickel (105) | \$ 238 |
| 10022491-004 | | \$ 238 |
| 10022491-105 | | \$ 238 |
| 10022491-001 | | \$ 238 |
| 10022491-001 | | \$ 238 |



(): Recommended faucet area of 15" (L) x 4" (W).
Depth recommended for straight pipes 8".

All dimensions are approximate. Structure measurements must be verified against the unit to ensure proper fit.



Elinor

FREESTANDING BATHTUBS - ACRYLX



Material : AcrylX™
 Max: 65 Gal / 245 L

Features

- › Proudly made in Canada
- › Sleek and comfortable 2-piece freestanding bathtub made of AcrylX reinforced with fiberglass
- › Inclined backrest and deep bathing well
- › Ample deck space for faucet installation
- › End drain
- › Above-the-Floor Rough (AFR) and F2 Drain compatible
- › MAAX innovative leveling legs

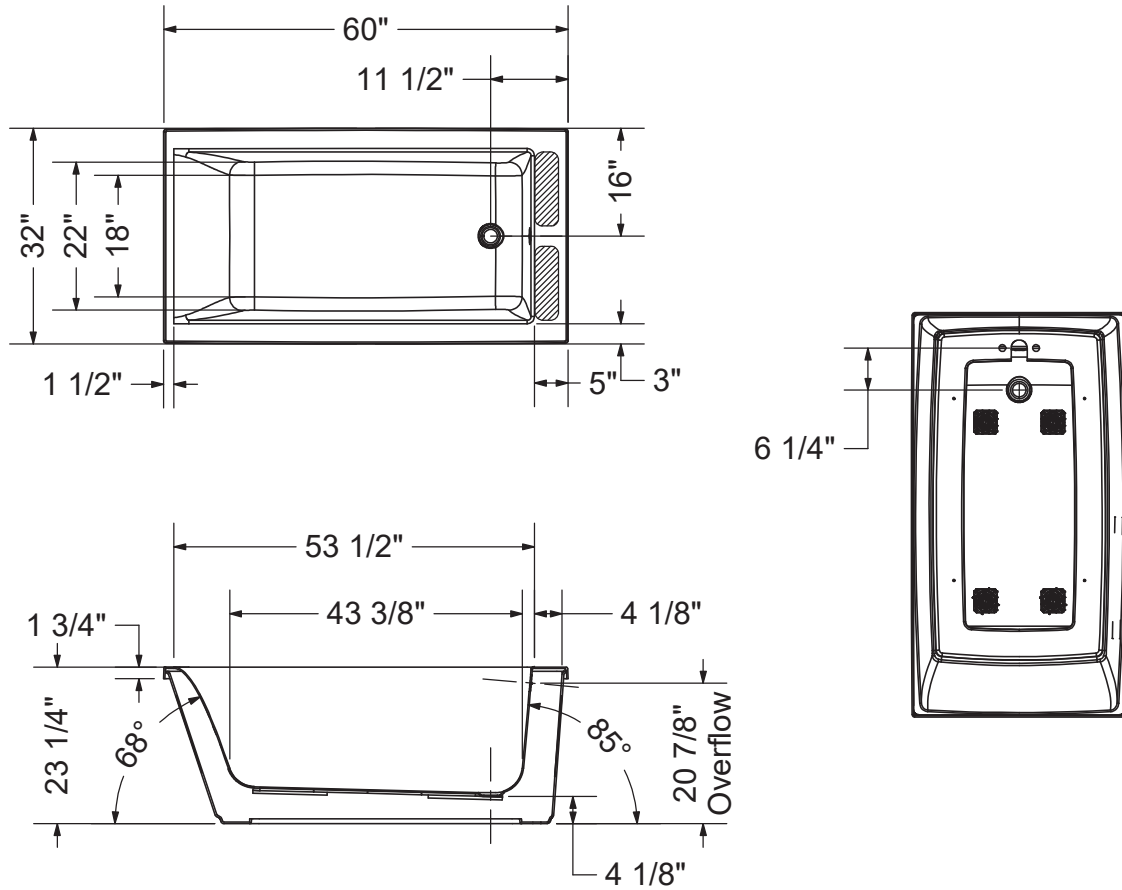
| ELINOR - 106426 | | | | | | |
|--------------------|--------------------|-----------------|---------------|----------------------------------|--------------------|---------|
| SKU | System | Color | Configuration | Dimensions & Weight | Packaging | MSRP |
| 106426-000-002-100 | Soaker - No System | White | End | 60" x 32" x 23" / 100 lb / 45 kg | 29 ft ³ | \$ 2407 |
| 106426-000-002-105 | | Black | | | | \$ 2707 |
| 106426-000-002-106 | | Sterling Silver | | | | \$ 2707 |
| 106426-000-002-107 | | Thunder Gray | | | | \$ 2707 |


| COMMON OPTIONS | | |
|--------------------|---|---------|
| SKU | Description | MSRP |
| OPT20137-004 | Cable-operated waste and overflow (16 in. to 22 in.) (included in product packaging when purchased) Available colors: White (001), Bone (004), Chrome (084) and Brushed Nickel (105) | \$ 238 |
| OPT20137-084 | | \$ 238 |
| OPT20137-105 | | \$ 238 |
| OPT20137-001 | | \$ 238 |
| 106429-000-002-000 | Apron only (sold separately as a replacement part) Available standard apron color: White apron (002) | \$ 1615 |

| ACCESSORIES | | |
|-------------|---|--------|
| SKU | Description | MSRP |
| 10032739 | Positioning template for freestanding bathtub installation (sold separately) | \$ 89 |
| 10032747 | F ² Drain - ABS kit for freestanding bathtub installation (sold separately) Minimum space required for assembly is 10 3/8 inches Compatible exclusively with MAAX freestanding bathtubs. | \$ 198 |

ACCESSORIES

| SKU | Description | MSRP |
|--------------|---|---------|
| 10032757 | F ² Drain - Pack of 12 ABS kits for freestanding bathtub installation (sold separately) Minimum space required for assembly is 10 3/8 inches Compatible exclusively with MAAX freestanding bathtubs. | \$ 2282 |
| 10034341 | F ² Drain - PVC kit for freestanding bathtub installation (sold separately) Minimum space required for assembly is 10 3/8 inches Compatible exclusively with MAAX freestanding bathtubs. | \$ 198 |
| 10004306-001 | White foam cushion with 2 suction pads (sold separately) Available color: White (001) | \$ 120 |
| 10022491-084 | Cable-operated waste and overflow (16 in. to 22 in.) (sold separately) Available colors: White (001), Bone (004), Chrome (084) and Brushed Nickel (105) | \$ 238 |
| 10022491-004 | | \$ 238 |
| 10022491-105 | | \$ 238 |
| 10022491-001 | | \$ 238 |



() : Recommended faucet area 2 sections of 12" (L) x 3 1/2" (W).

All dimensions are approximate. Structure measurements must be verified against the unit to ensure a proper fit.

Sax



Material : AcrylX™
 Max: 44 Gal / 168 L

Features

- › AcrylX™ surface resistant to stains
- › Bathtub skirt available in 4 colours: White, Sterling Silver, Black, Thunder Grey
- › Maximized bathing well with comfortable backrest
- › 2-piece bathtub for easy transportation and seamless installation
- › Compatible with F2 drain connector to save time and money on installation
- › MAAX innovative leveling legs for easy installation
- › High gloss finish resistant to dulling, scratching, and fading
- › Transitional design to fit any bathroom style
- › Product Warranty: limited lifetime

FREESTANDING BATHTUBS - ACRYLX

SAX 6032 FREESTANDING BATHTUB - 105797

| SKU | System | Color | Configuration | Dimensions & Weight | Packaging | MSRP |
|--------------------|--------------------|-----------------|---------------|--------------------------------------|-----------|---------|
| 105797-000-002-100 | Soaker - No System | White | End | 60" x 32" x 24 7/8" / 130 lb / 59 kg | 32 ft³ | \$ 1909 |
| 105797-000-002-125 | | Black | | | | \$ 2209 |
| 105797-000-002-126 | | Sterling Silver | | | | \$ 2209 |
| 105797-000-002-127 | | Thunder Gray | | | | \$ 2209 |

COMMON OPTIONS

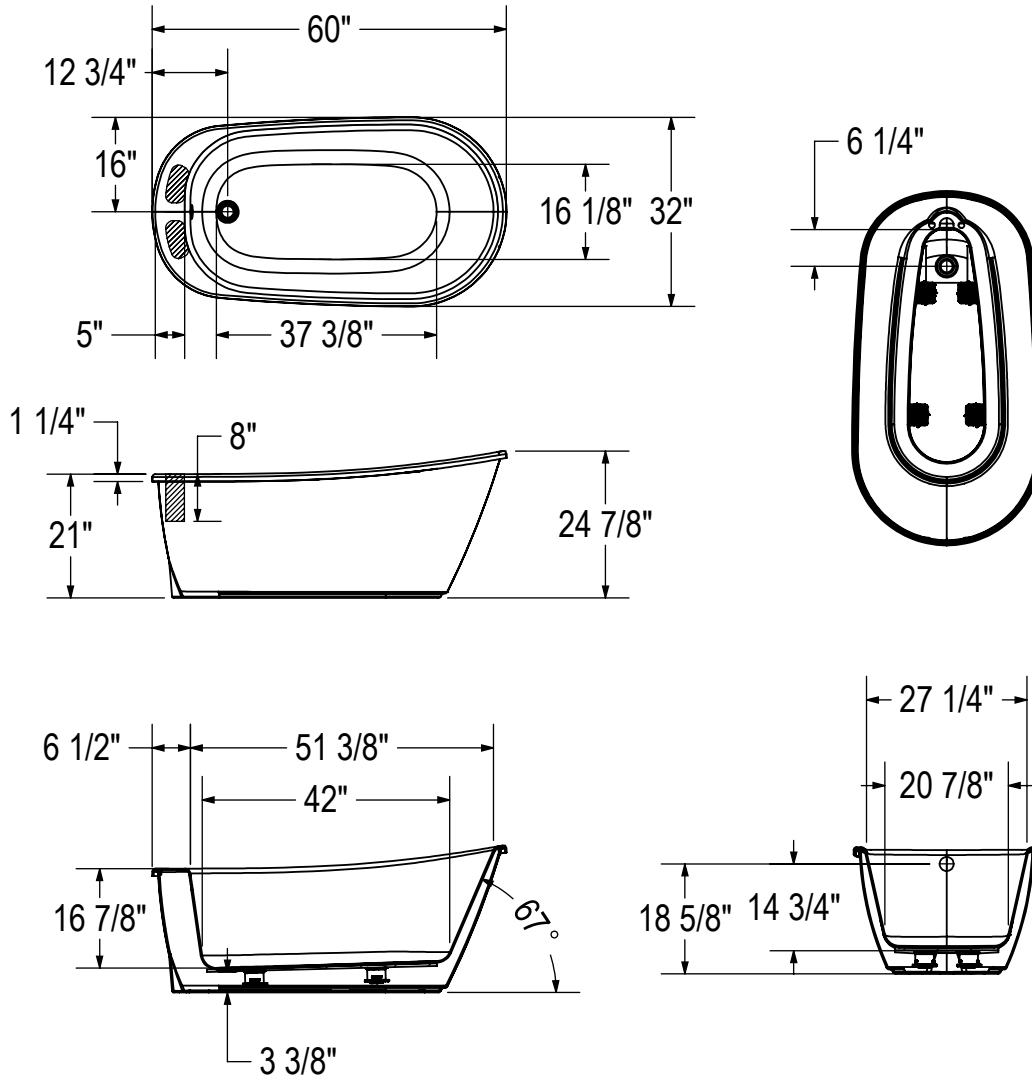
| SKU | Description | MSRP |
|--------------------|---|---------|
| OPT20137-004 | Cable-operated waste and overflow (16 in. to 22 in.) (included in product packaging when purchased) Available colors: White (001), Bone (004), Chrome (084) and Brushed Nickel (105) | \$ 238 |
| OPT20137-084 | | \$ 238 |
| OPT20137-105 | | \$ 238 |
| OPT20137-001 | | \$ 238 |
| OPT20210-084 | Waste and overflow (16 in. to 22 in.) (included in product packaging when purchased) Available colors: Chrome (084) and Brushed Nickel (105) | \$ 84 |
| OPT20210-105 | | \$ 123 |
| 106020-000-002-000 | Apron only (sold separately as a replacement part) Available standard apron color: White apron (002) | \$ 1312 |

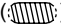
ACCESSORIES

| SKU | Description | MSRP |
|--------------|--|--------|
| 10012135-105 | Waste and overflow (16 to 22 in.) (sold separately) Available colors: Chrome (084) and Brushed Nickel (105) | \$ 123 |

ACCESSORIES

| SKU | Description | MSRP |
|--------------|---|---------|
| 10012135-084 | Waste and overflow (16 to 22 in.) (sold separately) Available colors: Chrome (084) and Brushed Nickel (105) | \$ 84 |
| 10032740 | Positioning template for Sax freestanding installation (sold separately) | \$ 89 |
| 10032747 | F ² Drain - ABS kit for freestanding bathtub installation (sold separately) Minimum space required for assembly is 10 3/8 inches Compatible exclusively with MAAX freestanding bathtubs. | \$ 198 |
| 10032757 | F ² Drain - Pack of 12 ABS kits for freestanding bathtub installation (sold separately) Minimum space required for assembly is 10 3/8 inches Compatible exclusively with MAAX freestanding bathtubs. | \$ 2282 |
| 10034341 | F ² Drain - PVC kit for freestanding bathtub installation (sold separately) Minimum space required for assembly is 10 3/8 inches Compatible exclusively with MAAX freestanding bathtubs. | \$ 198 |
| 10004306-001 | White foam cushion with 2 suction pads (sold separately) Available color: White (001) | \$ 120 |
| 10022491-084 | Cable-operated waste and overflow (16 in. to 22 in.) (sold separately) Available colors: White (001), Bone (004), Chrome (084) and Brushed Nickel (105) | \$ 238 |
| 10022491-004 | | \$ 238 |
| 10022491-105 | | \$ 238 |
| 10022491-001 | | \$ 238 |
| 10022491-001 | | \$ 238 |



(): Recommended faucet area 2 sections of 7" (L) x 3" (W).
Depth recommended for straight pipes 8".

All dimensions are approximate. Structure measurements must be verified against the unit to ensure proper fit.

Aigo



OVAL BATHTUBS - ACRYLIC



Material : Acrylic
 Min: 30 Gal / 114 L
 Max: 78 Gal / 295 L

Features

- › Oval inspired lines with an urban touch and comfortable design
- › Comfortable inclined backrests and maximized bathing well
- › Drop-in and undermount ¹⁰ installation with end drain
- › Cut-out template included

AIGO - 102788

| SKU | System | Color | Configuration | Dimensions & Weight | Packaging | MSRP |
|--------------------|--|---------|---------------|-------------------------------------|--------------------|---------|
| 102788-000-001 | Soaker - No System | White | End | 72" x 36" x 23 1/2" / 71 lb / 32 kg | 44 ft ³ | \$ 2180 |
| 102788-000-004 | | Bone | | | | \$ 2180 |
| 102788-000-007 | | Biscuit | | | | \$ 2180 |
| 102788-054-001-100 | Hydrofeel ^{1 4} | White | | | | \$ 6019 |
| 102788-054-004 | | Bone | | | | \$ 6019 |
| 102788-054-007 | | Biscuit | | | | \$ 6019 |
| 102788-055-001 | Aerofeel ^{1 5} | White | | | | \$ 5825 |
| 102788-055-004 | | Bone | | | | \$ 5825 |
| 102788-055-007 | | Biscuit | | | | \$ 5825 |
| 102788-056-001 | Combined Hydrofeel & Aerofeel ^{1 4 5} | White | | | | \$ 8914 |
| 102788-056-004 | | Bone | | | | \$ 8914 |
| 102788-056-007 | | Biscuit | | | | \$ 8914 |

COMMON OPTIONS

| SKU | Description | MSRP |
|--------------|--|--------|
| OPT10054 | Two chromatherapy lights for bathtubs without waterfall (factory installed) | \$ 871 |
| OPT10095 | Water heater assembly for whirlpool and combined systems (factory installed) | \$ 908 |
| OPT20139 | Ozonator for whirlpool system (factory installed) | \$ 590 |
| OPT10118-084 | ABS trim kit for whirlpool and combined systems (factory installed) Available colors: Chrome (084) and Brushed Nickel (105) | \$ 180 |

COMMON OPTIONS

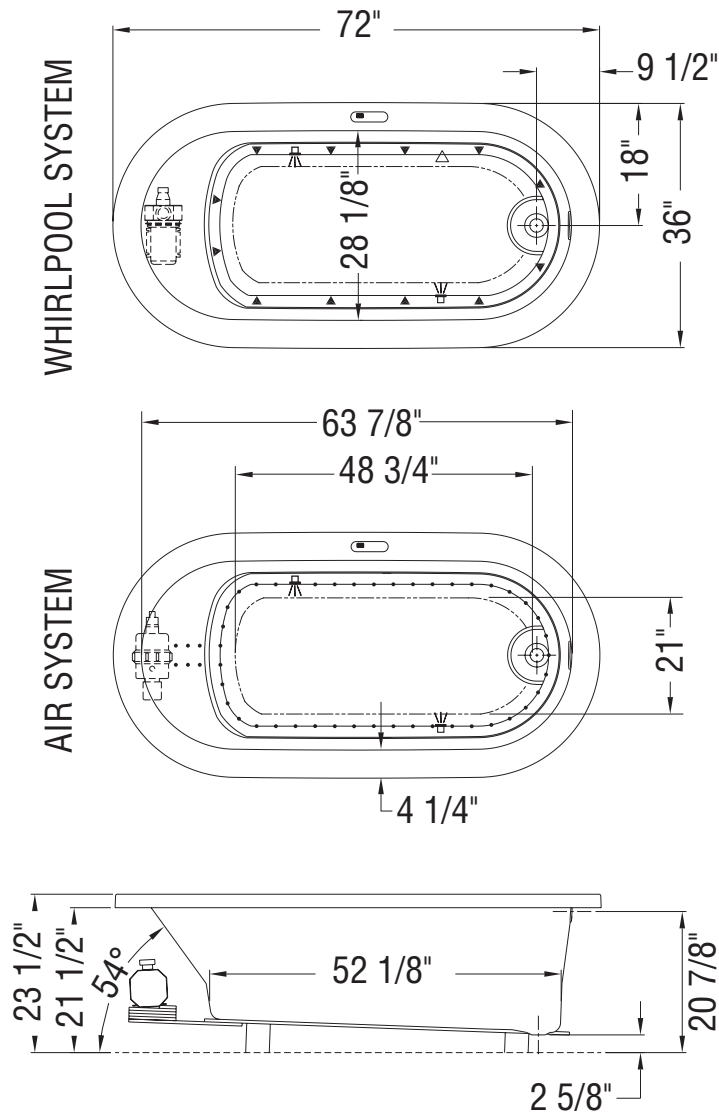
| SKU | Description | MSRP |
|--------------|--|--------|
| OPT10118-105 | ABS trim kit for whirlpool and combined systems (factory installed) Available colors: Chrome (084) and Brushed Nickel (105) | \$ 180 |
| OPT10119-105 | Metal trim kit for Aerofeel electronic control (factory installed) | \$ 74 |
| OPT10119-084 | Available colors: Chrome (084) and Brushed Nickel (105) | \$ 74 |
| OPT20205 | Lite option 3/8 in. thin deck ⁶ When chosen, this option is offered at no cost | \$ 0 |

ACCESSORIES

| SKU | Description | MSRP |
|--------------|--|--------|
| 10033272 | Flexible main hose for electronic control air massage - kit (sold separately) 15 ft. extension | \$ 295 |
| 10025081-084 | Waste and overflow 27 in. flexible neck (sold separately) | \$ 432 |
| 10025081-105 | Available colors: Chrome (084) and Brushed Nickel (105) | \$ 432 |

FOOTNOTES

| No | Description |
|----|---|
| 1 | Components for standard colour units equipped with systems are colour-coordinated. Trim kit and/or air push with metallic finish can be added (additional charge applies). For non-standard colour units, please specify trim kit and/or air push colour (additional charge applies for metallic finishes). Please note that the positioning of the system's control could be in conflict with the door if one was installed on the unit. To insure compatibility, please contact customer service. |
| 4 | For details on pump position and requirements, see technical drawings on https://www.maax.com . When there is a pump position A or B indicated on the technical drawing, please specify position when ordering. |
| 5 | For details on blower position and requirements, see technical drawings on https://www.maax.com . When there is a blower position A or B indicated on the technical drawing, please specify position when ordering. |
| 6 | Specify 3/8 (Lite option) or 2 in. on deck height. If ordering unit with an apron, only 2 in. deck height is available. |
| 10 | Systems not available with units installed undermount. |



Note: Air backjets on same side as blower

- (▲): Indicates whirlpool jets positioning
- (△): Indicates suction positioning
- (●): Indicates airjets positioning
- (♫): Indicates chromatherapy light positioning

Bathtub base includes anti-vibration Neutra-Phone leg supports (not shown).

All dimensions are approximate. Structure measurements must be verified against the unit to ensure proper fit.



Calla 6042



Material : Acrylic
 Min: 36 Gal / 136 L
 Max: 73 Gal / 277 L

Features

- › Classic oval design with sleekly sculpted contour and backrest
- › Relaxing armrests with ergonomic backrests
- › Ample deck space for faucet installation
- › Drop-in installation with center drain
- › Cut-out template included
- › White cushion included with Hydromax and Combined systems
- › Metal or acrylic grab bar is optional. Factory installed, only one positioning is possible (see technical drawing)

OVAL BATHTUBS - ACRYLIC

| CALLA 6042 - 101058 | | | | | | |
|---------------------|--|---------|---------------|---|--------------------|---------|
| SKU | System | Color | Configuration | Dimensions & Weight | Packaging | MSRP |
| 101058-000-001-000 | Soaker - No System | White | Center | 59 3/4" x 41 1/2" x 23 1/4" / 72 lb / 33 kg | 38 ft ³ | \$ 1895 |
| 101058-000-004-000 | | Bone | | | | \$ 1895 |
| 101058-000-007-000 | | Biscuit | | | | \$ 1895 |
| 101058-004-001-101 | Hydromax ^{1 4 17} | White | | | | \$ 5734 |
| 101058-004-004-100 | | Bone | | | | \$ 5734 |
| 101058-004-007-000 | | Biscuit | | | | \$ 5734 |
| 101058-055-001-100 | Aerofeel ^{1 5} | White | | | | \$ 5540 |
| 101058-055-004-100 | | Bone | | | | \$ 5540 |
| 101058-055-007-100 | | Biscuit | | | | \$ 5540 |
| 101058-094-001-100 | Combined Hydromax & Aerofeel ^{1 4 5 17} | White | | | | \$ 8629 |
| 101058-094-004-100 | | Bone | | | | \$ 8629 |
| 101058-094-007-100 | | Biscuit | | | | \$ 8629 |

| COMMON OPTIONS | | |
|----------------|--|---------|
| SKU | Description | MSRP |
| OPT20141 | Rest for Hydromax and combined systems ¹² | \$ 1036 |
| OPT10054 | Two chromatherapy lights for bathtubs without waterfall (factory installed) | \$ 871 |
| OPT10095 | Water heater assembly for whirlpool and combined systems (factory installed) | \$ 908 |
| OPT20139 | Ozonator for whirlpool system (factory installed) | \$ 590 |

COMMON OPTIONS

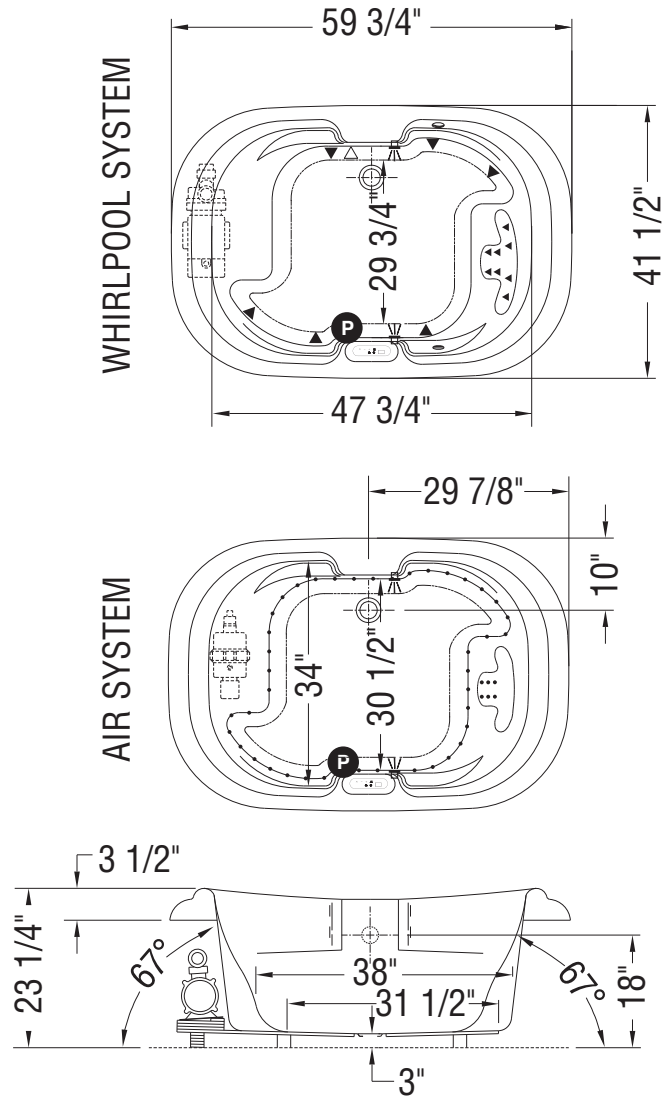
| SKU | Description | MSRP |
|--------------|--|---|
| OPT10106-084 | Metal trim kit for whirlpool and combined systems (factory installed) Available colors: Chrome (084) and Brushed Nickel (105) | \$ 568 |
| OPT10106-105 | | \$ 568 |
| OPT10113-007 | 6-in. acrylic grab bar (factory installed) ⁷ Available colors: White (001), Bone (004), Biscuit (007), Chrome (084) and Brushed Nickel (105) | \$ 238 |
| OPT10113-004 | | \$ 238 |
| OPT10113-001 | | \$ 238 |
| OPT10113-084 | | \$ 238 |
| OPT10113-105 | | \$ 238 |
| OPT10119-105 | | Metal trim kit for Aerofeel electronic control (factory installed) Available colors: Chrome (084) and Brushed Nickel (105) |
| OPT10119-084 | \$ 74 | |

ACCESSORIES

| SKU | Description | MSRP |
|--------------|--|--------|
| 10033272 | Flexible main hose for electronic control air massage - kit (sold separately) 15 ft. extension | \$ 295 |
| 10004306-001 | White foam cushion with 2 suction pads (sold separately) Available color: White (001) | \$ 120 |
| 10025081-084 | Waste and overflow 27 in. flexible neck (sold separately) Available colors: Chrome (084) and Brushed Nickel (105) | \$ 432 |
| 10025081-105 | | \$ 432 |

FOOTNOTES

| No | Description |
|----|---|
| 1 | Components for standard colour units equipped with systems are colour-coordinated. Trim kit and/or air push with metallic finish can be added (additional charge applies). For non-standard colour units, please specify trim kit and/or air push colour (additional charge applies for metallic finishes). Please note that the positioning of the system's control could be in conflict with the door if one was installed on the unit. To insure compatibility, please contact customer service. |
| 4 | For details on pump position and requirements, see technical drawings on https://www.maax.com . When there is a pump position A or B indicated on the technical drawing, please specify position when ordering. |
| 5 | For details on blower position and requirements, see technical drawings on https://www.maax.com . When there is a blower position A or B indicated on the technical drawing, please specify position when ordering. |
| 7 | One 6 in. metal or acrylic grab bar is optional. Factory installed, only one positioning is possible (see technical drawings on https://www.maax.com). |
| 12 | In combined systems, only the pump is replaced with the Rest. The blower remains the same. |
| 17 | Includes Backmax and Footmax jets. Souvenir with apron and Living bathtub models do not include Footmax jets. |



- (Ⓟ): Indicates optional grab bar positioning
 - (▲): Indicates whirlpool jets positioning
 - (△): Indicates suction positioning
 - (•): Indicates airjets positioning
 - (☼): Indicates chromatherapy light positioning
- Bathtub base includes anti-vibration Neutra-Phone leg supports (not shown).
All dimensions are approximate. Structure measurements must be verified against the unit to ensure proper fit.



Calla 6642

OVAL BATHTUBS - ACRYLIC



Material : Acrylic
 Min: 47 Gal / 177 L
 Max: 70 Gal / 264 L

Features

- › Classic oval design with sleekly sculpted contour and backrest
- › Relaxing armrests with ergonomic backrests
- › Ample deck space for faucet installation
- › Drop-in installation with center drain
- › Cut-out template included
- › White cushion included with Hydromax and Combined systems
- › Metal or acrylic grab bar is optional. Factory installed, only one positioning is possible (see technical drawing)

CALLA 6642 - 100075

| SKU | System | Color | Configuration | Dimensions & Weight | Packaging | MSRP |
|--------------------|--|---------|---------------|---|--------------------|---------|
| 100075-000-001-000 | Soaker - No System | White | Center | 65 3/4" x 41 1/2" x 23 7/8" / 92 lb / 42 kg | 38 ft ³ | \$ 1953 |
| 100075-000-004-000 | | Bone | | | | \$ 1953 |
| 100075-000-007-000 | | Biscuit | | | | \$ 1953 |
| 100075-004-001-000 | Hydromax ^{1 4 17} | White | | | | \$ 5792 |
| 100075-004-004-100 | | Bone | | | | \$ 5792 |
| 100075-004-007-000 | | Biscuit | | | | \$ 5792 |
| 100075-055-001-100 | Aerofeel ^{1 5} | White | | | | \$ 5598 |
| 100075-055-004-101 | | Bone | | | | \$ 5598 |
| 100075-055-007-100 | | Biscuit | | | | \$ 5598 |
| 100075-094-001-100 | Combined Hydromax & Aerofeel ^{1 4 5 17} | White | | | | \$ 8687 |
| 100075-094-004-100 | | Bone | | | | \$ 8687 |
| 100075-094-007-100 | | Biscuit | | | | \$ 8687 |

COMMON OPTIONS

| SKU | Description | MSRP |
|----------|--|---------|
| OPT20141 | Rest for Hydromax and combined systems ¹² | \$ 1036 |
| OPT10054 | Two chromatherapy lights for bathtubs without waterfall (factory installed) | \$ 871 |
| OPT10095 | Water heater assembly for whirlpool and combined systems (factory installed) | \$ 908 |
| OPT20139 | Ozonator for whirlpool system (factory installed) | \$ 590 |

COMMON OPTIONS

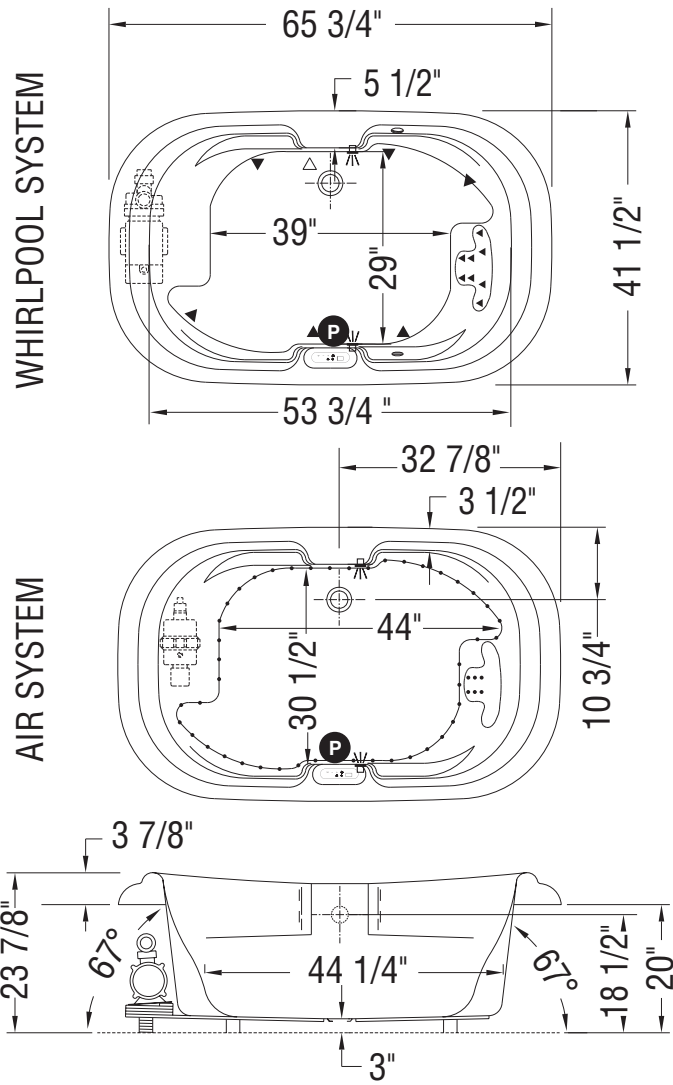
| SKU | Description | MSRP |
|--------------|--|--|
| OPT10106-084 | Metal trim kit for whirlpool and combined systems (factory installed) | \$ 568 |
| OPT10106-105 | Available colors: Chrome (084) and Brushed Nickel (105) | \$ 568 |
| OPT10113-007 | 6-in. acrylic grab bar (factory installed) ⁷ Available colors: White (001), Bone (004), Biscuit (007), Chrome (084) and Brushed Nickel (105) | \$ 238 |
| OPT10113-004 | | \$ 238 |
| OPT10113-001 | | \$ 238 |
| OPT10113-084 | | \$ 238 |
| OPT10113-105 | | \$ 238 |
| OPT10119-105 | | Metal trim kit for Aerofeel electronic control (factory installed) |
| OPT10119-084 | Available colors: Chrome (084) and Brushed Nickel (105) | \$ 74 |

ACCESSORIES

| SKU | Description | MSRP |
|--------------|--|--------|
| 10033272 | Flexible main hose for electronic control air massage - kit (sold separately) 15 ft. extension | \$ 295 |
| 10004306-001 | White foam cushion with 2 suction pads (sold separately) Available color: White (001) | \$ 120 |
| 10025081-084 | Waste and overflow 27 in. flexible neck (sold separately) Available colors: Chrome (084) and Brushed Nickel (105) | \$ 432 |
| 10025081-105 | | \$ 432 |

FOOTNOTES

| No | Description |
|----|---|
| 1 | Components for standard colour units equipped with systems are colour-coordinated. Trim kit and/or air push with metallic finish can be added (additional charge applies). For non-standard colour units, please specify trim kit and/or air push colour (additional charge applies for metallic finishes). Please note that the positioning of the system's control could be in conflict with the door if one was installed on the unit. To insure compatibility, please contact customer service. |
| 4 | For details on pump position and requirements, see technical drawings on https://www.maax.com . When there is a pump position A or B indicated on the technical drawing, please specify position when ordering. |
| 5 | For details on blower position and requirements, see technical drawings on https://www.maax.com . When there is a blower position A or B indicated on the technical drawing, please specify position when ordering. |
| 7 | One 6 in. metal or acrylic grab bar is optional. Factory installed, only one positioning is possible (see technical drawings on https://www.maax.com). |
| 12 | In combined systems, only the pump is replaced with the Rest. The blower remains the same. |
| 17 | Includes Backmax and Footmax jets. Souvenir with apron and Living bathtub models do not include Footmax jets. |



- (P): Indicates optional grab bar positioning
 - (▲): Indicates whirlpool jets positioning
 - (△): Indicates suction positioning
 - (●): Indicates airjets positioning
 - (▽): Indicates chromatherapy light positioning
- Bathtub base includes anti-vibration Neutra-Phone leg supports (not shown).
All dimensions are approximate. Structure measurements must be verified against the unit to ensure proper fit.

Calla 7242



Material : Acrylic
 Min: 44 Gal / 168 L
 Max: 90 Gal / 341 L

Features

- › Classic oval design with sleekly sculpted contour and backrest
- › Relaxing armrests with ergonomic backrests
- › Ample deck space for faucet installation
- › Drop-in installation with center drain
- › Cut-out template included
- › White cushion included with Hydromax and Combined systems
- › Metal or acrylic grab bar is optional. Factory installed, only one positioning is possible (see technical drawing)

OVAL BATHTUBS - ACRYLIC

CALLA 7242 - 101059

| SKU | System | Color | Configuration | Dimensions & Weight | Packaging | MSRP |
|--------------------|--|---------|---------------|---|--------------------|---------|
| 101059-000-001-000 | Soaker - No System | White | Center | 71 1/2" x 41 3/4" x 24 3/4" / 92 lb / 42 kg | 45 ft ³ | \$ 2174 |
| 101059-000-004-000 | | Bone | | | | \$ 2174 |
| 101059-000-007-000 | | Biscuit | | | | \$ 2174 |
| 101059-004-001-100 | Hydromax ^{1 4 17} | White | | | | \$ 6013 |
| 101059-004-004-100 | | Bone | | | | \$ 6013 |
| 101059-004-007-000 | | Biscuit | | | | \$ 6013 |
| 101059-055-001-100 | Aerofeel ^{1 5} | White | | | | \$ 5819 |
| 101059-055-004-100 | | Bone | | | | \$ 5819 |
| 101059-055-007-100 | | Biscuit | | | | \$ 5819 |
| 101059-094-001-100 | Combined Hydromax & Aerofeel ^{1 4 5 17} | White | | | | \$ 8908 |
| 101059-094-004-100 | | Bone | | | | \$ 8908 |
| 101059-094-007-100 | | Biscuit | | | | \$ 8908 |

COMMON OPTIONS

| SKU | Description | MSRP |
|----------|--|---------|
| OPT20141 | Rest for Hydromax and combined systems ¹² | \$ 1036 |
| OPT10054 | Two chromatherapy lights for bathtubs without waterfall (factory installed) | \$ 871 |
| OPT10095 | Water heater assembly for whirlpool and combined systems (factory installed) | \$ 908 |
| OPT20139 | Ozonator for whirlpool system (factory installed) | \$ 590 |

COMMON OPTIONS

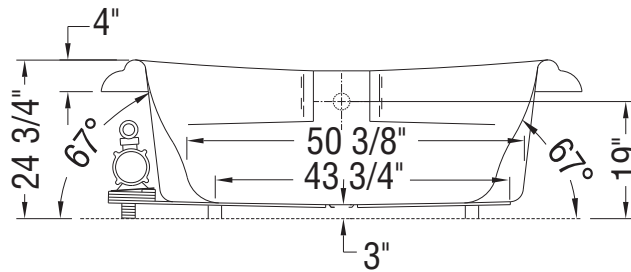
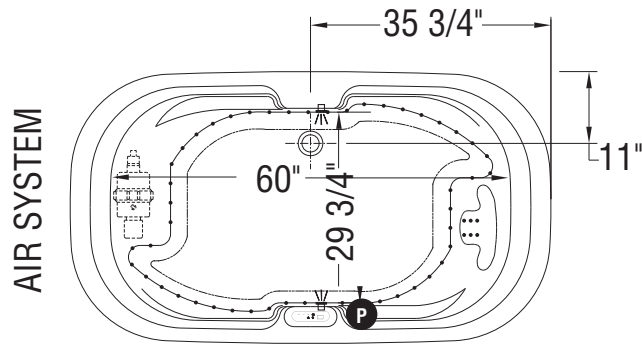
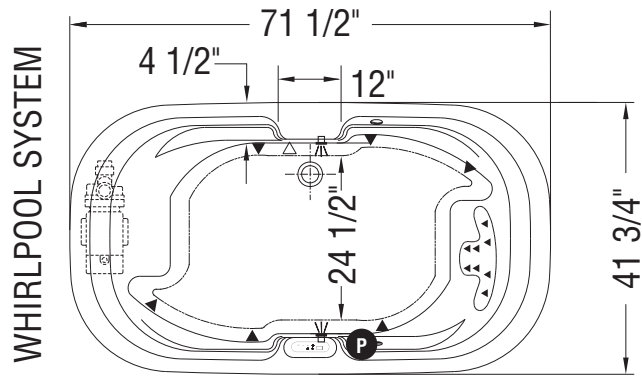
| SKU | Description | MSRP |
|--------------|--|---|
| OPT10106-084 | Metal trim kit for whirlpool and combined systems (factory installed) Available colors: Chrome (084) and Brushed Nickel (105) | \$ 568 |
| OPT10106-105 | | \$ 568 |
| OPT10113-007 | 6-in. acrylic grab bar (factory installed) ⁷ Available colors: White (001), Bone (004), Biscuit (007), Chrome (084) and Brushed Nickel (105) | \$ 238 |
| OPT10113-004 | | \$ 238 |
| OPT10113-001 | | \$ 238 |
| OPT10113-084 | | \$ 238 |
| OPT10113-105 | | \$ 238 |
| OPT10119-105 | | Metal trim kit for Aerofeel electronic control (factory installed) Available colors: Chrome (084) and Brushed Nickel (105) |
| OPT10119-084 | \$ 74 | |

ACCESSORIES

| SKU | Description | MSRP |
|--------------|--|--------|
| 10033272 | Flexible main hose for electronic control air massage - kit (sold separately) 15 ft. extension | \$ 295 |
| 10004306-001 | White foam cushion with 2 suction pads (sold separately) Available color: White (001) | \$ 120 |
| 10025081-084 | Waste and overflow 27 in. flexible neck (sold separately) Available colors: Chrome (084) and Brushed Nickel (105) | \$ 432 |
| 10025081-105 | | \$ 432 |

FOOTNOTES

| No | Description |
|----|---|
| 1 | Components for standard colour units equipped with systems are colour-coordinated. Trim kit and/or air push with metallic finish can be added (additional charge applies). For non-standard colour units, please specify trim kit and/or air push colour (additional charge applies for metallic finishes). Please note that the positioning of the system's control could be in conflict with the door if one was installed on the unit. To insure compatibility, please contact customer service. |
| 4 | For details on pump position and requirements, see technical drawings on https://www.maax.com . When there is a pump position A or B indicated on the technical drawing, please specify position when ordering. |
| 5 | For details on blower position and requirements, see technical drawings on https://www.maax.com . When there is a blower position A or B indicated on the technical drawing, please specify position when ordering. |
| 7 | One 6 in. metal or acrylic grab bar is optional. Factory installed, only one positioning is possible (see technical drawings on https://www.maax.com). |
| 12 | In combined systems, only the pump is replaced with the Rest. The blower remains the same. |
| 17 | Includes Backmax and Footmax jets. Souvenir with apron and Living bathtub models do not include Footmax jets. |



- (P): Indicates optional grab bar positioning
 - (▲): Indicates whirlpool jets positioning
 - (△): Indicates suction positioning
 - (•): Indicates airjets positioning
 - (☀): Indicates chromatherapy light positioning
- Bathtub base includes anti-vibration Neutra-Phone leg supports (not shown).
All dimensions are approximate. Structure measurements must be verified against the unit to ensure proper fit.



Eterne 7236

OVAL BATHTUBS - ACRYLIC



Material : Acrylic
 Min: 52 Gal / 195 L
 Max: 90 Gal / 341 L

Features

- › Contemporary rectangular bathtub
- › Deep bathing well for ultimate relaxation
- › Comfortable backrest and ample deck space for faucet installation
- › Relaxing armrests
- › Drop-in installation with center drain

| ETERNE 7236 - 101317 | | | | | | |
|----------------------|--|---------|---------------|--------------------------------------|--------------------|---------|
| SKU | System | Color | Configuration | Dimensions & Weight | Packaging | MSRP |
| 101317-000-001-100 | Soaker - No System | White | Center | 72" x 36" x 23 1/2" / 107 lb / 49 kg | 42 ft ³ | \$ 2515 |
| 101317-000-004 | | Bone | | | | \$ 2515 |
| 101317-000-007 | | Biscuit | | | | \$ 2515 |
| 101317-004-001 | Hydromax ^{1 4 17} | White | | | | \$ 6354 |
| 101317-004-004 | | Bone | | | | \$ 6354 |
| 101317-004-007 | | Biscuit | | | | \$ 6354 |
| 101317-055-001 | Aerofeel ^{1 5} | White | | | | \$ 6160 |
| 101317-055-004 | | Bone | | | | \$ 6160 |
| 101317-055-007 | | Biscuit | | | | \$ 6160 |
| 101317-094-001 | Combined Hydromax & Aerofeel ^{1 4 5 17} | White | | | | \$ 9249 |
| 101317-094-004 | | Bone | | | | \$ 9249 |
| 101317-094-007 | | Biscuit | | | | \$ 9249 |

| COMMON OPTIONS | | |
|----------------|--|---------|
| SKU | Description | MSRP |
| OPT20141 | Rest for Hydromax and combined systems ¹² | \$ 1036 |
| OPT10054 | Two chromatherapy lights for bathtubs without waterfall (factory installed) | \$ 871 |
| OPT10095 | Water heater assembly for whirlpool and combined systems (factory installed) | \$ 908 |
| OPT20139 | Ozonator for whirlpool system (factory installed) | \$ 590 |

COMMON OPTIONS

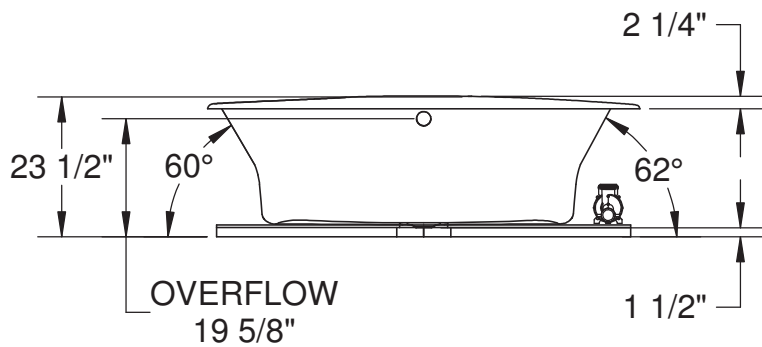
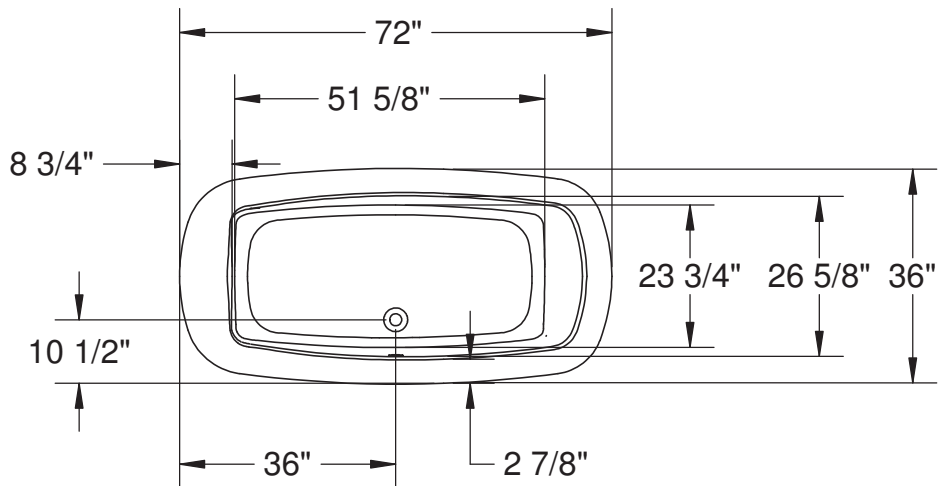
| SKU | Description | MSRP |
|--------------|---|--------|
| OPT10106-084 | Metal trim kit for whirlpool and combined systems (factory installed) Available colors: Chrome (084) and Brushed Nickel (105) | \$ 568 |
| OPT10106-105 | | \$ 568 |
| OPT10119-105 | Metal trim kit for Aerofeel electronic control (factory installed) Available colors: Chrome (084) and Brushed Nickel (105) | \$ 74 |
| OPT10119-084 | | \$ 74 |
| OPT10260-084 | Two 6-in. acrylic grab bars (factory installed) ⁸ Available colors: White (001), Bone (004), Biscuit (007), Chrome (084) and Brushed Nickel (105) | \$ 385 |
| OPT10260-007 | | \$ 385 |
| OPT10260-004 | | \$ 385 |
| OPT10260-105 | | \$ 385 |
| OPT10260-001 | | \$ 385 |
| | | \$ 385 |

ACCESSORIES

| SKU | Description | MSRP |
|--------------|--|--------|
| 10033272 | Flexible main hose for electronic control air massage - kit (sold separately) 15 ft. extension | \$ 295 |
| 10004306-001 | White foam cushion with 2 suction pads (sold separately) Available color: White (001) | \$ 120 |
| 10025081-084 | Waste and overflow 27 in. flexible neck (sold separately) Available colors: Chrome (084) and Brushed Nickel (105) | \$ 432 |
| 10025081-105 | | \$ 432 |

FOOTNOTES

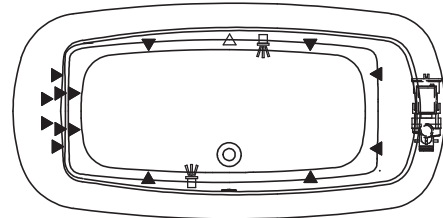
| No | Description |
|----|---|
| 1 | Components for standard colour units equipped with systems are colour-coordinated. Trim kit and/or air push with metallic finish can be added (additional charge applies). For non-standard colour units, please specify trim kit and/or air push colour (additional charge applies for metallic finishes). Please note that the positioning of the system's control could be in conflict with the door if one was installed on the unit. To insure compatibility, please contact customer service. |
| 4 | For details on pump position and requirements, see technical drawings on https://www.maax.com . When there is a pump position A or B indicated on the technical drawing, please specify position when ordering. |
| 5 | For details on blower position and requirements, see technical drawings on https://www.maax.com . When there is a blower position A or B indicated on the technical drawing, please specify position when ordering. |
| 8 | Two 6 in. or 12 in. metal or acrylic grab bars are optional. Factory installed, only one positioning is possible (see technical drawings on https://www.maax.com). |
| 12 | In combined systems, only the pump is replaced with the Rest. The blower remains the same. |
| 17 | Includes Backmax and Footmax jets. Souvenir with apron and Living bathtub models do not include Footmax jets. |



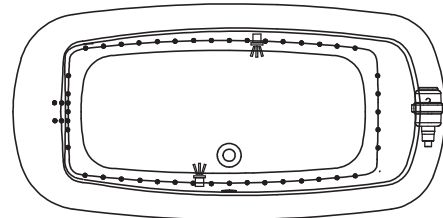
Blower and/or pump location is indicated on the technical drawing.

All dimensions are approximate.
Structure measurement must be verified against the unit to ensure proper fit.

WHIRLPOOL SYSTEM



AIR SYSTEM



- (▲) : Indicates whirlpool jets positioning
- (●) : Indicates Aerofeel airjets positioning
- (△) : Indicates suction positioning
- (◻) : Indicates chromatherapy light positioning



Eterne 7242



Material : Acrylic
 Min: 59 Gal / 223 L
 Max: 102 Gal / 386 L

Features

- › Contemporary rectangular bathtub
- › Deep bathing well for ultimate relaxation
- › Comfortable backrest and ample deck space for faucet installation
- › Relaxing armrests
- › Drop-in installation with center drain

OVAL BATHTUBS - ACRYLIC

ETERNE 7242 - 101318

| SKU | System | Color | Configuration | Dimensions & Weight | Packaging | MSRP |
|--------------------|--|---------|---------------|--|--------------------|---------|
| 101318-000-001-100 | Soaker - No System | White | Center | 72" x 41 3/4" x 23 1/2" / 113 lb / 51 kg | 47 ft ³ | \$ 2671 |
| 101318-000-004 | | Bone | | | | \$ 2671 |
| 101318-000-007 | | Biscuit | | | | \$ 2671 |
| 101318-004-001 | Hydromax ^{1 4 17} | White | | | | \$ 6510 |
| 101318-004-004 | | Bone | | | | \$ 6510 |
| 101318-004-007 | | Biscuit | | | | \$ 6510 |
| 101318-055-001 | Aerofeel ^{1 5} | White | | | | \$ 6316 |
| 101318-055-004 | | Bone | | | | \$ 6316 |
| 101318-055-007 | | Biscuit | | | | \$ 6316 |
| 101318-094-001 | Combined Hydromax & Aerofeel ^{1 4 5 17} | White | | | | \$ 9405 |
| 101318-094-004 | | Bone | | | | \$ 9405 |
| 101318-094-007 | | Biscuit | | | | \$ 9405 |

COMMON OPTIONS

| SKU | Description | MSRP |
|----------|--|---------|
| OPT20141 | Rest for Hydromax and combined systems ¹² | \$ 1036 |
| OPT10054 | Two chromatherapy lights for bathtubs without waterfall (factory installed) | \$ 871 |
| OPT10095 | Water heater assembly for whirlpool and combined systems (factory installed) | \$ 908 |
| OPT20139 | Ozonator for whirlpool system (factory installed) | \$ 590 |

COMMON OPTIONS

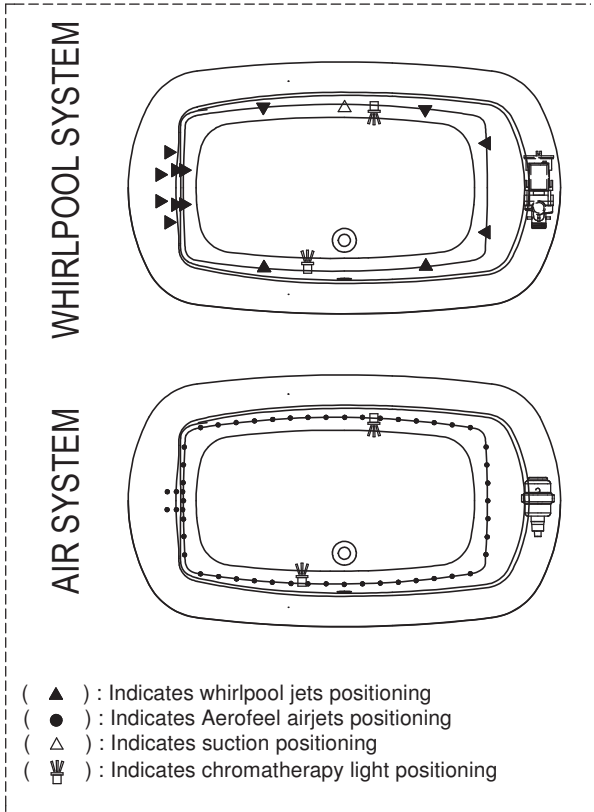
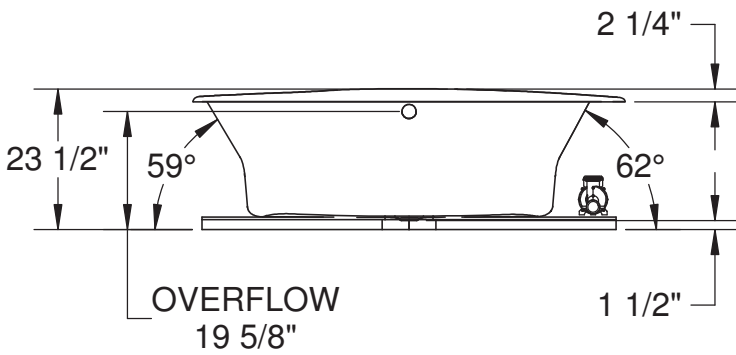
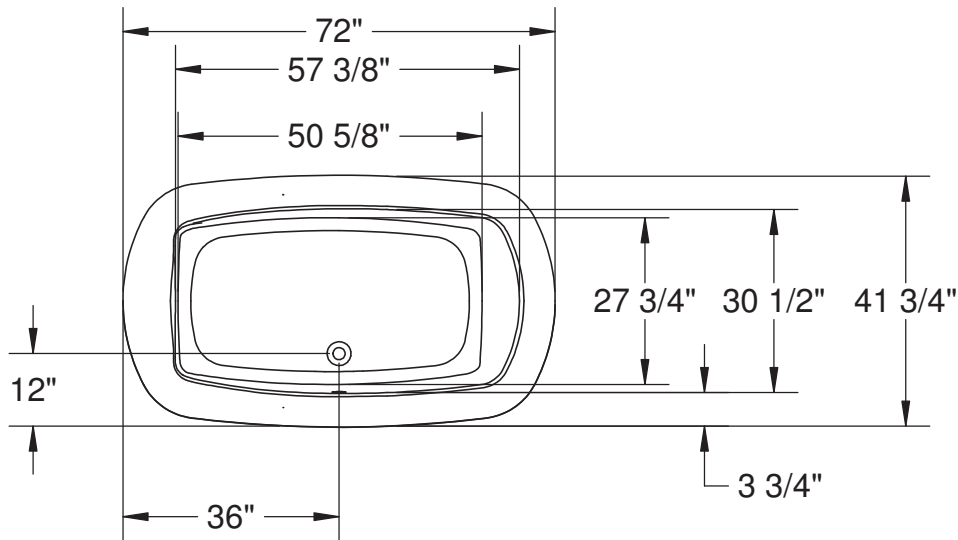
| SKU | Description | MSRP |
|--------------|---|--------|
| OPT10106-084 | Metal trim kit for whirlpool and combined systems (factory installed) Available colors: Chrome (084) and Brushed Nickel (105) | \$ 568 |
| OPT10106-105 | | \$ 568 |
| OPT10119-105 | Metal trim kit for Aerofeel electronic control (factory installed) Available colors: Chrome (084) and Brushed Nickel (105) | \$ 74 |
| OPT10119-084 | | \$ 74 |
| OPT10260-084 | Two 6-in. acrylic grab bars (factory installed) ⁸ Available colors: White (001), Bone (004), Biscuit (007), Chrome (084) and Brushed Nickel (105) | \$ 385 |
| OPT10260-007 | | \$ 385 |
| OPT10260-004 | | \$ 385 |
| OPT10260-105 | | \$ 385 |
| OPT10260-001 | | \$ 385 |
| | | |

ACCESSORIES

| SKU | Description | MSRP |
|--------------|--|--------|
| 10033272 | Flexible main hose for electronic control air massage - kit (sold separately) 15 ft. extension | \$ 295 |
| 10004306-001 | White foam cushion with 2 suction pads (sold separately) Available color: White (001) | \$ 120 |
| 10025081-084 | Waste and overflow 27 in. flexible neck (sold separately) Available colors: Chrome (084) and Brushed Nickel (105) | \$ 432 |
| 10025081-105 | | \$ 432 |

FOOTNOTES

| No | Description |
|----|---|
| 1 | Components for standard colour units equipped with systems are colour-coordinated. Trim kit and/or air push with metallic finish can be added (additional charge applies). For non-standard colour units, please specify trim kit and/or air push colour (additional charge applies for metallic finishes). Please note that the positioning of the system's control could be in conflict with the door if one was installed on the unit. To insure compatibility, please contact customer service. |
| 4 | For details on pump position and requirements, see technical drawings on https://www.maax.com . When there is a pump position A or B indicated on the technical drawing, please specify position when ordering. |
| 5 | For details on blower position and requirements, see technical drawings on https://www.maax.com . When there is a blower position A or B indicated on the technical drawing, please specify position when ordering. |
| 8 | Two 6 in. or 12 in. metal or acrylic grab bars are optional. Factory installed, only one positioning is possible (see technical drawings on https://www.maax.com). |
| 12 | In combined systems, only the pump is replaced with the Rest. The blower remains the same. |
| 17 | Includes Backmax and Footmax jets. Souvenir with apron and Living bathtub models do not include Footmax jets. |



Blower and/or pump location is indicated on the technical drawing.

All dimensions are approximate.
Structure measurement must be verified against the unit to ensure proper fit.

- (▲) : Indicates whirlpool jets positioning
- (●) : Indicates Aerofeel airjets positioning
- (△) : Indicates suction positioning
- (☞) : Indicates chromatherapy light positioning



Jazz (Drop-in)

OVAL BATHTUBS - ACRYLIC



Material : Acrylic
 Min: 58 Gal / 218 L
 Max: 76 Gal / 286 L

Features

- › Deep soak bathing for ultimate relaxation
- › Comfortable, ergonomic design with relaxing armrests
- › Drop-in installation with center drain
- › MAAX innovative leveling legs for easy installation

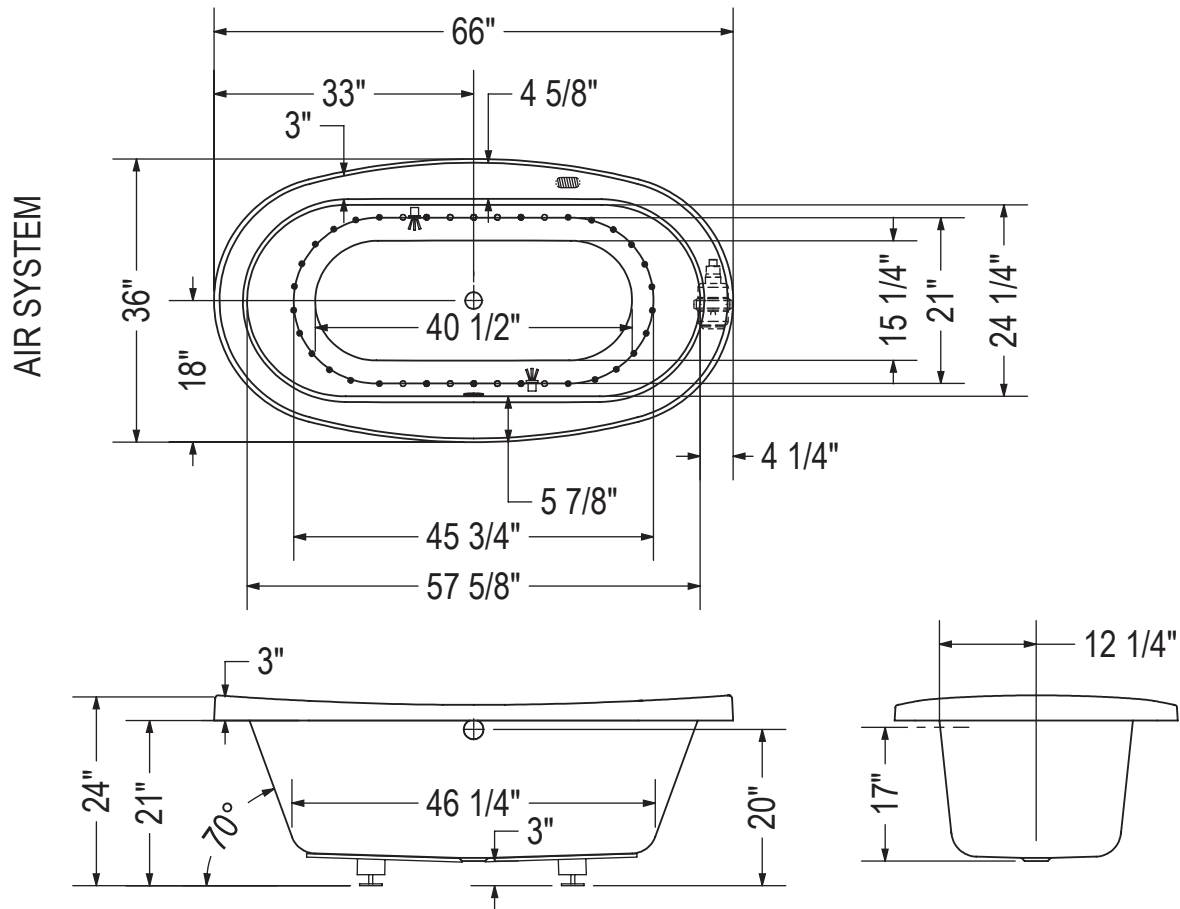
| JAZZ (DROP-IN) - 105509 | | | | | | |
|-------------------------|-------------------------|-------|---------------|----------------------------------|--------------------|---------|
| SKU | System | Color | Configuration | Dimensions & Weight | Packaging | MSRP |
| 105509-000-001-105 | Soaker - No System | White | Center | 66" x 36" x 24" / 100 lb / 45 kg | 37 ft ³ | \$ 2063 |
| 105509-055-001-104 | Aerofeel ^{1 5} | | | | | \$ 5708 |

| COMMON OPTIONS | | |
|----------------|---|--------|
| SKU | Description | MSRP |
| OPT10054 | Two chromatherapy lights for bathtubs without waterfall (factory installed) | \$ 871 |
| OPT10119-105 | Metal trim kit for Aerofeel electronic control (factory installed) | \$ 74 |
| OPT10119-084 | Available colors: Chrome (084) and Brushed Nickel (105) | \$ 74 |

| ACCESSORIES | | |
|--------------|--|--------|
| SKU | Description | MSRP |
| 10033272 | Flexible main hose for electronic control air massage - kit (sold separately) 15 ft. extension | \$ 295 |
| 10004306-001 | White foam cushion with 2 suction pads (sold separately) Available color: White (001) | \$ 120 |
| 10025720-105 | Waste and overflow 33 in. flexible neck (sold separately) | \$ 432 |
| 10025720-084 | Available colors: Chrome (084) and Brushed Nickel (105) | \$ 432 |

FOOTNOTES

| No | Description |
|----|---|
| 1 | Components for standard colour units equipped with systems are colour-coordinated. Trim kit and/or air push with metallic finish can be added (additional charge applies). For non-standard colour units, please specify trim kit and/or air push colour (additional charge applies for metallic finishes). Please note that the positioning of the system's control could be in conflict with the door if one was installed on the unit. To insure compatibility, please contact customer service. |
| 5 | For details on blower position and requirements, see technical drawings on https://www.maax.com . When there is a blower position A or B indicated on the technical drawing, please specify position when ordering. |



- (●) : Indicates airjets positioning
- (☼) : Indicates chromatherapy light positioning

All dimensions are approximate. Structure measurements must be verified against the unit to ensure proper fit.



Living 6042



Material : Acrylic
 Min: 42 Gal / 159 L
 Max: 71 Gal / 268 L

Features

- › Spacious bathtub with ergonomic design
- › Comfortable backrest and ample deck space for faucet installation
- › Inclined armrests with 1 angled 12 in. grab bar included ¹⁴
- › Drop-in installation with center drain
- › Cut-out template included
- › White cushion included with Hydromax and Combined systems
- › Apron not available

OVAL BATHTUBS - ACRYLIC

| LIVING 6042 - 102863 | | | | | | |
|----------------------|--|---------|---------------|---|--------------------|---------|
| SKU | System | Color | Configuration | Dimensions & Weight | Packaging | MSRP |
| 102863-000-001-000 | Soaker - No System | White | Center | 60" x 41 3/4" x 23 3/8" / 72 lb / 33 kg | 35 ft ³ | \$ 1831 |
| 102863-000-004 | | Bone | | | | \$ 1831 |
| 102863-000-007 | | Biscuit | | | | \$ 1831 |
| 102863-004-001-100 | Hydromax ^{1 4 17} | White | | | | \$ 5670 |
| 102863-004-004 | | Bone | | | | \$ 5670 |
| 102863-004-007 | | Biscuit | | | | \$ 5670 |
| 102863-055-001 | Aerofeel ^{1 5} | White | | | | \$ 5476 |
| 102863-055-004 | | Bone | | | | \$ 5476 |
| 102863-055-007-100 | | Biscuit | | | | \$ 5476 |
| 102863-094-001 | Combined Hydromax & Aerofeel ^{1 4 5 17} | White | | | | \$ 8565 |
| 102863-094-004 | | Bone | | | | \$ 8565 |
| 102863-094-007 | | Biscuit | | | | \$ 8565 |

| COMMON OPTIONS | | |
|----------------|--|---------|
| SKU | Description | MSRP |
| OPT10119-105 | Metal trim kit for Aerofeel electronic control (factory installed) | \$ 74 |
| OPT10119-084 | Available colors: Chrome (084) and Brushed Nickel (105) | \$ 74 |
| OPT20141 | Rest for Hydromax and combined systems ¹² | \$ 1036 |
| OPT10054 | Two chromatherapy lights for bathtubs without waterfall (factory installed) | \$ 871 |
| OPT10095 | Water heater assembly for whirlpool and combined systems (factory installed) | \$ 908 |

COMMON OPTIONS

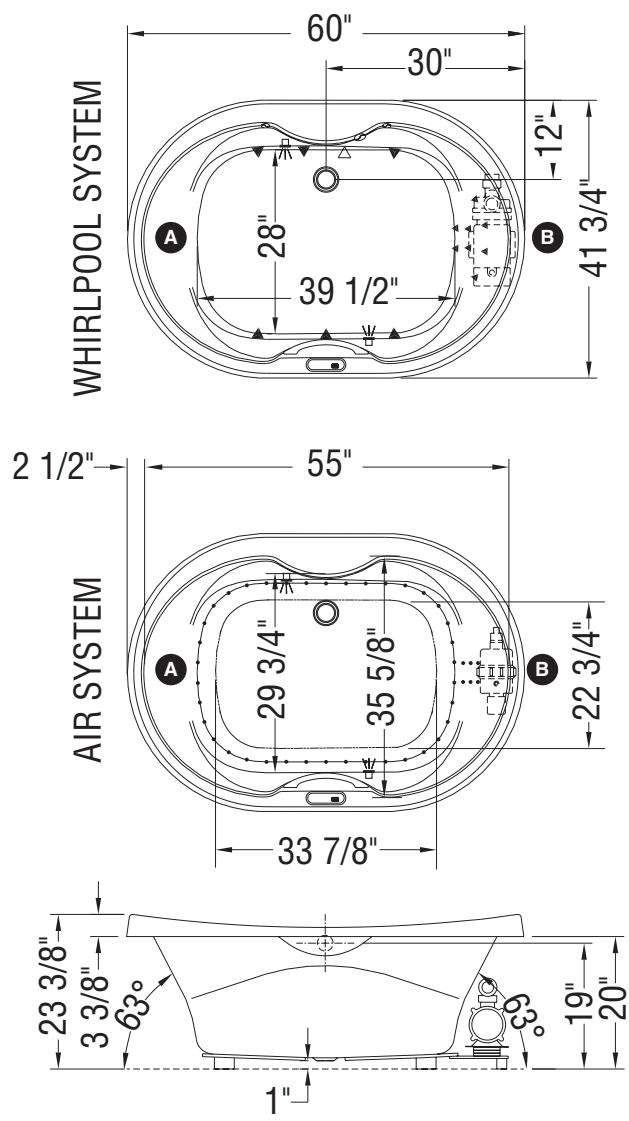
| SKU | Description | MSRP |
|--------------|---|--------|
| OPT20139 | Ozonator for whirlpool system (factory installed) | \$ 590 |
| OPT10106-084 | Metal trim kit for whirlpool and combined systems (factory installed) | \$ 568 |
| OPT10106-105 | Available colors: Chrome (084) and Brushed Nickel (105) | \$ 568 |
| OPT10109-084 | Metallic finish handle replacing Acrylic handle | \$ 251 |
| OPT10109-105 | Available colors: Chrome (084) and Brushed Nickel (105) | \$ 251 |

ACCESSORIES

| SKU | Description | MSRP |
|--------------|--|--------|
| 10033272 | Flexible main hose for electronic control air massage - kit (sold separately) 15 ft. extension | \$ 295 |
| 10004306-001 | White foam cushion with 2 suction pads (sold separately) Available color: White (001) | \$ 120 |
| 10025081-084 | Waste and overflow 27 in. flexible neck (sold separately) | \$ 432 |
| 10025081-105 | Available colors: Chrome (084) and Brushed Nickel (105) | \$ 432 |

FOOTNOTES

| No | Description |
|----|---|
| 1 | Components for standard colour units equipped with systems are colour-coordinated. Trim kit and/or air push with metallic finish can be added (additional charge applies). For non-standard colour units, please specify trim kit and/or air push colour (additional charge applies for metallic finishes). Please note that the positioning of the system's control could be in conflict with the door if one was installed on the unit. To insure compatibility, please contact customer service. |
| 4 | For details on pump position and requirements, see technical drawings on https://www.maax.com . When there is a pump position A or B indicated on the technical drawing, please specify position when ordering. |
| 5 | For details on blower position and requirements, see technical drawings on https://www.maax.com . When there is a blower position A or B indicated on the technical drawing, please specify position when ordering. |
| 12 | In combined systems, only the pump is replaced with the Rest. The blower remains the same. |
| 14 | Standard grab bars for standard colour units are colour-coordinated. Grab bars with metallic finish can be added (additional charge applies). |
| 17 | Includes Backmax and Footmax jets. Souvenir with apron and Living bathtub models do not include Footmax jets. |



Note: Air / whirlpool backjets on same side as blower / pump

- (▲): Indicates whirlpool jets positioning
- (△): Indicates suction positioning
- (●): Indicates airjets positioning
- (♪): Indicates chromatherapy light positioning
- (A): Specify blower and/or pump location when ordering
- (B): Indicates standard grab bar positioning

Bathtub base includes anti-vibration Neutra-Phone leg supports (not shown).
All dimensions are approximate. Structure measurements must be verified against the unit to ensure proper fit.



Living 6636

OVAL BATHTUBS - ACRYLIC



Material : Acrylic
 Min: 46 Gal / 173 L
 Max: 70 Gal / 264 L

Features

- › Spacious bathtub with ergonomic design
- › Comfortable backrest and ample deck space for faucet installation
- › Inclined armrests with 1 angled 12 in. grab bar included ¹⁴
- › Drop-in installation with center drain
- › Cut-out template included
- › White cushion included with Hydromax and Combined systems
- › Apron not available

| LIVING 6636 - 102761 | | | | | | |
|----------------------|--|---------|---------------|-------------------------------------|--------------------|---------|
| SKU | System | Color | Configuration | Dimensions & Weight | Packaging | MSRP |
| 102761-000-001-000 | Soaker - No System | White | Center | 66" x 36" x 23 3/8" / 82 lb / 37 kg | 39 ft ³ | \$ 1757 |
| 102761-000-004-000 | | Bone | | | | \$ 1757 |
| 102761-000-007-000 | | Biscuit | | | | \$ 1757 |
| 102761-004-001-100 | Hydromax ^{1 4 17} | White | | | | \$ 5596 |
| 102761-004-004-100 | | Bone | | | | \$ 5596 |
| 102761-004-007-100 | | Biscuit | | | | \$ 5596 |
| 102761-055-001-100 | Aerofeel ^{1 5} | White | | | | \$ 5402 |
| 102761-055-004-100 | | Bone | | | | \$ 5402 |
| 102761-055-007-100 | | Biscuit | | | | \$ 5402 |
| 102761-094-001-100 | Combined Hydromax & Aerofeel ^{1 4 5 17} | White | | | | \$ 8491 |
| 102761-094-004-100 | | Bone | | | | \$ 8491 |
| 102761-094-007-100 | | Biscuit | | | | \$ 8491 |

| COMMON OPTIONS | | |
|----------------|--|---------|
| SKU | Description | MSRP |
| OPT10119-105 | Metal trim kit for Aerofeel electronic control (factory installed) | \$ 74 |
| OPT10119-084 | Available colors: Chrome (084) and Brushed Nickel (105) | \$ 74 |
| OPT20141 | Rest for Hydromax and combined systems ¹² | \$ 1036 |
| OPT10054 | Two chromatherapy lights for bathtubs without waterfall (factory installed) | \$ 871 |
| OPT10095 | Water heater assembly for whirlpool and combined systems (factory installed) | \$ 908 |

COMMON OPTIONS

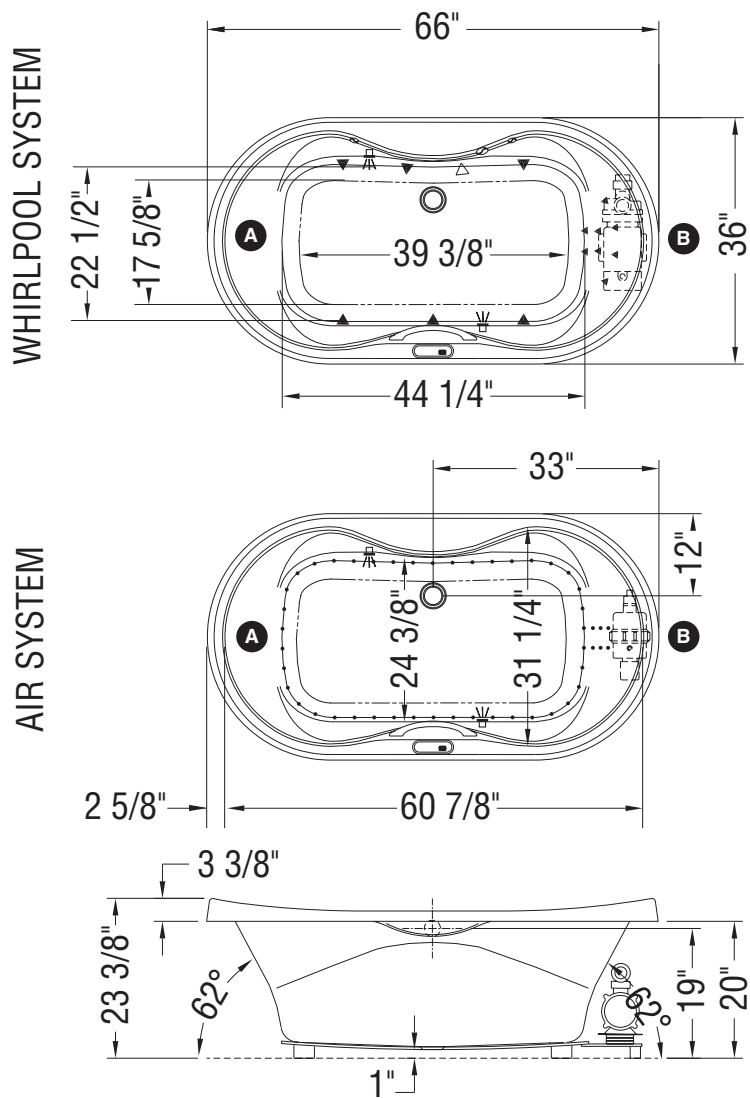
| SKU | Description | MSRP |
|--------------|---|--------|
| OPT20139 | Ozonator for whirlpool system (factory installed) | \$ 590 |
| OPT10106-084 | Metal trim kit for whirlpool and combined systems (factory installed) | \$ 568 |
| OPT10106-105 | Available colors: Chrome (084) and Brushed Nickel (105) | \$ 568 |
| OPT10109-084 | Metallic finish handle replacing Acrylic handle | \$ 251 |
| OPT10109-105 | Available colors: Chrome (084) and Brushed Nickel (105) | \$ 251 |

ACCESSORIES

| SKU | Description | MSRP |
|--------------|--|--------|
| 10033272 | Flexible main hose for electronic control air massage - kit (sold separately) 15 ft. extension | \$ 295 |
| 10004306-001 | White foam cushion with 2 suction pads (sold separately) Available color: White (001) | \$ 120 |
| 10025081-084 | Waste and overflow 27 in. flexible neck (sold separately) | \$ 432 |
| 10025081-105 | Available colors: Chrome (084) and Brushed Nickel (105) | \$ 432 |

FOOTNOTES

| No | Description |
|----|---|
| 1 | Components for standard colour units equipped with systems are colour-coordinated. Trim kit and/or air push with metallic finish can be added (additional charge applies). For non-standard colour units, please specify trim kit and/or air push colour (additional charge applies for metallic finishes). Please note that the positioning of the system's control could be in conflict with the door if one was installed on the unit. To insure compatibility, please contact customer service. |
| 4 | For details on pump position and requirements, see technical drawings on https://www.maax.com . When there is a pump position A or B indicated on the technical drawing, please specify position when ordering. |
| 5 | For details on blower position and requirements, see technical drawings on https://www.maax.com . When there is a blower position A or B indicated on the technical drawing, please specify position when ordering. |
| 12 | In combined systems, only the pump is replaced with the Rest. The blower remains the same. |
| 14 | Standard grab bars for standard colour units are colour-coordinated. Grab bars with metallic finish can be added (additional charge applies). |
| 17 | Includes Backmax and Footmax jets. Souvenir with apron and Living bathtub models do not include Footmax jets. |



Note: Air / whirlpool backjets on same the side as blower / pump

- (▲): Indicates whirlpool jets positioning
- (△): Indicates suction positioning
- (●): Indicates airjets positioning
- (Ψ): Indicates chromatherapy light positioning
- (A): Specify blower and/or pump location when ordering
- (B): Indicates standard grab bar positioning

Bathub base includes anti-vibration Neutra-Phone leg supports (not shown).

All dimensions are approximate. Structure measurements must be verified against the unit to ensure proper fit.



Living 6642



Material : Acrylic
 Min: 49 Gal / 186 L
 Max: 83 Gal / 314 L

Features

- › Spacious bathtub with ergonomic design
- › Comfortable backrest and ample deck space for faucet installation
- › Inclined armrests with 1 angled 12 in. grab bar included ¹⁴
- › Drop-in installation with center drain
- › Cut-out template included
- › White cushion included with Hydromax and Combined systems
- › Apron not available

OVAL BATHTUBS - ACRYLIC

| LIVING 6642 - 102865 | | | | | | |
|----------------------|--|---------|---------------|---|--------------------|---------|
| SKU | System | Color | Configuration | Dimensions & Weight | Packaging | MSRP |
| 102865-000-001-000 | Soaker - No System | White | Center | 66" x 41 3/4" x 23 3/8" / 92 lb / 42 kg | 38 ft ³ | \$ 1909 |
| 102865-000-004-000 | | Bone | | | | \$ 1909 |
| 102865-000-007-000 | | Biscuit | | | | \$ 1909 |
| 102865-004-001-100 | Hydromax ^{1 4 17} | White | | | | \$ 5748 |
| 102865-004-004 | | Bone | | | | \$ 5748 |
| 102865-004-007 | | Biscuit | | | | \$ 5748 |
| 102865-055-001 | Aerofeel ^{1 5} | White | | | | \$ 5554 |
| 102865-055-004 | | Bone | | | | \$ 5554 |
| 102865-055-007 | | Biscuit | | | | \$ 5554 |
| 102865-094-001 | Combined Hydromax & Aerofeel ^{1 4 5 17} | White | | | | \$ 8643 |
| 102865-094-004 | | Bone | | | | \$ 8643 |
| 102865-094-007 | | Biscuit | | | | \$ 8643 |

| COMMON OPTIONS | | |
|----------------|--|---------|
| SKU | Description | MSRP |
| OPT10119-105 | Metal trim kit for Aerofeel electronic control (factory installed) | \$ 74 |
| OPT10119-084 | Available colors: Chrome (084) and Brushed Nickel (105) | \$ 74 |
| OPT20141 | Rest for Hydromax and combined systems ¹² | \$ 1036 |
| OPT10054 | Two chromatherapy lights for bathtubs without waterfall (factory installed) | \$ 871 |
| OPT10095 | Water heater assembly for whirlpool and combined systems (factory installed) | \$ 908 |

COMMON OPTIONS

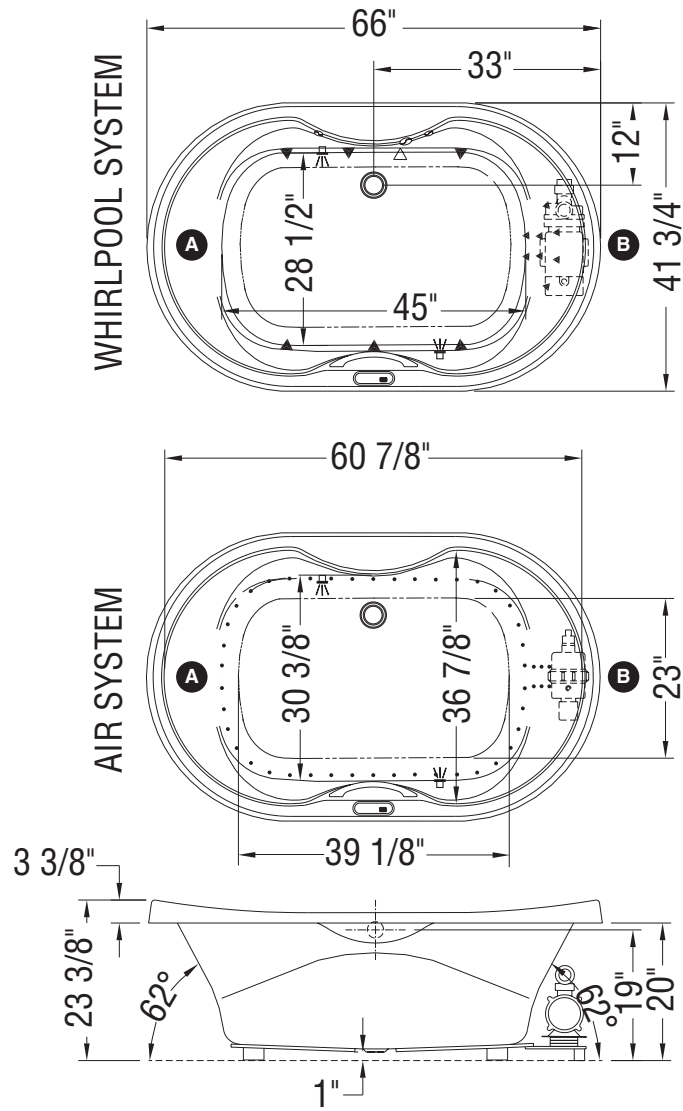
| SKU | Description | MSRP |
|--------------|---|--------|
| OPT20139 | Ozonator for whirlpool system (factory installed) | \$ 590 |
| OPT10106-084 | Metal trim kit for whirlpool and combined systems (factory installed) | \$ 568 |
| OPT10106-105 | Available colors: Chrome (084) and Brushed Nickel (105) | \$ 568 |
| OPT10109-084 | Metallic finish handle replacing Acrylic handle | \$ 251 |
| OPT10109-105 | Available colors: Chrome (084) and Brushed Nickel (105) | \$ 251 |

ACCESSORIES

| SKU | Description | MSRP |
|--------------|--|--------|
| 10033272 | Flexible main hose for electronic control air massage - kit (sold separately) 15 ft. extension | \$ 295 |
| 10004306-001 | White foam cushion with 2 suction pads (sold separately) Available color: White (001) | \$ 120 |
| 10025081-084 | Waste and overflow 27 in. flexible neck (sold separately) | \$ 432 |
| 10025081-105 | Available colors: Chrome (084) and Brushed Nickel (105) | \$ 432 |

FOOTNOTES

| No | Description |
|----|---|
| 1 | Components for standard colour units equipped with systems are colour-coordinated. Trim kit and/or air push with metallic finish can be added (additional charge applies). For non-standard colour units, please specify trim kit and/or air push colour (additional charge applies for metallic finishes). Please note that the positioning of the system's control could be in conflict with the door if one was installed on the unit. To insure compatibility, please contact customer service. |
| 4 | For details on pump position and requirements, see technical drawings on https://www.maax.com . When there is a pump position A or B indicated on the technical drawing, please specify position when ordering. |
| 5 | For details on blower position and requirements, see technical drawings on https://www.maax.com . When there is a blower position A or B indicated on the technical drawing, please specify position when ordering. |
| 12 | In combined systems, only the pump is replaced with the Rest. The blower remains the same. |
| 14 | Standard grab bars for standard colour units are colour-coordinated. Grab bars with metallic finish can be added (additional charge applies). |
| 17 | Includes Backmax and Footmax jets. Souvenir with apron and Living bathtub models do not include Footmax jets. |



Note: Air / whirlpool backjets on same side as blower / pump

- (▲): Indicates whirlpool jets positioning (A): Specify blower and/or pump location when ordering
- (△): Indicates suction positioning (B)
- (•): Indicates airjets positioning (☹): Indicates chromatherapy light positioning
- (—): Indicates standard grab bar positioning

Bathtub base includes anti-vibration Neutra-Phone leg supports (not shown).

All dimensions are approximate. Structure measurements must be verified against the unit to ensure proper fit.



Living 7236

OVAL BATHTUBS - ACRYLIC



Material : Acrylic
 Min: 49 Gal / 186 L
 Max: 77 Gal / 291 L

Features

- › Spacious bathtub with ergonomic design
- › Comfortable backrest and ample deck space for faucet installation
- › Inclined armrests with 1 angled 12 in. grab bar included ¹⁴
- › Drop-in installation with center drain
- › Cut-out template included
- › White cushion included with Hydromax and Combined systems
- › Apron not available

| LIVING 7236 - 102759 | | | | | | |
|----------------------|--|---------|---------------|-------------------------------------|--------------------|---------|
| SKU | System | Color | Configuration | Dimensions & Weight | Packaging | MSRP |
| 102759-000-001-000 | Soaker - No System | White | Center | 72" x 36" x 23 3/8" / 88 lb / 40 kg | 47 ft ³ | \$ 1948 |
| 102759-000-004-000 | | Bone | | | | \$ 1948 |
| 102759-000-007-000 | | Biscuit | | | | \$ 1948 |
| 102759-004-001-100 | Hydromax ^{1 4 17} | White | | | | \$ 5787 |
| 102759-004-004-100 | | Bone | | | | \$ 5787 |
| 102759-004-007-100 | | Biscuit | | | | \$ 5787 |
| 102759-055-001-100 | Aerofeel ^{1 5} | White | | | | \$ 5593 |
| 102759-055-004-100 | | Bone | | | | \$ 5593 |
| 102759-055-007-100 | | Biscuit | | | | \$ 5593 |
| 102759-094-001-100 | Combined Hydromax & Aerofeel ^{1 4 5 17} | White | | | | \$ 8682 |
| 102759-094-004-100 | | Bone | | | | \$ 8682 |
| 102759-094-007-100 | | Biscuit | | | | \$ 8682 |

| COMMON OPTIONS | | |
|----------------|--|---------|
| SKU | Description | MSRP |
| OPT10119-105 | Metal trim kit for Aerofeel electronic control (factory installed) | \$ 74 |
| OPT10119-084 | Available colors: Chrome (084) and Brushed Nickel (105) | \$ 74 |
| OPT20141 | Rest for Hydromax and combined systems ¹² | \$ 1036 |
| OPT10054 | Two chromatherapy lights for bathtubs without waterfall (factory installed) | \$ 871 |
| OPT10095 | Water heater assembly for whirlpool and combined systems (factory installed) | \$ 908 |

COMMON OPTIONS

| SKU | Description | MSRP |
|--------------|---|--------|
| OPT20139 | Ozonator for whirlpool system (factory installed) | \$ 590 |
| OPT10106-084 | Metal trim kit for whirlpool and combined systems (factory installed) | \$ 568 |
| OPT10106-105 | Available colors: Chrome (084) and Brushed Nickel (105) | \$ 568 |
| OPT10109-084 | Metallic finish handle replacing Acrylic handle | \$ 251 |
| OPT10109-105 | Available colors: Chrome (084) and Brushed Nickel (105) | \$ 251 |

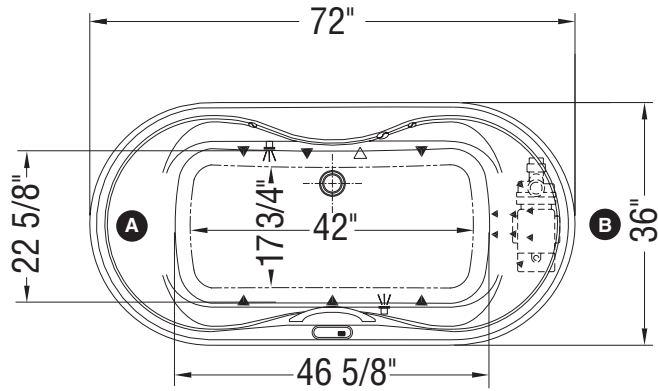
ACCESSORIES

| SKU | Description | MSRP |
|--------------|--|--------|
| 10033272 | Flexible main hose for electronic control air massage - kit (sold separately) 15 ft. extension | \$ 295 |
| 10004306-001 | White foam cushion with 2 suction pads (sold separately) Available color: White (001) | \$ 120 |
| 10025081-084 | Waste and overflow 27 in. flexible neck (sold separately) | \$ 432 |
| 10025081-105 | Available colors: Chrome (084) and Brushed Nickel (105) | \$ 432 |

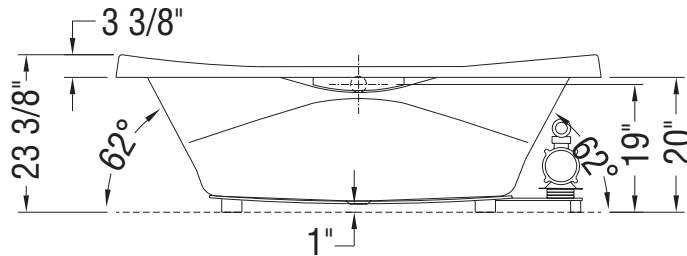
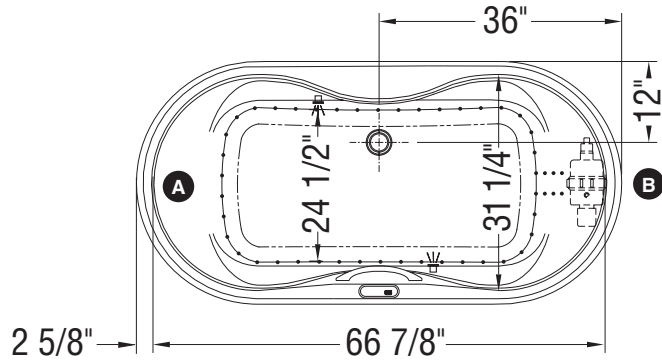
FOOTNOTES

| No | Description |
|----|---|
| 1 | Components for standard colour units equipped with systems are colour-coordinated. Trim kit and/or air push with metallic finish can be added (additional charge applies). For non-standard colour units, please specify trim kit and/or air push colour (additional charge applies for metallic finishes). Please note that the positioning of the system's control could be in conflict with the door if one was installed on the unit. To insure compatibility, please contact customer service. |
| 4 | For details on pump position and requirements, see technical drawings on https://www.maax.com . When there is a pump position A or B indicated on the technical drawing, please specify position when ordering. |
| 5 | For details on blower position and requirements, see technical drawings on https://www.maax.com . When there is a blower position A or B indicated on the technical drawing, please specify position when ordering. |
| 12 | In combined systems, only the pump is replaced with the Rest. The blower remains the same. |
| 14 | Standard grab bars for standard colour units are colour-coordinated. Grab bars with metallic finish can be added (additional charge applies). |
| 17 | Includes Backmax and Footmax jets. Souvenir with apron and Living bathtub models do not include Footmax jets. |

WHIRLPOOL SYSTEM



AIR SYSTEM



Note: Air / whirlpool backjets on same side as blower / pump

(▲): Indicates whirlpool jets positioning

(△): Indicates suction positioning

(●): Indicates airjets positioning

(☼): Indicates chromatherapy light positioning

Bathtub base includes anti-vibration Neutra-Phone leg supports (not shown).

All dimensions are approximate. Structure measurements must be verified against the unit to ensure proper fit.

(A): Specify blower and/or pump location when ordering

(B)

(—): Indicates standard grab bar positioning



Living 7242



Material : Acrylic
 Min: 59 Gal / 223 L
 Max: 90 Gal / 341 L

Features

- › Spacious bathtub with ergonomic design
- › Comfortable backrest and ample deck space for faucet installation
- › Inclined armrests with 1 angled 12 in. grab bar included ¹⁴
- › Drop-in installation with center drain
- › Cut-out template included
- › White cushion included with Hydromax and Combined systems
- › Apron not available

OVAL BATHTUBS - ACRYLIC

LIVING 7242 - 102757

| SKU | System | Color | Configuration | Dimensions & Weight | Packaging | MSRP |
|--------------------|--|---------|---------------|-------------------------------------|--------------------|---------|
| 102757-000-001-000 | Soaker - No System | White | Center | 72" x 42" x 23 3/8" / 99 lb / 45 kg | 47 ft ³ | \$ 2024 |
| 102757-000-004-000 | | Bone | | | | \$ 2024 |
| 102757-000-007-000 | | Biscuit | | | | \$ 2024 |
| 102757-004-001-100 | Hydromax ^{1 4 17} | White | | | | \$ 5863 |
| 102757-004-004-100 | | Bone | | | | \$ 5863 |
| 102757-004-007-100 | | Biscuit | | | | \$ 5863 |
| 102757-055-001-100 | Aerofeel ^{1 5} | White | | | | \$ 5669 |
| 102757-055-004-100 | | Bone | | | | \$ 5669 |
| 102757-055-007-100 | | Biscuit | | | | \$ 5669 |
| 102757-094-001-100 | Combined Hydromax & Aerofeel ^{1 4 5 17} | White | | | | \$ 8758 |
| 102757-094-004-100 | | Bone | | | | \$ 8758 |
| 102757-094-007-100 | | Biscuit | | | | \$ 8758 |

COMMON OPTIONS

| SKU | Description | MSRP |
|--------------|--|---------|
| OPT10119-105 | Metal trim kit for Aerofeel electronic control (factory installed) | \$ 74 |
| OPT10119-084 | Available colors: Chrome (084) and Brushed Nickel (105) | \$ 74 |
| OPT20141 | Rest for Hydromax and combined systems ¹² | \$ 1036 |
| OPT10054 | Two chromatherapy lights for bathtubs without waterfall (factory installed) | \$ 871 |
| OPT10095 | Water heater assembly for whirlpool and combined systems (factory installed) | \$ 908 |

COMMON OPTIONS

| SKU | Description | MSRP |
|--------------|---|--------|
| OPT20139 | Ozonator for whirlpool system (factory installed) | \$ 590 |
| OPT10106-084 | Metal trim kit for whirlpool and combined systems (factory installed) | \$ 568 |
| OPT10106-105 | Available colors: Chrome (084) and Brushed Nickel (105) | \$ 568 |
| OPT10109-084 | Metallic finish handle replacing Acrylic handle | \$ 251 |
| OPT10109-105 | Available colors: Chrome (084) and Brushed Nickel (105) | \$ 251 |

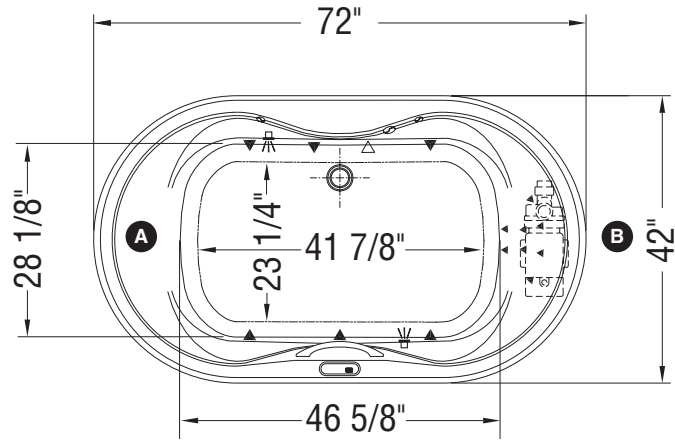
ACCESSORIES

| SKU | Description | MSRP |
|--------------|--|--------|
| 10033272 | Flexible main hose for electronic control air massage - kit (sold separately) 15 ft. extension | \$ 295 |
| 10004306-001 | White foam cushion with 2 suction pads (sold separately) Available color: White (001) | \$ 120 |
| 10025081-084 | Waste and overflow 27 in. flexible neck (sold separately) | \$ 432 |
| 10025081-105 | Available colors: Chrome (084) and Brushed Nickel (105) | \$ 432 |

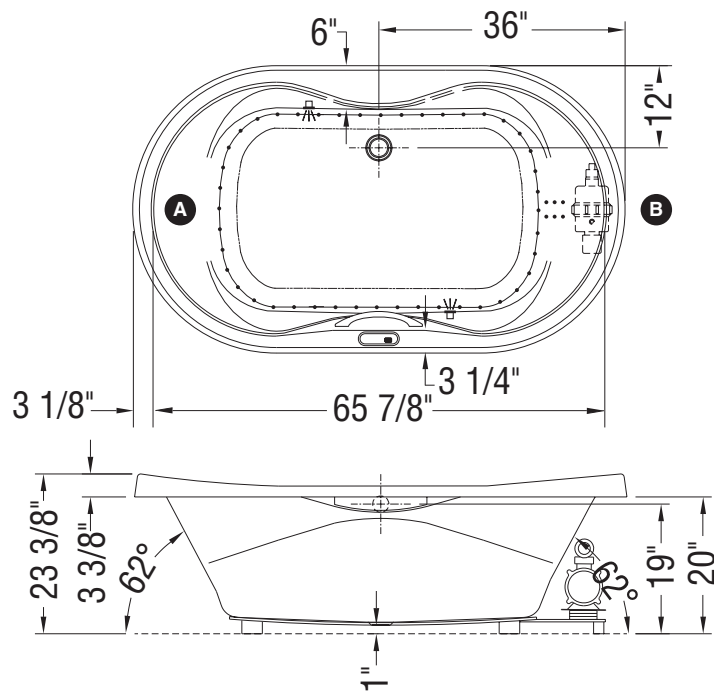
FOOTNOTES

| No | Description |
|----|---|
| 1 | Components for standard colour units equipped with systems are colour-coordinated. Trim kit and/or air push with metallic finish can be added (additional charge applies). For non-standard colour units, please specify trim kit and/or air push colour (additional charge applies for metallic finishes). Please note that the positioning of the system's control could be in conflict with the door if one was installed on the unit. To insure compatibility, please contact customer service. |
| 4 | For details on pump position and requirements, see technical drawings on https://www.maax.com . When there is a pump position A or B indicated on the technical drawing, please specify position when ordering. |
| 5 | For details on blower position and requirements, see technical drawings on https://www.maax.com . When there is a blower position A or B indicated on the technical drawing, please specify position when ordering. |
| 12 | In combined systems, only the pump is replaced with the Rest. The blower remains the same. |
| 14 | Standard grab bars for standard colour units are colour-coordinated. Grab bars with metallic finish can be added (additional charge applies). |
| 17 | Includes Backmax and Footmax jets. Souvenir with apron and Living bathtub models do not include Footmax jets. |

WHIRLPOOL SYSTEM



AIR SYSTEM



Note: Air / whirlpool backjets on same side as blower / pump

(▲): Indicates whirlpool jets positioning

(△): Indicates suction positioning

(●): Indicates airjets positioning

(☼): Indicates chromatherapy light positioning

Bathub base includes anti-vibration Neutra-Phone leg supports (not shown).

All dimensions are approximate. Structure measurements must be verified against the unit to ensure proper fit.

(A): Specify blower and/or pump location when ordering

(B)

(—): Indicates standard grab bar positioning

Arno 6040



OVAL BATHTUBS - ACRYLIC



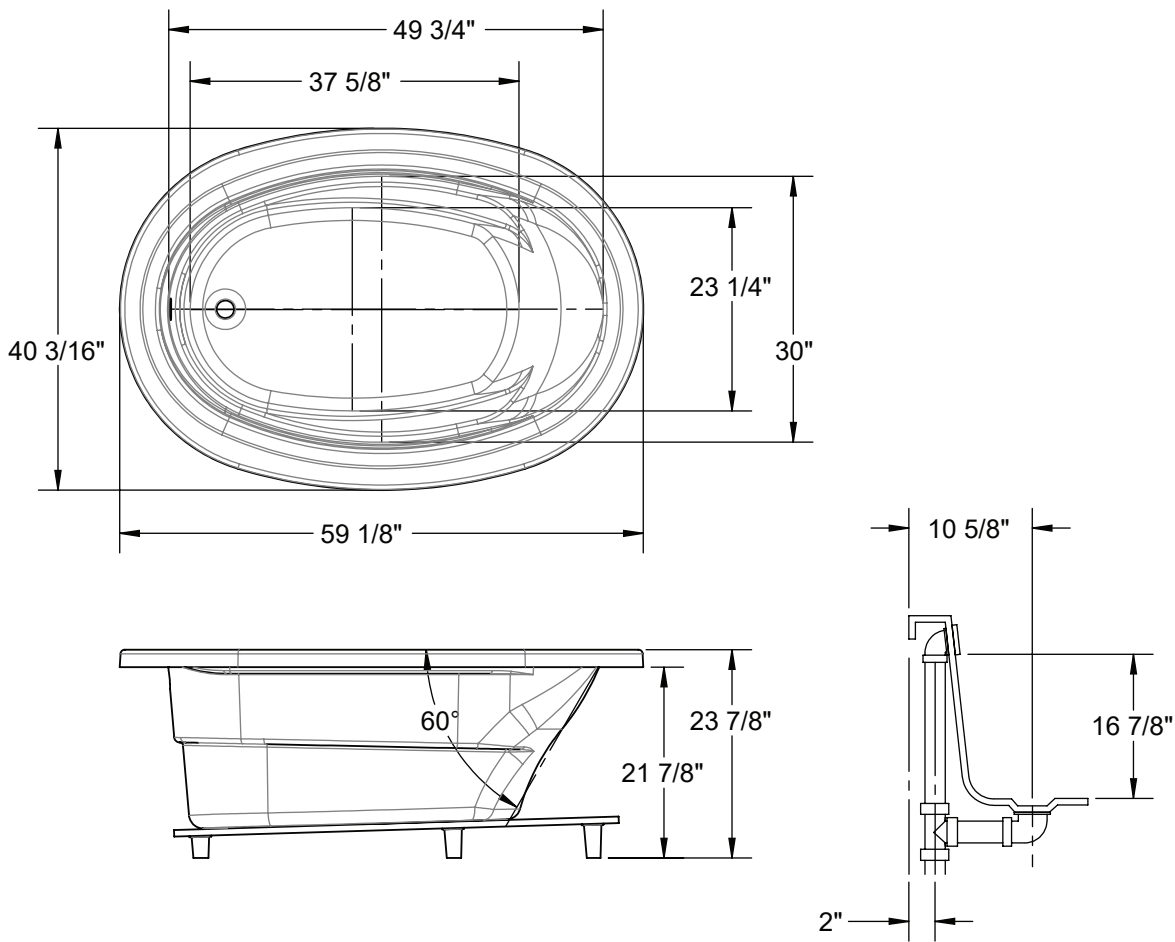
Material : Acrylic
 Min: 44 Gal / 168 L
 Max: 58 Gal / 218 L

Features

- › Oval shape bathtub with integrated armrests
- › Drop-in or undermount installation
- › Textured floor
- › End drain

ARNO 6040 - 106459

| SKU | System | Color | Configuration | Dimensions & Weight | Packaging | MSRP |
|--------------------|--------------------|---------|---------------|--|--------------------|---------|
| 106459-000-001-000 | Soaker - No System | White | End | 59 1/8" x 40 3/16" x 23 7/8" / 99 lb / 45 kg | 36 ft ³ | \$ 1305 |
| 106459-000-007 | | Biscuit | | | | \$ 1305 |



All dimensions are approximate. Structure measurements must be verified against the unit to ensure proper fit.

Arno 7242



OVAL BATHTUBS - ACRYLIC



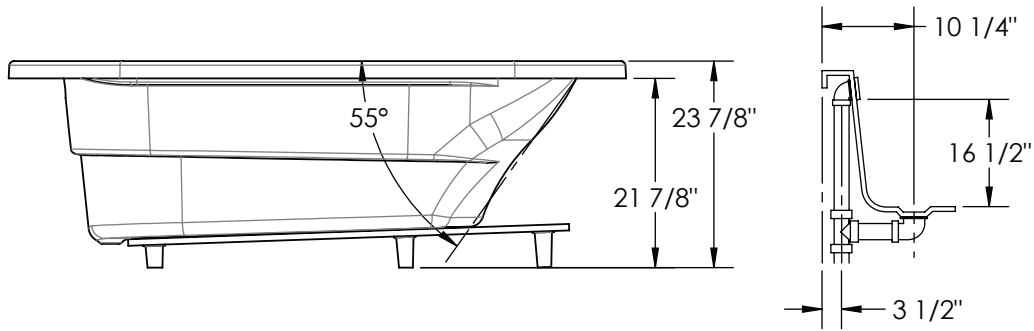
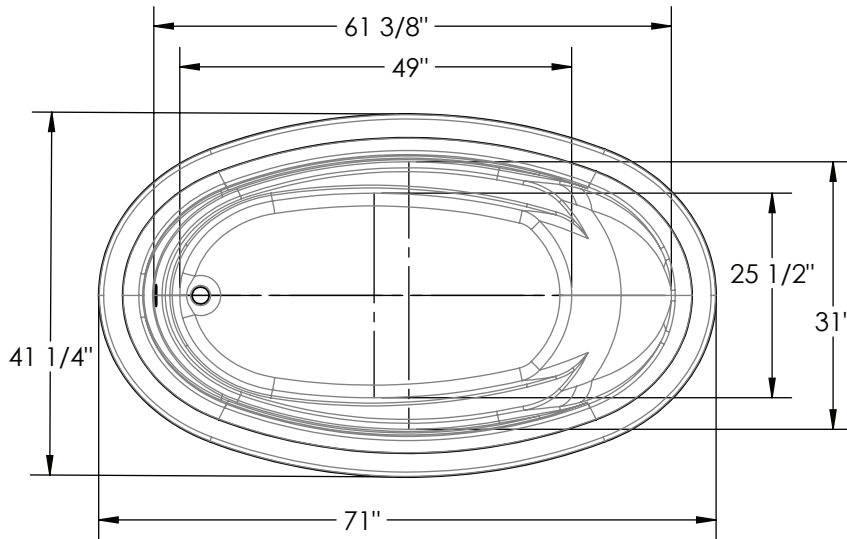
Material : Acrylic
 Min: 50 Gal / 191 L
 Max: 67 Gal / 255 L

Features

- › Oval shape bathtub with integrated armrests
- › Drop-in or undermount installation
- › Textured floor
- › End drain

ARNO 7242 - 106460

| SKU | System | Color | Configuration | Dimensions & Weight | Packaging | MSRP |
|----------------|--------------------|---------|---------------|--|-----------|---------|
| 106460-000-001 | Soaker - No System | White | End | 71" x 41 1/4" x 23 7/8" / 119 lb / 54 kg | 49 ft³ | \$ 1402 |
| 106460-000-007 | | Biscuit | | | | \$ 1402 |



All dimensions are approximate. Structure measurements must be verified against the unit to ensure proper fit.



Panaro 6042

OVAL BATHTUBS - ACRYLIC



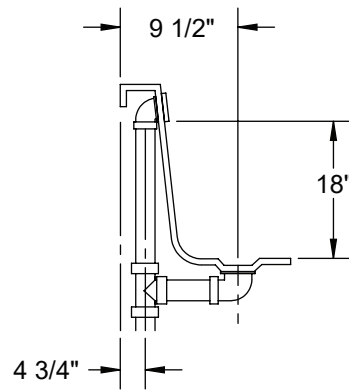
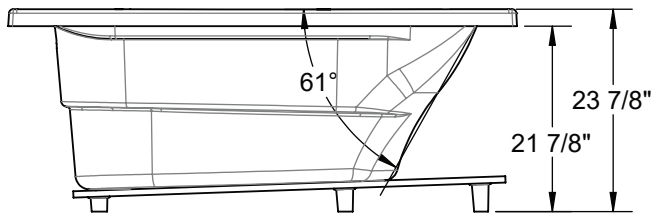
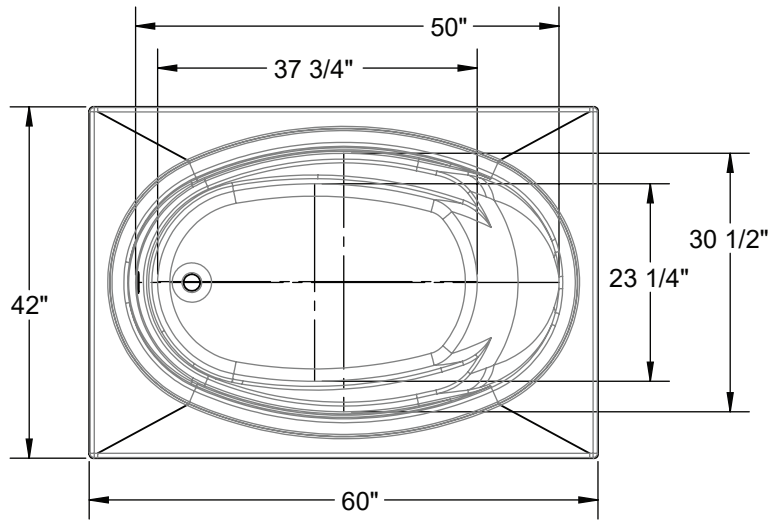
Material : Acrylic
 Min: 44 Gal / 168 L
 Max: 58 Gal / 218 L

Features

- › Rectangular shape bathtub with integrated armrests
- › Drop-in, alcove or undermount installation
- › Textured floor
- › Right, left or end drain

| PANARO 6042 - 106457 | | | | | | |
|----------------------|--------------------|---------|---------------|--------------------------------------|--------------------|---------|
| SKU | System | Color | Configuration | Dimensions & Weight | Packaging | MSRP |
| 106457-000-001 | Soaker - No System | White | End | 60" x 42" x 23 7/8" / 112 lb / 51 kg | 41 ft ³ | \$ 1305 |
| 106457-000-001-001 | | | Left | | | \$ 1305 |
| 106457-000-007 | | Biscuit | End | | | \$ 1305 |
| 106457-L-000-007 | | | Left | | | \$ 1305 |
| 106457-R-000-001 | | White | Right | | | \$ 1305 |
| 106457-R-000-007 | | Biscuit | | | | \$ 1305 |

| COMMON OPTIONS | | |
|--------------------|--|---------|
| SKU | Description | MSRP |
| 106461-000-007-000 | Acrylic apron | \$ 1118 |
| 106461-000-001-000 | Specify: Standard colors: White (001), Biscuit (007) | \$ 1118 |



All dimensions are approximate. Structure measurements must be verified against the unit to ensure proper fit.



Panaro 7242

OVAL BATHTUBS - ACRYLIC



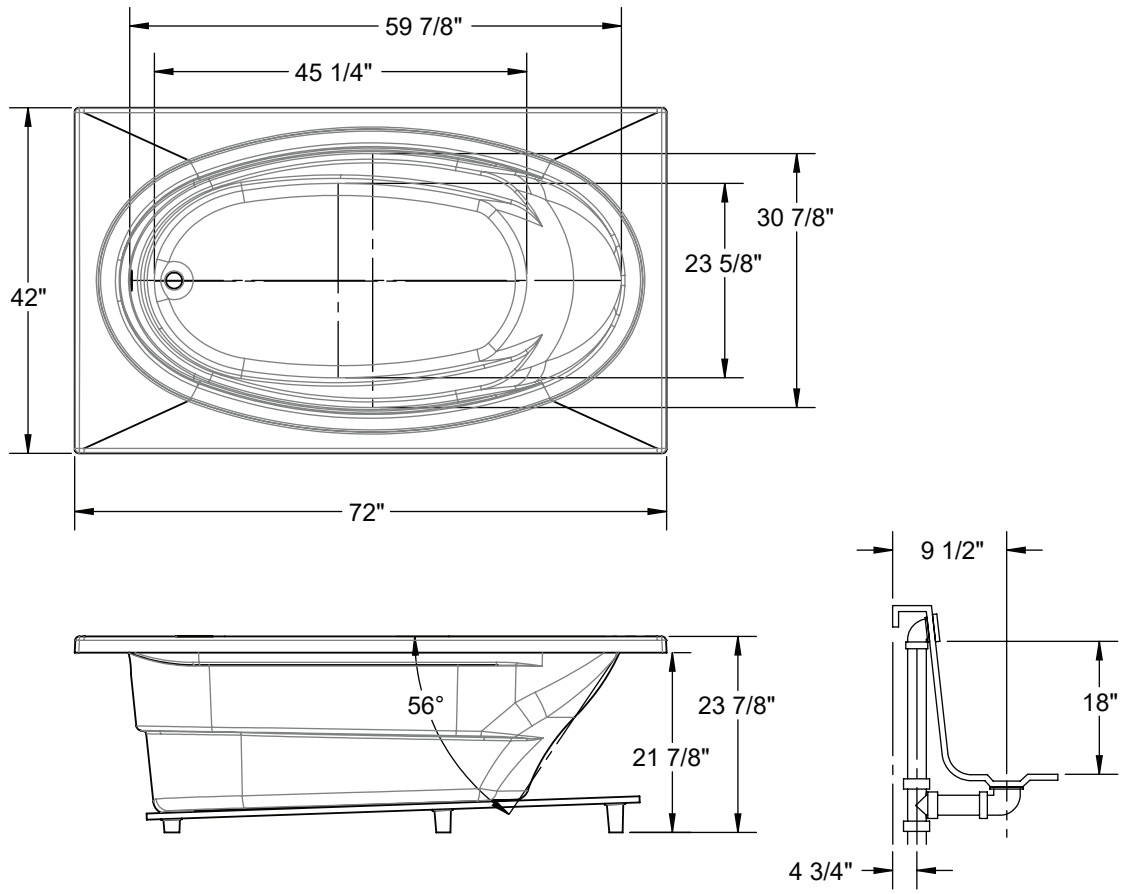
Material : Acrylic
 Min: 50 Gal / 191 L
 Max: 67 Gal / 255 L

Features

- › Rectangular shape bathtub with integrated armrests
- › Drop-in, alcove or undermount installation
- › Textured floor
- › Right, left or end drain

| PANARO 7242 - 106458 | | | | | | |
|----------------------|--------------------|---------|---------------|--------------------------------------|--------------------|---------|
| SKU | System | Color | Configuration | Dimensions & Weight | Packaging | MSRP |
| 106458-000-001 | Soaker - No System | White | End | 72" x 42" x 23 7/8" / 121 lb / 55 kg | 49 ft ³ | \$ 1470 |
| 106458-000-007 | | Biscuit | | | | \$ 1470 |
| 106458-L-000-001 | | White | Left | | | \$ 1470 |
| 106458-L-000-007 | | Biscuit | | | | \$ 1470 |
| 106458-R-000-001 | | White | Right | | | \$ 1470 |
| 106458-R-000-007 | | Biscuit | | | | \$ 1470 |

| COMMON OPTIONS | | |
|--------------------|--|---------|
| SKU | Description | MSRP |
| 106462-000-001-000 | Acrylic apron | \$ 1118 |
| 106462-000-007-000 | Specify: Standard colors: White (001), Biscuit (007) | \$ 1118 |



All dimensions are approximate. Structure measurements must be verified against the unit to ensure proper fit.

Saturna 6036



OVAL BATHTUBS - ACRYLIC



Material : Acrylic
 Min: 47 Gal / 177 L
 Max: 55 Gal / 209 L

Features

- › Oval shape bathtub
- › Drop-in installation
- › End drain
- › No skirt available

| SATURNA 6036 - 106167 | | | | | | |
|-----------------------|--|---------|---------------|---------------------------------|-------------------|---------|
| SKU | System | Color | Configuration | Dimensions & Weight | Packaging | MSRP |
| 106167-000-001-100 | Soaker - No System | White | Center | 60" x 36" x 20" / 90 lb / 41 kg | 1 ft ³ | \$ 1226 |
| 106167-000-004 | | Bone | | | | \$ 1226 |
| 106167-000-007 | | Biscuit | | | | \$ 1226 |
| 106167-003-001 | Whirlpool ^{1 4} | White | | | | \$ 2574 |
| 106167-003-004 | | Bone | | | | \$ 2574 |
| 106167-003-007 | | Biscuit | | | | \$ 2574 |
| 106167-097-001 | Combined Whirlpool & Aeroeffect ^{1 3} | White | | | | \$ 4472 |
| 106167-097-004 | | Bone | | | | \$ 4472 |
| 106167-097-007 | | Biscuit | | | | \$ 4472 |
| 106167-103-001 | Aeroeffect ^{1 2 5} | White | | | | \$ 3487 |
| 106167-103-004 | | Bone | | | | \$ 3487 |
| 106167-103-007 | | Biscuit | | | | \$ 3487 |

| COMMON OPTIONS | | |
|----------------|--|--------|
| SKU | Description | MSRP |
| OPT10053 | One chromatherapy light (factory installed) ⁵⁴ | \$ 641 |
| OPT10095 | Water heater assembly for whirlpool and combined systems (factory installed) | \$ 908 |
| OPT10106-084 | Metal trim kit for whirlpool and combined systems (factory installed) | \$ 568 |
| OPT10106-105 | Available colors: Chrome (084) and Brushed Nickel (105) | \$ 568 |

COMMON OPTIONS

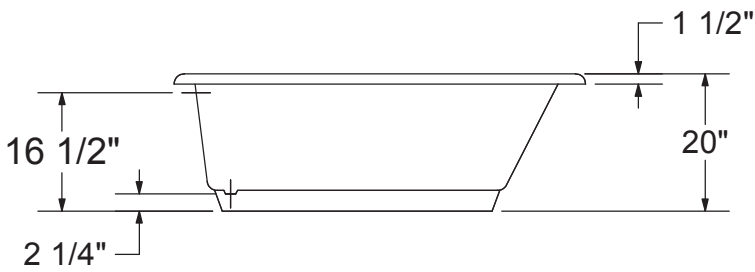
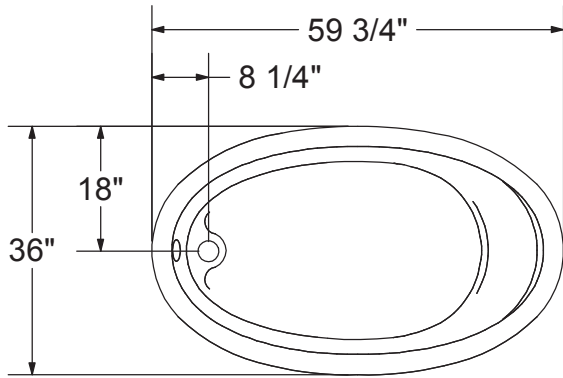
| SKU | Description | MSRP |
|--------------|---|--------|
| OPT20029-105 | Metal trim kit for air push control (factory installed) | \$ 50 |
| OPT20029-084 | Available colors: Chrome (084) and Brushed Nickel (105) | \$ 50 |
| OPT20137-004 | Cable-operated waste and overflow (16 in. to 22 in.) (included in product packaging when purchased) Available colors: White (001), Bone (004), Chrome (084) and Brushed Nickel (105) | \$ 238 |
| OPT20137-084 | | \$ 238 |
| OPT20137-105 | | \$ 238 |
| OPT20137-001 | | \$ 238 |

ACCESSORIES

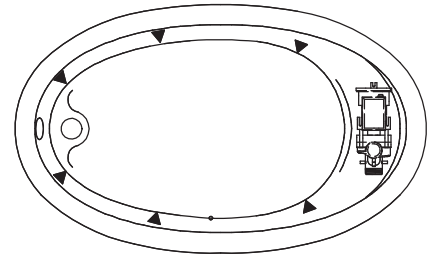
| SKU | Description | MSRP |
|--------------|--|--------|
| 10006923 | Flexible main hose (9 ft. extension) for air push control air massage - Kit (sold separately) | \$ 166 |
| 10004306-001 | White foam cushion with 2 suction pads (sold separately) Available color: White (001) | \$ 120 |
| 10006887-105 | Metal trim kit for Whirlpool and combined systems (sold separately) Available colors: Chrome (084) and Brushed Nickel (105) | \$ 568 |
| 10006887-084 | | \$ 568 |
| 10034250-084 | Metal trim kit for Aeroeffect with Air Push Control (sold separately) Available colors: Chrome (084) and Brushed Nickel (105) | \$ 50 |
| 10034250-105 | | \$ 50 |
| 10022491-084 | Cable-operated waste and overflow (16 in. to 22 in.) (sold separately) Available colors: White (001), Bone (004), Chrome (084) and Brushed Nickel (105) | \$ 238 |
| 10022491-004 | | \$ 238 |
| 10022491-105 | | \$ 238 |
| 10022491-001 | | \$ 238 |

FOOTNOTES

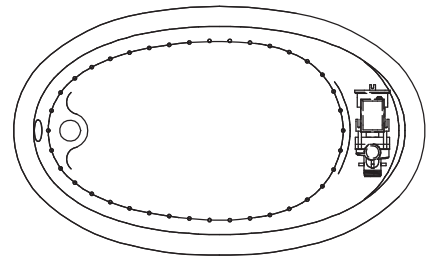
| No | Description |
|----|---|
| 1 | Components for standard colour units equipped with systems are colour-coordinated. Trim kit and/or air push with metallic finish can be added (additional charge applies). For non-standard colour units, please specify trim kit and/or air push colour (additional charge applies for metallic finishes). Please note that the positioning of the system's control could be in conflict with the door if one was installed on the unit. To insure compatibility, please contact customer service. |
| 2 | Please order flexible main hose 10006923 for installation of the blower further than 3 ft from the bathtub. For the Tandem models and the Serenade models (freestanding and drop-in), the blower is always remote and not factory installed so a 9 ft flexible main hose is included. Please note that the positioning of the system's control could be in conflict with the door if one was installed on the unit. To insure compatibility, please contact customer service. |
| 3 | The blower is not factory installed (remote). 9 ft flexible main hose included. Please note that the positioning of the system's control could be in conflict with the door if one was installed on the unit. To insure compatibility, please contact customer service. |
| 4 | For details on pump position and requirements, see technical drawings on https://www.maax.com . When there is a pump position A or B indicated on the technical drawing, please specify position when ordering. |
| 5 | For details on blower position and requirements, see technical drawings on https://www.maax.com . When there is a blower position A or B indicated on the technical drawing, please specify position when ordering. |
| 54 | A selection of units come with an access panel by default when equipped with a system. However, if the unit is only equipped with chromatherapy, the access panel will not be provided by default. |



WHIRLPOOL SYSTEM



AIR SYSTEM



- (▲) : Indicates whirlpool jets positioning
- (△) : Indicates suction positioning
- (●) : Indicates airjets positioning

All dimensions are approximate.
Structure measurement must be verified against the unit to ensure proper fit.



Saturna 7236



Material : Acrylic
 Min: 55 Gal / 209 L
 Max: 65 Gal / 245 L

Features

- › Oval shape bathtub
- › Drop-in installation
- › End drain
- › No skirt available

OVAL BATHTUBS - ACRYLIC

SATURNA 7236 - 106168

| SKU | System | Color | Configuration | Dimensions & Weight | Packaging | MSRP |
|--------------------|--|---------|---------------|----------------------------------|-------------------|---------|
| 106168-000-001-100 | Soaker - No System | White | End | 72" x 36" x 20" / 100 lb / 45 kg | 1 ft ³ | \$ 1319 |
| 106168-000-004 | | Bone | | | | \$ 1319 |
| 106168-000-007 | | Biscuit | | | | \$ 1319 |
| 106168-003-001-100 | Whirlpool ^{1 4} | White | | | | \$ 2667 |
| 106168-003-004 | | Bone | | | | \$ 2667 |
| 106168-003-007 | | Biscuit | | | | \$ 2667 |
| 106168-097-001 | Combined Whirlpool & Aeroeffect ^{1 3} | White | | | | \$ 4565 |
| 106168-097-004 | | Bone | | | | \$ 4565 |
| 106168-097-007 | | Biscuit | | | | \$ 4565 |
| 106168-103-001 | Aeroeffect ^{1 2 5} | White | | | | \$ 3580 |
| 106168-103-004 | | Bone | | | | \$ 3580 |
| 106168-103-007 | | Biscuit | | | | \$ 3580 |

COMMON OPTIONS

| SKU | Description | MSRP |
|--------------|--|--------|
| OPT10053 | One chromatherapy light (factory installed) ⁵⁴ | \$ 641 |
| OPT10095 | Water heater assembly for whirlpool and combined systems (factory installed) | \$ 908 |
| OPT10106-084 | Metal trim kit for whirlpool and combined systems (factory installed) Available colors: Chrome (084) and Brushed Nickel (105) | \$ 568 |
| OPT10106-105 | | \$ 568 |

COMMON OPTIONS

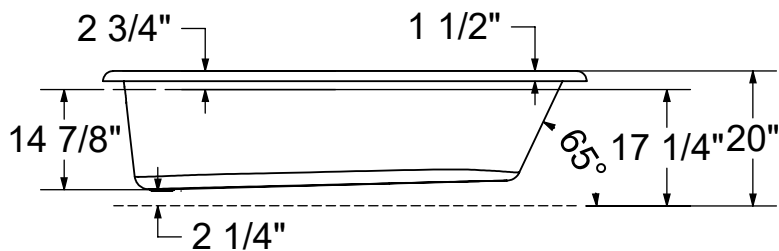
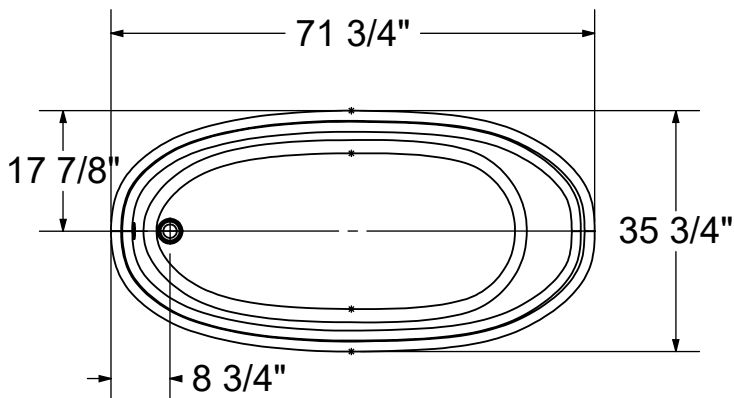
| SKU | Description | MSRP |
|--------------|---|--------|
| OPT20029-105 | Metal trim kit for air push control (factory installed) | \$ 50 |
| OPT20029-084 | Available colors: Chrome (084) and Brushed Nickel (105) | \$ 50 |
| OPT20137-004 | Cable-operated waste and overflow (16 in. to 22 in.) (included in product packaging when purchased) Available colors: White (001), Bone (004), Chrome (084) and Brushed Nickel (105) | \$ 238 |
| OPT20137-084 | | \$ 238 |
| OPT20137-105 | | \$ 238 |
| OPT20137-001 | | \$ 238 |

ACCESSORIES

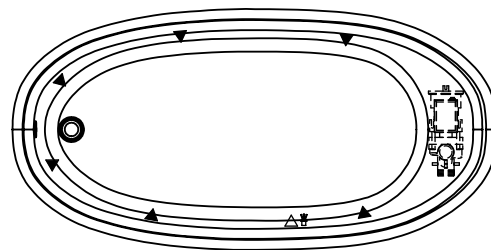
| SKU | Description | MSRP |
|--------------|--|--------|
| 10006923 | Flexible main hose (9 ft. extension) for air push control air massage - Kit (sold separately) | \$ 166 |
| 10004306-001 | White foam cushion with 2 suction pads (sold separately) Available color: White (001) | \$ 120 |
| 10006887-105 | Metal trim kit for Whirlpool and combined systems (sold separately) | \$ 568 |
| 10006887-084 | Available colors: Chrome (084) and Brushed Nickel (105) | \$ 568 |
| 10034250-084 | Metal trim kit for Aeroeffect with Air Push Control (sold separately) | \$ 50 |
| 10034250-105 | Available colors: Chrome (084) and Brushed Nickel (105) | \$ 50 |
| 10022491-084 | Cable-operated waste and overflow (16 in. to 22 in.) (sold separately) Available colors: White (001), Bone (004), Chrome (084) and Brushed Nickel (105) | \$ 238 |
| 10022491-004 | | \$ 238 |
| 10022491-105 | | \$ 238 |
| 10022491-001 | | \$ 238 |

FOOTNOTES

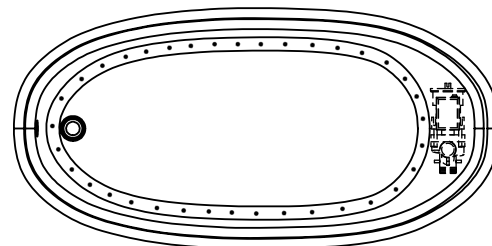
| No | Description |
|----|---|
| 1 | Components for standard colour units equipped with systems are colour-coordinated. Trim kit and/or air push with metallic finish can be added (additional charge applies). For non-standard colour units, please specify trim kit and/or air push colour (additional charge applies for metallic finishes). Please note that the positioning of the system's control could be in conflict with the door if one was installed on the unit. To insure compatibility, please contact customer service. |
| 2 | Please order flexible main hose 10006923 for installation of the blower further than 3 ft from the bathtub. For the Tandem models and the Serenade models (freestanding and drop-in), the blower is always remote and not factory installed so a 9 ft flexible main hose is included. Please note that the positioning of the system's control could be in conflict with the door if one was installed on the unit. To insure compatibility, please contact customer service. |
| 3 | The blower is not factory installed (remote). 9 ft flexible main hose included. Please note that the positioning of the system's control could be in conflict with the door if one was installed on the unit. To insure compatibility, please contact customer service. |
| 4 | For details on pump position and requirements, see technical drawings on https://www.maax.com . When there is a pump position A or B indicated on the technical drawing, please specify position when ordering. |
| 5 | For details on blower position and requirements, see technical drawings on https://www.maax.com . When there is a blower position A or B indicated on the technical drawing, please specify position when ordering. |
| 54 | A selection of units come with an access panel by default when equipped with a system. However, if the unit is only equipped with chromatherapy, the access panel will not be provided by default. |



WHIRLPOOL SYSTEM



AIR SYSTEM



- (▲) : Indicates whirlpool jets positioning
- (△) : Indicates suction positioning
- (●) : Indicates airjets positioning

All dimensions are approximate. Structure measurements must be verified against the unit to ensure proper fit.

Talma 7242



OVAL BATHTUBS - ACRYLIC



Material : Acrylic
 Min: 47 Gal / 177 L
 Max: 73 Gal / 277 L

Features

- › Oval shape bathtub
- › Drop-in installation
- › Integrated armrest and textured floor
- › End drain

| TALMA 7242 - 106169 | | | | | | |
|---------------------|--|---------|---------------|--|--------------------|---------|
| SKU | System | Color | Configuration | Dimensions & Weight | Packaging | MSRP |
| 106169-000-001-101 | Soaker - No System | White | End | 71 3/4" x 41 1/8" x 21 1/4" / 119 lb / 54 kg | 45 ft ³ | \$ 1322 |
| 106169-000-004 | | Bone | | | | \$ 1322 |
| 106169-000-007 | | Biscuit | | | | \$ 1322 |
| 106169-003-001-100 | Whirlpool ^{1 4} | White | | | | \$ 2670 |
| 106169-003-004 | | Bone | | | | \$ 2670 |
| 106169-003-007 | | Biscuit | | | | \$ 2670 |
| 106169-097-001 | Combined Whirlpool & Aeroeffect ^{1 3} | White | | | | \$ 4568 |
| 106169-097-004 | | Bone | | | | \$ 4568 |
| 106169-097-007 | | Biscuit | | | | \$ 4568 |
| 106169-103-001 | Aeroeffect ^{1 2 5} | White | | | | \$ 3583 |
| 106169-103-004 | | Bone | | | | \$ 3583 |
| 106169-103-007 | | Biscuit | | | | \$ 3583 |

| COMMON OPTIONS | | |
|----------------|--|--------|
| SKU | Description | MSRP |
| OPT10053 | One chromatherapy light (factory installed) ⁵⁴ | \$ 641 |
| OPT10095 | Water heater assembly for whirlpool and combined systems (factory installed) | \$ 908 |
| OPT10106-084 | Metal trim kit for whirlpool and combined systems (factory installed) Available colors: Chrome (084) and Brushed Nickel (105) | \$ 568 |
| OPT10106-105 | | \$ 568 |

COMMON OPTIONS

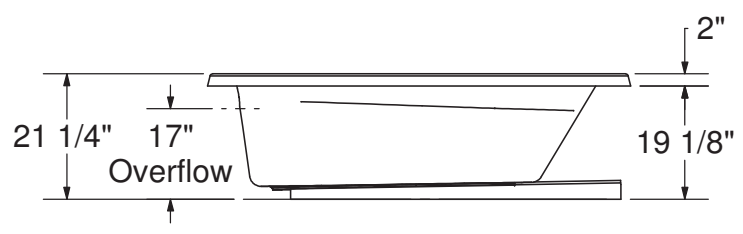
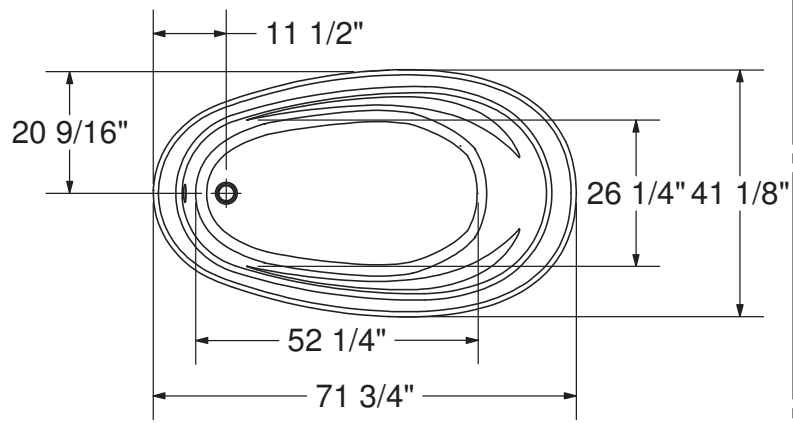
| SKU | Description | MSRP |
|--------------|---|--------|
| OPT20029-105 | Metal trim kit for air push control (factory installed) | \$ 50 |
| OPT20029-084 | Available colors: Chrome (084) and Brushed Nickel (105) | \$ 50 |
| OPT20137-004 | Cable-operated waste and overflow (16 in. to 22 in.) (included in product packaging when purchased) Available colors: White (001), Bone (004), Chrome (084) and Brushed Nickel (105) | \$ 238 |
| OPT20137-084 | | \$ 238 |
| OPT20137-105 | | \$ 238 |
| OPT20137-001 | | \$ 238 |
| OPT20137-001 | | \$ 238 |

ACCESSORIES

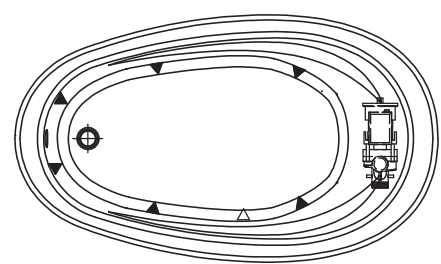
| SKU | Description | MSRP |
|--------------|--|--------|
| 10006923 | Flexible main hose (9 ft. extension) for air push control air massage - Kit (sold separately) | \$ 166 |
| 10004306-001 | White foam cushion with 2 suction pads (sold separately) Available color: White (001) | \$ 120 |
| 10028641-084 | Metal trim kit for Whirlpool and combined systems (sold separately) Available colors: Chrome (084) and Brushed Nickel (105) | \$ 568 |
| 10028641-105 | | \$ 568 |
| 10034250-084 | Metal trim kit for Aeroeffect with Air Push Control (sold separately) Available colors: Chrome (084) and Brushed Nickel (105) | \$ 50 |
| 10034250-105 | | \$ 50 |
| 10022491-084 | Cable-operated waste and overflow (16 in. to 22 in.) (sold separately) Available colors: White (001), Bone (004), Chrome (084) and Brushed Nickel (105) | \$ 238 |
| 10022491-004 | | \$ 238 |
| 10022491-105 | | \$ 238 |
| 10022491-001 | | \$ 238 |

FOOTNOTES

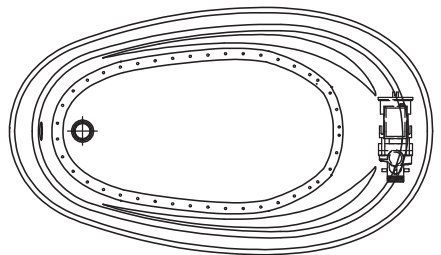
| No | Description |
|----|---|
| 1 | Components for standard colour units equipped with systems are colour-coordinated. Trim kit and/or air push with metallic finish can be added (additional charge applies). For non-standard colour units, please specify trim kit and/or air push colour (additional charge applies for metallic finishes). Please note that the positioning of the system's control could be in conflict with the door if one was installed on the unit. To insure compatibility, please contact customer service. |
| 2 | Please order flexible main hose 10006923 for installation of the blower further than 3 ft from the bathtub. For the Tandem models and the Serenade models (freestanding and drop-in), the blower is always remote and not factory installed so a 9 ft flexible main hose is included. Please note that the positioning of the system's control could be in conflict with the door if one was installed on the unit. To insure compatibility, please contact customer service. |
| 3 | The blower is not factory installed (remote). 9 ft flexible main hose included. Please note that the positioning of the system's control could be in conflict with the door if one was installed on the unit. To insure compatibility, please contact customer service. |
| 4 | For details on pump position and requirements, see technical drawings on https://www.maax.com . When there is a pump position A or B indicated on the technical drawing, please specify position when ordering. |
| 5 | For details on blower position and requirements, see technical drawings on https://www.maax.com . When there is a blower position A or B indicated on the technical drawing, please specify position when ordering. |
| 54 | A selection of units come with an access panel by default when equipped with a system. However, if the unit is only equipped with chromatherapy, the access panel will not be provided by default. |



WHIRLPOOL SYSTEM



AIR SYSTEM



- ⊕ : Indicates optional grab bar positioning
- (▲) : Indicates whirlpool jets positioning
- (△) : Indicates suction positioning
- (●) : Indicates airjets positioning

All dimensions are approximate.
Structure measurement must be verified against the unit to ensure proper fit.



Twilight



Material : Acrylic
 Min: 35 Gal / 132 L
 Max: 58 Gal / 218 L

Features

- › Oval shape bathtub
- › Drop-in installation
- › Integrated armrest and textured floor
- › End drain
- › No apron available

OVAL BATHTUBS - ACRYLIC

TWILIGHT - 100021

| SKU | System | Color | Configuration | Dimensions & Weight | Packaging | MSRP |
|--------------------|--|---------|---------------|---|--------------------|---------|
| 100021-000-001-000 | Soaker - No System | White | End | 59 3/4" x 41 1/2" x 19 3/4" / 90 lb / 41 kg | 28 ft ³ | \$ 1163 |
| 100021-000-004-000 | | Bone | | | | \$ 1163 |
| 100021-000-007-000 | | Biscuit | | | | \$ 1163 |
| 100021-003-001-000 | Whirlpool ^{1 4} | White | | | | \$ 2511 |
| 100021-003-004-000 | | Bone | | | | \$ 2511 |
| 100021-003-007-000 | | Biscuit | | | | \$ 2511 |
| 100021-097-001-000 | Combined Whirlpool & Aeroeffect ^{1 3} | White | | | | \$ 4409 |
| 100021-097-004 | | Bone | | | | \$ 4409 |
| 100021-097-007 | | Biscuit | | | | \$ 4409 |
| 100021-103-001-100 | Aeroeffect ^{1 2 5} | White | | | | \$ 3424 |
| 100021-103-004 | | Bone | | | | \$ 3424 |
| 100021-103-007-100 | | Biscuit | | | | \$ 3424 |

COMMON OPTIONS

| SKU | Description | MSRP |
|--------------|--|--------|
| OPT10053 | One chromatherapy light (factory installed) ⁵⁴ | \$ 641 |
| OPT10095 | Water heater assembly for whirlpool and combined systems (factory installed) | \$ 908 |
| OPT10106-084 | Metal trim kit for whirlpool and combined systems (factory installed) Available colors: Chrome (084) and Brushed Nickel (105) | \$ 568 |
| OPT10106-105 | | \$ 568 |

COMMON OPTIONS

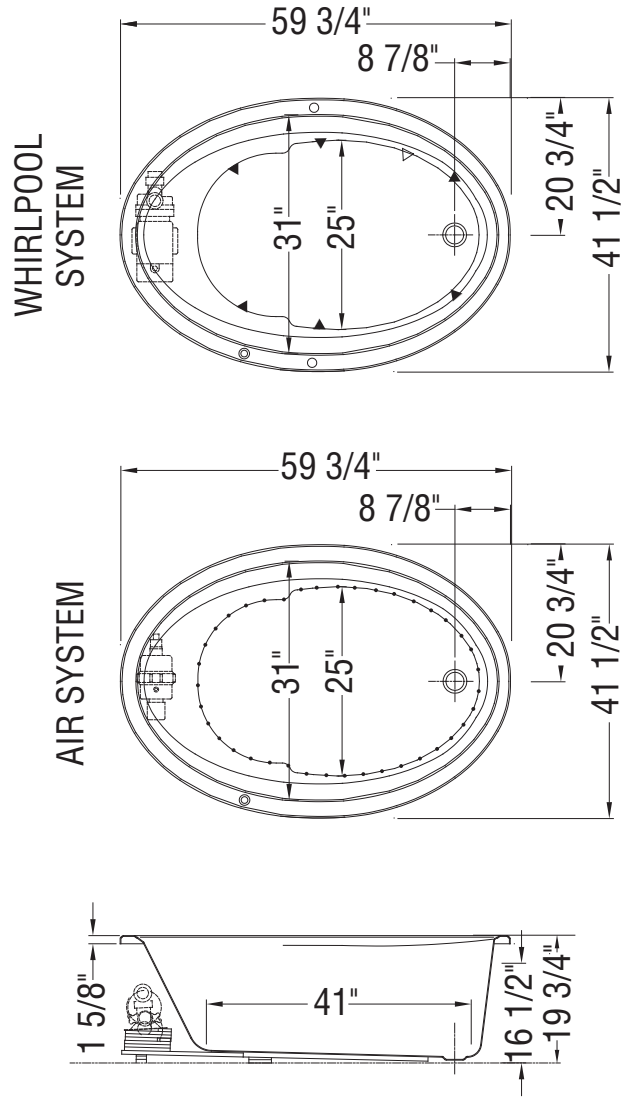
| SKU | Description | MSRP |
|--------------|---|--------|
| OPT20029-105 | Metal trim kit for air push control (factory installed) | \$ 50 |
| OPT20029-084 | Available colors: Chrome (084) and Brushed Nickel (105) | \$ 50 |
| OPT20137-004 | Cable-operated waste and overflow (16 in. to 22 in.) (included in product packaging when purchased) Available colors: White (001), Bone (004), Chrome (084) and Brushed Nickel (105) | \$ 238 |
| OPT20137-084 | | \$ 238 |
| OPT20137-105 | | \$ 238 |
| OPT20137-001 | | \$ 238 |

ACCESSORIES

| SKU | Description | MSRP |
|--------------|--|--------|
| 10006923 | Flexible main hose (9 ft. extension) for air push control air massage - Kit (sold separately) | \$ 166 |
| 10004306-001 | White foam cushion with 2 suction pads (sold separately) Available color: White (001) | \$ 120 |
| 10006887-105 | Metal trim kit for Whirlpool and combined systems (sold separately) | \$ 568 |
| 10006887-084 | Available colors: Chrome (084) and Brushed Nickel (105) | \$ 568 |
| 10034250-084 | Metal trim kit for Aeroeffect with Air Push Control (sold separately) | \$ 50 |
| 10034250-105 | Available colors: Chrome (084) and Brushed Nickel (105) | \$ 50 |
| 10022491-084 | Cable-operated waste and overflow (16 in. to 22 in.) (sold separately) Available colors: White (001), Bone (004), Chrome (084) and Brushed Nickel (105) | \$ 238 |
| 10022491-004 | | \$ 238 |
| 10022491-105 | | \$ 238 |
| 10022491-001 | | \$ 238 |

FOOTNOTES

| No | Description |
|----|---|
| 1 | Components for standard colour units equipped with systems are colour-coordinated. Trim kit and/or air push with metallic finish can be added (additional charge applies). For non-standard colour units, please specify trim kit and/or air push colour (additional charge applies for metallic finishes). Please note that the positioning of the system's control could be in conflict with the door if one was installed on the unit. To insure compatibility, please contact customer service. |
| 2 | Please order flexible main hose 10006923 for installation of the blower further than 3 ft from the bathtub. For the Tandem models and the Serenade models (freestanding and drop-in), the blower is always remote and not factory installed so a 9 ft flexible main hose is included. Please note that the positioning of the system's control could be in conflict with the door if one was installed on the unit. To insure compatibility, please contact customer service. |
| 3 | The blower is not factory installed (remote). 9 ft flexible main hose included. Please note that the positioning of the system's control could be in conflict with the door if one was installed on the unit. To insure compatibility, please contact customer service. |
| 4 | For details on pump position and requirements, see technical drawings on https://www.maax.com . When there is a pump position A or B indicated on the technical drawing, please specify position when ordering. |
| 5 | For details on blower position and requirements, see technical drawings on https://www.maax.com . When there is a blower position A or B indicated on the technical drawing, please specify position when ordering. |
| 54 | A selection of units come with an access panel by default when equipped with a system. However, if the unit is only equipped with chromatherapy, the access panel will not be provided by default. |



- (▲): Indicates Whirlpool jets positioning
- (●): Indicates airjets positioning
- (△): Indicates suction positioning

All dimensions are approximate. Structure measurements must be verified against the unit to ensure proper fit.

Tympani



OVAL BATHTUBS - ACRYLIC



Material : Acrylic
 Min: 41 Gal / 155 L
 Max: 72 Gal / 273 L

Features

- › Oval shape bathtub
- › Drop-in installation
- › Textured floor
- › Center drain
- › No apron available

| TYMPANI - 100028 | | | | | | |
|--------------------|--|---------|---------------|--|--------------------|---------|
| SKU | System | Color | Configuration | Dimensions & Weight | Packaging | MSRP |
| 100028-000-001-000 | Soaker - No System | White | Center | 71 5/8" x 41 5/8" x 20 1/4" / 110 lb / 50 kg | 35 ft ³ | \$ 1252 |
| 100028-000-004-000 | | Bone | | | | \$ 1252 |
| 100028-000-007-000 | | Biscuit | | | | \$ 1252 |
| 100028-003-001-000 | Whirlpool ^{1 4} | White | | | | \$ 2600 |
| 100028-003-004-000 | | Bone | | | | \$ 2600 |
| 100028-003-007-000 | | Biscuit | | | | \$ 2600 |
| 100028-097-001-000 | Combined Whirlpool & Aeroeffect ^{1 3} | White | | | | \$ 4498 |
| 100028-097-004 | | Bone | | | | \$ 4498 |
| 100028-097-007-000 | | Biscuit | | | | \$ 4498 |
| 100028-103-001-100 | Aeroeffect ^{1 2 5} | White | | | | \$ 3513 |
| 100028-103-004 | | Bone | | | | \$ 3513 |
| 100028-103-007 | | Biscuit | | | | \$ 3513 |

| COMMON OPTIONS | | |
|----------------|--|--------|
| SKU | Description | MSRP |
| OPT10053 | One chromatherapy light (factory installed) ⁵⁴ | \$ 641 |
| OPT10095 | Water heater assembly for whirlpool and combined systems (factory installed) | \$ 908 |
| OPT10106-084 | Metal trim kit for whirlpool and combined systems (factory installed) | \$ 568 |
| OPT10106-105 | Available colors: Chrome (084) and Brushed Nickel (105) | \$ 568 |

COMMON OPTIONS

| SKU | Description | MSRP |
|--------------|---|--------|
| OPT20029-105 | Metal trim kit for air push control (factory installed) | \$ 50 |
| OPT20029-084 | Available colors: Chrome (084) and Brushed Nickel (105) | \$ 50 |
| OPT20137-004 | Cable-operated waste and overflow (16 in. to 22 in.) (included in product packaging when purchased) Available colors: White (001), Bone (004), Chrome (084) and Brushed Nickel (105) | \$ 238 |
| OPT20137-084 | | \$ 238 |
| OPT20137-105 | | \$ 238 |
| OPT20137-001 | | \$ 238 |

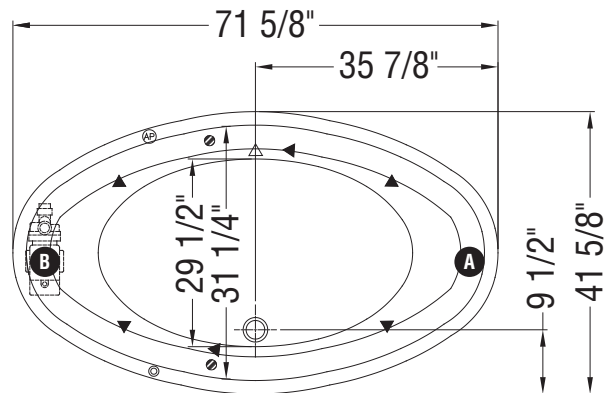
ACCESSORIES

| SKU | Description | MSRP |
|--------------|--|--------|
| 10006923 | Flexible main hose (9 ft. extension) for air push control air massage - Kit (sold separately) | \$ 166 |
| 10004306-001 | White foam cushion with 2 suction pads (sold separately) Available color: White (001) | \$ 120 |
| 10006887-105 | Metal trim kit for Whirlpool and combined systems (sold separately) Available colors: Chrome (084) and Brushed Nickel (105) | \$ 568 |
| 10006887-084 | | \$ 568 |
| 10034250-084 | Metal trim kit for Aeroeffect with Air Push Control (sold separately) Available colors: Chrome (084) and Brushed Nickel (105) | \$ 50 |
| 10034250-105 | | \$ 50 |
| 10022491-084 | Cable-operated waste and overflow (16 in. to 22 in.) (sold separately) Available colors: White (001), Bone (004), Chrome (084) and Brushed Nickel (105) | \$ 238 |
| 10022491-004 | | \$ 238 |
| 10022491-105 | | \$ 238 |
| 10022491-001 | | \$ 238 |

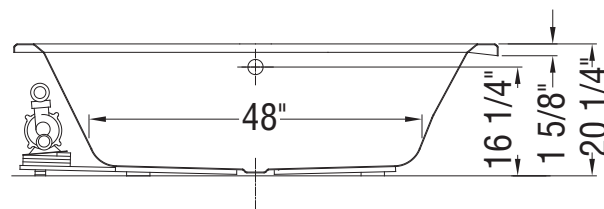
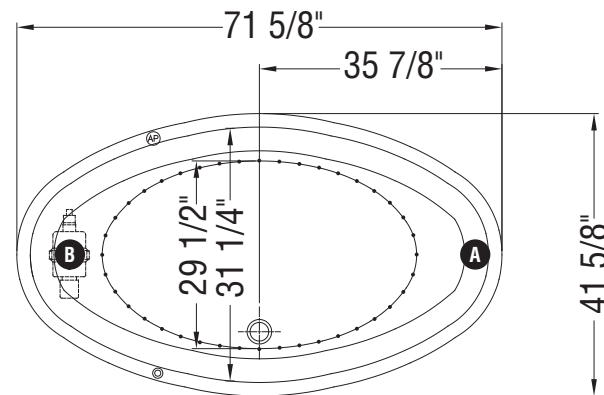
FOOTNOTES

| No | Description |
|----|---|
| 1 | Components for standard colour units equipped with systems are colour-coordinated. Trim kit and/or air push with metallic finish can be added (additional charge applies). For non-standard colour units, please specify trim kit and/or air push colour (additional charge applies for metallic finishes). Please note that the positioning of the system's control could be in conflict with the door if one was installed on the unit. To insure compatibility, please contact customer service. |
| 2 | Please order flexible main hose 10006923 for installation of the blower further than 3 ft from the bathtub. For the Tandem models and the Serenade models (freestanding and drop-in), the blower is always remote and not factory installed so a 9 ft flexible main hose is included. Please note that the positioning of the system's control could be in conflict with the door if one was installed on the unit. To insure compatibility, please contact customer service. |
| 3 | The blower is not factory installed (remote). 9 ft flexible main hose included. Please note that the positioning of the system's control could be in conflict with the door if one was installed on the unit. To insure compatibility, please contact customer service. |
| 4 | For details on pump position and requirements, see technical drawings on https://www.maax.com . When there is a pump position A or B indicated on the technical drawing, please specify position when ordering. |
| 5 | For details on blower position and requirements, see technical drawings on https://www.maax.com . When there is a blower position A or B indicated on the technical drawing, please specify position when ordering. |
| 54 | A selection of units come with an access panel by default when equipped with a system. However, if the unit is only equipped with chromatherapy, the access panel will not be provided by default. |

WHIRLPOOL SYSTEM



AIR SYSTEM



- (A) : Standard blower and/or pump location
- (B) : Optional blower and/or pump location
- (▲) : Indicates Whirlpool jets positioning
- (●) : Indicates airjets positioning
- (△) : Indicates suction positioning

All dimensions are approximate. Structure measurements must be verified against the unit to ensure proper fit.

Aiiki 6636



Material : Acrylic
 Min: 31 Gal / 118 L
 Max: 80 Gal / 305 L

Features

- › Cube inspired lines with an urban touch and comfortable design
- › Comfortable inclined backrests and maximized bathing well
- › Drop-in installation with end drain
- › Magnetic cushion available in black or white (optional)
- › Magnet backed headrest for cushion. Factory installed only if cushion ordered on initial order

RECTANGULAR BATHTUBS - ACRYLIC

AIIKI 6636 - 102787

| SKU | System | Color | Configuration | Dimensions & Weight | Packaging | MSRP |
|--------------------|--|---------|---------------|-------------------------------------|--------------------|---------|
| 102787-000-001-000 | Soaker - No System | White | End | 66" x 36" x 23 1/2" / 67 lb / 30 kg | 39 ft ³ | \$ 2004 |
| 102787-000-004 | | Bone | | | | \$ 2004 |
| 102787-000-007 | | Biscuit | | | | \$ 2004 |
| 102787-054-001-100 | Hydrofeel ^{1 4} | White | | | | \$ 5843 |
| 102787-054-004 | | Bone | | | | \$ 5843 |
| 102787-054-007 | | Biscuit | | | | \$ 5843 |
| 102787-055-001 | Aerofeel ^{1 5} | White | | | | \$ 5649 |
| 102787-055-004 | | Bone | | | | \$ 5649 |
| 102787-055-007 | | Biscuit | | | | \$ 5649 |
| 102787-056-001 | Combined Hydrofeel & Aerofeel ^{1 4 5} | White | | | | \$ 8738 |
| 102787-056-004 | | Bone | | | | \$ 8738 |
| 102787-056-007 | | Biscuit | | | | \$ 8738 |

COMMON OPTIONS

| SKU | Description | MSRP |
|--------------|--|--------|
| OPT10054 | Two chromatherapy lights for bathtubs without waterfall (factory installed) | \$ 871 |
| OPT10095 | Water heater assembly for whirlpool and combined systems (factory installed) | \$ 908 |
| OPT20139 | Ozonator for whirlpool system (factory installed) | \$ 590 |
| OPT10118-084 | ABS trim kit for whirlpool and combined systems (factory installed) Available colors: Chrome (084) and Brushed Nickel (105) | \$ 180 |

COMMON OPTIONS

| SKU | Description | MSRP |
|--------------|--|--------|
| OPT10118-105 | ABS trim kit for whirlpool and combined systems (factory installed) Available colors: Chrome (084) and Brushed Nickel (105) | \$ 180 |
| OPT10119-105 | Metal trim kit for Aerofeel electronic control (factory installed) | \$ 74 |
| OPT10119-084 | Available colors: Chrome (084) and Brushed Nickel (105) | \$ 74 |
| OPT20205 | Lite option 3/8 in. thin deck ⁶ When chosen, this option is offered at no cost | \$ 0 |

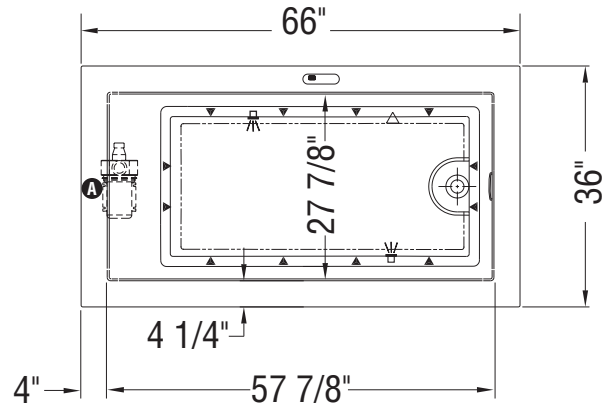
ACCESSORIES

| SKU | Description | MSRP |
|--------------|--|--------|
| 10013029-015 | Minimalist cushion (magnetic) (sold separately for Optik and Aiiki) | \$ 219 |
| 10013029-001 | Available colors: White (001) and Black (015) | \$ 219 |
| 10033272 | Flexible main hose for electronic control air massage - kit (sold separately) 15 ft. extension | \$ 295 |
| 10025081-084 | Waste and overflow 27 in. flexible neck (sold separately) | \$ 432 |
| 10025081-105 | Available colors: Chrome (084) and Brushed Nickel (105) | \$ 432 |

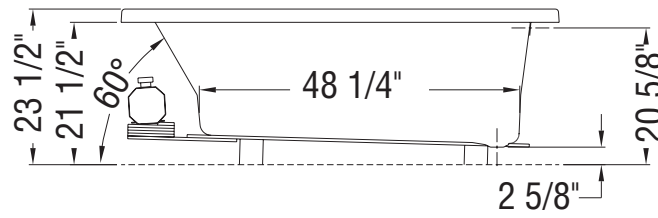
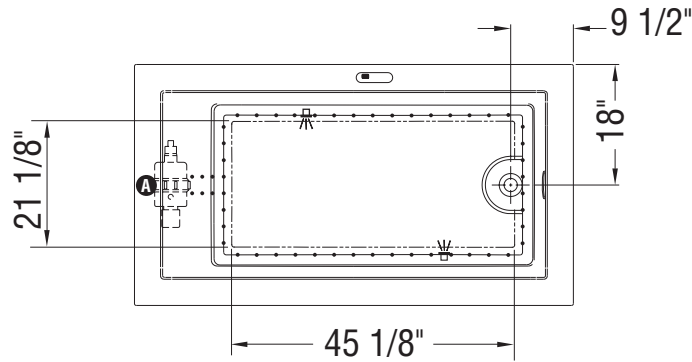
FOOTNOTES

| No | Description |
|----|---|
| 1 | Components for standard colour units equipped with systems are colour-coordinated. Trim kit and/or air push with metallic finish can be added (additional charge applies). For non-standard colour units, please specify trim kit and/or air push colour (additional charge applies for metallic finishes). Please note that the positioning of the system's control could be in conflict with the door if one was installed on the unit. To insure compatibility, please contact customer service. |
| 4 | For details on pump position and requirements, see technical drawings on https://www.maax.com . When there is a pump position A or B indicated on the technical drawing, please specify position when ordering. |
| 5 | For details on blower position and requirements, see technical drawings on https://www.maax.com . When there is a blower position A or B indicated on the technical drawing, please specify position when ordering. |
| 6 | Specify 3/8 (Lite option) or 2 in. on deck height. If ordering unit with an apron, only 2 in. deck height is available. |

WHIRLPOOL SYSTEM



AIR SYSTEM



Note: Air backjets on same side as blower

- (▲): Indicates whirlpool jets positioning
- (△): Indicates suction positioning
- (•): Indicates airjets positioning
- (♪): Indicates chromatherapy light positioning
- (A): Indicates pump or blower positioning

Bathub base includes anti-vibration Neutra-Phone leg supports (not shown).

All dimensions are approximate. Structure measurements must be verified against the unit to ensure proper fit.

Aiiki 7236



RECTANGULAR BATHTUBS - ACRYLIC



Material : Acrylic
 Min: 32 Gal / 123 L
 Max: 86 Gal / 327 L

Features

- › Cube inspired lines with an urban touch and comfortable design
- › Comfortable inclined backrests and maximized bathing well
- › Drop-in installation with end drain
- › Magnetic cushion available in black or white (optional)
- › Magnet backed headrest for cushion. Factory installed only if cushion ordered on initial order

| AIIKI 7236 - 102786 | | | | | | |
|---------------------|--|---------|---------------|-------------------------------------|--------------------|---------|
| SKU | System | Color | Configuration | Dimensions & Weight | Packaging | MSRP |
| 102786-000-001-000 | Soaker - No System | White | End | 72" x 36" x 23 1/2" / 75 lb / 34 kg | 44 ft ³ | \$ 2044 |
| 102786-000-004 | | Bone | | | | \$ 2044 |
| 102786-000-007 | | Biscuit | | | | \$ 2044 |
| 102786-054-001-100 | Hydrofeel ^{1 4} | White | | | | \$ 5883 |
| 102786-054-004 | | Bone | | | | \$ 5883 |
| 102786-054-007 | | Biscuit | | | | \$ 5883 |
| 102786-055-001 | Aerofeel ^{1 5} | White | | | | \$ 5689 |
| 102786-055-004 | | Bone | | | | \$ 5689 |
| 102786-055-007 | | Biscuit | | | | \$ 5689 |
| 102786-056-001 | Combined Hydrofeel & Aerofeel ^{1 4 5} | White | | | | \$ 8778 |
| 102786-056-004 | | Bone | | | | \$ 8778 |
| 102786-056-007 | | Biscuit | | | | \$ 8778 |

| COMMON OPTIONS | | |
|----------------|--|--------|
| SKU | Description | MSRP |
| OPT10054 | Two chromatherapy lights for bathtubs without waterfall (factory installed) | \$ 871 |
| OPT10095 | Water heater assembly for whirlpool and combined systems (factory installed) | \$ 908 |
| OPT20139 | Ozonator for whirlpool system (factory installed) | \$ 590 |
| OPT10118-084 | ABS trim kit for whirlpool and combined systems (factory installed) Available colors: Chrome (084) and Brushed Nickel (105) | \$ 180 |

COMMON OPTIONS

| SKU | Description | MSRP |
|--------------|--|--------|
| OPT10118-105 | ABS trim kit for whirlpool and combined systems (factory installed) Available colors: Chrome (084) and Brushed Nickel (105) | \$ 180 |
| OPT10119-105 | Metal trim kit for Aerofeel electronic control (factory installed) Available colors: Chrome (084) and Brushed Nickel (105) | \$ 74 |
| OPT10119-084 | | \$ 74 |
| OPT20205 | Lite option 3/8 in. thin deck ⁶ When chosen, this option is offered at no cost | \$ 0 |

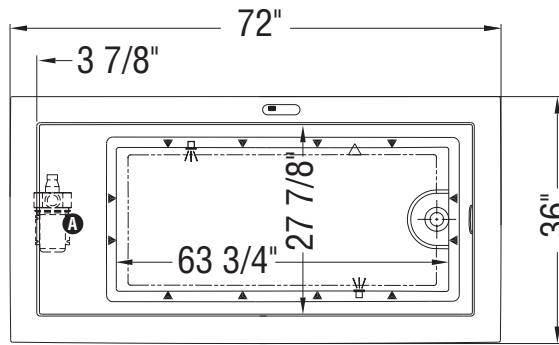
ACCESSORIES

| SKU | Description | MSRP |
|--------------|--|--------|
| 10013029-015 | Minimalist cushion (magnetic) (sold separately for Optik and Aiiki) Available colors: White (001) and Black (015) | \$ 219 |
| 10013029-001 | | \$ 219 |
| 10033272 | Flexible main hose for electronic control air massage - kit (sold separately) 15 ft. extension | \$ 295 |
| 10025081-084 | Waste and overflow 27 in. flexible neck (sold separately) Available colors: Chrome (084) and Brushed Nickel (105) | \$ 432 |
| 10025081-105 | | \$ 432 |

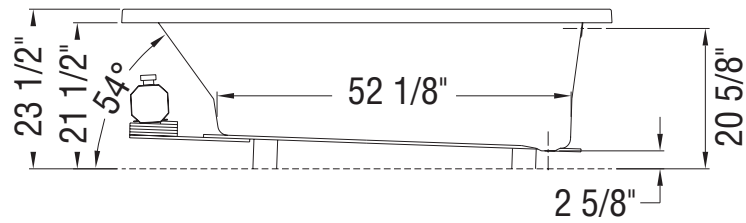
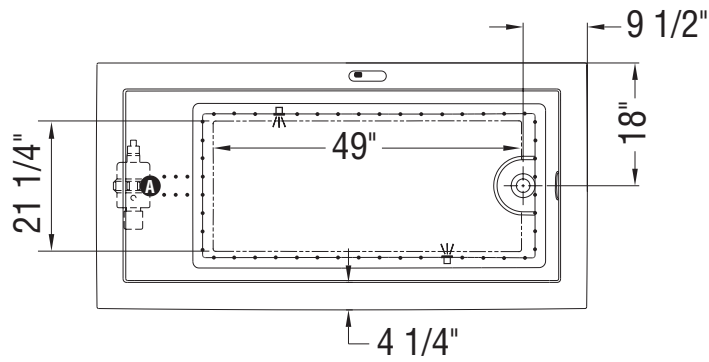
FOOTNOTES

| No | Description |
|----|---|
| 1 | Components for standard colour units equipped with systems are colour-coordinated. Trim kit and/or air push with metallic finish can be added (additional charge applies). For non-standard colour units, please specify trim kit and/or air push colour (additional charge applies for metallic finishes). Please note that the positioning of the system's control could be in conflict with the door if one was installed on the unit. To insure compatibility, please contact customer service. |
| 4 | For details on pump position and requirements, see technical drawings on https://www.maax.com . When there is a pump position A or B indicated on the technical drawing, please specify position when ordering. |
| 5 | For details on blower position and requirements, see technical drawings on https://www.maax.com . When there is a blower position A or B indicated on the technical drawing, please specify position when ordering. |
| 6 | Specify 3/8 (Lite option) or 2 in. on deck height. If ordering unit with an apron, only 2 in. deck height is available. |

WHIRLPOOL SYSTEM



AIR SYSTEM



Note: Air backjets on same side as blower

- (▲): Indicates whirlpool jets positioning
- (△): Indicates suction positioning
- (●): Indicates airjets positioning
- (☼): Indicates chromatherapy light positioning

(A): Indicates pump or blower positioning

Bathtub base includes anti-vibration Neutra-Phone leg supports (not shown).

All dimensions are approximate. Structure measurements must be verified against the unit to ensure proper fit.

Aiiki 7242



Material : Acrylic
 Min: 40 Gal / 150 L
 Max: 101 Gal / 382 L

Features

- › Cube inspired lines with an urban touch and comfortable design
- › Comfortable inclined backrests and maximized bathing well
- › Drop-in installation with back center drain
- › Magnetic cushion available in black or white (optional)
- › Magnet backed headrest for cushion. Factory installed only if cushion ordered on initial order

RECTANGULAR BATHTUBS - ACRYLIC

AIKI 7242 - 102785

| SKU | System | Color | Configuration | Dimensions & Weight | Packaging | MSRP |
|--------------------|--|---------|---------------|--------------------------------------|--------------------|---------|
| 102785-000-001-000 | Soaker - No System | White | Center | 72" x 42" x 23 1/2" / 110 lb / 50 kg | 53 ft ³ | \$ 2180 |
| 102785-000-004 | | Bone | | | | \$ 2180 |
| 102785-000-007 | | Biscuit | | | | \$ 2180 |
| 102785-054-001-100 | Hydrofeel ^{1 4} | White | | | | \$ 6019 |
| 102785-054-004 | | Bone | | | | \$ 6019 |
| 102785-054-007 | | Biscuit | | | | \$ 6019 |
| 102785-055-001 | Aerofeel ^{1 5} | White | | | | \$ 5825 |
| 102785-055-004 | | Bone | | | | \$ 5825 |
| 102785-055-007 | | Biscuit | | | | \$ 5825 |
| 102785-056-001 | Combined Hydrofeel & Aerofeel ^{1 4 5} | White | | | | \$ 8914 |
| 102785-056-004 | | Bone | | | | \$ 8914 |
| 102785-056-007 | | Biscuit | | | | \$ 8914 |

COMMON OPTIONS

| SKU | Description | MSRP |
|--------------|--|--------|
| OPT10054 | Two chromatherapy lights for bathtubs without waterfall (factory installed) | \$ 871 |
| OPT10095 | Water heater assembly for whirlpool and combined systems (factory installed) | \$ 908 |
| OPT20139 | Ozonator for whirlpool system (factory installed) | \$ 590 |
| OPT10118-084 | ABS trim kit for whirlpool and combined systems (factory installed) Available colors: Chrome (084) and Brushed Nickel (105) | \$ 180 |

COMMON OPTIONS

| SKU | Description | MSRP |
|--------------|--|--------|
| OPT10118-105 | ABS trim kit for whirlpool and combined systems (factory installed) Available colors: Chrome (084) and Brushed Nickel (105) | \$ 180 |
| OPT10119-105 | Metal trim kit for Aerofeel electronic control (factory installed) | \$ 74 |
| OPT10119-084 | Available colors: Chrome (084) and Brushed Nickel (105) | \$ 74 |
| OPT20205 | Lite option 3/8 in. thin deck ⁶ When chosen, this option is offered at no cost | \$ 0 |

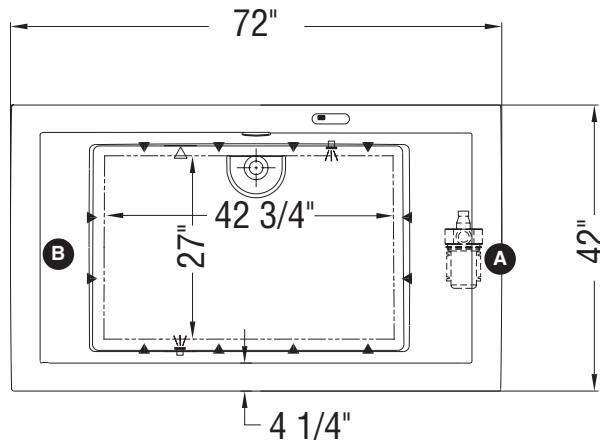
ACCESSORIES

| SKU | Description | MSRP |
|--------------|--|--------|
| 10013029-015 | Minimalist cushion (magnetic) (sold separately for Optik and Aiiki) | \$ 219 |
| 10013029-001 | Available colors: White (001) and Black (015) | \$ 219 |
| 10033272 | Flexible main hose for electronic control air massage - kit (sold separately) 15 ft. extension | \$ 295 |
| 10025081-084 | Waste and overflow 27 in. flexible neck (sold separately) | \$ 432 |
| 10025081-105 | Available colors: Chrome (084) and Brushed Nickel (105) | \$ 432 |

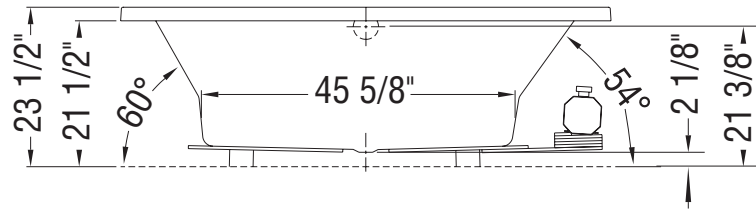
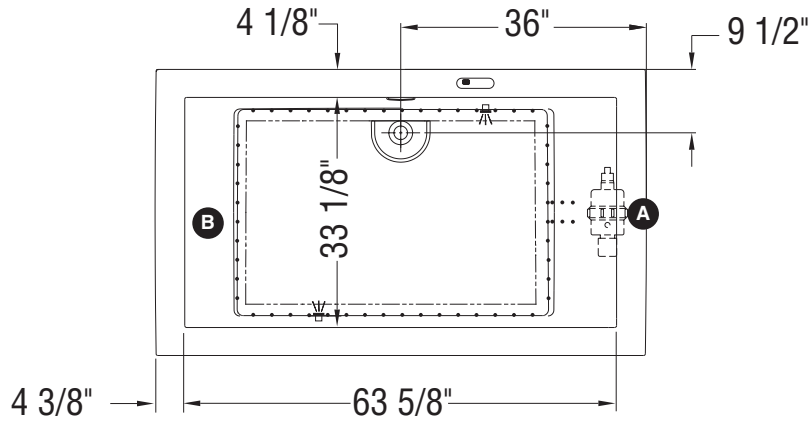
FOOTNOTES

| No | Description |
|----|---|
| 1 | Components for standard colour units equipped with systems are colour-coordinated. Trim kit and/or air push with metallic finish can be added (additional charge applies). For non-standard colour units, please specify trim kit and/or air push colour (additional charge applies for metallic finishes). Please note that the positioning of the system's control could be in conflict with the door if one was installed on the unit. To insure compatibility, please contact customer service. |
| 4 | For details on pump position and requirements, see technical drawings on https://www.maax.com . When there is a pump position A or B indicated on the technical drawing, please specify position when ordering. |
| 5 | For details on blower position and requirements, see technical drawings on https://www.maax.com . When there is a blower position A or B indicated on the technical drawing, please specify position when ordering. |
| 6 | Specify 3/8 (Lite option) or 2 in. on deck height. If ordering unit with an apron, only 2 in. deck height is available. |

WHIRLPOOL SYSTEM



AIR SYSTEM



Note: Air backjets on same side as blower

- (▲): Indicates whirlpool jets positioning
- (△): Indicates suction positioning
- (●): Indicates airjets positioning
- (♫): Indicates chromatherapy light positioning

Bathtub base includes anti-vibration Neutra-Phone leg supports (not shown).

All dimensions are approximate. Structure measurements must be verified against the unit to ensure proper fit.

(A): Specify blower and/or pump location when ordering
 (B)



Baccarat

RECTANGULAR BATHTUBS - ACRYLIC



Material : Acrylic
 Min: 38 Gal / 145 L
 Max: 68 Gal / 259 L

Features

- › Large, sumptuous bathtub to spread out and relax
- › Armrests with ergonomic backrest and raised bottom design
- › Drop-in or alcove installation with end drain, apron available
- › Two optional 6-in. metal or acrylic grab bars (factory installed)
- › For alcove installation, specify tiling flange
- › White cushion included with whirlpool and combined systems

| BACCARAT - 102945 | | | | | | |
|-------------------|--|---------|---------------|---|--------------------|---------|
| SKU | System | Color | Configuration | Dimensions & Weight | Packaging | MSRP |
| 102945-000-001 | Soaker - No System | White | End | 71 1/2" x 35 5/8" x 20 3/4" / 78 lb / 35 kg | 34 ft ³ | \$ 1984 |
| 102945-000-004 | | Bone | | | | \$ 1984 |
| 102945-000-007 | | Biscuit | | | | \$ 1984 |
| 102945-004-001 | Hydromax ^{1 4 17} | White | | | | \$ 5823 |
| 102945-004-004 | | Bone | | | | \$ 5823 |
| 102945-004-007 | | Biscuit | | | | \$ 5823 |
| 102945-055-001 | Aerofeel ^{1 5} | White | | | | \$ 5629 |
| 102945-055-004 | | Bone | | | | \$ 5629 |
| 102945-055-007 | | Biscuit | | | | \$ 5629 |
| 102945-094-001 | Combined Hydromax & Aerofeel ^{1 4 5 17} | White | | | | \$ 8718 |
| 102945-094-004 | | Bone | | | | \$ 8718 |
| 102945-094-007 | | Biscuit | | | | \$ 8718 |

| COMMON OPTIONS | | |
|----------------|---|--------|
| SKU | Description | MSRP |
| OPT10106-084 | Metal trim kit for whirlpool and combined systems (factory installed) | \$ 568 |
| OPT10106-105 | Available colors: Chrome (084) and Brushed Nickel (105) | \$ 568 |
| OPT10119-105 | Metal trim kit for Aerofeel electronic control (factory installed) | \$ 74 |
| OPT10119-084 | Available colors: Chrome (084) and Brushed Nickel (105) | \$ 74 |

COMMON OPTIONS

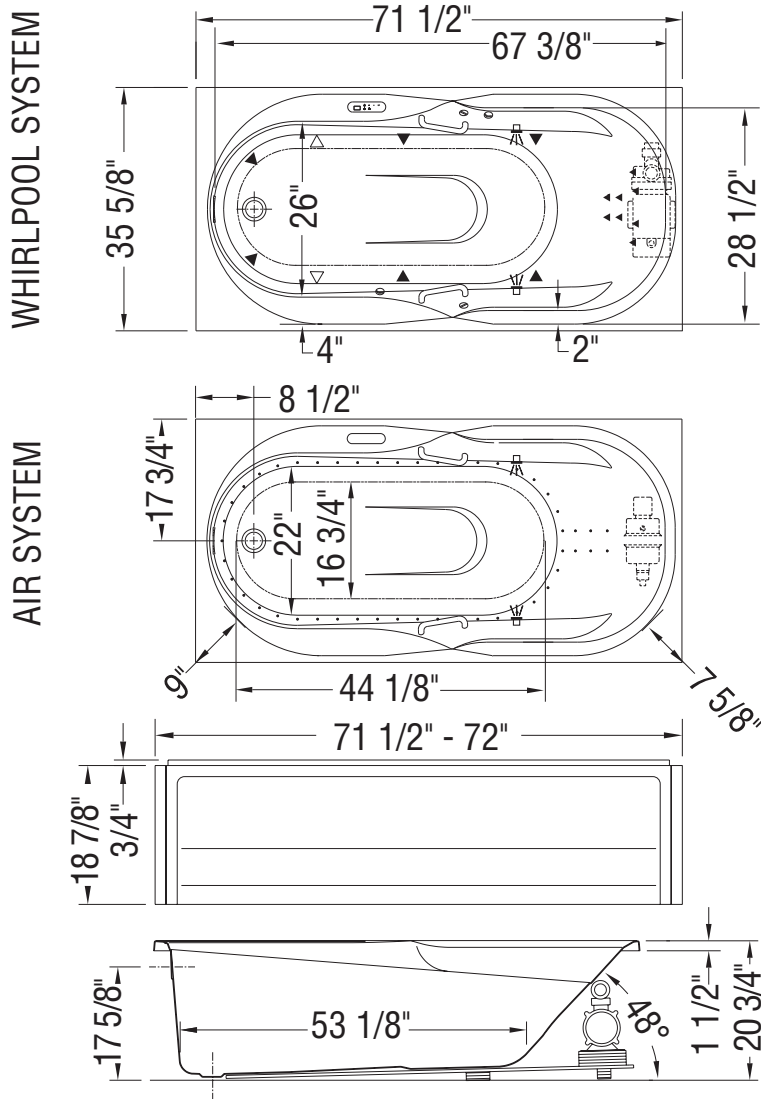
| SKU | Description | MSRP |
|--------------------|---|---------|
| OPT10260-084 | Two 6-in. acrylic grab bars (factory installed) ⁸ Available colors: White (001), Bone (004), Biscuit (007), Chrome (084) and Brushed Nickel (105) | \$ 385 |
| OPT10260-007 | | \$ 385 |
| OPT10260-004 | | \$ 385 |
| OPT10260-105 | | \$ 385 |
| OPT10260-001 | | \$ 385 |
| OPT20141 | Rest for Hydromax and combined systems ¹² | \$ 1036 |
| OPT10054 | Two chromatherapy lights for bathtubs without waterfall (factory installed) | \$ 871 |
| OPT10095 | Water heater assembly for whirlpool and combined systems (factory installed) | \$ 908 |
| OPT20139 | Ozonator for whirlpool system (factory installed) | \$ 590 |
| 100216-000-001-000 | Removable acrylic apron, covers front side of bathtub only Specify: Standard colors: White (001), Bone (004), Biscuit (007) | \$ 910 |
| 100216-000-007-000 | | \$ 910 |
| 100216-000-004-000 | | \$ 910 |

ACCESSORIES

| SKU | Description | MSRP |
|--------------|--|--------|
| 10006917 | Tiling flange, 1 x 72 in., 2 x 36 in. (sold separately) | \$ 125 |
| 10033272 | Flexible main hose for electronic control air massage - kit (sold separately) 15 ft. extension | \$ 295 |
| 10004306-001 | White foam cushion with 2 suction pads (sold separately) Available color: White (001) | \$ 120 |
| 10025081-084 | Waste and overflow 27 in. flexible neck (sold separately) Available colors: Chrome (084) and Brushed Nickel (105) | \$ 432 |
| 10025081-105 | | \$ 432 |

FOOTNOTES

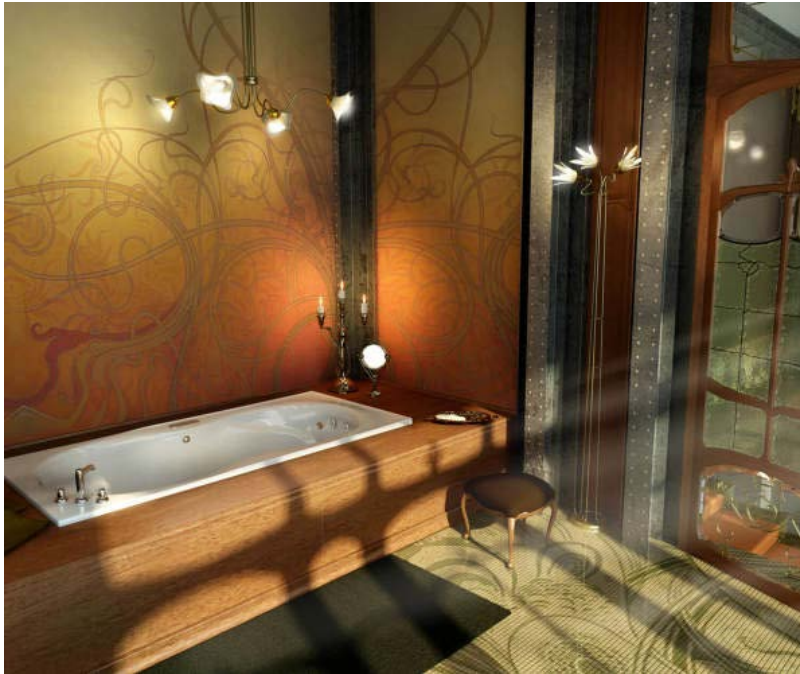
| No | Description |
|----|---|
| 1 | Components for standard colour units equipped with systems are colour-coordinated. Trim kit and/or air push with metallic finish can be added (additional charge applies). For non-standard colour units, please specify trim kit and/or air push colour (additional charge applies for metallic finishes). Please note that the positioning of the system's control could be in conflict with the door if one was installed on the unit. To insure compatibility, please contact customer service. |
| 4 | For details on pump position and requirements, see technical drawings on https://www.maax.com . When there is a pump position A or B indicated on the technical drawing, please specify position when ordering. |
| 5 | For details on blower position and requirements, see technical drawings on https://www.maax.com . When there is a blower position A or B indicated on the technical drawing, please specify position when ordering. |
| 8 | Two 6 in. or 12 in. metal or acrylic grab bars are optional. Factory installed, only one positioning is possible (see technical drawings on https://www.maax.com). |
| 12 | In combined systems, only the pump is replaced with the Rest. The blower remains the same. |
| 17 | Includes Backmax and Footmax jets. Souvenir with apron and Living bathtub models do not include Footmax jets. |



- (▲): Indicates whirlpool jets positioning
 - (△): Indicates suction positioning
 - (●): Indicates airjets positioning
 - (—): Indicates standard grab bar positioning
 - (☹): Indicates chromatherapy light positioning
- Bathtub base includes anti-vibration Neutra-Phone leg supports (not shown).
All dimensions are approximate. Structure measurements must be verified against the unit to ensure proper fit.



Melodie



Material : Acrylic
 Min: 38 Gal / 145 L
 Max: 48 Gal / 182 L

Features

- › Raised bi-level bottom and curved lines for complete relaxation
- › Relaxing armrests with ergonomic backrests
- › Ample deck space for faucet installation, apron available
- › Drop-in or alcove installation with center drain
- › White cushion included with whirlpool and combined systems
- › For alcove installation, specify tiling flange

RECTANGULAR BATHTUBS - ACRYLIC

| MELODIE - 100073 | | | | | | |
|--------------------|--|---------|---------------|---|--------------------|---------|
| SKU | System | Color | Configuration | Dimensions & Weight | Packaging | MSRP |
| 100073-000-001-000 | Soaker - No System | White | Center | 65 7/8" x 32 3/4" x 20 1/8" / 74 lb / 34 kg | 30 ft ³ | \$ 1679 |
| 100073-000-004-000 | | Bone | | | | \$ 1679 |
| 100073-000-007-000 | | Biscuit | | | | \$ 1679 |
| 100073-004-001-100 | Hydromax ^{1 4 17} | White | | | | \$ 5518 |
| 100073-004-004-100 | | Bone | | | | \$ 5518 |
| 100073-004-007-101 | | Biscuit | | | | \$ 5518 |
| 100073-055-001 | Aerofeel ^{1 5} | White | | | | \$ 5324 |
| 100073-055-004 | | Bone | | | | \$ 5324 |
| 100073-055-007 | | Biscuit | | | | \$ 5324 |
| 100073-094-001 | Combined Hydromax & Aerofeel ^{1 4 5 17} | White | | | | \$ 8413 |
| 100073-094-004 | | Bone | | | | \$ 8413 |
| 100073-094-007 | | Biscuit | | | | \$ 8413 |

| COMMON OPTIONS | | |
|----------------|--|---------|
| SKU | Description | MSRP |
| OPT20141 | Rest for Hydromax and combined systems ¹² | \$ 1036 |
| OPT10054 | Two chromatherapy lights for bathtubs without waterfall (factory installed) | \$ 871 |
| OPT10095 | Water heater assembly for whirlpool and combined systems (factory installed) | \$ 908 |
| OPT20139 | Ozonator for whirlpool system (factory installed) | \$ 590 |

COMMON OPTIONS

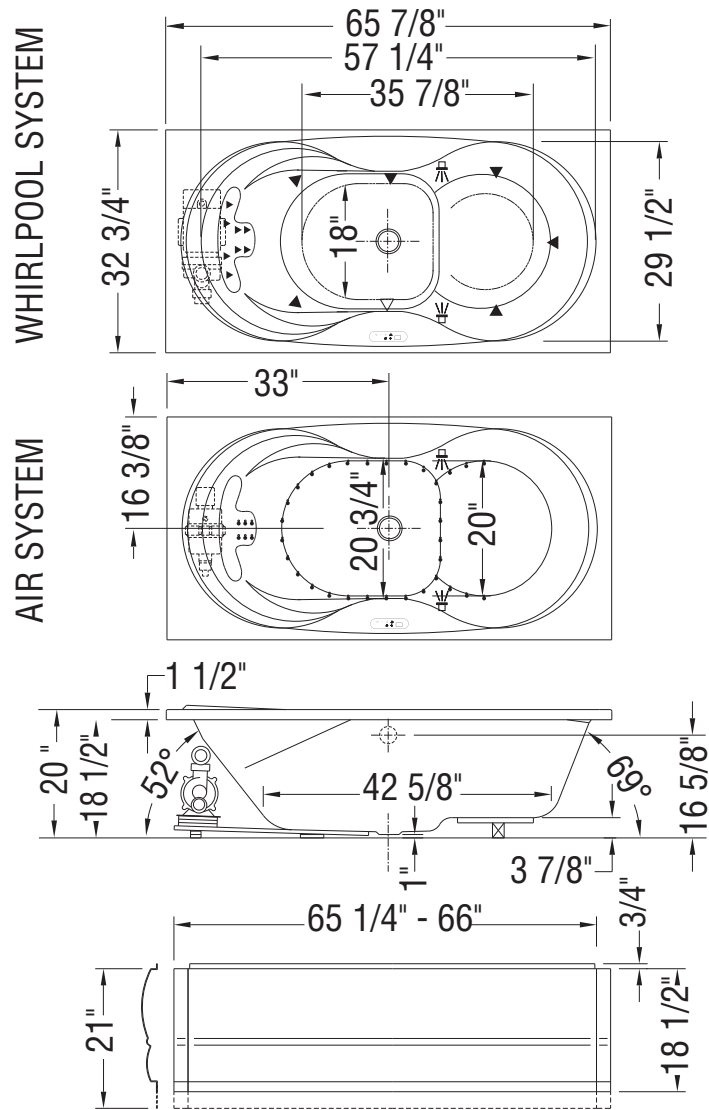
| SKU | Description | MSRP |
|--------------------|--|--------|
| OPT10106-084 | Metal trim kit for whirlpool and combined systems (factory installed) Available colors: Chrome (084) and Brushed Nickel (105) | \$ 568 |
| OPT10106-105 | | \$ 568 |
| OPT10119-105 | Metal trim kit for Aerofeel electronic control (factory installed) Available colors: Chrome (084) and Brushed Nickel (105) | \$ 74 |
| OPT10119-084 | | \$ 74 |
| 100212-000-004-000 | Removable acrylic apron Specify: Standard colors: White (001), Bone (004), Biscuit (007) | \$ 882 |
| 100212-000-001-000 | | \$ 882 |
| 100212-000-007-000 | | \$ 882 |

ACCESSORIES

| SKU | Description | MSRP |
|--------------|--|--------|
| 10006916 | Tiling flange, 1 X 67 1/4 in., 2 x 37 1/4 in. (sold separately) | \$ 130 |
| 10033272 | Flexible main hose for electronic control air massage - kit (sold separately) 15 ft. extension | \$ 295 |
| 10004306-001 | White foam cushion with 2 suction pads (sold separately) Available color: White (001) | \$ 120 |
| 10025720-105 | Waste and overflow 33 in. flexible neck (sold separately) Available colors: Chrome (084) and Brushed Nickel (105) | \$ 432 |
| 10025720-084 | | \$ 432 |

FOOTNOTES

| No | Description |
|----|---|
| 1 | Components for standard colour units equipped with systems are colour-coordinated. Trim kit and/or air push with metallic finish can be added (additional charge applies). For non-standard colour units, please specify trim kit and/or air push colour (additional charge applies for metallic finishes). Please note that the positioning of the system's control could be in conflict with the door if one was installed on the unit. To insure compatibility, please contact customer service. |
| 4 | For details on pump position and requirements, see technical drawings on https://www.maax.com . When there is a pump position A or B indicated on the technical drawing, please specify position when ordering. |
| 5 | For details on blower position and requirements, see technical drawings on https://www.maax.com . When there is a blower position A or B indicated on the technical drawing, please specify position when ordering. |
| 12 | In combined systems, only the pump is replaced with the Rest. The blower remains the same. |
| 17 | Includes Backmax and Footmax jets. Souvenir with apron and Living bathtub models do not include Footmax jets. |



- (▲): Indicates whirlpool jets positioning
 - (△): Indicates suction positioning
 - (●): Indicates airjets positioning
 - (☼): Indicates chromatherapy light positioning
- Bathtub base includes anti-vibration Neutra-Phone leg supports (not shown).
All dimensions are approximate. Structure measurements must be verified against the unit to ensure proper fit.



ModulR 6032 - Corner left

RECTANGULAR BATHTUBS - ACRYLIC



Material : Acrylic
 Max: 58 Gal / 218 L

Features

- › Two-piece bathtub with removable toe-kick
- › Ample deck space for faucet installation
- › Integrated tiling flange on the skirt and bathtub
- › Lockable adjustable legs for ease of installation
- › Above-the-Floor Rough (AFR)

| MODULR 6032 LEFT (WITH ARMRESTS) - 410008 | | | | | | |
|---|--------------------|-------|---------------|--|-----------|---------|
| SKU | System | Color | Configuration | Dimensions & Weight | Packaging | MSRP |
| 410008-000-001-102 | Soaker - No System | White | Left | 59 5/8" x 31 7/8" x 23" / 150 lb / 68 kg | 29 ft³ | \$ 2538 |
| 410008-000-001-103 | | | Right | | | \$ 2538 |

| MODULR 6032 LEFT (WITHOUT ARMRESTS) - 410011 | | | | | | |
|--|--------------------|-------|---------------|--|-----------|---------|
| SKU | System | Color | Configuration | Dimensions & Weight | Packaging | MSRP |
| 410011-000-001-102 | Soaker - No System | White | Left | 59 5/8" x 31 7/8" x 23" / 150 lb / 68 kg | 29 ft³ | \$ 2538 |
| 410011-000-001-103 | | | Right | | | \$ 2538 |

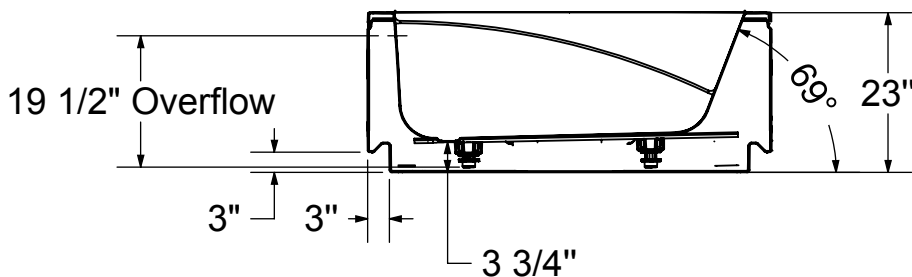
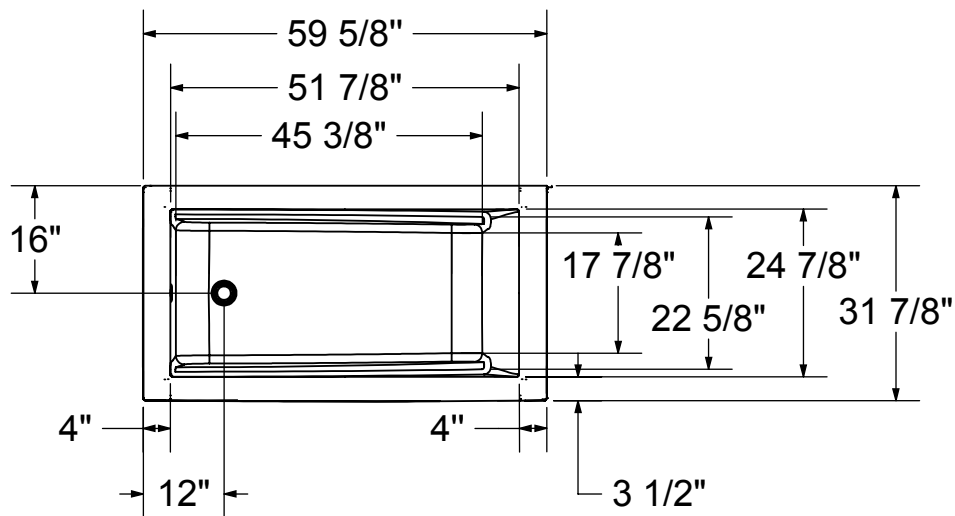
| COMMON OPTIONS | | |
|----------------|---|--------|
| SKU | Description | MSRP |
| OPT20250-084 | Brass flexible waste and overflow for high-rise construction Available colors: Chrome (084) and Brushed Nickel (105) | \$ 359 |
| OPT20250-105 | | \$ 423 |
| OPT20251-001 | Access Panel: White (001) (52 5/8 X 18 1/2 in.) | \$ 449 |

| ACCESSORIES | | |
|-------------|---|--------|
| SKU | Description | MSRP |
| 10060311 | Corner glass shelf (9 3/8 x 9 3/8 in.) (sold separately) 10 mm frosted glass with a clear band along the edge Compatible with Utile and tile shower walls | \$ 152 |

ACCESSORIES

| SKU | Description | MSRP |
|--------------|--|--------|
| 10004306-001 | White foam cushion with 2 suction pads (sold separately) Available color: White (001) | \$ 120 |
| 10032807-084 | Flexible waste and overflow (sold separately) | \$ 248 |
| 10032807-105 | Available colors: Chrome (084) and Brushed Nickel (105) | \$ 327 |
| 10032808-084 | Brass flexible waste and overflow for high construction (sold separately) | \$ 359 |
| 10032808-105 | Available colors: Chrome (084) and Brushed Nickel (105) | \$ 423 |

ModuIR BATHTUB: 60X32 WITH ARMREST



This technical drawing is universal for all ModuIR Tub configurations. (Left/Right Corner & Wall-mounted)

Integrated tiling flange: 1" height x 3/8" thick (not shown)
Tiling flange position is determined by chosen configuration.

All dimensions are approximate. Structure measurements must be verified against the unit to ensure proper fit.



ModulR 6032 - Corner right



Material : Acrylic
 Max: 58 Gal / 218 L

Features

- › Two-piece bathtub with removable toe-kick
- › Deck-mounted faucets
- › Integrated tiling flange on the skirt and bathtub
- › Lockable adjustable legs for ease of installation
- › 3" Above-The-Floor Rough

RECTANGULAR BATHTUBS - ACRYLIC

MODULR 6032 RIGHT (WITH ARMRESTS) - 410007

| SKU | System | Color | Configuration | Dimensions & Weight | Packaging | MSRP |
|--------------------|--------------------|-------|---------------|--|-----------|---------|
| 410007-000-001-100 | Soaker - No System | White | Left | 59 5/8" x 31 7/8" x 24" / 150 lb / 68 kg | 29 ft³ | \$ 2538 |
| 410007-000-001-101 | | | Right | | | \$ 2538 |

MODULR 6032 RIGHT (WITHOUT ARMRESTS) - 410010

| SKU | System | Color | Configuration | Dimensions & Weight | Packaging | MSRP |
|--------------------|--------------------|-------|---------------|--|-----------|---------|
| 410010-000-001-100 | Soaker - No System | White | Left | 59 5/8" x 31 7/8" x 24" / 150 lb / 68 kg | 29 ft³ | \$ 2538 |
| 410010-000-001-101 | | | Right | | | \$ 2538 |

COMMON OPTIONS

| SKU | Description | MSRP |
|--------------|--|--------|
| OPT20250-084 | Brass flexible waste and overflow for high-rise construction | \$ 359 |
| OPT20250-105 | Available colors: Chrome (084) and Brushed Nickel (105) | \$ 423 |
| OPT20251-001 | Access Panel: White (001) (52 5/8 X 18 1/2 in.) | \$ 449 |

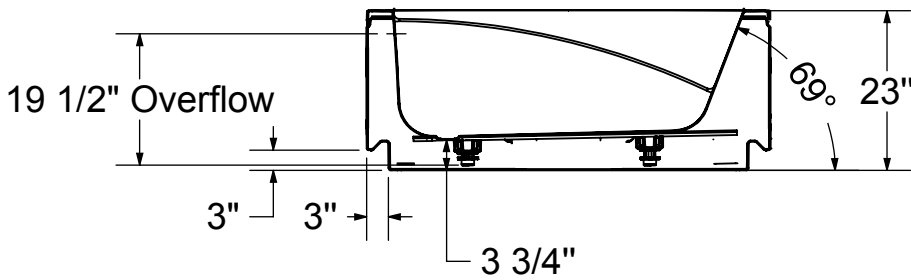
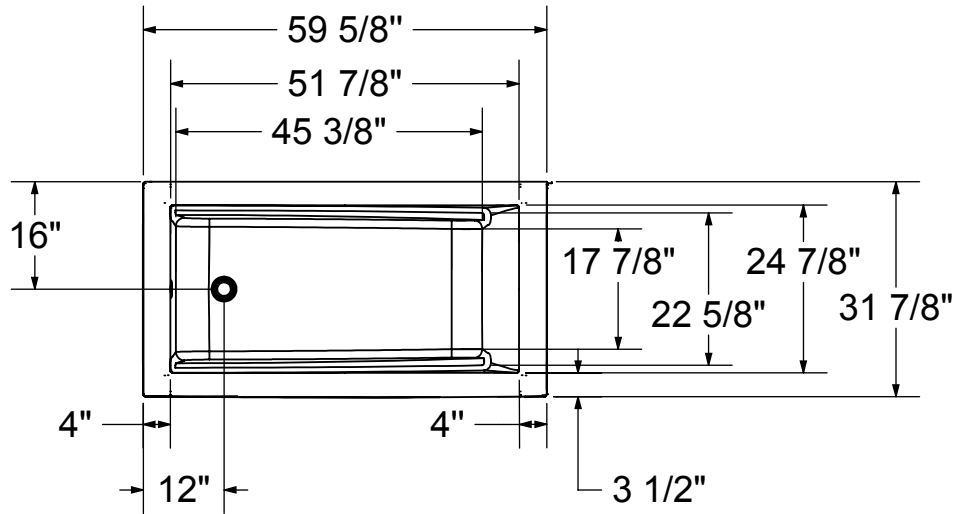
ACCESSORIES

| SKU | Description | MSRP |
|----------|---|--------|
| 10060311 | Corner glass shelf (9 3/8 x 9 3/8 in.) (sold separately) 10 mm frosted glass with a clear band along the edge Compatible with Utile and tile shower walls | \$ 152 |

ACCESSORIES

| SKU | Description | MSRP |
|--------------|--|--------|
| 10004306-001 | White foam cushion with 2 suction pads (sold separately) Available color: White (001) | \$ 120 |
| 10032807-084 | Flexible waste and overflow (sold separately) | \$ 248 |
| 10032807-105 | Available colors: Chrome (084) and Brushed Nickel (105) | \$ 327 |
| 10032808-084 | Brass flexible waste and overflow for high construction (sold separately) | \$ 359 |
| 10032808-105 | Available colors: Chrome (084) and Brushed Nickel (105) | \$ 423 |

ModuIR BATHTUB: 60X32 WITH ARMREST



This technical drawing is universal for all ModuIR Tub configurations. (Left/Right Corner & Wall-mounted)

Integrated tiling flange: 1" height x 3/8" thick (not shown)
Tiling flange position is determined by chosen configuration.

All dimensions are approximate. Structure measurements must be verified against the unit to ensure proper fit.



ModulR 6032 - Drop-in

RECTANGULAR BATHTUBS - ACRYLIC



Material : Acrylic

Min: 43 Gal / 164 L

Max: 58 Gal / 218 L

Features

- › Two-piece rectangular bathtub with sleek and refined look
- › 2 interior types available (with or without armrests)
- › Drop-in or alcove installation with integrated tiling flange (IF)
- › Ample deck space for faucet installation
- › Above-the-floor Rough (AFR)
- › Optional apron with integrated toe-kick for alcove installation only

MODULR 6032 IF (WITH ARMRESTS) - 410021

| SKU | System | Color | Configuration | Dimensions & Weight | Packaging | MSRP |
|--------------------|--------------------|-------|---------------|---|--------------------|---------|
| 410021-000-001-148 | Soaker - No System | White | Left | 59 5/8" x 31 7/8" x 23" / 75 lb / 34 kg | 31 ft ³ | \$ 1710 |
| 410021-000-001-173 | | | Right | | | \$ 1710 |

MODULR 6032 IF (WITHOUT ARMRESTS) - 410022

| SKU | System | Color | Configuration | Dimensions & Weight | Packaging | MSRP |
|--------------------|--------------------|-------|---------------|---|--------------------|---------|
| 410022-000-001-148 | Soaker - No System | White | Left | 59 5/8" x 31 7/8" x 23" / 75 lb / 34 kg | 31 ft ³ | \$ 1710 |
| 410022-000-001-173 | | | Right | | | \$ 1710 |

MODULR 6032 (WITH ARMRESTS) - 410023

| SKU | System | Color | Configuration | Dimensions & Weight | Packaging | MSRP |
|--------------------|--------------------|-------|---------------|---|--------------------|---------|
| 410023-000-001-000 | Soaker - No System | White | End | 59 5/8" x 31 7/8" x 23" / 75 lb / 34 kg | 31 ft ³ | \$ 1728 |

MODULR 6032 (WITHOUT ARMRESTS) - 410024

| SKU | System | Color | Configuration | Dimensions & Weight | Packaging | MSRP |
|--------------------|--------------------|-------|---------------|---|--------------------|---------|
| 410024-000-001-000 | Soaker - No System | White | End | 59 5/8" x 31 7/8" x 23" / 75 lb / 34 kg | 31 ft ³ | \$ 1728 |

COMMON OPTIONS

| SKU | Description | MSRP |
|--------------|---|--------|
| OPT20249-105 | Flexible waste and overflow (included in product packaging when purchased) | \$ 327 |
| OPT20249-084 | Available colors: Chrome (084) and Brushed Nickel (105) | \$ 248 |
| OPT20250-084 | Brass flexible waste and overflow for high-rise construction | \$ 359 |
| OPT20250-105 | Available colors: Chrome (084) and Brushed Nickel (105) | \$ 423 |
| OPT20409-001 | Non-removable apron with integrated toe-kick Available in White (001) only | \$ 449 |

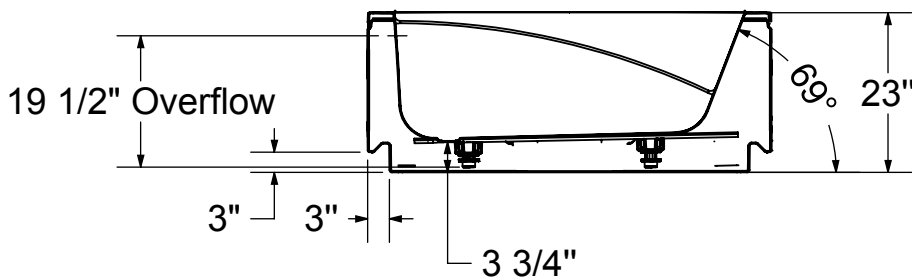
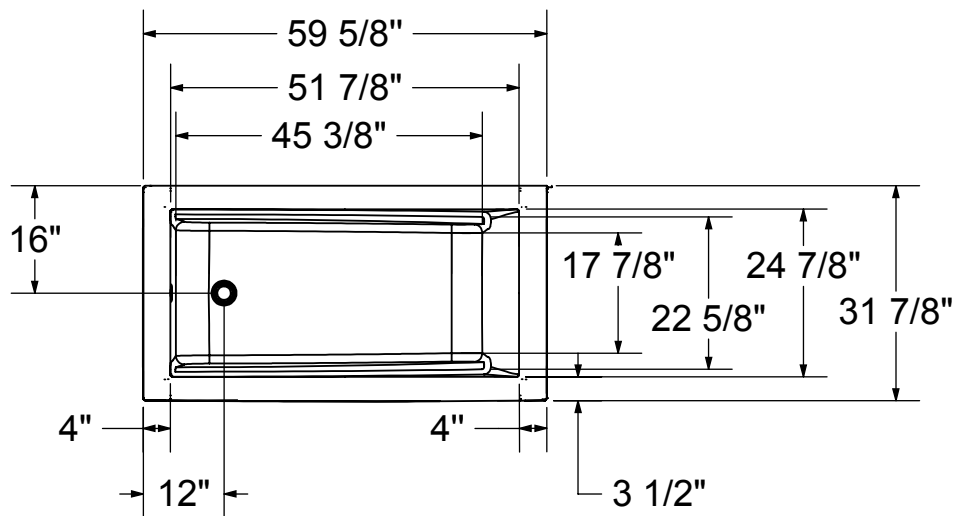
ACCESSORIES

| SKU | Description | MSRP |
|--------------|---|--------|
| 10060311 | Corner glass shelf (9 3/8 x 9 3/8 in.) (sold separately) 10 mm frosted glass with a clear band along the edge Compatible with Utile and tile shower walls | \$ 152 |
| 10004306-001 | White foam cushion with 2 suction pads (sold separately) Available color: White (001) | \$ 120 |
| 10025081-084 | Waste and overflow 27 in. flexible neck (sold separately) | \$ 432 |
| 10025081-105 | Available colors: Chrome (084) and Brushed Nickel (105) | \$ 432 |
| 10032807-084 | Flexible waste and overflow (sold separately) | \$ 248 |
| 10032807-105 | Available colors: Chrome (084) and Brushed Nickel (105) | \$ 327 |
| 10032808-084 | Brass flexible waste and overflow for high construction (sold separately) | \$ 359 |
| 10032808-105 | Available colors: Chrome (084) and Brushed Nickel (105) | \$ 423 |

RECOMMENDED DOORS - VISIT OUR WEBSITE FOR A COMPLETE LIST OF RECOMMENDED DOORS

| SKU | Product Name | Pag. |
|--------|--|------|
| 139398 | Halo 56 1/2-59 x 59 - 8mm | 878 |
| 135330 | Incognito 57 Shaker 56-59 x 56 3/4 - 8mm | 854 |
| 138994 | Luminescence SlidingDoor 56 1/2-59 x 55 1/2-57 1/2 - 6mm | 880 |
| 136695 | Revelation Round 56-59 x 56 3/4-59 1/4 - 8 mm | 866 |
| 135692 | Revelation Square 56-59 x 56 3/4-58 1/4 - 6mm | 868 |
| 134573 | Kameleon 55-59 x 57 - 8mm | 846 |
| 135695 | Revelation Square 56-59 x 56 3/4-59 1/4 - 8mm | 870 |
| 134670 | Kameleon SC 55-59 x 57 - 8mm | 838 |
| 105410 | Polar 54-59 1/2 x 57 in. | 862 |
| 134561 | Kameleon 55-59 x 57 - 6mm | 849 |
| 138480 | Vela 56 1/2-59 x 59 - 8mm | 874 |
| 138485 | | 876 |
| 134661 | Kameleon SC 55-59 x 57 - 6mm | 843 |
| 136692 | Revelation Round 56-59 x 56 3/4-59 1/4 - 6mm | 864 |
| 135320 | Uptown 56-59 x 58 in. 8 mm | 872 |
| 139354 | Incognito 57 56-59 x 56 3/4 - 8mm | 860 |
| 139351 | Incognito 57 56-59 x 56 3/4 - 6mm | 856 |

ModuIR BATHTUB: 60X32 WITH ARMREST



This technical drawing is universal for all ModuIR Tub configurations. (Left/Right Corner & Wall-mounted)

Integrated tiling flange: 1" height x 3/8" thick (not shown)
Tiling flange position is determined by chosen configuration.

All dimensions are approximate. Structure measurements must be verified against the unit to ensure proper fit.

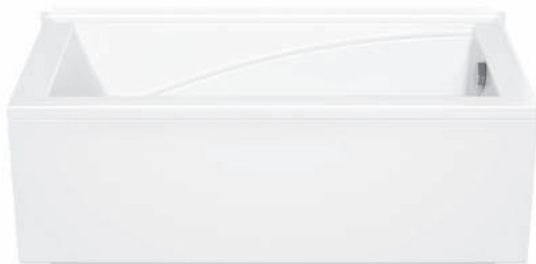


ModulR 6032 - Wall-Mount

Material : Acrylic
 Max: 58 Gal / 218 L

Features

- › Two-piece bathtub with removable toe-kick
- › Ample deck space for faucet installation
- › Integrated tiling flange on the skirt and bathtub
- › Lockable adjustable legs for ease of installation
- › 3 in. Above-the-Floor Rough (AFR)



RECTANGULAR BATHTUBS - ACRYLIC

MODULR 6032 WALL MOUNTED (WITH ARMRESTS) - 410009

| SKU | System | Color | Configuration | Dimensions & Weight | Packaging | MSRP |
|--------------------|--------------------|-------|---------------|--|-----------|---------|
| 410009-000-001-104 | Soaker - No System | White | Left | 59 5/8" x 31 7/8" x 23" / 150 lb / 68 kg | 29 ft³ | \$ 2538 |
| 410009-000-001-105 | | | Right | | | \$ 2538 |

MODULR 6032 WALL MOUNTED (WITHOUT ARMRESTS) - 410012

| SKU | System | Color | Configuration | Dimensions & Weight | Packaging | MSRP |
|--------------------|--------------------|-------|---------------|--|-----------|---------|
| 410012-000-001-104 | Soaker - No System | White | Left | 59 5/8" x 31 7/8" x 23" / 150 lb / 68 kg | 29 ft³ | \$ 2538 |
| 410012-000-001-105 | | | Right | | | \$ 2538 |

COMMON OPTIONS

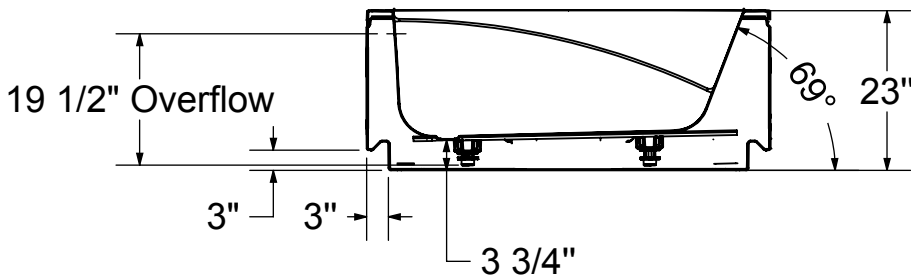
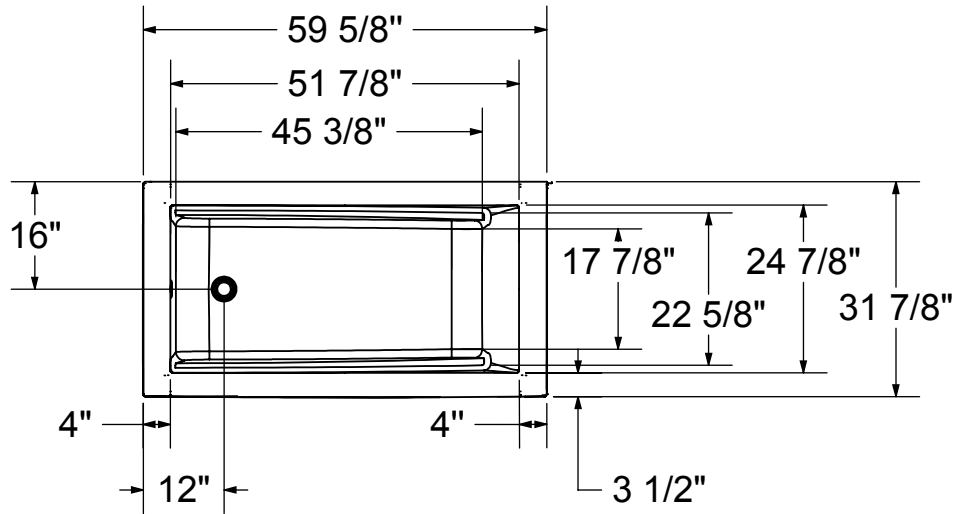
| SKU | Description | MSRP |
|--------------|---|--------|
| OPT20250-084 | Brass flexible waste and overflow for high-rise construction Available colors: Chrome (084) and Brushed Nickel (105) | \$ 359 |
| OPT20250-105 | | \$ 423 |
| OPT20251-001 | Access Panel: White (001) (52 5/8 X 18 1/2 in.) | \$ 449 |

ACCESSORIES

| SKU | Description | MSRP |
|----------|---|--------|
| 10060311 | Corner glass shelf (9 3/8 x 9 3/8 in.) (sold separately) 10 mm frosted glass with a clear band along the edge Compatible with Utile and tile shower walls | \$ 152 |

| ACCESSORIES | | |
|--------------|--|--------|
| SKU | Description | MSRP |
| 10004306-001 | White foam cushion with 2 suction pads (sold separately) Available color: White (001) | \$ 120 |
| 10032807-084 | Flexible waste and overflow (sold separately) | \$ 248 |
| 10032807-105 | Available colors: Chrome (084) and Brushed Nickel (105) | \$ 327 |
| 10032808-084 | Brass flexible waste and overflow for high construction (sold separately) | \$ 359 |
| 10032808-105 | Available colors: Chrome (084) and Brushed Nickel (105) | \$ 423 |

ModuIR BATHTUB: 60X32 WITH ARMREST



This technical drawing is universal for all ModuIR Tub configurations. (Left/Right Corner & Wall-mounted)

Integrated tiling flange: 1" height x 3/8" thick (not shown)
Tiling flange position is determined by chosen configuration.

All dimensions are approximate. Structure measurements must be verified against the unit to ensure proper fit.



ModulR 6032 IF - Corner left

RECTANGULAR BATHTUBS - ACRYLIC



Material : Acrylic
 Min: 43 Gal / 164 L
 Max: 58 Gal / 218 L

Features

- › Two-piece rectangular bathtub with sleek and refined look
- › 2 interior types available (with or without armrests)
- › Integrated tiling flange (IF) for corner installation
- › Ample deck space for faucet installation
- › Right or left-hand drain, regardless of the installation type

MODULR 6032 IF LEFT (WITH ARMRESTS) - 410027

| SKU | System | Color | Configuration | Dimensions & Weight | Packaging | MSRP |
|--------------------|--------------------|-------|---------------|---|--------------------|---------|
| 410027-000-001-163 | Soaker - No System | White | Left | 59 5/8" x 31 7/8" x 23" / 75 lb / 34 kg | 31 ft ³ | \$ 1728 |
| 410027-000-001-164 | | | Right | | | \$ 1728 |

MODULR 6032 IF LEFT (WITHOUT ARMRESTS) - 410028

| SKU | System | Color | Configuration | Dimensions & Weight | Packaging | MSRP |
|--------------------|--------------------|-------|---------------|---|--------------------|---------|
| 410028-000-001-163 | Soaker - No System | White | Left | 59 5/8" x 31 7/8" x 23" / 75 lb / 34 kg | 31 ft ³ | \$ 1728 |
| 410028-000-001-164 | | | Right | | | \$ 1728 |

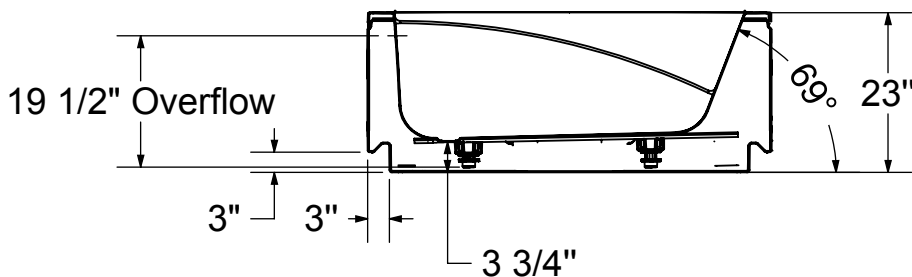
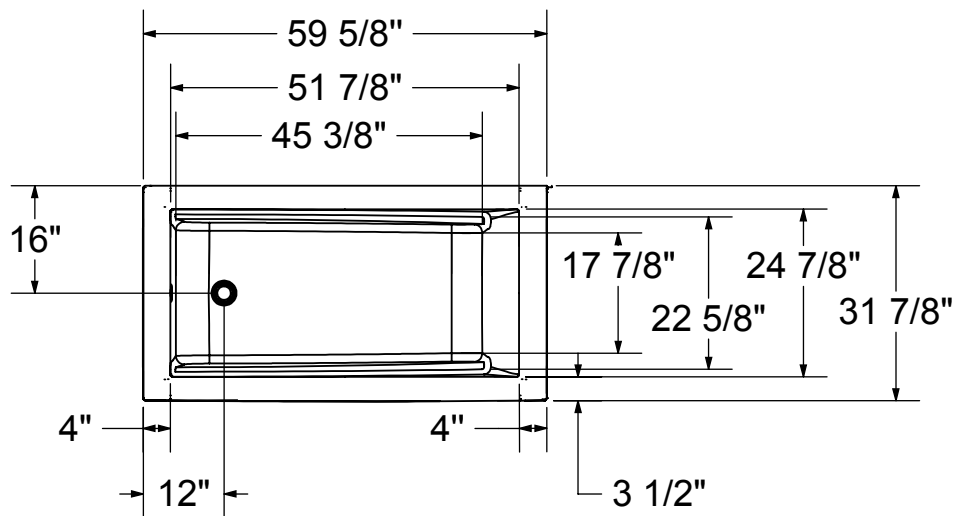
COMMON OPTIONS

| SKU | Description | MSRP |
|--------------|--|--------|
| OPT20249-105 | Flexible waste and overflow (included in product packaging when purchased) | \$ 327 |
| OPT20249-084 | Available colors: Chrome (084) and Brushed Nickel (105) | \$ 248 |
| OPT20250-084 | Brass flexible waste and overflow for high-rise construction | \$ 359 |
| OPT20250-105 | Available colors: Chrome (084) and Brushed Nickel (105) | \$ 423 |

ACCESSORIES

| SKU | Description | MSRP |
|--------------|---|--------|
| 10060311 | Corner glass shelf (9 3/8 x 9 3/8 in.) (sold separately) 10 mm frosted glass with a clear band along the edge Compatible with Utile and tile shower walls | \$ 152 |
| 10004306-001 | White foam cushion with 2 suction pads (sold separately) Available color: White (001) | \$ 120 |
| 10032807-084 | Flexible waste and overflow (sold separately) | \$ 248 |
| 10032807-105 | Available colors: Chrome (084) and Brushed Nickel (105) | \$ 327 |
| 10032808-084 | Brass flexible waste and overflow for high construction (sold separately) | \$ 359 |
| 10032808-105 | Available colors: Chrome (084) and Brushed Nickel (105) | \$ 423 |

ModuIR BATHTUB: 60X32 WITH ARMREST



This technical drawing is universal for all ModuIR Tub configurations. (Left/Right Corner & Wall-mounted)

Integrated tiling flange: 1" height x 3/8" thick (not shown)
Tiling flange position is determined by chosen configuration.

All dimensions are approximate. Structure measurements must be verified against the unit to ensure proper fit.



ModulR 6032 IF - Corner right



Material : Acrylic
 Max: 58 Gal / 218 L

Features

- › Two-piece rectangular bathtub with sleek and refined look
- › 2 interior types available (with or without armrests)
- › Integrated tiling flange (IF) for corner installation
- › Ample deck space for faucet installation
- › Right or left-hand drain, regardless of the installation type

RECTANGULAR BATHTUBS - ACRYLIC

MODULR 6032 IF RIGHT (WITH ARMRESTS) - 410025

| SKU | System | Color | Configuration | Dimensions & Weight | Packaging | MSRP |
|--------------------|--------------------|-------|---------------|---|-----------|---------|
| 410025-000-001-153 | Soaker - No System | White | Left | 59 5/8" x 31 7/8" x 23" / 75 lb / 34 kg | 31 ft³ | \$ 1728 |
| 410025-000-001-154 | | | Right | | | \$ 1728 |

MODULR 6032 IF RIGHT (WITHOUT ARMRESTS) - 410026

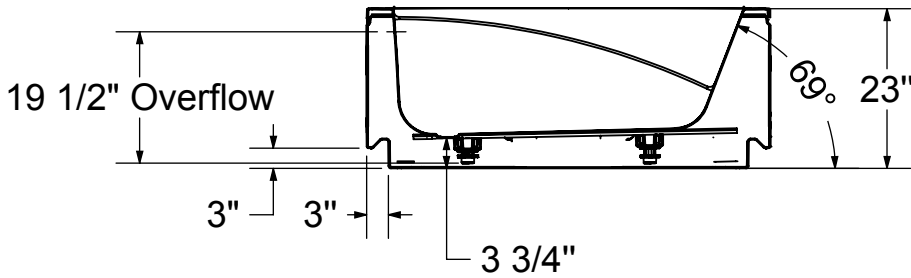
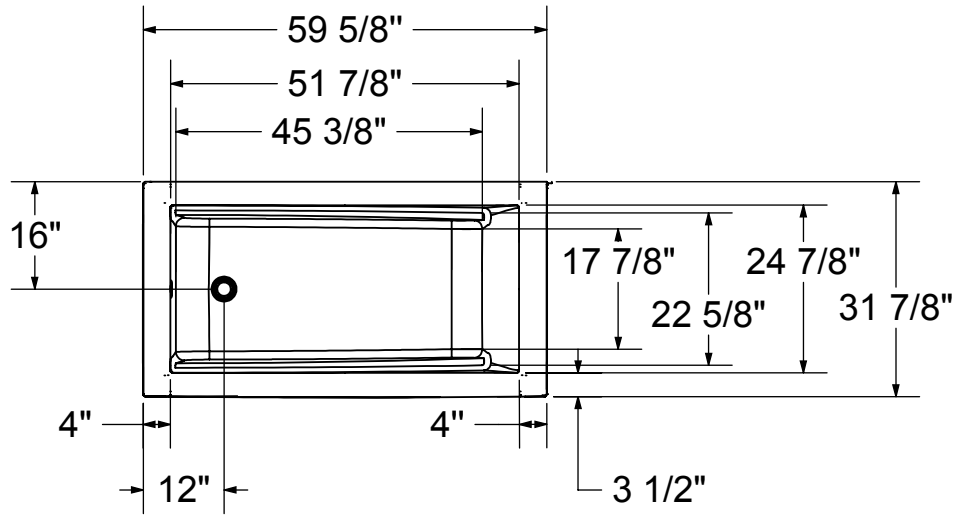
| SKU | System | Color | Configuration | Dimensions & Weight | Packaging | MSRP |
|--------------------|--------------------|-------|---------------|---|-----------|---------|
| 410026-000-001-153 | Soaker - No System | White | Left | 59 5/8" x 31 7/8" x 23" / 75 lb / 34 kg | 31 ft³ | \$ 1728 |
| 410026-000-001-154 | | | Right | | | \$ 1728 |

COMMON OPTIONS

| SKU | Description | MSRP |
|--------------|--|--------|
| OPT20249-105 | Flexible waste and overflow (included in product packaging when purchased) | \$ 327 |
| OPT20249-084 | Available colors: Chrome (084) and Brushed Nickel (105) | \$ 248 |
| OPT20250-084 | Brass flexible waste and overflow for high-rise construction | \$ 359 |
| OPT20250-105 | Available colors: Chrome (084) and Brushed Nickel (105) | \$ 423 |

| ACCESSORIES | | |
|--------------|---|--------|
| SKU | Description | MSRP |
| 10060311 | Corner glass shelf (9 3/8 x 9 3/8 in.) (sold separately) 10 mm frosted glass with a clear band along the edge Compatible with Utile and tile shower walls | \$ 152 |
| 10004306-001 | White foam cushion with 2 suction pads (sold separately) Available color: White (001) | \$ 120 |
| 10032807-084 | Flexible waste and overflow (sold separately) | \$ 248 |
| 10032807-105 | Available colors: Chrome (084) and Brushed Nickel (105) | \$ 327 |
| 10032808-084 | Brass flexible waste and overflow for high construction (sold separately) | \$ 359 |
| 10032808-105 | Available colors: Chrome (084) and Brushed Nickel (105) | \$ 423 |

ModuIR BATHTUB: 60X32 WITH ARMREST



This technical drawing is universal for all ModuIR Tub configurations. (Left/Right Corner & Wall-mounted)

Integrated tiling flange: 1" height x 3/8" thick (not shown)
Tiling flange position is determined by chosen configuration.

All dimensions are approximate. Structure measurements must be verified against the unit to ensure proper fit.



Optik 6032

RECTANGULAR BATHTUBS - ACRYLIC



Material : Acrylic
 Min: 49 Gal / 186 L
 Max: 59 Gal / 223 L

Features

- › Sleek bathtub combines straight and curvaceous lines
- › Inclined backrest, curvaceous armrests and deep bathing well
- › Ample deck space for faucet installation
- › Undermount, drop-in or alcove installation with end drain
- › Apron with access panel and 12 in. grab bars available, sold separately
- › Magnetic cushion available in black or white , sold separately
- › Magnet backed headrest for cushion. Factory installed only if cushion ordered on initial order

| OPTIK 6032 - 101265 | | | | | | |
|---------------------|--------------------------|---------|---------------|-------------------------------------|--------------------|---------|
| SKU | System | Color | Configuration | Dimensions & Weight | Packaging | MSRP |
| 101265-000-001-000 | Soaker - No System | White | End | 59 3/4" x 32" x 20" / 64 lb / 29 kg | 26 ft ³ | \$ 1641 |
| 101265-000-001-001 | | | Left | | | \$ 1641 |
| 101265-000-001-002 | | | Right | | | \$ 1641 |
| 101265-000-004-000 | | Bone | End | | | \$ 1641 |
| 101265-000-004-001 | | | Left | | | \$ 1641 |
| 101265-000-004-002 | | | Right | | | \$ 1641 |
| 101265-000-007 | Biscuit | | \$ 1641 | | | |
| 101265-054-001-100 | Hydrofeel ^{1 4} | White | End | | | \$ 5480 |
| 101265-054-004 | | Bone | | | | \$ 5480 |
| 101265-054-007 | | Biscuit | | | | \$ 5480 |
| 101265-055-001-100 | Aerofeel ^{1 5} | White | Right | | | \$ 5286 |
| 101265-055-001-102 | | | | | | Left |
| 101265-055-001-103 | | | | | \$ 5286 | |
| 101265-055-004 | | Bone | End | \$ 5286 | | |
| 101265-055-007 | | Biscuit | | \$ 5286 | | |
| 101265-056-001 | | White | | Left | \$ 8375 | |
| 101265-056-004 | Bone | \$ 8375 | | | | |
| 101265-056-007 | Biscuit | \$ 8375 | | | | |
| 101265-L-000-007 | Soaker - No System | | Left | \$ 1641 | | |

OPTIK 6032 - 101265

| SKU | System | Color | Configuration | Dimensions & Weight | Packaging | MSRP |
|------------------|--|---------|---------------|-------------------------------------|--------------------|---------|
| 101265-L-054-001 | Hydrofeel ^{1 4} | White | Left | 59 3/4" x 32" x 20" / 64 lb / 29 kg | 26 ft ³ | \$ 5480 |
| 101265-L-054-004 | | Bone | | | | \$ 5480 |
| 101265-L-054-007 | | Biscuit | | | | \$ 5480 |
| 101265-L-055-004 | Aerofeel ^{1 5} | Bone | | | | \$ 5286 |
| 101265-L-055-007 | | Biscuit | | | | \$ 5286 |
| 101265-L-056-001 | Combined Hydrofeel & Aerofeel ^{1 4 5} | White | | | | \$ 8375 |
| 101265-L-056-004 | | Bone | | | | \$ 8375 |
| 101265-L-056-007 | | Biscuit | | | | \$ 8375 |
| 101265-R-000-007 | Soaker - No System | | | | | Right |
| 101265-R-054-001 | Hydrofeel ^{1 4} | White | \$ 5480 | | | |
| 101265-R-054-004 | | Bone | \$ 5480 | | | |
| 101265-R-054-007 | | Biscuit | \$ 5480 | | | |
| 101265-R-055-004 | Aerofeel ^{1 5} | Bone | \$ 5286 | | | |
| 101265-R-055-007 | | Biscuit | \$ 5286 | | | |
| 101265-R-056-001 | Combined Hydrofeel & Aerofeel ^{1 4 5} | White | \$ 8375 | | | |
| 101265-R-056-004 | | Bone | \$ 8375 | | | |
| 101265-R-056-007 | | Biscuit | \$ 8375 | | | |

COMMON OPTIONS

| SKU | Description | MSRP |
|--------------------|--|---------|
| OPT10119-105 | Metal trim kit for Aerofeel electronic control (factory installed) | \$ 74 |
| OPT10119-084 | Available colors: Chrome (084) and Brushed Nickel (105) | \$ 74 |
| OPT20110-105 | Metal trim kit for Whirlpool and combined systems (factory installed) | \$ 356 |
| OPT20110-084 | Available colors: Chrome (084) and Brushed Nickel (105) | \$ 356 |
| OPT10097-001 | Two 12 in. metal grab bars (factory installed) in White (001) | \$ 496 |
| OPT10097-004 | Two 12 in. metal grab bars (factory installed) in Bone (004) | \$ 496 |
| OPT10097-007 | Two 12 in. metal grab bars (factory installed) in Biscuit (007) | \$ 496 |
| OPT10097-084 | Two 12 in. metal grab bars (factory installed) in Chrome (084) | \$ 496 |
| OPT10097-105 | Two 12 in. metal grab bars (factory installed) in Brushed Nickel (105) | \$ 496 |
| OPT20141 | Rest for Hydromax and combined systems ¹² | \$ 1036 |
| OPT10054 | Two chromatherapy lights for bathtubs without waterfall (factory installed) | \$ 871 |
| OPT10095 | Water heater assembly for whirlpool and combined systems (factory installed) | \$ 908 |
| OPT20139 | Ozonator for whirlpool system (factory installed) | \$ 590 |
| 101251-000-004-000 | Apron with access panel (magnetic) Specify: Standard colors: White (001), Bone (004), Biscuit (007) | \$ 736 |
| 101251-000-007-000 | | \$ 736 |
| 101251-000-001-000 | | \$ 736 |
| OPT20205 | Lite option 3/8 in. thin deck ⁶ When chosen, this option is offered at no cost | \$ 0 |

ACCESSORIES

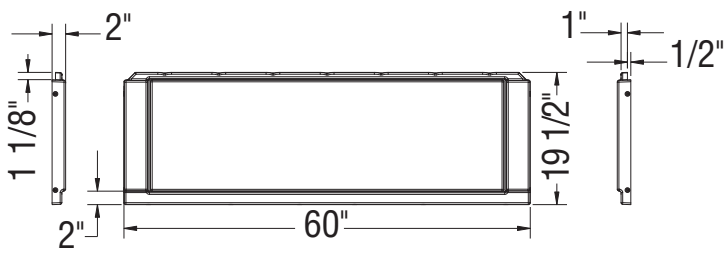
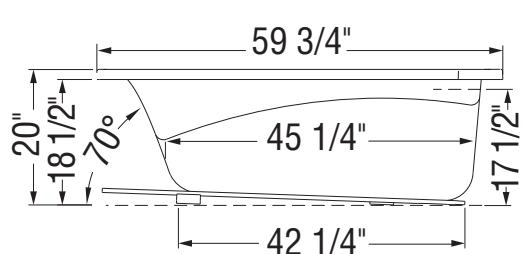
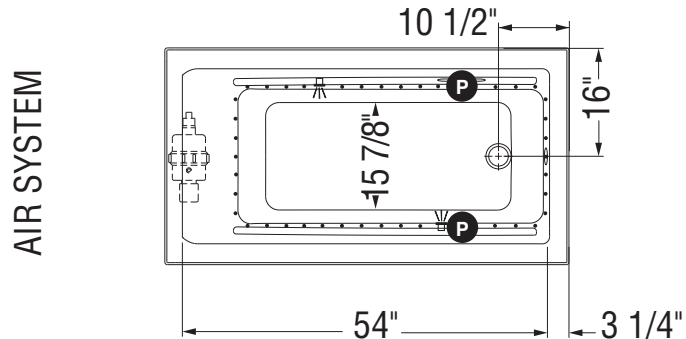
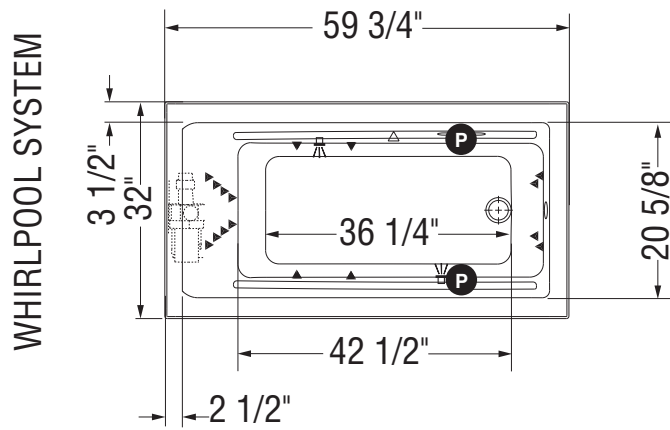
| SKU | Description | MSRP |
|--------------|--|--------|
| 10013029-015 | Minimalist cushion (magnetic) (sold separately for Optik and Aiiki) | \$ 219 |
| 10013029-001 | Available colors: White (001) and Black (015) | \$ 219 |
| 10033272 | Flexible main hose for electronic control air massage - kit (sold separately) 15 ft. extension | \$ 295 |
| 10025081-084 | Waste and overflow 27 in. flexible neck (sold separately) | \$ 432 |
| 10025081-105 | Available colors: Chrome (084) and Brushed Nickel (105) | \$ 432 |

FOOTNOTES

| No | Description |
|----|---|
| 1 | Components for standard colour units equipped with systems are colour-coordinated. Trim kit and/or air push with metallic finish can be added (additional charge applies). For non-standard colour units, please specify trim kit and/or air push colour (additional charge applies for metallic finishes). Please note that the positioning of the system's control could be in conflict with the door if one was installed on the unit. To insure compatibility, please contact customer service. |
| 4 | For details on pump position and requirements, see technical drawings on https://www.maax.com . When there is a pump position A or B indicated on the technical drawing, please specify position when ordering. |
| 5 | For details on blower position and requirements, see technical drawings on https://www.maax.com . When there is a blower position A or B indicated on the technical drawing, please specify position when ordering. |
| 6 | Specify 3/8 (Lite option) or 2 in. on deck height. If ordering unit with an apron, only 2 in. deck height is available. |
| 12 | In combined systems, only the pump is replaced with the Rest. The blower remains the same. |

RECOMMENDED DOORS - VISIT OUR WEBSITE FOR A COMPLETE LIST OF RECOMMENDED DOORS

| SKU | Product Name | Pag. |
|--------|--|------|
| 139398 | Halo 56 ½-59 x 59 - 8mm | 878 |
| 134661 | Kameleon SC 55-59 x 57 - 6mm | 843 |
| 135330 | Incognito 57 Shaker 56-59 x 56 ¾ - 8mm | 854 |
| 138994 | Luminescence SlidingDoor 56 ½-59 x 55 ½-57 ½ - 6mm | 880 |
| 136695 | Revelation Round 56-59 x 56 ¾-59 ¼ - 8 mm | 866 |
| 135692 | Revelation Square 56-59 x 56 ¾-58 ¼ - 6mm | 868 |
| 136692 | Revelation Round 56-59 x 56 ¾-59 ¼ - 6mm | 864 |
| 134573 | Kameleon 55-59 x 57 - 8mm | 846 |
| 135695 | Revelation Square 56-59 x 56 ¾-59 ¼ - 8mm | 870 |
| 134670 | Kameleon SC 55-59 x 57 - 8mm | 838 |
| 105410 | Polar 54-59 ½ x 57 in. | 862 |
| 134561 | Kameleon 55-59 x 57 - 6mm | 849 |
| 138480 | Vela 56 ½-59 x 59 - 8mm | 874 |
| 138485 | | 876 |
| 135320 | Uptown 56-59 x 58 in. 8 mm | 872 |
| 139354 | Incognito 57 56-59 x 56 ¾ - 8mm | 860 |
| 139351 | Incognito 57 56-59 x 56 ¾ - 6mm | 856 |



- (P): Indicates optional grab bar positioning
 - (▲): Indicates whirlpool jets positioning
 - (△): Indicates suction positioning
 - (●): Indicates airjets positioning
 - (☀): Indicates chromatherapy light positioning
- Bathtub base includes anti-vibration Neutra-Phone leg supports (not shown).
All dimensions are approximate. Structure measurements must be verified against the unit to ensure proper fit.



Optik 6636

RECTANGULAR BATHTUBS - ACRYLIC



Material : Acrylic
 Min: 54 Gal / 205 L
 Max: 73 Gal / 277 L

Features

- › Sleek bathtub combines straight and curvaceous lines
- › Inclined backrest, curvaceous armrests and deep bathing well
- › Ample deck space for faucet installation
- › Undermount, drop-in or alcove installation with end drain
- › Apron with access panel and 12 in. grab bars available as an option
- › Magnetic cushion available in black or white
- › Magnet backed headrest for cushion. Factory installed only if cushion ordered on initial order

OPTIK 6636 - 101269

| SKU | System | Color | Configuration | Dimensions & Weight | Packaging | MSRP |
|--------------------|--|---------|---------------|---|--------------------|---------|
| 101269-000-001-000 | Soaker - No System | White | End | 65 3/4" x 36" x 21 1/8" / 70 lb / 32 kg | 31 ft ³ | \$ 1797 |
| 101269-000-004 | | Bone | | | | \$ 1797 |
| 101269-000-007-000 | | Biscuit | | | | \$ 1797 |
| 101269-054-001-100 | Hydrofeel ^{1 4} | White | | | | \$ 5636 |
| 101269-054-004 | | Bone | | | | \$ 5636 |
| 101269-054-007 | | Biscuit | | | | \$ 5636 |
| 101269-055-001-100 | Aerofeel ^{1 5} | White | | | | \$ 5442 |
| 101269-055-004 | | Bone | | | | \$ 5442 |
| 101269-055-007 | | Biscuit | | | | \$ 5442 |
| 101269-056-001 | Combined Hydrofeel & Aerofeel ^{1 4 5} | White | | | | \$ 8531 |
| 101269-056-004 | | Bone | | | | \$ 8531 |
| 101269-056-007 | | Biscuit | | | | \$ 8531 |
| 101269-L-000-001 | Soaker - No System | White | Left | 65 3/4" x 36" x 21 1/8" / 70 lb / 32 kg | 31 ft ³ | \$ 1797 |
| 101269-L-000-004 | | Bone | | | | \$ 1797 |
| 101269-L-000-007 | | Biscuit | | | | \$ 1797 |
| 101269-L-054-001 | Hydrofeel ^{1 4} | White | | | | \$ 5636 |
| 101269-L-054-004 | | Bone | | | | \$ 5636 |
| 101269-L-054-007 | | Biscuit | | | | \$ 5636 |
| 101269-L-055-001 | Aerofeel ^{1 5} | White | | | | \$ 5442 |
| 101269-L-055-004 | | Bone | | | | \$ 5442 |

OPTIK 6636 - 101269

| SKU | System | Color | Configuration | Dimensions & Weight | Packaging | MSRP |
|------------------|--|--------------------|---------------|---|--------------------|---------|
| 101269-L-055-007 | Aerofeel ^{1 5} | Biscuit | Left | 65 3/4" x 36" x 21 1/8" / 70 lb / 32 kg | 31 ft ³ | \$ 5442 |
| 101269-L-056-001 | Combined Hydrofeel & Aerofeel ^{1 4 5} | White | | | | \$ 8531 |
| 101269-L-056-004 | | Bone | | | | \$ 8531 |
| 101269-L-056-007 | | Biscuit | | | | \$ 8531 |
| 101269-R-000-001 | | Soaker - No System | White | | | \$ 1797 |
| 101269-R-000-004 | Bone | | \$ 1797 | | | |
| 101269-R-000-007 | Biscuit | | \$ 1797 | | | |
| 101269-R-054-001 | Hydrofeel ^{1 4} | White | \$ 5636 | | | |
| 101269-R-054-004 | | Bone | \$ 5636 | | | |
| 101269-R-054-007 | | Biscuit | \$ 5636 | | | |
| 101269-R-055-001 | Aerofeel ^{1 5} | White | \$ 5442 | | | |
| 101269-R-055-004 | | Bone | \$ 5442 | | | |
| 101269-R-055-007 | | Biscuit | \$ 5442 | | | |
| 101269-R-056-001 | Combined Hydrofeel & Aerofeel ^{1 4 5} | White | \$ 8531 | | | |
| 101269-R-056-004 | | Bone | \$ 8531 | | | |
| 101269-R-056-007 | | Biscuit | \$ 8531 | | | |

COMMON OPTIONS

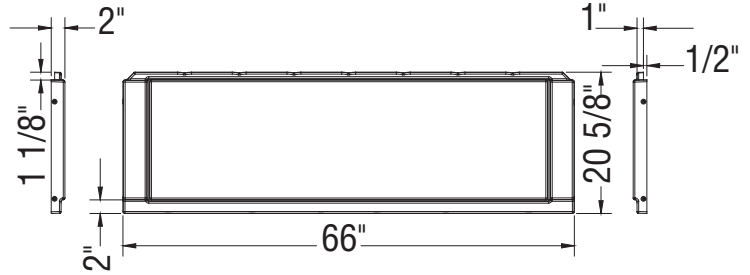
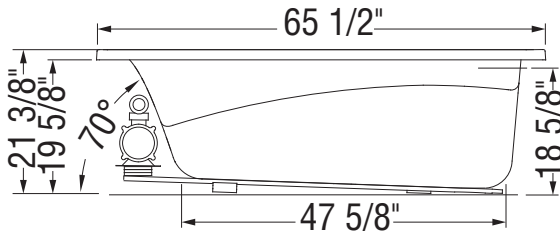
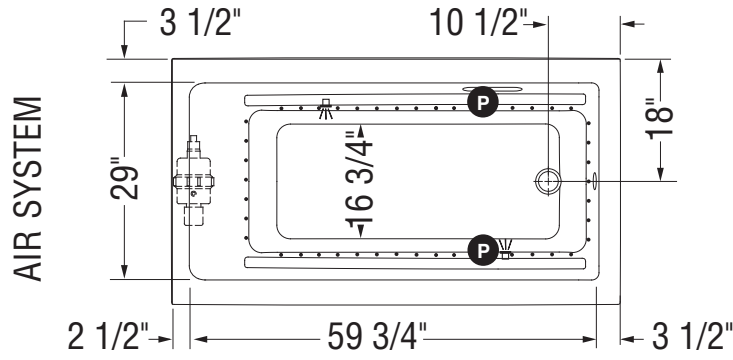
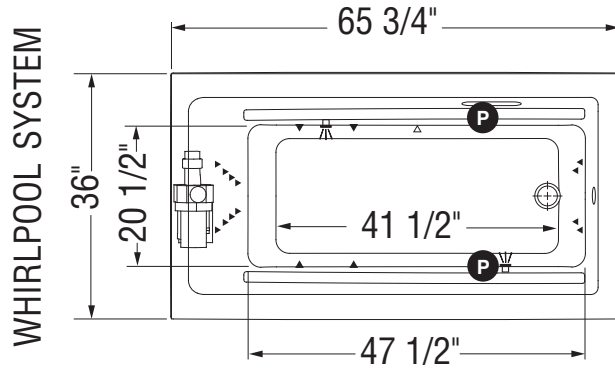
| SKU | Description | MSRP |
|--------------------|--|---------|
| OPT10097-084 | Two 12 in. metal grab bars (factory installed) in Chrome (084) | \$ 496 |
| OPT10097-105 | Two 12 in. metal grab bars (factory installed) in Brushed Nickel (105) | \$ 496 |
| OPT10054 | Two chromatherapy lights for bathtubs without waterfall (factory installed) | \$ 871 |
| OPT10095 | Water heater assembly for whirlpool and combined systems (factory installed) | \$ 908 |
| OPT20139 | Ozonator for whirlpool system (factory installed) | \$ 590 |
| OPT10119-105 | Metal trim kit for Aerofeel electronic control (factory installed) | \$ 74 |
| OPT10119-084 | Available colors: Chrome (084) and Brushed Nickel (105) | \$ 74 |
| OPT20110-105 | Metal trim kit for Whirlpool and combined systems (factory installed) | \$ 356 |
| OPT20110-084 | Available colors: Chrome (084) and Brushed Nickel (105) | \$ 356 |
| OPT20141 | Rest for Hydromax and combined systems ¹² | \$ 1036 |
| OPT10097-001 | Two 12 in. metal grab bars (factory installed) in White (001) | \$ 496 |
| OPT10097-004 | Two 12 in. metal grab bars (factory installed) in Bone (004) | \$ 496 |
| OPT10097-007 | Two 12 in. metal grab bars (factory installed) in Biscuit (007) | \$ 496 |
| 101264-000-001-000 | Apron with access panel (magnetic) Specify: Standard colors: White (001), Bone (004), Biscuit (007) | \$ 733 |
| 101264-000-004 | | \$ 733 |
| 101264-000-007-000 | | \$ 733 |
| OPT20205 | Lite option 3/8 in. thin deck ⁶ When chosen, this option is offered at no cost | \$ 0 |

ACCESSORIES

| SKU | Description | MSRP |
|--------------|--|--------|
| 10013029-015 | Minimalist cushion (magnetic) (sold separately for Optik and Aiiki) | \$ 219 |
| 10013029-001 | Available colors: White (001) and Black (015) | \$ 219 |
| 10033272 | Flexible main hose for electronic control air massage - kit (sold separately) 15 ft. extension | \$ 295 |
| 10025081-084 | Waste and overflow 27 in. flexible neck (sold separately) | \$ 432 |
| 10025081-105 | Available colors: Chrome (084) and Brushed Nickel (105) | \$ 432 |

FOOTNOTES

| No | Description |
|----|---|
| 1 | Components for standard colour units equipped with systems are colour-coordinated. Trim kit and/or air push with metallic finish can be added (additional charge applies). For non-standard colour units, please specify trim kit and/or air push colour (additional charge applies for metallic finishes). Please note that the positioning of the system's control could be in conflict with the door if one was installed on the unit. To insure compatibility, please contact customer service. |
| 4 | For details on pump position and requirements, see technical drawings on https://www.maax.com . When there is a pump position A or B indicated on the technical drawing, please specify position when ordering. |
| 5 | For details on blower position and requirements, see technical drawings on https://www.maax.com . When there is a blower position A or B indicated on the technical drawing, please specify position when ordering. |
| 6 | Specify 3/8 (Lite option) or 2 in. on deck height. If ordering unit with an apron, only 2 in. deck height is available. |
| 12 | In combined systems, only the pump is replaced with the Rest. The blower remains the same. |



- (P): Indicates optional grab bar positioning
 - (▲): Indicates whirlpool jets positioning
 - (△): Indicates suction positioning
 - (•): Indicates airjets positioning
 - (☐): Indicates chromatherapy light positioning
- Bathtub base includes anti-vibration Neutra-Phone leg supports (not shown).
All dimensions are approximate. Structure measurements must be verified against the unit to ensure proper fit.

Optik 6636 C



RECTANGULAR BATHTUBS - ACRYLIC



Material : Acrylic
 Min: 47 Gal / 177 L
 Max: 68 Gal / 259 L

Features

- › Sleek bathtub combines straight and curvaceous lines
- › Inclined backrest, curvaceous inset armrests, deep bathing well
- › Two deck widths for different styles of faucet
- › Center drain and 4 adjustable leveling legs
- › Above-the-Floor Rough (AFR)
- › Undermount or drop-in installation with center drain

| OPTIK C - 105743 | | | | | | |
|--------------------|--|-------|---------------|---------------------------------|--------------------|---------|
| SKU | System | Color | Configuration | Dimensions & Weight | Packaging | MSRP |
| 105743-000-001-102 | Soaker - No System | White | Center | 66" x 36" x 24" / 60 lb / 27 kg | 37 ft ³ | \$ 1797 |
| 105743-054-001-000 | Hydrofeel ^{1 4} | | | | | \$ 5636 |
| 105743-055-001-000 | Aerofeel ^{1 5} | | | | | \$ 5442 |
| 105743-056-001-000 | Combined Hydrofeel & Aerofeel ^{1 4 5} | | | | | \$ 8531 |

| COMMON OPTIONS | | |
|----------------|--|---------|
| SKU | Description | MSRP |
| OPT20141 | Rest for Hydromax and combined systems ¹² | \$ 1036 |
| OPT10054 | Two chromatherapy lights for bathtubs without waterfall (factory installed) | \$ 871 |
| OPT10095 | Water heater assembly for whirlpool and combined systems (factory installed) | \$ 908 |
| OPT20139 | Ozonator for whirlpool system (factory installed) | \$ 590 |
| OPT10119-105 | Metal trim kit for Aerofeel electronic control (factory installed) | \$ 74 |
| OPT10119-084 | Available colors: Chrome (084) and Brushed Nickel (105) | \$ 74 |
| OPT20110-105 | Metal trim kit for Whirlpool and combined systems (factory installed) | \$ 356 |
| OPT20110-084 | Available colors: Chrome (084) and Brushed Nickel (105) | \$ 356 |
| OPT20205 | Lite option 3/8 in. thin deck ⁶ When chosen, this option is offered at no cost | \$ 0 |

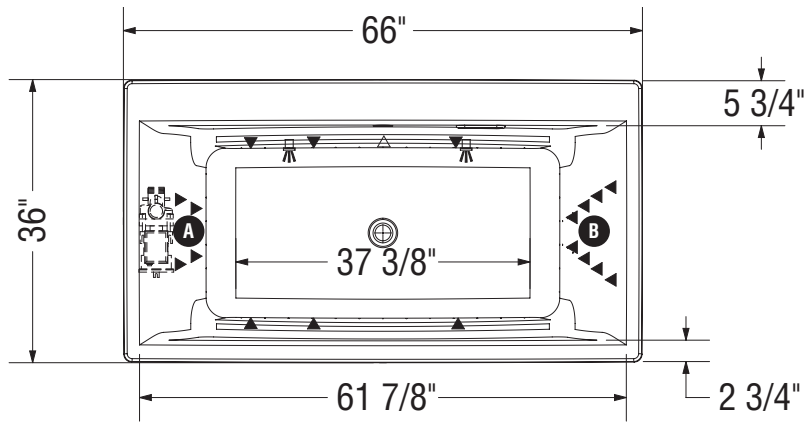
ACCESSORIES

| SKU | Description | MSRP |
|--------------|--|--------|
| 10013029-015 | Minimalist cushion (magnetic) (sold separately for Optik and Aiiki) | \$ 219 |
| 10013029-001 | Available colors: White (001) and Black (015) | \$ 219 |
| 10033272 | Flexible main hose for electronic control air massage - kit (sold separately) 15 ft. extension | \$ 295 |
| 10025720-105 | Waste and overflow 33 in. flexible neck (sold separately) | \$ 432 |
| 10025720-084 | Available colors: Chrome (084) and Brushed Nickel (105) | \$ 432 |

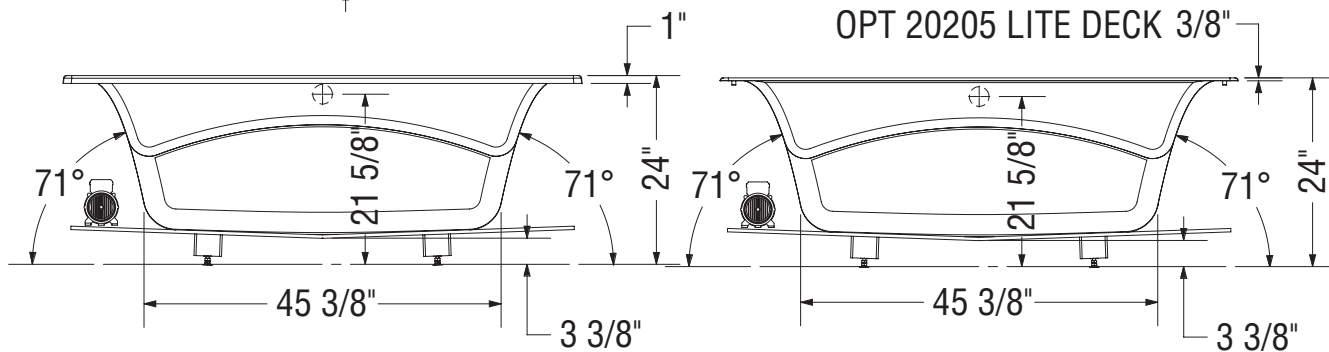
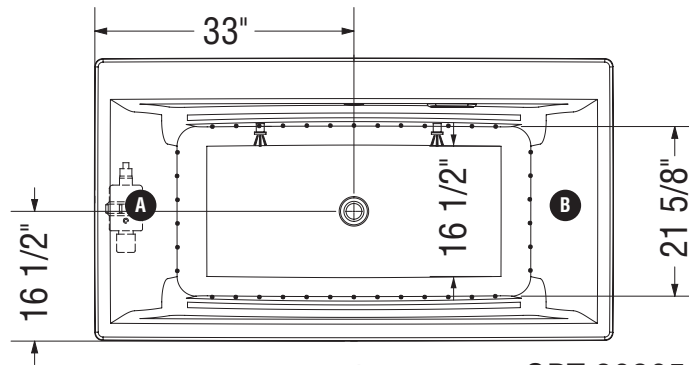
FOOTNOTES

| No | Description |
|----|---|
| 1 | Components for standard colour units equipped with systems are colour-coordinated. Trim kit and/or air push with metallic finish can be added (additional charge applies). For non-standard colour units, please specify trim kit and/or air push colour (additional charge applies for metallic finishes). Please note that the positioning of the system's control could be in conflict with the door if one was installed on the unit. To insure compatibility, please contact customer service. |
| 4 | For details on pump position and requirements, see technical drawings on https://www.maax.com . When there is a pump position A or B indicated on the technical drawing, please specify position when ordering. |
| 5 | For details on blower position and requirements, see technical drawings on https://www.maax.com . When there is a blower position A or B indicated on the technical drawing, please specify position when ordering. |
| 6 | Specify 3/8 (Lite option) or 2 in. on deck height. If ordering unit with an apron, only 2 in. deck height is available. |
| 12 | In combined systems, only the pump is replaced with the Rest. The blower remains the same. |

WHIRLPOOL SYSTEM



AIR SYSTEM



A : Specify blower and/or pump location when ordering
B :

- (▲) : Indicates whirlpool jets positioning
- (△) : Indicates suction positioning
- (•) : Indicates Aerofeel airjets positioning
- (♪) : Indicates chromatherapy light positioning

All dimensions are approximate. Structure measurements must be verified against the unit to ensure proper fit.



Optik 7236



Material : Acrylic
 Min: 47 Gal / 177 L
 Max: 74 Gal / 282 L

Features

- › Sleek bathtub combines straight and curvaceous lines
- › Inclined backrest, curvaceous armrests and deep bathing well
- › Ample deck space for faucet installation
- › Undermount or drop-in installation with center drain
- › Two 12 in. grab bars option available
- › Magnetic cushion available in black or white
- › Magnet backed headrest for cushion. Factory installed only if cushion ordered on initial order

RECTANGULAR BATHTUBS - ACRYLIC

| OPTIK 7236 - 101270 | | | | | | |
|---------------------|--|---------|---------------|-------------------------------------|--------------------|---------|
| SKU | System | Color | Configuration | Dimensions & Weight | Packaging | MSRP |
| 101270-000-001-000 | Soaker - No System | White | Center | 72" x 36" x 23 1/2" / 80 lb / 36 kg | 44 ft ³ | \$ 1948 |
| 101270-000-004 | | Bone | | | | \$ 1948 |
| 101270-000-007 | | Biscuit | | | | \$ 1948 |
| 101270-054-001-100 | Hydrofeel ^{1 4} | White | | | | \$ 5787 |
| 101270-054-004 | | Bone | | | | \$ 5787 |
| 101270-054-007 | | Biscuit | | | | \$ 5787 |
| 101270-055-001-100 | Aerofeel ^{1 5} | White | | | | \$ 5593 |
| 101270-055-004 | | Bone | | | | \$ 5593 |
| 101270-055-007 | | Biscuit | | | | \$ 5593 |
| 101270-056-001 | Combined Hydrofeel & Aerofeel ^{1 4 5} | White | | | | \$ 8682 |
| 101270-056-004 | | Bone | | | | \$ 8682 |
| 101270-056-007 | | Biscuit | | | | \$ 8682 |

| COMMON OPTIONS | | |
|----------------|--|---------|
| SKU | Description | MSRP |
| OPT20141 | Rest for Hydromax and combined systems ¹² | \$ 1036 |
| OPT10054 | Two chromatherapy lights for bathtubs without waterfall (factory installed) | \$ 871 |
| OPT10095 | Water heater assembly for whirlpool and combined systems (factory installed) | \$ 908 |
| OPT20139 | Ozonator for whirlpool system (factory installed) | \$ 590 |

COMMON OPTIONS

| SKU | Description | MSRP |
|--------------|--|--------|
| OPT10119-105 | Metal trim kit for Aerofeel electronic control (factory installed) | \$ 74 |
| OPT10119-084 | Available colors: Chrome (084) and Brushed Nickel (105) | \$ 74 |
| OPT20110-105 | Metal trim kit for Whirlpool and combined systems (factory installed) | \$ 356 |
| OPT20110-084 | Available colors: Chrome (084) and Brushed Nickel (105) | \$ 356 |
| OPT10097-001 | Two 12 in. metal grab bars (factory installed) in White (001) | \$ 496 |
| OPT10097-004 | Two 12 in. metal grab bars (factory installed) in Bone (004) | \$ 496 |
| OPT10097-007 | Two 12 in. metal grab bars (factory installed) in Biscuit (007) | \$ 496 |
| OPT10097-084 | Two 12 in. metal grab bars (factory installed) in Chrome (084) | \$ 496 |
| OPT10097-105 | Two 12 in. metal grab bars (factory installed) in Brushed Nickel (105) | \$ 496 |
| OPT20205 | Lite option 3/8 in. thin deck ⁶ When chosen, this option is offered at no cost | \$ 0 |

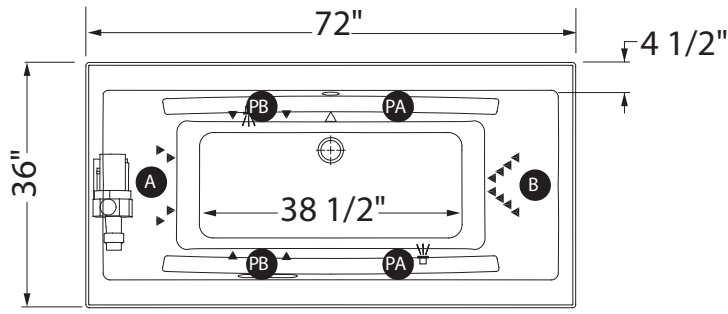
ACCESSORIES

| SKU | Description | MSRP |
|--------------|--|--------|
| 10013029-015 | Minimalist cushion (magnetic) (sold separately for Optik and Aiiki) | \$ 219 |
| 10013029-001 | Available colors: White (001) and Black (015) | \$ 219 |
| 10033272 | Flexible main hose for electronic control air massage - kit (sold separately) 15 ft. extension | \$ 295 |
| 10025081-084 | Waste and overflow 27 in. flexible neck (sold separately) | \$ 432 |
| 10025081-105 | Available colors: Chrome (084) and Brushed Nickel (105) | \$ 432 |

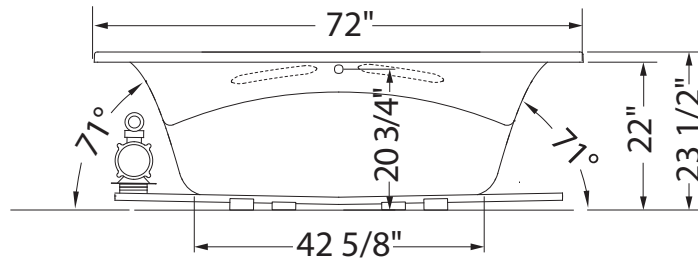
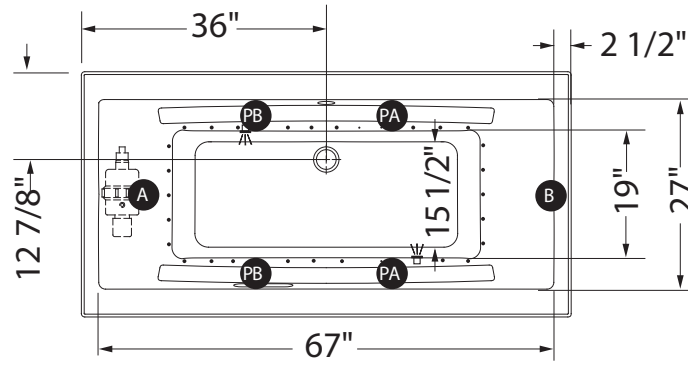
FOOTNOTES

| No | Description |
|----|---|
| 1 | Components for standard colour units equipped with systems are colour-coordinated. Trim kit and/or air push with metallic finish can be added (additional charge applies). For non-standard colour units, please specify trim kit and/or air push colour (additional charge applies for metallic finishes). Please note that the positioning of the system's control could be in conflict with the door if one was installed on the unit. To insure compatibility, please contact customer service. |
| 4 | For details on pump position and requirements, see technical drawings on https://www.maax.com . When there is a pump position A or B indicated on the technical drawing, please specify position when ordering. |
| 5 | For details on blower position and requirements, see technical drawings on https://www.maax.com . When there is a blower position A or B indicated on the technical drawing, please specify position when ordering. |
| 6 | Specify 3/8 (Lite option) or 2 in. on deck height. If ordering unit with an apron, only 2 in. deck height is available. |
| 12 | In combined systems, only the pump is replaced with the Rest. The blower remains the same. |

WHIRLPOOL SYSTEM



AIR SYSTEM



A : Specify blower and/or pump location when ordering

B

PA

PB

: With system, the optional grab bar is on opposite side of the pump.
Without system, specify optional grab bar location when ordering.

(▲): Indicates whirlpool jets positioning

(△): Indicates suction positioning

(•): Indicates airjets positioning

(☼): Indicates chromatherapy light positioning

Bathtub base includes anti-vibration Neutra-Phone leg supports (not shown).

Blower must be installed at a distance.

The back massage is on the opposite side of the blower position.

All dimensions are approximate. Structure measurements

must be verified against the unit to ensure proper fit.

Optik 7242



RECTANGULAR BATHTUBS - ACRYLIC



Material : Acrylic
 Min: 58 Gal / 218 L
 Max: 92 Gal / 350 L

Features

- › Sleek bathtub combines straight and curvaceous lines
- › Inclined backrest, curvaceous armrests and deep bathing well
- › Ample deck space for faucet installation
- › Undermount or drop-in installation with center drain
- › Two 12 in. grab bars option available
- › Magnetic cushion available in black or white
- › Magnet backed headrest for cushion. Factory installed only if cushion ordered on initial order

OPTIK 7242 - 101275

| SKU | System | Color | Configuration | Dimensions & Weight | Packaging | MSRP |
|--------------------|--|---------|---------------|-------------------------------------|--------------------|---------|
| 101275-000-001-000 | Soaker - No System | White | Center | 72" x 42" x 23 1/2" / 90 lb / 41 kg | 53 ft ³ | \$ 2098 |
| 101275-000-004 | | Bone | | | | \$ 2098 |
| 101275-000-007 | | Biscuit | | | | \$ 2098 |
| 101275-054-001-100 | Hydrofeel ^{1 4} | White | | | | \$ 5937 |
| 101275-054-004 | | Bone | | | | \$ 5937 |
| 101275-054-007 | | Biscuit | | | | \$ 5937 |
| 101275-055-001-100 | Aerofeel ^{1 5} | White | | | | \$ 5743 |
| 101275-055-004 | | Bone | | | | \$ 5743 |
| 101275-055-007 | | Biscuit | | | | \$ 5743 |
| 101275-056-001 | Combined Hydrofeel & Aerofeel ^{1 4 5} | White | | | | \$ 8832 |
| 101275-056-004 | | Bone | | | | \$ 8832 |
| 101275-056-007 | | Biscuit | | | | \$ 8832 |

COMMON OPTIONS

| SKU | Description | MSRP |
|----------|--|---------|
| OPT20141 | Rest for Hydromax and combined systems ¹² | \$ 1036 |
| OPT10054 | Two chromatherapy lights for bathtubs without waterfall (factory installed) | \$ 871 |
| OPT10095 | Water heater assembly for whirlpool and combined systems (factory installed) | \$ 908 |
| OPT20139 | Ozonator for whirlpool system (factory installed) | \$ 590 |

COMMON OPTIONS

| SKU | Description | MSRP |
|--------------|--|--------|
| OPT10119-105 | Metal trim kit for Aerofeel electronic control (factory installed) | \$ 74 |
| OPT10119-084 | Available colors: Chrome (084) and Brushed Nickel (105) | \$ 74 |
| OPT20110-105 | Metal trim kit for Whirlpool and combined systems (factory installed) | \$ 356 |
| OPT20110-084 | Available colors: Chrome (084) and Brushed Nickel (105) | \$ 356 |
| OPT10097-001 | Two 12 in. metal grab bars (factory installed) in White (001) | \$ 496 |
| OPT10097-004 | Two 12 in. metal grab bars (factory installed) in Bone (004) | \$ 496 |
| OPT10097-007 | Two 12 in. metal grab bars (factory installed) in Biscuit (007) | \$ 496 |
| OPT10097-084 | Two 12 in. metal grab bars (factory installed) in Chrome (084) | \$ 496 |
| OPT10097-105 | Two 12 in. metal grab bars (factory installed) in Brushed Nickel (105) | \$ 496 |
| OPT20205 | Lite option 3/8 in. thin deck ⁶ When chosen, this option is offered at no cost | \$ 0 |

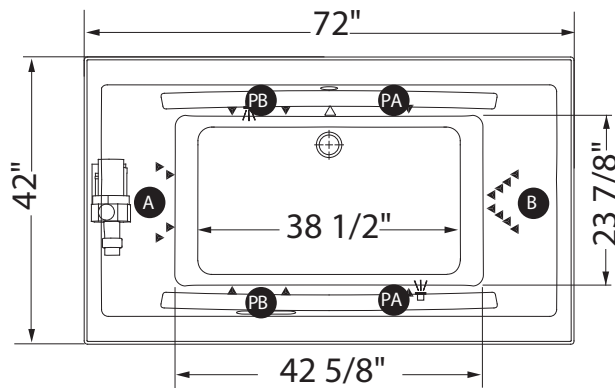
ACCESSORIES

| SKU | Description | MSRP |
|--------------|--|--------|
| 10013029-015 | Minimalist cushion (magnetic) (sold separately for Optik and Aiiki) | \$ 219 |
| 10013029-001 | Available colors: White (001) and Black (015) | \$ 219 |
| 10033272 | Flexible main hose for electronic control air massage - kit (sold separately) 15 ft. extension | \$ 295 |
| 10025081-084 | Waste and overflow 27 in. flexible neck (sold separately) | \$ 432 |
| 10025081-105 | Available colors: Chrome (084) and Brushed Nickel (105) | \$ 432 |

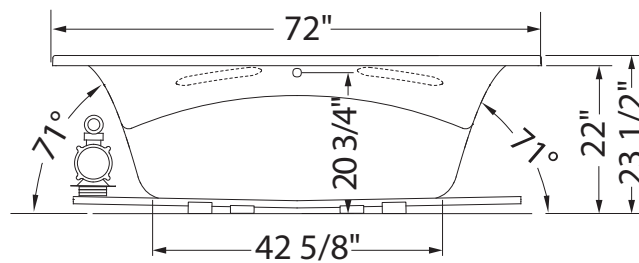
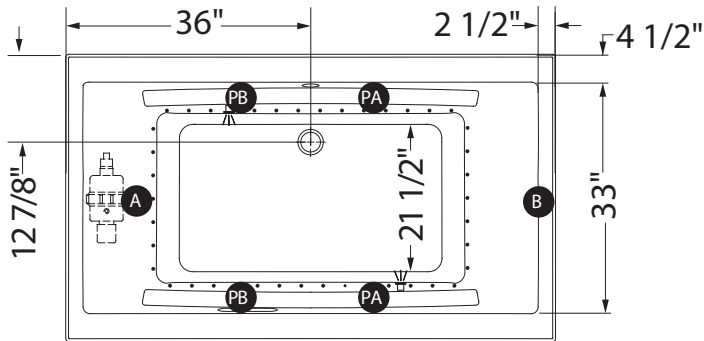
FOOTNOTES

| No | Description |
|----|---|
| 1 | Components for standard colour units equipped with systems are colour-coordinated. Trim kit and/or air push with metallic finish can be added (additional charge applies). For non-standard colour units, please specify trim kit and/or air push colour (additional charge applies for metallic finishes). Please note that the positioning of the system's control could be in conflict with the door if one was installed on the unit. To insure compatibility, please contact customer service. |
| 4 | For details on pump position and requirements, see technical drawings on https://www.maax.com . When there is a pump position A or B indicated on the technical drawing, please specify position when ordering. |
| 5 | For details on blower position and requirements, see technical drawings on https://www.maax.com . When there is a blower position A or B indicated on the technical drawing, please specify position when ordering. |
| 6 | Specify 3/8 (Lite option) or 2 in. on deck height. If ordering unit with an apron, only 2 in. deck height is available. |
| 12 | In combined systems, only the pump is replaced with the Rest. The blower remains the same. |

WHIRLPOOL SYSTEM



AIR SYSTEM



Ⓐ : Specify blower and/or pump location when ordering
 Ⓑ : Specify optional grab bar location when ordering.

Ⓐ : With system, the optional grab bar is on opposite side of the pump.
 Ⓑ : Without system, specify optional grab bar location when ordering.

(▲): Indicates whirlpool jets positioning

(△): Indicates suction positioning

(●): Indicates airjets positioning

(☼): Indicates chromatherapy light positioning

Bathtub base includes anti-vibration Neutra-Phone leg supports (not shown).
 Blower must be installed at a distance.

The back massage is on the opposite side of the blower position.

All dimensions are approximate. Structure measurements must be verified against the unit to ensure proper fit.



Release 6032



Material : Acrylic
 Min: 38 Gal / 145 L
 Max: 52 Gal / 195 L

Features

- › Spacious bathtub with ergonomic design
- › Integrated recessed backrest for comfort
- › Ample deck space for faucet installation
- › Drop-in installation with end drain
- › Integrated tiling flange available ²¹

RECTANGULAR BATHTUBS - ACRYLIC

| RELEASE 6032 - 105310 | | | | | | | |
|-----------------------|--|---------|---------------|--------------------------------------|--------------------|---------|---------|
| SKU | System | Color | Configuration | Dimensions & Weight | Packaging | MSRP | |
| 105310-000-001-100 | Soaker - No System | White | End | 59 3/4" x 32" x 20" / 110 lb / 50 kg | 31 ft ³ | \$ 1612 | |
| 105310-000-004 | | Bone | | | | \$ 1612 | |
| 105310-000-007 | | Biscuit | | | | \$ 1612 | |
| 105310-004-001 | Hydromax ^{1 4 17} | White | | | | \$ 5451 | |
| 105310-004-004 | | Bone | | | | \$ 5451 | |
| 105310-004-007 | | Biscuit | | | | \$ 5451 | |
| 105310-055-001-000 | Aerofeel ^{1 5} | White | | | | \$ 5257 | |
| 105310-055-004 | | Bone | | | | \$ 5257 | |
| 105310-055-007 | | Biscuit | | | | \$ 5257 | |
| 105310-094-001 | Combined Hydromax & Aerofeel ^{1 4 5 17} | White | | | | \$ 8346 | |
| 105310-094-004 | | Bone | | | | \$ 8346 | |
| 105310-094-007 | | Biscuit | | | | \$ 8346 | |
| 105310-L-000-001 | Soaker - No System | White | | | | Left | \$ 1612 |
| 105310-L-000-004 | | Bone | | | | | \$ 1612 |
| 105310-L-000-007 | | Biscuit | | | | | \$ 1612 |
| 105310-L-004-001 | Hydromax ^{1 4 17} | White | \$ 5451 | | | | |
| 105310-L-004-004 | | Bone | \$ 5451 | | | | |
| 105310-L-004-007 | | Biscuit | \$ 5451 | | | | |
| 105310-L-055-001 | Aerofeel ^{1 5} | White | \$ 5257 | | | | |
| 105310-L-055-004 | | Bone | \$ 5257 | | | | |

RELEASE 6032 - 105310

| SKU | System | Color | Configuration | Dimensions & Weight | Packaging | MSRP |
|------------------|--|----------------------------|---------------|--------------------------------------|--------------------|---------|
| 105310-L-055-007 | Aerofeel ^{1 5} | Biscuit | Left | 59 3/4" x 32" x 20" / 110 lb / 50 kg | 31 ft ³ | \$ 5257 |
| 105310-L-094-001 | Combined Hydromax & Aerofeel ^{1 4 5 17} | White | | | | \$ 8346 |
| 105310-L-094-004 | | Bone | | | | \$ 8346 |
| 105310-L-094-007 | | Biscuit | | | | \$ 8346 |
| 105310-R-000-001 | | Soaker - No System | White | | | \$ 1612 |
| 105310-R-000-004 | Soaker - No System | Bone | \$ 1612 | | | |
| 105310-R-000-007 | | Biscuit | \$ 1612 | | | |
| 105310-R-004-001 | | Hydromax ^{1 4 17} | White | | | \$ 5451 |
| 105310-R-004-004 | Hydromax ^{1 4 17} | Bone | \$ 5451 | | | |
| 105310-R-004-007 | | Biscuit | \$ 5451 | | | |
| 105310-R-055-001 | | Aerofeel ^{1 5} | White | | | \$ 5257 |
| 105310-R-055-004 | Bone | | \$ 5257 | | | |
| 105310-R-055-007 | Biscuit | | \$ 5257 | | | |
| 105310-R-094-001 | Combined Hydromax & Aerofeel ^{1 4 5 17} | White | \$ 8346 | | | |
| 105310-R-094-004 | | Bone | \$ 8346 | | | |
| 105310-R-094-007 | | Biscuit | \$ 8346 | | | |

COMMON OPTIONS

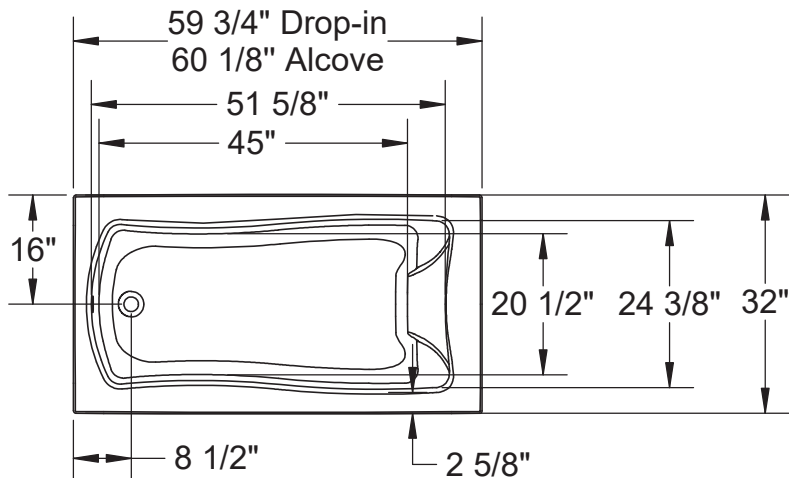
| SKU | Description | MSRP |
|--------------|--|---------|
| OPT10054 | Two chromatherapy lights for bathtubs without waterfall (factory installed) | \$ 871 |
| OPT10095 | Water heater assembly for whirlpool and combined systems (factory installed) | \$ 908 |
| OPT20139 | Ozonator for whirlpool system (factory installed) | \$ 590 |
| OPT10106-084 | Metal trim kit for whirlpool and combined systems (factory installed) Available colors: Chrome (084) and Brushed Nickel (105) | \$ 568 |
| OPT10106-105 | | \$ 568 |
| OPT10119-105 | Metal trim kit for Aerofeel electronic control (factory installed) Available colors: Chrome (084) and Brushed Nickel (105) | \$ 74 |
| OPT10119-084 | | \$ 74 |
| OPT20141 | Rest for Hydromax and combined systems ¹² | \$ 1036 |

ACCESSORIES

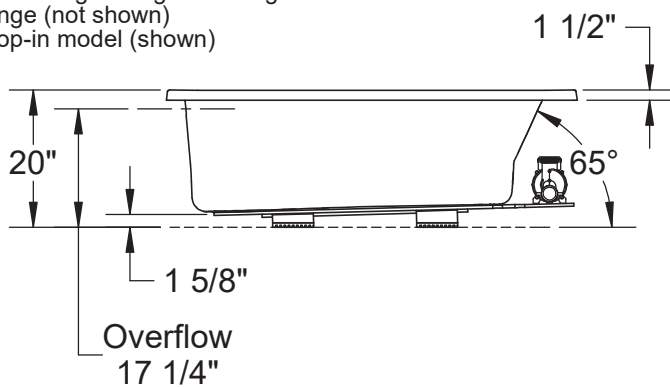
| SKU | Description | MSRP |
|--------------|--|--------|
| 10033272 | Flexible main hose for electronic control air massage - kit (sold separately) 15 ft. extension | \$ 295 |
| 10025081-084 | Waste and overflow 27 in. flexible neck (sold separately) Available colors: Chrome (084) and Brushed Nickel (105) | \$ 432 |
| 10025081-105 | | \$ 432 |

FOOTNOTES

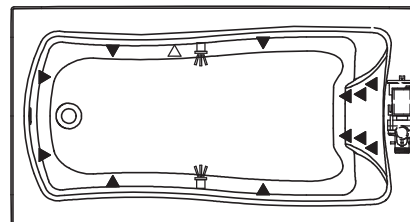
| No | Description |
|----|---|
| 1 | Components for standard colour units equipped with systems are colour-coordinated. Trim kit and/or air push with metallic finish can be added (additional charge applies). For non-standard colour units, please specify trim kit and/or air push colour (additional charge applies for metallic finishes). Please note that the positioning of the system's control could be in conflict with the door if one was installed on the unit. To insure compatibility, please contact customer service. |
| 4 | For details on pump position and requirements, see technical drawings on https://www.maax.com . When there is a pump position A or B indicated on the technical drawing, please specify position when ordering. |
| 5 | For details on blower position and requirements, see technical drawings on https://www.maax.com . When there is a blower position A or B indicated on the technical drawing, please specify position when ordering. |
| 12 | In combined systems, only the pump is replaced with the Rest. The blower remains the same. |
| 17 | Includes Backmax and Footmax jets. Souvenir with apron and Living bathtub models do not include Footmax jets. |
| 21 | Specify when ordering if an integrated tiling flange is required and on which side (L/R, Left or Right). |



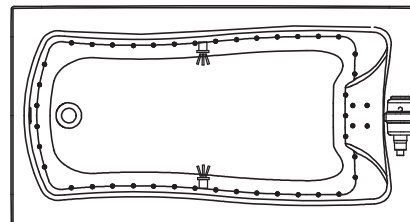
1 1/8" Single integrated tiling flange (not shown)
Drop-in model (shown)



WHIRLPOOL SYSTEM



AIR SYSTEM



Technical drawing is universal for all 6032 configurations.

Single Integrated tiling flange: 1 1/8" height x 1/4" thickness (not shown)

All dimensions are approximate.
Structure measurement must be verified against the unit to ensure proper fit.

- (▲) : Indicates whirlpool jets positioning
- (●) : Indicates airjets positioning
- (△) : Indicates suction positioning
- (◻) : Indicates chromotherapy light positioning



Release 6036



Material : Acrylic
 Min: 38 Gal / 145 L
 Max: 58 Gal / 218 L

Features

- › Spacious bathtub with ergonomic design
- › Integrated recessed backrest for comfort
- › Ample deck space for faucet installation
- › Drop-in installation with end drain
- › Integrated tiling flange available ²¹

RECTANGULAR BATHTUBS - ACRYLIC

| RELEASE 6036 - 105311 | | | | | | | |
|-----------------------|--|---------|---------------|--------------------------------------|--------------------|---------|---------|
| SKU | System | Color | Configuration | Dimensions & Weight | Packaging | MSRP | |
| 105311-000-001-100 | Soaker - No System | White | End | 59 5/8" x 36" x 20" / 115 lb / 52 kg | 37 ft ³ | \$ 1652 | |
| 105311-000-004 | | Bone | | | | \$ 1652 | |
| 105311-000-007 | | Biscuit | | | | \$ 1652 | |
| 105311-004-001 | Hydromax ^{1 4 17} | White | | | | \$ 5491 | |
| 105311-004-004 | | Bone | | | | \$ 5491 | |
| 105311-004-007 | | Biscuit | | | | \$ 5491 | |
| 105311-055-001-000 | Aerofeel ^{1 5} | White | | | | \$ 5297 | |
| 105311-055-004 | | Bone | | | | \$ 5297 | |
| 105311-055-007 | | Biscuit | | | | \$ 5297 | |
| 105311-094-001 | Combined Hydromax & Aerofeel ^{1 4 5 17} | White | | | | \$ 8386 | |
| 105311-094-004 | | Bone | | | | \$ 8386 | |
| 105311-094-007 | | Biscuit | | | | \$ 8386 | |
| 105311-L-000-001 | Soaker - No System | White | | | | Left | \$ 1652 |
| 105311-L-000-004 | | Bone | | | | | \$ 1652 |
| 105311-L-000-007 | | Biscuit | | | | | \$ 1652 |
| 105311-L-004-001 | Hydromax ^{1 4 17} | White | \$ 5491 | | | | |
| 105311-L-004-004 | | Bone | \$ 5491 | | | | |
| 105311-L-004-007 | | Biscuit | \$ 5491 | | | | |
| 105311-L-055-001 | Aerofeel ^{1 5} | White | \$ 5297 | | | | |
| 105311-L-055-004 | | Bone | \$ 5297 | | | | |

RELEASE 6036 - 105311

| SKU | System | Color | Configuration | Dimensions & Weight | Packaging | MSRP |
|------------------|--|--------------------|---------------|--------------------------------------|--------------------|---------|
| 105311-L-055-007 | Aerofeel ^{1 5} | Biscuit | Left | 59 5/8" x 36" x 20" / 115 lb / 52 kg | 37 ft ³ | \$ 5297 |
| 105311-L-094-001 | Combined Hydromax & Aerofeel ^{1 4 5 17} | White | | | | \$ 8386 |
| 105311-L-094-004 | | Bone | | | | \$ 8386 |
| 105311-L-094-007 | | Biscuit | | | | \$ 8386 |
| 105311-R-000-001 | | Soaker - No System | White | | | \$ 1652 |
| 105311-R-000-004 | Bone | | \$ 1652 | | | |
| 105311-R-000-007 | Biscuit | | \$ 1652 | | | |
| 105311-R-004-001 | Hydromax ^{1 4 17} | White | Right | | | \$ 5491 |
| 105311-R-004-004 | | Bone | | | | \$ 5491 |
| 105311-R-004-007 | | Biscuit | | | | \$ 5491 |
| 105311-R-055-001 | Aerofeel ^{1 5} | White | | | | \$ 5297 |
| 105311-R-055-004 | | Bone | | | | \$ 5297 |
| 105311-R-055-007 | | Biscuit | | | | \$ 5297 |
| 105311-R-094-001 | Combined Hydromax & Aerofeel ^{1 4 5 17} | White | | | | \$ 8386 |
| 105311-R-094-004 | | Bone | | | | \$ 8386 |
| 105311-R-094-007 | | Biscuit | | | | \$ 8386 |

COMMON OPTIONS

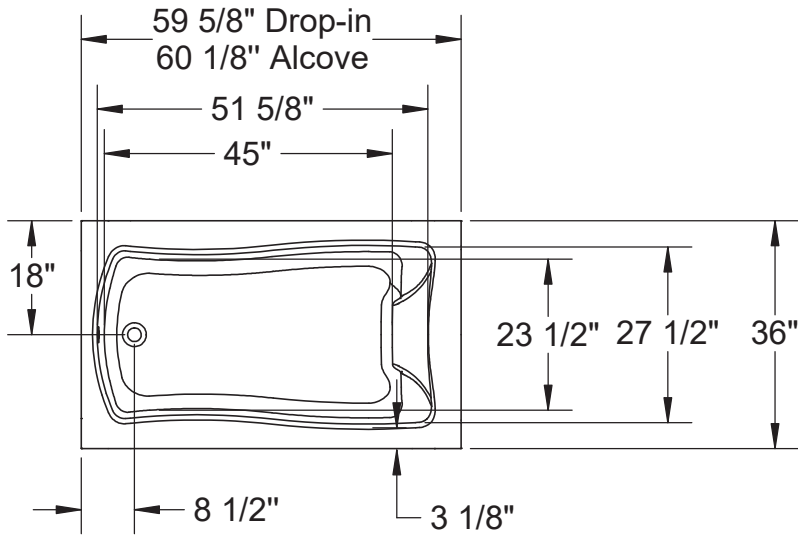
| SKU | Description | MSRP |
|--------------|--|---------|
| OPT10054 | Two chromatherapy lights for bathtubs without waterfall (factory installed) | \$ 871 |
| OPT10095 | Water heater assembly for whirlpool and combined systems (factory installed) | \$ 908 |
| OPT20139 | Ozonator for whirlpool system (factory installed) | \$ 590 |
| OPT10106-084 | Metal trim kit for whirlpool and combined systems (factory installed) Available colors: Chrome (084) and Brushed Nickel (105) | \$ 568 |
| OPT10106-105 | | \$ 568 |
| OPT10119-105 | Metal trim kit for Aerofeel electronic control (factory installed) Available colors: Chrome (084) and Brushed Nickel (105) | \$ 74 |
| OPT10119-084 | | \$ 74 |
| OPT20141 | Rest for Hydromax and combined systems ¹² | \$ 1036 |

ACCESSORIES

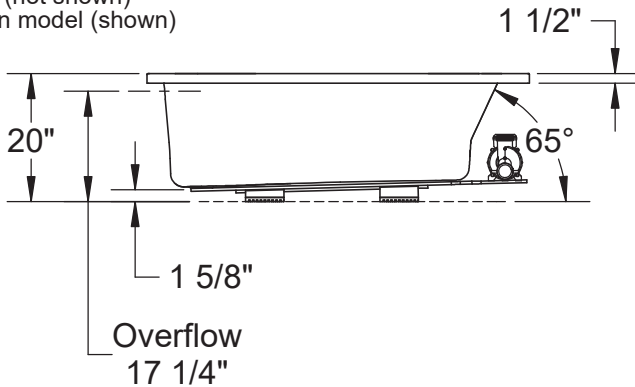
| SKU | Description | MSRP |
|--------------|--|--------|
| 10033272 | Flexible main hose for electronic control air massage - kit (sold separately) 15 ft. extension | \$ 295 |
| 10025081-084 | Waste and overflow 27 in. flexible neck (sold separately) Available colors: Chrome (084) and Brushed Nickel (105) | \$ 432 |
| 10025081-105 | | \$ 432 |

FOOTNOTES

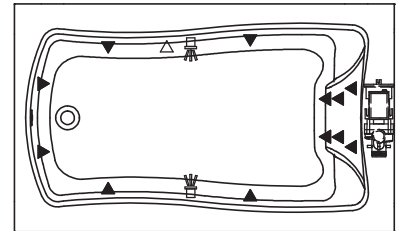
| No | Description |
|----|---|
| 1 | Components for standard colour units equipped with systems are colour-coordinated. Trim kit and/or air push with metallic finish can be added (additional charge applies). For non-standard colour units, please specify trim kit and/or air push colour (additional charge applies for metallic finishes). Please note that the positioning of the system's control could be in conflict with the door if one was installed on the unit. To insure compatibility, please contact customer service. |
| 4 | For details on pump position and requirements, see technical drawings on https://www.maax.com . When there is a pump position A or B indicated on the technical drawing, please specify position when ordering. |
| 5 | For details on blower position and requirements, see technical drawings on https://www.maax.com . When there is a blower position A or B indicated on the technical drawing, please specify position when ordering. |
| 12 | In combined systems, only the pump is replaced with the Rest. The blower remains the same. |
| 17 | Includes Backmax and Footmax jets. Souvenir with apron and Living bathtub models do not include Footmax jets. |
| 21 | Specify when ordering if an integrated tiling flange is required and on which side (L/R, Left or Right). |



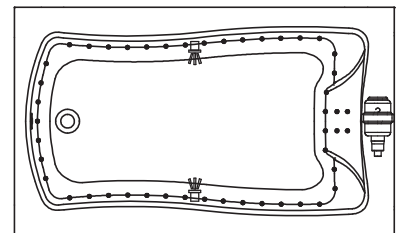
1 1/8" Single integrated tiling flange (not shown)
Drop-in model (shown)



WHIRLPOOL SYSTEM



AIR SYSTEM



Technical drawing is universal for all 6036 configurations.

Single Integrated tiling flange: 1 1/8" height x 1/4" thickness (not shown)

All dimensions are approximate.

Structure measurement must be verified against the unit to ensure proper fit.

- (▲) : Indicates whirlpool jets positioning
- (●) : Indicates airjets positioning
- (△) : Indicates suction positioning
- (◻) : Indicates chromotherapy light positioning

Topaz 6032



Material : Acrylic
 Min: 30 Gal / 114 L
 Max: 59 Gal / 223 L

Features

- › Undermount, drop-in or alcove bathtub installation
- › Acrylic surface resistant to stains
- › Available in end drain configuration
- › Relaxing armrests with ergonomic backrest
- › Includes two 6 in. grab bars that color-coordinate for white, bone and biscuit bathtubs
- › Textured bottom provides added safety
- › White cushion included with whirlpool and combined systems
- › Optional Hydromax, Aerofeel or Combined Hydromax/Aerofeel system available with limited choice of bathtub color depending on the selected system
- › Warranty: 25-year

RECTANGULAR BATHTUBS - ACRYLIC

TOPAZ 6032 - 101054

| SKU | System | Color | Configuration | Dimensions & Weight | Packaging | MSRP |
|--------------------|--|---------|---------------|---|-----------------------|---------|
| 101054-000-001-000 | Soaker - No System | White | End | 59 3/4" x 32 1/8" x 21" / 55 lb / 25 kg | 25.63 ft ³ | \$ 1635 |
| 101054-000-004-000 | | Bone | | | | \$ 1635 |
| 101054-000-007-000 | | Biscuit | | | | \$ 1635 |
| 101054-004-001-100 | Hydromax ^{1 4 17} | White | | | | \$ 5474 |
| 101054-004-004 | | Bone | | | | \$ 5474 |
| 101054-004-007-100 | | Biscuit | | | | \$ 5474 |
| 101054-055-001 | Aerofeel ^{1 5} | White | | | | \$ 5280 |
| 101054-055-004 | | Bone | | | | \$ 5280 |
| 101054-055-007 | | Biscuit | | | | \$ 5280 |
| 101054-094-001 | Combined Hydromax & Aerofeel ^{1 4 5 17} | White | | | | \$ 8369 |
| 101054-094-004 | | Bone | | | | \$ 8369 |
| 101054-094-007 | | Biscuit | | | | \$ 8369 |

COMMON OPTIONS

| SKU | Description | MSRP |
|--------------|---|--------|
| OPT10106-084 | Metal trim kit for whirlpool and combined systems (factory installed) | \$ 568 |
| OPT10106-105 | Available colors: Chrome (084) and Brushed Nickel (105) | \$ 568 |

COMMON OPTIONS

| SKU | Description | MSRP |
|--------------------|---|---------|
| OPT10119-105 | Metal trim kit for Aerofeel electronic control (factory installed) | \$ 74 |
| OPT10119-084 | Available colors: Chrome (084) and Brushed Nickel (105) | \$ 74 |
| OPT10123-105 | Two 6-in. metal grab bars available in other colors ¹⁴ (factory installed) | \$ 486 |
| OPT10123-084 | Available colors: Chrome (084) and Brushed Nickel (105) | \$ 486 |
| OPT20141 | Rest for Hydromax and combined systems ¹² | \$ 1036 |
| OPT10054 | Two chromatherapy lights for bathtubs without waterfall (factory installed) | \$ 871 |
| OPT10095 | Water heater assembly for whirlpool and combined systems (factory installed) | \$ 908 |
| OPT20139 | Ozonator for whirlpool system (factory installed) | \$ 590 |
| 101063-000-007-000 | Removable acrylic apron Specify: Standard colors: White (001), Bone (004), Biscuit (007) | \$ 882 |
| 101063-000-004-000 | | \$ 882 |
| 101063-000-001-000 | | \$ 882 |

ACCESSORIES

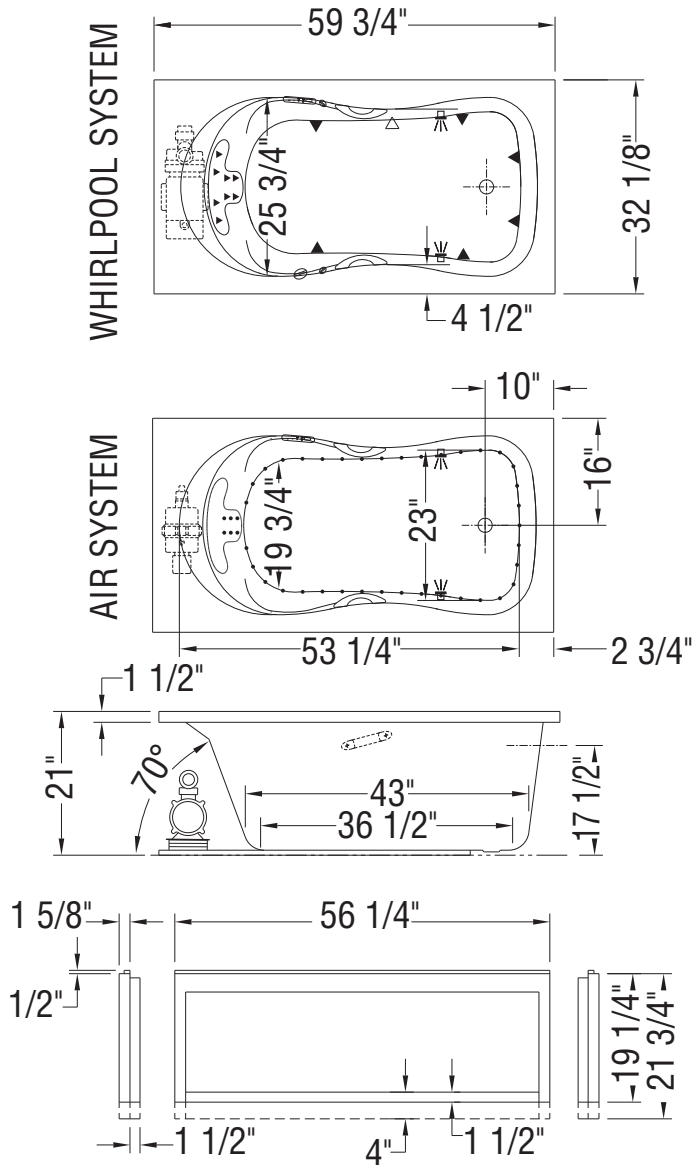
| SKU | Description | MSRP |
|--------------|--|--------|
| 10006915 | Tiling flange, 1 x 61 1/4 in., 2 x 33 1/4 in. (sold separately) | \$ 119 |
| 10033272 | Flexible main hose for electronic control air massage - kit (sold separately) 15 ft. extension | \$ 295 |
| 10004306-001 | White foam cushion with 2 suction pads (sold separately) Available color: White (001) | \$ 120 |
| 10025081-084 | Waste and overflow 27 in. flexible neck (sold separately) | \$ 432 |
| 10025081-105 | Available colors: Chrome (084) and Brushed Nickel (105) | \$ 432 |

FOOTNOTES

| No | Description |
|----|---|
| 1 | Components for standard colour units equipped with systems are colour-coordinated. Trim kit and/or air push with metallic finish can be added (additional charge applies). For non-standard colour units, please specify trim kit and/or air push colour (additional charge applies for metallic finishes). Please note that the positioning of the system's control could be in conflict with the door if one was installed on the unit. To insure compatibility, please contact customer service. |
| 4 | For details on pump position and requirements, see technical drawings on https://www.maax.com . When there is a pump position A or B indicated on the technical drawing, please specify position when ordering. |
| 5 | For details on blower position and requirements, see technical drawings on https://www.maax.com . When there is a blower position A or B indicated on the technical drawing, please specify position when ordering. |
| 12 | In combined systems, only the pump is replaced with the Rest. The blower remains the same. |
| 14 | Standard grab bars for standard colour units are colour-coordinated. Grab bars with metallic finish can be added (additional charge applies). |
| 17 | Includes Backmax and Footmax jets. Souvenir with apron and Living bathtub models do not include Footmax jets. |

RECOMMENDED DOORS - VISIT OUR WEBSITE FOR A COMPLETE LIST OF RECOMMENDED DOORS

| SKU | Product Name | Pag. |
|--------|--|------|
| 139398 | Halo 56 1/2-59 x 59 - 8mm | 878 |
| 134661 | Kameleon SC 55-59 x 57 - 6mm | 843 |
| 135330 | Incognito 57 Shaker 56-59 x 56 3/4 - 8mm | 854 |
| 138994 | Luminescence SlidingDoor 56 1/2-59 x 55 1/2-57 1/2 - 6mm | 880 |



- (▲): Indicates whirlpool jets positioning
 - (△): Indicates suction positioning
 - (●): Indicates airjets positioning
 - (—): Indicates standard grab bar positioning
 - (☼): Indicates chromatherapy light positioning
- Bathtub base includes anti-vibration Neutra-Phone leg supports (not shown).
All dimensions are approximate. Structure measurements must be verified against the unit to ensure proper fit.

Topaz 6036



RECTANGULAR BATHTUBS - ACRYLIC



Material : Acrylic

Min: 34 Gal / 127 L

Max: 64 Gal / 241 L

Features

- › Undermount, drop-in or alcove bathtub installation
- › Acrylic surface resistant to stains
- › Available in end drain configuration
- › Relaxing armrests with ergonomic backrest
- › Includes two 6 in. grab bars that color-coordinate for white, bone and biscuit bathtubs
- › Textured bottom provides added safety
- › White cushion included with whirlpool and combined systems
- › Optional Hydromax, Aerofeel or Combined Hydromax/Aerofeel system available with limited choice of bathtub color depending on the selected system
- › Warranty: 25-year

TOPAZ 6036 - 101055

| SKU | System | Color | Configuration | Dimensions & Weight | Packaging | MSRP |
|--------------------|--|---------|---------------|-------------------------------------|-----------------------|---------|
| 101055-000-001-000 | Soaker - No System | White | End | 59 3/4" x 36" x 21" / 60 lb / 27 kg | 28.74 ft ³ | \$ 1831 |
| 101055-000-004-000 | | Bone | | | | \$ 1831 |
| 101055-000-007-000 | | Biscuit | | | | \$ 1831 |
| 101055-004-001-100 | Hydromax ^{1 4 17} | White | | | | \$ 5670 |
| 101055-004-004 | | Bone | | | | \$ 5670 |
| 101055-004-007-100 | | Biscuit | | | | \$ 5670 |
| 101055-055-001 | Aerofeel ^{1 5} | White | | | | \$ 5476 |
| 101055-055-004 | | Bone | | | | \$ 5476 |
| 101055-055-007 | | Biscuit | | | | \$ 5476 |
| 101055-094-001 | Combined Hydromax & Aerofeel ^{1 4 5 17} | White | | | | \$ 8565 |
| 101055-094-004 | | Bone | | | | \$ 8565 |
| 101055-094-007 | | Biscuit | | | | \$ 8565 |

COMMON OPTIONS

| SKU | Description | MSRP |
|--------------|---|--------|
| OPT10106-084 | Metal trim kit for whirlpool and combined systems (factory installed) | \$ 568 |
| OPT10106-105 | Available colors: Chrome (084) and Brushed Nickel (105) | \$ 568 |

COMMON OPTIONS

| SKU | Description | MSRP |
|--------------------|---|---------|
| OPT10119-105 | Metal trim kit for Aerofeel electronic control (factory installed) | \$ 74 |
| OPT10119-084 | Available colors: Chrome (084) and Brushed Nickel (105) | \$ 74 |
| OPT10123-105 | Two 6-in. metal grab bars available in other colors ¹⁴ (factory installed) | \$ 486 |
| OPT10123-084 | Available colors: Chrome (084) and Brushed Nickel (105) | \$ 486 |
| OPT20141 | Rest for Hydromax and combined systems ¹² | \$ 1036 |
| OPT10054 | Two chromatherapy lights for bathtubs without waterfall (factory installed) | \$ 871 |
| OPT10095 | Water heater assembly for whirlpool and combined systems (factory installed) | \$ 908 |
| OPT20139 | Ozonator for whirlpool system (factory installed) | \$ 590 |
| 101063-000-007-000 | Removable acrylic apron Specify: Standard colors: White (001), Bone (004), Biscuit (007) | \$ 882 |
| 101063-000-004-000 | | \$ 882 |
| 101063-000-001-000 | | \$ 882 |

ACCESSORIES

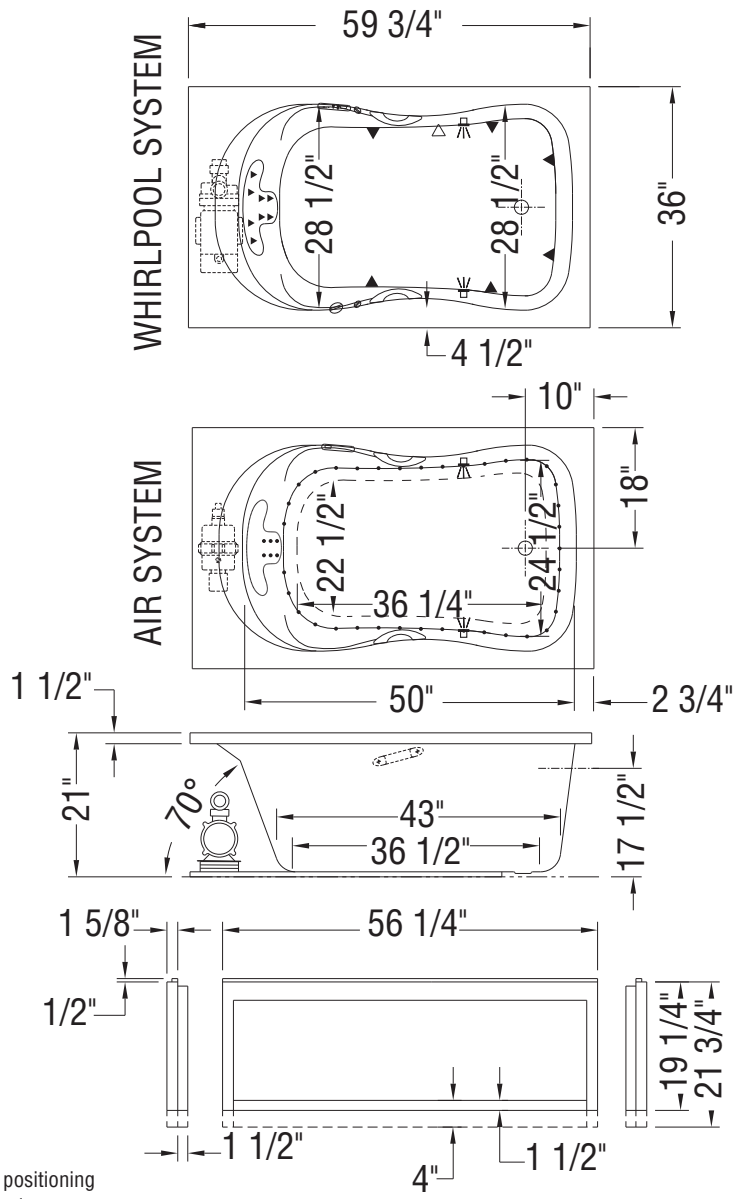
| SKU | Description | MSRP |
|--------------|--|--------|
| 10006918 | Tiling flange, 1 x 61 1/4 in., 2 x 42 in. (sold separately) | \$ 132 |
| 10033272 | Flexible main hose for electronic control air massage - kit (sold separately) 15 ft. extension | \$ 295 |
| 10004306-001 | White foam cushion with 2 suction pads (sold separately) Available color: White (001) | \$ 120 |
| 10025081-084 | Waste and overflow 27 in. flexible neck (sold separately) | \$ 432 |
| 10025081-105 | Available colors: Chrome (084) and Brushed Nickel (105) | \$ 432 |

FOOTNOTES

| No | Description |
|----|---|
| 1 | Components for standard colour units equipped with systems are colour-coordinated. Trim kit and/or air push with metallic finish can be added (additional charge applies). For non-standard colour units, please specify trim kit and/or air push colour (additional charge applies for metallic finishes). Please note that the positioning of the system's control could be in conflict with the door if one was installed on the unit. To insure compatibility, please contact customer service. |
| 4 | For details on pump position and requirements, see technical drawings on https://www.maax.com . When there is a pump position A or B indicated on the technical drawing, please specify position when ordering. |
| 5 | For details on blower position and requirements, see technical drawings on https://www.maax.com . When there is a blower position A or B indicated on the technical drawing, please specify position when ordering. |
| 12 | In combined systems, only the pump is replaced with the Rest. The blower remains the same. |
| 14 | Standard grab bars for standard colour units are colour-coordinated. Grab bars with metallic finish can be added (additional charge applies). |
| 17 | Includes Backmax and Footmax jets. Souvenir with apron and Living bathtub models do not include Footmax jets. |

RECOMMENDED DOORS - VISIT OUR WEBSITE FOR A COMPLETE LIST OF RECOMMENDED DOORS

| SKU | Product Name | Pag. |
|--------|--|------|
| 139398 | Halo 56 1/2-59 x 59 - 8mm | 878 |
| 134661 | Kameleon SC 55-59 x 57 - 6mm | 843 |
| 135330 | Incognito 57 Shaker 56-59 x 56 3/4 - 8mm | 854 |
| 138994 | Luminescence SlidingDoor 56 1/2-59 x 55 1/2-57 1/2 - 6mm | 880 |



- (▲): Indicates whirlpool jets positioning
 - (△): Indicates suction positioning
 - (●): Indicates airjets positioning
 - (—): Indicates standard grab bar positioning
 - (☼): Indicates chromatherapy light positioning
- Bathtub base includes anti-vibration Neutra-Phone leg supports (not shown).
All dimensions are approximate. Structure measurements must be verified against the unit to ensure proper fit.

Topaz 6636



Material : Acrylic
 Min: 38 Gal / 145 L
 Max: 74 Gal / 282 L

Features

- › Undermount, drop-in or alcove bathtub installation
- › Acrylic surface resistant to stains
- › Available in end drain configuration
- › Relaxing armrests with ergonomic backrest
- › Includes two 6 in. grab bars that color-coordinate for white, bone and biscuit bathtubs
- › Textured bottom provides added safety
- › White cushion included with whirlpool and combined systems
- › Optional Hydromax, Aerofeel or Combined Hydromax/Aerofeel system available with limited choice of bathtub color depending on the selected system
- › Warranty: 25-year

RECTANGULAR BATHTUBS - ACRYLIC

TOPAZ 6636 - 101056

| SKU | System | Color | Configuration | Dimensions & Weight | Packaging | MSRP |
|--------------------|--|---------|---------------|-------------------------------------|-----------------------|---------|
| 101056-000-001-000 | Soaker - No System | White | End | 65 3/4" x 36" x 21" / 65 lb / 29 kg | 31.57 ft ³ | \$ 1909 |
| 101056-000-004-000 | | Bone | | | | \$ 1909 |
| 101056-000-007-000 | | Biscuit | | | | \$ 1909 |
| 101056-004-001-100 | Hydromax ^{1 4 17} | White | | | | \$ 5748 |
| 101056-004-004 | | Bone | | | | \$ 5748 |
| 101056-004-007 | | Biscuit | | | | \$ 5748 |
| 101056-055-001 | Aerofeel ^{1 5} | White | | | | \$ 5554 |
| 101056-055-004 | | Bone | | | | \$ 5554 |
| 101056-055-007 | | Biscuit | | | | \$ 5554 |
| 101056-094-001 | Combined Hydromax & Aerofeel ^{1 4 5 17} | White | | | | \$ 8643 |
| 101056-094-004 | | Bone | | | | \$ 8643 |
| 101056-094-007 | | Biscuit | | | | \$ 8643 |

COMMON OPTIONS

| SKU | Description | MSRP |
|--------------|---|--------|
| OPT10106-084 | Metal trim kit for whirlpool and combined systems (factory installed) | \$ 568 |
| OPT10106-105 | Available colors: Chrome (084) and Brushed Nickel (105) | \$ 568 |

COMMON OPTIONS

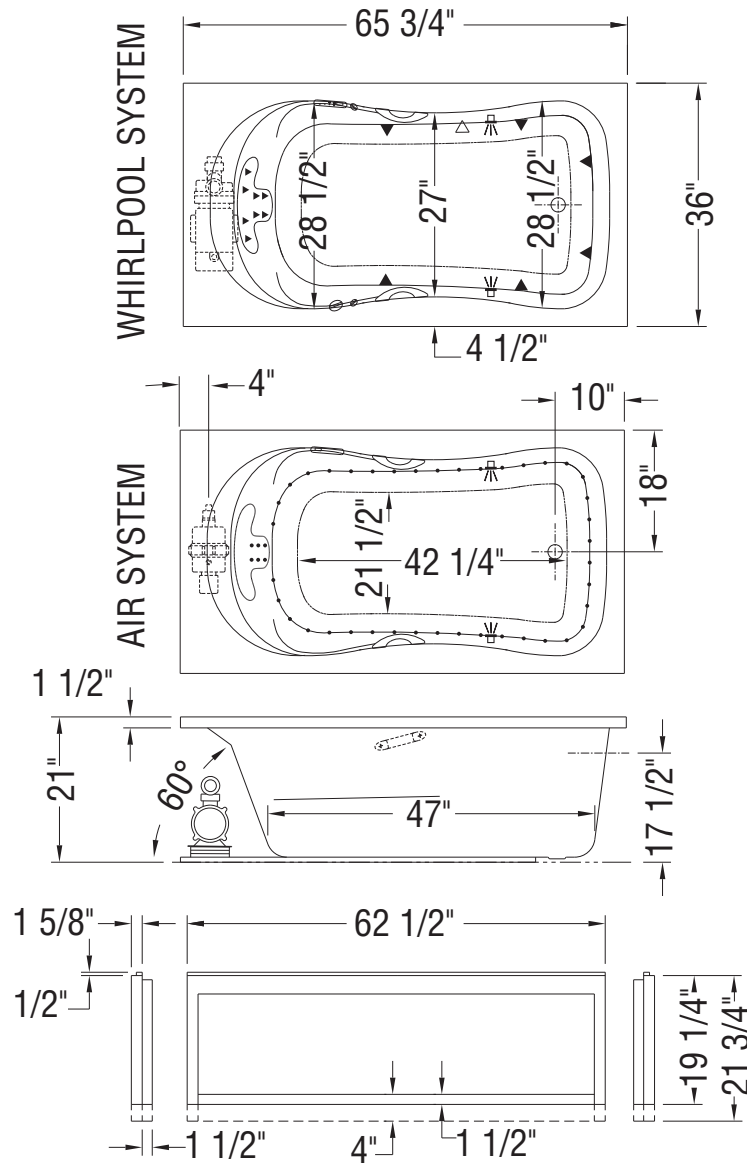
| SKU | Description | MSRP |
|--------------------|---|---------|
| OPT10119-105 | Metal trim kit for Aerofeel electronic control (factory installed) | \$ 74 |
| OPT10119-084 | Available colors: Chrome (084) and Brushed Nickel (105) | \$ 74 |
| OPT10123-105 | Two 6-in. metal grab bars available in other colors ¹⁴ (factory installed) | \$ 486 |
| OPT10123-084 | Available colors: Chrome (084) and Brushed Nickel (105) | \$ 486 |
| OPT20141 | Rest for Hydromax and combined systems ¹² | \$ 1036 |
| OPT10054 | Two chromatherapy lights for bathtubs without waterfall (factory installed) | \$ 871 |
| OPT10095 | Water heater assembly for whirlpool and combined systems (factory installed) | \$ 908 |
| OPT20139 | Ozonator for whirlpool system (factory installed) | \$ 590 |
| 101061-000-007-000 | Removable acrylic apron Specify: Standard colors: White (001), Bone (004), Biscuit (007) | \$ 882 |
| 101061-000-004 | | \$ 882 |
| 101061-000-001-000 | | \$ 882 |

ACCESSORIES

| SKU | Description | MSRP |
|--------------|--|--------|
| 10006916 | Tiling flange, 1 X 67 1/4 in., 2 x 37 1/4 in. (sold separately) | \$ 130 |
| 10033272 | Flexible main hose for electronic control air massage - kit (sold separately) 15 ft. extension | \$ 295 |
| 10004306-001 | White foam cushion with 2 suction pads (sold separately) Available color: White (001) | \$ 120 |
| 10025081-084 | Waste and overflow 27 in. flexible neck (sold separately) | \$ 432 |
| 10025081-105 | Available colors: Chrome (084) and Brushed Nickel (105) | \$ 432 |

FOOTNOTES

| No | Description |
|----|---|
| 1 | Components for standard colour units equipped with systems are colour-coordinated. Trim kit and/or air push with metallic finish can be added (additional charge applies). For non-standard colour units, please specify trim kit and/or air push colour (additional charge applies for metallic finishes). Please note that the positioning of the system's control could be in conflict with the door if one was installed on the unit. To insure compatibility, please contact customer service. |
| 4 | For details on pump position and requirements, see technical drawings on https://www.maax.com . When there is a pump position A or B indicated on the technical drawing, please specify position when ordering. |
| 5 | For details on blower position and requirements, see technical drawings on https://www.maax.com . When there is a blower position A or B indicated on the technical drawing, please specify position when ordering. |
| 12 | In combined systems, only the pump is replaced with the Rest. The blower remains the same. |
| 14 | Standard grab bars for standard colour units are colour-coordinated. Grab bars with metallic finish can be added (additional charge applies). |
| 17 | Includes Backmax and Footmax jets. Souvenir with apron and Living bathtub models do not include Footmax jets. |



- (▲): Indicates whirlpool jets positioning
 - (△): Indicates suction positioning
 - (●): Indicates airjets positioning
 - (—): Indicates standard grab bar positioning
 - (☼): Indicates chromatherapy light positioning
- Bathtub base includes anti-vibration Neutra-Phone leg supports (not shown).
All dimensions are approximate. Structure measurements must be verified against the unit to ensure proper fit.

Topaz 7236



RECTANGULAR BATHTUBS - ACRYLIC



Material : Acrylic
 Min: 41 Gal / 155 L
 Max: 79 Gal / 300 L

Features

- › Undermount, drop-in or alcove bathtub installation
- › Acrylic surface resistant to stains
- › Available in end drain configuration
- › Relaxing armrests with ergonomic backrest
- › Includes two 12 in. grab bars that color-coordinate for white, bone and biscuit bathtubs
- › Textured bottom provides added safety
- › White cushion included with whirlpool and combined systems
- › Optional Hydromax, Aerofeel or Combined Hydromax/Aerofeel system available with limited choice of bathtub color depending on the selected system
- › Warranty: 25-year

| TOPAZ 7236 - 101057 | | | | | | |
|---------------------|--|---------|---------------|-------------------------------------|-----------------------|---------|
| SKU | System | Color | Configuration | Dimensions & Weight | Packaging | MSRP |
| 101057-000-001-000 | Soaker - No System | White | End | 71 3/4" x 36" x 21" / 70 lb / 32 kg | 34.39 ft ³ | \$ 2064 |
| 101057-000-004-000 | | Bone | | | | \$ 2064 |
| 101057-000-007-000 | | Biscuit | | | | \$ 2064 |
| 101057-004-001-100 | Hydromax ^{1 4 17} | White | | | | \$ 5903 |
| 101057-004-004-100 | | Bone | | | | \$ 5903 |
| 101057-004-007-100 | | Biscuit | | | | \$ 5903 |
| 101057-055-001 | Aerofeel ^{1 5} | White | | | | \$ 5709 |
| 101057-055-004 | | Bone | | | | \$ 5709 |
| 101057-055-007 | | Biscuit | | | | \$ 5709 |
| 101057-094-001 | Combined Hydromax & Aerofeel ^{1 4 5 17} | White | | | | \$ 8798 |
| 101057-094-004 | | Bone | | | | \$ 8798 |
| 101057-094-007 | | Biscuit | | | | \$ 8798 |

| COMMON OPTIONS | | |
|----------------|--|--------|
| SKU | Description | MSRP |
| OPT10095 | Water heater assembly for whirlpool and combined systems (factory installed) | \$ 908 |
| OPT20139 | Ozonator for whirlpool system (factory installed) | \$ 590 |

COMMON OPTIONS

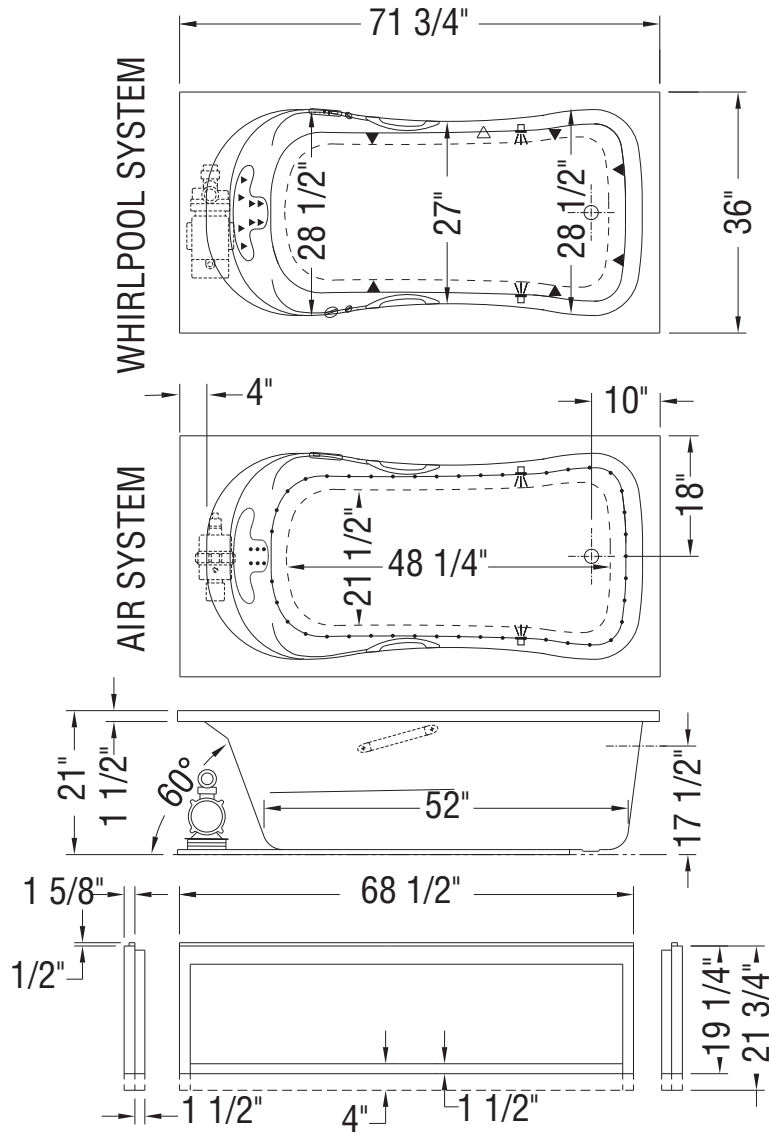
| SKU | Description | MSRP |
|--------------------|--|---------|
| OPT10106-084 | Metal trim kit for whirlpool and combined systems (factory installed) Available colors: Chrome (084) and Brushed Nickel (105) | \$ 568 |
| OPT10106-105 | | \$ 568 |
| OPT10119-105 | Metal trim kit for Aerofeel electronic control (factory installed) Available colors: Chrome (084) and Brushed Nickel (105) | \$ 74 |
| OPT10119-084 | | \$ 74 |
| OPT20141 | Rest for Hydromax and combined systems ¹² | \$ 1036 |
| OPT10097-084 | Two 12 in. metal grab bars (factory installed) in Chrome (084) | \$ 496 |
| OPT10097-105 | Two 12 in. metal grab bars (factory installed) in Brushed Nickel (105) | \$ 496 |
| OPT10054 | Two chromatherapy lights for bathtubs without waterfall (factory installed) | \$ 871 |
| 101060-000-001-000 | Removable acrylic apron Specify: Standard colors: White (001), Bone (004), Biscuit (007) | \$ 882 |
| 101060-000-004 | | \$ 882 |
| 101060-000-007-000 | | \$ 882 |

ACCESSORIES

| SKU | Description | MSRP |
|--------------|--|--------|
| 10006917 | Tiling flange, 1 x 72 in., 2 x 36 in. (sold separately) | \$ 125 |
| 10033272 | Flexible main hose for electronic control air massage - kit (sold separately) 15 ft. extension | \$ 295 |
| 10004306-001 | White foam cushion with 2 suction pads (sold separately) Available color: White (001) | \$ 120 |
| 10025081-084 | Waste and overflow 27 in. flexible neck (sold separately) Available colors: Chrome (084) and Brushed Nickel (105) | \$ 432 |
| 10025081-105 | | \$ 432 |

FOOTNOTES

| No | Description |
|----|---|
| 1 | Components for standard colour units equipped with systems are colour-coordinated. Trim kit and/or air push with metallic finish can be added (additional charge applies). For non-standard colour units, please specify trim kit and/or air push colour (additional charge applies for metallic finishes). Please note that the positioning of the system's control could be in conflict with the door if one was installed on the unit. To insure compatibility, please contact customer service. |
| 4 | For details on pump position and requirements, see technical drawings on https://www.maax.com . When there is a pump position A or B indicated on the technical drawing, please specify position when ordering. |
| 5 | For details on blower position and requirements, see technical drawings on https://www.maax.com . When there is a blower position A or B indicated on the technical drawing, please specify position when ordering. |
| 12 | In combined systems, only the pump is replaced with the Rest. The blower remains the same. |
| 17 | Includes Backmax and Footmax jets. Souvenir with apron and Living bathtub models do not include Footmax jets. |



- (▲): Indicates whirlpool jets positioning
 - (△): Indicates suction positioning
 - (●): Indicates airjets positioning
 - (—): Indicates standard grab bar positioning
 - (☹): Indicates chromatherapy light positioning
- Bathtub base includes anti-vibration Neutra-Phone leg supports (not shown).
All dimensions are approximate. Structure measurements must be verified against the unit to ensure proper fit.



Exhibit 6030 IFS



Material : Acrylic
 Min: 38 Gal / 145 L
 Max: 44 Gal / 168 L

Features

- › Rectangular shape bathtub in alcove installation
- › Above-the-Floor Rough (AFR) or not
- › Minimalist look with discreet armrests and textured floor
- › Deck for faucet available
- › When equipped with a system, the unit comes with an access panel
- › Available with an optional pre-installed white linear overflow for non-high rise construction

RECTANGULAR BATHTUBS - ACRYLIC

| EXHIBIT 6030 IFS AFR - 105511 | | | | | | |
|-------------------------------|--|---------|---------------|--|--------------------|---------|
| SKU | System | Color | Configuration | Dimensions & Weight | Packaging | MSRP |
| 105511-000-001-001 | Soaker - No System | White | Left | 59 3/4" x 30" x 19 1/2" / 77 lb / 35 kg | 23 ft ³ | \$ 1142 |
| 105511-000-001-002 | | | Right | | | \$ 1142 |
| 105511-000-004-001 | | Bone | Left | | | \$ 1142 |
| 105511-000-004-002 | | | Right | | | \$ 1142 |
| 105511-000-007-001 | | Biscuit | Left | | | \$ 1142 |
| 105511-000-007-002 | | | Right | | | \$ 1142 |
| 105511-003-001-001 | Whirlpool ^{1 4} | White | Left | | | \$ 2490 |
| 105511-003-001-002 | | | Right | | | \$ 2490 |
| 105511-003-007-001 | | Biscuit | Left | | | \$ 2490 |
| 105511-003-007-002 | | | Right | | | \$ 2490 |
| 105511-097-001-001 | Combined Whirlpool & Aeroeffect ^{1 3} | White | Left | | | \$ 4388 |
| 105511-097-001-002 | | | Right | | | \$ 4388 |
| 105511-103-001-100 | Aeroeffect ^{1 2 5} | | Left | \$ 3403 | | |
| 105511-103-001-101 | | | Right | \$ 3403 | | |
| 105511-L-003-004 | Whirlpool ^{1 4} | Bone | Left | \$ 2490 | | |
| 105511-L-097-004 | | | | Combined Whirlpool & Aeroeffect ^{1 3} | \$ 4388 | |
| 105511-L-097-007 | Biscuit | \$ 4388 | | | | |
| 105511-L-103-004 | Aeroeffect ^{1 2 5} | Bone | | \$ 3403 | | |
| 105511-L-103-007 | | Biscuit | | \$ 3403 | | |
| 105511-R-003-004 | Whirlpool ^{1 4} | Bone | | Right | \$ 2490 | |

EXHIBIT 6030 IFS AFR - 105511

| SKU | System | Color | Configuration | Dimensions & Weight | Packaging | MSRP |
|------------------|--|---------|---------------|---|--------------------|---------|
| 105511-R-097-004 | Combined Whirlpool & Aeroeffect ^{1 3} | Bone | Right | 59 3/4" x 30" x 19 1/2" / 77 lb / 35 kg | 23 ft ³ | \$ 4388 |
| 105511-R-097-007 | | Biscuit | | | | \$ 4388 |
| 105511-R-103-004 | Aeroeffect ^{1 2 5} | Bone | | | | \$ 3403 |
| 105511-R-103-007 | | Biscuit | | | | \$ 3403 |

EXHIBIT 6030 IFS - 105519

| SKU | System | Color | Configuration | Dimensions & Weight | Packaging | MSRP |
|--------------------|--|---------|---------------|---|--------------------|---------|
| 105519-000-001-102 | Soaker - No System | White | Left | 59 3/4" x 30" x 17 3/4" / 77 lb / 35 kg | 23 ft ³ | \$ 1142 |
| 105519-000-001-103 | | | Right | | | \$ 1142 |
| 105519-000-004-102 | | Bone | Left | | | \$ 1142 |
| 105519-000-004-103 | | | Right | | | \$ 1142 |
| 105519-000-007-102 | | Biscuit | Left | | | \$ 1142 |
| 105519-000-007-103 | | | Right | | | \$ 1142 |
| 105519-003-001-100 | Whirlpool ^{1 4} | White | Left | | | \$ 2490 |
| 105519-003-001-101 | | | Right | | | \$ 2490 |
| 105519-003-004-100 | | Bone | Left | | | \$ 2490 |
| 105519-003-004-101 | | | Right | | | \$ 2490 |
| 105519-003-007-100 | | Biscuit | Left | | | \$ 2490 |
| 105519-003-007-101 | | | Right | | | \$ 2490 |
| 105519-097-001-100 | Combined Whirlpool & Aeroeffect ^{1 3} | White | Left | \$ 4388 | | |
| 105519-097-001-101 | | | Right | \$ 4388 | | |
| 105519-103-001-104 | Aeroeffect ^{1 2 5} | | Left | \$ 3403 | | |
| 105519-103-001-105 | | | Right | \$ 3403 | | |
| 105519-L-097-004 | Combined Whirlpool & Aeroeffect ^{1 3} | | Bone | Left | \$ 4388 | |
| 105519-L-097-007 | | | Biscuit | | \$ 4388 | |
| 105519-L-103-004 | Aeroeffect ^{1 2 5} | | Bone | | \$ 3403 | |
| 105519-L-103-007 | | | Biscuit | | \$ 3403 | |
| 105519-R-097-004 | Combined Whirlpool & Aeroeffect ^{1 3} | Bone | Right | \$ 4388 | | |
| 105519-R-097-007 | | Biscuit | | \$ 4388 | | |
| 105519-R-103-004 | Aeroeffect ^{1 2 5} | Bone | | \$ 3403 | | |
| 105519-R-103-007 | | Biscuit | | \$ 3403 | | |

COMMON OPTIONS

| SKU | Description | MSRP |
|--------------|---|--------|
| OPT20029-105 | Metal trim kit for air push control (factory installed) | \$ 50 |
| OPT20029-084 | Available colors: Chrome (084) and Brushed Nickel (105) | \$ 50 |
| OPT20137-004 | Cable-operated waste and overflow (16 in. to 22 in.) (included in product packaging when purchased) Available colors: White (001), Bone (004), Chrome (084) and Brushed Nickel (105) | \$ 238 |

COMMON OPTIONS

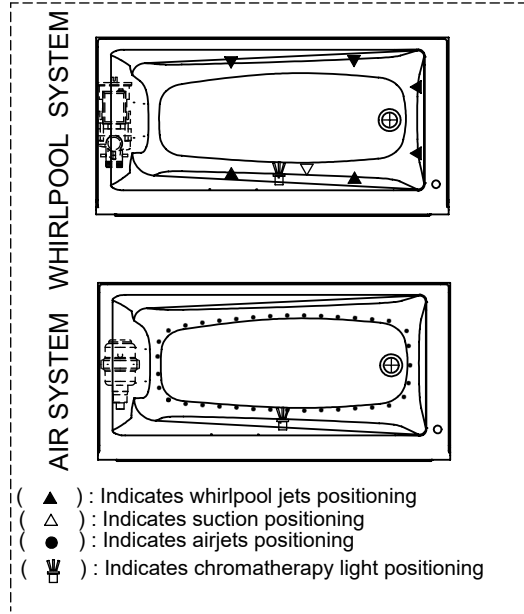
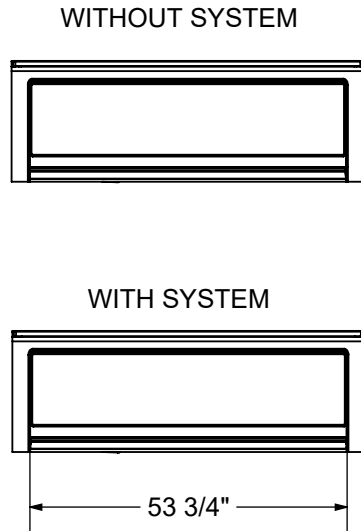
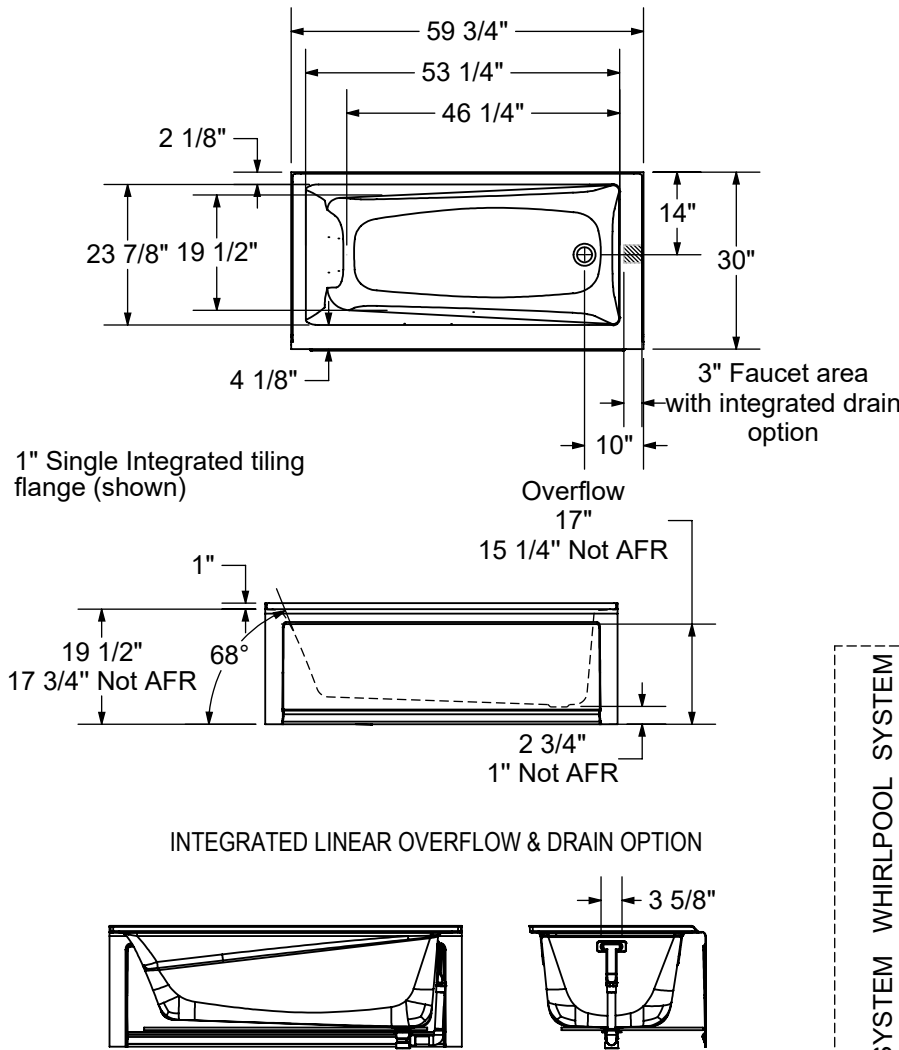
| SKU | Description | MSRP |
|--------------|---|--------|
| OPT20137-084 | | \$ 238 |
| OPT20137-105 | Cable-operated waste and overflow (16 in. to 22 in.) (included in product packaging when purchased) Available colors: White (001), Bone (004), Chrome (084) and Brushed Nickel (105) | \$ 238 |
| OPT20137-001 | | \$ 238 |
| OPT10019 | Removable access panel | \$ 319 |
| OPT10053 | One chromatherapy light (factory installed) ⁵⁴ | \$ 641 |
| OPT10095 | Water heater assembly for whirlpool and combined systems (factory installed) | \$ 908 |
| OPT10106-084 | Metal trim kit for whirlpool and combined systems (factory installed) Available colors: Chrome (084) and Brushed Nickel (105) | \$ 568 |
| OPT10106-105 | | \$ 568 |
| OPT20341-001 | Linear overflow and pop-up drain for non-high rise construction featuring direct drain pre-installed in the factory Available color: White (001) | \$ 165 |

ACCESSORIES

| SKU | Description | MSRP |
|--------------|--|--------|
| 10006923 | Flexible main hose (9 ft. extension) for air push control air massage - Kit (sold separately) | \$ 166 |
| 10004306-001 | White foam cushion with 2 suction pads (sold separately) Available color: White (001) | \$ 120 |
| 10028641-084 | Metal trim kit for Whirlpool and combined systems (sold separately) Available colors: Chrome (084) and Brushed Nickel (105) | \$ 568 |
| 10028641-105 | | \$ 568 |
| 10034250-084 | Metal trim kit for Aeroeffect with Air Push Control (sold separately) Available colors: Chrome (084) and Brushed Nickel (105) | \$ 50 |
| 10034250-105 | | \$ 50 |
| 10022491-084 | | \$ 238 |
| 10022491-004 | Cable-operated waste and overflow (16 in. to 22 in.) (sold separately) Available colors: White (001), Bone (004), Chrome (084) and Brushed Nickel (105) | \$ 238 |
| 10022491-105 | | \$ 238 |
| 10022491-001 | | \$ 238 |

FOOTNOTES

| No | Description |
|----|---|
| 1 | Components for standard colour units equipped with systems are colour-coordinated. Trim kit and/or air push with metallic finish can be added (additional charge applies). For non-standard colour units, please specify trim kit and/or air push colour (additional charge applies for metallic finishes). Please note that the positioning of the system's control could be in conflict with the door if one was installed on the unit. To insure compatibility, please contact customer service. |
| 2 | Please order flexible main hose 10006923 for installation of the blower further than 3 ft from the bathtub. For the Tandem models and the Serenade models (freestanding and drop-in), the blower is always remote and not factory installed so a 9 ft flexible main hose is included. Please note that the positioning of the system's control could be in conflict with the door if one was installed on the unit. To insure compatibility, please contact customer service. |
| 3 | The blower is not factory installed (remote). 9 ft flexible main hose included. Please note that the positioning of the system's control could be in conflict with the door if one was installed on the unit. To insure compatibility, please contact customer service. |
| 4 | For details on pump position and requirements, see technical drawings on https://www.maax.com . When there is a pump position A or B indicated on the technical drawing, please specify position when ordering. |
| 5 | For details on blower position and requirements, see technical drawings on https://www.maax.com . When there is a blower position A or B indicated on the technical drawing, please specify position when ordering. |
| 54 | A selection of units come with an access panel by default when equipped with a system. However, if the unit is only equipped with chromatherapy, the access panel will not be provided by default. |



Wood support design may vary.
Single Integrated tiling flange: 1" height x 1/4" thickness (shown)

All dimensions are approximate. Structure measurements must be verified against the unit to ensure proper fit.



Exhibit 6032 IF

RECTANGULAR BATHTUBS - ACRYLIC



Material : Acrylic
 Min: 40 Gal / 150 L
 Max: 48 Gal / 182 L

Features

- › Rectangular shape bathtub
- › Drop-in or alcove installation with tiling flange
- › Minimalist look with discreet armrests and textured floor
- › End drain

| EXHIBIT 6032 - 105513 | | | | | | |
|-----------------------|--|---------|---------------|---|--------------------|---------|
| SKU | System | Color | Configuration | Dimensions & Weight | Packaging | MSRP |
| 105513-000-001-000 | Soaker - No System | White | End | 59 3/4" x 31 7/8" x 20" / 85 lb / 39 kg | 30 ft ³ | \$ 1007 |
| 105513-000-004-000 | | Bone | | | | \$ 1007 |
| 105513-000-007-000 | | Biscuit | | | | \$ 1007 |
| 105513-003-001-000 | Whirlpool ^{1 4} | White | | | | \$ 2355 |
| 105513-003-004-000 | | Bone | | | | \$ 2355 |
| 105513-003-007-000 | | Biscuit | | | | \$ 2355 |
| 105513-097-001-000 | Combined Whirlpool & Aeroeffect ^{1 3} | White | | | | \$ 4253 |
| 105513-097-004 | | Bone | | | | \$ 4253 |
| 105513-097-007 | | Biscuit | | | | \$ 4253 |
| 105513-103-001-100 | Aeroeffect ^{1 2 5} | White | | | | \$ 3268 |
| 105513-103-004 | | Bone | | | | \$ 3268 |
| 105513-103-007 | | Biscuit | | | | \$ 3268 |

| EXHIBIT 6032 IF - 105514 | | | | | | |
|--------------------------|--------------------------|-------|---------------|---|--------------------|---------|
| SKU | System | Color | Configuration | Dimensions & Weight | Packaging | MSRP |
| 105514-000-001-001 | Soaker - No System | White | Left | 59 3/4" x 31 7/8" x 20" / 85 lb / 39 kg | 30 ft ³ | \$ 1007 |
| 105514-000-001-002 | | | Right | | | \$ 1007 |
| 105514-003-001-001 | Whirlpool ^{1 4} | | Left | | | \$ 2355 |
| 105514-003-001-002 | | | Right | | | \$ 2355 |

EXHIBIT 6032 IF - 105514

| SKU | System | Color | Configuration | Dimensions & Weight | Packaging | MSRP | |
|--------------------|--|---------|---------------|---|--------------------|---------|---------|
| 105514-097-001-001 | Combined Whirlpool & Aeroeffect ^{1 3} | White | Left | 59 3/4" x 31 7/8" x 20" / 85 lb / 39 kg | 30 ft ³ | \$ 4253 | |
| 105514-097-001-002 | | | Right | | | \$ 4253 | |
| 105514-103-001-102 | Aeroeffect ^{1 2 5} | | Left | | | \$ 3268 | |
| 105514-103-001-103 | | | Right | | | \$ 3268 | |
| 105514-103-007-102 | Biscuit | | Left | | | \$ 3268 | |
| 105514-103-007-103 | | | Right | | | \$ 3268 | |
| 105514-L-000-004 | Soaker - No System | Bone | Left | | | \$ 1007 | |
| 105514-L-000-007 | | Biscuit | | | | \$ 1007 | |
| 105514-L-003-004 | Whirlpool ^{1 4} | Bone | | | | \$ 2355 | |
| 105514-L-003-007 | | Biscuit | | | | \$ 2355 | |
| 105514-L-097-004 | Combined Whirlpool & Aeroeffect ^{1 3} | Bone | | | | \$ 4253 | |
| 105514-L-097-007 | | Biscuit | | | | \$ 4253 | |
| 105514-L-103-004 | Aeroeffect ^{1 2 5} | Bone | | | | \$ 3268 | |
| 105514-R-000-004 | Soaker - No System | Bone | | | | Right | \$ 1007 |
| 105514-R-000-007 | | Biscuit | | | | | \$ 1007 |
| 105514-R-003-004 | Whirlpool ^{1 4} | Bone | | | | | \$ 2355 |
| 105514-R-003-007 | | Biscuit | | | | | \$ 2355 |
| 105514-R-097-004 | Combined Whirlpool & Aeroeffect ^{1 3} | Bone | | | | | \$ 4253 |
| 105514-R-097-007 | | Biscuit | | \$ 4253 | | | |
| 105514-R-103-004 | Aeroeffect ^{1 2 5} | Bone | | \$ 3268 | | | |

COMMON OPTIONS

| SKU | Description | MSRP |
|--------------|---|--------|
| OPT20137-004 | Cable-operated waste and overflow (16 in. to 22 in.) (included in product packaging when purchased) Available colors: White (001), Bone (004), Chrome (084) and Brushed Nickel (105) | \$ 238 |
| OPT20137-084 | | \$ 238 |
| OPT20137-105 | | \$ 238 |
| OPT20137-001 | | \$ 238 |
| OPT10053 | One chromatherapy light (factory installed) ⁵⁴ | \$ 641 |
| OPT10095 | Water heater assembly for whirlpool and combined systems (factory installed) | \$ 908 |
| OPT10106-084 | Metal trim kit for whirlpool and combined systems (factory installed) Available colors: Chrome (084) and Brushed Nickel (105) | \$ 568 |
| OPT10106-105 | | \$ 568 |
| OPT20029-105 | Metal trim kit for air push control (factory installed) Available colors: Chrome (084) and Brushed Nickel (105) | \$ 50 |
| OPT20029-084 | | \$ 50 |

ACCESSORIES

| SKU | Description | MSRP |
|----------|---|--------|
| 10006923 | Flexible main hose (9 ft. extension) for air push control air massage - Kit (sold separately) | \$ 166 |

ACCESSORIES

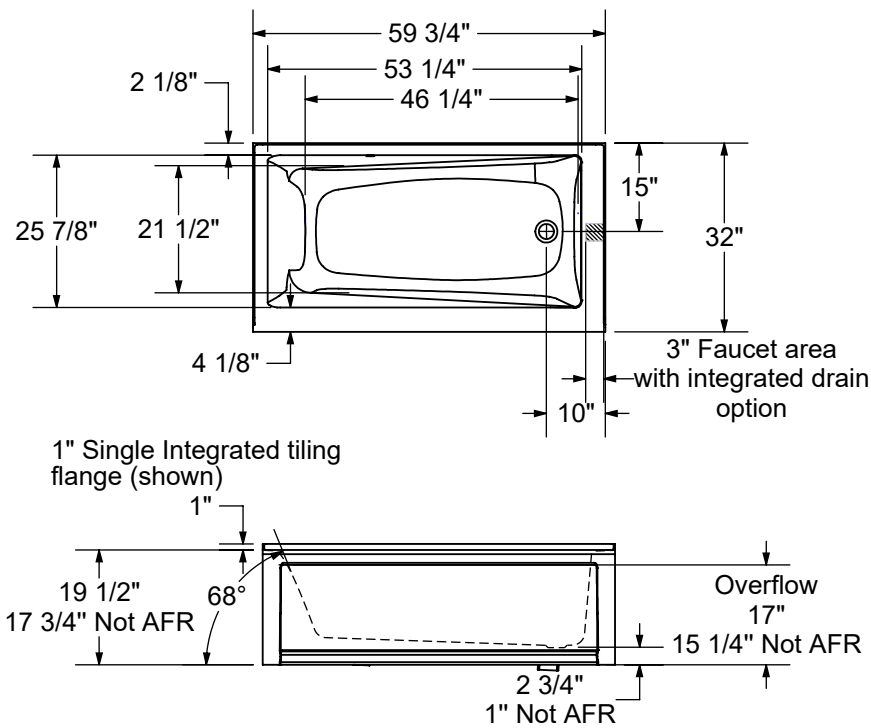
| SKU | Description | MSRP |
|--------------|--|--------|
| 10004306-001 | White foam cushion with 2 suction pads (sold separately) Available color: White (001) | \$ 120 |
| 10028641-084 | Metal trim kit for Whirlpool and combined systems (sold separately) Available colors: Chrome (084) and Brushed Nickel (105) | \$ 568 |
| 10028641-105 | | \$ 568 |
| 10034250-084 | Metal trim kit for Aeroeffect with Air Push Control (sold separately) Available colors: Chrome (084) and Brushed Nickel (105) | \$ 50 |
| 10034250-105 | | \$ 50 |
| 10022491-084 | Cable-operated waste and overflow (16 in. to 22 in.) (sold separately) Available colors: White (001), Bone (004), Chrome (084) and Brushed Nickel (105) | \$ 238 |
| 10022491-004 | | \$ 238 |
| 10022491-105 | | \$ 238 |
| 10022491-001 | | \$ 238 |

FOOTNOTES

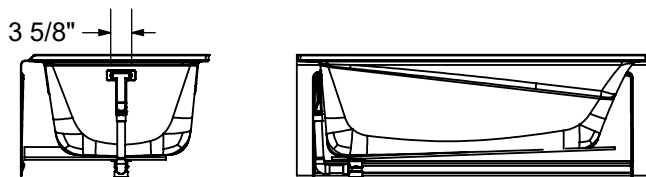
| No | Description |
|----|---|
| 1 | Components for standard colour units equipped with systems are colour-coordinated. Trim kit and/or air push with metallic finish can be added (additional charge applies). For non-standard colour units, please specify trim kit and/or air push colour (additional charge applies for metallic finishes). Please note that the positioning of the system's control could be in conflict with the door if one was installed on the unit. To insure compatibility, please contact customer service. |
| 2 | Please order flexible main hose 10006923 for installation of the blower further than 3 ft from the bathtub. For the Tandem models and the Serenade models (freestanding and drop-in), the blower is always remote and not factory installed so a 9 ft flexible main hose is included. Please note that the positioning of the system's control could be in conflict with the door if one was installed on the unit. To insure compatibility, please contact customer service. |
| 3 | The blower is not factory installed (remote). 9 ft flexible main hose included. Please note that the positioning of the system's control could be in conflict with the door if one was installed on the unit. To insure compatibility, please contact customer service. |
| 4 | For details on pump position and requirements, see technical drawings on https://www.maax.com . When there is a pump position A or B indicated on the technical drawing, please specify position when ordering. |
| 5 | For details on blower position and requirements, see technical drawings on https://www.maax.com . When there is a blower position A or B indicated on the technical drawing, please specify position when ordering. |
| 54 | A selection of units come with an access panel by default when equipped with a system. However, if the unit is only equipped with chromatherapy, the access panel will not be provided by default. |

RECOMMENDED DOORS - VISIT OUR WEBSITE FOR A COMPLETE LIST OF RECOMMENDED DOORS

| SKU | Product Name | Pag. |
|--------|---|------|
| 139398 | Halo 56 ½-59 x 59 - 8mm | 878 |
| 139351 | Incognito 57 56-59 x 56 ¾ - 6mm | 856 |
| 139354 | Incognito 57 56-59 x 56 ¾ - 8mm | 860 |
| 135330 | Incognito 57 Shaker 56-59 x 56 ¾ - 8mm | 854 |
| 135695 | Revelation Square 56-59 x 56 ¾-59 ¼ - 8mm | 870 |
| 135692 | Revelation Square 56-59 x 56 ¾-58 ¼ - 6mm | 868 |
| 136692 | Revelation Round 56-59 x 56 ¾-59 ¼ - 6mm | 864 |
| 136695 | Revelation Round 56-59 x 56 ¾-59 ¼ - 8 mm | 866 |
| 135320 | Uptown 56-59 x 58 in. 8 mm | 872 |
| 138485 | Vela 56 ½-59 x 59 - 8mm | 876 |
| 138480 | | 874 |
| 134661 | Kameleon SC 55-59 x 57 - 6mm | 843 |



INTEGRATED LINEAR OVERFLOW & DRAIN OPTION



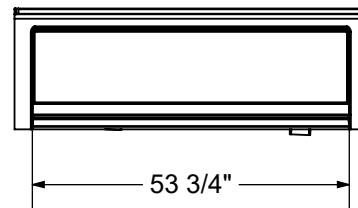
Wood support design may vary.
Single Integrated tiling flange: 1" height x 1/4" thickness (shown)

All dimensions are approximate.
Structure measurement must be verified against the unit to ensure proper fit.

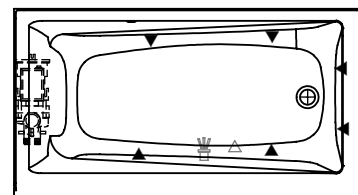
WITHOUT SYSTEM



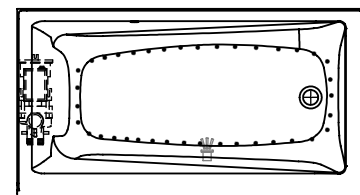
WITH SYSTEM



WHIRLPOOL SYSTEM



AIR SYSTEM



- (▲) : Indicates whirlpool jets positioning
- (△) : Indicates suction positioning
- (●) : Indicates airjets positioning
- (◻) : Indicates chromatherapy light positioning



Exhibit 6032 IFS



Material : Acrylic
 Min: 42 Gal / 159 L
 Max: 46 Gal / 173 L

Features

- › Alcove bathtub
- › Acrylic surface resistant to stains
- › Available in white, bone or biscuit color to complement any bathroom decor
- › Available in left-hand and right-hand drain configurations to fit your specific bathroom layout
- › Integrated tiling flange for added leak protection and easy installation of shower walls
- › Also available in an Above-the-Floor Rough (AFR) configuration for easier drain, waste and overflow installation
- › Proudly made in North America
- › Compatible with UTile for an easy wall solution
- › Product warranty: 25 years

RECTANGULAR BATHTUBS - ACRYLIC

EXHIBIT 6032 IFS AFR - 105512

| SKU | System | Color | Configuration | Dimensions & Weight | Packaging | MSRP | | | |
|--------------------|--|---------|---------------|---|--------------------|---------|--|--|---------|
| 105512-000-001-001 | Soaker - No System | White | Left | 59 3/4" x 32" x 19 1/2" / 78 lb / 35 kg | 24 ft ³ | \$ 1179 | | | |
| 105512-000-001-002 | | | Right | | | \$ 1179 | | | |
| 105512-003-001-001 | Whirlpool ^{1 4} | | Left | | | \$ 2527 | | | |
| 105512-003-001-002 | | | Right | | | \$ 2527 | | | |
| 105512-097-001-001 | Combined Whirlpool & Aeroeffect ^{1 3} | | Left | | | \$ 4425 | | | |
| 105512-097-001-002 | | | Right | | | \$ 4425 | | | |
| 105512-103-001-100 | Aeroeffect ^{1 2 5} | | Left | | | \$ 3440 | | | |
| 105512-103-001-101 | | | Right | | | \$ 3440 | | | |
| 105512-L-000-004 | Soaker - No System | | Bone | | | Left | | | \$ 1179 |
| 105512-L-000-007 | | | Biscuit | | | | | | \$ 1179 |
| 105512-L-003-004 | Whirlpool ^{1 4} | Bone | \$ 2527 | | | | | | |
| 105512-L-003-007 | | Biscuit | \$ 2527 | | | | | | |
| 105512-L-097-004 | Combined Whirlpool & Aeroeffect ^{1 3} | Bone | \$ 4425 | | | | | | |
| 105512-L-097-007 | | Biscuit | \$ 4425 | | | | | | |
| 105512-L-103-004 | Aeroeffect ^{1 2 5} | Bone | \$ 3440 | | | | | | |
| 105512-L-103-007 | | Biscuit | \$ 3440 | | | | | | |
| 105512-R-000-004 | Soaker - No System | Bone | Right | \$ 1179 | | | | | |
| 105512-R-000-007 | | Biscuit | \$ 1179 | | | | | | |

EXHIBIT 6032 IFS AFR - 105512

| SKU | System | Color | Configuration | Dimensions & Weight | Packaging | MSRP |
|------------------|--|---------|---------------|---|--------------------|---------|
| 105512-R-003-004 | Whirlpool ^{1 4} | Bone | Right | 59 3/4" x 32" x 19 1/2" / 78 lb / 35 kg | 24 ft ³ | \$ 2527 |
| 105512-R-003-007 | | Biscuit | | | | \$ 2527 |
| 105512-R-097-004 | Combined Whirlpool & Aeroeffect ^{1 3} | Bone | | | | \$ 4425 |
| 105512-R-097-007 | | Biscuit | | | | \$ 4425 |
| 105512-R-103-004 | Aeroeffect ^{1 2 5} | Bone | | | | \$ 3440 |
| 105512-R-103-007 | | Biscuit | | | | \$ 3440 |

EXHIBIT 6032 IFS - 105520

| SKU | System | Color | Configuration | Dimensions & Weight | Packaging | MSRP |
|--------------------|--|---------|---------------|---|--------------------|---------|
| 105520-000-001-102 | Soaker - No System | White | Left | 59 3/4" x 32" x 17 3/4" / 78 lb / 35 kg | 24 ft ³ | \$ 1179 |
| 105520-000-001-103 | | | Right | | | \$ 1179 |
| 105520-000-004-102 | | Bone | Left | | | \$ 1179 |
| 105520-000-004-103 | | | Right | | | \$ 1179 |
| 105520-000-007-102 | | Biscuit | Left | | | \$ 1179 |
| 105520-000-007-103 | | | Right | | | \$ 1179 |
| 105520-003-001-100 | Whirlpool ^{1 4} | White | Left | | | \$ 2527 |
| 105520-003-001-101 | | | Right | | | \$ 2527 |
| 105520-003-004-100 | | Bone | Left | | | \$ 2527 |
| 105520-003-004-101 | | | Right | | | \$ 2527 |
| 105520-003-007-100 | | Biscuit | Left | | | \$ 2527 |
| 105520-003-007-101 | | | Right | | | \$ 2527 |
| 105520-097-001-100 | Combined Whirlpool & Aeroeffect ^{1 3} | White | Left | \$ 4425 | | |
| 105520-097-001-101 | | | Right | \$ 4425 | | |
| 105520-103-001-104 | Aeroeffect ^{1 2 5} | | Left | \$ 3440 | | |
| 105520-103-001-105 | | | Right | \$ 3440 | | |
| 105520-L-097-004 | Combined Whirlpool & Aeroeffect ^{1 3} | | Bone | Left | \$ 4425 | |
| 105520-L-097-007 | | | Biscuit | | \$ 4425 | |
| 105520-L-103-004 | Aeroeffect ^{1 2 5} | Bone | \$ 3440 | | | |
| 105520-L-103-007 | | Biscuit | \$ 3440 | | | |
| 105520-R-097-004 | Combined Whirlpool & Aeroeffect ^{1 3} | Bone | Right | | \$ 4425 | |
| 105520-R-097-007 | | Biscuit | | | \$ 4425 | |
| 105520-R-103-004 | Aeroeffect ^{1 2 5} | Bone | | \$ 3440 | | |
| 105520-R-103-007 | | Biscuit | | \$ 3440 | | |

COMMON OPTIONS

| SKU | Description | MSRP |
|--------------|--|-------|
| OPT20029-105 | Metal trim kit for air push control (factory installed) Available colors: Chrome (084) and Brushed Nickel (105) | \$ 50 |

COMMON OPTIONS

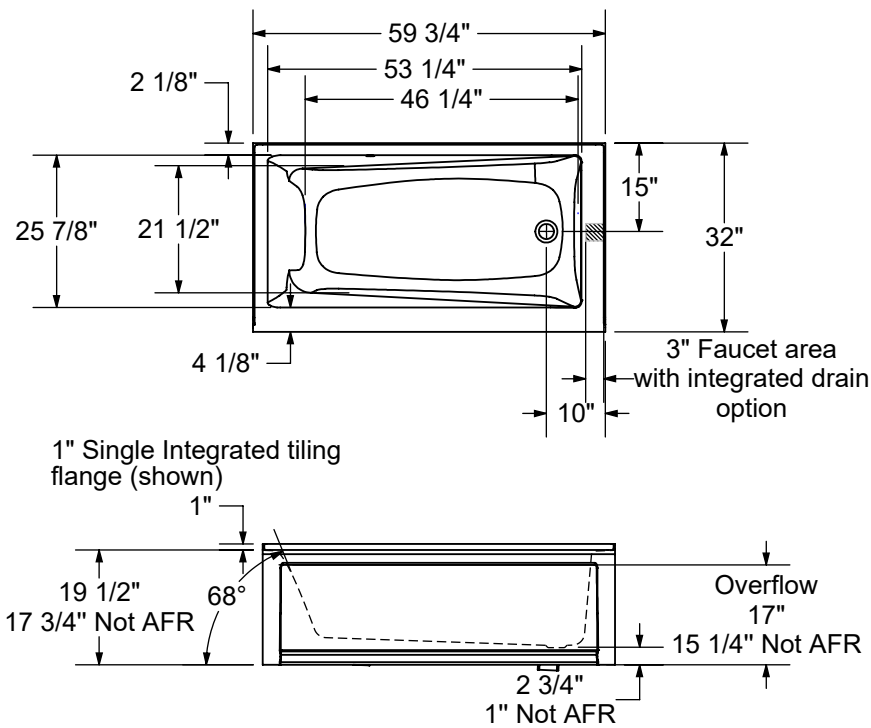
| SKU | Description | MSRP |
|--------------|---|--------|
| OPT20029-084 | Metal trim kit for air push control (factory installed) Available colors: Chrome (084) and Brushed Nickel (105) | \$ 50 |
| OPT20137-004 | Cable-operated waste and overflow (16 in. to 22 in.) (included in product packaging when purchased) Available colors: White (001), Bone (004), Chrome (084) and Brushed Nickel (105) | \$ 238 |
| OPT20137-084 | | \$ 238 |
| OPT20137-105 | | \$ 238 |
| OPT20137-001 | | \$ 238 |
| OPT10019 | Removable access panel | \$ 319 |
| OPT10053 | One chromatherapy light (factory installed) ⁵⁴ | \$ 641 |
| OPT10095 | Water heater assembly for whirlpool and combined systems (factory installed) | \$ 908 |
| OPT10106-084 | Metal trim kit for whirlpool and combined systems (factory installed) Available colors: Chrome (084) and Brushed Nickel (105) | \$ 568 |
| OPT10106-105 | | \$ 568 |
| OPT20341-001 | Linear overflow and pop-up drain for non-high rise construction featuring direct drain pre-installed in the factory Available color: White (001) | \$ 165 |

ACCESSORIES

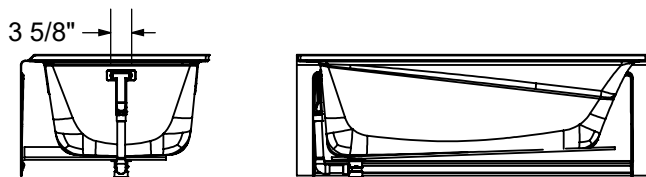
| SKU | Description | MSRP |
|--------------|--|--------|
| 10006923 | Flexible main hose (9 ft. extension) for air push control air massage - Kit (sold separately) | \$ 166 |
| 10004306-001 | White foam cushion with 2 suction pads (sold separately) Available color: White (001) | \$ 120 |
| 10028641-084 | Metal trim kit for Whirlpool and combined systems (sold separately) Available colors: Chrome (084) and Brushed Nickel (105) | \$ 568 |
| 10028641-105 | | \$ 568 |
| 10034250-084 | Metal trim kit for Aeroeffect with Air Push Control (sold separately) Available colors: Chrome (084) and Brushed Nickel (105) | \$ 50 |
| 10034250-105 | | \$ 50 |
| 10022491-084 | Cable-operated waste and overflow (16 in. to 22 in.) (sold separately) Available colors: White (001), Bone (004), Chrome (084) and Brushed Nickel (105) | \$ 238 |
| 10022491-004 | | \$ 238 |
| 10022491-105 | | \$ 238 |
| 10022491-001 | | \$ 238 |

FOOTNOTES

| No | Description |
|----|---|
| 1 | Components for standard colour units equipped with systems are colour-coordinated. Trim kit and/or air push with metallic finish can be added (additional charge applies). For non-standard colour units, please specify trim kit and/or air push colour (additional charge applies for metallic finishes). Please note that the positioning of the system's control could be in conflict with the door if one was installed on the unit. To insure compatibility, please contact customer service. |
| 2 | Please order flexible main hose 10006923 for installation of the blower further than 3 ft from the bathtub. For the Tandem models and the Serenade models (freestanding and drop-in), the blower is always remote and not factory installed so a 9 ft flexible main hose is included. Please note that the positioning of the system's control could be in conflict with the door if one was installed on the unit. To insure compatibility, please contact customer service. |
| 3 | The blower is not factory installed (remote). 9 ft flexible main hose included. Please note that the positioning of the system's control could be in conflict with the door if one was installed on the unit. To insure compatibility, please contact customer service. |
| 4 | For details on pump position and requirements, see technical drawings on https://www.maax.com . When there is a pump position A or B indicated on the technical drawing, please specify position when ordering. |
| 5 | For details on blower position and requirements, see technical drawings on https://www.maax.com . When there is a blower position A or B indicated on the technical drawing, please specify position when ordering. |
| 54 | A selection of units come with an access panel by default when equipped with a system. However, if the unit is only equipped with chromatherapy, the access panel will not be provided by default. |



INTEGRATED LINEAR OVERFLOW & DRAIN OPTION



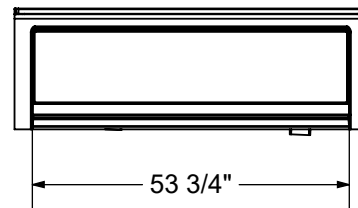
Wood support design may vary.
Single Integrated tiling flange: 1" height x 1/4" thickness (shown)

All dimensions are approximate.
Structure measurement must be verified against the unit to ensure proper fit.

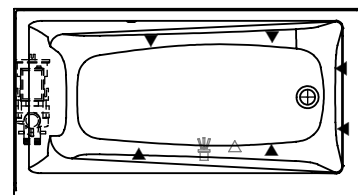
WITHOUT SYSTEM



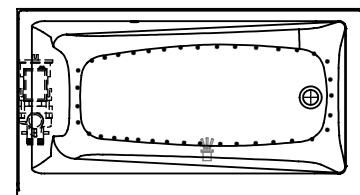
WITH SYSTEM



WHIRLPOOL SYSTEM



AIR SYSTEM



- (▲) : Indicates whirlpool jets positioning
- (△) : Indicates suction positioning
- (●) : Indicates airjets positioning
- (☼) : Indicates chromotherapy light positioning



Exhibit 6036



Material : Acrylic
 Min: 41 Gal / 155 L
 Max: 56 Gal / 214 L

Features

- › Rectangular shape bathtub
- › Drop-in or alcove installation with tiling flange
- › Minimalist look with discreet armrests and textured floor
- › End drain

RECTANGULAR BATHTUBS - ACRYLIC

EXHIBIT 6036 - 106170

| SKU | System | Color | Configuration | Dimensions & Weight | Packaging | MSRP |
|--------------------|--|---------|---------------|-------------------------------------|--------------------|---------|
| 106170-000-001-000 | Soaker - No System | White | End | 59 7/8" x 36" x 18" / 80 lb / 36 kg | 32 ft ³ | \$ 1106 |
| 106170-000-004 | | Bone | | | | \$ 1106 |
| 106170-000-007 | | Biscuit | | | | \$ 1106 |
| 106170-003-001-000 | Whirlpool ^{1 4} | White | | | | \$ 2454 |
| 106170-003-004 | | Bone | | | | \$ 2454 |
| 106170-003-007 | | Biscuit | | | | \$ 2454 |
| 106170-097-001 | Combined Whirlpool & Aeroeffect ^{1 3} | White | | | | \$ 4352 |
| 106170-097-004 | | Bone | | | | \$ 4352 |
| 106170-097-007 | | Biscuit | | | | \$ 4352 |
| 106170-103-001-100 | Aeroeffect ^{1 2 5} | White | | | | \$ 3367 |
| 106170-103-004 | | Bone | | | | \$ 3367 |
| 106170-103-007 | | Biscuit | | | | \$ 3367 |

COMMON OPTIONS

| SKU | Description | MSRP |
|--------------|---|---|
| OPT20137-004 | | \$ 238 |
| OPT20137-084 | Cable-operated waste and overflow (16 in. to 22 in.) (included in product packaging when purchased) Available colors: White (001), Bone (004), Chrome (084) and Brushed Nickel (105) | \$ 238 |
| OPT20137-105 | | \$ 238 |
| OPT20137-001 | | \$ 238 |
| OPT10053 | | One chromotherapy light (factory installed) ⁵⁴ |

COMMON OPTIONS

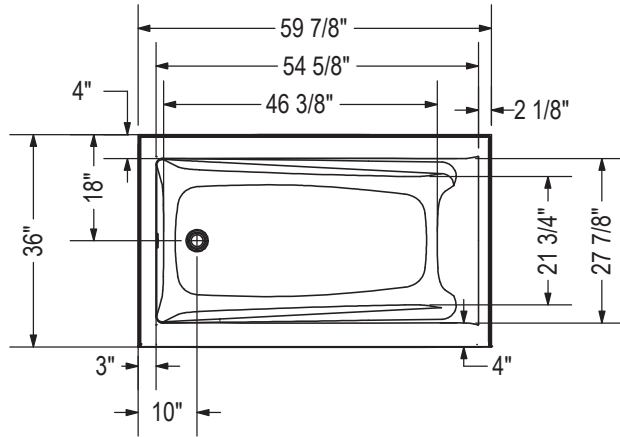
| SKU | Description | MSRP |
|--------------|--|--------|
| OPT10095 | Water heater assembly for whirlpool and combined systems (factory installed) | \$ 908 |
| OPT10106-084 | Metal trim kit for whirlpool and combined systems (factory installed) | \$ 568 |
| OPT10106-105 | Available colors: Chrome (084) and Brushed Nickel (105) | \$ 568 |
| OPT20029-105 | Metal trim kit for air push control (factory installed) | \$ 50 |
| OPT20029-084 | Available colors: Chrome (084) and Brushed Nickel (105) | \$ 50 |

ACCESSORIES

| SKU | Description | MSRP |
|--------------|--|--------|
| 10006923 | Flexible main hose (9 ft. extension) for air push control air massage - Kit (sold separately) | \$ 166 |
| 10004306-001 | White foam cushion with 2 suction pads (sold separately) Available color: White (001) | \$ 120 |
| 10028641-084 | Metal trim kit for Whirlpool and combined systems (sold separately) | \$ 568 |
| 10028641-105 | Available colors: Chrome (084) and Brushed Nickel (105) | \$ 568 |
| 10034250-084 | Metal trim kit for Aeroeffect with Air Push Control (sold separately) | \$ 50 |
| 10034250-105 | Available colors: Chrome (084) and Brushed Nickel (105) | \$ 50 |
| 10022491-084 | Cable-operated waste and overflow (16 in. to 22 in.) (sold separately) Available colors: White (001), Bone (004), Chrome (084) and Brushed Nickel (105) | \$ 238 |
| 10022491-004 | | \$ 238 |
| 10022491-105 | | \$ 238 |
| 10022491-001 | | \$ 238 |

FOOTNOTES

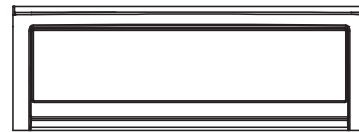
| No | Description |
|----|---|
| 1 | Components for standard colour units equipped with systems are colour-coordinated. Trim kit and/or air push with metallic finish can be added (additional charge applies). For non-standard colour units, please specify trim kit and/or air push colour (additional charge applies for metallic finishes). Please note that the positioning of the system's control could be in conflict with the door if one was installed on the unit. To insure compatibility, please contact customer service. |
| 2 | Please order flexible main hose 10006923 for installation of the blower further than 3 ft from the bathtub. For the Tandem models and the Serenade models (freestanding and drop-in), the blower is always remote and not factory installed so a 9 ft flexible main hose is included. Please note that the positioning of the system's control could be in conflict with the door if one was installed on the unit. To insure compatibility, please contact customer service. |
| 4 | For details on pump position and requirements, see technical drawings on https://www.maax.com . When there is a pump position A or B indicated on the technical drawing, please specify position when ordering. |
| 5 | For details on blower position and requirements, see technical drawings on https://www.maax.com . When there is a blower position A or B indicated on the technical drawing, please specify position when ordering. |
| 54 | A selection of units come with an access panel by default when equipped with a system. However, if the unit is only equipped with chromatherapy, the access panel will not be provided by default. |



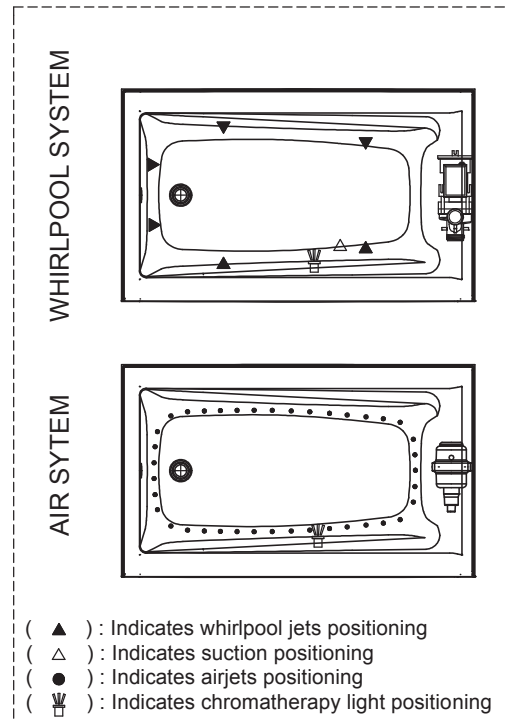
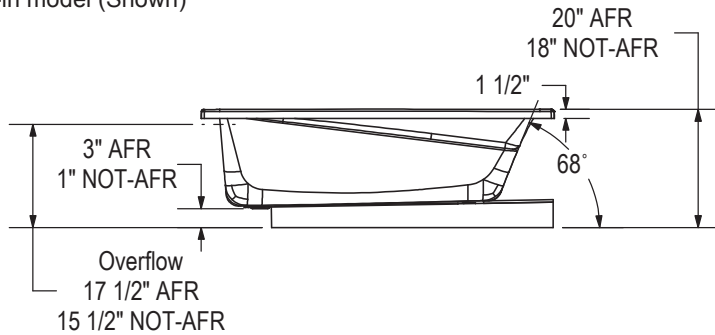
IFS Without System
Single tiling flange



IFS With System
(access panel)
Single tiling flange



1" Single integrated tiling flange (not shown)
Drop-in model (Shown)



Technical drawing is universal for all Exhibit 6036 configurations.

Wood support design may vary.
Single Integrated tiling flange: 1" height x 1/4" thickness (not shown)

All dimensions are approximate.
Structure measurement must be verified against the unit to ensure proper fit.

- (▲) : Indicates whirlpool jets positioning
- (△) : Indicates suction positioning
- (●) : Indicates airjets positioning
- (☞) : Indicates chromatherapy light positioning



Exhibit 6036 IF

RECTANGULAR BATHTUBS - ACRYLIC



Material : Acrylic
 Min: 41 Gal / 155 L
 Max: 56 Gal / 214 L

Features

- › Rectangular shape bathtub
- › Drop-in or alcove installation with tiling flange
- › Minimalist look with discreet armrests and textured floor
- › End drain

| EXHIBIT 6036 IF - 106171 | | | | | | |
|--------------------------|--|---------|---------------|-------------------------------------|--------------------|---------|
| SKU | System | Color | Configuration | Dimensions & Weight | Packaging | MSRP |
| 106171-000-001-001 | Soaker - No System | White | Left | 59 7/8" x 36" x 18" / 72 lb / 33 kg | 32 ft ³ | \$ 1106 |
| 106171-000-001-002 | | | Right | | | \$ 1106 |
| 106171-003-001-104 | Whirlpool ^{1 4} | | Left | | | \$ 2454 |
| 106171-003-001-105 | | | Right | | | \$ 2454 |
| 106171-003-004-102 | | | | | | Biscuit |
| 106171-L-000-004 | Soaker - No System | Bone | Left | | | \$ 1106 |
| 106171-L-000-007 | | Biscuit | | | | \$ 1106 |
| 106171-L-003-004 | Whirlpool ^{1 4} | Bone | | | | \$ 2454 |
| 106171-L-003-007 | | Biscuit | | | | \$ 2454 |
| 106171-L-097-001 | Combined Whirlpool & Aeroeffect ^{1 3} | White | | | | \$ 4352 |
| 106171-L-097-004 | | Bone | | \$ 4352 | | |
| 106171-L-097-007 | | Biscuit | | \$ 4352 | | |
| 106171-L-103-001 | Aeroeffect ^{1 2 5} | White | | \$ 3367 | | |
| 106171-L-103-004 | | Bone | | \$ 3367 | | |
| 106171-L-103-007 | | Biscuit | | \$ 3367 | | |
| 106171-R-000-004 | Soaker - No System | Bone | Right | \$ 1106 | | |
| 106171-R-000-007 | | Biscuit | | \$ 1106 | | |
| 106171-R-003-004 | Whirlpool ^{1 4} | Bone | | \$ 2454 | | |
| 106171-R-097-001 | Combined Whirlpool & Aeroeffect ^{1 3} | White | | \$ 4352 | | |
| 106171-R-097-004 | | Bone | | \$ 4352 | | |

EXHIBIT 6036 IF - 106171

| SKU | System | Color | Configuration | Dimensions & Weight | Packaging | MSRP |
|------------------|--|---------|---------------|-------------------------------------|--------------------|---------|
| 106171-R-097-007 | Combined Whirlpool & Aeroeffect ^{1 3} | Biscuit | Right | 59 7/8" x 36" x 18" / 72 lb / 33 kg | 32 ft ³ | \$ 4352 |
| 106171-R-103-001 | Aeroeffect ^{1 2 5} | White | | | | \$ 3367 |
| 106171-R-103-004 | | Bone | | | | \$ 3367 |
| 106171-R-103-007 | | Biscuit | | | | \$ 3367 |

COMMON OPTIONS

| SKU | Description | MSRP |
|--------------|---|--------|
| OPT20137-004 | Cable-operated waste and overflow (16 in. to 22 in.) (included in product packaging when purchased) Available colors: White (001), Bone (004), Chrome (084) and Brushed Nickel (105) | \$ 238 |
| OPT20137-084 | | \$ 238 |
| OPT20137-105 | | \$ 238 |
| OPT20137-001 | | \$ 238 |
| OPT10053 | One chromatherapy light (factory installed) ⁵⁴ | \$ 641 |
| OPT10095 | Water heater assembly for whirlpool and combined systems (factory installed) | \$ 908 |
| OPT10106-084 | Metal trim kit for whirlpool and combined systems (factory installed) Available colors: Chrome (084) and Brushed Nickel (105) | \$ 568 |
| OPT10106-105 | | \$ 568 |
| OPT20029-105 | Metal trim kit for air push control (factory installed) Available colors: Chrome (084) and Brushed Nickel (105) | \$ 50 |
| OPT20029-084 | | \$ 50 |

ACCESSORIES

| SKU | Description | MSRP |
|--------------|--|--------|
| 10006923 | Flexible main hose (9 ft. extension) for air push control air massage - Kit (sold separately) | \$ 166 |
| 10004306-001 | White foam cushion with 2 suction pads (sold separately) Available color: White (001) | \$ 120 |
| 10028641-084 | Metal trim kit for Whirlpool and combined systems (sold separately) Available colors: Chrome (084) and Brushed Nickel (105) | \$ 568 |
| 10028641-105 | | \$ 568 |
| 10034250-084 | Metal trim kit for Aeroeffect with Air Push Control (sold separately) Available colors: Chrome (084) and Brushed Nickel (105) | \$ 50 |
| 10034250-105 | | \$ 50 |
| 10022491-084 | Cable-operated waste and overflow (16 in. to 22 in.) (sold separately) Available colors: White (001), Bone (004), Chrome (084) and Brushed Nickel (105) | \$ 238 |
| 10022491-004 | | \$ 238 |
| 10022491-105 | | \$ 238 |
| 10022491-001 | | \$ 238 |

FOOTNOTES

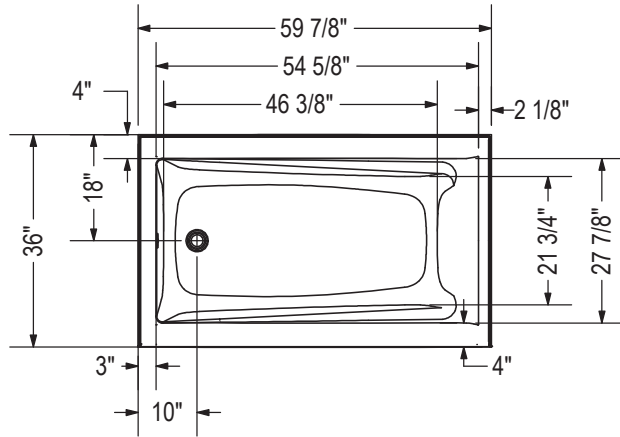
| No | Description |
|----|---|
| 1 | Components for standard colour units equipped with systems are colour-coordinated. Trim kit and/or air push with metallic finish can be added (additional charge applies). For non-standard colour units, please specify trim kit and/or air push colour (additional charge applies for metallic finishes). Please note that the positioning of the system's control could be in conflict with the door if one was installed on the unit. To insure compatibility, please contact customer service. |
| 3 | The blower is not factory installed (remote). 9 ft flexible main hose included. Please note that the positioning of the system's control could be in conflict with the door if one was installed on the unit. To insure compatibility, please contact customer service. |

FOOTNOTES

| No | Description |
|----|--|
| 4 | For details on pump position and requirements, see technical drawings on https://www.maax.com . When there is a pump position A or B indicated on the technical drawing, please specify position when ordering. |
| 54 | A selection of units come with an access panel by default when equipped with a system. However, if the unit is only equipped with chromatherapy, the access panel will not be provided by default. |

RECOMMENDED DOORS - VISIT OUR WEBSITE FOR A COMPLETE LIST OF RECOMMENDED DOORS

| SKU | Product Name | Pag. |
|--------|--|------|
| 139398 | Halo 56 ½-59 x 59 - 8mm | 878 |
| 139351 | Incognito 57 56-59 x 56 ¾ - 6mm | 856 |
| 139354 | Incognito 57 56-59 x 56 ¾ - 8mm | 860 |
| 135330 | Incognito 57 Shaker 56-59 x 56 ¾ - 8mm | 854 |
| 135695 | Revelation Square 56-59 x 56 ¾-59 ¼ - 8mm | 870 |
| 135692 | Revelation Square 56-59 x 56 ¾-58 ¼ - 6mm | 868 |
| 136692 | Revelation Round 56-59 x 56 ¾-59 ¼ - 6mm | 864 |
| 136695 | Revelation Round 56-59 x 56 ¾-59 ¼ - 8 mm | 866 |
| 135320 | Uptown 56-59 x 58 in. 8 mm | 872 |
| 138485 | Vela 56 ½-59 x 59 - 8mm | 876 |
| 138480 | | 874 |
| 134661 | Kameleon SC 55-59 x 57 - 6mm | 843 |
| 134573 | Kameleon 55-59 x 57 - 8mm | 846 |
| 134670 | Kameleon SC 55-59 x 57 - 8mm | 838 |
| 134561 | Kameleon 55-59 x 57 - 6mm | 849 |
| 138994 | Luminescence SlidingDoor 56 ½-59 x 55 ½-57 ½ - 6mm | 880 |
| 105410 | Polar 54-59 ½ x 57 in. | 862 |



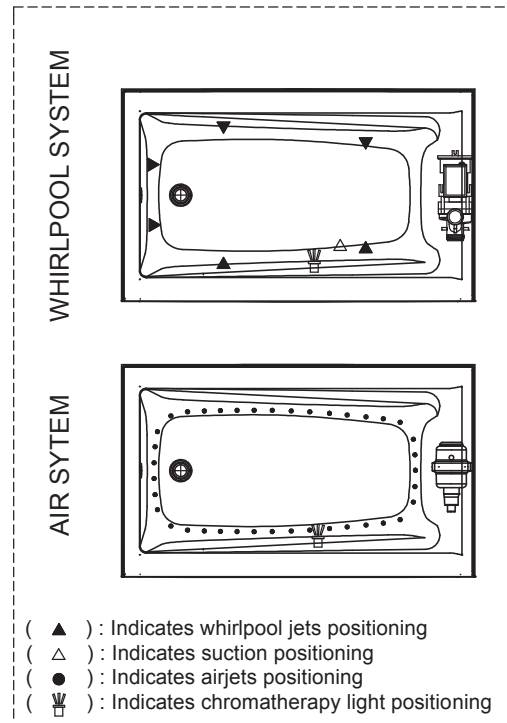
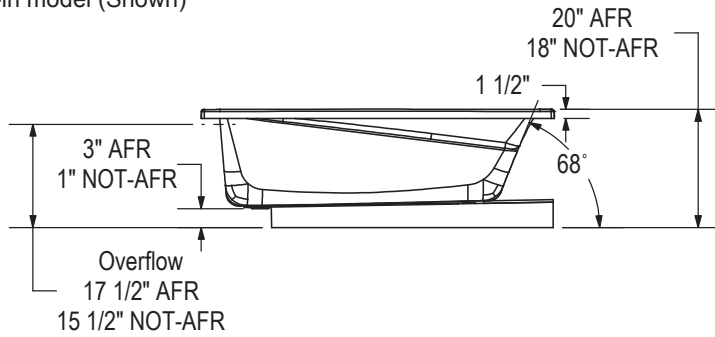
IFS Without System
Single tiling flange



IFS With System
(access panel)
Single tiling flange



1" Single integrated tiling flange (not shown)
Drop-in model (Shown)



Technical drawing is universal for all Exhibit 6036 configurations.

Wood support design may vary.
Single Integrated tiling flange: 1" height x 1/4" thickness (not shown)

All dimensions are approximate.
Structure measurement must be verified against the unit to ensure proper fit.

- (▲) : Indicates whirlpool jets positioning
- (△) : Indicates suction positioning
- (●) : Indicates airjets positioning
- (☒) : Indicates chromatherapy light positioning



Exhibit 6036 IFS

RECTANGULAR BATHTUBS - ACRYLIC



Material : Acrylic
 Min: 41 Gal / 155 L
 Max: 56 Gal / 214 L

Features

- › Rectangular shape bathtub in alcove installation
- › Available in Above-the-Floor Rough (AFR) or not
- › Minimalist look with discreet armrests and textured floor
- › Integrated tiling flange
- › When equipped with a system, the unit comes with an access panel

| EXHIBIT 6036 IFS - 106172 | | | | | | | | | | | |
|---------------------------|--|---------|---------------|-------------------------------------|--------------------|-------------------------------------|--------------------|---------|-------------------------------------|--------------------|---------|
| SKU | System | Color | Configuration | Dimensions & Weight | Packaging | MSRP | | | | | |
| 106172-000-001-100 | Soaker - No System | White | Left | 59 7/8" x 36" x 18" / 80 lb / 36 kg | 32 ft ³ | \$ 1377 | | | | | |
| 106172-000-001-101 | | | Right | | | \$ 1377 | | | | | |
| 106172-000-004-100 | | Bone | Left | | | \$ 1377 | | | | | |
| 106172-000-004-101 | | | Right | | | \$ 1377 | | | | | |
| 106172-000-007-100 | | Biscuit | Left | | | \$ 1377 | | | | | |
| 106172-000-007-101 | | | Right | | | \$ 1377 | | | | | |
| 106172-003-001-001 | Whirlpool ^{1 4} | White | Left | | | 59 7/8" x 36" x 18" / 80 lb / 36 kg | 32 ft ³ | \$ 2725 | | | |
| 106172-003-001-002 | | | Right | | | | | \$ 2725 | | | |
| 106172-003-004-104 | | Bone | Left | | | | | \$ 2725 | | | |
| 106172-003-004-105 | | | Right | | | | | \$ 2725 | | | |
| 106172-003-007-104 | | Biscuit | Left | | | | | \$ 2725 | | | |
| 106172-003-007-105 | | | Right | | | | | \$ 2725 | | | |
| 106172-L-097-001 | Combined Whirlpool & Aeroeffect ^{1 3} | White | Left | 59 7/8" x 36" x 18" / 80 lb / 36 kg | 32 ft ³ | | | \$ 4623 | | | |
| 106172-L-097-004 | | Bone | | | | | | \$ 4623 | | | |
| 106172-L-097-007 | | Biscuit | | | | | | \$ 4623 | | | |
| 106172-L-103-001 | Aeroeffect ^{1 2 5} | White | | | | | | Left | 59 7/8" x 36" x 18" / 80 lb / 36 kg | 32 ft ³ | \$ 3638 |
| 106172-L-103-004 | | Bone | | | | | | | | | \$ 3638 |
| 106172-L-103-007 | | Biscuit | | | | | | | | | \$ 3638 |
| 106172-R-097-001 | Combined Whirlpool & Aeroeffect ^{1 3} | White | Right | | | 59 7/8" x 36" x 18" / 80 lb / 36 kg | 32 ft ³ | | | | \$ 4623 |
| 106172-R-097-004 | | Bone | | | | | | | | | \$ 4623 |

EXHIBIT 6036 IFS - 106172

| SKU | System | Color | Configuration | Dimensions & Weight | Packaging | MSRP |
|------------------|--|---------|---------------|-------------------------------------|--------------------|---------|
| 106172-R-097-007 | Combined Whirlpool & Aeroeffect ^{1 3} | Biscuit | Right | 59 7/8" x 36" x 18" / 80 lb / 36 kg | 32 ft ³ | \$ 4623 |
| 106172-R-103-001 | Aeroeffect ^{1 2 5} | White | | | | \$ 3638 |
| 106172-R-103-004 | | Bone | | | | \$ 3638 |
| 106172-R-103-007 | | Biscuit | | | | \$ 3638 |

EXHIBIT 6036 IFS AFR - 106173

| SKU | System | Color | Configuration | Dimensions & Weight | Packaging | MSRP |
|--------------------|--|---------|---------------|-------------------------------------|--------------------|---------|
| 106173-000-001-102 | Soaker - No System | White | Left | 59 7/8" x 36" x 20" / 80 lb / 36 kg | 32 ft ³ | \$ 1377 |
| 106173-000-001-103 | | | Right | | | \$ 1377 |
| 106173-000-004-112 | | Bone | Left | | | \$ 1377 |
| 106173-000-004-113 | | | Right | | | \$ 1377 |
| 106173-000-007-112 | | Biscuit | Left | | | \$ 1377 |
| 106173-000-007-113 | | | Right | | | \$ 1377 |
| 106173-003-001-100 | Whirlpool ^{1 4} | White | Left | | | \$ 2725 |
| 106173-003-001-101 | | | Right | | | \$ 2725 |
| 106173-003-004-001 | | Bone | Left | | | \$ 2725 |
| 106173-003-004-002 | | | Right | | | \$ 2725 |
| 106173-003-007-001 | | Biscuit | Left | | | \$ 2725 |
| 106173-003-007-002 | | | Right | | | \$ 2725 |
| 106173-L-097-001 | Combined Whirlpool & Aeroeffect ^{1 3} | White | Left | \$ 4623 | | |
| 106173-L-097-004 | | Bone | | \$ 4623 | | |
| 106173-L-097-007 | | Biscuit | | \$ 4623 | | |
| 106173-L-103-001 | Aeroeffect ^{1 2 5} | White | Left | \$ 3638 | | |
| 106173-L-103-004 | | Bone | | \$ 3638 | | |
| 106173-L-103-007 | | Biscuit | | \$ 3638 | | |
| 106173-R-097-001 | Combined Whirlpool & Aeroeffect ^{1 3} | White | Right | \$ 4623 | | |
| 106173-R-097-004 | | Bone | | \$ 4623 | | |
| 106173-R-097-007 | | Biscuit | | \$ 4623 | | |
| 106173-R-103-001 | Aeroeffect ^{1 2 5} | White | Right | \$ 3638 | | |
| 106173-R-103-004 | | Bone | | \$ 3638 | | |
| 106173-R-103-007 | | Biscuit | | \$ 3638 | | |

COMMON OPTIONS

| SKU | Description | MSRP |
|--------------|---|--------|
| OPT20029-105 | Metal trim kit for air push control (factory installed) | \$ 50 |
| OPT20029-084 | Available colors: Chrome (084) and Brushed Nickel (105) | \$ 50 |
| OPT20137-004 | Cable-operated waste and overflow (16 in. to 22 in.) (included in product packaging when purchased) Available colors: White (001), Bone (004), Chrome (084) and Brushed Nickel (105) | \$ 238 |

COMMON OPTIONS

| SKU | Description | MSRP |
|--------------|---|--------|
| OPT20137-084 | Cable-operated waste and overflow (16 in. to 22 in.) (included in product packaging when purchased) Available colors: White (001), Bone (004), Chrome (084) and Brushed Nickel (105) | \$ 238 |
| OPT20137-105 | | \$ 238 |
| OPT20137-001 | | \$ 238 |
| OPT10019 | Removable access panel | \$ 319 |
| OPT10053 | One chromatherapy light (factory installed) ⁵⁴ | \$ 641 |
| OPT10095 | Water heater assembly for whirlpool and combined systems (factory installed) | \$ 908 |
| OPT10106-084 | Metal trim kit for whirlpool and combined systems (factory installed) Available colors: Chrome (084) and Brushed Nickel (105) | \$ 568 |
| OPT10106-105 | | \$ 568 |

ACCESSORIES

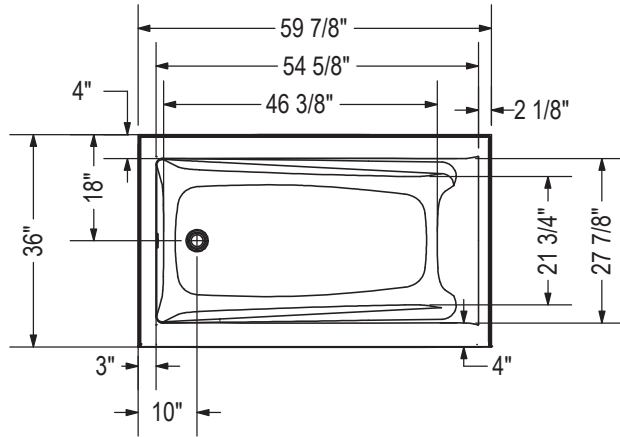
| SKU | Description | MSRP |
|--------------|--|--------|
| 10006923 | Flexible main hose (9 ft. extension) for air push control air massage - Kit (sold separately) | \$ 166 |
| 10004306-001 | White foam cushion with 2 suction pads (sold separately) Available color: White (001) | \$ 120 |
| 10028641-084 | Metal trim kit for Whirlpool and combined systems (sold separately) Available colors: Chrome (084) and Brushed Nickel (105) | \$ 568 |
| 10028641-105 | | \$ 568 |
| 10034250-084 | Metal trim kit for Aeroeffect with Air Push Control (sold separately) Available colors: Chrome (084) and Brushed Nickel (105) | \$ 50 |
| 10034250-105 | | \$ 50 |
| 10022491-084 | Cable-operated waste and overflow (16 in. to 22 in.) (sold separately) Available colors: White (001), Bone (004), Chrome (084) and Brushed Nickel (105) | \$ 238 |
| 10022491-004 | | \$ 238 |
| 10022491-105 | | \$ 238 |
| 10022491-001 | | \$ 238 |

FOOTNOTES

| No | Description |
|----|---|
| 1 | Components for standard colour units equipped with systems are colour-coordinated. Trim kit and/or air push with metallic finish can be added (additional charge applies). For non-standard colour units, please specify trim kit and/or air push colour (additional charge applies for metallic finishes). Please note that the positioning of the system's control could be in conflict with the door if one was installed on the unit. To insure compatibility, please contact customer service. |
| 4 | For details on pump position and requirements, see technical drawings on https://www.maax.com . When there is a pump position A or B indicated on the technical drawing, please specify position when ordering. |
| 54 | A selection of units come with an access panel by default when equipped with a system. However, if the unit is only equipped with chromatherapy, the access panel will not be provided by default. |

RECOMMENDED DOORS - VISIT OUR WEBSITE FOR A COMPLETE LIST OF RECOMMENDED DOORS

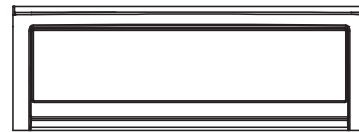
| SKU | Product Name | Pag. |
|--------|---|------|
| 139398 | Halo 56 ½-59 x 59 - 8mm | 878 |
| 139351 | Incognito 57 56-59 x 56 ¾ - 6mm | 856 |
| 139354 | Incognito 57 56-59 x 56 ¾ - 8mm | 860 |
| 135330 | Incognito 57 Shaker 56-59 x 56 ¾ - 8mm | 854 |
| 135695 | Revelation Square 56-59 x 56 ¾-59 ¼ - 8mm | 870 |



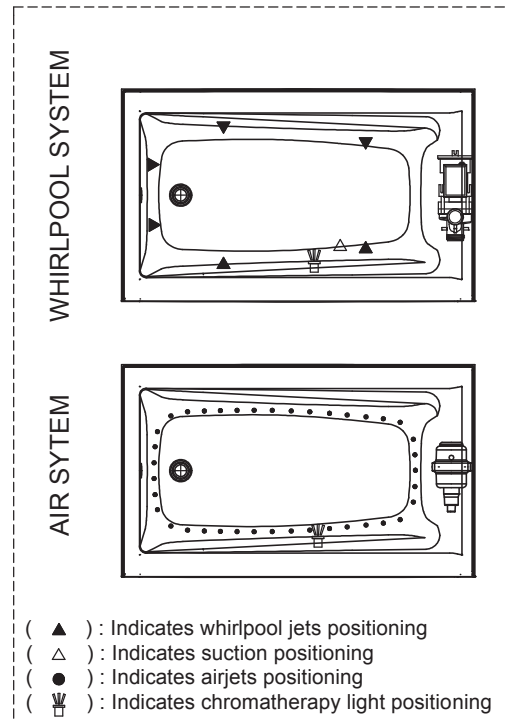
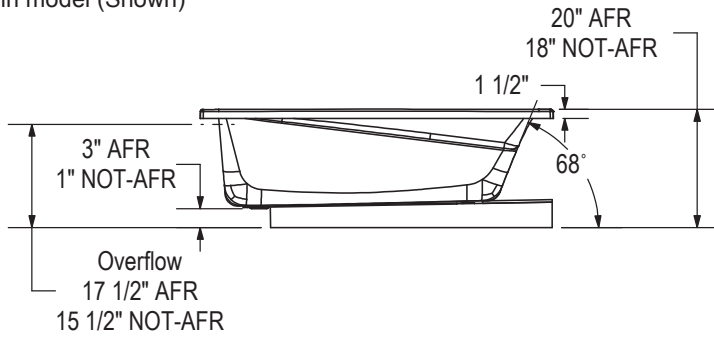
IFS Without System
Single tiling flange



IFS With System
(access panel)
Single tiling flange



1" Single integrated tiling flange (not shown)
Drop-in model (Shown)



Technical drawing is universal for all Exhibit 6036 configurations.

Wood support design may vary.
Single Integrated tiling flange: 1" height x 1/4" thickness (not shown)

All dimensions are approximate.
Structure measurement must be verified against the unit to ensure proper fit.

- (▲) : Indicates whirlpool jets positioning
- (△) : Indicates suction positioning
- (●) : Indicates airjets positioning
- (☐) : Indicates chromatherapy light positioning

Exhibit 6042



RECTANGULAR BATHTUBS - ACRYLIC



Material : Acrylic
 Min: 50 Gal / 191 L
 Max: 68 Gal / 259 L

Features

- › Rectangular shape bathtub
- › Drop-in or alcove installation with tiling flange
- › Minimalist look with discreet armrests and textured floor
- › End drain

| EXHIBIT 6042 - 106250 | | | | | | |
|-----------------------|--|---------|---------------|-------------------------------------|--------------------|---------|
| SKU | System | Color | Configuration | Dimensions & Weight | Packaging | MSRP |
| 106250-000-001-000 | Soaker - No System | White | End | 59 7/8" x 42" x 18" / 73 lb / 33 kg | 37 ft ³ | \$ 1144 |
| 106250-000-004 | | Bone | | | | \$ 1144 |
| 106250-000-007 | | Biscuit | | | | \$ 1144 |
| 106250-002-001 | Multi-Pack ⁹ | White | | | | \$ 6204 |
| 106250-002-004 | | Bone | | | | \$ 6204 |
| 106250-002-007 | | Biscuit | | | | \$ 6204 |
| 106250-003-001 | Whirlpool ^{1 4} | White | | | | \$ 2492 |
| 106250-003-004 | | Bone | | | | \$ 2492 |
| 106250-003-007 | | Biscuit | | | | \$ 2492 |
| 106250-097-001 | Combined Whirlpool & Aeroeffect ^{1 3} | White | | | | \$ 4390 |
| 106250-097-004 | | Bone | | | | \$ 4390 |
| 106250-097-007 | | Biscuit | | | | \$ 4390 |
| 106250-103-001-000 | Aeroeffect ^{1 2 5} | White | | | | \$ 3405 |
| 106250-103-004 | | Bone | | | | \$ 3405 |
| 106250-103-007 | | Biscuit | | | | \$ 3405 |

| COMMON OPTIONS | | |
|----------------|---|--------|
| SKU | Description | MSRP |
| OPT20137-004 | Cable-operated waste and overflow (16 in. to 22 in.) (included in product packaging when purchased) Available colors: White (001), Bone (004), Chrome (084) and Brushed Nickel (105) | \$ 238 |

COMMON OPTIONS

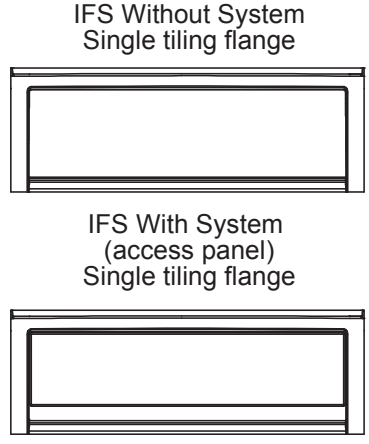
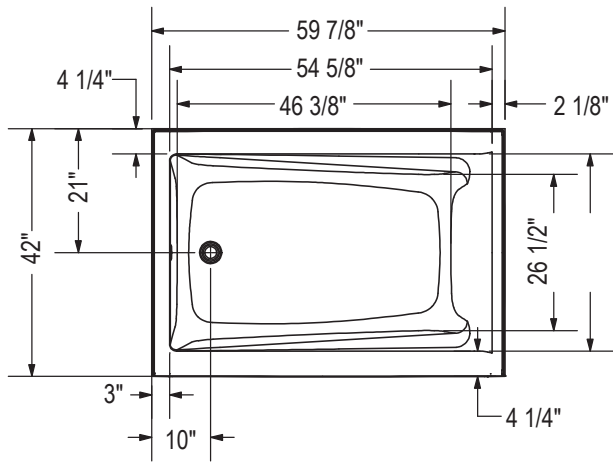
| SKU | Description | MSRP |
|--------------|---|--------|
| OPT20137-084 | | \$ 238 |
| OPT20137-105 | Cable-operated waste and overflow (16 in. to 22 in.) (included in product packaging when purchased) Available colors: White (001), Bone (004), Chrome (084) and Brushed Nickel (105) | \$ 238 |
| OPT20137-001 | | \$ 238 |
| OPT10053 | One chromatherapy light (factory installed) ⁵⁴ | \$ 641 |
| OPT10095 | Water heater assembly for whirlpool and combined systems (factory installed) | \$ 908 |
| OPT10106-084 | Metal trim kit for whirlpool and combined systems (factory installed) | \$ 568 |
| OPT10106-105 | Available colors: Chrome (084) and Brushed Nickel (105) | \$ 568 |
| OPT20029-105 | Metal trim kit for air push control (factory installed) | \$ 50 |
| OPT20029-084 | Available colors: Chrome (084) and Brushed Nickel (105) | \$ 50 |

ACCESSORIES

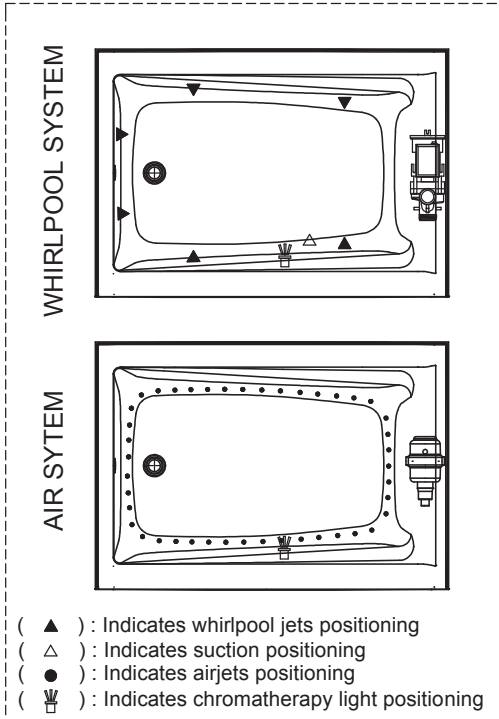
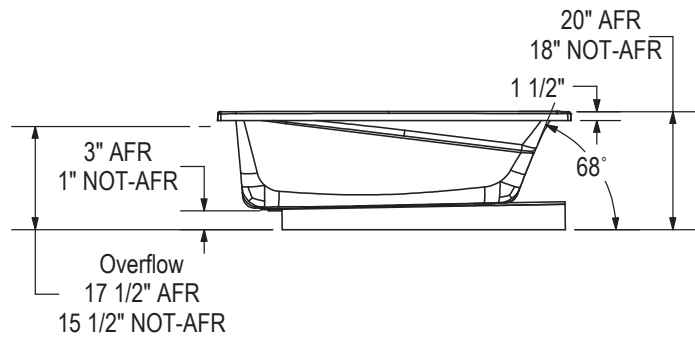
| SKU | Description | MSRP |
|--------------|---|--------|
| 10006923 | Flexible main hose (9 ft. extension) for air push control air massage - Kit (sold separately) | \$ 166 |
| 10004306-001 | White foam cushion with 2 suction pads (sold separately) Available color: White (001) | \$ 120 |
| 10028641-084 | Metal trim kit for Whirlpool and combined systems (sold separately) | \$ 568 |
| 10028641-105 | Available colors: Chrome (084) and Brushed Nickel (105) | \$ 568 |
| 10034250-084 | Metal trim kit for Aeroeffect with Air Push Control (sold separately) | \$ 50 |
| 10034250-105 | Available colors: Chrome (084) and Brushed Nickel (105) | \$ 50 |
| 10022491-084 | | \$ 238 |
| 10022491-004 | Cable-operated waste and overflow (16 in. to 22 in.) (sold separately) | \$ 238 |
| 10022491-105 | Available colors: White (001), Bone (004), Chrome (084) and Brushed Nickel (105) | \$ 238 |
| 10022491-001 | | \$ 238 |

FOOTNOTES

| No | Description |
|----|---|
| 1 | Components for standard colour units equipped with systems are colour-coordinated. Trim kit and/or air push with metallic finish can be added (additional charge applies). For non-standard colour units, please specify trim kit and/or air push colour (additional charge applies for metallic finishes). Please note that the positioning of the system's control could be in conflict with the door if one was installed on the unit. To insure compatibility, please contact customer service. |
| 2 | Please order flexible main hose 10006923 for installation of the blower further than 3 ft from the bathtub. For the Tandem models and the Serenade models (freestanding and drop-in), the blower is always remote and not factory installed so a 9 ft flexible main hose is included. Please note that the positioning of the system's control could be in conflict with the door if one was installed on the unit. To insure compatibility, please contact customer service. |
| 4 | For details on pump position and requirements, see technical drawings on https://www.maax.com . When there is a pump position A or B indicated on the technical drawing, please specify position when ordering. |
| 5 | For details on blower position and requirements, see technical drawings on https://www.maax.com . When there is a blower position A or B indicated on the technical drawing, please specify position when ordering. |
| 54 | A selection of units come with an access panel by default when equipped with a system. However, if the unit is only equipped with chromatherapy, the access panel will not be provided by default. |



1" Single integrated tiling flange (not shown)
Drop-in model (Shown)



Technical drawing is universal for all Exhibit 6042 configurations.

Wood support design may vary.
Single Integrated tiling flange: 1" height x 1/4" thickness (not shown)

All dimensions are approximate.
Structure measurement must be verified against the unit to ensure proper fit.



Exhibit 6042 IF



Material : Acrylic
 Min: 50 Gal / 191 L
 Max: 68 Gal / 259 L

Features

- › Rectangular shape bathtub
- › Drop-in or alcove installation with tiling flange
- › Minimalist look with discreet armrests and textured floor
- › End drain

RECTANGULAR BATHTUBS - ACRYLIC

| EXHIBIT 6042 IF - 106174 | | | | | | | | |
|--------------------------|--|---------|---------------|-------------------------------------|--------------------|---------|---------|---------|
| SKU | System | Color | Configuration | Dimensions & Weight | Packaging | MSRP | | |
| 106174-000-001-001 | Soaker - No System | White | Left | 59 7/8" x 42" x 18" / 73 lb / 33 kg | 37 ft ³ | \$ 1144 | | |
| 106174-000-001-002 | | | Right | | | \$ 1144 | | |
| 106174-L-000-004 | | Bone | Left | | | \$ 1144 | | |
| 106174-L-000-007 | | Biscuit | | | | \$ 1144 | | |
| 106174-L-002-001 | Multi-Pack ⁹ | White | | | | \$ 6204 | | |
| 106174-L-002-004 | | Bone | | | | \$ 6204 | | |
| 106174-L-002-007 | | Biscuit | | | | \$ 6204 | | |
| 106174-L-003-001 | Whirlpool ^{1 4} | White | | | | Left | \$ 2492 | |
| 106174-L-003-004 | | Bone | | | | | \$ 2492 | |
| 106174-L-003-007 | | Biscuit | | | | | \$ 2492 | |
| 106174-L-097-001 | Combined Whirlpool & Aeroeffect ^{1 3} | White | | | | | Left | \$ 4390 |
| 106174-L-097-004 | | Bone | | | | | | \$ 4390 |
| 106174-L-097-007 | | Biscuit | \$ 4390 | | | | | |
| 106174-L-103-001 | Aeroeffect ^{1 2 5} | White | Left | \$ 3405 | | | | |
| 106174-L-103-004 | | Bone | | \$ 3405 | | | | |
| 106174-L-103-007 | | Biscuit | | \$ 3405 | | | | |
| 106174-R-000-004 | Soaker - No System | Bone | | Right | \$ 1144 | | | |
| 106174-R-000-007 | | Biscuit | | | \$ 1144 | | | |
| 106174-R-002-001 | Multi-Pack ⁹ | White | | | \$ 6204 | | | |
| 106174-R-002-004 | | Bone | | | \$ 6204 | | | |

EXHIBIT 6042 IF - 106174

| SKU | System | Color | Configuration | Dimensions & Weight | Packaging | MSRP |
|------------------|-----------------------------|--|---------------|-------------------------------------|--------------------|---------|
| 106174-R-002-007 | Multi-Pack ⁹ | Biscuit | Right | 59 7/8" x 42" x 18" / 73 lb / 33 kg | 37 ft ³ | \$ 6204 |
| 106174-R-003-001 | Whirlpool ^{1 4} | White | | | | \$ 2492 |
| 106174-R-003-004 | | Bone | | | | \$ 2492 |
| 106174-R-003-007 | | Biscuit | | | | \$ 2492 |
| 106174-R-097-001 | | Combined Whirlpool & Aeroeffect ^{1 3} | | | | White |
| 106174-R-097-004 | Bone | | | | | \$ 4390 |
| 106174-R-097-007 | Biscuit | | | | | \$ 4390 |
| 106174-R-103-001 | Aeroeffect ^{1 2 5} | White | | | | \$ 3405 |
| 106174-R-103-004 | | Bone | | | | \$ 3405 |
| 106174-R-103-007 | | Biscuit | | | | \$ 3405 |

COMMON OPTIONS

| SKU | Description | MSRP |
|--------------|---|--------|
| OPT20137-004 | Cable-operated waste and overflow (16 in. to 22 in.) (included in product packaging when purchased) Available colors: White (001), Bone (004), Chrome (084) and Brushed Nickel (105) | \$ 238 |
| OPT20137-084 | | \$ 238 |
| OPT20137-105 | | \$ 238 |
| OPT20137-001 | | \$ 238 |
| OPT10053 | One chromatherapy light (factory installed) ⁵⁴ | \$ 641 |
| OPT10095 | Water heater assembly for whirlpool and combined systems (factory installed) | \$ 908 |
| OPT10106-084 | Metal trim kit for whirlpool and combined systems (factory installed) Available colors: Chrome (084) and Brushed Nickel (105) | \$ 568 |
| OPT10106-105 | | \$ 568 |
| OPT20029-105 | Metal trim kit for air push control (factory installed) Available colors: Chrome (084) and Brushed Nickel (105) | \$ 50 |
| OPT20029-084 | | \$ 50 |

ACCESSORIES

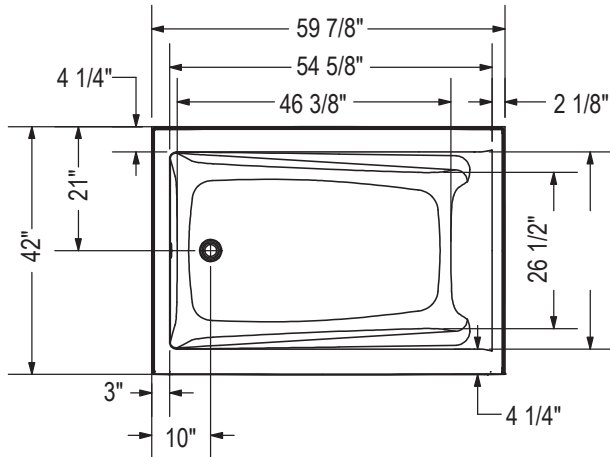
| SKU | Description | MSRP |
|--------------|--|--------|
| 10006923 | Flexible main hose (9 ft. extension) for air push control air massage - Kit (sold separately) | \$ 166 |
| 10004306-001 | White foam cushion with 2 suction pads (sold separately) Available color: White (001) | \$ 120 |
| 10028641-084 | Metal trim kit for Whirlpool and combined systems (sold separately) Available colors: Chrome (084) and Brushed Nickel (105) | \$ 568 |
| 10028641-105 | | \$ 568 |
| 10034250-084 | Metal trim kit for Aeroeffect with Air Push Control (sold separately) Available colors: Chrome (084) and Brushed Nickel (105) | \$ 50 |
| 10034250-105 | | \$ 50 |
| 10022491-084 | Cable-operated waste and overflow (16 in. to 22 in.) (sold separately) Available colors: White (001), Bone (004), Chrome (084) and Brushed Nickel (105) | \$ 238 |
| 10022491-004 | | \$ 238 |
| 10022491-105 | | \$ 238 |
| 10022491-001 | | \$ 238 |

FOOTNOTES

| No | Description |
|----|---|
| 3 | The blower is not factory installed (remote). 9 ft flexible main hose included. Please note that the positioning of the system's control could be in conflict with the door if one was installed on the unit. To insure compatibility, please contact customer service. |
| 54 | A selection of units come with an access panel by default when equipped with a system. However, if the unit is only equipped with chromatherapy, the access panel will not be provided by default. |

RECOMMENDED DOORS - VISIT OUR WEBSITE FOR A COMPLETE LIST OF RECOMMENDED DOORS

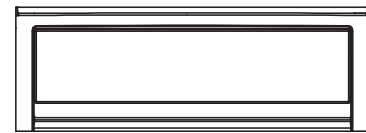
| SKU | Product Name | Pag. |
|--------|--|------|
| 139398 | Halo 56 ½-59 x 59 - 8mm | 878 |
| 139351 | Incognito 57 56-59 x 56 ¾ - 6mm | 856 |
| 139354 | Incognito 57 56-59 x 56 ¾ - 8mm | 860 |
| 135330 | Incognito 57 Shaker 56-59 x 56 ¾ - 8mm | 854 |
| 135695 | Revelation Square 56-59 x 56 ¾-59 ¼ - 8mm | 870 |
| 135692 | Revelation Square 56-59 x 56 ¾-58 ¼ - 6mm | 868 |
| 136692 | Revelation Round 56-59 x 56 ¾-59 ¼ - 6mm | 864 |
| 136695 | Revelation Round 56-59 x 56 ¾-59 ¼ - 8 mm | 866 |
| 135320 | Uptown 56-59 x 58 in. 8 mm | 872 |
| 138485 | Vela 56 ½-59 x 59 - 8mm | 876 |
| 138480 | | 874 |
| 134661 | Kameleon SC 55-59 x 57 - 6mm | 843 |
| 134573 | Kameleon 55-59 x 57 - 8mm | 846 |
| 134670 | Kameleon SC 55-59 x 57 - 8mm | 838 |
| 134561 | Kameleon 55-59 x 57 - 6mm | 849 |
| 138994 | Luminescence SlidingDoor 56 ½-59 x 55 ½-57 ½ - 6mm | 880 |
| 105410 | Polar 54-59 ½ x 57 in. | 862 |



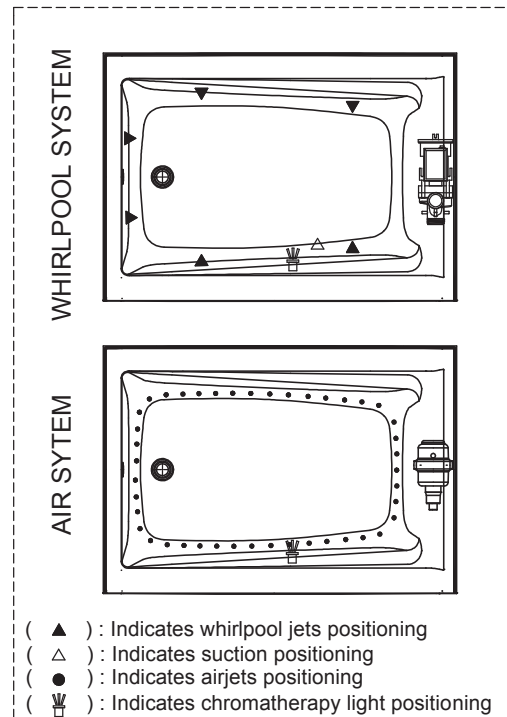
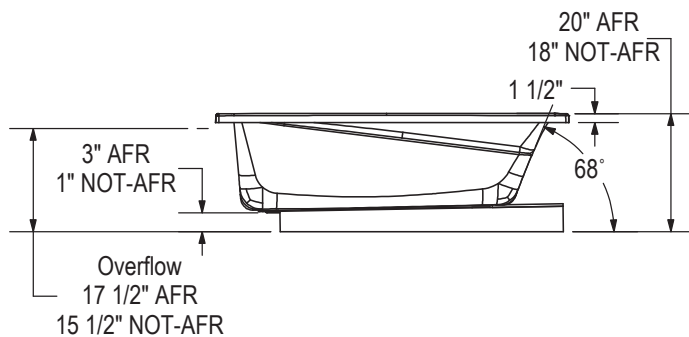
IFS Without System
Single tiling flange



IFS With System
(access panel)
Single tiling flange



1" Single integrated tiling flange (not shown)
Drop-in model (Shown)



Technical drawing is universal for all Exhibit 6042 configurations.

Wood support design may vary.
Single Integrated tiling flange: 1" height x 1/4" thickness (not shown)

All dimensions are approximate.
Structure measurement must be verified against the unit to ensure proper fit.

- (▲) : Indicates whirlpool jets positioning
- (△) : Indicates suction positioning
- (●) : Indicates airjets positioning
- (☼) : Indicates chromatherapy light positioning



Exhibit 6042 IFS



Material : Acrylic
 Min: 50 Gal / 191 L
 Max: 68 Gal / 259 L

Features

- › Rectangular shape bathtub in alcove installation
- › Available in Above-the-Floor Rough (AFR) or not
- › Minimalist look with discreet armrests and textured floor
- › Integrated tiling flange
- › When equipped with a system, the unit comes with an access panel

RECTANGULAR BATHTUBS - ACRYLIC

EXHIBIT 6042 IFS - 106175

| SKU | System | Color | Configuration | Dimensions & Weight | Packaging | MSRP |
|--------------------|--|---------|---------------|-------------------------------------|--------------------|---------|
| 106175-000-001-100 | Soaker - No System | White | Left | 59 7/8" x 42" x 18" / 81 lb / 37 kg | 37 ft ³ | \$ 1412 |
| 106175-000-001-101 | | | Right | | | \$ 1412 |
| 106175-000-004-100 | | Bone | Left | | | \$ 1412 |
| 106175-000-004-101 | | | Right | | | \$ 1412 |
| 106175-000-007-100 | | Biscuit | Left | | | \$ 1412 |
| 106175-000-007-101 | | | Right | | | \$ 1412 |
| 106175-003-001-001 | Whirlpool ^{1 4} | White | Left | | | \$ 2760 |
| 106175-003-001-002 | | | Right | | | \$ 2760 |
| 106175-L-003-004 | Combined Whirlpool & Aeroeffect ^{1 3} | Bone | Left | | | \$ 2760 |
| 106175-L-003-007 | | Biscuit | | | | \$ 2760 |
| 106175-L-097-001 | | White | | | | \$ 4658 |
| 106175-L-097-004 | Bone | \$ 4658 | | | | |
| 106175-L-097-007 | Biscuit | \$ 4658 | | | | |
| 106175-L-103-001 | Aeroeffect ^{1 2 5} | White | | Right | \$ 3673 | |
| 106175-L-103-004 | | Bone | \$ 3673 | | | |
| 106175-L-103-007 | | Biscuit | \$ 3673 | | | |
| 106175-R-003-004 | Whirlpool ^{1 4} | Bone | Right | \$ 2760 | | |
| 106175-R-003-007 | | Biscuit | | \$ 2760 | | |
| 106175-R-097-001 | Combined Whirlpool & Aeroeffect ^{1 3} | White | | \$ 4658 | | |
| 106175-R-097-004 | | Bone | | \$ 4658 | | |

EXHIBIT 6042 IFS - 106175

| SKU | System | Color | Configuration | Dimensions & Weight | Packaging | MSRP |
|------------------|--|---------|---------------|-------------------------------------|--------------------|---------|
| 106175-R-097-007 | Combined Whirlpool & Aeroeffect ^{1 3} | Biscuit | Right | 59 7/8" x 42" x 18" / 81 lb / 37 kg | 37 ft ³ | \$ 4658 |
| 106175-R-103-001 | Aeroeffect ^{1 2 5} | White | | | | \$ 3673 |
| 106175-R-103-004 | | Bone | | | | \$ 3673 |
| 106175-R-103-007 | | Biscuit | | | | \$ 3673 |

EXHIBIT 6042 IFS AFR - 106176

| SKU | System | Color | Configuration | Dimensions & Weight | Packaging | MSRP | |
|--------------------|--|---------|---------------|-------------------------------------|--------------------|---------|---------|
| 106176-000-001-102 | Soaker - No System | White | Left | 59 7/8" x 42" x 20" / 81 lb / 37 kg | 37 ft ³ | \$ 1412 | |
| 106176-000-001-103 | | | Right | | | \$ 1412 | |
| 106176-L-000-004 | | Bone | \$ 1412 | | | | |
| 106176-L-000-007 | | Biscuit | \$ 1412 | | | | |
| 106176-L-003-001 | Whirlpool ^{1 4} | White | Left | | | \$ 2760 | |
| 106176-L-003-004 | | Bone | | | | \$ 2760 | |
| 106176-L-003-007 | | Biscuit | | | | \$ 2760 | |
| 106176-L-097-001 | Combined Whirlpool & Aeroeffect ^{1 3} | White | | | | \$ 4658 | |
| 106176-L-097-004 | | Bone | | | | \$ 4658 | |
| 106176-L-097-007 | | Biscuit | | | | \$ 4658 | |
| 106176-L-103-001 | Aeroeffect ^{1 2 5} | White | | | | \$ 3673 | |
| 106176-L-103-004 | | Bone | | | | \$ 3673 | |
| 106176-L-103-007 | | Biscuit | | | | \$ 3673 | |
| 106176-R-000-004 | Soaker - No System | Bone | | | | Right | \$ 1412 |
| 106176-R-000-007 | | Biscuit | | | | | \$ 1412 |
| 106176-R-003-001 | Whirlpool ^{1 4} | White | | | | | \$ 2760 |
| 106176-R-003-004 | | Bone | \$ 2760 | | | | |
| 106176-R-003-007 | | Biscuit | \$ 2760 | | | | |
| 106176-R-097-001 | Combined Whirlpool & Aeroeffect ^{1 3} | White | \$ 4658 | | | | |
| 106176-R-097-004 | | Bone | \$ 4658 | | | | |
| 106176-R-097-007 | | Biscuit | \$ 4658 | | | | |
| 106176-R-103-001 | Aeroeffect ^{1 2 5} | White | \$ 3673 | | | | |
| 106176-R-103-004 | | Bone | \$ 3673 | | | | |
| 106176-R-103-007 | | Biscuit | \$ 3673 | | | | |

COMMON OPTIONS

| SKU | Description | MSRP |
|--------------|---|--------|
| OPT20029-105 | Metal trim kit for air push control (factory installed) | \$ 50 |
| OPT20029-084 | Available colors: Chrome (084) and Brushed Nickel (105) | \$ 50 |
| OPT20137-004 | Cable-operated waste and overflow (16 in. to 22 in.) (included in product packaging when purchased) Available colors: White (001), Bone (004), Chrome (084) and Brushed Nickel (105) | \$ 238 |

COMMON OPTIONS

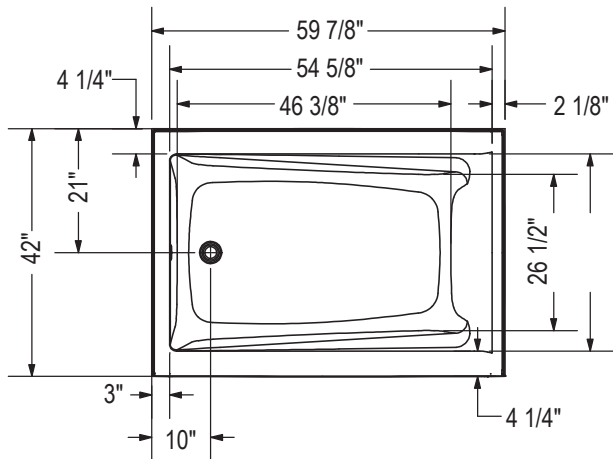
| SKU | Description | MSRP |
|--------------|---|--------|
| OPT20137-084 | | \$ 238 |
| OPT20137-105 | Cable-operated waste and overflow (16 in. to 22 in.) (included in product packaging when purchased) Available colors: White (001), Bone (004), Chrome (084) and Brushed Nickel (105) | \$ 238 |
| OPT20137-001 | | \$ 238 |
| OPT10019 | Removable access panel | \$ 319 |
| OPT10053 | One chromatherapy light (factory installed) ⁵⁴ | \$ 641 |
| OPT10095 | Water heater assembly for whirlpool and combined systems (factory installed) | \$ 908 |
| OPT10106-084 | Metal trim kit for whirlpool and combined systems (factory installed) Available colors: Chrome (084) and Brushed Nickel (105) | \$ 568 |
| OPT10106-105 | | \$ 568 |

ACCESSORIES

| SKU | Description | MSRP |
|--------------|--|--------|
| 10006923 | Flexible main hose (9 ft. extension) for air push control air massage - Kit (sold separately) | \$ 166 |
| 10004306-001 | White foam cushion with 2 suction pads (sold separately) Available color: White (001) | \$ 120 |
| 10028641-084 | Metal trim kit for Whirlpool and combined systems (sold separately) Available colors: Chrome (084) and Brushed Nickel (105) | \$ 568 |
| 10028641-105 | | \$ 568 |
| 10034250-084 | Metal trim kit for Aeroeffect with Air Push Control (sold separately) Available colors: Chrome (084) and Brushed Nickel (105) | \$ 50 |
| 10034250-105 | | \$ 50 |
| 10022491-084 | | \$ 238 |
| 10022491-004 | Cable-operated waste and overflow (16 in. to 22 in.) (sold separately) Available colors: White (001), Bone (004), Chrome (084) and Brushed Nickel (105) | \$ 238 |
| 10022491-105 | | \$ 238 |
| 10022491-001 | | \$ 238 |

FOOTNOTES

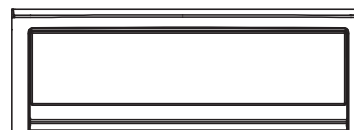
| No | Description |
|----|---|
| 1 | Components for standard colour units equipped with systems are colour-coordinated. Trim kit and/or air push with metallic finish can be added (additional charge applies). For non-standard colour units, please specify trim kit and/or air push colour (additional charge applies for metallic finishes). Please note that the positioning of the system's control could be in conflict with the door if one was installed on the unit. To insure compatibility, please contact customer service. |
| 2 | Please order flexible main hose 10006923 for installation of the blower further than 3 ft from the bathtub. For the Tandem models and the Serenade models (freestanding and drop-in), the blower is always remote and not factory installed so a 9 ft flexible main hose is included. Please note that the positioning of the system's control could be in conflict with the door if one was installed on the unit. To insure compatibility, please contact customer service. |
| 3 | The blower is not factory installed (remote). 9 ft flexible main hose included. Please note that the positioning of the system's control could be in conflict with the door if one was installed on the unit. To insure compatibility, please contact customer service. |
| 4 | For details on pump position and requirements, see technical drawings on https://www.maax.com . When there is a pump position A or B indicated on the technical drawing, please specify position when ordering. |
| 5 | For details on blower position and requirements, see technical drawings on https://www.maax.com . When there is a blower position A or B indicated on the technical drawing, please specify position when ordering. |
| 54 | A selection of units come with an access panel by default when equipped with a system. However, if the unit is only equipped with chromatherapy, the access panel will not be provided by default. |



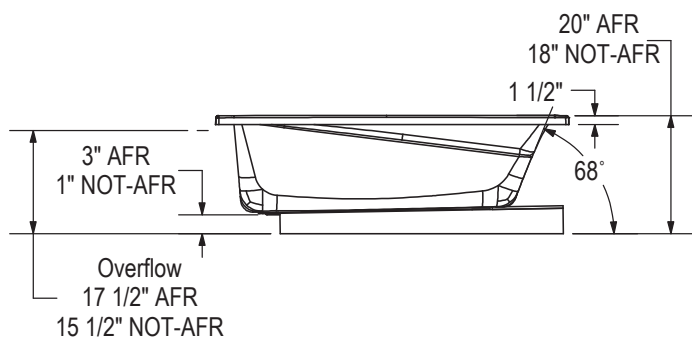
IFS Without System
Single tiling flange



IFS With System
(access panel)
Single tiling flange



1" Single integrated tiling flange (not shown)
Drop-in model (Shown)

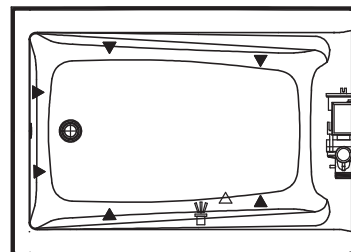


Technical drawing is universal for all Exhibit 6042 configurations.

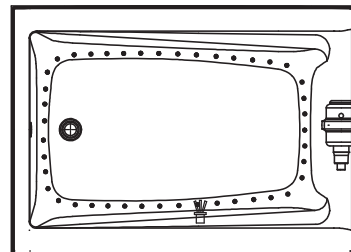
Wood support design may vary.
Single Integrated tiling flange: 1" height x 1/4" thickness (not shown)

All dimensions are approximate.
Structure measurement must be verified against the unit to ensure proper fit.

WHIRLPOOL SYSTEM



AIR SYSTEM



- (▲) : Indicates whirlpool jets positioning
- (△) : Indicates suction positioning
- (●) : Indicates airjets positioning
- (◻) : Indicates chromatherapy light positioning



Exhibit 6632 IF



Material : Acrylic
 Min: 42 Gal / 159 L
 Max: 55 Gal / 209 L

Features

- › Rectangular shape bathtub
- › Alcove installation with tiling flange
- › Minimalist look with discreet armrests and textured floor
- › Right or left-hand drain

RECTANGULAR BATHTUBS - ACRYLIC

| EXHIBIT 6632 IF - 106220 | | | | | | | |
|--------------------------|--|---------|---------------|-------------------------------------|--------------------|---------|---------|
| SKU | System | Color | Configuration | Dimensions & Weight | Packaging | MSRP | |
| 106220-000-001-001 | Soaker - No System | White | Left | 65 7/8" x 32" x 18" / 75 lb / 34 kg | 31 ft ³ | \$ 1138 | |
| 106220-000-001-002 | | | Right | | | \$ 1138 | |
| 106220-003-001-102 | Whirlpool ^{1 4} | | Left | | | \$ 2486 | |
| 106220-003-001-103 | | | Right | | | \$ 2486 | |
| 106220-103-001-001 | Aeroeffect ^{1 2 5} | | Left | | | \$ 3399 | |
| 106220-103-001-002 | | | Right | | | \$ 3399 | |
| 106220-L-000-004 | Soaker - No System | | Bone | | | Left | \$ 1138 |
| 106220-L-000-007 | | | Biscuit | | | | \$ 1138 |
| 106220-L-003-004 | Whirlpool ^{1 4} | | Bone | | | | \$ 2486 |
| 106220-L-003-007 | | | Biscuit | | | | \$ 2486 |
| 106220-L-097-001 | Combined Whirlpool & Aeroeffect ^{1 3} | | White | | | | \$ 4384 |
| 106220-L-097-004 | | | Bone | | | | \$ 4384 |
| 106220-L-097-007 | | Biscuit | \$ 4384 | | | | |
| 106220-L-103-004 | Aeroeffect ^{1 2 5} | Bone | \$ 3399 | | | | |
| 106220-L-103-007 | | Biscuit | \$ 3399 | | | | |
| 106220-R-000-004 | Soaker - No System | Bone | Right | \$ 1138 | | | |
| 106220-R-000-007 | | Biscuit | | \$ 1138 | | | |
| 106220-R-003-004 | Whirlpool ^{1 4} | Bone | | \$ 2486 | | | |
| 106220-R-003-007 | | Biscuit | | \$ 2486 | | | |
| 106220-R-097-001 | Combined Whirlpool & Aeroeffect ^{1 3} | White | | \$ 4384 | | | |

EXHIBIT 6632 IF - 106220

| SKU | System | Color | Configuration | Dimensions & Weight | Packaging | MSRP |
|------------------|--|---------|---------------|-------------------------------------|--------------------|---------|
| 106220-R-097-004 | Combined Whirlpool & Aeroeffect ^{1 3} | Bone | Right | 65 7/8" x 32" x 18" / 75 lb / 34 kg | 31 ft ³ | \$ 4384 |
| 106220-R-097-007 | | Biscuit | | | | \$ 4384 |
| 106220-R-103-004 | Aeroeffect ^{1 2 5} | Bone | | | | \$ 3399 |
| 106220-R-103-007 | | Biscuit | | | | \$ 3399 |

COMMON OPTIONS

| SKU | Description | MSRP |
|--------------|---|--------|
| OPT20137-004 | Cable-operated waste and overflow (16 in. to 22 in.) (included in product packaging when purchased) Available colors: White (001), Bone (004), Chrome (084) and Brushed Nickel (105) | \$ 238 |
| OPT20137-084 | | \$ 238 |
| OPT20137-105 | | \$ 238 |
| OPT20137-001 | | \$ 238 |
| OPT10053 | One chromatherapy light (factory installed) ⁵⁴ | \$ 641 |
| OPT10095 | Water heater assembly for whirlpool and combined systems (factory installed) | \$ 908 |
| OPT10106-084 | Metal trim kit for whirlpool and combined systems (factory installed) Available colors: Chrome (084) and Brushed Nickel (105) | \$ 568 |
| OPT10106-105 | | \$ 568 |
| OPT20029-105 | Metal trim kit for air push control (factory installed) Available colors: Chrome (084) and Brushed Nickel (105) | \$ 50 |
| OPT20029-084 | | \$ 50 |

ACCESSORIES

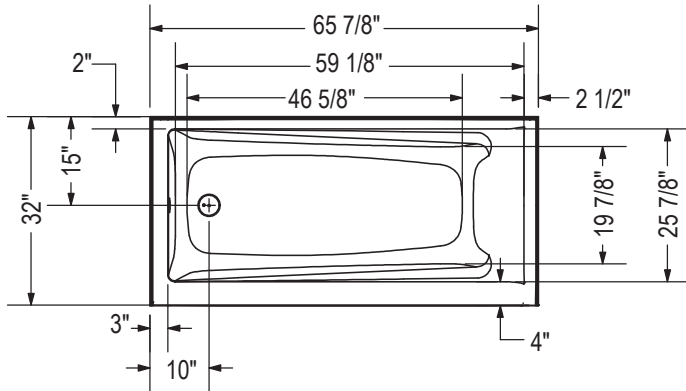
| SKU | Description | MSRP |
|--------------|--|--------|
| 10006923 | Flexible main hose (9 ft. extension) for air push control air massage - Kit (sold separately) | \$ 166 |
| 10004306-001 | White foam cushion with 2 suction pads (sold separately) Available color: White (001) | \$ 120 |
| 10028641-084 | Metal trim kit for Whirlpool and combined systems (sold separately) Available colors: Chrome (084) and Brushed Nickel (105) | \$ 568 |
| 10028641-105 | | \$ 568 |
| 10034250-084 | Metal trim kit for Aeroeffect with Air Push Control (sold separately) Available colors: Chrome (084) and Brushed Nickel (105) | \$ 50 |
| 10034250-105 | | \$ 50 |
| 10022491-084 | Cable-operated waste and overflow (16 in. to 22 in.) (sold separately) Available colors: White (001), Bone (004), Chrome (084) and Brushed Nickel (105) | \$ 238 |
| 10022491-004 | | \$ 238 |
| 10022491-105 | | \$ 238 |
| 10022491-001 | | \$ 238 |

FOOTNOTES

| No | Description |
|----|---|
| 1 | Components for standard colour units equipped with systems are colour-coordinated. Trim kit and/or air push with metallic finish can be added (additional charge applies). For non-standard colour units, please specify trim kit and/or air push colour (additional charge applies for metallic finishes). Please note that the positioning of the system's control could be in conflict with the door if one was installed on the unit. To insure compatibility, please contact customer service. |

FOOTNOTES

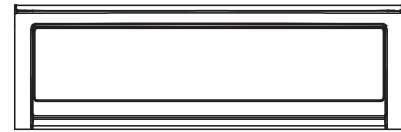
| No | Description |
|----|---|
| 2 | Please order flexible main hose 10006923 for installation of the blower further than 3 ft from the bathtub. For the Tandem models and the Serenade models (freestanding and drop-in), the blower is always remote and not factory installed so a 9 ft flexible main hose is included. Please note that the positioning of the system's control could be in conflict with the door if one was installed on the unit. To insure compatibility, please contact customer service. |
| 3 | The blower is not factory installed (remote). 9 ft flexible main hose included. Please note that the positioning of the system's control could be in conflict with the door if one was installed on the unit. To insure compatibility, please contact customer service. |
| 4 | For details on pump position and requirements, see technical drawings on https://www.maax.com . When there is a pump position A or B indicated on the technical drawing, please specify position when ordering. |
| 5 | For details on blower position and requirements, see technical drawings on https://www.maax.com . When there is a blower position A or B indicated on the technical drawing, please specify position when ordering. |
| 54 | A selection of units come with an access panel by default when equipped with a system. However, if the unit is only equipped with chromatherapy, the access panel will not be provided by default. |



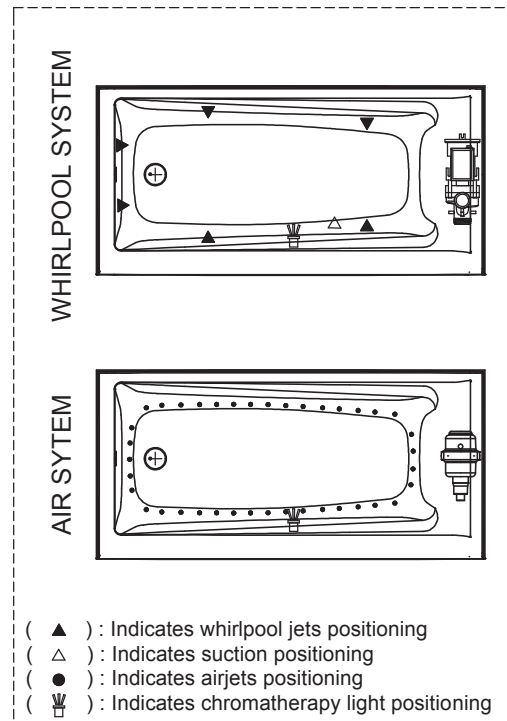
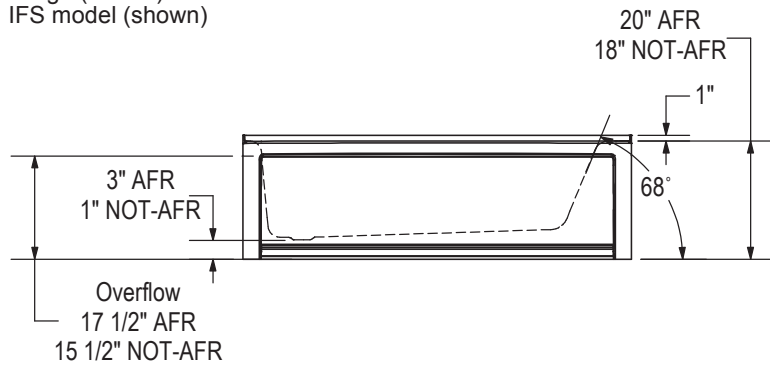
IFS Without System
Single tiling flange



IFS With System
(access panel)
Single tiling flange



1" Single integrated tiling flange (shown)
IFS model (shown)



- (▲) : Indicates whirlpool jets positioning
- (△) : Indicates suction positioning
- (●) : Indicates airjets positioning
- (☞) : Indicates chromatherapy light positioning

Technical drawing is universal for all Exhibit 6632 configurations.

Wood support design may vary.
Single Integrated tiling flange: 1" height x 1/4" thickness (shown)

All dimensions are approximate.
Structure measurement must be verified against the unit to ensure proper fit.



Exhibit 6632 IFS



Material : Acrylic
 Min: 42 Gal / 159 L
 Max: 55 Gal / 209 L

Features

- › Rectangular shape bathtub in alcove installation
- › Available in Above-the-Floor Rough (AFR) or not
- › Minimalist look with discreet armrests and textured floor
- › Integrated tiling flange
- › When equipped with a system, the unit comes with an access panel

RECTANGULAR BATHTUBS - ACRYLIC

EXHIBIT 6632 IFS - 106221

| SKU | System | Color | Configuration | Dimensions & Weight | Packaging | MSRP | |
|--------------------|--|---------|---------------|-------------------------------------|--------------------|---------|---------|
| 106221-000-001-100 | Soaker - No System | White | Left | 65 7/8" x 32" x 18" / 85 lb / 39 kg | 31 ft ³ | \$ 1431 | |
| 106221-000-001-101 | | | Right | | | \$ 1431 | |
| 106221-003-001-100 | Whirlpool ^{1 4} | | Left | | | \$ 2779 | |
| 106221-003-001-101 | | | Right | | | \$ 2779 | |
| 106221-003-004-100 | | | Bone | | | Left | \$ 2779 |
| 106221-003-004-101 | | | | | | Right | \$ 2779 |
| 106221-003-007-100 | | | Biscuit | | | Left | \$ 2779 |
| 106221-003-007-101 | | | | | | Right | \$ 2779 |
| 106221-L-000-004 | Soaker - No System | Bone | Left | | | \$ 1431 | |
| 106221-L-000-007 | | Biscuit | | | | \$ 1431 | |
| 106221-L-097-001 | Combined Whirlpool & Aeroeffect ^{1 3} | White | | | | \$ 4677 | |
| 106221-L-097-004 | | Bone | | | | \$ 4677 | |
| 106221-L-097-007 | | Biscuit | | \$ 4677 | | | |
| 106221-L-103-001 | Aeroeffect ^{1 2 5} | White | | \$ 3692 | | | |
| 106221-L-103-004 | | Bone | | \$ 3692 | | | |
| 106221-L-103-007 | | Biscuit | | \$ 3692 | | | |
| 106221-R-000-004 | Soaker - No System | Bone | | Right | \$ 1431 | | |
| 106221-R-000-007 | | Biscuit | | | \$ 1431 | | |
| 106221-R-097-001 | Combined Whirlpool & Aeroeffect ^{1 3} | White | | | \$ 4677 | | |
| 106221-R-097-004 | | Bone | | | \$ 4677 | | |

EXHIBIT 6632 IFS - 106221

| SKU | System | Color | Configuration | Dimensions & Weight | Packaging | MSRP |
|------------------|--|---------|---------------|-------------------------------------|--------------------|---------|
| 106221-R-097-007 | Combined Whirlpool & Aeroeffect ^{1 3} | Biscuit | Right | 65 7/8" x 32" x 18" / 85 lb / 39 kg | 31 ft ³ | \$ 4677 |
| 106221-R-103-001 | Aeroeffect ^{1 2 5} | White | | | | \$ 3692 |
| 106221-R-103-004 | | Bone | | | | \$ 3692 |
| 106221-R-103-007 | | Biscuit | | | | \$ 3692 |

EXHIBIT 6632 IFS AFR - 106222

| SKU | System | Color | Configuration | Dimensions & Weight | Packaging | MSRP |
|--------------------|--|---------|---------------|-------------------------------------|--------------------|---------|
| 106222-000-001-102 | Soaker - No System | White | Left | 65 7/8" x 32" x 20" / 85 lb / 39 kg | 31 ft ³ | \$ 1431 |
| 106222-000-001-103 | | | Right | | | \$ 1431 |
| 106222-L-000-004 | | Bone | \$ 1431 | | | |
| 106222-L-000-007 | Biscuit | \$ 1431 | | | | |
| 106222-L-003-001 | Whirlpool ^{1 4} | White | Left | | | \$ 2779 |
| 106222-L-003-004 | | Bone | | | | \$ 2779 |
| 106222-L-003-007 | | Biscuit | | | | \$ 2779 |
| 106222-L-097-001 | Combined Whirlpool & Aeroeffect ^{1 3} | White | | | | \$ 4677 |
| 106222-L-097-004 | | Bone | | | | \$ 4677 |
| 106222-L-097-007 | | Biscuit | | | | \$ 4677 |
| 106222-L-103-001 | Aeroeffect ^{1 2 5} | White | | | | \$ 3692 |
| 106222-L-103-004 | | Bone | | | | \$ 3692 |
| 106222-L-103-007 | | Biscuit | | | | \$ 3692 |
| 106222-R-000-004 | Soaker - No System | Bone | Right | | | \$ 1431 |
| 106222-R-000-007 | | Biscuit | | | | \$ 1431 |
| 106222-R-003-001 | Whirlpool ^{1 4} | White | | | | \$ 2779 |
| 106222-R-003-004 | | Bone | | \$ 2779 | | |
| 106222-R-003-007 | | Biscuit | | \$ 2779 | | |
| 106222-R-097-001 | Combined Whirlpool & Aeroeffect ^{1 3} | White | | \$ 4677 | | |
| 106222-R-097-004 | | Bone | | \$ 4677 | | |
| 106222-R-097-007 | | Biscuit | | \$ 4677 | | |
| 106222-R-103-001 | Aeroeffect ^{1 2 5} | White | | \$ 3692 | | |
| 106222-R-103-004 | | Bone | | \$ 3692 | | |
| 106222-R-103-007 | | Biscuit | | \$ 3692 | | |

COMMON OPTIONS

| SKU | Description | MSRP |
|--------------|---|--------|
| OPT20029-105 | Metal trim kit for air push control (factory installed) | \$ 50 |
| OPT20029-084 | Available colors: Chrome (084) and Brushed Nickel (105) | \$ 50 |
| OPT20137-004 | Cable-operated waste and overflow (16 in. to 22 in.) (included in product packaging when purchased) Available colors: White (001), Bone (004), Chrome (084) and Brushed Nickel (105) | \$ 238 |

COMMON OPTIONS

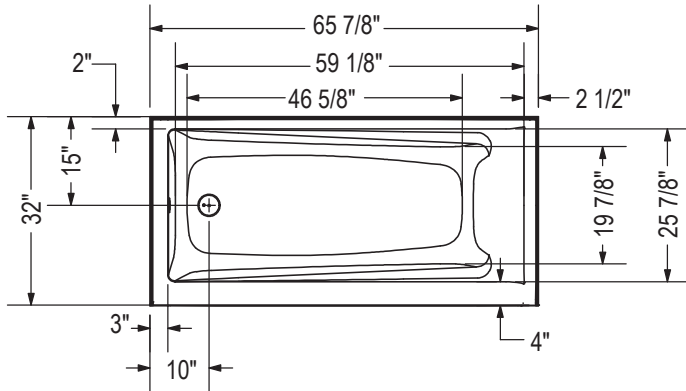
| SKU | Description | MSRP |
|--------------|---|--------|
| OPT20137-084 | | \$ 238 |
| OPT20137-105 | Cable-operated waste and overflow (16 in. to 22 in.) (included in product packaging when purchased) Available colors: White (001), Bone (004), Chrome (084) and Brushed Nickel (105) | \$ 238 |
| OPT20137-001 | | \$ 238 |
| OPT10019 | Removable access panel | \$ 319 |
| OPT10053 | One chromatherapy light (factory installed) ⁵⁴ | \$ 641 |
| OPT10095 | Water heater assembly for whirlpool and combined systems (factory installed) | \$ 908 |
| OPT10106-084 | Metal trim kit for whirlpool and combined systems (factory installed) Available colors: Chrome (084) and Brushed Nickel (105) | \$ 568 |
| OPT10106-105 | | \$ 568 |

ACCESSORIES

| SKU | Description | MSRP |
|--------------|--|--------|
| 10006923 | Flexible main hose (9 ft. extension) for air push control air massage - Kit (sold separately) | \$ 166 |
| 10004306-001 | White foam cushion with 2 suction pads (sold separately) Available color: White (001) | \$ 120 |
| 10028641-084 | Metal trim kit for Whirlpool and combined systems (sold separately) Available colors: Chrome (084) and Brushed Nickel (105) | \$ 568 |
| 10028641-105 | | \$ 568 |
| 10034250-084 | Metal trim kit for Aeroeffect with Air Push Control (sold separately) Available colors: Chrome (084) and Brushed Nickel (105) | \$ 50 |
| 10034250-105 | | \$ 50 |
| 10022491-084 | | \$ 238 |
| 10022491-004 | Cable-operated waste and overflow (16 in. to 22 in.) (sold separately) Available colors: White (001), Bone (004), Chrome (084) and Brushed Nickel (105) | \$ 238 |
| 10022491-105 | | \$ 238 |
| 10022491-001 | | \$ 238 |

FOOTNOTES

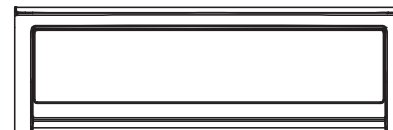
| No | Description |
|----|--|
| 54 | A selection of units come with an access panel by default when equipped with a system. However, if the unit is only equipped with chromatherapy, the access panel will not be provided by default. |



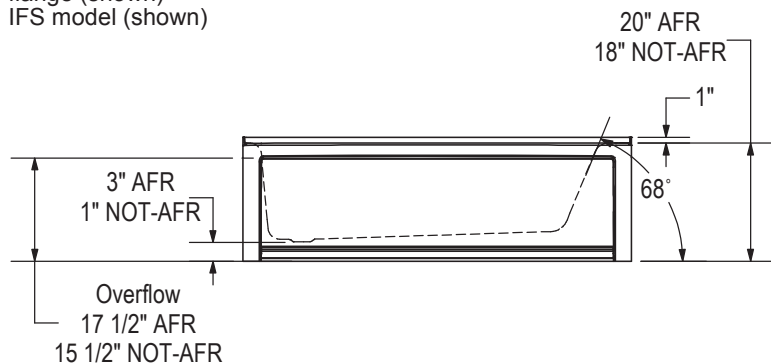
IFS Without System
Single tiling flange



IFS With System
(access panel)
Single tiling flange



1" Single integrated tiling flange (shown)
IFS model (shown)

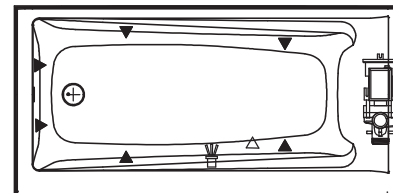


Technical drawing is universal for all Exhibit 6632 configurations.

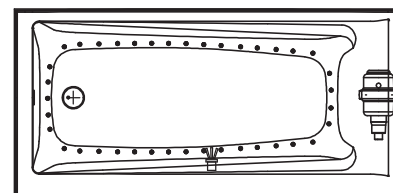
Wood support design may vary.
Single Integrated tiling flange: 1" height x 1/4" thickness (shown)

All dimensions are approximate.
Structure measurement must be verified against the unit to ensure proper fit.

WHIRLPOOL SYSTEM



AIR SYSTEM



- (▲) : Indicates whirlpool jets positioning
- (△) : Indicates suction positioning
- (●) : Indicates airjets positioning
- (☞) : Indicates chromatherapy light positioning

Exhibit 6634



Material : Acrylic
 Min: 42 Gal / 159 L
 Max: 55 Gal / 209 L

Features

- › Rectangular shape bathtub
- › Drop-in installation
- › Minimalist look with discreet armrests and textured floor
- › End drain

RECTANGULAR BATHTUBS - ACRYLIC

EXHIBIT 6634 - 106219

| SKU | System | Color | Configuration | Dimensions & Weight | Packaging | MSRP |
|--------------------|--|---------|---------------|-------------------------------------|--------------------|---------|
| 106219-000-001-000 | Soaker - No System | White | End | 65 7/8" x 34" x 18" / 75 lb / 34 kg | 31 ft ³ | \$ 1138 |
| 106219-000-004 | | Bone | | | | \$ 1138 |
| 106219-000-007 | | Biscuit | | | | \$ 1138 |
| 106219-003-001 | Whirlpool ^{1 4} | White | | | | \$ 2486 |
| 106219-003-004 | | Bone | | | | \$ 2486 |
| 106219-003-007 | | Biscuit | | | | \$ 2486 |
| 106219-097-001 | Combined Whirlpool & Aeroeffect ^{1 3} | White | | | | \$ 4384 |
| 106219-097-004 | | Bone | | | | \$ 4384 |
| 106219-097-007 | | Biscuit | | | | \$ 4384 |
| 106219-103-001 | Aeroeffect ^{1 2 5} | White | | | | \$ 3399 |
| 106219-103-004 | | Bone | | | | \$ 3399 |
| 106219-103-007 | | Biscuit | | | | \$ 3399 |

COMMON OPTIONS

| SKU | Description | MSRP |
|--------------|---|---|
| OPT20137-004 | | \$ 238 |
| OPT20137-084 | Cable-operated waste and overflow (16 in. to 22 in.) (included in product packaging when purchased) Available colors: White (001), Bone (004), Chrome (084) and Brushed Nickel (105) | \$ 238 |
| OPT20137-105 | | \$ 238 |
| OPT20137-001 | | \$ 238 |
| OPT10053 | | One chromatherapy light (factory installed) ⁵⁴ |

COMMON OPTIONS

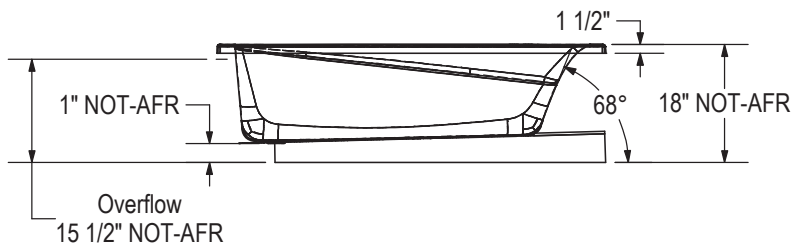
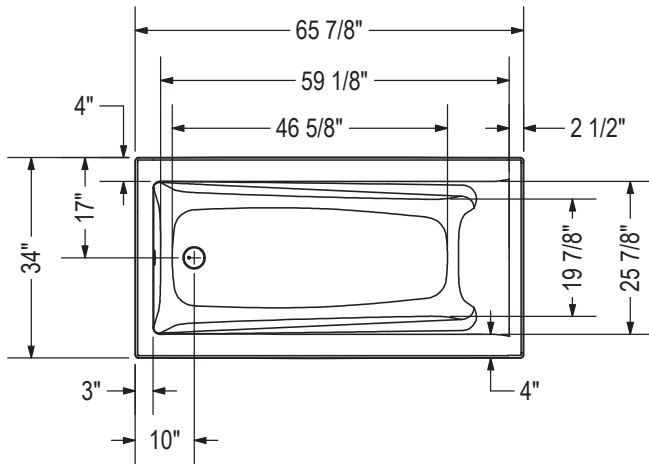
| SKU | Description | MSRP |
|--------------|--|--------|
| OPT10095 | Water heater assembly for whirlpool and combined systems (factory installed) | \$ 908 |
| OPT10106-084 | Metal trim kit for whirlpool and combined systems (factory installed) | \$ 568 |
| OPT10106-105 | Available colors: Chrome (084) and Brushed Nickel (105) | \$ 568 |
| OPT20029-105 | Metal trim kit for air push control (factory installed) | \$ 50 |
| OPT20029-084 | Available colors: Chrome (084) and Brushed Nickel (105) | \$ 50 |

ACCESSORIES

| SKU | Description | MSRP |
|--------------|--|--------|
| 10006923 | Flexible main hose (9 ft. extension) for air push control air massage - Kit (sold separately) | \$ 166 |
| 10004306-001 | White foam cushion with 2 suction pads (sold separately) Available color: White (001) | \$ 120 |
| 10028641-084 | Metal trim kit for Whirlpool and combined systems (sold separately) | \$ 568 |
| 10028641-105 | Available colors: Chrome (084) and Brushed Nickel (105) | \$ 568 |
| 10034250-084 | Metal trim kit for Aeroeffect with Air Push Control (sold separately) | \$ 50 |
| 10034250-105 | Available colors: Chrome (084) and Brushed Nickel (105) | \$ 50 |
| 10022491-084 | Cable-operated waste and overflow (16 in. to 22 in.) (sold separately) Available colors: White (001), Bone (004), Chrome (084) and Brushed Nickel (105) | \$ 238 |
| 10022491-004 | | \$ 238 |
| 10022491-105 | | \$ 238 |
| 10022491-001 | | \$ 238 |

FOOTNOTES

| No | Description |
|----|---|
| 1 | Components for standard colour units equipped with systems are colour-coordinated. Trim kit and/or air push with metallic finish can be added (additional charge applies). For non-standard colour units, please specify trim kit and/or air push colour (additional charge applies for metallic finishes). Please note that the positioning of the system's control could be in conflict with the door if one was installed on the unit. To insure compatibility, please contact customer service. |
| 2 | Please order flexible main hose 10006923 for installation of the blower further than 3 ft from the bathtub. For the Tandem models and the Serenade models (freestanding and drop-in), the blower is always remote and not factory installed so a 9 ft flexible main hose is included. Please note that the positioning of the system's control could be in conflict with the door if one was installed on the unit. To insure compatibility, please contact customer service. |
| 3 | The blower is not factory installed (remote). 9 ft flexible main hose included. Please note that the positioning of the system's control could be in conflict with the door if one was installed on the unit. To insure compatibility, please contact customer service. |
| 4 | For details on pump position and requirements, see technical drawings on https://www.maax.com . When there is a pump position A or B indicated on the technical drawing, please specify position when ordering. |
| 5 | For details on blower position and requirements, see technical drawings on https://www.maax.com . When there is a blower position A or B indicated on the technical drawing, please specify position when ordering. |
| 54 | A selection of units come with an access panel by default when equipped with a system. However, if the unit is only equipped with chromatherapy, the access panel will not be provided by default. |



All dimensions are approximate.
Structure measurement must be verified against the unit to ensure proper fit.

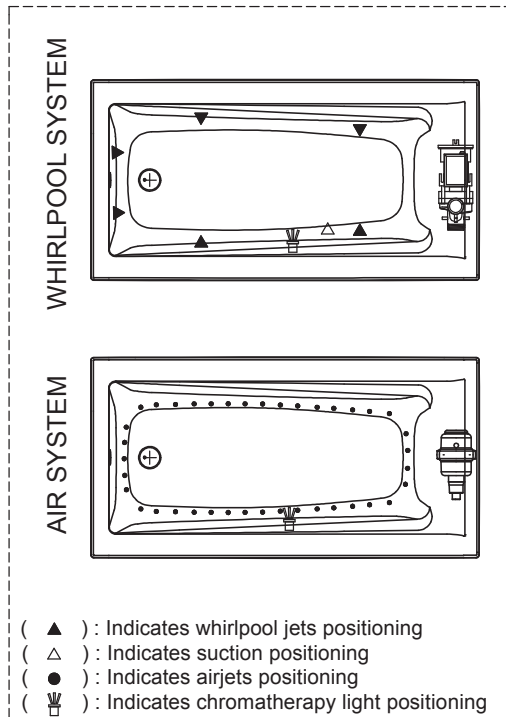


Exhibit 6636



RECTANGULAR BATHTUBS - ACRYLIC



Material : Acrylic
 Min: 44 Gal / 168 L
 Max: 60 Gal / 227 L

Features

- › Rectangular shape bathtub
- › Drop-in or alcove installation with tiling flange
- › Minimalist look with discreet armrests and textured floor
- › End drain

EXHIBIT 6636 - 106177

| SKU | System | Color | Configuration | Dimensions & Weight | Packaging | MSRP |
|--------------------|--|---------|---------------|-------------------------------------|--------------------|---------|
| 106177-000-001-000 | Soaker - No System | White | End | 65 7/8" x 36" x 18" / 78 lb / 35 kg | 35 ft ³ | \$ 1151 |
| 106177-000-004 | | Bone | | | | \$ 1151 |
| 106177-000-007 | | Biscuit | | | | \$ 1151 |
| 106177-003-001 | Whirlpool ^{1 4} | White | | | | \$ 2499 |
| 106177-003-004 | | Bone | | | | \$ 2499 |
| 106177-003-007 | | Biscuit | | | | \$ 2499 |
| 106177-097-001 | Combined Whirlpool & Aeroeffect ^{1 3} | White | | | | \$ 4397 |
| 106177-097-004 | | Bone | | | | \$ 4397 |
| 106177-097-007 | | Biscuit | | | | \$ 4397 |
| 106177-103-001-000 | Aeroeffect ^{1 2 5} | White | | | | \$ 3412 |
| 106177-103-004 | | Bone | | | | \$ 3412 |
| 106177-103-007 | | Biscuit | | | | \$ 3412 |

COMMON OPTIONS

| SKU | Description | MSRP |
|--------------|---|---|
| OPT20137-004 | | \$ 238 |
| OPT20137-084 | Cable-operated waste and overflow (16 in. to 22 in.) (included in product packaging when purchased) Available colors: White (001), Bone (004), Chrome (084) and Brushed Nickel (105) | \$ 238 |
| OPT20137-105 | | \$ 238 |
| OPT20137-001 | | \$ 238 |
| OPT10053 | | One chromotherapy light (factory installed) ⁵⁴ |

COMMON OPTIONS

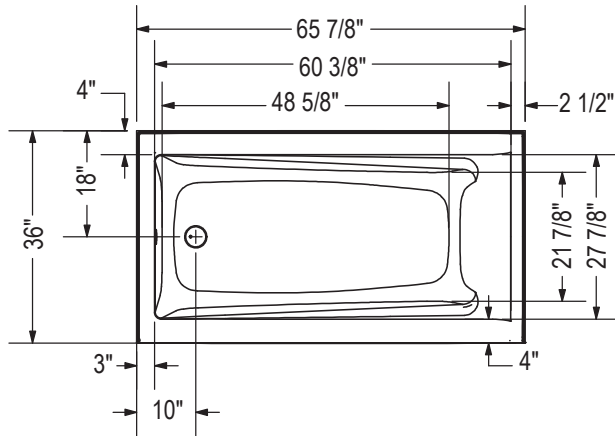
| SKU | Description | MSRP |
|--------------|--|--------|
| OPT10095 | Water heater assembly for whirlpool and combined systems (factory installed) | \$ 908 |
| OPT10106-084 | Metal trim kit for whirlpool and combined systems (factory installed) | \$ 568 |
| OPT10106-105 | Available colors: Chrome (084) and Brushed Nickel (105) | \$ 568 |
| OPT20029-105 | Metal trim kit for air push control (factory installed) | \$ 50 |
| OPT20029-084 | Available colors: Chrome (084) and Brushed Nickel (105) | \$ 50 |

ACCESSORIES

| SKU | Description | MSRP |
|--------------|--|--------|
| 10006923 | Flexible main hose (9 ft. extension) for air push control air massage - Kit (sold separately) | \$ 166 |
| 10004306-001 | White foam cushion with 2 suction pads (sold separately) Available color: White (001) | \$ 120 |
| 10028641-084 | Metal trim kit for Whirlpool and combined systems (sold separately) | \$ 568 |
| 10028641-105 | Available colors: Chrome (084) and Brushed Nickel (105) | \$ 568 |
| 10034250-084 | Metal trim kit for Aeroeffect with Air Push Control (sold separately) | \$ 50 |
| 10034250-105 | Available colors: Chrome (084) and Brushed Nickel (105) | \$ 50 |
| 10022491-084 | Cable-operated waste and overflow (16 in. to 22 in.) (sold separately) Available colors: White (001), Bone (004), Chrome (084) and Brushed Nickel (105) | \$ 238 |
| 10022491-004 | | \$ 238 |
| 10022491-105 | | \$ 238 |
| 10022491-001 | | \$ 238 |

FOOTNOTES

| No | Description |
|----|---|
| 1 | Components for standard colour units equipped with systems are colour-coordinated. Trim kit and/or air push with metallic finish can be added (additional charge applies). For non-standard colour units, please specify trim kit and/or air push colour (additional charge applies for metallic finishes). Please note that the positioning of the system's control could be in conflict with the door if one was installed on the unit. To insure compatibility, please contact customer service. |
| 2 | Please order flexible main hose 10006923 for installation of the blower further than 3 ft from the bathtub. For the Tandem models and the Serenade models (freestanding and drop-in), the blower is always remote and not factory installed so a 9 ft flexible main hose is included. Please note that the positioning of the system's control could be in conflict with the door if one was installed on the unit. To insure compatibility, please contact customer service. |
| 4 | For details on pump position and requirements, see technical drawings on https://www.maax.com . When there is a pump position A or B indicated on the technical drawing, please specify position when ordering. |
| 5 | For details on blower position and requirements, see technical drawings on https://www.maax.com . When there is a blower position A or B indicated on the technical drawing, please specify position when ordering. |
| 54 | A selection of units come with an access panel by default when equipped with a system. However, if the unit is only equipped with chromatherapy, the access panel will not be provided by default. |



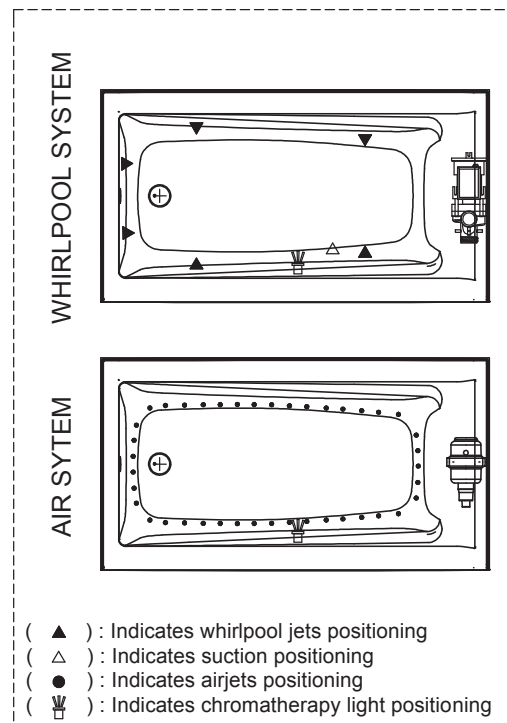
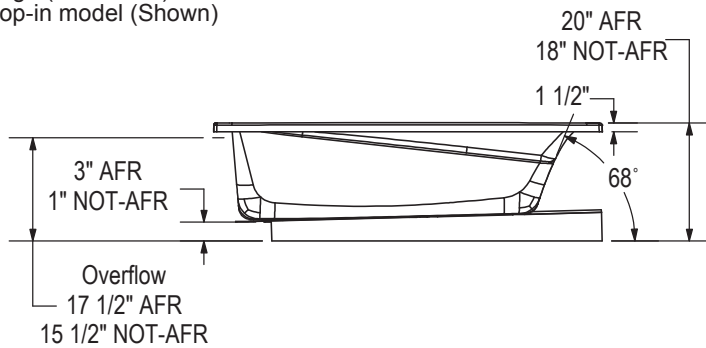
IFS Without System
Single tiling flange



IFS With System
(access panel)
Single tiling flange



1" Single integrated tiling flange (not shown)
Drop-in model (Shown)



Technical drawing is universal for all Exhibit 6636 configurations.

Wood support design may vary.
Single Integrated tiling flange: 1" height x 1/4" thickness (not shown)

All dimensions are approximate.
Structure measurement must be verified against the unit to ensure proper fit.



Exhibit 6636 IF



Material : Acrylic
 Min: 44 Gal / 168 L
 Max: 60 Gal / 227 L

Features

- › Rectangular shape bathtub
- › Drop-in or alcove installation with tiling flange
- › Minimalist look with discreet armrests and textured floor
- › End drain

RECTANGULAR BATHTUBS - ACRYLIC

| EXHIBIT 6636 IF - 106178 | | | | | | | |
|--------------------------|--|---------|---------------|-------------------------------------|--------------------|---------|---------|
| SKU | System | Color | Configuration | Dimensions & Weight | Packaging | MSRP | |
| 106178-000-001-001 | Soaker - No System | White | Left | 65 7/8" x 36" x 18" / 78 lb / 35 kg | 35 ft ³ | \$ 1151 | |
| 106178-000-001-002 | | | Right | | | \$ 1151 | |
| 106178-003-001-100 | Whirlpool ^{1 4} | | Left | | | \$ 2499 | |
| 106178-003-001-101 | | | Right | | | \$ 2499 | |
| 106178-L-000-004 | Soaker - No System | | Bone | | | Left | \$ 1151 |
| 106178-L-000-007 | | | Biscuit | | | | \$ 1151 |
| 106178-L-003-004 | Whirlpool ^{1 4} | Bone | \$ 2499 | | | | |
| 106178-L-003-007 | | Biscuit | \$ 2499 | | | | |
| 106178-L-097-001 | Combined Whirlpool & Aeroeffect ^{1 3} | White | \$ 4397 | | | | |
| 106178-L-097-004 | | Bone | \$ 4397 | | | | |
| 106178-L-097-007 | | Biscuit | \$ 4397 | | | | |
| 106178-L-103-001 | Aeroeffect ^{1 2 5} | White | \$ 3412 | | | | |
| 106178-L-103-004 | | Bone | \$ 3412 | | | | |
| 106178-L-103-007 | | Biscuit | \$ 3412 | | | | |
| 106178-R-000-004 | Soaker - No System | Bone | Right | \$ 1151 | | | |
| 106178-R-000-007 | | Biscuit | | \$ 1151 | | | |
| 106178-R-003-004 | Whirlpool ^{1 4} | Bone | | \$ 2499 | | | |
| 106178-R-003-007 | | Biscuit | | \$ 2499 | | | |
| 106178-R-097-001 | Combined Whirlpool & Aeroeffect ^{1 3} | White | | \$ 4397 | | | |
| 106178-R-097-004 | | Bone | | \$ 4397 | | | |

EXHIBIT 6636 IF - 106178

| SKU | System | Color | Configuration | Dimensions & Weight | Packaging | MSRP |
|------------------|--|---------|---------------|-------------------------------------|--------------------|---------|
| 106178-R-097-007 | Combined Whirlpool & Aeroeffect ^{1 3} | Biscuit | Right | 65 7/8" x 36" x 18" / 78 lb / 35 kg | 35 ft ³ | \$ 4397 |
| 106178-R-103-001 | Aeroeffect ^{1 2 5} | White | | | | \$ 3412 |
| 106178-R-103-004 | | Bone | | | | \$ 3412 |
| 106178-R-103-007 | | Biscuit | | | | \$ 3412 |

COMMON OPTIONS

| SKU | Description | MSRP |
|--------------|---|--------|
| OPT20137-004 | Cable-operated waste and overflow (16 in. to 22 in.) (included in product packaging when purchased) Available colors: White (001), Bone (004), Chrome (084) and Brushed Nickel (105) | \$ 238 |
| OPT20137-084 | | \$ 238 |
| OPT20137-105 | | \$ 238 |
| OPT20137-001 | | \$ 238 |
| OPT10053 | One chromatherapy light (factory installed) ⁵⁴ | \$ 641 |
| OPT10095 | Water heater assembly for whirlpool and combined systems (factory installed) | \$ 908 |
| OPT10106-084 | Metal trim kit for whirlpool and combined systems (factory installed) Available colors: Chrome (084) and Brushed Nickel (105) | \$ 568 |
| OPT10106-105 | | \$ 568 |
| OPT20029-105 | Metal trim kit for air push control (factory installed) Available colors: Chrome (084) and Brushed Nickel (105) | \$ 50 |
| OPT20029-084 | | \$ 50 |

ACCESSORIES

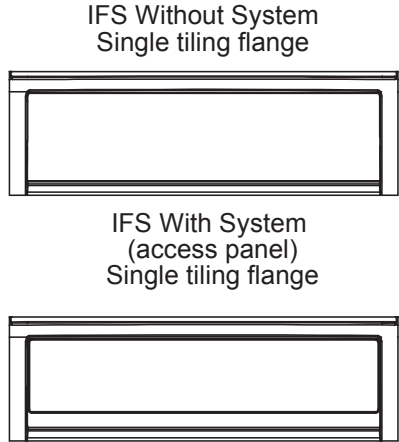
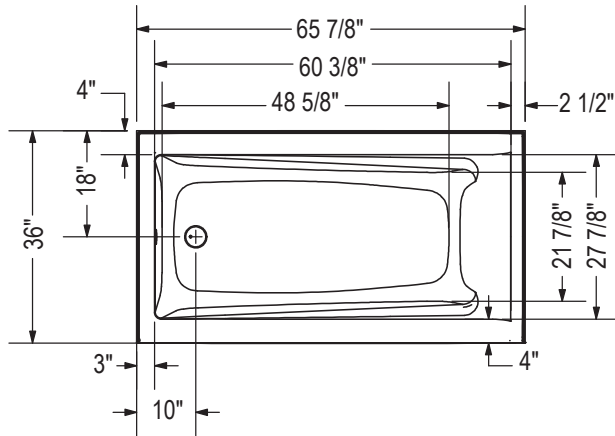
| SKU | Description | MSRP |
|--------------|--|--------|
| 10006923 | Flexible main hose (9 ft. extension) for air push control air massage - Kit (sold separately) | \$ 166 |
| 10004306-001 | White foam cushion with 2 suction pads (sold separately) Available color: White (001) | \$ 120 |
| 10028641-084 | Metal trim kit for Whirlpool and combined systems (sold separately) Available colors: Chrome (084) and Brushed Nickel (105) | \$ 568 |
| 10028641-105 | | \$ 568 |
| 10034250-084 | Metal trim kit for Aeroeffect with Air Push Control (sold separately) Available colors: Chrome (084) and Brushed Nickel (105) | \$ 50 |
| 10034250-105 | | \$ 50 |
| 10022491-084 | Cable-operated waste and overflow (16 in. to 22 in.) (sold separately) Available colors: White (001), Bone (004), Chrome (084) and Brushed Nickel (105) | \$ 238 |
| 10022491-004 | | \$ 238 |
| 10022491-105 | | \$ 238 |
| 10022491-001 | | \$ 238 |

FOOTNOTES

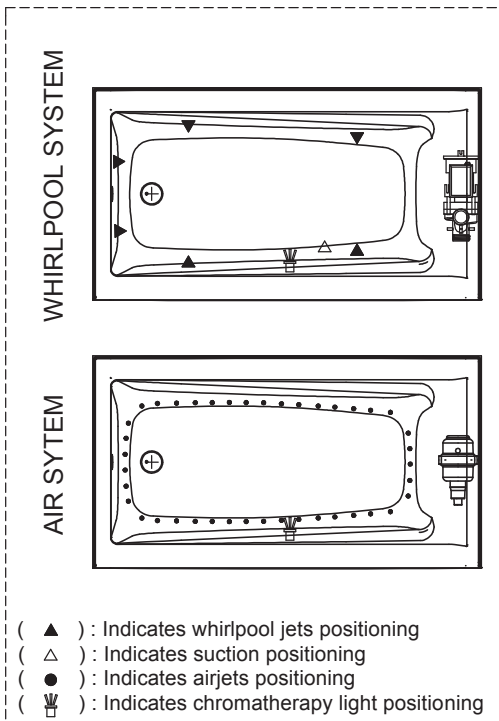
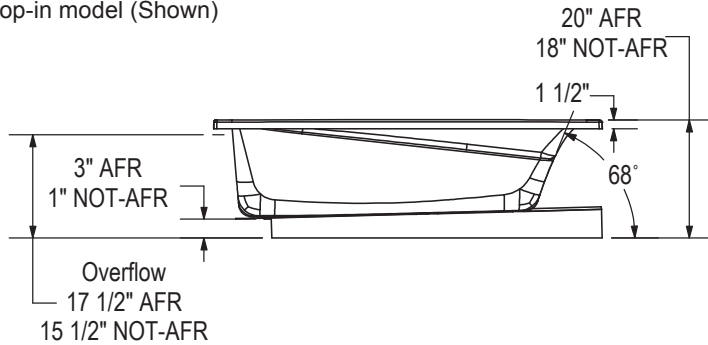
| No | Description |
|----|---|
| 1 | Components for standard colour units equipped with systems are colour-coordinated. Trim kit and/or air push with metallic finish can be added (additional charge applies). For non-standard colour units, please specify trim kit and/or air push colour (additional charge applies for metallic finishes). Please note that the positioning of the system's control could be in conflict with the door if one was installed on the unit. To insure compatibility, please contact customer service. |

FOOTNOTES

| No | Description |
|----|---|
| 2 | Please order flexible main hose 10006923 for installation of the blower further than 3 ft from the bathtub. For the Tandem models and the Serenade models (freestanding and drop-in), the blower is always remote and not factory installed so a 9 ft flexible main hose is included. Please note that the positioning of the system's control could be in conflict with the door if one was installed on the unit. To insure compatibility, please contact customer service. |
| 3 | The blower is not factory installed (remote). 9 ft flexible main hose included. Please note that the positioning of the system's control could be in conflict with the door if one was installed on the unit. To insure compatibility, please contact customer service. |
| 4 | For details on pump position and requirements, see technical drawings on https://www.maax.com . When there is a pump position A or B indicated on the technical drawing, please specify position when ordering. |
| 5 | For details on blower position and requirements, see technical drawings on https://www.maax.com . When there is a blower position A or B indicated on the technical drawing, please specify position when ordering. |
| 54 | A selection of units come with an access panel by default when equipped with a system. However, if the unit is only equipped with chromatherapy, the access panel will not be provided by default. |



1" Single integrated tiling flange (not shown)
Drop-in model (Shown)



Technical drawing is universal for all Exhibit 6636 configurations.

Wood support design may vary.
Single Integrated tiling flange: 1" height x 1/4" thickness (not shown)

All dimensions are approximate.
Structure measurement must be verified against the unit to ensure proper fit.

- (▲) : Indicates whirlpool jets positioning
- (△) : Indicates suction positioning
- (●) : Indicates airjets positioning
- (☐) : Indicates chromatherapy light positioning



Exhibit 6636 IFS

RECTANGULAR BATHTUBS - ACRYLIC



Material : Acrylic
 Min: 44 Gal / 168 L
 Max: 60 Gal / 227 L

Features

- › Rectangular shape bathtub in alcove installation
- › Available in Above-the-Floor Rough (AFR) or not
- › Minimalist look with discreet armrests and textured floor
- › Integrated tiling flange
- › When equipped with a system, the unit comes with an access panel

| EXHIBIT 6636 IFS - 106179 | | | | | | | | |
|---------------------------|--|---------|---------------|-------------------------------------|--------------------|---------|---------|---------|
| SKU | System | Color | Configuration | Dimensions & Weight | Packaging | MSRP | | |
| 106179-000-001-100 | Soaker - No System | White | Left | 65 7/8" x 36" x 18" / 88 lb / 40 kg | 35 ft ³ | \$ 1445 | | |
| 106179-000-001-101 | | | Right | | | \$ 1445 | | |
| 106179-L-000-004 | | Bone | \$ 1445 | | | | | |
| 106179-L-000-007 | | Biscuit | \$ 1445 | | | | | |
| 106179-L-003-001 | Whirlpool ^{1 4} | White | Left | | | \$ 2793 | | |
| 106179-L-003-004 | | Bone | | | | \$ 2793 | | |
| 106179-L-003-007 | | Biscuit | | | | \$ 2793 | | |
| 106179-L-097-001 | Combined Whirlpool & Aeroeffect ^{1 3} | White | | | | Right | \$ 4691 | |
| 106179-L-097-004 | | Bone | | | | | \$ 4691 | |
| 106179-L-097-007 | | Biscuit | | | | | \$ 4691 | |
| 106179-L-103-001 | Aeroeffect ^{1 2 5} | White | | | | | Right | \$ 3706 |
| 106179-L-103-004 | | Bone | | | | | | \$ 3706 |
| 106179-L-103-007 | | Biscuit | | \$ 3706 | | | | |
| 106179-R-000-004 | Soaker - No System | Bone | | Right | \$ 1445 | | | |
| 106179-R-000-007 | | Biscuit | | | \$ 1445 | | | |
| 106179-R-003-001 | Whirlpool ^{1 4} | White | | | Right | | | \$ 2793 |
| 106179-R-003-004 | | Bone | \$ 2793 | | | | | |
| 106179-R-003-007 | | Biscuit | \$ 2793 | | | | | |
| 106179-R-097-001 | Combined Whirlpool & Aeroeffect ^{1 3} | White | Right | | | | | \$ 4691 |
| 106179-R-097-004 | | Bone | | | | \$ 4691 | | |

EXHIBIT 6636 IFS - 106179

| SKU | System | Color | Configuration | Dimensions & Weight | Packaging | MSRP |
|------------------|--|---------|---------------|-------------------------------------|--------------------|---------|
| 106179-R-097-007 | Combined Whirlpool & Aeroeffect ^{1 3} | Biscuit | Right | 65 7/8" x 36" x 18" / 88 lb / 40 kg | 35 ft ³ | \$ 4691 |
| 106179-R-103-001 | Aeroeffect ^{1 2 5} | White | | | | \$ 3706 |
| 106179-R-103-004 | | Bone | | | | \$ 3706 |
| 106179-R-103-007 | | Biscuit | | | | \$ 3706 |

EXHIBIT 6636 IFS AFR - 106180

| SKU | System | Color | Configuration | Dimensions & Weight | Packaging | MSRP | | |
|--------------------|--|---------|---------------|-------------------------------------|--------------------|---------|---------|---------|
| 106180-000-001-102 | Soaker - No System | White | Left | 65 7/8" x 36" x 20" / 88 lb / 40 kg | 35 ft ³ | \$ 1445 | | |
| 106180-000-001-103 | | | Right | | | \$ 1445 | | |
| 106180-L-000-004 | | Bone | \$ 1445 | | | | | |
| 106180-L-000-007 | | Biscuit | \$ 1445 | | | | | |
| 106180-L-003-001 | Whirlpool ^{1 4} | White | Left | | | \$ 2793 | | |
| 106180-L-003-004 | | Bone | | | | \$ 2793 | | |
| 106180-L-003-007 | | Biscuit | | | | \$ 2793 | | |
| 106180-L-097-001 | Combined Whirlpool & Aeroeffect ^{1 3} | White | | | | Right | \$ 4691 | |
| 106180-L-097-004 | | Bone | | | | | \$ 4691 | |
| 106180-L-097-007 | | Biscuit | | | | | \$ 4691 | |
| 106180-L-103-001 | Aeroeffect ^{1 2 5} | White | | | | | \$ 3706 | |
| 106180-L-103-004 | | Bone | | | | | \$ 3706 | |
| 106180-L-103-007 | | Biscuit | | | | | \$ 3706 | |
| 106180-R-000-004 | Soaker - No System | Bone | | | | | Right | \$ 1445 |
| 106180-R-000-007 | | Biscuit | | | | | | \$ 1445 |
| 106180-R-003-001 | Whirlpool ^{1 4} | White | | | | | | \$ 2793 |
| 106180-R-003-004 | | Bone | \$ 2793 | | | | | |
| 106180-R-003-007 | | Biscuit | \$ 2793 | | | | | |
| 106180-R-097-001 | Combined Whirlpool & Aeroeffect ^{1 3} | White | Right | \$ 4691 | | | | |
| 106180-R-097-004 | | Bone | | \$ 4691 | | | | |
| 106180-R-097-007 | | Biscuit | | \$ 4691 | | | | |
| 106180-R-103-001 | Aeroeffect ^{1 2 5} | White | | \$ 3706 | | | | |
| 106180-R-103-004 | | Bone | | \$ 3706 | | | | |
| 106180-R-103-007 | | Biscuit | | \$ 3706 | | | | |

COMMON OPTIONS

| SKU | Description | MSRP |
|--------------|---|--------|
| OPT20029-105 | Metal trim kit for air push control (factory installed) | \$ 50 |
| OPT20029-084 | Available colors: Chrome (084) and Brushed Nickel (105) | \$ 50 |
| OPT20137-004 | Cable-operated waste and overflow (16 in. to 22 in.) (included in product packaging when purchased) Available colors: White (001), Bone (004), Chrome (084) and Brushed Nickel (105) | \$ 238 |

COMMON OPTIONS

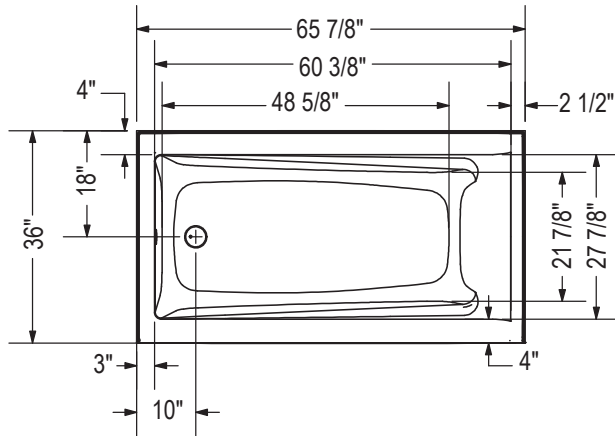
| SKU | Description | MSRP |
|--------------|---|--------|
| OPT20137-084 | | \$ 238 |
| OPT20137-105 | Cable-operated waste and overflow (16 in. to 22 in.) (included in product packaging when purchased) Available colors: White (001), Bone (004), Chrome (084) and Brushed Nickel (105) | \$ 238 |
| OPT20137-001 | | \$ 238 |
| OPT10019 | Removable access panel | \$ 319 |
| OPT10053 | One chromatherapy light (factory installed) ⁵⁴ | \$ 641 |
| OPT10095 | Water heater assembly for whirlpool and combined systems (factory installed) | \$ 908 |
| OPT10106-084 | Metal trim kit for whirlpool and combined systems (factory installed) Available colors: Chrome (084) and Brushed Nickel (105) | \$ 568 |
| OPT10106-105 | | \$ 568 |

ACCESSORIES

| SKU | Description | MSRP |
|--------------|--|--------|
| 10006923 | Flexible main hose (9 ft. extension) for air push control air massage - Kit (sold separately) | \$ 166 |
| 10004306-001 | White foam cushion with 2 suction pads (sold separately) Available color: White (001) | \$ 120 |
| 10028641-084 | Metal trim kit for Whirlpool and combined systems (sold separately) Available colors: Chrome (084) and Brushed Nickel (105) | \$ 568 |
| 10028641-105 | | \$ 568 |
| 10034250-084 | Metal trim kit for Aeroeffect with Air Push Control (sold separately) Available colors: Chrome (084) and Brushed Nickel (105) | \$ 50 |
| 10034250-105 | | \$ 50 |
| 10022491-084 | | \$ 238 |
| 10022491-004 | Cable-operated waste and overflow (16 in. to 22 in.) (sold separately) Available colors: White (001), Bone (004), Chrome (084) and Brushed Nickel (105) | \$ 238 |
| 10022491-105 | | \$ 238 |
| 10022491-001 | | \$ 238 |

FOOTNOTES

| No | Description |
|----|---|
| 1 | Components for standard colour units equipped with systems are colour-coordinated. Trim kit and/or air push with metallic finish can be added (additional charge applies). For non-standard colour units, please specify trim kit and/or air push colour (additional charge applies for metallic finishes). Please note that the positioning of the system's control could be in conflict with the door if one was installed on the unit. To insure compatibility, please contact customer service. |
| 2 | Please order flexible main hose 10006923 for installation of the blower further than 3 ft from the bathtub. For the Tandem models and the Serenade models (freestanding and drop-in), the blower is always remote and not factory installed so a 9 ft flexible main hose is included. Please note that the positioning of the system's control could be in conflict with the door if one was installed on the unit. To insure compatibility, please contact customer service. |
| 3 | The blower is not factory installed (remote). 9 ft flexible main hose included. Please note that the positioning of the system's control could be in conflict with the door if one was installed on the unit. To insure compatibility, please contact customer service. |
| 4 | For details on pump position and requirements, see technical drawings on https://www.maax.com . When there is a pump position A or B indicated on the technical drawing, please specify position when ordering. |
| 5 | For details on blower position and requirements, see technical drawings on https://www.maax.com . When there is a blower position A or B indicated on the technical drawing, please specify position when ordering. |
| 54 | A selection of units come with an access panel by default when equipped with a system. However, if the unit is only equipped with chromatherapy, the access panel will not be provided by default. |



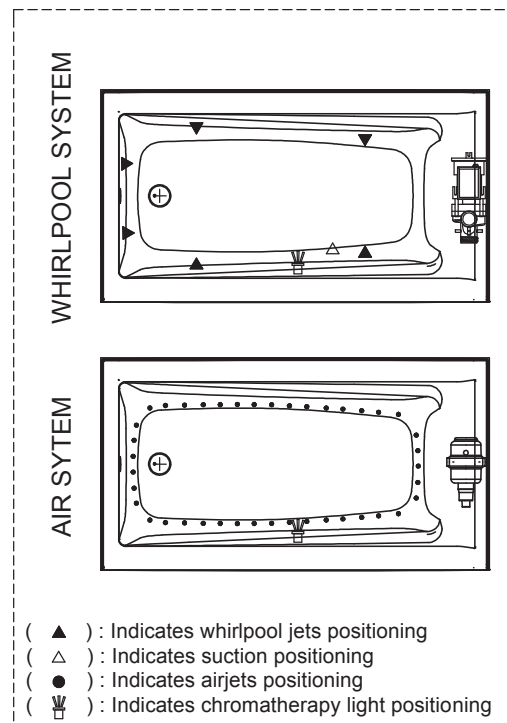
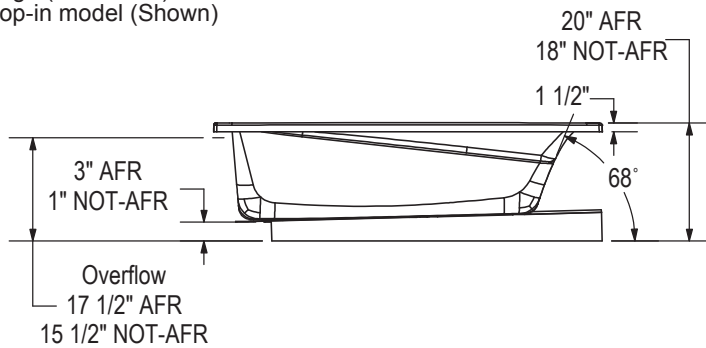
IFS Without System
Single tiling flange



IFS With System
(access panel)
Single tiling flange



1" Single integrated tiling flange (not shown)
Drop-in model (Shown)



Technical drawing is universal for all Exhibit 6636 configurations.

Wood support design may vary.
Single Integrated tiling flange: 1" height x 1/4" thickness (not shown)

All dimensions are approximate.
Structure measurement must be verified against the unit to ensure proper fit.



Exhibit 7232 IF



Material : Acrylic
 Min: 44 Gal / 168 L
 Max: 59 Gal / 223 L

Features

- › Rectangular shape bathtub
- › Alcove installation with tiling flange
- › Minimalist look with discreet armrests and textured floor
- › Right of left-hand drain

RECTANGULAR BATHTUBS - ACRYLIC

| EXHIBIT 7232 IF - 106224 | | | | | | | |
|--------------------------|--|---------|---------------|-------------------------------------|--------------------|---------|---------|
| SKU | System | Color | Configuration | Dimensions & Weight | Packaging | MSRP | |
| 106224-000-001-001 | Soaker - No System | White | Left | 71 7/8" x 32" x 18" / 80 lb / 36 kg | 34 ft ³ | \$ 1171 | |
| 106224-000-001-002 | | | Right | | | \$ 1171 | |
| 106224-003-001-100 | Whirlpool ^{1 4} | | Left | | | \$ 2519 | |
| 106224-003-001-101 | | | Right | | | \$ 2519 | |
| 106224-103-001-001 | Aeroeffect ^{1 2 5} | | Left | | | \$ 3432 | |
| 106224-103-001-002 | | | Right | | | \$ 3432 | |
| 106224-L-000-004 | Soaker - No System | | Bone | | | Left | \$ 1171 |
| 106224-L-000-007 | | | Biscuit | | | | \$ 1171 |
| 106224-L-003-004 | Whirlpool ^{1 4} | | Bone | | | | \$ 2519 |
| 106224-L-003-007 | | | Biscuit | | | | \$ 2519 |
| 106224-L-097-001 | Combined Whirlpool & Aeroeffect ^{1 3} | | White | | | | \$ 4417 |
| 106224-L-097-004 | | | Bone | | | | \$ 4417 |
| 106224-L-097-007 | | Biscuit | \$ 4417 | | | | |
| 106224-L-103-004 | Aeroeffect ^{1 2 5} | Bone | \$ 3432 | | | | |
| 106224-L-103-007 | | Biscuit | \$ 3432 | | | | |
| 106224-R-000-004 | Soaker - No System | Bone | Right | \$ 1171 | | | |
| 106224-R-000-007 | | Biscuit | | \$ 1171 | | | |
| 106224-R-003-004 | Whirlpool ^{1 4} | Bone | | \$ 2519 | | | |
| 106224-R-003-007 | | Biscuit | | \$ 2519 | | | |
| 106224-R-097-001 | Combined Whirlpool & Aeroeffect ^{1 3} | White | | \$ 4417 | | | |

EXHIBIT 7232 IF - 106224

| SKU | System | Color | Configuration | Dimensions & Weight | Packaging | MSRP |
|------------------|--|---------|---------------|-------------------------------------|--------------------|---------|
| 106224-R-097-004 | Combined Whirlpool & Aeroeffect ^{1 3} | Bone | Right | 71 7/8" x 32" x 18" / 80 lb / 36 kg | 34 ft ³ | \$ 4417 |
| 106224-R-097-007 | | Biscuit | | | | \$ 4417 |
| 106224-R-103-004 | Aeroeffect ^{1 2 5} | Bone | | | | \$ 3432 |
| 106224-R-103-007 | | Biscuit | | | | \$ 3432 |

COMMON OPTIONS

| SKU | Description | MSRP |
|--------------|---|--------|
| OPT20137-004 | Cable-operated waste and overflow (16 in. to 22 in.) (included in product packaging when purchased) Available colors: White (001), Bone (004), Chrome (084) and Brushed Nickel (105) | \$ 238 |
| OPT20137-084 | | \$ 238 |
| OPT20137-105 | | \$ 238 |
| OPT20137-001 | | \$ 238 |
| OPT10053 | One chromatherapy light (factory installed) ⁵⁴ | \$ 641 |
| OPT10095 | Water heater assembly for whirlpool and combined systems (factory installed) | \$ 908 |
| OPT10106-084 | Metal trim kit for whirlpool and combined systems (factory installed) Available colors: Chrome (084) and Brushed Nickel (105) | \$ 568 |
| OPT10106-105 | | \$ 568 |
| OPT20029-105 | Metal trim kit for air push control (factory installed) Available colors: Chrome (084) and Brushed Nickel (105) | \$ 50 |
| OPT20029-084 | | \$ 50 |

ACCESSORIES

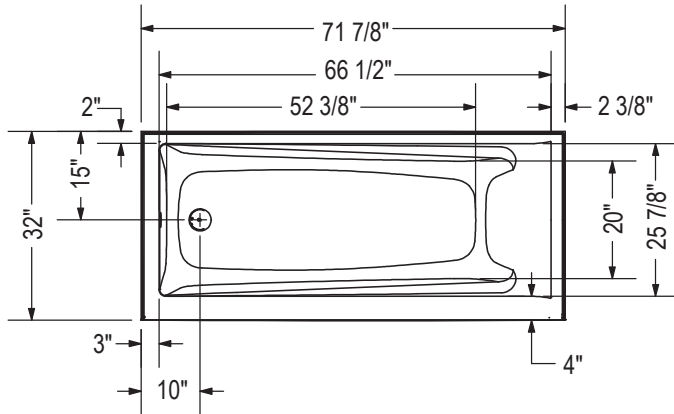
| SKU | Description | MSRP |
|--------------|--|--------|
| 10006923 | Flexible main hose (9 ft. extension) for air push control air massage - Kit (sold separately) | \$ 166 |
| 10004306-001 | White foam cushion with 2 suction pads (sold separately) Available color: White (001) | \$ 120 |
| 10028641-084 | Metal trim kit for Whirlpool and combined systems (sold separately) Available colors: Chrome (084) and Brushed Nickel (105) | \$ 568 |
| 10028641-105 | | \$ 568 |
| 10034250-084 | Metal trim kit for Aeroeffect with Air Push Control (sold separately) Available colors: Chrome (084) and Brushed Nickel (105) | \$ 50 |
| 10034250-105 | | \$ 50 |
| 10022491-084 | Cable-operated waste and overflow (16 in. to 22 in.) (sold separately) Available colors: White (001), Bone (004), Chrome (084) and Brushed Nickel (105) | \$ 238 |
| 10022491-004 | | \$ 238 |
| 10022491-105 | | \$ 238 |
| 10022491-001 | | \$ 238 |

FOOTNOTES

| No | Description |
|----|---|
| 1 | Components for standard colour units equipped with systems are colour-coordinated. Trim kit and/or air push with metallic finish can be added (additional charge applies). For non-standard colour units, please specify trim kit and/or air push colour (additional charge applies for metallic finishes). Please note that the positioning of the system's control could be in conflict with the door if one was installed on the unit. To insure compatibility, please contact customer service. |

FOOTNOTES

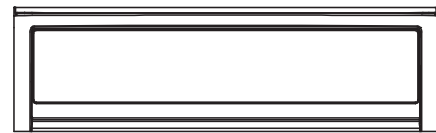
| No | Description |
|----|---|
| 2 | Please order flexible main hose 10006923 for installation of the blower further than 3 ft from the bathtub. For the Tandem models and the Serenade models (freestanding and drop-in), the blower is always remote and not factory installed so a 9 ft flexible main hose is included. Please note that the positioning of the system's control could be in conflict with the door if one was installed on the unit. To insure compatibility, please contact customer service. |
| 3 | The blower is not factory installed (remote). 9 ft flexible main hose included. Please note that the positioning of the system's control could be in conflict with the door if one was installed on the unit. To insure compatibility, please contact customer service. |
| 4 | For details on pump position and requirements, see technical drawings on https://www.maax.com . When there is a pump position A or B indicated on the technical drawing, please specify position when ordering. |
| 5 | For details on blower position and requirements, see technical drawings on https://www.maax.com . When there is a blower position A or B indicated on the technical drawing, please specify position when ordering. |
| 54 | A selection of units come with an access panel by default when equipped with a system. However, if the unit is only equipped with chromatherapy, the access panel will not be provided by default. |



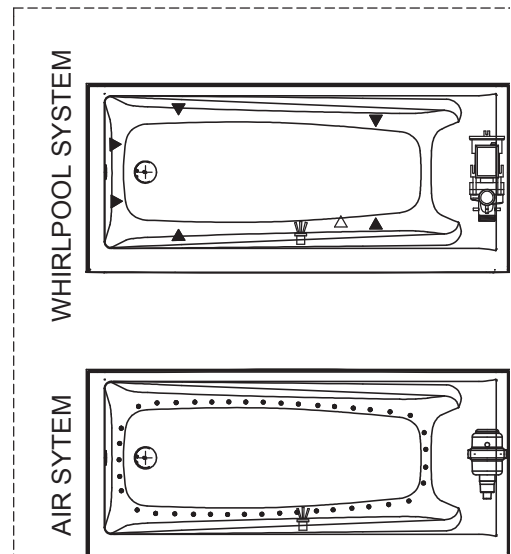
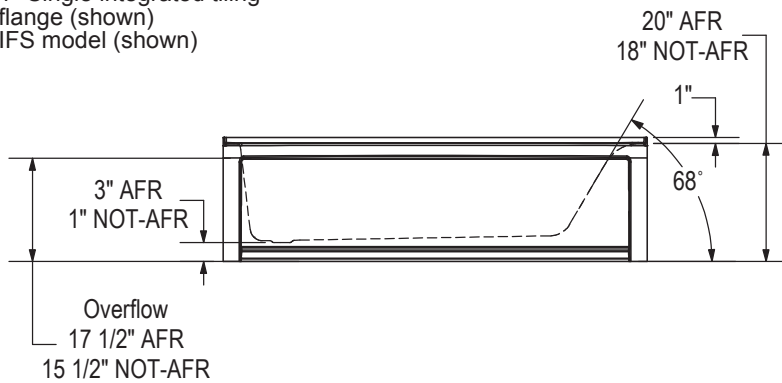
IFS Without System
Single tiling flange



IFS With System
(access panel)
Single tiling flange



1" Single integrated tiling flange (shown)
IFS model (shown)



- (▲) : Indicates whirlpool jets positioning
- (△) : Indicates suction positioning
- (●) : Indicates airjets positioning
- (☐) : Indicates chromatherapy light positioning

Technical drawing is universal for all Exhibit 7232 configurations.

Wood support design may vary.
Single Integrated tiling flange: 1" height x 1/4" thickness (shown)

All dimensions are approximate.
Structure measurement must be verified against the unit to ensure proper fit.



Exhibit 7232 IFS



Material : Acrylic
 Min: 44 Gal / 168 L
 Max: 59 Gal / 223 L

Features

- › Rectangular shape bathtub in alcove installation
- › Available in Above-the-Floor Rough (AFR) or not
- › Minimalist look with discreet armrests and textured floor
- › Integrated tiling flange
- › When equipped with a system, the unit comes with an access panel

RECTANGULAR BATHTUBS - ACRYLIC

| EXHIBIT 7232 IFS - 106225 | | | | | | |
|---------------------------|--|---------|---------------|-------------------------------------|--------------------|---------|
| SKU | System | Color | Configuration | Dimensions & Weight | Packaging | MSRP |
| 106225-000-001-100 | Soaker - No System | White | Left | 71 7/8" x 32" x 18" / 92 lb / 42 kg | 34 ft ³ | \$ 1534 |
| 106225-000-001-101 | | | Right | | | \$ 1534 |
| 106225-003-001-102 | Whirlpool ^{1 4} | | Left | | | \$ 2882 |
| 106225-003-001-103 | | | Right | | | \$ 2882 |
| 106225-L-000-004 | Soaker - No System | Bone | Left | | | \$ 1534 |
| 106225-L-000-007 | | Biscuit | | | | \$ 1534 |
| 106225-L-003-004 | Whirlpool ^{1 4} | Bone | | | | \$ 2882 |
| 106225-L-003-007 | | Biscuit | | | | \$ 2882 |
| 106225-L-097-001 | Combined Whirlpool & Aeroeffect ^{1 3} | White | | | | \$ 4780 |
| 106225-L-097-004 | | Bone | | | | \$ 4780 |
| 106225-L-097-007 | | Biscuit | | | | \$ 4780 |
| 106225-L-103-001 | Aeroeffect ^{1 2 5} | White | | | | \$ 3795 |
| 106225-L-103-004 | | Bone | | \$ 3795 | | |
| 106225-L-103-007 | | Biscuit | | \$ 3795 | | |
| 106225-R-000-004 | Soaker - No System | Bone | | Right | \$ 1534 | |
| 106225-R-000-007 | | Biscuit | | | \$ 1534 | |
| 106225-R-003-004 | Whirlpool ^{1 4} | Bone | \$ 2882 | | | |
| 106225-R-003-007 | | Biscuit | \$ 2882 | | | |
| 106225-R-097-001 | Combined Whirlpool & Aeroeffect ^{1 3} | White | \$ 4780 | | | |
| 106225-R-097-004 | | Bone | \$ 4780 | | | |

EXHIBIT 7232 IFS - 106225

| SKU | System | Color | Configuration | Dimensions & Weight | Packaging | MSRP |
|------------------|--|---------|---------------|-------------------------------------|--------------------|---------|
| 106225-R-097-007 | Combined Whirlpool & Aeroeffect ^{1 3} | Biscuit | Right | 71 7/8" x 32" x 18" / 92 lb / 42 kg | 34 ft ³ | \$ 4780 |
| 106225-R-103-001 | Aeroeffect ^{1 2 5} | White | | | | \$ 3795 |
| 106225-R-103-004 | | Bone | | | | \$ 3795 |
| 106225-R-103-007 | | Biscuit | | | | \$ 3795 |

EXHIBIT 7232 IFS AFR - 106226

| SKU | System | Color | Configuration | Dimensions & Weight | Packaging | MSRP | |
|--------------------|--|---------|---------------|-------------------------------------|--------------------|---------|---------|
| 106226-000-001-102 | Soaker - No System | White | Left | 71 7/8" x 32" x 20" / 92 lb / 42 kg | 34 ft ³ | \$ 1534 | |
| 106226-000-001-103 | | | Right | | | \$ 1534 | |
| 106226-L-000-004 | | Bone | \$ 1534 | | | | |
| 106226-L-000-007 | Biscuit | \$ 1534 | | | | | |
| 106226-L-003-001 | Whirlpool ^{1 4} | White | Left | | | \$ 2882 | |
| 106226-L-003-004 | | Bone | | | | \$ 2882 | |
| 106226-L-003-007 | | Biscuit | | | | \$ 2882 | |
| 106226-L-097-001 | Combined Whirlpool & Aeroeffect ^{1 3} | White | | | | \$ 4780 | |
| 106226-L-097-004 | | Bone | | | | \$ 4780 | |
| 106226-L-097-007 | | Biscuit | | | | \$ 4780 | |
| 106226-L-103-001 | Aeroeffect ^{1 2 5} | White | | | | Right | \$ 3795 |
| 106226-L-103-004 | | Bone | | | | | \$ 3795 |
| 106226-L-103-007 | | Biscuit | | | | | \$ 3795 |
| 106226-R-000-004 | Soaker - No System | Bone | \$ 1534 | | | | |
| 106226-R-000-007 | | Biscuit | \$ 1534 | | | | |
| 106226-R-003-001 | Whirlpool ^{1 4} | White | \$ 2882 | | | | |
| 106226-R-003-004 | | Bone | \$ 2882 | | | | |
| 106226-R-003-007 | | Biscuit | \$ 2882 | | | | |
| 106226-R-097-001 | Combined Whirlpool & Aeroeffect ^{1 3} | White | \$ 4780 | | | | |
| 106226-R-097-004 | | Bone | \$ 4780 | | | | |
| 106226-R-097-007 | | Biscuit | \$ 4780 | | | | |
| 106226-R-103-001 | Aeroeffect ^{1 2 5} | White | \$ 3795 | | | | |
| 106226-R-103-004 | | Bone | \$ 3795 | | | | |
| 106226-R-103-007 | | Biscuit | \$ 3795 | | | | |

COMMON OPTIONS

| SKU | Description | MSRP |
|--------------|---|--------|
| OPT20029-105 | Metal trim kit for air push control (factory installed) | \$ 50 |
| OPT20029-084 | Available colors: Chrome (084) and Brushed Nickel (105) | \$ 50 |
| OPT20137-004 | Cable-operated waste and overflow (16 in. to 22 in.) (included in product packaging when purchased) Available colors: White (001), Bone (004), Chrome (084) and Brushed Nickel (105) | \$ 238 |

COMMON OPTIONS

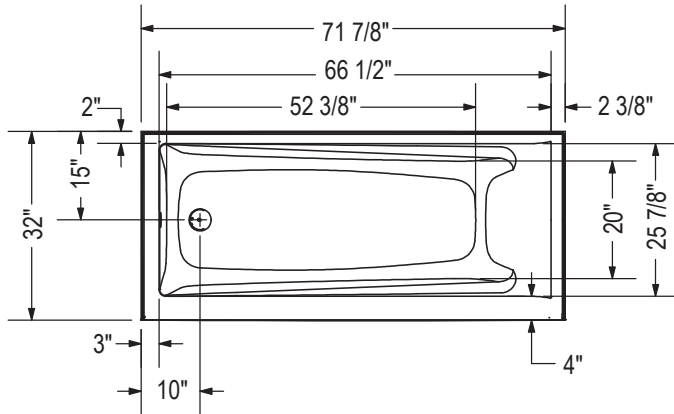
| SKU | Description | MSRP |
|--------------|---|--------|
| OPT20137-084 | Cable-operated waste and overflow (16 in. to 22 in.) (included in product packaging when purchased) Available colors: White (001), Bone (004), Chrome (084) and Brushed Nickel (105) | \$ 238 |
| OPT20137-105 | | \$ 238 |
| OPT20137-001 | | \$ 238 |
| OPT10019 | Removable access panel | \$ 319 |
| OPT10053 | One chromatherapy light (factory installed) ⁵⁴ | \$ 641 |
| OPT10095 | Water heater assembly for whirlpool and combined systems (factory installed) | \$ 908 |
| OPT10106-084 | Metal trim kit for whirlpool and combined systems (factory installed) Available colors: Chrome (084) and Brushed Nickel (105) | \$ 568 |
| OPT10106-105 | | \$ 568 |

ACCESSORIES

| SKU | Description | MSRP |
|--------------|--|--------|
| 10006923 | Flexible main hose (9 ft. extension) for air push control air massage - Kit (sold separately) | \$ 166 |
| 10004306-001 | White foam cushion with 2 suction pads (sold separately) Available color: White (001) | \$ 120 |
| 10028641-084 | Metal trim kit for Whirlpool and combined systems (sold separately) Available colors: Chrome (084) and Brushed Nickel (105) | \$ 568 |
| 10028641-105 | | \$ 568 |
| 10034250-084 | Metal trim kit for Aeroeffect with Air Push Control (sold separately) Available colors: Chrome (084) and Brushed Nickel (105) | \$ 50 |
| 10034250-105 | | \$ 50 |
| 10022491-084 | Cable-operated waste and overflow (16 in. to 22 in.) (sold separately) Available colors: White (001), Bone (004), Chrome (084) and Brushed Nickel (105) | \$ 238 |
| 10022491-004 | | \$ 238 |
| 10022491-105 | | \$ 238 |
| 10022491-001 | | \$ 238 |

FOOTNOTES

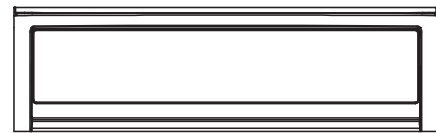
| No | Description |
|----|---|
| 1 | Components for standard colour units equipped with systems are colour-coordinated. Trim kit and/or air push with metallic finish can be added (additional charge applies). For non-standard colour units, please specify trim kit and/or air push colour (additional charge applies for metallic finishes). Please note that the positioning of the system's control could be in conflict with the door if one was installed on the unit. To insure compatibility, please contact customer service. |
| 2 | Please order flexible main hose 10006923 for installation of the blower further than 3 ft from the bathtub. For the Tandem models and the Serenade models (freestanding and drop-in), the blower is always remote and not factory installed so a 9 ft flexible main hose is included. Please note that the positioning of the system's control could be in conflict with the door if one was installed on the unit. To insure compatibility, please contact customer service. |
| 3 | The blower is not factory installed (remote). 9 ft flexible main hose included. Please note that the positioning of the system's control could be in conflict with the door if one was installed on the unit. To insure compatibility, please contact customer service. |
| 4 | For details on pump position and requirements, see technical drawings on https://www.maax.com . When there is a pump position A or B indicated on the technical drawing, please specify position when ordering. |
| 5 | For details on blower position and requirements, see technical drawings on https://www.maax.com . When there is a blower position A or B indicated on the technical drawing, please specify position when ordering. |
| 54 | A selection of units come with an access panel by default when equipped with a system. However, if the unit is only equipped with chromatherapy, the access panel will not be provided by default. |



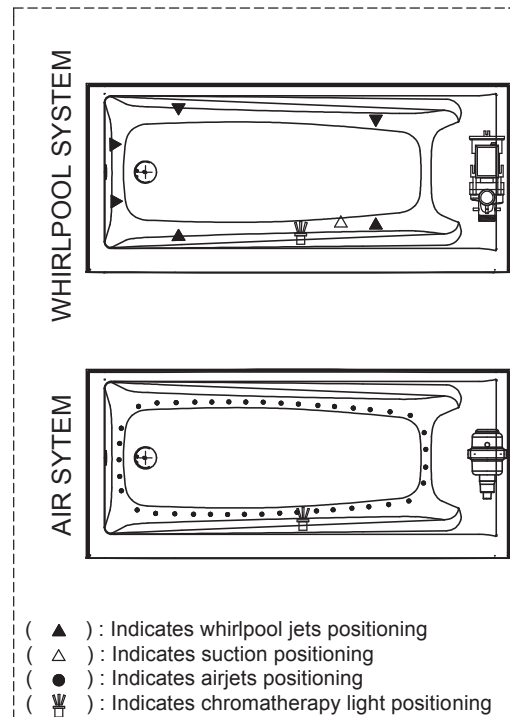
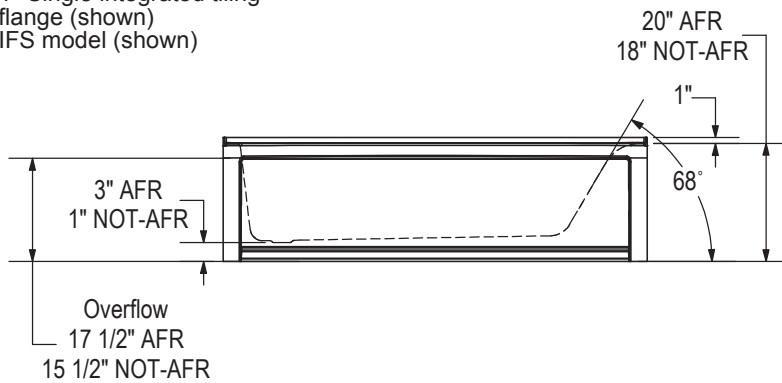
IFS Without System
Single tiling flange



IFS With System
(access panel)
Single tiling flange



1" Single integrated tiling flange (shown)
IFS model (shown)



- (▲) : Indicates whirlpool jets positioning
- (△) : Indicates suction positioning
- (●) : Indicates airjets positioning
- (☐) : Indicates chromatherapy light positioning

Technical drawing is universal for all Exhibit 7232 configurations.

Wood support design may vary.
Single Integrated tiling flange: 1" height x 1/4" thickness (shown)

All dimensions are approximate.
Structure measurement must be verified against the unit to ensure proper fit.

Exhibit 7234



Material : Acrylic
 Min: 44 Gal / 168 L
 Max: 59 Gal / 223 L

Features

- › Rectangular shape bathtub
- › Drop-in installation
- › Minimalist look with discreet armrests and textured floor
- › End drain

RECTANGULAR BATHTUBS - ACRYLIC

EXHIBIT 7234 - 106223

| SKU | System | Color | Configuration | Dimensions & Weight | Packaging | MSRP |
|--------------------|--|---------|---------------|-------------------------------------|--------------------|---------|
| 106223-000-001-000 | Soaker - No System | White | End | 71 7/8" x 34" x 18" / 80 lb / 36 kg | 35 ft ³ | \$ 1171 |
| 106223-000-004 | | Bone | | | | \$ 1171 |
| 106223-000-007 | | Biscuit | | | | \$ 1171 |
| 106223-003-001 | Whirlpool ^{1 4} | White | | | | \$ 2519 |
| 106223-003-004 | | Bone | | | | \$ 2519 |
| 106223-003-007 | | Biscuit | | | | \$ 2519 |
| 106223-097-001 | Combined Whirlpool & Aeroeffect ^{1 3} | White | | | | \$ 4417 |
| 106223-097-004 | | Bone | | | | \$ 4417 |
| 106223-097-007 | | Biscuit | | | | \$ 4417 |
| 106223-103-001 | Aeroeffect ^{1 2 5} | White | | | | \$ 3432 |
| 106223-103-004 | | Bone | | | | \$ 3432 |
| 106223-103-007 | | Biscuit | | | | \$ 3432 |

COMMON OPTIONS

| SKU | Description | MSRP |
|--------------|--|--------|
| OPT10053 | One chromatherapy light (factory installed) ⁵⁴ | \$ 641 |
| OPT10095 | Water heater assembly for whirlpool and combined systems (factory installed) | \$ 908 |
| OPT10106-084 | Metal trim kit for whirlpool and combined systems (factory installed) | \$ 568 |
| OPT10106-105 | Available colors: Chrome (084) and Brushed Nickel (105) | \$ 568 |

COMMON OPTIONS

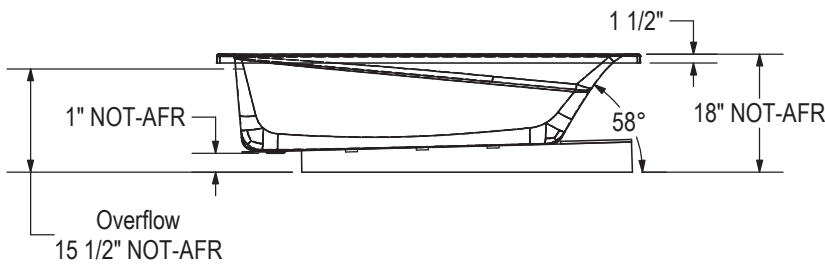
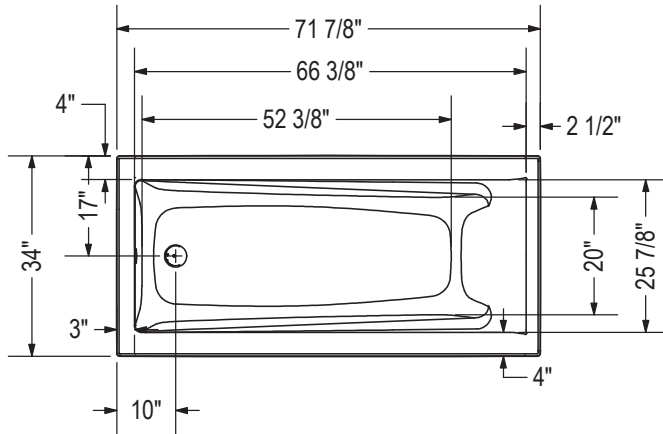
| SKU | Description | MSRP |
|--------------|---|--------|
| OPT20029-105 | Metal trim kit for air push control (factory installed) | \$ 50 |
| OPT20029-084 | Available colors: Chrome (084) and Brushed Nickel (105) | \$ 50 |
| OPT20137-004 | Cable-operated waste and overflow (16 in. to 22 in.) (included in product packaging when purchased) Available colors: White (001), Bone (004), Chrome (084) and Brushed Nickel (105) | \$ 238 |
| OPT20137-084 | | \$ 238 |
| OPT20137-105 | | \$ 238 |
| OPT20137-001 | | \$ 238 |

ACCESSORIES

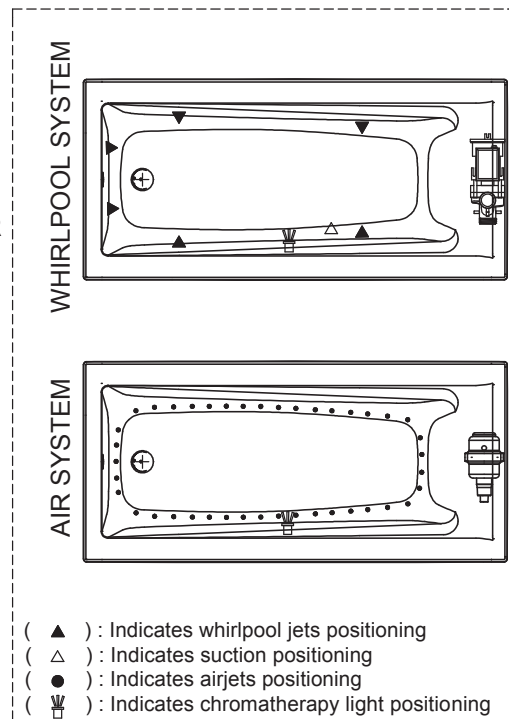
| SKU | Description | MSRP |
|--------------|--|--------|
| 10006923 | Flexible main hose (9 ft. extension) for air push control air massage - Kit (sold separately) | \$ 166 |
| 10004306-001 | White foam cushion with 2 suction pads (sold separately) Available color: White (001) | \$ 120 |
| 10028641-084 | Metal trim kit for Whirlpool and combined systems (sold separately) Available colors: Chrome (084) and Brushed Nickel (105) | \$ 568 |
| 10028641-105 | | \$ 568 |
| 10034250-084 | Metal trim kit for Aeroeffect with Air Push Control (sold separately) Available colors: Chrome (084) and Brushed Nickel (105) | \$ 50 |
| 10034250-105 | | \$ 50 |
| 10022491-084 | Cable-operated waste and overflow (16 in. to 22 in.) (sold separately) Available colors: White (001), Bone (004), Chrome (084) and Brushed Nickel (105) | \$ 238 |
| 10022491-004 | | \$ 238 |
| 10022491-105 | | \$ 238 |
| 10022491-001 | | \$ 238 |

FOOTNOTES

| No | Description |
|----|---|
| 1 | Components for standard colour units equipped with systems are colour-coordinated. Trim kit and/or air push with metallic finish can be added (additional charge applies). For non-standard colour units, please specify trim kit and/or air push colour (additional charge applies for metallic finishes). Please note that the positioning of the system's control could be in conflict with the door if one was installed on the unit. To insure compatibility, please contact customer service. |
| 2 | Please order flexible main hose 10006923 for installation of the blower further than 3 ft from the bathtub. For the Tandem models and the Serenade models (freestanding and drop-in), the blower is always remote and not factory installed so a 9 ft flexible main hose is included. Please note that the positioning of the system's control could be in conflict with the door if one was installed on the unit. To insure compatibility, please contact customer service. |
| 3 | The blower is not factory installed (remote). 9 ft flexible main hose included. Please note that the positioning of the system's control could be in conflict with the door if one was installed on the unit. To insure compatibility, please contact customer service. |
| 4 | For details on pump position and requirements, see technical drawings on https://www.maax.com . When there is a pump position A or B indicated on the technical drawing, please specify position when ordering. |
| 5 | For details on blower position and requirements, see technical drawings on https://www.maax.com . When there is a blower position A or B indicated on the technical drawing, please specify position when ordering. |
| 54 | A selection of units come with an access panel by default when equipped with a system. However, if the unit is only equipped with chromatherapy, the access panel will not be provided by default. |



All dimensions are approximate.
Structure measurement must be verified against the unit to ensure proper fit.



- (▲) : Indicates whirlpool jets positioning
- (▽) : Indicates suction positioning
- (●) : Indicates airjets positioning
- (◻) : Indicates chromatherapy light positioning

Exhibit 7236



RECTANGULAR BATHTUBS - ACRYLIC



Material : Acrylic
 Min: 48 Gal / 182 L
 Max: 64 Gal / 241 L

Features

- › Rectangular shape bathtub
- › Drop-in or alcove installation with tiling flange
- › Minimalist look with discreet armrests and textured floor
- › End drain

| EXHIBIT 7236 - 106181 | | | | | | |
|-----------------------|--|---------|---------------|-------------------------------------|--------------------|---------|
| SKU | System | Color | Configuration | Dimensions & Weight | Packaging | MSRP |
| 106181-000-001-000 | Soaker - No System | White | End | 71 7/8" x 36" x 18" / 83 lb / 38 kg | 37 ft ³ | \$ 1182 |
| 106181-000-004 | | Bone | | | | \$ 1182 |
| 106181-000-007 | | Biscuit | | | | \$ 1182 |
| 106181-003-001-000 | Whirlpool ^{1 4} | White | | | | \$ 2530 |
| 106181-003-004 | | Bone | | | | \$ 2530 |
| 106181-003-007 | | Biscuit | | | | \$ 2530 |
| 106181-097-001 | Combined Whirlpool & Aeroeffect ^{1 3} | White | | | | \$ 4428 |
| 106181-097-004 | | Bone | | | | \$ 4428 |
| 106181-097-007 | | Biscuit | | | | \$ 4428 |
| 106181-103-001-100 | Aeroeffect ^{1 2 5} | White | | | | \$ 3443 |
| 106181-103-004 | | Bone | | | | \$ 3443 |
| 106181-103-007 | | Biscuit | | | | \$ 3443 |

| COMMON OPTIONS | | |
|----------------|---|---|
| SKU | Description | MSRP |
| OPT20137-004 | Cable-operated waste and overflow (16 in. to 22 in.) (included in product packaging when purchased) Available colors: White (001), Bone (004), Chrome (084) and Brushed Nickel (105) | \$ 238 |
| OPT20137-084 | | \$ 238 |
| OPT20137-105 | | \$ 238 |
| OPT20137-001 | | \$ 238 |
| OPT10053 | | One chromatherapy light (factory installed) ⁵⁴ |

COMMON OPTIONS

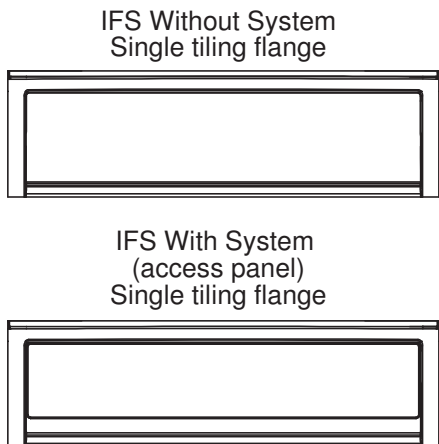
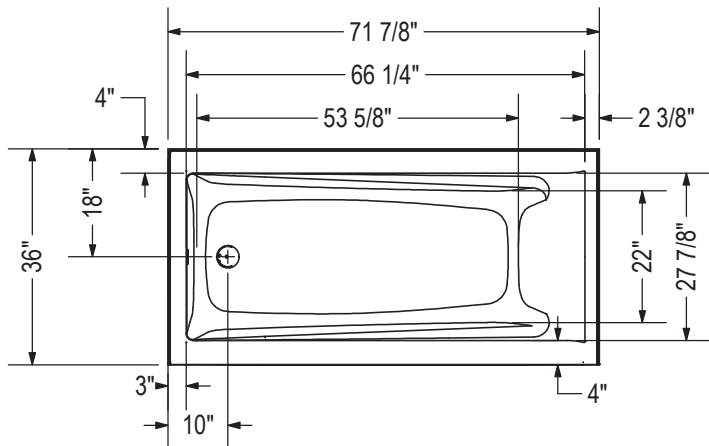
| SKU | Description | MSRP |
|--------------|--|--------|
| OPT10095 | Water heater assembly for whirlpool and combined systems (factory installed) | \$ 908 |
| OPT10106-084 | Metal trim kit for whirlpool and combined systems (factory installed) | \$ 568 |
| OPT10106-105 | Available colors: Chrome (084) and Brushed Nickel (105) | \$ 568 |
| OPT20029-105 | Metal trim kit for air push control (factory installed) | \$ 50 |
| OPT20029-084 | Available colors: Chrome (084) and Brushed Nickel (105) | \$ 50 |

ACCESSORIES

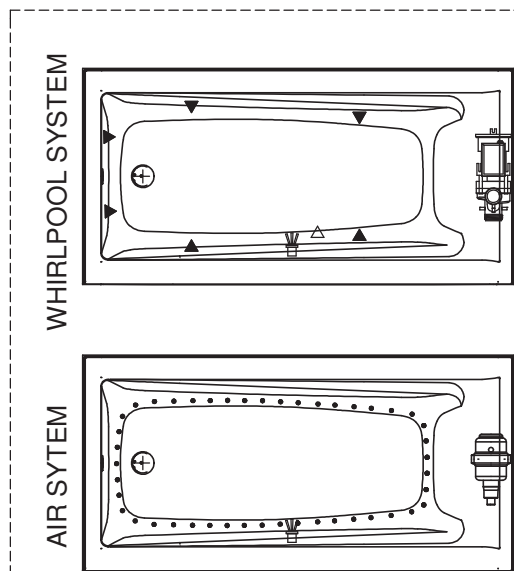
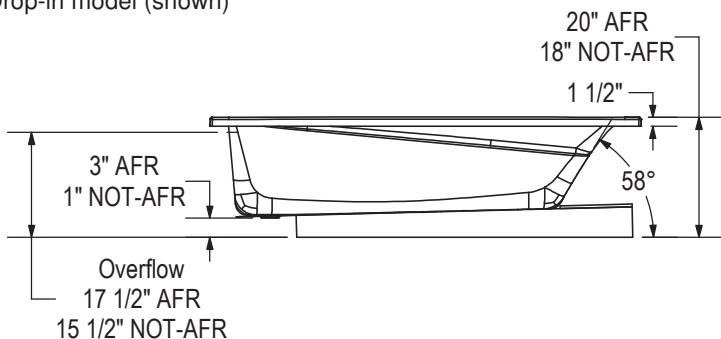
| SKU | Description | MSRP |
|--------------|--|--------|
| 10006923 | Flexible main hose (9 ft. extension) for air push control air massage - Kit (sold separately) | \$ 166 |
| 10004306-001 | White foam cushion with 2 suction pads (sold separately) Available color: White (001) | \$ 120 |
| 10028641-084 | Metal trim kit for Whirlpool and combined systems (sold separately) | \$ 568 |
| 10028641-105 | Available colors: Chrome (084) and Brushed Nickel (105) | \$ 568 |
| 10034250-084 | Metal trim kit for Aeroeffect with Air Push Control (sold separately) | \$ 50 |
| 10034250-105 | Available colors: Chrome (084) and Brushed Nickel (105) | \$ 50 |
| 10022491-084 | Cable-operated waste and overflow (16 in. to 22 in.) (sold separately) Available colors: White (001), Bone (004), Chrome (084) and Brushed Nickel (105) | \$ 238 |
| 10022491-004 | | \$ 238 |
| 10022491-105 | | \$ 238 |
| 10022491-001 | | \$ 238 |

FOOTNOTES

| No | Description |
|----|---|
| 1 | Components for standard colour units equipped with systems are colour-coordinated. Trim kit and/or air push with metallic finish can be added (additional charge applies). For non-standard colour units, please specify trim kit and/or air push colour (additional charge applies for metallic finishes). Please note that the positioning of the system's control could be in conflict with the door if one was installed on the unit. To insure compatibility, please contact customer service. |
| 2 | Please order flexible main hose 10006923 for installation of the blower further than 3 ft from the bathtub. For the Tandem models and the Serenade models (freestanding and drop-in), the blower is always remote and not factory installed so a 9 ft flexible main hose is included. Please note that the positioning of the system's control could be in conflict with the door if one was installed on the unit. To insure compatibility, please contact customer service. |
| 4 | For details on pump position and requirements, see technical drawings on https://www.maax.com . When there is a pump position A or B indicated on the technical drawing, please specify position when ordering. |
| 5 | For details on blower position and requirements, see technical drawings on https://www.maax.com . When there is a blower position A or B indicated on the technical drawing, please specify position when ordering. |
| 54 | A selection of units come with an access panel by default when equipped with a system. However, if the unit is only equipped with chromatherapy, the access panel will not be provided by default. |



1" Single integrated tiling flange (not shown)
Drop-in model (shown)



- (▲) : Indicates whirlpool jets positioning
- (△) : Indicates suction positioning
- (●) : Indicates airjets positioning
- (☼) : Indicates chromatherapy light positioning

Technical drawing is universal for all Exhibit 7236 configurations.

Wood support design may vary.
Single Integrated tiling flange: 1" height x 1/4" thickness (not shown)

All dimensions are approximate.
Structure measurement must be verified against the unit to ensure proper fit.



Exhibit 7236 IF



Material : Acrylic
 Min: 48 Gal / 182 L
 Max: 64 Gal / 241 L

Features

- › Rectangular shape bathtub
- › Drop-in or alcove installation with tiling flange
- › Minimalist look with discreet armrests and textured floor
- › End drain

RECTANGULAR BATHTUBS - ACRYLIC

| EXHIBIT 7236 IF - 106182 | | | | | | |
|--------------------------|--|---------|---------------|-------------------------------------|--------------------|---------|
| SKU | System | Color | Configuration | Dimensions & Weight | Packaging | MSRP |
| 106182-000-001-001 | Soaker - No System | White | Left | 71 7/8" x 36" x 18" / 83 lb / 38 kg | 37 ft ³ | \$ 1182 |
| 106182-000-001-002 | | | Right | | | \$ 1182 |
| 106182-103-001-101 | Aeroeffect ^{1 2 5} | | Left | | | \$ 3443 |
| 106182-103-001-102 | | | Right | | | \$ 3443 |
| 106182-L-000-004 | Soaker - No System | Bone | Left | | | \$ 1182 |
| 106182-L-000-007 | | Biscuit | | | | \$ 1182 |
| 106182-L-003-001 | Whirlpool ^{1 4} | White | | | | \$ 2530 |
| 106182-L-003-004 | | Bone | | | | \$ 2530 |
| 106182-L-003-007 | | Biscuit | | | | \$ 2530 |
| 106182-L-097-001 | Combined Whirlpool & Aeroeffect ^{1 3} | White | | | | \$ 4428 |
| 106182-L-097-004 | | Bone | | | | \$ 4428 |
| 106182-L-097-007 | | Biscuit | | | | \$ 4428 |
| 106182-L-103-004 | Aeroeffect ^{1 2 5} | Bone | | \$ 3443 | | |
| 106182-L-103-007 | | Biscuit | | \$ 3443 | | |
| 106182-R-000-004 | Soaker - No System | Bone | | Right | \$ 1182 | |
| 106182-R-000-007 | | Biscuit | | | \$ 1182 | |
| 106182-R-003-001 | Whirlpool ^{1 4} | White | \$ 2530 | | | |
| 106182-R-003-004 | | Bone | \$ 2530 | | | |
| 106182-R-003-007 | | Biscuit | \$ 2530 | | | |
| 106182-R-097-001 | Combined Whirlpool & Aeroeffect ^{1 3} | White | \$ 4428 | | | |

EXHIBIT 7236 IF - 106182

| SKU | System | Color | Configuration | Dimensions & Weight | Packaging | MSRP |
|------------------|--|---------|---------------|-------------------------------------|--------------------|---------|
| 106182-R-097-004 | Combined Whirlpool & Aeroeffect ^{1 3} | Bone | Right | 71 7/8" x 36" x 18" / 83 lb / 38 kg | 37 ft ³ | \$ 4428 |
| 106182-R-097-007 | | Biscuit | | | | \$ 4428 |
| 106182-R-103-004 | Aeroeffect ^{1 2 5} | Bone | | | | \$ 3443 |
| 106182-R-103-007 | | Biscuit | | | | \$ 3443 |

COMMON OPTIONS

| SKU | Description | MSRP |
|--------------|---|--------|
| OPT20137-004 | Cable-operated waste and overflow (16 in. to 22 in.) (included in product packaging when purchased) Available colors: White (001), Bone (004), Chrome (084) and Brushed Nickel (105) | \$ 238 |
| OPT20137-084 | | \$ 238 |
| OPT20137-105 | | \$ 238 |
| OPT20137-001 | | \$ 238 |
| OPT10053 | One chromatherapy light (factory installed) ⁵⁴ | \$ 641 |
| OPT10095 | Water heater assembly for whirlpool and combined systems (factory installed) | \$ 908 |
| OPT10106-084 | Metal trim kit for whirlpool and combined systems (factory installed) Available colors: Chrome (084) and Brushed Nickel (105) | \$ 568 |
| OPT10106-105 | | \$ 568 |
| OPT20029-105 | Metal trim kit for air push control (factory installed) Available colors: Chrome (084) and Brushed Nickel (105) | \$ 50 |
| OPT20029-084 | | \$ 50 |

ACCESSORIES

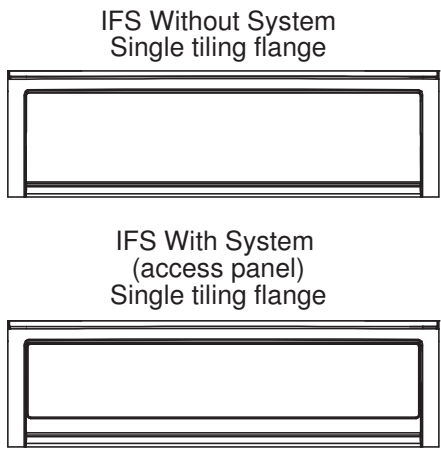
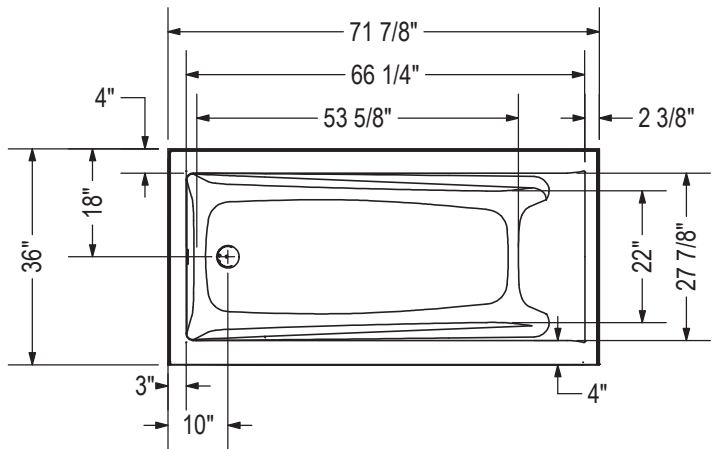
| SKU | Description | MSRP |
|--------------|--|--------|
| 10006923 | Flexible main hose (9 ft. extension) for air push control air massage - Kit (sold separately) | \$ 166 |
| 10004306-001 | White foam cushion with 2 suction pads (sold separately) Available color: White (001) | \$ 120 |
| 10028641-084 | Metal trim kit for Whirlpool and combined systems (sold separately) Available colors: Chrome (084) and Brushed Nickel (105) | \$ 568 |
| 10028641-105 | | \$ 568 |
| 10034250-084 | Metal trim kit for Aeroeffect with Air Push Control (sold separately) Available colors: Chrome (084) and Brushed Nickel (105) | \$ 50 |
| 10034250-105 | | \$ 50 |
| 10022491-084 | Cable-operated waste and overflow (16 in. to 22 in.) (sold separately) Available colors: White (001), Bone (004), Chrome (084) and Brushed Nickel (105) | \$ 238 |
| 10022491-004 | | \$ 238 |
| 10022491-105 | | \$ 238 |
| 10022491-001 | | \$ 238 |

FOOTNOTES

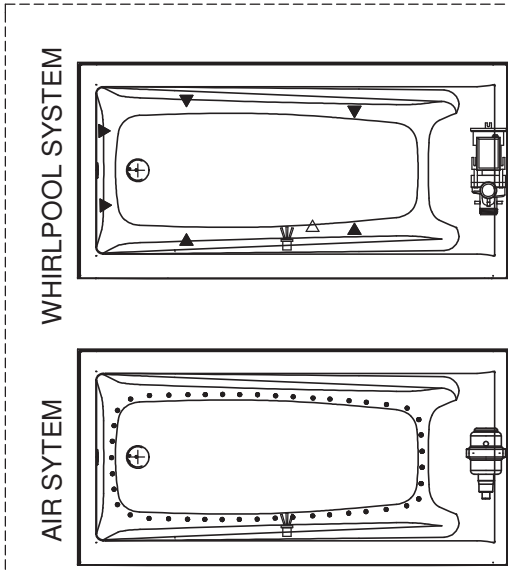
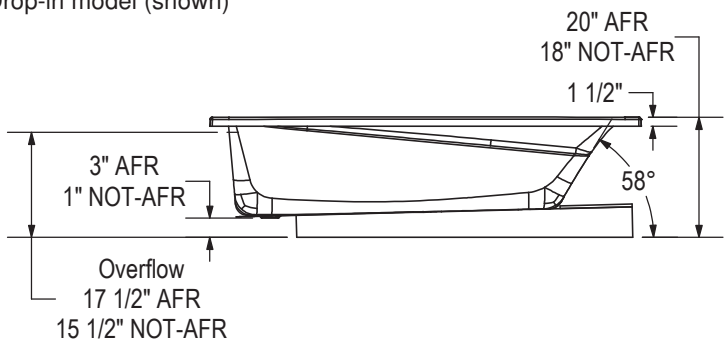
| No | Description |
|----|---|
| 1 | Components for standard colour units equipped with systems are colour-coordinated. Trim kit and/or air push with metallic finish can be added (additional charge applies). For non-standard colour units, please specify trim kit and/or air push colour (additional charge applies for metallic finishes). Please note that the positioning of the system's control could be in conflict with the door if one was installed on the unit. To insure compatibility, please contact customer service. |

FOOTNOTES

| No | Description |
|----|---|
| 2 | Please order flexible main hose 10006923 for installation of the blower further than 3 ft from the bathtub. For the Tandem models and the Serenade models (freestanding and drop-in), the blower is always remote and not factory installed so a 9 ft flexible main hose is included. Please note that the positioning of the system's control could be in conflict with the door if one was installed on the unit. To insure compatibility, please contact customer service. |
| 3 | The blower is not factory installed (remote). 9 ft flexible main hose included. Please note that the positioning of the system's control could be in conflict with the door if one was installed on the unit. To insure compatibility, please contact customer service. |
| 4 | For details on pump position and requirements, see technical drawings on https://www.maax.com . When there is a pump position A or B indicated on the technical drawing, please specify position when ordering. |
| 5 | For details on blower position and requirements, see technical drawings on https://www.maax.com . When there is a blower position A or B indicated on the technical drawing, please specify position when ordering. |
| 54 | A selection of units come with an access panel by default when equipped with a system. However, if the unit is only equipped with chromatherapy, the access panel will not be provided by default. |



1" Single integrated tiling flange (not shown)
Drop-in model (shown)



- (▲) : Indicates whirlpool jets positioning
- (△) : Indicates suction positioning
- (●) : Indicates airjets positioning
- (☼) : Indicates chromatherapy light positioning

Technical drawing is universal for all Exhibit 7236 configurations.

Wood support design may vary.
Single Integrated tiling flange: 1" height x 1/4" thickness (not shown)

All dimensions are approximate.
Structure measurement must be verified against the unit to ensure proper fit.



Exhibit 7236 IFS



Material : Acrylic
 Min: 48 Gal / 182 L
 Max: 64 Gal / 241 L

Features

- › Rectangular shape bathtub in alcove installation
- › Available in Above-the-Floor Rough (AFR) or not
- › Minimalist look with discreet armrests and textured floor
- › Integrated tiling flange
- › When equipped with a system, the unit comes with an access panel

RECTANGULAR BATHTUBS - ACRYLIC

EXHIBIT 7236 IFS - 106183

| SKU | System | Color | Configuration | Dimensions & Weight | Packaging | MSRP | | | | | |
|--------------------|--|---------|---------------|-------------------------------------|--------------------|-------------------------------------|--------------------|---------|-------------------------------------|--------------------|---------|
| 106183-000-001-100 | Soaker - No System | White | Left | 71 7/8" x 36" x 18" / 95 lb / 43 kg | 37 ft ³ | \$ 1545 | | | | | |
| 106183-000-001-101 | | | Right | | | \$ 1545 | | | | | |
| 106183-000-004-100 | | Bone | Left | | | \$ 1545 | | | | | |
| 106183-000-004-101 | | | Right | | | \$ 1545 | | | | | |
| 106183-000-007-100 | | Biscuit | Left | | | \$ 1545 | | | | | |
| 106183-000-007-101 | | | Right | | | \$ 1545 | | | | | |
| 106183-003-001-001 | Whirlpool ^{1 4} | White | Left | | | 71 7/8" x 36" x 18" / 95 lb / 43 kg | 37 ft ³ | \$ 2893 | | | |
| 106183-003-001-002 | | | Right | | | | | \$ 2893 | | | |
| 106183-003-004-001 | | Bone | Left | | | | | \$ 2893 | | | |
| 106183-003-004-002 | | | Right | | | | | \$ 2893 | | | |
| 106183-003-007-001 | | Biscuit | Left | | | | | \$ 2893 | | | |
| 106183-003-007-002 | | | Right | | | | | \$ 2893 | | | |
| 106183-L-097-001 | Combined Whirlpool & Aeroeffect ^{1 3} | White | Left | 71 7/8" x 36" x 18" / 95 lb / 43 kg | 37 ft ³ | | | \$ 4791 | | | |
| 106183-L-097-004 | | Bone | | | | | | \$ 4791 | | | |
| 106183-L-097-007 | | Biscuit | | | | | | \$ 4791 | | | |
| 106183-L-103-001 | Aeroeffect ^{1 2 5} | White | | | | | | Left | 71 7/8" x 36" x 18" / 95 lb / 43 kg | 37 ft ³ | \$ 3806 |
| 106183-L-103-004 | | Bone | | | | | | | | | \$ 3806 |
| 106183-L-103-007 | | Biscuit | | | | | | | | | \$ 3806 |
| 106183-R-097-001 | Combined Whirlpool & Aeroeffect ^{1 3} | White | Right | | | 71 7/8" x 36" x 18" / 95 lb / 43 kg | 37 ft ³ | | | | \$ 4791 |
| 106183-R-097-004 | | Bone | | | | | | | | | \$ 4791 |

EXHIBIT 7236 IFS - 106183

| SKU | System | Color | Configuration | Dimensions & Weight | Packaging | MSRP |
|------------------|--|---------|---------------|-------------------------------------|--------------------|---------|
| 106183-R-097-007 | Combined Whirlpool & Aeroeffect ^{1 3} | Biscuit | Right | 71 7/8" x 36" x 18" / 95 lb / 43 kg | 37 ft ³ | \$ 4791 |
| 106183-R-103-001 | Aeroeffect ^{1 2 5} | White | | | | \$ 3806 |
| 106183-R-103-004 | | Bone | | | | \$ 3806 |
| 106183-R-103-007 | | Biscuit | | | | \$ 3806 |

EXHIBIT 7236 IFS AFR - 106184

| SKU | System | Color | Configuration | Dimensions & Weight | Packaging | MSRP | |
|--------------------|--|---------|---------------|-------------------------------------|--------------------|---------|---------|
| 106184-000-001-102 | Soaker - No System | White | Left | 71 7/8" x 36" x 20" / 95 lb / 43 kg | 37 ft ³ | \$ 1545 | |
| 106184-000-001-103 | | | Right | | | \$ 1545 | |
| 106184-003-001-100 | Whirlpool ^{1 4} | | Left | | | \$ 2893 | |
| 106184-003-001-101 | | | Right | | | \$ 2893 | |
| 106184-L-000-004 | Soaker - No System | Bone | Left | | | \$ 1545 | |
| 106184-L-000-007 | | Biscuit | | | | \$ 1545 | |
| 106184-L-003-004 | Whirlpool ^{1 4} | Bone | | | | \$ 2893 | |
| 106184-L-003-007 | | Biscuit | | | | \$ 2893 | |
| 106184-L-097-001 | Combined Whirlpool & Aeroeffect ^{1 3} | White | | | | \$ 4791 | |
| 106184-L-097-004 | | Bone | | | | \$ 4791 | |
| 106184-L-097-007 | | Biscuit | | | | \$ 4791 | |
| 106184-L-103-001 | Aeroeffect ^{1 2 5} | White | | | | \$ 3806 | |
| 106184-L-103-004 | | Bone | | | | \$ 3806 | |
| 106184-L-103-007 | | Biscuit | | | | \$ 3806 | |
| 106184-R-000-004 | Soaker - No System | Bone | | | | Right | \$ 1545 |
| 106184-R-000-007 | | Biscuit | | | | | \$ 1545 |
| 106184-R-003-004 | Whirlpool ^{1 4} | Bone | | \$ 2893 | | | |
| 106184-R-003-007 | | Biscuit | | \$ 2893 | | | |
| 106184-R-097-001 | Combined Whirlpool & Aeroeffect ^{1 3} | White | | \$ 4791 | | | |
| 106184-R-097-004 | | Bone | | \$ 4791 | | | |
| 106184-R-097-007 | | Biscuit | \$ 4791 | | | | |
| 106184-R-103-001 | Aeroeffect ^{1 2 5} | White | \$ 3806 | | | | |
| 106184-R-103-004 | | Bone | \$ 3806 | | | | |
| 106184-R-103-007 | | Biscuit | \$ 3806 | | | | |

COMMON OPTIONS

| SKU | Description | MSRP |
|----------|--|--------|
| OPT10019 | Removable access panel | \$ 319 |
| OPT10053 | One chromatherapy light (factory installed) ⁵⁴ | \$ 641 |
| OPT10095 | Water heater assembly for whirlpool and combined systems (factory installed) | \$ 908 |

COMMON OPTIONS

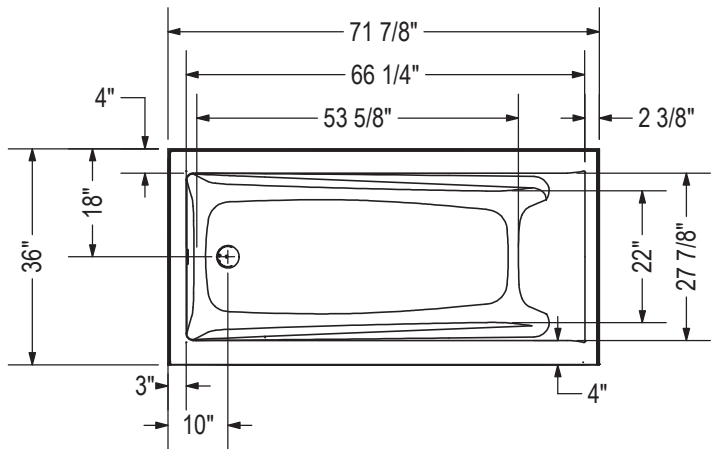
| SKU | Description | MSRP |
|--------------|---|--------|
| OPT10106-084 | Metal trim kit for whirlpool and combined systems (factory installed) | \$ 568 |
| OPT10106-105 | Available colors: Chrome (084) and Brushed Nickel (105) | \$ 568 |
| OPT20029-105 | Metal trim kit for air push control (factory installed) | \$ 50 |
| OPT20029-084 | Available colors: Chrome (084) and Brushed Nickel (105) | \$ 50 |
| OPT20137-004 | Cable-operated waste and overflow (16 in. to 22 in.) (included in product packaging when purchased) Available colors: White (001), Bone (004), Chrome (084) and Brushed Nickel (105) | \$ 238 |
| OPT20137-084 | | \$ 238 |
| OPT20137-105 | | \$ 238 |
| OPT20137-001 | | \$ 238 |

ACCESSORIES

| SKU | Description | MSRP |
|--------------|--|--------|
| 10006923 | Flexible main hose (9 ft. extension) for air push control air massage - Kit (sold separately) | \$ 166 |
| 10004306-001 | White foam cushion with 2 suction pads (sold separately) Available color: White (001) | \$ 120 |
| 10028641-084 | Metal trim kit for Whirlpool and combined systems (sold separately) | \$ 568 |
| 10028641-105 | Available colors: Chrome (084) and Brushed Nickel (105) | \$ 568 |
| 10034250-084 | Metal trim kit for Aeroeffect with Air Push Control (sold separately) | \$ 50 |
| 10034250-105 | Available colors: Chrome (084) and Brushed Nickel (105) | \$ 50 |
| 10022491-084 | Cable-operated waste and overflow (16 in. to 22 in.) (sold separately) Available colors: White (001), Bone (004), Chrome (084) and Brushed Nickel (105) | \$ 238 |
| 10022491-004 | | \$ 238 |
| 10022491-105 | | \$ 238 |
| 10022491-001 | | \$ 238 |

FOOTNOTES

| No | Description |
|----|---|
| 1 | Components for standard colour units equipped with systems are colour-coordinated. Trim kit and/or air push with metallic finish can be added (additional charge applies). For non-standard colour units, please specify trim kit and/or air push colour (additional charge applies for metallic finishes). Please note that the positioning of the system's control could be in conflict with the door if one was installed on the unit. To insure compatibility, please contact customer service. |
| 4 | For details on pump position and requirements, see technical drawings on https://www.maax.com . When there is a pump position A or B indicated on the technical drawing, please specify position when ordering. |
| 54 | A selection of units come with an access panel by default when equipped with a system. However, if the unit is only equipped with chromatherapy, the access panel will not be provided by default. |



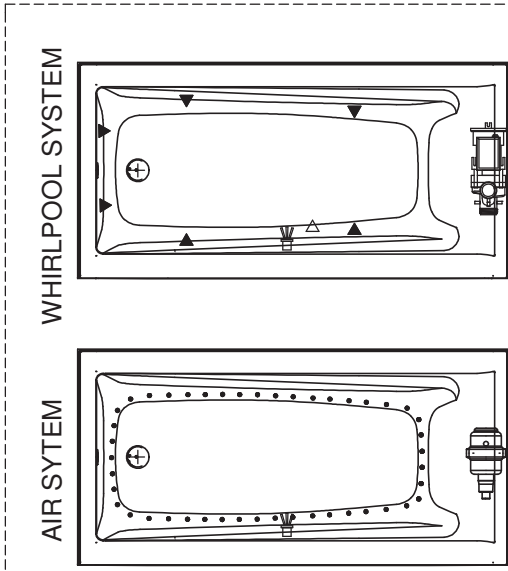
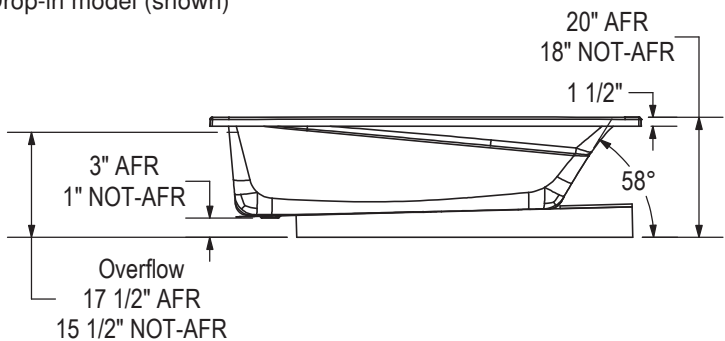
IFS Without System
Single tiling flange



IFS With System
(access panel)
Single tiling flange



1" Single integrated tiling flange (not shown)
Drop-in model (shown)



- (▲) : Indicates whirlpool jets positioning
- (△) : Indicates suction positioning
- (●) : Indicates airjets positioning
- (◻) : Indicates chromatherapy light positioning

Technical drawing is universal for all Exhibit 7236 configurations.

Wood support design may vary.
Single Integrated tiling flange: 1" height x 1/4" thickness (not shown)

All dimensions are approximate.
Structure measurement must be verified against the unit to ensure proper fit.



Exhibit 7242



Material : Acrylic
 Min: 59 Gal / 223 L
 Max: 78 Gal / 295 L

Features

- › Rectangular shape bathtub
- › Drop-in or alcove installation with tiling flange
- › Minimalist look with discreet armrests and textured floor
- › End drain

RECTANGULAR BATHTUBS - ACRYLIC

EXHIBIT 7242 - 106185

| SKU | System | Color | Configuration | Dimensions & Weight | Packaging | MSRP |
|--------------------|--|---------|---------------|-------------------------------------|--------------------|---------|
| 106185-000-001-000 | Soaker - No System | White | End | 71 7/8" x 42" x 18" / 86 lb / 39 kg | 44 ft ³ | \$ 1279 |
| 106185-000-004 | | Bone | | | | \$ 1279 |
| 106185-000-007 | | Biscuit | | | | \$ 1279 |
| 106185-003-001-000 | Whirlpool ^{1 4} | White | | | | \$ 2627 |
| 106185-003-004-000 | | Bone | | | | \$ 2627 |
| 106185-003-007-000 | | Biscuit | | | | \$ 2627 |
| 106185-097-001 | Combined Whirlpool & Aeroeffect ^{1 3} | White | | | | \$ 4525 |
| 106185-097-004 | | Bone | | | | \$ 4525 |
| 106185-097-007 | | Biscuit | | | | \$ 4525 |
| 106185-103-001-000 | Aeroeffect ^{1 2 5} | White | | | | \$ 3540 |
| 106185-103-004 | | Bone | | | | \$ 3540 |
| 106185-103-007 | | Biscuit | | | | \$ 3540 |

COMMON OPTIONS

| SKU | Description | MSRP |
|--------------|--|--------|
| OPT10053 | One chromatherapy light (factory installed) ⁵⁴ | \$ 641 |
| OPT10095 | Water heater assembly for whirlpool and combined systems (factory installed) | \$ 908 |
| OPT10106-084 | Metal trim kit for whirlpool and combined systems (factory installed) Available colors: Chrome (084) and Brushed Nickel (105) | \$ 568 |
| OPT10106-105 | | \$ 568 |

COMMON OPTIONS

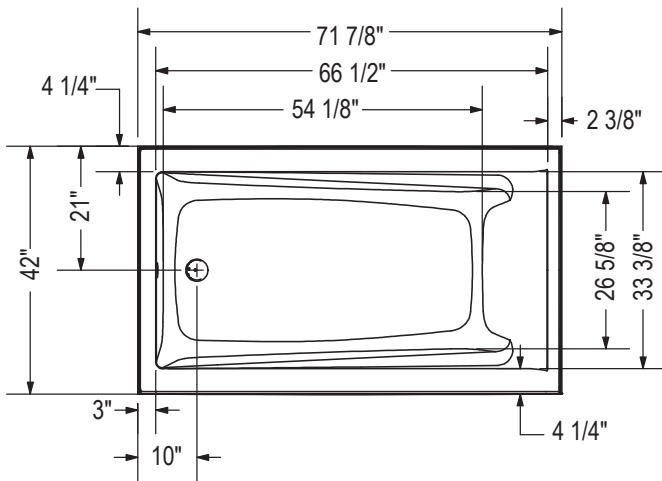
| SKU | Description | MSRP |
|--------------|---|--------|
| OPT20029-105 | Metal trim kit for air push control (factory installed) | \$ 50 |
| OPT20029-084 | Available colors: Chrome (084) and Brushed Nickel (105) | \$ 50 |
| OPT20137-004 | Cable-operated waste and overflow (16 in. to 22 in.) (included in product packaging when purchased) Available colors: White (001), Bone (004), Chrome (084) and Brushed Nickel (105) | \$ 238 |
| OPT20137-084 | | \$ 238 |
| OPT20137-105 | | \$ 238 |
| OPT20137-001 | | \$ 238 |
| OPT20137-001 | | \$ 238 |

ACCESSORIES

| SKU | Description | MSRP |
|--------------|--|--------|
| 10006923 | Flexible main hose (9 ft. extension) for air push control air massage - Kit (sold separately) | \$ 166 |
| 10004306-001 | White foam cushion with 2 suction pads (sold separately) Available color: White (001) | \$ 120 |
| 10028641-084 | Metal trim kit for Whirlpool and combined systems (sold separately) Available colors: Chrome (084) and Brushed Nickel (105) | \$ 568 |
| 10028641-105 | | \$ 568 |
| 10034250-084 | Metal trim kit for Aeroeffect with Air Push Control (sold separately) Available colors: Chrome (084) and Brushed Nickel (105) | \$ 50 |
| 10034250-105 | | \$ 50 |
| 10022491-084 | Cable-operated waste and overflow (16 in. to 22 in.) (sold separately) Available colors: White (001), Bone (004), Chrome (084) and Brushed Nickel (105) | \$ 238 |
| 10022491-004 | | \$ 238 |
| 10022491-105 | | \$ 238 |
| 10022491-001 | | \$ 238 |

FOOTNOTES

| No | Description |
|----|---|
| 1 | Components for standard colour units equipped with systems are colour-coordinated. Trim kit and/or air push with metallic finish can be added (additional charge applies). For non-standard colour units, please specify trim kit and/or air push colour (additional charge applies for metallic finishes). Please note that the positioning of the system's control could be in conflict with the door if one was installed on the unit. To insure compatibility, please contact customer service. |
| 2 | Please order flexible main hose 10006923 for installation of the blower further than 3 ft from the bathtub. For the Tandem models and the Serenade models (freestanding and drop-in), the blower is always remote and not factory installed so a 9 ft flexible main hose is included. Please note that the positioning of the system's control could be in conflict with the door if one was installed on the unit. To insure compatibility, please contact customer service. |
| 4 | For details on pump position and requirements, see technical drawings on https://www.maax.com . When there is a pump position A or B indicated on the technical drawing, please specify position when ordering. |
| 5 | For details on blower position and requirements, see technical drawings on https://www.maax.com . When there is a blower position A or B indicated on the technical drawing, please specify position when ordering. |
| 54 | A selection of units come with an access panel by default when equipped with a system. However, if the unit is only equipped with chromatherapy, the access panel will not be provided by default. |



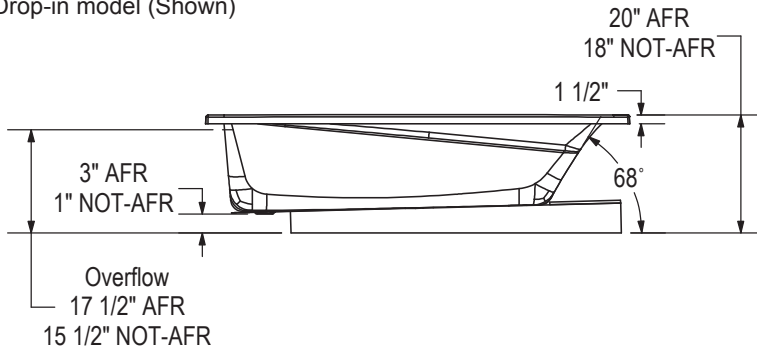
IFS Without System
Single tiling flange



IFS With System
(access panel)
Single tiling flange



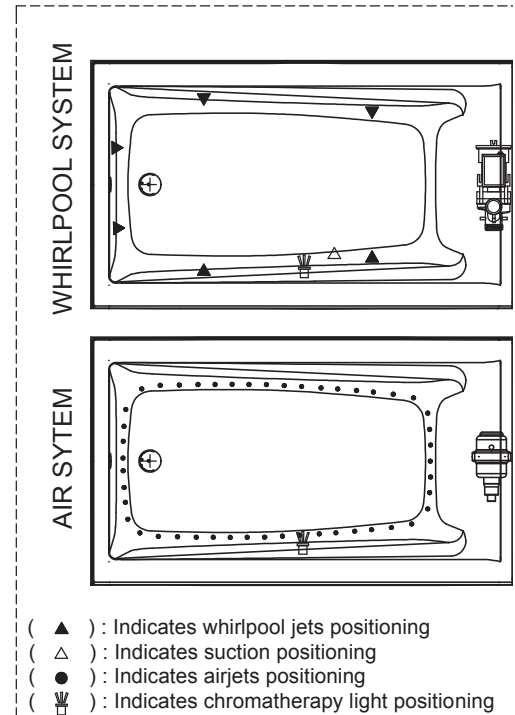
1" Single integrated tiling flange (not shown)
Drop-in model (Shown)



Technical drawing is universal for all Exhibit 7242 configurations.

Wood support design may vary.
Single Integrated tiling flange: 1" height x 1/4" thickness (not shown)

All dimensions are approximate.
Structure measurement must be verified against the unit to ensure proper fit.



- (▲) : Indicates whirlpool jets positioning
- (△) : Indicates suction positioning
- (●) : Indicates airjets positioning
- (☐) : Indicates chromotherapy light positioning



Exhibit 7242 IF

RECTANGULAR BATHTUBS - ACRYLIC



Material : Acrylic
 Min: 59 Gal / 223 L
 Max: 78 Gal / 295 L

Features

- › Rectangular shape bathtub
- › Drop-in or alcove installation with tiling flange
- › Minimalist look with discreet armrests and textured floor
- › End drain

| EXHIBIT 7242 IF - 106186 | | | | | | | | |
|--------------------------|--|---------|---------------|-------------------------------------|--------------------|---------|---------|---------|
| SKU | System | Color | Configuration | Dimensions & Weight | Packaging | MSRP | | |
| 106186-000-001-001 | Soaker - No System | White | Left | 71 7/8" x 42" x 18" / 86 lb / 39 kg | 44 ft ³ | \$ 1279 | | |
| 106186-000-001-002 | | | Right | | | \$ 1279 | | |
| 106186-L-000-004 | | Bone | \$ 1279 | | | | | |
| 106186-L-000-007 | | Biscuit | \$ 1279 | | | | | |
| 106186-L-003-001 | Whirlpool ^{1 4} | White | Left | | | \$ 2627 | | |
| 106186-L-003-004 | | Bone | | | | \$ 2627 | | |
| 106186-L-003-007 | | Biscuit | | | | \$ 2627 | | |
| 106186-L-097-001 | Combined Whirlpool & Aeroeffect ^{1 3} | White | | | | Right | \$ 4525 | |
| 106186-L-097-004 | | Bone | | | | | \$ 4525 | |
| 106186-L-097-007 | | Biscuit | | | | | \$ 4525 | |
| 106186-L-103-001 | Aeroeffect ^{1 2 5} | White | | | | | Right | \$ 3540 |
| 106186-L-103-004 | | Bone | | | | | | \$ 3540 |
| 106186-L-103-007 | | Biscuit | | \$ 3540 | | | | |
| 106186-R-000-004 | Soaker - No System | Bone | | Right | \$ 1279 | | | |
| 106186-R-000-007 | | Biscuit | | | \$ 1279 | | | |
| 106186-R-003-001 | Whirlpool ^{1 4} | White | | | Right | | | \$ 2627 |
| 106186-R-003-004 | | Bone | \$ 2627 | | | | | |
| 106186-R-003-007 | | Biscuit | \$ 2627 | | | | | |
| 106186-R-097-001 | Combined Whirlpool & Aeroeffect ^{1 3} | White | Right | | | | | \$ 4525 |
| 106186-R-097-004 | | Bone | | | | \$ 4525 | | |

EXHIBIT 7242 IF - 106186

| SKU | System | Color | Configuration | Dimensions & Weight | Packaging | MSRP |
|------------------|--|---------|---------------|-------------------------------------|--------------------|---------|
| 106186-R-097-007 | Combined Whirlpool & Aeroeffect ^{1 3} | Biscuit | Right | 71 7/8" x 42" x 18" / 86 lb / 39 kg | 44 ft ³ | \$ 4525 |
| 106186-R-103-001 | Aeroeffect ^{1 2 5} | White | | | | \$ 3540 |
| 106186-R-103-004 | | Bone | | | | \$ 3540 |
| 106186-R-103-007 | | Biscuit | | | | \$ 3540 |

COMMON OPTIONS

| SKU | Description | MSRP |
|--------------|---|--------|
| OPT20137-004 | Cable-operated waste and overflow (16 in. to 22 in.) (included in product packaging when purchased) Available colors: White (001), Bone (004), Chrome (084) and Brushed Nickel (105) | \$ 238 |
| OPT20137-084 | | \$ 238 |
| OPT20137-105 | | \$ 238 |
| OPT20137-001 | | \$ 238 |
| OPT10053 | One chromatherapy light (factory installed) ⁵⁴ | \$ 641 |
| OPT10095 | Water heater assembly for whirlpool and combined systems (factory installed) | \$ 908 |
| OPT10106-084 | Metal trim kit for whirlpool and combined systems (factory installed) Available colors: Chrome (084) and Brushed Nickel (105) | \$ 568 |
| OPT10106-105 | | \$ 568 |
| OPT20029-105 | Metal trim kit for air push control (factory installed) Available colors: Chrome (084) and Brushed Nickel (105) | \$ 50 |
| OPT20029-084 | | \$ 50 |

ACCESSORIES

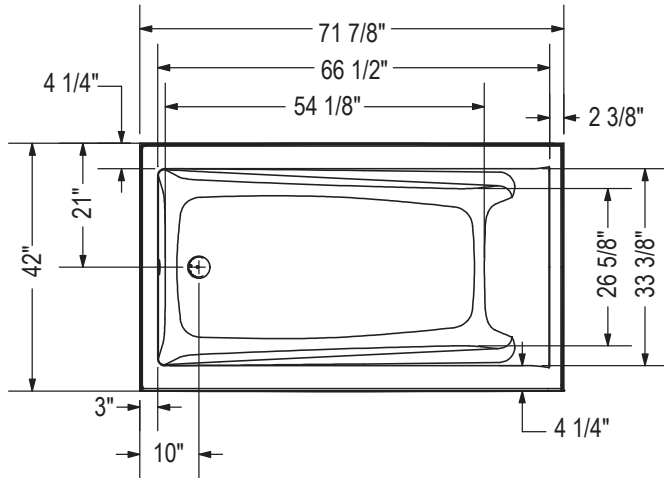
| SKU | Description | MSRP |
|--------------|--|--------|
| 10006923 | Flexible main hose (9 ft. extension) for air push control air massage - Kit (sold separately) | \$ 166 |
| 10004306-001 | White foam cushion with 2 suction pads (sold separately) Available color: White (001) | \$ 120 |
| 10028641-084 | Metal trim kit for Whirlpool and combined systems (sold separately) Available colors: Chrome (084) and Brushed Nickel (105) | \$ 568 |
| 10028641-105 | | \$ 568 |
| 10034250-084 | Metal trim kit for Aeroeffect with Air Push Control (sold separately) Available colors: Chrome (084) and Brushed Nickel (105) | \$ 50 |
| 10034250-105 | | \$ 50 |
| 10022491-084 | Cable-operated waste and overflow (16 in. to 22 in.) (sold separately) Available colors: White (001), Bone (004), Chrome (084) and Brushed Nickel (105) | \$ 238 |
| 10022491-004 | | \$ 238 |
| 10022491-105 | | \$ 238 |
| 10022491-001 | | \$ 238 |

FOOTNOTES

| No | Description |
|----|---|
| 1 | Components for standard colour units equipped with systems are colour-coordinated. Trim kit and/or air push with metallic finish can be added (additional charge applies). For non-standard colour units, please specify trim kit and/or air push colour (additional charge applies for metallic finishes). Please note that the positioning of the system's control could be in conflict with the door if one was installed on the unit. To insure compatibility, please contact customer service. |

FOOTNOTES

| No | Description |
|----|---|
| 2 | Please order flexible main hose 10006923 for installation of the blower further than 3 ft from the bathtub. For the Tandem models and the Serenade models (freestanding and drop-in), the blower is always remote and not factory installed so a 9 ft flexible main hose is included. Please note that the positioning of the system's control could be in conflict with the door if one was installed on the unit. To insure compatibility, please contact customer service. |
| 3 | The blower is not factory installed (remote). 9 ft flexible main hose included. Please note that the positioning of the system's control could be in conflict with the door if one was installed on the unit. To insure compatibility, please contact customer service. |
| 4 | For details on pump position and requirements, see technical drawings on https://www.maax.com . When there is a pump position A or B indicated on the technical drawing, please specify position when ordering. |
| 5 | For details on blower position and requirements, see technical drawings on https://www.maax.com . When there is a blower position A or B indicated on the technical drawing, please specify position when ordering. |
| 54 | A selection of units come with an access panel by default when equipped with a system. However, if the unit is only equipped with chromatherapy, the access panel will not be provided by default. |



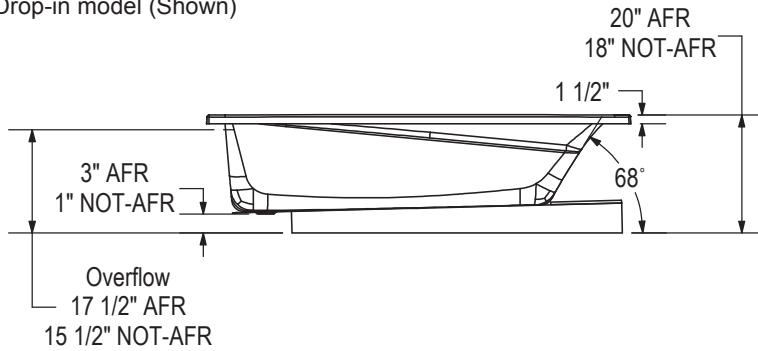
IFS Without System
Single tiling flange



IFS With System
(access panel)
Single tiling flange



1" Single integrated tiling flange (not shown)
Drop-in model (Shown)

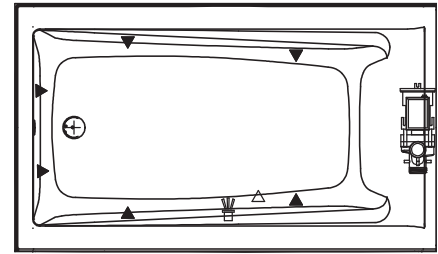


Technical drawing is universal for all Exhibit 7242 configurations.

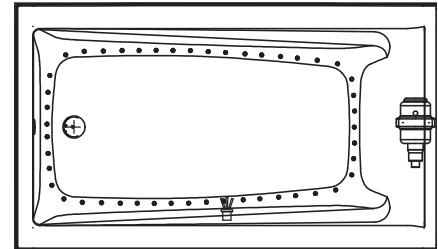
Wood support design may vary.
Single Integrated tiling flange: 1" height x 1/4" thickness (not shown)

All dimensions are approximate.
Structure measurement must be verified against the unit to ensure proper fit.

WHIRLPOOL SYSTEM



AIR SYSTEM



- (▲) : Indicates whirlpool jets positioning
- (△) : Indicates suction positioning
- (●) : Indicates airjets positioning
- (◻) : Indicates chromotherapy light positioning



Exhibit 7242 IFS

RECTANGULAR BATHTUBS - ACRYLIC



Material : Acrylic
 Min: 59 Gal / 223 L
 Max: 78 Gal / 295 L

Features

- › Rectangular shape bathtub in alcove installation
- › Available in Above-the-Floor Rough (AFR) or not
- › Minimalist look with discreet armrests and textured floor
- › Integrated tiling flange
- › When equipped with a system, the unit comes with an access panel

| EXHIBIT 7242 IFS - 106187 | | | | | | |
|---------------------------|--|---------|---------------|-------------------------------------|--------------------|---------|
| SKU | System | Color | Configuration | Dimensions & Weight | Packaging | MSRP |
| 106187-000-001-100 | Soaker - No System | White | Left | 71 7/8" x 42" x 18" / 98 lb / 44 kg | 44 ft ³ | \$ 1679 |
| 106187-000-001-101 | | | Right | | | \$ 1679 |
| 106187-003-001-001 | Whirlpool ^{1 4} | | Left | | | \$ 3027 |
| 106187-003-001-002 | | | Right | | | \$ 3027 |
| 106187-L-000-004 | Soaker - No System | Bone | Left | | | \$ 1679 |
| 106187-L-000-007 | | Biscuit | | | | \$ 1679 |
| 106187-L-003-004 | Whirlpool ^{1 4} | Bone | | | | \$ 3027 |
| 106187-L-003-007 | | Biscuit | | | | \$ 3027 |
| 106187-L-097-001 | Combined Whirlpool & Aeroeffect ^{1 3} | White | | | | \$ 4925 |
| 106187-L-097-004 | | Bone | | | | \$ 4925 |
| 106187-L-097-007 | | Biscuit | | | | \$ 4925 |
| 106187-L-103-001 | Aeroeffect ^{1 2 5} | White | | | | \$ 3940 |
| 106187-L-103-004 | | Bone | | \$ 3940 | | |
| 106187-L-103-007 | | Biscuit | | \$ 3940 | | |
| 106187-R-000-004 | Soaker - No System | Bone | | Right | \$ 1679 | |
| 106187-R-000-007 | | Biscuit | | | \$ 1679 | |
| 106187-R-003-004 | Whirlpool ^{1 4} | Bone | \$ 3027 | | | |
| 106187-R-003-007 | | Biscuit | \$ 3027 | | | |
| 106187-R-097-001 | Combined Whirlpool & Aeroeffect ^{1 3} | White | \$ 4925 | | | |
| 106187-R-097-004 | | Bone | \$ 4925 | | | |

EXHIBIT 7242 IFS - 106187

| SKU | System | Color | Configuration | Dimensions & Weight | Packaging | MSRP |
|------------------|--|---------|---------------|-------------------------------------|--------------------|---------|
| 106187-R-097-007 | Combined Whirlpool & Aeroeffect ^{1 3} | Biscuit | Right | 71 7/8" x 42" x 18" / 98 lb / 44 kg | 44 ft ³ | \$ 4925 |
| 106187-R-103-001 | Aeroeffect ^{1 2 5} | White | | | | \$ 3940 |
| 106187-R-103-004 | | Bone | | | | \$ 3940 |
| 106187-R-103-007 | | Biscuit | | | | \$ 3940 |

EXHIBIT 7242 IFS AFR - 106188

| SKU | System | Color | Configuration | Dimensions & Weight | Packaging | MSRP | |
|--------------------|--|---------|---------------|-------------------------------------|--------------------|---------|---------|
| 106188-000-001-102 | Soaker - No System | White | Left | 71 7/8" x 42" x 20" / 98 lb / 44 kg | 44 ft ³ | \$ 1679 | |
| 106188-000-001-103 | | | Right | | | \$ 1679 | |
| 106188-L-000-004 | | Bone | \$ 1679 | | | | |
| 106188-L-000-007 | | Biscuit | \$ 1679 | | | | |
| 106188-L-003-001 | Whirlpool ^{1 4} | White | Left | | | \$ 3027 | |
| 106188-L-003-004 | | Bone | | | | \$ 3027 | |
| 106188-L-003-007 | | Biscuit | | | | \$ 3027 | |
| 106188-L-097-001 | Combined Whirlpool & Aeroeffect ^{1 3} | White | | | | \$ 4925 | |
| 106188-L-097-004 | | Bone | | | | \$ 4925 | |
| 106188-L-097-007 | | Biscuit | | | | \$ 4925 | |
| 106188-L-103-001 | Aeroeffect ^{1 2 5} | White | | | | \$ 3940 | |
| 106188-L-103-004 | | Bone | | | | \$ 3940 | |
| 106188-L-103-007 | | Biscuit | | | | \$ 3940 | |
| 106188-R-000-004 | Soaker - No System | Bone | | | | Right | \$ 1679 |
| 106188-R-000-007 | | Biscuit | | | | | \$ 1679 |
| 106188-R-003-001 | Whirlpool ^{1 4} | White | | | | | \$ 3027 |
| 106188-R-003-004 | | Bone | \$ 3027 | | | | |
| 106188-R-003-007 | | Biscuit | \$ 3027 | | | | |
| 106188-R-097-001 | Combined Whirlpool & Aeroeffect ^{1 3} | White | \$ 4925 | | | | |
| 106188-R-097-004 | | Bone | \$ 4925 | | | | |
| 106188-R-097-007 | | Biscuit | \$ 4925 | | | | |
| 106188-R-103-001 | Aeroeffect ^{1 2 5} | White | \$ 3940 | | | | |
| 106188-R-103-004 | | Bone | \$ 3940 | | | | |
| 106188-R-103-007 | | Biscuit | \$ 3940 | | | | |

COMMON OPTIONS

| SKU | Description | MSRP |
|--------------|---|--------|
| OPT20029-105 | Metal trim kit for air push control (factory installed) | \$ 50 |
| OPT20029-084 | Available colors: Chrome (084) and Brushed Nickel (105) | \$ 50 |
| OPT20137-004 | Cable-operated waste and overflow (16 in. to 22 in.) (included in product packaging when purchased) Available colors: White (001), Bone (004), Chrome (084) and Brushed Nickel (105) | \$ 238 |

COMMON OPTIONS

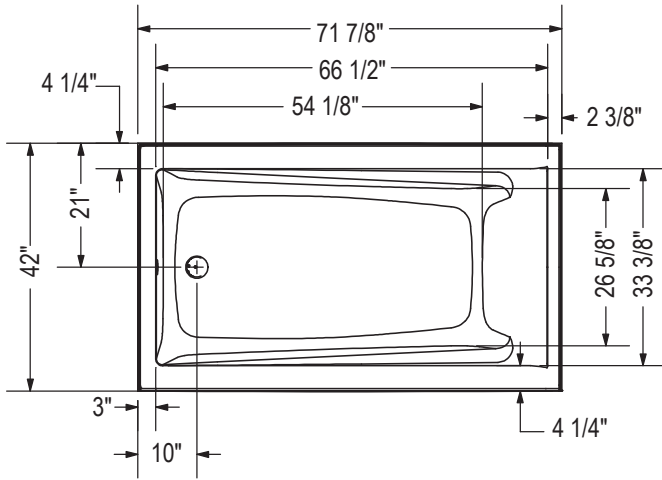
| SKU | Description | MSRP |
|--------------|---|--------|
| OPT20137-084 | | \$ 238 |
| OPT20137-105 | Cable-operated waste and overflow (16 in. to 22 in.) (included in product packaging when purchased) Available colors: White (001), Bone (004), Chrome (084) and Brushed Nickel (105) | \$ 238 |
| OPT20137-001 | | \$ 238 |
| OPT10019 | Removable access panel | \$ 319 |
| OPT10053 | One chromatherapy light (factory installed) ⁵⁴ | \$ 641 |
| OPT10095 | Water heater assembly for whirlpool and combined systems (factory installed) | \$ 908 |
| OPT10106-084 | Metal trim kit for whirlpool and combined systems (factory installed) Available colors: Chrome (084) and Brushed Nickel (105) | \$ 568 |
| OPT10106-105 | | \$ 568 |

ACCESSORIES

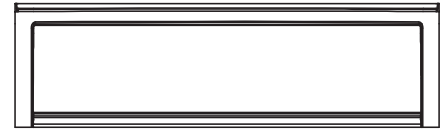
| SKU | Description | MSRP |
|--------------|--|--------|
| 10006923 | Flexible main hose (9 ft. extension) for air push control air massage - Kit (sold separately) | \$ 166 |
| 10004306-001 | White foam cushion with 2 suction pads (sold separately) Available color: White (001) | \$ 120 |
| 10028641-084 | Metal trim kit for Whirlpool and combined systems (sold separately) Available colors: Chrome (084) and Brushed Nickel (105) | \$ 568 |
| 10028641-105 | | \$ 568 |
| 10034250-084 | Metal trim kit for Aeroeffect with Air Push Control (sold separately) Available colors: Chrome (084) and Brushed Nickel (105) | \$ 50 |
| 10034250-105 | | \$ 50 |
| 10022491-084 | | \$ 238 |
| 10022491-004 | Cable-operated waste and overflow (16 in. to 22 in.) (sold separately) Available colors: White (001), Bone (004), Chrome (084) and Brushed Nickel (105) | \$ 238 |
| 10022491-105 | | \$ 238 |
| 10022491-001 | | \$ 238 |

FOOTNOTES

| No | Description |
|----|---|
| 1 | Components for standard colour units equipped with systems are colour-coordinated. Trim kit and/or air push with metallic finish can be added (additional charge applies). For non-standard colour units, please specify trim kit and/or air push colour (additional charge applies for metallic finishes). Please note that the positioning of the system's control could be in conflict with the door if one was installed on the unit. To insure compatibility, please contact customer service. |
| 2 | Please order flexible main hose 10006923 for installation of the blower further than 3 ft from the bathtub. For the Tandem models and the Serenade models (freestanding and drop-in), the blower is always remote and not factory installed so a 9 ft flexible main hose is included. Please note that the positioning of the system's control could be in conflict with the door if one was installed on the unit. To insure compatibility, please contact customer service. |
| 3 | The blower is not factory installed (remote). 9 ft flexible main hose included. Please note that the positioning of the system's control could be in conflict with the door if one was installed on the unit. To insure compatibility, please contact customer service. |
| 4 | For details on pump position and requirements, see technical drawings on https://www.maax.com . When there is a pump position A or B indicated on the technical drawing, please specify position when ordering. |
| 5 | For details on blower position and requirements, see technical drawings on https://www.maax.com . When there is a blower position A or B indicated on the technical drawing, please specify position when ordering. |
| 54 | A selection of units come with an access panel by default when equipped with a system. However, if the unit is only equipped with chromatherapy, the access panel will not be provided by default. |



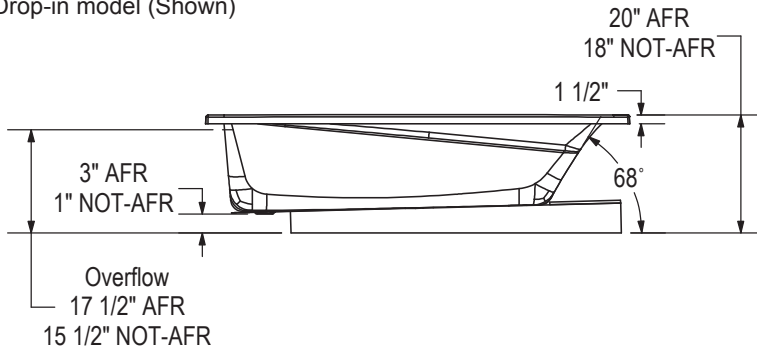
IFS Without System
Single tiling flange



IFS With System
(access panel)
Single tiling flange



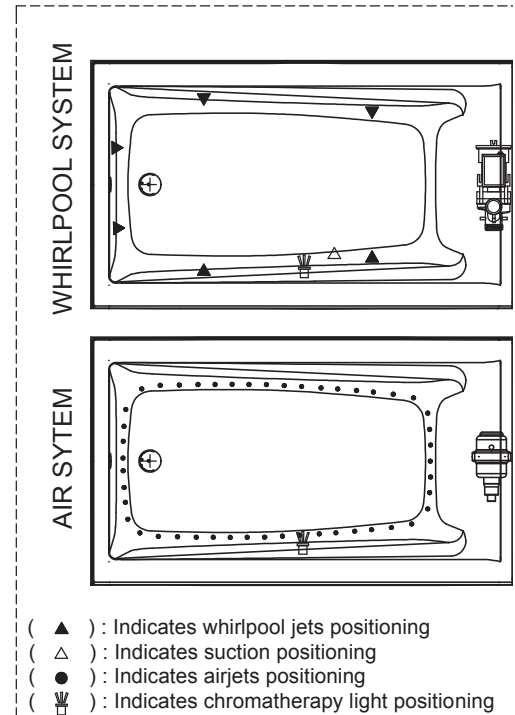
1" Single integrated tiling flange (not shown)
Drop-in model (Shown)



Technical drawing is universal for all Exhibit 7242 configurations.

Wood support design may vary.
Single Integrated tiling flange: 1" height x 1/4" thickness (not shown)

All dimensions are approximate.
Structure measurement must be verified against the unit to ensure proper fit.



- (▲) : Indicates whirlpool jets positioning
- (△) : Indicates suction positioning
- (●) : Indicates airjets positioning
- (☐) : Indicates chromotherapy light positioning



Lopez 6036

RECTANGULAR BATHTUBS - ACRYLIC



Material : Acrylic
 Min: 36 Gal / 136 L
 Max: 60 Gal / 227 L

Features

- › Rectangular shape bathtub
- › Alcove or drop-in installation (optional nailing flange and apron available)
- › Armrests and textured floor
- › End drain
- › 2 x 6 inches clear bars included

| LOPEZ 6036 - 102226 | | | | | | |
|---------------------|--|---------|---------------|---|--------------------|---------|
| SKU | System | Color | Configuration | Dimensions & Weight | Packaging | MSRP |
| 102226-000-001-000 | Soaker - No System | White | End | 59 7/8" x 35 7/8" x 21" / 60 lb / 27 kg | 26 ft ³ | \$ 1138 |
| 102226-000-004-000 | | Bone | | | | \$ 1138 |
| 102226-000-007-000 | | Biscuit | | | | \$ 1138 |
| 102226-003-001-000 | Whirlpool ^{1 4} | White | | | | \$ 2486 |
| 102226-003-004 | | Bone | | | | \$ 2486 |
| 102226-003-007-000 | | Biscuit | | | | \$ 2486 |
| 102226-097-001 | Combined Whirlpool & Aeroeffect ^{1 3} | White | | | | \$ 4384 |
| 102226-097-004 | | Bone | | | | \$ 4384 |
| 102226-097-007 | | Biscuit | | | | \$ 4384 |
| 102226-103-001-100 | Aeroeffect ^{1 2 5} | White | | | | \$ 3399 |
| 102226-103-004 | | Bone | | | | \$ 3399 |
| 102226-103-007 | | Biscuit | | | | \$ 3399 |

| COMMON OPTIONS | | |
|----------------|--|--------|
| SKU | Description | MSRP |
| OPT10004 | Nailing flange (factory installed) OPT10004-R Right-hand drain OPT10004-L Left-hand drain Note: For corner bathtubs, there is no need to specify a right or left-hand side when ordering this option. The flange will be installed on both sides of the unit. | \$ 187 |
| OPT10053 | One chromatherapy light (factory installed) ⁵⁴ | \$ 641 |
| OPT10095 | Water heater assembly for whirlpool and combined systems (factory installed) | \$ 908 |

COMMON OPTIONS

| SKU | Description | MSRP |
|--------------------|---|---------|
| OPT10106-084 | Metal trim kit for whirlpool and combined systems (factory installed) Available colors: Chrome (084) and Brushed Nickel (105) | \$ 568 |
| OPT10106-105 | | \$ 568 |
| OPT20029-105 | Metal trim kit for air push control (factory installed) Available colors: Chrome (084) and Brushed Nickel (105) | \$ 50 |
| OPT20029-084 | | \$ 50 |
| OPT20137-004 | Cable-operated waste and overflow (16 in. to 22 in.) (included in product packaging when purchased) Available colors: White (001), Bone (004), Chrome (084) and Brushed Nickel (105) | \$ 238 |
| OPT20137-084 | | \$ 238 |
| OPT20137-105 | | \$ 238 |
| OPT20137-001 | | \$ 238 |
| 102256-000-004 | | \$ 627 |
| 102256-000-001-000 | 1-piece (non-removable) acrylic apron for 102226-000 and 102226-003 Specify: Standard colors: White (001), Bone (004), Biscuit (007) | \$ 627 |
| 102256-000-007 | | \$ 627 |
| 102257-000-001-000 | 3-piece (removable) acrylic apron for 102226-000 and 102226-003 Specify: Standard colors: White (001), Bone (004), Biscuit (007) | \$ 1092 |
| 102257-000-007 | | \$ 1092 |
| 102257-000-004 | | \$ 1092 |

ACCESSORIES

| SKU | Description | MSRP |
|--------------|--|--------|
| 10006923 | Flexible main hose (9 ft. extension) for air push control air massage - Kit (sold separately) | \$ 166 |
| 10063099 | Nailing flange (sold separately) | \$ 187 |
| 10004306-001 | White foam cushion with 2 suction pads (sold separately) Available color: White (001) | \$ 120 |
| 10006887-105 | Metal trim kit for Whirlpool and combined systems (sold separately) Available colors: Chrome (084) and Brushed Nickel (105) | \$ 568 |
| 10006887-084 | | \$ 568 |
| 10034250-084 | Metal trim kit for Aeroeffect with Air Push Control (sold separately) Available colors: Chrome (084) and Brushed Nickel (105) | \$ 50 |
| 10034250-105 | | \$ 50 |
| 10022491-084 | Cable-operated waste and overflow (16 in. to 22 in.) (sold separately) Available colors: White (001), Bone (004), Chrome (084) and Brushed Nickel (105) | \$ 238 |
| 10022491-004 | | \$ 238 |
| 10022491-105 | | \$ 238 |
| 10022491-001 | | \$ 238 |

FOOTNOTES

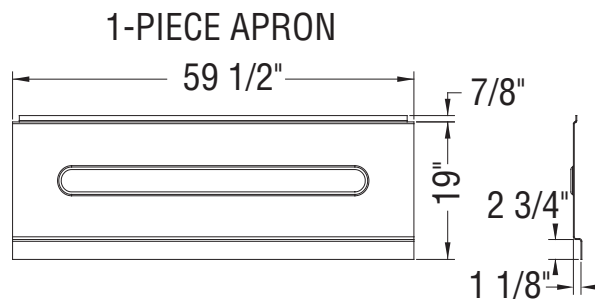
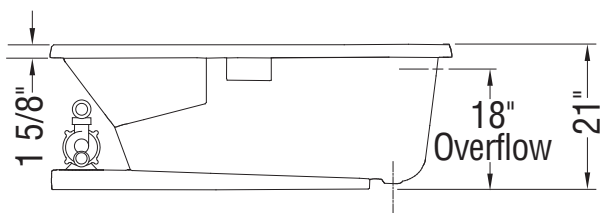
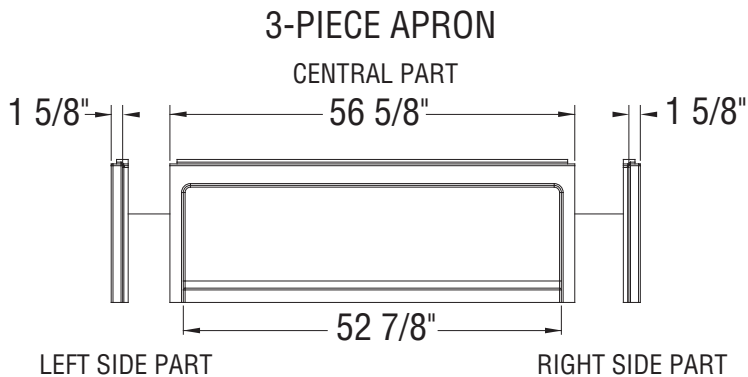
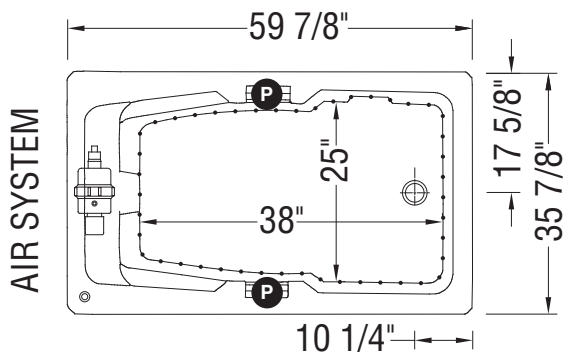
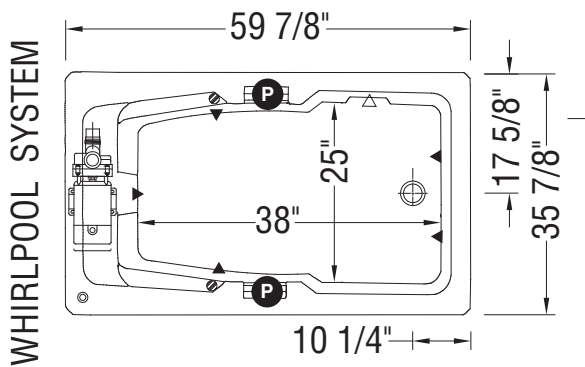
| No | Description |
|----|---|
| 1 | Components for standard colour units equipped with systems are colour-coordinated. Trim kit and/or air push with metallic finish can be added (additional charge applies). For non-standard colour units, please specify trim kit and/or air push colour (additional charge applies for metallic finishes). Please note that the positioning of the system's control could be in conflict with the door if one was installed on the unit. To insure compatibility, please contact customer service. |
| 2 | Please order flexible main hose 10006923 for installation of the blower further than 3 ft from the bathtub. For the Tandem models and the Serenade models (freestanding and drop-in), the blower is always remote and not factory installed so a 9 ft flexible main hose is included. Please note that the positioning of the system's control could be in conflict with the door if one was installed on the unit. To insure compatibility, please contact customer service. |
| 3 | The blower is not factory installed (remote). 9 ft flexible main hose included. Please note that the positioning of the system's control could be in conflict with the door if one was installed on the unit. To insure compatibility, please contact customer service. |

FOOTNOTES

| No | Description |
|----|--|
| 4 | For details on pump position and requirements, see technical drawings on https://www.maax.com . When there is a pump position A or B indicated on the technical drawing, please specify position when ordering. |
| 5 | For details on blower position and requirements, see technical drawings on https://www.maax.com . When there is a blower position A or B indicated on the technical drawing, please specify position when ordering. |
| 54 | A selection of units come with an access panel by default when equipped with a system. However, if the unit is only equipped with chromatherapy, the access panel will not be provided by default. |

RECOMMENDED DOORS - VISIT OUR WEBSITE FOR A COMPLETE LIST OF RECOMMENDED DOORS

| SKU | Product Name | Pag. |
|--------|--|------|
| 139398 | Halo 56 ½-59 x 59 - 8mm | 878 |
| 139351 | Incognito 57 56-59 x 56 ¾ - 6mm | 856 |
| 139354 | Incognito 57 56-59 x 56 ¾ - 8mm | 860 |
| 135330 | Incognito 57 Shaker 56-59 x 56 ¾ - 8mm | 854 |
| 135695 | Revelation Square 56-59 x 56 ¾-59 ¼ - 8mm | 870 |
| 135692 | Revelation Square 56-59 x 56 ¾-58 ¼ - 6mm | 868 |
| 136692 | Revelation Round 56-59 x 56 ¾-59 ¼ - 6mm | 864 |
| 136695 | Revelation Round 56-59 x 56 ¾-59 ¼ - 8 mm | 866 |
| 135320 | Uptown 56-59 x 58 in. 8 mm | 872 |
| 138485 | Vela 56 ½-59 x 59 - 8mm | 876 |
| 138480 | | 874 |
| 134661 | Kameleon SC 55-59 x 57 - 6mm | 843 |
| 134573 | Kameleon 55-59 x 57 - 8mm | 846 |
| 134670 | Kameleon SC 55-59 x 57 - 8mm | 838 |
| 134561 | Kameleon 55-59 x 57 - 6mm | 849 |
| 138994 | Luminescence SlidingDoor 56 ½-59 x 55 ½-57 ½ - 6mm | 880 |
| 105410 | Polar 54-59 ½ x 57 in. | 862 |



- (P) : Indicates optional grab bar positioning
- (▲) : Indicates Whirlpool jets positioning
- (•) : Indicates airjets positioning
- (△) : Indicates suction positioning

All dimensions are approximate. Structure measurements must be verified against the unit to ensure proper fit.



Lopez 6636

RECTANGULAR BATHTUBS - ACRYLIC



Material : Acrylic
 Min: 40 Gal / 150 L
 Max: 70 Gal / 264 L

Features

- › Rectangular shape bathtub
- › Alcove or drop-in installation (optional nailing flange and apron available)
- › Armrests and textured floor
- › End drain
- › 2 x 6 inches clear bars included

LOPEZ 6636 - 100074

| SKU | System | Color | Configuration | Dimensions & Weight | Packaging | MSRP |
|--------------------|--|---------|---------------|---|--------------------|---------|
| 100074-000-001-000 | Soaker - No System | White | End | 66 1/4" x 35 3/4" x 21" / 65 lb / 29 kg | 29 ft ³ | \$ 1240 |
| 100074-000-004-000 | | Bone | | | | \$ 1240 |
| 100074-000-007-000 | | Biscuit | | | | \$ 1240 |
| 100074-003-001-000 | Whirlpool ^{1 4} | White | | | | \$ 2588 |
| 100074-003-004 | | Bone | | | | \$ 2588 |
| 100074-003-007-000 | | Biscuit | | | | \$ 2588 |
| 100074-097-001 | Combined Whirlpool & Aeroeffect ^{1 3} | White | | | | \$ 4486 |
| 100074-097-004 | | Bone | | | | \$ 4486 |
| 100074-097-007 | | Biscuit | | | | \$ 4486 |
| 100074-103-001-100 | Aeroeffect ^{1 2 5} | White | | | | \$ 3501 |
| 100074-103-004 | | Bone | | | | \$ 3501 |
| 100074-103-007 | | Biscuit | | | | \$ 3501 |

COMMON OPTIONS

| SKU | Description | MSRP |
|----------|--|--------|
| OPT10004 | Nailing flange (factory installed) OPT10004-R Right-hand drain OPT10004-L Left-hand drain Note: For corner bathtubs, there is no need to specify a right or left-hand side when ordering this option. The flange will be installed on both sides of the unit. | \$ 187 |
| OPT10053 | One chromatherapy light (factory installed) ⁵⁴ | \$ 641 |
| OPT10095 | Water heater assembly for whirlpool and combined systems (factory installed) | \$ 908 |

COMMON OPTIONS

| SKU | Description | MSRP |
|--------------------|---|---------|
| OPT10106-084 | Metal trim kit for whirlpool and combined systems (factory installed) Available colors: Chrome (084) and Brushed Nickel (105) | \$ 568 |
| OPT10106-105 | | \$ 568 |
| OPT20029-105 | Metal trim kit for air push control (factory installed) Available colors: Chrome (084) and Brushed Nickel (105) | \$ 50 |
| OPT20029-084 | | \$ 50 |
| OPT20137-004 | Cable-operated waste and overflow (16 in. to 22 in.) (included in product packaging when purchased) Available colors: White (001), Bone (004), Chrome (084) and Brushed Nickel (105) | \$ 238 |
| OPT20137-084 | | \$ 238 |
| OPT20137-105 | | \$ 238 |
| OPT20137-001 | | \$ 238 |
| 102258-000-004 | | \$ 627 |
| 102258-000-007-000 | 1-piece (non-removable) acrylic apron for 100074-000 and 100074-003 Specify: Standard colors: White (001), Bone (004), Biscuit (007) | \$ 627 |
| 102258-000-001-000 | | \$ 627 |
| 102259-000-007 | | \$ 1092 |
| 102259-000-004 | 3-piece (removable) acrylic apron for 100074-000 and 100074-003 Specify: Standard colors: White (001), Bone (004), Biscuit (007) | \$ 1092 |
| 102259-000-001-000 | | \$ 1092 |

ACCESSORIES

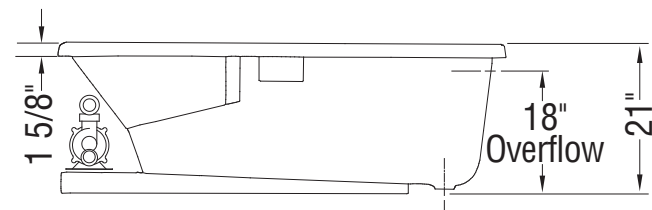
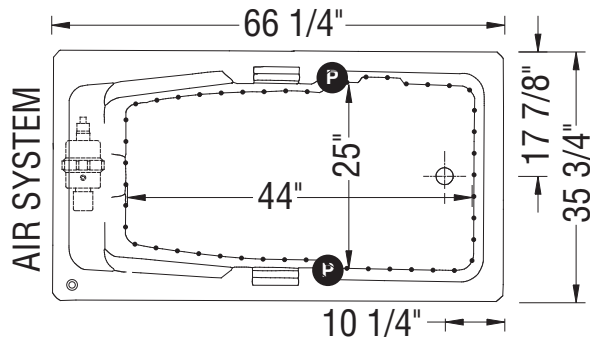
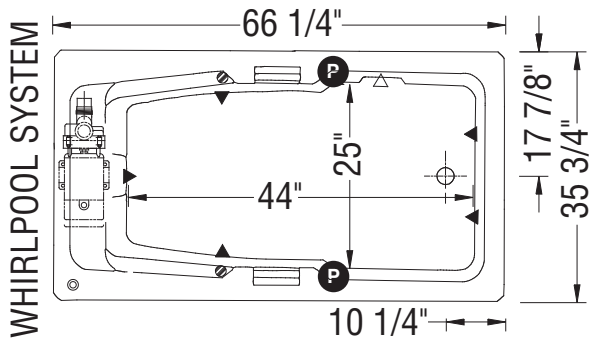
| SKU | Description | MSRP |
|--------------|--|--------|
| 10006923 | Flexible main hose (9 ft. extension) for air push control air massage - Kit (sold separately) | \$ 166 |
| 10063099 | Nailing flange (sold separately) | \$ 187 |
| 10004306-001 | White foam cushion with 2 suction pads (sold separately) Available color: White (001) | \$ 120 |
| 10006887-105 | Metal trim kit for Whirlpool and combined systems (sold separately) Available colors: Chrome (084) and Brushed Nickel (105) | \$ 568 |
| 10006887-084 | | \$ 568 |
| 10034250-084 | Metal trim kit for Aeroeffect with Air Push Control (sold separately) Available colors: Chrome (084) and Brushed Nickel (105) | \$ 50 |
| 10034250-105 | | \$ 50 |
| 10022491-084 | Cable-operated waste and overflow (16 in. to 22 in.) (sold separately) Available colors: White (001), Bone (004), Chrome (084) and Brushed Nickel (105) | \$ 238 |
| 10022491-004 | | \$ 238 |
| 10022491-105 | | \$ 238 |
| 10022491-001 | | \$ 238 |

FOOTNOTES

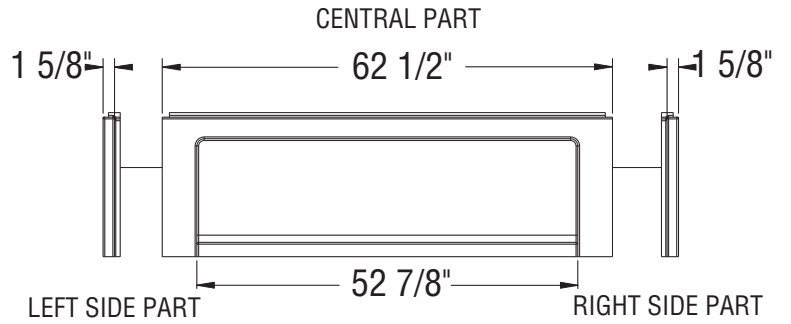
| No | Description |
|----|---|
| 1 | Components for standard colour units equipped with systems are colour-coordinated. Trim kit and/or air push with metallic finish can be added (additional charge applies). For non-standard colour units, please specify trim kit and/or air push colour (additional charge applies for metallic finishes). Please note that the positioning of the system's control could be in conflict with the door if one was installed on the unit. To insure compatibility, please contact customer service. |
| 2 | Please order flexible main hose 10006923 for installation of the blower further than 3 ft from the bathtub. For the Tandem models and the Serenade models (freestanding and drop-in), the blower is always remote and not factory installed so a 9 ft flexible main hose is included. Please note that the positioning of the system's control could be in conflict with the door if one was installed on the unit. To insure compatibility, please contact customer service. |
| 4 | For details on pump position and requirements, see technical drawings on https://www.maax.com . When there is a pump position A or B indicated on the technical drawing, please specify position when ordering. |

FOOTNOTES

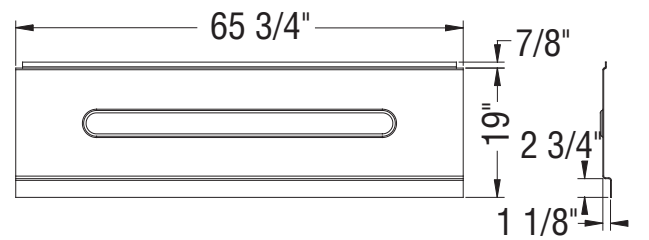
| No | Description |
|----|--|
| 5 | For details on blower position and requirements, see technical drawings on https://www.maax.com . When there is a blower position A or B indicated on the technical drawing, please specify position when ordering. |
| 54 | A selection of units come with an access panel by default when equipped with a system. However, if the unit is only equipped with chromatherapy, the access panel will not be provided by default. |



3-PIECE APRON



1-PIECE APRON



- (P) : Indicates optional grab bar positioning
- (▲) : Indicates Whirlpool jets positioning
- (●) : Indicates airjets positioning
- (Δ) : Indicates suction positioning

All dimensions are approximate. Structure measurements must be verified against the unit to ensure proper fit.



Lopez 7236

RECTANGULAR BATHTUBS - ACRYLIC



Material : Acrylic
 Min: 46 Gal / 173 L
 Max: 76 Gal / 286 L

Features

- › Rectangular shape bathtub
- › Alcove or drop-in installation (optional nailing flange and apron available)
- › Armrests and textured floor
- › End drain
- › 2 x 6 inches clear bars included

LOPEZ 7236 - 102227

| SKU | System | Color | Configuration | Dimensions & Weight | Packaging | MSRP |
|--------------------|--|---------|---------------|---|--------------------|---------|
| 102227-000-001-000 | Soaker - No System | White | End | 71 5/8" x 36 1/8" x 21" / 70 lb / 32 kg | 32 ft ³ | \$ 1246 |
| 102227-000-004-000 | | Bone | | | | \$ 1246 |
| 102227-000-007-000 | | Biscuit | | | | \$ 1246 |
| 102227-003-001-000 | Whirlpool ^{1 4} | White | | | | \$ 2594 |
| 102227-003-004-000 | | Bone | | | | \$ 2594 |
| 102227-003-007-000 | | Biscuit | | | | \$ 2594 |
| 102227-097-001 | Combined Whirlpool & Aeroeffect ^{1 3} | White | | | | \$ 4492 |
| 102227-097-004 | | Bone | | | | \$ 4492 |
| 102227-097-007 | | Biscuit | | | | \$ 4492 |
| 102227-103-001-100 | Aeroeffect ^{1 2 5} | White | | | | \$ 3507 |
| 102227-103-004 | | Bone | | | | \$ 3507 |
| 102227-103-007 | | Biscuit | | | | \$ 3507 |

COMMON OPTIONS

| SKU | Description | MSRP |
|----------|--|--------|
| OPT10004 | Nailing flange (factory installed) OPT10004-R Right-hand drain OPT10004-L Left-hand drain Note: For corner bathtubs, there is no need to specify a right or left-hand side when ordering this option. The flange will be installed on both sides of the unit. | \$ 187 |
| OPT10053 | One chromatherapy light (factory installed) ⁵⁴ | \$ 641 |
| OPT10095 | Water heater assembly for whirlpool and combined systems (factory installed) | \$ 908 |

COMMON OPTIONS

| SKU | Description | MSRP |
|--------------------|---|---------|
| OPT10106-084 | Metal trim kit for whirlpool and combined systems (factory installed) Available colors: Chrome (084) and Brushed Nickel (105) | \$ 568 |
| OPT10106-105 | | \$ 568 |
| OPT20029-105 | Metal trim kit for air push control (factory installed) Available colors: Chrome (084) and Brushed Nickel (105) | \$ 50 |
| OPT20029-084 | | \$ 50 |
| OPT20137-004 | Cable-operated waste and overflow (16 in. to 22 in.) (included in product packaging when purchased) Available colors: White (001), Bone (004), Chrome (084) and Brushed Nickel (105) | \$ 238 |
| OPT20137-084 | | \$ 238 |
| OPT20137-105 | | \$ 238 |
| OPT20137-001 | | \$ 238 |
| 102260-000-004 | | \$ 627 |
| 102260-000-001-000 | 1-piece (non-removable) acrylic apron for 102227-000 and 102227-003 Specify: Standard colors: White (001), Bone (004), Biscuit (007) | \$ 627 |
| 102260-000-007-000 | | \$ 627 |
| 102261-000-004-000 | | \$ 1092 |
| 102261-000-007-000 | 3-piece (removable) acrylic apron for 102227-000 and 102227-003 Specify: Standard colors: White (001), Bone (004), Biscuit (007) | \$ 1092 |
| 102261-000-001-000 | | \$ 1092 |

ACCESSORIES

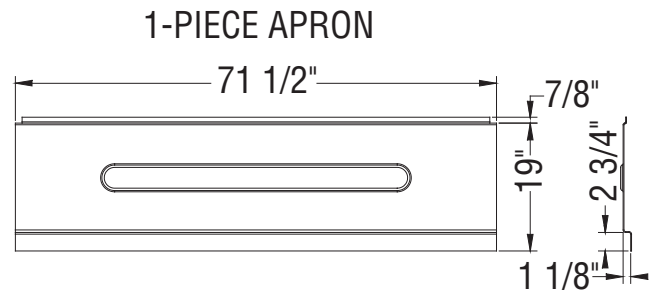
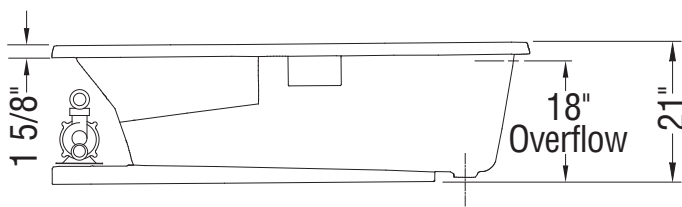
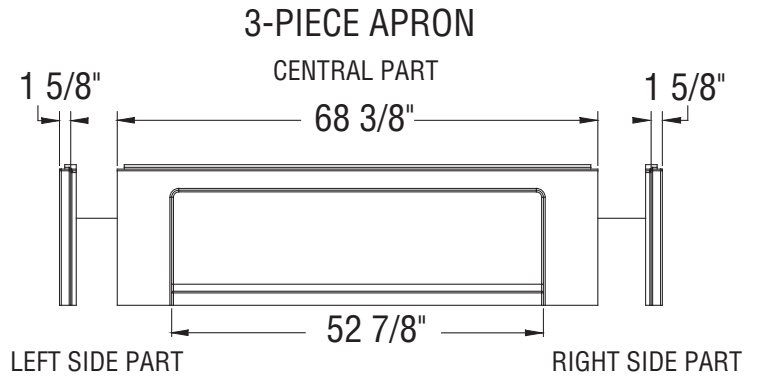
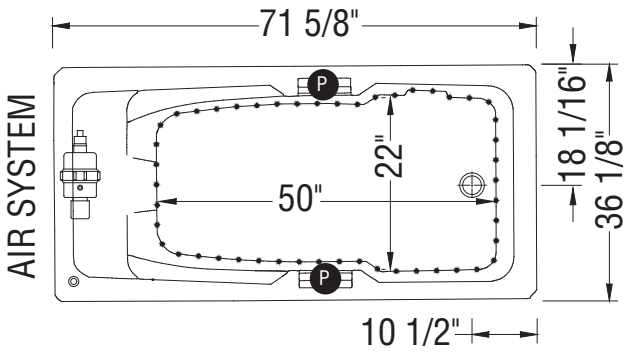
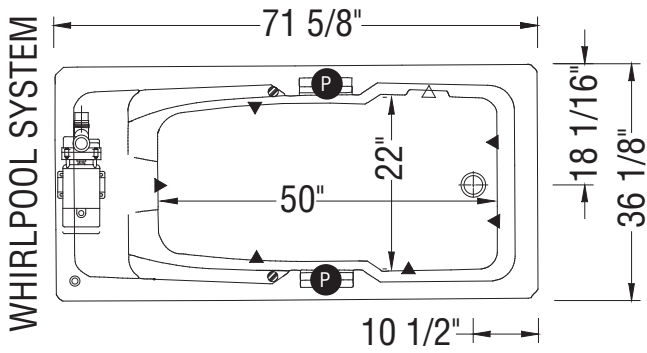
| SKU | Description | MSRP |
|--------------|--|--------|
| 10006923 | Flexible main hose (9 ft. extension) for air push control air massage - Kit (sold separately) | \$ 166 |
| 10063099 | Nailing flange (sold separately) | \$ 187 |
| 10004306-001 | White foam cushion with 2 suction pads (sold separately) Available color: White (001) | \$ 120 |
| 10006887-105 | Metal trim kit for Whirlpool and combined systems (sold separately) Available colors: Chrome (084) and Brushed Nickel (105) | \$ 568 |
| 10006887-084 | | \$ 568 |
| 10034250-084 | Metal trim kit for Aeroeffect with Air Push Control (sold separately) Available colors: Chrome (084) and Brushed Nickel (105) | \$ 50 |
| 10034250-105 | | \$ 50 |
| 10022491-084 | Cable-operated waste and overflow (16 in. to 22 in.) (sold separately) Available colors: White (001), Bone (004), Chrome (084) and Brushed Nickel (105) | \$ 238 |
| 10022491-004 | | \$ 238 |
| 10022491-105 | | \$ 238 |
| 10022491-001 | | \$ 238 |

FOOTNOTES

| No | Description |
|----|---|
| 1 | Components for standard colour units equipped with systems are colour-coordinated. Trim kit and/or air push with metallic finish can be added (additional charge applies). For non-standard colour units, please specify trim kit and/or air push colour (additional charge applies for metallic finishes). Please note that the positioning of the system's control could be in conflict with the door if one was installed on the unit. To insure compatibility, please contact customer service. |
| 2 | Please order flexible main hose 10006923 for installation of the blower further than 3 ft from the bathtub. For the Tandem models and the Serenade models (freestanding and drop-in), the blower is always remote and not factory installed so a 9 ft flexible main hose is included. Please note that the positioning of the system's control could be in conflict with the door if one was installed on the unit. To insure compatibility, please contact customer service. |
| 4 | For details on pump position and requirements, see technical drawings on https://www.maax.com . When there is a pump position A or B indicated on the technical drawing, please specify position when ordering. |

FOOTNOTES

| No | Description |
|----|--|
| 5 | For details on blower position and requirements, see technical drawings on https://www.maax.com . When there is a blower position A or B indicated on the technical drawing, please specify position when ordering. |
| 54 | A selection of units come with an access panel by default when equipped with a system. However, if the unit is only equipped with chromatherapy, the access panel will not be provided by default. |



- (P) : Indicates optional grab bar positioning
- (▲) : Indicates Whirlpool jets positioning
- (●) : Indicates airjets positioning
- (△) : Indicates suction positioning

All dimensions are approximate. Structure measurements must be verified against the unit to ensure proper fit.



Pose 6030 - Corner left

RECTANGULAR BATHTUBS - ACRYLIC



Material : Acrylic
 Min: 40 Gal / 150 L
 Max: 49 Gal / 186 L

Features

- › Rectangular shape bathtub with choices of two deck heights (3/8 or 2 in.) Please specify when ordering.
- › Integrated flange (IF) for corner installation
- › Textured floor
- › Ample deck space for faucet installation
- › Right or left drain available

| POSE 6030 IF - 106199 | | | | | | | | |
|-----------------------|--|---------|---------------|---|--------------------|---------|---------|---------|
| SKU | System | Color | Configuration | Dimensions & Weight | Packaging | MSRP | | |
| 106199-000-001-105 | Soaker - No System | White | Left | 59 5/8" x 29 7/8" x 21 5/8" / 57 lb / 26 kg | 26 ft ³ | \$ 1139 | | |
| 106199-000-001-106 | | | Right | | | \$ 1139 | | |
| 106199-L-000-004 | | Bone | Left | | | \$ 1139 | | |
| 106199-L-000-007 | | Biscuit | | | | \$ 1139 | | |
| 106199-L-003-001 | Whirlpool ^{1 4} | White | | | | \$ 2487 | | |
| 106199-L-003-004 | | Bone | | | | \$ 2487 | | |
| 106199-L-003-007 | | Biscuit | | | | \$ 2487 | | |
| 106199-L-097-001 | Combined Whirlpool & Aeroeffect ^{1 3} | White | | | | Right | \$ 4385 | |
| 106199-L-097-004 | | Bone | | | | | \$ 4385 | |
| 106199-L-097-007 | | Biscuit | | | | | \$ 4385 | |
| 106199-L-103-001 | Aeroeffect ^{1 2 5} | White | | | | | Right | \$ 3400 |
| 106199-L-103-004 | | Bone | | | | | | \$ 3400 |
| 106199-L-103-007 | | Biscuit | | \$ 3400 | | | | |
| 106199-R-000-004 | Soaker - No System | Bone | | Right | \$ 1139 | | | |
| 106199-R-000-007 | | Biscuit | \$ 1139 | | | | | |
| 106199-R-003-001 | Whirlpool ^{1 4} | White | Right | | \$ 2487 | | | |
| 106199-R-003-004 | | Bone | | | \$ 2487 | | | |
| 106199-R-003-007 | | Biscuit | | | \$ 2487 | | | |
| 106199-R-097-001 | Combined Whirlpool & Aeroeffect ^{1 3} | White | | | Right | | | \$ 4385 |
| 106199-R-097-004 | | Bone | | | | \$ 4385 | | |

POSE 6030 IF - 106199

| SKU | System | Color | Configuration | Dimensions & Weight | Packaging | MSRP |
|------------------|--|---------|---------------|---|--------------------|---------|
| 106199-R-097-007 | Combined Whirlpool & Aeroeffect ^{1 3} | Biscuit | Right | 59 5/8" x 29 7/8" x 21 5/8" / 57 lb / 26 kg | 26 ft ³ | \$ 4385 |
| 106199-R-103-001 | Aeroeffect ^{1 2 5} | White | | | | \$ 3400 |
| 106199-R-103-004 | | Bone | | | | \$ 3400 |
| 106199-R-103-007 | | Biscuit | | | | \$ 3400 |

POSE 6030 IF - 106200

| SKU | System | Color | Configuration | Dimensions & Weight | Packaging | MSRP | | |
|--------------------|--|---------|---------------|---|--------------------|---------|---------|---------|
| 106200-000-001-107 | Soaker - No System | White | Left | 59 5/8" x 29 7/8" x 21 5/8" / 57 lb / 26 kg | 26 ft ³ | \$ 1139 | | |
| 106200-000-001-108 | | | Right | | | \$ 1139 | | |
| 106200-L-000-004 | | Bone | \$ 1139 | | | | | |
| 106200-L-000-007 | Biscuit | \$ 1139 | | | | | | |
| 106200-L-003-001 | Whirlpool ^{1 4} | White | Left | | | \$ 2487 | | |
| 106200-L-003-004 | | Bone | | | | \$ 2487 | | |
| 106200-L-003-007 | | Biscuit | | | | \$ 2487 | | |
| 106200-L-097-001 | Combined Whirlpool & Aeroeffect ^{1 3} | White | | | | Right | \$ 4385 | |
| 106200-L-097-004 | | Bone | | | | | \$ 4385 | |
| 106200-L-097-007 | | Biscuit | | | | | \$ 4385 | |
| 106200-L-103-001 | Aeroeffect ^{1 2 5} | White | | | | | \$ 3400 | |
| 106200-L-103-004 | | Bone | | | | | \$ 3400 | |
| 106200-L-103-007 | | Biscuit | | | | | \$ 3400 | |
| 106200-R-000-004 | Soaker - No System | Bone | | | | | Right | \$ 1139 |
| 106200-R-000-007 | | Biscuit | | | | | | \$ 1139 |
| 106200-R-003-001 | Whirlpool ^{1 4} | White | | | | | | \$ 2487 |
| 106200-R-003-004 | | Bone | | | | | | \$ 2487 |
| 106200-R-003-007 | | Biscuit | | | | | | \$ 2487 |
| 106200-R-097-001 | Combined Whirlpool & Aeroeffect ^{1 3} | White | | Right | \$ 4385 | | | |
| 106200-R-097-004 | | Bone | | | \$ 4385 | | | |
| 106200-R-097-007 | | Biscuit | | | \$ 4385 | | | |
| 106200-R-103-001 | Aeroeffect ^{1 2 5} | White | | | \$ 3400 | | | |
| 106200-R-103-004 | | Bone | \$ 3400 | | | | | |
| 106200-R-103-007 | | Biscuit | \$ 3400 | | | | | |

COMMON OPTIONS

| SKU | Description | MSRP |
|--------------|---|--------|
| OPT10106-084 | Metal trim kit for whirlpool and combined systems (factory installed) | \$ 568 |
| OPT10106-105 | Available colors: Chrome (084) and Brushed Nickel (105) | \$ 568 |
| OPT10260-084 | Two 6-in. acrylic grab bars (factory installed) ⁸ Available colors: White (001), Bone (004), Biscuit (007), Chrome (084) and Brushed Nickel (105) | \$ 385 |

COMMON OPTIONS

| SKU | Description | MSRP |
|--------------|---|--------|
| OPT10260-007 | Two 6-in. acrylic grab bars (factory installed) ⁸ Available colors: White (001), Bone (004), Biscuit (007), Chrome (084) and Brushed Nickel (105) | \$ 385 |
| OPT10260-004 | | \$ 385 |
| OPT10260-105 | | \$ 385 |
| OPT10260-001 | | \$ 385 |
| OPT20029-105 | Metal trim kit for air push control (factory installed) Available colors: Chrome (084) and Brushed Nickel (105) | \$ 50 |
| OPT20029-084 | | \$ 50 |
| OPT20137-004 | Cable-operated waste and overflow (16 in. to 22 in.) (included in product packaging when purchased) Available colors: White (001), Bone (004), Chrome (084) and Brushed Nickel (105) | \$ 238 |
| OPT20137-084 | | \$ 238 |
| OPT20137-105 | | \$ 238 |
| OPT20137-001 | | \$ 238 |
| OPT20205 | Lite option 3/8 in. thin deck ⁶ When chosen, this option is offered at no cost | \$ 0 |
| OPT10053 | One chromatherapy light (factory installed) ⁵⁴ | \$ 641 |
| OPT10095 | Water heater assembly for whirlpool and combined systems (factory installed) | \$ 908 |

ACCESSORIES

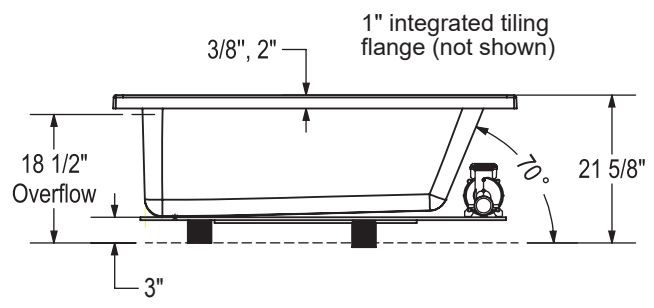
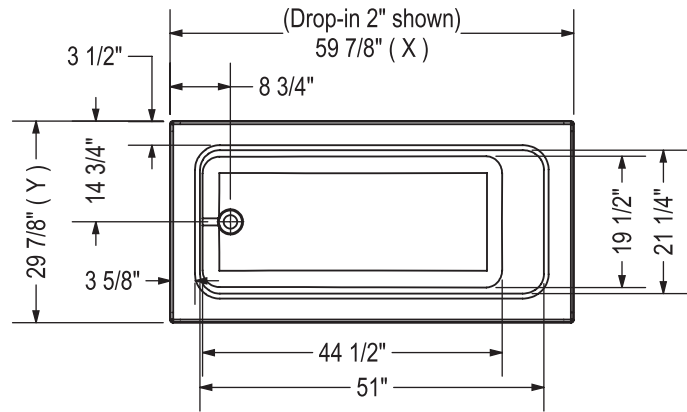
| SKU | Description | MSRP |
|--------------|--|--------|
| 10006923 | Flexible main hose (9 ft. extension) for air push control air massage - Kit (sold separately) | \$ 166 |
| 10004306-001 | White foam cushion with 2 suction pads (sold separately) Available color: White (001) | \$ 120 |
| 10028641-084 | Metal trim kit for Whirlpool and combined systems (sold separately) Available colors: Chrome (084) and Brushed Nickel (105) | \$ 568 |
| 10028641-105 | | \$ 568 |
| 10034250-084 | Metal trim kit for Aeroeffect with Air Push Control (sold separately) Available colors: Chrome (084) and Brushed Nickel (105) | \$ 50 |
| 10034250-105 | | \$ 50 |
| 10022491-084 | Cable-operated waste and overflow (16 in. to 22 in.) (sold separately) Available colors: White (001), Bone (004), Chrome (084) and Brushed Nickel (105) | \$ 238 |
| 10022491-004 | | \$ 238 |
| 10022491-105 | | \$ 238 |
| 10022491-001 | | \$ 238 |

FOOTNOTES

| No | Description |
|----|---|
| 1 | Components for standard colour units equipped with systems are colour-coordinated. Trim kit and/or air push with metallic finish can be added (additional charge applies). For non-standard colour units, please specify trim kit and/or air push colour (additional charge applies for metallic finishes). Please note that the positioning of the system's control could be in conflict with the door if one was installed on the unit. To insure compatibility, please contact customer service. |
| 2 | Please order flexible main hose 10006923 for installation of the blower further than 3 ft from the bathtub. For the Tandem models and the Serenade models (freestanding and drop-in), the blower is always remote and not factory installed so a 9 ft flexible main hose is included. Please note that the positioning of the system's control could be in conflict with the door if one was installed on the unit. To insure compatibility, please contact customer service. |
| 3 | The blower is not factory installed (remote). 9 ft flexible main hose included. Please note that the positioning of the system's control could be in conflict with the door if one was installed on the unit. To insure compatibility, please contact customer service. |
| 4 | For details on pump position and requirements, see technical drawings on https://www.maax.com . When there is a pump position A or B indicated on the technical drawing, please specify position when ordering. |

FOOTNOTES

| No | Description |
|----|--|
| 5 | For details on blower position and requirements, see technical drawings on https://www.maax.com . When there is a blower position A or B indicated on the technical drawing, please specify position when ordering. |
| 6 | Specify 3/8 (Lite option) or 2 in. on deck height. If ordering unit with an apron, only 2 in. deck height is available. |
| 8 | Two 6 in. or 12 in. metal or acrylic grab bars are optional. Factory installed, only one positioning is possible (see technical drawings on https://www.maax.com). |
| 54 | A selection of units come with an access panel by default when equipped with a system. However, if the unit is only equipped with chromatherapy, the access panel will not be provided by default. |

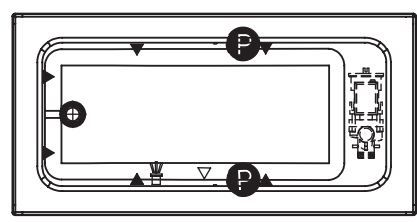


| | DROP IN 2" | DROP IN 3/8" | ALCOVE / CORNER |
|---|------------|--------------|-----------------|
| X | 59 7/8" | 59 3/4" | 59 5/8" |
| Y | 29 7/8" | 29 3/4" | 29 7/8" |

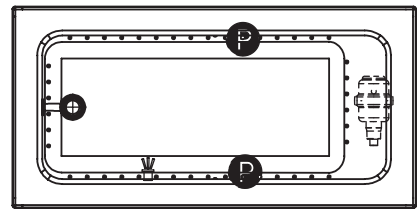
Technical drawing is universal for all 6030 configurations. External dimension (X,Y) vary depending on configuration (see chart)

Wood support design may vary.
 Integrated tiling flange: 1" height X 1/4" thickness (not shown)
 Tiling flange position is determined by chosen configuration.
 All dimensions are approximate.
 Structure measurement must be verified against the unit to ensure proper fit.

WHIRLPOOL SYSTEM

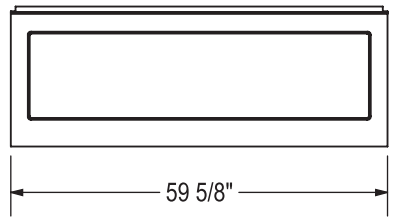


AIR SYSTEM



- (⊕) : Indicates optional grab bar positioning
- (▲) : Indicates whirlpool jets positioning
- (●) : Indicates Aerofeel airjets positioning
- (△) : Indicates suction positioning
- (☼) : Indicates chromatherapy light positioning

APRON (alcove version only)





Pose 6030 IF



Material : Acrylic
 Min: 31 Gal / 118 L
 Max: 52 Gal / 195 L

Features

- › Rectangular shape bathtub with choices of two deck heights (3/8 or 2 in.) Please specify when ordering
- › Drop-in or undermount ¹⁰ installation; model also available with integrated flange (IF) for alcove installation
- › Textured floor
- › Ample deck space for faucet installation
- › Skirt with or without access panel available

RECTANGULAR BATHTUBS - ACRYLIC

| POSE 6030 - 101456 | | | | | | |
|--------------------|--|---------|---------------|---|--------------------|---------|
| SKU | System | Color | Configuration | Dimensions & Weight | Packaging | MSRP |
| 101456-000-001-100 | Soaker - No System | White | End | 59 7/8" x 29 7/8" x 21 5/8" / 57 lb / 26 kg | 26 ft ³ | \$ 1139 |
| 101456-000-004 | | Bone | | | | \$ 1139 |
| 101456-000-007 | | Biscuit | | | | \$ 1139 |
| 101456-003-001-100 | Whirlpool ^{1 4} | White | | | | \$ 2487 |
| 101456-003-004 | | Bone | | | | \$ 2487 |
| 101456-003-007 | | Biscuit | | | | \$ 2487 |
| 101456-097-001-100 | Combined Whirlpool & Aeroeffect ^{1 3} | White | | | | \$ 4385 |
| 101456-097-004 | | Bone | | | | \$ 4385 |
| 101456-097-007 | | Biscuit | | | | \$ 4385 |
| 101456-103-001-100 | Aeroeffect ^{1 2 5} | White | | | | \$ 3400 |
| 101456-103-004 | | Bone | | | | \$ 3400 |
| 101456-103-007 | | Biscuit | | | | \$ 3400 |

| POSE 6030 IF - 106198 | | | | | | |
|-----------------------|--------------------|---------|---------------|---|--------------------|---------|
| SKU | System | Color | Configuration | Dimensions & Weight | Packaging | MSRP |
| 106198-000-001-103 | Soaker - No System | White | Left | 59 5/8" x 29 7/8" x 21 5/8" / 57 lb / 26 kg | 26 ft ³ | \$ 1139 |
| 106198-000-001-104 | | | Right | | | \$ 1139 |
| 106198-L-000-004 | | Bone | Left | | | \$ 1139 |
| 106198-L-000-007 | | Biscuit | | | | \$ 1139 |

POSE 6030 IF - 106198

| SKU | System | Color | Configuration | Dimensions & Weight | Packaging | MSRP |
|------------------|--|---------|---------------|---|--------------------|---------|
| 106198-L-003-001 | Whirlpool ^{1 4} | White | Left | 59 5/8" x 29 7/8" x 21 5/8" / 57 lb / 26 kg | 26 ft ³ | \$ 2487 |
| 106198-L-003-004 | | Bone | | | | \$ 2487 |
| 106198-L-003-007 | | Biscuit | | | | \$ 2487 |
| 106198-L-097-001 | Combined Whirlpool & Aeroeffect ^{1 3} | White | | | | \$ 4385 |
| 106198-L-097-004 | | Bone | | | | \$ 4385 |
| 106198-L-097-007 | | Biscuit | | | | \$ 4385 |
| 106198-L-103-001 | Aeroeffect ^{1 2 5} | White | | | | \$ 3400 |
| 106198-L-103-004 | | Bone | | | | \$ 3400 |
| 106198-L-103-007 | | Biscuit | | | | \$ 3400 |
| 106198-R-000-004 | Soaker - No System | Bone | Right | | | \$ 1139 |
| 106198-R-000-007 | | Biscuit | | | | \$ 1139 |
| 106198-R-003-001 | Whirlpool ^{1 4} | White | | | | \$ 2487 |
| 106198-R-003-004 | | Bone | | | | \$ 2487 |
| 106198-R-003-007 | | Biscuit | | | | \$ 2487 |
| 106198-R-097-001 | Combined Whirlpool & Aeroeffect ^{1 3} | White | | | | \$ 4385 |
| 106198-R-097-004 | | Bone | | | | \$ 4385 |
| 106198-R-097-007 | | Biscuit | | | | \$ 4385 |
| 106198-R-103-001 | Aeroeffect ^{1 2 5} | White | | | | \$ 3400 |
| 106198-R-103-004 | | Bone | | | | \$ 3400 |
| 106198-R-103-007 | | Biscuit | | | | \$ 3400 |

COMMON OPTIONS

| SKU | Description | MSRP |
|--------------|---|--|
| OPT10260-084 | Two 6-in. acrylic grab bars (factory installed) ⁸ Available colors: White (001), Bone (004), Biscuit (007), Chrome (084) and Brushed Nickel (105) | \$ 385 |
| OPT10260-007 | | \$ 385 |
| OPT10260-004 | | \$ 385 |
| OPT10260-105 | | \$ 385 |
| OPT10260-001 | | \$ 385 |
| OPT20029-105 | | Metal trim kit for air push control (factory installed) Available colors: Chrome (084) and Brushed Nickel (105) |
| OPT20029-084 | \$ 50 | |
| OPT20137-004 | Cable-operated waste and overflow (16 in. to 22 in.) (included in product packaging when purchased) Available colors: White (001), Bone (004), Chrome (084) and Brushed Nickel (105) | \$ 238 |
| OPT20137-084 | | \$ 238 |
| OPT20137-105 | | \$ 238 |
| OPT20137-001 | | \$ 238 |
| OPT10053 | One chromatherapy light (factory installed) ⁵⁴ | \$ 641 |
| OPT10095 | Water heater assembly for whirlpool and combined systems (factory installed) | \$ 908 |
| OPT10106-084 | Metal trim kit for whirlpool and combined systems (factory installed) Available colors: Chrome (084) and Brushed Nickel (105) | \$ 568 |

COMMON OPTIONS

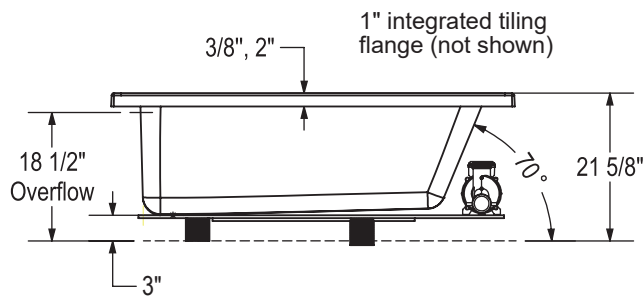
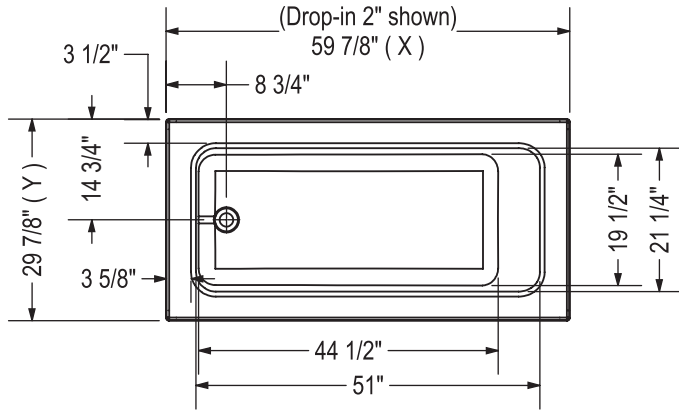
| SKU | Description | MSRP |
|--------------|--|--------|
| OPT10106-105 | Metal trim kit for whirlpool and combined systems (factory installed) Available colors: Chrome (084) and Brushed Nickel (105) | \$ 568 |
| OPT20205 | Lite option 3/8 in. thin deck ⁶ When chosen, this option is offered at no cost | \$ 0 |

ACCESSORIES

| SKU | Description | MSRP |
|--------------|--|--------|
| 10006923 | Flexible main hose (9 ft. extension) for air push control air massage - Kit (sold separately) | \$ 166 |
| 10004306-001 | White foam cushion with 2 suction pads (sold separately) Available color: White (001) | \$ 120 |
| 10028641-084 | Metal trim kit for Whirlpool and combined systems (sold separately) | \$ 568 |
| 10028641-105 | Available colors: Chrome (084) and Brushed Nickel (105) | \$ 568 |
| 10034250-084 | Metal trim kit for Aeroeffect with Air Push Control (sold separately) | \$ 50 |
| 10034250-105 | Available colors: Chrome (084) and Brushed Nickel (105) | \$ 50 |
| 10022491-084 | Cable-operated waste and overflow (16 in. to 22 in.) (sold separately) Available colors: White (001), Bone (004), Chrome (084) and Brushed Nickel (105) | \$ 238 |
| 10022491-004 | | \$ 238 |
| 10022491-105 | | \$ 238 |
| 10022491-001 | | \$ 238 |

FOOTNOTES

| No | Description |
|----|---|
| 1 | Components for standard colour units equipped with systems are colour-coordinated. Trim kit and/or air push with metallic finish can be added (additional charge applies). For non-standard colour units, please specify trim kit and/or air push colour (additional charge applies for metallic finishes). Please note that the positioning of the system's control could be in conflict with the door if one was installed on the unit. To insure compatibility, please contact customer service. |
| 2 | Please order flexible main hose 10006923 for installation of the blower further than 3 ft from the bathtub. For the Tandem models and the Serenade models (freestanding and drop-in), the blower is always remote and not factory installed so a 9 ft flexible main hose is included. Please note that the positioning of the system's control could be in conflict with the door if one was installed on the unit. To insure compatibility, please contact customer service. |
| 3 | The blower is not factory installed (remote). 9 ft flexible main hose included. Please note that the positioning of the system's control could be in conflict with the door if one was installed on the unit. To insure compatibility, please contact customer service. |
| 4 | For details on pump position and requirements, see technical drawings on https://www.maax.com . When there is a pump position A or B indicated on the technical drawing, please specify position when ordering. |
| 5 | For details on blower position and requirements, see technical drawings on https://www.maax.com . When there is a blower position A or B indicated on the technical drawing, please specify position when ordering. |
| 6 | Specify 3/8 (Lite option) or 2 in. on deck height. If ordering unit with an apron, only 2 in. deck height is available. |
| 8 | Two 6 in. or 12 in. metal or acrylic grab bars are optional. Factory installed, only one positioning is possible (see technical drawings on https://www.maax.com). |
| 10 | Systems not available with units installed undermount. |
| 54 | A selection of units come with an access panel by default when equipped with a system. However, if the unit is only equipped with chromatherapy, the access panel will not be provided by default. |



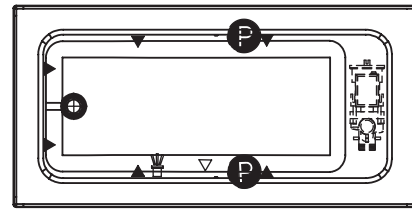
| | DROP IN 2" | DROP IN 3/8" | ALCOVE / CORNER |
|---|------------|--------------|-----------------|
| X | 59 7/8" | 59 3/4" | 59 5/8" |
| Y | 29 7/8" | 29 3/4" | 29 7/8" |

Wood support design may vary.
 Integrated tiling flange: 1" height X 1/4" thickness (not shown)
 Tiling flange position is determined by chosen configuration.

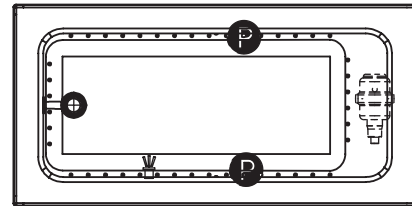
All dimensions are approximate.
 Structure measurement must be verified against the unit to ensure proper fit.

Technical drawing is universal for all 6030 configurations.
 External dimension (X,Y) vary depending on configuration (see chart)

WHIRLPOOL SYSTEM

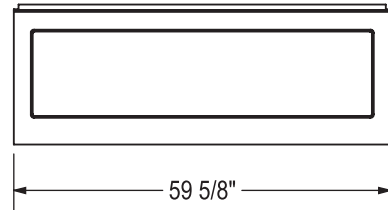


AIR SYSTEM



- ⊕ : Indicates optional grab bar positioning
- (▲) : Indicates whirlpool jets positioning
- (●) : Indicates Aerofeel airjets positioning
- (△) : Indicates suction positioning
- (☒) : Indicates chromatherapy light positioning

APRON (alcove version only)





Pose 6032 - Corner left



Material : Acrylic
 Min: 46 Gal / 173 L
 Max: 64 Gal / 241 L

Features

- › Rectangular shape bathtub with choices of two deck heights (3/8 or 2 in.) Please specify when ordering.
- › Integrated flange (IF) for corner installation
- › Textured floor
- › Ample deck space for faucet installation
- › Right or left drain available

RECTANGULAR BATHTUBS - ACRYLIC

| POSE 6032 IF - 106202 | | | | | | | | |
|-----------------------|--|---------|---------------|---|--------------------|---------|---------|---------|
| SKU | System | Color | Configuration | Dimensions & Weight | Packaging | MSRP | | |
| 106202-000-001-113 | Soaker - No System | White | Left | 59 5/8" x 31 5/8" x 23 5/8" / 61 lb / 28 kg | 32 ft ³ | \$ 1211 | | |
| 106202-000-001-114 | | | Right | | | \$ 1211 | | |
| 106202-L-000-004 | | Bone | Left | | | \$ 1211 | | |
| 106202-L-000-007 | | Biscuit | | | | \$ 1211 | | |
| 106202-L-003-001 | Whirlpool ^{1 4} | White | | | | \$ 2559 | | |
| 106202-L-003-004 | | Bone | | | | \$ 2559 | | |
| 106202-L-003-007 | | Biscuit | | | | \$ 2559 | | |
| 106202-L-097-001 | Combined Whirlpool & Aeroeffect ^{1 3} | White | | | | Right | \$ 4457 | |
| 106202-L-097-004 | | Bone | | | | | \$ 4457 | |
| 106202-L-097-007 | | Biscuit | | | | | \$ 4457 | |
| 106202-L-103-001 | Aeroeffect ^{1 2 5} | White | | | | | Right | \$ 3472 |
| 106202-L-103-004 | | Bone | | | | | | \$ 3472 |
| 106202-L-103-007 | | Biscuit | | \$ 3472 | | | | |
| 106202-R-000-004 | Soaker - No System | Bone | | Right | \$ 1211 | | | |
| 106202-R-000-007 | | Biscuit | \$ 1211 | | | | | |
| 106202-R-003-001 | Whirlpool ^{1 4} | White | Right | | \$ 2559 | | | |
| 106202-R-003-004 | | Bone | | | \$ 2559 | | | |
| 106202-R-003-007 | | Biscuit | | | \$ 2559 | | | |
| 106202-R-097-001 | Combined Whirlpool & Aeroeffect ^{1 3} | White | | | Right | | | \$ 4457 |
| 106202-R-097-004 | | Bone | | | | \$ 4457 | | |

POSE 6032 IF - 106202

| SKU | System | Color | Configuration | Dimensions & Weight | Packaging | MSRP |
|------------------|--|---------|---------------|---|--------------------|---------|
| 106202-R-097-007 | Combined Whirlpool & Aeroeffect ^{1 3} | Biscuit | Right | 59 5/8" x 31 5/8" x 23 5/8" / 61 lb / 28 kg | 32 ft ³ | \$ 4457 |
| 106202-R-103-001 | Aeroeffect ^{1 2 5} | White | | | | \$ 3472 |
| 106202-R-103-004 | | Bone | | | | \$ 3472 |
| 106202-R-103-007 | | Biscuit | | | | \$ 3472 |

POSE 6032 IF - 106203

| SKU | System | Color | Configuration | Dimensions & Weight | Packaging | MSRP | |
|--------------------|--|---------|---------------|---|--------------------|---------|---------|
| 106203-000-001-115 | Soaker - No System | White | Left | 59 5/8" x 31 5/8" x 23 5/8" / 61 lb / 28 kg | 32 ft ³ | \$ 1211 | |
| 106203-000-001-116 | | | Right | | | \$ 1211 | |
| 106203-L-000-004 | | Bone | \$ 1211 | | | | |
| 106203-L-000-007 | Biscuit | \$ 1211 | | | | | |
| 106203-L-003-001 | Whirlpool ^{1 4} | White | Left | | | \$ 2559 | |
| 106203-L-003-004 | | Bone | | | | \$ 2559 | |
| 106203-L-003-007 | | Biscuit | | | | \$ 2559 | |
| 106203-L-097-001 | Combined Whirlpool & Aeroeffect ^{1 3} | White | | | | \$ 4457 | |
| 106203-L-097-004 | | Bone | | | | \$ 4457 | |
| 106203-L-097-007 | | Biscuit | | | | \$ 4457 | |
| 106203-L-103-001 | Aeroeffect ^{1 2 5} | White | | | | \$ 3472 | |
| 106203-L-103-004 | | Bone | | | | \$ 3472 | |
| 106203-L-103-007 | | Biscuit | | | | \$ 3472 | |
| 106203-R-000-004 | Soaker - No System | Bone | | | | Right | \$ 1211 |
| 106203-R-000-007 | | Biscuit | | | | | \$ 1211 |
| 106203-R-003-001 | Whirlpool ^{1 4} | White | | | | | \$ 2559 |
| 106203-R-003-004 | | Bone | | | | | \$ 2559 |
| 106203-R-003-007 | | Biscuit | | | | | \$ 2559 |
| 106203-R-097-001 | Combined Whirlpool & Aeroeffect ^{1 3} | White | | \$ 4457 | | | |
| 106203-R-097-004 | | Bone | | \$ 4457 | | | |
| 106203-R-097-007 | | Biscuit | | \$ 4457 | | | |
| 106203-R-103-001 | Aeroeffect ^{1 2 5} | White | | \$ 3472 | | | |
| 106203-R-103-004 | | Bone | \$ 3472 | | | | |
| 106203-R-103-007 | | Biscuit | \$ 3472 | | | | |

COMMON OPTIONS

| SKU | Description | MSRP |
|--------------|---|--------|
| OPT10106-084 | Metal trim kit for whirlpool and combined systems (factory installed) | \$ 568 |
| OPT10106-105 | Available colors: Chrome (084) and Brushed Nickel (105) | \$ 568 |
| OPT10260-084 | Two 6-in. acrylic grab bars (factory installed) ⁸ Available colors: White (001), Bone (004), Biscuit (007), Chrome (084) and Brushed Nickel (105) | \$ 385 |

COMMON OPTIONS

| SKU | Description | MSRP |
|--------------|---|--------|
| OPT10260-007 | Two 6-in. acrylic grab bars (factory installed) ⁸ Available colors: White (001), Bone (004), Biscuit (007), Chrome (084) and Brushed Nickel (105) | \$ 385 |
| OPT10260-004 | | \$ 385 |
| OPT10260-105 | | \$ 385 |
| OPT10260-001 | | \$ 385 |
| OPT20029-105 | Metal trim kit for air push control (factory installed) Available colors: Chrome (084) and Brushed Nickel (105) | \$ 50 |
| OPT20029-084 | | \$ 50 |
| OPT20137-004 | Cable-operated waste and overflow (16 in. to 22 in.) (included in product packaging when purchased) Available colors: White (001), Bone (004), Chrome (084) and Brushed Nickel (105) | \$ 238 |
| OPT20137-084 | | \$ 238 |
| OPT20137-105 | | \$ 238 |
| OPT20137-001 | | \$ 238 |
| OPT20205 | Lite option 3/8 in. thin deck ⁶ When chosen, this option is offered at no cost | \$ 0 |
| OPT10053 | One chromatherapy light (factory installed) ⁵⁴ | \$ 641 |
| OPT10095 | Water heater assembly for whirlpool and combined systems (factory installed) | \$ 908 |

ACCESSORIES

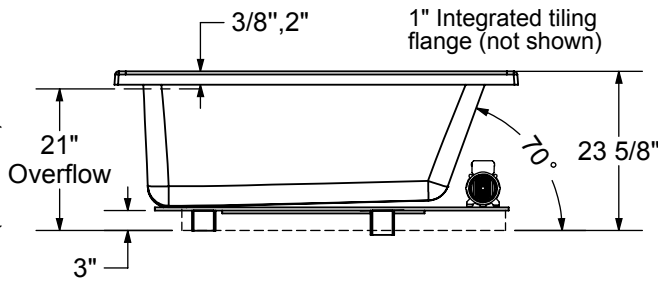
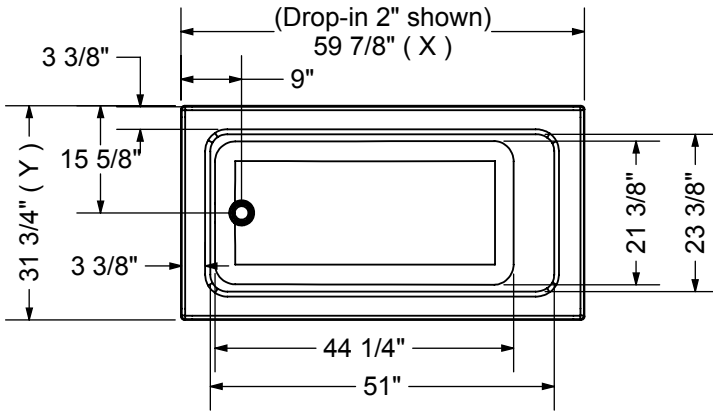
| SKU | Description | MSRP |
|--------------|--|--------|
| 10006923 | Flexible main hose (9 ft. extension) for air push control air massage - Kit (sold separately) | \$ 166 |
| 10004306-001 | White foam cushion with 2 suction pads (sold separately) Available color: White (001) | \$ 120 |
| 10028641-084 | Metal trim kit for Whirlpool and combined systems (sold separately) Available colors: Chrome (084) and Brushed Nickel (105) | \$ 568 |
| 10028641-105 | | \$ 568 |
| 10034250-084 | Metal trim kit for Aeroeffect with Air Push Control (sold separately) Available colors: Chrome (084) and Brushed Nickel (105) | \$ 50 |
| 10034250-105 | | \$ 50 |
| 10022491-084 | Cable-operated waste and overflow (16 in. to 22 in.) (sold separately) Available colors: White (001), Bone (004), Chrome (084) and Brushed Nickel (105) | \$ 238 |
| 10022491-004 | | \$ 238 |
| 10022491-105 | | \$ 238 |
| 10022491-001 | | \$ 238 |

FOOTNOTES

| No | Description |
|----|---|
| 1 | Components for standard colour units equipped with systems are colour-coordinated. Trim kit and/or air push with metallic finish can be added (additional charge applies). For non-standard colour units, please specify trim kit and/or air push colour (additional charge applies for metallic finishes). Please note that the positioning of the system's control could be in conflict with the door if one was installed on the unit. To insure compatibility, please contact customer service. |
| 2 | Please order flexible main hose 10006923 for installation of the blower further than 3 ft from the bathtub. For the Tandem models and the Serenade models (freestanding and drop-in), the blower is always remote and not factory installed so a 9 ft flexible main hose is included. Please note that the positioning of the system's control could be in conflict with the door if one was installed on the unit. To insure compatibility, please contact customer service. |
| 3 | The blower is not factory installed (remote). 9 ft flexible main hose included. Please note that the positioning of the system's control could be in conflict with the door if one was installed on the unit. To insure compatibility, please contact customer service. |
| 4 | For details on pump position and requirements, see technical drawings on https://www.maax.com . When there is a pump position A or B indicated on the technical drawing, please specify position when ordering. |

FOOTNOTES

| No | Description |
|----|--|
| 5 | For details on blower position and requirements, see technical drawings on https://www.maax.com . When there is a blower position A or B indicated on the technical drawing, please specify position when ordering. |
| 6 | Specify 3/8 (Lite option) or 2 in. on deck height. If ordering unit with an apron, only 2 in. deck height is available. |
| 8 | Two 6 in. or 12 in. metal or acrylic grab bars are optional. Factory installed, only one positioning is possible (see technical drawings on https://www.maax.com). |
| 54 | A selection of units come with an access panel by default when equipped with a system. However, if the unit is only equipped with chromatherapy, the access panel will not be provided by default. |



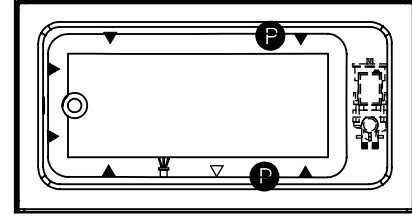
Technical drawing is universal for all 6032 configurations. External dimension (X, Y) vary depending on configuration (see chart)

| | DROP IN 2" | DROP IN 3/8" | ALCOVE / CORNER |
|---|------------|--------------|-----------------|
| X | 59 7/8" | 59 3/4" | 59 5/8" |
| Y | 31 3/4" | 31 5/8" | 31 5/8" |

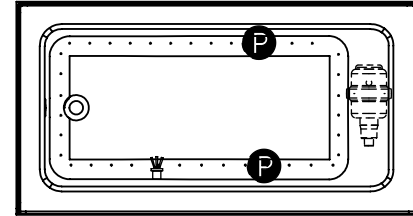
Wood support design may vary.
 Integrated tiling flange: 1" height X 1/4" thickness (not shown)
 Tiling flange position is determined by chosen configuration.

All dimensions are approximate.
 Structure measurement must be verified against the unit to ensure proper fit.

WHIRLPOOL SYSTEM

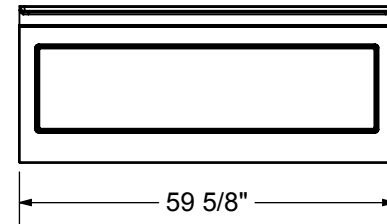


AIR SYSTEM



- (P) : Indicates optional grab bar positioning
- (▲) : Indicates whirlpool jets positioning
- (△) : Indicates suction positioning
- (●) : Indicates airjets positioning
- (☼) : Indicates chromatherapy light positioning

APRON (alcove version only)





Pose 6032 IF

RECTANGULAR BATHTUBS - ACRYLIC



Material : Acrylic
 Min: 42 Gal / 159 L
 Max: 64 Gal / 241 L

Features

- › Rectangular shape bathtub with choices of two deck heights (3/8 or 2 in.) Please specify when ordering
- › Drop-in or undermount ¹⁰ installation; model also available with integrated flange (IF) for alcove installation
- › Textured floor
- › Ample deck space for faucet installation
- › Skirt with or without access panel available

POSE 6032 - 101457

| SKU | System | Color | Configuration | Dimensions & Weight | Packaging | MSRP |
|--------------------|--|---------|---------------|---|--------------------|---------|
| 101457-000-001-100 | Soaker - No System | White | End | 59 7/8" x 31 3/4" x 23 5/8" / 61 lb / 28 kg | 32 ft ³ | \$ 1211 |
| 101457-000-004 | | Bone | | | | \$ 1211 |
| 101457-000-007 | | Biscuit | | | | \$ 1211 |
| 101457-003-001-100 | Whirlpool ^{1 4} | White | | | | \$ 2559 |
| 101457-003-004-100 | | Biscuit | | | | \$ 2559 |
| 101457-003-004-101 | | Bone | | | | \$ 2559 |
| 101457-097-001-100 | Combined Whirlpool & Aeroeffect ^{1 3} | White | | | | \$ 4457 |
| 101457-097-004 | | Bone | | | | \$ 4457 |
| 101457-097-007 | | Biscuit | | | | \$ 4457 |
| 101457-103-001-100 | Aeroeffect ^{1 2 5} | White | | | | \$ 3472 |
| 101457-103-004 | | Bone | | | | \$ 3472 |
| 101457-103-007 | | Biscuit | | | | \$ 3472 |

POSE 6032 IF - 106201

| SKU | System | Color | Configuration | Dimensions & Weight | Packaging | MSRP |
|--------------------|--------------------|---------|---------------|---|--------------------|---------|
| 106201-000-001-111 | Soaker - No System | White | Left | 59 5/8" x 31 5/8" x 23 5/8" / 61 lb / 28 kg | 32 ft ³ | \$ 1211 |
| 106201-000-001-112 | | | Right | | | \$ 1211 |
| 106201-L-000-004 | | Bone | Left | | | \$ 1211 |
| 106201-L-000-007 | | Biscuit | | | | \$ 1211 |

POSE 6032 IF - 106201

| SKU | System | Color | Configuration | Dimensions & Weight | Packaging | MSRP |
|------------------|--|---------|---------------|---|--------------------|---------|
| 106201-L-003-001 | Whirlpool ^{1 4} | White | Left | 59 5/8" x 31 5/8" x 23 5/8" / 61 lb / 28 kg | 32 ft ³ | \$ 2559 |
| 106201-L-003-004 | | Bone | | | | \$ 2559 |
| 106201-L-003-007 | | Biscuit | | | | \$ 2559 |
| 106201-L-097-001 | Combined Whirlpool & Aeroeffect ^{1 3} | White | | | | \$ 4457 |
| 106201-L-097-004 | | Bone | | | | \$ 4457 |
| 106201-L-097-007 | | Biscuit | | | | \$ 4457 |
| 106201-L-103-001 | Aeroeffect ^{1 2 5} | White | | | | \$ 3472 |
| 106201-L-103-004 | | Bone | | | | \$ 3472 |
| 106201-L-103-007 | | Biscuit | | | | \$ 3472 |
| 106201-R-000-004 | Soaker - No System | Bone | Right | | | \$ 1211 |
| 106201-R-000-007 | | Biscuit | | | | \$ 1211 |
| 106201-R-003-001 | Whirlpool ^{1 4} | White | | | | \$ 2559 |
| 106201-R-003-004 | | Bone | | | | \$ 2559 |
| 106201-R-003-007 | | Biscuit | | | | \$ 2559 |
| 106201-R-097-001 | Combined Whirlpool & Aeroeffect ^{1 3} | White | | | | \$ 4457 |
| 106201-R-097-004 | | Bone | | | | \$ 4457 |
| 106201-R-097-007 | | Biscuit | | | | \$ 4457 |
| 106201-R-103-001 | Aeroeffect ^{1 2 5} | White | | | | \$ 3472 |
| 106201-R-103-004 | | Bone | | \$ 3472 | | |
| 106201-R-103-007 | | Biscuit | | \$ 3472 | | |

COMMON OPTIONS

| SKU | Description | MSRP |
|--------------|---|--|
| OPT10095 | Water heater assembly for whirlpool and combined systems (factory installed) | \$ 908 |
| OPT10106-084 | Metal trim kit for whirlpool and combined systems (factory installed) Available colors: Chrome (084) and Brushed Nickel (105) | \$ 568 |
| OPT10106-105 | | \$ 568 |
| OPT10260-084 | Two 6-in. acrylic grab bars (factory installed) ⁸ Available colors: White (001), Bone (004), Biscuit (007), Chrome (084) and Brushed Nickel (105) | \$ 385 |
| OPT10260-007 | | \$ 385 |
| OPT10260-004 | | \$ 385 |
| OPT10260-105 | | \$ 385 |
| OPT10260-001 | | \$ 385 |
| OPT20029-105 | | Metal trim kit for air push control (factory installed) Available colors: Chrome (084) and Brushed Nickel (105) |
| OPT20029-084 | \$ 50 | |
| OPT20137-004 | Cable-operated waste and overflow (16 in. to 22 in.) (included in product packaging when purchased) Available colors: White (001), Bone (004), Chrome (084) and Brushed Nickel (105) | \$ 238 |
| OPT20137-084 | | \$ 238 |
| OPT20137-105 | | \$ 238 |
| OPT20137-001 | | \$ 238 |
| OPT10053 | One chromatherapy light (factory installed) ⁵⁴ | \$ 641 |

COMMON OPTIONS

| SKU | Description | MSRP |
|--------------------|---|--------|
| 101953-000-004 | Acrylic apron without access panel. Specify: Standard colors: White (001), Bone (004), Biscuit (007) | \$ 435 |
| 101953-000-007 | | \$ 435 |
| 101953-000-001-100 | | \$ 435 |
| 101956-000-001-100 | Acrylic apron with access panel. Specify: Standard colors: White (001), Bone (004), Biscuit (007) | \$ 519 |
| 101956-000-007 | | \$ 519 |
| 101956-000-004 | | \$ 519 |
| OPT20205 | Lite option 3/8 in. thin deck ⁶ When chosen, this option is offered at no cost | \$ 0 |

ACCESSORIES

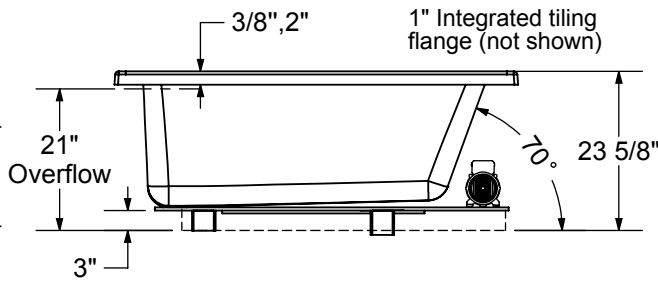
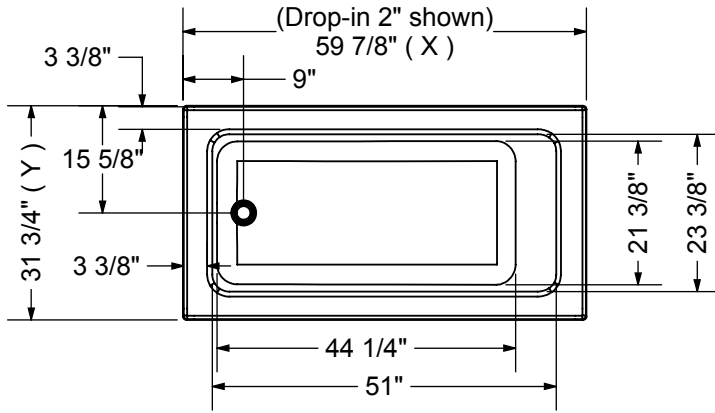
| SKU | Description | MSRP |
|--------------|--|--------|
| 10006923 | Flexible main hose (9 ft. extension) for air push control air massage - Kit (sold separately) | \$ 166 |
| 10004306-001 | White foam cushion with 2 suction pads (sold separately) Available color: White (001) | \$ 120 |
| 10028641-084 | Metal trim kit for Whirlpool and combined systems (sold separately) Available colors: Chrome (084) and Brushed Nickel (105) | \$ 568 |
| 10028641-105 | | \$ 568 |
| 10034250-084 | Metal trim kit for Aeroeffect with Air Push Control (sold separately) Available colors: Chrome (084) and Brushed Nickel (105) | \$ 50 |
| 10034250-105 | | \$ 50 |
| 10022491-084 | Cable-operated waste and overflow (16 in. to 22 in.) (sold separately) Available colors: White (001), Bone (004), Chrome (084) and Brushed Nickel (105) | \$ 238 |
| 10022491-004 | | \$ 238 |
| 10022491-105 | | \$ 238 |
| 10022491-001 | | \$ 238 |

FOOTNOTES

| No | Description |
|----|--|
| 6 | Specify 3/8 (Lite option) or 2 in. on deck height. If ordering unit with an apron, only 2 in. deck height is available. |
| 8 | Two 6 in. or 12 in. metal or acrylic grab bars are optional. Factory installed, only one positioning is possible (see technical drawings on https://www.maax.com). |
| 10 | Systems not available with units installed undermount. |
| 54 | A selection of units come with an access panel by default when equipped with a system. However, if the unit is only equipped with chromatherapy, the access panel will not be provided by default. |

RECOMMENDED DOORS - VISIT OUR WEBSITE FOR A COMPLETE LIST OF RECOMMENDED DOORS

| SKU | Product Name | Pag. |
|--------|---|------|
| 139398 | Halo 56 1/2-59 x 59 - 8mm | 878 |
| 139351 | Incognito 57 56-59 x 56 3/4 - 6mm | 856 |
| 139354 | Incognito 57 56-59 x 56 3/4 - 8mm | 860 |
| 135330 | Incognito 57 Shaker 56-59 x 56 3/4 - 8mm | 854 |
| 135695 | Revelation Square 56-59 x 56 3/4-59 1/4 - 8mm | 870 |
| 135692 | Revelation Square 56-59 x 56 3/4-58 1/4 - 6mm | 868 |



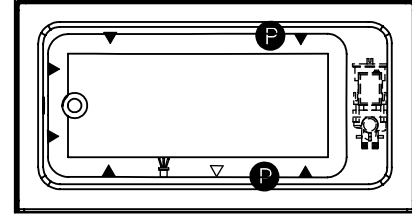
Technical drawing is universal for all 6032 configurations. External dimension (X, Y) vary depending on configuration (see chart)

| | DROP IN 2" | DROP IN 3/8" | ALCOVE / CORNER |
|---|------------|--------------|-----------------|
| X | 59 7/8" | 59 3/4" | 59 5/8" |
| Y | 31 3/4" | 31 5/8" | 31 5/8" |

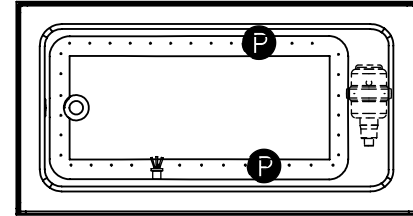
Wood support design may vary.
 Integrated tiling flange: 1" height X 1/4" thickness (not shown)
 Tiling flange position is determined by chosen configuration.

All dimensions are approximate.
 Structure measurement must be verified against the unit to ensure proper fit.

WHIRLPOOL SYSTEM

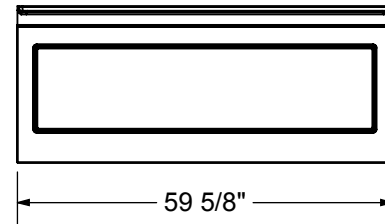


AIR SYSTEM



- (P) : Indicates optional grab bar positioning
- (▲) : Indicates whirlpool jets positioning
- (△) : Indicates suction positioning
- (●) : Indicates airjets positioning
- (☼) : Indicates chromatherapy light positioning

APRON (alcove version only)





Pose 6632 - Corner left

RECTANGULAR BATHTUBS - ACRYLIC



Material : Acrylic
 Min: 46 Gal / 173 L
 Max: 72 Gal / 273 L

Features

- › Rectangular shape bathtub with choices of two deck heights (3/8 or 2 in.) Please specify when ordering.
- › Integrated flange (IF) for corner installation
- › Textured floor
- › Ample deck space for faucet installation
- › Right or left drain available

| POSE 6632 IF - 106205 | | | | | | | | |
|-----------------------|--|---------|---------------|---|--------------------|---------|---------|---------|
| SKU | System | Color | Configuration | Dimensions & Weight | Packaging | MSRP | | |
| 106205-000-001-105 | Soaker - No System | White | Left | 65 3/4" x 31 5/8" x 23 1/2" / 67 lb / 30 kg | 37 ft ³ | \$ 1397 | | |
| 106205-000-001-106 | | | Right | | | \$ 1397 | | |
| 106205-L-000-004 | | Bone | \$ 1397 | | | | | |
| 106205-L-000-007 | | Biscuit | \$ 1397 | | | | | |
| 106205-L-003-001 | Whirlpool ^{1 4} | White | Left | | | \$ 2745 | | |
| 106205-L-003-004 | | Bone | | | | \$ 2745 | | |
| 106205-L-003-007 | | Biscuit | | | | \$ 2745 | | |
| 106205-L-097-001 | Combined Whirlpool & Aeroeffect ^{1 3} | White | | | | Right | \$ 4643 | |
| 106205-L-097-004 | | Bone | | | | | \$ 4643 | |
| 106205-L-097-007 | | Biscuit | | | | | \$ 4643 | |
| 106205-L-103-001 | Aeroeffect ^{1 2 5} | White | | | | | Right | \$ 3658 |
| 106205-L-103-004 | | Bone | | | | | | \$ 3658 |
| 106205-L-103-007 | | Biscuit | | \$ 3658 | | | | |
| 106205-R-000-004 | Soaker - No System | Bone | | Right | \$ 1397 | | | |
| 106205-R-000-007 | | Biscuit | | | \$ 1397 | | | |
| 106205-R-003-001 | Whirlpool ^{1 4} | White | | | Right | | | \$ 2745 |
| 106205-R-003-004 | | Bone | \$ 2745 | | | | | |
| 106205-R-003-007 | | Biscuit | \$ 2745 | | | | | |
| 106205-R-097-001 | Combined Whirlpool & Aeroeffect ^{1 3} | White | Right | | | | | \$ 4643 |
| 106205-R-097-004 | | Bone | | | | \$ 4643 | | |

POSE 6632 IF - 106205

| SKU | System | Color | Configuration | Dimensions & Weight | Packaging | MSRP |
|------------------|--|---------|---------------|---|--------------------|---------|
| 106205-R-097-007 | Combined Whirlpool & Aeroeffect ^{1 3} | Biscuit | Right | 65 3/4" x 31 5/8" x 23 1/2" / 67 lb / 30 kg | 37 ft ³ | \$ 4643 |
| 106205-R-103-001 | Aeroeffect ^{1 2 5} | White | | | | \$ 3658 |
| 106205-R-103-004 | | Bone | | | | \$ 3658 |
| 106205-R-103-007 | | Biscuit | | | | \$ 3658 |

POSE 6632 IF - 106206

| SKU | System | Color | Configuration | Dimensions & Weight | Packaging | MSRP | | |
|--------------------|--|---------|---------------|---|--------------------|---------|---------|---------|
| 106206-000-001-107 | Soaker - No System | White | Left | 65 3/4" x 31 5/8" x 23 1/2" / 67 lb / 30 kg | 37 ft ³ | \$ 1397 | | |
| 106206-000-001-108 | | | Right | | | \$ 1397 | | |
| 106206-L-000-004 | | Bone | \$ 1397 | | | | | |
| 106206-L-000-007 | | Biscuit | \$ 1397 | | | | | |
| 106206-L-003-001 | Whirlpool ^{1 4} | White | Left | | | \$ 2745 | | |
| 106206-L-003-004 | | Bone | | | | \$ 2745 | | |
| 106206-L-003-007 | | Biscuit | | | | \$ 2745 | | |
| 106206-L-097-001 | Combined Whirlpool & Aeroeffect ^{1 3} | White | | | | Right | \$ 4643 | |
| 106206-L-097-004 | | Bone | | | | | \$ 4643 | |
| 106206-L-097-007 | | Biscuit | | | | | \$ 4643 | |
| 106206-L-103-001 | Aeroeffect ^{1 2 5} | White | | | | | \$ 3658 | |
| 106206-L-103-004 | | Bone | | | | | \$ 3658 | |
| 106206-L-103-007 | | Biscuit | | | | | \$ 3658 | |
| 106206-R-000-004 | Soaker - No System | Bone | | | | | Right | \$ 1397 |
| 106206-R-000-007 | | Biscuit | | | | | | \$ 1397 |
| 106206-R-003-001 | Whirlpool ^{1 4} | White | | | | | | \$ 2745 |
| 106206-R-003-004 | | Bone | | \$ 2745 | | | | |
| 106206-R-003-007 | | Biscuit | | \$ 2745 | | | | |
| 106206-R-097-001 | Combined Whirlpool & Aeroeffect ^{1 3} | White | | Right | \$ 4643 | | | |
| 106206-R-097-004 | | Bone | | | \$ 4643 | | | |
| 106206-R-097-007 | | Biscuit | \$ 4643 | | | | | |
| 106206-R-103-001 | Aeroeffect ^{1 2 5} | White | \$ 3658 | | | | | |
| 106206-R-103-004 | | Bone | \$ 3658 | | | | | |
| 106206-R-103-007 | | Biscuit | \$ 3658 | | | | | |

COMMON OPTIONS

| SKU | Description | MSRP |
|----------|--|--------|
| OPT20205 | Lite option 3/8 in. thin deck ⁶ When chosen, this option is offered at no cost | \$ 0 |
| OPT10053 | One chromatherapy light (factory installed) ⁵⁴ | \$ 641 |
| OPT10095 | Water heater assembly for whirlpool and combined systems (factory installed) | \$ 908 |

COMMON OPTIONS

| SKU | Description | MSRP |
|--------------|---|---|
| OPT10106-084 | Metal trim kit for whirlpool and combined systems (factory installed) | \$ 568 |
| OPT10106-105 | Available colors: Chrome (084) and Brushed Nickel (105) | \$ 568 |
| OPT10260-084 | Two 6-in. acrylic grab bars (factory installed) ⁸ Available colors: White (001), Bone (004), Biscuit (007), Chrome (084) and Brushed Nickel (105) | \$ 385 |
| OPT10260-007 | | \$ 385 |
| OPT10260-004 | | \$ 385 |
| OPT10260-105 | | \$ 385 |
| OPT10260-001 | | \$ 385 |
| OPT20029-105 | | Metal trim kit for air push control (factory installed) |
| OPT20029-084 | Available colors: Chrome (084) and Brushed Nickel (105) | \$ 50 |
| OPT20137-004 | Cable-operated waste and overflow (16 in. to 22 in.) (included in product packaging when purchased) Available colors: White (001), Bone (004), Chrome (084) and Brushed Nickel (105) | \$ 238 |
| OPT20137-084 | | \$ 238 |
| OPT20137-105 | | \$ 238 |
| OPT20137-001 | | \$ 238 |
| OPT20137-001 | | \$ 238 |

ACCESSORIES

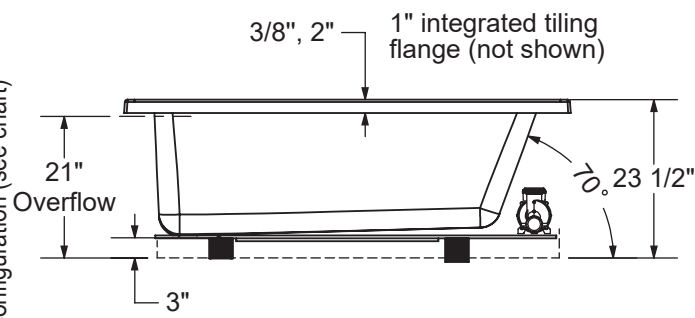
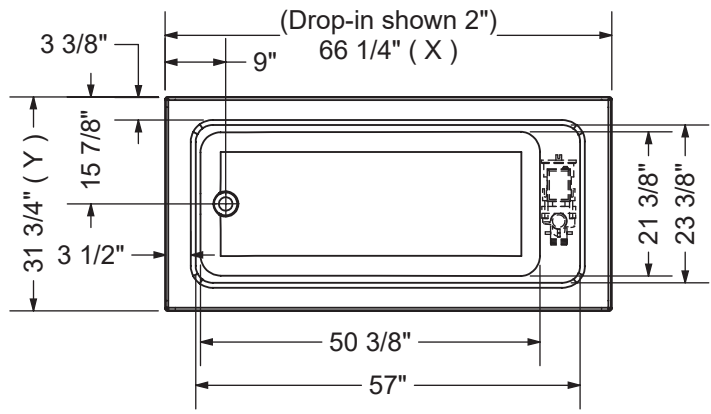
| SKU | Description | MSRP |
|--------------|--|--------|
| 10006923 | Flexible main hose (9 ft. extension) for air push control air massage - Kit (sold separately) | \$ 166 |
| 10004306-001 | White foam cushion with 2 suction pads (sold separately) Available color: White (001) | \$ 120 |
| 10028641-084 | Metal trim kit for Whirlpool and combined systems (sold separately) | \$ 568 |
| 10028641-105 | Available colors: Chrome (084) and Brushed Nickel (105) | \$ 568 |
| 10034250-084 | Metal trim kit for Aeroeffect with Air Push Control (sold separately) | \$ 50 |
| 10034250-105 | Available colors: Chrome (084) and Brushed Nickel (105) | \$ 50 |
| 10022491-084 | Cable-operated waste and overflow (16 in. to 22 in.) (sold separately) Available colors: White (001), Bone (004), Chrome (084) and Brushed Nickel (105) | \$ 238 |
| 10022491-004 | | \$ 238 |
| 10022491-105 | | \$ 238 |
| 10022491-001 | | \$ 238 |

FOOTNOTES

| No | Description |
|----|---|
| 1 | Components for standard colour units equipped with systems are colour-coordinated. Trim kit and/or air push with metallic finish can be added (additional charge applies). For non-standard colour units, please specify trim kit and/or air push colour (additional charge applies for metallic finishes). Please note that the positioning of the system's control could be in conflict with the door if one was installed on the unit. To insure compatibility, please contact customer service. |
| 2 | Please order flexible main hose 10006923 for installation of the blower further than 3 ft from the bathtub. For the Tandem models and the Serenade models (freestanding and drop-in), the blower is always remote and not factory installed so a 9 ft flexible main hose is included. Please note that the positioning of the system's control could be in conflict with the door if one was installed on the unit. To insure compatibility, please contact customer service. |
| 3 | The blower is not factory installed (remote). 9 ft flexible main hose included. Please note that the positioning of the system's control could be in conflict with the door if one was installed on the unit. To insure compatibility, please contact customer service. |
| 4 | For details on pump position and requirements, see technical drawings on https://www.maax.com . When there is a pump position A or B indicated on the technical drawing, please specify position when ordering. |
| 5 | For details on blower position and requirements, see technical drawings on https://www.maax.com . When there is a blower position A or B indicated on the technical drawing, please specify position when ordering. |

FOOTNOTES

| No | Description |
|----|--|
| 6 | Specify 3/8 (Lite option) or 2 in. on deck height. If ordering unit with an apron, only 2 in. deck height is available. |
| 8 | Two 6 in. or 12 in. metal or acrylic grab bars are optional. Factory installed, only one positioning is possible (see technical drawings on https://www.maax.com). |
| 54 | A selection of units come with an access panel by default when equipped with a system. However, if the unit is only equipped with chromatherapy, the access panel will not be provided by default. |



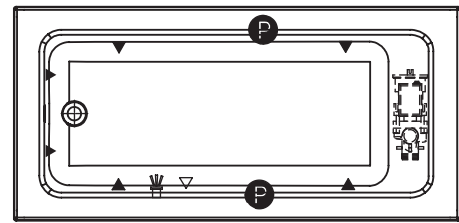
Technical drawing is universal for all 6632 configurations. External dimension (X,Y) vary depending on configuration (see chart)

| | DROP IN 2" | DROP IN 3/8" | ALCOVE / CORNER |
|---|------------|--------------|-----------------|
| X | 66 1/4" | 66" | 65 3/4" |
| Y | 31 3/4" | 31 5/8" | 31 5/8" |

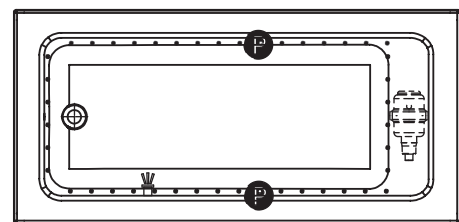
Wood support design may vary.
 Integrated tiling flange: 1" height X 1/4" thickness (not shown)
 Tiling flange position is determined by chosen configuration.

All dimensions are approximate.
 Structure measurement must be verified against the unit to ensure proper fit.

WHIRLPOOL SYSTEM

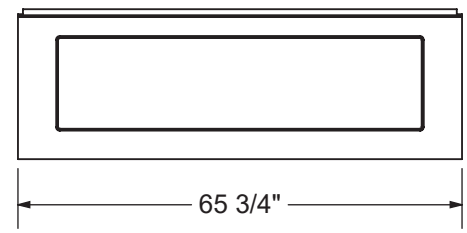


AIR SYSTEM



- (P) : Indicates optional grab bar positioning
- (▲) : Indicates whirlpool jets positioning
- (△) : Indicates suction positioning
- (●) : Indicate airjets positioning
- (☼) : Indicates chromatherapy light positioning

APRON (alcove version only)





Pose 6632 IF



Material : Acrylic
 Min: 47 Gal / 177 L
 Max: 72 Gal / 273 L

Features

- › Rectangular shape bathtub with choices of two deck heights (3/8 or 2 in.) Please specify when ordering
- › Drop-in or undermount ¹⁰ installation; model also available with integrated flange (IF) for alcove installation
- › Textured floor
- › Ample deck space for faucet installation
- › Skirt with or without access panel available

RECTANGULAR BATHTUBS - ACRYLIC

| POSE 6632 - 101458 | | | | | | |
|--------------------|--|---------|---------------|---|--------------------|---------|
| SKU | System | Color | Configuration | Dimensions & Weight | Packaging | MSRP |
| 101458-000-001-100 | Soaker - No System | White | End | 66 1/4" x 31 3/4" x 23 1/2" / 67 lb / 30 kg | 37 ft ³ | \$ 1397 |
| 101458-000-004 | | Bone | | | | \$ 1397 |
| 101458-000-007 | | Biscuit | | | | \$ 1397 |
| 101458-003-001-100 | Whirlpool ^{1 4} | White | | | | \$ 2745 |
| 101458-003-004 | | Bone | | | | \$ 2745 |
| 101458-003-007 | | Biscuit | | | | \$ 2745 |
| 101458-097-001-100 | Combined Whirlpool & Aeroeffect ^{1 3} | White | | | | \$ 4643 |
| 101458-097-004 | | Bone | | | | \$ 4643 |
| 101458-097-007 | | Biscuit | | | | \$ 4643 |
| 101458-103-001-100 | Aeroeffect ^{1 2 5} | White | | | | \$ 3658 |
| 101458-103-004 | | Bone | | | | \$ 3658 |
| 101458-103-007 | | Biscuit | | | | \$ 3658 |

| POSE 6632 IF - 106204 | | | | | | |
|-----------------------|--------------------|---------|---------------|---|--------------------|---------|
| SKU | System | Color | Configuration | Dimensions & Weight | Packaging | MSRP |
| 106204-000-001-103 | Soaker - No System | White | Left | 65 3/4" x 31 3/4" x 23 1/2" / 67 lb / 30 kg | 37 ft ³ | \$ 1397 |
| 106204-000-001-104 | | | Right | | | \$ 1397 |
| 106204-L-000-004 | | Bone | Left | | | \$ 1397 |
| 106204-L-000-007 | | Biscuit | | | | \$ 1397 |

POSE 6632 IF - 106204

| SKU | System | Color | Configuration | Dimensions & Weight | Packaging | MSRP | |
|------------------|--|---------|---------------|---|--------------------|---------|---------|
| 106204-L-003-001 | Whirlpool ^{1 4} | White | Left | 65 3/4" x 31 3/4" x 23 1/2" / 67 lb / 30 kg | 37 ft ³ | \$ 2745 | |
| 106204-L-003-004 | | Bone | | | | \$ 2745 | |
| 106204-L-003-007 | | Biscuit | | | | \$ 2745 | |
| 106204-L-097-001 | Combined Whirlpool & Aeroeffect ^{1 3} | White | | | | \$ 4643 | |
| 106204-L-097-004 | | Bone | | | | \$ 4643 | |
| 106204-L-097-007 | | Biscuit | | | | \$ 4643 | |
| 106204-L-103-001 | Aeroeffect ^{1 2 5} | White | | | | \$ 3658 | |
| 106204-L-103-004 | | Bone | | | | \$ 3658 | |
| 106204-L-103-007 | | Biscuit | | | | \$ 3658 | |
| 106204-R-000-004 | Soaker - No System | Bone | | | | Right | \$ 1397 |
| 106204-R-000-007 | | Biscuit | | | | | \$ 1397 |
| 106204-R-003-001 | Whirlpool ^{1 4} | White | | | | | \$ 2745 |
| 106204-R-003-004 | | Bone | \$ 2745 | | | | |
| 106204-R-003-007 | | Biscuit | \$ 2745 | | | | |
| 106204-R-097-001 | Combined Whirlpool & Aeroeffect ^{1 3} | White | \$ 4643 | | | | |
| 106204-R-097-004 | | Bone | \$ 4643 | | | | |
| 106204-R-097-007 | | Biscuit | \$ 4643 | | | | |
| 106204-R-103-001 | Aeroeffect ^{1 2 5} | White | \$ 3658 | | | | |
| 106204-R-103-004 | | Bone | \$ 3658 | | | | |
| 106204-R-103-007 | | Biscuit | \$ 3658 | | | | |

COMMON OPTIONS

| SKU | Description | MSRP |
|--------------|---|--|
| OPT10095 | Water heater assembly for whirlpool and combined systems (factory installed) | \$ 908 |
| OPT10106-084 | Metal trim kit for whirlpool and combined systems (factory installed) Available colors: Chrome (084) and Brushed Nickel (105) | \$ 568 |
| OPT10106-105 | | \$ 568 |
| OPT10260-084 | Two 6-in. acrylic grab bars (factory installed) ⁸ Available colors: White (001), Bone (004), Biscuit (007), Chrome (084) and Brushed Nickel (105) | \$ 385 |
| OPT10260-007 | | \$ 385 |
| OPT10260-004 | | \$ 385 |
| OPT10260-105 | | \$ 385 |
| OPT10260-001 | | \$ 385 |
| OPT20029-105 | | Metal trim kit for air push control (factory installed) Available colors: Chrome (084) and Brushed Nickel (105) |
| OPT20029-084 | \$ 50 | |
| OPT20137-004 | Cable-operated waste and overflow (16 in. to 22 in.) (included in product packaging when purchased) Available colors: White (001), Bone (004), Chrome (084) and Brushed Nickel (105) | \$ 238 |
| OPT20137-084 | | \$ 238 |
| OPT20137-105 | | \$ 238 |
| OPT20137-001 | | \$ 238 |
| OPT10053 | One chromatherapy light (factory installed) ⁵⁴ | \$ 641 |

COMMON OPTIONS

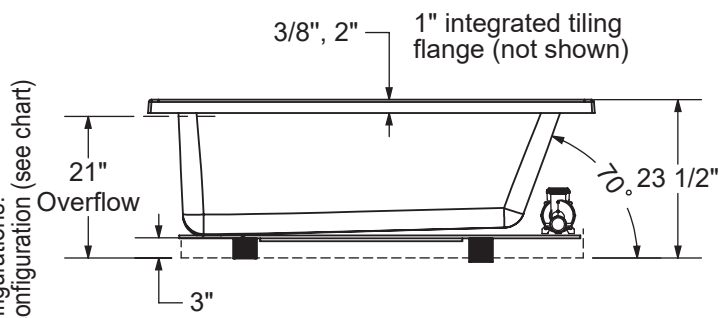
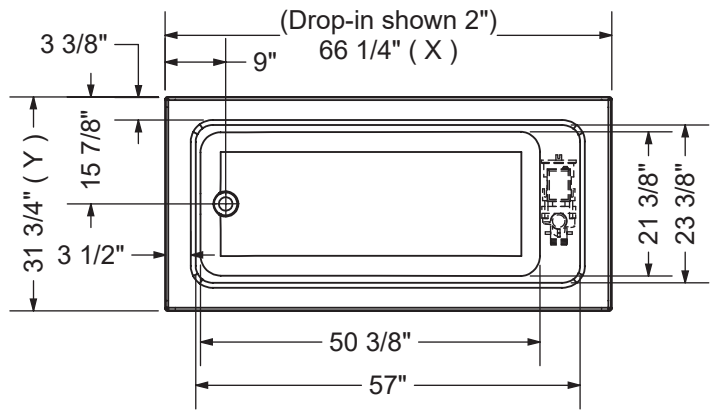
| SKU | Description | MSRP |
|--------------------|---|--|
| 101954-000-001-100 | | \$ 540 |
| 101954-000-004 | Acrylic apron without access panel. Specify: Standard colors: White (001), Bone (004), Biscuit (007) | \$ 540 |
| 101954-000-007 | | \$ 540 |
| 101957-000-001-100 | | \$ 644 |
| 101957-000-007 | Acrylic apron with access panel. Specify: Standard colors: White (001), Bone (004), Biscuit (007) | \$ 644 |
| 101957-000-004 | | \$ 644 |
| OPT20205 | | Lite option 3/8 in. thin deck ⁶ When chosen, this option is offered at no cost |

ACCESSORIES

| SKU | Description | MSRP |
|--------------|--|--------|
| 10006923 | Flexible main hose (9 ft. extension) for air push control air massage - Kit (sold separately) | \$ 166 |
| 10004306-001 | White foam cushion with 2 suction pads (sold separately) Available color: White (001) | \$ 120 |
| 10028641-084 | Metal trim kit for Whirlpool and combined systems (sold separately) Available colors: Chrome (084) and Brushed Nickel (105) | \$ 568 |
| 10028641-105 | | \$ 568 |
| 10034250-084 | Metal trim kit for Aeroeffect with Air Push Control (sold separately) Available colors: Chrome (084) and Brushed Nickel (105) | \$ 50 |
| 10034250-105 | | \$ 50 |
| 10022491-084 | Cable-operated waste and overflow (16 in. to 22 in.) (sold separately) Available colors: White (001), Bone (004), Chrome (084) and Brushed Nickel (105) | \$ 238 |
| 10022491-004 | | \$ 238 |
| 10022491-105 | | \$ 238 |
| 10022491-001 | | \$ 238 |

FOOTNOTES

| No | Description |
|----|--|
| 6 | Specify 3/8 (Lite option) or 2 in. on deck height. If ordering unit with an apron, only 2 in. deck height is available. |
| 8 | Two 6 in. or 12 in. metal or acrylic grab bars are optional. Factory installed, only one positioning is possible (see technical drawings on https://www.maax.com). |
| 10 | Systems not available with units installed undermount. |
| 54 | A selection of units come with an access panel by default when equipped with a system. However, if the unit is only equipped with chromatherapy, the access panel will not be provided by default. |



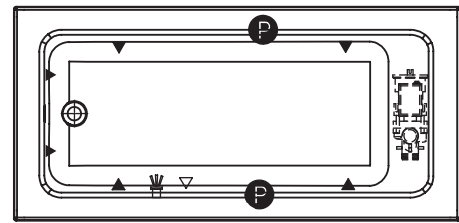
| | DROP IN 2" | DROP IN 3/8" | ALCOVE / CORNER |
|---|------------|--------------|-----------------|
| X | 66 1/4" | 66" | 65 3/4" |
| Y | 31 3/4" | 31 5/8" | 31 5/8" |

Technical drawing is universal for all 6632 configurations. External dimension (X,Y) vary depending on configuration (see chart)

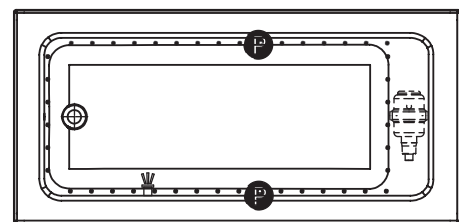
Wood support design may vary.
 Integrated tiling flange: 1" height X 1/4" thickness (not shown)
 Tiling flange position is determined by chosen configuration.

All dimensions are approximate.
 Structure measurement must be verified against the unit to ensure proper fit.

WHIRLPOOL SYSTEM

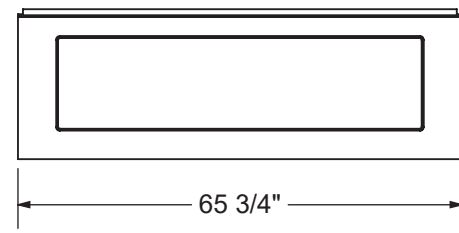


AIR SYSTEM



- (P) : Indicates optional grab bar positioning
- (▲) : Indicates whirlpool jets positioning
- (△) : Indicates suction positioning
- (●) : Indicate airjets positioning
- (☼) : Indicates chromotherapy light positioning

APRON (alcove version only)





Pose 6636 - Corner left



Material : Acrylic
 Min: 58 Gal / 218 L
 Max: 85 Gal / 323 L

Features

- › Rectangular shape bathtub with choices of two deck heights (3/8 or 2 in.) Please specify when ordering.
- › Integrated flange (IF) for corner installation
- › Textured floor
- › Ample deck space for faucet installation
- › Right or left drain available

RECTANGULAR BATHTUBS - ACRYLIC

| POSE 6636 IF - 106208 | | | | | | | | |
|-----------------------|--|---------|---------------|---|--------------------|---------|---------|---------|
| SKU | System | Color | Configuration | Dimensions & Weight | Packaging | MSRP | | |
| 106208-000-001-111 | Soaker - No System | White | Left | 65 3/4" x 35 5/8" x 23 5/8" / 75 lb / 34 kg | 39 ft ³ | \$ 1504 | | |
| 106208-000-001-112 | | | Right | | | \$ 1504 | | |
| 106208-L-000-004 | | Bone | Left | | | \$ 1504 | | |
| 106208-L-000-007 | | Biscuit | | | | \$ 1504 | | |
| 106208-L-003-001 | Whirlpool ^{1 4} | White | | | | \$ 2852 | | |
| 106208-L-003-004 | | Bone | | | | \$ 2852 | | |
| 106208-L-003-007 | | Biscuit | | | | \$ 2852 | | |
| 106208-L-097-001 | Combined Whirlpool & Aeroeffect ^{1 3} | White | | | | Right | \$ 4750 | |
| 106208-L-097-004 | | Bone | | | | | \$ 4750 | |
| 106208-L-097-007 | | Biscuit | | | | | \$ 4750 | |
| 106208-L-103-001 | Aeroeffect ^{1 2 5} | White | | | | | Right | \$ 3765 |
| 106208-L-103-004 | | Bone | | | | | | \$ 3765 |
| 106208-L-103-007 | | Biscuit | | \$ 3765 | | | | |
| 106208-R-000-004 | Soaker - No System | Bone | | Right | \$ 1504 | | | |
| 106208-R-000-007 | | Biscuit | \$ 1504 | | | | | |
| 106208-R-003-001 | Whirlpool ^{1 4} | White | \$ 2852 | | | | | |
| 106208-R-003-004 | | Bone | \$ 2852 | | | | | |
| 106208-R-003-007 | | Biscuit | \$ 2852 | | | | | |
| 106208-R-097-001 | Combined Whirlpool & Aeroeffect ^{1 3} | White | \$ 4750 | | | | | |
| 106208-R-097-004 | | Bone | \$ 4750 | | | | | |

POSE 6636 IF - 106208

| SKU | System | Color | Configuration | Dimensions & Weight | Packaging | MSRP |
|------------------|--|---------|---------------|---|--------------------|---------|
| 106208-R-097-007 | Combined Whirlpool & Aeroeffect ^{1 3} | Biscuit | Right | 65 3/4" x 35 5/8" x 23 5/8" / 75 lb / 34 kg | 39 ft ³ | \$ 4750 |
| 106208-R-103-001 | Aeroeffect ^{1 2 5} | White | | | | \$ 3765 |
| 106208-R-103-004 | | Bone | | | | \$ 3765 |
| 106208-R-103-007 | | Biscuit | | | | \$ 3765 |

POSE 6636 IF - 106209

| SKU | System | Color | Configuration | Dimensions & Weight | Packaging | MSRP | | |
|--------------------|--|---------|---------------|---|--------------------|---------|---------|---------|
| 106209-000-001-113 | Soaker - No System | White | Left | 65 3/4" x 35 5/8" x 23 5/8" / 75 lb / 34 kg | 39 ft ³ | \$ 1504 | | |
| 106209-000-001-114 | | | Right | | | \$ 1504 | | |
| 106209-L-000-004 | | Bone | \$ 1504 | | | | | |
| 106209-L-000-007 | | Biscuit | \$ 1504 | | | | | |
| 106209-L-003-001 | Whirlpool ^{1 4} | White | Left | | | \$ 2852 | | |
| 106209-L-003-004 | | Bone | | | | \$ 2852 | | |
| 106209-L-003-007 | | Biscuit | | | | \$ 2852 | | |
| 106209-L-097-001 | Combined Whirlpool & Aeroeffect ^{1 3} | White | | | | Right | \$ 4750 | |
| 106209-L-097-004 | | Bone | | | | | \$ 4750 | |
| 106209-L-097-007 | | Biscuit | | | | | \$ 4750 | |
| 106209-L-103-001 | Aeroeffect ^{1 2 5} | White | | | | | \$ 3765 | |
| 106209-L-103-004 | | Bone | | | | | \$ 3765 | |
| 106209-L-103-007 | | Biscuit | | | | | \$ 3765 | |
| 106209-R-000-004 | Soaker - No System | Bone | | | | | Right | \$ 1504 |
| 106209-R-000-007 | | Biscuit | | | | | | \$ 1504 |
| 106209-R-003-001 | Whirlpool ^{1 4} | White | | | | | | \$ 2852 |
| 106209-R-003-004 | | Bone | | \$ 2852 | | | | |
| 106209-R-003-007 | | Biscuit | | \$ 2852 | | | | |
| 106209-R-097-001 | Combined Whirlpool & Aeroeffect ^{1 3} | White | | Right | \$ 4750 | | | |
| 106209-R-097-004 | | Bone | | | \$ 4750 | | | |
| 106209-R-097-007 | | Biscuit | \$ 4750 | | | | | |
| 106209-R-103-001 | Aeroeffect ^{1 2 5} | White | \$ 3765 | | | | | |
| 106209-R-103-004 | | Bone | \$ 3765 | | | | | |
| 106209-R-103-007 | | Biscuit | \$ 3765 | | | | | |

COMMON OPTIONS

| SKU | Description | MSRP |
|--------------|---|--------|
| OPT10106-084 | Metal trim kit for whirlpool and combined systems (factory installed) | \$ 568 |
| OPT10106-105 | Available colors: Chrome (084) and Brushed Nickel (105) | \$ 568 |
| OPT10260-084 | Two 6-in. acrylic grab bars (factory installed) ⁸ Available colors: White (001), Bone (004), Biscuit (007), Chrome (084) and Brushed Nickel (105) | \$ 385 |

COMMON OPTIONS

| SKU | Description | MSRP |
|--------------|---|--------|
| OPT10260-007 | Two 6-in. acrylic grab bars (factory installed) ⁸ Available colors: White (001), Bone (004), Biscuit (007), Chrome (084) and Brushed Nickel (105) | \$ 385 |
| OPT10260-004 | | \$ 385 |
| OPT10260-105 | | \$ 385 |
| OPT10260-001 | | \$ 385 |
| OPT20029-105 | Metal trim kit for air push control (factory installed) Available colors: Chrome (084) and Brushed Nickel (105) | \$ 50 |
| OPT20029-084 | | \$ 50 |
| OPT20137-004 | Cable-operated waste and overflow (16 in. to 22 in.) (included in product packaging when purchased) Available colors: White (001), Bone (004), Chrome (084) and Brushed Nickel (105) | \$ 238 |
| OPT20137-084 | | \$ 238 |
| OPT20137-105 | | \$ 238 |
| OPT20137-001 | | \$ 238 |
| OPT20205 | Lite option 3/8 in. thin deck ⁶ When chosen, this option is offered at no cost | \$ 0 |
| OPT10053 | One chromatherapy light (factory installed) ⁵⁴ | \$ 641 |
| OPT10095 | Water heater assembly for whirlpool and combined systems (factory installed) | \$ 908 |

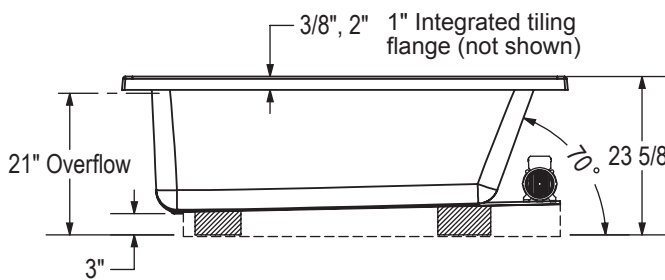
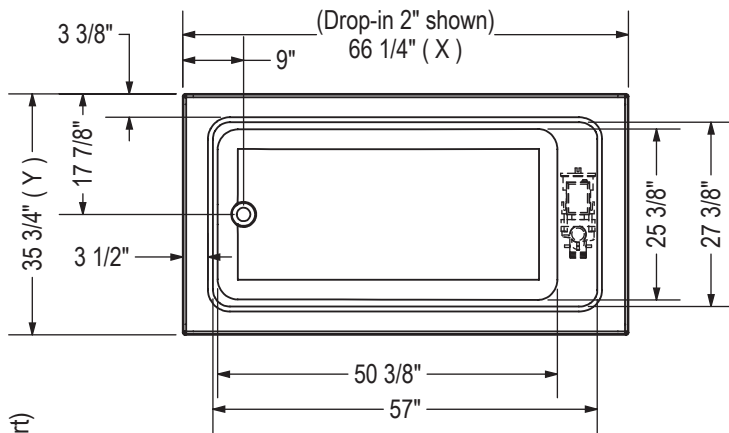
ACCESSORIES

| SKU | Description | MSRP |
|--------------|--|--------|
| 10006923 | Flexible main hose (9 ft. extension) for air push control air massage - Kit (sold separately) | \$ 166 |
| 10004306-001 | White foam cushion with 2 suction pads (sold separately) Available color: White (001) | \$ 120 |
| 10028641-084 | Metal trim kit for Whirlpool and combined systems (sold separately) Available colors: Chrome (084) and Brushed Nickel (105) | \$ 568 |
| 10028641-105 | | \$ 568 |
| 10034250-084 | Metal trim kit for Aeroeffect with Air Push Control (sold separately) Available colors: Chrome (084) and Brushed Nickel (105) | \$ 50 |
| 10034250-105 | | \$ 50 |
| 10022491-084 | Cable-operated waste and overflow (16 in. to 22 in.) (sold separately) Available colors: White (001), Bone (004), Chrome (084) and Brushed Nickel (105) | \$ 238 |
| 10022491-004 | | \$ 238 |
| 10022491-105 | | \$ 238 |
| 10022491-001 | | \$ 238 |

FOOTNOTES

| No | Description |
|----|--|
| 6 | Specify 3/8 (Lite option) or 2 in. on deck height. If ordering unit with an apron, only 2 in. deck height is available. |
| 8 | Two 6 in. or 12 in. metal or acrylic grab bars are optional. Factory installed, only one positioning is possible (see technical drawings on https://www.maax.com). |
| 54 | A selection of units come with an access panel by default when equipped with a system. However, if the unit is only equipped with chromatherapy, the access panel will not be provided by default. |

Technical drawing is universal for all 6636 configurations. External dimension (X,Y) vary depending on configuration (see chart)

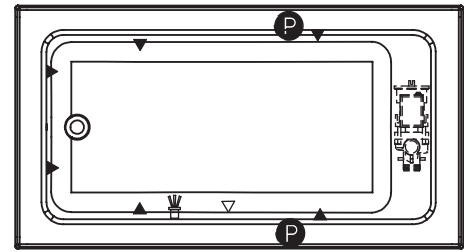


| | DROP IN 2" | DROP IN 3/8" | ALCOVE / CORNER |
|---|------------|--------------|-----------------|
| X | 66 1/4" | 66" | 65 3/4" |
| Y | 35 3/4" | 35 5/8" | 35 5/8" |

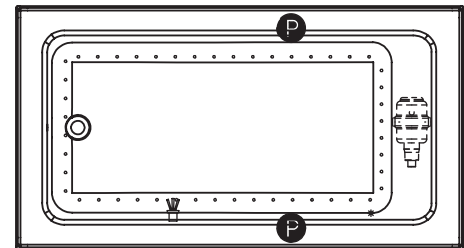
Wood support design may vary.
 Integrated tiling flange: 1" height X 1/4" thickness (not shown)
 Tiling flange position is determined by chosen configuration.

All dimensions are approximate.
 Structure measurement must be verified against the unit to ensure proper fit.

WHIRLPOOL SYSTEM

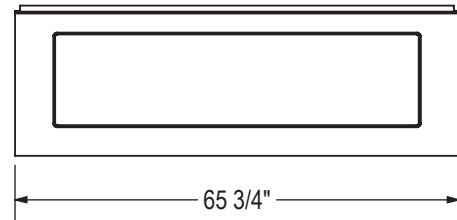


AIR SYSTEM



- (P) : Indicates optional grab bar positioning
- (▲) : Indicates whirlpool jets positioning
- (△) : Indicates suction positioning
- (●) : Indicates airjets positioning
- (💡) : Indicates chromatherapy light positioning

APRON (alcove version only)





Pose 6636 IF



Material : Acrylic
 Min: 55 Gal / 209 L
 Max: 85 Gal / 323 L

Features

- › Rectangular shape bathtub with choices of two deck heights (3/8 or 2 in.) Please specify when ordering
- › Drop-in or undermount ¹⁰ installation; model also available with integrated flange (IF) for alcove installation
- › Textured floor
- › Ample deck space for faucet installation
- › Skirt with or without access panel available

RECTANGULAR BATHTUBS - ACRYLIC

| POSE 6636 - 101459 | | | | | | |
|--------------------|--|---------|---------------|---|--------------------|---------|
| SKU | System | Color | Configuration | Dimensions & Weight | Packaging | MSRP |
| 101459-000-001-100 | Soaker - No System | White | End | 66 1/4" x 35 3/4" x 23 5/8" / 75 lb / 34 kg | 39 ft ³ | \$ 1504 |
| 101459-000-004 | | Bone | | | | \$ 1504 |
| 101459-000-007 | | Biscuit | | | | \$ 1504 |
| 101459-003-001-100 | Whirlpool ^{1 4} | White | | | | \$ 2852 |
| 101459-003-004 | | Bone | | | | \$ 2852 |
| 101459-003-007 | | Biscuit | | | | \$ 2852 |
| 101459-097-001-100 | Combined Whirlpool & Aeroeffect ^{1 3} | White | | | | \$ 4750 |
| 101459-097-004 | | Bone | | | | \$ 4750 |
| 101459-097-007 | | Biscuit | | | | \$ 4750 |
| 101459-103-001-100 | Aeroeffect ^{1 2 5} | White | | | | \$ 3765 |
| 101459-103-004 | | Bone | | | | \$ 3765 |
| 101459-103-007 | | Biscuit | | | | \$ 3765 |

| POSE 6636 IF - 106207 | | | | | | |
|-----------------------|--------------------|---------|---------------|---|--------------------|---------|
| SKU | System | Color | Configuration | Dimensions & Weight | Packaging | MSRP |
| 106207-000-001-109 | Soaker - No System | White | Left | 65 3/4" x 35 5/8" x 23 5/8" / 75 lb / 34 kg | 39 ft ³ | \$ 1504 |
| 106207-000-001-110 | | | Right | | | \$ 1504 |
| 106207-L-000-004 | | Bone | Left | | | \$ 1504 |
| 106207-L-000-007 | | Biscuit | | | | \$ 1504 |

POSE 6636 IF - 106207

| SKU | System | Color | Configuration | Dimensions & Weight | Packaging | MSRP |
|------------------|--|---------|---------------|---|--------------------|---------|
| 106207-L-003-001 | Whirlpool ^{1 4} | White | Left | 65 3/4" x 35 5/8" x 23 5/8" / 75 lb / 34 kg | 39 ft ³ | \$ 2852 |
| 106207-L-003-004 | | Bone | | | | \$ 2852 |
| 106207-L-003-007 | | Biscuit | | | | \$ 2852 |
| 106207-L-097-001 | Combined Whirlpool & Aeroeffect ^{1 3} | White | | | | \$ 4750 |
| 106207-L-097-004 | | Bone | | | | \$ 4750 |
| 106207-L-097-007 | | Biscuit | | | | \$ 4750 |
| 106207-L-103-001 | Aeroeffect ^{1 2 5} | White | | | | \$ 3765 |
| 106207-L-103-004 | | Bone | | | | \$ 3765 |
| 106207-L-103-007 | | Biscuit | | | | \$ 3765 |
| 106207-R-000-004 | Soaker - No System | Bone | Right | | | \$ 1504 |
| 106207-R-000-007 | | Biscuit | | | | \$ 1504 |
| 106207-R-003-001 | Whirlpool ^{1 4} | White | | | | \$ 2852 |
| 106207-R-003-004 | | Bone | | | | \$ 2852 |
| 106207-R-003-007 | | Biscuit | | | | \$ 2852 |
| 106207-R-097-001 | Combined Whirlpool & Aeroeffect ^{1 3} | White | | | | \$ 4750 |
| 106207-R-097-004 | | Bone | | | | \$ 4750 |
| 106207-R-097-007 | | Biscuit | | | | \$ 4750 |
| 106207-R-103-001 | Aeroeffect ^{1 2 5} | White | | | | \$ 3765 |
| 106207-R-103-004 | | Bone | | | | \$ 3765 |
| 106207-R-103-007 | | Biscuit | | | | \$ 3765 |

COMMON OPTIONS

| SKU | Description | MSRP |
|--------------|---|--|
| OPT10095 | Water heater assembly for whirlpool and combined systems (factory installed) | \$ 908 |
| OPT10106-084 | Metal trim kit for whirlpool and combined systems (factory installed) Available colors: Chrome (084) and Brushed Nickel (105) | \$ 568 |
| OPT10106-105 | | \$ 568 |
| OPT10260-084 | Two 6-in. acrylic grab bars (factory installed) ⁸ Available colors: White (001), Bone (004), Biscuit (007), Chrome (084) and Brushed Nickel (105) | \$ 385 |
| OPT10260-007 | | \$ 385 |
| OPT10260-004 | | \$ 385 |
| OPT10260-105 | | \$ 385 |
| OPT10260-001 | | \$ 385 |
| OPT20029-105 | | Metal trim kit for air push control (factory installed) Available colors: Chrome (084) and Brushed Nickel (105) |
| OPT20029-084 | \$ 50 | |
| OPT20137-004 | Cable-operated waste and overflow (16 in. to 22 in.) (included in product packaging when purchased) Available colors: White (001), Bone (004), Chrome (084) and Brushed Nickel (105) | \$ 238 |
| OPT20137-084 | | \$ 238 |
| OPT20137-105 | | \$ 238 |
| OPT20137-001 | | \$ 238 |
| OPT10053 | One chromatherapy light (factory installed) ⁵⁴ | \$ 641 |

COMMON OPTIONS

| SKU | Description | MSRP |
|--------------------|---|--------|
| 101954-000-001-100 | | \$ 540 |
| 101954-000-004 | Acrylic apron without access panel. Specify: Standard colors: White (001), Bone (004), Biscuit (007) | \$ 540 |
| 101954-000-007 | | \$ 540 |
| 101957-000-001-100 | | \$ 644 |
| 101957-000-007 | Acrylic apron with access panel. Specify: Standard colors: White (001), Bone (004), Biscuit (007) | \$ 644 |
| 101957-000-004 | | \$ 644 |
| OPT20205 | Lite option 3/8 in. thin deck ⁶ When chosen, this option is offered at no cost | \$ 0 |

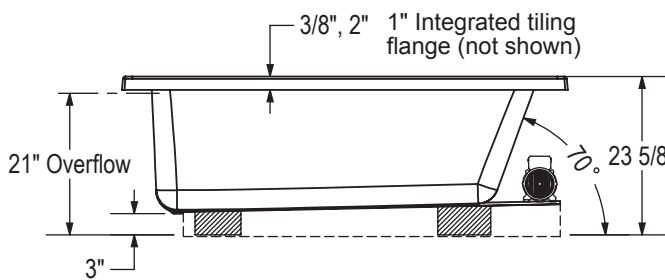
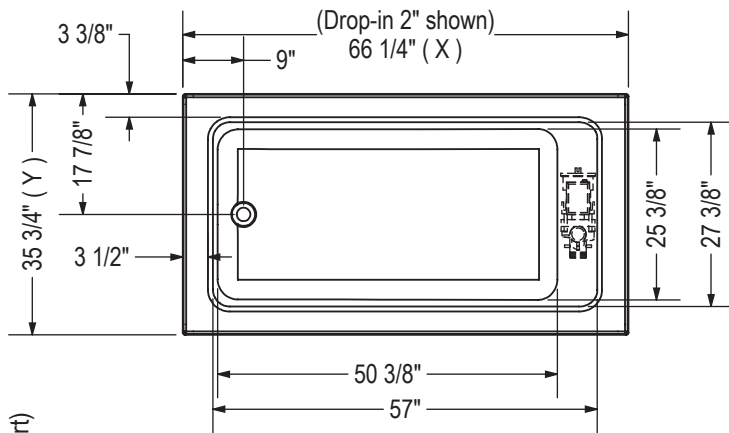
ACCESSORIES

| SKU | Description | MSRP |
|--------------|--|--------|
| 10006923 | Flexible main hose (9 ft. extension) for air push control air massage - Kit (sold separately) | \$ 166 |
| 10004306-001 | White foam cushion with 2 suction pads (sold separately) Available color: White (001) | \$ 120 |
| 10028641-084 | Metal trim kit for Whirlpool and combined systems (sold separately) Available colors: Chrome (084) and Brushed Nickel (105) | \$ 568 |
| 10028641-105 | | \$ 568 |
| 10034250-084 | Metal trim kit for Aeroeffect with Air Push Control (sold separately) Available colors: Chrome (084) and Brushed Nickel (105) | \$ 50 |
| 10034250-105 | | \$ 50 |
| 10022491-084 | Cable-operated waste and overflow (16 in. to 22 in.) (sold separately) Available colors: White (001), Bone (004), Chrome (084) and Brushed Nickel (105) | \$ 238 |
| 10022491-004 | | \$ 238 |
| 10022491-105 | | \$ 238 |
| 10022491-001 | | \$ 238 |

FOOTNOTES

| No | Description |
|----|--|
| 6 | Specify 3/8 (Lite option) or 2 in. on deck height. If ordering unit with an apron, only 2 in. deck height is available. |
| 8 | Two 6 in. or 12 in. metal or acrylic grab bars are optional. Factory installed, only one positioning is possible (see technical drawings on https://www.maax.com). |
| 10 | Systems not available with units installed undermount. |
| 54 | A selection of units come with an access panel by default when equipped with a system. However, if the unit is only equipped with chromatherapy, the access panel will not be provided by default. |

Technical drawing is universal for all 6636 configurations. External dimension (X,Y) vary depending on configuration (see chart)

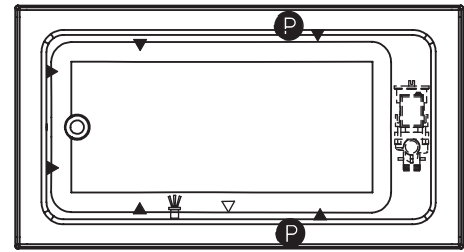


| | DROP IN 2" | DROP IN 3/8" | ALCOVE / CORNER |
|---|------------|--------------|-----------------|
| X | 66 1/4" | 66" | 65 3/4" |
| Y | 35 3/4" | 35 5/8" | 35 5/8" |

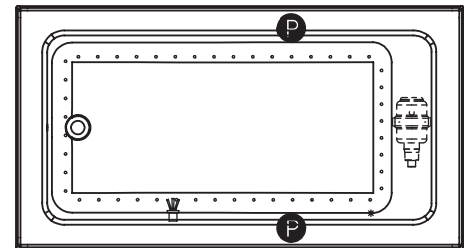
Wood support design may vary.
 Integrated tiling flange: 1" height X 1/4" thickness (not shown)
 Tiling flange position is determined by chosen configuration.

All dimensions are approximate.
 Structure measurement must be verified against the unit to ensure proper fit.

WHIRLPOOL SYSTEM

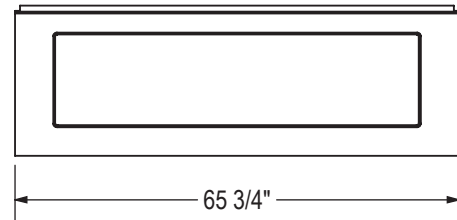


AIR SYSTEM



- (P) : Indicates optional grab bar positioning
- (▲) : Indicates whirlpool jets positioning
- (△) : Indicates suction positioning
- (●) : Indicates airjets positioning
- (☛) : Indicates chromotherapy light positioning

APRON (alcove version only)





Pose 7236 - Corner left



Material : Acrylic
 Min: 71 Gal / 268 L
 Max: 90 Gal / 341 L

Features

- › Rectangular shape bathtub with choices of two deck heights (3/8 or 2 in.) Please specify when ordering.
- › Integrated flange (IF) for corner installation
- › Textured floor
- › Ample deck space for faucet installation
- › Right or left drain available

RECTANGULAR BATHTUBS - ACRYLIC

| POSE 7236 IF - 106211 | | | | | | | |
|-----------------------|--|---------|---------------|---|--------------------|---------|---------|
| SKU | System | Color | Configuration | Dimensions & Weight | Packaging | MSRP | |
| 106211-000-001-105 | Soaker - No System | White | Left | 71 1/2" x 35 3/8" x 23 5/8" / 82 lb / 37 kg | 42 ft ³ | \$ 1615 | |
| 106211-000-001-106 | | | Right | | | \$ 1615 | |
| 106211-L-000-004 | | Bone | Left | | | \$ 1615 | |
| 106211-L-000-007 | | Biscuit | | | | \$ 1615 | |
| 106211-L-003-001 | Whirlpool ^{1 4} | White | | | | \$ 2963 | |
| 106211-L-003-004 | | Bone | | | | \$ 2963 | |
| 106211-L-003-007 | | Biscuit | | | | \$ 2963 | |
| 106211-L-097-001 | Combined Whirlpool & Aeroeffect ^{1 3} | White | | | | Right | \$ 4861 |
| 106211-L-097-004 | | Bone | | | | | \$ 4861 |
| 106211-L-097-007 | | Biscuit | | | | | \$ 4861 |
| 106211-L-103-001 | Aeroeffect ^{1 2 5} | White | | | | | \$ 3876 |
| 106211-L-103-004 | | Bone | | | | | \$ 3876 |
| 106211-L-103-007 | | Biscuit | | \$ 3876 | | | |
| 106211-R-000-004 | Soaker - No System | Bone | | Right | \$ 1615 | | |
| 106211-R-000-007 | | Biscuit | \$ 1615 | | | | |
| 106211-R-003-001 | Whirlpool ^{1 4} | White | \$ 2963 | | | | |
| 106211-R-003-004 | | Bone | \$ 2963 | | | | |
| 106211-R-003-007 | | Biscuit | \$ 2963 | | | | |
| 106211-R-097-001 | Combined Whirlpool & Aeroeffect ^{1 3} | White | \$ 4861 | | | | |
| 106211-R-097-004 | | Bone | \$ 4861 | | | | |

POSE 7236 IF - 106211

| SKU | System | Color | Configuration | Dimensions & Weight | Packaging | MSRP |
|------------------|--|---------|---------------|---|--------------------|---------|
| 106211-R-097-007 | Combined Whirlpool & Aeroeffect ^{1 3} | Biscuit | Right | 71 1/2" x 35 3/8" x 23 5/8" / 82 lb / 37 kg | 42 ft ³ | \$ 4861 |
| 106211-R-103-001 | Aeroeffect ^{1 2 5} | White | | | | \$ 3876 |
| 106211-R-103-004 | | Bone | | | | \$ 3876 |
| 106211-R-103-007 | | Biscuit | | | | \$ 3876 |

POSE 7236 IF - 106212

| SKU | System | Color | Configuration | Dimensions & Weight | Packaging | MSRP | |
|--------------------|--|---------|---------------|---|--------------------|---------|---------|
| 106212-000-001-107 | Soaker - No System | White | Left | 71 1/2" x 35 3/8" x 23 5/8" / 82 lb / 37 kg | 42 ft ³ | \$ 1615 | |
| 106212-000-001-108 | | | Right | | | \$ 1615 | |
| 106212-L-000-004 | | Bone | \$ 1615 | | | | |
| 106212-L-000-007 | Biscuit | \$ 1615 | | | | | |
| 106212-L-003-001 | Whirlpool ^{1 4} | White | Left | | | \$ 2963 | |
| 106212-L-003-004 | | Bone | | | | \$ 2963 | |
| 106212-L-003-007 | | Biscuit | | | | \$ 2963 | |
| 106212-L-097-001 | Combined Whirlpool & Aeroeffect ^{1 3} | White | | | | \$ 4861 | |
| 106212-L-097-004 | | Bone | | | | \$ 4861 | |
| 106212-L-097-007 | | Biscuit | | | | \$ 4861 | |
| 106212-L-103-001 | Aeroeffect ^{1 2 5} | White | | | | \$ 3876 | |
| 106212-L-103-004 | | Bone | | | | \$ 3876 | |
| 106212-L-103-007 | | Biscuit | | | | \$ 3876 | |
| 106212-R-000-004 | Soaker - No System | Bone | | | | Right | \$ 1615 |
| 106212-R-000-007 | | Biscuit | | | | | \$ 1615 |
| 106212-R-003-001 | Whirlpool ^{1 4} | White | | | | | \$ 2963 |
| 106212-R-003-004 | | Bone | | | | | \$ 2963 |
| 106212-R-003-007 | | Biscuit | | | | | \$ 2963 |
| 106212-R-097-001 | Combined Whirlpool & Aeroeffect ^{1 3} | White | | | | | \$ 4861 |
| 106212-R-097-004 | | Bone | | | | | \$ 4861 |
| 106212-R-097-007 | | Biscuit | | \$ 4861 | | | |
| 106212-R-103-001 | Aeroeffect ^{1 2 5} | White | | \$ 3876 | | | |
| 106212-R-103-004 | | Bone | \$ 3876 | | | | |
| 106212-R-103-007 | | Biscuit | \$ 3876 | | | | |

COMMON OPTIONS

| SKU | Description | MSRP |
|--------------|---|--------|
| OPT10106-084 | Metal trim kit for whirlpool and combined systems (factory installed) | \$ 568 |
| OPT10106-105 | Available colors: Chrome (084) and Brushed Nickel (105) | \$ 568 |
| OPT10260-084 | Two 6-in. acrylic grab bars (factory installed) ⁸ Available colors: White (001), Bone (004), Biscuit (007), Chrome (084) and Brushed Nickel (105) | \$ 385 |

COMMON OPTIONS

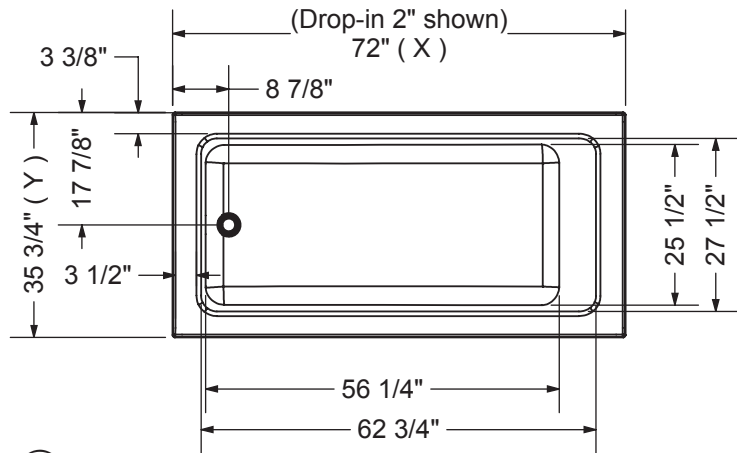
| SKU | Description | MSRP |
|--------------|---|--------|
| OPT10260-007 | Two 6-in. acrylic grab bars (factory installed) ⁸ Available colors: White (001), Bone (004), Biscuit (007), Chrome (084) and Brushed Nickel (105) | \$ 385 |
| OPT10260-004 | | \$ 385 |
| OPT10260-105 | | \$ 385 |
| OPT10260-001 | | \$ 385 |
| OPT20029-105 | Metal trim kit for air push control (factory installed) Available colors: Chrome (084) and Brushed Nickel (105) | \$ 50 |
| OPT20029-084 | | \$ 50 |
| OPT20137-004 | Cable-operated waste and overflow (16 in. to 22 in.) (included in product packaging when purchased) Available colors: White (001), Bone (004), Chrome (084) and Brushed Nickel (105) | \$ 238 |
| OPT20137-084 | | \$ 238 |
| OPT20137-105 | | \$ 238 |
| OPT20137-001 | | \$ 238 |
| OPT20205 | Lite option 3/8 in. thin deck ⁶ When chosen, this option is offered at no cost | \$ 0 |
| OPT10053 | One chromatherapy light (factory installed) ⁵⁴ | \$ 641 |
| OPT10095 | Water heater assembly for whirlpool and combined systems (factory installed) | \$ 908 |

ACCESSORIES

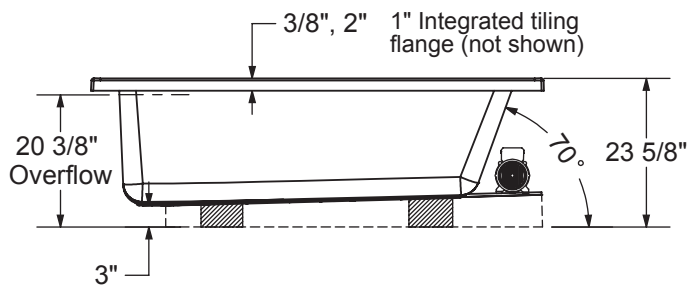
| SKU | Description | MSRP |
|--------------|--|--------|
| 10006923 | Flexible main hose (9 ft. extension) for air push control air massage - Kit (sold separately) | \$ 166 |
| 10004306-001 | White foam cushion with 2 suction pads (sold separately) Available color: White (001) | \$ 120 |
| 10028641-084 | Metal trim kit for Whirlpool and combined systems (sold separately) Available colors: Chrome (084) and Brushed Nickel (105) | \$ 568 |
| 10028641-105 | | \$ 568 |
| 10034250-084 | Metal trim kit for Aeroeffect with Air Push Control (sold separately) Available colors: Chrome (084) and Brushed Nickel (105) | \$ 50 |
| 10034250-105 | | \$ 50 |
| 10022491-084 | Cable-operated waste and overflow (16 in. to 22 in.) (sold separately) Available colors: White (001), Bone (004), Chrome (084) and Brushed Nickel (105) | \$ 238 |
| 10022491-004 | | \$ 238 |
| 10022491-105 | | \$ 238 |
| 10022491-001 | | \$ 238 |

FOOTNOTES

| No | Description |
|----|--|
| 6 | Specify 3/8 (Lite option) or 2 in. on deck height. If ordering unit with an apron, only 2 in. deck height is available. |
| 8 | Two 6 in. or 12 in. metal or acrylic grab bars are optional. Factory installed, only one positioning is possible (see technical drawings on https://www.maax.com). |
| 54 | A selection of units come with an access panel by default when equipped with a system. However, if the unit is only equipped with chromatherapy, the access panel will not be provided by default. |



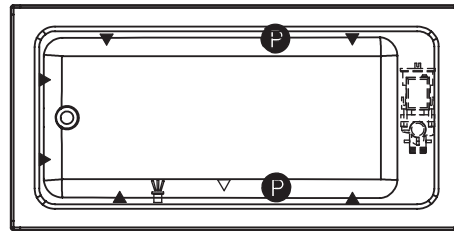
Technical drawing is universal for all 7236 configurations. External dimension (X,Y) vary depending on configuration (see chart)



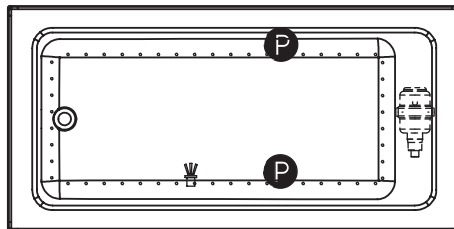
| | DROP IN 2" | DROP IN 3/8" | ALCOVE / CORNER |
|---|------------|--------------|-----------------|
| X | 72" | 71 7/8" | 71 1/2" |
| Y | 35 3/4" | 35 5/8" | 35 3/8" |

Wood support design may vary.
 Integrated tiling flange: 1" height X 1/4" thickness (not shown)
 Tiling flange position is determined by chosen configuration.
 All dimensions are approximate.
 Structure measurement must be verified against the unit to ensure proper fit.

WHIRLPOOL SYSTEM

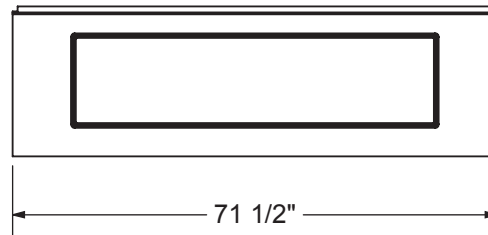


AIR SYSTEM



- Ⓟ : Indicates optional grab bar positioning
- (▲) : Indicates whirlpool jets positioning
- (△) : Indicates suction positioning
- (●) : Indicates airjets positioning
- (✨) : Indicates chromotherapy light positioning

APRON (alcove version only)





Pose 7236 IF



Material : Acrylic

Min: 59 Gal / 223 L

Max: 92 Gal / 350 L

Features

- › Rectangular shape bathtub with choices of two deck heights (3/8 or 2 in.) Please specify when ordering
- › Drop-in or undermount ¹⁰ installation; model also available with integrated flange (IF) for alcove installation
- › Textured floor
- › Ample deck space for faucet installation
- › Skirt with or without access panel available

RECTANGULAR BATHTUBS - ACRYLIC

POSE 7236 - 101460

| SKU | System | Color | Configuration | Dimensions & Weight | Packaging | MSRP |
|--------------------|--|---------|---------------|---|--------------------|---------|
| 101460-000-001-100 | Soaker - No System | White | End | 72" x 35 3/4" x 23 5/8" / 82 lb / 37 kg | 42 ft ³ | \$ 1615 |
| 101460-000-004 | | Bone | | | | \$ 1615 |
| 101460-000-007 | | Biscuit | | | | \$ 1615 |
| 101460-003-001-100 | Whirlpool ^{1 4} | White | | | | \$ 2963 |
| 101460-003-004 | | Bone | | | | \$ 2963 |
| 101460-003-007 | | Biscuit | | | | \$ 2963 |
| 101460-097-001-100 | Combined Whirlpool & Aeroeffect ^{1 3} | White | | | | \$ 4861 |
| 101460-097-004 | | Bone | | | | \$ 4861 |
| 101460-097-007 | | Biscuit | | | | \$ 4861 |
| 101460-103-001-100 | Aeroeffect ^{1 2 5} | White | | | | \$ 3876 |
| 101460-103-004 | | Bone | | | | \$ 3876 |
| 101460-103-007 | | Biscuit | | | | \$ 3876 |

POSE 7236 IF - 106210

| SKU | System | Color | Configuration | Dimensions & Weight | Packaging | MSRP |
|--------------------|--------------------|---------|---------------|---|--------------------|---------|
| 106210-000-001-103 | Soaker - No System | White | Left | 71 1/2" x 35 3/4" x 23 5/8" / 82 lb / 37 kg | 42 ft ³ | \$ 1615 |
| 106210-000-001-104 | | | Right | | | \$ 1615 |
| 106210-L-000-004 | | Bone | Left | | | \$ 1615 |
| 106210-L-000-007 | | Biscuit | | | | \$ 1615 |

POSE 7236 IF - 106210

| SKU | System | Color | Configuration | Dimensions & Weight | Packaging | MSRP | | | |
|------------------|--|---------|---------------|---|--------------------|---------|---|--------------------|---------|
| 106210-L-003-001 | Whirlpool ^{1 4} | White | Left | 71 1/2" x 35 3/4" x 23 5/8" / 82 lb / 37 kg | 42 ft ³ | \$ 2963 | | | |
| 106210-L-003-004 | | Bone | | | | \$ 2963 | | | |
| 106210-L-003-007 | | Biscuit | | | | \$ 2963 | | | |
| 106210-L-097-001 | Combined Whirlpool & Aeroeffect ^{1 3} | White | | | | \$ 4861 | | | |
| 106210-L-097-004 | | Bone | | | | \$ 4861 | | | |
| 106210-L-097-007 | | Biscuit | | | | \$ 4861 | | | |
| 106210-L-103-001 | Aeroeffect ^{1 2 5} | White | | | | \$ 3876 | | | |
| 106210-L-103-004 | | Bone | | | | \$ 3876 | | | |
| 106210-L-103-007 | | Biscuit | | | | \$ 3876 | | | |
| 106210-R-000-004 | Soaker - No System | Bone | | | | Right | 71 1/2" x 35 3/4" x 23 5/8" / 82 lb / 37 kg | 42 ft ³ | \$ 1615 |
| 106210-R-000-007 | | Biscuit | | | | | | | \$ 1615 |
| 106210-R-003-001 | Whirlpool ^{1 4} | White | | | | | | | \$ 2963 |
| 106210-R-003-004 | | Bone | | | | | | | \$ 2963 |
| 106210-R-003-007 | | Biscuit | | | | | | | \$ 2963 |
| 106210-R-097-001 | Combined Whirlpool & Aeroeffect ^{1 3} | White | | | | | | | \$ 4861 |
| 106210-R-097-004 | | Bone | | | | | | | \$ 4861 |
| 106210-R-097-007 | | Biscuit | | | | | | | \$ 4861 |
| 106210-R-103-001 | Aeroeffect ^{1 2 5} | White | | | | | | | \$ 3876 |
| 106210-R-103-004 | | Bone | \$ 3876 | | | | | | |
| 106210-R-103-007 | | Biscuit | \$ 3876 | | | | | | |

COMMON OPTIONS

| SKU | Description | MSRP |
|--------------|---|--|
| OPT10095 | Water heater assembly for whirlpool and combined systems (factory installed) | \$ 908 |
| OPT10106-084 | Metal trim kit for whirlpool and combined systems (factory installed) Available colors: Chrome (084) and Brushed Nickel (105) | \$ 568 |
| OPT10106-105 | | \$ 568 |
| OPT10260-084 | Two 6-in. acrylic grab bars (factory installed) ⁸ Available colors: White (001), Bone (004), Biscuit (007), Chrome (084) and Brushed Nickel (105) | \$ 385 |
| OPT10260-007 | | \$ 385 |
| OPT10260-004 | | \$ 385 |
| OPT10260-105 | | \$ 385 |
| OPT10260-001 | | \$ 385 |
| OPT20029-105 | | Metal trim kit for air push control (factory installed) Available colors: Chrome (084) and Brushed Nickel (105) |
| OPT20029-084 | \$ 50 | |
| OPT20137-004 | Cable-operated waste and overflow (16 in. to 22 in.) (included in product packaging when purchased) Available colors: White (001), Bone (004), Chrome (084) and Brushed Nickel (105) | \$ 238 |
| OPT20137-084 | | \$ 238 |
| OPT20137-105 | | \$ 238 |
| OPT20137-001 | | \$ 238 |
| OPT10053 | One chromatherapy light (factory installed) ⁵⁴ | \$ 641 |

COMMON OPTIONS

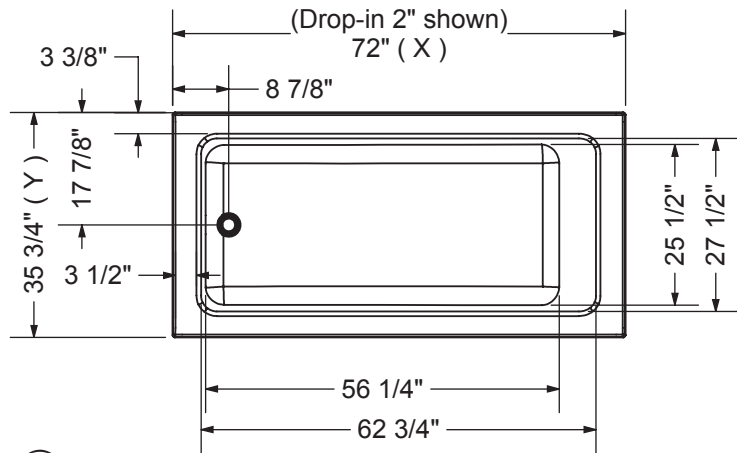
| SKU | Description | MSRP |
|--------------------|---|--------|
| 101955-000-004 | Acrylic apron without access panel. Specify: Standard colors: White (001), Bone (004), Biscuit (007) | \$ 540 |
| 101955-000-007 | | \$ 540 |
| 101955-000-001-100 | | \$ 540 |
| 101958-000-004 | Acrylic apron with access panel. Specify: Standard colors: White (001), Bone (004), Biscuit (007) | \$ 644 |
| 101958-000-007 | | \$ 644 |
| 101958-000-001-100 | | \$ 644 |
| OPT20205 | Lite option 3/8 in. thin deck ⁶ When chosen, this option is offered at no cost | \$ 0 |

ACCESSORIES

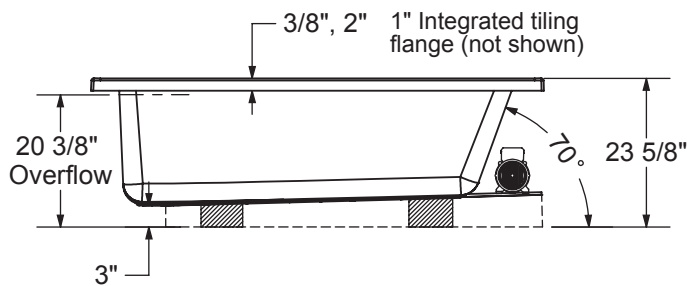
| SKU | Description | MSRP |
|--------------|--|--------|
| 10006923 | Flexible main hose (9 ft. extension) for air push control air massage - Kit (sold separately) | \$ 166 |
| 10004306-001 | White foam cushion with 2 suction pads (sold separately) Available color: White (001) | \$ 120 |
| 10028641-084 | Metal trim kit for Whirlpool and combined systems (sold separately) Available colors: Chrome (084) and Brushed Nickel (105) | \$ 568 |
| 10028641-105 | | \$ 568 |
| 10034250-084 | Metal trim kit for Aeroeffect with Air Push Control (sold separately) Available colors: Chrome (084) and Brushed Nickel (105) | \$ 50 |
| 10034250-105 | | \$ 50 |
| 10022491-084 | Cable-operated waste and overflow (16 in. to 22 in.) (sold separately) Available colors: White (001), Bone (004), Chrome (084) and Brushed Nickel (105) | \$ 238 |
| 10022491-004 | | \$ 238 |
| 10022491-105 | | \$ 238 |
| 10022491-001 | | \$ 238 |

FOOTNOTES

| No | Description |
|----|--|
| 6 | Specify 3/8 (Lite option) or 2 in. on deck height. If ordering unit with an apron, only 2 in. deck height is available. |
| 8 | Two 6 in. or 12 in. metal or acrylic grab bars are optional. Factory installed, only one positioning is possible (see technical drawings on https://www.maax.com). |
| 10 | Systems not available with units installed undermount. |
| 54 | A selection of units come with an access panel by default when equipped with a system. However, if the unit is only equipped with chromatherapy, the access panel will not be provided by default. |



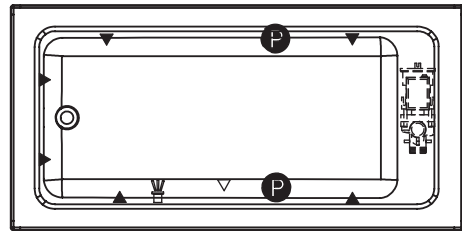
Technical drawing is universal for all 7236 configurations. External dimension (X,Y) vary depending on configuration (see chart)



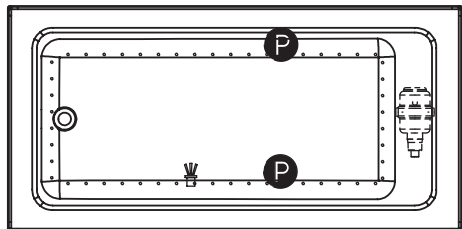
| | DROP IN 2" | DROP IN 3/8" | ALCOVE / CORNER |
|---|------------|--------------|-----------------|
| X | 72" | 71 7/8" | 71 1/2" |
| Y | 35 3/4" | 35 5/8" | 35 3/8" |

Wood support design may vary.
 Integrated tiling flange: 1" height X 1/4" thickness (not shown)
 Tiling flange position is determined by chosen configuration.
 All dimensions are approximate.
 Structure measurement must be verified against the unit to ensure proper fit.

WHIRLPOOL SYSTEM

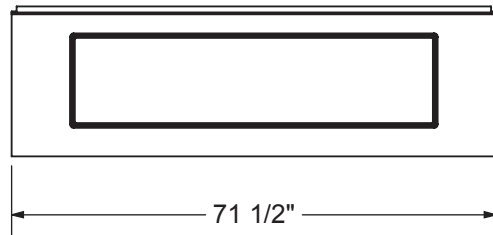


AIR SYSTEM



- (P) : Indicates optional grab bar positioning
- (▲) : Indicates whirlpool jets positioning
- (△) : Indicates suction positioning
- (●) : Indicates airjets positioning
- (☼) : Indicates chromatherapy light positioning

APRON (alcove version only)





Pose 7242 - Corner left



Material : Acrylic
 Min: 48 Gal / 182 L
 Max: 116 Gal / 441 L

Features

- › Rectangular shape bathtub with choices of two deck heights (3/8 or 2 in.) Please specify when ordering.
- › Integrated flange (IF) for corner installation
- › Textured floor
- › Ample deck space for faucet installation
- › Right or left drain available

RECTANGULAR BATHTUBS - ACRYLIC

| POSE 7242 IF - 106214 | | | | | | | | |
|-----------------------|--|---------|---------------|---|--------------------|---------|---------|---------|
| SKU | System | Color | Configuration | Dimensions & Weight | Packaging | MSRP | | |
| 106214-000-001-107 | Soaker - No System | White | Left | 71 1/2" x 41 5/8" x 23 5/8" / 95 lb / 43 kg | 49 ft ³ | \$ 1761 | | |
| 106214-000-001-108 | | | Right | | | \$ 1761 | | |
| 106214-L-000-004 | | Bone | \$ 1761 | | | | | |
| 106214-L-000-007 | | Biscuit | \$ 1761 | | | | | |
| 106214-L-003-001 | Whirlpool ^{1 4} | White | Left | | | \$ 3109 | | |
| 106214-L-003-004 | | Bone | | | | \$ 3109 | | |
| 106214-L-003-007 | | Biscuit | | | | \$ 3109 | | |
| 106214-L-097-001 | Combined Whirlpool & Aeroeffect ^{1 3} | White | | | | Right | \$ 5007 | |
| 106214-L-097-004 | | Bone | | | | | \$ 5007 | |
| 106214-L-097-007 | | Biscuit | | | | | \$ 5007 | |
| 106214-L-103-001 | Aeroeffect ^{1 2 5} | White | | | | | Right | \$ 4022 |
| 106214-L-103-004 | | Bone | | | | | | \$ 4022 |
| 106214-L-103-007 | | Biscuit | | \$ 4022 | | | | |
| 106214-R-000-004 | Soaker - No System | Bone | | Right | \$ 1761 | | | |
| 106214-R-000-007 | | Biscuit | | | \$ 1761 | | | |
| 106214-R-003-001 | Whirlpool ^{1 4} | White | | | Right | | | \$ 3109 |
| 106214-R-003-004 | | Bone | \$ 3109 | | | | | |
| 106214-R-003-007 | | Biscuit | \$ 3109 | | | | | |
| 106214-R-097-001 | Combined Whirlpool & Aeroeffect ^{1 3} | White | Right | | | | | \$ 5007 |
| 106214-R-097-004 | | Bone | | | | \$ 5007 | | |

POSE 7242 IF - 106214

| SKU | System | Color | Configuration | Dimensions & Weight | Packaging | MSRP |
|------------------|--|---------|---------------|---|--------------------|---------|
| 106214-R-097-007 | Combined Whirlpool & Aeroeffect ^{1 3} | Biscuit | Right | 71 1/2" x 41 5/8" x 23 5/8" / 95 lb / 43 kg | 49 ft ³ | \$ 5007 |
| 106214-R-103-001 | Aeroeffect ^{1 2 5} | White | | | | \$ 4022 |
| 106214-R-103-004 | | Bone | | | | \$ 4022 |
| 106214-R-103-007 | | Biscuit | | | | \$ 4022 |

POSE 7242 IF - 106215

| SKU | System | Color | Configuration | Dimensions & Weight | Packaging | MSRP | | |
|--------------------|--|---------|---------------|---|--------------------|---------|---------|---------|
| 106215-000-001-105 | Soaker - No System | White | Left | 71 1/2" x 41 5/8" x 23 5/8" / 95 lb / 43 kg | 49 ft ³ | \$ 1761 | | |
| 106215-000-001-106 | | | Right | | | \$ 1761 | | |
| 106215-L-000-004 | | Bone | \$ 1761 | | | | | |
| 106215-L-000-007 | Biscuit | \$ 1761 | | | | | | |
| 106215-L-003-001 | Whirlpool ^{1 4} | White | Left | | | \$ 3109 | | |
| 106215-L-003-004 | | Bone | | | | \$ 3109 | | |
| 106215-L-003-007 | | Biscuit | | | | \$ 3109 | | |
| 106215-L-097-001 | Combined Whirlpool & Aeroeffect ^{1 3} | White | | | | Right | \$ 5007 | |
| 106215-L-097-004 | | Bone | | | | | \$ 5007 | |
| 106215-L-097-007 | | Biscuit | | | | | \$ 5007 | |
| 106215-L-103-001 | Aeroeffect ^{1 2 5} | White | | | | | \$ 4022 | |
| 106215-L-103-004 | | Bone | | | | | \$ 4022 | |
| 106215-L-103-007 | | Biscuit | | | | | \$ 4022 | |
| 106215-R-000-004 | Soaker - No System | Bone | | | | | Right | \$ 1761 |
| 106215-R-000-007 | | Biscuit | | | | | | \$ 1761 |
| 106215-R-003-001 | Whirlpool ^{1 4} | White | | | | | | \$ 3109 |
| 106215-R-003-004 | | Bone | | \$ 3109 | | | | |
| 106215-R-003-007 | | Biscuit | | \$ 3109 | | | | |
| 106215-R-097-001 | Combined Whirlpool & Aeroeffect ^{1 3} | White | | Right | \$ 5007 | | | |
| 106215-R-097-004 | | Bone | | | \$ 5007 | | | |
| 106215-R-097-007 | | Biscuit | \$ 5007 | | | | | |
| 106215-R-103-001 | Aeroeffect ^{1 2 5} | White | \$ 4022 | | | | | |
| 106215-R-103-004 | | Bone | \$ 4022 | | | | | |
| 106215-R-103-007 | | Biscuit | \$ 4022 | | | | | |

COMMON OPTIONS

| SKU | Description | MSRP |
|----------|--|--------|
| OPT20205 | Lite option 3/8 in. thin deck ⁶ When chosen, this option is offered at no cost | \$ 0 |
| OPT10053 | One chromatherapy light (factory installed) ⁵⁴ | \$ 641 |
| OPT10095 | Water heater assembly for whirlpool and combined systems (factory installed) | \$ 908 |

COMMON OPTIONS

| SKU | Description | MSRP |
|--------------|---|---|
| OPT10106-084 | Metal trim kit for whirlpool and combined systems (factory installed) | \$ 568 |
| OPT10106-105 | Available colors: Chrome (084) and Brushed Nickel (105) | \$ 568 |
| OPT10260-084 | Two 6-in. acrylic grab bars (factory installed) ⁸ Available colors: White (001), Bone (004), Biscuit (007), Chrome (084) and Brushed Nickel (105) | \$ 385 |
| OPT10260-007 | | \$ 385 |
| OPT10260-004 | | \$ 385 |
| OPT10260-105 | | \$ 385 |
| OPT10260-001 | | \$ 385 |
| OPT20029-105 | | Metal trim kit for air push control (factory installed) |
| OPT20029-084 | Available colors: Chrome (084) and Brushed Nickel (105) | \$ 50 |
| OPT20137-004 | Cable-operated waste and overflow (16 in. to 22 in.) (included in product packaging when purchased) Available colors: White (001), Bone (004), Chrome (084) and Brushed Nickel (105) | \$ 238 |
| OPT20137-084 | | \$ 238 |
| OPT20137-105 | | \$ 238 |
| OPT20137-001 | | \$ 238 |
| OPT20137-001 | | \$ 238 |

ACCESSORIES

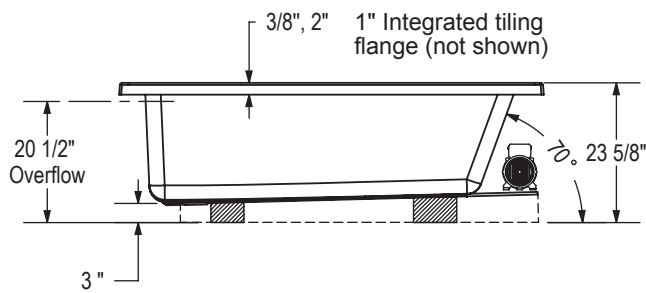
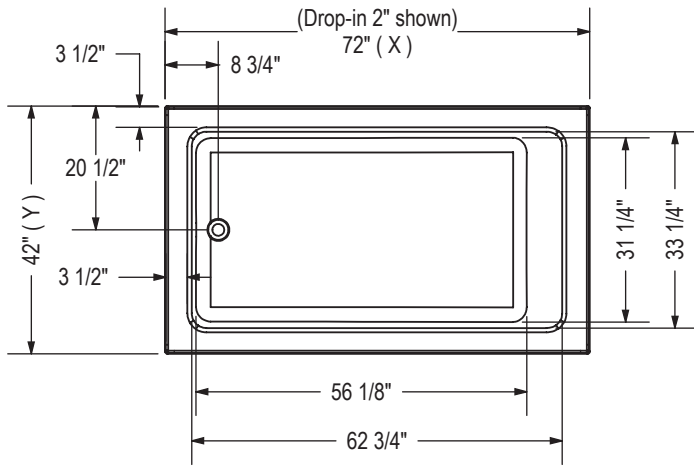
| SKU | Description | MSRP |
|--------------|--|--------|
| 10006923 | Flexible main hose (9 ft. extension) for air push control air massage - Kit (sold separately) | \$ 166 |
| 10004306-001 | White foam cushion with 2 suction pads (sold separately) Available color: White (001) | \$ 120 |
| 10028641-084 | Metal trim kit for Whirlpool and combined systems (sold separately) | \$ 568 |
| 10028641-105 | Available colors: Chrome (084) and Brushed Nickel (105) | \$ 568 |
| 10034250-084 | Metal trim kit for Aeroeffect with Air Push Control (sold separately) | \$ 50 |
| 10034250-105 | Available colors: Chrome (084) and Brushed Nickel (105) | \$ 50 |
| 10022491-084 | Cable-operated waste and overflow (16 in. to 22 in.) (sold separately) Available colors: White (001), Bone (004), Chrome (084) and Brushed Nickel (105) | \$ 238 |
| 10022491-004 | | \$ 238 |
| 10022491-105 | | \$ 238 |
| 10022491-001 | | \$ 238 |

FOOTNOTES

| No | Description |
|----|---|
| 1 | Components for standard colour units equipped with systems are colour-coordinated. Trim kit and/or air push with metallic finish can be added (additional charge applies). For non-standard colour units, please specify trim kit and/or air push colour (additional charge applies for metallic finishes). Please note that the positioning of the system's control could be in conflict with the door if one was installed on the unit. To insure compatibility, please contact customer service. |
| 2 | Please order flexible main hose 10006923 for installation of the blower further than 3 ft from the bathtub. For the Tandem models and the Serenade models (freestanding and drop-in), the blower is always remote and not factory installed so a 9 ft flexible main hose is included. Please note that the positioning of the system's control could be in conflict with the door if one was installed on the unit. To insure compatibility, please contact customer service. |
| 3 | The blower is not factory installed (remote). 9 ft flexible main hose included. Please note that the positioning of the system's control could be in conflict with the door if one was installed on the unit. To insure compatibility, please contact customer service. |
| 4 | For details on pump position and requirements, see technical drawings on https://www.maax.com . When there is a pump position A or B indicated on the technical drawing, please specify position when ordering. |
| 5 | For details on blower position and requirements, see technical drawings on https://www.maax.com . When there is a blower position A or B indicated on the technical drawing, please specify position when ordering. |

FOOTNOTES

| No | Description |
|----|--|
| 6 | Specify 3/8 (Lite option) or 2 in. on deck height. If ordering unit with an apron, only 2 in. deck height is available. |
| 8 | Two 6 in. or 12 in. metal or acrylic grab bars are optional. Factory installed, only one positioning is possible (see technical drawings on https://www.maax.com). |
| 54 | A selection of units come with an access panel by default when equipped with a system. However, if the unit is only equipped with chromatherapy, the access panel will not be provided by default. |



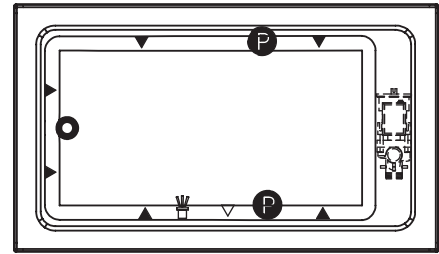
Technical drawing is universal for all 7242 configurations. External dimension (X,Y) vary depending on configuration (see chart)

| | DROP IN 2" | DROP IN 3/8" | ALCOVE / CORNER |
|---|------------|--------------|-----------------|
| X | 72" | 71 3/4" | 71 1/2" |
| Y | 42" | 41 1/2" | 41 5/8" |

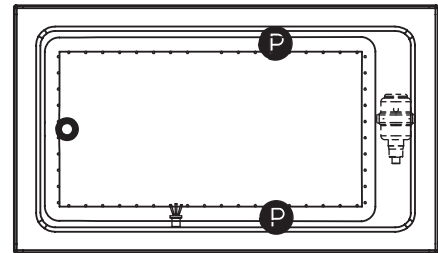
Wood support design may vary.
 Integrated tiling flange: 1" height X 1/4" thickness (not shown)
 Tiling flange position is determined by chosen configuration.

All dimensions are approximate.
 Structure measurement must be verified against the unit to ensure proper fit.

WHIRLPOOL SYSTEM

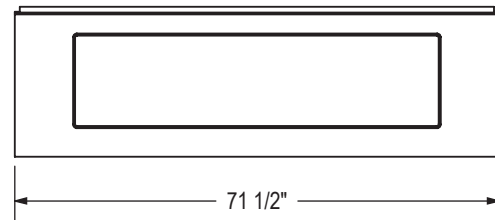


AIR SYSTEM



- Ⓟ : Indicates optional grab bar positioning
- (▲) : Indicates whirlpool jets positioning
- (●) : Indicates suction positioning
- (●) : Indicates Aerofeel airjets positioning
- (☹) : Indicates chromatherapy light positioning

APRON (alcove version only)





Pose 7242 IF

RECTANGULAR BATHTUBS - ACRYLIC



Material : Acrylic
 Min: 74 Gal / 282 L
 Max: 116 Gal / 441 L

Features

- › Rectangular shape bathtub with choices of two deck heights (3/8 or 2 in.) Please specify when ordering
- › Drop-in or undermount ¹⁰ installation; model also available with integrated flange (IF) for alcove installation
- › Textured floor
- › Ample deck space for faucet installation
- › Skirt with or without access panel available

| POSE 7242 - 101461 | | | | | | |
|--------------------|--|---------|---------------|-------------------------------------|--------------------|---------|
| SKU | System | Color | Configuration | Dimensions & Weight | Packaging | MSRP |
| 101461-000-001-100 | Soaker - No System | White | End | 72" x 42" x 23 5/8" / 95 lb / 43 kg | 49 ft ³ | \$ 1761 |
| 101461-000-004 | | Bone | | | | \$ 1761 |
| 101461-000-007 | | Biscuit | | | | \$ 1761 |
| 101461-003-001-100 | Whirlpool ^{1 4} | White | | | | \$ 3109 |
| 101461-003-004 | | Bone | | | | \$ 3109 |
| 101461-003-007 | | Biscuit | | | | \$ 3109 |
| 101461-097-001-100 | Combined Whirlpool & Aeroeffect ^{1 3} | White | | | | \$ 5007 |
| 101461-097-004 | | Bone | | | | \$ 5007 |
| 101461-097-007 | | Biscuit | | | | \$ 5007 |
| 101461-103-001-100 | Aeroeffect ^{1 2 5} | White | | | | \$ 4022 |
| 101461-103-004 | | Bone | | | | \$ 4022 |
| 101461-103-007 | | Biscuit | | | | \$ 4022 |

| POSE 7242 IF - 106213 | | | | | | |
|-----------------------|--------------------|-------|---------------|-------------------------------------|--------------------|---------|
| SKU | System | Color | Configuration | Dimensions & Weight | Packaging | MSRP |
| 106213-000-001-103 | Soaker - No System | White | Left | 72" x 42" x 23 5/8" / 95 lb / 43 kg | 49 ft ³ | \$ 1761 |
| 106213-000-001-104 | | | Right | | | \$ 1761 |
| 106213-000-004-103 | | Bone | Left | | | \$ 1761 |
| 106213-000-004-104 | | | Right | | | \$ 1761 |

POSE 7242 IF - 106213

| SKU | System | Color | Configuration | Dimensions & Weight | Packaging | MSRP | |
|--------------------|--|---------|---------------|-------------------------------------|--------------------|---------|---------|
| 106213-000-007-103 | Soaker - No System | Biscuit | Left | 72" x 42" x 23 5/8" / 95 lb / 43 kg | 49 ft ³ | \$ 1761 | |
| 106213-000-007-104 | | | Right | | | \$ 1761 | |
| 106213-L-003-001 | Whirlpool ^{1 4} | White | Left | | | \$ 3109 | |
| 106213-L-003-004 | | Bone | | | | \$ 3109 | |
| 106213-L-003-007 | | Biscuit | | | | \$ 3109 | |
| 106213-L-097-001 | Combined Whirlpool & Aeroeffect ^{1 3} | White | | | | \$ 5007 | |
| 106213-L-097-004 | | Bone | | | | \$ 5007 | |
| 106213-L-097-007 | | Biscuit | | | | \$ 5007 | |
| 106213-L-103-001 | Aeroeffect ^{1 2 5} | White | | | | Right | \$ 4022 |
| 106213-L-103-004 | | Bone | | | | | \$ 4022 |
| 106213-L-103-007 | | Biscuit | | | | | \$ 4022 |
| 106213-R-003-001 | Whirlpool ^{1 4} | White | Right | | | | \$ 3109 |
| 106213-R-003-004 | | Bone | | | | | \$ 3109 |
| 106213-R-003-007 | | Biscuit | | | | | \$ 3109 |
| 106213-R-097-001 | Combined Whirlpool & Aeroeffect ^{1 3} | White | | | | | \$ 5007 |
| 106213-R-097-004 | | Bone | | | | | \$ 5007 |
| 106213-R-097-007 | | Biscuit | | | | | \$ 5007 |
| 106213-R-103-001 | Aeroeffect ^{1 2 5} | White | | | | Right | \$ 4022 |
| 106213-R-103-004 | | Bone | | \$ 4022 | | | |
| 106213-R-103-007 | | Biscuit | | \$ 4022 | | | |

COMMON OPTIONS

| SKU | Description | MSRP |
|--------------|---|--|
| OPT10095 | Water heater assembly for whirlpool and combined systems (factory installed) | \$ 908 |
| OPT10106-084 | Metal trim kit for whirlpool and combined systems (factory installed) Available colors: Chrome (084) and Brushed Nickel (105) | \$ 568 |
| OPT10106-105 | | \$ 568 |
| OPT10260-084 | Two 6-in. acrylic grab bars (factory installed) ⁸ Available colors: White (001), Bone (004), Biscuit (007), Chrome (084) and Brushed Nickel (105) | \$ 385 |
| OPT10260-007 | | \$ 385 |
| OPT10260-004 | | \$ 385 |
| OPT10260-105 | | \$ 385 |
| OPT10260-001 | | \$ 385 |
| OPT20029-105 | | Metal trim kit for air push control (factory installed) Available colors: Chrome (084) and Brushed Nickel (105) |
| OPT20029-084 | \$ 50 | |
| OPT20137-004 | Cable-operated waste and overflow (16 in. to 22 in.) (included in product packaging when purchased) Available colors: White (001), Bone (004), Chrome (084) and Brushed Nickel (105) | \$ 238 |
| OPT20137-084 | | \$ 238 |
| OPT20137-105 | | \$ 238 |
| OPT20137-001 | | \$ 238 |
| OPT10053 | One chromatherapy light (factory installed) ⁵⁴ | \$ 641 |

COMMON OPTIONS

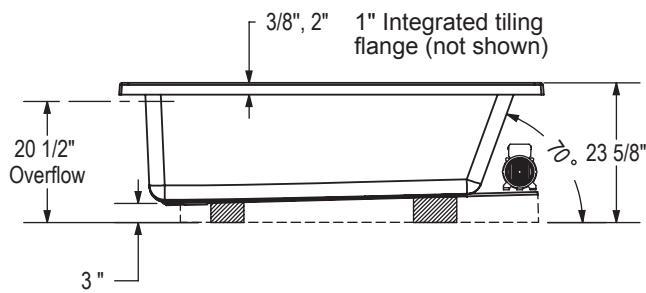
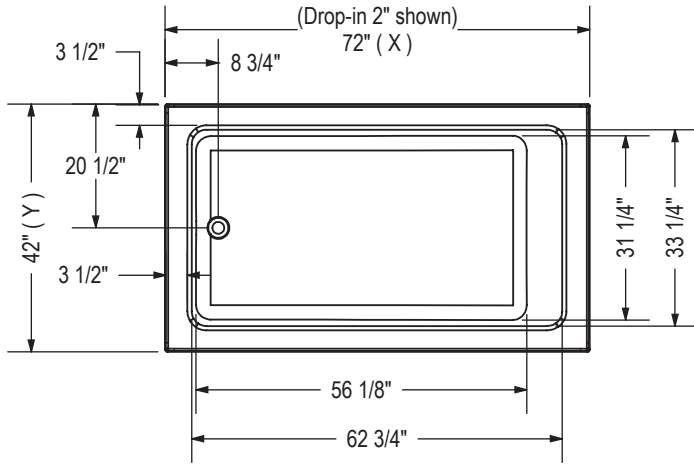
| SKU | Description | MSRP |
|--------------------|---|--------|
| 101955-000-004 | Acrylic apron without access panel. Specify: Standard colors: White (001), Bone (004), Biscuit (007) | \$ 540 |
| 101955-000-007 | | \$ 540 |
| 101955-000-001-100 | | \$ 540 |
| 101958-000-004 | Acrylic apron with access panel. Specify: Standard colors: White (001), Bone (004), Biscuit (007) | \$ 644 |
| 101958-000-007 | | \$ 644 |
| 101958-000-001-100 | | \$ 644 |
| OPT20205 | Lite option 3/8 in. thin deck ⁶ When chosen, this option is offered at no cost | \$ 0 |

ACCESSORIES

| SKU | Description | MSRP |
|--------------|--|--------|
| 10006923 | Flexible main hose (9 ft. extension) for air push control air massage - Kit (sold separately) | \$ 166 |
| 10004306-001 | White foam cushion with 2 suction pads (sold separately) Available color: White (001) | \$ 120 |
| 10028641-084 | Metal trim kit for Whirlpool and combined systems (sold separately) Available colors: Chrome (084) and Brushed Nickel (105) | \$ 568 |
| 10028641-105 | | \$ 568 |
| 10034250-084 | Metal trim kit for Aeroeffect with Air Push Control (sold separately) Available colors: Chrome (084) and Brushed Nickel (105) | \$ 50 |
| 10034250-105 | | \$ 50 |
| 10022491-084 | Cable-operated waste and overflow (16 in. to 22 in.) (sold separately) Available colors: White (001), Bone (004), Chrome (084) and Brushed Nickel (105) | \$ 238 |
| 10022491-004 | | \$ 238 |
| 10022491-105 | | \$ 238 |
| 10022491-001 | | \$ 238 |

FOOTNOTES

| No | Description |
|----|--|
| 6 | Specify 3/8 (Lite option) or 2 in. on deck height. If ordering unit with an apron, only 2 in. deck height is available. |
| 8 | Two 6 in. or 12 in. metal or acrylic grab bars are optional. Factory installed, only one positioning is possible (see technical drawings on https://www.maax.com). |
| 10 | Systems not available with units installed undermount. |
| 54 | A selection of units come with an access panel by default when equipped with a system. However, if the unit is only equipped with chromatherapy, the access panel will not be provided by default. |



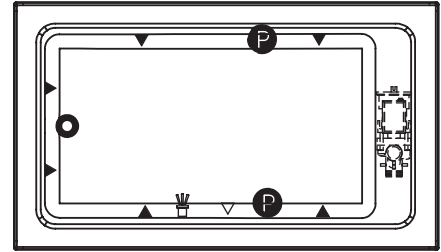
Technical drawing is universal for all 7242 configurations. External dimension (X,Y) vary depending on configuration (see chart)

| | DROP IN 2" | DROP IN 3/8" | ALCOVE / CORNER |
|---|------------|--------------|-----------------|
| X | 72" | 71 3/4" | 71 1/2" |
| Y | 42" | 41 1/2" | 41 5/8" |

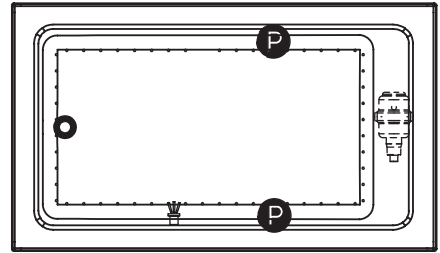
Wood support design may vary.
 Integrated tiling flange: 1" height X 1/4" thickness (not shown)
 Tiling flange position is determined by chosen configuration.

All dimensions are approximate.
 Structure measurement must be verified against the unit to ensure proper fit.

WHIRLPOOL SYSTEM

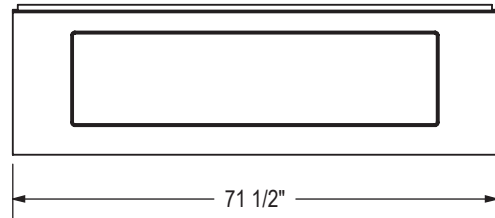


AIR SYSTEM



- Ⓟ : Indicates optional grab bar positioning
- (▲) : Indicates whirlpool jets positioning
- (●) : Indicates suction positioning
- (●) : Indicates Aerofeel airjets positioning
- (☞) : Indicates chromatherapy light positioning

APRON (alcove version only)





Rubix 6030

RECTANGULAR BATHTUBS - ACRYLIC



Material : Acrylic
 Min: 34 Gal / 127 L
 Max: 54 Gal / 205 L

Features

- › Alcove installation
- › Acrylic surface resistant to stains
- › Available in white, bone or biscuit color to complement any bathroom decor
- › Available in left-hand and right-hand drain configurations to fit your specific bathroom layout
- › Integrated flat skirt and tiling flange
- › Available in an Above-the-Floor Rough (AFR) configuration for easier drain, waste and overflow installation
- › Adds a modern look to any bathroom
- › Proudly made in North America
- › Compatible with UTile for an easy wall solution

RUBIX 6030 - 105815

| SKU | System | Color | Configuration | Dimensions & Weight | Packaging | MSRP |
|--------------------|--------------------|---------|---------------|---|-----------|---------|
| 105815-000-001-001 | Soaker - No System | White | Left | 59 3/4" x 30" x 18 3/8" / 77 lb / 35 kg | 27 ft³ | \$ 1145 |
| 105815-000-001-002 | | | Right | | | \$ 1145 |
| 105815-000-004-001 | | Bone | Left | | | \$ 1145 |
| 105815-000-004-002 | | | Right | | | \$ 1145 |
| 105815-000-007-001 | | Biscuit | Left | | | \$ 1145 |
| 105815-000-007-002 | | | Right | | | \$ 1145 |

RUBIX 6030 AFR - 105816

| SKU | System | Color | Configuration | Dimensions & Weight | Packaging | MSRP |
|--------------------|--------------------|-------|---------------|---|-----------|---------|
| 105816-000-001-101 | Soaker - No System | White | Left | 59 3/4" x 30" x 20 3/8" / 77 lb / 35 kg | 33 ft³ | \$ 1145 |
| 105816-000-001-102 | | | Right | | | \$ 1145 |
| 105816-L-000-004 | | Bone | Left | | | \$ 1145 |
| 105816-L-000-007 | | | | | | Biscuit |
| 105816-R-000-004 | | Bone | Right | | | \$ 1145 |
| 105816-R-000-007 | | | | | | Biscuit |

COMMON OPTIONS

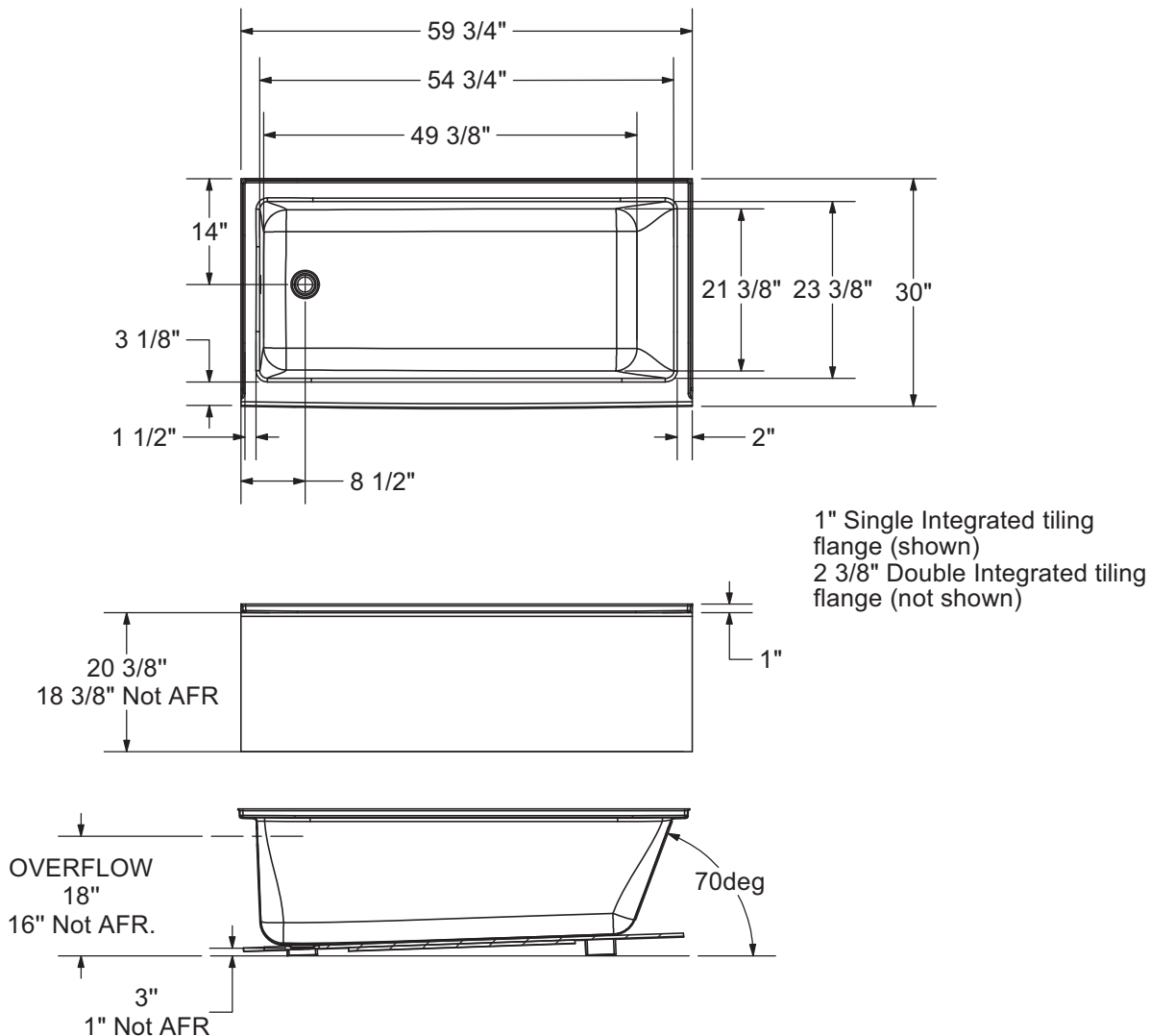
| SKU | Description | MSRP |
|--------------|---|--------|
| OPT20137-004 | Cable-operated waste and overflow (16 in. to 22 in.) (included in product packaging when purchased) Available colors: White (001), Bone (004), Chrome (084) and Brushed Nickel (105) | \$ 238 |
| OPT20137-084 | | \$ 238 |
| OPT20137-105 | | \$ 238 |
| OPT20137-001 | | \$ 238 |

ACCESSORIES

| SKU | Description | MSRP |
|--------------|--|--------|
| 10004306-001 | White foam cushion with 2 suction pads (sold separately) Available color: White (001) | \$ 120 |
| 10022491-084 | Cable-operated waste and overflow (16 in. to 22 in.) (sold separately) Available colors: White (001), Bone (004), Chrome (084) and Brushed Nickel (105) | \$ 238 |
| 10022491-004 | | \$ 238 |
| 10022491-105 | | \$ 238 |
| 10022491-001 | | \$ 238 |

RECOMMENDED DOORS - VISIT OUR WEBSITE FOR A COMPLETE LIST OF RECOMMENDED DOORS

| SKU | Product Name | Pag. |
|--------|--|------|
| 139398 | Halo 56 ½-59 x 59 - 8mm | 878 |
| 139351 | Incognito 57 56-59 x 56 ¾ - 6mm | 856 |
| 139354 | Incognito 57 56-59 x 56 ¾ - 8mm | 860 |
| 135330 | Incognito 57 Shaker 56-59 x 56 ¾ - 8mm | 854 |
| 135695 | Revelation Square 56-59 x 56 ¾-59 ¼ - 8mm | 870 |
| 135692 | Revelation Square 56-59 x 56 ¾-58 ¼ - 6mm | 868 |
| 136692 | Revelation Round 56-59 x 56 ¾-59 ¼ - 6mm | 864 |
| 136695 | Revelation Round 56-59 x 56 ¾-59 ¼ - 8 mm | 866 |
| 135320 | Uptown 56-59 x 58 in. 8 mm | 872 |
| 138485 | Vela 56 ½-59 x 59 - 8mm | 876 |
| 138480 | | 874 |
| 134661 | Kameleon SC 55-59 x 57 - 6mm | 843 |
| 134573 | Kameleon 55-59 x 57 - 8mm | 846 |
| 134670 | Kameleon SC 55-59 x 57 - 8mm | 838 |
| 134561 | Kameleon 55-59 x 57 - 6mm | 849 |
| 138994 | Luminescence SlidingDoor 56 ½-59 x 55 ½-57 ½ - 6mm | 880 |
| 105410 | Polar 54-59 ½ x 57 in. | 862 |



Wood support design may vary.
 Single Integrated tiling flange: 1" height x 1/4" thickness (shown)
 Double Integrated tiling flange: 2 3/8" height (not shown)
 All dimensions are approximate. Structure measurements must be verified against the unit to ensure proper fit.

Rubix 6032



Material : Acrylic
 Min: 30 Gal / 114 L
 Max: 59 Gal / 223 L

Features

- › Rectangular shape bathtub in alcove installation
- › Available in Above-the-Floor Rough (AFR) or not
- › Right or left-hand drain
- › Cubic design
- › Integrated flat skirt and tiling flange
- › Compatible with U tile shower wall panels
- › Available with an optional pre-installed white linear overflow for non-high rise construction

RECTANGULAR BATHTUBS - ACRYLIC

RUBIX 6032 AFR - 105704

| SKU | System | Color | Configuration | Dimensions & Weight | Packaging | MSRP |
|--------------------|--------------------|---------|---------------|---|--------------------|---------|
| 105704-000-001-101 | Soaker - No System | White | Left | 59 3/4" x 32" x 20 3/8" / 80 lb / 36 kg | 33 ft ³ | \$ 1174 |
| 105704-000-001-102 | | | Right | | | \$ 1174 |
| 105704-000-007-101 | | Biscuit | Left | | | \$ 1174 |
| 105704-000-007-102 | | | Right | | | \$ 1174 |
| 105704-L-000-004 | | Bone | Left | | | \$ 1174 |
| 105704-R-000-004 | | | Right | | | \$ 1174 |

RUBIX 6032 - 105705

| SKU | System | Color | Configuration | Dimensions & Weight | Packaging | MSRP |
|--------------------|--------------------|---------|---------------|---|--------------------|---------|
| 105705-000-001-001 | Soaker - No System | White | Left | 59 3/4" x 32" x 18 3/8" / 80 lb / 36 kg | 27 ft ³ | \$ 1174 |
| 105705-000-001-002 | | | Right | | | \$ 1174 |
| 105705-000-004-001 | | Bone | Left | | | \$ 1174 |
| 105705-000-004-002 | | | Right | | | \$ 1174 |
| 105705-000-007-001 | | Biscuit | Left | | | \$ 1174 |
| 105705-000-007-002 | | | Right | | | \$ 1174 |

COMMON OPTIONS

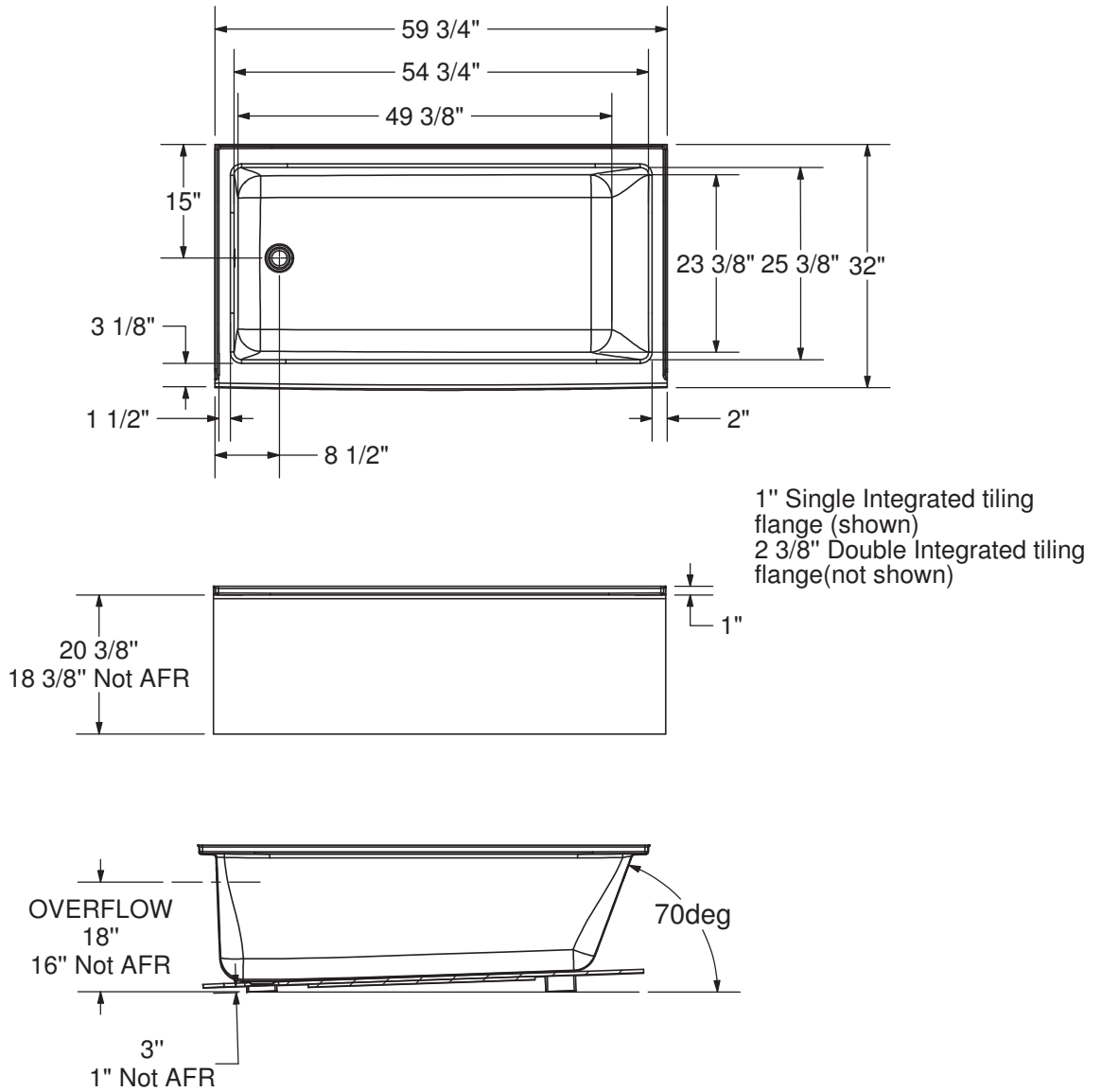
| SKU | Description | MSRP |
|--------------|---|--------|
| OPT20137-004 | Cable-operated waste and overflow (16 in. to 22 in.) (included in product packaging when purchased) Available colors: White (001), Bone (004), Chrome (084) and Brushed Nickel (105) | \$ 238 |
| OPT20137-084 | | \$ 238 |
| OPT20137-105 | | \$ 238 |
| OPT20137-001 | | \$ 238 |
| OPT20341-001 | Linear overflow and pop-up drain for non-high rise construction featuring direct drain pre-installed in the factory Available color: White (001) | \$ 165 |

ACCESSORIES

| SKU | Description | MSRP |
|--------------|--|--------|
| 10004306-001 | White foam cushion with 2 suction pads (sold separately) Available color: White (001) | \$ 120 |
| 10022491-084 | Cable-operated waste and overflow (16 in. to 22 in.) (sold separately) Available colors: White (001), Bone (004), Chrome (084) and Brushed Nickel (105) | \$ 238 |
| 10022491-004 | | \$ 238 |
| 10022491-105 | | \$ 238 |
| 10022491-001 | | \$ 238 |

RECOMMENDED DOORS - VISIT OUR WEBSITE FOR A COMPLETE LIST OF RECOMMENDED DOORS

| SKU | Product Name | Pag. |
|--------|--|------|
| 139398 | Halo 56 ½-59 x 59 - 8mm | 878 |
| 139351 | Incognito 57 56-59 x 56 ¾ - 6mm | 856 |
| 139354 | Incognito 57 56-59 x 56 ¾ - 8mm | 860 |
| 135330 | Incognito 57 Shaker 56-59 x 56 ¾ - 8mm | 854 |
| 135695 | Revelation Square 56-59 x 56 ¾-59 ¼ - 8mm | 870 |
| 135692 | Revelation Square 56-59 x 56 ¾-58 ¼ - 6mm | 868 |
| 136692 | Revelation Round 56-59 x 56 ¾-59 ¼ - 6mm | 864 |
| 136695 | Revelation Round 56-59 x 56 ¾-59 ¼ - 8 mm | 866 |
| 135320 | Uptown 56-59 x 58 in. 8 mm | 872 |
| 138485 | Vela 56 ½-59 x 59 - 8mm | 876 |
| 138480 | | 874 |
| 134661 | Kameleon SC 55-59 x 57 - 6mm | 843 |
| 134573 | Kameleon 55-59 x 57 - 8mm | 846 |
| 134670 | Kameleon SC 55-59 x 57 - 8mm | 838 |
| 134561 | Kameleon 55-59 x 57 - 6mm | 849 |
| 138994 | Luminescence SlidingDoor 56 ½-59 x 55 ½-57 ½ - 6mm | 880 |
| 105410 | Polar 54-59 ½ x 57 in. | 862 |



Wood support design may vary.
 Single Integrated tiling flange: 1" height x 1/4" thickness (shown)
 All dimensions are approximate. Structure measurements must be verified against the unit to ensure proper fit.



Rubix 6632

RECTANGULAR BATHTUBS - ACRYLIC



Material : Acrylic
 Min: 43 Gal / 164 L
 Max: 64 Gal / 241 L

Features

- › Rectangular shape bathtub in alcove installation
- › Available in Above-the-Floor Rough (AFR) or not
- › Right or left-hand drain
- › Cubic design
- › Integrated flat skirt and tiling flange

RUBIX 6632 AFR - 105734

| SKU | System | Color | Configuration | Dimensions & Weight | Packaging | MSRP |
|--------------------|--------------------|-------|---------------|---|-----------|---------|
| 105734-000-001-101 | Soaker - No System | White | Left | 65 3/4" x 32" x 20 3/8" / 96 lb / 44 kg | 35 ft³ | \$ 1513 |
| 105734-000-001-102 | | | Right | | | \$ 1513 |

RUBIX 6632 - 105735

| SKU | System | Color | Configuration | Dimensions & Weight | Packaging | MSRP |
|--------------------|--------------------|-------|---------------|---|-----------|---------|
| 105735-000-001-001 | Soaker - No System | White | Left | 65 3/4" x 32" x 18 3/8" / 96 lb / 44 kg | 35 ft³ | \$ 1513 |
| 105735-000-001-002 | | | Right | | | \$ 1513 |

COMMON OPTIONS

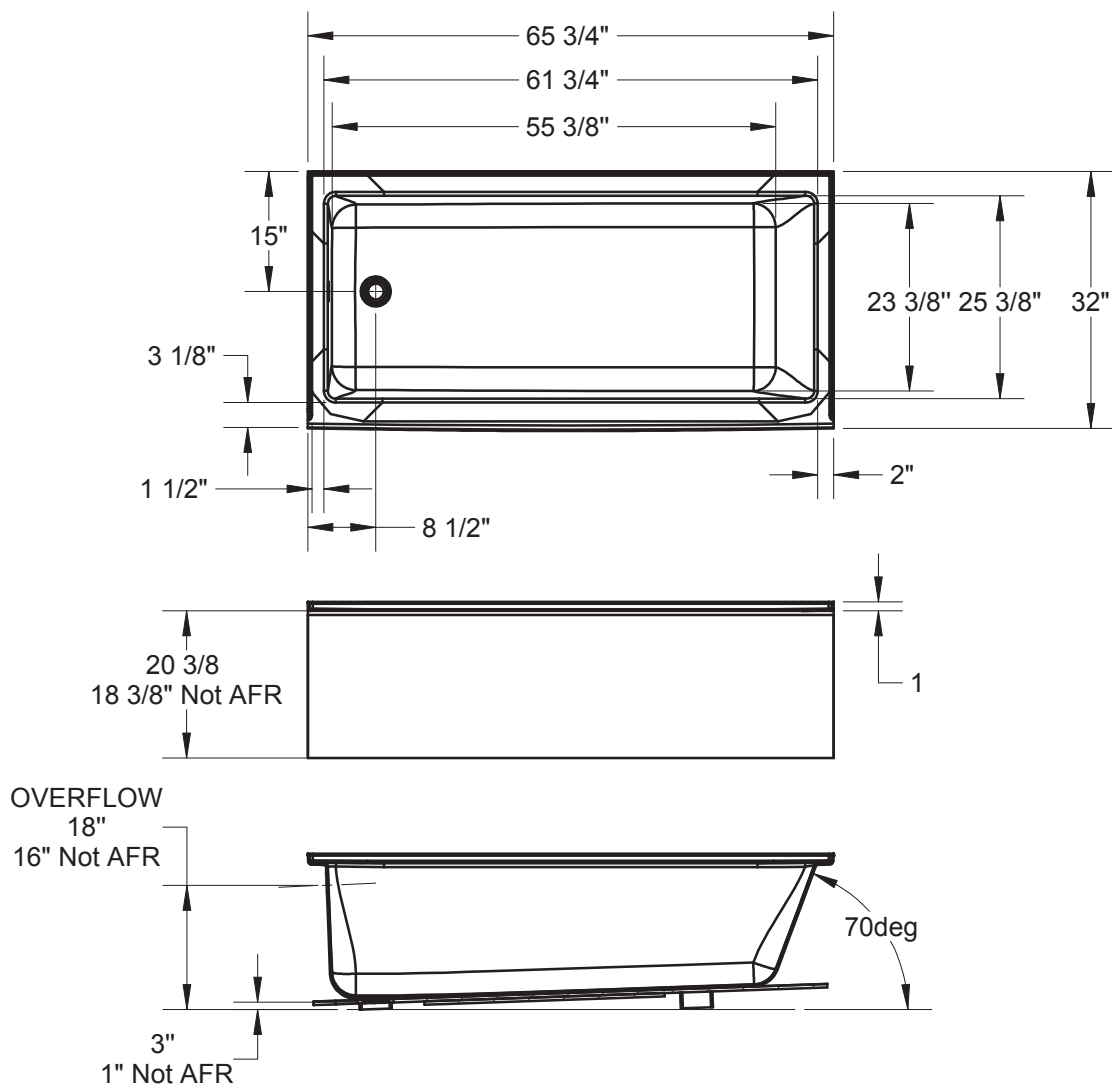
| SKU | Description | MSRP |
|--------------|---|--------|
| OPT20137-004 | Cable-operated waste and overflow (16 in. to 22 in.) (included in product packaging when purchased) Available colors: White (001), Bone (004), Chrome (084) and Brushed Nickel (105) | \$ 238 |
| OPT20137-084 | | \$ 238 |
| OPT20137-105 | | \$ 238 |
| OPT20137-001 | | \$ 238 |

ACCESSORIES

| SKU | Description | MSRP |
|--------------|--|--------|
| 10004306-001 | White foam cushion with 2 suction pads (sold separately) Available color: White (001) | \$ 120 |

ACCESSORIES

| SKU | Description | MSRP |
|--------------|--|--------|
| 10022491-084 | Cable-operated waste and overflow (16 in. to 22 in.) (sold separately) Available colors: White (001), Bone (004), Chrome (084) and Brushed Nickel (105) | \$ 238 |
| 10022491-004 | | \$ 238 |
| 10022491-105 | | \$ 238 |
| 10022491-001 | | \$ 238 |



Wood support design may vary.
 Single Integrated tiling flange: 1" height x 1/4" thickness (shown)
 All dimensions are approximate. Structure measurements must be verified against the unit to ensure proper fit.



Rubix Access 6030



Material : Acrylic
 Min: 34 Gal / 127 L
 Max: 35 Gal / 132 L

Features

- › Alcove bathtub with integrated flat skirt and tiling flange
- › Available in Above-the-Floor Rough (AFR) or not
- › Low deck height of 16 in. (AFR) or 14 in.
- › Stabili-T anti-slip bottom meeting ADA, ANSI or CSA requirements
- › Compliant with accessibility codes when properly installed
- › Compatible with Utile wall panels
- › Cubic design

RECTANGULAR BATHTUBS - ACRYLIC

| RUBIX ACCESS 6030 - 106348 | | | | | | |
|----------------------------|--------------------|-------|---------------|---|--------------------|---------|
| SKU | System | Color | Configuration | Dimensions & Weight | Packaging | MSRP |
| 106348-000-001-001 | Soaker - No System | White | Left | 59 7/8" x 30 1/8" x 14" / 75 lb / 34 kg | 21 ft ³ | \$ 1145 |
| 106348-000-001-002 | | | Right | | | \$ 1145 |

| RUBIX ACCESS 6030 AFR - 106349 | | | | | | |
|--------------------------------|--------------------|-------|---------------|---|--------------------|---------|
| SKU | System | Color | Configuration | Dimensions & Weight | Packaging | MSRP |
| 106349-000-001-100 | Soaker - No System | White | Left | 59 7/8" x 30 1/8" x 16" / 75 lb / 34 kg | 21 ft ³ | \$ 1145 |
| 106349-000-001-101 | | | Right | | | \$ 1145 |

| COMMON OPTIONS | | |
|----------------|---|--------|
| SKU | Description | MSRP |
| OPT20137-004 | Cable-operated waste and overflow (16 in. to 22 in.) (included in product packaging when purchased) Available colors: White (001), Bone (004), Chrome (084) and Brushed Nickel (105) | \$ 238 |
| OPT20137-084 | | \$ 238 |
| OPT20137-105 | | \$ 238 |
| OPT20137-001 | | \$ 238 |

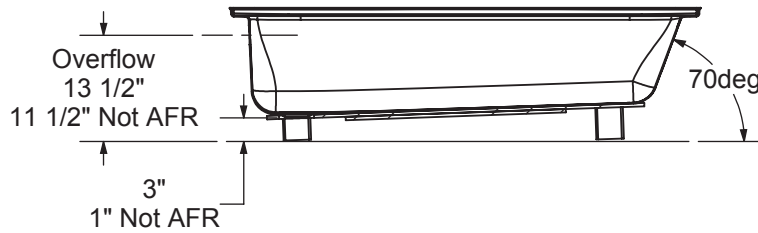
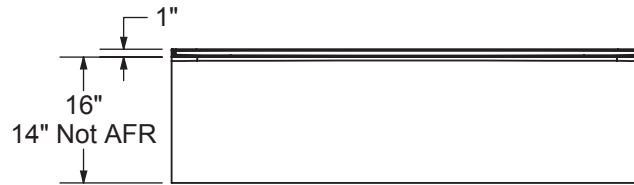
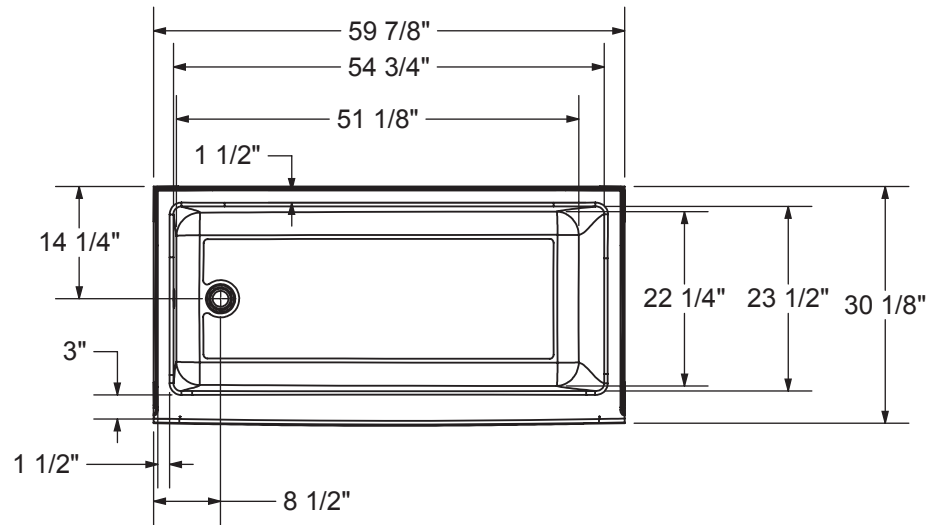
| ACCESSORIES | | |
|--------------|--|--------|
| SKU | Description | MSRP |
| 10004306-001 | White foam cushion with 2 suction pads (sold separately) Available color: White (001) | \$ 120 |

ACCESSORIES

| SKU | Description | MSRP |
|--------------|--|--------|
| 10022491-084 | Cable-operated waste and overflow (16 in. to 22 in.) (sold separately) Available colors: White (001), Bone (004), Chrome (084) and Brushed Nickel (105) | \$ 238 |
| 10022491-004 | | \$ 238 |
| 10022491-105 | | \$ 238 |
| 10022491-001 | | \$ 238 |

RECOMMENDED DOORS - VISIT OUR WEBSITE FOR A COMPLETE LIST OF RECOMMENDED DOORS

| SKU | Product Name | Pag. |
|--------|--|------|
| 139398 | Halo 56 ½-59 x 59 - 8mm | 878 |
| 139351 | Incognito 57 56-59 x 56 ¾ - 6mm | 856 |
| 139354 | Incognito 57 56-59 x 56 ¾ - 8mm | 860 |
| 135330 | Incognito 57 Shaker 56-59 x 56 ¾ - 8mm | 854 |
| 135695 | Revelation Square 56-59 x 56 ¾-59 ¼ - 8mm | 870 |
| 135692 | Revelation Square 56-59 x 56 ¾-58 ¼ - 6mm | 868 |
| 136692 | Revelation Round 56-59 x 56 ¾-59 ¼ - 6mm | 864 |
| 136695 | Revelation Round 56-59 x 56 ¾-59 ¼ - 8 mm | 866 |
| 135320 | Uptown 56-59 x 58 in. 8 mm | 872 |
| 138485 | Vela 56 ½-59 x 59 - 8mm | 876 |
| 138480 | | 874 |
| 134661 | Kameleon SC 55-59 x 57 - 6mm | 843 |
| 134573 | Kameleon 55-59 x 57 - 8mm | 846 |
| 134670 | Kameleon SC 55-59 x 57 - 8mm | 838 |
| 134561 | Kameleon 55-59 x 57 - 6mm | 849 |
| 138994 | Luminescence SlidingDoor 56 ½-59 x 55 ½-57 ½ - 6mm | 880 |
| 105410 | Polar 54-59 ½ x 57 in. | 862 |



Wood support design may vary.
All dimensions are approximate. Structure measurements
must be verified against the unit to ensure proper fit.



Talisman

RECTANGULAR BATHTUBS - ACRYLIC



Material : Acrylic
 Min: 37 Gal / 141 L
 Max: 67 Gal / 255 L

Features

- › Oval shape bathtub
- › Alcove or drop-in installation
- › Optional nailing flange available
- › Armrests and textured floor
- › End drain

| TALISMAN - 100106 | | | | | | |
|--------------------|--|---------|---------------|-------------------------------------|--------------------|---------|
| SKU | System | Color | Configuration | Dimensions & Weight | Packaging | MSRP |
| 100106-000-001-000 | Soaker - No System | White | End | 71 3/8" x 42" x 19" / 99 lb / 45 kg | 38 ft ³ | \$ 1252 |
| 100106-000-004-000 | | Bone | | | | \$ 1252 |
| 100106-000-007-000 | | Biscuit | | | | \$ 1252 |
| 100106-003-001-000 | Whirlpool ^{1 4} | White | | | | \$ 2600 |
| 100106-003-004-000 | | Bone | | | | \$ 2600 |
| 100106-003-007-000 | | Biscuit | | | | \$ 2600 |
| 100106-097-001-000 | Combined Whirlpool & Aeroeffect ^{1 3} | White | | | | \$ 4498 |
| 100106-097-004 | | Bone | | | | \$ 4498 |
| 100106-097-007 | | Biscuit | | | | \$ 4498 |
| 100106-103-001-100 | Aeroeffect ^{1 2 5} | White | | | | \$ 3513 |
| 100106-103-004 | | Bone | | | | \$ 3513 |
| 100106-103-007 | | Biscuit | | | | \$ 3513 |

| COMMON OPTIONS | | |
|----------------|--|--------|
| SKU | Description | MSRP |
| OPT10004 | Nailing flange (factory installed) OPT10004-R Right-hand drain OPT10004-L Left-hand drain Note: For corner bathtubs, there is no need to specify a right or left-hand side when ordering this option. The flange will be installed on both sides of the unit. | \$ 187 |
| OPT10053 | One chromatherapy light (factory installed) ⁵⁴ | \$ 641 |
| OPT10095 | Water heater assembly for whirlpool and combined systems (factory installed) | \$ 908 |

COMMON OPTIONS

| SKU | Description | MSRP |
|--------------|---|--------|
| OPT10106-084 | Metal trim kit for whirlpool and combined systems (factory installed) Available colors: Chrome (084) and Brushed Nickel (105) | \$ 568 |
| OPT10106-105 | | \$ 568 |
| OPT20029-105 | Metal trim kit for air push control (factory installed) Available colors: Chrome (084) and Brushed Nickel (105) | \$ 50 |
| OPT20029-084 | | \$ 50 |
| OPT20137-004 | Cable-operated waste and overflow (16 in. to 22 in.) (included in product packaging when purchased) Available colors: White (001), Bone (004), Chrome (084) and Brushed Nickel (105) | \$ 238 |
| OPT20137-084 | | \$ 238 |
| OPT20137-105 | | \$ 238 |
| OPT20137-001 | | \$ 238 |

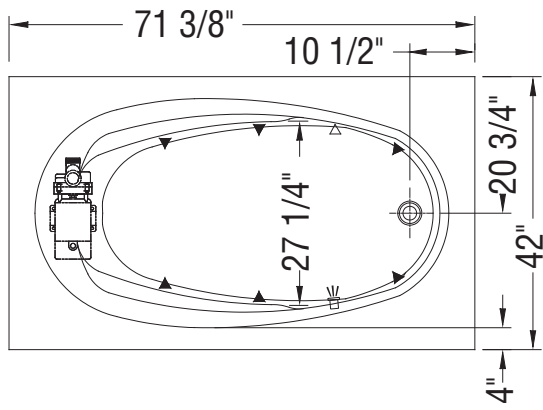
ACCESSORIES

| SKU | Description | MSRP |
|--------------|--|--------|
| 10006923 | Flexible main hose (9 ft. extension) for air push control air massage - Kit (sold separately) | \$ 166 |
| 10063099 | Nailing flange (sold separately) | \$ 187 |
| 10004306-001 | White foam cushion with 2 suction pads (sold separately) Available color: White (001) | \$ 120 |
| 10006887-105 | Metal trim kit for Whirlpool and combined systems (sold separately) Available colors: Chrome (084) and Brushed Nickel (105) | \$ 568 |
| 10006887-084 | | \$ 568 |
| 10034250-084 | Metal trim kit for Aeroeffect with Air Push Control (sold separately) Available colors: Chrome (084) and Brushed Nickel (105) | \$ 50 |
| 10034250-105 | | \$ 50 |
| 10022491-084 | Cable-operated waste and overflow (16 in. to 22 in.) (sold separately) Available colors: White (001), Bone (004), Chrome (084) and Brushed Nickel (105) | \$ 238 |
| 10022491-004 | | \$ 238 |
| 10022491-105 | | \$ 238 |
| 10022491-001 | | \$ 238 |

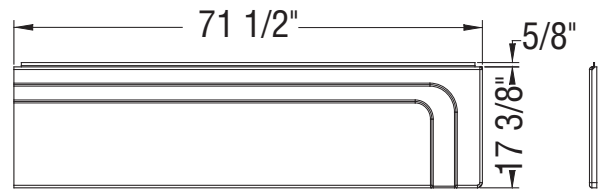
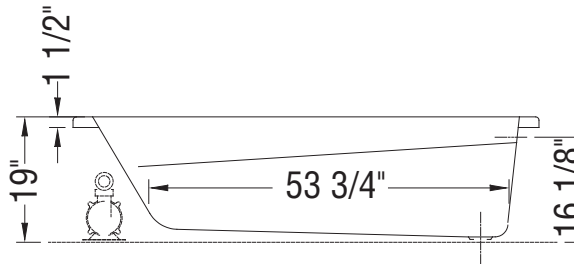
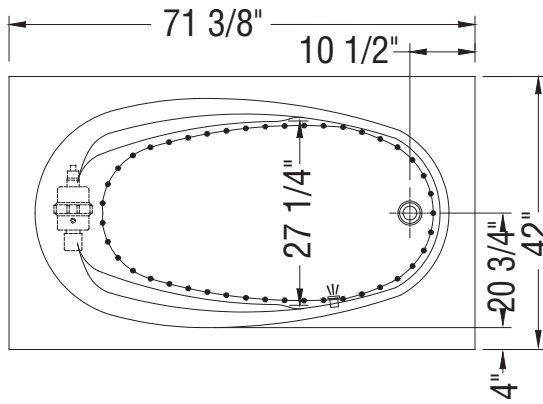
FOOTNOTES

| No | Description |
|----|---|
| 1 | Components for standard colour units equipped with systems are colour-coordinated. Trim kit and/or air push with metallic finish can be added (additional charge applies). For non-standard colour units, please specify trim kit and/or air push colour (additional charge applies for metallic finishes). Please note that the positioning of the system's control could be in conflict with the door if one was installed on the unit. To insure compatibility, please contact customer service. |
| 2 | Please order flexible main hose 10006923 for installation of the blower further than 3 ft from the bathtub. For the Tandem models and the Serenade models (freestanding and drop-in), the blower is always remote and not factory installed so a 9 ft flexible main hose is included. Please note that the positioning of the system's control could be in conflict with the door if one was installed on the unit. To insure compatibility, please contact customer service. |
| 3 | The blower is not factory installed (remote). 9 ft flexible main hose included. Please note that the positioning of the system's control could be in conflict with the door if one was installed on the unit. To insure compatibility, please contact customer service. |
| 4 | For details on pump position and requirements, see technical drawings on https://www.maax.com . When there is a pump position A or B indicated on the technical drawing, please specify position when ordering. |
| 5 | For details on blower position and requirements, see technical drawings on https://www.maax.com . When there is a blower position A or B indicated on the technical drawing, please specify position when ordering. |
| 54 | A selection of units come with an access panel by default when equipped with a system. However, if the unit is only equipped with chromatherapy, the access panel will not be provided by default. |

WHIRLPOOL SYSTEM



AIR SYSTEM



- (▲): Indicates Whirlpool jets positioning
- (●): Indicates airjets positioning
- (△): Indicates suction positioning
- (☞): Indicates chromatherapy light positioning

All dimensions are approximate. Structure measurements must be verified against the unit to ensure proper fit.

Tempest



Material : Acrylic
 Min: 32 Gal / 123 L
 Max: 50 Gal / 191 L

Features

- › Rectangular shape bathtub
- › Alcove or drop-in installation
- › Optional nailing flange and apron available
- › Armrests and textured floor
- › End drain

RECTANGULAR BATHTUBS - ACRYLIC

TEMPEST - 100103

| SKU | System | Color | Configuration | Dimensions & Weight | Packaging | MSRP |
|--------------------|--|---------|---------------|---|--------------------|---------|
| 100103-000-001-000 | Soaker - No System | White | End | 59 7/8" x 35 3/4" x 18 7/8" / 75 lb / 34 kg | 26 ft ³ | \$ 1106 |
| 100103-000-004-000 | | Bone | | | | \$ 1106 |
| 100103-000-007-000 | | Biscuit | | | | \$ 1106 |
| 100103-003-001-000 | Whirlpool ^{1 4} | White | | | | \$ 2454 |
| 100103-003-004-000 | | Bone | | | | \$ 2454 |
| 100103-003-007-000 | | Biscuit | | | | \$ 2454 |
| 100103-097-001 | Combined Whirlpool & Aeroeffect ^{1 3} | White | | | | \$ 4352 |
| 100103-097-004 | | Bone | | | | \$ 4352 |
| 100103-097-007 | | Biscuit | | | | \$ 4352 |
| 100103-103-001-100 | Aeroeffect ^{1 2 5} | White | | | | \$ 3367 |
| 100103-103-004 | | Bone | | | | \$ 3367 |
| 100103-103-007 | | Biscuit | | | | \$ 3367 |

COMMON OPTIONS

| SKU | Description | MSRP |
|----------|--|--------|
| OPT10004 | Nailing flange (factory installed) OPT10004-R Right-hand drain OPT10004-L Left-hand drain Note: For corner bathtubs, there is no need to specify a right or left-hand side when ordering this option. The flange will be installed on both sides of the unit. | \$ 187 |
| OPT10053 | One chromatherapy light (factory installed) ⁵⁴ | \$ 641 |
| OPT10095 | Water heater assembly for whirlpool and combined systems (factory installed) | \$ 908 |

COMMON OPTIONS

| SKU | Description | MSRP |
|--------------------|---|--|
| OPT10106-084 | Metal trim kit for whirlpool and combined systems (factory installed) Available colors: Chrome (084) and Brushed Nickel (105) | \$ 568 |
| OPT10106-105 | | \$ 568 |
| OPT10260-084 | Two 6-in. acrylic grab bars (factory installed) ⁸ Available colors: White (001), Bone (004), Biscuit (007), Chrome (084) and Brushed Nickel (105) | \$ 385 |
| OPT10260-007 | | \$ 385 |
| OPT10260-004 | | \$ 385 |
| OPT10260-105 | | \$ 385 |
| OPT10260-001 | | \$ 385 |
| OPT20029-105 | | Metal trim kit for air push control (factory installed) Available colors: Chrome (084) and Brushed Nickel (105) |
| OPT20029-084 | \$ 50 | |
| OPT20137-004 | Cable-operated waste and overflow (16 in. to 22 in.) (included in product packaging when purchased) Available colors: White (001), Bone (004), Chrome (084) and Brushed Nickel (105) | \$ 238 |
| OPT20137-084 | | \$ 238 |
| OPT20137-105 | | \$ 238 |
| OPT20137-001 | | \$ 238 |
| 102341-000-001-000 | | Removable Acrylic apron for 100103 Specify: Standard colors: White (001), Bone (004), Biscuit (007) |
| 102341-000-007 | \$ 391 | |
| 102341-000-004 | \$ 391 | |

ACCESSORIES

| SKU | Description | MSRP |
|--------------|--|--------|
| 10006923 | Flexible main hose (9 ft. extension) for air push control air massage - Kit (sold separately) | \$ 166 |
| 10063099 | Nailing flange (sold separately) | \$ 187 |
| 10004306-001 | White foam cushion with 2 suction pads (sold separately) Available color: White (001) | \$ 120 |
| 10006887-105 | Metal trim kit for Whirlpool and combined systems (sold separately) Available colors: Chrome (084) and Brushed Nickel (105) | \$ 568 |
| 10006887-084 | | \$ 568 |
| 10034250-084 | Metal trim kit for Aeroeffect with Air Push Control (sold separately) Available colors: Chrome (084) and Brushed Nickel (105) | \$ 50 |
| 10034250-105 | | \$ 50 |
| 10022491-084 | Cable-operated waste and overflow (16 in. to 22 in.) (sold separately) Available colors: White (001), Bone (004), Chrome (084) and Brushed Nickel (105) | \$ 238 |
| 10022491-004 | | \$ 238 |
| 10022491-105 | | \$ 238 |
| 10022491-001 | | \$ 238 |

FOOTNOTES

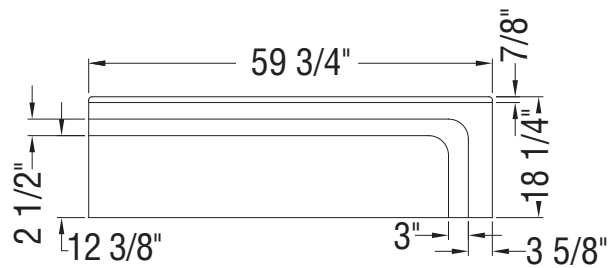
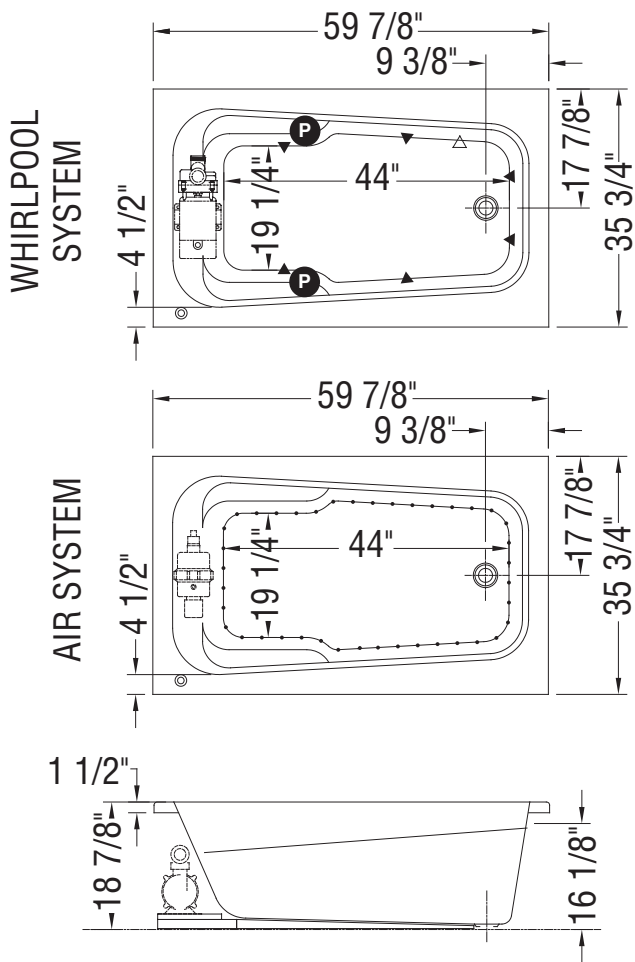
| No | Description |
|----|---|
| 1 | Components for standard colour units equipped with systems are colour-coordinated. Trim kit and/or air push with metallic finish can be added (additional charge applies). For non-standard colour units, please specify trim kit and/or air push colour (additional charge applies for metallic finishes). Please note that the positioning of the system's control could be in conflict with the door if one was installed on the unit. To insure compatibility, please contact customer service. |
| 2 | Please order flexible main hose 10006923 for installation of the blower further than 3 ft from the bathtub. For the Tandem models and the Serenade models (freestanding and drop-in), the blower is always remote and not factory installed so a 9 ft flexible main hose is included. Please note that the positioning of the system's control could be in conflict with the door if one was installed on the unit. To insure compatibility, please contact customer service. |

FOOTNOTES

| No | Description |
|----|---|
| 3 | The blower is not factory installed (remote). 9 ft flexible main hose included. Please note that the positioning of the system's control could be in conflict with the door if one was installed on the unit. To insure compatibility, please contact customer service. |
| 4 | For details on pump position and requirements, see technical drawings on https://www.maax.com . When there is a pump position A or B indicated on the technical drawing, please specify position when ordering. |
| 5 | For details on blower position and requirements, see technical drawings on https://www.maax.com . When there is a blower position A or B indicated on the technical drawing, please specify position when ordering. |
| 8 | Two 6 in. or 12 in. metal or acrylic grab bars are optional. Factory installed, only one positioning is possible (see technical drawings on https://www.maax.com). |
| 54 | A selection of units come with an access panel by default when equipped with a system. However, if the unit is only equipped with chromatherapy, the access panel will not be provided by default. |

RECOMMENDED DOORS - VISIT OUR WEBSITE FOR A COMPLETE LIST OF RECOMMENDED DOORS

| SKU | Product Name | Pag. |
|--------|--|------|
| 139398 | Halo 56 ½-59 x 59 - 8mm | 878 |
| 139351 | Incognito 57 56-59 x 56 ¾ - 6mm | 856 |
| 139354 | Incognito 57 56-59 x 56 ¾ - 8mm | 860 |
| 135330 | Incognito 57 Shaker 56-59 x 56 ¾ - 8mm | 854 |
| 135695 | Revelation Square 56-59 x 56 ¾-59 ¼ - 8mm | 870 |
| 135692 | Revelation Square 56-59 x 56 ¾-58 ¼ - 6mm | 868 |
| 136692 | Revelation Round 56-59 x 56 ¾-59 ¼ - 6mm | 864 |
| 136695 | Revelation Round 56-59 x 56 ¾-59 ¼ - 8 mm | 866 |
| 135320 | Uptown 56-59 x 58 in. 8 mm | 872 |
| 138485 | Vela 56 ½-59 x 59 - 8mm | 876 |
| 138480 | | 874 |
| 134661 | Kameleon SC 55-59 x 57 - 6mm | 843 |
| 134573 | Kameleon 55-59 x 57 - 8mm | 846 |
| 134670 | Kameleon SC 55-59 x 57 - 8mm | 838 |
| 134561 | Kameleon 55-59 x 57 - 6mm | 849 |
| 138994 | Luminescence SlidingDoor 56 ½-59 x 55 ½-57 ½ - 6mm | 880 |
| 105410 | Polar 54-59 ½ x 57 in. | 862 |



- (P) : Indicates optional grab bar positioning
- (▲) : Indicates Whirlpool jets positioning
- (•) : Indicates airjets positioning
- (△) : Indicates suction positioning

All dimensions are approximate. Structure measurements must be verified against the unit to ensure proper fit.

Temple



Material : Acrylic
 Min: 35 Gal / 132 L
 Max: 55 Gal / 209 L

Features

- › Rectangular bathtub with oval bathing well
- › Drop-in installation
- › Optional nailing flange available
- › Armrests and textured floor
- › End drain

RECTANGULAR BATHTUBS - ACRYLIC

| TEMPLE - 100027 | | | | | | |
|--------------------|--|---------|---------------|--|--------------------|---------|
| SKU | System | Color | Configuration | Dimensions & Weight | Packaging | MSRP |
| 100027-000-001-000 | Soaker - No System | White | End | 59 3/4" x 40 3/4" x 18 3/4" / 100 lb / 45 kg | 28 ft ³ | \$ 1158 |
| 100027-000-004-000 | | Bone | | | | \$ 1158 |
| 100027-000-007-000 | | Biscuit | | | | \$ 1158 |
| 100027-003-001-000 | Whirlpool ^{1 4} | White | | | | \$ 2506 |
| 100027-003-004-000 | | Bone | | | | \$ 2506 |
| 100027-003-007-000 | | Biscuit | | | | \$ 2506 |
| 100027-097-001 | Combined Whirlpool & Aeroeffect ^{1 3} | White | | | | \$ 4404 |
| 100027-097-004 | | Bone | | | | \$ 4404 |
| 100027-097-007 | | Biscuit | | | | \$ 4404 |
| 100027-103-001-100 | Aeroeffect ^{1 2 5} | White | | | | \$ 3419 |
| 100027-103-004 | | Bone | | | | \$ 3419 |
| 100027-103-007 | | Biscuit | | | | \$ 3419 |

| COMMON OPTIONS | | |
|----------------|--|--------|
| SKU | Description | MSRP |
| OPT10095 | Water heater assembly for whirlpool and combined systems (factory installed) | \$ 908 |
| OPT10106-084 | Metal trim kit for whirlpool and combined systems (factory installed) Available colors: Chrome (084) and Brushed Nickel (105) | \$ 568 |
| OPT10106-105 | | \$ 568 |
| OPT20029-105 | Metal trim kit for air push control (factory installed) Available colors: Chrome (084) and Brushed Nickel (105) | \$ 50 |

COMMON OPTIONS

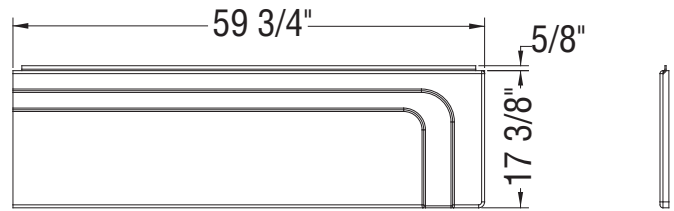
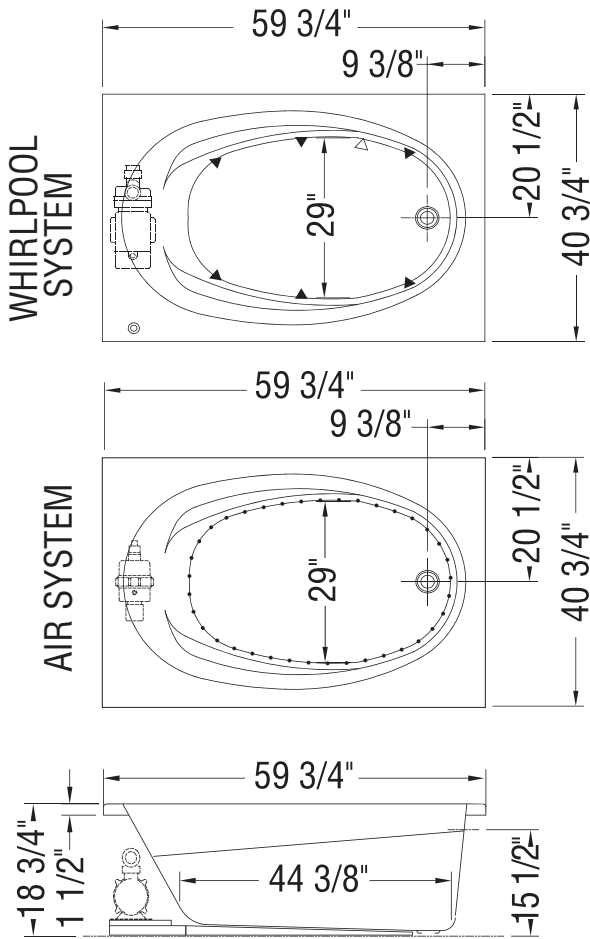
| SKU | Description | MSRP |
|--------------|--|--------|
| OPT20029-084 | Metal trim kit for air push control (factory installed) Available colors: Chrome (084) and Brushed Nickel (105) | \$ 50 |
| OPT20137-004 | Cable-operated waste and overflow (16 in. to 22 in.) (included in product packaging when purchased) Available colors: White (001), Bone (004), Chrome (084) and Brushed Nickel (105) | \$ 238 |
| OPT20137-084 | | \$ 238 |
| OPT20137-105 | | \$ 238 |
| OPT20137-001 | | \$ 238 |
| OPT10004 | Nailing flange (factory installed) OPT10004-R Right-hand drain OPT10004-L Left-hand drain Note: For corner bathtubs, there is no need to specify a right or left-hand side when ordering this option. The flange will be installed on both sides of the unit. | \$ 187 |
| OPT10053 | One chromatherapy light (factory installed) ⁵⁴ | \$ 641 |

ACCESSORIES

| SKU | Description | MSRP |
|--------------|--|--------|
| 10006918 | Tiling flange, 1 x 61 1/4 in., 2 x 42 in. (sold separately) | \$ 132 |
| 10006923 | Flexible main hose (9 ft. extension) for air push control air massage - Kit (sold separately) | \$ 166 |
| 10063099 | Nailing flange (sold separately) | \$ 187 |
| 10004306-001 | White foam cushion with 2 suction pads (sold separately) Available color: White (001) | \$ 120 |
| 10006887-105 | Metal trim kit for Whirlpool and combined systems (sold separately) Available colors: Chrome (084) and Brushed Nickel (105) | \$ 568 |
| 10006887-084 | | \$ 568 |
| 10034250-084 | Metal trim kit for Aeroeffect with Air Push Control (sold separately) Available colors: Chrome (084) and Brushed Nickel (105) | \$ 50 |
| 10034250-105 | | \$ 50 |
| 10022491-084 | Cable-operated waste and overflow (16 in. to 22 in.) (sold separately) Available colors: White (001), Bone (004), Chrome (084) and Brushed Nickel (105) | \$ 238 |
| 10022491-004 | | \$ 238 |
| 10022491-105 | | \$ 238 |
| 10022491-001 | | \$ 238 |

FOOTNOTES

| No | Description |
|----|---|
| 1 | Components for standard colour units equipped with systems are colour-coordinated. Trim kit and/or air push with metallic finish can be added (additional charge applies). For non-standard colour units, please specify trim kit and/or air push colour (additional charge applies for metallic finishes). Please note that the positioning of the system's control could be in conflict with the door if one was installed on the unit. To insure compatibility, please contact customer service. |
| 2 | Please order flexible main hose 10006923 for installation of the blower further than 3 ft from the bathtub. For the Tandem models and the Serenade models (freestanding and drop-in), the blower is always remote and not factory installed so a 9 ft flexible main hose is included. Please note that the positioning of the system's control could be in conflict with the door if one was installed on the unit. To insure compatibility, please contact customer service. |
| 3 | The blower is not factory installed (remote). 9 ft flexible main hose included. Please note that the positioning of the system's control could be in conflict with the door if one was installed on the unit. To insure compatibility, please contact customer service. |
| 4 | For details on pump position and requirements, see technical drawings on https://www.maax.com . When there is a pump position A or B indicated on the technical drawing, please specify position when ordering. |
| 5 | For details on blower position and requirements, see technical drawings on https://www.maax.com . When there is a blower position A or B indicated on the technical drawing, please specify position when ordering. |
| 54 | A selection of units come with an access panel by default when equipped with a system. However, if the unit is only equipped with chromatherapy, the access panel will not be provided by default. |



- (▲): Indicates Whirlpool jets positioning
- (●): Indicates airjets positioning
- (△): Indicates suction positioning

All dimensions are approximate. Structure measurements must be verified against the unit to ensure proper fit.



Tenderness 6032

RECTANGULAR BATHTUBS - ACRYLIC



Material : Acrylic
 Min: 32 Gal / 123 L
 Max: 49 Gal / 186 L

Features

- › Rectangular shape bathtub
- › Alcove installation
- › Armrests and textured floor
- › End drain
- › Integrated tiling flange
- › Integrated skirt with access panel when equipped with system

| TENDERNESS 6032 - 102201 | | | | | | | | |
|--------------------------|--|---------|---------------|---|--------------------|---|--------------------|---------|
| SKU | System | Color | Configuration | Dimensions & Weight | Packaging | MSRP | | |
| 102201-000-001-001 | Soaker - No System | White | Left | 59 7/8" x 31 3/4" x 20" / 71 lb / 32 kg | 23 ft ³ | \$ 1317 | | |
| 102201-000-001-002 | | | Right | | | \$ 1317 | | |
| 102201-000-004-001 | | Bone | Left | | | \$ 1317 | | |
| 102201-000-004-002 | | | Right | | | \$ 1317 | | |
| 102201-000-007-001 | | Biscuit | Left | | | \$ 1317 | | |
| 102201-000-007-002 | | | Right | | | \$ 1317 | | |
| 102201-003-001-001 | Whirlpool ^{1 4} | White | Left | | | 59 7/8" x 31 3/4" x 20" / 71 lb / 32 kg | 23 ft ³ | \$ 2665 |
| 102201-003-001-002 | | | Right | | | | | \$ 2665 |
| 102201-003-004-001 | | Bone | Left | | | | | \$ 2665 |
| 102201-003-004-002 | | | Right | | | | | \$ 2665 |
| 102201-003-007-001 | | Biscuit | Left | | | | | \$ 2665 |
| 102201-003-007-002 | | | Right | | | | | \$ 2665 |
| 102201-103-001-100 | Aeroeffect ^{1 2 5} | White | Left | 59 7/8" x 31 3/4" x 20" / 71 lb / 32 kg | 23 ft ³ | | | \$ 3578 |
| 102201-103-001-101 | | | Right | | | | | \$ 3578 |
| 102201-103-004-100 | | Bone | Left | | | | | \$ 3578 |
| 102201-103-004-101 | | | Right | | | | | \$ 3578 |
| 102201-L-097-001 | Combined Whirlpool & Aeroeffect ^{1 3} | White | Left | | | | | \$ 4563 |
| 102201-L-097-004 | | Bone | | | | | | \$ 4563 |
| 102201-L-097-007 | | Biscuit | | | | \$ 4563 | | |
| 102201-L-103-007 | Aeroeffect ^{1 2 5} | Biscuit | | | | \$ 3578 | | |

TENDERNESS 6032 - 102201

| SKU | System | Color | Configuration | Dimensions & Weight | Packaging | MSRP |
|------------------|--|---------|---------------|---|--------------------|---------|
| 102201-R-097-001 | Combined Whirlpool & Aeroeffect ^{1 3} | White | Right | 59 7/8" x 31 3/4" x 20" / 71 lb / 32 kg | 23 ft ³ | \$ 4563 |
| 102201-R-097-004 | | Bone | | | | \$ 4563 |
| 102201-R-097-007 | | Biscuit | | | | \$ 4563 |
| 102201-R-103-007 | Aeroeffect ^{1 2 5} | | | | | \$ 3578 |

COMMON OPTIONS

| SKU | Description | MSRP |
|--------------|---|---|
| OPT20029-105 | Metal trim kit for air push control (factory installed) | \$ 50 |
| OPT20029-084 | Available colors: Chrome (084) and Brushed Nickel (105) | \$ 50 |
| OPT20137-004 | Cable-operated waste and overflow (16 in. to 22 in.) (included in product packaging when purchased) Available colors: White (001), Bone (004), Chrome (084) and Brushed Nickel (105) | \$ 238 |
| OPT20137-084 | | \$ 238 |
| OPT20137-105 | | \$ 238 |
| OPT20137-001 | | \$ 238 |
| OPT10053 | | One chromatherapy light (factory installed) ⁵⁴ |
| OPT10095 | Water heater assembly for whirlpool and combined systems (factory installed) | \$ 908 |
| OPT10106-084 | Metal trim kit for whirlpool and combined systems (factory installed) | \$ 568 |
| OPT10106-105 | Available colors: Chrome (084) and Brushed Nickel (105) | \$ 568 |
| OPT10260-084 | Two 6-in. acrylic grab bars (factory installed) ⁸ Available colors: White (001), Bone (004), Biscuit (007), Chrome (084) and Brushed Nickel (105) | \$ 385 |
| OPT10260-007 | | \$ 385 |
| OPT10260-004 | | \$ 385 |
| OPT10260-105 | | \$ 385 |
| OPT10260-001 | | \$ 385 |
| OPT10260-001 | | \$ 385 |

ACCESSORIES

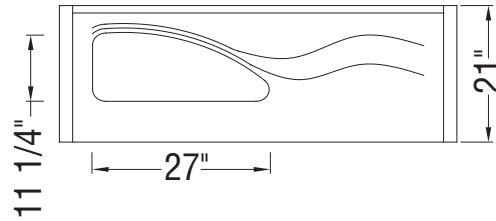
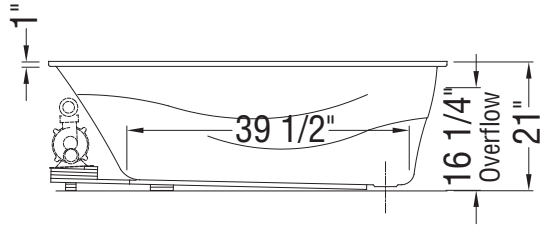
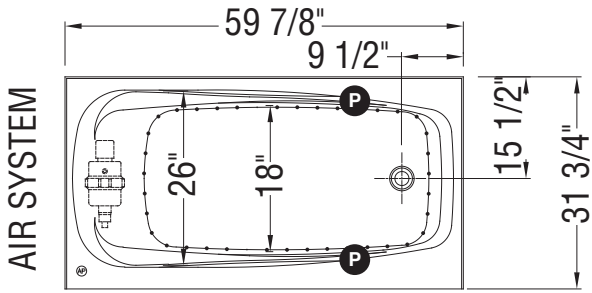
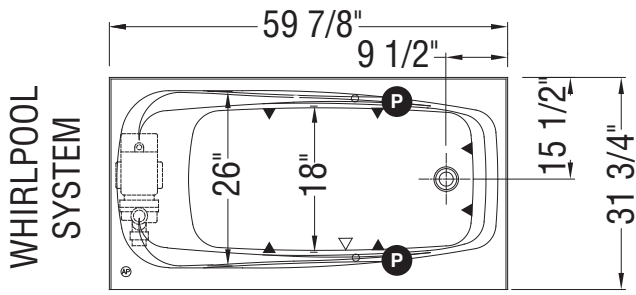
| SKU | Description | MSRP |
|--------------|--|--------|
| 10006923 | Flexible main hose (9 ft. extension) for air push control air massage - Kit (sold separately) | \$ 166 |
| 10004306-001 | White foam cushion with 2 suction pads (sold separately) Available color: White (001) | \$ 120 |
| 10006887-105 | Metal trim kit for Whirlpool and combined systems (sold separately) | \$ 568 |
| 10006887-084 | Available colors: Chrome (084) and Brushed Nickel (105) | \$ 568 |
| 10034250-084 | Metal trim kit for Aeroeffect with Air Push Control (sold separately) | \$ 50 |
| 10034250-105 | Available colors: Chrome (084) and Brushed Nickel (105) | \$ 50 |
| 10022491-084 | Cable-operated waste and overflow (16 in. to 22 in.) (sold separately) Available colors: White (001), Bone (004), Chrome (084) and Brushed Nickel (105) | \$ 238 |
| 10022491-004 | | \$ 238 |
| 10022491-105 | | \$ 238 |
| 10022491-001 | | \$ 238 |
| 10022491-001 | | \$ 238 |

FOOTNOTES

| No | Description |
|----|---|
| 1 | Components for standard colour units equipped with systems are colour-coordinated. Trim kit and/or air push with metallic finish can be added (additional charge applies). For non-standard colour units, please specify trim kit and/or air push colour (additional charge applies for metallic finishes). Please note that the positioning of the system's control could be in conflict with the door if one was installed on the unit. To insure compatibility, please contact customer service. |
| 2 | Please order flexible main hose 10006923 for installation of the blower further than 3 ft from the bathtub. For the Tandem models and the Serenade models (freestanding and drop-in), the blower is always remote and not factory installed so a 9 ft flexible main hose is included. Please note that the positioning of the system's control could be in conflict with the door if one was installed on the unit. To insure compatibility, please contact customer service. |
| 3 | The blower is not factory installed (remote). 9 ft flexible main hose included. Please note that the positioning of the system's control could be in conflict with the door if one was installed on the unit. To insure compatibility, please contact customer service. |
| 4 | For details on pump position and requirements, see technical drawings on https://www.maax.com . When there is a pump position A or B indicated on the technical drawing, please specify position when ordering. |
| 5 | For details on blower position and requirements, see technical drawings on https://www.maax.com . When there is a blower position A or B indicated on the technical drawing, please specify position when ordering. |
| 8 | Two 6 in. or 12 in. metal or acrylic grab bars are optional. Factory installed, only one positioning is possible (see technical drawings on https://www.maax.com). |
| 54 | A selection of units come with an access panel by default when equipped with a system. However, if the unit is only equipped with chromatherapy, the access panel will not be provided by default. |

RECOMMENDED DOORS - VISIT OUR WEBSITE FOR A COMPLETE LIST OF RECOMMENDED DOORS

| SKU | Product Name | Pag. |
|--------|--|------|
| 139398 | Halo 56 ½-59 x 59 - 8mm | 878 |
| 139351 | Incognito 57 56-59 x 56 ¾ - 6mm | 856 |
| 139354 | Incognito 57 56-59 x 56 ¾ - 8mm | 860 |
| 135330 | Incognito 57 Shaker 56-59 x 56 ¾ - 8mm | 854 |
| 135695 | Revelation Square 56-59 x 56 ¾-59 ¼ - 8mm | 870 |
| 135692 | Revelation Square 56-59 x 56 ¾-58 ¼ - 6mm | 868 |
| 136692 | Revelation Round 56-59 x 56 ¾-59 ¼ - 6mm | 864 |
| 136695 | Revelation Round 56-59 x 56 ¾-59 ¼ - 8 mm | 866 |
| 135320 | Uptown 56-59 x 58 in. 8 mm | 872 |
| 138485 | Vela 56 ½-59 x 59 - 8mm | 876 |
| 138480 | | 874 |
| 134661 | Kameleon SC 55-59 x 57 - 6mm | 843 |
| 134573 | Kameleon 55-59 x 57 - 8mm | 846 |
| 134670 | Kameleon SC 55-59 x 57 - 8mm | 838 |
| 134561 | Kameleon 55-59 x 57 - 6mm | 849 |
| 138994 | Luminescence SlidingDoor 56 ½-59 x 55 ½-57 ½ - 6mm | 880 |
| 105410 | Polar 54-59 ½ x 57 in. | 862 |



- P** : Indicates optional grab bar positioning
- (▲) : Indicates Whirlpool jets positioning
- (●) : Indicates airjets positioning
- (△) : Indicates suction positioning

All dimensions are approximate. Structure measurements must be verified against the unit to ensure proper fit.



Tenderness 6036

RECTANGULAR BATHTUBS - ACRYLIC



Material : Acrylic
 Min: 32 Gal / 123 L
 Max: 49 Gal / 186 L

Features

- › Rectangular shape bathtub
- › Alcove installation
- › Armrests and textured floor
- › End drain
- › Integrated tiling flange
- › Integrated skirt with access panel when equipped with system

| TENDERNESS 6036 - 102202 | | | | | | |
|--------------------------|--|---------|---------------|---|--------------------|---------|
| SKU | System | Color | Configuration | Dimensions & Weight | Packaging | MSRP |
| 102202-000-001-001 | Soaker - No System | White | Left | 59 7/8" x 35 3/4" x 20" / 81 lb / 37 kg | 26 ft ³ | \$ 1490 |
| 102202-000-001-002 | | | Right | | | \$ 1490 |
| 102202-000-004-001 | | Bone | Left | | | \$ 1490 |
| 102202-000-004-002 | | | Right | | | \$ 1490 |
| 102202-000-007-001 | | Biscuit | Left | | | \$ 1490 |
| 102202-000-007-002 | | | Right | | | \$ 1490 |
| 102202-003-001-001 | Whirlpool ^{1 4} | White | Left | | | \$ 2838 |
| 102202-003-001-002 | | | Right | | | \$ 2838 |
| 102202-003-004-001 | | Bone | Left | | | \$ 2838 |
| 102202-003-004-002 | | | Right | | | \$ 2838 |
| 102202-003-007-001 | | Biscuit | Left | | | \$ 2838 |
| 102202-003-007-002 | | | Right | | | \$ 2838 |
| 102202-103-001-100 | Aeroeffect ^{1 2 5} | White | Left | \$ 3751 | | |
| 102202-103-001-101 | | | Right | \$ 3751 | | |
| 102202-L-097-001 | Combined Whirlpool & Aeroeffect ^{1 3} | Bone | Left | \$ 4736 | | |
| 102202-L-097-004 | | | | \$ 4736 | | |
| 102202-L-097-007 | | | | \$ 4736 | | |
| 102202-L-103-004 | Aeroeffect ^{1 2 5} | Bone | \$ 3751 | | | |
| 102202-L-103-007 | | Biscuit | \$ 3751 | | | |
| 102202-R-097-001 | Combined Whirlpool & Aeroeffect ^{1 3} | White | Right | \$ 4736 | | |

TENDERNESS 6036 - 102202

| SKU | System | Color | Configuration | Dimensions & Weight | Packaging | MSRP |
|------------------|--|---------|---------------|---|--------------------|---------|
| 102202-R-097-004 | Combined Whirlpool & Aeroeffect ^{1 3} | Bone | Right | 59 7/8" x 35 3/4" x 20" / 81 lb / 37 kg | 26 ft ³ | \$ 4736 |
| 102202-R-097-007 | | Biscuit | | | | \$ 4736 |
| 102202-R-103-004 | Aeroeffect ^{1 2 5} | Bone | | | | \$ 3751 |
| 102202-R-103-007 | | Biscuit | | | | \$ 3751 |

COMMON OPTIONS

| SKU | Description | MSRP |
|--------------|---|--|
| OPT20137-004 | Cable-operated waste and overflow (16 in. to 22 in.) (included in product packaging when purchased) Available colors: White (001), Bone (004), Chrome (084) and Brushed Nickel (105) | \$ 238 |
| OPT20137-084 | | \$ 238 |
| OPT20137-105 | | \$ 238 |
| OPT20137-001 | | \$ 238 |
| OPT10053 | One chromatherapy light (factory installed) ⁵⁴ | \$ 641 |
| OPT10095 | Water heater assembly for whirlpool and combined systems (factory installed) | \$ 908 |
| OPT10106-084 | Metal trim kit for whirlpool and combined systems (factory installed) Available colors: Chrome (084) and Brushed Nickel (105) | \$ 568 |
| OPT10106-105 | | \$ 568 |
| OPT10260-084 | Two 6-in. acrylic grab bars (factory installed) ⁸ Available colors: White (001), Bone (004), Biscuit (007), Chrome (084) and Brushed Nickel (105) | \$ 385 |
| OPT10260-007 | | \$ 385 |
| OPT10260-004 | | \$ 385 |
| OPT10260-105 | | \$ 385 |
| OPT10260-001 | | \$ 385 |
| OPT20029-105 | | Metal trim kit for air push control (factory installed) Available colors: Chrome (084) and Brushed Nickel (105) |
| OPT20029-084 | \$ 50 | |

ACCESSORIES

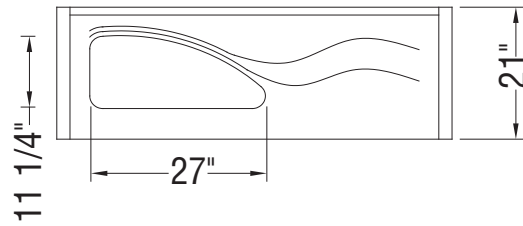
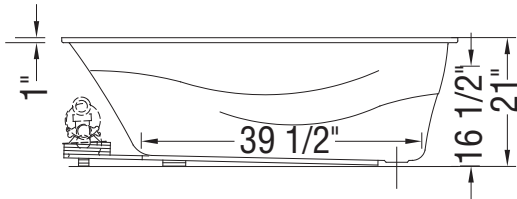
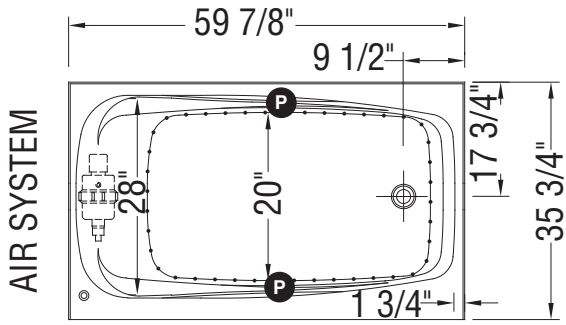
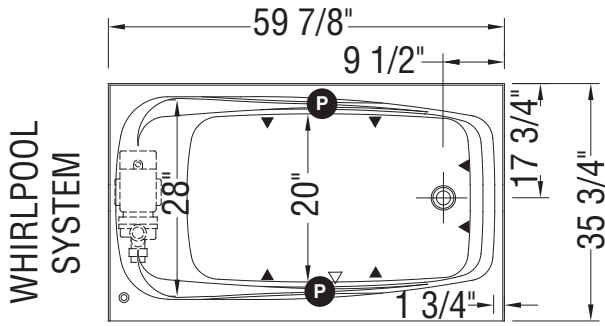
| SKU | Description | MSRP |
|--------------|--|--------|
| 10006923 | Flexible main hose (9 ft. extension) for air push control air massage - Kit (sold separately) | \$ 166 |
| 10006887-105 | Metal trim kit for Whirlpool and combined systems (sold separately) Available colors: Chrome (084) and Brushed Nickel (105) | \$ 568 |
| 10006887-084 | | \$ 568 |
| 10034250-084 | Metal trim kit for Aeroeffect with Air Push Control (sold separately) Available colors: Chrome (084) and Brushed Nickel (105) | \$ 50 |
| 10034250-105 | | \$ 50 |
| 10022491-084 | Cable-operated waste and overflow (16 in. to 22 in.) (sold separately) Available colors: White (001), Bone (004), Chrome (084) and Brushed Nickel (105) | \$ 238 |
| 10022491-004 | | \$ 238 |
| 10022491-105 | | \$ 238 |
| 10022491-001 | | \$ 238 |

FOOTNOTES

| No | Description |
|----|---|
| 1 | Components for standard colour units equipped with systems are colour-coordinated. Trim kit and/or air push with metallic finish can be added (additional charge applies). For non-standard colour units, please specify trim kit and/or air push colour (additional charge applies for metallic finishes). Please note that the positioning of the system's control could be in conflict with the door if one was installed on the unit. To insure compatibility, please contact customer service. |
| 2 | Please order flexible main hose 10006923 for installation of the blower further than 3 ft from the bathtub. For the Tandem models and the Serenade models (freestanding and drop-in), the blower is always remote and not factory installed so a 9 ft flexible main hose is included. Please note that the positioning of the system's control could be in conflict with the door if one was installed on the unit. To insure compatibility, please contact customer service. |
| 4 | For details on pump position and requirements, see technical drawings on https://www.maax.com . When there is a pump position A or B indicated on the technical drawing, please specify position when ordering. |
| 5 | For details on blower position and requirements, see technical drawings on https://www.maax.com . When there is a blower position A or B indicated on the technical drawing, please specify position when ordering. |
| 8 | Two 6 in. or 12 in. metal or acrylic grab bars are optional. Factory installed, only one positioning is possible (see technical drawings on https://www.maax.com). |
| 54 | A selection of units come with an access panel by default when equipped with a system. However, if the unit is only equipped with chromatherapy, the access panel will not be provided by default. |

RECOMMENDED DOORS - VISIT OUR WEBSITE FOR A COMPLETE LIST OF RECOMMENDED DOORS

| SKU | Product Name | Pag. |
|--------|--|------|
| 139398 | Halo 56 ½-59 x 59 - 8mm | 878 |
| 139351 | Incognito 57 56-59 x 56 ¾ - 6mm | 856 |
| 139354 | Incognito 57 56-59 x 56 ¾ - 8mm | 860 |
| 135330 | Incognito 57 Shaker 56-59 x 56 ¾ - 8mm | 854 |
| 135695 | Revelation Square 56-59 x 56 ¾-59 ¼ - 8mm | 870 |
| 135692 | Revelation Square 56-59 x 56 ¾-58 ¼ - 6mm | 868 |
| 136692 | Revelation Round 56-59 x 56 ¾-59 ¼ - 6mm | 864 |
| 136695 | Revelation Round 56-59 x 56 ¾-59 ¼ - 8 mm | 866 |
| 135320 | Uptown 56-59 x 58 in. 8 mm | 872 |
| 138485 | Vela 56 ½-59 x 59 - 8mm | 876 |
| 138480 | | 874 |
| 134661 | Kameleon SC 55-59 x 57 - 6mm | 843 |
| 134573 | Kameleon 55-59 x 57 - 8mm | 846 |
| 134670 | Kameleon SC 55-59 x 57 - 8mm | 838 |
| 134561 | Kameleon 55-59 x 57 - 6mm | 849 |
| 138994 | Luminescence SlidingDoor 56 ½-59 x 55 ½-57 ½ - 6mm | 880 |
| 105410 | Polar 54-59 ½ x 57 in. | 862 |



- Ⓟ : Indicates optional grab bar positioning
- (▲): Indicates Whirlpool jets positioning
- (●): Indicates airjets positioning
- (△): Indicates suction positioning

All dimensions are approximate. Structure measurements must be verified against the unit to ensure proper fit.



Tenderness 6042

RECTANGULAR BATHTUBS - ACRYLIC



Material : Acrylic
 Min: 32 Gal / 123 L
 Max: 60 Gal / 227 L

Features

- › Rectangular shape bathtub
- › Alcove installation
- › Armrests and textured floor
- › End drain
- › Integrated tiling flange
- › Integrated skirt with access panel when equipped with system

TENDERNESS 6042 - 102205

| SKU | System | Color | Configuration | Dimensions & Weight | Packaging | MSRP | | | | | |
|--------------------|--|---------|---|---|--------------------|---|--------------------|---|--------------------|--------------------|---------|
| 102205-000-001-001 | Soaker - No System | White | Left | 59 7/8" x 41 7/8" x 19 3/4" / 90 lb / 41 kg | 31 ft ³ | \$ 1531 | | | | | |
| 102205-000-001-002 | | | Right | | | \$ 1531 | | | | | |
| 102205-000-004-001 | | Bone | Left | | | \$ 1531 | | | | | |
| 102205-000-004-002 | | | Right | | | \$ 1531 | | | | | |
| 102205-000-007-001 | | Biscuit | Left | | | \$ 1531 | | | | | |
| 102205-000-007-002 | | | Right | | | \$ 1531 | | | | | |
| 102205-003-001-001 | Whirlpool ^{1 4} | White | Left | | | 59 7/8" x 41 7/8" x 19 3/4" / 90 lb / 41 kg | 31 ft ³ | \$ 2879 | | | |
| 102205-003-001-002 | | | Right | | | | | \$ 2879 | | | |
| 102205-003-004-001 | | Bone | Left | | | | | \$ 2879 | | | |
| 102205-003-004-002 | | | Right | | | | | \$ 2879 | | | |
| 102205-003-007-001 | | Biscuit | Left | | | | | \$ 2879 | | | |
| 102205-003-007-002 | | | Right | | | | | \$ 2879 | | | |
| 102205-103-001-100 | Aeroeffect ^{1 2 5} | White | Left | 59 7/8" x 41 7/8" x 19 3/4" / 90 lb / 41 kg | 31 ft ³ | | | \$ 3792 | | | |
| 102205-103-001-101 | | | Right | | | | | \$ 3792 | | | |
| 102205-L-097-001 | Combined Whirlpool & Aeroeffect ^{1 3} | Bone | Left | | | | | 59 7/8" x 41 7/8" x 19 3/4" / 90 lb / 41 kg | 31 ft ³ | \$ 4777 | |
| 102205-L-097-004 | | | | | | | | | | Biscuit | \$ 4777 |
| 102205-L-097-007 | | | | | | | | | | White | \$ 4777 |
| 102205-L-103-004 | Aeroeffect ^{1 2 5} | Bone | 59 7/8" x 41 7/8" x 19 3/4" / 90 lb / 41 kg | | | | | | | 31 ft ³ | \$ 3792 |
| 102205-L-103-007 | | Biscuit | | | | \$ 3792 | | | | | |
| 102205-R-097-001 | Combined Whirlpool & Aeroeffect ^{1 3} | White | | | | Right | \$ 4777 | | | | |

TENDERNESS 6042 - 102205

| SKU | System | Color | Configuration | Dimensions & Weight | Packaging | MSRP |
|------------------|--|---------|---------------|---|--------------------|---------|
| 102205-R-097-004 | Combined Whirlpool & Aeroeffect ^{1 3} | Bone | Right | 59 7/8" x 41 7/8" x 19 3/4" / 90 lb / 41 kg | 31 ft ³ | \$ 4777 |
| 102205-R-097-007 | | Biscuit | | | | \$ 4777 |
| 102205-R-103-004 | Aeroeffect ^{1 2 5} | Bone | | | | \$ 3792 |
| 102205-R-103-007 | | Biscuit | | | | \$ 3792 |

COMMON OPTIONS

| SKU | Description | MSRP |
|--------------|---|---|
| OPT20029-105 | Metal trim kit for air push control (factory installed) | \$ 50 |
| OPT20029-084 | Available colors: Chrome (084) and Brushed Nickel (105) | \$ 50 |
| OPT20137-004 | Cable-operated waste and overflow (16 in. to 22 in.) (included in product packaging when purchased) Available colors: White (001), Bone (004), Chrome (084) and Brushed Nickel (105) | \$ 238 |
| OPT20137-084 | | \$ 238 |
| OPT20137-105 | | \$ 238 |
| OPT20137-001 | | \$ 238 |
| OPT10053 | | One chromatherapy light (factory installed) ⁵⁴ |
| OPT10095 | Water heater assembly for whirlpool and combined systems (factory installed) | \$ 908 |
| OPT10106-084 | Metal trim kit for whirlpool and combined systems (factory installed) Available colors: Chrome (084) and Brushed Nickel (105) | \$ 568 |
| OPT10106-105 | | \$ 568 |
| OPT10260-084 | Two 6-in. acrylic grab bars (factory installed) ⁸ Available colors: White (001), Bone (004), Biscuit (007), Chrome (084) and Brushed Nickel (105) | \$ 385 |
| OPT10260-007 | | \$ 385 |
| OPT10260-004 | | \$ 385 |
| OPT10260-105 | | \$ 385 |
| OPT10260-001 | | \$ 385 |
| OPT10260-001 | | \$ 385 |

ACCESSORIES

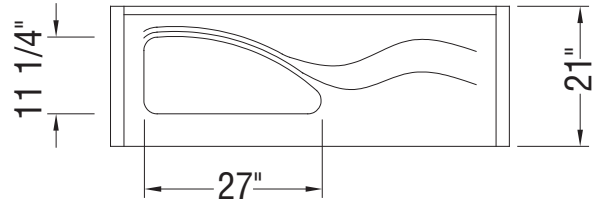
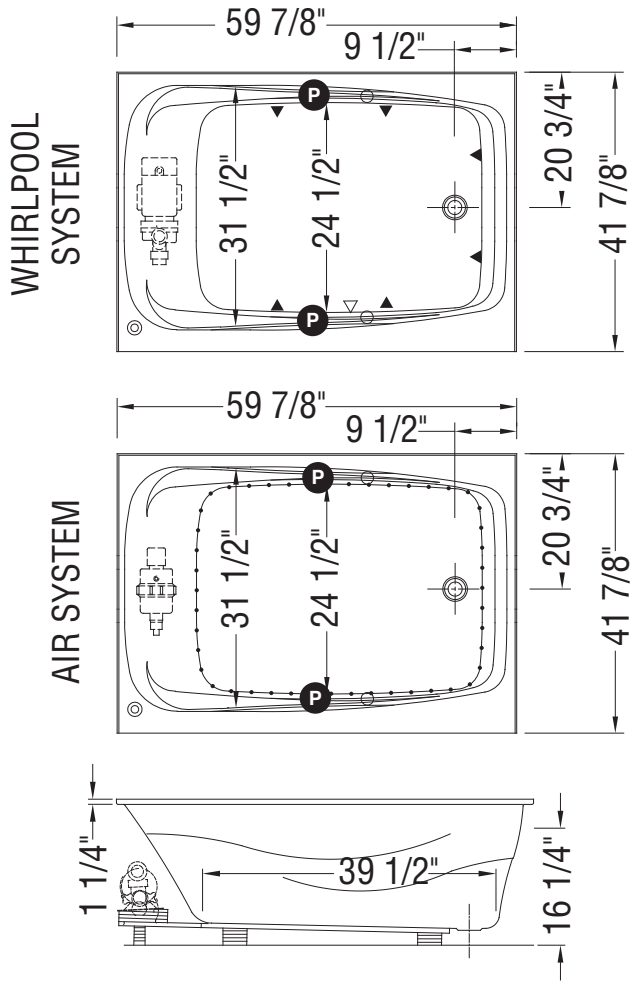
| SKU | Description | MSRP |
|--------------|--|--------|
| 10006923 | Flexible main hose (9 ft. extension) for air push control air massage - Kit (sold separately) | \$ 166 |
| 10004306-001 | White foam cushion with 2 suction pads (sold separately) Available color: White (001) | \$ 120 |
| 10006887-105 | Metal trim kit for Whirlpool and combined systems (sold separately) Available colors: Chrome (084) and Brushed Nickel (105) | \$ 568 |
| 10006887-084 | | \$ 568 |
| 10034250-084 | Metal trim kit for Aeroeffect with Air Push Control (sold separately) Available colors: Chrome (084) and Brushed Nickel (105) | \$ 50 |
| 10034250-105 | | \$ 50 |
| 10022491-084 | Cable-operated waste and overflow (16 in. to 22 in.) (sold separately) Available colors: White (001), Bone (004), Chrome (084) and Brushed Nickel (105) | \$ 238 |
| 10022491-004 | | \$ 238 |
| 10022491-105 | | \$ 238 |
| 10022491-001 | | \$ 238 |

FOOTNOTES

| No | Description |
|----|---|
| 1 | Components for standard colour units equipped with systems are colour-coordinated. Trim kit and/or air push with metallic finish can be added (additional charge applies). For non-standard colour units, please specify trim kit and/or air push colour (additional charge applies for metallic finishes). Please note that the positioning of the system's control could be in conflict with the door if one was installed on the unit. To insure compatibility, please contact customer service. |
| 2 | Please order flexible main hose 10006923 for installation of the blower further than 3 ft from the bathtub. For the Tandem models and the Serenade models (freestanding and drop-in), the blower is always remote and not factory installed so a 9 ft flexible main hose is included. Please note that the positioning of the system's control could be in conflict with the door if one was installed on the unit. To insure compatibility, please contact customer service. |
| 4 | For details on pump position and requirements, see technical drawings on https://www.maax.com . When there is a pump position A or B indicated on the technical drawing, please specify position when ordering. |
| 5 | For details on blower position and requirements, see technical drawings on https://www.maax.com . When there is a blower position A or B indicated on the technical drawing, please specify position when ordering. |
| 8 | Two 6 in. or 12 in. metal or acrylic grab bars are optional. Factory installed, only one positioning is possible (see technical drawings on https://www.maax.com). |
| 54 | A selection of units come with an access panel by default when equipped with a system. However, if the unit is only equipped with chromatherapy, the access panel will not be provided by default. |

RECOMMENDED DOORS - VISIT OUR WEBSITE FOR A COMPLETE LIST OF RECOMMENDED DOORS

| SKU | Product Name | Pag. |
|--------|--|------|
| 139398 | Halo 56 ½-59 x 59 - 8mm | 878 |
| 139351 | Incognito 57 56-59 x 56 ¾ - 6mm | 856 |
| 139354 | Incognito 57 56-59 x 56 ¾ - 8mm | 860 |
| 135330 | Incognito 57 Shaker 56-59 x 56 ¾ - 8mm | 854 |
| 135695 | Revelation Square 56-59 x 56 ¾-59 ¼ - 8mm | 870 |
| 135692 | Revelation Square 56-59 x 56 ¾-58 ¼ - 6mm | 868 |
| 136692 | Revelation Round 56-59 x 56 ¾-59 ¼ - 6mm | 864 |
| 136695 | Revelation Round 56-59 x 56 ¾-59 ¼ - 8 mm | 866 |
| 135320 | Uptown 56-59 x 58 in. 8 mm | 872 |
| 138485 | Vela 56 ½-59 x 59 - 8mm | 876 |
| 138480 | | 874 |
| 134661 | Kameleon SC 55-59 x 57 - 6mm | 843 |
| 134573 | Kameleon 55-59 x 57 - 8mm | 846 |
| 134670 | Kameleon SC 55-59 x 57 - 8mm | 838 |
| 134561 | Kameleon 55-59 x 57 - 6mm | 849 |
| 138994 | Luminescence SlidingDoor 56 ½-59 x 55 ½-57 ½ - 6mm | 880 |
| 105410 | Polar 54-59 ½ x 57 in. | 862 |



- (P) : Indicates optional grab bar positioning
- (▲) : Indicates Whirlpool jets positioning
- (•) : Indicates airjets positioning
- (△) : Indicates suction positioning

All dimensions are approximate. Structure measurements must be verified against the unit to ensure proper fit.

Tenderness 6636



RECTANGULAR BATHTUBS - ACRYLIC



Material : Acrylic
 Min: 35 Gal / 132 L
 Max: 55 Gal / 209 L

Features

- › Rectangular shape bathtub
- › Alcove installation
- › Armrests and textured floor
- › End drain
- › Integrated tiling flange
- › Integrated skirt with access panel when equipped with system

| TENDERNESS 6636 - 102203 | | | | | | |
|--------------------------|--|---------|---------------|---|--------------------|---------|
| SKU | System | Color | Configuration | Dimensions & Weight | Packaging | MSRP |
| 102203-000-001-001 | Soaker - No System | White | Left | 65 7/8" x 35 3/4" x 19 3/4" / 90 lb / 41 kg | 29 ft ³ | \$ 1543 |
| 102203-000-001-002 | | | Right | | | \$ 1543 |
| 102203-000-004-001 | | Bone | Left | | | \$ 1543 |
| 102203-000-004-002 | | | Right | | | \$ 1543 |
| 102203-000-007-001 | | Biscuit | Left | | | \$ 1543 |
| 102203-000-007-002 | | | Right | | | \$ 1543 |
| 102203-003-001-001 | Whirlpool ^{1 4} | White | Left | | | \$ 2891 |
| 102203-003-001-002 | | | Right | | | \$ 2891 |
| 102203-003-007-001 | | Biscuit | Left | | | \$ 2891 |
| 102203-003-007-002 | | | Right | | | \$ 2891 |
| 102203-103-001-100 | Aeroeffect ^{1 2 5} | White | Left | | | \$ 3804 |
| 102203-103-001-101 | | | Right | | | \$ 3804 |
| 102203-L-003-004 | Whirlpool ^{1 4} | Bone | Left | \$ 2891 | | |
| 102203-L-097-001 | Combined Whirlpool & Aeroeffect ^{1 3} | White | | \$ 4789 | | |
| 102203-L-097-004 | | Bone | | \$ 4789 | | |
| 102203-L-097-007 | | Biscuit | | \$ 4789 | | |
| 102203-L-103-004 | Aeroeffect ^{1 2 5} | Bone | | \$ 3804 | | |
| 102203-L-103-007 | | Biscuit | | \$ 3804 | | |
| 102203-R-003-004 | Whirlpool ^{1 4} | Bone | Right | \$ 2891 | | |
| 102203-R-097-001 | Combined Whirlpool & Aeroeffect ^{1 3} | White | | \$ 4789 | | |

TENDERNESS 6636 - 102203

| SKU | System | Color | Configuration | Dimensions & Weight | Packaging | MSRP |
|------------------|--|---------|---------------|---|--------------------|---------|
| 102203-R-097-004 | Combined Whirlpool & Aeroeffect ^{1 3} | Bone | Right | 65 7/8" x 35 3/4" x 19 3/4" / 90 lb / 41 kg | 29 ft ³ | \$ 4789 |
| 102203-R-097-007 | | Biscuit | | | | \$ 4789 |
| 102203-R-103-004 | Aeroeffect ^{1 2 5} | Bone | | | | \$ 3804 |
| 102203-R-103-007 | | Biscuit | | | | \$ 3804 |

COMMON OPTIONS

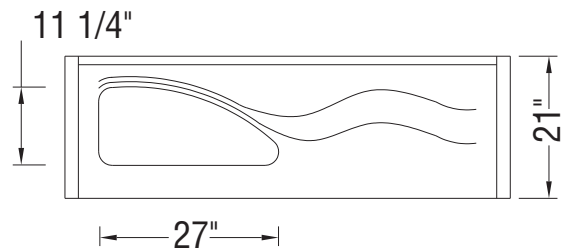
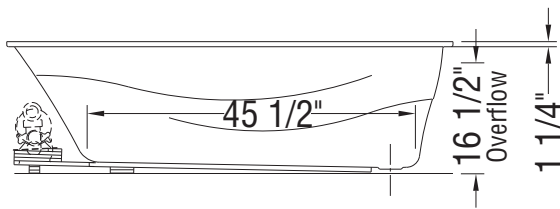
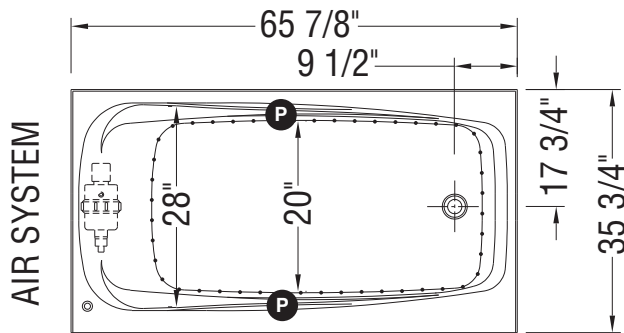
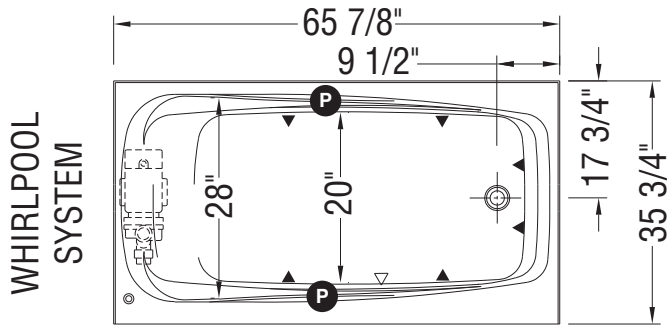
| SKU | Description | MSRP |
|--------------|---|--|
| OPT10053 | One chromatherapy light (factory installed) ⁵⁴ | \$ 641 |
| OPT10095 | Water heater assembly for whirlpool and combined systems (factory installed) | \$ 908 |
| OPT10106-084 | Metal trim kit for whirlpool and combined systems (factory installed) Available colors: Chrome (084) and Brushed Nickel (105) | \$ 568 |
| OPT10106-105 | | \$ 568 |
| OPT10260-084 | Two 6-in. acrylic grab bars (factory installed) ⁸ Available colors: White (001), Bone (004), Biscuit (007), Chrome (084) and Brushed Nickel (105) | \$ 385 |
| OPT10260-007 | | \$ 385 |
| OPT10260-004 | | \$ 385 |
| OPT10260-105 | | \$ 385 |
| OPT10260-001 | | \$ 385 |
| OPT20029-105 | | Metal trim kit for air push control (factory installed) Available colors: Chrome (084) and Brushed Nickel (105) |
| OPT20029-084 | \$ 50 | |
| OPT20137-004 | Cable-operated waste and overflow (16 in. to 22 in.) (included in product packaging when purchased) Available colors: White (001), Bone (004), Chrome (084) and Brushed Nickel (105) | \$ 238 |
| OPT20137-084 | | \$ 238 |
| OPT20137-105 | | \$ 238 |
| OPT20137-001 | | \$ 238 |

ACCESSORIES

| SKU | Description | MSRP |
|--------------|--|--------|
| 10006923 | Flexible main hose (9 ft. extension) for air push control air massage - Kit (sold separately) | \$ 166 |
| 10004306-001 | White foam cushion with 2 suction pads (sold separately) Available color: White (001) | \$ 120 |
| 10006887-105 | Metal trim kit for Whirlpool and combined systems (sold separately) Available colors: Chrome (084) and Brushed Nickel (105) | \$ 568 |
| 10006887-084 | | \$ 568 |
| 10034250-084 | Metal trim kit for Aeroeffect with Air Push Control (sold separately) Available colors: Chrome (084) and Brushed Nickel (105) | \$ 50 |
| 10034250-105 | | \$ 50 |
| 10022491-084 | Cable-operated waste and overflow (16 in. to 22 in.) (sold separately) Available colors: White (001), Bone (004), Chrome (084) and Brushed Nickel (105) | \$ 238 |
| 10022491-004 | | \$ 238 |
| 10022491-105 | | \$ 238 |
| 10022491-001 | | \$ 238 |

FOOTNOTES

| No | Description |
|----|---|
| 1 | Components for standard colour units equipped with systems are colour-coordinated. Trim kit and/or air push with metallic finish can be added (additional charge applies). For non-standard colour units, please specify trim kit and/or air push colour (additional charge applies for metallic finishes). Please note that the positioning of the system's control could be in conflict with the door if one was installed on the unit. To insure compatibility, please contact customer service. |
| 2 | Please order flexible main hose 10006923 for installation of the blower further than 3 ft from the bathtub. For the Tandem models and the Serenade models (freestanding and drop-in), the blower is always remote and not factory installed so a 9 ft flexible main hose is included. Please note that the positioning of the system's control could be in conflict with the door if one was installed on the unit. To insure compatibility, please contact customer service. |
| 4 | For details on pump position and requirements, see technical drawings on https://www.maax.com . When there is a pump position A or B indicated on the technical drawing, please specify position when ordering. |
| 5 | For details on blower position and requirements, see technical drawings on https://www.maax.com . When there is a blower position A or B indicated on the technical drawing, please specify position when ordering. |
| 8 | Two 6 in. or 12 in. metal or acrylic grab bars are optional. Factory installed, only one positioning is possible (see technical drawings on https://www.maax.com). |
| 54 | A selection of units come with an access panel by default when equipped with a system. However, if the unit is only equipped with chromatherapy, the access panel will not be provided by default. |



- (P) : Indicates optional grab bar positioning
- (▲) : Indicates Whirlpool jets positioning
- (●) : Indicates airjets positioning
- (△) : Indicates suction positioning

All dimensions are approximate. Structure measurements must be verified against the unit to ensure proper fit.



Tenderness 7236

RECTANGULAR BATHTUBS - ACRYLIC



Material : Acrylic
 Min: 41 Gal / 155 L
 Max: 61 Gal / 232 L

Features

- › Rectangular shape bathtub
- › Alcove installation
- › Armrests and textured floor
- › End drain
- › Integrated tiling flange
- › Integrated skirt with access panel when equipped with system

TENDERNESS 7236 - 102204

| SKU | System | Color | Configuration | Dimensions & Weight | Packaging | MSRP | | | | |
|--------------------|--|---------|---------------|--|--------------------|--|--------------------|--|--------------------|---------|
| 102204-000-001-001 | Soaker - No System | White | Left | 71 7/8" x 35 3/4" x 20" / 100 lb / 45 kg | 31 ft ³ | \$ 1660 | | | | |
| 102204-000-001-002 | | | Right | | | \$ 1660 | | | | |
| 102204-000-004-001 | | Bone | Left | | | \$ 1660 | | | | |
| 102204-000-004-002 | | | Right | | | \$ 1660 | | | | |
| 102204-000-007-001 | | Biscuit | Left | | | \$ 1660 | | | | |
| 102204-000-007-002 | | | Right | | | \$ 1660 | | | | |
| 102204-003-001-001 | Whirlpool ^{1 4} | White | Left | | | 71 7/8" x 35 3/4" x 20" / 100 lb / 45 kg | 31 ft ³ | \$ 3008 | | |
| 102204-003-001-002 | | | Right | | | | | \$ 3008 | | |
| 102204-003-004-001 | | Bone | Left | | | | | \$ 3008 | | |
| 102204-003-004-002 | | | Right | | | | | \$ 3008 | | |
| 102204-003-007-001 | | Biscuit | Left | | | | | \$ 3008 | | |
| 102204-003-007-002 | | | Right | | | | | \$ 3008 | | |
| 102204-097-001-001 | Combined Whirlpool & Aeroeffect ^{1 3} | White | Left | 71 7/8" x 35 3/4" x 20" / 100 lb / 45 kg | 31 ft ³ | | | \$ 4906 | | |
| 102204-097-001-002 | | | Right | | | | | \$ 4906 | | |
| 102204-103-001-100 | Aeroeffect ^{1 2 5} | | Left | | | | | \$ 3921 | | |
| 102204-103-001-101 | | | Right | | | | | \$ 3921 | | |
| 102204-L-097-004 | Combined Whirlpool & Aeroeffect ^{1 3} | Bone | Left | | | | | 71 7/8" x 35 3/4" x 20" / 100 lb / 45 kg | 31 ft ³ | \$ 4906 |
| 102204-L-097-007 | | Biscuit | | | | | | | | \$ 4906 |
| 102204-L-103-004 | Aeroeffect ^{1 2 5} | Bone | | | | \$ 3921 | | | | |
| 102204-L-103-007 | | Biscuit | | | | \$ 3921 | | | | |

TENDERNESS 7236 - 102204

| SKU | System | Color | Configuration | Dimensions & Weight | Packaging | MSRP |
|------------------|--|---------|---------------|--|--------------------|---------|
| 102204-R-097-004 | Combined Whirlpool & Aeroeffect ^{1 3} | Bone | Right | 71 7/8" x 35 3/4" x 20" / 100 lb / 45 kg | 31 ft ³ | \$ 4906 |
| 102204-R-097-007 | | Biscuit | | | | \$ 4906 |
| 102204-R-103-004 | Aeroeffect ^{1 2 5} | Bone | | | | \$ 3921 |
| 102204-R-103-007 | | Biscuit | | | | \$ 3921 |

COMMON OPTIONS

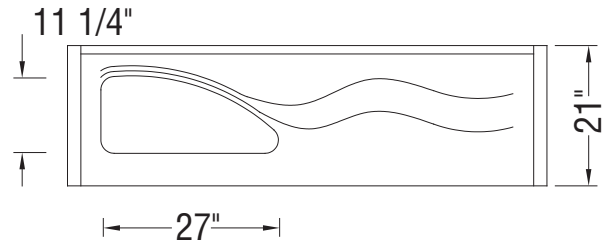
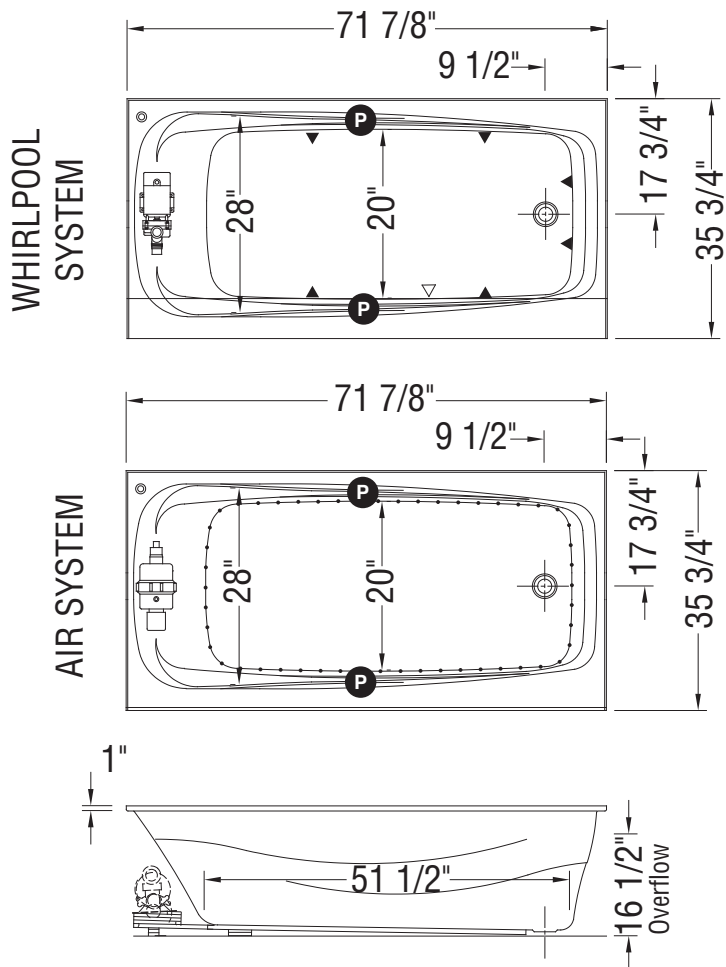
| SKU | Description | MSRP |
|--------------|---|--|
| OPT10053 | One chromatherapy light (factory installed) ⁵⁴ | \$ 641 |
| OPT10095 | Water heater assembly for whirlpool and combined systems (factory installed) | \$ 908 |
| OPT10106-084 | Metal trim kit for whirlpool and combined systems (factory installed) Available colors: Chrome (084) and Brushed Nickel (105) | \$ 568 |
| OPT10106-105 | | \$ 568 |
| OPT10260-084 | Two 6-in. acrylic grab bars (factory installed) ⁸ Available colors: White (001), Bone (004), Biscuit (007), Chrome (084) and Brushed Nickel (105) | \$ 385 |
| OPT10260-007 | | \$ 385 |
| OPT10260-004 | | \$ 385 |
| OPT10260-105 | | \$ 385 |
| OPT10260-001 | | \$ 385 |
| OPT20029-105 | | Metal trim kit for air push control (factory installed) Available colors: Chrome (084) and Brushed Nickel (105) |
| OPT20029-084 | \$ 50 | |
| OPT20137-004 | Cable-operated waste and overflow (16 in. to 22 in.) (included in product packaging when purchased) Available colors: White (001), Bone (004), Chrome (084) and Brushed Nickel (105) | \$ 238 |
| OPT20137-084 | | \$ 238 |
| OPT20137-105 | | \$ 238 |
| OPT20137-001 | | \$ 238 |

ACCESSORIES

| SKU | Description | MSRP |
|--------------|--|--------|
| 10006923 | Flexible main hose (9 ft. extension) for air push control air massage - Kit (sold separately) | \$ 166 |
| 10004306-001 | White foam cushion with 2 suction pads (sold separately) Available color: White (001) | \$ 120 |
| 10006887-105 | Metal trim kit for Whirlpool and combined systems (sold separately) Available colors: Chrome (084) and Brushed Nickel (105) | \$ 568 |
| 10006887-084 | | \$ 568 |
| 10034250-084 | Metal trim kit for Aeroeffect with Air Push Control (sold separately) Available colors: Chrome (084) and Brushed Nickel (105) | \$ 50 |
| 10034250-105 | | \$ 50 |
| 10022491-084 | Cable-operated waste and overflow (16 in. to 22 in.) (sold separately) Available colors: White (001), Bone (004), Chrome (084) and Brushed Nickel (105) | \$ 238 |
| 10022491-004 | | \$ 238 |
| 10022491-105 | | \$ 238 |
| 10022491-001 | | \$ 238 |

FOOTNOTES

| No | Description |
|----|---|
| 1 | Components for standard colour units equipped with systems are colour-coordinated. Trim kit and/or air push with metallic finish can be added (additional charge applies). For non-standard colour units, please specify trim kit and/or air push colour (additional charge applies for metallic finishes). Please note that the positioning of the system's control could be in conflict with the door if one was installed on the unit. To insure compatibility, please contact customer service. |
| 2 | Please order flexible main hose 10006923 for installation of the blower further than 3 ft from the bathtub. For the Tandem models and the Serenade models (freestanding and drop-in), the blower is always remote and not factory installed so a 9 ft flexible main hose is included. Please note that the positioning of the system's control could be in conflict with the door if one was installed on the unit. To insure compatibility, please contact customer service. |
| 3 | The blower is not factory installed (remote). 9 ft flexible main hose included. Please note that the positioning of the system's control could be in conflict with the door if one was installed on the unit. To insure compatibility, please contact customer service. |
| 4 | For details on pump position and requirements, see technical drawings on https://www.maax.com . When there is a pump position A or B indicated on the technical drawing, please specify position when ordering. |
| 5 | For details on blower position and requirements, see technical drawings on https://www.maax.com . When there is a blower position A or B indicated on the technical drawing, please specify position when ordering. |
| 8 | Two 6 in. or 12 in. metal or acrylic grab bars are optional. Factory installed, only one positioning is possible (see technical drawings on https://www.maax.com). |
| 54 | A selection of units come with an access panel by default when equipped with a system. However, if the unit is only equipped with chromatherapy, the access panel will not be provided by default. |



- Ⓟ : Indicates optional grab bar positioning
- (▲): Indicates Whirlpool jets positioning
- (●): Indicates airjets positioning
- (△): Indicates suction positioning

All dimensions are approximate. Structure measurements must be verified against the unit to ensure proper fit.



Timeless

RECTANGULAR BATHTUBS - ACRYLIC



Material : Acrylic
 Min: 41 Gal / 155 L
 Max: 61 Gal / 232 L

Features

- > Rectangular shape bathtub
- > Alcove or drop-in installation (optional nailing flange and apron available)
- > Armrests and textured floor
- > End drain
- > Apron available

| TIMELESS - 100104 | | | | | | |
|--------------------|--|---------|---------------|--|--------------------|---------|
| SKU | System | Color | Configuration | Dimensions & Weight | Packaging | MSRP |
| 100104-000-001-000 | Soaker - No System | White | End | 71 5/8" x 35 1/2" x 19" / 100 lb / 45 kg | 29 ft ³ | \$ 1182 |
| 100104-000-004-000 | | Bone | | | | \$ 1182 |
| 100104-000-007-000 | | Biscuit | | | | \$ 1182 |
| 100104-003-001-000 | Whirlpool ^{1 4} | White | | | | \$ 2530 |
| 100104-003-004-000 | | Bone | | | | \$ 2530 |
| 100104-003-007-000 | | Biscuit | | | | \$ 2530 |
| 100104-097-001 | Combined Whirlpool & Aeroeffect ^{1 3} | White | | | | \$ 4428 |
| 100104-097-004 | | Bone | | | | \$ 4428 |
| 100104-097-007 | | Biscuit | | | | \$ 4428 |
| 100104-103-001-100 | Aeroeffect ^{1 2 5} | White | | | | \$ 3443 |
| 100104-103-004 | | Bone | | | | \$ 3443 |
| 100104-103-007 | | Biscuit | | | | \$ 3443 |

| COMMON OPTIONS | | |
|----------------|--|--------|
| SKU | Description | MSRP |
| OPT10004 | Nailing flange (factory installed) OPT10004-R Right-hand drain OPT10004-L Left-hand drain Note: For corner bathtubs, there is no need to specify a right or left-hand side when ordering this option. The flange will be installed on both sides of the unit. | \$ 187 |
| OPT10053 | One chromatherapy light (factory installed) ⁵⁴ | \$ 641 |
| OPT10095 | Water heater assembly for whirlpool and combined systems (factory installed) | \$ 908 |

COMMON OPTIONS

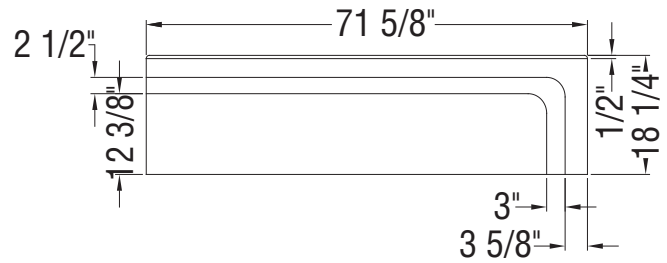
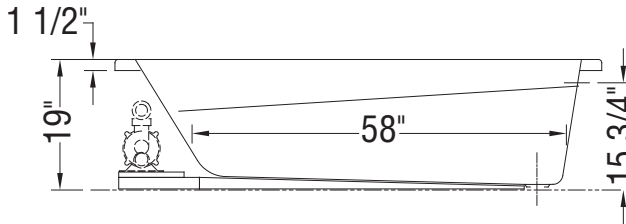
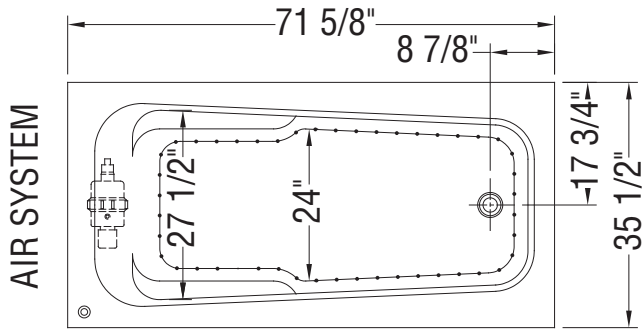
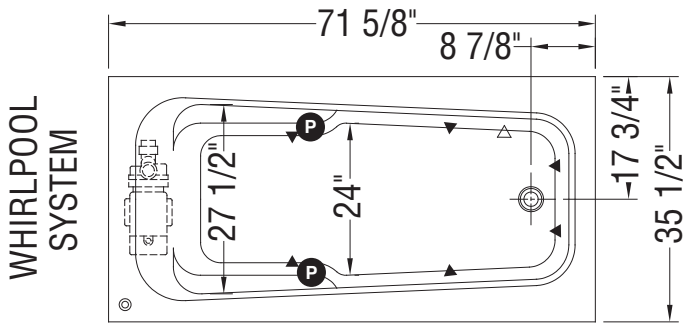
| SKU | Description | MSRP |
|--------------------|---|---|
| OPT10106-084 | Metal trim kit for whirlpool and combined systems (factory installed) Available colors: Chrome (084) and Brushed Nickel (105) | \$ 568 |
| OPT10106-105 | | \$ 568 |
| OPT10259-004 | Two 12-in. acrylic grab bars (factory installed) ⁸ Available colors: White (001), Bone (004), Biscuit (007), Chrome (084) and Brushed Nickel (105) | \$ 571 |
| OPT10259-001 | | \$ 571 |
| OPT10259-084 | | \$ 571 |
| OPT10259-007 | | \$ 571 |
| OPT10259-105 | | \$ 571 |
| OPT10260-084 | | Two 6-in. acrylic grab bars (factory installed) ⁸ Available colors: White (001), Bone (004), Biscuit (007), Chrome (084) and Brushed Nickel (105) |
| OPT10260-007 | \$ 385 | |
| OPT10260-004 | \$ 385 | |
| OPT10260-105 | \$ 385 | |
| OPT10260-001 | \$ 385 | |
| OPT20029-105 | Metal trim kit for air push control (factory installed) Available colors: Chrome (084) and Brushed Nickel (105) | |
| OPT20029-084 | | \$ 50 |
| OPT20137-004 | Cable-operated waste and overflow (16 in. to 22 in.) (included in product packaging when purchased) Available colors: White (001), Bone (004), Chrome (084) and Brushed Nickel (105) | \$ 238 |
| OPT20137-084 | | \$ 238 |
| OPT20137-105 | | \$ 238 |
| OPT20137-001 | | \$ 238 |
| 102343-000-007 | Removable Acrylic apron Specify: Standard colors: White (001), Bone (004), Biscuit (007) | \$ 443 |
| 102343-000-004 | | \$ 443 |
| 102343-000-001-000 | | \$ 443 |

ACCESSORIES

| SKU | Description | MSRP |
|--------------|--|--------|
| 10006923 | Flexible main hose (9 ft. extension) for air push control air massage - Kit (sold separately) | \$ 166 |
| 10063099 | Nailing flange (sold separately) | \$ 187 |
| 10004306-001 | White foam cushion with 2 suction pads (sold separately) Available color: White (001) | \$ 120 |
| 10006887-105 | Metal trim kit for Whirlpool and combined systems (sold separately) Available colors: Chrome (084) and Brushed Nickel (105) | \$ 568 |
| 10006887-084 | | \$ 568 |
| 10034250-084 | Metal trim kit for Aeroeffect with Air Push Control (sold separately) Available colors: Chrome (084) and Brushed Nickel (105) | \$ 50 |
| 10034250-105 | | \$ 50 |
| 10022491-084 | Cable-operated waste and overflow (16 in. to 22 in.) (sold separately) Available colors: White (001), Bone (004), Chrome (084) and Brushed Nickel (105) | \$ 238 |
| 10022491-004 | | \$ 238 |
| 10022491-105 | | \$ 238 |
| 10022491-001 | | \$ 238 |

FOOTNOTES

| No | Description |
|----|---|
| 1 | Components for standard colour units equipped with systems are colour-coordinated. Trim kit and/or air push with metallic finish can be added (additional charge applies). For non-standard colour units, please specify trim kit and/or air push colour (additional charge applies for metallic finishes). Please note that the positioning of the system's control could be in conflict with the door if one was installed on the unit. To insure compatibility, please contact customer service. |
| 2 | Please order flexible main hose 10006923 for installation of the blower further than 3 ft from the bathtub. For the Tandem models and the Serenade models (freestanding and drop-in), the blower is always remote and not factory installed so a 9 ft flexible main hose is included. Please note that the positioning of the system's control could be in conflict with the door if one was installed on the unit. To insure compatibility, please contact customer service. |
| 4 | For details on pump position and requirements, see technical drawings on https://www.maax.com . When there is a pump position A or B indicated on the technical drawing, please specify position when ordering. |
| 5 | For details on blower position and requirements, see technical drawings on https://www.maax.com . When there is a blower position A or B indicated on the technical drawing, please specify position when ordering. |
| 8 | Two 6 in. or 12 in. metal or acrylic grab bars are optional. Factory installed, only one positioning is possible (see technical drawings on https://www.maax.com). |
| 54 | A selection of units come with an access panel by default when equipped with a system. However, if the unit is only equipped with chromatherapy, the access panel will not be provided by default. |



- (P) : Indicates optional grab bar positioning
- (▲) : Indicates Whirlpool jets positioning
- (●) : Indicates airjets positioning
- (△) : Indicates suction positioning

All dimensions are approximate. Structure measurements must be verified against the unit to ensure proper fit.



Mackenzie Corner 6030

RECTANGULAR BATHTUBS - ACRYLX



Material : AcrylX™

Max: 49 Gal / 184 L

Features

- › Seamless 1-piece corner style bathtub
- › Modern minimalist design with a freestanding look
- › Right or left-hand drain (drain is always on the wall side)
- › Integrated flat skirt and tiling flange
- › Textured bottom
- › Available with or without Above-the-Floor Rough (AFR)

MACKENZIE 6030 - 106811

| SKU | System | Color | Configuration | Dimensions & Weight | Packaging | MSRP |
|--------------------|--------------------|-------|---------------|-------------------------------------|-----------|---------|
| 106811-000-002-001 | Soaker - No System | White | Left | 59 7/8" x 30" x 18" / 70 lb / 32 kg | 26.5 ft³ | \$ 2366 |
| 106811-000-002-002 | | | Right | | | \$ 2366 |

MACKENZIE 6030 AFR - 106812

| SKU | System | Color | Configuration | Dimensions & Weight | Packaging | MSRP |
|--------------------|--------------------|-------|---------------|-------------------------------------|-----------|---------|
| 106812-000-002-101 | Soaker - No System | White | Left | 59 7/8" x 30" x 20" / 70 lb / 32 kg | 26.5 ft³ | \$ 2366 |
| 106812-000-002-102 | | | Right | | | \$ 2366 |

COMMON OPTIONS

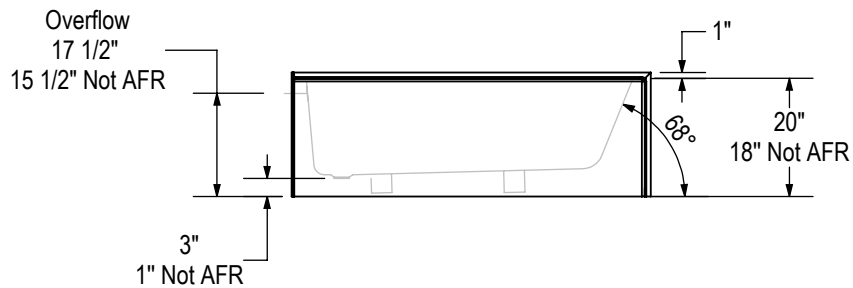
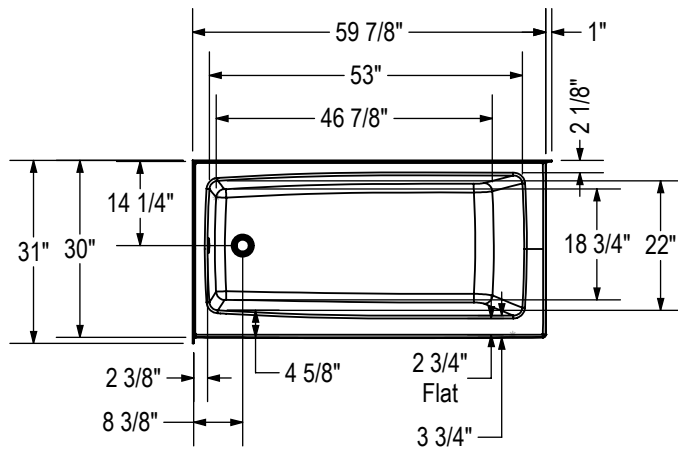
| SKU | Description | MSRP |
|--------------|---|--------|
| OPT20137-004 | Cable-operated waste and overflow (16 in. to 22 in.) (included in product packaging when purchased) Available colors: White (001), Bone (004), Chrome (084) and Brushed Nickel (105) | \$ 238 |
| OPT20137-084 | | \$ 238 |
| OPT20137-105 | | \$ 238 |
| OPT20137-001 | | \$ 238 |

ACCESSORIES

| SKU | Description | MSRP |
|--------------|--|--------|
| 10004306-001 | White foam cushion with 2 suction pads (sold separately) Available color: White (001) | \$ 120 |

ACCESSORIES

| SKU | Description | MSRP |
|--------------|--|--------|
| 10022491-084 | Cable-operated waste and overflow (16 in. to 22 in.) (sold separately) Available colors: White (001), Bone (004), Chrome (084) and Brushed Nickel (105) | \$ 238 |
| 10022491-004 | | \$ 238 |
| 10022491-105 | | \$ 238 |
| 10022491-001 | | \$ 238 |



Wood support design may vary.

All dimensions are approximate. Structure measurements must be verified against the unit to ensure proper fit.



Mackenzie Corner 6032



Material : AcrylX™

Max: 53 Gal / 201 L

Features

- › Seamless 1-piece corner style bathtub
- › Modern minimalist design with a freestanding look
- › Right or left-hand drain (drain is always on the wall side)
- › Integrated flat skirt and tiling flange
- › Textured bottom
- › Available with or without Above-the-Floor Rough (AFR)

RECTANGULAR BATHTUBS - ACRYLX

MACKENZIE 6032 - 106813

| SKU | System | Color | Configuration | Dimensions & Weight | Packaging | MSRP |
|--------------------|--------------------|-------|---------------|-------------------------------------|-----------|---------|
| 106813-000-002-001 | Soaker - No System | White | Left | 59 7/8" x 32" x 18" / 75 lb / 34 kg | 28.6 ft³ | \$ 2440 |
| 106813-000-002-002 | | | Right | | | \$ 2440 |

MACKENZIE 6032 AFR - 106814

| SKU | System | Color | Configuration | Dimensions & Weight | Packaging | MSRP |
|--------------------|--------------------|-------|---------------|-------------------------------------|-----------|---------|
| 106814-000-002-101 | Soaker - No System | White | Left | 59 7/8" x 32" x 20" / 75 lb / 34 kg | 28.6 ft³ | \$ 2440 |
| 106814-000-002-102 | | | Right | | | \$ 2440 |

COMMON OPTIONS

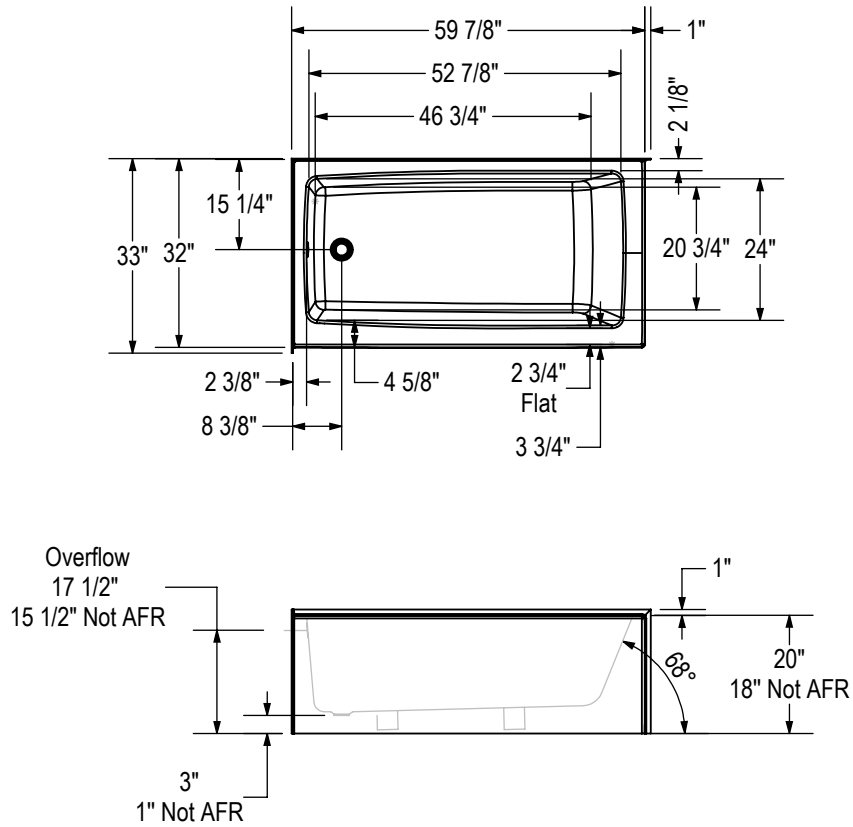
| SKU | Description | MSRP |
|--------------|---|--------|
| OPT20137-004 | Cable-operated waste and overflow (16 in. to 22 in.) (included in product packaging when purchased) Available colors: White (001), Bone (004), Chrome (084) and Brushed Nickel (105) | \$ 238 |
| OPT20137-084 | | \$ 238 |
| OPT20137-105 | | \$ 238 |
| OPT20137-001 | | \$ 238 |

ACCESSORIES

| SKU | Description | MSRP |
|--------------|--|--------|
| 10004306-001 | White foam cushion with 2 suction pads (sold separately) Available color: White (001) | \$ 120 |

ACCESSORIES

| SKU | Description | MSRP |
|--------------|--|--------|
| 10022491-084 | Cable-operated waste and overflow (16 in. to 22 in.) (sold separately) Available colors: White (001), Bone (004), Chrome (084) and Brushed Nickel (105) | \$ 238 |
| 10022491-004 | | \$ 238 |
| 10022491-105 | | \$ 238 |
| 10022491-001 | | \$ 238 |



Wood support design may vary.

All dimensions are approximate. Structure measurements must be verified against the unit to ensure proper fit.



Mackenzie Corner Access 6030

RECTANGULAR BATHTUBS - ACRYLX



Material : AcrylX™

Max: 32 Gal / 123 L

Features

- › Seamless 1-piece corner style bathtub
- › Modern minimalist design with a freestanding look
- › Right or left-hand drain (drain is always on the wall side)
- › Integrated flat skirt and tiling flange
- › Textured bottom
- › Available with or without Above-the-Floor Rough (AFR)

MACKENZIE ACCESS 6030 - 106815

| SKU | System | Color | Configuration | Dimensions & Weight | Packaging | MSRP |
|--------------------|--------------------|-------|---------------|-------------------------------------|-----------|---------|
| 106815-000-002-001 | Soaker - No System | White | Left | 59 7/8" x 30" x 14" / 60 lb / 27 kg | 21.5 ft³ | \$ 2366 |
| 106815-000-002-002 | | | Right | | | \$ 2366 |

MACKENZIE ACCESS 6030 AFR - 106816

| SKU | System | Color | Configuration | Dimensions & Weight | Packaging | MSRP |
|--------------------|--------------------|-------|---------------|-------------------------------------|-----------|---------|
| 106816-000-002-101 | Soaker - No System | White | Left | 59 7/8" x 30" x 16" / 60 lb / 27 kg | 21.5 ft³ | \$ 2366 |
| 106816-000-002-102 | | | Right | | | \$ 2366 |

COMMON OPTIONS

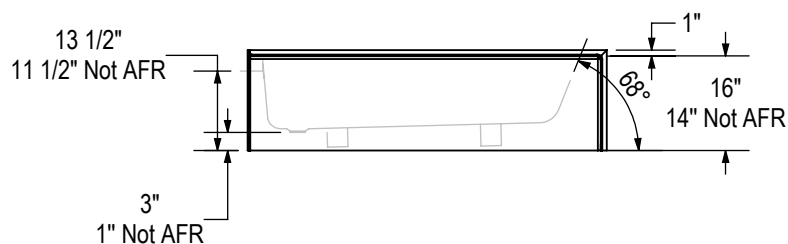
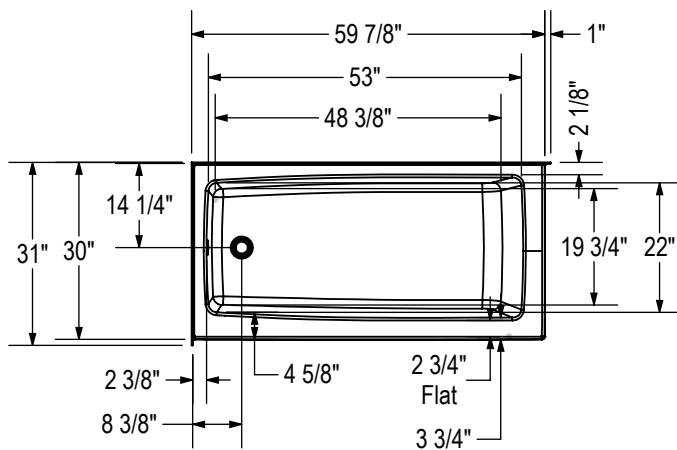
| SKU | Description | MSRP |
|--------------|---|--------|
| OPT20137-004 | Cable-operated waste and overflow (16 in. to 22 in.) (included in product packaging when purchased) Available colors: White (001), Bone (004), Chrome (084) and Brushed Nickel (105) | \$ 238 |
| OPT20137-084 | | \$ 238 |
| OPT20137-105 | | \$ 238 |
| OPT20137-001 | | \$ 238 |

ACCESSORIES

| SKU | Description | MSRP |
|--------------|--|--------|
| 10004306-001 | White foam cushion with 2 suction pads (sold separately) Available color: White (001) | \$ 120 |

ACCESSORIES

| SKU | Description | MSRP |
|--------------|--|--------|
| 10022491-084 | Cable-operated waste and overflow (16 in. to 22 in.) (sold separately) Available colors: White (001), Bone (004), Chrome (084) and Brushed Nickel (105) | \$ 238 |
| 10022491-004 | | \$ 238 |
| 10022491-105 | | \$ 238 |
| 10022491-001 | | \$ 238 |



Wood support design may vary.

All dimensions are approximate. Structure measurements must be verified against the unit to ensure proper fit.

Medicine Cabinets & Sink



Element single view – medicine cabinet



Element Bi-View

BI-VIEW



Features

- › This MAAX ELEMENT medicine cabinet has a 24-inch width by 26-inch height with a 5-inch depth, has two pivoting panels and a classic 1/2-inch beveled edge and polished chrome base.
- › All MAAX medicine cabinets are made of anodized aluminum, which provides great robustness. This feature gives you a cabinet that resists corrosion and will keep a smooth finish for many years.
- › MAAX Slide Edge technology makes it easy to adjust shelves. This patented innovation lets you choose the height you need for the shelves while having a smooth surface that doesn't accumulate dust.
- › The Smove soft closing mechanism is included with all MAAX medicine cabinets. This device acts as a real shock absorber while allowing the complete closing of the medicine cabinet door.
- › Our revolutionary Smove system works like a stopper, which absorbs the shock of the door, while preventing it from closing abruptly, and then proceeds to complete the closing motion very gently.
- › MAAX medicine cabinets have adjustable hinges including a clip fixing to allow the doors of the Bi-View models to be opened at 170 ° and easy access to the contents of the cabinet.

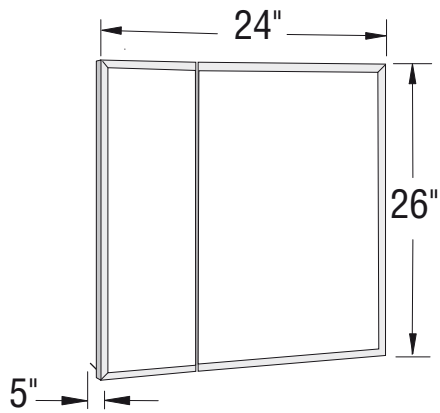
| BV2426 - 124901 | | | | |
|--------------------|-----------------------|--------------------------------|----------------------|--------|
| SKU | Glass / Finish | Dimensions & Weight | Packaging | MSRP |
| 124901-801-084-000 | Beveled Edge / Chrome | 24" x 26" x 5" / 39 lb / 18 kg | 5.17 ft ³ | \$ 877 |

| BV2430 - 126528 | | | | |
|--------------------|-----------------------|--------------------------------|----------------------|--------|
| SKU | Glass / Finish | Dimensions & Weight | Packaging | MSRP |
| 126528-801-084-000 | Beveled Edge / Chrome | 24" x 30" x 5" / 44 lb / 20 kg | 4.79 ft ³ | \$ 963 |

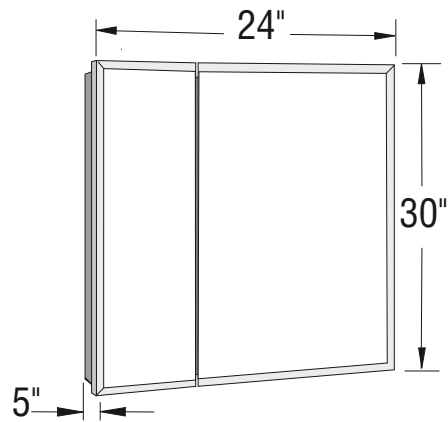
| BV3030 - 126529 | | | | |
|--------------------|-----------------------|--------------------------------|----------------------|---------|
| SKU | Glass / Finish | Dimensions & Weight | Packaging | MSRP |
| 126529-801-084-000 | Beveled Edge / Chrome | 30" x 30" x 5" / 55 lb / 25 kg | 5.94 ft ³ | \$ 1081 |

BV3630 - 126530

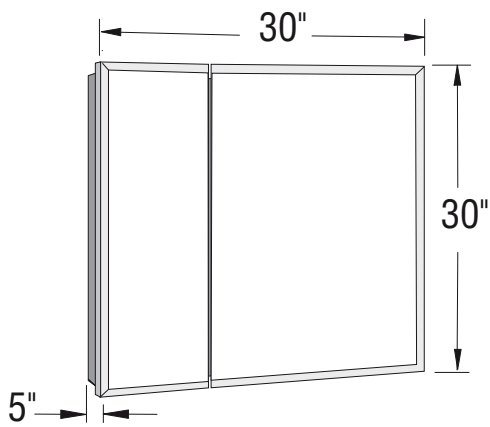
| SKU | Glass / Finish | Dimensions & Weight | Packaging | MSRP |
|--------------------|-----------------------|-----------------------------------|----------------------|---------|
| 126530-801-084-000 | Beveled Edge / Chrome | 36" x 30" x 5" / 66 lb / 30 kg | 7.08 ft ³ | \$ 1247 |



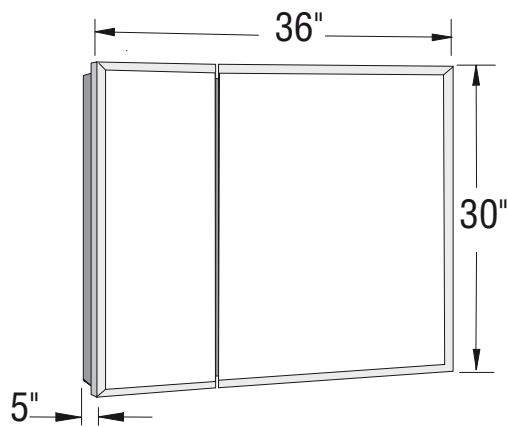
BV2426



BV2430



BV3030



BV3630

All dimensions are approximate. Structure measurements must be verified against the unit to ensure proper fit



Element Single View



Features

- › This MAAX ELEMENT medicine cabinet has a 18-inch width by 30-inch height with a 5-inch depth, has one pivoting panel and a classic 1/2-inch beveled edge and polished chrome base.
- › All MAAX medicine cabinets are made of anodized aluminum, which provides great robustness. This feature gives you a cabinet that resists corrosion and will keep a smooth finish for many years.
- › MAAX Slide Edge technology makes it easy to adjust shelves. This patented innovation lets you choose the height you need for the shelves while having a smooth surface that doesn't accumulate dust.
- › The Smove soft closing mechanism is included with all MAAX medicine cabinets. This device acts as a real shock absorber while allowing the complete closing of the medicine cabinet door.
- › Our revolutionary Smove system works like a stopper, which absorbs the shock of the door, while preventing it from closing abruptly, and then proceeds to complete the closing motion very gently.
- › MAAX medicine cabinets have adjustable hinges including a clip fixing to allow the door of the Single View models to be opened at 170 ° and easy access to the contents of the cabinet.

SINGLE VIEW

SV1830 - 124903

| SKU | Glass / Finish | Dimensions & Weight | Packaging | MSRP |
|--------------------|-----------------------|-----------------------------------|----------------------|--------|
| 124903-800-084-000 | Pencil Edge / Chrome | 18" x 30" x 5" / 36 lb / 16 kg | 4.18 ft ³ | \$ 635 |
| 124903-801-084-000 | Beveled Edge / Chrome | | | \$ 652 |

SV1636 - 124905

| SKU | Glass / Finish | Dimensions & Weight | Packaging | MSRP |
|--------------------|-----------------------|-----------------------------------|---------------------|--------|
| 124905-801-084-000 | Beveled Edge / Chrome | 16" x 36" x 5" / 40 lb / 18 kg | 6.1 ft ³ | \$ 635 |

SV1230 - 126521

| SKU | Glass / Finish | Dimensions & Weight | Packaging | MSRP |
|--------------------|-----------------------|-----------------------------------|----------------------|--------|
| 126521-801-084-000 | Beveled Edge / Chrome | 12" x 30" x 5" / 26 lb / 12 kg | 2.91 ft ³ | \$ 536 |

SV1530 - 126522

| SKU | Glass / Finish | Dimensions & Weight | Packaging | MSRP |
|--------------------|-----------------------|-----------------------------------|----------------------|--------|
| 126522-800-084-000 | Pencil Edge / Chrome | 15" x 30" x 5" / 34 lb / 15 kg | 3.17 ft ³ | \$ 536 |
| 126522-801-084-000 | Beveled Edge / Chrome | | | \$ 536 |

SV2030 - 126524

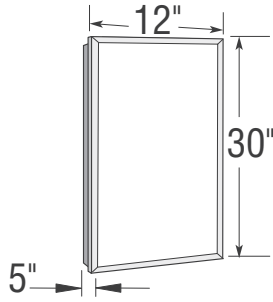
| SKU | Glass / Finish | Dimensions & Weight | Packaging | MSRP |
|--------------------|-----------------------|-----------------------------------|----------------------|--------|
| 126524-800-084-000 | Pencil Edge / Chrome | 20" x 30" x 5" / 38 lb / 17 kg | 4.18 ft ³ | \$ 635 |
| 126524-801-084-000 | Beveled Edge / Chrome | | | \$ 652 |

SV2430 - 126526

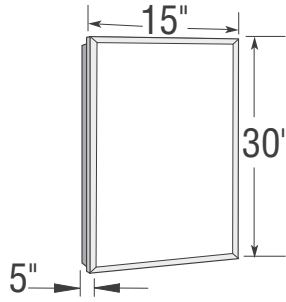
| SKU | Glass / Finish | Dimensions & Weight | Packaging | MSRP |
|--------------------|-----------------------|-----------------------------------|----------------------|--------|
| 126526-800-084-000 | Pencil Edge / Chrome | 24" x 30" x 5" / 41 lb / 19 kg | 4.56 ft ³ | \$ 703 |
| 126526-801-084-000 | Beveled Edge / Chrome | | | \$ 711 |

SINGLE VIEW

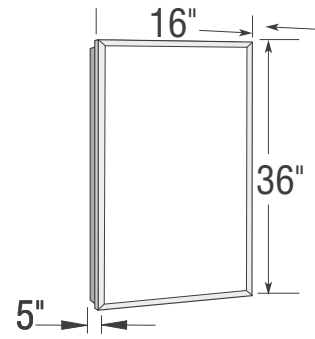
Beveled Mirrors



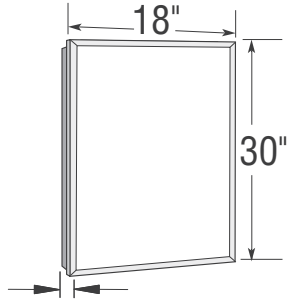
SV1230



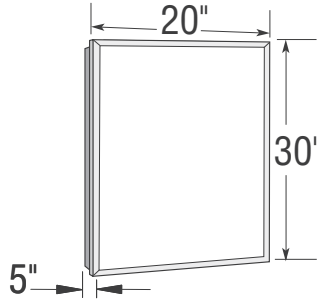
SV1530



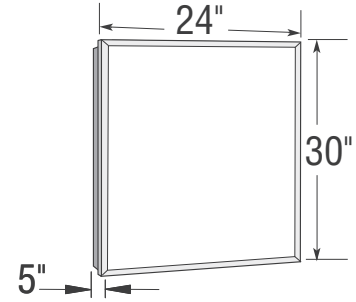
SV1636



SV1830

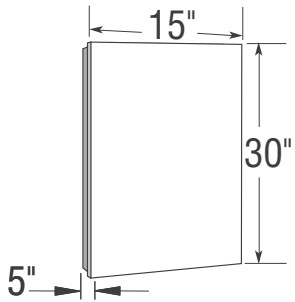


SV2030

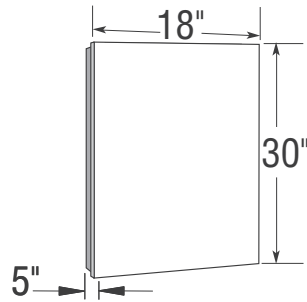


SV2430

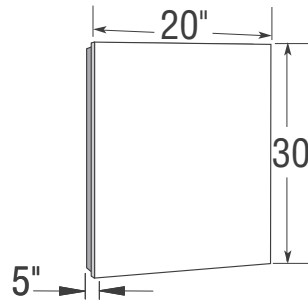
Pencil Edge Mirrors



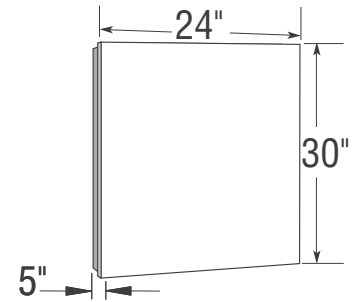
SV1530



SV1830



SV2030



SV2430

All dimensions are approximate. Structure measurements must be verified against the unit to ensure proper fit



Element Single View with Design

SINGLE VIEW



Features

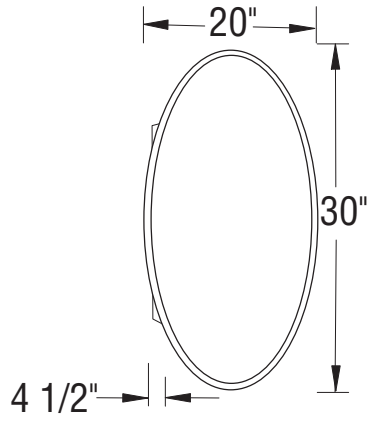
- › Exclusive slide shelf system, Slide Edge® and shock-absorbing strip
- › Piano hinges or six-way adjustable 170° hinge
- › Two (SVD2030) or three (SVD2436) adjustable glass shelves ¼" (6 mm) thick
- › Mirror trim kit for surface mount included
- › Reversible cabinet
- › Rough wall opening: 13½" x 17½" x 3"

SVD2030 - 126548

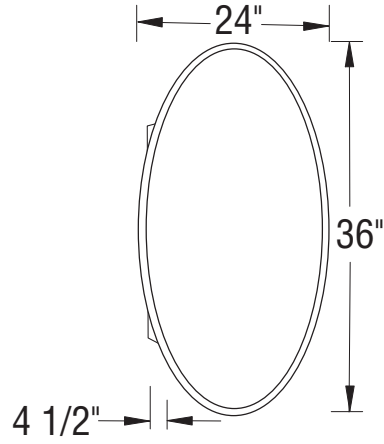
| SKU | Glass / Finish | Dimensions & Weight | Packaging | MSRP |
|--------------------|----------------------|------------------------------------|----------------------|--------|
| 126548-801-001-000 | Beveled Edge / White | 20" x 30" x 4 1/2" / 38 lb / 17 kg | 4.18 ft ³ | \$ 732 |

SVD2436 - 126549

| SKU | Glass / Finish | Dimensions & Weight | Packaging | MSRP |
|--------------------|----------------------|------------------------------------|----------------------|--------|
| 126549-801-001-000 | Beveled Edge / White | 24" x 36" x 4 1/2" / 49 lb / 22 kg | 5.47 ft ³ | \$ 925 |



SVD2030



SVD2436

All dimensions are approximate. Structure measurements must be verified against the unit to ensure proper fit



Element Tri-View

TRI-VIEW



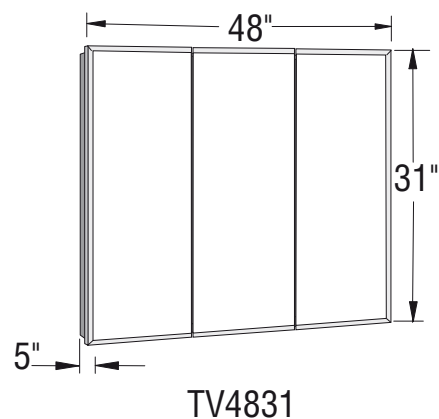
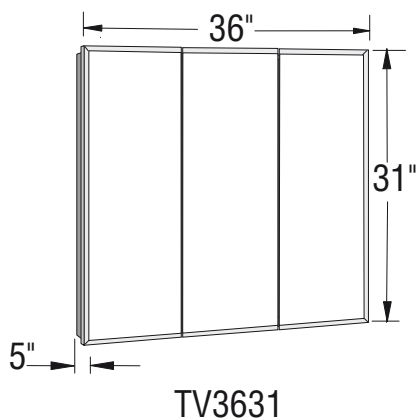
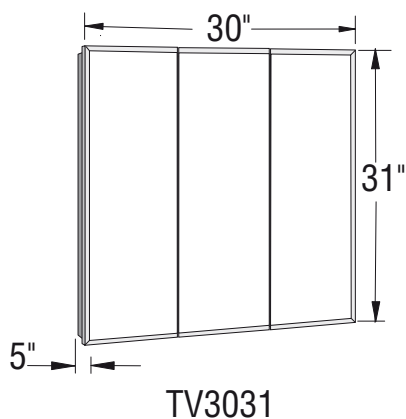
Features

- › Proudly made in Canada
- › This MAAX ELEMENT medicine cabinet has a 30-inch width by 31-inch height with a 5-inch depth, has three pivoting panels and a classic 1/2-inch beveled edge and polished chrome base.
- › All MAAX medicine cabinets are made of anodized aluminum, which provides great robustness. This feature gives you a cabinet that resists corrosion and will keep a smooth finish for many years.
- › MAAX Slide Edge technology makes it easy to adjust shelves. This patented innovation lets you choose the height you need for the shelves while having a smooth surface that doesn't accumulate dust.
- › The Smove soft closing mechanism is included with all MAAX medicine cabinets. This device acts as a real shock absorber while allowing the complete closing of the medicine cabinet door.
- › Our revolutionary Smove system works like a stopper, which absorbs the shock of the door, while preventing it from closing abruptly, and then proceeds to complete the closing motion very gently.
- › MAAX medicine cabinets have adjustable hinges including a clip fixing to allow the doors of the Tri-View models to be opened at 170 ° and easy access to the contents of the cabinet.

| TV3031 - 126531 | | | | |
|--------------------|-----------------------|--------------------------------|-------------------|---------|
| SKU | Glass / Finish | Dimensions & Weight | Packaging | MSRP |
| 126531-801-084-000 | Beveled Edge / Chrome | 30" x 31" x 5" / 68 lb / 31 kg | 5 ft ³ | \$ 1158 |

| TV3631 - 126532 | | | | |
|--------------------|-----------------------|--------------------------------|-------------------|---------|
| SKU | Glass / Finish | Dimensions & Weight | Packaging | MSRP |
| 126532-801-084-000 | Beveled Edge / Chrome | 36" x 31" x 5" / 83 lb / 38 kg | 6 ft ³ | \$ 1315 |

| TV4831 - 126533 | | | | |
|--------------------|-----------------------|---------------------------------|-------------------|---------|
| SKU | Glass / Finish | Dimensions & Weight | Packaging | MSRP |
| 126533-801-084-000 | Beveled Edge / Chrome | 48" x 31" x 5" / 102 lb / 46 kg | 8 ft ³ | \$ 1508 |



All dimensions are approximate. Structure measurements must be verified against the unit to ensure proper fit

Shower Bases



B3Square 6032 corner base with Capella door



Rectangular Base 4234 - 3 in

Material : Acrylic

Features

- > 42x34 Acrylic Alcove Shower Base with Center Drain in White, direct to stud installation
- > 3 in. low threshold
- > Durable high shine acrylic stays warm to the touch and is easy to clean
- > Textured bottom
- > Center drain - consult MAAX technical drawing (specification) for exact dimensions
- > Limited warranty is for a period of 25 years, phone # 1-877-GET-MAAX

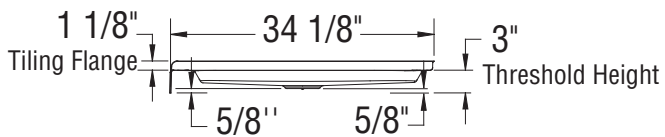
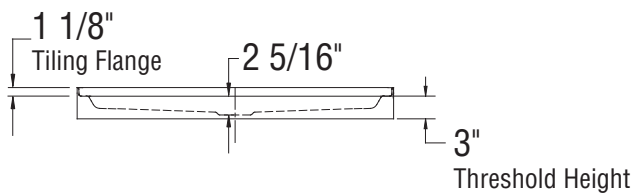
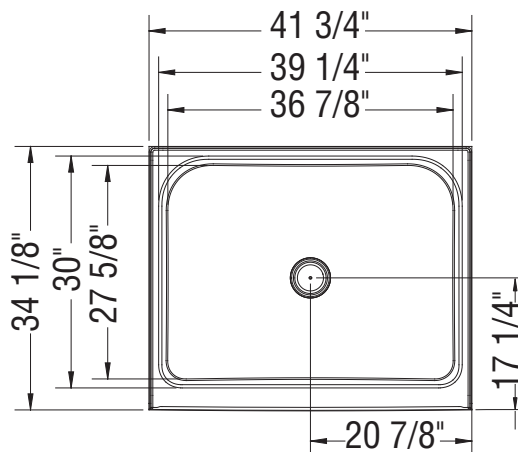
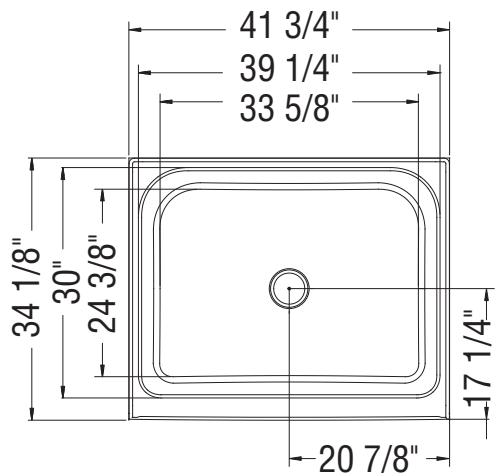


RECTANGULAR BASE 4234 - 3 IN - 102001

| SKU | Color | Configuration | Dimensions & Weight | Packaging | MSRP |
|--------------------|-------|-----------------|--|---------------------|--------|
| 102001-000-001-000 | White | Center / Alcove | 41 3/4" x 34 1/8" x 4 1/8" / 48 lb / 22 kg | 9.6 ft ³ | \$ 784 |

RECOMMENDED DOORS - VISIT OUR WEBSITE FOR A COMPLETE LIST OF RECOMMENDED DOORS

| SKU | Product Name | Pag. |
|--------|--------------------------------------|------|
| 138268 | Manhattan 39-41 x 68 - 6mm | 670 |
| 138520 | Incognito 74 39-42x74in. 8mm | 632 |
| 139576 | Reveal Sleek 71 38-41 x 71 1/2 - 8mm | 683 |
| 134562 | Kameleon 40-44 x 71 - 6mm | 622 |
| 134662 | Kameleon SC 40-44 x 71 - 6mm | 611 |
| 136679 | Reveal 71 38-41 x 71 1/2 - 8 mm | 680 |



All dimensions are approximate. Structure measurements must be verified against the unit to ensure proper fit.



Rectangular Base 4236 - 3 in.



Material : Acrylic

Features

- › 42x36 Acrylic Alcove Shower Base with Center Drain in White, direct to stud installation
- › 3 in. low threshold
- › Durable high shine acrylic stays warm to the touch and is easy to clean
- › Textured bottom
- › Center drain - consult MAAX technical drawing (specification) for exact dimensions
- › Limited warranty is for a period of 25 years, phone # 1-877-GET-MAAX

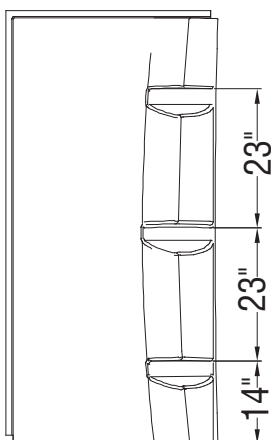
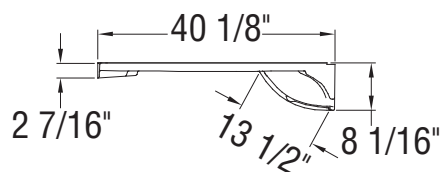
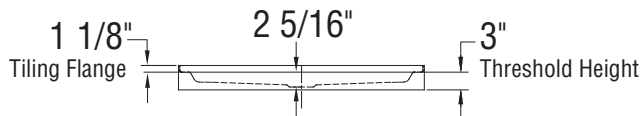
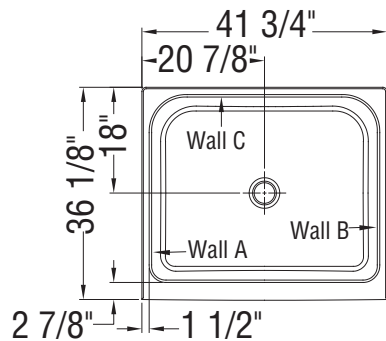
ALCOVE BASES - ACRYLIC

RECTANGULAR BASE 4236 - 3 IN. - 105718

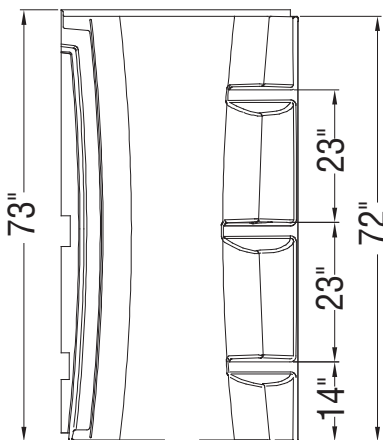
| SKU | Color | Configuration | Dimensions & Weight | Packaging | MSRP |
|--------------------|-------|-----------------|--|---------------------|--------|
| 105718-000-001-000 | White | Center / Alcove | 41 3/4" x 36 1/8" x 4 1/8" / 48 lb / 22 kg | 9.6 ft ³ | \$ 801 |

RECOMMENDED DOORS - VISIT OUR WEBSITE FOR A COMPLETE LIST OF RECOMMENDED DOORS

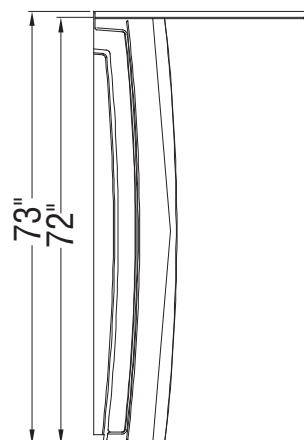
| SKU | Product Name | Pag. |
|--------|--------------------------------------|------|
| 138268 | Manhattan 39-41 x 68 - 6mm | 670 |
| 138520 | Incognito 74 39-42x74in. 8mm | 632 |
| 139576 | Reveal Sleek 71 38-41 x 71 1/2 - 8mm | 683 |
| 134562 | Kameleon 40-44 x 71 - 6mm | 622 |
| 134662 | Kameleon SC 40-44 x 71 - 6mm | 611 |
| 136679 | Reveal 71 38-41 x 71 1/2 - 8 mm | 680 |



Wall A



Wall C



Wall B

All dimensions are approximate. Structure measurements must be verified against the unit to ensure proper fit.



Rectangular Base 4832 - 3 in



Material : Acrylic

Features

- > Low threshold base
- > Textured bottom
- > Deflecting strip preventing water penetration behind the shower
- > Alcove installation
- > Easy front installation walls with snap clips are available
- > Center drain

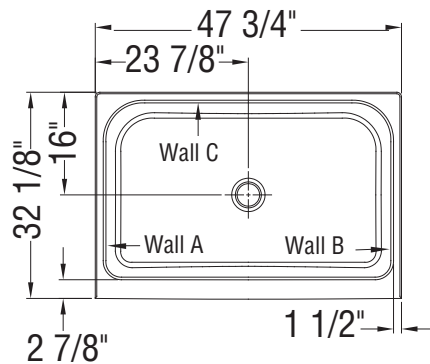
ALCOVE BASES - ACRYLIC

RECTANGULAR BASE 4832 - 3 IN - 101433

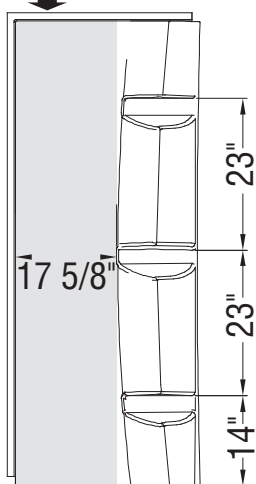
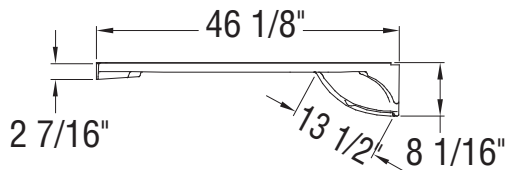
| SKU | Color | Configuration | Dimensions & Weight | Packaging | MSRP |
|--------------------|-------|-----------------|--|---------------------|--------|
| 101433-000-001-000 | White | Center / Alcove | 47 3/4" x 32 1/8" x 4 1/8" / 50 lb / 23 kg | 9.6 ft ³ | \$ 801 |

RECOMMENDED DOORS - VISIT OUR WEBSITE FOR A COMPLETE LIST OF RECOMMENDED DOORS

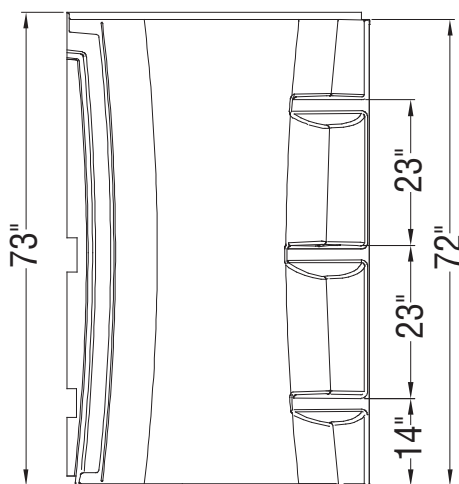
| SKU | Product Name | Pag. |
|--------|---|------|
| 135321 | Uptown 44-47 x 76 in. 8 mm | 650 |
| 138950 | Halo Pro 44 1/2-47 x 78 3/4 - 8mm | 701 |
| 135334 | Incognito 76 44-47 x 76 - 8mm | 636 |
| 139352 | Incognito 70 44-47 x 70 1/2 - 8mm | 630 |
| 139349 | Incognito 44-47 x 70 1/2 in. 6mm | 628 |
| 138460 | Vela 44 1/2-47 x 78 3/4 - 8mm | 690 |
| 136693 | Revelation Round 44-47 x 70 1/2-73 - 8mm | 644 |
| 135690 | Revelation Square 44-47 x 70 1/2-73 - 6mm | 646 |
| 134563 | Kameleon 43-47 x 71 - 6mm | 619 |
| 135323 | Uptown 44-47 x 76 in. 8 mm | 711 |
| 135325 | Uptown 45-47 x 76 in. 8 mm | 686 |
| 134663 | Kameleon SC 43-47 x 71 - 6mm | 613 |
| 139578 | Reveal Sleek 71 44-47 x 71 1/2 - 8mm | 684 |
| 134571 | Kameleon 43-47 x 71 - 8mm | 624 |
| 135870 | Nebula 44 1/2-46 1/2 x 78 3/4 - 8mm | 688 |



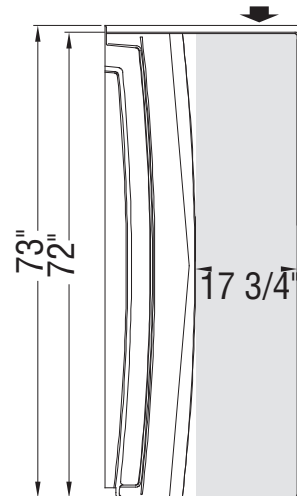
Important
Center your plumbing in the highlighted area. Exact plumbing position may vary upon model specifications, please refer to the supplier's instructions for more details



Wall A



Wall C



Wall B

All dimensions are approximate. Structure measurements must be verified against the unit to ensure proper fit.

Rectangular Base 4834 - 3 in



Material : Acrylic

Features

- › 48x34 Acrylic Alcove Shower Base with Center Drain in White, direct to stud installation
- › 3 in. low threshold
- › Durable high shine acrylic stays warm to the touch and is easy to clean
- › Textured bottom
- › Center drain - consult MAAX technical drawing (specification) for exact dimensions
- › Limited warranty is for a period of 25 years, phone # 1-877-GET-MAAX

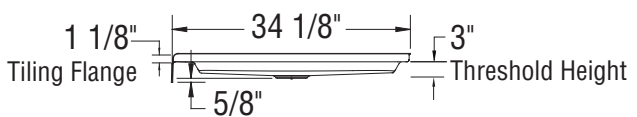
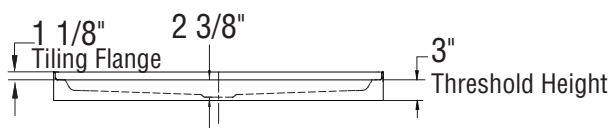
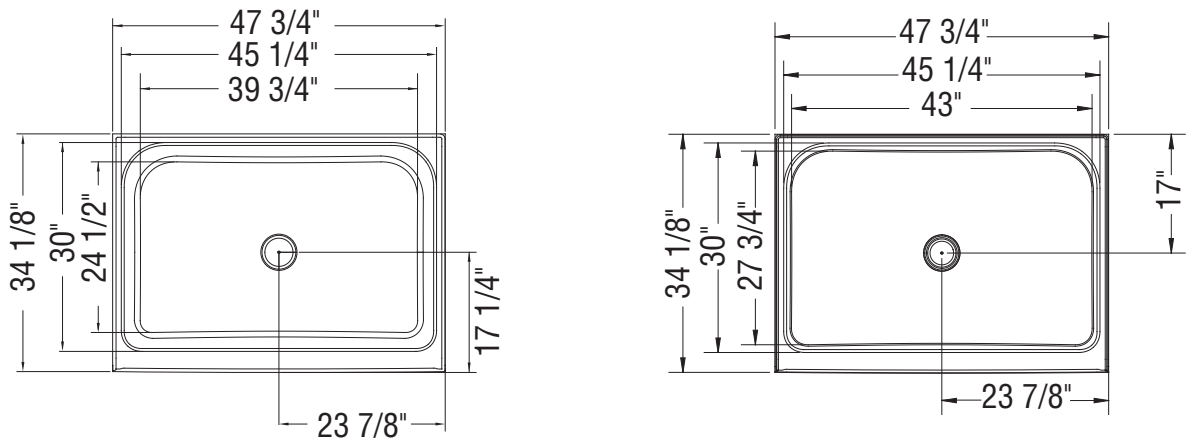


RECTANGULAR BASE 4834 - 3 IN - 102002

| SKU | Color | Configuration | Dimensions & Weight | Packaging | MSRP |
|--------------------|-------|-----------------|--|---------------------|--------|
| 102002-000-001-000 | White | Center / Alcove | 47 3/4" x 34 1/8" x 4 1/8" / 52 lb / 24 kg | 9.6 ft ³ | \$ 821 |

RECOMMENDED DOORS - VISIT OUR WEBSITE FOR A COMPLETE LIST OF RECOMMENDED DOORS

| SKU | Product Name | Pag. |
|--------|---|------|
| 135321 | Uptown 44-47 x 76 in. 8 mm | 650 |
| 138950 | Halo Pro 44 1/2-47 x 78 3/4 - 8mm | 701 |
| 135334 | Incognito 76 44-47 x 76 - 8mm | 636 |
| 139352 | Incognito 70 44-47 x 70 1/2 - 8mm | 630 |
| 139349 | Incognito 44-47 x 70 1/2 in. 6mm | 628 |
| 138460 | Vela 44 1/2-47 x 78 3/4 - 8mm | 690 |
| 136693 | Revelation Round 44-47 x 70 1/2-73 - 8mm | 644 |
| 135690 | Revelation Square 44-47 x 70 1/2-73 - 6mm | 646 |
| 134563 | Kameleon 43-47 x 71 - 6mm | 619 |
| 135323 | Uptown 44-47 x 76 in. 8 mm | 711 |
| 135325 | Uptown 45-47 x 76 in. 8 mm | 686 |
| 134663 | Kameleon SC 43-47 x 71 - 6mm | 613 |
| 139578 | Reveal Sleek 71 44-47 x 71 1/2 - 8mm | 684 |
| 134571 | Kameleon 43-47 x 71 - 8mm | 624 |
| 135870 | Nebula 44 1/2-46 1/2 x 78 3/4 - 8mm | 688 |



All dimensions are approximate. Structure measurements must be verified against the unit to ensure proper fit.



Rectangular Base 4836 - 3 in



Material : Acrylic

Features

- › Proudly made in Canada
- › 48 x36 Acrylic Alcove Shower Base with Center Drain in White, direct to stud installation
- › 3 in. low threshold
- › Durable high shine acrylic stays warm to the touch and is easy to clean
- › Textured bottom
- › Center drain - consult MAAX technical drawing (specification) for exact dimensions
- › Limited warranty is for a period of 25 years, phone # 1-877-GET-MAAX

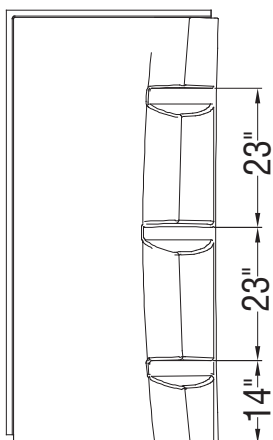
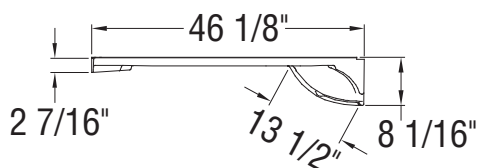
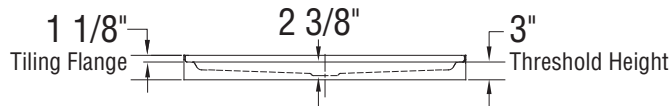
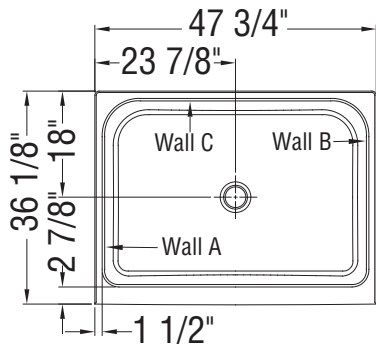
ALCOVE BASES - ACRYLIC

RECTANGULAR BASE 4836 - 3 IN - 105717

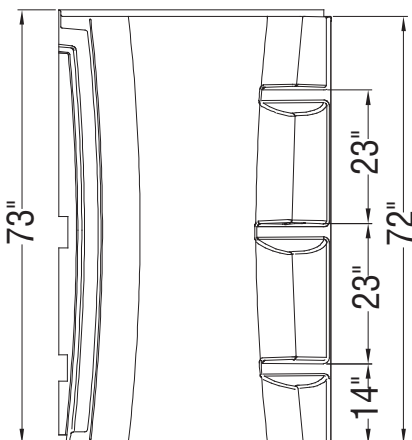
| SKU | Color | Configuration | Dimensions & Weight | Packaging | MSRP |
|--------------------|-------|-----------------|--|---------------------|--------|
| 105717-000-001-000 | White | Center / Alcove | 47 3/4" x 36 1/8" x 4 1/8" / 53 lb / 24 kg | 9.6 ft ³ | \$ 840 |

RECOMMENDED DOORS - VISIT OUR WEBSITE FOR A COMPLETE LIST OF RECOMMENDED DOORS

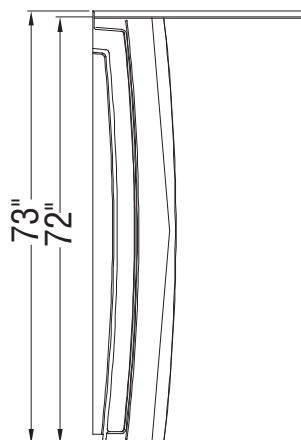
| SKU | Product Name | Pag. |
|--------|---|------|
| 135321 | Uptown 44-47 x 76 in. 8 mm | 650 |
| 138950 | Halo Pro 44 1/2-47 x 78 3/4 - 8mm | 701 |
| 135334 | Incognito 76 44-47 x 76 - 8mm | 636 |
| 139352 | Incognito 70 44-47 x 70 1/2 - 8mm | 630 |
| 139349 | Incognito 44-47 x 70 1/2 in. 6mm | 628 |
| 138460 | Vela 44 1/2-47 x 78 3/4 - 8mm | 690 |
| 136693 | Revelation Round 44-47 x 70 1/2-73 - 8mm | 644 |
| 135690 | Revelation Square 44-47 x 70 1/2-73 - 6mm | 646 |
| 134563 | Kameleon 43-47 x 71 - 6mm | 619 |
| 135323 | Uptown 44-47 x 76 in. 8 mm | 711 |
| 135325 | Uptown 45-47 x 76 in. 8 mm | 686 |
| 134663 | Kameleon SC 43-47 x 71 - 6mm | 613 |
| 139578 | Reveal Sleek 71 44-47 x 71 1/2 - 8mm | 684 |
| 134571 | Kameleon 43-47 x 71 - 8mm | 624 |
| 135870 | Nebula 44 1/2-46 1/2 x 78 3/4 - 8mm | 688 |



Wall A



Wall C



Wall B

All dimensions are approximate. Structure measurements must be verified against the unit to ensure proper fit.

Rectangular Base 6030 - 3 in



Material : Acrylic

Features

- › Proudly made in Canada
- › 60x30 Acrylic Alcove Shower Base with Right-Hand Drain in White, direct to stud installation
- › 3 in. low threshold
- › Durable high shine acrylic stays warm to the touch and is easy to clean, available in white only
- › Textured bottom
- › Limited warranty is for a period of 25 years, phone # 1-877-GET-MAAX

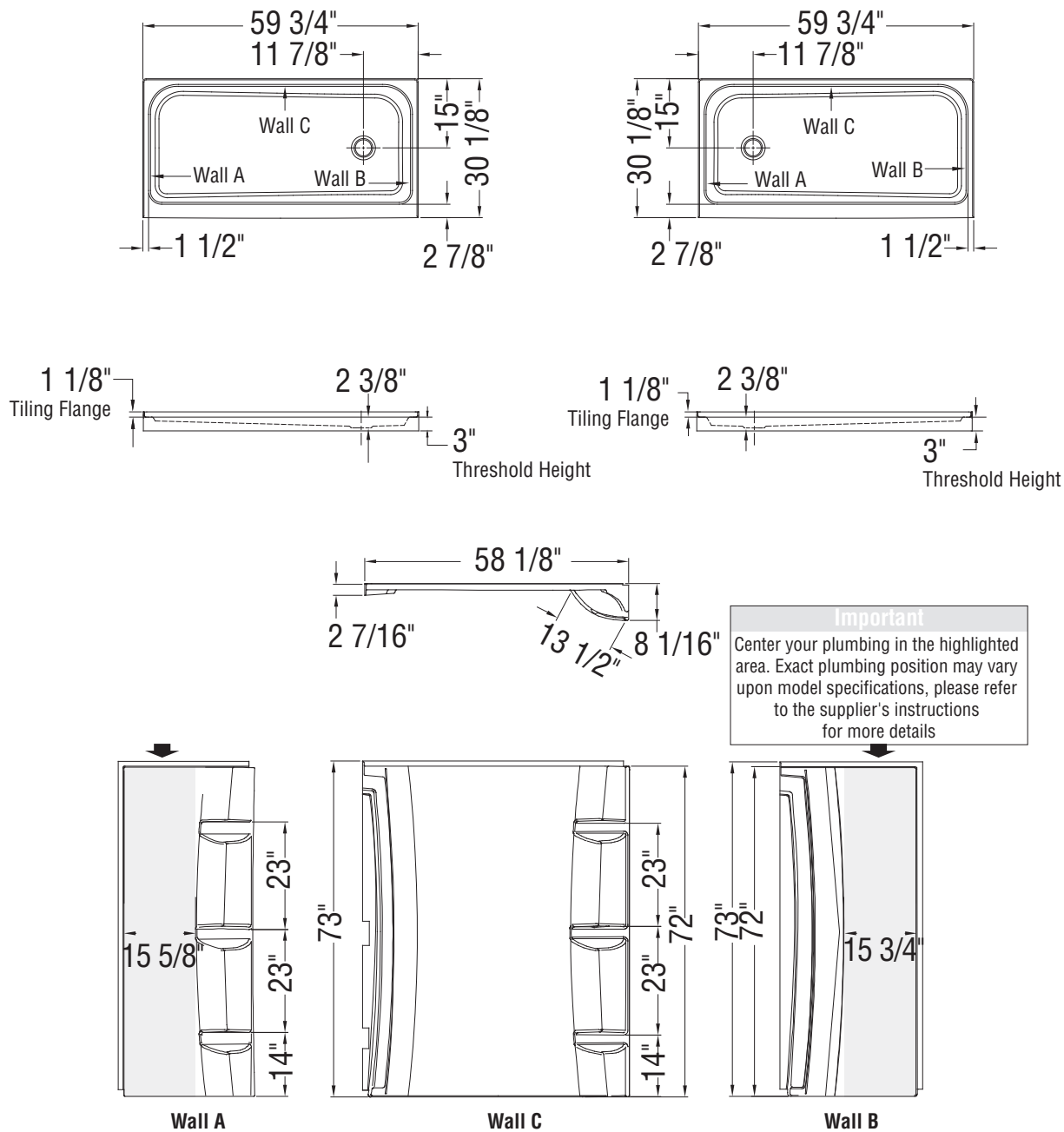
ALCOVE BASES - ACRYLIC

RECTANGULAR BASE 6030 - 3 IN - 105707

| SKU | Color | Configuration | Dimensions & Weight | Packaging | MSRP |
|--------------------|-------|----------------|--|--------------------|--------|
| 105707-000-001-001 | White | Left / Alcove | 59 3/4" x 30 1/8" x 4 1/8" / 53 lb / 24 kg | 12 ft ³ | \$ 947 |
| 105707-000-001-002 | | Right / Alcove | | | \$ 947 |

RECOMMENDED DOORS - VISIT OUR WEBSITE FOR A COMPLETE LIST OF RECOMMENDED DOORS

| SKU | Product Name | Pag. |
|--------|---|------|
| 138277 | Manhattan 57-59 x 68 - 6mm | 672 |
| 138997 | Halo 56 1/2-59 x 78 3/4 - 8mm | 705 |
| 139353 | Incognito 70 56-59 x 70 1/2 - 8mm | 630 |
| 139350 | Incognito 56-59 x 70 1/2 in. 6mm | 628 |
| 135332 | Incognito 76 Shaker 56-59 x 76 - 8mm | 634 |
| 135335 | Incognito 76 56-59 x 76 - 8mm | 636 |
| 136335 | Incognito 76 Smoke 56-59 x 76 - 8mm | 638 |
| 135694 | Revelation Square 56-59 x 70 1/2-73 - 8mm | 648 |
| 136691 | Revelation Round 56-59 x 70 1/2-73 - 6mm | 642 |
| 135691 | Revelation Square 56-59 x 70 1/2-73 - 6mm | 646 |
| 136694 | Revelation Round 56-59 x 70 1/2-73 - 8mm | 644 |
| 135322 | Uptown 56-59 x 76 in. 8 mm | 650 |
| 135324 | | 711 |
| 135326 | Uptown 57-59 x 76 in. 8 mm | 686 |
| 135238 | Connect Pro 57-58 1/2 x 76 - 6mm | 696 |



All dimensions are approximate. Structure measurements must be verified against the unit to ensure proper fit.



Rectangular Base 6032 - 3 in



Material : Acrylic

Features

- > 60x32 Acrylic Alcove Shower Base with Left-Hand Drain in White, direct to stud installation
- > 3 in. low threshold
- > Durable high shine acrylic stays warm to the touch and is easy to clean
- > Textured bottom
- > Limited warranty is for a period of 25 years, phone # 1-877-GET-MAAX

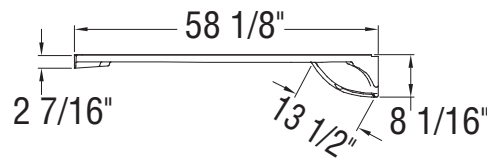
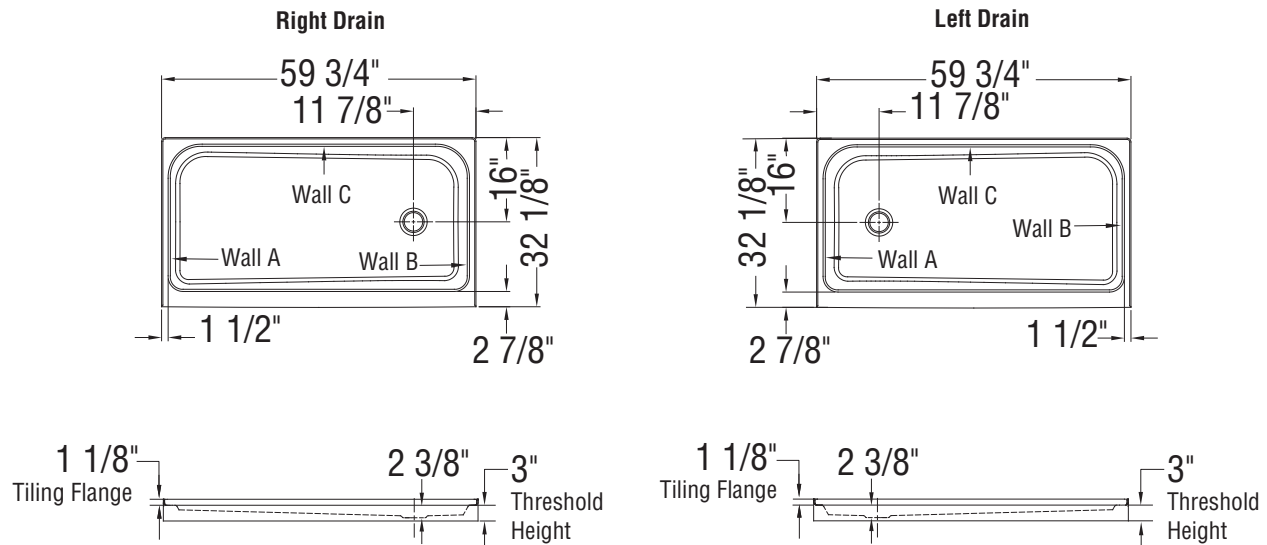
ALCOVE BASES - ACRYLIC

RECTANGULAR BASE 6032 - 3 IN - 105706

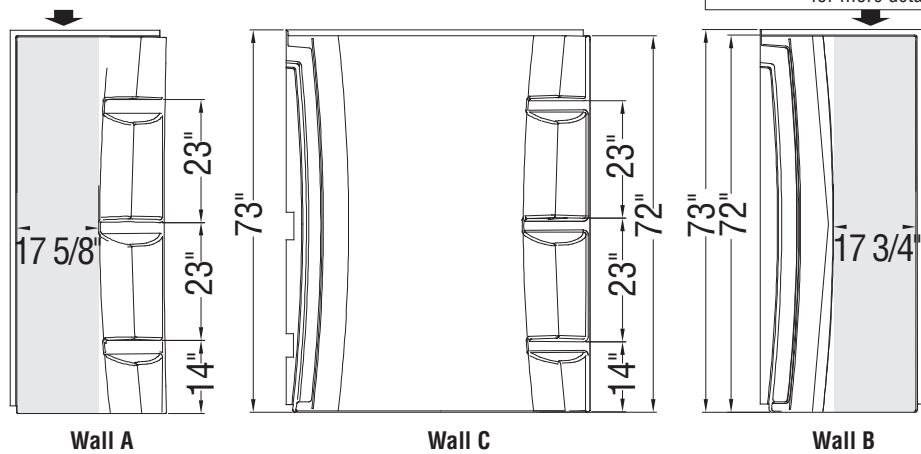
| SKU | Color | Configuration | Dimensions & Weight | Packaging | MSRP |
|--------------------|-------|----------------|--|--------------------|--------|
| 105706-000-001-001 | White | Left / Alcove | 59 3/4" x 32 1/8" x 4 1/8" / 55 lb / 25 kg | 12 ft ³ | \$ 947 |
| 105706-000-001-002 | | Right / Alcove | | | \$ 947 |

RECOMMENDED DOORS - VISIT OUR WEBSITE FOR A COMPLETE LIST OF RECOMMENDED DOORS

| SKU | Product Name | Pag. |
|--------|---|------|
| 138277 | Manhattan 57-59 x 68 - 6mm | 672 |
| 138997 | Halo 56 1/2-59 x 78 3/4 - 8mm | 705 |
| 139353 | Incognito 70 56-59 x 70 1/2 - 8mm | 630 |
| 139350 | Incognito 56-59 x 70 1/2 in. 6mm | 628 |
| 135332 | Incognito 76 Shaker 56-59 x 76 - 8mm | 634 |
| 135335 | Incognito 76 56-59 x 76 - 8mm | 636 |
| 136335 | Incognito 76 Smoke 56-59 x 76 - 8mm | 638 |
| 135694 | Revelation Square 56-59 x 70 1/2-73 - 8mm | 648 |
| 136691 | Revelation Round 56-59 x 70 1/2-73 - 6mm | 642 |
| 135691 | Revelation Square 56-59 x 70 1/2-73 - 6mm | 646 |
| 136694 | Revelation Round 56-59 x 70 1/2-73 - 8mm | 644 |
| 135322 | Uptown 56-59 x 76 in. 8 mm | 650 |
| 135324 | | 711 |
| 135326 | Uptown 57-59 x 76 in. 8 mm | 686 |
| 135238 | Connect Pro 57-58 1/2 x 76 - 6mm | 696 |



Important
Center your plumbing in the highlighted area. Exact plumbing position may vary upon model specifications, please refer to the supplier's instructions for more details



All dimensions are approximate. Structure measurements must be verified against the unit to ensure proper fit.

Rectangular Base 6034 - 3 in



Material : Acrylic

Features

- > 60x34 Acrylic Alcove Shower Base with Center Drain in White, direct to stud installation
- > 3 in. low threshold
- > Durable high shine acrylic stays warm to the touch and is easy to clean
- > Textured bottom
- > Center drain - consult MAAX technical drawing (specification) for exact dimensions
- > Limited warranty is for a period of 25 years, phone # 1-877-GET-MAAX



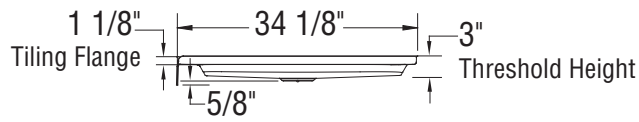
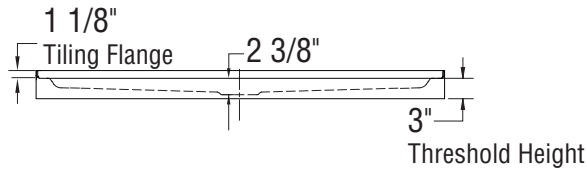
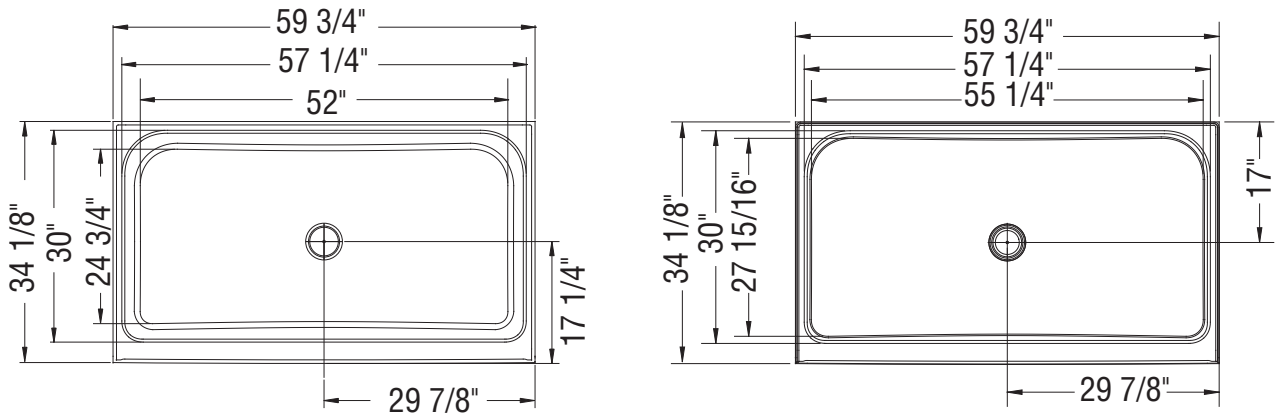
ALCOVE BASES - ACRYLIC

RECTANGULAR BASE 6034 - 3 IN - 102003

| SKU | Color | Configuration | Dimensions & Weight | Packaging | MSRP |
|--------------------|-------|-----------------|--|--------------------|--------|
| 102003-000-001-000 | White | Center / Alcove | 59 3/4" x 34 1/8" x 4 1/8" / 58 lb / 26 kg | 12 ft ³ | \$ 976 |

RECOMMENDED DOORS - VISIT OUR WEBSITE FOR A COMPLETE LIST OF RECOMMENDED DOORS

| SKU | Product Name | Pag. |
|--------|---|------|
| 138277 | Manhattan 57-59 x 68 - 6mm | 672 |
| 138997 | Halo 56 1/2-59 x 78 3/4 - 8mm | 705 |
| 139353 | Incognito 70 56-59 x 70 1/2 - 8mm | 630 |
| 139350 | Incognito 56-59 x 70 1/2 in. 6mm | 628 |
| 135332 | Incognito 76 Shaker 56-59 x 76 - 8mm | 634 |
| 135335 | Incognito 76 56-59 x 76 - 8mm | 636 |
| 136335 | Incognito 76 Smoke 56-59 x 76 - 8mm | 638 |
| 135694 | Revelation Square 56-59 x 70 1/2-73 - 8mm | 648 |
| 136691 | Revelation Round 56-59 x 70 1/2-73 - 6mm | 642 |
| 135691 | Revelation Square 56-59 x 70 1/2-73 - 6mm | 646 |
| 136694 | Revelation Round 56-59 x 70 1/2-73 - 8mm | 644 |
| 135322 | Uptown 56-59 x 76 in. 8 mm | 650 |
| 135324 | | 711 |
| 135326 | Uptown 57-59 x 76 in. 8 mm | 686 |
| 135238 | Connect Pro 57-58 1/2 x 76 - 6mm | 696 |



All dimensions are approximate. Structure measurements must be verified against the unit to ensure proper fit.

Rectangular Base 6036 - R/L Drain - 3 in.



ALCOVE BASES - ACRYLIC



Material : Acrylic

Features

- > 60x36 Acrylic Alcove Shower Base with Center Drain in White, direct to stud installation
- > 3 in. low threshold
- > Durable high shine acrylic stays warm to the touch and is easy to clean
- > Textured bottom
- > Center drain - consult MAAX technical drawing (specification) for exact dimensions
- > Limited warranty is for a period of 25 years, phone # 1-877-GET-MAAX

RECTANGULAR BASE 6036 - 3 IN - 105664

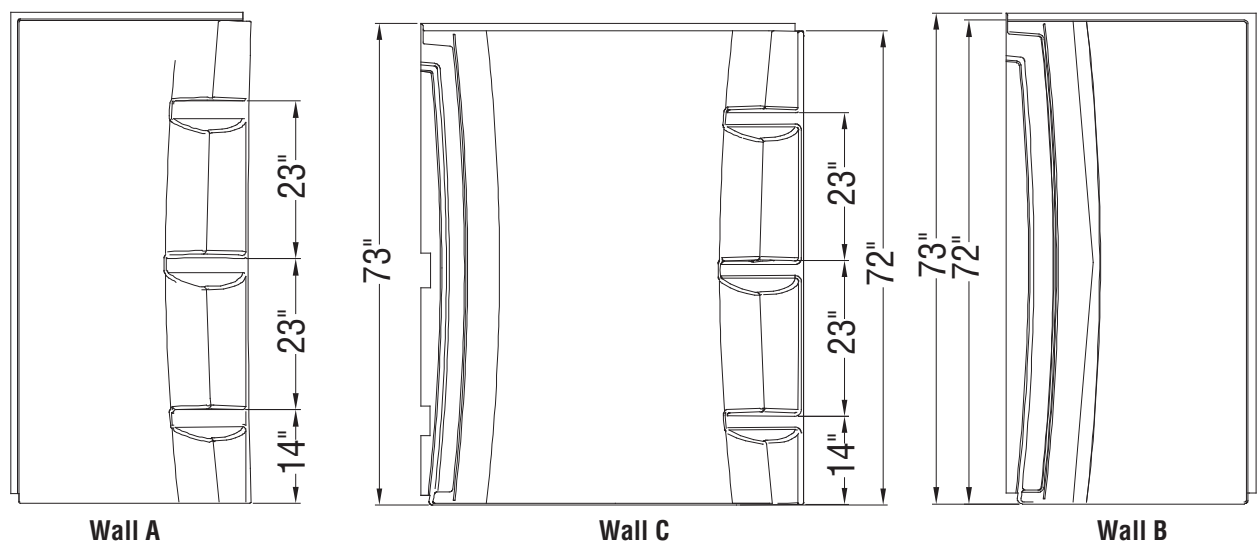
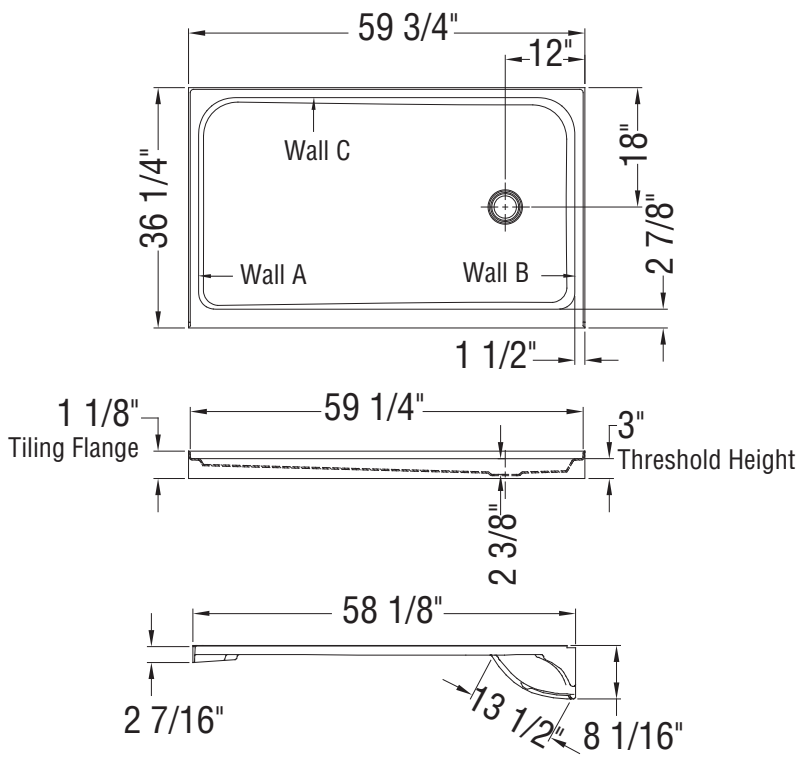
| SKU | Color | Configuration | Dimensions & Weight | Packaging | MSRP |
|--------------------|-------|-----------------|--|--------------------|---------|
| 105664-000-001-000 | White | Center / Alcove | 59 3/4" x 36 1/8" x 4 1/8" / 58 lb / 26 kg | 12 ft ³ | \$ 1018 |

RECTANGULAR BASE 6036 - R/L DRAIN - 3 IN. - 105666

| SKU | Color | Configuration | Dimensions & Weight | Packaging | MSRP |
|--------------------|-------|----------------|--|--------------------|---------|
| 105666-000-001-001 | White | Left / Alcove | 59 3/4" x 36 1/4" x 4 1/8" / 58 lb / 26 kg | 12 ft ³ | \$ 1018 |
| 105666-000-001-002 | | Right / Alcove | | | \$ 1018 |

RECOMMENDED DOORS - VISIT OUR WEBSITE FOR A COMPLETE LIST OF RECOMMENDED DOORS

| SKU | Product Name | Pag. |
|--------|---|------|
| 138277 | Manhattan 57-59 x 68 - 6mm | 672 |
| 138997 | Halo 56 1/2-59 x 78 3/4 - 8mm | 705 |
| 139353 | Incognito 70 56-59 x 70 1/2 - 8mm | 630 |
| 139350 | Incognito 56-59 x 70 1/2 in. 6mm | 628 |
| 135332 | Incognito 76 Shaker 56-59 x 76 - 8mm | 634 |
| 135335 | Incognito 76 56-59 x 76 - 8mm | 636 |
| 136335 | Incognito 76 Smoke 56-59 x 76 - 8mm | 638 |
| 135694 | Revelation Square 56-59 x 70 1/2-73 - 8mm | 648 |



All dimensions are approximate. Structure measurements must be verified against the unit to ensure proper fit.



Rectangular Base 6042 - 3 in



Material : Acrylic
Features

- > Proudly made in Canada

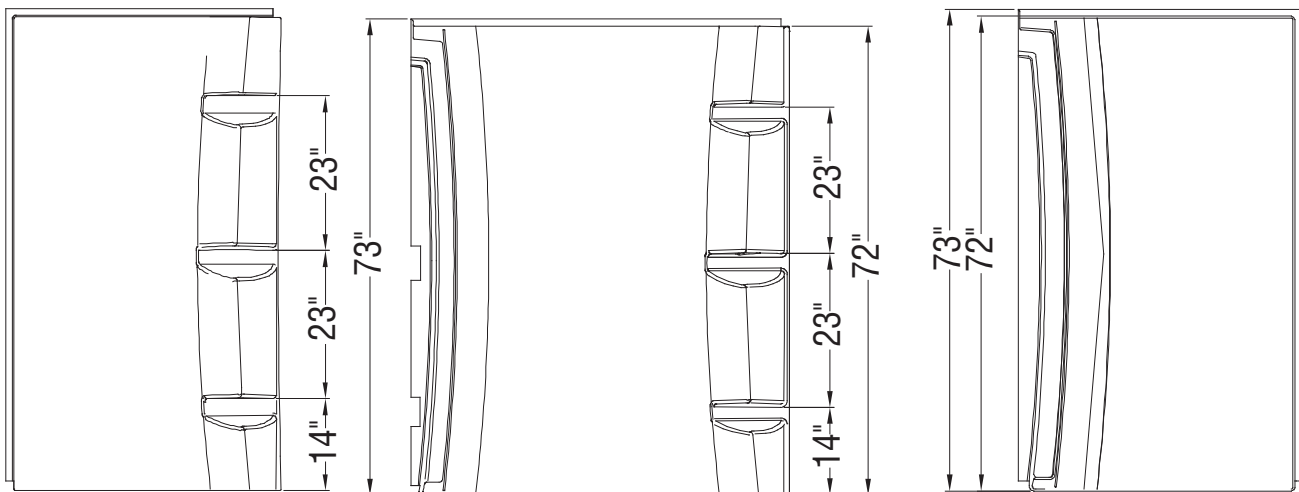
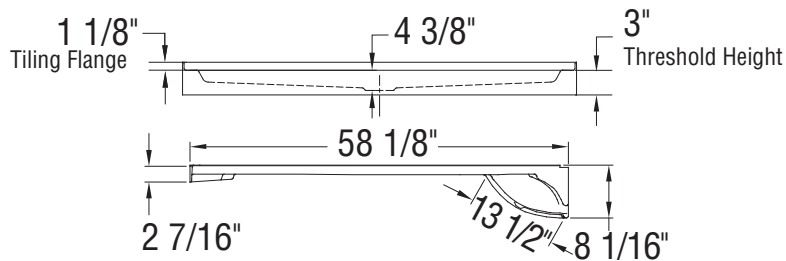
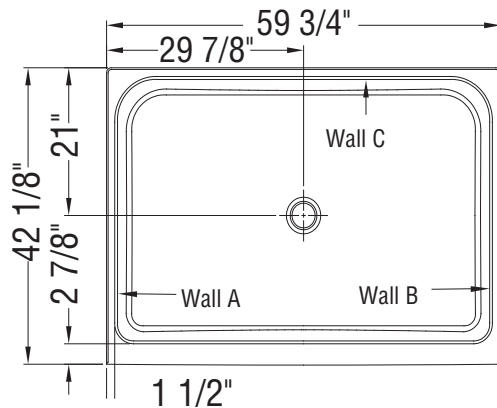
ALCOVE BASES - ACRYLIC

RECTANGULAR BASE 6042 - 3 IN - 105716

| SKU | Color | Configuration | Dimensions & Weight | Packaging | MSRP |
|--------------------|-------|-----------------|--|--------------------|---------|
| 105716-000-001-000 | White | Center / Alcove | 59 3/4" x 42 1/8" x 4 1/8" / 60 lb / 27 kg | 14 ft ³ | \$ 1064 |

RECOMMENDED DOORS - VISIT OUR WEBSITE FOR A COMPLETE LIST OF RECOMMENDED DOORS

| SKU | Product Name | Pag. |
|--------|---|------|
| 138277 | Manhattan 57-59 x 68 - 6mm | 672 |
| 138997 | Halo 56 1/2-59 x 78 3/4 - 8mm | 705 |
| 139353 | Incognito 70 56-59 x 70 1/2 - 8mm | 630 |
| 139350 | Incognito 56-59 x 70 1/2 in. 6mm | 628 |
| 135332 | Incognito 76 Shaker 56-59 x 76 - 8mm | 634 |
| 135335 | Incognito 76 56-59 x 76 - 8mm | 636 |
| 136335 | Incognito 76 Smoke 56-59 x 76 - 8mm | 638 |
| 135694 | Revelation Square 56-59 x 70 1/2-73 - 8mm | 648 |
| 136691 | Revelation Round 56-59 x 70 1/2-73 - 6mm | 642 |
| 135691 | Revelation Square 56-59 x 70 1/2-73 - 6mm | 646 |
| 136694 | Revelation Round 56-59 x 70 1/2-73 - 8mm | 644 |
| 135322 | Uptown 56-59 x 76 in. 8 mm | 650 |
| 135324 | | 711 |
| 135326 | Uptown 57-59 x 76 in. 8 mm | 686 |
| 135238 | Connect Pro 57-58 1/2 x 76 - 6mm | 696 |



Wall A
All dimensions are approximate. Structure measurements must be verified against the unit to ensure proper fit.

Wall C

Wall B

Square Base 32 - Alcove - 3 in



Material : Acrylic

Features

- › Proudly made in Canada
- › 32x32 Acrylic Alcove Shower Base with Off-Center Drain in White
- › 3 in. low threshold
- › Durable high shine acrylic stays warm to the touch and is easy to clean
- › Textured bottom
- › Off-center drain - consult MAAX technical drawing (specification) for exact dimensions
- › Limited warranty is for a period of 25 years, phone # 1-877-GET-MAAX

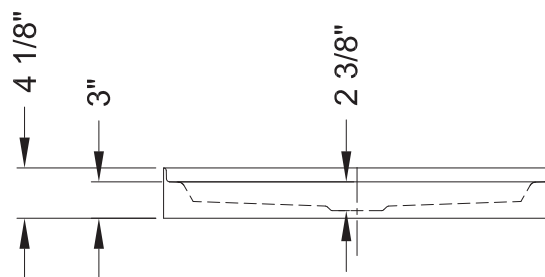
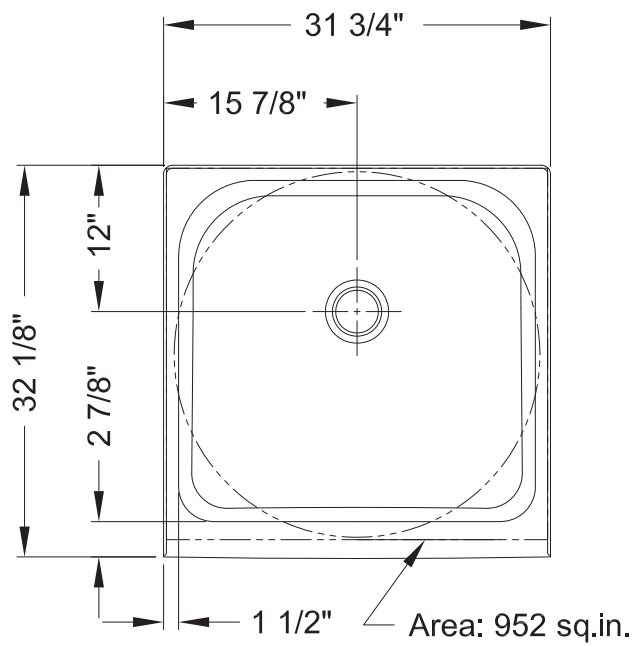
ALCOVE BASES - ACRYLIC

SQUARE BASE 32 - ALCOVE - 3 IN - 105663

| SKU | Color | Configuration | Dimensions & Weight | Packaging | MSRP |
|--------------------|-------|-------------------------|--|-------------------|--------|
| 105663-000-001-000 | White | Back End Drain / Alcove | 31 3/4" x 32 1/8" x 4 1/8" / 30 lb / 14 kg | 6 ft ³ | \$ 600 |

RECOMMENDED DOORS - VISIT OUR WEBSITE FOR A COMPLETE LIST OF RECOMMENDED DOORS

| SKU | Product Name | Pag. |
|--------|------------------------------------|------|
| 138263 | Manhattan 29-31 x 68 - 6mm | 666 |
| 105416 | Madono 28 1/2-30 1/2 x 67 - 6mm | 663 |
| 136732 | Polar Pivot 29-30 3/4 x 64 1/2 in. | 678 |
| 136645 | Pivolok 29-30 3/4 x 64 1/2 in. | 676 |



All dimensions are approximate and subject to change without prior notice.
Please refer to installation guide before installing unit.

Square Base 36 - Alcove - 3 in



Material : Acrylic

Features

- › Proudly made in Canada
- › 36x36 Acrylic Alcove Shower Base with Off-Center Drain in White, direct to stud installation
- › 3 in. low threshold
- › Durable high shine acrylic stays warm to the touch and is easy to clean, available in white only
- › Textured bottom
- › Off-center drain - consult MAAX technical drawing (specification) for exact dimensions
- › Limited warranty is for a period of 25 years, phone # 1-877-GET-MAAX

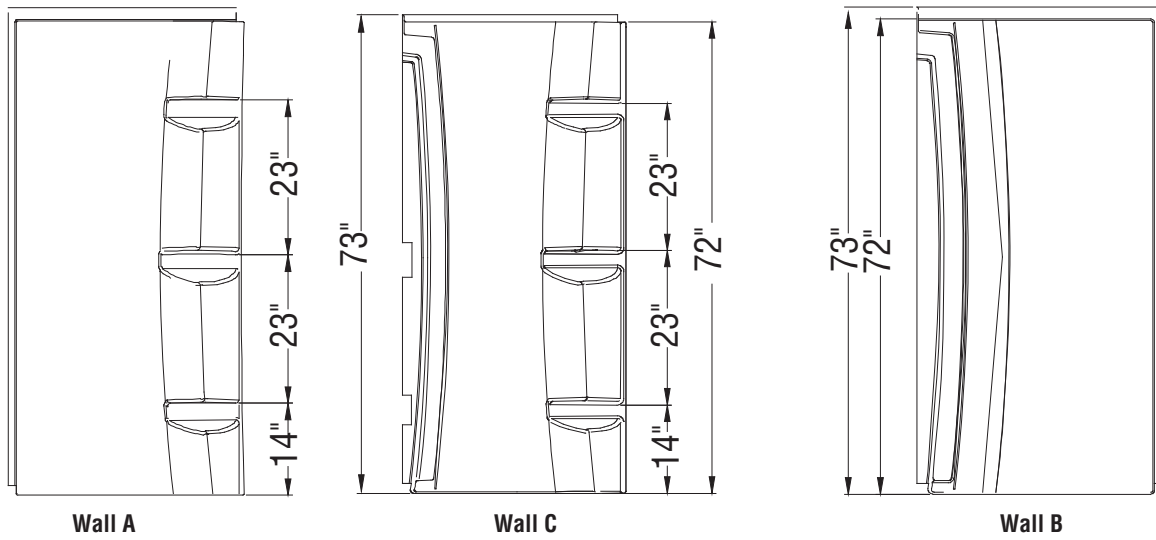
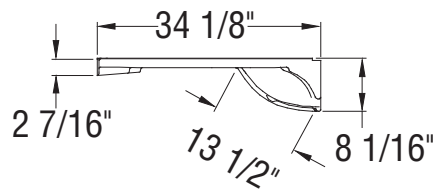
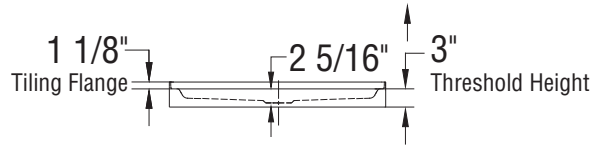
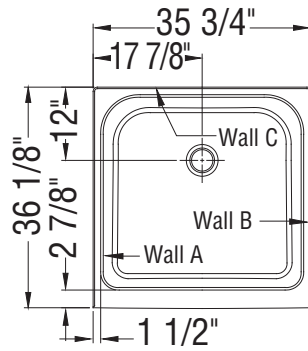
ALCOVE BASES - ACRYLIC

SQUARE BASE 36 - ALCOVE - 3 IN - 101430

| SKU | Color | Configuration | Dimensions & Weight | Packaging | MSRP |
|--------------------|-------|-------------------------|--|----------------------|--------|
| 101430-000-001-000 | White | Back End Drain / Alcove | 36 1/8" x 36 1/8" x 4 1/8" / 40 lb / 18 kg | 8.93 ft ³ | \$ 669 |

RECOMMENDED DOORS - VISIT OUR WEBSITE FOR A COMPLETE LIST OF RECOMMENDED DOORS

| SKU | Product Name | Pag. |
|--------|--|------|
| 138265 | Manhattan 33-35 x 68 - 6mm | 666 |
| 139575 | Reveal Sleek 71 32 1/2-35 1/2 x 71 1/2 - 8mm | 683 |
| 139584 | Capella 78 32 1/2-35 1/2 x 78 - 8mm | 652 |
| 137835 | ModulR 36 x 78 - 8mm | 657 |
| 105418 | Madono 34 1/2-36 1/2 x 67 - 6mm | 663 |
| 136676 | Reveal 71 32 1/2-35 1/2 x 71 1/2 - 8mm | 680 |
| 136733 | Polar Pivot 33-34 3/4 x 64 1/2 in. | 678 |
| 136435 | Pivolok Deluxe 32 1/2-37 x 64 1/2 in. | 674 |
| 136656 | Pivolok 33-34 3/4 x 64 1/2 in. | 676 |



All dimensions are approximate. Structure measurements must be verified against the unit to ensure proper fit.

Square Base 42 - Alcove - 3 in



Material : Acrylic

Features

- › 42x42 Acrylic Alcove Shower Base with Center Drain in White, direct to stud installation
- › 3 in. low threshold
- › Durable high shine acrylic stays warm to the touch and is easy to clean
- › Textured bottom
- › Center drain - consult MAAX technical drawing (specification) for exact dimensions
- › Limited warranty is for a period of 25 years, phone # 1-877-GET-MAAX

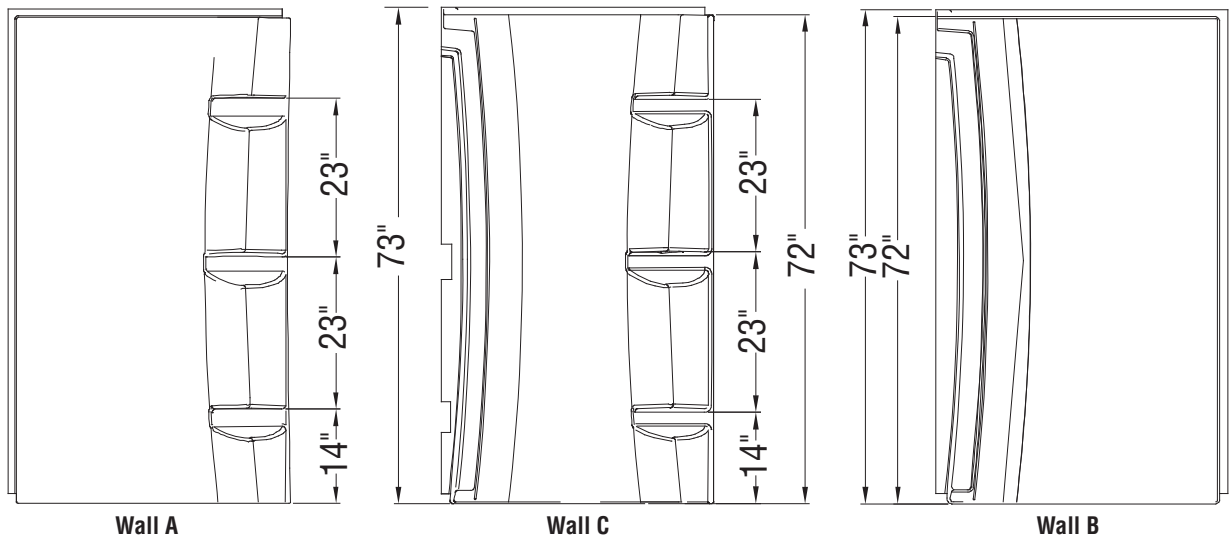
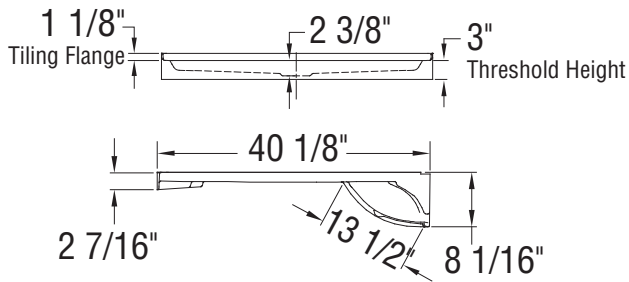
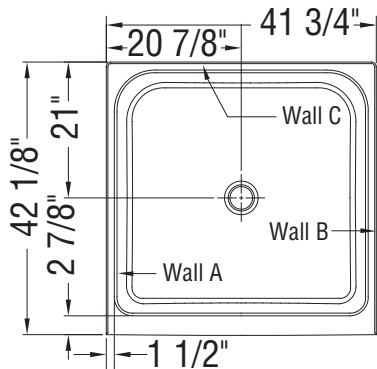
ALCOVE BASES - ACRYLIC

SQUARE BASE 42 - ALCOVE - 3 IN - 105714

| SKU | Color | Configuration | Dimensions & Weight | Packaging | MSRP |
|--------------------|-------|-----------------|--|---------------------|--------|
| 105714-000-001-000 | White | Center / Alcove | 41 3/4" x 42 1/8" x 4 1/8" / 42 lb / 19 kg | 9.9 ft ³ | \$ 845 |

RECOMMENDED DOORS - VISIT OUR WEBSITE FOR A COMPLETE LIST OF RECOMMENDED DOORS

| SKU | Product Name | Pag. |
|--------|--------------------------------------|------|
| 138268 | Manhattan 39-41 x 68 - 6mm | 670 |
| 138520 | Incognito 74 39-42x74in. 8mm | 632 |
| 139576 | Reveal Sleek 71 38-41 x 71 1/2 - 8mm | 683 |
| 134562 | Kameleon 40-44 x 71 - 6mm | 622 |
| 134662 | Kameleon SC 40-44 x 71 - 6mm | 611 |
| 136679 | Reveal 71 38-41 x 71 1/2 - 8 mm | 680 |



All dimensions are approximate. Structure measurements must be verified against the unit to ensure proper fit.

B3Round 3636



Material : Acrylic

Features

- › Model Size : 35 7/8 L in. X 35 7/8 W in. X 3 H in.
- › Acrylic square shower base with round drain
- › Low 3 in. threshold base allowing an easy and safe access
- › Certain configurations available with Stabili-T anti-slip bottom meeting ADA, ANSI or CSA
- › Multiple configurations available to accommodate different types of installation
- › Compatible with Utile, most glue-up shower walls and ceramic tiles
- › Integrated leak proof tiling flanges
- › 25-year warranty for peace of mind
- › High gloss finish resistant to dulling, scratching, and fading

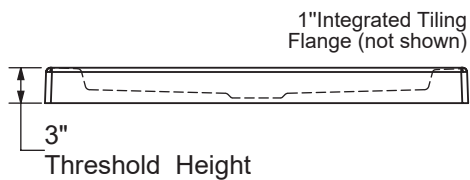
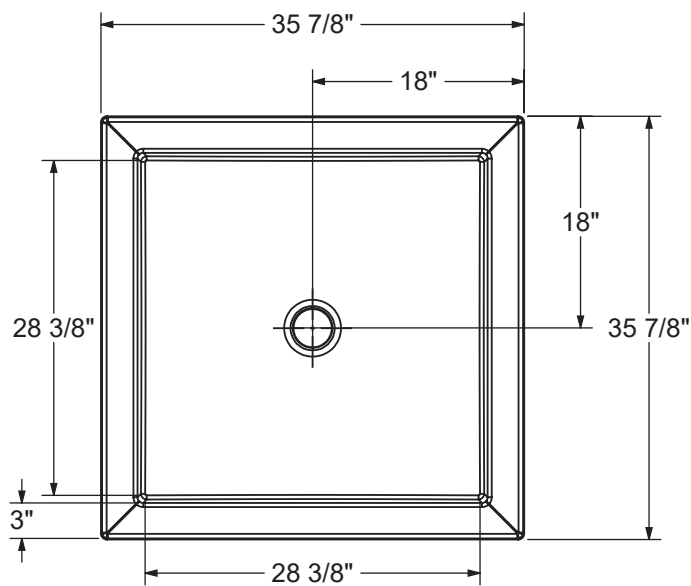
CONFIGURABLE SHOWER BASES

B3ROUND 3636 - 410000

| SKU | Color | Configuration | Dimensions & Weight | Packaging | MSRP |
|--------------------|-------|---|--|---------------------------------|--------|
| 410000-500-001-000 | White | Center / Corner Left or Right | 35 7/8" x 35 7/8" x 3" / 35 lb / 16 kg | 29.781972249349 ft ³ | \$ 669 |
| 410000-501-001-000 | | Center / Alcove | | | \$ 669 |
| 410000-505-001-000 | | Center / Wall Mounted | | | \$ 669 |
| 410000-540-001-000 | | Center / Corner Left or Right – Stabili-T | | | \$ 669 |
| 410000-541-001-000 | | Center / Alcove – Stabili-T | | | \$ 669 |

RECOMMENDED DOORS - VISIT OUR WEBSITE FOR A COMPLETE LIST OF RECOMMENDED DOORS

| SKU | Product Name | Pag. |
|--------|--|------|
| 139575 | Reveal Sleek 71 32 1/2-35 1/2 x 71 1/2 - 8mm | 683 |
| 139584 | Capella 78 32 1/2-35 1/2 x 78 - 8mm | 652 |
| 136676 | Reveal 71 32 1/2-35 1/2 x 71 1/2 - 8mm | 680 |



This technical drawing is universal for every 3636 configuration.

Integrated tiling flange : 1" height x 1/4" thick (not shown)
 Tiling flange position is determined by chosen configuration.

All dimensions are approximate. Structure measurements must be verified against the unit to ensure proper fit.

B3Round 4236



Material : Acrylic

Features

- › Model Size : 41 7/8 L in. X 35 7/8 W in. X 3 H in.
- › Acrylic rectangular shower base with round drain
- › Low 3 in. threshold base allowing an easy and safe access
- › Certain configurations available with Stabili-T anti-slip bottom meeting ADA, ANSI or CSA
- › Multiple configurations available to accommodate different types of installation
- › Compatible with most glue-up Shower walls and ceramic tiles
- › Integrated leak proof tiling flanges
- › 25-year warranty for peace of mind
- › High gloss finish resistant to dulling, scratching, and fading

CONFIGURABLE SHOWER BASES

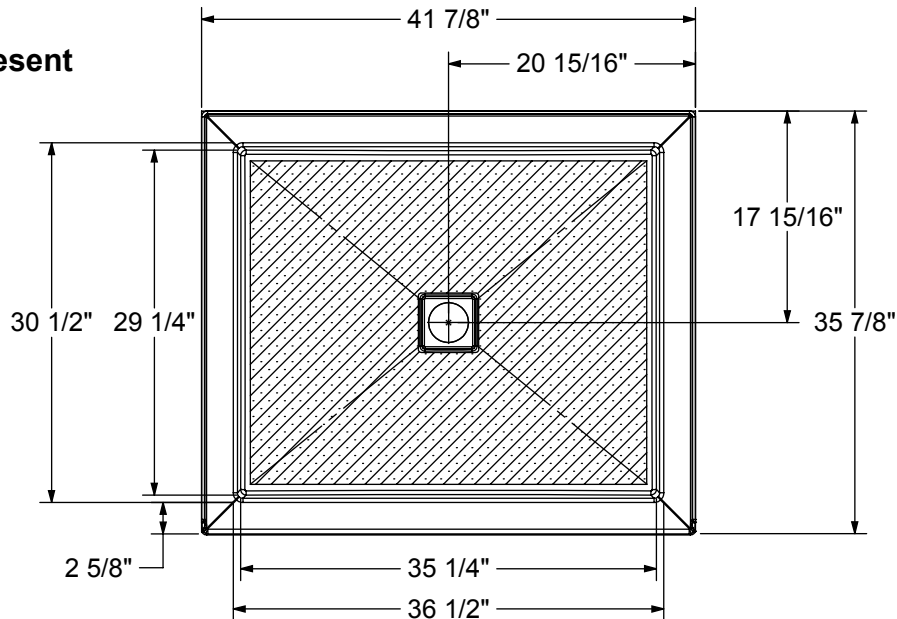
B3ROUND 4236 - 410034

| SKU | Color | Configuration | Dimensions & Weight | Packaging | MSRP |
|--------------------|-------|-----------------------------------|--|----------------------------------|--------|
| 410034-541-001-000 | White | Center / Alcove – Stabili-T | 41 7/8" x 35 7/8" x 3" / 45 lb / 20 kg | 46.1211140950521 ft ³ | \$ 801 |
| 410034-542-001-000 | | Center / Corner Left – Stabili-T | | | \$ 801 |
| 410034-543-001-000 | | Center / Corner Right – Stabili-T | | | \$ 801 |

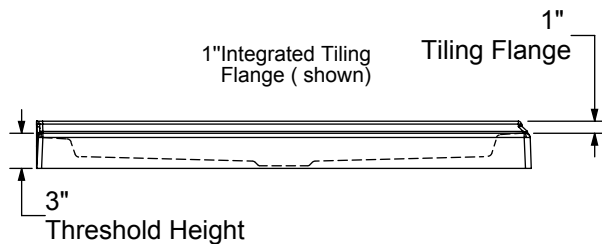
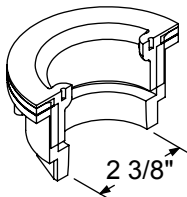
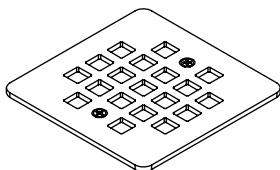
RECOMMENDED DOORS - VISIT OUR WEBSITE FOR A COMPLETE LIST OF RECOMMENDED DOORS

| SKU | Product Name | Pag. |
|--------|------------------------------------|------|
| 139576 | Reveal Sleek 71 38-41 x 71 ½ - 8mm | 683 |
| 136679 | Reveal 71 38-41 x 71 ½ - 8 mm | 680 |

The hatched area represent the antislip surface



DRAIN INCLUDED ON B3 SQUARE ONLY



This technical drawing is universal for every 4236 configuration.

Integrated tiling flange : 1" height x 1/4" thick
 Tiling flange position is determined by chosen configuration.

All dimensions are approximate. Structure measurements must be verified against the unit to ensure proper fit.



B3Round 4832



Material : Acrylic

Features

- › Model Size : 47 7/8 L in. X 31 7/8 W in. X 3 H in.
- › Acrylic rectangular shower base with round drain
- › Low 3 in. threshold base allowing an easy and safe access
- › Certain configurations available with Stabili-T anti-slip bottom meeting ADA, ANSI or CSA
- › Multiple configurations available to accommodate different types of installation
- › Compatible with Utile, most glue-up shower walls and ceramic tiles
- › Integrated leak proof tiling flanges
- › 25-year warranty for peace of mind
- › High gloss finish resistant to dulling, scratching, and fading

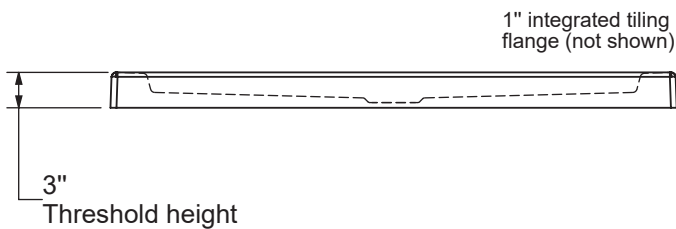
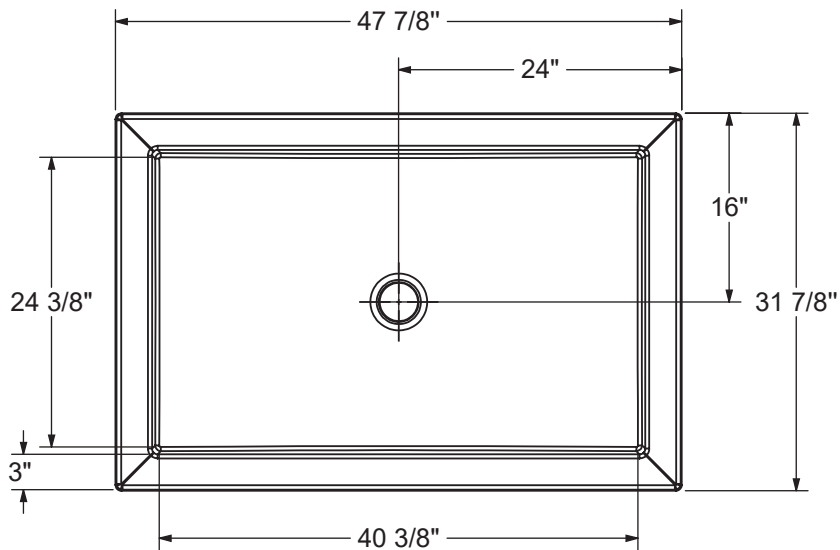
CONFIGURABLE SHOWER BASES

B3ROUND 4832 - 410001

| SKU | Color | Configuration | Dimensions & Weight | Packaging | MSRP |
|--------------------|-------|-----------------------------------|--|----------------------------------|--------|
| 410001-501-001-000 | White | Center / Alcove | 47 7/8" x 31 7/8" x 3" / 41 lb / 19 kg | 65.3675220630787 ft ³ | \$ 801 |
| 410001-502-001-000 | | Center / Corner Left | | | \$ 801 |
| 410001-503-001-000 | | Center / Corner Right | | | \$ 801 |
| 410001-504-001-000 | | Center / Alcove Deep | | | \$ 801 |
| 410001-505-001-000 | | Center / Wall Mounted | | | \$ 801 |
| 410001-506-001-000 | | Center / Tunnel | | | \$ 801 |
| 410001-541-001-000 | | Center / Alcove – Stabili-T | | | \$ 801 |
| 410001-542-001-000 | | Center / Corner Left – Stabili-T | | | \$ 801 |
| 410001-543-001-000 | | Center / Corner Right – Stabili-T | | | \$ 801 |

RECOMMENDED DOORS - VISIT OUR WEBSITE FOR A COMPLETE LIST OF RECOMMENDED DOORS

| SKU | Product Name | Pag. |
|--------|---|------|
| 135321 | Uptown 44-47 x 76 in. 8 mm | 650 |
| 138950 | Halo Pro 44 1/2-47 x 78 3/4 - 8mm | 701 |
| 135334 | Incognito 76 44-47 x 76 - 8mm | 636 |
| 139352 | Incognito 70 44-47 x 70 1/2 - 8mm | 630 |
| 139349 | Incognito 44-47 x 70 1/2 in. 6mm | 628 |
| 138460 | Vela 44 1/2-47 x 78 3/4 - 8mm | 690 |
| 136693 | Revelation Round 44-47 x 70 1/2-73 - 8mm | 644 |
| 135690 | Revelation Square 44-47 x 70 1/2-73 - 6mm | 646 |



This technical drawing is universal for every 4832 configuration.

Integrated tiling flange : 1" height x 1/4" thick (not shown)
 Tiling flange position is determined by chosen configuration.

All dimensions are approximate. Structure measurements must be verified against the unit to ensure proper fit.



B3Round 4834



Material : Acrylic

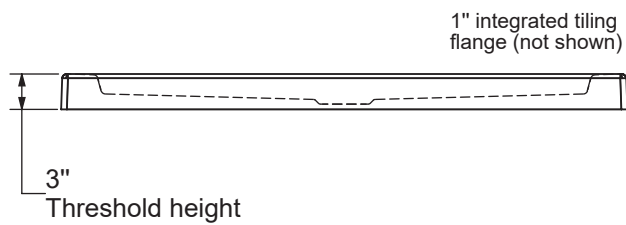
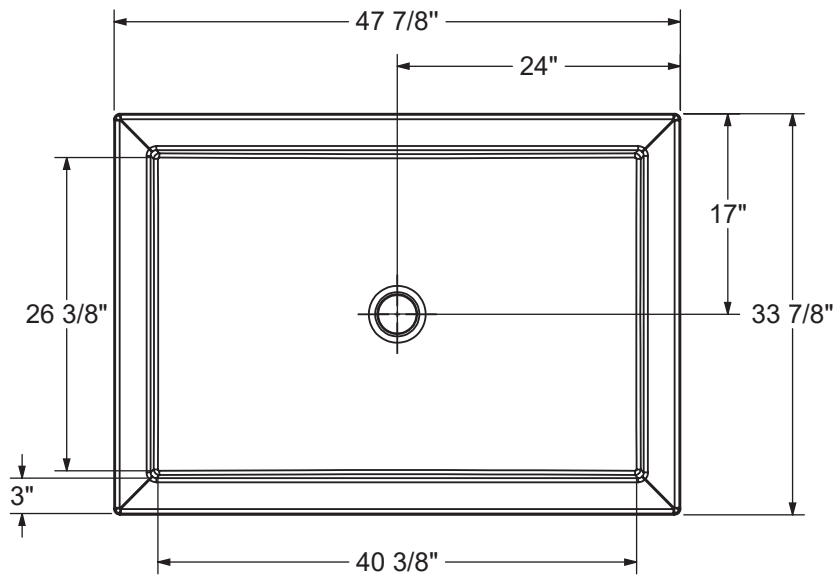
Features

- › Model Size : 47 7/8 L in. X 33 7/8 W in. X 3 H in.
- › Acrylic rectangular shower base with round drain
- › Low 3 in. threshold base allowing an easy and safe access
- › Certain configurations available with Stabili-T anti-slip bottom meeting ADA, ANSI or CSA
- › Multiple configurations available to accomodate different types of installation
- › Compatible with most glue-up Shower walls and ceramic tiles
- › Integrated leak proof tiling flanges
- › 25-year warranty for peace of mind
- › High gloss finish resistant to dulling, scratching, and fading

CONFIGURABLE SHOWER BASES

B3ROUND 4834 - 410002

| SKU | Color | Configuration | Dimensions & Weight | Packaging | MSRP |
|--------------------|-------|-----------------------------------|--|----------------------------------|--------|
| 410002-501-001-000 | White | Center / Alcove | 47 7/8" x 33 7/8" x 3" / 44 lb / 20 kg | 52.7295125325521 ft ³ | \$ 821 |
| 410002-502-001-000 | | Center / Corner Left | | | \$ 821 |
| 410002-503-001-000 | | Center / Corner Right | | | \$ 821 |
| 410002-504-001-000 | | Center / Alcove Deep | | | \$ 821 |
| 410002-505-001-000 | | Center / Wall Mounted | | | \$ 821 |
| 410002-506-001-000 | | Center / Tunnel | | | \$ 821 |
| 410002-541-001-000 | | Center / Alcove – Stabili-T | | | \$ 821 |
| 410002-542-001-000 | | Center / Corner Left – Stabili-T | | | \$ 821 |
| 410002-543-001-000 | | Center / Corner Right – Stabili-T | | | \$ 821 |



This technical drawing is universal for every 4834 configuration.

Integrated tiling flange : 1" height x 1/4" thick (not shown)
 Tiling flange position is determined by chosen configuration.

All dimensions are approximate. Structure measurements must be verified against the unit to ensure proper fit.



B3Round 4836



Material : Acrylic

Features

- › Model Size : 47 7/8 L in. X 35 7/8 W in. X 3 H in.
- › Acrylic rectangular shower base with round drain
- › Low 3 in. threshold base allowing an easy and safe access
- › Certain configurations available with Stabili-T anti-slip bottom meeting ADA, ANSI or CSA
- › Multiple configurations available to accommodate different types of installation
- › Compatible with Utile, most glue-up shower walls and ceramic tiles
- › Integrated leak proof tiling flanges
- › 25-year warranty for peace of mind
- › High gloss finish resistant to dulling, scratching, and fading

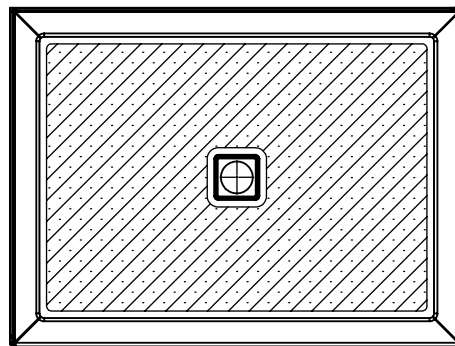
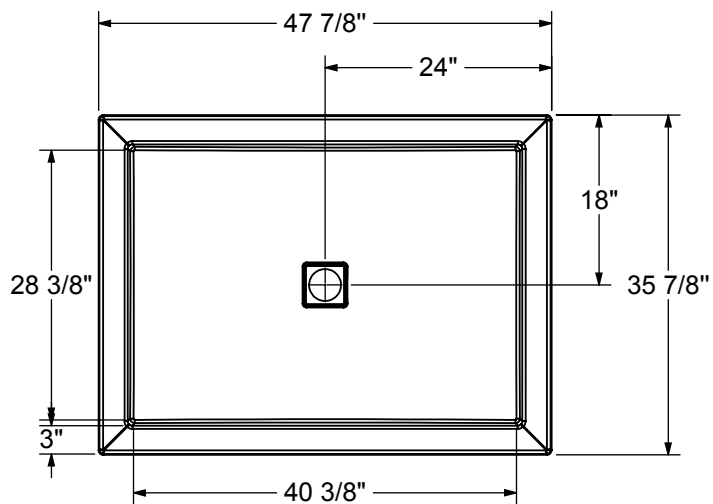
CONFIGURABLE SHOWER BASES

B3ROUND 4836 - 410003

| SKU | Color | Configuration | Dimensions & Weight | Packaging | MSRP |
|--------------------|-------|-----------------------------------|--|----------------------------------|--------|
| 410003-501-001-000 | White | Center / Alcove | 47 7/8" x 35 7/8" x 3" / 47 lb / 21 kg | 52.7295125325521 ft ³ | \$ 840 |
| 410003-502-001-000 | | Center / Corner Left | | | \$ 840 |
| 410003-503-001-000 | | Center / Corner Right | | | \$ 840 |
| 410003-504-001-000 | | Center / Alcove Deep | | | \$ 840 |
| 410003-505-001-000 | | Center / Wall Mounted | | | \$ 840 |
| 410003-506-001-000 | | Center / Tunnel | | | \$ 840 |
| 410003-541-001-000 | | Center / Alcove – Stabili-T | | | \$ 840 |
| 410003-542-001-000 | | Center / Corner Left – Stabili-T | | | \$ 840 |
| 410003-543-001-000 | | Center / Corner Right – Stabili-T | | | \$ 840 |

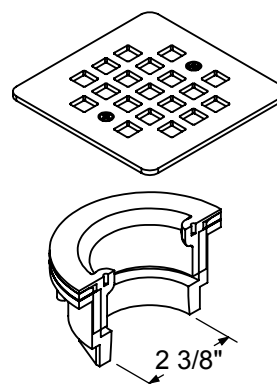
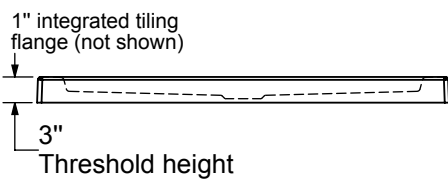
RECOMMENDED DOORS - VISIT OUR WEBSITE FOR A COMPLETE LIST OF RECOMMENDED DOORS

| SKU | Product Name | Pag. |
|--------|--------------------------------------|------|
| 138996 | Halo 44 ½-47 x 78 ¾ - 8mm | 705 |
| 135321 | Uptown 44-47 x 76 in. 8 mm | 650 |
| 135323 | | 711 |
| 135325 | Uptown 45-47 x 76 in. 8 mm | 686 |
| 135236 | Connect Pro 45-46 ½ x 76 - 6mm | 696 |
| 139578 | Reveal Sleek 71 44-47 x 71 ½ - 8mm | 684 |
| 138540 | Halo Pro GS 44 1/2-47 X 78 3/4 - 8mm | 699 |
| 136956 | Duel Alto 44-47 X 78 - 8 mm | 605 |



The hatched area represent the anti-slip surface

DRAIN INCLUDED ON B3 SQUARE ONLY



This technical drawing is universal for every 4836 configuration.

Integrated tiling flange : 1" height x 1/4" thick (not shown)
 Tiling flange position is determined by chosen configuration.

All dimensions are approximate. Structure measurements must be verified against the unit to ensure proper fit.

B3Round 4842



Material : Acrylic

Features

- › Model Size : 47 7/8 L in. X 41 7/8 W in. X 3 H in.
- › Acrylic rectangular shower base with round drain
- › Low 3 in. threshold base allowing an easy and safe access
- › Certain configurations available with Stabili-T anti-slip bottom meeting ADA, ANSI or CSA
- › Multiple configurations available to accommodate different types of installation
- › Compatible with most glue-up Shower walls and ceramic tiles
- › Integrated leak proof tiling flanges
- › 25-year warranty for peace of mind
- › High gloss finish resistant to dulling, scratching, and fading

CONFIGURABLE SHOWER BASES

B3ROUND 4842 - 410043

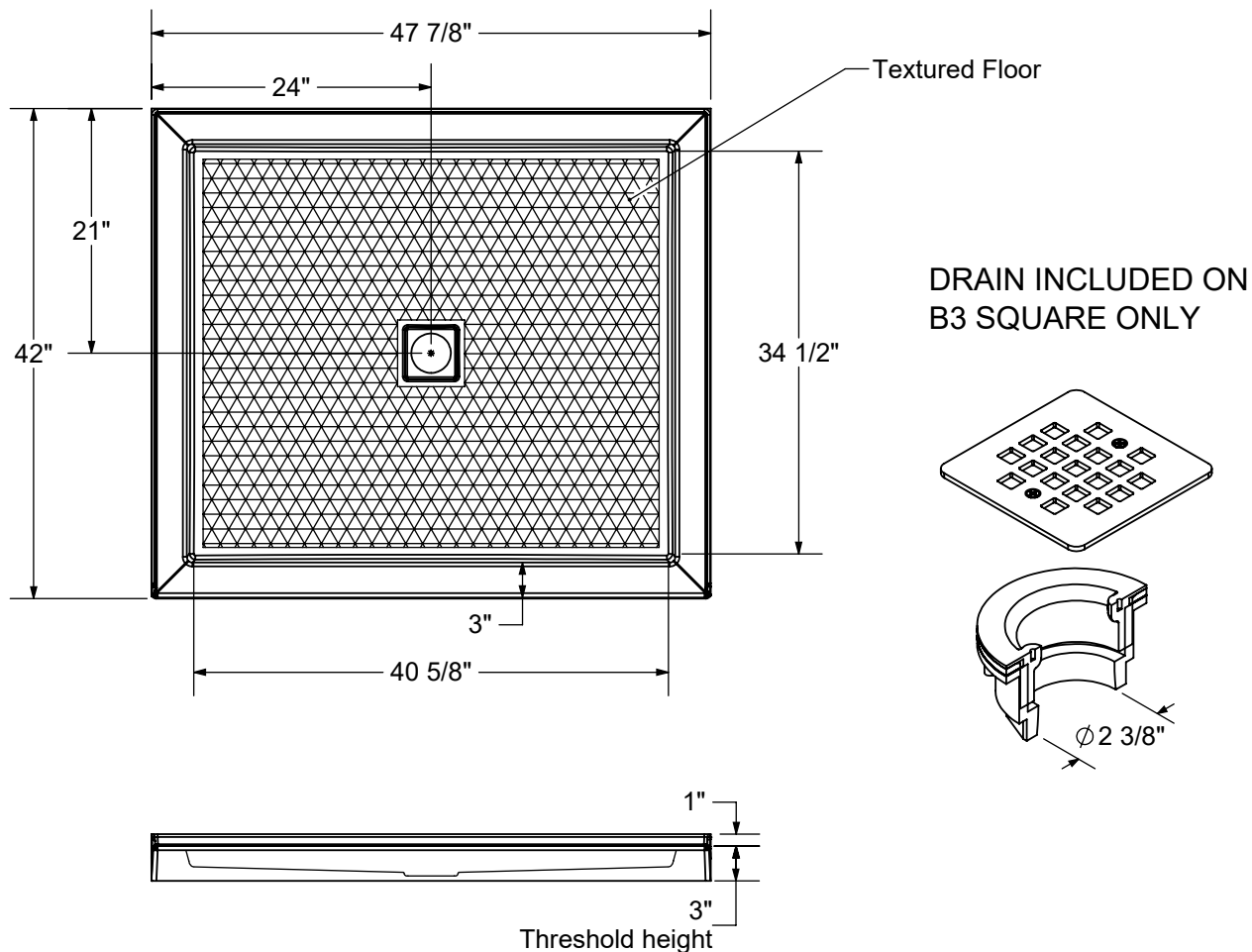
| SKU | Color | Configuration | Dimensions & Weight | Packaging | MSRP |
|--------------------|-------|-----------------------------------|--|----------------------------------|---------|
| 410043-541-001-000 | White | Center / Alcove – Stabili-T | 47 7/8" x 41 7/8" x 3" / 56 lb / 25 kg | 4.64066116898148 ft ³ | \$ 1089 |
| 410043-542-001-000 | | Center / Corner Left – Stabili-T | | | \$ 1089 |
| 410043-543-001-000 | | Center / Corner Right – Stabili-T | | | \$ 1089 |
| 410043-544-001-000 | | Center / Alcove Deep - Stabili-T | | | \$ 1089 |

RECOMMENDED DOORS - VISIT OUR WEBSITE FOR A COMPLETE LIST OF RECOMMENDED DOORS

| SKU | Product Name | Pag. |
|--------|------------------------------------|------|
| 138268 | Manhattan 39-41 x 68 - 6mm | 670 |
| 138520 | Incognito 74 39-42x74in. 8mm | 632 |
| 139576 | Reveal Sleek 71 38-41 x 71 ½ - 8mm | 683 |
| 134562 | Kameleon 40-44 x 71 - 6mm | 622 |
| 134662 | Kameleon SC 40-44 x 71 - 6mm | 611 |
| 136679 | Reveal 71 38-41 x 71 ½ - 8 mm | 680 |

BASE MODEL

CONFIGURABLE SHOWER BASES



- All dimensions are approximate
- Structure measurements must be verified against the unit to ensure proper fit
- Installation to be completed in accordance with manufacturers specifications
- Do not scale drawings

B3Round 6030



Material : Acrylic

Features

- › Model Size : 59 7/8 L in. X 29 7/8 W in. X 3 H in.
- › Acrylic rectangular shower base with round drain
- › Low 3 in. threshold base allowing an easy and safe access
- › Certain configurations available with Stabili-T anti-slip bottom meeting ADA, ANSI or CSA
- › Multiple configurations available to accomodate different types of installation
- › Compatible with most glue-up Shower walls and ceramic tiles
- › Integrated leak proof tiling flanges
- › 25-year warranty for peace of mind
- › High gloss finish resistant to dulling, scratching, and fading



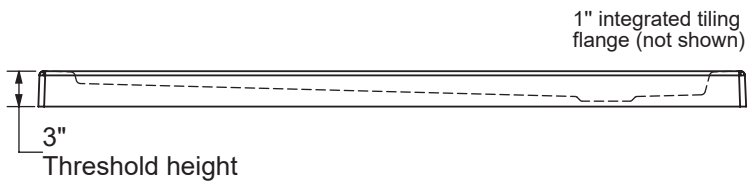
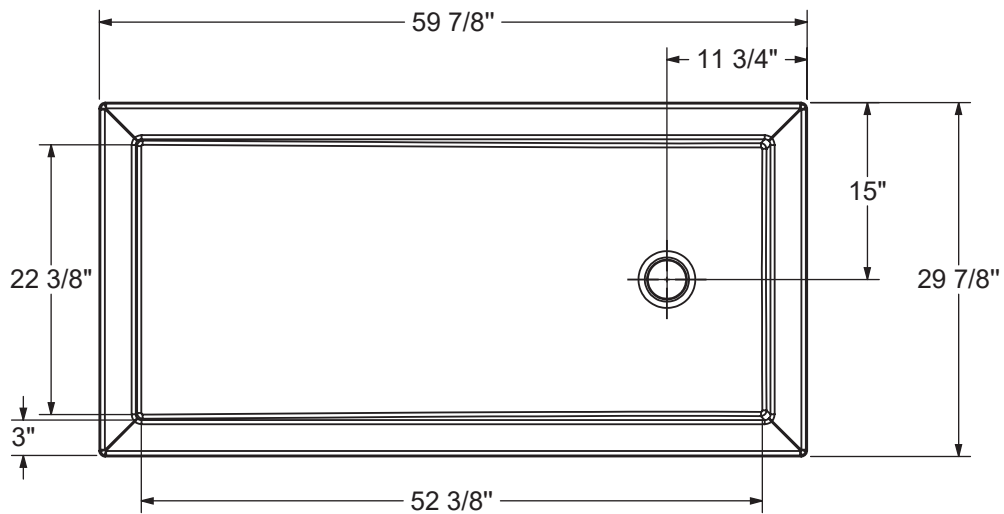
CONFIGURABLE SHOWER BASES

B3ROUND 6030 - 410004

| SKU | Color | Configuration | Dimensions & Weight | Packaging | MSRP |
|--------------------|-------|----------------------------------|--|----------------------------------|--------|
| 410004-501-001-001 | White | Left / Alcove | 59 7/8" x 29 7/8" x 3" / 52 lb / 24 kg | 81.7520706741898 ft ³ | \$ 947 |
| 410004-501-001-002 | | Right / Alcove | | | \$ 947 |
| 410004-502-001-001 | | Left / Corner Left | | | \$ 947 |
| 410004-503-001-002 | | Right / Corner Right | | | \$ 947 |
| 410004-504-001-000 | | Back End Drain / Alcove Deep | | | \$ 947 |
| 410004-505-001-001 | | Left / Wall Mounted | | | \$ 947 |
| 410004-505-001-002 | | Right / Wall Mounted | | | \$ 947 |
| 410004-541-001-001 | | Left / Alcove – Stabili-T | | | \$ 947 |
| 410004-541-001-002 | | Right / Alcove – Stabili-T | | | \$ 947 |
| 410004-542-001-001 | | Left / Corner Left – Stabili-T | | | \$ 947 |
| 410004-543-001-002 | | Right / Corner Right – Stabili-T | | | \$ 947 |

RECOMMENDED DOORS - VISIT OUR WEBSITE FOR A COMPLETE LIST OF RECOMMENDED DOORS

| SKU | Product Name | Pag. |
|--------|--------------------------------------|------|
| 138277 | Manhattan 57-59 x 68 - 6mm | 672 |
| 138997 | Halo 56 ½-59 x 78 ¾ - 8mm | 705 |
| 139353 | Incognito 70 56-59 x 70 ½ - 8mm | 630 |
| 139350 | Incognito 56-59 x 70 ½ in. 6mm | 628 |
| 135332 | Incognito 76 Shaker 56-59 x 76 - 8mm | 634 |
| 135335 | Incognito 76 56-59 x 76 - 8mm | 636 |



This technical drawing is universal for every 6030 configuration.

Integrated tiling flange : 1" height x 1/4" thick (not shown)
 Tiling flange position is determined by chosen configuration.

All dimensions are approximate. Structure measurements must be verified against the unit to ensure proper fit.

B3Round 6032



Material : Acrylic

Features

- › Model Size : 59 7/8 L in. X 31 7/8 W in. X 3 H in.
- › Acrylic rectangular shower base with round drain
- › Low 3 in. threshold base allowing an easy and safe access
- › Certain configurations available with Stabili-T anti-slip bottom meeting ADA, ANSI or CSA
- › Multiple configurations available to accomodate different types of installation
- › Compatible with Utile, most glue-up shower walls and ceramic tiles
- › Integrated leak proof tiling flanges
- › 25-year warranty for peace of mind
- › High gloss finish resistant to dulling, scratching, and fading



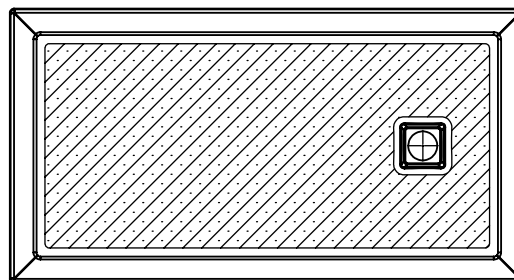
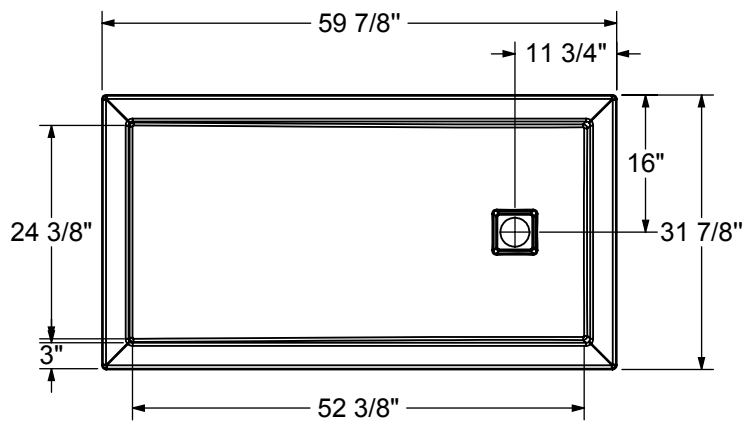
CONFIGURABLE SHOWER BASES

B3ROUND 6032 - 410005

| SKU | Color | Configuration | Dimensions & Weight | Packaging | MSRP |
|--------------------|-------|----------------------------------|--|----------------------------------|--------|
| 410005-501-001-001 | White | Left / Alcove | 59 7/8" x 31 7/8" x 3" / 55 lb / 25 kg | 65.9463094075521 ft ³ | \$ 947 |
| 410005-501-001-002 | | Right / Alcove | | | \$ 947 |
| 410005-502-001-001 | | Left / Corner Left | | | \$ 947 |
| 410005-503-001-002 | | Right / Corner Right | | | \$ 947 |
| 410005-504-001-000 | | Back End Drain / Alcove Deep | | | \$ 947 |
| 410005-505-001-001 | | Left / Wall Mounted | | | \$ 947 |
| 410005-505-001-002 | | Right / Wall Mounted | | | \$ 947 |
| 410005-506-001-104 | | Back End Drain / Tunnel | | | \$ 947 |
| 410005-541-001-001 | | Left / Alcove – Stabili-T | | | \$ 947 |
| 410005-541-001-002 | | Right / Alcove – Stabili-T | | | \$ 947 |
| 410005-542-001-001 | | Left / Corner Left – Stabili-T | | | \$ 947 |
| 410005-543-001-002 | | Right / Corner Right – Stabili-T | | | \$ 947 |

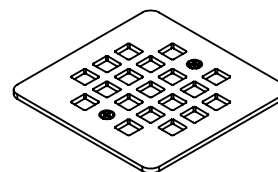
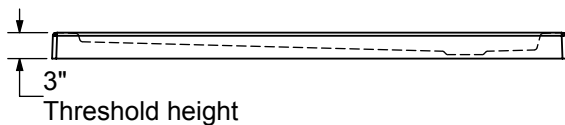
RECOMMENDED DOORS - VISIT OUR WEBSITE FOR A COMPLETE LIST OF RECOMMENDED DOORS

| SKU | Product Name | Pag. |
|--------|--------------------------------|------|
| 138997 | Halo 56 ½-59 x 78 ¾ - 8mm | 705 |
| 135322 | Uptown 56-59 x 76 in. 8 mm | 650 |
| 135324 | | 711 |
| 135326 | Uptown 57-59 x 76 in. 8 mm | 686 |
| 135238 | Connect Pro 57-58 ½ x 76 - 6mm | 696 |

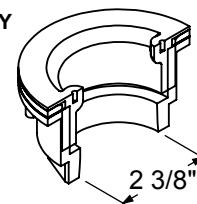


The hatched area represent the antislip surface

1" integrated tiling flange (not shown)



DRAIN INCLUDED ON B3 SQUARE ONLY



This technical drawing is universal for every 6032 configuration.

Integrated tiling flange : 1" height x 1/4" thick (not shown)
 Tiling flange position is determined by chosen configuration.

All dimensions are approximate. Structure measurements must be verified against the unit to ensure proper fit.

B3Round 6034



Material : Acrylic

Features

- › Model Size : 59 7/8 L in. X 33 7/8 W in. X 3 H in.
- › Acrylic rectangular shower base with round drain
- › Low 3 in. threshold base allowing an easy and safe access
- › Certain configurations available with Stabili-T anti-slip bottom meeting ADA, ANSI or CSA
- › Multiple configurations available to accommodate different types of installation
- › Compatible with most glue-up Shower walls and ceramic tiles
- › Integrated leak proof tiling flanges
- › 25-year warranty for peace of mind
- › High gloss finish resistant to dulling, scratching, and fading



CONFIGURABLE SHOWER BASES

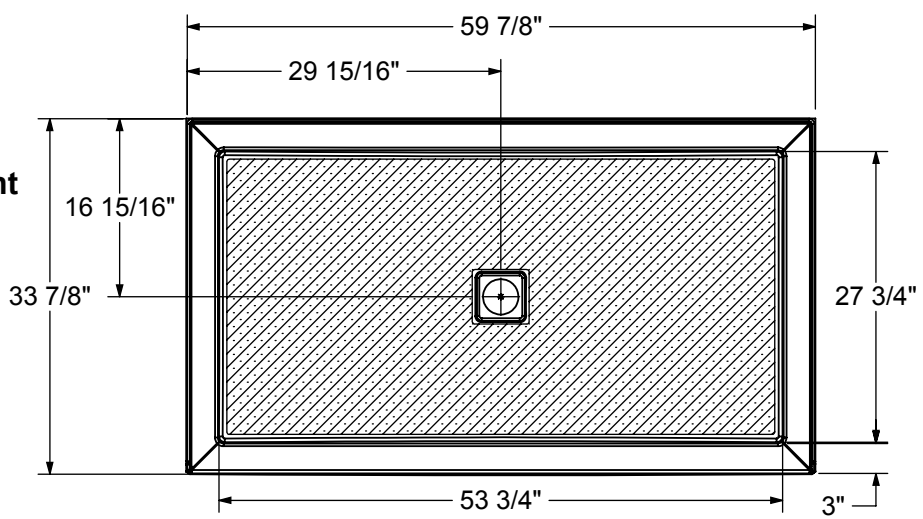
B3ROUND 6034 - 410035

| SKU | Color | Configuration | Dimensions & Weight | Packaging | MSRP |
|--------------------|-------|-----------------------------------|--|----------------------------------|--------|
| 410035-541-001-000 | White | Center / Alcove – Stabili-T | 59 7/8" x 33 7/8" x 3" / 57 lb / 26 kg | 65.9463094075521 ft ³ | \$ 976 |
| 410035-541-001-001 | | Left / Alcove – Stabili-T | | | \$ 976 |
| 410035-541-001-002 | | Right / Alcove – Stabili-T | | | \$ 976 |
| 410035-542-001-000 | | Center / Corner Left – Stabili-T | | | \$ 976 |
| 410035-542-001-001 | | Left / Corner Left – Stabili-T | | | \$ 976 |
| 410035-543-001-000 | | Center / Corner Right – Stabili-T | | | \$ 976 |
| 410035-543-001-002 | | Right / Corner Right – Stabili-T | | | \$ 976 |

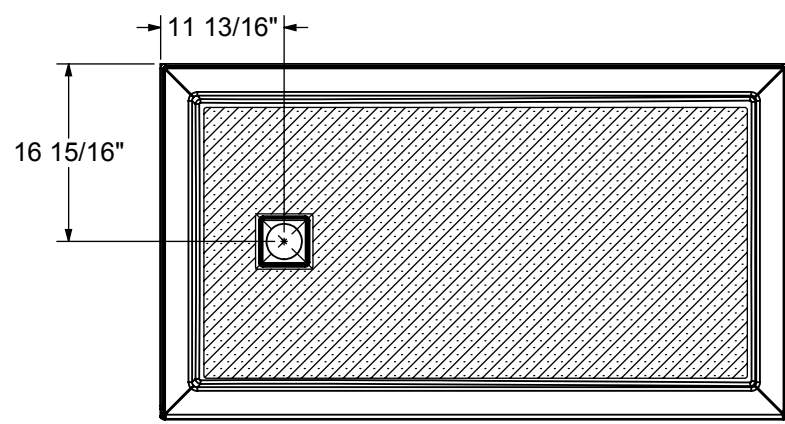
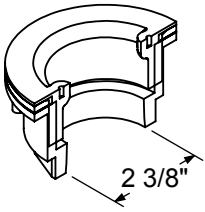
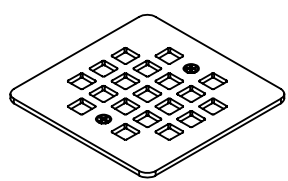
RECOMMENDED DOORS - VISIT OUR WEBSITE FOR A COMPLETE LIST OF RECOMMENDED DOORS

| SKU | Product Name | Pag. |
|--------|------------------------------------|------|
| 138997 | Halo 56 ½-59 x 78 ¾ - 8mm | 705 |
| 139580 | Reveal Sleek 71 56-59 x 71 ½ - 8mm | 684 |

The hatched area represent the antislip surface



DRAIN INCLUDED ON B3 SQUARE ONLY



This technical drawing is universal for every 6034 configuration.

Integrated tiling flange : 1" height x 1/4" thick
 Tiling flange position is determined by chosen configuration.

All dimensions are approximate. Structure measurements must be verified against the unit to ensure proper fit.

B3Round 6036



Material : Acrylic

Features

- › Model Size : 59 7/8 L in. X 35 7/8 W in. X 3 H in.
- › Acrylic rectangular shower base with round drain
- › Low 3 in. threshold base allowing an easy and safe access
- › Certain configurations available with Stabili-T anti-slip bottom meeting ADA, ANSI or CSA
- › Multiple configurations available to accommodate different types of installation
- › Compatible with Utile, most glue-up shower walls and ceramic tiles
- › Integrated leak proof tiling flanges
- › 25-year warranty for peace of mind
- › High gloss finish resistant to dulling, scratching, and fading

CONFIGURABLE SHOWER BASES

| B3ROUND 6036 - 410006 | | | | | |
|-----------------------|-------|-----------------------------------|--|----------------------------------|---------|
| SKU | Color | Configuration | Dimensions & Weight | Packaging | MSRP |
| 410006-501-001-000 | White | Center / Alcove | 59 7/8" x 35 7/8" x 3" / 62 lb / 28 kg | 65.9463094075521 ft ³ | \$ 1018 |
| 410006-501-001-001 | | Left / Alcove | | | \$ 1018 |
| 410006-501-001-002 | | Right / Alcove | | | \$ 1018 |
| 410006-502-001-000 | | Center / Corner Left | | | \$ 1018 |
| 410006-502-001-001 | | Left / Corner Left | | | \$ 1018 |
| 410006-503-001-000 | | Center / Corner Right | | | \$ 1018 |
| 410006-503-001-002 | | Right / Corner Right | | | \$ 1018 |
| 410006-504-001-000 | | Back End Drain / Alcove Deep | | | \$ 1018 |
| 410006-504-001-102 | | Center / Alcove Deep | | | \$ 1018 |
| 410006-505-001-000 | | Center / Wall Mounted | | | \$ 1018 |
| 410006-505-001-001 | | Left / Wall Mounted | | | \$ 1018 |
| 410006-505-001-002 | | Right / Wall Mounted | | | \$ 1018 |
| 410006-506-001-000 | | Center / Tunnel | | | \$ 1018 |
| 410006-506-001-100 | | Back End Drain / Tunnel | | | \$ 1018 |
| 410006-541-001-000 | | Center / Alcove – Stabili-T | | | \$ 1018 |
| 410006-541-001-001 | | Left / Alcove – Stabili-T | | | \$ 1018 |
| 410006-541-001-002 | | Right / Alcove – Stabili-T | | | \$ 1018 |
| 410006-542-001-000 | | Center / Corner Left – Stabili-T | | | \$ 1018 |
| 410006-542-001-001 | | Left / Corner Left – Stabili-T | | | \$ 1018 |
| 410006-543-001-000 | | Center / Corner Right – Stabili-T | | | \$ 1018 |

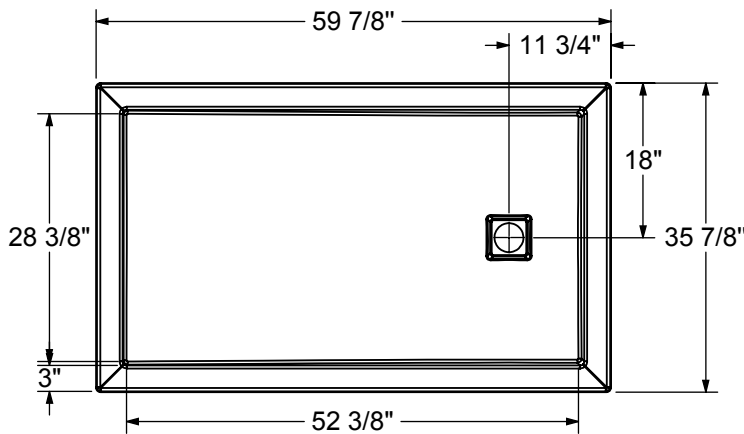
B3ROUND 6036 - 410006

| SKU | Color | Configuration | Dimensions & Weight | Packaging | MSRP |
|--------------------|-------|----------------------------------|--|----------------------------------|---------|
| 410006-543-001-002 | White | Right / Corner Right – Stabili-T | 59 7/8" x 35 7/8" x 3" / 62 lb / 28 kg | 65.9463094075521 ft ³ | \$ 1018 |

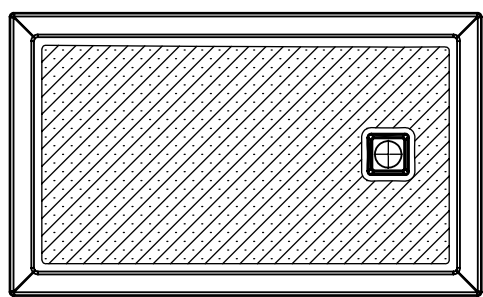
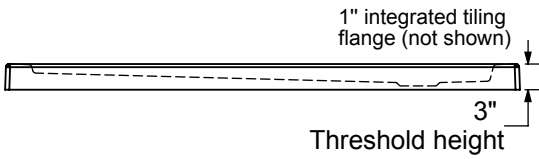
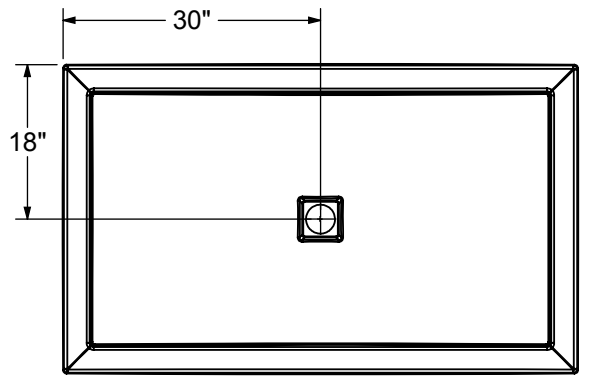
RECOMMENDED DOORS - VISIT OUR WEBSITE FOR A COMPLETE LIST OF RECOMMENDED DOORS

| SKU | Product Name | Pag. |
|--------|--------------------------------------|------|
| 138997 | Halo 56 1/2-59 x 78 3/4 - 8mm | 705 |
| 135322 | Uptown 56-59 x 76 in. 8 mm | 650 |
| 135324 | | 711 |
| 135326 | Uptown 57-59 x 76 in. 8 mm | 686 |
| 135238 | Connect Pro 57-58 1/2 x 76 - 6mm | 696 |
| 139580 | Reveal Sleek 71 56-59 x 71 1/2 - 8mm | 684 |
| 138541 | Halo Pro GS 56 1/2-59 X 78 3/4 - 8mm | 699 |
| 136955 | Duel Alto 56-59 X 78 - 8 mm | 605 |
| 135875 | Nebula 56 1/2-58 1/2 x 78 3/4 - 8mm | 688 |
| 139587 | Capella 78 56-59 x 78 - 8mm | 652 |

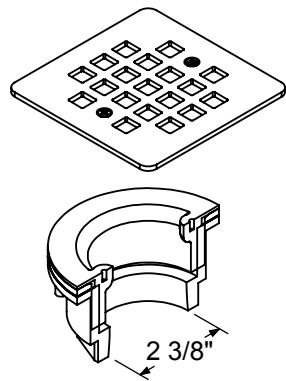
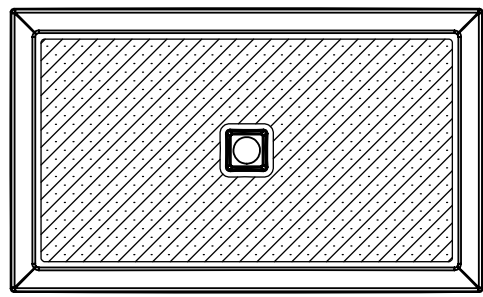
CONFIGURABLE SHOWER BASES



**DRAIN INCLUDED
ON B3 SQUARE ONLY**



The hatched area represent the anti-slip surface



This technical drawing is universal for every 6036 configuration.

Integrated tiling flange : 1" height x 1/4" thick (not shown)
Tiling flange position is determined by chosen configuration.

All dimensions are approximate. Structure measurements must be verified against the unit to ensure proper fit.



B3Round 6042

CONFIGURABLE SHOWER BASES



Material : Acrylic

Features

- › Model Size : 59 7/8 L in. X 41 7/8 W in. X 3 H in.
- › Acrylic rectangular shower base with round drain
- › Low 3 in. threshold base allowing an easy and safe access
- › Certain configurations available with Stabili-T anti-slip bottom meeting ADA, ANSI or CSA
- › Multiple configurations available to accommodate different types of installation
- › Compatible with most glue-up Shower walls and ceramic tiles
- › Integrated leak proof tiling flanges
- › 25-year warranty for peace of mind
- › High gloss finish resistant to dulling, scratching, and fading

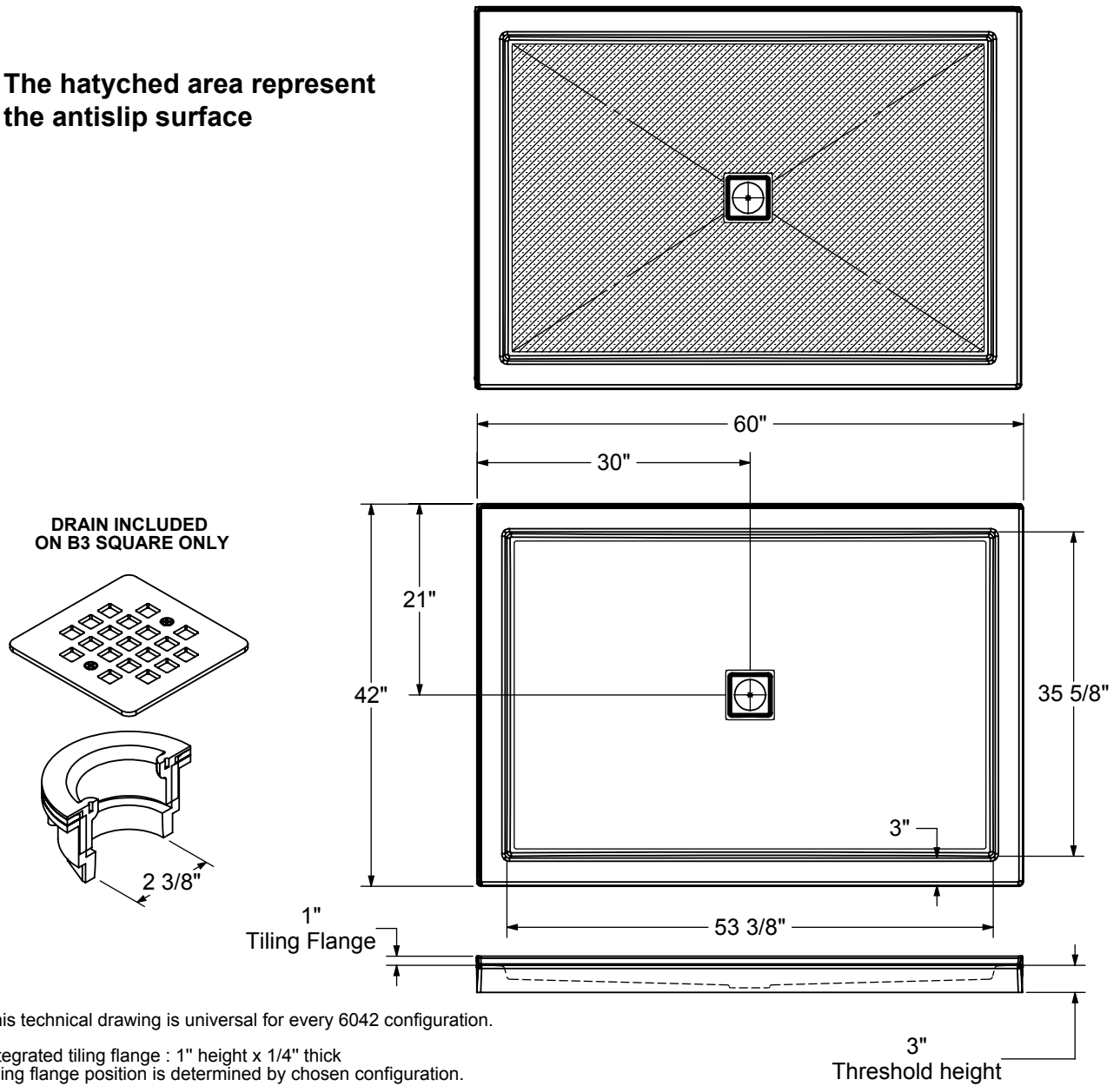
B3ROUND 6042 - 410036

| SKU | Color | Configuration | Dimensions & Weight | Packaging | MSRP |
|--------------------|-------|-----------------------------------|--|----------------------------------|---------|
| 410036-541-001-000 | White | Center / Alcove – Stabili-T | 59 7/8" x 41 7/8" x 3" / 59 lb / 27 kg | 65.9463094075521 ft ³ | \$ 1064 |
| 410036-542-001-000 | | Center / Corner Left – Stabili-T | | | \$ 1064 |
| 410036-543-001-000 | | Center / Corner Right – Stabili-T | | | \$ 1064 |

RECOMMENDED DOORS - VISIT OUR WEBSITE FOR A COMPLETE LIST OF RECOMMENDED DOORS

| SKU | Product Name | Pag. |
|--------|---|------|
| 138277 | Manhattan 57-59 x 68 - 6mm | 672 |
| 138997 | Halo 56 ½-59 x 78 ¾ - 8mm | 705 |
| 139353 | Incognito 70 56-59 x 70 ½ - 8mm | 630 |
| 139350 | Incognito 56-59 x 70 ½ in. 6mm | 628 |
| 135332 | Incognito 76 Shaker 56-59 x 76 - 8mm | 634 |
| 135335 | Incognito 76 56-59 x 76 - 8mm | 636 |
| 136335 | Incognito 76 Smoke 56-59 x 76 - 8mm | 638 |
| 135694 | Revelation Square 56-59 x 70 ½-73 - 8mm | 648 |
| 136691 | Revelation Round 56-59 x 70 ½-73 - 6mm | 642 |
| 135691 | Revelation Square 56-59 x 70 ½-73 - 6mm | 646 |
| 136694 | Revelation Round 56-59 x 70 ½-73 - 8mm | 644 |
| 135322 | Uptown 56-59 x 76 in. 8 mm | 650 |
| 135324 | | 711 |
| 135326 | Uptown 57-59 x 76 in. 8 mm | 686 |

The hatched area represent the antislip surface



This technical drawing is universal for every 6042 configuration.

Integrated tiling flange : 1" height x 1/4" thick
 Tiling flange position is determined by chosen configuration.

All dimensions are approximate. Structure measurements must be verified against the unit to ensure proper fit.



B3Square 3636

CONFIGURABLE SHOWER BASES



Material : Acrylic

Features

- › Acrylic rectangular shower base with square drain
- › Low 3 in. threshold base allowing an easy and safe access
- › Certain configurations available with Stabili-T anti-slip bottom meeting ADA, ANSI or CSA
- › Multiple configurations available to accomodate different types of installation
- › Chrome grid and drain included (ABS or PVC available)
- › Compatible with Utile, most glue-up shower walls and ceramic tiles
- › Integrated leak proof tiling flanges
- › Complete drain assembly included for an easy installation
- › High gloss finish resistant to dulling, scratching, and fading

B3SQUARE 3636 - 420000

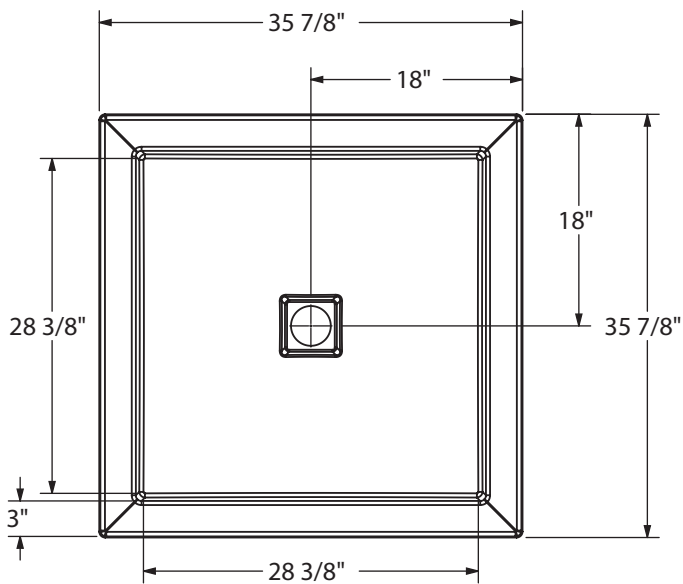
| SKU | Color | Configuration | Dimensions & Weight | Packaging | MSRP |
|--------------------|-------|---|--|----------------------------------|--------|
| 420000-500-001-100 | White | Center / Corner Left or Right | 35 7/8" x 35 7/8" x 3" / 35 lb / 16 kg | 48.9829734519676 ft ³ | \$ 742 |
| 420000-501-001-100 | | Center / Alcove | | | \$ 742 |
| 420000-505-001-100 | | Center / Wall Mounted | | | \$ 742 |
| 420000-540-001-100 | | Center / Corner Left or Right – Stabili-T | | | \$ 742 |
| 420000-541-001-100 | | Center / Alcove – Stabili-T | | | \$ 742 |

COMMON OPTIONS

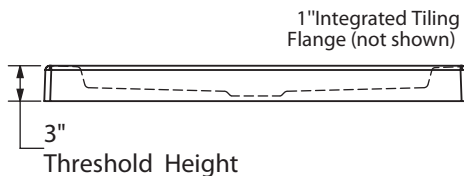
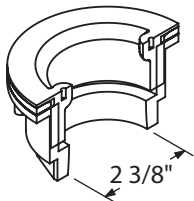
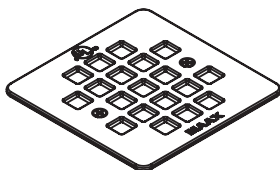
| SKU | Description | MSRP |
|--------------|---|-------|
| OPT20253-340 | ABS Square drain Available colors: Chrome (084), Brushed Nickel (305), Dark Bronze (173), Matte Black (340) and Brushed gold (343) | \$ 83 |
| OPT20253-305 | | \$ 50 |
| OPT20253-343 | | \$ 83 |
| OPT20253-084 | | \$ 0 |
| OPT20253-173 | | \$ 83 |
| OPT20254-173 | PVC Square drain Available colors: Chrome (084), Brushed Nickel (305), Dark Bronze (173), Matte Black (340) and Brushed gold (343) | \$ 83 |
| OPT20254-305 | | \$ 50 |
| OPT20254-340 | | \$ 83 |
| OPT20254-343 | | \$ 83 |
| OPT20254-084 | | \$ 0 |

ACCESSORIES

| SKU | Description | MSRP |
|------------------|---|-------|
| 10038458-305-600 | Square drain grid Available colors: White (001), Chrome (084), Dark Bronze (173), Brushed Nickel (305), Matte Black (340) and Brushed gold (343) | \$ 50 |
| 10038458-084-600 | | \$ 50 |
| 10038458-173-600 | | \$ 83 |
| 10038458-340-600 | | \$ 83 |
| 10038458-001-600 | | \$ 83 |
| 10038458-343-600 | | \$ 83 |



DRAIN INCLUDED ON B3 SQUARE ONLY



This technical drawing is universal for every 3636 configuration.

Integrated tiling flange : 1" height x 1/4" thick (not shown)
Tiling flange position is determined by chosen configuration.

All dimensions are approximate. Structure measurements must be verified against the unit to ensure proper fit.

B3Square 4236



Material : Acrylic

Features

- › Acrylic rectangular shower base with square drain
- › Low 3 in. threshold base allowing an easy and safe access
- › Certain configurations available with Stabili-T anti-slip bottom meeting ADA, ANSI or CSA
- › Multiple configurations available to accommodate different types of installation
- › Chrome grid and drain included (ABS or PVC available)
- › Compatible with most glue-up Shower walls and ceramic tiles
- › Integrated leak proof tiling flanges
- › Complete drain assembly included for an easy installation
- › High gloss finish resistant to dulling, scratching, and fading

CONFIGURABLE SHOWER BASES

B3SQUARE 4236 - 420034

| SKU | Color | Configuration | Dimensions & Weight | Packaging | MSRP |
|--------------------|-------|-----------------------------------|--|----------------------------------|--------|
| 420034-501-001-100 | White | Center / Alcove | 41 7/8" x 35 7/8" x 3" / 45 lb / 20 kg | 46.1976001880787 ft ³ | \$ 874 |
| 420034-502-001-100 | | Center / Corner Left | | | \$ 874 |
| 420034-503-001-100 | | Center / Corner Right | | | \$ 874 |
| 420034-541-001-100 | | Center / Alcove – Stabili-T | | | \$ 874 |
| 420034-542-001-100 | | Center / Corner Left – Stabili-T | | | \$ 874 |
| 420034-543-001-100 | | Center / Corner Right – Stabili-T | | | \$ 874 |

COMMON OPTIONS

| SKU | Description | MSRP |
|--------------|---|-------|
| OPT20253-340 | ABS Square drain Available colors: Chrome (084), Brushed Nickel (305), Dark Bronze (173), Matte Black (340) and Brushed gold (343) | \$ 83 |
| OPT20253-305 | | \$ 50 |
| OPT20253-343 | | \$ 83 |
| OPT20253-084 | | \$ 0 |
| OPT20253-173 | | \$ 83 |
| OPT20254-173 | PVC Square drain Available colors: Chrome (084), Brushed Nickel (305), Dark Bronze (173), Matte Black (340) and Brushed gold (343) | \$ 83 |
| OPT20254-305 | | \$ 50 |
| OPT20254-340 | | \$ 83 |
| OPT20254-343 | | \$ 83 |

COMMON OPTIONS

| SKU | Description | MSRP |
|--------------|---|------|
| OPT20254-084 | PVC Square drain Available colors: Chrome (084), Brushed Nickel (305), Dark Bronze (173), Matte Black (340) and Brushed gold (343) | \$ 0 |

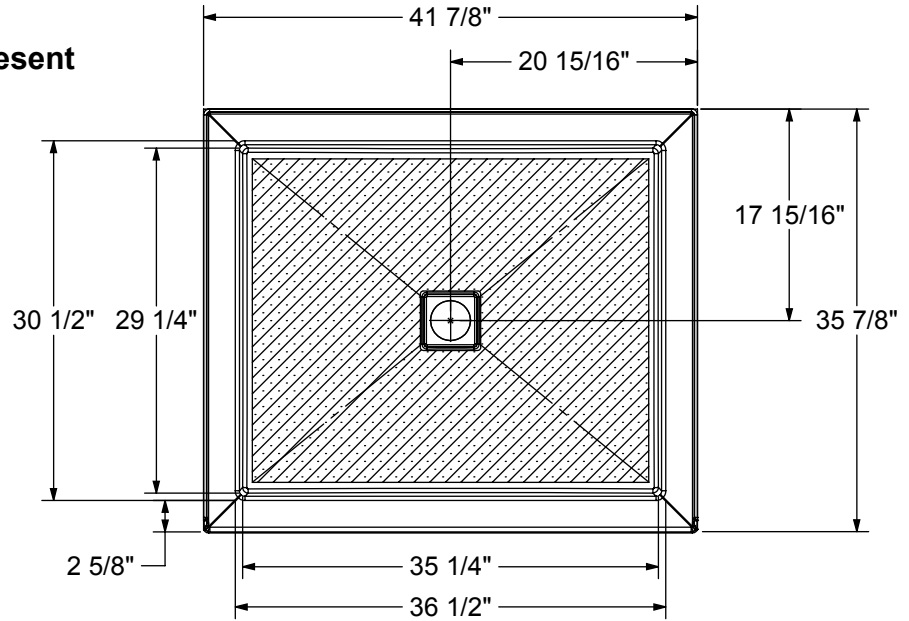
ACCESSORIES

| SKU | Description | MSRP |
|------------------|---|-------|
| 10038458-305-600 | Square drain grid Available colors: White (001), Chrome (084), Dark Bronze (173), Brushed Nickel (305), Matte Black (340) and Brushed gold (343) | \$ 50 |
| 10038458-084-600 | | \$ 50 |
| 10038458-173-600 | | \$ 83 |
| 10038458-340-600 | | \$ 83 |
| 10038458-001-600 | | \$ 83 |
| 10038458-343-600 | | \$ 83 |

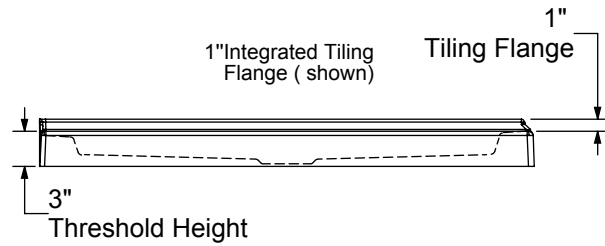
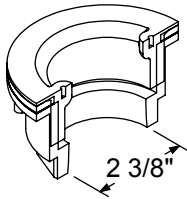
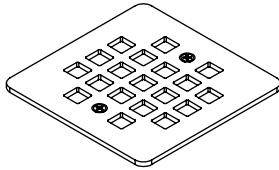
RECOMMENDED DOORS - VISIT OUR WEBSITE FOR A COMPLETE LIST OF RECOMMENDED DOORS

| SKU | Product Name | Pag. |
|--------|------------------------------------|------|
| 139576 | Reveal Sleek 71 38-41 x 71 ½ - 8mm | 683 |
| 136679 | Reveal 71 38-41 x 71 ½ - 8 mm | 680 |

The hatched area represent the antislip surface



DRAIN INCLUDED ON B3 SQUARE ONLY



This technical drawing is universal for every 4236 configuration.

Integrated tiling flange : 1" height x 1/4" thick
Tiling flange position is determined by chosen configuration.

All dimensions are approximate. Structure measurements must be verified against the unit to ensure proper fit.

B3Square 4832



CONFIGURABLE SHOWER BASES



Material : Acrylic

Features

- › Acrylic rectangular shower base with square drain
- › Low 3 in. threshold base allowing an easy and safe access
- › Certain configurations available with Stabili-T anti-slip bottom meeting ADA, ANSI or CSA
- › Multiple configurations available to accommodate different types of installation
- › Chrome grid and drain included (ABS or PVC available)
- › Compatible with Utile, most glue-up shower walls and ceramic tiles
- › Integrated leak proof tiling flanges
- › Complete drain assembly included for an easy installation
- › High gloss finish resistant to dulling, scratching, and fading

B3SQUARE 4832 - 420001

| SKU | Color | Configuration | Dimensions & Weight | Packaging | MSRP |
|--------------------|-------|-----------------------------------|--|----------------------------------|--------|
| 420001-501-001-100 | White | Center / Alcove | 47 7/8" x 31 7/8" x 3" / 41 lb / 19 kg | 65.3675220630787 ft ³ | \$ 874 |
| 420001-502-001-100 | | Center / Corner Left | | | \$ 874 |
| 420001-503-001-100 | | Center / Corner Right | | | \$ 874 |
| 420001-504-001-100 | | Center / Alcove Deep | | | \$ 874 |
| 420001-505-001-100 | | Center / Wall Mounted | | | \$ 874 |
| 420001-506-001-100 | | Center / Tunnel | | | \$ 874 |
| 420001-541-001-102 | | Center / Alcove – Stabili-T | | | \$ 874 |
| 420001-542-001-100 | | Center / Corner Left – Stabili-T | | | \$ 874 |
| 420001-543-001-100 | | Center / Corner Right – Stabili-T | | | \$ 874 |

COMMON OPTIONS

| SKU | Description | MSRP |
|--------------|---|-------|
| OPT20253-340 | ABS Square drain Available colors: Chrome (084), Brushed Nickel (305), Dark Bronze (173), Matte Black (340) and Brushed gold (343) | \$ 83 |
| OPT20253-305 | | \$ 50 |
| OPT20253-343 | | \$ 83 |
| OPT20253-084 | | \$ 0 |
| OPT20253-173 | | \$ 83 |
| OPT20254-173 | PVC Square drain Available colors: Chrome (084), Brushed Nickel (305), Dark Bronze (173), Matte Black (340) and Brushed gold (343) | \$ 83 |

COMMON OPTIONS

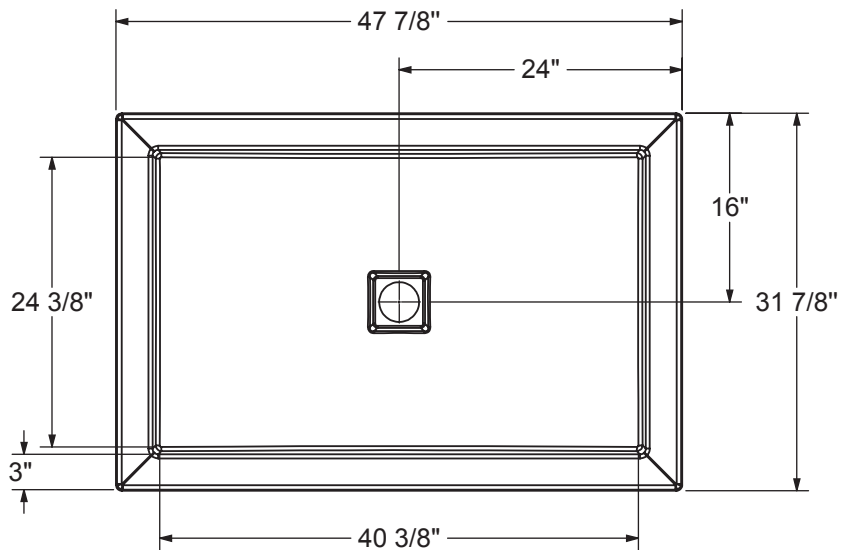
| SKU | Description | MSRP |
|--------------|---|-------|
| OPT20254-305 | PVC Square drain Available colors: Chrome (084), Brushed Nickel (305), Dark Bronze (173), Matte Black (340) and Brushed gold (343) | \$ 50 |
| OPT20254-340 | | \$ 83 |
| OPT20254-343 | | \$ 83 |
| OPT20254-084 | | \$ 0 |

ACCESSORIES

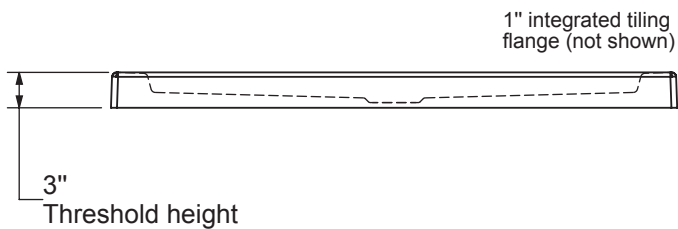
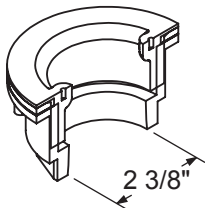
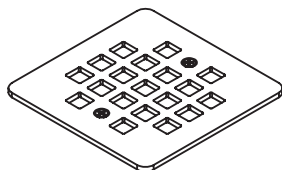
| SKU | Description | MSRP |
|------------------|---|-------|
| 10038458-305-600 | Square drain grid Available colors: White (001), Chrome (084), Dark Bronze (173), Brushed Nickel (305), Matte Black (340) and Brushed gold (343) | \$ 50 |
| 10038458-084-600 | | \$ 50 |
| 10038458-173-600 | | \$ 83 |
| 10038458-340-600 | | \$ 83 |
| 10038458-001-600 | | \$ 83 |
| 10038458-343-600 | | \$ 83 |

RECOMMENDED DOORS - VISIT OUR WEBSITE FOR A COMPLETE LIST OF RECOMMENDED DOORS

| SKU | Product Name | Pag. |
|--------|---|------|
| 135321 | Uptown 44-47 x 76 in. 8 mm | 650 |
| 138950 | Halo Pro 44 ½-47 x 78 ¾ - 8mm | 701 |
| 135334 | Incognito 76 44-47 x 76 - 8mm | 636 |
| 139352 | Incognito 70 44-47 x 70 ½ - 8mm | 630 |
| 139349 | Incognito 44-47 x 70 ½ in. 6mm | 628 |
| 138460 | Vela 44 ½-47 x 78 ¾ - 8mm | 690 |
| 136693 | Revelation Round 44-47 x 70 ½-73 - 8mm | 644 |
| 135690 | Revelation Square 44-47 x 70 ½-73 - 6mm | 646 |
| 134563 | Kameleon 43-47 x 71 - 6mm | 619 |
| 135323 | Uptown 44-47 x 76 in. 8 mm | 711 |
| 135325 | Uptown 45-47 x 76 in. 8 mm | 686 |
| 134663 | Kameleon SC 43-47 x 71 - 6mm | 613 |
| 139578 | Reveal Sleek 71 44-47 x 71 ½ - 8mm | 684 |
| 134571 | Kameleon 43-47 x 71 - 8mm | 624 |
| 135870 | Nebula 44 ½-46 ½ x 78 ¾ - 8mm | 688 |
| 138954 | Halo Pro TB 44 ½-47 x 78 ¾ - 8mm | 703 |
| 135331 | Incognito 76 Shaker 44-47 x 76 - 8mm | 634 |
| 137421 | Odyssey SC 45-47 1/2 x 78 - 8 mm | 709 |
| 136956 | Duel Alto 44-47 X 78 - 8 mm | 605 |
| 139586 | Capella 78 44-47 x 78 - 8mm | 652 |
| 138465 | Vela 44 ½-47 x 78 ¾ - 8mm | 693 |
| 134674 | Kameleon SC 43-47 x 71 - 8mm | 616 |



DRAIN INCLUDED ON B3 SQUARE ONLY



This technical drawing is universal for every 4832 configuration.

Integrated tiling flange : 1" height x 1/4" thick (not shown)
Tiling flange position is determined by chosen configuration.

All dimensions are approximate. Structure measurements must be verified against the unit to ensure proper fit.



B3Square 4834



Material : Acrylic

Features

- › Acrylic rectangular shower base with square drain
- › Low 3 in. threshold base allowing an easy and safe access
- › Certain configurations available with Stabili-T anti-slip bottom meeting ADA, ANSI or CSA
- › Multiple configurations available to accomodate different types of installation
- › Chrome grid and drain included (ABS or PVC available)
- › Compatible with most glue-up Shower walls and ceramic tiles
- › Integrated leak proof tiling flanges
- › Complete drain assembly included for an easy installation
- › High gloss finish resistant to dulling, scratching, and fading

CONFIGURABLE SHOWER BASES

B3SQUARE 4834 - 420002

| SKU | Color | Configuration | Dimensions & Weight | Packaging | MSRP |
|--------------------|-------|-----------------------------------|--|----------------------------------|--------|
| 420002-501-001-100 | White | Center / Alcove | 47 7/8" x 33 7/8" x 3" / 44 lb / 20 kg | 65.3675220630787 ft ³ | \$ 894 |
| 420002-502-001-100 | | Center / Corner Left | | | \$ 894 |
| 420002-503-001-100 | | Center / Corner Right | | | \$ 894 |
| 420002-504-001-100 | | Center / Alcove Deep | | | \$ 894 |
| 420002-505-001-100 | | Center / Wall Mounted | | | \$ 894 |
| 420002-506-001-100 | | Center / Tunnel | | | \$ 894 |
| 420002-541-001-100 | | Center / Alcove – Stabili-T | | | \$ 894 |
| 420002-542-001-100 | | Center / Corner Left – Stabili-T | | | \$ 894 |
| 420002-543-001-100 | | Center / Corner Right – Stabili-T | | | \$ 894 |

COMMON OPTIONS

| SKU | Description | MSRP |
|--------------|---|-------|
| OPT20253-340 | ABS Square drain Available colors: Chrome (084), Brushed Nickel (305), Dark Bronze (173), Matte Black (340) and Brushed gold (343) | \$ 83 |
| OPT20253-305 | | \$ 50 |
| OPT20253-343 | | \$ 83 |
| OPT20253-084 | | \$ 0 |
| OPT20253-173 | | \$ 83 |
| OPT20254-173 | PVC Square drain Available colors: Chrome (084), Brushed Nickel (305), Dark Bronze (173), Matte Black (340) and Brushed gold (343) | \$ 83 |

COMMON OPTIONS

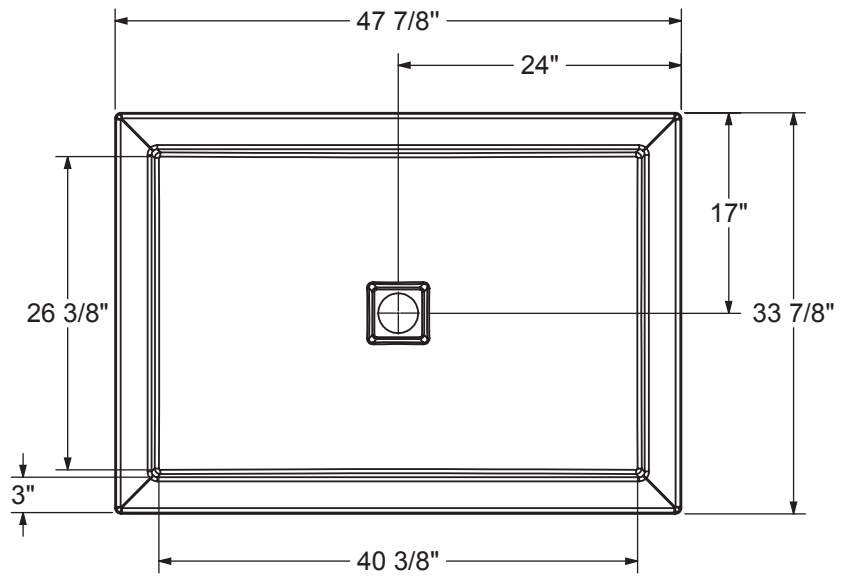
| SKU | Description | MSRP |
|--------------|---|-------|
| OPT20254-305 | PVC Square drain Available colors: Chrome (084), Brushed Nickel (305), Dark Bronze (173), Matte Black (340) and Brushed gold (343) | \$ 50 |
| OPT20254-340 | | \$ 83 |
| OPT20254-343 | | \$ 83 |
| OPT20254-084 | | \$ 0 |

ACCESSORIES

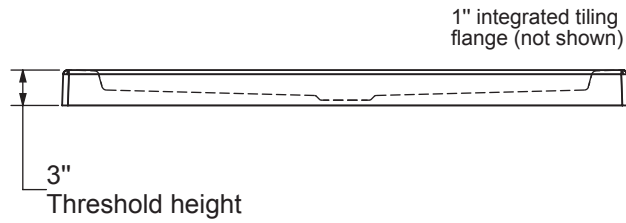
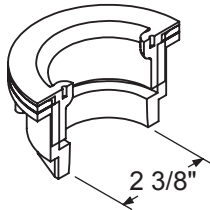
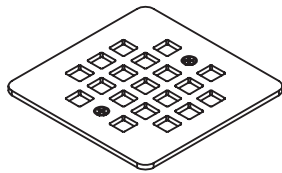
| SKU | Description | MSRP |
|------------------|---|-------|
| 10038458-305-600 | Square drain grid Available colors: White (001), Chrome (084), Dark Bronze (173), Brushed Nickel (305), Matte Black (340) and Brushed gold (343) | \$ 50 |
| 10038458-084-600 | | \$ 50 |
| 10038458-173-600 | | \$ 83 |
| 10038458-340-600 | | \$ 83 |
| 10038458-001-600 | | \$ 83 |
| 10038458-343-600 | | \$ 83 |

RECOMMENDED DOORS - VISIT OUR WEBSITE FOR A COMPLETE LIST OF RECOMMENDED DOORS

| SKU | Product Name | Pag. |
|--------|---|------|
| 135321 | Uptown 44-47 x 76 in. 8 mm | 650 |
| 138950 | Halo Pro 44 ½-47 x 78 ¾ - 8mm | 701 |
| 135334 | Incognito 76 44-47 x 76 - 8mm | 636 |
| 139352 | Incognito 70 44-47 x 70 ½ - 8mm | 630 |
| 139349 | Incognito 44-47 x 70 ½ in. 6mm | 628 |
| 138460 | Vela 44 ½-47 x 78 ¾ - 8mm | 690 |
| 136693 | Revelation Round 44-47 x 70 ½-73 - 8mm | 644 |
| 135690 | Revelation Square 44-47 x 70 ½-73 - 6mm | 646 |
| 134563 | Kameleon 43-47 x 71 - 6mm | 619 |
| 135323 | Uptown 44-47 x 76 in. 8 mm | 711 |
| 135325 | Uptown 45-47 x 76 in. 8 mm | 686 |
| 134663 | Kameleon SC 43-47 x 71 - 6mm | 613 |
| 139578 | Reveal Sleek 71 44-47 x 71 ½ - 8mm | 684 |
| 134571 | Kameleon 43-47 x 71 - 8mm | 624 |
| 135870 | Nebula 44 ½-46 ½ x 78 ¾ - 8mm | 688 |
| 138954 | Halo Pro TB 44 ½-47 x 78 ¾ - 8mm | 703 |
| 135331 | Incognito 76 Shaker 44-47 x 76 - 8mm | 634 |
| 137421 | Odyssey SC 45-47 1/2 x 78 - 8 mm | 709 |
| 136956 | Duel Alto 44-47 X 78 - 8 mm | 605 |
| 139586 | Capella 78 44-47 x 78 - 8mm | 652 |
| 138465 | Vela 44 ½-47 x 78 ¾ - 8mm | 693 |
| 134674 | Kameleon SC 43-47 x 71 - 8mm | 616 |



**DRAIN INCLUDED
ON B3 SQUARE ONLY**



This technical drawing is universal for every 4834 configuration.

Integrated tiling flange : 1" height x 1/4" thick (not shown)
Tiling flange position is determined by chosen configuration.

All dimensions are approximate. Structure measurements must be verified against the unit to ensure proper fit.



B3Square 4836

CONFIGURABLE SHOWER BASES



Material : Acrylic

Features

- › Acrylic rectangular shower base with square drain
- › Low 3 in. threshold base allowing an easy and safe access
- › Certain configurations available with Stabili-T anti-slip bottom meeting ADA, ANSI or CSA
- › Multiple configurations available to accommodate different types of installation
- › Chrome grid and drain included (ABS or PVC available)
- › Compatible with Utile, most glue-up shower walls and ceramic tiles
- › Integrated leak proof tiling flanges
- › Complete drain assembly included for an easy installation
- › High gloss finish resistant to dulling, scratching, and fading

B3SQUARE 4836 - 420003

| SKU | Color | Configuration | Dimensions & Weight | Packaging | MSRP |
|--------------------|-------|-----------------------------------|--|----------------------------------|--------|
| 420003-501-001-100 | White | Center / Alcove | 47 7/8" x 35 7/8" x 3" / 47 lb / 21 kg | 65.3675220630787 ft ³ | \$ 909 |
| 420003-502-001-100 | | Center / Corner Left | | | \$ 909 |
| 420003-503-001-100 | | Center / Corner Right | | | \$ 909 |
| 420003-504-001-100 | | Center / Alcove Deep | | | \$ 909 |
| 420003-505-001-100 | | Center / Wall Mounted | | | \$ 909 |
| 420003-506-001-100 | | Center / Tunnel | | | \$ 909 |
| 420003-541-001-100 | | Center / Alcove – Stabili-T | | | \$ 909 |
| 420003-542-001-100 | | Center / Corner Left – Stabili-T | | | \$ 909 |
| 420003-543-001-100 | | Center / Corner Right – Stabili-T | | | \$ 909 |

COMMON OPTIONS

| SKU | Description | MSRP |
|--------------|---|-------|
| OPT20253-340 | ABS Square drain Available colors: Chrome (084), Brushed Nickel (305), Dark Bronze (173), Matte Black (340) and Brushed gold (343) | \$ 83 |
| OPT20253-305 | | \$ 50 |
| OPT20253-343 | | \$ 83 |
| OPT20253-084 | | \$ 0 |
| OPT20253-173 | | \$ 83 |
| OPT20254-173 | PVC Square drain Available colors: Chrome (084), Brushed Nickel (305), Dark Bronze (173), Matte Black (340) and Brushed gold (343) | \$ 83 |

COMMON OPTIONS

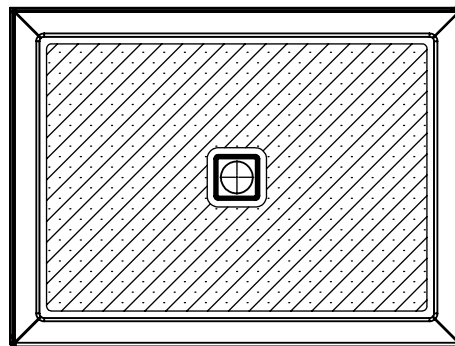
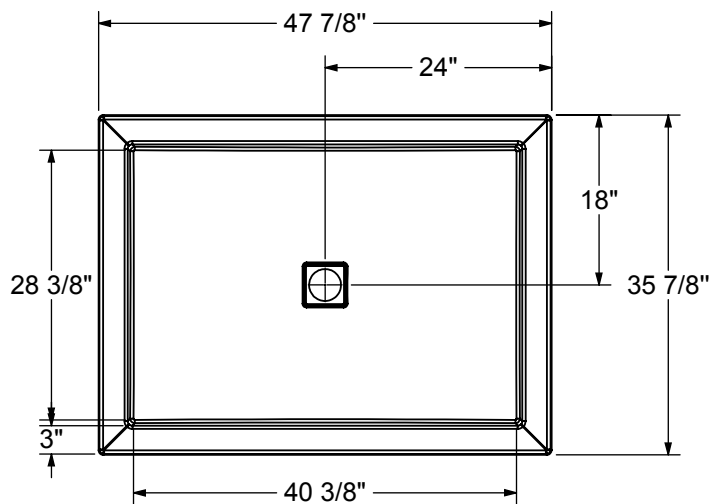
| SKU | Description | MSRP |
|--------------|---|-------|
| OPT20254-305 | PVC Square drain Available colors: Chrome (084), Brushed Nickel (305), Dark Bronze (173), Matte Black (340) and Brushed gold (343) | \$ 50 |
| OPT20254-340 | | \$ 83 |
| OPT20254-343 | | \$ 83 |
| OPT20254-084 | | \$ 0 |

ACCESSORIES

| SKU | Description | MSRP |
|------------------|---|-------|
| 10038458-305-600 | Square drain grid Available colors: White (001), Chrome (084), Dark Bronze (173), Brushed Nickel (305), Matte Black (340) and Brushed gold (343) | \$ 50 |
| 10038458-084-600 | | \$ 50 |
| 10038458-173-600 | | \$ 83 |
| 10038458-340-600 | | \$ 83 |
| 10038458-001-600 | | \$ 83 |
| 10038458-343-600 | | \$ 83 |

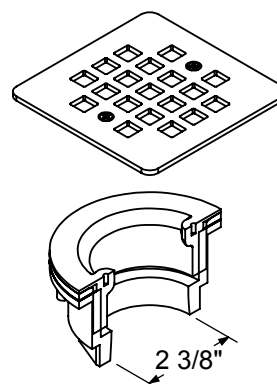
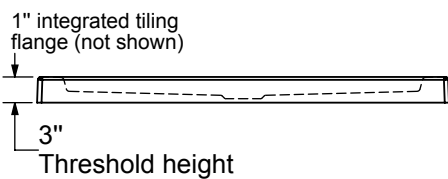
RECOMMENDED DOORS - VISIT OUR WEBSITE FOR A COMPLETE LIST OF RECOMMENDED DOORS

| SKU | Product Name | Pag. |
|--------|--------------------------------------|------|
| 138996 | Halo 44 ½-47 x 78 ¾ - 8mm | 705 |
| 135321 | Uptown 44-47 x 76 in. 8 mm | 650 |
| 135323 | | 711 |
| 135325 | Uptown 45-47 x 76 in. 8 mm | 686 |
| 135236 | Connect Pro 45-46 ½ x 76 - 6mm | 696 |
| 139578 | Reveal Sleek 71 44-47 x 71 ½ - 8mm | 684 |
| 138540 | Halo Pro GS 44 1/2-47 X 78 3/4 - 8mm | 699 |
| 136956 | Duel Alto 44-47 X 78 - 8 mm | 605 |
| 135870 | Nebula 44 ½-46 ½ x 78 ¾ - 8mm | 688 |
| 139586 | Capella 78 44-47 x 78 - 8mm | 652 |



The hatched area represent the anti-slip surface

DRAIN INCLUDED ON B3 SQUARE ONLY



This technical drawing is universal for every 4836 configuration.

Integrated tiling flange : 1" height x 1/4" thick (not shown)
 Tiling flange position is determined by chosen configuration.

All dimensions are approximate. Structure measurements must be verified against the unit to ensure proper fit.



B3Square 4842



Material : Acrylic

Features

- › Acrylic rectangular shower base with square drain
- › Low 3 in. threshold base allowing an easy and safe access
- › Certain configurations available with Stabili-T anti-slip bottom meeting ADA, ANSI or CSA
- › Multiple configurations available to accommodate different types of installation
- › Chrome grid and drain included (ABS or PVC available)
- › Compatible with most glue-up Shower walls and ceramic tiles
- › Integrated leak proof tiling flanges
- › Complete drain assembly included for an easy installation
- › High gloss finish resistant to dulling, scratching, and fading

CONFIGURABLE SHOWER BASES

B3SQUARE 4842 - 420043

| SKU | Color | Configuration | Dimensions & Weight | Packaging | MSRP |
|--------------------|-------|-----------------------------------|--|----------------------------------|---------|
| 420043-541-001-100 | White | Center / Alcove – Stabili-T | 47 7/8" x 41 7/8" x 3" / 56 lb / 25 kg | 4.64066116898148 ft ³ | \$ 1180 |
| 420043-542-001-100 | | Center / Corner Left – Stabili-T | | | \$ 1180 |
| 420043-543-001-100 | | Center / Corner Right – Stabili-T | | | \$ 1180 |
| 420043-544-001-100 | | Center / Alcove Deep - Stabili-T | | | \$ 1180 |

COMMON OPTIONS

| SKU | Description | MSRP |
|--------------|---|-------|
| OPT20253-340 | ABS Square drain Available colors: Chrome (084), Brushed Nickel (305), Dark Bronze (173), Matte Black (340) and Brushed gold (343) | \$ 83 |
| OPT20253-305 | | \$ 50 |
| OPT20253-343 | | \$ 83 |
| OPT20253-084 | | \$ 0 |
| OPT20253-173 | | \$ 83 |
| OPT20254-173 | PVC Square drain Available colors: Chrome (084), Brushed Nickel (305), Dark Bronze (173), Matte Black (340) and Brushed gold (343) | \$ 83 |
| OPT20254-305 | | \$ 50 |
| OPT20254-340 | | \$ 83 |
| OPT20254-343 | | \$ 83 |
| OPT20254-084 | | \$ 0 |

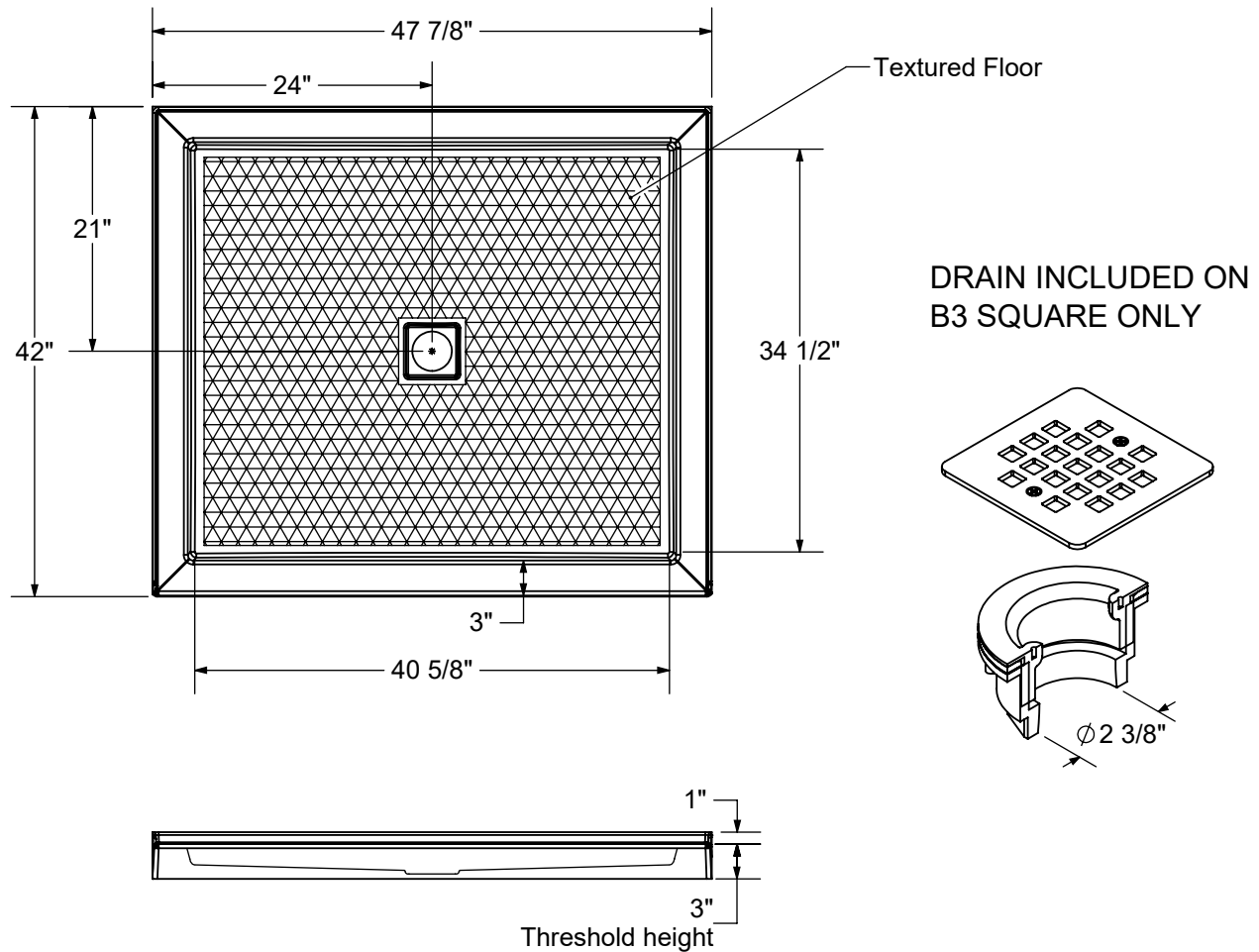
ACCESSORIES

| SKU | Description | MSRP |
|------------------|---|-------|
| 10038458-305-600 | Square drain grid Available colors: White (001), Chrome (084), Dark Bronze (173), Brushed Nickel (305), Matte Black (340) and Brushed gold (343) | \$ 50 |
| 10038458-084-600 | | \$ 50 |
| 10038458-173-600 | | \$ 83 |
| 10038458-340-600 | | \$ 83 |
| 10038458-001-600 | | \$ 83 |
| 10038458-343-600 | | \$ 83 |

RECOMMENDED DOORS - VISIT OUR WEBSITE FOR A COMPLETE LIST OF RECOMMENDED DOORS

| SKU | Product Name | Pag. |
|--------|-------------------------------|------|
| 138996 | Halo 44 1/2-47 x 78 3/4 - 8mm | 705 |

BASE MODEL



- All dimensions are approximate
- Structure measurements must be verified against the unit to ensure proper fit
- Installation to be completed in accordance with manufacturers specifications
- Do not scale drawings



B3Square 6030

CONFIGURABLE SHOWER BASES



Material : Acrylic

Features

- › Acrylic rectangular shower base with square drain
- › Low 3 in. threshold base allowing an easy and safe access
- › Certain configurations available with Stabili-T anti-slip bottom meeting ADA, ANSI or CSA
- › Multiple configurations available to accommodate different types of installation
- › Chrome grid and drain included (ABS or PVC available)
- › Compatible with most glue-up Shower walls and ceramic tiles
- › Integrated leak proof tiling flanges
- › Complete drain assembly included for an easy installation
- › High gloss finish resistant to dulling, scratching, and fading

B3SQUARE 6030 - 420004

| SKU | Color | Configuration | Dimensions & Weight | Packaging | MSRP |
|--------------------|-------|----------------------------------|--|----------------------------------|---------|
| 420004-501-001-100 | White | Left / Alcove | 59 7/8" x 29 7/8" x 3" / 52 lb / 24 kg | 81.7520706741898 ft ³ | \$ 1018 |
| 420004-501-001-101 | | Right / Alcove | | | \$ 1018 |
| 420004-502-001-100 | | Left / Corner Left | | | \$ 1018 |
| 420004-503-001-100 | | Right / Corner Right | | | \$ 1018 |
| 420004-504-001-100 | | Back End Drain / Alcove Deep | | | \$ 1018 |
| 420004-505-001-100 | | Left / Wall Mounted | | | \$ 1018 |
| 420004-505-001-101 | | Right / Wall Mounted | | | \$ 1018 |
| 420004-541-001-104 | | Left / Alcove – Stabili-T | | | \$ 1018 |
| 420004-541-001-105 | | Right / Alcove – Stabili-T | | | \$ 1018 |
| 420004-542-001-100 | | Left / Corner Left – Stabili-T | | | \$ 1018 |
| 420004-543-001-100 | | Right / Corner Right – Stabili-T | | | \$ 1018 |

COMMON OPTIONS

| SKU | Description | MSRP |
|--------------|---|-------|
| OPT20253-340 | ABS Square drain Available colors: Chrome (084), Brushed Nickel (305), Dark Bronze (173), Matte Black (340) and Brushed gold (343) | \$ 83 |
| OPT20253-305 | | \$ 50 |
| OPT20253-343 | | \$ 83 |
| OPT20253-084 | | \$ 0 |

COMMON OPTIONS

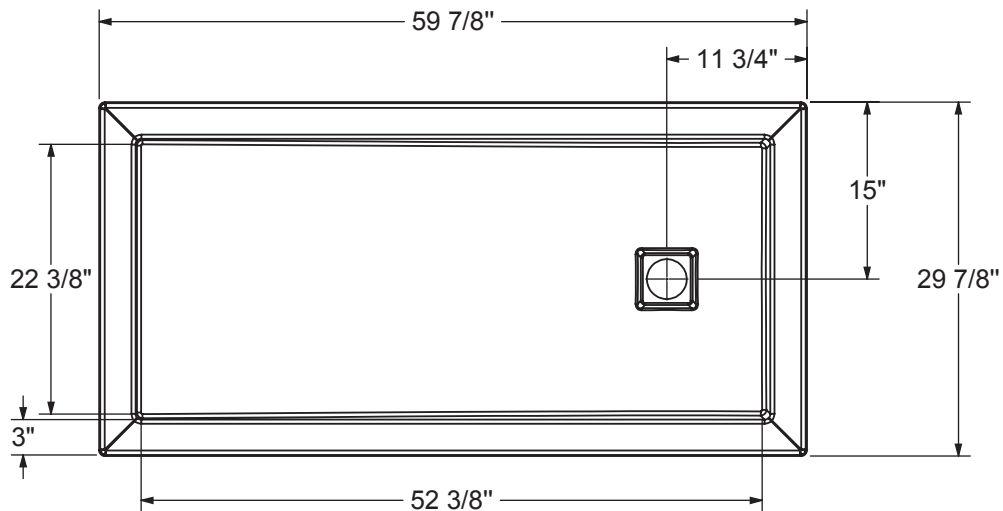
| SKU | Description | MSRP |
|--------------|---|-------|
| OPT20253-173 | ABS Square drain Available colors: Chrome (084), Brushed Nickel (305), Dark Bronze (173), Matte Black (340) and Brushed gold (343) | \$ 83 |
| OPT20254-173 | PVC Square drain Available colors: Chrome (084), Brushed Nickel (305), Dark Bronze (173), Matte Black (340) and Brushed gold (343) | \$ 83 |
| OPT20254-305 | | \$ 50 |
| OPT20254-340 | | \$ 83 |
| OPT20254-343 | | \$ 83 |
| OPT20254-084 | | \$ 0 |

ACCESSORIES

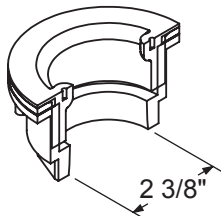
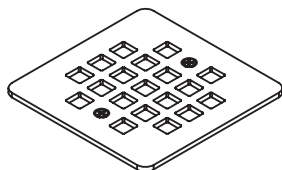
| SKU | Description | MSRP |
|------------------|---|-------|
| 10038458-305-600 | Square drain grid Available colors: White (001), Chrome (084), Dark Bronze (173), Brushed Nickel (305), Matte Black (340) and Brushed gold (343) | \$ 50 |
| 10038458-084-600 | | \$ 50 |
| 10038458-173-600 | | \$ 83 |
| 10038458-340-600 | | \$ 83 |
| 10038458-001-600 | | \$ 83 |
| 10038458-343-600 | | \$ 83 |

RECOMMENDED DOORS - VISIT OUR WEBSITE FOR A COMPLETE LIST OF RECOMMENDED DOORS

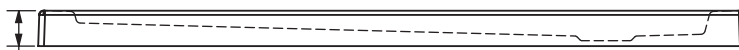
| SKU | Product Name | Pag. |
|--------|---------------------------|------|
| 138997 | Halo 56 ½-59 x 78 ¾ - 8mm | 705 |



DRAIN INCLUDED FOR B3 SQUARE ONLY



1" integrated tiling flange (not shown)



3" Threshold height

This technical drawing is universal for every 6030 configuration.

Integrated tiling flange : 1" height x 1/4" thick (not shown)
 Tiling flange position is determined by chosen configuration.

All dimensions are approximate. Structure measurements must be verified against the unit to ensure proper fit.

B3Square 6032



Material : Acrylic

Features

- › Acrylic rectangular shower base with square drain
- › Low 3 in. threshold base allowing an easy and safe access
- › Certain configurations available with Stabili-T anti-slip bottom meeting ADA, ANSI or CSA
- › Multiple configurations available to accommodate different types of installation
- › Chrome grid and drain included (ABS or PVC available)
- › Compatible with Utile, most glue-up shower walls and ceramic tiles
- › Integrated leak proof tiling flanges
- › Complete drain assembly included for an easy installation
- › High gloss finish resistant to dulling, scratching, and fading

CONFIGURABLE SHOWER BASES

B3SQUARE 6032 - 420005

| SKU | Color | Configuration | Dimensions & Weight | Packaging | MSRP |
|--------------------|-------|----------------------------------|--|----------------------------------|---------|
| 420005-501-001-100 | White | Left / Alcove | 59 7/8" x 31 7/8" x 3" / 55 lb / 25 kg | 81.7520706741898 ft ³ | \$ 1018 |
| 420005-501-001-101 | | Right / Alcove | | | \$ 1018 |
| 420005-502-001-100 | | Left / Corner Left | | | \$ 1018 |
| 420005-503-001-100 | | Right / Corner Right | | | \$ 1018 |
| 420005-504-001-100 | | Back End Drain / Alcove Deep | | | \$ 1018 |
| 420005-505-001-100 | | Left / Wall Mounted | | | \$ 1018 |
| 420005-505-001-101 | | Right / Wall Mounted | | | \$ 1018 |
| 420005-506-001-104 | | Back End Drain / Tunnel | | | \$ 1018 |
| 420005-541-001-100 | | Left / Alcove – Stabili-T | | | \$ 1018 |
| 420005-541-001-101 | | Right / Alcove – Stabili-T | | | \$ 1018 |
| 420005-542-001-100 | | Left / Corner Left – Stabili-T | | | \$ 1018 |
| 420005-543-001-100 | | Right / Corner Right – Stabili-T | | | \$ 1018 |

COMMON OPTIONS

| SKU | Description | MSRP |
|--------------|---|-------|
| OPT20253-340 | | \$ 83 |
| OPT20253-305 | ABS Square drain Available colors: Chrome (084), Brushed Nickel (305), Dark Bronze (173), Matte Black (340) and Brushed gold (343) | \$ 50 |
| OPT20253-343 | | \$ 83 |

COMMON OPTIONS

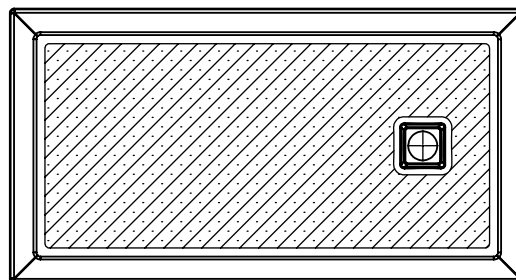
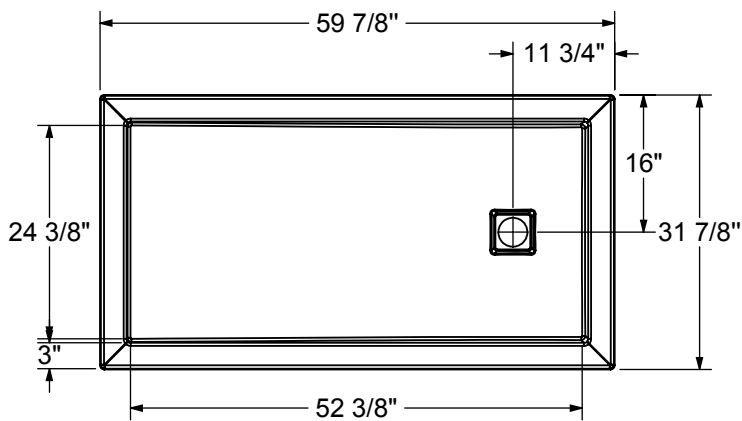
| SKU | Description | MSRP |
|--------------|---|-------|
| OPT20253-084 | ABS Square drain | \$ 0 |
| OPT20253-173 | Available colors: Chrome (084), Brushed Nickel (305), Dark Bronze (173), Matte Black (340) and Brushed gold (343) | \$ 83 |
| OPT20254-173 | PVC Square drain Available colors: Chrome (084), Brushed Nickel (305), Dark Bronze (173), Matte Black (340) and Brushed gold (343) | \$ 83 |
| OPT20254-305 | | \$ 50 |
| OPT20254-340 | | \$ 83 |
| OPT20254-343 | | \$ 83 |
| OPT20254-084 | | \$ 0 |

ACCESSORIES

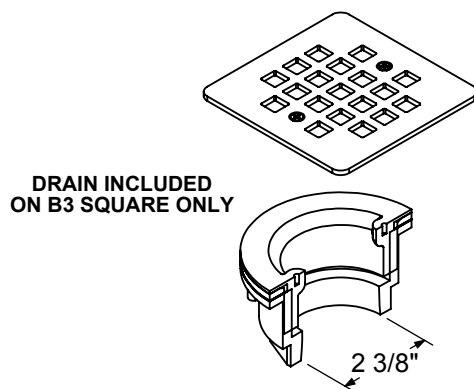
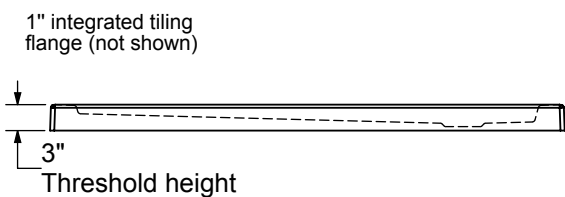
| SKU | Description | MSRP |
|------------------|---|-------|
| 10038458-305-600 | Square drain grid Available colors: White (001), Chrome (084), Dark Bronze (173), Brushed Nickel (305), Matte Black (340) and Brushed gold (343) | \$ 50 |
| 10038458-084-600 | | \$ 50 |
| 10038458-173-600 | | \$ 83 |
| 10038458-340-600 | | \$ 83 |
| 10038458-001-600 | | \$ 83 |
| 10038458-343-600 | | \$ 83 |

RECOMMENDED DOORS - VISIT OUR WEBSITE FOR A COMPLETE LIST OF RECOMMENDED DOORS

| SKU | Product Name | Pag. |
|--------|---|------|
| 138277 | Manhattan 57-59 x 68 - 6mm | 672 |
| 138997 | Halo 56 1/2-59 x 78 3/4 - 8mm | 705 |
| 139353 | Incognito 70 56-59 x 70 1/2 - 8mm | 630 |
| 139350 | Incognito 56-59 x 70 1/2 in. 6mm | 628 |
| 135332 | Incognito 76 Shaker 56-59 x 76 - 8mm | 634 |
| 135335 | Incognito 76 56-59 x 76 - 8mm | 636 |
| 136335 | Incognito 76 Smoke 56-59 x 76 - 8mm | 638 |
| 135694 | Revelation Square 56-59 x 70 1/2-73 - 8mm | 648 |
| 136691 | Revelation Round 56-59 x 70 1/2-73 - 6mm | 642 |
| 135691 | Revelation Square 56-59 x 70 1/2-73 - 6mm | 646 |
| 136694 | Revelation Round 56-59 x 70 1/2-73 - 8mm | 644 |
| 135322 | Uptown 56-59 x 76 in. 8 mm | 650 |
| 135324 | | 711 |
| 135326 | Uptown 57-59 x 76 in. 8 mm | 686 |
| 135238 | Connect Pro 57-58 1/2 x 76 - 6mm | 696 |
| 139580 | Reveal Sleek 71 56-59 x 71 1/2 - 8mm | 684 |
| 138956 | Halo Pro TB 56 1/2-59 x 78 3/4 - 8mm | 703 |
| 138952 | Halo Pro 56 1/2-59 x 78 3/4 - 8mm | 701 |
| 138541 | Halo Pro GS 56 1/2-59 X 78 3/4 - 8mm | 699 |



The hatched area represent the antislip surface



DRAIN INCLUDED ON B3 SQUARE ONLY

This technical drawing is universal for every 6032 configuration.

Integrated tiling flange : 1" height x 1/4" thick (not shown)
 Tiling flange position is determined by chosen configuration.

All dimensions are approximate. Structure measurements must be verified against the unit to ensure proper fit.



B3Square 6034

CONFIGURABLE SHOWER BASES



Material : Acrylic

Features

- › Acrylic rectangular shower base with square drain
- › Low 3 in. threshold base allowing an easy and safe access
- › Certain configurations available with Stabili-T anti-slip bottom meeting ADA, ANSI or CSA
- › Multiple configurations available to accommodate different types of installation
- › Chrome grid and drain included (ABS or PVC available)
- › Compatible with most glue-up Shower walls and ceramic tiles
- › Integrated leak proof tiling flanges
- › Complete drain assembly included for an easy installation
- › High gloss finish resistant to dulling, scratching, and fading

B3SQUARE 6034 - 420035

| SKU | Color | Configuration | Dimensions & Weight | Packaging | MSRP |
|--------------------|-------|-----------------------------------|--|----------------------------------|---------|
| 420035-501-001-100 | White | Left / Alcove | 59 7/8" x 33 7/8" x 3" / 57 lb / 26 kg | 81.7520706741898 ft ³ | \$ 1046 |
| 420035-501-001-101 | | Right / Alcove | | | \$ 1046 |
| 420035-501-001-102 | | Center / Alcove | | | \$ 1046 |
| 420035-502-001-100 | | Left / Corner Left | | | \$ 1046 |
| 420035-502-001-101 | | Center / Corner Left | | | \$ 1046 |
| 420035-503-001-100 | | Right / Corner Right | | | \$ 1046 |
| 420035-503-001-101 | | Center / Corner Right | | | \$ 1046 |
| 420035-541-001-100 | | Left / Alcove – Stabili-T | | | \$ 1046 |
| 420035-541-001-101 | | Right / Alcove – Stabili-T | | | \$ 1046 |
| 420035-541-001-102 | | Center / Alcove – Stabili-T | | | \$ 1046 |
| 420035-542-001-100 | | Left / Corner Left – Stabili-T | | | \$ 1046 |
| 420035-542-001-101 | | Center / Corner Left – Stabili-T | | | \$ 1046 |
| 420035-543-001-100 | | Right / Corner Right – Stabili-T | | | \$ 1046 |
| 420035-543-001-101 | | Center / Corner Right – Stabili-T | | | \$ 1046 |

COMMON OPTIONS

| SKU | Description | MSRP |
|--------------|---|-------|
| OPT20253-340 | ABS Square drain Available colors: Chrome (084), Brushed Nickel (305), Dark Bronze (173), Matte Black (340) and Brushed gold (343) | \$ 83 |

COMMON OPTIONS

| SKU | Description | MSRP |
|--------------|---|-------|
| OPT20253-305 | ABS Square drain Available colors: Chrome (084), Brushed Nickel (305), Dark Bronze (173), Matte Black (340) and Brushed gold (343) | \$ 50 |
| OPT20253-343 | | \$ 83 |
| OPT20253-084 | | \$ 0 |
| OPT20253-173 | | \$ 83 |
| OPT20254-173 | PVC Square drain Available colors: Chrome (084), Brushed Nickel (305), Dark Bronze (173), Matte Black (340) and Brushed gold (343) | \$ 83 |
| OPT20254-305 | | \$ 50 |
| OPT20254-340 | | \$ 83 |
| OPT20254-343 | | \$ 83 |
| OPT20254-084 | | \$ 0 |

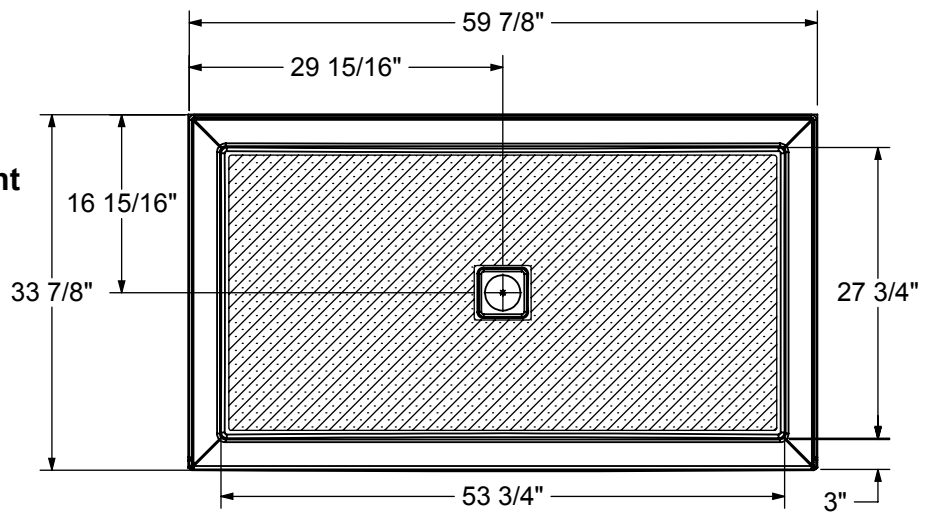
ACCESSORIES

| SKU | Description | MSRP |
|------------------|---|-------|
| 10038458-305-600 | Square drain grid Available colors: White (001), Chrome (084), Dark Bronze (173), Brushed Nickel (305), Matte Black (340) and Brushed gold (343) | \$ 50 |
| 10038458-084-600 | | \$ 50 |
| 10038458-173-600 | | \$ 83 |
| 10038458-340-600 | | \$ 83 |
| 10038458-001-600 | | \$ 83 |
| 10038458-343-600 | | \$ 83 |

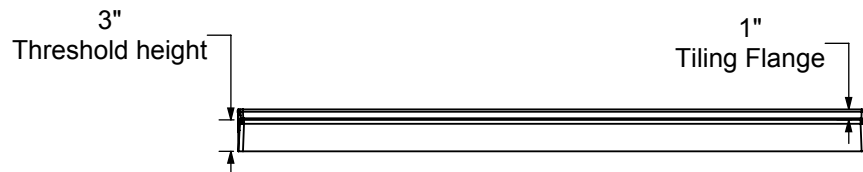
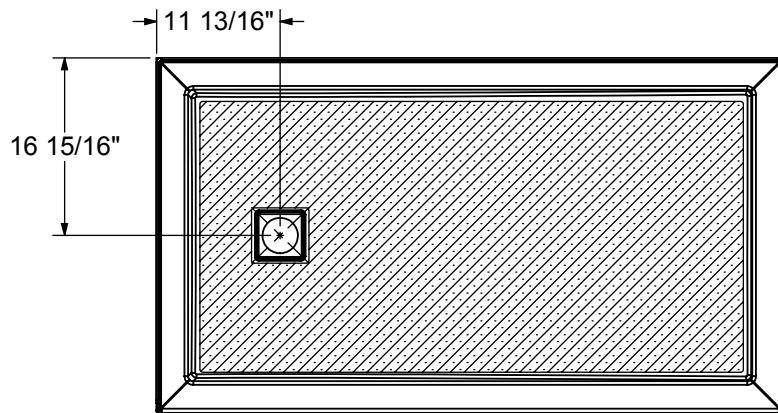
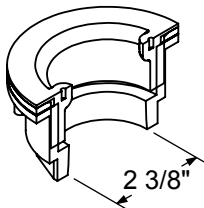
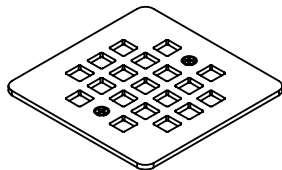
RECOMMENDED DOORS - VISIT OUR WEBSITE FOR A COMPLETE LIST OF RECOMMENDED DOORS

| SKU | Product Name | Pag. |
|--------|------------------------------------|------|
| 138997 | Halo 56 ½-59 x 78 ¾ - 8mm | 705 |
| 139580 | Reveal Sleek 71 56-59 x 71 ½ - 8mm | 684 |

The hatched area represent the antislip surface



DRAIN INCLUDED ON B3 SQUARE ONLY



This technical drawing is universal for every 6034 configuration.

Integrated tiling flange : 1" height x 1/4" thick
 Tiling flange position is determined by chosen configuration.

All dimensions are approximate. Structure measurements must be verified against the unit to ensure proper fit.



B3Square 6036



Material : Acrylic

Features

- › Acrylic rectangular shower base with square drain
- › Low 3 in. threshold base allowing an easy and safe access
- › Certain configurations available with Stabili-T anti-slip bottom meeting ADA, ANSI or CSA
- › Multiple configurations available to accommodate different types of installation
- › Chrome grid and drain included (ABS or PVC available)
- › Compatible with Utile, most glue-up shower walls and ceramic tiles
- › Integrated leak proof tiling flanges
- › Complete drain assembly included for an easy installation
- › High gloss finish resistant to dulling, scratching, and fading

CONFIGURABLE SHOWER BASES

B3SQUARE 6036 - 420006

| SKU | Color | Configuration | Dimensions & Weight | Packaging | MSRP |
|--------------------|-------|----------------------------------|--|----------------------------------|---------|
| 420006-501-001-100 | White | Left / Alcove | 59 7/8" x 35 7/8" x 3" / 62 lb / 28 kg | 81.7520706741898 ft ³ | \$ 1093 |
| 420006-501-001-101 | | Right / Alcove | | | \$ 1093 |
| 420006-501-001-102 | | Center / Alcove | | | \$ 1093 |
| 420006-502-001-100 | | Left / Corner Left | | | \$ 1093 |
| 420006-502-001-101 | | Center / Corner Left | | | \$ 1093 |
| 420006-503-001-100 | | Right / Corner Right | | | \$ 1093 |
| 420006-503-001-101 | | Center / Corner Right | | | \$ 1093 |
| 420006-504-001-100 | | Back End Drain / Alcove Deep | | | \$ 1093 |
| 420006-504-001-101 | | Center / Alcove Deep | | | \$ 1093 |
| 420006-505-001-100 | | Left / Wall Mounted | | | \$ 1093 |
| 420006-505-001-101 | | Right / Wall Mounted | | | \$ 1093 |
| 420006-505-001-102 | | Center / Wall Mounted | | | \$ 1093 |
| 420006-506-001-100 | | Center / Tunnel | | | \$ 1093 |
| 420006-506-001-107 | | Back End Drain / Tunnel | | | \$ 1093 |
| 420006-541-001-100 | | Left / Alcove – Stabili-T | | | \$ 1093 |
| 420006-541-001-101 | | Right / Alcove – Stabili-T | | | \$ 1093 |
| 420006-541-001-102 | | Center / Alcove – Stabili-T | | | \$ 1093 |
| 420006-542-001-101 | | Center / Corner Left – Stabili-T | | | \$ 1093 |
| 420006-542-001-104 | | Left / Corner Left – Stabili-T | | | \$ 1093 |

B3SQUARE 6036 - 420006

| SKU | Color | Configuration | Dimensions & Weight | Packaging | MSRP |
|--------------------|-------|-----------------------------------|--|----------------------------------|---------|
| 420006-543-001-100 | White | Right / Corner Right – Stabili-T | 59 7/8" x 35 7/8" x 3" / 62 lb / 28 kg | 81.7520706741898 ft ³ | \$ 1093 |
| 420006-543-001-101 | | Center / Corner Right – Stabili-T | | | \$ 1093 |

COMMON OPTIONS

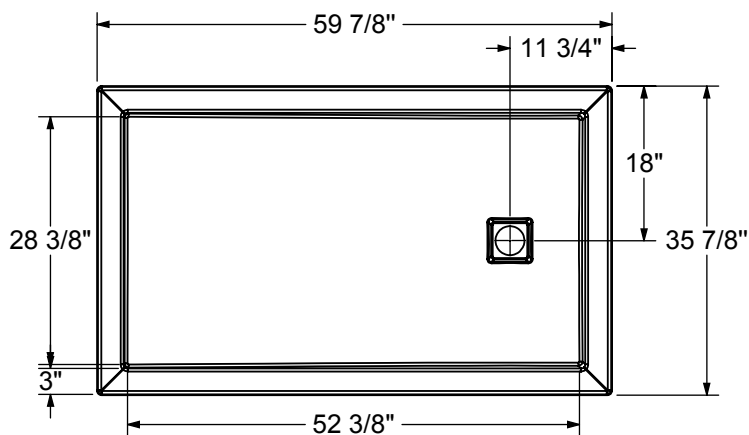
| SKU | Description | MSRP |
|--------------|---|---|
| OPT20253-340 | ABS Square drain Available colors: Chrome (084), Brushed Nickel (305), Dark Bronze (173), Matte Black (340) and Brushed gold (343) | \$ 83 |
| OPT20253-305 | | \$ 50 |
| OPT20253-343 | | \$ 83 |
| OPT20253-084 | | \$ 0 |
| OPT20253-173 | | \$ 83 |
| OPT20254-173 | | PVC Square drain Available colors: Chrome (084), Brushed Nickel (305), Dark Bronze (173), Matte Black (340) and Brushed gold (343) |
| OPT20254-305 | \$ 50 | |
| OPT20254-340 | \$ 83 | |
| OPT20254-343 | \$ 83 | |
| OPT20254-084 | \$ 0 | |

ACCESSORIES

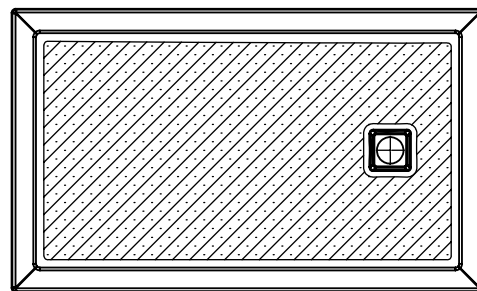
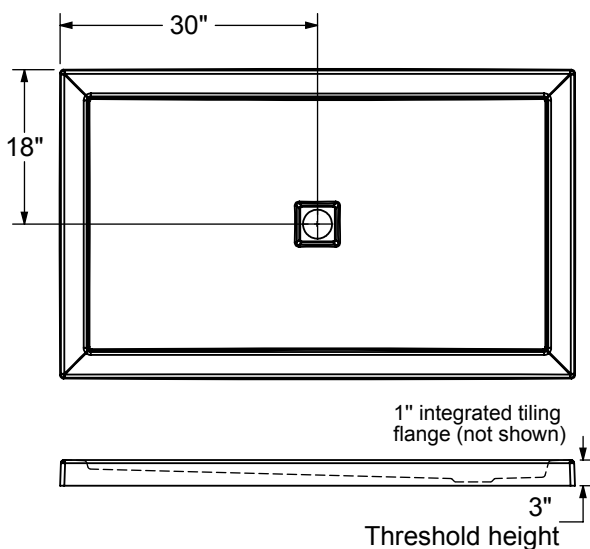
| SKU | Description | MSRP |
|------------------|---|-------|
| 10038458-305-600 | Square drain grid Available colors: White (001), Chrome (084), Dark Bronze (173), Brushed Nickel (305), Matte Black (340) and Brushed gold (343) | \$ 50 |
| 10038458-084-600 | | \$ 50 |
| 10038458-173-600 | | \$ 83 |
| 10038458-340-600 | | \$ 83 |
| 10038458-001-600 | | \$ 83 |
| 10038458-343-600 | | \$ 83 |

RECOMMENDED DOORS - VISIT OUR WEBSITE FOR A COMPLETE LIST OF RECOMMENDED DOORS

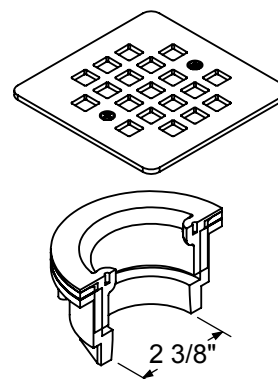
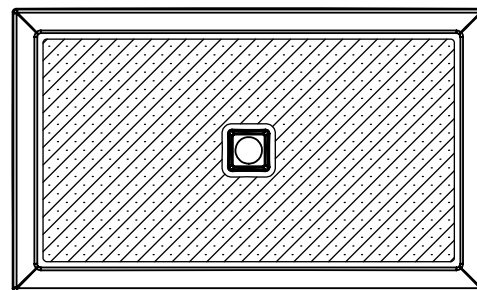
| SKU | Product Name | Pag. |
|--------|---|------|
| 138277 | Manhattan 57-59 x 68 - 6mm | 672 |
| 138997 | Halo 56 ½-59 x 78 ¾ - 8mm | 705 |
| 139353 | Incognito 70 56-59 x 70 ½ - 8mm | 630 |
| 139350 | Incognito 56-59 x 70 ½ in. 6mm | 628 |
| 135332 | Incognito 76 Shaker 56-59 x 76 - 8mm | 634 |
| 135335 | Incognito 76 56-59 x 76 - 8mm | 636 |
| 136335 | Incognito 76 Smoke 56-59 x 76 - 8mm | 638 |
| 135694 | Revelation Square 56-59 x 70 ½-73 - 8mm | 648 |
| 136691 | Revelation Round 56-59 x 70 ½-73 - 6mm | 642 |
| 135691 | Revelation Square 56-59 x 70 ½-73 - 6mm | 646 |



**DRAIN INCLUDED
ON B3 SQUARE ONLY**



The hatched area represent the anti-slip surface



This technical drawing is universal for every 6036 configuration.

Integrated tiling flange : 1" height x 1/4" thick (not shown)
Tiling flange position is determined by chosen configuration.

All dimensions are approximate. Structure measurements must be verified against the unit to ensure proper fit.



B3Square 6042

CONFIGURABLE SHOWER BASES



Material : Acrylic

Features

- › Acrylic rectangular shower base with square drain
- › Low 3 in. threshold base allowing an easy and safe access
- › Certain configurations available with Stabili-T anti-slip bottom meeting ADA, ANSI or CSA
- › Multiple configurations available to accommodate different types of installation
- › Chrome grid and drain included (ABS or PVC available)
- › Compatible with most glue-up Shower walls and ceramic tiles
- › Integrated leak proof tiling flanges
- › Complete drain assembly included for an easy installation
- › High gloss finish resistant to dulling, scratching, and fading

B3SQUARE 6042 - 420036

| SKU | Color | Configuration | Dimensions & Weight | Packaging | MSRP |
|--------------------|-------|-----------------------------------|--|----------------------------------|---------|
| 420036-501-001-100 | White | Center / Alcove | 59 7/8" x 41 7/8" x 3" / 59 lb / 27 kg | 81.7520706741898 ft ³ | \$ 1135 |
| 420036-502-001-100 | | Center / Corner Left | | | \$ 1135 |
| 420036-503-001-100 | | Center / Corner Right | | | \$ 1135 |
| 420036-541-001-100 | | Center / Alcove – Stabili-T | | | \$ 1135 |
| 420036-542-001-100 | | Center / Corner Left – Stabili-T | | | \$ 1135 |
| 420036-543-001-100 | | Center / Corner Right – Stabili-T | | | \$ 1135 |

COMMON OPTIONS

| SKU | Description | MSRP |
|--------------|---|-------|
| OPT20253-340 | ABS Square drain Available colors: Chrome (084), Brushed Nickel (305), Dark Bronze (173), Matte Black (340) and Brushed gold (343) | \$ 83 |
| OPT20253-305 | | \$ 50 |
| OPT20253-343 | | \$ 83 |
| OPT20253-084 | | \$ 0 |
| OPT20253-173 | | \$ 83 |
| OPT20254-173 | PVC Square drain Available colors: Chrome (084), Brushed Nickel (305), Dark Bronze (173), Matte Black (340) and Brushed gold (343) | \$ 83 |
| OPT20254-305 | | \$ 50 |
| OPT20254-340 | | \$ 83 |
| OPT20254-343 | | \$ 83 |

COMMON OPTIONS

| SKU | Description | MSRP |
|--------------|---|------|
| OPT20254-084 | PVC Square drain Available colors: Chrome (084), Brushed Nickel (305), Dark Bronze (173), Matte Black (340) and Brushed gold (343) | \$ 0 |

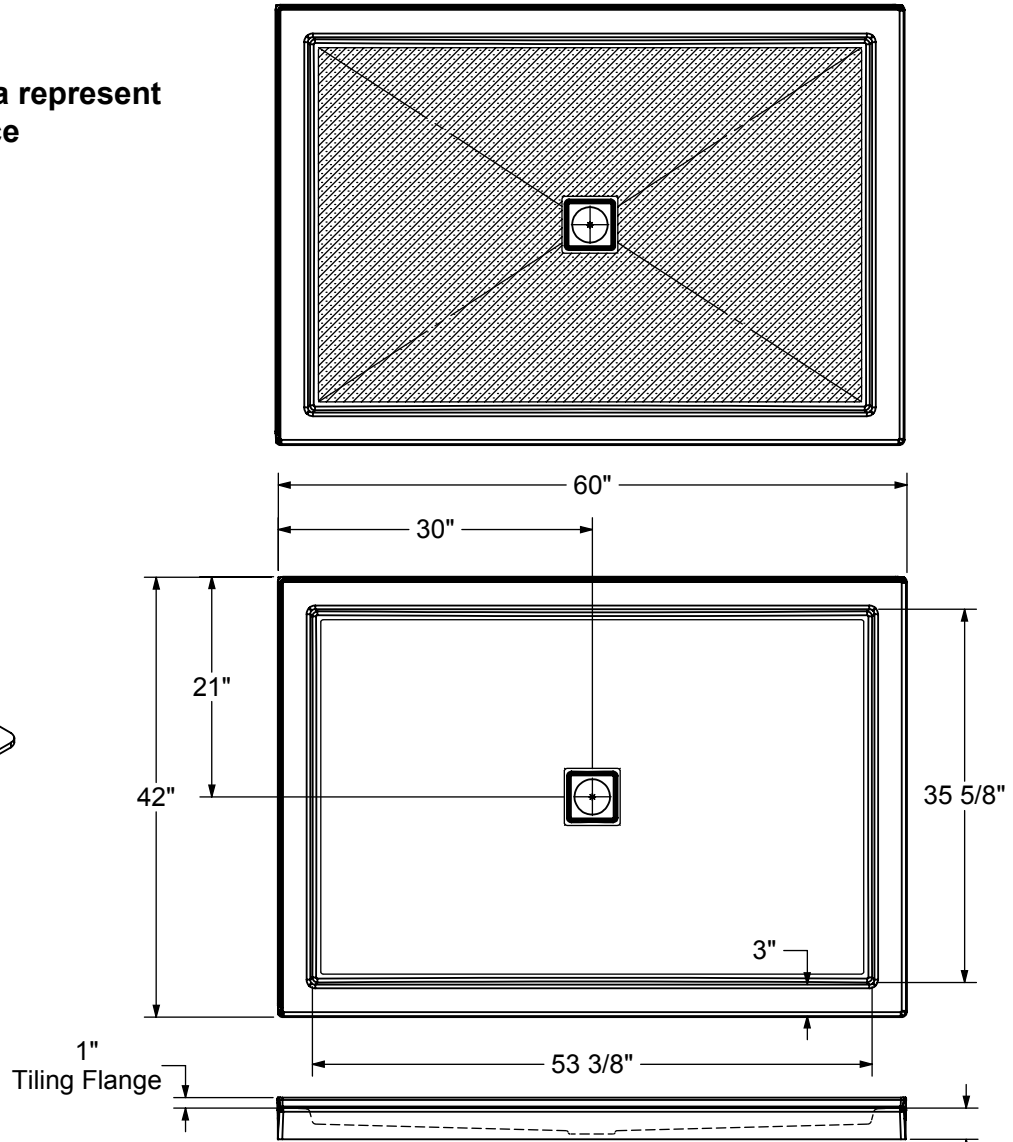
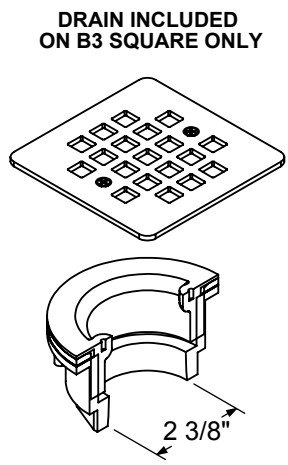
ACCESSORIES

| SKU | Description | MSRP |
|------------------|---|-------|
| 10038458-305-600 | Square drain grid Available colors: White (001), Chrome (084), Dark Bronze (173), Brushed Nickel (305), Matte Black (340) and Brushed gold (343) | \$ 50 |
| 10038458-084-600 | | \$ 50 |
| 10038458-173-600 | | \$ 83 |
| 10038458-340-600 | | \$ 83 |
| 10038458-001-600 | | \$ 83 |
| 10038458-343-600 | | \$ 83 |

RECOMMENDED DOORS - VISIT OUR WEBSITE FOR A COMPLETE LIST OF RECOMMENDED DOORS

| SKU | Product Name | Pag. |
|--------|-------------------------------|------|
| 138997 | Halo 56 1/2-59 x 78 3/4 - 8mm | 705 |

The hatched area represent the antislip surface



This technical drawing is universal for every 6042 configuration.

Integrated tiling flange : 1" height x 1/4" thick
 Tiling flange position is determined by chosen configuration.

All dimensions are approximate. Structure measurements must be verified against the unit to ensure proper fit.

B3Square 7236



Material : Acrylic

Features

- › Acrylic rectangular shower base with square drain
- › Low 3 in. threshold base allowing an easy and safe access
- › Certain configurations available with Stabili-T anti-slip bottom meeting ADA, ANSI or CSA
- › Multiple configurations available to accommodate different types of installation
- › Chrome grid and drain included (ABS or PVC available)
- › Compatible with most glue-up Shower walls and ceramic tiles
- › Integrated leak proof tiling flanges
- › Complete drain assembly included for an easy installation
- › High gloss finish resistant to dulling, scratching, and fading

CONFIGURABLE SHOWER BASES

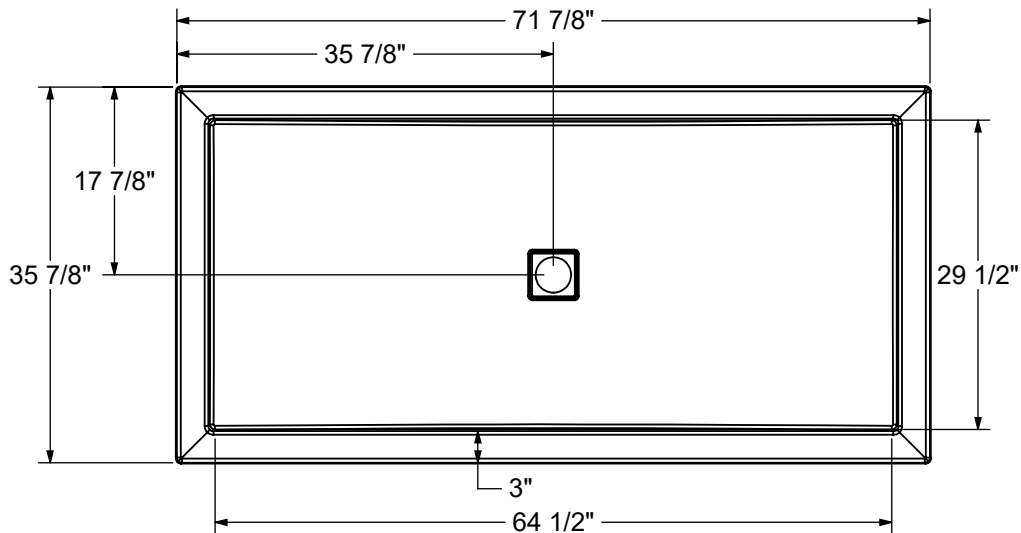
B3SQUARE 7236 - 420042

| SKU | Color | Configuration | Dimensions & Weight | Packaging | MSRP |
|--------------------|-------|-----------------------|--|----------------------------------|---------|
| 420042-501-001-000 | White | Center / Alcove | 71 7/8" x 35 7/8" x 3" / 60 lb / 27 kg | 18.5926649305556 ft ³ | \$ 1158 |
| 420042-502-001-000 | | Center / Corner Left | | | \$ 1158 |
| 420042-503-001-000 | | Center / Corner Right | | | \$ 1158 |

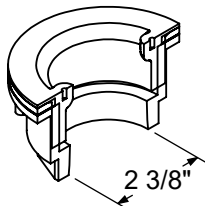
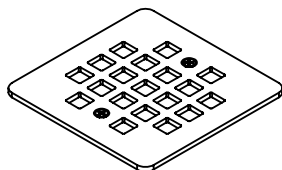
COMMON OPTIONS

| SKU | Description | MSRP |
|--------------|---|-------|
| OPT20253-340 | ABS Square drain Available colors: Chrome (084), Brushed Nickel (305), Dark Bronze (173), Matte Black (340) and Brushed gold (343) | \$ 83 |
| OPT20253-305 | | \$ 50 |
| OPT20253-343 | | \$ 83 |
| OPT20253-084 | | \$ 0 |
| OPT20253-173 | | \$ 83 |
| OPT20254-173 | PVC Square drain Available colors: Chrome (084), Brushed Nickel (305), Dark Bronze (173), Matte Black (340) and Brushed gold (343) | \$ 83 |
| OPT20254-305 | | \$ 50 |
| OPT20254-340 | | \$ 83 |
| OPT20254-343 | | \$ 83 |
| OPT20254-084 | | \$ 0 |

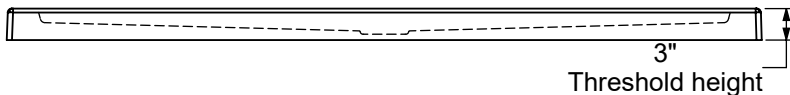
| ACCESSORIES | | |
|------------------|--|-------|
| SKU | Description | MSRP |
| 10038458-305-600 | | \$ 50 |
| 10038458-084-600 | | \$ 50 |
| 10038458-173-600 | Square drain grid | \$ 83 |
| 10038458-340-600 | Available colors: White (001), Chrome (084), Dark Bronze (173), Brushed Nickel (305), Matte Black (340) and Brushed gold (343) | \$ 83 |
| 10038458-001-600 | | \$ 83 |
| 10038458-343-600 | | \$ 83 |



**DRAIN INCLUDED
ON B3 SQUARE ONLY**



1" integrated tiling
flange (not shown)



This technical drawing is universal for every 7236 configuration.

Integrated tiling flange : 1" height x 1/4" thick
Tiling flange position is determined by chosen configuration.

All dimensions are approximate. Structure measurements
must be verified against the unit to ensure proper fit.

B3X 3636 - Alcove



CONFIGURABLE SHOWER BASES



Material : Acrylic

Features

- › 3 1/4 in. threshold acrylic shower base with square center drain
- › Optimized floor design improving showering space
- › Available with Stabili-T anti-slip bottom meeting ADA, ANSI or CSA requirements
- › 2 1/2 in. high tiling flanges to ensure watertightness
- › Integrated weep holes providing superior water management
- › Square chrome grid and ABS drain included (Upgrade PVC Option available)
- › Multiple grid finishes available

B3X 3636 - 420020

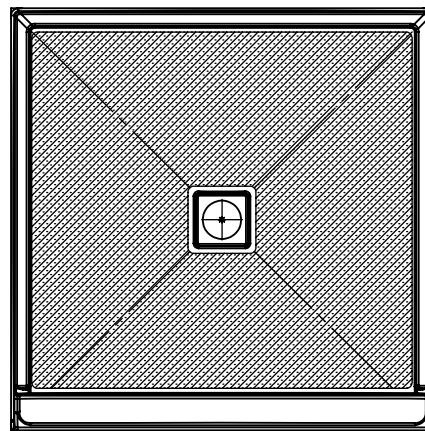
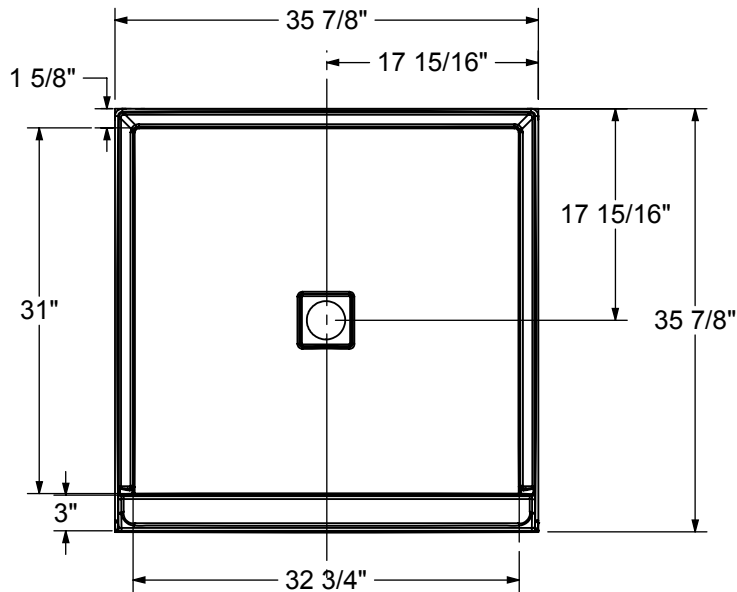
| SKU | Color | Configuration | Dimensions & Weight | Packaging | MSRP |
|--------------------|-------|-----------------------------|--|---------------------|--------|
| 420020-501-001-000 | White | Center / Alcove | 35 7/8" x 35 7/8" x 4" / 35 lb / 16 kg | 5.2 ft ³ | \$ 771 |
| 420020-541-001-000 | | Center / Alcove – Stabili-T | | | \$ 771 |

COMMON OPTIONS

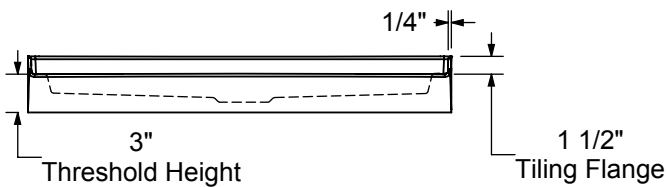
| SKU | Description | MSRP |
|--------------|---|-------|
| OPT20253-340 | ABS Square drain Available colors: Chrome (084), Brushed Nickel (305), Dark Bronze (173), Matte Black (340) and Brushed gold (343) | \$ 83 |
| OPT20253-305 | | \$ 50 |
| OPT20253-343 | | \$ 83 |
| OPT20253-084 | | \$ 0 |
| OPT20253-173 | | \$ 83 |
| OPT20254-173 | PVC Square drain Available colors: Chrome (084), Brushed Nickel (305), Dark Bronze (173), Matte Black (340) and Brushed gold (343) | \$ 83 |
| OPT20254-305 | | \$ 50 |
| OPT20254-340 | | \$ 83 |
| OPT20254-343 | | \$ 83 |
| OPT20254-084 | | \$ 0 |

| ACCESSORIES | | |
|------------------|---|-------|
| SKU | Description | MSRP |
| 10038458-305-600 | Square drain grid Available colors: White (001), Chrome (084), Dark Bronze (173), Brushed Nickel (305), Matte Black (340) and Brushed gold (343) | \$ 50 |
| 10038458-084-600 | | \$ 50 |
| 10038458-173-600 | | \$ 83 |
| 10038458-340-600 | | \$ 83 |
| 10038458-001-600 | | \$ 83 |
| 10038458-343-600 | | \$ 83 |

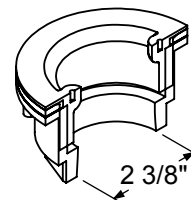
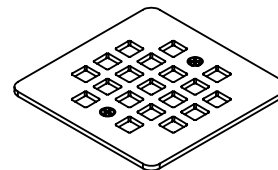
| RECOMMENDED DOORS - VISIT OUR WEBSITE FOR A COMPLETE LIST OF RECOMMENDED DOORS | | |
|--|--|------|
| SKU | Product Name | Pag. |
| 138265 | Manhattan 33-35 x 68 - 6mm | 666 |
| 139575 | Reveal Sleek 71 32 1/2-35 1/2 x 71 1/2 - 8mm | 683 |
| 139584 | Capella 78 32 1/2-35 1/2 x 78 - 8mm | 652 |
| 137835 | ModulR 36 x 78 - 8mm | 657 |
| 136676 | Reveal 71 32 1/2-35 1/2 x 71 1/2 - 8mm | 680 |
| 136733 | Polar Pivot 33-34 3/4 x 64 1/2 in. | 678 |
| 136435 | Pivolok Deluxe 32 1/2-37 x 64 1/2 in. | 674 |
| 136656 | Pivolok 33-34 3/4 x 64 1/2 in. | 676 |



The hatched area represent the antislip surface



DRAIN INCLUDED ON B3 SQUARE ONLY



All dimensions are approximate. Structure measurements must be verified against the unit to ensure proper fit.



B3X 3636 - Corner



Material : Acrylic

Features

- › 3 1/4 in. threshold acrylic shower base with square center drain
- › Optimized floor design improving showering space
- › Available with Stabili-T anti-slip bottom meeting ADA, ANSI or CSA requirements
- › 2 1/2 in. high tiling flanges to ensure watertightness
- › Integrated weep holes providing superior water management
- › Square chrome grid and ABS drain included (Upgrade PVC Option available)
- › Multiple grid finishes available

CONFIGURABLE SHOWER BASES

B3X 3636 - 420021

| SKU | Color | Configuration | Dimensions & Weight | Packaging | MSRP |
|--------------------|-------|---|--|---------------------|--------|
| 420021-500-001-000 | White | Center / Corner Left or Right | 35 7/8" x 35 7/8" x 4" / 35 lb / 16 kg | 5.2 ft ³ | \$ 771 |
| 420021-540-001-000 | | Center / Corner Left or Right – Stabili-T | | | \$ 771 |

COMMON OPTIONS

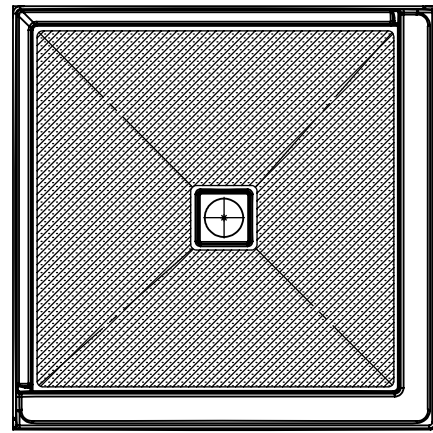
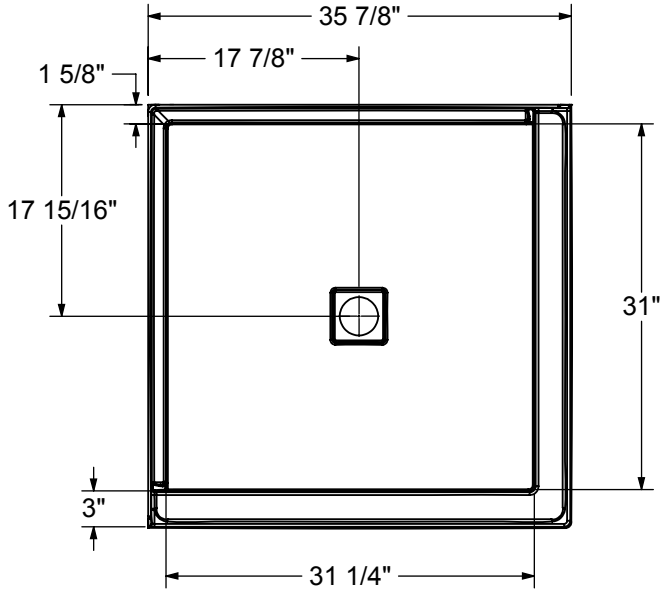
| SKU | Description | MSRP |
|--------------|---|-------|
| OPT20253-340 | ABS Square drain Available colors: Chrome (084), Brushed Nickel (305), Dark Bronze (173), Matte Black (340) and Brushed gold (343) | \$ 83 |
| OPT20253-305 | | \$ 50 |
| OPT20253-343 | | \$ 83 |
| OPT20253-084 | | \$ 0 |
| OPT20253-173 | | \$ 83 |
| OPT20254-173 | PVC Square drain Available colors: Chrome (084), Brushed Nickel (305), Dark Bronze (173), Matte Black (340) and Brushed gold (343) | \$ 83 |
| OPT20254-305 | | \$ 50 |
| OPT20254-340 | | \$ 83 |
| OPT20254-343 | | \$ 83 |
| OPT20254-084 | | \$ 0 |

ACCESSORIES

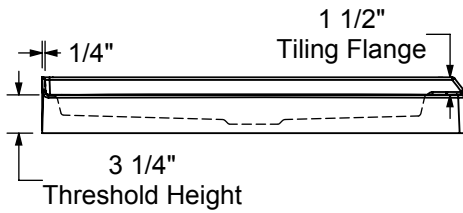
| SKU | Description | MSRP |
|------------------|---|-------|
| 10038458-305-600 | Square drain grid Available colors: White (001), Chrome (084), Dark Bronze (173), Brushed Nickel (305), Matte Black (340) and Brushed gold (343) | \$ 50 |
| 10038458-084-600 | | \$ 50 |
| 10038458-173-600 | | \$ 83 |
| 10038458-340-600 | | \$ 83 |
| 10038458-001-600 | | \$ 83 |
| 10038458-343-600 | | \$ 83 |

RECOMMENDED DOORS - VISIT OUR WEBSITE FOR A COMPLETE LIST OF RECOMMENDED DOORS

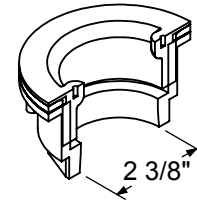
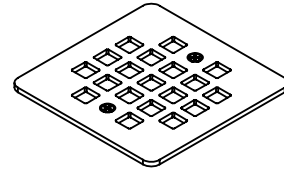
| SKU | Product Name | Pag. |
|--------|--|------|
| 139575 | Reveal Sleek 71 32 1/2-35 1/2 x 71 1/2 - 8mm | 683 |
| 139584 | Capella 78 32 1/2-35 1/2 x 78 - 8mm | 652 |
| 136676 | Reveal 71 32 1/2-35 1/2 x 71 1/2 - 8mm | 680 |



The hatched area represent the antislip surface



DRAIN INCLUDED ON B3 SQUARE ONLY



All dimensions are approximate. Structure measurements must be verified against the unit to ensure proper fit.



B3X 4236 - Alcove

CONFIGURABLE SHOWER BASES



Material : Acrylic

Features

- › 3 1/4 in. threshold acrylic shower base with square center drain
- › Optimized floor design improving showering space
- › Available with Stabili-T anti-slip bottom meeting ADA, ANSI or CSA requirements
- › 2 1/2 in. high tiling flanges to ensure watertightness
- › Integrated weep holes providing superior water management
- › Square chrome grid and ABS drain included (Upgrade PVC Option available)
- › Multiple grid finishes available

B3X 4236 - 420039

| SKU | Color | Configuration | Dimensions & Weight | Packaging | MSRP |
|--------------------|-------|-----------------------------|--|-------------------|--------|
| 420039-501-001-000 | White | Center / Alcove | 41 7/8" x 35 7/8" x 4" / 45 lb / 20 kg | 6 ft ³ | \$ 914 |
| 420039-541-001-000 | | Center / Alcove – Stabili-T | | | \$ 914 |

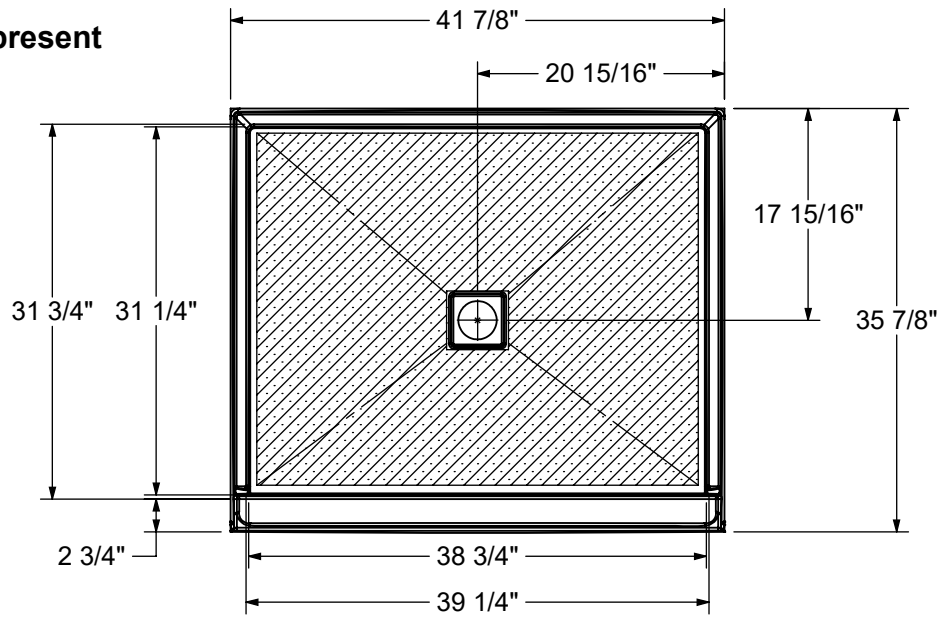
COMMON OPTIONS

| SKU | Description | MSRP |
|--------------|---|-------|
| OPT20253-340 | ABS Square drain Available colors: Chrome (084), Brushed Nickel (305), Dark Bronze (173), Matte Black (340) and Brushed gold (343) | \$ 83 |
| OPT20253-305 | | \$ 50 |
| OPT20253-343 | | \$ 83 |
| OPT20253-084 | | \$ 0 |
| OPT20253-173 | | \$ 83 |
| OPT20254-173 | PVC Square drain Available colors: Chrome (084), Brushed Nickel (305), Dark Bronze (173), Matte Black (340) and Brushed gold (343) | \$ 83 |
| OPT20254-305 | | \$ 50 |
| OPT20254-340 | | \$ 83 |
| OPT20254-343 | | \$ 83 |
| OPT20254-084 | | \$ 0 |

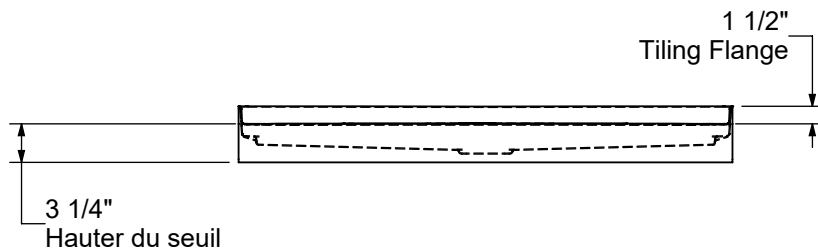
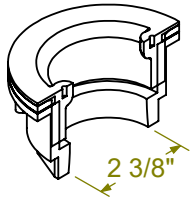
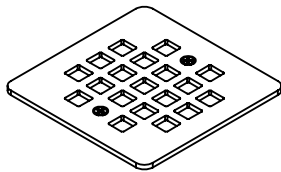
| ACCESSORIES | | |
|------------------|---|-------|
| SKU | Description | MSRP |
| 10038458-305-600 | Square drain grid Available colors: White (001), Chrome (084), Dark Bronze (173), Brushed Nickel (305), Matte Black (340) and Brushed gold (343) | \$ 50 |
| 10038458-084-600 | | \$ 50 |
| 10038458-173-600 | | \$ 83 |
| 10038458-340-600 | | \$ 83 |
| 10038458-001-600 | | \$ 83 |
| 10038458-343-600 | | \$ 83 |

| RECOMMENDED DOORS - VISIT OUR WEBSITE FOR A COMPLETE LIST OF RECOMMENDED DOORS | | |
|--|------------------------------------|------|
| SKU | Product Name | Pag. |
| 138268 | Manhattan 39-41 x 68 - 6mm | 670 |
| 138520 | Incognito 74 39-42x74in. 8mm | 632 |
| 139576 | Reveal Sleek 71 38-41 x 71 ½ - 8mm | 683 |
| 134562 | Kameleon 40-44 x 71 - 6mm | 622 |
| 134662 | Kameleon SC 40-44 x 71 - 6mm | 611 |
| 136679 | Reveal 71 38-41 x 71 ½ - 8 mm | 680 |

The hatched area represent the antislip surface



DRAIN INCLUDED ON B3 SQUARE ONLY



This technical drawing is universal for every 4236 configuration.

Integrated tiling flange : 1 1/2" height x 1/4" thick
 Tiling flange position is determined by chosen configuration.

All dimensions are approximate. Structure measurements must be verified against the unit to ensure proper fit.



B3X 4236 - Corner



Material : Acrylic

Features

- › 3 1/4 in. threshold acrylic shower base with square center drain
- › Optimized floor design improving showering space
- › Available with Stabili-T anti-slip bottom meeting ADA, ANSI or CSA requirements
- › 2 1/2 in. high tiling flanges to ensure watertightness
- › Integrated weep holes providing superior water management
- › Square chrome grid and ABS drain included (Upgrade PVC Option available)
- › Multiple grid finishes available
- › Left corner installation

CONFIGURABLE SHOWER BASES

B3X 4236 - 420040

| SKU | Color | Configuration | Dimensions & Weight | Packaging | MSRP |
|--------------------|-------|----------------------------------|--|-------------------|--------|
| 420040-502-001-000 | White | Center / Corner Left | 41 7/8" x 35 7/8" x 4" / 45 lb / 20 kg | 6 ft ³ | \$ 914 |
| 420040-542-001-000 | | Center / Corner Left – Stabili-T | | | \$ 914 |

B3X 4236 - 420041

| SKU | Color | Configuration | Dimensions & Weight | Packaging | MSRP |
|--------------------|-------|-----------------------------------|--|-------------------|--------|
| 420041-503-001-000 | White | Center / Corner Right | 41 7/8" x 35 7/8" x 4" / 45 lb / 20 kg | 6 ft ³ | \$ 914 |
| 420041-543-001-000 | | Center / Corner Right – Stabili-T | | | \$ 914 |

COMMON OPTIONS

| SKU | Description | MSRP |
|--------------|---|-------|
| OPT20253-340 | ABS Square drain Available colors: Chrome (084), Brushed Nickel (305), Dark Bronze (173), Matte Black (340) and Brushed gold (343) | \$ 83 |
| OPT20253-305 | | \$ 50 |
| OPT20253-343 | | \$ 83 |
| OPT20253-084 | | \$ 0 |
| OPT20253-173 | | \$ 83 |
| OPT20254-173 | PVC Square drain Available colors: Chrome (084), Brushed Nickel (305), Dark Bronze (173), Matte Black (340) and Brushed gold (343) | \$ 83 |
| OPT20254-305 | | \$ 50 |
| OPT20254-340 | | \$ 83 |

COMMON OPTIONS

| SKU | Description | MSRP |
|--------------|---|-------|
| OPT20254-343 | PVC Square drain | \$ 83 |
| OPT20254-084 | Available colors: Chrome (084), Brushed Nickel (305), Dark Bronze (173), Matte Black (340) and Brushed gold (343) | \$ 0 |

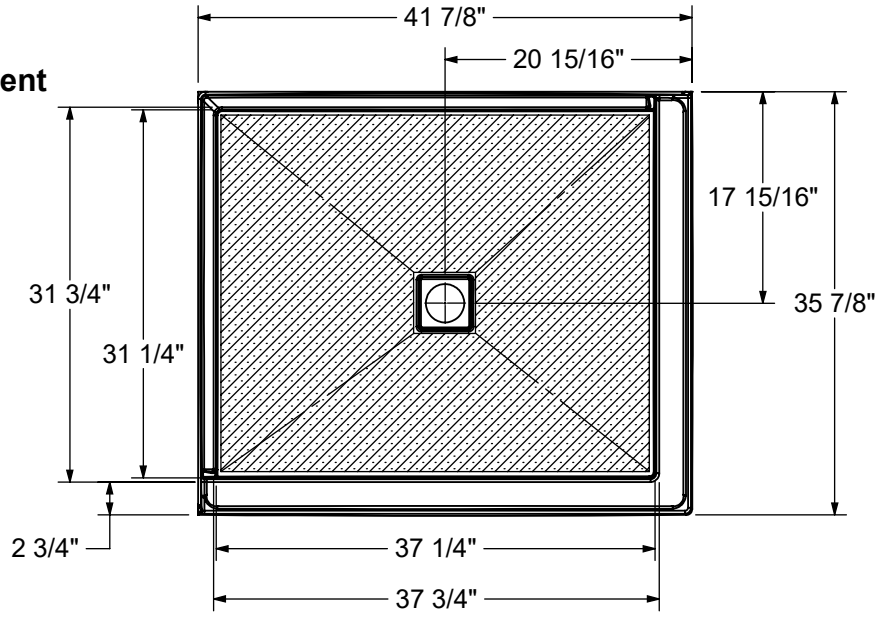
ACCESSORIES

| SKU | Description | MSRP |
|------------------|---|-------|
| 10038458-305-600 | Square drain grid Available colors: White (001), Chrome (084), Dark Bronze (173), Brushed Nickel (305), Matte Black (340) and Brushed gold (343) | \$ 50 |
| 10038458-084-600 | | \$ 50 |
| 10038458-173-600 | | \$ 83 |
| 10038458-340-600 | | \$ 83 |
| 10038458-001-600 | | \$ 83 |
| 10038458-343-600 | | \$ 83 |

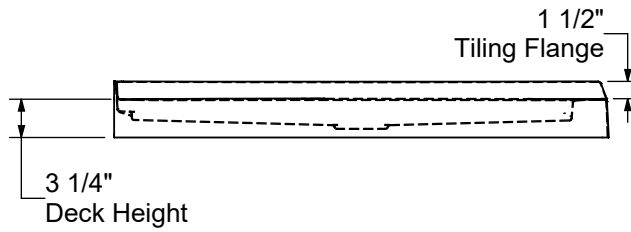
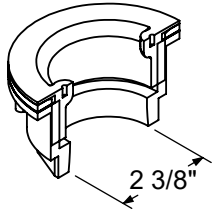
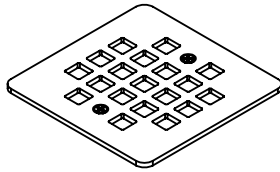
RECOMMENDED DOORS - VISIT OUR WEBSITE FOR A COMPLETE LIST OF RECOMMENDED DOORS

| SKU | Product Name | Pag. |
|--------|------------------------------------|------|
| 139576 | Reveal Sleek 71 38-41 x 71 ½ - 8mm | 683 |
| 136679 | Reveal 71 38-41 x 71 ½ - 8 mm | 680 |

The hatched area represent the antislip surface



DRAIN INCLUDED ON B3 SQUARE ONLY



This technical drawing is universal for every 4236 configuration.

Integrated tiling flange : 1 1/2" height x 1/4" thick
Tiling flange position is determined by chosen configuration.

All dimensions are approximate. Structure measurements must be verified against the unit to ensure proper fit.

B3X 4836 - Alcove



CONFIGURABLE SHOWER BASES



Material : Acrylic

Features

- › 3 1/4 in. threshold acrylic shower base with square center drain
- › Optimized floor design improving showering space
- › Available with Stabili-T anti-slip bottom meeting ADA, ANSI or CSA requirements
- › 2 1/2 in. high tiling flanges to ensure watertightness
- › Integrated weep holes providing superior water management
- › Square chrome grid and ABS drain included (Upgrade PVC Option available)
- › Multiple grid finishes available

B3X 4836 - 420030

| SKU | Color | Configuration | Dimensions & Weight | Packaging | MSRP |
|--------------------|-------|-----------------------------|--|---------------------|--------|
| 420030-501-001-000 | White | Center / Alcove | 47 7/8" x 35 7/8" x 4" / 47 lb / 21 kg | 6.9 ft ³ | \$ 951 |
| 420030-541-001-000 | | Center / Alcove – Stabili-T | | | \$ 951 |

COMMON OPTIONS

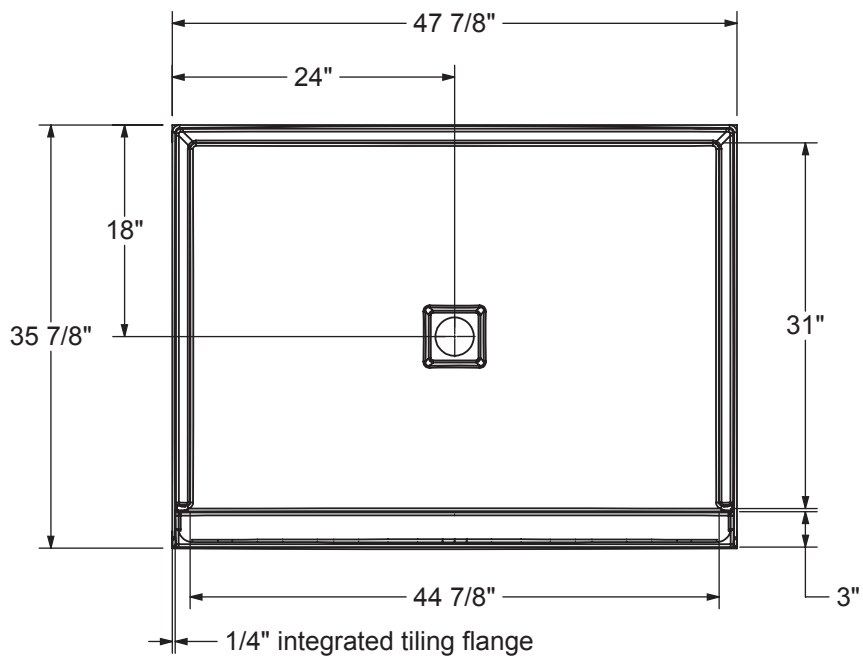
| SKU | Description | MSRP |
|--------------|---|-------|
| OPT20253-340 | ABS Square drain Available colors: Chrome (084), Brushed Nickel (305), Dark Bronze (173), Matte Black (340) and Brushed gold (343) | \$ 83 |
| OPT20253-305 | | \$ 50 |
| OPT20253-343 | | \$ 83 |
| OPT20253-084 | | \$ 0 |
| OPT20253-173 | | \$ 83 |
| OPT20254-173 | PVC Square drain Available colors: Chrome (084), Brushed Nickel (305), Dark Bronze (173), Matte Black (340) and Brushed gold (343) | \$ 83 |
| OPT20254-305 | | \$ 50 |
| OPT20254-340 | | \$ 83 |
| OPT20254-343 | | \$ 83 |
| OPT20254-084 | | \$ 0 |

ACCESSORIES

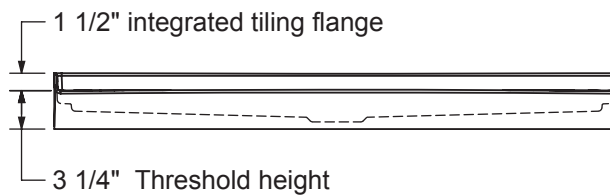
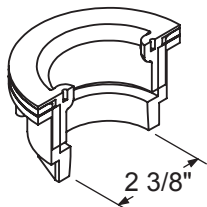
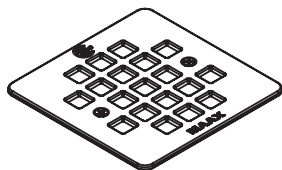
| SKU | Description | MSRP |
|------------------|---|-------|
| 10038458-305-600 | Square drain grid Available colors: White (001), Chrome (084), Dark Bronze (173), Brushed Nickel (305), Matte Black (340) and Brushed gold (343) | \$ 50 |
| 10038458-084-600 | | \$ 50 |
| 10038458-173-600 | | \$ 83 |
| 10038458-340-600 | | \$ 83 |
| 10038458-001-600 | | \$ 83 |
| 10038458-343-600 | | \$ 83 |

RECOMMENDED DOORS - VISIT OUR WEBSITE FOR A COMPLETE LIST OF RECOMMENDED DOORS

| SKU | Product Name | Pag. |
|--------|---|------|
| 135321 | Uptown 44-47 x 76 in. 8 mm | 650 |
| 138950 | Halo Pro 44 ½-47 x 78 ¾ - 8mm | 701 |
| 135334 | Incognito 76 44-47 x 76 - 8mm | 636 |
| 139352 | Incognito 70 44-47 x 70 ½ - 8mm | 630 |
| 139349 | Incognito 44-47 x 70 ½ in. 6mm | 628 |
| 138460 | Vela 44 ½-47 x 78 ¾ - 8mm | 690 |
| 136693 | Revelation Round 44-47 x 70 ½-73 - 8mm | 644 |
| 135690 | Revelation Square 44-47 x 70 ½-73 - 6mm | 646 |
| 134563 | Kameleon 43-47 x 71 - 6mm | 619 |
| 135323 | Uptown 44-47 x 76 in. 8 mm | 711 |
| 135325 | Uptown 45-47 x 76 in. 8 mm | 686 |
| 134663 | Kameleon SC 43-47 x 71 - 6mm | 613 |
| 139578 | Reveal Sleek 71 44-47 x 71 ½ - 8mm | 684 |
| 134571 | Kameleon 43-47 x 71 - 8mm | 624 |
| 135870 | Nebula 44 ½-46 ½ x 78 ¾ - 8mm | 688 |
| 138954 | Halo Pro TB 44 ½-47 x 78 ¾ - 8mm | 703 |
| 135331 | Incognito 76 Shaker 44-47 x 76 - 8mm | 634 |
| 137421 | Odyssey SC 45-47 1/2 x 78 - 8 mm | 709 |
| 136956 | Duel Alto 44-47 X 78 - 8 mm | 605 |
| 139586 | Capella 78 44-47 x 78 - 8mm | 652 |
| 138465 | Vela 44 ½-47 x 78 ¾ - 8mm | 693 |
| 134674 | Kameleon SC 43-47 x 71 - 8mm | 616 |
| 135693 | Revelation Square 44-47 x 70 ½-73 - 8mm | 648 |
| 138996 | Halo 44 ½-47 x 78 ¾ - 8mm | 705 |
| 138992 | Luminescence 44 ½-47 x 70 ½-72 - 6mm | 707 |
| 105413 | Polar 42-47 ½ x 68 in. | 640 |
| 138271 | Manhattan 45-47 x 68 - 6mm | 670 |
| 136690 | Revelation Round 44-47 x 70 ½-73 - 6mm | 642 |
| 138540 | Halo Pro GS 44 1/2-47 X 78 3/4 - 8mm | 699 |



DRAIN INCLUDED



All dimensions are approximate. Structure measurements must be verified against the unit to ensure proper fit.



B3X 4836 - Corner



Material : Acrylic

Features

- › 3 1/4 in. threshold acrylic shower base with square center drain
- › Optimized floor design improving showering space
- › Available with Stabili-T anti-slip bottom meeting ADA, ANSI or CSA requirements
- › 2 1/2 in. high tiling flanges to ensure watertightness
- › Integrated weep holes providing superior water management
- › Square chrome grid and ABS drain included (Upgrade PVC Option available)
- › Multiple grid finishes available
- › Left corner installation

CONFIGURABLE SHOWER BASES

B3X 4836 - 420028

| SKU | Color | Configuration | Dimensions & Weight | Packaging | MSRP |
|--------------------|-------|----------------------------------|--|---------------------|--------|
| 420028-502-001-000 | White | Center / Corner Left | 47 7/8" x 35 7/8" x 4" / 47 lb / 21 kg | 6.9 ft ³ | \$ 951 |
| 420028-542-001-000 | | Center / Corner Left – Stabili-T | | | \$ 951 |

B3X 4836 - 420029

| SKU | Color | Configuration | Dimensions & Weight | Packaging | MSRP |
|--------------------|-------|-----------------------------------|--|---------------------|--------|
| 420029-503-001-000 | White | Center / Corner Right | 47 7/8" x 35 7/8" x 4" / 47 lb / 21 kg | 6.9 ft ³ | \$ 951 |
| 420029-543-001-000 | | Center / Corner Right – Stabili-T | | | \$ 951 |

COMMON OPTIONS

| SKU | Description | MSRP |
|--------------|---|---|
| OPT20254-173 | PVC Square drain Available colors: Chrome (084), Brushed Nickel (305), Dark Bronze (173), Matte Black (340) and Brushed gold (343) | \$ 83 |
| OPT20254-305 | | \$ 50 |
| OPT20254-340 | | \$ 83 |
| OPT20254-343 | | \$ 83 |
| OPT20254-084 | | \$ 0 |
| OPT20253-340 | | \$ 83 |
| OPT20253-305 | | ABS Square drain Available colors: Chrome (084), Brushed Nickel (305), Dark Bronze (173), Matte Black (340) and Brushed gold (343) |
| OPT20253-343 | \$ 83 | |

COMMON OPTIONS

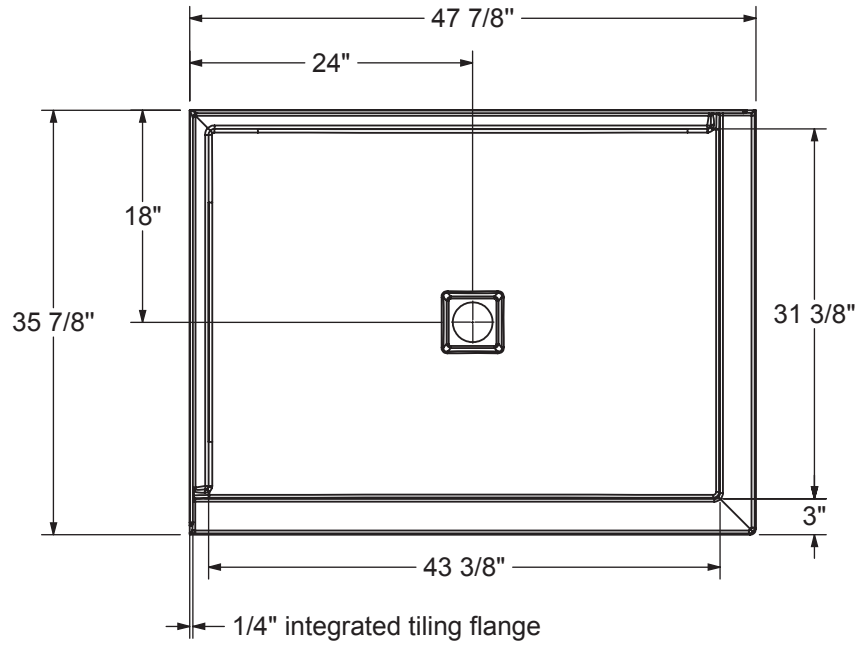
| SKU | Description | MSRP |
|--------------|---|-------|
| OPT20253-084 | ABS Square drain | \$ 0 |
| OPT20253-173 | Available colors: Chrome (084), Brushed Nickel (305), Dark Bronze (173), Matte Black (340) and Brushed gold (343) | \$ 83 |

ACCESSORIES

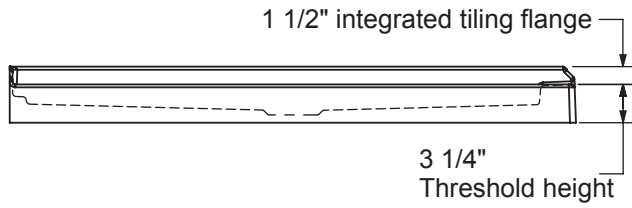
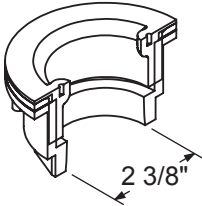
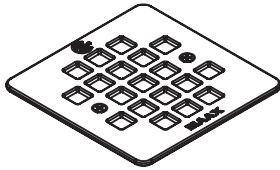
| SKU | Description | MSRP |
|------------------|---|-------|
| 10038458-305-600 | Square drain grid Available colors: White (001), Chrome (084), Dark Bronze (173), Brushed Nickel (305), Matte Black (340) and Brushed gold (343) | \$ 50 |
| 10038458-084-600 | | \$ 50 |
| 10038458-173-600 | | \$ 83 |
| 10038458-340-600 | | \$ 83 |
| 10038458-001-600 | | \$ 83 |
| 10038458-343-600 | | \$ 83 |

RECOMMENDED DOORS - VISIT OUR WEBSITE FOR A COMPLETE LIST OF RECOMMENDED DOORS

| SKU | Product Name | Pag. |
|--------|--------------------------------------|------|
| 138996 | Halo 44 ½-47 x 78 ¾ - 8mm | 705 |
| 135321 | Uptown 44-47 x 76 in. 8 mm | 650 |
| 135323 | | 711 |
| 135325 | Uptown 45-47 x 76 in. 8 mm | 686 |
| 135236 | Connect Pro 45-46 ½ x 76 - 6mm | 696 |
| 139578 | Reveal Sleek 71 44-47 x 71 ½ - 8mm | 684 |
| 138540 | Halo Pro GS 44 1/2-47 X 78 3/4 - 8mm | 699 |
| 136956 | Duel Alto 44-47 X 78 - 8 mm | 605 |
| 135870 | Nebula 44 ½-46 ½ x 78 ¾ - 8mm | 688 |
| 139586 | Capella 78 44-47 x 78 - 8mm | 652 |



DRAIN INCLUDED



All dimensions are approximate. Structure measurements must be verified against the unit to ensure proper fit.



B3X 6032 - Alcove

CONFIGURABLE SHOWER BASES



Material : Acrylic

Features

- › 3 1/4 in. threshold acrylic shower base with square center drain
- › Optimized floor design improving showering space
- › Available with Stabili-T anti-slip bottom meeting ADA, ANSI or CSA requirements
- › Right or left drain
- › 2 1/2 in. high tiling flanges to ensure watertightness
- › Integrated weep holes providing superior water management
- › Square chrome grid and ABS drain included (Upgrade PVC Option available)
- › Multiple grid finishes available

B3X 6032 - 420022

| SKU | Color | Configuration | Dimensions & Weight | Packaging | MSRP |
|--------------------|-------|---------------------------|--|---------------------|---------|
| 420022-501-001-000 | White | Left / Alcove | 59 7/8" x 31 7/8" x 4" / 55 lb / 25 kg | 7.6 ft ³ | \$ 1060 |
| 420022-541-001-000 | | Left / Alcove – Stabili-T | | | \$ 1060 |

B3X 6032 - 420023

| SKU | Color | Configuration | Dimensions & Weight | Packaging | MSRP |
|--------------------|-------|----------------------------|--|---------------------|---------|
| 420023-501-001-000 | White | Right / Alcove | 59 7/8" x 31 7/8" x 4" / 55 lb / 25 kg | 7.6 ft ³ | \$ 1060 |
| 420023-541-001-000 | | Right / Alcove – Stabili-T | | | \$ 1060 |

COMMON OPTIONS

| SKU | Description | MSRP |
|--------------|---|-------|
| OPT20253-340 | ABS Square drain Available colors: Chrome (084), Brushed Nickel (305), Dark Bronze (173), Matte Black (340) and Brushed gold (343) | \$ 83 |
| OPT20253-305 | | \$ 50 |
| OPT20253-343 | | \$ 83 |
| OPT20253-084 | | \$ 0 |
| OPT20253-173 | | \$ 83 |
| OPT20254-173 | PVC Square drain Available colors: Chrome (084), Brushed Nickel (305), Dark Bronze (173), Matte Black (340) and Brushed gold (343) | \$ 83 |
| OPT20254-305 | | \$ 50 |
| OPT20254-340 | | \$ 83 |

COMMON OPTIONS

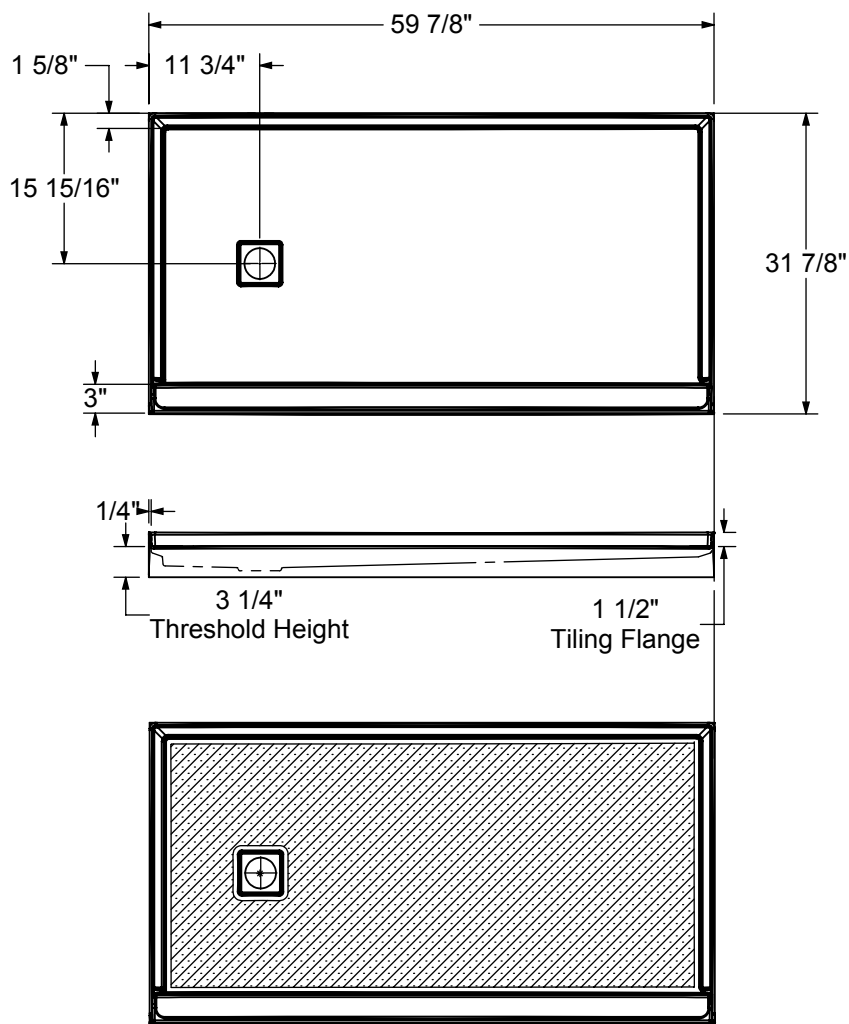
| SKU | Description | MSRP |
|--------------|---|-------|
| OPT20254-343 | PVC Square drain | \$ 83 |
| OPT20254-084 | Available colors: Chrome (084), Brushed Nickel (305), Dark Bronze (173), Matte Black (340) and Brushed gold (343) | \$ 0 |

ACCESSORIES

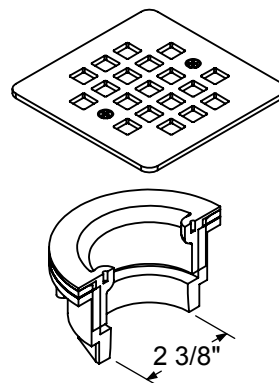
| SKU | Description | MSRP |
|------------------|---|-------|
| 10038458-305-600 | Square drain grid Available colors: White (001), Chrome (084), Dark Bronze (173), Brushed Nickel (305), Matte Black (340) and Brushed gold (343) | \$ 50 |
| 10038458-084-600 | | \$ 50 |
| 10038458-173-600 | | \$ 83 |
| 10038458-340-600 | | \$ 83 |
| 10038458-001-600 | | \$ 83 |
| 10038458-343-600 | | \$ 83 |

RECOMMENDED DOORS - VISIT OUR WEBSITE FOR A COMPLETE LIST OF RECOMMENDED DOORS

| SKU | Product Name | Pag. |
|--------|---|------|
| 138277 | Manhattan 57-59 x 68 - 6mm | 672 |
| 138997 | Halo 56 ½-59 x 78 ¾ - 8mm | 705 |
| 139353 | Incognito 70 56-59 x 70 ½ - 8mm | 630 |
| 139350 | Incognito 56-59 x 70 ½ in. 6mm | 628 |
| 135332 | Incognito 76 Shaker 56-59 x 76 - 8mm | 634 |
| 135335 | Incognito 76 56-59 x 76 - 8mm | 636 |
| 136335 | Incognito 76 Smoke 56-59 x 76 - 8mm | 638 |
| 135694 | Revelation Square 56-59 x 70 ½-73 - 8mm | 648 |
| 136691 | Revelation Round 56-59 x 70 ½-73 - 6mm | 642 |
| 135691 | Revelation Square 56-59 x 70 ½-73 - 6mm | 646 |
| 136694 | Revelation Round 56-59 x 70 ½-73 - 8mm | 644 |
| 135322 | Uptown 56-59 x 76 in. 8 mm | 650 |
| 135324 | | 711 |
| 135326 | Uptown 57-59 x 76 in. 8 mm | 686 |
| 135238 | Connect Pro 57-58 ½ x 76 - 6mm | 696 |
| 139580 | Reveal Sleek 71 56-59 x 71 ½ - 8mm | 684 |
| 138956 | Halo Pro TB 56 ½-59 x 78 ¾ - 8mm | 703 |
| 138952 | Halo Pro 56 ½-59 x 78 ¾ - 8mm | 701 |
| 138541 | Halo Pro GS 56 1/2-59 X 78 3/4 - 8mm | 699 |
| 136955 | Duel Alto 56-59 X 78 - 8 mm | 605 |
| 138762 | Inverto 56-59 x 70 ½-74 - 8mm | 627 |
| 137420 | Odyssey SC 57-59 1/2 x 78 - 8 mm | 709 |
| 138475 | Vela 56 ½-59 x 78 ¾ - 8mm | 693 |
| 135875 | Nebula 56 ½-58 ½ x 78 ¾ - 8mm | 688 |



DRAIN INCLUDED
ON B3X SQUARE ONLY



The hatched area represent
the antislip surface

All dimensions are approximate. Structure measurements
must be verified against the unit to ensure proper fit.



B3X 6032 - Corner



Material : Acrylic

Features

- › 3 1/4 in. threshold acrylic shower base with square center drain
- › Optimized floor design improving showering space
- › Available with Stabili-T anti-slip bottom meeting ADA, ANSI or CSA requirements
- › Right or left drain
- › 2 1/2 in. high tiling flanges to ensure watertightness
- › Integrated weep holes providing superior water management
- › Square chrome grid and ABS drain included (Upgrade PVC Option available)
- › Multiple grid finishes available

CONFIGURABLE SHOWER BASES

B3X 6032 - 420024

| SKU | Color | Configuration | Dimensions & Weight | Packaging | MSRP |
|--------------------|-------|--------------------------------|--|---------------------|---------|
| 420024-502-001-000 | White | Left / Corner Left | 59 7/8" x 31 7/8" x 4" / 55 lb / 25 kg | 7.2 ft ³ | \$ 1060 |
| 420024-542-001-000 | | Left / Corner Left – Stabili-T | | | \$ 1060 |

B3X 6032 - 420025

| SKU | Color | Configuration | Dimensions & Weight | Packaging | MSRP |
|--------------------|-------|----------------------------------|--|---------------------|---------|
| 420025-503-001-000 | White | Right / Corner Right | 59 7/8" x 31 7/8" x 4" / 55 lb / 25 kg | 7.2 ft ³ | \$ 1060 |
| 420025-543-001-000 | | Right / Corner Right – Stabili-T | | | \$ 1060 |

COMMON OPTIONS

| SKU | Description | MSRP |
|--------------|---|-------|
| OPT20253-340 | ABS Square drain Available colors: Chrome (084), Brushed Nickel (305), Dark Bronze (173), Matte Black (340) and Brushed gold (343) | \$ 83 |
| OPT20253-305 | | \$ 50 |
| OPT20253-343 | | \$ 83 |
| OPT20253-084 | | \$ 0 |
| OPT20253-173 | | \$ 83 |
| OPT20254-173 | PVC Square drain Available colors: Chrome (084), Brushed Nickel (305), Dark Bronze (173), Matte Black (340) and Brushed gold (343) | \$ 83 |
| OPT20254-305 | | \$ 50 |
| OPT20254-340 | | \$ 83 |

COMMON OPTIONS

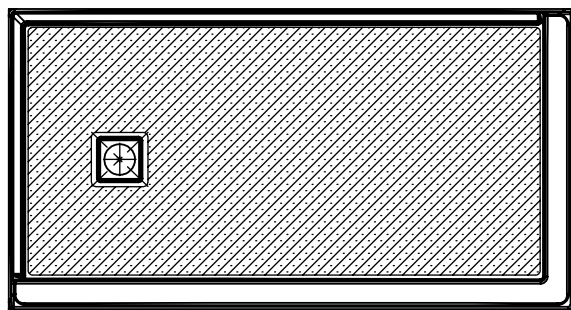
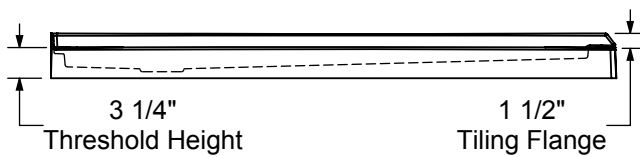
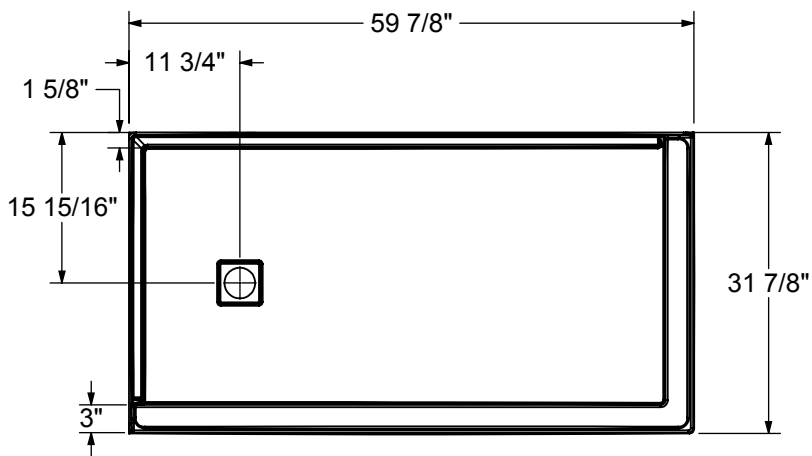
| SKU | Description | MSRP |
|--------------|---|-------|
| OPT20254-343 | PVC Square drain | \$ 83 |
| OPT20254-084 | Available colors: Chrome (084), Brushed Nickel (305), Dark Bronze (173), Matte Black (340) and Brushed gold (343) | \$ 0 |

ACCESSORIES

| SKU | Description | MSRP |
|------------------|---|-------|
| 10038458-305-600 | Square drain grid Available colors: White (001), Chrome (084), Dark Bronze (173), Brushed Nickel (305), Matte Black (340) and Brushed gold (343) | \$ 50 |
| 10038458-084-600 | | \$ 50 |
| 10038458-173-600 | | \$ 83 |
| 10038458-340-600 | | \$ 83 |
| 10038458-001-600 | | \$ 83 |
| 10038458-343-600 | | \$ 83 |

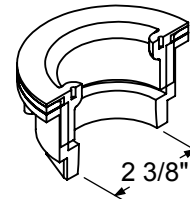
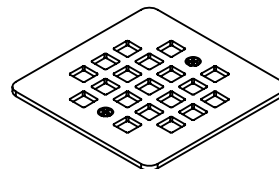
RECOMMENDED DOORS - VISIT OUR WEBSITE FOR A COMPLETE LIST OF RECOMMENDED DOORS

| SKU | Product Name | Pag. |
|--------|--------------------------------------|------|
| 138997 | Halo 56 1/2-59 x 78 3/4 - 8mm | 705 |
| 135322 | Uptown 56-59 x 76 in. 8 mm | 650 |
| 135324 | | 711 |
| 135326 | Uptown 57-59 x 76 in. 8 mm | 686 |
| 135238 | Connect Pro 57-58 1/2 x 76 - 6mm | 696 |
| 139580 | Reveal Sleek 71 56-59 x 71 1/2 - 8mm | 684 |
| 138541 | Halo Pro GS 56 1/2-59 X 78 3/4 - 8mm | 699 |
| 136955 | Duel Alto 56-59 X 78 - 8 mm | 605 |
| 139587 | Capella 78 56-59 x 78 - 8mm | 652 |



The hatched area represent the antislip surface

DRAIN INCLUDED ON B3 SQUARE ONLY

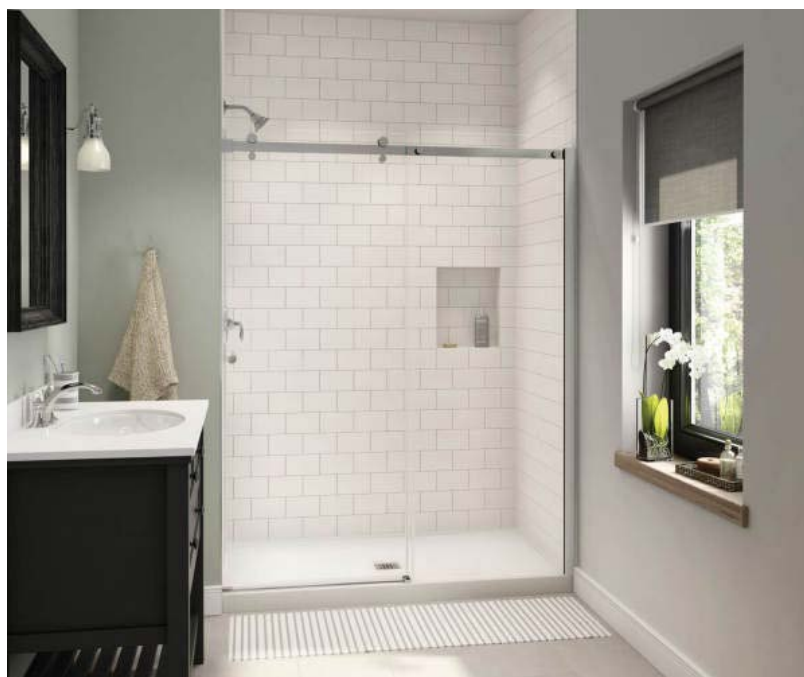


All dimensions are approximate. Structure measurements must be verified against the unit to ensure proper fit.



B3X 6036 - Alcove

CONFIGURABLE SHOWER BASES



Material : Acrylic

Features

- › 3 1/4 in. threshold acrylic shower base with square center drain
- › Optimized floor design improving showering space
- › Available with Stabili-T anti-slip bottom meeting ADA, ANSI or CSA requirements
- › 2 1/2 in. high tiling flanges to ensure watertightness
- › Integrated weep holes providing superior water management
- › Square chrome grid and ABS drain included (Upgrade PVC Option available)
- › Multiple grid finishes available

B3X 6036 - 420031

| SKU | Color | Configuration | Dimensions & Weight | Packaging | MSRP |
|--------------------|-------|-----------------------------|--|---------------------|---------|
| 420031-501-001-000 | White | Center / Alcove | 59 7/8" x 35 7/8" x 4" / 62 lb / 28 kg | 8.5 ft ³ | \$ 1133 |
| 420031-541-001-000 | | Center / Alcove – Stabili-T | | | \$ 1133 |

COMMON OPTIONS

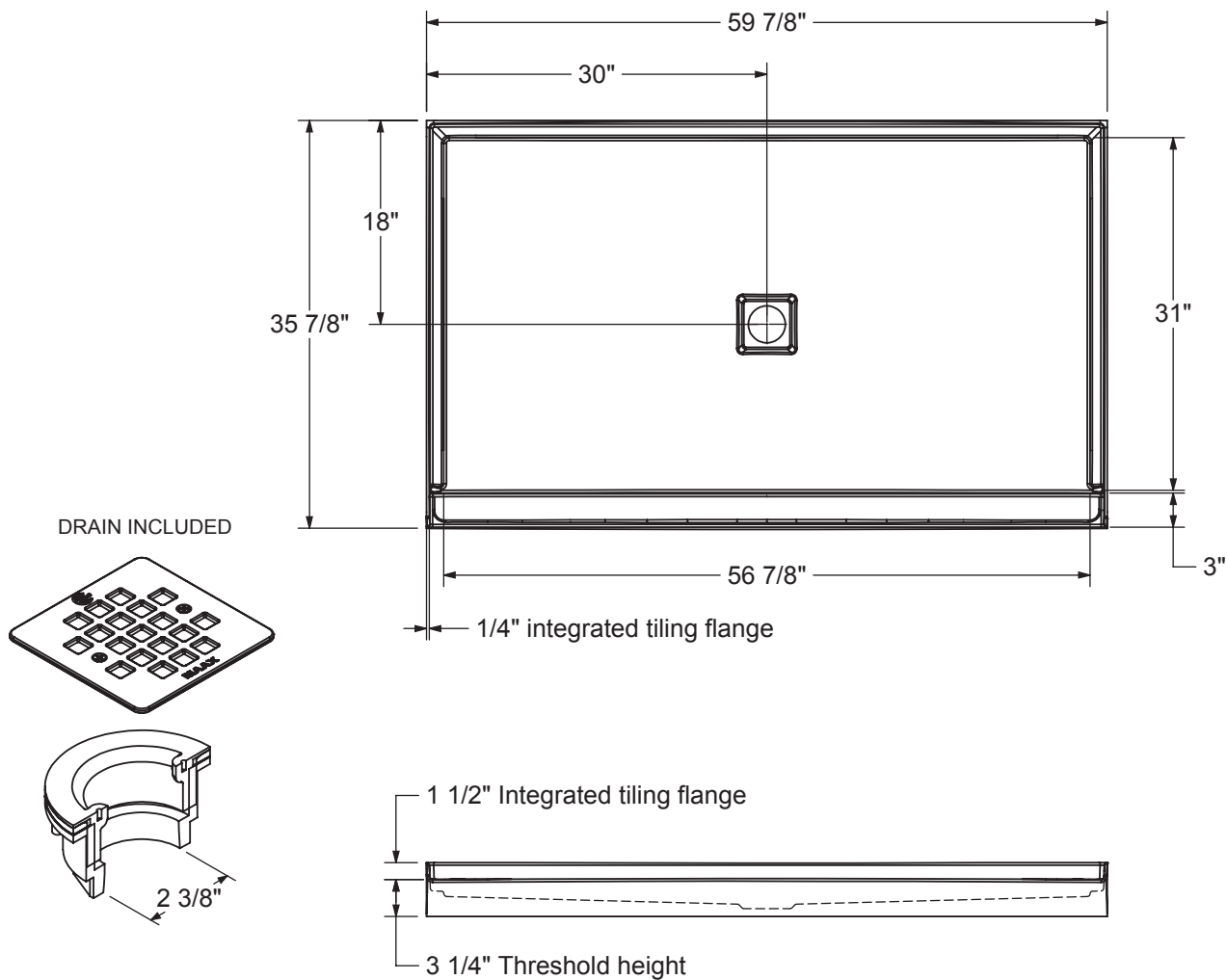
| SKU | Description | MSRP |
|--------------|---|-------|
| OPT20254-173 | PVC Square drain Available colors: Chrome (084), Brushed Nickel (305), Dark Bronze (173), Matte Black (340) and Brushed gold (343) | \$ 83 |
| OPT20254-305 | | \$ 50 |
| OPT20254-340 | | \$ 83 |
| OPT20254-343 | | \$ 83 |
| OPT20254-084 | | \$ 0 |
| OPT20253-340 | ABS Square drain Available colors: Chrome (084), Brushed Nickel (305), Dark Bronze (173), Matte Black (340) and Brushed gold (343) | \$ 83 |
| OPT20253-305 | | \$ 50 |
| OPT20253-343 | | \$ 83 |
| OPT20253-084 | | \$ 0 |
| OPT20253-173 | | \$ 83 |

ACCESSORIES

| SKU | Description | MSRP |
|------------------|---|-------|
| 10038458-305-600 | Square drain grid Available colors: White (001), Chrome (084), Dark Bronze (173), Brushed Nickel (305), Matte Black (340) and Brushed gold (343) | \$ 50 |
| 10038458-084-600 | | \$ 50 |
| 10038458-173-600 | | \$ 83 |
| 10038458-340-600 | | \$ 83 |
| 10038458-001-600 | | \$ 83 |
| 10038458-343-600 | | \$ 83 |

RECOMMENDED DOORS - VISIT OUR WEBSITE FOR A COMPLETE LIST OF RECOMMENDED DOORS

| SKU | Product Name | Pag. |
|--------|---|------|
| 138277 | Manhattan 57-59 x 68 - 6mm | 672 |
| 138997 | Halo 56 1/2-59 x 78 3/4 - 8mm | 705 |
| 139353 | Incognito 70 56-59 x 70 1/2 - 8mm | 630 |
| 139350 | Incognito 56-59 x 70 1/2 in. 6mm | 628 |
| 135332 | Incognito 76 Shaker 56-59 x 76 - 8mm | 634 |
| 135335 | Incognito 76 56-59 x 76 - 8mm | 636 |
| 136335 | Incognito 76 Smoke 56-59 x 76 - 8mm | 638 |
| 135694 | Revelation Square 56-59 x 70 1/2-73 - 8mm | 648 |
| 136691 | Revelation Round 56-59 x 70 1/2-73 - 6mm | 642 |
| 135691 | Revelation Square 56-59 x 70 1/2-73 - 6mm | 646 |
| 136694 | Revelation Round 56-59 x 70 1/2-73 - 8mm | 644 |
| 135322 | Uptown 56-59 x 76 in. 8 mm | 650 |
| 135324 | | 711 |
| 135326 | Uptown 57-59 x 76 in. 8 mm | 686 |
| 135238 | Connect Pro 57-58 1/2 x 76 - 6mm | 696 |
| 139580 | Reveal Sleek 71 56-59 x 71 1/2 - 8mm | 684 |
| 138956 | Halo Pro TB 56 1/2-59 x 78 3/4 - 8mm | 703 |
| 138952 | Halo Pro 56 1/2-59 x 78 3/4 - 8mm | 701 |
| 138541 | Halo Pro GS 56 1/2-59 X 78 3/4 - 8mm | 699 |
| 136955 | Duel Alto 56-59 X 78 - 8 mm | 605 |
| 138762 | Inverto 56-59 x 70 1/2-74 - 8mm | 627 |
| 137420 | Odyssey SC 57-59 1/2 x 78 - 8 mm | 709 |
| 138475 | Vela 56 1/2-59 x 78 3/4 - 8mm | 693 |
| 135875 | Nebula 56 1/2-58 1/2 x 78 3/4 - 8mm | 688 |
| 139587 | Capella 78 56-59 x 78 - 8mm | 652 |
| 137832 | ModulR 60 x 78 - 8mm | 657 |
| 134675 | Kameleon SC 55-59 x 71 - 8mm | 616 |
| 134572 | Kameleon 55-59 x 71 - 8mm | 624 |
| 134665 | Kameleon SC 55-59 x 71 - 6mm | 608 |



All dimensions are approximate. Structure measurements must be verified against the unit to ensure proper fit.

B3X 6036 - Corner



Material : Acrylic

Features

- › 3 1/4 in. threshold acrylic shower base with square center drain
- › Optimized floor design improving showering space
- › Available with Stabili-T anti-slip bottom meeting ADA, ANSI or CSA requirements
- › 2 1/2 in. high tiling flanges to ensure watertightness
- › Integrated weep holes providing superior water management
- › Square chrome grid and ABS drain included (Upgrade PVC Option available)
- › Multiple grid finishes available
- › Left corner installation

CONFIGURABLE SHOWER BASES

B3X 6036 - 420032

| SKU | Color | Configuration | Dimensions & Weight | Packaging | MSRP |
|--------------------|-------|----------------------------------|--|---------------------|---------|
| 420032-502-001-000 | White | Center / Corner Left | 59 7/8" x 35 7/8" x 4" / 62 lb / 28 kg | 8.5 ft ³ | \$ 1133 |
| 420032-542-001-000 | | Center / Corner Left – Stabili-T | | | \$ 1133 |

B3X 6036 - 420033

| SKU | Color | Configuration | Dimensions & Weight | Packaging | MSRP |
|--------------------|-------|-----------------------------------|--|---------------------|---------|
| 420033-503-001-000 | White | Center / Corner Right | 59 7/8" x 35 7/8" x 4" / 62 lb / 28 kg | 8.5 ft ³ | \$ 1133 |
| 420033-543-001-000 | | Center / Corner Right – Stabili-T | | | \$ 1133 |

COMMON OPTIONS

| SKU | Description | MSRP | |
|--------------|---|---|-------|
| OPT20254-173 | PVC Square drain Available colors: Chrome (084), Brushed Nickel (305), Dark Bronze (173), Matte Black (340) and Brushed gold (343) | \$ 83 | |
| OPT20254-305 | | \$ 50 | |
| OPT20254-340 | | \$ 83 | |
| OPT20254-343 | | \$ 83 | |
| OPT20254-084 | | \$ 0 | |
| OPT20253-340 | | ABS Square drain Available colors: Chrome (084), Brushed Nickel (305), Dark Bronze (173), Matte Black (340) and Brushed gold (343) | \$ 83 |
| OPT20253-305 | | | \$ 50 |
| OPT20253-343 | \$ 83 | | |

COMMON OPTIONS

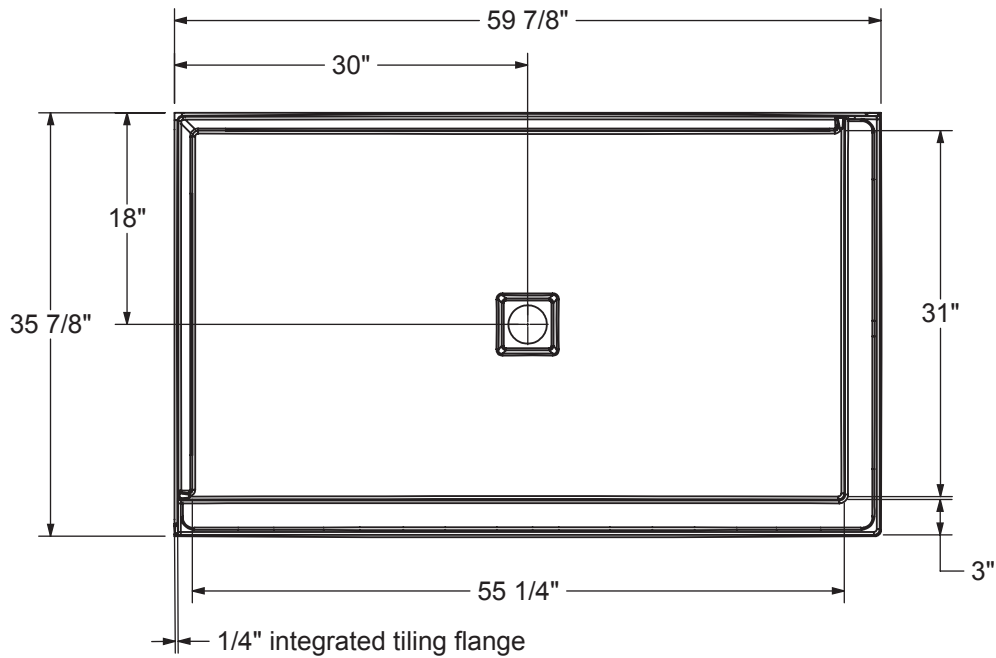
| SKU | Description | MSRP |
|--------------|---|-------|
| OPT20253-084 | ABS Square drain | \$ 0 |
| OPT20253-173 | Available colors: Chrome (084), Brushed Nickel (305), Dark Bronze (173), Matte Black (340) and Brushed gold (343) | \$ 83 |

ACCESSORIES

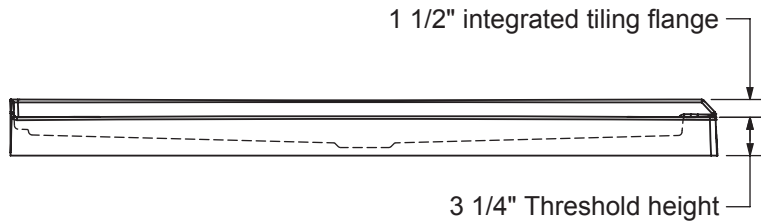
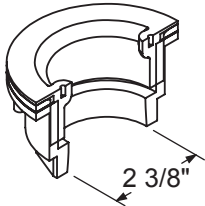
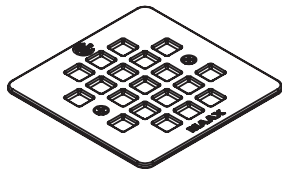
| SKU | Description | MSRP |
|------------------|---|-------|
| 10038458-305-600 | Square drain grid Available colors: White (001), Chrome (084), Dark Bronze (173), Brushed Nickel (305), Matte Black (340) and Brushed gold (343) | \$ 50 |
| 10038458-084-600 | | \$ 50 |
| 10038458-173-600 | | \$ 83 |
| 10038458-340-600 | | \$ 83 |
| 10038458-001-600 | | \$ 83 |
| 10038458-343-600 | | \$ 83 |

RECOMMENDED DOORS - VISIT OUR WEBSITE FOR A COMPLETE LIST OF RECOMMENDED DOORS

| SKU | Product Name | Pag. |
|--------|--------------------------------------|------|
| 138997 | Halo 56 ½-59 x 78 ¾ - 8mm | 705 |
| 135322 | Uptown 56-59 x 76 in. 8 mm | 650 |
| 135324 | | 711 |
| 135326 | Uptown 57-59 x 76 in. 8 mm | 686 |
| 135238 | Connect Pro 57-58 ½ x 76 - 6mm | 696 |
| 139580 | Reveal Sleek 71 56-59 x 71 ½ - 8mm | 684 |
| 138541 | Halo Pro GS 56 1/2-59 X 78 3/4 - 8mm | 699 |
| 136955 | Duel Alto 56-59 X 78 - 8 mm | 605 |
| 135875 | Nebula 56 ½-58 ½ x 78 ¾ - 8mm | 688 |
| 139587 | Capella 78 56-59 x 78 - 8mm | 652 |



DRAIN INCLUDED



All dimensions are approximate. Structure measurements must be verified against the unit to ensure proper fit.



Neo-angle Base 36 - 3 in

CORNER BASES - ACRYLIC



Material : Acrylic

Features

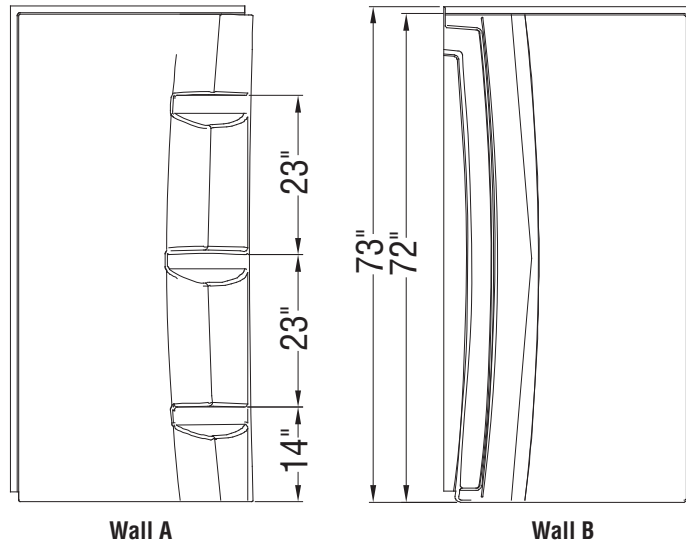
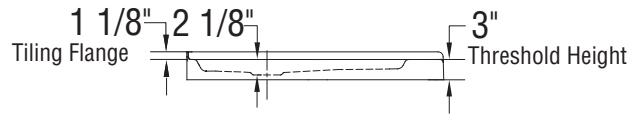
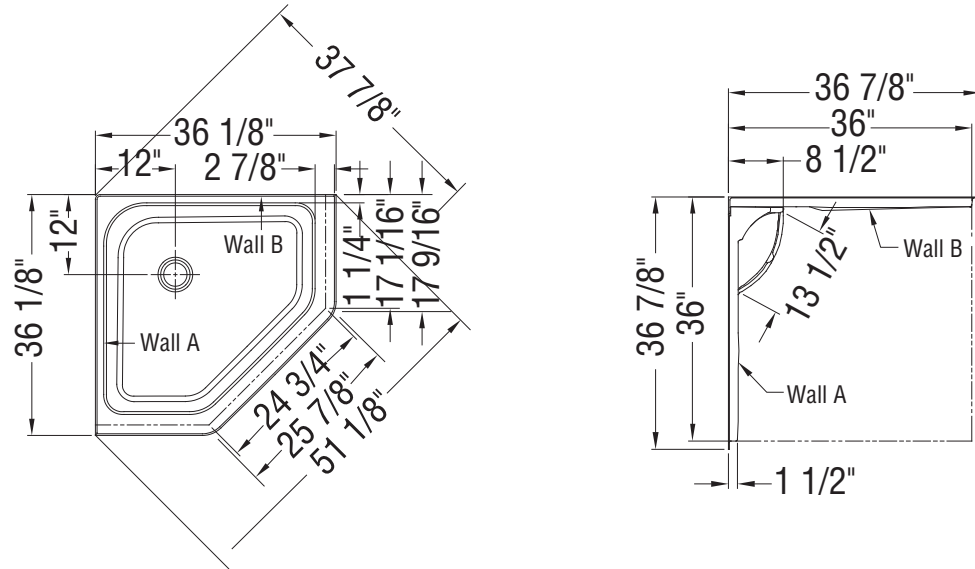
- > Low threshold base
- > Corner drain; textured bottom
- > Deflecting strip preventing water penetration behind the shower
- > Corner installation
- > Easy front installation walls with snap clips are available

NEO-ANGLE BASE 36 - 3 IN - 101422

| SKU | Color | Configuration | Dimensions & Weight | Packaging | MSRP |
|--------------------|-------|-------------------------------|--|----------------------|--------|
| 101422-000-001-000 | White | Corner / Corner Left or Right | 36 1/8" x 36 1/8" x 4 1/8" / 36 lb / 16 kg | 8.93 ft ³ | \$ 619 |

RECOMMENDED DOORS - VISIT OUR WEBSITE FOR A COMPLETE LIST OF RECOMMENDED DOORS

| SKU | Product Name | Pag. |
|--------|--|------|
| 137440 | Radia Neo-angle 36 x 36 x 71 1/2 - 6mm | 730 |



All dimensions are approximate. Structure measurements must be verified against the unit to ensure proper fit.



Neo-angle Base 38 - 3 in

CORNER BASES - ACRYLIC



Material : Acrylic

Features

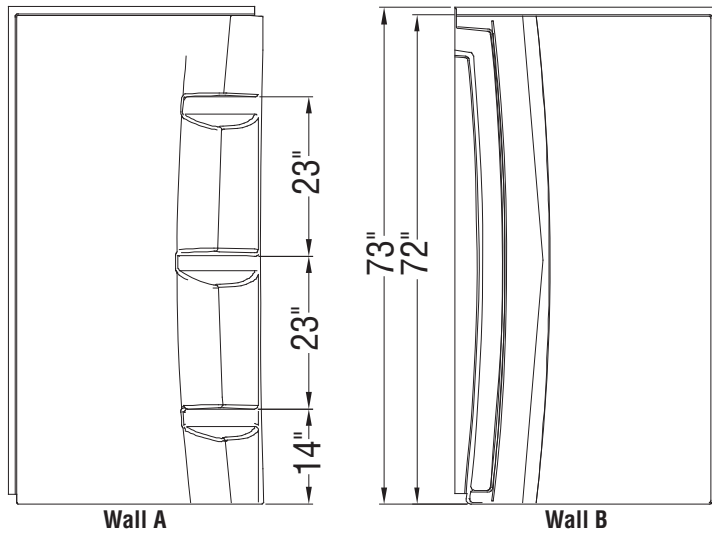
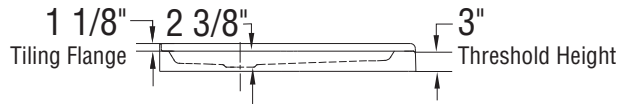
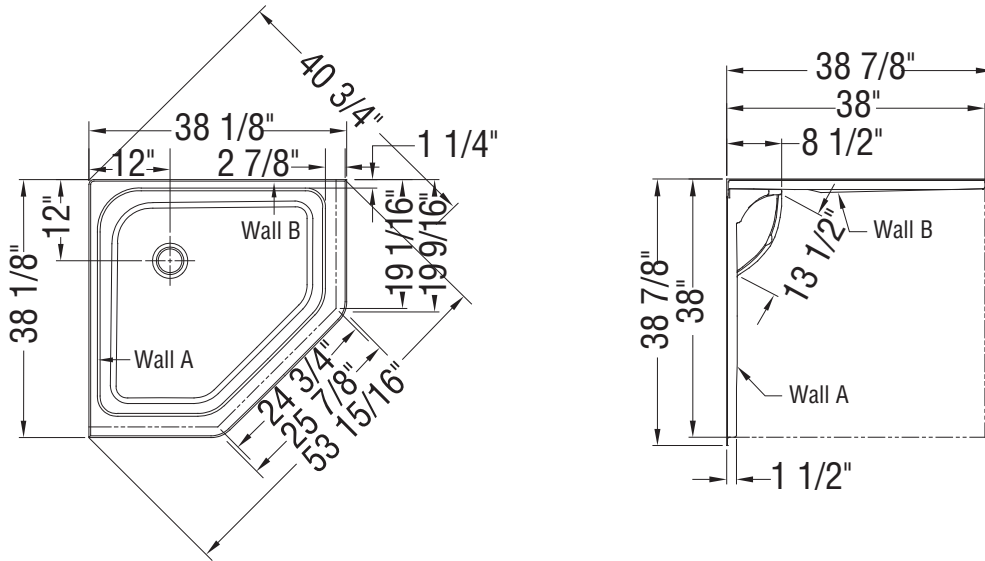
- › Proudly made in Canada
- › Direct to stud corner installation that will save time and money
- › Durable high shine acrylic stays warm to the touch and is easy to clean
- › 3-inch low threshold for easy access
- › Textured bottom for added safety
- › Walls with convenient foot rest available, designed to be easier to clean
- › Ensure fit with MAAX Radia Corner Door # 137441-900

NEO-ANGLE BASE 38 - 3 IN - 101423

| SKU | Color | Configuration | Dimensions & Weight | Packaging | MSRP |
|--------------------|-------|-------------------------------|--|----------------------|--------|
| 101423-000-001-000 | White | Corner / Corner Left or Right | 38 1/8" x 38 1/8" x 4 1/8" / 38 lb / 17 kg | 8.93 ft ³ | \$ 635 |

RECOMMENDED DOORS - VISIT OUR WEBSITE FOR A COMPLETE LIST OF RECOMMENDED DOORS

| SKU | Product Name | Pag. |
|--------|--------------------------------------|------|
| 137441 | Radia Neo-angle 38 x 38 x 71 ½ - 6mm | 730 |



All dimensions are approximate. Structure measurements must be verified against the unit to ensure proper fit.



Neo-angle Base 40 - 3 in

CORNER BASES - ACRYLIC



Material : Acrylic

Features

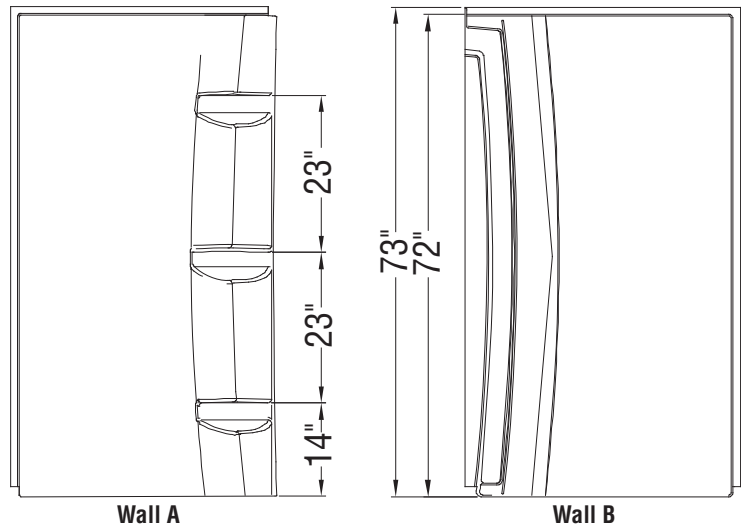
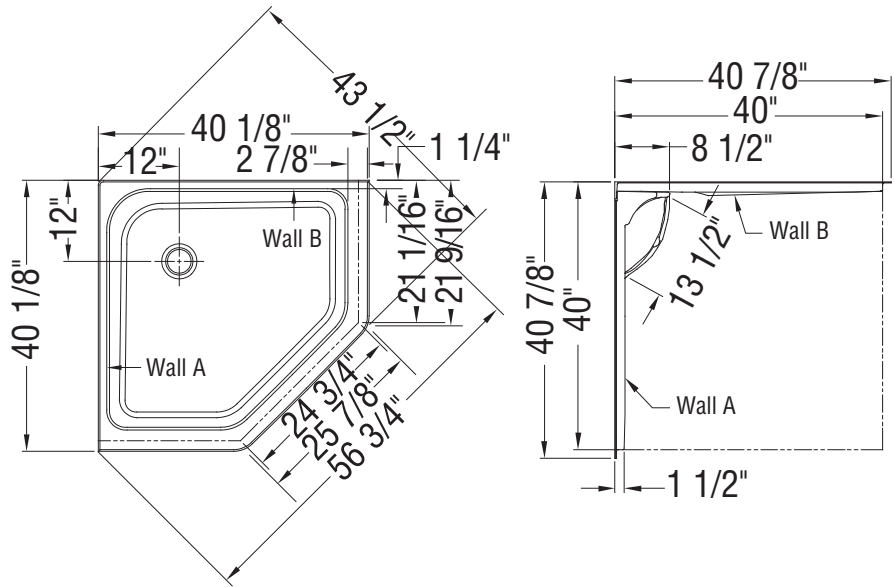
- › Direct to stud corner installation that will save time and money
- › Durable high shine acrylic stays warm to the touch and is easy to clean
- › 3-inch low threshold for easy access
- › Textured bottom for added safety
- › Walls with convenient foot rest available, designed to be easier to clean
- › Ensure fit with MAAX Radia Corner Door # 137442-900

NEO-ANGLE BASE 40 - 3 IN - 101424

| SKU | Color | Configuration | Dimensions & Weight | Packaging | MSRP |
|--------------------|-------|-------------------------------|--|---------------------|--------|
| 101424-000-001-000 | White | Corner / Corner Left or Right | 40 1/8" x 40 1/8" x 4 1/8" / 40 lb / 18 kg | 9.9 ft ³ | \$ 669 |

RECOMMENDED DOORS - VISIT OUR WEBSITE FOR A COMPLETE LIST OF RECOMMENDED DOORS

| SKU | Product Name | Pag. |
|--------|--------------------------------------|------|
| 137442 | Radia Neo-angle 40 x 40 x 71 ½ - 6mm | 730 |



All dimensions are approximate. Structure measurements must be verified against the unit to ensure proper fit.



Neo-angle Base 42 - 3 in

CORNER BASES - ACRYLIC



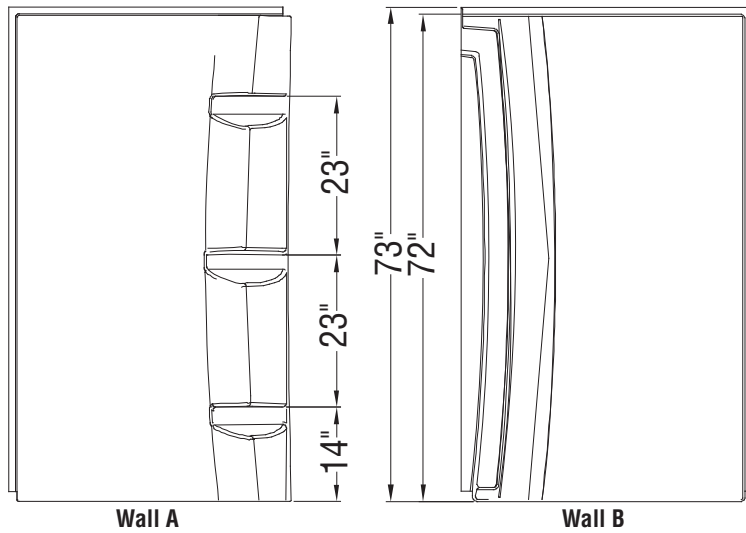
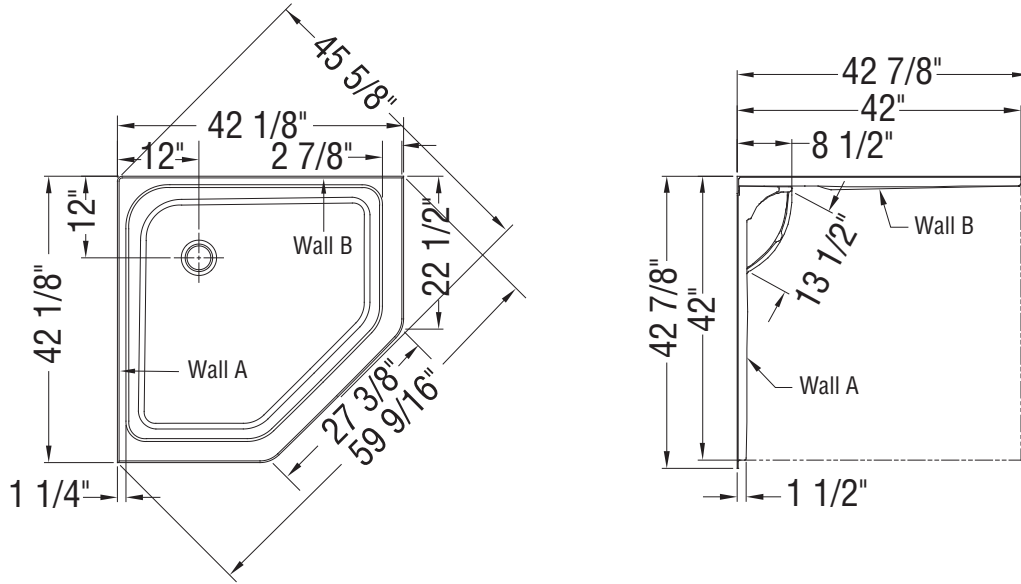
Material : Acrylic

Features

- › Proudly made in Canada
- › 42x42 Acrylic Neo-Angle Base with Corner Drain in White, direct to stud installation
- › 3 in. low threshold
- › Durable high shine acrylic stays warm to the touch and is easy to clean, available in white only
- › Textured bottom
- › Off-center drain - consult MAAX technical drawing (specification) for exact dimensions
- › Limited warranty is for a period of 25 years, phone # 1-877-GET-MAAX

NEO-ANGLE BASE 42 - 3 IN - 101425

| SKU | Color | Configuration | Dimensions & Weight | Packaging | MSRP |
|--------------------|-------|-------------------------------|--|---------------------|--------|
| 101425-000-001-000 | White | Corner / Corner Left or Right | 42 1/8" x 42 1/8" x 4 1/8" / 42 lb / 19 kg | 9.9 ft ³ | \$ 817 |



All dimensions are approximate. Structure measurements must be verified against the unit to ensure proper fit.



Neo-round Base 32 - 3 in

CORNER BASES - ACRYLIC



Material : Acrylic

Features

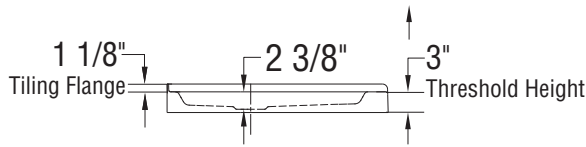
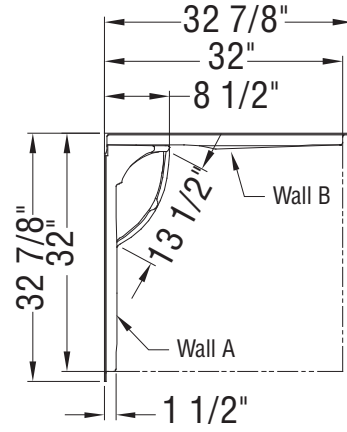
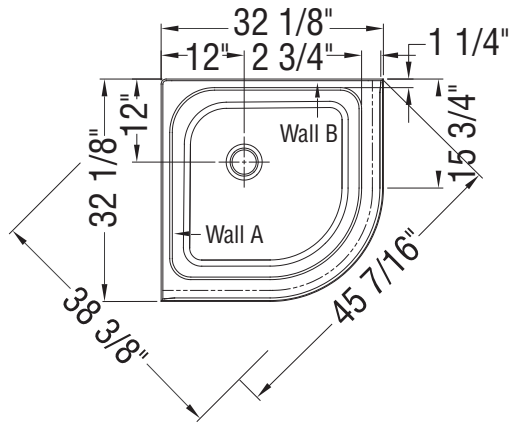
- › Direct to stud corner installation that will save time and money
- › Durable high shine acrylic stays warm to the touch and is easy to clean
- › 3-inch low threshold for easy access
- › Textured bottom for added safety
- › Walls with convenient foot rest available, designed to be easier to clean
- › Ensure fit with MAAX Radia Corner Door # 137443-900

NEO-ROUND BASE 32 - 3 IN - 101426

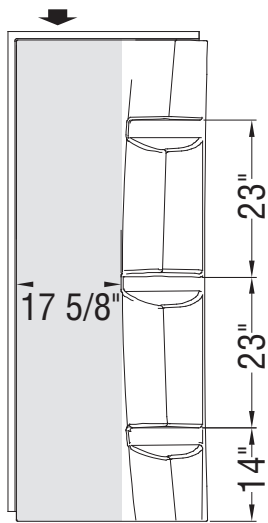
| SKU | Color | Configuration | Dimensions & Weight | Packaging | MSRP |
|--------------------|-------|-------------------------------|--|-------------------|--------|
| 101426-000-001-000 | White | Corner / Corner Left or Right | 32 1/8" x 32 1/8" x 4 1/8" / 32 lb / 15 kg | 6 ft ³ | \$ 600 |

RECOMMENDED DOORS - VISIT OUR WEBSITE FOR A COMPLETE LIST OF RECOMMENDED DOORS

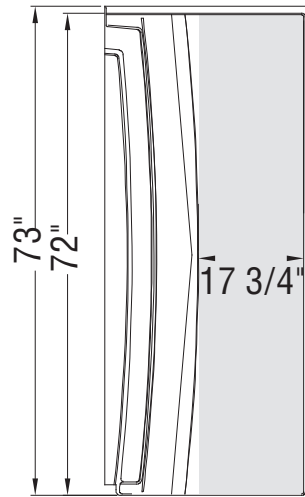
| SKU | Product Name | Pag. |
|--------|--------------------------------------|------|
| 137443 | Radia Neo-round 32 x 32 x 71 ½ - 6mm | 732 |



Important
Center your plumbing in the highlighted area. Exact plumbing position may vary upon model specifications, please refer to the supplier's instructions for more details



Wall A



Wall B

All dimensions are approximate. Structure measurements must be verified against the unit to ensure proper fit.



Neo-round Base 36 - 3 in

CORNER BASES - ACRYLIC



Material : Acrylic

Features

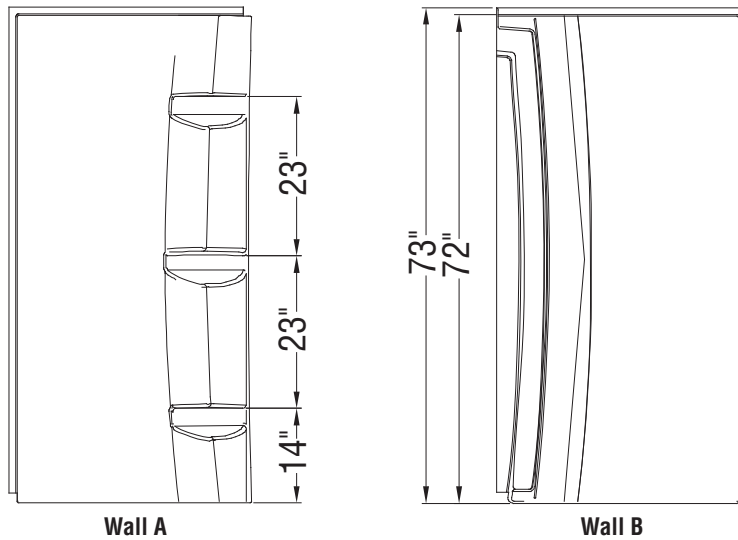
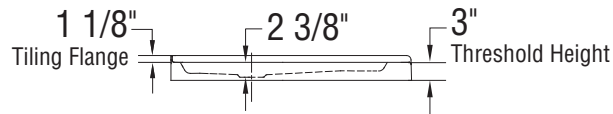
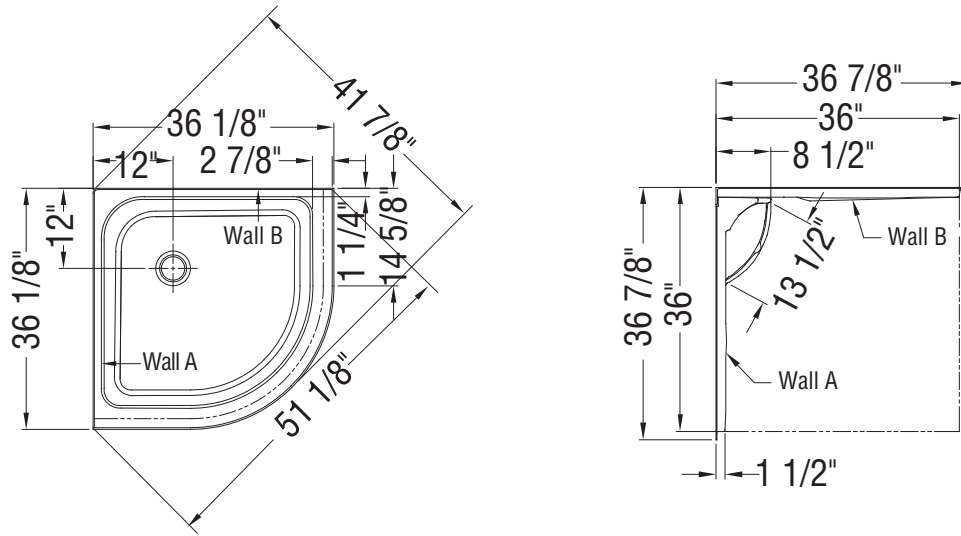
- › Proudly made in Canada
- › Direct to stud corner installation that will save time and money
- › Durable high shine acrylic stays warm to the touch and is easy to clean
- › 3-inch low threshold for easy access
- › Textured bottom for added safety
- › Walls with convenient foot rest available, designed to be easier to clean
- › Ensure fit with MAAX Radia Corner Door # 137444-900

NEO-ROUND BASE 36 - 3 IN - 101427

| SKU | Color | Configuration | Dimensions & Weight | Packaging | MSRP |
|--------------------|-------|-------------------------------|--|----------------------|--------|
| 101427-000-001-000 | White | Corner / Corner Left or Right | 36 1/8" x 36 1/8" x 4 1/8" / 36 lb / 16 kg | 8.93 ft ³ | \$ 619 |

RECOMMENDED DOORS - VISIT OUR WEBSITE FOR A COMPLETE LIST OF RECOMMENDED DOORS

| SKU | Product Name | Pag. |
|--------|--------------------------------------|------|
| 137444 | Radia Neo-round 36 x 36 x 71 ½ - 6mm | 732 |



All dimensions are approximate. Structure measurements must be verified against the unit to ensure proper fit.



Neo-round Base 40 - 3 in

CORNER BASES - ACRYLIC



Material : Acrylic

Features

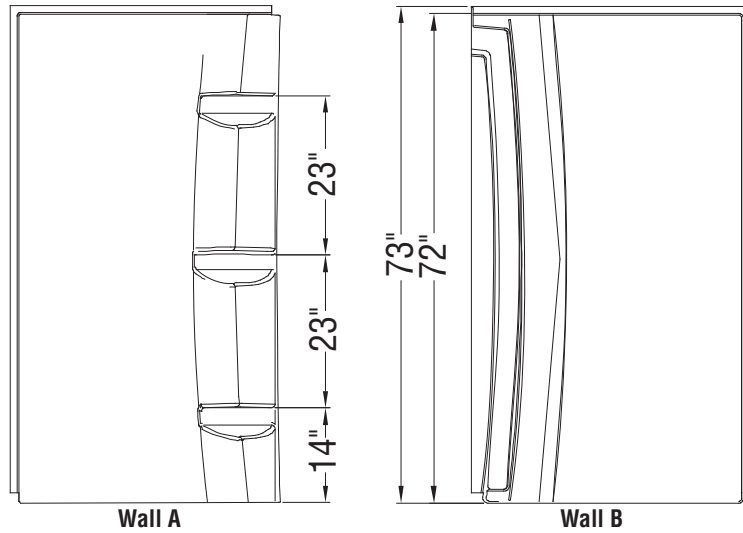
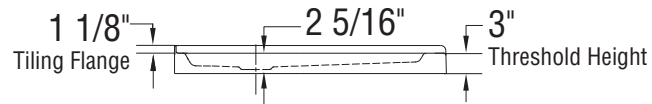
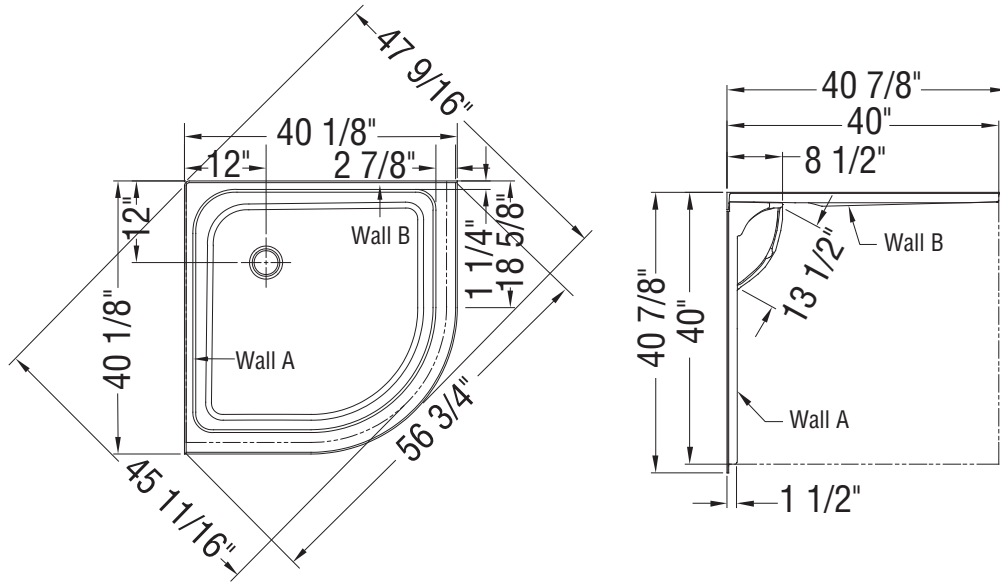
- › Direct to stud corner installation that will save time and money
- › Durable high shine acrylic stays warm to the touch and is easy to clean
- › 3-inch low threshold for easy access
- › Textured bottom for added safety
- › Walls with convenient foot rest available, designed to be easier to clean
- › Ensure fit with MAAX Radia Corner Door # 137445-900

NEO-ROUND BASE 40 - 3 IN - 101428

| SKU | Color | Configuration | Dimensions & Weight | Packaging | MSRP |
|--------------------|-------|-------------------------------|--|----------------------|--------|
| 101428-000-001-000 | White | Corner / Corner Left or Right | 40 1/8" x 40 1/8" x 4 1/8" / 40 lb / 18 kg | 8.93 ft ³ | \$ 669 |

RECOMMENDED DOORS - VISIT OUR WEBSITE FOR A COMPLETE LIST OF RECOMMENDED DOORS

| SKU | Product Name | Pag. |
|--------|--------------------------------------|------|
| 137445 | Radia Neo-round 40 x 40 x 71 ½ - 6mm | 732 |

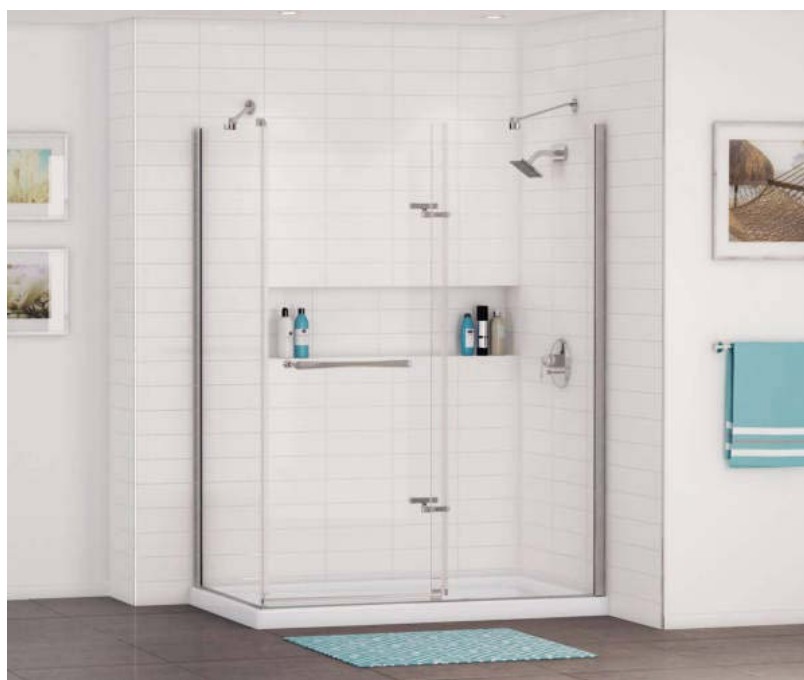


All dimensions are approximate. Structure measurements must be verified against the unit to ensure proper fit.



Rectangular Base 6036 - Corner L/R - 3 in.

CORNER BASES - ACRYLIC



Material : Acrylic

Features

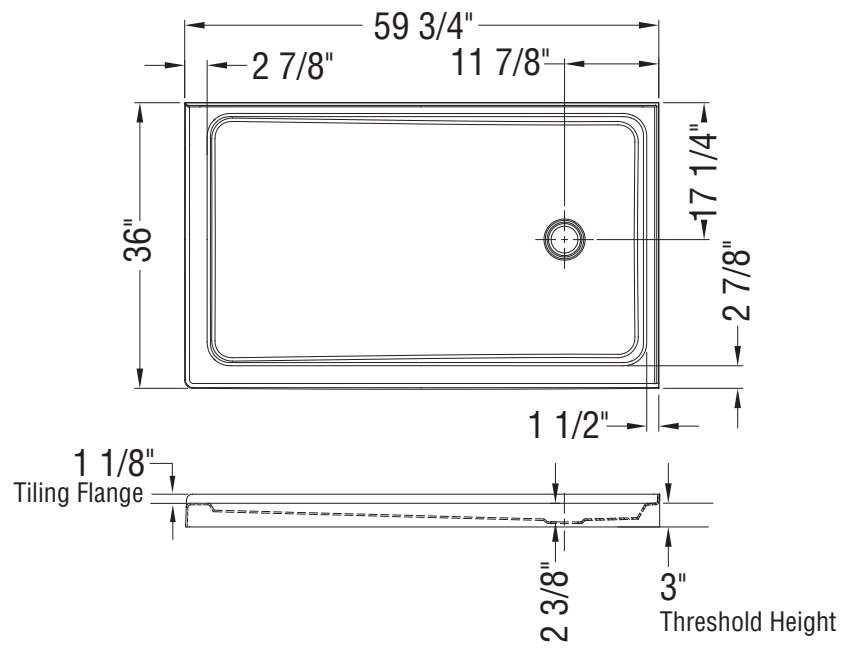
- > 60x36 Acrylic Alcove Shower Base with Left-Hand Drain in White, direct to stud installation
- > 3 in. low threshold
- > Durable high shine acrylic stays warm to the touch and is easy to clean
- > Textured bottom
- > Limited warranty is for a period of 25 years, phone # 1-877-GET-MAAX

RECTANGULAR BASE 6036 - CORNER L/R - 3 IN. - 105594

| SKU | Color | Configuration | Dimensions & Weight | Packaging | MSRP |
|--------------------|-------|------------------------------|--|--------------------|---------|
| 105594-000-001-001 | White | Left / Corner Left or Right | 59 3/4" x 36 1/4" x 4 1/8" / 58 lb / 26 kg | 12 ft ³ | \$ 1018 |
| 105594-000-001-002 | | Right / Corner Left or Right | | | \$ 1018 |

RECOMMENDED DOORS - VISIT OUR WEBSITE FOR A COMPLETE LIST OF RECOMMENDED DOORS

| SKU | Product Name | Pag. |
|--------|--------------------------------------|------|
| 138997 | Halo 56 1/2-59 x 78 3/4 - 8mm | 705 |
| 135322 | Uptown 56-59 x 76 in. 8 mm | 650 |
| 135324 | | 711 |
| 135326 | Uptown 57-59 x 76 in. 8 mm | 686 |
| 135238 | Connect Pro 57-58 1/2 x 76 - 6mm | 696 |
| 139580 | Reveal Sleek 71 56-59 x 71 1/2 - 8mm | 684 |
| 138541 | Halo Pro GS 56 1/2-59 X 78 3/4 - 8mm | 699 |
| 136955 | Duel Alto 56-59 X 78 - 8 mm | 605 |
| 135875 | Nebula 56 1/2-58 1/2 x 78 3/4 - 8mm | 688 |
| 139587 | Capella 78 56-59 x 78 - 8mm | 652 |



All dimensions are approximate. Structure measurements must be verified against the unit to ensure proper fit.



Round Base 36 - 3 in

CORNER BASES - ACRYLIC



Material : Acrylic

Features

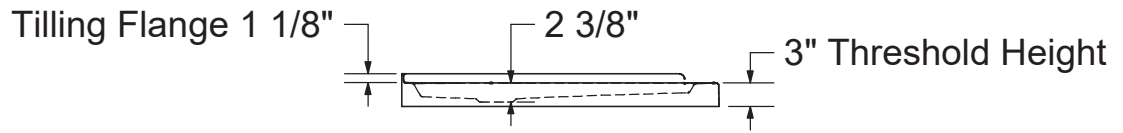
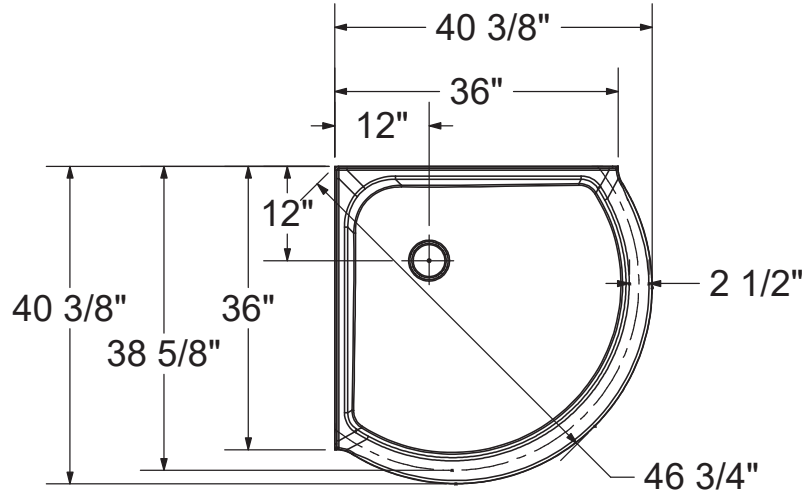
- › Proudly made in Canada
- › Direct to stud installation, save time and money
- › Sturdy 2-piece acrylic walls with built-in shelves
- › Integrated convenient footrest
- › Easy front installation with snap clips
- › Build from high quality acrylic that is easy to clean
- › Compatible with MAAX 36 inch corner bases

ROUND BASE 36 - 3 IN - 101429

| SKU | Color | Configuration | Dimensions & Weight | Packaging | MSRP |
|--------------------|-------|-------------------------------|--|----------------------|--------|
| 101429-000-001-000 | White | Corner / Corner Left or Right | 36 1/8" x 36 1/8" x 4 1/8" / 36 lb / 16 kg | 8.93 ft ³ | \$ 801 |

RECOMMENDED DOORS - VISIT OUR WEBSITE FOR A COMPLETE LIST OF RECOMMENDED DOORS

| SKU | Product Name | Pag. |
|--------|----------------------------------|------|
| 137446 | Radia Round 36 x 36 x 71 ½ - 6mm | 735 |



All dimensions are approximate. Structure measurements must be verified against the unit to ensure proper fit.



Square Base 32 - Corner - 3 in

CORNER BASES - ACRYLIC



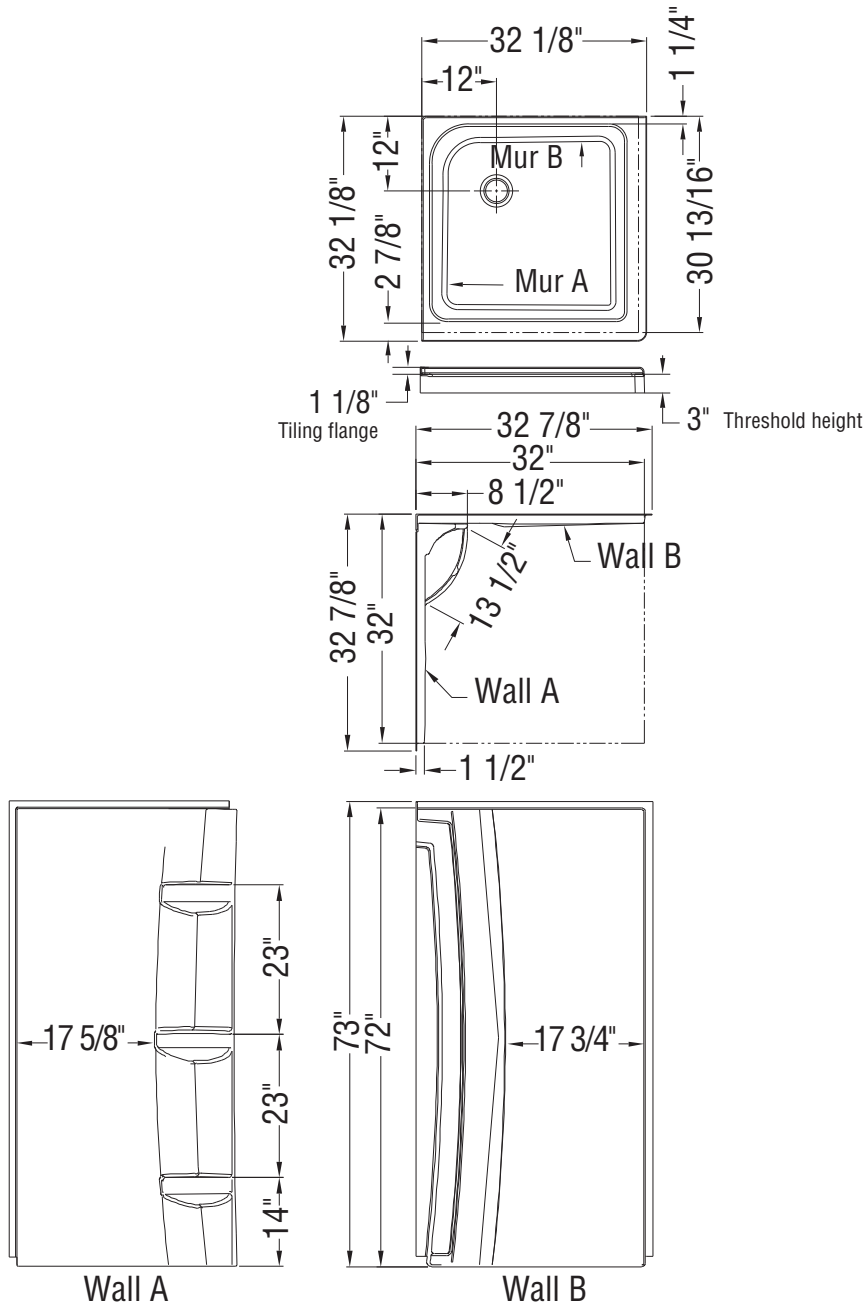
Material : Acrylic

Features

- › Direct to stud corner installation that will save time and money
- › Durable high shine acrylic stays warm to the touch and is easy to clean
- › 3-inch low threshold for easy access
- › Textured bottom for added safety
- › Walls with convenient foot rest available, designed to be easier to clean
- › Ensure fit with MAAX Radia Corner Door # 137447-900

SQUARE BASE 32 - CORNER - 3 IN - 101431

| SKU | Color | Configuration | Dimensions & Weight | Packaging | MSRP |
|--------------------|-------|-------------------------------|--|-------------------|--------|
| 101431-000-001-000 | White | Corner / Corner Left or Right | 32 1/8" x 32 1/8" x 4 1/8" / 30 lb / 14 kg | 6 ft ³ | \$ 600 |



All dimensions are approximate. Structure measurements must be verified against the unit to ensure proper fit.

Square Base 36 - Corner - 3 in



CORNER BASES - ACRYLIC



Material : Acrylic

Features

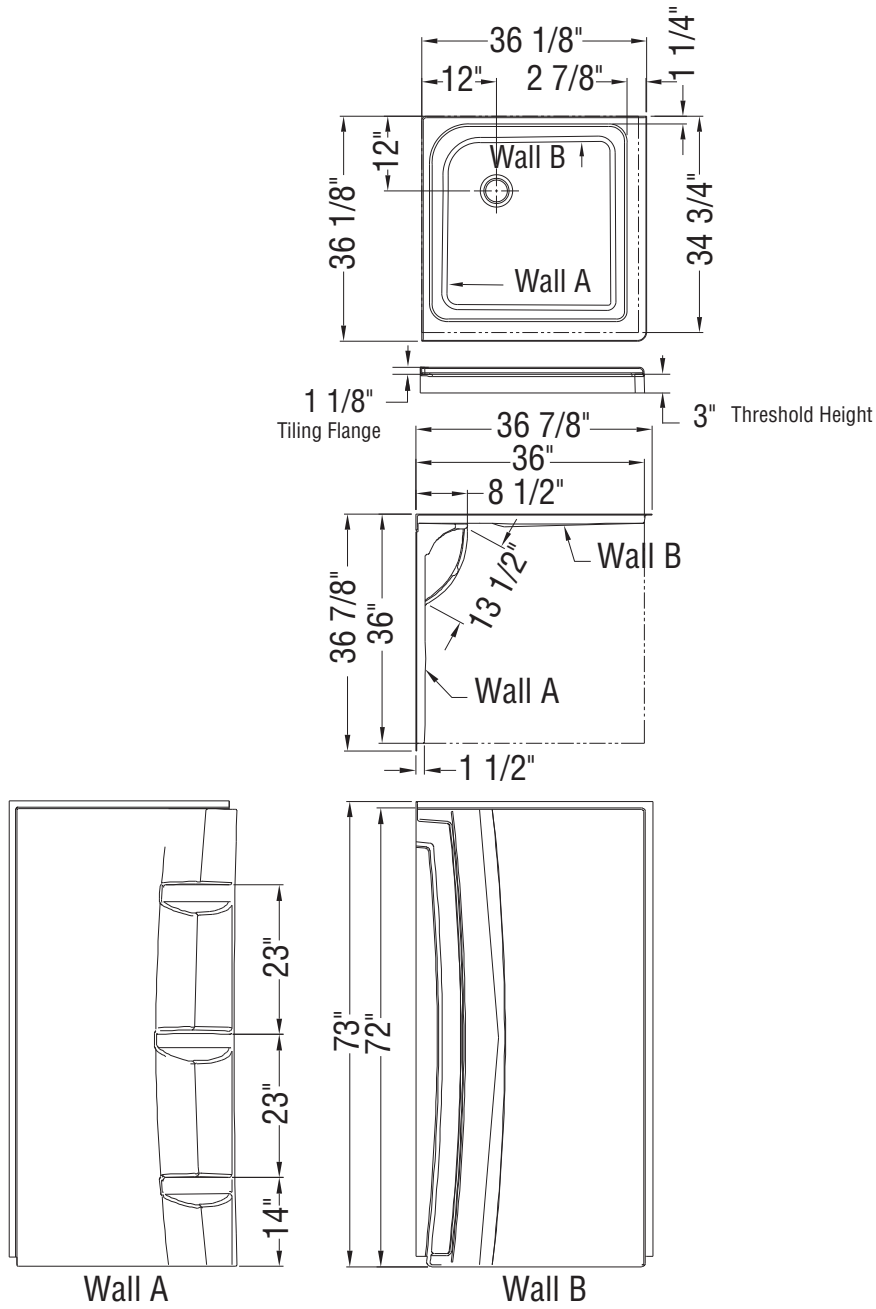
- › Direct to stud corner installation that will save time and money
- › Durable high shine acrylic stays warm to the touch and is easy to clean
- › 3-inch low threshold for easy access
- › Textured bottom for added safety
- › Walls with convenient foot rest available, designed to be easier to clean
- › Ensure fit with MAAX Radia Corner Door # 137448-900

SQUARE BASE 36 - CORNER - 3 IN - 101432

| SKU | Color | Configuration | Dimensions & Weight | Packaging | MSRP |
|--------------------|-------|-------------------------------|--|----------------------|--------|
| 101432-000-001-000 | White | Corner / Corner Left or Right | 36 1/8" x 36 1/8" x 4 1/8" / 40 lb / 18 kg | 8.93 ft ³ | \$ 669 |

RECOMMENDED DOORS - VISIT OUR WEBSITE FOR A COMPLETE LIST OF RECOMMENDED DOORS

| SKU | Product Name | Pag. |
|--------|--|------|
| 139575 | Reveal Sleek 71 32 1/2-35 1/2 x 71 1/2 - 8mm | 683 |
| 137448 | Radia Square Sliding Shower Door 36 x 36 x 71 1/2 in. 6 mm | 737 |
| 139584 | Capella 78 32 1/2-35 1/2 x 78 - 8mm | 652 |
| 136676 | Reveal 71 32 1/2-35 1/2 x 71 1/2 - 8mm | 680 |



All dimensions are approximate. Structure measurements must be verified against the unit to ensure proper fit.



Shower Doors

Luminescence shower door with B3Square 4832 shower base



Duel Alto Shower Doors



Material : Tempered Glass

Features

- › 8 mm (5/16") tempered glass
- › 78" high clear glass panel
- › GlassShield® technology pre-installed - provides extra layer of security for homes with children or elderly residents
- › Large knob on opposite side of handle for easy opening and closing.
- › Sleek and square elements for a modern look
- › High quality rollers for smooth glide
- › The frameless design brings a sense of spaciousness to the room and creates a sleek, minimalist look.
- › Header leveling and locking System innovation allows for header adjustment
- › 1/2" out-of-plumb adjustment

ALCOVE DOORS - BYPASS

DUEL ALTO 56-59 X 78 - 8 MM - 136955

| SKU | Glass / Finish | Door Opening | Dimensions & Weight | MSRP |
|--------------------|--|--------------|----------------------------------|---------|
| 136955-810-084-000 | Clear GlassShield / Chrome | Reversible | 56" - 59" x 78" / 137 lb / 62 kg | \$ 1886 |
| 136955-810-280-000 | Clear GlassShield / Chrome and Matte White | | | \$ 1986 |
| 136955-810-289-000 | Clear GlassShield / Brushed Nickel and Matte Black | | | \$ 2053 |
| 136955-810-290-000 | Clear GlassShield / Brushed Nickel and Matte White | | | \$ 2053 |
| 136955-810-305-000 | Clear GlassShield / Brushed Nickel | | | \$ 1953 |
| 136955-810-340-000 | Clear GlassShield / Matte Black | | | \$ 1953 |
| 136955-810-350-000 | Clear GlassShield / Chrome and Matte Black | | | \$ 1986 |
| 136955-810-360-000 | Clear GlassShield / Matte Black and Chrome | | | \$ 2053 |
| 136955-810-380-000 | Clear GlassShield / Matte Black and Brushed Gold | | | \$ 2053 |

DUEL ALTO 44-47 X 78 - 8 MM - 136956

| SKU | Glass / Finish | Door Opening | Dimensions & Weight | MSRP |
|--------------------|--|--------------|----------------------------------|---------|
| 136956-810-084-000 | Clear GlassShield / Chrome | Reversible | 44" - 47" x 78" / 110 lb / 50 kg | \$ 1752 |
| 136956-810-280-000 | Clear GlassShield / Chrome and Matte White | | | \$ 1852 |
| 136956-810-289-000 | Clear GlassShield / Brushed Nickel and Matte Black | | | \$ 1920 |
| 136956-810-290-000 | Clear GlassShield / Brushed Nickel and Matte White | | | \$ 1920 |

DUEL ALTO 44-47 X 78 - 8 MM - 136956

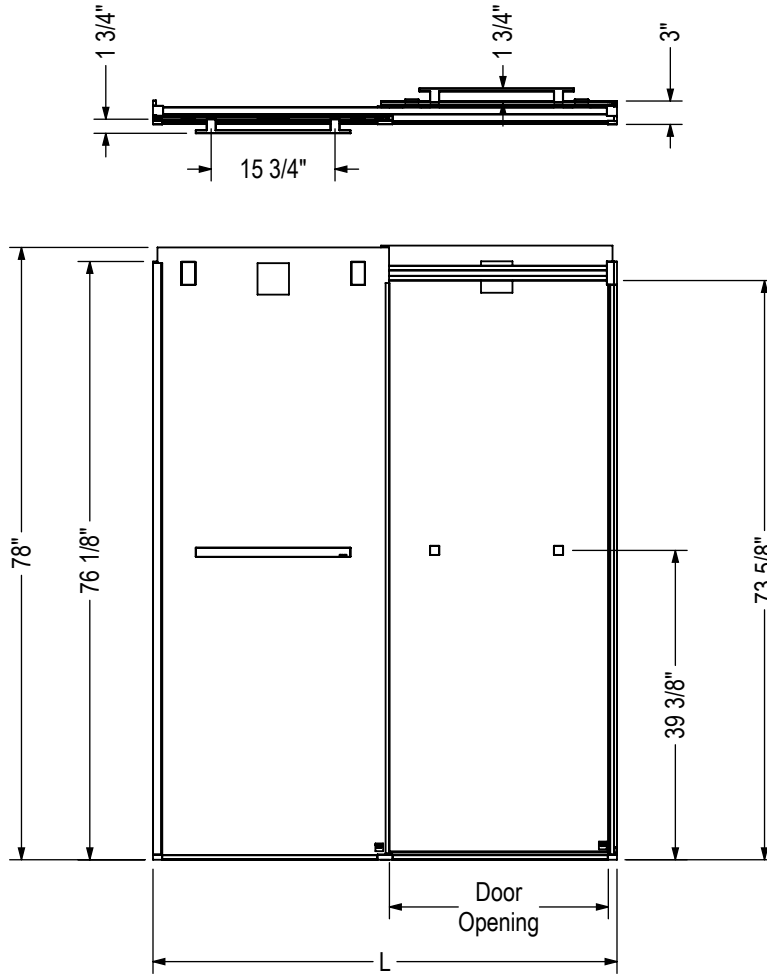
| SKU | Glass / Finish | Door Opening | Dimensions & Weight | MSRP |
|--------------------|--|--------------|----------------------------------|---------|
| 136956-810-305-000 | Clear GlassShield / Brushed Nickel | Reversible | 44" - 47" x 78" / 110 lb / 50 kg | \$ 1820 |
| 136956-810-340-000 | Clear GlassShield / Matte Black | | | \$ 1886 |
| 136956-810-350-000 | Clear GlassShield / Chrome and Matte Black | | | \$ 1852 |
| 136956-810-360-000 | Clear GlassShield / Matte Black and Chrome | | | \$ 1986 |
| 136956-810-380-000 | Clear GlassShield / Matte Black and Brushed Gold | | | \$ 1986 |

ACCESSORIES

| SKU | Description | MSRP |
|------------------|--|--------|
| 10068850-291-600 | Mixed Finish Hardware Replacement Kit for Duel and Duel Alto. Available colors: Chrome (084), Matte White (291), Matte Black (340) and Brushed Gold (343) | \$ 100 |
| 10068850-084-600 | | \$ 100 |
| 10068850-343-600 | | \$ 100 |
| 10068850-340-600 | | \$ 100 |

ALCOVE DOORS - BYPASS

STANDARD



| Code | Description | L Adjustable | Door Opening | Wall Adjustment |
|--------|----------------------------------|--------------|-------------------|--------------------|
| 136955 | Duel Alto Bypass 56" - 59" x 78" | 56" - 59" | 24 1/2" - 27 1/2" | 1/2" per wall jamb |
| 136956 | Duel Alto Bypass 44" - 47" x 78" | 44" - 47" | 18 1/2" - 21 1/2" | 1/2" per wall jamb |

All dimensions are approximate. Structure measurements must be verified against the unit to ensure proper fit.

Kameleon SC Shower Doors - 6 mm



ALCOVE DOORS - BYPASS



Material : Tempered Glass

Features

- › Innovative SOFT CLOSE by MAAX prevents slamming
- › Silent guide eliminates the rattling noise
- › High quality rollers for smooth glide
- › Safety features: header lock and panel anti-jump
- › 6mm tempered glass and frame color choice
- › Modern towel bar
- › Reversible header: one side round and one side flat

KAMELEON SC 55-59 X 71 - 6MM - 134665

| SKU | Glass / Finish | Door Opening | Dimensions & Weight | Packaging | MSRP |
|--------------------|------------------------|--------------|----------------------------------|----------------------|---------|
| 134665-900-084-000 | Clear / Chrome | Reversible | 55" - 59" x 71" / 106 lb / 48 kg | 5.56 ft ³ | \$ 1212 |
| 134665-900-172-000 | Clear / Dark Bronze | | | | \$ 1286 |
| 134665-900-305-000 | Clear / Brushed Nickel | | | | \$ 1266 |
| 134665-900-340-000 | Clear / Matte Black | | | | \$ 1286 |

COMMON OPTIONS

| SKU | Description | MSRP |
|--------------|--|--------|
| OPT20248-084 | 24 in. Square towel bar Available colors: Chrome (084), Dark Bronze (172) and Brushed Nickel (305) | \$ 101 |
| OPT20248-305 | | \$ 112 |
| OPT20248-172 | | \$ 115 |
| OPT20246-084 | 24 in. T-round towel bar Available colors: Chrome (084), Dark Bronze (172) and Brushed Nickel (305) | \$ 101 |
| OPT20246-305 | | \$ 112 |
| OPT20246-172 | | \$ 115 |

ACCESSORIES

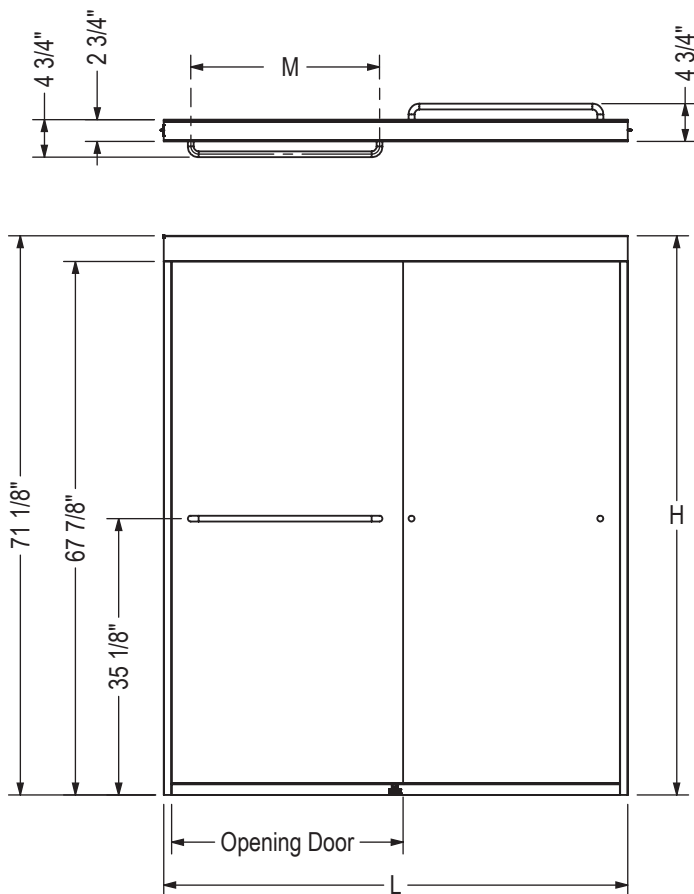
| SKU | Description | MSRP |
|--------------|---|--------|
| 10068376-305 | 24 in. Square towel bar Available colors: Chrome (084), Dark Bronze (172) and Brushed Nickel (305) | \$ 235 |
| 10068376-172 | | \$ 248 |

ACCESSORIES

| SKU | Description | MSRP |
|------------------|---|--------|
| 10068376-084 | 24 in. Square towel bar Available colors: Chrome (084), Dark Bronze (172) and Brushed Nickel (305) | \$ 226 |
| 10068410-005-601 | Soft Close by MAAx for Kameleon/Aura doors only | \$ 167 |

STANDARD

ALCOVE DOORS - BYPASS



| Description | Opening Door Adjustable | M | L Adjustable | H |
|-----------------------------|-------------------------|-----|--------------|-----|
| Shower Door 40"-44"x71"x6mm | 15 1/2" - 19 1/2" | 18" | 40" - 44" | 71" |
| Shower Door 43"-47"x71"x6mm | 18 1/2" - 22 1/2" | 18" | 43" - 47" | 71" |
| Shower Door 51"-55"x71"x6mm | 21 1/2" - 25 1/2" | 24" | 51" - 55" | 71" |
| Shower Door 55"-59"x71"x6mm | 23 1/2" - 27 1/2" | 24" | 55" - 59" | 71" |

All dimensions are approximate. Structure measurements must be verified against the unit to ensure proper fit.

Kameleon SC Shower Doors - 6 mm



Material : Tempered Glass

Features

- › Innovative SOFT CLOSE by MAAX prevents slamming
- › Silent guide eliminates the rattling noise
- › High quality rollers for smooth glide
- › Safety features: header lock and panel anti-jump
- › 6mm tempered glass and frame color choice
- › Modern towel bar
- › Reversible header: one side round and one side flat

ALCOVE DOORS - BYPASS

KAMELEON SC 40-44 X 71 - 6MM - 134662

| SKU | Glass / Finish | Door Opening | Dimensions & Weight | Packaging | MSRP |
|--------------------|----------------|--------------|---------------------------------|---------------------|---------|
| 134662-900-084-000 | Clear / Chrome | Reversible | 40" - 44" x 71" / 84 lb / 38 kg | 6.4 ft ³ | \$ 1129 |

KAMELEON SC 51-55 X 71 - 6MM - 134664

| SKU | Glass / Finish | Door Opening | Dimensions & Weight | Packaging | MSRP |
|--------------------|----------------|--------------|---------------------------------|----------------------|---------|
| 134664-900-084-000 | Clear / Chrome | Reversible | 51" - 55" x 71" / 98 lb / 44 kg | 5.27 ft ³ | \$ 1205 |

COMMON OPTIONS

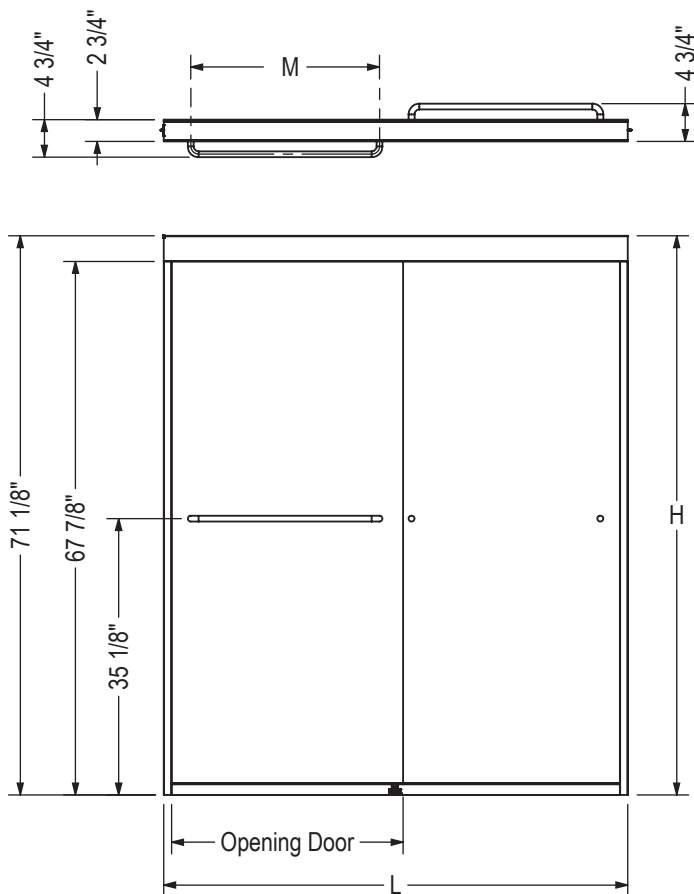
| SKU | Description | MSRP |
|--------------|---|-------|
| OPT20245-305 | 18 in. T-round towel bar Available colors: Chrome (084) , Dark Bronze (172) and Brushed Nickel (305) | \$ 94 |
| OPT20245-172 | | \$ 98 |
| OPT20245-084 | | \$ 88 |
| OPT20247-305 | 18 in. Square towel bar Available colors: Chrome (084), Dark Bronze (172) and Brushed Nickel (305) | \$ 94 |
| OPT20247-084 | | \$ 88 |
| OPT20247-172 | | \$ 98 |

ACCESSORIES

| SKU | Description | MSRP |
|------------------|---|--------|
| 10068410-005-601 | Soft Close by MAAX for Kameleon/Aura doors only | \$ 167 |

STANDARD

ALCOVE DOORS - BYPASS



| Description | Opening Door Adjustable | M | L Adjustable | H |
|-----------------------------|-------------------------|-----|--------------|-----|
| Shower Door 40"-44"x71"x6mm | 15 1/2" - 19 1/2" | 18" | 40" - 44" | 71" |
| Shower Door 43"-47"x71"x6mm | 18 1/2" - 22 1/2" | 18" | 43" - 47" | 71" |
| Shower Door 51"-55"x71"x6mm | 21 1/2" - 25 1/2" | 24" | 51" - 55" | 71" |
| Shower Door 55"-59"x71"x6mm | 23 1/2" - 27 1/2" | 24" | 55" - 59" | 71" |

All dimensions are approximate. Structure measurements must be verified against the unit to ensure proper fit.

Kameleon SC Shower Doors - 6 mm



Material : Tempered Glass

Features

- › Innovative SOFT CLOSE by MAAX prevents slamming
- › Silent guide eliminates the rattling noise
- › High quality rollers for smooth glide
- › Safety features: header lock and panel anti-jump
- › 6mm tempered glass and frame color choice
- › Modern towel bar
- › Reversible header: one side round and one side flat

ALCOVE DOORS - BYPASS

KAMELEON SC 43-47 X 71 - 6MM - 134663

| SKU | Glass / Finish | Door Opening | Dimensions & Weight | Packaging | MSRP |
|--------------------|------------------------|--------------|---------------------------------|----------------------|---------|
| 134663-900-084-000 | Clear / Chrome | Reversible | 43" - 47" x 71" / 90 lb / 41 kg | 4.69 ft ³ | \$ 1169 |
| 134663-900-172-000 | Clear / Dark Bronze | | | | \$ 1239 |
| 134663-900-305-000 | Clear / Brushed Nickel | | | | \$ 1221 |
| 134663-900-340-000 | Clear / Matte Black | | | | \$ 1239 |

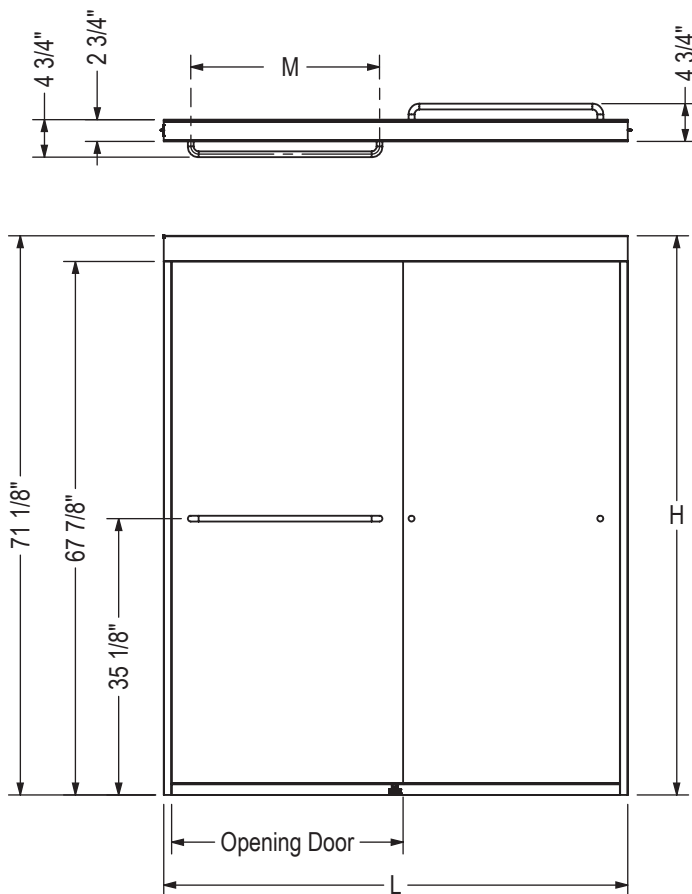
COMMON OPTIONS

| SKU | Description | MSRP |
|--------------|---|--------|
| OPT20246-084 | 24 in. T-round towel bar Available colors: Chrome (084), Dark Bronze (172) and Brushed Nickel (305) | \$ 101 |
| OPT20246-305 | | \$ 112 |
| OPT20246-172 | | \$ 115 |
| OPT20247-305 | 18 in. Square towel bar Available colors: Chrome (084), Dark Bronze (172) and Brushed Nickel (305) | \$ 94 |
| OPT20247-084 | | \$ 88 |
| OPT20247-172 | | \$ 98 |
| OPT20248-084 | 24 in. Square towel bar Available colors: Chrome (084), Dark Bronze (172) and Brushed Nickel (305) | \$ 101 |
| OPT20248-305 | | \$ 112 |
| OPT20248-172 | | \$ 115 |
| OPT20245-305 | 18 in. T-round towel bar Available colors: Chrome (084) , Dark Bronze (172) and Brushed Nickel (305) | \$ 94 |
| OPT20245-172 | | \$ 98 |
| OPT20245-084 | | \$ 88 |

ACCESSORIES

| SKU | Description | MSRP |
|------------------|---|--------|
| 10068376-305 | 24 in. Square towel bar Available colors: Chrome (084), Dark Bronze (172) and Brushed Nickel (305) | \$ 235 |
| 10068376-172 | | \$ 248 |
| 10068376-084 | | \$ 226 |
| 10068410-005-601 | Soft Close by MAAX for Kameleon/Aura doors only | \$ 167 |

STANDARD



| Description | Opening Door Adjustable | M | L Adjustable | H |
|-----------------------------|-------------------------|-----|--------------|-----|
| Shower Door 40"-44"x71"x6mm | 15 1/2" - 19 1/2" | 18" | 40" - 44" | 71" |
| Shower Door 43"-47"x71"x6mm | 18 1/2" - 22 1/2" | 18" | 43" - 47" | 71" |
| Shower Door 51"-55"x71"x6mm | 21 1/2" - 25 1/2" | 24" | 51" - 55" | 71" |
| Shower Door 55"-59"x71"x6mm | 23 1/2" - 27 1/2" | 24" | 55" - 59" | 71" |

All dimensions are approximate. Structure measurements must be verified against the unit to ensure proper fit.

Kameleon SC Shower Doors - 8 mm



ALCOVE DOORS - BYPASS



Material : Tempered Glass

Features

- › Innovative SOFT CLOSE by MAAX prevents slamming
- › Silent guide eliminates the rattling noise
- › High quality rollers for smooth glide
- › Safety features: header lock and panel anti-jump
- › 8 mm tempered glass and frame color choice
- › Modern towel bar
- › Reversible header: one side round and one side flat

KAMELEON SC 43-47 X 71 - 8MM - 134674

| SKU | Glass / Finish | Door Opening | Dimensions & Weight | Packaging | MSRP |
|--------------------|------------------------|--------------|----------------------------------|----------------------|---------|
| 134674-900-084-000 | Clear / Chrome | Reversible | 43" - 47" x 71" / 116 lb / 53 kg | 4.69 ft ³ | \$ 1336 |
| 134674-900-172-000 | Clear / Dark Bronze | | | | \$ 1419 |
| 134674-900-305-000 | Clear / Brushed Nickel | | | | \$ 1395 |
| 134674-900-340-000 | Clear / Matte Black | | | | \$ 1419 |

KAMELEON SC 55-59 X 71 - 8MM - 134675

| SKU | Glass / Finish | Door Opening | Dimensions & Weight | Packaging | MSRP |
|--------------------|------------------------|--------------|----------------------------------|----------------------|---------|
| 134675-900-084-000 | Clear / Chrome | Reversible | 55" - 59" x 71" / 137 lb / 62 kg | 5.56 ft ³ | \$ 1378 |
| 134675-900-172-000 | Clear / Dark Bronze | | | | \$ 1465 |
| 134675-900-305-000 | Clear / Brushed Nickel | | | | \$ 1439 |
| 134675-900-340-000 | Clear / Matte Black | | | | \$ 1465 |

COMMON OPTIONS

| SKU | Description | MSRP |
|--------------|---|--------|
| OPT20245-305 | | \$ 94 |
| OPT20245-172 | 18 in. T-round towel bar Available colors: Chrome (084) , Dark Bronze (172) and Brushed Nickel (305) | \$ 98 |
| OPT20245-084 | | \$ 88 |
| OPT20246-084 | 24 in. T-round towel bar Available colors: Chrome (084), Dark Bronze (172) and Brushed Nickel (305) | \$ 101 |

COMMON OPTIONS

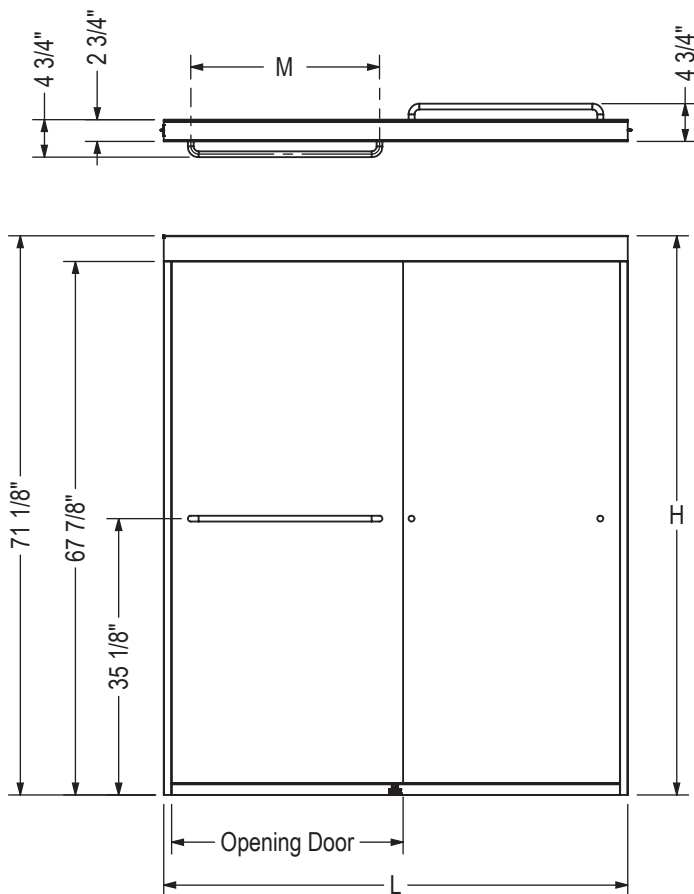
| SKU | Description | MSRP |
|--------------|---|--------|
| OPT20246-305 | 24 in. T-round towel bar | \$ 112 |
| OPT20246-172 | Available colors: Chrome (084), Dark Bronze (172) and Brushed Nickel (305) | \$ 115 |
| OPT20247-305 | 18 in. Square towel bar Available colors: Chrome (084), Dark Bronze (172) and Brushed Nickel (305) | \$ 94 |
| OPT20247-084 | | \$ 88 |
| OPT20247-172 | | \$ 98 |
| OPT20248-084 | 24 in. Square towel bar Available colors: Chrome (084), Dark Bronze (172) and Brushed Nickel (305) | \$ 101 |
| OPT20248-305 | | \$ 112 |
| OPT20248-172 | | \$ 115 |

ACCESSORIES

| SKU | Description | MSRP |
|------------------|---|--------|
| 10068376-305 | 24 in. Square towel bar Available colors: Chrome (084), Dark Bronze (172) and Brushed Nickel (305) | \$ 235 |
| 10068376-172 | | \$ 248 |
| 10068376-084 | | \$ 226 |
| 10068410-005-601 | Soft Close by MAAX for Kameleon/Aura doors only | \$ 167 |

STANDARD

ALCOVE DOORS - BYPASS



| Description | Opening Door Adjustable | M | L Adjustable | H |
|-----------------------------|-------------------------|-----|--------------|-----|
| Shower Door 43"-47"x71"x8mm | 18 1/2" - 22 1/2" | 18" | 43" - 47" | 71" |
| Shower Door 55"-59"x71"x8mm | 23 1/2" - 27 1/2" | 24" | 55" - 59" | 71" |

All dimensions are approximate. Structure measurements must be verified against the unit to ensure proper fit.



Kameleon Shower Doors - 6 mm



Material : Tempered Glass

Features

- › Silent guide eliminates the rattling noise
- › High quality rollers for smooth glide
- › Safety features: header lock and panel anti-jump
- › Clear and privacy glass options with frame color choice
- › Rounded towel bar for a clean and versatile look
- › Reversible header: one side round and one side flat

ALCOVE DOORS - BYPASS

KAMELEON 43-47 X 71 - 6MM - 134563

| SKU | Glass / Finish | Door Opening | Dimensions & Weight | Packaging | MSRP |
|--------------------|--------------------------|--------------|---------------------------------|----------------------|---------|
| 134563-900-084-000 | Clear / Chrome | Reversible | 43" - 47" x 71" / 90 lb / 41 kg | 4.69 ft ³ | \$ 1028 |
| 134563-900-172-000 | Clear / Dark Bronze | | | | \$ 1098 |
| 134563-900-305-000 | Clear / Brushed Nickel | | | | \$ 1081 |
| 134563-900-340-000 | Clear / Matte Black | | | | \$ 1098 |
| 134563-978-084-000 | Frosted / Chrome | | | | \$ 1214 |
| 134563-978-172-000 | Frosted / Dark Bronze | | | | \$ 1296 |
| 134563-978-305-000 | Frosted / Brushed Nickel | | | | \$ 1276 |

KAMELEON 55-59 X 71 - 6MM - 134565

| SKU | Glass / Finish | Door Opening | Dimensions & Weight | Packaging | MSRP |
|--------------------|--------------------------|--------------|----------------------------------|----------------------|---------|
| 134565-900-084-000 | Clear / Chrome | Reversible | 55" - 59" x 71" / 106 lb / 48 kg | 5.56 ft ³ | \$ 1069 |
| 134565-900-172-000 | Clear / Dark Bronze | | | | \$ 1145 |
| 134565-900-305-000 | Clear / Brushed Nickel | | | | \$ 1122 |
| 134565-900-340-000 | Clear / Matte Black | | | | \$ 1145 |
| 134565-978-084-000 | Frosted / Chrome | | | | \$ 1262 |
| 134565-978-172-000 | Frosted / Dark Bronze | | | | \$ 1352 |
| 134565-978-305-000 | Frosted / Brushed Nickel | | | | \$ 1324 |

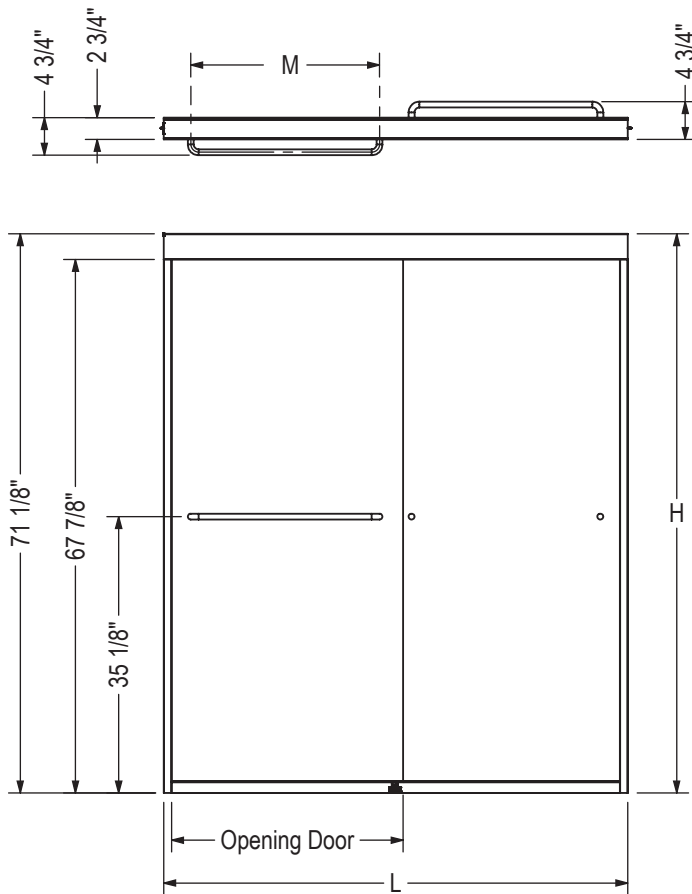
COMMON OPTIONS

| SKU | Description | MSRP |
|--------------|---|-------|
| OPT20245-305 | 18 in. T-round towel bar Available colors: Chrome (084) , Dark Bronze (172) and Brushed Nickel (305) | \$ 94 |
| OPT20245-172 | | \$ 98 |
| OPT20245-084 | | \$ 88 |
| OPT20247-305 | 18 in. Square towel bar Available colors: Chrome (084), Dark Bronze (172) and Brushed Nickel (305) | \$ 94 |
| OPT20247-084 | | \$ 88 |
| OPT20247-172 | | \$ 98 |

ACCESSORIES

| SKU | Description | MSRP |
|------------------|---|--------|
| 10068410-005-601 | Soft Close by MAAx for Kameleon/Aura doors only | \$ 167 |

STANDARD



| Description | Opening Door Adjustable | M | L Adjustable | H |
|-----------------------------|-------------------------|-----|--------------|-----|
| Shower Door 40"-44"x71"x6mm | 15 1/2" - 19 1/2" | 18" | 40" - 44" | 71" |
| Shower Door 43"-47"x71"x6mm | 18 1/2" - 22 1/2" | 18" | 43" - 47" | 71" |
| Shower Door 51"-55"x71"x6mm | 21 1/2" - 25 1/2" | 24" | 51" - 55" | 71" |
| Shower Door 55"-59"x71"x6mm | 23 1/2" - 27 1/2" | 24" | 55" - 59" | 71" |

All dimensions are approximate. Structure measurements must be verified against the unit to ensure proper fit.

Kameleon Shower Doors - 6 mm



ALCOVE DOORS - BYPASS



Material : Tempered Glass

Features

- › Silent guide eliminates the rattling noise
- › High quality rollers for smooth glide
- › Safety features: header lock and panel anti-jump
- › 6 mm tempered glass and frame color choice
- › Modern towel bar
- › Reversible header: one side round and one side flat

KAMELEON 40-44 X 71 - 6MM - 134562

| SKU | Glass / Finish | Door Opening | Dimensions & Weight | Packaging | MSRP |
|--------------------|----------------|--------------|---------------------------------|---------------------|--------|
| 134562-900-084-000 | Clear / Chrome | Reversible | 40" - 44" x 71" / 84 lb / 38 kg | 4.4 ft ³ | \$ 987 |

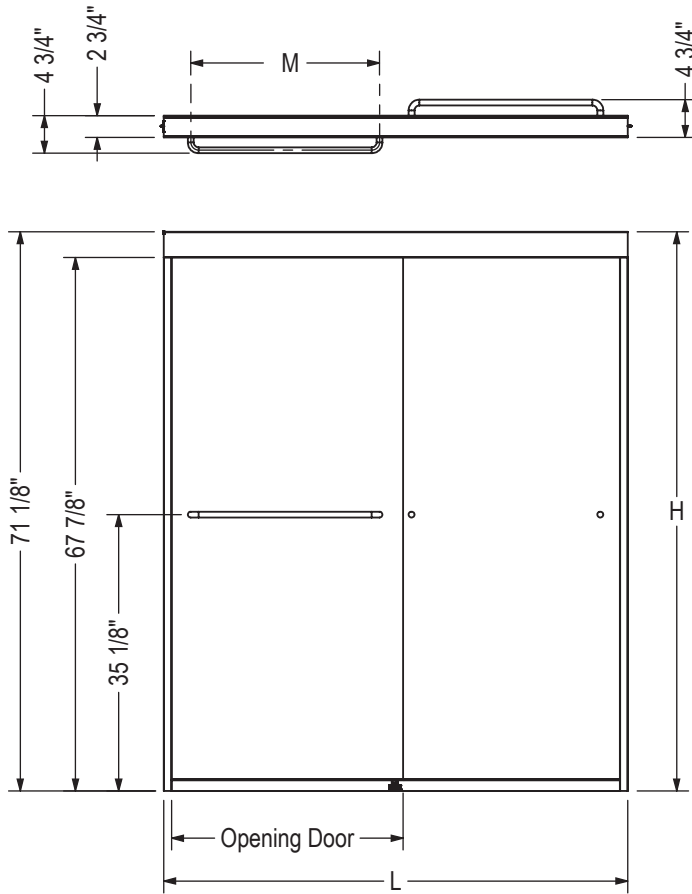
KAMELEON 51-55 X 71 - 6MM - 134564

| SKU | Glass / Finish | Door Opening | Dimensions & Weight | Packaging | MSRP |
|--------------------|----------------|--------------|---------------------------------|----------------------|--------|
| 134564-900-084-000 | Clear / Chrome | Reversible | 51" - 55" x 71" / 98 lb / 44 kg | 5.27 ft ³ | \$ 955 |

COMMON OPTIONS

| SKU | Description | MSRP |
|--------------|---|-------|
| OPT20245-305 | | \$ 94 |
| OPT20245-172 | 18 in. T-round towel bar | \$ 98 |
| OPT20245-084 | Available colors: Chrome (084) , Dark Bronze (172) and Brushed Nickel (305) | \$ 88 |
| OPT20247-305 | | \$ 94 |
| OPT20247-084 | 18 in. Square towel bar | \$ 88 |
| OPT20247-172 | Available colors: Chrome (084), Dark Bronze (172) and Brushed Nickel (305) | \$ 98 |

STANDARD



| Description | Opening Door Adjustable | M | L Adjustable | H |
|-----------------------------|-------------------------|-----|--------------|-----|
| Shower Door 40"-44"x71"x6mm | 15 1/2" - 19 1/2" | 18" | 40" - 44" | 71" |
| Shower Door 43"-47"x71"x6mm | 18 1/2" - 22 1/2" | 18" | 43" - 47" | 71" |
| Shower Door 51"-55"x71"x6mm | 21 1/2" - 25 1/2" | 24" | 51" - 55" | 71" |
| Shower Door 55"-59"x71"x6mm | 23 1/2" - 27 1/2" | 24" | 55" - 59" | 71" |

All dimensions are approximate. Structure measurements must be verified against the unit to ensure proper fit.

Kameleon Shower Doors - 8 mm



ALCOVE DOORS - BYPASS



Material : Tempered Glass

Features

- › Silent guide eliminates the rattling noise
- › High quality rollers for smooth glide
- › Safety features: header lock and panel anti-jump
- › 8 mm tempered glass and frame color choice
- › Modern towel bar
- › Reversible header: one side round and one side flat

KAMELEON 43-47 X 71 - 8MM - 134571

| SKU | Glass / Finish | Door Opening | Dimensions & Weight | Packaging | MSRP |
|--------------------|------------------------|--------------|----------------------------------|----------------------|---------|
| 134571-900-084-000 | Clear / Chrome | Reversible | 43" - 47" x 71" / 116 lb / 53 kg | 4.69 ft ³ | \$ 1195 |
| 134571-900-172-000 | Clear / Dark Bronze | | | | \$ 1279 |
| 134571-900-305-000 | Clear / Brushed Nickel | | | | \$ 1254 |
| 134571-900-340-000 | Clear / Matte Black | | | | \$ 1279 |

KAMELEON 55-59 X 71 - 8MM - 134572

| SKU | Glass / Finish | Door Opening | Dimensions & Weight | Packaging | MSRP |
|--------------------|------------------------|--------------|----------------------------------|----------------------|---------|
| 134572-900-084-000 | Clear / Chrome | Reversible | 55" - 59" x 71" / 137 lb / 62 kg | 5.56 ft ³ | \$ 1236 |
| 134572-900-172-000 | Clear / Dark Bronze | | | | \$ 1321 |
| 134572-900-305-000 | Clear / Brushed Nickel | | | | \$ 1298 |
| 134572-900-340-000 | Clear / Matte Black | | | | \$ 1321 |

COMMON OPTIONS

| SKU | Description | MSRP |
|--------------|---|-------|
| OPT20245-305 | | \$ 94 |
| OPT20245-172 | 18 in. T-round towel bar Available colors: Chrome (084) , Dark Bronze (172) and Brushed Nickel (305) | \$ 98 |
| OPT20245-084 | | \$ 88 |
| OPT20247-305 | 18 in. Square towel bar Available colors: Chrome (084), Dark Bronze (172) and Brushed Nickel (305) | \$ 94 |

COMMON OPTIONS

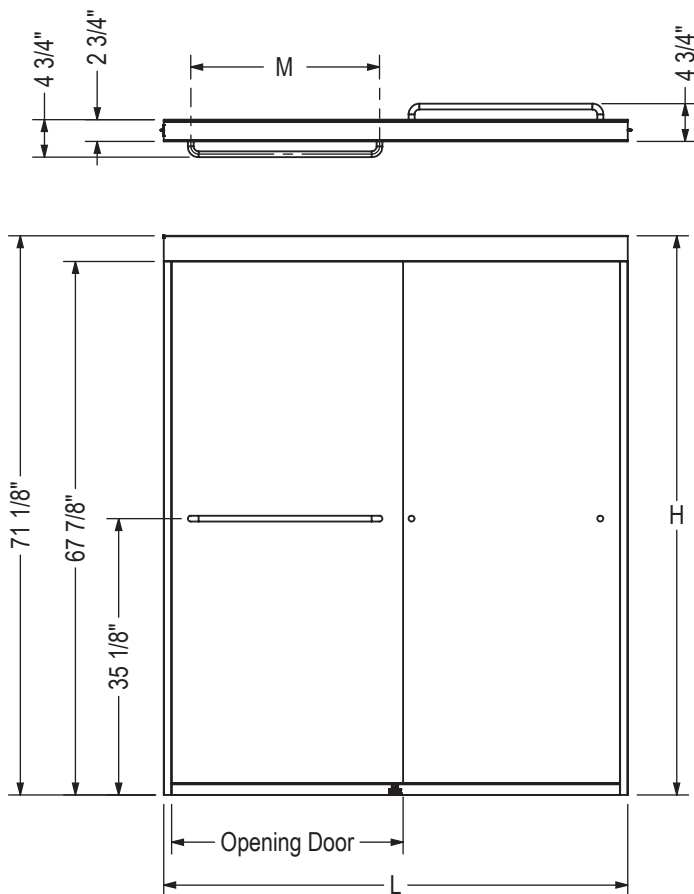
| SKU | Description | MSRP |
|--------------|--|-------|
| OPT20247-084 | 18 in. Square towel bar | \$ 88 |
| OPT20247-172 | Available colors: Chrome (084), Dark Bronze (172) and Brushed Nickel (305) | \$ 98 |

ACCESSORIES

| SKU | Description | MSRP |
|------------------|---|--------|
| 10068410-005-601 | Soft Close by MAAX for Kameleon/Aura doors only | \$ 167 |

STANDARD

ALCOVE DOORS - BYPASS



| Description | Opening Door Adjustable | M | L Adjustable | H |
|-----------------------------|-------------------------|-----|--------------|-----|
| Shower Door 43"-47"x71"x8mm | 18 1/2" - 22 1/2" | 18" | 43" - 47" | 71" |
| Shower Door 55"-59"x71"x8mm | 23 1/2" - 27 1/2" | 24" | 55" - 59" | 71" |

All dimensions are approximate. Structure measurements must be verified against the unit to ensure proper fit.



Material : Tempered Glass

Features

- › Frameless clear glass panels 8mm (5/16-inch) thick
- › Available in 3 finishes: Chrome, Brushed Nickel, Dark Bronze
- › Bathub and tub shower are sold separately, explore our wide variety of Bathub and tub shower
- › Bi-directional glass panels for flexible entry and easy access to fixtures on the left or right-hand side
- › The door provides a watertight seal, to prevent leaks or spills during use
- › Reversible, allowing for left or right opening to accommodate different bathroom layouts
- › Silent guide that eliminates the rattling noise
- › Improved safety features that lock the header and firmly secures frame to door jamb
- › Warranty: 10 years

ALCOVE DOORS - BYPASS

INVERTO 56-59 X 70 ½-74 - 8MM - 138762

| SKU | Glass / Finish | Door Opening | Dimensions & Weight | Packaging | MSRP |
|--------------------|------------------------|--------------|----------------------------------|----------------------|---------|
| 138762-900-084-000 | Clear / Chrome | Reversible | 56" - 59" x 74" / 128 lb / 58 kg | 4.84 ft ³ | \$ 1674 |
| 138762-900-173-000 | Clear / Dark Bronze | | | | \$ 1929 |
| 138762-900-305-000 | Clear / Brushed Nickel | | | | \$ 1798 |

Incognito 70 Shower Doors - 6 mm



ALCOVE DOORS - BYPASS



Material : Tempered Glass

Features

- › Components that connect seamlessly for an effortless assembly
- › Expandable Sill, no cutting required to adjust
- › Large knob on the opposite side of the handle, to allows for an easier opening and closing
- › Hand adjustment to perfect the fit in the alcove
- › Fits on showers with a wall height of at least 70.5in
- › Integrated bumper at the top and the bottom

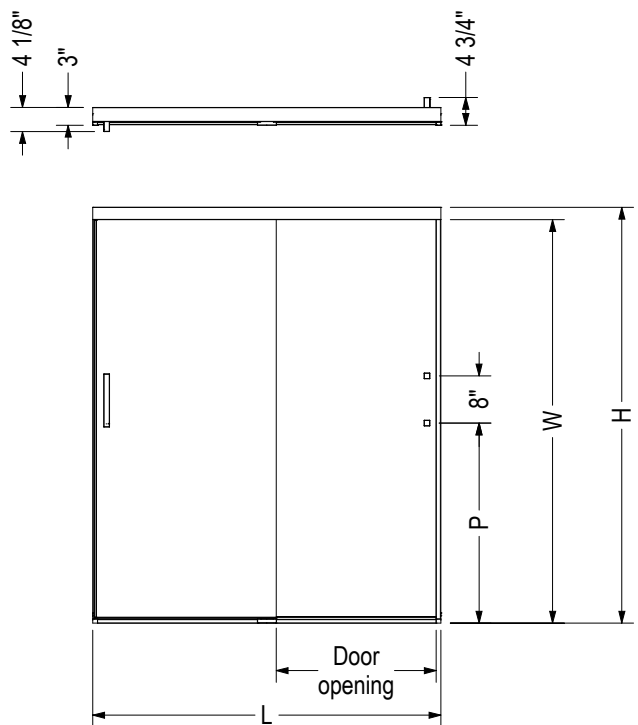
INCOGNITO 44-47 X 70 1/2 IN. 6MM - 139349

| SKU | Glass / Finish | Door Opening | Dimensions & Weight | Packaging | MSRP |
|--------------------|------------------------|--------------|--------------------------------------|----------------------|--------|
| 139349-900-084-000 | Clear / Chrome | Reversible | 44" - 47" x 70 1/2" / 110 lb / 50 kg | 3.47 ft ³ | \$ 916 |
| 139349-900-173-000 | Clear / Dark Bronze | | | | \$ 985 |
| 139349-900-305-000 | Clear / Brushed Nickel | | | | \$ 963 |
| 139349-900-340-000 | Clear / Matte Black | | | | \$ 985 |

INCOGNITO 56-59 X 70 1/2 IN. 6MM - 139350

| SKU | Glass / Finish | Door Opening | Dimensions & Weight | Packaging | MSRP |
|--------------------|------------------------|--------------|--------------------------------------|----------------------|---------|
| 139350-900-084-000 | Clear / Chrome | Reversible | 56" - 59" x 70 1/2" / 120 lb / 54 kg | 3.94 ft ³ | \$ 1004 |
| 139350-900-173-000 | Clear / Dark Bronze | | | | \$ 1079 |
| 139350-900-305-000 | Clear / Brushed Nickel | | | | \$ 1055 |
| 139350-900-340-000 | Clear / Matte Black | | | | \$ 1079 |

STANDARD



ALCOVE DOORS - BYPASS

| Code | Description | H | W | L Adjustable | Door Opening | P | Wall adjustment |
|--------|----------------------------------|---------|---------|--------------|-------------------|---------|-----------------|
| 139349 | Incognito 6mm 70 1/2" x 44 - 47" | 70 1/2" | 68 3/8" | 44" - 47" | 17 1/8" - 21 1/8" | 33 7/8" | 1/2" |
| 139350 | Incognito 6mm 70 1/2" x 56 - 59" | 70 1/2" | 68 3/8" | 56" - 59" | 23 1/8" - 27 1/8" | 33 7/8" | 1/2" |
| 139351 | Incognito 6mm 56 3/4" x 56 - 59" | 56 3/4" | 54 5/8" | 56" - 59" | 23 1/8" - 27 1/8" | 18 7/8" | 1/2" |
| 139352 | Incognito 8mm 70 1/2" x 44 - 47" | 70 1/2" | 68 3/8" | 44" - 47" | 17 1/8" - 21 1/8" | 33 7/8" | 1/2" |
| 139353 | Incognito 8mm 70 1/2" x 56 - 59" | 70 1/2" | 68 3/8" | 56" - 59" | 23 1/8" - 27 1/8" | 33 7/8" | 1/2" |
| 139354 | Incognito 8mm 56 3/4" x 56 - 59" | 56 3/4" | 54 5/8" | 56" - 59" | 23 1/8" - 27 1/8" | 18 7/8" | 1/2" |

All dimensions are approximate. Structure measurements must be verified against the unit to ensure proper fit.

Incognito 70 Shower Doors - 8 mm



ALCOVE DOORS - BYPASS



Material : Tempered Glass

Features

- › Configuration consists of Bi-directional glass panels for flexible entry and easy access to fixtures on the left or right-hand side
- › Elegant design and sleek finish add a touch of sophistication to your bathroom
- › Made from high-quality materials, ensuring durability and longevity
- › 8 mm (5/16") tempered glass
- › Easy installation process saves time and hassle
- › Stainless steel hardware and rollers provide a smooth and quiet sliding experience
- › Bottom track design allows for easy access for cleaning and maintenance
- › Made in North-America
- › 1/2" out-of-plumb adjustment, ensuring a perfect fit in any bathroom

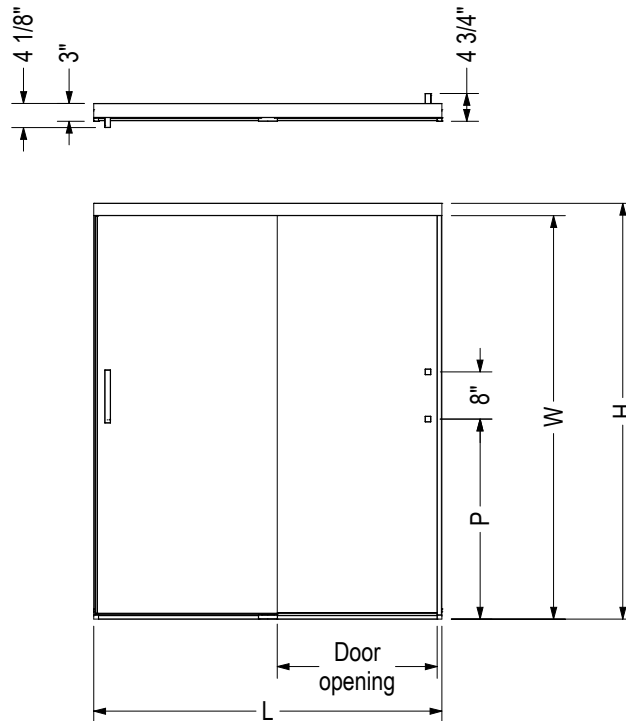
INCOGNITO 70 44-47 X 70 1/2 - 8MM - 139352

| SKU | Glass / Finish | Door Opening | Dimensions & Weight | Packaging | MSRP |
|--------------------|------------------------|--------------|--------------------------------------|----------------------|---------|
| 139352-900-084-000 | Clear / Chrome | Reversible | 44" - 47" x 70 1/2" / 130 lb / 59 kg | 3.47 ft ³ | \$ 1036 |
| 139352-900-305-000 | Clear / Brushed Nickel | | | | \$ 1109 |
| 139352-900-340-000 | Clear / Matte Black | | | | \$ 1109 |

INCOGNITO 70 56-59 X 70 1/2 - 8MM - 139353

| SKU | Glass / Finish | Door Opening | Dimensions & Weight | Packaging | MSRP |
|--------------------|------------------------|--------------|--------------------------------------|----------------------|---------|
| 139353-900-084-000 | Clear / Chrome | Reversible | 56" - 59" x 70 1/2" / 140 lb / 63 kg | 3.94 ft ³ | \$ 1124 |
| 139353-900-305-000 | Clear / Brushed Nickel | | | | \$ 1195 |
| 139353-900-340-000 | Clear / Matte Black | | | | \$ 1195 |

STANDARD



| Code | Description | H | W | L Adjustable | Door Opening | P | Wall adjustment |
|--------|----------------------------------|---------|---------|--------------|-------------------|---------|-----------------|
| 139349 | Incognito 6mm 70 1/2" x 44 - 47" | 70 1/2" | 68 3/8" | 44" - 47" | 17 1/8" - 21 1/8" | 33 7/8" | 1/2" |
| 139350 | Incognito 6mm 70 1/2" x 56 - 59" | 70 1/2" | 68 3/8" | 56" - 59" | 23 1/8" - 27 1/8" | 33 7/8" | 1/2" |
| 139351 | Incognito 6mm 56 3/4" x 56 - 59" | 56 3/4" | 54 5/8" | 56" - 59" | 23 1/8" - 27 1/8" | 18 7/8" | 1/2" |
| 139352 | Incognito 8mm 70 1/2" x 44 - 47" | 70 1/2" | 68 3/8" | 44" - 47" | 17 1/8" - 21 1/8" | 33 7/8" | 1/2" |
| 139353 | Incognito 8mm 70 1/2" x 56 - 59" | 70 1/2" | 68 3/8" | 56" - 59" | 23 1/8" - 27 1/8" | 33 7/8" | 1/2" |
| 139354 | Incognito 8mm 56 3/4" x 56 - 59" | 56 3/4" | 54 5/8" | 56" - 59" | 23 1/8" - 27 1/8" | 18 7/8" | 1/2" |

All dimensions are approximate. Structure measurements must be verified against the unit to ensure proper fit.

Incognito 74 Shower Doors - 8 mm



ALCOVE DOORS - BYPASS



Material : Tempered Glass

Features

- › Components that connect seamlessly for an effortless assembly
- › Large knob on the opposite side of the handle, to allow for an easier opening and closing
- › Hand adjustable positioning
- › Fits on showers with a wall height of at least 74 in.
- › Slim header and thin edges accentuate the minimalist look
- › Safety features: top and bottom integrated bumper to prevent slamming

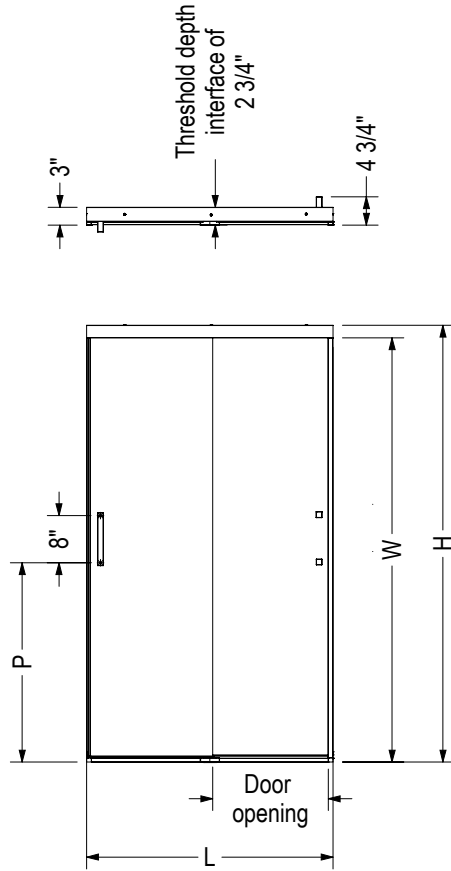
INCOGNITO 74 39-42X74IN. 8MM - 138520

| SKU | Glass / Finish | Door Opening | Dimensions & Weight | MSRP |
|--------------------|------------------------|--------------|----------------------------------|---------|
| 138520-900-084-000 | Clear / Chrome | Reversible | 39" - 42" x 74" / 104 lb / 47 kg | \$ 1036 |
| 138520-900-305-000 | Clear / Brushed Nickel | | | \$ 1109 |
| 138520-900-340-000 | Clear / Matte Black | | | \$ 1137 |

INCOGNITO 74 51-54X74IN. 8MM - 138521

| SKU | Glass / Finish | Door Opening | Dimensions & Weight | MSRP |
|--------------------|------------------------|--------------|----------------------------------|---------|
| 138521-900-084-000 | Clear / Chrome | Reversible | 51" - 54" x 74" / 132 lb / 60 kg | \$ 1124 |
| 138521-900-305-000 | Clear / Brushed Nickel | | | \$ 1195 |
| 138521-900-340-000 | Clear / Matte Black | | | \$ 1225 |

STANDARD



| Code | Description | H | W | L Adjustable | Door opening | P | Wall adjustment |
|--------|--------------------------------------|---------|---------|--------------|-------------------|---------|-----------------|
| 138520 | Incognito 74" 39 - 42" x 74" | 74" | 71 7/8" | 39" - 42" | 16 1/2" - 19 1/2" | 34 1/8" | 1/2" |
| 138521 | Incognito 74" 51 - 54" x 74" | 74" | 68 3/8" | 51" - 54" | 22 1/2" - 25 1/2" | 34 1/8" | 1/2" |
| 138522 | Incognito 56 3/4" 51 - 54" x 56 3/4" | 56 3/4" | 54 5/8" | 51" - 54" | 22 1/2" - 25 1/2" | 19 1/8" | 1/2" |

All dimensions are approximate. Structure measurement must be verified against the unit to ensure proper fit.



Incognito 76 Shaker Shower Doors

ALCOVE DOORS - BYPASS



Material : Tempered Glass

Features

- › Glass thickness: 8 mm
- › 2 in , slim header provides a sleek look
- › Features convenient towel bar
- › Detachable door guide is easy to clean
- › Wheel catcher feature keeps door open or closed

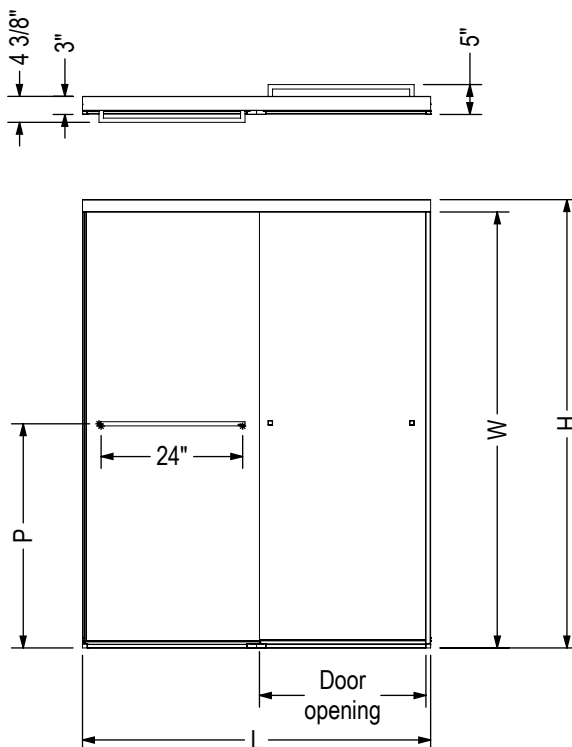
INCOGNITO 76 SHAKER 44-47 X 76 - 8MM - 135331

| SKU | Glass / Finish | Door Opening | Dimensions & Weight | Packaging | MSRP |
|--------------------|----------------------|--------------|----------------------------------|----------------------|---------|
| 135331-972-340-000 | Shaker / Matte Black | Reversible | 44" - 47" x 76" / 144 lb / 65 kg | 4.48 ft ³ | \$ 1361 |

INCOGNITO 76 SHAKER 56-59 X 76 - 8MM - 135332

| SKU | Glass / Finish | Door Opening | Dimensions & Weight | Packaging | MSRP |
|--------------------|----------------------|--------------|----------------------------------|----------------------|---------|
| 135332-972-340-000 | Shaker / Matte Black | Reversible | 56" - 59" x 76" / 116 lb / 53 kg | 4.89 ft ³ | \$ 1448 |

STANDARD



| Code | Description | H | W | L Adjustable | Door opening | P | Wall adjustment |
|--------|---|---------|---------|--------------|-------------------|-----|-----------------|
| 135331 | Incognito 76 Shaker 8mm 76" x 44 - 47" | 76" | 73 7/8" | 44" - 47" | 18 1/4" - 22 1/4" | 38" | 1/2" |
| 135332 | Incognito 76 Shaker 8mm 76" x 56 - 59" | 76" | 73 7/8" | 56" - 59" | 24 1/4" - 28 1/4" | 38" | 1/2" |
| 135330 | Incognito Shaker 8mm 56 3/4" x 56 - 59" | 56 3/4" | 54 5/8" | 56" - 59" | 24 1/4" - 28 1/4" | 28" | 1/2" |
| 135334 | Incognito 76 8mm 76" x 44 - 47" | 76" | 73 7/8" | 44" - 47" | 18 1/4" - 22 1/4" | 38" | 1/2" |
| 134335 | Incognito 76 8mm 76" x 56 - 59" | 76" | 73 7/8" | 56" - 59" | 24 1/4" - 28 1/4" | 38" | 1/2" |

All dimensions are approximate. Structure measurements must be verified against the unit to ensure proper fit.

Incognito 76 Shower Doors - 8 mm



ALCOVE DOORS - BYPASS



Material : Tempered Glass

Features

- › Components that connect seamlessly for an effortless assembly
- › Expandable Sill, no cutting required to adjust
- › Large knob on the opposite side of the handle, to allows for an easier opening and closing
- › Hand adjustment to perfect the fit in the alcove
- › Slim header and thin edges accentuate the minimalist look
- › Safety features: top and bottom integrated bumper to prevent slamming

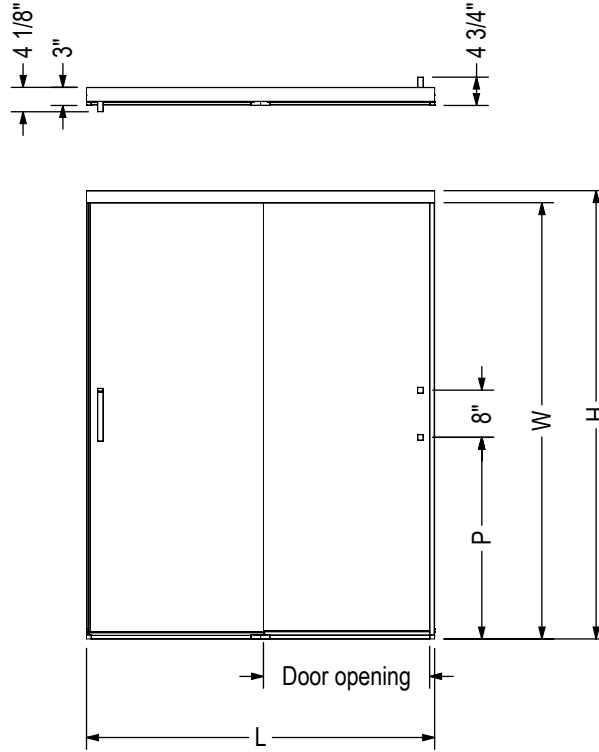
INCOGNITO 76 44-47 X 76 - 8MM - 135334

| SKU | Glass / Finish | Door Opening | Dimensions & Weight | Packaging | MSRP |
|--------------------|------------------------|--------------|----------------------------------|----------------------|---------|
| 135334-900-084-000 | Clear / Chrome | Reversible | 44" - 47" x 76" / 144 lb / 65 kg | 4.48 ft ³ | \$ 1124 |
| 135334-900-305-000 | Clear / Brushed Nickel | | | | \$ 1183 |
| 135334-900-340-000 | Clear / Matte Black | | | | \$ 1210 |

INCOGNITO 76 56-59 X 76 - 8MM - 135335

| SKU | Glass / Finish | Door Opening | Dimensions & Weight | Packaging | MSRP |
|--------------------|------------------------|--------------|----------------------------------|----------------------|---------|
| 135335-900-084-000 | Clear / Chrome | Reversible | 56" - 59" x 76" / 116 lb / 53 kg | 4.89 ft ³ | \$ 1212 |
| 135335-900-305-000 | Clear / Brushed Nickel | | | | \$ 1273 |
| 135335-900-340-000 | Clear / Matte Black | | | | \$ 1303 |

STANDARD



| Code | Description | H | W | L Adjustable | Door opening | P | Wall adjustment |
|--------|----------------------------------|---------|---------|--------------|-------------------|---------|-----------------|
| 139354 | Incognito 8mm 56 3/4" x 56 - 59" | 56 3/4" | 54 5/8" | 56" - 59" | 24 1/4" - 28 1/4" | 18 7/8" | 1/2" |
| 135334 | Incognito 8mm 76" x 44 - 47" | 76" | 73 7/8" | 44" - 47" | 18 1/4" - 22 1/4" | 33 7/8" | 1/2" |
| 135335 | Incognito 8mm 76" x 56 - 59" | 76" | 73 7/8" | 56" - 59" | 24 1/4" - 28 1/4" | 33 7/8" | 1/2" |

All dimensions are approximate. Structure measurements must be verified against the unit to ensure proper fit.



Incognito 76 Smoke Shower Doors

ALCOVE DOORS - BYPASS



Material : Tempered Glass

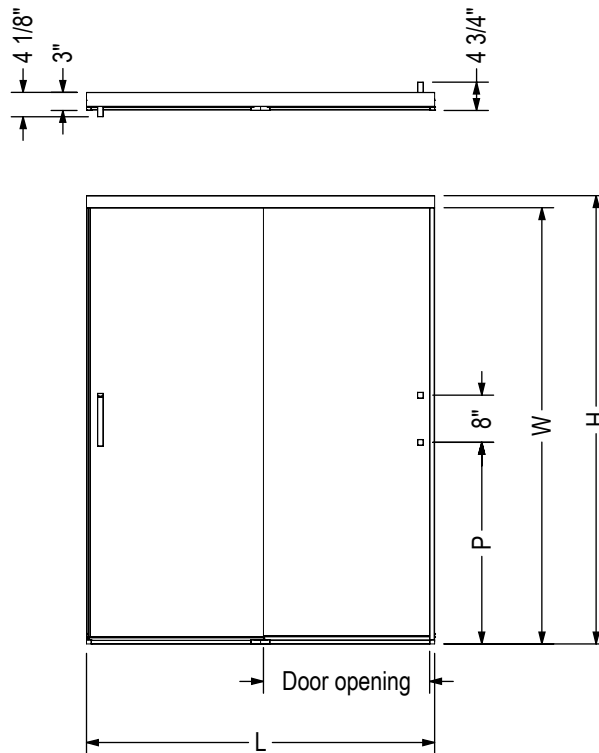
Features

- › Components that connect seamlessly for an effortless assembly
- › Expandable Sill, no cutting required to adjust
- › Large knob on the opposite side of the handle, to allow for an easier opening and closing
- › Hand adjustment to perfect the fit in the alcove
- › Integrated bumper at the top and the bottom
- › Slim header and thin edges accentuate the minimalist look

INCOGNITO 76 SMOKE 56-59 X 76 - 8MM - 136335

| SKU | Glass / Finish | Door Opening | Dimensions & Weight | Packaging | MSRP |
|--------------------|---------------------------|--------------|-------------------------------------|----------------------|---------|
| 136335-973-340-000 | Dark Smoke / Matte Black | Reversible | 56" - 59" x 76" / 116 lb / 53 kg | 4.88 ft ³ | \$ 1386 |
| 136335-975-340-000 | Light Smoke / Matte Black | | | | \$ 1386 |

STANDARD



ALCOVE DOORS - BYPASS

| Code | Description | H | W | L Adjustable | Door opening | P | Wall adjustment |
|--------|------------------------------------|-----|---------|--------------|-------------------|---------|-----------------|
| 135335 | Incognito Smoke 8mm 76" x 56 - 59" | 76" | 73 7/8" | 56" - 59" | 24 1/4" - 28 1/4" | 33 7/8" | 1/2" |

All dimensions are approximate. Structure measurements must be verified against the unit to ensure proper fit.



Polar Shower Doors

ALCOVE DOORS - BYPASS



Material : Tempered Glass

Features

- › Raindrop 4 mm tempered glass for more intimacy
- › Chrome frame for a clean simple look
- › Bathub and tub shower are sold separately, explore our wide variety of Bathub and tub shower
- › Bypass door configuration features two sliding panel
- › The EZ Klean bottom track drains water away and significantly reduces maintenance
- › Reversible, allowing for left or right opening to accommodate different bathroom layouts
- › Smooth Sliding Door Functionality enhances accessibility and convenience while elevating the aesthetics of your shower space.
- › Proudly made in North America
- › Warranty: 10 years

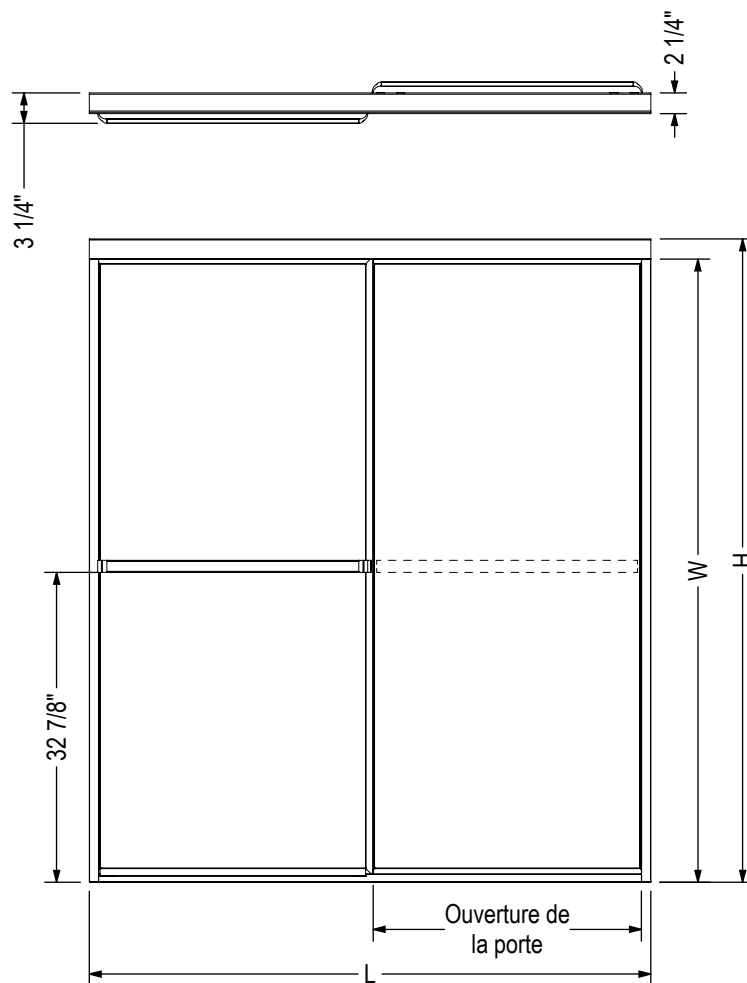
POLAR 54-59 1/2 X 68 IN. - 105412

| SKU | Glass / Finish | Door Opening | Dimensions & Weight | Packaging | MSRP |
|--------------------|-------------------|--------------|-------------------------------------|----------------------|--------|
| 105412-970-084-000 | Raindrop / Chrome | Lateral | 54" - 59 1/2" x 68" / 68 lb / 31 kg | 4.59 ft ³ | \$ 875 |

POLAR 42-47 1/2 X 68 IN. - 105413

| SKU | Glass / Finish | Door Opening | Dimensions & Weight | Packaging | MSRP |
|--------------------|-------------------|--------------|-------------------------------------|----------------------|--------|
| 105413-970-084-000 | Raindrop / Chrome | Lateral | 42" - 47 1/2" x 68" / 53 lb / 24 kg | 3.93 ft ³ | \$ 780 |

STANDARD



ALCOVE DOORS - BYPASS

| Code | Description | H | W | L Ajustable | Ouverture de la porte |
|--------|---------------------------|-----|-----|---------------|-----------------------|
| 105410 | Polar 54" - 59 1/2" x 57" | 57" | 55" | 54" - 59 1/2" | 26" - 28 1/2" |
| 105412 | Polar 54" - 59 1/2" x 68" | 68" | 66" | 54" - 59 1/2" | 26" - 28 1/2" |
| 105413 | Polar 42" - 47 1/2" x 68" | 68" | 66" | 42" - 47 1/2" | 20" - 22 1/2" |

Toutes ces dimensions sont approximatives. Afin d'assurer une installation parfaite, les dimensions de la structure doivent être vérifiées à partir de l'unité.

Revelation Round Shower Doors - 6 mm



ALCOVE DOORS - BYPASS



Material : Tempered Glass

Features

- Made from high-quality 6 mm (1/4") thick glass, ensuring durability and safety.
- Reversible, allowing installation for left or right openings to accommodate different bathroom layouts.
- Easy installation process saves time and hassle.
- The door provides a watertight seal, ensuring no leaks or spills occur during use.

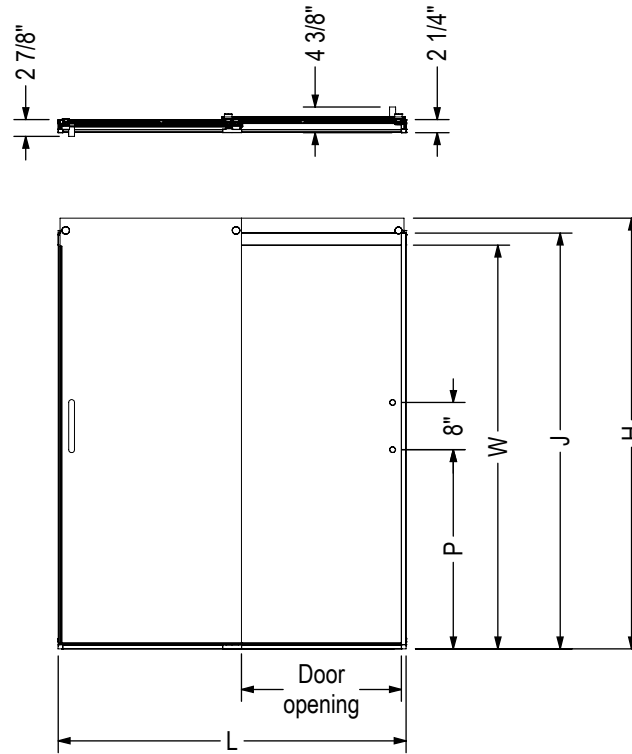
REVELATION ROUND 44-47 X 70 1/2-73 IN 6 MM - 136690

| SKU | Glass / Finish | Door Opening | Dimensions & Weight | Packaging | MSRP |
|--------------------|------------------------|--------------|-------------------------------------|----------------------|---------|
| 136690-900-084-000 | Clear / Chrome | Reversible | 44" - 47" x 70 1/2" / 82 lb / 37 kg | 3.96 ft ³ | \$ 984 |
| 136690-900-305-000 | Clear / Brushed Nickel | | | | \$ 1055 |
| 136690-900-340-000 | Clear / Matte Black | | | | \$ 1091 |

REVELATION ROUND 56-59 X 70 1/2-73 IN 6 MM - 136691

| SKU | Glass / Finish | Door Opening | Dimensions & Weight | Packaging | MSRP |
|--------------------|------------------------|--------------|--------------------------------------|----------------------|---------|
| 136691-900-084-000 | Clear / Chrome | Reversible | 56" - 59" x 70 1/2" / 105 lb / 48 kg | 4.55 ft ³ | \$ 1072 |
| 136691-900-305-000 | Clear / Brushed Nickel | | | | \$ 1143 |
| 136691-900-340-000 | Clear / Matte Black | | | | \$ 1179 |

STANDARD



| Code | Description | H | J | W | L Adjustable | Door Opening | P | Wall adjustment |
|--------|---|---------|---------|---------|--------------|--------------|---------|-----------------|
| 139690 | Revelation 6mm 70 1/2"-73" x 43 - 47" | 73" | 70 1/2" | 68 3/8" | 43" - 47" | 16" - 20" | 33 7/8" | 1/2" |
| 139691 | Revelation 6mm 70 1/2"-73" x 55 - 59" | 73" | 70 1/2" | 68 3/8" | 55" - 59" | 22" - 26" | 33 7/8" | 1/2" |
| 139692 | Revelation 6mm 56 3/4"-59 1/4" x 55 - 59" | 59 1/4" | 56 3/4" | 54 5/8" | 55" - 59" | 22" - 26" | 18 7/8" | 1/2" |
| 139693 | Revelation 8mm 70 1/2"-73" x 43 - 47" | 73" | 70 1/2" | 68 3/8" | 43" - 47" | 16" - 20" | 33 7/8" | 1/2" |
| 139694 | Revelation 8mm 70 1/2"-73" x 55 - 59" | 73" | 70 1/2" | 68 3/8" | 55" - 59" | 22" - 26" | 33 7/8" | 1/2" |
| 139695 | Revelation 8mm 56 3/4"-59 1/4" x 55 - 59" | 59 1/4" | 56 3/4" | 54 5/8" | 55" - 59" | 22" - 26" | 18 7/8" | 1/2" |

All dimensions are approximate. Structure measurements must be verified against the unit to ensure proper fit.



Revelation Round Shower Doors - 8 mm

ALCOVE DOORS - BYPASS



Material : Tempered Glass

Features

- › Components that connect seamlessly for an effortless assembly
- › Exposed double set of wheels
- › Exposed double set of wheels
- › Handle outside / Big knob inside
- › Expandable Sill; No cutting required to adjust
- › Anti-jump features hidden in the frame
- › Detachable door guide to distance the glass for an easier cleaning

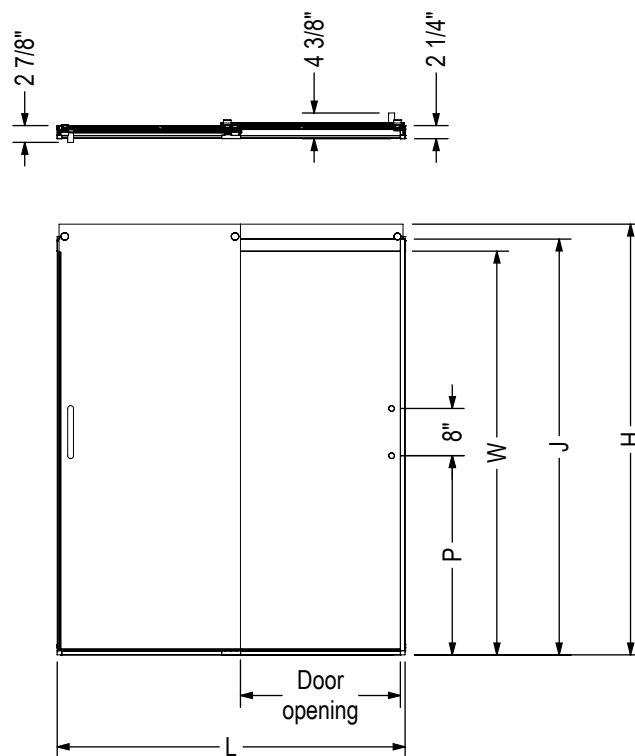
REVELATION ROUND 44-47 X 70 1/2-73 - 8MM - 136693

| SKU | Glass / Finish | Door Opening | Dimensions & Weight | Packaging | MSRP |
|--------------------|------------------------|--------------|----------------------------------|----------------------|---------|
| 136693-900-084-000 | Clear / Chrome | Reversible | 44" - 47" x 73" / 130 lb / 59 kg | 3.47 ft ³ | \$ 1096 |
| 136693-900-305-000 | Clear / Brushed Nickel | | | | \$ 1168 |
| 136693-900-340-000 | Clear / Matte Black | | | | \$ 1205 |

REVELATION ROUND 56-59 X 70 1/2-73 - 8MM - 136694

| SKU | Glass / Finish | Door Opening | Dimensions & Weight | Packaging | MSRP |
|--------------------|------------------------|--------------|----------------------------------|----------------------|---------|
| 136694-900-084-000 | Clear / Chrome | Reversible | 56" - 59" x 73" / 140 lb / 63 kg | 3.94 ft ³ | \$ 1185 |
| 136694-900-305-000 | Clear / Brushed Nickel | | | | \$ 1256 |
| 136694-900-340-000 | Clear / Matte Black | | | | \$ 1290 |

STANDARD



ALCOVE DOORS - BYPASS

| Code | Description | H | J | W | L Adjustable | Door Opening | P | Wall adjustment |
|--------|---|---------|---------|---------|--------------|--------------|---------|-----------------|
| 139690 | Revelation 6mm 70 1/2"-73" x 43 - 47" | 73" | 70 1/2" | 68 3/8" | 43" - 47" | 16" - 20" | 33 7/8" | 1/2" |
| 139691 | Revelation 6mm 70 1/2"-73" x 55 - 59" | 73" | 70 1/2" | 68 3/8" | 55" - 59" | 22" - 26" | 33 7/8" | 1/2" |
| 139692 | Revelation 6mm 56 3/4"-59 1/4" x 55 - 59" | 59 1/4" | 56 3/4" | 54 5/8" | 55" - 59" | 22" - 26" | 18 7/8" | 1/2" |
| 139693 | Revelation 8mm 70 1/2"-73" x 43 - 47" | 73" | 70 1/2" | 68 3/8" | 43" - 47" | 16" - 20" | 33 7/8" | 1/2" |
| 139694 | Revelation 8mm 70 1/2"-73" x 55 - 59" | 73" | 70 1/2" | 68 3/8" | 55" - 59" | 22" - 26" | 33 7/8" | 1/2" |
| 139695 | Revelation 8mm 56 3/4"-59 1/4" x 55 - 59" | 59 1/4" | 56 3/4" | 54 5/8" | 55" - 59" | 22" - 26" | 18 7/8" | 1/2" |

All dimensions are approximate. Structure measurements must be verified against the unit to ensure proper fit.

Revelation Square Shower Doors - 6 mm



ALCOVE DOORS - BYPASS



Material : Tempered Glass

Features

- > Components that connect seamlessly for an effortless assembly
- > Exposed double set of wheels
- > Handle outside / Big knob inside
- > Anti-jump features hidden in the frame

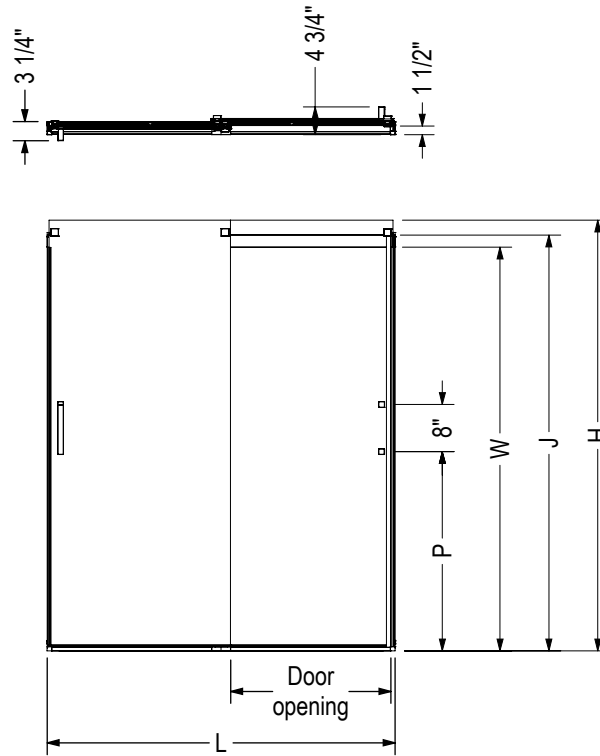
REVELATION SQUARE 44-47 X 70 1/2-73 - 6MM - 135690

| SKU | Glass / Finish | Door Opening | Dimensions & Weight | Packaging | MSRP |
|--------------------|------------------------|--------------|----------------------------------|----------------------|---------|
| 135690-900-084-000 | Clear / Chrome | Reversible | 44" - 47" x 73" / 110 lb / 50 kg | 3.47 ft ³ | \$ 984 |
| 135690-900-305-000 | Clear / Brushed Nickel | | | | \$ 1055 |
| 135690-900-340-000 | Clear / Matte Black | | | | \$ 1091 |

REVELATION SQUARE 56-59 X 70 1/2-73 - 6MM - 135691

| SKU | Glass / Finish | Door Opening | Dimensions & Weight | Packaging | MSRP |
|--------------------|------------------------|--------------|----------------------------------|----------------------|---------|
| 135691-900-084-000 | Clear / Chrome | Reversible | 56" - 59" x 73" / 120 lb / 54 kg | 3.94 ft ³ | \$ 1072 |
| 135691-900-305-000 | Clear / Brushed Nickel | | | | \$ 1143 |
| 135691-900-340-000 | Clear / Matte Black | | | | \$ 1179 |

STANDARD



| Code | Description | H | J | W | L Adjustable | Door Opening | P | Wall adjustment |
|--------|--|---------|---------|---------|--------------|--------------|---------|-----------------|
| 134690 | Revelation SQ 6mm 70 1/2"-73" x 43 - 47" | 73" | 70 1/2" | 68 3/8" | 43" - 47" | 16" - 20" | 33 7/8" | 1/2" |
| 134691 | Revelation SQ 6mm 70 1/2"-73" x 55 - 59" | 73" | 70 1/2" | 68 3/8" | 55" - 59" | 22" - 26" | 33 7/8" | 1/2" |
| 134692 | Revelation SQ 6mm 56 3/4"-59 1/4" x 55 - 59" | 59 1/4" | 56 3/4" | 54 5/8" | 55" - 59" | 22" - 26" | 18 7/8" | 1/2" |
| 134693 | Revelation SQ 8mm 70 1/2"-73" x 43 - 47" | 73" | 70 1/2" | 68 3/8" | 43" - 47" | 16" - 20" | 33 7/8" | 1/2" |
| 134694 | Revelation SQ 8mm 70 1/2"-73" x 55 - 59" | 73" | 70 1/2" | 68 3/8" | 55" - 59" | 22" - 26" | 33 7/8" | 1/2" |
| 134695 | Revelation SQ 8mm 56 3/4"-59 1/4" x 55 - 59" | 59 1/4" | 56 3/4" | 54 5/8" | 55" - 59" | 22" - 26" | 18 7/8" | 1/2" |

All dimensions are approximate. Structure measurements must be verified against the unit to ensure proper fit.

Revelation Square Shower Doors - 8 mm



ALCOVE DOORS - BYPASS



Material : Tempered Glass

Features

- > Components that connect seamlessly for an effortless assembly
- > Exposed double set of wheels
- > Handle outside / Big knob inside
- > Anti-jump features hidden in the frame

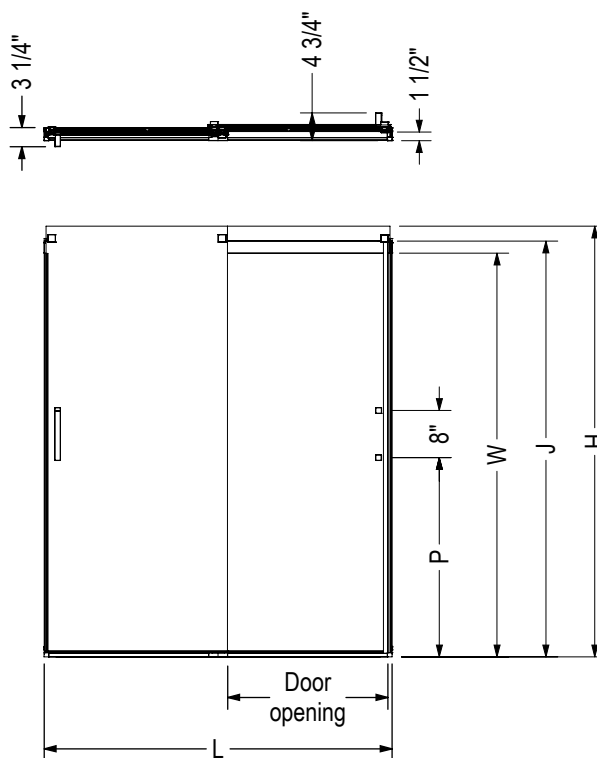
REVELATION SQUARE 44-47 X 70 1/2-73 - 8MM - 135693

| SKU | Glass / Finish | Door Opening | Dimensions & Weight | Packaging | MSRP |
|--------------------|------------------------|--------------|----------------------------------|----------------------|---------|
| 135693-900-084-000 | Clear / Chrome | Reversible | 44" - 47" x 73" / 130 lb / 59 kg | 3.47 ft ³ | \$ 1096 |
| 135693-900-305-000 | Clear / Brushed Nickel | | | | \$ 1168 |
| 135693-900-340-000 | Clear / Matte Black | | | | \$ 1205 |

REVELATION SQUARE 56-59 X 70 1/2-73 - 8MM - 135694

| SKU | Glass / Finish | Door Opening | Dimensions & Weight | Packaging | MSRP |
|--------------------|------------------------|--------------|----------------------------------|----------------------|---------|
| 135694-900-084-000 | Clear / Chrome | Reversible | 56" - 59" x 73" / 140 lb / 63 kg | 3.94 ft ³ | \$ 1185 |
| 135694-900-305-000 | Clear / Brushed Nickel | | | | \$ 1256 |
| 135694-900-340-000 | Clear / Matte Black | | | | \$ 1290 |

STANDARD



ALCOVE DOORS - BYPASS

| Code | Description | H | J | W | L Adjustable | Door Opening | P | Wall adjustment |
|--------|--|---------|---------|---------|--------------|--------------|---------|-----------------|
| 134690 | Revelation SQ 6mm 70 1/2"-73" x 43 - 47" | 73" | 70 1/2" | 68 3/8" | 43" - 47" | 16" - 20" | 33 7/8" | 1/2" |
| 134691 | Revelation SQ 6mm 70 1/2"-73" x 55 - 59" | 73" | 70 1/2" | 68 3/8" | 55" - 59" | 22" - 26" | 33 7/8" | 1/2" |
| 134692 | Revelation SQ 6mm 56 3/4"-59 1/4" x 55 - 59" | 59 1/4" | 56 3/4" | 54 5/8" | 55" - 59" | 22" - 26" | 18 7/8" | 1/2" |
| 134693 | Revelation SQ 8mm 70 1/2"-73" x 43 - 47" | 73" | 70 1/2" | 68 3/8" | 43" - 47" | 16" - 20" | 33 7/8" | 1/2" |
| 134694 | Revelation SQ 8mm 70 1/2"-73" x 55 - 59" | 73" | 70 1/2" | 68 3/8" | 55" - 59" | 22" - 26" | 33 7/8" | 1/2" |
| 134695 | Revelation SQ 8mm 56 3/4"-59 1/4" x 55 - 59" | 59 1/4" | 56 3/4" | 54 5/8" | 55" - 59" | 22" - 26" | 18 7/8" | 1/2" |

All dimensions are approximate. Structure measurements must be verified against the unit to ensure proper fit.



Uptown Shower Doors

ALCOVE DOORS - BYPASS



Material : Tempered Glass

Features

- › 7 mm (5/16") tempered glass
- › Configuration consists of Two Sliding Door
- › Available in 4 Stylish Finishes
- › DIY Product for an easy installation
- › Fits on showers, walls and tile
- › Innovative Soft Close by MAAX technology prevents slamming
- › Glass panels come with the Lotus Easy Clean Glass Protection to repel soap and water stains for carefree maintenance
- › Reversible panel for easy corner installation on the left or on the right
- › 3/8" out-of-plumb adjustment

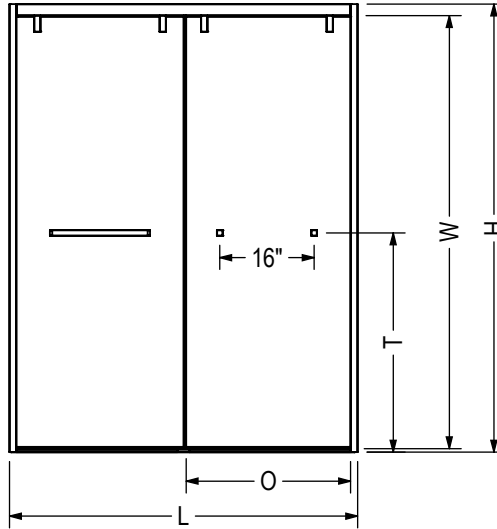
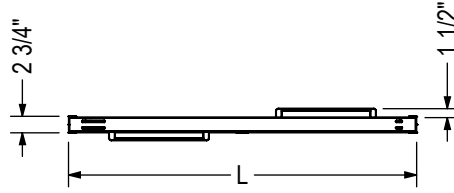
UPTOWN 44-47 X 76 IN. 8 MM - 135321

| SKU | Glass / Finish | Door Opening | Dimensions & Weight | Packaging | MSRP |
|--------------------|------------------------|--------------|----------------------------------|-----------------------|---------|
| 135321-900-084-000 | Clear / Chrome | Reversible | 44" - 47" x 76" / 112 lb / 51 kg | 4.944 ft ³ | \$ 1522 |
| 135321-900-173-000 | Clear / Dark Bronze | | | | \$ 1634 |
| 135321-900-305-000 | Clear / Brushed Nickel | | | | \$ 1608 |
| 135321-900-340-000 | Clear / Matte Black | | | | \$ 1634 |

UPTOWN 56-59 X 76 IN. 8 MM - 135322

| SKU | Glass / Finish | Door Opening | Dimensions & Weight | Packaging | MSRP |
|--------------------|------------------------|--------------|----------------------------------|-----------------------|---------|
| 135322-900-084-000 | Clear / Chrome | Reversible | 56" - 59" x 76" / 138 lb / 63 kg | 6.039 ft ³ | \$ 1616 |
| 135322-900-173-000 | Clear / Dark Bronze | | | | \$ 1743 |
| 135322-900-305-000 | Clear / Brushed Nickel | | | | \$ 1699 |
| 135322-900-340-000 | Clear / Matte Black | | | | \$ 1743 |

STANDARD



| Code | Description | H | L | O | T | W |
|--------|--|-----|-----------|-------------------|---------|---------|
| 135320 | Uptown Bypass Tub door 58" x 56" - 59" | 58" | 56" - 59" | 24 7/8" - 27 7/8" | 28 1/4" | 55 1/2" |
| 135321 | Uptown Bypass door 76" x 44" - 47" | 76" | 44" - 47" | 18 7/8" - 21 7/8" | 37 1/8" | 73 1/2" |
| 135322 | Uptown Bypass door 76" x 56" - 59" | 76" | 56" - 59" | 24 7/8" - 27 7/8" | 37 1/8" | 73 1/2" |

Wall adjustment = 3/8"

All dimensions are approximate. Structure measurements must be verified against the unit to ensure proper fit.



Capella Shower Doors

ALCOVE DOORS - PIVOT



Material : Tempered Glass

Features

- › GlassShield® technology pre-installed - provides extra layer of security for homes with children or elderly residents
- › Wide opening to ease the access in and out of the shower
- › Strongly built sill, permanently fixed on the base, better water barrier
- › Hinge with patent mechanism that offers 3 in. of lateral adjustment
- › Additional 3/4 in. of out-of-plumb adjustment
- › Header-less door, no height restriction
- › New design, 1 7/8in deep, makes it compatible with many bases and tile solutions
- › Reversible showers door allowing left or right opening
- › Magnetized closure provides watertight solution
- › Combine with a Return Panel Capella, for a corner shower solution
- › Support arm to increase sturdiness included

CAPELLA 78 32 1/2-35 1/2 X 78 - 8MM - 139584

| SKU | Glass / Finish | Door Opening | Dimensions & Weight | MSRP |
|--------------------|------------------------------------|--------------|--|---------|
| 139584-810-084-000 | Clear GlassShield / Chrome | Reversible | 32 1/2" - 35 1/2" x 78" / 104 lb / 47 kg | \$ 1526 |
| 139584-810-305-000 | Clear GlassShield / Brushed Nickel | | | \$ 1602 |
| 139584-810-340-000 | Clear GlassShield / Matte Black | | | \$ 1640 |

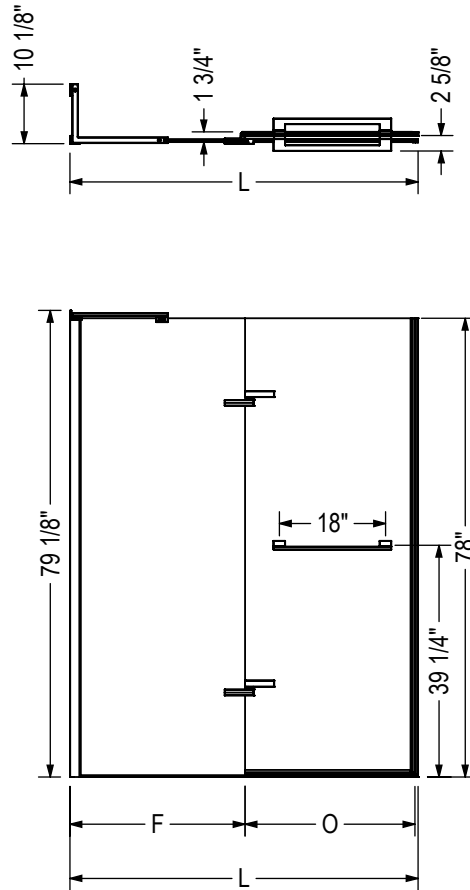
CAPELLA 78 44-47 X 78 - 8MM - 139586

| SKU | Glass / Finish | Door Opening | Dimensions & Weight | MSRP |
|--------------------|------------------------------------|--------------|----------------------------------|---------|
| 139586-810-084-000 | Clear GlassShield / Chrome | Reversible | 44" - 47" x 78" / 123 lb / 56 kg | \$ 1752 |
| 139586-810-305-000 | Clear GlassShield / Brushed Nickel | | | \$ 1820 |
| 139586-810-340-000 | Clear GlassShield / Matte Black | | | \$ 1886 |

CAPELLA 78 56-59 X 78 - 8MM - 139587

| SKU | Glass / Finish | Door Opening | Dimensions & Weight | MSRP |
|--------------------|------------------------------------|--------------|----------------------------------|---------|
| 139587-810-084-000 | Clear GlassShield / Chrome | Reversible | 56" - 59" x 78" / 148 lb / 67 kg | \$ 1886 |
| 139587-810-305-000 | Clear GlassShield / Brushed Nickel | | | \$ 1953 |
| 139587-810-340-000 | Clear GlassShield / Matte Black | | | \$ 1953 |

STANDARD



| Code | Description | L | F | O |
|--------|---------------------------------|-------------------|---------|-------------------|
| 139584 | Capella 78" x 32 1/2" - 35 1/2" | 32 1/2" - 35 1/2" | 5 3/8" | 23 3/4" - 26 3/4" |
| 139586 | Capella 78" x 44" - 47" | 44" - 47" | 16 7/8" | 23 3/4" - 26 3/4" |
| 139587 | Capella 78" x 56" - 59" | 56" - 59" | 28 7/8" | 23 3/4" - 26 3/4" |

- Wall adjustment = 3/4"

All dimensions are approximate. Structure measurements must be verified against the unit to ensure proper fit.



ModulR 2 Shower Doors

ALCOVE DOORS - PIVOT



Material : Tempered Glass

Features

- Pivot door
- 8mm tempered glass with lotus glass protection
- Magnetic closure for increased watertightness
- Reversible doors for left or right opening

MODULR 2 TUNNEL 32 X 78 - 8MM - 137933

| SKU | Glass / Finish | Door Opening | Dimensions & Weight | MSRP |
|--------------------|------------------------|--------------|------------------------------------|---------|
| 137933-900-084-000 | Clear / Chrome | Reversible | 32" - 32" x 78" / 72.52 lb / 33 kg | \$ 3080 |
| 137933-900-305-000 | Clear / Brushed Nickel | | | \$ 3318 |

MODULR 2 TUNNEL 34 X 78 - 8MM - 137935

| SKU | Glass / Finish | Door Opening | Dimensions & Weight | MSRP |
|--------------------|------------------------|--------------|------------------------------------|---------|
| 137935-900-084-000 | Clear / Chrome | Reversible | 34" - 34" x 78" / 72.52 lb / 33 kg | \$ 3111 |
| 137935-900-305-000 | Clear / Brushed Nickel | | | \$ 3349 |

MODULR 2 TUNNEL 36 X 78 - 8MM - 137937

| SKU | Glass / Finish | Door Opening | Dimensions & Weight | MSRP |
|--------------------|------------------------|--------------|---------------------------------|---------|
| 137937-900-084-000 | Clear / Chrome | Reversible | 36" - 36" x 78" / 90 lb / 41 kg | \$ 3130 |
| 137937-900-305-000 | Clear / Brushed Nickel | | | \$ 3382 |

ACCESSORIES

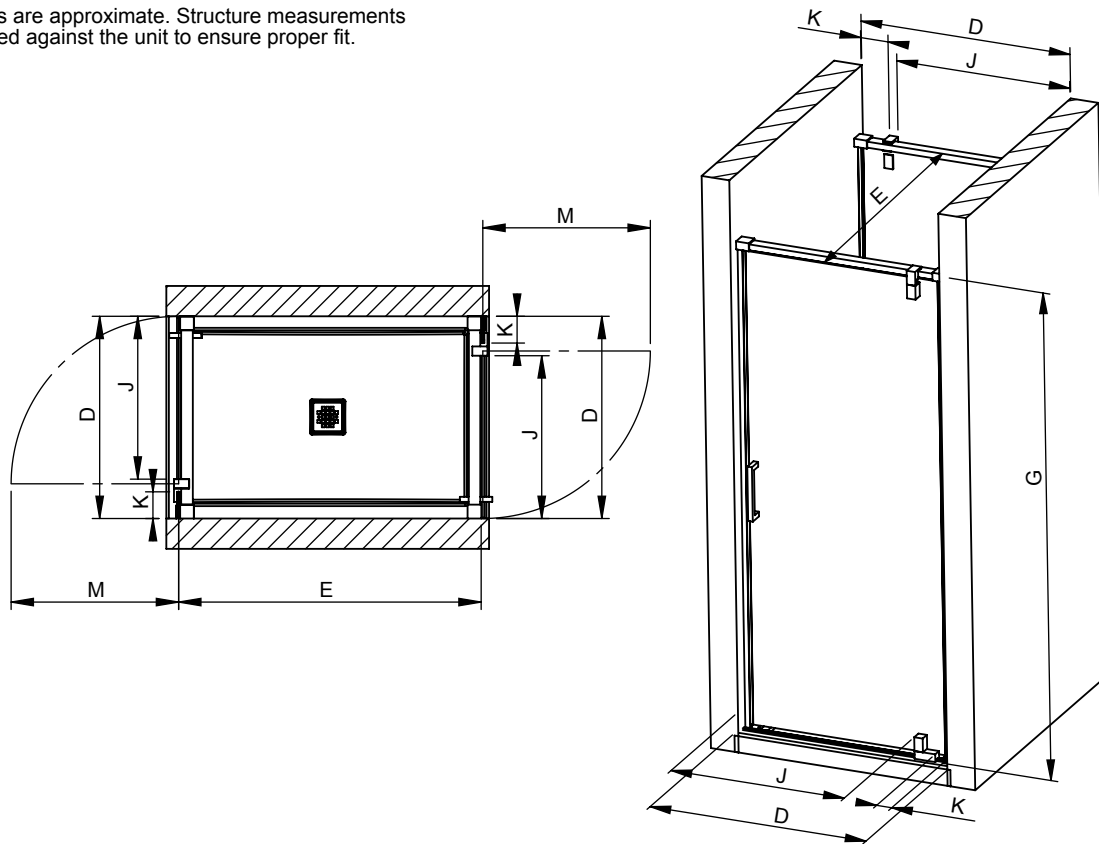
| SKU | Description | MSRP |
|------------------|---|--------|
| 10060311 | Corner glass shelf (9 3/8 x 9 3/8 in.) (sold separately) 10 mm frosted glass with a clear band along the edge Compatible with Utile and tile shower walls | \$ 152 |
| 10068586-305-603 | 10068586-XXX-603 - Designer handle 8" Available colours: Chrome (084), Brushed Nickel (305) | \$ 224 |

ACCESSORIES

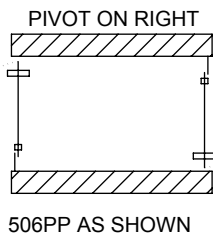
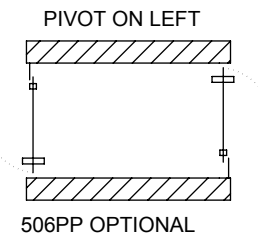
| SKU | Description | MSRP |
|------------------|--|--------|
| 10068586-084-603 | 10068586-XXX-603 - Designer handle 8" Available colours: Chrome (084), Brushed Nickel (305) | \$ 206 |

All dimensions are approximate. Structure measurements must be verified against the unit to ensure proper fit.

**ModuIR PIVOT SHOWER DOOR:
TUNNEL 32/34" DOUBLE (506)**



All complementary installation can be also build from the same listed product



| PRODUCT | BASE SIZE | G | D | E | J | M |
|---------|-----------|-----------------------|-------------------|-------------------|-----------------------|-------------|
| | | HEIGHT (top of glass) | WIDTH (min-max) | DEPTH (min-max) | DOOR ACCESS (maximum) | ENCUMBRANCE |
| 137933 | 48X32 | 78" | 30-1/8" - 31-3/8" | 45-1/4" - 46-3/4" | 26-1/2" | 24-3/8" |
| 137935 | 48X34 | | 32-1/8" - 33-3/8" | | | |
| 137933 | 60X32 | | 30-1/8" - 31-3/8" | | | |



ModulR Alcove Shower Doors



Material : Tempered Glass

Features

- > • Pivot door
- 8mm tempered glass with lotus glass protection
- Magnetic closure for increased watertightness
- Reversible doors for left or right opening

ALCOVE DOORS - PIVOT

MODULR 60 X 78 - 8MM - 137832

| SKU | Glass / Finish | Door Opening | Dimensions & Weight | Packaging | MSRP |
|--------------------|------------------------|--------------|-------------------------------------|----------------------|---------|
| 137832-900-084-000 | Clear / Chrome | Reversible | 57 1/8" - 59" x 78" / 92 lb / 42 kg | 5.74 ft ³ | \$ 2096 |
| 137832-900-305-000 | Clear / Brushed Nickel | | | | \$ 2255 |

MODULR 48 X 78 - 8MM - 137833

| SKU | Glass / Finish | Door Opening | Dimensions & Weight | Packaging | MSRP |
|--------------------|------------------------|--------------|-------------------------------------|----------------------|---------|
| 137833-900-084-000 | Clear / Chrome | Reversible | 45 1/8" - 47" x 78" / 92 lb / 42 kg | 5.74 ft ³ | \$ 1835 |
| 137833-900-305-000 | Clear / Brushed Nickel | | | | \$ 1970 |

MODULR 36 X 78 - 8MM - 137835

| SKU | Glass / Finish | Door Opening | Dimensions & Weight | Packaging | MSRP |
|--------------------|------------------------|--------------|---|----------------------|---------|
| 137835-900-084-000 | Clear / Chrome | Reversible | 33 1/8" - 34 5/8" x 78" / 92 lb / 42 kg | 5.74 ft ³ | \$ 1568 |
| 137835-900-305-000 | Clear / Brushed Nickel | | | | \$ 1692 |

MODULR 34 X 78 - 8MM - 137836

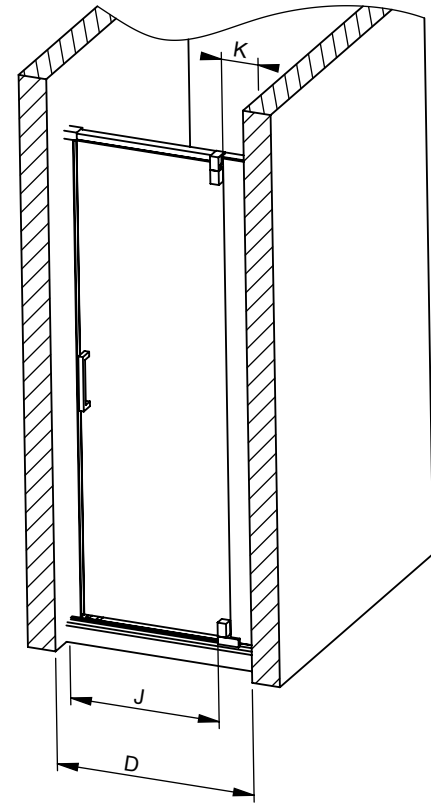
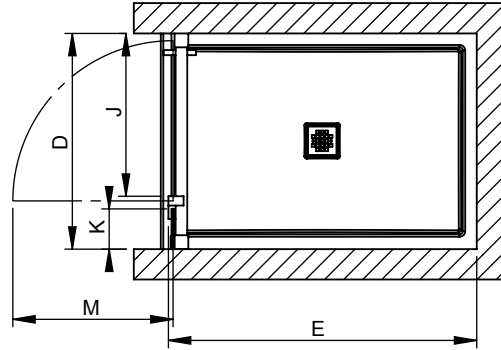
| SKU | Glass / Finish | Door Opening | Dimensions & Weight | Packaging | MSRP |
|--------------------|------------------------|--------------|--|-----------------------|---------|
| 137836-900-084-000 | Clear / Chrome | Reversible | 57 1/8" - 46 5/8" x 78" / 136 lb / 62 kg | 10.11 ft ³ | \$ 1557 |
| 137836-900-305-000 | Clear / Brushed Nickel | | | | \$ 1678 |

ACCESSORIES

| SKU | Description | MSRP |
|------------------|---|--------|
| 10060311 | Corner glass shelf (9 3/8 x 9 3/8 in.) (sold separately) 10 mm frosted glass with a clear band along the edge Compatible with Utile and tile shower walls | \$ 152 |
| 10068586-305-603 | 10068586-XXX-603 - Designer handle 8" | \$ 224 |
| 10068586-084-603 | Available colours: Chrome (084), Brushed Nickel (305) | \$ 206 |

All dimensions are approximate. Structure measurements must be verified against the unit to ensure proper fit.

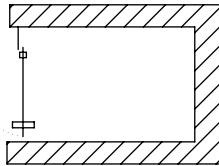
Moduir PIVOT SHOWER DOOR:
DEEP ALCOVE 32/34" (504)



ALCOVE DOORS - PIVOT

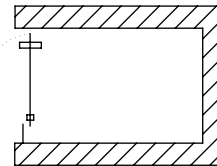
All complementary installation can be also build from the same listed product

PIVOT ON LEFT



504 OPTIONAL

PIVOT ON RIGHT



504 AS SHOWN

| PRODUCT | BASE SIZE | G | E | D | J | K | M |
|---------|-----------|-----------------------|-------------------|-------------------|-----------------------|-------------|-------------|
| | | HEIGHT (top of glass) | DEPTH (min-max) | WIDTH (min-max) | DOOR ACCESS (maximum) | FIXED PANEL | ENCUMBRANCE |
| 137837 | 48X32 | 78" | 45-1/8" - 46-5/8" | 30-1/4" - 31-1/2" | 26-1/2" | | 27-3/16" |
| 137836 | 48X34 | | | 32-1/4" - 33-1/2" | | | |
| 137837 | 60X32 | | 57-1/8" - 58-5/8" | 30-1/4" - 31-1/2" | | | |

ModulR Wall-Mounted Shower Doors



ALCOVE DOORS - PIVOT



Material : Tempered Glass

Features

- > • Pivot door
- 8mm tempered glass with lotus glass protection
- Magnetic closure for increased watertightness
- Reversible doors for left or right opening

MODULR WALL-MOUNTED 48 X 36 X 78 - 8MM - 137863

| SKU | Glass / Finish | Door Opening | Dimensions & Weight | MSRP |
|--------------------|------------------------|--------------|------------------------------------|---------|
| 137863-900-084-000 | Clear / Chrome | Reversible | 48" - 48" x 78" / 192.5 lb / 87 kg | \$ 3056 |
| 137863-900-305-000 | Clear / Brushed Nickel | | | \$ 3286 |

MODULR WALL-MOUNTED 48 X 34 X 78 - 8MM - 137864

| SKU | Glass / Finish | Door Opening | Dimensions & Weight | MSRP |
|--------------------|------------------------|--------------|----------------------------------|---------|
| 137864-900-084-000 | Clear / Chrome | Reversible | 48" - 48" x 78" / 206 lb / 93 kg | \$ 3041 |
| 137864-900-305-000 | Clear / Brushed Nickel | | | \$ 3268 |

MODULR WALL-MOUNTED 48 X 32 X 78 - 8MM - 137865

| SKU | Glass / Finish | Door Opening | Dimensions & Weight | MSRP |
|--------------------|------------------------|--------------|------------------------------------|---------|
| 137865-900-084-000 | Clear / Chrome | Reversible | 48" - 48" x 78" / 180.5 lb / 82 kg | \$ 3026 |
| 137865-900-305-000 | Clear / Brushed Nickel | | | \$ 3255 |

MODULR WALL-MOUNTED 60 X 36 X 78 - 8MM - 137873

| SKU | Glass / Finish | Door Opening | Dimensions & Weight | MSRP |
|--------------------|------------------------|--------------|------------------------------------|---------|
| 137873-900-084-000 | Clear / Chrome | Reversible | 60" - 60" x 78" / 82.26 lb / 37 kg | \$ 3318 |
| 137873-900-305-000 | Clear / Brushed Nickel | | | \$ 3572 |

MODULR WALL-MOUNTED 60 X 32 X 78 - 8MM - 137874

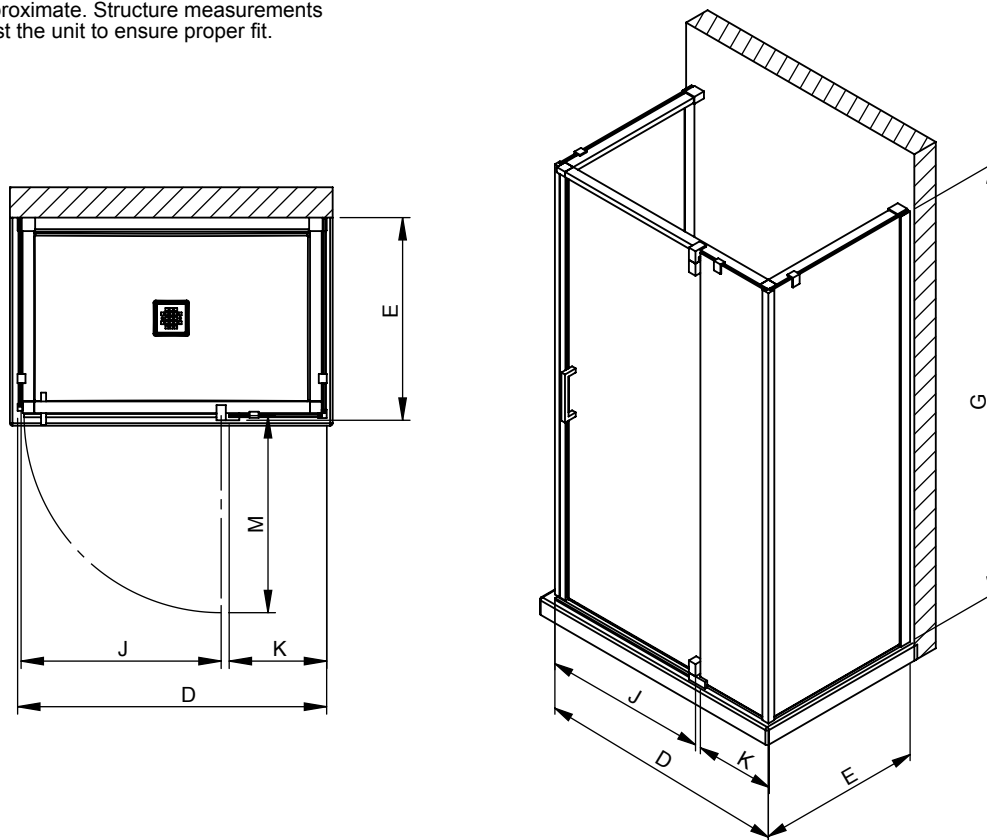
| SKU | Glass / Finish | Door Opening | Dimensions & Weight | MSRP |
|--------------------|------------------------|--------------|-------------------------------------|---------|
| 137874-900-084-000 | Clear / Chrome | Reversible | 60" - 60" x 78" / 208 lb / 94 kg | \$ 3286 |
| 137874-900-305-000 | Clear / Brushed Nickel | | | \$ 3539 |

ACCESSORIES

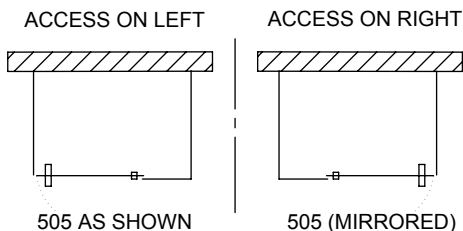
| SKU | Description | MSRP |
|------------------|---|--------|
| 10060311 | Corner glass shelf (9 3/8 x 9 3/8 in.) (sold separately) 10 mm frosted glass with a clear band along the edge Compatible with Utile and tile shower walls | \$ 152 |
| 10068586-305-603 | 10068586-XXX-603 - Designer handle 8" | \$ 224 |
| 10068586-084-603 | Available colours: Chrome (084), Brushed Nickel (305) | \$ 206 |

All dimensions are approximate. Structure measurements must be verified against the unit to ensure proper fit.

ModuIR PIVOT SHOWER DOOR:
WALLMOUNT SHOWER (505)



All complementary installation can be also build from the same listed product



| PRODUCT | BASE SIZE | G | D | E | J | K | M |
|---------|-----------|-----------------------|-----------------|-------------------|-----------------------|-----------------|-----------------|
| | | HEIGHT (top of glass) | WIDTH (min-max) | DEPTH (min-max) | DOOR ACCESS (maximum) | FIXED PANEL | FLOOR-CLEARANCE |
| 137865 | 48X32 | 78" | 45-1/2" - 47" | 30-1/8" - 31-3/8" | 26-1/2" | 15-1/4"-15-1/2" | 27-7/8" |
| 137864 | 48X34 | | | 32-1/8" - 33-3/8" | | | |
| 137863 | 48X36 | | | 34-1/8" - 35-3/8" | | | |
| 137874 | 60X32 | | | 30-1/8" - 31-3/8" | | | |
| 137873 | 60X36 | | | 34-1/8" - 35-3/8" | | | |



Madono Shower Doors



Material : Tempered Glass

Features

- > 1-panel 1/4 in./6 mm frameless pivot door for alcove shower
- > Chrome knob for a clean simple look
- > Reversible door for left or right opening

ALCOVE DOORS - PIVOT

MADONO 28 1/2-30 1/2 X 67 - 6MM - 105416

| SKU | Glass / Finish | Door Opening | Dimensions & Weight | Packaging | MSRP |
|--------------------|----------------|--------------|---|----------------------|--------|
| 105416-900-084-000 | Clear / Chrome | Reversible | 28 1/2" - 30 1/2" x 67" / 32.0 lb / 15 kg | 3.62 ft ³ | \$ 619 |

MADONO 31 1/2-33 1/2 X 67 - 6MM - 105417

| SKU | Glass / Finish | Door Opening | Dimensions & Weight | Packaging | MSRP |
|--------------------|----------------|--------------|---|----------------------|--------|
| 105417-900-084-000 | Clear / Chrome | Reversible | 31 1/2" - 33 1/2" x 67" / 34.0 lb / 15 kg | 3.99 ft ³ | \$ 659 |

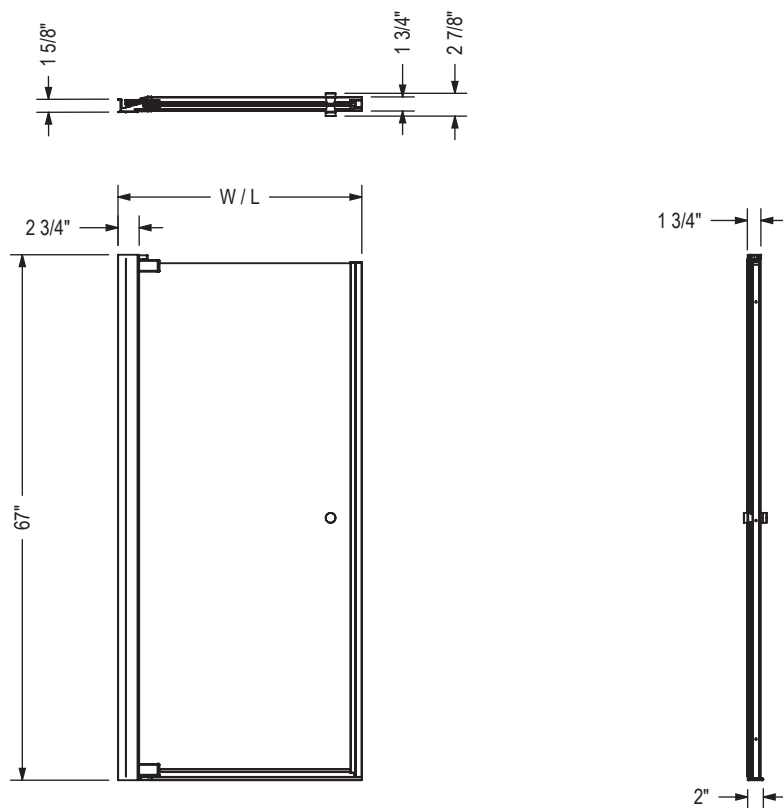
MADONO 34 1/2-36 1/2 X 67 - 6MM - 105418

| SKU | Glass / Finish | Door Opening | Dimensions & Weight | Packaging | MSRP |
|--------------------|----------------|--------------|---|----------------------|--------|
| 105418-900-084-000 | Clear / Chrome | Reversible | 34 1/2" - 36 1/2" x 67" / 46 lb / 21 kg | 3.99 ft ³ | \$ 705 |

MADONO 24 1/2-26 1/2 X 67 - 6MM - 105420

| SKU | Glass / Finish | Door Opening | Dimensions & Weight | Packaging | MSRP |
|--------------------|----------------|--------------|---|----------------------|--------|
| 105420-900-084-000 | Clear / Chrome | Reversible | 24 1/2" - 26 1/2" x 67" / 40 lb / 18 kg | 3.62 ft ³ | \$ 573 |

STANDARD

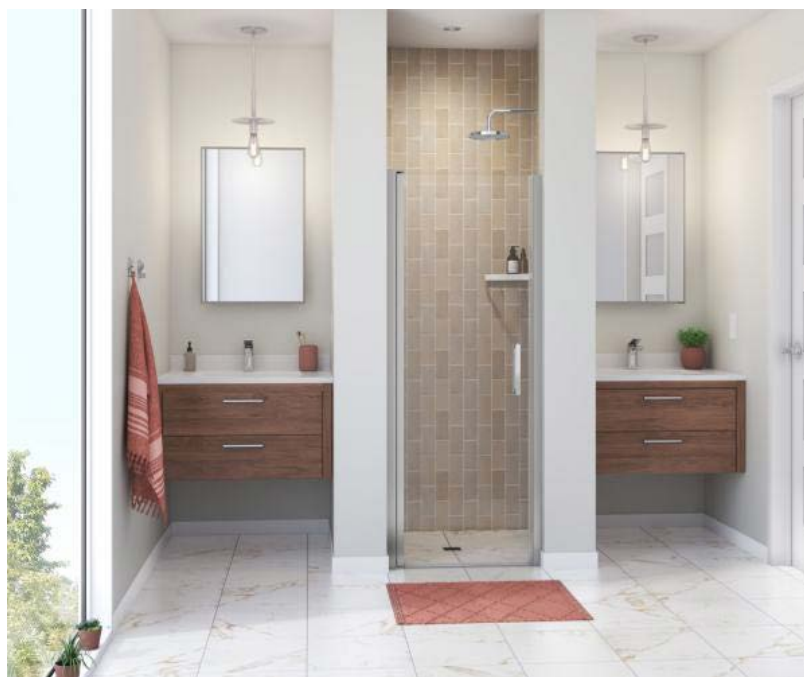


| Code | Description | H | W / L |
|---------------|------------------------------------|-----|-------------------|
| 105420/105419 | Madono / Insight 24-1/2" - 26-1/2" | 67" | 24-1/2" - 26-1/2" |
| 105416/105316 | Madono / Insight 28-1/2" - 30-1/2" | 67" | 28-1/2" - 30-1/2" |
| 105417/105317 | Madono / Insight 31-1/2" - 33-1/2" | 67" | 31-1/2" - 33-1/2" |
| 105418/105318 | Madono / Insight 34-1/2" - 36-1/2" | 67" | 34-1/2" - 36-1/2" |

All dimensions are approximate. Structure measurements must be verified against the unit to ensure proper fit.



Manhattan 1 Panel Shower Doors



Material : Tempered Glass

Features

- › Frameless Pivot door for Alcove Installation
- › Available in 3 stylish finishes and 18 sizes
- › 6mm (1/4") clear tempered glass
- › 2" of lateral adjustment integrated into each door. For an additional 1/2-inch, see filler sold separately (SKU 10041204)
- › Door pivoting inside and outside (180 degrees)
- › Slim interface of 7/8" (22mm) to fit on most shower bases
- › No threshold piece for ease of cleaning and easy access
- › No height restrictions
- › Wide opening for comfortable access

ALCOVE DOORS - PIVOT

MANHATTAN 23-25 X 68 - 6MM - 138260

| SKU | Glass / Finish | Door Opening | Dimensions & Weight | Packaging | MSRP |
|--------------------|------------------------|--------------|---------------------------------|-----------------------|--------|
| 138260-900-084-100 | Clear / Chrome | Reversible | 23" - 25" x 68" / 36 lb / 16 kg | 5.147 ft ³ | \$ 549 |
| 138260-900-084-101 | | | | | \$ 519 |
| 138260-900-305-100 | Clear / Brushed Nickel | | | | \$ 559 |
| 138260-900-305-101 | | | | | \$ 546 |
| 138260-900-340-100 | Clear / Matte Black | | | | \$ 571 |
| 138260-900-340-101 | | | | | \$ 571 |

MANHATTAN 25-27 X 68 - 6MM - 138261

| SKU | Glass / Finish | Door Opening | Dimensions & Weight | Packaging | MSRP |
|--------------------|------------------------|--------------|---------------------------------|-----------------------|--------|
| 138261-900-084-100 | Clear / Chrome | Reversible | 25" - 27" x 68" / 38 lb / 17 kg | 4.049 ft ³ | \$ 559 |
| 138261-900-084-101 | | | | | \$ 559 |
| 138261-900-305-100 | Clear / Brushed Nickel | | | | \$ 587 |
| 138261-900-305-101 | | | | | \$ 587 |
| 138261-900-340-100 | Clear / Matte Black | | | | \$ 614 |
| 138261-900-340-101 | | | | | \$ 614 |

MANHATTAN 27-29 X 68 - 6MM - 138262

| SKU | Glass / Finish | Door Opening | Dimensions & Weight | Packaging | MSRP |
|--------------------|------------------------|--------------|---------------------------------|-----------------------|--------|
| 138262-900-084-100 | Clear / Chrome | Reversible | 27" - 29" x 68" / 40 lb / 18 kg | 4.461 ft ³ | \$ 598 |
| 138262-900-084-101 | | | | | \$ 598 |
| 138262-900-305-100 | Clear / Brushed Nickel | | | | \$ 628 |
| 138262-900-305-101 | | | | | \$ 628 |
| 138262-900-340-100 | Clear / Matte Black | | | | \$ 658 |
| 138262-900-340-101 | | | | | \$ 658 |

MANHATTAN 29-31 X 68 - 6MM - 138263

| SKU | Glass / Finish | Door Opening | Dimensions & Weight | Packaging | MSRP |
|--------------------|------------------------|--------------|---------------------------------|-----------------------|--------|
| 138263-900-084-100 | Clear / Chrome | Reversible | 29" - 31" x 68" / 44 lb / 20 kg | 4.461 ft ³ | \$ 640 |
| 138263-900-084-101 | | | | | \$ 640 |
| 138263-900-305-100 | Clear / Brushed Nickel | | | | \$ 672 |
| 138263-900-305-101 | | | | | \$ 672 |
| 138263-900-340-100 | Clear / Matte Black | | | | \$ 704 |
| 138263-900-340-101 | | | | | \$ 704 |

MANHATTAN 31-33 X 68 - 6MM - 138264

| SKU | Glass / Finish | Door Opening | Dimensions & Weight | Packaging | MSRP |
|--------------------|------------------------|--------------|---------------------------------|-----------------------|--------|
| 138264-900-084-100 | Clear / Chrome | Reversible | 31" - 33" x 68" / 46 lb / 21 kg | 4.804 ft ³ | \$ 684 |
| 138264-900-084-101 | | | | | \$ 684 |
| 138264-900-305-100 | Clear / Brushed Nickel | | | | \$ 718 |
| 138264-900-305-101 | | | | | \$ 718 |
| 138264-900-340-100 | Clear / Matte Black | | | | \$ 752 |
| 138264-900-340-101 | | | | | \$ 752 |

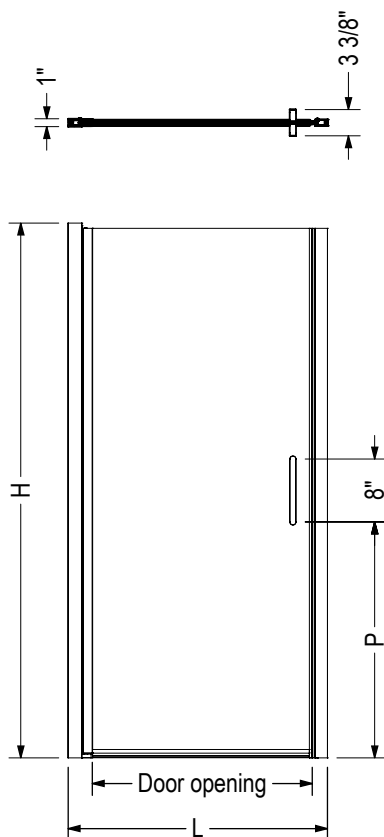
MANHATTAN 33-35 X 68 - 6MM - 138265

| SKU | Glass / Finish | Door Opening | Dimensions & Weight | Packaging | MSRP |
|--------------------|------------------------|--------------|---------------------------------|-----------------------|--------|
| 138265-900-084-100 | Clear / Chrome | Reversible | 33" - 35" x 68" / 50 lb / 23 kg | 5.147 ft ³ | \$ 733 |
| 138265-900-084-101 | | | | | \$ 733 |
| 138265-900-305-100 | Clear / Brushed Nickel | | | | \$ 769 |
| 138265-900-305-101 | | | | | \$ 769 |
| 138265-900-340-100 | Clear / Matte Black | | | | \$ 806 |
| 138265-900-340-101 | | | | | \$ 806 |

ACCESSORIES

| SKU | Description | MSRP |
|------------------|--|-------|
| 10041204-340-001 | | \$ 75 |
| 10041204-305-001 | Manhattan Shower Door Filler 1/2 in. Available finishes: Chrome (084), Brushed Nickel (305) and Matte Black (340) | \$ 71 |
| 10041204-084-001 | | \$ 68 |

STANDARD



| Code | Description | H | L Adjustable | Door opening | P |
|--------|---------------------------|-----|--------------|--------------|-----|
| 138260 | Manhattan 68" x 23" - 25" | 68" | 23" - 25" | 18 3/8" | 30" |
| 138261 | Manhattan 68" x 25" - 27" | 68" | 25" - 27" | 20 3/8" | 30" |
| 138262 | Manhattan 68" x 27" - 29" | 68" | 27" - 29" | 22 3/8" | 30" |
| 138263 | Manhattan 68" x 29" - 31" | 68" | 29" - 31" | 24 3/8" | 30" |
| 138264 | Manhattan 68" x 31" - 33" | 68" | 31" - 33" | 26 3/8" | 30" |
| 138265 | Manhattan 68" x 33" - 35" | 68" | 33" - 35" | 28 3/8" | 30" |

All dimensions are approximate. Structure measurements must be verified against the unit to ensure proper fit.



Manhattan 2 Panel Shower Doors



Material : Tempered Glass

Features

- › Frameless Pivot door for Alcove Installation
- › Available in 3 stylish finishes and 18 sizes
- › 6mm (1/4") clear tempered glass
- › 2" of lateral adjustment integrated into each door. For an additional 1/2-inch, see filler sold separately (SKU 10041204)
- › Door pivoting inside and outside (180 degrees)
- › Slim interface of 7/8" (22mm) to fit on most shower bases
- › No threshold piece for ease of cleaning and easy access
- › No height restrictions
- › Wide opening for comfortable access

ALCOVE DOORS - PIVOT

MANHATTAN 35-37 X 68 - 6MM - 138266

| SKU | Glass / Finish | Door Opening | Dimensions & Weight | Packaging | MSRP |
|--------------------|------------------------|--------------|---------------------------------|-----------------------|--------|
| 138266-900-084-100 | Clear / Chrome | Reversible | 35" - 37" x 68" / 54 lb / 24 kg | 4.461 ft ³ | \$ 806 |
| 138266-900-084-101 | | | | | \$ 806 |
| 138266-900-305-100 | Clear / Brushed Nickel | | | | \$ 846 |
| 138266-900-305-101 | | | | | \$ 846 |
| 138266-900-340-100 | Clear / Matte Black | | | | \$ 887 |
| 138266-900-340-101 | | | | | \$ 887 |

MANHATTAN 37-39 X 68 - 6MM - 138267

| SKU | Glass / Finish | Door Opening | Dimensions & Weight | Packaging | MSRP |
|--------------------|------------------------|--------------|---------------------------------|-----------------------|--------|
| 138267-900-084-100 | Clear / Chrome | Reversible | 37" - 39" x 68" / 58 lb / 26 kg | 5.147 ft ³ | \$ 830 |
| 138267-900-084-101 | | | | | \$ 830 |
| 138267-900-305-100 | Clear / Brushed Nickel | | | | \$ 872 |
| 138267-900-305-101 | | | | | \$ 872 |
| 138267-900-340-100 | Clear / Matte Black | | | | \$ 913 |
| 138267-900-340-101 | | | | | \$ 913 |

MANHATTAN 39-41 X 68 - 6MM - 138268

| SKU | Glass / Finish | Door Opening | Dimensions & Weight | Packaging | MSRP |
|--------------------|------------------------|--------------|---------------------------------|-----------------------|--------|
| 138268-900-084-100 | Clear / Chrome | Reversible | 39" - 41" x 68" / 60 lb / 27 kg | 5.147 ft ³ | \$ 855 |
| 138268-900-084-101 | | | | | \$ 855 |
| 138268-900-305-100 | Clear / Brushed Nickel | | | | \$ 898 |
| 138268-900-305-101 | | | | | \$ 898 |
| 138268-900-340-100 | Clear / Matte Black | | | | \$ 940 |
| 138268-900-340-101 | | | | | \$ 940 |

MANHATTAN 41-43 X 68 - 6MM - 138269

| SKU | Glass / Finish | Door Opening | Dimensions & Weight | Packaging | MSRP |
|--------------------|------------------------|--------------|---------------------------------|-----------------------|--------|
| 138269-900-084-100 | Clear / Chrome | Reversible | 41" - 43" x 68" / 62 lb / 28 kg | 4.461 ft ³ | \$ 880 |
| 138269-900-084-101 | | | | | \$ 880 |
| 138269-900-305-100 | Clear / Brushed Nickel | | | | \$ 925 |
| 138269-900-305-101 | | | | | \$ 925 |
| 138269-900-340-100 | Clear / Matte Black | | | | \$ 969 |
| 138269-900-340-101 | | | | | \$ 969 |

MANHATTAN 43-45 X 68 - 6MM - 138270

| SKU | Glass / Finish | Door Opening | Dimensions & Weight | Packaging | MSRP |
|--------------------|------------------------|--------------|---------------------------------|-----------------------|--------|
| 138270-900-084-100 | Clear / Chrome | Reversible | 43" - 45" x 68" / 66 lb / 30 kg | 4.804 ft ³ | \$ 907 |
| 138270-900-084-101 | | | | | \$ 907 |
| 138270-900-305-100 | Clear / Brushed Nickel | | | | \$ 953 |
| 138270-900-305-101 | | | | | \$ 953 |
| 138270-900-340-100 | Clear / Matte Black | | | | \$ 998 |
| 138270-900-340-101 | | | | | \$ 998 |

MANHATTAN 45-47 X 68 - 6MM - 138271

| SKU | Glass / Finish | Door Opening | Dimensions & Weight | Packaging | MSRP |
|--------------------|------------------------|--------------|---------------------------------|-----------------------|---------|
| 138271-900-084-100 | Clear / Chrome | Reversible | 45" - 47" x 68" / 70 lb / 32 kg | 3.809 ft ³ | \$ 934 |
| 138271-900-084-101 | | | | | \$ 934 |
| 138271-900-305-100 | Clear / Brushed Nickel | | | | \$ 981 |
| 138271-900-305-101 | | | | | \$ 981 |
| 138271-900-340-100 | Clear / Matte Black | | | | \$ 1028 |
| 138271-900-340-101 | | | | | \$ 1028 |

MANHATTAN 47-49 X 68 - 6MM - 138272

| SKU | Glass / Finish | Door Opening | Dimensions & Weight | Packaging | MSRP |
|--------------------|------------------------|--------------|---------------------------------|-----------------------|---------|
| 138272-900-084-100 | Clear / Chrome | Reversible | 47" - 49" x 68" / 72 lb / 33 kg | 4.461 ft ³ | \$ 962 |
| 138272-900-084-101 | | | | | \$ 962 |
| 138272-900-305-100 | Clear / Brushed Nickel | | | | \$ 1011 |
| 138272-900-305-101 | | | | | \$ 1011 |
| 138272-900-340-100 | Clear / Matte Black | | | | \$ 1059 |
| 138272-900-340-101 | | | | | \$ 1059 |

MANHATTAN 49-51 X 68 - 6MM - 138273

| SKU | Glass / Finish | Door Opening | Dimensions & Weight | Packaging | MSRP |
|--------------------|------------------------|--------------|---------------------------------|-----------------------|---------|
| 138273-900-084-100 | Clear / Chrome | Reversible | 49" - 51" x 68" / 74 lb / 34 kg | 4.804 ft ³ | \$ 991 |
| 138273-900-084-101 | | | | | \$ 991 |
| 138273-900-305-100 | Clear / Brushed Nickel | | | | \$ 1041 |
| 138273-900-305-101 | | | | | \$ 1041 |
| 138273-900-340-100 | Clear / Matte Black | | | | \$ 1091 |
| 138273-900-340-101 | | | | | \$ 1091 |

MANHATTAN 51-53 X 68 - 6MM - 138274

| SKU | Glass / Finish | Door Opening | Dimensions & Weight | Packaging | MSRP |
|--------------------|------------------------|--------------|---------------------------------|-----------------------|---------|
| 138274-900-084-100 | Clear / Chrome | Reversible | 51" - 53" x 68" / 76 lb / 34 kg | 4.804 ft ³ | \$ 1021 |
| 138274-900-084-101 | | | | | \$ 1021 |
| 138274-900-305-100 | Clear / Brushed Nickel | | | | \$ 1073 |
| 138274-900-305-101 | | | | | \$ 1073 |
| 138274-900-340-100 | Clear / Matte Black | | | | \$ 1124 |
| 138274-900-340-101 | | | | | \$ 1124 |

MANHATTAN 53-55 X 68 - 6MM - 138275

| SKU | Glass / Finish | Door Opening | Dimensions & Weight | Packaging | MSRP |
|--------------------|------------------------|--------------|---------------------------------|-----------------------|---------|
| 138275-900-084-100 | Clear / Chrome | Reversible | 53" - 55" x 68" / 80 lb / 36 kg | 4.804 ft ³ | \$ 1050 |
| 138275-900-084-101 | | | | | \$ 1050 |
| 138275-900-305-100 | Clear / Brushed Nickel | | | | \$ 1103 |
| 138275-900-305-101 | | | | | \$ 1103 |
| 138275-900-340-100 | Clear / Matte Black | | | | \$ 1156 |
| 138275-900-340-101 | | | | | \$ 1156 |

MANHATTAN 55-57 X 68 - 6MM - 138276

| SKU | Glass / Finish | Door Opening | Dimensions & Weight | Packaging | MSRP |
|--------------------|------------------------|--------------|---------------------------------|-----------------------|---------|
| 138276-900-084-100 | Clear / Chrome | Reversible | 55" - 57" x 68" / 82 lb / 37 kg | 4.804 ft ³ | \$ 1082 |
| 138276-900-084-101 | | | | | \$ 1082 |
| 138276-900-305-100 | Clear / Brushed Nickel | | | | \$ 1137 |
| 138276-900-305-101 | | | | | \$ 1137 |
| 138276-900-340-100 | Clear / Matte Black | | | | \$ 1191 |
| 138276-900-340-101 | | | | | \$ 1191 |

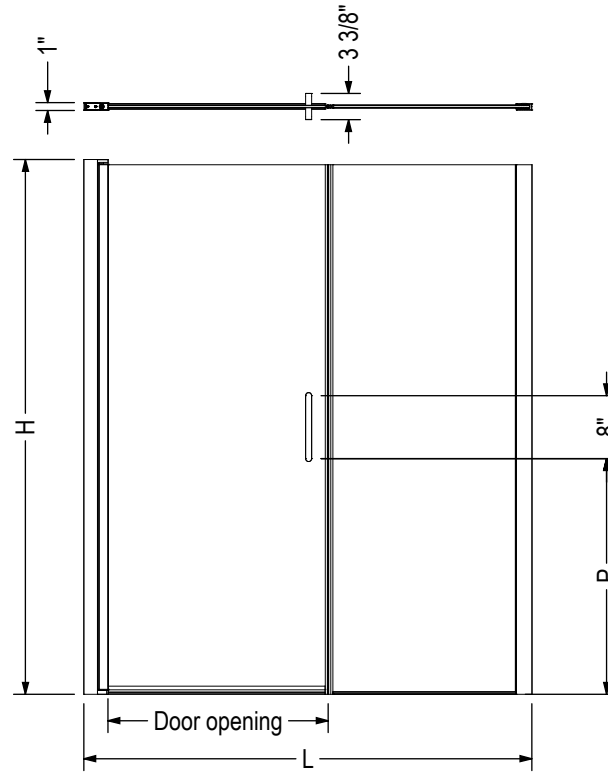
MANHATTAN 57-59 X 68 - 6MM - 138277

| SKU | Glass / Finish | Door Opening | Dimensions & Weight | Packaging | MSRP |
|--------------------|------------------------|--------------|---------------------------------|----------------------|---------|
| 138277-900-084-100 | Clear / Chrome | Reversible | 57" - 59" x 68" / 84 lb / 38 kg | 5.08 ft ³ | \$ 1115 |
| 138277-900-084-101 | | | | | \$ 1115 |
| 138277-900-305-100 | Clear / Brushed Nickel | | | | \$ 1172 |
| 138277-900-305-101 | | | | | \$ 1172 |
| 138277-900-340-100 | Clear / Matte Black | | | | \$ 1227 |
| 138277-900-340-101 | | | | | \$ 1227 |

ACCESSORIES

| SKU | Description | MSRP |
|------------------|--|-------|
| 10041204-340-001 | | \$ 75 |
| 10041204-305-001 | Manhattan Shower Door Filler 1/2 in. Available finishes: Chrome (084), Brushed Nickel (305) and Matte Black (340) | \$ 71 |
| 10041204-084-001 | | \$ 68 |
| 10037592-084-601 | | \$ 73 |
| 10037592-340-601 | Fixed Panel Support Bar for Extra Support. Available finishes: Chrome (084), Brushed Nickel (305) and Matte Black (340) | \$ 80 |
| 10037592-305-601 | | \$ 77 |

STANDARD



| Code | Description | H | L Adjustable | Door opening | P |
|--------|---------------------------|-----|--------------|--------------|-----|
| 138266 | Manhattan 68" x 35" - 37" | 68" | 35" - 37" | 24 3/8" | 30" |
| 138267 | Manhattan 68" x 37" - 39" | 68" | 37" - 39" | 26 3/8" | 30" |
| 138268 | Manhattan 68" x 39" - 41" | 68" | 39" - 41" | 28 3/8" | 30" |
| 138269 | Manhattan 68" x 41" - 43" | 68" | 41" - 43" | 24 3/8" | 30" |
| 138270 | Manhattan 68" x 43" - 45" | 68" | 43" - 45" | 26 3/8" | 30" |
| 138271 | Manhattan 68" x 45" - 47" | 68" | 45" - 47" | 28 3/8" | 30" |
| 138272 | Manhattan 68" x 47" - 49" | 68" | 47" - 49" | 24 3/8" | 30" |
| 138273 | Manhattan 68" x 49" - 51" | 68" | 49" - 51" | 26 3/8" | 30" |
| 138274 | Manhattan 68" x 51" - 53" | 68" | 51" - 53" | 28 3/8" | 30" |
| 138275 | Manhattan 68" x 53" - 55" | 68" | 53" - 55" | 24 3/8" | 30" |
| 138276 | Manhattan 68" x 55" - 57" | 68" | 55" - 57" | 26 3/8" | 30" |
| 138277 | Manhattan 68" x 57" - 59" | 68" | 57" - 59" | 28 3/8" | 30" |

All dimensions are approximate. Structure measurements must be verified against the unit to ensure proper fit.



Pivolok Deluxe Shower Doors

ALCOVE DOORS - PIVOT



Material : Tempered Glass

Features

- › 1-panel framed pivot door for alcove shower
- › Full-length magnetic catch concealed in the door edge which allows the door to close tightly
- › Reversible door for left or right installation
- › Framed integrated channel redirects water toward the inside of the shower
- › Fixed panel allows to increase the adjustment to fit wider shower openings

PIVOLOK DELUXE 32 1/2-37 X 64 1/2 IN. - 136435

| SKU | Glass / Finish | Door Opening | Dimensions & Weight | Packaging | MSRP |
|--------------------|----------------|--------------|---|----------------------|--------|
| 136435-900-084-000 | Clear / Chrome | Reversible | 32 1/2" - 37" x 64 1/2" / 44 lb / 20 kg | 3.48 ft ³ | \$ 683 |



Pivolok Shower Doors



Material : Tempered Glass

Features

- > 1-panel framed pivot door for alcove shower
- > Full-length magnetic catch allows the door to close tightly
- > Reversible door for left or right installation
- > Integrated channel redirects water toward the inside of the shower
- > Full-length aluminum pull reinforces door and doubles as a handle

ALCOVE DOORS - PIVOT

PIVOLOK 19-20 ¾ X 64 ½ IN. - 136605

| SKU | Glass / Finish | Door Opening | Dimensions & Weight | Packaging | MSRP |
|--------------------|-------------------|--------------|---|-----------|--------|
| 136605-900-084-000 | Clear / Chrome | Reversible | 19" - 20 3/4" x 64 1/2" / 25 lb / 11 kg | 2.25 ft³ | \$ 476 |
| 136605-970-084-000 | Raindrop / Chrome | | | | \$ 476 |

PIVOLOK 21-22 ¾ X 64 ½ IN. - 136615

| SKU | Glass / Finish | Door Opening | Dimensions & Weight | Packaging | MSRP |
|--------------------|-------------------|--------------|---|-----------|--------|
| 136615-900-084-000 | Clear / Chrome | Reversible | 21" - 22 3/4" x 64 1/2" / 28 lb / 13 kg | 2.41 ft³ | \$ 476 |
| 136615-970-084-000 | Raindrop / Chrome | | | | \$ 476 |

PIVOLOK 23-24 ¾ X 64 ½ IN. - 136625

| SKU | Glass / Finish | Door Opening | Dimensions & Weight | Packaging | MSRP |
|--------------------|-------------------|--------------|---|-----------|--------|
| 136625-900-084-000 | Clear / Chrome | Reversible | 23" - 24 3/4" x 64 1/2" / 32 lb / 15 kg | 2.64 ft³ | \$ 483 |
| 136625-970-084-000 | Raindrop / Chrome | | | | \$ 483 |

PIVOLOK 25-26 ¾ X 64 ½ IN. - 136626

| SKU | Glass / Finish | Door Opening | Dimensions & Weight | Packaging | MSRP |
|--------------------|-------------------|--------------|---|-----------|--------|
| 136626-900-084-000 | Clear / Chrome | Reversible | 25" - 26 3/4" x 64 1/2" / 31 lb / 14 kg | 2.53 ft³ | \$ 483 |
| 136626-970-084-000 | Raindrop / Chrome | | | | \$ 483 |

PIVOLOK 27-28 ¾ X 64 ½ IN. - 136635

| SKU | Glass / Finish | Door Opening | Dimensions & Weight | Packaging | MSRP |
|--------------------|-------------------|--------------|-------------------------------------|-----------|--------|
| 136635-900-084-000 | Clear / Chrome | Reversible | 27" - 28 ¾" x 64 ½" / 34 lb / 15 kg | 3.08 ft³ | \$ 503 |
| 136635-970-084-000 | Raindrop / Chrome | | | | \$ 503 |

PIVOLOK 29-30 ¾ X 64 ½ IN. - 136645

| SKU | Glass / Finish | Door Opening | Dimensions & Weight | Packaging | MSRP |
|--------------------|-------------------|--------------|-------------------------------------|-----------|--------|
| 136645-900-084-000 | Clear / Chrome | Reversible | 29" - 30 ¾" x 64 ½" / 35 lb / 16 kg | 3.23 ft³ | \$ 520 |
| 136645-970-084-000 | Raindrop / Chrome | | | | \$ 520 |

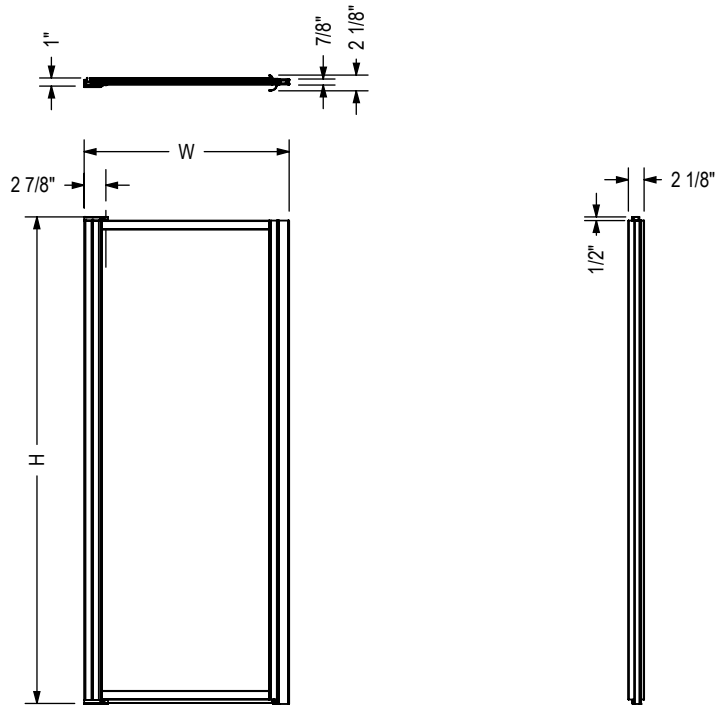
PIVOLOK 31-32 ¾ X 64 ½ IN. - 136655

| SKU | Glass / Finish | Door Opening | Dimensions & Weight | Packaging | MSRP |
|--------------------|-------------------|--------------|-------------------------------------|-----------|--------|
| 136655-900-084-000 | Clear / Chrome | Reversible | 31" - 32 ¾" x 64 ½" / 37 lb / 17 kg | 3.24 ft³ | \$ 520 |
| 136655-970-084-000 | Raindrop / Chrome | | | | \$ 520 |

PIVOLOK 33-34 ¾ X 64 ½ IN. - 136656

| SKU | Glass / Finish | Door Opening | Dimensions & Weight | Packaging | MSRP |
|--------------------|-------------------|--------------|-------------------------------------|-----------|--------|
| 136656-900-084-000 | Clear / Chrome | Reversible | 33" - 34 ¾" x 64 ½" / 38 lb / 17 kg | 3.35 ft³ | \$ 534 |
| 136656-970-084-000 | Raindrop / Chrome | | | | \$ 534 |

STANDARD



| Code | Description | H | W |
|--------|----------------------------|---------|---------------|
| 136605 | Door Pivolok 19" - 20 3/4" | 64 1/2" | 19" - 20 3/4" |
| 136615 | Door Pivolok 21" - 22 3/4" | 64 1/2" | 21" - 22 3/4" |
| 136625 | Door Pivolok 23" - 24 3/4" | 64 1/2" | 23" - 24 3/4" |
| 136626 | Door Pivolok 25" - 26 3/4" | 64 1/2" | 25" - 26 3/4" |
| 136635 | Door Pivolok 27" - 28 3/4" | 64 1/2" | 27" - 28 3/4" |
| 136645 | Door Pivolok 29" - 30 3/4" | 64 1/2" | 29" - 30 3/4" |
| 136655 | Door Pivolok 31" - 32 3/4" | 64 1/2" | 31" - 32 3/4" |
| 136656 | Door Pivolok 33" - 34 3/4" | 64 1/2" | 33" - 34 3/4" |

All dimensions are approximate. Structure measurements must be verified against the unit to ensure proper fit.



Polar Shower Doors

ALCOVE DOORS - PIVOT



Material : Tempered Glass

Features

- › Raindrop 4 mm tempered glass for more intimacy
- › Chrome finish frame with integrated vertical handle for a clean look
- › Pivoting door provides a wide opening for ease of access in and out of the shower
- › Reversible, allowing for left or right opening to accommodate different bathroom layouts
- › Full-length magnetic door latch ensures the door remains securely closed
- › Out of plumb adjustment in the wall profile
- › Door made of luxurious ANSI certified tempered glass for your safety
- › Proudly made in North America
- › Warranty: 10 years

POLAR PIVOT 27-28 3/4 X 64 1/2 IN. - 136730

| SKU | Glass / Finish | Door Opening | Dimensions & Weight | Packaging | MSRP |
|--------------------|-------------------|--------------|---|----------------------|--------|
| 136730-970-084-000 | Raindrop / Chrome | Reversible | 27" - 28 3/4" x 64 1/2" / 34 lb / 15 kg | 3.08 ft ³ | \$ 503 |

POLAR PIVOT 31-32 3/4 X 64 1/2 IN. - 136731

| SKU | Glass / Finish | Door Opening | Dimensions & Weight | Packaging | MSRP |
|--------------------|-------------------|--------------|---|----------------------|--------|
| 136731-970-084-000 | Raindrop / Chrome | Reversible | 31" - 32 3/4" x 64 1/2" / 34 lb / 15 kg | 3.08 ft ³ | \$ 520 |

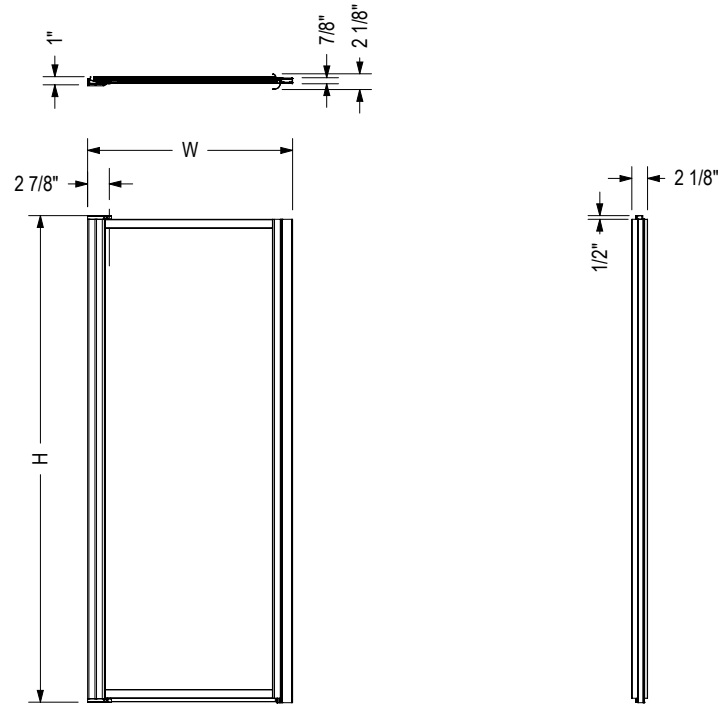
POLAR PIVOT 29-30 3/4 X 64 1/2 IN. - 136732

| SKU | Glass / Finish | Door Opening | Dimensions & Weight | Packaging | MSRP |
|--------------------|-------------------|--------------|---|----------------------|--------|
| 136732-970-084-000 | Raindrop / Chrome | Reversible | 29" - 30 3/4" x 64 1/2" / 34 lb / 15 kg | 3.08 ft ³ | \$ 520 |

POLAR PIVOT 33-34 3/4 X 64 1/2 IN. - 136733

| SKU | Glass / Finish | Door Opening | Dimensions & Weight | Packaging | MSRP |
|--------------------|-------------------|--------------|---|----------------------|--------|
| 136733-970-084-000 | Raindrop / Chrome | Reversible | 33" - 34 3/4" x 64 1/2" / 34 lb / 15 kg | 3.08 ft ³ | \$ 534 |

STANDARD



ALCOVE DOORS - PIVOT

| Code | Description | H | W |
|--------|--------------------------------|---------|---------------|
| 136730 | Door Polar Pivot 27" - 28 3/4" | 64 1/2" | 27" - 28 3/4" |
| 136732 | Door Polar Pivot 29" - 30 3/4" | 64 1/2" | 29" - 30 3/4" |
| 136731 | Door Polar Pivot 31" - 32 3/4" | 64 1/2" | 31" - 32 3/4" |
| 136733 | Door Polar Pivot 33" - 34 3/4" | 64 1/2" | 33" - 34 3/4" |

All dimensions are approximate. Structure measurements must be verified against the unit to ensure proper fit.



Reveal 71 Shower Doors

ALCOVE DOORS - PIVOT



Material : Tempered Glass

Features

- › 71 1/2 in. high luxury clear tempered glass, 5/16 in. (8 mm)
- › Unique MAAX Patented hinge - allows for 3 in. lateral adjustment
- › Reversible door for left or right opening
- › For installation on acrylic walls, ceramic and Utile
- › For a corner shower: combine a return panel and an alcove door
- › Available in 3 finishes: Chrome, Brushed Nickel and Dark Bronze

REVEAL 71 32 1/2-35 1/2 X 71 1/2 - 8MM - 136676

| SKU | Glass / Finish | Door Opening | Dimensions & Weight | Packaging | MSRP |
|--------------------|------------------------|--------------|--|---------------------|---------|
| 136676-900-084-000 | Clear / Chrome | Reversible | 32 1/2" - 35 1/2" x 71 1/2" / 110 lb / 50 kg | 5.2 ft ³ | \$ 1247 |
| 136676-900-173-000 | Clear / Dark Bronze | | 32 1/2" - 35 1/2" x 71 1/2" / 100 lb / 45 kg | | \$ 1351 |
| 136676-900-305-000 | Clear / Brushed Nickel | | | | \$ 1317 |

REVEAL 71 41 1/2-44 1/2 X 71 1/2 - 8MM - 136677

| SKU | Glass / Finish | Door Opening | Dimensions & Weight | Packaging | MSRP |
|--------------------|------------------------|--------------|--|---------------------|---------|
| 136677-900-084-000 | Clear / Chrome | Reversible | 41 1/2" - 44 1/2" x 71 1/2" / 121 lb / 55 kg | 5.2 ft ³ | \$ 1361 |
| 136677-900-173-000 | Clear / Dark Bronze | | 41 1/2" - 44 1/2" x 71 1/2" / 111 lb / 50 kg | | \$ 1466 |
| 136677-900-305-000 | Clear / Brushed Nickel | | | | \$ 1430 |

REVEAL 71 38-41 X 71 1/2 - 8 MM - 136679

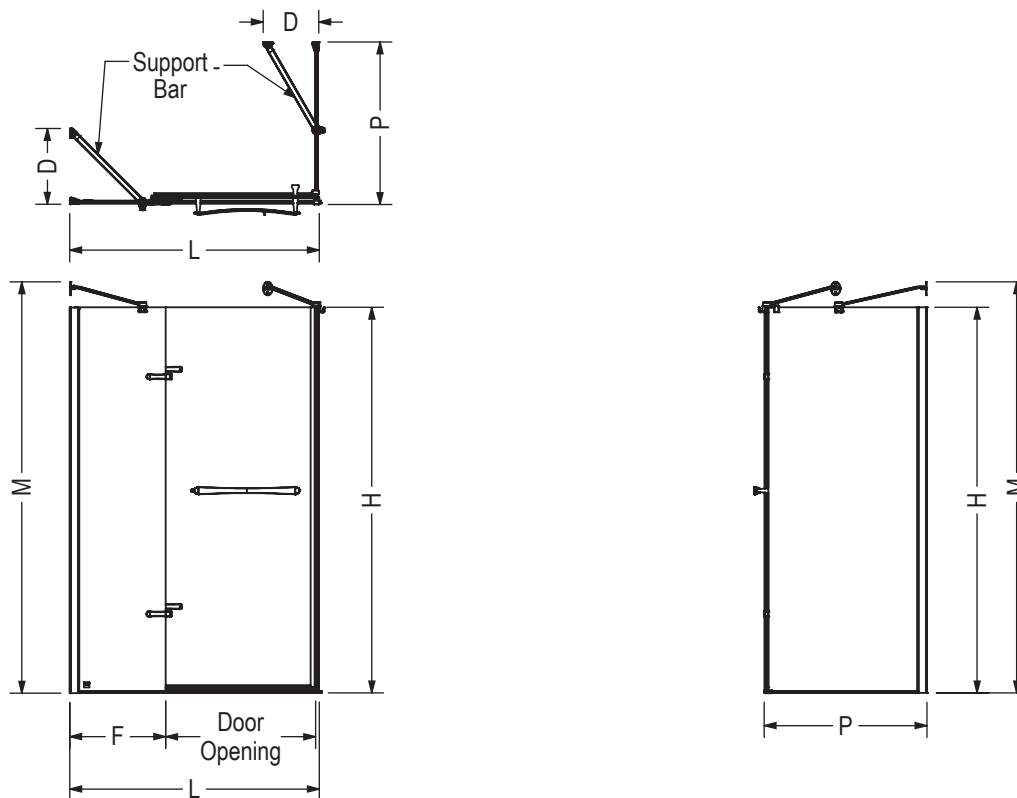
| SKU | Glass / Finish | Door Opening | Dimensions & Weight | Packaging | MSRP |
|--------------------|------------------------|--------------|--------------------------------------|---------------------|---------|
| 136679-900-084-000 | Clear / Chrome | Reversible | 38" - 41" x 71 1/2" / 114 lb / 52 kg | 5.2 ft ³ | \$ 1317 |
| 136679-900-173-000 | Clear / Dark Bronze | | 38" - 41" x 71 1/2" / 104 lb / 47 kg | | \$ 1425 |
| 136679-900-305-000 | Clear / Brushed Nickel | | | | \$ 1389 |

REVEAL 71 51 1/2-54 1/2 X 71 1/2 - 8MM - 136883

| SKU | Glass / Finish | Door Opening | Dimensions & Weight | Packaging | MSRP |
|--------------------|------------------------|--------------|--|---------------------|---------|
| 136883-900-084-000 | Clear / Chrome | Reversible | 51 1/2" - 54 1/2" x 71 1/2" / 142 lb / 64 kg | 5.2 ft ³ | \$ 1452 |
| 136883-900-173-000 | Clear / Dark Bronze | | 51 1/2" - 54 1/2" x 71 1/2" / 132 lb / 60 kg | | \$ 1557 |
| 136883-900-305-000 | Clear / Brushed Nickel | | | | \$ 1522 |

STANDARD

ALCOVE DOORS - PIVOT



| Code | Description | H | M | L Adjustable | F | P Adjustable | D Adjustable | Door Opening | Wall Adjustment | Support Bar |
|--------|-----------------------------|---------|---------|---------------|---------|--------------|--------------|--------------|-----------------|-------------|
| 136676 | Reveal 71.5 x 32.5" - 35.5" | 71 1/2" | 76 1/4" | 32.5" - 35.5" | 6 1/4" | | | 23" - 26" | 3/4" | |
| 136679 | Reveal 71.5 x 38" - 41" | 71 1/2" | 76 1/4" | 38" - 41" | 11 3/4" | | | 23" - 26" | 3/4" | |
| 136677 | Reveal 71.5 x 41.5" - 44.5" | 71 1/2" | 76 1/4" | 41.5" - 44.5" | 15 1/4" | | | 23" - 26" | 3/4" | |
| 136671 | Reveal 71.5 x 44" - 47" | 71 1/2" | 76 1/4" | 44" - 47" | 17 1/4" | | 9" - 15" | 23" - 26" | 3/4" | X |
| 136883 | Reveal 71.5 x 51.5" - 54.5" | 71 1/2" | 76 1/4" | 51.5" - 54.5" | 25 1/4" | | 9" - 15" | 23" - 26" | 3/4" | X |
| 136672 | Reveal 71.5 x 56" - 59" | 71 1/2" | 76 1/4" | 56" - 59" | 30" | | 9" - 15" | 23" - 26" | 3/4" | X |
| 136673 | Return Panel 32" | 71 1/2" | 76 1/4" | | | 29 7/8" | 9" - 15" | | 3/4" | X |
| 136674 | Return Panel 34" | 71 1/2" | 76 1/4" | | | 31 7/8" | 9" - 15" | | 3/4" | X |
| 136675 | Return Panel 36" | 71 1/2" | 76 1/4" | | | 33 7/8" | 9" - 15" | | 3/4" | X |

All dimensions are approximate. Structure measurements must be verified against the unit to ensure proper fit.



Reveal Sleek 71 Shower Doors



Material : Tempered Glass

Features

- › Strongly built sill, permanently fixed on the base, better water barrier
- › Strongly built sill, permanently fixed on the base, better water barrier
- › Hinge with patent mechanism that offers 3 in. of lateral adjustment
- › Additional 3/4 in. of out-of-plumb adjustment
- › Header-less door, no height restriction
- › New design, 1 7/8 in. deep, makes it compatible with many bases and tile solutions

ALCOVE DOORS - PIVOT

REVEAL SLEEK 71 32 1/2-35 1/2 X 71 1/2 - 8MM - 139575

| SKU | Glass / Finish | Door Opening | Dimensions & Weight | Packaging | MSRP |
|--------------------|------------------------|--------------|--|-----------------------------------|---------|
| 139575-900-084-000 | Clear / Chrome | Reversible | 32 1/2" - 35 1/2" x 71 1/2" / 100 lb / 45 kg | 4.722222222222222 ft ³ | \$ 1244 |
| 139575-900-173-000 | Clear / Dark Bronze | | | | \$ 1338 |
| 139575-900-305-000 | Clear / Brushed Nickel | | | | \$ 1307 |
| 139575-900-340-000 | Clear / Matte Black | | | | \$ 1338 |

REVEAL SLEEK 71 38-41 X 71 1/2 - 8MM - 139576

| SKU | Glass / Finish | Door Opening | Dimensions & Weight | Packaging | MSRP |
|--------------------|------------------------|--------------|--------------------------------------|----------------------|---------|
| 139576-900-084-000 | Clear / Chrome | Reversible | 38" - 41" x 71 1/2" / 114 lb / 52 kg | 4.72 ft ³ | \$ 1313 |
| 139576-900-173-000 | Clear / Dark Bronze | | | | \$ 1411 |
| 139576-900-305-000 | Clear / Brushed Nickel | | | | \$ 1376 |
| 139576-900-340-000 | Clear / Matte Black | | | | \$ 1411 |

REVEAL SLEEK 71 41 1/2-44 1/2 X 71 1/2 - 8MM - 139577

| SKU | Glass / Finish | Door Opening | Dimensions & Weight | Packaging | MSRP |
|--------------------|------------------------|--------------|--|-----------------------|---------|
| 139577-900-084-000 | Clear / Chrome | Reversible | 41 1/2" - 44 1/2" x 71 1/2" / 116 lb / 53 kg | 4.722 ft ³ | \$ 1346 |
| 139577-900-173-000 | Clear / Dark Bronze | | | | \$ 1448 |
| 139577-900-305-000 | Clear / Brushed Nickel | | | | \$ 1414 |
| 139577-900-340-000 | Clear / Matte Black | | | | \$ 1448 |

REVEAL SLEEK 71 44-47 X 71 1/2 - 8MM - 139578

| SKU | Glass / Finish | Door Opening | Dimensions & Weight | Packaging | MSRP |
|--------------------|------------------------|--------------|--------------------------------------|-------------------|---------|
| 139578-900-084-000 | Clear / Chrome | Reversible | 44" - 47" x 71 1/2" / 118 lb / 54 kg | 2 ft ³ | \$ 1379 |
| 139578-900-173-000 | Clear / Dark Bronze | | | | \$ 1483 |
| 139578-900-305-000 | Clear / Brushed Nickel | | | | \$ 1451 |
| 139578-900-340-000 | Clear / Matte Black | | | | \$ 1483 |

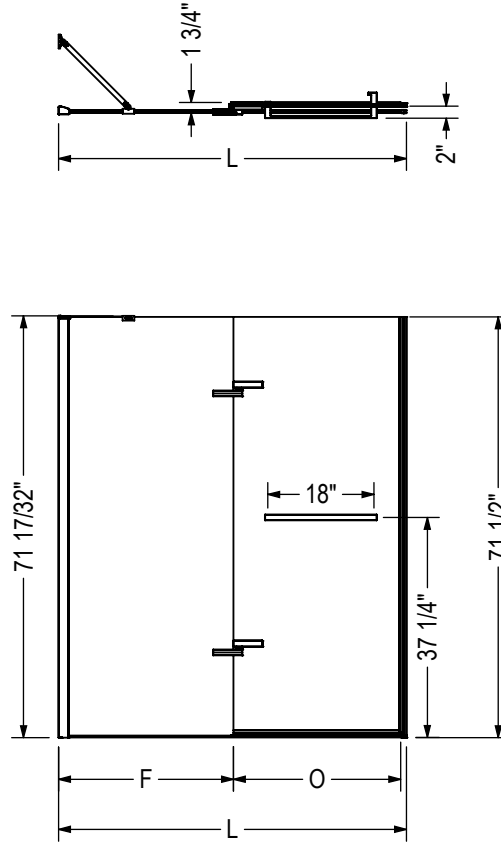
REVEAL SLEEK 71 51 1/2-54 1/2 X 71 1/2 - 8MM - 139579

| SKU | Glass / Finish | Door Opening | Dimensions & Weight | Packaging | MSRP |
|--------------------|------------------------|--------------|--|----------------------|---------|
| 139579-900-084-000 | Clear / Chrome | Reversible | 51 1/2" - 54 1/2" x 71 1/2" / 125 lb / 57 kg | 4.72 ft ³ | \$ 1442 |
| 139579-900-173-000 | Clear / Dark Bronze | | | | \$ 1552 |
| 139579-900-305-000 | Clear / Brushed Nickel | | | | \$ 1517 |
| 139579-900-340-000 | Clear / Matte Black | | | | \$ 1552 |

REVEAL SLEEK 71 56-59 X 71 1/2 - 8MM - 139580

| SKU | Glass / Finish | Door Opening | Dimensions & Weight | Packaging | MSRP |
|--------------------|------------------------|--------------|--------------------------------------|----------------------|---------|
| 139580-900-084-000 | Clear / Chrome | Reversible | 56" - 59" x 71 1/2" / 142 lb / 64 kg | 4.72 ft ³ | \$ 1519 |
| 139580-900-173-000 | Clear / Dark Bronze | | | | \$ 1632 |
| 139580-900-305-000 | Clear / Brushed Nickel | | | | \$ 1594 |
| 139580-900-340-000 | Clear / Matte Black | | | | \$ 1632 |

STANDARD



| Code | Description | L | F | O |
|--------|--|-------------------|---------|-------------------|
| 139575 | Reveal Sleek 71 1/2" x 32 1/2" - 35 1/2" | 32 1/2" - 35 1/2" | 5 3/8" | 23 3/4" - 26 3/4" |
| 139576 | Reveal Sleek 71 1/2" x 38" - 41" | 38" - 41" | 10 7/8" | 23 3/4" - 26 3/4" |
| 139577 | Reveal Sleek 71 1/2" x 41 1/2" - 44 1/2" | 41 1/2" - 44 1/2" | 14 3/8" | 23 3/4" - 26 3/4" |
| 139578 | Reveal Sleek 71 1/2" x 44" - 47" | 44" - 47" | 16 7/8" | 23 3/4" - 26 3/4" |
| 139579 | Reveal Sleek 71 1/2" x 51 1/2" - 54 1/2" | 51 1/2" - 54 1/2" | 24 3/8" | 23 3/4" - 26 3/4" |
| 139580 | Reveal Sleek 71 1/2" x 56" - 59" | 56" - 59" | 28 7/8" | 23 3/4" - 26 3/4" |

- Wall adjustment = 3/4"

All dimensions are approximate. Structure measurements must be verified against the unit to ensure proper fit.



Uptown Pivot Shower Doors

ALCOVE DOORS - PIVOT



Material : Tempered Glass

Features

- › 8 mm (5/16") tempered glass with Lotus easy clean protection
- › 76in high clear glass panel (Walkthrough 73-7/8in)
- › Thin header structure for a minimalist look
- › Handle available in Stylish fashion mixed material finish
- › Designed in North America
- › DIY Product for an easy installation
- › Pivoting doors provide a wide opening for ease of access in and out of the shower
- › 16 in. long handle provides an heavy feel & elegance
- › 1/2" out-of-plumb adjustment

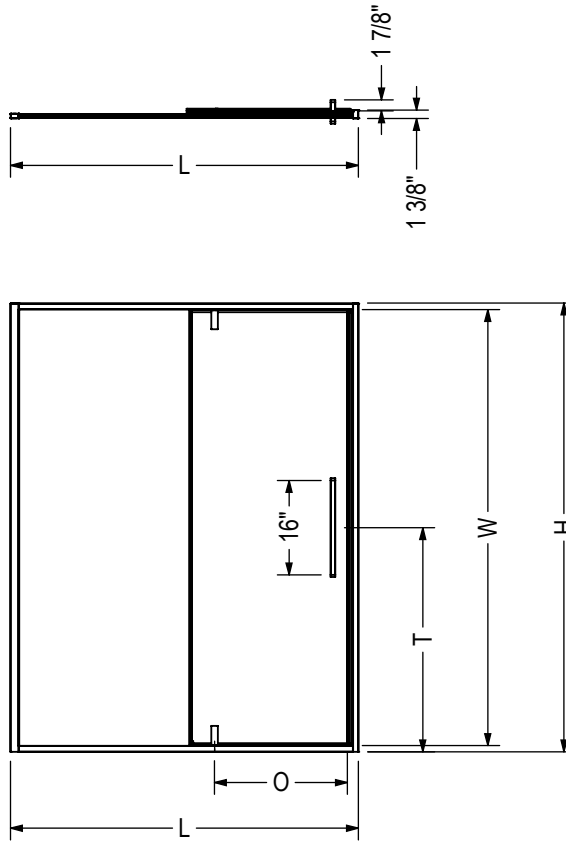
UPTOWN 45-47 X 76 IN. 8 MM - 135325

| SKU | Glass / Finish | Door Opening | Dimensions & Weight | Packaging | MSRP |
|--------------------|--------------------------------------|--------------|----------------------------------|-----------------------|---------|
| 135325-900-084-000 | Clear / Chrome | Reversible | 45" - 47" x 76" / 131 lb / 59 kg | 5.227 ft ³ | \$ 1522 |
| 135325-900-173-000 | Clear / Dark Bronze | | | | \$ 1634 |
| 135325-900-282-000 | Clear / Chrome and White Marble | | | | \$ 1602 |
| 135325-900-283-000 | Clear / Dark Bronze and Beige Marble | | | | \$ 1714 |
| 135325-900-285-000 | Clear / Matte Black and Wood | | | | \$ 1714 |
| 135325-900-305-000 | Clear / Brushed Nickel | | | | \$ 1608 |
| 135325-900-340-000 | Clear / Matte Black | | | | \$ 1634 |

UPTOWN 57-59 X 76 IN. 8 MM - 135326

| SKU | Glass / Finish | Door Opening | Dimensions & Weight | Packaging | MSRP |
|--------------------|--------------------------------------|--------------|----------------------------------|----------------------|---------|
| 135326-900-084-000 | Clear / Chrome | Reversible | 57" - 59" x 76" / 139 lb / 63 kg | 6.78 ft ³ | \$ 1616 |
| 135326-900-173-000 | Clear / Dark Bronze | | | | \$ 1743 |
| 135326-900-282-000 | Clear / Chrome and White Marble | | | | \$ 1696 |
| 135326-900-283-000 | Clear / Dark Bronze and Beige Marble | | | | \$ 1823 |
| 135326-900-285-000 | Clear / Matte Black and Wood | | | | \$ 1823 |
| 135326-900-305-000 | Clear / Brushed Nickel | | | | \$ 1699 |
| 135326-900-340-000 | Clear / Matte Black | | | | \$ 1743 |

STANDARD



| Code | Description | H | L | O | T | W |
|--------|------------------------------|-----|-----------|---------|-----|---------|
| 135325 | Uptown Pivot 76" x 45" - 47" | 76" | 45" - 47" | 22 3/4" | 38" | 73 7/8" |
| 135326 | Uptown Pivot 76" x 57" - 59" | 76" | 57" - 59" | 22 3/4" | 38" | 73 7/8" |

Wall adjustment = 1/2"

All dimensions are approximate. Structure measurements must be verified against the unit to ensure proper fit.



Nebula Shower Doors

ALCOVE DOORS - SLIDING



Material : Tempered Glass

Features

- › Unique contemporary barn door look with a minimalist design
- › Slim stainless header with 18 in. handle
- › Available in 3 stylish finishes: Chrome, Brushed Nickel and Matte Black
- › 78 3/4" high clear glass panel
- › 8 mm (5/16") tempered glass with Lotus easy clean protection
- › Detachable door guide to distance the glass when cleaning
- › Reversible shower door for left or right opening
- › Available in a corner configuration with a Nebula return panel

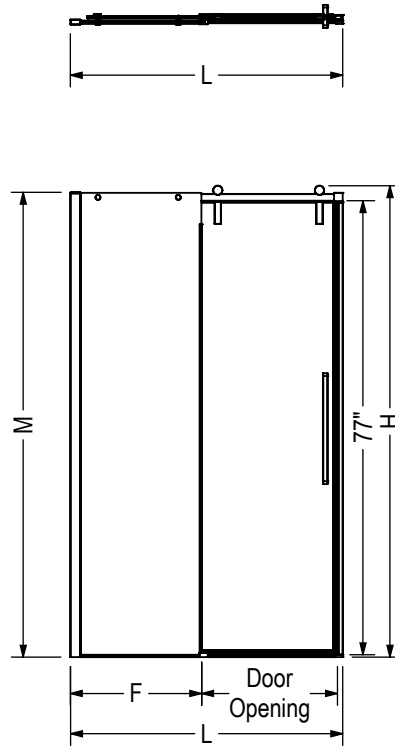
NEBULA 44 1/2-46 1/2 X 78 3/4 - 8MM - 135870

| SKU | Glass / Finish | Door Opening | Dimensions & Weight | Packaging | MSRP |
|--------------------|------------------------|--------------|--|----------------------|---------|
| 135870-900-084-000 | Clear / Chrome | Reversible | 44 1/2" - 46 1/2" x 78 3/4" / 124 lb / 56 kg | 5.75 ft ³ | \$ 1392 |
| 135870-900-305-000 | Clear / Brushed Nickel | | | | \$ 1446 |
| 135870-900-340-000 | Clear / Matte Black | | | | \$ 1495 |

NEBULA 56 1/2-58 1/2 X 78 3/4 - 8MM - 135875

| SKU | Glass / Finish | Door Opening | Dimensions & Weight | Packaging | MSRP |
|--------------------|------------------------|--------------|--|----------------------|---------|
| 135875-900-084-000 | Clear / Chrome | Reversible | 56 1/2" - 58 1/2" x 78 3/4" / 154 lb / 70 kg | 7.19 ft ³ | \$ 1517 |
| 135875-900-305-000 | Clear / Brushed Nickel | | | | \$ 1571 |
| 135875-900-340-000 | Clear / Matte Black | | | | \$ 1628 |

STANDARD



| Code | Description | H | M | L Adjustable | F | Door Opening | Wall Adjustment |
|--------|------------------------------------|-----|---------|-------------------|---------|-------------------|-----------------|
| 135870 | Nebula 44 1/2" x 46 1/2" x 78 3/4" | 80" | 78 3/4" | 44 1/2" - 46 1/2" | 21 1/2" | 17 1/8" - 19 1/8" | 3/4" |
| 135875 | Nebula 56 1/2" x 58 1/2" x 78 3/4" | 80" | 78 3/4" | 56 1/2" - 58 1/2" | 27 1/2" | 23 1/8" - 25 1/8" | 3/4" |

All dimensions are approximate. Structure measurements must be verified against the unit to ensure proper fit.



Vela Shower Doors

ALCOVE DOORS - SLIDING



Material : Tempered Glass

Features

- › Rollers and handle offered in 7 different finishes (monochrome or mix-finishes)
- › 78 3/4" high clear glass panel 8 mm (5/16") tempered glass with Lotus easy clean protection
- › Detachable door guide to distance the glass when cleaning
- › Reversible shower door for left or right opening
- › Also available in a corner configuration with a HALO return panel
- › This configuration is shipped in 2 boxes

VELA 44 1/2-47 X 78 3/4 - 8MM - 138460

| SKU | Glass / Finish | Door Opening | Dimensions & Weight | Packaging | MSRP |
|--------------------|--|--------------|--|----------------------|---------|
| 138460-900-084-000 | Clear / Chrome | Reversible | 44 1/2" - 47" x 78 3/4" / 130 lb / 59 kg | 9.98 ft ³ | \$ 1589 |
| 138460-900-280-000 | Clear / Chrome and Matte White | | | | \$ 1656 |
| 138460-900-305-000 | Clear / Brushed Nickel | | | | \$ 1656 |
| 138460-900-340-000 | Clear / Matte Black | | | | \$ 1722 |
| 138460-900-350-000 | Clear / Chrome and Matte Black | | | | \$ 1656 |
| 138460-900-360-000 | Clear / Matte Black and Chrome | | | | \$ 1722 |
| 138460-900-370-000 | Clear / Matte Black and Brushed Nickel | | | | \$ 1722 |
| 138460-900-380-000 | Clear / Matte Black and Brushed Gold | | | | \$ 1822 |

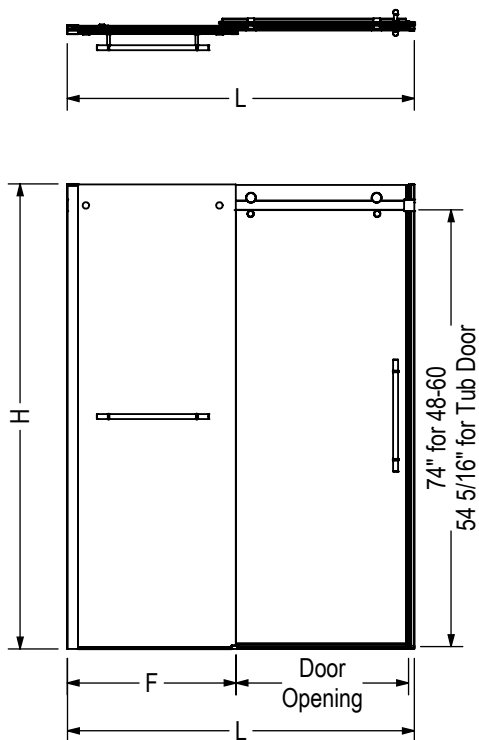
VELA 56 1/2-59 X 78 3/4 - 8MM - 138470

| SKU | Glass / Finish | Door Opening | Dimensions & Weight | Packaging | MSRP |
|--------------------|--|--------------|--|-----------------------|---------|
| 138470-900-084-000 | Clear / Chrome | Reversible | 56 1/2" - 59" x 78 3/4" / 156 lb / 71 kg | 11.58 ft ³ | \$ 1722 |
| 138470-900-280-000 | Clear / Chrome and Matte White | | | | \$ 1790 |
| 138470-900-305-000 | Clear / Brushed Nickel | | | | \$ 1790 |
| 138470-900-340-000 | Clear / Matte Black | | | | \$ 1790 |
| 138470-900-350-000 | Clear / Chrome and Matte Black | | | | \$ 1790 |
| 138470-900-360-000 | Clear / Matte Black and Chrome | | | | \$ 1816 |
| 138470-900-370-000 | Clear / Matte Black and Brushed Nickel | | | | \$ 1816 |
| 138470-900-380-000 | Clear / Matte Black and Brushed Gold | | | | \$ 1890 |

ACCESSORIES

| SKU | Description | MSRP |
|----------|---|--------|
| 10060311 | Corner glass shelf (9 3/8 x 9 3/8 in.) (sold separately) 10 mm frosted glass with a clear band along the edge Compatible with Utile and tile shower walls | \$ 152 |

STANDARD



| Code | Description | H | L Adjustable | F | Door Opening | Wall Adjustment |
|--------|--------------------------------------|---------|---------------|---------|-------------------|-----------------|
| 138460 | Vela 78 3/4" x 47" without towel bar | 78 3/4" | 44 1/2" - 47" | 22 1/2" | 16 1/4" - 18 3/4" | 1" |
| 138465 | Vela 78 3/4" x 47" with towel bar | 78 3/4" | 44 1/2" - 47" | 22 1/2" | 16 1/4" - 18 3/4" | 1" |
| 138470 | Vela 78 3/4" x 59" without towel bar | 78 3/4" | 56 1/2" - 59" | 28 5/8" | 22 1/8" - 24 5/8" | 1" |
| 138475 | Vela 78 3/4" x 59" with towel bar | 78 3/4" | 56 1/2" - 59" | 28 5/8" | 22 1/8" - 24 5/8" | 1" |
| 138480 | Vela 59" x 59" without towel bar | 59" | 56 1/2" - 59" | 28 5/8" | 22 1/8" - 24 5/8" | 1" |
| 138485 | Vela 59" x 59" with towel bar | 59" | 56 1/2" - 59" | 28 5/8" | 22 1/8" - 24 5/8" | 1" |

All dimensions are approximate. Structure measurements must be verified against the unit to ensure proper fit.

Vela Shower Doors with Towel Bar



Material : Tempered Glass

Features

- › Rollers and handle offered in 7 different finishes (monochrome or mix-finishes)
- › 78 3/4" high clear glass panel 8 mm (5/16") tempered glass with Lotus easy clean protection
- › Detachable door guide to distance the glass when cleaning
- › Reversible shower door for left or right opening
- › Also available in a corner configuration with a HALO return panel
- › This configuration is shipped in 2 boxes
- › With a convenient towel bar on the fix panel

ALCOVE DOORS - SLIDING

VELA 44 1/2-47 X 78 3/4 - 8MM - 138465

| SKU | Glass / Finish | Door Opening | Dimensions & Weight | Packaging | MSRP |
|--------------------|--|--------------|--|----------------------|---------|
| 138465-900-084-000 | Clear / Chrome | Reversible | 44 1/2" - 47" x 78 3/4" / 130 lb / 59 kg | 9.98 ft ³ | \$ 1688 |
| 138465-900-280-000 | Clear / Chrome and Matte White | | | | \$ 1755 |
| 138465-900-305-000 | Clear / Brushed Nickel | | | | \$ 1755 |
| 138465-900-340-000 | Clear / Matte Black | | | | \$ 1822 |
| 138465-900-350-000 | Clear / Chrome and Matte Black | | | | \$ 1755 |
| 138465-900-360-000 | Clear / Matte Black and Chrome | | | | \$ 1822 |
| 138465-900-370-000 | Clear / Matte Black and Brushed Nickel | | | | \$ 1822 |
| 138465-900-380-000 | Clear / Matte Black and Brushed Gold | | | | \$ 1925 |

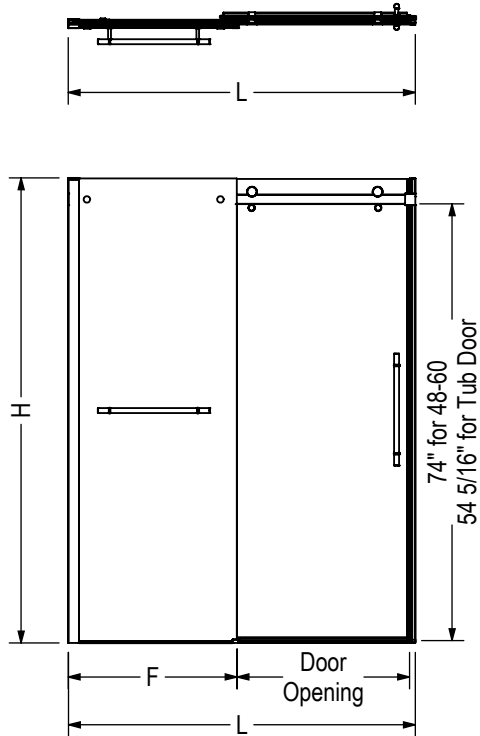
VELA 56 1/2-59 X 78 3/4 - 8MM - 138475

| SKU | Glass / Finish | Door Opening | Dimensions & Weight | Packaging | MSRP |
|--------------------|--|--------------|--|-----------------------|---------|
| 138475-900-084-000 | Clear / Chrome | Reversible | 56 1/2" - 59" x 78 3/4" / 156 lb / 71 kg | 11.58 ft ³ | \$ 1822 |
| 138475-900-280-000 | Clear / Chrome and Matte White | | | | \$ 1890 |
| 138475-900-305-000 | Clear / Brushed Nickel | | | | \$ 1890 |
| 138475-900-340-000 | Clear / Matte Black | | | | \$ 1890 |
| 138475-900-350-000 | Clear / Chrome and Matte Black | | | | \$ 1890 |
| 138475-900-360-000 | Clear / Matte Black and Chrome | | | | \$ 1915 |
| 138475-900-370-000 | Clear / Matte Black and Brushed Nickel | | | | \$ 1915 |
| 138475-900-380-000 | Clear / Matte Black and Brushed Gold | | | | \$ 1991 |

ACCESSORIES

| SKU | Description | MSRP |
|----------|---|--------|
| 10060311 | Corner glass shelf (9 3/8 x 9 3/8 in.) (sold separately) 10 mm frosted glass with a clear band along the edge Compatible with Utile and tile shower walls | \$ 152 |

STANDARD



| Code | Description | H | L Adjustable | F | Door Opening | Wall Adjustment |
|--------|--------------------------------------|---------|---------------|---------|-------------------|-----------------|
| 138460 | Vela 78 3/4" x 47" without towel bar | 78 3/4" | 44 1/2" - 47" | 22 1/2" | 16 1/4" - 18 3/4" | 1" |
| 138465 | Vela 78 3/4" x 47" with towel bar | 78 3/4" | 44 1/2" - 47" | 22 1/2" | 16 1/4" - 18 3/4" | 1" |
| 138470 | Vela 78 3/4" x 59" without towel bar | 78 3/4" | 56 1/2" - 59" | 28 5/8" | 22 1/8" - 24 5/8" | 1" |
| 138475 | Vela 78 3/4" x 59" with towel bar | 78 3/4" | 56 1/2" - 59" | 28 5/8" | 22 1/8" - 24 5/8" | 1" |
| 138480 | Vela 59" x 59" without towel bar | 59" | 56 1/2" - 59" | 28 5/8" | 22 1/8" - 24 5/8" | 1" |
| 138485 | Vela 59" x 59" with towel bar | 59" | 56 1/2" - 59" | 28 5/8" | 22 1/8" - 24 5/8" | 1" |

All dimensions are approximate. Structure measurements must be verified against the unit to ensure proper fit.



Connect Pro Shower Doors

ALCOVE DOORS - SLIDING



Material : Tempered Glass

Features

- › Configuration consists of a Stationary Panel and Sliding Door
- › For corner or alcove showers and for tile or pre-cast wall installations 76" and higher, we suggest Connect Pro doors.
- › Requires no cutting the door frame expands to adjust to the walls
- › Glass panels come with the Lotus Easy Clean Glass Protection to repel soap and water stains for carefree maintenance
- › Designed in North America
- › Solid expandable frame that provides 1.5 in. adjustment with ClickConnect corner joint
- › Fast, no-cut installation
- › Reversible door for easy left -or right- opening installation

CONNECT PRO 43 1/2-45 X 76 - 6MM - 135235

| SKU | Glass / Finish | Door Opening | Dimensions & Weight | Packaging | MSRP |
|--------------------|---------------------|--------------|-------------------------------------|-----------------------|---------|
| 135235-900-084-000 | Clear / Chrome | Reversible | 43 1/2" - 45" x 76" / 78 lb / 35 kg | 14.28 ft ³ | \$ 1067 |
| 135235-900-340-000 | Clear / Matte Black | | | | \$ 1173 |

CONNECT PRO 45-46 1/2 X 76 - 6MM - 135236

| SKU | Glass / Finish | Door Opening | Dimensions & Weight | Packaging | MSRP |
|--------------------|---------------------|--------------|-------------------------------------|-----------------------|---------|
| 135236-900-084-000 | Clear / Chrome | Reversible | 45" - 46 1/2" x 76" / 82 lb / 37 kg | 15.02 ft ³ | \$ 1067 |
| 135236-900-340-000 | Clear / Matte Black | | | | \$ 1173 |

CONNECT PRO 55 1/2-57 X 76 - 6MM - 135237

| SKU | Glass / Finish | Door Opening | Dimensions & Weight | Packaging | MSRP |
|--------------------|---------------------|--------------|-------------------------------------|-----------------------|---------|
| 135237-900-084-000 | Clear / Chrome | Reversible | 55 1/2" - 57" x 76" / 98 lb / 44 kg | 17.95 ft ³ | \$ 1135 |
| 135237-900-340-000 | Clear / Matte Black | | | | \$ 1248 |

CONNECT PRO 57-58 1/2 X 76 - 6MM - 135238

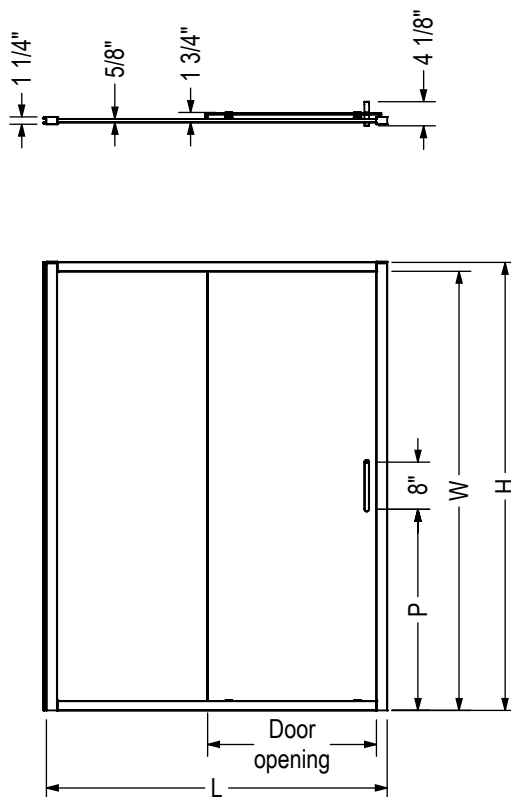
| SKU | Glass / Finish | Door Opening | Dimensions & Weight | Packaging | MSRP |
|--------------------|---------------------|--------------|--------------------------------------|-----------------------|---------|
| 135238-900-084-000 | Clear / Chrome | Reversible | 57" - 58 1/2" x 76" / 101 lb / 46 kg | 18.48 ft ³ | \$ 1135 |
| 135238-900-340-000 | Clear / Matte Black | | | | \$ 1248 |

ACCESSORIES

| SKU | Description | MSRP |
|--------------|--|--------|
| 10041135-084 | | \$ 93 |
| 10041135-305 | Connect PRO Shower Door Filler Available finishes: Chrome (084), Brushed Nickel (305) and Matte Black (340) | \$ 100 |
| 10041135-340 | | \$ 100 |

STANDARD

ALCOVE DOORS - SLIDING



| Code | Description | H | W | L Adjustable | Door opening | P |
|--------|---------------------------------|-----|---------|---------------|----------------------|---------|
| 135235 | Connect Pro 76" x 43 1/2" - 45" | 76" | 74 3/8" | 43 1/2" - 45" | 17 13/16" - 18 9/16" | 34 1/8" |
| 135236 | Connect Pro 76" x 45" - 46 1/2" | 76" | 74 3/8" | 45" - 46 1/2" | 18 9/16" - 19 5/16" | 34 1/8" |
| 135237 | Connect Pro 76" x 55 1/2" - 57" | 76" | 74 3/8" | 55 1/2" - 57" | 23 13/16" - 24 9/16" | 34 1/8" |
| 135238 | Connect Pro 76" x 57" - 58 1/2" | 76" | 74 3/8" | 57" - 58 1/2" | 24 9/16" - 25 5/16" | 34 1/8" |
| | | | | | | |
| | | | | | | |

All dimensions are approximate. Structure measurements must be verified against the unit to ensure proper fit.



Halo Pro GS Shower Doors

ALCOVE DOORS - SLIDING



Material : Tempered Glass

Features

- › 5/16in tempered glass panels with MAAX new Shatter-Resistant Technology, GlassShield®
- › Available in 2 finishes: Chrome and Matte Black
- › Halo Pro is specifically designed for the trained installer in mind
- › Sliding door configuration features one sliding glass panel and one stationary panel
- › The door provides a watertight seal, ensuring no leaks or spills occur during use
- › Reversible, allowing for left or right opening to accommodate different bathroom layouts
- › For a corner shower: combine a Halo return panel and an Halo Pro alcove door
- › Glass panels come with the Lotus Easy Clean Glass Protection to repel soap and water stains for carefree maintenance
- › Compatible with MAAX's full line of shower bases and walls, making it a versatile addition to any bathroom, validate all dimensions and measure on site before your final selection.

HALO PRO GS 44 1/2-47 X 78 3/4 - 8MM - 138540

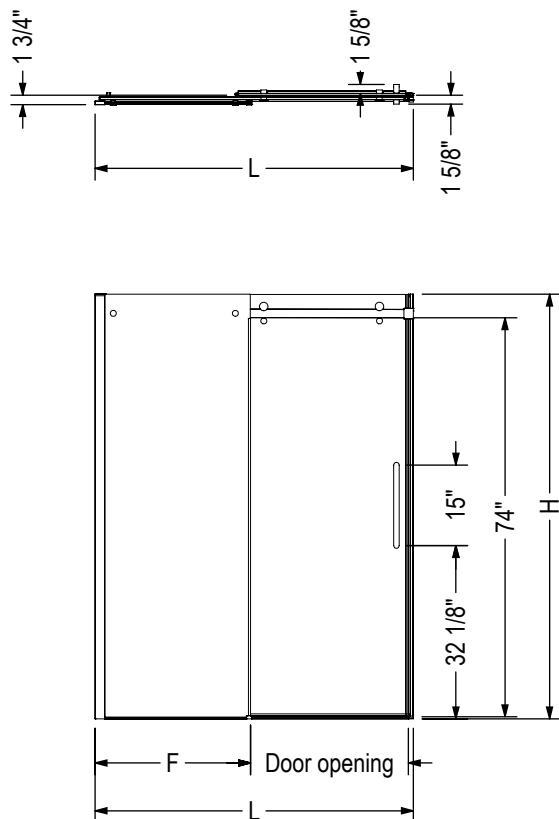
| SKU | Glass / Finish | Door Opening | Dimensions & Weight | Packaging | MSRP |
|--------------------|---------------------------------|--------------|--|----------------------------------|---------|
| 138540-810-084-000 | Clear GlassShield / Chrome | Lateral | 44 1/2" - 47" x 78 3/4" / 110 lb / 50 kg | 8.65740740740741 ft ³ | \$ 1554 |
| 138540-810-340-000 | Clear GlassShield / Matte Black | | | | \$ 1658 |

HALO PRO GS 56 1/2-59 X 78 3/4 - 8MM - 138541

| SKU | Glass / Finish | Door Opening | Dimensions & Weight | Packaging | MSRP |
|--------------------|---------------------------------|--------------|--|----------------------------------|---------|
| 138541-810-084-000 | Clear GlassShield / Chrome | Lateral | 56 1/2" - 59" x 78 3/4" / 138 lb / 63 kg | 10.6864872685185 ft ³ | \$ 1660 |
| 138541-810-340-000 | Clear GlassShield / Matte Black | | | | \$ 1773 |

STANDARD

ALCOVE DOORS - SLIDING



| Code | Description | H | L Adjustable | F | P Adjustable | Door Opening | Wall Adjustment |
|--------|---------------------------|---------|---------------|---------|--------------|-------------------|-----------------|
| 136540 | Halo Pro GS 78 3/4" x 47" | 78 3/4" | 44 1/2" - 47" | 22 1/2" | - | 16 1/4" - 18 3/4" | 1" |
| 136541 | Halo Pro GS 78 3/4" x 59" | 78 3/4" | 56 1/2" - 59" | 28 5/8" | - | 22 1/8" - 24 5/8" | 1" |

All dimensions are approximate. Structure measurements must be verified against the unit to ensure proper fit.



Halo Pro Shower Doors



Material : Tempered Glass

Features

- › 5/16in tempered glass panels
- › Available in 2 finishes: Chrome and Matte Black
- › Halo Pro is specifically designed for the trained installer in mind
- › Sliding door configuration features one sliding glass panel and one stationary panel
- › The door provides a watertight seal, ensuring no leaks or spills occur during use
- › Reversible, allowing for left or right opening to accommodate different bathroom layouts
- › For a corner shower: combine a Halo return panel and an Halo Pro alcove door
- › Glass panels come with the Lotus Easy Clean Glass Protection to repel soap and water stains for carefree maintenance
- › Compatible with MAAX's full line of shower bases and walls, making it a versatile addition to any bathroom, validate all dimensions and measure on site before your final selection.

ALCOVE DOORS - SLIDING

HALO PRO 44 1/2-47 X 78 3/4 - 8MM - 138950

| SKU | Glass / Finish | Door Opening | Dimensions & Weight | Packaging | MSRP |
|--------------------|---------------------|--------------|--|----------------------------|---------|
| 138950-900-084-000 | Clear / Chrome | Lateral | 44 1/2" - 47" x 78 3/4" / 109 lb / 49 kg | 8.30078125 ft ³ | \$ 1372 |
| 138950-900-340-000 | Clear / Matte Black | | | | \$ 1476 |

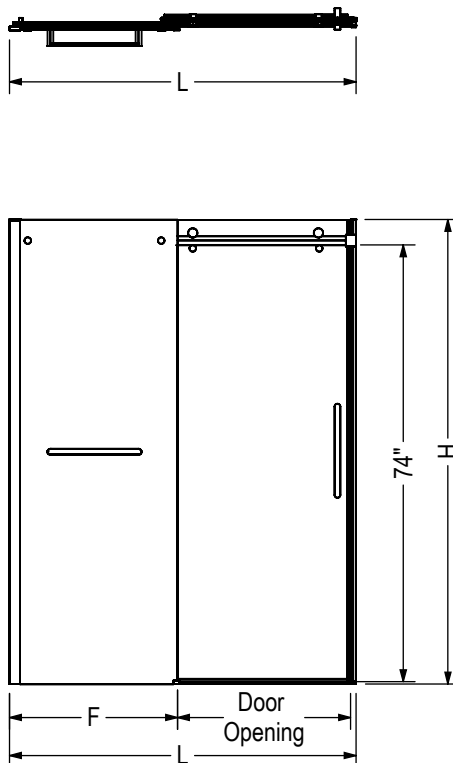
HALO PRO 56 1/2-59 X 78 3/4 - 8MM - 138952

| SKU | Glass / Finish | Door Opening | Dimensions & Weight | Packaging | MSRP |
|--------------------|---------------------|--------------|--|----------------------------------|---------|
| 138952-900-084-000 | Clear / Chrome | Lateral | 56 1/2" - 59" x 78 3/4" / 123 lb / 56 kg | 8.42375578703704 ft ³ | \$ 1478 |
| 138952-900-340-000 | Clear / Matte Black | | | | \$ 1591 |

ACCESSORIES

| SKU | Description | MSRP |
|----------|---|--------|
| 10060311 | Corner glass shelf (9 3/8 x 9 3/8 in.) (sold separately) 10 mm frosted glass with a clear band along the edge Compatible with Utile and tile shower walls | \$ 152 |

STANDARD



| Code | Description | H | L Adjustable | F | Door Opening | Wall Adjustment |
|--------|--|---------|---------------|---------|-------------------|-----------------|
| 138950 | Halo Pro 78 3/4" x 47" without Towel bar | 78 3/4" | 44 1/2" - 47" | 22 1/2" | 16 1/4" - 18 3/4" | 1" |
| 138954 | Halo Pro 78 3/4" x 47" with Towel bar | 78 3/4" | 44 1/2" - 47" | 22 1/2" | 16 1/4" - 18 3/4" | 1" |
| 138952 | Halo Pro 78 3/4" x 59" without Towel bar | 78 3/4" | 56 1/2" - 59" | 28 5/8" | 22 1/8" - 24 5/8" | 1" |
| 138956 | Halo Pro 78 3/4" x 59" with Towel bar | 78 3/4" | 56 1/2" - 59" | 28 5/8" | 22 1/8" - 24 5/8" | 1" |

All dimensions are approximate. Structure measurements must be verified against the unit to ensure proper fit.



Halo Pro TB Shower Doors

ALCOVE DOORS - SLIDING



Material : Tempered Glass

Features

- › 5/16in tempered glass panels
- › Available in 2 finishes: Chrome and Matte Black
- › Halo Pro is specifically designed for the trained installer in mind
- › Sliding door configuration features one sliding glass panel and one stationary panel and a towel bar on the fix panel
- › The door provides a watertight seal, ensuring no leaks or spills occur during use
- › Reversible, allowing for left or right opening to accommodate different bathroom layouts
- › For a corner shower: combine a Halo return panel and an Halo Pro alcove door
- › Glass panels come with the Lotus Easy Clean Glass Protection to repel soap and water stains for carefree maintenance
- › Compatible with MAAX's full line of shower bases and walls, making it a versatile addition to any bathroom, validate all dimensions and measure on site before your final selection.

HALO PRO TB 44 1/2-47 X 78 3/4 - 8MM - 138954

| SKU | Glass / Finish | Door Opening | Dimensions & Weight | Packaging | MSRP |
|--------------------|---------------------|--------------|--|------------------------------|---------|
| 138954-900-084-000 | Clear / Chrome | Lateral | 44 1/2" - 47" x 78 3/4" / 109 lb / 49 kg | 8.3740234375 ft ³ | \$ 1506 |
| 138954-900-340-000 | Clear / Matte Black | | | | \$ 1620 |

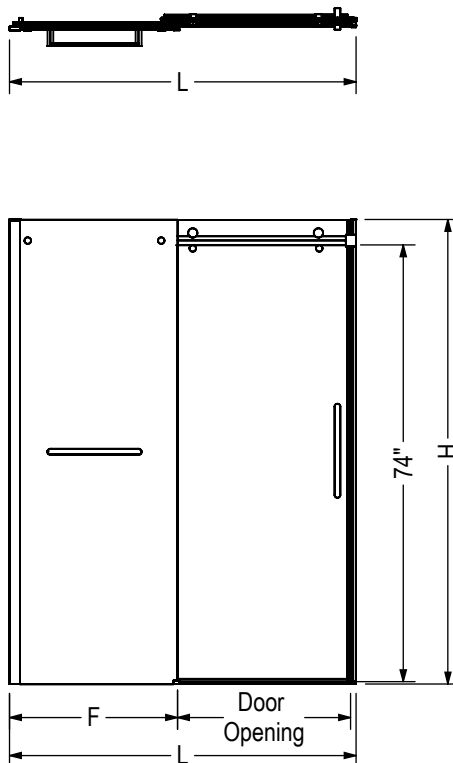
HALO PRO TB 56 1/2-59 X 78 3/4 - 8MM - 138956

| SKU | Glass / Finish | Door Opening | Dimensions & Weight | Packaging | MSRP |
|--------------------|---------------------|--------------|--|----------------------------------|---------|
| 138956-900-084-000 | Clear / Chrome | Lateral | 56 1/2" - 59" x 78 3/4" / 123 lb / 56 kg | 9.80128761574074 ft ³ | \$ 1614 |
| 138956-900-340-000 | Clear / Matte Black | | | | \$ 1734 |

ACCESSORIES

| SKU | Description | MSRP |
|----------|---|--------|
| 10060311 | Corner glass shelf (9 3/8 x 9 3/8 in.) (sold separately) 10 mm frosted glass with a clear band along the edge Compatible with Utile and tile shower walls | \$ 152 |

STANDARD



| Code | Description | H | L Adjustable | F | Door Opening | Wall Adjustment |
|--------|--|---------|---------------|---------|-------------------|-----------------|
| 138950 | Halo Pro 78 3/4" x 47" without Towel bar | 78 3/4" | 44 1/2" - 47" | 22 1/2" | 16 1/4" - 18 3/4" | 1" |
| 138954 | Halo Pro 78 3/4" x 47" with Towel bar | 78 3/4" | 44 1/2" - 47" | 22 1/2" | 16 1/4" - 18 3/4" | 1" |
| 138952 | Halo Pro 78 3/4" x 59" without Towel bar | 78 3/4" | 56 1/2" - 59" | 28 5/8" | 22 1/8" - 24 5/8" | 1" |
| 138956 | Halo Pro 78 3/4" x 59" with Towel bar | 78 3/4" | 56 1/2" - 59" | 28 5/8" | 22 1/8" - 24 5/8" | 1" |

All dimensions are approximate. Structure measurements must be verified against the unit to ensure proper fit.



Halo Shower Doors

ALCOVE DOORS - SLIDING



Material : Tempered Glass

Features

- › 8 mm tempered glass panels
- › Available in 4 finishes: Chrome, Brushed Nickel, Dark Bronze, Matte Black
- › Compatible with MAAX's full line of shower bases and walls, making it a versatile addition to any bathroom
- › Sliding door configuration features one sliding glass panel and one stationary panel
- › Ball bearing roller technology along a friction-free stainless steel rail system for a smooth and quiet opening
- › The frameless design brings a sense of spaciousness to the room and creates a sleek, minimalist look
- › Glass panels come with the Lotus Easy Clean Glass Protection to repel soap and water stains for carefree maintenance
- › Compatible with MAAX's Utile wall system, allowing for a seamless and coordinated installation with the shower door, creating a cohesive and stylish bathroom design
- › Warranty: 10 years

HALO 44 1/2-47 X 78 3/4 - 8MM - 138996

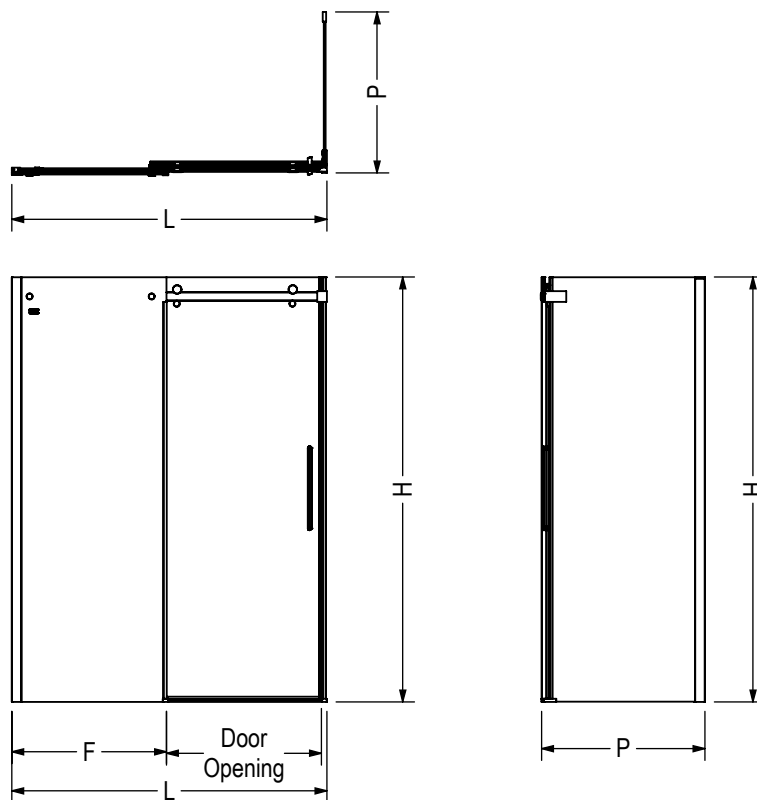
| SKU | Glass / Finish | Door Opening | Dimensions & Weight | Packaging | MSRP |
|--------------------|------------------------|--------------|--|-------------------|---------|
| 138996-900-084-000 | Clear / Chrome | Reversible | 44 1/2" - 47" x 78 3/4" / 144 lb / 65 kg | 6 ft ³ | \$ 1389 |
| 138996-900-173-000 | Clear / Dark Bronze | | 44 1/2" - 47" x 78 3/4" / 116 lb / 53 kg | | \$ 1495 |
| 138996-900-305-000 | Clear / Brushed Nickel | | 44 1/2" - 47" x 78 3/4" / 144 lb / 65 kg | | \$ 1459 |
| 138996-900-340-000 | Clear / Matte Black | Lateral | 44 1/2" - 47" x 78 3/4" / 132 lb / 60 kg | | \$ 1495 |

HALO 56 1/2-59 X 78 3/4 - 8MM - 138997

| SKU | Glass / Finish | Door Opening | Dimensions & Weight | Packaging | MSRP |
|--------------------|------------------------|--------------|--|---------------------|---------|
| 138997-900-084-000 | Clear / Chrome | Reversible | 56 1/2" - 59" x 78 3/4" / 174 lb / 79 kg | 7.2 ft ³ | \$ 1529 |
| 138997-900-173-000 | Clear / Dark Bronze | | 56 1/2" - 59" x 78 3/4" / 137 lb / 62 kg | | \$ 1634 |
| 138997-900-305-000 | Clear / Brushed Nickel | | 56 1/2" - 59" x 78 3/4" / 174 lb / 79 kg | | \$ 1599 |
| 138997-900-340-000 | Clear / Matte Black | Lateral | 56 1/2" - 59" x 78 3/4" / 162 lb / 73 kg | | \$ 1634 |

STANDARD

ALCOVE DOORS - SLIDING



| Code | Description | H | L Adjustable | F | P Adjustable | Door Opening | Wall Adjustment |
|--------|--------------------|---------|---------------|---------|--------------|-------------------|-----------------|
| 138996 | Halo 78 3/4" x 47" | 78 3/4" | 44 1/2" - 47" | 22 1/2" | - | 16 1/4" - 18 3/4" | 1" |
| 138997 | Halo 78 3/4" x 59" | 78 3/4" | 56 1/2" - 59" | 28 5/8" | - | 22 1/8" - 24 5/8" | 1" |
| 139393 | Return Panel 30" | 78 3/4" | - | - | 27 7/8" | - | 1" |
| 138998 | Return Panel 32" | 78 3/4" | - | - | 29 7/8" | - | 1" |
| 139395 | Return Panel 34" | 78 3/4" | - | - | 31 7/8" | - | 1" |
| 139396 | Return Panel 36" | 78 3/4" | - | - | 33 7/8" | - | 1" |
| 139394 | Return Panel 42" | 78 3/4" | - | - | 39 7/8" | - | 1" |

All dimensions are approximate. Structure measurements must be verified against the unit to ensure proper fit.



Luminescence Shower Doors



Material : Tempered Glass

Features

- › Elegant 1/4 -inch (6 mm) clear tempered glass with minimalist hardware
- › Fits showers with 70 1/2 -inch wall clearance, glass extends to 72 -inch
- › Ball bearing roller system, for a quiet and gentle close
- › Door is reversible, provides a right or left opening for ease of installation

ALCOVE DOORS - SLIDING

LUMINESCENCE 44 1/2-47 X 70 1/2-72 - 6MM - 138992

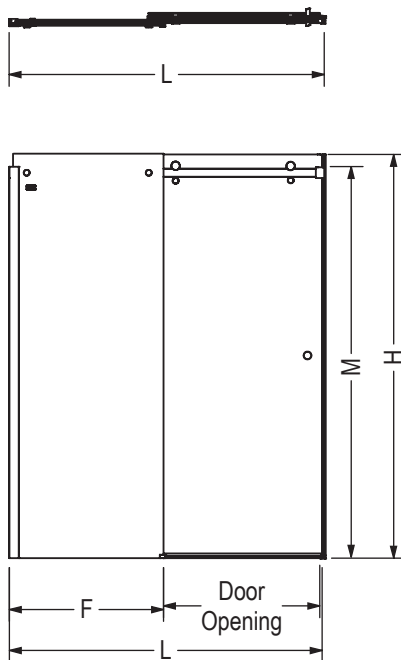
| SKU | Glass / Finish | Door Opening | Dimensions & Weight | Packaging | MSRP |
|--------------------|---------------------|--------------|---|----------------------|---------|
| 138992-900-084-000 | Clear / Chrome | Reversible | 44 1/2" - 47" x 70 1/2" / 84 lb / 38 kg | 4.04 ft ³ | \$ 1126 |
| 138992-900-173-000 | Clear / Dark Bronze | | | | \$ 1234 |

LUMINESCENCE 56 1/2-59 X 70 1/2-72 - 6MM - 138993

| SKU | Glass / Finish | Door Opening | Dimensions & Weight | Packaging | MSRP |
|--------------------|---------------------|--------------|--|-------------------|---------|
| 138993-900-173-000 | Clear / Dark Bronze | Reversible | 56 1/2" - 59" x 70 1/2" / 106 lb / 48 kg | 5 ft ³ | \$ 1289 |

STANDARD

ALCOVE DOORS - SLIDING



| Code | Description | H | M | L Adjustable | F | Door Opening | Wall Adjustment |
|--------|---------------------------------------|-----|---------|---------------|---------|--------------|-----------------|
| 138992 | Luminescence 44 1/2"-47" x 70 1/2" | 72" | 70 1/2" | 44 1/2" - 47" | 22 1/2" | 18 3/8" | 1" |
| 138993 | Luminescence 56 1/2"-59" x 70 1/2" | 72" | 70 1/2" | 56 1/2" - 59" | 28 5/8" | 24 1/2" | 1" |

All dimensions are approximate. Structure measurements must be verified against the unit to ensure proper fit.

Odyssey SC Shower Doors



Material : Tempered Glass

Features

- › 8 mm (5/16") tempered glass with Lotus easy clean protection
- › Slim stainless header that requires no cut to ease installation
- › Innovative double SOFT CLOSE by MAAX prevents slamming
- › Double-sided handle designed for comfort
- › Detachable door guide to distance the glass when cleaning
- › 78" high clear glass panel
- › High quality rollers for smooth glide
- › Reversible shower door for left or right opening
- › 5/8" out-of-plumb adjustment

ALCOVE DOORS - SLIDING

ODYSSEY SC 57-59 1/2 X 78 - 8 MM - 137420

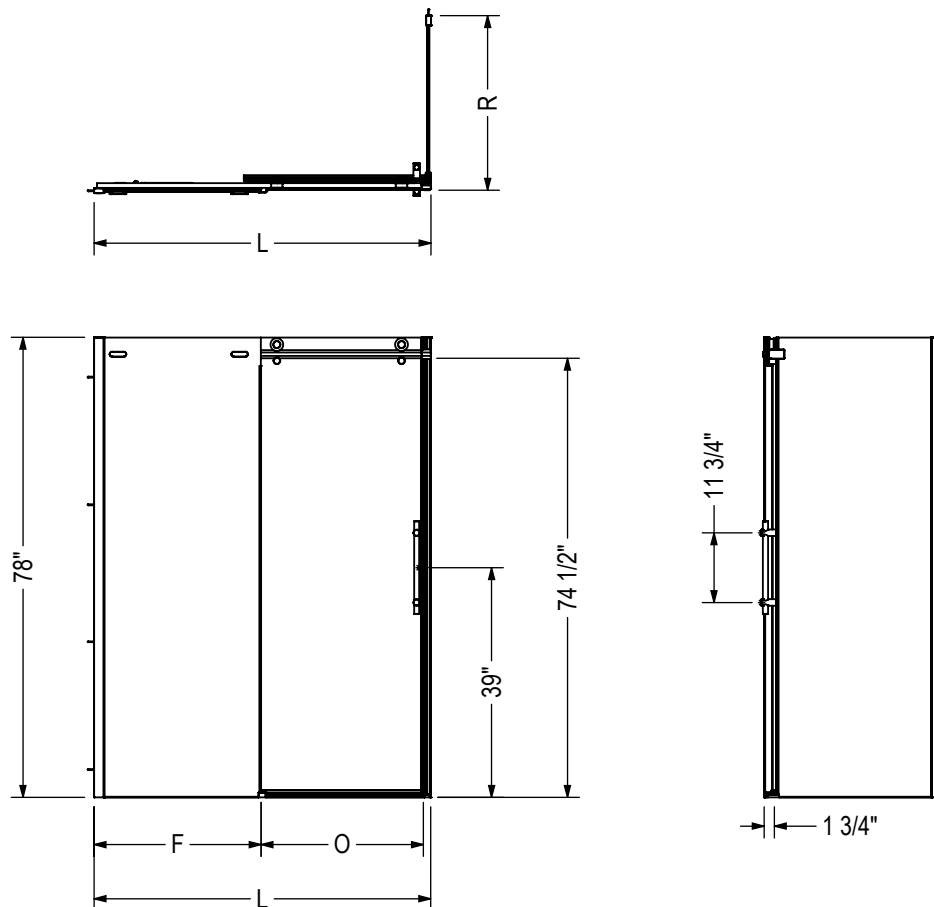
| SKU | Glass / Finish | Door Opening | Dimensions & Weight | Packaging | MSRP |
|--------------------|------------------------|--------------|---|----------------------|---------|
| 137420-900-084-000 | Clear / Chrome | Reversible | 57" - 59 1/2" x 78" / 141.18 lb / 64 kg | 6.99 ft ³ | \$ 1650 |
| 137420-900-305-000 | Clear / Brushed Nickel | | | | \$ 1733 |
| 137420-900-340-000 | Clear / Matte Black | | \$ 1774 | | |
| 137420-900-343-000 | Clear / Brushed Gold | | \$ 1980 | | |

ODYSSEY SC 45-47 1/2 X 78 - 8 MM - 137421

| SKU | Glass / Finish | Door Opening | Dimensions & Weight | Packaging | MSRP |
|--------------------|------------------------|--------------|---|----------------------|---------|
| 137421-900-084-000 | Clear / Chrome | Reversible | 45" - 47 1/2" x 78" / 115.39 lb / 52 kg | 5.76 ft ³ | \$ 1485 |
| 137421-900-305-000 | Clear / Brushed Nickel | | | | \$ 1559 |
| 137421-900-340-000 | Clear / Matte Black | | \$ 1597 | | |
| 137421-900-343-000 | Clear / Brushed Gold | | \$ 1782 | | |

STANDARD

ALCOVE DOORS - SLIDING



| Code | Description | L Adjustable | F | O | R | Wall adjustment |
|--------|---------------------------------------|---------------|---------|-------------------|-------------------|-----------------|
| 137420 | Odyssey Slider door 57"-59 1/2" x 78" | 57" - 59 1/2" | 27 7/8" | 24 1/2" - 25" | - | 5/8" |
| 137421 | Odyssey Slider door 45"-47 1/2" x 78" | 45" - 47 1/2" | 21 7/8" | 18 1/4" - 18 3/4" | - | 5/8" |
| 137422 | ODYSSEY RETURN PANEL 32" | - | - | - | 29 3/4" - 30 1/2" | 3/4" |

All dimensions are approximate. Structure measurements must be verified against the unit to ensure proper fit.



Uptown Slider Shower Doors



Material : Tempered Glass

Features

- › 7 mm (5/16") tempered glass
- › Configuration consists of a Stationary Panel and Sliding Door
- › Available in 6 stylish finishes (monochrome or mixed-finishes)
- › Handle available in Stylish fashion mixed material finish
- › Fits on showers, walls and tile
- › Innovative Soft Close by MAAX technology prevents slamming
- › Glass panels come with the Lotus Easy Clean Glass Protection to repel soap and water stains for carefree maintenance
- › Reversible panel for easy corner installation on the left or on the right
- › 1/2" out-of-plumb adjustment

ALCOVE DOORS - SLIDING

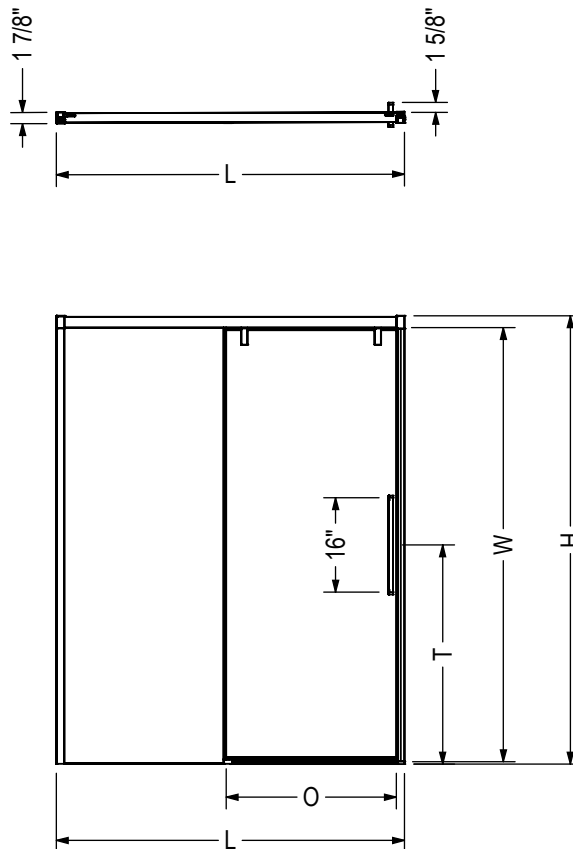
UPTOWN 44-47 X 76 IN. 8 MM - 135323

| SKU | Glass / Finish | Door Opening | Dimensions & Weight | Packaging | MSRP |
|--------------------|--------------------------------------|--------------|----------------------------------|----------------------|---------|
| 135323-900-084-000 | Clear / Chrome | Reversible | 44" - 47" x 76" / 107 lb / 49 kg | 5.65 ft ³ | \$ 1522 |
| 135323-900-173-000 | Clear / Dark Bronze | | | | \$ 1634 |
| 135323-900-282-000 | Clear / Chrome and White Marble | | | | \$ 1602 |
| 135323-900-283-000 | Clear / Dark Bronze and Beige Marble | | | | \$ 1714 |
| 135323-900-285-000 | Clear / Matte Black and Wood | | | | \$ 1714 |
| 135323-900-305-000 | Clear / Brushed Nickel | | | | \$ 1608 |
| 135323-900-340-000 | Clear / Matte Black | | | | \$ 1634 |

UPTOWN 56-59 X 76 IN. 8 MM - 135324

| SKU | Glass / Finish | Door Opening | Dimensions & Weight | Packaging | MSRP |
|--------------------|--------------------------------------|--------------|----------------------------------|-----------------------|---------|
| 135324-900-084-000 | Clear / Chrome | Reversible | 56" - 59" x 76" / 133 lb / 60 kg | 6.816 ft ³ | \$ 1616 |
| 135324-900-173-000 | Clear / Dark Bronze | | | | \$ 1743 |
| 135324-900-282-000 | Clear / Chrome and White Marble | | | | \$ 1696 |
| 135324-900-283-000 | Clear / Dark Bronze and Beige Marble | | | | \$ 1823 |
| 135324-900-285-000 | Clear / Matte Black and Wood | | | | \$ 1823 |
| 135324-900-305-000 | Clear / Brushed Nickel | | | | \$ 1699 |
| 135324-900-340-000 | Clear / Matte Black | | | | \$ 1743 |

STANDARD



| Code | Description | H | L | O | T | W |
|--------|-------------------------------|-----|-----------|-----------|---------|---------|
| 135323 | Uptown Slider 76" x 44" - 47" | 76" | 44" - 47" | 16" - 19" | 37 1/8" | 73 1/2" |
| 135324 | Uptown Slider 76" x 56" - 59" | 76" | 56" - 59" | 22" - 25" | 37 1/8" | 73 1/2" |

Wall adjustment = 1/2"

All dimensions are approximate. Structure measurements must be verified against the unit to ensure proper fit.



ModulR Corner Shower Doors



Material : Tempered Glass

Features

- > • Pivot door
- 8mm tempered glass with lotus glass protection
- Magnetic closure for increased watertightness
- Reversible doors for left or right opening

CORNER DOORS - PIVOT

MODULR 36 X 36 X 78 - 8MM - 137856

| SKU | Glass / Finish | Door Opening | Dimensions & Weight | MSRP |
|--------------------|------------------------|--------------|---------------------------------|---------|
| 137856-900-084-000 | Clear / Chrome | Reversible | " x " x 78" / 162.52 lb / 74 kg | \$ 2178 |
| 137856-900-305-000 | Clear / Brushed Nickel | | | \$ 2351 |

MODULR 48 X 36 X 78 - 8MM - 137857

| SKU | Glass / Finish | Door Opening | Dimensions & Weight | MSRP |
|--------------------|------------------------|--------------|---------------------------------|---------|
| 137857-900-084-000 | Clear / Chrome | Reversible | " x " x 78" / 202.24 lb / 92 kg | \$ 2446 |
| 137857-900-305-000 | Clear / Brushed Nickel | | | \$ 2628 |

MODULR 48 X 34 X 78 - 8MM - 137858

| SKU | Glass / Finish | Door Opening | Dimensions & Weight | MSRP |
|--------------------|------------------------|--------------|---------------------------------|---------|
| 137858-900-084-000 | Clear / Chrome | Reversible | " x " x 78" / 196.24 lb / 89 kg | \$ 2439 |
| 137858-900-305-000 | Clear / Brushed Nickel | | | \$ 2620 |

MODULR 48 X 32 X 78 - 8MM - 137859

| SKU | Glass / Finish | Door Opening | Dimensions & Weight | MSRP |
|--------------------|------------------------|--------------|---------------------------------|---------|
| 137859-900-084-000 | Clear / Chrome | Reversible | " x " x 78" / 190.24 lb / 86 kg | \$ 2430 |
| 137859-900-305-000 | Clear / Brushed Nickel | | | \$ 2613 |

MODULR 60 X 36 X 78 - 8MM - 137869

| SKU | Glass / Finish | Door Opening | Dimensions & Weight | MSRP |
|--------------------|------------------------|--------------|-------------------------------------|---------|
| 137869-900-084-000 | Clear / Chrome | Reversible | “ x “ x 78” / 229.78 lb / 104 kg | \$ 2710 |
| 137869-900-305-000 | Clear / Brushed Nickel | | | \$ 2914 |

MODULR 60 X 32 X 78 - 8MM - 137870

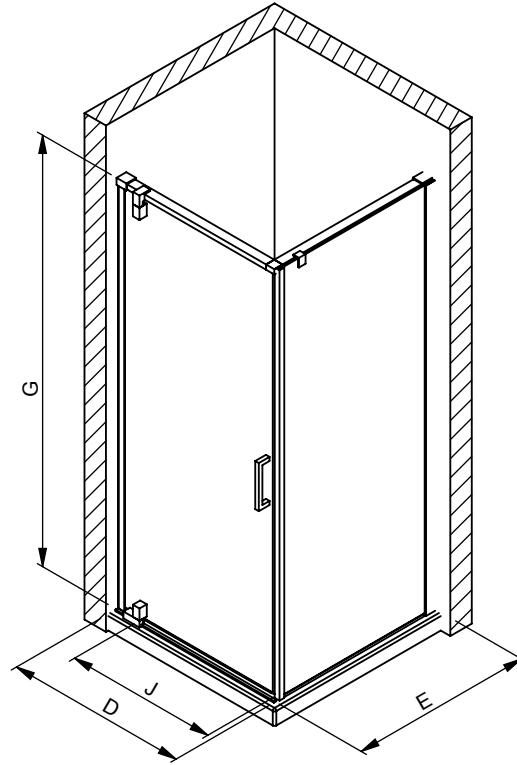
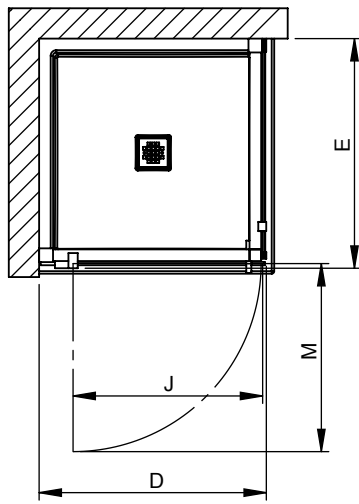
| SKU | Glass / Finish | Door Opening | Dimensions & Weight | MSRP |
|--------------------|------------------------|--------------|------------------------------------|---------|
| 137870-900-084-000 | Clear / Chrome | Reversible | “ x “ x 78” / 217.78 lb / 99 kg | \$ 2692 |
| 137870-900-305-000 | Clear / Brushed Nickel | | | \$ 2899 |

ACCESSORIES

| SKU | Description | MSRP |
|------------------|---|--------|
| 10060311 | Corner glass shelf (9 3/8 x 9 3/8 in.) (sold separately) 10 mm frosted glass with a clear band along the edge Compatible with Utile and tile shower walls | \$ 152 |
| 10068586-305-603 | 10068586-XXX-603 - Designer handle 8” | \$ 224 |
| 10068586-084-603 | Available colours: Chrome (084), Brushed Nickel (305) | \$ 206 |

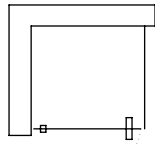
All dimensions are approximate. Structure measurements must be verified against the unit to ensure proper fit.

**Moduir PIVOT SHOWER DOOR:
CORNER 36" (500)**



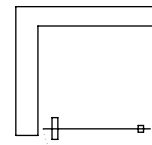
All complementary installation can be also build from the same listed product

CLOSE ON PANEL (RECOMMENDED)



500 (AS SHOWN)

CLOSE ON WALL (LIMITED ADJUSTMENT)



500 (OPTIONAL)

| PRODUCT | BASE SIZE | G | D | E | J | M |
|---------|-----------|-----------------------|-----------------|-------------------|-----------------------|-------------|
| | | HEIGHT (top of glass) | WIDTH (min-max) | DEPTH (min-max) | DOOR ACCESS (maximum) | ENCUMBRANCE |
| 137856 | 36X36 | 78" | 34-5/8" | 34-1/8" - 35-3/8" | 26-1/2" | 27-8/7" |



Link Curve Neo-angle

CORNER DOORS - PIVOT



Material : Tempered Glass

Features

- › 8 mm frameless neo-angle door with Lotus glass protection
- › Chrome, brushed nickel or dark bronze hardware available
- › Flush mount hinges on inside glass for easy cleaning
- › Reversible door for right or left-hand door opening

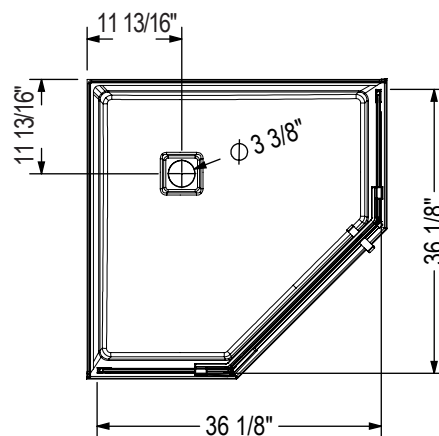
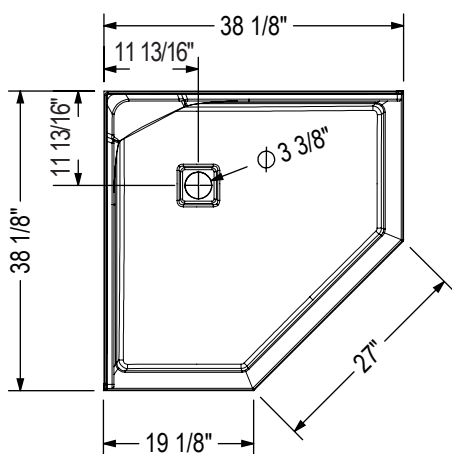
LINK CURVE NEO-ANGLE 38 X 38 X 75 - 8MM - 137280

| SKU | Glass / Finish | Door Opening | Dimensions & Weight | Packaging | MSRP |
|--------------------|------------------------|--------------|------------------------------|----------------------|---------|
| 137280-900-084-000 | Clear / Chrome | Reversible | " x " x 75" / 143 lb / 65 kg | 3.67 ft ³ | \$ 1372 |
| 137280-900-173-000 | Clear / Dark Bronze | | | | \$ 1587 |
| 137280-900-305-000 | Clear / Brushed Nickel | | | | \$ 1475 |

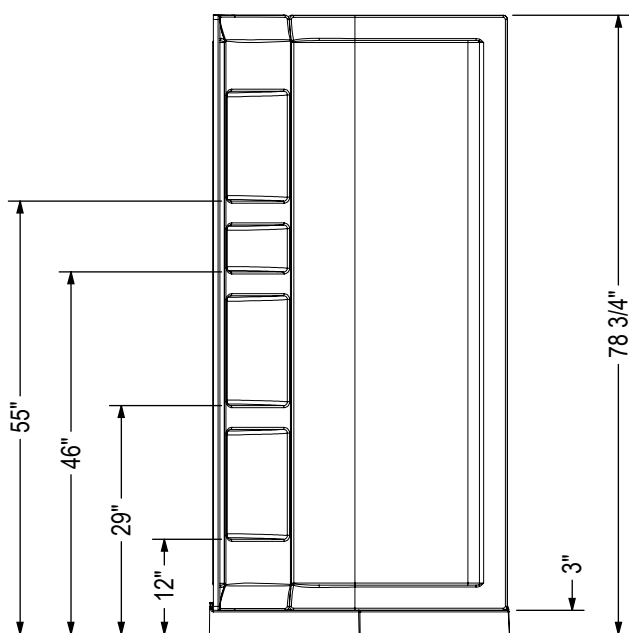
LINK CURVE NEO-ANGLE 40 X 40 X 75 - 8MM - 137281

| SKU | Glass / Finish | Door Opening | Dimensions & Weight | Packaging | MSRP |
|--------------------|------------------------|--------------|--------------------------------|----------------------|---------|
| 137281-900-084-000 | Clear / Chrome | Reversible | " x " x 75" / 147.7 lb / 67 kg | 3.67 ft ³ | \$ 1476 |
| 137281-900-173-000 | Clear / Dark Bronze | | | | \$ 1707 |
| 137281-900-305-000 | Clear / Brushed Nickel | | | | \$ 1589 |

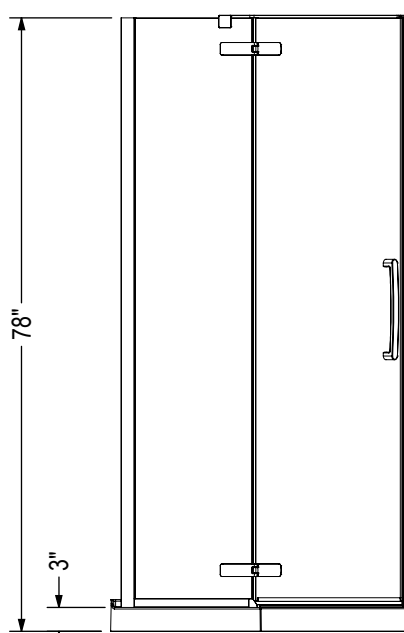
STANDARD



-Door opening : 26 1/8"
-Wall jamb adjustment : 3/4"



ACRYLIC WALLS - WITHOUT DOOR



NO ACRYLIC WALLS - WITH DOOR

All dimensions are approximate. Structure measurements must be verified against the unit to ensure proper fit.



Link Curve Rectangular

CORNER DOORS - PIVOT



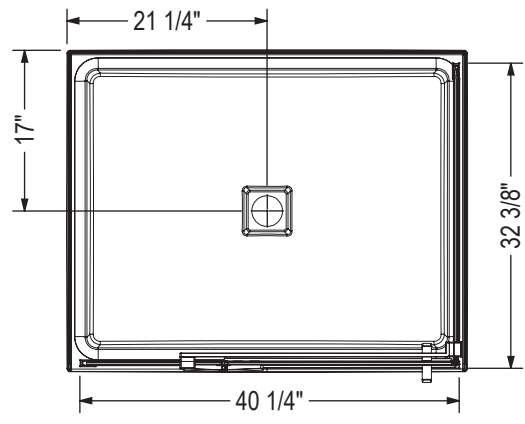
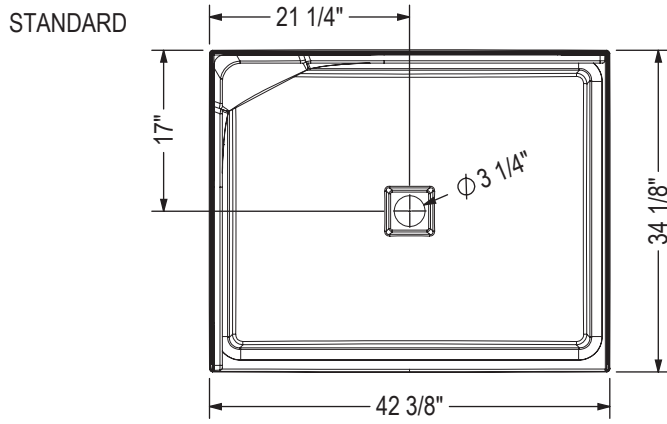
Material : Tempered Glass

Features

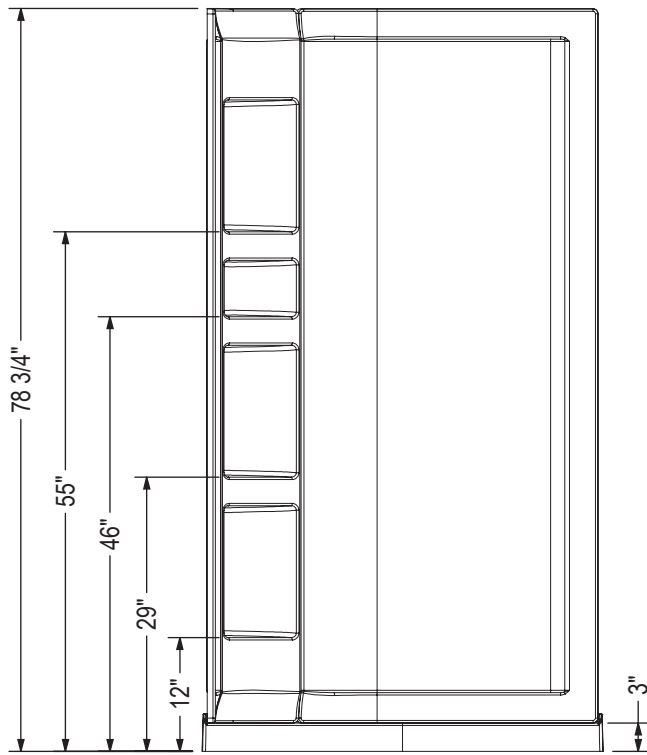
- › 8 mm frameless rectangular door with Lotus glass protection
- › Chrome, Brushed Nickel or Dark Bronze hardware available
- › Flush mount hinges on inside glass for easy cleaning
- › Rounded handle and hinges

LINK CURVE RECTANGULAR 42 X 34 X 75 - 8MM - 133302

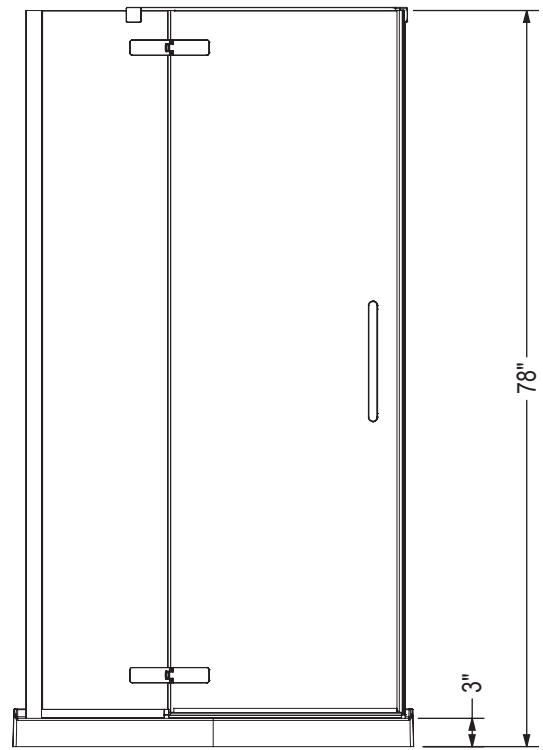
| SKU | Glass / Finish | Door Opening | Dimensions & Weight | Packaging | MSRP |
|--------------------|------------------------|--------------|------------------------------|----------------------|---------|
| 133302-900-084-000 | Clear / Chrome | Reversible | " x " x 75" / 165 lb / 75 kg | 4.66 ft ³ | \$ 1771 |
| 133302-900-173-000 | Clear / Dark Bronze | | | | \$ 2043 |
| 133302-900-305-000 | Clear / Brushed Nickel | | | | \$ 1902 |
| 133302-900-340-000 | Clear / Matte Black | | | | \$ 1771 |



-Door opening : 23 3/4"
-Wall jamb adjustment : 3/4"



ACRYLIC WALLS - WITHOUT DOOR



NO ACRYLIC WALLS - WITH DOOR

All dimensions are approximate. Structure measurements must be verified against the unit to ensure proper fit.



Link Neo-angle

CORNER DOORS - PIVOT



Material : Tempered Glass

Features

- › 8 mm frameless neo-angle door with Lotus glass protection
- › Chrome, Brushed Nickel or Dark Bronze hardware available
- › Flush mount hinges on inside glass for easy cleaning
- › Reversible right or left-hand door opening
- › Straight handle and hinges

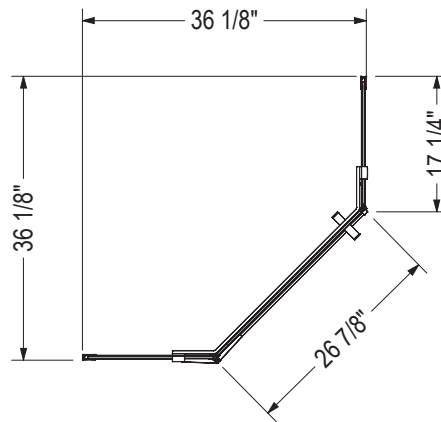
LINK NEO-ANGLE 38 X 38 X 75 - 8MM - 136315

| SKU | Glass / Finish | Door Opening | Dimensions & Weight | Packaging | MSRP |
|--------------------|------------------------|--------------|------------------------------|----------------------|---------|
| 136315-900-084-000 | Clear / Chrome | Reversible | " x " x 75" / 143 lb / 65 kg | 3.67 ft ³ | \$ 1372 |
| 136315-900-173-000 | Clear / Dark Bronze | | | | \$ 1587 |
| 136315-900-305-000 | Clear / Brushed Nickel | | | | \$ 1475 |
| 136315-900-340-000 | Clear / Matte Black | | | | \$ 1372 |

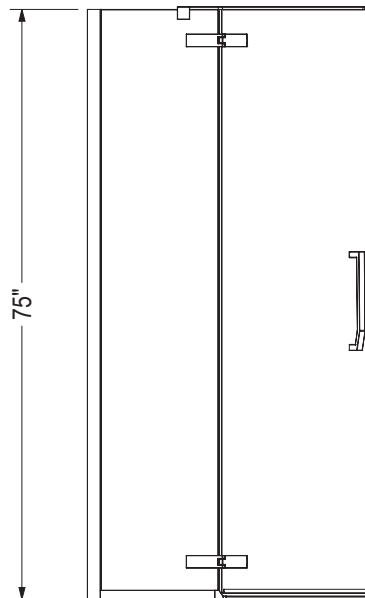
LINK NEO-ANGLE 40 X 40 X 75 - 8MM - 136321

| SKU | Glass / Finish | Door Opening | Dimensions & Weight | Packaging | MSRP |
|--------------------|------------------------|--------------|------------------------------|----------------------|---------|
| 136321-900-084-000 | Clear / Chrome | Reversible | " x " x 75" / 148 lb / 67 kg | 3.67 ft ³ | \$ 1476 |
| 136321-900-173-000 | Clear / Dark Bronze | | | | \$ 1707 |
| 136321-900-305-000 | Clear / Brushed Nickel | | | | \$ 1589 |
| 136321-900-340-000 | Clear / Matte Black | | | | \$ 1707 |

STANDARD



- Door opening : 26 1/8"
- Wall jamb adjustment : 3/4"



All dimensions are approximate. Structure measurements must be verified against the unit to ensure proper fit.



Link Rectangular

CORNER DOORS - PIVOT



Material : Tempered Glass

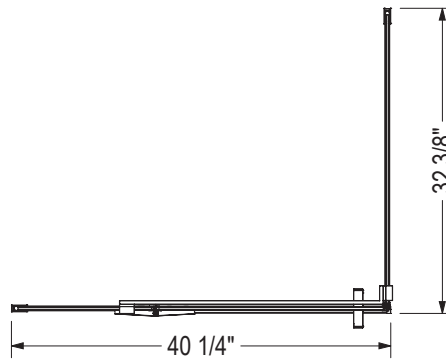
Features

- › 8 mm frameless rectangular door with Lotus glass protection
- › Chrome, Brushed Nickel or Dark Bronze hardware available
- › Flush mount hinges on inside glass for easy cleaning
- › Reversible right or left-hand door opening
- › Straight handle and hinges

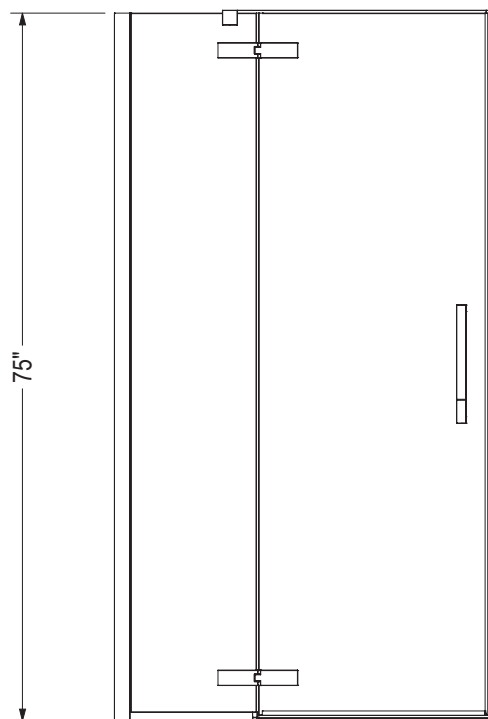
LINK RECTANGULAR 42 X 34 X 75 - 8MM - 136330

| SKU | Glass / Finish | Door Opening | Dimensions & Weight | Packaging | MSRP |
|--------------------|------------------------|--------------|----------------------------------|----------------------|---------|
| 136330-900-084-000 | Clear / Chrome | Reversible | 42" x 34" x 75" / 165 lb / 75 kg | 4.66 ft ³ | \$ 1771 |
| 136330-900-173-000 | Clear / Dark Bronze | | | | \$ 2043 |
| 136330-900-305-000 | Clear / Brushed Nickel | | | | \$ 1902 |

STANDARD



- Door opening : 23 3/4"
- Wall jamb adjustment : 3/4"



All dimensions are approximate. Structure measurements must be verified against the unit to ensure proper fit.



Silhouette Neo-angle

CORNER DOORS - PIVOT



Material : Tempered Glass

Features

- > Neo-angle framed pivot door for corner shower
- > Full-length aluminium pull adds reinforcement and doubles as a handle
- > Reversible door for left or right opening
- > Gutter is integrated in the inside of the door
- > Adjustable pivot mechanism

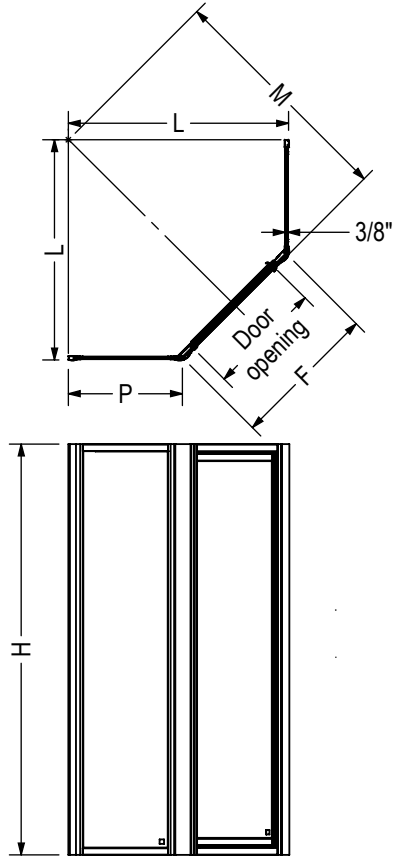
SILHOUETTE NEO-ANGLE PIVOT 38 X 38 X 70 IN. - 137901

| SKU | Glass / Finish | Door Opening | Dimensions & Weight | Packaging | MSRP |
|--------------------|-------------------|--------------|-----------------------------|----------------------|---------|
| 137901-900-084-000 | Clear / Chrome | Central | " x " x 70" / 77 lb / 35 kg | 5.76 ft ³ | \$ 1091 |
| 137901-970-084-000 | Raindrop / Chrome | | | | \$ 1091 |

SILHOUETTE NEO-ANGLE PIVOT 36 X 36 X 70 IN. - 137904

| SKU | Glass / Finish | Door Opening | Dimensions & Weight | Packaging | MSRP |
|--------------------|-------------------|--------------|-----------------------------|----------------------|---------|
| 137904-900-084-000 | Clear / Chrome | Central | " x " x 70" / 74 lb / 34 kg | 5.44 ft ³ | \$ 1105 |
| 137904-970-084-000 | Raindrop / Chrome | | | | \$ 1105 |

STANDARD



| Code | Description | H | M Adjustable | L Adjustable | Door opening | F Adjustable | P Adjustable | Wall adjustment |
|--------|---|---------|-------------------|-------------------|--------------|-------------------|-------------------|-----------------|
| 137700 | Silhouette Plus Pivot 36" x 70" | 69 5/8" | 32 1/4" - 35 1/8" | 31 1/4" - 33 3/4" | 17 3/4" | 23 3/8" - 24 7/8" | 14 3/8" - 15 7/8" | 2 1/2" |
| 137710 | Silhouette Plus Pivot 38" x 70" | 69 5/8" | 37 1/4" - 40 1/8" | 34 3/4" - 37 1/4" | 17 1/2" | 23 3/8" - 24 7/8" | 17 7/8" - 19 3/8" | 2 1/2" |
| 137720 | Silhouette Plus Pivot 36" x 70" | 69 5/8" | 34 5/8" - 37 1/2" | 33 1/8" - 35 3/4" | 18 1/2" | 24 1/8" - 25 5/8" | 15 3/4" - 17 1/4" | 2 1/2" |
| 137730 | Silhouette Plus Pivot 38 - 40" x 70" | 69 5/8" | 37 5/8" - 40 1/2" | 35 1/4" - 37 7/8" | 18 1/2" | 24 1/8" - 25 5/8" | 17 7/8" - 19 3/8" | 2 1/2" |
| 137750 | Silhouette Plus Pivot 38 - 40" x 70" | 69 5/8" | 38 1/8" - 41" | 37" - 39 1/2" | 22 1/4" | 27 7/8" - 29 3/8" | 16 7/8" - 18 3/8" | 2 1/2" |
| 137760 | Silhouette Plus Pivot 42" x 70" | 69 5/8" | 41" - 43 7/8" | 39" - 41 1/2" | 22 1/4" | 27 7/8" - 29 3/8" | 18 7/8" - 20 3/8" | 2 1/2" |

All dimensions are approximate. Structure measurement must be verified against the unit to ensure proper fit.



Silhouette Plus Neo-angle

CORNER DOORS - PIVOT



Material : Tempered Glass

Features

- > Neo-angle framed pivot door for corner shower
- > Full-length aluminium pull reinforces doors and doubles as a handle
- > Reversible door for left or right opening
- > Gutter is integrated in the inside of the door
- > 6 ways to adjust door to irregular base

SILHOUETTE PLUS NEO-ANGLE 38 X 38 X 70 IN. - 137710

| SKU | Glass / Finish | Door Opening | Dimensions & Weight | Packaging | MSRP |
|--------------------|-----------------|--------------|--------------------------------|----------------------|--------|
| 137710-900-084-000 | Clear / Chrome | Reversible | " x " x 70" / 73 lb / 33 kg | 5.39 ft ³ | \$ 963 |
| 137710-965-084-000 | Hammer / Chrome | | | | \$ 963 |

SILHOUETTE PLUS NEO-ANGLE 36 X 36 X 70 IN. - 137720

| SKU | Glass / Finish | Door Opening | Dimensions & Weight | Packaging | MSRP |
|--------------------|-----------------|--------------|--------------------------------|----------------------|--------|
| 137720-900-084-000 | Clear / Chrome | Reversible | " x " x 70" / 72 lb / 33 kg | 5.55 ft ³ | \$ 963 |
| 137720-965-084-000 | Hammer / Chrome | | | | \$ 963 |

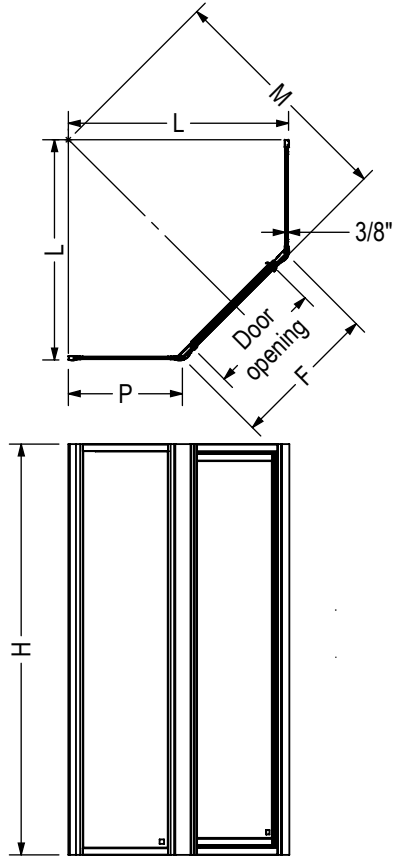
SILHOUETTE PLUS NEO-ANGLE 38 X 38-40 X 40 X 70 IN. - 137730

| SKU | Glass / Finish | Door Opening | Dimensions & Weight | Packaging | MSRP |
|--------------------|-----------------|--------------|--------------------------------|----------------------|--------|
| 137730-900-084-000 | Clear / Chrome | Reversible | " x " x 70" / 71 lb / 32 kg | 5.42 ft ³ | \$ 984 |
| 137730-965-084-000 | Hammer / Chrome | | | | \$ 984 |

SILHOUETTE PLUS NEO-ANGLE 38 X 38-40 X 40 X 70 IN. - 137750

| SKU | Glass / Finish | Door Opening | Dimensions & Weight | Packaging | MSRP |
|--------------------|-----------------|--------------|--------------------------------|----------------------|---------|
| 137750-965-084-000 | Hammer / Chrome | Reversible | " x " x 70" / 78 lb / 35 kg | 6.19 ft ³ | \$ 1001 |

STANDARD



| Code | Description | H | M Adjustable | L Adjustable | Door opening | F Adjustable | P Adjustable | Wall adjustment |
|--------|--------------------------------------|---------|-------------------|-------------------|--------------|-------------------|-------------------|-----------------|
| 137700 | Silhouette Plus Pivot 36" x 70" | 69 5/8" | 32 1/4" - 35 1/8" | 31 1/4" - 33 3/4" | 17 3/4" | 23 3/8" - 24 7/8" | 14 3/8" - 15 7/8" | 2 1/2" |
| 137710 | Silhouette Plus Pivot 38" x 70" | 69 5/8" | 37 1/4" - 40 1/8" | 34 3/4" - 37 1/4" | 17 1/2" | 23 3/8" - 24 7/8" | 17 7/8" - 19 3/8" | 2 1/2" |
| 137720 | Silhouette Plus Pivot 36" x 70" | 69 5/8" | 34 5/8" - 37 1/2" | 33 1/8" - 35 3/4" | 18 1/2" | 24 1/8" - 25 5/8" | 15 3/4" - 17 1/4" | 2 1/2" |
| 137730 | Silhouette Plus Pivot 38 - 40" x 70" | 69 5/8" | 37 5/8" - 40 1/2" | 35 1/4" - 37 7/8" | 18 1/2" | 24 1/8" - 25 5/8" | 17 7/8" - 19 3/8" | 2 1/2" |
| 137750 | Silhouette Plus Pivot 38 - 40" x 70" | 69 5/8" | 38 1/8" - 41" | 37" - 39 1/2" | 22 1/4" | 27 7/8" - 29 3/8" | 16 7/8" - 18 3/8" | 2 1/2" |
| 137760 | Silhouette Plus Pivot 42" x 70" | 69 5/8" | 41" - 43 7/8" | 39" - 41 1/2" | 22 1/4" | 27 7/8" - 29 3/8" | 18 7/8" - 20 3/8" | 2 1/2" |

All dimensions are approximate. Structure measurement must be verified against the unit to ensure proper fit.



Halo Round

CORNER DOORS - SLIDING



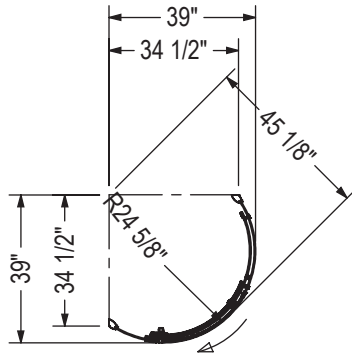
Features

- › 75 5/8" high luxury clear glass panel
- › 8mm (5/16") tempered glass with chrome hardware
- › Ball bearing roller technology allowing for 1/4" adjustment
- › For installation with round shower base and ceramic walls
- › Available as left or right opening specify when ordering

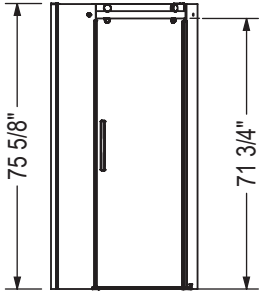
| HALO ROUND - 139399L | | | | | |
|----------------------|----------------|--------------|----------------------------------|----------------------|---------|
| SKU | Glass / Finish | Door Opening | Dimensions & Weight | Packaging | MSRP |
| 139399-900-084-001 | Clear / Chrome | Lateral | " x " x 75 5/8" / 185 lb / 84 kg | 21.4 ft ³ | \$ 1684 |

| HALO ROUND - 139399R | | | | | |
|----------------------|----------------|--------------|----------------------------------|----------------------|---------|
| SKU | Glass / Finish | Door Opening | Dimensions & Weight | Packaging | MSRP |
| 139399-900-084-002 | Clear / Chrome | Lateral | " x " x 75 5/8" / 185 lb / 84 kg | 21.4 ft ³ | \$ 1684 |

STANDARD

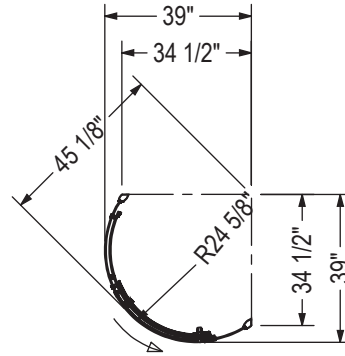
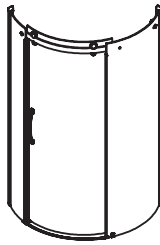


- Closing direction of the door
- Door opening : 22"

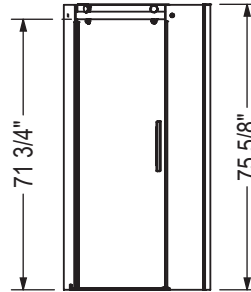


LEFT

139399-900-084-001
or 139399-L-900-084

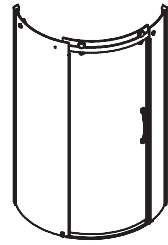


- Closing direction of the door
- Door opening : 22"



RIGHT

139399-900-084-002
or 139399-R-900-084



All dimensions are approximate. Structure measurements must be verified against the unit to ensure proper fit.



Radia Neo-angle

CORNER DOORS - SLIDING



Material : Tempered Glass

Features

- › Magnetic and aluminium extrusion for a better watertight closure as well as provide panel rigidity
- › Features MAAX Clip-and-Push System that allows to detach the bottom wheels to clean the track
- › Reversible door for right or left opening, panels are pre-assembled with the hardware and side jambs for fast and easy installation
- › 3/4-inch of out of plumb adjustment for those not so perfect walls
- › Ensure fit with MAAX Acrylic base # 101422-000-001-000

RADIA NEO-ANGLE 36 X 36 X 71 1/2 - 6MM - 137440

| SKU | Glass / Finish | Door Opening | Dimensions & Weight | Packaging | MSRP |
|--------------------|------------------------|--------------|----------------------------------|----------------------|---------|
| 137440-900-084-000 | Clear / Chrome | Central | " x " x 71 1/2" / 121 lb / 55 kg | 5.54 ft ³ | \$ 1113 |
| 137440-900-305-000 | Clear / Brushed Nickel | | | | \$ 1198 |
| 137440-900-340-000 | Clear / Matte Black | | " x " x 71 1/2" / 108 lb / 49 kg | | \$ 1198 |

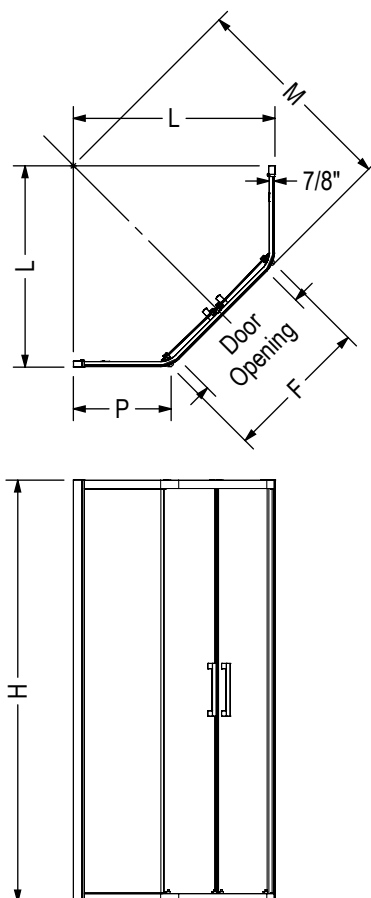
RADIA NEO-ANGLE 38 X 38 X 71 1/2 - 6MM - 137441

| SKU | Glass / Finish | Door Opening | Dimensions & Weight | Packaging | MSRP |
|--------------------|------------------------|--------------|----------------------------------|----------------------|---------|
| 137441-900-084-000 | Clear / Chrome | Central | " x " x 71 1/2" / 127 lb / 58 kg | 5.62 ft ³ | \$ 1157 |
| 137441-900-305-000 | Clear / Brushed Nickel | | | | \$ 1244 |
| 137441-900-340-000 | Clear / Matte Black | | " x " x 71 1/2" / 114 lb / 52 kg | | \$ 1244 |

RADIA NEO-ANGLE 40 X 40 X 71 1/2 - 6MM - 137442

| SKU | Glass / Finish | Door Opening | Dimensions & Weight | Packaging | MSRP |
|--------------------|------------------------|--------------|----------------------------------|----------------------|---------|
| 137442-900-084-000 | Clear / Chrome | Central | " x " x 71 1/2" / 134 lb / 61 kg | 5.97 ft ³ | \$ 1200 |
| 137442-900-305-000 | Clear / Brushed Nickel | | | | \$ 1290 |
| 137442-900-340-000 | Clear / Matte Black | | " x " x 71 1/2" / 121 lb / 55 kg | | \$ 1290 |

STANDARD



| Code | Description | H | M | L | P Adjustable | F | Door Opening | Wall Adjustment |
|--------|-----------------------------|---------|-----------|-----------|---------------------|----------|--------------|-----------------|
| 137440 | RADIA N-A 36" X 36" X 71.5" | 71 5/8" | 35 5/8" | 34 1/2" | 14 9/16" - 15 1/4" | 26 3/8" | 18 5/16" | 3/4" |
| 137441 | RADIA N-A 38" X 38" X 71.5" | 71 5/8" | 37 7/8" | 35 5/8" | 16 1/8" - 16 13/16" | 26 7/16" | 18 5/16" | 3/4" |
| 137442 | RADIA N-A 40" X 40" X 71.5" | 71 5/8" | 40 15/16" | 37 13/16" | 18 3/16" - 18 7/8" | 26 1/2" | 18 5/16" | 3/4" |

All dimensions are approximate. Structure measurements must be verified against the unit to ensure proper fit.



Radia Neo-round

CORNER DOORS - SLIDING



Material : Tempered Glass

Features

- › 6 mm tempered glass with Lotus Easy Clean Glass Protection - repels soap and water stains for care-free maintenance
- › Magnetic and aluminium extrusion for a better watertight closure as well as provide panel rigidity
- › Features MAAX Clip-and-Push System that allows to detach the bottom wheels to clean the track
- › Reversible door for right or left opening, panels are pre-assembled with the hardware and side jambs for fast and easy installation
- › 3/4-inch of out of plumb adjustment for those not so perfect walls
- › Ensure fit with MAAX Acrylic base # 101426-000-001-000

RADIA NEO-ROUND 32 X 32 X 71 1/2 - 6MM - 137443

| SKU | Glass / Finish | Door Opening | Dimensions & Weight | Packaging | MSRP |
|--------------------|------------------------|--------------|----------------------------------|---------------------|---------|
| 137443-900-084-000 | Clear / Chrome | Central | " x " x 71 1/2" / 112 lb / 51 kg | 5.3 ft ³ | \$ 1143 |
| 137443-900-305-000 | Clear / Brushed Nickel | | | | \$ 1230 |
| 137443-900-340-000 | Clear / Matte Black | | | | \$ 1230 |

RADIA NEO-ROUND 36 X 36 X 71 1/2 - 6MM - 137444

| SKU | Glass / Finish | Door Opening | Dimensions & Weight | Packaging | MSRP |
|--------------------|------------------------|--------------|----------------------------------|-------------------|---------|
| 137444-900-084-000 | Clear / Chrome | Central | " x " x 71 5/8" / 118 lb / 54 kg | 6 ft ³ | \$ 1185 |
| 137444-900-305-000 | Clear / Brushed Nickel | | | | \$ 1275 |
| 137444-900-340-000 | Clear / Matte Black | | | | \$ 1275 |

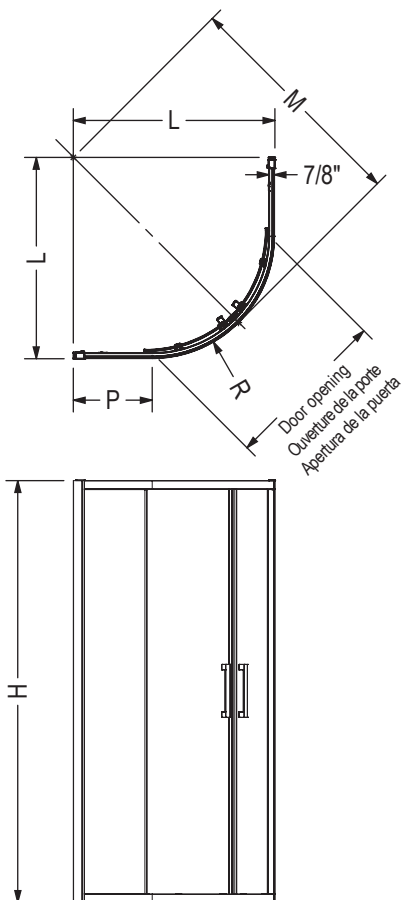
RADIA NEO-ROUND 40 X 40 X 71 1/2 - 6MM - 137445

| SKU | Glass / Finish | Door Opening | Dimensions & Weight | Packaging | MSRP |
|--------------------|------------------------|--------------|----------------------------------|----------------------|---------|
| 137445-900-084-000 | Clear / Chrome | Central | " x " x 71 1/2" / 125 lb / 57 kg | 6.25 ft ³ | \$ 1230 |
| 137445-900-305-000 | Clear / Brushed Nickel | | | | \$ 1320 |
| 137445-900-340-000 | Clear / Matte Black | | | | \$ 1320 |

RADIA NEO-ROUND 38 X 38 X 71 1/2 - 6MM - 137449

| SKU | Glass / Finish | Door Opening | Dimensions & Weight | Packaging | MSRP |
|--------------------|---------------------|--------------|----------------------------------|-----------------------|---------|
| 137449-900-084-000 | Clear / Chrome | Central | " x " x 71 1/2" / 112 lb / 51 kg | 8.052 ft ³ | \$ 1214 |
| 137449-900-340-000 | Clear / Matte Black | | | | \$ 1306 |

STANDARD



| Code Código | Description Descripción | H | M | L | P Adjustable | R | Door opening Ouverture de la porte Apertura de la puerta | Wall adjustment Ajustement du mur Ajuste de la pared |
|----------------|-----------------------------|---------|---------|---------|-------------------|-----------|--|--|
| 137443 | RADIA N-R 32" X 32" X 71.5" | 71 1/2" | 37 7/8" | 29 7/8" | 14 7/8" - 15 5/8" | 14 9/16" | 17 1/2" | 3/4" |
| 137444 | RADIA N-R 36" X 36" X 71.5" | 71 1/2" | 39 5/8" | 34 1/8" | 13" - 13 3/4" | 20 5/8" | 20 1/2" | 3/4" |
| 137449 | RADIA N-R 38" X 38" X 71.5" | 71 1/2" | 42 3/8" | 36 1/8" | 15" - 15 3/4" | 20 5/8" | 21 1/4" | 3/4" |
| 137445 | RADIA N-R 40" X 40" X 71.5" | 71 1/2" | 44 5/8" | 37 5/8" | 16 1/2" - 17 1/4" | 20 11/16" | 22 5/8" | 3/4" |

All dimensions are approximate. Structure measurements must be verified against the unit to ensure proper fit.

Toutes ces dimensions sont approximatives. Afin d'assurer une installation parfaite, les dimensions de la structure doivent être vérifiées à partir de l'unité.

Todas las dimensiones son aproximadas. Las medidas de la estructura deben ser verificadas contra la unidad para asegurar el ajuste apropiado.



Radia Round



Material : Tempered Glass

Features

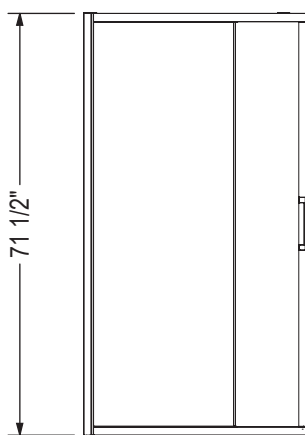
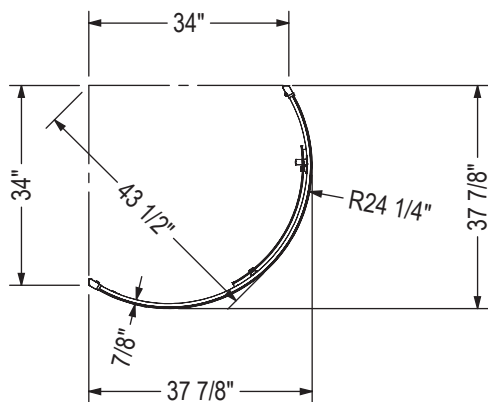
- › Magnetic and aluminium extrusion for a better watertight closure as well as provide panel rigidity
- › Features MAAX Clip-and-Push System that allows to detach the bottom wheels to clean the track
- › Reversible door for right or left opening, panels are pre-assembled with the hardware and side jambs for fast and easy installation
- › 3/4-inch of out of plumb adjustment for those not so perfect walls
- › Ensure fit with MAAX Acrylic base # 105049-000-001-000

CORNER DOORS - SLIDING

RADIA ROUND 36 X 36 X 71 1/2 - 6MM - 137446

| SKU | Glass / Finish | Door Opening | Dimensions & Weight | Packaging | MSRP |
|--------------------|------------------------|--------------|----------------------------------|----------------------|---------|
| 137446-900-084-000 | Clear / Chrome | Reversible | " x " x 71 1/2" / 118 lb / 54 kg | 8.48 ft ³ | \$ 1372 |
| 137446-900-305-000 | Clear / Brushed Nickel | | " x " x 71 1/2" / 108 lb / 49 kg | | \$ 1476 |
| 137446-900-340-000 | Clear / Matte Black | | " x " x 71 1/2" / 108 lb / 49 kg | | \$ 1476 |

STANDARD



| Code | Description | Door Opening | Wall Adjustment |
|--------|-------------------------------|--------------|-----------------|
| 137446 | RADIA Round 36" X 36" X 71.5" | 22 1/8" | 3/4" |

All dimensions are approximate. Structure measurements must be verified against the unit to ensure proper fit.



Radia Square



Material : Tempered Glass

Features

- › 6 mm tempered glass with Lotus Easy Clean Glass Protection - repels soap and water stains for care-free maintenance
- › Magnetic and aluminium extrusion for a better watertight closure as well as provide panel rigidity
- › Features MAAX Clip-and-Push System that allows to detach the bottom wheels to clean the track
- › Reversible door for right or left opening, panels are pre-assembled with the hardware and side jambs for fast and easy installation
- › 3/4-inch of out of plumb adjustment for those not so perfect walls
- › Ensure fit with MAAX Acrylic base # 101431-000-001-000

CORNER DOORS - SLIDING

RADIA SQUARE SLIDING SHOWER DOOR 32 X 32 X 71 ½ IN. 6 MM - 137447

| SKU | Glass / Finish | Door Opening | Dimensions & Weight | Packaging | MSRP |
|--------------------|------------------------|--------------|----------------------------------|----------------------|---------|
| 137447-900-084-000 | Clear / Chrome | Central | " x " x 71 1/2" / 101 lb / 46 kg | 4.73 ft ³ | \$ 1230 |
| 137447-900-305-000 | Clear / Brushed Nickel | | | | \$ 1320 |
| 137447-900-340-000 | Clear / Matte Black | | | | \$ 1320 |
| 137447-977-340-000 | French / Matte Black | | | | \$ 1452 |

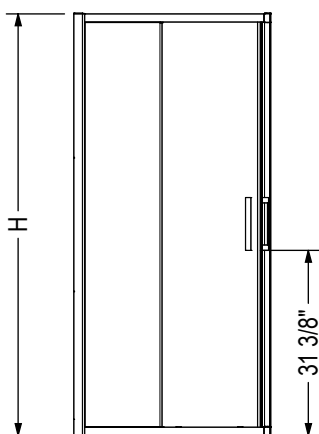
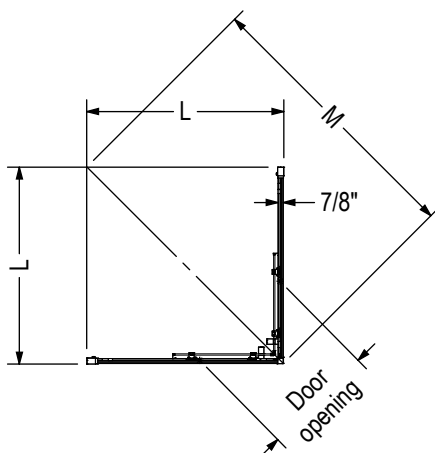
RADIA SQUARE SLIDING SHOWER DOOR 36 X 36 X 71 ½ IN. 6 MM - 137448

| SKU | Glass / Finish | Door Opening | Dimensions & Weight | Packaging | MSRP |
|--------------------|------------------------|--------------|----------------------------------|----------------------|---------|
| 137448-900-084-000 | Clear / Chrome | Central | " x " x 71 1/2" / 108 lb / 49 kg | 5.26 ft ³ | \$ 1273 |
| 137448-900-305-000 | Clear / Brushed Nickel | | | | \$ 1367 |
| 137448-900-340-000 | Clear / Matte Black | | | | \$ 1367 |
| 137448-972-340-000 | Shaker / Matte Black | | | | \$ 1504 |
| 137448-977-340-000 | French / Matte Black | | | | \$ 1504 |

RADIA SQUARE 42 X 42 X 71 ½ - 6MM - 137451

| SKU | Glass / Finish | Door Opening | Dimensions & Weight | Packaging | MSRP |
|--------------------|----------------------|--------------|----------------------------------|---------------------|---------|
| 137451-900-084-000 | Clear / Chrome | | " x " x 71 1/2" / 125 lb / 57 kg | 6.5 ft ³ | \$ 1316 |
| 137451-900-340-000 | Clear / Matte Black | | | | \$ 1414 |
| 137451-977-340-000 | French / Matte Black | | | | \$ 1556 |

STANDARD



| Code | Description | H | L Adjustable | Door Opening | Wall adjustment |
|--------|--------------------------------|---------|---------------------|--------------|-----------------|
| 137447 | RADIA Square 32" X 32" X 71.5" | 71 5/8" | 29 7/8" - 30 5/8" | 15 3/16" | 3/4" |
| 137448 | RADIA Square 36" X 36" X 71.5" | 71 5/8" | 32 15/16" - 33 3/4" | 17 5/16" | 3/4" |
| 137451 | RADIA Square 42" X 42" X 71.5" | 71 5/8" | 40 3/4" - 41 1/2" | 22 13/16" | 3/4" |

All dimensions are approximate. Structure measurements must be verified against the unit to ensure proper fit.



Capella Return Panels



Material : Tempered Glass

Features

- › GlassShield® technology pre-installed - provides extra layer of security for homes with children or elderly residents
- › 8 mm (5/16 in.) tempered glass with a height of 78 in.
- › Includes a support arm to stabilize the panel
- › 3 finishes: Chrome, Brushed Nickel and Matte Black
- › Can be installed on the left or right side
- › Offered in 32 and 36 in. wide to fit standard bases dimensions

RETURN PANELS

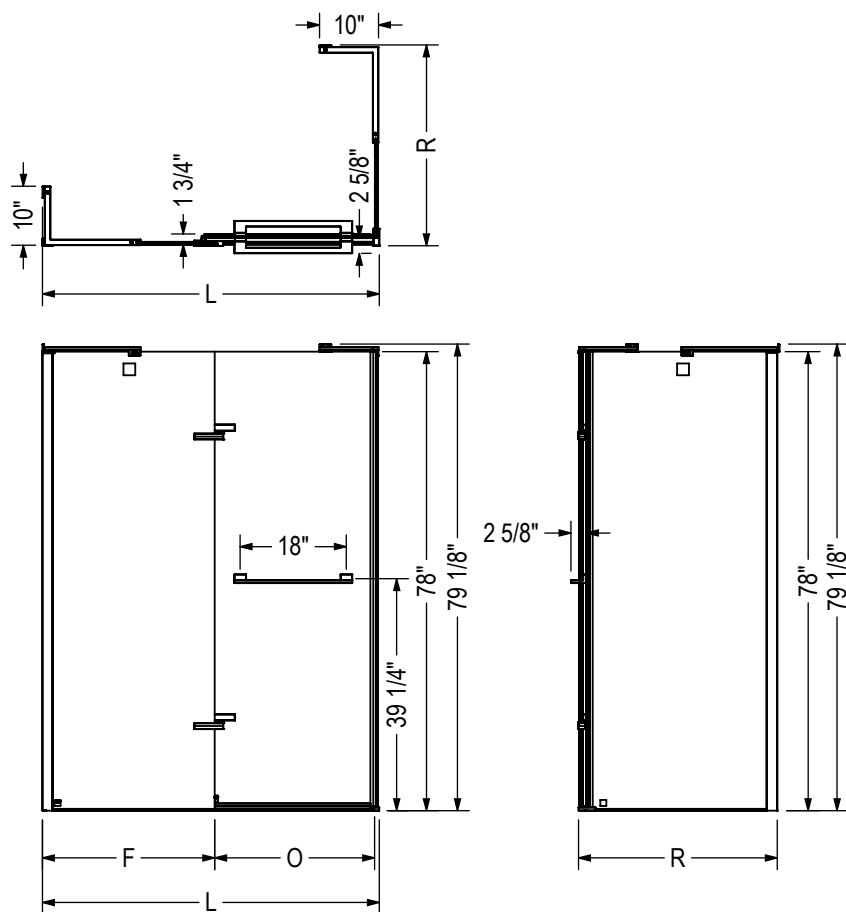
CAPELLA 78 RETURN PANEL FOR 32 IN. - 139588

| SKU | Color | Configuration | Dimensions & Weight | MSRP |
|--------------------|------------------------------------|---------------|---|--------|
| 139588-810-084-000 | Clear GlassShield / Chrome | | 29 5/8" - 30 5/8" x 78" / 77 lb / 35 kg | \$ 754 |
| 139588-810-305-000 | Clear GlassShield / Brushed Nickel | | | \$ 806 |
| 139588-810-340-000 | Clear GlassShield / Matte Black | | | \$ 844 |

CAPELLA 78 RETURN PANEL FOR 36 IN. - 139590

| SKU | Color | Configuration | Dimensions & Weight | MSRP |
|--------------------|------------------------------------|---------------|---|--------|
| 139590-810-084-000 | Clear GlassShield / Chrome | | 33 5/8" - 34 5/8" x 78" / 83 lb / 38 kg | \$ 799 |
| 139590-810-305-000 | Clear GlassShield / Brushed Nickel | | | \$ 854 |
| 139590-810-340-000 | Clear GlassShield / Matte Black | | | \$ 893 |

STANDARD



| Code | Description | L | F | R | O |
|--------|---------------------------------|-------------------|---------|-----------------------|-------------------|
| 139584 | Capella 78" x 32 1/2" - 35 1/2" | 32 1/2" - 35 1/2" | 5 3/8" | - | 23 3/4" - 26 3/4" |
| 139586 | Capella 78" x 44" - 47" | 44" - 47" | 16 7/8" | - | 23 3/4" - 26 3/4" |
| 139587 | Capella 78" x 56" - 59" | 56" - 59" | 28 7/8" | - | 23 3/4" - 26 3/4" |
| 139588 | Capella Return Panel 32" | - | - | 29 11/16" - 30 11/16" | - |
| 139590 | Capella Return Panel 36" | - | - | 33 11/16" - 34 11/16" | - |

- Wall adjustment door = 3/4"
- Wall adjustment return panel = 1"

All dimensions are approximate. Structure measurements must be verified against the unit to ensure proper fit.



Duel Alto Return Panels



Material : Tempered Glass

Features

- › 8mm (5/16 in) tempered certified glass panel
- › 78in high clear glass panel
- › Glass panels come with the Lotus Easy Clean Glass Protection to repel soap and water stains for carefree maintenance
- › Configuration consists of a single panel to be combined with a Duel Alto shower door
- › For corner showers and for tile or pre-cast wall installations 78" and higher. For an optimal fit we recommend the Duel Alto collection doors.
- › Reversible panel for easy corner installation on the left or on the right
- › Out of plumb adjustment in the wall profile
- › GlassShield® technology pre-installed - provides extra layer of security for homes with children or elderly residents
- › Due to the weight and height of the glass, we recommend a 2 person team to install this product

RETURN PANELS

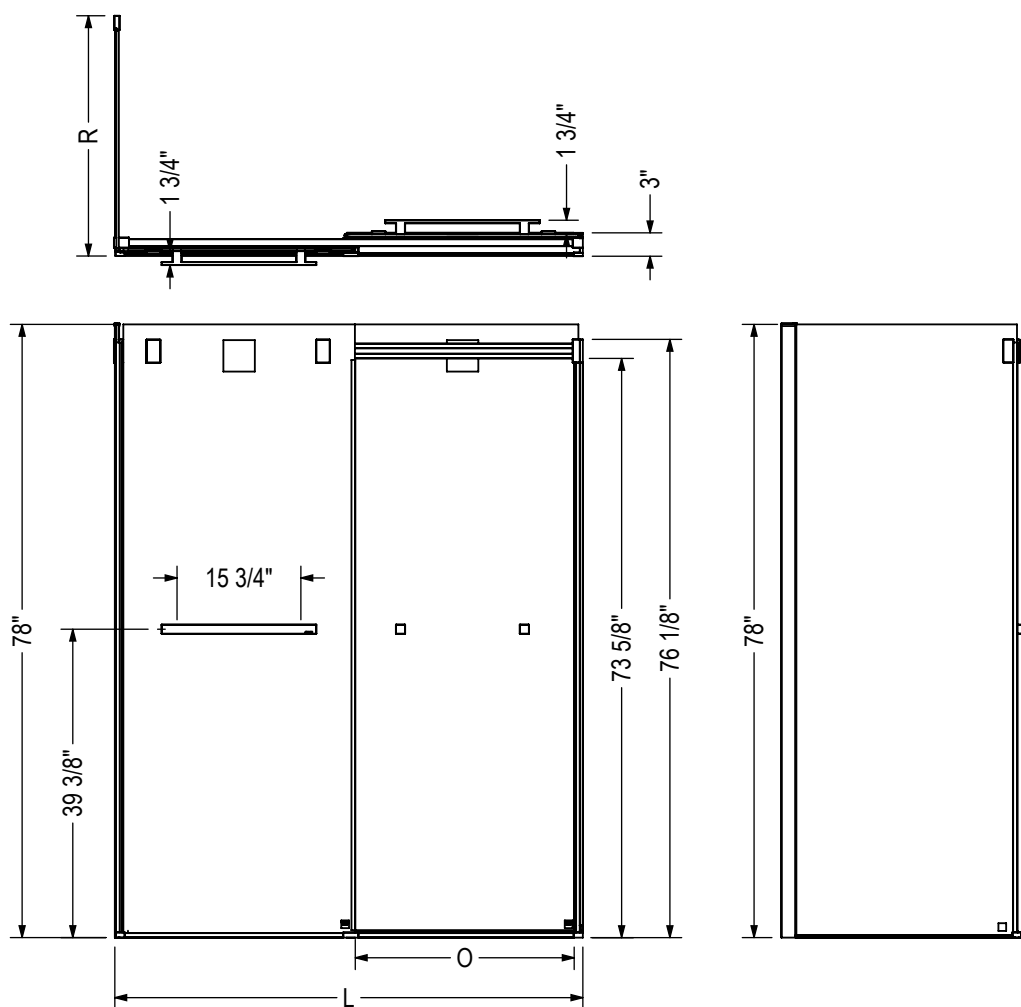
DUEL ALTO RETURN PANEL 32 X 78 - 8 MM - 139953

| SKU | Color | Configuration | Dimensions & Weight | MSRP |
|--------------------|------------------------------------|---------------|---------------------------------|--------|
| 139953-810-084-000 | Clear GlassShield / Chrome | | 30" - 31" x 78" / 65 lb / 29 kg | \$ 754 |
| 139953-810-305-000 | Clear GlassShield / Brushed Nickel | | | \$ 806 |
| 139953-810-340-000 | Clear GlassShield / Matte Black | | | \$ 844 |

DUEL ALTO RETURN PANEL 36 X 78 - 8 MM - 139954

| SKU | Color | Configuration | Dimensions & Weight | MSRP |
|--------------------|------------------------------------|---------------|---------------------------------|--------|
| 139954-810-084-000 | Clear GlassShield / Chrome | | 35" - 34" x 78" / 75 lb / 34 kg | \$ 799 |
| 139954-810-305-000 | Clear GlassShield / Brushed Nickel | | | \$ 854 |
| 139954-810-340-000 | Clear GlassShield / Matte Black | | | \$ 893 |

STANDARD



| Code | Description | L | O | R |
|--------|----------------------------------|-----------|-------------------|-----------|
| 136955 | Duel Alto Bypass 56" - 59" x 78" | 56" - 59" | 24 1/2" - 27 1/2" | - |
| 136956 | Duel Alto Bypass 44" - 47" x 78" | 44" - 47" | 18 1/2" - 21 1/2" | - |
| 136953 | Duel Alto Return Panel 32" | - | - | 30" - 31" |
| 136954 | Duel Alto Return Panel 36" | - | - | 34" - 35" |

All dimensions are approximate. Structure measurements must be verified against the unit to ensure proper fit.

- Wall adjustment door = 1/2"
- Wall adjustment return panel = 1"



Nebula Return Panel



Material : Tempered Glass

Features

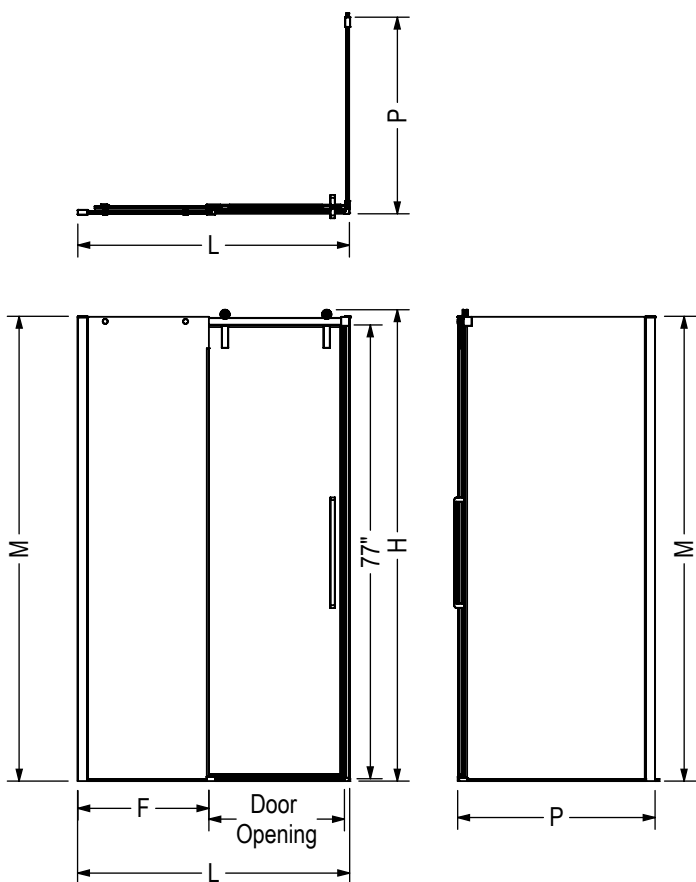
- › 8 mm (5/16 in.) tempered glass with a height of 78 3/4 in.
- › Lotus easy clean protection for effortless maintenance
- › Return panel for 36" wide shower bases
- › Add 1 return panel to a Nebula sliding alcove door for a corner unit
- › 3 finishes: Chrome, Brushed Nickel, Matte Black

RETURN PANELS

NEBULA RETURN PANEL FOR 36 IN. - 135865

| SKU | Color | Configuration | Dimensions & Weight | Packaging | MSRP |
|--------------------|------------------------|---------------|---|-------------------|--------|
| 135865-900-084-000 | Clear / Chrome | | 34 1/4" - 35" x 78 3/4" / 83 lb / 38 kg | 5 ft ³ | \$ 654 |
| 135865-900-305-000 | Clear / Brushed Nickel | | | | \$ 682 |
| 135865-900-340-000 | Clear / Matte Black | | | | \$ 702 |

STANDARD



| Code | Description | H | M | L Adjustable | F | P Adjustable | Door Opening | Wall Adjustment |
|--------|------------------------------------|-----|---------|-------------------|---------|---------------|-------------------|-----------------|
| 135870 | Nebula 44 1/2" x 46 1/2" x 78 3/4" | 80" | 78 3/4" | 44 1/2" - 46 1/2" | 21 1/2" | - | 17 1/8" - 19 1/8" | 3/4" |
| 135875 | Nebula 56 1/2" x 58 1/2" x 78 3/4" | 80" | 78 3/4" | 56 1/2" - 58 1/2" | 27 1/2" | - | 23 1/8" - 25 1/8" | 3/4" |
| 135865 | Return Panel 36" | 80" | 78 3/4" | - | - | 34 1/4" - 35" | - | 3/4" |

All dimensions are approximate. Structure measurements must be verified against the unit to ensure proper fit.



Connect Pro Return Panels

RETURN PANELS



Material : Tempered Glass

Features

- › Configuration consists of a Stationary Panel to be combined with a Connect Pro shower door
- › Frame and hardware finish: Chrome
- › For corner showers and for tile or pre-cast wall installations 76" and higher, we suggest Connect Pro doors.
- › Requires no cutting the door frame expands to adjust to the walls
- › 1/4in (6mm) Glass panels come with the Lotus Easy Clean Glass Protection to repel soap and water stains for carefree maintenance
- › Designed in North America
- › Pre-installed aluminum profile on return panels
- › Fast, no-cut installation
- › Out of plumb adjustment in the wall profile

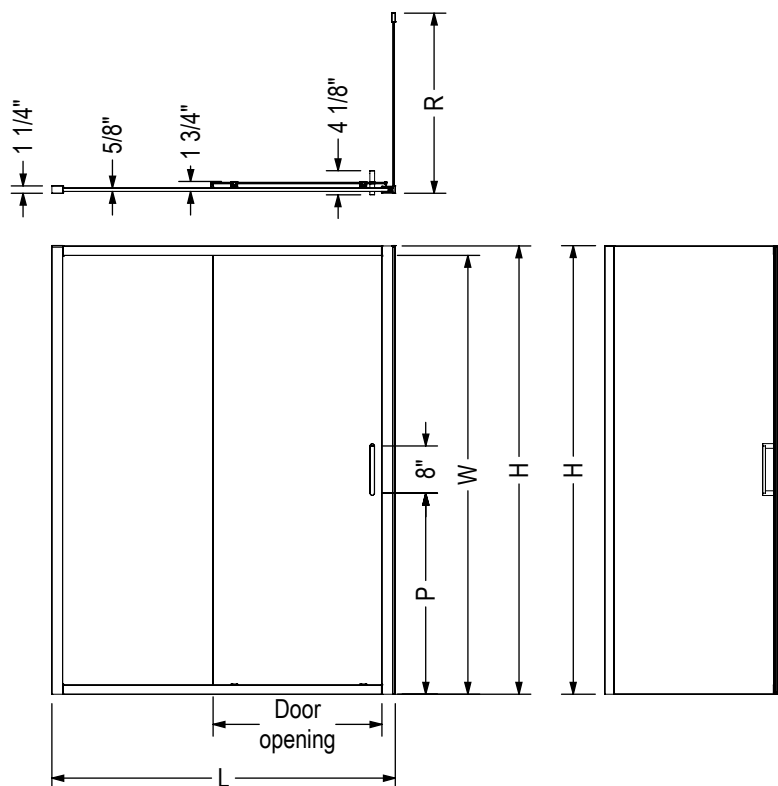
CONNECT PRO RETURN PANEL 32 X 76 - 6MM - 135239

| SKU | Color | Configuration | Dimensions & Weight | Packaging | MSRP |
|--------------------|---------------------|---------------|---|-----------|--------|
| 135239-900-084-000 | Clear / Chrome | | 30 1/8" - 30 7/8" x 76" / 57 lb / 26 kg | 7.31 ft³ | \$ 370 |
| 135239-900-340-000 | Clear / Matte Black | | | | \$ 444 |

CONNECT PRO RETURN PANEL 36 X 76 - 6MM - 135240

| SKU | Color | Configuration | Dimensions & Weight | Packaging | MSRP |
|--------------------|---------------------|---------------|---|-----------|--------|
| 135240-900-084-000 | Clear / Chrome | | 34 1/8" - 34 7/8" x 76" / 65 lb / 29 kg | 8.34 ft³ | \$ 403 |
| 135240-900-340-000 | Clear / Matte Black | | | | \$ 481 |

STANDARD



| Code | Description | H | W | L Adjustable | Door opening | P | R |
|--------|---------------------------------|-----|---------|---------------|----------------------|---------|-------------------|
| 135235 | Connect Pro 76" x 43 1/2" - 45" | 76" | 74 3/8" | 43 1/2" - 45" | 17 13/16" - 18 9/16" | 34 1/8" | - |
| 135236 | Connect Pro 76" x 45" - 46 1/2" | 76" | 74 3/8" | 45" - 46 1/2" | 18 9/16" - 19 5/16" | 34 1/8" | - |
| 135237 | Connect Pro 76" x 55 1/2" - 57" | 76" | 74 3/8" | 55 1/2" - 57" | 23 13/16" - 24 9/16" | 34 1/8" | - |
| 135238 | Connect Pro 76" x 57" - 58 1/2" | 76" | 74 3/8" | 57" - 58 1/2" | 24 9/16" - 25 5/16" | 34 1/8" | - |
| 135239 | Connect Pro Return panel 32" | 76" | - | - | - | - | 30 1/8" - 30 7/8" |
| 135240 | Connect Pro Return panel 36" | 76" | - | - | - | - | 34 1/8" - 34 1/8" |

All dimensions are approximate. Structure measurements must be verified against the unit to ensure proper fit.

- Wall adjustment return panel = 3/4"



Halo Pro GS Return Panels



Material : Tempered Glass

Features

- › 5/16in tempered glass panels with MAAX new Shatter-Resistant Technology, GlassShield®
- › Available in 2 finishes: Chrome and Matte Black
- › Return Panel for Corner Shower, compatible with Halo Pro GlassShield® (GS)
- › The frameless design brings a sense of spaciousness to the room and creates a sleek, minimalist look
- › Reversible panel for easy corner installation on the left or on the right
- › Glass panels come with the Lotus Easy Clean Glass Protection to repel soap and water stains for carefree maintenance
- › Easy assembly between door and return panel
- › Compatible with MAAX's Utile wall system, allowing for a seamless and coordinated installation with the shower door, creating a cohesive and stylish bathroom design
- › Warranty: 10 years

RETURN PANELS

HALO PRO GS RETURN PANEL FOR 32 IN. - 136542

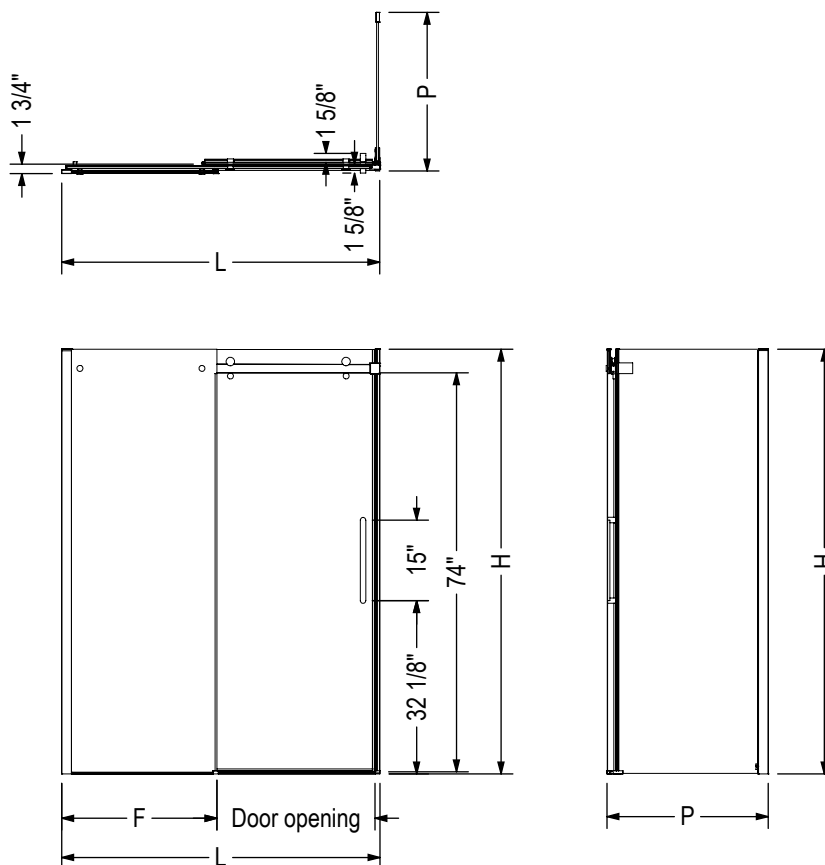
| SKU | Color | Configuration | Dimensions & Weight | Packaging | MSRP |
|--------------------|---------------------------------|---------------|---|----------------------------------|--------|
| 136542-810-084-000 | Clear GlassShield / Chrome | | 28 3/4" - 29 7/8" x 78 3/4" / 52 lb / 24 kg | 4.66688368055556 ft ³ | \$ 765 |
| 136542-810-340-000 | Clear GlassShield / Matte Black | | | | \$ 856 |

HALO PRO GS RETURN PANEL FOR 36 IN. - 136543

| SKU | Color | Configuration | Dimensions & Weight | Packaging | MSRP |
|--------------------|---------------------------------|---------------|---|----------------------------------|--------|
| 136543-810-084-000 | Clear GlassShield / Chrome | | 32 3/4" - 33 7/8" x 78 3/4" / 62 lb / 28 kg | 5.34324363425926 ft ³ | \$ 811 |
| 136543-810-340-000 | Clear GlassShield / Matte Black | | | | \$ 906 |

STANDARD

RETURN PANELS



| Code | Description | H | L Adjustable | F | P Adjustable | Door Opening | Wall Adjustment |
|--------|---------------------------|---------|---------------|---------|--------------|-------------------|-----------------|
| 136540 | Halo Pro GS 78 3/4" x 47" | 78 3/4" | 44 1/2" - 47" | 22 1/2" | - | 16 1/4" - 18 3/4" | 1" |
| 136541 | Halo Pro GS 78 3/4" x 59" | 78 3/4" | 56 1/2" - 59" | 28 5/8" | - | 22 1/8" - 24 5/8" | 1" |
| 136542 | Halo Pro GS RP 32" | 78 3/4" | - | - | 29 7/8" | - | 1" |
| 136543 | Halo Pro GS RP 36" | 78 3/4" | - | - | 33 7/8" | - | 1" |

All dimensions are approximate. Structure measurements must be verified against the unit to ensure proper fit.



Halo Return Panels



Material : Tempered Glass

Features

- › 5/16in tempered glass panels
- › Available in 4 finishes: Chrome, Brushed Nickel, Dark Bronze, Matte Black
- › Return Panel for Corner Shower, compatible with Halo, Halo Pro and Vela doors
- › The frameless design brings a sense of spaciousness to the room and creates a sleek, minimalist look
- › Reversible panel for easy corner installation on the left or on the right
- › Glass panels come with the Lotus Easy Clean Glass Protection to repel soap and water stains for carefree maintenance
- › Easy assembly between door and return panel
- › Compatible with MAAX's Utile wall system, allowing for a seamless and coordinated installation with the shower door, creating a cohesive and stylish bathroom design
- › Warranty: 10 years

RETURN PANELS

HALO RETURN PANEL FOR 30 IN. - 139393

| SKU | Color | Configuration | Dimensions & Weight | Packaging | MSRP |
|--------------------|------------------------|---------------|---|----------------------------------|--------|
| 139393-900-084-000 | Clear / Chrome | | 26 3/4" - 27 7/8" x 78 3/4" / 60 lb / 27 kg | 4.86979166666667 ft ³ | \$ 678 |
| 139393-900-173-000 | Clear / Dark Bronze | | | | \$ 764 |
| 139393-900-305-000 | Clear / Brushed Nickel | | | | \$ 730 |
| 139393-900-340-000 | Clear / Matte Black | | | | \$ 764 |

HALO RETURN PANEL FOR 42 IN. - 139394

| SKU | Color | Configuration | Dimensions & Weight | Packaging | MSRP |
|--------------------|------------------------|---------------|---|----------------------------------|--------|
| 139394-900-084-000 | Clear / Chrome | | 38 7/8" - 39 7/8" x 78 3/4" / 82 lb / 37 kg | 6.78819444444444 ft ³ | \$ 774 |
| 139394-900-173-000 | Clear / Dark Bronze | | | | \$ 873 |
| 139394-900-305-000 | Clear / Brushed Nickel | | | | \$ 831 |
| 139394-900-340-000 | Clear / Matte Black | | | | \$ 873 |

HALO RETURN PANEL FOR 34 IN. - 139395

| SKU | Color | Configuration | Dimensions & Weight | Packaging | MSRP |
|--------------------|----------------|---------------|---|-------------------|--------|
| 139395-900-084-000 | Clear / Chrome | | 30 7/8" - 31 7/8" x 78 3/4" / 68 lb / 31 kg | 6 ft ³ | \$ 728 |

HALO RETURN PANEL FOR 34 IN. - 139395

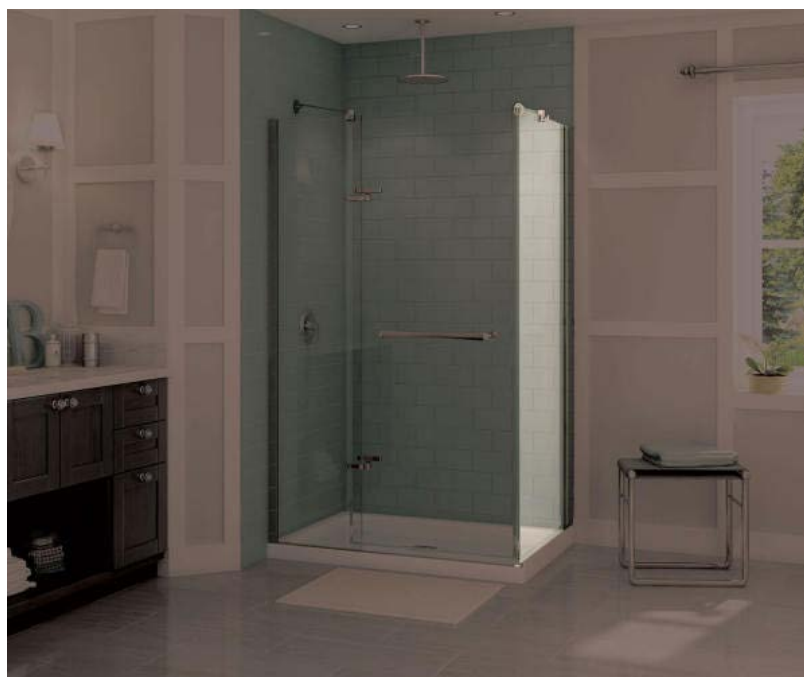
| SKU | Color | Configuration | Dimensions & Weight | Packaging | MSRP |
|--------------------|------------------------|---------------|---|-------------------|--------|
| 139395-900-173-000 | Clear / Dark Bronze | | 30 7/8" - 31 7/8" x 78 3/4" / 68 lb / 31 kg | 6 ft ³ | \$ 822 |
| 139395-900-305-000 | Clear / Brushed Nickel | | | | \$ 781 |
| 139395-900-340-000 | Clear / Matte Black | | | | \$ 822 |

HALO RETURN PANEL FOR 36 IN. - 139396

| SKU | Color | Configuration | Dimensions & Weight | Packaging | MSRP |
|--------------------|------------------------|---------------|---|----------------------------------|--------|
| 139396-900-084-000 | Clear / Chrome | | 32 7/8" - 33 7/8" x 78 3/4" / 72 lb / 33 kg | 6.50868055555556 ft ³ | \$ 750 |
| 139396-900-173-000 | Clear / Dark Bronze | | | | \$ 846 |
| 139396-900-305-000 | Clear / Brushed Nickel | | | | \$ 804 |
| 139396-900-340-000 | Clear / Matte Black | | | | \$ 846 |



Reveal 71 Return Panels



Material : Tempered Glass

Features

- › 8 mm tempered glass panels
- › Available in 3 finishes: Chrome, Brushed Nickel, Matte Black to match your door
- › Return Panel for Corner Shower
- › The frameless design brings a sense of spaciousness to the room and creates a sleek, minimalist look
- › Reversible panel for easy corner installation on the left or on the right
- › Add 1 return panel to a Reveal 71 alcove door for a corner unit
- › Easy assembly between door and return panel
- › Proudly made in Canada
- › Warranty: 10 years

RETURN PANELS

REVEAL 71 32 X 71 1/2 - 8MM - 136673

| SKU | Color | Configuration | Dimensions & Weight | Packaging | MSRP |
|--------------------|------------------------|---------------|---|----------------------|--------|
| 136673-900-084-000 | Clear / Chrome | | 28 3/4" - 29 7/8" x 71 1/2" / 74 lb / 34 kg | 5.22 ft ³ | \$ 813 |
| 136673-900-173-000 | Clear / Dark Bronze | | | | \$ 897 |
| 136673-900-305-000 | Clear / Brushed Nickel | | | | \$ 837 |

REVEAL 71 RETURN PANEL FOR 34 IN. - 136674

| SKU | Color | Configuration | Dimensions & Weight | Packaging | MSRP |
|--------------------|------------------------|---------------|---|---------------------|--------|
| 136674-900-084-000 | Clear / Chrome | | 30 3/4" - 31 7/8" x 71 1/2" / 75 lb / 34 kg | 5.3 ft ³ | \$ 839 |
| 136674-900-173-000 | Clear / Dark Bronze | | | | \$ 920 |
| 136674-900-305-000 | Clear / Brushed Nickel | | | | \$ 861 |

REVEAL 71 RETURN PANEL FOR 36 IN. - 136675

| SKU | Color | Configuration | Dimensions & Weight | Packaging | MSRP |
|--------------------|------------------------|---------------|---|---------------------|--------|
| 136675-900-084-000 | Clear / Chrome | | 32 3/4" - 33 7/8" x 71 1/2" / 80 lb / 36 kg | 5.3 ft ³ | \$ 863 |
| 136675-900-173-000 | Clear / Dark Bronze | | | | \$ 941 |
| 136675-900-305-000 | Clear / Brushed Nickel | | | | \$ 880 |



Reveal Sleek 71 Return Panels

RETURN PANELS



Material : Tempered Glass

Features

- › For installation on acrylic walls, ceramic and Utile
- › For a corner unit, add 1 return panel to a Reveal Sleek alcove door
- › For a corner unit, add 1 return panel to a Reveal Sleek alcove door
- › 8 mm (5/16 in.) tempered glass with a height of 71 1/2 in.
- › Includes a support arm to stabilize the panel
- › Can be installed on the left or right side
- › Offered in 32, 34 and 36 in. wide to fit standard bases dimensions

REVEAL SLEEK 71 RETURN PANEL FOR 32 IN. - 139581

| SKU | Color | Configuration | Dimensions & Weight | Packaging | MSRP |
|--------------------|------------------------|---------------|---|-----------------------|--------|
| 139581-900-084-000 | Clear / Chrome | | 29 3/8" - 30 3/8" x 71 1/2" / 74 lb / 34 kg | 4.722 ft ³ | \$ 501 |
| 139581-900-173-000 | Clear / Dark Bronze | | | | \$ 540 |
| 139581-900-305-000 | Clear / Brushed Nickel | | | | \$ 527 |
| 139581-900-340-000 | Clear / Matte Black | | | | \$ 540 |

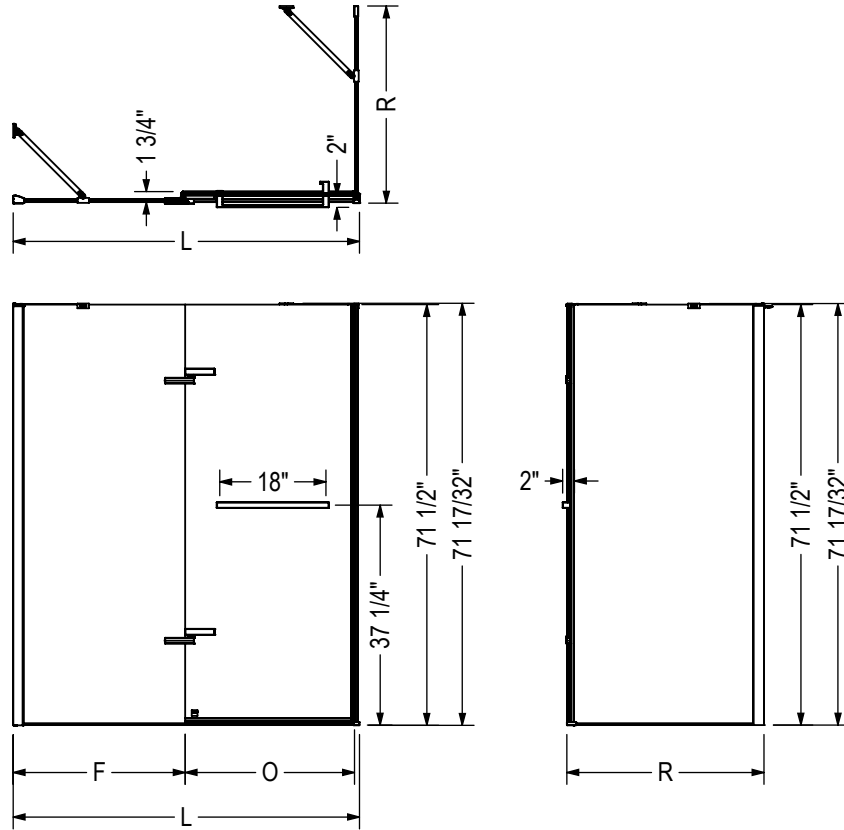
REVEAL SLEEK 71 RETURN PANEL FOR 34 IN. - 139582

| SKU | Color | Configuration | Dimensions & Weight | Packaging | MSRP |
|--------------------|------------------------|---------------|---|-----------------------|--------|
| 139582-900-084-000 | Clear / Chrome | | 31 3/8" - 32 3/8" x 71 1/2" / 75 lb / 34 kg | 5.972 ft ³ | \$ 533 |
| 139582-900-173-000 | Clear / Dark Bronze | | | | \$ 574 |
| 139582-900-305-000 | Clear / Brushed Nickel | | | | \$ 560 |
| 139582-900-340-000 | Clear / Matte Black | | | | \$ 574 |

REVEAL SLEEK 71 RETURN PANEL FOR 36 IN. - 139583

| SKU | Color | Configuration | Dimensions & Weight | Packaging | MSRP |
|--------------------|------------------------|---------------|---|-----------------------|--------|
| 139583-900-084-000 | Clear / Chrome | | 33 3/8" - 34 3/8" x 71 1/2" / 80 lb / 36 kg | 5.972 ft ³ | \$ 568 |
| 139583-900-173-000 | Clear / Dark Bronze | | | | \$ 610 |
| 139583-900-305-000 | Clear / Brushed Nickel | | | | \$ 595 |
| 139583-900-340-000 | Clear / Matte Black | | | | \$ 610 |

STANDARD



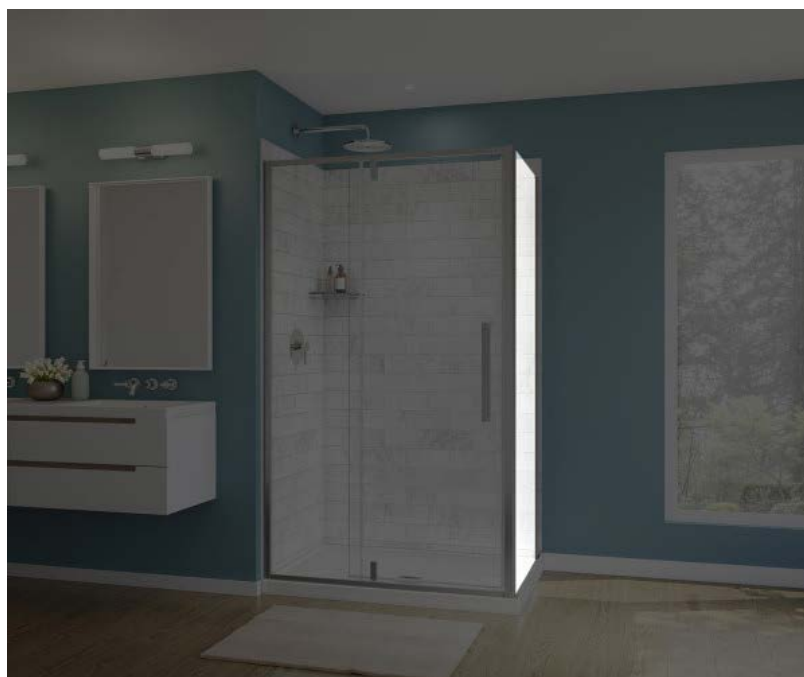
| Code | Description | L | F | R | O | Wall Adjustment Return panel (R) | Wall Adjustment Fixed panel (F) |
|--------|--|-------------------|---------|---------------------|-------------------|----------------------------------|---------------------------------|
| 139575 | Reveal Sleek 71 1/2" x 32 1/2" - 35 1/2" | 32 1/2" - 35 1/2" | 5 3/8" | - | 23 3/4" - 26 3/4" | - | 3/4" |
| 139576 | Reveal Sleek 71 1/2" x 38" - 41" | 38" - 41" | 10 7/8" | - | 23 3/4" - 26 3/4" | - | 3/4" |
| 139577 | Reveal Sleek 71 1/2" x 41 1/2" - 44 1/2" | 41 1/2" - 44 1/2" | 14 3/8" | - | 23 3/4" - 26 3/4" | - | 3/4" |
| 139578 | Reveal Sleek 71 1/2" x 44" - 47" | 44" - 47" | 16 7/8" | - | 23 3/4" - 26 3/4" | - | 3/4" |
| 139579 | Reveal Sleek 71 1/2" x 51 1/2" - 54 1/2" | 51 1/2" - 54 1/2" | 24 3/8" | - | 23 3/4" - 26 3/4" | - | 3/4" |
| 139580 | Reveal Sleek 71 1/2" x 56" - 59" | 56" - 59" | 28 7/8" | - | 23 3/4" - 26 3/4" | - | 3/4" |
| 139581 | Reveal Sleek Return Panel 32" | - | - | 29 7/16" - 30 7/16" | - | 1" | - |
| 139582 | Reveal Sleek Return Panel 34" | - | - | 31 7/16" - 32 7/16" | - | 1" | - |
| 139583 | Reveal Sleek Return Panel 36" | - | - | 33 7/16" - 34 7/16" | - | 1" | - |

All dimensions are approximate. Structure measurements must be verified against the unit to ensure proper fit.



Uptown Return Panels

RETURN PANELS



Material : Tempered Glass

Features

- › 8 mm (5/16") tempered glass
- › Configuration consists of a single panel to be combined with a Uptown shower door (Bypass, Slider, Pivot)
- › Configuration consists of a single panel to be combined with a Uptown shower door (Bypass, Slider, Pivot)
- › 76in high clear glass panel
- › Glass panels come with the Lotus Easy Clean Glass Protection to repel soap and water stains for carefree maintenance
- › Reversible panel for easy corner installation on the left or on the right
- › Out of plumb adjustment in the wall profile
- › Easy assembly between door and return panel
- › Due to the weight and height of the glass, we recommend a 2 person team to install this product

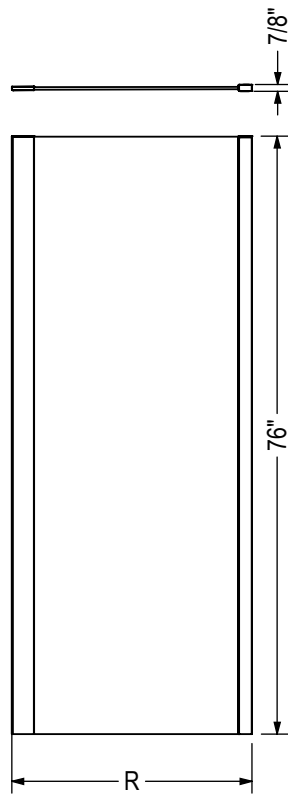
UPTOWN RETURN PANEL 32 X 76 - 8 MM - 135327

| SKU | Color | Configuration | Dimensions & Weight | Packaging | MSRP |
|--------------------|------------------------|---------------|---|----------------------|--------|
| 135327-900-084-000 | Clear / Chrome | | 30 1/8" - 30 7/8" x 76" / 67 lb / 30 kg | 4.03 ft ³ | \$ 569 |
| 135327-900-173-000 | Clear / Dark Bronze | | | | \$ 619 |
| 135327-900-305-000 | Clear / Brushed Nickel | | | | \$ 604 |
| 135327-900-340-000 | Clear / Matte Black | | | | \$ 619 |

UPTOWN RETURN PANEL 36 X 76 - 8 MM - 135328

| SKU | Color | Configuration | Dimensions & Weight | Packaging | MSRP |
|--------------------|------------------------|---------------|---|----------------------|--------|
| 135328-900-084-000 | Clear / Chrome | | 34 1/8" - 34 7/8" x 76" / 73 lb / 33 kg | 4.52 ft ³ | \$ 639 |
| 135328-900-173-000 | Clear / Dark Bronze | | | | \$ 688 |
| 135328-900-305-000 | Clear / Brushed Nickel | | | | \$ 674 |
| 135328-900-340-000 | Clear / Matte Black | | | | \$ 688 |

STANDARD



| Code | Description | R |
|--------|----------------------------------|-------------------|
| 137391 | Uptown Return Panel for 32" base | 30 1/8" - 30 7/8" |
| 137392 | Uptown Return Panel for 36" base | 34 1/8" - 34 7/8" |

- Wall adjustment = 3/4"

All dimensions are approximate. Structure measurements must be verified against the unit to ensure proper fit.



Halo Return Panels

RETURN PANELS



Material : Tempered Glass

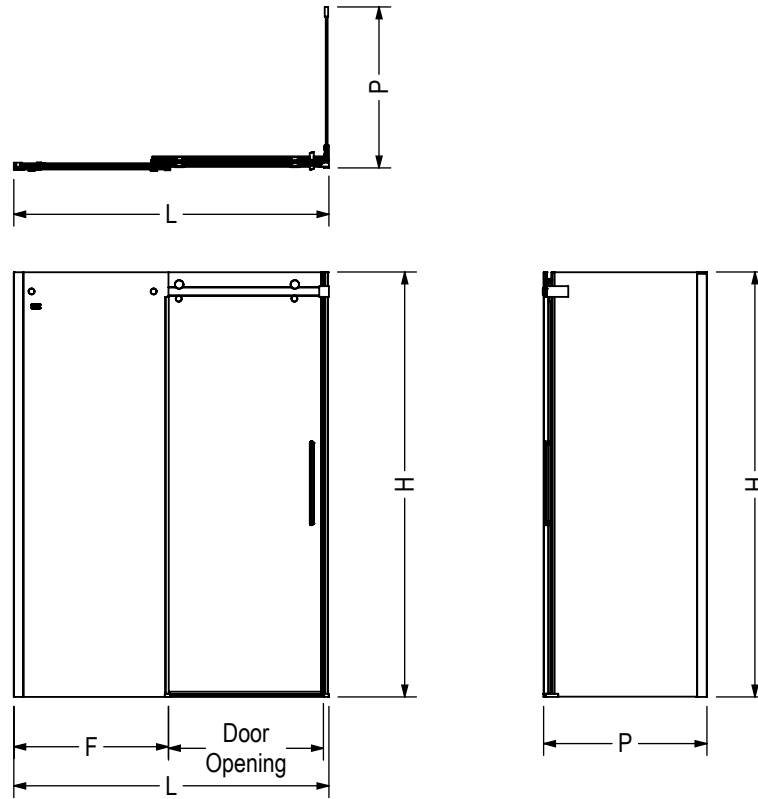
Features

- › 8 mm tempered glass panels
- › Available in 4 finishes: Chrome, Brushed Nickel, Dark Bronze, Matte Black
- › Return Panel for Corner Shower, compatible with Halo, Halo Pro and Vela doors
- › The frameless design brings a sense of spaciousness to the room and creates a sleek, minimalist look
- › Reversible panel for easy corner installation on the left or on the right
- › Glass panels come with the Lotus Easy Clean Glass Protection to repel soap and water stains for carefree maintenance
- › Easy assembly between door and return panel
- › Compatible with MAAX's Utile wall system, allowing for a seamless and coordinated installation with the shower door, creating a cohesive and stylish bathroom design
- › Warranty: 10 years

HALO RETURN PANEL FOR 32 IN. - 139998

| SKU | Color | Configuration | Dimensions & Weight | Packaging | MSRP |
|--------------------|------------------------|---------------|--|---------------------|--------|
| 138998-900-084-000 | Clear / Chrome | | 28 3/4" - 29 7/8" x 78 3/4" / 131 lb / 59 kg | 7.7 ft ³ | \$ 705 |
| 138998-900-173-000 | Clear / Dark Bronze | | | | \$ 796 |
| 138998-900-305-000 | Clear / Brushed Nickel | | 28 3/4" - 29 7/8" x 78 3/4" / 118 lb / 54 kg | | \$ 758 |
| 138998-900-340-000 | Clear / Matte Black | | | | \$ 796 |

STANDARD



| Code | Description | H | L Adjustable | F | P Adjustable | Door Opening | Wall Adjustment |
|--------|--------------------|---------|---------------|---------|--------------|-------------------|-----------------|
| 138996 | Halo 78 3/4" x 47" | 78 3/4" | 44 1/2" - 47" | 22 1/2" | - | 16 1/4" - 18 3/4" | 1" |
| 138997 | Halo 78 3/4" x 59" | 78 3/4" | 56 1/2" - 59" | 28 5/8" | - | 22 1/8" - 24 5/8" | 1" |
| 139393 | Return Panel 30" | 78 3/4" | - | - | 27 7/8" | - | 1" |
| 138998 | Return Panel 32" | 78 3/4" | - | - | 29 7/8" | - | 1" |
| 139395 | Return Panel 34" | 78 3/4" | - | - | 31 7/8" | - | 1" |
| 139396 | Return Panel 36" | 78 3/4" | - | - | 33 7/8" | - | 1" |
| 139394 | Return Panel 42" | 78 3/4" | - | - | 39 7/8" | - | 1" |

All dimensions are approximate. Structure measurements must be verified against the unit to ensure proper fit.



Incognito 76 Return Panels

RETURN PANELS



Material : Tempered Glass

Features

- › Tempered Glass panels 5/16 in. (8 mm) with 76 in. high
- › Return Panels available in 32 in. and 36 in. wide
- › Add 1 return panel to a Incognito bypass alcove door for a corner unit
- › 4 finishes: Chrome, Brushed Nickel, Matte Black and Shaker pattern

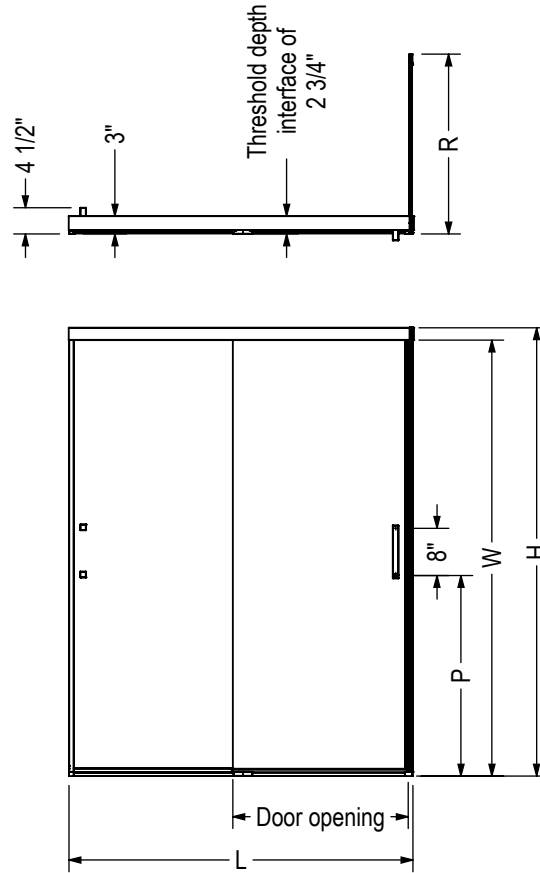
INCOGNITO 76 RETURN PANEL FOR 32 IN. BASE - 136560

| SKU | Color | Configuration | Dimensions & Weight | Packaging | MSRP |
|--------------------|------------------------|---------------|---------------------------------|----------------------|--------|
| 136560-900-084-000 | Clear / Chrome | | 30" - 31" x 76" / 70 lb / 32 kg | 5.48 ft ³ | \$ 538 |
| 136560-900-305-000 | Clear / Brushed Nickel | | | | \$ 567 |
| 136560-900-340-000 | Clear / Matte Black | | | | \$ 580 |
| 136560-972-340-000 | Shaker / Matte Black | | | | \$ 594 |

INCOGNITO 76 RETURN PANEL FOR 36IN. - 136561

| SKU | Color | Configuration | Dimensions & Weight | Packaging | MSRP |
|--------------------|------------------------|---------------|---------------------------------|----------------------|--------|
| 136561-900-084-000 | Clear / Chrome | | 34" - 35" x 76" / 74 lb / 34 kg | 5.44 ft ³ | \$ 603 |
| 136561-900-305-000 | Clear / Brushed Nickel | | | | \$ 633 |
| 136561-900-340-000 | Clear / Matte Black | | | | \$ 649 |
| 136561-972-340-000 | Shaker / Matte Black | | | | \$ 665 |

STANDARD



| Code | Description | H | W | L Adjustable | Door opening | P | R | Wall adjustment |
|--------|------------------------------|-----|---------|--------------|-------------------|---------|-----------|-----------------|
| 135334 | Incognito 76" 44 - 47" x 76" | 76" | 73 7/8" | 44" - 47" | 18 1/4" - 22 1/4" | 33 7/8" | - | 1/2" |
| 135335 | Incognito 76" 56 - 59" x 76" | 76" | 73 7/8" | 56" - 59" | 24 1/4" - 28 1/4" | 33 7/8" | - | 1/2" |
| 136560 | Incognito RP 32" | 76" | - | - | - | - | 30" - 31" | 1" |
| 136561 | Incognito RP 36" | 76" | - | - | - | - | 34" - 35" | 1" |

All dimensions are approximate. Structure measurements must be verified against the unit to ensure proper fit.



Edge Duo Shower Screen

SCREENS



Material : Tempered Glass

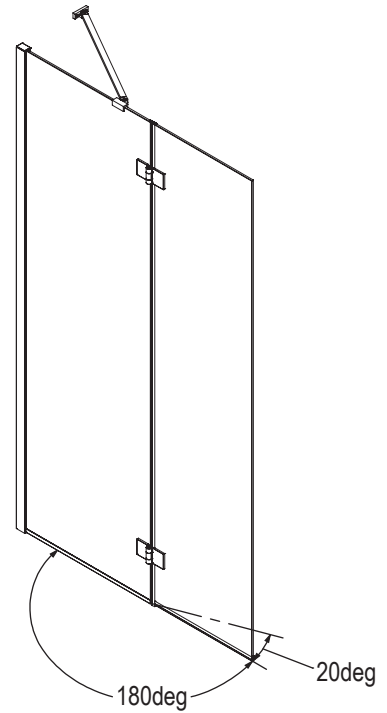
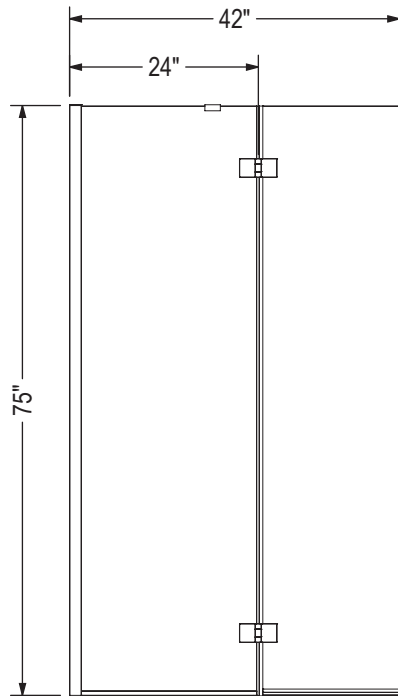
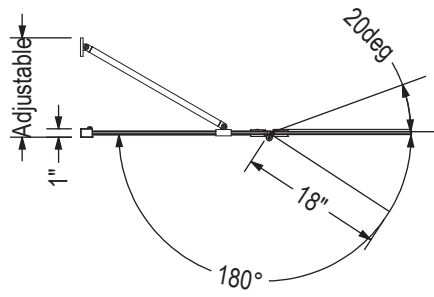
Features

- > 8 mm tempered glass with Lotus glass protection
- > Double glass; one fix 24 in. and one pivot 18 in.; This gives you a wide access to get in and out while making the corner watertight
- > Easy access to faucets
- > The moving panel can tilt slightly inside the tub to prevent water spill
- > Fixed panel clears most toilets or vanities

EDGE DUO 42 X 75 - 8MM - 137504

| SKU | Color | Configuration | Dimensions & Weight | Packaging | MSRP |
|--------------------|------------------------|---------------|------------------------------------|---------------------|---------|
| 137504-900-084-000 | Clear / Chrome | | 41" - 42" x 75" / 77 lb / 35 kg | 3.5 ft ³ | \$ 1266 |
| 137504-900-305-000 | Clear / Brushed Nickel | | | | \$ 1361 |

STANDARD



| Code | Description | Wall Adjustment |
|--------|---------------------------|-----------------|
| 137504 | EDGE Duo Shower 42" X 75" | 3/8" |

All dimensions are approximate. Structure measurements must be verified against the unit to ensure proper fit.

Showers



AlliaTS 6034 — Incognito-Matte Black



Stamina 48-I (1-piece)



Material : Acrylic

Features

- › Spacious shower with improved ergonomics
- › 1 or 3-piece shower with roof cap
- › Integrated shelves, specify Chrome or Brushed Nickel guard rail ⁵⁶
- › 12-in. acrylic grab bar ²⁸ and soap dishes included
- › Customize the shower: specify right or left seat
- › Optional roof halogen light
- › For White shower, grab bar is color-coordinated. For all other shower colors, please specify grab bar color (Chrome Brushed Nickel without extra charge), see accessories.

ALCOVE SHOWERS - ACRYLIC

STAMINA 48-I (1-PIECE) - 101139

| SKU | Color | Configuration | Dimensions & Weight | Packaging | MSRP |
|--------------------|-------|---------------|--|--------------------|---------|
| 101139-000-001-100 | White | Center | 51" x 35 3/4" x 85 1/4" / 160 lb / 73 kg | 89 ft ³ | \$ 2851 |
| 101139-000-001-104 | | | | | \$ 2851 |

STAMINA 48-I (3-PIECE) - 101139S

| SKU | Color | Configuration | Dimensions & Weight | Packaging | MSRP |
|--------------------|-------|---------------|--|--------------------|---------|
| 101139-000-001-102 | White | Center | 51" x 35 3/4" x 85 1/4" / 160 lb / 73 kg | 89 ft ³ | \$ 3540 |
| 101139-000-001-106 | | | | | \$ 3540 |

COMMON OPTIONS

| SKU | Description | MSRP |
|--------------|--|--------|
| OPT10109-084 | Metallic finish handle replacing Acrylic handle Available colors: Chrome (084) and Brushed Nickel (105) | \$ 251 |
| OPT10109-105 | | \$ 251 |

ACCESSORIES

| SKU | Description | MSRP |
|--------------|---|-------|
| 10000041-105 | Shower Drain (sold separately) | \$ 37 |
| 10000041-084 | PVC quick caulking shower drain, compression type Specify grid color: Chrome (084) or Brushed Nickel (105) | \$ 37 |
| 10000043-084 | Shower Drain (sold separately) 2-piece ABS shower drain with Chrome stainless steel grid | \$ 36 |

ACCESSORIES

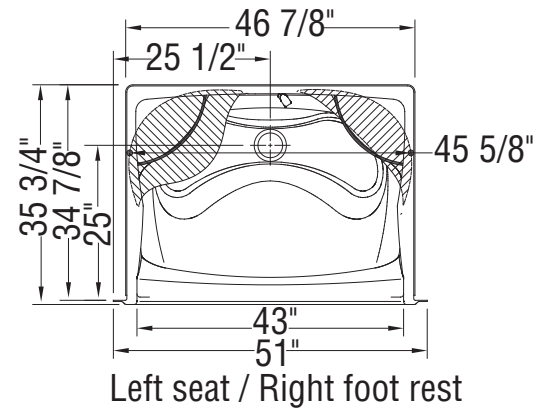
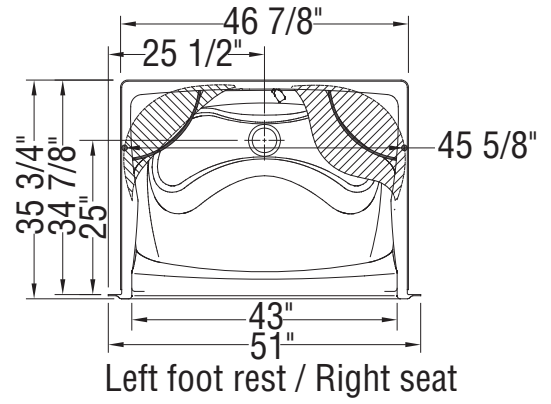
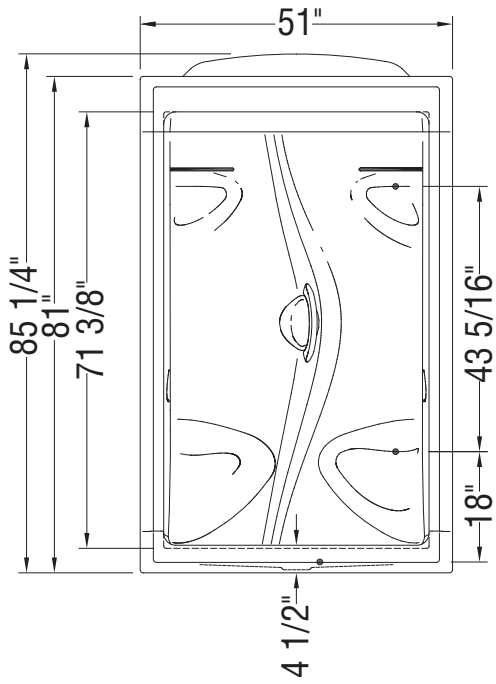
| SKU | Description | MSRP |
|--------------|--|--------|
| 10033258 | Single shower light 120V (sold separately) | \$ 261 |
| 10004349-001 | ABS shower drain with ABS grid (sold separately) | \$ 13 |
| 10004349-004 | Available color: White (001) and Bone (004) | \$ 13 |

FOOTNOTES

| No | Description |
|----|---|
| 28 | Handles for standard colour units are colour-coordinated. Handles with metallic finish can be added (additional charge applies). For non-standard colour units, please specify handle colour (additional charge applies for metallic finishes). |
| 56 | This unit includes integrated shelves with a guard rail. Please specify a chrome or brushed nickel finish for the guard rail in your order. |

RECOMMENDED DOORS - VISIT OUR WEBSITE FOR A COMPLETE LIST OF RECOMMENDED DOORS

| SKU | Product Name | Pag. |
|--------|------------------------------|------|
| 134662 | Kameleon SC 40-44 x 71 - 6mm | 611 |
| 138270 | Manhattan 43-45 x 68 - 6mm | 670 |
| 134562 | Kameleon 40-44 x 71 - 6mm | 622 |
| 138269 | Manhattan 41-43 x 68 - 6mm | 670 |
| 134563 | Kameleon 43-47 x 71 - 6mm | 619 |
| 105413 | Polar 42-47 ½ x 68 in. | 640 |
| 134674 | Kameleon SC 43-47 x 71 - 8mm | 616 |
| 134571 | Kameleon 43-47 x 71 - 8mm | 624 |
| 134663 | Kameleon SC 43-47 x 71 - 6mm | 613 |



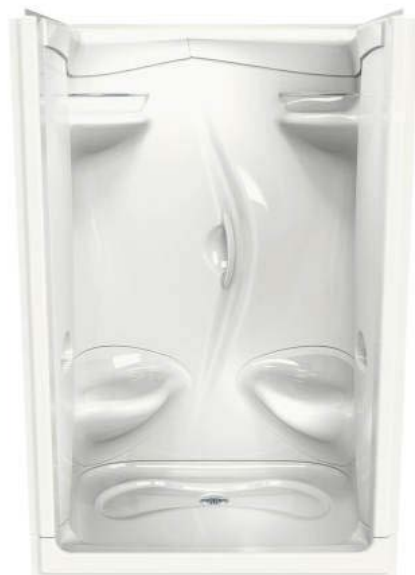
Flat surface for the installation of the valve 8-in. diameter

All dimensions are approximate. Structure measurements must be verified against the unit to ensure proper fit.

Stamina 48-II (1-piece)



ALCOVE SHOWERS - ACRYLIC



Material : Acrylic

Features

- › Spacious shower with improved ergonomics
- › 1 or 2-piece shower without roof cap
- › 12 in. acrylic grab bar and soap dish included
- › Customize the shower: specify right or left seat
- › Integrated shelves, specify Chrome or Brushed Nickel guard rail
- › For White shower, grab bar is color-coordinated

| STAMINA 48-II (1-PIECE) - 101140 | | | | | |
|----------------------------------|-------|---------------|--|--------------------|---------|
| SKU | Color | Configuration | Dimensions & Weight | Packaging | MSRP |
| 101140-000-001-100 | White | Center | 51" x 35 3/4" x 76 3/8" / 151 lb / 68 kg | 77 ft ³ | \$ 2617 |
| 101140-000-001-101 | | | | | \$ 2617 |

| STAMINA 48-II (2-PIECE) - 101140S | | | | | |
|-----------------------------------|-------|---------------|--|--------------------|---------|
| SKU | Color | Configuration | Dimensions & Weight | Packaging | MSRP |
| 101140-000-001-106 | White | Center | 51" x 35 3/4" x 76 3/8" / 151 lb / 68 kg | 77 ft ³ | \$ 3385 |
| 101140-000-001-107 | | | | | \$ 3385 |

| COMMON OPTIONS | | |
|----------------|--|--------|
| SKU | Description | MSRP |
| OPT10109-084 | Metallic finish handle replacing Acrylic handle Available colors: Chrome (084) and Brushed Nickel (105) | \$ 251 |
| OPT10109-105 | | \$ 251 |

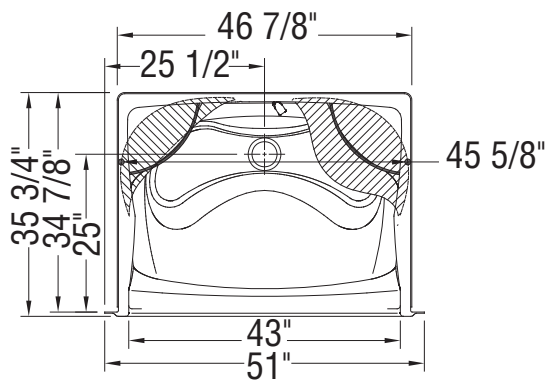
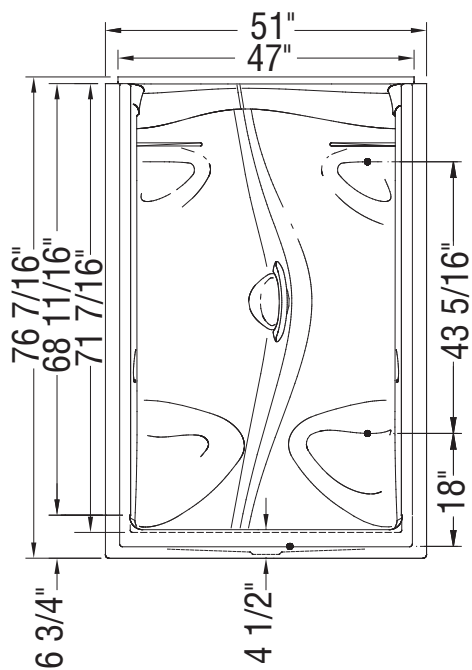
| ACCESSORIES | | |
|--------------|---|-------|
| SKU | Description | MSRP |
| 10000041-105 | Shower Drain (sold separately) | \$ 37 |
| 10000041-084 | PVC quick caulking shower drain, compression type Specify grid color: Chrome (084) or Brushed Nickel (105) | \$ 37 |
| 10000043-084 | Shower Drain (sold separately) 2-piece ABS shower drain with Chrome stainless steel grid | \$ 36 |

ACCESSORIES

| SKU | Description | MSRP |
|--------------|--|-------|
| 10004349-001 | ABS shower drain with ABS grid (sold separately) | \$ 13 |
| 10004349-004 | Available color: White (001) and Bone (004) | \$ 13 |

RECOMMENDED DOORS - VISIT OUR WEBSITE FOR A COMPLETE LIST OF RECOMMENDED DOORS

| SKU | Product Name | Pag. |
|--------|------------------------------|------|
| 134662 | Kameleon SC 40-44 x 71 - 6mm | 611 |
| 138270 | Manhattan 43-45 x 68 - 6mm | 670 |
| 134562 | Kameleon 40-44 x 71 - 6mm | 622 |
| 138269 | Manhattan 41-43 x 68 - 6mm | 670 |
| 134563 | Kameleon 43-47 x 71 - 6mm | 619 |
| 105413 | Polar 42-47 ½ x 68 in. | 640 |
| 134674 | Kameleon SC 43-47 x 71 - 8mm | 616 |
| 134571 | Kameleon 43-47 x 71 - 8mm | 624 |
| 134663 | Kameleon SC 43-47 x 71 - 6mm | 613 |



Left foot rest / Right seat

Flat surface for the installation of the valve 8-in. diameter

All dimensions are approximate. Structure measurements must be verified against the unit to ensure proper fit.



Stamina 60-I (1-piece)



Material : Acrylic

Features

- › Spacious shower with improved ergonomics
- › 1 or 3-piece shower with roof cap
- › 12 in. acrylic grab bar ²⁸ and soap dish included
- › Customize the shower: specify R/L or 2 seats
- › Integrated shelves, specify Chrome or Brushed Nickel guard rail ⁵⁶

ALCOVE SHOWERS - ACRYLIC

STAMINA 60-I (1-PIECE) - 101141

| SKU | Color | Configuration | Dimensions & Weight | Packaging | MSRP |
|--------------------|-------|---------------|--|---------------------|---------|
| 101141-000-001-102 | White | Left | 59 1/2" x 35 3/4" x 85 1/4" / 167 lb / 76 kg | 104 ft ³ | \$ 2926 |
| 101141-000-001-106 | | Right | | | \$ 2926 |
| 101141-000-001-110 | | Left | | | \$ 2926 |
| 101141-000-001-111 | | Right | | | \$ 2926 |

STAMINA 60-I (3-PIECE) - 101141S

| SKU | Color | Configuration | Dimensions & Weight | Packaging | MSRP |
|--------------------|-------|---------------|--|---------------------|---------|
| 101141-000-001-104 | White | Left | 59 1/2" x 35 3/4" x 85 1/4" / 167 lb / 76 kg | 104 ft ³ | \$ 3810 |
| 101141-000-001-108 | | Right | | | \$ 3810 |
| 101141-000-001-114 | | Left | | | \$ 3810 |
| 101141-000-001-115 | | Right | | | \$ 3810 |

COMMON OPTIONS

| SKU | Description | MSRP |
|--------------|---|--------|
| OPT10109-084 | Metallic finish handle replacing Acrylic handle | \$ 251 |
| OPT10109-105 | Available colors: Chrome (084) and Brushed Nickel (105) | \$ 251 |

ACCESSORIES

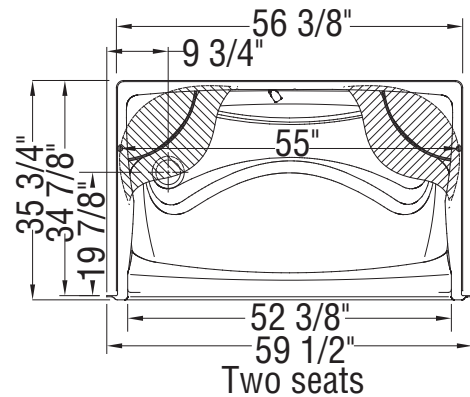
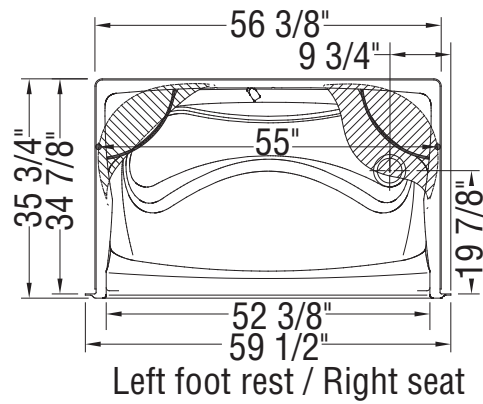
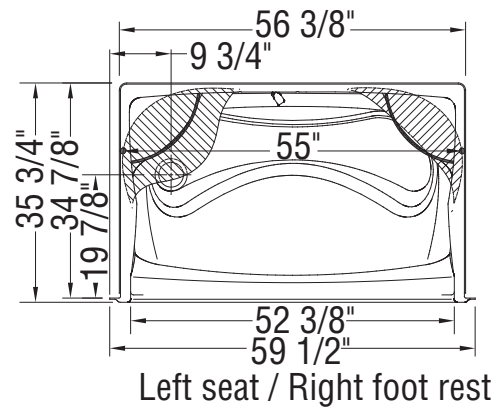
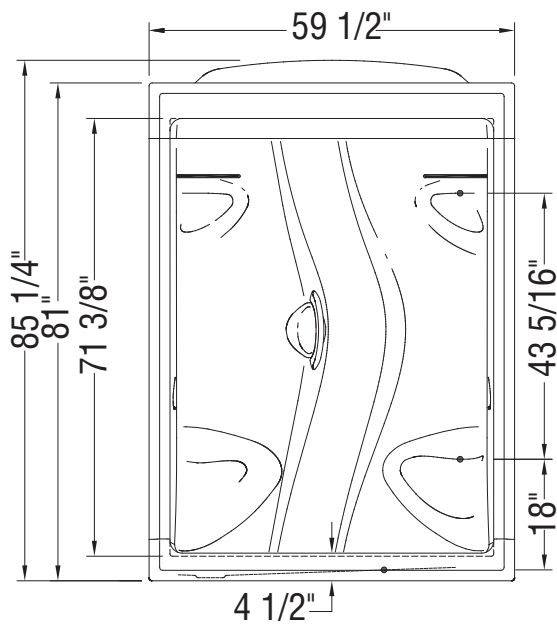
| SKU | Description | MSRP |
|--------------|---|--------|
| 10000041-105 | Shower Drain (sold separately) | \$ 37 |
| 10000041-084 | PVC quick caulking shower drain, compression type Specify grid color: Chrome (084) or Brushed Nickel (105) | \$ 37 |
| 10000043-084 | Shower Drain (sold separately) 2-piece ABS shower drain with Chrome stainless steel grid | \$ 36 |
| 10033258 | Single shower light 120V (sold separately) | \$ 261 |
| 10004349-001 | ABS shower drain with ABS grid (sold separately) | \$ 13 |
| 10004349-004 | Available color: White (001) and Bone (004) | \$ 13 |

FOOTNOTES

| No | Description |
|----|---|
| 28 | Handles for standard colour units are colour-coordinated. Handles with metallic finish can be added (additional charge applies). For non-standard colour units, please specify handle colour (additional charge applies for metallic finishes). |
| 56 | This unit includes integrated shelves with a guard rail. Please specify a chrome or brushed nickel finish for the guard rail in your order. |

RECOMMENDED DOORS - VISIT OUR WEBSITE FOR A COMPLETE LIST OF RECOMMENDED DOORS

| SKU | Product Name | Pag. |
|--------|------------------------------|------|
| 138274 | Manhattan 51-53 x 68 - 6mm | 671 |
| 134564 | Kameleon 51-55 x 71 - 6mm | 622 |
| 134664 | Kameleon SC 51-55 x 71 - 6mm | 611 |



Flat surface for the installation of the valve 8-in. diameter

All dimensions are approximate. Structure measurements must be verified against the unit to ensure proper fit.

Stamina 60-II (1-piece)



ALCOVE SHOWERS - ACRYLIC



Material : Acrylic

Features

- › Spacious shower with improved ergonomics
- › 1 or 2-piece shower without roof cap
- › Integrated shelves, specify Chrome or Brushed Nickel guard rail ⁵⁶
- › 12 in. acrylic grab bar ²⁸ and soap dish included
- › Customize the shower: specify R/L or 2 seats

STAMINA 60-II (1-PIECE) - 101142

| SKU | Color | Configuration | Dimensions & Weight | Packaging | MSRP |
|--------------------|-------|---------------|--|--------------------|---------|
| 101142-000-001-100 | White | Left | 59 1/2" x 35 3/4" x 76 3/8" / 150 lb / 68 kg | 90 ft ³ | \$ 2774 |
| 101142-000-001-101 | | Right | | | \$ 2774 |
| 101142-000-001-104 | | Left | | | \$ 2774 |
| 101142-000-001-105 | | Right | | | \$ 2774 |

STAMINA 60-II (2-PIECE) - 101142S

| SKU | Color | Configuration | Dimensions & Weight | Packaging | MSRP |
|--------------------|-------|---------------|--|--------------------|---------|
| 101142-000-001-112 | White | Left | 59 1/2" x 35 3/4" x 76 3/8" / 150 lb / 68 kg | 90 ft ³ | \$ 3656 |
| 101142-000-001-113 | | Right | | | \$ 3656 |
| 101142-000-001-116 | | Left | | | \$ 3656 |
| 101142-000-001-117 | | Right | | | \$ 3656 |

COMMON OPTIONS

| SKU | Description | MSRP |
|--------------|---|--------|
| OPT10109-084 | Metallic finish handle replacing Acrylic handle | \$ 251 |
| OPT10109-105 | Available colors: Chrome (084) and Brushed Nickel (105) | \$ 251 |

ACCESSORIES

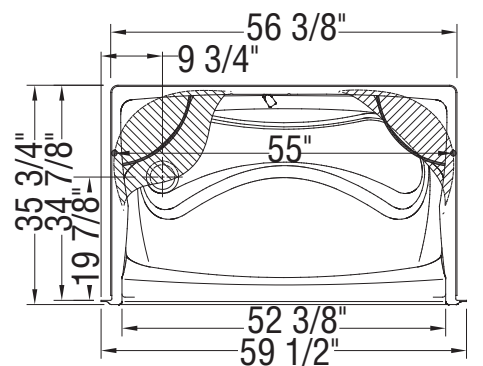
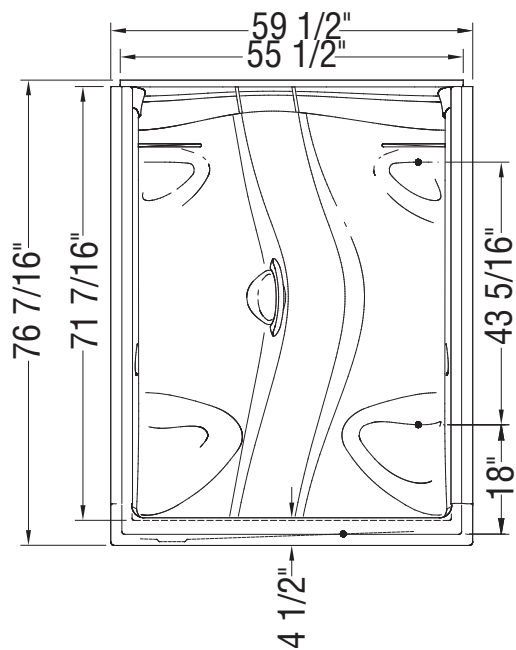
| SKU | Description | MSRP |
|--------------|---|-------|
| 10000041-105 | Shower Drain (sold separately) PVC quick caulking shower drain, compression type | \$ 37 |
| 10000041-084 | Specify grid color: Chrome (084) or Brushed Nickel (105) | \$ 37 |
| 10000043-084 | Shower Drain (sold separately) 2-piece ABS shower drain with Chrome stainless steel grid | \$ 36 |
| 10004349-001 | ABS shower drain with ABS grid (sold separately) | \$ 13 |
| 10004349-004 | Available color: White (001) and Bone (004) | \$ 13 |

FOOTNOTES

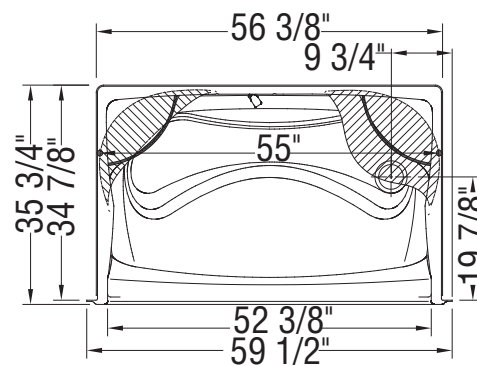
| No | Description |
|----|---|
| 28 | Handles for standard colour units are colour-coordinated. Handles with metallic finish can be added (additional charge applies). For non-standard colour units, please specify handle colour (additional charge applies for metallic finishes). |
| 56 | This unit includes integrated shelves with a guard rail. Please specify a chrome or brushed nickel finish for the guard rail in your order. |

RECOMMENDED DOORS - VISIT OUR WEBSITE FOR A COMPLETE LIST OF RECOMMENDED DOORS

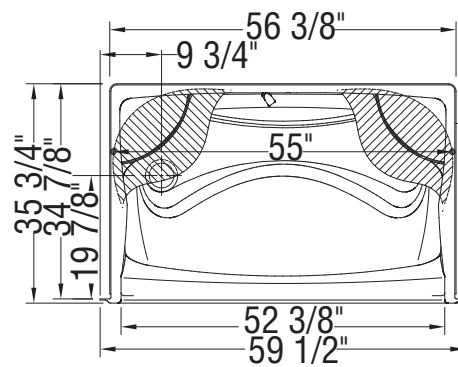
| SKU | Product Name | Pag. |
|--------|------------------------------|------|
| 138274 | Manhattan 51-53 x 68 - 6mm | 671 |
| 134564 | Kameleon 51-55 x 71 - 6mm | 622 |
| 134664 | Kameleon SC 51-55 x 71 - 6mm | 611 |



Left seat / Right foot rest



Left foot rest / Right seat



Two seats

Flat surface for the installation of the valve 8-in. diameter
 All dimensions are approximate. Structure measurements
 must be verified against the unit to ensure proper fit.

Allia SH-3636 (1-piece)



Material : Acrylic

Features

- > 1-piece shower with 3 1/4 in. low threshold
- > Wide 3-level corner shelves
- > Standard : 12 in. white grab bar ²⁹ - Drain & chrome grid
- > Center drain, smooth floor
- > Optional grab bars available (grab bar installed on back wall replaces standard bar)
- > All grab bars can support up to 300 lbs
- > Available in White only

ALCOVE SHOWERS - ACRYLIC

ALLIA SH-3636 (1-PIECE) - 107007

| SKU | Color | Configuration | Dimensions & Weight | Packaging | MSRP |
|----------------|-------|---------------|--------------------------------------|--------------------|---------|
| 107007-000-001 | White | Center | 36" x 36 1/2" x 79" / 127 lb / 58 kg | 70 ft ³ | \$ 1892 |

ALLIA SH-3636 (2-PIECE) - 107007S

| SKU | Color | Configuration | Dimensions & Weight | Packaging | MSRP |
|-------------------|-------|---------------|--------------------------------------|--------------------|---------|
| 107007-S-000-001- | White | Center | 36" x 36 1/2" x 79" / 127 lb / 58 kg | 70 ft ³ | \$ 2300 |

COMMON OPTIONS

| SKU | Description | MSRP |
|----------------|--|--------|
| OPT20203-B-002 | 18 in. Modern straight grab bar ⁶ | \$ 259 |
| OPT20203-B-105 | OPT 20203-B-XXX Horizontal grab bar on back wall | \$ 259 |
| OPT20203-B-084 | Available colors: White (002), Chrome (084) and Brushed Nickel (105) | \$ 259 |
| OPT20203-L-105 | 18 in. Modern straight grab bar ⁶⁰ | \$ 259 |
| OPT20203-L-002 | OPT 20203-L-XXX Vertical grab bar on left wall | \$ 259 |
| OPT20203-L-084 | Available colors: White (002), Chrome (084) and Brushed Nickel (105) | \$ 259 |
| OPT20203-R-084 | 18 in. Modern straight grab bar ⁶⁰ | \$ 259 |
| OPT20203-R-002 | OPT 20203-R-XXX Vertical grab bar on right wall | \$ 259 |
| OPT20203-R-105 | Available colors: White (002), Chrome (084) and Brushed Nickel (105) | \$ 259 |

COMMON OPTIONS

| SKU | Description | MSRP |
|----------------|---|--------|
| OPT20204-L-084 | 24 in. Modern straight grab bar ⁶ | \$ 277 |
| OPT20204-L-105 | OPT 20204-L-XXX Vertical grab bar on left wall | \$ 277 |
| OPT20204-L-002 | Available colors: White (002), Chrome (084) and Brushed Nickel (105) | \$ 277 |
| OPT20204-R-002 | 24 in. Modern straight grab bar ⁶⁰ | \$ 277 |
| OPT20204-R-084 | OPT 20204-R-XXX Vertical grab bar on right wall | \$ 277 |
| OPT20204-R-105 | Available colors: White (002), Chrome (084) and Brushed Nickel (105) | \$ 277 |
| OPT20212-B | Wall reinforcement (one wall) for future grab bar installation ⁹ OPT20212-B Reinforcement on back wall | \$ 111 |
| OPT20212-L | Wall reinforcement (one wall) for future grab bar installation ⁶¹ OPT 20212-L Reinforcement on left wall | \$ 111 |
| OPT20212-R | Wall reinforcement (one wall) for future grab bar installation ⁹ OPT 20212-R Reinforcement on right wall | \$ 111 |
| OPT20408-L-105 | Package A ³⁰ OPT 20408-L-XXX Vertical grab bar on left wall, horizontal grab bar on back wall | \$ 401 |
| OPT20408-L-002 | Package includes : • 24 in. Vertical grab bar on side wall | \$ 401 |
| OPT20408-L-084 | • 18 in. Horizontal grab bar on back wall Available colors: White (002), Chrome (084) and Brushed Nickel (105) | \$ 401 |
| OPT20408-R-084 | Package A ³⁰ OPT 20408-R-XXX Vertical grab bar on right wall, horizontal grab bar on back wall | \$ 401 |
| OPT20408-R-002 | Package includes : • 24 in. Vertical grab bar on side wall | \$ 401 |
| OPT20408-R-105 | • 18 in. Horizontal grab bar on back wall Available colors: White (002), Chrome (084) and Brushed Nickel (105) | \$ 401 |
| OPT10189 | Three-wall reinforcement for future grab bar installation ³³ | \$ 232 |
| OPT20055-106 | 36 in. curtain rod with installation kit Available color: Stainless Steel (106) | \$ 147 |
| OPT20220-002 | | \$ 256 |
| OPT20220-105 | Shelf guard rails (factory installed) Available colors: White (002), Chrome (084), Brushed Nickel (105) | \$ 256 |
| OPT20220-084 | | \$ 256 |

ACCESSORIES

| SKU | Description | MSRP |
|--------------|--|--------|
| 10000041-105 | Shower Drain (sold separately) | \$ 37 |
| 10000041-084 | PVC quick caulking shower drain, compression type Specify grid color: Chrome (084) or Brushed Nickel (105) | \$ 37 |
| 10000043-084 | Shower Drain (sold separately) 2-piece ABS shower drain with Chrome stainless steel grid | \$ 36 |
| 10004349-001 | ABS shower drain with ABS grid (sold separately) | \$ 13 |
| 10004349-004 | Available color: White (001) and Bone (004) | \$ 13 |
| 10028765-105 | | \$ 261 |
| 10028765-084 | 24 in. modern straight grab bar ¹³ Specify color: White (002), Chrome (084), Brushed Nickel (105) | \$ 261 |
| 10028765-002 | | \$ 261 |
| 10029996-084 | | \$ 261 |
| 10029996-002 | 18 in. modern straight grab bar with flange (front installation) Specify color: White (002), Chrome (084), Brushed Nickel (105) | \$ 261 |
| 10029996-105 | | \$ 261 |
| 10029997-002 | 24 in. modern straight grab bar with flange (front installation) Specify color: White (002), Chrome (084), Brushed Nickel (105) | \$ 277 |

ACCESSORIES

| SKU | Description | MSRP |
|--------------|--|--------|
| 10029997-105 | 24 in. modern straight grab bar with flange (front installation) | \$ 277 |
| 10029997-084 | Specify color: White (002), Chrome (084), Brushed Nickel (105) | \$ 277 |

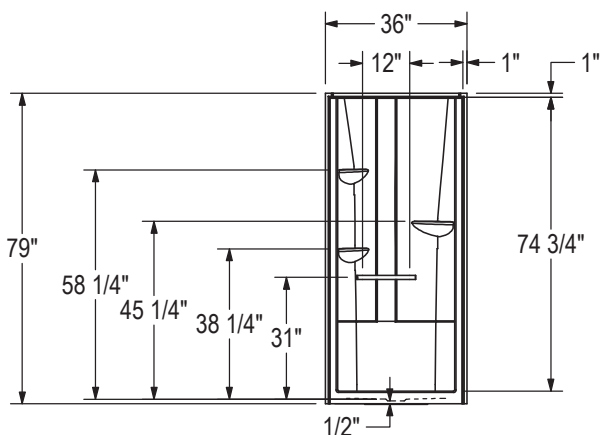
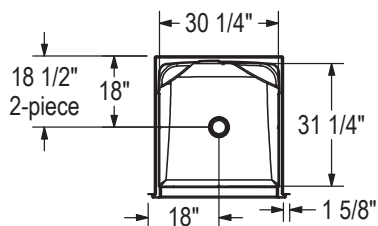
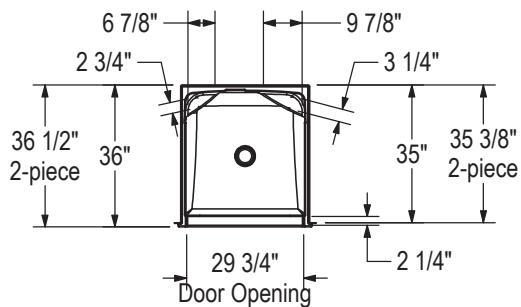
FOOTNOTES

| No | Description |
|----|---|
| 6 | Specify 3/8 (Lite option) or 2 in. on deck height. If ordering unit with an apron, only 2 in. deck height is available. |
| 9 | 6-Pack bathtubs are only available when units are without systems and in a standard colour. |
| 13 | Two pumps are required with a second Backmax. |
| 29 | Standard grab bars for standard colour units are colour-coordinated. |
| 30 | Please see technical drawings on https://www.maax.com for grab bar and/or seat positioning. |
| 33 | Please see technical drawings on https://www.maax.com for reinforcement positioning and size. |
| 60 | Please see technical drawings on www.akerbymaax.com for grab bar positioning. |
| 61 | Please see technical drawings on www.akerbymaax.com for reinforcement positioning and size. |

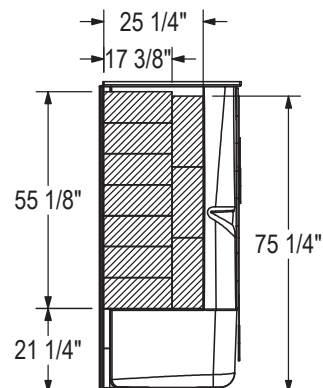
RECOMMENDED DOORS - VISIT OUR WEBSITE FOR A COMPLETE LIST OF RECOMMENDED DOORS

| SKU | Product Name | Pag. |
|--------|-----------------------------|------|
| 138263 | Manhattan 29-31 x 68 - 6mm | 666 |
| 105416 | Madono 28 ½-30 ½ x 67 - 6mm | 663 |
| 136645 | Pivolok 29-30 ¾ x 64 ½ in. | 676 |

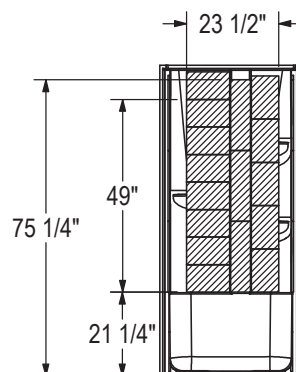
STANDARD
1 PIECE MODEL SHOWN



OPTIONAL REINFORCEMENT
(Left shown, Right symmetrical)



OPTIONAL REINFORCEMENT
(Back Wall)



All dimensions are approximate. Structure measurements must be verified against the unit to ensure proper fit.

Allia SH-4834 (1-piece)



Material : Acrylic

Features

- › 1-piece shower with 3 1/4 in. low threshold
- › Right, Left or no molded seat
- › Optional fold down seat available
- › Standard : 12 in. white grab bar - Drain & chrome grid
- › Optional grab bars available (grab bar installed on back wall replaces standard bar)
- › All grab bars can support up to 300 lbs
- › Wide 3-level corner shelves
- › Center drain, smooth floor
- › Available in White only

ALCOVE SHOWERS - ACRYLIC

ALLIA SH-4834 (1-PIECE) - 107005

| SKU | Color | Configuration | Dimensions & Weight | Packaging | MSRP |
|------------------|-------|---------------|----------------------------------|--------------------|---------|
| 107005-000-001 | White | Center | 48" x 34" x 79" / 138 lb / 63 kg | 90 ft ³ | \$ 2096 |
| 107005-L-000-001 | | | | | \$ 2096 |
| 107005-R-000-001 | | | | | \$ 2096 |

ALLIA SH-4834 (2-PIECE) - 107005S

| SKU | Color | Configuration | Dimensions & Weight | Packaging | MSRP |
|-------------------|-------|---------------|--------------------------------------|--------------------|---------|
| 107005-S-000-001- | White | Center | 48" x 34 1/2" x 79" / 138 lb / 63 kg | 90 ft ³ | \$ 2502 |
| 107005-SL-000-001 | | | | | \$ 2502 |
| 107005-SR-000-001 | | | | | \$ 2502 |

COMMON OPTIONS

| SKU | Description | MSRP |
|----------------|--|--------|
| OPT10189 | Three-wall reinforcement for future grab bar installation ³³ | \$ 232 |
| OPT20054-106 | 48 in. curtain rod with installation kit Available color: Stainless Steel (106) | \$ 164 |
| OPT20220-002 | Shelf guard rails (factory installed) Available colors: White (002), Chrome (084), Brushed Nickel (105) | \$ 256 |
| OPT20220-105 | | \$ 256 |
| OPT20220-084 | | \$ 256 |
| OPT20203-B-002 | 18 in. Modern straight grab bar ⁶ OPT 20203-B-XXX Horizontal grab bar on back wall Available colors: White (002), Chrome (084) and Brushed Nickel (105) | \$ 259 |

COMMON OPTIONS

| SKU | Description | MSRP |
|----------------|--|---------|
| OPT20203-B-105 | 18 in. Modern straight grab bar ⁶ OPT 20203-B-XXX Horizontal grab bar on back wall | \$ 259 |
| OPT20203-B-084 | Available colors: White (002), Chrome (084) and Brushed Nickel (105) | \$ 259 |
| OPT20203-L-105 | 18 in. Modern straight grab bar ⁶⁰ | \$ 259 |
| OPT20203-L-002 | OPT 20203-L-XXX Vertical grab bar on left wall | \$ 259 |
| OPT20203-L-084 | Available colors: White (002), Chrome (084) and Brushed Nickel (105) | \$ 259 |
| OPT20203-R-084 | 18 in. Modern straight grab bar ⁶⁰ | \$ 259 |
| OPT20203-R-002 | OPT 20203-R-XXX Vertical grab bar on right wall | \$ 259 |
| OPT20203-R-105 | Available colors: White (002), Chrome (084) and Brushed Nickel (105) | \$ 259 |
| OPT20204-B-002 | 24 in. Modern straight grab bar ⁶ | \$ 277 |
| OPT20204-B-084 | OPT 20204-B-XXX Horizontal grab bar on back wall | \$ 277 |
| OPT20204-B-105 | Available colors: White (002), Chrome (084) and Brushed Nickel (105) | \$ 277 |
| OPT20204-L-084 | 24 in. Modern straight grab bar ⁶ | \$ 277 |
| OPT20204-L-105 | OPT 20204-L-XXX Vertical grab bar on left wall | \$ 277 |
| OPT20204-L-002 | Available colors: White (002), Chrome (084) and Brushed Nickel (105) | \$ 277 |
| OPT20204-R-002 | 24 in. Modern straight grab bar ⁶⁰ | \$ 277 |
| OPT20204-R-084 | OPT 20204-R-XXX Vertical grab bar on right wall | \$ 277 |
| OPT20204-R-105 | Available colors: White (002), Chrome (084) and Brushed Nickel (105) | \$ 277 |
| OPT20212-B | Wall reinforcement (one wall) for future grab bar installation ⁹ OPT20212-B Reinforcement on back wall | \$ 111 |
| OPT20212-L | Wall reinforcement (one wall) for future grab bar installation ⁶¹ OPT 20212-L Reinforcement on left wall | \$ 111 |
| OPT20212-R | Wall reinforcement (one wall) for future grab bar installation ⁹ OPT 20212-R Reinforcement on right wall | \$ 111 |
| OPT20218-L-002 | 23 in. Curved grab bar (back wall) ^{30, 31} | \$ 434 |
| OPT20218-L-084 | OPT20218-L-XXX Left-hand curved grab bar on back wall | \$ 434 |
| OPT20218-L-105 | Available colors: White (002), Chrome (084) and Brushed Nickel (105) | \$ 434 |
| OPT20218-R-002 | 23 in. Curved grab bar (back wall) ^{30, 31} | \$ 434 |
| OPT20218-R-084 | OPT20218-R-XXX Right-hand curved grab bar on back wall | \$ 434 |
| OPT20218-R-105 | Available colors: White (002), Chrome (084) and Brushed Nickel (105) | \$ 434 |
| OPT20219-L-084 | Pivot grab bar (back wall) ³⁰³² OPT 20219-L-XXX Left-hand pivot grab bar on back wall Available colors: Chrome (084) | \$ 1766 |
| OPT20219-R-084 | Pivot grab bar (back wall) ³⁰³² OPT 20219-R-XXX Right-hand pivot grab bar on back wall Available colors: Chrome (084) | \$ 1766 |
| OPT20405-L-105 | Package A ³⁰ OPT 20405-L-XXX Vertical grab bar on left wall, horizontal grab bar on back wall | \$ 417 |
| OPT20405-L-084 | Package includes : | \$ 417 |
| OPT20405-L-002 | • 24 in. Vertical grab bar on side wall • 24 in. Horizontal grab bar on back wall Available colors: White (002), Chrome (084) and Brushed Nickel (105) | \$ 417 |
| OPT20405-R-002 | Package A ³⁰ OPT 20405-R-XXX Vertical grab bar on right wall, horizontal grab bar on back wall Package includes : • 24 in. Vertical grab bar on side wall • 24 in. Horizontal grab bar on back wall Available colors: White (002), Chrome (084) and Brushed Nickel (105) | \$ 417 |

COMMON OPTIONS

| SKU | Description | MSRP |
|----------------|--|---------|
| OPT20405-R-084 | Package A ³⁰ OPT 20405-R-XXX Vertical grab bar on right wall, horizontal grab bar on back wall | \$ 417 |
| OPT20405-R-105 | Package includes : • 24 in. Vertical grab bar on side wall • 24 in. Horizontal grab bar on back wall Available colors: White (002), Chrome (084) and Brushed Nickel (105) | \$ 417 |
| OPT20406-L-084 | Package B ^{30,31} OPT 20406-L-XXX Vertical grab bar on left wall, left-hand curved grab bar on back wall | \$ 564 |
| OPT20406-L-002 | Package includes : • 24 in. Vertical grab bar on side wall | \$ 564 |
| OPT20406-L-105 | • 23 in. Curved grab bar on back wall Available colors: White (002), Chrome (084) and Brushed Nickel (105) | \$ 564 |
| OPT20406-R-002 | Package B ^{30, 31} OPT 20406-R-XXX Vertical grab bar on right wall, right-hand curved grab bar on back wall | \$ 564 |
| OPT20406-R-084 | Package includes : • 24 in. Vertical grab bar on side wall | \$ 564 |
| OPT20406-R-105 | • 23 in. Curved grab bar on back wall Available colors: White (002), Chrome (084) and Brushed Nickel (105) | \$ 564 |
| OPT20407-L-084 | Package C ^{30,32} OPT 20407-L-XXX 2 x Vertical grab bars on side walls, left-hand pivot grab bar on back wall | \$ 1951 |
| OPT20407-L-105 | Package includes : • 2 x 24 in. Vertical grab bar on side walls • Pivot grab bar on back wall Available colors: Chrome (084) and Brushed Nickel (105) | \$ 1951 |
| OPT20407-R-105 | Package C ^{30,32} OPT 20407-R-XXX 2 x Vertical grab bars on side walls, right-hand pivot grab bar on back wall | \$ 1951 |
| OPT20407-R-084 | Package includes : • 2 x 24 in. Vertical grab bar on side walls • Pivot grab bar on back wall Available colors: Chrome (084) and Brushed Nickel (105) | \$ 1951 |

ACCESSORIES

| SKU | Description | MSRP |
|--------------|---|---------|
| 10000041-105 | Shower Drain (sold separately) PVC quick caulking shower drain, compression type | \$ 37 |
| 10000041-084 | Specify grid color: Chrome (084) or Brushed Nickel (105) | \$ 37 |
| 10029997-002 | | \$ 277 |
| 10029997-105 | 24 in. modern straight grab bar with flange (front installation) Specify color: White (002), Chrome (084), Brushed Nickel (105) | \$ 277 |
| 10029997-084 | | \$ 277 |
| 10030093-084 | | \$ 432 |
| 10030093-002 | 23 in. Curved left-hand grab bar with flange (front installation) Specify color: White (002), Chrome (084), Brushed Nickel (105) | \$ 432 |
| 10030093-105 | | \$ 432 |
| 10030094-084 | | \$ 432 |
| 10030094-105 | 23 in. Curved right-hand grab bar with flange (front installation) Specify color: White (002), Chrome (084), Brushed Nickel (105) | \$ 432 |
| 10030094-002 | | \$ 432 |
| 10000043-084 | Shower Drain (sold separately) 2-piece ABS shower drain with Chrome stainless steel grid | \$ 36 |
| 10004349-001 | ABS shower drain with ABS grid (sold separately) | \$ 13 |
| 10004349-004 | Available color: White (001) and Bone (004) | \$ 13 |
| 10028765-105 | | \$ 261 |
| 10028765-084 | 24 in. modern straight grab bar ¹³ Specify color: White (002), Chrome (084), Brushed Nickel (105) | \$ 261 |
| 10028765-002 | | \$ 261 |
| 10028917-002 | Rectangular fold-down White polyurethane seat ¹⁴ Available trimming colours: White (002), Chrome (084) and Brushed Nickel (105) | \$ 1053 |

ACCESSORIES

| SKU | Description | MSRP |
|--------------|--|---------|
| 10028917-084 | Rectangular fold-down White polyurethane seat ¹⁴ | \$ 1053 |
| 10028917-105 | Available trimming colours: White (002), Chrome (084) and Brushed Nickel (105) | \$ 1053 |
| 10029251-084 | 23 in. Left hand curved grab bar ¹³ Left refers to the upper section of the curved bar Specify color: White (002), Chrome (084), Brushed Nickel (105) | \$ 412 |
| 10029251-105 | | \$ 412 |
| 10029251-002 | | \$ 412 |
| 10029252-002 | 23 in. Right hand curved grab bar ¹³ Right refers to the upper section of the curved bar Specify color: White (002), Chrome (084), Brushed Nickel (105) | \$ 412 |
| 10029252-084 | | \$ 412 |
| 10029252-105 | | \$ 412 |
| 10029996-084 | 18 in. modern straight grab bar with flange (front installation) Specify color: White (002), Chrome (084), Brushed Nickel (105) | \$ 261 |
| 10029996-002 | | \$ 261 |
| 10029996-105 | | \$ 261 |

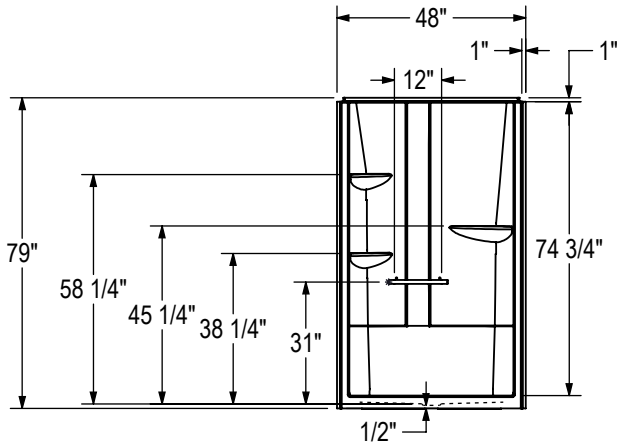
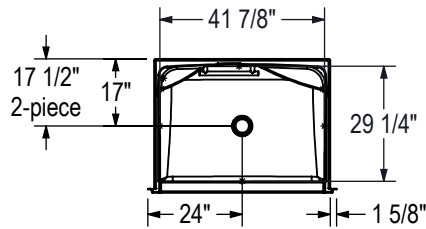
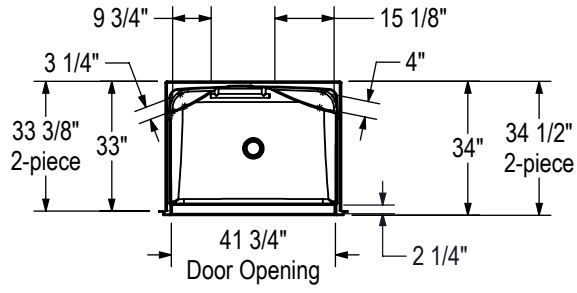
FOOTNOTES

| No | Description |
|----|---|
| 6 | Specify 3/8 (Lite option) or 2 in. on deck height. If ordering unit with an apron, only 2 in. deck height is available. |
| 9 | 6-Pack bathtubs are only available when units are without systems and in a standard colour. |
| 13 | Two pumps are required with a second Backmax. |
| 14 | Standard grab bars for standard colour units are colour-coordinated. Grab bars with metallic finish can be added (additional charge applies). |
| 30 | Please see technical drawings on https://www.maax.com for grab bar and/or seat positioning. |
| 31 | Right (R)/Left (L) refers to the upper section of the ergonomic grab bar. |
| 32 | Right/Left refers to the pivot direction of the bar (from closed to open position). |
| 33 | Please see technical drawings on https://www.maax.com for reinforcement positioning and size. |
| 60 | Please see technical drawings on www.akerbymaax.com for grab bar positioning. |
| 61 | Please see technical drawings on www.akerbymaax.com for reinforcement positioning and size. |
| 13 | |

RECOMMENDED DOORS - VISIT OUR WEBSITE FOR A COMPLETE LIST OF RECOMMENDED DOORS

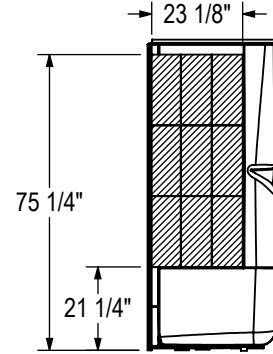
| SKU | Product Name | Pag. |
|--------|--|------|
| 138269 | Manhattan 41-43 x 68 - 6mm | 670 |
| 138520 | Incognito 74 39-42x74in. 8mm | 632 |
| 139577 | Reveal Sleek 71 41 ½-44 ½ x 71 ½ - 8mm | 683 |
| 134562 | Kameleon 40-44 x 71 - 6mm | 622 |
| 134662 | Kameleon SC 40-44 x 71 - 6mm | 611 |
| 136677 | Reveal 71 41 ½-44 ½ x 71 ½ - 8mm | 680 |

STANDARD
1 PIECE MODEL SHOWN

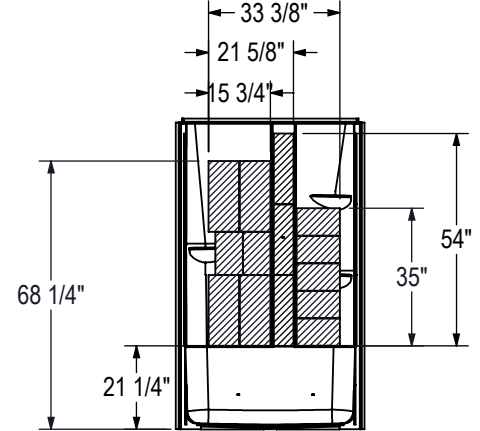


All dimensions are approximate. Structure measurements must be verified against the unit to ensure proper fit.

OPTIONAL REINFORCEMENT
(Left shown)



OPTIONAL REINFORCEMENT
(Back Wall)



Allia SH-6034 (1-piece)



ALCOVE SHOWERS - ACRYLIC



Material : Acrylic

Features

- > 1-piece shower with 3 1/4 in. low threshold
- > Right, Left, two molded seats or no seat and right, left or center drain (drain included)
- > Optional fold down seat available
- > Standard : 12 in. white grab bar - Drain & chrome grid
- > Optional grab bars available (grab bar installed on back wall replaces standard bar)
- > All grab bars can support up to 300 lbs
- > Wide 3-level corner shelves
- > Smooth floor
- > Available in White only

ALLIA SH-6034 (1-PIECE) - 107003

| SKU | Color | Configuration | Dimensions & Weight | Packaging | MSRP |
|-------------------|-------|---------------|----------------------------------|---------------------|---------|
| 107003-2-000-001 | White | Center | 60" x 34" x 79" / 151 lb / 68 kg | 106 ft ³ | \$ 2027 |
| 107003-LC-000-001 | | | | | \$ 2027 |
| 107003-LR-000-001 | | Right | | | \$ 2027 |
| 107003-NC-000-001 | | Center | | | \$ 2027 |
| 107003-NL-000-001 | | Left | | | \$ 2027 |
| 107003-NR-000-001 | | Right | | | \$ 2027 |
| 107003-RC-000-001 | | Center | | | \$ 2027 |
| 107003-RL-000-001 | | Left | | | \$ 2027 |

ALLIA SH-6034 (2-PIECE) - 107003S

| SKU | Color | Configuration | Dimensions & Weight | Packaging | MSRP |
|--------------------|-------|---------------|--------------------------------------|---------------------|---------|
| 107003-S2-000-001 | White | Center | 60" x 34 1/2" x 79" / 151 lb / 68 kg | 106 ft ³ | \$ 2705 |
| 107003-SLC-000-001 | | | | | \$ 2705 |
| 107003-SLR-000-001 | | Right | | | \$ 2705 |
| 107003-SNC-000-001 | | Center | | | \$ 2705 |
| 107003-SNL-000-001 | | Left | | | \$ 2705 |
| 107003-SNR-000-001 | | Right | | | \$ 2705 |
| 107003-SRC-000-001 | | Center | | | \$ 2705 |
| 107003-SRL-000-001 | | Left | | | \$ 2705 |

COMMON OPTIONS

| SKU | Description | MSRP |
|----------------|--|---------|
| OPT10189 | Three-wall reinforcement for future grab bar installation ³³ | \$ 232 |
| OPT20056-106 | 60 in. curtain rod with installation kit Available color: Stainless Steel (106) | \$ 182 |
| OPT20220-002 | | \$ 256 |
| OPT20220-105 | Shelf guard rails (factory installed) Available colors: White (002), Chrome (084), Brushed Nickel (105) | \$ 256 |
| OPT20220-084 | | \$ 256 |
| OPT20203-B-002 | 18 in. Modern straight grab bar ⁶ | \$ 259 |
| OPT20203-B-105 | OPT 20203-B-XXX Horizontal grab bar on back wall Available colors: White (002), Chrome (084) and Brushed Nickel (105) | \$ 259 |
| OPT20203-B-084 | | \$ 259 |
| OPT20203-L-105 | 18 in. Modern straight grab bar ⁶⁰ | \$ 259 |
| OPT20203-L-002 | OPT 20203-L-XXX Vertical grab bar on left wall Available colors: White (002), Chrome (084) and Brushed Nickel (105) | \$ 259 |
| OPT20203-L-084 | | \$ 259 |
| OPT20203-R-084 | 18 in. Modern straight grab bar ⁶⁰ | \$ 259 |
| OPT20203-R-002 | OPT 20203-R-XXX Vertical grab bar on right wall Available colors: White (002), Chrome (084) and Brushed Nickel (105) | \$ 259 |
| OPT20203-R-105 | | \$ 259 |
| OPT20204-B-002 | 24 in. Modern straight grab bar ⁶ | \$ 277 |
| OPT20204-B-084 | OPT 20204-B-XXX Horizontal grab bar on back wall Available colors: White (002), Chrome (084) and Brushed Nickel (105) | \$ 277 |
| OPT20204-B-105 | | \$ 277 |
| OPT20204-L-084 | 24 in. Modern straight grab bar ⁶ | \$ 277 |
| OPT20204-L-105 | OPT 20204-L-XXX Vertical grab bar on left wall Available colors: White (002), Chrome (084) and Brushed Nickel (105) | \$ 277 |
| OPT20204-L-002 | | \$ 277 |
| OPT20204-R-002 | 24 in. Modern straight grab bar ⁶⁰ | \$ 277 |
| OPT20204-R-084 | OPT 20204-R-XXX Vertical grab bar on right wall Available colors: White (002), Chrome (084) and Brushed Nickel (105) | \$ 277 |
| OPT20204-R-105 | | \$ 277 |
| OPT20212-B | Wall reinforcement (one wall) for future grab bar installation ⁹ OPT20212-B Reinforcement on back wall | \$ 111 |
| OPT20212-L | Wall reinforcement (one wall) for future grab bar installation ⁶¹ OPT 20212-L Reinforcement on left wall | \$ 111 |
| OPT20212-R | Wall reinforcement (one wall) for future grab bar installation ⁹ OPT 20212-R Reinforcement on right wall | \$ 111 |
| OPT20216-B-002 | 30 in. Modern straight grab bar ⁶⁰ | \$ 290 |
| OPT20216-B-105 | OPT 20216-HB-XXX Horizontal grab bar on back wall Available colors: White (002), Chrome (084) and Brushed Nickel (105) | \$ 290 |
| OPT20216-B-084 | | \$ 290 |
| OPT20216-L-002 | 30 in. Modern straight grab bar ³⁰ | \$ 290 |
| OPT20216-L-105 | OPT 20216-L-XXX Vertical grab bar on left wall Available colors: White (002), Chrome (084) and Brushed Nickel (105) | \$ 290 |
| OPT20216-L-084 | | \$ 290 |
| OPT20216-R-002 | 30 in. Modern straight grab bar ³⁰ | \$ 290 |
| OPT20216-R-105 | OPT 20216-R-XXX Vertical grab bar on right wall Available colors: White (002), Chrome (084) and Brushed Nickel (105) | \$ 290 |
| OPT20216-R-084 | | \$ 290 |
| OPT20219-L-084 | Pivot grab bar (back wall) ³⁰³² OPT 20219-L-XXX Left-hand pivot grab bar on back wall Available colors: Chrome (084) | \$ 1766 |

COMMON OPTIONS

| SKU | Description | MSRP |
|----------------|---|---------|
| OPT20219-R-084 | Pivot grab bar (back wall) ³⁰³² OPT 20219-R-XXX Right-hand pivot grab bar on back wall Available colors: Chrome (084) | \$ 1766 |
| OPT20221-L-105 | Fold-down seat (factory installed) ³⁴⁵²⁶⁴ OPT 20221-L-XXX Left side wall Specify trimming color: White (002), Chrome (084), Brushed Nickel (105) | \$ 1053 |
| OPT20221-L-002 | | \$ 1053 |
| OPT20221-L-084 | | \$ 1053 |
| OPT20221-R-002 | Fold-down seat (factory installed) ¹⁰¹¹¹⁶ OPT 20221-R-XXX Right side wall Specify trimming color: White (002), Chrome (084), Brushed Nickel (105) | \$ 1053 |
| OPT20221-R-105 | | \$ 1053 |
| OPT20221-R-084 | | \$ 1053 |
| OPT20403-L-105 | Package A ³⁰ OPT 20403-L-XXX Vertical grab bar on left wall, horizontal grab bar on back wall Package includes : • 24 in. Vertical grab bar on side wall • 30 in. Horizontal grab bar on back wall Available colors: White (002), Chrome (084) and Brushed Nickel (105) | \$ 442 |
| OPT20403-L-002 | | \$ 442 |
| OPT20403-L-084 | | \$ 442 |
| OPT20403-R-084 | Package A ³⁰ OPT 20403-R-XXX Vertical grab bar on right wall, horizontal grab bar on back wall Package includes : • 24 in. Vertical grab bar on side wall • 30 in. Horizontal grab bar on back wall Available colors: White (002), Chrome (084) and Brushed Nickel (105) | \$ 442 |
| OPT20403-R-002 | | \$ 442 |
| OPT20403-R-105 | | \$ 442 |
| OPT20404-L-105 | Package B ^{30, 31} OPT 20404-L-XXX Vertical grab bar on left wall, left-hand curved grab bar on back wall Package includes : • 24 in. Vertical grab bar on side wall • 32 in. Horizontal grab bar on back wall Available colors: White (002), Chrome (084) and Brushed Nickel (105) | \$ 588 |
| OPT20404-L-084 | | \$ 588 |
| OPT20404-L-002 | | \$ 588 |
| OPT20404-R-002 | Package B ^{30, 31} OPT 20404-R-XXX Vertical grab bar on right wall, right-hand curved grab bar on back wall Package includes : • 24 in. Vertical grab bar on side wall • 32 in. Horizontal grab bar on back wall Available colors: White (002), Chrome (084) and Brushed Nickel (105) | \$ 588 |
| OPT20404-R-084 | | \$ 588 |
| OPT20404-R-105 | | \$ 588 |
| OPT20407-L-084 | Package C ^{30, 32} OPT 20407-L-XXX 2 x Vertical grab bars on side walls, left-hand pivot grab bar on back wall Package includes : • 2 x 24 in. Vertical grab bar on side walls • Pivot grab bar on back wall Available colors: Chrome (084) and Brushed Nickel (105) | \$ 1951 |
| OPT20407-L-105 | | \$ 1951 |
| OPT20407-R-105 | Package C ³⁰³² OPT 20407-R-XXX 2 x Vertical grab bars on side walls, right-hand pivot grab bar on back wall Package includes : • 2 x 24 in. Vertical grab bar on side walls • Pivot grab bar on back wall Available colors: Chrome (084) and Brushed Nickel (105) | \$ 1951 |
| OPT20407-R-084 | | \$ 1951 |
| OPT20217-L-105 | 32 in. Curved grab bar (back wall) ³⁰³¹ OPT 20217-L-XXX Left-hand curved grab bar on back wall Available colors: White (002), Chrome (084) and Brushed Nickel (105) | \$ 469 |
| OPT20217-L-002 | | \$ 469 |
| OPT20217-L-084 | | \$ 469 |
| OPT20217-R-002 | 32 in. Curved grab bar (back wall) ³⁰³¹ OPT 20217-R-XXX Right-hand curved grab bar on back wall Available colors: White (002), Chrome (084) and Brushed Nickel (105) | \$ 469 |
| OPT20217-R-105 | | \$ 469 |
| OPT20217-R-084 | | \$ 469 |

ACCESSORIES

| SKU | Description | MSRP |
|--------------|--|---------|
| 10000041-105 | Shower Drain (sold separately) PVC quick caulking shower drain, compression type | \$ 37 |
| 10000041-084 | Specify grid color: Chrome (084) or Brushed Nickel (105) | \$ 37 |
| 10029997-002 | | \$ 277 |
| 10029997-105 | 24 in. modern straight grab bar with flange (front installation) Specify color: White (002), Chrome (084), Brushed Nickel (105) | \$ 277 |
| 10029997-084 | | \$ 277 |
| 10029998-084 | | \$ 293 |
| 10029998-002 | 30 in. modern straight grab bar with flange (front installation) Specify color: White (002), Chrome (084), Brushed Nickel (105) | \$ 293 |
| 10029998-105 | | \$ 293 |
| 10030095-002 | | \$ 464 |
| 10030095-084 | 32 in. curved left-hand grab bar with flange (front installation) Specify color: White (002), Chrome (084), Brushed Nickel (105) | \$ 464 |
| 10030095-105 | | \$ 464 |
| 10030097-084 | | \$ 464 |
| 10030097-002 | 32 in. curved right-hand grab bar with flange (front installation) Specify color: White (002), Chrome (084), Brushed Nickel (105) | \$ 464 |
| 10030097-105 | | \$ 464 |
| 10000043-084 | Shower Drain (sold separately) 2-piece ABS shower drain with Chrome stainless steel grid | \$ 36 |
| 10004349-001 | ABS shower drain with ABS grid (sold separately) | \$ 13 |
| 10004349-004 | Available color: White (001) and Bone (004) | \$ 13 |
| 10028765-105 | | \$ 261 |
| 10028765-084 | 24 in. modern straight grab bar ¹³ Specify color: White (002), Chrome (084), Brushed Nickel (105) | \$ 261 |
| 10028765-002 | | \$ 261 |
| 10028917-002 | | \$ 1053 |
| 10028917-084 | Rectangular fold-down White polyurethane seat ¹⁴ Available trimming colours: White (002), Chrome (084) and Brushed Nickel (105) | \$ 1053 |
| 10028917-105 | | \$ 1053 |
| 10029248-105 | | \$ 277 |
| 10029248-002 | 30 in. Modern straight grab bar ¹³ Specify color: White (002), Chrome (084), Brushed Nickel (105) | \$ 277 |
| 10029248-084 | | \$ 277 |
| 10029253-002 | | \$ 447 |
| 10029253-084 | 32 in. Left hand curved grab bar ¹³ Left refers to the upper section of the curved bar Specify color: White (002), Chrome (084), Brushed Nickel (105) | \$ 447 |
| 10029253-105 | | \$ 447 |
| 10029254-084 | | \$ 447 |
| 10029254-002 | 32 in. Right hand curved grab bar ¹³ Right refers to the upper section of the curved bar Specify color: White (002), Chrome (084), Brushed Nickel (105) | \$ 447 |
| 10029254-105 | | \$ 447 |

FOOTNOTES

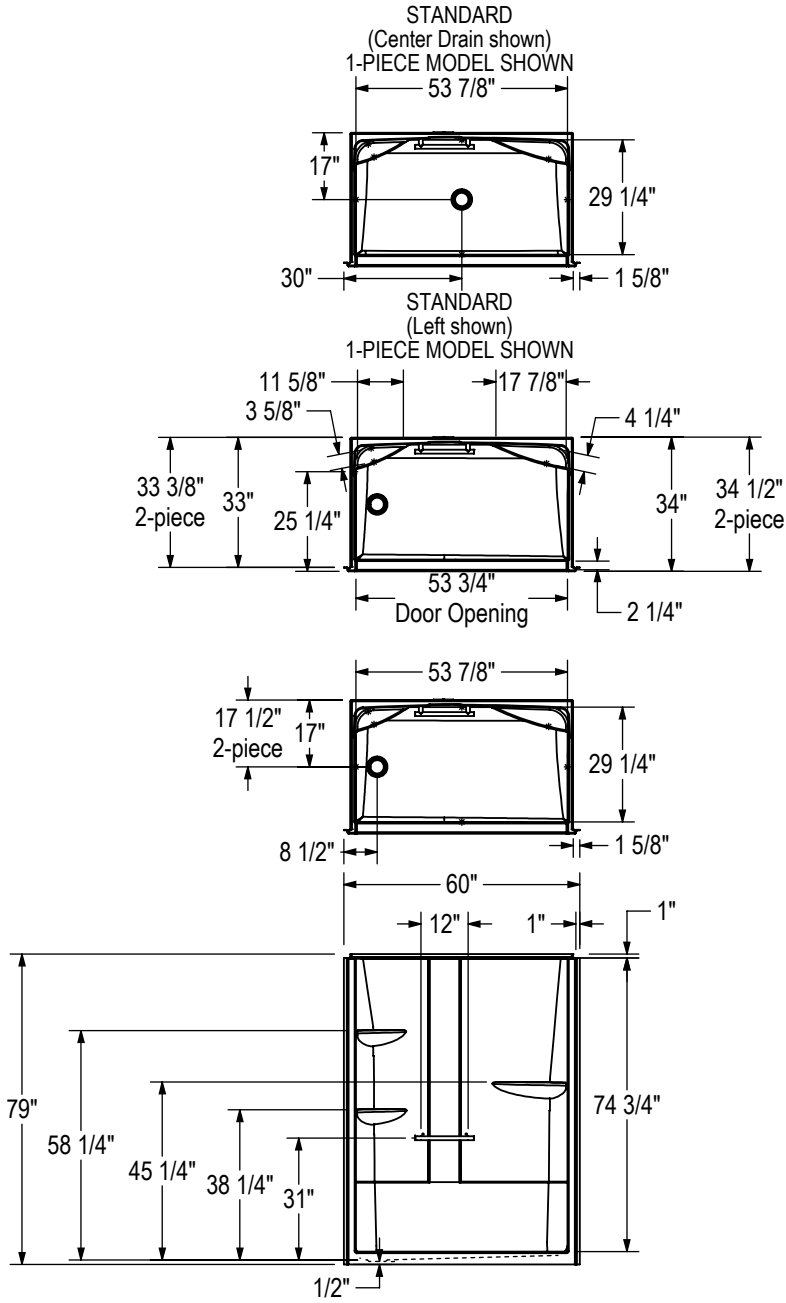
| No | Description |
|----|---|
| 6 | Specify 3/8 (Lite option) or 2 in. on deck height. If ordering unit with an apron, only 2 in. deck height is available. |
| 9 | 6-Pack bathtubs are only available when units are without systems and in a standard colour. |
| 10 | Systems not available with units installed undermount. |

FOOTNOTES

| No | Description |
|----|---|
| 11 | Apron access panel is included with a Whirlpool or combined system. |
| 13 | Two pumps are required with a second Backmax. |
| 14 | Standard grab bars for standard colour units are colour-coordinated. Grab bars with metallic finish can be added (additional charge applies). |
| 16 | No heated backrest is offered, but 3 air jets are included on the foot step. |
| 30 | Please see technical drawings on https://www.maax.com for grab bar and/or seat positioning. |
| 31 | Right (R)/Left (L) refers to the upper section of the ergonomic grab bar. |
| 32 | Right/Left refers to the pivot direction of the bar (from closed to open position). |
| 33 | Please see technical drawings on https://www.maax.com for reinforcement positioning and size. |
| 34 | Fold-down seat only available when unit ordered with no integrated seat. |
| 52 | Please specify R/L valve positioning. |
| 60 | Please see technical drawings on www.akerbymaax.com for grab bar positioning. |
| 61 | Please see technical drawings on www.akerbymaax.com for reinforcement positioning and size. |
| 64 | Please see technical drawings on www.akerbymaax.com for grab bar and/or seat positioning. |

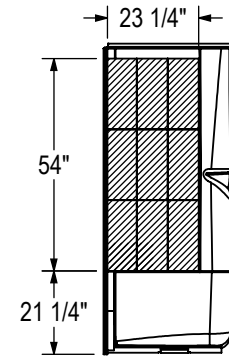
RECOMMENDED DOORS - VISIT OUR WEBSITE FOR A COMPLETE LIST OF RECOMMENDED DOORS

| SKU | Product Name | Pag. |
|--------|--|------|
| 138275 | Manhattan 53-55 x 68 - 6mm | 671 |
| 138521 | Incognito 74 51-54x74in. 8mm | 632 |
| 139579 | Reveal Sleek 71 51 ½-54 ½ x 71 ½ - 8mm | 684 |
| 134564 | Kameleon 51-55 x 71 - 6mm | 622 |
| 134664 | Kameleon SC 51-55 x 71 - 6mm | 611 |
| 136883 | Reveal 71 51 ½-54 ½ x 71 ½ - 8mm | 681 |

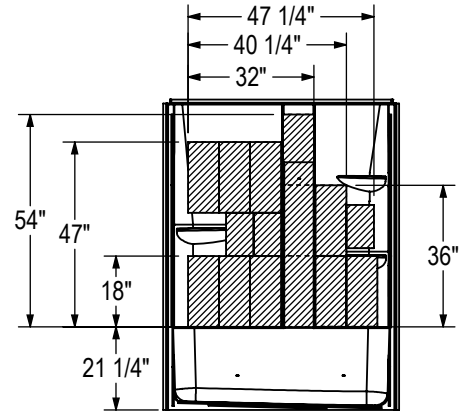


All dimensions are approximate. Structure measurements must be verified against the unit to ensure proper fit.

OPTIONAL REINFORCEMENT
(Left shown)



OPTIONAL REINFORCEMENT
(Back Wall)



Allia SHR-3636 1-piece



ALCOVE SHOWERS - ACRYLIC



Material : Acrylic

Features

- > 1-piece shower with 3 1/4 in. low threshold and integrated roofcap
- > Wide 3-level corner shelves
- > Standard : 12 in. white grab bar - Drain & chrome grid
- > Center drain, smooth floor
- > Optional grab bars available (grab bar installed on back wall replaces standard bar)
- > All grab bars can support up to 300 lbs
- > Available in White only

ALLIA SHR-3636 1-PIECE - 107006

| SKU | Color | Configuration | Dimensions & Weight | Packaging | MSRP |
|----------------|-------|---------------|----------------------------------|--------------------|---------|
| 107006-000-001 | White | Center | 36" x 36" x 88" / 142 lb / 64 kg | 78 ft ³ | \$ 2096 |

ALLIA SHR-3636 (3-PIECE) - 107006S

| SKU | Color | Configuration | Dimensions & Weight | Packaging | MSRP |
|-------------------|-------|---------------|--------------------------------------|--------------------|---------|
| 107006-S-000-001- | White | Center | 36" x 36 1/2" x 88" / 142 lb / 64 kg | 78 ft ³ | \$ 2502 |

COMMON OPTIONS

| SKU | Description | MSRP |
|----------------|--|--------|
| OPT20203-B-002 | 18 in. Modern straight grab bar ⁶⁰ | \$ 259 |
| OPT20203-B-105 | OPT 20203-B-XXX Horizontal grab bar on back wall | \$ 259 |
| OPT20203-B-084 | Available colors: White (002), Chrome (084) and Brushed Nickel (105) | \$ 259 |
| OPT20203-L-105 | 18 in. Modern straight grab bar ⁶⁰ | \$ 259 |
| OPT20203-L-002 | OPT 20203-L-XXX Vertical grab bar on left wall | \$ 259 |
| OPT20203-L-084 | Available colors: White (002), Chrome (084) and Brushed Nickel (105) | \$ 259 |
| OPT20203-R-084 | 18 in. Modern straight grab bar ⁶⁰ | \$ 259 |
| OPT20203-R-002 | OPT 20203-R-XXX Vertical grab bar on right wall | \$ 259 |
| OPT20203-R-105 | Available colors: White (002), Chrome (084) and Brushed Nickel (105) | \$ 259 |

COMMON OPTIONS

| SKU | Description | MSRP |
|----------------|---|--------|
| OPT20204-B-002 | 24 in. Modern straight grab bar ⁶ | \$ 277 |
| OPT20204-B-084 | OPT 20204-B-XXX Horizontal grab bar on back wall | \$ 277 |
| OPT20204-B-105 | Available colors: White (002), Chrome (084) and Brushed Nickel (105) | \$ 277 |
| OPT20204-L-084 | 24 in. Modern straight grab bar ⁶ | \$ 277 |
| OPT20204-L-105 | OPT 20204-L-XXX Vertical grab bar on left wall | \$ 277 |
| OPT20204-L-002 | Available colors: White (002), Chrome (084) and Brushed Nickel (105) | \$ 277 |
| OPT20204-R-002 | 24 in. Modern straight grab bar ⁶⁰ | \$ 277 |
| OPT20204-R-084 | OPT 20204-R-XXX Vertical grab bar on right wall | \$ 277 |
| OPT20204-R-105 | Available colors: White (002), Chrome (084) and Brushed Nickel (105) | \$ 277 |
| OPT20212-B | Wall reinforcement (one wall) for future grab bar installation ⁹ OPT20212-B Reinforcement on back wall | \$ 111 |
| OPT20212-L | Wall reinforcement (one wall) for future grab bar installation ⁶¹ OPT 20212-L Reinforcement on left wall | \$ 111 |
| OPT20212-R | Wall reinforcement (one wall) for future grab bar installation ⁹ OPT 20212-R Reinforcement on right wall | \$ 111 |
| OPT20408-L-105 | Package A ³⁰ OPT 20408-L-XXX Vertical grab bar on left wall, horizontal grab bar on back wall | \$ 401 |
| OPT20408-L-002 | Package includes : • 24 in. Vertical grab bar on side wall | \$ 401 |
| OPT20408-L-084 | • 18 in. Horizontal grab bar on back wall Available colors: White (002), Chrome (084) and Brushed Nickel (105) | \$ 401 |
| OPT20408-R-084 | Package A ³⁰ OPT 20408-R-XXX Vertical grab bar on right wall, horizontal grab bar on back wall | \$ 401 |
| OPT20408-R-002 | Package includes : • 24 in. Vertical grab bar on side wall | \$ 401 |
| OPT20408-R-105 | • 18 in. Horizontal grab bar on back wall Available colors: White (002), Chrome (084) and Brushed Nickel (105) | \$ 401 |
| OPT10189 | Three-wall reinforcement for future grab bar installation ³³ | \$ 232 |
| OPT20055-106 | 36 in. curtain rod with installation kit Available color: Stainless Steel (106) | \$ 147 |
| OPT20220-002 | | \$ 256 |
| OPT20220-105 | Shelf guard rails (factory installed) Available colors: White (002), Chrome (084), Brushed Nickel (105) | \$ 256 |
| OPT20220-084 | | \$ 256 |

ACCESSORIES

| SKU | Description | MSRP |
|--------------|--|--------|
| 10000041-105 | Shower Drain (sold separately) | \$ 37 |
| 10000041-084 | PVC quick caulking shower drain, compression type Specify grid color: Chrome (084) or Brushed Nickel (105) | \$ 37 |
| 10000043-084 | Shower Drain (sold separately) 2-piece ABS shower drain with Chrome stainless steel grid | \$ 36 |
| 10004349-001 | ABS shower drain with ABS grid (sold separately) | \$ 13 |
| 10004349-004 | Available color: White (001) and Bone (004) | \$ 13 |
| 10028765-105 | | \$ 261 |
| 10028765-084 | 24 in. modern straight grab bar ¹³ Specify color: White (002), Chrome (084), Brushed Nickel (105) | \$ 261 |
| 10028765-002 | | \$ 261 |
| 10029996-084 | 18 in. modern straight grab bar with flange (front installation) Specify color: White (002), Chrome (084), Brushed Nickel (105) | \$ 261 |

ACCESSORIES

| SKU | Description | MSRP |
|--------------|--|--------|
| 10029996-002 | 18 in. modern straight grab bar with flange (front installation) | \$ 261 |
| 10029996-105 | Specify color: White (002), Chrome (084), Brushed Nickel (105) | \$ 261 |
| 10029997-002 | 24 in. modern straight grab bar with flange (front installation) Specify color: White (002), Chrome (084), Brushed Nickel (105) | \$ 277 |
| 10029997-105 | | \$ 277 |
| 10029997-084 | | \$ 277 |

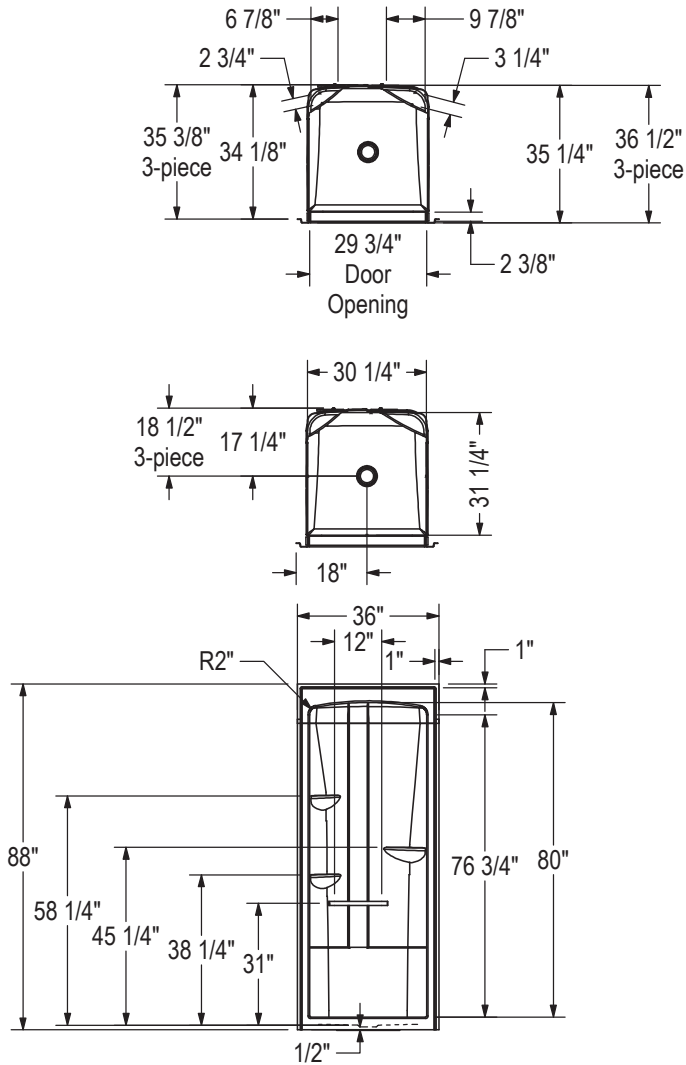
FOOTNOTES

| No | Description |
|----|---|
| 6 | Specify 3/8 (Lite option) or 2 in. on deck height. If ordering unit with an apron, only 2 in. deck height is available. |
| 9 | 6-Pack bathtubs are only available when units are without systems and in a standard colour. |
| 13 | Two pumps are required with a second Backmax. |
| 30 | Please see technical drawings on https://www.maax.com for grab bar and/or seat positioning. |
| 33 | Please see technical drawings on https://www.maax.com for reinforcement positioning and size. |
| 60 | Please see technical drawings on www.akerbymaax.com for grab bar positioning. |
| 61 | Please see technical drawings on www.akerbymaax.com for reinforcement positioning and size. |

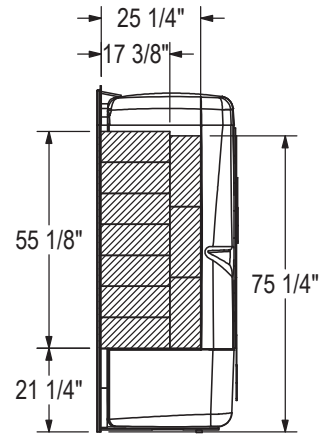
RECOMMENDED DOORS - VISIT OUR WEBSITE FOR A COMPLETE LIST OF RECOMMENDED DOORS

| SKU | Product Name | Pag. |
|--------|-----------------------------|------|
| 138263 | Manhattan 29-31 x 68 - 6mm | 666 |
| 105416 | Madono 28 ½-30 ½ x 67 - 6mm | 663 |
| 136645 | Pivolok 29-30 ¾ x 64 ½ in. | 676 |

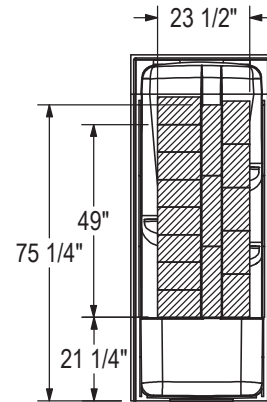
STANDARD
1-PIECE MODEL SHOWN



OPTIONAL REINFORCEMENT
(Left shown, Right symmetrical)



OPTIONAL REINFORCEMENT
(Back Wall)



All dimensions are approximate. Structure measurements must be verified against the unit to ensure proper fit.

Allia SHR-4834 (1-piece)



ALCOVE SHOWERS - ACRYLIC



Material : Acrylic

Features

- > 1-piece shower with 3 1/4 in. low threshold and integrated roofcap
- > Right, Left or no molded seat
- > Optional fold down seat available
- > Standard : 12 in. white grab bar - Drain & chrome grid
- > Optional grab bars available (grab bar installed on back wall replaces standard bar)
- > All grab bars can support up to 300 lbs
- > Wide 3-level corner shelves
- > Center drain, smooth floor
- > Available in White only

ALLIA SHR-4834 (1-PIECE) - 107004

| SKU | Color | Configuration | Dimensions & Weight | Packaging | MSRP |
|------------------|-------|---------------|----------------------------------|---------------------|---------|
| 107004-000-001 | White | Center | 48" x 34" x 88" / 154 lb / 70 kg | 100 ft ³ | \$ 2232 |
| 107004-L-000-001 | | | | | \$ 2232 |
| 107004-R-000-001 | | | | | \$ 2232 |

ALLIA SHR-4834 (3-PIECE) - 107004S

| SKU | Color | Configuration | Dimensions & Weight | Packaging | MSRP |
|-------------------|-------|---------------|--------------------------------------|---------------------|---------|
| 107004-S-000-001- | White | Center | 48" x 34 1/2" x 88" / 154 lb / 70 kg | 100 ft ³ | \$ 2637 |
| 107004-SL-000-001 | | | | | \$ 2637 |
| 107004-SR-000-001 | | | | | \$ 2637 |

COMMON OPTIONS

| SKU | Description | MSRP |
|----------------|--|--------|
| OPT10189 | Three-wall reinforcement for future grab bar installation ³³ | \$ 232 |
| OPT20054-106 | 48 in. curtain rod with installation kit Available color: Stainless Steel (106) | \$ 164 |
| OPT20220-002 | Shelf guard rails (factory installed) Available colors: White (002), Chrome (084), Brushed Nickel (105) | \$ 256 |
| OPT20220-105 | | \$ 256 |
| OPT20220-084 | | \$ 256 |
| OPT20203-B-002 | 18 in. Modern straight grab bar ⁶ OPT 20203-B-XXX Horizontal grab bar on back wall Available colors: White (002), Chrome (084) and Brushed Nickel (105) | \$ 259 |

COMMON OPTIONS

| SKU | Description | MSRP |
|----------------|--|---------|
| OPT20203-B-105 | 18 in. Modern straight grab bar ⁶ | \$ 259 |
| OPT20203-B-084 | OPT 20203-B-XXX Horizontal grab bar on back wall Available colors: White (002), Chrome (084) and Brushed Nickel (105) | \$ 259 |
| OPT20203-L-105 | 18 in. Modern straight grab bar ⁶⁰ | \$ 259 |
| OPT20203-L-002 | OPT 20203-L-XXX Vertical grab bar on left wall | \$ 259 |
| OPT20203-L-084 | Available colors: White (002), Chrome (084) and Brushed Nickel (105) | \$ 259 |
| OPT20203-R-084 | 18 in. Modern straight grab bar ⁶⁰ | \$ 259 |
| OPT20203-R-002 | OPT 20203-R-XXX Vertical grab bar on right wall | \$ 259 |
| OPT20203-R-105 | Available colors: White (002), Chrome (084) and Brushed Nickel (105) | \$ 259 |
| OPT20204-B-002 | 24 in. Modern straight grab bar ⁶ | \$ 277 |
| OPT20204-B-084 | OPT 20204-B-XXX Horizontal grab bar on back wall | \$ 277 |
| OPT20204-B-105 | Available colors: White (002), Chrome (084) and Brushed Nickel (105) | \$ 277 |
| OPT20204-L-084 | 24 in. Modern straight grab bar ⁶ | \$ 277 |
| OPT20204-L-105 | OPT 20204-L-XXX Vertical grab bar on left wall | \$ 277 |
| OPT20204-L-002 | Available colors: White (002), Chrome (084) and Brushed Nickel (105) | \$ 277 |
| OPT20204-R-002 | 24 in. Modern straight grab bar ⁶⁰ | \$ 277 |
| OPT20204-R-084 | OPT 20204-R-XXX Vertical grab bar on right wall | \$ 277 |
| OPT20204-R-105 | Available colors: White (002), Chrome (084) and Brushed Nickel (105) | \$ 277 |
| OPT20212-B | Wall reinforcement (one wall) for future grab bar installation ⁹ OPT20212-B Reinforcement on back wall | \$ 111 |
| OPT20212-L | Wall reinforcement (one wall) for future grab bar installation ⁶¹ OPT 20212-L Reinforcement on left wall | \$ 111 |
| OPT20212-R | Wall reinforcement (one wall) for future grab bar installation ⁹ OPT 20212-R Reinforcement on right wall | \$ 111 |
| OPT20218-L-002 | 23 in. Curved grab bar (back wall) ^{30, 31} | \$ 434 |
| OPT20218-L-084 | OPT20218-L-XXX Left-hand curved grab bar on back wall | \$ 434 |
| OPT20218-L-105 | Available colors: White (002), Chrome (084) and Brushed Nickel (105) | \$ 434 |
| OPT20218-R-002 | 23 in. Curved grab bar (back wall) ^{30, 31} | \$ 434 |
| OPT20218-R-084 | OPT20218-R-XXX Right-hand curved grab bar on back wall | \$ 434 |
| OPT20218-R-105 | Available colors: White (002), Chrome (084) and Brushed Nickel (105) | \$ 434 |
| OPT20219-L-084 | Pivot grab bar (back wall) ³⁰³² OPT 20219-L-XXX Left-hand pivot grab bar on back wall Available colors: Chrome (084) | \$ 1766 |
| OPT20219-R-084 | Pivot grab bar (back wall) ³⁰³² OPT 20219-R-XXX Right-hand pivot grab bar on back wall Available colors: Chrome (084) | \$ 1766 |
| OPT20221-L-105 | Fold-down seat (factory installed) ³⁴⁵²⁶⁴ | \$ 1053 |
| OPT20221-L-002 | OPT 20221-L-XXX Left side wall | \$ 1053 |
| OPT20221-L-084 | Specify trimming color: White (002), Chrome (084), Brushed Nickel (105) | \$ 1053 |
| OPT20221-R-002 | Fold-down seat (factory installed) ¹⁰¹¹¹⁶ | \$ 1053 |
| OPT20221-R-105 | OPT 20221-R-XXX Right side wall | \$ 1053 |
| OPT20221-R-084 | Specify trimming color: White (002), Chrome (084), Brushed Nickel (105) | \$ 1053 |

COMMON OPTIONS

| SKU | Description | MSRP |
|----------------|--|---------|
| OPT20405-L-105 | Package A ³⁰ OPT 20405-L-XXX Vertical grab bar on left wall, horizontal grab bar on back wall | \$ 417 |
| OPT20405-L-084 | Package includes : • 24 in. Vertical grab bar on side wall • 24 in. Horizontal grab bar on back wall | \$ 417 |
| OPT20405-L-002 | Available colors: White (002), Chrome (084) and Brushed Nickel (105) | \$ 417 |
| OPT20405-R-002 | Package A ³⁰ OPT 20405-R-XXX Vertical grab bar on right wall, horizontal grab bar on back wall | \$ 417 |
| OPT20405-R-084 | Package includes : • 24 in. Vertical grab bar on side wall • 24 in. Horizontal grab bar on back wall | \$ 417 |
| OPT20405-R-105 | Available colors: White (002), Chrome (084) and Brushed Nickel (105) | \$ 417 |
| OPT20406-L-084 | Package B ^{30,31} OPT 20406-L-XXX Vertical grab bar on left wall, left-hand curved grab bar on back wall | \$ 564 |
| OPT20406-L-002 | Package includes : • 24 in. Vertical grab bar on side wall • 23 in. Curved grab bar on back wall | \$ 564 |
| OPT20406-L-105 | Available colors: White (002), Chrome (084) and Brushed Nickel (105) | \$ 564 |
| OPT20406-R-002 | Package B ^{30, 31} OPT 20406-R-XXX Vertical grab bar on right wall, right-hand curved grab bar on back wall | \$ 564 |
| OPT20406-R-084 | Package includes : • 24 in. Vertical grab bar on side wall • 23 in. Curved grab bar on back wall | \$ 564 |
| OPT20406-R-105 | Available colors: White (002), Chrome (084) and Brushed Nickel (105) | \$ 564 |
| OPT20407-L-084 | Package C ^{30,32} OPT 20407-L-XXX 2 x Vertical grab bars on side walls, left-hand pivot grab bar on back wall | \$ 1951 |
| OPT20407-L-105 | Package includes : • 2 x 24 in. Vertical grab bar on side walls • Pivot grab bar on back wall | \$ 1951 |
| OPT20407-R-105 | Package C ^{30,32} OPT 20407-R-XXX 2 x Vertical grab bars on side walls, right-hand pivot grab bar on back wall | \$ 1951 |
| OPT20407-R-084 | Package includes : • 2 x 24 in. Vertical grab bar on side walls • Pivot grab bar on back wall | \$ 1951 |
| | Available colors: Chrome (084) and Brushed Nickel (105) | |

ACCESSORIES

| SKU | Description | MSRP |
|--------------|---|--------|
| 10029996-084 | | \$ 261 |
| 10029996-002 | 18 in. modern straight grab bar with flange (front installation) Specify color: White (002), Chrome (084), Brushed Nickel (105) | \$ 261 |
| 10029996-105 | | \$ 261 |
| 10029997-002 | | \$ 277 |
| 10029997-105 | 24 in. modern straight grab bar with flange (front installation) Specify color: White (002), Chrome (084), Brushed Nickel (105) | \$ 277 |
| 10029997-084 | | \$ 277 |
| 10030093-084 | | \$ 432 |
| 10030093-002 | 23 in. Curved left-hand grab bar with flange (front installation) Specify color: White (002), Chrome (084), Brushed Nickel (105) | \$ 432 |
| 10030093-105 | | \$ 432 |
| 10030094-084 | | \$ 432 |
| 10030094-105 | 23 in. Curved right-hand grab bar with flange (front installation) Specify color: White (002), Chrome (084), Brushed Nickel (105) | \$ 432 |
| 10030094-002 | | \$ 432 |
| 10000041-105 | Shower Drain (sold separately) PVC quick caulking shower drain, compression type Specify grid color: Chrome (084) or Brushed Nickel (105) | \$ 37 |

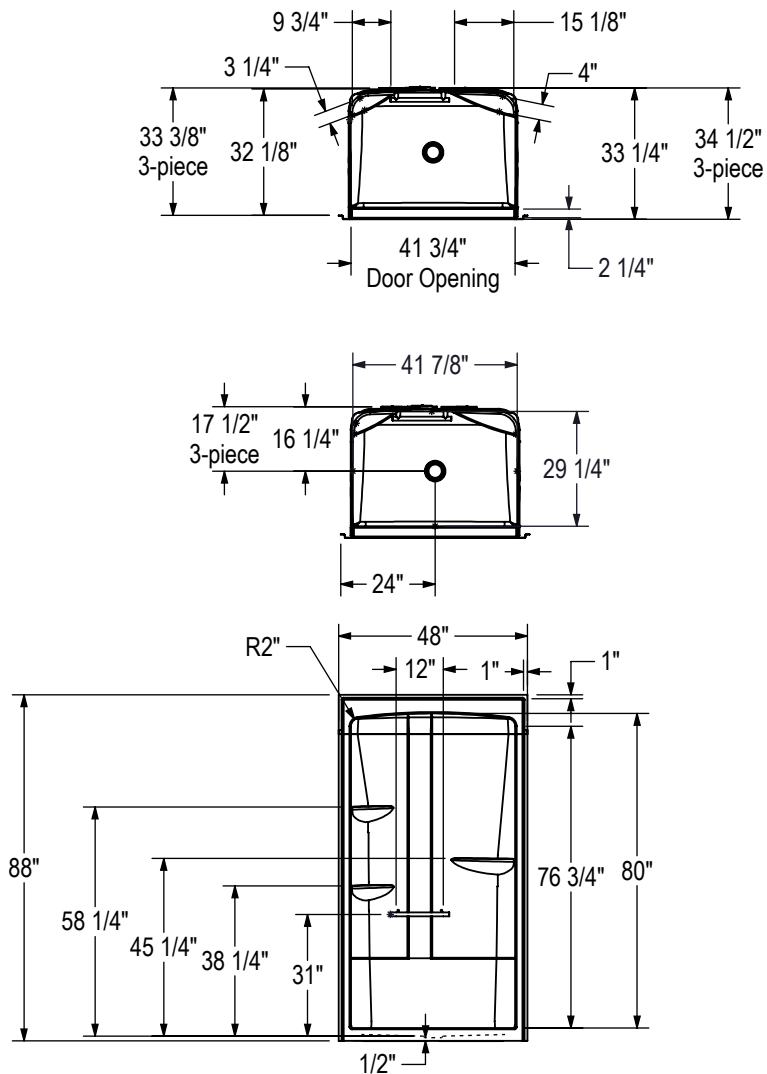
ACCESSORIES

| SKU | Description | MSRP |
|--------------|--|---------|
| 10000041-084 | Shower Drain (sold separately) PVC quick caulking shower drain, compression type Specify grid color: Chrome (084) or Brushed Nickel (105) | \$ 37 |
| 10000043-084 | Shower Drain (sold separately) 2-piece ABS shower drain with Chrome stainless steel grid | \$ 36 |
| 10004349-001 | ABS shower drain with ABS grid (sold separately) | \$ 13 |
| 10004349-004 | Available color: White (001) and Bone (004) | \$ 13 |
| 10028765-105 | | \$ 261 |
| 10028765-084 | 24 in. modern straight grab bar ¹³ Specify color: White (002), Chrome (084), Brushed Nickel (105) | \$ 261 |
| 10028765-002 | | \$ 261 |
| 10028917-002 | | \$ 1053 |
| 10028917-084 | Rectangular fold-down White polyurethane seat ¹⁴ Available trimming colours: White (002), Chrome (084) and Brushed Nickel (105) | \$ 1053 |
| 10028917-105 | | \$ 1053 |
| 10029251-084 | | \$ 412 |
| 10029251-105 | 23 in. Left hand curved grab bar ¹³ Left refers to the upper section of the curved bar Specify color: White (002), Chrome (084), Brushed Nickel (105) | \$ 412 |
| 10029251-002 | | \$ 412 |
| 10029252-002 | | \$ 412 |
| 10029252-084 | 23 in. Right hand curved grab bar ¹³ Right refers to the upper section of the curved bar Specify color: White (002), Chrome (084), Brushed Nickel (105) | \$ 412 |
| 10029252-105 | | \$ 412 |

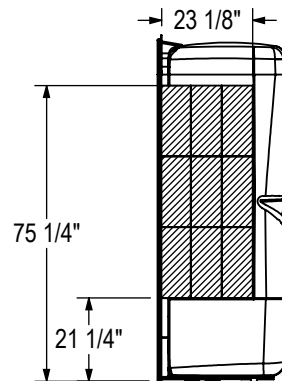
FOOTNOTES

| No | Description |
|----|---|
| 6 | Specify 3/8 (Lite option) or 2 in. on deck height. If ordering unit with an apron, only 2 in. deck height is available. |
| 9 | 6-Pack bathtubs are only available when units are without systems and in a standard colour. |
| 10 | Systems not available with units installed undermount. |
| 11 | Apron access panel is included with a Whirlpool or combined system. |
| 13 | Two pumps are required with a second Backmax. |
| 14 | Standard grab bars for standard colour units are colour-coordinated. Grab bars with metallic finish can be added (additional charge applies). |
| 16 | No heated backrest is offered, but 3 air jets are included on the foot step. |
| 30 | Please see technical drawings on https://www.maax.com for grab bar and/or seat positioning. |
| 31 | Right (R)/Left (L) refers to the upper section of the ergonomic grab bar. |
| 32 | Right/Left refers to the pivot direction of the bar (from closed to open position). |
| 33 | Please see technical drawings on https://www.maax.com for reinforcement positioning and size. |
| 34 | Fold-down seat only available when unit ordered with no integrated seat. |
| 52 | Please specify R/L valve positioning. |
| 60 | Please see technical drawings on www.akerbymaax.com for grab bar positioning. |
| 61 | Please see technical drawings on www.akerbymaax.com for reinforcement positioning and size. |
| 64 | Please see technical drawings on www.akerbymaax.com for grab bar and/or seat positioning. |
| 13 | |

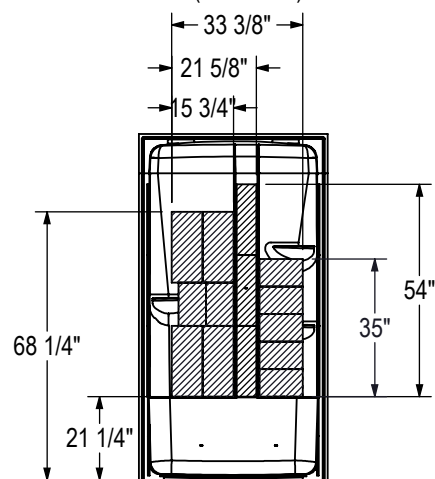
STANDARD
1-PIECE MODEL SHOWN



OPTIONAL REINFORCEMENT
(Left shown)



OPTIONAL REINFORCEMENT
(Back Wall)



All dimensions are approximate. Structure measurements must be verified against the unit to ensure proper fit.

Allia SHR-6034 (1-piece)



Material : Acrylic

Features

- › 1-piece shower with 3 1/4 in. low threshold and integrated roofcap
- › Right, Left, two molded seats or no seat and right, left or center drain (drain included)
- › Optional fold down seat available
- › Standard : 12 in. white grab bar - Drain & chrome grid
- › Optional grab bars available (grab bar installed on back wall replaces standard bar)
- › All grab bars can support up to 300 lbs
- › Wide 3-level corner shelves
- › Smooth floor

ALCOVE SHOWERS - ACRYLIC

ALLIA SHR-6034 (1-PIECE) - 107002

| SKU | Color | Configuration | Dimensions & Weight | Packaging | MSRP |
|-------------------|-------|---------------|----------------------------------|---------------------|---------|
| 107002-2-000-001 | White | Center | 60" x 34" x 88" / 169 lb / 77 kg | 116 ft ³ | \$ 2300 |
| 107002-LC-000-001 | | | | | \$ 2300 |
| 107002-LR-000-001 | | Right | | | \$ 2300 |
| 107002-NC-000-001 | | Center | | | \$ 2300 |
| 107002-NL-000-001 | | Left | | | \$ 2300 |
| 107002-NR-000-001 | | Right | | | \$ 2300 |
| 107002-RC-000-001 | | Center | | | \$ 2300 |
| 107002-RL-000-001 | | Left | | | \$ 2300 |

ALLIA SHR-6034 (3-PIECE) - 107002S

| SKU | Color | Configuration | Dimensions & Weight | Packaging | MSRP |
|--------------------|-------|---------------|--------------------------------------|---------------------|---------|
| 107002-S2-000-001 | White | Center | 60" x 34 1/2" x 88" / 169 lb / 77 kg | 116 ft ³ | \$ 2839 |
| 107002-SLC-000-001 | | | | | \$ 2839 |
| 107002-SLR-000-001 | | Right | | | \$ 2839 |
| 107002-SNC-000-001 | | Center | | | \$ 2839 |
| 107002-SNL-000-001 | | Left | | | \$ 2839 |
| 107002-SNR-000-001 | | Right | | | \$ 2839 |
| 107002-SRC-000-001 | | Center | | | \$ 2839 |
| 107002-SRL-000-001 | | Left | | | \$ 2839 |

COMMON OPTIONS

| SKU | Description | MSRP |
|----------------|--|---------|
| OPT10189 | Three-wall reinforcement for future grab bar installation ³³ | \$ 232 |
| OPT20056-106 | 60 in. curtain rod with installation kit Available color: Stainless Steel (106) | \$ 182 |
| OPT20220-002 | Shelf guard rails (factory installed) Available colors: White (002), Chrome (084), Brushed Nickel (105) | \$ 256 |
| OPT20220-105 | | \$ 256 |
| OPT20220-084 | | \$ 256 |
| OPT20203-B-002 | 18 in. Modern straight grab bar ⁶ | \$ 259 |
| OPT20203-B-105 | OPT 20203-B-XXX Horizontal grab bar on back wall Available colors: White (002), Chrome (084) and Brushed Nickel (105) | \$ 259 |
| OPT20203-B-084 | | \$ 259 |
| OPT20203-L-105 | 18 in. Modern straight grab bar ⁶⁰ | \$ 259 |
| OPT20203-L-002 | OPT 20203-L-XXX Vertical grab bar on left wall Available colors: White (002), Chrome (084) and Brushed Nickel (105) | \$ 259 |
| OPT20203-L-084 | | \$ 259 |
| OPT20203-R-084 | 18 in. Modern straight grab bar ⁶⁰ | \$ 259 |
| OPT20203-R-002 | OPT 20203-R-XXX Vertical grab bar on right wall Available colors: White (002), Chrome (084) and Brushed Nickel (105) | \$ 259 |
| OPT20203-R-105 | | \$ 259 |
| OPT20204-B-002 | 24 in. Modern straight grab bar ⁶ | \$ 277 |
| OPT20204-B-084 | OPT 20204-B-XXX Horizontal grab bar on back wall Available colors: White (002), Chrome (084) and Brushed Nickel (105) | \$ 277 |
| OPT20204-B-105 | | \$ 277 |
| OPT20204-L-084 | 24 in. Modern straight grab bar ⁶ | \$ 277 |
| OPT20204-L-105 | OPT 20204-L-XXX Vertical grab bar on left wall Available colors: White (002), Chrome (084) and Brushed Nickel (105) | \$ 277 |
| OPT20204-L-002 | | \$ 277 |
| OPT20204-R-002 | 24 in. Modern straight grab bar ⁶⁰ | \$ 277 |
| OPT20204-R-084 | OPT 20204-R-XXX Vertical grab bar on right wall Available colors: White (002), Chrome (084) and Brushed Nickel (105) | \$ 277 |
| OPT20204-R-105 | | \$ 277 |
| OPT20212-B | Wall reinforcement (one wall) for future grab bar installation ⁹ OPT20212-B Reinforcement on back wall | \$ 111 |
| OPT20212-L | Wall reinforcement (one wall) for future grab bar installation ⁶¹ OPT 20212-L Reinforcement on left wall | \$ 111 |
| OPT20212-R | Wall reinforcement (one wall) for future grab bar installation ⁹ OPT 20212-R Reinforcement on right wall | \$ 111 |
| OPT20216-B-002 | 30 in. Modern straight grab bar ⁶⁰ | \$ 290 |
| OPT20216-B-105 | OPT 20216-HB-XXX Horizontal grab bar on back wall Available colors: White (002), Chrome (084) and Brushed Nickel (105) | \$ 290 |
| OPT20216-B-084 | | \$ 290 |
| OPT20216-L-002 | 30 in. Modern straight grab bar ³⁰ | \$ 290 |
| OPT20216-L-105 | OPT 20216-L-XXX Vertical grab bar on left wall Available colors: White (002), Chrome (084) and Brushed Nickel (105) | \$ 290 |
| OPT20216-L-084 | | \$ 290 |
| OPT20216-R-002 | 30 in. Modern straight grab bar ³⁰ | \$ 290 |
| OPT20216-R-105 | OPT 20216-R-XXX Vertical grab bar on right wall Available colors: White (002), Chrome (084) and Brushed Nickel (105) | \$ 290 |
| OPT20216-R-084 | | \$ 290 |
| OPT20219-L-084 | Pivot grab bar (back wall) ³⁰³² OPT 20219-L-XXX Left-hand pivot grab bar on back wall Available colors: Chrome (084) | \$ 1766 |

COMMON OPTIONS

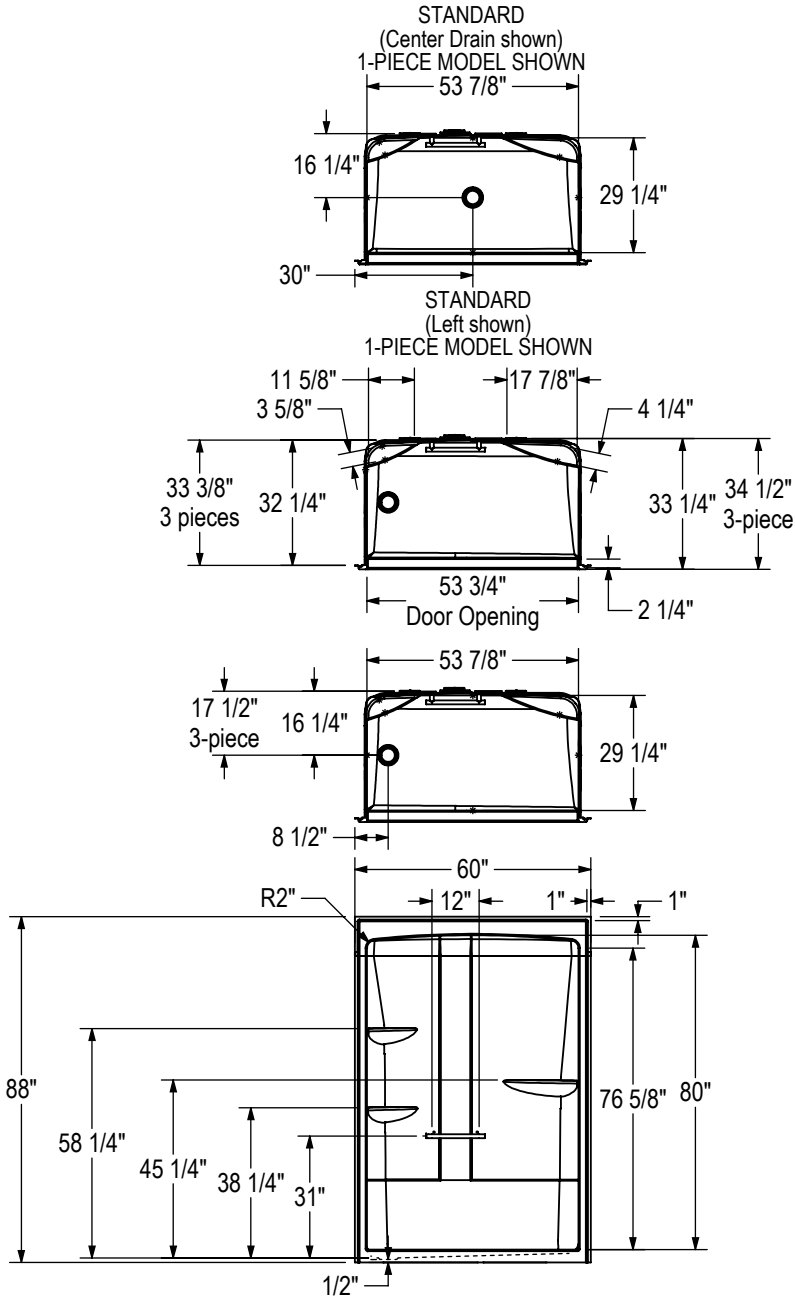
| SKU | Description | MSRP |
|----------------|--|---------|
| OPT20219-R-084 | Pivot grab bar (back wall) ³⁰³² OPT 20219-R-XXX Right-hand pivot grab bar on back wall Available colors: Chrome (084) | \$ 1766 |
| OPT20403-L-105 | Package A ³⁰ OPT 20403-L-XXX Vertical grab bar on left wall, horizontal grab bar on back wall | \$ 442 |
| OPT20403-L-002 | Package includes : • 24 in. Vertical grab bar on side wall | \$ 442 |
| OPT20403-L-084 | • 30 in. Horizontal grab bar on back wall Available colors: White (002), Chrome (084) and Brushed Nickel (105) | \$ 442 |
| OPT20403-R-084 | Package A ³⁰ OPT 20403-R-XXX Vertical grab bar on right wall, horizontal grab bar on back wall | \$ 442 |
| OPT20403-R-002 | Package includes : • 24 in. Vertical grab bar on side wall | \$ 442 |
| OPT20403-R-105 | • 30 in. Horizontal grab bar on back wall Available colors: White (002), Chrome (084) and Brushed Nickel (105) | \$ 442 |
| OPT20404-L-105 | Package B ^{30, 31} OPT 20404-L-XXX Vertical grab bar on left wall, left-hand curved grab bar on back wall | \$ 588 |
| OPT20404-L-084 | Package includes : • 24 in. Vertical grab bar on side wall | \$ 588 |
| OPT20404-L-002 | • 32 in. Horizontal grab bar on back wall Available colors: White (002), Chrome (084) and Brushed Nickel (105) | \$ 588 |
| OPT20404-R-002 | Package B ^{30, 31} OPT 20404-R-XXX Vertical grab bar on right wall, right-hand curved grab bar on back wall | \$ 588 |
| OPT20404-R-084 | Package includes : • 24 in. Vertical grab bar on side wall | \$ 588 |
| OPT20404-R-105 | • 32 in. Horizontal grab bar on back wall Available colors: White (002), Chrome (084) and Brushed Nickel (105) | \$ 588 |
| OPT20407-L-084 | Package C ^{30,32} OPT 20407-L-XXX 2 x Vertical grab bars on side walls, left-hand pivot grab bar on back wall | \$ 1951 |
| OPT20407-L-105 | Package includes : • 2 x 24 in. Vertical grab bar on side walls • Pivot grab bar on back wall Available colors: Chrome (084) and Brushed Nickel (105) | \$ 1951 |
| OPT20407-R-105 | Package C ³⁰³² OPT 20407-R-XXX 2 x Vertical grab bars on side walls, right-hand pivot grab bar on back wall | \$ 1951 |
| OPT20407-R-084 | Package includes : • 2 x 24 in. Vertical grab bar on side walls • Pivot grab bar on back wall Available colors: Chrome (084) and Brushed Nickel (105) | \$ 1951 |
| OPT20217-L-105 | 32 in. Curved grab bar (back wall) ³⁰³¹ | \$ 469 |
| OPT20217-L-002 | OPT 20217-L-XXX Left-hand curved grab bar on back wall | \$ 469 |
| OPT20217-L-084 | Available colors: White (002), Chrome (084) and Brushed Nickel (105) | \$ 469 |
| OPT20217-R-002 | 32 in. Curved grab bar (back wall) ³⁰³¹ | \$ 469 |
| OPT20217-R-105 | OPT 20217-R-XXX Right-hand curved grab bar on back wall | \$ 469 |
| OPT20217-R-084 | Available colors: White (002), Chrome (084) and Brushed Nickel (105) | \$ 469 |

ACCESSORIES

| SKU | Description | MSRP |
|--------------|---|--------|
| 10029997-002 | | \$ 277 |
| 10029997-105 | 24 in. modern straight grab bar with flange (front installation) Specify color: White (002), Chrome (084), Brushed Nickel (105) | \$ 277 |
| 10029997-084 | | \$ 277 |
| 10029998-084 | | \$ 293 |
| 10029998-002 | 30 in. modern straight grab bar with flange (front installation) Specify color: White (002), Chrome (084), Brushed Nickel (105) | \$ 293 |
| 10029998-105 | | \$ 293 |
| 10030095-002 | 32 in. curved left-hand grab bar with flange (front installation) Specify color: White (002), Chrome (084), Brushed Nickel (105) | \$ 464 |

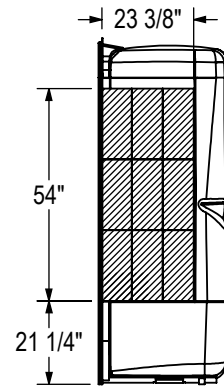
| ACCESSORIES | | |
|--------------|---|--------|
| SKU | Description | MSRP |
| 10030095-084 | 32 in. curved left-hand grab bar with flange (front installation) | \$ 464 |
| 10030095-105 | Specify color: White (002), Chrome (084), Brushed Nickel (105) | \$ 464 |
| 10030097-084 | | \$ 464 |
| 10030097-002 | 32 in. curved right-hand grab bar with flange (front installation) | \$ 464 |
| 10030097-105 | Specify color: White (002), Chrome (084), Brushed Nickel (105) | \$ 464 |
| 10000041-105 | Shower Drain (sold separately) PVC quick caulking shower drain, compression type | \$ 37 |
| 10000041-084 | Specify grid color: Chrome (084) or Brushed Nickel (105) | \$ 37 |
| 10000043-084 | Shower Drain (sold separately) 2-piece ABS shower drain with Chrome stainless steel grid | \$ 36 |
| 10004349-001 | ABS shower drain with ABS grid (sold separately) | \$ 13 |
| 10004349-004 | Available color: White (001) and Bone (004) | \$ 13 |
| 10028765-105 | | \$ 261 |
| 10028765-084 | 24 in. modern straight grab bar ¹³ | \$ 261 |
| 10028765-002 | Specify color: White (002), Chrome (084), Brushed Nickel (105) | \$ 261 |
| 10029248-105 | | \$ 277 |
| 10029248-002 | 30 in. Modern straight grab bar ¹³ | \$ 277 |
| 10029248-084 | Specify color: White (002), Chrome (084), Brushed Nickel (105) | \$ 277 |
| 10029253-002 | | \$ 447 |
| 10029253-084 | 32 in. Left hand curved grab bar ¹³ | \$ 447 |
| 10029253-105 | Left refers to the upper section of the curved bar Specify color: White (002), Chrome (084), Brushed Nickel (105) | \$ 447 |
| 10029254-084 | | \$ 447 |
| 10029254-002 | 32 in. Right hand curved grab bar ¹³ | \$ 447 |
| 10029254-105 | Right refers to the upper section of the curved bar Specify color: White (002), Chrome (084), Brushed Nickel (105) | \$ 447 |

| FOOTNOTES | |
|-----------|---|
| No | Description |
| 6 | Specify 3/8 (Lite option) or 2 in. on deck height. If ordering unit with an apron, only 2 in. deck height is available. |
| 9 | 6-Pack bathtubs are only available when units are without systems and in a standard colour. |
| 13 | Two pumps are required with a second Backmax. |
| 30 | Please see technical drawings on https://www.maax.com for grab bar and/or seat positioning. |
| 31 | Right (R)/Left (L) refers to the upper section of the ergonomic grab bar. |
| 32 | Right/Left refers to the pivot direction of the bar (from closed to open position). |
| 33 | Please see technical drawings on https://www.maax.com for reinforcement positioning and size. |
| 60 | Please see technical drawings on www.akerbymaax.com for grab bar positioning. |
| 61 | Please see technical drawings on www.akerbymaax.com for reinforcement positioning and size. |

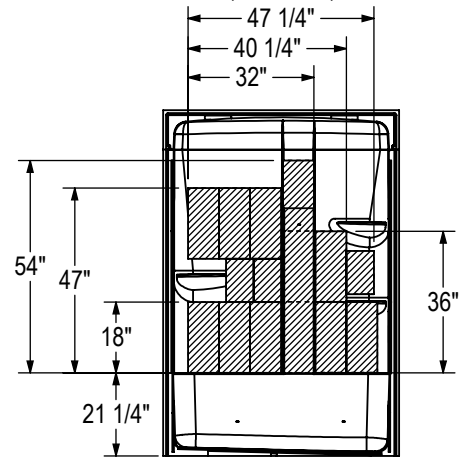


All dimensions are approximate. Structure measurements must be verified against the unit to ensure proper fit.

OPTIONAL REINFORCEMENT (Left shown)



OPTIONAL REINFORCEMENT (Back Wall)





E148

ALCOVE SHOWERS - ACRYLIC



Material : Acrylic

Features

- > Left-, Right- and no-seat options
- > Comfort height foot ledge
- > Large shelving
- > Center drain
- > 6 in. threshold

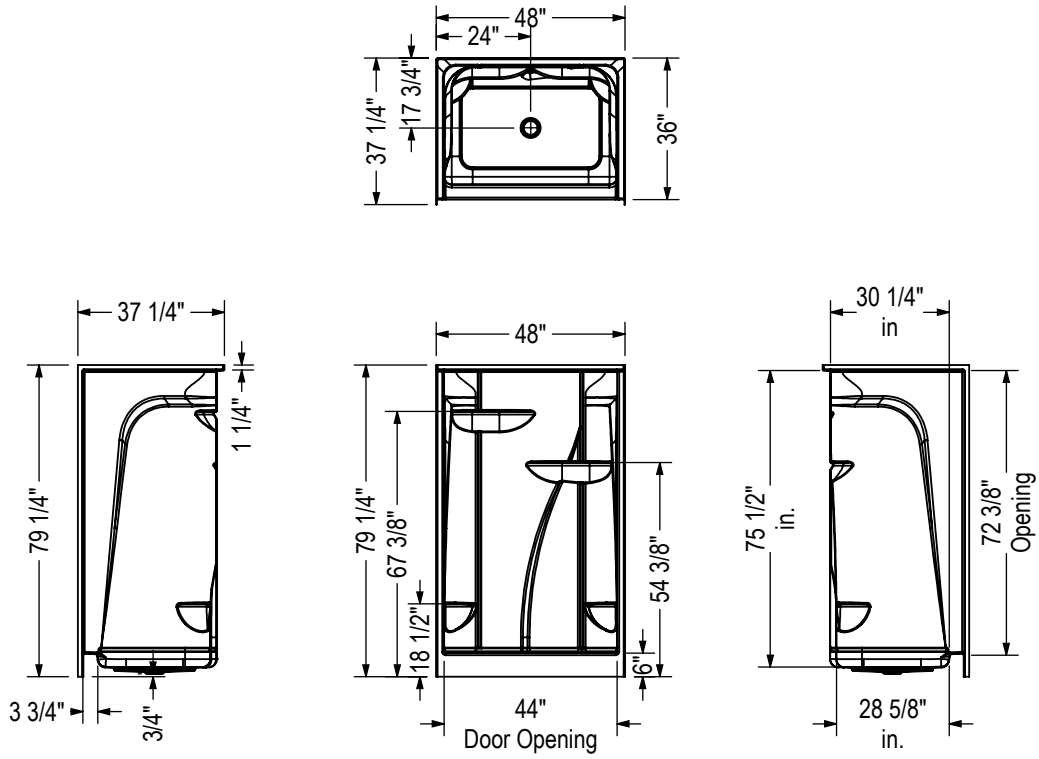
E148 - 103677

| SKU | Color | Configuration | Dimensions & Weight | Packaging | MSRP |
|--------------------|-------|---------------|--|---------------------|---------|
| 103677-000-001-000 | White | Center | 48" x 37 1/4" x 79 1/4" / 154 lb / 70 kg | 154 ft ³ | \$ 1636 |
| 103677-000-001-001 | | | | | \$ 1636 |
| 103677-000-001-002 | | | | | \$ 1636 |

RECOMMENDED DOORS - VISIT OUR WEBSITE FOR A COMPLETE LIST OF RECOMMENDED DOORS

| SKU | Product Name | Pag. |
|--------|--|------|
| 138270 | Manhattan 43-45 x 68 - 6mm | 670 |
| 139352 | Incognito 70 44-47 x 70 1/2 - 8mm | 630 |
| 139349 | Incognito 44-47 x 70 1/2 in. 6mm | 628 |
| 139577 | Reveal Sleek 71 41 1/2-44 1/2 x 71 1/2 - 8mm | 683 |
| 139578 | Reveal Sleek 71 44-47 x 71 1/2 - 8mm | 684 |
| 134663 | Kameleon SC 43-47 x 71 - 6mm | 613 |
| 134562 | Kameleon 40-44 x 71 - 6mm | 622 |
| 134662 | Kameleon SC 40-44 x 71 - 6mm | 611 |
| 134571 | Kameleon 43-47 x 71 - 8mm | 624 |
| 134674 | Kameleon SC 43-47 x 71 - 8mm | 616 |
| 134563 | Kameleon 43-47 x 71 - 6mm | 619 |
| 136677 | Reveal 71 41 1/2-44 1/2 x 71 1/2 - 8mm | 680 |
| 105413 | Polar 42-47 1/2 x 68 in. | 640 |

STANDARD



All dimensions are approximate. Structure measurements must be verified against the unit to ensure proper fit.



E160

ALCOVE SHOWERS - ACRYLIC



Material : Acrylic

Features

- > Left-, Right-, 2-seat and no-seat options
- > Comfort height foot ledge (on 1-seat and no-seat models)
- > Large shelving
- > Center drain
- > 6 in. threshold

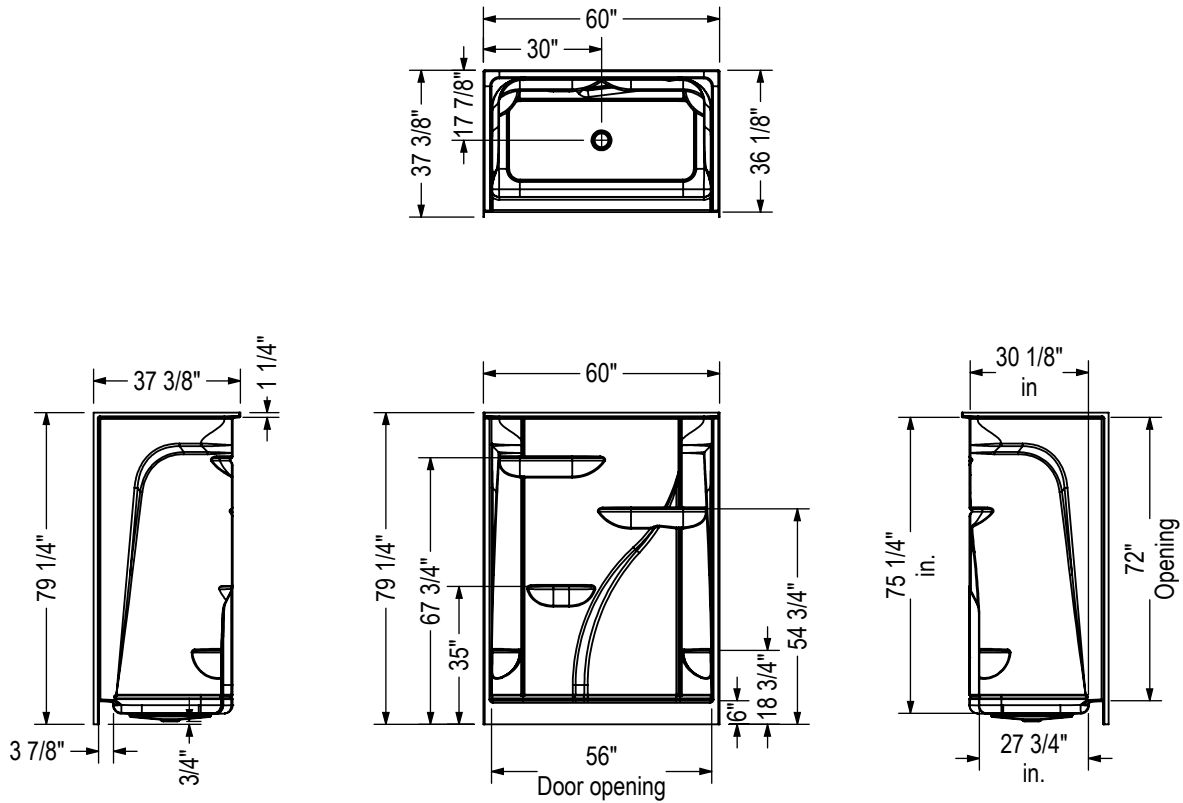
E160 - 103676

| SKU | Color | Configuration | Dimensions & Weight | Packaging | MSRP |
|--------------------|-------|---------------|--|---------------------|---------|
| 103676-000-001-000 | White | Center | 60" x 37 1/4" x 79 1/4" / 179 lb / 81 kg | 179 ft ³ | \$ 1812 |
| 103676-000-001-001 | | | | | \$ 1812 |
| 103676-000-001-002 | | | | | \$ 1812 |
| 103676-000-001-011 | | | | | \$ 1812 |

RECOMMENDED DOORS - VISIT OUR WEBSITE FOR A COMPLETE LIST OF RECOMMENDED DOORS

| SKU | Product Name | Pag. |
|--------|--------------------------------------|------|
| 138276 | Manhattan 55-57 x 68 - 6mm | 672 |
| 139353 | Incognito 70 56-59 x 70 1/2 - 8mm | 630 |
| 139350 | Incognito 56-59 x 70 1/2 in. 6mm | 628 |
| 139580 | Reveal Sleek 71 56-59 x 71 1/2 - 8mm | 684 |
| 134675 | Kameleon SC 55-59 x 71 - 8mm | 616 |
| 134572 | Kameleon 55-59 x 71 - 8mm | 624 |
| 134665 | Kameleon SC 55-59 x 71 - 6mm | 608 |
| 134565 | Kameleon 55-59 x 71 - 6mm | 619 |
| 105412 | Polar 54-59 1/2 x 68 in. | 640 |

STANDARD



All dimensions are approximate. Structure measurements must be verified against the unit to ensure proper fit.



M148

ALCOVE SHOWERS - ACRYLIC



Material : Acrylic

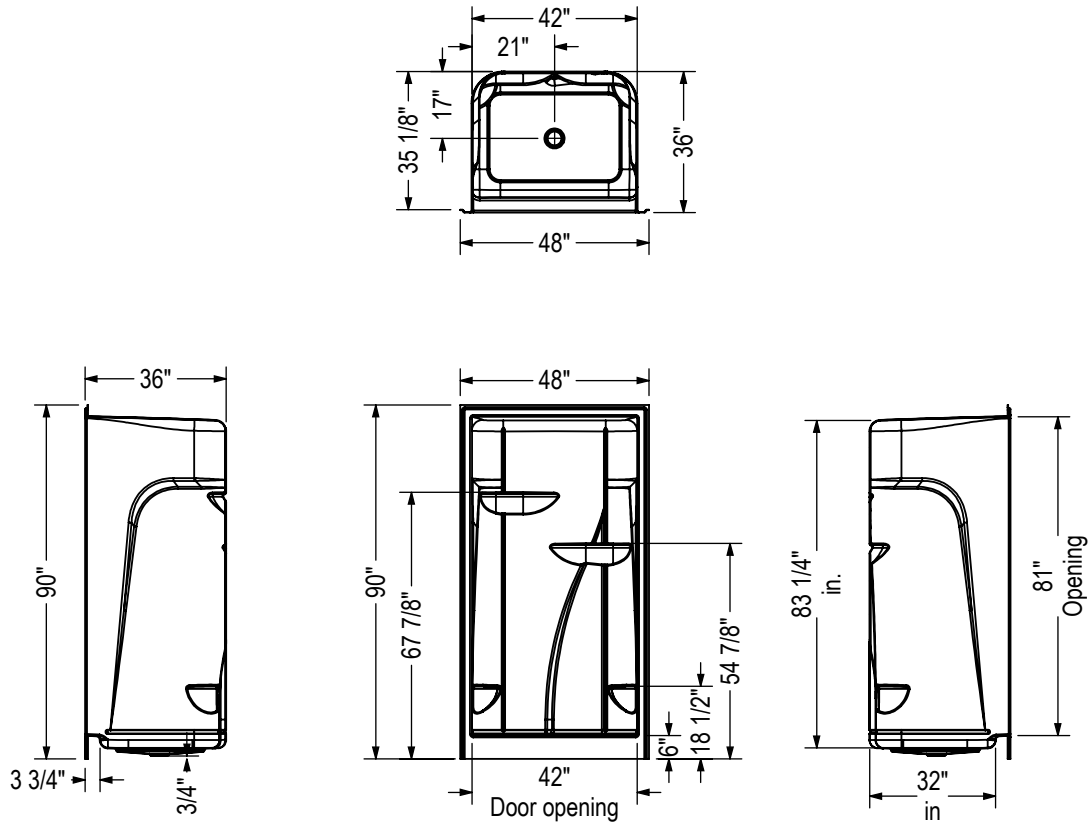
Features

- > Left-, Right- and no-seat options
- > Comfort height foot ledge
- > Large shelving
- > Center drain
- > Roof cap
- > 6 in. threshold

| M148 - 103675 | | | | | |
|--------------------|-------|---------------|----------------------------------|---------------------|---------|
| SKU | Color | Configuration | Dimensions & Weight | Packaging | MSRP |
| 103675-000-001-000 | White | Center | 48" x 36" x 90" / 166 lb / 75 kg | 166 ft ³ | \$ 1935 |
| 103675-000-001-001 | | | | | \$ 1935 |
| 103675-000-001-002 | | | | | \$ 1935 |

| RECOMMENDED DOORS - VISIT OUR WEBSITE FOR A COMPLETE LIST OF RECOMMENDED DOORS | | |
|--|--|------|
| SKU | Product Name | Pag. |
| 138269 | Manhattan 41-43 x 68 - 6mm | 670 |
| 138520 | Incognito 74 39-42x74in. 8mm | 632 |
| 139577 | Reveal Sleek 71 41 ½-44 ½ x 71 ½ - 8mm | 683 |
| 134562 | Kameleon 40-44 x 71 - 6mm | 622 |
| 134662 | Kameleon SC 40-44 x 71 - 6mm | 611 |
| 136677 | Reveal 71 41 ½-44 ½ x 71 ½ - 8mm | 680 |
| 105413 | Polar 42-47 ½ x 68 in. | 640 |

STANDARD



All dimensions are approximate. Structure measurements must be verified against the unit to ensure proper fit.



M160

ALCOVE SHOWERS - ACRYLIC



Material : Acrylic

Features

- › Left-, Right-, 2-seat and no-seat options
- › Comfort height foot ledge (on 1-seat and no-seat models)
- › Large shelving
- › Center drain
- › Roof cap
- › 6 in. threshold

M160 - 103674

| SKU | Color | Configuration | Dimensions & Weight | Packaging | MSRP |
|--------------------|-------|---------------|----------------------------------|---------------------|---------|
| 103674-000-001-000 | White | Center | 60" x 36" x 90" / 209 lb / 95 kg | 209 ft ³ | \$ 2073 |
| 103674-000-001-001 | | | | | \$ 2073 |
| 103674-000-001-002 | | | | | \$ 2073 |
| 103674-000-001-011 | | | | | \$ 2073 |

RECOMMENDED DOORS - VISIT OUR WEBSITE FOR A COMPLETE LIST OF RECOMMENDED DOORS

| SKU | Product Name | Pag. |
|--------|--|------|
| 138275 | Manhattan 53-55 x 68 - 6mm | 671 |
| 138521 | Incognito 74 51-54x74in. 8mm | 632 |
| 139579 | Reveal Sleek 71 51 ½-54 ½ x 71 ½ - 8mm | 684 |
| 134564 | Kameleon 51-55 x 71 - 6mm | 622 |
| 134664 | Kameleon SC 51-55 x 71 - 6mm | 611 |
| 136883 | Reveal 71 51 ½-54 ½ x 71 ½ - 8mm | 681 |
| 105412 | Polar 54-59 ½ x 68 in. | 640 |



Freestyle 37 Neo-angle (1-Piece)



Material : Acrylic

Features

- > 1 or 2-piece shower
- > 2 large shelves and integrated soap dish
- > Customize the shower: specify seat or footrest
- > Optional roof cap
- > Optional roof cap light
- > Integrated shelves, specify Chrome or Brushed Nickel guard rail ⁵⁶

CORNER SHOWERS - ACRYLIC

FREESTYLE 37 NEO-ANGLE (1-PIECE) - 102994

| SKU | Color | Configuration | Dimensions & Weight | Packaging | MSRP |
|--------------------|-------|---------------|---|--------------------|---------|
| 102994-000-001-101 | White | Corner | 36 1/2" x 36 1/2" x 77 1/2" / 98 lb / 44 kg | 75 ft ³ | \$ 2273 |
| 102994-000-001-102 | | | | | \$ 2273 |

FREESTYLE 37 NEO-ANGLE (2-PIECE) - 102994S

| SKU | Color | Configuration | Dimensions & Weight | Packaging | MSRP |
|--------------------|-------|---------------|--|--------------------|---------|
| 102994-000-001-100 | White | Corner | 36 1/2" x 36 1/2" x 77 3/4" / 100 lb / 45 kg | 75 ft ³ | \$ 2503 |
| 102994-S-000-001- | | | | | \$ 2503 |

COMMON OPTIONS

| SKU | Description | MSRP |
|--------------------|---|--------|
| 105103-000-001-000 | Roof cap Available in White only (001) | \$ 870 |

ACCESSORIES

| SKU | Description | MSRP |
|--------------|---|--------|
| 10000041-105 | Shower Drain (sold separately) PVC quick caulking shower drain, compression type | \$ 37 |
| 10000041-084 | Specify grid color: Chrome (084) or Brushed Nickel (105) | \$ 37 |
| 10000043-084 | Shower Drain (sold separately) 2-piece ABS shower drain with Chrome stainless steel grid | \$ 36 |
| 10033258 | Single shower light 120V (sold separately) | \$ 261 |

ACCESSORIES

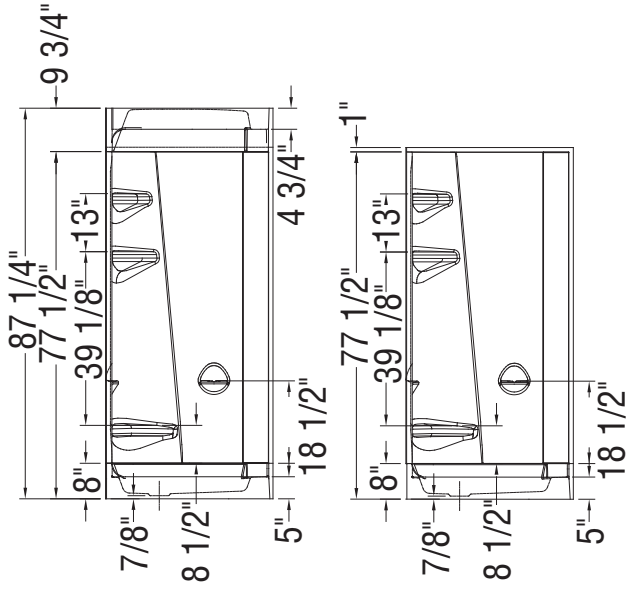
| SKU | Description | MSRP |
|--------------|--|-------|
| 10004349-001 | ABS shower drain with ABS grid (sold separately) | \$ 13 |
| 10004349-004 | Available color: White (001) and Bone (004) | \$ 13 |

FOOTNOTES

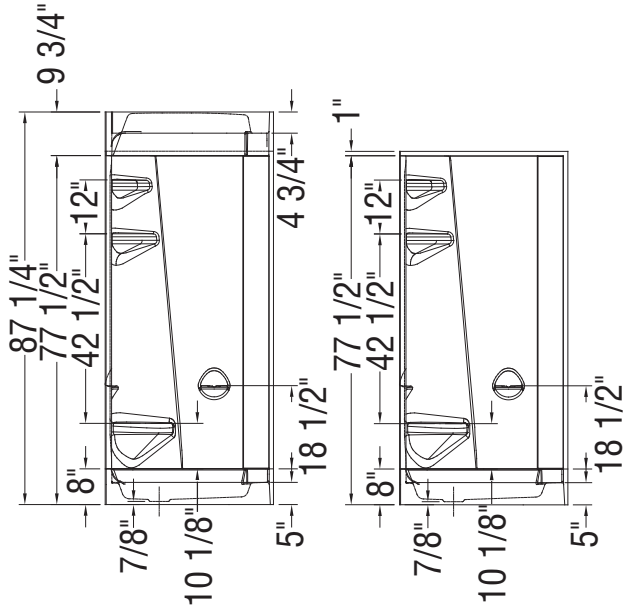
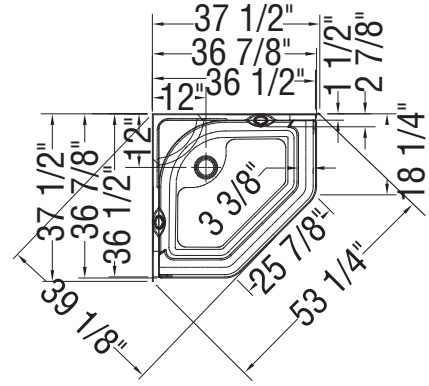
| No | Description |
|----|---|
| 56 | This unit includes integrated shelves with a guard rail. Please specify a chrome or brushed nickel finish for the guard rail in your order. |

RECOMMENDED DOORS - VISIT OUR WEBSITE FOR A COMPLETE LIST OF RECOMMENDED DOORS

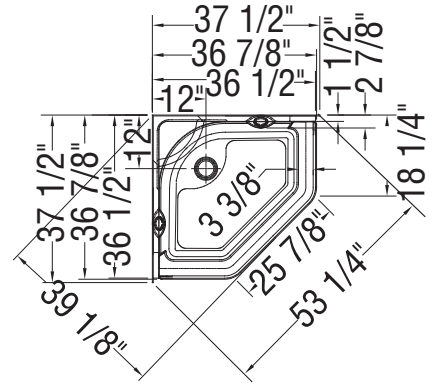
| SKU | Product Name | Pag. |
|--------|--|------|
| 137440 | Radia Neo-angle 36 x 36 x 71 1/2 - 6mm | 730 |



With footrest



With seat



All dimensions are approximate. Structure measurements must be verified against the unit to ensure proper fit.

Freestyle 37 Neo-round (1-piece)



Material : Acrylic

Features

- > 1 or 2-piece shower
- > 2 large shelves and integrated soap dish
- > Customize the shower: specify seat or footrest
- > Optional roof cap
- > Optional roof cap light
- > Integrated shelves, specify Chrome or Brushed Nickel guard rail ⁵⁶

FREESTYLE 37 NEO-ROUND (1-PIECE) - 102995

| SKU | Color | Configuration | Dimensions & Weight | Packaging | MSRP |
|--------------------|-------|---------------|---|--------------------|---------|
| 102995-000-001-103 | White | Corner | 36 1/2" x 36 1/2" x 77 1/2" / 96 lb / 44 kg | 75 ft ³ | \$ 2273 |
| 102995-000-001-106 | | | | | \$ 2273 |

FREESTYLE 37 NEO-ROUND (2-PIECE) - 102995S

| SKU | Color | Configuration | Dimensions & Weight | Packaging | MSRP |
|--------------------|-------|---------------|---|--------------------|---------|
| 102995-000-001-102 | White | Corner | 36 1/2" x 36 1/2" x 77 3/4" / 98 lb / 44 kg | 75 ft ³ | \$ 2503 |
| 102995-000-001-107 | | | | | \$ 2503 |

COMMON OPTIONS

| SKU | Description | MSRP |
|--------------------|---|--------|
| 105104-000-001-000 | Roof cap Available in White only (001) | \$ 870 |

ACCESSORIES

| SKU | Description | MSRP |
|--------------|---|--------|
| 10000041-105 | Shower Drain (sold separately) PVC quick caulking shower drain, compression type | \$ 37 |
| 10000041-084 | Specify grid color: Chrome (084) or Brushed Nickel (105) | \$ 37 |
| 10000043-084 | Shower Drain (sold separately) 2-piece ABS shower drain with Chrome stainless steel grid | \$ 36 |
| 10033258 | Single shower light 120V (sold separately) | \$ 261 |

ACCESSORIES

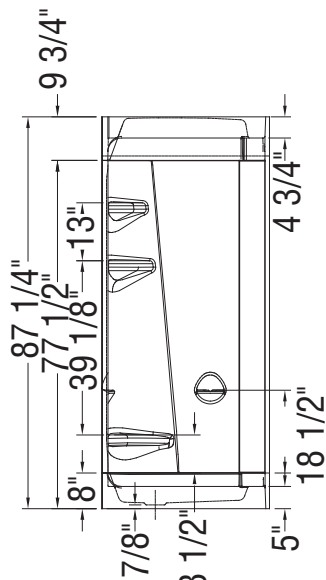
| SKU | Description | MSRP |
|--------------|--|-------|
| 10004349-001 | ABS shower drain with ABS grid (sold separately) | \$ 13 |
| 10004349-004 | Available color: White (001) and Bone (004) | \$ 13 |

FOOTNOTES

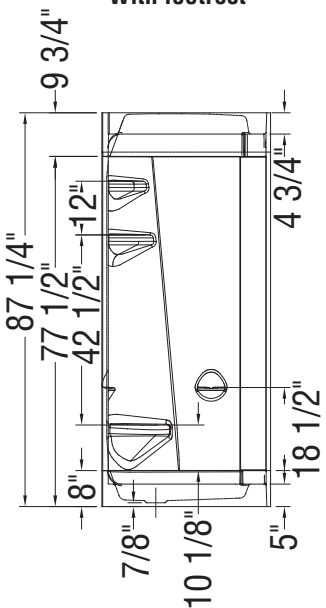
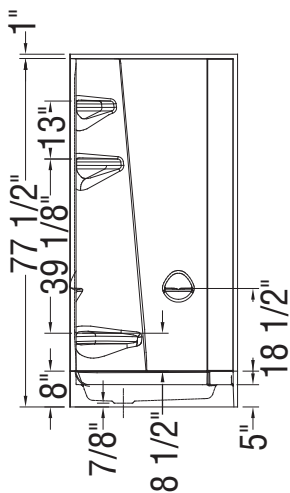
| No | Description |
|----|---|
| 56 | This unit includes integrated shelves with a guard rail. Please specify a chrome or brushed nickel finish for the guard rail in your order. |

RECOMMENDED DOORS - VISIT OUR WEBSITE FOR A COMPLETE LIST OF RECOMMENDED DOORS

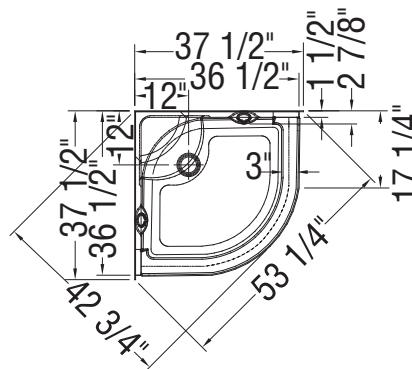
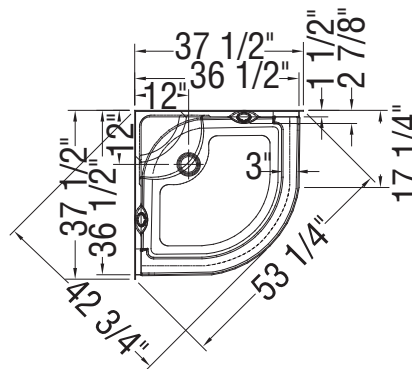
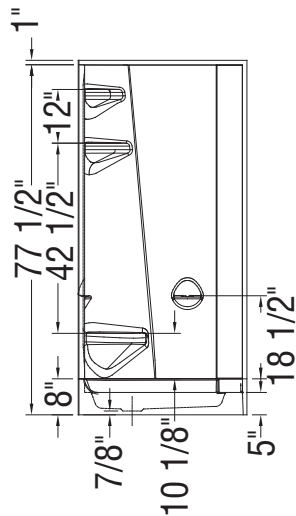
| SKU | Product Name | Pag. |
|--------|--------------------------------------|------|
| 137444 | Radia Neo-round 36 x 36 x 71 ½ - 6mm | 732 |



With footrest



With seat



All dimensions are approximate. Structure measurements must be verified against the unit to ensure proper fit.



Freestyle 37 Round (1-piece)



Material : Acrylic

Features

- > 1 or 2-piece shower
- > 2 large shelves and integrated soap dish
- > Customize the shower: specify seat or footrest
- > Optional roof cap
- > Optional roof cap light
- > Integrated shelves, specify Chrome or Brushed Nickel guard rail ⁵⁶

CORNER SHOWERS - ACRYLIC

FREESTYLE 37 ROUND (1-PIECE) - 102996

| SKU | Color | Configuration | Dimensions & Weight | Packaging | MSRP |
|--------------------|-------|---------------|--|--------------------|---------|
| 102996-000-001-102 | White | Corner | 36 1/2" x 36 1/2" x 77 1/2" / 103 lb / 47 kg | 75 ft ³ | \$ 2641 |
| 102996-000-001-104 | | | | | \$ 2641 |

FREESTYLE 37 ROUND (2-PIECE) - 102996S

| SKU | Color | Configuration | Dimensions & Weight | Packaging | MSRP |
|--------------------|-------|---------------|--|--------------------|---------|
| 102996-000-001-103 | White | Corner | 36 1/2" x 36 1/2" x 77 3/4" / 103 lb / 47 kg | 75 ft ³ | \$ 2873 |
| 102996-000-001-105 | | | | | \$ 2873 |

COMMON OPTIONS

| SKU | Description | MSRP |
|--------------------|---|--------|
| 105105-000-001-000 | Roof cap Available in White only (001) | \$ 870 |

ACCESSORIES

| SKU | Description | MSRP |
|--------------|---|--------|
| 10000041-105 | Shower Drain (sold separately) PVC quick caulking shower drain, compression type | \$ 37 |
| 10000041-084 | Specify grid color: Chrome (084) or Brushed Nickel (105) | \$ 37 |
| 10000043-084 | Shower Drain (sold separately) 2-piece ABS shower drain with Chrome stainless steel grid | \$ 36 |
| 10033258 | Single shower light 120V (sold separately) | \$ 261 |

ACCESSORIES

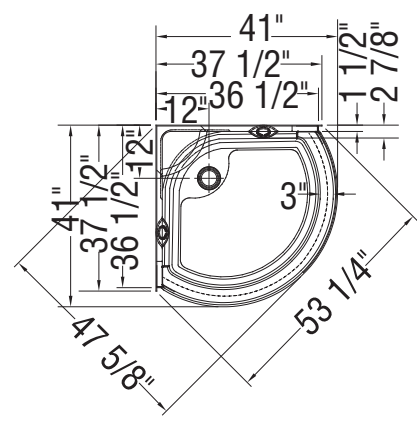
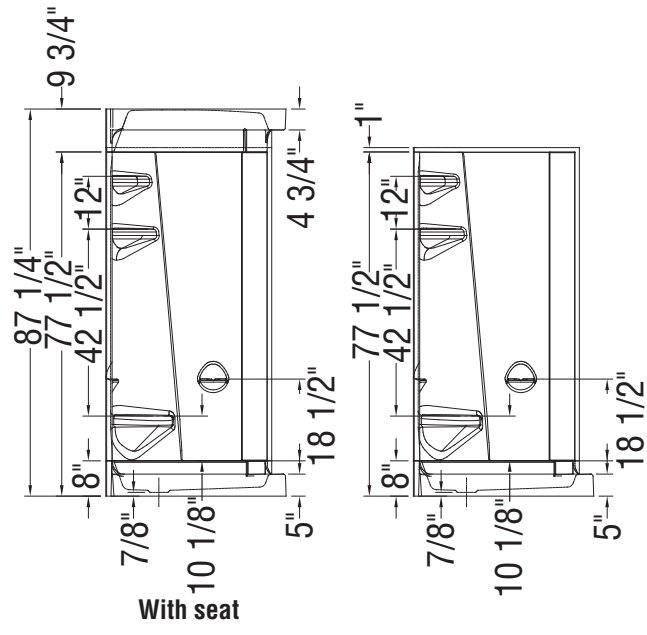
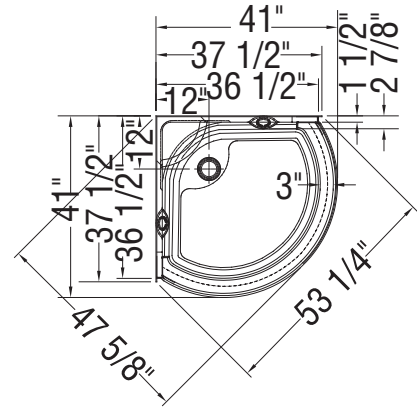
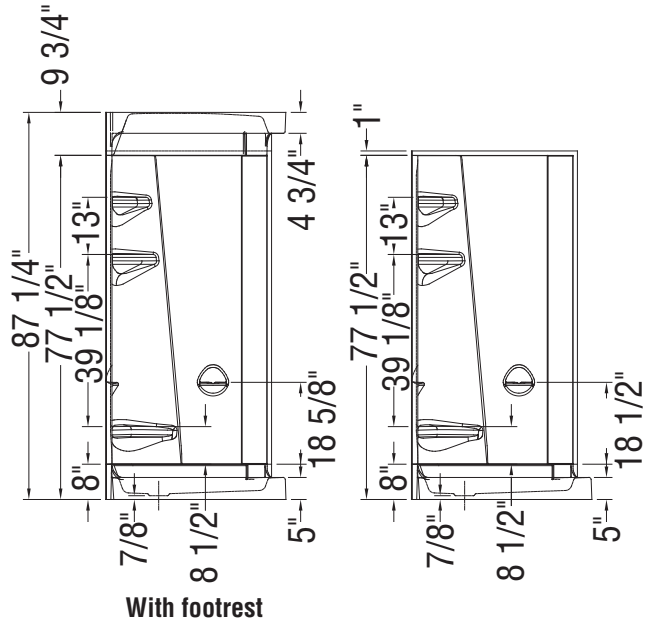
| SKU | Description | MSRP |
|--------------|--|-------|
| 10004349-001 | ABS shower drain with ABS grid (sold separately) | \$ 13 |
| 10004349-004 | Available color: White (001) and Bone (004) | \$ 13 |

FOOTNOTES

| No | Description |
|----|---|
| 56 | This unit includes integrated shelves with a guard rail. Please specify a chrome or brushed nickel finish for the guard rail in your order. |

RECOMMENDED DOORS - VISIT OUR WEBSITE FOR A COMPLETE LIST OF RECOMMENDED DOORS

| SKU | Product Name | Pag. |
|--------|----------------------------------|------|
| 137446 | Radia Round 36 x 36 x 71 ½ - 6mm | 735 |



All dimensions are approximate and subject to change without prior notice. Please refer to installation guide before installing unit.



Freestyle 40 Neo-angle (1-piece)

CORNER SHOWERS - ACRYLIC



Material : Acrylic

Features

- > 1 or 2-piece shower
- > 2 large shelves and integrated soap dish
- > Customize the shower: specify seat or footrest
- > Optional roof cap
- > Optional roof cap light
- > Integrated shelves, specify Chrome or Brushed Nickel guard rail

FREESTYLE 40 NEO-ANGLE (1-PIECE) - 102997

| SKU | Color | Configuration | Dimensions & Weight | Packaging | MSRP |
|--------------------|-------|---------------|--|--------------------|---------|
| 102997-000-001-100 | White | Corner | 39 1/2" x 39 1/2" x 77 1/2" / 107 lb / 49 kg | 75 ft ³ | \$ 2510 |
| 102997-C-000-001 | | | | | \$ 2510 |

FREESTYLE 40 NEO-ANGLE (2-PIECE) - 102997S

| SKU | Color | Configuration | Dimensions & Weight | Packaging | MSRP |
|-------------------|-------|---------------|--|--------------------|---------|
| 102997-S-000-001- | White | Corner | 39 1/2" x 39 1/2" x 77 3/4" / 109 lb / 49 kg | 75 ft ³ | \$ 2873 |
| 102997-SC-000-001 | | | | | \$ 2873 |

COMMON OPTIONS

| SKU | Description | MSRP |
|--------------------|---|--------|
| 105106-000-001-000 | Roof cap Available in White only (001) | \$ 918 |

ACCESSORIES

| SKU | Description | MSRP |
|--------------|---|--------|
| 10000041-105 | Shower Drain (sold separately) PVC quick caulking shower drain, compression type | \$ 37 |
| 10000041-084 | Specify grid color: Chrome (084) or Brushed Nickel (105) | \$ 37 |
| 10000043-084 | Shower Drain (sold separately) 2-piece ABS shower drain with Chrome stainless steel grid | \$ 36 |
| 10033258 | Single shower light 120V (sold separately) | \$ 261 |

ACCESSORIES

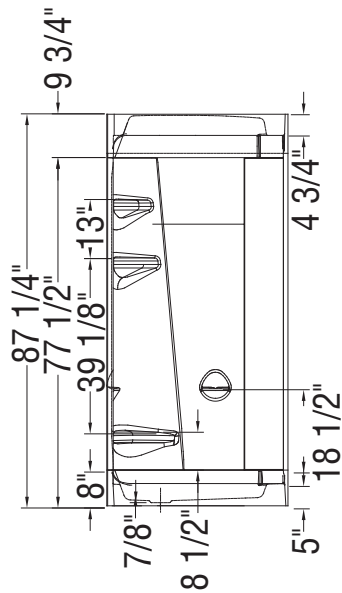
| SKU | Description | MSRP |
|--------------|--|-------|
| 10004349-001 | ABS shower drain with ABS grid (sold separately) | \$ 13 |
| 10004349-004 | Available color: White (001) and Bone (004) | \$ 13 |

FOOTNOTES

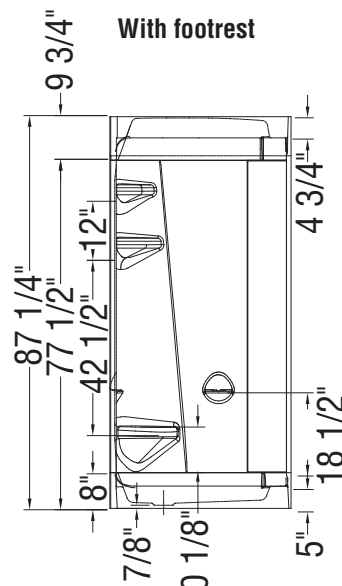
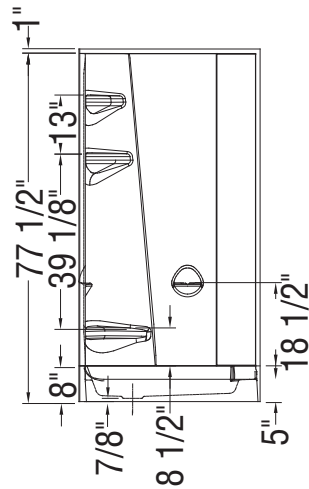
| No | Description |
|----|---|
| 56 | This unit includes integrated shelves with a guard rail. Please specify a chrome or brushed nickel finish for the guard rail in your order. |

RECOMMENDED DOORS - VISIT OUR WEBSITE FOR A COMPLETE LIST OF RECOMMENDED DOORS

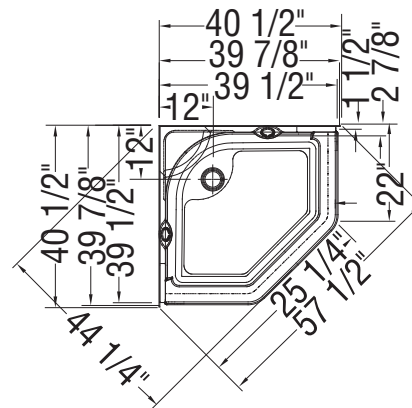
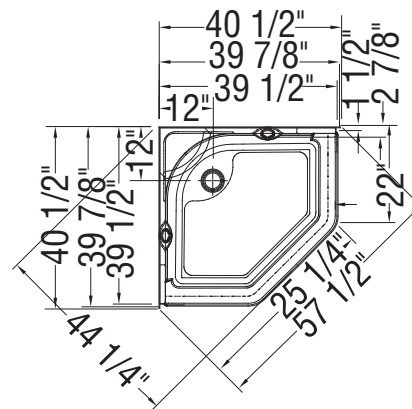
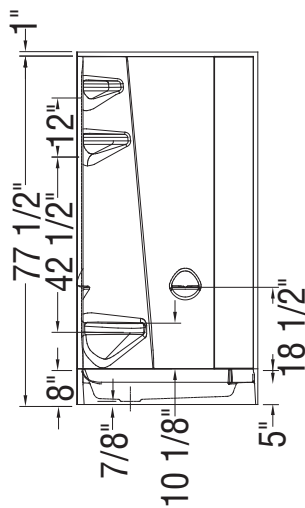
| SKU | Product Name | Pag. |
|--------|--------------------------------------|------|
| 137442 | Radia Neo-angle 40 x 40 x 71 ½ - 6mm | 730 |



With footrest



With seat



All dimensions are approximate. Structure measurements must be verified against the unit to ensure proper fit.



Freestyle 40 Neo-round (1-piece)



Material : Acrylic

Features

- > 1 or 2-piece shower
- > 2 large shelves and integrated soap dish
- > Customize the shower: specify seat or footrest
- > Optional roof cap
- > Optional roof cap light
- > Integrated shelves, specify Chrome or Brushed Nickel guard rail ⁵⁶

CORNER SHOWERS - ACRYLIC

FREESTYLE 40 NEO-ROUND (1-PIECE) - 102998

| SKU | Color | Configuration | Dimensions & Weight | Packaging | MSRP |
|--------------------|-------|---------------|--|--------------------|---------|
| 102998-000-001-100 | White | Corner | 39 1/2" x 39 1/2" x 77 1/2" / 107 lb / 49 kg | 75 ft ³ | \$ 2641 |
| 102998-000-001-103 | | | | | \$ 2641 |

FREESTYLE 40 NEO-ROUND (2-PIECE) - 102998S

| SKU | Color | Configuration | Dimensions & Weight | Packaging | MSRP |
|--------------------|-------|---------------|--|--------------------|---------|
| 102998-000-001-101 | White | Corner | 39 1/2" x 39 1/2" x 77 3/4" / 107 lb / 49 kg | 75 ft ³ | \$ 2873 |
| 102998-000-001-102 | | | | | \$ 2873 |

COMMON OPTIONS

| SKU | Description | MSRP |
|--------------------|---|--------|
| 105107-000-001-000 | Roof cap Available in White only (001) | \$ 918 |

ACCESSORIES

| SKU | Description | MSRP |
|--------------|---|--------|
| 10000041-105 | Shower Drain (sold separately) PVC quick caulking shower drain, compression type | \$ 37 |
| 10000041-084 | Specify grid color: Chrome (084) or Brushed Nickel (105) | \$ 37 |
| 10000043-084 | Shower Drain (sold separately) 2-piece ABS shower drain with Chrome stainless steel grid | \$ 36 |
| 10033258 | Single shower light 120V (sold separately) | \$ 261 |

ACCESSORIES

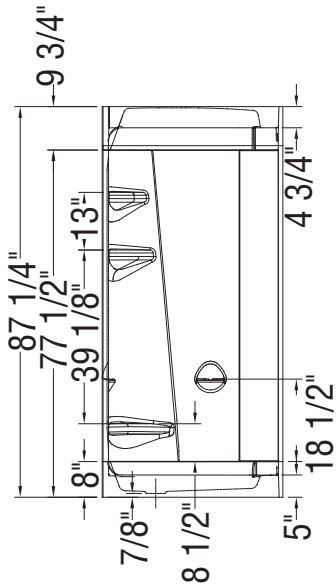
| SKU | Description | MSRP |
|--------------|--|-------|
| 10004349-001 | ABS shower drain with ABS grid (sold separately) | \$ 13 |
| 10004349-004 | Available color: White (001) and Bone (004) | \$ 13 |

FOOTNOTES

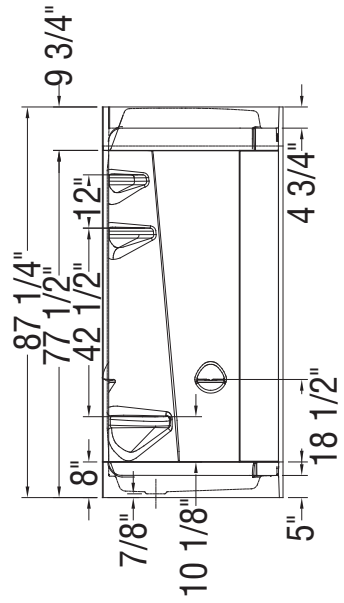
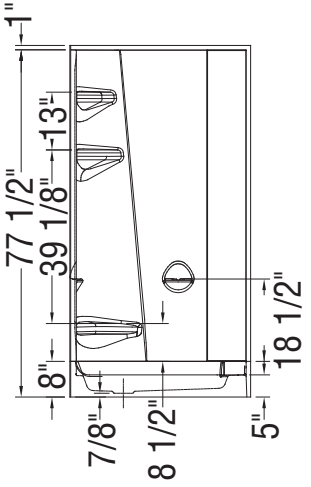
| No | Description |
|----|---|
| 56 | This unit includes integrated shelves with a guard rail. Please specify a chrome or brushed nickel finish for the guard rail in your order. |

RECOMMENDED DOORS - VISIT OUR WEBSITE FOR A COMPLETE LIST OF RECOMMENDED DOORS

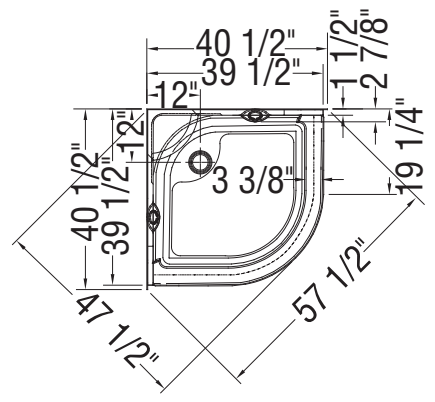
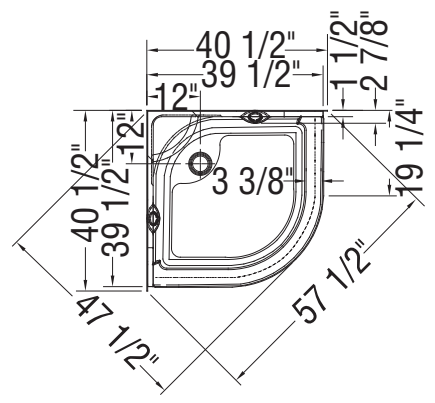
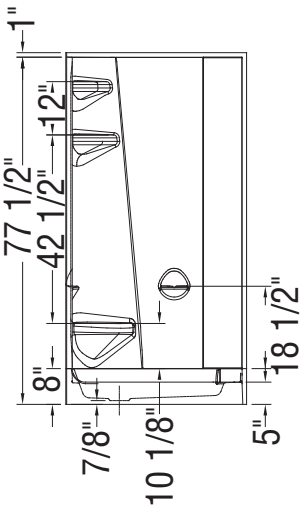
| SKU | Product Name | Pag. |
|--------|--------------------------------------|------|
| 137445 | Radia Neo-round 40 x 40 x 71 ½ - 6mm | 732 |



With footrest



With seat



All dimensions are approximate. Structure measurements must be verified against the unit to ensure proper fit.



Freestyle 40 Round (1-piece)

CORNER SHOWERS - ACRYLIC



Material : Acrylic

Features

- > 1 or 2-piece shower
- > 2 large shelves and integrated soap dish
- > Customize the shower: specify seat or footrest
- > Optional roof cap
- > Optional roof cap light
- > Integrated shelves, specify Chrome or Brushed Nickel guard rail
- > Please specify the color of the guardrails when ordering

FREESTYLE 40 ROUND (1-PIECE) - 102999

| SKU | Color | Configuration | Dimensions & Weight | Packaging | MSRP |
|--------------------|-------|---------------|--|---------------------|---------|
| 102999-000-001-100 | White | Corner | 39 1/2" x 39 1/2" x 77 1/2" / 108 lb / 49 kg | 100 ft ³ | \$ 3012 |
| 102999-C-000-001 | | | | | \$ 3012 |

FREESTYLE 40 ROUND (2-PIECE) - 102999S

| SKU | Color | Configuration | Dimensions & Weight | Packaging | MSRP |
|-------------------|-------|---------------|--|---------------------|---------|
| 102999-S-000-001- | White | Corner | 39 1/2" x 39 1/2" x 77 3/4" / 110 lb / 50 kg | 100 ft ³ | \$ 3241 |
| 102999-SC-000-001 | | | | | \$ 3241 |

COMMON OPTIONS

| SKU | Description | MSRP |
|--------------------|---|--------|
| 105108-000-001-000 | Roof cap Available in White only (001) | \$ 918 |

ACCESSORIES

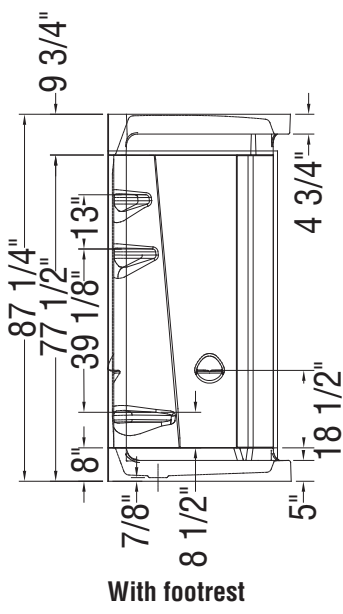
| SKU | Description | MSRP |
|--------------|---|--------|
| 10000041-105 | Shower Drain (sold separately) PVC quick caulking shower drain, compression type | \$ 37 |
| 10000041-084 | Specify grid color: Chrome (084) or Brushed Nickel (105) | \$ 37 |
| 10000043-084 | Shower Drain (sold separately) 2-piece ABS shower drain with Chrome stainless steel grid | \$ 36 |
| 10033258 | Single shower light 120V (sold separately) | \$ 261 |

ACCESSORIES

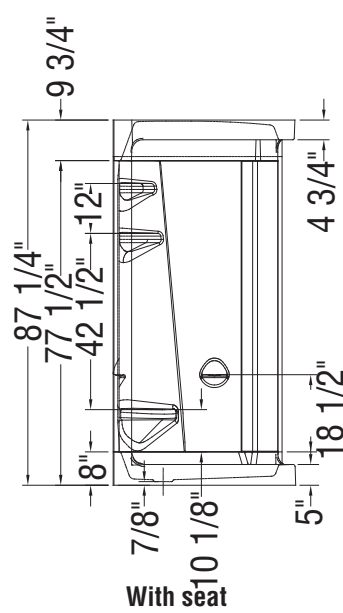
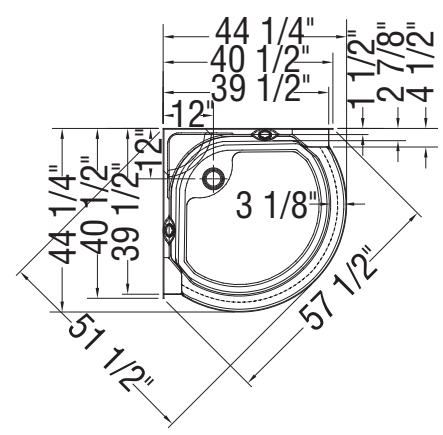
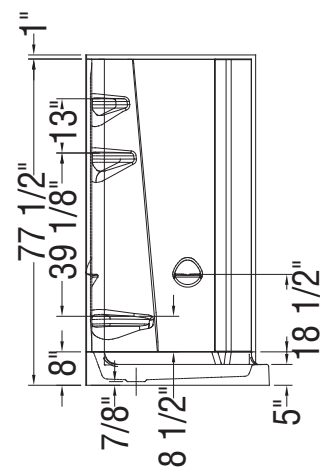
| SKU | Description | MSRP |
|--------------|--|-------|
| 10004349-001 | ABS shower drain with ABS grid (sold separately) | \$ 13 |
| 10004349-004 | Available color: White (001) and Bone (004) | \$ 13 |

RECOMMENDED DOORS - VISIT OUR WEBSITE FOR A COMPLETE LIST OF RECOMMENDED DOORS

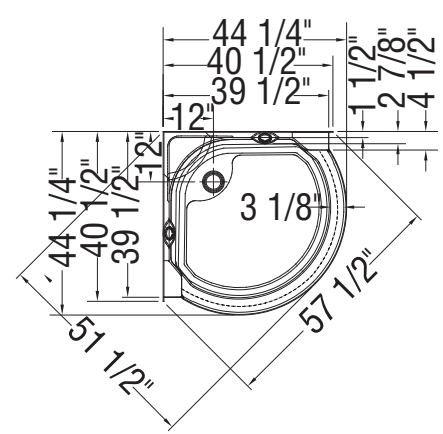
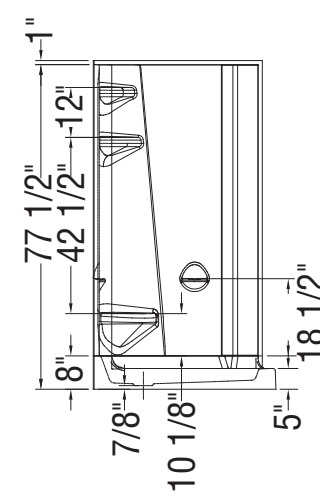
| SKU | Product Name | Pag. |
|--------|----------------------------------|------|
| 137446 | Radia Round 36 x 36 x 71 ½ - 6mm | 735 |



With footrest



With seat



All dimensions are approximate. Structure measurements must be verified against the unit to ensure proper fit.

Tub Doors



Uptown with Bypass tub door



Edge Access Tub Screen

SCREENS



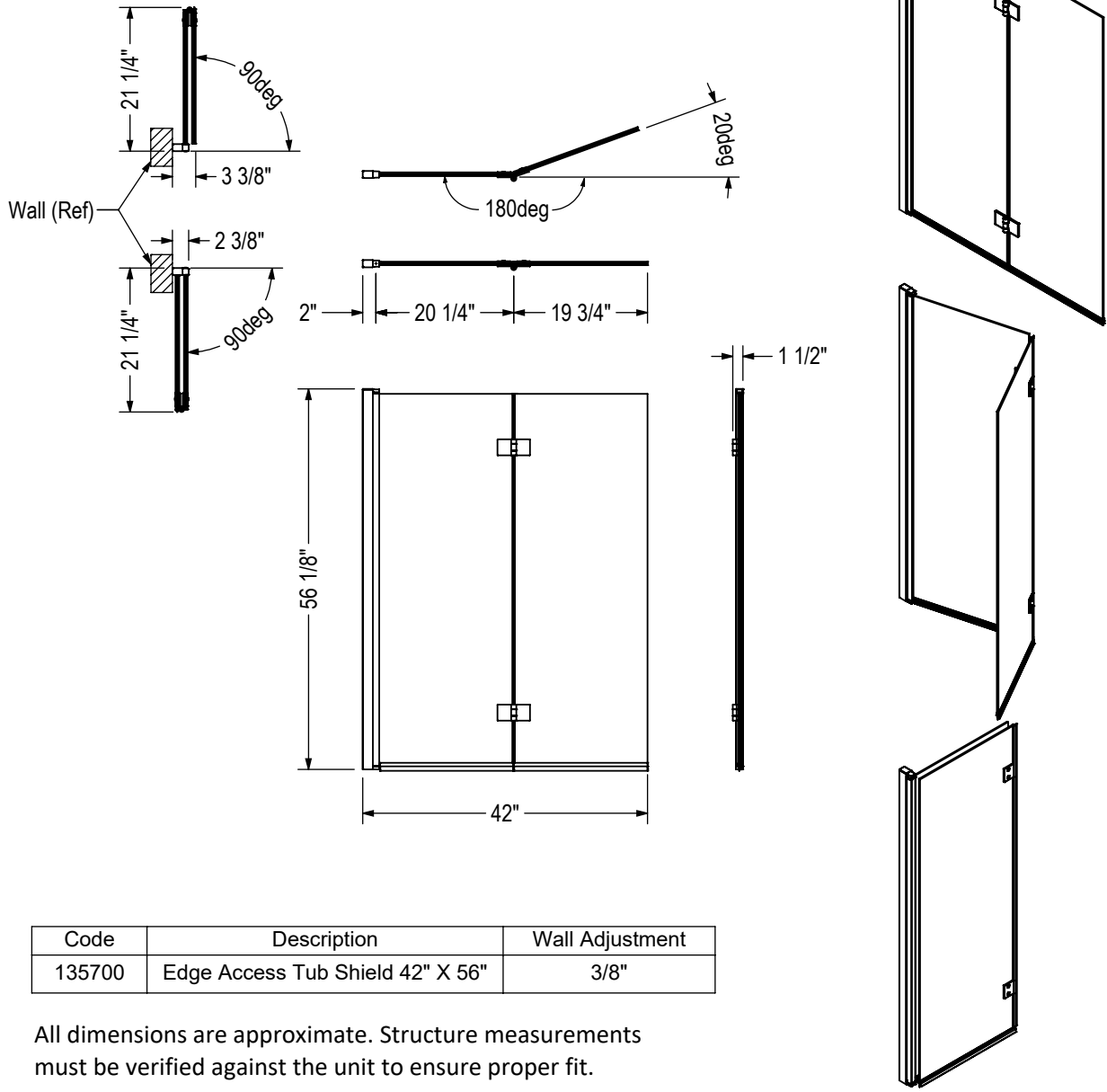
Material : Tempered Glass

Features

- > 6 mm tempered glass with Lotus glass protection
- > Double Pivoting panels: makes it easy to clean the panels and the tub
- > Easy access to faucets
- > Pivots inward and outward, maximizes the tub access to provide care
- > Ideal for slanted ceilings

EDGE ACCESS PIVOT 42 X 56 - 6MM - 137600

| SKU | Color | Configuration | Dimensions & Weight | Packaging | MSRP |
|--------------------|---------------------|---------------|------------------------------------|----------------------|--------|
| 137600-900-084-000 | Clear / Chrome | | 42" - 42" x 56" / 61 lb / 28 kg | 2.84 ft ³ | \$ 851 |
| 137600-900-340-000 | Clear / Matte Black | | | | \$ 915 |



| Code | Description | Wall Adjustment |
|--------|----------------------------------|-----------------|
| 135700 | Edge Access Tub Shield 42" X 56" | 3/8" |

All dimensions are approximate. Structure measurements must be verified against the unit to ensure proper fit.



Edge Duo Tub Screen

SCREENS



Material : Tempered Glass

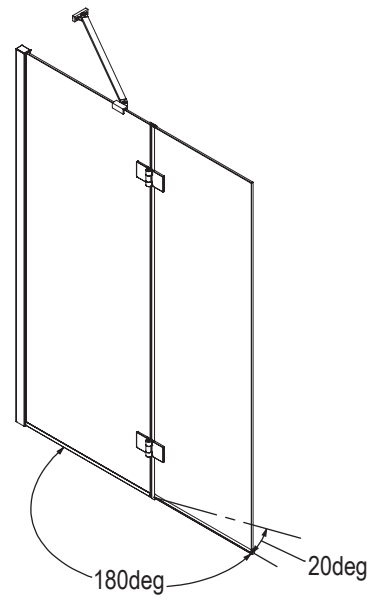
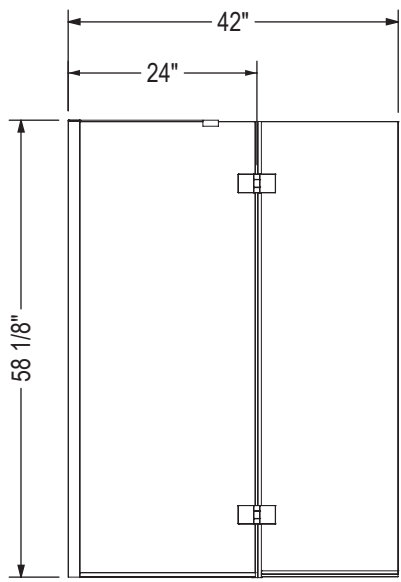
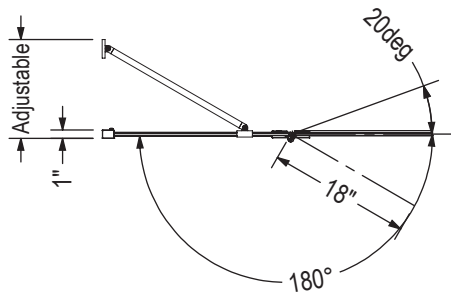
Features

- > 8 mm tempered glass with Lotus glass protection
- > Double glass; one fix 24 in. and one pivot 18 in.; This gives you a wide access to get in and out while making the corner watertight
- > Easy access to faucets
- > The moving panel can tilt slightly inside the tub to prevent water spill
- > Fixed panel clears most toilets or vanities

EDGE DUO 42 X 58 - 8MM - 137502

| SKU | Color | Configuration | Dimensions & Weight | Packaging | MSRP |
|--------------------|------------------------|---------------|------------------------------------|---------------------|---------|
| 137502-900-084-000 | Clear / Chrome | | 41" - 42" x 58" / 48 lb / 22 kg | 2.7 ft ³ | \$ 1013 |
| 137502-900-305-000 | Clear / Brushed Nickel | | | | \$ 1089 |

STANDARD



| Code | Description | Wall Adjustment |
|--------|------------------------|-----------------|
| 137502 | EDGE Duo Tub 42" X 58" | 3/8" |

All dimensions are approximate. Structure measurements must be verified against the unit to ensure proper fit.



Edge Square Tub Screen

SCREENS



Material : Tempered Glass

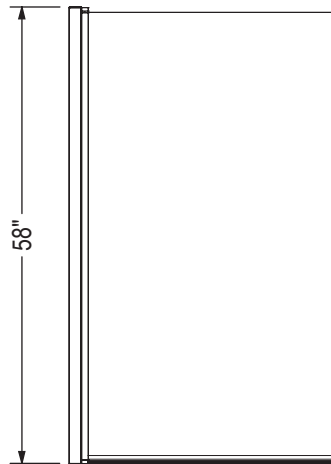
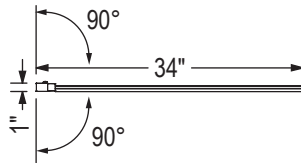
Features

- › 8 mm tempered glass with Lotus glass protection with a Square pivot
- › Lifting pivot single panel: nothing on the tub, makes it easy to clean the panel and the tub
- › Pivots 90 degrees inward and outward, maximizes the tub access to provide care and an easy access to faucets
- › Ideal for slanted ceilings

EDGE SQUARE 34 X 58 - 8MM - 137501

| SKU | Color | Configuration | Dimensions & Weight | Packaging | MSRP |
|--------------------|------------------------|---------------|------------------------------------|-----------|--------|
| 137501-900-084-000 | Clear / Chrome | | 33" - 34" x 58" / 40 lb / 18 kg | 2.82 ft³ | \$ 761 |
| 137501-900-305-000 | Clear / Brushed Nickel | | | | \$ 815 |

STANDARD



| Code | Description | Wall Adjustment |
|--------|---------------------------|-----------------|
| 137501 | EDGE Square Tub 34" X 58" | 3/8" |

All dimensions are approximate. Structure measurements must be verified against the unit to ensure proper fit.



Edge Tub Screen

SCREENS



Material : Tempered Glass

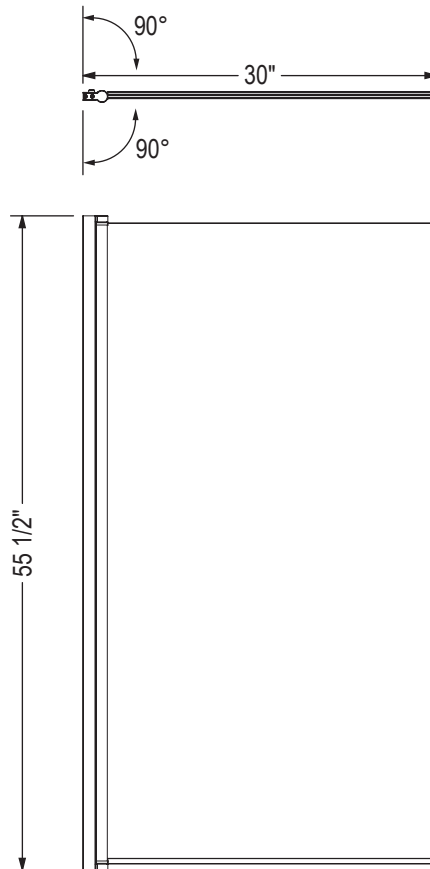
Features

- › 6 mm tempered glass with Lotus glass protection
- › Lifting pivot single panel: nothing on the tub, makes it easy to clean the panel and the tub
- › Easy access to faucets
- › Pivots 90 degrees inward and outward, maximizes the tub access to provide care
- › Ideal for slanted ceilings

EDGE 30 X 55 1/2 - 6MM - 137500

| SKU | Color | Configuration | Dimensions & Weight | Packaging | MSRP |
|--------------------|----------------|---------------|-------------------------------------|----------------------|--------|
| 137500-900-084-000 | Clear / Chrome | | 29" - 30" x 55 1/2" / 26 lb / 12 kg | 2.65 ft ³ | \$ 688 |

STANDARD



| Code | Description | Wall Adjustment |
|--------|------------------------|-----------------|
| 137500 | EDGE Tub 30" X 55 1/2" | 3/8" |

All dimensions are approximate. Structure measurements must be verified against the unit to ensure proper fit.

Kameleon SC Tub Door - 8 mm



TUB DOORS - BYPASS



Material : Tempered Glass

Features

- › Innovative SOFT CLOSE by MAAX prevents slamming
- › Silent guide eliminates the rattling noise
- › High quality rollers for smooth glide
- › Safety features: header lock and panel anti-jump
- › 8 mm tempered glass and frame color choice
- › Modern towel bar
- › Reversible header: one side round and one side flat

KAMELEON SC 55-59 X 57 - 8MM - 134670

| SKU | Color | Door Opening | Dimensions & Weight | Packaging | MSRP |
|--------------------|------------------------|--------------|----------------------------------|----------------------|---------|
| 134670-900-084-000 | Clear / Chrome | Reversible | 55" - 59" x 57" / 110 lb / 50 kg | 4.58 ft ³ | \$ 1336 |
| 134670-900-172-000 | Clear / Dark Bronze | | | | \$ 1419 |
| 134670-900-305-000 | Clear / Brushed Nickel | | | | \$ 1395 |
| 134670-900-340-000 | Clear / Matte Black | | | | \$ 1419 |

COMMON OPTIONS

| SKU | Description | MSRP |
|--------------|--|--------|
| OPT20246-084 | 24 in. T-round towel bar Available colors: Chrome (084), Dark Bronze (172) and Brushed Nickel (305) | \$ 101 |
| OPT20246-305 | | \$ 112 |
| OPT20246-172 | | \$ 115 |
| OPT20248-084 | 24 in. Square towel bar Available colors: Chrome (084), Dark Bronze (172) and Brushed Nickel (305) | \$ 101 |
| OPT20248-305 | | \$ 112 |
| OPT20248-172 | | \$ 115 |

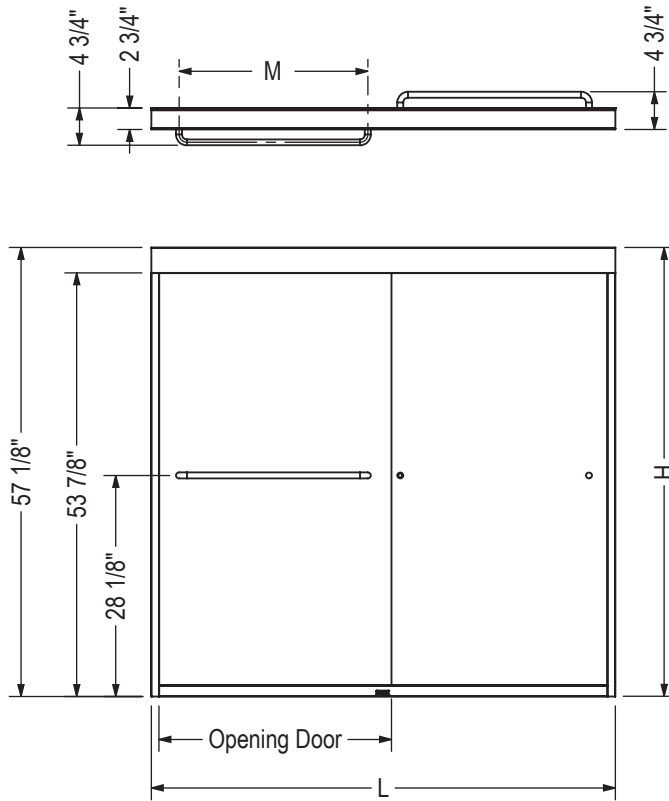
ACCESSORIES

| SKU | Description | MSRP |
|--------------|---|--------|
| 10068376-305 | 24 in. Square towel bar Available colors: Chrome (084), Dark Bronze (172) and Brushed Nickel (305) | \$ 235 |
| 10068376-172 | | \$ 248 |

ACCESSORIES

| SKU | Description | MSRP |
|------------------|---|--------|
| 10068376-084 | 24 in. Square towel bar Available colors: Chrome (084), Dark Bronze (172) and Brushed Nickel (305) | \$ 226 |
| 10068410-005-601 | Soft Close by MAAx for Kameleon/Aura doors only | \$ 167 |

STANDARD



| Description | Opening Door Adjustable | M | L Adjustable | H |
|----------------------|-------------------------|-----|--------------|-----|
| Tub Door 55"x59"x8mm | 23 1/2" - 27 1/2" | 24" | 55" - 59" | 57" |

All dimensions are approximate. Structure measurements must be verified against the unit to ensure proper fit.

Kameleon SC Tub Doors - 6 mm



Material : Tempered Glass

Features

- › Innovative SOFT CLOSE by MAAX prevents slamming
- › Silent guide eliminates the rattling noise
- › High quality rollers for smooth glide
- › Safety features: header lock and panel anti-jump
- › 6 mm tempered glass and frame color choice
- › Modern towel bar
- › Reversible header: one side round and one side flat

TUB DOORS - BYPASS

KAMELEON SC 51-55 X 57 - 6MM - 134660

| SKU | Color | Door Opening | Dimensions & Weight | Packaging | MSRP |
|--------------------|----------------|--------------|---------------------------------|----------------------|---------|
| 134660-900-084-000 | Clear / Chrome | Reversible | 51" - 55" x 57" / 85 lb / 39 kg | 4.11 ft ³ | \$ 1129 |

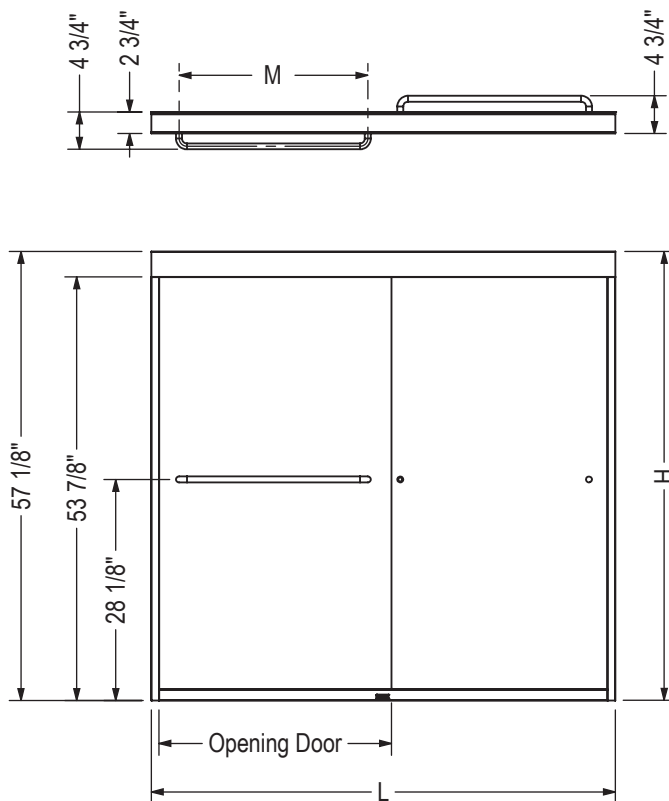
COMMON OPTIONS

| SKU | Description | MSRP |
|--------------|--|--------|
| OPT20246-084 | 24 in. T-round towel bar Available colors: Chrome (084), Dark Bronze (172) and Brushed Nickel (305) | \$ 101 |
| OPT20246-305 | | \$ 112 |
| OPT20246-172 | | \$ 115 |
| OPT20248-084 | 24 in. Square towel bar Available colors: Chrome (084), Dark Bronze (172) and Brushed Nickel (305) | \$ 101 |
| OPT20248-305 | | \$ 112 |
| OPT20248-172 | | \$ 115 |

ACCESSORIES

| SKU | Description | MSRP |
|------------------|---|--------|
| 10068376-305 | 24 in. Square towel bar Available colors: Chrome (084), Dark Bronze (172) and Brushed Nickel (305) | \$ 235 |
| 10068376-172 | | \$ 248 |
| 10068376-084 | | \$ 226 |
| 10068410-005-601 | Soft Close by MAAX for Kameleon/Aura doors only | \$ 167 |

STANDARD



| Description | Opening Door Adjustable | M | L Adjustable | H |
|----------------------|-------------------------|-----|--------------|-----|
| Tub Door 51"x55"x6mm | 21 1/2" - 25 1/2" | 24" | 51" - 55" | 57" |
| Tub Door 55"x59"x6mm | 23 1/2" - 27 1/2" | 24" | 55" - 59" | 57" |

All dimensions are approximate. Structure measurements must be verified against the unit to ensure proper fit.

Kameleon SC Tub Doors - 6 mm



Material : Tempered Glass

Features

- › Innovative SOFT CLOSE by MAAX prevents slamming
- › Silent guide eliminates the rattling noise
- › High quality rollers for smooth glide
- › Safety features: header lock and panel anti-jump
- › 6mm tempered glass and frame color choice
- › Modern towel bar
- › Reversible header: one side round and one side flat

TUB DOORS - BYPASS

KAMELEON SC 55-59 X 57 - 6MM - 134661

| SKU | Color | Door Opening | Dimensions & Weight | Packaging | MSRP |
|--------------------|------------------------|--------------|---------------------------------|----------------------|---------|
| 134661-900-084-000 | Clear / Chrome | Reversible | 55" - 59" x 57" / 85 lb / 39 kg | 4.58 ft ³ | \$ 1169 |
| 134661-900-172-000 | Clear / Dark Bronze | | | | \$ 1239 |
| 134661-900-305-000 | Clear / Brushed Nickel | | | | \$ 1221 |
| 134661-900-340-000 | Clear / Matte Black | | | | \$ 1239 |

COMMON OPTIONS

| SKU | Description | MSRP |
|--------------|--|--------|
| OPT20246-084 | 24 in. T-round towel bar Available colors: Chrome (084), Dark Bronze (172) and Brushed Nickel (305) | \$ 101 |
| OPT20246-305 | | \$ 112 |
| OPT20246-172 | | \$ 115 |
| OPT20248-084 | 24 in. Square towel bar Available colors: Chrome (084), Dark Bronze (172) and Brushed Nickel (305) | \$ 101 |
| OPT20248-305 | | \$ 112 |
| OPT20248-172 | | \$ 115 |

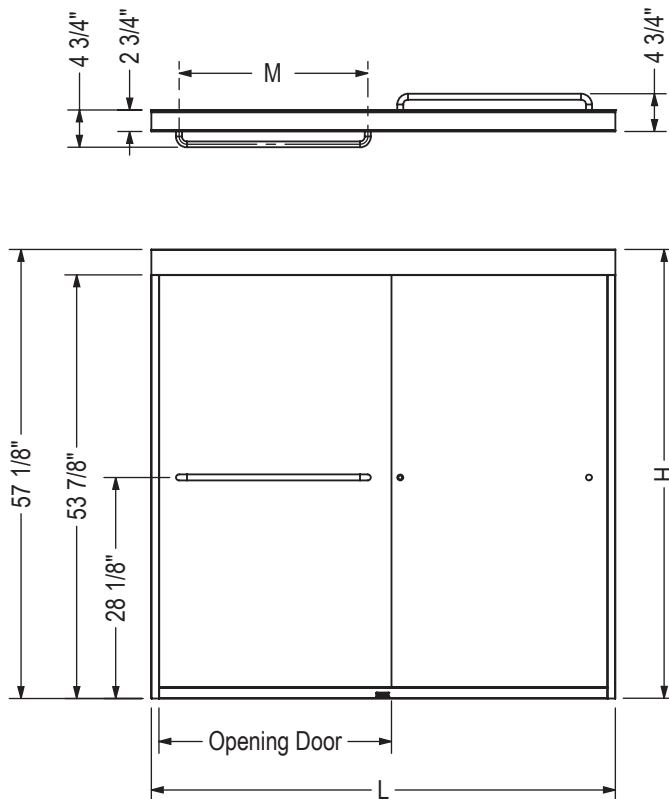
ACCESSORIES

| SKU | Description | MSRP |
|--------------|---|--------|
| 10068376-305 | 24 in. Square towel bar Available colors: Chrome (084), Dark Bronze (172) and Brushed Nickel (305) | \$ 235 |
| 10068376-172 | | \$ 248 |

ACCESSORIES

| SKU | Description | MSRP |
|------------------|---|--------|
| 10068376-084 | 24 in. Square towel bar Available colors: Chrome (084), Dark Bronze (172) and Brushed Nickel (305) | \$ 226 |
| 10068410-005-601 | Soft Close by MAAx for Kameleon/Aura doors only | \$ 167 |

STANDARD



| Description | Opening Door Adjustable | M | L Adjustable | H |
|----------------------|-------------------------|-----|--------------|-----|
| Tub Door 51"x55"x6mm | 21 1/2" - 25 1/2" | 24" | 51" - 55" | 57" |
| Tub Door 55"x59"x6mm | 23 1/2" - 27 1/2" | 24" | 55" - 59" | 57" |

All dimensions are approximate. Structure measurements must be verified against the unit to ensure proper fit.



Kameleon Tub Door - 8 mm

TUB DOORS - BYPASS



Material : Tempered Glass

Features

- › Silent guide eliminates the rattling noise
- › High quality rollers for smooth glide
- › Safety features: header lock and panel anti-jump
- › 8 mm tempered glass and frame color choice
- › Modern towel bar
- › Reversible header: one side round and one side flat

KAMELEON 55-59 X 57 - 8MM - 134573

| SKU | Color | Door Opening | Dimensions & Weight | Packaging | MSRP |
|--------------------|------------------------|--------------|----------------------------------|----------------------|---------|
| 134573-900-084-000 | Clear / Chrome | Reversible | 55" - 59" x 57" / 110 lb / 50 kg | 4.58 ft ³ | \$ 1195 |
| 134573-900-172-000 | Clear / Dark Bronze | | | | \$ 1279 |
| 134573-900-305-000 | Clear / Brushed Nickel | | | | \$ 1254 |
| 134573-900-340-000 | Clear / Matte Black | | | | \$ 1279 |

COMMON OPTIONS

| SKU | Description | MSRP |
|--------------|--|--------|
| OPT20246-084 | 24 in. T-round towel bar Available colors: Chrome (084), Dark Bronze (172) and Brushed Nickel (305) | \$ 101 |
| OPT20246-305 | | \$ 112 |
| OPT20246-172 | | \$ 115 |
| OPT20248-084 | 24 in. Square towel bar Available colors: Chrome (084), Dark Bronze (172) and Brushed Nickel (305) | \$ 101 |
| OPT20248-305 | | \$ 112 |
| OPT20248-172 | | \$ 115 |

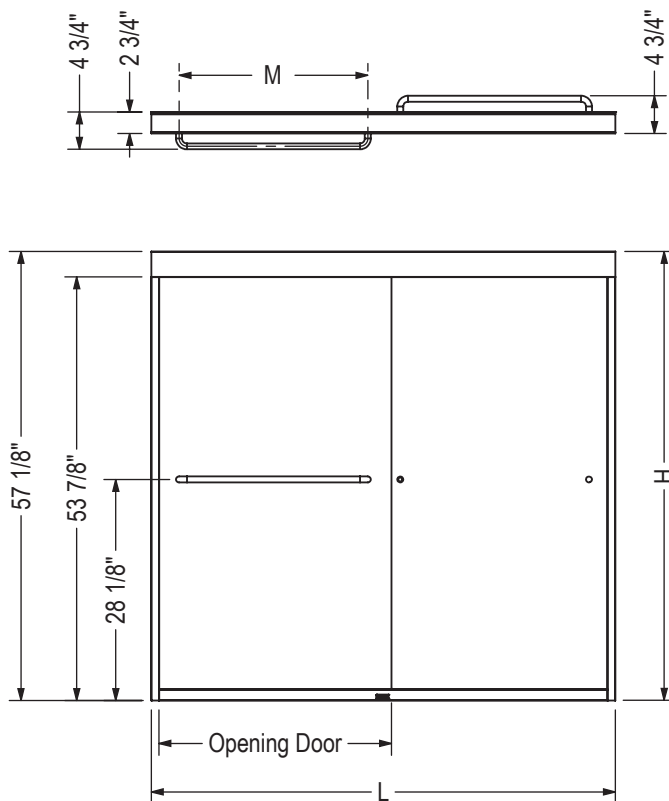
ACCESSORIES

| SKU | Description | MSRP |
|--------------|---|--------|
| 10068376-305 | 24 in. Square towel bar Available colors: Chrome (084), Dark Bronze (172) and Brushed Nickel (305) | \$ 235 |
| 10068376-172 | | \$ 248 |

ACCESSORIES

| SKU | Description | MSRP |
|------------------|---|--------|
| 10068376-084 | 24 in. Square towel bar Available colors: Chrome (084), Dark Bronze (172) and Brushed Nickel (305) | \$ 226 |
| 10068410-005-601 | Soft Close by MAAx for Kameleon/Aura doors only | \$ 167 |

STANDARD



| Description | Opening Door Adjustable | M | L Adjustable | H |
|----------------------|-------------------------|-----|--------------|-----|
| Tub Door 55"x59"x8mm | 23 1/2" - 27 1/2" | 24" | 55" - 59" | 57" |

All dimensions are approximate. Structure measurements must be verified against the unit to ensure proper fit.



Kameleon Tub Doors - 6 mm



Material : Tempered Glass

Features

- › Silent guide eliminates the rattling noise
- › High quality rollers for smooth glide
- › Safety features: header lock and panel anti-jump
- › Clear and privacy glass options with frame color choice
- › Rounded towel bar for a clean and versatile look
- › Reversible header: one side round and one side flat

TUB DOORS - BYPASS

KAMELEON 55-59 X 57 - 6MM - 134561

| SKU | Color | Door Opening | Dimensions & Weight | Packaging | MSRP |
|--------------------|--------------------------|--------------|---------------------------------|----------------------|---------|
| 134561-900-084-000 | Clear / Chrome | Reversible | 55" - 59" x 57" / 85 lb / 39 kg | 4.58 ft ³ | \$ 1028 |
| 134561-900-172-000 | Clear / Dark Bronze | | | | \$ 1098 |
| 134561-900-305-000 | Clear / Brushed Nickel | | | | \$ 1081 |
| 134561-900-340-000 | Clear / Matte Black | | | | \$ 1098 |
| 134561-978-084-000 | Frosted / Chrome | | | | \$ 1214 |
| 134561-978-172-000 | Frosted / Dark Bronze | | | | \$ 1296 |
| 134561-978-305-000 | Frosted / Brushed Nickel | | | | \$ 1276 |

COMMON OPTIONS

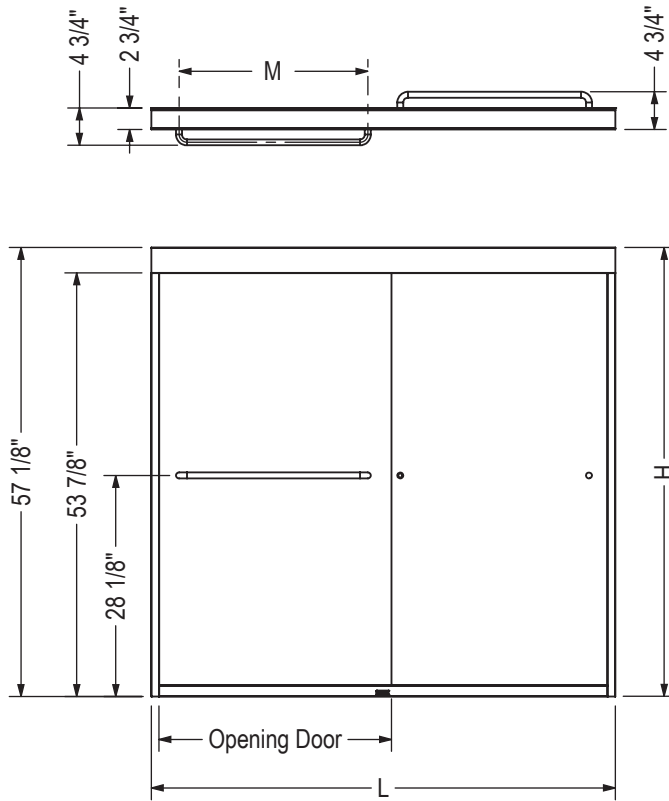
| SKU | Description | MSRP |
|--------------|--|--------|
| OPT20246-084 | | \$ 101 |
| OPT20246-305 | 24 in. T-round towel bar Available colors: Chrome (084), Dark Bronze (172) and Brushed Nickel (305) | \$ 112 |
| OPT20246-172 | | \$ 115 |
| OPT20248-084 | | \$ 101 |
| OPT20248-305 | 24 in. Square towel bar Available colors: Chrome (084), Dark Bronze (172) and Brushed Nickel (305) | \$ 112 |
| OPT20248-172 | | \$ 115 |

ACCESSORIES

| SKU | Description | MSRP |
|------------------|---|--------|
| 10068376-305 | 24 in. Square towel bar Available colors: Chrome (084), Dark Bronze (172) and Brushed Nickel (305) | \$ 235 |
| 10068376-172 | | \$ 248 |
| 10068376-084 | | \$ 226 |
| 10068410-005-601 | Soft Close by MAAX for Kameleon/Aura doors only | \$ 167 |

TUB DOORS - BYPASS

STANDARD



| Description | Opening Door Adjustable | M | L Adjustable | H |
|----------------------|-------------------------|-----|--------------|-----|
| Tub Door 51"x55"x6mm | 21 1/2" - 25 1/2" | 24" | 51" - 55" | 57" |
| Tub Door 55"x59"x6mm | 23 1/2" - 27 1/2" | 24" | 55" - 59" | 57" |

All dimensions are approximate. Structure measurements must be verified against the unit to ensure proper fit.



Kameleon Tub Doors - 6 mm

TUB DOORS - BYPASS



Material : Tempered Glass

Features

- › Silent guide eliminates the rattling noise
- › High quality rollers for smooth glide
- › Safety features: header lock and panel anti-jump
- › Clear glass with frame color choice
- › Rounded towel bar for a clean and versatile look
- › Reversible header: one side round and one side flat

KAMELEON 51-55 X 57 - 6MM - 134560

| SKU | Color | Door Opening | Dimensions & Weight | Packaging | MSRP |
|--------------------|----------------|--------------|---------------------------------|----------------------|--------|
| 134560-900-084-000 | Clear / Chrome | Reversible | 51" - 55" x 57" / 85 lb / 39 kg | 4.11 ft ³ | \$ 987 |

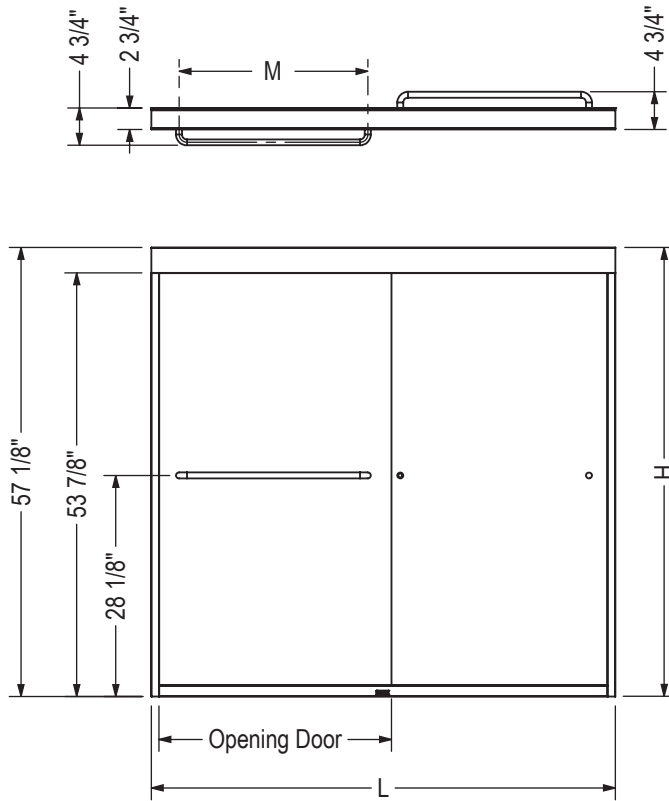
COMMON OPTIONS

| SKU | Description | MSRP |
|--------------|--|--------|
| OPT20246-084 | 24 in. T-round towel bar Available colors: Chrome (084), Dark Bronze (172) and Brushed Nickel (305) | \$ 101 |
| OPT20246-305 | | \$ 112 |
| OPT20246-172 | | \$ 115 |
| OPT20248-084 | 24 in. Square towel bar Available colors: Chrome (084), Dark Bronze (172) and Brushed Nickel (305) | \$ 101 |
| OPT20248-305 | | \$ 112 |
| OPT20248-172 | | \$ 115 |

ACCESSORIES

| SKU | Description | MSRP |
|------------------|---|--------|
| 10068376-305 | 24 in. Square towel bar Available colors: Chrome (084), Dark Bronze (172) and Brushed Nickel (305) | \$ 235 |
| 10068376-172 | | \$ 248 |
| 10068376-084 | | \$ 226 |
| 10068410-005-601 | Soft Close by MAAX for Kameleon/Aura doors only | \$ 167 |

STANDARD



| Description | Opening Door Adjustable | M | L Adjustable | H |
|----------------------|-------------------------|-----|--------------|-----|
| Tub Door 51"x55"x6mm | 21 1/2" - 25 1/2" | 24" | 51" - 55" | 57" |
| Tub Door 55"x59"x6mm | 23 1/2" - 27 1/2" | 24" | 55" - 59" | 57" |

All dimensions are approximate. Structure measurements must be verified against the unit to ensure proper fit.



Incognito 57 Shaker Tub Door

TUB DOORS - BYPASS



Material : Tempered Glass

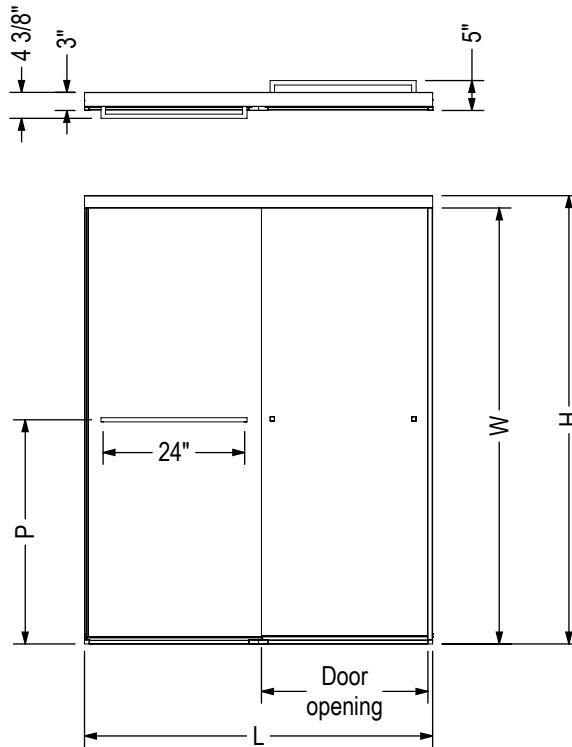
Features

- › Shaker style glass design, inspired by French door style
- › Glass thickness: 8 mm
- › 2 in , slim header provides a sleek look
- › Features convenient towel bar
- › Detachable door guide is easy to clean
- › Wheel catcher feature keeps door open or closed

INCOGNITO 57 SHAKER 56-59 X 56 3/4 - 8MM - 135330

| SKU | Color | Door Opening | Dimensions & Weight | Packaging | MSRP |
|--------------------|----------------------|--------------|--------------------------------------|-------------------|---------|
| 135330-972-340-000 | Shaker / Matte Black | Reversible | 56" - 59" x 56 3/4" / 112 lb / 51 kg | 3 ft ³ | \$ 1335 |

STANDARD



TUB DOORS - BYPASS

| Code | Description | H | W | L Adjustable | Door opening | P | Wall adjustment |
|--------|---|---------|---------|--------------|-------------------|-----|-----------------|
| 135331 | Incognito 76 Shaker 8mm 76" x 44 - 47" | 76" | 73 7/8" | 44" - 47" | 18 1/4" - 22 1/4" | 38" | 1/2" |
| 135332 | Incognito 76 Shaker 8mm 76" x 56 - 59" | 76" | 73 7/8" | 56" - 59" | 24 1/4" - 28 1/4" | 38" | 1/2" |
| 135330 | Incognito Shaker 8mm 56 3/4" x 56 - 59" | 56 3/4" | 54 5/8" | 56" - 59" | 24 1/4" - 28 1/4" | 28" | 1/2" |

All dimensions are approximate. Structure measurements must be verified against the unit to ensure proper fit.

Incognito 57 Tub Door - 6 mm



TUB DOORS - BYPASS



Material : Tempered Glass

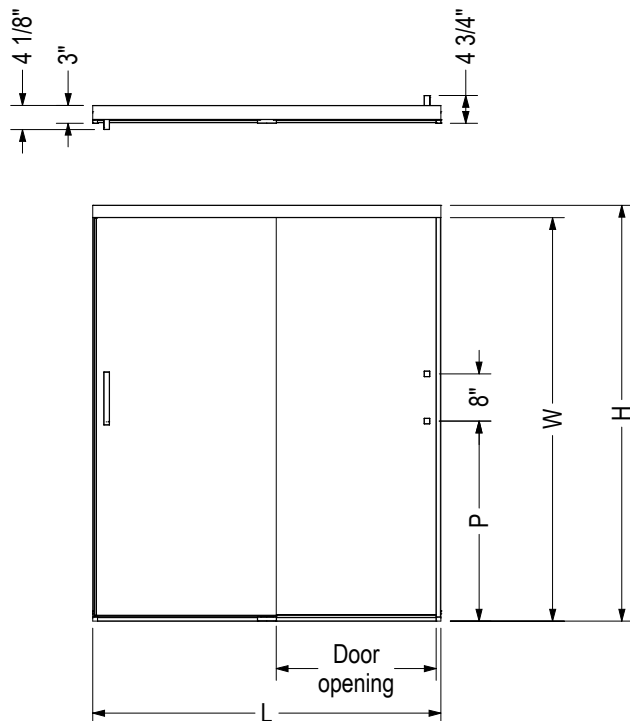
Features

- › Components that connect seamlessly for an effortless assembly
- › Expandable Sill, no cutting required to adjust
- › Large knob on the opposite side of the handle, to allows for an easier opening and closing
- › Hand adjustment to perfect the fit in the alcove
- › Fits on showers with a wall height of at least 56.75in
- › Integrated bumper at the top and the bottom

INCOGNITO 57 56-59 X 56 3/4 - 6MM - 139351

| SKU | Color | Door Opening | Dimensions & Weight | Packaging | MSRP |
|--------------------|------------------------|--------------|--------------------------------------|-------------------|--------|
| 139351-900-084-000 | Clear / Chrome | Reversible | 56" - 59" x 56 3/4" / 105 lb / 48 kg | 3 ft ³ | \$ 890 |
| 139351-900-173-000 | Clear / Dark Bronze | | | | \$ 957 |
| 139351-900-305-000 | Clear / Brushed Nickel | | | | \$ 934 |
| 139351-900-340-000 | Clear / Matte Black | | | | \$ 957 |

STANDARD



| Code | Description | H | W | L Adjustable | Door Opening | P | Wall adjustment |
|--------|----------------------------------|---------|---------|--------------|-------------------|---------|-----------------|
| 139349 | Incognito 6mm 70 1/2" x 44 - 47" | 70 1/2" | 68 3/8" | 44" - 47" | 17 1/8" - 21 1/8" | 33 7/8" | 1/2" |
| 139350 | Incognito 6mm 70 1/2" x 56 - 59" | 70 1/2" | 68 3/8" | 56" - 59" | 23 1/8" - 27 1/8" | 33 7/8" | 1/2" |
| 139351 | Incognito 6mm 56 3/4" x 56 - 59" | 56 3/4" | 54 5/8" | 56" - 59" | 23 1/8" - 27 1/8" | 18 7/8" | 1/2" |
| 139352 | Incognito 8mm 70 1/2" x 44 - 47" | 70 1/2" | 68 3/8" | 44" - 47" | 17 1/8" - 21 1/8" | 33 7/8" | 1/2" |
| 139353 | Incognito 8mm 70 1/2" x 56 - 59" | 70 1/2" | 68 3/8" | 56" - 59" | 23 1/8" - 27 1/8" | 33 7/8" | 1/2" |
| 139354 | Incognito 8mm 56 3/4" x 56 - 59" | 56 3/4" | 54 5/8" | 56" - 59" | 23 1/8" - 27 1/8" | 18 7/8" | 1/2" |

All dimensions are approximate. Structure measurements must be verified against the unit to ensure proper fit.

Incognito 57 Tub Doors - 8 mm



TUB DOORS - BYPASS



Material : Tempered Glass

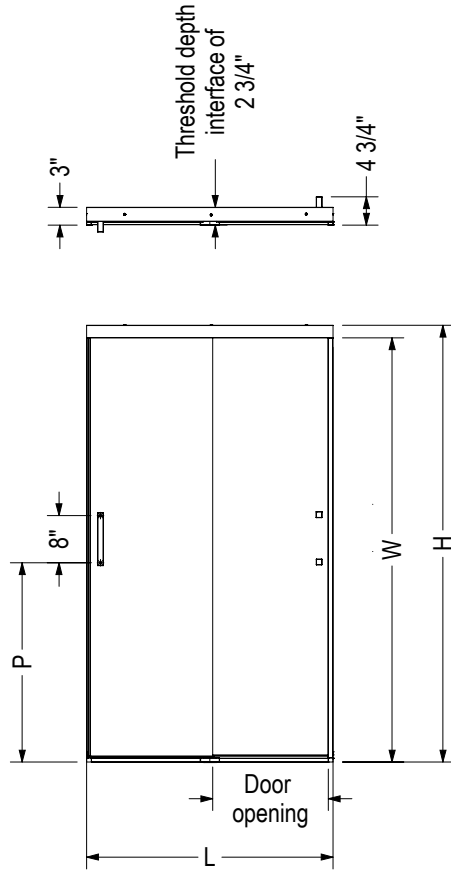
Features

- › Components that connect seamlessly for an effortless assembly
- › Large knob on the opposite side of the handle, to allow for an easier opening and closing
- › Hand adjustable positioning
- › Fits on showers with a wall height of at least 56.75 in.
- › Slim header and thin edges accentuate the minimalist look
- › Safety features: top and bottom integrated bumper to prevent slamming

INCOGNITO 57 51-54 X 56 3/4 IN. 8MM - 138522

| SKU | Color | Door Opening | Dimensions & Weight | MSRP |
|--------------------|------------------------|--------------|--------------------------------------|---------|
| 138522-900-084-000 | Clear / Chrome | Reversible | 51" - 54" x 56 3/4" / 110 lb / 50 kg | \$ 1011 |
| 138522-900-305-000 | Clear / Brushed Nickel | | | \$ 1082 |
| 138522-900-340-000 | Clear / Matte Black | | | \$ 1109 |

STANDARD



| Code | Description | H | W | L Adjustable | Door opening | P | Wall adjustment |
|--------|--------------------------------------|---------|---------|--------------|-------------------|---------|-----------------|
| 138520 | Incognito 74" 39 - 42" x 74" | 74" | 71 7/8" | 39" - 42" | 16 1/2" - 19 1/2" | 34 1/8" | 1/2" |
| 138521 | Incognito 74" 51 - 54" x 74" | 74" | 68 3/8" | 51" - 54" | 22 1/2" - 25 1/2" | 34 1/8" | 1/2" |
| 138522 | Incognito 56 3/4" 51 - 54" x 56 3/4" | 56 3/4" | 54 5/8" | 51" - 54" | 22 1/2" - 25 1/2" | 19 1/8" | 1/2" |

All dimensions are approximate. Structure measurement must be verified against the unit to ensure proper fit.

Incognito 57 Tub Doors - 8 mm



TUB DOORS - BYPASS



Material : Tempered Glass

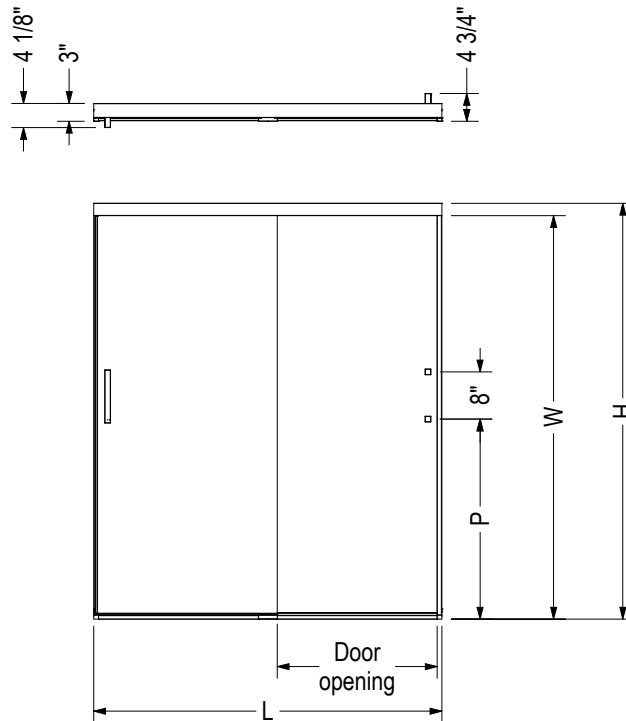
Features

- › Components that connect seamlessly for an effortless assembly
- › Large knob on the opposite side of the handle, to allow for an easier opening and closing
- › Hand adjustment to perfect the fit in the alcove
- › Fits on showers with a wall height of at least 56.75in
- › Slim header and thin edges accentuate the minimalist look
- › Safety features: top and bottom integrated bumper to prevent slamming

INCOGNITO 56-59 X 56 3/4 IN. 8 MM - 139354

| SKU | Color | Door Opening | Dimensions & Weight | Packaging | MSRP |
|--------------------|------------------------|--------------|--------------------------------------|-------------------|---------|
| 139354-900-084-000 | Clear / Chrome | Reversible | 56" - 59" x 56 3/4" / 120 lb / 54 kg | 3 ft ³ | \$ 1011 |
| 139354-900-305-000 | Clear / Brushed Nickel | | | | \$ 1082 |
| 139354-900-340-000 | Clear / Matte Black | | | | \$ 1082 |

STANDARD



| Code | Description | H | W | L Adjustable | Door Opening | P | Wall adjustment |
|--------|----------------------------------|---------|---------|--------------|-------------------|---------|-----------------|
| 139349 | Incognito 6mm 70 1/2" x 44 - 47" | 70 1/2" | 68 3/8" | 44" - 47" | 17 1/8" - 21 1/8" | 33 7/8" | 1/2" |
| 139350 | Incognito 6mm 70 1/2" x 56 - 59" | 70 1/2" | 68 3/8" | 56" - 59" | 23 1/8" - 27 1/8" | 33 7/8" | 1/2" |
| 139351 | Incognito 6mm 56 3/4" x 56 - 59" | 56 3/4" | 54 5/8" | 56" - 59" | 23 1/8" - 27 1/8" | 18 7/8" | 1/2" |
| 139352 | Incognito 8mm 70 1/2" x 44 - 47" | 70 1/2" | 68 3/8" | 44" - 47" | 17 1/8" - 21 1/8" | 33 7/8" | 1/2" |
| 139353 | Incognito 8mm 70 1/2" x 56 - 59" | 70 1/2" | 68 3/8" | 56" - 59" | 23 1/8" - 27 1/8" | 33 7/8" | 1/2" |
| 139354 | Incognito 8mm 56 3/4" x 56 - 59" | 56 3/4" | 54 5/8" | 56" - 59" | 23 1/8" - 27 1/8" | 18 7/8" | 1/2" |

All dimensions are approximate. Structure measurements must be verified against the unit to ensure proper fit.



Polar Tub Door

TUB DOORS - BYPASS



Material : Tempered Glass

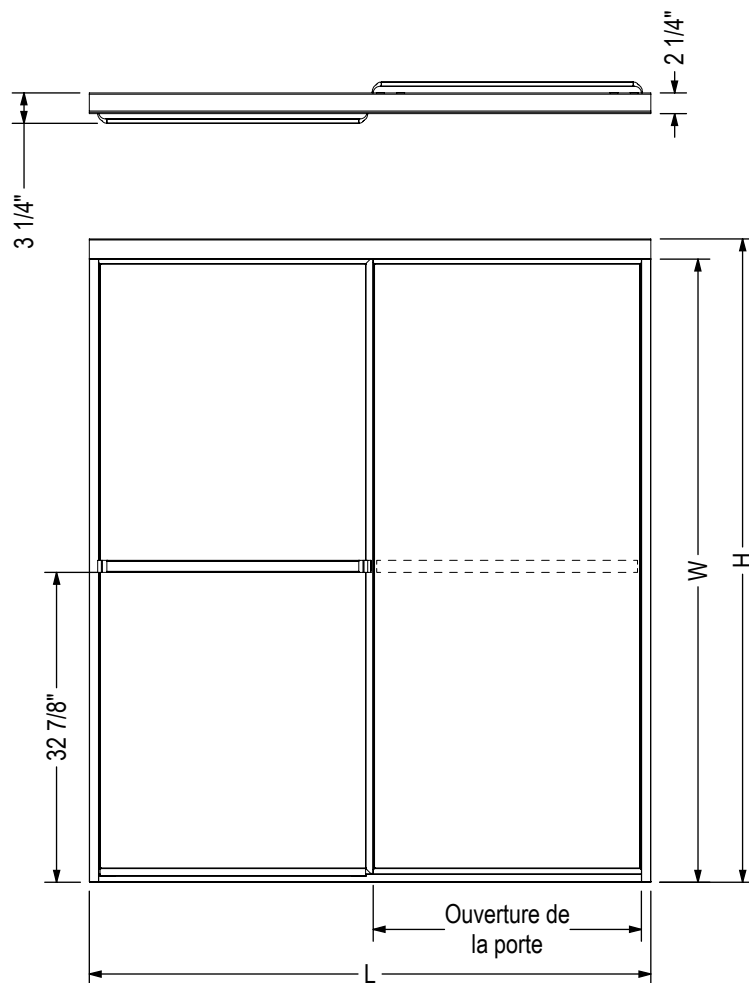
Features

- › Raindrop 4 mm tempered glass for more intimacy
- › Chrome frame for a clean simple look
- › Bathub and tub shower are sold separately, explore our wide variety of Bathub and tub shower
- › Bypass door configuration features two sliding panel
- › The EZ Klean bottom track drains water away and significantly reduces maintenance
- › Reversible, allowing for left or right opening to accommodate different bathroom layouts
- › Smooth Sliding Door Functionality enhances accessibility and convenience while elevating the aesthetics of your shower space.
- › Proudly made in North America
- › Warranty: 10 years

POLAR 54-59 1/2 X 57 IN. - 105410

| SKU | Color | Door Opening | Dimensions & Weight | Packaging | MSRP |
|--------------------|-------------------|--------------|-------------------------------------|----------------------|--------|
| 105410-970-084-000 | Raindrop / Chrome | Lateral | 55" - 59 1/2" x 57" / 50 lb / 23 kg | 3.28 ft ³ | \$ 663 |

STANDARD



TUB DOORS - BYPASS

| Code | Description | H | W | L Ajustable | Ouverture de la porte |
|--------|---------------------------|-----|-----|---------------|-----------------------|
| 105410 | Polar 54" - 59 1/2" x 57" | 57" | 55" | 54" - 59 1/2" | 26" - 28 1/2" |
| 105412 | Polar 54" - 59 1/2" x 68" | 68" | 66" | 54" - 59 1/2" | 26" - 28 1/2" |
| 105413 | Polar 42" - 47 1/2" x 68" | 68" | 66" | 42" - 47 1/2" | 20" - 22 1/2" |

Toutes ces dimensions sont approximatives. Afin d'assurer une installation parfaite, les dimensions de la structure doivent être vérifiées à partir de l'unité.

Revelation Round Tub Door - 6 mm



TUB DOORS - BYPASS



Material : Tempered Glass

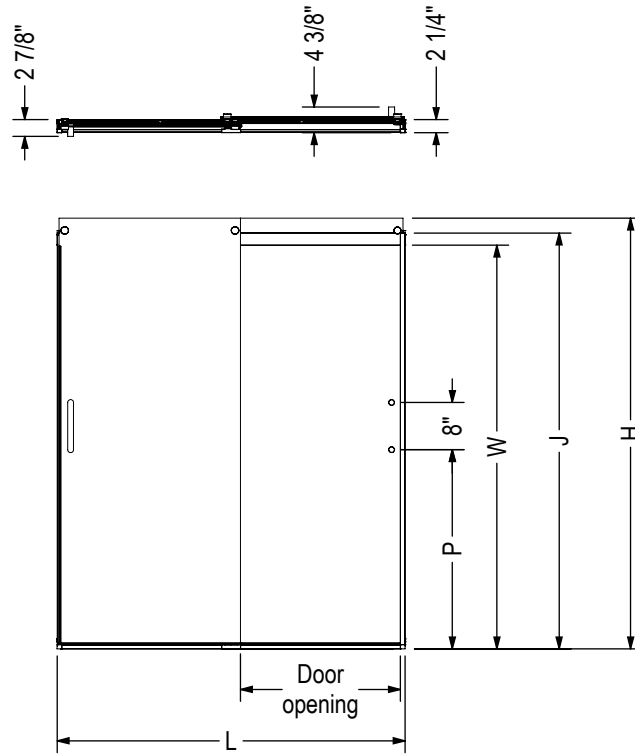
Features

- Made from high-quality 6 mm (1/4") thick glass, ensuring durability and safety.
- Reversible, allowing installation for left or right openings to accommodate different bathroom layouts.
- Easy installation process saves time and hassle.
- The door provides a watertight seal, ensuring no leaks or spills occur during use.

REVELATION ROUND 56-59 X 56 3/4-59 1/4 IN 6 MM - 136692

| SKU | Color | Door Opening | Dimensions & Weight | Packaging | MSRP |
|--------------------|------------------------|--------------|-------------------------------------|----------------------|---------|
| 136692-900-084-000 | Clear / Chrome | Reversible | 56" - 59" x 59 1/4" / 82 lb / 37 kg | 3.64 ft ³ | \$ 957 |
| 136692-900-305-000 | Clear / Brushed Nickel | | | | \$ 1028 |
| 136692-900-340-000 | Clear / Matte Black | | | | \$ 1064 |

STANDARD



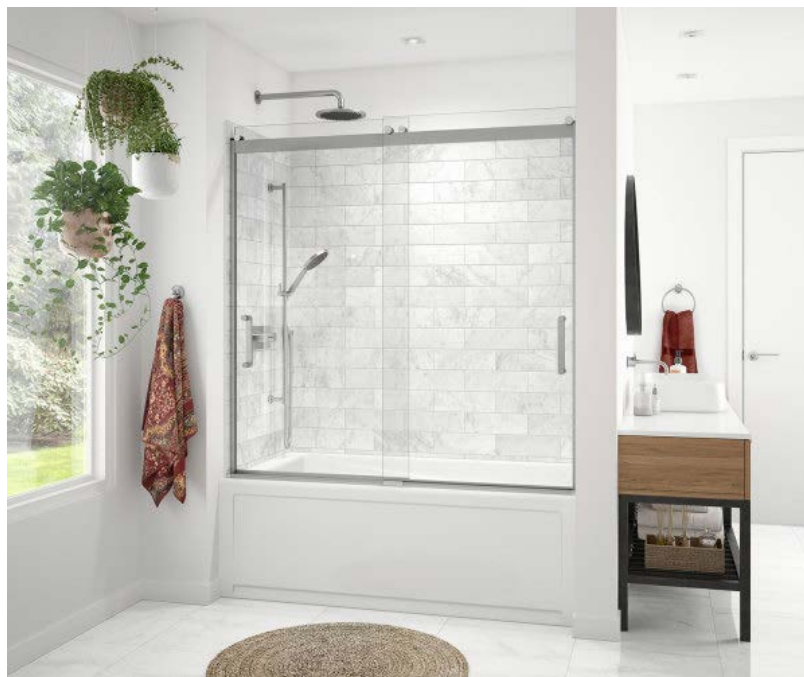
| Code | Description | H | J | W | L Adjustable | Door Opening | P | Wall adjustment |
|--------|---|---------|---------|---------|--------------|--------------|---------|-----------------|
| 139690 | Revelation 6mm 70 1/2"-73" x 43 - 47" | 73" | 70 1/2" | 68 3/8" | 43" - 47" | 16" - 20" | 33 7/8" | 1/2" |
| 139691 | Revelation 6mm 70 1/2"-73" x 55 - 59" | 73" | 70 1/2" | 68 3/8" | 55" - 59" | 22" - 26" | 33 7/8" | 1/2" |
| 139692 | Revelation 6mm 56 3/4"-59 1/4" x 55 - 59" | 59 1/4" | 56 3/4" | 54 5/8" | 55" - 59" | 22" - 26" | 18 7/8" | 1/2" |
| 139693 | Revelation 8mm 70 1/2"-73" x 43 - 47" | 73" | 70 1/2" | 68 3/8" | 43" - 47" | 16" - 20" | 33 7/8" | 1/2" |
| 139694 | Revelation 8mm 70 1/2"-73" x 55 - 59" | 73" | 70 1/2" | 68 3/8" | 55" - 59" | 22" - 26" | 33 7/8" | 1/2" |
| 139695 | Revelation 8mm 56 3/4"-59 1/4" x 55 - 59" | 59 1/4" | 56 3/4" | 54 5/8" | 55" - 59" | 22" - 26" | 18 7/8" | 1/2" |

All dimensions are approximate. Structure measurements must be verified against the unit to ensure proper fit.

Revelation Round Tub Door - 8 mm



TUB DOORS - BYPASS



Material : Tempered Glass

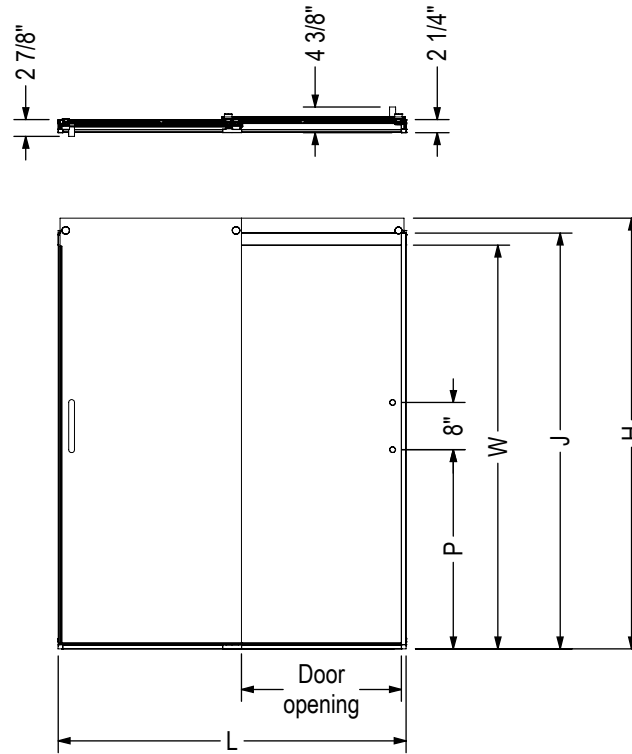
Features

- › Components that connect seamlessly for an effortless assembly
- › Exposed double set of wheels
- › Exposed double set of wheels
- › Handle outside / Big knob inside
- › Expandable Sill; No cutting required to adjust
- › Anti-jump features hidden in the frame
- › Detachable door guide to distance the glass for an easier cleaning

REVELATION ROUND 56-59 X 56 3/4-59 1/4 - 8 MM - 136695

| SKU | Color | Door Opening | Dimensions & Weight | Packaging | MSRP |
|--------------------|------------------------|--------------|--------------------------------------|-------------------|---------|
| 136695-900-084-000 | Clear / Chrome | Reversible | 56" - 59" x 59 1/4" / 120 lb / 54 kg | 3 ft ³ | \$ 1069 |
| 136695-900-305-000 | Clear / Brushed Nickel | | | | \$ 1142 |
| 136695-900-340-000 | Clear / Matte Black | | | | \$ 1177 |

STANDARD



| Code | Description | H | J | W | L Adjustable | Door Opening | P | Wall adjustment |
|--------|---|---------|---------|---------|--------------|--------------|---------|-----------------|
| 139690 | Revelation 6mm 70 1/2"-73" x 43 - 47" | 73" | 70 1/2" | 68 3/8" | 43" - 47" | 16" - 20" | 33 7/8" | 1/2" |
| 139691 | Revelation 6mm 70 1/2"-73" x 55 - 59" | 73" | 70 1/2" | 68 3/8" | 55" - 59" | 22" - 26" | 33 7/8" | 1/2" |
| 139692 | Revelation 6mm 56 3/4"-59 1/4" x 55 - 59" | 59 1/4" | 56 3/4" | 54 5/8" | 55" - 59" | 22" - 26" | 18 7/8" | 1/2" |
| 139693 | Revelation 8mm 70 1/2"-73" x 43 - 47" | 73" | 70 1/2" | 68 3/8" | 43" - 47" | 16" - 20" | 33 7/8" | 1/2" |
| 139694 | Revelation 8mm 70 1/2"-73" x 55 - 59" | 73" | 70 1/2" | 68 3/8" | 55" - 59" | 22" - 26" | 33 7/8" | 1/2" |
| 139695 | Revelation 8mm 56 3/4"-59 1/4" x 55 - 59" | 59 1/4" | 56 3/4" | 54 5/8" | 55" - 59" | 22" - 26" | 18 7/8" | 1/2" |

All dimensions are approximate. Structure measurements must be verified against the unit to ensure proper fit.

Revelation Square Tub Door - 6 mm



TUB DOORS - BYPASS



Material : Tempered Glass

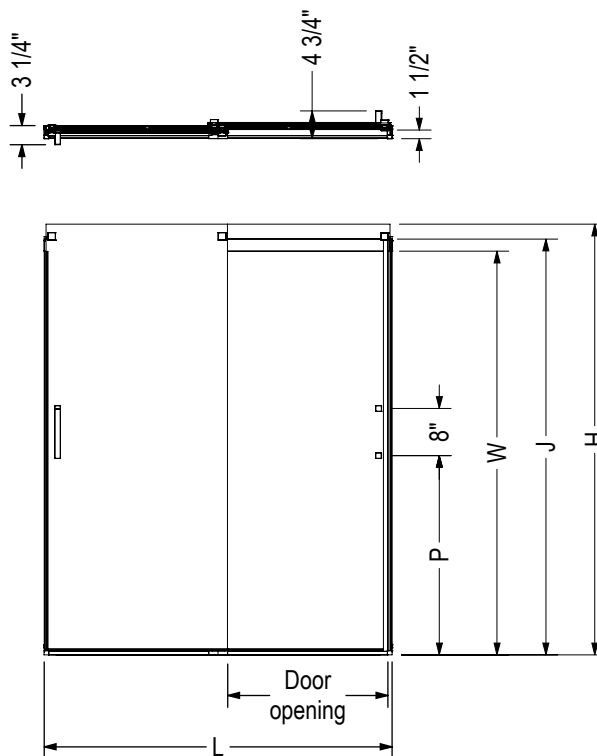
Features

- › Components that connect seamlessly for an effortless assembly
- › Exposed double set of wheels
- › Handle outside / Big knob inside
- › Anti-jump features hidden in the frame

REVELATION SQUARE 56-59 X 56 3/4-58 1/4 - 6MM - 135692

| SKU | Color | Door Opening | Dimensions & Weight | Packaging | MSRP |
|--------------------|------------------------|--------------|--------------------------------------|-------------------|---------|
| 135692-900-084-000 | Clear / Chrome | Reversible | 56" - 59" x 59 1/4" / 105 lb / 48 kg | 3 ft ³ | \$ 957 |
| 135692-900-305-000 | Clear / Brushed Nickel | | | | \$ 1028 |
| 135692-900-340-000 | Clear / Matte Black | | | | \$ 1064 |

STANDARD



| Code | Description | H | J | W | L Adjustable | Door Opening | P | Wall adjustment |
|--------|--|---------|---------|---------|--------------|--------------|---------|-----------------|
| 134690 | Revelation SQ 6mm 70 1/2"-73" x 43 - 47" | 73" | 70 1/2" | 68 3/8" | 43" - 47" | 16" - 20" | 33 7/8" | 1/2" |
| 134691 | Revelation SQ 6mm 70 1/2"-73" x 55 - 59" | 73" | 70 1/2" | 68 3/8" | 55" - 59" | 22" - 26" | 33 7/8" | 1/2" |
| 134692 | Revelation SQ 6mm 56 3/4"-59 1/4" x 55 - 59" | 59 1/4" | 56 3/4" | 54 5/8" | 55" - 59" | 22" - 26" | 18 7/8" | 1/2" |
| 134693 | Revelation SQ 8mm 70 1/2"-73" x 43 - 47" | 73" | 70 1/2" | 68 3/8" | 43" - 47" | 16" - 20" | 33 7/8" | 1/2" |
| 134694 | Revelation SQ 8mm 70 1/2"-73" x 55 - 59" | 73" | 70 1/2" | 68 3/8" | 55" - 59" | 22" - 26" | 33 7/8" | 1/2" |
| 134695 | Revelation SQ 8mm 56 3/4"-59 1/4" x 55 - 59" | 59 1/4" | 56 3/4" | 54 5/8" | 55" - 59" | 22" - 26" | 18 7/8" | 1/2" |

All dimensions are approximate. Structure measurements must be verified against the unit to ensure proper fit.

Revelation Square Tub Door - 8 mm



TUB DOORS - BYPASS



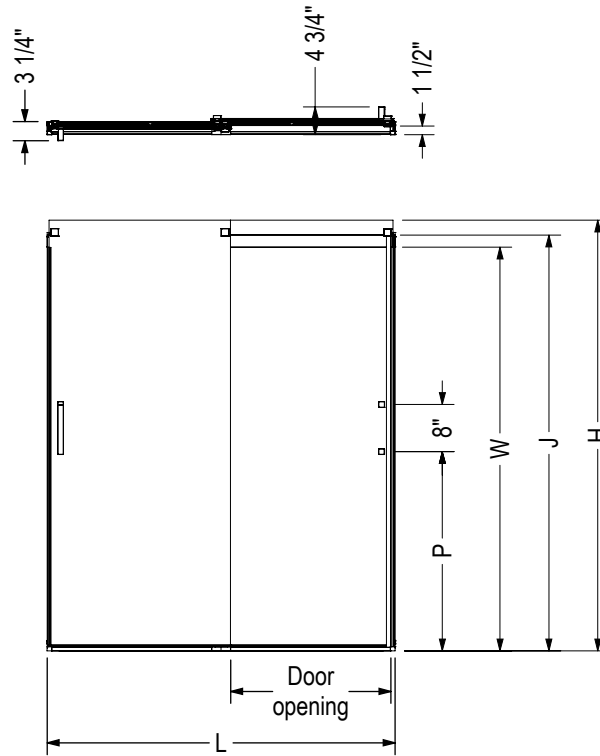
Material : Tempered Glass

Features

- > Components that connect seamlessly for an effortless assembly
- > Exposed double set of wheels
- > Handle outside / Big knob inside
- > Anti-jump features hidden in the frame

| REVELATION SQUARE 56-59 X 56 3/4-59 1/4 - 8MM - 135695 | | | | | |
|--|------------------------|--------------|--------------------------------------|-------------------|---------|
| SKU | Color | Door Opening | Dimensions & Weight | Packaging | MSRP |
| 135695-900-084-000 | Clear / Chrome | Reversible | 56" - 59" x 59 1/4" / 120 lb / 54 kg | 3 ft ³ | \$ 1069 |
| 135695-900-305-000 | Clear / Brushed Nickel | | | | \$ 1142 |
| 135695-900-340-000 | Clear / Matte Black | | | | \$ 1177 |

STANDARD



| Code | Description | H | J | W | L Adjustable | Door Opening | P | Wall adjustment |
|--------|--|---------|---------|---------|--------------|--------------|---------|-----------------|
| 134690 | Revelation SQ 6mm 70 1/2"-73" x 43 - 47" | 73" | 70 1/2" | 68 3/8" | 43" - 47" | 16" - 20" | 33 7/8" | 1/2" |
| 134691 | Revelation SQ 6mm 70 1/2"-73" x 55 - 59" | 73" | 70 1/2" | 68 3/8" | 55" - 59" | 22" - 26" | 33 7/8" | 1/2" |
| 134692 | Revelation SQ 6mm 56 3/4"-59 1/4" x 55 - 59" | 59 1/4" | 56 3/4" | 54 5/8" | 55" - 59" | 22" - 26" | 18 7/8" | 1/2" |
| 134693 | Revelation SQ 8mm 70 1/2"-73" x 43 - 47" | 73" | 70 1/2" | 68 3/8" | 43" - 47" | 16" - 20" | 33 7/8" | 1/2" |
| 134694 | Revelation SQ 8mm 70 1/2"-73" x 55 - 59" | 73" | 70 1/2" | 68 3/8" | 55" - 59" | 22" - 26" | 33 7/8" | 1/2" |
| 134695 | Revelation SQ 8mm 56 3/4"-59 1/4" x 55 - 59" | 59 1/4" | 56 3/4" | 54 5/8" | 55" - 59" | 22" - 26" | 18 7/8" | 1/2" |

All dimensions are approximate. Structure measurements must be verified against the unit to ensure proper fit.



Uptown Bypass Tub Door

TUB DOORS - BYPASS



Material : Tempered Glass

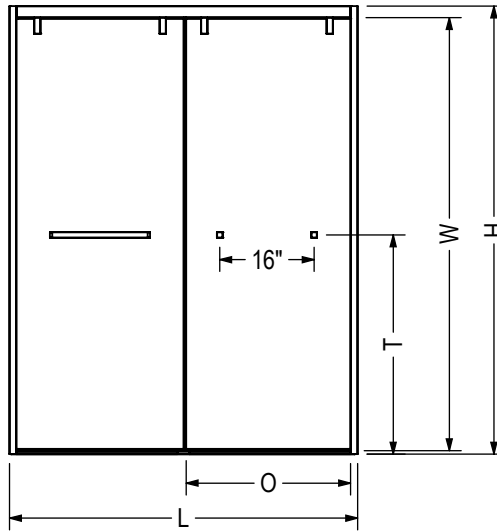
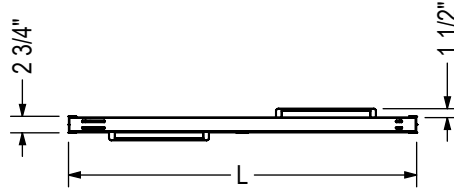
Features

- › 8 mm (5/16") tempered glass
- › Configuration consists of Bi-directional glass panels for flexible entry and easy access to fixtures on the left or right-hand side
- › Available in 4 Stylish Finishes
- › DIY Product for an easy installation
- › Fits on showers, walls and tile
- › Innovative Soft Close by MAAX technology prevents slamming
- › Glass panels come with the Lotus Easy Clean Glass Protection to repel soap and water stains for carefree maintenance
- › Reversible panel for easy corner installation on the left or on the right
- › 3/8" out-of-plumb adjustment

UPTOWN 56-59 X 58 IN. 8 MM - 135320

| SKU | Color | Door Opening | Dimensions & Weight | Packaging | MSRP |
|--------------------|------------------------|--------------|----------------------------------|-----------------------|---------|
| 135320-900-084-000 | Clear / Chrome | Reversible | 56" - 59" x 58" / 106 lb / 48 kg | 4.732 ft ³ | \$ 1443 |
| 135320-900-173-000 | Clear / Dark Bronze | | | | \$ 1557 |
| 135320-900-305-000 | Clear / Brushed Nickel | | | | \$ 1517 |
| 135320-900-340-000 | Clear / Matte Black | | | | \$ 1557 |

STANDARD



| Code | Description | H | L | O | T | W |
|--------|--|-----|-----------|-------------------|---------|---------|
| 135320 | Uptown Bypass Tub door 58" x 56" - 59" | 58" | 56" - 59" | 24 7/8" - 27 7/8" | 28 1/4" | 55 1/2" |
| 135321 | Uptown Bypass door 76" x 44" - 47" | 76" | 44" - 47" | 18 7/8" - 21 7/8" | 37 1/8" | 73 1/2" |
| 135322 | Uptown Bypass door 76" x 56" - 59" | 76" | 56" - 59" | 24 7/8" - 27 7/8" | 37 1/8" | 73 1/2" |

Wall adjustment = 3/8"

All dimensions are approximate. Structure measurements must be verified against the unit to ensure proper fit.

Vela Tub Door



TUB DOORS - SLIDING



Material : Tempered Glass

Features

- › Rollers and handle offered in 7 different finishes (monochrome or mix-finishes)
- › 59" high clear glass panel 8 mm (5/16") tempered glass with Lotus easy clean protection
- › Detachable door guide to distance the glass when cleaning
- › Reversible tub shower door for left or right opening
- › This configuration is shipped in 2 boxes

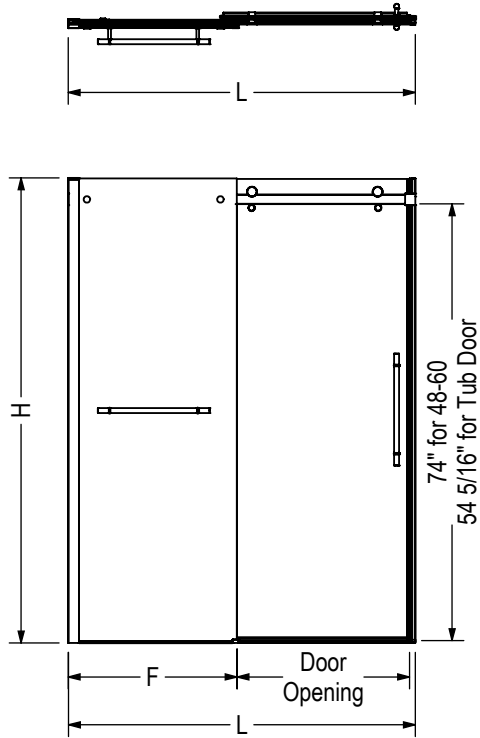
VELA 56 1/2-59 X 59 - 8MM - 138480

| SKU | Color | Door Opening | Dimensions & Weight | Packaging | MSRP |
|--------------------|--|--------------|--------------------------------------|----------------------|---------|
| 138480-900-084-000 | Clear / Chrome | Reversible | 56 1/2" - 59" x 59" / 120 lb / 54 kg | 8.82 ft ³ | \$ 1589 |
| 138480-900-280-000 | Clear / Chrome and Matte White | | | | \$ 1656 |
| 138480-900-305-000 | Clear / Brushed Nickel | | | | \$ 1656 |
| 138480-900-340-000 | Clear / Matte Black | | | | \$ 1722 |
| 138480-900-350-000 | Clear / Chrome and Matte Black | | | | \$ 1656 |
| 138480-900-360-000 | Clear / Matte Black and Chrome | | | | \$ 1722 |
| 138480-900-370-000 | Clear / Matte Black and Brushed Nickel | | | | \$ 1722 |
| 138480-900-380-000 | Clear / Matte Black and Brushed Gold | | | | \$ 1822 |

ACCESSORIES

| SKU | Description | MSRP |
|----------|---|--------|
| 10060311 | Corner glass shelf (9 3/8 x 9 3/8 in.) (sold separately) 10 mm frosted glass with a clear band along the edge Compatible with Utile and tile shower walls | \$ 152 |

STANDARD



| Code | Description | H | L Adjustable | F | Door Opening | Wall Adjustment |
|--------|--------------------------------------|---------|---------------|---------|-------------------|-----------------|
| 138460 | Vela 78 3/4" x 47" without towel bar | 78 3/4" | 44 1/2" - 47" | 22 1/2" | 16 1/4" - 18 3/4" | 1" |
| 138465 | Vela 78 3/4" x 47" with towel bar | 78 3/4" | 44 1/2" - 47" | 22 1/2" | 16 1/4" - 18 3/4" | 1" |
| 138470 | Vela 78 3/4" x 59" without towel bar | 78 3/4" | 56 1/2" - 59" | 28 5/8" | 22 1/8" - 24 5/8" | 1" |
| 138475 | Vela 78 3/4" x 59" with towel bar | 78 3/4" | 56 1/2" - 59" | 28 5/8" | 22 1/8" - 24 5/8" | 1" |
| 138480 | Vela 59" x 59" without towel bar | 59" | 56 1/2" - 59" | 28 5/8" | 22 1/8" - 24 5/8" | 1" |
| 138485 | Vela 59" x 59" with towel bar | 59" | 56 1/2" - 59" | 28 5/8" | 22 1/8" - 24 5/8" | 1" |

All dimensions are approximate. Structure measurements must be verified against the unit to ensure proper fit.



Vela Tub Door with Towel Bar

TUB DOORS - SLIDING



Material : Tempered Glass

Features

- › Rollers and handle offered in 7 different finishes (monochrome or mix-finishes)
- › 59" high clear glass panel 8 mm (5/16") tempered glass with Lotus easy clean protection
- › Detachable door guide to distance the glass when cleaning
- › Reversible tub shower door for left or right opening
- › This configuration is shipped in 2 boxes
- › With a convenient towel bar on the fix panel

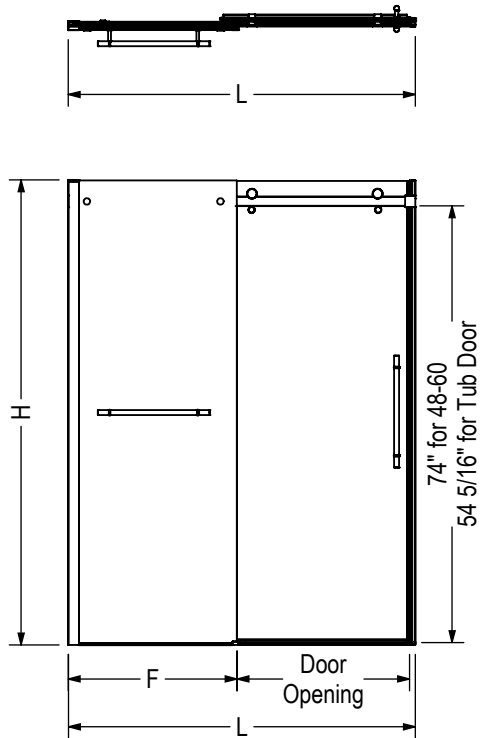
VELA 56 1/2-59 X 59 - 8MM - 138485

| SKU | Color | Door Opening | Dimensions & Weight | Packaging | MSRP |
|--------------------|--|--------------|--------------------------------------|----------------------|---------|
| 138485-900-084-000 | Clear / Chrome | Reversible | 56 1/2" - 59" x 59" / 120 lb / 54 kg | 8.82 ft ³ | \$ 1688 |
| 138485-900-280-000 | Clear / Chrome and Matte White | | | | \$ 1755 |
| 138485-900-305-000 | Clear / Brushed Nickel | | | | \$ 1755 |
| 138485-900-340-000 | Clear / Matte Black | | | | \$ 1822 |
| 138485-900-350-000 | Clear / Chrome and Matte Black | | | | \$ 1755 |
| 138485-900-360-000 | Clear / Matte Black and Chrome | | | | \$ 1822 |
| 138485-900-370-000 | Clear / Matte Black and Brushed Nickel | | | | \$ 1822 |
| 138485-900-380-000 | Clear / Matte Black and Brushed Gold | | | | \$ 1925 |

ACCESSORIES

| SKU | Description | MSRP |
|----------|---|--------|
| 10060311 | Corner glass shelf (9 3/8 x 9 3/8 in.) (sold separately) 10 mm frosted glass with a clear band along the edge Compatible with Utile and tile shower walls | \$ 152 |

STANDARD



| Code | Description | H | L Adjustable | F | Door Opening | Wall Adjustment |
|--------|--------------------------------------|---------|---------------|---------|-------------------|-----------------|
| 138460 | Vela 78 3/4" x 47" without towel bar | 78 3/4" | 44 1/2" - 47" | 22 1/2" | 16 1/4" - 18 3/4" | 1" |
| 138465 | Vela 78 3/4" x 47" with towel bar | 78 3/4" | 44 1/2" - 47" | 22 1/2" | 16 1/4" - 18 3/4" | 1" |
| 138470 | Vela 78 3/4" x 59" without towel bar | 78 3/4" | 56 1/2" - 59" | 28 5/8" | 22 1/8" - 24 5/8" | 1" |
| 138475 | Vela 78 3/4" x 59" with towel bar | 78 3/4" | 56 1/2" - 59" | 28 5/8" | 22 1/8" - 24 5/8" | 1" |
| 138480 | Vela 59" x 59" without towel bar | 59" | 56 1/2" - 59" | 28 5/8" | 22 1/8" - 24 5/8" | 1" |
| 138485 | Vela 59" x 59" with towel bar | 59" | 56 1/2" - 59" | 28 5/8" | 22 1/8" - 24 5/8" | 1" |

All dimensions are approximate. Structure measurements must be verified against the unit to ensure proper fit.



Halo Tub Door

TUB DOORS - SLIDING



Material : Tempered Glass

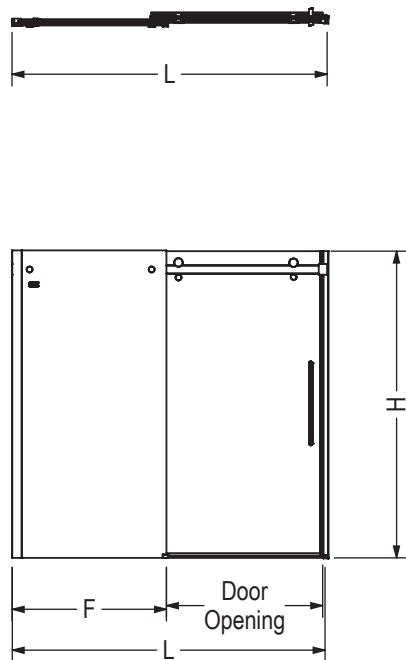
Features

- › 8 mm tempered glass panels
- › Available in 4 finishes: Chrome, Brushed Nickel, Dark Bronze, Matte Black
- › Compatible with MAAX's Utile tub wall system, allowing for a seamless and coordinated installation with the shower door, creating a cohesive and stylish bathroom design
- › Sliding door configuration features one sliding glass panel and one stationary panel
- › Ball bearing roller technology along a friction-free stainless steel rail system for a smooth and quiet opening
- › The frameless design brings a sense of spaciousness to the room and creates a sleek, minimalist look.
- › Glass panels come with the Lotus Easy Clean Glass Protection to repel soap and water stains for carefree maintenance
- › Compatible with MAAX's Utile tub wall system, allowing for a seamless and coordinated installation with the shower door, creating a cohesive and stylish bathroom design
- › Warranty: 10 years

HALO 56 1/2-59 X 59 - 8MM - 139398

| SKU | Color | Door Opening | Dimensions & Weight | Packaging | MSRP |
|--------------------|------------------------|--------------|--------------------------------------|---------------------|---------|
| 139398-900-084-000 | Clear / Chrome | Lateral | 56 1/2" - 59" x 59" / 131 lb / 59 kg | 7.7 ft ³ | \$ 1367 |
| 139398-900-173-000 | Clear / Dark Bronze | Reversible | 56 1/2" - 59" x 59" / 108 lb / 49 kg | | \$ 1473 |
| 139398-900-305-000 | Clear / Brushed Nickel | | | | \$ 1438 |
| 139398-900-340-000 | Clear / Matte Black | Lateral | 56 1/2" - 59" x 59" / 118 lb / 54 kg | | \$ 1473 |

STANDARD



| Code | Description | H | L Adjustable | F | Door Opening | Wall Adjustment |
|--------|------------------------|-----|-----------------|---------|-----------------|--------------------|
| 139398 | Halo TUBDOOR 59" x 59" | 59" | 56 1/2" - 59" | 28 5/8" | 24 1/2" | 1" |

All dimensions are approximate. Structure measurements must be verified against the unit to ensure proper fit.



Luminescence Tub Door

TUB DOORS - SLIDING



Material : Tempered Glass

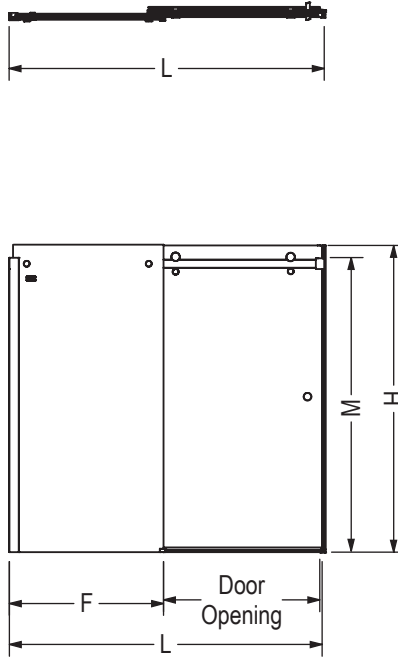
Features

- › Fits showers with 55 1/2 -inch wall clearance, glass extends to 57 1/2 -inch
- › Ball bearing roller system, for a quiet and gentle close
- › Door is reversible, provides a right or left opening for ease of installation

LUMINESCENCE SLIDINGDOOR 56 1/2-59 X 55 1/2-57 1/2 - 6MM - 138994

| SKU | Color | Door Opening | Dimensions & Weight | Packaging | MSRP |
|--------------------|------------------------|--------------|---|-----------|---------|
| 138994-900-084-000 | Clear / Chrome | Reversible | 56 1/2" - 59" x 55 1/2" / 86 lb / 39 kg | 4.02 ft³ | \$ 1106 |
| 138994-900-305-000 | Clear / Brushed Nickel | | | | \$ 1177 |

STANDARD



| Code | Description | H | M | L Adjustable | F | Door Opening | Wall Adjustment |
|--------|---------------------------------------|---------|---------|-----------------|---------|-----------------|--------------------|
| 138994 | Luminescence 56 1/2"-59" x 55 1/2" | 57 1/2" | 55 1/2" | 56 1/2" - 59" | 28 5/8" | 24 1/2" | 1" |

All dimensions are approximate. Structure measurements must be verified against the unit to ensure proper fit.

Tub Showers



6032STT—Edge Duo Shield

Allia TS-6032 (1-piece)



Material : Acrylic
 Min: 38 Gal / 144 L
 Max: 49 Gal / 185 L

Features

- › 1 or 2-Piece tub shower
- › Wide 3-level corner shelves
- › Standard 12 inch color-coordinated grab bar
- › Comes with an access panel when equipped with a system
- › Optional grab bars available
- › Unique feature: 3 inch Above-the-Floor Rough ³⁸
- › Right or left-hand drain
- › Available in White only

TUB SHOWERS - ACRYLIC

ALLIA TS-6032 (1 PIECE) - 107001

| SKU | System | Color | Configuration | Dimensions & Weight | Packaging | MSRP |
|------------------|--|-------|---------------|----------------------------------|---------------------|---------|
| 107001-L-000-001 | Soaker - No System | White | Left | 60" x 32" x 79" / 155 lb / 70 kg | 101 ft ³ | \$ 2027 |
| 107001-L-003-001 | Whirlpool ^{1 4} | | | | | \$ 3375 |
| 107001-L-097-001 | Combined Whirlpool & Aeroeffect ^{1 3} | | | | | \$ 5273 |
| 107001-L-103-001 | Aeroeffect ^{1 2 5} | | | | | \$ 4288 |
| 107001-R-000-001 | Soaker - No System | | Right | | | \$ 2027 |
| 107001-R-003-001 | Whirlpool ^{1 4} | | | | | \$ 3375 |
| 107001-R-097-001 | Combined Whirlpool & Aeroeffect ^{1 3} | | | | | \$ 5273 |
| 107001-R-103-001 | Aeroeffect ^{1 2 5} | | | | | \$ 4288 |

ALLIA TS-6032 (2-PIECE) - 107001S

| SKU | System | Color | Configuration | Dimensions & Weight | Packaging | MSRP |
|-------------------|--|-------|---------------|----------------------------------|---------------------|---------|
| 107001-SL-000-001 | Soaker - No System | White | Left | 60" x 33" x 79" / 155 lb / 70 kg | 101 ft ³ | \$ 2637 |
| 107001-SL-003-001 | Whirlpool ^{1 4} | | | | | \$ 3985 |
| 107001-SL-097-001 | Combined Whirlpool & Aeroeffect ^{1 3} | | | | | \$ 5883 |
| 107001-SL-103-001 | Aeroeffect ^{1 2 5} | | | | | \$ 4898 |
| 107001-SR-000-001 | Soaker - No System | | Right | | | \$ 2637 |
| 107001-SR-003-001 | Whirlpool ^{1 4} | | | | | \$ 3985 |
| 107001-SR-097-001 | Combined Whirlpool & Aeroeffect ^{1 3} | | | | | \$ 5883 |
| 107001-SR-103-001 | Aeroeffect ^{1 2 5} | | | | | \$ 4898 |

COMMON OPTIONS

| SKU | Description | MSRP |
|----------------|--|---------|
| OPT20203-B-002 | 18 in. Modern straight grab bar ⁶ | \$ 259 |
| OPT20203-B-105 | OPT 20203-B-XXX Horizontal grab bar on back wall | \$ 259 |
| OPT20203-B-084 | Available colors: White (002), Chrome (084) and Brushed Nickel (105) | \$ 259 |
| OPT20203-L-105 | 18 in. Modern straight grab bar ⁶⁰ | \$ 259 |
| OPT20203-L-002 | OPT 20203-L-XXX Vertical grab bar on left wall | \$ 259 |
| OPT20203-L-084 | Available colors: White (002), Chrome (084) and Brushed Nickel (105) | \$ 259 |
| OPT20203-R-084 | 18 in. Modern straight grab bar ⁶⁰ | \$ 259 |
| OPT20203-R-002 | OPT 20203-R-XXX Vertical grab bar on right wall | \$ 259 |
| OPT20203-R-105 | Available colors: White (002), Chrome (084) and Brushed Nickel (105) | \$ 259 |
| OPT20204-B-002 | 24 in. Modern straight grab bar ⁶ | \$ 277 |
| OPT20204-B-084 | OPT 20204-B-XXX Horizontal grab bar on back wall | \$ 277 |
| OPT20204-B-105 | Available colors: White (002), Chrome (084) and Brushed Nickel (105) | \$ 277 |
| OPT20204-L-084 | 24 in. Modern straight grab bar ⁶ | \$ 277 |
| OPT20204-L-105 | OPT 20204-L-XXX Vertical grab bar on left wall | \$ 277 |
| OPT20204-L-002 | Available colors: White (002), Chrome (084) and Brushed Nickel (105) | \$ 277 |
| OPT20204-R-002 | 24 in. Modern straight grab bar ⁶⁰ | \$ 277 |
| OPT20204-R-084 | OPT 20204-R-XXX Vertical grab bar on right wall | \$ 277 |
| OPT20204-R-105 | Available colors: White (002), Chrome (084) and Brushed Nickel (105) | \$ 277 |
| OPT20212-B | Wall reinforcement (one wall) for future grab bar installation ⁹ OPT20212-B Reinforcement on back wall | \$ 111 |
| OPT20212-L | Wall reinforcement (one wall) for future grab bar installation ⁶¹ OPT 20212-L Reinforcement on left wall | \$ 111 |
| OPT20212-R | Wall reinforcement (one wall) for future grab bar installation ⁹ OPT 20212-R Reinforcement on right wall | \$ 111 |
| OPT20216-B-002 | 30 in. Modern straight grab bar ⁶⁰ | \$ 290 |
| OPT20216-B-105 | OPT 20216-HB-XXX Horizontal grab bar on back wall | \$ 290 |
| OPT20216-B-084 | Available colors: White (002), Chrome (084) and Brushed Nickel (105) | \$ 290 |
| OPT20216-L-002 | 30 in. Modern straight grab bar ³⁰ | \$ 290 |
| OPT20216-L-105 | OPT 20216-L-XXX Vertical grab bar on left wall | \$ 290 |
| OPT20216-L-084 | Available colors: White (002), Chrome (084) and Brushed Nickel (105) | \$ 290 |
| OPT20216-R-002 | 30 in. Modern straight grab bar ³⁰ | \$ 290 |
| OPT20216-R-105 | OPT 20216-R-XXX Vertical grab bar on right wall | \$ 290 |
| OPT20216-R-084 | Available colors: White (002), Chrome (084) and Brushed Nickel (105) | \$ 290 |
| OPT20219-L-084 | Pivot grab bar (back wall) ³⁰³² OPT 20219-L-XXX Left-hand pivot grab bar on back wall Available colors: Chrome (084) | \$ 1766 |
| OPT20219-R-084 | Pivot grab bar (back wall) ³⁰³² OPT 20219-R-XXX Right-hand pivot grab bar on back wall Available colors: Chrome (084) | \$ 1766 |
| OPT20400-L-084 | Package A ³⁰ OPT 20400-L-XXX Vertical grab bar on left wall, horizontal grab bar on back wall Package includes : • 24 in. Vertical grab bar on side wall • 30 in. Horizontal grab bar on back wall Available colors: White (002), Chrome (084) and Brushed Nickel (105) | \$ 380 |

COMMON OPTIONS

| SKU | Description | MSRP |
|----------------|--|---------|
| OPT20400-L-105 | Package A ³⁰ OPT 20400-L-XXX Vertical grab bar on left wall, horizontal grab bar on back wall | \$ 380 |
| OPT20400-L-002 | Package includes : • 24 in. Vertical grab bar on side wall • 30 in. Horizontal grab bar on back wall Available colors: White (002), Chrome (084) and Brushed Nickel (105) | \$ 380 |
| OPT20400-R-002 | Package A ³⁰ OPT 20400-R-XXX Vertical grab bar on right wall, horizontal grab bar on back wall | \$ 380 |
| OPT20400-R-084 | Package includes : • 24 in. Vertical grab bar on side wall | \$ 380 |
| OPT20400-R-105 | • 30 in. Horizontal grab bar on back wall Available colors: White (002), Chrome (084) and Brushed Nickel (105) | \$ 380 |
| OPT20401-L-084 | Package B ^{30, 31} OPT 20401-L-XXX Vertical grab bar on left wall, left-hand curved grab bar on back wall | \$ 527 |
| OPT20401-L-105 | Package includes : • 24 in. Vertical grab bar on side wall | \$ 527 |
| OPT20401-L-002 | • 32 in. Horizontal grab bar on back wall Available colors: White (002), Chrome (084) and Brushed Nickel (105) | \$ 527 |
| OPT20401-R-084 | Package B ^{30, 31} OPT 20401-R-XXX Vertical grab bar on right wall, right-hand curved grab bar on back wall | \$ 527 |
| OPT20401-R-105 | Package includes : • 24 in. Vertical grab bar on side wall | \$ 527 |
| OPT20401-R-002 | • 32 in. Horizontal grab bar on back wall Available colors: White (002), Chrome (084) and Brushed Nickel (105) | \$ 527 |
| OPT20402-L-084 | Package C ^{30, 32} OPT 20402-L-XXX 2 x Vertical grab bars on side walls, left-hand pivot grab bar on back wall | \$ 1905 |
| OPT20402-L-002 | Package includes : • 2 x 24 in. Vertical grab bar on side walls • Pivot grab bar on back wall Available colors: Chrome (084) and Brushed Nickel (105) | \$ 1905 |
| OPT20402-R-084 | Package C ^{30, 32} OPT 20402-R-XXX 2 x Vertical grab bars on side walls, right-hand pivot grab bar on back wall | \$ 1905 |
| OPT20402-R-002 | Package includes : • 2 x 24 in. Vertical grab bar on side walls • Pivot grab bar on back wall Available colors: Chrome (084) and Brushed Nickel (105) | \$ 1905 |
| OPT20217-L-105 | 32 in. Curved grab bar (back wall) ³⁰³¹ | \$ 469 |
| OPT20217-L-002 | OPT 20217-L-XXX Left-hand curved grab bar on back wall | \$ 469 |
| OPT20217-L-084 | Available colors: White (002), Chrome (084) and Brushed Nickel (105) | \$ 469 |
| OPT20217-R-002 | 32 in. Curved grab bar (back wall) ³⁰³¹ | \$ 469 |
| OPT20217-R-105 | OPT 20217-R-XXX Right-hand curved grab bar on back wall | \$ 469 |
| OPT20217-R-084 | Available colors: White (002), Chrome (084) and Brushed Nickel (105) | \$ 469 |
| OPT10053 | One chromatherapy light (factory installed) ⁵⁴ | \$ 641 |
| OPT10095 | Water heater assembly for whirlpool and combined systems (factory installed) | \$ 908 |
| OPT10189 | Three-wall reinforcement for future grab bar installation ³³ | \$ 232 |
| OPT10106-084 | Metal trim kit for whirlpool and combined systems (factory installed) | \$ 568 |
| OPT10106-105 | Available colors: Chrome (084) and Brushed Nickel (105) | \$ 568 |
| OPT20029-105 | Metal trim kit for air push control (factory installed) | \$ 50 |
| OPT20029-084 | Available colors: Chrome (084) and Brushed Nickel (105) | \$ 50 |
| OPT20056-106 | 60 in. curtain rod with installation kit Available color: Stainless Steel (106) | \$ 182 |
| OPT20137-004 | | \$ 238 |
| OPT20137-084 | Cable-operated waste and overflow (16 in. to 22 in.) (included in product packaging when purchased) | \$ 238 |
| OPT20137-105 | Available colors: White (001), Bone (004), Chrome (084) and Brushed Nickel (105) | \$ 238 |
| OPT20137-001 | | \$ 238 |

COMMON OPTIONS

| SKU | Description | MSRP |
|--------------|--|--------|
| OPT20220-002 | | \$ 256 |
| OPT20220-105 | Shelf guard rails (factory installed) Available colors: White (002), Chrome (084), Brushed Nickel (105) | \$ 256 |
| OPT20220-084 | | \$ 256 |

ACCESSORIES

| SKU | Description | MSRP |
|--------------|--|--------|
| 10006923 | Flexible main hose (9 ft. extension) for air push control air massage - Kit (sold separately) | \$ 166 |
| 10004306-001 | White foam cushion with 2 suction pads (sold separately) Available color: White (001) | \$ 120 |
| 10006887-105 | Metal trim kit for Whirlpool and combined systems (sold separately) | \$ 568 |
| 10006887-084 | Available colors: Chrome (084) and Brushed Nickel (105) | \$ 568 |
| 10028765-105 | | \$ 261 |
| 10028765-084 | 24 in. modern straight grab bar ¹³ Specify color: White (002), Chrome (084), Brushed Nickel (105) | \$ 261 |
| 10028765-002 | | \$ 261 |
| 10029248-105 | | \$ 277 |
| 10029248-002 | 30 in. Modern straight grab bar ¹³ Specify color: White (002), Chrome (084), Brushed Nickel (105) | \$ 277 |
| 10029248-084 | | \$ 277 |
| 10029253-002 | | \$ 447 |
| 10029253-084 | 32 in. Left hand curved grab bar ¹³ Left refers to the upper section of the curved bar Specify color: White (002), Chrome (084), Brushed Nickel (105) | \$ 447 |
| 10029253-105 | | \$ 447 |
| 10029254-084 | | \$ 447 |
| 10029254-002 | 32 in. Right hand curved grab bar ¹³ Right refers to the upper section of the curved bar Specify color: White (002), Chrome (084), Brushed Nickel (105) | \$ 447 |
| 10029254-105 | | \$ 447 |
| 10029996-084 | | \$ 261 |
| 10029996-002 | 18 in. modern straight grab bar with flange (front installation) Specify color: White (002), Chrome (084), Brushed Nickel (105) | \$ 261 |
| 10029996-105 | | \$ 261 |
| 10029997-002 | | \$ 277 |
| 10029997-105 | 24 in. modern straight grab bar with flange (front installation) Specify color: White (002), Chrome (084), Brushed Nickel (105) | \$ 277 |
| 10029997-084 | | \$ 277 |
| 10029998-084 | | \$ 293 |
| 10029998-002 | 30 in. modern straight grab bar with flange (front installation) Specify color: White (002), Chrome (084), Brushed Nickel (105) | \$ 293 |
| 10029998-105 | | \$ 293 |
| 10030095-002 | | \$ 464 |
| 10030095-084 | 32 in. curved left-hand grab bar with flange (front installation) Specify color: White (002), Chrome (084), Brushed Nickel (105) | \$ 464 |
| 10030095-105 | | \$ 464 |
| 10030097-084 | | \$ 464 |
| 10030097-002 | 32 in. curved right-hand grab bar with flange (front installation) Specify color: White (002), Chrome (084), Brushed Nickel (105) | \$ 464 |
| 10030097-105 | | \$ 464 |
| 10034250-084 | Metal trim kit for Aeroeffect with Air Push Control (sold separately) Available colors: Chrome (084) and Brushed Nickel (105) | \$ 50 |

ACCESSORIES

| SKU | Description | MSRP |
|--------------|--|--------|
| 10034250-105 | Metal trim kit for Aeroeffect with Air Push Control (sold separately) Available colors: Chrome (084) and Brushed Nickel (105) | \$ 50 |
| 10022491-084 | Cable-operated waste and overflow (16 in. to 22 in.) (sold separately) Available colors: White (001), Bone (004), Chrome (084) and Brushed Nickel (105) | \$ 238 |
| 10022491-004 | | \$ 238 |
| 10022491-105 | | \$ 238 |
| 10022491-001 | | \$ 238 |

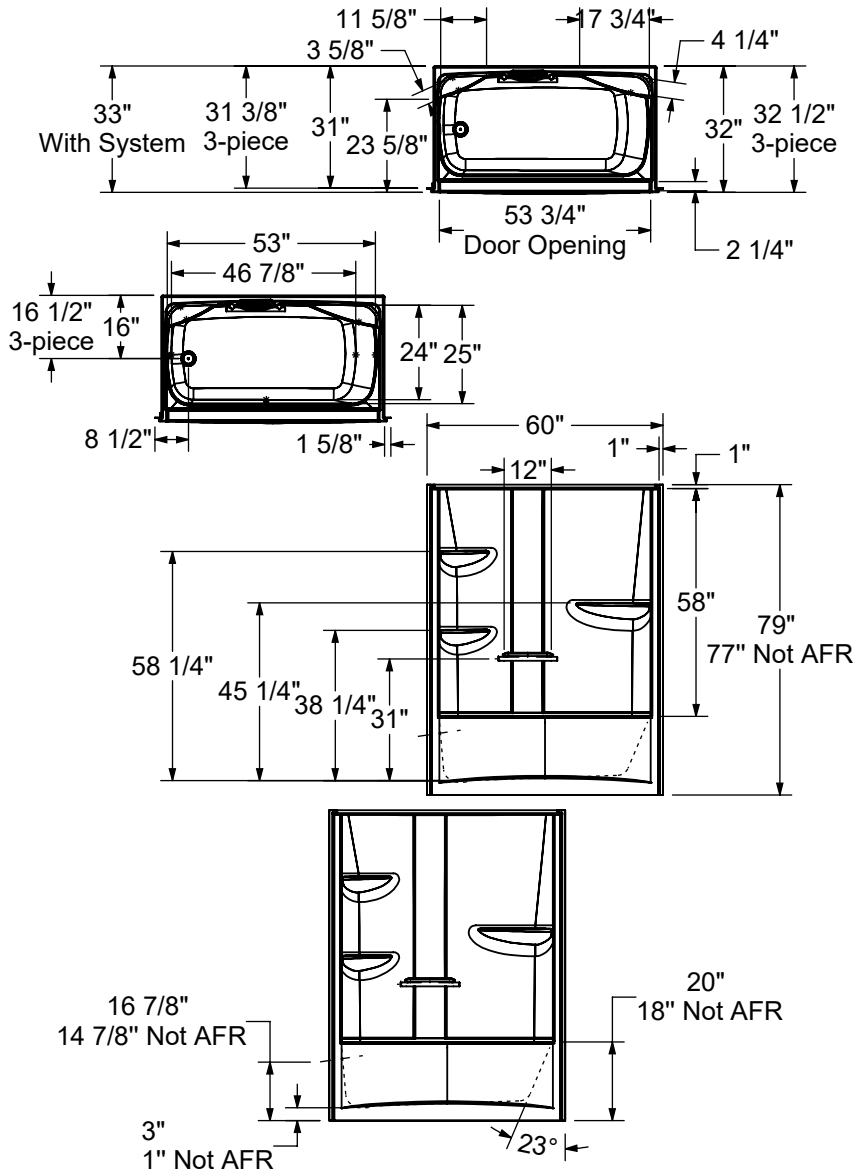
FOOTNOTES

| No | Description |
|----|---|
| 1 | Components for standard colour units equipped with systems are colour-coordinated. Trim kit and/or air push with metallic finish can be added (additional charge applies). For non-standard colour units, please specify trim kit and/or air push colour (additional charge applies for metallic finishes). Please note that the positioning of the system's control could be in conflict with the door if one was installed on the unit. To insure compatibility, please contact customer service. |
| 2 | Please order flexible main hose 10006923 for installation of the blower further than 3 ft from the bathtub. For the Tandem models and the Serenade models (freestanding and drop-in), the blower is always remote and not factory installed so a 9 ft flexible main hose is included. Please note that the positioning of the system's control could be in conflict with the door if one was installed on the unit. To insure compatibility, please contact customer service. |
| 3 | The blower is not factory installed (remote). 9 ft flexible main hose included. Please note that the positioning of the system's control could be in conflict with the door if one was installed on the unit. To insure compatibility, please contact customer service. |
| 4 | For details on pump position and requirements, see technical drawings on https://www.maax.com . When there is a pump position A or B indicated on the technical drawing, please specify position when ordering. |
| 5 | For details on blower position and requirements, see technical drawings on https://www.maax.com . When there is a blower position A or B indicated on the technical drawing, please specify position when ordering. |
| 6 | Specify 3/8 (Lite option) or 2 in. on deck height. If ordering unit with an apron, only 2 in. deck height is available. |
| 9 | 6-Pack bathtubs are only available when units are without systems and in a standard colour. |
| 13 | Two pumps are required with a second Backmax. |
| 28 | Handles for standard colour units are colour-coordinated. Handles with metallic finish can be added (additional charge applies). For non-standard colour units, please specify handle colour (additional charge applies for metallic finishes). |
| 30 | Please see technical drawings on https://www.maax.com for grab bar and/or seat positioning. |
| 31 | Right (R)/Left (L) refers to the upper section of the ergonomic grab bar. |
| 32 | Right/Left refers to the pivot direction of the bar (from closed to open position). |
| 33 | Please see technical drawings on https://www.maax.com for reinforcement positioning and size. |
| 38 | Please specify non-AFR when ordering a non-AFR configuration. |
| 54 | A selection of units come with an access panel by default when equipped with a system. However, if the unit is only equipped with chromatherapy, the access panel will not be provided by default. |
| 60 | Please see technical drawings on www.akerbymaax.com for grab bar positioning. |
| 61 | Please see technical drawings on www.akerbymaax.com for reinforcement positioning and size. |

RECOMMENDED DOORS - VISIT OUR WEBSITE FOR A COMPLETE LIST OF RECOMMENDED DOORS

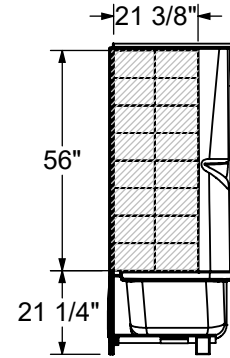
| SKU | Product Name | Pag. |
|--------|-------------------------------------|------|
| 138522 | Incognito 57 51-54 x 56 3/4 in. 8mm | 858 |
| 134560 | Kameleon 51-55 x 57 - 6mm | 852 |
| 134660 | Kameleon SC 51-55 x 57 - 6mm | 841 |

STANDARD
(Left shown)
1-PIECE MODEL SHOWN

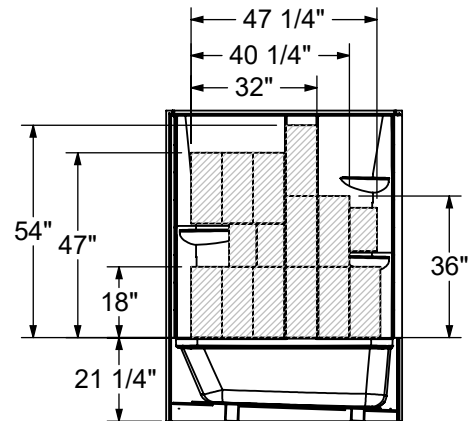


All dimensions are approximate. Structure measurements must be verified against the unit to ensure proper fit.

OPTIONAL REINFORCEMENT
(Left shown)



OPTIONAL REINFORCEMENT
(Back Wall)



Allia TSR-6032 (1-piece)



Material : Acrylic
 Min: 38 Gal / 144 L
 Max: 49 Gal / 185 L

Features

- › 1-piece tub shower with integrated roofcap
- › Wide 3-level corner shelves
- › Standard : 12 in. white grab bar
- › Optional grab bars available
- › Unique feature: 3 in. Above-the-Floor Rough ³⁸
- › Right or left-hand drain
- › All grab bars and seat can support up to 300 lbs
- › Available in White (001) only

TUB SHOWERS - ACRYLIC

ALLIA TSR-6032 (1 PIECE) - 107000

| SKU | System | Color | Configuration | Dimensions & Weight | Packaging | MSRP |
|------------------|--|-------|---------------|----------------------------------|---------------------|---------|
| 107000-L-000-001 | Soaker - No System | White | Left | 60" x 32" x 88" / 173 lb / 78 kg | 111 ft ³ | \$ 2300 |
| 107000-L-003-001 | Whirlpool ^{1 4} | | | | | \$ 3648 |
| 107000-L-097-001 | Combined Whirlpool & Aeroeffect ^{1 3} | | | | | \$ 5546 |
| 107000-L-103-001 | Aeroeffect ^{1 2 5} | | | | | \$ 4561 |
| 107000-R-000-001 | Soaker - No System | | Right | | | \$ 2300 |
| 107000-R-003-001 | Whirlpool ^{1 4} | | | | | \$ 3648 |
| 107000-R-097-001 | Combined Whirlpool & Aeroeffect ^{1 3} | | | | | \$ 5546 |
| 107000-R-103-001 | Aeroeffect ^{1 2 5} | | | | | \$ 4561 |

ALLIA TSR-6032 (3-PIECE) - 107000S

| SKU | System | Color | Configuration | Dimensions & Weight | Packaging | MSRP |
|-------------------|--|-------|---------------|--------------------------------------|---------------------|---------|
| 107000-SL-000-001 | Soaker - No System | White | Left | 60" x 32 1/2" x 88" / 173 lb / 78 kg | 111 ft ³ | \$ 2705 |
| 107000-SL-003-001 | Whirlpool ^{1 4} | | | | | \$ 4053 |
| 107000-SL-097-001 | Combined Whirlpool & Aeroeffect ^{1 3} | | | | | \$ 5951 |
| 107000-SL-103-001 | Aeroeffect ^{1 2 5} | | | | | \$ 4966 |
| 107000-SR-000-001 | Soaker - No System | | Right | | | \$ 2705 |
| 107000-SR-003-001 | Whirlpool ^{1 4} | | | | | \$ 4053 |
| 107000-SR-097-001 | Combined Whirlpool & Aeroeffect ^{1 3} | | | | | \$ 5951 |
| 107000-SR-103-001 | Aeroeffect ^{1 2 5} | | | | | \$ 4966 |

COMMON OPTIONS

| SKU | Description | MSRP |
|----------------|--|---------|
| OPT20203-B-002 | 18 in. Modern straight grab bar ⁶ | \$ 259 |
| OPT20203-B-105 | OPT 20203-B-XXX Horizontal grab bar on back wall | \$ 259 |
| OPT20203-B-084 | Available colors: White (002), Chrome (084) and Brushed Nickel (105) | \$ 259 |
| OPT20203-L-105 | 18 in. Modern straight grab bar ⁶⁰ | \$ 259 |
| OPT20203-L-002 | OPT 20203-L-XXX Vertical grab bar on left wall | \$ 259 |
| OPT20203-L-084 | Available colors: White (002), Chrome (084) and Brushed Nickel (105) | \$ 259 |
| OPT20203-R-084 | 18 in. Modern straight grab bar ⁶⁰ | \$ 259 |
| OPT20203-R-002 | OPT 20203-R-XXX Vertical grab bar on right wall | \$ 259 |
| OPT20203-R-105 | Available colors: White (002), Chrome (084) and Brushed Nickel (105) | \$ 259 |
| OPT20204-B-002 | 24 in. Modern straight grab bar ⁶ | \$ 277 |
| OPT20204-B-084 | OPT 20204-B-XXX Horizontal grab bar on back wall | \$ 277 |
| OPT20204-B-105 | Available colors: White (002), Chrome (084) and Brushed Nickel (105) | \$ 277 |
| OPT20204-L-084 | 24 in. Modern straight grab bar ⁶ | \$ 277 |
| OPT20204-L-105 | OPT 20204-L-XXX Vertical grab bar on left wall | \$ 277 |
| OPT20204-L-002 | Available colors: White (002), Chrome (084) and Brushed Nickel (105) | \$ 277 |
| OPT20204-R-002 | 24 in. Modern straight grab bar ⁶⁰ | \$ 277 |
| OPT20204-R-084 | OPT 20204-R-XXX Vertical grab bar on right wall | \$ 277 |
| OPT20204-R-105 | Available colors: White (002), Chrome (084) and Brushed Nickel (105) | \$ 277 |
| OPT20212-B | Wall reinforcement (one wall) for future grab bar installation ⁹ OPT20212-B Reinforcement on back wall | \$ 111 |
| OPT20212-L | Wall reinforcement (one wall) for future grab bar installation ⁶¹ OPT 20212-L Reinforcement on left wall | \$ 111 |
| OPT20212-R | Wall reinforcement (one wall) for future grab bar installation ⁹ OPT 20212-R Reinforcement on right wall | \$ 111 |
| OPT20216-B-002 | 30 in. Modern straight grab bar ⁶⁰ | \$ 290 |
| OPT20216-B-105 | OPT 20216-HB-XXX Horizontal grab bar on back wall | \$ 290 |
| OPT20216-B-084 | Available colors: White (002), Chrome (084) and Brushed Nickel (105) | \$ 290 |
| OPT20216-L-002 | 30 in. Modern straight grab bar ³⁰ | \$ 290 |
| OPT20216-L-105 | OPT 20216-L-XXX Vertical grab bar on left wall | \$ 290 |
| OPT20216-L-084 | Available colors: White (002), Chrome (084) and Brushed Nickel (105) | \$ 290 |
| OPT20216-R-002 | 30 in. Modern straight grab bar ³⁰ | \$ 290 |
| OPT20216-R-105 | OPT 20216-R-XXX Vertical grab bar on right wall | \$ 290 |
| OPT20216-R-084 | Available colors: White (002), Chrome (084) and Brushed Nickel (105) | \$ 290 |
| OPT20219-L-084 | Pivot grab bar (back wall) ³⁰³² OPT 20219-L-XXX Left-hand pivot grab bar on back wall Available colors: Chrome (084) | \$ 1766 |
| OPT20219-R-084 | Pivot grab bar (back wall) ³⁰³² OPT 20219-R-XXX Right-hand pivot grab bar on back wall Available colors: Chrome (084) | \$ 1766 |
| OPT20400-L-084 | Package A ³⁰ OPT 20400-L-XXX Vertical grab bar on left wall, horizontal grab bar on back wall Package includes : • 24 in. Vertical grab bar on side wall • 30 in. Horizontal grab bar on back wall Available colors: White (002), Chrome (084) and Brushed Nickel (105) | \$ 380 |

COMMON OPTIONS

| SKU | Description | MSRP |
|----------------|--|---------|
| OPT20400-L-105 | Package A ³⁰ OPT 20400-L-XXX Vertical grab bar on left wall, horizontal grab bar on back wall | \$ 380 |
| OPT20400-L-002 | Package includes : • 24 in. Vertical grab bar on side wall • 30 in. Horizontal grab bar on back wall Available colors: White (002), Chrome (084) and Brushed Nickel (105) | \$ 380 |
| OPT20400-R-002 | Package A ³⁰ OPT 20400-R-XXX Vertical grab bar on right wall, horizontal grab bar on back wall | \$ 380 |
| OPT20400-R-084 | Package includes : • 24 in. Vertical grab bar on side wall | \$ 380 |
| OPT20400-R-105 | • 30 in. Horizontal grab bar on back wall Available colors: White (002), Chrome (084) and Brushed Nickel (105) | \$ 380 |
| OPT20401-L-084 | Package B ^{30, 31} OPT 20401-L-XXX Vertical grab bar on left wall, left-hand curved grab bar on back wall | \$ 527 |
| OPT20401-L-105 | Package includes : • 24 in. Vertical grab bar on side wall | \$ 527 |
| OPT20401-L-002 | • 32 in. Horizontal grab bar on back wall Available colors: White (002), Chrome (084) and Brushed Nickel (105) | \$ 527 |
| OPT20401-R-084 | Package B ^{30, 31} OPT 20401-R-XXX Vertical grab bar on right wall, right-hand curved grab bar on back wall | \$ 527 |
| OPT20401-R-105 | Package includes : • 24 in. Vertical grab bar on side wall | \$ 527 |
| OPT20401-R-002 | • 32 in. Horizontal grab bar on back wall Available colors: White (002), Chrome (084) and Brushed Nickel (105) | \$ 527 |
| OPT20402-L-084 | Package C ^{30, 32} OPT 20402-L-XXX 2 x Vertical grab bars on side walls, left-hand pivot grab bar on back wall | \$ 1905 |
| OPT20402-L-002 | Package includes : • 2 x 24 in. Vertical grab bar on side walls • Pivot grab bar on back wall Available colors: Chrome (084) and Brushed Nickel (105) | \$ 1905 |
| OPT20402-R-084 | Package C ^{30, 32} OPT 20402-R-XXX 2 x Vertical grab bars on side walls, right-hand pivot grab bar on back wall | \$ 1905 |
| OPT20402-R-002 | Package includes : • 2 x 24 in. Vertical grab bar on side walls • Pivot grab bar on back wall Available colors: Chrome (084) and Brushed Nickel (105) | \$ 1905 |
| OPT20217-L-105 | 32 in. Curved grab bar (back wall) ³⁰³¹ | \$ 469 |
| OPT20217-L-002 | OPT 20217-L-XXX Left-hand curved grab bar on back wall | \$ 469 |
| OPT20217-L-084 | Available colors: White (002), Chrome (084) and Brushed Nickel (105) | \$ 469 |
| OPT20217-R-002 | 32 in. Curved grab bar (back wall) ³⁰³¹ | \$ 469 |
| OPT20217-R-105 | OPT 20217-R-XXX Right-hand curved grab bar on back wall | \$ 469 |
| OPT20217-R-084 | Available colors: White (002), Chrome (084) and Brushed Nickel (105) | \$ 469 |
| OPT10053 | One chromatherapy light (factory installed) ⁵⁴ | \$ 641 |
| OPT10095 | Water heater assembly for whirlpool and combined systems (factory installed) | \$ 908 |
| OPT10189 | Three-wall reinforcement for future grab bar installation ³³ | \$ 232 |
| OPT10106-084 | Metal trim kit for whirlpool and combined systems (factory installed) | \$ 568 |
| OPT10106-105 | Available colors: Chrome (084) and Brushed Nickel (105) | \$ 568 |
| OPT20029-105 | Metal trim kit for air push control (factory installed) | \$ 50 |
| OPT20029-084 | Available colors: Chrome (084) and Brushed Nickel (105) | \$ 50 |
| OPT20056-106 | 60 in. curtain rod with installation kit Available color: Stainless Steel (106) | \$ 182 |
| OPT20137-004 | | \$ 238 |
| OPT20137-084 | Cable-operated waste and overflow (16 in. to 22 in.) (included in product packaging when purchased) | \$ 238 |
| OPT20137-105 | Available colors: White (001), Bone (004), Chrome (084) and Brushed Nickel (105) | \$ 238 |
| OPT20137-001 | | \$ 238 |

COMMON OPTIONS

| SKU | Description | MSRP |
|--------------|--|--------|
| OPT20220-002 | Shelf guard rails (factory installed) Available colors: White (002), Chrome (084), Brushed Nickel (105) | \$ 256 |
| OPT20220-105 | | \$ 256 |
| OPT20220-084 | | \$ 256 |

ACCESSORIES

| SKU | Description | MSRP |
|--------------|--|--------|
| 10006923 | Flexible main hose (9 ft. extension) for air push control air massage - Kit (sold separately) | \$ 166 |
| 10004306-001 | White foam cushion with 2 suction pads (sold separately) Available color: White (001) | \$ 120 |
| 10006887-105 | Metal trim kit for Whirlpool and combined systems (sold separately) Available colors: Chrome (084) and Brushed Nickel (105) | \$ 568 |
| 10006887-084 | | \$ 568 |
| 10028765-105 | 24 in. modern straight grab bar ¹³ Specify color: White (002), Chrome (084), Brushed Nickel (105) | \$ 261 |
| 10028765-084 | | \$ 261 |
| 10028765-002 | | \$ 261 |
| 10029248-105 | 30 in. Modern straight grab bar ¹³ Specify color: White (002), Chrome (084), Brushed Nickel (105) | \$ 277 |
| 10029248-002 | | \$ 277 |
| 10029248-084 | | \$ 277 |
| 10029253-002 | 32 in. Left hand curved grab bar ¹³ Left refers to the upper section of the curved bar Specify color: White (002), Chrome (084), Brushed Nickel (105) | \$ 447 |
| 10029253-084 | | \$ 447 |
| 10029253-105 | | \$ 447 |
| 10029254-084 | 32 in. Right hand curved grab bar ¹³ Right refers to the upper section of the curved bar Specify color: White (002), Chrome (084), Brushed Nickel (105) | \$ 447 |
| 10029254-002 | | \$ 447 |
| 10029254-105 | | \$ 447 |
| 10029996-084 | 18 in. modern straight grab bar with flange (front installation) Specify color: White (002), Chrome (084), Brushed Nickel (105) | \$ 261 |
| 10029996-002 | | \$ 261 |
| 10029996-105 | | \$ 261 |
| 10029997-002 | 24 in. modern straight grab bar with flange (front installation) Specify color: White (002), Chrome (084), Brushed Nickel (105) | \$ 277 |
| 10029997-105 | | \$ 277 |
| 10029997-084 | | \$ 277 |
| 10029998-084 | 30 in. modern straight grab bar with flange (front installation) Specify color: White (002), Chrome (084), Brushed Nickel (105) | \$ 293 |
| 10029998-002 | | \$ 293 |
| 10029998-105 | | \$ 293 |
| 10030095-002 | 32 in. curved left-hand grab bar with flange (front installation) Specify color: White (002), Chrome (084), Brushed Nickel (105) | \$ 464 |
| 10030095-084 | | \$ 464 |
| 10030095-105 | | \$ 464 |
| 10030097-084 | 32 in. curved right-hand grab bar with flange (front installation) Specify color: White (002), Chrome (084), Brushed Nickel (105) | \$ 464 |
| 10030097-002 | | \$ 464 |
| 10030097-105 | | \$ 464 |
| 10034250-084 | Metal trim kit for Aeroeffect with Air Push Control (sold separately) Available colors: Chrome (084) and Brushed Nickel (105) | \$ 50 |

ACCESSORIES

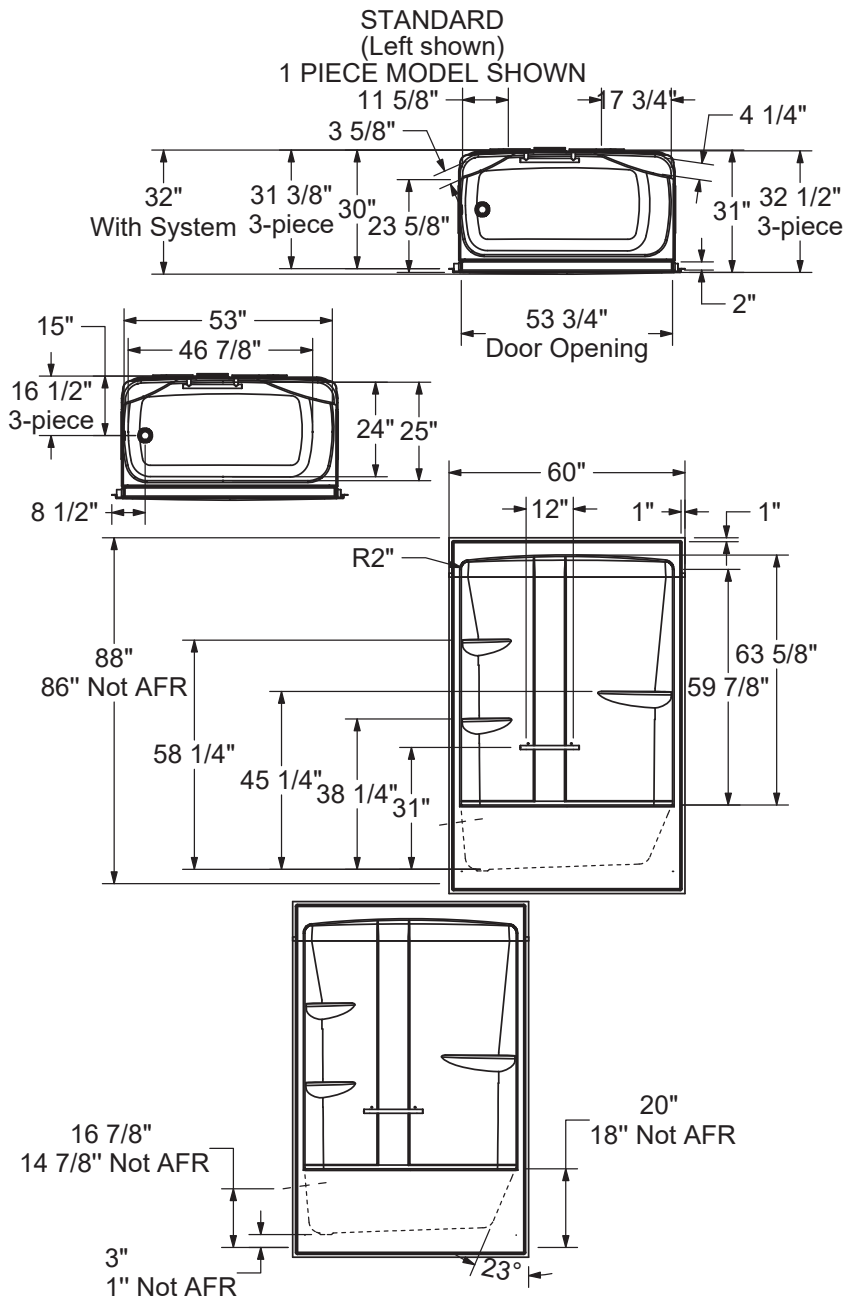
| SKU | Description | MSRP |
|--------------|--|--------|
| 10034250-105 | Metal trim kit for Aeroeffect with Air Push Control (sold separately) Available colors: Chrome (084) and Brushed Nickel (105) | \$ 50 |
| 10022491-084 | Cable-operated waste and overflow (16 in. to 22 in.) (sold separately) Available colors: White (001), Bone (004), Chrome (084) and Brushed Nickel (105) | \$ 238 |
| 10022491-004 | | \$ 238 |
| 10022491-105 | | \$ 238 |
| 10022491-001 | | \$ 238 |

FOOTNOTES

| No | Description |
|----|---|
| 1 | Components for standard colour units equipped with systems are colour-coordinated. Trim kit and/or air push with metallic finish can be added (additional charge applies). For non-standard colour units, please specify trim kit and/or air push colour (additional charge applies for metallic finishes). Please note that the positioning of the system's control could be in conflict with the door if one was installed on the unit. To insure compatibility, please contact customer service. |
| 2 | Please order flexible main hose 10006923 for installation of the blower further than 3 ft from the bathtub. For the Tandem models and the Serenade models (freestanding and drop-in), the blower is always remote and not factory installed so a 9 ft flexible main hose is included. Please note that the positioning of the system's control could be in conflict with the door if one was installed on the unit. To insure compatibility, please contact customer service. |
| 3 | The blower is not factory installed (remote). 9 ft flexible main hose included. Please note that the positioning of the system's control could be in conflict with the door if one was installed on the unit. To insure compatibility, please contact customer service. |
| 4 | For details on pump position and requirements, see technical drawings on https://www.maax.com . When there is a pump position A or B indicated on the technical drawing, please specify position when ordering. |
| 5 | For details on blower position and requirements, see technical drawings on https://www.maax.com . When there is a blower position A or B indicated on the technical drawing, please specify position when ordering. |
| 6 | Specify 3/8 (Lite option) or 2 in. on deck height. If ordering unit with an apron, only 2 in. deck height is available. |
| 9 | 6-Pack bathtubs are only available when units are without systems and in a standard colour. |
| 13 | Two pumps are required with a second Backmax. |
| 30 | Please see technical drawings on https://www.maax.com for grab bar and/or seat positioning. |
| 31 | Right (R)/Left (L) refers to the upper section of the ergonomic grab bar. |
| 32 | Right/Left refers to the pivot direction of the bar (from closed to open position). |
| 33 | Please see technical drawings on https://www.maax.com for reinforcement positioning and size. |
| 38 | Please specify non-AFR when ordering a non-AFR configuration. |
| 54 | A selection of units come with an access panel by default when equipped with a system. However, if the unit is only equipped with chromatherapy, the access panel will not be provided by default. |
| 60 | Please see technical drawings on www.akerbymaax.com for grab bar positioning. |
| 61 | Please see technical drawings on www.akerbymaax.com for reinforcement positioning and size. |

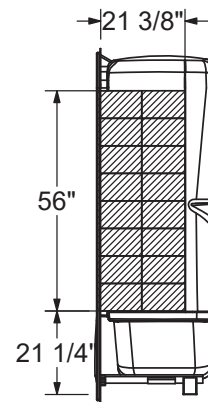
RECOMMENDED DOORS - VISIT OUR WEBSITE FOR A COMPLETE LIST OF RECOMMENDED DOORS

| SKU | Product Name | Pag. |
|--------|-------------------------------------|------|
| 138522 | Incognito 57 51-54 x 56 3/4 in. 8mm | 858 |
| 134560 | Kameleon 51-55 x 57 - 6mm | 852 |
| 134660 | Kameleon SC 51-55 x 57 - 6mm | 841 |

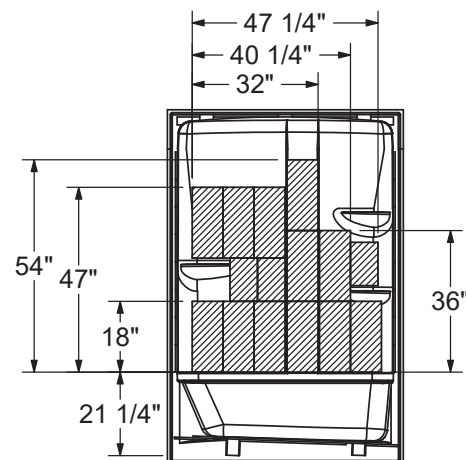


All dimensions are approximate. Structure measurements must be verified against the unit to ensure proper fit.

OPTIONAL REINFORCEMENT (Left shown)



OPTIONAL REINFORCEMENT (Back Wall)



CAE206S



Material : Acrylic
Features

- > Right- or left-hand drain
- > Large shelving
- > 17 in. skirt height
- > 2 3/4 in. drain clearance

TUB SHOWERS - ACRYLIC

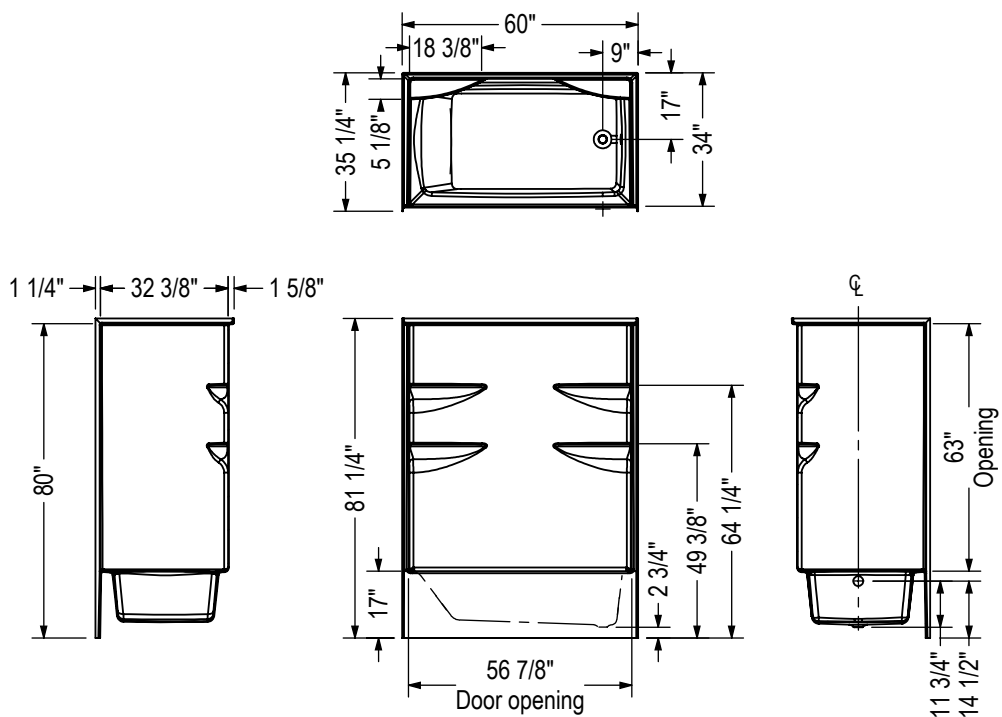
CAE260S - 103678

| SKU | System | Color | Configuration | Dimensions & Weight | Packaging | MSRP |
|--------------------|--------------------|-------|---------------|--|---------------------|---------|
| 103678-000-001-001 | Soaker - No System | White | Left | 60" x 35 1/4" x 81 1/4" / 161 lb / 73 kg | 161 ft ³ | \$ 1719 |
| 103678-000-001-002 | | | Right | | | \$ 1719 |

RECOMMENDED DOORS - VISIT OUR WEBSITE FOR A COMPLETE LIST OF RECOMMENDED DOORS

| SKU | Product Name | Pag. |
|--------|---|------|
| 139398 | Halo 56 1/2-59 x 59 - 8mm | 878 |
| 139351 | Incognito 57 56-59 x 56 3/4 - 6mm | 856 |
| 139354 | Incognito 57 56-59 x 56 3/4 - 8mm | 860 |
| 135330 | Incognito 57 Shaker 56-59 x 56 3/4 - 8mm | 854 |
| 135695 | Revelation Square 56-59 x 56 3/4-59 1/4 - 8mm | 870 |
| 135692 | Revelation Square 56-59 x 56 3/4-58 1/4 - 6mm | 868 |
| 136692 | Revelation Round 56-59 x 56 3/4-59 1/4 - 6mm | 864 |
| 136695 | Revelation Round 56-59 x 56 3/4-59 1/4 - 8 mm | 866 |
| 135320 | Uptown 56-59 x 58 in. 8 mm | 872 |
| 138485 | Vela 56 1/2-59 x 59 - 8mm | 876 |
| 138480 | | 874 |
| 134661 | Kameleon SC 55-59 x 57 - 6mm | 843 |
| 134573 | Kameleon 55-59 x 57 - 8mm | 846 |
| 134670 | Kameleon SC 55-59 x 57 - 8mm | 838 |
| 134561 | Kameleon 55-59 x 57 - 6mm | 849 |

STANDARD



All dimensions are approximate. Structure measurements must be verified against the unit to ensure proper fit.



M260



Material : Acrylic

Features

- › Right- or left-hand drain
- › Large shelving
- › Arm rests
- › Roof cap
- › 17 in. skirt height

TUB SHOWERS - ACRYLIC

M260 - 103679

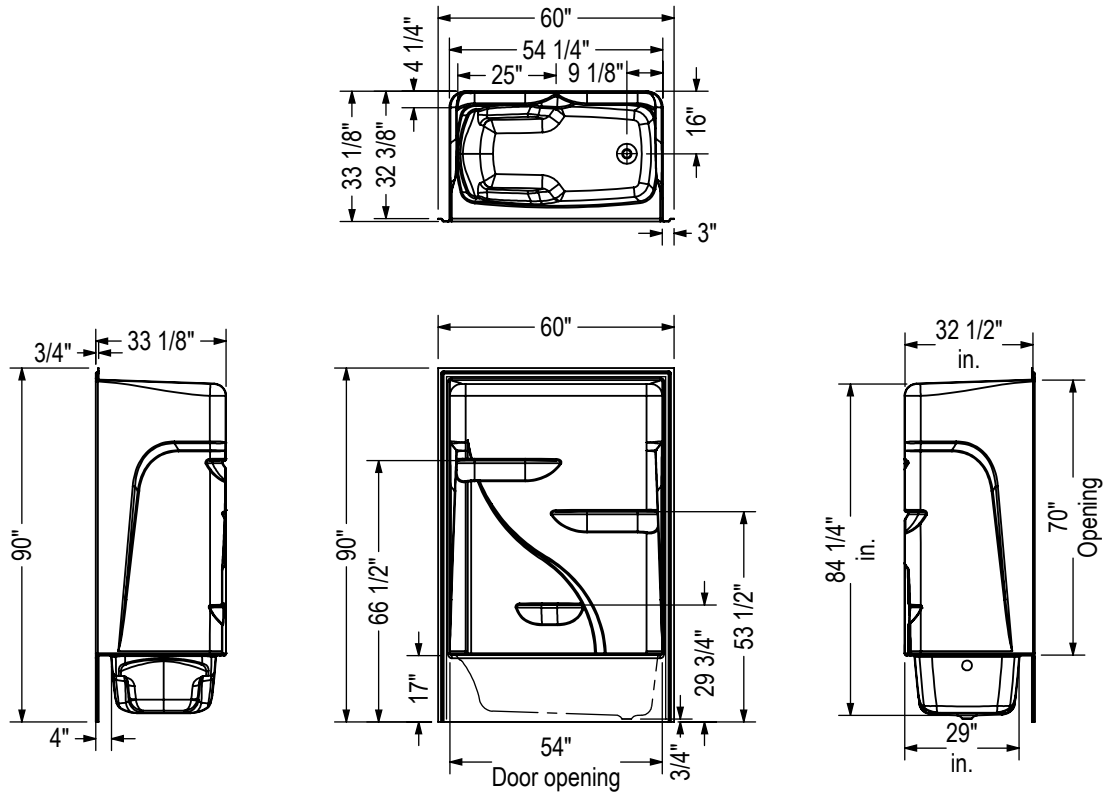
| SKU | System | Color | Configuration | Dimensions & Weight | Packaging | MSRP |
|--------------------|--------------------|-------|---------------|-------------------------------------|---------------------|---------|
| 103679-000-001-001 | Soaker - No System | White | Left | 60" x 34" x 90" / 175 lb / 79 kg | 175 ft ³ | \$ 2113 |
| 103679-000-001-002 | | | Right | | | \$ 2113 |

RECOMMENDED DOORS - VISIT OUR WEBSITE FOR A COMPLETE LIST OF RECOMMENDED DOORS

| SKU | Product Name | Pag. |
|--------|-------------------------------------|------|
| 138522 | Incognito 57 51-54 x 56 3/4 in. 8mm | 858 |
| 134560 | Kameleon 51-55 x 57 - 6mm | 852 |
| 134660 | Kameleon SC 51-55 x 57 - 6mm | 841 |
| 105410 | Polar 54-59 1/2 x 57 in. | 862 |

STANDARD

TUB SHOWERS - ACRYLIC



All dimensions are approximate. Structure measurements must be verified against the unit to ensure proper fit.

Walls



Denso 3636 corner walls



Back wall - 32x72 in.

ACRYLIC WALLS



Material : Acrylic

Features

- › Back wall
- › Integrated convenient footrest
- › Designed for ease of maintenance
- › Easy front installation with snap clips

BACK WALL - 32X72 IN. - 105068

| SKU | Color | Pattern | Dimensions & Weight | Packaging | MSRP |
|--------------------|-------|-------------|------------------------------------|--------------------|--------|
| 105068-000-001-000 | White | Smooth wall | 32" x 72" x 1 1/2" / 38 lb / 17 kg | 14 ft ³ | \$ 608 |

BACK WALL - 36X72 IN. - 105069

| SKU | Color | Pattern | Dimensions & Weight | Packaging | MSRP |
|--------------------|-------|-------------|------------------------------------|--------------------|--------|
| 105069-000-001-000 | White | Smooth wall | 36" x 72" x 1 1/2" / 42 lb / 19 kg | 14 ft ³ | \$ 645 |

BACK WALL - 42X72 IN. - 105070

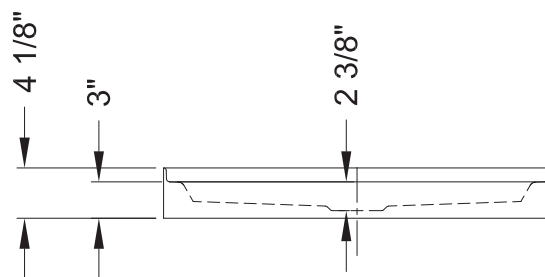
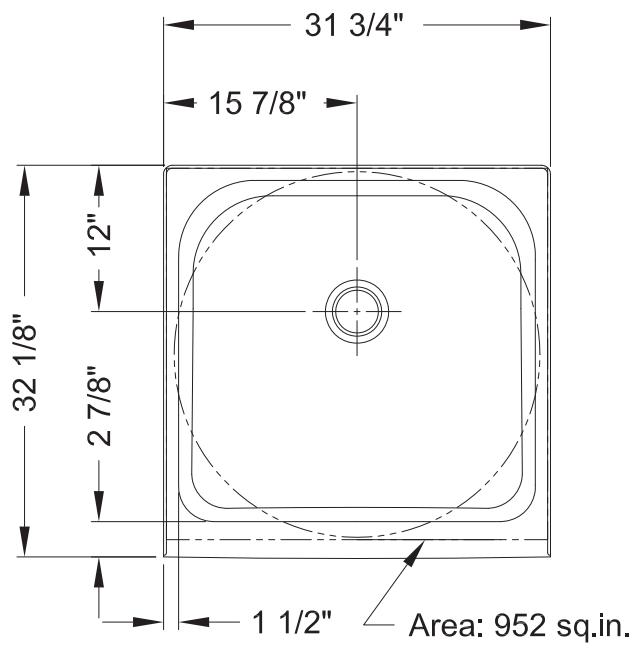
| SKU | Color | Pattern | Dimensions & Weight | Packaging | MSRP |
|--------------------|-------|-------------|------------------------------------|--------------------|--------|
| 105070-000-001-000 | White | Smooth wall | 42" x 72" x 1 1/2" / 42 lb / 19 kg | 14 ft ³ | \$ 720 |

BACK WALL - 48X72 IN. - 105071

| SKU | Color | Pattern | Dimensions & Weight | Packaging | MSRP |
|--------------------|-------|-------------|------------------------------------|--------------------|--------|
| 105071-000-001-000 | White | Smooth wall | 48" x 72" x 1 1/2" / 48 lb / 22 kg | 18 ft ³ | \$ 871 |

BACK WALL - 60X72 IN. - 105072

| SKU | Color | Pattern | Dimensions & Weight | Packaging | MSRP |
|--------------------|-------|-------------|---------------------------------------|--------------------|--------|
| 105072-000-001-000 | White | Smooth wall | 60" x 72" x 1 1/2" / 52 lb / 24 kg | 23 ft ³ | \$ 945 |



All dimensions are approximate and subject to change without prior notice.
Please refer to installation guide before installing unit.

Wall set (2 walls) 30x72 in.



Material : Acrylic

Features

- › Wall set (2 walls)
- › Integrated convenient footrest
- › Designed for ease of maintenance
- › Easy front installation with snap clips

WALL SET (2 WALLS) 30X72 IN. - 105062

| SKU | Color | Pattern | Dimensions & Weight | Packaging | MSRP |
|--------------------|-------|-------------|---------------------------------|--------------------|--------|
| 105062-000-001-000 | White | Smooth wall | 30" x 30" x 72" / 53 lb / 24 kg | 17 ft ³ | \$ 945 |

WALL SET (2 WALLS) 32X72 IN. - 105063

| SKU | Color | Pattern | Dimensions & Weight | Packaging | MSRP |
|--------------------|-------|-------------|---------------------------------|--------------------|--------|
| 105063-000-001-000 | White | Smooth wall | 32" x 32" x 72" / 57 lb / 26 kg | 17 ft ³ | \$ 984 |

WALL SET 36X72 IN. - 105064

| SKU | Color | Pattern | Dimensions & Weight | Packaging | MSRP |
|--------------------|-------|-------------|---------------------------------|--------------------|---------|
| 105064-000-001-000 | White | Smooth wall | 36" x 36" x 72" / 64 lb / 29 kg | 17 ft ³ | \$ 1022 |

WALL SET (2 WALLS) 38X72 IN. - 105065

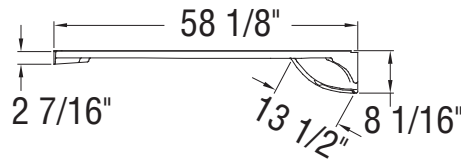
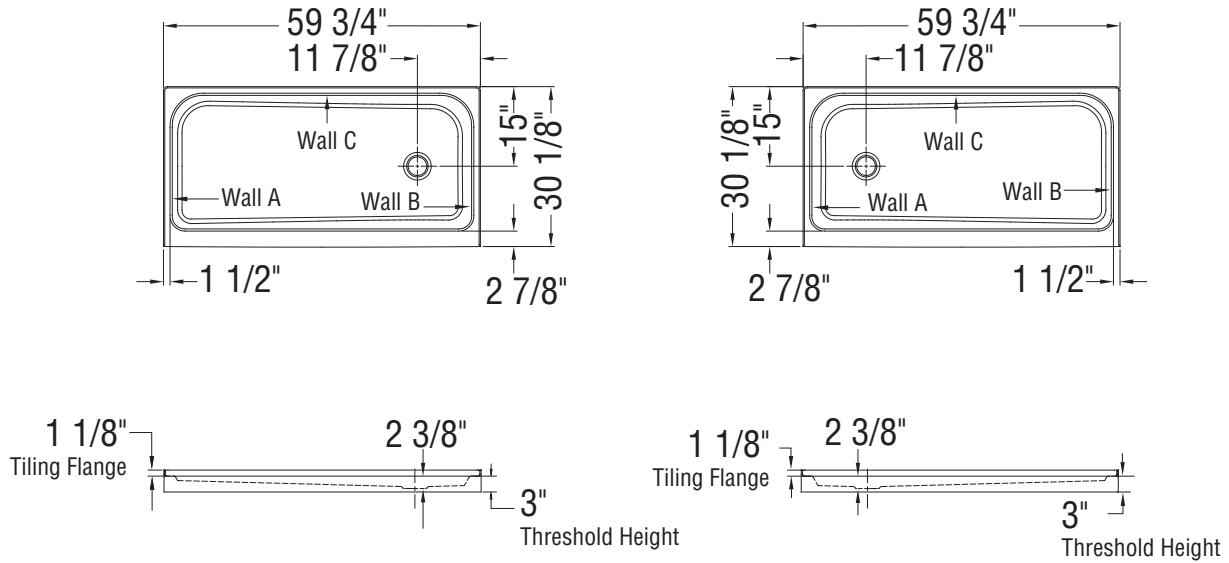
| SKU | Color | Pattern | Dimensions & Weight | Packaging | MSRP |
|--------------------|-------|-------------|---------------------------------|--------------------|---------|
| 105065-000-001-000 | White | Smooth wall | 38" x 38" x 72" / 68 lb / 31 kg | 20 ft ³ | \$ 1045 |

WALL SET 40X72 IN. - 105066

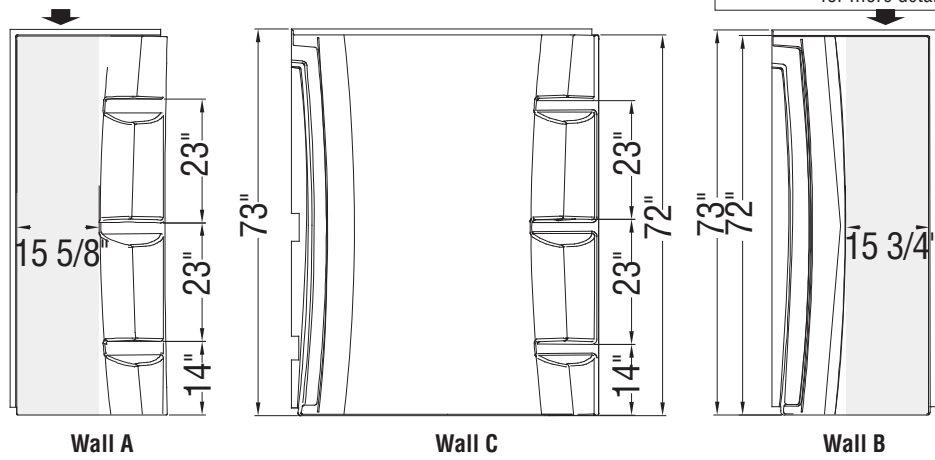
| SKU | Color | Pattern | Dimensions & Weight | Packaging | MSRP |
|--------------------|-------|-------------|------------------------------------|--------------------|---------|
| 105066-000-001-000 | White | Smooth wall | 40" x 40" x 72" / 71 lb / 32 kg | 20 ft ³ | \$ 1060 |

WALL SET (2 WALLS) 42X72 IN. - 105067

| SKU | Color | Pattern | Dimensions & Weight | Packaging | MSRP |
|--------------------|-------|-------------|------------------------------------|--------------------|---------|
| 105067-000-001-000 | White | Smooth wall | 42" x 42" x 72" / 75 lb / 34 kg | 20 ft ³ | \$ 1099 |



Important
Center your plumbing in the highlighted area. Exact plumbing position may vary upon model specifications, please refer to the supplier's instructions for more details



All dimensions are approximate. Structure measurements must be verified against the unit to ensure proper fit.



Single Back Walls

UTILE



Material : Composite
Features

- › Combine with a two side walls for an alcove installation and one side wall for a corner installation
- › Direct-to-stud installation
- › Installs easily in just 1 day versus 3 days for standard ceramic tile
- › Mistake-proof Ulok installation system allows you to perfectly align the panels, slip them together and lock them into place
- › Proudly made in North America
- › Featuring Evergrout™: the first realistic and textured grout lines with that won't crack or leak
- › No tile or grout protective sealer required
- › Solid, 1-piece wall panel: sturdy and durable allows for installation of grab bars and other accessories

UTILE 36 BACK WALL - 103416

| SKU | Color | Pattern | Dimensions & Weight | Packaging | MSRP |
|--------------------|------------|---------------|------------------------------------|-----------------------|---------|
| 103416-301-526-000 | Tux | Metro | 36" x 80" x 1 1/8" / 53 lb / 24 kg | 3.333 ft ³ | \$ 960 |
| 103416-304-516-000 | Vapor | Factory Rough | | | \$ 1021 |
| 103416-307-508-000 | Carrara | Marble | | | \$ 1021 |
| 103416-312-504-000 | Permafrost | Organik | | | \$ 960 |
| 103416-312-505-000 | Clay | | | | \$ 960 |
| 103416-312-507-000 | Loam | | | | \$ 960 |

UTILE 48 BACK WALL - 103421

| SKU | Color | Pattern | Dimensions & Weight | Packaging | MSRP |
|--------------------|-------------|---------------|------------------------------------|-----------------------|---------|
| 103421-301-526-000 | Tux | Metro | 48" x 80" x 1 1/8" / 77 lb / 35 kg | 3.599 ft ³ | \$ 1193 |
| 103421-304-516-000 | Vapor | Factory Rough | | | \$ 1270 |
| 103421-305-517-000 | Smoke | Factory Sleek | | | \$ 1270 |
| 103421-306-512-000 | Taupe | Erosion | | | \$ 1270 |
| 103421-306-513-000 | Bora white | | | | \$ 1270 |
| 103421-306-514-000 | Pebble grey | | | | \$ 1270 |
| 103421-306-515-000 | Charcoal | | | | \$ 1270 |
| 103421-307-508-000 | Carrara | Marble | | | \$ 1270 |
| 103421-312-504-000 | Permafrost | Organik | | | \$ 1193 |
| 103421-312-505-000 | Clay | | | | \$ 1193 |

UTILE 48 BACK WALL - 103421

| SKU | Color | Pattern | Dimensions & Weight | Packaging | MSRP |
|--------------------|-------|---------|------------------------------------|-----------------------|---------|
| 103421-312-507-000 | Loam | Organik | 48" x 80" x 1 1/8" / 77 lb / 35 kg | 3.599 ft ³ | \$ 1193 |

UTILE 60 BACK WALL - 103422

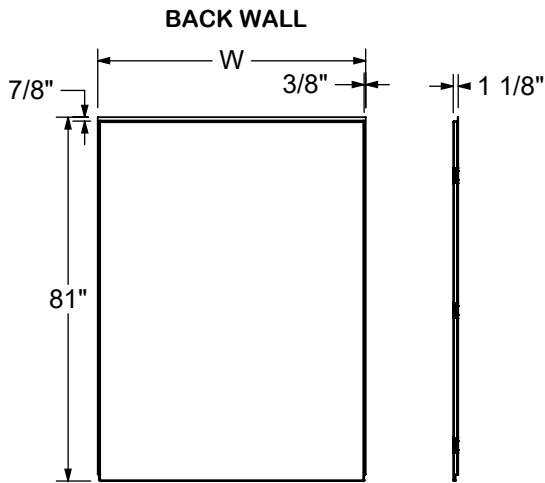
| SKU | Color | Pattern | Dimensions & Weight | Packaging | MSRP |
|--------------------|-------------|---------------|------------------------------------|-----------------------|---------|
| 103422-301-526-000 | Tux | Metro | 60" x 80" x 1 1/8" / 96 lb / 44 kg | 4.462 ft ³ | \$ 1421 |
| 103422-304-516-000 | Vapor | Factory Rough | | | \$ 1512 |
| 103422-305-517-000 | Smoke | Factory Sleek | | | \$ 1512 |
| 103422-306-512-000 | Taupe | Erosion | | | \$ 1512 |
| 103422-306-513-000 | Bora white | | | | \$ 1512 |
| 103422-306-514-000 | Pebble grey | | | | \$ 1512 |
| 103422-306-515-000 | Charcoal | | | | \$ 1512 |
| 103422-307-508-000 | Carrara | Marble | | | \$ 1512 |
| 103422-312-504-000 | Permafrost | Organik | | | \$ 1421 |
| 103422-312-505-000 | Clay | | | | \$ 1421 |
| 103422-312-507-000 | Loam | | | | \$ 1421 |

ACCESSORIES

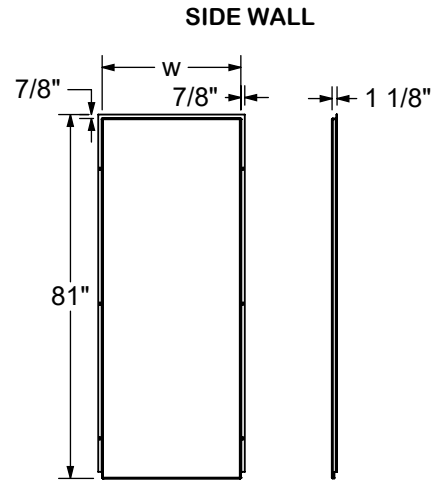
| SKU | Description | MSRP |
|--------------|---|--------|
| 10042818-340 | Corner metal and glass shelf (9 5/8 x 9 5/8 in.) Removable tempered glass to ease the cleaning Ledge to secure the products in place Compatible with most wall solutions Available colors: Glossy White (276) Matte Black (340) | \$ 167 |
| 10042818-201 | | \$ 167 |
| 10042818-276 | | \$ 167 |
| 10042818-343 | | \$ 167 |
| 10042819-340 | Rectangular metal and glass shelf (13 5/8 x 4 5/8 in.) Removable tempered glass to ease the cleaning Ledge to secure the products in place Compatible with most wall solutions Available colors: Glossy White (276) Matte Black (340) | \$ 167 |
| 10042819-201 | | \$ 167 |
| 10042819-276 | | \$ 167 |
| 10042819-343 | | \$ 167 |
| 10030084-002 | 42 in. modern straight grab bar with flange (front installation) Specify color: White (002), Chrome (084) | \$ 345 |
| 10030094-084 | 23 in. Curved right-hand grab bar with flange (front installation) Specify color: White (002), Chrome (084), Brushed Nickel (105) | \$ 432 |
| 10030094-105 | | \$ 432 |
| 10030094-002 | | \$ 432 |
| 10030095-002 | 32 in. curved left-hand grab bar with flange (front installation) Specify color: White (002), Chrome (084), Brushed Nickel (105) | \$ 464 |
| 10030095-084 | | \$ 464 |
| 10030095-105 | | \$ 464 |
| 10030097-084 | 32 in. curved right-hand grab bar with flange (front installation) Specify color: White (002), Chrome (084), Brushed Nickel (105) | \$ 464 |
| 10030097-002 | | \$ 464 |
| 10030097-105 | | \$ 464 |

ACCESSORIES

| SKU | Description | MSRP |
|--------------|---|---------|
| 10030100-002 | 37 in. modern curved left-hand grab bar with flange (front installation) Specify color: White (002), Chrome (084), Brushed Nickel (105) | \$ 523 |
| 10030101-002 | 37 in. modern curved right-hand grab bar with flange (front installation) Specify color: White (002), Chrome (084), Brushed Nickel (105) | \$ 523 |
| 10030101-105 | | \$ 523 |
| 10060311 | Corner glass shelf (9 3/8 x 9 3/8 in.) (sold separately) 10 mm frosted glass with a clear band along the edge Compatible with Utile and tile shower walls | \$ 152 |
| 10060315 | 10 Corner glass shelf (9 3/8 X 9 3/8 in) 10 mm frosted glass with a clear band along the edge | \$ 1449 |
| 10029996-084 | 18 in. modern straight grab bar with flange (front installation) Specify color: White (002), Chrome (084), Brushed Nickel (105) | \$ 261 |
| 10029996-002 | | \$ 261 |
| 10029996-105 | | \$ 261 |
| 10029997-002 | 24 in. modern straight grab bar with flange (front installation) Specify color: White (002), Chrome (084), Brushed Nickel (105) | \$ 277 |
| 10029997-105 | | \$ 277 |
| 10029997-084 | | \$ 277 |
| 10029998-084 | 30 in. modern straight grab bar with flange (front installation) Specify color: White (002), Chrome (084), Brushed Nickel (105) | \$ 293 |
| 10029998-002 | | \$ 293 |
| 10029998-105 | | \$ 293 |
| 10029999-105 | 36 in. modern straight grab bar with flange (front installation) Specify color: Chrome (084), Brushed Nickel (105) | \$ 323 |
| 10029999-002 | | \$ 323 |
| 10029999-084 | | \$ 323 |
| 10030086-002 | 48 in. modern straight grab bar with flange (front installation) Specify color: White (002), Chrome (084), Brushed Nickel (105) | \$ 360 |
| 10030086-105 | | \$ 360 |
| 10030086-084 | | \$ 360 |
| 10030093-084 | 23 in. Curved left-hand grab bar with flange (front installation) Specify color: White (002), Chrome (084), Brushed Nickel (105) | \$ 432 |
| 10030093-002 | | \$ 432 |
| 10030093-105 | | \$ 432 |



| Code | Description | W (in.) |
|--------|------------------------|---------|
| 103416 | Utile 36 in. back wall | 35 1/4 |
| 103421 | Utile 48 in. Back wall | 47 5/8 |
| 103422 | Utile 60 in. Back wall | 59 5/8 |

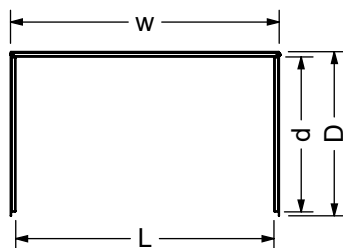


| Code | Description | W (in.) |
|--------|------------------------|---------|
| 103419 | Utile 32 in. side wall | 32 1/2 |
| 103415 | Utile 36 in. side wall | 36 1/4 |

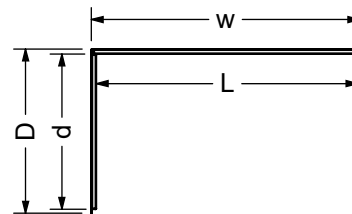
TOP VIEW (ASSEMBLED)

| Configuration | W (in.) | L alcove (in.) | L corner (in.) | D (in.) | d (in.) |
|---------------|---------|----------------|----------------|---------|---------|
| Utile 3636 | 35 7/8 | 33 1/2 | N/A | 36 1/2 | 34 1/2 |
| Utile 4832 | 47 3/4 | 45 1/2 | 46 1/4 | 32 3/4 | 30 3/4 |
| Utile 4836 | 47 3/4 | 45 1/2 | 46 1/4 | 36 1/2 | 34 1/2 |
| Utile 6032 | 59 3/4 | 57 1/2 | 58 1/8 | 32 3/4 | 30 3/4 |
| Utile 6036 | 59 3/4 | 57 1/2 | 58 1/8 | 36 1/2 | 34 1/2 |

ALCOVE



CORNER



This product is designed to be installed in a building that conforms with the requirements of the National Building Code of Canada 2005

All dimensions are approximate. Structure measurements must be verified against the unit to ensure proper fit.



Single Side Walls

UTILE



Material : Composite
Features

- › Combine with a back wall and two side walls for an alcove installation and one side wall for a corner installation
- › Direct-to-stud installation
- › Installs easily in just 1 day versus 3 days for standard ceramic tile
- › Mistake-proof Ulok installation system allows you to perfectly align the panels, slip them together and lock them into place
- › Proudly made in North America
- › Featuring Evergrout™: the first realistic and textured grout lines with that won't crack or leak
- › No tile or grout protective sealer required
- › Solid, 1-piece wall panel: sturdy and durable allows for installation of grab bars and other accessories

| UTILE 36 SIDE WALL - 103415 | | | | | |
|-----------------------------|-------------|---------------|------------------------------------|---------------------|--------|
| SKU | Color | Pattern | Dimensions & Weight | Packaging | MSRP |
| 103415-301-526-000 | Tux | Metro | 36" x 80" x 1 1/8" / 53 lb / 24 kg | 2.7 ft ³ | \$ 801 |
| 103415-304-516-000 | Vapor | Factory Rough | | | \$ 851 |
| 103415-305-517-000 | Smoke | Factory Sleek | | | \$ 851 |
| 103415-306-512-000 | Taupe | Erosion | | | \$ 851 |
| 103415-306-513-000 | Bora white | | | | \$ 851 |
| 103415-306-514-000 | Pebble grey | | | | \$ 851 |
| 103415-306-515-000 | Charcoal | | | | \$ 851 |
| 103415-307-508-000 | Carrara | Marble | | | \$ 851 |
| 103415-312-504-000 | Permafrost | Organik | | | \$ 801 |
| 103415-312-505-000 | Clay | | | | \$ 801 |
| 103415-312-507-000 | Loam | | | | \$ 801 |

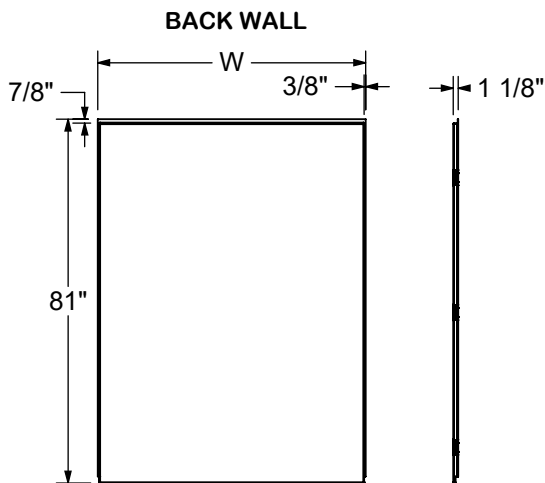
| UTILE 32 SIDE WALL - 103419 | | | | | |
|-----------------------------|------------|---------------|------------------------------------|-----------------------|--------|
| SKU | Color | Pattern | Dimensions & Weight | Packaging | MSRP |
| 103419-301-526-000 | Tux | Metro | 32" x 80" x 1 1/8" / 51 lb / 23 kg | 2.452 ft ³ | \$ 714 |
| 103419-304-516-000 | Vapor | Factory Rough | | | \$ 758 |
| 103419-305-517-000 | Smoke | Factory Sleek | | | \$ 758 |
| 103419-306-512-000 | Taupe | Erosion | | | \$ 758 |
| 103419-306-513-000 | Bora white | | | | \$ 758 |

UTILE 32 SIDE WALL - 103419

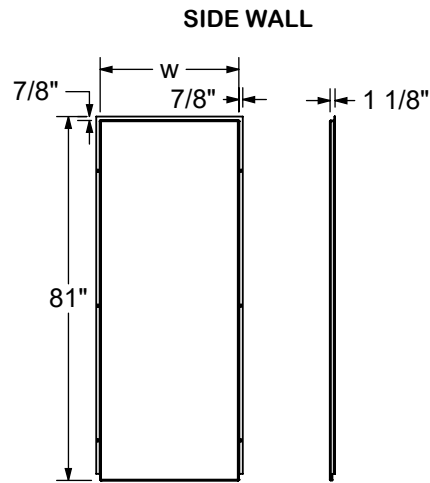
| SKU | Color | Pattern | Dimensions & Weight | Packaging | MSRP |
|--------------------|-------------|---------|------------------------------------|-----------------------|--------|
| 103419-306-514-000 | Pebble grey | Erosion | 32" x 80" x 1 1/8" / 51 lb / 23 kg | 2.452 ft ³ | \$ 758 |
| 103419-306-515-000 | Charcoal | | | | \$ 758 |
| 103419-307-508-000 | Carrara | Marble | | | \$ 758 |
| 103419-312-504-000 | Permafrost | Organik | | | \$ 714 |
| 103419-312-505-000 | Clay | | | | \$ 714 |
| 103419-312-507-000 | Loam | | | | \$ 714 |

ACCESSORIES

| SKU | Description | MSRP |
|--------------|---|--------|
| 10042818-340 | Corner metal and glass shelf (9 5/8 x 9 5/8 in.) Removable tempered glass to ease the cleaning Ledge to secure the products in place Compatible with most wall solutions Available colors: Glossy White (276) Matte Black (340) | \$ 167 |
| 10042818-201 | | \$ 167 |
| 10042818-276 | | \$ 167 |
| 10042818-343 | | \$ 167 |
| 10042819-340 | Rectangular metal and glass shelf (13 5/8 x 4 5/8 in.) Removable tempered glass to ease the cleaning Ledge to secure the products in place Compatible with most wall solutions Available colors: Glossy White (276) Matte Black (340) | \$ 167 |
| 10042819-201 | | \$ 167 |
| 10042819-276 | | \$ 167 |
| 10042819-343 | | \$ 167 |



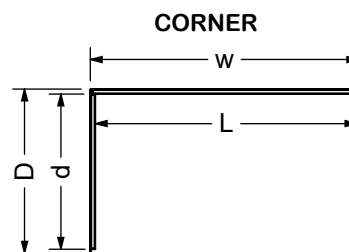
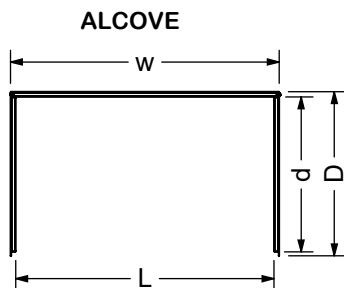
| Code | Description | W (in.) |
|--------|------------------------|---------|
| 103416 | Utile 36 in. back wall | 35 1/4 |
| 103421 | Utile 48 in. Back wall | 47 5/8 |
| 103422 | Utile 60 in. Back wall | 59 5/8 |



| Code | Description | W (in.) |
|--------|------------------------|---------|
| 103419 | Utile 32 in. side wall | 32 1/2 |
| 103415 | Utile 36 in. side wall | 36 1/4 |

TOP VIEW (ASSEMBLED)

| Configuration | W (in.) | L alcove (in.) | L corner (in.) | D (in.) | d (in.) |
|---------------|---------|----------------|----------------|---------|---------|
| Utile 3636 | 35 7/8 | 33 1/2 | N/A | 36 1/2 | 34 1/2 |
| Utile 4832 | 47 3/4 | 45 1/2 | 46 1/4 | 32 3/4 | 30 3/4 |
| Utile 4836 | 47 3/4 | 45 1/2 | 46 1/4 | 36 1/2 | 34 1/2 |
| Utile 6032 | 59 3/4 | 57 1/2 | 58 1/8 | 32 3/4 | 30 3/4 |
| Utile 6036 | 59 3/4 | 57 1/2 | 58 1/8 | 36 1/2 | 34 1/2 |



This product is designed to be installed in a building that conforms with the requirements of the National Building Code of Canada 2005

All dimensions are approximate. Structure measurements must be verified against the unit to ensure proper fit.



Wall Kits - Alcove Shower



Material : Composite
Features

- › Shower kit includes: 1 back wall, 1 side wall and one corner glass shelf
- › Direct-to-stud installation
- › Installs easily in just 1 day versus 3 days for standard ceramic tile
- › Mistake-proof Ulok installation system allows you to perfectly align the panels, slip them together and lock them into place
- › Proudly made in North-America
- › Featuring Evergrout™: the first realistic and textured grout lines with that won't crack or leak
- › No tile or grout protective sealer required
- › Solid, 1-piece wall panel: sturdy and durable allows for installation of grab bars and other accessories

UTILE

UTILE 4832 SHOWER WALL KIT - 107459

| SKU | Color | Pattern | Dimensions & Weight | Packaging | MSRP |
|--------------------|-------------|---------------|----------------------------------|-----------------------|---------|
| 107459-301-526-000 | Tux | Metro | 48" x 32" x 80" / 178 lb / 81 kg | 1.778 ft ³ | \$ 2621 |
| 107459-304-516-000 | Vapor | Factory Rough | | | \$ 2786 |
| 107459-305-517-000 | Smoke | Factory Sleek | | | \$ 2786 |
| 107459-306-512-000 | Taupe | Erosion | | | \$ 2786 |
| 107459-306-513-000 | Bora white | | | | \$ 2786 |
| 107459-306-514-000 | Pebble grey | | | | \$ 2786 |
| 107459-306-515-000 | Charcoal | | | | \$ 2786 |
| 107459-307-508-000 | Carrara | Marble | | | \$ 2786 |
| 107459-312-504-000 | Permafrost | Organik | | | \$ 2621 |
| 107459-312-505-000 | Clay | | | | \$ 2621 |
| 107459-312-507-000 | Loam | | | | \$ 2621 |

UTILE 4836 SHOWER WALL KIT - 107460

| SKU | Color | Pattern | Dimensions & Weight | Packaging | MSRP |
|--------------------|------------|---------------|----------------------------------|---------------------|---------|
| 107460-301-526-000 | Tux | Metro | 48" x 36" x 80" / 183 lb / 83 kg | 2.0 ft ³ | \$ 2795 |
| 107460-304-516-000 | Vapor | Factory Rough | | | \$ 2972 |
| 107460-305-517-000 | Smoke | Factory Sleek | | | \$ 2972 |
| 107460-306-512-000 | Taupe | Erosion | | | \$ 2972 |
| 107460-306-513-000 | Bora white | | | | \$ 2972 |

UTILE 4836 SHOWER WALL KIT - 107460

| SKU | Color | Pattern | Dimensions & Weight | Packaging | MSRP |
|--------------------|-------------|---------|----------------------------------|---------------------|---------|
| 107460-306-514-000 | Pebble grey | Erosion | 48" x 36" x 80" / 183 lb / 83 kg | 2.0 ft ³ | \$ 2972 |
| 107460-306-515-000 | Charcoal | | | | \$ 2972 |
| 107460-307-508-000 | Carrara | Marble | | | \$ 2972 |
| 107460-312-504-000 | Permafrost | Organik | | | \$ 2795 |
| 107460-312-505-000 | Clay | | | | \$ 2795 |
| 107460-312-507-000 | Loam | | | | \$ 2795 |

UTILE 6032 SHOWER WALL KIT - 107463

| SKU | Color | Pattern | Dimensions & Weight | Packaging | MSRP |
|--------------------|-------------|---------------|----------------------------------|-----------------------|---------|
| 107463-301-526-000 | Tux | Metro | 60" x 32" x 80" / 198 lb / 90 kg | 2.222 ft ³ | \$ 2849 |
| 107463-304-516-000 | Vapor | Factory Rough | | | \$ 3028 |
| 107463-305-517-000 | Smoke | Factory Sleek | | | \$ 3028 |
| 107463-306-512-000 | Taupe | Erosion | | | \$ 3028 |
| 107463-306-513-000 | Bora white | | | | \$ 3028 |
| 107463-306-514-000 | Pebble grey | | | | \$ 3028 |
| 107463-306-515-000 | Charcoal | | | | \$ 3028 |
| 107463-307-508-000 | Carrara | Marble | | | \$ 3028 |
| 107463-312-504-000 | Permafrost | Organik | | | \$ 2849 |
| 107463-312-505-000 | Clay | | | | \$ 2849 |
| 107463-312-507-000 | Loam | | | | \$ 2849 |

UTILE 6036 SHOWER WALL KIT - 107464

| SKU | Color | Pattern | Dimensions & Weight | Packaging | MSRP |
|--------------------|-------------|---------------|----------------------------------|---------------------|---------|
| 107464-301-526-000 | Tux | Metro | 60" x 36" x 80" / 202 lb / 92 kg | 2.5 ft ³ | \$ 3023 |
| 107464-304-516-000 | Vapor | Factory Rough | | | \$ 3214 |
| 107464-305-517-000 | Smoke | Factory Sleek | | | \$ 3214 |
| 107464-306-512-000 | Taupe | Erosion | | | \$ 3214 |
| 107464-306-513-000 | Bora white | | | | \$ 3214 |
| 107464-306-514-000 | Pebble grey | | | | \$ 3214 |
| 107464-306-515-000 | Charcoal | | | | \$ 3214 |
| 107464-307-508-000 | Carrara | Marble | | | \$ 3214 |
| 107464-312-504-000 | Permafrost | Organik | | | \$ 3023 |
| 107464-312-505-000 | Clay | | | | \$ 3023 |
| 107464-312-507-000 | Loam | | | | \$ 3023 |

UTILE 3636 SHOWER WALL KIT - 107479

| SKU | Color | Pattern | Dimensions & Weight | Packaging | MSRP |
|--------------------|------------|---------------|----------------------------------|---------------------|---------|
| 107479-301-526-000 | Tux | Metro | 36" x 36" x 80" / 159 lb / 72 kg | 1.5 ft ³ | \$ 2562 |
| 107479-304-516-000 | Vapor | Factory Rough | | | \$ 2723 |
| 107479-307-508-000 | Carrara | Marble | | | \$ 2723 |
| 107479-312-504-000 | Permafrost | Organik | | | \$ 2562 |
| 107479-312-505-000 | Clay | | | | \$ 2562 |
| 107479-312-507-000 | Loam | | | | \$ 2562 |

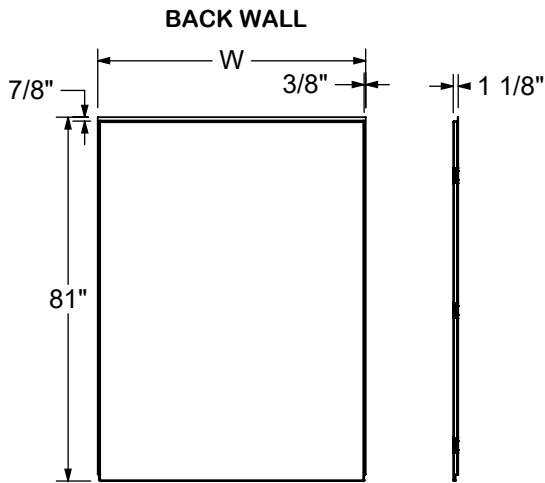
ACCESSORIES

| SKU | Description | MSRP |
|--------------|---|--------|
| 10029996-084 | 18 in. modern straight grab bar with flange (front installation) Specify color: White (002), Chrome (084), Brushed Nickel (105) | \$ 261 |
| 10029996-002 | | \$ 261 |
| 10029996-105 | | \$ 261 |
| 10030093-084 | 23 in. Curved left-hand grab bar with flange (front installation) Specify color: White (002), Chrome (084), Brushed Nickel (105) | \$ 432 |
| 10030093-002 | | \$ 432 |
| 10030093-105 | | \$ 432 |
| 10030094-084 | 23 in. Curved right-hand grab bar with flange (front installation) Specify color: White (002), Chrome (084), Brushed Nickel (105) | \$ 432 |
| 10030094-105 | | \$ 432 |
| 10030094-002 | | \$ 432 |
| 10029997-002 | 24 in. modern straight grab bar with flange (front installation) Specify color: White (002), Chrome (084), Brushed Nickel (105) | \$ 277 |
| 10029997-105 | | \$ 277 |
| 10029997-084 | | \$ 277 |
| 10029998-084 | 30 in. modern straight grab bar with flange (front installation) Specify color: White (002), Chrome (084), Brushed Nickel (105) | \$ 293 |
| 10029998-002 | | \$ 293 |
| 10029998-105 | | \$ 293 |
| 10030095-002 | 32 in. curved left-hand grab bar with flange (front installation) Specify color: White (002), Chrome (084), Brushed Nickel (105) | \$ 464 |
| 10030095-084 | | \$ 464 |
| 10030095-105 | | \$ 464 |
| 10030097-084 | 32 in. curved right-hand grab bar with flange (front installation) Specify color: White (002), Chrome (084), Brushed Nickel (105) | \$ 464 |
| 10030097-002 | | \$ 464 |
| 10030097-105 | | \$ 464 |
| 10029999-105 | 36 in. modern straight grab bar with flange (front installation) Specify color: Chrome (084), Brushed Nickel (105) | \$ 323 |
| 10029999-002 | | \$ 323 |
| 10029999-084 | | \$ 323 |
| 10030100-002 | 37 in. modern curved left-hand grab bar with flange (front installation) Specify color: White (002), Chrome (084), Brushed Nickel (105) | \$ 523 |
| 10030101-002 | 37 in. modern curved right-hand grab bar with flange (front installation) Specify color: White (002), Chrome (084), Brushed Nickel (105) | \$ 523 |
| 10030101-105 | | \$ 523 |
| 10030084-002 | 42 in. modern straight grab bar with flange (front installation) Specify color: White (002), Chrome (084) | \$ 345 |

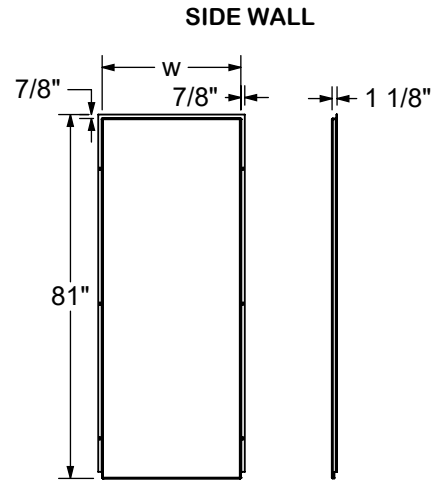
ACCESSORIES

| SKU | Description | MSRP |
|--------------|---|--------|
| 10030086-002 | | \$ 360 |
| 10030086-105 | 48 in. modern straight grab bar with flange (front installation) Specify color: White (002), Chrome (084), Brushed Nickel (105) | \$ 360 |
| 10030086-084 | | \$ 360 |
| 10060311 | Corner glass shelf (9 3/8 x 9 3/8 in.) (sold separately) 10 mm frosted glass with a clear band along the edge Compatible with Utile and tile shower walls | \$ 152 |
| 10042819-340 | | \$ 167 |
| 10042819-201 | Rectangular metal and glass shelf (13 5/8 x 4 5/8 in.) Removable tempered glass to ease the cleaning Ledge to secure the products in place | \$ 167 |
| 10042819-276 | Compatible with most wall solutions | \$ 167 |
| 10042819-343 | Available colors: Glossy White (276) Matte Black (340) | \$ 167 |
| 10042818-340 | | \$ 167 |
| 10042818-201 | Corner metal and glass shelf (9 5/8 x 9 5/8 in.) Removable tempered glass to ease the cleaning Ledge to secure the products in place | \$ 167 |
| 10042818-276 | Compatible with most wall solutions | \$ 167 |
| 10042818-343 | Available colors: Glossy White (276) Matte Black (340) | \$ 167 |

UTILE



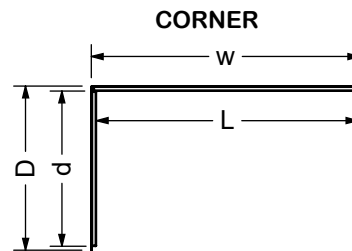
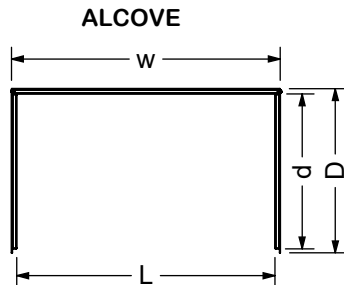
| Code | Description | W (in.) |
|--------|------------------------|---------|
| 103416 | Utile 36 in. back wall | 35 1/4 |
| 103421 | Utile 48 in. Back wall | 47 5/8 |
| 103422 | Utile 60 in. Back wall | 59 5/8 |



| Code | Description | W (in.) |
|--------|------------------------|---------|
| 103419 | Utile 32 in. side wall | 32 1/2 |
| 103415 | Utile 36 in. side wall | 36 1/4 |

TOP VIEW (ASSEMBLED)

| Configuration | W (in.) | L alcove (in.) | L corner (in.) | D (in.) | d (in.) |
|---------------|---------|----------------|----------------|---------|---------|
| Utile 3636 | 35 7/8 | 33 1/2 | N/A | 36 1/2 | 34 1/2 |
| Utile 4832 | 47 3/4 | 45 1/2 | 46 1/4 | 32 3/4 | 30 3/4 |
| Utile 4836 | 47 3/4 | 45 1/2 | 46 1/4 | 36 1/2 | 34 1/2 |
| Utile 6032 | 59 3/4 | 57 1/2 | 58 1/8 | 32 3/4 | 30 3/4 |
| Utile 6036 | 59 3/4 | 57 1/2 | 58 1/8 | 36 1/2 | 34 1/2 |



This product is designed to be installed in a building that conforms with the requirements of the National Building Code of Canada 2005

All dimensions are approximate. Structure measurements must be verified against the unit to ensure proper fit.

Wall Kits - Corner Shower



UTILE



Material : Composite

Features

- › Shower kit includes: 2 shower walls with a corner glass shelf
- › 4 H x 12 L in. glossy subway tile
- › Direct-to-stud installation
- › Installs easily in just 1 day versus 3 days for standard ceramic tile
- › Mistake-proof positioning strip allows you to position the panels into place and perfectly align them in the corner
- › Proudly made in North America
- › Featuring Evergrout™: the first realistic and textured grout lines with that won't crack or leak
- › No tile or grout protective sealer required
- › Solid, 1-piece wall panel: sturdy and durable allows for installation of grab bars and other accessories

UTILE 3636 SHOWER WALL KIT - 103388

| SKU | Color | Pattern | Dimensions & Weight | Packaging | MSRP |
|--------------------|------------|---------------|---------------------------------|---------------------|---------|
| 103388-301-526-000 | Tux | Metro | 36" x 36" x 80" / 82 lb / 37 kg | 1.5 ft ³ | \$ 1601 |
| 103388-304-516-000 | Vapor | Factory Rough | | | \$ 1701 |
| 103388-307-508-000 | Carrara | Marble | | | \$ 1701 |
| 103388-312-504-000 | Permafrost | Organik | | | \$ 1601 |
| 103388-312-505-000 | Clay | | | | \$ 1601 |
| 103388-312-507-000 | Loam | | | | \$ 1601 |

UTILE 4832 SHOWER WALL KIT - 107461

| SKU | Color | Pattern | Dimensions & Weight | Packaging | MSRP |
|--------------------|-------------|---------------|----------------------------------|-----------------------|---------|
| 107461-301-526-000 | Tux | Metro | 48" x 32" x 80" / 128 lb / 58 kg | 1.778 ft ³ | \$ 1907 |
| 107461-304-516-000 | Vapor | Factory Rough | | | \$ 2028 |
| 107461-305-517-000 | Smoke | Factory Sleek | | | \$ 2028 |
| 107461-306-512-000 | Taupe | Erosion | | | \$ 2028 |
| 107461-306-513-000 | Bora white | | | | \$ 2028 |
| 107461-306-514-000 | Pebble grey | | | | \$ 2028 |
| 107461-306-515-000 | Charcoal | | | | \$ 2028 |
| 107461-307-508-000 | Carrara | Marble | | | \$ 2028 |
| 107461-312-504-000 | Permafrost | Organik | | | \$ 1907 |
| 107461-312-505-000 | Clay | | | | \$ 1907 |

UTILE 4832 SHOWER WALL KIT - 107461

| SKU | Color | Pattern | Dimensions & Weight | Packaging | MSRP |
|--------------------|-------|---------|----------------------------------|-----------------------|---------|
| 107461-312-507-000 | Loam | Organik | 48" x 32" x 80" / 128 lb / 58 kg | 1.778 ft ³ | \$ 1907 |

UTILE 4836 SHOWER WALL KIT - 107462

| SKU | Color | Pattern | Dimensions & Weight | Packaging | MSRP |
|--------------------|-------------|---------------|----------------------------------|---------------------|---------|
| 107462-301-526-000 | Tux | Metro | 48" x 36" x 80" / 130 lb / 59 kg | 2.0 ft ³ | \$ 1994 |
| 107462-304-516-000 | Vapor | Factory Rough | | | \$ 2121 |
| 107462-305-517-000 | Smoke | Factory Sleek | | | \$ 2121 |
| 107462-306-512-000 | Taupe | Erosion | | | \$ 2121 |
| 107462-306-513-000 | Bora white | | | | \$ 2121 |
| 107462-306-514-000 | Pebble grey | | | | \$ 2121 |
| 107462-306-515-000 | Charcoal | | | | \$ 2121 |
| 107462-307-508-000 | Carrara | Marble | | | \$ 2121 |
| 107462-312-504-000 | Permafrost | Organik | | | \$ 1994 |
| 107462-312-505-000 | Clay | | | | \$ 1994 |
| 107462-312-507-000 | Loam | | | | \$ 1994 |

UTILE 6032 SHOWER WALL KIT - 107465

| SKU | Color | Pattern | Dimensions & Weight | Packaging | MSRP |
|--------------------|-------------|---------------|----------------------------------|-----------------------|---------|
| 107465-301-526-000 | Tux | Metro | 60" x 32" x 80" / 147 lb / 67 kg | 2.222 ft ³ | \$ 2135 |
| 107465-304-516-000 | Vapor | Factory Rough | | | \$ 2270 |
| 107465-305-517-000 | Smoke | Factory Sleek | | | \$ 2270 |
| 107465-306-512-000 | Taupe | Erosion | | | \$ 2270 |
| 107465-306-513-000 | Bora white | | | | \$ 2270 |
| 107465-306-514-000 | Pebble grey | | | | \$ 2270 |
| 107465-306-515-000 | Charcoal | | | | \$ 2270 |
| 107465-307-508-000 | Carrara | Marble | | | \$ 2270 |
| 107465-312-504-000 | Permafrost | Organik | | | \$ 2135 |
| 107465-312-505-000 | Clay | | | | \$ 2135 |
| 107465-312-507-000 | Loam | | | | \$ 2135 |

UTILE 6036 SHOWER WALL KIT - 107466

| SKU | Color | Pattern | Dimensions & Weight | Packaging | MSRP |
|--------------------|-------|---------------|----------------------------------|---------------------|---------|
| 107466-301-526-000 | Tux | Metro | 60" x 36" x 80" / 150 lb / 68 kg | 2.5 ft ³ | \$ 2222 |
| 107466-304-516-000 | Vapor | Factory Rough | | | \$ 2363 |
| 107466-305-517-000 | Smoke | Factory Sleek | | | \$ 2363 |
| 107466-306-512-000 | Taupe | Erosion | | | \$ 2363 |

UTILE 6036 SHOWER WALL KIT - 107466

| SKU | Color | Pattern | Dimensions & Weight | Packaging | MSRP |
|--------------------|-------------|---------|----------------------------------|---------------------|---------|
| 107466-306-513-000 | Bora white | Erosion | 60" x 36" x 80" / 150 lb / 68 kg | 2.5 ft ³ | \$ 2363 |
| 107466-306-514-000 | Pebble grey | | | | \$ 2363 |
| 107466-306-515-000 | Charcoal | | | | \$ 2363 |
| 107466-307-508-000 | Carrara | Marble | | | \$ 2363 |
| 107466-312-504-000 | Permafrost | Organik | | | \$ 2222 |
| 107466-312-505-000 | Clay | | | | \$ 2222 |
| 107466-312-507-000 | Loam | | | | \$ 2222 |

ACCESSORIES

| SKU | Description | MSRP |
|--------------|--|--------|
| 10029996-084 | 18 in. modern straight grab bar with flange (front installation) Specify color: White (002), Chrome (084), Brushed Nickel (105) | \$ 261 |
| 10029996-002 | | \$ 261 |
| 10029996-105 | | \$ 261 |
| 10030093-084 | 23 in. Curved left-hand grab bar with flange (front installation) Specify color: White (002), Chrome (084), Brushed Nickel (105) | \$ 432 |
| 10030093-002 | | \$ 432 |
| 10030093-105 | | \$ 432 |
| 10030094-084 | 23 in. Curved right-hand grab bar with flange (front installation) Specify color: White (002), Chrome (084), Brushed Nickel (105) | \$ 432 |
| 10030094-105 | | \$ 432 |
| 10030094-002 | | \$ 432 |
| 10029997-002 | 24 in. modern straight grab bar with flange (front installation) Specify color: White (002), Chrome (084), Brushed Nickel (105) | \$ 277 |
| 10029997-105 | | \$ 277 |
| 10029997-084 | | \$ 277 |
| 10029998-084 | 30 in. modern straight grab bar with flange (front installation) Specify color: White (002), Chrome (084), Brushed Nickel (105) | \$ 293 |
| 10029998-002 | | \$ 293 |
| 10029998-105 | | \$ 293 |
| 10030095-002 | 32 in. curved left-hand grab bar with flange (front installation) Specify color: White (002), Chrome (084), Brushed Nickel (105) | \$ 464 |
| 10030095-084 | | \$ 464 |
| 10030095-105 | | \$ 464 |
| 10030097-084 | 32 in. curved right-hand grab bar with flange (front installation) Specify color: White (002), Chrome (084), Brushed Nickel (105) | \$ 464 |
| 10030097-002 | | \$ 464 |
| 10030097-105 | | \$ 464 |
| 10029999-105 | 36 in. modern straight grab bar with flange (front installation) Specify color: Chrome (084), Brushed Nickel (105) | \$ 323 |
| 10029999-002 | | \$ 323 |
| 10029999-084 | | \$ 323 |
| 10030084-002 | 42 in. modern straight grab bar with flange (front installation) Specify color: White (002), Chrome (084) | \$ 345 |
| 10030086-002 | 48 in. modern straight grab bar with flange (front installation) Specify color: White (002), Chrome (084), Brushed Nickel (105) | \$ 360 |
| 10030086-105 | | \$ 360 |

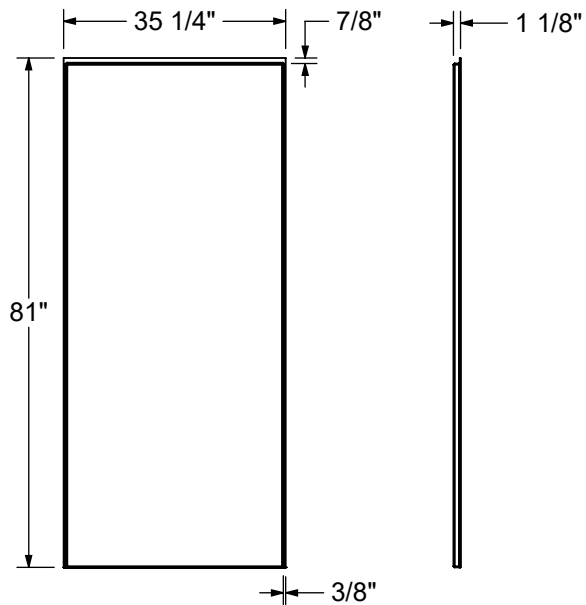
ACCESSORIES

| SKU | Description | MSRP |
|--------------|---|--------|
| 10030086-084 | 48 in. modern straight grab bar with flange (front installation) Specify color: White (002), Chrome (084), Brushed Nickel (105) | \$ 360 |
| 10060311 | Corner glass shelf (9 3/8 x 9 3/8 in.) (sold separately) 10 mm frosted glass with a clear band along the edge Compatible with Utile and tile shower walls | \$ 152 |
| 10042819-340 | Rectangular metal and glass shelf (13 5/8 x 4 5/8 in.) Removable tempered glass to ease the cleaning Ledge to secure the products in place Compatible with most wall solutions Available colors: Glossy White (276) Matte Black (340) | \$ 167 |
| 10042819-201 | | \$ 167 |
| 10042819-276 | | \$ 167 |
| 10042819-343 | | \$ 167 |
| 10042818-340 | Corner metal and glass shelf (9 5/8 x 9 5/8 in.) Removable tempered glass to ease the cleaning Ledge to secure the products in place Compatible with most wall solutions Available colors: Glossy White (276) Matte Black (340) | \$ 167 |
| 10042818-201 | | \$ 167 |
| 10042818-276 | | \$ 167 |
| 10042818-343 | | \$ 167 |

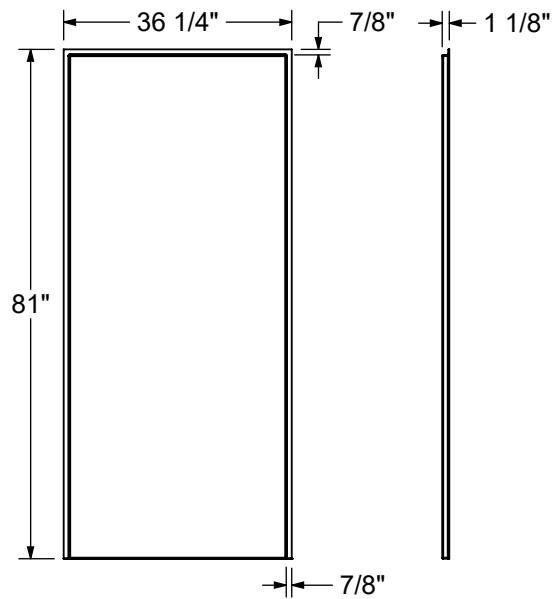
RECOMMENDED DOORS - VISIT OUR WEBSITE FOR A COMPLETE LIST OF RECOMMENDED DOORS

| SKU | Product Name | Pag. |
|--------|--|------|
| 137444 | Radia Neo-round 36 x 36 x 71 1/2 - 6mm | 732 |
| 137448 | Radia Square Sliding Shower Door 36 x 36 x 71 1/2 in. 6 mm | 737 |
| 137446 | Radia Round 36 x 36 x 71 1/2 - 6mm | 735 |
| 137440 | Radia Neo-angle 36 x 36 x 71 1/2 - 6mm | 730 |

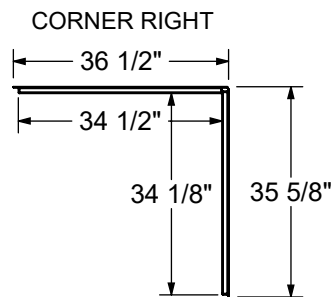
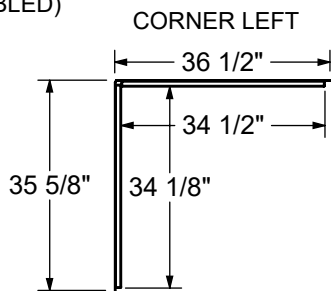
WALL B



WALL S



TOP VIEW (ASSEMBLED)



This product is designed to be installed in a building that conforms with the requirements of the National Building Code of Canada 2005

All dimensions are approximate. Structure measurements must be verified against the unit to ensure proper fit.



Wall Kits - Tub



Material : Composite Features

- › Tub shower kit includes: 1 back wall, 2 side walls and one corner glass shelf
- › 4 H x 12 L in. glossy subway tile
- › Direct-to-stud installation
- › Installs easily in just 1 day versus 3 days for standard ceramic tile
- › Mistake-proof Ulok installation system allows you to perfectly align the panels, slip them together and lock them into place
- › Proudly made in North America
- › Featuring Evergrout™: the first realistic and textured grout lines with that won't crack or leak
- › No tile or grout protective sealer required
- › Solid, 1-piece wall panel: sturdy and durable allows for installation of grab bars and other accessories

UTILE

UTILE 6032 TUB WALL KIT - 103418

| SKU | Color | Pattern | Dimensions & Weight | Packaging | MSRP |
|--------------------|------------|---------|----------------------------------|----------------------|---------|
| 103418-301-526-000 | Tux | Metro | 60" x 32" x 60" / 145 lb / 66 kg | 6.49 ft ³ | \$ 2339 |
| 103418-307-508-000 | Carrara | Marble | | | \$ 2491 |
| 103418-312-504-000 | Permafrost | Organik | | | \$ 2339 |
| 103418-312-505-000 | Clay | | | | \$ 2339 |
| 103418-312-507-000 | Loam | | | | \$ 2339 |

UTILE 6030 TUB WALL KIT - 103424

| SKU | Color | Pattern | Dimensions & Weight | Packaging | MSRP |
|--------------------|------------|---------|----------------------------------|----------------------|---------|
| 103424-301-526-000 | Tux | Metro | 60" x 30" x 60" / 125 lb / 57 kg | 6.22 ft ³ | \$ 2125 |
| 103424-307-508-000 | Carrara | Marble | | | \$ 2263 |
| 103424-312-504-000 | Permafrost | Organik | | | \$ 2125 |
| 103424-312-505-000 | Clay | | | | \$ 2125 |
| 103424-312-507-000 | Loam | | | | \$ 2125 |

ACCESSORIES

| SKU | Description | MSRP |
|--------------|---|--------|
| 10042818-340 | Corner metal and glass shelf (9 5/8 x 9 5/8 in.) Removable tempered glass to ease the cleaning Ledge to secure the products in place Compatible with most wall solutions Available colors: Glossy White (276) Matte Black (340) | \$ 167 |

ACCESSORIES

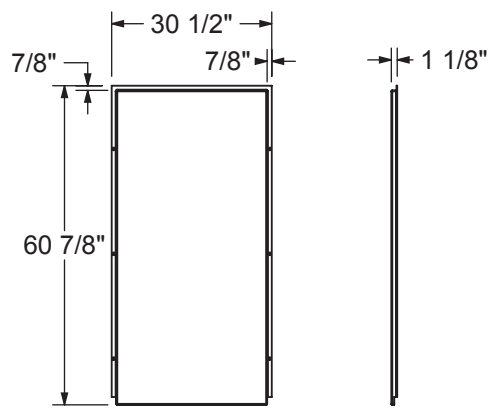
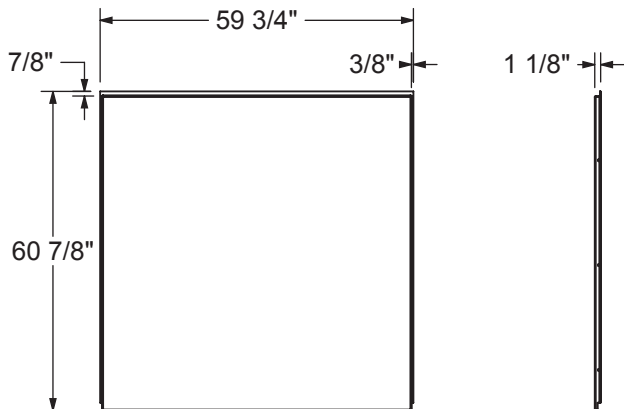
| SKU | Description | MSRP |
|--------------|---|---------|
| 10042818-201 | Corner metal and glass shelf (9 5/8 x 9 5/8 in.) Removable tempered glass to ease the cleaning | \$ 167 |
| 10042818-276 | Ledge to secure the products in place Compatible with most wall solutions | \$ 167 |
| 10042818-343 | Available colors: Glossy White (276) Matte Black (340) | \$ 167 |
| 10042819-340 | Rectangular metal and glass shelf (13 5/8 x 4 5/8 in.) Removable tempered glass to ease the cleaning | \$ 167 |
| 10042819-201 | Ledge to secure the products in place Compatible with most wall solutions | \$ 167 |
| 10042819-276 | Available colors: Glossy White (276) Matte Black (340) | \$ 167 |
| 10042819-343 | | \$ 167 |
| 10030084-002 | 42 in. modern straight grab bar with flange (front installation) Specify color: White (002), Chrome (084) | \$ 345 |
| 10030094-084 | | \$ 432 |
| 10030094-105 | 23 in. Curved right-hand grab bar with flange (front installation) Specify color: White (002), Chrome (084), Brushed Nickel (105) | \$ 432 |
| 10030094-002 | | \$ 432 |
| 10030095-002 | | \$ 464 |
| 10030095-084 | 32 in. curved left-hand grab bar with flange (front installation) Specify color: White (002), Chrome (084), Brushed Nickel (105) | \$ 464 |
| 10030095-105 | | \$ 464 |
| 10030097-084 | | \$ 464 |
| 10030097-002 | 32 in. curved right-hand grab bar with flange (front installation) Specify color: White (002), Chrome (084), Brushed Nickel (105) | \$ 464 |
| 10030097-105 | | \$ 464 |
| 10030100-002 | 37 in. modern curved left-hand grab bar with flange (front installation) Specify color: White (002), Chrome (084), Brushed Nickel (105) | \$ 523 |
| 10030101-002 | | \$ 523 |
| 10030101-105 | 37 in. modern curved right-hand grab bar with flange (front installation) Specify color: White (002), Chrome (084), Brushed Nickel (105) | \$ 523 |
| 10060311 | Corner glass shelf (9 3/8 x 9 3/8 in.) (sold separately) 10 mm frosted glass with a clear band along the edge Compatible with Utile and tile shower walls | \$ 152 |
| 10060315 | 10 Corner glass shelf (9 3/8 X 9 3/8 in) 10 mm frosted glass with a clear band along the edge | \$ 1449 |
| 10029996-084 | | \$ 261 |
| 10029996-002 | 18 in. modern straight grab bar with flange (front installation) Specify color: White (002), Chrome (084), Brushed Nickel (105) | \$ 261 |
| 10029996-105 | | \$ 261 |
| 10029997-002 | | \$ 277 |
| 10029997-105 | 24 in. modern straight grab bar with flange (front installation) Specify color: White (002), Chrome (084), Brushed Nickel (105) | \$ 277 |
| 10029997-084 | | \$ 277 |
| 10029998-084 | | \$ 293 |
| 10029998-002 | 30 in. modern straight grab bar with flange (front installation) Specify color: White (002), Chrome (084), Brushed Nickel (105) | \$ 293 |
| 10029998-105 | | \$ 293 |
| 10029999-105 | | \$ 323 |
| 10029999-002 | 36 in. modern straight grab bar with flange (front installation) Specify color: Chrome (084), Brushed Nickel (105) | \$ 323 |
| 10029999-084 | | \$ 323 |
| 10030086-002 | | \$ 360 |
| 10030086-105 | 48 in. modern straight grab bar with flange (front installation) Specify color: White (002), Chrome (084), Brushed Nickel (105) | \$ 360 |
| 10030086-084 | | \$ 360 |

ACCESSORIES

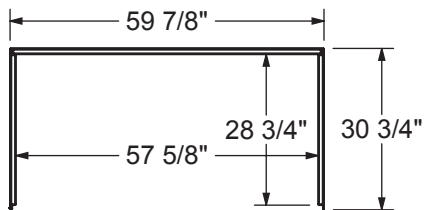
| SKU | Description | MSRP |
|--------------|---|--------|
| 10030093-084 | | \$ 432 |
| 10030093-002 | 23 in. Curved left-hand grab bar with flange (front installation) Specify color: White (002), Chrome (084), Brushed Nickel (105) | \$ 432 |
| 10030093-105 | | \$ 432 |

BACK WALL

SIDE WALL



TOP VIEW (ASSEMBLED)



This product is designed to be installed in a building that conforms with the requirements of the National Building Code of Canada 2005

All dimensions are approximate. Structure measurements must be verified against the unit to ensure proper fit.

UTILE

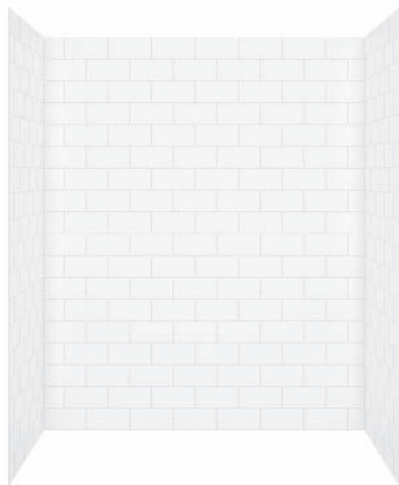
Wall Kits - Alcove Shower - Subway



Material : Solid Surface

Features

- › Shower kit includes: 2-piece back wall, 2 side walls, finishing trims, double face tape and silicone application tool
- › Glue-up installation
- › Realistic tile wall look made of durable solid surface material with textured grout lines
- › 4-piece wall set packaged in one compact box making it easy to handle and install
- › Proudly made in North America
- › Panels can be easily cut to adapt to most shower spaces up to 36 in. deep and fit on most products
- › Featuring Evergrout™: the first realistic and textured grout lines with that won't crack or leak
- › No tile or grout protective sealer required
- › Installs easily in just 1 day versus 3 days for standard ceramic tile



VERSALINE

VERSALINE 6036 - SUBWAY - 107180

| SKU | Color | Pattern | Dimensions & Weight | Packaging | MSRP |
|--------------------|-------|---------------------|-------------------------------------|----------------------|---------|
| 107180-000-270-000 | White | Classic Subway Tile | 60" x 36 1/4" x 72" / 90 lb / 41 kg | 5.64 ft ³ | \$ 1858 |

VERSALINE 4836 - SUBWAY - 107182

| SKU | Color | Pattern | Dimensions & Weight | Packaging | MSRP |
|--------------------|-------|---------------------|-------------------------------------|----------------------|---------|
| 107182-000-270-000 | White | Classic Subway Tile | 48" x 36 1/4" x 72" / 85 lb / 39 kg | 5.64 ft ³ | \$ 1658 |

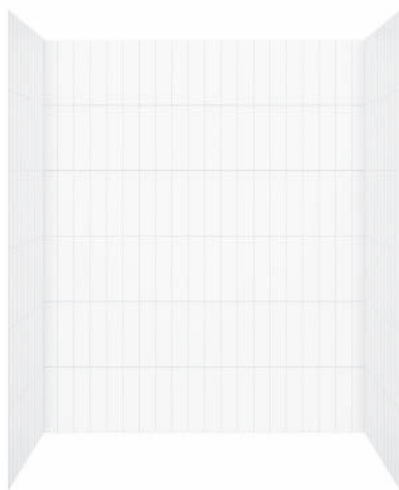
ACCESSORIES

| SKU | Description | MSRP |
|--------------|---|--------|
| 10042818-340 | Corner metal and glass shelf (9 5/8 x 9 5/8 in.) Removable tempered glass to ease the cleaning Ledge to secure the products in place Compatible with most wall solutions Available colors: Glossy White (276) Matte Black (340) | \$ 167 |
| 10042818-201 | | \$ 167 |
| 10042818-276 | | \$ 167 |
| 10042818-343 | | \$ 167 |
| 10042819-340 | Rectangular metal and glass shelf (13 5/8 x 4 5/8 in.) Removable tempered glass to ease the cleaning Ledge to secure the products in place Compatible with most wall solutions Available colors: Glossy White (276) Matte Black (340) | \$ 167 |
| 10042819-201 | | \$ 167 |
| 10042819-276 | | \$ 167 |
| 10042819-343 | | \$ 167 |

Wall Kits - Alcove Shower - Vertical



VERSALINE



Material : Solid Surface

Features

- › Shower kit includes: 2-piece back wall, 2 side walls, finishing trims, double face tape and silicone application tool
- › Glue-up installation
- › Realistic tile wall look made of durable solid surface material with textured grout lines
- › 4-piece wall set packaged in one compact box making it easy to handle and install
- › Proudly made in North America
- › Panels can be easily cut to adapt to most shower spaces up to 36 in. deep and fit on most products
- › Featuring Evergrout™: the first realistic and textured grout lines with that won't crack or leak
- › No tile or grout protective sealer required
- › Installs easily in just 1 day versus 3 days for standard ceramic tile

VERSALINE 6036 - VERTICAL - 107181

| SKU | Color | Pattern | Dimensions & Weight | Packaging | MSRP |
|--------------------|-------|-------------------|-------------------------------------|----------------------|---------|
| 107181-000-270-000 | White | Textured Vertical | 60" x 36 1/4" x 72" / 90 lb / 41 kg | 5.64 ft ³ | \$ 1858 |

VERSALINE 4836 - VERTICAL - 107183

| SKU | Color | Pattern | Dimensions & Weight | Packaging | MSRP |
|--------------------|-------|-------------------|-------------------------------------|----------------------|---------|
| 107183-000-270-000 | White | Textured Vertical | 48" x 36 1/4" x 72" / 85 lb / 39 kg | 5.64 ft ³ | \$ 1658 |

ACCESSORIES

| SKU | Description | MSRP |
|--------------|---|--------|
| 10042818-340 | Corner metal and glass shelf (9 5/8 x 9 5/8 in.) Removable tempered glass to ease the cleaning Ledge to secure the products in place Compatible with most wall solutions Available colors: Glossy White (276) Matte Black (340) | \$ 167 |
| 10042818-201 | | \$ 167 |
| 10042818-276 | | \$ 167 |
| 10042818-343 | | \$ 167 |
| 10042819-340 | Rectangular metal and glass shelf (13 5/8 x 4 5/8 in.) Removable tempered glass to ease the cleaning Ledge to secure the products in place Compatible with most wall solutions Available colors: Glossy White (276) Matte Black (340) | \$ 167 |
| 10042819-201 | | \$ 167 |
| 10042819-276 | | \$ 167 |
| 10042819-343 | | \$ 167 |

MAAX[®]

Enjoy the experience

For any questions or comments, please contact info@maax.com

1-877-GET-MAAX
(1-877-438-6229)

Order processing

Eastern U.S.A.
customercare.minneapolis@maax.com

Western U.S.A.
customercare.bellingham@maax.com

Technical Services

Bathtubs, Tub Showers and Showers
bsav@maax.com

Doors, Door enclosures and Shower Kits
lsav@maax.com

www.maax.com

