



72h QuickShip Inventory

Code approved & accessible **showers and shower pans**

MAAX[®]

Code approved & accessible
showers and shower pans
shipped in 72 hours



Need your bathware fast? No problem!
With MAAX Quick Ship Inventory, it's
always in-stock and ready to go.

1 Choose your bathware
Choose 1 to 2 models in premium
white finish.

2 Place an order
E-mail or fax your order form by 11 am
CST in order to be processed same day.

3 Order confirmation
You will receive an order
acknowledgement by email or fax.

Quick**Ship** Inventory

Standard **Features**

- ✓ Two finishes, acrylic or AcrylX, offered in a premium white finish
- ✓ ArmorCore™ — a resin-based reinforcement that creates an incredibly strong integral structure
- ✓ Accessorized to **meet code compliance**
- ✓ Curtain rod included on most models

*QSI units include commercial ADA, ANSI, ADAAG & MAS code compliant models. Curtain rods and accessories are not included with shower pans. ArmorCore™ is not available on acrylic models.



Quick. Easy. Fast.

List of **Accessories***



“Impact” weighted white shower curtain with antimicrobial, fire-retardant fabric

36" #10038280
48" #10038281
60" #10038282



White collapsible water retainment dam with two end caps

#10038698



Valve and hand-shower/slide guide kit in chrome finish — shipped loose with the unit

#10038714-084

*The addition of accessories will increase the delivery time frame by 24 hours.



72h **QuickShip** Inventory

code compliant & accessible products



MX QSI-6430-BF 0.875 in.

64.5" x 30.25" x 82.875" | #106544

Standard Features

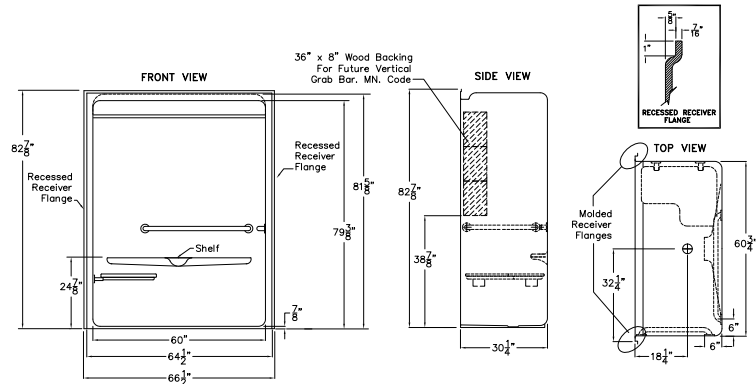
Finish	Product	Pieces	Wall	ArmorCore™
Acrylic	Roll-in Shower	One	Smooth	No

Standard Components Included

Stainless steel curtain rod, stainless steel grab bars, white fold-up seat

Technical Information

Handed By	Codes	Threshold Height	Warranty
Seat L/R	ADAAG, ADA, ANSI/MN	0.875 in.	Acrylic – 25 Year Limited



code compliant showers

AcrylX™



MX QSI-3637-BF 0.625 in. RRF (3-Piece)

40.25" x 38.5" x 77.625" | #106546



Standard Features

Finish	Product	Pieces	Wall	ArmorCore™
AcrylX™	Transfer shower with return receiver flanges (RRF)	Three	Smooth	Yes

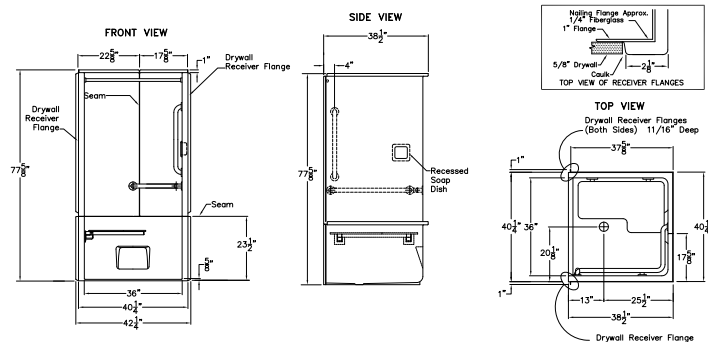
Standard Components Included

Stainless steel curtain rod, stainless steel grab bars, white fold-up seat, recessed soap dish (not shown in picture)

Technical Information

Handed By	Codes	Threshold Height	Warranty
Valve Wall L/R*	ADA/ANSI	0.625 in.	AcrylX™ – Lifetime Limited

*The valve wall is located on the wall opposite to the seat. The configuration represented in the picture is of a left valve wall.



code compliant showers



MX QSI-6233-BF 0.75 in.

62" x 32.75" x 78.5" | #106548



Standard Features

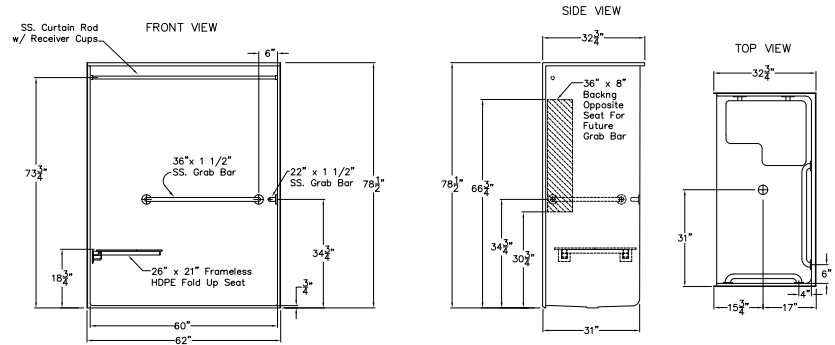
Finish	Product	Pieces	Wall	ArmorCore™
AcrylX™	Roll-in Shower	One	Smooth	Yes

Standard Components Included

Stainless steel curtain rod (not shown in picture), stainless steel grab bars, white fold-up seat

Technical Information

Handed By	Codes	Threshold Height	Warranty
Seat L/R	ADAAG, ADA, ANSI/MN	0.75 in.	AcrylX™ – Lifetime Limited



accessible showers



MX QSI-6030-BF 1 in. (5-Piece)

60" x 31" x 78" | #106550



Standard Features

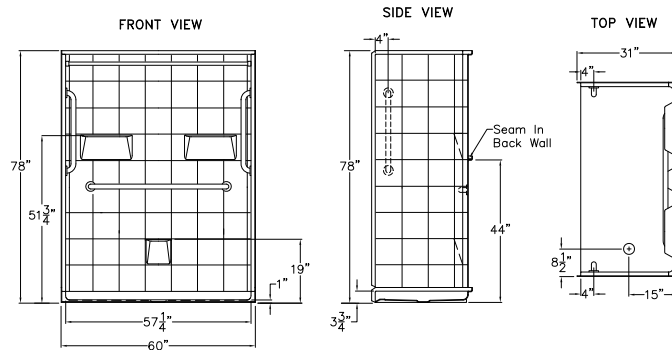
Finish	Product	Pieces	Wall	ArmorCore™
AcrylX™	Barrier free shower	Five	Simulated Tile	Yes

Standard Components Included

White curtain rod, white grab bars - field installed
Valve and hand-shower/slide guide kit is not available.

Technical Information

Handed By	Codes	Threshold Height	Warranty
Drain L/R	IPC, UPC, ANSI Z 124.2, NAHB, HUD, FHA	1 in.	AcrylX™ – Lifetime Limited



MX QSI-6030-SH 4 in. (5-Piece)



60" x 31" x 79.5" | #106551



Standard Features

Finish	Product	Pieces	Wall	ArmorCore™
AcrylX™	Low threshold shower	Five	Simulated Tile	Yes

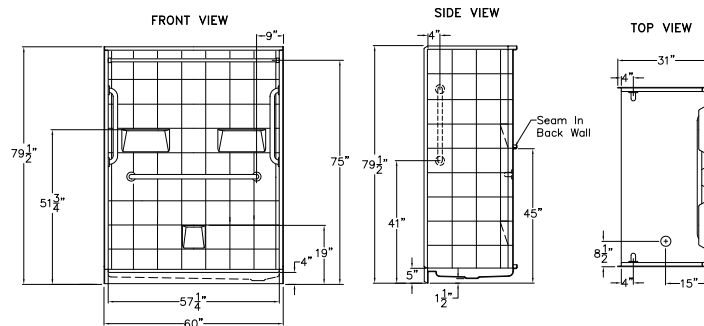
Standard Components Included

White curtain rod, white grab bars - field installed

Valve and hand-shower/slide guide kit is not available.

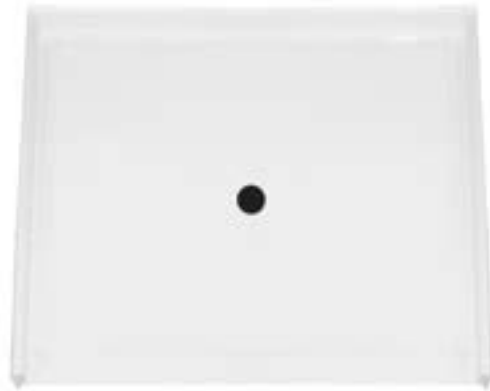
Technical Information

Handed By	Codes	Threshold Height	Warranty
Drain L/R	IPC, UPC, ANSI Z 124.2, NAHB, HUD, FHA	4 in.	AcrylX™ – Lifetime Limited



MX QSI-3838-BF 0.5 in. Pan

38.625" x 38.437" x 4" | #106553

**Standard Features**

Finish	Product	Pieces	ArmorCore™
AcryIX™	Shower Pan	One	Yes

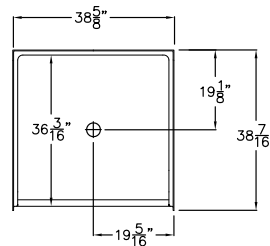
Product Specifications

Valve and hand-shower/slide guide kit is not available.

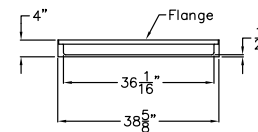
Technical Information

Drain Position	Codes	Threshold Height	Warranty
Center drain	ADA, ANSI, MAS	0.5 in.	AcryIX™ – Lifetime Limited

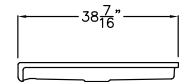
TOP VIEW



FRONT VIEW



SIDE VIEW



accessible shower pan



MX QSI-6030-BF 1 in. Pan

60" x 31" x 4.5" | #106554

Standard Features

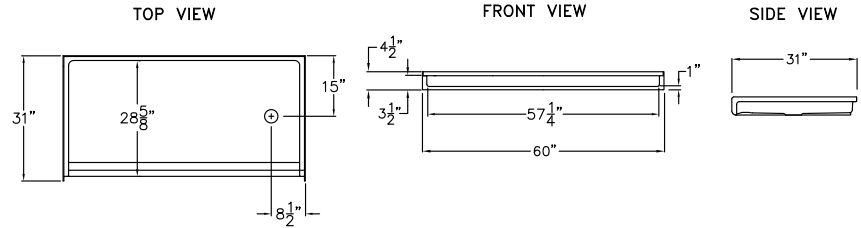
Finish	Product	Pieces	ArmorCore™
AcrylX™	Shower pan	One	Yes

Product Specifications

Valve and hand-shower/slide guide kit is not available.

Technical Information

Handed By	Codes	Threshold Height	Warranty
Drain L/R	IPC, UPC, ANSI Z 124.2	1 in.	AcrylX™ – Lifetime Limited



AcrylX™ with the Strength of ArmorCore™ System

AcrylX Superior Finish



- AcrylX™, Applied Acrylic is a superior luster, truer white, applied acrylic finish.
- AcrylX's™ UV properties resist fading, low porosity helps maintain luster and makes cleaning easier, and other natural properties make it less susceptible to chemicals.
- Whether in a warehouse or a new house, an AcrylX™ product will resist scratching, cracking and chipping and will maintain a “factory-new” surface finish over its lifetime.

ARMORCORE™

Exceptional Strength

- ArmorCore™ is a resin based sheet, which means when it comes in contact with the other layers of resin, it chemically bonds and turns into a solid piece.
- The structural integrity is greater than previous products; reducing the chances of surface cracks during transportation and installation.
- ArmorCore™ RRP produces the strongest, most resilient product in the industry, impervious to moisture and freezing, and better suited to the rigors of construction.



For more information, please contact your MAAx representative or visit www.maax.com/qsi

Fast Facts



Models

MX QSI-6430-BF 0.875 in.

MX QSI-3682-BF 0.625 in. RRF

MX QSI-3637-BF 0.625 in. RRF (3-Piece)

MX QSI-6233-BF 0.75 in.

MX QSI-6030-BF 1 in. (5-Piece)

MX QSI-6030-SH 4 in. (5-Piece)

MX QSI-3838-BF 0.5 in. Pan

MX QSI-6030-BF 1 in. Pan



Finish Color

White



Quantity Ordered

Orders can be placed for 1 or 2 each of any model.



When will they ship?



Standard QSI models will ship in 72 hours. QSI models with accessories will require an additional 24 hours for processing.

The Quick Ship Inventory Program allows for no more than 2 units per order, per customer, per day.



List of Accessories

- "Impact" weighted white shower curtain with antimicrobial, fire-retardant fabric offered in three different sizes (36", 48" and 60")
- White collapsible water retainment dam with two end caps
- Valve and hand-shower/ slide guide kit in chrome finish —shipped loose with the unit



How to Order



Fill-out your form, double check for accuracy.



Scan your completed form and send to: customer care.minneapolis@maax.com
Please include "QSI order" in your email subject line.

Or fax it to:
1-800-944-9808



Submit order form by 11 am CST for order to be processed same day. Orders received after 11 am CST will be processed the following business day.



Pricing

QSI model pricing, as well as shipping pricing, can be found on the QSI order form.



Questions?

Give customer service a call — we are here for you!
1-877-438-6229

MAAX[®]

Enjoy the experience

1-877-GET-MAAX

(1-877-438-6229)

www.maax.com



MAAX is a proud member of the ABG family

Building a better bathware industry