

Retail

Bathware Line

20
24



National Price List Canada

Effective August 2024

MAAX[®]

MOVING / forward

A better experience means always moving forward

We're inspired by you. You're constantly in motion, and never stop looking ahead. And your style is constantly evolving, helping refine the trends of tomorrow. That is why we believe to best serve you, we must always be moving forward — never complacent — finding new ways to enhance your success and enjoyment. We never stop asking questions or exploring innovative new opportunities to make business easier, products better and results more inspiring, no matter what the project. We are driven to continuously push the bounds, creating the best possible bathware experience.

● **CORNER BATHTUBS - ACRYLIC**

Cocoon 6054	102724.....	9
Murmur 5555	105680.....	13
Murmur 6060	105679.....	17
Nancy	101212.....	21

● **FREESTANDING BATHTUBS - ACRYLIC**

Lounge	105798.....	25
--------------	-------------	----

● **FREESTANDING BATHTUBS - ACRYLIC**

Calinda 6030	107527.....	28
Lorca	106471.....	30
Mahaba 6029	107510.....	32
Mahaba 6729	107511.....	34
Malindi 6730	107512.....	36
Nakuru 6731	107513.....	38
Soca 5928	107531.....	40
Soca 6729	107532.....	42

● **FREESTANDING BATHTUBS - ACRYLIC**

Delsia 6032	106192.....	44
Delsia 6636	106193.....	47
Sax	105797.....	50

● **FREESTANDING BATHTUBS - ACRYLIC**

Emica 5834	106839.....	53
Emica 6434	106840.....	55
Kai	106842.....	57
Suna	106843.....	59

● **OVAL BATHTUBS - ACRYLIC**

Antigua	101250.....	61
Murmur 6034	105642.....	65

● **RECTANGULAR BATHTUBS - ACRYLIC**

Bosca 6030 IFS	106394.....	69
Bosca 6030 IFS AFR	106395.....	69
Bosca 6032	106969.....	72
Bosca 6032 AFR	106970.....	72
Bosca Access 6030	106967.....	75
Bosca Access 6030 AFR	106968.....	75
Cambridge	101227.....	78
Cocoon 6030 IFS	105822.....	82
Cocoon 6032	102722.....	85
Cocoon 6636	102723.....	89
Corinthia II	105684.....	93
Murmur 6032 A	105726.....	95
Murmur 6043 ASY	105728.....	99
New Town 6030 IFS	105454.....	103
New Town 6032	105459.....	106
New Town 6032 IF	105467.....	106
New Town 6032 IFS	105456.....	111
Santorini	105231.....	114
Skybox 6636	105722.....	118
Skybox 6636 IF	106390.....	118
Skybox 7236	105721.....	123
Skybox 7236 IF	106391.....	123

● **RECTANGULAR BATHTUBS - ACRYLIC**

Essence TO-6030	148008.....	128
Essence TO-6030 AFR	148009.....	128
Essence TO-6032	148014.....	130
Essence TO-6032 AFR	148015.....	130
Nomad 6030 AFR	106662.....	132
Nomad 6030	106663.....	132
Nomad 6032 AFR	106666.....	135
Nomad 6032	106667.....	135
Nomad Corner 6030	106817.....	138
Nomad Corner 6030 AFR	106818.....	138
Nomad Corner 6032	106825.....	141
Nomad Corner 6032 AFR	106826.....	141

SHOWER BASES

● **ALCOVE BASES - ACRYLIC**

Rectangular Base 4234 - 3 in	102001.....	145
Rectangular Base 4236 - 3 in	105718.....	147
Rectangular Base 4832 - 3 in	101433.....	149
Rectangular Base 4834 - 3 in	102002.....	151
Rectangular Base 4836 - 3 in	105717.....	153
Rectangular Base 6030 - 3 in	105707.....	155
Rectangular Base 6032 - 3 in	105706.....	157
Rectangular Base 6034 - 3 in	102003.....	159
Rectangular Base 6036 - 3 in	105664.....	161
Rectangular Base 6036 - R/L Drain - 3 in	105666.....	161
Rectangular Base 6042 - 3 in	105716.....	163
Square Base 32 - Alcove - 3 in	105663.....	165
Square Base 36 - Alcove - 3 in	101430.....	167
Square Base 42 - Alcove - 3 in	105714.....	169

● **ALCOVE BASES - ACRYLIC**

Essence base 3060	148038.....	171
Essence base 3232	148020.....	173
Essence base 3636	148026.....	175
Essence Base 4834	148032.....	177
Essence Base 6034	148044.....	179
Finesse Base 42 x 32	105625.....	181
Finesse Base 48 X 32	105624.....	183
Finesse Base 60 X 32	105623.....	185

● **CONFIGURABLE SHOWER BASES**

B3Round 3636	410000.....	187
B3Round 4236	410034.....	189
B3Round 4832	410001.....	191
B3Round 4834	410002.....	193
B3Round 4836	410003.....	195
B3Round 4842	410043.....	197
B3Round 6030	410004.....	199
B3Round 6032	410005.....	201
B3Round 6034	410035.....	203
B3Round 6036	410006.....	205
B3Round 6042	410036.....	208
B3Square 3636	420000.....	210
B3Square 4236	420034.....	213
B3Square 4832	420001.....	216

B3Square 4834	420002	219
B3Square 4836	420003	222
B3Square 4842	420043	225
B3Square 6030	420004	228
B3Square 6032	420005	231
B3Square 6034	420035	234
B3Square 6036	420006	237
B3Square 6042	420036	240
B3Square 7236	420042	243
B3X 3636 - Alcove	420020	246
B3X 3636 - Corner	420021	249
B3X 4236 - Alcove	420039	252
B3X 4236 - Corner	420040	255
	420041	255
B3X 4836 - Alcove	420030	258
B3X 4836 - Corner	420028	261
	420029	261
B3X 6032 - Alcove	420022	264
	420023	264
B3X 6032 - Corner	420024	267
	420025	267
B3X 6036 - Alcove	420031	270
B3X 6036 - Corner	420032	273
	420033	273

● CONFIGURABLE SHOWER BASES

Distinct 48	106350	276
Olympia Square Base 6032	106012	278
Rectangular 4234 Base	106382	281
Zone Square Base 48	106354	283
Zone Square Base 60 - L	106355	286
Zone Square Base 60 - R	106356	286

● CORNER BASES - ACRYLIC

Neo-angle Base 36 - 3 in	101422	289
Neo-angle Base 38 - 3 in	101423	291
Neo-angle Base 40 - 3 in	101424	293
Neo-angle Base 42 - 3 in	101425	295
Neo-round Base 32 - 3 in	101426	297
Neo-round Base 36 - 3 in	101427	299
Neo-round Base 40 - 3 in	101428	301
Rectangular Base 6036 - Corner L/R - 3 in	105594	303
Roka 3232	107331	305
Roka 3636	107332	307
Roka 4242	107333	309
Round Base 36 - 3 in	101429	311
Square Base 32 - Corner - 3 in	101431	313
Square Base 36 - Corner - 3 in	101432	315

● CORNER BASES - ACRYLIC

Neo-Angle 38 Base	106380	317
Neo-Angle 40 Base	106381	319
Round Base 36 with drain - 3 in	106888	321

SHOWER DOORS

● ALCOVE DOORS - BYPASS

Incognito 76 Shower Doors - 8 mm	135335	325
----------------------------------	--------	-----

Inverto Shower Doors	138762	324
Duel Shower Doors	136271	326
	136272	326
Incognito 70 Shower Doors - 6 mm	139349	329
	139350	329
Incognito 70 Shower Doors - 8 mm	139352	331
	139353	331
Incognito 74 Shower Doors - 8 mm	138520	333
	138521	333
Incognito 76 Shaker Shower Doors	135331	335
	135332	335
Incognito 76 Smoke Shower Doors	136335	337
Polar Shower Doors	105412	339
	105413	339
Revelation Round Shower Doors - 6 mm	136690	341
	136691	341
Revelation Round Shower Doors - 8 mm	136693	343
	136694	343
Uptown Shower Doors	135321	345
Uptown Bypass Shower Doors	135322	345

● ALCOVE DOORS - BYPASS

Aura 6 mm Shower Doors	135662	347
	135663	348
	135664	351
	135665	348
Aura 6 mm Tub Doors	135661	353
Aura 8 mm Shower Doors	135671	355
	135672	355
Aura SC 8 mm Shower Doors	135674	357
	135675	357
Aura SC 8 mm Tub Door	135670	359

● ALCOVE DOORS - PIVOT

Madono Shower Doors	105416	361
	105417	361
	105418	361
	105420	361
Manhattan 1 Panel Shower Doors	138260	363
	138261	363
	138262	364
	138263	364
	138264	364
	138265	364
Manhattan 2 Panel Shower Doors	138266	367
	138267	367
	138268	368
	138269	368
	138270	368
	138271	368
	138272	369
	138273	369
	138274	369
	138275	369
	138276	370
	138277	370

Pivolok Deluxe Shower Doors	136435	372
Pivolok Shower Doors	136605	373
	136615	373
	136625	373
	136626	373
	136635	374
	136645	374
	136655	374
	136656	374
Polar Shower Doors	136730	376
	136731	376
	136732	376
	136733	376
Reveal 71 Shower Doors	136671	378
	136672	378
	136676	378
	136677	379
	136679	379
	136883	379
Reveal Sleek 71 Shower Doors	139575	381
	139576	381
	139577	381
	139578	382
	139579	382
	139580	382
Uptown Pivot Shower Doors	135325	384
● ALCOVE DOORS - SLIDING		
Halo Shower Doors	138996	386
	138997	386
Luminescence Shower Doors	138992	388
	138993	388
Odyssey SC Shower Doors	137420	390
	137421	390
Uptown Slider Shower Doors	135323	392
	135324	392
● ALCOVE DOORS - SLIDING		
Connect Shower Doors	135241	394
	135242	394
	135243	394
	135244	394
Outback Shower Doors	137680	397
	137681	397
● CORNER DOORS - PIVOT		
Silhouette Neo-angle	137901	399
	137904	399
Silhouette Plus Neo-angle	137710	401
	137720	401
	137730	401
	137750	401
● CORNER DOORS - PIVOT		
Davana Neo-angle 38 Door	139315	403
Davana Neo-angle 40 Door	139320	405
Davana Rectangular 4234 Door	139330	407

Hana Neo-angle 38 Door	137300	409
Hana Neo-angle 40 Door	137301	411
Hana Rectangular 4234 Door	137302	413
● CORNER DOORS - SLIDING		
Halo Round	139399L	415
	139399R	415
Radia Neo-angle	137440	417
	137441	417
	137442	417
Radia Neo-round	137443	419
	137444	419
	137445	419
	137449	420
Radia Round	137446	422
Radia Square	137447	424
	137448	424
	137451	424
● CORNER DOORS - SLIDING		
Outback Round	139410	426
● RETURN PANELS		
Halo Return Panels	139395	428
	139396	428
Duel and Inverto Return Panels	137310	429
	137311	429
	137312	429
Reveal 71 Return Panels	136673	431
	136674	431
	136675	431
Reveal Sleek 71 Return Panels	139581	433
	139582	433
	139583	433
Uptown Return Panels	135327	435
	135328	435
● RETURN PANELS		
Halo Return Panels	139998	437
Incognito 76 Return Panels	136560	438
	136561	438
SHOWER KITS 441		
● SHOWER KITS - ACRYLIC		
Athena	300008	441
Cyrene	300001	443
Kassia	107170	445
Olympia Round - Left Opening	105760	447
Olympia Round - Right Opening	105960	447
Sakura	106540	449
Scarlet Square 3232	107484	453
	107485	453
Scarlet Square 4242	107487	451
Scarlet Square 3636	107481	455
	107482	455
Scarlet Square 4242	107486	457

● **SHOWER KITS - POLYSTYRENE**

32" Mediterranean III	105605.....	459
38" Himalaya	101694.....	461
Begonia Carbon	300012.....	463
Begonia Pebble	105544.....	465
Begonia Soho	105618.....	467
Daylight	105672.....	469
Orchid	300022.....	471
Papaya	105545.....	473
Summit	300006.....	475

SHOWERS 478

● **ALCOVE SHOWERS - ACRYLIC**

Allegro I (1-Piece)	101150.....	478
Allegro I (3-Piece)	101150S.....	478
Allegro II (1-Piece)	200011.....	481
Allegro II (2-Piece)	200011S.....	481
Camelia SH-3636 (1-piece)	105917.....	484
Camelia SH-3636 (2-piece)	105917S.....	484
Camelia SH-4834 (1-piece)	105919.....	488
Camelia SH-4834 (2-piece)	105919S.....	488
Camelia SH-6034 (1-piece)	105921.....	493
Camelia SH-6034 (2-piece)	105921S.....	493
Camelia SHR-3636 (1-piece)	105918.....	499
Camelia SHR-3636 (3-piece)	105918S.....	499
Camelia SHR-4834 (1-piece)	105920.....	503
Camelia SHR-4834 (3-piece)	105920S.....	503
Camelia SHR-6034 (1-piece)	105922.....	508
Camelia SHR-6034 (3-piece)	105922S.....	508

● **ALCOVE SHOWERS - ACRYLX**

Essence SH-3232	148018.....	514
Essence SH-3636	148024.....	517
Essence SH-4834	148030.....	520
Essence SH-6030	148036.....	523
Essence SH-6034	148042.....	526
Jupiter F32	101162.....	529

● **CORNER SHOWERS - ACRYLIC**

Equinox I	102495.....	531
Equinox II	102500.....	533

TUB DOORS 536

● **SCREENS**

Axial Access Tub Screen	138600.....	536
Axial Duo Tub Screen	137512.....	538
Axial Square Tub Screen	137511.....	540
Axial Tub Screen	137510.....	542

● **TUB DOORS - BYPASS**

Duel Tub Door	136270.....	544
Incognito 57 Shaker Tub Door	135330.....	546
Incognito 57 Tub Door - 6 mm	139351.....	548
Incognito 57 Tub Doors - 8 mm	138522.....	550
.....	139354.....	552
Polar Tub Door	105410.....	554
Revelation Round Tub Door - 6 mm	136692.....	556

Revelation Round Tub Door - 8 mm	136695.....	558
Uptown Bypass Tub Door	135320.....	560

● **TUB DOORS - BYPASS**

Aura 6 mm Tub Doors	135660.....	562
.....	135661.....	564
Aura 8 mm Tub Doors	135673.....	566

● **TUB DOORS - SLIDING**

Halo Tub Door	139398.....	568
Luminescence Tub Door	138994.....	570

● **TUB DOORS - SLIDING**

Connect Tub Doors	135245.....	572
.....	135246.....	572
Outback Tub Door	137682.....	574

TUB SHOWERS 577

● **TUB SHOWERS - ACRYLIC**

Aspen (1-piece)	101023.....	577
Aspen (3-piece)	101023S.....	577
Camelia TS-6032 (1-piece)	105915.....	580
Camelia TS-6032 (2-piece)	105915S.....	580
Camelia TSR-6032 (1-piece)	105916.....	585
Camelia TSR-6032 (3-piece)	105916S.....	585
Figaro I (1-piece)	101097.....	590
Figaro I (3-piece)	101097S.....	590
Figaro I (1-piece AFR)	105620.....	590
Figaro I (3-piece AFR)	105620S.....	591
Figaro II (1-piece)	101098.....	593
Figaro II (2-piece)	101098S.....	593
Figaro II (1-piece AFR)	105621.....	593
Figaro II (2-piece AFR)	105621S.....	594

● **TUB SHOWERS - ACRYLX**

Essence TS-6030	148006.....	596
Essence TS-6030 AFR	148007.....	596
Essence TS-6032	148012.....	600
Essence TS-6032 AFR	148013.....	600

WALLS 605

● **ACRYLIC WALLS**

Back wall - 32x72 in.	105068.....	605
Back wall - 36x72 in.	105069.....	605
Back wall - 42x72 in.	105070.....	605
Back wall - 48x72 in.	105071.....	605
Back wall - 60x72 in.	105072.....	606
Wall set (2 walls) 30x72 in.	105062.....	608
Wall set (2 walls) 32x72 in.	105063.....	608
Wall set (2 walls) 36x72 in.	105064.....	608
Wall set (2 walls) 38x72 in.	105065.....	608
Wall set (2 walls) 40x72 in.	105066.....	609
Wall set (2 walls) 42x72 in.	105067.....	609

● **ACRYLIC WALLS**

3-Piece Acrylic Wall Set	106108.....	613
.....	106383.....	611
59" Elan	101343.....	615

59" Finesse	101347.....	617
80" Finesse	101345.....	619
Corner Wall Kit 3636	105753.....	621
Universal 4242	107390.....	623

● **DENSO**

Denso 36 in. Wall Kit - Modern Subway	107223.....	625
Denso 42 in. Wall Kit - Modern Subway	107224.....	625
Denso 36 in. Wall Kit - Traditional Subway	107227.....	627
Denso 42 in. Wall Kit - Traditional Subway	107228.....	627
Denso 50 in. Back Wall - Modern Subway	107226.....	629
Denso 50 in. Back Wall - Traditional Subway	107230.....	629
Denso 62 in. Back Wall - Modern Subway	107225.....	631
Denso 62 in. Back Wall - Traditional Subway	107229.....	631

● **NEXTILE**

NexTile 4-piece Tub Wall Set	106542.....	633
Nextile 6032	107352.....	635

● **POLYSTYRENE WALLS**

59" Elan	101593.....	636
59" Finesse	101594.....	638
59" Utah	102573.....	640
80" Finesse	101595.....	642

● **UTILE**

Single Back Walls	103411.....	644
.....	103412.....	644
Single Side Walls	103409.....	647
Wall Kits - Alcove Shower	107455.....	649
.....	107456.....	649
Wall Kits - Corner Shower	103378.....	652
.....	107457.....	652
.....	107458.....	652
Wall Kits - Tub	103408.....	656
.....	103414.....	656

● **VERSALINE**

Wall Kits - Alcove Shower - Subway	107180.....	659
.....	107182.....	659
Wall Kits - Alcove Shower - Vertical	107181.....	660
.....	107183.....	660

Bathtubs



Odetta 5832



Cocoon 6054



Material : Acrylic
 Min: 32 Gal / 145 L
 Max: 63 Gal / 286 L

Features

- › Proudly made in Canada
- › Spacious interior for two bathers with ergonomic headrest and built-in armrests
- › Durable, high-gloss acrylic; easy to clean
- › Textured bottom for safety
- › Headrest channel allows water to drain easily
- › Faucets not included

COCOON 6054 - 102724

SKU	System	Color	Configuration	Dimensions & Weight	Packaging	MSRP
102724-000-001-000	Soaker - No System	White	Center	59 3/4" x 53 7/8" x 21" / 93 lb / 42 kg	50 ft ³	\$ 1604
102724-000-004-000		Bone				\$ 1604
102724-000-007-000		Biscuit				\$ 1604
102724-091-001-100	10 Microjets ¹	White				\$ 3299
102724-091-004-100		Bone				\$ 3299
102724-091-007-100		Biscuit				\$ 3299
102724-107-001-100	Hydrosens ¹	White				\$ 4563
102724-107-004		Bone				\$ 4563
102724-107-007		Biscuit				\$ 4563
102724-108-001-000	Aerosens ^{1 2}	White				\$ 4141
102724-108-004-000		Bone				\$ 4141
102724-108-007-000		Biscuit				\$ 4141
102724-109-001-100	Combined Hydrosens & Aerosens ^{1 25}	White				\$ 6550
102724-109-004		Bone				\$ 6550
102724-109-007		Biscuit				\$ 6550

COMMON OPTIONS

SKU	Description	MSRP
OPT20025	Backmax: 6 rotating and pulsating backjets ¹²⁷ Optional with Hydrosens or combined Hydrosens and Aerosens	\$ 793

COMMON OPTIONS

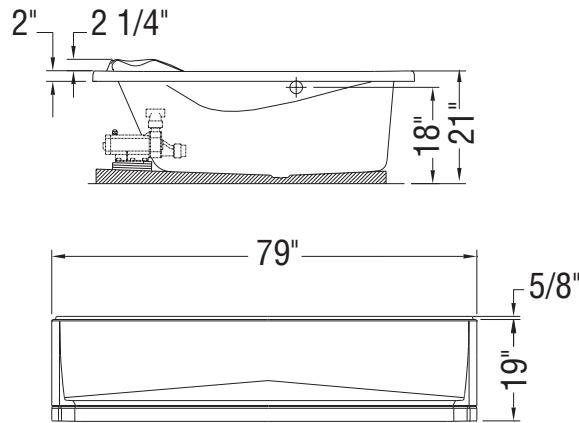
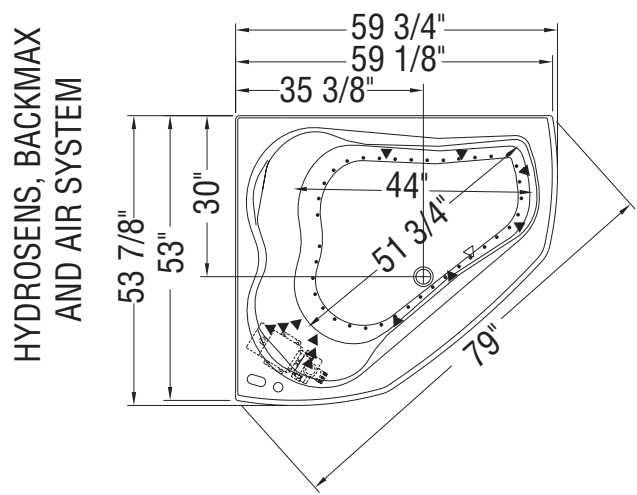
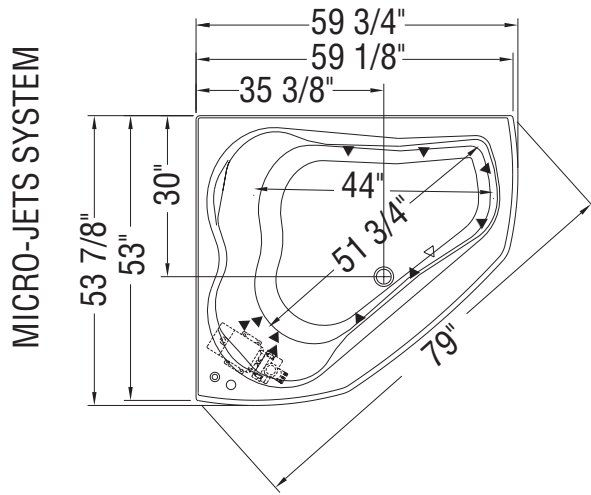
SKU	Description	MSRP
OPT10053	One chromatherapy light (factory installed) ⁵⁴	\$ 725
OPT10095	Water heater assembly for whirlpool and combined systems (factory installed)	\$ 950
OPT20113	Positioning template for drop-in installation (included in product packaging)	\$ 98
OPT10250-105	Microjet trim kit (factory installed) Available colours: Chrome (084) and Brushed Nickel (105)	\$ 797
OPT10250-084		\$ 797
OPT20027-084	Hydrosens™ & Combined Hydrosens™ and Aerosens® trim kit (factory-installed) Including the 2 air control covers	\$ 797
OPT20027-105	Available colors: Chrome (084) and Brushed Nickel (105)	\$ 797
OPT20029-105	Metal trim kit for air push control (factory installed)	\$ 74
OPT20029-084	Available colors: Chrome (084) and Brushed Nickel (105)	\$ 74
OPT20137-004		\$ 332
OPT20137-084	Cable-operated waste and overflow (16 in. to 22 in.) (included in product packaging when purchased)	\$ 332
OPT20137-105	Available colors: White (001), Bone (004), Chrome (084) and Brushed Nickel (105)	\$ 332
OPT20137-001		\$ 332
OPT20210-084	Waste and overflow (16 in. to 22 in.) (included in product packaging when purchased)	\$ 124
OPT20210-105	Available colors: Chrome (084) and Brushed Nickel (105)	\$ 166
102727-000-004-000		\$ 845
102727-000-001-000	Acrylic apron (as shown in picture) Specify: Standard colors: White (001), Bone (004), Biscuit (007)	\$ 845
102727-000-007-000		\$ 845

ACCESSORIES

SKU	Description	MSRP
10006920	Tiling flange, 2 x 60 in. (sold separately)	\$ 114
10019591-105	Hydrosens™ (107) & Combined Hydrosens™ and Aerosens® (109) trim kit (sold separately) Air control covers not included	\$ 797
10019591-084	Available colours: Chrome (084) and Brushed Nickel (105)	\$ 797
10022491-084		\$ 332
10022491-004	Cable-operated waste and overflow (16 in. to 22 in.) (sold separately)	\$ 332
10022491-105	Available colors: White (001), Bone (004), Chrome (084) and Brushed Nickel (105)	\$ 332
10022491-001		\$ 332
10006923	Flexible main hose (9 ft. extension) for air push control air massage - Kit (sold separately)	\$ 191
10012135-105	Waste and overflow (16 to 22 in.) (sold separately)	\$ 166
10012135-084	Available colours: Chrome (084) and Brushed Nickel (105)	\$ 124
10018640	Thermax field-installed whirlpool heater (sold separately) Single pack	\$ 729
10019708	Flexible main hose for blower with combined systems (sold separately) Includes: 15ft (4.57m) hose, 2 clips, 1 nylon coupling and 1 power cord	\$ 356
10020880	Cut out template for Cocoon 6054 drop-in installation (sold separately)	\$ 98
10004306-001	White foam cushion with 2 suction pads (sold separately) Available color: White (001)	\$ 126

FOOTNOTES

No	Description
1	Components for standard colour units equipped with systems are colour-coordinated. Trim kit and/or air push with metallic finish can be added (additional charge applies). For non-standard colour units, please specify trim kit and/or air push colour (additional charge applies for metallic finishes). Please note that the positioning of the system's control could be in conflict with the door if one was installed on the unit. To insure compatibility, please contact customer service.
1	Components for standard colour units equipped with systems are colour-coordinated. Trim kit and/or air push with metallic finish can be added (additional charge applies). For non-standard colour units, please specify trim kit and/or air push colour (additional charge applies for metallic finishes). Please note that the positioning of the system's control could be in conflict with the door if one was installed on the unit. To insure compatibility, please contact customer service.
2	Please order flexible main hose 10006923 for installation of the blower further than 3 ft from the bathtub. For the Tandem models and the Serenade models (freestanding and drop-in), the blower is always remote and not factory installed so a 9 ft flexible main hose is included. Please note that the positioning of the system's control could be in conflict with the door if one was installed on the unit. To insure compatibility, please contact customer service.
25	Please order flexible main hose 10019708 for installation of the blower further than 9 ft from the bathtub.
27	Please note the Backmax is positioned on the same side as the pump.
54	A selection of units come with an access panel by default when equipped with a system. However, if the unit is only equipped with chromatherapy, the access panel will not be provided by default.



- (▲): Indicates whirlpool and backjets positioning
- (△): Indicates suction positioning
- (●): Indicates airjets positioning

All dimensions are approximate. Structure measurements must be verified against the unit to ensure proper fit.



Murmur 5555



Material : Acrylic
 Min: 25 Gal / 114 L
 Max: 62 Gal / 282 L

Features

- › Proudly made in Canada
- › Elegant drop-in corner bathtub for 2 people
- › Relaxing armrests and 2 headrests for ultimate comfort
- › Made of thick and durable acrylic that has a high gloss finish for easy clean and maintenance
- › Ample deck space for faucet installation
- › End drain

MURMUR 5555 - 105680

SKU	System	Color	Configuration	Dimensions & Weight	Packaging	MSRP
105680-000-001-000	Soaker - No System	White	Center	54 3/4" x 54 3/4" x 20 3/4" / 78 lb / 35 kg	39 ft ³	\$ 1547
105680-000-004-000		Bone				\$ 1547
105680-000-007-000		Biscuit				\$ 1547
105680-091-001-000	10 Microjets ¹	White				\$ 3242
105680-091-004		Bone				\$ 3242
105680-091-007		Biscuit				\$ 3242
105680-107-001-100	Hydrosens ¹	White				\$ 4506
105680-107-004		Bone				\$ 4506
105680-107-007		Biscuit				\$ 4506
105680-108-001-000	Aerosens ^{1 2}	White				\$ 4084
105680-108-004		Bone				\$ 4084
105680-108-007		Biscuit				\$ 4084
105680-109-001-000	Combined Hydrosens & Aerosens ^{1 25}	White				\$ 6493
105680-109-004		Bone	\$ 6493			
105680-109-007		Biscuit	\$ 6493			

COMMON OPTIONS

SKU	Description	MSRP
OPT10053	One chromatherapy light (factory installed) ⁵⁴	\$ 725
OPT10095	Water heater assembly for whirlpool and combined systems (factory installed)	\$ 950

COMMON OPTIONS

SKU	Description	MSRP
OPT10250-105	Microjet trim kit (factory installed)	\$ 797
OPT10250-084	Available colours: Chrome (084) and Brushed Nickel (105)	\$ 797
OPT20027-084	Hydrosens™ & Combined Hydrosens™ and Aerosens® trim kit (factory-installed)	\$ 797
OPT20027-105	Including the 2 air control covers Available colors: Chrome (084) and Brushed Nickel (105)	\$ 797
OPT20029-105	Metal trim kit for air push control (factory installed)	\$ 74
OPT20029-084	Available colors: Chrome (084) and Brushed Nickel (105)	\$ 74
OPT20137-004		\$ 332
OPT20137-084	Cable-operated waste and overflow (16 in. to 22 in.) (included in product packaging when purchased)	\$ 332
OPT20137-105	Available colors: White (001), Bone (004), Chrome (084) and Brushed Nickel (105)	\$ 332
OPT20137-001		\$ 332
OPT20210-084	Waste and overflow (16 in. to 22 in.) (included in product packaging when purchased)	\$ 124
OPT20210-105	Available colors: Chrome (084) and Brushed Nickel (105)	\$ 166
OPT20025	Backmax: 6 rotating and pulsating backjets ¹²⁷ Optional with Hydrosens or combined Hydrosens and Aerosens	\$ 793
105697-000-007-000		\$ 1212
105697-000-001-000	Removable acrylic apron Specify: Standard colors: White (001), Bone (004), Biscuit (007)	\$ 1212
105697-000-004-000		\$ 1212

ACCESSORIES

SKU	Description	MSRP
10006920	Tiling flange, 2 x 60 in. (sold separately)	\$ 114
10006923	Flexible main hose (9 ft. extension) for air push control air massage - Kit (sold separately)	\$ 191
10012135-105	Waste and overflow (16 to 22 in.) (sold separately)	\$ 166
10012135-084	Available colours: Chrome (084) and Brushed Nickel (105)	\$ 124
10019708	Flexible main hose for blower with combined systems (sold separately) Includes: 15ft (4.57m) hose, 2 clips, 1 nylon coupling and 1 power cord	\$ 356
10004306-001	White foam cushion with 2 suction pads (sold separately) Available color: White (001)	\$ 126
10019591-105	Hydrosens™ (107) & Combined Hydrosens™ and Aerosens® (109) trim kit (sold separately) Air control covers not included	\$ 797
10019591-084	Available colours: Chrome (084) and Brushed Nickel (105)	\$ 797
10022491-084		\$ 332
10022491-004	Cable-operated waste and overflow (16 in. to 22 in.) (sold separately)	\$ 332
10022491-105	Available colors: White (001), Bone (004), Chrome (084) and Brushed Nickel (105)	\$ 332
10022491-001		\$ 332

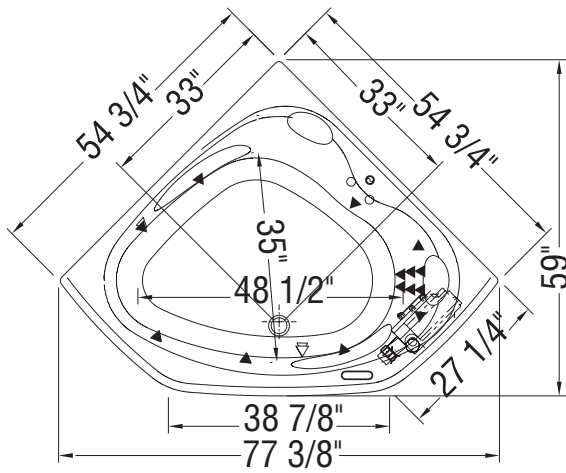
FOOTNOTES

No	Description
1	Components for standard colour units equipped with systems are colour-coordinated. Trim kit and/or air push with metallic finish can be added (additional charge applies). For non-standard colour units, please specify trim kit and/or air push colour (additional charge applies for metallic finishes). Please note that the positioning of the system's control could be in conflict with the door if one was installed on the unit. To insure compatibility, please contact customer service.

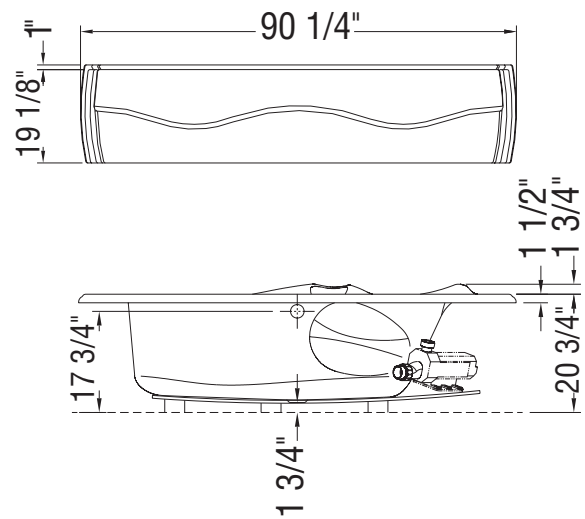
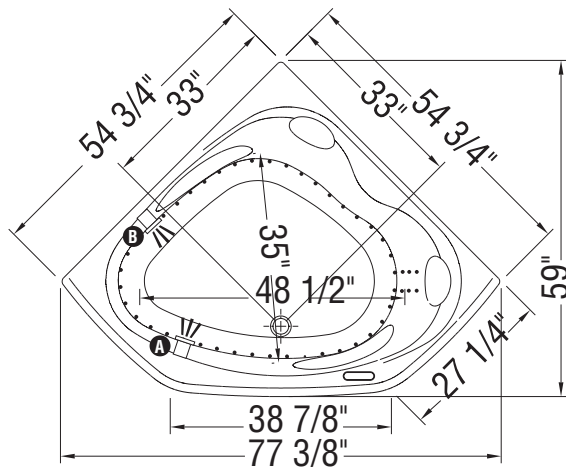
FOOTNOTES

No	Description
1	Components for standard colour units equipped with systems are colour-coordinated. Trim kit and/or air push with metallic finish can be added (additional charge applies). For non-standard colour units, please specify trim kit and/or air push colour (additional charge applies for metallic finishes). Please note that the positioning of the system's control could be in conflict with the door if one was installed on the unit. To insure compatibility, please contact customer service.
2	Please order flexible main hose 10006923 for installation of the blower further than 3 ft from the bathtub. For the Tandem models and the Serenade models (freestanding and drop-in), the blower is always remote and not factory installed so a 9 ft flexible main hose is included. Please note that the positioning of the system's control could be in conflict with the door if one was installed on the unit. To insure compatibility, please contact customer service.
25	Please order flexible main hose 10019708 for installation of the blower further than 9 ft from the bathtub.
27	Please note the Backmax is positioned on the same side as the pump.
54	A selection of units come with an access panel by default when equipped with a system. However, if the unit is only equipped with chromatherapy, the access panel will not be provided by default.

HYDROSENS AND BACKMAX SYSTEMS



AIR SYSTEM



- (▲): Indicates Whirlpool jets positioning
- (△): Indicates suction positioning
- (●): Indicates airjets positioning
- (◻): **A** Indicates chromatherapy light positioning opt. 1
B Indicates chromatherapy light positioning opt. 2

All dimensions are approximate. Structure measurements must be verified against the unit to ensure proper fit.



Murmur 6060



Material : Acrylic
 Min: 32 Gal / 145 L
 Max: 77 Gal / 350 L

Features

- › Elegant drop-in corner bathtub for 2 people
- › Relaxing armrests and 2 headrests for ultimate comfort
- › Made of thick and durable acrylic that has a high gloss finish for easy clean and maintenance
- › Ample deck space for faucet installation
- › End drain

MURMUR 6060 - 105679

SKU	System	Color	Configuration	Dimensions & Weight	Packaging	MSRP
105679-000-001-000	Soaker - No System	White	Center	59 3/4" x 59 3/4" x 20 3/4" / 92 lb / 42 kg	52 ft ³	\$ 2005
105679-000-004-000		Bone				\$ 2005
105679-000-007-000		Biscuit				\$ 2005
105679-091-001-000	10 Microjets ¹	White				\$ 3700
105679-091-004		Bone				\$ 3700
105679-091-007		Biscuit				\$ 3700
105679-107-001-100	Hydrosens ¹	White				\$ 4964
105679-107-004		Bone				\$ 4964
105679-107-007		Biscuit				\$ 4964
105679-108-001-000	Aerosens ^{1 2}	White				\$ 4542
105679-108-004		Bone				\$ 4542
105679-108-007		Biscuit				\$ 4542
105679-109-001-000	Combined Hydrosens & Aerosens ^{1 25}	White				\$ 6951
105679-109-004		Bone	\$ 6951			
105679-109-007		Biscuit	\$ 6951			

COMMON OPTIONS

SKU	Description	MSRP
OPT10053	One chromatherapy light (factory installed) ⁵⁴	\$ 725
OPT10095	Water heater assembly for whirlpool and combined systems (factory installed)	\$ 950

COMMON OPTIONS

SKU	Description	MSRP
OPT10250-105	Microjet trim kit (factory installed)	\$ 797
OPT10250-084	Available colours: Chrome (084) and Brushed Nickel (105)	\$ 797
OPT20027-084	Hydrosens™ & Combined Hydrosens™ and Aerosens® trim kit (factory-installed)	\$ 797
OPT20027-105	Including the 2 air control covers Available colors: Chrome (084) and Brushed Nickel (105)	\$ 797
OPT20029-105	Metal trim kit for air push control (factory installed)	\$ 74
OPT20029-084	Available colors: Chrome (084) and Brushed Nickel (105)	\$ 74
OPT20137-004	Cable-operated waste and overflow (16 in. to 22 in.) (included in product packaging when purchased) Available colors: White (001), Bone (004), Chrome (084) and Brushed Nickel (105)	\$ 332
OPT20137-084		\$ 332
OPT20137-105		\$ 332
OPT20137-001		\$ 332
OPT20210-084	Waste and overflow (16 in. to 22 in.) (included in product packaging when purchased)	\$ 124
OPT20210-105	Available colors: Chrome (084) and Brushed Nickel (105)	\$ 166
OPT20025	Backmax: 6 rotating and pulsating backjets ¹²⁷ Optional with Hydrosens or combined Hydrosens and Aerosens	\$ 793
105696-000-007-000	Removable acrylic apron Specify: Standard colors: White (001), Bone (004), Biscuit (007)	\$ 1308
105696-000-004-000		\$ 1308
105696-000-001-000		\$ 1308

ACCESSORIES

SKU	Description	MSRP
10006920	Tiling flange, 2 x 60 in. (sold separately)	\$ 114
10006923	Flexible main hose (9 ft. extension) for air push control air massage - Kit (sold separately)	\$ 191
10012135-105	Waste and overflow (16 to 22 in.) (sold separately)	\$ 166
10012135-084	Available colours: Chrome (084) and Brushed Nickel (105)	\$ 124
10019708	Flexible main hose for blower with combined systems (sold separately) Includes: 15ft (4.57m) hose, 2 clips, 1 nylon coupling and 1 power cord	\$ 356
10004306-001	White foam cushion with 2 suction pads (sold separately) Available color: White (001)	\$ 126
10019591-105	Hydrosens™ (107) & Combined Hydrosens™ and Aerosens® (109) trim kit (sold separately)	\$ 797
10019591-084	Air control covers not included Available colours: Chrome (084) and Brushed Nickel (105)	\$ 797
10022491-084	Cable-operated waste and overflow (16 in. to 22 in.) (sold separately) Available colors: White (001), Bone (004), Chrome (084) and Brushed Nickel (105)	\$ 332
10022491-004		\$ 332
10022491-105		\$ 332
10022491-001		\$ 332

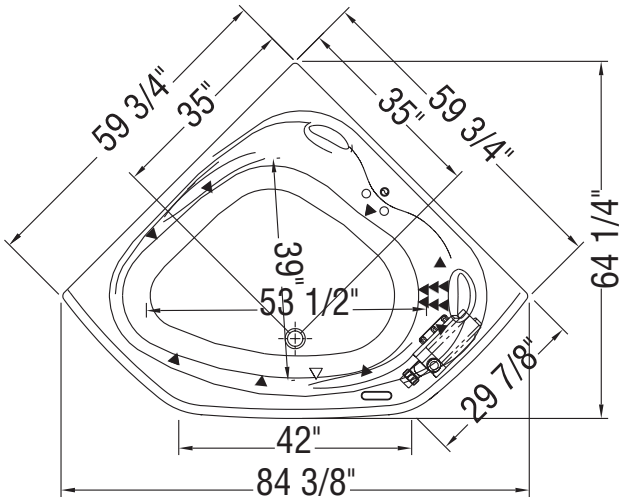
FOOTNOTES

No	Description
1	Components for standard colour units equipped with systems are colour-coordinated. Trim kit and/or air push with metallic finish can be added (additional charge applies). For non-standard colour units, please specify trim kit and/or air push colour (additional charge applies for metallic finishes). Please note that the positioning of the system's control could be in conflict with the door if one was installed on the unit. To insure compatibility, please contact customer service.

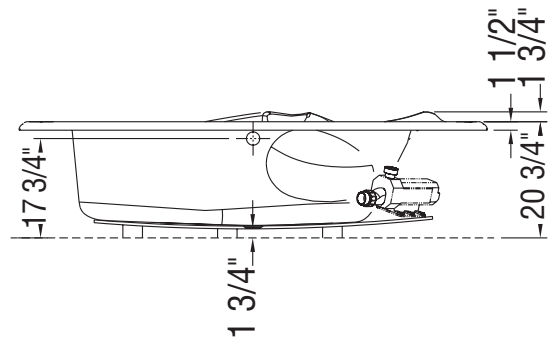
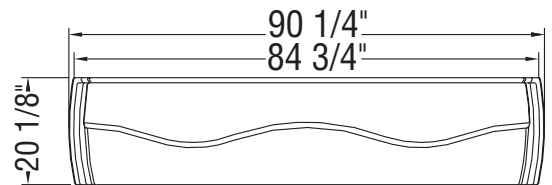
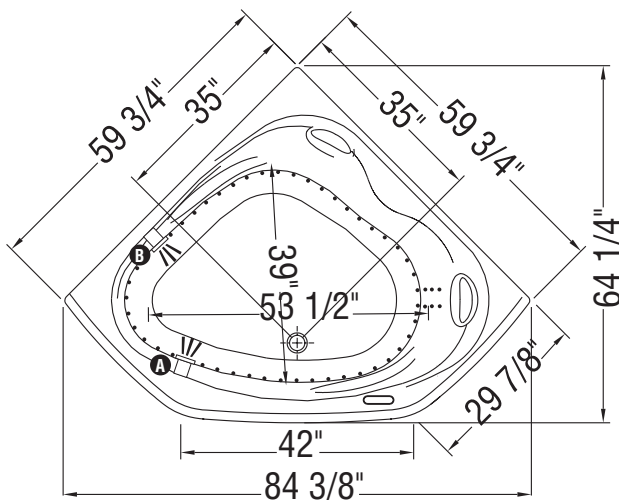
FOOTNOTES

No	Description
1	Components for standard colour units equipped with systems are colour-coordinated. Trim kit and/or air push with metallic finish can be added (additional charge applies). For non-standard colour units, please specify trim kit and/or air push colour (additional charge applies for metallic finishes). Please note that the positioning of the system's control could be in conflict with the door if one was installed on the unit. To insure compatibility, please contact customer service.
2	Please order flexible main hose 10006923 for installation of the blower further than 3 ft from the bathtub. For the Tandem models and the Serenade models (freestanding and drop-in), the blower is always remote and not factory installed so a 9 ft flexible main hose is included. Please note that the positioning of the system's control could be in conflict with the door if one was installed on the unit. To insure compatibility, please contact customer service.
25	Please order flexible main hose 10019708 for installation of the blower further than 9 ft from the bathtub.
27	Please note the Backmax is positioned on the same side as the pump.
54	A selection of units come with an access panel by default when equipped with a system. However, if the unit is only equipped with chromatherapy, the access panel will not be provided by default.

HYDROSENS AND BACKMAX SYSTEMS



AIR SYSTEM



- (▲): Indicates Whirlpool jets positioning
- (△): Indicates suction positioning
- (●): Indicates airjets positioning
- (◻): **A** Indicates chromatherapy light positioning opt. 1
B Indicates chromatherapy light positioning opt. 2

All dimensions are approximate. Structure measurements must be verified against the unit to ensure proper fit.



Nancy



Material : Acrylic
 Min: 41 Gal / 186 L
 Max: 73 Gal / 332 L

Features

- › Proudly made in Canada
- › Opulent drop-in corner bathtub for 2 people
- › Two raised headrests for maximized comfort and relaxation
- › Built-in seat for versatility
- › Made of thick and durable acrylic that has a high gloss finish for easy clean and maintenance
- › Ample deck space for faucet installation

NANCY - 101212

SKU	System	Color	Configuration	Dimensions & Weight	Packaging	MSRP
101212-000-001-000	Soaker - No System	White	Center	54" x 54" x 23 1/4" / 126 lb / 57 kg	47 ft ³	\$ 1550
101212-000-004-000		Bone				\$ 1550
101212-000-007-000		Biscuit				\$ 1550
101212-091-001-000	10 Microjets ¹	White				\$ 3245
101212-091-004-000		Bone				\$ 3245
101212-091-007-000		Biscuit				\$ 3245
101212-107-001-000	Hydrosens ¹	White				\$ 4509
101212-107-004		Bone				\$ 4509
101212-107-007		Biscuit				\$ 4509
101212-108-001-000	Aerosens ^{1 2}	White				\$ 4087
101212-108-004-000		Bone				\$ 4087
101212-108-007-000		Biscuit				\$ 4087
101212-109-001-100	Combined Hydrosens & Aerosens ^{1 25}	White	\$ 6496			
101212-109-004		Bone	\$ 6496			
101212-109-007		Biscuit	\$ 6496			

COMMON OPTIONS

SKU	Description	MSRP
OPT10053	One chromatherapy light (factory installed) ⁵⁴	\$ 725
OPT10095	Water heater assembly for whirlpool and combined systems (factory installed)	\$ 950

COMMON OPTIONS

SKU	Description	MSRP
OPT20113	Positioning template for drop-in installation (included in product packaging)	\$ 98
OPT10250-105	Microjet trim kit (factory installed) Available colours: Chrome (084) and Brushed Nickel (105)	\$ 797
OPT10250-084		\$ 797
OPT20027-084	Hydrosens™ & Combined Hydrosens™ and Aerosens® trim kit (factory-installed) Including the 2 air control covers	\$ 797
OPT20027-105	Available colors: Chrome (084) and Brushed Nickel (105)	\$ 797
OPT20029-105	Metal trim kit for air push control (factory installed)	\$ 74
OPT20029-084	Available colors: Chrome (084) and Brushed Nickel (105)	\$ 74
OPT20137-004		\$ 332
OPT20137-084	Cable-operated waste and overflow (16 in. to 22 in.) (included in product packaging when purchased)	\$ 332
OPT20137-105	Available colors: White (001), Bone (004), Chrome (084) and Brushed Nickel (105)	\$ 332
OPT20137-001		\$ 332
OPT20210-084	Waste and overflow (16 in. to 22 in.) (included in product packaging when purchased)	\$ 124
OPT20210-105	Available colors: Chrome (084) and Brushed Nickel (105)	\$ 166
OPT20025	Backmax: 6 rotating and pulsating backjets ¹²⁷ Optional with Hydrosens or combined Hydrosens and Aerosens	\$ 793

ACCESSORIES

SKU	Description	MSRP
10006923	Flexible main hose (9 ft. extension) for air push control air massage - Kit (sold separately)	\$ 191
10012135-105	Waste and overflow (16 to 22 in.) (sold separately)	\$ 166
10012135-084	Available colours: Chrome (084) and Brushed Nickel (105)	\$ 124
10019708	Flexible main hose for blower with combined systems (sold separately) Includes: 15ft (4.57m) hose, 2 clips, 1 nylon coupling and 1 power cord	\$ 356
10020881	Cut out template for Nancy drop-in installation (sold separately)	\$ 98
10004306-001	White foam cushion with 2 suction pads (sold separately) Available color: White (001)	\$ 126
10019591-105	Hydrosens™ (107) & Combined Hydrosens™ and Aerosens® (109) trim kit (sold separately) Air control covers not included	\$ 797
10019591-084	Available colours: Chrome (084) and Brushed Nickel (105)	\$ 797
10022491-084		\$ 332
10022491-004	Cable-operated waste and overflow (16 in. to 22 in.) (sold separately)	\$ 332
10022491-105	Available colors: White (001), Bone (004), Chrome (084) and Brushed Nickel (105)	\$ 332
10022491-001		\$ 332

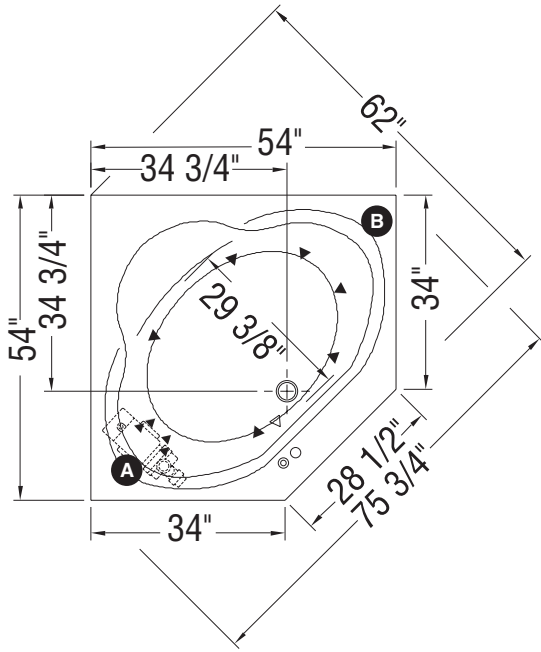
FOOTNOTES

No	Description
1	Components for standard colour units equipped with systems are colour-coordinated. Trim kit and/or air push with metallic finish can be added (additional charge applies). For non-standard colour units, please specify trim kit and/or air push colour (additional charge applies for metallic finishes). Please note that the positioning of the system's control could be in conflict with the door if one was installed on the unit. To insure compatibility, please contact customer service.
1	
2	Please order flexible main hose 10006923 for installation of the blower further than 3 ft from the bathtub. For the Tandem models and the Serenade models (freestanding and drop-in), the blower is always remote and not factory installed so a 9 ft flexible main hose is included. Please note that the positioning of the system's control could be in conflict with the door if one was installed on the unit. To insure compatibility, please contact customer service.

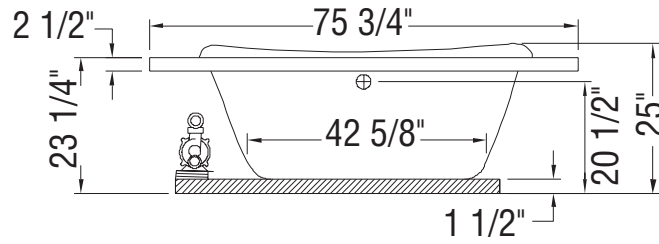
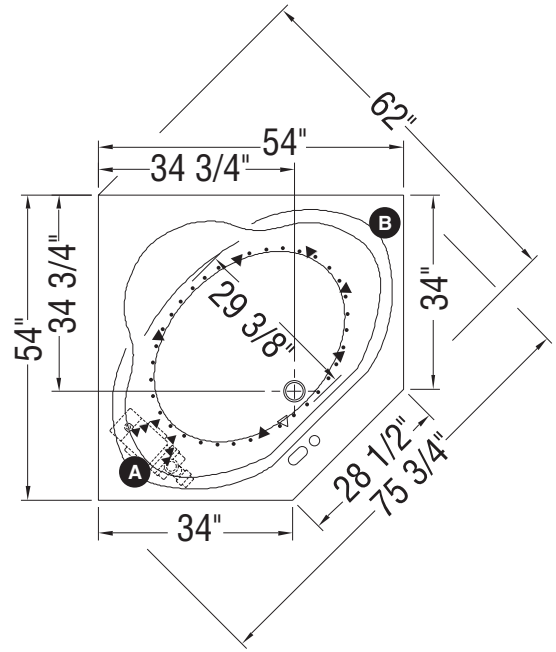
FOOTNOTES

No	Description
25	Please order flexible main hose 10019708 for installation of the blower further than 9 ft from the bathtub.
27	Please note the Backmax is positioned on the same side as the pump.
54	A selection of units come with an access panel by default when equipped with a system. However, if the unit is only equipped with chromatherapy, the access panel will not be provided by default.

MICRO-JETS SYSTEM



HYDROSENS, BACKMAX AND AIR SYSTEM



- Ⓐ : Specify blower and/or pump location when ordering
- Ⓑ : Specify suction location when ordering
- (▲) : Indicates whirlpool and backjets positioning
- (△) : Indicates suction positioning
- (•) : Indicates airjets positioning

All dimensions are approximate. Structure measurements must be verified against the unit to ensure proper fit.



Lounge



Material : Acrylic
Max: 57 Gal / 259 L

Features

- › Acrylic surface resistant to stains
- › Bathtub skirt available in 4 colours: White, Sterling Silver, Black, Thunder Grey
- › Maximized bathing well with comfortable backrest
- › 2-piece bathtub for easy transportation and seamless installation
- › Compatible with F2 drain connector to save time and money on installation
- › MAAX innovative leveling legs for easy installation
- › High gloss finish resistant to dulling, scratching, and fading
- › Minimalist and versatile design to fit any bathroom
- › Product warranty: 25-year

FREESTANDING BATHTUBS - ACRYLIC

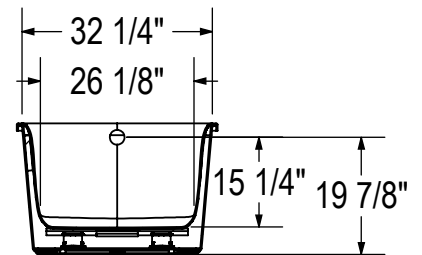
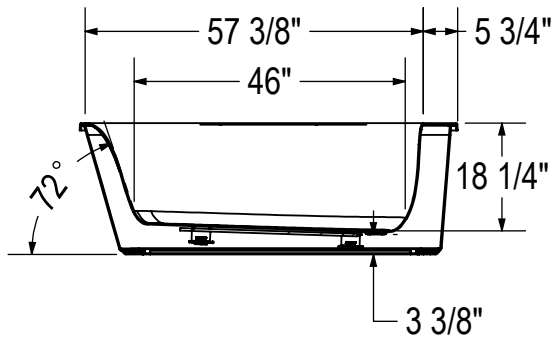
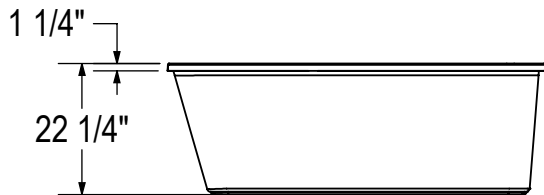
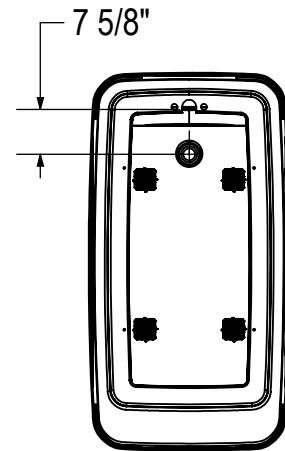
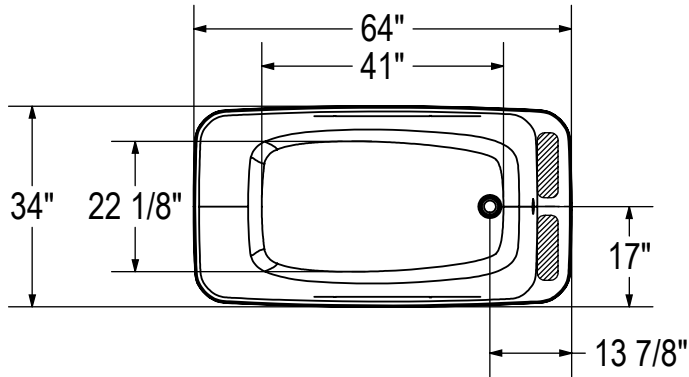
LOUNGE 6434 - 105798						
SKU	System	Color	Configuration	Dimensions & Weight	Packaging	MSRP
105798-000-001-100	Soaker - No System	White	End	64" x 34" x 22 1/4" / 160 lb / 73 kg	31.7832 ft³	\$ 2705
105798-000-001-105		Black				\$ 3005
105798-000-001-106		Sterling Silver				\$ 3005
105798-000-001-107		Thunder Gray				\$ 3005


COMMON OPTIONS		
SKU	Description	MSRP
OPT20137-004	Cable-operated waste and overflow (16 in. to 22 in.) (included in product packaging when purchased) Available colors: White (001), Bone (004), Chrome (084) and Brushed Nickel (105)	\$ 332
OPT20137-084		\$ 332
OPT20137-105		\$ 332
OPT20137-001		\$ 332
106021-000-002-000	Apron only (sold separately as a replacement part) Available standard apron color: White apron (002)	\$ 1447

ACCESSORIES		
SKU	Description	MSRP
10032737	Positioning template for Lounge freestanding installation (sold separately)	\$ 98
10032747	F² Drain - ABS kit for freestanding bathtub installation (sold separately) Minimum space required for assembly is 10 3/8 inches Compatible exclusively with MAAX freestanding bathtubs.	\$ 218

ACCESSORIES

SKU	Description	MSRP
10032754	F ² Drain kit for high-rise construction for freestanding bathtub installation (sold separately) Respects National Building Code of Canada (CAN/ULC-S102.2 flame and smoke protection) for high rise construction Minimum space required for assembly is 10 3/8 inches Compatible exclusively with MAAX freestanding bathtubs.	\$ 368
10032757	F ² Drain - Pack of 12 ABS kits for freestanding bathtub installation (sold separately) Minimum space required for assembly is 10 3/8 inches Compatible exclusively with MAAX freestanding bathtubs.	\$ 2494
10034341	F ² Drain - PVC kit for freestanding bathtub installation (sold separately) Minimum space required for assembly is 10 3/8 inches Compatible exclusively with MAAX freestanding bathtubs.	\$ 218
10004306-001	White foam cushion with 2 suction pads (sold separately) Available color: White (001)	\$ 126
10022491-084	Cable-operated waste and overflow (16 in. to 22 in.) (sold separately) Available colors: White (001), Bone (004), Chrome (084) and Brushed Nickel (105)	\$ 332
10022491-004		\$ 332
10022491-105		\$ 332
10022491-001		\$ 332



(): Recommended faucet area 2 sections of 12" (L) x 3 1/2" (W).

All dimensions are approximate. Structure measurements must be verified against the unit to ensure proper fit.



Calinda 6030

FREESTANDING BATHTUBS - ACRYLIC



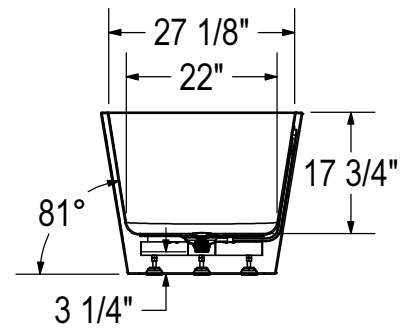
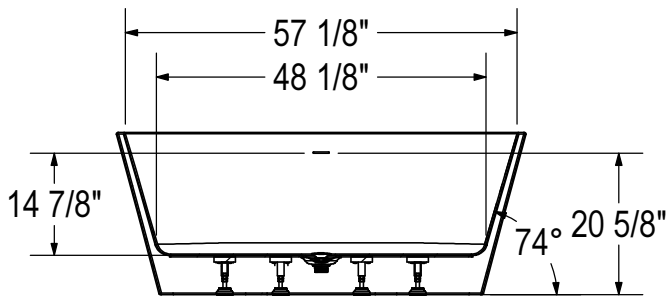
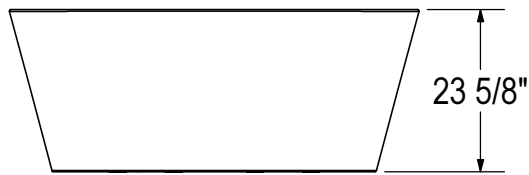
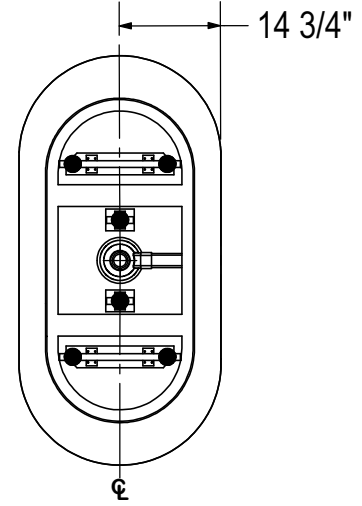
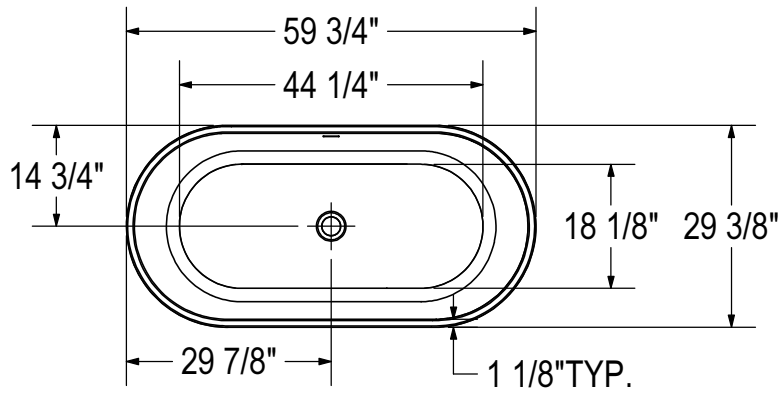
Material : Acrylic
 Max: 64 Gal / 293 L

Features

- › Seamless 1-piece minimalist and versatile design to fit any bathroom style
- › Trimless linear overflow and white pop-up drain to match any faucet finish
- › Hygienic, non-porous acrylic surface for easy cleaning
- › High gloss finish resistant to dulling, scratching, and fading
- › 25-year limited warranty for your peace of mind
- › 1-person bath with maximized bathing well designed for optimal comfort
- › Waste and overflow included and pre-installed to save time on installation
- › Comes with leveling legs for ease of installation
- › Compatible with MAAX F2 Drain to save time and money on installation

CALINDA 6030 - 107527

SKU	System	Color	Configuration	Dimensions & Weight	Packaging	MSRP
107527-000-001-000	Soaker - No System	White	Center	59 3/4" x 29 3/8" x 23 5/8" / 74.8 lb / 34 kg	28.47945601851852 ft ³	\$ 2520
107527-000-001-100		Black				\$ 2820



All dimensions are approximate. Structure measurements must be verified against the unit to ensure proper fit.



Lorca

FREESTANDING BATHTUBS - ACRYLIC



Material : Acrylic
 Max: 58 Gal / 264 L

Features

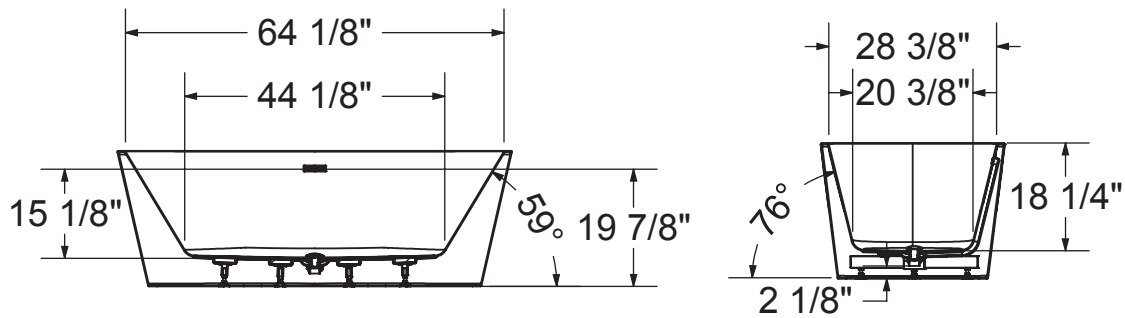
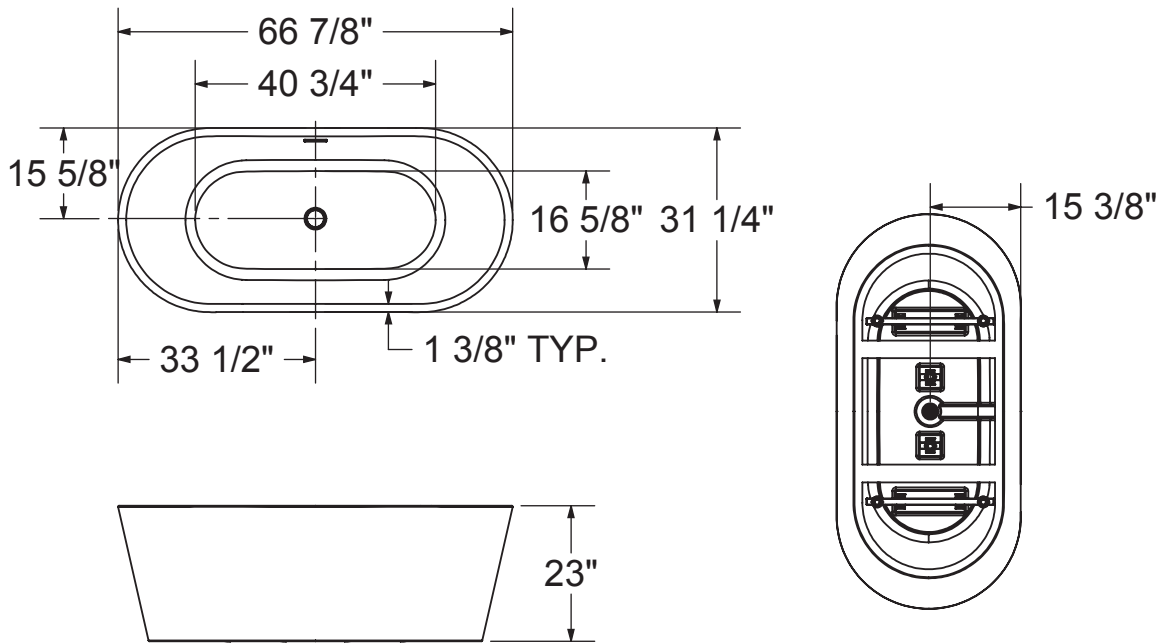
- › Maximised bathing well with comfortable backrests and center drain
- › Linear overflow and waste in chrome (pre-installed)
- › F² Drain compatible
- › Adjustable leveling legs for easy installation
- › Available in white only

LORCA 6731 - 106471

SKU	System	Color	Configuration	Dimensions & Weight	Packaging	MSRP
106471-000-001-000	Soaker - No System	White	Center	66 7/8" x 31 1/4" x 23" / 92 lb / 42 kg	36 ft ³	\$ 3037

ACCESSORIES

SKU	Description	MSRP
10032747	F ² Drain - ABS kit for freestanding bathtub installation (sold separately) Minimum space required for assembly is 10 3/8 inches Compatible exclusively with MAAX freestanding bathtubs.	\$ 218
10032757	F ² Drain - Pack of 12 ABS kits for freestanding bathtub installation (sold separately) Minimum space required for assembly is 10 3/8 inches Compatible exclusively with MAAX freestanding bathtubs.	\$ 2494
10034341	F ² Drain - PVC kit for freestanding bathtub installation (sold separately) Minimum space required for assembly is 10 3/8 inches Compatible exclusively with MAAX freestanding bathtubs.	\$ 218
10037814	Positioning template (sold separately)	\$ 98



All dimensions are approximate. Structure measurements must be verified against the unit to ensure proper fit.



Mahaba 6029

FREESTANDING BATHTUBS - ACRYLIC



Material : Acrylic

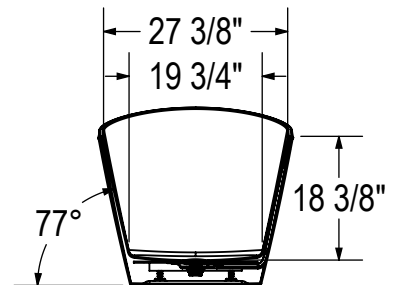
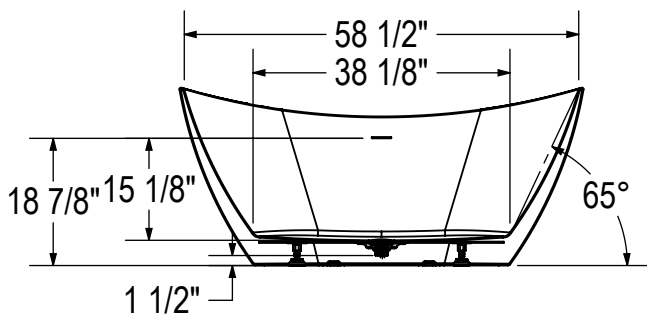
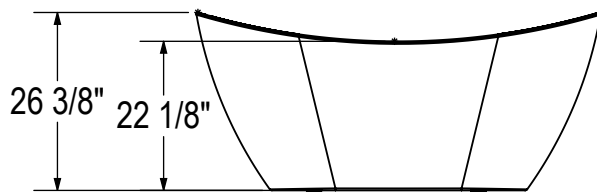
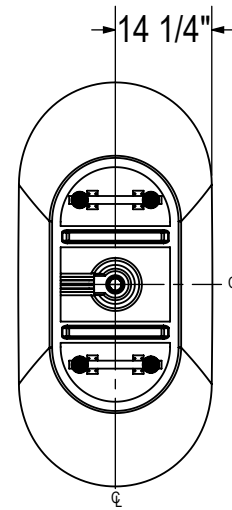
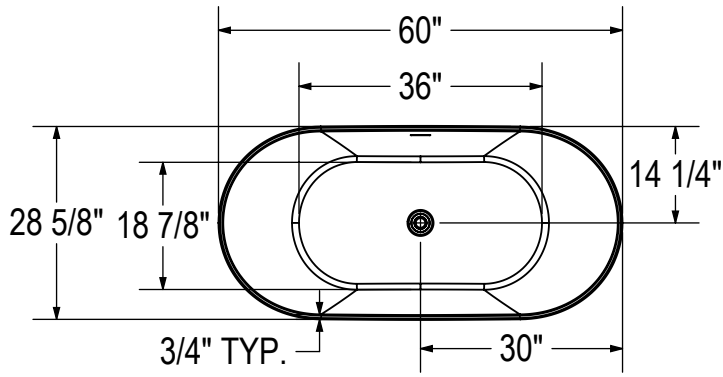
Max: 65 Gal / 297 L

Features

- › Seamless 1-piece minimalist and versatile design to fit any bathroom style
- › Trimless linear overflow and white pop-up drain to match any faucet finish
- › Hygienic, non-porous acrylic surface for easy cleaning
- › High gloss finish resistant to dulling, scratching, and fading
- › 25-year limited warranty for your peace of mind
- › 1-person bath with maximized bathing well designed for optimal comfort
- › Waste and overflow included and pre-installed to save time on installation
- › Comes with leveling legs for ease of installation
- › Compatible with MAAX F2 Drain to save time and money on installation

MAHABA 6029 - 107510

SKU	System	Color	Configuration	Dimensions & Weight	Packaging	MSRP
107510-000-001-000	Soaker - No System	White	Center	60" x 28 5/8" x 26 3/8" / 74.8 lb / 34 kg	32.722222222222222 ft ³	\$ 2520



All dimensions are approximate. Structure measurements must be verified against the unit to ensure proper fit.



Mahaba 6729

FREESTANDING BATHTUBS - ACRYLIC



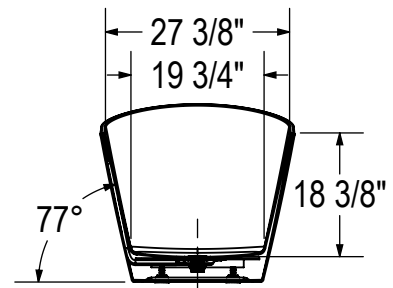
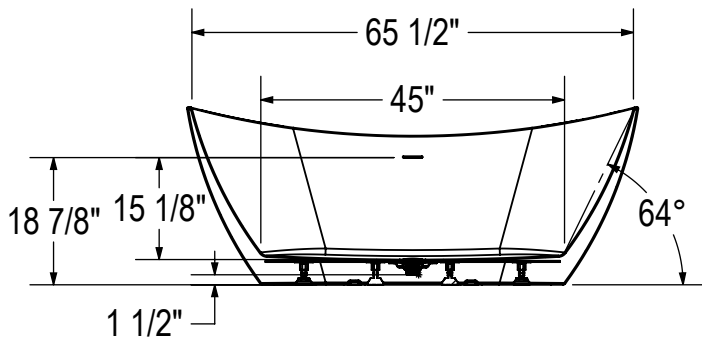
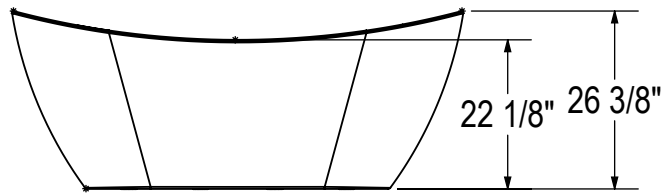
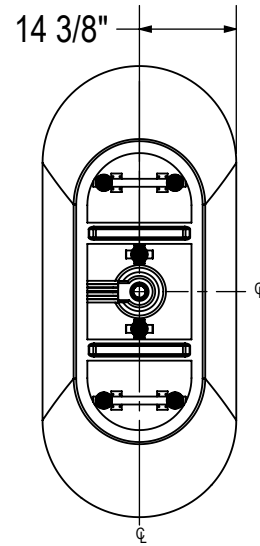
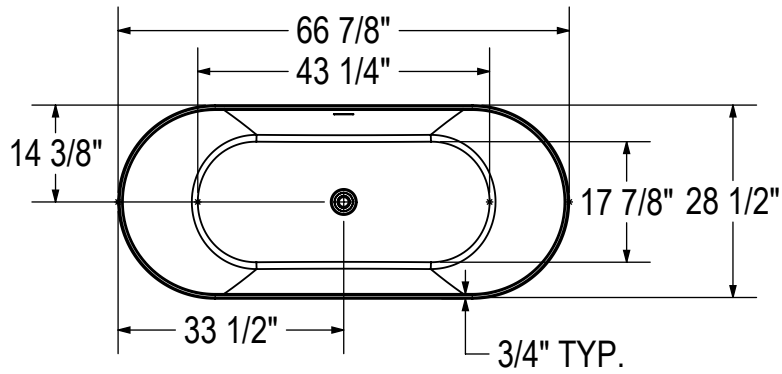
Material : Acrylic
 Max: 70 Gal / 319 L

Features

- › Seamless 1-piece minimalist and versatile design to fit any bathroom style
- › Trimless linear overflow and white pop-up drain to match any faucet finish
- › Hygienic, non-porous acrylic surface for easy cleaning
- › High gloss finish resistant to dulling, scratching, and fading
- › 25-year limited warranty for your peace of mind
- › 2-person bath with maximized bathing well designed for optimal comfort
- › Waste and overflow included and pre-installed to save time on installation
- › Comes with leveling legs for ease of installation
- › Compatible with MAAX F2 Drain to save time and money on installation

MAHABA 6729 - 107511

SKU	System	Color	Configuration	Dimensions & Weight	Packaging	MSRP
107511-000-001-000	Soaker - No System	White	Center	66 7/8" x 28 1/2" x 26 3/8" / 101.2 lb / 46 kg	36.416666666666664 ft ³	\$ 3037



All dimensions are approximate. Structure measurements must be verified against the unit to ensure proper fit.



Malindi 6730

FREESTANDING BATHTUBS - ACRYLIC



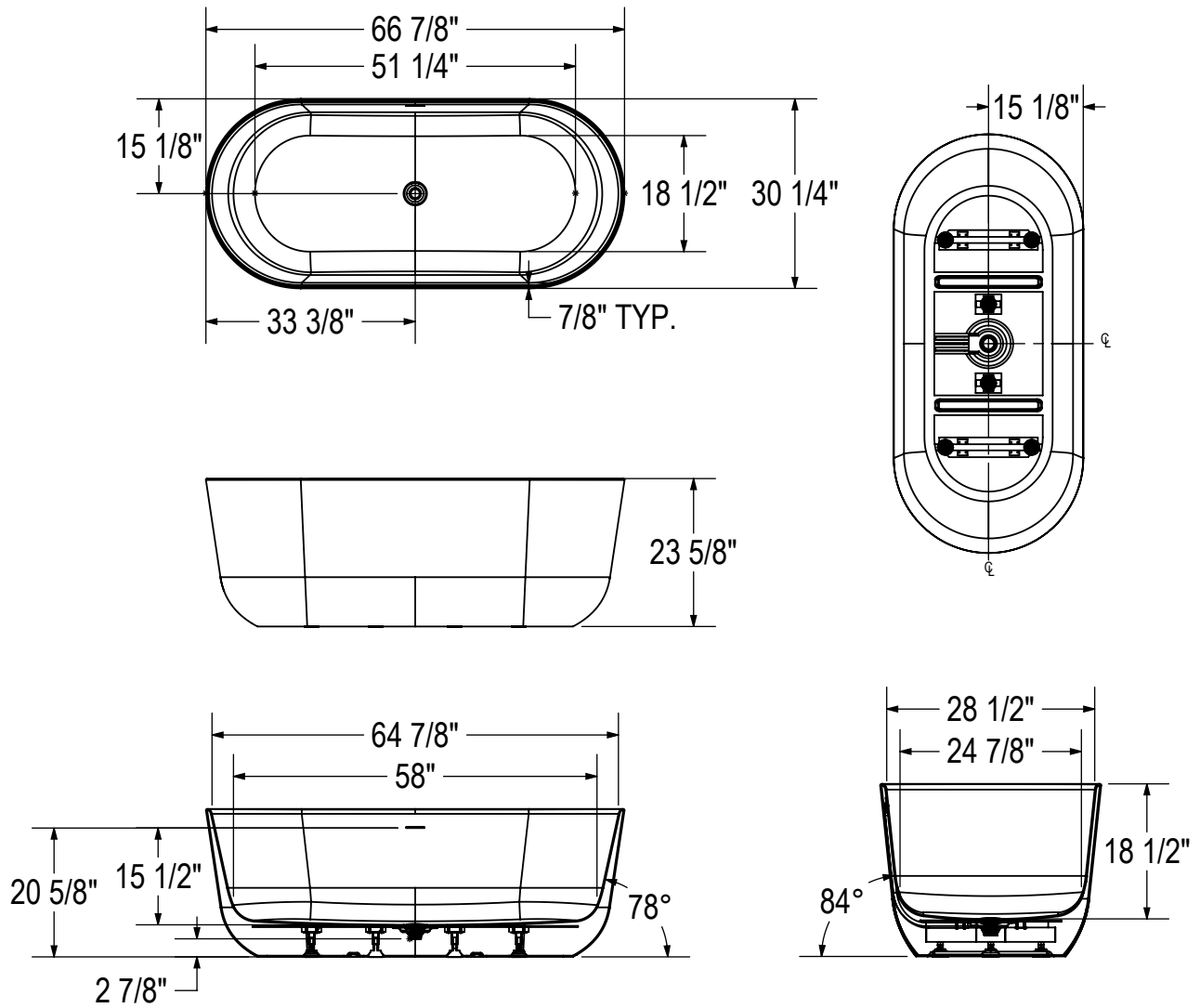
Material : Acrylic
 Max: 77 Gal / 348 L

Features

- › Seamless 1-piece minimalist and versatile design to fit any bathroom style
- › Trimless linear overflow and white pop-up drain to match any faucet finish
- › Hygienic, non-porous acrylic surface for easy cleaning
- › High gloss finish resistant to dulling, scratching, and fading
- › 25-year limited warranty for your peace of mind
- › 2-person bath with maximized bathing well designed for optimal comfort
- › Waste and overflow included and pre-installed to save time on installation
- › Comes with leveling legs for ease of installation
- › Compatible with MAAX F2 Drain to save time and money on installation

MALINDI 6730 - 107512

SKU	System	Color	Configuration	Dimensions & Weight	Packaging	MSRP
107512-000-001-000	Soaker - No System	White	Center	66 7/8" x 30 1/4" x 23 5/8" / 107.8 lb / 49 kg	33.222222222222222 ft³	\$ 3189



All dimensions are approximate. Structure measurements must be verified against the unit to ensure proper fit.



Nakuru 6731

FREESTANDING BATHTUBS - ACRYLIC



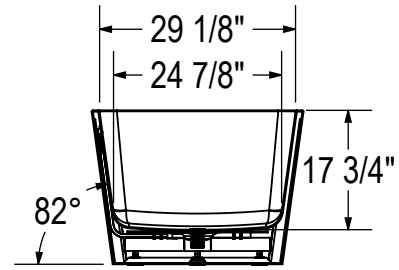
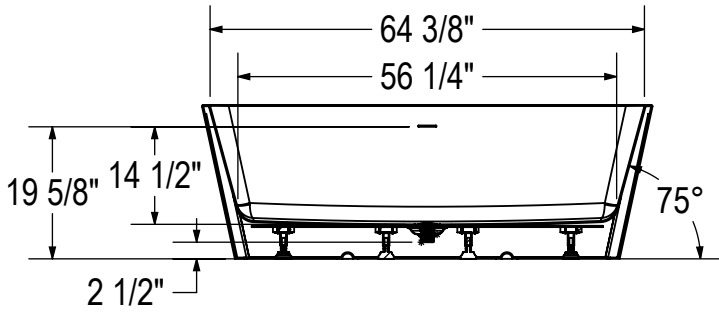
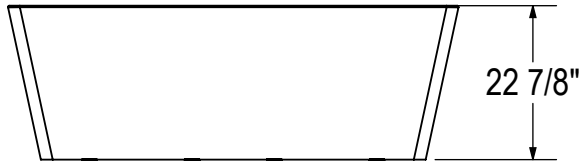
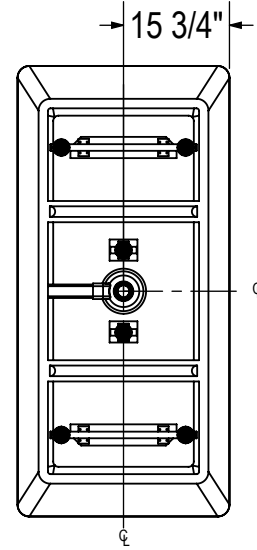
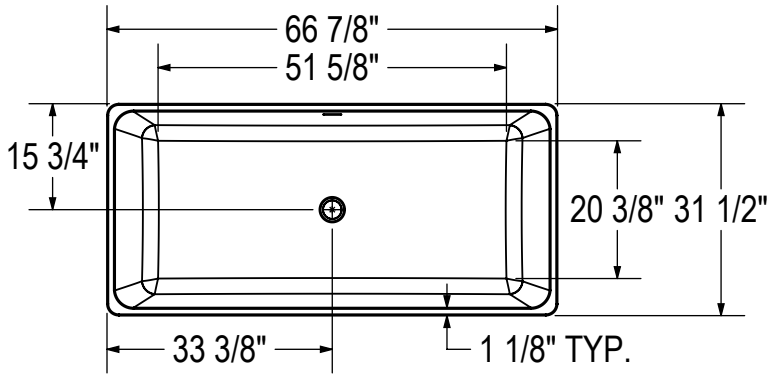
Material : Acrylic
 Max: 86 Gal / 391 L

Features

- › Seamless 1-piece minimalist and versatile design to fit any bathroom style
- › Trimless linear overflow and white pop-up drain to match any faucet finish
- › Hygienic, non-porous acrylic surface for easy cleaning
- › High gloss finish resistant to dulling, scratching, and fading
- › 25-year limited warranty for your peace of mind
- › 2-person bath with maximized bathing well designed for optimal comfort
- › Waste and overflow included and pre-installed to save time on installation
- › Comes with leveling legs for ease of installation
- › Compatible with MAAX F2 Drain to save time and money on installation

NAKURU 6731 - 107513

SKU	System	Color	Configuration	Dimensions & Weight	Packaging	MSRP
107513-000-001-000	Soaker - No System	White	Center	66 7/8" x 31 1/2" x 22 7/8" / 132 lb / 60 kg	33.940972222222222 ft ³	\$ 3249



All dimensions are approximate. Structure measurements must be verified against the unit to ensure proper fit.



Soca 5928

FREESTANDING BATHTUBS - ACRYLIC



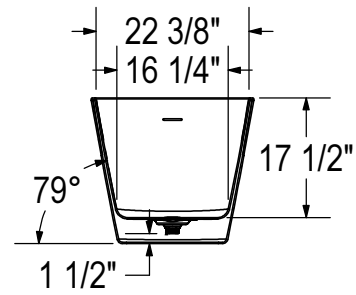
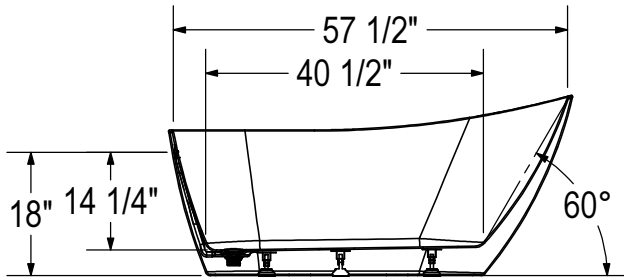
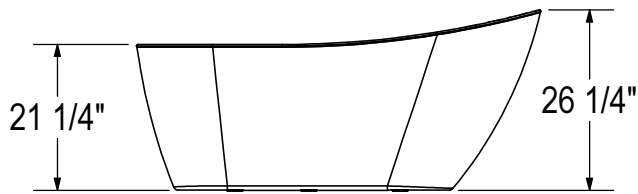
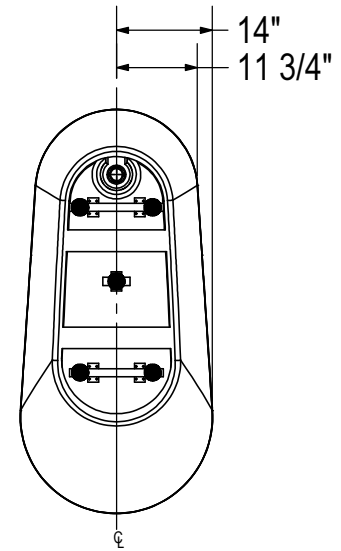
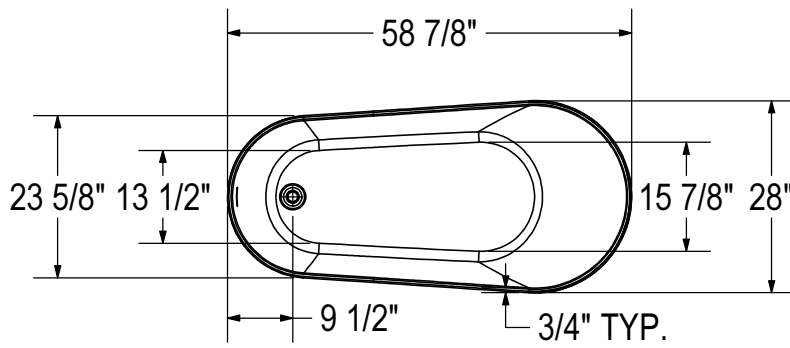
Material : Acrylic
 Max: 48 Gal / 220 L

Features

- › Seamless 1-piece minimalist and versatile design to fit any bathroom style
- › Trimless linear overflow and white pop-up drain to match any faucet finish
- › Hygienic, non-porous acrylic surface for easy cleaning
- › High gloss finish resistant to dulling, scratching, and fading
- › 25-year limited warranty for your peace of mind
- › 1-person bath with maximized bathing well designed for optimal comfort
- › Waste and overflow included and pre-installed to save time on installation
- › Comes with leveling legs for ease of installation
- › Compatible with MAAX F2 Drain to save time and money on installation

SOCA 5928 - 107531

SKU	System	Color	Configuration	Dimensions & Weight	Packaging	MSRP
107531-000-001-000	Soaker - No System	White	End	58 7/8" x 28" x 26 1/4" / 85.8 lb / 39 kg	30.81108940972222 ft ³	\$ 2520



All dimensions are approximate. Structure measurements must be verified against the unit to ensure proper fit.



Soca 6729

FREESTANDING BATHTUBS - ACRYLIC



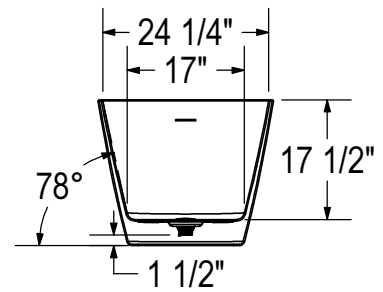
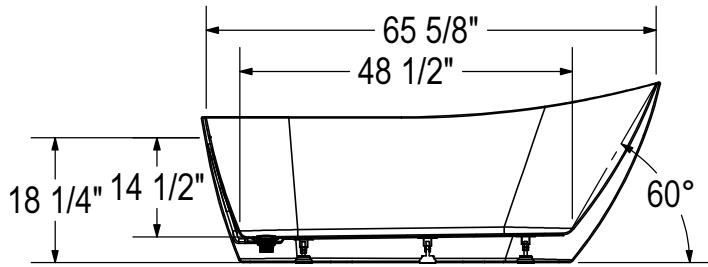
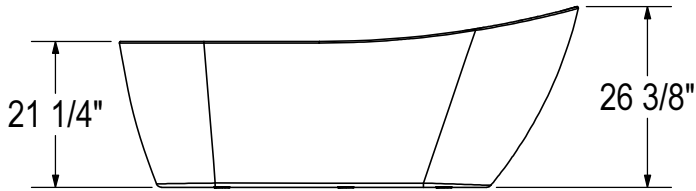
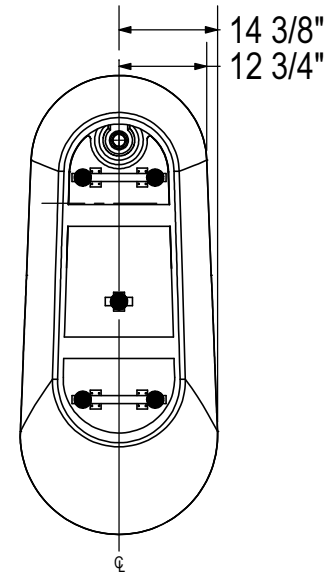
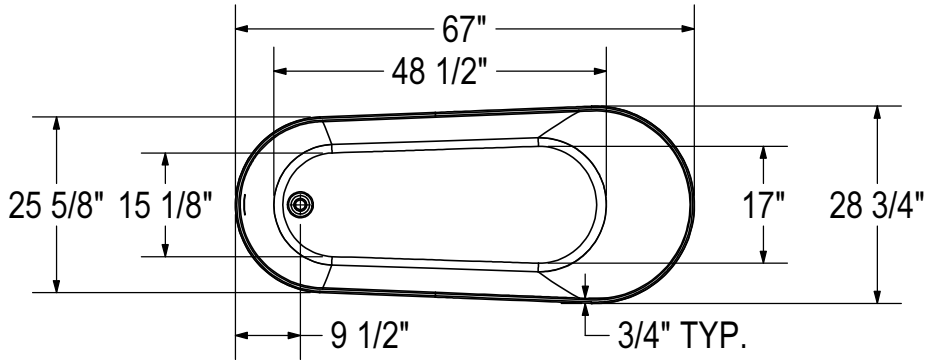
Material : Acrylic
 Max: 54 Gal / 245 L

Features

- › Seamless 1-piece minimalist and versatile design to fit any bathroom style
- › Trimless linear overflow and white pop-up drain to match any faucet finish
- › Hygienic, non-porous acrylic surface for easy cleaning
- › High gloss finish resistant to dulling, scratching, and fading
- › 25-year limited warranty for your peace of mind
- › 1-person bath with maximized bathing well designed for optimal comfort
- › Waste and overflow included and pre-installed to save time on installation
- › Comes with leveling legs for ease of installation
- › Compatible with MAAX F2 Drain to save time and money on installation

SOCA 6729 - 107532

SKU	System	Color	Configuration	Dimensions & Weight	Packaging	MSRP
107532-000-001-000	Soaker - No System	White	End	67" x 28 3/4" x 26 3/8" / 140.8 lb / 64 kg	35.342556423611114 ft ³	\$ 3037



All dimensions are approximate. Structure measurements must be verified against the unit to ensure proper fit.



Delsia 6032

FREESTANDING BATHTUBS - ACRYLX



Material : AcrylX
 Max: 40 Gal / 182 L

Features

- › AcrylX™ surface resistant to stains
- › Bathtub skirt available in 4 colours: White, Sterling Silver, Black, Thunder Grey
- › 2-piece bathtub for easy transportation and seamless installation
- › Compatible with F2 drain connector to save time and money on installation
- › Maximized bathing well and raised backrest
- › MAAX innovative leveling legs for easy installation
- › High gloss finish resistant to dulling, scratching, and fading
- › Classy transitional design to fit any bathroom
- › Product Warranty: limited lifetime

DELSIA 6032 - 106192

SKU	System	Color	Configuration	Dimensions & Weight	Packaging	MSRP
106192-000-002-104	Soaker - No System	White	Center	60" x 32" x 26 5/8" / 95 lb / 43 kg	31.7832 ft ³	\$ 2234
106192-000-002-124		Black				\$ 2534
106192-000-002-125		Sterling Silver				\$ 2534
106192-000-002-126		Thunder Gray				\$ 2534

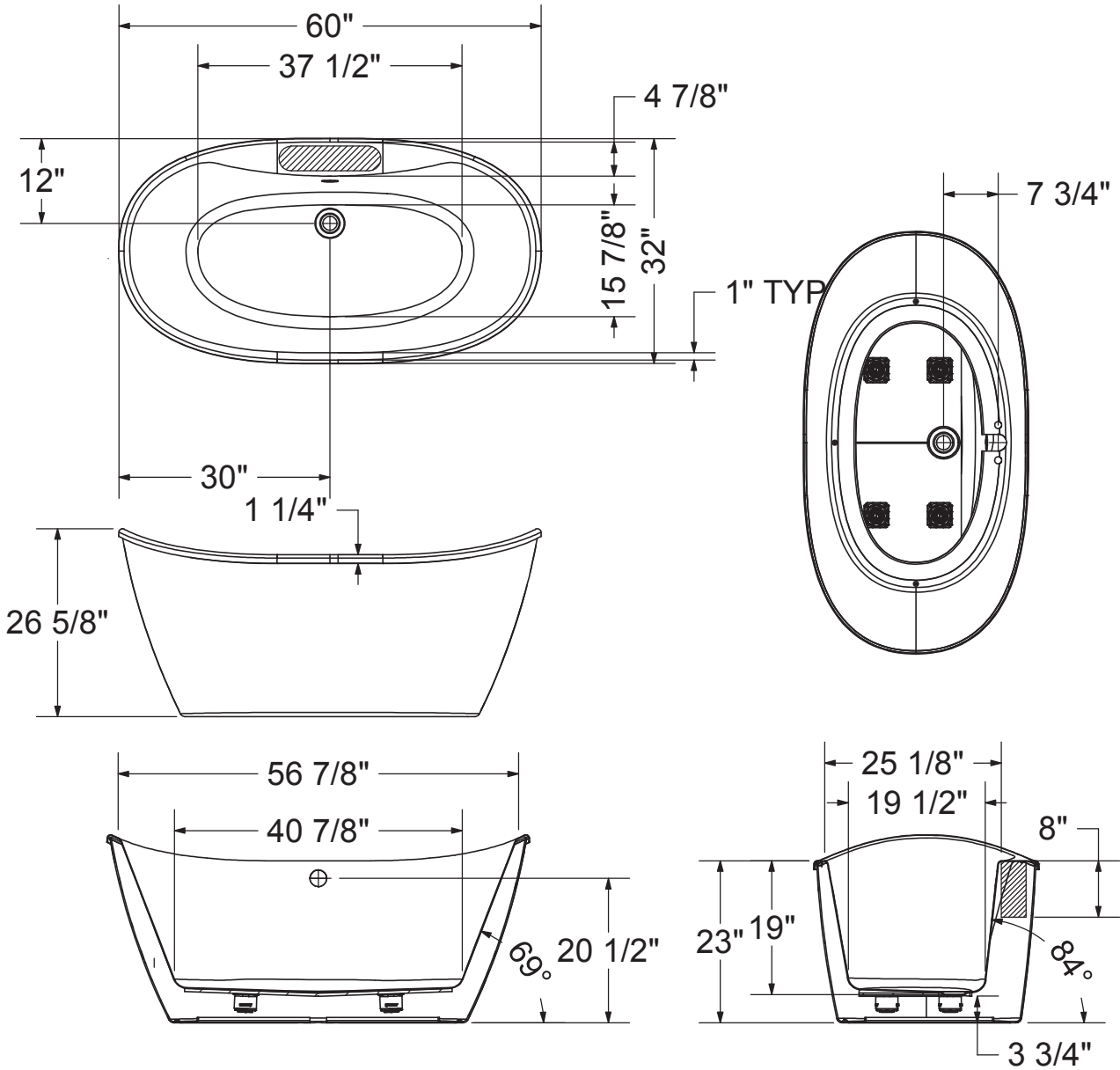
COMMON OPTIONS


SKU	Description	MSRP
OPT20137-004	Cable-operated waste and overflow (16 in. to 22 in.) (included in product packaging when purchased) Available colors: White (001), Bone (004), Chrome (084) and Brushed Nickel (105)	\$ 332
OPT20137-084		\$ 332
OPT20137-105		\$ 332
OPT20137-001		\$ 332
OPT20210-084	Waste and overflow (16 in. to 22 in.) (included in product packaging when purchased) Available colors: Chrome (084) and Brushed Nickel (105)	\$ 124
OPT20210-105		\$ 166
106194-000-002-000	Apron only (sold separately as a replacement part) Available standard apron color: White apron (002)	\$ 1310

ACCESSORIES

SKU	Description	MSRP
10012135-105	Waste and overflow (16 to 22 in.) (sold separately) Available colours: Chrome (084) and Brushed Nickel (105)	\$ 166

ACCESSORIES		
SKU	Description	MSRP
10012135-084	Waste and overflow (16 to 22 in.) (sold separately) Available colours: Chrome (084) and Brushed Nickel (105)	\$ 124
10032747	F ² Drain - ABS kit for freestanding bathtub installation (sold separately) Minimum space required for assembly is 10 3/8 inches Compatible exclusively with MAAX freestanding bathtubs.	\$ 218
10032754	F ² Drain kit for high-rise construction for freestanding bathtub installation (sold separately) Respects National Building Code of Canada (CAN/ULC-S102.2 flame and smoke protection) for high rise construction Minimum space required for assembly is 10 3/8 inches Compatible exclusively with MAAX freestanding bathtubs.	\$ 368
10032757	F ² Drain - Pack of 12 ABS kits for freestanding bathtub installation (sold separately) Minimum space required for assembly is 10 3/8 inches Compatible exclusively with MAAX freestanding bathtubs.	\$ 2494
10034341	F ² Drain - PVC kit for freestanding bathtub installation (sold separately) Minimum space required for assembly is 10 3/8 inches Compatible exclusively with MAAX freestanding bathtubs.	\$ 218
10037415	Positioning template for Delsia 6032 installation (sold separately)	\$ 98
10004306-001	White foam cushion with 2 suction pads (sold separately) Available color: White (001)	\$ 126
10022491-084	Cable-operated waste and overflow (16 in. to 22 in.) (sold separately) Available colors: White (001), Bone (004), Chrome (084) and Brushed Nickel (105)	\$ 332
10022491-004		\$ 332
10022491-105		\$ 332
10022491-001		\$ 332
10022491-001		\$ 332



(): Recommended faucet area of 15" (L) x 3-1/2" (W).
Depth recommended for straight pipes 8".

All dimensions are approximate. Structure measurements must be verified against the unit to ensure proper fit.



Delsia 6636



Material : AcrylX
 Max: 49 Gal / 223 L

Features

- › AcrylX™ surface resistant to stains
- › Available in timeless white colour
- › Maximized bathing well
- › 2-piece bathtub for easy transportation and seamless installation
- › Compatible with F2 drain connector to save time and money on installation
- › MAAX innovative leveling legs for easy installation
- › High gloss finish resistant to dulling, scratching, and fading
- › Minimalist and versatile design to fit any bathroom
- › Product Warranty: limited lifetime

FREESTANDING BATHTUBS - ACRYLX

DELSIA 6636 - 106193

SKU	System	Color	Configuration	Dimensions & Weight	Packaging	MSRP
106193-000-002-104	Soaker - No System	White	Center	66" x 36" x 26 5/8" / 110 lb / 50 kg	38.8461 ft ³	\$ 2677
106193-000-002-124		Black				\$ 2977
106193-000-002-125		Sterling Silver				\$ 2977
106193-000-002-126		Thunder Gray				\$ 2977

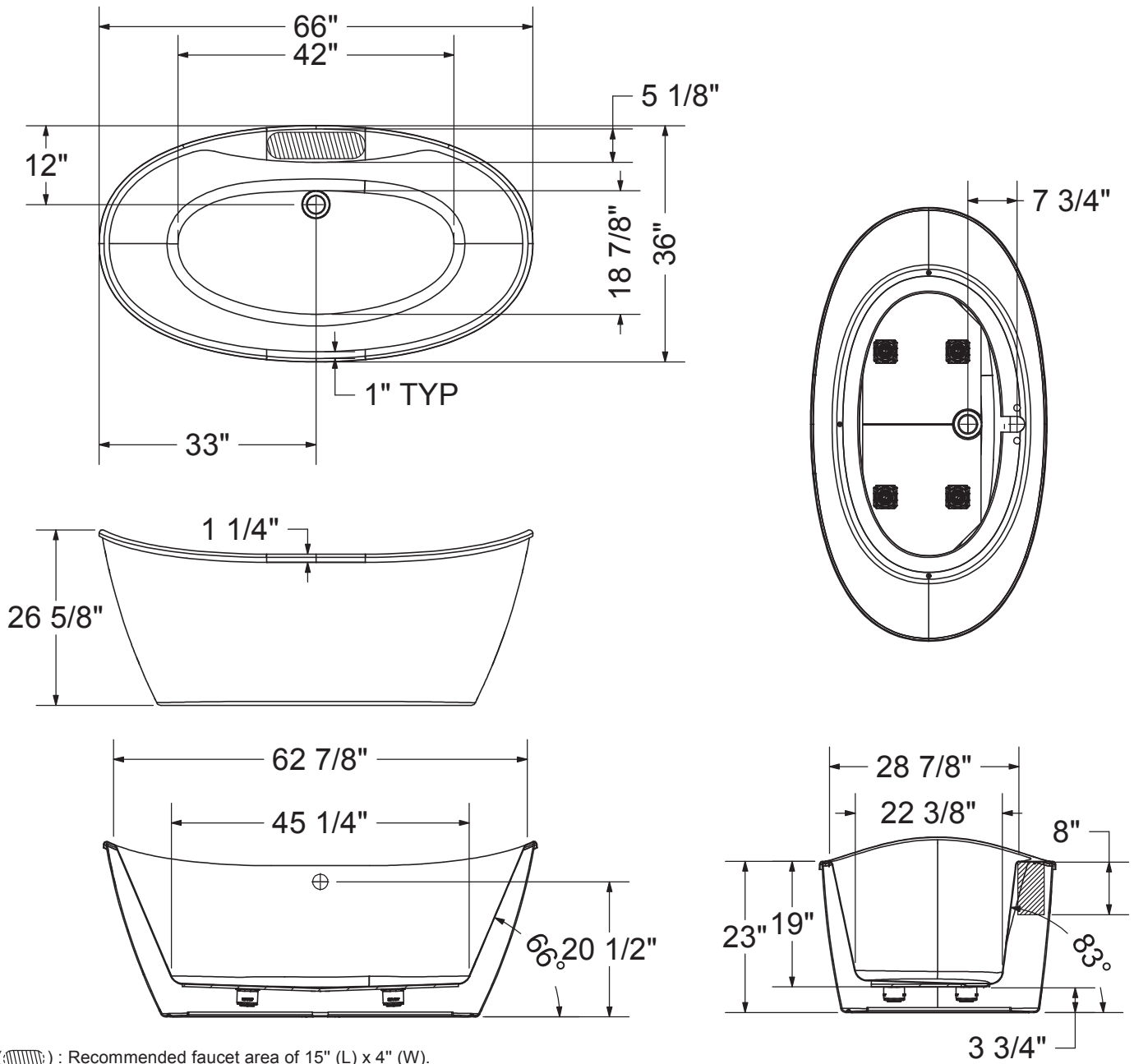
COMMON OPTIONS


SKU	Description	MSRP
OPT20137-004	Cable-operated waste and overflow (16 in. to 22 in.) (included in product packaging when purchased) Available colors: White (001), Bone (004), Chrome (084) and Brushed Nickel (105)	\$ 332
OPT20137-084		\$ 332
OPT20137-105		\$ 332
OPT20137-001		\$ 332
OPT20210-084	Waste and overflow (16 in. to 22 in.) (included in product packaging when purchased) Available colors: Chrome (084) and Brushed Nickel (105)	\$ 124
OPT20210-105		\$ 166
106195-000-002-000	Apron only (sold separately as a replacement part) Available standard apron color: White apron (002)	\$ 1550

ACCESSORIES

SKU	Description	MSRP
10012135-105	Waste and overflow (16 to 22 in.) (sold separately) Available colours: Chrome (084) and Brushed Nickel (105)	\$ 166

ACCESSORIES		
SKU	Description	MSRP
10012135-084	Waste and overflow (16 to 22 in.) (sold separately) Available colours: Chrome (084) and Brushed Nickel (105)	\$ 124
10032747	F ² Drain - ABS kit for freestanding bathtub installation (sold separately) Minimum space required for assembly is 10 3/8 inches Compatible exclusively with MAAX freestanding bathtubs.	\$ 218
10032754	F ² Drain kit for high-rise construction for freestanding bathtub installation (sold separately) Respects National Building Code of Canada (CAN/ULC-S102.2 flame and smoke protection) for high rise construction Minimum space required for assembly is 10 3/8 inches Compatible exclusively with MAAX freestanding bathtubs.	\$ 368
10032757	F ² Drain - Pack of 12 ABS kits for freestanding bathtub installation (sold separately) Minimum space required for assembly is 10 3/8 inches Compatible exclusively with MAAX freestanding bathtubs.	\$ 2494
10034341	F ² Drain - PVC kit for freestanding bathtub installation (sold separately) Minimum space required for assembly is 10 3/8 inches Compatible exclusively with MAAX freestanding bathtubs.	\$ 218
10037416	Positioning template for Delsia 6636 installation (sold separately)	\$ 98
10004306-001	White foam cushion with 2 suction pads (sold separately) Available color: White (001)	\$ 126
10022491-084	Cable-operated waste and overflow (16 in. to 22 in.) (sold separately) Available colors: White (001), Bone (004), Chrome (084) and Brushed Nickel (105)	\$ 332
10022491-004		\$ 332
10022491-105		\$ 332
10022491-001		\$ 332



(): Recommended faucet area of 15" (L) x 4" (W).
Depth recommended for straight pipes 8".

All dimensions are approximate. Structure measurements must be verified against the unit to ensure proper fit.

Sax



FREESTANDING BATHTUBS - ACRYLX



Material : AcrylX
 Max: 37 Gal / 168 L

Features

- › AcrylX™ surface resistant to stains
- › Bathtub skirt available in 4 colours: White, Sterling Silver, Black, Thunder Grey
- › Maximized bathing well with comfortable backrest
- › 2-piece bathtub for easy transportation and seamless installation
- › Compatible with F2 drain connector to save time and money on installation
- › MAAX innovative leveling legs for easy installation
- › High gloss finish resistant to dulling, scratching, and fading
- › Transitional design to fit any bathroom style
- › Product Warranty: limited lifetime

SAX 6032 FREESTANDING BATHTUB - 105797

SKU	System	Color	Configuration	Dimensions & Weight	Packaging	MSRP
105797-000-002-100	Soaker - No System	White	End	60" x 32" x 24 7/8" / 130 lb / 59 kg	32 ft³	\$ 1790
105797-000-002-125		Black				\$ 2090
105797-000-002-126		Sterling Silver				\$ 2090
105797-000-002-127		Thunder Gray				\$ 2090

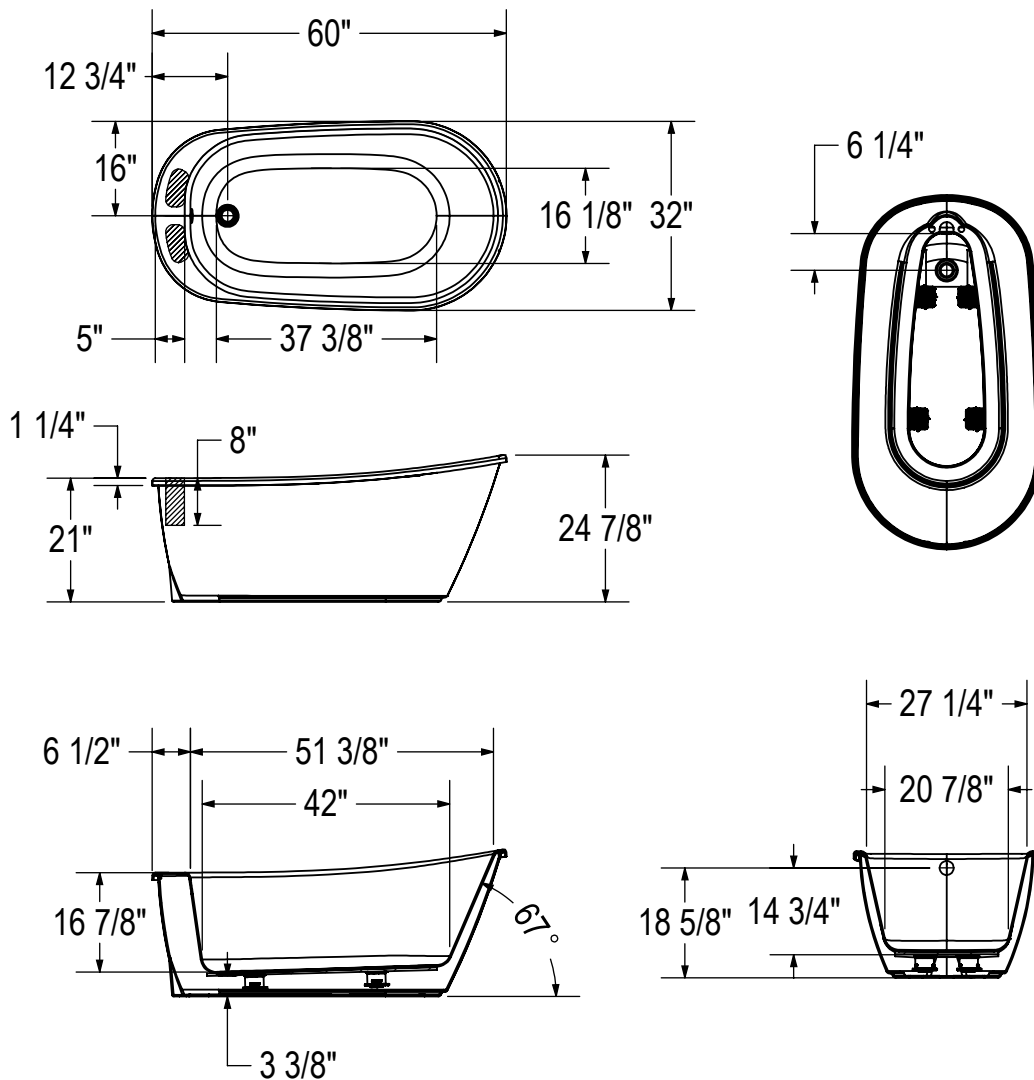
COMMON OPTIONS

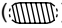
SKU	Description	MSRP
OPT20137-004	Cable-operated waste and overflow (16 in. to 22 in.) (included in product packaging when purchased) Available colors: White (001), Bone (004), Chrome (084) and Brushed Nickel (105)	\$ 332
OPT20137-084		\$ 332
OPT20137-105		\$ 332
OPT20137-001		\$ 332
OPT20210-084	Waste and overflow (16 in. to 22 in.) (included in product packaging when purchased) Available colors: Chrome (084) and Brushed Nickel (105)	\$ 124
OPT20210-105		\$ 166
106020-000-002-000	Apron only (sold separately as a replacement part) Available standard apron color: White apron (002)	\$ 1120

ACCESSORIES

SKU	Description	MSRP
10012135-105	Waste and overflow (16 to 22 in.) (sold separately) Available colours: Chrome (084) and Brushed Nickel (105)	\$ 166

ACCESSORIES		
SKU	Description	MSRP
10012135-084	Waste and overflow (16 to 22 in.) (sold separately) Available colours: Chrome (084) and Brushed Nickel (105)	\$ 124
10032740	Positioning template for Sax freestanding installation (sold separately)	\$ 98
10032747	F ² Drain - ABS kit for freestanding bathtub installation (sold separately) Minimum space required for assembly is 10 3/8 inches Compatible exclusively with MAAX freestanding bathtubs.	\$ 218
10032754	F ² Drain kit for high-rise construction for freestanding bathtub installation (sold separately) Respects National Building Code of Canada (CAN/ULC-S102.2 flame and smoke protection) for high rise construction Minimum space required for assembly is 10 3/8 inches Compatible exclusively with MAAX freestanding bathtubs.	\$ 368
10032757	F ² Drain - Pack of 12 ABS kits for freestanding bathtub installation (sold separately) Minimum space required for assembly is 10 3/8 inches Compatible exclusively with MAAX freestanding bathtubs.	\$ 2494
10034341	F ² Drain - PVC kit for freestanding bathtub installation (sold separately) Minimum space required for assembly is 10 3/8 inches Compatible exclusively with MAAX freestanding bathtubs.	\$ 218
10004306-001	White foam cushion with 2 suction pads (sold separately) Available color: White (001)	\$ 126
10022491-084	Cable-operated waste and overflow (16 in. to 22 in.) (sold separately) Available colors: White (001), Bone (004), Chrome (084) and Brushed Nickel (105)	\$ 332
10022491-004		\$ 332
10022491-105		\$ 332
10022491-001		\$ 332



(): Recommended faucet area 2 sections of 7" (L) x 3" (W).
Depth recommended for straight pipes 8".

All dimensions are approximate. Structure measurements must be verified against the unit to ensure proper fit.



Emica 5834



Material : AcrylX
 Max: 51 Gal / 226 L

Features

- › 2-piece bathtub for an easy installation
- › Minimalist and versatile design to fit any bathroom style
- › White pop-up drain to match any faucet finish
- › White linear overflow for versatility
- › Hygienic, non-porous surface for easy cleaning
- › High gloss finish resistant to dulling, scratching, and fading
- › AcrylX surface resistant to stains
- › Limited Lifetime warranty for your peace of mind
- › Thin edges that allow for a wider bathing designed for optimal comfort

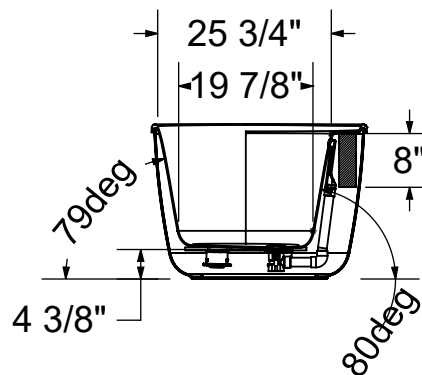
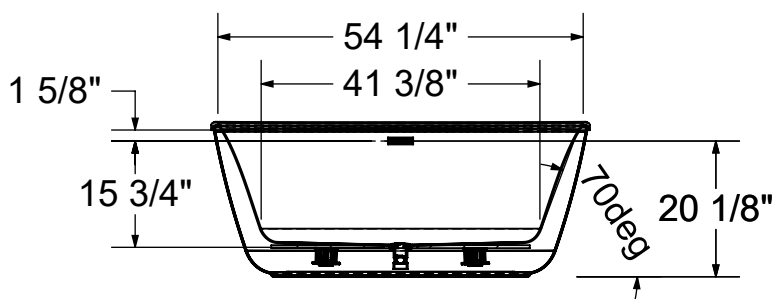
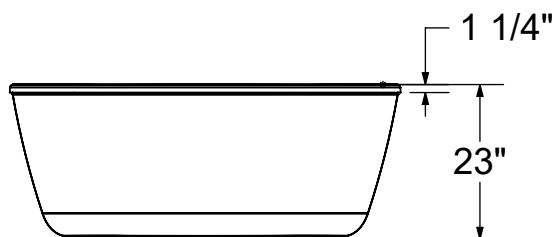
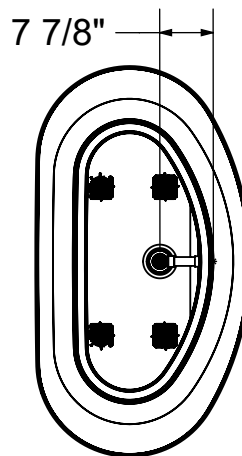
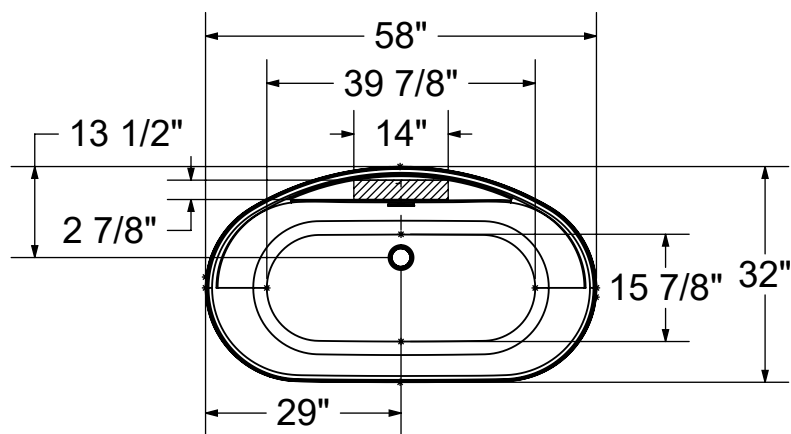
FREESTANDING BATHTUBS - ACRYLX


EMICA 5832 - 106839

SKU	System	Color	Configuration	Dimensions & Weight	Packaging	MSRP
106839-000-002-100	Soaker - No System	White	Center	58" x 32" x 23" / 105 lb / 48 kg	33.2 ft ³	\$ 2539

ACCESSORIES

SKU	Description	MSRP
10032747	F ² Drain - ABS kit for freestanding bathtub installation (sold separately) Minimum space required for assembly is 10 3/8 inches Compatible exclusively with MAAX freestanding bathtubs.	\$ 218
10032754	F ² Drain kit for high-rise construction for freestanding bathtub installation (sold separately) Respects National Building Code of Canada (CAN/ULC-S102.2 flame and smoke protection) for high rise construction Minimum space required for assembly is 10 3/8 inches Compatible exclusively with MAAX freestanding bathtubs.	\$ 368
10032757	F ² Drain - Pack of 12 ABS kits for freestanding bathtub installation (sold separately) Minimum space required for assembly is 10 3/8 inches Compatible exclusively with MAAX freestanding bathtubs.	\$ 2494
10034341	F ² Drain - PVC kit for freestanding bathtub installation (sold separately) Minimum space required for assembly is 10 3/8 inches Compatible exclusively with MAAX freestanding bathtubs.	\$ 218
10004306-001	White foam cushion with 2 suction pads (sold separately) Available color: White (001)	\$ 126
10034729	Positioning template for Eldora 5832 & Emica 5832 freestanding bathtubs installation (sold separately)	\$ 98



() Recommended faucet area 1 section of 14" (L) x 2 7/8" (W).
Depth recommended for straight pipes 8".

All dimensions are approximate. Structure measurements must be verified against the unit to ensure proper fit.

Emica 6434



Material : AcrylX
 Max: 58 Gal / 258 L

Features

- › 2-piece bathtub for an easy installation
- › Minimalist and versatile design to fit any bathroom style
- › White pop-up drain to match any faucet finish
- › White linear overflow for versatility
- › Hygienic, non-porous surface for easy cleaning
- › High gloss finish resistant to dulling, scratching, and fading
- › AcrylX surface resistant to stains
- › Limited Lifetime warranty for your peace of mind
- › Thin edges that allow for a wider bathing designed for optimal comfort

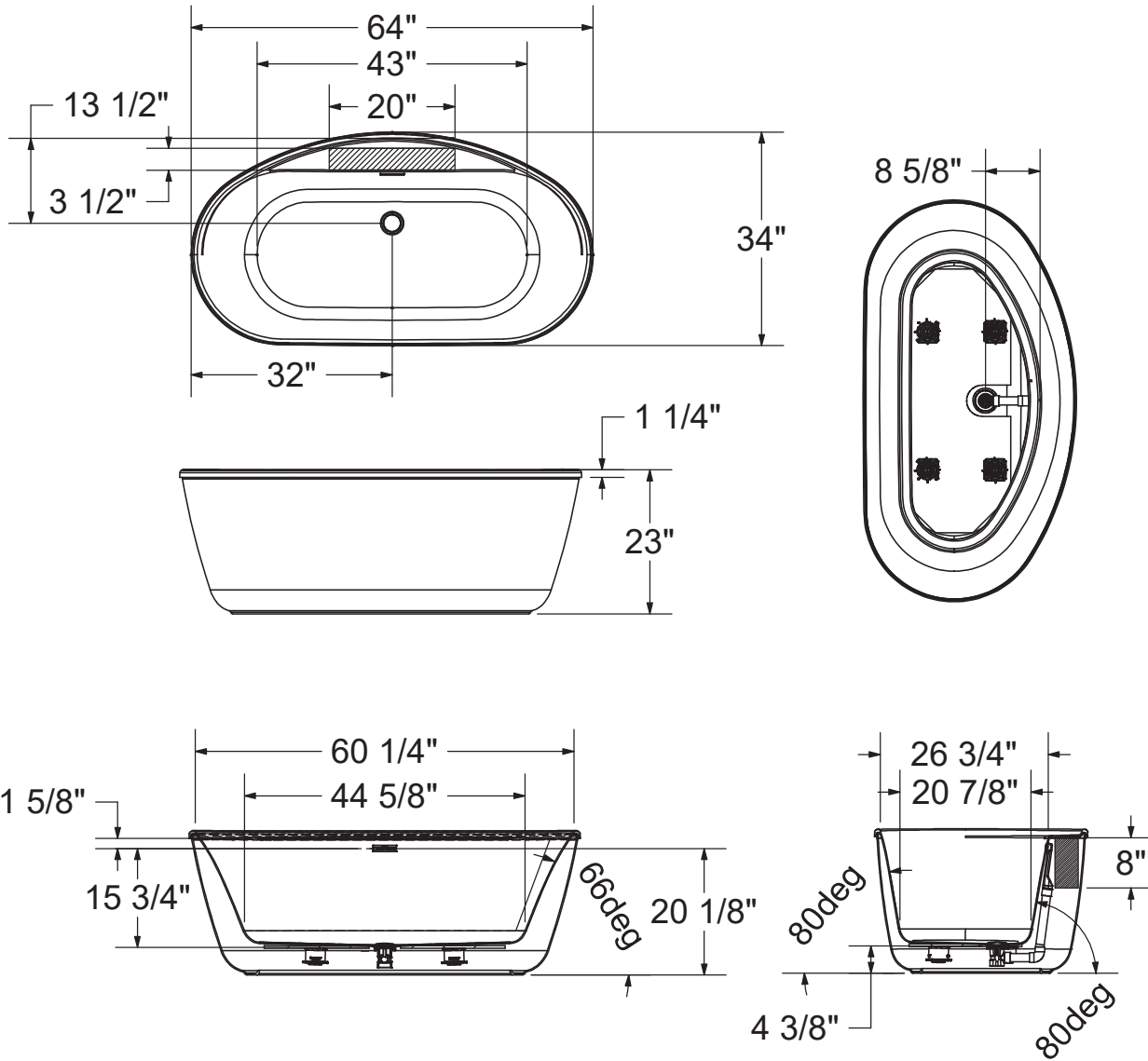
FREESTANDING BATHTUBS - ACRYLX


EMICA 6434 - 106840

SKU	System	Color	Configuration	Dimensions & Weight	Packaging	MSRP
106840-000-002-100	Soaker - No System	White	Center	64" x 34" x 23" / 115 lb / 52 kg	38.9 ft³	\$ 2907

ACCESSORIES

SKU	Description	MSRP
10032747	F² Drain - ABS kit for freestanding bathtub installation (sold separately) Minimum space required for assembly is 10 3/8 inches Compatible exclusively with MAAX freestanding bathtubs.	\$ 218
10032754	F² Drain kit for high-rise construction for freestanding bathtub installation (sold separately) Respects National Building Code of Canada (CAN/ULC-S102.2 flame and smoke protection) for high rise construction Minimum space required for assembly is 10 3/8 inches Compatible exclusively with MAAX freestanding bathtubs.	\$ 368
10032757	F² Drain - Pack of 12 ABS kits for freestanding bathtub installation (sold separately) Minimum space required for assembly is 10 3/8 inches Compatible exclusively with MAAX freestanding bathtubs.	\$ 2494
10034341	F² Drain - PVC kit for freestanding bathtub installation (sold separately) Minimum space required for assembly is 10 3/8 inches Compatible exclusively with MAAX freestanding bathtubs.	\$ 218
10004306-001	White foam cushion with 2 suction pads (sold separately) Available color: White (001)	\$ 126
10034728	Positioning template for Eldora 6434 & Emica 6434 freestanding bathtubs installation (sold separately)	\$ 98



() Recommended faucet area 1 section of 20" (L) x 3 1/2" (W).
Depth recommended for straight pipes 8".

All dimensions are approximate. Structure measurements must be verified against the unit to ensure proper fit.



Kai



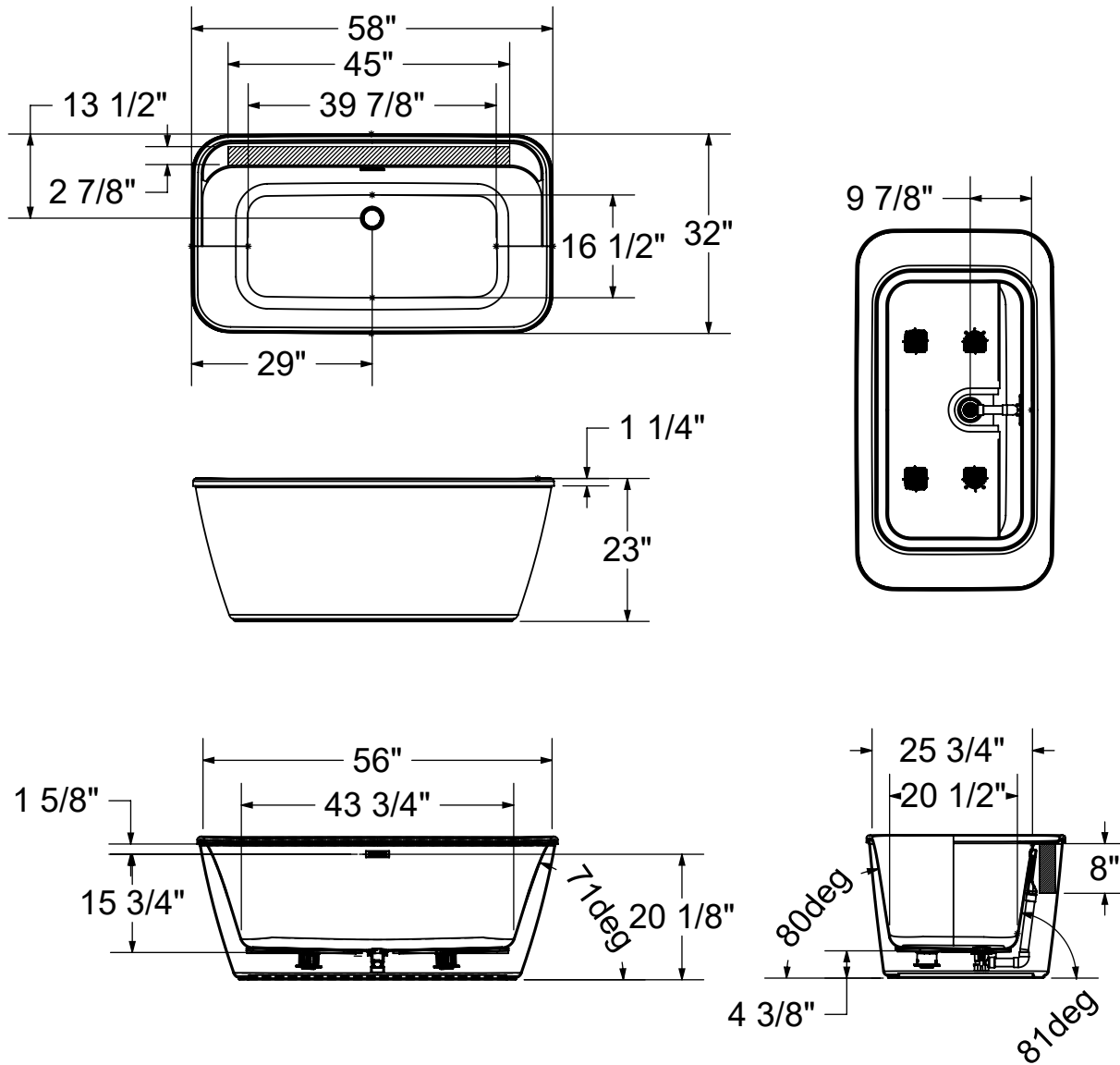
Material : AcrylX
 Max: 56 Gal / 250 L


Features

- › 2-piece bathtub for an easy installation
- › Minimalist and versatile design to fit any bathroom style
- › White pop-up drain to match any faucet finish
- › White linear overflow for versatility
- › Hygienic, non-porous surface for easy cleaning
- › High gloss finish resistant to dulling, scratching, and fading
- › AcrylX surface resistant to stains
- › Limited Lifetime warranty for your peace of mind
- › Thin edges that allow for a wider bathing designed for optimal comfort

KAI - 106842						
SKU	System	Color	Configuration	Dimensions & Weight	Packaging	MSRP
106842-000-002-000	Soaker - No System	White	Center	58" x 32" x 23" / 105 lb / 48 kg	33.2 ft ³	\$ 2640

ACCESSORIES		
SKU	Description	MSRP
10032747	F ² Drain - ABS kit for freestanding bathtub installation (sold separately) Minimum space required for assembly is 10 3/8 inches Compatible exclusively with MAAX freestanding bathtubs.	\$ 218
10032754	F ² Drain kit for high-rise construction for freestanding bathtub installation (sold separately) Respects National Building Code of Canada (CAN/ULC-S102.2 flame and smoke protection) for high rise construction Minimum space required for assembly is 10 3/8 inches Compatible exclusively with MAAX freestanding bathtubs.	\$ 368
10032757	F ² Drain - Pack of 12 ABS kits for freestanding bathtub installation (sold separately) Minimum space required for assembly is 10 3/8 inches Compatible exclusively with MAAX freestanding bathtubs.	\$ 2494
10034341	F ² Drain - PVC kit for freestanding bathtub installation (sold separately) Minimum space required for assembly is 10 3/8 inches Compatible exclusively with MAAX freestanding bathtubs.	\$ 218
10004306-001	White foam cushion with 2 suction pads (sold separately) Available color: White (001)	\$ 126
10034772	Positioning template for Kai & Pocono freestanding bathtubs installation (sold separately)	\$ 98



() Recommended faucet area 1 section of 45" (L) x 2 7/8" (W).
Depth recommended for straight pipes 8".

All dimensions are approximate. Structure measurements must be verified against the unit to ensure proper fit.



Suna



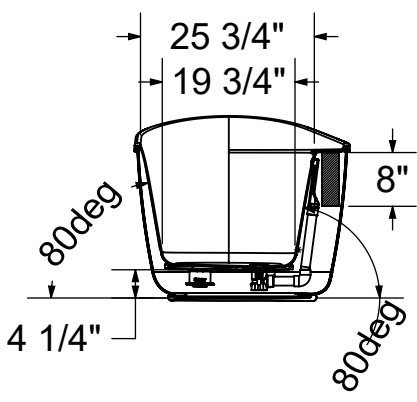
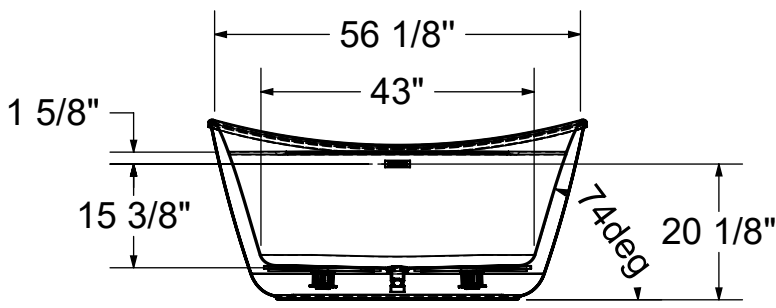
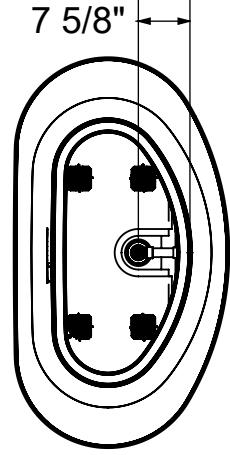
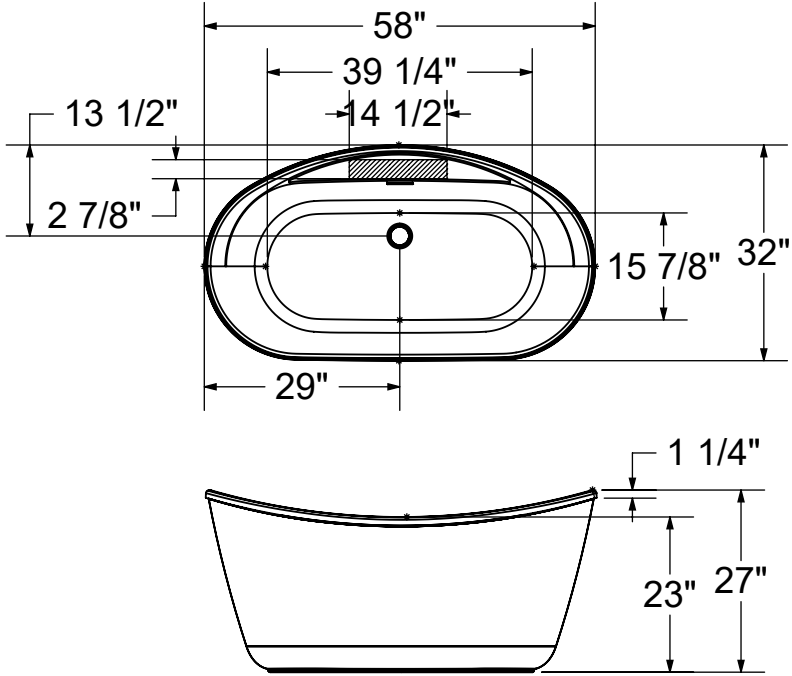
Material : AcrylX
 Max: 49 Gal / 220 L


Features

- › AcrylX™ surface resistant to stains
- › Available in timeless white colour
- › Maximized bathing well
- › 2-piece bathtub for easy transportation and seamless installation
- › Compatible with F2 drain connector to save time and money on installation
- › MAAX innovative leveling legs for easy installation
- › High gloss finish resistant to dulling, scratching, and fading
- › Minimalist and versatile design to fit any bathroom style
- › 25-year warranty for your peace of mind

SUNA - 106843						
SKU	System	Color	Configuration	Dimensions & Weight	Packaging	MSRP
106843-000-002-000	Soaker - No System	White	Center	58" x 32" x 27" / 105 lb / 48 kg	34.8 ft ³	\$ 2640

ACCESSORIES		
SKU	Description	MSRP
10032747	F ² Drain - ABS kit for freestanding bathtub installation (sold separately) Minimum space required for assembly is 10 3/8 inches Compatible exclusively with MAAX freestanding bathtubs.	\$ 218
10032754	F ² Drain kit for high-rise construction for freestanding bathtub installation (sold separately) Respects National Building Code of Canada (CAN/ULC-S102.2 flame and smoke protection) for high rise construction Minimum space required for assembly is 10 3/8 inches Compatible exclusively with MAAX freestanding bathtubs.	\$ 368
10032757	F ² Drain - Pack of 12 ABS kits for freestanding bathtub installation (sold separately) Minimum space required for assembly is 10 3/8 inches Compatible exclusively with MAAX freestanding bathtubs.	\$ 2494
10034341	F ² Drain - PVC kit for freestanding bathtub installation (sold separately) Minimum space required for assembly is 10 3/8 inches Compatible exclusively with MAAX freestanding bathtubs.	\$ 218
10004306-001	White foam cushion with 2 suction pads (sold separately) Available color: White (001)	\$ 126
10034773	Positioning template for Suna & Sonoma freestanding bathtubs installation (sold separately)	\$ 98



() Recommended faucet area 1 section of 14 1/2" (L) x 2 7/8" (W).
Depth recommended for straight pipes 8".

All dimensions are approximate. Structure measurements must be verified against the unit to ensure proper fit.

Antigua



Material : Acrylic
 Min: 30 Gal / 136 L
 Max: 56 Gal / 255 L

Features

- › Proudly made in Canada
- › Spacious interior for two bathers
- › Raised neckrests for comfort
- › White, durable high-gloss acrylic; smooth and easy to clean
- › Drop-in or alcove installation
- › Includes 2 solid brass polished chrome handles
- › Installs directly on drywall into the stud reinforcements

OVAL BATHTUBS - ACRYLIC

ANTIGUA - 101250						
SKU	System	Color	Configuration	Dimensions & Weight	Packaging	MSRP
101250-000-001-101	Soaker - No System	White	Center	71 3/4" x 41 3/4" x 22 1/2" / 113 lb / 51 kg	43 ft ³	\$ 1748
101250-000-004-101		Bone				\$ 1748
101250-000-007-101		Biscuit				\$ 1748
101250-091-001-100	10 Microjets ¹	White				\$ 3443
101250-091-004-100		Bone				\$ 3443
101250-091-007-100		Biscuit				\$ 3443
101250-107-001-100	Hydrosens ¹	White				\$ 4707
101250-107-004		Bone				\$ 4707
101250-107-007		Biscuit				\$ 4707
101250-108-001-100	Aerosens ^{1 2}	White				\$ 4285
101250-108-004-100		Bone				\$ 4285
101250-108-007-100		Biscuit				\$ 4285
101250-109-001-100	Combined Hydrosens & Aerosens ^{1 25}	White				\$ 6694
101250-109-004		Bone	\$ 6694			
101250-109-007		Biscuit	\$ 6694			

COMMON OPTIONS		
SKU	Description	MSRP
OPT10053	One chromatherapy light (factory installed) ⁵⁴	\$ 725
OPT10095	Water heater assembly for whirlpool and combined systems (factory installed)	\$ 950

COMMON OPTIONS

SKU	Description	MSRP
OPT10250-105	Microjet trim kit (factory installed)	\$ 797
OPT10250-084	Available colours: Chrome (084) and Brushed Nickel (105)	\$ 797
OPT20027-084	Hydrosens™ & Combined Hydrosens™ and Aerosens® trim kit (factory-installed)	\$ 797
OPT20027-105	Including the 2 air control covers Available colors: Chrome (084) and Brushed Nickel (105)	\$ 797
OPT20029-105	Metal trim kit for air push control (factory installed)	\$ 74
OPT20029-084	Available colors: Chrome (084) and Brushed Nickel (105)	\$ 74
OPT20137-004		\$ 332
OPT20137-084	Cable-operated waste and overflow (16 in. to 22 in.) (included in product packaging when purchased)	\$ 332
OPT20137-105	Available colors: White (001), Bone (004), Chrome (084) and Brushed Nickel (105)	\$ 332
OPT20137-001		\$ 332
OPT20210-084	Waste and overflow (16 in. to 22 in.) (included in product packaging when purchased)	\$ 124
OPT20210-105	Available colors: Chrome (084) and Brushed Nickel (105)	\$ 166
OPT20025	Backmax: 6 rotating and pulsating backjets ¹²⁷ Optional with Hydrosens or combined Hydrosens and Aerosens	\$ 793
102728-000-007-000		\$ 637
102728-000-004-000	Acrylic apron (as shown in picture) Specify: Standard colors: White (001), Bone (004), Biscuit (007)	\$ 637
102728-000-001-000		\$ 637

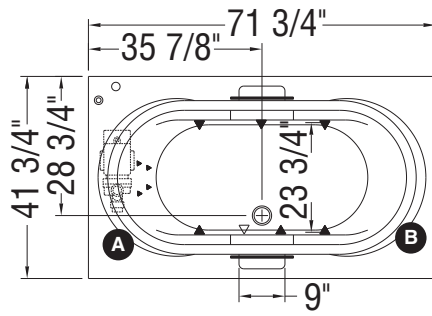
ACCESSORIES

SKU	Description	MSRP
10006916	Tiling flange, 1 X 67 1/4 in., 2 x 37 1/4 in. (sold separately)	\$ 114
10006919	Tiling flange. 1 x 72 in., 2 x 42 in. (sold separately)	\$ 133
10006923	Flexible main hose (9 ft. extension) for air push control air massage - Kit (sold separately)	\$ 191
10012135-105	Waste and overflow (16 to 22 in.) (sold separately)	\$ 166
10012135-084	Available colours: Chrome (084) and Brushed Nickel (105)	\$ 124
10019708	Flexible main hose for blower with combined systems (sold separately) Includes: 15ft (4.57m) hose, 2 clips, 1 nylon coupling and 1 power cord	\$ 356
10004306-001	White foam cushion with 2 suction pads (sold separately) Available color: White (001)	\$ 126
10019591-105	Hydrosens™ (107) & Combined Hydrosens™ and Aerosens® (109) trim kit (sold separately) Air control covers not included	\$ 797
10019591-084	Available colours: Chrome (084) and Brushed Nickel (105)	\$ 797
10022491-084		\$ 332
10022491-004	Cable-operated waste and overflow (16 in. to 22 in.) (sold separately)	\$ 332
10022491-105	Available colors: White (001), Bone (004), Chrome (084) and Brushed Nickel (105)	\$ 332
10022491-001		\$ 332

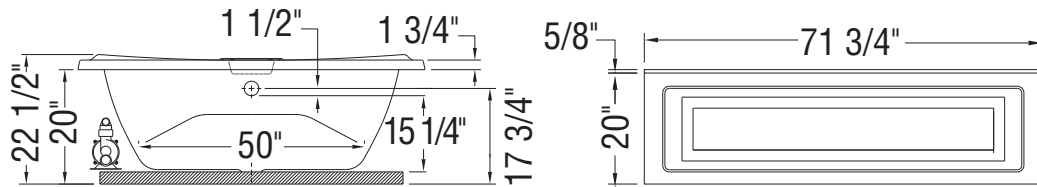
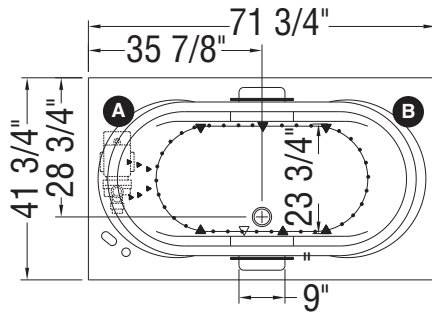
FOOTNOTES

No	Description
1	Components for standard colour units equipped with systems are colour-coordinated. Trim kit and/or air push with metallic finish can be added (additional charge applies). For non-standard colour units, please specify trim kit and/or air push colour (additional charge applies for metallic finishes). Please note that the positioning of the system's control could be in conflict with the door if one was installed on the unit. To insure compatibility, please contact customer service.
1	Components for standard colour units equipped with systems are colour-coordinated. Trim kit and/or air push with metallic finish can be added (additional charge applies). For non-standard colour units, please specify trim kit and/or air push colour (additional charge applies for metallic finishes). Please note that the positioning of the system's control could be in conflict with the door if one was installed on the unit. To insure compatibility, please contact customer service.
2	Please order flexible main hose 10006923 for installation of the blower further than 3 ft from the bathtub. For the Tandem models and the Serenade models (freestanding and drop-in), the blower is always remote and not factory installed so a 9 ft flexible main hose is included. Please note that the positioning of the system's control could be in conflict with the door if one was installed on the unit. To insure compatibility, please contact customer service.
25	Please order flexible main hose 10019708 for installation of the blower further than 9 ft from the bathtub.
27	Please note the Backmax is positioned on the same side as the pump.
54	A selection of units come with an access panel by default when equipped with a system. However, if the unit is only equipped with chromatherapy, the access panel will not be provided by default.

MICRO-JETS SYSTEM



HYDROSENS, BACKMAX AND BUBBLE TUB SYSTEMS



- (A) : Specify blower and/or pump location when ordering
- (B) : Specify blower and/or pump location when ordering
- (▲) : Indicates whirlpool and backjets positioning
- (△) : Indicates suction positioning
- (•) : Indicates airjets positioning

All dimensions are approximate. Structure measurements must be verified against the unit to ensure proper fit.



Murmur 6034



Material : Acrylic
 Min: 18 Gal / 82 L
 Max: 22 Gal / 100 L

Features

- › Maximized interior space for comfort
- › Relaxing armrests
- › Ergonomic backrest and headrest
- › End drain
- › Cut-out template included
- › Drop-in installation

OVAL BATHTUBS - ACRYLIC

MURMUR 6034 - 105642

SKU	System	Color	Configuration	Dimensions & Weight	Packaging	MSRP
105642-000-001-000	Soaker - No System	White	End	60 1/8" x 33 5/8" x 19 3/4" / 58 lb / 26 kg	26 ft ³	\$ 1089
105642-000-004		Bone				\$ 1089
105642-000-007		Biscuit				\$ 1089
105642-091-001-000	10 Microjets ¹	White				\$ 2784
105642-091-004		Bone				\$ 2784
105642-091-007		Biscuit				\$ 2784
105642-107-001	Hydrosens ¹	White				\$ 4048
105642-107-004		Bone				\$ 4048
105642-107-007		Biscuit				\$ 4048
105642-108-001	Aerosens ^{1 2}	White				\$ 3626
105642-108-004		Bone				\$ 3626
105642-108-007		Biscuit				\$ 3626
105642-109-001	Combined Hydrosens & Aerosens ^{1 25}	White				\$ 6035
105642-109-004		Bone				\$ 6035
105642-109-007		Biscuit				\$ 6035

COMMON OPTIONS

SKU	Description	MSRP
OPT10095	Water heater assembly for whirlpool and combined systems (factory installed)	\$ 950

COMMON OPTIONS

SKU	Description	MSRP
OPT10250-105	Microjet trim kit (factory installed)	\$ 797
OPT10250-084	Available colours: Chrome (084) and Brushed Nickel (105)	\$ 797
OPT20027-084	Hydrosens™ & Combined Hydrosens™ and Aerosens® trim kit (factory-installed)	\$ 797
OPT20027-105	Including the 2 air control covers Available colors: Chrome (084) and Brushed Nickel (105)	\$ 797
OPT20029-105	Metal trim kit for air push control (factory installed)	\$ 74
OPT20029-084	Available colors: Chrome (084) and Brushed Nickel (105)	\$ 74
OPT20137-004		\$ 332
OPT20137-084	Cable-operated waste and overflow (16 in. to 22 in.) (included in product packaging when purchased)	\$ 332
OPT20137-105	Available colors: White (001), Bone (004), Chrome (084) and Brushed Nickel (105)	\$ 332
OPT20137-001		\$ 332
OPT20210-084	Waste and overflow (16 in. to 22 in.) (included in product packaging when purchased)	\$ 124
OPT20210-105	Available colors: Chrome (084) and Brushed Nickel (105)	\$ 166
OPT20025	Backmax: 6 rotating and pulsating backjets ¹²⁷ Optional with Hydrosens or combined Hydrosens and Aerosens	\$ 793
OPT10053	One chromatherapy light (factory installed) ⁵⁴	\$ 725

ACCESSORIES

SKU	Description	MSRP
10006923	Flexible main hose (9 ft. extension) for air push control air massage - Kit (sold separately)	\$ 191
10012135-105	Waste and overflow (16 to 22 in.) (sold separately)	\$ 166
10012135-084	Available colours: Chrome (084) and Brushed Nickel (105)	\$ 124
10019708	Flexible main hose for blower with combined systems (sold separately) Includes: 15ft (4.57m) hose, 2 clips, 1 nylon coupling and 1 power cord	\$ 356
10004306-001	White foam cushion with 2 suction pads (sold separately) Available color: White (001)	\$ 126
10019591-105	Hydrosens™ (107) & Combined Hydrosens™ and Aerosens® (109) trim kit (sold separately)	\$ 797
10019591-084	Air control covers not included Available colours: Chrome (084) and Brushed Nickel (105)	\$ 797
10022491-084		\$ 332
10022491-004	Cable-operated waste and overflow (16 in. to 22 in.) (sold separately)	\$ 332
10022491-105	Available colors: White (001), Bone (004), Chrome (084) and Brushed Nickel (105)	\$ 332
10022491-001		\$ 332

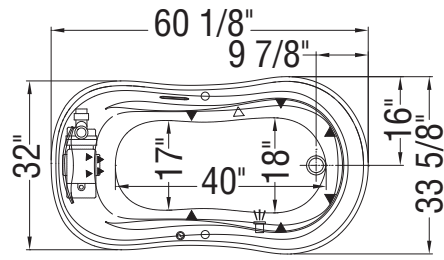
FOOTNOTES

No	Description
1	Components for standard colour units equipped with systems are colour-coordinated. Trim kit and/or air push with metallic finish can be added (additional charge applies). For non-standard colour units, please specify trim kit and/or air push colour (additional charge applies for metallic finishes). Please note that the positioning of the system's control could be in conflict with the door if one was installed on the unit. To insure compatibility, please contact customer service.
1	
2	Please order flexible main hose 10006923 for installation of the blower further than 3 ft from the bathtub. For the Tandem models and the Serenade models (freestanding and drop-in), the blower is always remote and not factory installed so a 9 ft flexible main hose is included. Please note that the positioning of the system's control could be in conflict with the door if one was installed on the unit. To insure compatibility, please contact customer service.
25	Please order flexible main hose 10019708 for installation of the blower further than 9 ft from the bathtub.

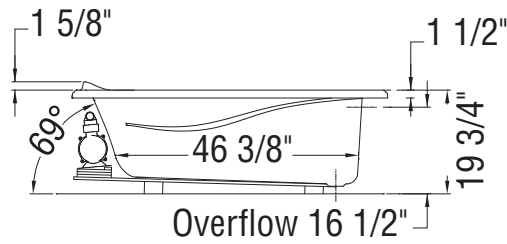
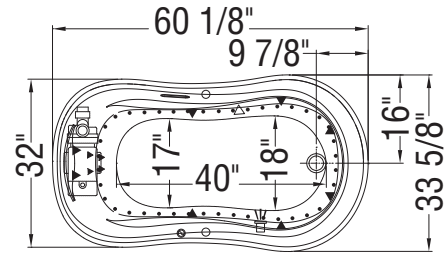
FOOTNOTES

No	Description
27	Please note the Backmax is positioned on the same side as the pump.
54	A selection of units come with an access panel by default when equipped with a system. However, if the unit is only equipped with chromatherapy, the access panel will not be provided by default.

MICRO-JETS SYSTEM



HYDROSENS, BACKMAX AND AIR SYSTEM



- (▲): Indicates whirlpool and backjets positioning
- (△): Indicates suction positioning
- (●): Indicates airjets positioning
- (☒): Indicates chromatherapy light positioning

All dimensions are approximate. Structure measurements must be verified against the unit to ensure proper fit.

Bosca 6030 IFS



Material : Acrylic
 Min: 28 Gal / 127 L
 Max: 45 Gal / 205 L

Features

- › Proudly made in Canada
- › Rectangular shape bathtub, with a cubic design, in alcove installation, available with right or left drain
- › 3-inch Above-the-floor Rough that leaves enough space to pipe directly under the tub to the floor drain to help you avoid breaking ground or a sweat
- › Integrated flat apron and tiling flange on three sides facilitates a quick and simple installation with no need to worry about leakage or water infiltration
- › Clean lines, extra-long bathing well created by keeping front and rear decking to a minimum, 30-inch width and 70-degree lumbar support for ultimate bathing experience
- › Made of thick and durable acrylic that has a high gloss finish for easy clean and maintenance
- › Compatible with Utile tub walls and most MAAX tub doors

RECTANGULAR BATHTUBS - ACRYLIC

BOSCA 6030 IFS - 106394						
SKU	System	Color	Configuration	Dimensions & Weight	Packaging	MSRP
106394-000-001-001	Soaker - No System	White	Left	59 3/4" x 30" x 18 3/8" / 77 lb / 35 kg	27 ft ³	\$ 1247
106394-000-001-002			Right			\$ 1247
106394-000-004-001		Bone	Left			\$ 1247
106394-000-004-002			Right			\$ 1247
106394-000-007-001		Biscuit	Left			\$ 1247
106394-000-007-002			Right			\$ 1247

BOSCA 6030 IFS AFR - 106395						
SKU	System	Color	Configuration	Dimensions & Weight	Packaging	MSRP
106395-000-001-101	Soaker - No System	White	Left	59 3/4" x 30" x 20 3/8" / 77 lb / 35 kg	33 ft ³	\$ 1247
106395-000-001-102			Right			\$ 1247
106395-000-004-101		Bone	Left			\$ 1247
106395-000-004-102			Right			\$ 1247
106395-000-007-101		Biscuit	Left			\$ 1247
106395-000-007-102			Right			\$ 1247

COMMON OPTIONS

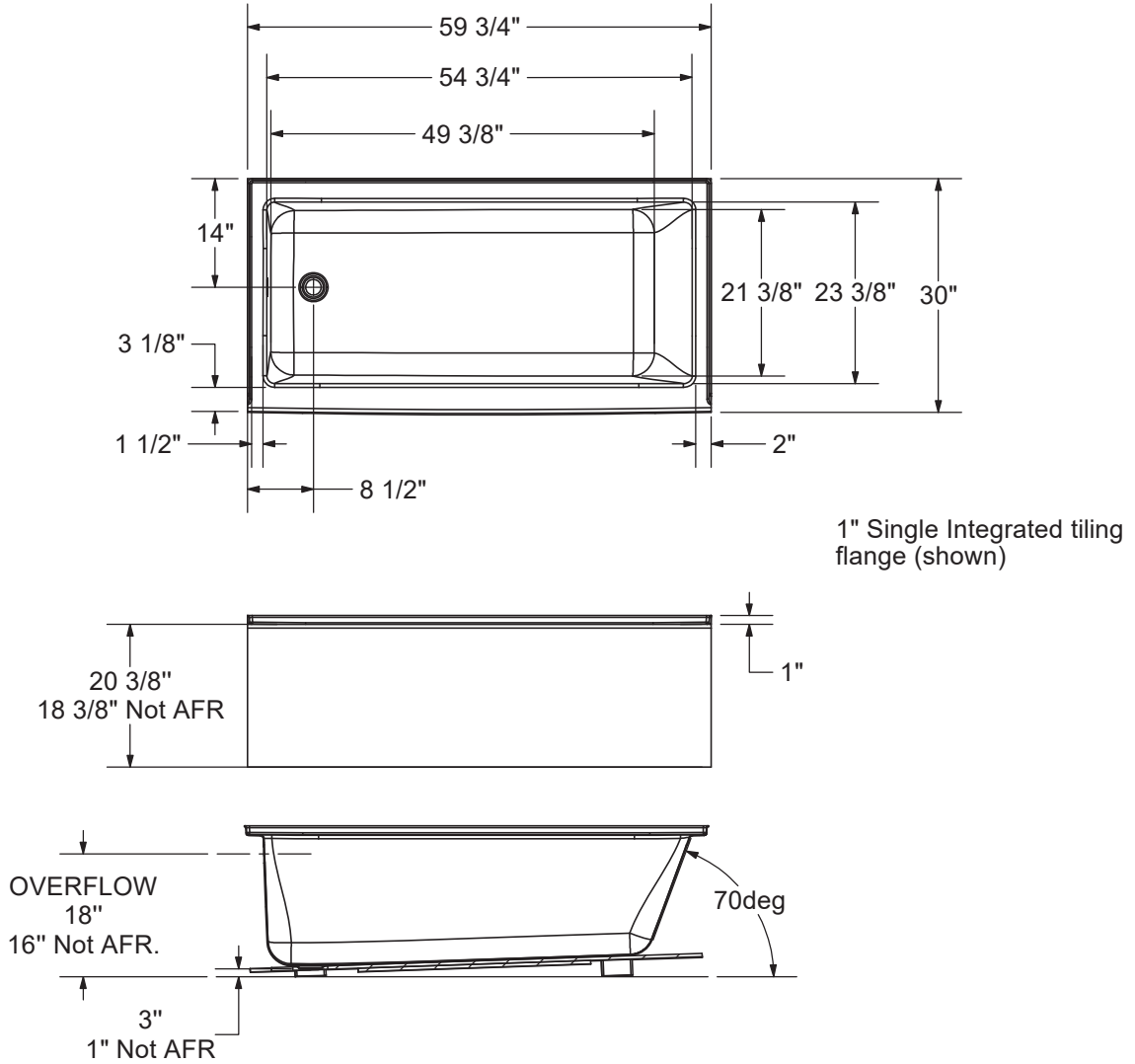
SKU	Description	MSRP
OPT20137-004	Cable-operated waste and overflow (16 in. to 22 in.) (included in product packaging when purchased) Available colors: White (001), Bone (004), Chrome (084) and Brushed Nickel (105)	\$ 332
OPT20137-084		\$ 332
OPT20137-105		\$ 332
OPT20137-001		\$ 332

ACCESSORIES

SKU	Description	MSRP
10004306-001	White foam cushion with 2 suction pads (sold separately) Available color: White (001)	\$ 126
10022491-084	Cable-operated waste and overflow (16 in. to 22 in.) (sold separately) Available colors: White (001), Bone (004), Chrome (084) and Brushed Nickel (105)	\$ 332
10022491-004		\$ 332
10022491-105		\$ 332
10022491-001		\$ 332

RECOMMENDED DOORS

SKU	Product Name	Pag.
139398	Halo 56 ½-59 x 59 - 8mm	568
135246	Connect 57-58 1/2 x 57 - 6mm	572
135330	Incognito 57 Shaker 56-59 x 56 ¾ - 8mm	546
138994	Luminescence SlidingDoor 56 ½-59 x 55 ½-57 ½ - 6mm	570
136695	Revelation Round 56-59 x 56 ¾-59 ¼ - 8 mm	558
136692	Revelation Round 56-59 x 56 ¾-59 ¼ - 6mm	556
136270	Duel 56-59 x 55 ½ x 59 - 8 mm	544
137682	Outback 55 ¼ - 58 1/2 x 57 - 8mm	574
105410	Polar 54-59 ½ x 57 in.	554
135673	Aura 55-59 x 57 - 8mm	566
135320	Uptown 56-59 x 58 in. 8 mm	560
139354	Incognito 57 56-59 x 56 ¾ - 8mm	552
139351	Incognito 57 56-59 x 56 ¾ - 6mm	548



Wood support design may vary.
Single Integrated tiling flange: 1" height x 1/4" thickness (shown)

All dimensions are approximate. Structure measurements must be verified against the unit to ensure proper fit.



Bosca 6032

RECTANGULAR BATHTUBS - ACRYLIC



Material : Acrylic
 Min: 25 Gal / 114 L
 Max: 49 Gal / 223 L

Features

- › Proudly made in Canada
- › Rectangular shape bathtub, with a cubic design, in alcove installation, available with right or left drain
- › Integrated flat apron and tiling flange on three sides facilitates a quick and simple installation with no need to worry about leakage or water infiltration
- › Clean lines, extra-long bathing well created by keeping front and rear decking to a minimum, 32-inch width and 70-degree lumbar support for ultimate bathing experience
- › Made of thick and durable acrylic that has a high gloss finish for easy clean and maintenance
- › Compatible with Utile wall panels, in the size "tub-shower 60-in x 32-in" and most MAAX tub doors. Right hand drain

BOSCA 6032 - 106969						
SKU	System	Color	Configuration	Dimensions & Weight	Packaging	MSRP
106969-000-001-001	Soaker - No System	White	Left	59 3/4" x 32" x 18 3/8" / 80 lb / 36 kg	27 ft ³	\$ 1283
106969-000-001-002			Right			\$ 1283
106969-L-000-004		Bone	Left			\$ 1283
106969-L-000-007						Biscuit
106969-R-000-004		Bone	Right			\$ 1283
106969-R-000-007						Biscuit

BOSCA 6032 AFR - 106970						
SKU	System	Color	Configuration	Dimensions & Weight	Packaging	MSRP
106970-000-001-101	Soaker - No System	White	Left	59 3/4" x 32" x 20 3/8" / 80 lb / 36 kg	33 ft ³	\$ 1283
106970-000-001-102			Right			\$ 1283
106970-L-000-004		Bone	Left			\$ 1283
106970-L-000-007						Biscuit
106970-R-000-004		Bone	Right			\$ 1283
106970-R-000-007						Biscuit

COMMON OPTIONS

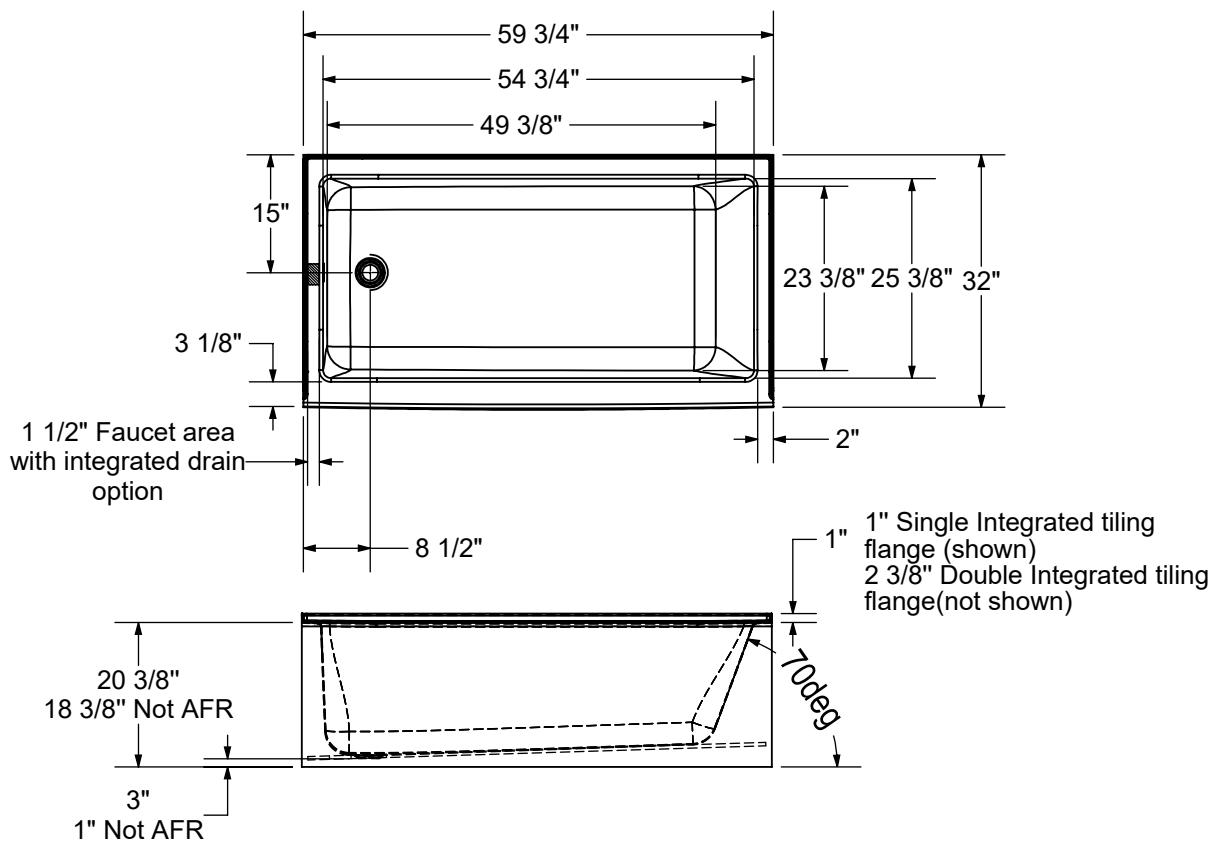
SKU	Description	MSRP
OPT20137-004	Cable-operated waste and overflow (16 in. to 22 in.) (included in product packaging when purchased) Available colors: White (001), Bone (004), Chrome (084) and Brushed Nickel (105)	\$ 332
OPT20137-084		\$ 332
OPT20137-105		\$ 332
OPT20137-001		\$ 332

ACCESSORIES

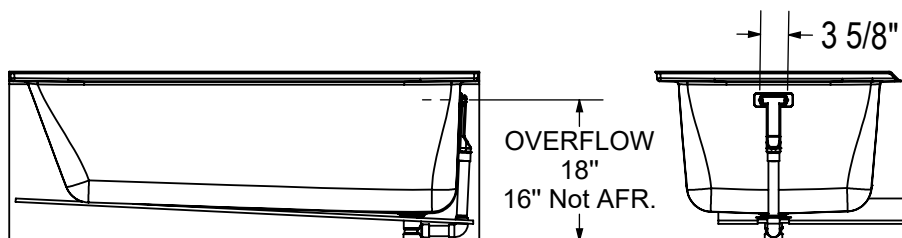
SKU	Description	MSRP
10004306-001	White foam cushion with 2 suction pads (sold separately) Available color: White (001)	\$ 126
10022491-084	Cable-operated waste and overflow (16 in. to 22 in.) (sold separately) Available colors: White (001), Bone (004), Chrome (084) and Brushed Nickel (105)	\$ 332
10022491-004		\$ 332
10022491-105		\$ 332
10022491-001		\$ 332

RECOMMENDED DOORS

SKU	Product Name	Pag.
139398	Halo 56 ½-59 x 59 - 8mm	568
135246	Connect 57-58 1/2 x 57 - 6mm	572
135330	Incognito 57 Shaker 56-59 x 56 ¾ - 8mm	546
138994	Luminescence SlidingDoor 56 ½-59 x 55 ½-57 ½ - 6mm	570
136695	Revelation Round 56-59 x 56 ¾-59 ¼ - 8 mm	558
136692	Revelation Round 56-59 x 56 ¾-59 ¼ - 6mm	556
136270	Duel 56-59 x 55 ½ x 59 - 8 mm	544
137682	Outback 55 ¼ - 58 1/2 x 57 - 8mm	574
105410	Polar 54-59 ½ x 57 in.	554
135673	Aura 55-59 x 57 - 8mm	566
135320	Uptown 56-59 x 58 in. 8 mm	560
139354	Incognito 57 56-59 x 56 ¾ - 8mm	552
139351	Incognito 57 56-59 x 56 ¾ - 6mm	548



INTEGRATED LINEAR OVERFLOW & DRAIN OPTION



Wood support design may vary.
Single Integrated tiling flange: 1" height x 1/4" thickness (shown)
All dimensions are approximate. Structure measurements must be verified against the unit to ensure proper fit.



Bosca Access 6030



Material : Acrylic
 Min: 28 Gal / 127 L
 Max: 29 Gal / 132 L

Features

- › Anti-slip certified floor, and a low threshold to cross over for (14-in) maximum safety. Textured floor meets ADA, ANSI or CSA requirements. Compliant with accessibility codes when properly installed
- › Rectangular shape bathtub made of high gloss white acrylic with a cubic design for alcove installation. Innovative floor design: offers a non-slip texture while being truly comfortable to sit on.
- › Clean lines, extra-long bathing well created by keeping front and rear decking to a minimum, 30-in width and 70-degree lumbar support for ultimate bathing experience
- › Integrated flat apron and tiling flange on three sides facilitate a quick and simple installation with no need to worry about leakage or water infiltration
- › Compatible with Utile wall panels, in the size "tub-shower 60-in x 30-in". Right hand drain

RECTANGULAR BATHTUBS - ACRYLIC

BOSCA ACCESS 6030 - 106967

SKU	System	Color	Configuration	Dimensions & Weight	Packaging	MSRP
106967-000-001-001	Soaker - No System	White	Left	59 7/8" x 30 1/8" x 14" / 75 lb / 34 kg	21 ft³	\$ 1208
106967-000-001-002			Right			\$ 1208

BOSCA ACCESS 6030 AFR - 106968

SKU	System	Color	Configuration	Dimensions & Weight	Packaging	MSRP
106968-000-001-100	Soaker - No System	White	Left	59 7/8" x 30 1/8" x 16" / 75 lb / 34 kg	21 ft³	\$ 1208
106968-000-001-101			Right			\$ 1208

COMMON OPTIONS

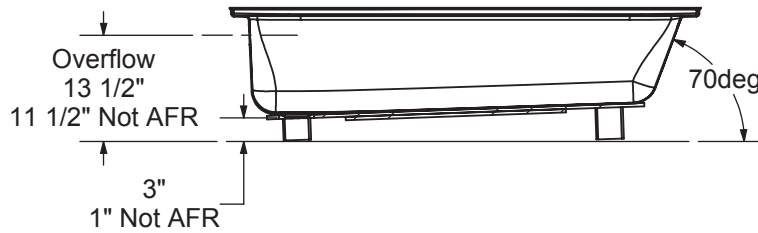
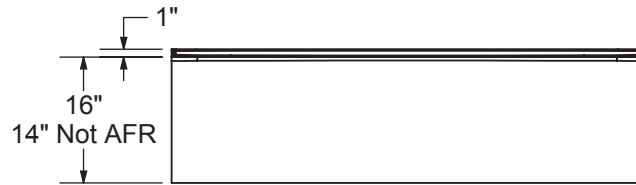
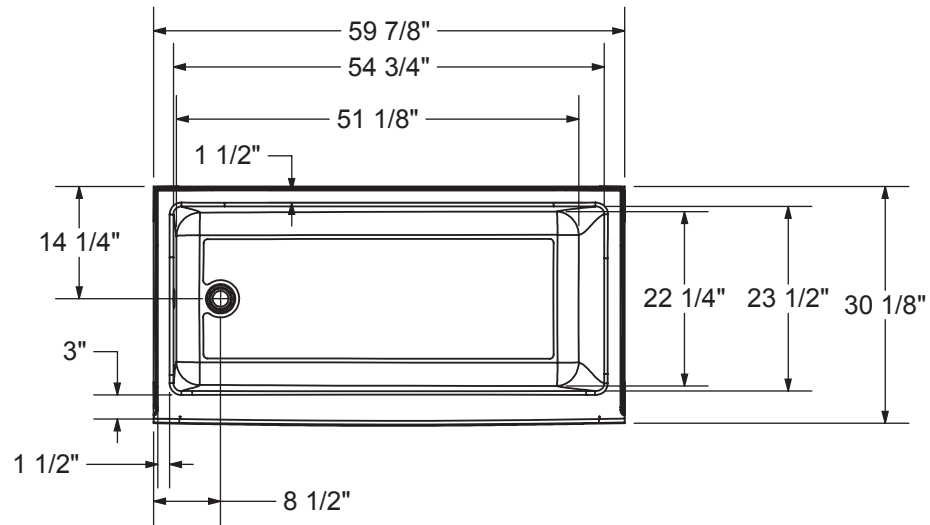
SKU	Description	MSRP
OPT20137-004	Cable-operated waste and overflow (16 in. to 22 in.) (included in product packaging when purchased) Available colors: White (001), Bone (004), Chrome (084) and Brushed Nickel (105)	\$ 332
OPT20137-084		\$ 332
OPT20137-105		\$ 332
OPT20137-001		\$ 332

ACCESSORIES

SKU	Description	MSRP
10004306-001	White foam cushion with 2 suction pads (sold separately) Available color: White (001)	\$ 126
10022491-084	Cable-operated waste and overflow (16 in. to 22 in.) (sold separately) Available colors: White (001), Bone (004), Chrome (084) and Brushed Nickel (105)	\$ 332
10022491-004		\$ 332
10022491-105		\$ 332
10022491-001		\$ 332

RECOMMENDED DOORS

SKU	Product Name	Pag.
139398	Halo 56 ½-59 x 59 - 8mm	568
135246	Connect 57-58 1/2 x 57 - 6mm	572
135330	Incognito 57 Shaker 56-59 x 56 ¾ - 8mm	546
138994	Luminescence SlidingDoor 56 ½-59 x 55 ½-57 ½ - 6mm	570
136695	Revelation Round 56-59 x 56 ¾-59 ¼ - 8 mm	558
136692	Revelation Round 56-59 x 56 ¾-59 ¼ - 6mm	556
136270	Duel 56-59 x 55 ½ x 59 - 8 mm	544
137682	Outback 55 ¼ - 58 1/2 x 57 - 8mm	574
105410	Polar 54-59 ½ x 57 in.	554
135673	Aura 55-59 x 57 - 8mm	566
135320	Uptown 56-59 x 58 in. 8 mm	560
139354	Incognito 57 56-59 x 56 ¾ - 8mm	552
139351	Incognito 57 56-59 x 56 ¾ - 6mm	548



Wood support design may vary.
 All dimensions are approximate. Structure measurements
 must be verified against the unit to ensure proper fit.



Cambridge

RECTANGULAR BATHTUBS - ACRYLIC



Material : Acrylic
 Min: 41 Gal / 186 L
 Max: 66 Gal / 300 L

Features

- > Deck for faucet
- > Two raised neckrests
- > Textured bottom
- > Drop-in installation
- > Center drain

CAMBRIDGE - 101227						
SKU	System	Color	Configuration	Dimensions & Weight	Packaging	MSRP
101227-000-001-000	Soaker - No System	White	Center	71 1/2" x 35 3/4" x 22" / 85 lb / 39 kg	39 ft ³	\$ 1602
101227-000-004-000		Bone				\$ 1602
101227-000-007-000		Biscuit				\$ 1602
101227-091-001-000	10 Microjets ¹	White				\$ 3297
101227-091-004-000		Bone				\$ 3297
101227-091-007-000		Biscuit				\$ 3297
101227-107-001-000	Hydrosens ¹	White				\$ 4561
101227-107-004		Bone				\$ 4561
101227-107-007		Biscuit				\$ 4561
101227-108-001-000	Aerosens ^{1 2}	White				\$ 4139
101227-108-004-000		Bone				\$ 4139
101227-108-007-000		Biscuit				\$ 4139
101227-109-001-100	Combined Hydrosens & Aerosens ^{1 25}	White				\$ 6548
101227-109-004		Bone	\$ 6548			
101227-109-007		Biscuit	\$ 6548			

COMMON OPTIONS		
SKU	Description	MSRP
OPT10095	Water heater assembly for whirlpool and combined systems (factory installed)	\$ 950

COMMON OPTIONS

SKU	Description	MSRP
OPT10250-105	Microjet trim kit (factory installed)	\$ 797
OPT10250-084	Available colours: Chrome (084) and Brushed Nickel (105)	\$ 797
OPT20027-084	Hydrosens™ & Combined Hydrosens™ and Aerosens® trim kit (factory-installed)	\$ 797
OPT20027-105	Including the 2 air control covers Available colors: Chrome (084) and Brushed Nickel (105)	\$ 797
OPT20029-105	Metal trim kit for air push control (factory installed)	\$ 74
OPT20029-084	Available colors: Chrome (084) and Brushed Nickel (105)	\$ 74
OPT20137-004		\$ 332
OPT20137-084	Cable-operated waste and overflow (16 in. to 22 in.) (included in product packaging when purchased)	\$ 332
OPT20137-105	Available colors: White (001), Bone (004), Chrome (084) and Brushed Nickel (105)	\$ 332
OPT20137-001		\$ 332
OPT20210-084	Waste and overflow (16 in. to 22 in.) (included in product packaging when purchased)	\$ 124
OPT20210-105	Available colors: Chrome (084) and Brushed Nickel (105)	\$ 166
OPT20025	Backmax: 6 rotating and pulsating backjets ¹²⁷ Optional with Hydrosens or combined Hydrosens and Aerosens	\$ 793
OPT10053	One chromatherapy light (factory installed) ⁵⁴	\$ 725

ACCESSORIES

SKU	Description	MSRP
10006923	Flexible main hose (9 ft. extension) for air push control air massage - Kit (sold separately)	\$ 191
10012135-105	Waste and overflow (16 to 22 in.) (sold separately)	\$ 166
10012135-084	Available colours: Chrome (084) and Brushed Nickel (105)	\$ 124
10019708	Flexible main hose for blower with combined systems (sold separately) Includes: 15ft (4.57m) hose, 2 clips, 1 nylon coupling and 1 power cord	\$ 356
10004306-001	White foam cushion with 2 suction pads (sold separately) Available color: White (001)	\$ 126
10019591-105	Hydrosens™ (107) & Combined Hydrosens™ and Aerosens® (109) trim kit (sold separately)	\$ 797
10019591-084	Air control covers not included Available colours: Chrome (084) and Brushed Nickel (105)	\$ 797
10022491-084		\$ 332
10022491-004	Cable-operated waste and overflow (16 in. to 22 in.) (sold separately)	\$ 332
10022491-105	Available colors: White (001), Bone (004), Chrome (084) and Brushed Nickel (105)	\$ 332
10022491-001		\$ 332

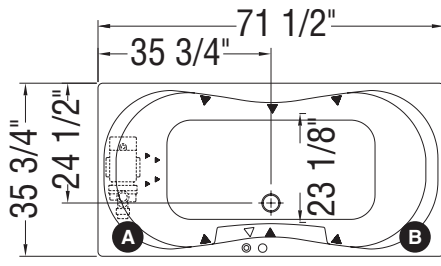
FOOTNOTES

No	Description
1	Components for standard colour units equipped with systems are colour-coordinated. Trim kit and/or air push with metallic finish can be added (additional charge applies). For non-standard colour units, please specify trim kit and/or air push colour (additional charge applies for metallic finishes). Please note that the positioning of the system's control could be in conflict with the door if one was installed on the unit. To insure compatibility, please contact customer service.
2	Please order flexible main hose 10006923 for installation of the blower further than 3 ft from the bathtub. For the Tandem models and the Serenade models (freestanding and drop-in), the blower is always remote and not factory installed so a 9 ft flexible main hose is included. Please note that the positioning of the system's control could be in conflict with the door if one was installed on the unit. To insure compatibility, please contact customer service.
25	Please order flexible main hose 10019708 for installation of the blower further than 9 ft from the bathtub.

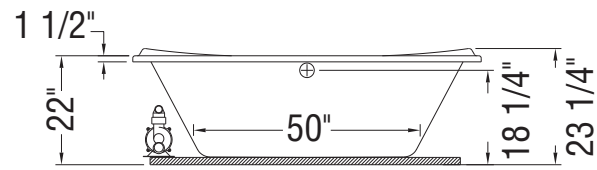
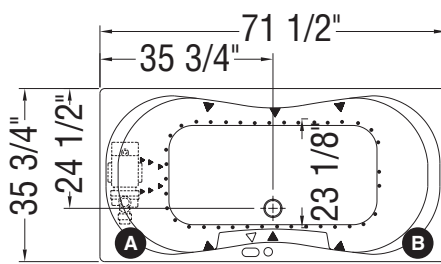
FOOTNOTES

No	Description
27	Please note the Backmax is positioned on the same side as the pump.
54	A selection of units come with an access panel by default when equipped with a system. However, if the unit is only equipped with chromatherapy, the access panel will not be provided by default.

MICRO-JETS SYSTEM



HYDROSENS, BACKMAX AND AIR SYSTEM



- (A) : Specify blower and/or pump location when ordering
- (B) : Specify blower and/or pump location when ordering
- (▲) : Indicates whirlpool and backjets positioning
- (△) : Indicates suction positioning
- (•) : Indicates airjets positioning

All dimensions are approximate. Structure measurements must be verified against the unit to ensure proper fit.



Cocoon 6030 IFS

RECTANGULAR BATHTUBS - ACRYLIC



Material : Acrylic
 Min: 25 Gal / 114 L
 Max: 43 Gal / 197 L

Features

- › Textured bottom for slip-resistance
- › Easy to clean and stain-resistant acrylic finish
- › Integrated armrest for a relaxing bathing experience
- › Sufficient deck space for bath essentials storage
- › 1-piece construction with integrated flanges for easy installation
- › Maximum water capacity: 52 Gallons
- › Ergonomic headrest for comfortable long soaks
- › Above-the-floor rough (AFR) so pipes can be routed without breaking ground or relocating the drain
- › Proudly made in North America

COCOON 6030 IFS - 105822

SKU	System	Color	Configuration	Dimensions & Weight	Packaging	MSRP
105822-000-001-103	Soaker - No System	White	Left	60" x 30" x 20 1/4" / 77 lb / 35 kg	23 ft ³	\$ 1102
105822-000-001-104			Right			\$ 1102
105822-000-004-103		Bone	Left			\$ 1102
105822-000-004-104			Right			\$ 1102
105822-000-007-103		Biscuit	Left			\$ 1102
105822-000-007-104			Right			\$ 1102

COMMON OPTIONS

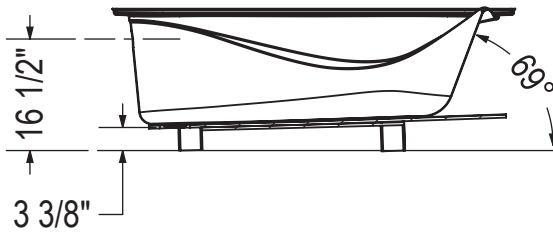
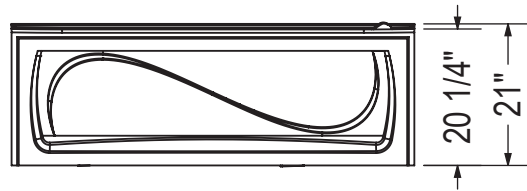
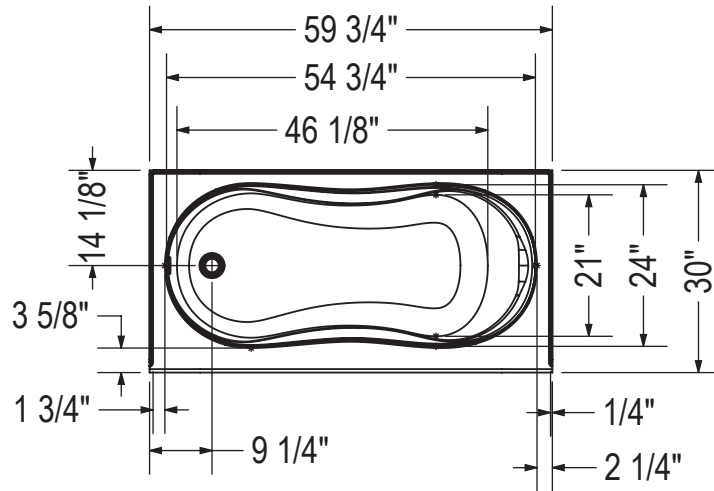
SKU	Description	MSRP
OPT20137-004	Cable-operated waste and overflow (16 in. to 22 in.) (included in product packaging when purchased) Available colors: White (001), Bone (004), Chrome (084) and Brushed Nickel (105)	\$ 332
OPT20137-084		\$ 332
OPT20137-105		\$ 332
OPT20137-001		\$ 332
OPT20210-084	Waste and overflow (16 in. to 22 in.) (included in product packaging when purchased) Available colors: Chrome (084) and Brushed Nickel (105)	\$ 124
OPT20210-105		\$ 166

ACCESSORIES

SKU	Description	MSRP
10012135-105	Waste and overflow (16 to 22 in.) (sold separately)	\$ 166
10012135-084	Available colours: Chrome (084) and Brushed Nickel (105)	\$ 124
10004306-001	White foam cushion with 2 suction pads (sold separately) Available color: White (001)	\$ 126
10022491-084	Cable-operated waste and overflow (16 in. to 22 in.) (sold separately) Available colors: White (001), Bone (004), Chrome (084) and Brushed Nickel (105)	\$ 332
10022491-004		\$ 332
10022491-105		\$ 332
10022491-001		\$ 332

RECOMMENDED DOORS

SKU	Product Name	Pag.
139398	Halo 56 ½-59 x 59 - 8mm	568
135246	Connect 57-58 1/2 x 57 - 6mm	572
135330	Incognito 57 Shaker 56-59 x 56 ¾ - 8mm	546
138994	Luminescence SlidingDoor 56 ½-59 x 55 ½-57 ½ - 6mm	570
136695	Revelation Round 56-59 x 56 ¾-59 ¼ - 8 mm	558
136692	Revelation Round 56-59 x 56 ¾-59 ¼ - 6mm	556
136270	Duel 56-59 x 55 ½ x 59 - 8 mm	544
137682	Outback 55 ¼ - 58 1/2 x 57 - 8mm	574
105410	Polar 54-59 ½ x 57 in.	554
135673	Aura 55-59 x 57 - 8mm	566
135320	Uptown 56-59 x 58 in. 8 mm	560
139354	Incognito 57 56-59 x 56 ¾ - 8mm	552
139351	Incognito 57 56-59 x 56 ¾ - 6mm	548



All dimensions are approximate. Structure measurements must be verified against the unit to ensure proper fit.



Cocoon 6032



Material : Acrylic
 Min: 33 Gal / 150 L
 Max: 43 Gal / 195 L

Features

- › Proudly made in Canada
- › Air injectors, equipped with check valves, ensure water does not flow back into the system for a hygienic experience
- › Automatic 1-minute drying cycle starting 20 minutes after system is turned off
- › Comfortable headrests and built-in armrests for comfort, textured bottom for safety
- › Easy to operate 1-speed pump with deck mounted on/off push button
- › Durable high-gloss acrylic; easy to clean
- › Drop-in or alcove installation

RECTANGULAR BATHTUBS - ACRYLIC

COCOON 6032 - 102722

SKU	System	Color	Configuration	Dimensions & Weight	Packaging	MSRP
102722-000-001-000	Soaker - No System	White	End	59 7/8" x 31 7/8" x 20 1/2" / 67 lb / 30 kg	31 ft ³	\$ 934
102722-000-004-000		Bone				\$ 934
102722-000-007-000		Biscuit				\$ 934
102722-091-001-100	10 Microjets ¹	White				\$ 2629
102722-091-004-100		Bone				\$ 2629
102722-091-007-100		Biscuit				\$ 2629
102722-107-001	Hydrosens ¹	White				\$ 3893
102722-107-004		Bone				\$ 3893
102722-107-007		Biscuit				\$ 3893
102722-108-001-000	Aerosens ^{1 2}	White				\$ 3471
102722-108-004-000		Bone				\$ 3471
102722-108-007-000		Biscuit				\$ 3471
102722-109-001-100	Combined Hydrosens & Aerosens ^{1 25}	White				\$ 5880
102722-109-004		Bone	\$ 5880			
102722-109-007		Biscuit	\$ 5880			

COMMON OPTIONS

SKU	Description	MSRP
OPT20025	Backmax: 6 rotating and pulsating backjets ¹²⁷ Optional with Hydrosens or combined Hydrosens and Aerosens	\$ 793

COMMON OPTIONS

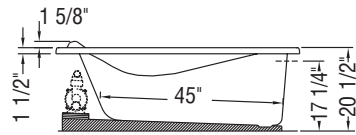
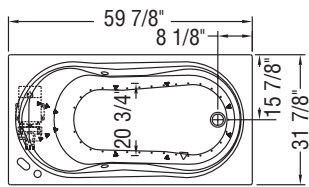
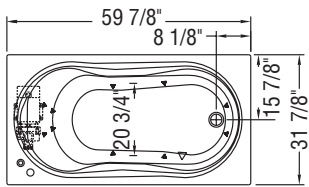
SKU	Description	MSRP
OPT10053	One chromatherapy light (factory installed) ⁵⁴	\$ 725
OPT10095	Water heater assembly for whirlpool and combined systems (factory installed)	\$ 950
OPT10250-105	Microjet trim kit (factory installed) Available colours: Chrome (084) and Brushed Nickel (105)	\$ 797
OPT10250-084		\$ 797
OPT20027-084	Hydrosens™ & Combined Hydrosens™ and Aerosens® trim kit (factory-installed) Including the 2 air control covers	\$ 797
OPT20027-105	Available colors: Chrome (084) and Brushed Nickel (105)	\$ 797
OPT20029-105	Metal trim kit for air push control (factory installed)	\$ 74
OPT20029-084	Available colors: Chrome (084) and Brushed Nickel (105)	\$ 74
OPT20137-004		\$ 332
OPT20137-084	Cable-operated waste and overflow (16 in. to 22 in.) (included in product packaging when purchased)	\$ 332
OPT20137-105	Available colors: White (001), Bone (004), Chrome (084) and Brushed Nickel (105)	\$ 332
OPT20137-001		\$ 332
OPT20210-084	Waste and overflow (16 in. to 22 in.) (included in product packaging when purchased)	\$ 124
OPT20210-105	Available colors: Chrome (084) and Brushed Nickel (105)	\$ 166
102725-000-007-000		\$ 471
102725-000-004-000	Acrylic apron for alcove installation Specify: Standard colors: White (001), Bone (004), Biscuit (007)	\$ 471
102725-000-001-000		\$ 471

ACCESSORIES

SKU	Description	MSRP
10006915	Tiling flange, 1 x 61 1/4 in., 2 x 33 1/4 in. (sold separately)	\$ 111
10022491-084		\$ 332
10022491-004	Cable-operated waste and overflow (16 in. to 22 in.) (sold separately)	\$ 332
10022491-105	Available colors: White (001), Bone (004), Chrome (084) and Brushed Nickel (105)	\$ 332
10022491-001		\$ 332
10006923	Flexible main hose (9 ft. extension) for air push control air massage - Kit (sold separately)	\$ 191
10012135-105	Waste and overflow (16 to 22 in.) (sold separately)	\$ 166
10012135-084	Available colours: Chrome (084) and Brushed Nickel (105)	\$ 124
10018640	Thermax field-installed whirlpool heater (sold separately) Single pack	\$ 729
10019708	Flexible main hose for blower with combined systems (sold separately) Includes: 15ft (4.57m) hose, 2 clips, 1 nylon coupling and 1 power cord	\$ 356
10004306-001	White foam cushion with 2 suction pads (sold separately) Available color: White (001)	\$ 126
10019591-105	Hydrosens™ (107) & Combined Hydrosens™ and Aerosens® (109) trim kit (sold separately) Air control covers not included	\$ 797
10019591-084	Available colours: Chrome (084) and Brushed Nickel (105)	\$ 797

FOOTNOTES

No	Description
1	Components for standard colour units equipped with systems are colour-coordinated. Trim kit and/or air push with metallic finish can be added (additional charge applies). For non-standard colour units, please specify trim kit and/or air push colour (additional charge applies for metallic finishes). Please note that the positioning of the system's control could be in conflict with the door if one was installed on the unit. To insure compatibility, please contact customer service.
2	Please order flexible main hose 10006923 for installation of the blower further than 3 ft from the bathtub. For the Tandem models and the Serenade models (freestanding and drop-in), the blower is always remote and not factory installed so a 9 ft flexible main hose is included. Please note that the positioning of the system's control could be in conflict with the door if one was installed on the unit. To insure compatibility, please contact customer service.
25	Please order flexible main hose 10019708 for installation of the blower further than 9 ft from the bathtub.
27	Please note the Backmax is positioned on the same side as the pump.
54	A selection of units come with an access panel by default when equipped with a system. However, if the unit is only equipped with chromatherapy, the access panel will not be provided by default.



Cocoon 6636



Material : Acrylic
 Min: 36 Gal / 164 L
 Max: 52 Gal / 236 L

Features

- › Spacious interior with ergonomic headrest and built-in armrests
- › White, Durable high-gloss acrylic; easy to clean
- › Textured bottom for safety
- › Headrest channel allows water to drain easily
- › Faucets not included

RECTANGULAR BATHTUBS - ACRYLIC

COCOON 6636 - 102723

SKU	System	Color	Configuration	Dimensions & Weight	Packaging	MSRP
102723-000-001-000	Soaker - No System	White	End	65 7/8" x 36" x 20 1/2" / 70 lb / 32 kg	40 ft ³	\$ 1447
102723-000-004-000		Bone				\$ 1447
102723-000-007-000		Biscuit				\$ 1447
102723-091-001-100	10 Microjets ¹	White				\$ 3142
102723-091-004-100		Bone				\$ 3142
102723-091-007-100		Biscuit				\$ 3142
102723-107-001-100	Hydrosens ¹	White				\$ 4406
102723-107-004		Bone				\$ 4406
102723-107-007		Biscuit				\$ 4406
102723-108-001-000	Aerosens ^{1 2}	White				\$ 3984
102723-108-004-000		Bone				\$ 3984
102723-108-007-000		Biscuit				\$ 3984
102723-109-001-100	Combined Hydrosens & Aerosens ^{1 25}	White				\$ 6393
102723-109-004		Bone				\$ 6393
102723-109-007		Biscuit				\$ 6393

COMMON OPTIONS

SKU	Description	MSRP
OPT20025	Backmax: 6 rotating and pulsating backjets ¹²⁷ Optional with Hydrosens or combined Hydrosens and Aerosens	\$ 793

COMMON OPTIONS

SKU	Description	MSRP
OPT10053	One chromatherapy light (factory installed) ⁵⁴	\$ 725
OPT10095	Water heater assembly for whirlpool and combined systems (factory installed)	\$ 950
OPT10250-105	Microjet trim kit (factory installed) Available colours: Chrome (084) and Brushed Nickel (105)	\$ 797
OPT10250-084		\$ 797
OPT20027-084	Hydrosens™ & Combined Hydrosens™ and Aerosens® trim kit (factory-installed) Including the 2 air control covers	\$ 797
OPT20027-105	Available colors: Chrome (084) and Brushed Nickel (105)	\$ 797
OPT20029-105	Metal trim kit for air push control (factory installed)	\$ 74
OPT20029-084	Available colors: Chrome (084) and Brushed Nickel (105)	\$ 74
OPT20137-004		\$ 332
OPT20137-084	Cable-operated waste and overflow (16 in. to 22 in.) (included in product packaging when purchased)	\$ 332
OPT20137-105	Available colors: White (001), Bone (004), Chrome (084) and Brushed Nickel (105)	\$ 332
OPT20137-001		\$ 332
OPT20210-084	Waste and overflow (16 in. to 22 in.) (included in product packaging when purchased)	\$ 124
OPT20210-105	Available colors: Chrome (084) and Brushed Nickel (105)	\$ 166
102726-000-001-000		\$ 523
102726-000-004-000	Acrylic apron for alcove installation Specify: Standard colors: White (001), Bone (004), Biscuit (007)	\$ 523
102726-000-007-000		\$ 523

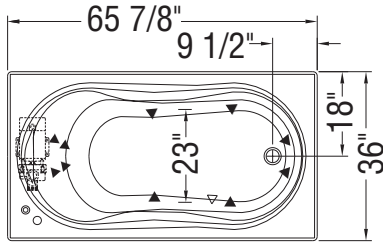
ACCESSORIES

SKU	Description	MSRP
10006916	Tiling flange, 1 X 67 1/4 in., 2 x 37 1/4 in. (sold separately)	\$ 114
10022491-084		\$ 332
10022491-004	Cable-operated waste and overflow (16 in. to 22 in.) (sold separately)	\$ 332
10022491-105	Available colors: White (001), Bone (004), Chrome (084) and Brushed Nickel (105)	\$ 332
10022491-001		\$ 332
10006923	Flexible main hose (9 ft. extension) for air push control air massage - Kit (sold separately)	\$ 191
10012135-105	Waste and overflow (16 to 22 in.) (sold separately)	\$ 166
10012135-084	Available colours: Chrome (084) and Brushed Nickel (105)	\$ 124
10018640	Thermax field-installed whirlpool heater (sold separately) Single pack	\$ 729
10019708	Flexible main hose for blower with combined systems (sold separately) Includes: 15ft (4.57m) hose, 2 clips, 1 nylon coupling and 1 power cord	\$ 356
10004306-001	White foam cushion with 2 suction pads (sold separately) Available color: White (001)	\$ 126
10019591-105	Hydrosens™ (107) & Combined Hydrosens™ and Aerosens® (109) trim kit (sold separately) Air control covers not included	\$ 797
10019591-084	Available colours: Chrome (084) and Brushed Nickel (105)	\$ 797

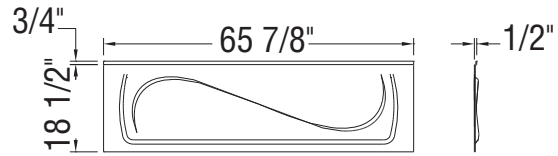
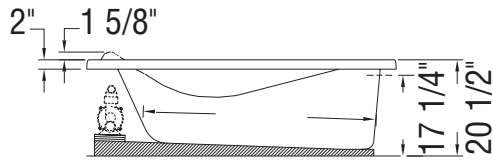
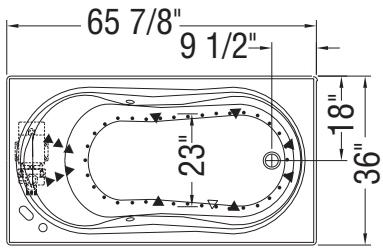
FOOTNOTES

No	Description
1	Components for standard colour units equipped with systems are colour-coordinated. Trim kit and/or air push with metallic finish can be added (additional charge applies). For non-standard colour units, please specify trim kit and/or air push colour (additional charge applies for metallic finishes). Please note that the positioning of the system's control could be in conflict with the door if one was installed on the unit. To insure compatibility, please contact customer service.
2	Please order flexible main hose 10006923 for installation of the blower further than 3 ft from the bathtub. For the Tandem models and the Serenade models (freestanding and drop-in), the blower is always remote and not factory installed so a 9 ft flexible main hose is included. Please note that the positioning of the system's control could be in conflict with the door if one was installed on the unit. To insure compatibility, please contact customer service.
25	Please order flexible main hose 10019708 for installation of the blower further than 9 ft from the bathtub.
27	Please note the Backmax is positioned on the same side as the pump.
54	A selection of units come with an access panel by default when equipped with a system. However, if the unit is only equipped with chromatherapy, the access panel will not be provided by default.

MICRO-JETS SYSTEM



HYDROSENS, BACKMAX AND AIR SYSTEM



- (▲): Indicates whirlpool and backjets positioning
- (△): Indicates suction positioning
- (●): Indicates airjets positioning

All dimensions are approximate. Structure measurements must be verified against the unit to ensure proper fit.

Corinthia II



Material : Acrylic
 Min: 29 Gal / 132 L
 Max: 39 Gal / 177 L

Features

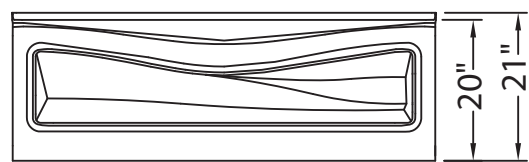
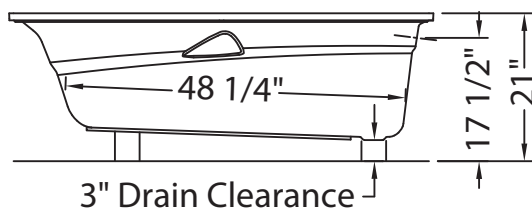
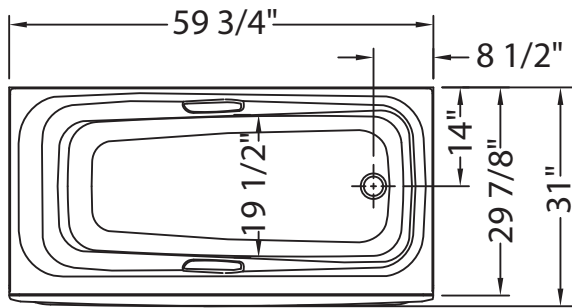
- › Alcove Installation
- › Integrated flange and apron
- › 3" Above-the-Floor Rough (AFR)
- › Textured bottom
- › Available in right-end or left-end drain configuration

RECTANGULAR BATHTUBS - ACRYLIC

CORINTHIA II - 105684						
SKU	System	Color	Configuration	Dimensions & Weight	Packaging	MSRP
105684-000-001-101	Soaker - No System	White	Left	59 3/4" x 29 7/8" x 21" / 80 lb / 36 kg	30 ft ³	\$ 1087
105684-000-001-102			Right			\$ 1087
105684-002-001-103	Multi-Pack ⁹		Left			\$ 2174
105684-002-001-104			Right			\$ 2174

FOOTNOTES	
No	Description
9	6-Pack bathtubs are only available when units are without systems and in a standard colour.

RECOMMENDED DOORS		
SKU	Product Name	Pag.
139398	Halo 56 1/2-59 x 59 - 8mm	568
135246	Connect 57-58 1/2 x 57 - 6mm	572
135330	Incognito 57 Shaker 56-59 x 56 3/4 - 8mm	546
138994	Luminescence SlidingDoor 56 1/2-59 x 55 1/2-57 1/2 - 6mm	570
136695	Revelation Round 56-59 x 56 3/4-59 1/4 - 8 mm	558
136692	Revelation Round 56-59 x 56 3/4-59 1/4 - 6mm	556
136270	Duel 56-59 x 55 1/2 x 59 - 8 mm	544
137682	Outback 55 1/4 - 58 1/2 x 57 - 8mm	574



All dimensions are approximate. Structure measurements must be verified against the unit to ensure proper fit.



Murmur 6032 A



Material : Acrylic
 Min: 26 Gal / 118 L
 Max: 38 Gal / 173 L

Features

- > Relaxing armrests and ergonomic backrest
- > Headrest
- > Integrated tiling flange
- > Integrated apron with access panel when equipped with a system
- > Alcove installation only
- > Right or left-hand drain

RECTANGULAR BATHTUBS - ACRYLIC

MURMUR 6032 A - 105726

SKU	System	Color	Configuration	Dimensions & Weight	Packaging	MSRP
105726-000-001-001	Soaker - No System	White	Left	59 7/8" x 33 3/8" x 21" / 78 lb / 35 kg	26 ft ³	\$ 1363
105726-000-001-002			Right			\$ 1363
105726-091-001-001	10 Microjets ¹		Left			\$ 3058
105726-091-001-002			Right			\$ 3058
105726-L-000-004	Soaker - No System	Bone	Left			\$ 1363
105726-L-000-007		Biscuit				\$ 1363
105726-L-091-004	10 Microjets ¹	Bone				\$ 3058
105726-L-091-007		Biscuit				\$ 3058
105726-L-107-001	Hydrosens ¹	White				\$ 4322
105726-L-107-004		Bone				\$ 4322
105726-L-107-007		Biscuit				\$ 4322
105726-L-108-001	Aerosens ^{1 2}	White				\$ 3900
105726-L-108-004		Bone				\$ 3900
105726-L-108-007		Biscuit				\$ 3900
105726-L-109-001	Combined Hydrosens & Aerosens ^{1 25}	White				\$ 6309
105726-L-109-004		Bone				\$ 6309
105726-L-109-007		Biscuit		\$ 6309		
105726-R-000-004	Soaker - No System	Bone		Right	\$ 1363	
105726-R-000-007		Biscuit			\$ 1363	
105726-R-091-004	10 Microjets ¹	Bone			\$ 3058	

MURMUR 6032 A - 105726

SKU	System	Color	Configuration	Dimensions & Weight	Packaging	MSRP
105726-R-091-007	10 Microjets ¹	Biscuit	Right	59 7/8" x 33 3/8" x 21" / 78 lb / 35 kg	26 ft ³	\$ 3058
105726-R-107-001	Hydrosens ¹	White				\$ 4322
105726-R-107-004		Bone				\$ 4322
105726-R-107-007		Biscuit				\$ 4322
105726-R-108-001		Aerosens ^{1 2}				White
105726-R-108-004	Bone					\$ 3900
105726-R-108-007	Biscuit					\$ 3900
105726-R-109-001	Combined Hydrosens & Aerosens ^{1 25}	White				\$ 6309
105726-R-109-004		Bone				\$ 6309
105726-R-109-007		Biscuit				\$ 6309

COMMON OPTIONS

SKU	Description	MSRP
OPT10095	Water heater assembly for whirlpool and combined systems (factory installed)	\$ 950
OPT10250-105	Microjet trim kit (factory installed) Available colours: Chrome (084) and Brushed Nickel (105)	\$ 797
OPT10250-084		\$ 797
OPT20027-084	Hydrosens™ & Combined Hydrosens™ and Aerosens® trim kit (factory-installed) Including the 2 air control covers	\$ 797
OPT20027-105	Available colors: Chrome (084) and Brushed Nickel (105)	\$ 797
OPT20029-105	Metal trim kit for air push control (factory installed)	\$ 74
OPT20029-084	Available colors: Chrome (084) and Brushed Nickel (105)	\$ 74
OPT20137-004		\$ 332
OPT20137-084	Cable-operated waste and overflow (16 in. to 22 in.) (included in product packaging when purchased)	\$ 332
OPT20137-105	Available colors: White (001), Bone (004), Chrome (084) and Brushed Nickel (105)	\$ 332
OPT20137-001		\$ 332
OPT20210-084	Waste and overflow (16 in. to 22 in.) (included in product packaging when purchased)	\$ 124
OPT20210-105	Available colors: Chrome (084) and Brushed Nickel (105)	\$ 166
OPT20025	Backmax: 6 rotating and pulsating backjets ¹²⁷ Optional with Hydrosens or combined Hydrosens and Aerosens	\$ 793
OPT10053	One chromatherapy light (factory installed) ⁵⁴	\$ 725

ACCESSORIES

SKU	Description	MSRP
10006923	Flexible main hose (9 ft. extension) for air push control air massage - Kit (sold separately)	\$ 191
10012135-105	Waste and overflow (16 to 22 in.) (sold separately)	\$ 166
10012135-084	Available colours: Chrome (084) and Brushed Nickel (105)	\$ 124
10019708	Flexible main hose for blower with combined systems (sold separately) Includes: 15ft (4.57m) hose, 2 clips, 1 nylon coupling and 1 power cord	\$ 356
10004306-001	White foam cushion with 2 suction pads (sold separately) Available color: White (001)	\$ 126

ACCESSORIES

SKU	Description	MSRP
10019591-105	Hydrosens™ (107) & Combined Hydrosens™ and Aerosens® (109) trim kit (sold separately) Air control covers not included	\$ 797
10019591-084	Available colours: Chrome (084) and Brushed Nickel (105)	\$ 797
10022491-084	Cable-operated waste and overflow (16 in. to 22 in.) (sold separately) Available colors: White (001), Bone (004), Chrome (084) and Brushed Nickel (105)	\$ 332
10022491-004		\$ 332
10022491-105		\$ 332
10022491-001		\$ 332

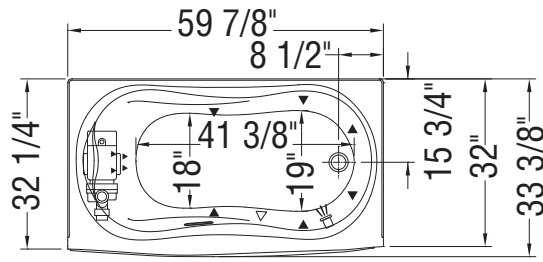
FOOTNOTES

No	Description
1	Components for standard colour units equipped with systems are colour-coordinated. Trim kit and/or air push with metallic finish can be added (additional charge applies). For non-standard colour units, please specify trim kit and/or air push colour (additional charge applies for metallic finishes). Please note that the positioning of the system's control could be in conflict with the door if one was installed on the unit. To insure compatibility, please contact customer service.
1	
2	Please order flexible main hose 10006923 for installation of the blower further than 3 ft from the bathtub. For the Tandem models and the Serenade models (freestanding and drop-in), the blower is always remote and not factory installed so a 9 ft flexible main hose is included. Please note that the positioning of the system's control could be in conflict with the door if one was installed on the unit. To insure compatibility, please contact customer service.
25	Please order flexible main hose 10019708 for installation of the blower further than 9 ft from the bathtub.
27	Please note the Backmax is positioned on the same side as the pump.
54	A selection of units come with an access panel by default when equipped with a system. However, if the unit is only equipped with chromatherapy, the access panel will not be provided by default.

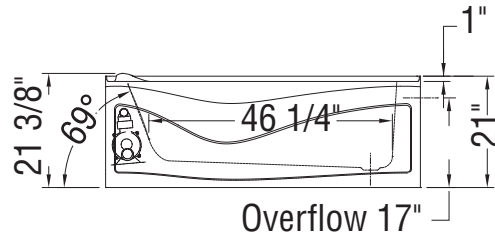
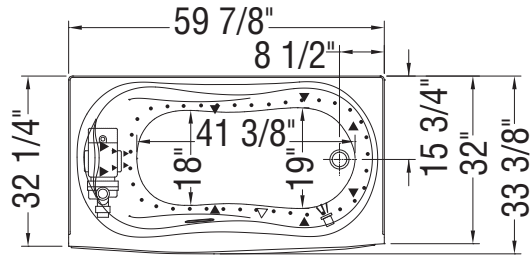
RECOMMENDED DOORS

SKU	Product Name	Pag.
139398	Halo 56 ½-59 x 59 - 8mm	568
135246	Connect 57-58 1/2 x 57 - 6mm	572
135330	Incognito 57 Shaker 56-59 x 56 ¾ - 8mm	546
138994	Luminescence SlidingDoor 56 ½-59 x 55 ½-57 ½ - 6mm	570
136695	Revelation Round 56-59 x 56 ¾-59 ¼ - 8 mm	558
136692	Revelation Round 56-59 x 56 ¾-59 ¼ - 6mm	556
136270	Duel 56-59 x 55 ½ x 59 - 8 mm	544
137682	Outback 55 ¼ - 58 1/2 x 57 - 8mm	574
105410	Polar 54-59 ½ x 57 in.	554
135673	Aura 55-59 x 57 - 8mm	566
135320	Uptown 56-59 x 58 in. 8 mm	560
139354	Incognito 57 56-59 x 56 ¾ - 8mm	552
139351	Incognito 57 56-59 x 56 ¾ - 6mm	548

MICRO-JETS SYSTEM



HYDROSENS, BACKMAX AND AIR SYSTEM



- (▲): Indicates whirlpool and backjets positioning
- (△): Indicates suction positioning
- (●): Indicates airjets positioning
- (♨): Indicates chromatherapy light positioning

All dimensions are approximate. Structure measurements must be verified against the unit to ensure proper fit.



Murmur 6043 ASY



Material : Acrylic
 Min: 25 Gal / 114 L
 Max: 48 Gal / 218 L

Features

- › Asymmetric shape with 2 headrests
- › Deck for faucet
- › Relaxing ergonomic armrests
- › Available in right and left-hand drain (specify when ordering)
- › Drop-in or alcove installation (apron available)
- › Cut-out template included

RECTANGULAR BATHTUBS - ACRYLIC

MURMUR 6043 ASY - 105728

SKU	System	Color	Configuration	Dimensions & Weight	Packaging	MSRP	
105728-000-001-001	Soaker - No System	White	Left	59 7/8" x 42 7/8" x 20 1/2" / 65 lb / 29 kg	35 ft ³	\$ 1363	
105728-000-001-002			Right			\$ 1363	
105728-091-001-001	10 Microjets ¹		Left			\$ 3058	
105728-091-001-002			Right			\$ 3058	
105728-L-000-004	Soaker - No System		Bone			Left	\$ 1363
105728-L-000-007			Biscuit				\$ 1363
105728-L-091-004	10 Microjets ¹		Bone				\$ 3058
105728-L-091-007			Biscuit				\$ 3058
105728-L-107-001	Hydrosens ¹	White	\$ 4322				
105728-L-107-004		Bone	\$ 4322				
105728-L-107-007		Biscuit	\$ 4322				
105728-L-108-001	Aerosens ^{1 2}	White	\$ 3900				
105728-L-108-004		Bone	\$ 3900				
105728-L-108-007		Biscuit	\$ 3900				
105728-L-109-001	Combined Hydrosens & Aerosens ^{1 25}	White	\$ 6309				
105728-L-109-004		Bone	\$ 6309				
105728-L-109-007		Biscuit	\$ 6309				
105728-R-000-004	Soaker - No System	Bone	Right	\$ 1363			
105728-R-000-007		Biscuit		\$ 1363			
105728-R-091-004	10 Microjets ¹	Bone		\$ 3058			

MURMUR 6043 ASY - 105728

SKU	System	Color	Configuration	Dimensions & Weight	Packaging	MSRP
105728-R-091-007	10 Microjets ¹	Biscuit	Right	59 7/8" x 42 7/8" x 20 1/2" / 65 lb / 29 kg	35 ft ³	\$ 3058
105728-R-107-001	Hydrosens ¹	White				\$ 4322
105728-R-107-004		Bone				\$ 4322
105728-R-107-007		Biscuit				\$ 4322
105728-R-108-001		White				\$ 3900
105728-R-108-004	Aerosens ^{1 2}	Bone				\$ 3900
105728-R-108-007		Biscuit				\$ 3900
105728-R-109-001		White				\$ 6309
105728-R-109-004	Combined Hydrosens & Aerosens ^{1 25}	Bone				\$ 6309
105728-R-109-007		Biscuit				\$ 6309

COMMON OPTIONS

SKU	Description	MSRP
OPT10053	One chromatherapy light (factory installed) ⁵⁴	\$ 725
OPT10095	Water heater assembly for whirlpool and combined systems (factory installed)	\$ 950
OPT10250-105	Microjet trim kit (factory installed) Available colours: Chrome (084) and Brushed Nickel (105)	\$ 797
OPT10250-084		\$ 797
OPT20027-084	Hydrosens™ & Combined Hydrosens™ and Aerosens® trim kit (factory-installed) Including the 2 air control covers	\$ 797
OPT20027-105	Available colors: Chrome (084) and Brushed Nickel (105)	\$ 797
OPT20029-105	Metal trim kit for air push control (factory installed)	\$ 74
OPT20029-084	Available colors: Chrome (084) and Brushed Nickel (105)	\$ 74
OPT20137-004	Cable-operated waste and overflow (16 in. to 22 in.) (included in product packaging when purchased) Available colors: White (001), Bone (004), Chrome (084) and Brushed Nickel (105)	\$ 332
OPT20137-084		\$ 332
OPT20137-105		\$ 332
OPT20137-001		\$ 332
OPT20210-084	Waste and overflow (16 in. to 22 in.) (included in product packaging when purchased) Available colors: Chrome (084) and Brushed Nickel (105)	\$ 124
OPT20210-105		\$ 166
OPT20025	Backmax: 6 rotating and pulsating backjets ¹²⁷ Optional with Hydrosens or combined Hydrosens and Aerosens	\$ 793
105811-L-000-004	Removable acrylic apron 105811-R-000-XXX Right-hand drain 105811-L-000-XXX Left-hand drain Specify: Standard colors: White (001), Bone (004), Biscuit (007)	\$ 1010
105811-R-000-007		\$ 1010
105811-000-001-001		\$ 1010
105811-L-000-007		\$ 1010
105811-000-001-002		\$ 1010
105811-R-000-004		\$ 1010

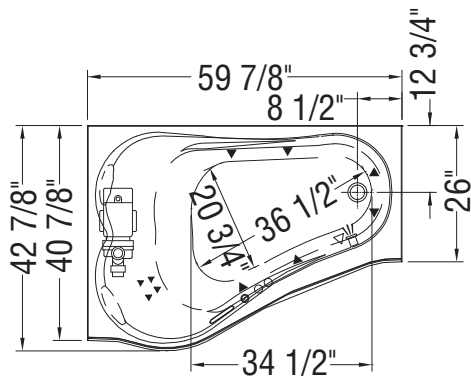
ACCESSORIES

SKU	Description	MSRP
10006918	Tiling flange, 1 x 61 1/4 in., 2 x 42 in. (sold separately)	\$ 121
10006923	Flexible main hose (9 ft. extension) for air push control air massage - Kit (sold separately)	\$ 191
10012135-105	Waste and overflow (16 to 22 in.) (sold separately)	\$ 166
10012135-084	Available colours: Chrome (084) and Brushed Nickel (105)	\$ 124
10019708	Flexible main hose for blower with combined systems (sold separately) Includes: 15ft (4.57m) hose, 2 clips, 1 nylon coupling and 1 power cord	\$ 356
10004306-001	White foam cushion with 2 suction pads (sold separately) Available color: White (001)	\$ 126
10019591-105	Hydrosens™ (107) & Combined Hydrosens™ and Aerosens® (109) trim kit (sold separately) Air control covers not included	\$ 797
10019591-084	Available colours: Chrome (084) and Brushed Nickel (105)	\$ 797
10022491-084	Cable-operated waste and overflow (16 in. to 22 in.) (sold separately) Available colors: White (001), Bone (004), Chrome (084) and Brushed Nickel (105)	\$ 332
10022491-004		\$ 332
10022491-105		\$ 332
10022491-001		\$ 332

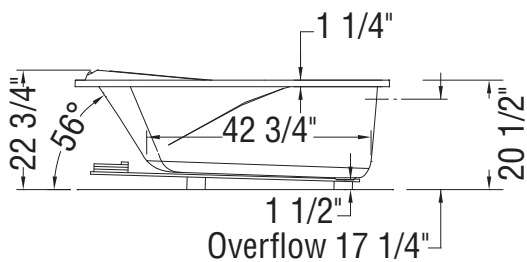
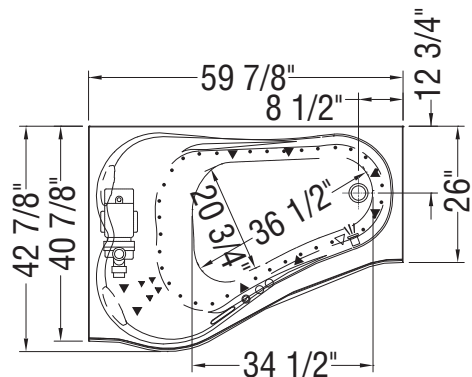
FOOTNOTES

No	Description
1	Components for standard colour units equipped with systems are colour-coordinated. Trim kit and/or air push with metallic finish can be added (additional charge applies). For non-standard colour units, please specify trim kit and/or air push colour (additional charge applies for metallic finishes). Please note that the positioning of the system's control could be in conflict with the door if one was installed on the unit. To insure compatibility, please contact customer service.
1	
2	Please order flexible main hose 10006923 for installation of the blower further than 3 ft from the bathtub. For the Tandem models and the Serenade models (freestanding and drop-in), the blower is always remote and not factory installed so a 9 ft flexible main hose is included. Please note that the positioning of the system's control could be in conflict with the door if one was installed on the unit. To insure compatibility, please contact customer service.
25	Please order flexible main hose 10019708 for installation of the blower further than 9 ft from the bathtub.
27	Please note the Backmax is positioned on the same side as the pump.
54	A selection of units come with an access panel by default when equipped with a system. However, if the unit is only equipped with chromatherapy, the access panel will not be provided by default.

MICRO-JETS SYSTEM



HYDROSENS, BACKMAX AND AIR SYSTEM



- (▲): Indicates whirlpool and backjets positioning
- (△): Indicates suction positioning
- (•): Indicates airjets positioning
- (☐): Indicates chromatherapy light positioning

All dimensions are approximate. Structure measurements must be verified against the unit to ensure proper fit.



New Town 6030 IFS



Material : Acrylic

Min: 31.5 Gal / 145 L

Max: 37 Gal / 166 L

Features

- › Alcove installation with integrated tiling flange
- › Unique feature: minimalist look with discreet armrests
- › Acrylic surface resistant to stains
- › Available in white, bone or biscuit color to complement any bathroom decor
- › Available in left-hand and right-hand drain configurations to fit your specific bathroom layout
- › Integrated tiling flange for added leak protection and easy installation of shower walls
- › Proudly made in North America
- › Compatible with Utile wall panels
- › Available with an optional pre-installed white linear overflow for non-high rise construction

NEW TOWN 6030 IFS - 105454							
SKU	System	Color	Configuration	Dimensions & Weight	Packaging	MSRP	
105454-000-004-001	Soaker - No System	Bone	Left	59 3/4" x 30" x 20 1/2" / 77 lb / 35 kg	28.7018229166667 ft ³	\$ 1130	
105454-000-004-002			Right			\$ 1130	
105454-000-007-001		Biscuit	Left			\$ 1130	
105454-000-007-002			Right			\$ 1130	
105454-091-001-001	10 Microjets ¹	White	Left			\$ 2825	
105454-091-001-002			Right			\$ 2825	
105454-091-004-102		Bone	Left			\$ 2825	
105454-091-004-103			Right			\$ 2825	
105454-091-007-102		Biscuit	Left			\$ 2825	
105454-091-007-103			Right			\$ 2825	
105454-108-001-001		Aerosens ^{1 2}	White			Left	\$ 3667
105454-108-001-002						Right	\$ 3667
105454-L-108-004	Bone		Left	\$ 3667			
105454-L-108-007				Biscuit	\$ 3667		
105454-R-108-004	Bone		Right	\$ 3667			
105454-R-108-007				Biscuit	\$ 3667		

COMMON OPTIONS

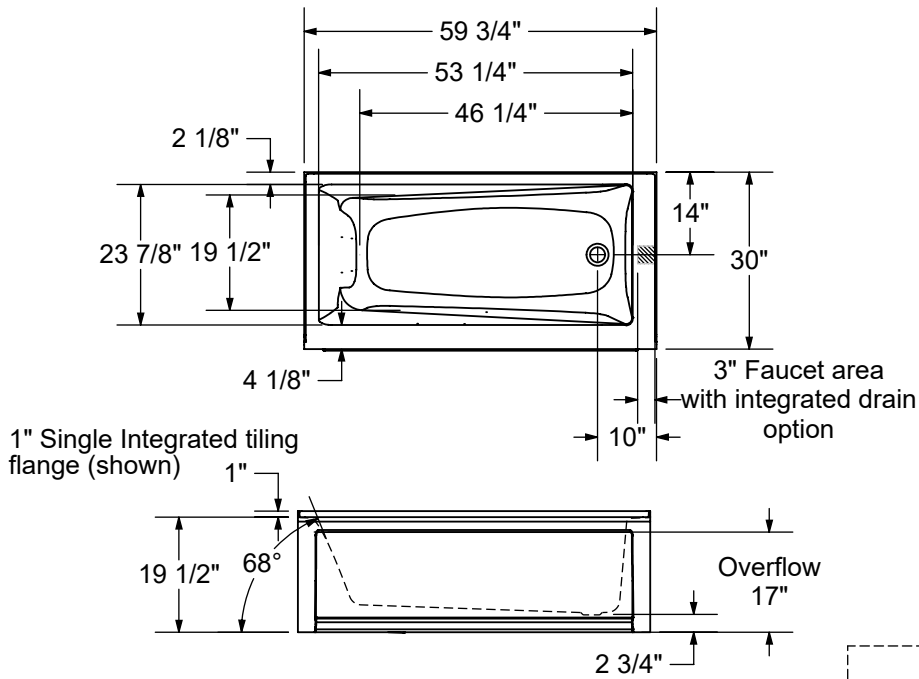
SKU	Description	MSRP
OPT10250-105	Microjet trim kit (factory installed) Available colours: Chrome (084) and Brushed Nickel (105)	\$ 797
OPT10250-084		\$ 797
OPT20029-105	Metal trim kit for air push control (factory installed) Available colors: Chrome (084) and Brushed Nickel (105)	\$ 74
OPT20029-084		\$ 74
OPT20137-004		\$ 332
OPT20137-084	Cable-operated waste and overflow (16 in. to 22 in.) (included in product packaging when purchased) Available colors: White (001), Bone (004), Chrome (084) and Brushed Nickel (105)	\$ 332
OPT20137-105		\$ 332
OPT20137-001		\$ 332
OPT20210-084	Waste and overflow (16 in. to 22 in.) (included in product packaging when purchased) Available colors: Chrome (084) and Brushed Nickel (105)	\$ 124
OPT20210-105		\$ 166
OPT10053	One chromatherapy light (factory installed) ⁵⁴	\$ 725
OPT10095	Water heater assembly for whirlpool and combined systems (factory installed)	\$ 950
OPT20341-001	Linear overflow and pop-up drain for non-high rise construction featuring direct drain pre-installed in the factory Available color: White (001)	\$ 225

ACCESSORIES

SKU	Description	MSRP
10006923	Flexible main hose (9 ft. extension) for air push control air massage - Kit (sold separately)	\$ 191
10012135-105	Waste and overflow (16 to 22 in.) (sold separately) Available colours: Chrome (084) and Brushed Nickel (105)	\$ 166
10012135-084		\$ 124
10018640	Thermax field-installed whirlpool heater (sold separately) Single pack	\$ 729
10004306-001	White foam cushion with 2 suction pads (sold separately) Available color: White (001)	\$ 126
10022491-084		\$ 332
10022491-004	Cable-operated waste and overflow (16 in. to 22 in.) (sold separately) Available colors: White (001), Bone (004), Chrome (084) and Brushed Nickel (105)	\$ 332
10022491-105		\$ 332
10022491-001		\$ 332

FOOTNOTES

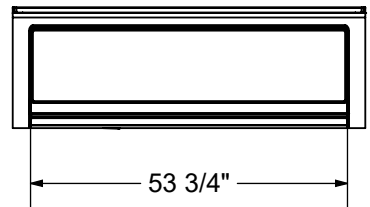
No	Description
1	Components for standard colour units equipped with systems are colour-coordinated. Trim kit and/or air push with metallic finish can be added (additional charge applies). For non-standard colour units, please specify trim kit and/or air push colour (additional charge applies for metallic finishes). Please note that the positioning of the system's control could be in conflict with the door if one was installed on the unit. To insure compatibility, please contact customer service.
2	Please order flexible main hose 10006923 for installation of the blower further than 3 ft from the bathtub. For the Tandem models and the Serenade models (freestanding and drop-in), the blower is always remote and not factory installed so a 9 ft flexible main hose is included. Please note that the positioning of the system's control could be in conflict with the door if one was installed on the unit. To insure compatibility, please contact customer service.
54	A selection of units come with an access panel by default when equipped with a system. However, if the unit is only equipped with chromatherapy, the access panel will not be provided by default.



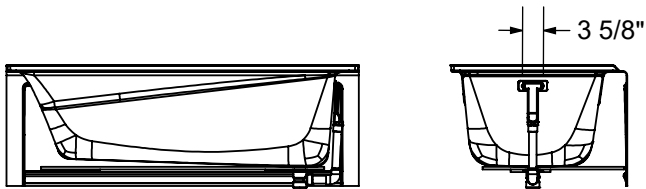
WITHOUT SYSTEM



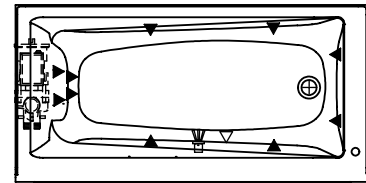
WITH SYSTEM



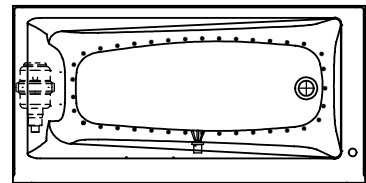
INTEGRATED LINEAR OVERFLOW & DRAIN OPTION



MICROJETS SYSTEM



AIR SYSTEM



Wood support design may vary.
Single Integrated tiling flange: 1" height x 1/4" thickness (shown)

All dimensions are approximate. Structure measurements must be verified against the unit to ensure proper fit.

- (▲) : Indicates whirlpool jets positioning
- (△) : Indicates suction positioning
- (●) : Indicates airjets positioning
- (☐) : Indicates chromotherapy light positioning



New Town 6032 IF

RECTANGULAR BATHTUBS - ACRYLIC



Material : Acrylic
 Min: 33 Gal / 150 L
 Max: 37 Gal / 168 L

Features

- › Proudly made in Canada
- › Durable, high-gloss acrylic easy to clean
- › Foam pillow included with 10 microjets whirlpool system
- › 1-speed 3/4 HP pump, 120V/7.5A with easy to operate on/off push button
- › Textured bottom for safety
- › 6 microjets located on the side of the bathtub and 4 back jets provide an effective massage
- › Alcove or drop-in installation with ample deck space for faucet installation

NEW TOWN 6032 - 105459						
SKU	System	Color	Configuration	Dimensions & Weight	Packaging	MSRP
105459-000-001-000	Soaker - No System	White	End	59 3/4" x 32" x 20" / 85 lb / 39 kg	30 ft ³	\$ 971
105459-000-004		Bone				\$ 971
105459-000-007		Biscuit				\$ 971
105459-091-001-000	10 Microjets ¹	White				\$ 2666
105459-091-004-103		Bone				\$ 2666
105459-091-007-103		Biscuit				\$ 2666
105459-107-001-100	Hydrosens ¹	White				\$ 3930
105459-107-004		Bone				\$ 3930
105459-107-007		Biscuit				\$ 3930
105459-108-001-000	Aerosens ^{1 2}	White				\$ 3508
105459-108-004-000		Bone				\$ 3508
105459-108-007-000		Biscuit				\$ 3508
105459-109-001-100	Combined Hydrosens & Aerosens ^{1 25}	White				\$ 5917
105459-109-004		Bone				\$ 5917
105459-109-007		Biscuit				\$ 5917

NEW TOWN 6032 IF - 105467						
SKU	System	Color	Configuration	Dimensions & Weight	Packaging	MSRP
105467-000-001-001	Soaker - No System	White	Left	59 3/4" x 32" x 20" / 85 lb / 39 kg	30 ft ³	\$ 971

NEW TOWN 6032 IF - 105467

SKU	System	Color	Configuration	Dimensions & Weight	Packaging	MSRP
105467-000-001-002	Soaker - No System	White	Right	59 3/4" x 32" x 20" / 85 lb / 39 kg	30 ft ³	\$ 971
105467-000-004-001		Bone	Left			\$ 971
105467-000-004-002			Right			\$ 971
105467-000-007-001		Biscuit	Left			\$ 971
105467-000-007-002			Right			\$ 971
105467-091-001-001		10 Microjets ¹	White			Left
105467-091-001-002	Right					\$ 2666
105467-091-004-104	Bone		Left			\$ 2666
105467-091-004-105			Right			\$ 2666
105467-091-007-104	Biscuit		Left			\$ 2666
105467-091-007-105			Right			\$ 2666
105467-107-001-001	Hydrosens ¹	White	Left			\$ 3930
105467-107-001-002			Right			\$ 3930
105467-108-001-101	Aerosens ^{1 2}		Left			\$ 3508
105467-108-001-102			Right			\$ 3508
105467-109-001-102	Combined Hydrosens & Aerosens ^{1 25}		Left			\$ 5917
105467-109-001-103			Right			\$ 5917
105467-L-107-004	Hydrosens ¹	Bone	Left			\$ 3930
105467-L-107-007		Biscuit				\$ 3930
105467-L-108-004	Aerosens ^{1 2}	Bone				\$ 3508
105467-L-108-007		Biscuit				\$ 3508
105467-L-109-004	Combined Hydrosens & Aerosens ^{1 25}	Bone				\$ 5917
105467-L-109-007		Biscuit				\$ 5917
105467-R-107-004	Hydrosens ¹	Bone				Right
105467-R-107-007		Biscuit		\$ 3930		
105467-R-108-004	Aerosens ^{1 2}	Bone		\$ 3508		
105467-R-108-007		Biscuit		\$ 3508		
105467-R-109-004	Combined Hydrosens & Aerosens ^{1 25}	Bone		\$ 5917		
105467-R-109-007		Biscuit		\$ 5917		

COMMON OPTIONS

SKU	Description	MSRP
OPT20025	Backmax: 6 rotating and pulsating backjets ¹²⁷ Optional with Hydrosens or combined Hydrosens and Aerosens	\$ 793
OPT10053	One chromatherapy light (factory installed) ⁵⁴	\$ 725
OPT10095	Water heater assembly for whirlpool and combined systems (factory installed)	\$ 950
OPT10250-105	Microjet trim kit (factory installed) Available colours: Chrome (084) and Brushed Nickel (105)	\$ 797

COMMON OPTIONS

SKU	Description	MSRP
OPT10250-084	Microjet trim kit (factory installed) Available colours: Chrome (084) and Brushed Nickel (105)	\$ 797
OPT20027-084	Hydrosens™ & Combined Hydrosens™ and Aerosens® trim kit (factory-installed) Including the 2 air control covers	\$ 797
OPT20027-105	Available colors: Chrome (084) and Brushed Nickel (105)	\$ 797
OPT20029-105	Metal trim kit for air push control (factory installed)	\$ 74
OPT20029-084	Available colors: Chrome (084) and Brushed Nickel (105)	\$ 74
OPT20137-004		\$ 332
OPT20137-084	Cable-operated waste and overflow (16 in. to 22 in.) (included in product packaging when purchased)	\$ 332
OPT20137-105	Available colors: White (001), Bone (004), Chrome (084) and Brushed Nickel (105)	\$ 332
OPT20137-001		\$ 332
OPT20210-084	Waste and overflow (16 in. to 22 in.) (included in product packaging when purchased)	\$ 124
OPT20210-105	Available colors: Chrome (084) and Brushed Nickel (105)	\$ 166

ACCESSORIES

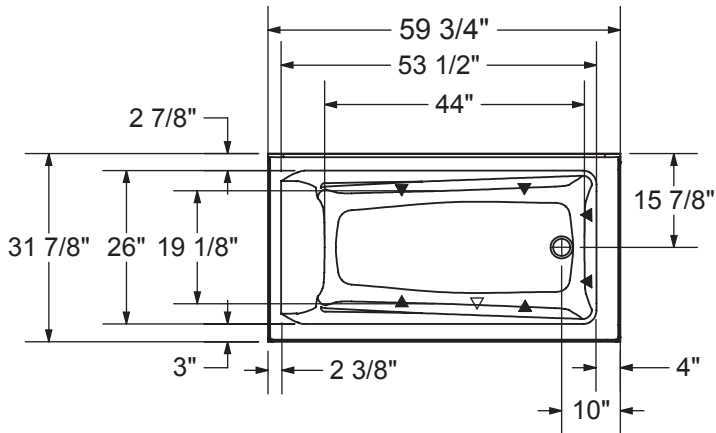
SKU	Description	MSRP
10006923	Flexible main hose (9 ft. extension) for air push control air massage - Kit (sold separately)	\$ 191
10012135-105	Waste and overflow (16 to 22 in.) (sold separately)	\$ 166
10012135-084	Available colours: Chrome (084) and Brushed Nickel (105)	\$ 124
10018640	Thermax field-installed whirlpool heater (sold separately) Single pack	\$ 729
10019708	Flexible main hose for blower with combined systems (sold separately) Includes: 15ft (4.57m) hose, 2 clips, 1 nylon coupling and 1 power cord	\$ 356
10004306-001	White foam cushion with 2 suction pads (sold separately) Available color: White (001)	\$ 126
10019591-105	Hydrosens™ (107) & Combined Hydrosens™ and Aerosens® (109) trim kit (sold separately) Air control covers not included	\$ 797
10019591-084	Available colours: Chrome (084) and Brushed Nickel (105)	\$ 797
10022491-084		\$ 332
10022491-004	Cable-operated waste and overflow (16 in. to 22 in.) (sold separately)	\$ 332
10022491-105	Available colors: White (001), Bone (004), Chrome (084) and Brushed Nickel (105)	\$ 332
10022491-001		\$ 332

FOOTNOTES

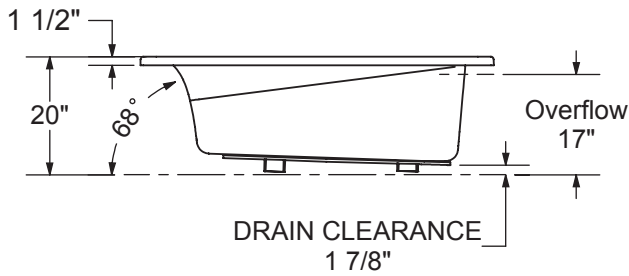
No	Description
1	Components for standard colour units equipped with systems are colour-coordinated. Trim kit and/or air push with metallic finish can be added (additional charge applies). For non-standard colour units, please specify trim kit and/or air push colour (additional charge applies for metallic finishes). Please note that the positioning of the system's control could be in conflict with the door if one was installed on the unit. To insure compatibility, please contact customer service.
1	
2	Please order flexible main hose 10006923 for installation of the blower further than 3 ft from the bathtub. For the Tandem models and the Serenade models (freestanding and drop-in), the blower is always remote and not factory installed so a 9 ft flexible main hose is included. Please note that the positioning of the system's control could be in conflict with the door if one was installed on the unit. To insure compatibility, please contact customer service.
25	Please order flexible main hose 10019708 for installation of the blower further than 9 ft from the bathtub.
27	Please note the Backmax is positioned on the same side as the pump.

FOOTNOTES

No	Description
54	A selection of units come with an access panel by default when equipped with a system. However, if the unit is only equipped with chromatherapy, the access panel will not be provided by default.

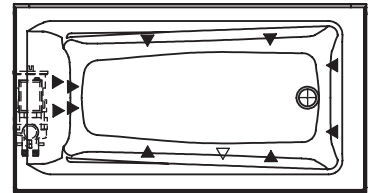


1" Single Integrated tiling flange (not shown)

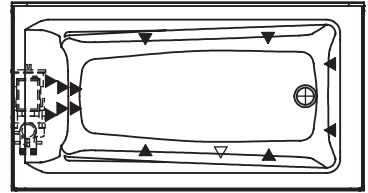


Wood support design may vary.
 Single Integrated tiling flange: 1" height x 1/4" thickness (not shown)
 All dimensions are approximate.
 Structure measurement must be verified against the unit to ensure proper fit.

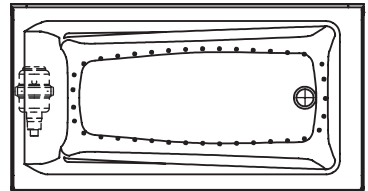
MICROJETS SYSTEM



HYDROSENS with BACKMAX SYSTEM



AIR SYSTEM



- (▲) : Indicates whirlpool jets positioning
- (△) : Indicates suction positioning
- (●) : Indicates airjets positioning



New Town 6032 IFS

RECTANGULAR BATHTUBS - ACRYLIC



Material : Acrylic
 Min: 33 Gal / 151 L
 Max: 38 Gal / 174 L

Features

- › Alcove bathtub
- › Acrylic surface resistant to stains
- › Available in white, bone or biscuit color to complement any bathroom decor
- › Available in left-hand and right-hand drain configurations to fit your specific bathroom layout
- › Integrated flat skirt and tiling flange
- › Bride de carrelage intégrée pour une meilleure protection contre les fuites et une installation facile des murs de douche
- › Proudly made in North America
- › Compatible with UTile for an easy wall solution
- › Product warranty: 25 years

NEW TOWN 6032 IFS - 105456								
SKU	System	Color	Configuration	Dimensions & Weight	Packaging	MSRP		
105456-000-001-001	Soaker - No System	White	Left	59 3/4" x 32" x 20 1/2" / 78 lb / 35 kg	24 ft ³	\$ 1168		
105456-000-001-002			Right			\$ 1168		
105456-000-004-001		Bone	Left			\$ 1168		
105456-000-004-002			Right			\$ 1168		
105456-000-007-001		Biscuit	Left			\$ 1168		
105456-000-007-002			Right			\$ 1168		
105456-091-001-001	10 Microjets ¹	White	Left			59 3/4" x 32" x 20 1/2" / 78 lb / 35 kg	24 ft ³	\$ 2863
105456-091-001-002			Right					\$ 2863
105456-091-004-102		Bone	Left					\$ 2863
105456-091-004-103			Right					\$ 2863
105456-091-007-102		Biscuit	Left					\$ 2863
105456-091-007-103			Right					\$ 2863
105456-108-001-001	Aerosens ^{1 2}	White	Left	59 3/4" x 32" x 20 1/2" / 78 lb / 35 kg	24 ft ³			\$ 3705
105456-108-001-002			Right					\$ 3705
105456-L-108-004		Bone	Left					\$ 3705
105456-L-108-007								Biscuit
105456-R-108-004		Bone	Right					\$ 3705
105456-R-108-007								Biscuit

COMMON OPTIONS

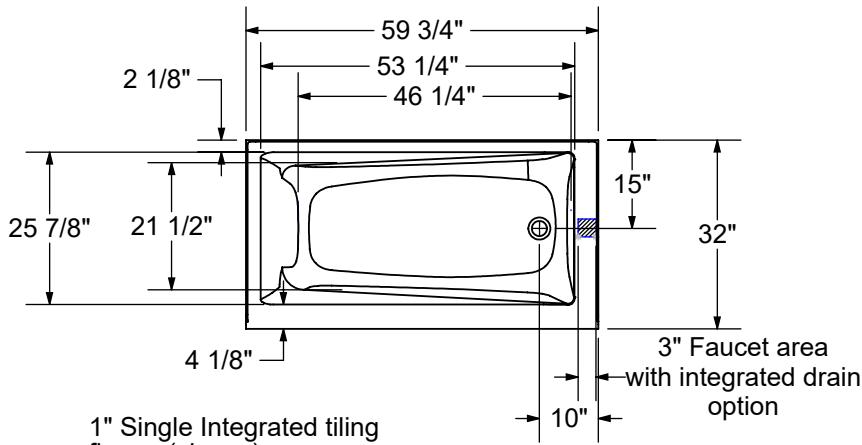
SKU	Description	MSRP
OPT10250-105	Microjet trim kit (factory installed) Available colours: Chrome (084) and Brushed Nickel (105)	\$ 797
OPT10250-084		\$ 797
OPT20029-105	Metal trim kit for air push control (factory installed) Available colors: Chrome (084) and Brushed Nickel (105)	\$ 74
OPT20029-084		\$ 74
OPT20137-004		\$ 332
OPT20137-084	Cable-operated waste and overflow (16 in. to 22 in.) (included in product packaging when purchased) Available colors: White (001), Bone (004), Chrome (084) and Brushed Nickel (105)	\$ 332
OPT20137-105		\$ 332
OPT20137-001		\$ 332
OPT20210-084	Waste and overflow (16 in. to 22 in.) (included in product packaging when purchased) Available colors: Chrome (084) and Brushed Nickel (105)	\$ 124
OPT20210-105		\$ 166
OPT10053	One chromatherapy light (factory installed) ⁵⁴	\$ 725
OPT10095	Water heater assembly for whirlpool and combined systems (factory installed)	\$ 950
OPT20341-001	Linear overflow and pop-up drain for non-high rise construction featuring direct drain pre-installed in the factory Available color: White (001)	\$ 225

ACCESSORIES

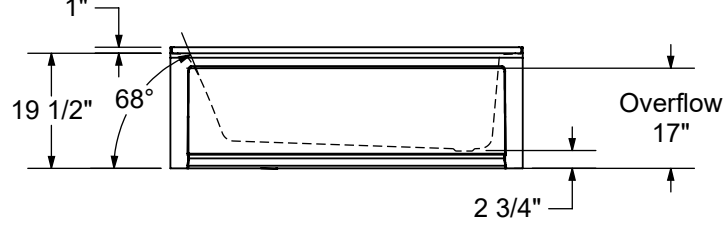
SKU	Description	MSRP
10006923	Flexible main hose (9 ft. extension) for air push control air massage - Kit (sold separately)	\$ 191
10012135-105	Waste and overflow (16 to 22 in.) (sold separately) Available colours: Chrome (084) and Brushed Nickel (105)	\$ 166
10012135-084		\$ 124
10018640	Thermax field-installed whirlpool heater (sold separately) Single pack	\$ 729
10004306-001	White foam cushion with 2 suction pads (sold separately) Available color: White (001)	\$ 126
10022491-084		\$ 332
10022491-004	Cable-operated waste and overflow (16 in. to 22 in.) (sold separately) Available colors: White (001), Bone (004), Chrome (084) and Brushed Nickel (105)	\$ 332
10022491-105		\$ 332
10022491-001		\$ 332

FOOTNOTES

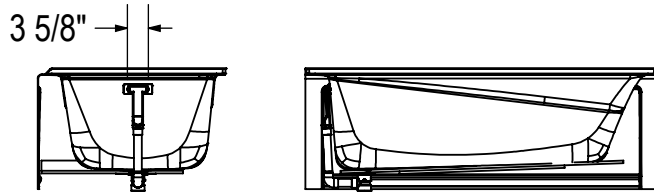
No	Description
1	Components for standard colour units equipped with systems are colour-coordinated. Trim kit and/or air push with metallic finish can be added (additional charge applies). For non-standard colour units, please specify trim kit and/or air push colour (additional charge applies for metallic finishes). Please note that the positioning of the system's control could be in conflict with the door if one was installed on the unit. To insure compatibility, please contact customer service.
2	Please order flexible main hose 10006923 for installation of the blower further than 3 ft from the bathtub. For the Tandem models and the Serenade models (freestanding and drop-in), the blower is always remote and not factory installed so a 9 ft flexible main hose is included. Please note that the positioning of the system's control could be in conflict with the door if one was installed on the unit. To insure compatibility, please contact customer service.
54	A selection of units come with an access panel by default when equipped with a system. However, if the unit is only equipped with chromatherapy, the access panel will not be provided by default.



1" Single Integrated tiling flange (shown)



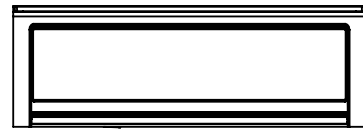
INTEGRATED LINEAR OVERFLOW & DRAIN OPTION



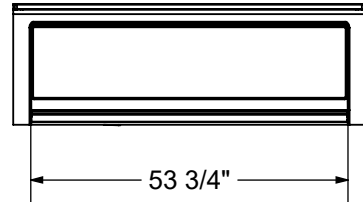
Wood support design may vary.
Single Integrated tiling flange: 1" height x 1/4" thickness (shown)

All dimensions are approximate.
Structure measurement must be verified against the unit to ensure proper fit.

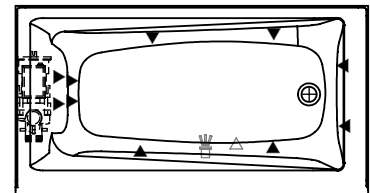
WITHOUT SYSTEM



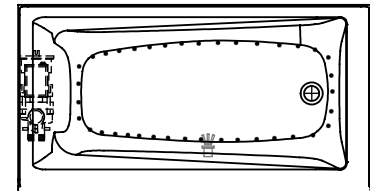
WITH SYSTEM



MICROJETS SYSTEM



AIR SYSTEM



- (▲) : Indicates whirlpool jets positioning
- (△) : Indicates suction positioning
- (●) : Indicates airjets positioning
- (☐) : Indicates chromatherapy light positioning



Santorini

RECTANGULAR BATHTUBS - ACRYLIC



Material : Acrylic
 Min: 33 Gal / 150 L
 Max: 58 Gal / 264 L

Features

- › Rectangular shape bathtub, with elegant flowing curves design
- › Made of thick and durable acrylic that has a high gloss finish for easy clean and maintenance
- › Built-in armrests and elevated backrest for ultimate comfort
- › Integrated apron with wave inspired design
- › Integrated tiling flanges on 3 sides to facilitates a quick and simple installation with no need to worry about leakage or water infiltration

SANTORINI - 105231							
SKU	System	Color	Configuration	Dimensions & Weight	Packaging	MSRP	
105231-000-001-001	Soaker - No System	White	Left	60" x 32" x 18 3/4" / 86 lb / 39 kg	25 ft ³	\$ 1175	
105231-000-001-002			Right			\$ 1175	
105231-091-001-001	10 Microjets ¹		Left			\$ 2870	
105231-091-001-002			Right			\$ 2870	
105231-108-001-100	Aerosens ^{1 2}		Left			\$ 3712	
105231-108-001-101			Right			\$ 3712	
105231-L-000-004	Soaker - No System		Bone			Left	\$ 1175
105231-L-000-007			Biscuit				\$ 1175
105231-L-091-004	10 Microjets ¹		Bone				\$ 2870
105231-L-091-007			Biscuit				\$ 2870
105231-L-107-001	Hydrosens ¹		White				\$ 4134
105231-L-107-004			Bone				\$ 4134
105231-L-107-007		Biscuit	\$ 4134				
105231-L-108-004	Aerosens ^{1 2}	Bone	\$ 3712				
105231-L-108-007		Biscuit	\$ 3712				
105231-L-109-001	Combined Hydrosens & Aerosens ^{1 25}	White	\$ 6121				
105231-L-109-004		Bone	\$ 6121				
105231-L-109-007		Biscuit	\$ 6121				
105231-R-000-004	Soaker - No System	Bone	Right	\$ 1175			
105231-R-000-007		Biscuit	\$ 1175				

SANTORINI - 105231

SKU	System	Color	Configuration	Dimensions & Weight	Packaging	MSRP
105231-R-091-004	10 Microjets ¹	Bone	Right	60" x 32" x 18 3/4" / 86 lb / 39 kg	25 ft ³	\$ 2870
105231-R-091-007		Biscuit				\$ 2870
105231-R-107-001	Hydrosens ¹	White				\$ 4134
105231-R-107-004		Bone				\$ 4134
105231-R-107-007		Biscuit				\$ 4134
105231-R-108-004	Aerosens ^{1 2}	Bone				\$ 3712
105231-R-108-007		Biscuit				\$ 3712
105231-R-109-001	Combined Hydrosens & Aerosens ^{1 25}	White				\$ 6121
105231-R-109-004		Bone				\$ 6121
105231-R-109-007		Biscuit				\$ 6121

COMMON OPTIONS

SKU	Description	MSRP
OPT10095	Water heater assembly for whirlpool and combined systems (factory installed)	\$ 950
OPT10250-105	Microjet trim kit (factory installed) Available colours: Chrome (084) and Brushed Nickel (105)	\$ 797
OPT10250-084		\$ 797
OPT20027-084	Hydrosens™ & Combined Hydrosens™ and Aerosens® trim kit (factory-installed) Including the 2 air control covers	\$ 797
OPT20027-105	Available colors: Chrome (084) and Brushed Nickel (105)	\$ 797
OPT20029-105	Metal trim kit for air push control (factory installed)	\$ 74
OPT20029-084	Available colors: Chrome (084) and Brushed Nickel (105)	\$ 74
OPT20137-004	Cable-operated waste and overflow (16 in. to 22 in.) (included in product packaging when purchased) Available colors: White (001), Bone (004), Chrome (084) and Brushed Nickel (105)	\$ 332
OPT20137-084		\$ 332
OPT20137-105		\$ 332
OPT20137-001		\$ 332
OPT20210-084	Waste and overflow (16 in. to 22 in.) (included in product packaging when purchased)	\$ 124
OPT20210-105	Available colors: Chrome (084) and Brushed Nickel (105)	\$ 166
OPT20025	Backmax: 6 rotating and pulsating backjets ¹²⁷ Optional with Hydrosens or combined Hydrosens and Aerosens	\$ 793
OPT10053	One chromatherapy light (factory installed) ⁵⁴	\$ 725

ACCESSORIES

SKU	Description	MSRP
10006923	Flexible main hose (9 ft. extension) for air push control air massage - Kit (sold separately)	\$ 191
10012135-105	Waste and overflow (16 to 22 in.) (sold separately)	\$ 166
10012135-084	Available colours: Chrome (084) and Brushed Nickel (105)	\$ 124
10019708	Flexible main hose for blower with combined systems (sold separately) Includes: 15ft (4.57m) hose, 2 clips, 1 nylon coupling and 1 power cord	\$ 356
10004306-001	White foam cushion with 2 suction pads (sold separately) Available color: White (001)	\$ 126

ACCESSORIES

SKU	Description	MSRP
10019591-105	Hydrosens™ (107) & Combined Hydrosens™ and Aerosens® (109) trim kit (sold separately) Air control covers not included	\$ 797
10019591-084	Available colours: Chrome (084) and Brushed Nickel (105)	\$ 797
10022491-084	Cable-operated waste and overflow (16 in. to 22 in.) (sold separately) Available colors: White (001), Bone (004), Chrome (084) and Brushed Nickel (105)	\$ 332
10022491-004		\$ 332
10022491-105		\$ 332
10022491-001		\$ 332

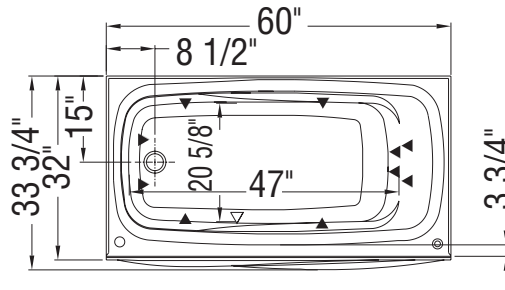
FOOTNOTES

No	Description
1	Components for standard colour units equipped with systems are colour-coordinated. Trim kit and/or air push with metallic finish can be added (additional charge applies). For non-standard colour units, please specify trim kit and/or air push colour (additional charge applies for metallic finishes). Please note that the positioning of the system's control could be in conflict with the door if one was installed on the unit. To insure compatibility, please contact customer service.
1	
2	Please order flexible main hose 10006923 for installation of the blower further than 3 ft from the bathtub. For the Tandem models and the Serenade models (freestanding and drop-in), the blower is always remote and not factory installed so a 9 ft flexible main hose is included. Please note that the positioning of the system's control could be in conflict with the door if one was installed on the unit. To insure compatibility, please contact customer service.
25	Please order flexible main hose 10019708 for installation of the blower further than 9 ft from the bathtub.
27	Please note the Backmax is positioned on the same side as the pump.
54	A selection of units come with an access panel by default when equipped with a system. However, if the unit is only equipped with chromatherapy, the access panel will not be provided by default.

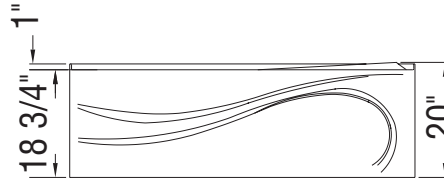
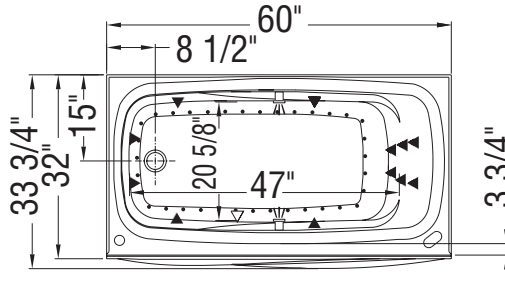
RECOMMENDED DOORS

SKU	Product Name	Pag.
139398	Halo 56 ½-59 x 59 - 8mm	568
135246	Connect 57-58 1/2 x 57 - 6mm	572
135330	Incognito 57 Shaker 56-59 x 56 ¾ - 8mm	546
138994	Luminescence SlidingDoor 56 ½-59 x 55 ½-57 ½ - 6mm	570
136695	Revelation Round 56-59 x 56 ¾-59 ¼ - 8 mm	558
136692	Revelation Round 56-59 x 56 ¾-59 ¼ - 6mm	556
136270	Duel 56-59 x 55 ½ x 59 - 8 mm	544
137682	Outback 55 ¼ - 58 1/2 x 57 - 8mm	574
105410	Polar 54-59 ½ x 57 in.	554
135673	Aura 55-59 x 57 - 8mm	566
135320	Uptown 56-59 x 58 in. 8 mm	560
139354	Incognito 57 56-59 x 56 ¾ - 8mm	552
139351	Incognito 57 56-59 x 56 ¾ - 6mm	548

MICROJETS SYSTEM



HYDROSENS, BACKMAX,
AND AIR SYSTEMS



- (▲) : Indicates Whirlpool jets positioning
- (△) : Indicates suction positioning
- (●) : Indicates airjets positioning
- (☼) : Indicates chromatherapy light positioning

All dimensions are approximate. Structure measurements must be verified against the unit to ensure proper fit.



Skybox 6636

RECTANGULAR BATHTUBS - ACRYLIC



Material : Acrylic
 Min: 49 Gal / 223 L
 Max: 75 Gal / 341 L

Features

- > Proudly made in Canada
- > Rectangular shape bathtub with textured bottom, versatile style fits all types of décor from classic to modern
- > Made of thick and durable acrylic that has a high gloss finish for easy clean and maintenance
- > Unique features: deep bathtub with choice of two deck heights (3/8 or 2 -inch) - This model is the standard 2 inch deck
- > Ample deck space for faucet installation
- > End drain

SKYBOX 6636 - 105722						
SKU	System	Color	Configuration	Dimensions & Weight	Packaging	MSRP
105722-000-001-100	Soaker - No System	White	End	66 1/4" x 35 3/4" x 23 5/8" / 72 lb / 33 kg	39 ft ³	\$ 1603
105722-000-004		Bone				\$ 1603
105722-000-007		Biscuit				\$ 1603
105722-091-001-100	10 Microjets ¹	White				\$ 3298
105722-091-004		Bone				\$ 3298
105722-091-007		Biscuit				\$ 3298
105722-107-001-100	Hydrosens ¹	White				\$ 4562
105722-107-004		Bone				\$ 4562
105722-107-007		Biscuit				\$ 4562
105722-108-001-100	Aerosens ^{1 2}	White				\$ 4140
105722-108-004		Bone				\$ 4140
105722-108-007		Biscuit				\$ 4140
105722-109-001-100	Combined Hydrosens & Aerosens ^{1 25}	White	\$ 6549			
105722-109-004		Bone	\$ 6549			
105722-109-007		Biscuit	\$ 6549			

SKYBOX 6636 IF - 106390						
SKU	System	Color	Configuration	Dimensions & Weight	Packaging	MSRP
106390-000-001-109	Soaker - No System	White	Left	66 1/4" x 35 3/4" x 23 5/8" / 72 lb / 33 kg	39 ft ³	\$ 1603

SKYBOX 6636 IF - 106390

SKU	System	Color	Configuration	Dimensions & Weight	Packaging	MSRP	
106390-000-001-110	Soaker - No System	White	Right	66 1/4" x 35 3/4" x 23 5/8" / 72 lb / 33 kg	39 ft ³	\$ 1603	
106390-L-000-004		Bone	Left			\$ 1603	
106390-L-000-007		Biscuit				\$ 1603	
106390-L-091-001	10 Microjets ¹	White				\$ 3298	
106390-L-091-004		Bone				\$ 3298	
106390-L-091-007		Biscuit				\$ 3298	
106390-L-107-001	Hydrosens ¹	White				\$ 4562	
106390-L-107-004		Bone				\$ 4562	
106390-L-107-007		Biscuit				\$ 4562	
106390-L-108-001	Aerosens ^{1 2}	White				\$ 4140	
106390-L-108-004		Bone				\$ 4140	
106390-L-108-007		Biscuit				\$ 4140	
106390-L-109-001	Combined Hydrosens & Aerosens ^{1 25}	White				\$ 6549	
106390-L-109-004		Bone				\$ 6549	
106390-L-109-007		Biscuit				\$ 6549	
106390-R-000-004	Soaker - No System	Bone				Right	\$ 1603
106390-R-000-007		Biscuit					\$ 1603
106390-R-091-001	10 Microjets ¹	White					\$ 3298
106390-R-091-004		Bone					\$ 3298
106390-R-091-007		Biscuit	\$ 3298				
106390-R-107-001	Hydrosens ¹	White	\$ 4562				
106390-R-107-004		Bone	\$ 4562				
106390-R-107-007		Biscuit	\$ 4562				
106390-R-108-001	Aerosens ^{1 2}	White	\$ 4140				
106390-R-108-004		Bone	\$ 4140				
106390-R-108-007		Biscuit	\$ 4140				
106390-R-109-001	Combined Hydrosens & Aerosens ^{1 25}	White	\$ 6549				
106390-R-109-004		Bone	\$ 6549				
106390-R-109-007		Biscuit	\$ 6549				

COMMON OPTIONS

SKU	Description	MSRP
OPT10053	One chromatherapy light (factory installed) ⁵⁴	\$ 725
OPT10095	Water heater assembly for whirlpool and combined systems (factory installed)	\$ 950
OPT10250-105	Microjet trim kit (factory installed) Available colours: Chrome (084) and Brushed Nickel (105)	\$ 797
OPT10250-084		\$ 797
OPT10260-084	Two 6-in. acrylic grab bars (factory installed) ⁸ Available colors: White (001), Bone (004), Biscuit (007), Chrome (084) and Brushed Nickel (105)	\$ 359

COMMON OPTIONS

SKU	Description	MSRP
OPT10260-007		\$ 359
OPT10260-004	Two 6-in. acrylic grab bars (factory installed) ⁸	\$ 359
OPT10260-105	Available colors: White (001), Bone (004), Biscuit (007), Chrome (084) and Brushed Nickel (105)	\$ 359
OPT10260-001		\$ 359
OPT20027-084	Hydrosens™ & Combined Hydrosens™ and Aerosens® trim kit (factory-installed) Including the 2 air control covers	\$ 797
OPT20027-105	Available colors: Chrome (084) and Brushed Nickel (105)	\$ 797
OPT20029-105	Metal trim kit for air push control (factory installed)	\$ 74
OPT20029-084	Available colors: Chrome (084) and Brushed Nickel (105)	\$ 74
OPT20137-004		\$ 332
OPT20137-084	Cable-operated waste and overflow (16 in. to 22 in.) (included in product packaging when purchased)	\$ 332
OPT20137-105	Available colors: White (001), Bone (004), Chrome (084) and Brushed Nickel (105)	\$ 332
OPT20137-001		\$ 332
OPT20210-084	Waste and overflow (16 in. to 22 in.) (included in product packaging when purchased)	\$ 124
OPT20210-105	Available colors: Chrome (084) and Brushed Nickel (105)	\$ 166
OPT20025	Backmax: 6 rotating and pulsating backjets ¹²⁷ Optional with Hydrosens or combined Hydrosens and Aerosens	\$ 793
OPT20205	Lite option 3/8 in. thin deck ⁶ When chosen, this option is offered at no cost	\$ 0

ACCESSORIES

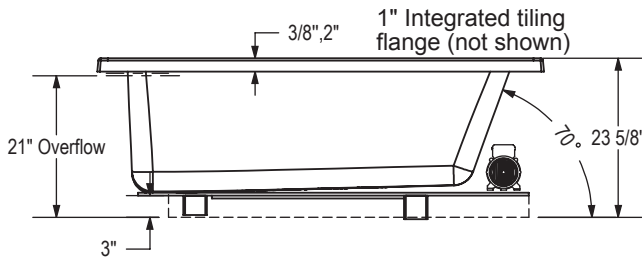
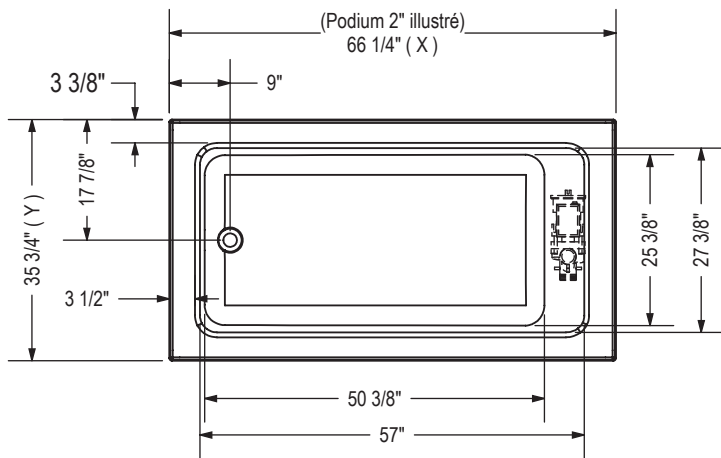
SKU	Description	MSRP
10006923	Flexible main hose (9 ft. extension) for air push control air massage - Kit (sold separately)	\$ 191
10012135-105	Waste and overflow (16 to 22 in.) (sold separately)	\$ 166
10012135-084	Available colours: Chrome (084) and Brushed Nickel (105)	\$ 124
10019708	Flexible main hose for blower with combined systems (sold separately) Includes: 15ft (4.57m) hose, 2 clips, 1 nylon coupling and 1 power cord	\$ 356
10004306-001	White foam cushion with 2 suction pads (sold separately) Available color: White (001)	\$ 126
10019591-105	Hydrosens™ (107) & Combined Hydrosens™ and Aerosens® (109) trim kit (sold separately) Air control covers not included	\$ 797
10019591-084	Available colours: Chrome (084) and Brushed Nickel (105)	\$ 797
10022491-084		\$ 332
10022491-004	Cable-operated waste and overflow (16 in. to 22 in.) (sold separately)	\$ 332
10022491-105	Available colors: White (001), Bone (004), Chrome (084) and Brushed Nickel (105)	\$ 332
10022491-001		\$ 332

FOOTNOTES

No	Description
1	Components for standard colour units equipped with systems are colour-coordinated. Trim kit and/or air push with metallic finish can be added (additional charge applies). For non-standard colour units, please specify trim kit and/or air push colour (additional charge applies for metallic finishes). Please note that the positioning of the system's control could be in conflict with the door if one was installed on the unit. To insure compatibility, please contact customer service.

FOOTNOTES

No	Description
1	Components for standard colour units equipped with systems are colour-coordinated. Trim kit and/or air push with metallic finish can be added (additional charge applies). For non-standard colour units, please specify trim kit and/or air push colour (additional charge applies for metallic finishes). Please note that the positioning of the system's control could be in conflict with the door if one was installed on the unit. To insure compatibility, please contact customer service.
2	Please order flexible main hose 10006923 for installation of the blower further than 3 ft from the bathtub. For the Tandem models and the Serenade models (freestanding and drop-in), the blower is always remote and not factory installed so a 9 ft flexible main hose is included. Please note that the positioning of the system's control could be in conflict with the door if one was installed on the unit. To insure compatibility, please contact customer service.
6	Specify 3/8 (Lite option) or 2 in. on deck height. If ordering unit with an apron, only 2 in. deck height is available.
8	Two 6 in. or 12 in. metal or acrylic grab bars are optional. Factory installed, only one positioning is possible (see technical drawings on https://www.maax.com).
25	Please order flexible main hose 10019708 for installation of the blower further than 9 ft from the bathtub.
27	Please note the Backmax is positioned on the same side as the pump.
54	A selection of units come with an access panel by default when equipped with a system. However, if the unit is only equipped with chromatherapy, the access panel will not be provided by default.



	DROP IN 2"	DROP IN 3/8"	ALCOVE
X	66 1/4"	66"	65 3/4"
Y	35 3/4"	35 5/8"	35 5/8"

Technical drawing is universal for all 6636 configurations. External dimension (X,Y) vary depending on configuration (see chart)

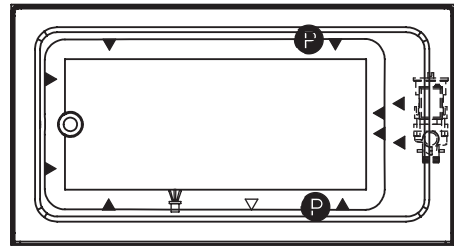
Wood support design may vary.

Integrated tiling flange: 1" height X 1/4" thickness (not shown)
Tiling flange position is determined by chosen configuration.

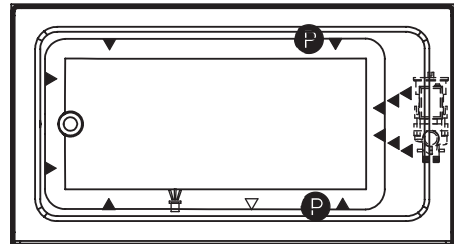
All dimensions are approximate.

Structure measurement must be verified against the unit to ensure proper fit.

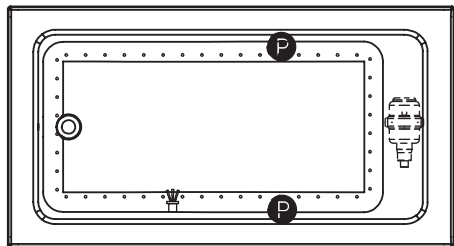
MICROJETS SYSTEM



HYDROSENS with BACKMAX SYSTEM

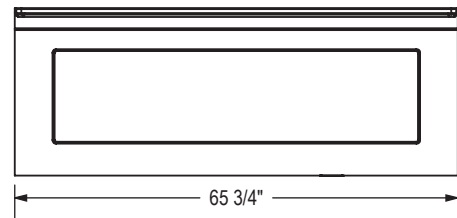


AIR SYSTEM



- (P) : Indicates optional grab bar positioning
- (▲) : Indicates whirlpool jets positioning
- (△) : Indicates suction positioning
- (●) : Indicates airjets positioning
- (☼) : Indicates chromatherapy light positioning

APRON (alcove version only)





Skybox 7236



Material : Acrylic
 Min: 53 Gal / 241 L
 Max: 82 Gal / 373 L

Features

- › Proudly made in Canada
- › Rectangular shape bathtub with textured bottom, versatile style fits all types of décor from classic to modern
- › Made of thick and durable acrylic that has a high gloss finish for easy clean and maintenance
- › Unique features: deep bathtub with choice of two deck heights (3/8 or 2 -inch) - This model is the standard 2 inch deck
- › Ample deck space for faucet installation
- › End drain

RECTANGULAR BATHTUBS - ACRYLIC

SKYBOX 7236 - 105721

SKU	System	Color	Configuration	Dimensions & Weight	Packaging	MSRP
105721-000-001-100	Soaker - No System	White	End	72 1/4" x 35 3/4" x 23 5/8" / 82 lb / 37 kg	42 ft ³	\$ 1724
105721-000-004		Bone				\$ 1724
105721-000-007		Biscuit				\$ 1724
105721-091-001-100	10 Microjets ¹	White				\$ 3419
105721-091-004		Bone				\$ 3419
105721-091-007		Biscuit				\$ 3419
105721-107-001-100	Hydrosens ¹	White				\$ 4683
105721-107-004		Bone				\$ 4683
105721-107-007		Biscuit				\$ 4683
105721-108-001-100	Aerosens ^{1 2}	White				\$ 4261
105721-108-004		Bone				\$ 4261
105721-108-007		Biscuit				\$ 4261
105721-109-001-100	Combined Hydrosens & Aerosens ^{1 25}	White	\$ 6670			
105721-109-004		Bone	\$ 6670			
105721-109-007		Biscuit	\$ 6670			

SKYBOX 7236 IF - 106391

SKU	System	Color	Configuration	Dimensions & Weight	Packaging	MSRP
106391-000-001-103	Soaker - No System	White	Left	72 1/4" x 35 3/4" x 23 5/8" / 82 lb / 37 kg	42 ft ³	\$ 1724

SKYBOX 7236 IF - 106391

SKU	System	Color	Configuration	Dimensions & Weight	Packaging	MSRP	
106391-000-001-104	Soaker - No System	White	Right	72 1/4" x 35 3/4" x 23 5/8" / 82 lb / 37 kg	42 ft ³	\$ 1724	
106391-L-000-004		Bone	Left			\$ 1724	
106391-L-000-007		Biscuit				\$ 1724	
106391-L-091-001	10 Microjets ¹	White				\$ 3419	
106391-L-091-004		Bone				\$ 3419	
106391-L-091-007		Biscuit				\$ 3419	
106391-L-107-001	Hydrosens ¹	White				\$ 4683	
106391-L-107-004		Bone				\$ 4683	
106391-L-107-007		Biscuit				\$ 4683	
106391-L-108-001	Aerosens ^{1 2}	White				\$ 4261	
106391-L-108-004		Bone				\$ 4261	
106391-L-108-007		Biscuit				\$ 4261	
106391-L-109-001	Combined Hydrosens & Aerosens ^{1 25}	White				\$ 6670	
106391-L-109-004		Bone				\$ 6670	
106391-L-109-007		Biscuit				\$ 6670	
106391-R-000-004	Soaker - No System	Bone				Right	\$ 1724
106391-R-000-007		Biscuit					\$ 1724
106391-R-091-001	10 Microjets ¹	White					\$ 3419
106391-R-091-004		Bone					\$ 3419
106391-R-091-007		Biscuit	\$ 3419				
106391-R-107-001	Hydrosens ¹	White	\$ 4683				
106391-R-107-004		Bone	\$ 4683				
106391-R-107-007		Biscuit	\$ 4683				
106391-R-108-001	Aerosens ^{1 2}	White	\$ 4261				
106391-R-108-004		Bone	\$ 4261				
106391-R-108-007		Biscuit	\$ 4261				
106391-R-109-001	Combined Hydrosens & Aerosens ^{1 25}	White	\$ 6670				
106391-R-109-004		Bone	\$ 6670				
106391-R-109-007		Biscuit	\$ 6670				

COMMON OPTIONS

SKU	Description	MSRP
OPT20025	Backmax: 6 rotating and pulsating backjets ¹²⁷ Optional with Hydrosens or combined Hydrosens and Aerosens	\$ 793
OPT10053	One chromatherapy light (factory installed) ⁵⁴	\$ 725
OPT10095	Water heater assembly for whirlpool and combined systems (factory installed)	\$ 950
OPT10250-105	Microjet trim kit (factory installed) Available colours: Chrome (084) and Brushed Nickel (105)	\$ 797

COMMON OPTIONS

SKU	Description	MSRP
OPT10250-084	Microjet trim kit (factory installed) Available colours: Chrome (084) and Brushed Nickel (105)	\$ 797
OPT10260-084	Two 6-in. acrylic grab bars (factory installed) ⁸ Available colors: White (001), Bone (004), Biscuit (007), Chrome (084) and Brushed Nickel (105)	\$ 359
OPT10260-007		\$ 359
OPT10260-004		\$ 359
OPT10260-105		\$ 359
OPT10260-001		\$ 359
OPT20027-084		Hydrosens™ & Combined Hydrosens™ and Aerosens® trim kit (factory-installed) Including the 2 air control covers
OPT20027-105	Available colors: Chrome (084) and Brushed Nickel (105)	\$ 797
OPT20029-105	Metal trim kit for air push control (factory installed)	\$ 74
OPT20029-084	Available colors: Chrome (084) and Brushed Nickel (105)	\$ 74
OPT20137-004	Cable-operated waste and overflow (16 in. to 22 in.) (included in product packaging when purchased) Available colors: White (001), Bone (004), Chrome (084) and Brushed Nickel (105)	\$ 332
OPT20137-084		\$ 332
OPT20137-105		\$ 332
OPT20137-001		\$ 332
OPT20210-084	Waste and overflow (16 in. to 22 in.) (included in product packaging when purchased)	\$ 124
OPT20210-105	Available colors: Chrome (084) and Brushed Nickel (105)	\$ 166
OPT20205	Lite option 3/8 in. thin deck ⁶ When chosen, this option is offered at no cost	\$ 0
105808-000-007	Acrylic apron without access panel Specify: Standard colours: White (001), Bone (004), Biscuit (007)	\$ 556
105808-000-001-100		\$ 556
105808-000-004		\$ 556
105810-000-001-100	Acrylic apron with access panel Specify: Standard colours: White (001), Bone (004), Biscuit (007)	\$ 662
105810-000-007		\$ 662
105810-000-004		\$ 662

ACCESSORIES

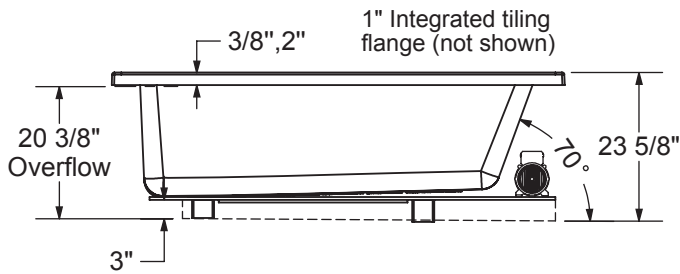
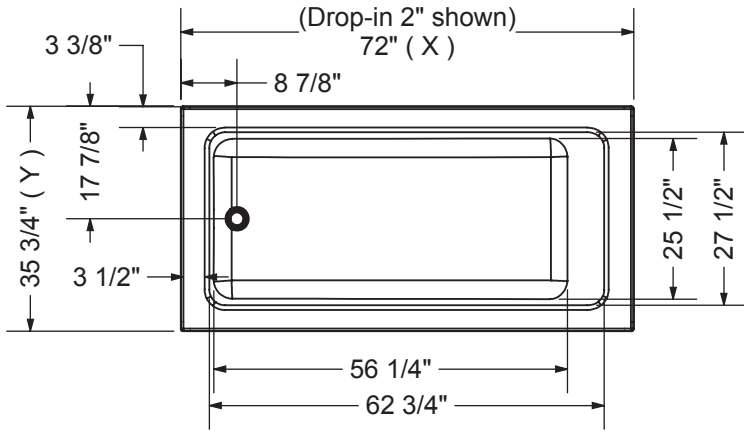
SKU	Description	MSRP
10006923	Flexible main hose (9 ft. extension) for air push control air massage - Kit (sold separately)	\$ 191
10012135-105	Waste and overflow (16 to 22 in.) (sold separately)	\$ 166
10012135-084	Available colours: Chrome (084) and Brushed Nickel (105)	\$ 124
10019708	Flexible main hose for blower with combined systems (sold separately) Includes: 15ft (4.57m) hose, 2 clips, 1 nylon coupling and 1 power cord	\$ 356
10004306-001	White foam cushion with 2 suction pads (sold separately) Available color: White (001)	\$ 126
10019591-105	Hydrosens™ (107) & Combined Hydrosens™ and Aerosens® (109) trim kit (sold separately) Air control covers not included	\$ 797
10019591-084	Available colours: Chrome (084) and Brushed Nickel (105)	\$ 797
10022491-084	Cable-operated waste and overflow (16 in. to 22 in.) (sold separately) Available colors: White (001), Bone (004), Chrome (084) and Brushed Nickel (105)	\$ 332
10022491-004		\$ 332
10022491-105		\$ 332

ACCESSORIES

SKU	Description	MSRP
10022491-001	Cable-operated waste and overflow (16 in. to 22 in.) (sold separately) Available colors: White (001), Bone (004), Chrome (084) and Brushed Nickel (105)	\$ 332

FOOTNOTES

No	Description
1	Components for standard colour units equipped with systems are colour-coordinated. Trim kit and/or air push with metallic finish can be added (additional charge applies). For non-standard colour units, please specify trim kit and/or air push colour (additional charge applies for metallic finishes). Please note that the positioning of the system's control could be in conflict with the door if one was installed on the unit. To insure compatibility, please contact customer service.
6	Specify 3/8 (Lite option) or 2 in. on deck height. If ordering unit with an apron, only 2 in. deck height is available.
8	Two 6 in. or 12 in. metal or acrylic grab bars are optional. Factory installed, only one positioning is possible (see technical drawings on https://www.maax.com).
27	Please note the Backmax is positioned on the same side as the pump.
54	A selection of units come with an access panel by default when equipped with a system. However, if the unit is only equipped with chromatherapy, the access panel will not be provided by default.



	DROP IN 2"	DROP IN 3/8"	ALCOVE
X	72"	71 7/8"	71 1/2"
Y	35 3/4"	35 5/8"	35 3/8"

Technical drawing is universal for all 7236 configurations. External dimension (X,Y) vary depending on configuration (see chart)

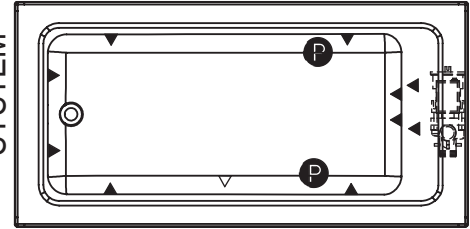
Wood support design may vary.

Integrated tiling flange: 1" height X 1/4" thickness (not shown)
Tiling flange position is determined by chosen configuration.

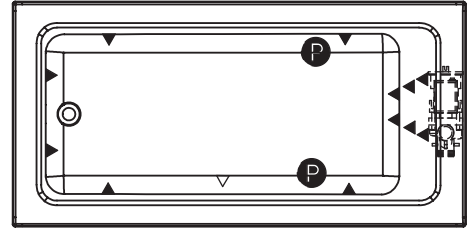
All dimensions are approximate.

Structure measurement must be verified against the unit to ensure proper fit.

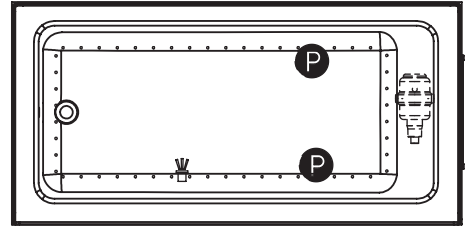
MICROJETS SYSTEM



HYDROSENS with BACKMAX SYSTEM

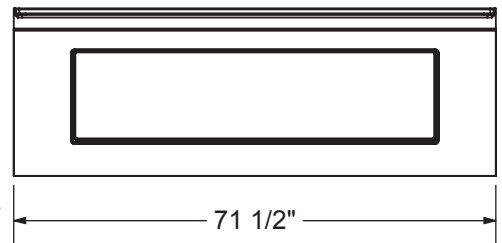


AIR SYSTEM



- (P) : Indicates optional grab bar positioning
- (▲) : Indicates whirlpool jets positioning
- (△) : Indicates suction positioning
- (●) : Indicates airjets positioning
- (☼) : Indicates chromatherapy light positioning

APRON (alcove version only)





Essence TO-6030

RECTANGULAR BATHTUBS - ACRYLX



Material : AcrylX

Min: 19.5 Gal / 89 L

Max: 30 Gal / 136 L

Features

- › Integrated apron and tiling flange with 1 1/2" wrap around back splash
- › Textured floor
- › Right or left hand drain
- › Alcove installation
- › Product available with or without Above -Floor- Rough (AFR)

ESSENCE TO-6030 - 148008

SKU	System	Color	Configuration	Dimensions & Weight	Packaging	MSRP
148008-000-002-284	Soaker - No System	White	Left	59 3/4" x 30" x 18 1/2" / 52 lb / 24 kg	28 ft ³	\$ 1062
148008-000-002-285			Right			\$ 1062

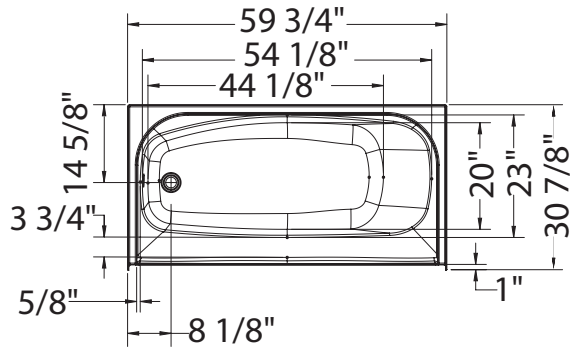
ESSENCE TO-6030 AFR - 148009

SKU	System	Color	Configuration	Dimensions & Weight	Packaging	MSRP
148009-000-002-784	Soaker - No System	White	Left	59 3/4" x 29 7/8" x 20 7/8" / 52 lb / 24 kg	28 ft ³	\$ 1062
148009-000-002-785			Right			\$ 1062

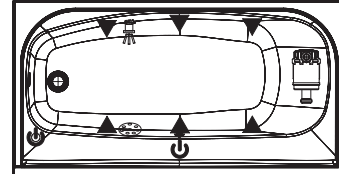
ACCESSORIES

SKU	Description	MSRP
10004306-001	White foam cushion with 2 suction pads (sold separately) Available color: White (001)	\$ 126
10024636-002	Tile Adaptor (for door installation) Available colors: White (002), Bone (004) and Biscuit (007)	\$ 238
10024636-004		\$ 238
10024636-007		\$ 238
10022491-084	Cable-operated waste and overflow (16 in. to 22 in.) (sold separately) Available colors: White (001), Bone (004), Chrome (084) and Brushed Nickel (105)	\$ 332
10022491-004		\$ 332
10022491-105		\$ 332
10022491-001		\$ 332

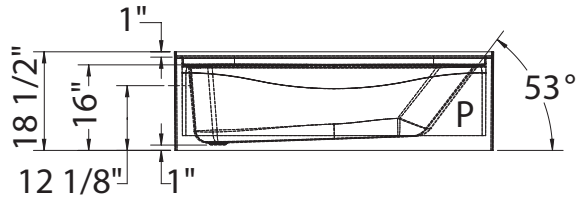
NO SYSTEM



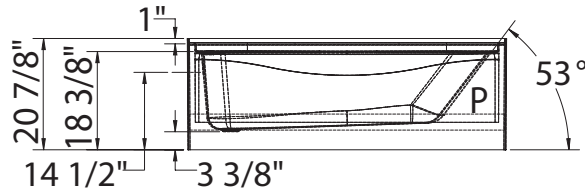
WHIRLPOOL WITH CHROMATHERAPY



NOT ABOVE-THE-FLOOR



ABOVE-THE-FLOOR



- (▲): Indicates Whirlpool jets positioning
- (△): Indicates suction positioning
- (▽): Indicates chromatherapy light positioning

All dimensions are approximate. Structure measurements must be verified against the unit to ensure proper fit.

Essence TO-6032



RECTANGULAR BATHTUBS - ACRYLX



Material : AcrylX

Min: 19.8 Gal / 90 L

Max: 31 Gal / 141 L

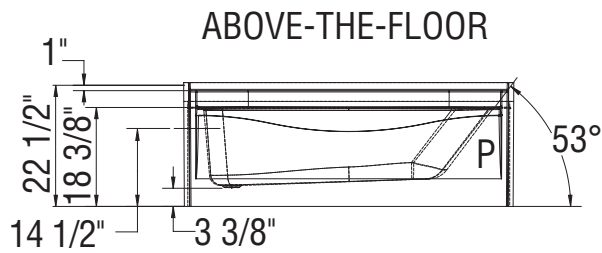
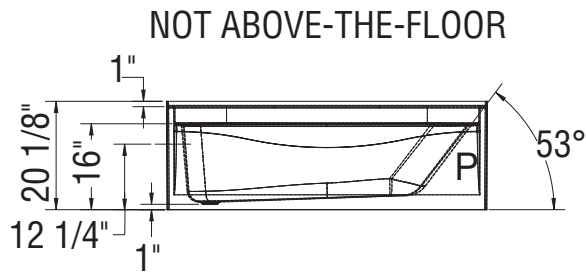
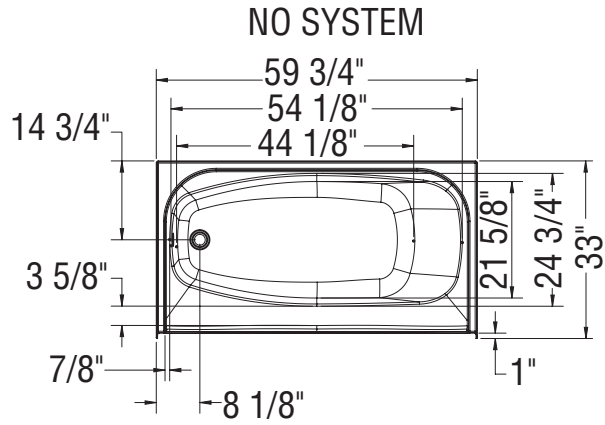
Features

- › 3" wrap around backplash
- › Integrated apron and tiling flange
- › Textured floor
- › Right or left drain
- › Alcove installation
- › Product available with or without Above -Floor-Rough (AFR)

ESSENCE TO-6032 - 148014						
SKU	System	Color	Configuration	Dimensions & Weight	Packaging	MSRP
148014-000-002-284	Soaker - No System	White	Left	59 3/4" x 32" x 20 1/2" / 52 lb / 24 kg	28 ft³	\$ 1165
148014-000-002-285			Right			\$ 1165

ESSENCE TO-6032 AFR - 148015						
SKU	System	Color	Configuration	Dimensions & Weight	Packaging	MSRP
148015-000-002-784	Soaker - No System	White	Left	59 3/4" x 32" x 22 1/2" / 52 lb / 24 kg	28 ft³	\$ 1165
148015-000-002-785			Right			\$ 1165

ACCESSORIES		
SKU	Description	MSRP
10004306-001	White foam cushion with 2 suction pads (sold separately) Available color: White (001)	\$ 126
10024636-002	Tile Adaptor (for door installation) Available colors: White (002), Bone (004) and Biscuit (007)	\$ 238
10024636-004		\$ 238
10024636-007		\$ 238
10022491-084	Cable-operated waste and overflow (16 in. to 22 in.) (sold separately) Available colors: White (001), Bone (004), Chrome (084) and Brushed Nickel (105)	\$ 332
10022491-004		\$ 332
10022491-105		\$ 332
10022491-001		\$ 332



All dimensions are approximate. Structure measurements must be verified against the unit to ensure proper fit.

Nomad 6030



RECTANGULAR BATHTUBS - ACRYLX



Material : AcrylX
 Max: 42 Gal / 193 L

Features

- › Modern minimalist and comfortable design
- › Integrated flat skirt and tiling flange
- › Textured bottom
- › Compatible with U tile and NexTile wall solutions
- › Available in Above-the-Floor Rough (AFR) or not

NOMAD 6030 AFR - 106662

SKU	System	Color	Configuration	Dimensions & Weight	Packaging	MSRP
106662-000-002-001	Soaker - No System	White	Left	59 3/4" x 31" x 20" / 71 lb / 32 kg	26.5 ft³	\$ 1354
106662-000-002-002			Right			\$ 1354

NOMAD 6030 - 106663

SKU	System	Color	Configuration	Dimensions & Weight	Packaging	MSRP
106663-000-002-100	Soaker - No System	White	Left	59 7/8" x 30" x 20" / 71 lb / 32 kg	26.5 ft³	\$ 1354
106663-000-002-101			Right			\$ 1354

COMMON OPTIONS

SKU	Description	MSRP
OPT20137-004	Cable-operated waste and overflow (16 in. to 22 in.) (included in product packaging when purchased) Available colors: White (001), Bone (004), Chrome (084) and Brushed Nickel (105)	\$ 332
OPT20137-084		\$ 332
OPT20137-105		\$ 332
OPT20137-001		\$ 332

ACCESSORIES

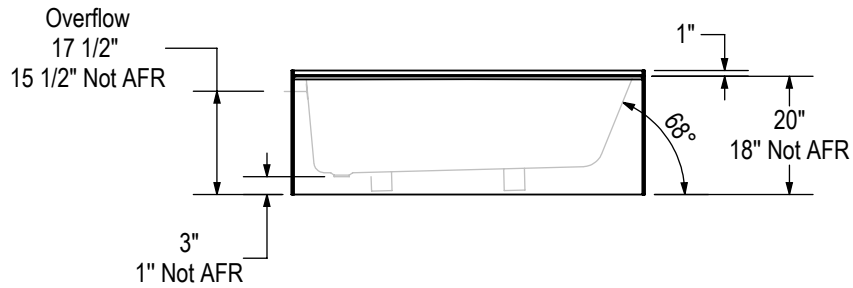
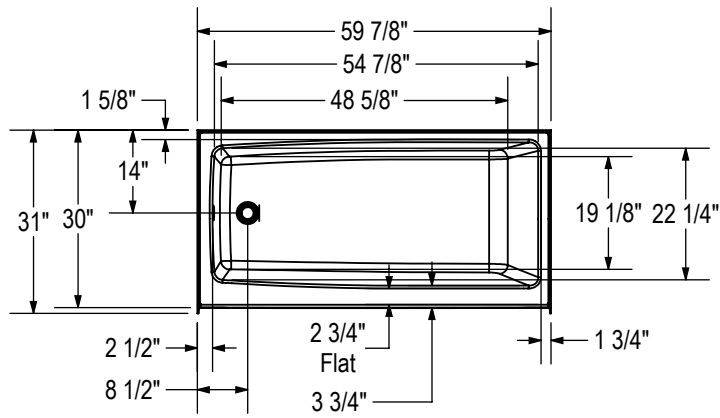
SKU	Description	MSRP
10004306-001	White foam cushion with 2 suction pads (sold separately) Available color: White (001)	\$ 126

ACCESSORIES

SKU	Description	MSRP
10022491-084	Cable-operated waste and overflow (16 in. to 22 in.) (sold separately) Available colors: White (001), Bone (004), Chrome (084) and Brushed Nickel (105)	\$ 332
10022491-004		\$ 332
10022491-105		\$ 332
10022491-001		\$ 332

RECOMMENDED DOORS

SKU	Product Name	Pag.
139398	Halo 56 ½-59 x 59 - 8mm	568
135246	Connect 57-58 1/2 x 57 - 6mm	572
135330	Incognito 57 Shaker 56-59 x 56 ¾ - 8mm	546
138994	Luminescence SlidingDoor 56 ½-59 x 55 ½-57 ½ - 6mm	570
136695	Revelation Round 56-59 x 56 ¾-59 ¼ - 8 mm	558
136692	Revelation Round 56-59 x 56 ¾-59 ¼ - 6mm	556
136270	Duel 56-59 x 55 ½ x 59 - 8 mm	544
137682	Outback 55 ¼ - 58 1/2 x 57 - 8mm	574
105410	Polar 54-59 ½ x 57 in.	554
135673	Aura 55-59 x 57 - 8mm	566
135320	Uptown 56-59 x 58 in. 8 mm	560
139354	Incognito 57 56-59 x 56 ¾ - 8mm	552
139351	Incognito 57 56-59 x 56 ¾ - 6mm	548



Wood support design may vary.

All dimensions are approximate. Structure measurements must be verified against the unit to ensure proper fit.

Nomad 6032



Material : AcrylX
 Max: 48 Gal / 218 L

Features

- › Modern minimalist and comfortable design
- › Integrated flat skirt and tiling flange
- › Textured bottom
- › Available in Above-the-Floor Rough (AFR) or not
- › Compatible with U tile shower panels

RECTANGULAR BATHTUBS - ACRYLX

NOMAD 6032 AFR - 106666

SKU	System	Color	Configuration	Dimensions & Weight	Packaging	MSRP
106666-000-002-001	Soaker - No System	White	Left	59 7/8" x 30" x 18" / 75 lb / 34 kg	28.6 ft ³	\$ 1389
106666-000-002-002			Right			\$ 1389

NOMAD 6032 - 106667

SKU	System	Color	Configuration	Dimensions & Weight	Packaging	MSRP
106667-000-002-100	Soaker - No System	White	Left	59 3/4" x 33" x 18" / 75 lb / 34 kg	28.6 ft ³	\$ 1389
106667-000-002-101			Right			\$ 1389

COMMON OPTIONS

SKU	Description	MSRP
OPT20137-004	Cable-operated waste and overflow (16 in. to 22 in.) (included in product packaging when purchased) Available colors: White (001), Bone (004), Chrome (084) and Brushed Nickel (105)	\$ 332
OPT20137-084		\$ 332
OPT20137-105		\$ 332
OPT20137-001		\$ 332

ACCESSORIES

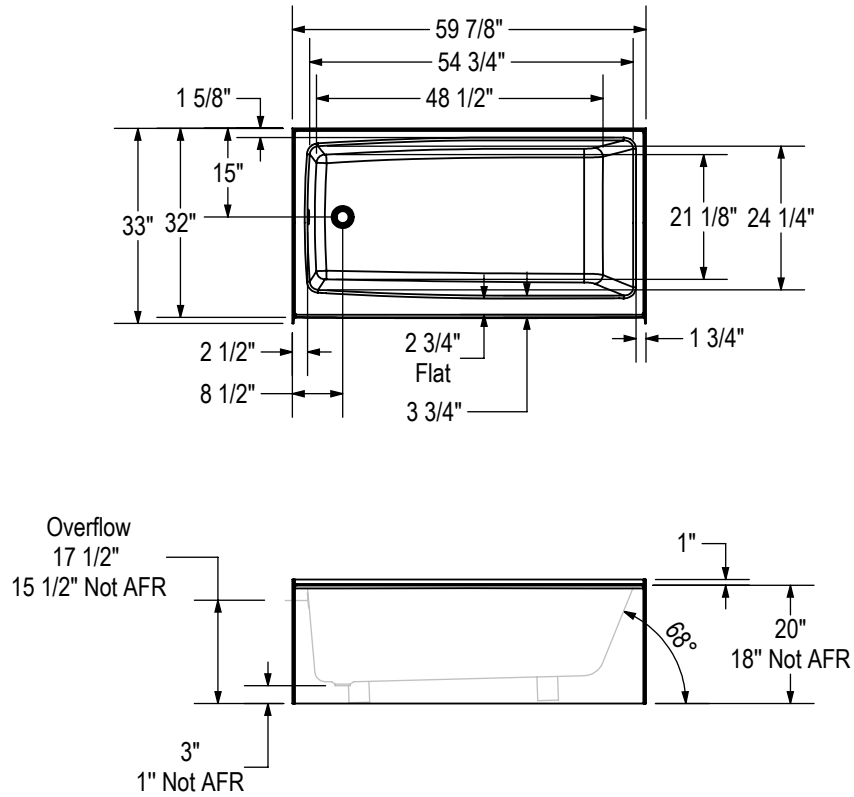
SKU	Description	MSRP
10004306-001	White foam cushion with 2 suction pads (sold separately) Available color: White (001)	\$ 126

ACCESSORIES

SKU	Description	MSRP
10022491-084	Cable-operated waste and overflow (16 in. to 22 in.) (sold separately) Available colors: White (001), Bone (004), Chrome (084) and Brushed Nickel (105)	\$ 332
10022491-004		\$ 332
10022491-105		\$ 332
10022491-001		\$ 332

RECOMMENDED DOORS

SKU	Product Name	Pag.
139398	Halo 56 ½-59 x 59 - 8mm	568
135246	Connect 57-58 1/2 x 57 - 6mm	572
135330	Incognito 57 Shaker 56-59 x 56 ¾ - 8mm	546
138994	Luminescence SlidingDoor 56 ½-59 x 55 ½-57 ½ - 6mm	570
136695	Revelation Round 56-59 x 56 ¾-59 ¼ - 8 mm	558
136692	Revelation Round 56-59 x 56 ¾-59 ¼ - 6mm	556
136270	Duel 56-59 x 55 ½ x 59 - 8 mm	544
137682	Outback 55 ¼ - 58 1/2 x 57 - 8mm	574
105410	Polar 54-59 ½ x 57 in.	554
135673	Aura 55-59 x 57 - 8mm	566
135320	Uptown 56-59 x 58 in. 8 mm	560
139354	Incognito 57 56-59 x 56 ¾ - 8mm	552
139351	Incognito 57 56-59 x 56 ¾ - 6mm	548



Wood support design may vary.

All dimensions are approximate. Structure measurements must be verified against the unit to ensure proper fit.



Nomad Corner 6030

RECTANGULAR BATHTUBS - ACRYLX



Material : AcrylX
 Max: 41 Gal / 184 L

Features

- › Seamless 1-piece corner style bathtub
- › Modern minimalist design with a freestanding look
- › Right or left-hand drain (drain is always on the wall side)
- › Integrated flat skirt and tiling flange
- › Textured bottom
- › Available with or without Above-the-Floor Rough (AFR)

NOMAD 6030 - 106817						
SKU	System	Color	Configuration	Dimensions & Weight	Packaging	MSRP
106817-000-002-001	Soaker - No System	White	Left	59 7/8" x 30" x 18" / 70 lb / 32 kg	26.5 ft ³	\$ 2215
106817-000-002-002			Right			\$ 2215

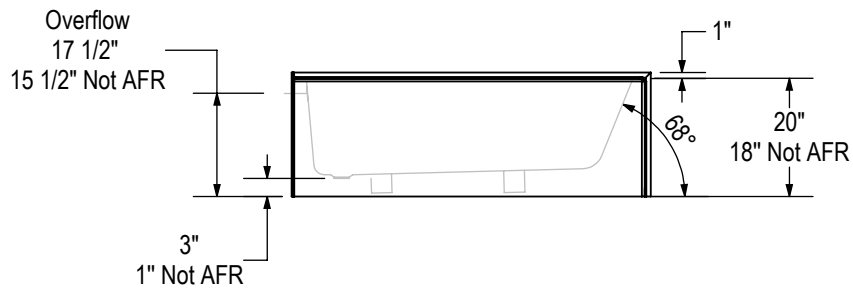
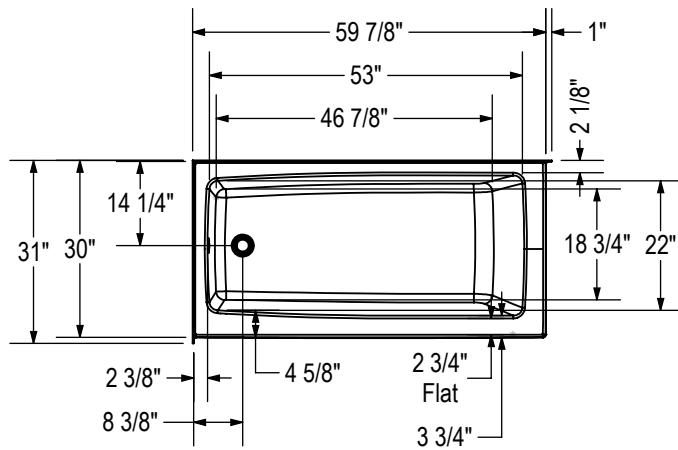
NOMAD 6030 AFR - 106818						
SKU	System	Color	Configuration	Dimensions & Weight	Packaging	MSRP
106818-000-002-101	Soaker - No System	White	Left	59 7/8" x 30" x 20" / 70 lb / 32 kg	26.5 ft ³	\$ 2215
106818-000-002-102			Right			\$ 2215

COMMON OPTIONS		
SKU	Description	MSRP
OPT20137-004	Cable-operated waste and overflow (16 in. to 22 in.) (included in product packaging when purchased) Available colors: White (001), Bone (004), Chrome (084) and Brushed Nickel (105)	\$ 332
OPT20137-084		\$ 332
OPT20137-105		\$ 332
OPT20137-001		\$ 332

ACCESSORIES		
SKU	Description	MSRP
10004306-001	White foam cushion with 2 suction pads (sold separately) Available color: White (001)	\$ 126

ACCESSORIES

SKU	Description	MSRP
10022491-084	Cable-operated waste and overflow (16 in. to 22 in.) (sold separately) Available colors: White (001), Bone (004), Chrome (084) and Brushed Nickel (105)	\$ 332
10022491-004		\$ 332
10022491-105		\$ 332
10022491-001		\$ 332



Wood support design may vary.

All dimensions are approximate. Structure measurements must be verified against the unit to ensure proper fit.



Nomad Corner 6032



Material : AcrylX
 Max: 44 Gal / 201 L

Features

- › Seamless 1-piece corner style bathtub
- › Modern minimalist design with a freestanding look
- › Right or left-hand drain (drain is always on the wall side)
- › Integrated flat skirt and tiling flange
- › Textured bottom
- › Available with or without Above-the-Floor Rough (AFR)

RECTANGULAR BATHTUBS - ACRYLX

NOMAD 6032 - 106825

SKU	System	Color	Configuration	Dimensions & Weight	Packaging	MSRP
106825-000-002-001	Soaker - No System	White	Left	59 7/8" x 32" x 18" / 75 lb / 34 kg	28.6 ft ³	\$ 2296
106825-000-002-002			Right			\$ 2296

NOMAD 6032 AFR - 106826

SKU	System	Color	Configuration	Dimensions & Weight	Packaging	MSRP
106826-000-002-101	Soaker - No System	White	Left	59 7/8" x 32" x 20" / 75 lb / 34 kg	28.6 ft ³	\$ 2296
106826-000-002-102			Right			\$ 2296

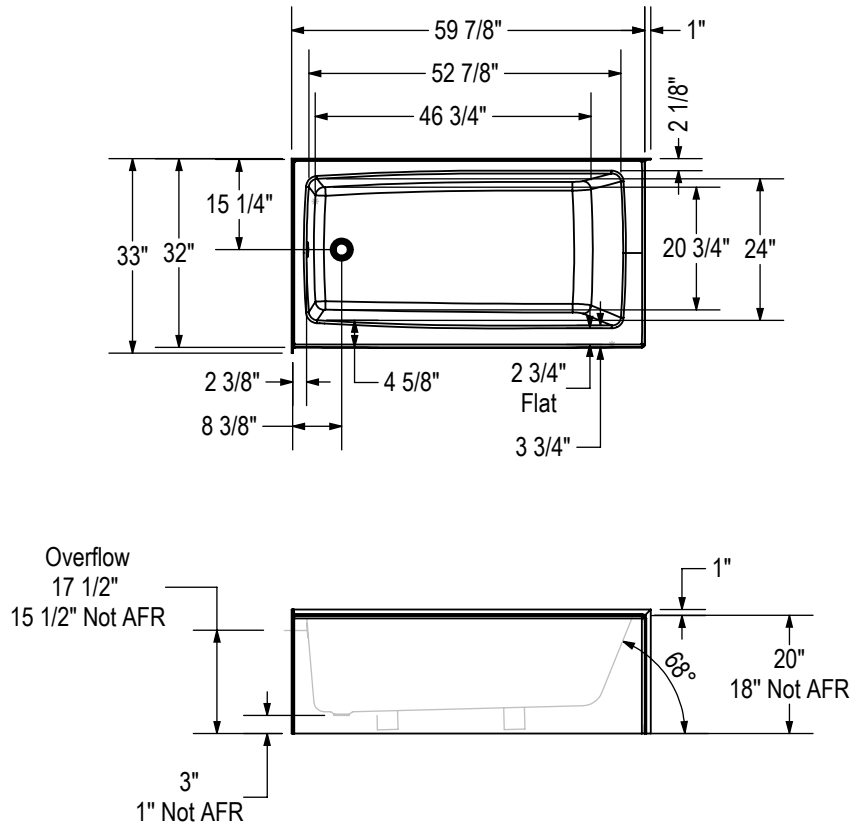
COMMON OPTIONS

SKU	Description	MSRP
OPT20137-004	Cable-operated waste and overflow (16 in. to 22 in.) (included in product packaging when purchased) Available colors: White (001), Bone (004), Chrome (084) and Brushed Nickel (105)	\$ 332
OPT20137-084		\$ 332
OPT20137-105		\$ 332
OPT20137-001		\$ 332

ACCESSORIES

SKU	Description	MSRP
10004306-001	White foam cushion with 2 suction pads (sold separately) Available color: White (001)	\$ 126

ACCESSORIES		
SKU	Description	MSRP
10022491-084	Cable-operated waste and overflow (16 in. to 22 in.) (sold separately) Available colors: White (001), Bone (004), Chrome (084) and Brushed Nickel (105)	\$ 332
10022491-004		\$ 332
10022491-105		\$ 332
10022491-001		\$ 332



Wood support design may vary.

All dimensions are approximate. Structure measurements must be verified against the unit to ensure proper fit.

Shower Bases



36 in. Square Corner Base (3 in. height)
with Radia Square 36 in. door and walls

Rectangular Base 4234 - 3 in



Material : Acrylic

Features

- › 42x34 Acrylic Alcove Shower Base with Center Drain in White, direct to stud installation
- › 3 in. low threshold
- › Durable high shine acrylic stays warm to the touch and is easy to clean
- › Textured bottom
- › Center drain - consult MAAX technical drawing (specification) for exact dimensions
- › Limited warranty is for a period of 25 years, phone # 1-877-GET-MAAX

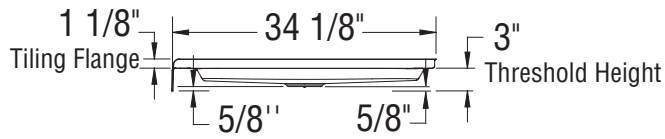
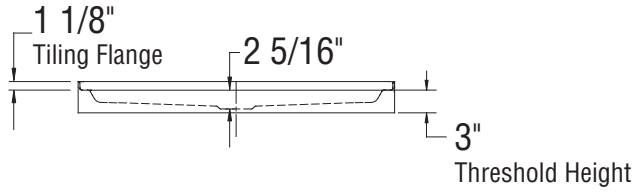
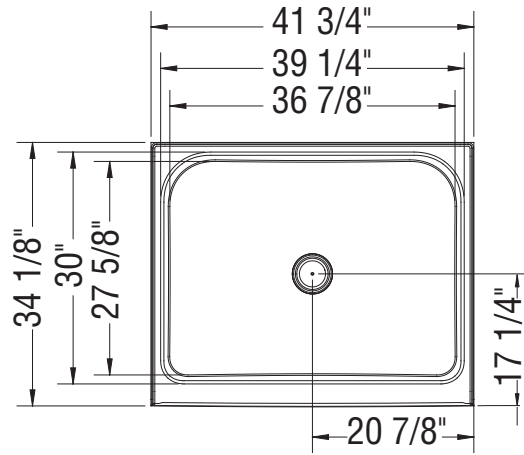
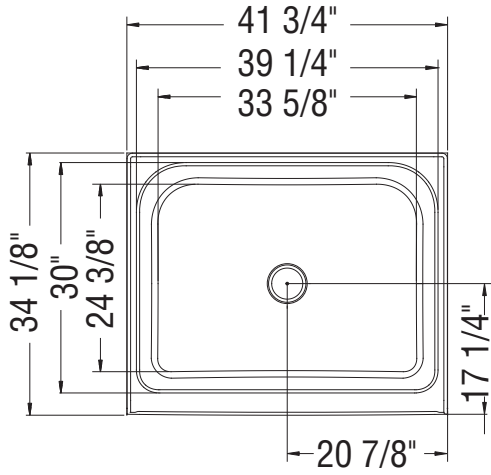


RECTANGULAR BASE 4234 - 3 IN - 102001

SKU	Color	Configuration	Dimensions & Weight	Packaging	MSRP
102001-000-001-000	White	Center / Alcove	41 3/4" x 34 1/8" x 4 1/8" / 48 lb / 22 kg	9.6 ft ³	\$ 923

RECOMMENDED DOORS

SKU	Product Name	Pag.
138268	Manhattan 39-41 x 68 - 6mm	368
138520	Incognito 74 39-42x74in. 8mm	333
139576	Reveal Sleek 71 38-41 x 71 1/2 - 8mm	381
136679	Reveal 71 38-41 x 71 1/2 - 8 mm	379
135662	Aura 40-44 x 71 - 6mm	347



All dimensions are approximate. Structure measurements must be verified against the unit to ensure proper fit.



Rectangular Base 4236 - 3 in.



Material : Acrylic

Features

- › 42x36 Acrylic Alcove Shower Base with Center Drain in White, direct to stud installation
- › 3 in. low threshold
- › Durable high shine acrylic stays warm to the touch and is easy to clean
- › Textured bottom
- › Center drain - consult MAAX technical drawing (specification) for exact dimensions
- › Limited warranty is for a period of 25 years, phone # 1-877-GET-MAAX

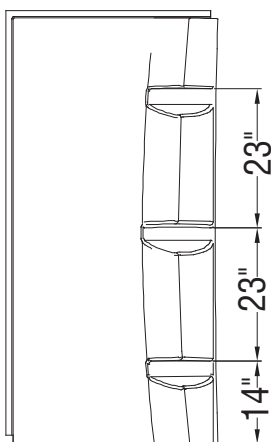
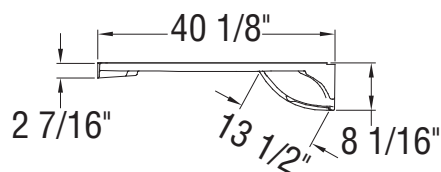
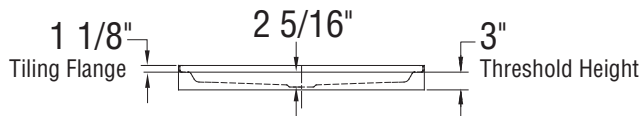
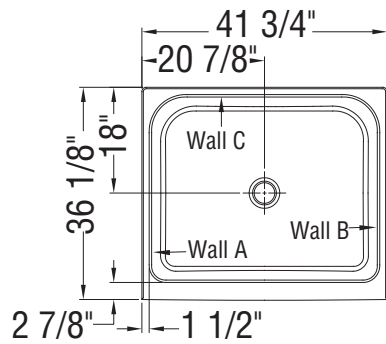
ALCOVE BASES - ACRYLIC

RECTANGULAR BASE 4236 - 3 IN. - 105718

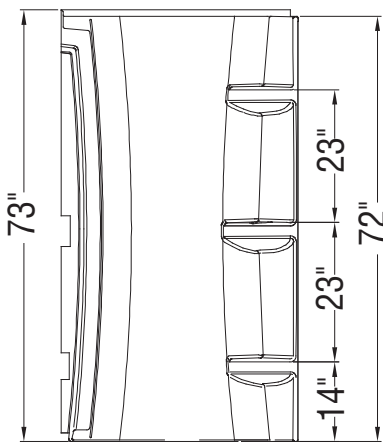
SKU	Color	Configuration	Dimensions & Weight	Packaging	MSRP
105718-000-001-000	White	Center / Alcove	41 3/4" x 36 1/8" x 4 1/8" / 48 lb / 22 kg	9.6 ft ³	\$ 940

RECOMMENDED DOORS

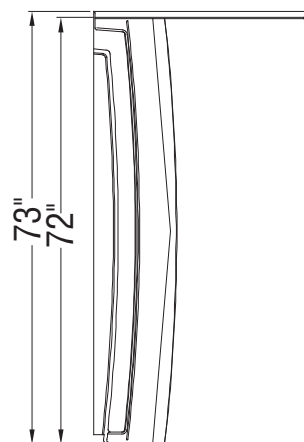
SKU	Product Name	Pag.
138268	Manhattan 39-41 x 68 - 6mm	368
138520	Incognito 74 39-42x74in. 8mm	333
139576	Reveal Sleek 71 38-41 x 71 1/2 - 8mm	381
136679	Reveal 71 38-41 x 71 1/2 - 8 mm	379
135662	Aura 40-44 x 71 - 6mm	347



Wall A



Wall C



Wall B

All dimensions are approximate. Structure measurements must be verified against the unit to ensure proper fit.

Rectangular Base 4832 - 3 in



Material : Acrylic

Features

- › Low threshold base
- › Textured bottom
- › Deflecting strip preventing water penetration behind the shower
- › Alcove installation
- › Easy front installation walls with snap clips are available
- › Center drain

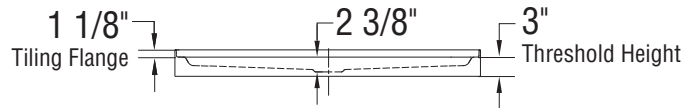
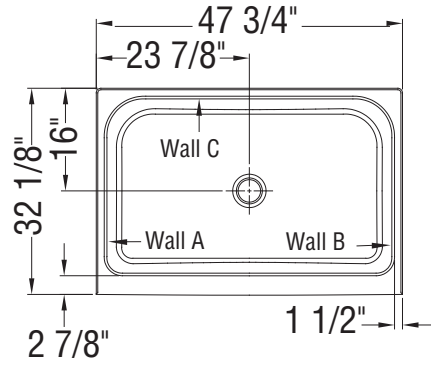
ALCOVE BASES - ACRYLIC

RECTANGULAR BASE 4832 - 3 IN - 101433

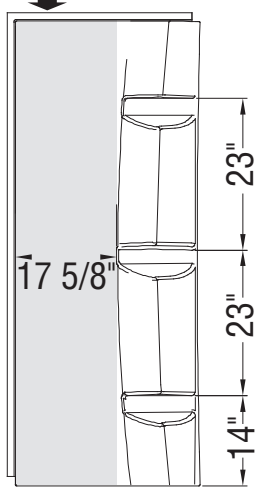
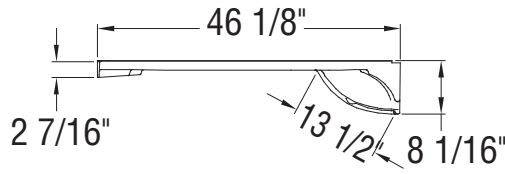
SKU	Color	Configuration	Dimensions & Weight	Packaging	MSRP
101433-000-001-000	White	Center / Alcove	47 3/4" x 32 1/8" x 4 1/8" / 50 lb / 23 kg	9.6 ft ³	\$ 940

RECOMMENDED DOORS

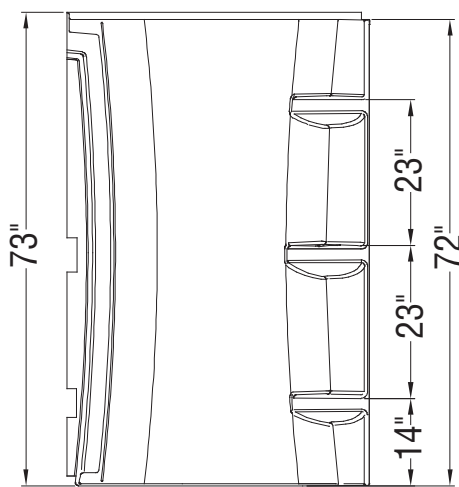
SKU	Product Name	Pag.
135321	Uptown 44-47 x 76 in. 8 mm	345
139352	Incognito 70 44-47 x 70 1/2 - 8mm	331
139349	Incognito 44-47 x 70 1/2 in. 6mm	329
135671	Aura 43-47 x 71 - 8mm	355
136693	Revelation Round 44-47 x 70 1/2-73 - 8mm	343
135323	Uptown 44-47 x 76 in. 8 mm	392
135325	Uptown 45-47 x 76 in. 8 mm	384
135242	Connect 45-46 1/2 x 72 - 6mm	394
139578	Reveal Sleek 71 44-47 x 71 1/2 - 8mm	382
135331	Incognito 76 Shaker 44-47 x 76 - 8mm	335
136271	Duel 44-47 x 70 1/2 x 74 - 8 mm	326
137421	Odyssey SC 45-47 1/2 x 78 - 8 mm	390
135663	Aura 43-47 x 71 - 6mm	348
138996	Halo 44 1/2-47 x 78 3/4 - 8mm	386
137680	Outback 43 1/4 - 46 1/2 x 70 1/2 - 8mm	397



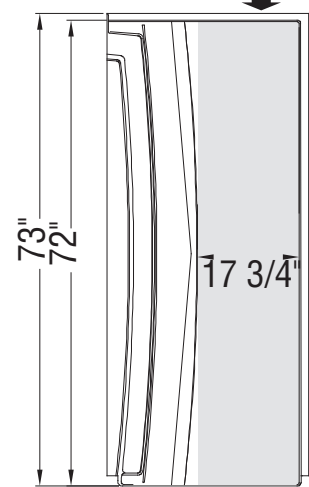
Important
Center your plumbing in the highlighted area. Exact plumbing position may vary upon model specifications, please refer to the supplier's instructions for more details



Wall A



Wall C



Wall B

All dimensions are approximate. Structure measurements must be verified against the unit to ensure proper fit.

Rectangular Base 4834 - 3 in



Material : Acrylic

Features

- › 48x34 Acrylic Alcove Shower Base with Center Drain in White, direct to stud installation
- › 3 in. low threshold
- › Durable high shine acrylic stays warm to the touch and is easy to clean
- › Textured bottom
- › Center drain - consult MAAX technical drawing (specification) for exact dimensions
- › Limited warranty is for a period of 25 years, phone # 1-877-GET-MAAX

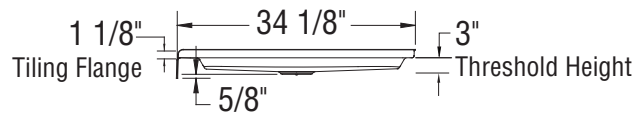
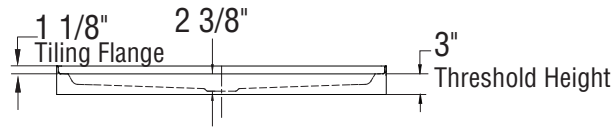
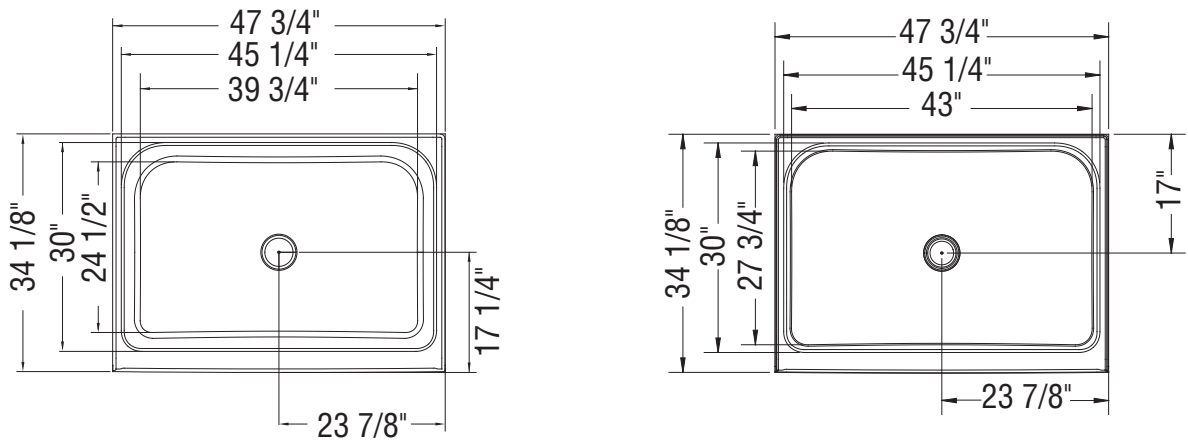


RECTANGULAR BASE 4834 - 3 IN - 102002

SKU	Color	Configuration	Dimensions & Weight	Packaging	MSRP
102002-000-001-000	White	Center / Alcove	47 3/4" x 34 1/8" x 4 1/8" / 52 lb / 24 kg	9.6 ft ³	\$ 961

RECOMMENDED DOORS

SKU	Product Name	Pag.
135321	Uptown 44-47 x 76 in. 8 mm	345
139352	Incognito 70 44-47 x 70 1/2 - 8mm	331
139349	Incognito 44-47 x 70 1/2 in. 6mm	329
135671	Aura 43-47 x 71 - 8mm	355
136693	Revelation Round 44-47 x 70 1/2-73 - 8mm	343
135323	Uptown 44-47 x 76 in. 8 mm	392
135325	Uptown 45-47 x 76 in. 8 mm	384
135242	Connect 45-46 1/2 x 72 - 6mm	394
139578	Reveal Sleek 71 44-47 x 71 1/2 - 8mm	382
135331	Incognito 76 Shaker 44-47 x 76 - 8mm	335
136271	Duel 44-47 x 70 1/2 x 74 - 8 mm	326
137421	Odyssey SC 45-47 1/2 x 78 - 8 mm	390
135663	Aura 43-47 x 71 - 6mm	348
138996	Halo 44 1/2-47 x 78 3/4 - 8mm	386
137680	Outback 43 1/4 - 46 1/2 x 70 1/2 - 8mm	397



All dimensions are approximate. Structure measurements must be verified against the unit to ensure proper fit.

Rectangular Base 4836 - 3 in



Material : Acrylic

Features

- > Proudly made in Canada
- > 48 x36 Acrylic Alcove Shower Base with Center Drain in White, direct to stud installation
- > 3 in. low threshold
- > Durable high shine acrylic stays warm to the touch and is easy to clean
- > Textured bottom
- > Center drain - consult MAAX technical drawing (specification) for exact dimensions
- > Limited warranty is for a period of 25 years, phone # 1-877-GET-MAAX

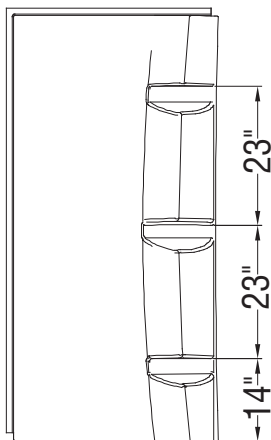
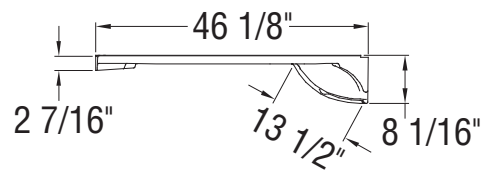
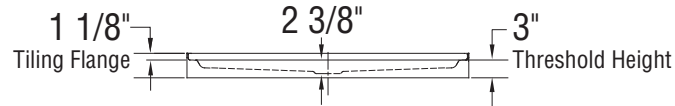
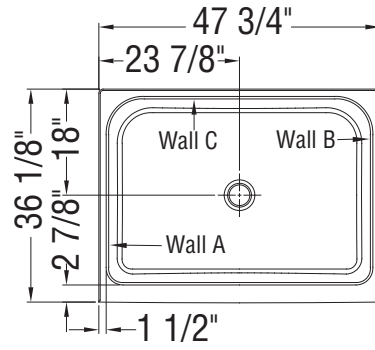
ALCOVE BASES - ACRYLIC

RECTANGULAR BASE 4836 - 3 IN - 105717

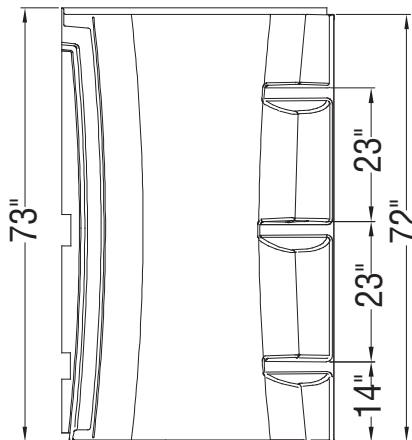
SKU	Color	Configuration	Dimensions & Weight	Packaging	MSRP
105717-000-001-000	White	Center / Alcove	47 3/4" x 36 1/8" x 4 1/8" / 53 lb / 24 kg	9.6 ft ³	\$ 982

RECOMMENDED DOORS

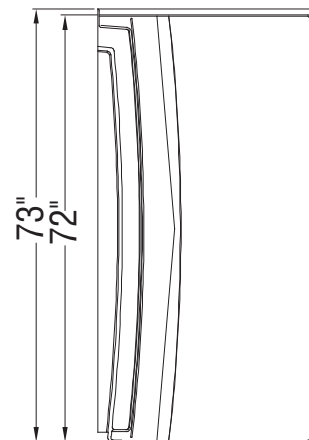
SKU	Product Name	Pag.
135321	Uptown 44-47 x 76 in. 8 mm	345
139352	Incognito 70 44-47 x 70 1/2 - 8mm	331
139349	Incognito 44-47 x 70 1/2 in. 6mm	329
135671	Aura 43-47 x 71 - 8mm	355
136693	Revelation Round 44-47 x 70 1/2-73 - 8mm	343
135323	Uptown 44-47 x 76 in. 8 mm	392
135325	Uptown 45-47 x 76 in. 8 mm	384
135242	Connect 45-46 1/2 x 72 - 6mm	394
139578	Reveal Sleek 71 44-47 x 71 1/2 - 8mm	382
135331	Incognito 76 Shaker 44-47 x 76 - 8mm	335
136271	Duel 44-47 x 70 1/2 x 74 - 8 mm	326
137421	Odyssey SC 45-47 1/2 x 78 - 8 mm	390
135663	Aura 43-47 x 71 - 6mm	348
138996	Halo 44 1/2-47 x 78 3/4 - 8mm	386
137680	Outback 43 1/4 - 46 1/2 x 70 1/2 - 8mm	397



Wall A



Wall C



Wall B

All dimensions are approximate. Structure measurements must be verified against the unit to ensure proper fit.



Rectangular Base 6030 - 3 in



Material : Acrylic

Features

- > Proudly made in Canada
- > 60x30 Acrylic Alcove Shower Base with Right-Hand Drain in White, direct to stud installation
- > 3 in. low threshold
- > Durable high shine acrylic stays warm to the touch and is easy to clean, available in white only
- > Textured bottom
- > Limited warranty is for a period of 25 years, phone # 1-877-GET-MAAX

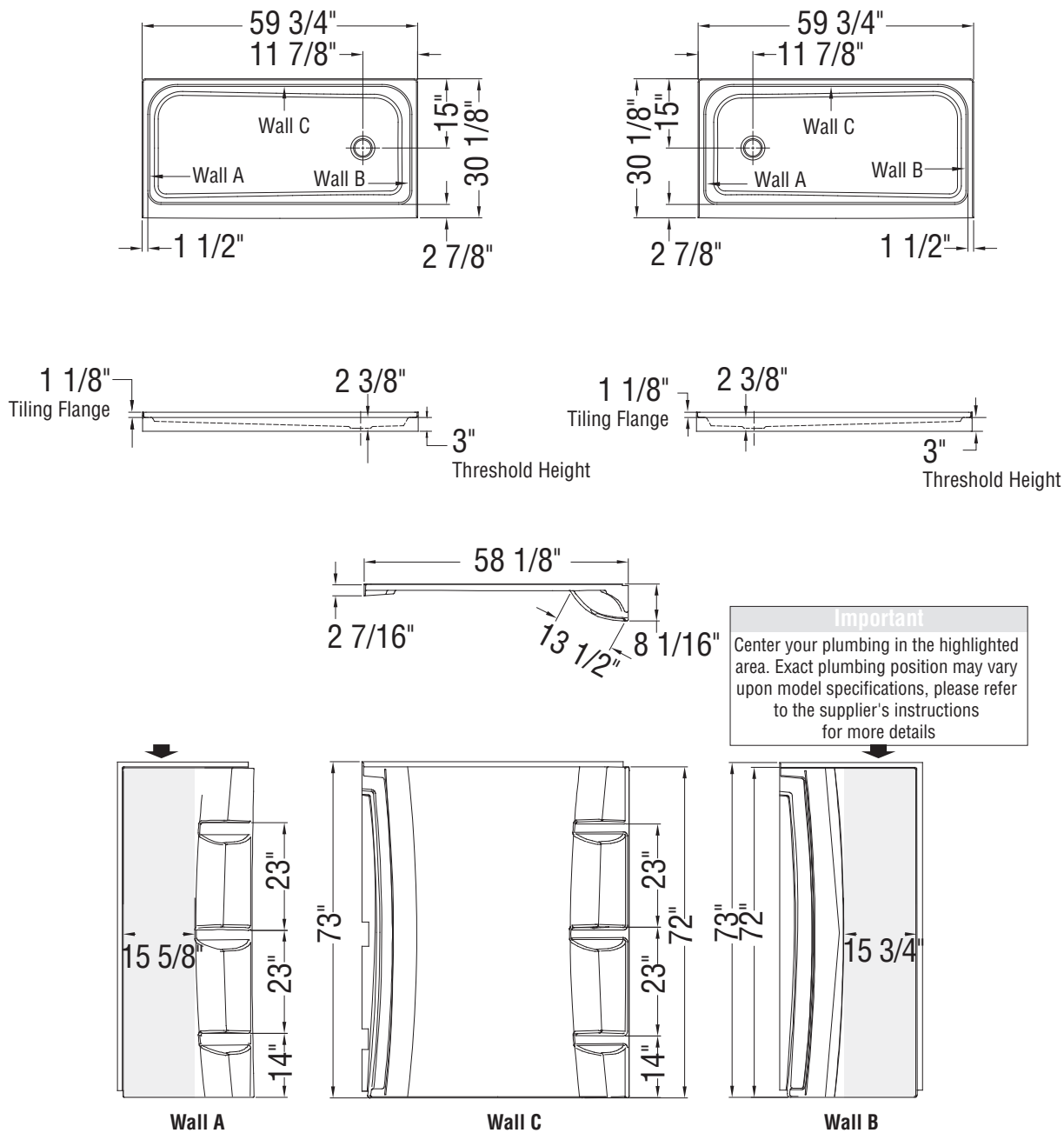
ALCOVE BASES - ACRYLIC

RECTANGULAR BASE 6030 - 3 IN - 105707

SKU	Color	Configuration	Dimensions & Weight	Packaging	MSRP
105707-000-001-001	White	Left / Alcove	59 3/4" x 30 1/8" x 4 1/8" / 53 lb / 24 kg	12 ft ³	\$ 1177
105707-000-001-002		Right / Alcove			\$ 1177

RECOMMENDED DOORS

SKU	Product Name	Pag.
138277	Manhattan 57-59 x 68 - 6mm	370
138997	Halo 56 1/2-59 x 78 3/4 - 8mm	386
139353	Incognito 70 56-59 x 70 1/2 - 8mm	331
139350	Incognito 56-59 x 70 1/2 in. 6mm	329
135332	Incognito 76 Shaker 56-59 x 76 - 8mm	335
135335	Incognito 76 56-59 x 76 - 8mm	325
136335	Incognito 76 Smoke 56-59 x 76 - 8mm	337
136691	Revelation Round 56-59 x 70 1/2-73 - 6mm	341
136694	Revelation Round 56-59 x 70 1/2-73 - 8mm	343
135322	Uptown 56-59 x 76 in. 8 mm	345
135324		392
135244	Connect 57-58 1/2 x 72 - 6mm	394
139580	Reveal Sleek 71 56-59 x 71 1/2 - 8mm	382
136272	Duel 56-58 1/2 x 70 1/2 x 74 - 8 mm	326
138762	Inverto 56-59 x 70 1/2-74 - 8mm	324



All dimensions are approximate. Structure measurements must be verified against the unit to ensure proper fit.



Rectangular Base 6032 - 3 in



Material : Acrylic

Features

- › 60x32 Acrylic Alcove Shower Base with Left-Hand Drain in White, direct to stud installation
- › 3 in. low threshold
- › Durable high shine acrylic stays warm to the touch and is easy to clean
- › Textured bottom
- › Limited warranty is for a period of 25 years, phone # 1-877-GET-MAAX

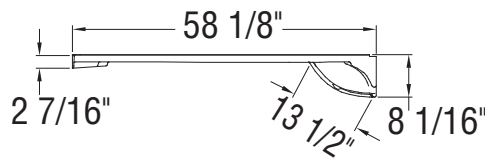
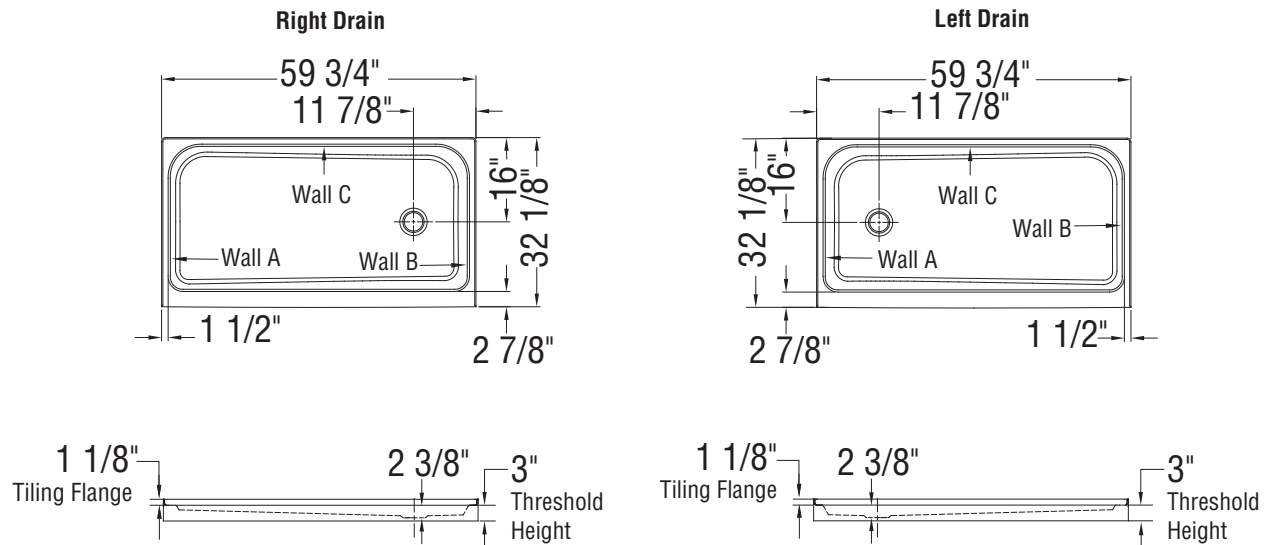
ALCOVE BASES - ACRYLIC

RECTANGULAR BASE 6032 - 3 IN - 105706

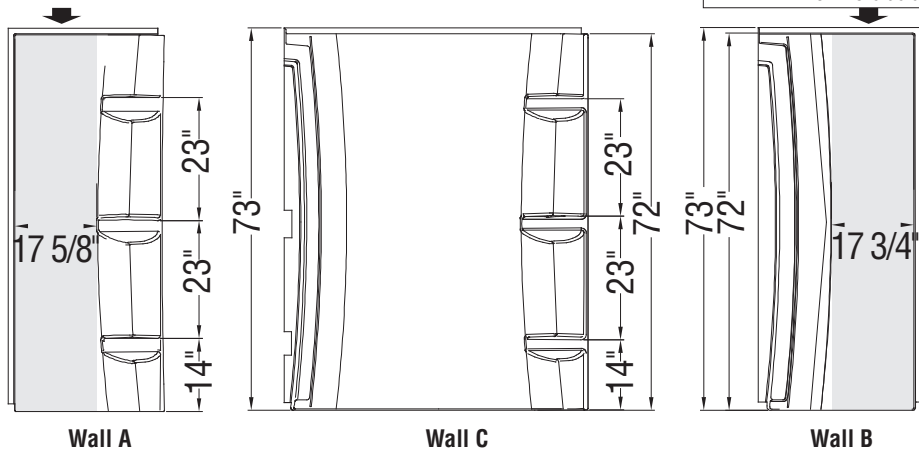
SKU	Color	Configuration	Dimensions & Weight	Packaging	MSRP
105706-000-001-001	White	Left / Alcove	59 3/4" x 32 1/8" x 4 1/8" / 55 lb / 25 kg	12 ft ³	\$ 1177
105706-000-001-002		Right / Alcove			\$ 1177

RECOMMENDED DOORS

SKU	Product Name	Pag.
138277	Manhattan 57-59 x 68 - 6mm	370
138997	Halo 56 1/2-59 x 78 3/4 - 8mm	386
139353	Incognito 70 56-59 x 70 1/2 - 8mm	331
139350	Incognito 56-59 x 70 1/2 in. 6mm	329
135332	Incognito 76 Shaker 56-59 x 76 - 8mm	335
135335	Incognito 76 56-59 x 76 - 8mm	325
136335	Incognito 76 Smoke 56-59 x 76 - 8mm	337
136691	Revelation Round 56-59 x 70 1/2-73 - 6mm	341
136694	Revelation Round 56-59 x 70 1/2-73 - 8mm	343
135322	Uptown 56-59 x 76 in. 8 mm	345
135324		392
135244	Connect 57-58 1/2 x 72 - 6mm	394
139580	Reveal Sleek 71 56-59 x 71 1/2 - 8mm	382
136272	Duel 56-58 1/2 x 70 1/2 x 74 - 8 mm	326
138762	Inverto 56-59 x 70 1/2-74 - 8mm	324



Important
Center your plumbing in the highlighted area. Exact plumbing position may vary upon model specifications, please refer to the supplier's instructions for more details



All dimensions are approximate. Structure measurements must be verified against the unit to ensure proper fit.

Rectangular Base 6034 - 3 in



Material : Acrylic

Features

- › 60x34 Acrylic Alcove Shower Base with Center Drain in White, direct to stud installation
- › 3 in. low threshold
- › Durable high shine acrylic stays warm to the touch and is easy to clean
- › Textured bottom
- › Center drain - consult MAAX technical drawing (specification) for exact dimensions
- › Limited warranty is for a period of 25 years, phone # 1-877-GET-MAAX

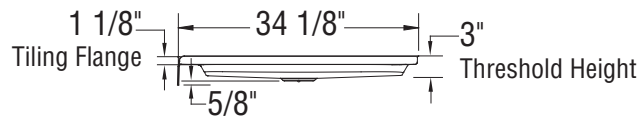
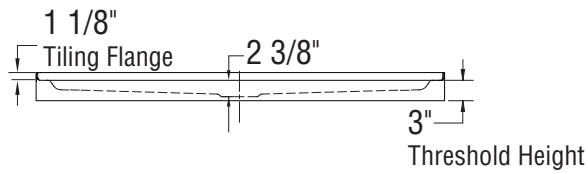
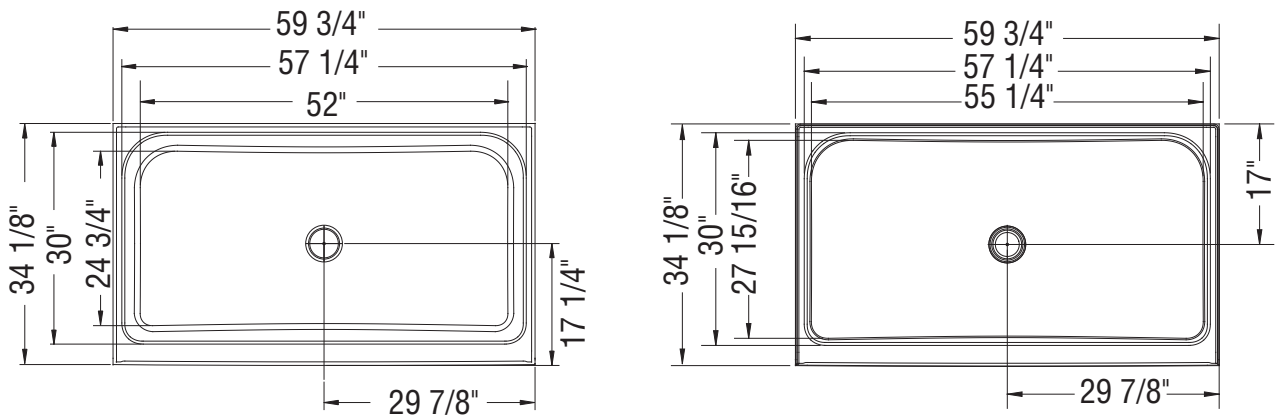


RECTANGULAR BASE 6034 - 3 IN - 102003

SKU	Color	Configuration	Dimensions & Weight	Packaging	MSRP
102003-000-001-000	White	Center / Alcove	59 3/4" x 34 1/8" x 4 1/8" / 58 lb / 26 kg	12 ft ³	\$ 1097

RECOMMENDED DOORS

SKU	Product Name	Pag.
138277	Manhattan 57-59 x 68 - 6mm	370
138997	Halo 56 1/2-59 x 78 3/4 - 8mm	386
139353	Incognito 70 56-59 x 70 1/2 - 8mm	331
139350	Incognito 56-59 x 70 1/2 in. 6mm	329
135332	Incognito 76 Shaker 56-59 x 76 - 8mm	335
135335	Incognito 76 56-59 x 76 - 8mm	325
136335	Incognito 76 Smoke 56-59 x 76 - 8mm	337
136691	Revelation Round 56-59 x 70 1/2-73 - 6mm	341
136694	Revelation Round 56-59 x 70 1/2-73 - 8mm	343
135322	Uptown 56-59 x 76 in. 8 mm	345
135324		392
135244	Connect 57-58 1/2 x 72 - 6mm	394
139580	Reveal Sleek 71 56-59 x 71 1/2 - 8mm	382
136272	Duel 56-58 1/2 x 70 1/2 x 74 - 8 mm	326
138762	Inverto 56-59 x 70 1/2-74 - 8mm	324



All dimensions are approximate. Structure measurements must be verified against the unit to ensure proper fit.

Rectangular Base 6036 - R/L Drain - 3 in.



ALCOVE BASES - ACRYLIC



Material : Acrylic

Features

- > 60x36 Acrylic Alcove Shower Base with Center Drain in White, direct to stud installation
- > 3 in. low threshold
- > Durable high shine acrylic stays warm to the touch and is easy to clean
- > Textured bottom
- > Center drain - consult MAAX technical drawing (specification) for exact dimensions
- > Limited warranty is for a period of 25 years, phone # 1-877-GET-MAAX

RECTANGULAR BASE 6036 - 3 IN - 105664

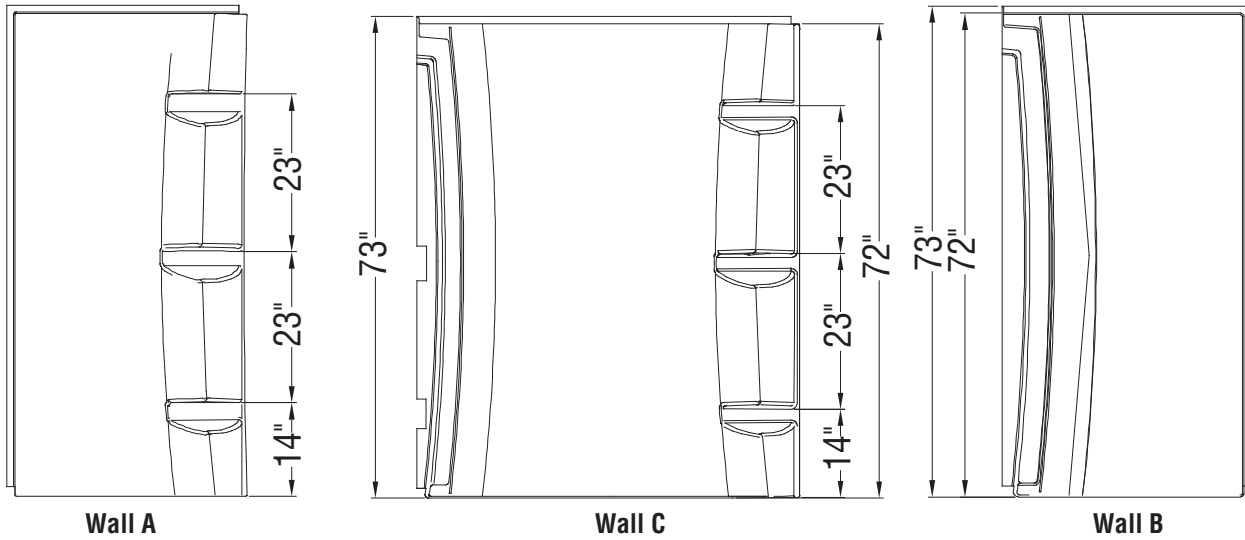
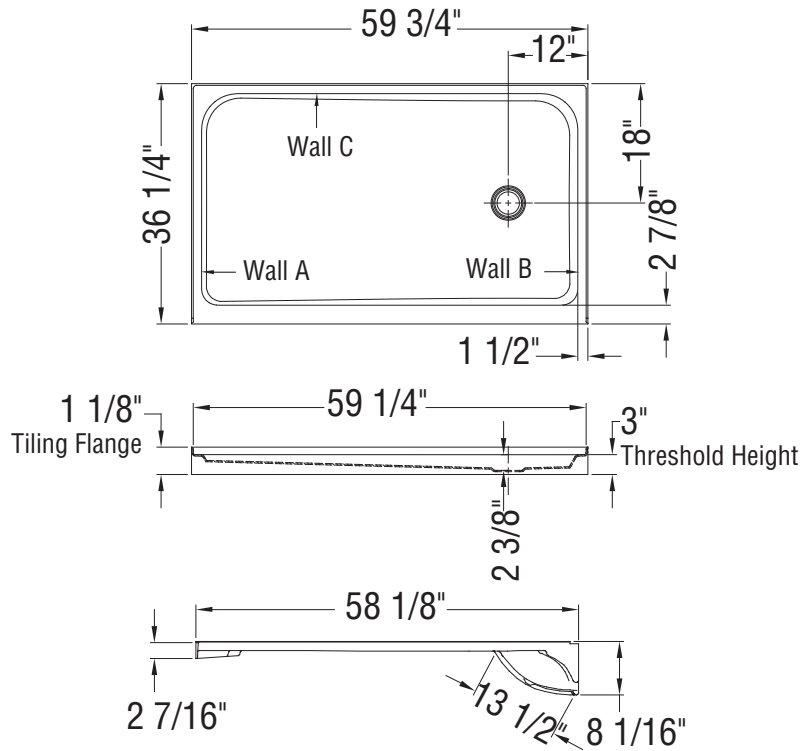
SKU	Color	Configuration	Dimensions & Weight	Packaging	MSRP
105664-000-001-000	White	Center / Alcove	59 3/4" x 36 1/8" x 4 1/8" / 58 lb / 26 kg	12 ft ³	\$ 1214

RECTANGULAR BASE 6036 - R/L DRAIN - 3 IN. - 105666

SKU	Color	Configuration	Dimensions & Weight	Packaging	MSRP
105666-000-001-001	White	Left / Alcove	59 3/4" x 36 1/4" x 4 1/8" / 58 lb / 26 kg	12 ft ³	\$ 1214
105666-000-001-002		Right / Alcove			\$ 1214

RECOMMENDED DOORS

SKU	Product Name	Pag.
138277	Manhattan 57-59 x 68 - 6mm	370
138997	Halo 56 1/2-59 x 78 3/4 - 8mm	386
139353	Incognito 70 56-59 x 70 1/2 - 8mm	331
139350	Incognito 56-59 x 70 1/2 in. 6mm	329
135332	Incognito 76 Shaker 56-59 x 76 - 8mm	335
135335	Incognito 76 56-59 x 76 - 8mm	325
136335	Incognito 76 Smoke 56-59 x 76 - 8mm	337
136691	Revelation Round 56-59 x 70 1/2-73 - 6mm	341



All dimensions are approximate. Structure measurements must be verified against the unit to ensure proper fit.



Rectangular Base 6042 - 3 in



Material : Acrylic

Features

- › Low threshold base
- › Textured bottom
- › Deflecting strip preventing water penetration behind the shower
- › Alcove installation
- › Easy front installation walls with snap clips are available
- › Centre drain

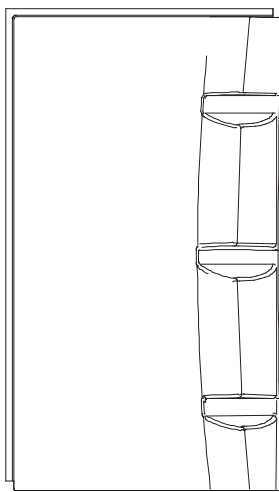
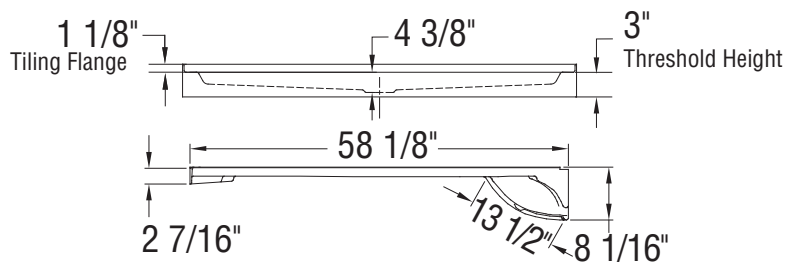
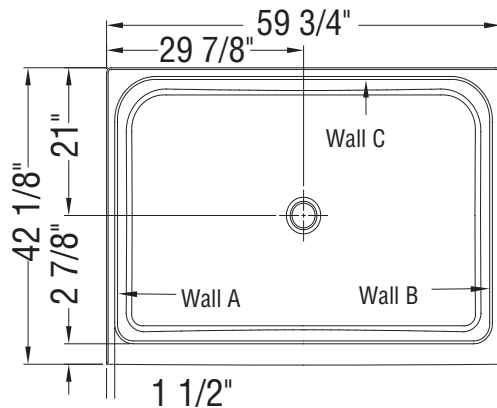
ALCOVE BASES - ACRYLIC

RECTANGULAR BASE 6042 - 3 IN - 105716

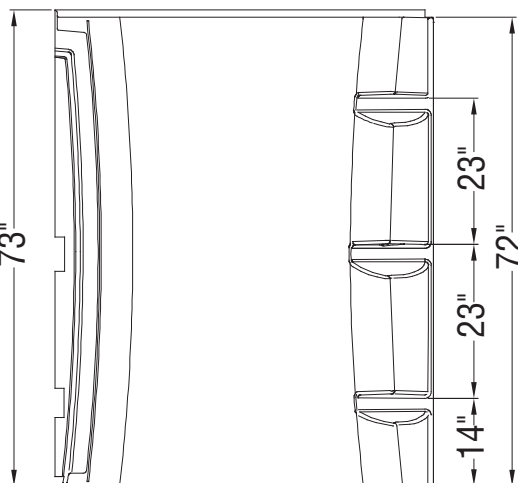
SKU	Color	Configuration	Dimensions & Weight	Packaging	MSRP
105716-000-001-000	White	Center / Alcove	59 3/4" x 42 1/8" x 4 1/8" / 60 lb / 27 kg	14 ft ³	\$ 1334

RECOMMENDED DOORS

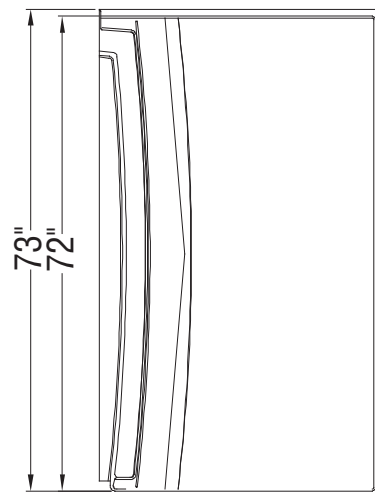
SKU	Product Name	Pag.
138277	Manhattan 57-59 x 68 - 6mm	370
138997	Halo 56 1/2-59 x 78 3/4 - 8mm	386
139353	Incognito 70 56-59 x 70 1/2 - 8mm	331
139350	Incognito 56-59 x 70 1/2 in. 6mm	329
135332	Incognito 76 Shaker 56-59 x 76 - 8mm	335
135335	Incognito 76 56-59 x 76 - 8mm	325
136335	Incognito 76 Smoke 56-59 x 76 - 8mm	337
136691	Revelation Round 56-59 x 70 1/2-73 - 6mm	341
136694	Revelation Round 56-59 x 70 1/2-73 - 8mm	343
135322	Uptown 56-59 x 76 in. 8 mm	345
135324		392
135244	Connect 57-58 1/2 x 72 - 6mm	394
139580	Reveal Sleek 71 56-59 x 71 1/2 - 8mm	382
136272	Duel 56-58 1/2 x 70 1/2 x 74 - 8 mm	326
138762	Inverto 56-59 x 70 1/2-74 - 8mm	324



Wall A



Wall C



Wall B

All dimensions are approximate. Structure measurements must be verified against the unit to ensure proper fit.

Square Base 32 - Alcove - 3 in



Material : Acrylic

Features

- > Proudly made in Canada
- > 32x32 Acrylic Alcove Shower Base with Off-Center Drain in White
- > 3 in. low threshold
- > Durable high shine acrylic stays warm to the touch and is easy to clean
- > Textured bottom
- > Off-center drain - consult MAAX technical drawing (specification) for exact dimensions
- > Limited warranty is for a period of 25 years, phone # 1-877-GET-MAAX

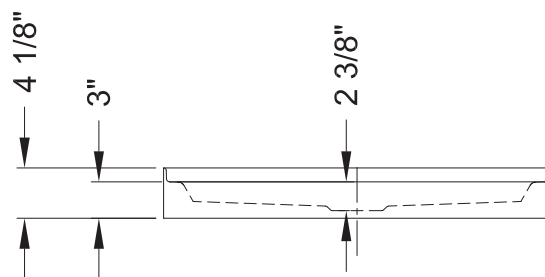
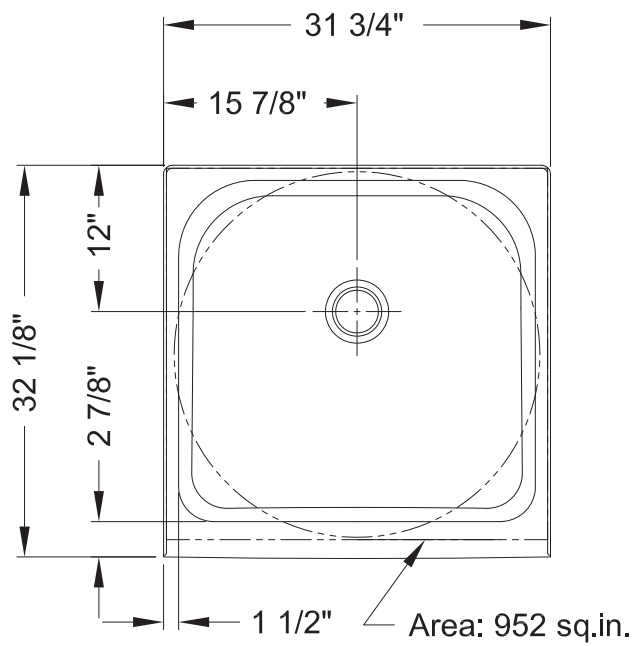
ALCOVE BASES - ACRYLIC

SQUARE BASE 32 - ALCOVE - 3 IN - 105663

SKU	Color	Configuration	Dimensions & Weight	Packaging	MSRP
105663-000-001-000	White	Back End Drain / Alcove	31 3/4" x 32 1/8" x 4 1/8" / 30 lb / 14 kg	6 ft ³	\$ 684

RECOMMENDED DOORS

SKU	Product Name	Pag.
138263	Manhattan 29-31 x 68 - 6mm	364
105416	Madono 28 1/2-30 1/2 x 67 - 6mm	361
136732	Polar Pivot 29-30 3/4 x 64 1/2 in.	376
136645	Pivolok 29-30 3/4 x 64 1/2 in.	374



All dimensions are approximate and subject to change without prior notice.
Please refer to installation guide before installing unit.

Square Base 36 - Alcove - 3 in



Material : Acrylic

Features

- › Proudly made in Canada
- › 36x36 Acrylic Alcove Shower Base with Off-Center Drain in White, direct to stud installation
- › 3 in. low threshold
- › Durable high shine acrylic stays warm to the touch and is easy to clean, available in white only
- › Textured bottom
- › Off-center drain - consult MAAX technical drawing (specification) for exact dimensions
- › Limited warranty is for a period of 25 years, phone # 1-877-GET-MAAX

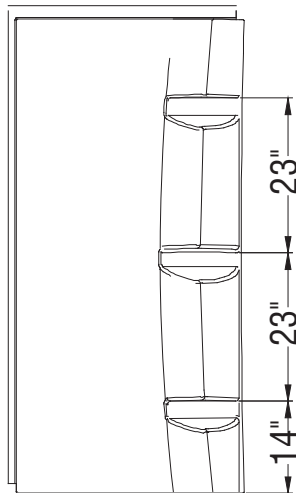
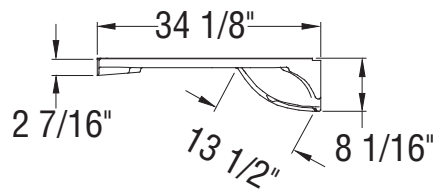
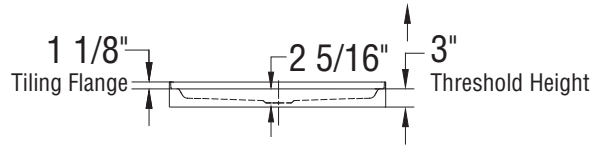
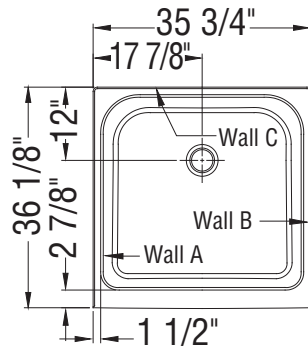
ALCOVE BASES - ACRYLIC

SQUARE BASE 36 - ALCOVE - 3 IN - 101430

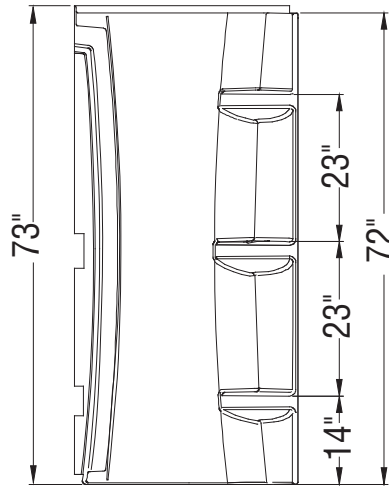
SKU	Color	Configuration	Dimensions & Weight	Packaging	MSRP
101430-000-001-000	White	Back End Drain / Alcove	36 1/8" x 36 1/8" x 4 1/8" / 40 lb / 18 kg	8.93 ft ³	\$ 747

RECOMMENDED DOORS

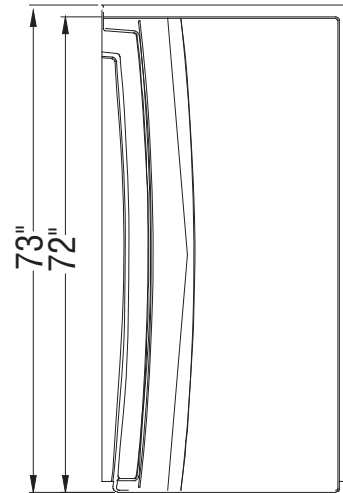
SKU	Product Name	Pag.
138265	Manhattan 33-35 x 68 - 6mm	364
139575	Reveal Sleek 71 32 1/2-35 1/2 x 71 1/2 - 8mm	381
105418	Madono 34 1/2-36 1/2 x 67 - 6mm	361
136676	Reveal 71 32 1/2-35 1/2 x 71 1/2 - 8mm	378
136733	Polar Pivot 33-34 3/4 x 64 1/2 in.	376
136435	Pivolok Deluxe 32 1/2-37 x 64 1/2 in.	372
136656	Pivolok 33-34 3/4 x 64 1/2 in.	374



Wall A



Wall C



Wall B

All dimensions are approximate. Structure measurements must be verified against the unit to ensure proper fit.

Square Base 42 - Alcove - 3 in



Material : Acrylic

Features

- › 42x42 Acrylic Alcove Shower Base with Center Drain in White, direct to stud installation
- › 3 in. low threshold
- › Durable high shine acrylic stays warm to the touch and is easy to clean
- › Textured bottom
- › Center drain - consult MAAX technical drawing (specification) for exact dimensions
- › Limited warranty is for a period of 25 years, phone # 1-877-GET-MAAX

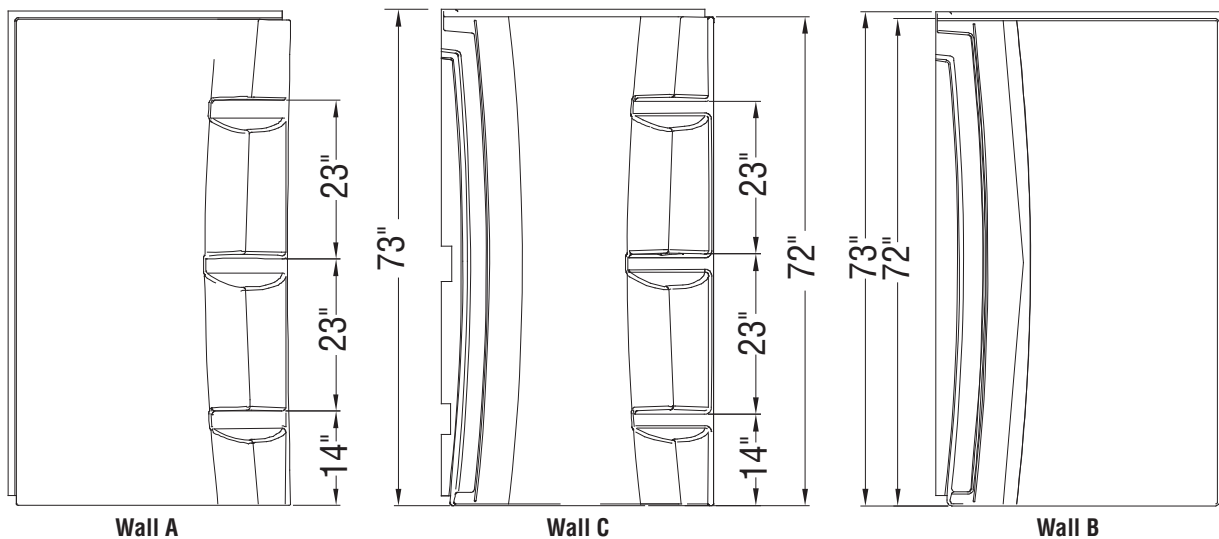
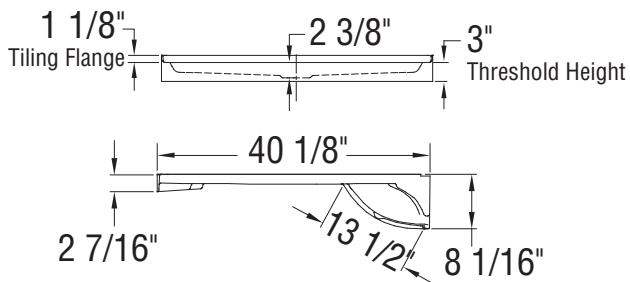
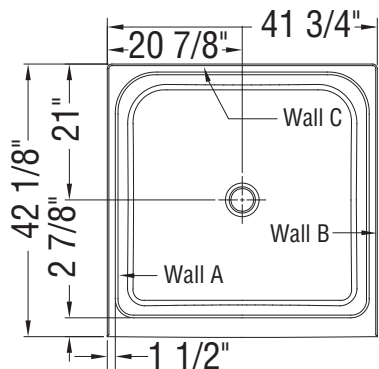
ALCOVE BASES - ACRYLIC

SQUARE BASE 42 - ALCOVE - 3 IN - 105714

SKU	Color	Configuration	Dimensions & Weight	Packaging	MSRP
105714-000-001-000	White	Center / Alcove	41 3/4" x 42 1/8" x 4 1/8" / 42 lb / 19 kg	9.9 ft ³	\$ 940

RECOMMENDED DOORS

SKU	Product Name	Pag.
138268	Manhattan 39-41 x 68 - 6mm	368
138520	Incognito 74 39-42x74in. 8mm	333
139576	Reveal Sleek 71 38-41 x 71 1/2 - 8mm	381
136679	Reveal 71 38-41 x 71 1/2 - 8 mm	379
135662	Aura 40-44 x 71 - 6mm	347



All dimensions are approximate. Structure measurements must be verified against the unit to ensure proper fit.



Essence base 3060



Material : AcrylX

Features

- › Made of AcrylX high gloss finish for improved durability
- › This shower base is built to be installed with the Essence shower wall system
- › Slip-resistant textured bottom for additional safety
- › Center, left or right drain configuration
- › Drain not included
- › Unique MAAX PIN system for easy front installation
- › Features a built-in seat for added comfort
- › Proudly made in Canada
- › Warranty: 25 years

ALCOVE BASES - ACRYLX

ESSENCE 3060 - 148038

SKU	Color	Configuration	Dimensions & Weight	Packaging	MSRP
148038-000-002-283	White	Center / Alcove	59 7/8" x 30" x 20" / 52 lb / 24 kg	28 ft ³	\$ 1070
148038-000-002-284		Right / Alcove			\$ 1070
148038-000-002-285		Left / Alcove			\$ 1070

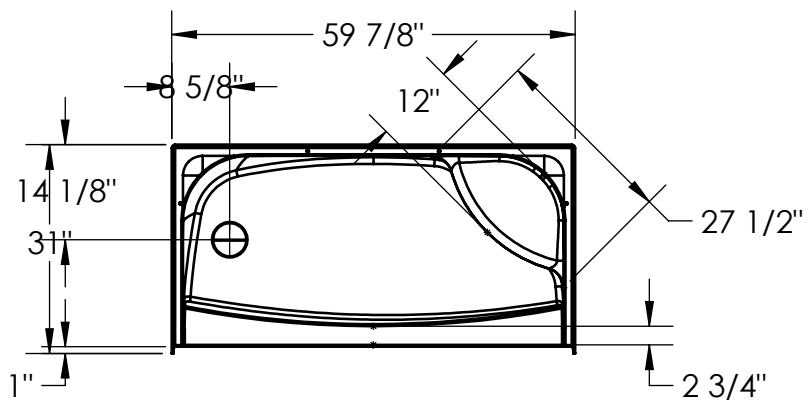
ACCESSORIES

SKU	Description	MSRP
10024636-002	Tile Adaptor (for door installation) Available colors: White (002), Bone (004) and Biscuit (007)	\$ 238
10024636-004		\$ 238
10024636-007		\$ 238

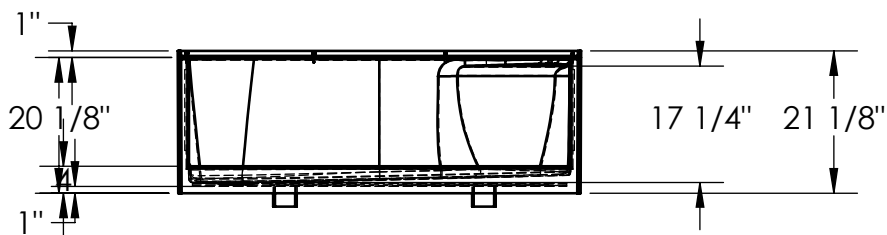
RECOMMENDED DOORS

SKU	Product Name	Pag.
138277	Manhattan 57-59 x 68 - 6mm	370
138997	Halo 56 ½-59 x 78 ¾ - 8mm	386
139353	Incognito 70 56-59 x 70 ½ - 8mm	331
139350	Incognito 56-59 x 70 ½ in. 6mm	329
135332	Incognito 76 Shaker 56-59 x 76 - 8mm	335
135335	Incognito 76 56-59 x 76 - 8mm	325
136335	Incognito 76 Smoke 56-59 x 76 - 8mm	337

**RIGHT SEAT SHOWN
LEFT SEAT SYMMETRICAL**



NOT ABOVE THE FLOOR



All dimensions are approximate. Structure measurements must be verified against the unit to ensure proper fit.



Essence base 3232



Material : AcrylX

Features

- › Square fiberglass construction shower base construction with center drain position
- › 3 3/8-inch low threshold base for alcove installation
- › Direct-to-stud installation
- › Textured bottom
- › Integrated tiling flange for maximum protection against water infiltration

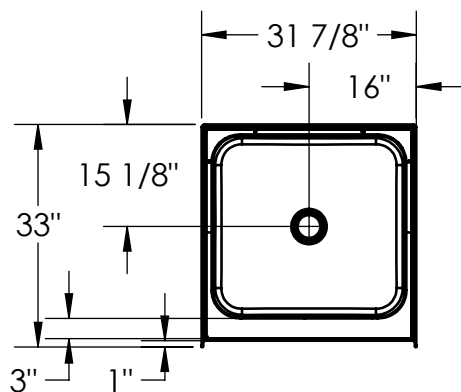
ALCOVE BASES - ACRYLX

ESSENCE 3232 - 148020

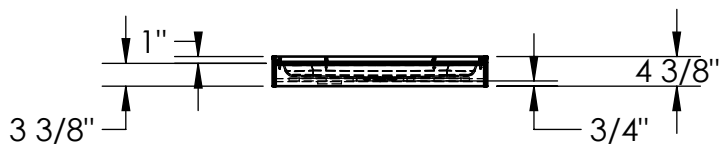
SKU	Color	Configuration	Dimensions & Weight	Packaging	MSRP
148020-000-002-283	White	Center / Alcove	31 7/8" x 32" x 3" / 32 lb / 15 kg	6.9 ft ³	\$ 634

RECOMMENDED DOORS

SKU	Product Name	Pag.
138263	Manhattan 29-31 x 68 - 6mm	364
105416	Madono 28 1/2-30 1/2 x 67 - 6mm	361
136732	Polar Pivot 29-30 3/4 x 64 1/2 in.	376
136645	Pivolok 29-30 3/4 x 64 1/2 in.	374



NOT ABOVE THE FLOOR



All dimensions are approximate. Structure measurements must be verified against the unit to ensure proper fit.



Essence base 3636



Material : AcrylX

Features

- › Proudly made in Canada
- › Square fiberglass construction shower base construction with center drain position
- › 3 3/8-inch low threshold base for alcove installation
- › Direct-to-stud installation
- › Textured bottom
- › Integrated tiling flange for maximum protection against water infiltration

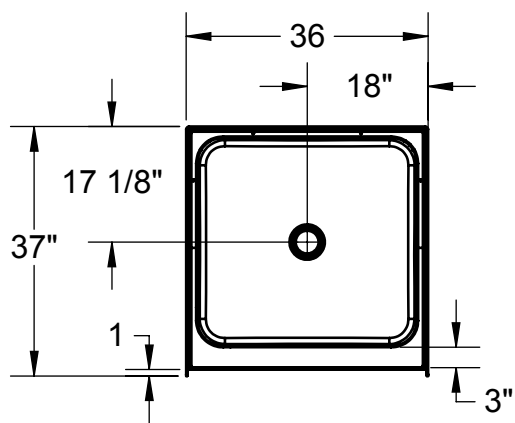
ALCOVE BASES - ACRYLX

ESSENCE 3636 - 148026

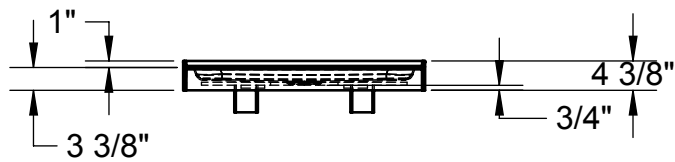
SKU	Color	Configuration	Dimensions & Weight	Packaging	MSRP
148026-000-002-283	White	Center / Alcove	35 7/8" x 36" x 3" / 35 lb / 16 kg	7.4 ft ³	\$ 711

RECOMMENDED DOORS

SKU	Product Name	Pag.
138265	Manhattan 33-35 x 68 - 6mm	364
139575	Reveal Sleek 71 32 1/2-35 1/2 x 71 1/2 - 8mm	381
136676	Reveal 71 32 1/2-35 1/2 x 71 1/2 - 8mm	378
136733	Polar Pivot 33-34 3/4 x 64 1/2 in.	376
136435	Pivolok Deluxe 32 1/2-37 x 64 1/2 in.	372
136656	Pivolok 33-34 3/4 x 64 1/2 in.	374



Not above the Floor



All dimensions are approximate. Structure measurements must be verified against the unit to ensure proper fit.



Essence Base 4834



Material : AcrylX

Features

- › Proudly made in Canada
- › 1-piece white fibreglass construction
- › Low threshold base for easy access in and out of your shower - No seat
- › Center drain position
- › Integrated tiling flange for maximum protection against water infiltration
- › To install a shower door on this base in the case where tile is installed, MAAX tile adaptor is required (model 10024636-002) - sold separately

ESSENCE 3448 - 148032

SKU	Color	Configuration	Dimensions & Weight	Packaging	MSRP
148032-000-002-283	White	Center / Alcove	47 7/8" x 33 5/8" x 20" / 45 lb / 20 kg	24.6 ft ³	\$ 926
148032-000-002-284					\$ 926
148032-000-002-285					\$ 926

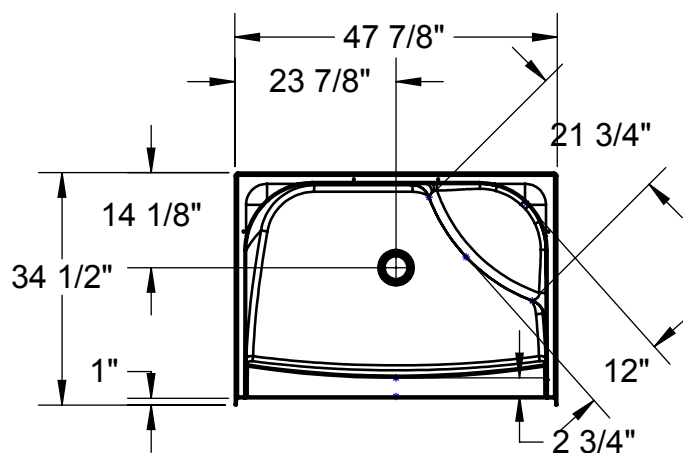
ACCESSORIES

SKU	Description	MSRP
10024636-002	Tile Adaptor (for door installation) Available colors: White (002), Bone (004) and Biscuit (007)	\$ 238
10024636-004		\$ 238
10024636-007		\$ 238

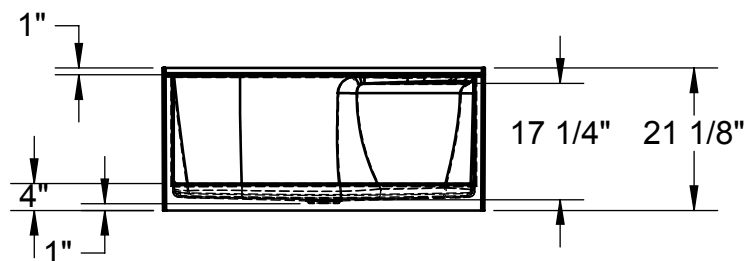
RECOMMENDED DOORS

SKU	Product Name	Pag.
135321	Uptown 44-47 x 76 in. 8 mm	345
139352	Incognito 70 44-47 x 70 ½ - 8mm	331
139349	Incognito 44-47 x 70 ½ in. 6mm	329
135671	Aura 43-47 x 71 - 8mm	355
136693	Revelation Round 44-47 x 70 ½-73 - 8mm	343
138996	Halo 44 ½-47 x 78 ¾ - 8mm	386
135323	Uptown 44-47 x 76 in. 8 mm	392

**RIGHT SEAT SHOWN
LEFT SEAT SYMMETRICAL**



NOT ABOVE -THE-FLOOR



All dimensions are approximate. Structure measurements must be verified against the unit to ensure proper fit.



Essence Base 6034



Material : AcrylX

Features

- > Rectangular shower base
- > Base available in 4 in. low height
- > Integrated tiling flange
- > Right or left integrated seat
- > Textured floor
- > Right, Left or Center drain

ALCOVE BASES - ACRYLX

ESSENCE 3460 - 148044

SKU	Color	Configuration	Dimensions & Weight	Packaging	MSRP
148044-000-002-283	White	Center / Alcove	59 7/8" x 33 1/2" x 20" / 55 lb / 25 kg	28 ft ³	\$ 1121
148044-000-002-284		Right / Alcove			\$ 1121
148044-000-002-285		Left / Alcove			\$ 1121

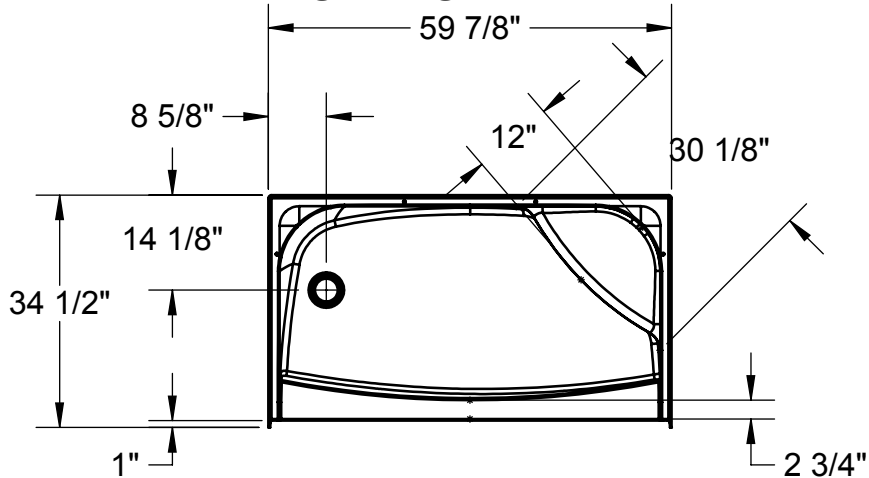
ACCESSORIES

SKU	Description	MSRP
10024636-002	Tile Adaptor (for door installation) Available colors: White (002), Bone (004) and Biscuit (007)	\$ 238
10024636-004		\$ 238
10024636-007		\$ 238

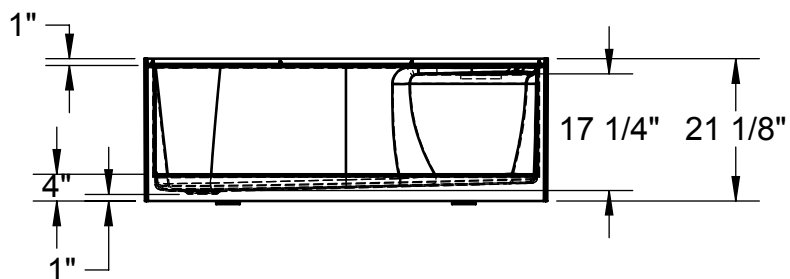
RECOMMENDED DOORS

SKU	Product Name	Pag.
138277	Manhattan 57-59 x 68 - 6mm	370
138997	Halo 56 ½-59 x 78 ¾ - 8mm	386
139353	Incognito 70 56-59 x 70 ½ - 8mm	331
139350	Incognito 56-59 x 70 ½ in. 6mm	329
135332	Incognito 76 Shaker 56-59 x 76 - 8mm	335
135335	Incognito 76 56-59 x 76 - 8mm	325
136335	Incognito 76 Smoke 56-59 x 76 - 8mm	337

RIGHT SEAT SHOWN LEFT SEAT SYMMETRICAL



NOT ABOVE THE FLOOR



All dimensions are approximate. Structure measurements must be verified against the unit to ensure proper fit.



Finesse Base 42 x 32



Material : AcrylX

Features

- › Ideal base for the creation of a shower with ceramic walls
- › Textured bottom for safe movement inside the shower
- › Centre drain
- › Strong fiberglass backing
- › Glossy white AcrylX™ finish
- › Can be installed with ceramic tiles or the Finesse acrylic wall kit
- › Tiling flange included

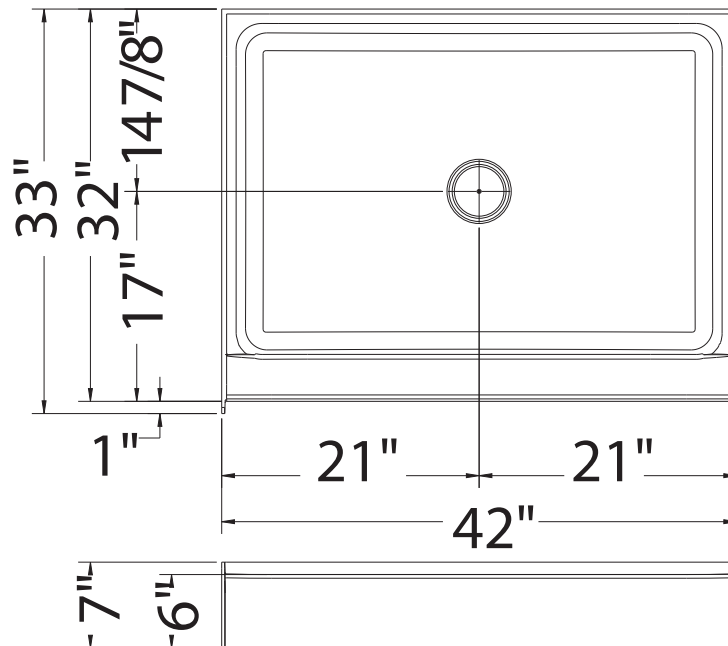
ALCOVE BASES - ACRYLX

FINESSE 42 X 32 - 105625

SKU	Color	Configuration	Dimensions & Weight	Packaging	MSRP
105625-000-002-000	White	Center / Alcove	42" x 32" x 7" / 49 lb / 22 kg	6.5 ft ³	\$ 576

RECOMMENDED DOORS

SKU	Product Name	Pag.
138268	Manhattan 39-41 x 68 - 6mm	368
138520	Incognito 74 39-42x74in. 8mm	333
139576	Reveal Sleek 71 38-41 x 71 ½ - 8mm	381
136679	Reveal 71 38-41 x 71 ½ - 8 mm	379
135662	Aura 40-44 x 71 - 6mm	347



All dimensions are approximate. Structure measurements must be verified against the unit to ensure proper fit.



Finesse Base 48 X 32



Material : AcrylX

Features

- › Ideal base for the creation of a shower with ceramic walls
- › Textured bottom for safe movement inside the shower
- › Centre drain
- › Strong fiberglass backing
- › Glossy white AcrylX™ finish
- › Can be installed with ceramic tiles or the Finesse acrylic wall kit
- › Tiling flange included

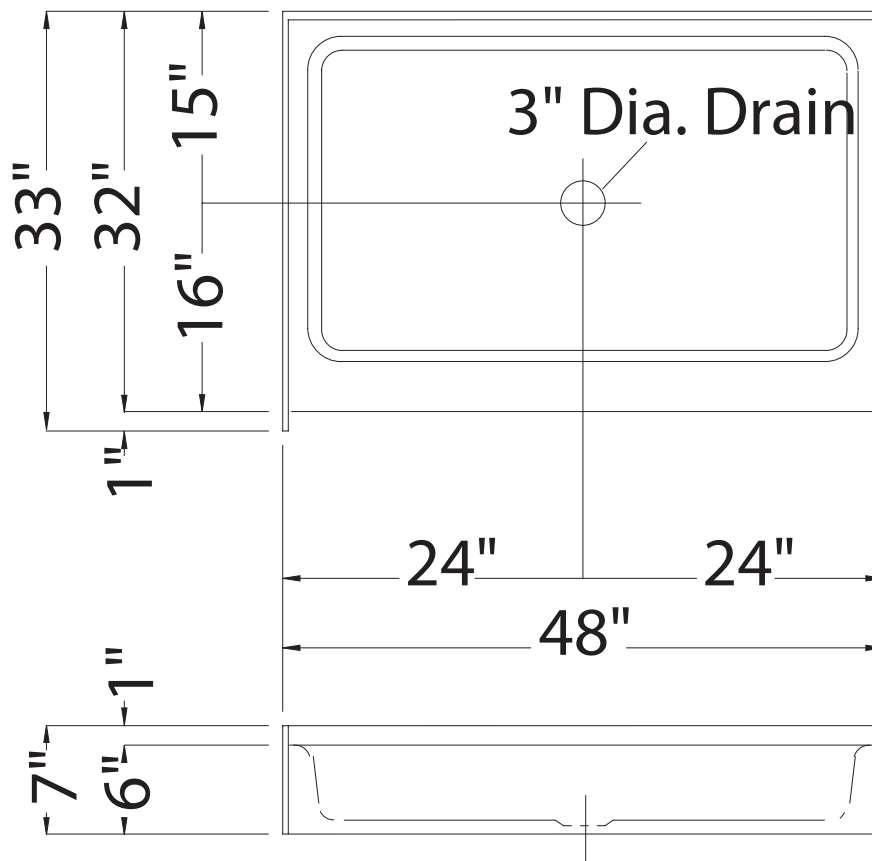
ALCOVE BASES - ACRYLX

FINESSE 48 X 32 - 105624

SKU	Color	Configuration	Dimensions & Weight	Packaging	MSRP
105624-000-002-000	White	Center / Alcove	48" x 32" x 7" / 57 lb / 26 kg	12 ft³	\$ 615

RECOMMENDED DOORS

SKU	Product Name	Pag.
135321	Uptown 44-47 x 76 in. 8 mm	345
139352	Incognito 70 44-47 x 70 ½ - 8mm	331
139349	Incognito 44-47 x 70 ½ in. 6mm	329
135671	Aura 43-47 x 71 - 8mm	355
136693	Revelation Round 44-47 x 70 ½-73 - 8mm	343
138996	Halo 44 ½-47 x 78 ¾ - 8mm	386
135323	Uptown 44-47 x 76 in. 8 mm	392
135325	Uptown 45-47 x 76 in. 8 mm	384
135242	Connect 45-46 1/2 x 72 - 6mm	394
139578	Reveal Sleek 71 44-47 x 71 ½ - 8mm	382
136271	Duel 44-47 x 70 ½ x 74 - 8 mm	326
137421	Odyssey SC 45-47 1/2 x 78 - 8 mm	390
135663	Aura 43-47 x 71 - 6mm	348
137680	Outback 43 ¼ - 46 ½ x 70 ½ - 8mm	397
138992	Luminescence 44 ½-47 x 70 ½-72 - 6mm	388



All dimensions are approximate. Structure measurements must be verified against the unit to ensure proper fit.



Finesse Base 60 X 32



Material : AcrylX

Features

- › Ideal base for the creation of a shower with ceramic walls
- › Textured bottom for safe movement inside the shower
- › Centre drain
- › Strong fiberglass backing
- › Glossy white AcrylX™ finish
- › Can be installed with ceramic tiles or the Finesse acrylic wall kit
- › Integrated tiling flange included

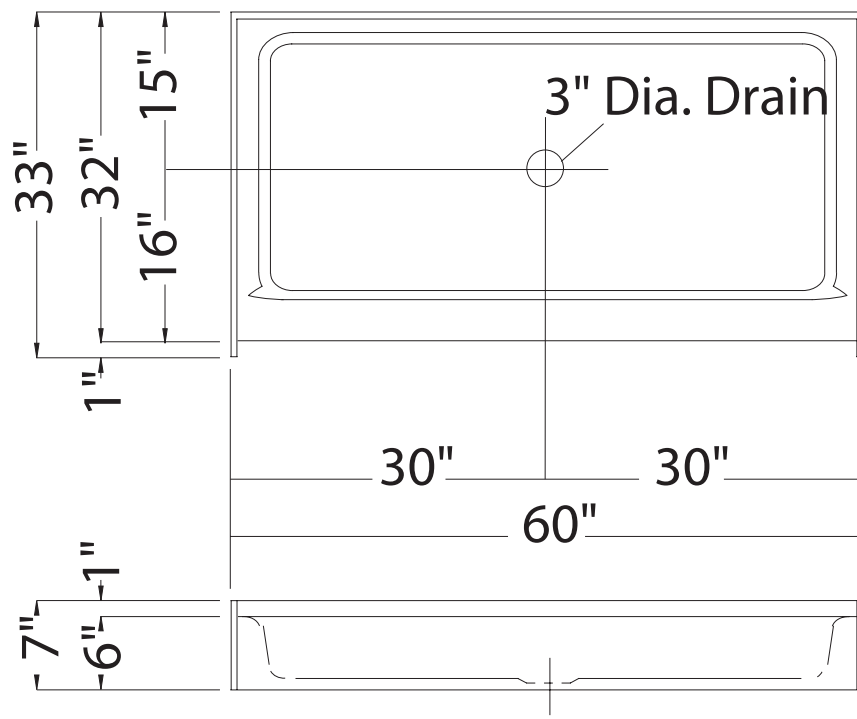
ALCOVE BASES - ACRYLX

FINESSE 32 X 60 - 105623

SKU	Color	Configuration	Dimensions & Weight	Packaging	MSRP
105623-000-002-000	White	Center / Alcove	60" x 32" x 7" / 79 lb / 36 kg	12 ft³	\$ 673

RECOMMENDED DOORS

SKU	Product Name	Pag.
138277	Manhattan 57-59 x 68 - 6mm	370
138997	Halo 56 ½-59 x 78 ¾ - 8mm	386
139353	Incognito 70 56-59 x 70 ½ - 8mm	331
139350	Incognito 56-59 x 70 ½ in. 6mm	329
135332	Incognito 76 Shaker 56-59 x 76 - 8mm	335
135335	Incognito 76 56-59 x 76 - 8mm	325
136335	Incognito 76 Smoke 56-59 x 76 - 8mm	337
136691	Revelation Round 56-59 x 70 ½-73 - 6mm	341
136694	Revelation Round 56-59 x 70 ½-73 - 8mm	343
135322	Uptown 56-59 x 76 in. 8 mm	345
135324		392
135244	Connect 57-58 1/2 x 72 - 6mm	394
139580	Reveal Sleek 71 56-59 x 71 ½ - 8mm	382
136272	Duel 56-58 ½ x 70 ½ x 74 - 8 mm	326
138762	Inverto 56-59 x 70 ½-74 - 8mm	324



All dimensions are approximate. Structure measurements must be verified against the unit to ensure proper fit.



B3Round 3636



Material : Acrylic

Features

- › Model Size : 35 7/8 L in. X 35 7/8 W in. X 3 H in.
- › Acrylic square shower base with round drain
- › Low 3 in. threshold base allowing an easy and safe access
- › Certain configurations available with Stabili-T anti-slip bottom meeting ADA, ANSI or CSA
- › Multiple configurations available to accommodate different types of installation
- › Compatible with Utile, most glue-up shower walls and ceramic tiles
- › Integrated leak proof tiling flanges
- › 25-year warranty for peace of mind
- › High gloss finish resistant to dulling, scratching, and fading

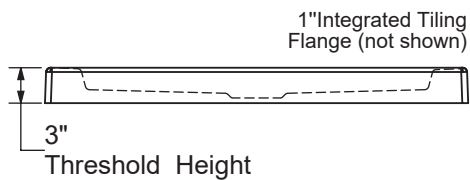
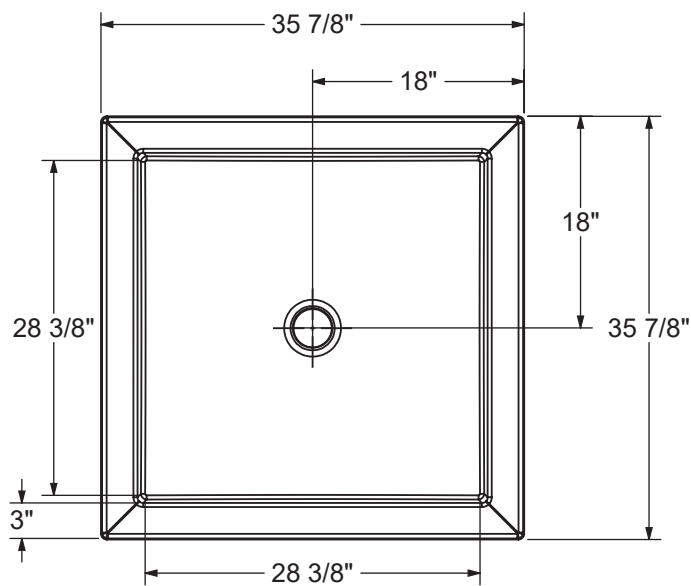
CONFIGURABLE SHOWER BASES

B3ROUND 3636 - 410000

SKU	Color	Configuration	Dimensions & Weight	Packaging	MSRP
410000-500-001-000	White	Center / Corner Left or Right	35 7/8" x 35 7/8" x 3" / 35 lb / 16 kg	29.781972249349 ft ³	\$ 747
410000-501-001-000		Center / Alcove			\$ 747
410000-505-001-000		Center / Wall Mounted			\$ 747
410000-540-001-000		Center / Corner Left or Right - Stabili-T			\$ 747
410000-541-001-000		Center / Alcove - Stabili-T			\$ 747

RECOMMENDED DOORS

SKU	Product Name	Pag.
139575	Reveal Sleek 71 32 1/2-35 1/2 x 71 1/2 - 8mm	381
136676	Reveal 71 32 1/2-35 1/2 x 71 1/2 - 8mm	378



This technical drawing is universal for every 3636 configuration.

Integrated tiling flange : 1" height x 1/4" thick (not shown)
 Tiling flange position is determined by chosen configuration.

All dimensions are approximate. Structure measurements must be verified against the unit to ensure proper fit.



B3Round 4236



Material : Acrylic

Features

- › Model Size : 41 7/8 L in. X 35 7/8 W in. X 3 H in.
- › Acrylic rectangular shower base with round drain
- › Low 3 in. threshold base allowing an easy and safe access
- › Certain configurations available with Stabili-T anti-slip bottom meeting ADA, ANSI or CSA
- › Multiple configurations available to accomodate different types of installation
- › Compatible with most glue-up Shower walls and ceramic tiles
- › Integrated leak proof tiling flanges
- › 25-year warranty for peace of mind
- › High gloss finish resistant to dulling, scratching, and fading

CONFIGURABLE SHOWER BASES

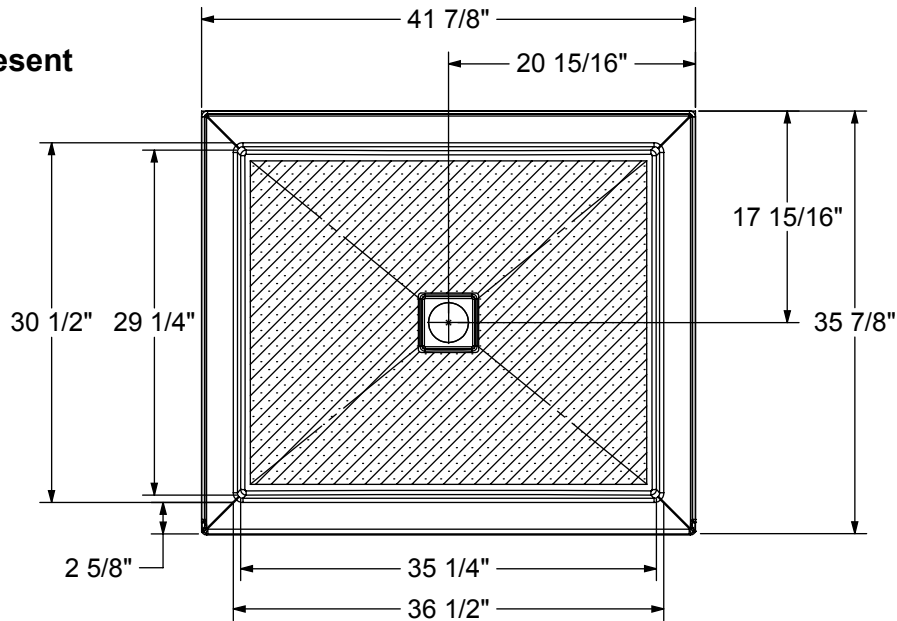
B3ROUND 4236 - 410034

SKU	Color	Configuration	Dimensions & Weight	Packaging	MSRP
410034-541-001-000	White	Center / Alcove – Stabili-T	41 7/8" x 35 7/8" x 3" / 45 lb / 20 kg	46.1211140950521 ft ³	\$ 940
410034-542-001-000		Center / Corner Left - Stabili-T			\$ 940
410034-543-001-000		Center / Corner Right – Stabili-T			\$ 940

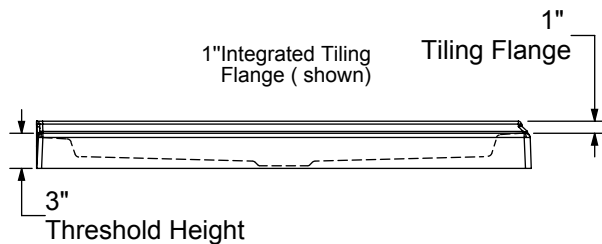
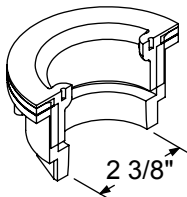
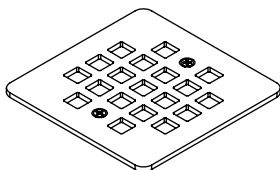
RECOMMENDED DOORS

SKU	Product Name	Pag.
139576	Reveal Sleek 71 38-41 x 71 ½ - 8mm	381
136679	Reveal 71 38-41 x 71 ½ - 8 mm	379

The hatched area represent the antislip surface



DRAIN INCLUDED ON B3 SQUARE ONLY



This technical drawing is universal for every 4236 configuration.

Integrated tiling flange : 1" height x 1/4" thick
 Tiling flange position is determined by chosen configuration.

All dimensions are approximate. Structure measurements must be verified against the unit to ensure proper fit.



B3Round 4832



Material : Acrylic

Features

- › Model Size : 47 7/8 L in. X 31 7/8 W in. X 3 H in.
- › Acrylic rectangular shower base with round drain
- › Low 3 in. threshold base allowing an easy and safe access
- › Certain configurations available with Stabili-T anti-slip bottom meeting ADA, ANSI or CSA
- › Multiple configurations available to accomodate different types of installation
- › Compatible with Utile, most glue-up shower walls and ceramic tiles
- › Integrated leak proof tiling flanges
- › 25-year warranty for peace of mind
- › High gloss finish resistant to dulling, scratching, and fading

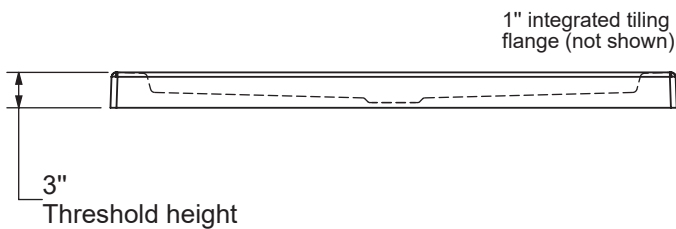
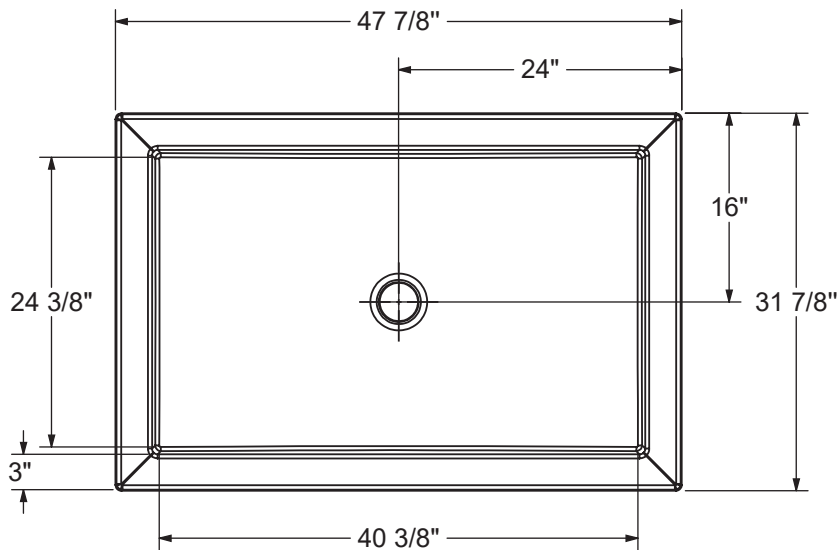
CONFIGURABLE SHOWER BASES

B3ROUND 4832 - 410001

SKU	Color	Configuration	Dimensions & Weight	Packaging	MSRP
410001-501-001-000	White	Center / Alcove	47 7/8" x 31 7/8" x 3" / 41 lb / 19 kg	65.3675220630787 ft ³	\$ 940
410001-502-001-000		Center / Corner Left			\$ 940
410001-503-001-000		Center / Corner Right			\$ 940
410001-504-001-000		Center / Alcove Deep			\$ 940
410001-505-001-000		Center / Wall Mounted			\$ 940
410001-506-001-000		Center / Tunnel			\$ 940
410001-541-001-000		Center / Alcove – Stabili-T			\$ 940
410001-542-001-000		Center / Corner Left - Stabili-T			\$ 940
410001-543-001-000		Center / Corner Right – Stabili-T			\$ 940

RECOMMENDED DOORS

SKU	Product Name	Pag.
135321	Uptown 44-47 x 76 in. 8 mm	345
139352	Incognito 70 44-47 x 70 ½ - 8mm	331
139349	Incognito 44-47 x 70 ½ in. 6mm	329
135671	Aura 43-47 x 71 - 8mm	355
136693	Revelation Round 44-47 x 70 ½-73 - 8mm	343
135323	Uptown 44-47 x 76 in. 8 mm	392
135325	Uptown 45-47 x 76 in. 8 mm	384
135242	Connect 45-46 1/2 x 72 - 6mm	394



This technical drawing is universal for every 4832 configuration.

Integrated tiling flange : 1" height x 1/4" thick (not shown)
 Tiling flange position is determined by chosen configuration.

All dimensions are approximate. Structure measurements must be verified against the unit to ensure proper fit.



B3Round 4834



Material : Acrylic

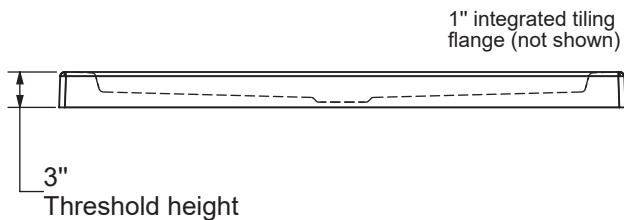
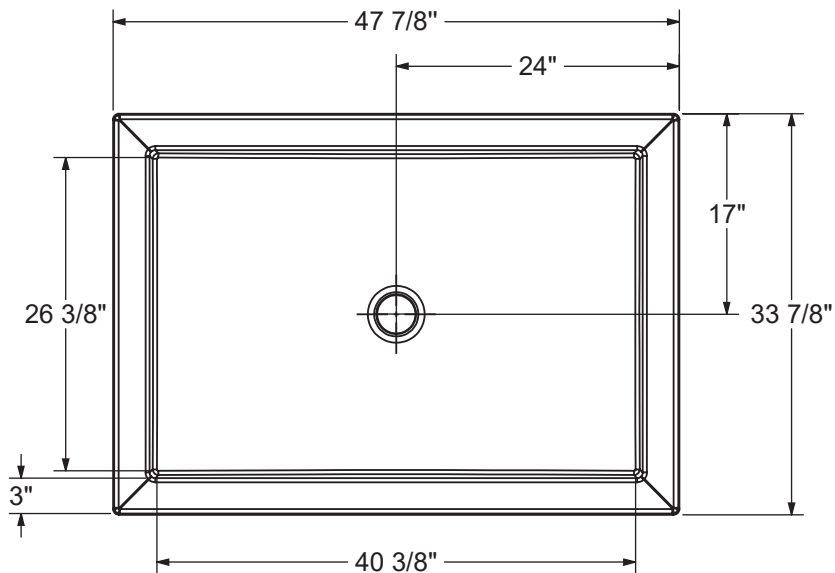
Features

- › Model Size : 47 7/8 L in. X 33 7/8 W in. X 3 H in.
- › Acrylic rectangular shower base with round drain
- › Low 3 in. threshold base allowing an easy and safe access
- › Certain configurations available with Stabili-T anti-slip bottom meeting ADA, ANSI or CSA
- › Multiple configurations available to accomodate different types of installation
- › Compatible with most glue-up Shower walls and ceramic tiles
- › Integrated leak proof tiling flanges
- › 25-year warranty for peace of mind
- › High gloss finish resistant to dulling, scratching, and fading

CONFIGURABLE SHOWER BASES

B3ROUND 4834 - 410002

SKU	Color	Configuration	Dimensions & Weight	Packaging	MSRP
410002-501-001-000	White	Center / Alcove	47 7/8" x 33 7/8" x 3" / 44 lb / 20 kg	52.7295125325521 ft ³	\$ 961
410002-502-001-000		Center / Corner Left			\$ 961
410002-503-001-000		Center / Corner Right			\$ 961
410002-504-001-000		Center / Alcove Deep			\$ 961
410002-505-001-000		Center / Wall Mounted			\$ 961
410002-506-001-000		Center / Tunnel			\$ 961
410002-541-001-000		Center / Alcove – Stabili-T			\$ 961
410002-542-001-000		Center / Corner Left - Stabili-T			\$ 961
410002-543-001-000		Center / Corner Right – Stabili-T			\$ 961



This technical drawing is universal for every 4834 configuration.

Integrated tiling flange : 1" height x 1/4" thick (not shown)
 Tiling flange position is determined by chosen configuration.

All dimensions are approximate. Structure measurements must be verified against the unit to ensure proper fit.



B3Round 4836



Material : Acrylic

Features

- › Model Size : 47 7/8 L in. X 35 7/8 W in. X 3 H in.
- › Acrylic rectangular shower base with round drain
- › Low 3 in. threshold base allowing an easy and safe access
- › Certain configurations available with Stabili-T anti-slip bottom meeting ADA, ANSI or CSA
- › Multiple configurations available to accomodate different types of installation
- › Compatible with Utile, most glue-up shower walls and ceramic tiles
- › Integrated leak proof tiling flanges
- › 25-year warranty for peace of mind
- › High gloss finish resistant to dulling, scratching, and fading

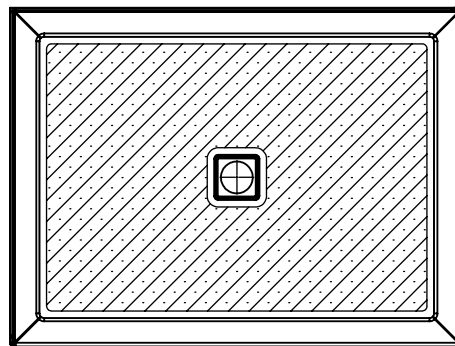
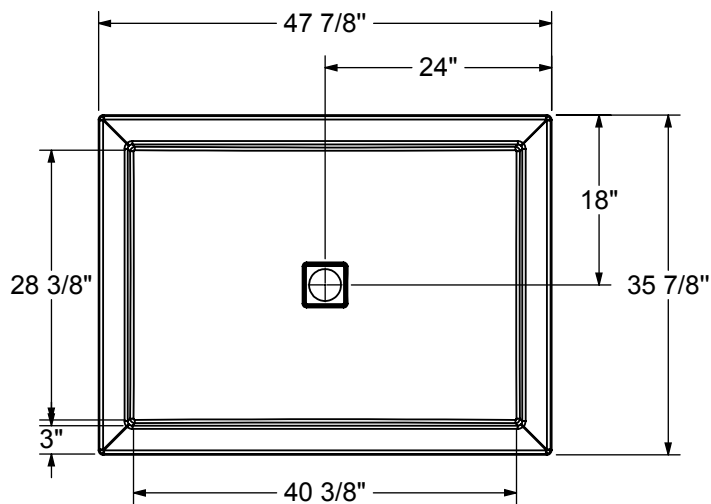
CONFIGURABLE SHOWER BASES

B3ROUND 4836 - 410003

SKU	Color	Configuration	Dimensions & Weight	Packaging	MSRP
410003-501-001-000	White	Center / Alcove	47 7/8" x 35 7/8" x 3" / 47 lb / 21 kg	52.7295125325521 ft ³	\$ 982
410003-502-001-000		Center / Corner Left			\$ 982
410003-503-001-000		Center / Corner Right			\$ 982
410003-504-001-000		Center / Alcove Deep			\$ 982
410003-505-001-000		Center / Wall Mounted			\$ 982
410003-506-001-000		Center / Tunnel			\$ 982
410003-541-001-000		Center / Alcove – Stabili-T			\$ 982
410003-542-001-000		Center / Corner Left - Stabili-T			\$ 982
410003-543-001-000		Center / Corner Right – Stabili-T			\$ 982

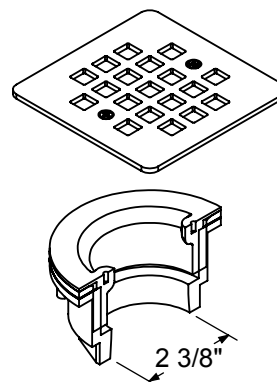
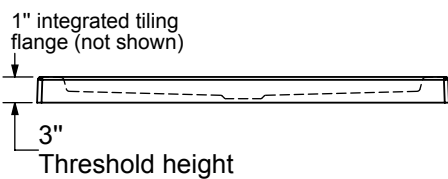
RECOMMENDED DOORS

SKU	Product Name	Pag.
138996	Halo 44 ½-47 x 78 ¾ - 8mm	386
135321	Uptown 44-47 x 76 in. 8 mm	345
135323		392
135325	Uptown 45-47 x 76 in. 8 mm	384
139578	Reveal Sleek 71 44-47 x 71 ½ - 8mm	382
136271	Duel 44-47 x 70 ½ x 74 - 8 mm	326
136671	Reveal 71 44-47 x 71 ½ - 8mm	378



The hatched area represent the anti-slip surface

DRAIN INCLUDED ON B3 SQUARE ONLY



This technical drawing is universal for every 4836 configuration.

Integrated tiling flange : 1" height x 1/4" thick (not shown)
 Tiling flange position is determined by chosen configuration.

All dimensions are approximate. Structure measurements must be verified against the unit to ensure proper fit.



B3Round 4842



Material : Acrylic

Features

- › Model Size : 47 7/8 L in. X 41 7/8 W in. X 3 H in.
- › Acrylic rectangular shower base with round drain
- › Low 3 in. threshold base allowing an easy and safe access
- › Certain configurations available with Stabili-T anti-slip bottom meeting ADA, ANSI or CSA
- › Multiple configurations available to accomodate different types of installation
- › Compatible with most glue-up Shower walls and ceramic tiles
- › Integrated leak proof tiling flanges
- › 25-year warranty for peace of mind
- › High gloss finish resistant to dulling, scratching, and fading

CONFIGURABLE SHOWER BASES

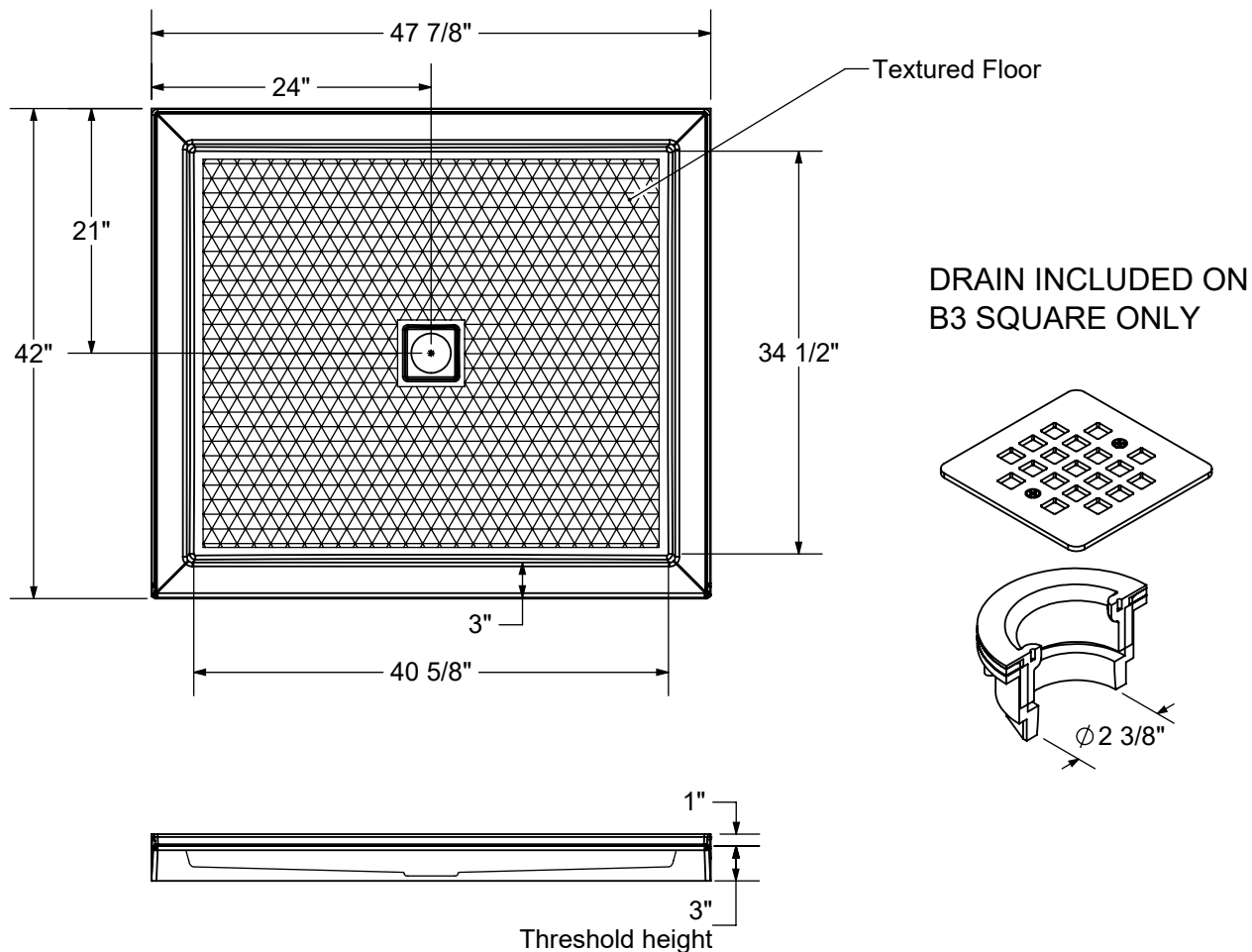
B3ROUND 4842 - 410043

SKU	Color	Configuration	Dimensions & Weight	Packaging	MSRP
410043-541-001-000	White	Center / Alcove – Stabili-T	47 7/8" x 41 7/8" x 3" / 56 lb / 25 kg	4.64066116898148 ft ³	\$ 1284
410043-542-001-000		Center / Corner Left - Stabili-T			\$ 1284
410043-543-001-000		Center / Corner Right – Stabili-T			\$ 1284
410043-544-001-000		Center / Alcove Deep - Stabili-T			\$ 1284

RECOMMENDED DOORS

SKU	Product Name	Pag.
138268	Manhattan 39-41 x 68 - 6mm	368
138520	Incognito 74 39-42x74in. 8mm	333
139576	Reveal Sleek 71 38-41 x 71 ½ - 8mm	381
136679	Reveal 71 38-41 x 71 ½ - 8 mm	379
135662	Aura 40-44 x 71 - 6mm	347

BASE MODEL



- All dimensions are approximate
- Structure measurements must be verified against the unit to ensure proper fit
- Installation to be completed in accordance with manufacturers specifications
- Do not scale drawings

B3Round 6030



Material : Acrylic

Features

- › Model Size : 59 7/8 L in. X 29 7/8 W in. X 3 H in.
- › Acrylic rectangular shower base with round drain
- › Low 3 in. threshold base allowing an easy and safe access
- › Certain configurations available with Stabili-T anti-slip bottom meeting ADA, ANSI or CSA
- › Multiple configurations available to accomodate different types of installation
- › Compatible with most glue-up Shower walls and ceramic tiles
- › Integrated leak proof tiling flanges
- › 25-year warranty for peace of mind
- › High gloss finish resistant to dulling, scratching, and fading



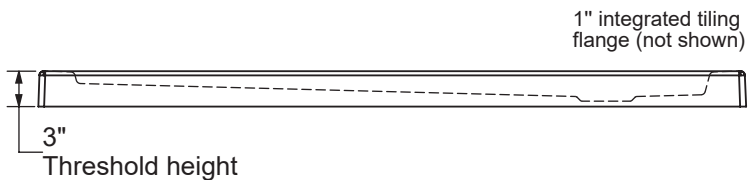
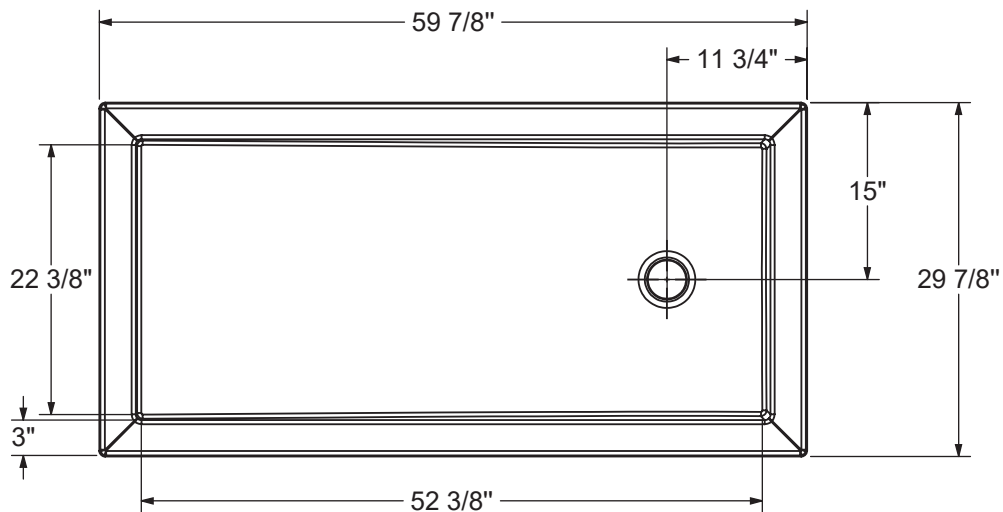
CONFIGURABLE SHOWER BASES

B3ROUND 6030 - 410004

SKU	Color	Configuration	Dimensions & Weight	Packaging	MSRP
410004-501-001-001	White	Left / Alcove	59 7/8" x 29 7/8" x 3" / 52 lb / 24 kg	81.7520706741898 ft ³	\$ 1177
410004-501-001-002		Right / Alcove			\$ 1177
410004-502-001-001		Left / Corner Left			\$ 1177
410004-503-001-002		Right / Corner Right			\$ 1177
410004-504-001-000		Back End Drain / Alcove Deep			\$ 1177
410004-505-001-001		Left / Wall Mounted			\$ 1177
410004-505-001-002		Right / Wall Mounted			\$ 1177
410004-541-001-001		Left / Alcove – Stabili-T			\$ 1177
410004-541-001-002		Right / Alcove – Stabili-T			\$ 1177
410004-542-001-001		Left / Corner Left - Stabili-T			\$ 1177
410004-543-001-002		Right / Corner Right – Stabili-T			\$ 1177

RECOMMENDED DOORS

SKU	Product Name	Pag.
138277	Manhattan 57-59 x 68 - 6mm	370
138997	Halo 56 ½-59 x 78 ¾ - 8mm	386
139353	Incognito 70 56-59 x 70 ½ - 8mm	331
139350	Incognito 56-59 x 70 ½ in. 6mm	329
135332	Incognito 76 Shaker 56-59 x 76 - 8mm	335
135335	Incognito 76 56-59 x 76 - 8mm	325



This technical drawing is universal for every 6030 configuration.

Integrated tiling flange : 1" height x 1/4" thick (not shown)
 Tiling flange position is determined by chosen configuration.

All dimensions are approximate. Structure measurements must be verified against the unit to ensure proper fit.

B3Round 6032



Material : Acrylic

Features

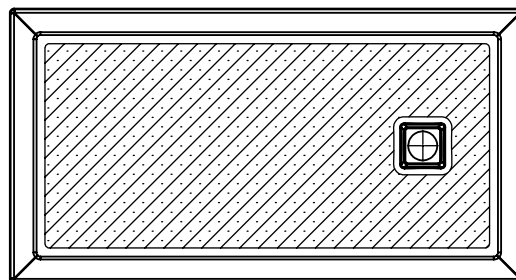
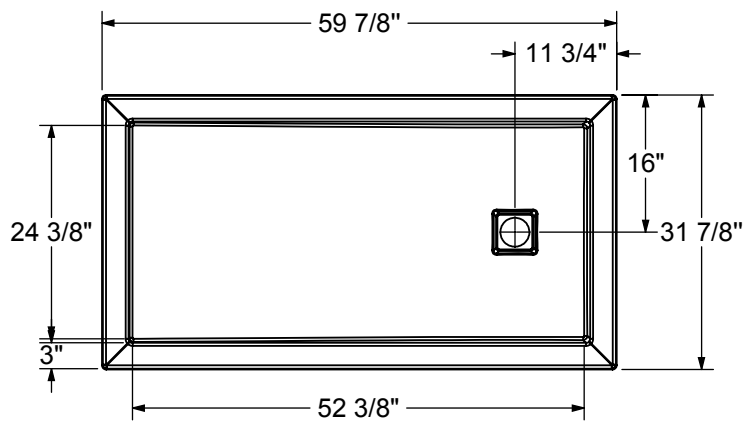
- › Model Size : 59 7/8 L in. X 31 7/8 W in. X 3 H in.
- › Acrylic rectangular shower base with round drain
- › Low 3 in. threshold base allowing an easy and safe access
- › Certain configurations available with Stabili-T anti-slip bottom meeting ADA, ANSI or CSA
- › Multiple configurations available to accomodate different types of installation
- › Compatible with Utile, most glue-up shower walls and ceramic tiles
- › Integrated leak proof tiling flanges
- › 25-year warranty for peace of mind
- › High gloss finish resistant to dulling, scratching, and fading



CONFIGURABLE SHOWER BASES

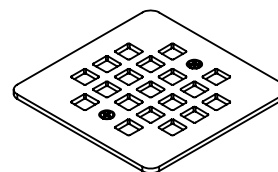
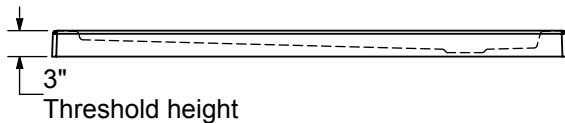
B3ROUND 6032 - 410005					
SKU	Color	Configuration	Dimensions & Weight	Packaging	MSRP
410005-501-001-001	White	Left / Alcove	59 7/8" x 31 7/8" x 3" / 55 lb / 25 kg	65.9463094075521 ft ³	\$ 1177
410005-501-001-002		Right / Alcove			\$ 1177
410005-502-001-001		Left / Corner Left			\$ 1177
410005-503-001-002		Right / Corner Right			\$ 1177
410005-504-001-000		Back End Drain / Alcove Deep			\$ 1177
410005-505-001-001		Left / Wall Mounted			\$ 1177
410005-505-001-002		Right / Wall Mounted			\$ 1177
410005-506-001-104		Back End Drain / Tunnel			\$ 1177
410005-541-001-001		Left / Alcove – Stabili-T			\$ 1177
410005-541-001-002		Right / Alcove – Stabili-T			\$ 1177
410005-542-001-001		Left / Corner Left - Stabili-T			\$ 1177
410005-543-001-002		Right / Corner Right – Stabili-T			\$ 1177

RECOMMENDED DOORS		
SKU	Product Name	Pag.
138997	Halo 56 ½-59 x 78 ¾ - 8mm	386
135322	Uptown 56-59 x 76 in. 8 mm	345
135324		392
139580	Reveal Sleek 71 56-59 x 71 ½ - 8mm	382
136272	Duel 56-58 ½ x 70 ½ x 74 - 8 mm	326

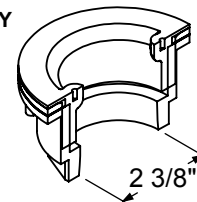


The hatched area represent the antislip surface

1" integrated tiling flange (not shown)



DRAIN INCLUDED ON B3 SQUARE ONLY



This technical drawing is universal for every 6032 configuration.

Integrated tiling flange : 1" height x 1/4" thick (not shown)
 Tiling flange position is determined by chosen configuration.

All dimensions are approximate. Structure measurements must be verified against the unit to ensure proper fit.

B3Round 6034



Material : Acrylic

Features

- › Model Size : 59 7/8 L in. X 33 7/8 W in. X 3 H in.
- › Acrylic rectangular shower base with round drain
- › Low 3 in. threshold base allowing an easy and safe access
- › Certain configurations available with Stabili-T anti-slip bottom meeting ADA, ANSI or CSA
- › Multiple configurations available to accomodate different types of installation
- › Compatible with most glue-up Shower walls and ceramic tiles
- › Integrated leak proof tiling flanges
- › 25-year warranty for peace of mind
- › High gloss finish resistant to dulling, scratching, and fading



CONFIGURABLE SHOWER BASES

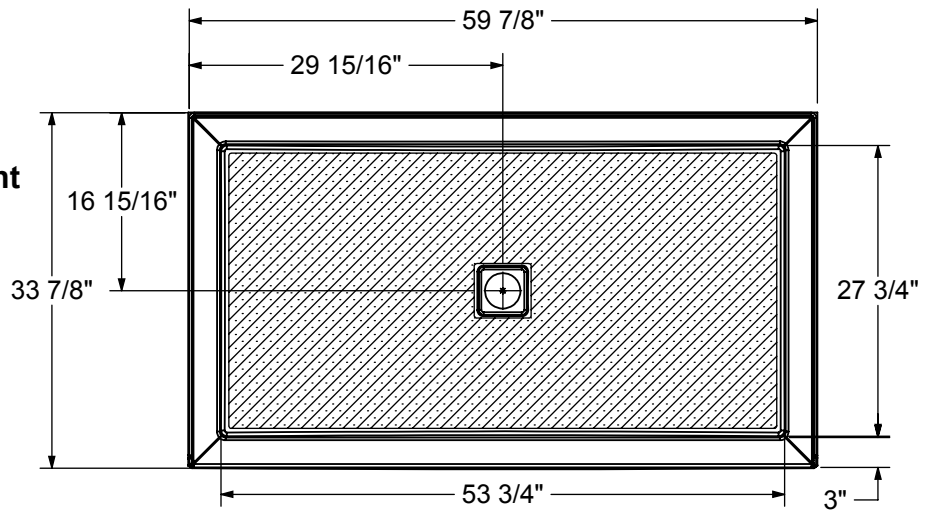
B3ROUND 6034 - 410035

SKU	Color	Configuration	Dimensions & Weight	Packaging	MSRP
410035-541-001-000	White	Center / Alcove – Stabili-T	59 7/8" x 33 7/8" x 3" / 57 lb / 26 kg	65.9463094075521 ft ³	\$ 1194
410035-541-001-001		Left / Alcove – Stabili-T			\$ 1194
410035-541-001-002		Right / Alcove – Stabili-T			\$ 1194
410035-542-001-000		Center / Corner Left - Stabili-T			\$ 1194
410035-542-001-001		Left / Corner Left - Stabili-T			\$ 1194
410035-543-001-000		Center / Corner Right – Stabili-T			\$ 1194
410035-543-001-002		Right / Corner Right – Stabili-T			\$ 1194

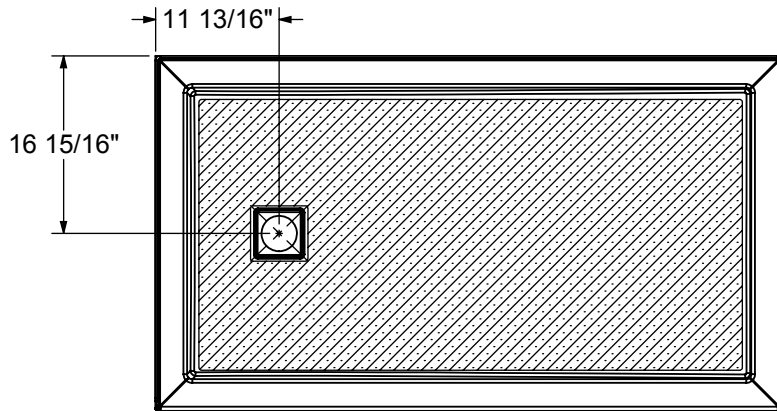
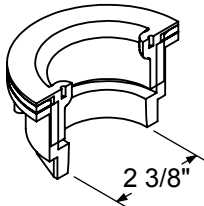
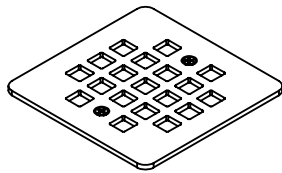
RECOMMENDED DOORS

SKU	Product Name	Pag.
138997	Halo 56 ½-59 x 78 ¾ - 8mm	386
139580	Reveal Sleek 71 56-59 x 71 ½ - 8mm	382
136272	Duel 56-58 ½ x 70 ½ x 74 - 8 mm	326
136672	Reveal 71 56-59 x 71 ½ - 8mm	378

The hatched area represent the antislip surface

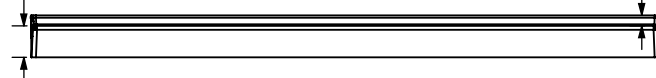


DRAIN INCLUDED ON B3 SQUARE ONLY



3" Threshold height

1" Tiling Flange



This technical drawing is universal for every 6034 configuration.

Integrated tiling flange : 1" height x 1/4" thick
 Tiling flange position is determined by chosen configuration.

All dimensions are approximate. Structure measurements must be verified against the unit to ensure proper fit.



B3Round 6036



Material : Acrylic

Features

- › Model Size : 59 7/8 L in. X 35 7/8 W in. X 3 H in.
- › Acrylic rectangular shower base with round drain
- › Low 3 in. threshold base allowing an easy and safe access
- › Certain configurations available with Stabili-T anti-slip bottom meeting ADA, ANSI or CSA
- › Multiple configurations available to accommodate different types of installation
- › Compatible with Utile, most glue-up shower walls and ceramic tiles
- › Integrated leak proof tiling flanges
- › 25-year warranty for peace of mind
- › High gloss finish resistant to dulling, scratching, and fading

B3ROUND 6036 - 410006					
SKU	Color	Configuration	Dimensions & Weight	Packaging	MSRP
410006-501-001-000	White	Center / Alcove	59 7/8" x 35 7/8" x 3" / 62 lb / 28 kg	65.9463094075521 ft ³	\$ 1214
410006-501-001-001		Left / Alcove			\$ 1214
410006-501-001-002		Right / Alcove			\$ 1214
410006-502-001-000		Center / Corner Left			\$ 1214
410006-502-001-001		Left / Corner Left			\$ 1214
410006-503-001-000		Center / Corner Right			\$ 1214
410006-503-001-002		Right / Corner Right			\$ 1214
410006-504-001-000		Back End Drain / Alcove Deep			\$ 1214
410006-504-001-102		Center / Alcove Deep			\$ 1214
410006-505-001-000		Center / Wall Mounted			\$ 1214
410006-505-001-001		Left / Wall Mounted			\$ 1214
410006-505-001-002		Right / Wall Mounted			\$ 1214
410006-506-001-000		Center / Tunnel			\$ 1214
410006-506-001-100		Back End Drain / Tunnel			\$ 1214
410006-541-001-000		Center / Alcove – Stabili-T			\$ 1214
410006-541-001-001		Left / Alcove – Stabili-T			\$ 1214
410006-541-001-002		Right / Alcove – Stabili-T			\$ 1214
410006-542-001-000		Center / Corner Left - Stabili-T			\$ 1214
410006-542-001-001		Left / Corner Left - Stabili-T			\$ 1214
410006-543-001-000		Center / Corner Right – Stabili-T			\$ 1214

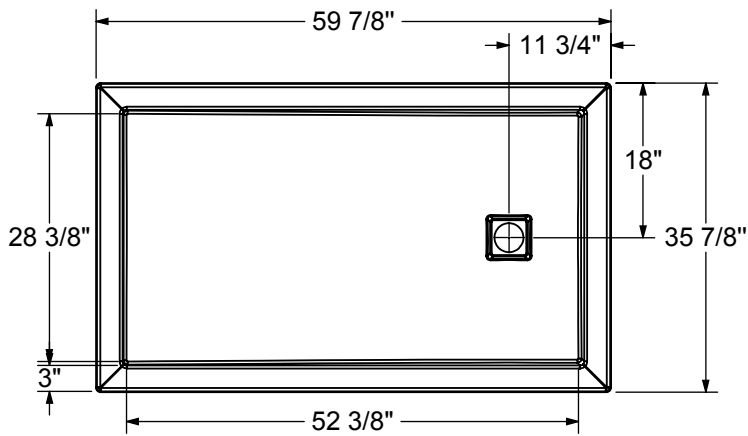
B3ROUND 6036 - 410006

SKU	Color	Configuration	Dimensions & Weight	Packaging	MSRP
410006-543-001-002	White	Right / Corner Right – Stabili-T	59 7/8" x 35 7/8" x 3" / 62 lb / 28 kg	65.9463094075521 ft ³	\$ 1214

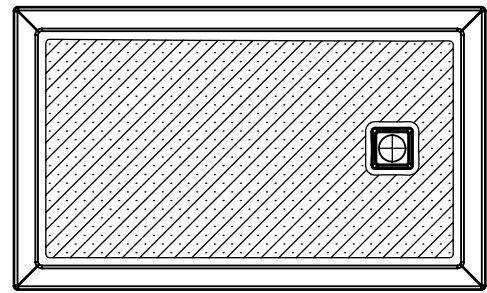
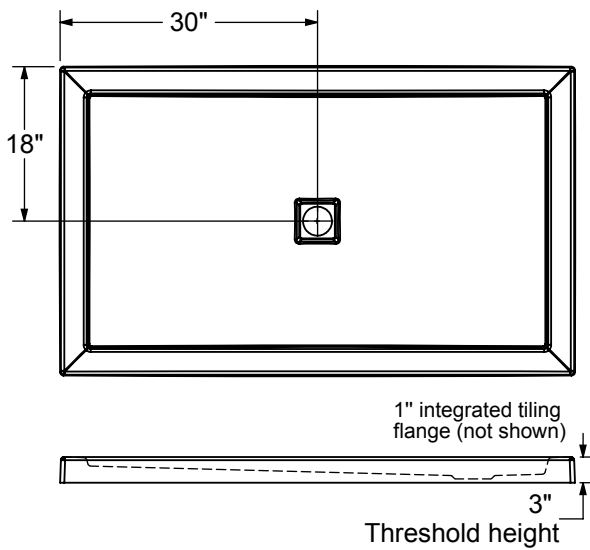
RECOMMENDED DOORS

SKU	Product Name	Pag.
138997	Halo 56 ½-59 x 78 ¾ - 8mm	386
135322	Uptown 56-59 x 76 in. 8 mm	345
135324		392
139580	Reveal Sleek 71 56-59 x 71 ½ - 8mm	382
136272	Duel 56-58 ½ x 70 ½ x 74 - 8 mm	326
136672	Reveal 71 56-59 x 71 ½ - 8mm	378

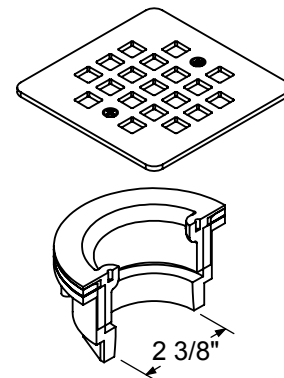
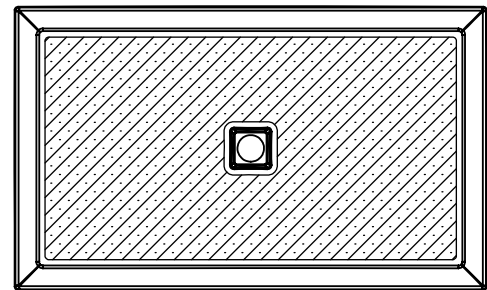
CONFIGURABLE SHOWER BASES



**DRAIN INCLUDED
ON B3 SQUARE ONLY**



The hatched area represent the anti-slip surface



This technical drawing is universal for every 6036 configuration.

Integrated tiling flange : 1" height x 1/4" thick (not shown)
Tiling flange position is determined by chosen configuration.

All dimensions are approximate. Structure measurements must be verified against the unit to ensure proper fit.



B3Round 6042

CONFIGURABLE SHOWER BASES



Material : Acrylic

Features

- › Model Size : 59 7/8 L in. X 41 7/8 W in. X 3 H in.
- › Acrylic rectangular shower base with round drain
- › Low 3 in. threshold base allowing an easy and safe access
- › Certain configurations available with Stabili-T anti-slip bottom meeting ADA, ANSI or CSA
- › Multiple configurations available to accommodate different types of installation
- › Compatible with most glue-up Shower walls and ceramic tiles
- › Integrated leak proof tiling flanges
- › 25-year warranty for peace of mind
- › High gloss finish resistant to dulling, scratching, and fading

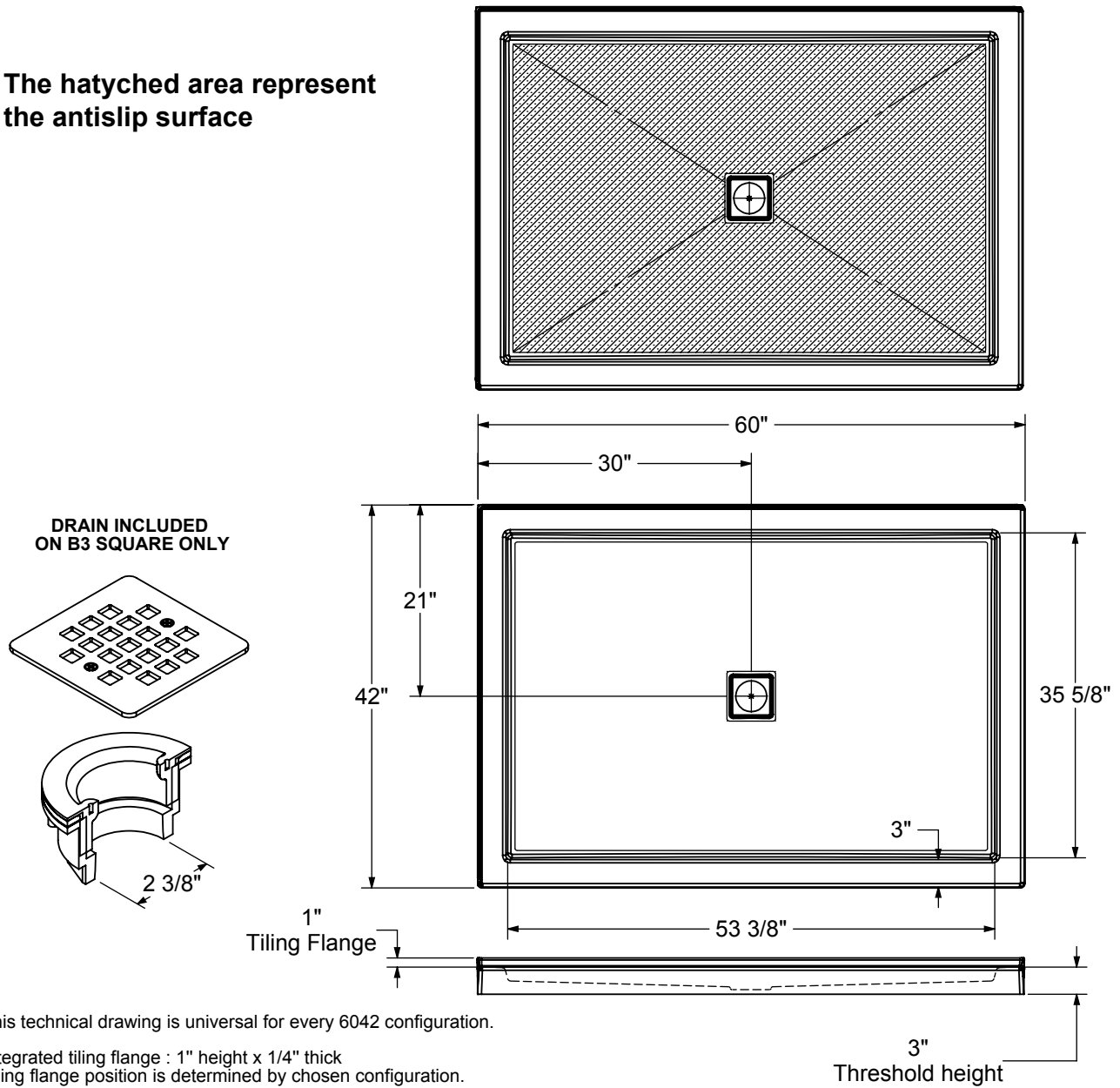
B3ROUND 6042 - 410036

SKU	Color	Configuration	Dimensions & Weight	Packaging	MSRP
410036-541-001-000	White	Center / Alcove – Stabili-T	59 7/8" x 41 7/8" x 3" / 59 lb / 27 kg	65.9463094075521 ft ³	\$ 1251
410036-542-001-000		Center / Corner Left - Stabili-T			\$ 1251
410036-543-001-000		Center / Corner Right – Stabili-T			\$ 1251

RECOMMENDED DOORS

SKU	Product Name	Pag.
138277	Manhattan 57-59 x 68 - 6mm	370
138997	Halo 56 ½-59 x 78 ¾ - 8mm	386
139353	Incognito 70 56-59 x 70 ½ - 8mm	331
139350	Incognito 56-59 x 70 ½ in. 6mm	329
135332	Incognito 76 Shaker 56-59 x 76 - 8mm	335
135335	Incognito 76 56-59 x 76 - 8mm	325
136335	Incognito 76 Smoke 56-59 x 76 - 8mm	337
136691	Revelation Round 56-59 x 70 ½-73 - 6mm	341
136694	Revelation Round 56-59 x 70 ½-73 - 8mm	343
135322	Uptown 56-59 x 76 in. 8 mm	345
135324		392
135244	Connect 57-58 1/2 x 72 - 6mm	394
139580	Reveal Sleek 71 56-59 x 71 ½ - 8mm	382
136272	Duel 56-58 ½ x 70 ½ x 74 - 8 mm	326

The hatched area represent the antislip surface



This technical drawing is universal for every 6042 configuration.

Integrated tiling flange : 1" height x 1/4" thick
 Tiling flange position is determined by chosen configuration.

All dimensions are approximate. Structure measurements must be verified against the unit to ensure proper fit.



B3Square 3636

CONFIGURABLE SHOWER BASES



Material : Acrylic

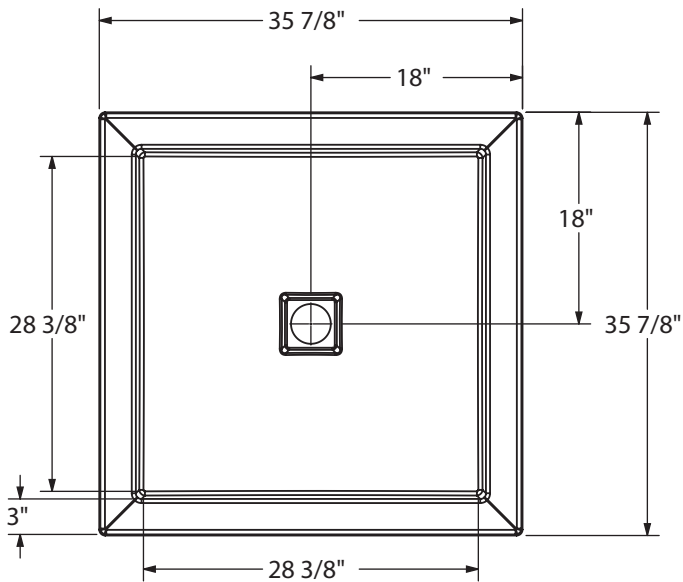
Features

- › Acrylic rectangular shower base with square drain
- › Low 3 in. threshold base allowing an easy and safe access
- › Certain configurations available with Stabili-T anti-slip bottom meeting ADA, ANSI or CSA
- › Multiple configurations available to accomodate different types of installation
- › Chrome grid and drain included (ABS or PVC available)
- › Compatible with Utile, most glue-up shower walls and ceramic tiles
- › Integrated leak proof tiling flanges
- › Easy to clean and stain-resistant acrylic finish
- › Inclus la quincaillerie de drain pour une installation facile

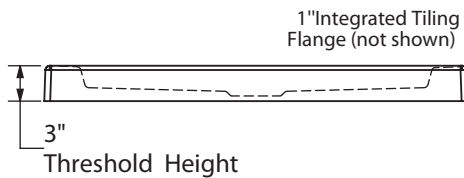
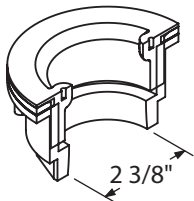
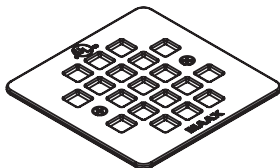
B3SQUARE 3636 - 420000					
SKU	Color	Configuration	Dimensions & Weight	Packaging	MSRP
420000-500-001-100	White	Center / Corner Left or Right	35 7/8" x 35 7/8" x 3" / 35 lb / 16 kg	48.9829734519676 ft ³	\$ 817
420000-501-001-100		Center / Alcove			\$ 817
420000-505-001-100		Center / Wall Mounted			\$ 817
420000-540-001-100		Center / Corner Left or Right - Stabili-T			\$ 817
420000-541-001-100		Center / Alcove – Stabili-T			\$ 817

COMMON OPTIONS		
SKU	Description	MSRP
OPT20253-340	ABS Square drain Available colors: Chrome (084), Brushed Nickel (305), Dark Bronze (173), Matte Black (340) and Brushed gold (343)	\$ 87
OPT20253-305		\$ 52
OPT20253-343		\$ 87
OPT20253-084		\$ 0
OPT20253-173		\$ 87
OPT20254-173	PVC Square drain Available colors: Chrome (084), Brushed Nickel (305), Dark Bronze (173), Matte Black (340) and Brushed Gold (343)	\$ 87
OPT20254-305		\$ 52
OPT20254-340		\$ 87
OPT20254-343		\$ 87
OPT20254-084		\$ 0
OPT20208-084	PVC drain to respect National Building Code of Canada (CAN/ULC-S102.2 flame and smoke protection) for high rise construction (included in product packaging) Available color: Chrome (084)	\$ 88

ACCESSORIES		
SKU	Description	MSRP
10029133-084	PVC drain to respect National Building Code of Canada (CAN/ULC-S102.2 flame and smoke protection) for high rise construction (sold separately - grid not included) Available color: Chrome (084)	\$ 88
10038458-305-600	Square drain grid Available colors: White (001)Chrome (084), Dark Bronze (173), Brushed Nickel (305), Matte Black (340) and Brushed Gold (343)	\$ 52
10038458-084-600		\$ 52
10038458-173-600		\$ 87
10038458-340-600		\$ 87
10038458-001-600		\$ 87
10038458-343-600		\$ 87



DRAIN INCLUDED
ON B3 SQUARE ONLY



This technical drawing is universal for every 3636 configuration.

Integrated tiling flange : 1" height x 1/4" thick (not shown)
Tiling flange position is determined by chosen configuration.

All dimensions are approximate. Structure measurements must be verified against the unit to ensure proper fit.



B3Square 4236



Material : Acrylic

Features

- › Acrylic rectangular shower base with square drain
- › Low 3 in. threshold base allowing an easy and safe access
- › Certain configurations available with Stabili-T anti-slip bottom meeting ADA, ANSI or CSA
- › Multiple configurations available to accomodate different types of installation
- › Chrome grid and drain included (ABS or PVC available)
- › Compatible with most glue-up Shower walls and ceramic tiles
- › Integrated leak proof tiling flanges
- › Easy to clean and stain-resistant acrylic finish
- › Inclus la quincaillerie de drain pour une installation facile

CONFIGURABLE SHOWER BASES

B3SQUARE 4236 - 420034

SKU	Color	Configuration	Dimensions & Weight	Packaging	MSRP
420034-501-001-100	White	Center / Alcove	41 7/8" x 35 7/8" x 3" / 45 lb / 20 kg	46.1976001880787 ft ³	\$ 1014
420034-502-001-100		Center / Corner Left			\$ 1014
420034-503-001-100		Center / Corner Right			\$ 1014
420034-541-001-100		Center / Alcove – Stabili-T			\$ 1014
420034-542-001-100		Center / Corner Left - Stabili-T			\$ 1014
420034-543-001-100		Center / Corner Right – Stabili-T			\$ 1014

COMMON OPTIONS

SKU	Description	MSRP
OPT20208-084	PVC drain to respect National Building Code of Canada (CAN/ULC-S102.2 flame and smoke protection) for high rise construction (included in product packaging) Available color: Chrome (084)	\$ 88
OPT20253-340	ABS Square drain Available colors: Chrome (084), Brushed Nickel (305), Dark Bronze (173), Matte Black (340) and Brushed gold (343)	\$ 87
OPT20253-305		\$ 52
OPT20253-343		\$ 87
OPT20253-084		\$ 0
OPT20253-173		\$ 87
OPT20254-173		\$ 87
OPT20254-305	PVC Square drain Available colors: Chrome (084), Brushed Nickel (305), Dark Bronze (173), Matte Black (340) and Brushed Gold (343)	\$ 52
OPT20254-340		\$ 87

COMMON OPTIONS

SKU	Description	MSRP
OPT20254-343	PVC Square drain	\$ 87
OPT20254-084	Available colors: Chrome (084), Brushed Nickel (305), Dark Bronze (173), Matte Black (340) and Brushed Gold (343)	\$ 0

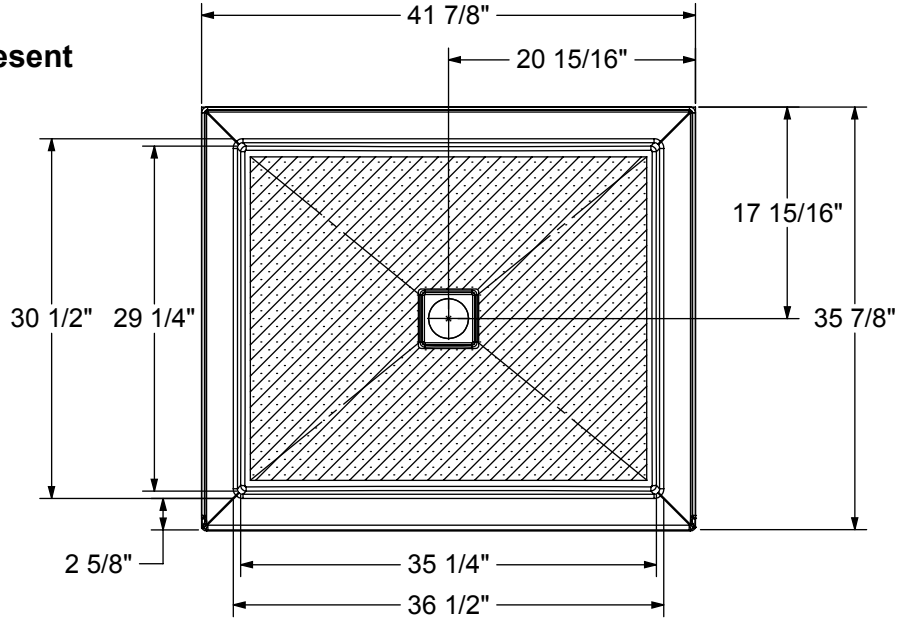
ACCESSORIES

SKU	Description	MSRP
10029133-084	PVC drain to respect National Building Code of Canada (CAN/ULC-S102.2 flame and smoke protection) for high rise construction (sold separately - grid not included) Available color: Chrome (084)	\$ 88
10038458-305-600	Square drain grid Available colors: White (001)Chrome (084), Dark Bronze (173), Brushed Nickel (305), Matte Black (340) and Brushed Gold (343)	\$ 52
10038458-084-600		\$ 52
10038458-173-600		\$ 87
10038458-340-600		\$ 87
10038458-001-600		\$ 87
10038458-343-600		\$ 87

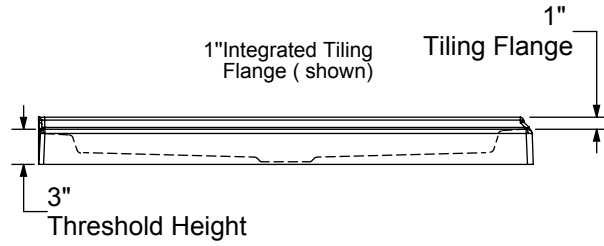
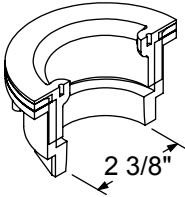
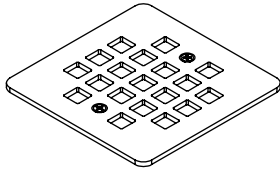
RECOMMENDED DOORS

SKU	Product Name	Pag.
139576	Reveal Sleek 71 38-41 x 71 ½ - 8mm	381
136679	Reveal 71 38-41 x 71 ½ - 8 mm	379

The hatched area represent the antislip surface



DRAIN INCLUDED ON B3 SQUARE ONLY



This technical drawing is universal for every 4236 configuration.

Integrated tiling flange : 1" height x 1/4" thick
 Tiling flange position is determined by chosen configuration.

All dimensions are approximate. Structure measurements must be verified against the unit to ensure proper fit.



B3Square 4832

CONFIGURABLE SHOWER BASES



Material : Acrylic

Features

- › Acrylic rectangular shower base with square drain
- › Low 3 in. threshold base allowing an easy and safe access
- › Certain configurations available with Stabili-T anti-slip bottom meeting ADA, ANSI or CSA
- › Multiple configurations available to accomodate different types of installation
- › Chrome grid and drain included (ABS or PVC available)
- › Compatible with Utile, most glue-up shower walls and ceramic tiles
- › Integrated leak proof tiling flanges
- › Easy to clean and stain-resistant acrylic finish
- › Inclus la quincaillerie de drain pour une installation facile

B3SQUARE 4832 - 420001

SKU	Color	Configuration	Dimensions & Weight	Packaging	MSRP
420001-501-001-100	White	Center / Alcove	47 7/8" x 31 7/8" x 3" / 41 lb / 19 kg	65.3675220630787 ft ³	\$ 1014
420001-502-001-100		Center / Corner Left			\$ 1014
420001-503-001-100		Center / Corner Right			\$ 1014
420001-504-001-100		Center / Alcove Deep			\$ 1014
420001-505-001-100		Center / Wall Mounted			\$ 1014
420001-506-001-100		Center / Tunnel			\$ 1014
420001-541-001-102		Center / Alcove – Stabili-T			\$ 1014
420001-542-001-100		Center / Corner Left - Stabili-T			\$ 1014
420001-543-001-100		Center / Corner Right – Stabili-T			\$ 1014

COMMON OPTIONS

SKU	Description	MSRP
OPT20253-340	ABS Square drain Available colors: Chrome (084), Brushed Nickel (305), Dark Bronze (173), Matte Black (340) and Brushed gold (343)	\$ 87
OPT20253-305		\$ 52
OPT20253-343		\$ 87
OPT20253-084		\$ 0
OPT20253-173		\$ 87
OPT20254-173		PVC Square drain
OPT20254-305	Available colors: Chrome (084), Brushed Nickel (305), Dark Bronze (173), Matte Black (340) and Brushed Gold (343)	\$ 52

COMMON OPTIONS

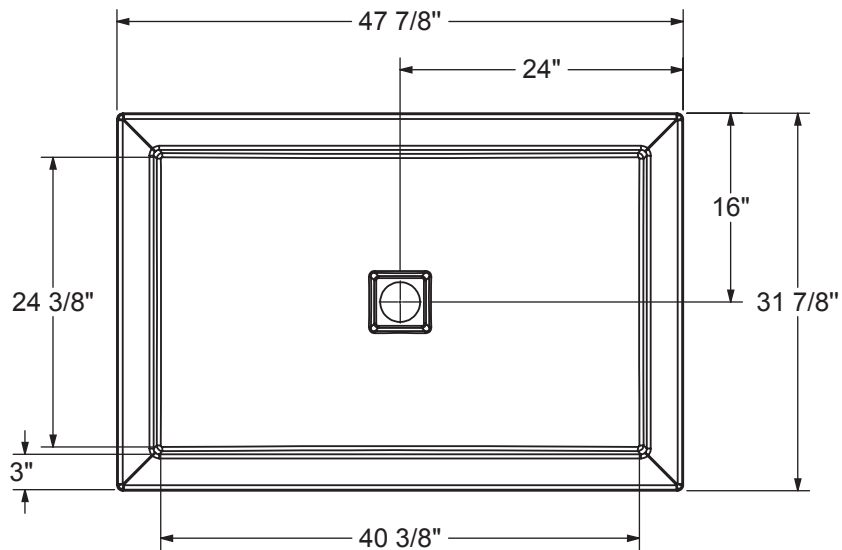
SKU	Description	MSRP
OPT20254-340	PVC Square drain Available colors: Chrome (084), Brushed Nickel (305), Dark Bronze (173), Matte Black (340) and Brushed Gold (343)	\$ 87
OPT20254-343		\$ 87
OPT20254-084		\$ 0
OPT20208-084	PVC drain to respect National Building Code of Canada (CAN/ULC-S102.2 flame and smoke protection) for high rise construction (included in product packaging) Available color: Chrome (084)	\$ 88

ACCESSORIES

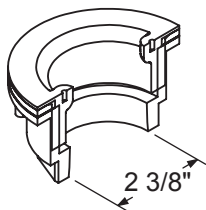
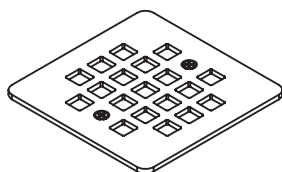
SKU	Description	MSRP
10029133-084	PVC drain to respect National Building Code of Canada (CAN/ULC-S102.2 flame and smoke protection) for high rise construction (sold separately - grid not included) Available color: Chrome (084)	\$ 88
10038458-305-600	Square drain grid Available colors: White (001)Chrome (084), Dark Bronze (173), Brushed Nickel (305), Matte Black (340) and Brushed Gold (343)	\$ 52
10038458-084-600		\$ 52
10038458-173-600		\$ 87
10038458-340-600		\$ 87
10038458-001-600		\$ 87
10038458-343-600		\$ 87

RECOMMENDED DOORS

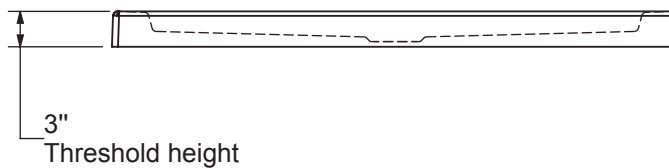
SKU	Product Name	Pag.
135321	Uptown 44-47 x 76 in. 8 mm	345
139352	Incognito 70 44-47 x 70 ½ - 8mm	331
139349	Incognito 44-47 x 70 ½ in. 6mm	329
135671	Aura 43-47 x 71 - 8mm	355
136693	Revelation Round 44-47 x 70 ½-73 - 8mm	343
135323	Uptown 44-47 x 76 in. 8 mm	392
135325	Uptown 45-47 x 76 in. 8 mm	384
135242	Connect 45-46 1/2 x 72 - 6mm	394
139578	Reveal Sleek 71 44-47 x 71 ½ - 8mm	382
135331	Incognito 76 Shaker 44-47 x 76 - 8mm	335
136271	Duel 44-47 x 70 ½ x 74 - 8 mm	326
137421	Odyssey SC 45-47 1/2 x 78 - 8 mm	390
135663	Aura 43-47 x 71 - 6mm	348
138996	Halo 44 ½-47 x 78 ¾ - 8mm	386
137680	Outback 43 ¼ - 46 ½ x 70 ½ - 8mm	397
138992	Luminescence 44 ½-47 x 70 ½-72 - 6mm	388
136671	Reveal 71 44-47 x 71 ½ - 8mm	378
105413	Polar 42-47 ½ x 68 in.	339
138271	Manhattan 45-47 x 68 - 6mm	368



DRAIN INCLUDED
ON B3 SQUARE ONLY



1" integrated tiling
flange (not shown)



This technical drawing is universal for every 4832 configuration.

Integrated tiling flange : 1" height x 1/4" thick (not shown)
Tiling flange position is determined by chosen configuration.

All dimensions are approximate. Structure measurements
must be verified against the unit to ensure proper fit.



B3Square 4834



Material : Acrylic

Features

- › Acrylic rectangular shower base with square drain
- › Low 3 in. threshold base allowing an easy and safe access
- › Certain configurations available with Stabili-T anti-slip bottom meeting ADA, ANSI or CSA
- › Multiple configurations available to accomodate different types of installation
- › Chrome grid and drain included (ABS or PVC available)
- › Compatible with most glue-up Shower walls and ceramic tiles
- › Integrated leak proof tiling flanges
- › Easy to clean and stain-resistant acrylic finish
- › Inclus la quincaillerie de drain pour une installation facile

CONFIGURABLE SHOWER BASES

B3SQUARE 4834 - 420002

SKU	Color	Configuration	Dimensions & Weight	Packaging	MSRP
420002-501-001-100	White	Center / Alcove	47 7/8" x 33 7/8" x 3" / 44 lb / 20 kg	65.3675220630787 ft ³	\$ 1034
420002-502-001-100		Center / Corner Left			\$ 1034
420002-503-001-100		Center / Corner Right			\$ 1034
420002-504-001-100		Center / Alcove Deep			\$ 1034
420002-505-001-100		Center / Wall Mounted			\$ 1034
420002-506-001-100		Center / Tunnel			\$ 1034
420002-541-001-100		Center / Alcove – Stabili-T			\$ 1034
420002-542-001-100		Center / Corner Left - Stabili-T			\$ 1034
420002-543-001-100		Center / Corner Right – Stabili-T			\$ 1034

COMMON OPTIONS

SKU	Description	MSRP
OPT20253-340	ABS Square drain Available colors: Chrome (084), Brushed Nickel (305), Dark Bronze (173), Matte Black (340) and Brushed gold (343)	\$ 87
OPT20253-305		\$ 52
OPT20253-343		\$ 87
OPT20253-084		\$ 0
OPT20253-173		\$ 87
OPT20208-084	PVC drain to respect National Building Code of Canada (CAN/ULC-S102.2 flame and smoke protection) for high rise construction (included in product packaging) Available color: Chrome (084)	\$ 88

COMMON OPTIONS

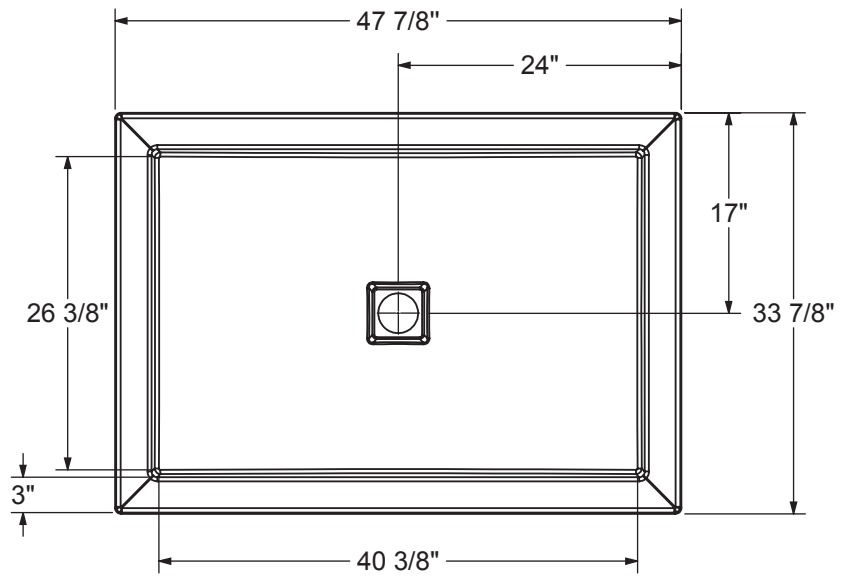
SKU	Description	MSRP
OPT20254-173	PVC Square drain Available colors: Chrome (084), Brushed Nickel (305), Dark Bronze (173), Matte Black (340) and Brushed Gold (343)	\$ 87
OPT20254-305		\$ 52
OPT20254-340		\$ 87
OPT20254-343		\$ 87
OPT20254-084		\$ 0

ACCESSORIES

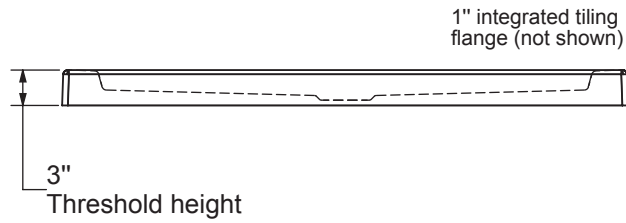
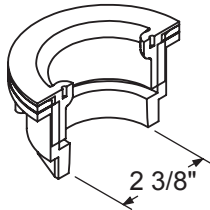
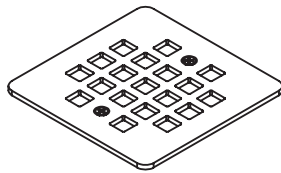
SKU	Description	MSRP
10038458-305-600	Square drain grid Available colors: White (001)Chrome (084), Dark Bronze (173), Brushed Nickel (305), Matte Black (340) and Brushed Gold (343)	\$ 52
10038458-084-600		\$ 52
10038458-173-600		\$ 87
10038458-340-600		\$ 87
10038458-001-600		\$ 87
10038458-343-600		\$ 87
10029133-084	PVC drain to respect National Building Code of Canada (CAN/ULC-S102.2 flame and smoke protection) for high rise construction (sold separately - grid not included) Available color: Chrome (084)	\$ 88

RECOMMENDED DOORS

SKU	Product Name	Pag.
135321	Uptown 44-47 x 76 in. 8 mm	345
139352	Incognito 70 44-47 x 70 ½ - 8mm	331
139349	Incognito 44-47 x 70 ½ in. 6mm	329
135671	Aura 43-47 x 71 - 8mm	355
136693	Revelation Round 44-47 x 70 ½-73 - 8mm	343
135323	Uptown 44-47 x 76 in. 8 mm	392
135325	Uptown 45-47 x 76 in. 8 mm	384
135242	Connect 45-46 1/2 x 72 - 6mm	394
139578	Reveal Sleek 71 44-47 x 71 ½ - 8mm	382
135331	Incognito 76 Shaker 44-47 x 76 - 8mm	335
136271	Duel 44-47 x 70 ½ x 74 - 8 mm	326
137421	Odyssey SC 45-47 1/2 x 78 - 8 mm	390
135663	Aura 43-47 x 71 - 6mm	348
138996	Halo 44 ½-47 x 78 ¾ - 8mm	386
137680	Outback 43 ¼ - 46 ½ x 70 ½ - 8mm	397
138992	Luminescence 44 ½-47 x 70 ½-72 - 6mm	388
136671	Reveal 71 44-47 x 71 ½ - 8mm	378
105413	Polar 42-47 ½ x 68 in.	339
138271	Manhattan 45-47 x 68 - 6mm	368



**DRAIN INCLUDED
ON B3 SQUARE ONLY**



This technical drawing is universal for every 4834 configuration.

Integrated tiling flange : 1" height x 1/4" thick (not shown)
Tiling flange position is determined by chosen configuration.

All dimensions are approximate. Structure measurements must be verified against the unit to ensure proper fit.



B3Square 4836

CONFIGURABLE SHOWER BASES



Material : Acrylic

Features

- › Acrylic rectangular shower base with square drain
- › Low 3 in. threshold base allowing an easy and safe access
- › Certain configurations available with Stabili-T anti-slip bottom meeting ADA, ANSI or CSA
- › Multiple configurations available to accomodate different types of installation
- › Chrome grid and drain included (ABS or PVC available)
- › Compatible with Utile, most glue-up shower walls and ceramic tiles
- › Integrated leak proof tiling flanges
- › Easy to clean and stain-resistant acrylic finish
- › Inclus la quincaillerie de drain pour une installation facile

B3SQUARE 4836 - 420003

SKU	Color	Configuration	Dimensions & Weight	Packaging	MSRP
420003-501-001-100	White	Center / Alcove	47 7/8" x 35 7/8" x 3" / 47 lb / 21 kg	65.3675220630787 ft ³	\$ 1054
420003-502-001-100		Center / Corner Left			\$ 1054
420003-503-001-100		Center / Corner Right			\$ 1054
420003-504-001-100		Center / Alcove Deep			\$ 1054
420003-505-001-100		Center / Wall Mounted			\$ 1054
420003-506-001-100		Center / Tunnel			\$ 1054
420003-541-001-100		Center / Alcove – Stabili-T			\$ 1054
420003-542-001-100		Center / Corner Left - Stabili-T			\$ 1054
420003-543-001-100		Center / Corner Right – Stabili-T			\$ 1054

COMMON OPTIONS

SKU	Description	MSRP
OPT20253-340	ABS Square drain Available colors: Chrome (084), Brushed Nickel (305), Dark Bronze (173), Matte Black (340) and Brushed gold (343)	\$ 87
OPT20253-305		\$ 52
OPT20253-343		\$ 87
OPT20253-084		\$ 0
OPT20253-173		\$ 87
OPT20208-084	PVC drain to respect National Building Code of Canada (CAN/ULC-S102.2 flame and smoke protection) for high rise construction (included in product packaging) Available color: Chrome (084)	\$ 88

COMMON OPTIONS

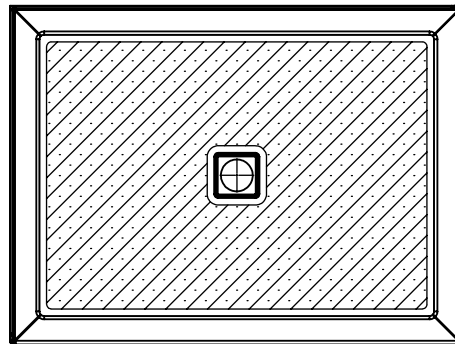
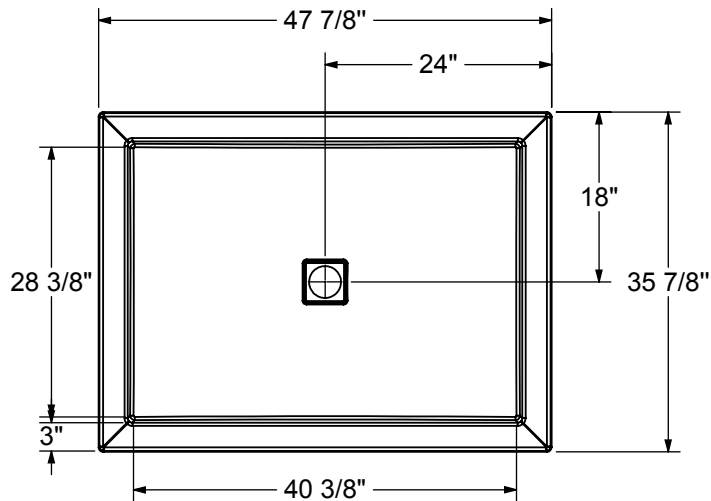
SKU	Description	MSRP
OPT20254-173	PVC Square drain Available colors: Chrome (084), Brushed Nickel (305), Dark Bronze (173), Matte Black (340) and Brushed Gold (343)	\$ 87
OPT20254-305		\$ 52
OPT20254-340		\$ 87
OPT20254-343		\$ 87
OPT20254-084		\$ 0

ACCESSORIES

SKU	Description	MSRP
10038458-305-600	Square drain grid Available colors: White (001)Chrome (084), Dark Bronze (173), Brushed Nickel (305), Matte Black (340) and Brushed Gold (343)	\$ 52
10038458-084-600		\$ 52
10038458-173-600		\$ 87
10038458-340-600		\$ 87
10038458-001-600		\$ 87
10038458-343-600		\$ 87
10029133-084	PVC drain to respect National Building Code of Canada (CAN/ULC-S102.2 flame and smoke protection) for high rise construction (sold separately - grid not included) Available color: Chrome (084)	\$ 88

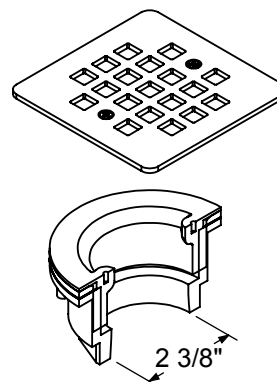
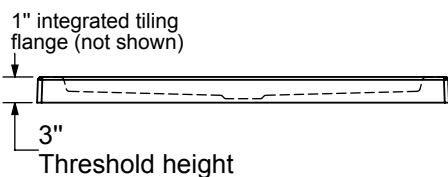
RECOMMENDED DOORS

SKU	Product Name	Pag.
138996	Halo 44 ½-47 x 78 ¾ - 8mm	386
135321	Uptown 44-47 x 76 in. 8 mm	345
135323		392
135325	Uptown 45-47 x 76 in. 8 mm	384
139578	Reveal Sleek 71 44-47 x 71 ½ - 8mm	382
136271	Duel 44-47 x 70 ½ x 74 - 8 mm	326
136671	Reveal 71 44-47 x 71 ½ - 8mm	378



The hatched area represent the anti-slip surface

DRAIN INCLUDED ON B3 SQUARE ONLY



This technical drawing is universal for every 4836 configuration.

Integrated tiling flange : 1" height x 1/4" thick (not shown)
 Tiling flange position is determined by chosen configuration.

All dimensions are approximate. Structure measurements must be verified against the unit to ensure proper fit.

B3Square 4842



Material : Acrylic

Features

- › Acrylic rectangular shower base with square drain
- › Low 3 in. threshold base allowing an easy and safe access
- › Certain configurations available with Stabili-T anti-slip bottom meeting ADA, ANSI or CSA
- › Multiple configurations available to accommodate different types of installation
- › Chrome grid and drain included (ABS or PVC available)
- › Compatible with most glue-up Shower walls and ceramic tiles
- › Integrated leak proof tiling flanges
- › Easy to clean and stain-resistant acrylic finish
- › High gloss finish resistant to dulling, scratching, and fading

CONFIGURABLE SHOWER BASES

B3SQUARE 4842 - 420043

SKU	Color	Configuration	Dimensions & Weight	Packaging	MSRP
420043-541-001-100	White	Center / Alcove – Stabili-T	47 7/8" x 41 7/8" x 3" / 56 lb / 25 kg	4.64066116898148 ft³	\$ 1379
420043-542-001-100		Center / Corner Left - Stabili-T			\$ 1379
420043-543-001-100		Center / Corner Right – Stabili-T			\$ 1379
420043-544-001-100		Center / Alcove Deep - Stabili-T			\$ 1379

COMMON OPTIONS

SKU	Description	MSRP
OPT20253-340	ABS Square drain Available colors: Chrome (084), Brushed Nickel (305), Dark Bronze (173), Matte Black (340) and Brushed gold (343)	\$ 87
OPT20253-305		\$ 52
OPT20253-343		\$ 87
OPT20253-084		\$ 0
OPT20253-173		\$ 87
OPT20208-084	PVC drain to respect National Building Code of Canada (CAN/ULC-S102.2 flame and smoke protection) for high rise construction (included in product packaging) Available color: Chrome (084)	\$ 88
OPT20254-173	PVC Square drain Available colors: Chrome (084), Brushed Nickel (305), Dark Bronze (173), Matte Black (340) and Brushed Gold (343)	\$ 87
OPT20254-305		\$ 52
OPT20254-340		\$ 87
OPT20254-343		\$ 87
OPT20254-084		\$ 0

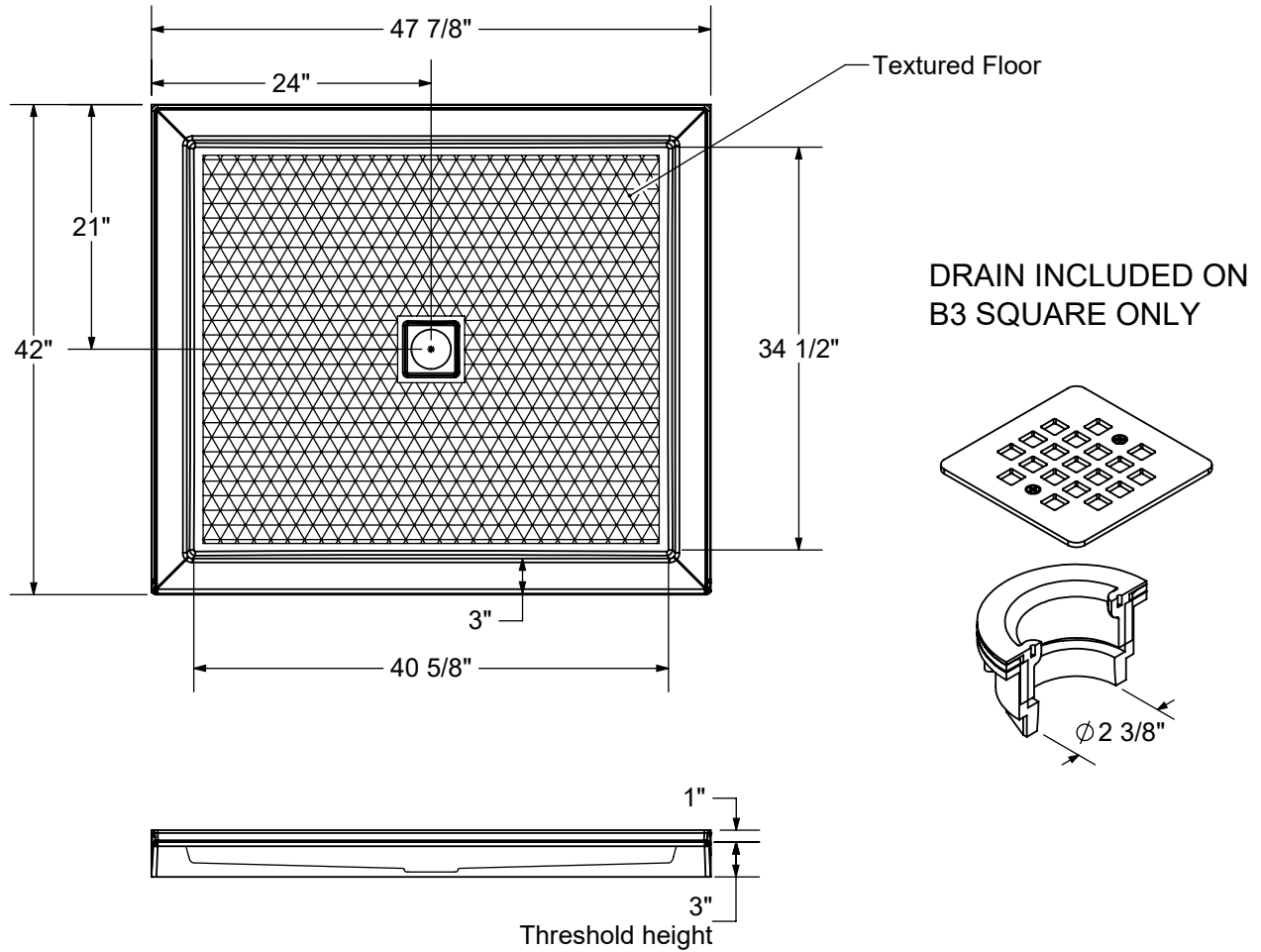
ACCESSORIES

SKU	Description	MSRP
10038458-305-600	Square drain grid Available colors: White (001)Chrome (084), Dark Bronze (173), Brushed Nickel (305), Matte Black (340) and Brushed Gold (343)	\$ 52
10038458-084-600		\$ 52
10038458-173-600		\$ 87
10038458-340-600		\$ 87
10038458-001-600		\$ 87
10038458-343-600		\$ 87
10029133-084		PVC drain to respect National Building Code of Canada (CAN/ULC-S102.2 flame and smoke protection) for high rise construction (sold separately - grid not included) Available color: Chrome (084)

RECOMMENDED DOORS

SKU	Product Name	Pag.
138996	Halo 44 1/2-47 x 78 3/4 - 8mm	386

BASE MODEL



CONFIGURABLE SHOWER BASES

- All dimensions are approximate
- Structure measurements must be verified against the unit to ensure proper fit
- Installation to be completed in accordance with manufacturers specifications
- Do not scale drawings



B3Square 6030

CONFIGURABLE SHOWER BASES



Material : Acrylic

Features

- › Acrylic rectangular shower base with square drain
- › Low 3 in. threshold base allowing an easy and safe access
- › Certain configurations available with Stabili-T anti-slip bottom meeting ADA, ANSI or CSA
- › Multiple configurations available to accomodate different types of installation
- › Chrome grid and drain included (ABS or PVC available)
- › Compatible with most glue-up Shower walls and ceramic tiles
- › Integrated leak proof tiling flanges
- › Easy to clean and stain-resistant acrylic finish
- › Inclus la quincaillerie de drain pour une installation facile

B3SQUARE 6030 - 420004

SKU	Color	Configuration	Dimensions & Weight	Packaging	MSRP
420004-501-001-100	White	Left / Alcove	59 7/8" x 29 7/8" x 3" / 52 lb / 24 kg	81.7520706741898 ft³	\$ 1249
420004-501-001-101		Right / Alcove			\$ 1249
420004-502-001-100		Left / Corner Left			\$ 1249
420004-503-001-100		Right / Corner Right			\$ 1249
420004-504-001-100		Back End Drain / Alcove Deep			\$ 1249
420004-505-001-100		Left / Wall Mounted			\$ 1249
420004-505-001-101		Right / Wall Mounted			\$ 1249
420004-541-001-104		Left / Alcove – Stabili-T			\$ 1249
420004-541-001-105		Right / Alcove – Stabili-T			\$ 1249
420004-542-001-100		Left / Corner Left - Stabili-T			\$ 1249
420004-543-001-100		Right / Corner Right – Stabili-T			\$ 1249

COMMON OPTIONS

SKU	Description	MSRP
OPT20253-340	ABS Square drain Available colors: Chrome (084), Brushed Nickel (305), Dark Bronze (173), Matte Black (340) and Brushed gold (343)	\$ 87
OPT20253-305		\$ 52
OPT20253-343		\$ 87
OPT20253-084		\$ 0
OPT20253-173		\$ 87
OPT20253-343		\$ 87

COMMON OPTIONS

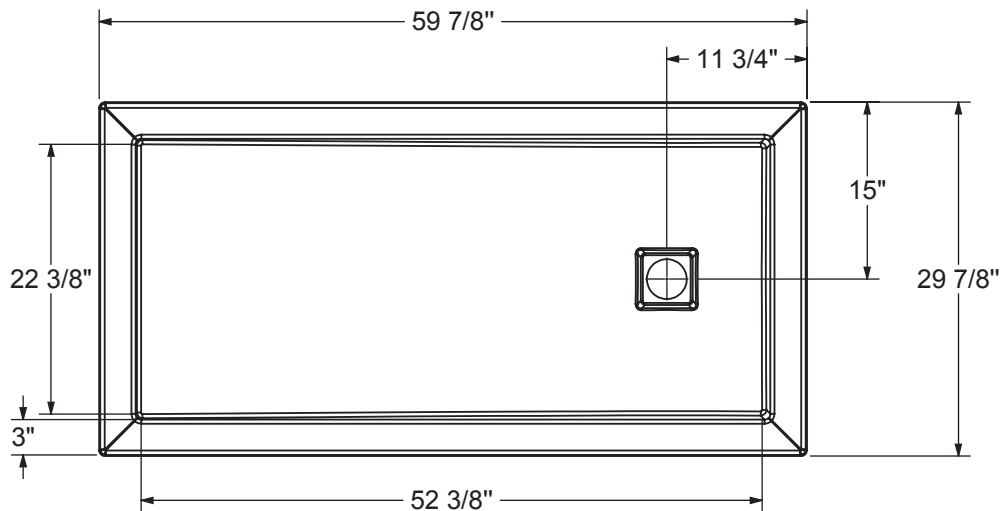
SKU	Description	MSRP
OPT20254-173	PVC Square drain Available colors: Chrome (084), Brushed Nickel (305), Dark Bronze (173), Matte Black (340) and Brushed Gold (343)	\$ 87
OPT20254-305		\$ 52
OPT20254-340		\$ 87
OPT20254-343		\$ 87
OPT20254-084		\$ 0
OPT20208-084	PVC drain to respect National Building Code of Canada (CAN/ULC-S102.2 flame and smoke protection) for high rise construction (included in product packaging) Available color: Chrome (084)	\$ 88

ACCESSORIES

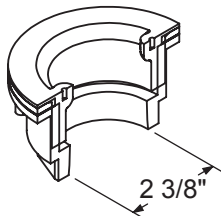
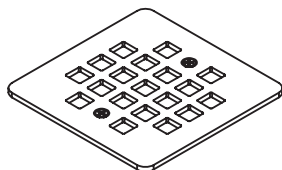
SKU	Description	MSRP
10038458-305-600	Square drain grid Available colors: White (001)Chrome (084), Dark Bronze (173), Brushed Nickel (305), Matte Black (340) and Brushed Gold (343)	\$ 52
10038458-084-600		\$ 52
10038458-173-600		\$ 87
10038458-340-600		\$ 87
10038458-001-600		\$ 87
10038458-343-600		\$ 87
10029133-084	PVC drain to respect National Building Code of Canada (CAN/ULC-S102.2 flame and smoke protection) for high rise construction (sold separately - grid not included) Available color: Chrome (084)	\$ 88

RECOMMENDED DOORS

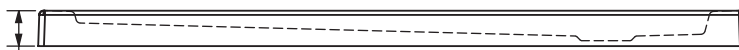
SKU	Product Name	Pag.
138997	Halo 56 1/2-59 x 78 3/4 - 8mm	386



DRAIN INCLUDED FOR B3 SQUARE ONLY



1" integrated tiling flange (not shown)



3" Threshold height

This technical drawing is universal for every 6030 configuration.

Integrated tiling flange : 1" height x 1/4" thick (not shown)
 Tiling flange position is determined by chosen configuration.

All dimensions are approximate. Structure measurements must be verified against the unit to ensure proper fit.



B3Square 6032

CONFIGURABLE SHOWER BASES



Material : Acrylic

Features

- › Acrylic rectangular shower base with square drain
- › Low 3 in. threshold base allowing an easy and safe access
- › Certain configurations available with Stabili-T anti-slip bottom meeting ADA, ANSI or CSA
- › Multiple configurations available to accomodate different types of installation
- › Chrome grid and drain included (ABS or PVC available)
- › Compatible with Utile, most glue-up shower walls and ceramic tiles
- › Integrated leak proof tiling flanges
- › Easy to clean and stain-resistant acrylic finish
- › Inclus la quincaillerie de drain pour une installation facile

B3SQUARE 6032 - 420005

SKU	Color	Configuration	Dimensions & Weight	Packaging	MSRP
420005-501-001-100	White	Left / Alcove	59 7/8" x 31 7/8" x 3" / 55 lb / 25 kg	81.7520706741898 ft ³	\$ 1249
420005-501-001-101		Right / Alcove			\$ 1249
420005-502-001-100		Left / Corner Left			\$ 1249
420005-503-001-100		Right / Corner Right			\$ 1249
420005-504-001-100		Back End Drain / Alcove Deep			\$ 1249
420005-505-001-100		Left / Wall Mounted			\$ 1249
420005-505-001-101		Right / Wall Mounted			\$ 1249
420005-506-001-104		Back End Drain / Tunnel			\$ 1249
420005-541-001-100		Left / Alcove – Stabili-T			\$ 1249
420005-541-001-101		Right / Alcove – Stabili-T			\$ 1249
420005-542-001-100		Left / Corner Left - Stabili-T			\$ 1249
420005-543-001-100		Right / Corner Right – Stabili-T			\$ 1249

COMMON OPTIONS

SKU	Description	MSRP
OPT20253-340	ABS Square drain Available colors: Chrome (084), Brushed Nickel (305), Dark Bronze (173), Matte Black (340) and Brushed gold (343)	\$ 87
OPT20253-305		\$ 52
OPT20253-343		\$ 87
OPT20253-084		\$ 0

COMMON OPTIONS

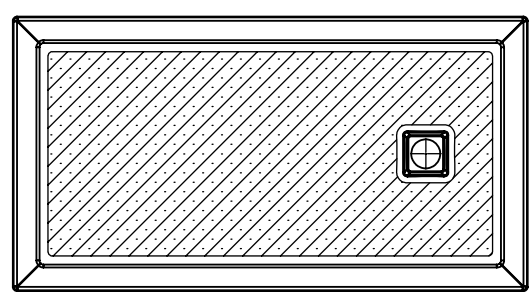
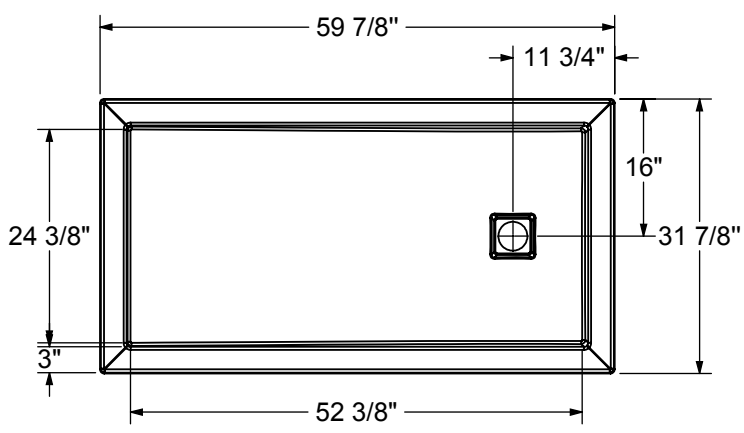
SKU	Description	MSRP
OPT20253-173	ABS Square drain Available colors: Chrome (084), Brushed Nickel (305), Dark Bronze (173), Matte Black (340) and Brushed gold (343)	\$ 87
OPT20254-173	PVC Square drain Available colors: Chrome (084), Brushed Nickel (305), Dark Bronze (173), Matte Black (340) and Brushed Gold (343)	\$ 87
OPT20254-305		\$ 52
OPT20254-340		\$ 87
OPT20254-343		\$ 87
OPT20254-084		\$ 0
OPT20208-084	PVC drain to respect National Building Code of Canada (CAN/ULC-S102.2 flame and smoke protection) for high rise construction (included in product packaging) Available color: Chrome (084)	\$ 88

ACCESSORIES

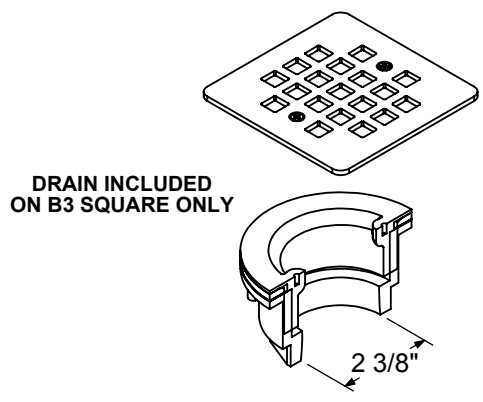
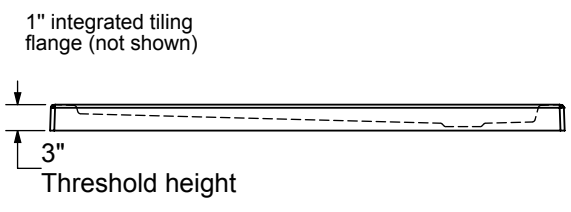
SKU	Description	MSRP
10038458-305-600	Square drain grid Available colors: White (001)Chrome (084), Dark Bronze (173), Brushed Nickel (305), Matte Black (340) and Brushed Gold (343)	\$ 52
10038458-084-600		\$ 52
10038458-173-600		\$ 87
10038458-340-600		\$ 87
10038458-001-600		\$ 87
10038458-343-600		\$ 87
10029133-084	PVC drain to respect National Building Code of Canada (CAN/ULC-S102.2 flame and smoke protection) for high rise construction (sold separately - grid not included) Available color: Chrome (084)	\$ 88

RECOMMENDED DOORS

SKU	Product Name	Pag.
138277	Manhattan 57-59 x 68 - 6mm	370
138997	Halo 56 ½-59 x 78 ¾ - 8mm	386
139353	Incognito 70 56-59 x 70 ½ - 8mm	331
139350	Incognito 56-59 x 70 ½ in. 6mm	329
135332	Incognito 76 Shaker 56-59 x 76 - 8mm	335
135335	Incognito 76 56-59 x 76 - 8mm	325
136335	Incognito 76 Smoke 56-59 x 76 - 8mm	337
136691	Revelation Round 56-59 x 70 ½-73 - 6mm	341
136694	Revelation Round 56-59 x 70 ½-73 - 8mm	343
135322	Uptown 56-59 x 76 in. 8 mm	345
135324		392
135244	Connect 57-58 1/2 x 72 - 6mm	394
139580	Reveal Sleek 71 56-59 x 71 ½ - 8mm	382
136272	Duel 56-58 ½ x 70 ½ x 74 - 8 mm	326
138762	Inverto 56-59 x 70 ½-74 - 8mm	324
137420	Odyssey SC 57-59 1/2 x 78 - 8 mm	390



The hatched area represent the antislip surface



DRAIN INCLUDED ON B3 SQUARE ONLY

This technical drawing is universal for every 6032 configuration.

Integrated tiling flange : 1" height x 1/4" thick (not shown)
 Tiling flange position is determined by chosen configuration.

All dimensions are approximate. Structure measurements must be verified against the unit to ensure proper fit.



B3Square 6034

CONFIGURABLE SHOWER BASES



Material : Acrylic

Features

- › Acrylic rectangular shower base with square drain
- › Low 3 in. threshold base allowing an easy and safe access
- › Certain configurations available with Stabili-T anti-slip bottom meeting ADA, ANSI or CSA
- › Multiple configurations available to accommodate different types of installation
- › Chrome grid and drain included (ABS or PVC available)
- › Compatible with most glue-up Shower walls and ceramic tiles
- › Integrated leak proof tiling flanges
- › Easy to clean and stain-resistant acrylic finish
- › Inclus la quincaillerie de drain pour une installation facile

B3SQUARE 6034 - 420035

SKU	Color	Configuration	Dimensions & Weight	Packaging	MSRP
420035-501-001-100	White	Left / Alcove	59 7/8" x 33 7/8" x 3" / 57 lb / 26 kg	81.7520706741898 ft ³	\$ 1267
420035-501-001-101		Right / Alcove			\$ 1267
420035-501-001-102		Center / Alcove			\$ 1267
420035-502-001-100		Left / Corner Left			\$ 1267
420035-502-001-101		Center / Corner Left			\$ 1267
420035-503-001-100		Right / Corner Right			\$ 1267
420035-503-001-101		Center / Corner Right			\$ 1267
420035-541-001-100		Left / Alcove – Stabili-T			\$ 1267
420035-541-001-101		Right / Alcove – Stabili-T			\$ 1267
420035-541-001-102		Center / Alcove – Stabili-T			\$ 1267
420035-542-001-100		Left / Corner Left - Stabili-T			\$ 1267
420035-542-001-101		Center / Corner Left - Stabili-T			\$ 1267
420035-543-001-100		Right / Corner Right – Stabili-T			\$ 1267
420035-543-001-101		Center / Corner Right – Stabili-T			\$ 1267

COMMON OPTIONS

SKU	Description	MSRP
OPT20208-084	PVC drain to respect National Building Code of Canada (CAN/ULC-S102.2 flame and smoke protection) for high rise construction (included in product packaging) Available color: Chrome (084)	\$ 88

COMMON OPTIONS

SKU	Description	MSRP
OPT20253-340	ABS Square drain Available colors: Chrome (084), Brushed Nickel (305), Dark Bronze (173), Matte Black (340) and Brushed gold (343)	\$ 87
OPT20253-305		\$ 52
OPT20253-343		\$ 87
OPT20253-084		\$ 0
OPT20253-173		\$ 87
OPT20254-173	PVC Square drain Available colors: Chrome (084), Brushed Nickel (305), Dark Bronze (173), Matte Black (340) and Brushed Gold (343)	\$ 87
OPT20254-305		\$ 52
OPT20254-340		\$ 87
OPT20254-343		\$ 87
OPT20254-084		\$ 0

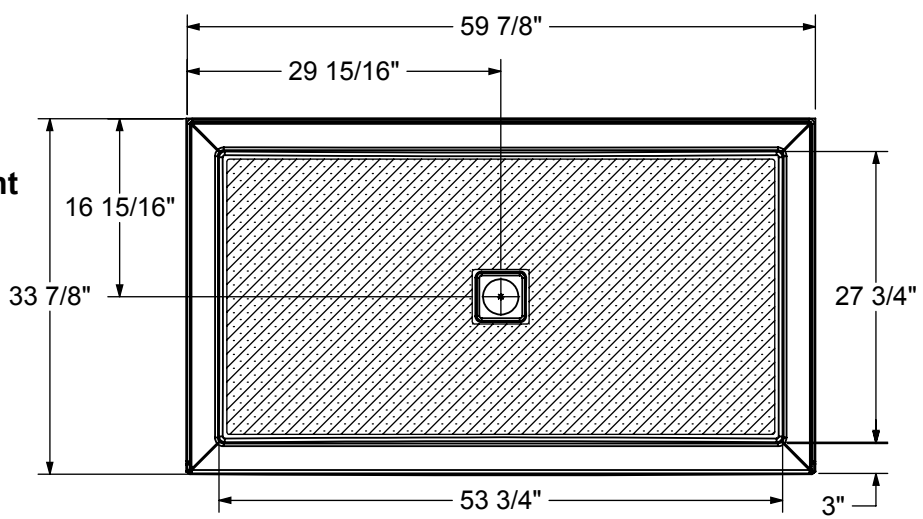
ACCESSORIES

SKU	Description	MSRP
10029133-084	PVC drain to respect National Building Code of Canada (CAN/ULC-S102.2 flame and smoke protection) for high rise construction (sold separately - grid not included) Available color: Chrome (084)	\$ 88
10038458-305-600	Square drain grid Available colors: White (001)Chrome (084), Dark Bronze (173), Brushed Nickel (305), Matte Black (340) and Brushed Gold (343)	\$ 52
10038458-084-600		\$ 52
10038458-173-600		\$ 87
10038458-340-600		\$ 87
10038458-001-600		\$ 87
10038458-343-600		\$ 87

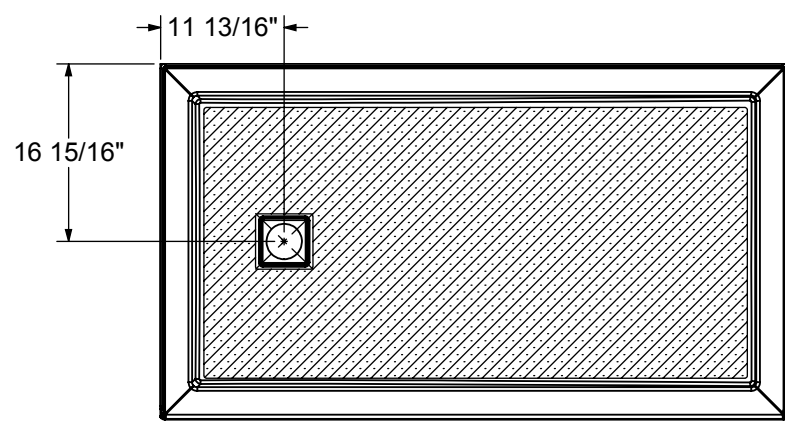
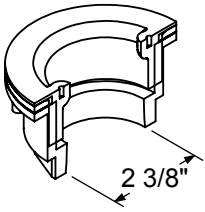
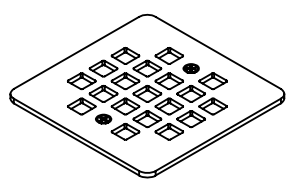
RECOMMENDED DOORS

SKU	Product Name	Pag.
138997	Halo 56 ½-59 x 78 ¾ - 8mm	386
139580	Reveal Sleek 71 56-59 x 71 ½ - 8mm	382
136272	Duel 56-58 ½ x 70 ½ x 74 - 8 mm	326
136672	Reveal 71 56-59 x 71 ½ - 8mm	378

The hatched area represent the antislip surface



DRAIN INCLUDED ON B3 SQUARE ONLY



This technical drawing is universal for every 6034 configuration.

Integrated tiling flange : 1" height x 1/4" thick
 Tiling flange position is determined by chosen configuration.

All dimensions are approximate. Structure measurements must be verified against the unit to ensure proper fit.



B3Square 6036



Material : Acrylic

Features

- › Acrylic rectangular shower base with square drain
- › Low 3 in. threshold base allowing an easy and safe access
- › Certain configurations available with Stabili-T anti-slip bottom meeting ADA, ANSI or CSA
- › Multiple configurations available to accomodate different types of installation
- › Chrome grid and drain included (ABS or PVC available)
- › Compatible with Utile, most glue-up shower walls and ceramic tiles
- › Integrated leak proof tiling flanges
- › Easy to clean and stain-resistant acrylic finish
- › Inclus la quincaillerie de drain pour une installation facile

CONFIGURABLE SHOWER BASES

B3SQUARE 6036 - 420006

SKU	Color	Configuration	Dimensions & Weight	Packaging	MSRP
420006-501-001-100	White	Left / Alcove	59 7/8" x 35 7/8" x 3" / 62 lb / 28 kg	81.7520706741898 ft ³	\$ 1286
420006-501-001-101		Right / Alcove			\$ 1286
420006-501-001-102		Center / Alcove			\$ 1286
420006-502-001-100		Left / Corner Left			\$ 1286
420006-502-001-101		Center / Corner Left			\$ 1286
420006-503-001-100		Right / Corner Right			\$ 1286
420006-503-001-101		Center / Corner Right			\$ 1286
420006-504-001-100		Back End Drain / Alcove Deep			\$ 1286
420006-504-001-101		Center / Alcove Deep			\$ 1286
420006-505-001-100		Left / Wall Mounted			\$ 1286
420006-505-001-101		Right / Wall Mounted			\$ 1286
420006-505-001-102		Center / Wall Mounted			\$ 1286
420006-506-001-100		Center / Tunnel			\$ 1286
420006-506-001-107		Back End Drain / Tunnel			\$ 1286
420006-541-001-100		Left / Alcove – Stabili-T			\$ 1286
420006-541-001-101		Right / Alcove – Stabili-T			\$ 1286
420006-541-001-102		Center / Alcove – Stabili-T			\$ 1286
420006-542-001-101		Center / Corner Left - Stabili-T			\$ 1286
420006-542-001-104		Left / Corner Left - Stabili-T			\$ 1286
420006-543-001-100		Right / Corner Right – Stabili-T			\$ 1286

B3SQUARE 6036 - 420006

SKU	Color	Configuration	Dimensions & Weight	Packaging	MSRP
420006-543-001-101	White	Center / Corner Right – Stabili-T	59 7/8" x 35 7/8" x 3" / 62 lb / 28 kg	81.7520706741898 ft ³	\$ 1286

COMMON OPTIONS

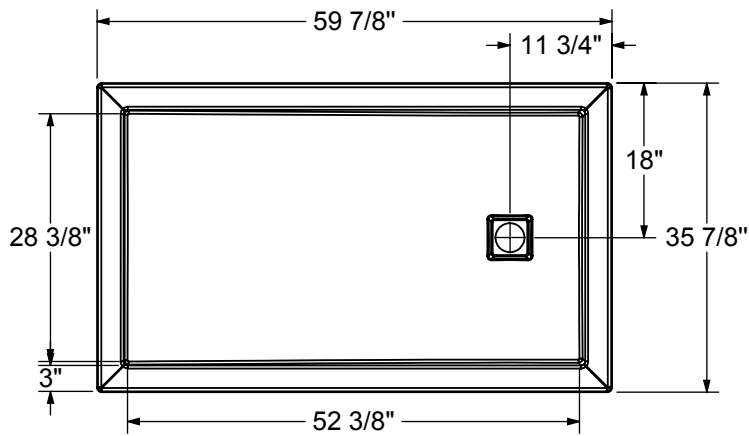
SKU	Description	MSRP
OPT20253-340	ABS Square drain Available colors: Chrome (084), Brushed Nickel (305), Dark Bronze (173), Matte Black (340) and Brushed gold (343)	\$ 87
OPT20253-305		\$ 52
OPT20253-343		\$ 87
OPT20253-084		\$ 0
OPT20253-173		\$ 87
OPT20254-173	PVC Square drain Available colors: Chrome (084), Brushed Nickel (305), Dark Bronze (173), Matte Black (340) and Brushed Gold (343)	\$ 87
OPT20254-305		\$ 52
OPT20254-340		\$ 87
OPT20254-343		\$ 87
OPT20254-084		\$ 0
OPT20208-084	PVC drain to respect National Building Code of Canada (CAN/ULC-S102.2 flame and smoke protection) for high rise construction (included in product packaging) Available color: Chrome (084)	\$ 88

ACCESSORIES

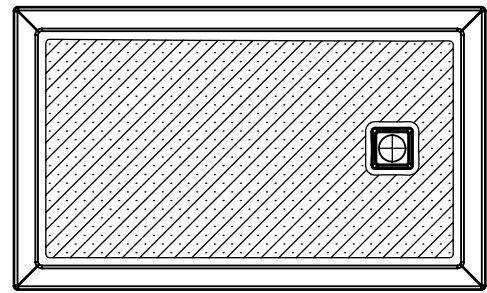
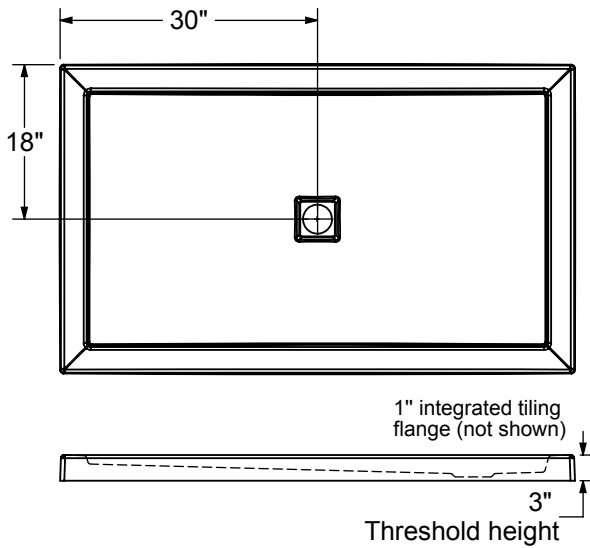
SKU	Description	MSRP
10038458-305-600	Square drain grid Available colors: White (001)Chrome (084), Dark Bronze (173), Brushed Nickel (305), Matte Black (340) and Brushed Gold (343)	\$ 52
10038458-084-600		\$ 52
10038458-173-600		\$ 87
10038458-340-600		\$ 87
10038458-001-600		\$ 87
10038458-343-600		\$ 87
10029133-084	PVC drain to respect National Building Code of Canada (CAN/ULC-S102.2 flame and smoke protection) for high rise construction (sold separately - grid not included) Available color: Chrome (084)	\$ 88

RECOMMENDED DOORS

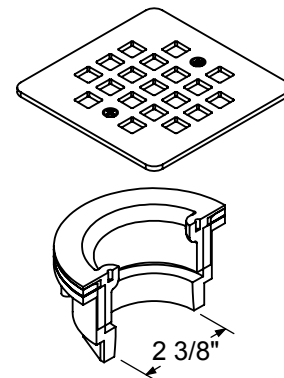
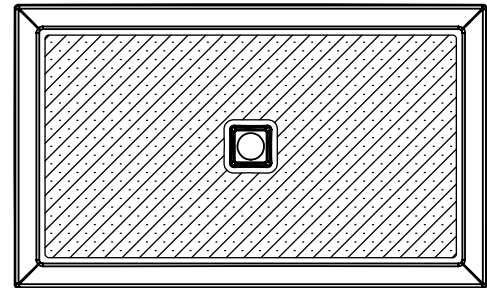
SKU	Product Name	Pag.
138277	Manhattan 57-59 x 68 - 6mm	370
138997	Halo 56 ½-59 x 78 ¾ - 8mm	386
139353	Incognito 70 56-59 x 70 ½ - 8mm	331
139350	Incognito 56-59 x 70 ½ in. 6mm	329
135332	Incognito 76 Shaker 56-59 x 76 - 8mm	335
135335	Incognito 76 56-59 x 76 - 8mm	325
136335	Incognito 76 Smoke 56-59 x 76 - 8mm	337



**DRAIN INCLUDED
ON B3 SQUARE ONLY**



The hatched area represent the anti-slip surface



This technical drawing is universal for every 6036 configuration.

Integrated tiling flange : 1" height x 1/4" thick (not shown)
Tiling flange position is determined by chosen configuration.

All dimensions are approximate. Structure measurements must be verified against the unit to ensure proper fit.



B3Square 6042

CONFIGURABLE SHOWER BASES



Material : Acrylic

Features

- › Acrylic rectangular shower base with square drain
- › Low 3 in. threshold base allowing an easy and safe access
- › Certain configurations available with Stabili-T anti-slip bottom meeting ADA, ANSI or CSA
- › Multiple configurations available to accomodate different types of installation
- › Chrome grid and drain included (ABS or PVC available)
- › Compatible with most glue-up Shower walls and ceramic tiles
- › Integrated leak proof tiling flanges
- › Easy to clean and stain-resistant acrylic finish
- › Inclus la quincaillerie de drain pour une installation facile

B3SQUARE 6042 - 420036

SKU	Color	Configuration	Dimensions & Weight	Packaging	MSRP
420036-501-001-100	White	Center / Alcove	59 7/8" x 41 7/8" x 3" / 59 lb / 27 kg	81.7520706741898 ft ³	\$ 1323
420036-502-001-100		Center / Corner Left			\$ 1323
420036-503-001-100		Center / Corner Right			\$ 1323
420036-541-001-100		Center / Alcove – Stabili-T			\$ 1323
420036-542-001-100		Center / Corner Left - Stabili-T			\$ 1323
420036-543-001-100		Center / Corner Right – Stabili-T			\$ 1323

COMMON OPTIONS

SKU	Description	MSRP
OPT20208-084	PVC drain to respect National Building Code of Canada (CAN/ULC-S102.2 flame and smoke protection) for high rise construction (included in product packaging) Available color: Chrome (084)	\$ 88
OPT20253-340	ABS Square drain Available colors: Chrome (084), Brushed Nickel (305), Dark Bronze (173), Matte Black (340) and Brushed gold (343)	\$ 87
OPT20253-305		\$ 52
OPT20253-343		\$ 87
OPT20253-084		\$ 0
OPT20253-173		\$ 87
OPT20254-173		\$ 87
OPT20254-305	PVC Square drain Available colors: Chrome (084), Brushed Nickel (305), Dark Bronze (173), Matte Black (340) and Brushed Gold (343)	\$ 52
OPT20254-340		\$ 87

COMMON OPTIONS

SKU	Description	MSRP
OPT20254-343	PVC Square drain	\$ 87
OPT20254-084	Available colors: Chrome (084), Brushed Nickel (305), Dark Bronze (173), Matte Black (340) and Brushed Gold (343)	\$ 0

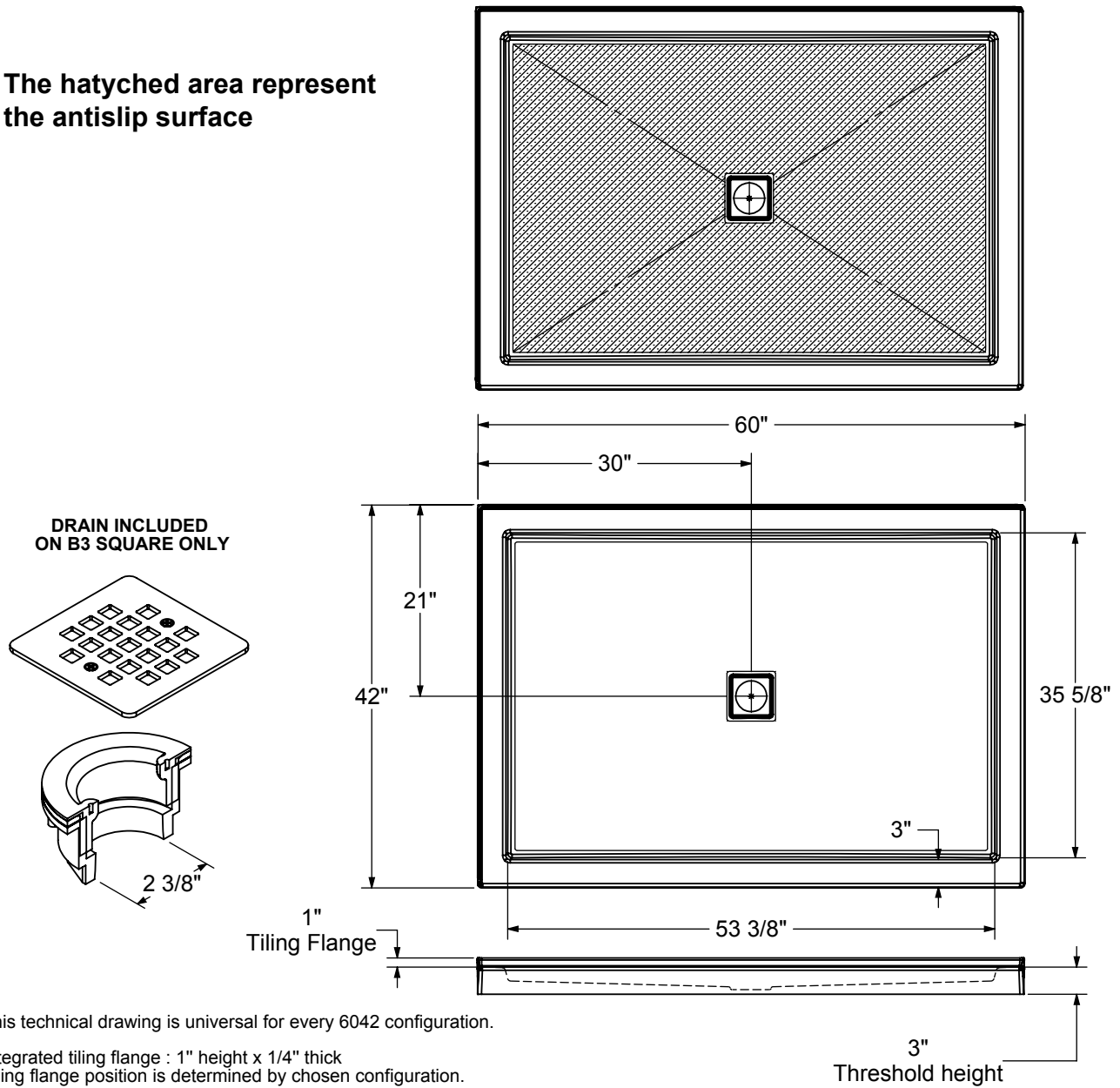
ACCESSORIES

SKU	Description	MSRP
10029133-084	PVC drain to respect National Building Code of Canada (CAN/ULC-S102.2 flame and smoke protection) for high rise construction (sold separately - grid not included) Available color: Chrome (084)	\$ 88
10038458-305-600	Square drain grid Available colors: White (001)Chrome (084), Dark Bronze (173), Brushed Nickel (305), Matte Black (340) and Brushed Gold (343)	\$ 52
10038458-084-600		\$ 52
10038458-173-600		\$ 87
10038458-340-600		\$ 87
10038458-001-600		\$ 87
10038458-343-600		\$ 87

RECOMMENDED DOORS

SKU	Product Name	Pag.
138997	Halo 56 ½-59 x 78 ¾ - 8mm	386

The hatched area represent the antislip surface



This technical drawing is universal for every 6042 configuration.

Integrated tiling flange : 1" height x 1/4" thick
 Tiling flange position is determined by chosen configuration.

All dimensions are approximate. Structure measurements must be verified against the unit to ensure proper fit.



B3Square 7236



Material : Acrylic

Features

- › Acrylic rectangular shower base with square drain
- › Low 3 in. threshold base allowing an easy and safe access
- › Certain configurations available with Stabili-T anti-slip bottom meeting ADA, ANSI or CSA
- › Multiple configurations available to accomodate different types of installation
- › Chrome grid and drain included (ABS or PVC available)
- › Compatible with most glue-up Shower walls and ceramic tiles
- › Integrated leak proof tiling flanges
- › Easy to clean and stain-resistant acrylic finish
- › Inclus la quincaillerie de drain pour une installation facile

CONFIGURABLE SHOWER BASES

B3SQUARE 7236 - 420042

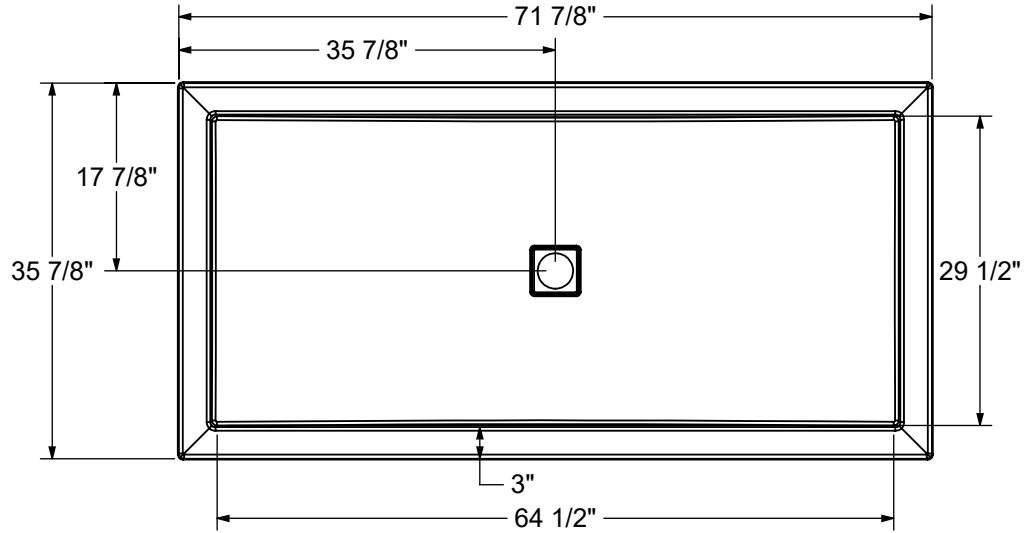
SKU	Color	Configuration	Dimensions & Weight	Packaging	MSRP
420042-501-001-000	White	Center / Alcove	71 7/8" x 35 7/8" x 3" / 60 lb / 27 kg	18.5926649305556 ft ³	\$ 1335
420042-502-001-000		Center / Corner Left			\$ 1335
420042-503-001-000		Center / Corner Right			\$ 1335

COMMON OPTIONS

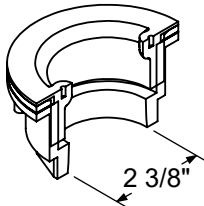
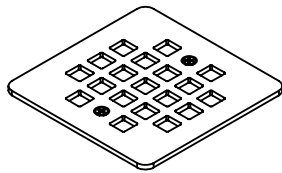
SKU	Description	MSRP
OPT20208-084	PVC drain to respect National Building Code of Canada (CAN/ULC-S102.2 flame and smoke protection) for high rise construction (included in product packaging) Available color: Chrome (084)	\$ 88
OPT20253-340	ABS Square drain Available colors: Chrome (084), Brushed Nickel (305), Dark Bronze (173), Matte Black (340) and Brushed gold (343)	\$ 87
OPT20253-305		\$ 52
OPT20253-343		\$ 87
OPT20253-084		\$ 0
OPT20253-173		\$ 87
OPT20254-173	PVC Square drain Available colors: Chrome (084), Brushed Nickel (305), Dark Bronze (173), Matte Black (340) and Brushed Gold (343)	\$ 87
OPT20254-305		\$ 52
OPT20254-340		\$ 87
OPT20254-343		\$ 87
OPT20254-084		\$ 0

ACCESSORIES

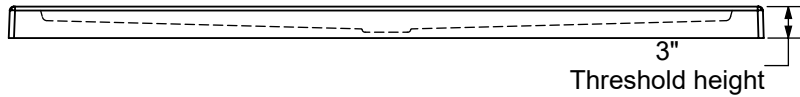
SKU	Description	MSRP
10029133-084	PVC drain to respect National Building Code of Canada (CAN/ULC-S102.2 flame and smoke protection) for high rise construction (sold separately - grid not included) Available color: Chrome (084)	\$ 88
10038458-305-600	Square drain grid Available colors: White (001)Chrome (084), Dark Bronze (173), Brushed Nickel (305), Matte Black (340) and Brushed Gold (343)	\$ 52
10038458-084-600		\$ 52
10038458-173-600		\$ 87
10038458-340-600		\$ 87
10038458-001-600		\$ 87
10038458-343-600		\$ 87



**DRAIN INCLUDED
ON B3 SQUARE ONLY**



1" integrated tiling
flange (not shown)



This technical drawing is universal for every 7236 configuration.

Integrated tiling flange : 1" height x 1/4" thick
Tiling flange position is determined by chosen configuration.

All dimensions are approximate. Structure measurements
must be verified against the unit to ensure proper fit.



B3X 3636 - Alcove

CONFIGURABLE SHOWER BASES



Material : Acrylic

Features

- › 3 1/4 in. threshold acrylic shower base with square center drain
- › Optimized floor design improving showering space
- › Available with Stabili-T anti-slip bottom meeting ADA, ANSI or CSA requirements
- › 2 1/2 in. high tiling flanges to ensure watertightness
- › Integrated weep holes providing superior water management
- › Square chrome grid and ABS drain included (Upgrade PVC Option available)
- › Multiple grid finishes available

B3X 3636 - 420020

SKU	Color	Configuration	Dimensions & Weight	Packaging	MSRP
420020-501-001-000	White	Center / Alcove	35 7/8" x 35 7/8" x 4" / 35 lb / 16 kg	5.2 ft ³	\$ 849
420020-541-001-000		Center / Alcove – Stabili-T			\$ 849

COMMON OPTIONS

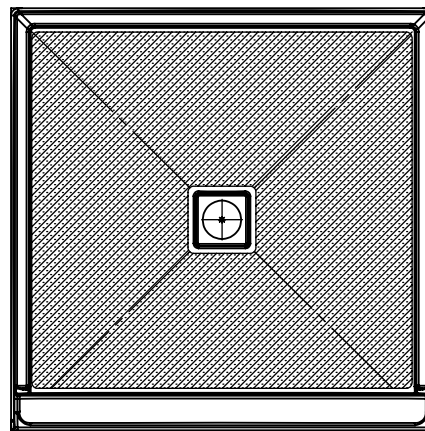
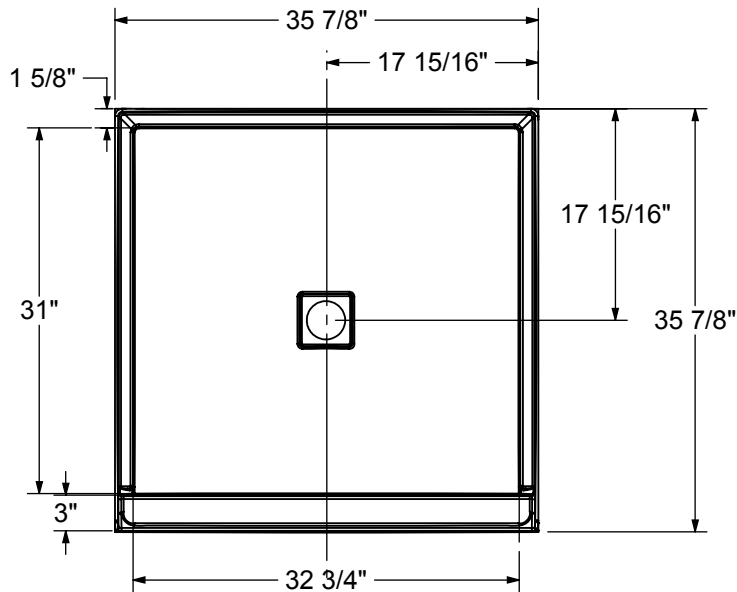
SKU	Description	MSRP
OPT20253-340	ABS Square drain Available colors: Chrome (084), Brushed Nickel (305), Dark Bronze (173), Matte Black (340) and Brushed gold (343)	\$ 87
OPT20253-305		\$ 52
OPT20253-343		\$ 87
OPT20253-084		\$ 0
OPT20253-173		\$ 87
OPT20208-084	PVC drain to respect National Building Code of Canada (CAN/ULC-S102.2 flame and smoke protection) for high rise construction (included in product packaging) Available color: Chrome (084)	\$ 88
OPT20254-173	PVC Square drain Available colors: Chrome (084), Brushed Nickel (305), Dark Bronze (173), Matte Black (340) and Brushed Gold (343)	\$ 87
OPT20254-305		\$ 52
OPT20254-340		\$ 87
OPT20254-343		\$ 87
OPT20254-084		\$ 0

ACCESSORIES

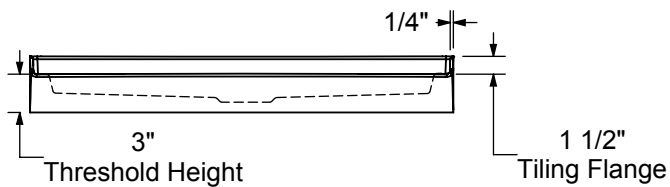
SKU	Description	MSRP
10038458-305-600	Square drain grid Available colors: White (001)Chrome (084), Dark Bronze (173), Brushed Nickel (305), Matte Black (340) and Brushed Gold (343)	\$ 52
10038458-084-600		\$ 52
10038458-173-600		\$ 87
10038458-340-600		\$ 87
10038458-001-600		\$ 87
10038458-343-600		\$ 87
10029133-084		PVC drain to respect National Building Code of Canada (CAN/ULC-S102.2 flame and smoke protection) for high rise construction (sold separately - grid not included) Available color: Chrome (084)

RECOMMENDED DOORS

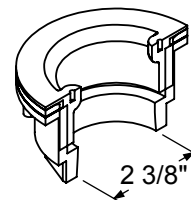
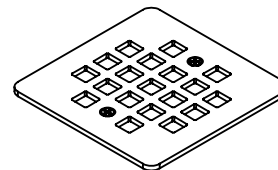
SKU	Product Name	Pag.
138265	Manhattan 33-35 x 68 - 6mm	364
139575	Reveal Sleek 71 32 ½-35 ½ x 71 ½ - 8mm	381
136676	Reveal 71 32 ½-35 ½ x 71 ½ - 8mm	378
136733	Polar Pivot 33-34 ¾ x 64 ½ in.	376
136435	Pivolok Deluxe 32 ½-37 x 64 ½ in.	372
136656	Pivolok 33-34 ¾ x 64 ½ in.	374



The hatched area represent the anti-slip surface



DRAIN INCLUDED ON B3 SQUARE ONLY



All dimensions are approximate. Structure measurements must be verified against the unit to ensure proper fit.

B3X 3636 - Corner



Material : Acrylic

Features

- › 3 1/4 in. threshold acrylic shower base with square center drain
- › Optimized floor design improving showering space
- › Available with Stabili-T anti-slip bottom meeting ADA, ANSI or CSA requirements
- › 2 1/2 in. high tiling flanges to ensure watertightness
- › Integrated weep holes providing superior water management
- › Square chrome grid and ABS drain included (Upgrade PVC Option available)
- › Multiple grid finishes available

CONFIGURABLE SHOWER BASES

B3X 3636 - 420021

SKU	Color	Configuration	Dimensions & Weight	Packaging	MSRP
420021-500-001-000	White	Center / Corner Left or Right	35 7/8" x 35 7/8" x 4" / 35 lb / 16 kg	5.2 ft³	\$ 849
420021-540-001-000		Center / Corner Left or Right - Stabili-T			\$ 849

COMMON OPTIONS

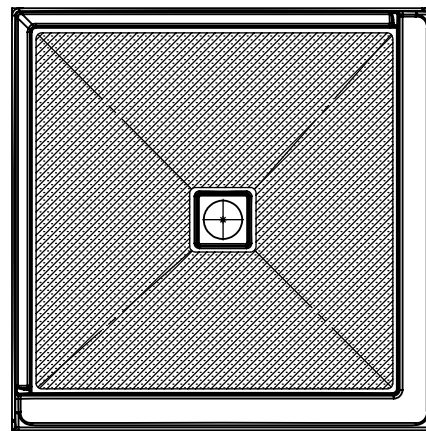
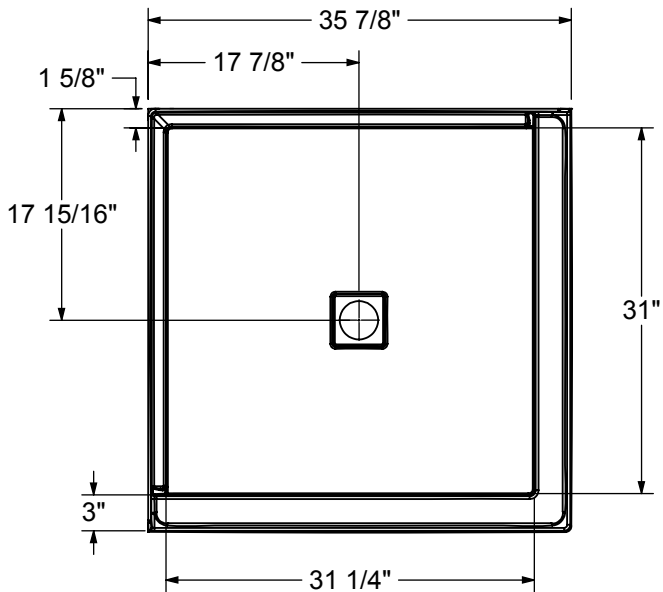
SKU	Description	MSRP
OPT20208-084	PVC drain to respect National Building Code of Canada (CAN/ULC-S102.2 flame and smoke protection) for high rise construction (included in product packaging) Available color: Chrome (084)	\$ 88
OPT20253-340	ABS Square drain Available colors: Chrome (084), Brushed Nickel (305), Dark Bronze (173), Matte Black (340) and Brushed gold (343)	\$ 87
OPT20253-305		\$ 52
OPT20253-343		\$ 87
OPT20253-084		\$ 0
OPT20253-173		\$ 87
OPT20254-173		PVC Square drain Available colors: Chrome (084), Brushed Nickel (305), Dark Bronze (173), Matte Black (340) and Brushed Gold (343)
OPT20254-305	\$ 52	
OPT20254-340	\$ 87	
OPT20254-343	\$ 87	
OPT20254-084	\$ 0	

ACCESSORIES

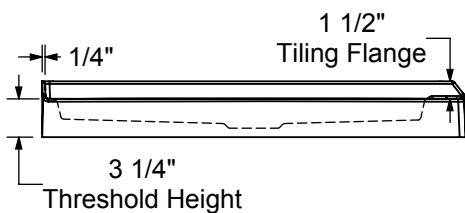
SKU	Description	MSRP
10029133-084	PVC drain to respect National Building Code of Canada (CAN/ULC-S102.2 flame and smoke protection) for high rise construction (sold separately - grid not included) Available color: Chrome (084)	\$ 88
10038458-305-600	Square drain grid Available colors: White (001)Chrome (084), Dark Bronze (173), Brushed Nickel (305), Matte Black (340) and Brushed Gold (343)	\$ 52
10038458-084-600		\$ 52
10038458-173-600		\$ 87
10038458-340-600		\$ 87
10038458-001-600		\$ 87
10038458-343-600		\$ 87

RECOMMENDED DOORS

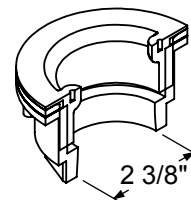
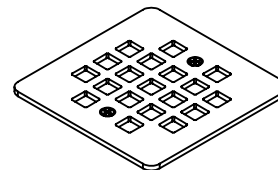
SKU	Product Name	Pag.
139575	Reveal Sleek 71 32 1/2-35 1/2 x 71 1/2 - 8mm	381
136676	Reveal 71 32 1/2-35 1/2 x 71 1/2 - 8mm	378



The hatched area represent the anti-slip surface



DRAIN INCLUDED ON B3 SQUARE ONLY



All dimensions are approximate. Structure measurements must be verified against the unit to ensure proper fit.

B3X 4236 - Alcove



CONFIGURABLE SHOWER BASES



Material : Acrylic

Features

- › 3 1/4 in. threshold acrylic shower base with square center drain
- › Optimized floor design improving showering space
- › Available with Stabili-T anti-slip bottom meeting ADA, ANSI or CSA requirements
- › 2 1/2 in. high tiling flanges to ensure watertightness
- › Integrated weep holes providing superior water management
- › Square chrome grid and ABS drain included (Upgrade PVC Option available)
- › Multiple grid finishes available

B3X 4236 - 420039

SKU	Color	Configuration	Dimensions & Weight	Packaging	MSRP
420039-501-001-000	White	Center / Alcove	41 7/8" x 35 7/8" x 4" / 45 lb / 20 kg	6 ft ³	\$ 1055
420039-541-001-000		Center / Alcove – Stabili-T			\$ 1055

COMMON OPTIONS

SKU	Description	MSRP
OPT20208-084	PVC drain to respect National Building Code of Canada (CAN/ULC-S102.2 flame and smoke protection) for high rise construction (included in product packaging) Available color: Chrome (084)	\$ 88
OPT20253-340	ABS Square drain Available colors: Chrome (084), Brushed Nickel (305), Dark Bronze (173), Matte Black (340) and Brushed gold (343)	\$ 87
OPT20253-305		\$ 52
OPT20253-343		\$ 87
OPT20253-084		\$ 0
OPT20253-173		\$ 87
OPT20254-173		PVC Square drain Available colors: Chrome (084), Brushed Nickel (305), Dark Bronze (173), Matte Black (340) and Brushed Gold (343)
OPT20254-305	\$ 52	
OPT20254-340	\$ 87	
OPT20254-343	\$ 87	
OPT20254-084	\$ 0	

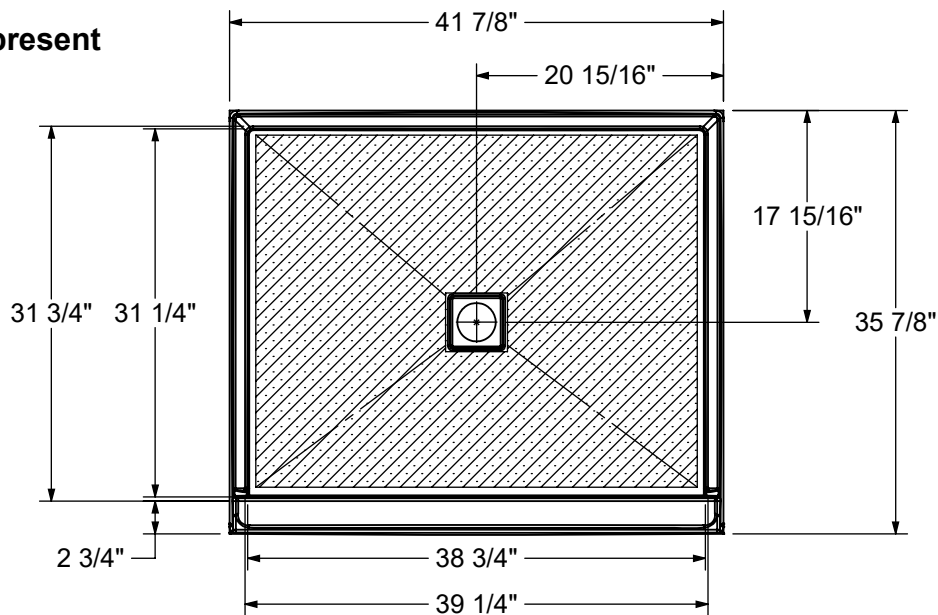
ACCESSORIES

SKU	Description	MSRP
10029133-084	PVC drain to respect National Building Code of Canada (CAN/ULC-S102.2 flame and smoke protection) for high rise construction (sold separately - grid not included) Available color: Chrome (084)	\$ 88
10038458-305-600	Square drain grid Available colors: White (001)Chrome (084), Dark Bronze (173), Brushed Nickel (305), Matte Black (340) and Brushed Gold (343)	\$ 52
10038458-084-600		\$ 52
10038458-173-600		\$ 87
10038458-340-600		\$ 87
10038458-001-600		\$ 87
10038458-343-600		\$ 87

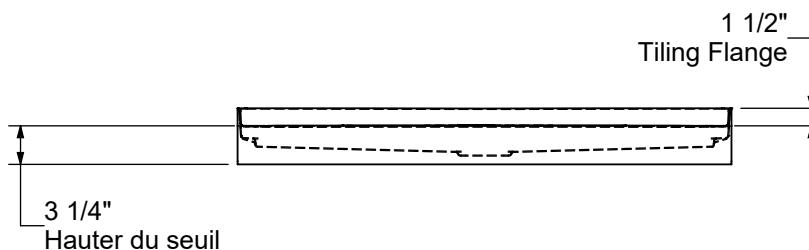
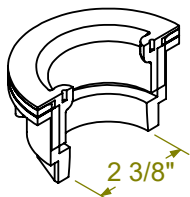
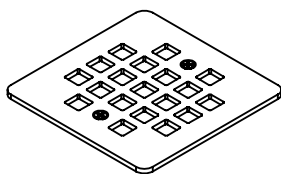
RECOMMENDED DOORS

SKU	Product Name	Pag.
138268	Manhattan 39-41 x 68 - 6mm	368
138520	Incognito 74 39-42x74in. 8mm	333
139576	Reveal Sleek 71 38-41 x 71 ½ - 8mm	381
136679	Reveal 71 38-41 x 71 ½ - 8 mm	379
135662	Aura 40-44 x 71 - 6mm	347

The hatched area represent the antislip surface



DRAIN INCLUDED ON B3 SQUARE ONLY



This technical drawing is universal for every 4236 configuration.

Integrated tiling flange : 1 1/2" height x 1/4" thick
 Tiling flange position is determined by chosen configuration.

All dimensions are approximate. Structure measurements must be verified against the unit to ensure proper fit.



B3X 4236 - Corner



Material : Acrylic

Features

- › 3 1/4 in. threshold acrylic shower base with square center drain
- › Optimized floor design improving showering space
- › Available with Stabili-T anti-slip bottom meeting ADA, ANSI or CSA requirements
- › 2 1/2 in. high tiling flanges to ensure watertightness
- › Integrated weep holes providing superior water management
- › Square chrome grid and ABS drain included (Upgrade PVC Option available)
- › Multiple grid finishes available
- › Left corner installation

CONFIGURABLE SHOWER BASES

B3X 4236 - 420040

SKU	Color	Configuration	Dimensions & Weight	Packaging	MSRP
420040-502-001-000	White	Center / Corner Left	41 7/8" x 35 7/8" x 4" / 45 lb / 20 kg	6 ft ³	\$ 1055
420040-542-001-000		Center / Corner Left - Stabili-T			\$ 1055

B3X 4236 - 420041

SKU	Color	Configuration	Dimensions & Weight	Packaging	MSRP
420041-503-001-000	White	Center / Corner Right	41 7/8" x 35 7/8" x 4" / 45 lb / 20 kg	6 ft ³	\$ 1055
420041-543-001-000		Center / Corner Right - Stabili-T			\$ 1055

COMMON OPTIONS

SKU	Description	MSRP
OPT20208-084	PVC drain to respect National Building Code of Canada (CAN/ULC-S102.2 flame and smoke protection) for high rise construction (included in product packaging) Available color: Chrome (084)	\$ 88
OPT20253-340	ABS Square drain Available colors: Chrome (084), Brushed Nickel (305), Dark Bronze (173), Matte Black (340) and Brushed gold (343)	\$ 87
OPT20253-305		\$ 52
OPT20253-343		\$ 87
OPT20253-084		\$ 0
OPT20253-173		\$ 87
OPT20254-173		PVC Square drain Available colors: Chrome (084), Brushed Nickel (305), Dark Bronze (173), Matte Black (340) and Brushed Gold (343)

COMMON OPTIONS

SKU	Description	MSRP
OPT20254-305	PVC Square drain Available colors: Chrome (084), Brushed Nickel (305), Dark Bronze (173), Matte Black (340) and Brushed Gold (343)	\$ 52
OPT20254-340		\$ 87
OPT20254-343		\$ 87
OPT20254-084		\$ 0

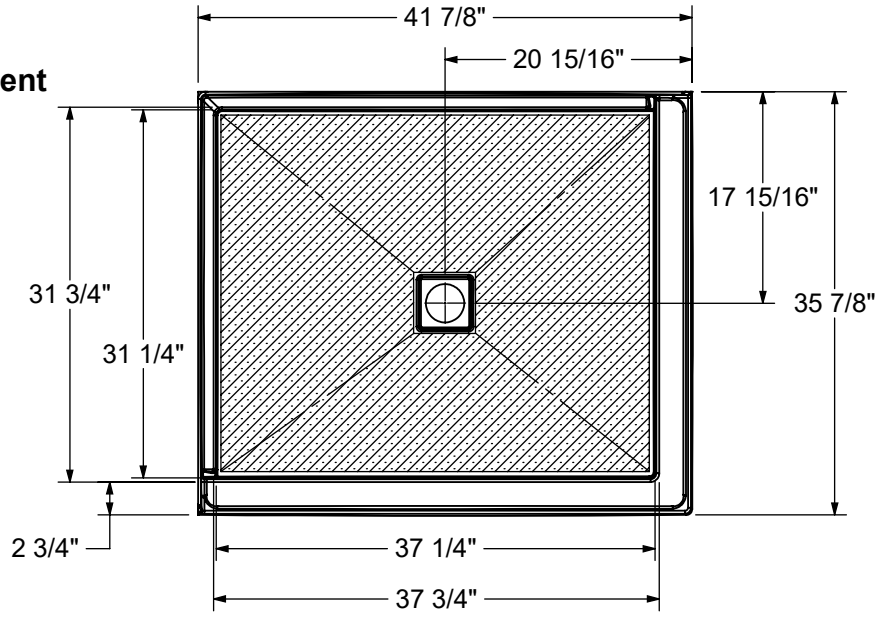
ACCESSORIES

SKU	Description	MSRP
10029133-084	PVC drain to respect National Building Code of Canada (CAN/ULC-S102.2 flame and smoke protection) for high rise construction (sold separately - grid not included) Available color: Chrome (084)	\$ 88
10038458-305-600	Square drain grid Available colors: White (001)Chrome (084), Dark Bronze (173), Brushed Nickel (305), Matte Black (340) and Brushed Gold (343)	\$ 52
10038458-084-600		\$ 52
10038458-173-600		\$ 87
10038458-340-600		\$ 87
10038458-001-600		\$ 87
10038458-343-600		\$ 87

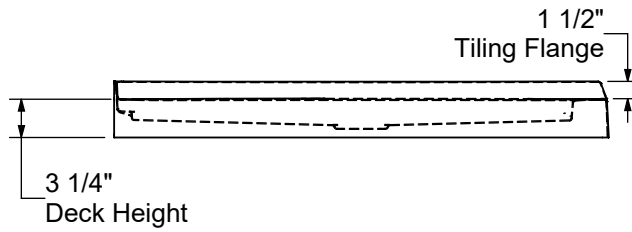
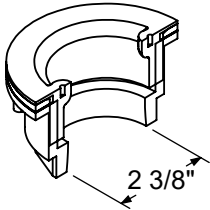
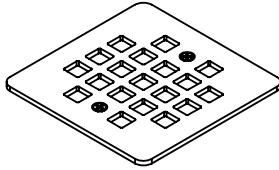
RECOMMENDED DOORS

SKU	Product Name	Pag.
139576	Reveal Sleek 71 38-41 x 71 ½ - 8mm	381
136679	Reveal 71 38-41 x 71 ½ - 8 mm	379

The hatched area represent the antislip surface



DRAIN INCLUDED ON B3 SQUARE ONLY



This technical drawing is universal for every 4236 configuration.

Integrated tiling flange : 1 1/2" height x 1/4" thick
Tiling flange position is determined by chosen configuration.

All dimensions are approximate. Structure measurements must be verified against the unit to ensure proper fit.



B3X 4836 - Alcove

CONFIGURABLE SHOWER BASES



Material : Acrylic

Features

- › 3 1/4 in. threshold acrylic shower base with square center drain
- › Optimized floor design improving showering space
- › Available with Stabili-T anti-slip bottom meeting ADA, ANSI or CSA requirements
- › 2 1/2 in. high tiling flanges to ensure watertightness
- › Integrated weep holes providing superior water management
- › Square chrome grid and ABS drain included (Upgrade PVC Option available)
- › Multiple grid finishes available

B3X 4836 - 420030

SKU	Color	Configuration	Dimensions & Weight	Packaging	MSRP
420030-501-001-000	White	Center / Alcove	47 7/8" x 35 7/8" x 4" / 47 lb / 21 kg	6.9 ft ³	\$ 1096
420030-541-001-000		Center / Alcove – Stabili-T			\$ 1096

COMMON OPTIONS

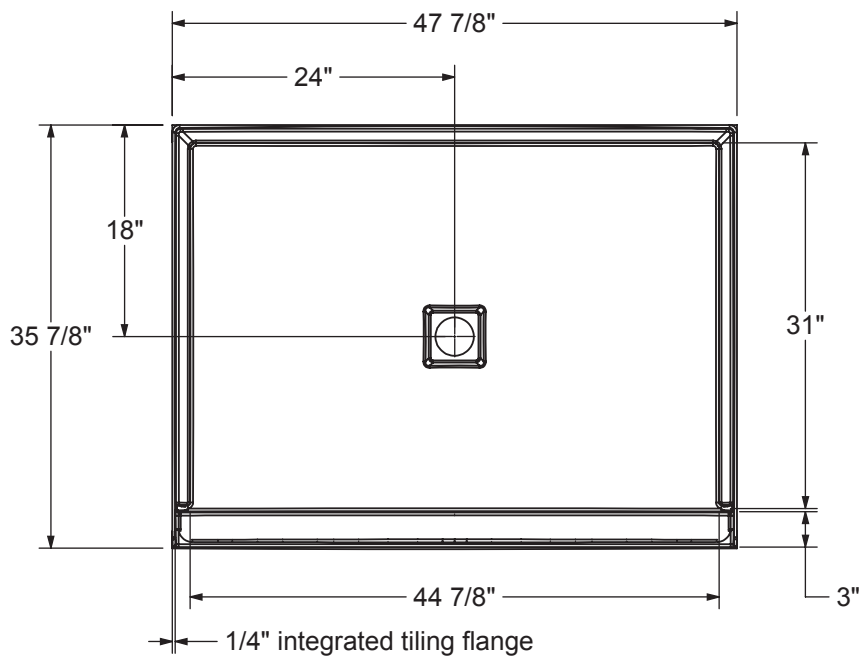
SKU	Description	MSRP
OPT20208-084	PVC drain to respect National Building Code of Canada (CAN/ULC-S102.2 flame and smoke protection) for high rise construction (included in product packaging) Available color: Chrome (084)	\$ 88
OPT20253-340	ABS Square drain Available colors: Chrome (084), Brushed Nickel (305), Dark Bronze (173), Matte Black (340) and Brushed gold (343)	\$ 87
OPT20253-305		\$ 52
OPT20253-343		\$ 87
OPT20253-084		\$ 0
OPT20253-173		\$ 87
OPT20254-173		PVC Square drain Available colors: Chrome (084), Brushed Nickel (305), Dark Bronze (173), Matte Black (340) and Brushed Gold (343)
OPT20254-305	\$ 52	
OPT20254-340	\$ 87	
OPT20254-343	\$ 87	
OPT20254-084	\$ 0	

ACCESSORIES

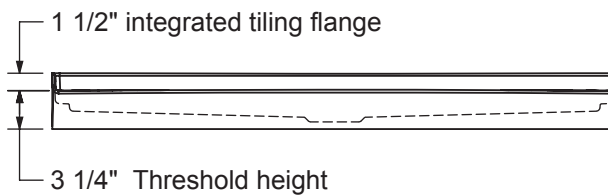
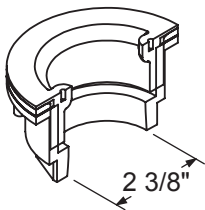
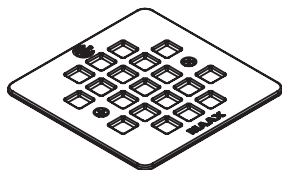
SKU	Description	MSRP
10038458-305-600	Square drain grid Available colors: White (001)Chrome (084), Dark Bronze (173), Brushed Nickel (305), Matte Black (340) and Brushed Gold (343)	\$ 52
10038458-084-600		\$ 52
10038458-173-600		\$ 87
10038458-340-600		\$ 87
10038458-001-600		\$ 87
10038458-343-600		\$ 87
10029133-084		PVC drain to respect National Building Code of Canada (CAN/ULC-S102.2 flame and smoke protection) for high rise construction (sold separately - grid not included) Available color: Chrome (084)

RECOMMENDED DOORS

SKU	Product Name	Pag.
135321	Uptown 44-47 x 76 in. 8 mm	345
139352	Incognito 70 44-47 x 70 ½ - 8mm	331
139349	Incognito 44-47 x 70 ½ in. 6mm	329
135671	Aura 43-47 x 71 - 8mm	355
136693	Revelation Round 44-47 x 70 ½-73 - 8mm	343
135323	Uptown 44-47 x 76 in. 8 mm	392
135325	Uptown 45-47 x 76 in. 8 mm	384
135242	Connect 45-46 1/2 x 72 - 6mm	394
139578	Reveal Sleek 71 44-47 x 71 ½ - 8mm	382
135331	Incognito 76 Shaker 44-47 x 76 - 8mm	335
136271	Duel 44-47 x 70 ½ x 74 - 8 mm	326
137421	Odyssey SC 45-47 1/2 x 78 - 8 mm	390
135663	Aura 43-47 x 71 - 6mm	348
138996	Halo 44 ½-47 x 78 ¾ - 8mm	386
137680	Outback 43 ¼ - 46 ½ x 70 ½ - 8mm	397
138992	Luminescence 44 ½-47 x 70 ½-72 - 6mm	388
136671	Reveal 71 44-47 x 71 ½ - 8mm	378
105413	Polar 42-47 ½ x 68 in.	339
138271	Manhattan 45-47 x 68 - 6mm	368
136690	Revelation Round 44-47 x 70 ½-73 - 6mm	341
135674	Aura SC 43-47 x 71 - 8mm	357



DRAIN INCLUDED



All dimensions are approximate. Structure measurements must be verified against the unit to ensure proper fit.



B3X 4836 - Corner

CONFIGURABLE SHOWER BASES



Material : Acrylic

Features

- › 3 1/4 in. threshold acrylic shower base with square center drain
- › Optimized floor design improving showering space
- › Available with Stabili-T anti-slip bottom meeting ADA, ANSI or CSA requirements
- › 2 1/2 in. high tiling flanges to ensure watertightness
- › Integrated weep holes providing superior water management
- › Square chrome grid and ABS drain included (Upgrade PVC Option available)
- › Multiple grid finishes available
- › Left corner installation

B3X 4836 - 420028

SKU	Color	Configuration	Dimensions & Weight	Packaging	MSRP
420028-502-001-000	White	Center / Corner Left	47 7/8" x 35 7/8" x 4" / 47 lb / 21 kg	6.9 ft ³	\$ 1096
420028-542-001-000		Center / Corner Left - Stabili-T			\$ 1096

B3X 4836 - 420029

SKU	Color	Configuration	Dimensions & Weight	Packaging	MSRP
420029-503-001-000	White	Center / Corner Right	47 7/8" x 35 7/8" x 4" / 47 lb / 21 kg	6.9 ft ³	\$ 1096
420029-543-001-000		Center / Corner Right - Stabili-T			\$ 1096

COMMON OPTIONS

SKU	Description	MSRP
OPT20208-084	PVC drain to respect National Building Code of Canada (CAN/ULC-S102.2 flame and smoke protection) for high rise construction (included in product packaging) Available color: Chrome (084)	\$ 88
OPT20254-173	PVC Square drain Available colors: Chrome (084), Brushed Nickel (305), Dark Bronze (173), Matte Black (340) and Brushed Gold (343)	\$ 87
OPT20254-305		\$ 52
OPT20254-340		\$ 87
OPT20254-343		\$ 87
OPT20254-084		\$ 0
OPT20253-340		ABS Square drain Available colors: Chrome (084), Brushed Nickel (305), Dark Bronze (173), Matte Black (340) and Brushed gold (343)

COMMON OPTIONS

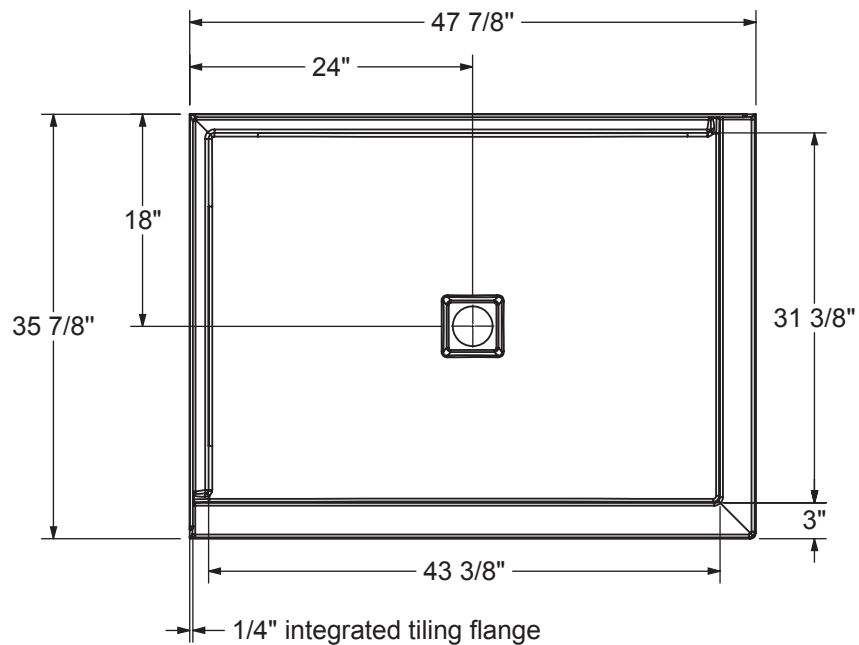
SKU	Description	MSRP
OPT20253-305	ABS Square drain Available colors: Chrome (084), Brushed Nickel (305), Dark Bronze (173), Matte Black (340) and Brushed gold (343)	\$ 52
OPT20253-343		\$ 87
OPT20253-084		\$ 0
OPT20253-173		\$ 87

ACCESSORIES

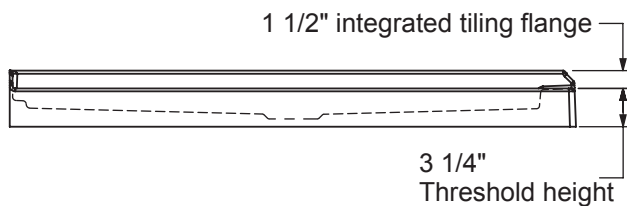
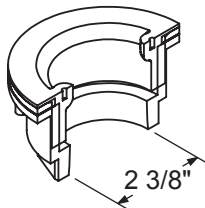
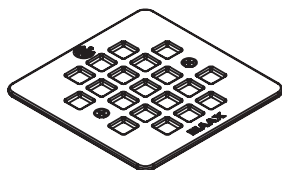
SKU	Description	MSRP
10029133-084	PVC drain to respect National Building Code of Canada (CAN/ULC-S102.2 flame and smoke protection) for high rise construction (sold separately - grid not included) Available color: Chrome (084)	\$ 88
10038458-305-600	Square drain grid Available colors: White (001)Chrome (084), Dark Bronze (173), Brushed Nickel (305), Matte Black (340) and Brushed Gold (343)	\$ 52
10038458-084-600		\$ 52
10038458-173-600		\$ 87
10038458-340-600		\$ 87
10038458-001-600		\$ 87
10038458-343-600		\$ 87

RECOMMENDED DOORS

SKU	Product Name	Pag.
138996	Halo 44 ½-47 x 78 ¾ - 8mm	386
135321	Uptown 44-47 x 76 in. 8 mm	345
135323		392
135325	Uptown 45-47 x 76 in. 8 mm	384
139578	Reveal Sleek 71 44-47 x 71 ½ - 8mm	382
136271	Duel 44-47 x 70 ½ x 74 - 8 mm	326
136671	Reveal 71 44-47 x 71 ½ - 8mm	378



DRAIN INCLUDED



All dimensions are approximate. Structure measurements must be verified against the unit to ensure proper fit.



B3X 6032 - Alcove

CONFIGURABLE SHOWER BASES



Material : Acrylic

Features

- › 3 1/4 in. threshold acrylic shower base with square center drain
- › Optimized floor design improving showering space
- › Available with Stabili-T anti-slip bottom meeting ADA, ANSI or CSA requirements
- › Right or left drain
- › 2 1/2 in. high tiling flanges to ensure watertightness
- › Integrated weep holes providing superior water management
- › Square chrome grid and ABS drain included (Upgrade PVC Option available)
- › Multiple grid finishes available

B3X 6032 - 420022

SKU	Color	Configuration	Dimensions & Weight	Packaging	MSRP
420022-501-001-000	White	Left / Alcove	59 7/8" x 31 7/8" x 4" / 55 lb / 25 kg	7.6 ft ³	\$ 1290
420022-541-001-000		Left / Alcove – Stabili-T			\$ 1290

B3X 6032 - 420023

SKU	Color	Configuration	Dimensions & Weight	Packaging	MSRP
420023-501-001-000	White	Right / Alcove	59 7/8" x 31 7/8" x 4" / 55 lb / 25 kg	7.6 ft ³	\$ 1290
420023-541-001-000		Right / Alcove – Stabili-T			\$ 1290

COMMON OPTIONS

SKU	Description	MSRP
OPT20208-084	PVC drain to respect National Building Code of Canada (CAN/ULC-S102.2 flame and smoke protection) for high rise construction (included in product packaging) Available color: Chrome (084)	\$ 88
OPT20253-340	ABS Square drain Available colors: Chrome (084), Brushed Nickel (305), Dark Bronze (173), Matte Black (340) and Brushed gold (343)	\$ 87
OPT20253-305		\$ 52
OPT20253-343		\$ 87
OPT20253-084		\$ 0
OPT20253-173		\$ 87
OPT20254-173	PVC Square drain Available colors: Chrome (084), Brushed Nickel (305), Dark Bronze (173), Matte Black (340) and Brushed Gold (343)	\$ 87

COMMON OPTIONS

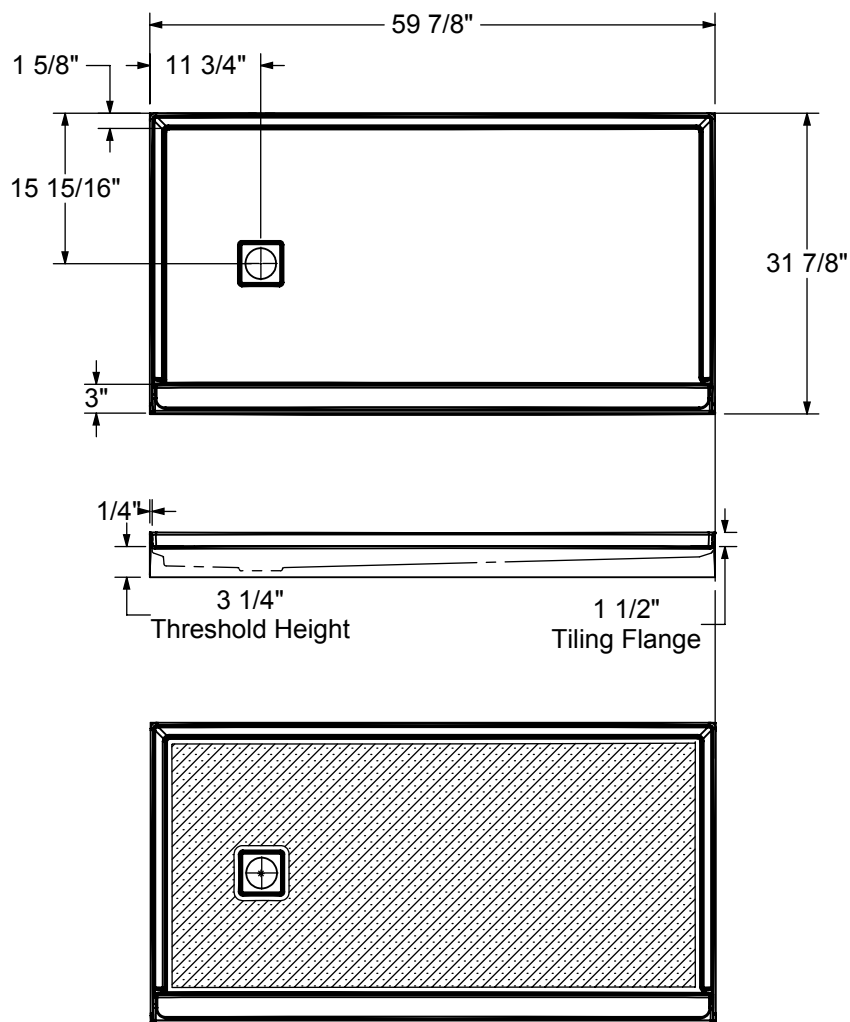
SKU	Description	MSRP
OPT20254-305	PVC Square drain Available colors: Chrome (084), Brushed Nickel (305), Dark Bronze (173), Matte Black (340) and Brushed Gold (343)	\$ 52
OPT20254-340		\$ 87
OPT20254-343		\$ 87
OPT20254-084		\$ 0

ACCESSORIES

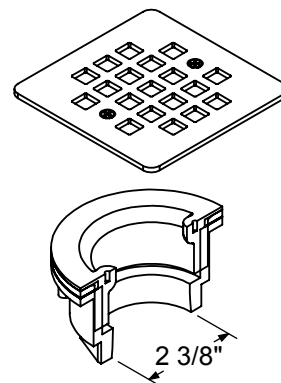
SKU	Description	MSRP
10038458-305-600	Square drain grid Available colors: White (001)Chrome (084), Dark Bronze (173), Brushed Nickel (305), Matte Black (340) and Brushed Gold (343)	\$ 52
10038458-084-600		\$ 52
10038458-173-600		\$ 87
10038458-340-600		\$ 87
10038458-001-600		\$ 87
10038458-343-600		\$ 87
10029133-084	PVC drain to respect National Building Code of Canada (CAN/ULC-S102.2 flame and smoke protection) for high rise construction (sold separately - grid not included) Available color: Chrome (084)	\$ 88

RECOMMENDED DOORS

SKU	Product Name	Pag.
138277	Manhattan 57-59 x 68 - 6mm	370
138997	Halo 56 ½-59 x 78 ¾ - 8mm	386
139353	Incognito 70 56-59 x 70 ½ - 8mm	331
139350	Incognito 56-59 x 70 ½ in. 6mm	329
135332	Incognito 76 Shaker 56-59 x 76 - 8mm	335
135335	Incognito 76 56-59 x 76 - 8mm	325
136335	Incognito 76 Smoke 56-59 x 76 - 8mm	337
136691	Revelation Round 56-59 x 70 ½-73 - 6mm	341
136694	Revelation Round 56-59 x 70 ½-73 - 8mm	343
135322	Uptown 56-59 x 76 in. 8 mm	345
135324		392
135244	Connect 57-58 1/2 x 72 - 6mm	394
139580	Reveal Sleek 71 56-59 x 71 ½ - 8mm	382
136272	Duel 56-58 ½ x 70 ½ x 74 - 8 mm	326
138762	Inverto 56-59 x 70 ½-74 - 8mm	324
137420	Odyssey SC 57-59 1/2 x 78 - 8 mm	390
137681	Outback 55 ¼ - 58 ½ x 70 ½ - 8mm	397
138993	Luminescence 56 ½-59 x 70 ½-72 - 6mm	388
136672	Reveal 71 56-59 x 71 ½ - 8mm	378
105412	Polar 54-59 ½ x 68 in.	339



DRAIN INCLUDED
ON B3X SQUARE ONLY



The hatched area represent
the antislip surface

All dimensions are approximate. Structure measurements
must be verified against the unit to ensure proper fit.



B3X 6032 - Corner



Material : Acrylic

Features

- › 3 1/4 in. threshold acrylic shower base with square center drain
- › Optimized floor design improving showering space
- › Available with Stabili-T anti-slip bottom meeting ADA, ANSI or CSA requirements
- › Right or left drain
- › 2 1/2 in. high tiling flanges to ensure watertightness
- › Integrated weep holes providing superior water management
- › Square chrome grid and ABS drain included (Upgrade PVC Option available)
- › Multiple grid finishes available

CONFIGURABLE SHOWER BASES

B3X 6032 - 420024

SKU	Color	Configuration	Dimensions & Weight	Packaging	MSRP
420024-502-001-000	White	Left / Corner Left	59 7/8" x 31 7/8" x 4" / 55 lb / 25 kg	7.2 ft³	\$ 1290
420024-542-001-000		Left / Corner Left - Stabili-T			\$ 1290

B3X 6032 - 420025

SKU	Color	Configuration	Dimensions & Weight	Packaging	MSRP
420025-503-001-000	White	Right / Corner Right	59 7/8" x 31 7/8" x 4" / 55 lb / 25 kg	7.2 ft³	\$ 1290
420025-543-001-000		Right / Corner Right - Stabili-T			\$ 1290

COMMON OPTIONS

SKU	Description	MSRP
OPT20208-084	PVC drain to respect National Building Code of Canada (CAN/ULC-S102.2 flame and smoke protection) for high rise construction (included in product packaging) Available color: Chrome (084)	\$ 88
OPT20253-340	ABS Square drain Available colors: Chrome (084), Brushed Nickel (305), Dark Bronze (173), Matte Black (340) and Brushed gold (343)	\$ 87
OPT20253-305		\$ 52
OPT20253-343		\$ 87
OPT20253-084		\$ 0
OPT20253-173		\$ 87
OPT20254-173	PVC Square drain Available colors: Chrome (084), Brushed Nickel (305), Dark Bronze (173), Matte Black (340) and Brushed Gold (343)	\$ 87

COMMON OPTIONS

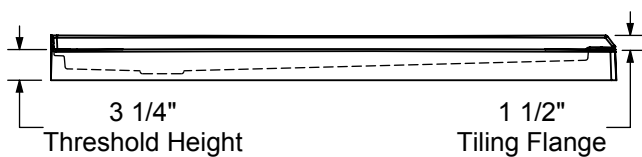
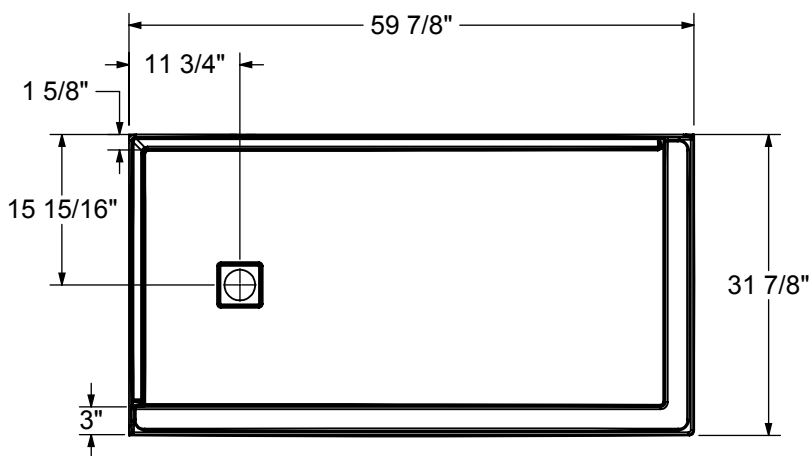
SKU	Description	MSRP
OPT20254-305	PVC Square drain Available colors: Chrome (084), Brushed Nickel (305), Dark Bronze (173), Matte Black (340) and Brushed Gold (343)	\$ 52
OPT20254-340		\$ 87
OPT20254-343		\$ 87
OPT20254-084		\$ 0

ACCESSORIES

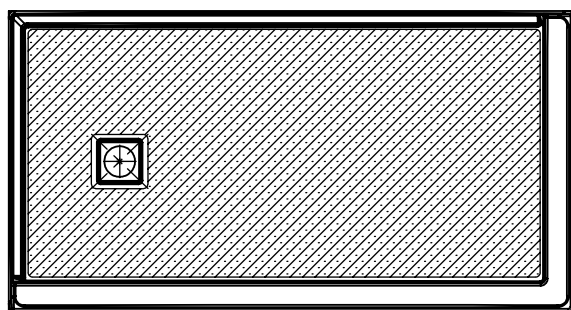
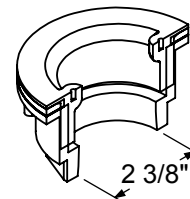
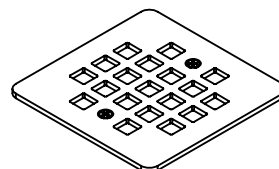
SKU	Description	MSRP
10029133-084	PVC drain to respect National Building Code of Canada (CAN/ULC-S102.2 flame and smoke protection) for high rise construction (sold separately - grid not included) Available color: Chrome (084)	\$ 88
10038458-305-600	Square drain grid Available colors: White (001)Chrome (084), Dark Bronze (173), Brushed Nickel (305), Matte Black (340) and Brushed Gold (343)	\$ 52
10038458-084-600		\$ 52
10038458-173-600		\$ 87
10038458-340-600		\$ 87
10038458-001-600		\$ 87
10038458-343-600		\$ 87

RECOMMENDED DOORS

SKU	Product Name	Pag.
138997	Halo 56 ½-59 x 78 ¾ - 8mm	386
135322	Uptown 56-59 x 76 in. 8 mm	345
135324		392
139580	Reveal Sleek 71 56-59 x 71 ½ - 8mm	382
136272	Duel 56-58 ½ x 70 ½ x 74 - 8 mm	326
136672	Reveal 71 56-59 x 71 ½ - 8mm	378



DRAIN INCLUDED ON B3 SQUARE ONLY



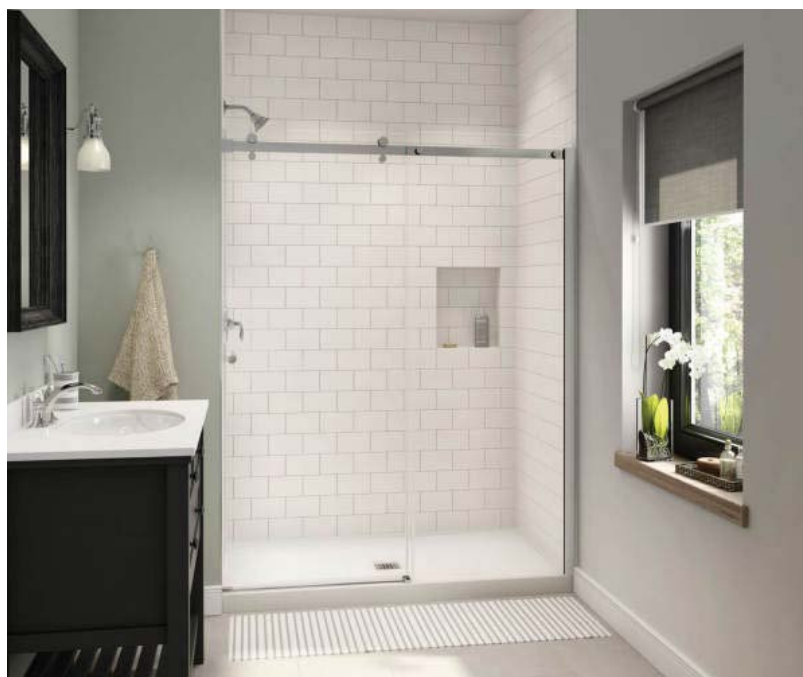
The hatched area represent the antislip surface

All dimensions are approximate. Structure measurements must be verified against the unit to ensure proper fit.

B3X 6036 - Alcove



CONFIGURABLE SHOWER BASES



Material : Acrylic

Features

- › 3 1/4 in. threshold acrylic shower base with square center drain
- › Optimized floor design improving showering space
- › Available with Stabili-T anti-slip bottom meeting ADA, ANSI or CSA requirements
- › 2 1/2 in. high tiling flanges to ensure watertightness
- › Integrated weep holes providing superior water management
- › Square chrome grid and ABS drain included (Upgrade PVC Option available)
- › Multiple grid finishes available

B3X 6036 - 420031

SKU	Color	Configuration	Dimensions & Weight	Packaging	MSRP
420031-501-001-000	White	Center / Alcove	59 7/8" x 35 7/8" x 4" / 62 lb / 28 kg	8.5 ft ³	\$ 1327
420031-541-001-000		Center / Alcove – Stabili-T			\$ 1327

COMMON OPTIONS

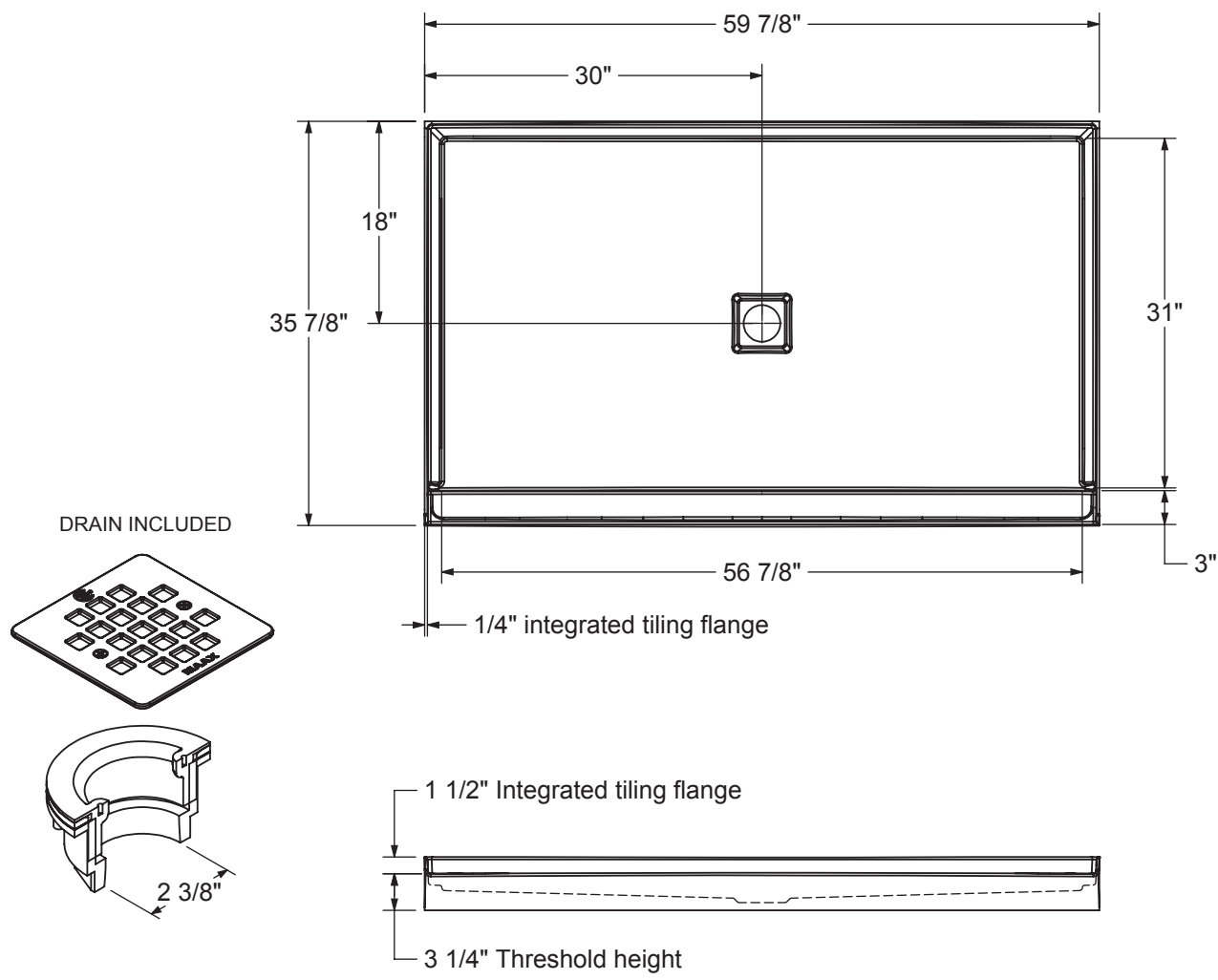
SKU	Description	MSRP
OPT20208-084	PVC drain to respect National Building Code of Canada (CAN/ULC-S102.2 flame and smoke protection) for high rise construction (included in product packaging) Available color: Chrome (084)	\$ 88
OPT20254-173	PVC Square drain Available colors: Chrome (084), Brushed Nickel (305), Dark Bronze (173), Matte Black (340) and Brushed Gold (343)	\$ 87
OPT20254-305		\$ 52
OPT20254-340		\$ 87
OPT20254-343		\$ 87
OPT20254-084		\$ 0
OPT20253-340		ABS Square drain Available colors: Chrome (084), Brushed Nickel (305), Dark Bronze (173), Matte Black (340) and Brushed gold (343)
OPT20253-305	\$ 52	
OPT20253-343	\$ 87	
OPT20253-084	\$ 0	
OPT20253-173	\$ 87	

ACCESSORIES

SKU	Description	MSRP
10029133-084	PVC drain to respect National Building Code of Canada (CAN/ULC-S102.2 flame and smoke protection) for high rise construction (sold separately - grid not included) Available color: Chrome (084)	\$ 88
10038458-305-600	Square drain grid Available colors: White (001)Chrome (084), Dark Bronze (173), Brushed Nickel (305), Matte Black (340) and Brushed Gold (343)	\$ 52
10038458-084-600		\$ 52
10038458-173-600		\$ 87
10038458-340-600		\$ 87
10038458-001-600		\$ 87
10038458-343-600		\$ 87

RECOMMENDED DOORS

SKU	Product Name	Pag.
138277	Manhattan 57-59 x 68 - 6mm	370
138997	Halo 56 ½-59 x 78 ¾ - 8mm	386
139353	Incognito 70 56-59 x 70 ½ - 8mm	331
139350	Incognito 56-59 x 70 ½ in. 6mm	329
135332	Incognito 76 Shaker 56-59 x 76 - 8mm	335
135335	Incognito 76 56-59 x 76 - 8mm	325
136335	Incognito 76 Smoke 56-59 x 76 - 8mm	337
136691	Revelation Round 56-59 x 70 ½-73 - 6mm	341
136694	Revelation Round 56-59 x 70 ½-73 - 8mm	343
135322	Uptown 56-59 x 76 in. 8 mm	345
135324		392
135244	Connect 57-58 1/2 x 72 - 6mm	394
139580	Reveal Sleek 71 56-59 x 71 ½ - 8mm	382
136272	Duel 56-58 ½ x 70 ½ x 74 - 8 mm	326
138762	Inverto 56-59 x 70 ½-74 - 8mm	324
137420	Odyssey SC 57-59 1/2 x 78 - 8 mm	390
137681	Outback 55 ¼ - 58 ½ x 70 ½ - 8mm	397
138993	Luminescence 56 ½-59 x 70 ½-72 - 6mm	388
136672	Reveal 71 56-59 x 71 ½ - 8mm	378
105412	Polar 54-59 ½ x 68 in.	339
135661	Aura 55-59 x 57 - 6mm	564
135665	Aura 55-59 x 71 - 6mm	348
135670	Aura SC 55-59 x 71 - 8mm	359
135675		357
135672	Aura 55-59 x 71 - 8mm	355



All dimensions are approximate. Structure measurements must be verified against the unit to ensure proper fit.

B3X 6036 - Corner



Material : Acrylic

Features

- › 3 1/4 in. threshold acrylic shower base with square center drain
- › Optimized floor design improving showering space
- › Available with Stabili-T anti-slip bottom meeting ADA, ANSI or CSA requirements
- › 2 1/2 in. high tiling flanges to ensure watertightness
- › Integrated weep holes providing superior water management
- › Square chrome grid and ABS drain included (Upgrade PVC Option available)
- › Multiple grid finishes available
- › Left corner installation

CONFIGURABLE SHOWER BASES

B3X 6036 - 420032

SKU	Color	Configuration	Dimensions & Weight	Packaging	MSRP
420032-502-001-000	White	Center / Corner Left	59 7/8" x 35 7/8" x 4" / 62 lb / 28 kg	8.5 ft ³	\$ 1327
420032-542-001-000		Center / Corner Left - Stabili-T			\$ 1327

B3X 6036 - 420033

SKU	Color	Configuration	Dimensions & Weight	Packaging	MSRP
420033-503-001-000	White	Center / Corner Right	59 7/8" x 35 7/8" x 4" / 62 lb / 28 kg	8.5 ft ³	\$ 1327
420033-543-001-000		Center / Corner Right - Stabili-T			\$ 1327

COMMON OPTIONS

SKU	Description	MSRP
OPT20254-173	PVC Square drain Available colors: Chrome (084), Brushed Nickel (305), Dark Bronze (173), Matte Black (340) and Brushed Gold (343)	\$ 87
OPT20254-305		\$ 52
OPT20254-340		\$ 87
OPT20254-343		\$ 87
OPT20254-084		\$ 0
OPT20208-084	PVC drain to respect National Building Code of Canada (CAN/ULC-S102.2 flame and smoke protection) for high rise construction (included in product packaging) Available color: Chrome (084)	\$ 88
OPT20253-340	ABS Square drain Available colors: Chrome (084), Brushed Nickel (305), Dark Bronze (173), Matte Black (340) and Brushed gold (343)	\$ 87

COMMON OPTIONS

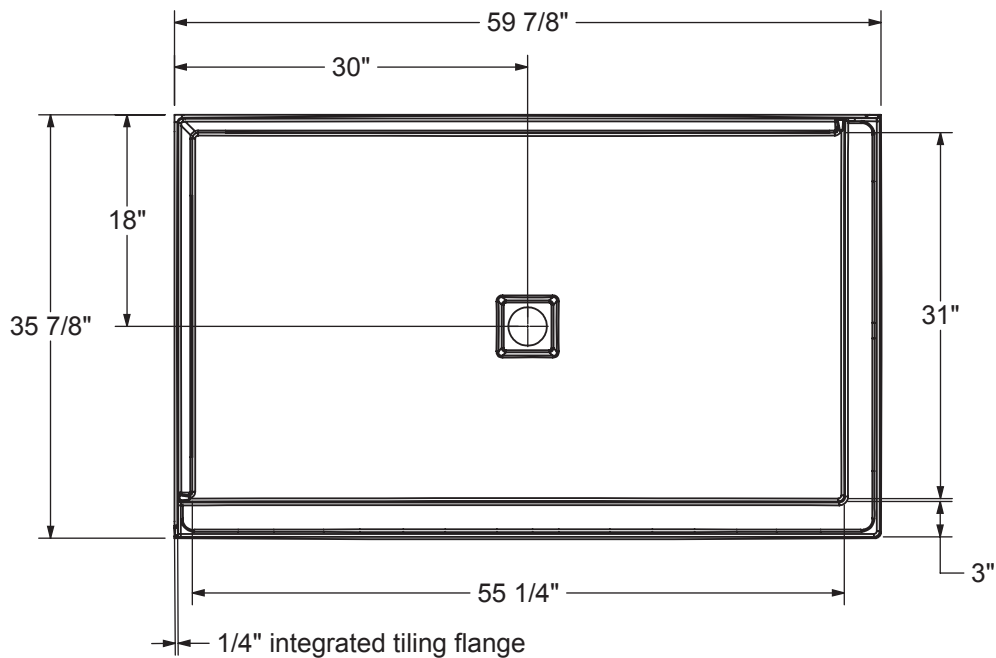
SKU	Description	MSRP
OPT20253-305	ABS Square drain Available colors: Chrome (084), Brushed Nickel (305), Dark Bronze (173), Matte Black (340) and Brushed gold (343)	\$ 52
OPT20253-343		\$ 87
OPT20253-084		\$ 0
OPT20253-173		\$ 87

ACCESSORIES

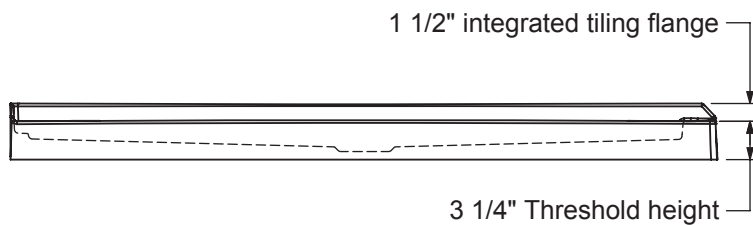
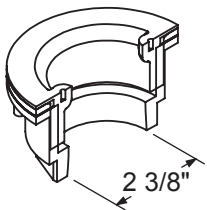
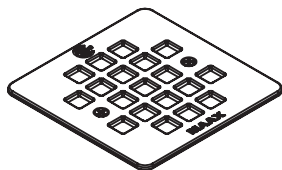
SKU	Description	MSRP
10029133-084	PVC drain to respect National Building Code of Canada (CAN/ULC-S102.2 flame and smoke protection) for high rise construction (sold separately - grid not included) Available color: Chrome (084)	\$ 88
10038458-305-600	Square drain grid Available colors: White (001)Chrome (084), Dark Bronze (173), Brushed Nickel (305), Matte Black (340) and Brushed Gold (343)	\$ 52
10038458-084-600		\$ 52
10038458-173-600		\$ 87
10038458-340-600		\$ 87
10038458-001-600		\$ 87
10038458-343-600		\$ 87

RECOMMENDED DOORS

SKU	Product Name	Pag.
138997	Halo 56 ½-59 x 78 ¾ - 8mm	386
135322	Uptown 56-59 x 76 in. 8 mm	345
135324		392
139580	Reveal Sleek 71 56-59 x 71 ½ - 8mm	382
136272	Duel 56-58 ½ x 70 ½ x 74 - 8 mm	326
136672	Reveal 71 56-59 x 71 ½ - 8mm	378



DRAIN INCLUDED



All dimensions are approximate. Structure measurements must be verified against the unit to ensure proper fit.



Distinct 48

CONFIGURABLE SHOWER BASES



Material : Acrylic

Features

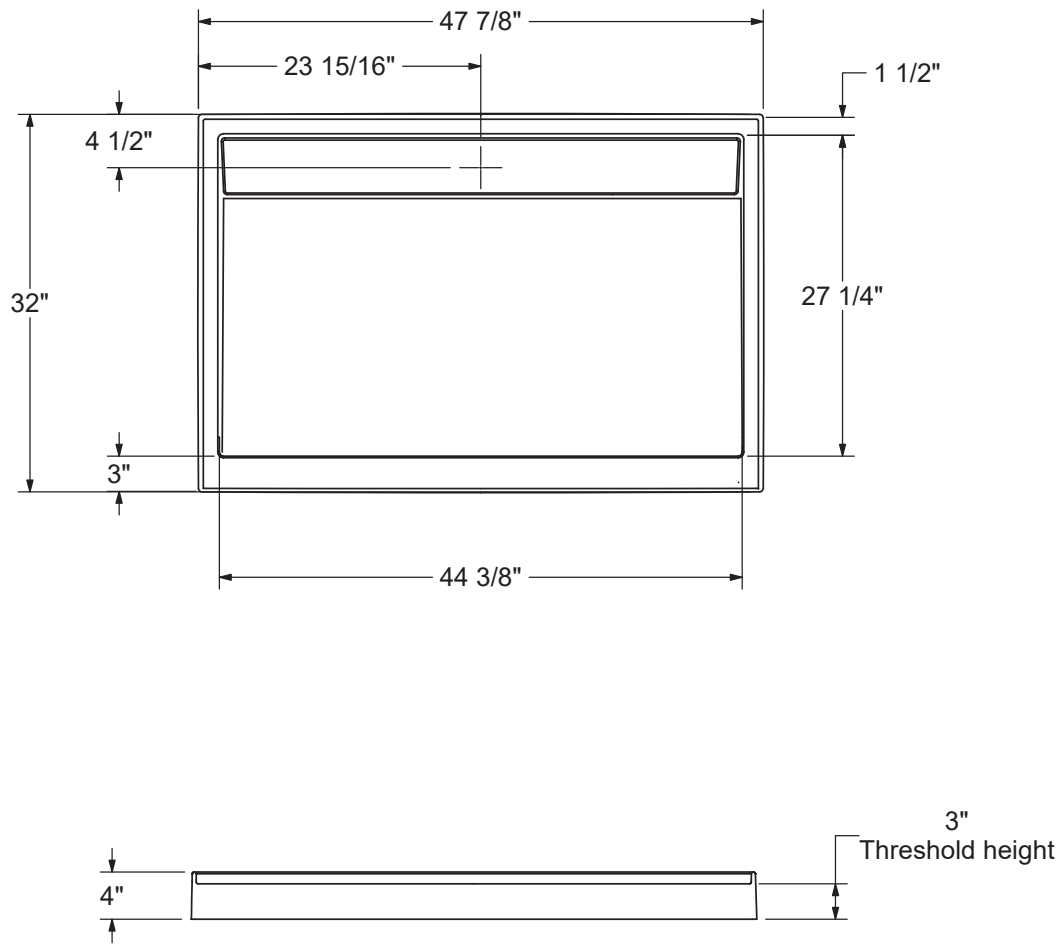
- › Unique minimalist design with full length trench drain
- › Acrylic reinforced base that can be installed in an alcove or a corner configuration
- › Back-center drain hidden by a removable cover
- › Smooth bottom
- › 3" threshold

DISTINCT 48 - 106350

SKU	Color	Configuration	Dimensions & Weight	Packaging	MSRP
106350-000-001-000	White	Back End Drain / Alcove or Corner	47 7/8" x 32" x 4" / 46 lb / 21 kg	9.6 ft ³	\$ 1133

RECOMMENDED DOORS

SKU	Product Name	Pag.
135321	Uptown 44-47 x 76 in. 8 mm	345
139352	Incognito 70 44-47 x 70 1/2 - 8mm	331
139349	Incognito 44-47 x 70 1/2 in. 6mm	329
135671	Aura 43-47 x 71 - 8mm	355
136693	Revelation Round 44-47 x 70 1/2-73 - 8mm	343
138996	Halo 44 1/2-47 x 78 3/4 - 8mm	386
135323	Uptown 44-47 x 76 in. 8 mm	392
135325	Uptown 45-47 x 76 in. 8 mm	384
135242	Connect 45-46 1/2 x 72 - 6mm	394
139578	Reveal Sleek 71 44-47 x 71 1/2 - 8mm	382
136271	Duel 44-47 x 70 1/2 x 74 - 8 mm	326
137421	Odyssey SC 45-47 1/2 x 78 - 8 mm	390
135663	Aura 43-47 x 71 - 6mm	348
137680	Outback 43 1/4 - 46 1/2 x 70 1/2 - 8mm	397
138992	Luminescence 44 1/2-47 x 70 1/2-72 - 6mm	388



All dimensions are approximate. Structure measurements must be verified against the unit to ensure proper fit.

Olympia Square Base 6032



CONFIGURABLE SHOWER BASES



Material : Acrylic

Features

- › Configurable base that can be installed in an alcove or a corner installation
- › Drain and square grid included
- › Textured bottom for slip-resistance
- › Easy to clean and stain-resistant acrylic finish
- › Low threshold for safe and easy step-through entrance and exit
- › 1-piece construction with integrated flanges for easy installation
- › Different drain grid finishes available to coordinate with your bathroom finishes
- › Installed directly to the studs for a long-lasting and secure installation
- › Available in different sizes

OLYMPIA SQUARE 6032 - 106012

SKU	Color	Configuration	Dimensions & Weight	Packaging	MSRP
106012-000-001-001	White	Left / Alcove or Corner	59 7/8" x 32" x 2 5/8" / 15 lb / 7 kg	7.62 ft ³	\$ 971
106012-000-001-002		Right / Alcove or Corner			\$ 971

COMMON OPTIONS

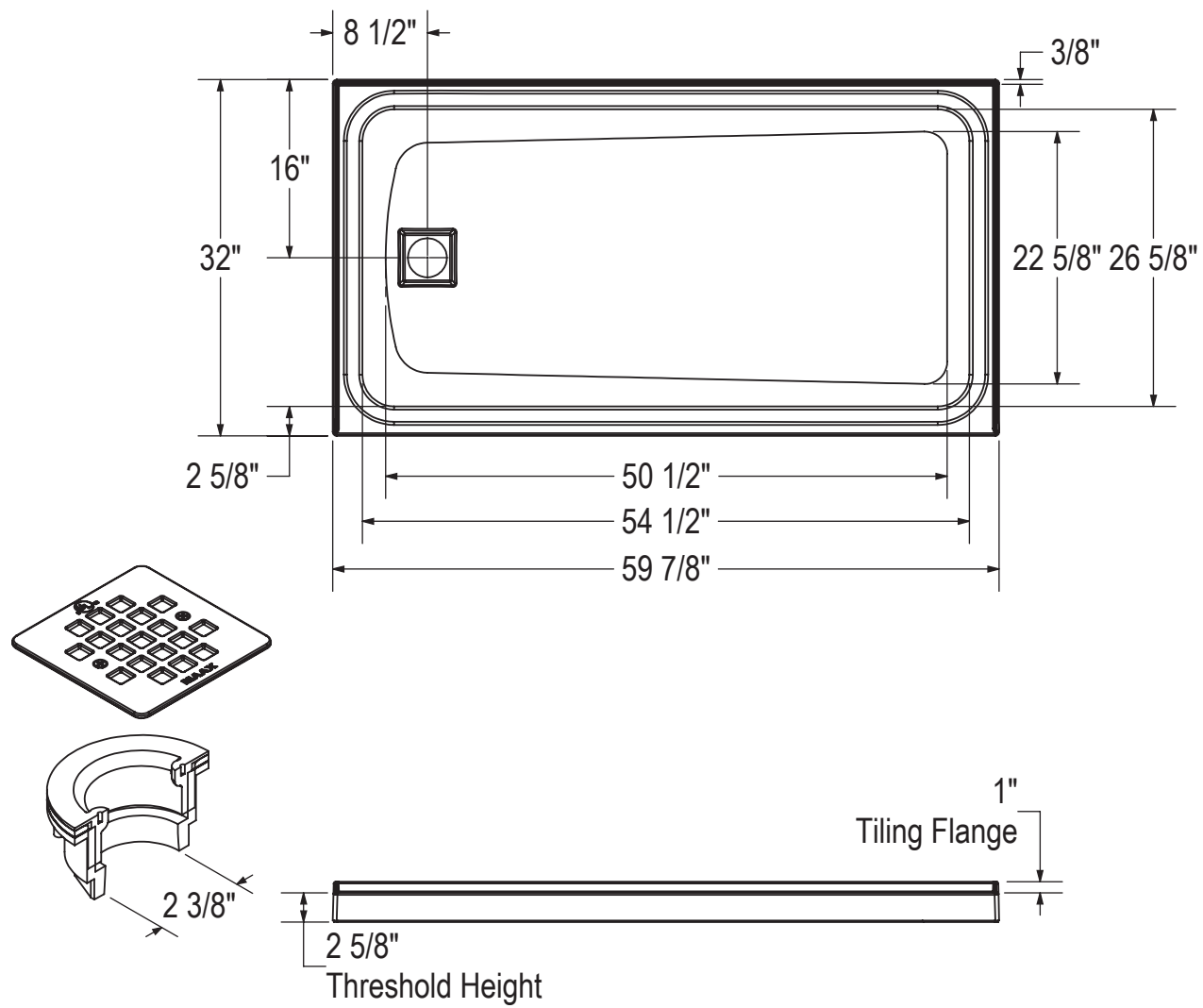
SKU	Description	MSRP
OPT20254-173	PVC Square drain Available colors: Chrome (084), Brushed Nickel (305), Dark Bronze (173), Matte Black (340) and Brushed Gold (343)	\$ 87
OPT20254-305		\$ 52
OPT20254-340		\$ 87
OPT20254-343		\$ 87
OPT20254-084		\$ 0
OPT20253-340	ABS Square drain Available colors: Chrome (084), Brushed Nickel (305), Dark Bronze (173), Matte Black (340) and Brushed gold (343)	\$ 87
OPT20253-305		\$ 52
OPT20253-343		\$ 87
OPT20253-084		\$ 0
OPT20253-173		\$ 87

ACCESSORIES

SKU	Description	MSRP
10038458-305-600	Square drain grid Available colors: White (001)Chrome (084), Dark Bronze (173), Brushed Nickel (305), Matte Black (340) and Brushed Gold (343)	\$ 52
10038458-084-600		\$ 52
10038458-173-600		\$ 87
10038458-340-600		\$ 87
10038458-001-600		\$ 87
10038458-343-600		\$ 87

RECOMMENDED DOORS

SKU	Product Name	Pag.
138277	Manhattan 57-59 x 68 - 6mm	370
138997	Halo 56 ½-59 x 78 ¾ - 8mm	386
139353	Incognito 70 56-59 x 70 ½ - 8mm	331
139350	Incognito 56-59 x 70 ½ in. 6mm	329
135332	Incognito 76 Shaker 56-59 x 76 - 8mm	335
135335	Incognito 76 56-59 x 76 - 8mm	325
136335	Incognito 76 Smoke 56-59 x 76 - 8mm	337
136691	Revelation Round 56-59 x 70 ½-73 - 6mm	341
136694	Revelation Round 56-59 x 70 ½-73 - 8mm	343
135322	Uptown 56-59 x 76 in. 8 mm	345
135324		392
135244	Connect 57-58 1/2 x 72 - 6mm	394
139580	Reveal Sleek 71 56-59 x 71 ½ - 8mm	382
136272	Duel 56-58 ½ x 70 ½ x 74 - 8 mm	326
138762	Inverto 56-59 x 70 ½-74 - 8mm	324
137420	Odyssey SC 57-59 1/2 x 78 - 8 mm	390
137681	Outback 55 ¼ - 58 ½ x 70 ½ - 8mm	397
138993	Luminescence 56 ½-59 x 70 ½-72 - 6mm	388
136672	Reveal 71 56-59 x 71 ½ - 8mm	378
105412	Polar 54-59 ½ x 68 in.	339
135661	Aura 55-59 x 57 - 6mm	564
135665	Aura 55-59 x 71 - 6mm	348
135670	Aura SC 55-59 x 71 - 8mm	359
135675		357
135672	Aura 55-59 x 71 - 8mm	355



All dimensions are approximate. Structure measurements must be verified against the unit to ensure proper fit.

Rectangular 4234 Base



Material : Acrylic

Features

- › 3 in. threshold height
- › Corner or alcove installation to accommodate your bathroom layout
- › Made of Acrylic
- › High gloss finish resistant to dulling, scratching, and fading
- › Maximum door width: 40.5 in.
- › Textured bottom for added safety
- › ABS drain included
- › Low threshold design provides a safe and easy step-through entrance and exit for users of all ages
- › Optional 3-piece acrylic wall set with shelves available



RECTANGULAR 4234 - BRUSHED NICKEL - 106382

SKU	Color	Configuration	Dimensions & Weight	Packaging	MSRP
106382-000-001-000	White	Center / Alcove or Corner	42" x 34" x 3" / 43 lb / 20 kg	4.66 ft ³	\$ 996

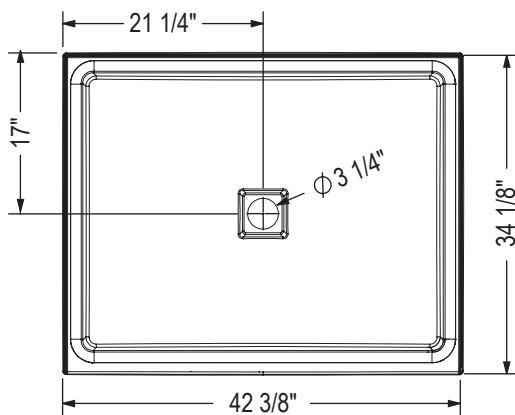
ACCESSORIES

SKU	Description	MSRP
10038458-305-600	Square drain grid Available colors: White (001)Chrome (084), Dark Bronze (173), Brushed Nickel (305), Matte Black (340) and Brushed Gold (343)	\$ 52
10038458-084-600		\$ 52
10038458-173-600		\$ 87
10038458-340-600		\$ 87
10038458-001-600		\$ 87
10038458-343-600		\$ 87
10060311	Corner glass shelf (9 3/8 x 9 3/8 in.) (sold separately) 10 mm frosted glass with a clear band along the edge Compatible with Utile and tile shower walls	\$ 158

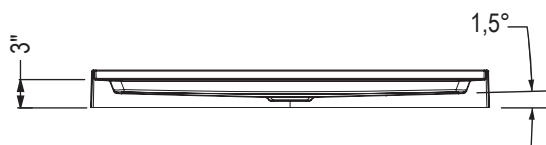
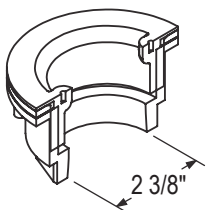
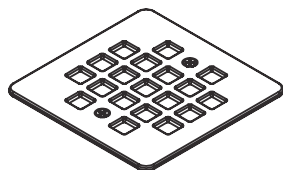
RECOMMENDED DOORS

SKU	Product Name	Pag.
138268	Manhattan 39-41 x 68 - 6mm	368
138520	Incognito 74 39-42x74in. 8mm	333
139576	Reveal Sleek 71 38-41 x 71 1/2 - 8mm	381
136679	Reveal 71 38-41 x 71 1/2 - 8 mm	379

STANDARD



DRAIN INCLUDED



All dimensions are approximate. Structure measurements must be verified against the unit to ensure proper fit.

Zone Square Base 48



Material : Acrylic

Features

- › Proudly made in Canada
- › Acrylic rectangular base with drain included along with its modern square stainless steel grid in a chrome finish (other grid colors available, sold separately)
- › 3-inch low threshold base that can be installed in an alcove or corner setting for maximum versatility
- › Center drain and smooth bottom - available in white only
- › Direct-to-stud installation
- › Compatible with MAAX Utile walls
- › This base comes with a Chrome finish square drain grid, other finishes are available to match with your design: Matte Black (SKU 1001539416), Dark Bronze (1001539414), Brushed Nickel (1001539415)

ZONE SQUARE 48 - 106354

SKU	Color	Configuration	Dimensions & Weight	Packaging	MSRP
106354-000-001-000	White	Center / Alcove or Corner	47 7/8" x 32" x 4" / 50 lb / 23 kg	7.7 ft ³	\$ 1014

COMMON OPTIONS

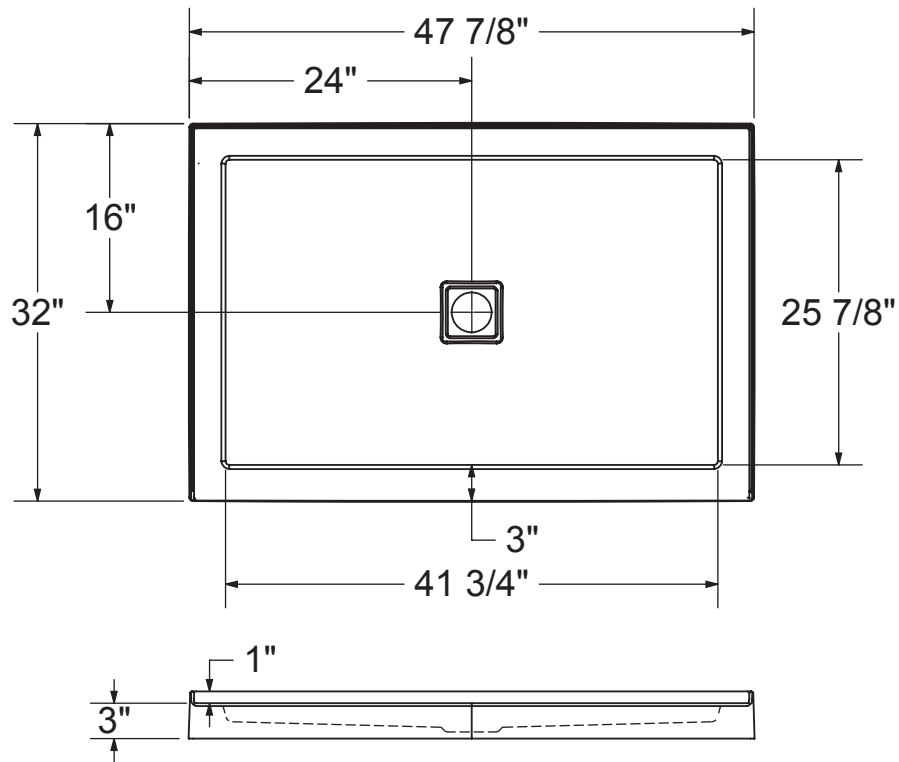
SKU	Description	MSRP
OPT20253-340	ABS Square drain Available colors: Chrome (084), Brushed Nickel (305), Dark Bronze (173), Matte Black (340) and Brushed gold (343)	\$ 87
OPT20253-305		\$ 52
OPT20253-343		\$ 87
OPT20253-084		\$ 0
OPT20253-173		\$ 87
OPT20254-173	PVC Square drain Available colors: Chrome (084), Brushed Nickel (305), Dark Bronze (173), Matte Black (340) and Brushed Gold (343)	\$ 87
OPT20254-305		\$ 52
OPT20254-340		\$ 87
OPT20254-343		\$ 87
OPT20254-084		\$ 0

ACCESSORIES

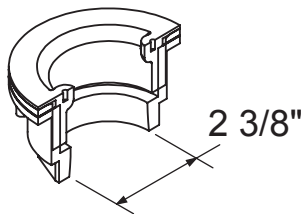
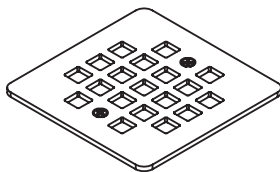
SKU	Description	MSRP
10038458-305-600	Square drain grid Available colors: White (001)Chrome (084), Dark Bronze (173), Brushed Nickel (305), Matte Black (340) and Brushed Gold (343)	\$ 52
10038458-084-600		\$ 52
10038458-173-600		\$ 87
10038458-340-600		\$ 87
10038458-001-600		\$ 87
10038458-343-600		\$ 87

RECOMMENDED DOORS

SKU	Product Name	Pag.
135321	Uptown 44-47 x 76 in. 8 mm	345
139352	Incognito 70 44-47 x 70 ½ - 8mm	331
139349	Incognito 44-47 x 70 ½ in. 6mm	329
135671	Aura 43-47 x 71 - 8mm	355
136693	Revelation Round 44-47 x 70 ½-73 - 8mm	343
138996	Halo 44 ½-47 x 78 ¾ - 8mm	386
135323	Uptown 44-47 x 76 in. 8 mm	392
135325	Uptown 45-47 x 76 in. 8 mm	384
135242	Connect 45-46 1/2 x 72 - 6mm	394
139578	Reveal Sleek 71 44-47 x 71 ½ - 8mm	382
136271	Duel 44-47 x 70 ½ x 74 - 8 mm	326
137421	Odyssey SC 45-47 1/2 x 78 - 8 mm	390
135663	Aura 43-47 x 71 - 6mm	348
137680	Outback 43 ¼ - 46 ½ x 70 ½ - 8mm	397
138992	Luminescence 44 ½-47 x 70 ½-72 - 6mm	388
136671	Reveal 71 44-47 x 71 ½ - 8mm	378
105413	Polar 42-47 ½ x 68 in.	339
138271	Manhattan 45-47 x 68 - 6mm	368
136690	Revelation Round 44-47 x 70 ½-73 - 6mm	341
135674	Aura SC 43-47 x 71 - 8mm	357
135331	Incognito 76 Shaker 44-47 x 76 - 8mm	335



DRAIN INCLUDED



All dimensions are approximate. Structure measurements must be verified against the unit to ensure proper fit.

Zone Square Base 60 - L



CONFIGURABLE SHOWER BASES



Material : Acrylic
Features

- › Proudly made in Canada
- › Acrylic rectangular base with drain included along with its modern square stainless steel grid in a chrome finish (other grid colors available, sold separately)
- › 3-inch low threshold base that can be installed in an alcove or corner setting for maximum versatility
- › Center drain and smooth bottom - available in white only
- › Direct-to-stud installation
- › Compatible with MAAX Utile walls
- › This base comes with a Chrome finish square drain grid, other finishes are available to match with your design: Matte Black (SKU 1001539416), Dark Bronze (1001539414), Brushed Nickel (1001539415)

ZONE SQUARE 60 - 106355					
SKU	Color	Configuration	Dimensions & Weight	Packaging	MSRP
106355-000-001-001	White	Left / Alcove or Corner	59 7/8" x 32" x 4" / 55 lb / 25 kg	9.1 ft ³	\$ 1249

ZONE SQUARE 60 - 106356					
SKU	Color	Configuration	Dimensions & Weight	Packaging	MSRP
106356-000-001-002	White	Right / Alcove or Corner	59 7/8" x 32" x 4" / 55 lb / 25 kg	9.1 ft ³	\$ 1249

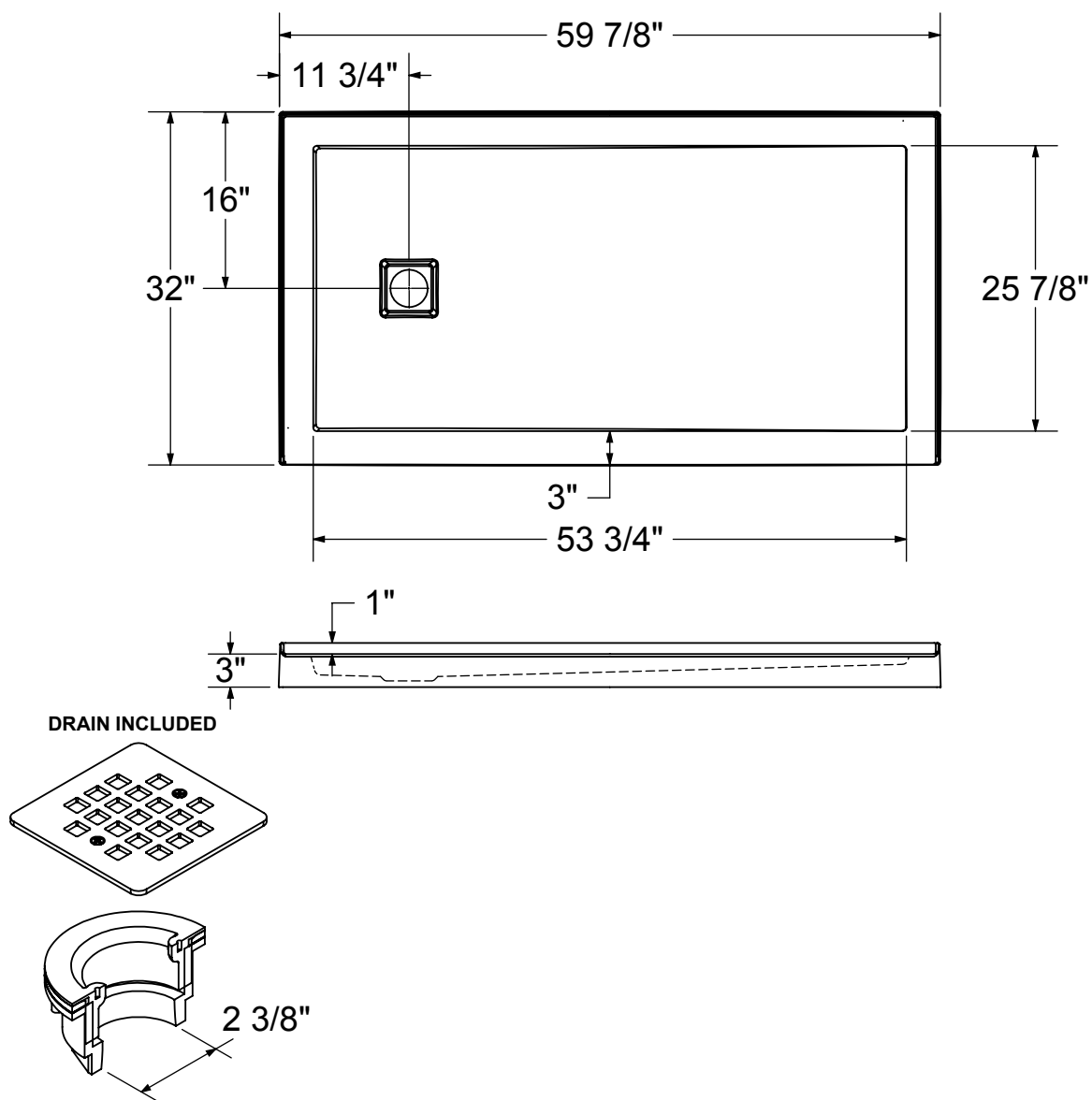
COMMON OPTIONS			
SKU	Description	MSRP	
OPT20254-173	PVC Square drain Available colors: Chrome (084), Brushed Nickel (305), Dark Bronze (173), Matte Black (340) and Brushed Gold (343)	\$ 87	
OPT20254-305		\$ 52	
OPT20254-340		\$ 87	
OPT20254-343		\$ 87	
OPT20254-084		\$ 0	
OPT20253-340		\$ 87	
OPT20253-305		\$ 52	
OPT20253-343		ABS Square drain Available colors: Chrome (084), Brushed Nickel (305), Dark Bronze (173), Matte Black (340) and Brushed gold (343)	\$ 87
OPT20253-084		\$ 0	
OPT20253-173		\$ 87	

ACCESSORIES

SKU	Description	MSRP
10038458-305-600	Square drain grid Available colors: White (001)Chrome (084), Dark Bronze (173), Brushed Nickel (305), Matte Black (340) and Brushed Gold (343)	\$ 52
10038458-084-600		\$ 52
10038458-173-600		\$ 87
10038458-340-600		\$ 87
10038458-001-600		\$ 87
10038458-343-600		\$ 87

RECOMMENDED DOORS

SKU	Product Name	Pag.
138277	Manhattan 57-59 x 68 - 6mm	370
138997	Halo 56 ½-59 x 78 ¾ - 8mm	386
139353	Incognito 70 56-59 x 70 ½ - 8mm	331
139350	Incognito 56-59 x 70 ½ in. 6mm	329
135332	Incognito 76 Shaker 56-59 x 76 - 8mm	335
135335	Incognito 76 56-59 x 76 - 8mm	325
136335	Incognito 76 Smoke 56-59 x 76 - 8mm	337
136691	Revelation Round 56-59 x 70 ½-73 - 6mm	341
136694	Revelation Round 56-59 x 70 ½-73 - 8mm	343
135322	Uptown 56-59 x 76 in. 8 mm	345
135324		392
135244	Connect 57-58 1/2 x 72 - 6mm	394
139580	Reveal Sleek 71 56-59 x 71 ½ - 8mm	382
136272	Duel 56-58 ½ x 70 ½ x 74 - 8 mm	326
138762	Inverto 56-59 x 70 ½-74 - 8mm	324
137420	Odyssey SC 57-59 1/2 x 78 - 8 mm	390
137681	Outback 55 ¼ - 58 ½ x 70 ½ - 8mm	397
138993	Luminescence 56 ½-59 x 70 ½-72 - 6mm	388
136672	Reveal 71 56-59 x 71 ½ - 8mm	378
105412	Polar 54-59 ½ x 68 in.	339
135661	Aura 55-59 x 57 - 6mm	564
135665	Aura 55-59 x 71 - 6mm	348
135670	Aura SC 55-59 x 71 - 8mm	359
135675		357
135672	Aura 55-59 x 71 - 8mm	355



All dimensions are approximate. Structure measurements must be verified against the unit to ensure proper fit.



Neo-angle Base 36 - 3 in



Material : Acrylic

Features

- > Low threshold base
- > Corner drain; textured bottom
- > Deflecting strip preventing water penetration behind the shower
- > Corner installation
- > Easy front installation walls with snap clips are available

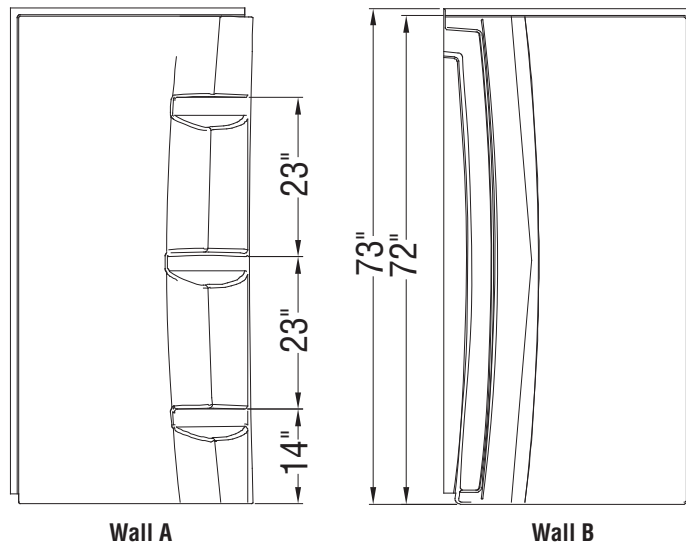
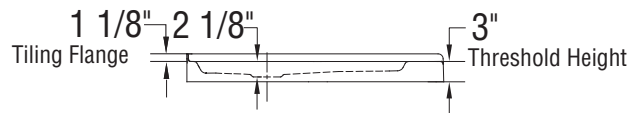
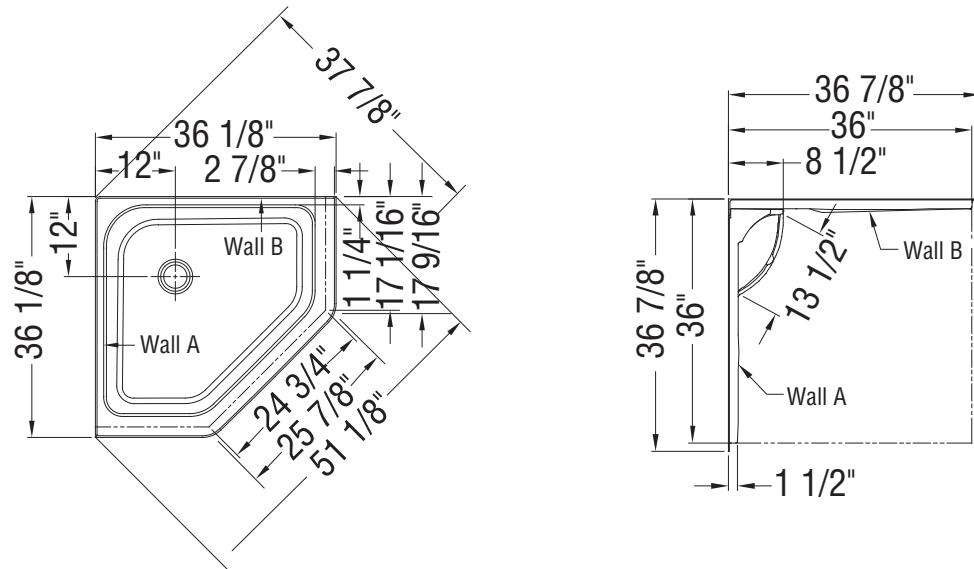
CORNER BASES - ACRYLIC

NEO-ANGLE BASE 36 - 3 IN - 101422

SKU	Color	Configuration	Dimensions & Weight	Packaging	MSRP
101422-000-001-000	White	Corner / Corner Left or Right	36 1/8" x 36 1/8" x 4 1/8" / 36 lb / 16 kg	8.93 ft ³	\$ 747

RECOMMENDED DOORS

SKU	Product Name	Pag.
137440	Radia Neo-angle 36 x 36 x 71 1/2 - 6mm	417



All dimensions are approximate. Structure measurements must be verified against the unit to ensure proper fit.



Neo-angle Base 38 - 3 in



Material : Acrylic

Features

- › Proudly made in Canada
- › Direct to stud corner installation that will save time and money
- › Durable high shine acrylic stays warm to the touch and is easy to clean
- › 3-inch low threshold for easy access
- › Textured bottom for added safety
- › Walls with convenient foot rest available, designed to be easier to clean
- › Ensure fit with MAAX Radia Corner Door # 137441-900

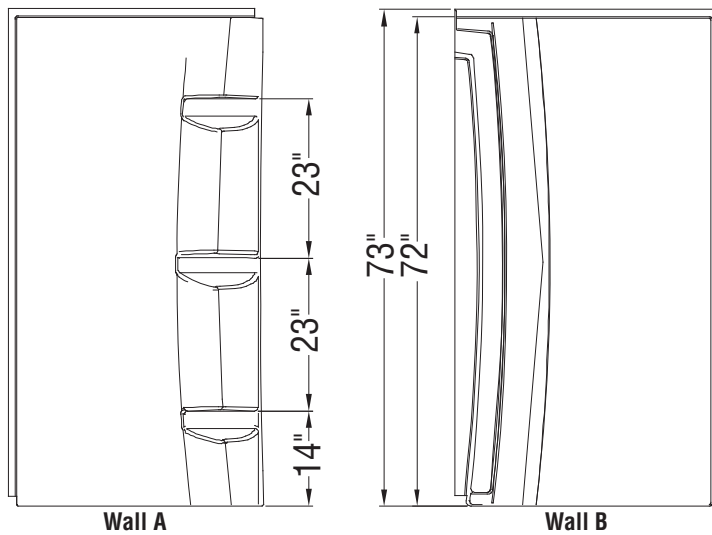
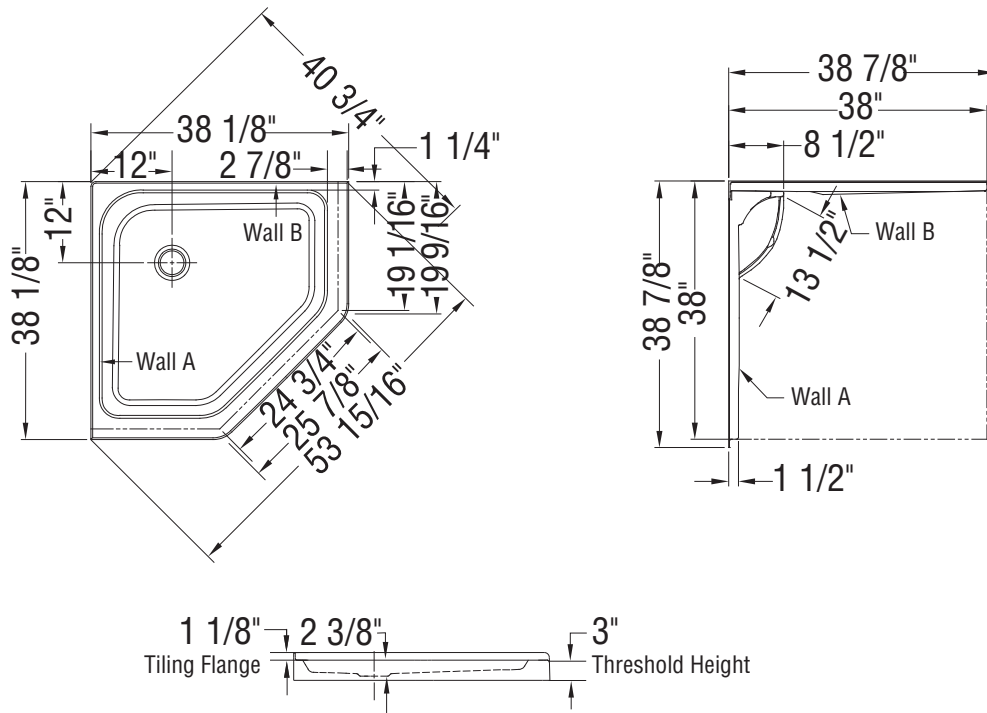
CORNER BASES - ACRYLIC

NEO-ANGLE BASE 38 - 3 IN - 101423

SKU	Color	Configuration	Dimensions & Weight	Packaging	MSRP
101423-000-001-000	White	Corner / Corner Left or Right	38 1/8" x 38 1/8" x 4 1/8" / 38 lb / 17 kg	8.93 ft ³	\$ 824

RECOMMENDED DOORS

SKU	Product Name	Pag.
137441	Radia Neo-angle 38 x 38 x 71 1/2 - 6mm	417



All dimensions are approximate. Structure measurements must be verified against the unit to ensure proper fit.



Neo-angle Base 40 - 3 in



Material : Acrylic

Features

- › Direct to stud corner installation that will save time and money
- › Durable high shine acrylic stays warm to the touch and is easy to clean
- › 3-inch low threshold for easy access
- › Textured bottom for added safety
- › Walls with convenient foot rest available, designed to be easier to clean
- › Ensure fit with MAAX Radia Corner Door # 137442-900

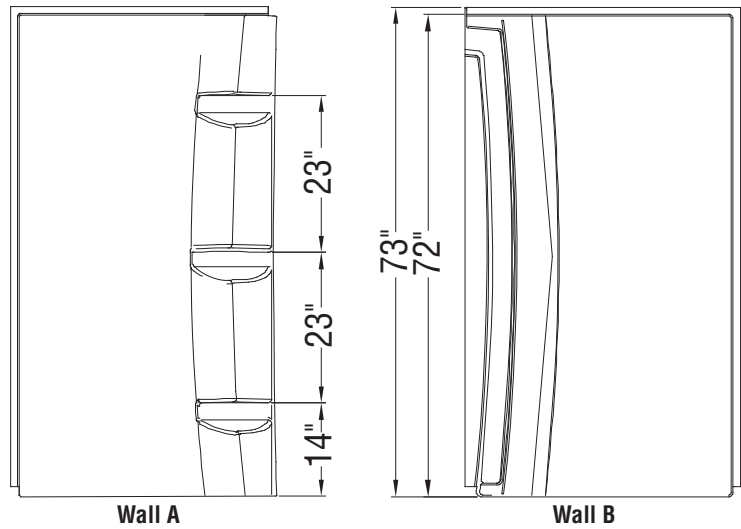
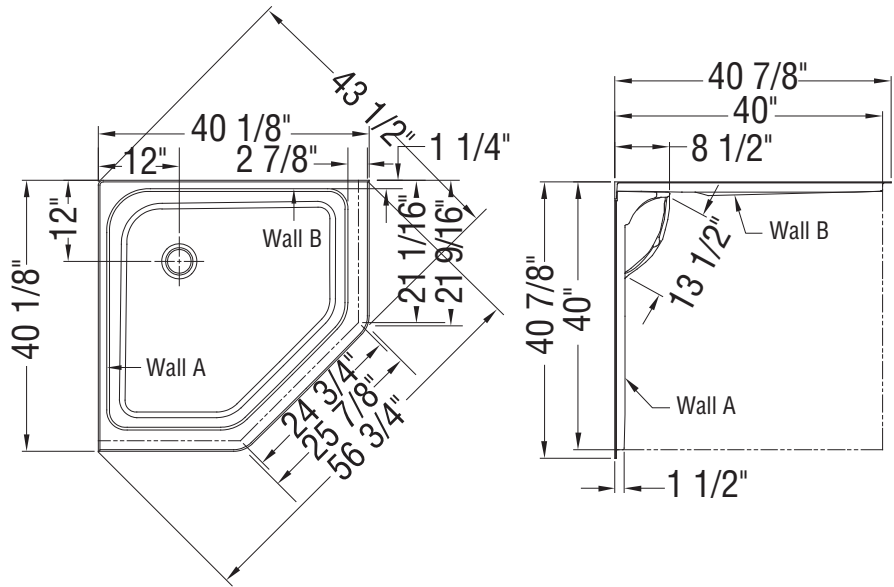
CORNER BASES - ACRYLIC

NEO-ANGLE BASE 40 - 3 IN - 101424

SKU	Color	Configuration	Dimensions & Weight	Packaging	MSRP
101424-000-001-000	White	Corner / Corner Left or Right	40 1/8" x 40 1/8" x 4 1/8" / 40 lb / 18 kg	9.9 ft ³	\$ 940

RECOMMENDED DOORS

SKU	Product Name	Pag.
137442	Radia Neo-angle 40 x 40 x 71 ½ - 6mm	417



All dimensions are approximate. Structure measurements must be verified against the unit to ensure proper fit.



Neo-angle Base 42 - 3 in

Material : Acrylic

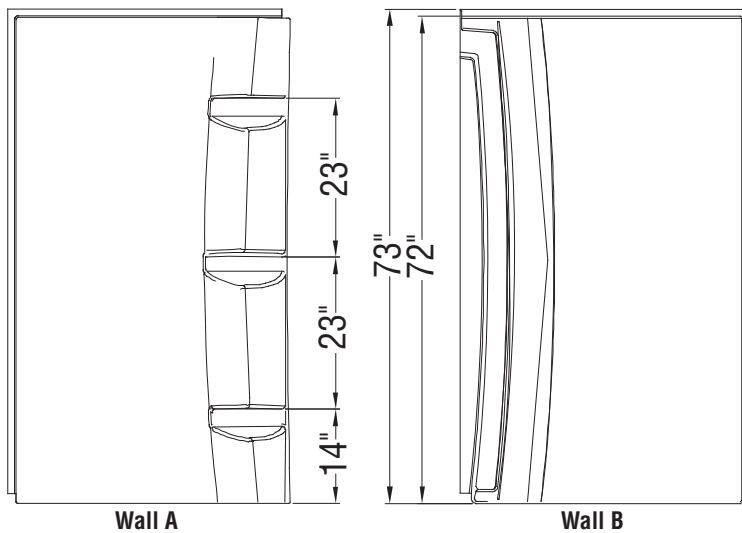
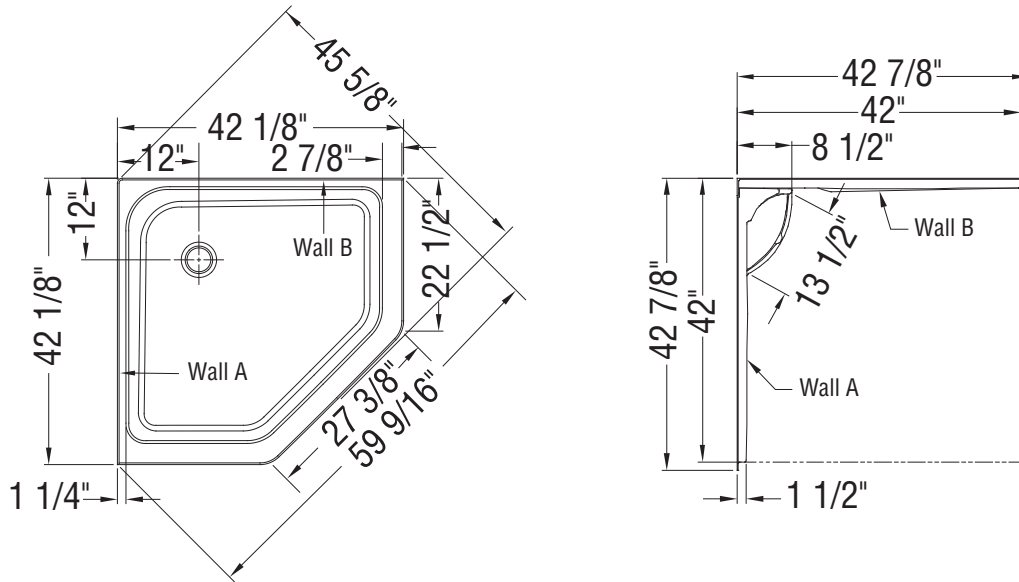
Features

- › Proudly made in Canada
- › 42x42 Acrylic Neo-Angle Base with Corner Drain in White, direct to stud installation
- › 3 in. low threshold
- › Durable high shine acrylic stays warm to the touch and is easy to clean, available in white only
- › Textured bottom
- › Off-center drain - consult MAAX technical drawing (specification) for exact dimensions
- › Limited warranty is for a period of 25 years, phone # 1-877-GET-MAAX



NEO-ANGLE BASE 42 - 3 IN - 101425

SKU	Color	Configuration	Dimensions & Weight	Packaging	MSRP
101425-000-001-000	White	Corner / Corner Left or Right	42 1/8" x 42 1/8" x 4 1/8" / 42 lb / 19 kg	9.9 ft ³	\$ 1021



All dimensions are approximate. Structure measurements must be verified against the unit to ensure proper fit.



Neo-round Base 32 - 3 in



Material : Acrylic

Features

- › Direct to stud corner installation that will save time and money
- › Durable high shine acrylic stays warm to the touch and is easy to clean
- › 3-inch low threshold for easy access
- › Textured bottom for added safety
- › Walls with convenient foot rest available, designed to be easier to clean
- › Ensure fit with MAAX Radia Corner Door # 137443-900

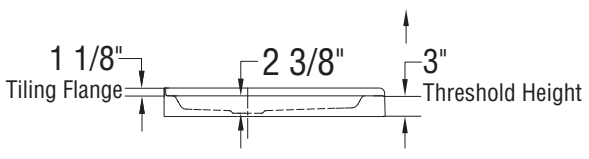
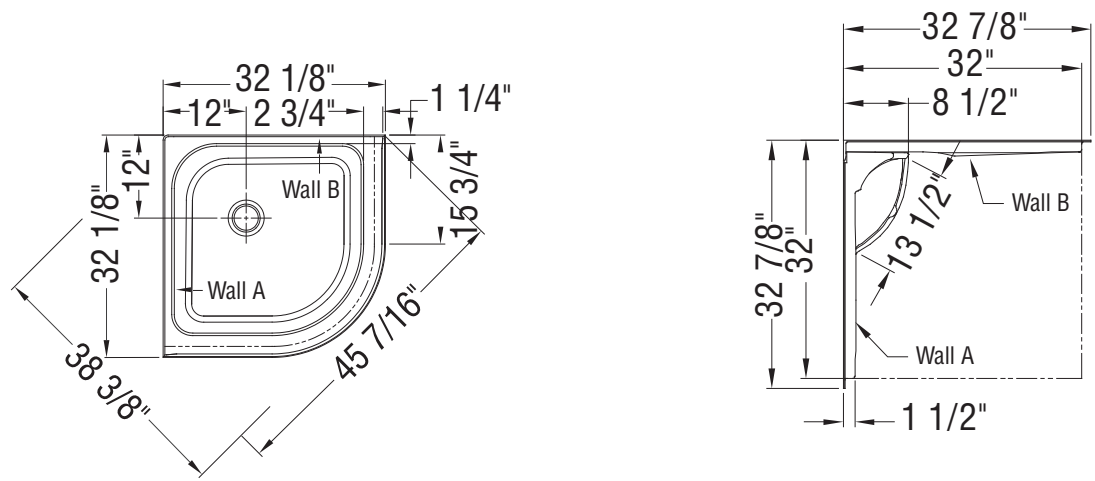
CORNER BASES - ACRYLIC

NEO-ROUND BASE 32 - 3 IN - 101426

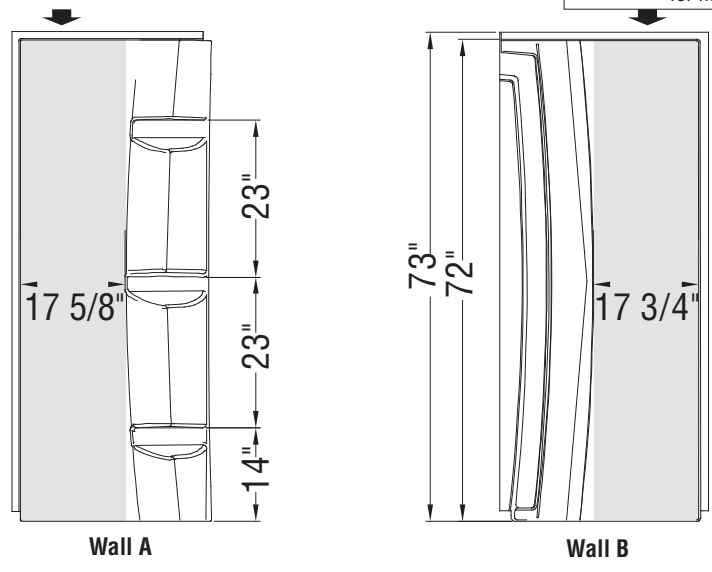
SKU	Color	Configuration	Dimensions & Weight	Packaging	MSRP
101426-000-001-000	White	Corner / Corner Left or Right	32 1/8" x 32 1/8" x 4 1/8" / 32 lb / 15 kg	6 ft ³	\$ 684

RECOMMENDED DOORS

SKU	Product Name	Pag.
137443	Radia Neo-round 32 x 32 x 71 ½ - 6mm	419



Important
Center your plumbing in the highlighted area. Exact plumbing position may vary upon model specifications, please refer to the supplier's instructions for more details



All dimensions are approximate. Structure measurements must be verified against the unit to ensure proper fit.



Neo-round Base 36 - 3 in



Material : Acrylic

Features

- › Proudly made in Canada
- › Direct to stud corner installation that will save time and money
- › Durable high shine acrylic stays warm to the touch and is easy to clean
- › 3-inch low threshold for easy access
- › Textured bottom for added safety
- › Walls with convenient foot rest available, designed to be easier to clean
- › Ensure fit with MAAX Radia Corner Door # 137444-900

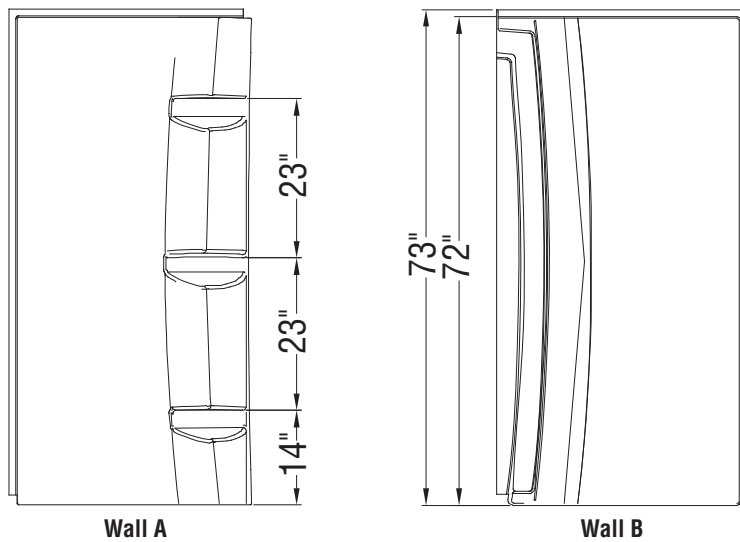
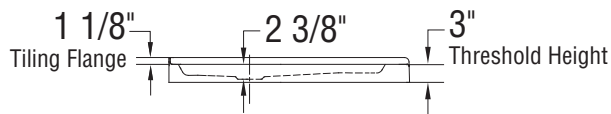
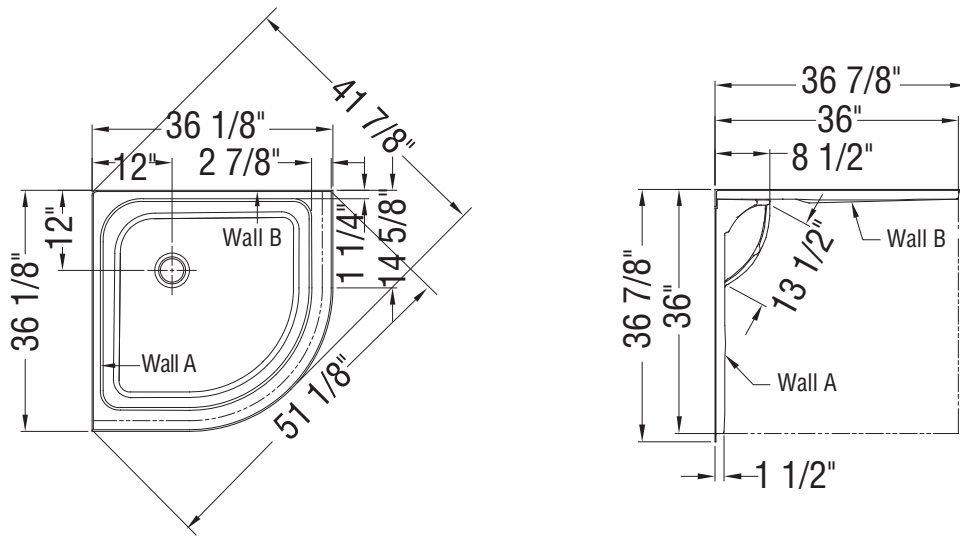
CORNER BASES - ACRYLIC

NEO-ROUND BASE 36 - 3 IN - 101427

SKU	Color	Configuration	Dimensions & Weight	Packaging	MSRP
101427-000-001-000	White	Corner / Corner Left or Right	36 1/8" x 36 1/8" x 4 1/8" / 36 lb / 16 kg	8.93 ft ³	\$ 747

RECOMMENDED DOORS

SKU	Product Name	Pag.
137444	Radia Neo-round 36 x 36 x 71 ½ - 6mm	419



All dimensions are approximate. Structure measurements must be verified against the unit to ensure proper fit.



Neo-round Base 40 - 3 in



Material : Acrylic

Features

- › Direct to stud corner installation that will save time and money
- › Durable high shine acrylic stays warm to the touch and is easy to clean
- › 3-inch low threshold for easy access
- › Textured bottom for added safety
- › Walls with convenient foot rest available, designed to be easier to clean
- › Ensure fit with MAAX Radia Corner Door # 137445-900

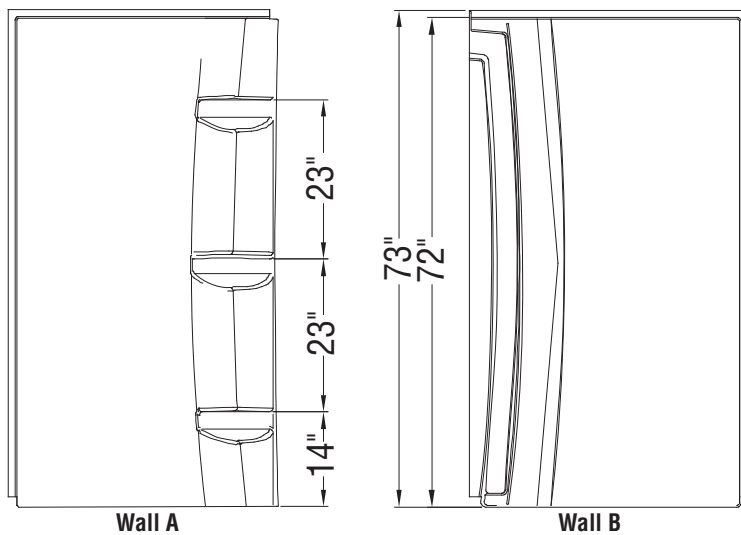
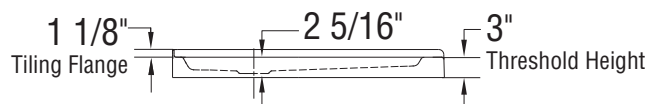
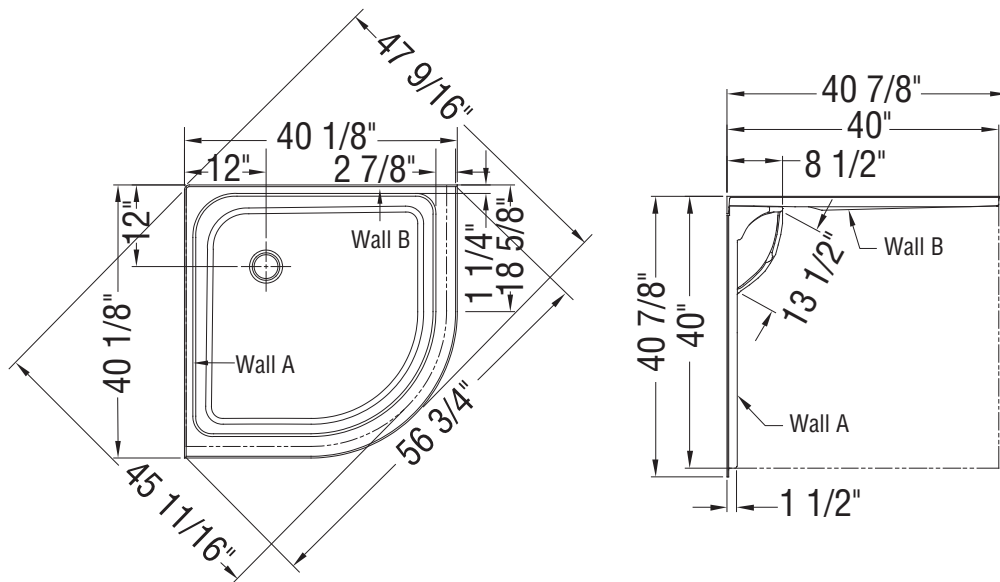
CORNER BASES - ACRYLIC

NEO-ROUND BASE 40 - 3 IN - 101428

SKU	Color	Configuration	Dimensions & Weight	Packaging	MSRP
101428-000-001-000	White	Corner / Corner Left or Right	40 1/8" x 40 1/8" x 4 1/8" / 40 lb / 18 kg	8.93 ft ³	\$ 940

RECOMMENDED DOORS

SKU	Product Name	Pag.
137445	Radia Neo-round 40 x 40 x 71 ½ - 6mm	419

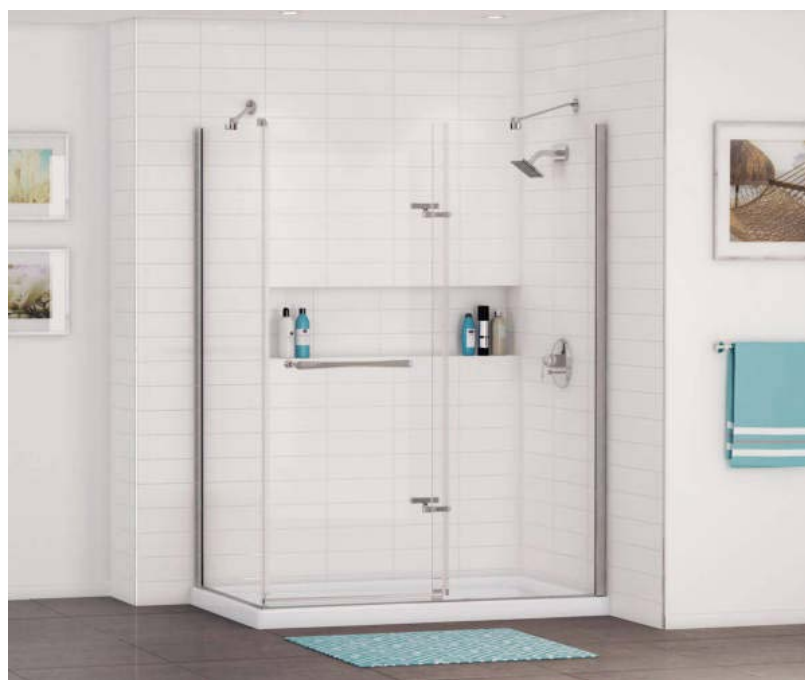


All dimensions are approximate. Structure measurements must be verified against the unit to ensure proper fit.

Rectangular Base 6036 - Corner L/R - 3 in.



CORNER BASES - ACRYLIC



Material : Acrylic

Features

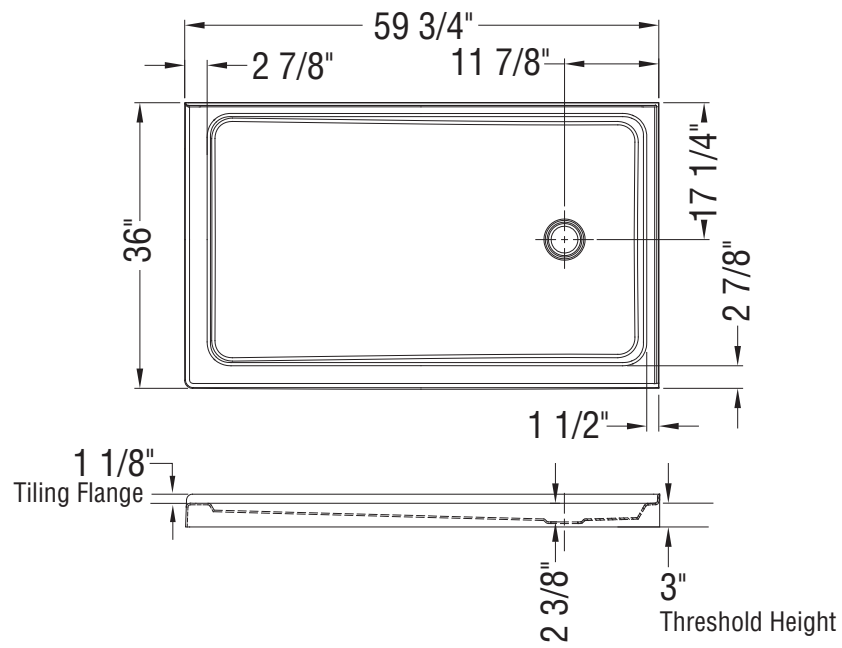
- > 60x36 Acrylic Alcove Shower Base with Left-Hand Drain in White, direct to stud installation
- > 3 in. low threshold
- > Durable high shine acrylic stays warm to the touch and is easy to clean
- > Textured bottom
- > Limited warranty is for a period of 25 years, phone # 1-877-GET-MAAX

RECTANGULAR BASE 6036 - CORNER L/R - 3 IN. - 105594

SKU	Color	Configuration	Dimensions & Weight	Packaging	MSRP
105594-000-001-001	White	Left / Corner Left or Right	59 3/4" x 36 1/4" x 4 1/8" / 58 lb / 26 kg	12 ft ³	\$ 1214
105594-000-001-002		Right / Corner Left or Right			\$ 1214

RECOMMENDED DOORS

SKU	Product Name	Pag.
138997	Halo 56 1/2-59 x 78 3/4 - 8mm	386
135322	Uptown 56-59 x 76 in. 8 mm	345
135324		392
139580	Reveal Sleek 71 56-59 x 71 1/2 - 8mm	382
136272	Duel 56-58 1/2 x 70 1/2 x 74 - 8 mm	326
136672	Reveal 71 56-59 x 71 1/2 - 8mm	378



All dimensions are approximate. Structure measurements must be verified against the unit to ensure proper fit.



Roka 3232



Material : Acrylic

Features

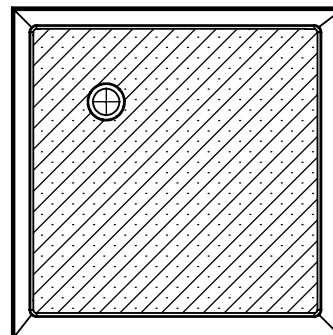
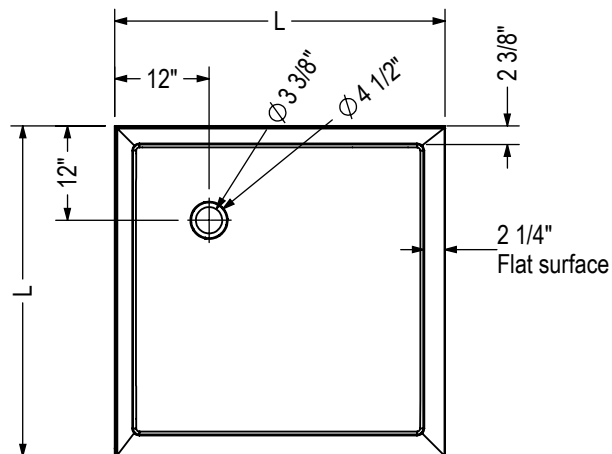
- › Base can be installed in a left or right corner
- › Thermoformed cast Acrylic for improved durability
- › Textured bottom for added safety
- › Easy to clean and stain-resistant acrylic finish
- › Low threshold for safe and easy step-through entrance and exit
- › 1-piece construction with integrated flanges for easy installation
- › Sleek design adds a modern look to any bathroom
- › Installed directly to the studs for a long-lasting and secure installation
- › Available in different sizes to fit your bathroom needs

CORNER BASES - ACRYLIC

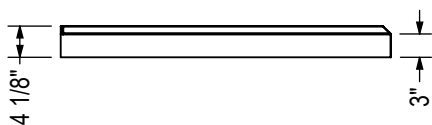
ROKA 3232 - 107331

SKU	Color	Configuration	Dimensions & Weight	Packaging	MSRP
107331-000-001-000	White	Corner / Corner Left or Right	32" x 32" x 3" / 30 lb / 14 kg	3.19 ft ³	\$ 824
107331-000-015-000	Black				\$ 906

STANDARD



The hatched area represent the anti-slip surface



Code	Description	L
107331	ROKA BASE 3232	32"
107332	ROKA BASE 3636	36"
107333	ROKA BASE 4242	42"

All dimensions are approximate. Structure measurements must be verified against the unit to ensure proper fit.



Roka 3636



Material : Acrylic

Features

- › Base can be installed in a left or right corner
- › Thermoformed cast Acrylic for improved durability
- › Textured bottom for added safety
- › Easy to clean and stain-resistant acrylic finish
- › Low threshold for safe and easy step-through entrance and exit
- › 1-piece construction with integrated flanges for easy installation
- › Compatible with MAAX Utile walls
- › Installed directly to the studs for a long-lasting and secure installation
- › Available in different sizes to fit your bathroom needs

CORNER BASES - ACRYLIC

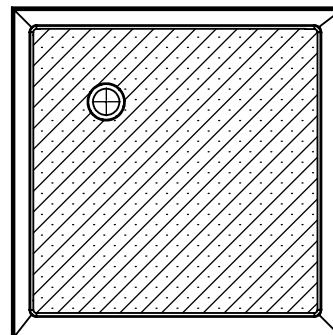
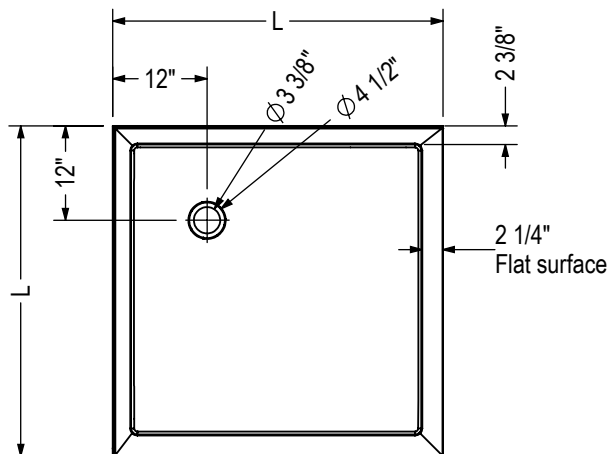
ROKA 3636 - 107332

SKU	Color	Configuration	Dimensions & Weight	Packaging	MSRP
107332-000-001-000	White	Corner / Corner Left or Right	36" x 36" x 3" / 36 lb / 16 kg	4.6 ft ³	\$ 984
107332-000-015-000	Black				\$ 1083

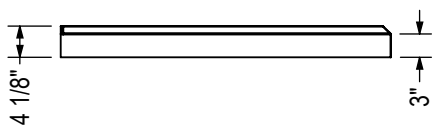
RECOMMENDED DOORS

SKU	Product Name	Pag.
139575	Reveal Sleek 71 32 ½-35 ½ x 71 ½ - 8mm	381
136676	Reveal 71 32 ½-35 ½ x 71 ½ - 8mm	378

STANDARD



The hatched area represent the anti-slip surface



Code	Description	L
107331	ROKA BASE 3232	32"
107332	ROKA BASE 3636	36"
107333	ROKA BASE 4242	42"

All dimensions are approximate. Structure measurements must be verified against the unit to ensure proper fit.



Roka 4242



Material : Acrylic

Features

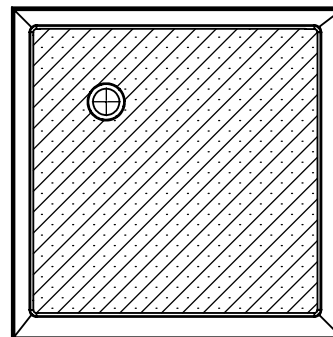
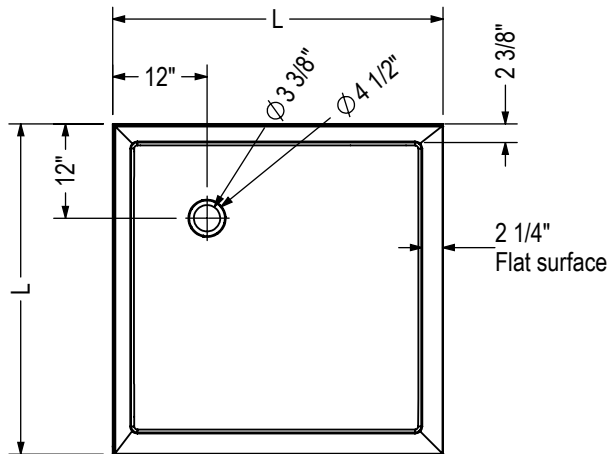
- › Base can be installed in a left or right corner
- › Thermoformed cast Acrylic for improved durability
- › Textured bottom for added safety
- › Easy to clean and stain-resistant acrylic finish
- › Low threshold for safe and easy step-through entrance and exit
- › 1-piece construction with integrated flanges for easy installation
- › Compatible with MAAX Utile walls
- › Installed directly to the studs for a long-lasting and secure installation
- › Available in different sizes to fit your bathroom needs

CORNER BASES - ACRYLIC

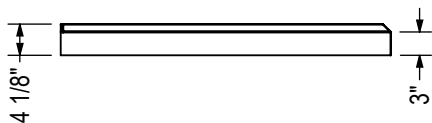
ROKA 4242 - 107333

SKU	Color	Configuration	Dimensions & Weight	Packaging	MSRP
107333-000-001	White	Corner / Corner Left or Right	42" x 42" x 3" / 51 lb / 23 kg	5.27 ft ³	\$ 1132
107333-000-015	Black				\$ 1246

STANDARD



The hatched area represent the anti-slip surface



Code	Description	L
107331	ROKA BASE 3232	32"
107332	ROKA BASE 3636	36"
107333	ROKA BASE 4242	42"

All dimensions are approximate. Structure measurements must be verified against the unit to ensure proper fit.



Round Base 36 - 3 in



Material : Acrylic

Features

- › Proudly made in Canada
- › Direct to stud installation, save time and money
- › Sturdy 2-piece acrylic walls with built-in shelves
- › Integrated convenient footrest
- › Easy front installation with snap clips
- › Build from high quality acrylic that is easy to clean
- › Compatible with MAAX 36 inch corner bases

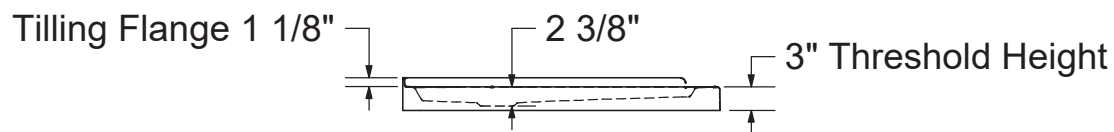
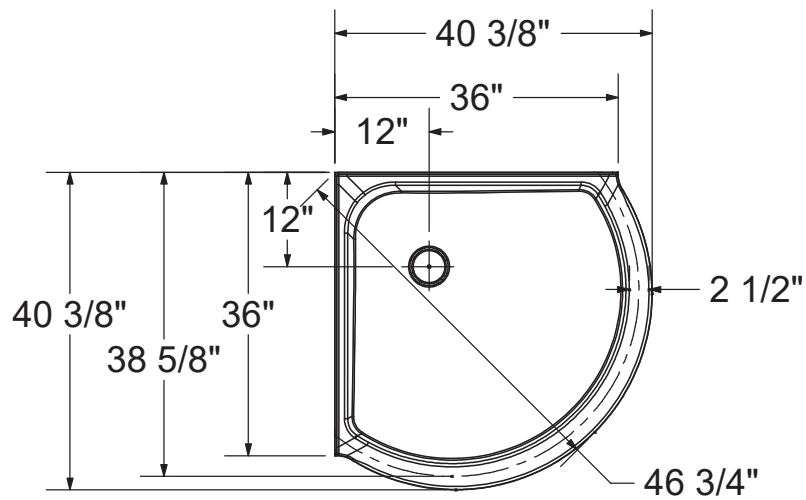
CORNER BASES - ACRYLIC

ROUND BASE 36 - 3 IN - 101429

SKU	Color	Configuration	Dimensions & Weight	Packaging	MSRP
101429-000-001-000	White	Corner / Corner Left or Right	36 1/8" x 36 1/8" x 4 1/8" / 36 lb / 16 kg	8.93 ft ³	\$ 982

RECOMMENDED DOORS

SKU	Product Name	Pag.
137446	Radia Round 36 x 36 x 71 1/2 - 6mm	422



All dimensions are approximate. Structure measurements must be verified against the unit to ensure proper fit.



Square Base 32 - Corner - 3 in



Material : Acrylic

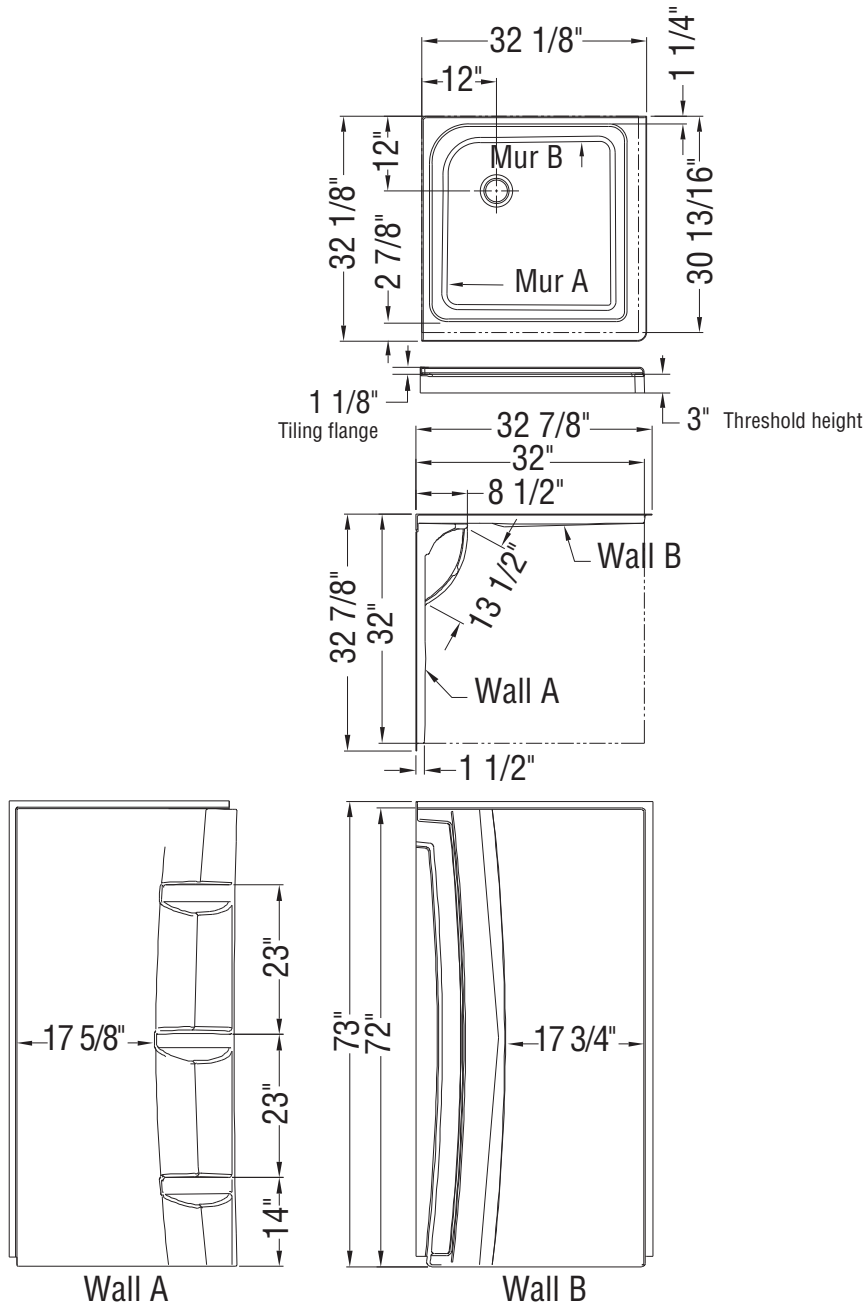
Features

- › Direct to stud corner installation that will save time and money
- › Durable high shine acrylic stays warm to the touch and is easy to clean
- › 3-inch low threshold for easy access
- › Textured bottom for added safety
- › Walls with convenient foot rest available, designed to be easier to clean
- › Ensure fit with MAAX Radia Corner Door # 137447-900

CORNER BASES - ACRYLIC

SQUARE BASE 32 - CORNER - 3 IN - 101431

SKU	Color	Configuration	Dimensions & Weight	Packaging	MSRP
101431-000-001-000	White	Corner / Corner Left or Right	32 1/8" x 32 1/8" x 4 1/8" / 30 lb / 14 kg	6 ft ³	\$ 684



All dimensions are approximate. Structure measurements must be verified against the unit to ensure proper fit.

Square Base 36 - Corner - 3 in



Material : Acrylic

Features

- › Direct to stud corner installation that will save time and money
- › Durable high shine acrylic stays warm to the touch and is easy to clean
- › 3-inch low threshold for easy access
- › Textured bottom for added safety
- › Walls with convenient foot rest available, designed to be easier to clean
- › Ensure fit with MAAX Radia Corner Door # 137448-900

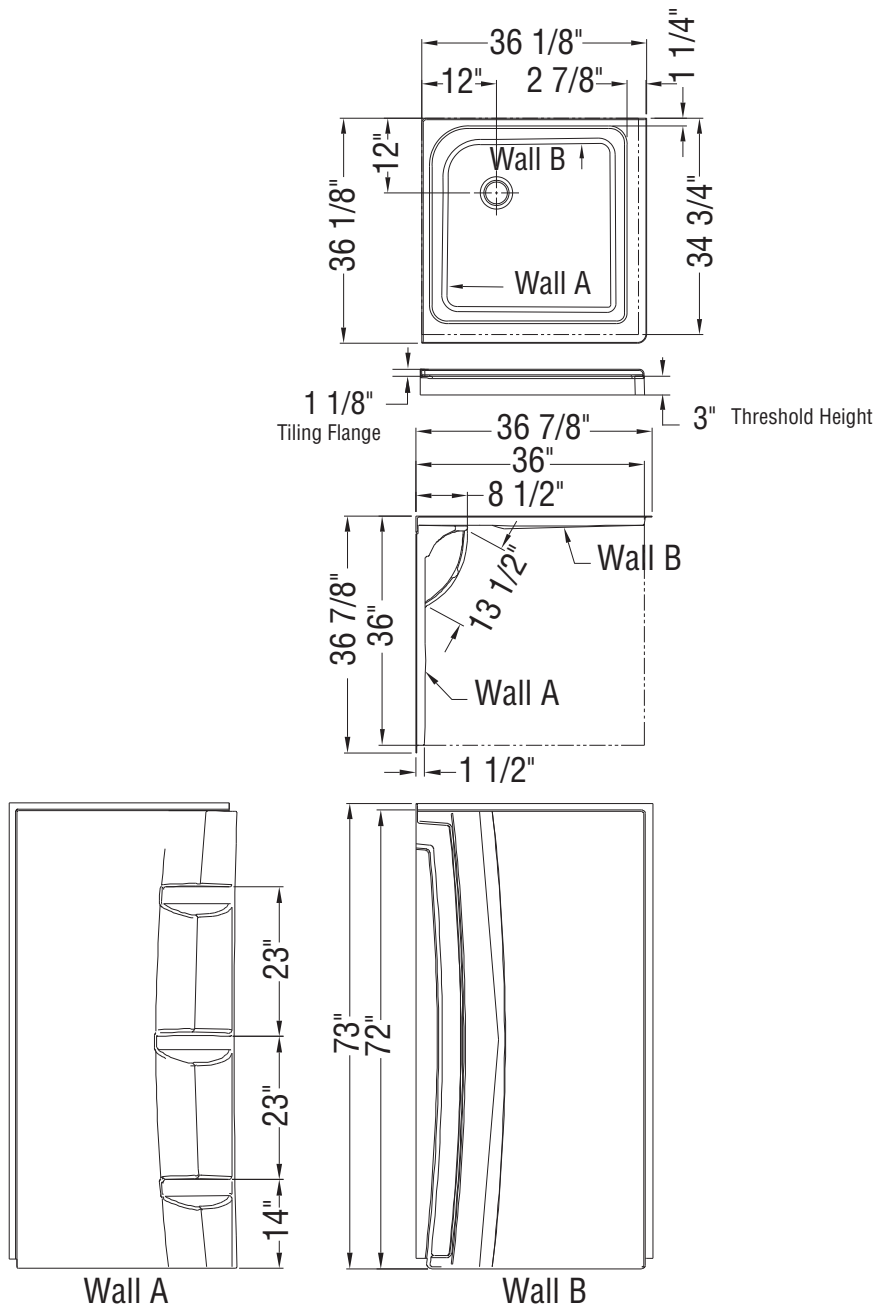
CORNER BASES - ACRYLIC

SQUARE BASE 36 - CORNER - 3 IN - 101432

SKU	Color	Configuration	Dimensions & Weight	Packaging	MSRP
101432-000-001-000	White	Corner / Corner Left or Right	36 1/8" x 36 1/8" x 4 1/8" / 40 lb / 18 kg	8.93 ft ³	\$ 747

RECOMMENDED DOORS

SKU	Product Name	Pag.
139575	Reveal Sleek 71 32 1/2-35 1/2 x 71 1/2 - 8mm	381
137448	Radia Square 36 x 36 x 71 1/2 - 6mm	424
136676	Reveal 71 32 1/2-35 1/2 x 71 1/2 - 8mm	378



All dimensions are approximate. Structure measurements must be verified against the unit to ensure proper fit.



Neo-Angle 38 Base



Material : Acrylic

Features

- › 3 in. threshold height
- › Corner left or right installation
- › Made of Acrylic
- › High gloss finish resistant to dulling, scratching, and fading
- › Maximum door width: 36.5 in.
- › Textured bottom for added safety
- › ABS drain included
- › Low threshold design provides a safe and easy step-through entrance and exit for users of all ages
- › Optional 3-piece acrylic wall set with shelves available

CORNER BASES - ACRYLIC

NEO-ANGLE BASE 38 - 106380

SKU	Color	Configuration	Dimensions & Weight	Packaging	MSRP
106380-000-001-000	White	Corner / Corner Left or Right	38" x 38" x 3" / 26 lb / 12 kg	4.2 ft ³	\$ 898

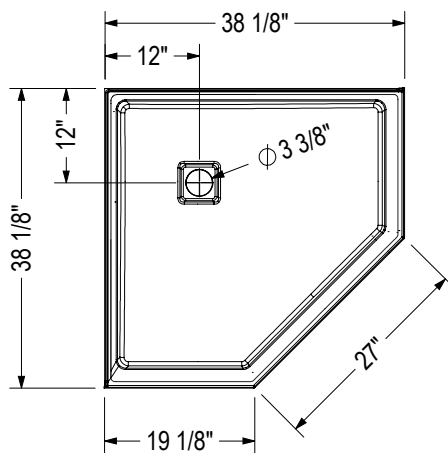
ACCESSORIES

SKU	Description	MSRP
10038458-305-600	Square drain grid Available colors: White (001)Chrome (084), Dark Bronze (173), Brushed Nickel (305), Matte Black (340) and Brushed Gold (343)	\$ 52
10038458-084-600		\$ 52
10038458-173-600		\$ 87
10038458-340-600		\$ 87
10038458-001-600		\$ 87
10038458-343-600		\$ 87
10060311	Corner glass shelf (9 3/8 x 9 3/8 in.) (sold separately) 10 mm frosted glass with a clear band along the edge Compatible with Utile and tile shower walls	\$ 158

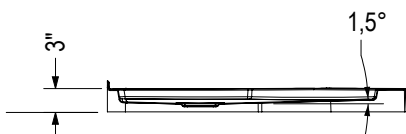
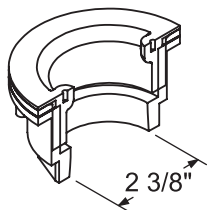
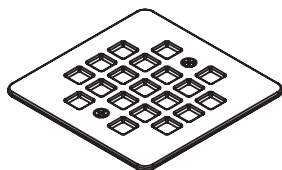
RECOMMENDED DOORS

SKU	Product Name	Pag.
137441	Radia Neo-angle 38 x 38 x 71 1/2 - 6mm	417
139315	Davana Neo-angle 38 x 38 x 75 - 8mm	403
137300	Hana Neo-angle 38 x 38 x 75 - 8mm	409

STANDARD



DRAIN INCLUDED



All dimensions are approximate. Structure measurements must be verified against the unit to ensure proper fit.



Neo-Angle 40 Base



Material : Acrylic

Features

- › 3 in. threshold height
- › Corner left or right installation
- › Made of Acrylic
- › High gloss finish resistant to dulling, scratching, and fading
- › Maximum door width: 38.5 in.
- › Textured bottom for added safety
- › ABS drain included
- › Low threshold design provides a safe and easy step-through entrance and exit for users of all ages
- › Optional 3-piece acrylic wall set with shelves available

CORNER BASES - ACRYLIC

NEO-ANGLE BASE 40 - 106381

SKU	Color	Configuration	Dimensions & Weight	Packaging	MSRP
106381-000-001-000	White	Corner / Corner Left or Right	40" x 40" x 3" / 29 lb / 13 kg	4.63 ft ³	\$ 1011

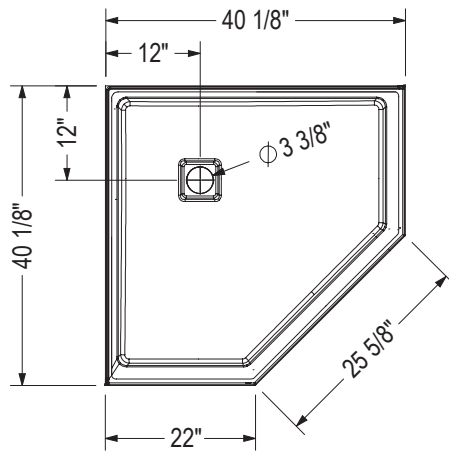
ACCESSORIES

SKU	Description	MSRP
10038458-305-600	Square drain grid Available colors: White (001)Chrome (084), Dark Bronze (173), Brushed Nickel (305), Matte Black (340) and Brushed Gold (343)	\$ 52
10038458-084-600		\$ 52
10038458-173-600		\$ 87
10038458-340-600		\$ 87
10038458-001-600		\$ 87
10038458-343-600		\$ 87
10060311	Corner glass shelf (9 3/8 x 9 3/8 in.) (sold separately) 10 mm frosted glass with a clear band along the edge Compatible with Utile and tile shower walls	\$ 158

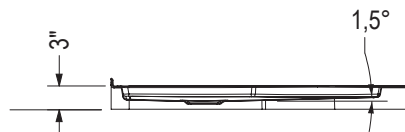
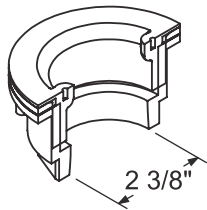
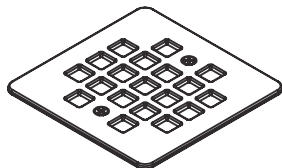
RECOMMENDED DOORS

SKU	Product Name	Pag.
137442	Radia Neo-angle 40 x 40 x 71 ½ - 6mm	417
139320	Davana Neo-angle 40 x 40 x 75 - 8mm	405
137301	Hana Neo-angle 40 x 40 x 75 - 8mm	411

STANDARD



DRAIN INCLUDED



All dimensions are approximate. Structure measurements must be verified against the unit to ensure proper fit.



Round Base 36 with drain - 3 in.



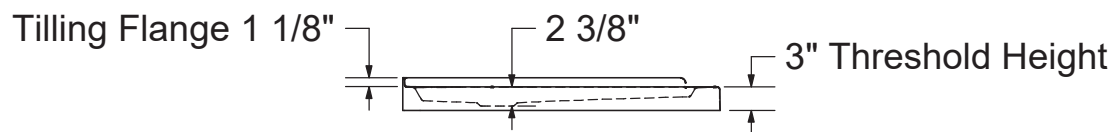
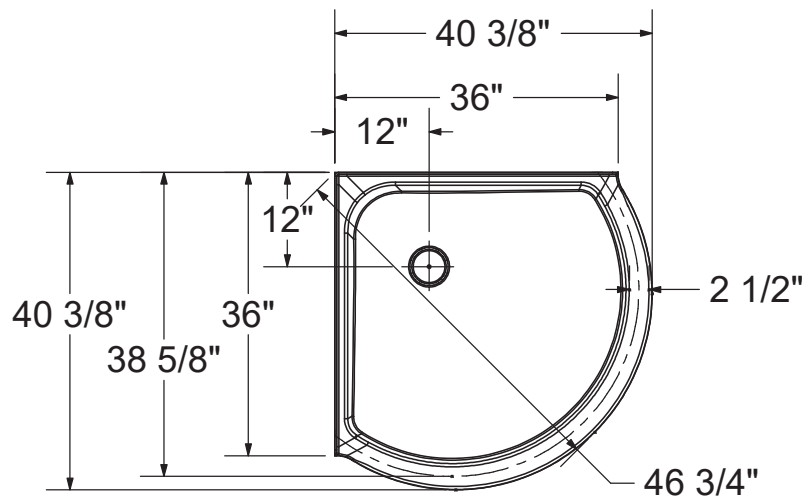
Material : Acrylic

Features

- › 3 in. threshold height
- › Standard round drain with a white drain cover to match any finishes
- › Corner left or right installation
- › Made of Acrylic
- › Textured bottom for slip-resistance
- › Corner drain included
- › Low threshold design provides a safe and easy step-through entrance and exit for users of all ages
- › Integrated tiling flange for added leak protection
- › Combine with a wall set and corner door to create a complete shower solution

ROUND 36 WITH DRAIN - 3 IN. - 106888

SKU	Color	Configuration	Dimensions & Weight	Packaging	MSRP
106888-000-001-100	White	Corner / Corner Left or Right	40 3/8" x 40 3/8" x 3" / 40 lb / 18 kg	10.31 ft ³	\$ 996



All dimensions are approximate. Structure measurements must be verified against the unit to ensure proper fit.

Shower Doors



Duel 48 in. shower door with Return Panel 74 for 32 in. bases



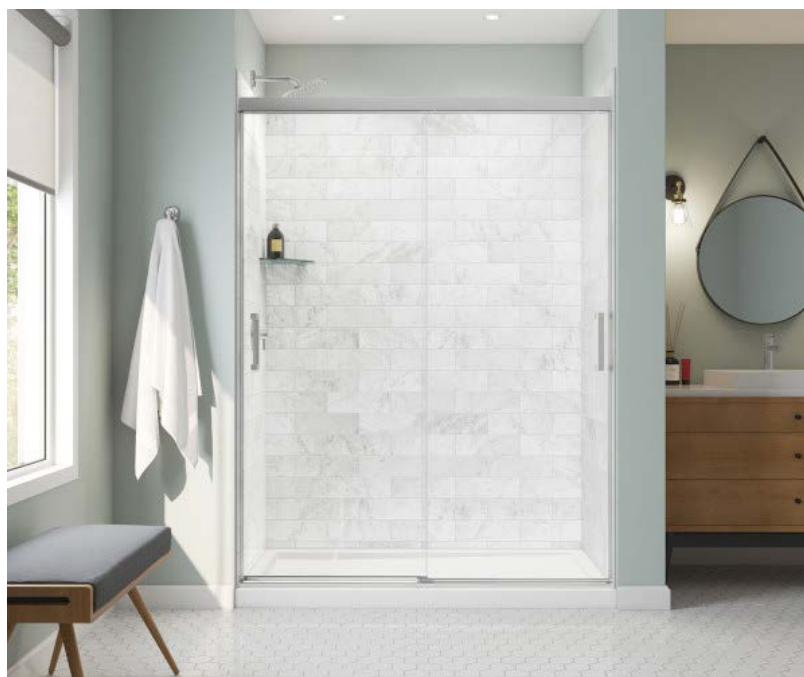
Material : Tempered Glass

Features

- › Frameless clear glass panels 8mm (5/16-inch) thick
- › Available in 3 finishes: Chrome, Brushed Nickel, Dark Bronze
- › Bathub and tub shower are sold separately, explore our wide variety of Bathub and tub shower
- › Bi-directional glass panels for flexible entry and easy access to fixtures on the left or right-hand side
- › The door provides a watertight seal, to prevent leaks or spills during use
- › Reversible, allowing for left or right opening to accommodate different bathroom layouts
- › Silent guide that eliminates the rattling noise
- › Improved safety features that lock the header and firmly secures frame to door jamb
- › Warranty: 10 years

INVERTO 56-59 X 70 1/2-74 - 8MM - 138762

SKU	Glass / Finish	Door Opening	Dimensions & Weight	Packaging	MSRP
138762-900-084-000	Clear / Chrome	Reversible	56" - 59" x 74" / 128 lb / 58 kg	4.84 ft ³	\$ 1490
138762-900-173-000	Clear / Dark Bronze				\$ 1716
138762-900-305-000	Clear / Brushed Nickel				\$ 1597



Material : Tempered Glass

Features

- › Components that connect seamlessly for an effortless assembly
- › Expandable Sill, no cutting required to adjust
- › Large knob on the opposite side of the handle, to allows for an easier opening and closing
- › Hand adjustment to perfect the fit in the alcove
- › Slim header and thin edges accentuate the minimalist look
- › Safety features: top and bottom integrated bumper to preventslamming

ALCOVE DOORS - BYPASS

INCOGNITO 76 56-59 X 76 - 8MM - 135335

SKU	Glass / Finish	Door Opening	Dimensions & Weight	Packaging	MSRP
135335-900-084-000	Clear / Chrome	Reversible	56" - 59" x 76" / 116 lb / 53 kg	4.89 ft³	\$ 1134
135335-900-305-000	Clear / Brushed Nickel				\$ 1191
135335-900-340-000	Clear / Matte Black				\$ 1219



Duel Shower Doors

ALCOVE DOORS - BYPASS



Material : Tempered Glass

Features

- › 8 mm (5/16") tempered glass with Lotus easy clean protection
- › High quality rollers for smooth glide
- › Fits showers with 70.5in. wall clearance, glass extends to 74 in.
- › 3in of lateral adjustment to fit many shower opening
- › Sleek and square elements for a modern look
- › Designed in North America
- › The frameless design brings a sense of spaciousness to the room and creates a sleek, minimalist look.
- › 3/4" out-of-plumb adjustment
- › Header leveling and locking System innovation allows for header adjustment

DUEL 44-47 X 70 1/2 X 74 - 8 MM - 136271

SKU	Glass / Finish	Door Opening	Dimensions & Weight	Packaging	MSRP
136271-900-084-000	Clear / Chrome	Reversible	44" - 47" x 70 1/2" / 108 lb / 49 kg	3.96 ft ³	\$ 1171
136271-900-173-000	Clear / Dark Bronze				\$ 1265
136271-900-280-000	Clear / Chrome and Matte White				\$ 1256
136271-900-289-000	Clear / Brushed Nickel and Matte Black				\$ 1319
136271-900-290-000	Clear / Brushed Nickel and Matte White				\$ 1319
136271-900-305-000	Clear / Brushed Nickel				\$ 1234
136271-900-340-000	Clear / Matte Black				\$ 1265
136271-900-350-000	Clear / Chrome and Matte Black				\$ 1256
136271-900-360-000	Clear / Matte Black and Chrome				\$ 1350
136271-900-380-000	Clear / Matte Black and Brushed Gold				\$ 1350

DUEL 56-58 1/2 X 70 1/2 X 74 - 8 MM - 136272

SKU	Glass / Finish	Door Opening	Dimensions & Weight	Packaging	MSRP
136272-900-084-000	Clear / Chrome	Reversible	56" - 58 1/2" x 70 1/2" / 130 lb / 59 kg	4.85 ft ³	\$ 1259
136272-900-173-000	Clear / Dark Bronze				\$ 1354
136272-900-280-000	Clear / Chrome and Matte White				\$ 1344
136272-900-289-000	Clear / Brushed Nickel and Matte Black				\$ 1406
136272-900-290-000	Clear / Brushed Nickel and Matte White				\$ 1406
136272-900-305-000	Clear / Brushed Nickel				\$ 1321

DUEL 56-58 1/2 X 70 1/2 X 74 - 8 MM - 136272

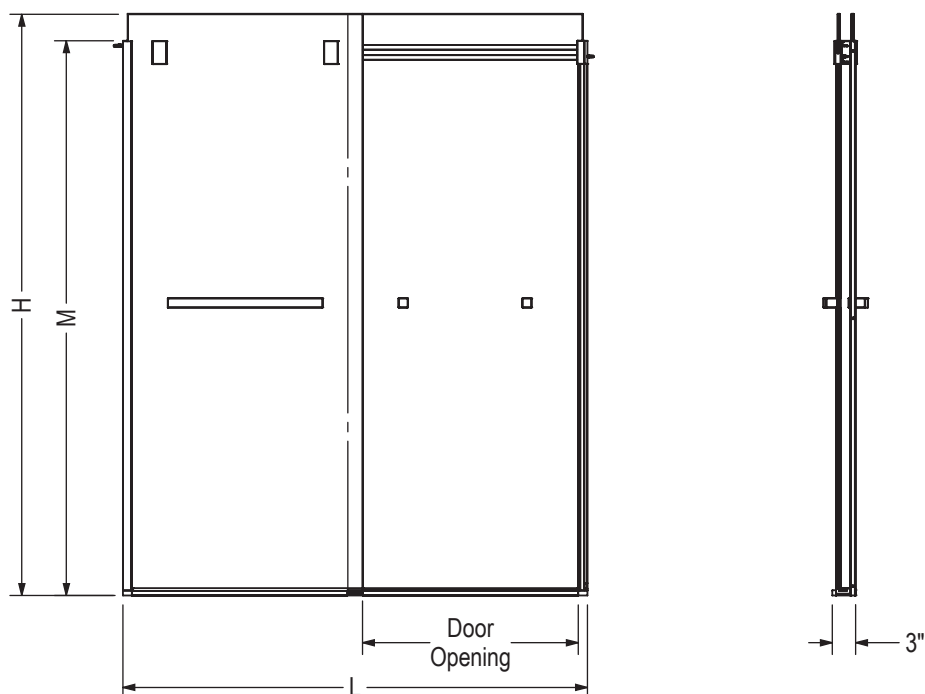
SKU	Glass / Finish	Door Opening	Dimensions & Weight	Packaging	MSRP
136272-900-340-000	Clear / Matte Black	Reversible	56" - 58 1/2" x 70 1/2" / 130 lb / 59 kg	4.85 ft ³	\$ 1354
136272-900-350-000	Clear / Chrome and Matte Black				\$ 1344
136272-900-360-000	Clear / Matte Black and Chrome				\$ 1439
136272-900-380-000	Clear / Matte Black and Brushed Gold				\$ 1439

ACCESSORIES

SKU	Description	MSRP
10068850-291-600	Mixed Finish Hardware Replacement Kit for Duel and Duel Alto. Available finishes: Chrome (084), Matte White (291), Brushed Nickel (340) and Brushed Gold (343)	\$ 100
10068850-084-600		\$ 100
10068850-343-600		\$ 100
10068850-340-600		\$ 100

STANDARD

ALCOVE DOORS - BYPASS



Code	Description	H	M	L Adjustable	Door Opening	Wall Adjustment
136270	Duel 56" - 59" x 55 1/2"	59"	55 1/2"	56" - 59"	24 1/2" - 27 1/2"	3/4"
136271	Duel 44" - 47" x 70 1/2"	74"	70 1/2"	44" - 47"	18 1/2" - 21 1/2"	3/4"
136272	Duel 56" - 59" x 70 1/2"	74"	70 1/2"	56" - 59"	24 1/2" - 27 1/2"	3/4"

All dimensions are approximate. Structure measurements must be verified against the unit to ensure proper fit.

Incognito 70 Shower Doors - 6 mm



Material : Tempered Glass

Features

- › Components that connect seamlessly for an effortless assembly
- › Expandable Sill, no cutting required to adjust
- › Large knob on the opposite side of the handle, to allows for an easier opening and closing
- › Hand adjustment to perfect the fit in the alcove
- › Fits on showers with a wall height of at least 70.5in
- › Integrated bumper at the top and the bottom

ALCOVE DOORS - BYPASS

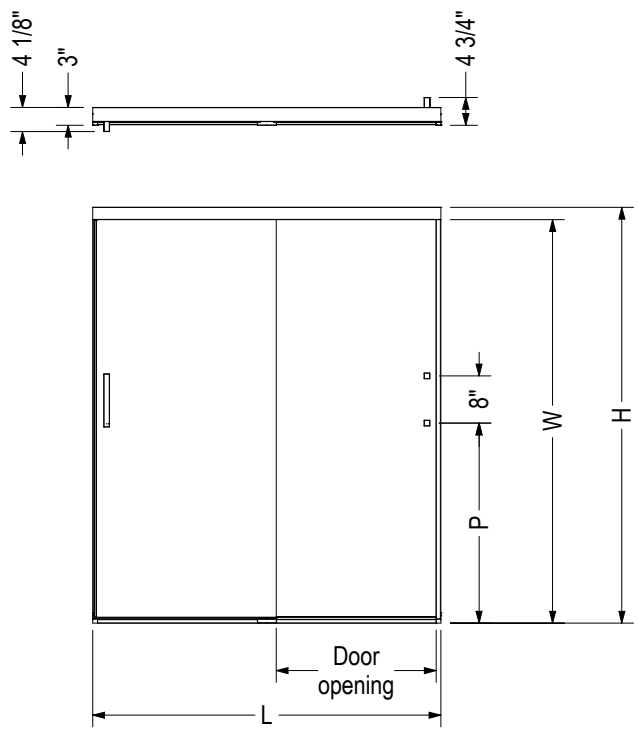
INCOGNITO 44-47 X 70 1/2 IN. 6MM - 139349

SKU	Glass / Finish	Door Opening	Dimensions & Weight	Packaging	MSRP
139349-900-084-000	Clear / Chrome	Reversible	44" - 47" x 70 1/2" / 110 lb / 50 kg	3.47 ft ³	\$ 856
139349-900-173-000	Clear / Dark Bronze				\$ 922
139349-900-305-000	Clear / Brushed Nickel				\$ 900
139349-900-340-000	Clear / Matte Black				\$ 922

INCOGNITO 56-59 X 70 1/2 IN. 6MM - 139350

SKU	Glass / Finish	Door Opening	Dimensions & Weight	Packaging	MSRP
139350-900-084-000	Clear / Chrome	Reversible	56" - 59" x 70 1/2" / 120 lb / 54 kg	3.94 ft ³	\$ 941
139350-900-173-000	Clear / Dark Bronze				\$ 1011
139350-900-305-000	Clear / Brushed Nickel				\$ 988
139350-900-340-000	Clear / Matte Black				\$ 1011

STANDARD



Code	Description	H	W	L Adjustable	Door Opening	P	Wall adjustment
139349	Incognito 6mm 70 1/2" x 44 - 47"	70 1/2"	68 3/8"	44" - 47"	17 1/8" - 21 1/8"	33 7/8"	1/2"
139350	Incognito 6mm 70 1/2" x 56 - 59"	70 1/2"	68 3/8"	56" - 59"	23 1/8" - 27 1/8"	33 7/8"	1/2"
139351	Incognito 6mm 56 3/4" x 56 - 59"	56 3/4"	54 5/8"	56" - 59"	23 1/8" - 27 1/8"	18 7/8"	1/2"
139352	Incognito 8mm 70 1/2" x 44 - 47"	70 1/2"	68 3/8"	44" - 47"	17 1/8" - 21 1/8"	33 7/8"	1/2"
139353	Incognito 8mm 70 1/2" x 56 - 59"	70 1/2"	68 3/8"	56" - 59"	23 1/8" - 27 1/8"	33 7/8"	1/2"
139354	Incognito 8mm 56 3/4" x 56 - 59"	56 3/4"	54 5/8"	56" - 59"	23 1/8" - 27 1/8"	18 7/8"	1/2"

All dimensions are approximate. Structure measurements must be verified against the unit to ensure proper fit.

Incognito 70 Shower Doors - 8 mm



Material : Tempered Glass

Features

- › Configuration consists of Bi-directional glass panels for flexible entry and easy access to fixtures on the left or right-hand side
- › Elegant design and sleek finish add a touch of sophistication to your bathroom
- › Made from high-quality materials, ensuring durability and longevity
- › 8 mm (5/16") tempered glass
- › Easy installation process saves time and hassle
- › Stainless steel hardware and rollers provide a smooth and quiet sliding experience
- › Bottom track design allows for easy access for cleaning and maintenance
- › Made in North-America
- › 1/2" out-of-plumb adjustment, ensuring a perfect fit in any bathroom

ALCOVE DOORS - BYPASS

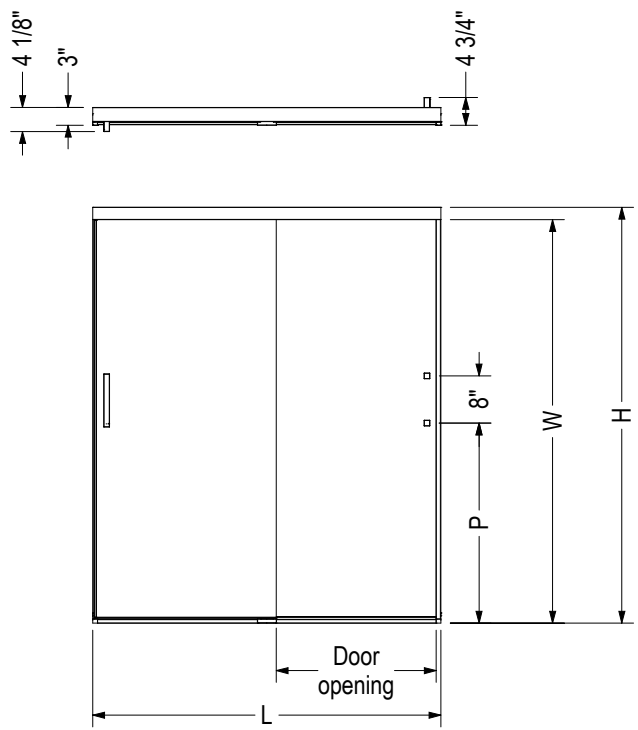
INCOGNITO 70 44-47 X 70 1/2 - 8MM - 139352

SKU	Glass / Finish	Door Opening	Dimensions & Weight	Packaging	MSRP
139352-900-084-000	Clear / Chrome	Reversible	44" - 47" x 70 1/2" / 130 lb / 59 kg	3.47 ft ³	\$ 970
139352-900-305-000	Clear / Brushed Nickel				\$ 1033
139352-900-340-000	Clear / Matte Black				\$ 1033

INCOGNITO 70 56-59 X 70 1/2 - 8MM - 139353

SKU	Glass / Finish	Door Opening	Dimensions & Weight	Packaging	MSRP
139353-900-084-000	Clear / Chrome	Reversible	56" - 59" x 70 1/2" / 140 lb / 63 kg	3.94 ft ³	\$ 1051
139353-900-305-000	Clear / Brushed Nickel				\$ 1115
139353-900-340-000	Clear / Matte Black				\$ 1115

STANDARD



Code	Description	H	W	L Adjustable	Door Opening	P	Wall adjustment
139349	Incognito 6mm 70 1/2" x 44 - 47"	70 1/2"	68 3/8"	44" - 47"	17 1/8" - 21 1/8"	33 7/8"	1/2"
139350	Incognito 6mm 70 1/2" x 56 - 59"	70 1/2"	68 3/8"	56" - 59"	23 1/8" - 27 1/8"	33 7/8"	1/2"
139351	Incognito 6mm 56 3/4" x 56 - 59"	56 3/4"	54 5/8"	56" - 59"	23 1/8" - 27 1/8"	18 7/8"	1/2"
139352	Incognito 8mm 70 1/2" x 44 - 47"	70 1/2"	68 3/8"	44" - 47"	17 1/8" - 21 1/8"	33 7/8"	1/2"
139353	Incognito 8mm 70 1/2" x 56 - 59"	70 1/2"	68 3/8"	56" - 59"	23 1/8" - 27 1/8"	33 7/8"	1/2"
139354	Incognito 8mm 56 3/4" x 56 - 59"	56 3/4"	54 5/8"	56" - 59"	23 1/8" - 27 1/8"	18 7/8"	1/2"

All dimensions are approximate. Structure measurements must be verified against the unit to ensure proper fit.

Incognito 74 Shower Doors - 8 mm



Material : Tempered Glass

Features

- › Components that connect seamlessly for an effortless assembly
- › Large knob on the opposite side of the handle, to allow for an easier opening and closing
- › Hand adjustable positioning
- › Fits on showers with a wall height of at least 74 in.
- › Slim header and thin edges accentuate the minimalist look
- › Safety features: top and bottom integrated bumper to prevent slamming

ALCOVE DOORS - BYPASS

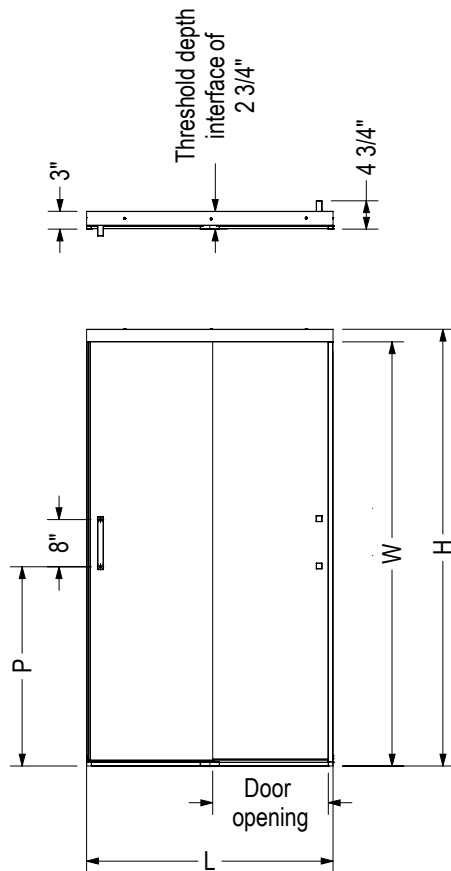
INCOGNITO 74 39-42X74IN. 8MM - 138520

SKU	Glass / Finish	Door Opening	Dimensions & Weight	MSRP
138520-900-084-000	Clear / Chrome	Reversible	39" - 42" x 74" / 104 lb / 47 kg	\$ 970
138520-900-305-000	Clear / Brushed Nickel			\$ 1033
138520-900-340-000	Clear / Matte Black			\$ 1060

INCOGNITO 74 51-54X74IN. 8MM - 138521

SKU	Glass / Finish	Door Opening	Dimensions & Weight	MSRP
138521-900-084-000	Clear / Chrome	Reversible	51" - 54" x 74" / 132 lb / 60 kg	\$ 1051
138521-900-305-000	Clear / Brushed Nickel			\$ 1115
138521-900-340-000	Clear / Matte Black			\$ 1142

STANDARD



Code	Description	H	W	L Adjustable	Door opening	P	Wall adjustment
138520	Incognito 74" 39 - 42" x 74"	74"	71 7/8"	39" - 42"	16 1/2" - 19 1/2"	34 1/8"	1/2"
138521	Incognito 74" 51 - 54" x 74"	74"	68 3/8"	51" - 54"	22 1/2" - 25 1/2"	34 1/8"	1/2"
138522	Incognito 56 3/4" 51 - 54" x 56 3/4"	56 3/4"	54 5/8"	51" - 54"	22 1/2" - 25 1/2"	19 1/8"	1/2"

All dimensions are approximate. Structure measurement must be verified against the unit to ensure proper fit.



Incognito 76 Shaker Shower Doors



Material : Tempered Glass

Features

- › Glass thickness: 8 mm
- › 2 in , slim header provides a sleek look
- › Features convenient towel bar
- › Detachable door guide is easy to clean
- › Wheel catcher feature keeps door open or closed

ALCOVE DOORS - BYPASS

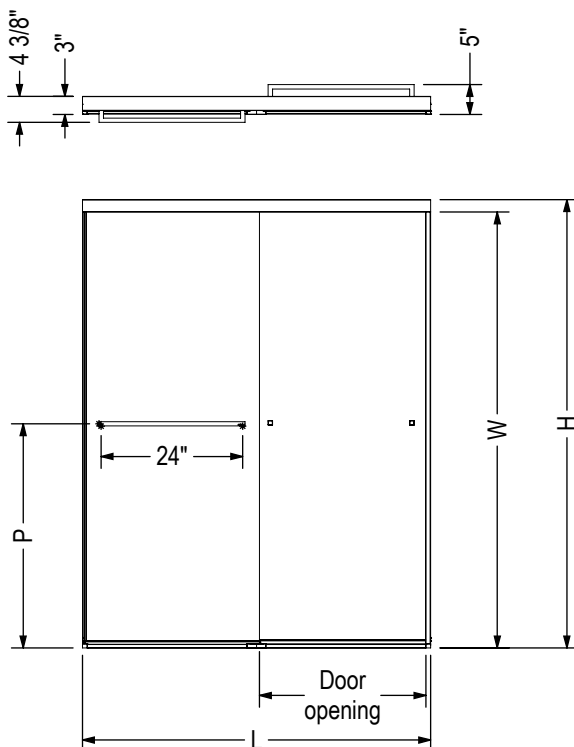
INCOGNITO 76 SHAKER 44-47 X 76 - 8MM - 135331

SKU	Glass / Finish	Door Opening	Dimensions & Weight	Packaging	MSRP
135331-972-340-000	Shaker / Matte Black	Reversible	44" - 47" x 76" / 144 lb / 65 kg	4.48 ft ³	\$ 1273

INCOGNITO 76 SHAKER 56-59 X 76 - 8MM - 135332

SKU	Glass / Finish	Door Opening	Dimensions & Weight	Packaging	MSRP
135332-972-340-000	Shaker / Matte Black	Reversible	56" - 59" x 76" / 116 lb / 53 kg	4.89 ft ³	\$ 1354

STANDARD



Code	Description	H	W	L Adjustable	Door opening	P	Wall adjustment
135331	Incognito 76 Shaker 8mm 76" x 44 - 47"	76"	73 7/8"	44" - 47"	18 1/4" - 22 1/4"	38"	1/2"
135332	Incognito 76 Shaker 8mm 76" x 56 - 59"	76"	73 7/8"	56" - 59"	24 1/4" - 28 1/4"	38"	1/2"
135330	Incognito Shaker 8mm 56 3/4" x 56 - 59"	56 3/4"	54 5/8"	56" - 59"	24 1/4" - 28 1/4"	28"	1/2"
135334	Incognito 76 8mm 76" x 44 - 47"	76"	73 7/8"	44" - 47"	18 1/4" - 22 1/4"	38"	1/2"
134335	Incognito 76 8mm 76" x 56 - 59"	76"	73 7/8"	56" - 59"	24 1/4" - 28 1/4"	38"	1/2"

All dimensions are approximate. Structure measurements must be verified against the unit to ensure proper fit.



Incognito 76 Smoke Shower Doors



Material : Tempered Glass

Features

- › Components that connect seamlessly for an effortless assembly
- › Expandable Sill, no cutting required to adjust
- › Large knob on the opposite side of the handle, to allow for an easier opening and closing
- › Hand adjustment to perfect the fit in the alcove
- › Integrated bumper at the top and the bottom
- › Slim header and thin edges accentuate the minimalist look

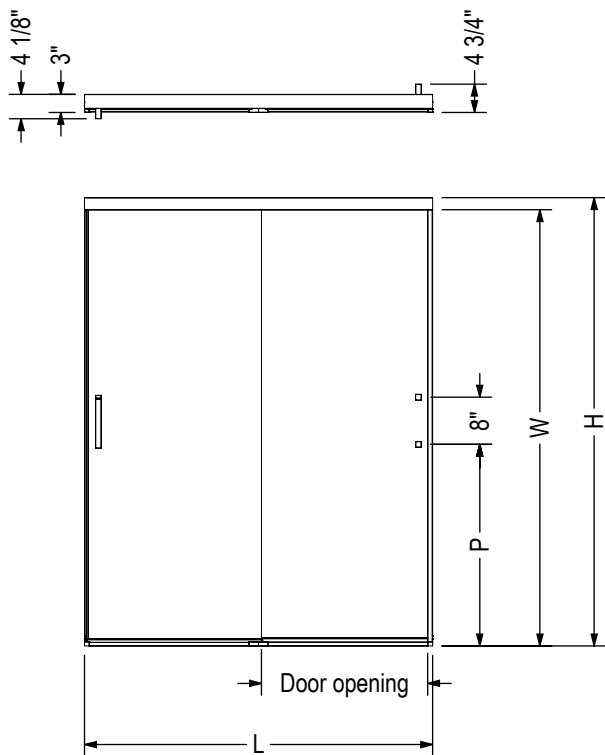
ALCOVE DOORS - BYPASS

INCOGNITO 76 SMOKE 56-59 X 76 - 8MM - 136335

SKU	Glass / Finish	Door Opening	Dimensions & Weight	Packaging	MSRP
136335-973-340-000	Dark Smoke / Matte Black	Reversible	56" - 59" x 76" / 116 lb / 53 kg	4.88 ft ³	\$ 1288
136335-975-340-000	Light Smoke / Matte Black				\$ 1288

STANDARD

ALCOVE DOORS - BYPASS



Code	Description	H	W	L Adjustable	Door opening	P	Wall adjustment
135335	Incognito Smoke 8mm 76" x 56 - 59"	76"	73 7/8"	56" - 59"	24 1/4" - 28 1/4"	33 7/8"	1/2"

All dimensions are approximate. Structure measurements must be verified against the unit to ensure proper fit.



Polar Shower Doors



Material : Tempered Glass

Features

- › Raindrop 4 mm tempered glass for more intimacy
- › Chrome frame for a clean simple look
- › Bathub and tub shower are sold separately, explore our wide variety of Bathub and tub shower
- › Bypass door configuration features two sliding panel
- › The EZ Klean bottom track drains water away and significantly reduces maintenance
- › Reversible, allowing for left or right opening to accommodate different bathroom layouts
- › Smooth Sliding Door Functionality enhances accessibility and convenience while elevating the aesthetics of your shower space.
- › Proudly made in Canada
- › Warranty: 10 years

ALCOVE DOORS - BYPASS

POLAR 54-59 1/2 X 68 IN. - 105412

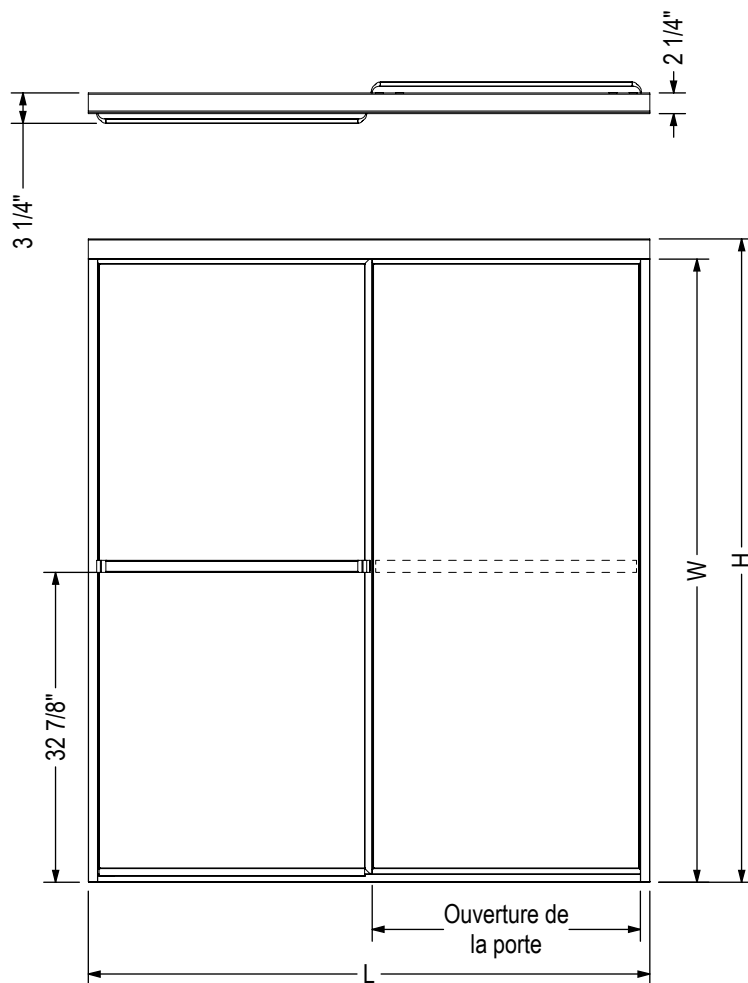
SKU	Glass / Finish	Door Opening	Dimensions & Weight	Packaging	MSRP
105412-970-084-000	Raindrop / Chrome	Lateral	54" - 59 1/2" x 68" / 68 lb / 31 kg	4.59 ft ³	\$ 796

POLAR 42-47 1/2 X 68 IN. - 105413

SKU	Glass / Finish	Door Opening	Dimensions & Weight	Packaging	MSRP
105413-970-084-000	Raindrop / Chrome	Lateral	42" - 47 1/2" x 68" / 53 lb / 24 kg	3.93 ft ³	\$ 743

STANDARD

ALCOVE DOORS - BYPASS



Code	Description	H	W	L Ajustable	Ouverture de la porte
105410	Polar 54" - 59 1/2" x 57"	57"	55"	54" - 59 1/2"	26" - 28 1/2"
105412	Polar 54" - 59 1/2" x 68"	68"	66"	54" - 59 1/2"	26" - 28 1/2"
105413	Polar 42" - 47 1/2" x 68"	68"	66"	42" - 47 1/2"	20" - 22 1/2"

Toutes ces dimensions sont approximatives. Afin d'assurer une installation parfaite, les dimensions de la structure doivent être vérifiées à partir de l'unité.

Revelation Round Shower Doors - 6 mm



ALCOVE DOORS - BYPASS



Material : Tempered Glass

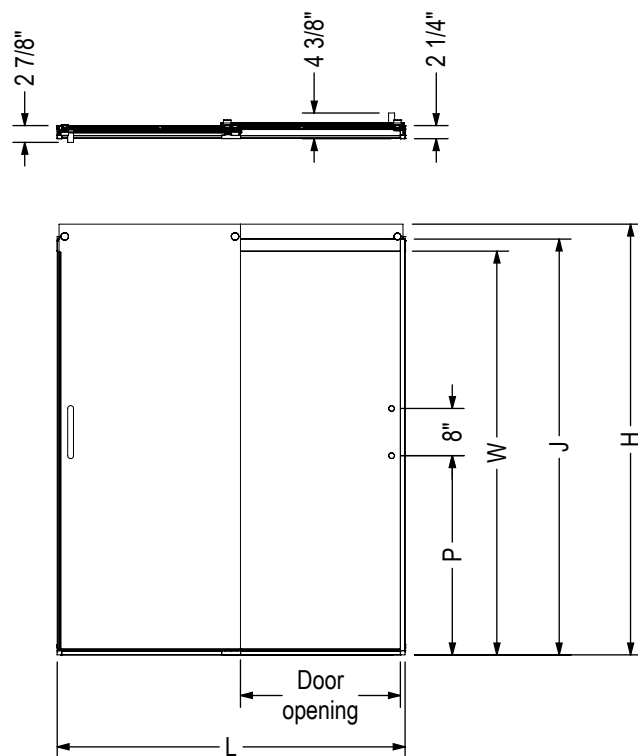
Features

- > - Made from high-quality 6 mm (1/4") thick glass, ensuring durability and safety.
- Reversible, allowing installation for left or right openings to accommodate different bathroom layouts.
- Easy installation process saves time and hassle.
- The door provides a watertight seal, ensuring no leaks or spills occur during use.

REVELATION ROUND 44-47 X 70 1/2-73 IN 6 MM - 136690					
SKU	Glass / Finish	Door Opening	Dimensions & Weight	Packaging	MSRP
136690-900-084-000	Clear / Chrome	Reversible	44" - 47" x 70 1/2" / 82 lb / 37 kg	3.96 ft ³	\$ 921
136690-900-305-000	Clear / Brushed Nickel				\$ 981
136690-900-340-000	Clear / Matte Black				\$ 1015

REVELATION ROUND 56-59 X 70 1/2-73 IN 6MM - 136691					
SKU	Glass / Finish	Door Opening	Dimensions & Weight	Packaging	MSRP
136691-900-084-000	Clear / Chrome	Reversible	56" - 59" x 70 1/2" / 105 lb / 48 kg	4.55 ft ³	\$ 1000
136691-900-305-000	Clear / Brushed Nickel				\$ 1066
136691-900-340-000	Clear / Matte Black				\$ 1095

STANDARD



Code	Description	H	J	W	L Adjustable	Door Opening	P	Wall adjustment
139690	Revelation 6mm 70 1/2"-73" x 43 - 47"	73"	70 1/2"	68 3/8"	43" - 47"	16" - 20"	33 7/8"	1/2"
139691	Revelation 6mm 70 1/2"-73" x 55 - 59"	73"	70 1/2"	68 3/8"	55" - 59"	22" - 26"	33 7/8"	1/2"
139692	Revelation 6mm 56 3/4"-59 1/4" x 55 - 59"	59 1/4"	56 3/4"	54 5/8"	55" - 59"	22" - 26"	18 7/8"	1/2"
139693	Revelation 8mm 70 1/2"-73" x 43 - 47"	73"	70 1/2"	68 3/8"	43" - 47"	16" - 20"	33 7/8"	1/2"
139694	Revelation 8mm 70 1/2"-73" x 55 - 59"	73"	70 1/2"	68 3/8"	55" - 59"	22" - 26"	33 7/8"	1/2"
139695	Revelation 8mm 56 3/4"-59 1/4" x 55 - 59"	59 1/4"	56 3/4"	54 5/8"	55" - 59"	22" - 26"	18 7/8"	1/2"

All dimensions are approximate. Structure measurements must be verified against the unit to ensure proper fit.

Revelation Round Shower Doors - 8 mm



ALCOVE DOORS - BYPASS



Material : Tempered Glass

Features

- › Components that connect seamlessly for an effortless assembly
- › Exposed double set of wheels
- › Exposed double set of wheels
- › Handle outside / Big knob inside
- › Expandable Sill; No cutting required to adjust
- › Anti-jump features hidden in the frame
- › Detachable door guide to distance the glass for an easier cleaning

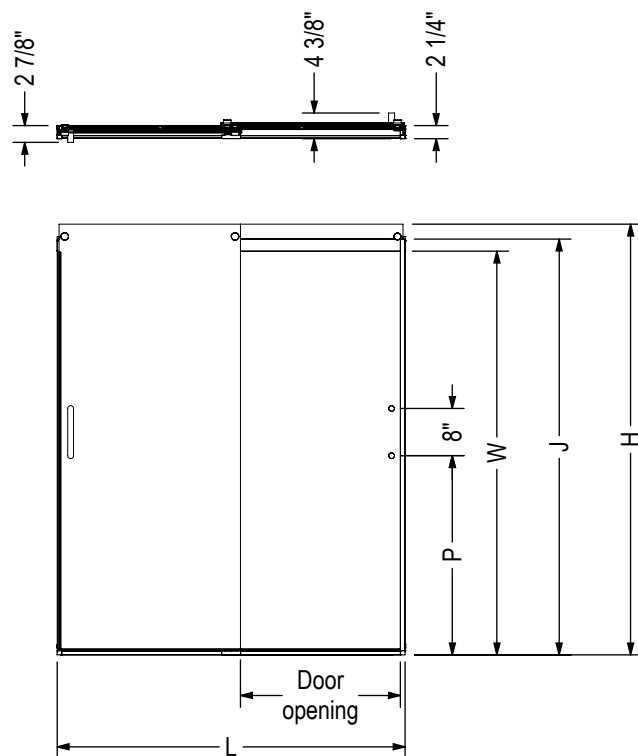
REVELATION ROUND 44-47 X 70 1/2-73 - 8MM - 136693

SKU	Glass / Finish	Door Opening	Dimensions & Weight	Packaging	MSRP
136693-900-084-000	Clear / Chrome	Reversible	44" - 47" x 73" / 130 lb / 59 kg	3.47 ft ³	\$ 1021
136693-900-305-000	Clear / Brushed Nickel				\$ 1083
136693-900-340-000	Clear / Matte Black				\$ 1115

REVELATION ROUND 56-59 X 70 1/2-73 - 8MM - 136694

SKU	Glass / Finish	Door Opening	Dimensions & Weight	Packaging	MSRP
136694-900-084-000	Clear / Chrome	Reversible	56" - 59" x 73" / 140 lb / 63 kg	3.94 ft ³	\$ 1102
136694-900-305-000	Clear / Brushed Nickel				\$ 1166
136694-900-340-000	Clear / Matte Black				\$ 1196

STANDARD



Code	Description	H	J	W	L Adjustable	Door Opening	P	Wall adjustment
139690	Revelation 6mm 70 1/2"-73" x 43 - 47"	73"	70 1/2"	68 3/8"	43" - 47"	16" - 20"	33 7/8"	1/2"
139691	Revelation 6mm 70 1/2"-73" x 55 - 59"	73"	70 1/2"	68 3/8"	55" - 59"	22" - 26"	33 7/8"	1/2"
139692	Revelation 6mm 56 3/4"-59 1/4" x 55 - 59"	59 1/4"	56 3/4"	54 5/8"	55" - 59"	22" - 26"	18 7/8"	1/2"
139693	Revelation 8mm 70 1/2"-73" x 43 - 47"	73"	70 1/2"	68 3/8"	43" - 47"	16" - 20"	33 7/8"	1/2"
139694	Revelation 8mm 70 1/2"-73" x 55 - 59"	73"	70 1/2"	68 3/8"	55" - 59"	22" - 26"	33 7/8"	1/2"
139695	Revelation 8mm 56 3/4"-59 1/4" x 55 - 59"	59 1/4"	56 3/4"	54 5/8"	55" - 59"	22" - 26"	18 7/8"	1/2"

All dimensions are approximate. Structure measurements must be verified against the unit to ensure proper fit.



Uptown Shower Doors



Material : Tempered Glass

Features

- › 7 mm (5/16") tempered glass
- › Configuration consists of Two Sliding Door
- › Available in 4 Stylish Finishes
- › DIY Product for an easy installation
- › Fits on showers, walls and tile
- › Innovative Soft Close by MAAX technology prevents slamming
- › Glass panels come with the Lotus Easy Clean Glass Protection to repel soap and water stains for carefree maintenance
- › Reversible panel for easy corner installation on the left or on the right
- › 3/8" out-of-plumb adjustment

ALCOVE DOORS - BYPASS

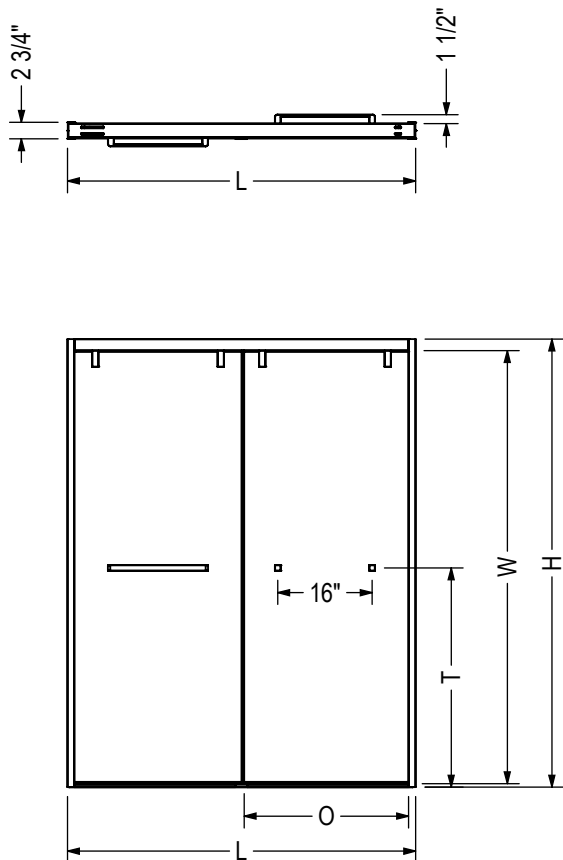
UPTOWN 44-47 X 76 IN. 8 MM - 135321

SKU	Glass / Finish	Door Opening	Dimensions & Weight	Packaging	MSRP
135321-900-084-000	Clear / Chrome	Reversible	44" - 47" x 76" / 112 lb / 51 kg	4.944 ft ³	\$ 1423
135321-900-305-000	Clear / Brushed Nickel				\$ 1498
135321-900-340-000	Clear / Matte Black				\$ 1528

UPTOWN 56-59 X 76 IN. 8 MM - 135322

SKU	Glass / Finish	Door Opening	Dimensions & Weight	Packaging	MSRP
135322-900-084-000	Clear / Chrome	Reversible	56" - 59" x 76" / 138 lb / 63 kg	6.039 ft ³	\$ 1510
135322-900-305-000	Clear / Brushed Nickel				\$ 1585
135322-900-340-000	Clear / Matte Black				\$ 1624

STANDARD



Code	Description	H	L	O	T	W
135320	Uptown Bypass Tub door 58" x 56" - 59"	58"	56" - 59"	24 7/8" - 27 7/8"	28 1/4"	55 1/2"
135321	Uptown Bypass door 76" x 44" - 47"	76"	44" - 47"	18 7/8" - 21 7/8"	37 1/8"	73 1/2"
135322	Uptown Bypass door 76" x 56" - 59"	76"	56" - 59"	24 7/8" - 27 7/8"	37 1/8"	73 1/2"

Wall adjustment = 3/8"

All dimensions are approximate. Structure measurements must be verified against the unit to ensure proper fit.

Aura 6 mm Shower Doors



Material : Tempered Glass

Features

- › Silent guide eliminates the rattling noise
- › High quality rollers for smooth glide
- › Safety features: header lock and panel anti-jump
- › Clear glass with frame color choice
- › Rounded towel bar for a clean and versatile look
- › Reversible header: one side round and one side flat

ALCOVE DOORS - BYPASS

AURA 40-44 X 71 - 6MM - 135662

SKU	Glass / Finish	Door Opening	Dimensions & Weight	Packaging	MSRP
135662-900-084-000	Clear / Chrome	Reversible	40" - 44" x 71" / 94 lb / 43 kg	6.64 ft ³	\$ 837



Aura 6 mm Shower Doors

ALCOVE DOORS - BYPASS



Material : Tempered Glass

Features

- › Shower Door for Alcove Installation
- › Bi-directional glass panels for flexible entry and easy access to fixtures on the left or right-hand side
- › Silent guide glides smoothly and quietly, ensuring a seamless shower experience
- › 6mm (1/4") clear tempered glass ensuring sturdiness and stability
- › The minimalist design maximizes the opening space, allowing easy entry and exit into the shower space
- › Safety features: header lock and panel anti-jump
- › Reversible header: one side round and one side flat
- › The horizontal handle can double as a stylish Towel bar
- › Despite its premium features, the shower door is offered at an affordable price point.

AURA 43-47 X 71 - 6MM - 135663

SKU	Glass / Finish	Door Opening	Dimensions & Weight	Packaging	MSRP
135663-900-084-000	Clear / Chrome	Reversible	43" - 47" x 71" / 90 lb / 41 kg	6.64 ft ³	\$ 873
135663-900-172-000	Clear / Dark Bronze		43" - 47" x 71" / 100 lb / 45 kg		\$ 934
135663-900-305-000	Clear / Brushed Nickel		43" - 47" x 71" / 90 lb / 41 kg		\$ 917
135663-900-340-000	Clear / Matte Black				\$ 934
135663-978-084-000	Frosted / Chrome				\$ 1032
135663-978-172-000	Frosted / Dark Bronze				\$ 1102
135663-978-305-000	Frosted / Brushed Nickel				\$ 1082

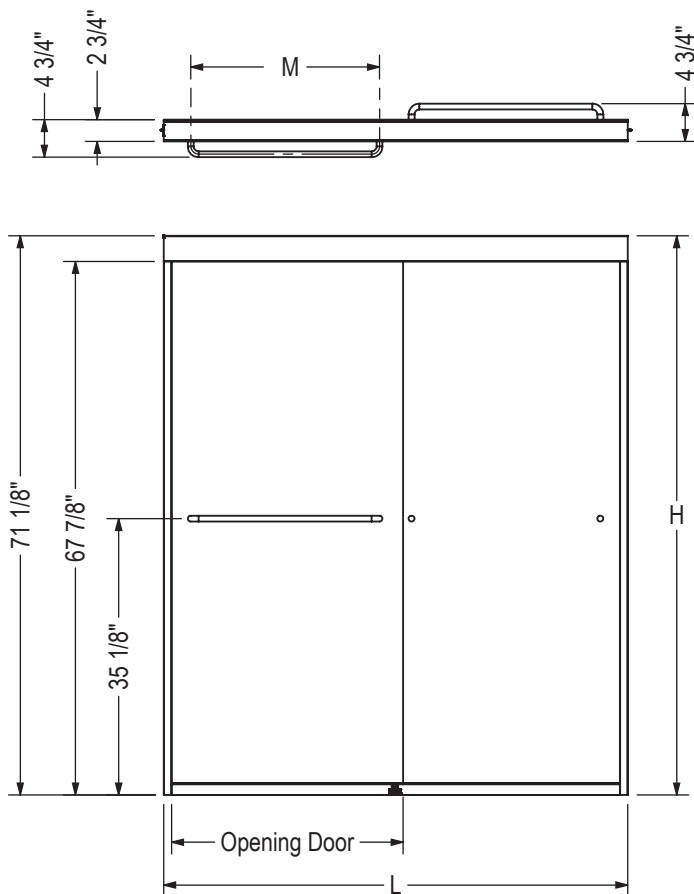
AURA 55-59 X 71 - 6MM - 135665

SKU	Glass / Finish	Door Opening	Dimensions & Weight	Packaging	MSRP
135665-900-084-000	Clear / Chrome	Reversible	55" - 59" x 71" / 116 lb / 53 kg	4.69 ft ³	\$ 907
135665-900-172-000	Clear / Dark Bronze		55" - 59" x 71" / 96 lb / 44 kg		\$ 970
135665-900-305-000	Clear / Brushed Nickel				\$ 953
135665-900-340-000	Clear / Matte Black				\$ 970
135665-978-084-000	Frosted / Chrome				\$ 1070
135665-978-172-000	Frosted / Dark Bronze				\$ 1145
135665-978-305-000	Frosted / Brushed Nickel		\$ 1125		

ACCESSORIES

SKU	Description	MSRP
10068402-092-600	Watertight kit for Mirolin tub shower and shower	\$ 97
10068410-005-601	Soft Close by MAAx for Kameleon/Aura doors only	\$ 186

STANDARD



Description	Opening Door Adjustable	M	L Adjustable	H
Shower Door 40"-44"x71"x6mm	15 1/2" - 19 1/2"	18"	40" - 44"	71"
Shower Door 43"-47"x71"x6mm	18 1/2" - 22 1/2"	18"	43" - 47"	71"
Shower Door 51"-55"x71"x6mm	21 1/2" - 25 1/2"	24"	51" - 55"	71"
Shower Door 55"-59"x71"x6mm	23 1/2" - 27 1/2"	24"	55" - 59"	71"

All dimensions are approximate. Structure measurements must be verified against the unit to ensure proper fit.

Aura 6 mm Shower Doors



Material : Tempered Glass

Features

- › Silent guide eliminates the rattling noise
- › High quality rollers for smooth glide
- › Safety features: header lock and panel anti-jump
- › Clear glass with frame color choice
- › Rounded towel bar for a clean and versatile look
- › Reversible header: one side round and one side flat

ALCOVE DOORS - BYPASS

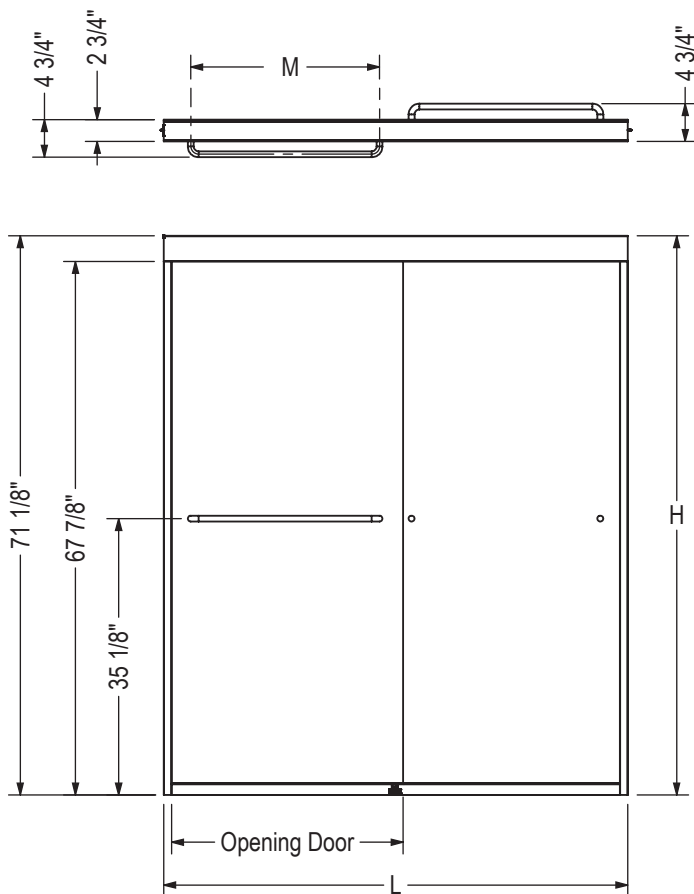
AURA 51-55 X 71 - 6MM - 135664

SKU	Glass / Finish	Door Opening	Dimensions & Weight	Packaging	MSRP
135664-900-084-000	Clear / Chrome	Reversible	51" - 55" x 71" / 108 lb / 49 kg	8.41 ft ³	\$ 901

ACCESSORIES

SKU	Description	MSRP
10068402-092-600	Watertight kit for Mirolin tub shower and shower	\$ 97
10068410-005-601	Soft Close by MAAX for Kameleon/Aura doors only	\$ 186

STANDARD



Description	Opening Door Adjustable	M	L Adjustable	H
Shower Door 40"-44"x71"x6mm	15 1/2" - 19 1/2"	18"	40" - 44"	71"
Shower Door 43"-47"x71"x6mm	18 1/2" - 22 1/2"	18"	43" - 47"	71"
Shower Door 51"-55"x71"x6mm	21 1/2" - 25 1/2"	24"	51" - 55"	71"
Shower Door 55"-59"x71"x6mm	23 1/2" - 27 1/2"	24"	55" - 59"	71"

All dimensions are approximate. Structure measurements must be verified against the unit to ensure proper fit.

Aura 6 mm Tub Doors



Material : Tempered Glass

Features

- › Tub Door for Alcove Installation
- › Bi-directional glass panels for flexible entry and easy access on the left or right-hand side
- › Silent guide glides smoothly and quietly, ensuring a seamless shower experience
- › 6 mm (1/4") clear tempered glass ensuring sturdiness and stability
- › The minimalist design maximizes the opening space, allowing easy entry and exit into the shower space
- › Safety features that keep the glass panel in place: header lock and panel anti-jump
- › Reversible header: one side round and one side flat, so you can decide which style suits you
- › The horizontal handle can double as a stylish towel bar
- › Despite its premium features, the shower door is offered at an affordable price point.

ALCOVE DOORS - BYPASS

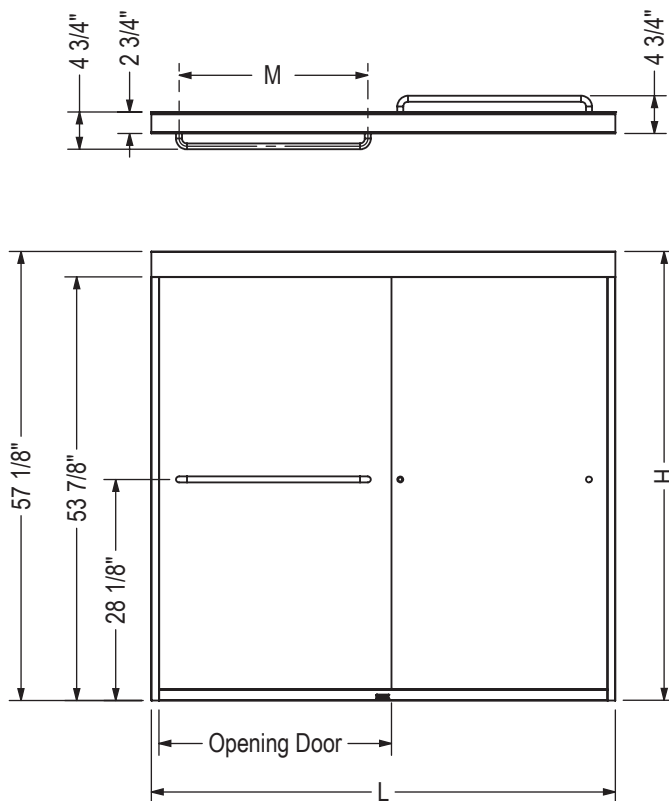
AURA 55-59 X 57 - 6MM - 135661

SKU	Glass / Finish	Door Opening	Dimensions & Weight	Packaging	MSRP
135661-900-340-000	Clear / Matte Black	Reversible	55" - 59" x 57" / 75 lb / 34 kg	5.21 ft ³	\$ 934

ACCESSORIES

SKU	Description	MSRP
10068402-092-600	Watertight kit for Mirolin tub shower and shower	\$ 97
10068410-005-601	Soft Close by MAAX for Kameleon/Aura doors only	\$ 186

STANDARD



Description	Opening Door Adjustable	M	L Adjustable	H
Tub Door 51"-55" x 57", 6mm	21 1/2" - 25 1/2"	24"	51" - 55"	57"
Tub Door 55"-59" x 57", 6mm	23 1/2" - 27 1/2"	24"	55" - 59"	57"

All dimensions are approximate. Structure measurements must be verified against the unit to ensure proper fit.

Aura 8 mm Shower Doors



Material : Tempered Glass

Features

- › Shower Door for Alcove Installation
- › Bi-directional glass panels for flexible entry and easy access to fixtures on the left or right-hand side
- › Silent guide glides smoothly and quietly, ensuring a seamless shower experience
- › 8mm clear tempered glass ensuring sturdiness and stability
- › The minimalist design maximizes the opening space, allowing easy entry and exit into the shower space
- › Safety features: header lock and panel anti-jump
- › Reversible header: one side round and one side flat
- › The horizontal handle can double as a stylish Towel bar
- › Innovative SOFT CLOSE by MAAX prevents slamming

ALCOVE DOORS - BYPASS

AURA 43-47 X 71 - 8MM - 135671

SKU	Glass / Finish	Door Opening	Dimensions & Weight	Packaging	MSRP
135671-900-084-000	Clear / Chrome	Reversible	43" - 47" x 71" / 116 lb / 53 kg	10.06 ft ³	\$ 1015
135671-900-172-000	Clear / Dark Bronze				\$ 1085
135671-900-305-000	Clear / Brushed Nickel				\$ 1066
135671-900-340-000	Clear / Matte Black				\$ 1085

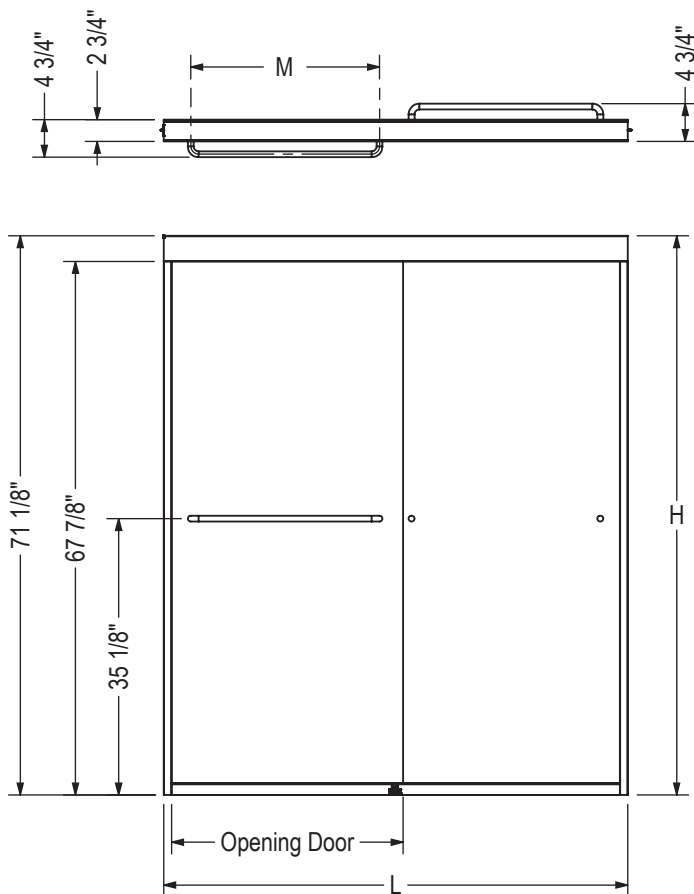
AURA 55-59 X 71 - 8MM - 135672

SKU	Glass / Finish	Door Opening	Dimensions & Weight	Packaging	MSRP
135672-900-084-000	Clear / Chrome	Reversible	55" - 59" x 71" / 147 lb / 67 kg	6.29 ft ³	\$ 1048
135672-900-172-000	Clear / Dark Bronze				\$ 1122
135672-900-305-000	Clear / Brushed Nickel				\$ 1101

ACCESSORIES

SKU	Description	MSRP
10068402-092-600	Watertight kit for Mirolin tub shower and shower	\$ 97
10068410-005-601	Soft Close by MAAX for Kameleon/Aura doors only	\$ 186

STANDARD



Description	Opening Door Adjustable	M	L Adjustable	H
Shower Door 43"-47"x71"x8mm	18 1/2" - 22 1/2"	18"	43" - 47"	71"
Shower Door 55"-59"x71"x8mm	23 1/2" - 27 1/2"	24"	55" - 59"	71"

All dimensions are approximate. Structure measurements must be verified against the unit to ensure proper fit.

Aura SC 8 mm Shower Doors



Material : Tempered Glass

Features

- Clear 8 mm (5/16") glass bi-directional panels and a horizontal handle that can double as towel bar - 4 finishes: Chrome, Dark Bronze, Brushed Nickel, and Matte Black - The Soft Close technology by MAAX prevents slamming

AURA SC 43-47 X 71 - 8MM - 135674

SKU	Glass / Finish	Door Opening	Dimensions & Weight	Packaging	MSRP
135674-900-084-000	Clear / Chrome	Reversible	43" - 47" x 71" / 74 lb / 34 kg	10.06 ft ³	\$ 1134
135674-900-172-000	Clear / Dark Bronze		43" - 47" x 71" / 128 lb / 58 kg		\$ 1205
135674-900-305-000	Clear / Brushed Nickel				\$ 1184
135674-900-340-000	Clear / Matte Black		43" - 47" x 71" / 74 lb / 34 kg		\$ 1205

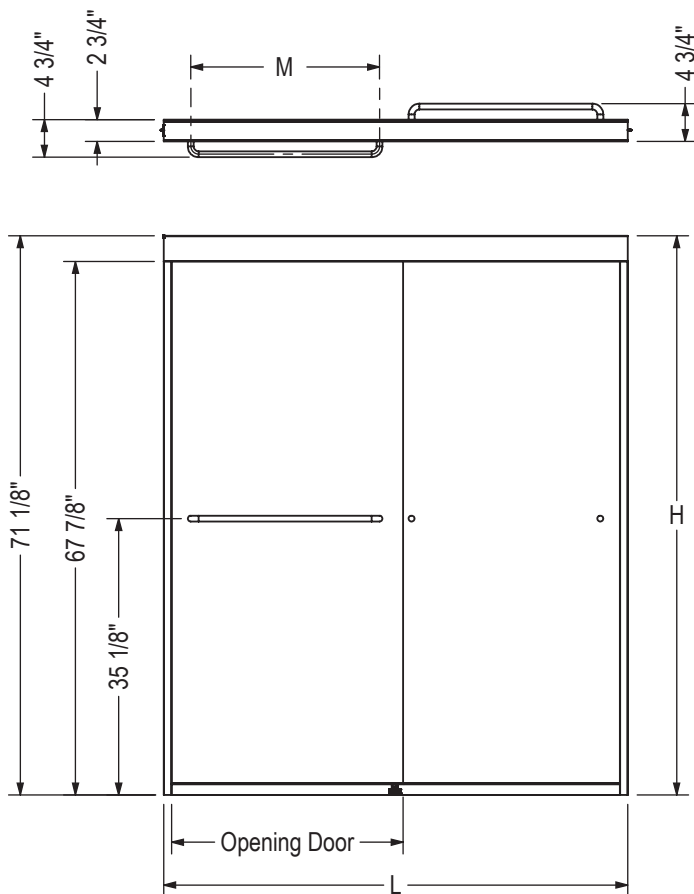
AURA SC 55-59 X 71 - 8MM - 135675

SKU	Glass / Finish	Door Opening	Dimensions & Weight	Packaging	MSRP
135675-900-084-000	Clear / Chrome	Reversible	55" - 59" x 71" / 137.0 lb / 62 kg	12.14 ft ³	\$ 1169
135675-900-172-000	Clear / Dark Bronze		55" - 59" x 71" / 149 lb / 68 kg		\$ 1242
135675-900-305-000	Clear / Brushed Nickel				\$ 1221
135675-900-340-000	Clear / Matte Black		55" - 59" x 71" / 74 lb / 34 kg		\$ 1242

ACCESSORIES

SKU	Description	MSRP
10068402-092-600	Watertight kit for Mirolin tub shower and shower	\$ 97
10068410-005-601	Soft Close by MAAX for Kameleon/Aura doors only	\$ 186

STANDARD



Description	Opening Door Adjustable	M	L Adjustable	H
Shower Door 43"-47"x71"x8mm	18 1/2" - 22 1/2"	18"	43" - 47"	71"
Shower Door 55"-59"x71"x8mm	23 1/2" - 27 1/2"	24"	55" - 59"	71"

All dimensions are approximate. Structure measurements must be verified against the unit to ensure proper fit.

Aura SC 8 mm Tub Door



Material : Tempered Glass

Features

- Clear 8 mm (5/16") glass bi-directional panels and a horizontal handle that can double as towel bar - 4 finishes: Chrome, Dark Bronze, Brushed Nickel, and Matte Black - The Soft Close technology by MAAX prevents slamming

ALCOVE DOORS - BYPASS

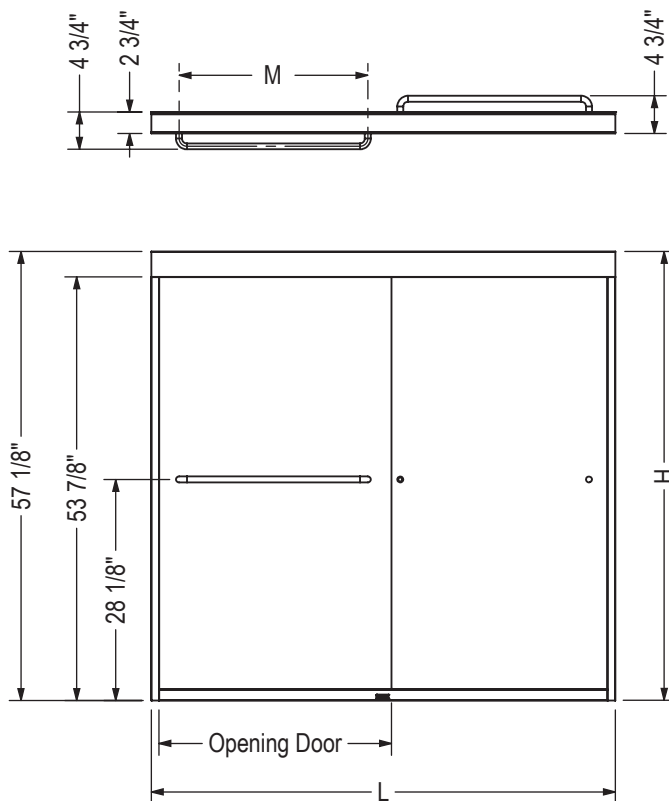
AURA SC 55-59 X 71 - 8MM - 135670

SKU	Glass / Finish	Door Opening	Dimensions & Weight	Packaging	MSRP
135670-900-084-000	Clear / Chrome	Reversible	55" - 59" x 57" / 110.0 lb / 50 kg	9.38 ft ³	\$ 1134
135670-900-172-000	Clear / Dark Bronze		55" - 59" x 57" / 120 lb / 54 kg		\$ 1205
135670-900-305-000	Clear / Brushed Nickel		55" - 59" x 57" / 101 lb / 46 kg		\$ 1184
135670-900-340-000	Clear / Matte Black				\$ 1205

ACCESSORIES

SKU	Description	MSRP
10068402-092-600	Watertight kit for Mirolin tub shower and shower	\$ 97
10068410-005-601	Soft Close by MAAX for Kameleon/Aura doors only	\$ 186

STANDARD



Description	Opening Door Adjustable	M	L Adjustable	H
Tub Door 55"-59" x 57", 8mm	23 1/2" - 27 1/2"	24"	55" - 59"	57"

All dimensions are approximate. Structure measurements must be verified against the unit to ensure proper fit.



Madono Shower Doors



Material : Tempered Glass

Features

- › 1-panel 1/4 in./6 mm frameless pivot door for alcove shower
- › Chrome knob for a clean simple look
- › Reversible door for left or right opening

ALCOVE DOORS - PIVOT

MADONO 28 1/2-30 1/2 X 67 - 6MM - 105416

SKU	Glass / Finish	Door Opening	Dimensions & Weight	Packaging	MSRP
105416-900-084-000	Clear / Chrome	Reversible	28 1/2" - 30 1/2" x 67" / 32.0 lb / 15 kg	3.62 ft ³	\$ 562

MADONO 31 1/2-33 1/2 X 67 - 6MM - 105417

SKU	Glass / Finish	Door Opening	Dimensions & Weight	Packaging	MSRP
105417-900-084-000	Clear / Chrome	Reversible	31 1/2" - 33 1/2" x 67" / 34.0 lb / 15 kg	3.99 ft ³	\$ 598

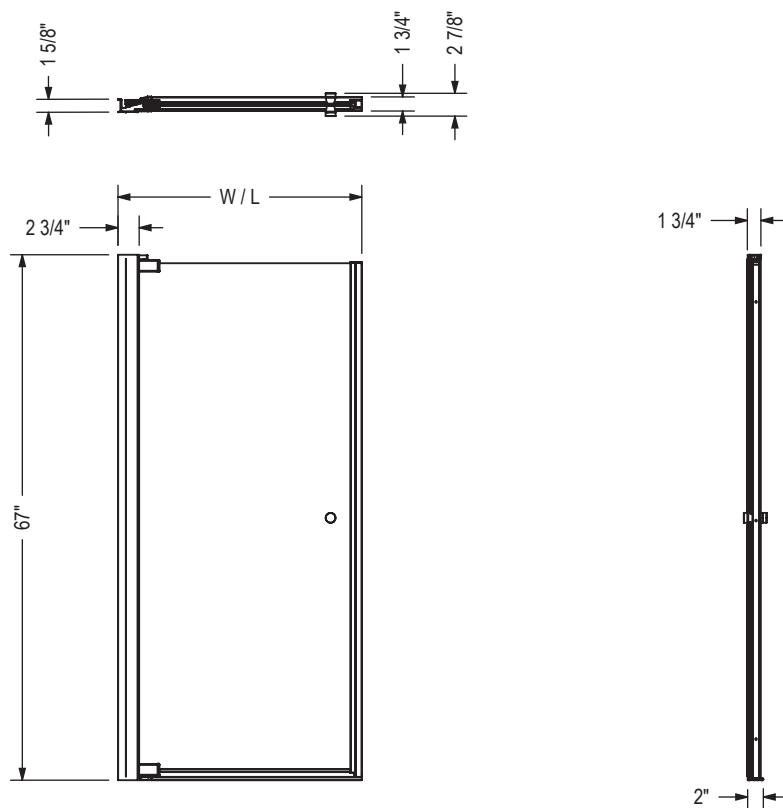
MADONO 34 1/2-36 1/2 X 67 - 6MM - 105418

SKU	Glass / Finish	Door Opening	Dimensions & Weight	Packaging	MSRP
105418-900-084-000	Clear / Chrome	Reversible	34 1/2" - 36 1/2" x 67" / 46 lb / 21 kg	3.99 ft ³	\$ 635

MADONO 24 1/2-26 1/2 X 67 - 6MM - 105420

SKU	Glass / Finish	Door Opening	Dimensions & Weight	Packaging	MSRP
105420-900-084-000	Clear / Chrome	Reversible	24 1/2" - 26 1/2" x 67" / 40 lb / 18 kg	3.62 ft ³	\$ 522

STANDARD

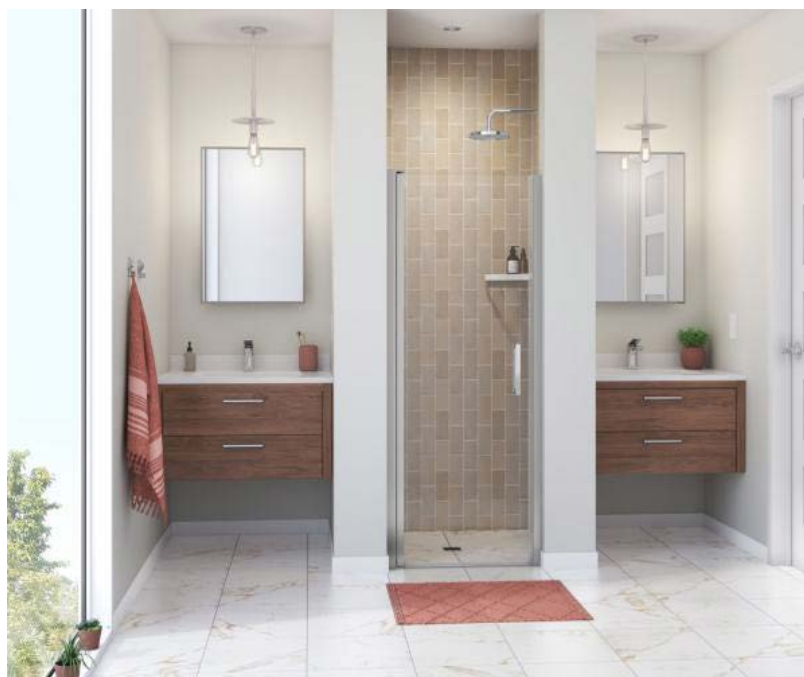


Code	Description	H	W / L
105420/105419	Madono / Insight 24-1/2" - 26-1/2"	67"	24-1/2" - 26-1/2"
105416/105316	Madono / Insight 28-1/2" - 30-1/2"	67"	28-1/2" - 30-1/2"
105417/105317	Madono / Insight 31-1/2" - 33-1/2"	67"	31-1/2" - 33-1/2"
105418/105318	Madono / Insight 34-1/2" - 36-1/2"	67"	34-1/2" - 36-1/2"

All dimensions are approximate. Structure measurements must be verified against the unit to ensure proper fit.



Manhattan 1 Panel Shower Doors



Material : Tempered Glass

Features

- › Frameless Pivot door for Alcove Installation
- › Available in 3 stylish finishes and 18 sizes
- › 6mm (1/4") clear tempered glass
- › 2" of lateral adjustment integrated into each door. For an additional 1/2-inch, see filler sold separately (SKU 10041204)
- › Door pivoting inside and outside (180 degrees)
- › Slim interface of 7/8" (22mm) to fit on most shower bases
- › No threshold piece for ease of cleaning and easy access
- › No height restrictions
- › Wide opening for comfortable access

ALCOVE DOORS - PIVOT

MANHATTAN 23-25 X 68 - 6MM - 138260

SKU	Glass / Finish	Door Opening	Dimensions & Weight	Packaging	MSRP
138260-900-084-100	Clear / Chrome	Reversible	23" - 25" x 68" / 36 lb / 16 kg	5.147 ft ³	\$ 470
138260-900-084-101					\$ 470
138260-900-305-100	Clear / Brushed Nickel				\$ 493
138260-900-305-101					\$ 493
138260-900-340-100	Clear / Matte Black				\$ 516
138260-900-340-101					\$ 516

MANHATTAN 25-27 X 68 - 6MM - 138261

SKU	Glass / Finish	Door Opening	Dimensions & Weight	Packaging	MSRP
138261-900-084-100	Clear / Chrome	Reversible	25" - 27" x 68" / 38 lb / 17 kg	4.049 ft ³	\$ 505
138261-900-084-101					\$ 505
138261-900-305-100	Clear / Brushed Nickel				\$ 531
138261-900-305-101					\$ 531
138261-900-340-100	Clear / Matte Black				\$ 556
138261-900-340-101					\$ 556

MANHATTAN 27-29 X 68 - 6MM - 138262

SKU	Glass / Finish	Door Opening	Dimensions & Weight	Packaging	MSRP
138262-900-084-100	Clear / Chrome	Reversible	27" - 29" x 68" / 40 lb / 18 kg	4.461 ft ³	\$ 541
138262-900-084-101					\$ 541
138262-900-305-100	Clear / Brushed Nickel				\$ 568
138262-900-305-101					\$ 568
138262-900-340-100	Clear / Matte Black				\$ 595
138262-900-340-101					\$ 595

MANHATTAN 29-31 X 68 - 6MM - 138263

SKU	Glass / Finish	Door Opening	Dimensions & Weight	Packaging	MSRP
138263-900-084-100	Clear / Chrome	Reversible	29" - 31" x 68" / 44 lb / 20 kg	4.461 ft ³	\$ 578
138263-900-084-101					\$ 578
138263-900-305-100	Clear / Brushed Nickel				\$ 607
138263-900-305-101					\$ 607
138263-900-340-100	Clear / Matte Black				\$ 636
138263-900-340-101					\$ 636

MANHATTAN 31-33 X 68 - 6MM - 138264

SKU	Glass / Finish	Door Opening	Dimensions & Weight	Packaging	MSRP
138264-900-084-100	Clear / Chrome	Reversible	31" - 33" x 68" / 46 lb / 21 kg	4.804 ft ³	\$ 618
138264-900-084-101					\$ 618
138264-900-305-100	Clear / Brushed Nickel				\$ 649
138264-900-305-101					\$ 649
138264-900-340-100	Clear / Matte Black				\$ 680
138264-900-340-101					\$ 680

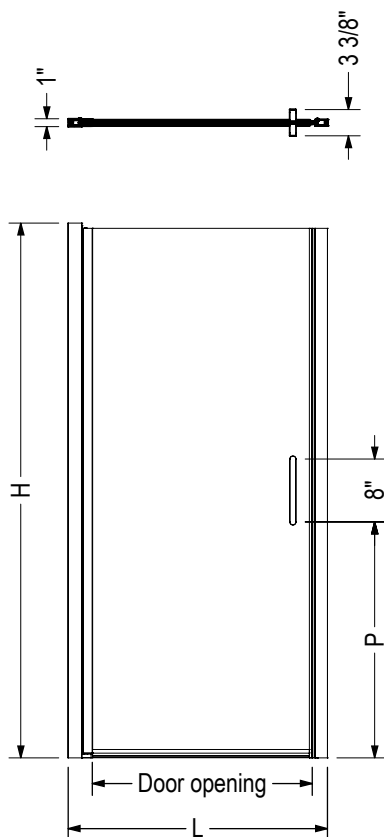
MANHATTAN 33-35 X 68 - 6MM - 138265

SKU	Glass / Finish	Door Opening	Dimensions & Weight	Packaging	MSRP
138265-900-084-100	Clear / Chrome	Reversible	33" - 35" x 68" / 50 lb / 23 kg	5.147 ft ³	\$ 663
138265-900-084-101					\$ 663
138265-900-305-100	Clear / Brushed Nickel				\$ 696
138265-900-305-101					\$ 696
138265-900-340-100	Clear / Matte Black				\$ 729
138265-900-340-101					\$ 729

ACCESSORIES

SKU	Description	MSRP
10041204-340-001		\$ 86
10041204-305-001	Manhattan Shower Door Filler 1/2 in. Available finishes: Chrome (084), Brushed Nickel (305) and Matte Black (340)	\$ 82
10041204-084-001		\$ 78

STANDARD



Code	Description	H	L Adjustable	Door opening	P
138260	Manhattan 68" x 23" - 25"	68"	23" - 25"	18 3/8"	30"
138261	Manhattan 68" x 25" - 27"	68"	25" - 27"	20 3/8"	30"
138262	Manhattan 68" x 27" - 29"	68"	27" - 29"	22 3/8"	30"
138263	Manhattan 68" x 29" - 31"	68"	29" - 31"	24 3/8"	30"
138264	Manhattan 68" x 31" - 33"	68"	31" - 33"	26 3/8"	30"
138265	Manhattan 68" x 33" - 35"	68"	33" - 35"	28 3/8"	30"

All dimensions are approximate. Structure measurements must be verified against the unit to ensure proper fit.



Manhattan 2 Panel Shower Doors



Material : Tempered Glass

Features

- › Frameless Pivot door for Alcove Installation
- › Available in 3 stylish finishes and 18 sizes
- › 6mm (1/4") clear tempered glass
- › 2" of lateral adjustment integrated into each door. For an additional 1/2-inch, see filler sold separately (SKU 10041204)
- › Door pivoting inside and outside (180 degrees)
- › Slim interface of 7/8" (22mm) to fit on most shower bases
- › No threshold piece for ease of cleaning and easy access
- › No height restrictions
- › Wide opening for comfortable access

ALCOVE DOORS - PIVOT

MANHATTAN 35-37 X 68 - 6MM - 138266

SKU	Glass / Finish	Door Opening	Dimensions & Weight	Packaging	MSRP
138266-900-084-100	Clear / Chrome	Reversible	35" - 37" x 68" / 54 lb / 24 kg	4.461 ft ³	\$ 729
138266-900-084-101					\$ 729
138266-900-305-100	Clear / Brushed Nickel				\$ 765
138266-900-305-101					\$ 765
138266-900-340-100	Clear / Matte Black				\$ 802
138266-900-340-101					\$ 802

MANHATTAN 37-39 X 68 - 6MM - 138267

SKU	Glass / Finish	Door Opening	Dimensions & Weight	Packaging	MSRP
138267-900-084-100	Clear / Chrome	Reversible	37" - 39" x 68" / 58 lb / 26 kg	5.147 ft ³	\$ 750
138267-900-084-101					\$ 750
138267-900-305-100	Clear / Brushed Nickel				\$ 788
138267-900-305-101					\$ 788
138267-900-340-100	Clear / Matte Black				\$ 826
138267-900-340-101					\$ 826

MANHATTAN 39-41 X 68 - 6MM - 138268

SKU	Glass / Finish	Door Opening	Dimensions & Weight	Packaging	MSRP
138268-900-084-100	Clear / Chrome	Reversible	39" - 41" x 68" / 60 lb / 27 kg	5.147 ft ³	\$ 773
138268-900-084-101					\$ 773
138268-900-305-100	Clear / Brushed Nickel				\$ 812
138268-900-305-101					\$ 812
138268-900-340-100	Clear / Matte Black				\$ 850
138268-900-340-101					\$ 850

MANHATTAN 41-43 X 68 - 6MM - 138269

SKU	Glass / Finish	Door Opening	Dimensions & Weight	Packaging	MSRP
138269-900-084-100	Clear / Chrome	Reversible	41" - 43" x 68" / 62 lb / 28 kg	4.461 ft ³	\$ 796
138269-900-084-101					\$ 796
138269-900-305-100	Clear / Brushed Nickel				\$ 836
138269-900-305-101					\$ 836
138269-900-340-100	Clear / Matte Black				\$ 876
138269-900-340-101					\$ 876

MANHATTAN 43-45 X 68 - 6MM - 138270

SKU	Glass / Finish	Door Opening	Dimensions & Weight	Packaging	MSRP
138270-900-084-100	Clear / Chrome	Reversible	43" - 45" x 68" / 66 lb / 30 kg	4.804 ft ³	\$ 820
138270-900-084-101					\$ 820
138270-900-305-100	Clear / Brushed Nickel				\$ 862
138270-900-305-101					\$ 862
138270-900-340-100	Clear / Matte Black				\$ 902
138270-900-340-101					\$ 902

MANHATTAN 45-47 X 68 - 6MM - 138271

SKU	Glass / Finish	Door Opening	Dimensions & Weight	Packaging	MSRP
138271-900-084-100	Clear / Chrome	Reversible	45" - 47" x 68" / 70 lb / 32 kg	3.809 ft ³	\$ 845
138271-900-084-101					\$ 845
138271-900-305-100	Clear / Brushed Nickel				\$ 887
138271-900-305-101					\$ 887
138271-900-340-100	Clear / Matte Black				\$ 930
138271-900-340-101					\$ 930

MANHATTAN 47-49 X 68 - 6MM - 138272

SKU	Glass / Finish	Door Opening	Dimensions & Weight	Packaging	MSRP
138272-900-084-100	Clear / Chrome	Reversible	47" - 49" x 68" / 72 lb / 33 kg	4.461 ft ³	\$ 870
138272-900-084-101					\$ 870
138272-900-305-100	Clear / Brushed Nickel				\$ 914
138272-900-305-101					\$ 914
138272-900-340-100	Clear / Matte Black				\$ 958
138272-900-340-101					\$ 958

MANHATTAN 49-51 X 68 - 6MM - 138273

SKU	Glass / Finish	Door Opening	Dimensions & Weight	Packaging	MSRP
138273-900-084-100	Clear / Chrome	Reversible	49" - 51" x 68" / 74 lb / 34 kg	4.804 ft ³	\$ 896
138273-900-084-101					\$ 896
138273-900-305-100	Clear / Brushed Nickel				\$ 941
138273-900-305-101					\$ 941
138273-900-340-100	Clear / Matte Black				\$ 986
138273-900-340-101					\$ 986

MANHATTAN 51-53 X 68 - 6MM - 138274

SKU	Glass / Finish	Door Opening	Dimensions & Weight	Packaging	MSRP
138274-900-084-100	Clear / Chrome	Reversible	51" - 53" x 68" / 76 lb / 34 kg	4.804 ft ³	\$ 924
138274-900-084-101					\$ 924
138274-900-305-100	Clear / Brushed Nickel				\$ 970
138274-900-305-101					\$ 970
138274-900-340-100	Clear / Matte Black				\$ 1016
138274-900-340-101					\$ 1016

MANHATTAN 53-55 X 68 - 6MM - 138275

SKU	Glass / Finish	Door Opening	Dimensions & Weight	Packaging	MSRP
138275-900-084-100	Clear / Chrome	Reversible	53" - 55" x 68" / 80 lb / 36 kg	4.804 ft ³	\$ 950
138275-900-084-101					\$ 950
138275-900-305-100	Clear / Brushed Nickel				\$ 998
138275-900-305-101					\$ 998
138275-900-340-100	Clear / Matte Black				\$ 1045
138275-900-340-101					\$ 1045

MANHATTAN 55-57 X 68 - 6MM - 138276

SKU	Glass / Finish	Door Opening	Dimensions & Weight	Packaging	MSRP
138276-900-084-100	Clear / Chrome	Reversible	55" - 57" x 68" / 82 lb / 37 kg	4.804 ft ³	\$ 979
138276-900-084-101					\$ 979
138276-900-305-100	Clear / Brushed Nickel				\$ 1028
138276-900-305-101					\$ 1028
138276-900-340-100	Clear / Matte Black				\$ 1077
138276-900-340-101					\$ 1077

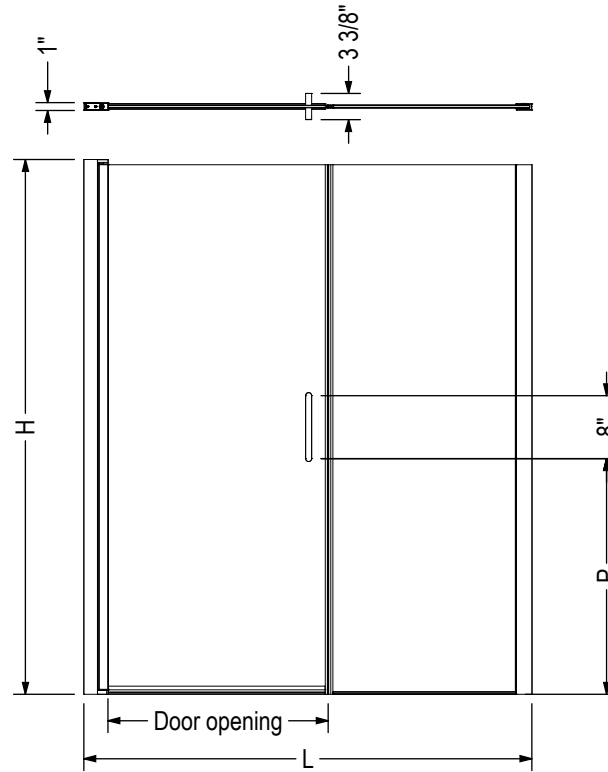
MANHATTAN 57-59 X 68 - 6MM - 138277

SKU	Glass / Finish	Door Opening	Dimensions & Weight	Packaging	MSRP
138277-900-084-100	Clear / Chrome	Reversible	57" - 59" x 68" / 84 lb / 38 kg	5.08 ft ³	\$ 1009
138277-900-084-101					\$ 1009
138277-900-305-100	Clear / Brushed Nickel				\$ 1060
138277-900-305-101					\$ 1060
138277-900-340-100	Clear / Matte Black				\$ 1110
138277-900-340-101					\$ 1110

ACCESSORIES

SKU	Description	MSRP
10041204-340-001	Manhattan Shower Door Filler 1/2 in. Available finishes: Chrome (084), Brushed Nickel (305) and Matte Black (340)	\$ 86
10041204-305-001		\$ 82
10041204-084-001		\$ 78
10037592-084-601	Fixed Panel Support Bar for Extra Support. Available finishes: Chrome (084), Brushed Nickel (305) and Matte Black (340)	\$ 78
10037592-340-601		\$ 80
10037592-305-601		\$ 77

STANDARD



Code	Description	H	L Adjustable	Door opening	P
138266	Manhattan 68" x 35" - 37"	68"	35" - 37"	24 3/8"	30"
138267	Manhattan 68" x 37" - 39"	68"	37" - 39"	26 3/8"	30"
138268	Manhattan 68" x 39" - 41"	68"	39" - 41"	28 3/8"	30"
138269	Manhattan 68" x 41" - 43"	68"	41" - 43"	24 3/8"	30"
138270	Manhattan 68" x 43" - 45"	68"	43" - 45"	26 3/8"	30"
138271	Manhattan 68" x 45" - 47"	68"	45" - 47"	28 3/8"	30"
138272	Manhattan 68" x 47" - 49"	68"	47" - 49"	24 3/8"	30"
138273	Manhattan 68" x 49" - 51"	68"	49" - 51"	26 3/8"	30"
138274	Manhattan 68" x 51" - 53"	68"	51" - 53"	28 3/8"	30"
138275	Manhattan 68" x 53" - 55"	68"	53" - 55"	24 3/8"	30"
138276	Manhattan 68" x 55" - 57"	68"	55" - 57"	26 3/8"	30"
138277	Manhattan 68" x 57" - 59"	68"	57" - 59"	28 3/8"	30"

All dimensions are approximate. Structure measurements must be verified against the unit to ensure proper fit.



Pivolok Deluxe Shower Doors

ALCOVE DOORS - PIVOT



Material : Tempered Glass

Features

- › 1-panel framed pivot door for alcove shower
- › Full-length magnetic catch concealed in the door edge which allows the door to close tightly
- › Reversible door for left or right installation
- › Framed integrated channel redirects water toward the inside of the shower
- › Fixed panel allows to increase the adjustment to fit wider shower openings

PIVOLOK DELUXE 32 1/2-37 X 64 1/2 IN. - 136435

SKU	Glass / Finish	Door Opening	Dimensions & Weight	Packaging	MSRP
136435-900-084-000	Clear / Chrome	Reversible	32 1/2" - 37" x 64 1/2" / 44 lb / 20 kg	3.48 ft ³	\$ 580



Pivolok Shower Doors



Material : Tempered Glass

Features

- > 1-panel framed pivot door for alcove shower
- > Full-length magnetic catch allows the door to close tightly
- > Reversible door for left or right installation
- > Integrated channel redirects water toward the inside of the shower
- > Full-length aluminum pull reinforces door and doubles as a handle

ALCOVE DOORS - PIVOT

PIVOLOK 19-20 ¾ X 64 ½ IN. - 136605

SKU	Glass / Finish	Door Opening	Dimensions & Weight	Packaging	MSRP
136605-900-084-000	Clear / Chrome	Reversible	19" - 20 3/4" x 64 1/2" / 25 lb / 11 kg	2.25 ft³	\$ 372
136605-970-084-000	Raindrop / Chrome				\$ 372

PIVOLOK 21-22 ¾ X 64 ½ IN. - 136615

SKU	Glass / Finish	Door Opening	Dimensions & Weight	Packaging	MSRP
136615-900-084-000	Clear / Chrome	Reversible	21" - 22 3/4" x 64 1/2" / 28 lb / 13 kg	2.41 ft³	\$ 372
136615-970-084-000	Raindrop / Chrome				\$ 372

PIVOLOK 23-24 ¾ X 64 ½ IN. - 136625

SKU	Glass / Finish	Door Opening	Dimensions & Weight	Packaging	MSRP
136625-900-084-000	Clear / Chrome	Reversible	23" - 24 3/4" x 64 1/2" / 32 lb / 15 kg	2.64 ft³	\$ 389
136625-970-084-000	Raindrop / Chrome				\$ 389

PIVOLOK 25-26 ¾ X 64 ½ IN. - 136626

SKU	Glass / Finish	Door Opening	Dimensions & Weight	Packaging	MSRP
136626-900-084-000	Clear / Chrome	Reversible	25" - 26 3/4" x 64 1/2" / 31 lb / 14 kg	2.53 ft³	\$ 389
136626-970-084-000	Raindrop / Chrome				\$ 389

PIVOLOK 27-28 ¾ X 64 ½ IN. - 136635

SKU	Glass / Finish	Door Opening	Dimensions & Weight	Packaging	MSRP
136635-900-084-000	Clear / Chrome	Reversible	27" - 28 ¾" x 64 ½" / 34 lb / 15 kg	3.08 ft³	\$ 403
136635-970-084-000	Raindrop / Chrome				\$ 403

PIVOLOK 29-30 ¾ X 64 ½ IN. - 136645

SKU	Glass / Finish	Door Opening	Dimensions & Weight	Packaging	MSRP
136645-900-084-000	Clear / Chrome	Reversible	29" - 30 ¾" x 64 ½" / 35 lb / 16 kg	3.23 ft³	\$ 419
136645-970-084-000	Raindrop / Chrome				\$ 419

PIVOLOK 31-32 ¾ X 64 ½ IN. - 136655

SKU	Glass / Finish	Door Opening	Dimensions & Weight	Packaging	MSRP
136655-900-084-000	Clear / Chrome	Reversible	31" - 32 ¾" x 64 ½" / 37 lb / 17 kg	3.24 ft³	\$ 435
136655-970-084-000	Raindrop / Chrome				\$ 435

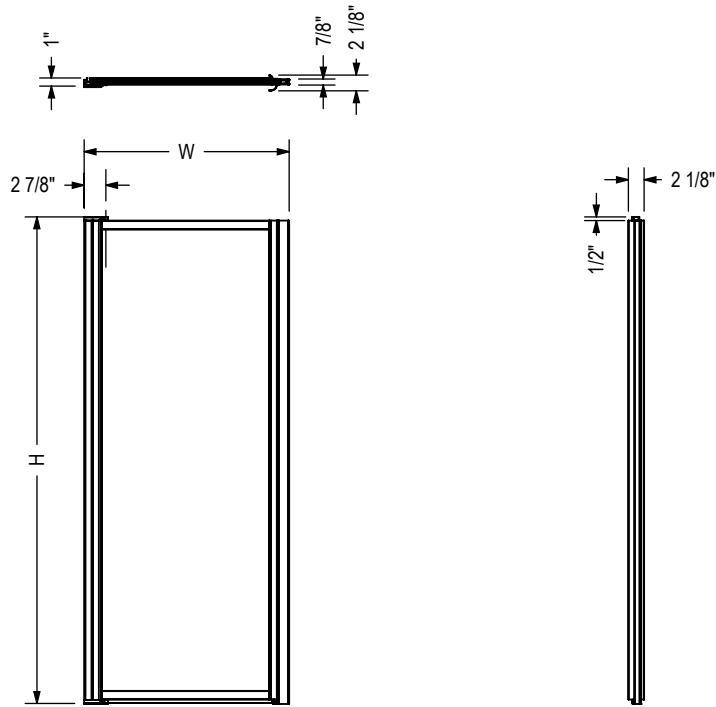
PIVOLOK 33-34 ¾ X 64 ½ IN. - 136656

SKU	Glass / Finish	Door Opening	Dimensions & Weight	Packaging	MSRP
136656-900-084-000	Clear / Chrome	Reversible	33" - 34 ¾" x 64 ½" / 38 lb / 17 kg	3.35 ft³	\$ 449
136656-970-084-000	Raindrop / Chrome				\$ 449

ACCESSORIES

SKU	Description	MSRP
10041702-000-601	Wall jamb kit to fit Mirolin units	\$ 100

STANDARD



Code	Description	H	W
136605	Door Pivolok 19" - 20 3/4"	64 1/2"	19" - 20 3/4"
136615	Door Pivolok 21" - 22 3/4"	64 1/2"	21" - 22 3/4"
136625	Door Pivolok 23" - 24 3/4"	64 1/2"	23" - 24 3/4"
136626	Door Pivolok 25" - 26 3/4"	64 1/2"	25" - 26 3/4"
136635	Door Pivolok 27" - 28 3/4"	64 1/2"	27" - 28 3/4"
136645	Door Pivolok 29" - 30 3/4"	64 1/2"	29" - 30 3/4"
136655	Door Pivolok 31" - 32 3/4"	64 1/2"	31" - 32 3/4"
136656	Door Pivolok 33" - 34 3/4"	64 1/2"	33" - 34 3/4"

All dimensions are approximate. Structure measurements must be verified against the unit to ensure proper fit.



Polar Shower Doors

ALCOVE DOORS - PIVOT



Material : Tempered Glass

Features

- › Raindrop 4 mm tempered glass for more intimacy
- › Chrome finish frame with integrated vertical handle for a clean look
- › Pivoting door provides a wide opening for ease of access in and out of the shower
- › Reversible, allowing for left or right opening to accommodate different bathroom layouts
- › Full-length magnetic door latch ensures the door remains securely closed
- › Out of plumb adjustment in the wall profile
- › Door made of luxurious ANSI certified tempered glass for your safety
- › Proudly made in Canada
- › Warranty: 10 years

POLAR PIVOT 27-28 3/4 X 64 1/2 IN. - 136730

SKU	Glass / Finish	Door Opening	Dimensions & Weight	Packaging	MSRP
136730-970-084-000	Raindrop / Chrome	Reversible	27" - 28 3/4" x 64 1/2" / 34 lb / 15 kg	3.08 ft ³	\$ 403

POLAR PIVOT 31-32 3/4 X 64 1/2 IN. - 136731

SKU	Glass / Finish	Door Opening	Dimensions & Weight	Packaging	MSRP
136731-970-084-000	Raindrop / Chrome	Reversible	31" - 32 3/4" x 64 1/2" / 34 lb / 15 kg	3.08 ft ³	\$ 435

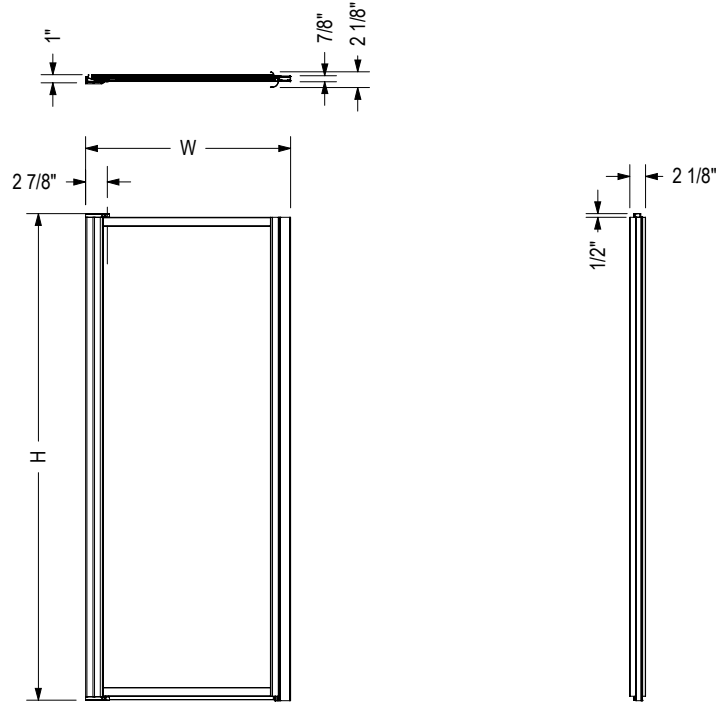
POLAR PIVOT 29-30 3/4 X 64 1/2 IN. - 136732

SKU	Glass / Finish	Door Opening	Dimensions & Weight	Packaging	MSRP
136732-970-084-000	Raindrop / Chrome	Reversible	29" - 30 3/4" x 64 1/2" / 34 lb / 15 kg	3.08 ft ³	\$ 419

POLAR PIVOT 33-34 3/4 X 64 1/2 IN. - 136733

SKU	Glass / Finish	Door Opening	Dimensions & Weight	Packaging	MSRP
136733-970-084-000	Raindrop / Chrome	Reversible	33" - 34 3/4" x 64 1/2" / 34 lb / 15 kg	3.08 ft ³	\$ 449

STANDARD



Code	Description	H	W
136730	Door Polar Pivot 27" - 28 3/4"	64 1/2"	27" - 28 3/4"
136732	Door Polar Pivot 29" - 30 3/4"	64 1/2"	29" - 30 3/4"
136731	Door Polar Pivot 31" - 32 3/4"	64 1/2"	31" - 32 3/4"
136733	Door Polar Pivot 33" - 34 3/4"	64 1/2"	33" - 34 3/4"

All dimensions are approximate. Structure measurements must be verified against the unit to ensure proper fit.



Reveal 71 Shower Doors

ALCOVE DOORS - PIVOT



Material : Tempered Glass

Features

- > 8 mm tempered glass panels
- > Available in 3 finishes: Chrome, Brushed Nickel, Matte Black to match your door
- > Pivoting door provides a wide opening for ease of access in and out of the shower
- > The frameless design brings a sense of spaciousness to the room and creates a sleek, minimalist look
- > Reversible, allowing for left or right opening to accommodate different bathroom layouts
- > 3 in. of lateral adjustment to fit many shower opening
- > Proudly made in Canada
- > Warranty: 10 years
- > MAAX shower doors come with a proven history of quality and style, leading the market in bathware solutions

REVEAL 71 44-47 X 71 1/2 - 8MM - 136671

SKU	Glass / Finish	Door Opening	Dimensions & Weight	Packaging	MSRP
136671-900-084-000	Clear / Chrome	Reversible	44" - 47" x 71 1/2" / 118 lb / 54 kg	5.22 ft ³	\$ 1259
136671-900-173-000	Clear / Dark Bronze				\$ 1354
136671-900-305-000	Clear / Brushed Nickel				\$ 1321

REVEAL 71 56-59 X 71 1/2 - 8MM - 136672

SKU	Glass / Finish	Door Opening	Dimensions & Weight	Packaging	MSRP
136672-900-084-000	Clear / Chrome	Reversible	56" - 59" x 71 1/2" / 142 lb / 64 kg	5.22 ft ³	\$ 1384
136672-900-173-000	Clear / Dark Bronze				\$ 1479
136672-900-305-000	Clear / Brushed Nickel				\$ 1448

REVEAL 71 32 1/2-35 1/2 X 71 1/2 - 8MM - 136676

SKU	Glass / Finish	Door Opening	Dimensions & Weight	Packaging	MSRP
136676-900-084-000	Clear / Chrome	Reversible	32 1/2" - 35 1/2" x 71 1/2" / 110 lb / 50 kg	5.2 ft ³	\$ 1134
136676-900-173-000	Clear / Dark Bronze		32 1/2" - 35 1/2" x 71 1/2" / 100 lb / 45 kg		\$ 1228
136676-900-305-000	Clear / Brushed Nickel		\$ 1196		

REVEAL 71 41 1/2-44 1/2 X 71 1/2 - 8MM - 136677

SKU	Glass / Finish	Door Opening	Dimensions & Weight	Packaging	MSRP
136677-900-084-000	Clear / Chrome	Reversible	41 1/2" - 44 1/2" x 71 1/2" / 121 lb / 55 kg	5.2 ft ³	\$ 1228
136677-900-173-000	Clear / Dark Bronze		41 1/2" - 44 1/2" x 71 1/2" / 111 lb / 50 kg		\$ 1321
136677-900-305-000	Clear / Brushed Nickel				\$ 1291

REVEAL 71 38-41 X 71 1/2 - 8 MM - 136679

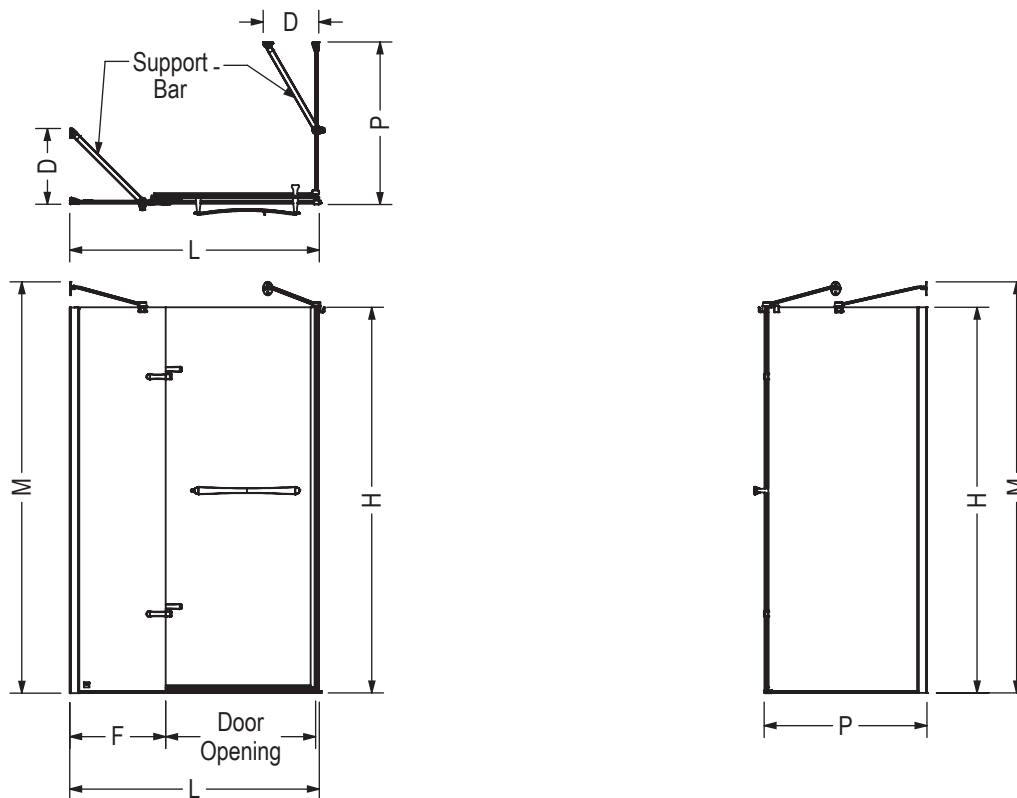
SKU	Glass / Finish	Door Opening	Dimensions & Weight	Packaging	MSRP
136679-900-084-000	Clear / Chrome	Reversible	38" - 41" x 71 1/2" / 114 lb / 52 kg	5.2 ft ³	\$ 1196
136679-900-173-000	Clear / Dark Bronze		38" - 41" x 71 1/2" / 104 lb / 47 kg		\$ 1291
136679-900-305-000	Clear / Brushed Nickel				\$ 1259

REVEAL 71 51 1/2-54 1/2 X 71 1/2 - 8MM - 136883

SKU	Glass / Finish	Door Opening	Dimensions & Weight	Packaging	MSRP
136883-900-084-000	Clear / Chrome	Reversible	51 1/2" - 54 1/2" x 71 1/2" / 142 lb / 64 kg	5.2 ft ³	\$ 1315
136883-900-173-000	Clear / Dark Bronze		51 1/2" - 54 1/2" x 71 1/2" / 132 lb / 60 kg		\$ 1409
136883-900-305-000	Clear / Brushed Nickel				\$ 1378

STANDARD

ALCOVE DOORS - PIVOT



Code	Description	H	M	L Adjustable	F	P Adjustable	D Adjustable	Door Opening	Wall Adjustment	Support Bar
136676	Reveal 71.5 x 32.5" - 35.5"	71 1/2"	76 1/4"	32.5" - 35.5"	6 1/4"			23" - 26"	3/4"	
136679	Reveal 71.5 x 38" - 41"	71 1/2"	76 1/4"	38" - 41"	11 3/4"			23" - 26"	3/4"	
136677	Reveal 71.5 x 41.5" - 44.5"	71 1/2"	76 1/4"	41.5" - 44.5"	15 1/4"			23" - 26"	3/4"	
136671	Reveal 71.5 x 44" - 47"	71 1/2"	76 1/4"	44" - 47"	17 1/4"		9" - 15"	23" - 26"	3/4"	X
136883	Reveal 71.5 x 51.5" - 54.5"	71 1/2"	76 1/4"	51.5" - 54.5"	25 1/4"		9" - 15"	23" - 26"	3/4"	X
136672	Reveal 71.5 x 56" - 59"	71 1/2"	76 1/4"	56" - 59"	30"		9" - 15"	23" - 26"	3/4"	X
136673	Return Panel 32"	71 1/2"	76 1/4"			29 7/8"	9" - 15"		3/4"	X
136674	Return Panel 34"	71 1/2"	76 1/4"			31 7/8"	9" - 15"		3/4"	X
136675	Return Panel 36"	71 1/2"	76 1/4"			33 7/8"	9" - 15"		3/4"	X

All dimensions are approximate. Structure measurements must be verified against the unit to ensure proper fit.



Reveal Sleek 71 Shower Doors



Material : Tempered Glass

Features

- › Strongly built sill, permanently fixed on the base, better water barrier
- › Strongly built sill, permanently fixed on the base, better water barrier
- › Hinge with patent mechanism that offers 3 in. of lateral adjustment
- › Additional 3/4 in. of out-of-plumb adjustment
- › Header-less door, no height restriction
- › New design, 1 7/8 in. deep, makes it compatible with many bases and tile solutions

ALCOVE DOORS - PIVOT

REVEAL SLEEK 71 32 1/2-35 1/2 X 71 1/2 - 8MM - 139575

SKU	Glass / Finish	Door Opening	Dimensions & Weight	Packaging	MSRP
139575-900-084-000	Clear / Chrome	Reversible	32 1/2" - 35 1/2" x 71 1/2" / 100 lb / 45 kg	4.722222222222222 ft ³	\$ 1162
139575-900-173-000	Clear / Dark Bronze				\$ 1250
139575-900-305-000	Clear / Brushed Nickel				\$ 1221
139575-900-340-000	Clear / Matte Black				\$ 1250

REVEAL SLEEK 71 38-41 X 71 1/2 - 8MM - 139576

SKU	Glass / Finish	Door Opening	Dimensions & Weight	Packaging	MSRP
139576-900-084-000	Clear / Chrome	Reversible	38" - 41" x 71 1/2" / 114 lb / 52 kg	4.72 ft ³	\$ 1227
139576-900-173-000	Clear / Dark Bronze				\$ 1320
139576-900-305-000	Clear / Brushed Nickel				\$ 1288
139576-900-340-000	Clear / Matte Black				\$ 1320

REVEAL SLEEK 71 41 1/2-44 1/2 X 71 1/2 - 8MM - 139577

SKU	Glass / Finish	Door Opening	Dimensions & Weight	Packaging	MSRP
139577-900-084-000	Clear / Chrome	Reversible	41 1/2" - 44 1/2" x 71 1/2" / 116 lb / 53 kg	4.722 ft ³	\$ 1259
139577-900-173-000	Clear / Dark Bronze				\$ 1354
139577-900-305-000	Clear / Brushed Nickel				\$ 1321
139577-900-340-000	Clear / Matte Black				\$ 1354

REVEAL SLEEK 71 44-47 X 71 1/2 - 8MM - 139578

SKU	Glass / Finish	Door Opening	Dimensions & Weight	Packaging	MSRP
139578-900-084-000	Clear / Chrome	Reversible	44" - 47" x 71 1/2" / 118 lb / 54 kg	2 ft ³	\$ 1291
139578-900-173-000	Clear / Dark Bronze				\$ 1387
139578-900-305-000	Clear / Brushed Nickel				\$ 1355
139578-900-340-000	Clear / Matte Black				\$ 1387

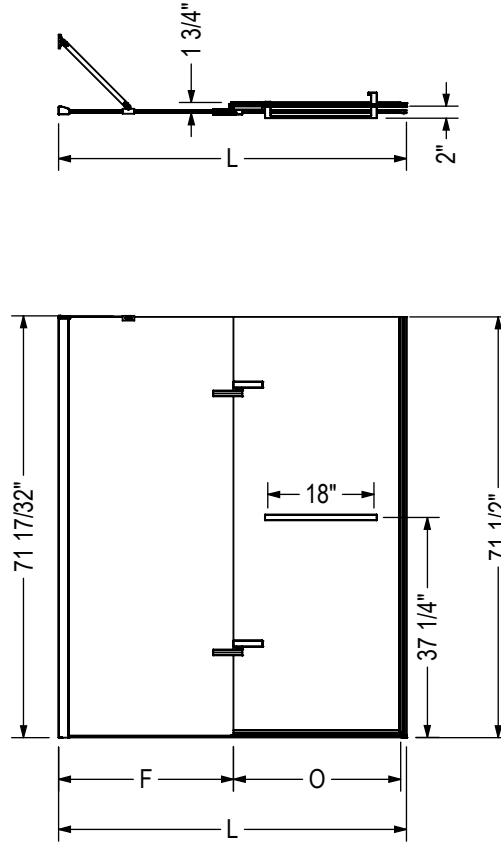
REVEAL SLEEK 71 51 1/2-54 1/2 X 71 1/2 - 8MM - 139579

SKU	Glass / Finish	Door Opening	Dimensions & Weight	Packaging	MSRP
139579-900-084-000	Clear / Chrome	Reversible	51 1/2" - 54 1/2" x 71 1/2" / 125 lb / 57 kg	4.72 ft ³	\$ 1350
139579-900-173-000	Clear / Dark Bronze				\$ 1451
139579-900-305-000	Clear / Brushed Nickel				\$ 1419
139579-900-340-000	Clear / Matte Black				\$ 1451

REVEAL SLEEK 71 56-59 X 71 1/2 - 8MM - 139580

SKU	Glass / Finish	Door Opening	Dimensions & Weight	Packaging	MSRP
139580-900-084-000	Clear / Chrome	Reversible	56" - 59" x 71 1/2" / 142 lb / 64 kg	4.72 ft ³	\$ 1421
139580-900-173-000	Clear / Dark Bronze				\$ 1526
139580-900-305-000	Clear / Brushed Nickel				\$ 1492
139580-900-340-000	Clear / Matte Black				\$ 1526

STANDARD



Code	Description	L	F	O
139575	Reveal Sleek 71 1/2" x 32 1/2" - 35 1/2"	32 1/2" - 35 1/2"	5 3/8"	23 3/4" - 26 3/4"
139576	Reveal Sleek 71 1/2" x 38" - 41"	38" - 41"	10 7/8"	23 3/4" - 26 3/4"
139577	Reveal Sleek 71 1/2" x 41 1/2" - 44 1/2"	41 1/2" - 44 1/2"	14 3/8"	23 3/4" - 26 3/4"
139578	Reveal Sleek 71 1/2" x 44" - 47"	44" - 47"	16 7/8"	23 3/4" - 26 3/4"
139579	Reveal Sleek 71 1/2" x 51 1/2" - 54 1/2"	51 1/2" - 54 1/2"	24 3/8"	23 3/4" - 26 3/4"
139580	Reveal Sleek 71 1/2" x 56" - 59"	56" - 59"	28 7/8"	23 3/4" - 26 3/4"

- Wall adjustment = 3/4"

All dimensions are approximate. Structure measurements must be verified against the unit to ensure proper fit.



Uptown Pivot Shower Doors

ALCOVE DOORS - PIVOT



Material : Tempered Glass

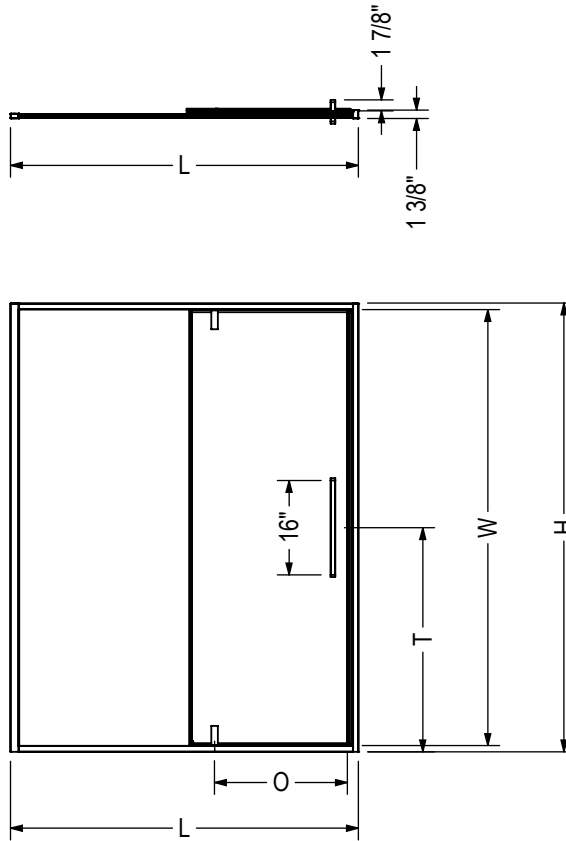
Features

- › 8 mm (5/16") tempered glass with Lotus easy clean protection
- › 76in high clear glass panel (Walkthrough 73-7/8in)
- › Thin header structure for a minimalist look
- › Handle available in Stylish fashion mixed material finish
- › Designed in North America
- › DIY Product for an easy installation
- › Pivoting doors provide a wide opening for ease of access in and out of the shower
- › 16 in. long handle provides an heavy feel & elegance
- › 1/2" out-of-plumb adjustment

UPTOWN 45-47 X 76 IN. 8 MM - 135325

SKU	Glass / Finish	Door Opening	Dimensions & Weight	Packaging	MSRP
135325-900-084-000	Clear / Chrome	Reversible	45" - 47" x 76" / 131 lb / 59 kg	5.227 ft ³	\$ 1423
135325-900-173-000	Clear / Dark Bronze				\$ 1528
135325-900-282-000	Clear / Chrome and White Marble				\$ 1491
135325-900-283-000	Clear / Dark Bronze and Beige Marble				\$ 1596
135325-900-285-000	Clear / Matte Black and Wood				\$ 1596
135325-900-305-000	Clear / Brushed Nickel				\$ 1498
135325-900-340-000	Clear / Matte Black				\$ 1528

STANDARD



Code	Description	H	L	O	T	W
135325	Uptown Pivot 76" x 45" - 47"	76"	45" - 47"	22 3/4"	38"	73 7/8"
135326	Uptown Pivot 76" x 57" - 59"	76"	57" - 59"	22 3/4"	38"	73 7/8"

Wall adjustment = 1/2"

All dimensions are approximate. Structure measurements must be verified against the unit to ensure proper fit.



Halo Shower Doors

ALCOVE DOORS - SLIDING



Material : Tempered Glass

Features

- › 8 mm tempered glass panels
- › Available in 4 finishes: Chrome, Brushed Nickel, Dark Bronze, Matte Black
- › Compatible with MAAX's full line of shower bases and walls, making it a versatile addition to any bathroom
- › Sliding door configuration features one sliding glass panel and one stationary panel
- › Ball bearing roller technology along a friction-free stainless steel rail system for a smooth and quiet opening
- › The frameless design brings a sense of spaciousness to the room and creates a sleek, minimalist look
- › Glass panels come with the Lotus Easy Clean Glass Protection to repel soap and water stains for carefree maintenance
- › Compatible with MAAX's Utile wall system, allowing for a seamless and coordinated installation with the shower door, creating a cohesive and stylish bathroom design
- › Warranty: 10 years

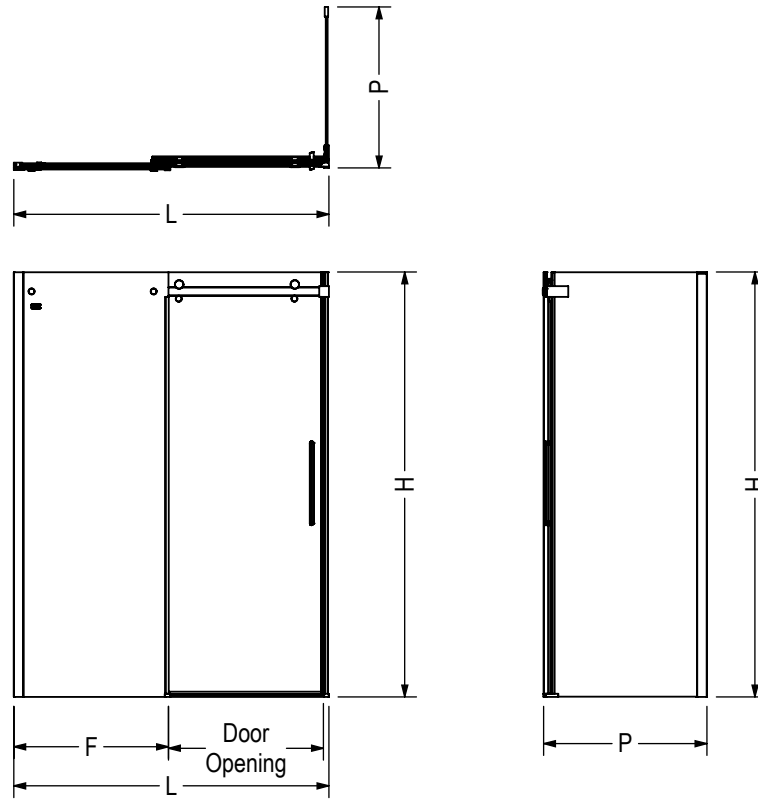
HALO 44 1/2-47 X 78 3/4 - 8MM - 138996

SKU	Glass / Finish	Door Opening	Dimensions & Weight	Packaging	MSRP
138996-900-084-000	Clear / Chrome	Reversible	44 1/2" - 47" x 78 3/4" / 144 lb / 65 kg	6 ft ³	\$ 1259
138996-900-173-000	Clear / Dark Bronze		44 1/2" - 47" x 78 3/4" / 116 lb / 53 kg		\$ 1354
138996-900-305-000	Clear / Brushed Nickel		44 1/2" - 47" x 78 3/4" / 144 lb / 65 kg		\$ 1321
138996-900-340-000	Clear / Matte Black	Lateral	44 1/2" - 47" x 78 3/4" / 132 lb / 60 kg		\$ 1354

HALO 56 1/2-59 X 78 3/4 - 8MM - 138997

SKU	Glass / Finish	Door Opening	Dimensions & Weight	Packaging	MSRP
138997-900-084-000	Clear / Chrome	Reversible	56 1/2" - 59" x 78 3/4" / 174 lb / 79 kg	7.2 ft ³	\$ 1384
138997-900-173-000	Clear / Dark Bronze		56 1/2" - 59" x 78 3/4" / 137 lb / 62 kg		\$ 1479
138997-900-305-000	Clear / Brushed Nickel		56 1/2" - 59" x 78 3/4" / 174 lb / 79 kg		\$ 1448
138997-900-340-000	Clear / Matte Black	Lateral	56 1/2" - 59" x 78 3/4" / 162 lb / 73 kg		\$ 1479

STANDARD



Code	Description	H	L Adjustable	F	P Adjustable	Door Opening	Wall Adjustment
138996	Halo 78 3/4" x 47"	78 3/4"	44 1/2" - 47"	22 1/2"	-	16 1/4" - 18 3/4"	1"
138997	Halo 78 3/4" x 59"	78 3/4"	56 1/2" - 59"	28 5/8"	-	22 1/8" - 24 5/8"	1"
139393	Return Panel 30"	78 3/4"	-	-	27 7/8"	-	1"
138998	Return Panel 32"	78 3/4"	-	-	29 7/8"	-	1"
139395	Return Panel 34"	78 3/4"	-	-	31 7/8"	-	1"
139396	Return Panel 36"	78 3/4"	-	-	33 7/8"	-	1"
139394	Return Panel 42"	78 3/4"	-	-	39 7/8"	-	1"

All dimensions are approximate. Structure measurements must be verified against the unit to ensure proper fit.



Luminescence Shower Doors

ALCOVE DOORS - SLIDING



Material : Tempered Glass

Features

- › Elegant 1/4 -inch (6 mm) clear tempered glass with minimalist hardware
- › Fits showers with 70 1/2 -inch wall clearance, glass extends to 72 -inch
- › Ball bearing roller system, for a quiet and gentle close
- › Door is reversible, provides a right or left opening for ease of installation

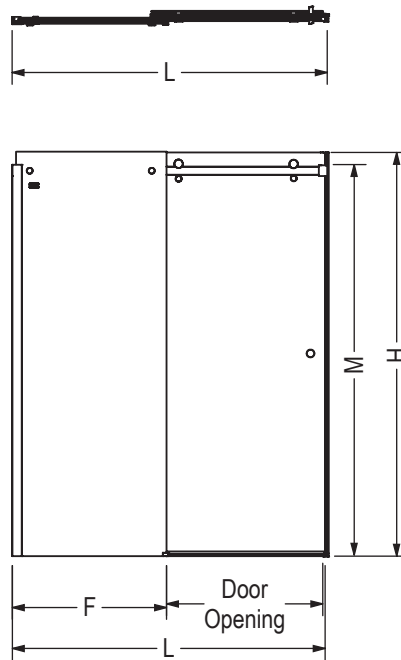
LUMINESCENCE 44 1/2-47 X 70 1/2-72 - 6MM - 138992

SKU	Glass / Finish	Door Opening	Dimensions & Weight	Packaging	MSRP
138992-900-084-000	Clear / Chrome	Reversible	44 1/2" - 47" x 70 1/2" / 84 lb / 38 kg	4.04 ft ³	\$ 1021
138992-900-173-000	Clear / Dark Bronze				\$ 1115

LUMINESCENCE 56 1/2-59 X 70 1/2-72 - 6MM - 138993

SKU	Glass / Finish	Door Opening	Dimensions & Weight	Packaging	MSRP
138993-900-173-000	Clear / Dark Bronze	Reversible	56 1/2" - 59" x 70 1/2" / 106 lb / 48 kg	5 ft ³	\$ 1166

STANDARD



Code	Description	H	M	L Adjustable	F	Door Opening	Wall Adjustment
138992	Luminescence 44 1/2"-47" x 70 1/2"	72"	70 1/2"	44 1/2" - 47"	22 1/2"	18 3/8"	1"
138993	Luminescence 56 1/2"-59" x 70 1/2"	72"	70 1/2"	56 1/2" - 59"	28 5/8"	24 1/2"	1"

All dimensions are approximate. Structure measurements must be verified against the unit to ensure proper fit.



Odyssey SC Shower Doors

ALCOVE DOORS - SLIDING



Material : Tempered Glass

Features

- › 8 mm (5/16") tempered glass with Lotus easy clean protection
- › Slim stainless header that requires no cut to ease installation
- › Innovative double SOFT CLOSE by MAAX prevents slamming
- › Double-sided handle designed for comfort
- › Detachable door guide to distance the glass when cleaning
- › 78" high clear glass panel
- › High quality rollers for smooth glide
- › Reversible shower door for left or right opening
- › 5/8" out-of-plumb adjustment

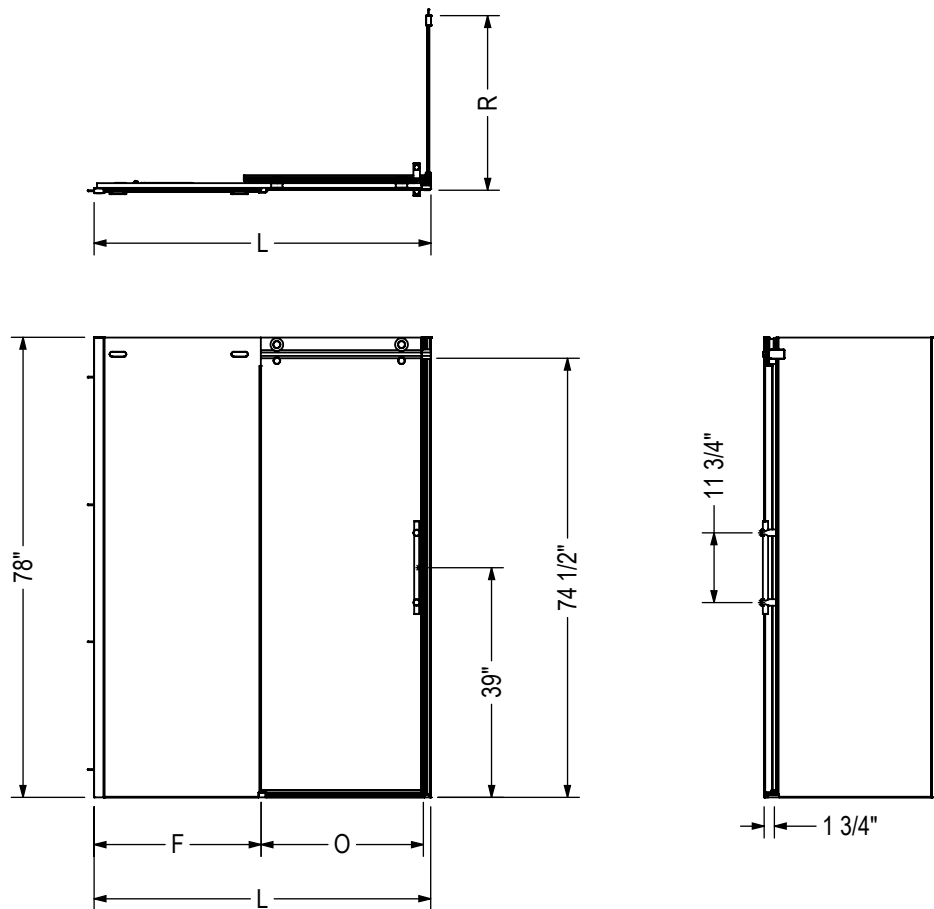
ODYSSEY SC 57-59 1/2 X 78 - 8 MM - 137420

SKU	Glass / Finish	Door Opening	Dimensions & Weight	Packaging	MSRP
137420-900-084-000	Clear / Chrome	Reversible	57" - 59 1/2" x 78" / 141.18 lb / 64 kg	6.99 ft ³	\$ 1650
137420-900-305-000	Clear / Brushed Nickel				\$ 1733
137420-900-340-000	Clear / Matte Black		\$ 1774		
137420-900-343-000	Clear / Brushed Gold		\$ 1980		

ODYSSEY SC 45-47 1/2 X 78 - 8 MM - 137421

SKU	Glass / Finish	Door Opening	Dimensions & Weight	Packaging	MSRP
137421-900-084-000	Clear / Chrome	Reversible	45" - 47 1/2" x 78" / 115.39 lb / 52 kg	5.76 ft ³	\$ 1485
137421-900-305-000	Clear / Brushed Nickel				\$ 1560
137421-900-340-000	Clear / Matte Black		\$ 1597		
137421-900-343-000	Clear / Brushed Gold		\$ 1783		

STANDARD



Code	Description	L Adjustable	F	O	R	Wall adjustment
137420	Odyssey Slider door 57"-59 1/2" x 78"	57" - 59 1/2"	27 7/8"	24 1/2" - 25"	-	5/8"
137421	Odyssey Slider door 45"-47 1/2" x 78"	45" - 47 1/2"	21 7/8"	18 1/4" - 18 3/4"	-	5/8"
137422	ODYSSEY RETURN PANEL 32"	-	-	-	29 3/4" - 30 1/2"	3/4"

All dimensions are approximate. Structure measurements must be verified against the unit to ensure proper fit.



Uptown Slider Shower Doors

ALCOVE DOORS - SLIDING



Material : Tempered Glass

Features

- › 7 mm (5/16") tempered glass
- › Configuration consists of a Stationary Panel and Sliding Door
- › Available in 6 stylish finishes (monochrome or mixed-finishes)
- › Handle available in Stylish fashion mixed material finish
- › Fits on showers, walls and tile
- › Innovative Soft Close by MAAX technology prevents slamming
- › Glass panels come with the Lotus Easy Clean Glass Protection to repel soap and water stains for carefree maintenance
- › Reversible panel for easy corner installation on the left or on the right
- › 1/2" out-of-plumb adjustment

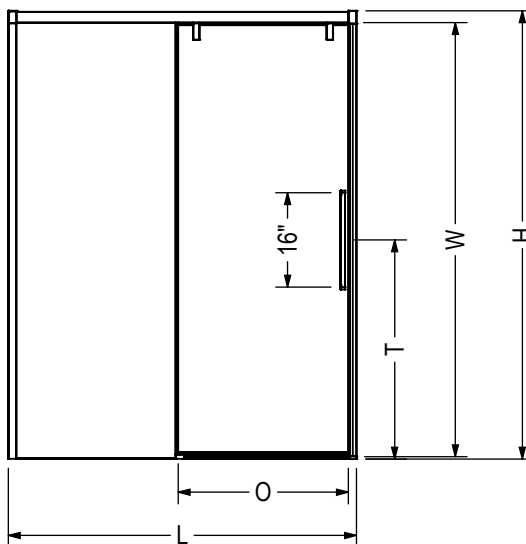
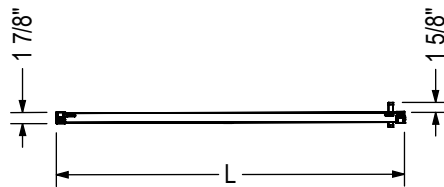
UPTOWN 44-47 X 76 IN. 8 MM - 135323

SKU	Glass / Finish	Door Opening	Dimensions & Weight	Packaging	MSRP
135323-900-084-000	Clear / Chrome	Reversible	44" - 47" x 76" / 107 lb / 49 kg	5.65 ft ³	\$ 1423
135323-900-173-000	Clear / Dark Bronze				\$ 1528
135323-900-282-000	Clear / Chrome and White Marble				\$ 1491
135323-900-283-000	Clear / Dark Bronze and Beige Marble				\$ 1596
135323-900-285-000	Clear / Matte Black and Wood				\$ 1596
135323-900-305-000	Clear / Brushed Nickel				\$ 1498
135323-900-340-000	Clear / Matte Black				\$ 1528

UPTOWN 56-59 X 76 IN. 8 MM - 135324

SKU	Glass / Finish	Door Opening	Dimensions & Weight	Packaging	MSRP
135324-900-084-000	Clear / Chrome	Reversible	56" - 59" x 76" / 133 lb / 60 kg	6.816 ft ³	\$ 1510
135324-900-173-000	Clear / Dark Bronze				\$ 1624
135324-900-282-000	Clear / Chrome and White Marble				\$ 1578
135324-900-283-000	Clear / Dark Bronze and Beige Marble				\$ 1692
135324-900-285-000	Clear / Matte Black and Wood				\$ 1692
135324-900-305-000	Clear / Brushed Nickel				\$ 1585
135324-900-340-000	Clear / Matte Black				\$ 1624

STANDARD



Code	Description	H	L	O	T	W
135323	Uptown Slider 76" x 44" - 47"	76"	44" - 47"	16" - 19"	37 1/8"	73 1/2"
135324	Uptown Slider 76" x 56" - 59"	76"	56" - 59"	22" - 25"	37 1/8"	73 1/2"

Wall adjustment = 1/2"

All dimensions are approximate. Structure measurements must be verified against the unit to ensure proper fit.



Connect Shower Doors

ALCOVE DOORS - SLIDING



Material : Tempered Glass

Features

- › Model Size: in - 38.64in W X 72in H
- › Configuration consists of a Stationary Panel and Sliding Door
- › Available in 3 finishes: Chrome, Brushed Nickel, Matte Black
- › A 1/2 inch vertical profile to fill an additional gap, sold separately
- › Requires no cutting the door frame expands to adjust to the walls
- › Glass panels come with the Lotus Easy Clean Glass Protection to repel soap and water stains for carefree maintenance
- › Solid expandable frame that provides 1.5 in. adjustment with ClickConnect corner joint
- › Fast, no-cut installation
- › Reversible door for easy left -or right- opening installation

CONNECT 43 1/2-45 X 72 - 6MM - 135241

SKU	Glass / Finish	Door Opening	Dimensions & Weight	Packaging	MSRP
135241-900-084-000	Clear / Chrome	Reversible	43 1/2" - 45" x 72" / 85 lb / 39 kg	13.5 ft ³	\$ 1021
135241-900-340-000	Clear / Matte Black				\$ 1122

CONNECT 45-46 1/2 X 72 - 6MM - 135242

SKU	Glass / Finish	Door Opening	Dimensions & Weight	Packaging	MSRP
135242-900-084-000	Clear / Chrome	Reversible	45" - 46 1/2" x 72" / 88 lb / 40 kg	13.5 ft ³	\$ 1021
135242-900-340-000	Clear / Matte Black				\$ 1122

CONNECT 55 1/2-57 X 72 - 6MM - 135243

SKU	Glass / Finish	Door Opening	Dimensions & Weight	Packaging	MSRP
135243-900-084-000	Clear / Chrome	Reversible	55 1/2" - 57" x 72" / 104 lb / 47 kg	17.5 ft ³	\$ 1085
135243-900-340-000	Clear / Matte Black				\$ 1194

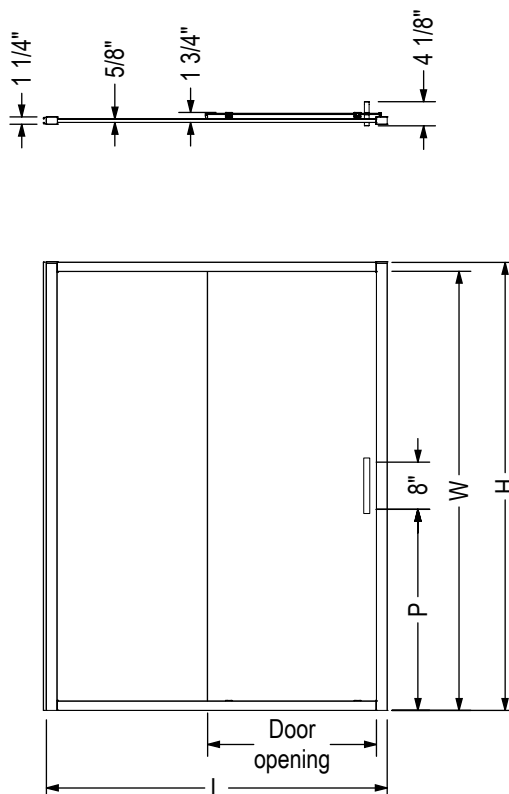
CONNECT 57-58 1/2 X 72 - 6MM - 135244

SKU	Glass / Finish	Door Opening	Dimensions & Weight	Packaging	MSRP
135244-900-084-000	Clear / Chrome	Reversible	57" - 58 1/2" x 72" / 107 lb / 49 kg	17.5 ft ³	\$ 1085

CONNECT 57-58 1/2 X 72 - 6MM - 135244

SKU	Glass / Finish	Door Opening	Dimensions & Weight	Packaging	MSRP
135244-900-340-000	Clear / Matte Black	Reversible	57" - 58 1/2" x 72" / 107 lb / 49 kg	17.5 ft ³	\$ 1194

STANDARD



Code	Description	H	W	L Adjustable	Door opening	P
135241	Connect 72" x 43 1/2" - 45"	72"	70 3/8"	43 1/2" - 45"	17 13/16" - 18 9/16"	32 1/8"
135242	Connect 72" x 45" - 46 1/2"	72"	70 3/8"	45" - 46 1/2"	18 9/16" - 19 5/16"	32 1/8"
135243	Connect 72" x 55 1/2" - 57"	72"	70 3/8"	55 1/2" - 57"	23 13/16" - 24 9/16"	32 1/8"
135244	Connect 72" x 57" - 58 1/2"	72"	70 3/8"	57" - 58 1/2"	24 9/16" - 25 5/16"	32 1/8"
135245	Connect tub door 57" x 55 1/2" - 57"	57"	55 7/16"	55 1/2" - 57"	23 13/16" - 24 9/16"	24 5/8"
135246	Connect tub door 57" x 57" - 58 1/2"	57"	55 7/16"	57" - 58 1/2"	24 9/16" - 25 5/16"	24 5/8"

All dimensions are approximate. Structure measurements must be verified against the unit to ensure proper fit.



Outback Shower Doors

ALCOVE DOORS - SLIDING



Material : Tempered Glass

Features

- › Slim stainless header
- › Three stylish finishes: Chrome, Brushed Nickel and Matte Black
- › Door offers 3.25in of adjustment to fit on tile and on shower units
- › 8 mm (5/16") tempered glass with Lotus easy clean protection
- › Reversible shower door for left or right opening

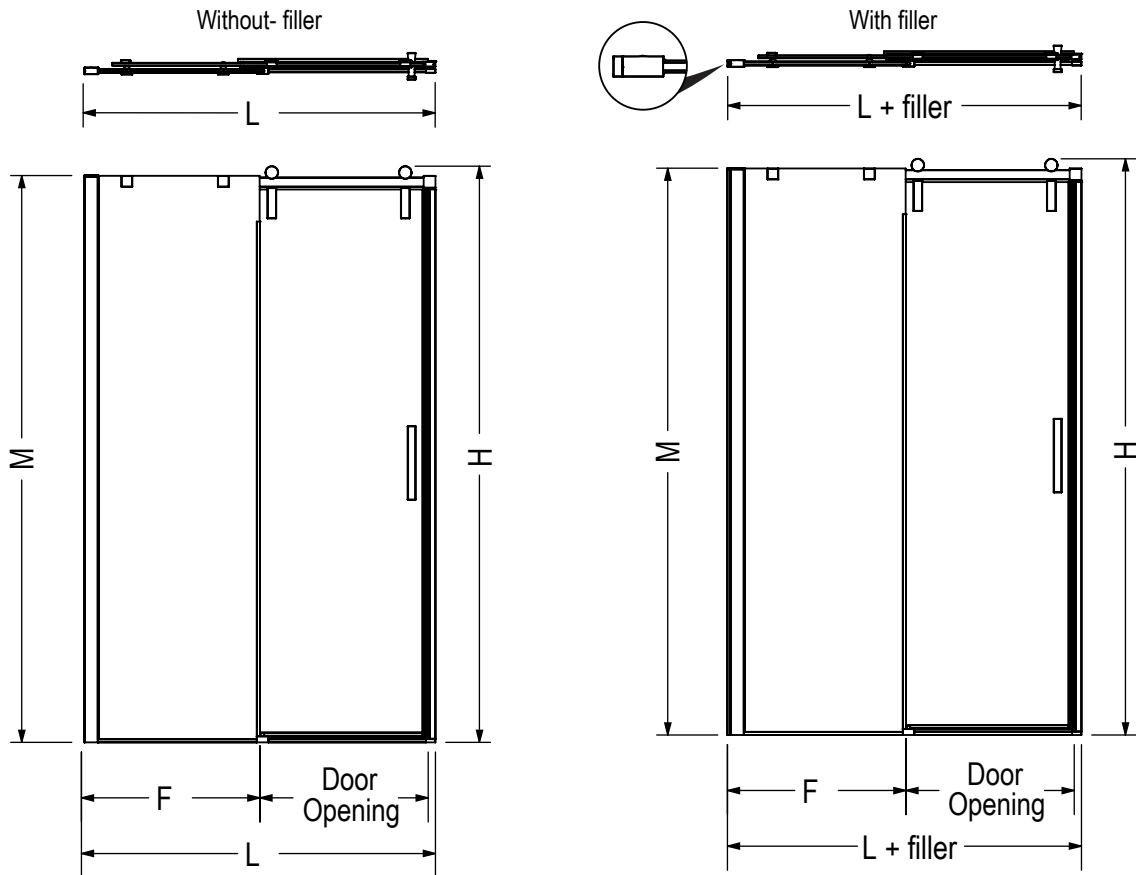
OUTBACK 43 1/4 - 46 1/2 X 70 1/2 - 8MM - 137680

SKU	Glass / Finish	Door Opening	Dimensions & Weight	Packaging	MSRP
137680-900-084-000	Clear / Chrome	Reversible	43 1/4" - 46 1/2" x 70 1/2" / 117 lb / 53 kg	4.82 ft ³	\$ 1171
137680-900-305-000	Clear / Brushed Nickel				\$ 1234
137680-900-340-000	Clear / Matte Black				\$ 1265

OUTBACK 55 1/4 - 58 1/2 X 70 1/2 - 8MM - 137681

SKU	Glass / Finish	Door Opening	Dimensions & Weight	Packaging	MSRP
137681-900-084-000	Clear / Chrome	Reversible	55 1/4" - 58 1/2" x 70 1/2" / 131 lb / 59 kg	5.88 ft ³	\$ 1297
137681-900-305-000	Clear / Brushed Nickel				\$ 1359
137681-900-340-000	Clear / Matte Black				\$ 1391

STANDARD



Code	Description	H	M	L Adjustable	L Adjustable + Wall filler	F	Door Opening	Wall adjustment	Walk thru
835680 / 137680	Outback 48	72"	70 1/2"	43 1/4" - 46 1/2"	43 5/8" - 46 7/8"	21 1/2"	16 1/8" - 19"	3/4"	68 3/4"
835681 / 137681	Outback 60	72"	70 1/2"	55 1/4" - 58 1/2"	55 5/8" - 58 7/8"	27 1/2"	22 1/8" - 25"	3/4"	68 3/4"
835682 / 137682	Outback Tub 60	58 3/16"	57"	55 1/4" - 58 1/2"	55 5/8" - 58 7/8"	27 1/2"	22 1/8" - 25"	3/4"	55 1/4"

To reach maximum alcove dimension (L), you need to add the filler to maintain a maximum door opening.
 To reach the minimum alcove dimension (L), you need to remove the wall jamb filler to maintain a maximum door opening.

All dimensions are approximate. Structure measurements must be verified against the unit to ensure proper fit.



Silhouette Neo-angle



Material : Tempered Glass

Features

- > Neo-angle framed pivot door for corner shower
- > Full-length aluminium pull adds reinforcement and doubles as a handle
- > Reversible door for left or right opening
- > Gutter is integrated in the inside of the door
- > Adjustable pivot mechanism

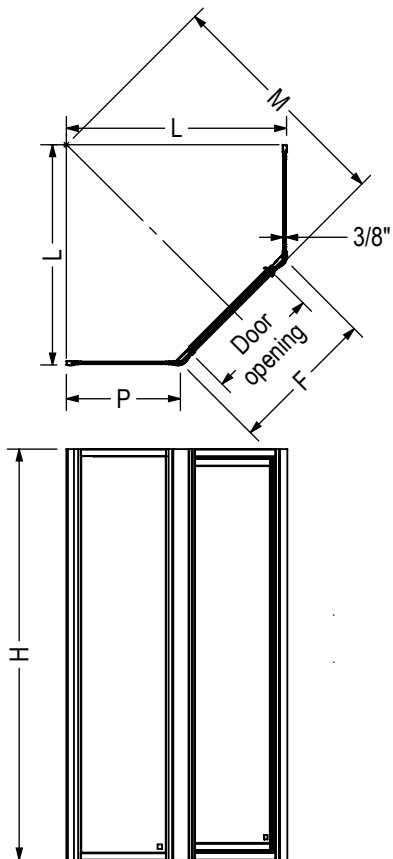
SILHOUETTE NEO-ANGLE PIVOT 38 X 38 X 70 IN. - 137901

SKU	Glass / Finish	Door Opening	Dimensions & Weight	Packaging	MSRP
137901-900-084-000	Clear / Chrome	Central	" x " x 70" / 77 lb / 35 kg	5.76 ft ³	\$ 849
137901-970-084-000	Raindrop / Chrome				\$ 849

SILHOUETTE NEO-ANGLE PIVOT 36 X 36 X 70 IN. - 137904

SKU	Glass / Finish	Door Opening	Dimensions & Weight	Packaging	MSRP
137904-900-084-000	Clear / Chrome	Central	" x " x 70" / 74 lb / 34 kg	5.44 ft ³	\$ 820
137904-970-084-000	Raindrop / Chrome				\$ 820

STANDARD



Code	Description	H	M Adjustable	L Adjustable	Door opening	F Adjustable	P Adjustable	Wall adjustment
137700	Silhouette Plus Pivot 36" x 70"	69 5/8"	32 1/4" - 35 1/8"	31 1/4" - 33 3/4"	17 3/4"	23 3/8" - 24 7/8"	14 3/8" - 15 7/8"	2 1/2"
137710	Silhouette Plus Pivot 38" x 70"	69 5/8"	37 1/4" - 40 1/8"	34 3/4" - 37 1/4"	17 1/2"	23 3/8" - 24 7/8"	17 7/8" - 19 3/8"	2 1/2"
137720	Silhouette Plus Pivot 36" x 70"	69 5/8"	34 5/8" - 37 1/2"	33 1/8" - 35 3/4"	18 1/2"	24 1/8" - 25 5/8"	15 3/4" - 17 1/4"	2 1/2"
137730	Silhouette Plus Pivot 38 - 40" x 70"	69 5/8"	37 5/8" - 40 1/2"	35 1/4" - 37 7/8"	18 1/2"	24 1/8" - 25 5/8"	17 7/8" - 19 3/8"	2 1/2"
137750	Silhouette Plus Pivot 38 - 40" x 70"	69 5/8"	38 1/8" - 41"	37" - 39 1/2"	22 1/4"	27 7/8" - 29 3/8"	16 7/8" - 18 3/8"	2 1/2"
137760	Silhouette Plus Pivot 42" x 70"	69 5/8"	41" - 43 7/8"	39" - 41 1/2"	22 1/4"	27 7/8" - 29 3/8"	18 7/8" - 20 3/8"	2 1/2"

All dimensions are approximate. Structure measurement must be verified against the unit to ensure proper fit.



Silhouette Plus Neo-angle



Material : Tempered Glass

Features

- > Neo-angle framed pivot door for corner shower
- > Full-length aluminium pull reinforces doors and doubles as a handle
- > Reversible door for left or right opening
- > Gutter is integrated in the inside of the door
- > 6 ways to adjust door to irregular base

CORNER DOORS - PIVOT

SILHOUETTE PLUS NEO-ANGLE 38 X 38 X 70 IN. - 137710

SKU	Glass / Finish	Door Opening	Dimensions & Weight	Packaging	MSRP
137710-900-084-000	Clear / Chrome	Reversible	" x " x 70" / 73 lb / 33 kg	5.39 ft ³	\$ 971
137710-965-084-000	Hammer / Chrome				\$ 971

SILHOUETTE PLUS NEO-ANGLE 36 X 36 X 70 IN. - 137720

SKU	Glass / Finish	Door Opening	Dimensions & Weight	Packaging	MSRP
137720-900-084-000	Clear / Chrome	Reversible	" x " x 70" / 72 lb / 33 kg	5.55 ft ³	\$ 964
137720-965-084-000	Hammer / Chrome				\$ 964

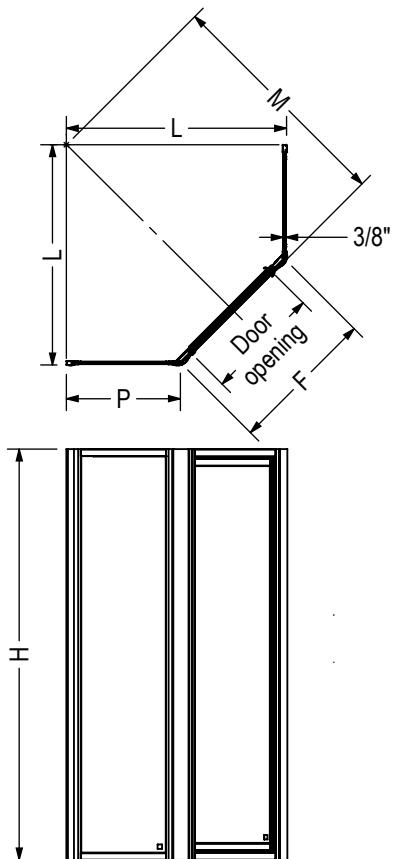
SILHOUETTE PLUS NEO-ANGLE 38 X 38-40 X 40 X 70 IN. - 137730

SKU	Glass / Finish	Door Opening	Dimensions & Weight	Packaging	MSRP
137730-900-084-000	Clear / Chrome	Reversible	" x " x 70" / 71 lb / 32 kg	5.42 ft ³	\$ 979
137730-965-084-000	Hammer / Chrome				\$ 979

SILHOUETTE PLUS NEO-ANGLE 38 X 38-40 X 40 X 70 IN. - 137750

SKU	Glass / Finish	Door Opening	Dimensions & Weight	Packaging	MSRP
137750-965-084-000	Hammer / Chrome	Reversible	" x " x 70" / 78 lb / 35 kg	6.19 ft ³	\$ 992

STANDARD



Code	Description	H	M Adjustable	L Adjustable	Door opening	F Adjustable	P Adjustable	Wall adjustment
137700	Silhouette Plus Pivot 36" x 70"	69 5/8"	32 1/4" - 35 1/8"	31 1/4" - 33 3/4"	17 3/4"	23 3/8" - 24 7/8"	14 3/8" - 15 7/8"	2 1/2"
137710	Silhouette Plus Pivot 38" x 70"	69 5/8"	37 1/4" - 40 1/8"	34 3/4" - 37 1/4"	17 1/2"	23 3/8" - 24 7/8"	17 7/8" - 19 3/8"	2 1/2"
137720	Silhouette Plus Pivot 36" x 70"	69 5/8"	34 5/8" - 37 1/2"	33 1/8" - 35 3/4"	18 1/2"	24 1/8" - 25 5/8"	15 3/4" - 17 1/4"	2 1/2"
137730	Silhouette Plus Pivot 38 - 40" x 70"	69 5/8"	37 5/8" - 40 1/2"	35 1/4" - 37 7/8"	18 1/2"	24 1/8" - 25 5/8"	17 7/8" - 19 3/8"	2 1/2"
137750	Silhouette Plus Pivot 38 - 40" x 70"	69 5/8"	38 1/8" - 41"	37" - 39 1/2"	22 1/4"	27 7/8" - 29 3/8"	16 7/8" - 18 3/8"	2 1/2"
137760	Silhouette Plus Pivot 42" x 70"	69 5/8"	41" - 43 7/8"	39" - 41 1/2"	22 1/4"	27 7/8" - 29 3/8"	18 7/8" - 20 3/8"	2 1/2"

All dimensions are approximate. Structure measurement must be verified against the unit to ensure proper fit.



Davana Neo-angle 38 Door



Material : Glass

Features

- › Square hardware for a transitional look
- › Reversible pivot door for left or right-hand opening, giving you flexibility in design
- › Glass panels come with the Lotus Easy Clean Glass Protection to repel soap and water stains for carefree maintenance
- › Flush mount hinges on inside glass for easy cleaning
- › The doors' full length magnet provides a better watertight closure
- › Premium square door handle to ease the door opening from the inside and outside
- › Clear glass shower door for a clean look
- › Pair with a wall and base solution to create a complete shower solution
- › Easy installation for a stress-free experience

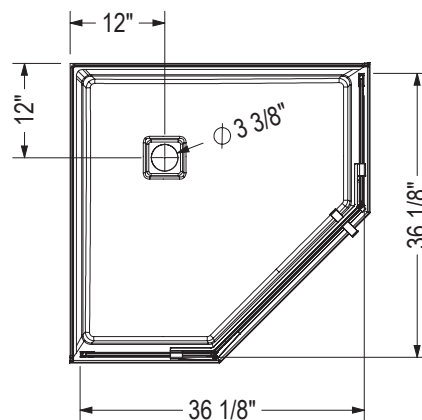
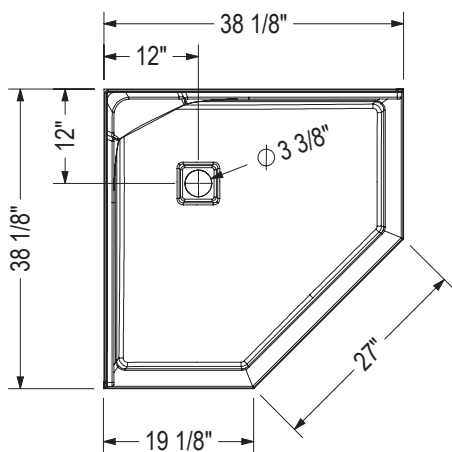
DAVANA NEO-ANGLE 38 X 38 X 75 - 8MM - 139315

SKU	Glass / Finish	Door Opening	Dimensions & Weight	Packaging	MSRP
139315-900-084-000	Clear / Chrome	Reversible	36 1/8" x 36 1/8" x 75" / 133.3 lb / 60 kg	3.67 ft ³	\$ 1220
139315-900-173-000	Clear / Dark Bronze				\$ 1409
139315-900-305-000	Clear / Brushed Nickel				\$ 1311
139315-900-340-000	Clear / Matte Black				\$ 1409

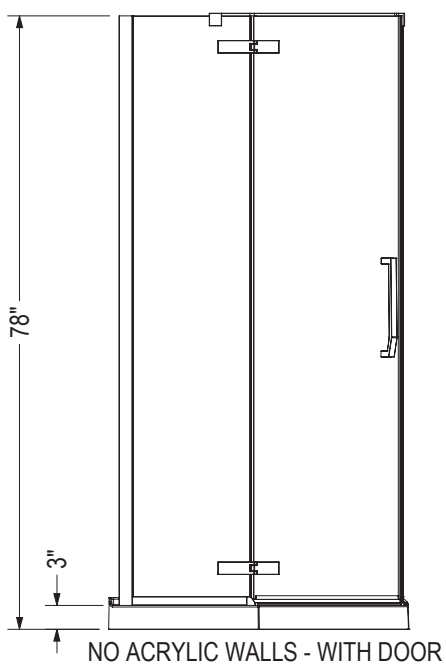
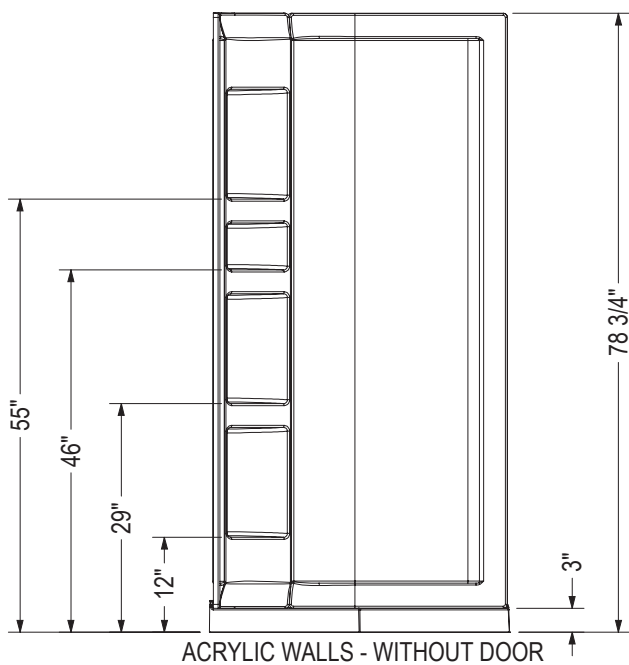
ACCESSORIES

SKU	Description	MSRP
10060311	Corner glass shelf (9 3/8 x 9 3/8 in.) (sold separately) 10 mm frosted glass with a clear band along the edge Compatible with Utile and tile shower walls	\$ 158

STANDARD



-Door opening : 26 1/8"
-Wall jamb adjustment : 3/4"



All dimensions are approximate. Structure measurements must be verified against the unit to ensure proper fit.



Davana Neo-angle 40 Door



Material : Glass

Features

- › Square hardware for a transitional look
- › Reversible pivot door for left or right-hand opening, giving you flexibility in design
- › Glass panels come with the Lotus Easy Clean Glass Protection to repel soap and water stains for carefree maintenance
- › Flush mount hinges on inside glass for easy cleaning
- › The doors' full length magnet provides a better watertight closure
- › Premium square door handle to ease the door opening from the inside and outside
- › Clear glass shower door for a clean look
- › Pair with a wall and base solution to create a complete shower solution
- › Easy installation for a stress-free experience

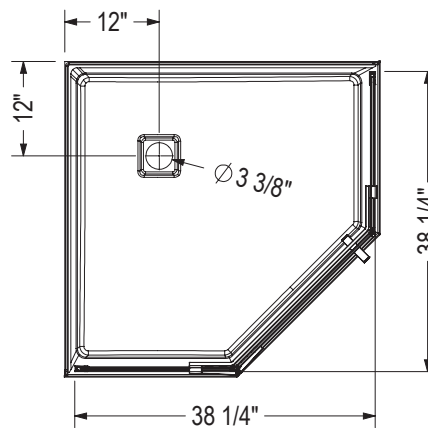
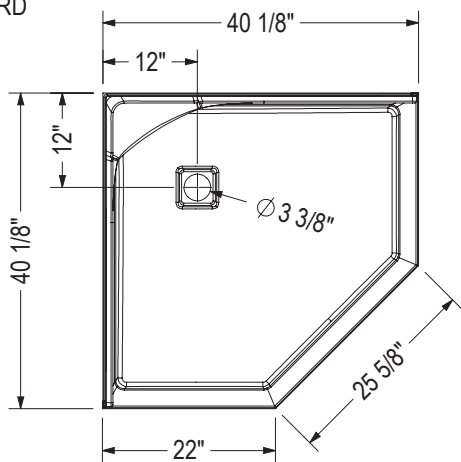
DAVANA NEO-ANGLE 40 X 40 X 75 - 8MM - 139320

SKU	Glass / Finish	Door Opening	Dimensions & Weight	Packaging	MSRP
139320-900-084-000	Clear / Chrome	Reversible	38 1/8" x 38 1/8" x 75" / 138 lb / 63 kg	3.67 ft ³	\$ 1312
139320-900-173-000	Clear / Dark Bronze				\$ 1517
139320-900-305-000	Clear / Brushed Nickel				\$ 1411
139320-900-340-000	Clear / Matte Black				\$ 1517

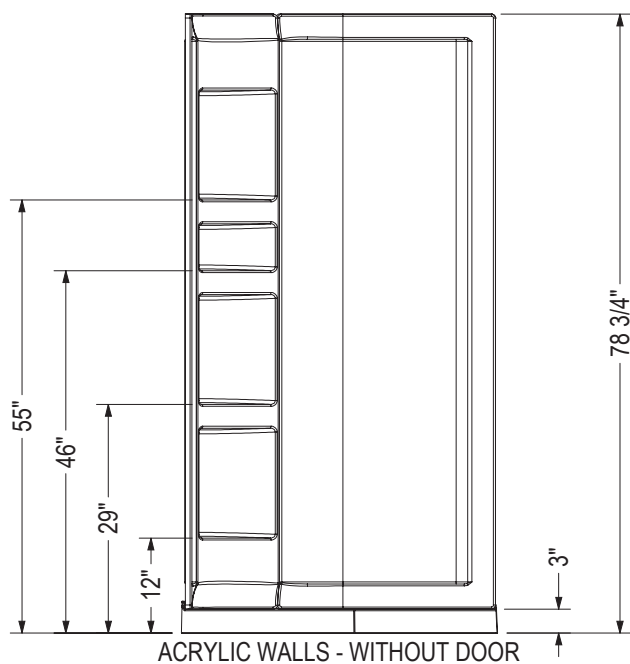
ACCESSORIES

SKU	Description	MSRP
10060311	Corner glass shelf (9 3/8 x 9 3/8 in.) (sold separately) 10 mm frosted glass with a clear band along the edge Compatible with Utile and tile shower walls	\$ 158

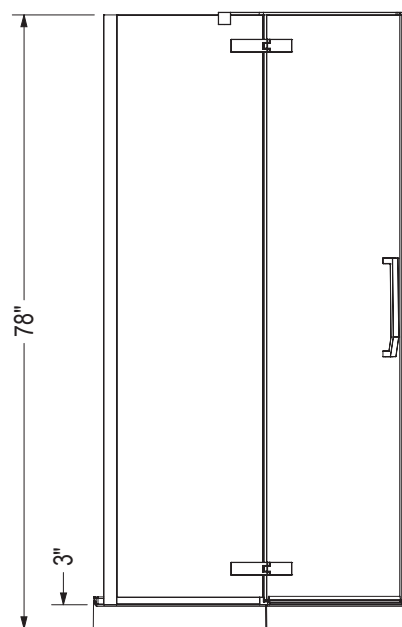
STANDARD



-Door opening : 24 1/8"
 -Wall jamb adjustment : 3/4"



ACRYLIC WALLS - WITHOUT DOOR



NO ACRYLIC WALLS - WITH DOOR

All dimensions are approximate. Structure measurements must be verified against the unit to ensure proper fit.



Davana Rectangular 4234 Door

CORNER DOORS - PIVOT



Material : Glass

Features

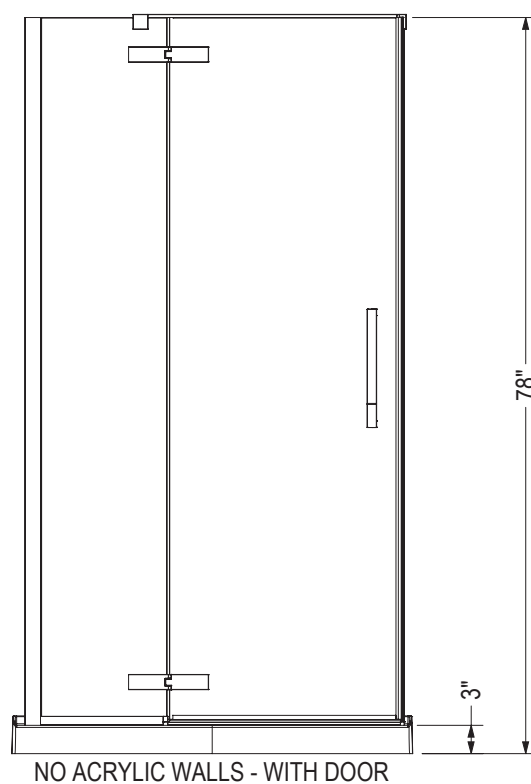
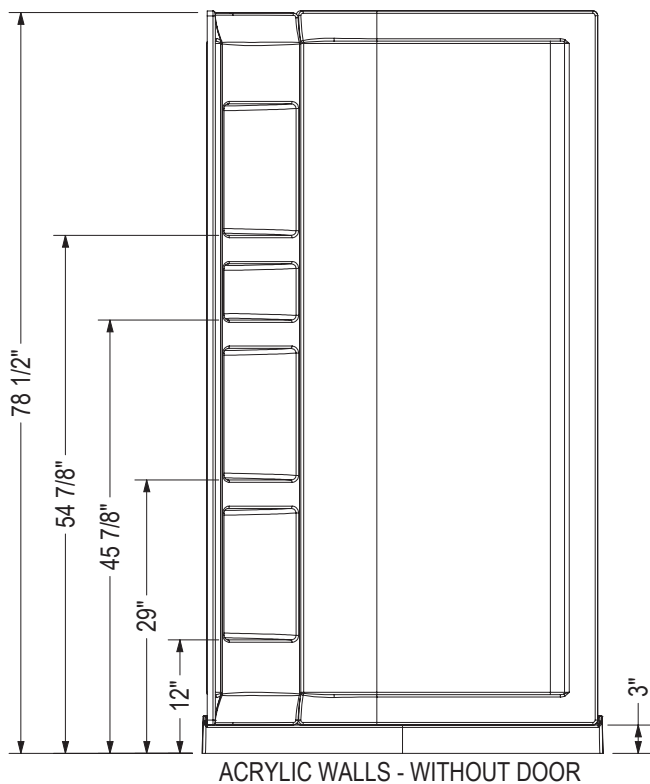
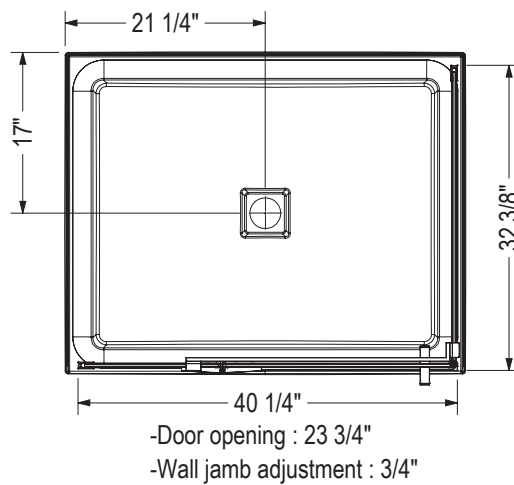
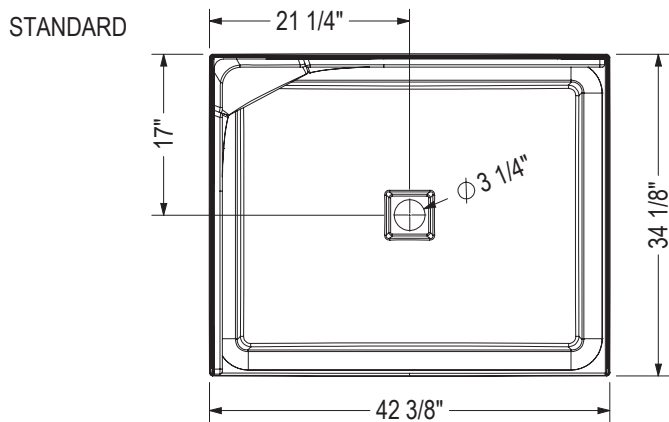
- › Kit includes the door and return panel
- › Square hardware for a transitional look
- › Reversible pivot door for left or right-hand opening, giving you flexibility in design
- › Glass panels come with the Lotus Easy Clean Glass Protection to repel soap and water stains for carefree maintenance
- › Flush mount hinges on inside glass for easy cleaning
- › The doors' full length magnet provides a better watertight closure
- › 8 mm tempered glass glass panels
- › Door frame allows for plenty of wall adjustment and ideal for Out-Of-Plumb walls
- › Pair with a wall and base solution to create a complete shower solution

DAVANA RECTANGULAR 42 X 34 X 75 - 8MM - 139330

SKU	Glass / Finish	Door Opening	Dimensions & Weight	Packaging	MSRP
139330-900-084-000	Clear / Chrome	Reversible	40 1/4" x 32 3/8" x 75" / 155 lb / 70 kg	4.66 ft ³	\$ 1573
139330-900-173-000	Clear / Dark Bronze				\$ 1816
139330-900-305-000	Clear / Brushed Nickel				\$ 1690
139330-900-340-000	Clear / Matte Black				\$ 1816

ACCESSORIES

SKU	Description	MSRP
10060311	Corner glass shelf (9 3/8 x 9 3/8 in.) (sold separately) 10 mm frosted glass with a clear band along the edge Compatible with Utile and tile shower walls	\$ 158



All dimensions are approximate. Structure measurements must be verified against the unit to ensure proper fit.



Hana Neo-angle 38 Door

CORNER DOORS - PIVOT



Material : Glass

Features

- › Rounded square hardware for a transitional look
- › Reversible pivot door for left or right-hand opening, giving you flexibility in design
- › Glass panels come with the Lotus Easy Clean Glass Protection to repel soap and water stains for carefree maintenance
- › Flush mount hinges on inside glass for easy cleaning
- › The doors' full length magnet provides a better watertight closure
- › Premium square door handle to ease the door opening from the inside and outside
- › Clear glass shower door for a clean look
- › Pair with a wall and base solution to create a complete shower solution
- › Easy installation for a stress-free experience

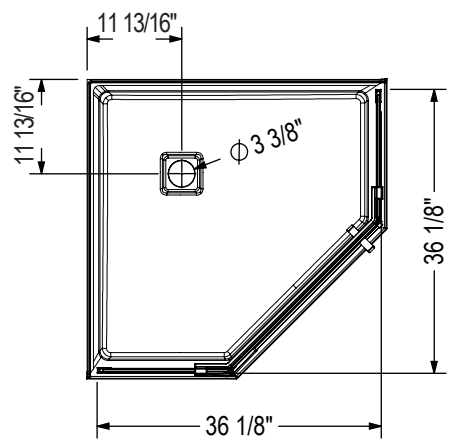
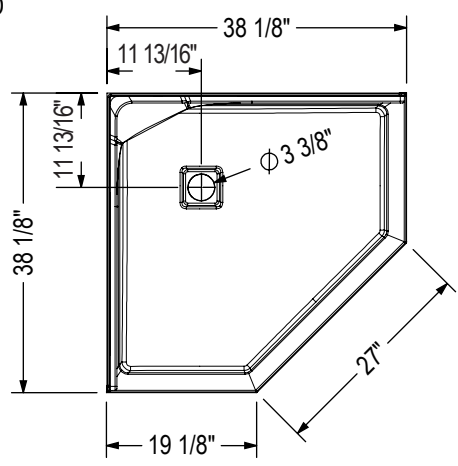
HANA NEO-ANGLE 38 X 38 X 75 - 8MM - 137300

SKU	Glass / Finish	Door Opening	Dimensions & Weight	Packaging	MSRP
137300-900-084-000	Clear / Chrome	Reversible	36 1/8" x 36 1/8" x 75" / 133.3 lb / 60 kg	3.67 ft ³	\$ 1220
137300-900-173-000	Clear / Dark Bronze				\$ 1409
137300-900-305-000	Clear / Brushed Nickel				\$ 1311
137300-900-340-000	Clear / Matte Black				\$ 1409

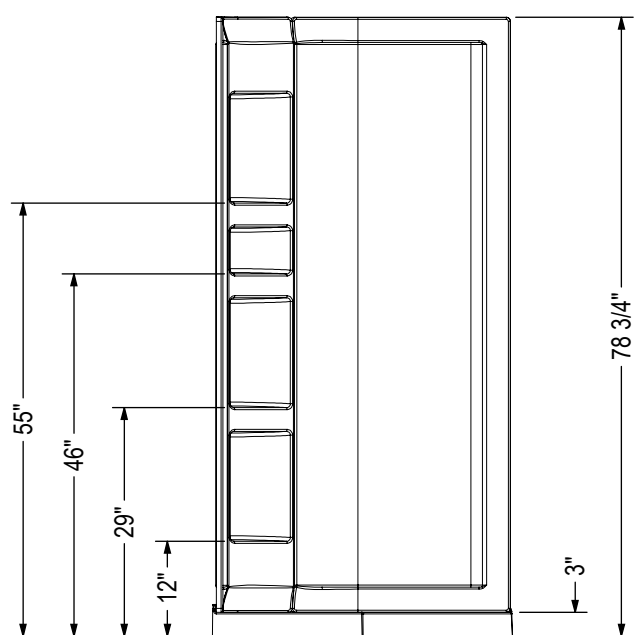
ACCESSORIES

SKU	Description	MSRP
10060311	Corner glass shelf (9 3/8 x 9 3/8 in.) (sold separately) 10 mm frosted glass with a clear band along the edge Compatible with Utile and tile shower walls	\$ 158

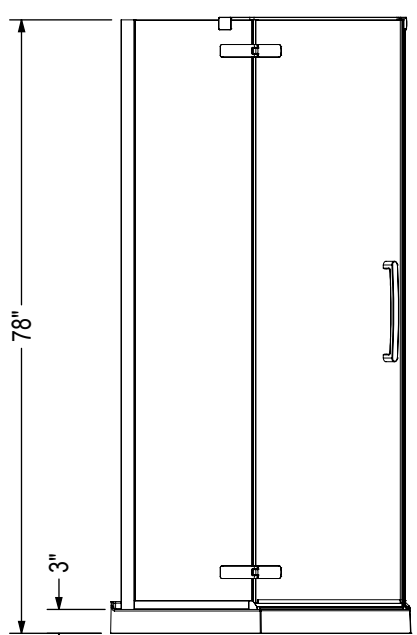
STANDARD



-Door opening : 26 1/8"
-Wall jamb adjustment : 3/4"



ACRYLIC WALLS - WITHOUT DOOR



NO ACRYLIC WALLS - WITH DOOR

All dimensions are approximate. Structure measurements must be verified against the unit to ensure proper fit.



Hana Neo-angle 40 Door



Material : Glass

Features

- › Rounded square hardware for a transitional look
- › Reversible pivot door for left or right-hand opening, giving you flexibility in design
- › Glass panels come with the Lotus Easy Clean Glass Protection to repel soap and water stains for carefree maintenance
- › Flush mount hinges on inside glass for easy cleaning
- › The doors' full length magnet provides a better watertight closure
- › Premium square door handle to ease the door opening from the inside and outside
- › Clear glass shower door for a clean look
- › Pair with a wall and base solution to create a complete shower solution
- › Easy installation for a stress-free experience

CORNER DOORS - PIVOT

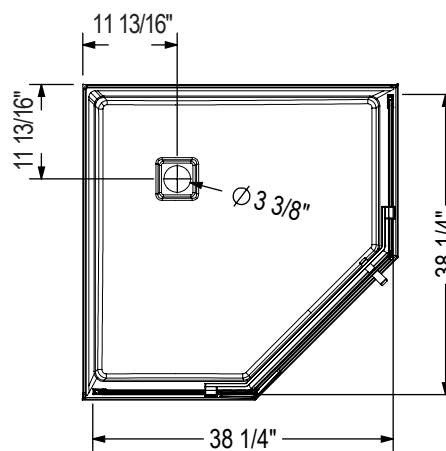
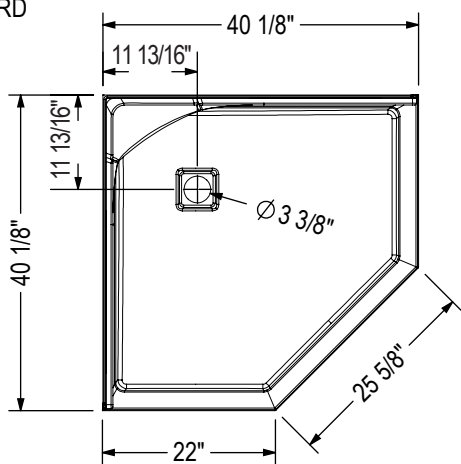
HANA NEO-ANGLE 40 X 40 X 75 - 8MM - 137301

SKU	Glass / Finish	Door Opening	Dimensions & Weight	Packaging	MSRP
137301-900-084-000	Clear / Chrome	Reversible	38 1/8" x 38 1/8" x 75" / 138 lb / 63 kg	3.67 ft ³	\$ 1312
137301-900-173-000	Clear / Dark Bronze				\$ 1517
137301-900-305-000	Clear / Brushed Nickel				\$ 1411
137301-900-340-000	Clear / Matte Black				\$ 1517

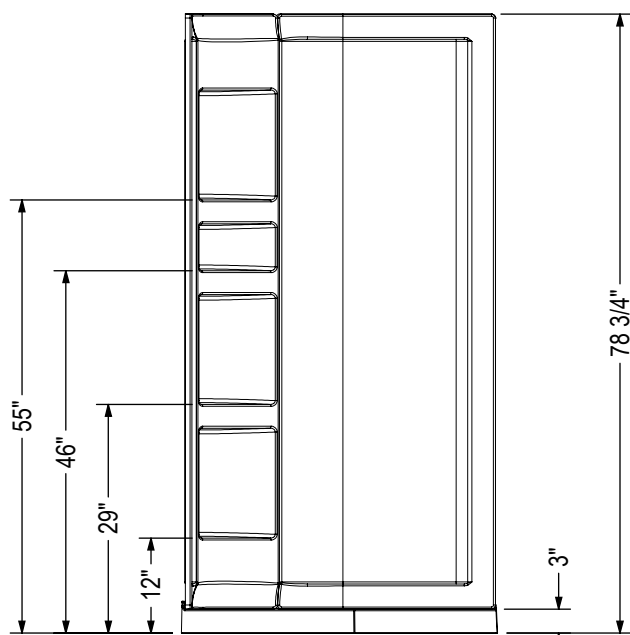
ACCESSORIES

SKU	Description	MSRP
10060311	Corner glass shelf (9 3/8 x 9 3/8 in.) (sold separately) 10 mm frosted glass with a clear band along the edge Compatible with Utile and tile shower walls	\$ 158

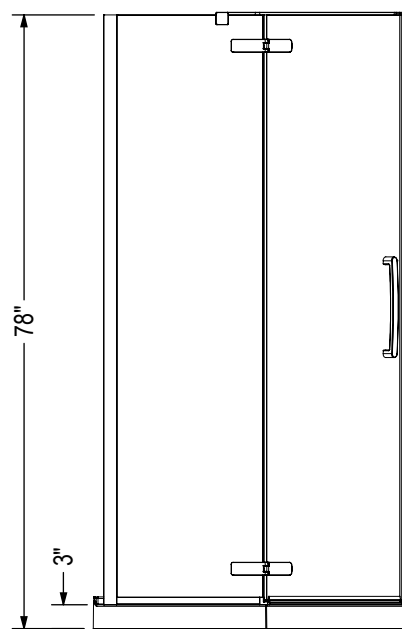
STANDARD



-Door opening : 24 1/8"
-Wall jamb adjustment : 3/4"



ACRYLIC WALLS - WITHOUT DOOR



NO ACRYLIC WALLS - WITH DOOR

All dimensions are approximate. Structure measurements must be verified against the unit to ensure proper fit.



Hana Rectangular 4234 Door

CORNER DOORS - PIVOT



Material : Glass

Features

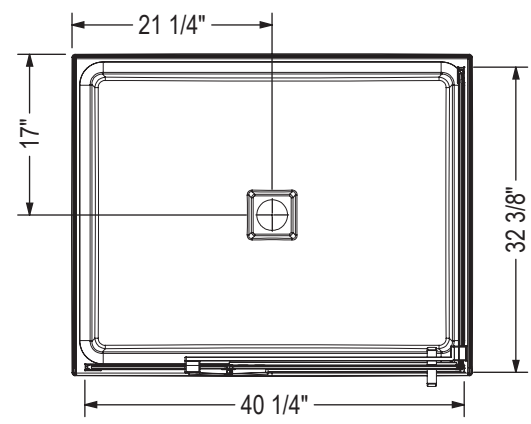
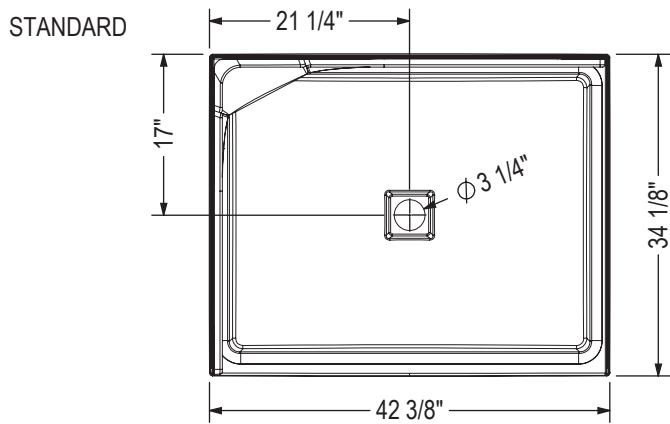
- › Kit includes the door and return panel
- › Rounded square hardware for a transitional look
- › Reversible pivot door for left or right-hand opening, giving you flexibility in design
- › Glass panels come with the Lotus Easy Clean Glass Protection to repel soap and water stains for carefree maintenance
- › Flush mount hinges on inside glass for easy cleaning
- › The doors' full length magnet provides a better watertight closure
- › 8 mm tempered glass glass panels
- › Door frame allows for plenty of wall adjustment and ideal for Out-Of-Plumb walls
- › Pair with a wall and base solution to create a complete shower solution

HANA RECTANGULAR 42 X 34 X 75 - 8MM - 137302

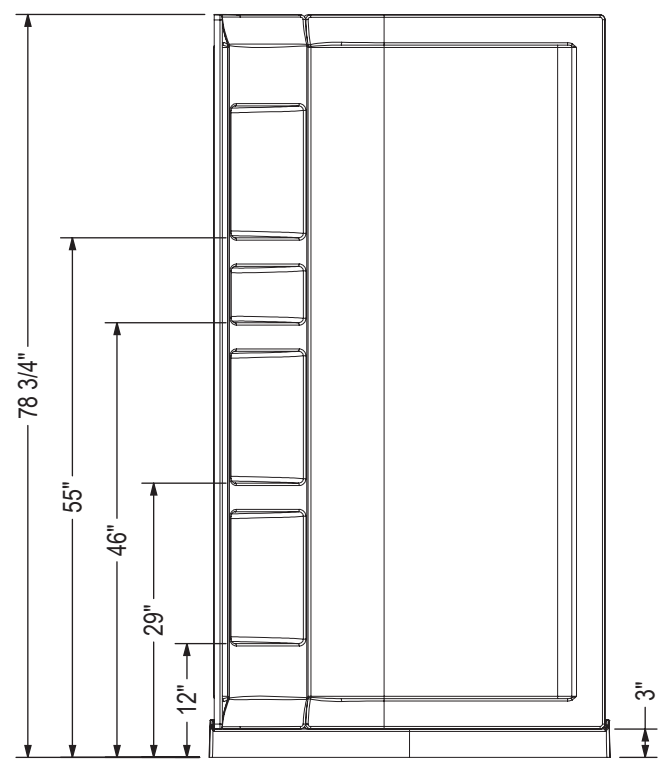
SKU	Glass / Finish	Door Opening	Dimensions & Weight	Packaging	MSRP
137302-900-084-000	Clear / Chrome	Reversible	40 1/4" x 32 3/8" x 75" / 155 lb / 70 kg	4.66 ft ³	\$ 1573
137302-900-173-000	Clear / Dark Bronze				\$ 1816
137302-900-305-000	Clear / Brushed Nickel				\$ 1690
137302-900-340-000	Clear / Matte Black				\$ 1816

ACCESSORIES

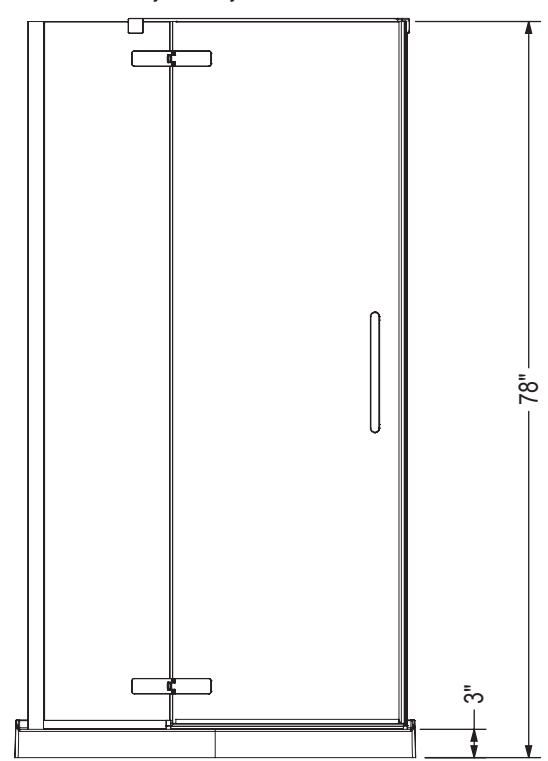
SKU	Description	MSRP
10060311	Corner glass shelf (9 3/8 x 9 3/8 in.) (sold separately) 10 mm frosted glass with a clear band along the edge Compatible with Utile and tile shower walls	\$ 158



-Door opening : 23 3/4"
 -Wall jamb adjustment : 3/4"



ACRYLIC WALLS - WITHOUT DOOR



NO ACRYLIC WALLS - WITH DOOR

All dimensions are approximate. Structure measurements must be verified against the unit to ensure proper fit.



Halo Round



Features

- › 75 5/8" high luxury clear glass panel
- › 8mm (5/16") tempered glass with chrome hardware
- › Ball bearing roller technology allowing for 1/4" adjustment
- › For installation with round shower base and ceramic walls
- › Available as left or right opening specify when ordering

CORNER DOORS - SLIDING

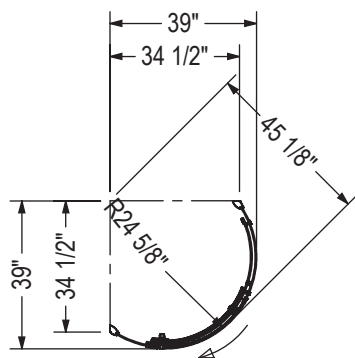
HALO ROUND - 139399L

SKU	Glass / Finish	Door Opening	Dimensions & Weight	Packaging	MSRP
139399-900-084-001	Clear / Chrome	Lateral	" x " x 75 5/8" / 185 lb / 84 kg	21.4 ft ³	\$ 1528

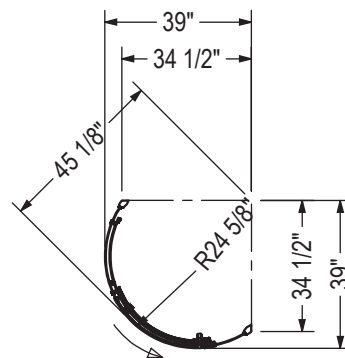
HALO ROUND - 139399R

SKU	Glass / Finish	Door Opening	Dimensions & Weight	Packaging	MSRP
139399-900-084-002	Clear / Chrome	Lateral	" x " x 75 5/8" / 185 lb / 84 kg	21.4 ft ³	\$ 1528

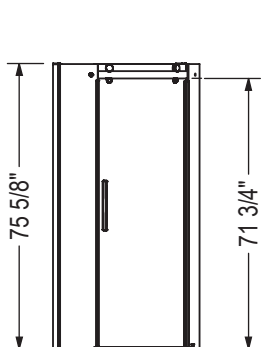
STANDARD



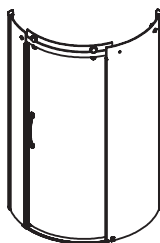
- Closing direction of the door
- Door opening : 22"



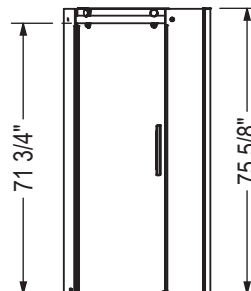
- Closing direction of the door
- Door opening : 22"



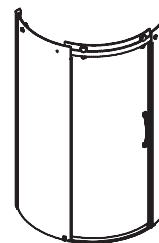
LEFT



139399-900-084-001
or 139399-L-900-084



RIGHT



139399-900-084-002
or 139399-R-900-084

All dimensions are approximate. Structure measurements must be verified against the unit to ensure proper fit.



Radia Neo-angle

CORNER DOORS - SLIDING



Material : Tempered Glass

Features

- › Magnetic and aluminium extrusion for a better watertight closure as well as provide panel rigidity
- › Features MAAX Clip-and-Push System that allows to detach the bottom wheels to clean the track
- › Reversible door for right or left opening, panels are pre-assembled with the hardware and side jambs for fast and easy installation
- › 3/4-inch of out of plumb adjustment for those not so perfect walls
- › Ensure fit with MAAX Acrylic base # 101422-000-001-000

RADIA NEO-ANGLE 36 X 36 X 71 1/2 - 6MM - 137440

SKU	Glass / Finish	Door Opening	Dimensions & Weight	Packaging	MSRP
137440-900-084-000	Clear / Chrome	Central	" x " x 71 1/2" / 121 lb / 55 kg	5.54 ft ³	\$ 990
137440-900-305-000	Clear / Brushed Nickel				\$ 1066
137440-900-340-000	Clear / Matte Black				\$ 1066

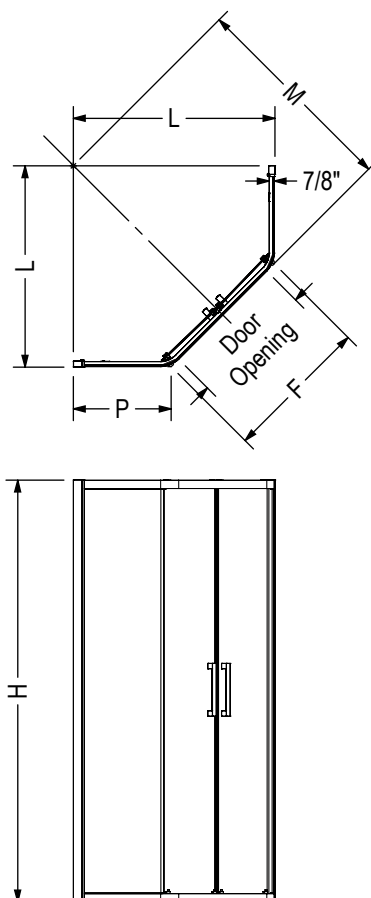
RADIA NEO-ANGLE 38 X 38 X 71 1/2 - 6MM - 137441

SKU	Glass / Finish	Door Opening	Dimensions & Weight	Packaging	MSRP
137441-900-084-000	Clear / Chrome	Central	" x " x 71 1/2" / 127 lb / 58 kg	5.62 ft ³	\$ 1026
137441-900-305-000	Clear / Brushed Nickel				\$ 1105
137441-900-340-000	Clear / Matte Black				\$ 1105

RADIA NEO-ANGLE 40 X 40 X 71 1/2 - 6MM - 137442

SKU	Glass / Finish	Door Opening	Dimensions & Weight	Packaging	MSRP
137442-900-084-000	Clear / Chrome	Central	" x " x 71 1/2" / 134 lb / 61 kg	5.97 ft ³	\$ 1067
137442-900-305-000	Clear / Brushed Nickel				\$ 1148
137442-900-340-000	Clear / Matte Black				\$ 1148

STANDARD



Code	Description	H	M	L	P Adjustable	F	Door Opening	Wall Adjustment
137440	RADIA N-A 36" X 36" X 71.5"	71 5/8"	35 5/8"	34 1/2"	14 9/16" - 15 1/4"	26 3/8"	18 5/16"	3/4"
137441	RADIA N-A 38" X 38" X 71.5"	71 5/8"	37 7/8"	35 5/8"	16 1/8" - 16 13/16"	26 7/16"	18 5/16"	3/4"
137442	RADIA N-A 40" X 40" X 71.5"	71 5/8"	40 15/16"	37 13/16"	18 3/16" - 18 7/8"	26 1/2"	18 5/16"	3/4"

All dimensions are approximate. Structure measurements must be verified against the unit to ensure proper fit.



Radia Neo-round



Material : Tempered Glass

Features

- › 6 mm tempered glass with Lotus Easy Clean Glass Protection - repels soap and water stains for care-free maintenance
- › Magnetic and aluminium extrusion for a better watertight closure as well as provide panel rigidity
- › Features MAAX Clip-and-Push System that allows to detach the bottom wheels to clean the track
- › Reversible door for right or left opening, panels are pre-assembled with the hardware and side jambs for fast and easy installation
- › 3/4-inch of out of plumb adjustment for those not so perfect walls
- › Ensure fit with MAAX Acrylic base # 101426-000-001-000

CORNER DOORS - SLIDING

RADIA NEO-ROUND 32 X 32 X 71 1/2 - 6MM - 137443

SKU	Glass / Finish	Door Opening	Dimensions & Weight	Packaging	MSRP
137443-900-084-000	Clear / Chrome	Central	" x " x 71 1/2" / 112 lb / 51 kg	5.3 ft ³	\$ 1015
137443-900-305-000	Clear / Brushed Nickel				\$ 1093
137443-900-340-000	Clear / Matte Black				\$ 1093

RADIA NEO-ROUND 36 X 36 X 71 1/2 - 6MM - 137444

SKU	Glass / Finish	Door Opening	Dimensions & Weight	Packaging	MSRP
137444-900-084-000	Clear / Chrome	Central	" x " x 71 5/8" / 118 lb / 54 kg	6 ft ³	\$ 1053
137444-900-305-000	Clear / Brushed Nickel				\$ 1134
137444-900-340-000	Clear / Matte Black				\$ 1134

RADIA NEO-ROUND 40 X 40 X 71 1/2 - 6MM - 137445

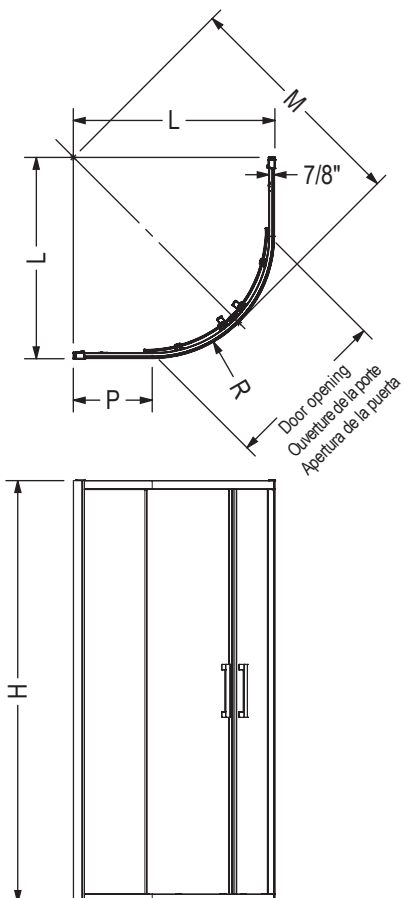
SKU	Glass / Finish	Door Opening	Dimensions & Weight	Packaging	MSRP
137445-900-084-000	Clear / Chrome	Central	" x " x 71 1/2" / 125 lb / 57 kg	6.25 ft ³	\$ 1093
137445-900-305-000	Clear / Brushed Nickel				\$ 1173
137445-900-340-000	Clear / Matte Black				\$ 1173

RADIA NEO-ROUND 38 X 38 X 71 1/2 - 6MM - 137449

SKU	Glass / Finish	Door Opening	Dimensions & Weight	Packaging	MSRP
137449-900-084-000	Clear / Chrome	Central	" x " x 71 1/2" / 112 lb / 51 kg	8.052 ft ³	\$ 1079
137449-900-340-000	Clear / Matte Black				\$ 1160

CORNER DOORS - SLIDING

STANDARD



Code Código	Description Descripción	H	M	L	P Adjustable	R	Door opening Ouverture de la porte Apertura de la puerta	Wall adjustment Ajustement du mur Ajuste de la pared
137443	RADIA N-R 32" X 32" X 71.5"	71 1/2"	37 7/8"	29 7/8"	14 7/8" - 15 5/8"	14 9/16"	17 1/2"	3/4"
137444	RADIA N-R 36" X 36" X 71.5"	71 1/2"	39 5/8"	34 1/8"	13" - 13 3/4"	20 5/8"	20 1/2"	3/4"
137449	RADIA N-R 38" X 38" X 71.5"	71 1/2"	42 3/8"	36 1/8"	15" - 15 3/4"	20 5/8"	21 1/4"	3/4"
137445	RADIA N-R 40" X 40" X 71.5"	71 1/2"	44 5/8"	37 5/8"	16 1/2" - 17 1/4"	20 11/16"	22 5/8"	3/4"

All dimensions are approximate. Structure measurements must be verified against the unit to ensure proper fit.

Toutes ces dimensions sont approximatives. Afin d'assurer une installation parfaite, les dimensions de la structure doivent être vérifiées à partir de l'unité.

Todas las dimensiones son aproximadas. Las medidas de la estructura deben ser verificadas contra la unidad para asegurar el ajuste apropiado.



Radia Round

CORNER DOORS - SLIDING



Material : Tempered Glass

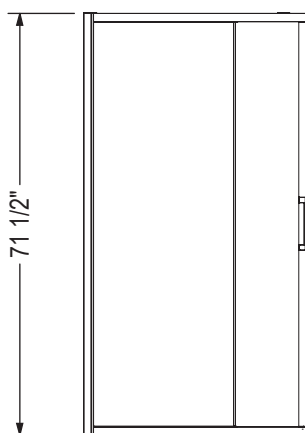
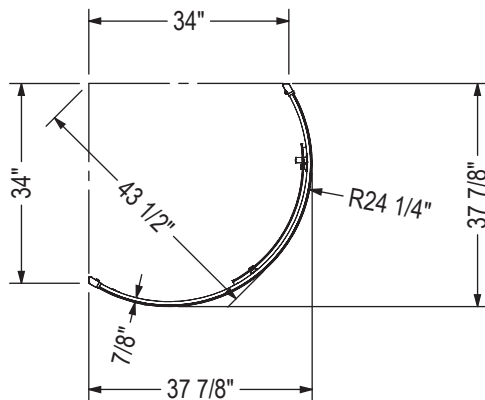
Features

- › Magnetic and aluminium extrusion for a better watertight closure as well as provide panel rigidity
- › Features MAAX Clip-and-Push System that allows to detach the bottom wheels to clean the track
- › Reversible door for right or left opening, panels are pre-assembled with the hardware and side jambs for fast and easy installation
- › 3/4-inch of out of plumb adjustment for those not so perfect walls
- › Ensure fit with MAAX Acrylic base # 105049-000-001-000

RADIA ROUND 36 X 36 X 71 1/2 - 6MM - 137446

SKU	Glass / Finish	Door Opening	Dimensions & Weight	Packaging	MSRP
137446-900-084-000	Clear / Chrome	Reversible	" x " x 71 1/2" / 118 lb / 54 kg	8.48 ft ³	\$ 1220
137446-900-305-000	Clear / Brushed Nickel		" x " x 71 1/2" / 108 lb / 49 kg		\$ 1312
137446-900-340-000	Clear / Matte Black		" x " x 71 1/2" / 108 lb / 49 kg		\$ 1312

STANDARD



Code	Description	Door Opening	Wall Adjustment
137446	RADIA Round 36" X 36" X 71.5"	22 1/8"	3/4"

All dimensions are approximate. Structure measurements must be verified against the unit to ensure proper fit.



Radia Square

CORNER DOORS - SLIDING



Material : Tempered Glass

Features

- › 6 mm tempered glass with Lotus Easy Clean Glass Protection - repels soap and water stains for care-free maintenance
- › Magnetic and aluminium extrusion for a better watertight closure as well as provide panel rigidity
- › Features MAAX Clip-and-Push System that allows to detach the bottom wheels to clean the track
- › Reversible door for right or left opening, panels are pre-assembled with the hardware and side jambs for fast and easy installation
- › 3/4-inch of out of plumb adjustment for those not so perfect walls
- › Ensure fit with MAAX Acrylic base # 101431-000-001-000

RADIA SQUARE 32 X 32 X 71 1/2 - 6MM - 137447

SKU	Glass / Finish	Door Opening	Dimensions & Weight	Packaging	MSRP
137447-900-084-000	Clear / Chrome	Central	" x " x 71 1/2" / 101 lb / 46 kg	4.73 ft ³	\$ 1093
137447-900-305-000	Clear / Brushed Nickel				\$ 1173
137447-900-340-000	Clear / Matte Black				\$ 1173
137447-977-340-000	French / Matte Black				\$ 1291

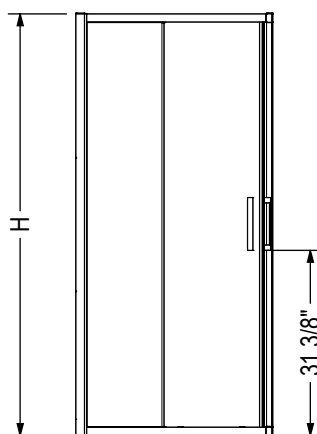
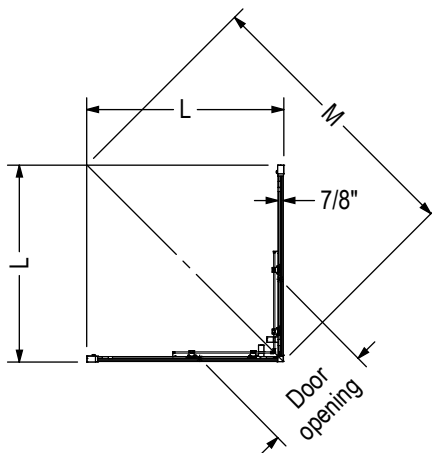
RADIA SQUARE 36 X 36 X 71 1/2 - 6MM - 137448

SKU	Glass / Finish	Door Opening	Dimensions & Weight	Packaging	MSRP
137448-900-084-000	Clear / Chrome	Central	" x " x 71 1/2" / 108 lb / 49 kg	5.26 ft ³	\$ 1131
137448-900-305-000	Clear / Brushed Nickel				\$ 1216
137448-900-340-000	Clear / Matte Black				\$ 1216
137448-972-340-000	Shaker / Matte Black				\$ 1338
137448-977-340-000	French / Matte Black				\$ 1338

RADIA SQUARE 42 X 42 X 71 1/2 - 6MM - 137451

SKU	Glass / Finish	Door Opening	Dimensions & Weight	Packaging	MSRP
137451-900-084-000	Clear / Chrome		" x " x 71 1/2" / 125 lb / 57 kg	6.5 ft ³	\$ 1169
137451-900-340-000	Clear / Matte Black				\$ 1256
137451-977-340-000	French / Matte Black				\$ 1382

STANDARD



Code	Description	H	L Adjustable	Door Opening	Wall adjustment
137447	RADIA Square 32" X 32" X 71.5"	71 5/8"	29 7/8" - 30 5/8"	15 3/16"	3/4"
137448	RADIA Square 36" X 36" X 71.5"	71 5/8"	32 15/16" - 33 3/4"	17 5/16"	3/4"
137451	RADIA Square 42" X 42" X 71.5"	71 5/8"	40 3/4" - 41 1/2"	22 13/16"	3/4"

All dimensions are approximate. Structure measurements must be verified against the unit to ensure proper fit.



Outback Round

CORNER DOORS - SLIDING



Material : Glass

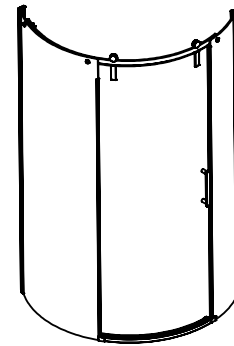
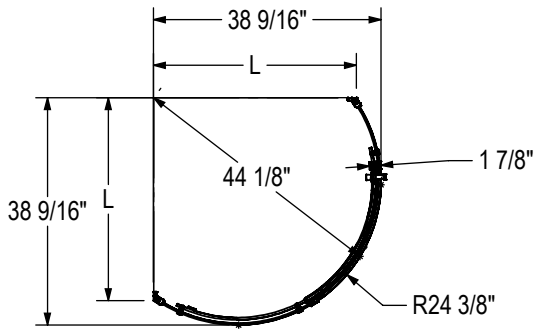
Features

- › Round corner door
- › Door available in a left (-001) or right (-002) configuration
- › Slim and sturdy stainless steel header
- › Glass panels come with the Lotus Easy Clean Glass Protection to repel soap and water stains for carefree maintenance
- › Door features the MAAX clip-and-push system which allows to detach the bottom wheels in order to ease the cleaning of the tracks
- › Sliding door allows for a space-saving design
- › Square door handle outside and minimalist door knob inside to ease the door opening
- › 8 mm tempered glass glass panels
- › Pair with a wall and base solution to create a complete shower solution

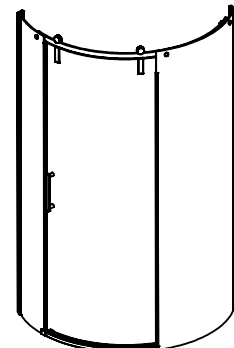
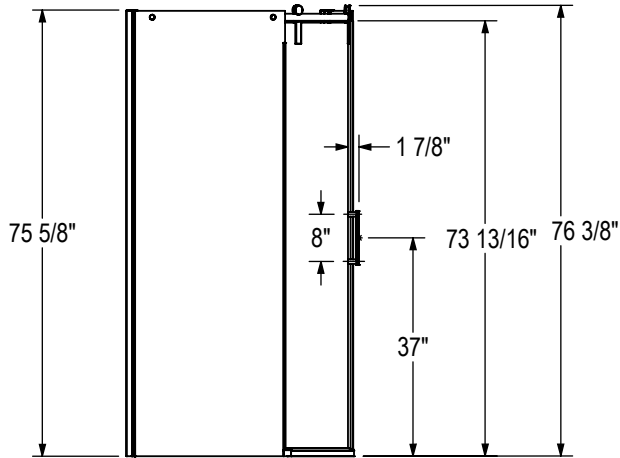
OUTBACK ROUND 36 X 36 X 75 5/8 - 8MM - 139410

SKU	Glass / Finish	Door Opening	Dimensions & Weight	Packaging	MSRP
139410-900-084-001	Clear / Chrome	Lateral	1 1/4" x 1 1/4" x 75 5/8" / 153 lb / 69 kg	9.18 ft ³	\$ 1448
139410-900-084-002					\$ 1448
139410-900-305-001	Clear / Brushed Nickel				\$ 1523
139410-900-305-002					\$ 1523
139410-900-340-001	Clear / Matte Black				\$ 1561
139410-900-340-002					\$ 1561

STANDARD



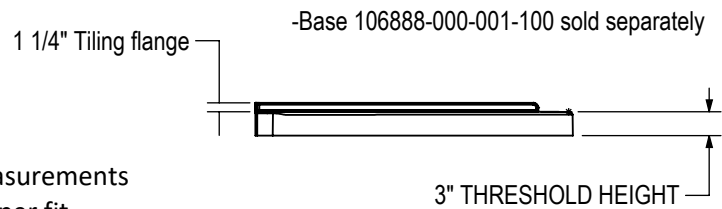
Right Configuration



Left Configuration

Code	Description	L
139410	Outback Round 36" X 36" X 75 5/8"	34 5/16" - 34 9/16"

- Door wall adjustment = 3/4"
- Door opening = 21 1/4"



All dimensions are approximate. Structure measurements must be verified against the unit to ensure proper fit.



Material : Tempered Glass

Features

- › 8 mm tempered glass panels
- › Available in 4 finishes: Chrome, Brushed Nickel, Dark Bronze, Matte Black
- › Return Panel for Corner Shower, compatible with Halo, Halo Pro and Vela doors
- › The frameless design brings a sense of spaciousness to the room and creates a sleek, minimalist look
- › Reversible panel for easy corner installation on the left or on the right
- › Glass panels come with the Lotus Easy Clean Glass Protection to repel soap and water stains for carefree maintenance
- › Easy assembly between door and return panel
- › Compatible with MAAX's Utile wall system, allowing for a seamless and coordinated installation with the shower door, creating a cohesive and stylish bathroom design
- › Warranty: 10 years

HALO RETURN PANEL FOR 34 IN. - 139395

SKU	Color	Configuration	Dimensions & Weight	Packaging	MSRP
139395-900-084-000	Clear / Chrome		30 7/8" - 31 7/8" x 78 3/4" / 68 lb / 31 kg	6 ft ³	\$ 677
139395-900-173-000	Clear / Dark Bronze				\$ 762
139395-900-305-000	Clear / Brushed Nickel				\$ 726
139395-900-340-000	Clear / Matte Black				\$ 762

HALO RETURN PANEL FOR 36 IN. - 139396

SKU	Color	Configuration	Dimensions & Weight	Packaging	MSRP
139396-900-084-000	Clear / Chrome		32 7/8" - 33 7/8" x 78 3/4" / 72 lb / 33 kg	6.50868055555556 ft ³	\$ 696
139396-900-173-000	Clear / Dark Bronze				\$ 786
139396-900-305-000	Clear / Brushed Nickel				\$ 749
139396-900-340-000	Clear / Matte Black				\$ 786



Duel and Inverto Return Panels

RETURN PANELS



Material : Tempered Glass

Features

- › Configuration consists of a single panel to be combined with a Duel shower door
- › For corner showers and for tile or pre-cast wall installations 74" and higher. For an optimal fit we recommend the Duel collection doors.
- › 74in high clear glass panel
- › 8mm (5/16 in) tempered certified glass panel
- › Glass panels come with the Lotus Easy Clean Glass Protection to repel soap and water stains for carefree maintenance
- › Reversible panel for easy corner installation on the left or on the right
- › Out of plumb adjustment in the wall profile
- › Easy assembly between door and return panel
- › Due to the weight and height of the glass, we recommend a 2 person team to install this product

DUEL AND INVERTO RETURN PANEL 32 - 8 MM - 137310

SKU	Color	Configuration	Dimensions & Weight	Packaging	MSRP
137310-900-084-000	Clear / Chrome		30 1/4" - 31" x 74" / 56 lb / 25 kg	3.708 ft ³	\$ 451
137310-900-173-000	Clear / Dark Bronze				\$ 521
137310-900-305-000	Clear / Brushed Nickel				\$ 487
137310-900-340-000	Clear / Matte Black				\$ 521

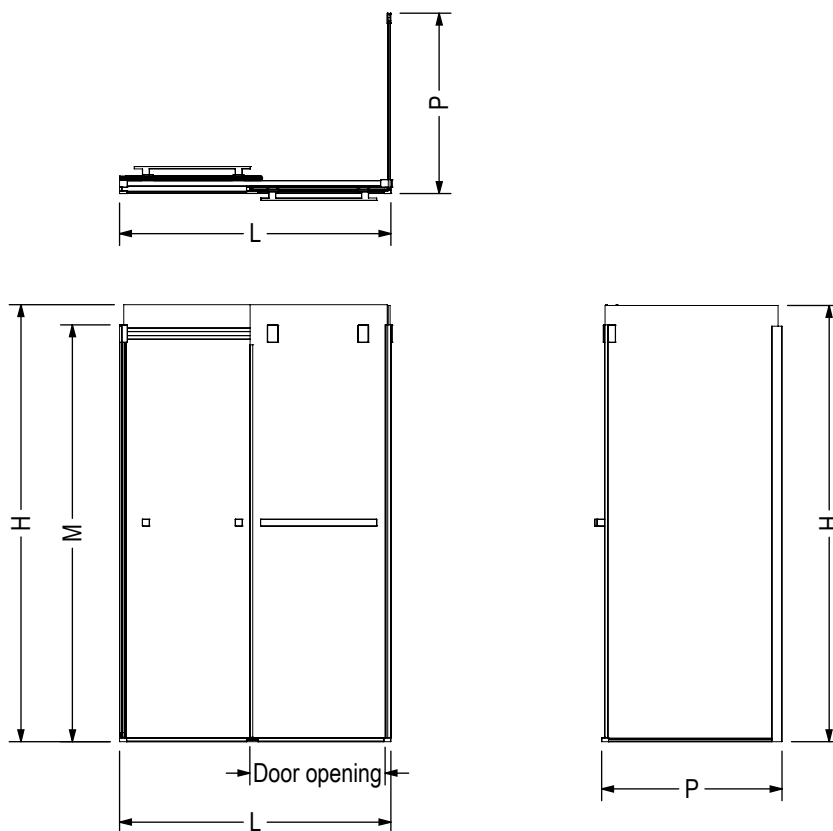
DUEL AND INVERTO RETURN PANEL 36 - 8 MM - 137311

SKU	Color	Configuration	Dimensions & Weight	MSRP
137311-900-084-000	Clear / Chrome		34 1/4" - 35" x 74" / 70 lb / 32 kg	\$ 516
137311-900-173-000	Clear / Dark Bronze			\$ 594
137311-900-305-000	Clear / Brushed Nickel			\$ 556

DUEL AND INVERTO RETURN PANEL 34 - 8 MM - 137312

SKU	Color	Configuration	Dimensions & Weight	Packaging	MSRP
137312-900-084-000	Clear / Chrome		32 1/4" - 33" x 74" / 63 lb / 29 kg	4.41 ft ³	\$ 486
137312-900-173-000	Clear / Dark Bronze				\$ 562
137312-900-305-000	Clear / Brushed Nickel				\$ 516

STANDARD



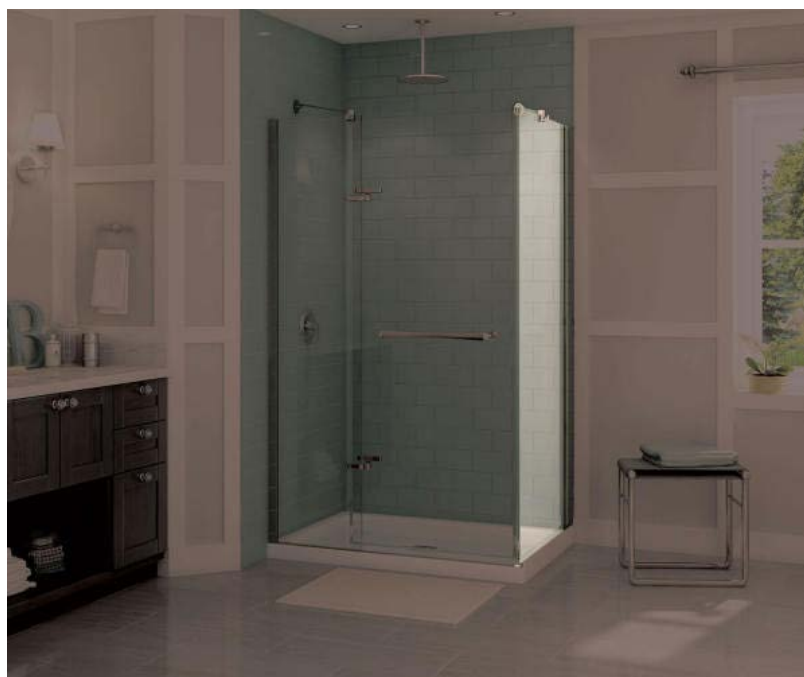
Code	Description	H	M	L Adjustable	P Adjustable	Door Opening	Wall Adjustment
136271	Duel 44" - 47" x 70 1/2"	74"	70 1/2"	44" - 47"	-	18 1/2" - 21 1/2"	3/4"
136272	Duel 56" - 59" x 70 1/2"	74"	70 1/2"	56" - 59"	-	24 1/2" - 27 1/2"	3/4"
138761	Inverto 44" - 47" x 70 1/2"	74"	70 1/2"	44" - 47"	-	18 1/2" - 21 1/2"	3/4"
138762	Inverto 56" - 59" x 70 1/2"	74"	70 1/2"	56" - 59"	-	24 1/2" - 27 1/2"	3/4"
137310	Return Panel 74 for 32"	74"	70 1/2"	-	30 1/4" - 31"	-	3/4"
137312	Return Panel 74 for 34"	74"	70 1/2"	-	32 1/4" - 33"	-	3/4"
137311	Return Panel 74 for 36"	74"	70 1/2"	-	34 1/4" - 35"	-	3/4"

All dimensions are approximate. Structure measurements must be verified against the unit to ensure proper fit.



Reveal 71 Return Panels

RETURN PANELS



Material : Tempered Glass

Features

- › 8 mm tempered glass panels
- › Available in 3 finishes: Chrome, Brushed Nickel, Matte Black to match your door
- › Return Panel for Corner Shower
- › The frameless design brings a sense of spaciousness to the room and creates a sleek, minimalist look
- › Reversible panel for easy corner installation on the left or on the right
- › Add 1 return panel to a Reveal 71 alcove door for a corner unit
- › Easy assembly between door and return panel
- › Proudly made in Canada
- › Warranty: 10 years

REVEAL 71 32 X 71 1/2 - 8MM - 136673

SKU	Color	Configuration	Dimensions & Weight	Packaging	MSRP
136673-900-084-000	Clear / Chrome		28 3/4" - 29 7/8" x 71 1/2" / 74 lb / 34 kg	5.22 ft ³	\$ 725
136673-900-173-000	Clear / Dark Bronze				\$ 837
136673-900-305-000	Clear / Brushed Nickel				\$ 781

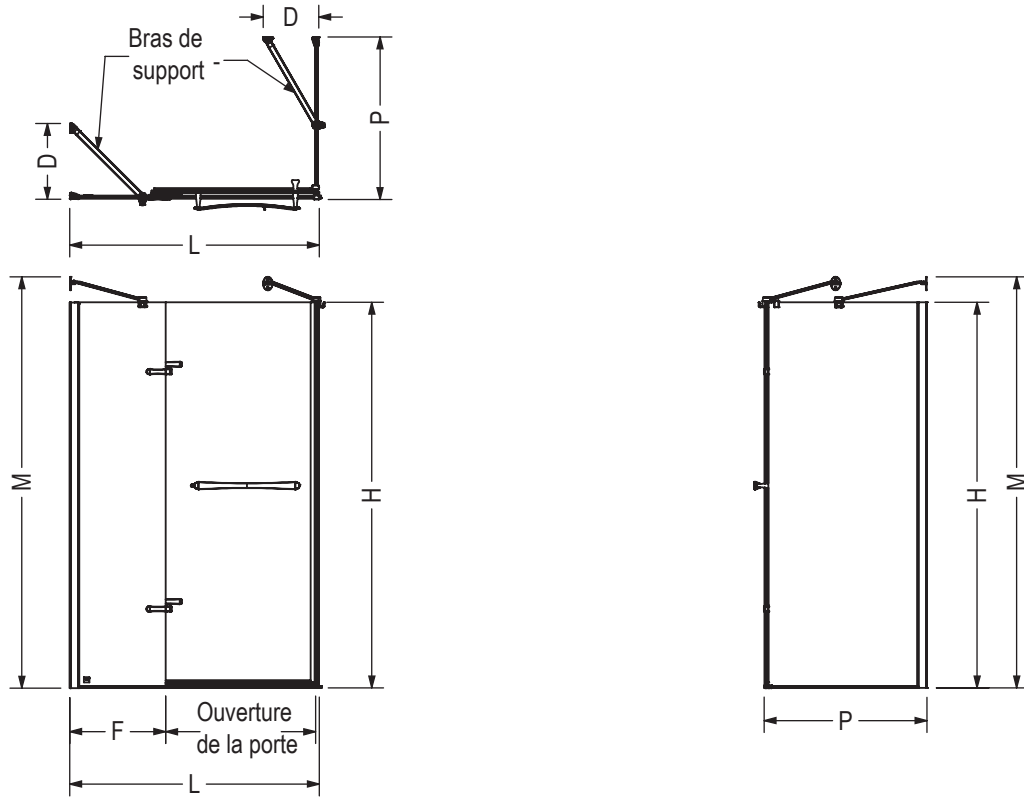
REVEAL 71 RETURN PANEL FOR 34 IN. - 136674

SKU	Color	Configuration	Dimensions & Weight	Packaging	MSRP
136674-900-084-000	Clear / Chrome		30 3/4" - 31 7/8" x 71 1/2" / 75 lb / 34 kg	5.3 ft ³	\$ 746
136674-900-173-000	Clear / Dark Bronze				\$ 856
136674-900-305-000	Clear / Brushed Nickel				\$ 801

REVEAL 71 RETURN PANEL FOR 36 IN. - 136675

SKU	Color	Configuration	Dimensions & Weight	Packaging	MSRP
136675-900-084-000	Clear / Chrome		32 3/4" - 33 7/8" x 71 1/2" / 80 lb / 36 kg	5.3 ft ³	\$ 765
136675-900-173-000	Clear / Dark Bronze				\$ 879
136675-900-305-000	Clear / Brushed Nickel				\$ 825

STANDARD



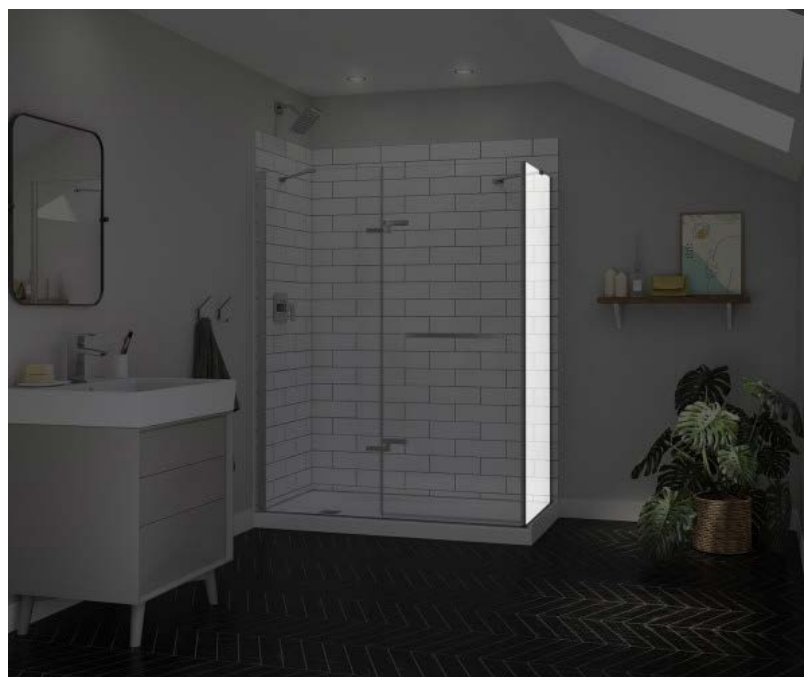
Code	Description	H	M	L Ajustable	F	P Ajustable	D Ajustable	Ouverture de la porte	Ajustement Mural	Bras de support
136676	Reveal 71.5 x 32.5" - 35.5"	71 1/2"	76 1/4"	32.5" - 35.5"	6 1/4"			23" - 26"	3/4"	
136679	Reveal 71.5 x 38" - 41"	71 1/2"	76 1/4"	38" - 41"	11 3/4"			23" - 26"	3/4"	
136677	Reveal 71.5 x 41.5" - 44.5"	71 1/2"	76 1/4"	41.5" - 44.5"	15 1/4"			23" - 26"	3/4"	
136671	Reveal 71.5 x 44" - 47"	71 1/2"	76 1/4"	44" - 47"	17 1/4"		9" - 15"	23" - 26"	3/4"	X
136883	Reveal 71.5 x 51.5" - 54.5"	71 1/2"	76 1/4"	51.5" - 54.5"	25 1/4"		9" - 15"	23" - 26"	3/4"	X
136672	Reveal 71.5 x 56" - 59"	71 1/2"	76 1/4"	56" - 59"	30"		9" - 15"	23" - 26"	3/4"	X
136673	Return Panel 32"	71 1/2"	76 1/4"			29 7/8"	9" - 15"		3/4"	X
136674	Return Panel 34"	71 1/2"	76 1/4"			31 7/8"	9" - 15"		3/4"	X
136675	Return Panel 36"	71 1/2"	76 1/4"			33 7/8"	9" - 15"		3/4"	X

Toutes ces dimensions sont approximatives. Afin d'assurer une installation parfaite, les dimensions de la structure doivent être vérifiées à partir de l'unité.



Reveal Sleek 71 Return Panels

RETURN PANELS



Material : Tempered Glass

Features

- › For installation on acrylic walls, ceramic and Utile
- › For a corner unit, add 1 return panel to a Reveal Sleek alcove door
- › For a corner unit, add 1 return panel to a Reveal Sleek alcove door
- › 8 mm (5/16 in.) tempered glass with a height of 71 ½ in.
- › Includes a support arm to stabilize the panel
- › Can be installed on the left or right side
- › Offered in 32, 34 and 36 in. wide to fit standard bases dimensions

REVEAL SLEEK 71 RETURN PANEL FOR 32 IN. - 139581

SKU	Color	Configuration	Dimensions & Weight	Packaging	MSRP
139581-900-084-000	Clear / Chrome		29 3/8" - 30 3/8" x 71 1/2" / 74 lb / 34 kg	4.722 ft ³	\$ 468
139581-900-173-000	Clear / Dark Bronze				\$ 502
139581-900-305-000	Clear / Brushed Nickel				\$ 492
139581-900-340-000	Clear / Matte Black				\$ 502

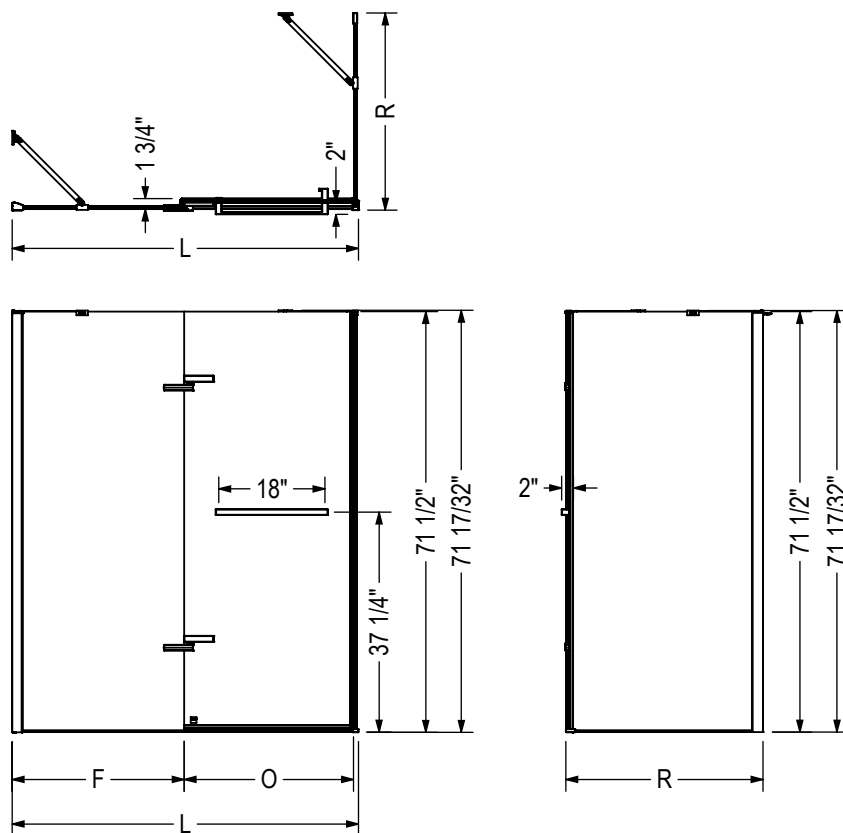
REVEAL SLEEK 71 RETURN PANEL FOR 34 IN. - 139582

SKU	Color	Configuration	Dimensions & Weight	Packaging	MSRP
139582-900-084-000	Clear / Chrome		31 3/8" - 32 3/8" x 71 1/2" / 75 lb / 34 kg	5.972 ft ³	\$ 499
139582-900-173-000	Clear / Dark Bronze				\$ 538
139582-900-305-000	Clear / Brushed Nickel				\$ 523
139582-900-340-000	Clear / Matte Black				\$ 538

REVEAL SLEEK 71 RETURN PANEL FOR 36 IN. - 139583

SKU	Color	Configuration	Dimensions & Weight	Packaging	MSRP
139583-900-084-000	Clear / Chrome		33 3/8" - 34 3/8" x 71 1/2" / 80 lb / 36 kg	5.972 ft ³	\$ 531
139583-900-173-000	Clear / Dark Bronze				\$ 570
139583-900-305-000	Clear / Brushed Nickel				\$ 558
139583-900-340-000	Clear / Matte Black				\$ 570

STANDARD

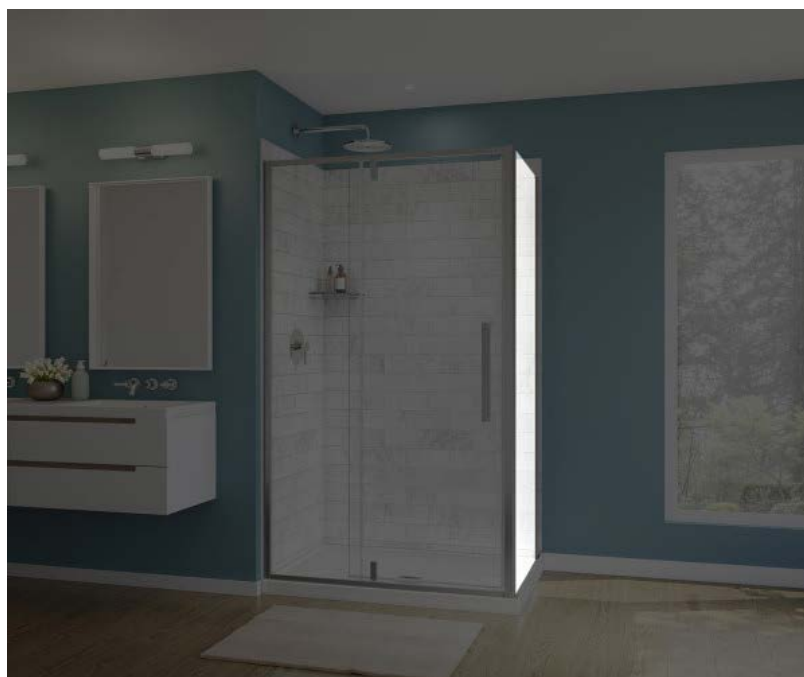


Code	Description	L	F	R	O	Wall Adjustment Return panel (R)	Wall Adjustment Fixed panel (F)
139575	Reveal Sleek 71 1/2" x 32 1/2" - 35 1/2"	32 1/2" - 35 1/2"	5 3/8"	-	23 3/4" - 26 3/4"	-	3/4"
139576	Reveal Sleek 71 1/2" x 38" - 41"	38" - 41"	10 7/8"	-	23 3/4" - 26 3/4"	-	3/4"
139577	Reveal Sleek 71 1/2" x 41 1/2" - 44 1/2"	41 1/2" - 44 1/2"	14 3/8"	-	23 3/4" - 26 3/4"	-	3/4"
139578	Reveal Sleek 71 1/2" x 44" - 47"	44" - 47"	16 7/8"	-	23 3/4" - 26 3/4"	-	3/4"
139579	Reveal Sleek 71 1/2" x 51 1/2" - 54 1/2"	51 1/2" - 54 1/2"	24 3/8"	-	23 3/4" - 26 3/4"	-	3/4"
139580	Reveal Sleek 71 1/2" x 56" - 59"	56" - 59"	28 7/8"	-	23 3/4" - 26 3/4"	-	3/4"
139581	Reveal Sleek Return Panel 32"	-	-	29 7/16" - 30 7/16"	-	1"	-
139582	Reveal Sleek Return Panel 34"	-	-	31 7/16" - 32 7/16"	-	1"	-
139583	Reveal Sleek Return Panel 36"	-	-	33 7/16" - 34 7/16"	-	1"	-

All dimensions are approximate. Structure measurements must be verified against the unit to ensure proper fit.



Uptown Return Panels



Material : Tempered Glass

Features

- › 8 mm (5/16") tempered glass
- › Configuration consists of a single panel to be combined with a Uptown shower door (Bypass, Slider, Pivot)
- › Configuration consists of a single panel to be combined with a Uptown shower door (Bypass, Slider, Pivot)
- › 76in high clear glass panel
- › Glass panels come with the Lotus Easy Clean Glass Protection to repel soap and water stains for carefree maintenance
- › Reversible panel for easy corner installation on the left or on the right
- › Out of plumb adjustment in the wall profile
- › Easy assembly between door and return panel
- › Due to the weight and height of the glass, we recommend a 2 person team to install this product

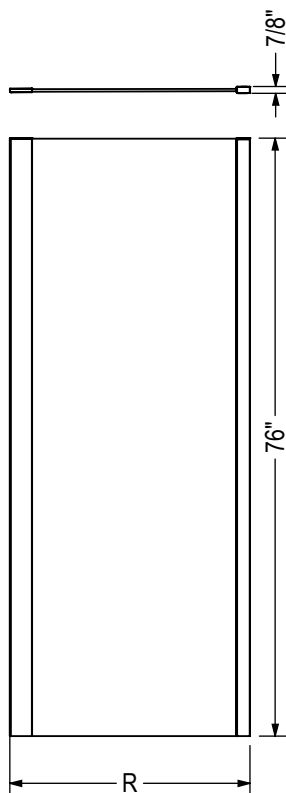
UPTOWN RETURN PANEL 32 X 76 - 8 MM - 135327

SKU	Color	Configuration	Dimensions & Weight	Packaging	MSRP
135327-900-084-000	Clear / Chrome		30 1/8" - 30 7/8" x 76" / 67 lb / 30 kg	4.03 ft ³	\$ 531
135327-900-305-000	Clear / Brushed Nickel				\$ 563
135327-900-340-000	Clear / Matte Black				\$ 575

UPTOWN RETURN PANEL 36 X 76 - 8 MM - 135328

SKU	Color	Configuration	Dimensions & Weight	Packaging	MSRP
135328-900-084-000	Clear / Chrome		34 1/8" - 34 7/8" x 76" / 73 lb / 33 kg	4.52 ft ³	\$ 593
135328-900-305-000	Clear / Brushed Nickel				\$ 624
135328-900-340-000	Clear / Matte Black				\$ 645

STANDARD



Code	Description	R
137391	Uptown Return Panel for 32" base	30 1/8" - 30 7/8"
137392	Uptown Return Panel for 36" base	34 1/8" - 34 7/8"

- Wall adjustment = 3/4"

All dimensions are approximate. Structure measurements must be verified against the unit to ensure proper fit.



Material : Tempered Glass

Features

- › 8 mm tempered glass panels
- › Available in 4 finishes: Chrome, Brushed Nickel, Dark Bronze, Matte Black
- › Return Panel for Corner Shower, compatible with Halo, Halo Pro and Vela doors
- › The frameless design brings a sense of spaciousness to the room and creates a sleek, minimalist look
- › Reversible panel for easy corner installation on the left or on the right
- › Glass panels come with the Lotus Easy Clean Glass Protection to repel soap and water stains for carefree maintenance
- › Easy assembly between door and return panel
- › Compatible with MAAX's Utile wall system, allowing for a seamless and coordinated installation with the shower door, creating a cohesive and stylish bathroom design
- › Warranty: 10 years

HALO RETURN PANEL FOR 32 IN. - 139998

SKU	Color	Configuration	Dimensions & Weight	Packaging	MSRP
138998-900-084-000	Clear / Chrome		28 3/4" - 29 7/8" x 78 3/4" / 131 lb / 59 kg	7.7 ft ³	\$ 656
138998-900-173-000	Clear / Dark Bronze				\$ 739
138998-900-305-000	Clear / Brushed Nickel		28 3/4" - 29 7/8" x 78 3/4" / 118 lb / 54 kg		\$ 705
138998-900-340-000	Clear / Matte Black				\$ 739



Incognito 76 Return Panels

RETURN PANELS



Material : Tempered Glass

Features

- › Tempered Glass panels 5/16 in. (8 mm) with 76 in. high
- › Return Panels available in 32 in. and 36 in. wide
- › Add 1 return panel to a Incognito bypass alcove door for a corner unit
- › 4 finishes: Chrome, Brushed Nickel, Matte Black and Shaker pattern

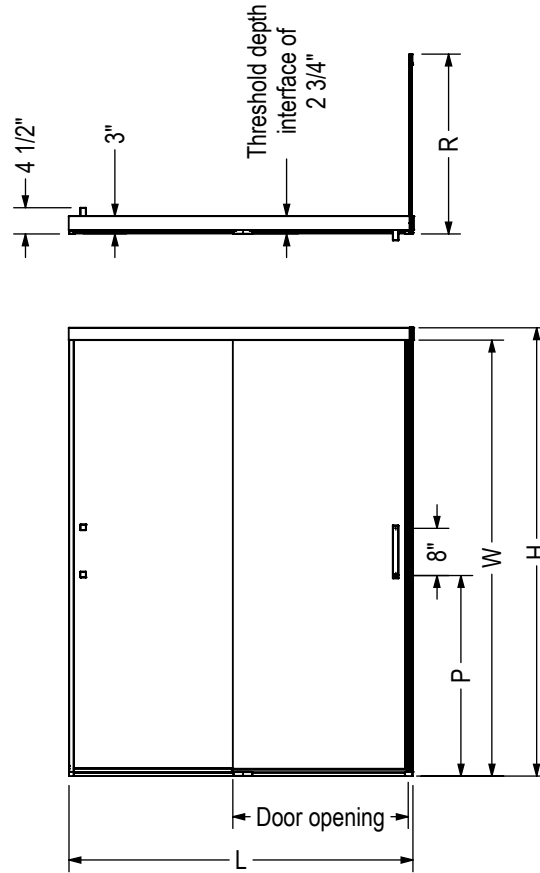
INCOGNITO 76 RETURN PANEL FOR 32 IN. BASE - 136560

SKU	Color	Configuration	Dimensions & Weight	Packaging	MSRP
136560-900-084-000	Clear / Chrome		30" - 31" x 76" / 70 lb / 32 kg	5.48 ft ³	\$ 495
136560-900-305-000	Clear / Brushed Nickel				\$ 521
136560-900-340-000	Clear / Matte Black				\$ 533
136560-972-340-000	Shaker / Matte Black				\$ 547

INCOGNITO 76 RETURN PANEL FOR 36IN. - 136561

SKU	Color	Configuration	Dimensions & Weight	Packaging	MSRP
136561-900-084-000	Clear / Chrome		34" - 35" x 76" / 74 lb / 34 kg	5.44 ft ³	\$ 556
136561-900-305-000	Clear / Brushed Nickel				\$ 583
136561-900-340-000	Clear / Matte Black				\$ 598
136561-972-340-000	Shaker / Matte Black				\$ 612

STANDARD



Code	Description	H	W	L Adjustable	Door opening	P	R	Wall adjustment
135334	Incognito 76" 44 - 47" x 76"	76"	73 7/8"	44" - 47"	18 1/4" - 22 1/4"	33 7/8"	-	1/2"
135335	Incognito 76" 56 - 59" x 76"	76"	73 7/8"	56" - 59"	24 1/4" - 28 1/4"	33 7/8"	-	1/2"
136560	Incognito RP 32"	76"	-	-	-	-	30" - 31"	1"
136561	Incognito RP 36"	76"	-	-	-	-	34" - 35"	1"

All dimensions are approximate. Structure measurements must be verified against the unit to ensure proper fit.

Shower Kits

Summit



Athena



Material : Acrylic

Features

- › 42" X 34" rectangular corner shower kit
- › Unique and chic trench drain design for a fashion forward look
- › Low 3" threshold base allowing a safe and easy access
- › Reversible configuration for a left or right-hand door opening
- › Robe/towel hook is conveniently placed close to the door
- › Optional acrylic wall set available (sold separately)
- › The no header door opening accommodates tall people

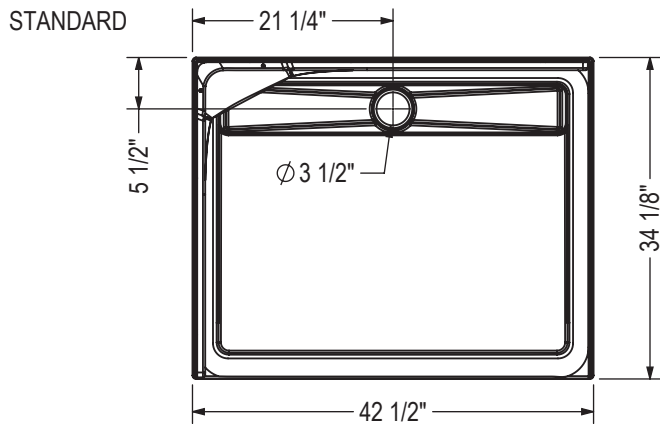
SHOWER KITS - ACRYLIC

ATHENA - 300008

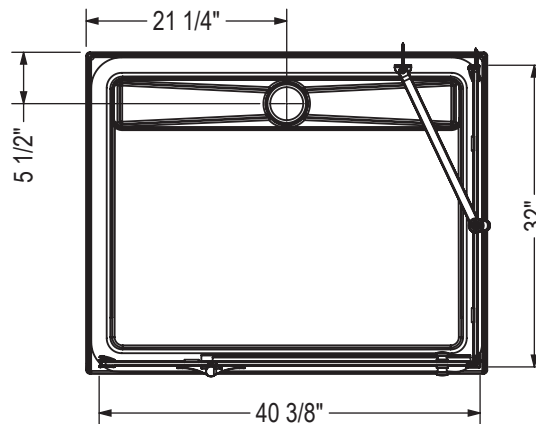
SKU	Color	Configuration	Dimensions & Weight	Packaging	MSRP
300008-900-084-000	White	Center	42" x 34" x 78 3/4" / 180 lb / 82 kg	10 ft ³	\$ 2696

ACCESSORIES

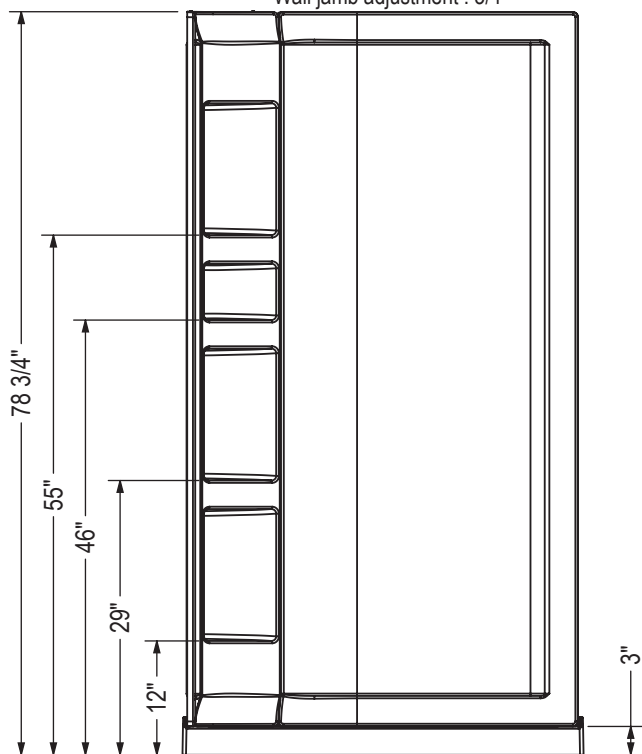
SKU	Description	MSRP
10060311	Corner glass shelf (9 3/8 x 9 3/8 in.) (sold separately) 10 mm frosted glass with a clear band along the edge Compatible with Utile and tile shower walls	\$ 158



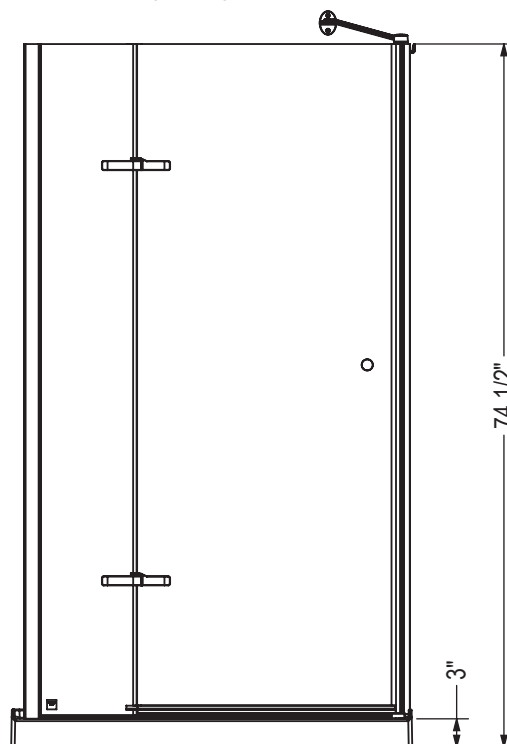
- Door opening : 27 5/8"
- Wall jamb adjustment : 3/4"



- Door opening : 27 5/8"
- Wall jamb adjustment : 3/4"



ACRYLIC WALLS - WITHOUT DOOR



NO ACRYLIC WALLS - WITH DOOR

All dimensions are approximate. Structure measurements must be verified against the unit to ensure proper fit.

Cyrene



Material : Acrylic

Features

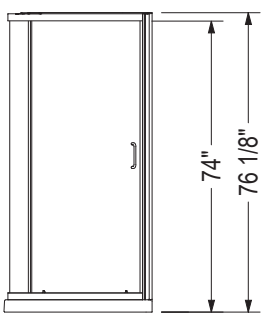
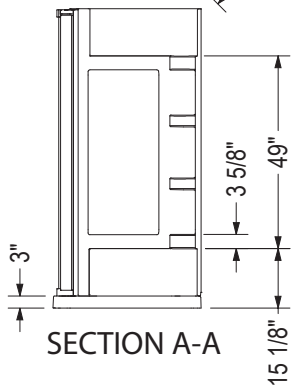
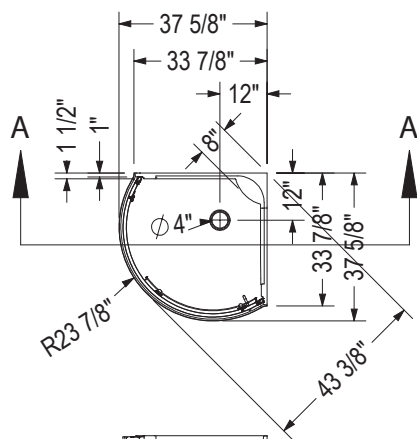
- › 34 in x 34 in wall width round base
- › Low 3" threshold allowing an easy & safe access
- › Smooth and silent roller system
- › Available in White **(001)** only
- › Sliding door left or right opening
- › Shower kit also available in Clear glass

SHOWER KITS - ACRYLIC

CYRENE - 300001					
SKU	Color	Configuration	Dimensions & Weight	Packaging	MSRP
300001-000-001-102	White	Center	34" x 34" x 76 1/8" / 115 lb / 52 kg	23.7 ft ³	\$ 1395
300001-000-001-103			34" x 34" x 76 1/8" / 125.0 lb / 57 kg		\$ 1553
300001-000-001-105			34" x 34" x 76 1/8" / 115 lb / 52 kg		\$ 1604
300001-000-001-106			34" x 34" x 76 1/8" / 115 lb / 52 kg		\$ 1500

STANDARD

SHOWER KITS - ACRYLIC



All dimensions are approximate. Structure measurements must be verified against the unit to ensure proper fit.

Kassia



Material : Acrylic

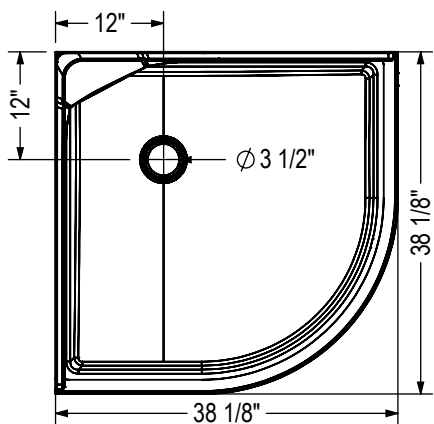
Features

- › Shower kit includes: neo-round base and door
- › Door comes with pre-assembled hardware and side jambs for fast and easy installation
- › Door features the MAAX clip-and-push system which allows to detach the bottom wheels in order to ease the cleaning of the tracks
- › Center sliding door opening
- › Glass panels come with the Lotus Easy Clean Glass Protection to repel soap and water stains for carefree maintenance
- › Door frame finish offered in Chrome or Matte Black
- › Square door handle to ease the door opening from the inside and outside
- › Base has a low 3 in. threshold for easy access
- › White acrylic shower base

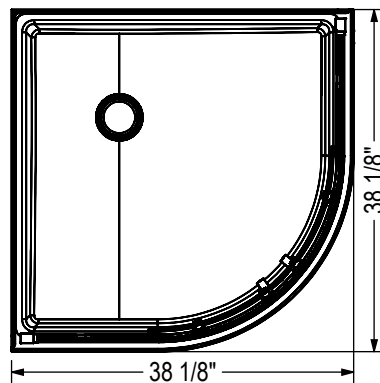
KASSIA - 107170

SKU	Color	Configuration	Dimensions & Weight	Packaging	MSRP
107170-900-084-000	White	Center	38 1/8" x 38 1/8" x 74 5/8" / 119 lb / 54 kg	17.95 ft ³	\$ 1701
107170-900-340-000					\$ 1756

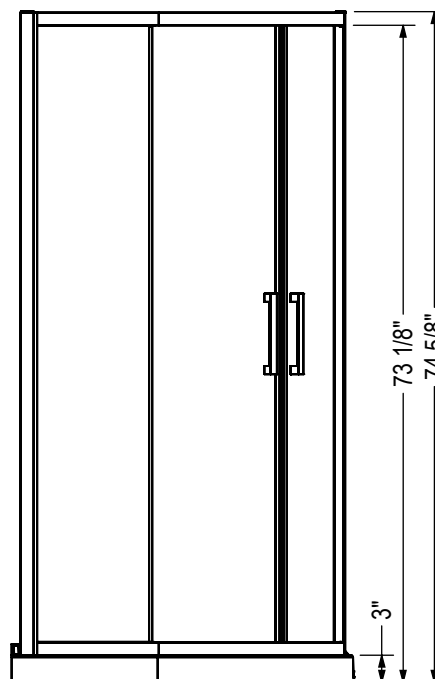
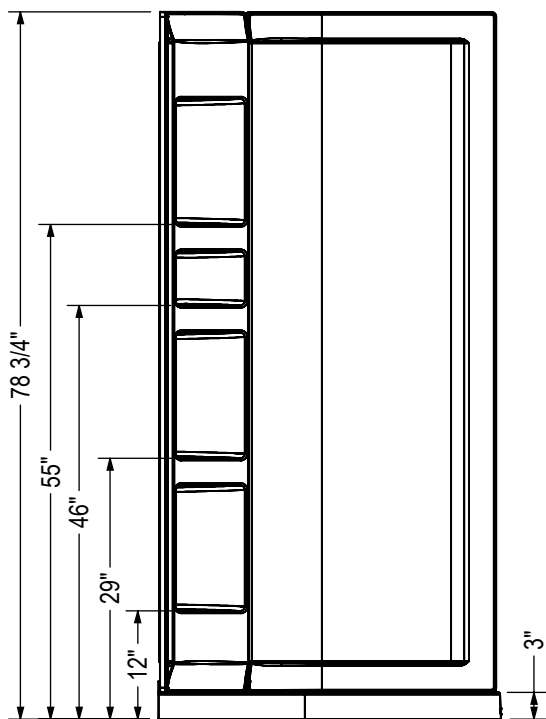
STANDARD



-Door opening : 21 1/4"
 -Door wall jamb adjustment : 1"



-Door opening : 21 1/4"
 -Door wall jamb adjustment : 1"



All dimensions are approximate. Structure measurements must be verified against the unit to ensure proper fit.

Olympia Round - Left Opening



Material : Acrylic

Features

- › Requires 36-in of wall space with a 40 1/8-in floor space (see tech drawing)
- › Round shaped base maximizes interior space of your shower
- › Round shaped base maximizes interior space of your shower
- › Stylish 8mm tempered safety glass with elegant chrome hardware
- › Silent and gentle roller door system
- › Optional white acrylic walls with storage - 1000744386
- › Left hand opening installation

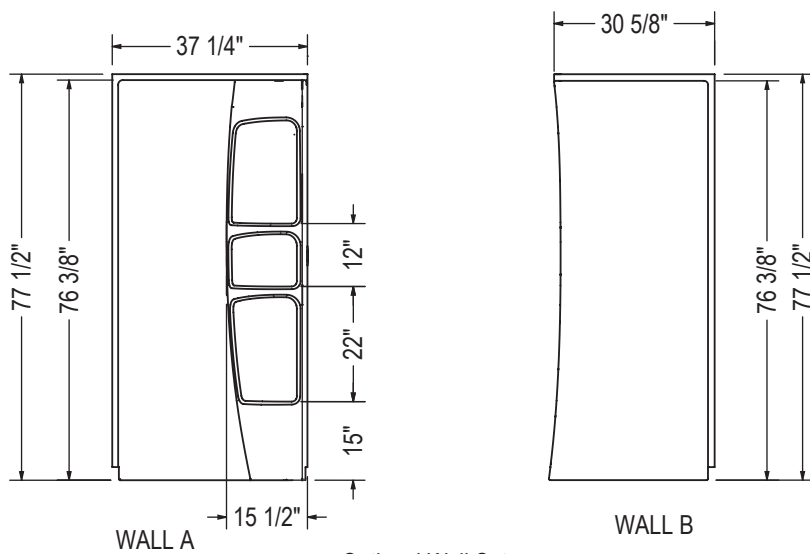
SHOWER KITS - ACRYLIC

OLYMPIA ROUND - 105760

SKU	Color	Configuration	Dimensions & Weight	Packaging	MSRP
105760-000-001-101	White	Left	36" x 36" x 78 5/8" / 206 lb / 93 kg	21.2 ft ³	\$ 2002

OLYMPIA ROUND - 105960

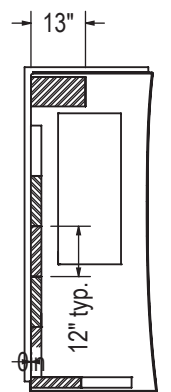
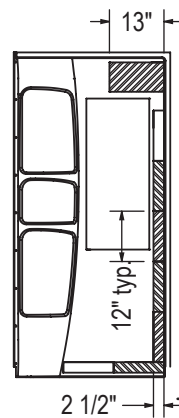
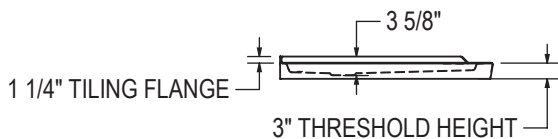
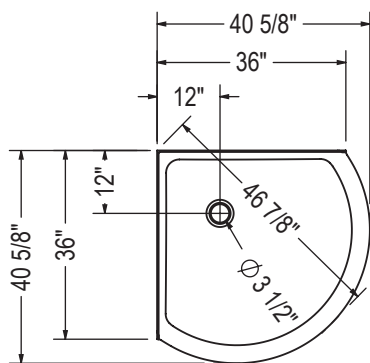
SKU	Color	Configuration	Dimensions & Weight	Packaging	MSRP
105960-000-001-102	White	Right	36" x 36" x 78 5/8" / 206 lb / 93 kg	21.2 ft ³	\$ 2002



WALL A

WALL B

Optional Wall Set



All dimensions are approximate. Structure measurements must be verified against the unit to ensure proper fit.



Sakura



Material : Acrylic

Features

- › Shower kit includes: neo-round base and door
- › Door comes with pre-assembled hardware and side jambs for fast and easy installation
- › Door features the MAAX clip-and-push system which allows to detach the bottom wheels in order to ease the cleaning of the tracks
- › Center sliding door opening
- › Glass panels come with the Lotus Easy Clean Glass Protection to repel soap and water stains for carefree maintenance
- › Door frame finish offered in Chrome or Matte Black
- › Square door handle to ease the door opening from the inside and outside
- › Base has a low 3 in. threshold for easy access
- › White acrylic shower base

SHOWER KITS - ACRYLIC

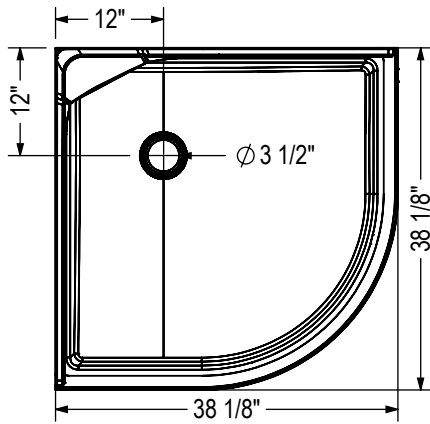
SAKURA - 106540

SKU	Color	Configuration	Dimensions & Weight	Packaging	MSRP
106540-900-084-000	White	Center	38 1/8" x 38 1/8" x 74 5/8" / 121 lb / 55 kg	17.95 ft ³	\$ 1701
106540-900-340-000					\$ 1756

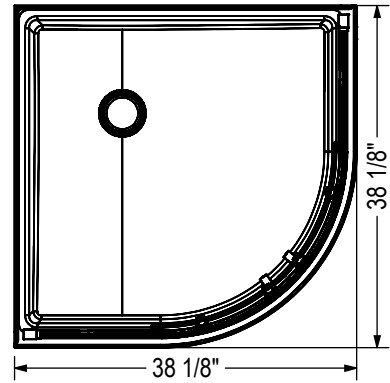
ACCESSORIES

SKU	Description	MSRP
10060311	Corner glass shelf (9 3/8 x 9 3/8 in.) (sold separately) 10 mm frosted glass with a clear band along the edge Compatible with Utile and tile shower walls	\$ 158

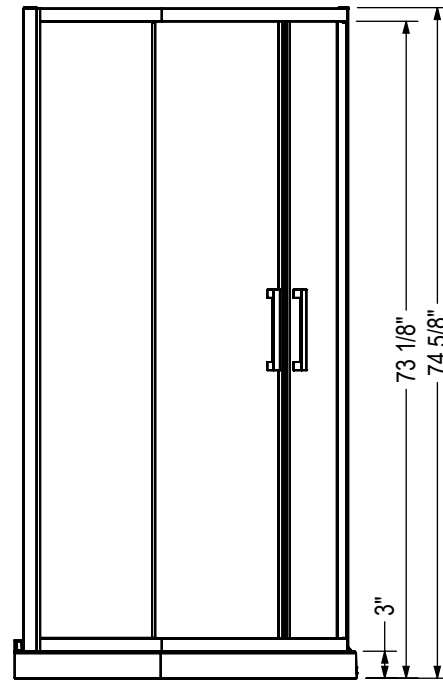
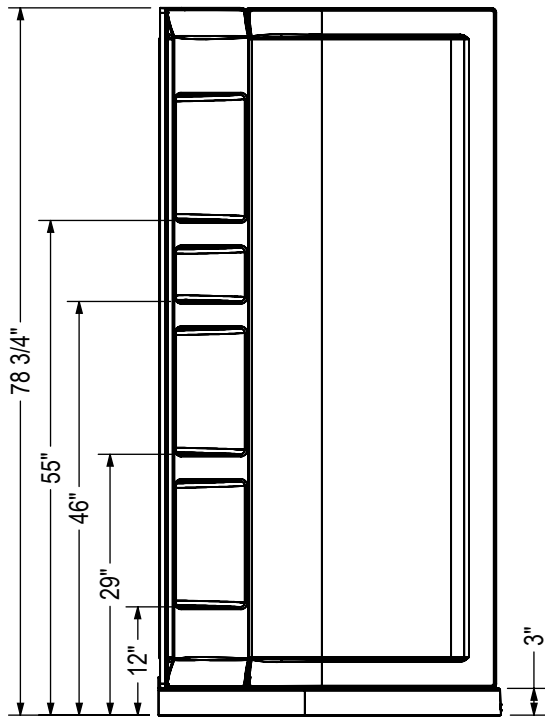
STANDARD



-Door opening : 21 1/4"
 -Door wall jamb adjustment : 1"



-Door opening : 21 1/4"
 -Door wall jamb adjustment : 1"



All dimensions are approximate. Structure measurements must be verified against the unit to ensure proper fit.



Scarlet Square 3232



Material : Acrylic

Features

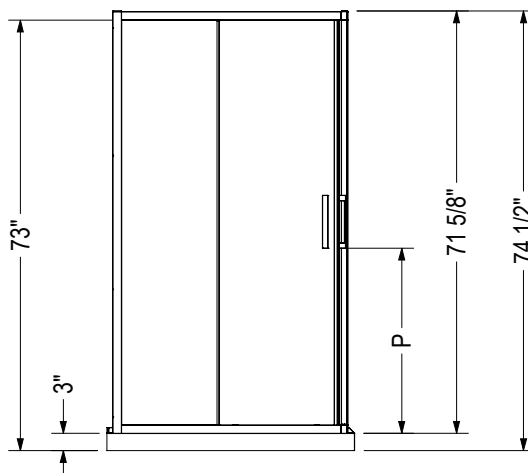
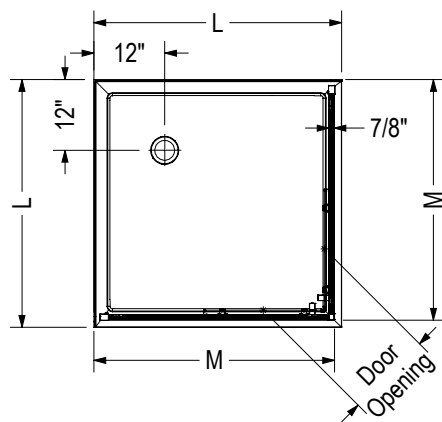
- › Shower kit includes: corner base and door
- › Door comes with pre-assembled panels, the hardware and side jambs for fast and easy installation
- › Door's magnetic and aluminum extrusion provides a better watertight closure and panel rigidity
- › Door features the MAAX clip-and-push system which allows to detach the bottom wheels in order to ease the cleaning of the tracks
- › Center sliding door opening
- › Glass panels come with the Lotus Easy Clean Glass Protection to repel soap and water stains for carefree maintenance
- › Base has a low 3 in. threshold for easy access
- › Acrylic shower base with a textured floor
- › Drain opening fits standard 2 in. compression fitted drains (drain assembly not included)

SHOWER KITS - ACRYLIC

SCARLET SQUARE 4242 - 107487

SKU	Color	Configuration	Dimensions & Weight	Packaging	MSRP
107487-900-084-000	Black	Corner	42" x 42" x 74 1/2" / 170 lb / 77 kg	23.83 ft ³	\$ 2621
107487-900-340-000					\$ 2723
107487-977-340-000					\$ 2871

STANDARD



Code	Description	L	M Adjustable	Door Opening	P	Wall adjustment
107484 & 107485	Scarlet Square 32" x 32" 6mm	32"	29 7/8" - 30 5/8"	15 3/16"	31 3/8"	3/4"
107481 & 107482	Scarlet Square 36" x 36" 6mm	36"	32 15/16" - 33 3/4"	17 5/16"	31 3/8"	3/4"
107486 & 107487	Scarlet Square 42" x 42" 6mm	42"	40 3/4" - 41 1/2"	22 13/16"	31 3/8"	3/4"

All dimensions are approximate. Structure measurements must be verified against the unit to ensure proper fit.



Scarlet Square 3232



Material : Acrylic

Features

- › Shower kit includes: corner base and door
- › Door comes with pre-assembled panels, the hardware and side jambs for fast and easy installation
- › Door's magnetic and aluminum extrusion provides a better watertight closure and panel rigidity
- › Door features the MAAX clip-and-push system which allows to detach the bottom wheels in order to ease the cleaning of the tracks
- › Center sliding door opening
- › Glass panels come with the Lotus Easy Clean Glass Protection to repel soap and water stains for carefree maintenance
- › Base has a low 3 in. threshold for easy access
- › Acrylic shower base with a textured floor
- › Drain opening fits standard 2 in. compression fitted drains (drain assembly not included)

SHOWER KITS - ACRYLIC

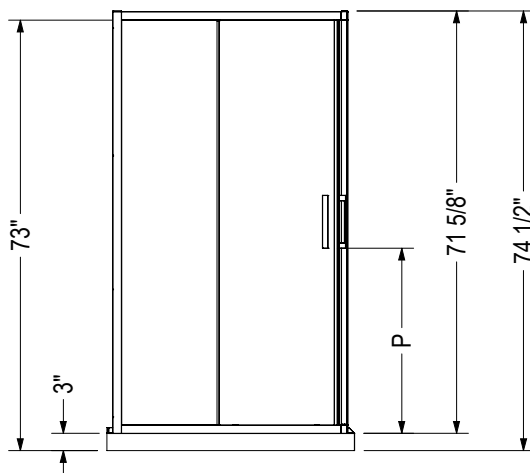
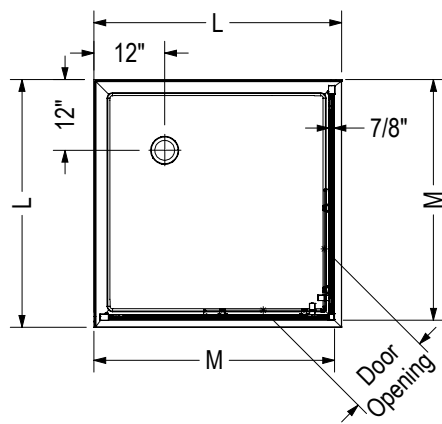
SCARLET SQUARE 3232 - 107484

SKU	Color	Configuration	Dimensions & Weight	Packaging	MSRP
107484-900-084-000	White	Corner	32" x 32" x 74 1/2" / 120 lb / 54 kg	18.53 ft ³	\$ 2109
107484-900-340-000					\$ 2204
107484-977-340-000					\$ 2342

SCARLET SQUARE 3232 - 107485

SKU	Color	Configuration	Dimensions & Weight	Packaging	MSRP
107485-900-084-000	Black	Corner	32" x 32" x 74 1/2" / 120 lb / 54 kg	18.53 ft ³	\$ 2191
107485-900-340-000					\$ 2286
107485-977-340-000					\$ 2424

STANDARD



Code	Description	L	M Adjustable	Door Opening	P	Wall adjustment
107484 & 107485	Scarlet Square 32" x 32" 6mm	32"	29 7/8" - 30 5/8"	15 3/16"	31 3/8"	3/4"
107481 & 107482	Scarlet Square 36" x 36" 6mm	36"	32 15/16" - 33 3/4"	17 5/16"	31 3/8"	3/4"
107486 & 107487	Scarlet Square 42" x 42" 6mm	42"	40 3/4" - 41 1/2"	22 13/16"	31 3/8"	3/4"

All dimensions are approximate. Structure measurements must be verified against the unit to ensure proper fit.

Scarlet Square 3636



Material : Acrylic

Features

- › Shower kit includes: corner base and door
- › Door comes with pre-assembled panels, the hardware and side jambs for fast and easy installation
- › Door's magnetic and aluminum extrusion provides a better watertight closure and panel rigidity
- › Door features the MAAX clip-and-push system which allows to detach the bottom wheels in order to ease the cleaning of the tracks
- › Center sliding door opening
- › Glass panels come with the Lotus Easy Clean Glass Protection to repel soap and water stains for carefree maintenance
- › Base has a low 3 in. threshold for easy access
- › Acrylic shower base with a textured floor
- › Drain opening fits standard 2 in. compression fitted drains (drain assembly not included)

SHOWER KITS - ACRYLIC

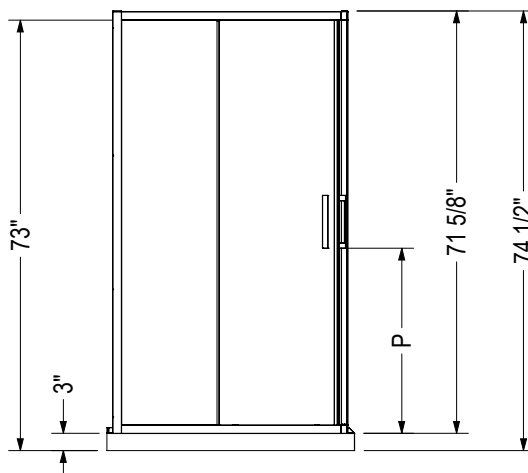
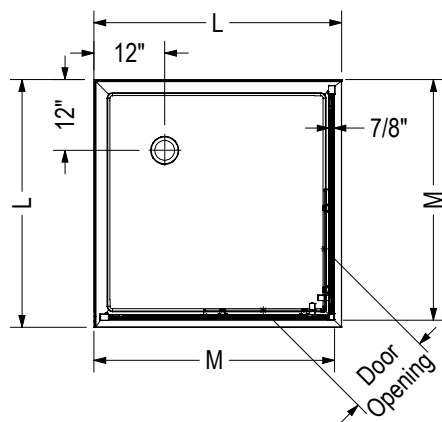
SCARLET SQUARE 3636 - 107481

SKU	Color	Configuration	Dimensions & Weight	Packaging	MSRP
107481-900-084-000	White	Corner	36" x 36" x 74 1/2" / 148 lb / 67 kg	16.72 ft ³	\$ 2083
107481-900-340-000					\$ 2173
107481-972-340-000					\$ 2302
107481-977-340-000					\$ 2302

SCARLET SQUARE 3636 - 107482

SKU	Color	Configuration	Dimensions & Weight	Packaging	MSRP
107482-900-084-000	Black	Corner	36" x 36" x 74 1/2" / 148 lb / 67 kg	16.72 ft ³	\$ 2413
107482-900-340-000					\$ 2513
107482-972-340-000					\$ 2656
107482-977-340-000					\$ 2656

STANDARD



Code	Description	L	M Adjustable	Door Opening	P	Wall adjustment
107484 & 107485	Scarlet Square 32" x 32" 6mm	32"	29 7/8" - 30 5/8"	15 3/16"	31 3/8"	3/4"
107481 & 107482	Scarlet Square 36" x 36" 6mm	36"	32 15/16" - 33 3/4"	17 5/16"	31 3/8"	3/4"
107486 & 107487	Scarlet Square 42" x 42" 6mm	42"	40 3/4" - 41 1/2"	22 13/16"	31 3/8"	3/4"

All dimensions are approximate. Structure measurements must be verified against the unit to ensure proper fit.



Scarlet Square 4242



Material : Acrylic

Features

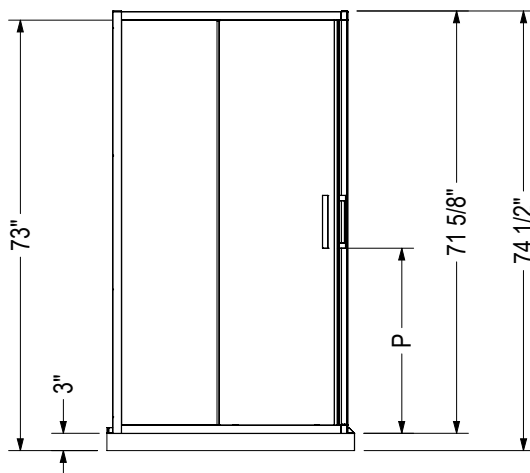
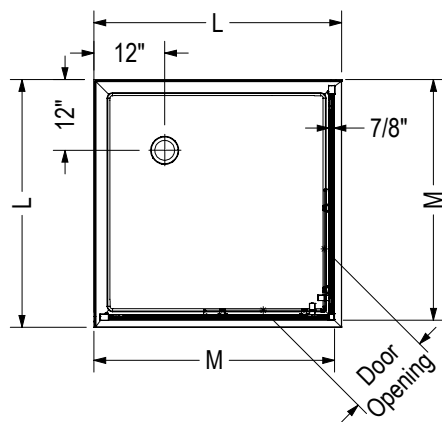
- › Shower kit includes: corner base and door
- › Door comes with pre-assembled panels, the hardware and side jambs for fast and easy installation
- › Door's magnetic and aluminum extrusion provides a better watertight closure and panel rigidity
- › Door features the MAAX clip-and-push system which allows to detach the bottom wheels in order to ease the cleaning of the tracks
- › Center sliding door opening
- › Glass panels come with the Lotus Easy Clean Glass Protection to repel soap and water stains for carefree maintenance
- › Base has a low 3 in. threshold for easy access
- › Acrylic shower base with a textured floor
- › Drain opening fits standard 2 in. compression fitted drains (drain assembly not included)

SHOWER KITS - ACRYLIC

SCARLET SQUARE 4242 - 107486

SKU	Color	Configuration	Dimensions & Weight	Packaging	MSRP
107486-900-084-000	White	Corner	42" x 42" x 74 1/2" / 170 lb / 77 kg	23.83 ft ³	\$ 2507
107486-900-340-000					\$ 2609
107486-977-340-000					\$ 2757

STANDARD



Code	Description	L	M Adjustable	Door Opening	P	Wall adjustment
107484 & 107485	Scarlet Square 32" x 32" 6mm	32"	29 7/8" - 30 5/8"	15 3/16"	31 3/8"	3/4"
107481 & 107482	Scarlet Square 36" x 36" 6mm	36"	32 15/16" - 33 3/4"	17 5/16"	31 3/8"	3/4"
107486 & 107487	Scarlet Square 42" x 42" 6mm	42"	40 3/4" - 41 1/2"	22 13/16"	31 3/8"	3/4"

All dimensions are approximate. Structure measurements must be verified against the unit to ensure proper fit.



32" Mediterranean III



Material : Polystyrene

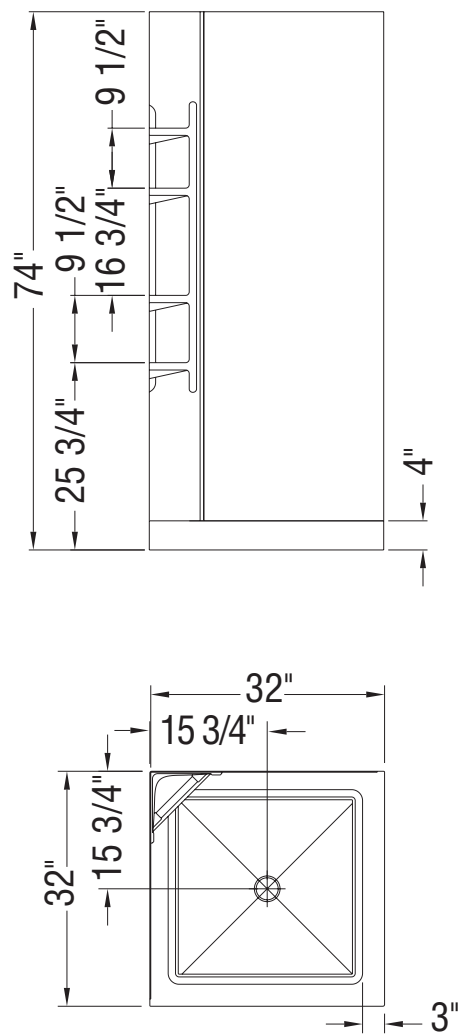
Features

- › Shower kit includes: corner shower base, corner door and wall
- › Offered with a chrome door finish and white base
- › 3-piece polysterene wall that is glued directly over drywall
- › Includes 4 built-in shelves for all your bathroom essentials
- › Base has a low 4 in. threshold for easy access
- › Pratical shower kit with an All-In-One box solution
- › Plastic injected shower base with a textured floor
- › Drain included with the shower base
- › ANSI certified glass for additional safety

SHOWER KITS - POLYSTYRENE

32" MEDITERRANEAN III - 105605

SKU	Color	Configuration	Dimensions & Weight	Packaging	MSRP
105605-000-129-104	White	Center	32" x 32" x 74" / 90 lb / 41 kg	12.4 ft³	\$ 1645



All dimensions are approximate. Structure measurements must be verified against the unit to ensure proper fit.



38" Himalaya



Material : Polystyrene

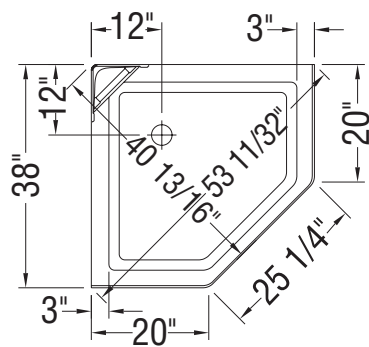
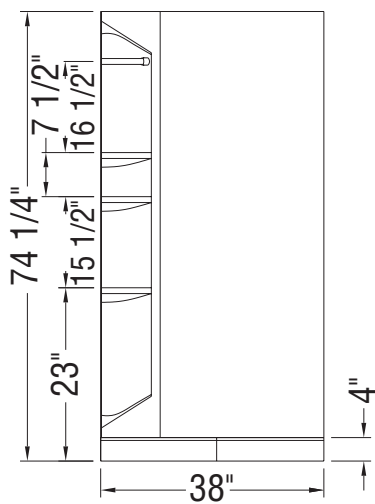
Features

- › Neo-angle corner shower kit
- › Shower kit includes: neo-angle shower base, door and wall
- › Offered with a chrome or white door finish and white base
- › Glue-up wall system extends 2" above the door for optimum protection
- › Includes 3 built-in shelves and 1 towel bar for all your bathroom essentials
- › Reversible pivot door for left or right-hand opening, giving you flexibility in design
- › Framed and solid shower door panels
- › Door frame with full length integrated handle
- › Corner drain included with the shower base

SHOWER KITS - POLYSTYRENE

HIMALAYA 38 - 101694

SKU	Color	Configuration	Dimensions & Weight	Packaging	MSRP
101694-000-129-106	White	Center	38" x 38" x 74 1/4" / 82 lb / 37 kg	20.76 ft³	\$ 1112
101694-000-129-107					\$ 1391



All dimensions are approximate. Structure measurements must be verified against the unit to ensure proper fit.



Begonia Carbon



Material : Polystyrene

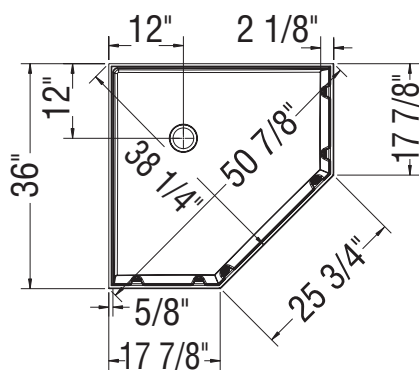
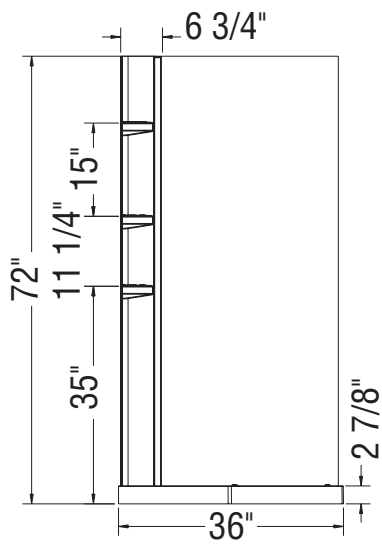
Features

- › Shower kit includes: neo-angle shower base, door and wall
- › Offered with a chrome door finish and white base
- › Reversible pivot door for left or right-hand opening, giving you flexibility in design
- › Base has a low 2.875 in. threshold for easy access
- › Practical shower kit with an All-In-One box solution
- › Plastic injected shower base with a textured floor
- › Drain included with the shower base
- › Proudly made in North America
- › Minimalist door knob to ease the door opening

SHOWER KITS - POLYSTYRENE

BEGONIA CARBON - 300012

SKU	Color	Configuration	Dimensions & Weight	Packaging	MSRP
300012-000-129-104	White	Center	36" x 36" x 72" / 104 lb / 47 kg	12.79 ft³	\$ 1084



All dimensions are approximate. Structure measurements must be verified against the unit to ensure proper fit.



Begonia Pebble



Material : Polystyrene

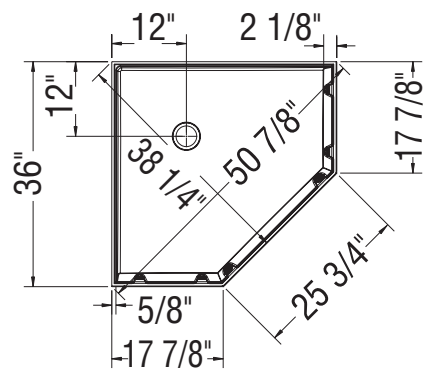
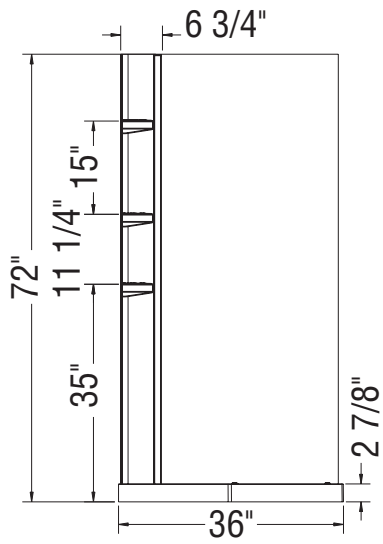
Features

- › Shower kit includes: neo-angle shower base, door and wall
- › Offered with a chrome door finish and white base
- › Reversible pivot door for left or right-hand opening, giving you flexibility in design
- › Base has a low 2.875 in. threshold for easy access
- › Practical shower kit with an All-In-One box solution
- › Plastic injected shower base with a textured floor
- › Drain included with the shower base
- › Proudly made in North America
- › Minimalist door knob to ease the door opening from the inside and outside

SHOWER KITS - POLYSTYRENE

BEGONIA PEBBLE - 105544

SKU	Color	Configuration	Dimensions & Weight	Packaging	MSRP
105544-000-129-103	White	Center	36" x 36" x 72" / 102 lb / 46 kg	12.79 ft ³	\$ 1121



All dimensions are approximate. Structure measurements must be verified against the unit to ensure proper fit.



Begonia Soho



Material : Polystyrene

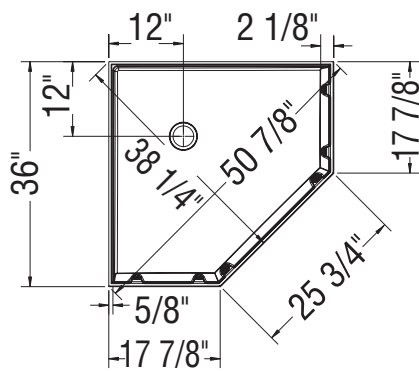
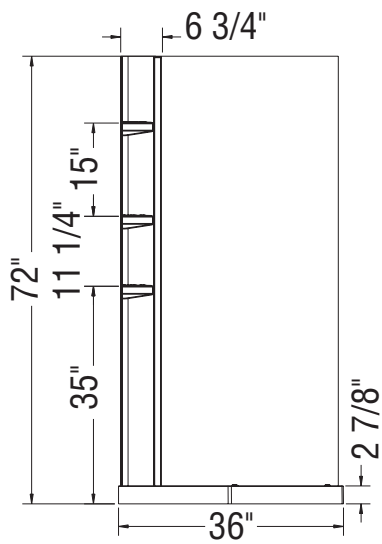
Features

- › Shower kit includes: neo-angle shower base, door and wall
- › Offered with a chrome door finish and white base
- › Reversible pivot door for left or right-hand opening, giving you flexibility in design
- › Base has a low 2.875 in. threshold for easy access
- › Practical shower kit with an All-In-One-Box-Solution
- › Plastic injected shower base with a textured floor
- › Drain included with the shower base
- › Proudly made in North America
- › Minimalist door knob to ease the door opening

SHOWER KITS - POLYSTYRENE

BEGONIA SOHO - 105618

SKU	Color	Configuration	Dimensions & Weight	Packaging	MSRP
105618-000-129-102	White	Center	36" x 36" x 72" / 104 lb / 47 kg	12.79 ft³	\$ 1060



All dimensions are approximate. Structure measurements must be verified against the unit to ensure proper fit.



Daylight



Material : Polystyrene

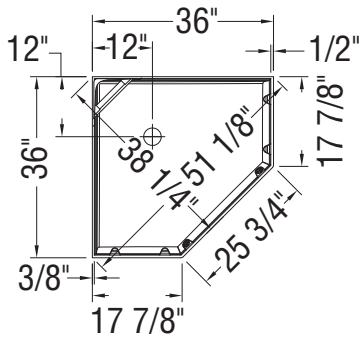
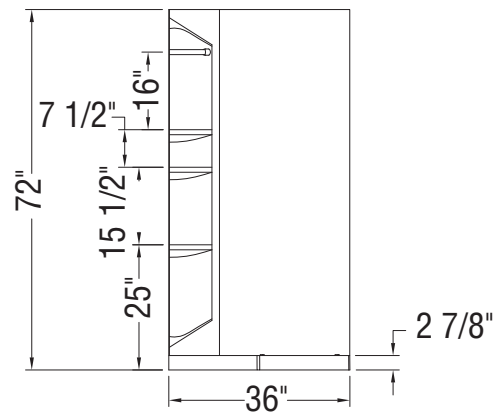
Features

- › Shower kit includes: neo-angle shower base, door and wall
- › Includes 3 built-in shelves, 2 glass shelves and 1 towel bar for all your bathroom essentials
- › Reversible pivot door for left or right-hand opening, giving you flexibility in design
- › Base has a low 2.875 in. threshold for easy access
- › Neo-angle frameless door with hinges and solid handle
- › Practical shower kit with an All-In-One box solution
- › Plastic injected shower base with a textured floor
- › Corner drain included with the shower base
- › Easy to clean shower kit

SHOWER KITS - POLYSTYRENE

DAYLIGHT - 105672

SKU	Color	Configuration	Dimensions & Weight	Packaging	MSRP
105672-000-129-101	White	Center	36" x 36" x 72" / 112 lb / 51 kg	13.88 ft ³	\$ 1436



All dimensions are approximate. Structure measurements must be verified against the unit to ensure proper fit.



Orchid



Material : Polystyrene

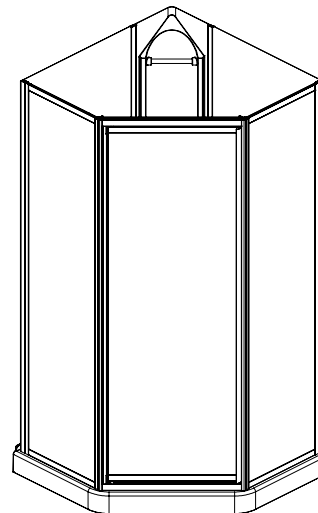
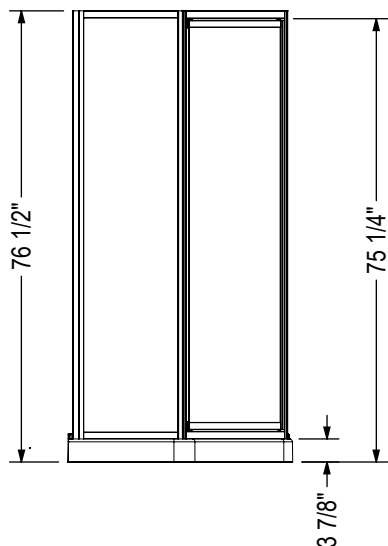
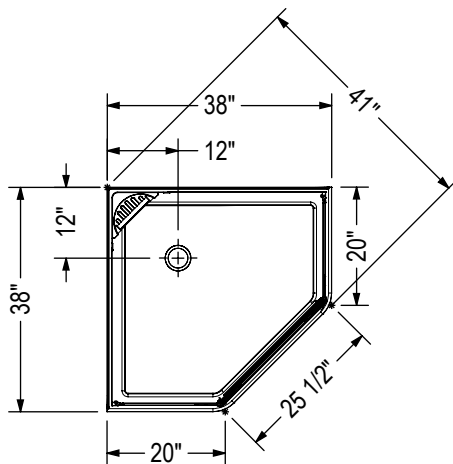
Features

- › Shower kit includes: neo-angle shower base, door and wall
- › 3-piece polysterene wall that is glued directly over drywall
- › Glue-up walls in 3 convenient pieces, 2 flat walls and a corner caddy for all your storage needs
- › Reversible pivot door for left or right-hand opening, giving you flexibility in design
- › Pivot door with a center entry is perfect to install in a compact bathroom
- › The doors' full length magnet provides a better watertight closure
- › Door frame with full lenght integrated handle
- › Corner drain included with the shower base
- › Door frame allows for plenty of wall adjustment and ideal for Out-Of-Plumb walls

ORCHID - 300022

SKU	Color	Configuration	Dimensions & Weight	Packaging	MSRP
300022-000-129-102	White	Center	38" x 38" x 76 1/2" / 82 lb / 37 kg	13.96 ft ³	\$ 1391
300022-000-129-103					\$ 1621

STANDARD



- Pivot door with left or right opening
- Fixe wall jamb adjustment = 1/2" each side

Code	Description	Door opening
800024	Warren Shower Kit 38"-38" x 76 1/2"	21 1/2"

All dimensions are approximate. Structure measurements must be verified against the unit to ensure proper fit.



Papaya



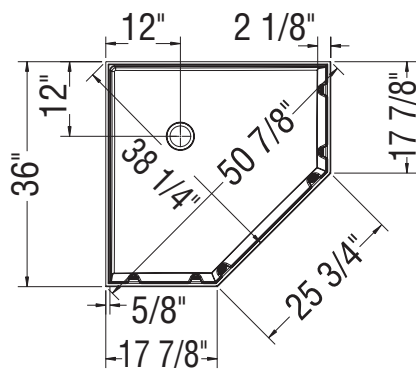
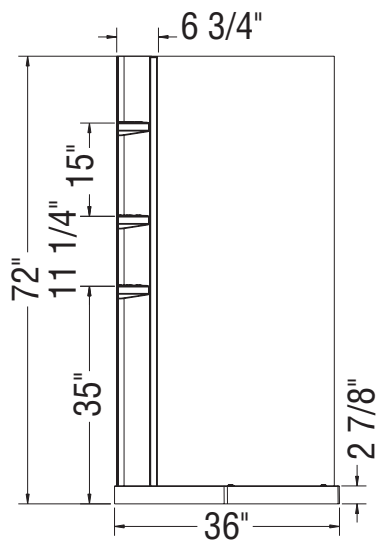
Material : Polystyrene

Features

- › Shower kit includes: neo-angle shower base, door and wall
- › Reversible pivot door for left or right-hand opening, giving you flexibility in design
- › Base has a low 2.875 in. threshold for easy access
- › Neo-angle frameless door with hinges and solid handle
- › Practical shower kit with an All-In-One box solution
- › Plastic injected shower base with a textured floor
- › Corner drain included with the shower base
- › Proudly made in North America
- › Easy to clean shower kit

PAPAYA - 105545

SKU	Color	Configuration	Dimensions & Weight	Packaging	MSRP
105545-000-129-103	White	Center	36" x 36" x 72" / 104 lb / 47 kg	12.67 ft ³	\$ 1399



All dimensions are approximate. Structure measurements must be verified against the unit to ensure proper fit.



Summit



Material : Polystyrene

Features

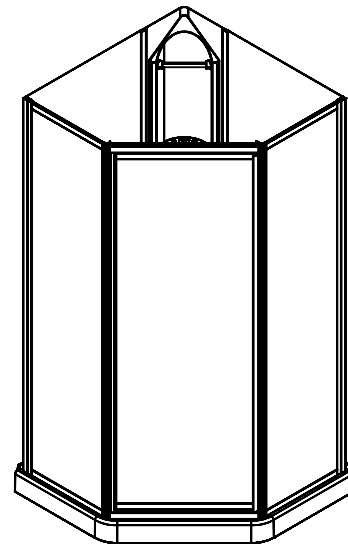
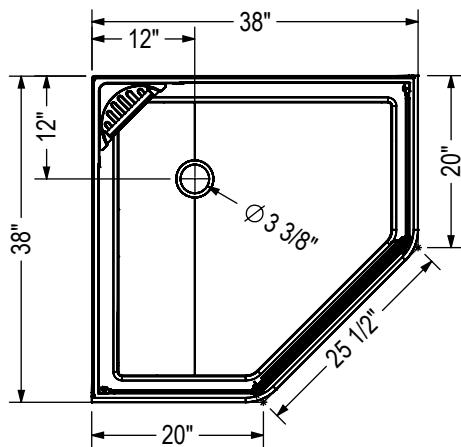
- › Shower kit includes walls, base and door
- › 3piece wall featuring 3 shelves & 1 acrylic towel bar
- › Clear glass with Center Silk pattern
- › Pivot door with left or right opening
- › 12" drain center

SHOWER KITS - POLYSTYRENE

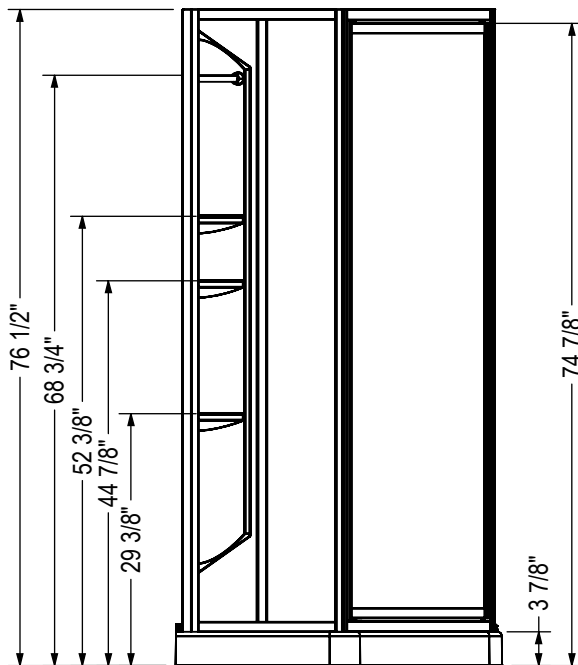
SUMMIT - 300006

SKU	Color	Configuration	Dimensions & Weight	Packaging	MSRP
300006-000-129-100	Chrome	Center	38" x 38" x 76 1/2" / 82 lb / 37 kg	13.96 ft ³	\$ 1391
300006-000-129-102					\$ 1391

STANDARD



- Pivot door with left or right opening
- Door wall jamb adjustment : 1/2"



All dimensions are approximate. Structure measurements must be verified against the unit to ensure proper fit.

Code	Description	Door opening
300015	Summit Shower Kit 38"-38" x 76 1/2"	21 1/2"

Showers



Camellia Shower 4832 — with Reveal Sleek - Chrome

Allegro I (1-Piece)



ALCOVE SHOWERS - ACRYLIC



Material : Acrylic

Features

- › Proudly made in Canada
- › 1-piece shower for alcove installation with roof cap included
- › Roof cap helps keep the warmth inside the shower while in use, providing you with a superior experience, especially in cold winter days
- › With its 59.25-inch length, the Allegro by MAAX is an excellent choice if you are looking to convert from a bathtub to a shower
- › Made of high quality acrylic for easy cleaning and long-lasting color and gloss
- › Direct to stud installation

ALLEGRO I (1-PIECE) - 101150

SKU	Color	Configuration	Dimensions & Weight	Packaging	MSRP
101150-000-001-001	White	Right	59 1/4" x 31 1/2" x 84 5/8" / 150 lb / 68 kg	107 ft ³	\$ 2978
101150-000-001-002		Left			\$ 2978
101150-000-001-100		Left			\$ 2978
101150-000-001-101		Right			\$ 2978

ALLEGRO I (3-PIECE) - 101150S

SKU	Color	Configuration	Dimensions & Weight	Packaging	MSRP
101150-000-001-004	White	Right	59 1/4" x 33" x 84 5/8" / 192 lb / 87 kg	107 ft ³	\$ 3866
101150-000-001-005		Left			\$ 3866
101150-000-001-102		Left			\$ 3866
101150-000-001-103		Right			\$ 3866

ACCESSORIES

SKU	Description	MSRP
1000041-105	Shower Drain (sold separately) PVC quick caulking shower drain, compression type	\$ 52
1000041-084	Specify grid color: Chrome (084) or Brushed Nickel (105)	\$ 52
1000043-084	Shower Drain (sold separately) 2-piece ABS shower drain with Chrome stainless steel grid	\$ 49
10004349-001	ABS shower drain with ABS grid (sold separately) Available color: White (001) and Bone (004)	\$ 18

ACCESSORIES

SKU	Description	MSRP
10004349-004	ABS shower drain with ABS grid (sold separately) Available color: White (001) and Bone (004)	\$ 18

Allegro II (1-Piece)



Material : Acrylic

Features

- › Proudly made in Canada
- › 1-piece shower for alcove installation without roofcap
- › With its 59.25-inch length, the Allegro by MAAX is an excellent choice if you are looking to convert from a bathtub to a shower
- › Made of high quality acrylic for easy cleaning and long-lasting color and gloss
- › Direct to stud installation

ALLEGRO II (1-PIECE) - 200011

SKU	Color	Configuration	Dimensions & Weight	Packaging	MSRP
200011-000-001-001	White	Right	59 1/4" x 31 1/2" x 74 1/2" / 116 lb / 53 kg	94 ft ³	\$ 2810
200011-000-001-002		Left			\$ 2810
200011-000-001-100		Right			\$ 2810
200011-000-001-101		Left			\$ 2810

ALLEGRO II (2-PIECE) - 200011S

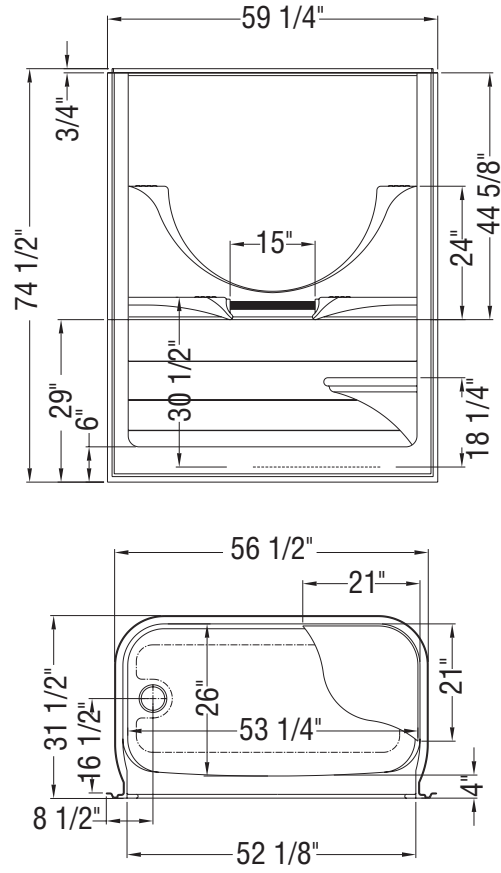
SKU	Color	Configuration	Dimensions & Weight	Packaging	MSRP
200011-000-001-004	White	Right	59 1/4" x 33" x 74 1/2" / 133 lb / 60 kg	94 ft ³	\$ 3702
200011-000-001-005		Left			\$ 3702
200011-000-001-102		Right			\$ 3702
200011-000-001-103		Left			\$ 3702

ACCESSORIES

SKU	Description	MSRP
10000041-105	Shower Drain (sold separately) PVC quick caulking shower drain, compression type	\$ 52
10000041-084	Specify grid color: Chrome (084) or Brushed Nickel (105)	\$ 52
10000043-084	Shower Drain (sold separately) 2-piece ABS shower drain with Chrome stainless steel grid	\$ 49
10004349-001	ABS shower drain with ABS grid (sold separately) Available color: White (001) and Bone (004)	\$ 18

ACCESSORIES

SKU	Description	MSRP
10004349-004	ABS shower drain with ABS grid (sold separately) Available color: White (001) and Bone (004)	\$ 18



All dimensions are approximate. Structure measurements must be verified against the unit to ensure proper fit.



Camelia SH-3636 (1-piece)

ALCOVE SHOWERS - ACRYLIC



Material : Acrylic

Features

- › Model Size: 36 1/2 L in. X 36 W in. X 79 H in.
- › Thermoformed cast Acrylic for improved durability
- › Smooth Walls for a modern and minimalist look
- › 1 Piece construction for reliable water containment
- › Compatible with a wide range of MAAX Products
- › Above-the-Floor Rough (AFR) : No
- › Made in North America
- › 25 years warranty

CAMELIA SH-3636 (1-PIECE) - 105917

SKU	Color	Configuration	Dimensions & Weight	Packaging	MSRP
105917-000-001	White	Center	36" x 36 1/2" x 79" / 127 lb / 58 kg	90 ft ³	\$ 2223

CAMELIA SH-3636 (2-PIECE) - 105917S

SKU	Color	Configuration	Dimensions & Weight	Packaging	MSRP
105917-S-000-001-	White	Center	36" x 36 1/2" x 79" / 127 lb / 58 kg	90 ft ³	\$ 2754

COMMON OPTIONS

SKU	Description	MSRP
OPT20203-R-084	18 in. Modern straight grab bar ³⁰	\$ 269
OPT20203-R-002	OPT 20203-R-XXX Vertical grab bar on right wall	\$ 269
OPT20203-R-105	Available colours: White (002), Chrome (084) and Brushed Nickel (105)	\$ 269
OPT20204-L-084	24 in. Modern straight grab bar ³⁰	\$ 315
OPT20204-L-105	OPT 20204-L-XXX Vertical grab bar on left wall	\$ 315
OPT20204-L-002	Available colours: White (002), Chrome (084) and Brushed Nickel (105)	\$ 315
OPT20204-R-002	24 in. Modern straight grab bar ³⁰	\$ 315
OPT20204-R-084	OPT 20204-R-XXX Vertical grab bar on right wall	\$ 315
OPT20204-R-105	Available colours: White (002), Chrome (084) and Brushed Nickel (105)	\$ 315
OPT20212-B	Back Wall reinforcement for future grab installation ³³	\$ 100

COMMON OPTIONS

SKU	Description	MSRP
OPT20212-L	Left Wall reinforcement for future grab installation ³³	\$ 100
OPT20212-R	Right Wall reinforcement for future grab installation ³³	\$ 100
OPT20408-L-105	Package A ³⁰ OPT 20408-L-XXX Vertical grab bar on left wall, horizontal grab bar on back wall	\$ 536
OPT20408-L-002	Package includes : • 24 in. Vertical grab bar on side wall	\$ 536
OPT20408-L-084	• 18 in. Horizontal grab bar on back wall Available colours: White (002), Chrome (084) and Brushed Nickel (105)	\$ 536
OPT20408-R-084	Package A ³⁰ OPT 20408-R-XXX Vertical grab bar on Right wall, horizontal grab bar on back wall	\$ 536
OPT20408-R-002	Package includes : • 24 in. Vertical grab bar on side wall	\$ 536
OPT20408-R-105	• 18 in. Horizontal grab bar on back wall Available colours: White (002), Chrome (084) and Brushed Nickel (105)	\$ 536
OPT10189	Three-wall reinforcement for future grab bar installation ³³	\$ 290
OPT20055-106	36 in. curtain rod with installation kit Available color: Stainless Steel (106)	\$ 178
OPT20220-002		\$ 280
OPT20220-105	Shelf guard rails (factory installed) Available colours: White (002), Chrome (084), Brushed Nickel (105)	\$ 280
OPT20220-084		\$ 280
OPT20203-B-002	18 in. Modern straight grab bar ³⁰	\$ 269
OPT20203-B-105	OPT 20203-B-XXX Horizontal grab bar on back wall	\$ 269
OPT20203-B-084	Available colours: White (002), Chrome (084) and Brushed Nickel (105)	\$ 269
OPT20203-L-105	18 in. Modern straight grab bar ³⁰	\$ 269
OPT20203-L-002	OPT 20203-L-XXX Vertical grab bar on left wall	\$ 269
OPT20203-L-084	Available colours: White (002), Chrome (084) and Brushed Nickel (105)	\$ 269

ACCESSORIES

SKU	Description	MSRP
10000041-105	Shower Drain (sold separately)	\$ 52
10000041-084	PVC quick caulking shower drain, compression type Specify grid color: Chrome (084) or Brushed Nickel (105)	\$ 52
10000043-084	Shower Drain (sold separately) 2-piece ABS shower drain with Chrome stainless steel grid	\$ 49
10004349-001	ABS shower drain with ABS grid (sold separately)	\$ 18
10004349-004	Available color: White (001) and Bone (004)	\$ 18
10028765-105		\$ 315
10028765-084	24 in. modern straight grab bar ³⁶ Specify color: White (002), Chrome (084), Brushed Nickel (105)	\$ 315
10028765-002		\$ 315
10029996-084		\$ 315
10029996-002	18 in. modern straight grab bar with flange (front installation) Specify colour: White (002), Chrome (084), Brushed Nickel (105)	\$ 315
10029996-105		\$ 315
10029997-002		\$ 359
10029997-105	24 in. modern straight grab bar with flange (front installation) Specify color: White (002), Chrome (084), Brushed Nickel (105)	\$ 359
10029997-084		\$ 359

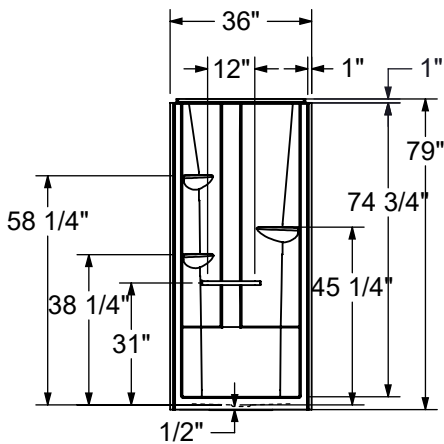
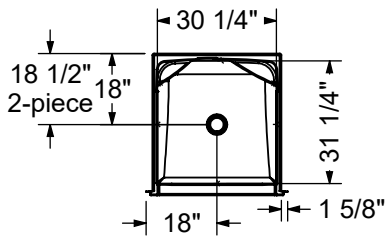
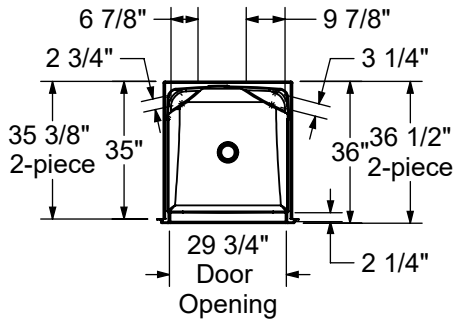
FOOTNOTES

No	Description
30	Please see technical drawings on https://www.maax.com for grab bar and/or seat positioning.
33	Please see technical drawings on https://www.maax.com for reinforcement positioning and size.
36	Rear access grab bar installation. Must be secured onto unit prior to alcove unit insert.
36	

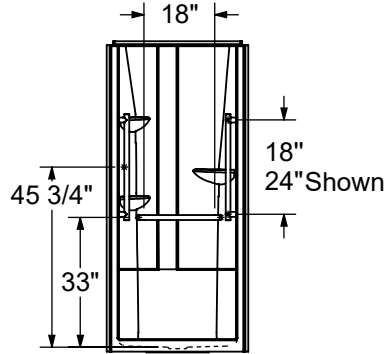
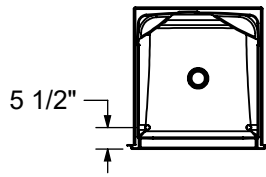
RECOMMENDED DOORS

SKU	Product Name	Pag.
138263	Manhattan 29-31 x 68 - 6mm	364
105416	Madono 28 ½-30 ½ x 67 - 6mm	361
136645	Pivolok 29-30 ¾ x 64 ½ in.	374

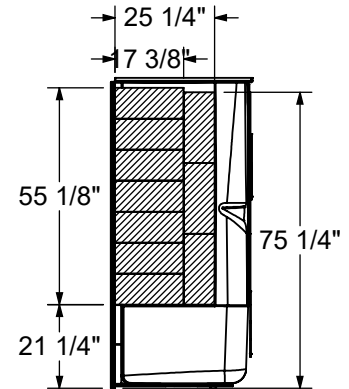
STANDARD
1 PIECE MODEL SHOWN



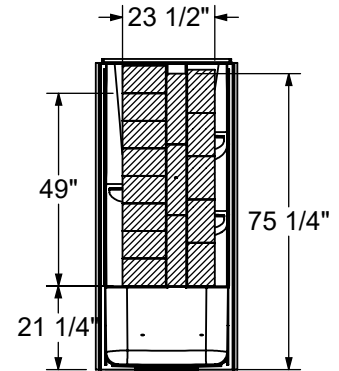
GRAB BAR
Option 20203 & 20204



OPTIONNAL REINFORCEMENT
(Left shown, Right symmetrical)



OPTIONNAL REINFORCEMENT
(Back Wall)



All dimensions are approximate. Structure measurements must be verified against the unit to ensure proper fit.

Camelia SH-4834 (1-piece)



ALCOVE SHOWERS - ACRYLIC



Material : Acrylic

Features

- › Model Size: 48 L in. X 34 1/2 W in. X 79 H in.
- › Thermoformed cast Acrylic for improved durability
- › Smooth Walls for a modern and minimalist look
- › 1 Piece construction for reliable water containment
- › Compatible with a wide range of MAAX Products
- › Above-the-Floor Rough (AFR) : No
- › Made in North America
- › 25 years warranty

CAMELIA SH-4834 (1-PIECE) - 105919

SKU	Color	Configuration	Dimensions & Weight	Packaging	MSRP
105919-000-001	White	Center	48" x 34" x 79" / 138 lb / 63 kg	90 ft ³	\$ 2409
105919-L-000-001					\$ 2409
105919-R-000-001					\$ 2409

CAMELIA SH-4834 (2-PIECE) - 105919S

SKU	Color	Configuration	Dimensions & Weight	Packaging	MSRP
105919-S-000-001-	White	Center	48" x 34 1/2" x 79" / 138 lb / 63 kg	90 ft ³	\$ 2981
105919-SL-000-001					\$ 2981
105919-SR-000-001					\$ 2981

COMMON OPTIONS

SKU	Description	MSRP
OPT20203-B-002	18 in. Modern straight grab bar ³⁰	\$ 269
OPT20203-B-105	OPT 20203-B-XXX Horizontal grab bar on back wall	\$ 269
OPT20203-B-084	Available colours: White (002), Chrome (084) and Brushed Nickel (105)	\$ 269
OPT20203-L-105	18 in. Modern straight grab bar ³⁰	\$ 269
OPT20203-L-002	OPT 20203-L-XXX Vertical grab bar on left wall	\$ 269
OPT20203-L-084	Available colours: White (002), Chrome (084) and Brushed Nickel (105)	\$ 269

COMMON OPTIONS

SKU	Description	MSRP
OPT20203-R-084	18 in. Modern straight grab bar ³⁰	\$ 269
OPT20203-R-002	OPT 20203-R-XXX Vertical grab bar on right wall	\$ 269
OPT20203-R-105	Available colours: White (002), Chrome (084) and Brushed Nickel (105)	\$ 269
OPT20204-B-002	24 in. Modern straight grab bar ³⁰	\$ 315
OPT20204-B-084	OPT 20204-B-XXX Horizontal grab bar on back wall	\$ 315
OPT20204-B-105	Available colours: White (002), Chrome (084) and Brushed Nickel (105)	\$ 315
OPT20204-L-084	24 in. Modern straight grab bar ³⁰	\$ 315
OPT20204-L-105	OPT 20204-L-XXX Vertical grab bar on left wall	\$ 315
OPT20204-L-002	Available colours: White (002), Chrome (084) and Brushed Nickel (105)	\$ 315
OPT20204-R-002	24 in. Modern straight grab bar ³⁰	\$ 315
OPT20204-R-084	OPT 20204-R-XXX Vertical grab bar on right wall	\$ 315
OPT20204-R-105	Available colours: White (002), Chrome (084) and Brushed Nickel (105)	\$ 315
OPT20212-B	Back Wall reinforcement for future grab installation ³³	\$ 100
OPT20212-L	Left Wall reinforcement for future grab installation ³³	\$ 100
OPT20212-R	Right Wall reinforcement for future grab installation ³³	\$ 100
OPT20218-L-002	23 in. Curved grab bar (back wall) ^{30, 31}	\$ 493
OPT20218-L-084	OPT20218-L-XXX Left-hand curved grab bar on back wall	\$ 493
OPT20218-L-105	Available colours: White (002), Chrome (084) and Brushed Nickel (105)	\$ 493
OPT20218-R-002	23 in. Curved grab bar (back wall) ^{30, 31}	\$ 493
OPT20218-R-084	OPT20218-R-XXX Right-hand curved grab bar on back wall	\$ 493
OPT20218-R-105	Available colours: White (002), Chrome (084) and Brushed Nickel (105)	\$ 493
OPT20219-L-084	Pivot grab bar (back wall) ³⁰³² OPT 20219-L-XXX Left-hand pivot grab bar on back wall Available colours: Chrome (084)	\$ 1867
OPT20219-R-084	Pivot grab bar (back wall) ³⁰³² OPT 20219-R-XXX Right-hand pivot grab bar on back wall Available colours: Chrome (084)	\$ 1867
OPT20221-L-105	Fold-down seat (factory installed) ^{30, 34, 35}	\$ 581
OPT20221-L-002	OPT 20221-L-XXX Left side wall	\$ 581
OPT20221-L-084	Specify trimming colour: White (002), Chrome (084), Brushed Nickel (105)	\$ 581
OPT20221-R-002	Fold-down seat (factory installed) ^{30, 34, 35}	\$ 581
OPT20221-R-105	OPT 20221-R-XXX Reft side wall	\$ 581
OPT20221-R-084	Specify trimming colour: White (002), Chrome (084), Brushed Nickel (105)	\$ 581
OPT20405-L-105	Package A ³⁰ OPT 20405-L-XXX Vertical grab bar on left wall, horizontal grab bar on back wall	\$ 536
OPT20405-L-084	Package includes :	\$ 536
OPT20405-L-002	• 24 in. Vertical grab bar on side wall • 24 in. Horizontal grab bar on back wall Available colours: White (002), Chrome (084) and Brushed Nickel (105)	\$ 536
OPT20405-R-002	Package A ³⁰ OPT 20405-R-XXX Vertical grab bar on right wall, horizontal grab bar on back wall Package includes : • 24 in. Vertical grab bar on side wall • 24 in. Horizontal grab bar on back wall Available colours: White (002), Chrome (084) and Brushed Nickel (105)	\$ 536

COMMON OPTIONS

SKU	Description	MSRP
OPT20405-R-084	Package A ³⁰ OPT 20405-R-XXX Vertical grab bar on right wall, horizontal grab bar on back wall	\$ 536
OPT20405-R-105	Package includes : • 24 in. Vertical grab bar on side wall • 24 in. Horizontal grab bar on back wall Available colours: White (002), Chrome (084) and Brushed Nickel (105)	\$ 536
OPT20406-L-084	Package B ³⁰³¹ OPT 20406-L-XXX Vertical grab bar on left wall, left-hand curved grab bar on back wall	\$ 714
OPT20406-L-002	Package includes : • 24 in. Vertical grab bar on side wall	\$ 714
OPT20406-L-105	• 23 in. Curved grab bar on back wall Available colours: White (002), Chrome (084) and Brushed Nickel (105)	\$ 714
OPT20406-R-002	Package B ³⁰³¹ OPT 20406-R-XXX Vertical grab bar on right wall, right-hand curved grab bar on back wall	\$ 714
OPT20406-R-084	Package includes : • 24 in. Vertical grab bar on side wall	\$ 714
OPT20406-R-105	• 23 in. Curved grab bar on back wall Available colours: White (002), Chrome (084) and Brushed Nickel (105)	\$ 714
OPT20407-L-084	Package C ³⁰³² OPT 20407-L-XXX 2 x Vertical grab bars on side walls, left-hand pivot grab bar on back wall	\$ 2308
OPT20407-L-105	Package includes : • 2 x 24 in. Vertical grab bar on side walls • Pivot grab bar on back wall Available colours: Chrome (084) and Brushed Nickel (105)	\$ 2308
OPT20407-R-105	Package C ³⁰³² OPT 20407-R-XXX 2 x Vertical grab bars on side walls, right-hand pivot grab bar on back wall	\$ 2308
OPT20407-R-084	Package includes : • 2 x 24 in. Vertical grab bar on side walls • Pivot grab bar on back wall Available colours: Chrome (084) and Brushed Nickel (105)	\$ 2308
OPT10189	Three-wall reinforcement for future grab bar installation ³³	\$ 290
OPT20054-106	48 in. curtain rod with installation kit Available color: Stainless Steel (106)	\$ 201
OPT20220-002		\$ 280
OPT20220-105	Shelf guard rails (factory installed) Available colours: White (002), Chrome (084), Brushed Nickel (105)	\$ 280
OPT20220-084		\$ 280

ACCESSORIES

SKU	Description	MSRP
10000041-105	Shower Drain (sold separately) PVC quick caulking shower drain, compression type	\$ 52
10000041-084	Specify grid color: Chrome (084) or Brushed Nickel (105)	\$ 52
10029997-002		\$ 359
10029997-105	24 in. modern straight grab bar with flange (front installation) Specify color: White (002), Chrome (084), Brushed Nickel (105)	\$ 359
10029997-084		\$ 359
10030093-084		\$ 536
10030093-002	23 in. Curved left-hand grab bar with flange (front installation) Specify colour: White (002), Chrome (084), Brushed Nickel (105)	\$ 536
10030093-105		\$ 536
10030094-084		\$ 536
10030094-105	23 in. Curved right-hand grab bar with flange (front installation) Specify colour: White (002), Chrome (084), Brushed Nickel (105)	\$ 536
10030094-002		\$ 536
10000043-084	Shower Drain (sold separately) 2-piece ABS shower drain with Chrome stainless steel grid	\$ 49

ACCESSORIES

SKU	Description	MSRP
10004349-001	ABS shower drain with ABS grid (sold separately)	\$ 18
10004349-004	Available color: White (001) and Bone (004)	\$ 18
10028765-105		\$ 315
10028765-084	24 in. modern straight grab bar ³⁶ Specify color: White (002), Chrome (084), Brushed Nickel (105)	\$ 315
10028765-002		\$ 315
10028917-002		\$ 581
10028917-084	Rectangular fold-down White polyurethane seat ³⁷ Available trimming colours: White (002), Chrome (084) and Brushed Nickel (105)	\$ 581
10028917-105		\$ 581
10029251-084		\$ 493
10029251-105	23 in. Left hand curved grab bar ³⁶ Left refers to the upper section of the curved bar Specify color: White (002), Chrome (084), Brushed Nickel (105)	\$ 493
10029251-002		\$ 493
10029252-002		\$ 493
10029252-084	23 in. Right hand curved grab bar ³⁶ Right refers to the upper section of the curved bar Specify color: White (002), Chrome (084), Brushed Nickel (105)	\$ 493
10029252-105		\$ 493
10029996-084		\$ 315
10029996-002	18 in. modern straight grab bar with flange (front installation) Specify colour: White (002), Chrome (084), Brushed Nickel (105)	\$ 315
10029996-105		\$ 315

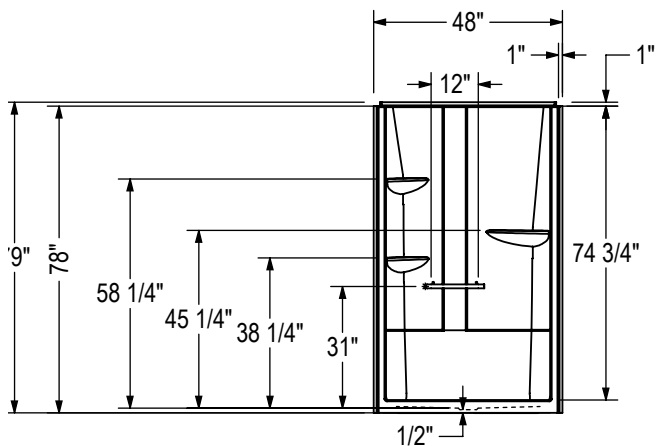
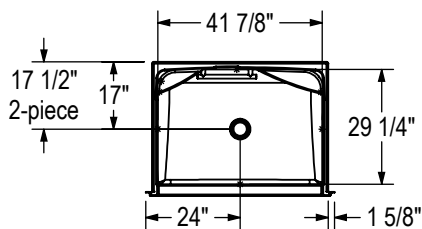
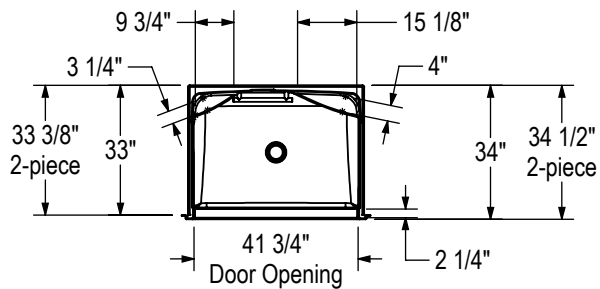
FOOTNOTES

No	Description
30	Please see technical drawings on https://www.maax.com for grab bar and/or seat positioning.
31	Right (R)/Left (L) refers to the upper section of the ergonomic grab bar.
32	Right/Left refers to the pivot direction of the bar (from closed to open position).
33	Please see technical drawings on https://www.maax.com for reinforcement positioning and size.
34	Fold-down seat only available when unit ordered with no integrated seat.
35	Fold down seat is not available on sectional units.
36	Rear access grab bar installation. Must be secured onto unit prior to alcove unit insert.
37	Rear access seat installation. Must be secured onto unit prior to alcove unit insert.
36	

RECOMMENDED DOORS

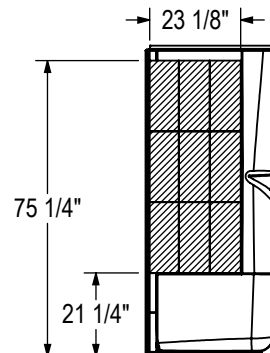
SKU	Product Name	Pag.
138269	Manhattan 41-43 x 68 - 6mm	368
138520	Incognito 74 39-42x74in. 8mm	333
139577	Reveal Sleek 71 41 ½-44 ½ x 71 ½ - 8mm	381
136677	Reveal 71 41 ½-44 ½ x 71 ½ - 8mm	379
135662	Aura 40-44 x 71 - 6mm	347

STANDARD
1 PIECE MODEL SHOWN

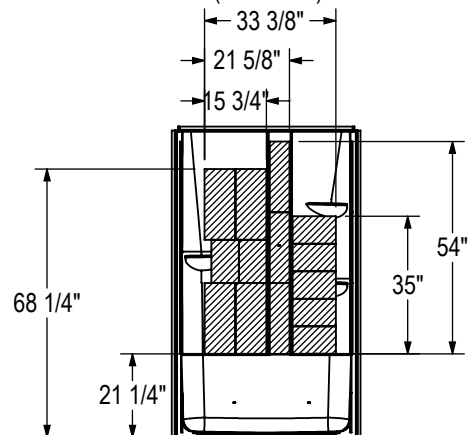


All dimensions are approximate. Structure measurements must be verified against the unit to ensure proper fit.

OPTIONAL REINFORCEMENT
(Left shown)



OPTIONAL REINFORCEMENT
(Back Wall)



Camelia SH-6034 (1-piece)



Material : Acrylic

Features

- › Model Size: 60 L in. X 34 1/2 W in. X 79 H in.
- › Thermoformed cast Acrylic for improved durability
- › Smooth Walls for a modern and minimalist look
- › 1 Piece construction for reliable water containment
- › Compatible with a wide range of MAAX Products
- › Above-the-Floor Rough (AFR) : No
- › Made in North America
- › 25 years warranty

ALCOVE SHOWERS - ACRYLIC

CAMELIA SH-6034 (1-PIECE) - 105921

SKU	Color	Configuration	Dimensions & Weight	Packaging	MSRP
105921-2-000-001	White	Center	60" x 34" x 79" / 151 lb / 68 kg	106 ft ³	\$ 2759
105921-LC-000-001					\$ 2759
105921-LR-000-001		Right			\$ 2759
105921-NC-000-001		Center			\$ 2759
105921-NL-000-001		Left			\$ 2759
105921-NR-000-001		Right			\$ 2759
105921-RC-000-001		Center			\$ 2759
105921-RL-000-001		Left			\$ 2759

CAMELIA SH-6034 (2-PIECE) - 105921S

SKU	Color	Configuration	Dimensions & Weight	Packaging	MSRP	
105921-000-001-004	White	Right	60" x 34 1/2" x 79" / 151 lb / 68 kg	106 ft ³	\$ 3406	
105921-000-001-005		Left			\$ 3406	
105921-000-001-174		Center			\$ 3406	
105921-S2-000-001					\$ 3406	
105921-SLC-000-001		Left			\$ 3406	
105921-SNL-000-001					\$ 3406	
105921-SNR-000-001					Right	\$ 3406
105921-SRC-000-001					Center	\$ 3406

COMMON OPTIONS

SKU	Description	MSRP
OPT20203-B-002	18 in. Modern straight grab bar ³⁰	\$ 269
OPT20203-B-105	OPT 20203-B-XXX Horizontal grab bar on back wall	\$ 269
OPT20203-B-084	Available colours: White (002), Chrome (084) and Brushed Nickel (105)	\$ 269
OPT20203-L-105	18 in. Modern straight grab bar ³⁰	\$ 269
OPT20203-L-002	OPT 20203-L-XXX Vertical grab bar on left wall	\$ 269
OPT20203-L-084	Available colours: White (002), Chrome (084) and Brushed Nickel (105)	\$ 269
OPT20203-R-084	18 in. Modern straight grab bar ³⁰	\$ 269
OPT20203-R-002	OPT 20203-R-XXX Vertical grab bar on right wall	\$ 269
OPT20203-R-105	Available colours: White (002), Chrome (084) and Brushed Nickel (105)	\$ 269
OPT20204-B-002	24 in. Modern straight grab bar ³⁰	\$ 315
OPT20204-B-084	OPT 20204-B-XXX Horizontal grab bar on back wall	\$ 315
OPT20204-B-105	Available colours: White (002), Chrome (084) and Brushed Nickel (105)	\$ 315
OPT20204-L-084	24 in. Modern straight grab bar ³⁰	\$ 315
OPT20204-L-105	OPT 20204-L-XXX Vertical grab bar on left wall	\$ 315
OPT20204-L-002	Available colours: White (002), Chrome (084) and Brushed Nickel (105)	\$ 315
OPT20204-R-002	24 in. Modern straight grab bar ³⁰	\$ 315
OPT20204-R-084	OPT 20204-R-XXX Vertical grab bar on right wall	\$ 315
OPT20204-R-105	Available colours: White (002), Chrome (084) and Brushed Nickel (105)	\$ 315
OPT20212-B	Back Wall reinforcement for future grab installation ³³	\$ 100
OPT20212-L	Left Wall reinforcement for future grab installation ³³	\$ 100
OPT20212-R	Right Wall reinforcement for future grab installation ³³	\$ 100
OPT20216-B-002	30 in. Modern straight grab bar ³⁰	\$ 359
OPT20216-B-105	OPT 20216-B-XXX Horizontal grab bar on back wall	\$ 359
OPT20216-B-084	Available colours: White (002), Chrome (084) and Brushed Nickel (105)	\$ 359
OPT20216-L-002	30 in. Modern straight grab bar ³⁰	\$ 359
OPT20216-L-105	OPT 20216-L-XXX Vertical grab bar on left wall	\$ 359
OPT20216-L-084	Available colours: White (002), Chrome (084) and Brushed Nickel (105)	\$ 359
OPT20216-R-002	30 in. Modern straight grab bar ³⁰	\$ 359
OPT20216-R-105	OPT 20216-R-XXX Vertical grab bar on right wall	\$ 359
OPT20216-R-084	Available colours: White (002), Chrome (084) and Brushed Nickel (105)	\$ 359
OPT20219-L-084	Pivot grab bar (back wall) ³⁰³² OPT 20219-L-XXX Left-hand pivot grab bar on back wall Available colours: Chrome (084)	\$ 1867
OPT20219-R-084	Pivot grab bar (back wall) ³⁰³² OPT 20219-R-XXX Right-hand pivot grab bar on back wall Available colours: Chrome (084)	\$ 1867
OPT20221-L-105	Fold-down seat (factory installed) ^{30, 34, 35}	\$ 581
OPT20221-L-002	OPT 20221-L-XXX Left side wall	\$ 581
OPT20221-L-084	Specify trimming colour: White (002), Chrome (084), Brushed Nickel (105)	\$ 581
OPT20221-R-002	Fold-down seat (factory installed) ^{30, 34, 35} OPT 20221-R-XXX Reft side wall Specify trimming colour: White (002), Chrome (084), Brushed Nickel (105)	\$ 581

COMMON OPTIONS

SKU	Description	MSRP
OPT20221-R-105	Fold-down seat (factory installed) ^{30, 34, 35} OPT 20221-R-XXX Reft side wall	\$ 581
OPT20221-R-084	Specify trimming colour: White (002), Chrome (084), Brushed Nickel (105)	\$ 581
OPT20403-L-105	Package A ³⁰ OPT 20403-L-XXX Vertical grab bar on left wall, horizontal grab bar on back wall	\$ 536
OPT20403-L-002	Package includes : • 24 in. Vertical grab bar on side wall	\$ 536
OPT20403-L-084	• 30 in. Horizontal grab bar on back wall Available colours: White (002), Chrome (084) and Brushed Nickel (105)	\$ 536
OPT20403-R-084	Package A ³⁰ OPT 20403-R-XXX Vertical grab bar on right wall, horizontal grab bar on back wall	\$ 536
OPT20403-R-002	Package includes : • 24 in. Vertical grab bar on side wall	\$ 536
OPT20403-R-105	• 30 in. Horizontal grab bar on back wall Available colours: White (002), Chrome (084) and Brushed Nickel (105)	\$ 536
OPT20404-L-105	Package B ^{30, 31} OPT 20404-L-XXX Vertical grab bar on left wall, left-hand curved grab bar on back wall	\$ 714
OPT20404-L-084	Package includes : • 24 in. Vertical grab bar on side wall	\$ 714
OPT20404-L-002	• 32 in. Horizontal grab bar on back wall Available colors: White (002), Chrome (084) and Brushed Nickel (105)	\$ 714
OPT20404-R-002	Package B ^{30, 31} OPT 20404-R-XXX Vertical grab bar on right wall, right-hand curved grab bar on back wall	\$ 714
OPT20404-R-084	Package includes : • 24 in. Vertical grab bar on side wall	\$ 714
OPT20404-R-105	• 32 in. Horizontal grab bar on back wall Available colors: White (002), Chrome (084) and Brushed Nickel (105)	\$ 714
OPT20407-L-084	Package C ³⁰³² OPT 20407-L-XXX 2 x Vertical grab bars on side walls, left-hand pivot grab bar on back wall	\$ 2308
OPT20407-L-105	Package includes : • 2 x 24 in. Vertical grab bar on side walls • Pivot grab bar on back wall Available colours: Chrome (084) and Brushed Nickel (105)	\$ 2308
OPT20407-R-105	Package C ³⁰³² OPT 20407-R-XXX 2 x Vertical grab bars on side walls, right-hand pivot grab bar on back wall	\$ 2308
OPT20407-R-084	Package includes : • 2 x 24 in. Vertical grab bar on side walls • Pivot grab bar on back wall Available colours: Chrome (084) and Brushed Nickel (105)	\$ 2308
OPT20217-L-105	32 in. Curved grab bar (back wall) ³⁰³¹	\$ 536
OPT20217-L-002	OPT 20217-L-XXX Left-hand curved grab bar on back wall	\$ 536
OPT20217-L-084	Available colours: White (002), Chrome (084) and Brushed Nickel (105)	\$ 536
OPT20217-R-002	32 in. Curved grab bar (back wall) ³⁰³¹	\$ 536
OPT20217-R-105	OPT 20217-R-XXX Right-hand curved grab bar on back wall	\$ 536
OPT20217-R-084	Available colours: White (002), Chrome (084) and Brushed Nickel (105)	\$ 536
OPT10189	Three-wall reinforcement for future grab bar installation ³³	\$ 290
OPT20056-106	60 in. curtain rod with installation kit Available color: Stainless Steel (106)	\$ 227
OPT20220-002		\$ 280
OPT20220-105	Shelf guard rails (factory installed) Available colours: White (002), Chrome (084), Brushed Nickel (105)	\$ 280
OPT20220-084		\$ 280

ACCESSORIES

SKU	Description	MSRP
1000041-105	Shower Drain (sold separately) PVC quick caulking shower drain, compression type Specify grid color: Chrome (084) or Brushed Nickel (105)	\$ 52

ACCESSORIES		
SKU	Description	MSRP
10000041-084	Shower Drain (sold separately) PVC quick caulking shower drain, compression type Specify grid color: Chrome (084) or Brushed Nickel (105)	\$ 52
10029997-002		\$ 359
10029997-105	24 in. modern straight grab bar with flange (front installation) Specify color: White (002), Chrome (084), Brushed Nickel (105)	\$ 359
10029997-084		\$ 359
10029998-084		\$ 403
10029998-002	30 in. modern straight grab bar with flange (front installation) Specify colour: White (002), Chrome (084), Brushed Nickel (105)	\$ 403
10029998-105		\$ 403
10030095-002		\$ 581
10030095-084	32 in. curved left-hand grab bar with flange (front installation) Specify colour: White (002), Chrome (084), Brushed Nickel (105)	\$ 581
10030095-105		\$ 581
10030097-084		\$ 581
10030097-002	32 in. curved right-hand grab bar with flange (front installation) Specify colour: White (002), Chrome (084), Brushed Nickel (105)	\$ 581
10030097-105		\$ 581
10000043-084	Shower Drain (sold separately) 2-piece ABS shower drain with Chrome stainless steel grid	\$ 49
10004349-001	ABS shower drain with ABS grid (sold separately)	\$ 18
10004349-004	Available color: White (001) and Bone (004)	\$ 18
10028765-105		\$ 315
10028765-084	24 in. modern straight grab bar ³⁶ Specify color: White (002), Chrome (084), Brushed Nickel (105)	\$ 315
10028765-002		\$ 315
10028917-002		\$ 581
10028917-084	Rectangular fold-down White polyurethane seat ³⁷ Available trimming colours: White (002), Chrome (084) and Brushed Nickel (105)	\$ 581
10028917-105		\$ 581
10029248-105		\$ 359
10029248-002	30 in. Modern straight grab bar ³⁶ Specify color: White (002), Chrome (084), Brushed Nickel (105)	\$ 359
10029248-084		\$ 359
10029253-002		\$ 536
10029253-084	32 in. Left hand curved grab bar ³⁶ Left refers to the upper section of the curved bar Specify color: White (002), Chrome (084), Brushed Nickel (105)	\$ 536
10029253-105		\$ 536
10029254-084		\$ 536
10029254-002	32 in. Right hand curved grab bar ³⁶ Right refers to the upper section of the curved bar Specify color: White (002), Chrome (084), Brushed Nickel (105)	\$ 536
10029254-105		\$ 536

FOOTNOTES

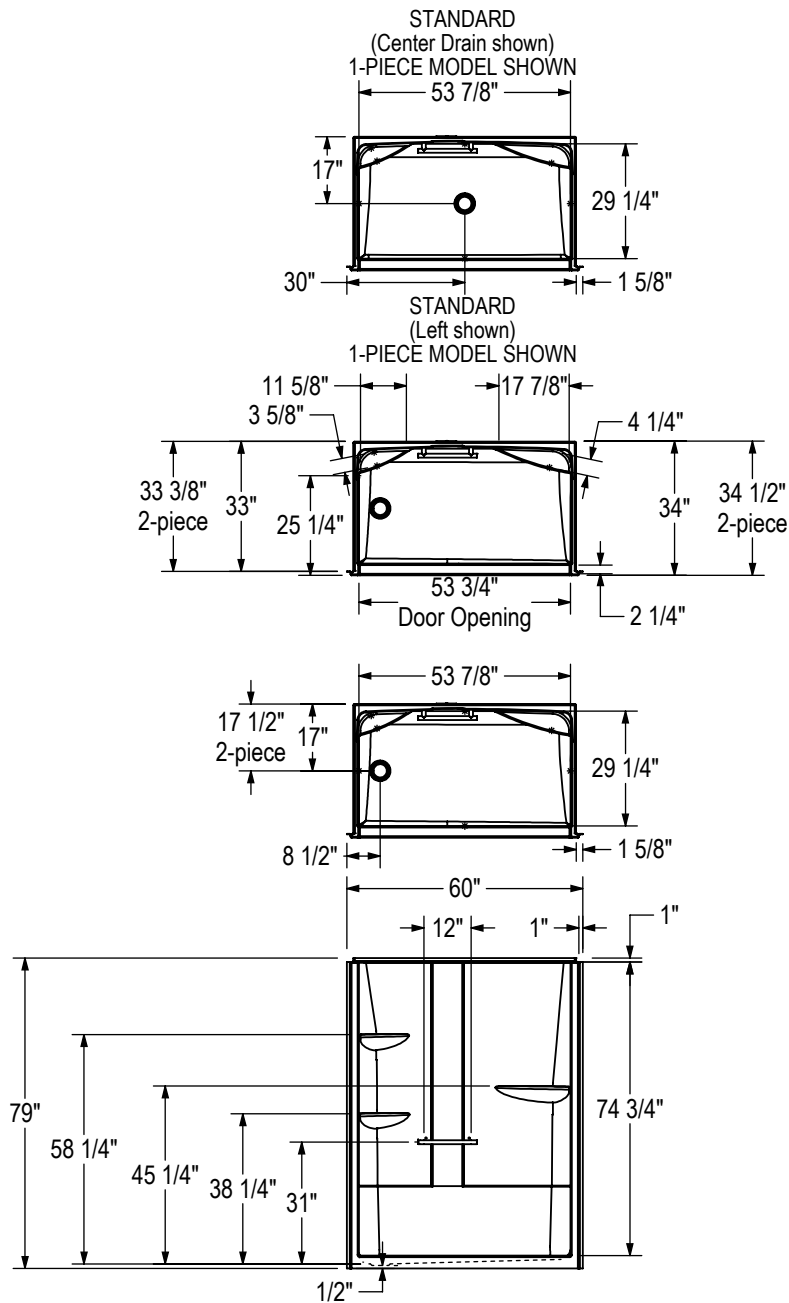
No	Description
30	Please see technical drawings on https://www.maax.com for grab bar and/or seat positioning.
31	Right (R)/Left (L) refers to the upper section of the ergonomic grab bar.
32	Right/Left refers to the pivot direction of the bar (from closed to open position).

FOOTNOTES

No	Description
33	Please see technical drawings on https://www.maax.com for reinforcement positioning and size.
34	Fold-down seat only available when unit ordered with no integrated seat.
35	Fold down seat is not available on sectional units.
36	Rear access grab bar installation. Must be secured onto unit prior to alcove unit insert.
36	
37	Rear access seat installation. Must be secured onto unit prior to alcove unit insert.
36	

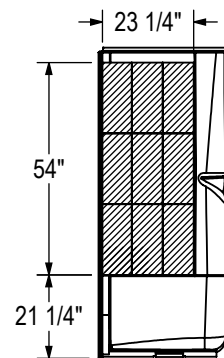
RECOMMENDED DOORS

SKU	Product Name	Pag.
138275	Manhattan 53-55 x 68 - 6mm	369
138521	Incognito 74 51-54x74in. 8mm	333
139579	Reveal Sleek 71 51 ½-54 ½ x 71 ½ - 8mm	382
136883	Reveal 71 51 ½-54 ½ x 71 ½ - 8mm	379
135664	Aura 51-55 x 71 - 6mm	351

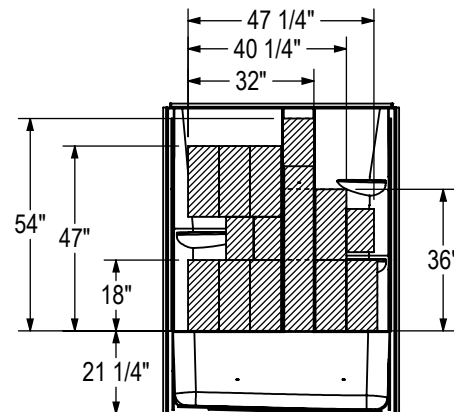


All dimensions are approximate. Structure measurements must be verified against the unit to ensure proper fit.

OPTIONAL REINFORCEMENT
(Left shown)



OPTIONAL REINFORCEMENT
(Back Wall)



Camelia SHR-3636 (1-piece)



Material : Acrylic

Features

- › Model Size: 36 1/2 L in. X 36 W in. X 88 H in.
- › Thermoformed cast Acrylic for improved durability
- › Smooth Walls for a modern and minimalist look
- › 1 Piece construction for reliable water containment
- › Compatible with a wide range of MAAX Products
- › Above-the-Floor Rough (AFR) : No
- › Made in North America
- › 25 years warranty

ALCOVE SHOWERS - ACRYLIC

CAMELIA SHR-3636 (1-PIECE) - 105918

SKU	Color	Configuration	Dimensions & Weight	Packaging	MSRP
105918-000-001	White	Center	36" x 36 1/2" x 88" / 142 lb / 64 kg	90 ft ³	\$ 2364

CAMELIA SHR-3636 (3-PIECE) - 105918S

SKU	Color	Configuration	Dimensions & Weight	Packaging	MSRP
105918-S-000-001-	White	Center	36" x 36 1/2" x 79" / 142 lb / 64 kg	90 ft ³	\$ 2864

COMMON OPTIONS

SKU	Description	MSRP
OPT20203-L-105	18 in. Modern straight grab bar ³⁰	\$ 269
OPT20203-L-002	OPT 20203-L-XXX Vertical grab bar on left wall	\$ 269
OPT20203-L-084	Available colours: White (002), Chrome (084) and Brushed Nickel (105)	\$ 269
OPT20203-R-084	18 in. Modern straight grab bar ³⁰	\$ 269
OPT20203-R-002	OPT 20203-R-XXX Vertical grab bar on right wall	\$ 269
OPT20203-R-105	Available colours: White (002), Chrome (084) and Brushed Nickel (105)	\$ 269
OPT20204-B-002	24 in. Modern straight grab bar ³⁰	\$ 315
OPT20204-B-084	OPT 20204-B-XXX Horizontal grab bar on back wall	\$ 315
OPT20204-B-105	Available colours: White (002), Chrome (084) and Brushed Nickel (105)	\$ 315

COMMON OPTIONS

SKU	Description	MSRP
OPT20204-L-084	24 in. Modern straight grab bar ³⁰	\$ 315
OPT20204-L-105	OPT 20204-L-XXX Vertical grab bar on left wall	\$ 315
OPT20204-L-002	Available colours: White (002), Chrome (084) and Brushed Nickel (105)	\$ 315
OPT20204-R-002	24 in. Modern straight grab bar ³⁰	\$ 315
OPT20204-R-084	OPT 20204-R-XXX Vertical grab bar on right wall	\$ 315
OPT20204-R-105	Available colours: White (002), Chrome (084) and Brushed Nickel (105)	\$ 315
OPT20212-B	Back Wall reinforcement for future grab installation ³³	\$ 100
OPT20212-L	Left Wall reinforcement for future grab installation ³³	\$ 100
OPT20212-R	Right Wall reinforcement for future grab installation ³³	\$ 100
OPT20408-L-105	Package A ³⁰ OPT 20408-L-XXX Vertical grab bar on left wall, horizontal grab bar on back wall	\$ 536
OPT20408-L-002	Package includes :	\$ 536
OPT20408-L-084	• 24 in. Vertical grab bar on side wall • 18 in. Horizontal grab bar on back wall Available colours: White (002), Chrome (084) and Brushed Nickel (105)	\$ 536
OPT20408-R-084	Package A ³⁰ OPT 20408-R-XXX Vertical grab bar on Right wall, horizontal grab bar on back wall	\$ 536
OPT20408-R-002	Package includes :	\$ 536
OPT20408-R-105	• 24 in. Vertical grab bar on side wall • 18 in. Horizontal grab bar on back wall Available colours: White (002), Chrome (084) and Brushed Nickel (105)	\$ 536
OPT10189	Three-wall reinforcement for future grab bar installation ³³	\$ 290
OPT20055-106	36 in. curtain rod with installation kit Available color: Stainless Steel (106)	\$ 178
OPT20220-002	Shelf guard rails (factory installed)	\$ 280
OPT20220-105	Available colours: White (002), Chrome (084), Brushed Nickel (105)	\$ 280
OPT20220-084		\$ 280
OPT20203-B-002	18 in. Modern straight grab bar ³⁰	\$ 269
OPT20203-B-105	OPT 20203-B-XXX Horizontal grab bar on back wall	\$ 269
OPT20203-B-084	Available colours: White (002), Chrome (084) and Brushed Nickel (105)	\$ 269

ACCESSORIES

SKU	Description	MSRP
10000041-105	Shower Drain (sold separately)	\$ 52
10000041-084	PVC quick caulking shower drain, compression type Specify grid color: Chrome (084) or Brushed Nickel (105)	\$ 52
10000043-084	Shower Drain (sold separately) 2-piece ABS shower drain with Chrome stainless steel grid	\$ 49
10004349-001	ABS shower drain with ABS grid (sold separately)	\$ 18
10004349-004	Available color: White (001) and Bone (004)	\$ 18
10028765-105	24 in. modern straight grab bar ³⁶	\$ 315
10028765-084	Specify color: White (002), Chrome (084), Brushed Nickel (105)	\$ 315
10028765-002		\$ 315
10029996-084	18 in. modern straight grab bar with flange (front installation)	\$ 315
10029996-002	Specify colour: White (002), Chrome (084), Brushed Nickel (105)	\$ 315
10029996-105		\$ 315

ACCESSORIES

SKU	Description	MSRP
10029997-002		\$ 359
10029997-105	24 in. modern straight grab bar with flange (front installation) Specify color: White (002), Chrome (084), Brushed Nickel (105)	\$ 359
10029997-084		\$ 359

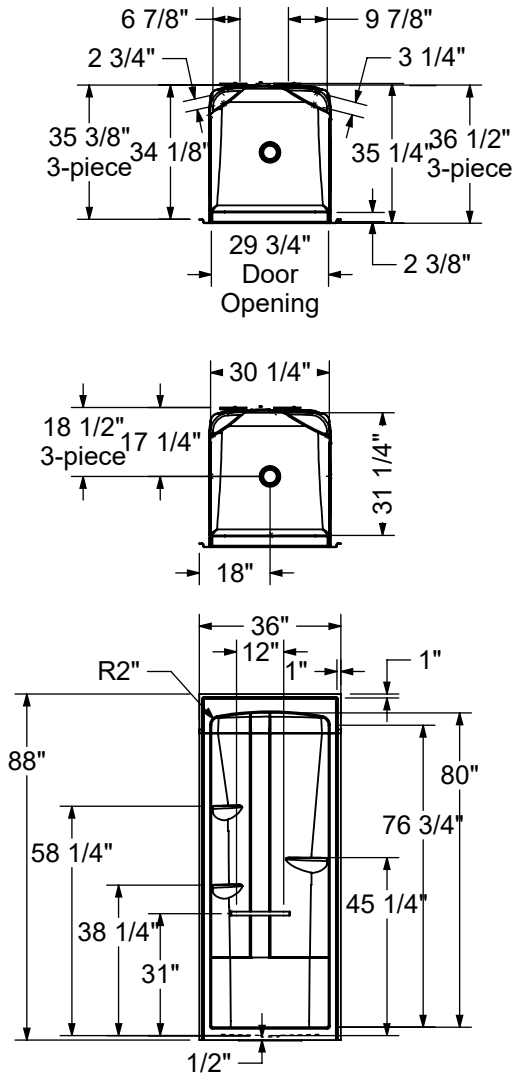
FOOTNOTES

No	Description
30	Please see technical drawings on https://www.maax.com for grab bar and/or seat positioning.
33	Please see technical drawings on https://www.maax.com for reinforcement positioning and size.
36	Rear access grab bar installation. Must be secured onto unit prior to alcove unit insert.
36	

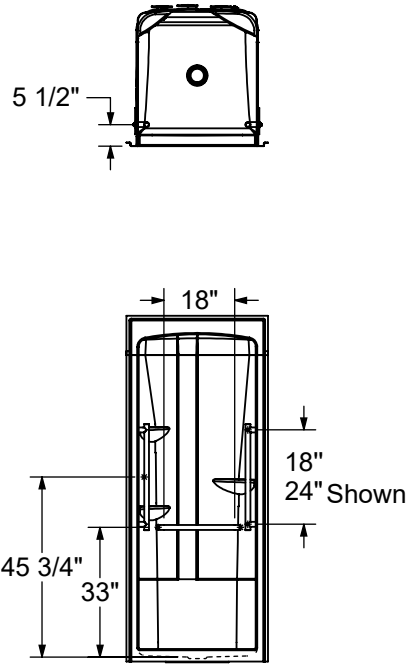
RECOMMENDED DOORS

SKU	Product Name	Pag.
138263	Manhattan 29-31 x 68 - 6mm	364
105416	Madono 28 ½-30 ½ x 67 - 6mm	361
136645	Pivolok 29-30 ¾ x 64 ½ in.	374

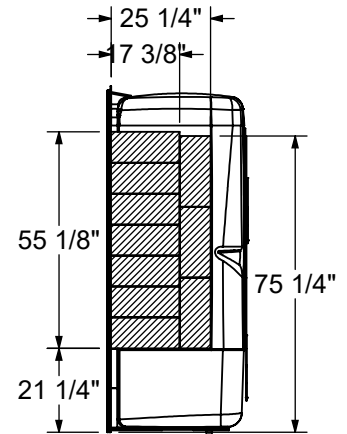
STANDARD
1-PIECE MODEL SHOWN



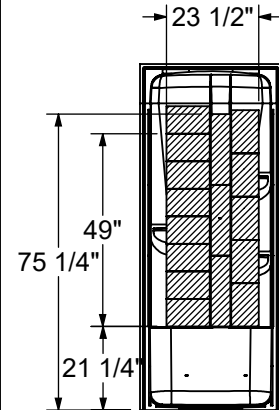
GRAB BAR
Option 20203 & 20204



OPTIONNAL REINFORCEMENT
(Left shown, Right symmetrical)



OPTIONNAL REINFORCEMENT
(Back Wall)



All dimensions are approximate. Structure measurements must be verified against the unit to ensure proper fit.

Camelia SHR-4834 (1-piece)



Material : Acrylic

Features

- › Model Size: 48 L in. X 34 1/2 W in. X 88 H in.
- › Thermoformed cast Acrylic for improved durability
- › Smooth Walls for a modern and minimalist look
- › 1 Piece construction for reliable water containment
- › Compatible with a wide range of MAAX Products
- › Above-the-Floor Rough (AFR) : No
- › Made in North America
- › 25 years warranty

ALCOVE SHOWERS - ACRYLIC

CAMELIA SHR-4834 (1-PIECE) - 105920

SKU	Color	Configuration	Dimensions & Weight	Packaging	MSRP
105920-000-001	White	Center	48" x 34 1/2" x 88" / 154 lb / 70 kg	100 ft ³	\$ 2565
105920-L-000-001					\$ 2565
105920-R-000-001					\$ 2565

CAMELIA SHR-4834 (3-PIECE) - 105920S

SKU	Color	Configuration	Dimensions & Weight	Packaging	MSRP
105920-S-000-001-	White	Center	48" x 34 1/2" x 88" / 154 lb / 70 kg	100 ft ³	\$ 3109
105920-SL-000-001					\$ 3109
105920-SR-000-001					\$ 3109

COMMON OPTIONS

SKU	Description	MSRP
OPT20203-B-002	18 in. Modern straight grab bar ³⁰	\$ 269
OPT20203-B-105	OPT 20203-B-XXX Horizontal grab bar on back wall	\$ 269
OPT20203-B-084	Available colours: White (002), Chrome (084) and Brushed Nickel (105)	\$ 269
OPT20203-L-105	18 in. Modern straight grab bar ³⁰	\$ 269
OPT20203-L-002	OPT 20203-L-XXX Vertical grab bar on left wall	\$ 269
OPT20203-L-084	Available colours: White (002), Chrome (084) and Brushed Nickel (105)	\$ 269

COMMON OPTIONS

SKU	Description	MSRP
OPT20203-R-084	18 in. Modern straight grab bar ³⁰	\$ 269
OPT20203-R-002	OPT 20203-R-XXX Vertical grab bar on right wall	\$ 269
OPT20203-R-105	Available colours: White (002), Chrome (084) and Brushed Nickel (105)	\$ 269
OPT20204-B-002	24 in. Modern straight grab bar ³⁰	\$ 315
OPT20204-B-084	OPT 20204-B-XXX Horizontal grab bar on back wall	\$ 315
OPT20204-B-105	Available colours: White (002), Chrome (084) and Brushed Nickel (105)	\$ 315
OPT20204-L-084	24 in. Modern straight grab bar ³⁰	\$ 315
OPT20204-L-105	OPT 20204-L-XXX Vertical grab bar on left wall	\$ 315
OPT20204-L-002	Available colours: White (002), Chrome (084) and Brushed Nickel (105)	\$ 315
OPT20204-R-002	24 in. Modern straight grab bar ³⁰	\$ 315
OPT20204-R-084	OPT 20204-R-XXX Vertical grab bar on right wall	\$ 315
OPT20204-R-105	Available colours: White (002), Chrome (084) and Brushed Nickel (105)	\$ 315
OPT20212-B	Back Wall reinforcement for future grab installation ³³	\$ 100
OPT20212-L	Left Wall reinforcement for future grab installation ³³	\$ 100
OPT20212-R	Right Wall reinforcement for future grab installation ³³	\$ 100
OPT20218-L-002	23 in. Curved grab bar (back wall) ^{30, 31}	\$ 493
OPT20218-L-084	OPT20218-L-XXX Left-hand curved grab bar on back wall	\$ 493
OPT20218-L-105	Available colours: White (002), Chrome (084) and Brushed Nickel (105)	\$ 493
OPT20218-R-002	23 in. Curved grab bar (back wall) ^{30, 31}	\$ 493
OPT20218-R-084	OPT20218-R-XXX Right-hand curved grab bar on back wall	\$ 493
OPT20218-R-105	Available colours: White (002), Chrome (084) and Brushed Nickel (105)	\$ 493
OPT20219-L-084	Pivot grab bar (back wall) ³⁰³² OPT 20219-L-XXX Left-hand pivot grab bar on back wall Available colours: Chrome (084)	\$ 1867
OPT20219-R-084	Pivot grab bar (back wall) ³⁰³² OPT 20219-R-XXX Right-hand pivot grab bar on back wall Available colours: Chrome (084)	\$ 1867
OPT20221-L-105	Fold-down seat (factory installed) ^{30, 34, 35}	\$ 581
OPT20221-L-002	OPT 20221-L-XXX Left side wall	\$ 581
OPT20221-L-084	Specify trimming colour: White (002), Chrome (084), Brushed Nickel (105)	\$ 581
OPT20221-R-002	Fold-down seat (factory installed) ^{30, 34, 35}	\$ 581
OPT20221-R-105	OPT 20221-R-XXX Reft side wall	\$ 581
OPT20221-R-084	Specify trimming colour: White (002), Chrome (084), Brushed Nickel (105)	\$ 581
OPT20405-L-105	Package A ³⁰ OPT 20405-L-XXX Vertical grab bar on left wall, horizontal grab bar on back wall	\$ 536
OPT20405-L-084	Package includes :	\$ 536
OPT20405-L-002	• 24 in. Vertical grab bar on side wall • 24 in. Horizontal grab bar on back wall Available colours: White (002), Chrome (084) and Brushed Nickel (105)	\$ 536
OPT20405-R-002	Package A ³⁰ OPT 20405-R-XXX Vertical grab bar on right wall, horizontal grab bar on back wall Package includes : • 24 in. Vertical grab bar on side wall • 24 in. Horizontal grab bar on back wall Available colours: White (002), Chrome (084) and Brushed Nickel (105)	\$ 536

COMMON OPTIONS

SKU	Description	MSRP
OPT20405-R-084	Package A ³⁰ OPT 20405-R-XXX Vertical grab bar on right wall, horizontal grab bar on back wall	\$ 536
OPT20405-R-105	Package includes : • 24 in. Vertical grab bar on side wall • 24 in. Horizontal grab bar on back wall Available colours: White (002), Chrome (084) and Brushed Nickel (105)	\$ 536
OPT20406-L-084	Package B ³⁰³¹ OPT 20406-L-XXX Vertical grab bar on left wall, left-hand curved grab bar on back wall	\$ 714
OPT20406-L-002	Package includes : • 24 in. Vertical grab bar on side wall	\$ 714
OPT20406-L-105	• 23 in. Curved grab bar on back wall Available colours: White (002), Chrome (084) and Brushed Nickel (105)	\$ 714
OPT20406-R-002	Package B ³⁰³¹ OPT 20406-R-XXX Vertical grab bar on right wall, right-hand curved grab bar on back wall	\$ 714
OPT20406-R-084	Package includes : • 24 in. Vertical grab bar on side wall	\$ 714
OPT20406-R-105	• 23 in. Curved grab bar on back wall Available colours: White (002), Chrome (084) and Brushed Nickel (105)	\$ 714
OPT20407-L-084	Package C ³⁰³² OPT 20407-L-XXX 2 x Vertical grab bars on side walls, left-hand pivot grab bar on back wall	\$ 2308
OPT20407-L-105	Package includes : • 2 x 24 in. Vertical grab bar on side walls • Pivot grab bar on back wall Available colours: Chrome (084) and Brushed Nickel (105)	\$ 2308
OPT20407-R-105	Package C ³⁰³² OPT 20407-R-XXX 2 x Vertical grab bars on side walls, right-hand pivot grab bar on back wall	\$ 2308
OPT20407-R-084	Package includes : • 2 x 24 in. Vertical grab bar on side walls • Pivot grab bar on back wall Available colours: Chrome (084) and Brushed Nickel (105)	\$ 2308
OPT10189	Three-wall reinforcement for future grab bar installation ³³	\$ 290
OPT20054-106	48 in. curtain rod with installation kit Available color: Stainless Steel (106)	\$ 201
OPT20220-002		\$ 280
OPT20220-105	Shelf guard rails (factory installed) Available colours: White (002), Chrome (084), Brushed Nickel (105)	\$ 280
OPT20220-084		\$ 280

ACCESSORIES

SKU	Description	MSRP
10029996-084		\$ 315
10029996-002	18 in. modern straight grab bar with flange (front installation) Specify colour: White (002), Chrome (084), Brushed Nickel (105)	\$ 315
10029996-105		\$ 315
10029997-002		\$ 359
10029997-105	24 in. modern straight grab bar with flange (front installation) Specify color: White (002), Chrome (084), Brushed Nickel (105)	\$ 359
10029997-084		\$ 359
10030093-084		\$ 536
10030093-002	23 in. Curved left-hand grab bar with flange (front installation) Specify colour: White (002), Chrome (084), Brushed Nickel (105)	\$ 536
10030093-105		\$ 536
10030094-084		\$ 536
10030094-105	23 in. Curved right-hand grab bar with flange (front installation) Specify colour: White (002), Chrome (084), Brushed Nickel (105)	\$ 536
10030094-002		\$ 536

ACCESSORIES

SKU	Description	MSRP
10000041-105	Shower Drain (sold separately) PVC quick caulking shower drain, compression type	\$ 52
10000041-084	Specify grid color: Chrome (084) or Brushed Nickel (105)	\$ 52
10000043-084	Shower Drain (sold separately) 2-piece ABS shower drain with Chrome stainless steel grid	\$ 49
10004349-001	ABS shower drain with ABS grid (sold separately)	\$ 18
10004349-004	Available color: White (001) and Bone (004)	\$ 18
10028765-105		\$ 315
10028765-084	24 in. modern straight grab bar ³⁶ Specify color: White (002), Chrome (084), Brushed Nickel (105)	\$ 315
10028765-002		\$ 315
10028917-002		\$ 581
10028917-084	Rectangular fold-down White polyurethane seat ³⁷ Available trimming colours: White (002), Chrome (084) and Brushed Nickel (105)	\$ 581
10028917-105		\$ 581
10029251-084		\$ 493
10029251-105	23 in. Left hand curved grab bar ³⁶ Left refers to the upper section of the curved bar	\$ 493
10029251-002	Specify color: White (002), Chrome (084), Brushed Nickel (105)	\$ 493
10029252-002		\$ 493
10029252-084	23 in. Right hand curved grab bar ³⁶ Right refers to the upper section of the curved bar	\$ 493
10029252-105	Specify color: White (002), Chrome (084), Brushed Nickel (105)	\$ 493

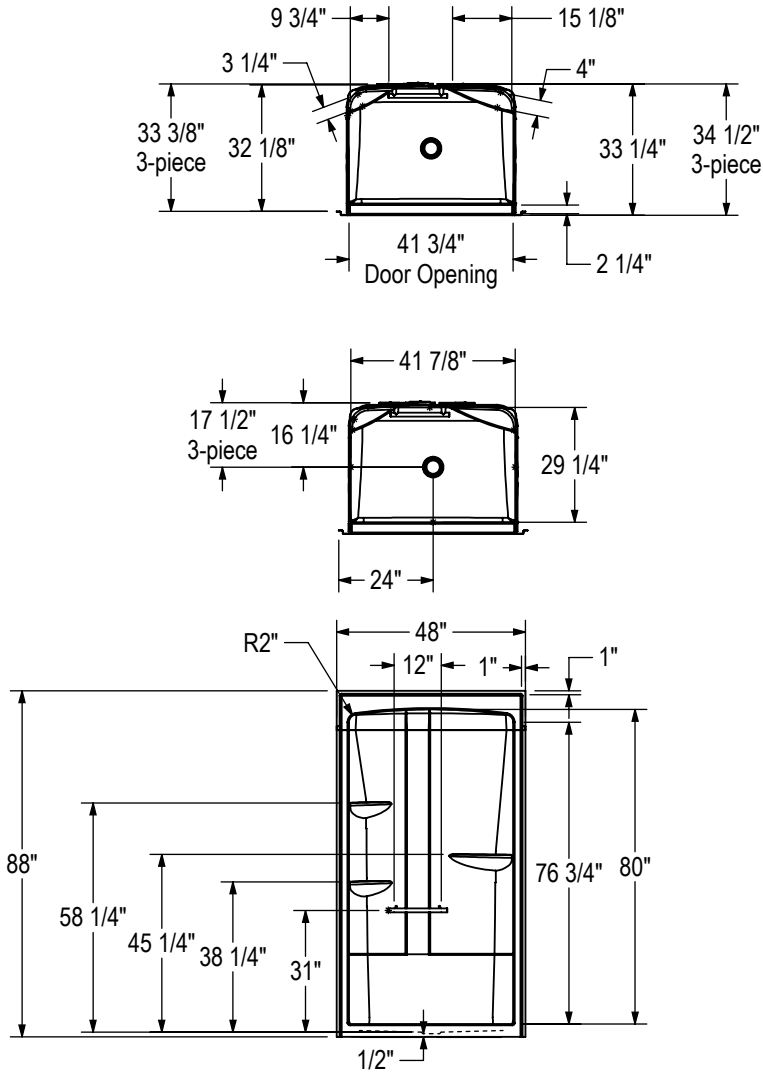
FOOTNOTES

No	Description
30	Please see technical drawings on https://www.maax.com for grab bar and/or seat positioning.
31	Right (R)/Left (L) refers to the upper section of the ergonomic grab bar.
32	Right/Left refers to the pivot direction of the bar (from closed to open position).
33	Please see technical drawings on https://www.maax.com for reinforcement positioning and size.
34	Fold-down seat only available when unit ordered with no integrated seat.
35	Fold down seat is not available on sectional units.
36	Rear access grab bar installation. Must be secured onto unit prior to alcove unit insert.
37	Rear access seat installation. Must be secured onto unit prior to alcove unit insert.
36	

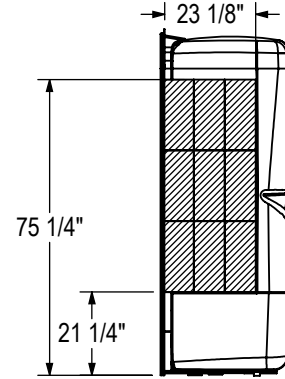
RECOMMENDED DOORS

SKU	Product Name	Pag.
138269	Manhattan 41-43 x 68 - 6mm	368
138520	Incognito 74 39-42x74in. 8mm	333
139577	Reveal Sleek 71 41 ½-44 ½ x 71 ½ - 8mm	381
136677	Reveal 71 41 ½-44 ½ x 71 ½ - 8mm	379
135662	Aura 40-44 x 71 - 6mm	347

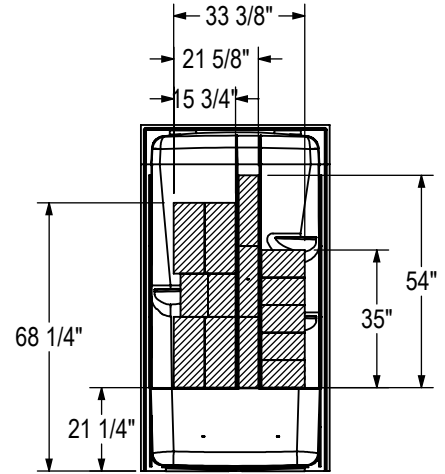
STANDARD
1-PIECE MODEL SHOWN



OPTIONAL REINFORCEMENT
(Left shown)



OPTIONAL REINFORCEMENT
(Back Wall)



All dimensions are approximate. Structure measurements must be verified against the unit to ensure proper fit.

Camelia SHR-6034 (1-piece)



ALCOVE SHOWERS - ACRYLIC



Material : Acrylic

Features

- › Model Size: 60 L in. X 34 1/2 W in. X 88 H in.
- › Thermoformed cast Acrylic for improved durability
- › Smooth Walls for a modern and minimalist look
- › 1 Piece construction for reliable water containment
- › Compatible with a wide range of MAAX Products
- › Above-the-Floor Rough (AFR) : No
- › Made in North America
- › 25 years warranty

CAMELIA SHR-6034 (1-PIECE) - 105922

SKU	Color	Configuration	Dimensions & Weight	Packaging	MSRP
105922-2-000-001	White	Center	60" x 34" x 88" / 169 lb / 77 kg	116 ft ³	\$ 2954
105922-LC-000-001					\$ 2954
105922-LR-000-001		Right			\$ 2954
105922-NC-000-001		Center			\$ 2954
105922-NL-000-001		Left			\$ 2954
105922-NR-000-001		Right			\$ 2954
105922-RC-000-001		Center			\$ 2954
105922-RL-000-001		Left			\$ 2954

CAMELIA SHR-6034 (3-PIECE) - 105922S

SKU	Color	Configuration	Dimensions & Weight	Packaging	MSRP
105922-000-001-190	White	Center	60" x 34" x 88" / 169 lb / 77 kg	116 ft ³	\$ 3552
105922-S2-000-001					\$ 3552
105922-SLC-000-001					\$ 3552
105922-SLR-000-001		Right			\$ 3552
105922-SNL-000-001		Left			\$ 3552
105922-SNR-000-001		Right			\$ 3552
105922-SRC-000-001		Center			\$ 3552
105922-SRL-000-001		Left			\$ 3552

COMMON OPTIONS

SKU	Description	MSRP
OPT20203-B-002	18 in. Modern straight grab bar ³⁰	\$ 269
OPT20203-B-105	OPT 20203-B-XXX Horizontal grab bar on back wall	\$ 269
OPT20203-B-084	Available colours: White (002), Chrome (084) and Brushed Nickel (105)	\$ 269
OPT20203-L-105	18 in. Modern straight grab bar ³⁰	\$ 269
OPT20203-L-002	OPT 20203-L-XXX Vertical grab bar on left wall	\$ 269
OPT20203-L-084	Available colours: White (002), Chrome (084) and Brushed Nickel (105)	\$ 269
OPT20203-R-084	18 in. Modern straight grab bar ³⁰	\$ 269
OPT20203-R-002	OPT 20203-R-XXX Vertical grab bar on right wall	\$ 269
OPT20203-R-105	Available colours: White (002), Chrome (084) and Brushed Nickel (105)	\$ 269
OPT20204-B-002	24 in. Modern straight grab bar ³⁰	\$ 315
OPT20204-B-084	OPT 20204-B-XXX Horizontal grab bar on back wall	\$ 315
OPT20204-B-105	Available colours: White (002), Chrome (084) and Brushed Nickel (105)	\$ 315
OPT20204-L-084	24 in. Modern straight grab bar ³⁰	\$ 315
OPT20204-L-105	OPT 20204-L-XXX Vertical grab bar on left wall	\$ 315
OPT20204-L-002	Available colours: White (002), Chrome (084) and Brushed Nickel (105)	\$ 315
OPT20204-R-002	24 in. Modern straight grab bar ³⁰	\$ 315
OPT20204-R-084	OPT 20204-R-XXX Vertical grab bar on right wall	\$ 315
OPT20204-R-105	Available colours: White (002), Chrome (084) and Brushed Nickel (105)	\$ 315
OPT20212-B	Back Wall reinforcement for future grab installation ³³	\$ 100
OPT20212-L	Left Wall reinforcement for future grab installation ³³	\$ 100
OPT20212-R	Right Wall reinforcement for future grab installation ³³	\$ 100
OPT20216-B-002	30 in. Modern straight grab bar ³⁰	\$ 359
OPT20216-B-105	OPT 20216-B-XXX Horizontal grab bar on back wall	\$ 359
OPT20216-B-084	Available colours: White (002), Chrome (084) and Brushed Nickel (105)	\$ 359
OPT20216-L-002	30 in. Modern straight grab bar ³⁰	\$ 359
OPT20216-L-105	OPT 20216-L-XXX Vertical grab bar on left wall	\$ 359
OPT20216-L-084	Available colours: White (002), Chrome (084) and Brushed Nickel (105)	\$ 359
OPT20216-R-002	30 in. Modern straight grab bar ³⁰	\$ 359
OPT20216-R-105	OPT 20216-R-XXX Vertical grab bar on right wall	\$ 359
OPT20216-R-084	Available colours: White (002), Chrome (084) and Brushed Nickel (105)	\$ 359
OPT20219-L-084	Pivot grab bar (back wall) ³⁰³² OPT 20219-L-XXX Left-hand pivot grab bar on back wall Available colours: Chrome (084)	\$ 1867
OPT20219-R-084	Pivot grab bar (back wall) ³⁰³² OPT 20219-R-XXX Right-hand pivot grab bar on back wall Available colours: Chrome (084)	\$ 1867
OPT20221-L-105	Fold-down seat (factory installed) ^{30, 34, 35}	\$ 581
OPT20221-L-002	OPT 20221-L-XXX Left side wall	\$ 581
OPT20221-L-084	Specify trimming colour: White (002), Chrome (084), Brushed Nickel (105)	\$ 581
OPT20221-R-002	Fold-down seat (factory installed) ^{30, 34, 35} OPT 20221-R-XXX Reft side wall Specify trimming colour: White (002), Chrome (084), Brushed Nickel (105)	\$ 581

COMMON OPTIONS

SKU	Description	MSRP
OPT20221-R-105	Fold-down seat (factory installed) ^{30, 34, 35} OPT 20221-R-XXX Reft side wall	\$ 581
OPT20221-R-084	Specify trimming colour: White (002), Chrome (084), Brushed Nickel (105)	\$ 581
OPT20403-L-105	Package A ³⁰ OPT 20403-L-XXX Vertical grab bar on left wall, horizontal grab bar on back wall	\$ 536
OPT20403-L-002	Package includes : • 24 in. Vertical grab bar on side wall	\$ 536
OPT20403-L-084	• 30 in. Horizontal grab bar on back wall Available colours: White (002), Chrome (084) and Brushed Nickel (105)	\$ 536
OPT20403-R-084	Package A ³⁰ OPT 20403-R-XXX Vertical grab bar on right wall, horizontal grab bar on back wall	\$ 536
OPT20403-R-002	Package includes : • 24 in. Vertical grab bar on side wall	\$ 536
OPT20403-R-105	• 30 in. Horizontal grab bar on back wall Available colours: White (002), Chrome (084) and Brushed Nickel (105)	\$ 536
OPT20404-L-105	Package B ^{30, 31} OPT 20404-L-XXX Vertical grab bar on left wall, left-hand curved grab bar on back wall	\$ 714
OPT20404-L-084	Package includes : • 24 in. Vertical grab bar on side wall	\$ 714
OPT20404-L-002	• 32 in. Horizontal grab bar on back wall Available colors: White (002), Chrome (084) and Brushed Nickel (105)	\$ 714
OPT20404-R-002	Package B ^{30, 31} OPT 20404-R-XXX Vertical grab bar on right wall, right-hand curved grab bar on back wall	\$ 714
OPT20404-R-084	Package includes : • 24 in. Vertical grab bar on side wall	\$ 714
OPT20404-R-105	• 32 in. Horizontal grab bar on back wall Available colors: White (002), Chrome (084) and Brushed Nickel (105)	\$ 714
OPT20407-L-084	Package C ³⁰³² OPT 20407-L-XXX 2 x Vertical grab bars on side walls, left-hand pivot grab bar on back wall	\$ 2308
OPT20407-L-105	Package includes : • 2 x 24 in. Vertical grab bar on side walls • Pivot grab bar on back wall Available colours: Chrome (084) and Brushed Nickel (105)	\$ 2308
OPT20407-R-105	Package C ³⁰³² OPT 20407-R-XXX 2 x Vertical grab bars on side walls, right-hand pivot grab bar on back wall	\$ 2308
OPT20407-R-084	Package includes : • 2 x 24 in. Vertical grab bar on side walls • Pivot grab bar on back wall Available colours: Chrome (084) and Brushed Nickel (105)	\$ 2308
OPT20217-L-105	32 in. Curved grab bar (back wall) ³⁰³¹	\$ 536
OPT20217-L-002	OPT 20217-L-XXX Left-hand curved grab bar on back wall	\$ 536
OPT20217-L-084	Available colours: White (002), Chrome (084) and Brushed Nickel (105)	\$ 536
OPT20217-R-002	32 in. Curved grab bar (back wall) ³⁰³¹	\$ 536
OPT20217-R-105	OPT 20217-R-XXX Right-hand curved grab bar on back wall	\$ 536
OPT20217-R-084	Available colours: White (002), Chrome (084) and Brushed Nickel (105)	\$ 536
OPT10189	Three-wall reinforcement for future grab bar installation ³³	\$ 290
OPT20056-106	60 in. curtain rod with installation kit Available color: Stainless Steel (106)	\$ 227
OPT20220-002		\$ 280
OPT20220-105	Shelf guard rails (factory installed) Available colours: White (002), Chrome (084), Brushed Nickel (105)	\$ 280
OPT20220-084		\$ 280

ACCESSORIES

SKU	Description	MSRP
10029997-002	24 in. modern straight grab bar with flange (front installation) Specify color: White (002), Chrome (084), Brushed Nickel (105)	\$ 359

ACCESSORIES

SKU	Description	MSRP
10029997-105	24 in. modern straight grab bar with flange (front installation)	\$ 359
10029997-084	Specify color: White (002), Chrome (084), Brushed Nickel (105)	\$ 359
10029998-084		\$ 403
10029998-002	30 in. modern straight grab bar with flange (front installation)	\$ 403
10029998-105	Specify colour: White (002), Chrome (084), Brushed Nickel (105)	\$ 403
10030095-002		\$ 581
10030095-084	32 in. curved left-hand grab bar with flange (front installation)	\$ 581
10030095-105	Specify colour: White (002), Chrome (084), Brushed Nickel (105)	\$ 581
10030097-084		\$ 581
10030097-002	32 in. curved right-hand grab bar with flange (front installation)	\$ 581
10030097-105	Specify colour: White (002), Chrome (084), Brushed Nickel (105)	\$ 581
10000041-105	Shower Drain (sold separately)	\$ 52
10000041-084	PVC quick caulking shower drain, compression type Specify grid color: Chrome (084) or Brushed Nickel (105)	\$ 52
10000043-084	Shower Drain (sold separately) 2-piece ABS shower drain with Chrome stainless steel grid	\$ 49
10004349-001	ABS shower drain with ABS grid (sold separately)	\$ 18
10004349-004	Available color: White (001) and Bone (004)	\$ 18
10028765-105		\$ 315
10028765-084	24 in. modern straight grab bar ³⁶	\$ 315
10028765-002	Specify color: White (002), Chrome (084), Brushed Nickel (105)	\$ 315
10029248-105		\$ 359
10029248-002	30 in. Modern straight grab bar ³⁶	\$ 359
10029248-084	Specify color: White (002), Chrome (084), Brushed Nickel (105)	\$ 359
10029253-002		\$ 536
10029253-084	32 in. Left hand curved grab bar ³⁶	\$ 536
10029253-105	Left refers to the upper section of the curved bar Specify color: White (002), Chrome (084), Brushed Nickel (105)	\$ 536
10029254-084		\$ 536
10029254-002	32 in. Right hand curved grab bar ³⁶	\$ 536
10029254-105	Right refers to the upper section of the curved bar Specify color: White (002), Chrome (084), Brushed Nickel (105)	\$ 536

FOOTNOTES

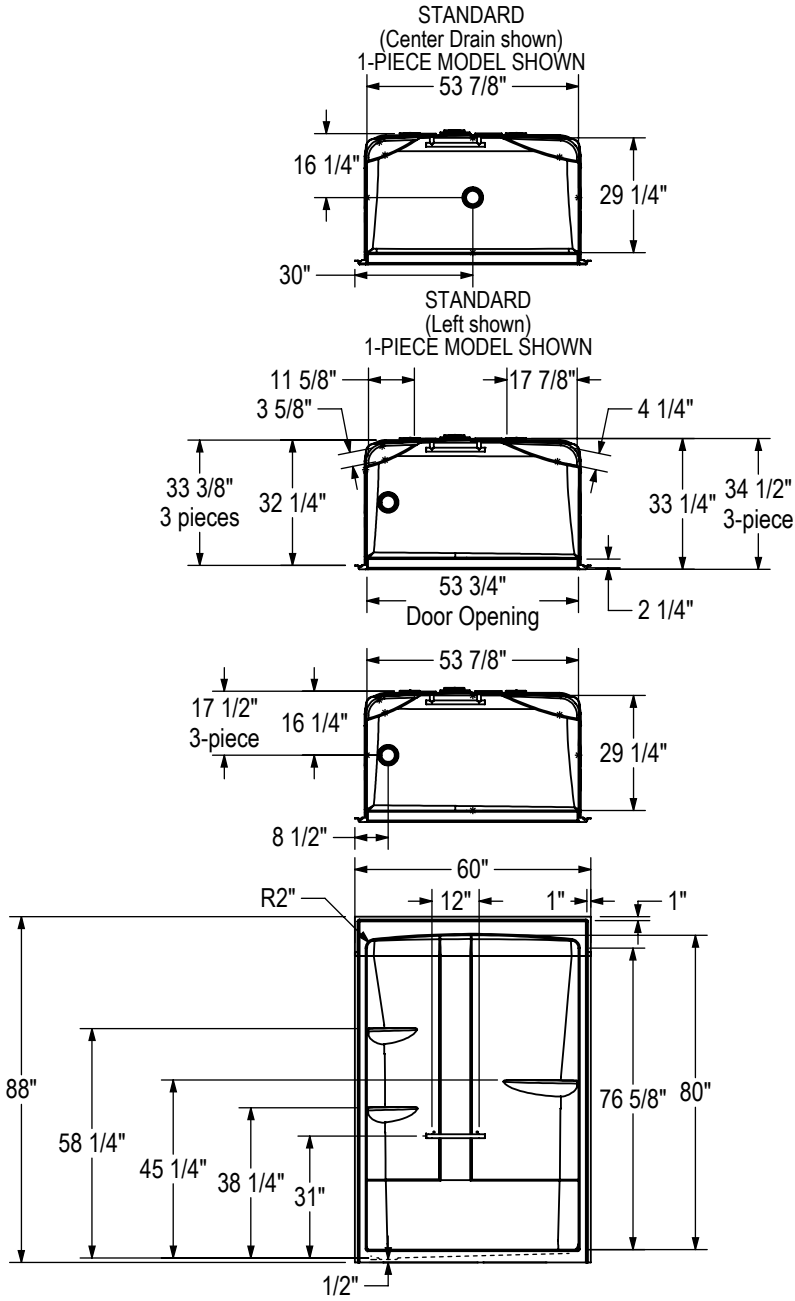
No	Description
30	Please see technical drawings on https://www.maax.com for grab bar and/or seat positioning.
31	Right (R)/Left (L) refers to the upper section of the ergonomic grab bar.
32	Right/Left refers to the pivot direction of the bar (from closed to open position).
33	Please see technical drawings on https://www.maax.com for reinforcement positioning and size.
34	Fold-down seat only available when unit ordered with no integrated seat.
35	Fold down seat is not available on sectional units.
36	Rear access grab bar installation. Must be secured onto unit prior to alcove unit insert.

FOOTNOTES

No	Description
36	Rear access grab bar installation. Must be secured onto unit prior to alcove unit insert.
36	

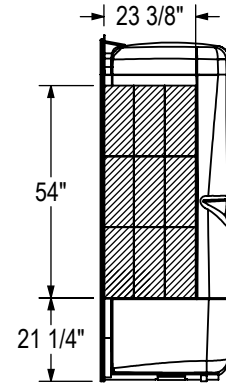
RECOMMENDED DOORS

SKU	Product Name	Pag.
138275	Manhattan 53-55 x 68 - 6mm	369
138521	Incognito 74 51-54x74in. 8mm	333
139579	Reveal Sleek 71 51 ½-54 ½ x 71 ½ - 8mm	382
136883	Reveal 71 51 ½-54 ½ x 71 ½ - 8mm	379
135664	Aura 51-55 x 71 - 6mm	351

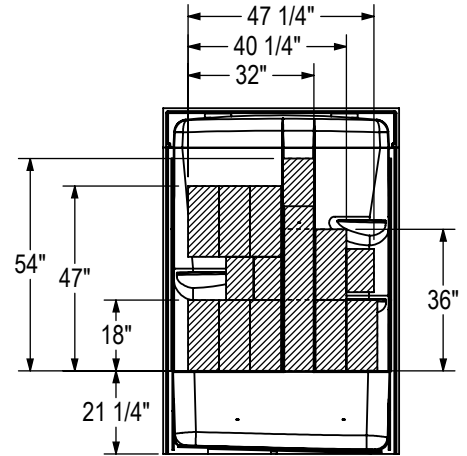


All dimensions are approximate. Structure measurements must be verified against the unit to ensure proper fit.

OPTIONAL REINFORCEMENT
(Left shown)



OPTIONAL REINFORCEMENT
(Back Wall)





Essence SH-3232

ALCOVE SHOWERS - ACRYLX



Material : AcrylX

Features

- › Proudly made in Canada
- › Sectional 4-piece shower for alcove installation, ideal for renovation projects
- › Innovative mistake-proof pin system to ensure easy installation
- › Designed with a maximized interior to provide better comfort in limited spaces
- › Integrated built-in shelves and towel bar for your convenience
- › Direct to stud installation
- › Model with two integrated footrests
- › Low threshold and textured bottom base for added safety
- › Proudly made in North America

ESSENCE SH-3232 - 148018

SKU	Color	Configuration	Dimensions & Weight	Packaging	MSRP
148018-000-002-293	White	Center	31 7/8" x 32" x 76" / 122 lb / 55 kg	52 ft ³	\$ 1802

COMMON OPTIONS

SKU	Description	MSRP
OPT20199	Back Wall reinforcement for future grab installation ³³	\$ 91
OPT10109-084	Metallic finish handle replacing Acrylic handle	\$ 345
OPT10109-105	Available colors: Chrome (084) and Brushed Nickel (105)	\$ 345
OPT20203-B-002	18 in. Modern straight grab bar ³⁰	\$ 269
OPT20203-B-105	OPT 20203-B-XXX Horizontal grab bar on back wall	\$ 269
OPT20203-B-084	Available colours: White (002), Chrome (084) and Brushed Nickel (105)	\$ 269
OPT20203-L-105	18 in. Modern straight grab bar ³⁰	\$ 269
OPT20203-L-002	OPT 20203-L-XXX Vertical grab bar on left wall	\$ 269
OPT20203-L-084	Available colours: White (002), Chrome (084) and Brushed Nickel (105)	\$ 269
OPT20203-R-084	18 in. Modern straight grab bar ³⁰	\$ 269
OPT20203-R-002	OPT 20203-R-XXX Vertical grab bar on right wall	\$ 269
OPT20203-R-105	Available colours: White (002), Chrome (084) and Brushed Nickel (105)	\$ 269
OPT20204-L-084	24 in. Modern straight grab bar ³⁰ OPT 20204-L-XXX Vertical grab bar on left wall Available colours: White (002), Chrome (084) and Brushed Nickel (105)	\$ 315

COMMON OPTIONS

SKU	Description	MSRP
OPT20204-L-105	24 in. Modern straight grab bar ³⁰	\$ 315
OPT20204-L-002	OPT 20204-L-XXX Vertical grab bar on left wall Available colours: White (002), Chrome (084) and Brushed Nickel (105)	\$ 315
OPT20204-R-002	24 in. Modern straight grab bar ³⁰	\$ 315
OPT20204-R-084	OPT 20204-R-XXX Vertical grab bar on right wall	\$ 315
OPT20204-R-105	Available colours: White (002), Chrome (084) and Brushed Nickel (105)	\$ 315
OPT20197	Left Wall reinforcement for future grab installation ³³	\$ 74
OPT20198	Right Wall reinforcement for future grab installation ³³	\$ 74
148022-000-002-293	Shower base only with pin system 148022-000-XXX Center drain	\$ 634
148067-000-002-290	Wall set for Essence SH-3232	\$ 1174

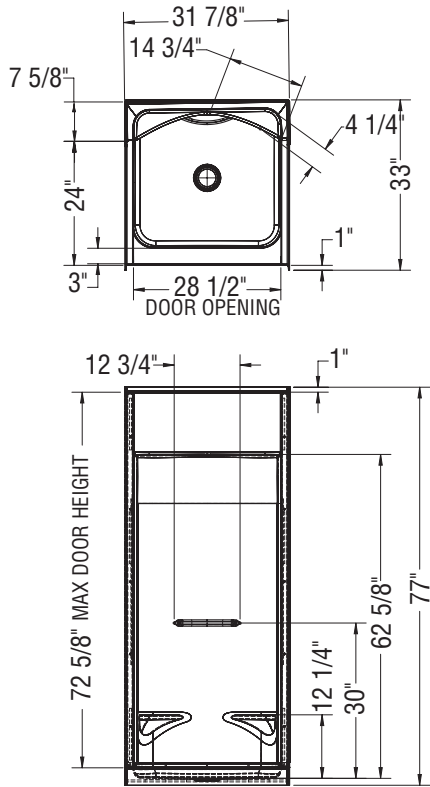
FOOTNOTES

No	Description
30	Please see technical drawings on https://www.maax.com for grab bar and/or seat positioning.
33	Please see technical drawings on https://www.maax.com for reinforcement positioning and size.

RECOMMENDED DOORS

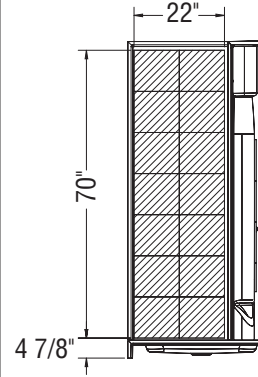
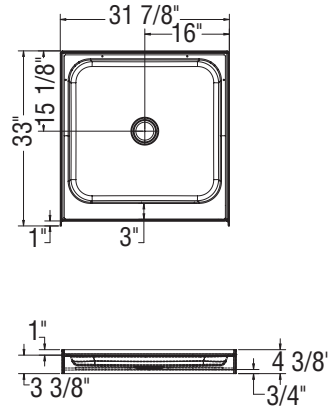
SKU	Product Name	Pag.
138262	Manhattan 27-29 x 68 - 6mm	364
105416	Madono 28 ½-30 ½ x 67 - 6mm	361
136635	Pivolok 27-28 ¾ x 64 ½ in.	374

STANDARD

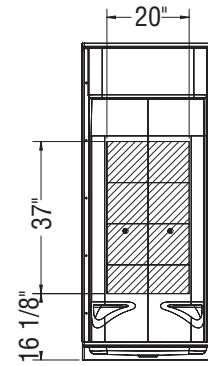


REINFORCEMENT BACKING

OPTION 20198 SHOWN
OPTION 20197 SYMMETRICAL

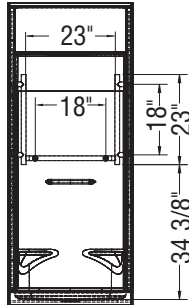


OPTION 20199

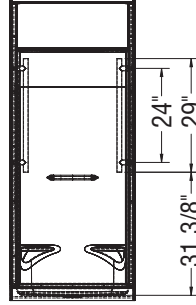


GRAB BARS

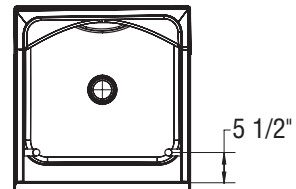
OPTION 20203



OPTION 20204



OPTION
20203-20204



All dimensions are approximate. Structure measurements must be verified against the unit to ensure proper fit.
* Dimensions indicated on product pages exclude tiling flanges.



Essence SH-3636



Material : AcrylX

Features

- › Proudly made in Canada
- › Sectional 4-piece shower for alcove installation, ideal for renovation projects
- › Innovative mistake-proof pin system to ensure easy installation
- › Designed with a maximized interior to provide better comfort in limited spaces
- › Integrated built-in shelves and towel bar for your convenience
- › Direct to stud installation
- › Model with an integrated footrest
- › Low threshold and textured bottom base for added safety
- › Proudly made in North America

ESSENCE SH-3636 - 148024

SKU	Color	Configuration	Dimensions & Weight	Packaging	MSRP
148024-000-002-293	White	Center	35 7/8" x 36" x 76" / 132 lb / 60 kg	64 ft ³	\$ 2010

COMMON OPTIONS

SKU	Description	MSRP
OPT20199	Back Wall reinforcement for future grab installation ³³	\$ 91
OPT10109-084	Metallic finish handle replacing Acrylic handle	\$ 345
OPT10109-105	Available colors: Chrome (084) and Brushed Nickel (105)	\$ 345
OPT20203-B-002	18 in. Modern straight grab bar ³⁰	\$ 269
OPT20203-B-105	OPT 20203-B-XXX Horizontal grab bar on back wall	\$ 269
OPT20203-B-084	Available colours: White (002), Chrome (084) and Brushed Nickel (105)	\$ 269
OPT20203-L-105	18 in. Modern straight grab bar ³⁰	\$ 269
OPT20203-L-002	OPT 20203-L-XXX Vertical grab bar on left wall	\$ 269
OPT20203-L-084	Available colours: White (002), Chrome (084) and Brushed Nickel (105)	\$ 269
OPT20203-R-084	18 in. Modern straight grab bar ³⁰	\$ 269
OPT20203-R-002	OPT 20203-R-XXX Vertical grab bar on right wall	\$ 269
OPT20203-R-105	Available colours: White (002), Chrome (084) and Brushed Nickel (105)	\$ 269
OPT20204-L-084	24 in. Modern straight grab bar ³⁰ OPT 20204-L-XXX Vertical grab bar on left wall Available colours: White (002), Chrome (084) and Brushed Nickel (105)	\$ 315

COMMON OPTIONS

SKU	Description	MSRP
OPT20204-L-105	24 in. Modern straight grab bar ³⁰	\$ 315
OPT20204-L-002	OPT 20204-L-XXX Vertical grab bar on left wall Available colours: White (002), Chrome (084) and Brushed Nickel (105)	\$ 315
OPT20204-R-002	24 in. Modern straight grab bar ³⁰	\$ 315
OPT20204-R-084	OPT 20204-R-XXX Vertical grab bar on right wall Available colours: White (002), Chrome (084) and Brushed Nickel (105)	\$ 315
OPT20204-R-105	Available colours: White (002), Chrome (084) and Brushed Nickel (105)	\$ 315
OPT20197	Left Wall reinforcement for future grab installation ³³	\$ 74
OPT20198	Right Wall reinforcement for future grab installation ³³	\$ 74
148028-000-002-293	Shower base only with pin system 148028-000-XXX Center drain	\$ 711
148068-000-002-290	Wall set for Essence SH-3636	\$ 1306

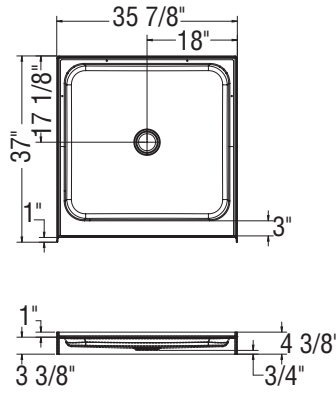
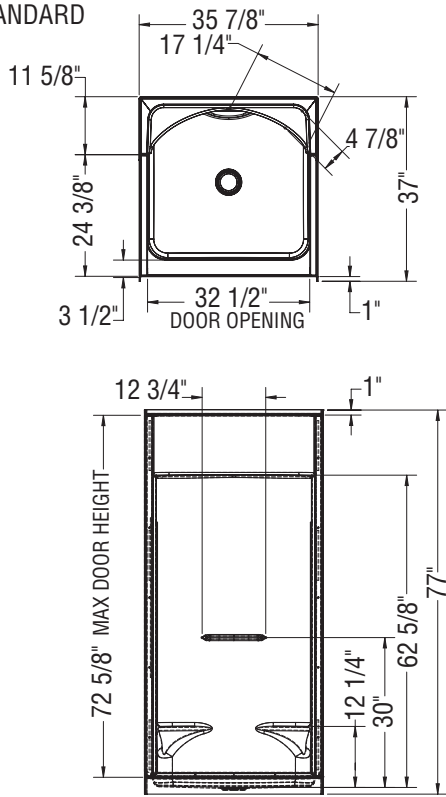
FOOTNOTES

No	Description
30	Please see technical drawings on https://www.maax.com for grab bar and/or seat positioning.
33	Please see technical drawings on https://www.maax.com for reinforcement positioning and size.

RECOMMENDED DOORS

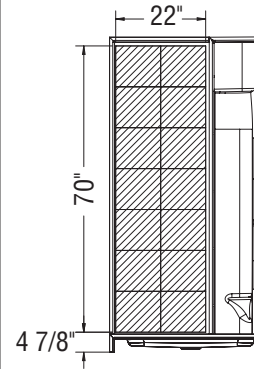
SKU	Product Name	Pag.
136655	Pivolok 31-32 ¾ x 64 ½ in.	374

STANDARD

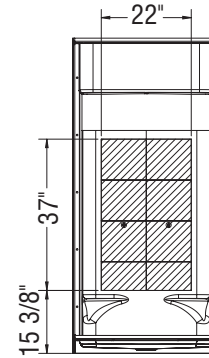


REINFORCEMENT BACKING

OPTION 20198 SHOWN
OPTION 20197 SYMMETRICAL

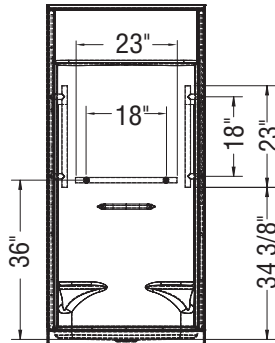


OPTION 20199

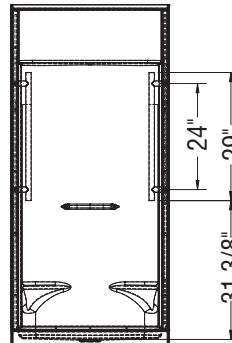


GRAB BARS

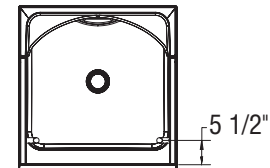
OPTION 20203



OPTION 20204



OPTION
20203-20204



All dimensions are approximate. Structure measurements must be verified against the unit to ensure proper fit.
* Dimensions indicated on product pages exclude tiling flanges.



Essence SH-4834

ALCOVE SHOWERS - ACRYLX



Material : AcrylX

Features

- › Proudly made in Canada
- › Sectional 4-piece shower for alcove installation, ideal for renovation projects
- › Innovative mistake-proof pin system to ensure easy installation
- › Integrated built-in shelves and towel bar for your convenience
- › Integrated molded seat to allowing to take a little pause from everything and enjoy the moment
- › Direct to stud installation
- › Model available without or with an integrated seat
- › Low threshold and textured bottom base for added safety
- › Proudly made in North America

ESSENCE SH-4834 - 148030

SKU	Color	Configuration	Dimensions & Weight	Packaging	MSRP
148030-000-002-293	White	Center	48 7/8" x 33 5/8" x 80 1/8" / 141 lb / 64 kg	83 ft ³	\$ 2254
148030-000-002-294					\$ 2254
148030-000-002-295					\$ 2254

COMMON OPTIONS

SKU	Description	MSRP
OPT20198	Right Wall reinforcement for future grab installation ³³	\$ 74
OPT20199	Back Wall reinforcement for future grab installation ³³	\$ 91
OPT10109-084	Metallic finish handle replacing Acrylic handle	\$ 345
OPT10109-105	Available colors: Chrome (084) and Brushed Nickel (105)	\$ 345
OPT20203-B-002	18 in. Modern straight grab bar ³⁰	\$ 269
OPT20203-B-105	OPT 20203-B-XXX Horizontal grab bar on back wall	\$ 269
OPT20203-B-084	Available colours: White (002), Chrome (084) and Brushed Nickel (105)	\$ 269
OPT20203-L-105	18 in. Modern straight grab bar ³⁰	\$ 269
OPT20203-L-002	OPT 20203-L-XXX Vertical grab bar on left wall	\$ 269
OPT20203-L-084	Available colours: White (002), Chrome (084) and Brushed Nickel (105)	\$ 269
OPT20203-R-084	18 in. Modern straight grab bar ³⁰	\$ 269
OPT20203-R-002	OPT 20203-R-XXX Vertical grab bar on right wall	\$ 269
OPT20203-R-105	Available colours: White (002), Chrome (084) and Brushed Nickel (105)	\$ 269

COMMON OPTIONS

SKU	Description	MSRP
OPT20204-L-084	24 in. Modern straight grab bar ³⁰ OPT 20204-L-XXX Vertical grab bar on left wall Available colours: White (002), Chrome (084) and Brushed Nickel (105)	\$ 315
OPT20204-L-105		\$ 315
OPT20204-L-002		\$ 315
OPT20204-R-002	24 in. Modern straight grab bar ³⁰ OPT 20204-R-XXX Vertical grab bar on right wall Available colours: White (002), Chrome (084) and Brushed Nickel (105)	\$ 315
OPT20204-R-084		\$ 315
OPT20204-R-105		\$ 315
OPT20197	Left Wall reinforcement for future grab installation ³³	\$ 74
148034-000-002-293	Shower base only with pin system 148034-R-000-XXX Right seat, center drain 148034-L-000-XXX Left seat, center drain 148034-000-XXX No seat, center drain	\$ 926
148034-000-002-295		\$ 926
148034-000-002-294		\$ 926
148069-000-002-290		Wall set for Essence SH-4834

ACCESSORIES

SKU	Description	MSRP
10024636-002	Tile Adaptor (for door installation) Available colors: White (002), Bone (004) and Biscuit (007)	\$ 238
10024636-004		\$ 238
10024636-007		\$ 238

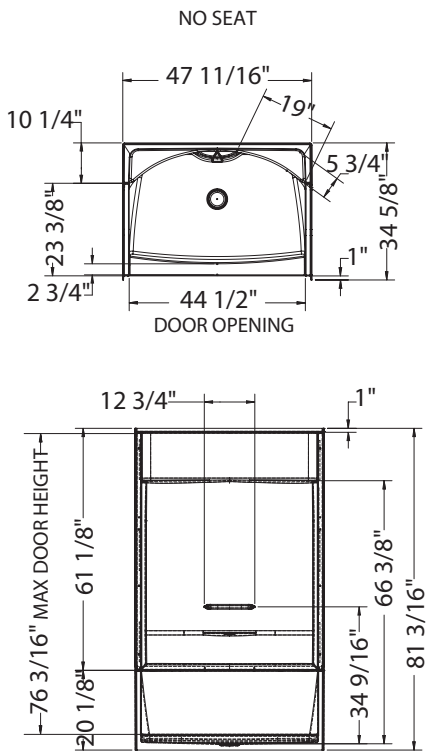
FOOTNOTES

No	Description
30	Please see technical drawings on https://www.maax.com for grab bar and/or seat positioning.
33	Please see technical drawings on https://www.maax.com for reinforcement positioning and size.

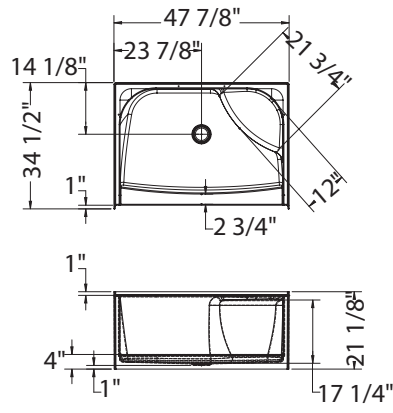
RECOMMENDED DOORS

SKU	Product Name	Pag.
138270	Manhattan 43-45 x 68 - 6mm	368
139352	Incognito 70 44-47 x 70 ½ - 8mm	331
139349	Incognito 44-47 x 70 ½ in. 6mm	329
135671	Aura 43-47 x 71 - 8mm	355
139577	Reveal Sleek 71 41 ½-44 ½ x 71 ½ - 8mm	381
136693	Revelation Round 44-47 x 70 ½-73 - 8mm	343
135241	Connect 43 1/2-45 x 72 - 6mm	394
139578	Reveal Sleek 71 44-47 x 71 ½ - 8mm	382
136271	Duel 44-47 x 70 ½ x 74 - 8 mm	326
135663	Aura 43-47 x 71 - 6mm	348
138992	Luminescence 44 ½-47 x 70 ½-72 - 6mm	388
137680	Outback 43 ¼ - 46 ½ x 70 ½ - 8mm	397

STANDARD

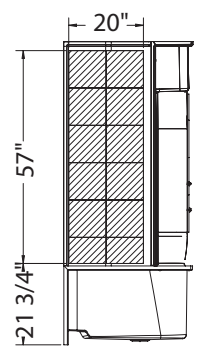


RIGHT SEAT SHOWN
LEFT SEAT SYMMETRICAL

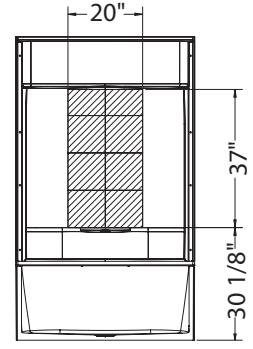


REINFORCEMENT BACKING

OPTION 20198 SHOWN
OPTION 20197 SYMMETRICAL

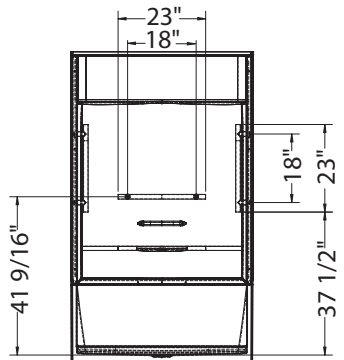


OPTION 20199

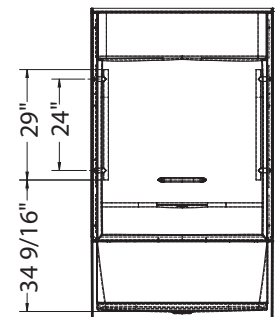


GRAB BARS

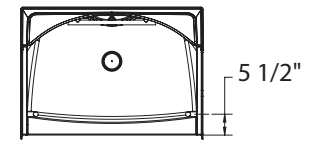
OPTION 20203



OPTION 20204



OPTION
20203-20204



All dimensions are approximate. Structure measurements must be verified against the unit to ensure proper fit.
*Dimensions indicated on product pages exclude tiling flanges.



Essence SH-6030



Material : AcrylX

Features

- › Proudly made in Canada
- › Sectional 4-piece shower for alcove installation, ideal for renovation projects
- › Innovative mistake-proof pin system to ensure easy installation
- › With its 60-inch length, the Essence by MAAX is an excellent choice if you are looking to convert from a bathtub to a shower
- › Integrated built-in shelves and towel bar for your convenience
- › Direct to stud installation

ESSENCE SH-6030 - 148036

SKU	Color	Configuration	Dimensions & Weight	Packaging	MSRP
148036-000-002-293	White	Center	59 3/4" x 30" x 80 1/8" / 152 lb / 69 kg	99 ft ³	\$ 2375
148036-000-002-294		Right			\$ 2375
148036-000-002-295		Left			\$ 2375

COMMON OPTIONS

SKU	Description	MSRP
OPT20203-R-084	18 in. Modern straight grab bar ³⁰	\$ 269
OPT20203-R-002	OPT 20203-R-XXX Vertical grab bar on right wall	\$ 269
OPT20203-R-105	Available colours: White (002), Chrome (084) and Brushed Nickel (105)	\$ 269
OPT20204-B-002	24 in. Modern straight grab bar ³⁰	\$ 315
OPT20204-B-084	OPT 20204-B-XXX Horizontal grab bar on back wall	\$ 315
OPT20204-B-105	Available colours: White (002), Chrome (084) and Brushed Nickel (105)	\$ 315
OPT20204-L-084	24 in. Modern straight grab bar ³⁰	\$ 315
OPT20204-L-105	OPT 20204-L-XXX Vertical grab bar on left wall	\$ 315
OPT20204-L-002	Available colours: White (002), Chrome (084) and Brushed Nickel (105)	\$ 315
OPT20204-R-002	24 in. Modern straight grab bar ³⁰	\$ 315
OPT20204-R-084	OPT 20204-R-XXX Vertical grab bar on right wall	\$ 315
OPT20204-R-105	Available colours: White (002), Chrome (084) and Brushed Nickel (105)	\$ 315
OPT20197	Left Wall reinforcement for future grab installation ³³	\$ 74
OPT20198	Right Wall reinforcement for future grab installation ³³	\$ 74

COMMON OPTIONS

SKU	Description	MSRP
OPT20199	Back Wall reinforcement for future grab installation ³³	\$ 91
OPT10109-084	Metallic finish handle replacing Acrylic handle	\$ 345
OPT10109-105	Available colors: Chrome (084) and Brushed Nickel (105)	\$ 345
OPT20203-B-002	18 in. Modern straight grab bar ³⁰	\$ 269
OPT20203-B-105	OPT 20203-B-XXX Horizontal grab bar on back wall	\$ 269
OPT20203-B-084	Available colours: White (002), Chrome (084) and Brushed Nickel (105)	\$ 269
OPT20203-L-105	18 in. Modern straight grab bar ³⁰	\$ 269
OPT20203-L-002	OPT 20203-L-XXX Vertical grab bar on left wall	\$ 269
OPT20203-L-084	Available colours: White (002), Chrome (084) and Brushed Nickel (105)	\$ 269
148040-000-002-295	Shower base only with pin system	\$ 1070
148040-000-002-294	148040-R-000-XXX Right seat, left drain	\$ 1070
148040-000-002-293	148040-L-000-XXX Left seat, right drain	\$ 1070
148040-000-002-290	148040-000-XXX No seat, center drain	\$ 1070
148065-000-002-290	Wall set for Essence TS-6030 and SH-6030	\$ 1310

ACCESSORIES

SKU	Description	MSRP
10024636-002	Tile Adaptor (for door installation) Available colors: White (002), Bone (004) and Biscuit (007)	\$ 238
10024636-004		\$ 238
10024636-007		\$ 238

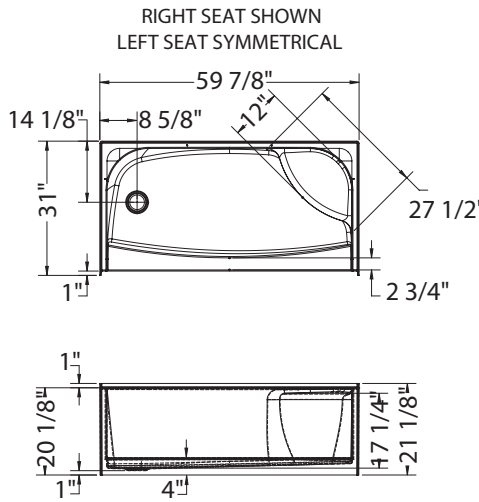
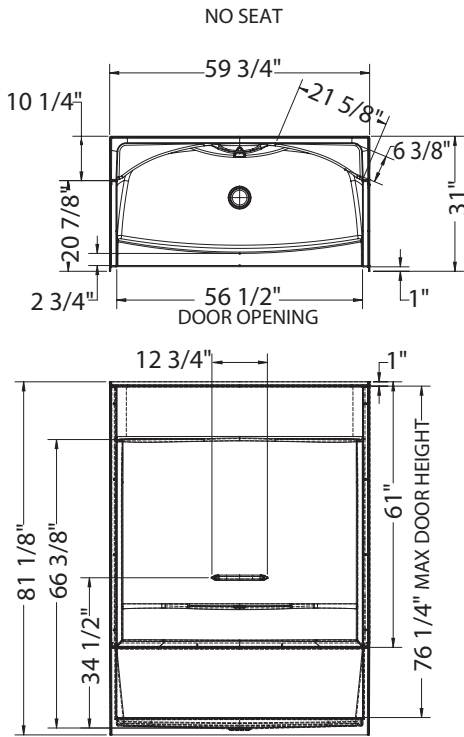
FOOTNOTES

No	Description
30	Please see technical drawings on https://www.maax.com for grab bar and/or seat positioning.
33	Please see technical drawings on https://www.maax.com for reinforcement positioning and size.

RECOMMENDED DOORS

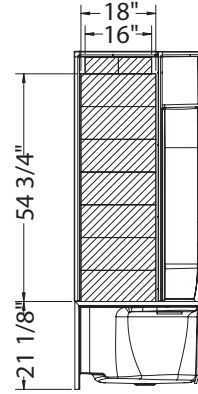
SKU	Product Name	Pag.
138276	Manhattan 55-57 x 68 - 6mm	370
139353	Incognito 70 56-59 x 70 ½ - 8mm	331
139350	Incognito 56-59 x 70 ½ in. 6mm	329
136691	Revelation Round 56-59 x 70 ½-73 - 6mm	341
136694	Revelation Round 56-59 x 70 ½-73 - 8mm	343
135243	Connect 55 1/2-57 x 72 - 6mm	394
139580	Reveal Sleek 71 56-59 x 71 ½ - 8mm	382
136272	Duel 56-58 ½ x 70 ½ x 74 - 8 mm	326
138762	Inverto 56-59 x 70 ½-74 - 8mm	324
137681	Outback 55 ¼ - 58 ½ x 70 ½ - 8mm	397

STANDARD

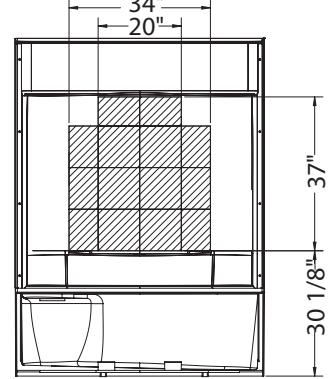


REINFORCEMENT BACKING

OPTION 20198 SHOWN
OPTION 20197 SYMMETRICAL

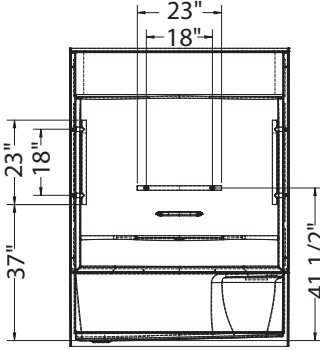


OPTION 20199

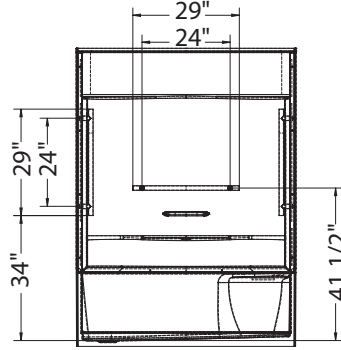


GRAB BARS

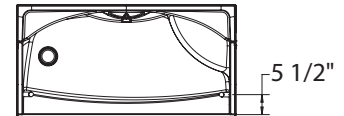
OPTION 20203



OPTION 20204



OPTION
20203-20204



All dimensions are approximate. Structure measurements must be verified against the unit to ensure proper fit.



Essence SH-6034

ALCOVE SHOWERS - ACRYLX



Material : AcrylX

Features

- › Proudly made in Canada
- › Sectional 4-piece shower for alcove installation, ideal for renovation projects
- › Innovative mistake-proof pin system to ensure easy installation
- › With its 60-inch length, the Essence by MAAX is an excellent choice if you are looking to convert from a bathtub to a shower
- › Integrated built-in shelves and towel bar for your convenience
- › Integrated molded seat to allowing to take a little pause from everything and enjoy the moment
- › Direct to stud installation

ESSENCE SH-6034 - 148042

SKU	Color	Configuration	Dimensions & Weight	Packaging	MSRP
148042-000-002-293	White	Center	59 3/4" x 33 1/2" x 80 1/8" / 155 lb / 70 kg	105 ft ³	\$ 2491
148042-000-002-294		Right			\$ 2491
148042-000-002-295		Left			\$ 2491

COMMON OPTIONS

SKU	Description	MSRP
OPT20203-R-084	18 in. Modern straight grab bar ³⁰	\$ 269
OPT20203-R-002	OPT 20203-R-XXX Vertical grab bar on right wall	\$ 269
OPT20203-R-105	Available colours: White (002), Chrome (084) and Brushed Nickel (105)	\$ 269
OPT20204-B-002	24 in. Modern straight grab bar ³⁰	\$ 315
OPT20204-B-084	OPT 20204-B-XXX Horizontal grab bar on back wall	\$ 315
OPT20204-B-105	Available colours: White (002), Chrome (084) and Brushed Nickel (105)	\$ 315
OPT20204-L-084	24 in. Modern straight grab bar ³⁰	\$ 315
OPT20204-L-105	OPT 20204-L-XXX Vertical grab bar on left wall	\$ 315
OPT20204-L-002	Available colours: White (002), Chrome (084) and Brushed Nickel (105)	\$ 315
OPT20204-R-002	24 in. Modern straight grab bar ³⁰	\$ 315
OPT20204-R-084	OPT 20204-R-XXX Vertical grab bar on right wall	\$ 315
OPT20204-R-105	Available colours: White (002), Chrome (084) and Brushed Nickel (105)	\$ 315
OPT20197	Left Wall reinforcement for future grab installation ³³	\$ 74
OPT20198	Right Wall reinforcement for future grab installation ³³	\$ 74

COMMON OPTIONS

SKU	Description	MSRP
OPT20199	Back Wall reinforcement for future grab installation ³³	\$ 91
OPT10109-084	Metallic finish handle replacing Acrylic handle	\$ 345
OPT10109-105	Available colors: Chrome (084) and Brushed Nickel (105)	\$ 345
OPT20203-B-002	18 in. Modern straight grab bar ³⁰	\$ 269
OPT20203-B-105	OPT 20203-B-XXX Horizontal grab bar on back wall	\$ 269
OPT20203-B-084	Available colours: White (002), Chrome (084) and Brushed Nickel (105)	\$ 269
OPT20203-L-105	18 in. Modern straight grab bar ³⁰	\$ 269
OPT20203-L-002	OPT 20203-L-XXX Vertical grab bar on left wall	\$ 269
OPT20203-L-084	Available colours: White (002), Chrome (084) and Brushed Nickel (105)	\$ 269
148046-000-002-293	Shower base only with pin system	\$ 1121
148046-000-002-295	148046-R-000-XXX Right seat, left drain	\$ 1121
148046-000-002-294	148046-L-000-XXX Left seat, right drain	\$ 1121
148046-000-002-294	148046-000-XXX No seat, center drain	\$ 1121
148070-000-002-290	Wall set for Essence SH-6034	\$ 1373

ACCESSORIES

SKU	Description	MSRP
10024636-002	Tile Adaptor (for door installation) Available colors: White (002), Bone (004) and Biscuit (007)	\$ 238
10024636-004		\$ 238
10024636-007		\$ 238

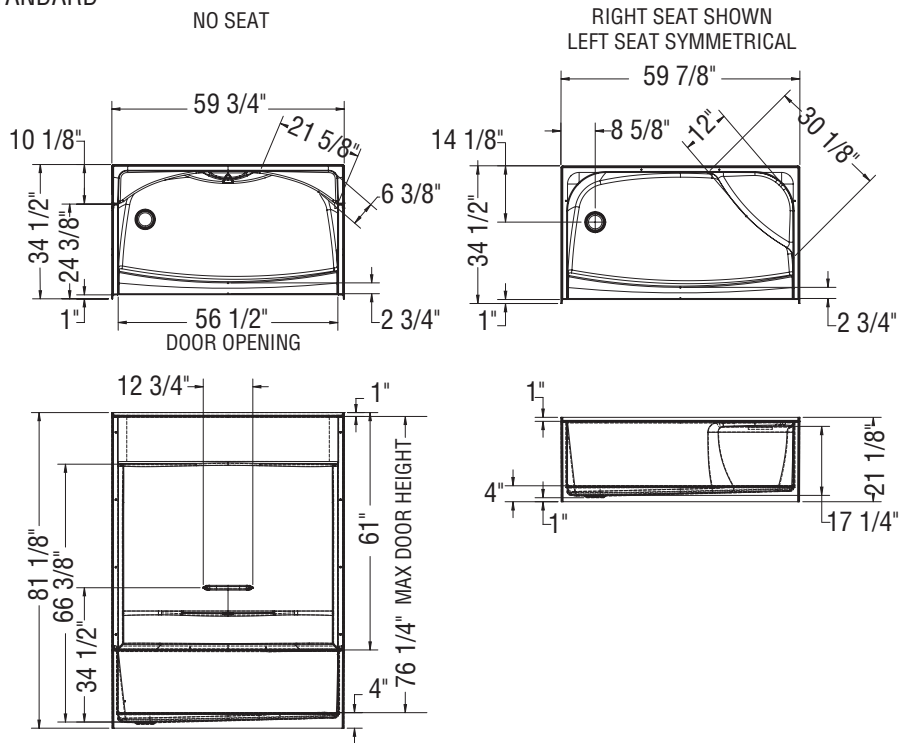
FOOTNOTES

No	Description
30	Please see technical drawings on https://www.maax.com for grab bar and/or seat positioning.
33	Please see technical drawings on https://www.maax.com for reinforcement positioning and size.

RECOMMENDED DOORS

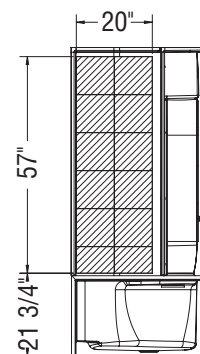
SKU	Product Name	Pag.
138276	Manhattan 55-57 x 68 - 6mm	370
139353	Incognito 70 56-59 x 70 ½ - 8mm	331
139350	Incognito 56-59 x 70 ½ in. 6mm	329
136691	Revelation Round 56-59 x 70 ½-73 - 6mm	341
136694	Revelation Round 56-59 x 70 ½-73 - 8mm	343
135243	Connect 55 1/2-57 x 72 - 6mm	394
139580	Reveal Sleek 71 56-59 x 71 ½ - 8mm	382
136272	Duel 56-58 ½ x 70 ½ x 74 - 8 mm	326
138762	Inverto 56-59 x 70 ½-74 - 8mm	324
137681	Outback 55 ¼ - 58 ½ x 70 ½ - 8mm	397

STANDARD

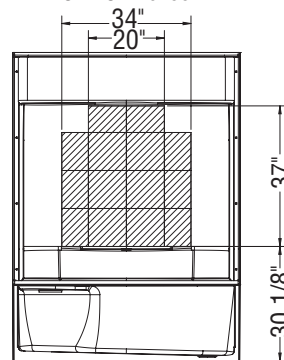


REINFORCEMENT BACKING

OPTION 20198 SHOWN
OPTION 20197 SYMMETRICAL

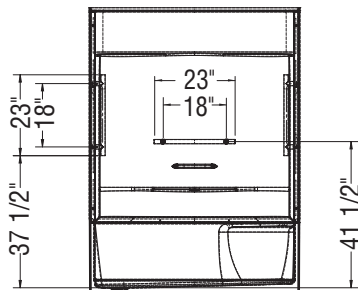


OPTION 20199

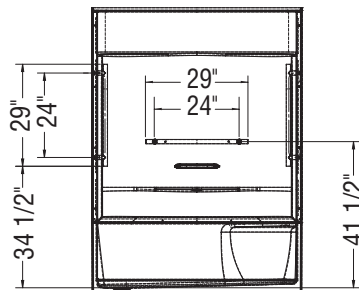


GRAB BARS

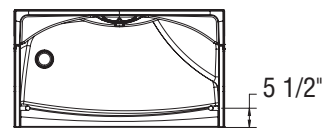
OPTION 20203



OPTION 20204



OPTION
20203-20204



All dimensions are approximate. Structure measurements must be verified against the unit to ensure proper fit.
* Dimensions indicated on product pages exclude tiling flanges.

Jupiter F32



Material : AcrylX

Features

- › 1-piece shower for alcove installation, without roof cap
- › 2 convenient integrated shelves
- › Central drain
- › Compatible with MAAX Pivolok 24 3/4 inch x 64 1/2 inch Framed Pivot Shower Door in Chrom , SKU 1001094663

JUPITER F32 - 101162

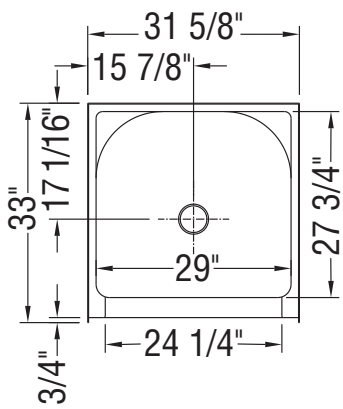
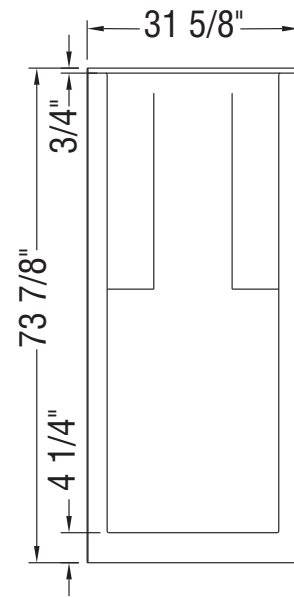
SKU	Color	Configuration	Dimensions & Weight	Packaging	MSRP
101162-000-002-000	White	Center	31 5/8" x 33" x 73 7/8" / 69 lb / 31 kg	47 ft ³	\$ 1201

ACCESSORIES

SKU	Description	MSRP
10000041-105	Shower Drain (sold separately) PVC quick caulking shower drain, compression type	\$ 52
10000041-084	Specify grid color: Chrome (084) or Brushed Nickel (105)	\$ 52
10000043-084	Shower Drain (sold separately) 2-piece ABS shower drain with Chrome stainless steel grid	\$ 49
10004349-001	ABS shower drain with ABS grid (sold separately)	\$ 18
10004349-004	Available color: White (001) and Bone (004)	\$ 18

RECOMMENDED DOORS

SKU	Product Name	Pag.
138260	Manhattan 23-25 x 68 - 6mm	363
136625	Pivolok 23-24 3/4 x 64 1/2 in.	373



All dimensions are approximate. Structure measurements must be verified against the unit to ensure proper fit.



Equinox I



Material : Acrylic
Features

- > 1-piece shower
- > 3 built-in shelves
- > Footrest
- > Optional roof cap

CORNER SHOWERS - ACRYLIC

EQUINOX I - 102495

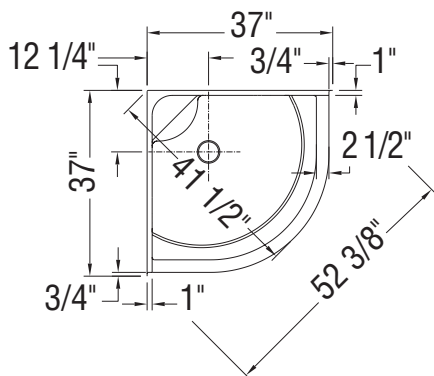
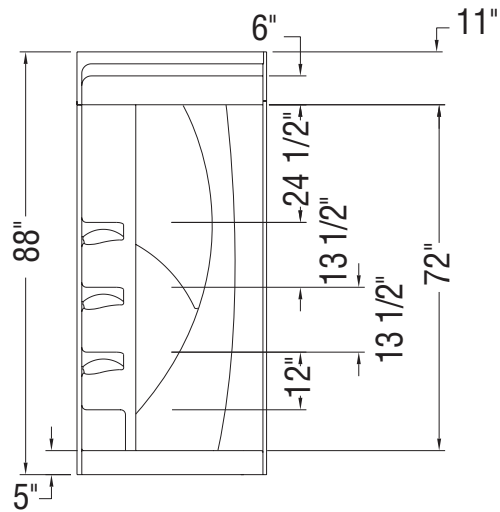
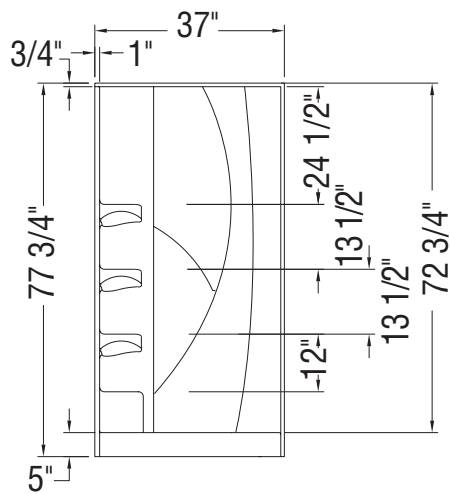
SKU	Color	Configuration	Dimensions & Weight	Packaging	MSRP
102495-000-001-000	White	Center	37" x 37" x 77 3/4" / 93 lb / 42 kg	69 ft³	\$ 2241

COMMON OPTIONS

SKU	Description	MSRP
102515-000-001-000	Roof cap Standard colour: White (001)	\$ 1022

ACCESSORIES

SKU	Description	MSRP
10000041-105	Shower Drain (sold separately) PVC quick caulking shower drain, compression type	\$ 52
10000041-084	Specify grid color: Chrome (084) or Brushed Nickel (105)	\$ 52
10000043-084	Shower Drain (sold separately) 2-piece ABS shower drain with Chrome stainless steel grid	\$ 49
10004349-001	ABS shower drain with ABS grid (sold separately)	\$ 18
10004349-004	Available color: White (001) and Bone (004)	\$ 18



All dimensions are approximate. Structure measurements must be verified against the unit to ensure proper fit.



Equinox II



Material : Acrylic
Features

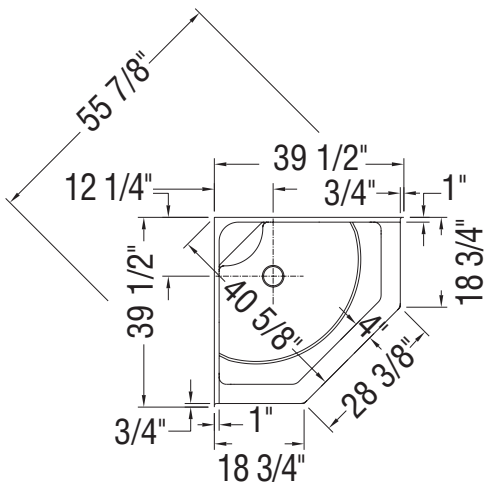
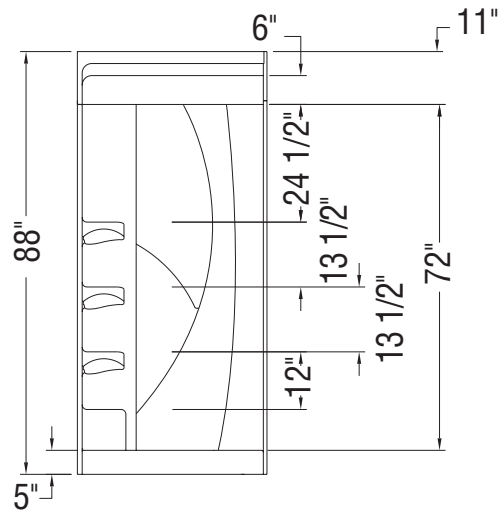
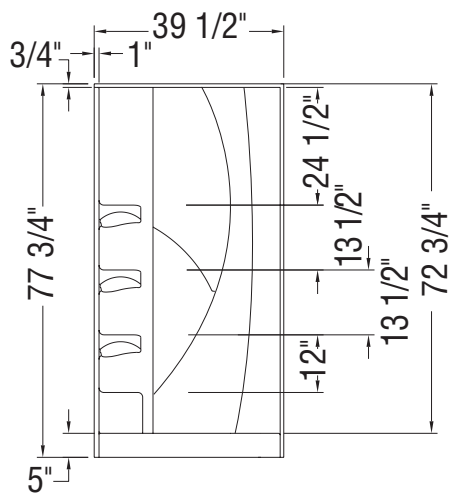
- > 1-piece shower
- > 3 built-in shelves
- > Footrest
- > Optional roof cap

EQUINOX II - 102500					
SKU	Color	Configuration	Dimensions & Weight	Packaging	MSRP
102500-000-001-000	White	Center	39 1/2" x 39 1/2" x 77 3/4" / 110 lb / 50 kg	75 ft ³	\$ 2241

COMMON OPTIONS		
SKU	Description	MSRP
102517-000-001-000	Roof cap Specify: Standard colour: White (001), Bone (004), Biscuit (007)	\$ 1022

ACCESSORIES		
SKU	Description	MSRP
10000041-105	Shower Drain (sold separately) PVC quick caulking shower drain, compression type	\$ 52
10000041-084	Specify grid color: Chrome (084) or Brushed Nickel (105)	\$ 52
10000043-084	Shower Drain (sold separately) 2-piece ABS shower drain with Chrome stainless steel grid	\$ 49
10004349-001	ABS shower drain with ABS grid (sold separately)	\$ 18
10004349-004	Available color: White (001) and Bone (004)	\$ 18

RECOMMENDED DOORS		
SKU	Product Name	Pag.
137901	Silhouette Neo-angle Pivot 38 x 38 x 70 in.	399



All dimensions are approximate. Structure measurements must be verified against the unit to ensure proper fit.

Tub Doors



Inverto tub shower door in Dark Bronze



Axial Access Tub Screen

SCREENS



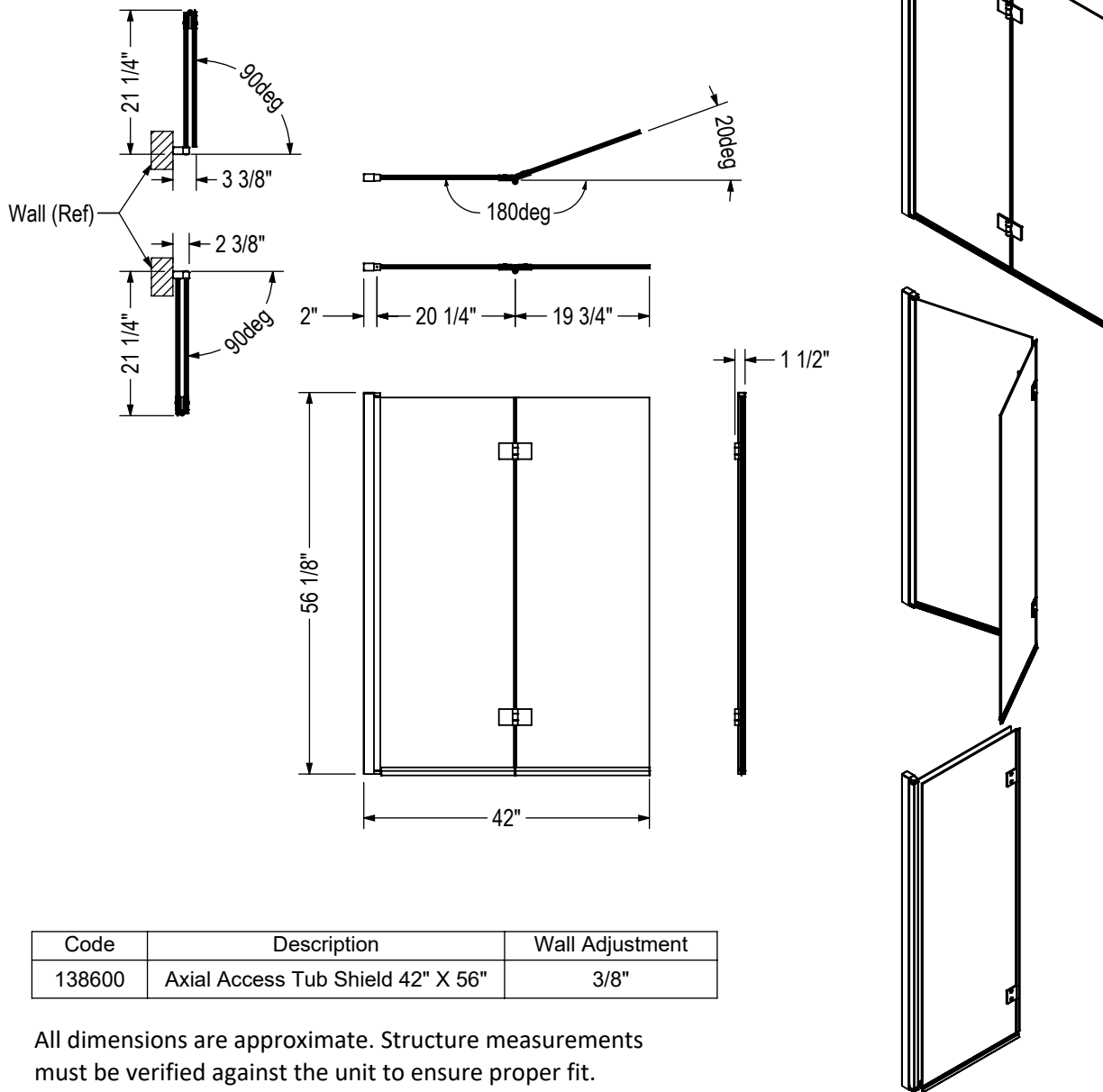
Material : Tempered Glass

Features

- > 6 mm tempered glass with Lotus glass protection
- > Double Pivoting panels: makes it easy to clean the panels and the tub
- > Easy access to faucets
- > Pivots inward and outward, maximizes the tub access to provide care
- > Ideal for slanted ceilings

AXIAL ACCESS PIVOT 42 X 56 - 6MM - 138600

SKU	Color	Configuration	Dimensions & Weight	Packaging	MSRP
138600-900-084-000	Clear / Chrome		42" - 42" x 56" / 61 lb / 28 kg	2.84 ft ³	\$ 757
138600-900-340-000	Clear / Matte Black				\$ 814



Code	Description	Wall Adjustment
138600	Axial Access Tub Shield 42" X 56"	3/8"

All dimensions are approximate. Structure measurements must be verified against the unit to ensure proper fit.



Axial Duo Tub Screen

SCREENS



Material : Tempered Glass

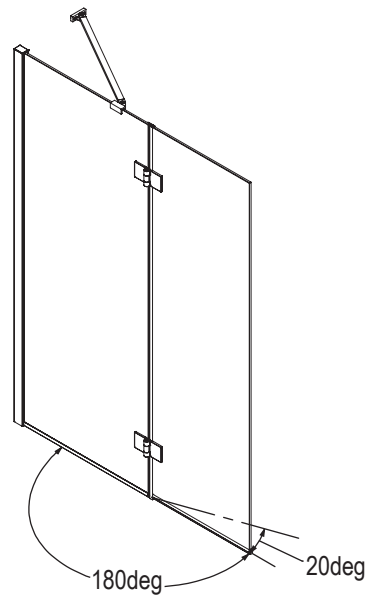
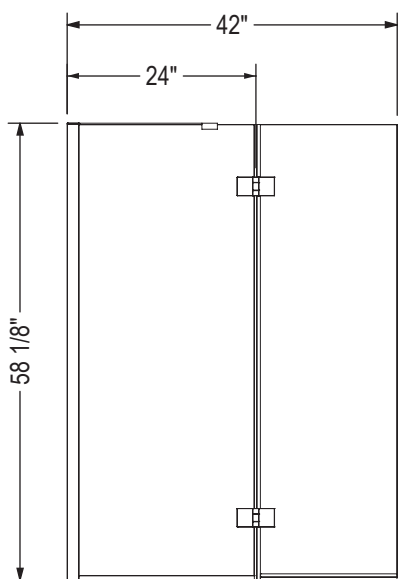
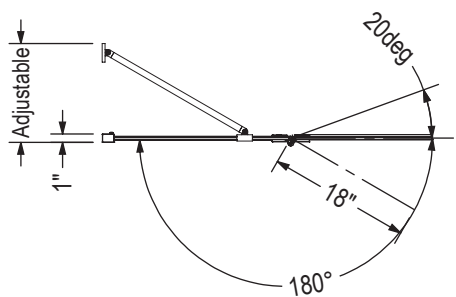
Features

- › 8 mm tempered glass with Lotus glass protection
- › Double glass one fix 24in and one pivot 18in This gives you a wide access to get in and out while making the corner watertight
- › Wide opening for easy access to faucets
- › The moving panel can tilt slightly inside the tub to prevent water spill
- › Fixed panel clears most toilets or vanities
- › Fast and easy installation

AXIAL DUO 42 X 58 - 8MM - 137512

SKU	Color	Configuration	Dimensions & Weight	Packaging	MSRP
137512-900-084-000	Clear / Chrome		41" - 42" x 58" / 48 lb / 22 kg	2.7 ft ³	\$ 836
137512-900-305-000	Clear / Brushed Nickel				\$ 900

STANDARD



Code	Description	Wall Adjustment
137512	AXIAL Duo Tub 42" X 58"	3/8"

All dimensions are approximate. Structure measurements must be verified against the unit to ensure proper fit.



Axial Square Tub Screen

SCREENS



Material : Tempered Glass

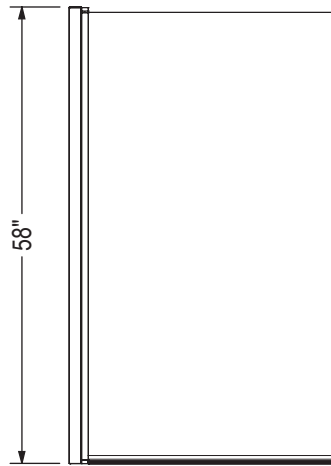
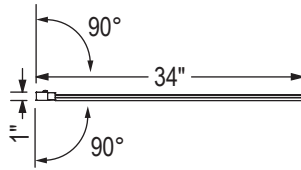
Features

- › 8 mm tempered glass with Lotus glass protection with a Square pivot
- › Pivoting single panel: nothing on the tub, makes it easy to clean the panel and the tub
- › Wide opening for easy access to faucets
- › Pivots inward and outward, maximizes the tub access to provide care
- › Ideal for slanted ceilings
- › Fast and easy installation

AXIAL SQUARE 34 X 58 - 8MM - 137511

SKU	Color	Configuration	Dimensions & Weight	Packaging	MSRP
137511-900-084-000	Clear / Chrome		33" - 34" x 58" / 40 lb / 18 kg	2.82 ft ³	\$ 677
137511-900-305-000	Clear / Brushed Nickel				\$ 726

STANDARD



Code	Description	Wall Adjustment
137511	AXIAL Square Tub 34" X 58"	3/8"

All dimensions are approximate. Structure measurements must be verified against the unit to ensure proper fit.



Axial Tub Screen

SCREENS



Material : Tempered Glass

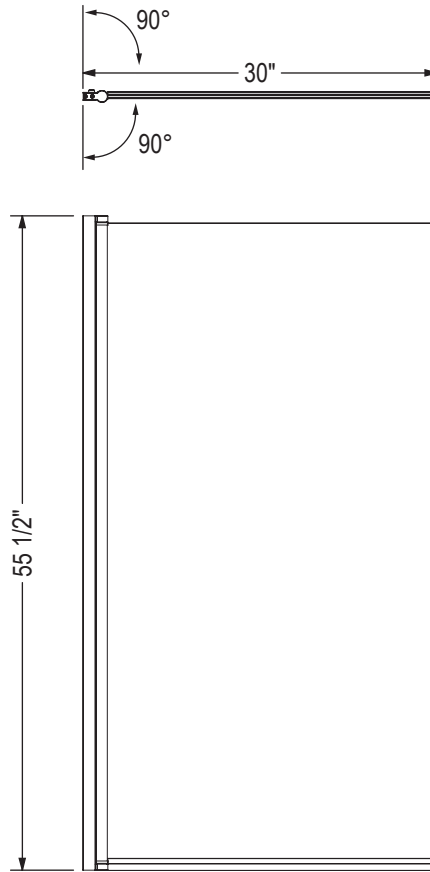
Features

- › 6 mm tempered glass with Lotus glass protection
- › Pivoting single panel: nothing on the tub, makes it easy to clean the panel and the tub
- › Wide opening for easy access to faucets
- › Pivots inward and outward, maximizes the tub access to provide care
- › Ideal for slanted ceilings
- › Fast and easy installation

AXIAL 30 X 55 1/2 - 6MM - 137510

SKU	Color	Configuration	Dimensions & Weight	Packaging	MSRP
137510-900-084-000	Clear / Chrome		29" - 30" x 55 1/2" / 26 lb / 12 kg	2.65 ft ³	\$ 612

STANDARD



Code	Description	Wall Adjustment
137510	AXIAL Tub 30" X 55 1/2"	3/8"

All dimensions are approximate. Structure measurements must be verified against the unit to ensure proper fit.



Duel Tub Door

TUB DOORS - BYPASS



Material : Tempered Glass

Features

- › 8 mm (5/16") tempered glass with Lotus easy clean protection
- › Fits tub showers with 55 1/2 in. wall clearance, glass extends to 59 in.
- › 3in of lateral adjustment to fit many shower opening
- › Designed in North America
- › Sleek and square elements for a modern look
- › High quality rollers for smooth glide
- › The frameless design brings a sense of spaciousness to the room and creates a sleek, minimalist look.
- › Header leveling and locking System innovation allows for header adjustment
- › 3/4" out-of-plumb adjustment

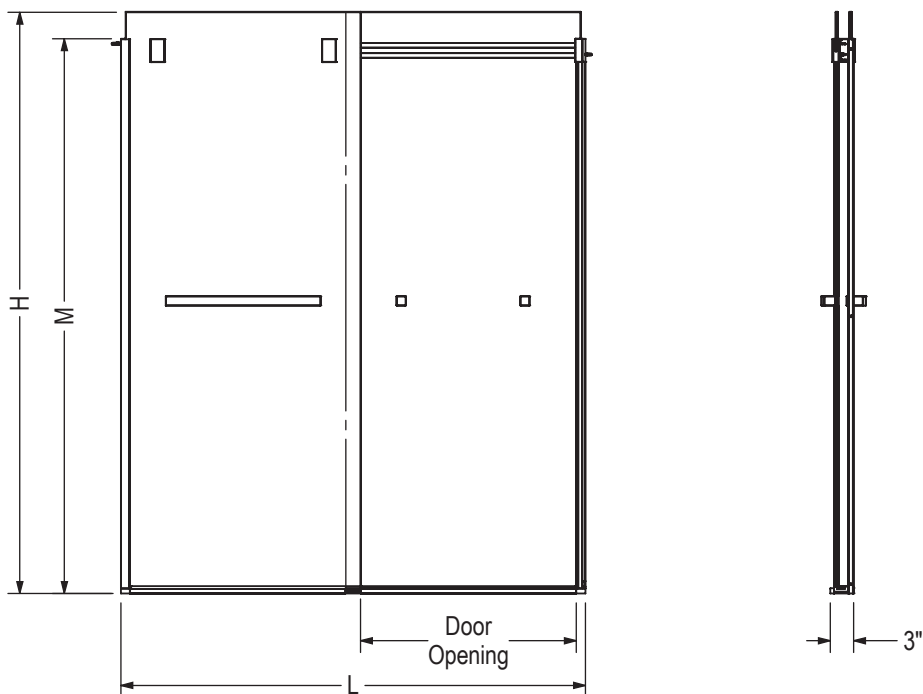
DUEL 56-59 X 55 1/2 X 59 - 8 MM - 136270

SKU	Color	Door Opening	Dimensions & Weight	Packaging	MSRP
136270-900-084-000	Clear / Chrome	Reversible	56" - 59" x 55" / 106 lb / 48 kg	3.91 ft ³	\$ 1152
136270-900-173-000	Clear / Dark Bronze				\$ 1246
136270-900-280-000	Clear / Chrome and Matte White				\$ 1237
136270-900-289-000	Clear / Brushed Nickel and Matte Black				\$ 1301
136270-900-290-000	Clear / Brushed Nickel and Matte White				\$ 1301
136270-900-305-000	Clear / Brushed Nickel				\$ 1216
136270-900-340-000	Clear / Matte Black				\$ 1246
136270-900-350-000	Clear / Chrome and Matte Black				\$ 1237
136270-900-360-000	Clear / Matte Black and Chrome				\$ 1331
136270-900-380-000	Clear / Matte Black and Brushed Gold				\$ 1331

ACCESSORIES

SKU	Description	MSRP
10068850-291-600	Mixed Finish Hardware Replacement Kit for Duel and Duel Alto. Available finishes: Chrome (084), Matte White (291), Brushed Nickel (340) and Brushed Gold (343)	\$ 100
10068850-084-600		\$ 100
10068850-343-600		\$ 100
10068850-340-600		\$ 100

STANDARD



Code	Description	H	M	L Adjustable	Door Opening	Wall Adjustment
136270	Duel 56" - 59" x 55 1/2"	59"	55 1/2"	56" - 59"	24 1/2" - 27 1/2"	3/4"
136271	Duel 44" - 47" x 70 1/2"	74"	70 1/2"	44" - 47"	18 1/2" - 21 1/2"	3/4"
136272	Duel 56" - 59" x 70 1/2"	74"	70 1/2"	56" - 59"	24 1/2" - 27 1/2"	3/4"

All dimensions are approximate. Structure measurements must be verified against the unit to ensure proper fit.



Incognito 57 Shaker Tub Door

TUB DOORS - BYPASS



Material : Tempered Glass

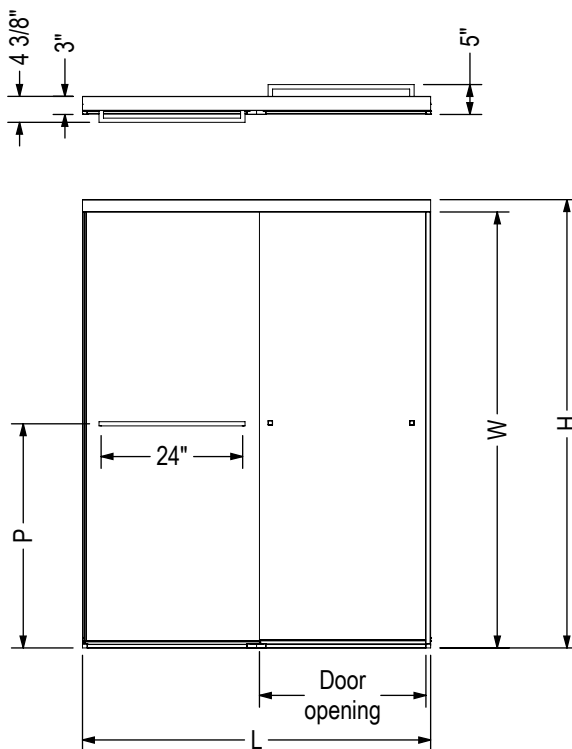
Features

- › Shaker style glass design, inspired by French door style
- › Glass thickness: 8 mm
- › 2 in , slim header provides a sleek look
- › Features convenient towel bar
- › Detachable door guide is easy to clean
- › Wheel catcher feature keeps door open or closed

INCOGNITO 57 SHAKER 56-59 X 56 3/4 - 8MM - 135330

SKU	Color	Door Opening	Dimensions & Weight	Packaging	MSRP
135330-972-340-000	Shaker / Matte Black	Reversible	56" - 59" x 56 3/4" / 112 lb / 51 kg	3 ft ³	\$ 1246

STANDARD



TUB DOORS - BYPASS

Code	Description	H	W	L Adjustable	Door opening	P	Wall adjustment
135331	Incognito 76 Shaker 8mm 76" x 44 - 47"	76"	73 7/8"	44" - 47"	18 1/4" - 22 1/4"	38"	1/2"
135332	Incognito 76 Shaker 8mm 76" x 56 - 59"	76"	73 7/8"	56" - 59"	24 1/4" - 28 1/4"	38"	1/2"
135330	Incognito Shaker 8mm 56 3/4" x 56 - 59"	56 3/4"	54 5/8"	56" - 59"	24 1/4" - 28 1/4"	28"	1/2"

All dimensions are approximate. Structure measurements must be verified against the unit to ensure proper fit.



Incognito 57 Tub Door - 6 mm

TUB DOORS - BYPASS



Material : Tempered Glass

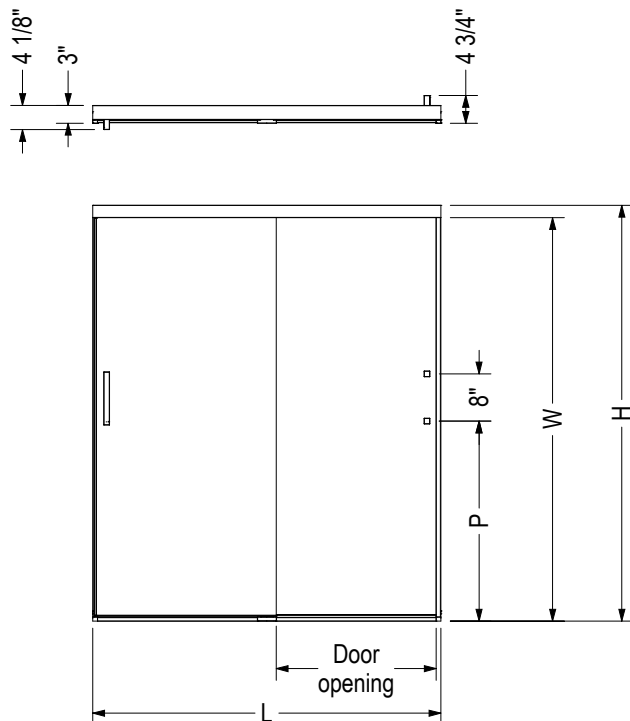
Features

- › Components that connect seamlessly for an effortless assembly
- › Expandable Sill, no cutting required to adjust
- › Large knob on the opposite side of the handle, to allow for an easier opening and closing
- › Hand adjustment to perfect the fit in the alcove
- › Fits on showers with a wall height of at least 56.75in
- › Integrated bumper at the top and the bottom

INCOGNITO 57 56-59 X 56 3/4 - 6MM - 139351

SKU	Color	Door Opening	Dimensions & Weight	Packaging	MSRP
139351-900-084-000	Clear / Chrome	Reversible	56" - 59" x 56 3/4" / 105 lb / 48 kg	3 ft ³	\$ 832
139351-900-173-000	Clear / Dark Bronze				\$ 896
139351-900-305-000	Clear / Brushed Nickel				\$ 873
139351-900-340-000	Clear / Matte Black				\$ 896

STANDARD



TUB DOORS - BYPASS

Code	Description	H	W	L Adjustable	Door Opening	P	Wall adjustment
139349	Incognito 6mm 70 1/2" x 44 - 47"	70 1/2"	68 3/8"	44" - 47"	17 1/8" - 21 1/8"	33 7/8"	1/2"
139350	Incognito 6mm 70 1/2" x 56 - 59"	70 1/2"	68 3/8"	56" - 59"	23 1/8" - 27 1/8"	33 7/8"	1/2"
139351	Incognito 6mm 56 3/4" x 56 - 59"	56 3/4"	54 5/8"	56" - 59"	23 1/8" - 27 1/8"	18 7/8"	1/2"
139352	Incognito 8mm 70 1/2" x 44 - 47"	70 1/2"	68 3/8"	44" - 47"	17 1/8" - 21 1/8"	33 7/8"	1/2"
139353	Incognito 8mm 70 1/2" x 56 - 59"	70 1/2"	68 3/8"	56" - 59"	23 1/8" - 27 1/8"	33 7/8"	1/2"
139354	Incognito 8mm 56 3/4" x 56 - 59"	56 3/4"	54 5/8"	56" - 59"	23 1/8" - 27 1/8"	18 7/8"	1/2"

All dimensions are approximate. Structure measurements must be verified against the unit to ensure proper fit.



Incognito 57 Tub Doors - 8 mm

TUB DOORS - BYPASS



Material : Tempered Glass

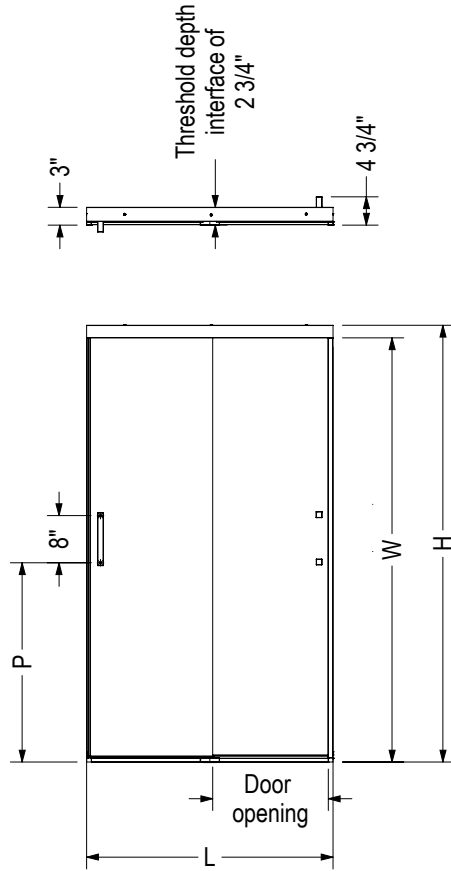
Features

- › Components that connect seamlessly for an effortless assembly
- › Large knob on the opposite side of the handle, to allow for an easier opening and closing
- › Hand adjustable positioning
- › Fits on showers with a wall height of at least 56.75 in.
- › Slim header and thin edges accentuate the minimalist look
- › Safety features: top and bottom integrated bumper to prevent slamming

INCOGNITO 57 51-54 X 56 3/4 IN. 8MM - 138522

SKU	Color	Door Opening	Dimensions & Weight	MSRP
138522-900-084-000	Clear / Chrome	Reversible	51" - 54" x 56 3/4" / 110 lb / 50 kg	\$ 945
138522-900-305-000	Clear / Brushed Nickel			\$ 1008
138522-900-340-000	Clear / Matte Black			\$ 1033

STANDARD



Code	Description	H	W	L Adjustable	Door opening	P	Wall adjustment
138520	Incognito 74" 39 - 42" x 74"	74"	71 7/8"	39" - 42"	16 1/2" - 19 1/2"	34 1/8"	1/2"
138521	Incognito 74" 51 - 54" x 74"	74"	68 3/8"	51" - 54"	22 1/2" - 25 1/2"	34 1/8"	1/2"
138522	Incognito 56 3/4" 51 - 54" x 56 3/4"	56 3/4"	54 5/8"	51" - 54"	22 1/2" - 25 1/2"	19 1/8"	1/2"

All dimensions are approximate. Structure measurement must be verified against the unit to ensure proper fit.

Incognito 57 Tub Doors - 8 mm



TUB DOORS - BYPASS



Material : Tempered Glass

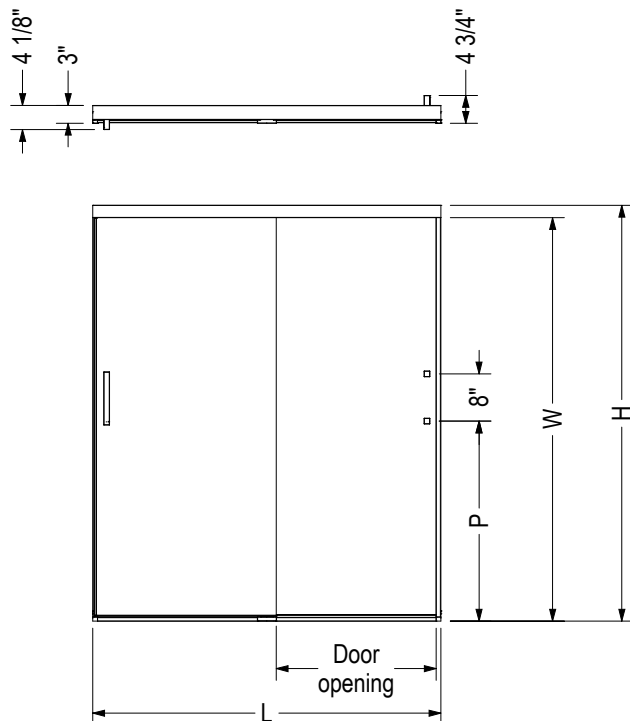
Features

- › Components that connect seamlessly for an effortless assembly
- › Large knob on the opposite side of the handle, to allow for an easier opening and closing
- › Hand adjustment to perfect the fit in the alcove
- › Fits on showers with a wall height of at least 56.75in
- › Slim header and thin edges accentuate the minimalist look
- › Safety features: top and bottom integrated bumper to prevent slamming

INCOGNITO 56-59 X 56 3/4 IN. 8 MM - 139354

SKU	Color	Door Opening	Dimensions & Weight	Packaging	MSRP
139354-900-084-000	Clear / Chrome	Reversible	56" - 59" x 56 3/4" / 120 lb / 54 kg	3 ft ³	\$ 945
139354-900-305-000	Clear / Brushed Nickel				\$ 1008
139354-900-340-000	Clear / Matte Black				\$ 1008

STANDARD



TUB DOORS - BYPASS

Code	Description	H	W	L Adjustable	Door Opening	P	Wall adjustment
139349	Incognito 6mm 70 1/2" x 44 - 47"	70 1/2"	68 3/8"	44" - 47"	17 1/8" - 21 1/8"	33 7/8"	1/2"
139350	Incognito 6mm 70 1/2" x 56 - 59"	70 1/2"	68 3/8"	56" - 59"	23 1/8" - 27 1/8"	33 7/8"	1/2"
139351	Incognito 6mm 56 3/4" x 56 - 59"	56 3/4"	54 5/8"	56" - 59"	23 1/8" - 27 1/8"	18 7/8"	1/2"
139352	Incognito 8mm 70 1/2" x 44 - 47"	70 1/2"	68 3/8"	44" - 47"	17 1/8" - 21 1/8"	33 7/8"	1/2"
139353	Incognito 8mm 70 1/2" x 56 - 59"	70 1/2"	68 3/8"	56" - 59"	23 1/8" - 27 1/8"	33 7/8"	1/2"
139354	Incognito 8mm 56 3/4" x 56 - 59"	56 3/4"	54 5/8"	56" - 59"	23 1/8" - 27 1/8"	18 7/8"	1/2"

All dimensions are approximate. Structure measurements must be verified against the unit to ensure proper fit.



Polar Tub Door

TUB DOORS - BYPASS



Material : Tempered Glass

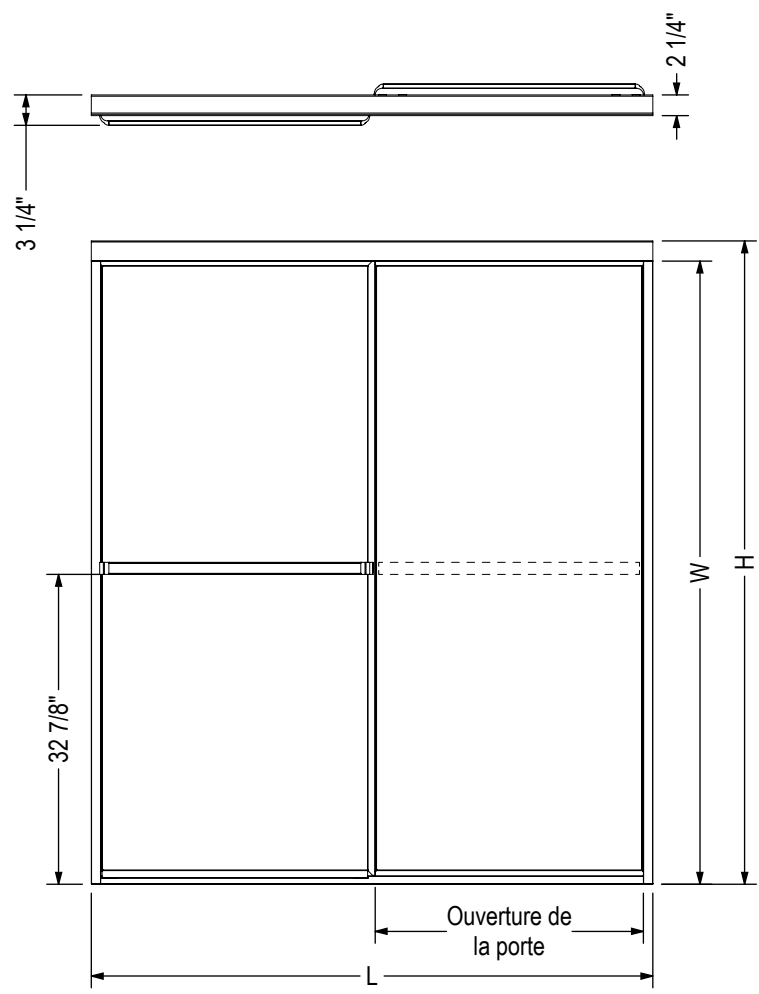
Features

- › Raindrop 4 mm tempered glass for more intimacy
- › Chrome frame for a clean simple look
- › Bathub and tub shower are sold separately, explore our wide variety of Bathub and tub shower
- › Bypass door configuration features two sliding panel
- › The EZ Klean bottom track drains water away and significantly reduces maintenance
- › Reversible, allowing for left or right opening to accommodate different bathroom layouts
- › Smooth Sliding Door Functionality enhances accessibility and convenience while elevating the aesthetics of your shower space.
- › Proudly made in Canada
- › Warranty: 10 years

POLAR 54-59 1/2 X 57 IN. - 105410

SKU	Color	Door Opening	Dimensions & Weight	Packaging	MSRP
105410-970-084-000	Raindrop / Chrome	Lateral	55" - 59 1/2" x 57" / 50 lb / 23 kg	3.28 ft ³	\$ 681

STANDARD



TUB DOORS - BYPASS

Code	Description	H	W	L Ajustable	Ouverture de la porte
105410	Polar 54" - 59 1/2" x 57"	57"	55"	54" - 59 1/2"	26" - 28 1/2"
105412	Polar 54" - 59 1/2" x 68"	68"	66"	54" - 59 1/2"	26" - 28 1/2"
105413	Polar 42" - 47 1/2" x 68"	68"	66"	42" - 47 1/2"	20" - 22 1/2"

Toutes ces dimensions sont approximatives. Afin d'assurer une installation parfaite, les dimensions de la structure doivent être vérifiées à partir de l'unité.

Revelation Round Tub Door - 6 mm



TUB DOORS - BYPASS



Material : Tempered Glass

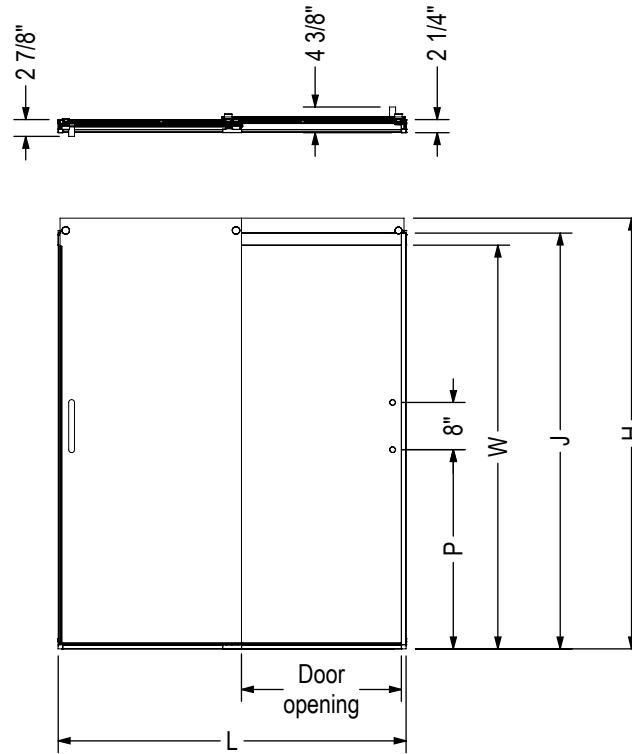
Features

- Made from high-quality 6 mm (1/4") thick glass, ensuring durability and safety.
- Reversible, allowing installation for left or right openings to accommodate different bathroom layouts.
- Easy installation process saves time and hassle.
- The door provides a watertight seal, ensuring no leaks or spills occur during use.

REVELATION ROUND 56-59 X 56 3/4-59 1/4 IN 6MM - 136692

SKU	Color	Door Opening	Dimensions & Weight	Packaging	MSRP
136692-900-084-000	Clear / Chrome	Reversible	56" - 59" x 59 1/4" / 82 lb / 37 kg	3.64 ft ³	\$ 896
136692-900-305-000	Clear / Brushed Nickel				\$ 957
136692-900-340-000	Clear / Matte Black				\$ 990

STANDARD



Code	Description	H	J	W	L Adjustable	Door Opening	P	Wall adjustment
139690	Revelation 6mm 70 1/2"-73" x 43 - 47"	73"	70 1/2"	68 3/8"	43" - 47"	16" - 20"	33 7/8"	1/2"
139691	Revelation 6mm 70 1/2"-73" x 55 - 59"	73"	70 1/2"	68 3/8"	55" - 59"	22" - 26"	33 7/8"	1/2"
139692	Revelation 6mm 56 3/4"-59 1/4" x 55 - 59"	59 1/4"	56 3/4"	54 5/8"	55" - 59"	22" - 26"	18 7/8"	1/2"
139693	Revelation 8mm 70 1/2"-73" x 43 - 47"	73"	70 1/2"	68 3/8"	43" - 47"	16" - 20"	33 7/8"	1/2"
139694	Revelation 8mm 70 1/2"-73" x 55 - 59"	73"	70 1/2"	68 3/8"	55" - 59"	22" - 26"	33 7/8"	1/2"
139695	Revelation 8mm 56 3/4"-59 1/4" x 55 - 59"	59 1/4"	56 3/4"	54 5/8"	55" - 59"	22" - 26"	18 7/8"	1/2"

All dimensions are approximate. Structure measurements must be verified against the unit to ensure proper fit.

Revelation Round Tub Door - 8 mm



TUB DOORS - BYPASS



Material : Tempered Glass

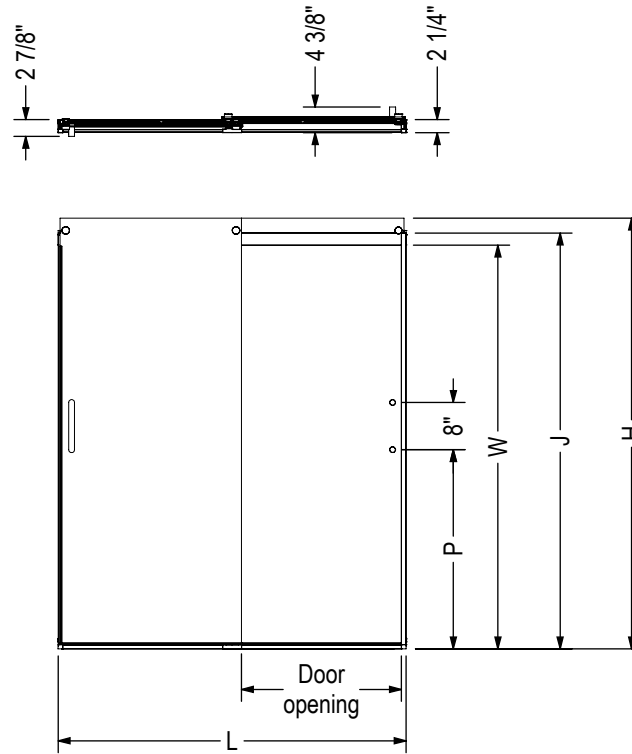
Features

- › Components that connect seamlessly for an effortless assembly
- › Exposed double set of wheels
- › Exposed double set of wheels
- › Handle outside / Big knob inside
- › Expandable Sill; No cutting required to adjust
- › Anti-jump features hidden in the frame
- › Detachable door guide to distance the glass for an easier cleaning

REVELATION ROUND 56-59 X 56 3/4-59 1/4 - 8 MM - 136695

SKU	Color	Door Opening	Dimensions & Weight	Packaging	MSRP
136695-900-084-000	Clear / Chrome	Reversible	56" - 59" x 59 1/4" / 120 lb / 54 kg	3 ft ³	\$ 996
136695-900-305-000	Clear / Brushed Nickel				\$ 1059
136695-900-340-000	Clear / Matte Black				\$ 1089

STANDARD



Code	Description	H	J	W	L Adjustable	Door Opening	P	Wall adjustment
139690	Revelation 6mm 70 1/2"-73" x 43 - 47"	73"	70 1/2"	68 3/8"	43" - 47"	16" - 20"	33 7/8"	1/2"
139691	Revelation 6mm 70 1/2"-73" x 55 - 59"	73"	70 1/2"	68 3/8"	55" - 59"	22" - 26"	33 7/8"	1/2"
139692	Revelation 6mm 56 3/4"-59 1/4" x 55 - 59"	59 1/4"	56 3/4"	54 5/8"	55" - 59"	22" - 26"	18 7/8"	1/2"
139693	Revelation 8mm 70 1/2"-73" x 43 - 47"	73"	70 1/2"	68 3/8"	43" - 47"	16" - 20"	33 7/8"	1/2"
139694	Revelation 8mm 70 1/2"-73" x 55 - 59"	73"	70 1/2"	68 3/8"	55" - 59"	22" - 26"	33 7/8"	1/2"
139695	Revelation 8mm 56 3/4"-59 1/4" x 55 - 59"	59 1/4"	56 3/4"	54 5/8"	55" - 59"	22" - 26"	18 7/8"	1/2"

All dimensions are approximate. Structure measurements must be verified against the unit to ensure proper fit.



Uptown Bypass Tub Door

TUB DOORS - BYPASS



Material : Tempered Glass

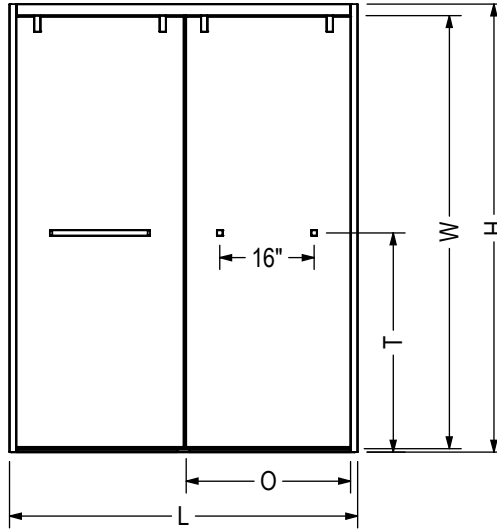
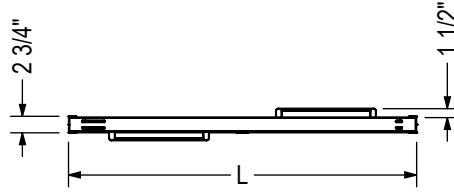
Features

- › 8 mm (5/16") tempered glass
- › Configuration consists of Bi-directional glass panels for flexible entry and easy access to fixtures on the left or right-hand side
- › Available in 4 Stylish Finishes
- › DIY Product for an easy installation
- › Fits on showers, walls and tile
- › Innovative Soft Close by MAAX technology prevents slamming
- › Glass panels come with the Lotus Easy Clean Glass Protection to repel soap and water stains for carefree maintenance
- › Reversible panel for easy corner installation on the left or on the right
- › Available in 4 Stylish Finishes

UPTOWN 56-59 X 58 IN. 8 MM - 135320

SKU	Color	Door Opening	Dimensions & Weight	Packaging	MSRP
135320-900-084-000	Clear / Chrome	Reversible	56" - 59" x 58" / 106 lb / 48 kg	4.732 ft ³	\$ 1348
135320-900-305-000	Clear / Brushed Nickel				\$ 1417
135320-900-340-000	Clear / Matte Black				\$ 1449

STANDARD



Code	Description	H	L	O	T	W
135320	Uptown Bypass Tub door 58" x 56" - 59"	58"	56" - 59"	24 7/8" - 27 7/8"	28 1/4"	55 1/2"
135321	Uptown Bypass door 76" x 44" - 47"	76"	44" - 47"	18 7/8" - 21 7/8"	37 1/8"	73 1/2"
135322	Uptown Bypass door 76" x 56" - 59"	76"	56" - 59"	24 7/8" - 27 7/8"	37 1/8"	73 1/2"

Wall adjustment = 3/8"

All dimensions are approximate. Structure measurements must be verified against the unit to ensure proper fit.

Aura 6 mm Tub Doors



TUB DOORS - BYPASS



Material : Tempered Glass

Features

- › Silent guide eliminates the rattling noise
- › High quality rollers for smooth glide
- › Safety features: header lock and panel anti-jump
- › Multiple glass options: clear, semi-private and private with frame color choice
- › Rounded towel bar for a clean and versatile look
- › Reversible header: one side round and one side flat

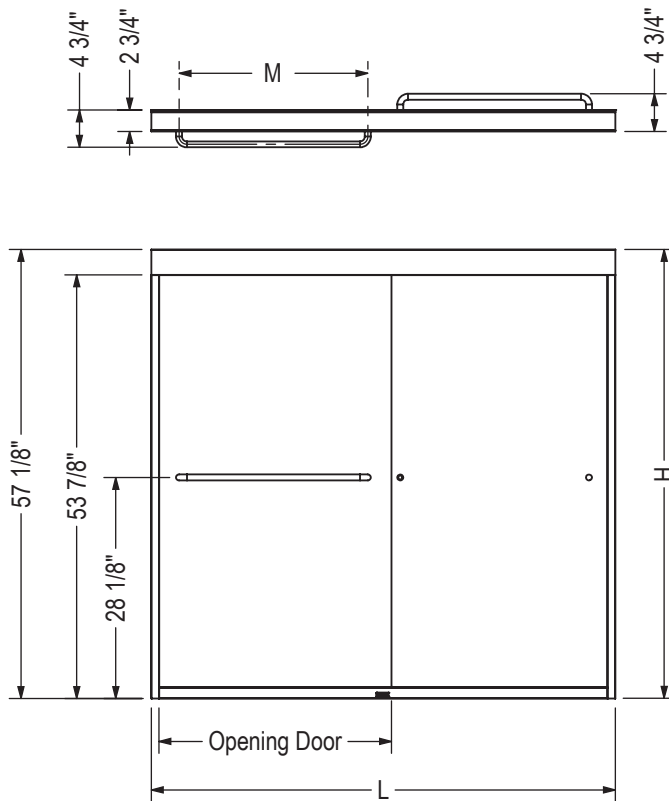
AURA 51-55 X 57 - 6MM - 135660

SKU	Color	Door Opening	Dimensions & Weight	Packaging	MSRP
135660-900-084-000	Clear / Chrome	Reversible	51" - 55" x 57" / 98 lb / 44 kg	4.6 ft ³	\$ 837

ACCESSORIES

SKU	Description	MSRP
10068402-092-600	Watertight kit for Mirolin tub shower and shower	\$ 97
10068410-005-601	Soft Close by MAAX for Kameleon/Aura doors only	\$ 186

STANDARD



Description	Opening Door Adjustable	M	L Adjustable	H
Tub Door 51"-55" x 57", 6mm	21 1/2" - 25 1/2"	24"	51" - 55"	57"
Tub Door 55"-59" x 57", 6mm	23 1/2" - 27 1/2"	24"	55" - 59"	57"

All dimensions are approximate. Structure measurements must be verified against the unit to ensure proper fit.

Aura 6 mm Tub Doors



TUB DOORS - BYPASS



Material : Tempered Glass

Features

- › Tub Door for Alcove Installation
- › Bi-directional glass panels for flexible entry and easy access on the left or right-hand side
- › Silent guide glides smoothly and quietly, ensuring a seamless shower experience
- › 6 mm (1/4") clear tempered glass ensuring sturdiness and stability
- › The minimalist design maximizes the opening space, allowing easy entry and exit into the shower space
- › Safety features that keep the glass panel in place: header lock and panel anti-jump
- › Reversible header: one side round and one side flat, so you can decide which style suits you
- › The horizontal handle can double as a stylish towel bar
- › Despite its premium features, the shower door is offered at an affordable price point.

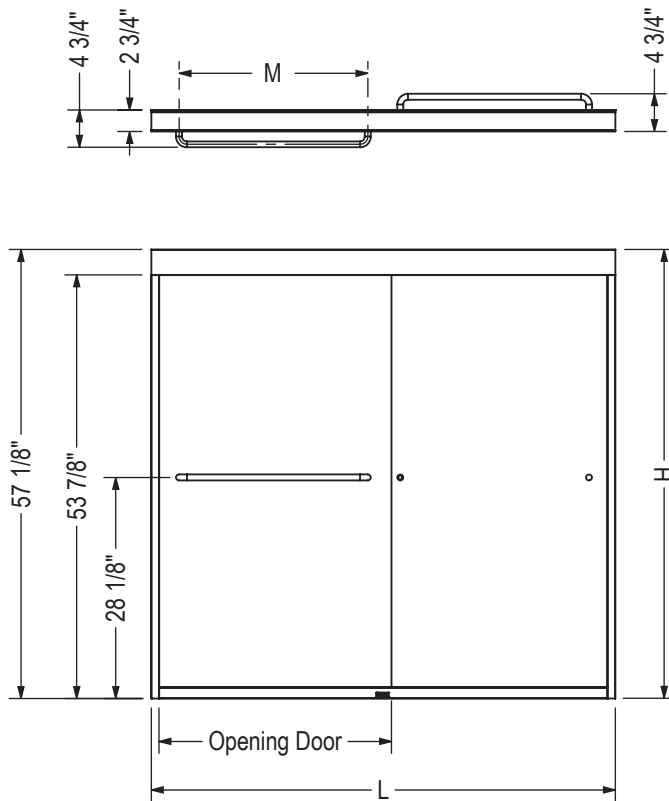
AURA 55-59 X 57 - 6MM - 135661

SKU	Color	Door Opening	Dimensions & Weight	Packaging	MSRP
135661-900-084-000	Clear / Chrome	Reversible	55" - 59" x 57" / 95 lb / 43 kg	5.21 ft ³	\$ 873
135661-900-172-000	Clear / Dark Bronze				\$ 934
135661-900-305-000	Clear / Brushed Nickel				\$ 917
135661-978-084-000	Frosted / Chrome		55" - 59" x 57" / 75 lb / 34 kg		\$ 1032
135661-978-172-000	Frosted / Dark Bronze				\$ 1102
135661-978-305-000	Frosted / Brushed Nickel				\$ 1082

ACCESSORIES

SKU	Description	MSRP
10068402-092-600	Watertight kit for Mirolin tub shower and shower	\$ 97
10068410-005-601	Soft Close by MAAX for Kameleon/Aura doors only	\$ 186

STANDARD



Description	Opening Door Adjustable	M	L Adjustable	H
Tub Door 51"-55" x 57", 6mm	21 1/2" - 25 1/2"	24"	51" - 55"	57"
Tub Door 55"-59" x 57", 6mm	23 1/2" - 27 1/2"	24"	55" - 59"	57"

All dimensions are approximate. Structure measurements must be verified against the unit to ensure proper fit.

Aura 8 mm Tub Doors



TUB DOORS - BYPASS



Material : Tempered Glass

Features

- › Tub Door for Alcove Installation
- › Bi-directional glass panels for flexible entry and easy access to fixtures on the left or right-hand side
- › Silent guide glides smoothly and quietly, ensuring a seamless shower experience
- › 6mm (1/4") clear tempered glass ensuring sturdiness and stability
- › The minimalist design maximizes the opening space, allowing easy entry and exit into the shower space
- › Safety features: header lock and panel anti-jump
- › Reversible header: one side round and one side flat
- › The horizontal handle can double as a stylish Towel bar
- › Despite its premium features, the shower door is offered at an affordable price point.

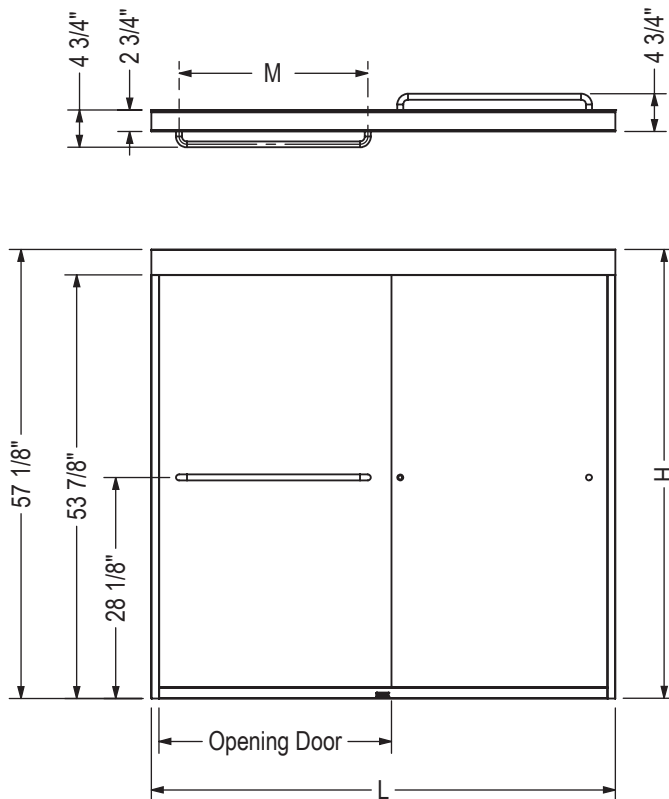
AURA 55-59 X 57 - 8MM - 135673

SKU	Color	Door Opening	Dimensions & Weight	Packaging	MSRP
135673-900-084-000	Clear / Chrome	Reversible	55" - 59" x 57" / 100 lb / 45 kg	5.21 ft ³	\$ 1015
135673-900-172-000	Clear / Dark Bronze				\$ 1083
135673-900-305-000	Clear / Brushed Nickel				\$ 1066
135673-900-340-000	Clear / Matte Black				\$ 1083

ACCESSORIES

SKU	Description	MSRP
10068402-092-600	Watertight kit for Mirolin tub shower and shower	\$ 97
10068410-005-601	Soft Close by MAAX for Kameleon/Aura doors only	\$ 186

STANDARD



Description	Opening Door Adjustable	M	L Adjustable	H
Tub Door 55"-59" x 57", 8mm	23 1/2" - 27 1/2"	24"	55" - 59"	57"

All dimensions are approximate. Structure measurements must be verified against the unit to ensure proper fit.



Halo Tub Door

TUB DOORS - SLIDING



Material : Tempered Glass

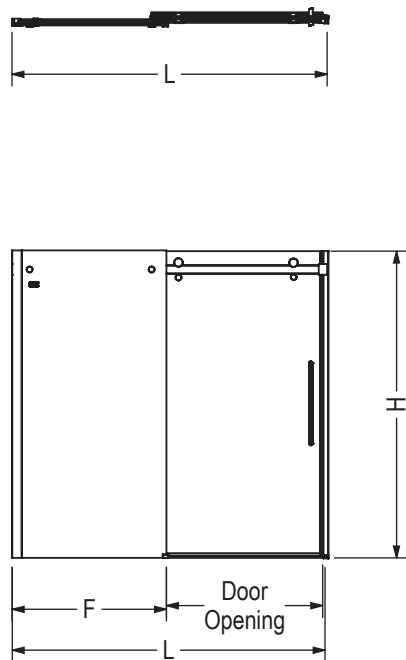
Features

- › 8 mm tempered glass panels
- › Available in 4 finishes: Chrome, Brushed Nickel, Dark Bronze, Matte Black
- › Compatible with MAAX's Utile tub wall system, allowing for a seamless and coordinated installation with the shower door, creating a cohesive and stylish bathroom design
- › Sliding door configuration features one sliding glass panel and one stationary panel
- › Ball bearing roller technology along a friction-free stainless steel rail system for a smooth and quiet opening
- › The frameless design brings a sense of spaciousness to the room and creates a sleek, minimalist look.
- › Glass panels come with the Lotus Easy Clean Glass Protection to repel soap and water stains for carefree maintenance
- › Compatible with MAAX's Utile tub wall system, allowing for a seamless and coordinated installation with the shower door, creating a cohesive and stylish bathroom design
- › Warranty: 10 years

HALO 56 1/2-59 X 59 - 8MM - 139398

SKU	Color	Door Opening	Dimensions & Weight	Packaging	MSRP
139398-900-084-000	Clear / Chrome	Lateral	56 1/2" - 59" x 59" / 131 lb / 59 kg	7.7 ft ³	\$ 1234
139398-900-173-000	Clear / Dark Bronze	Reversible	56 1/2" - 59" x 59" / 108 lb / 49 kg		\$ 1329
139398-900-305-000	Clear / Brushed Nickel				\$ 1297
139398-900-340-000	Clear / Matte Black	Lateral	56 1/2" - 59" x 59" / 118 lb / 54 kg		\$ 1329

STANDARD



Code	Description	H	L Adjustable	F	Door Opening	Wall Adjustment
139398	Halo TUBDOOR 59" x 59"	59"	56 1/2" - 59"	28 5/8"	24 1/2"	1"

All dimensions are approximate. Structure measurements must be verified against the unit to ensure proper fit.



Luminescence Tub Door

TUB DOORS - SLIDING



Material : Tempered Glass

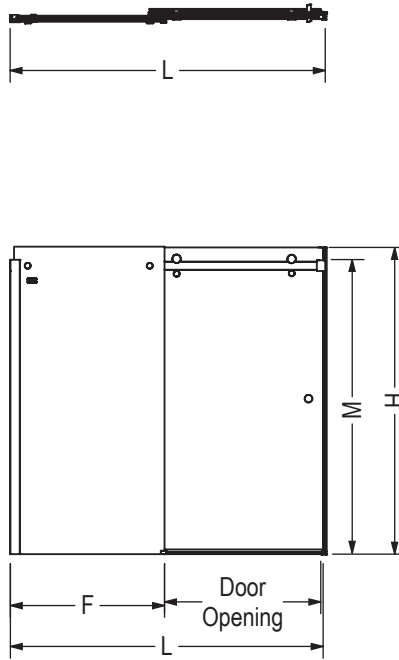
Features

- › Fits showers with 55 1/2 -inch wall clearance, glass extends to 57 1/2 -inch
- › Ball bearing roller system, for a quiet and gentle close
- › Door is reversible, provides a right or left opening for ease of installation

LUMINESCENCE SLIDINGDOOR 56 1/2-59 X 55 1/2-57 1/2 - 6MM - 138994

SKU	Color	Door Opening	Dimensions & Weight	Packaging	MSRP
138994-900-084-000	Clear / Chrome	Reversible	56 1/2" - 59" x 55 1/2" / 86 lb / 39 kg	4.02 ft ³	\$ 1000
138994-900-305-000	Clear / Brushed Nickel				\$ 1066

STANDARD



Code	Description	H	M	L Adjustable	F	Door Opening	Wall Adjustment
138994	Luminescence 56 1/2"-59" x 55 1/2"	57 1/2"	55 1/2"	56 1/2" - 59"	28 5/8"	24 1/2"	1"

All dimensions are approximate. Structure measurements must be verified against the unit to ensure proper fit.



Connect Tub Doors

TUB DOORS - SLIDING



Material : Tempered Glass

Features

- › Model Size: in - 39.09in W X 72in H
- › Configuration consists of a Stationary Panel and Sliding Door
- › Frame and hardware finish: Matte Black
- › A 1/2 inch vertical profile to fill an additional gap, sold separately
- › Requires no cutting the door frame expands to adjust to the walls
- › Glass panels come with the Lotus Easy Clean Glass Protection to repel soap and water stains for carefree maintenance
- › Solid expandable frame that provides 1.5 in. adjustment with ClickConnect corner joint
- › Fast, no-cut installation
- › Reversible door for easy left -or right- opening installation

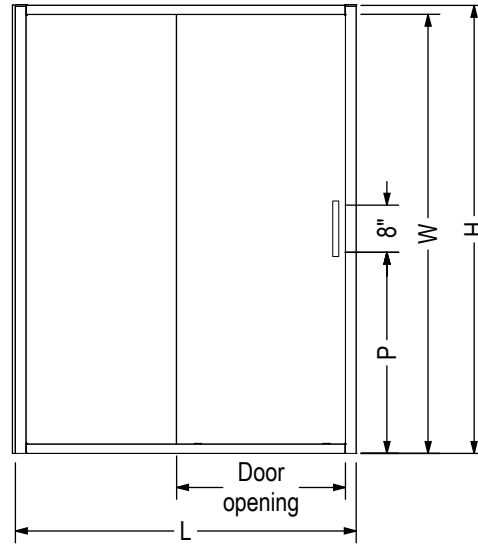
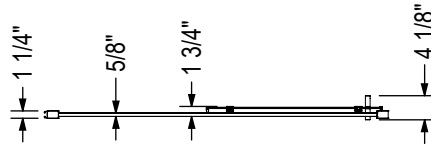
CONNECT 55 1/2-57 X 57 - 6MM - 135245

SKU	Color	Door Opening	Dimensions & Weight	Packaging	MSRP
135245-900-084-000	Clear / Chrome	Reversible	55 1/2" - 57" x 57" / 86 lb / 39 kg	13.8 ft ³	\$ 998
135245-900-340-000	Clear / Matte Black				\$ 1099

CONNECT 57-58 1/2 X 57 - 6MM - 135246

SKU	Color	Door Opening	Dimensions & Weight	Packaging	MSRP
135246-900-084-000	Clear / Chrome	Reversible	57" - 58 1/2" x 57" / 89 lb / 40 kg	13.8 ft ³	\$ 998
135246-900-340-000	Clear / Matte Black				\$ 1099

STANDARD



Code	Description	H	W	L Adjustable	Door opening	P
135241	Connect 72" x 43 1/2" - 45"	72"	70 3/8"	43 1/2" - 45"	17 13/16" - 18 9/16"	32 1/8"
135242	Connect 72" x 45" - 46 1/2"	72"	70 3/8"	45" - 46 1/2"	18 9/16" - 19 5/16"	32 1/8"
135243	Connect 72" x 55 1/2" - 57"	72"	70 3/8"	55 1/2" - 57"	23 13/16" - 24 9/16"	32 1/8"
135244	Connect 72" x 57" - 58 1/2"	72"	70 3/8"	57" - 58 1/2"	24 9/16" - 25 5/16"	32 1/8"
135245	Connect tub door 57" x 55 1/2" - 57"	57"	55 7/16"	55 1/2" - 57"	23 13/16" - 24 9/16"	24 5/8"
135246	Connect tub door 57" x 57" - 58 1/2"	57"	55 7/16"	57" - 58 1/2"	24 9/16" - 25 5/16"	24 5/8"

All dimensions are approximate. Structure measurements must be verified against the unit to ensure proper fit.



Outback Tub Door

TUB DOORS - SLIDING



Material : Tempered Glass

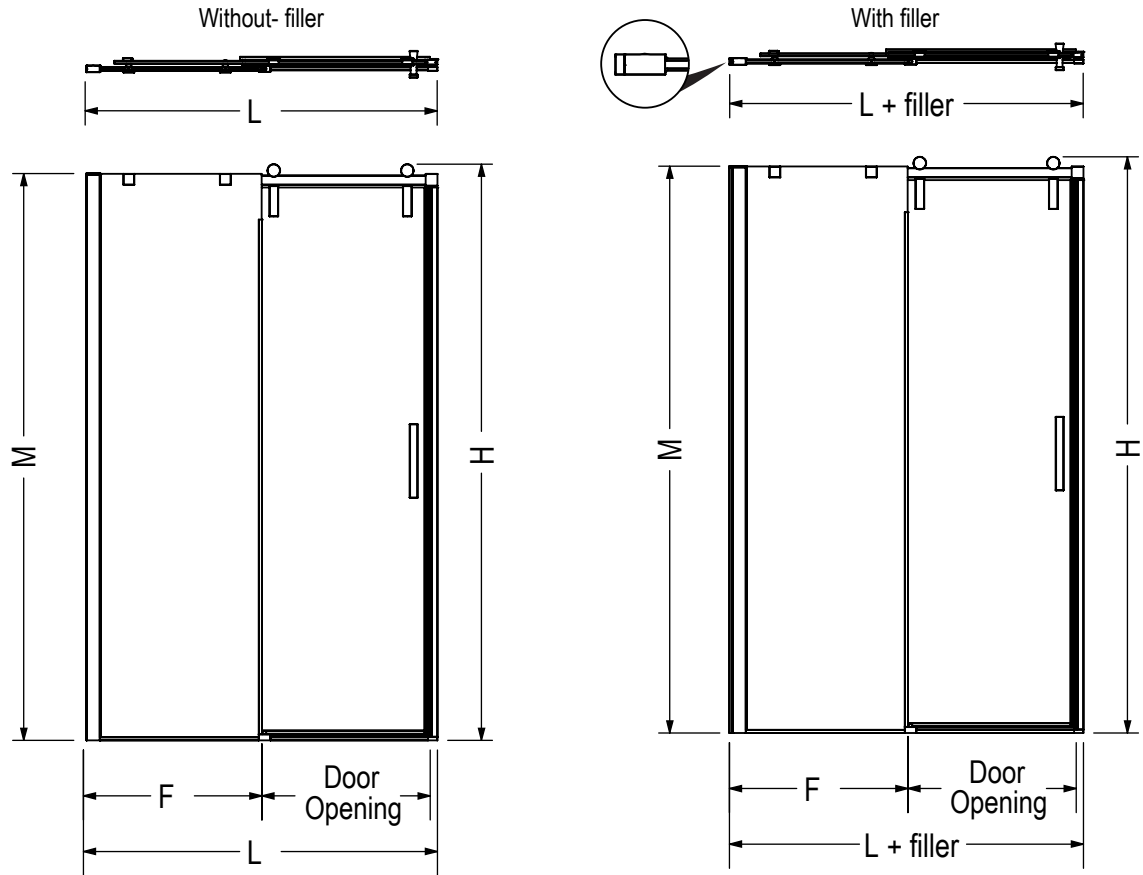
Features

- › Unique contemporary barn door look with a minimalist design
- › Slim stainless header
- › Three stylish finishes: Chrome, Brushed Nickel and Matte Black
- › Door offers 3.25in of adjustment to fit on tile and on shower units
- › 8 mm (5/16") tempered glass with Lotus easy clean protection
- › Reversible shower door for left or right opening

OUTBACK 55 1/4 - 58 1/2 X 57 - 8MM - 137682

SKU	Color	Door Opening	Dimensions & Weight	Packaging	MSRP
137682-900-084-000	Clear / Chrome	Reversible	55 1/4" - 58 1/2" x 57" / 106 lb / 48 kg	4.83 ft ³	\$ 1152
137682-900-305-000	Clear / Brushed Nickel				\$ 1216
137682-900-340-000	Clear / Matte Black				\$ 1246

STANDARD



Code	Description	H	M	L Adjustable	L Adjustable + Wall filler	F	Door Opening	Wall adjustment	Walk thru
835680 / 137680	Outback 48	72"	70 1/2"	43 1/4" - 46 1/2"	43 5/8" - 46 7/8"	21 1/2"	16 1/8" - 19"	3/4"	68 3/4"
835681 / 137681	Outback 60	72"	70 1/2"	55 1/4" - 58 1/2"	55 5/8" - 58 7/8"	27 1/2"	22 1/8" - 25"	3/4"	68 3/4"
835682 / 137682	Outback Tub 60	58 3/16"	57"	55 1/4" - 58 1/2"	55 5/8" - 58 7/8"	27 1/2"	22 1/8" - 25"	3/4"	55 1/4"

To reach maximum alcove dimension (L), you need to add the filler to maintain a maximum door opening.
 To reach the minimum alcove dimension (L), you need to remove the wall jamb filler to maintain a maximum door opening.

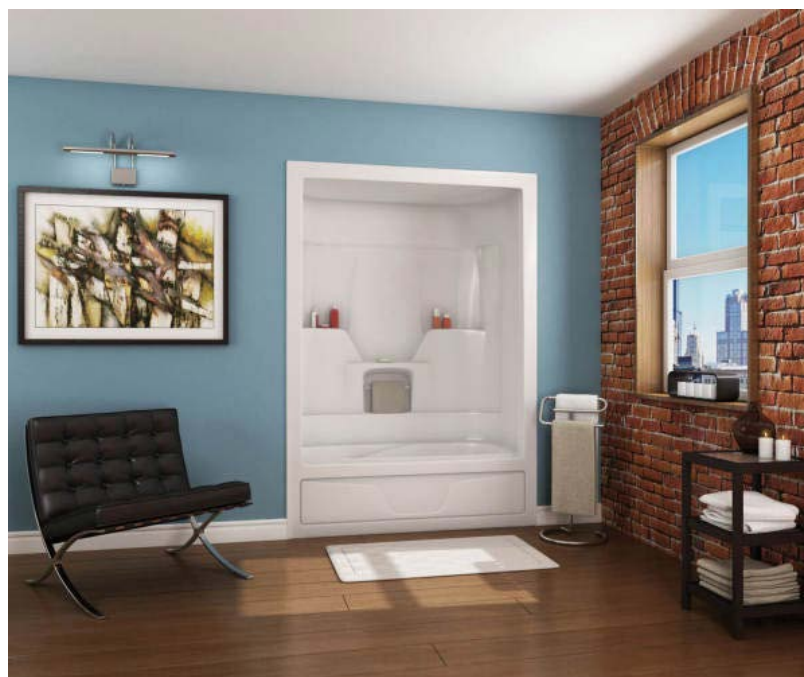
All dimensions are approximate. Structure measurements must be verified against the unit to ensure proper fit.

Tub Showers



Allia TS—with Incognito Matte Black Door

Aspen (1-piece)



Material : Acrylic
 Min: 27 Gal / 123 L
 Max: 33 Gal / 150 L

Features

- > 1 or 3-piece tub shower
- > Integrated shelves
- > Acrylic towel bar
- > Roof cap included
- > Textured bottom
- > Integrated apron with access panel when equipped with system

TUB SHOWERS - ACRYLIC

ASPEN - 101023

SKU	System	Color	Configuration	Dimensions & Weight	Packaging	MSRP
101023-000-001-001	Soaker - No System	White	Left	59 1/2" x 30 5/8" x 84 3/4" / 180 lb / 82 kg	95 ft ³	\$ 2658
101023-000-001-002			Right			\$ 2658
101023-091-001-001	10 Microjets ¹		Left			\$ 4353
101023-091-001-002			Right			\$ 4353
101023-108-001-001	Aerosens ^{1 2}		Left			\$ 5195
101023-108-001-002			Right			\$ 5195

ASPEN-3P (3-PIECE) - 101023S

SKU	System	Color	Configuration	Dimensions & Weight	Packaging	MSRP
101023-000-001-004	Soaker - No System	White	Left	59 1/2" x 30 3/4" x 85" / 190 lb / 86 kg	95 ft ³	\$ 3482
101023-000-001-005			Right			\$ 3482
101023-091-001-004	10 Microjets ¹		Left			\$ 5177
101023-091-001-005			Right			\$ 5177
101023-108-001-004	Aerosens ^{1 2}		Left			\$ 6019
101023-108-001-005			Right			\$ 6019

COMMON OPTIONS

SKU	Description	MSRP
OPT20029-105	Metal trim kit for air push control (factory installed)	\$ 74
OPT20029-084	Available colors: Chrome (084) and Brushed Nickel (105)	\$ 74
OPT20137-004		\$ 332
OPT20137-084	Cable-operated waste and overflow (16 in. to 22 in.) (included in product packaging when purchased)	\$ 332
OPT20137-105	Available colors: White (001), Bone (004), Chrome (084) and Brushed Nickel (105)	\$ 332
OPT20137-001		\$ 332
OPT10053	One chromatherapy light (factory installed) ⁵⁴	\$ 725
OPT10095	Water heater assembly for whirlpool and combined systems (factory installed)	\$ 950
OPT10250-105	Microjet trim kit (factory installed)	\$ 797
OPT10250-084	Available colours: Chrome (084) and Brushed Nickel (105)	\$ 797

ACCESSORIES

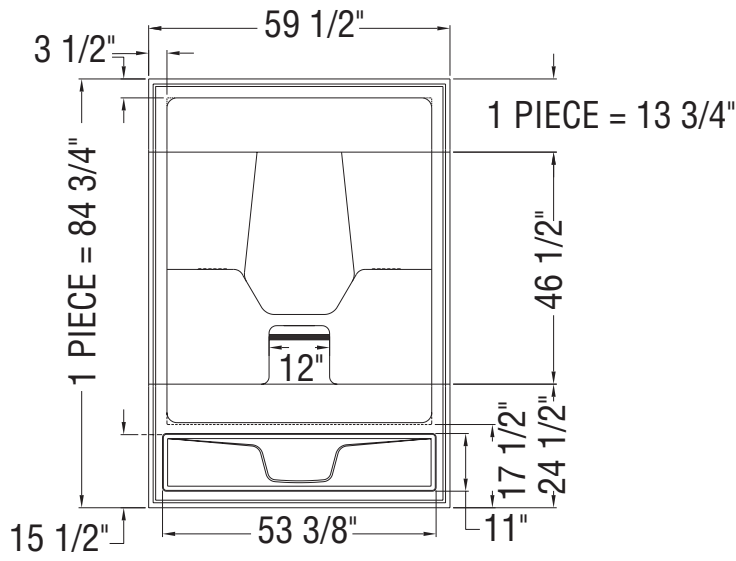
SKU	Description	MSRP
10006923	Flexible main hose (9 ft. extension) for air push control air massage - Kit (sold separately)	\$ 191
10012135-105	Waste and overflow (16 to 22 in.) (sold separately)	\$ 166
10012135-084	Available colours: Chrome (084) and Brushed Nickel (105)	\$ 124
10004306-001	White foam cushion with 2 suction pads (sold separately) Available color: White (001)	\$ 126
10022491-084		\$ 332
10022491-004	Cable-operated waste and overflow (16 in. to 22 in.) (sold separately)	\$ 332
10022491-105	Available colors: White (001), Bone (004), Chrome (084) and Brushed Nickel (105)	\$ 332
10022491-001		\$ 332

FOOTNOTES

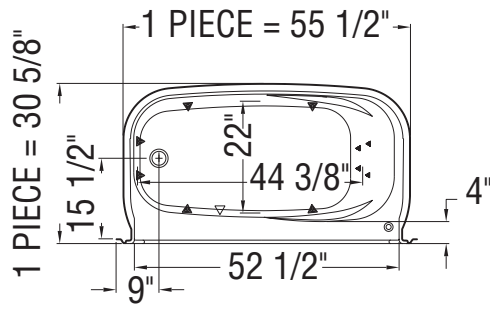
No	Description
1	Components for standard colour units equipped with systems are colour-coordinated. Trim kit and/or air push with metallic finish can be added (additional charge applies). For non-standard colour units, please specify trim kit and/or air push colour (additional charge applies for metallic finishes). Please note that the positioning of the system's control could be in conflict with the door if one was installed on the unit. To insure compatibility, please contact customer service.
2	Please order flexible main hose 10006923 for installation of the blower further than 3 ft from the bathtub. For the Tandem models and the Serenade models (freestanding and drop-in), the blower is always remote and not factory installed so a 9 ft flexible main hose is included. Please note that the positioning of the system's control could be in conflict with the door if one was installed on the unit. To insure compatibility, please contact customer service.
54	A selection of units come with an access panel by default when equipped with a system. However, if the unit is only equipped with chromatherapy, the access panel will not be provided by default.

RECOMMENDED DOORS

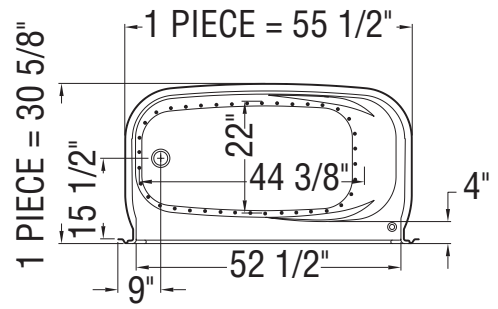
SKU	Product Name	Pag.
138522	Incognito 57 51-54 x 56 3/4 in. 8mm	550
135660	Aura 51-55 x 57 - 6mm	562



MICRO-JETS SYSTEM



AIR SYSTEM



- (▲) : Indicates whirlpool and backjets positioning
- (△) : Indicates suction positioning
- (●) : Indicates airjets positioning

All dimensions are approximate. Structure measurements must be verified against the unit to ensure proper fit.

Camelia TS-6032 (1-piece)



TUB SHOWERS - ACRYLIC



Material : Acrylic
 Min: 32 Gal / 144 L
 Max: 41 Gal / 185 L

Features

- › Model Size: 60 L in. X 32 W in. X 79 H in.
- › Thermoformed cast Acrylic for improved durability
- › Smooth Walls for a modern and minimalist look
- › 1 Piece construction for reliable water containment
- › Compatible with a wide range of MAAX Products
- › Above-the-Floor Rough (AFR) : Yes
- › Made in North America
- › 25 years warranty

CAMELIA TS-6032 (1-PIECE) - 105915

SKU	System	Color	Configuration	Dimensions & Weight	Packaging	MSRP
105915-L-000-001	Soaker - No System	White	Left	60" x 32" x 79" / 155 lb / 70 kg	101 ft ³	\$ 2304
105915-R-000-001			Right			\$ 2304

CAMELIA TS-6032 (2-PIECE) - 105915S

SKU	System	Color	Configuration	Dimensions & Weight	Packaging	MSRP
105915-SL-000-001	Soaker - No System	White	Left	60" x 32 1/2" x 79" / 155 lb / 70 kg	101 ft ³	\$ 2704
105915-SR-000-001			Right			\$ 2704

COMMON OPTIONS

SKU	Description	MSRP
OPT20203-B-002	18 in. Modern straight grab bar ³⁰	\$ 269
OPT20203-B-105	OPT 20203-B-XXX Horizontal grab bar on back wall	\$ 269
OPT20203-B-084	Available colours: White (002), Chrome (084) and Brushed Nickel (105)	\$ 269
OPT20203-L-105	18 in. Modern straight grab bar ³⁰	\$ 269
OPT20203-L-002	OPT 20203-L-XXX Vertical grab bar on left wall	\$ 269
OPT20203-L-084	Available colours: White (002), Chrome (084) and Brushed Nickel (105)	\$ 269
OPT20203-R-084	18 in. Modern straight grab bar ³⁰ OPT 20203-R-XXX Vertical grab bar on right wall Available colours: White (002), Chrome (084) and Brushed Nickel (105)	\$ 269

COMMON OPTIONS

SKU	Description	MSRP
OPT20203-R-002	18 in. Modern straight grab bar ³⁰ OPT 20203-R-XXX Vertical grab bar on right wall	\$ 269
OPT20203-R-105	Available colours: White (002), Chrome (084) and Brushed Nickel (105)	\$ 269
OPT20204-B-002	24 in. Modern straight grab bar ³⁰	\$ 315
OPT20204-B-084	OPT 20204-B-XXX Horizontal grab bar on back wall	\$ 315
OPT20204-B-105	Available colours: White (002), Chrome (084) and Brushed Nickel (105)	\$ 315
OPT20204-L-084	24 in. Modern straight grab bar ³⁰	\$ 315
OPT20204-L-105	OPT 20204-L-XXX Vertical grab bar on left wall	\$ 315
OPT20204-L-002	Available colours: White (002), Chrome (084) and Brushed Nickel (105)	\$ 315
OPT20204-R-002	24 in. Modern straight grab bar ³⁰	\$ 315
OPT20204-R-084	OPT 20204-R-XXX Vertical grab bar on right wall	\$ 315
OPT20204-R-105	Available colours: White (002), Chrome (084) and Brushed Nickel (105)	\$ 315
OPT20212-B	Back Wall reinforcement for future grab installation ³³	\$ 100
OPT20212-L	Left Wall reinforcement for future grab installation ³³	\$ 100
OPT20212-R	Right Wall reinforcement for future grab installation ³³	\$ 100
OPT20216-B-002	30 in. Modern straight grab bar ³⁰	\$ 359
OPT20216-B-105	OPT 20216-B-XXX Horizontal grab bar on back wall	\$ 359
OPT20216-B-084	Available colours: White (002), Chrome (084) and Brushed Nickel (105)	\$ 359
OPT20216-L-002	30 in. Modern straight grab bar ³⁰	\$ 359
OPT20216-L-105	OPT 20216-L-XXX Vertical grab bar on left wall	\$ 359
OPT20216-L-084	Available colours: White (002), Chrome (084) and Brushed Nickel (105)	\$ 359
OPT20216-R-002	30 in. Modern straight grab bar ³⁰	\$ 359
OPT20216-R-105	OPT 20216-R-XXX Vertical grab bar on right wall	\$ 359
OPT20216-R-084	Available colours: White (002), Chrome (084) and Brushed Nickel (105)	\$ 359
OPT20219-L-084	Pivot grab bar (back wall) ³⁰³² OPT 20219-L-XXX Left-hand pivot grab bar on back wall Available colours: Chrome (084)	\$ 1867
OPT20219-R-084	Pivot grab bar (back wall) ³⁰³² OPT 20219-R-XXX Right-hand pivot grab bar on back wall Available colours: Chrome (084)	\$ 1867
OPT20400-L-084	Package A ³⁰ OPT 20400-L-XXX Vertical grab bar on left wall, horizontal grab bar on back wall	\$ 486
OPT20400-L-105	Package includes :	\$ 486
OPT20400-L-002	• 24 in. Vertical grab bar on side wall • 30 in. Horizontal grab bar on back wall Available colors: White (002), Chrome (084) and Brushed Nickel (105)	\$ 486
OPT20400-R-002	Package A ³⁰ OPT 20400-R-XXX Vertical grab bar on right wall, horizontal grab bar on back wall	\$ 486
OPT20400-R-084	Package includes :	\$ 486
OPT20400-R-105	• 24 in. Vertical grab bar on side wall • 30 in. Horizontal grab bar on back wall Available colors: White (002), Chrome (084) and Brushed Nickel (105)	\$ 486
OPT20401-L-084	Package B ^{30, 31} OPT 20401-L-XXX Vertical grab bar on left wall, left-hand curved grab bar on back wall Package includes : • 24 in. Vertical grab bar on side wall • 32 in. Horizontal grab bar on back wall Available colors: White (002), Chrome (084) and Brushed Nickel (105)	\$ 663

COMMON OPTIONS

SKU	Description	MSRP
OPT20401-L-105	Package B ^{30, 31} OPT 20401-L-XXX Vertical grab bar on left wall, left-hand curved grab bar on back wall	\$ 663
OPT20401-L-002	Package includes : • 24 in. Vertical grab bar on side wall • 32 in. Horizontal grab bar on back wall Available colors: White (002), Chrome (084) and Brushed Nickel (105)	\$ 663
OPT20401-R-084	Package B ^{30, 31} OPT 20401-R-XXX Vertical grab bar on right wall, right-hand curved grab bar on back wall	\$ 663
OPT20401-R-105	Package includes : • 24 in. Vertical grab bar on side wall	\$ 663
OPT20401-R-002	• 32 in. Horizontal grab bar on back wall Available colors: White (002), Chrome (084) and Brushed Nickel (105)	\$ 663
OPT20402-L-084	Package C ^{30, 32} OPT 20402-L-XXX 2 x Vertical grab bars on side walls, left-hand pivot grab bar on back wall Package includes : • 2 x 24 in. Vertical grab bar on side walls • Pivot grab bar on back wall Available colors: Chrome (084) and Brushed Nickel (105)	\$ 2216
OPT20402-R-084	Package C ^{30, 32} OPT 20402-R-XXX 2 x Vertical grab bars on side walls, right-hand pivot grab bar on back wall Package includes : • 2 x 24 in. Vertical grab bar on side walls • Pivot grab bar on back wall Available colors: Chrome (084) and Brushed Nickel (105)	\$ 2216
OPT20217-L-105	32 in. Curved grab bar (back wall) ³⁰³¹	\$ 536
OPT20217-L-002	OPT 20217-L-XXX Left-hand curved grab bar on back wall	\$ 536
OPT20217-L-084	Available colours: White (002), Chrome (084) and Brushed Nickel (105)	\$ 536
OPT20217-R-002	32 in. Curved grab bar (back wall) ³⁰³¹	\$ 536
OPT20217-R-105	OPT 20217-R-XXX Right-hand curved grab bar on back wall	\$ 536
OPT20217-R-084	Available colours: White (002), Chrome (084) and Brushed Nickel (105)	\$ 536
OPT10189	Three-wall reinforcement for future grab bar installation ³³	\$ 290
OPT20056-106	60 in. curtain rod with installation kit Available color: Stainless Steel (106)	\$ 227
OPT20137-004		\$ 332
OPT20137-084	Cable-operated waste and overflow (16 in. to 22 in.) (included in product packaging when purchased)	\$ 332
OPT20137-105	Available colors: White (001), Bone (004), Chrome (084) and Brushed Nickel (105)	\$ 332
OPT20137-001		\$ 332
OPT20220-002		\$ 280
OPT20220-105	Shelf guard rails (factory installed) Available colours: White (002), Chrome (084), Brushed Nickel (105)	\$ 280
OPT20220-084		\$ 280

ACCESSORIES

SKU	Description	MSRP
10004306-001	White foam cushion with 2 suction pads (sold separately) Available color: White (001)	\$ 126
10029998-084		\$ 403
10029998-002	30 in. modern straight grab bar with flange (front installation) Specify colour: White (002), Chrome (084), Brushed Nickel (105)	\$ 403
10029998-105		\$ 403
10030095-002	32 in. curved left-hand grab bar with flange (front installation) Specify colour: White (002), Chrome (084), Brushed Nickel (105)	\$ 581

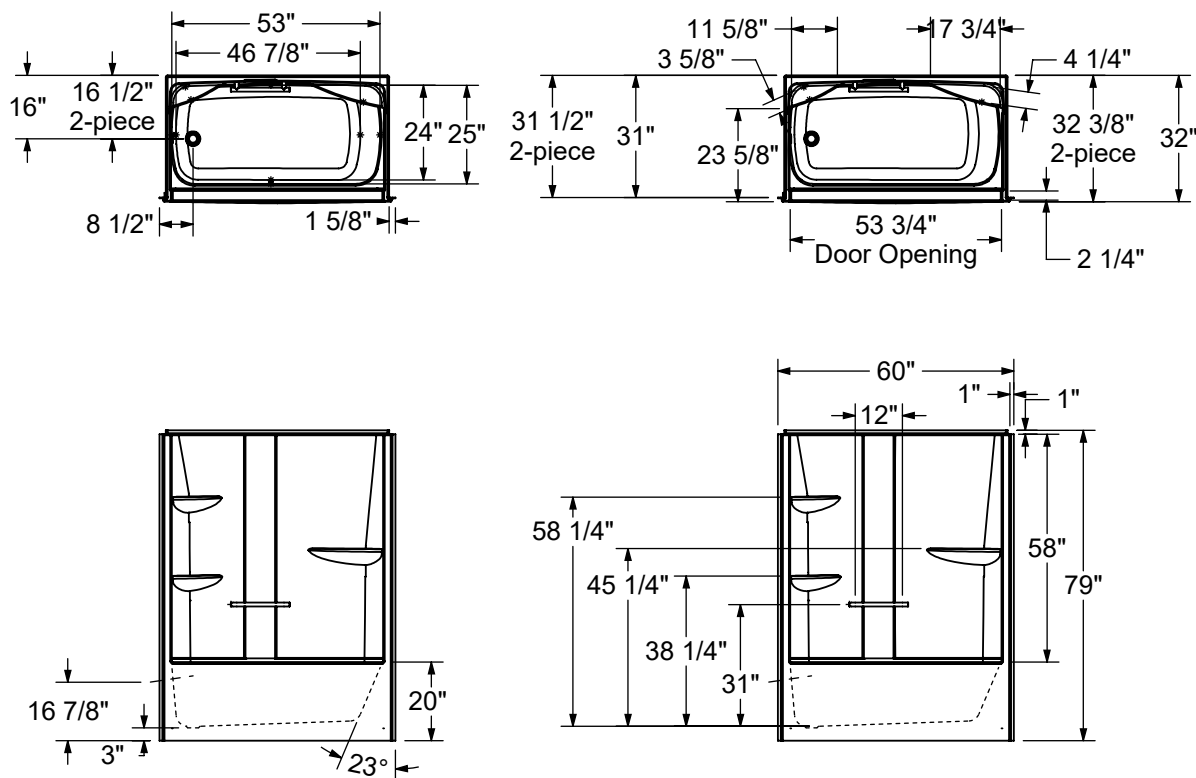
ACCESSORIES

SKU	Description	MSRP
10030095-084	32 in. curved left-hand grab bar with flange (front installation)	\$ 581
10030095-105	Specify colour: White (002), Chrome (084), Brushed Nickel (105)	\$ 581
10030097-084		\$ 581
10030097-002	32 in. curved right-hand grab bar with flange (front installation)	\$ 581
10030097-105	Specify colour: White (002), Chrome (084), Brushed Nickel (105)	\$ 581
10022491-084		\$ 332
10022491-004	Cable-operated waste and overflow (16 in. to 22 in.) (sold separately)	\$ 332
10022491-105	Available colors: White (001), Bone (004), Chrome (084) and Brushed Nickel (105)	\$ 332
10022491-001		\$ 332
10028765-105		\$ 315
10028765-084	24 in. modern straight grab bar ³⁶	\$ 315
10028765-002	Specify color: White (002), Chrome (084), Brushed Nickel (105)	\$ 315
10029248-105		\$ 359
10029248-002	30 in. Modern straight grab bar ³⁶	\$ 359
10029248-084	Specify color: White (002), Chrome (084), Brushed Nickel (105)	\$ 359
10029253-002		\$ 536
10029253-084	32 in. Left hand curved grab bar ³⁶	\$ 536
10029253-105	Left refers to the upper section of the curved bar Specify color: White (002), Chrome (084), Brushed Nickel (105)	\$ 536
10029254-084		\$ 536
10029254-002	32 in. Right hand curved grab bar ³⁶	\$ 536
10029254-105	Right refers to the upper section of the curved bar Specify color: White (002), Chrome (084), Brushed Nickel (105)	\$ 536
10029996-084		\$ 315
10029996-002	18 in. modern straight grab bar with flange (front installation)	\$ 315
10029996-105	Specify colour: White (002), Chrome (084), Brushed Nickel (105)	\$ 315
10029997-002		\$ 359
10029997-105	24 in. modern straight grab bar with flange (front installation)	\$ 359
10029997-084	Specify color: White (002), Chrome (084), Brushed Nickel (105)	\$ 359

FOOTNOTES

No	Description
30	Please see technical drawings on https://www.maax.com for grab bar and/or seat positioning.
31	Right (R)/Left (L) refers to the upper section of the ergonomic grab bar.
32	Right/Left refers to the pivot direction of the bar (from closed to open position).
33	Please see technical drawings on https://www.maax.com for reinforcement positioning and size.
36	
36	Rear access grab bar installation. Must be secured onto unit prior to alcove unit insert.
36	

STANDARD
(Left shown, Right symmetrical)
1-PIECE MODEL SHOWN



All dimensions are approximate. Structure measurements must be verified against the unit to ensure proper fit.



Camelia TSR-6032 (1-piece)



Material : Acrylic
 Min: 32 Gal / 144 L
 Max: 41 Gal / 185 L

Features

- › Model Size: 60 L in. X 32 W in. X 88 H in.
- › Thermoformed cast Acrylic for improved durability
- › Smooth Walls for a modern and minimalist look
- › 1 Piece construction for reliable water containment
- › Compatible with a wide range of MAAX Products
- › Above-the-Floor Rough (AFR) : Yes
- › Made in North America
- › 25 years warranty

TUB SHOWERS - ACRYLIC

CAMELIA TSR-6032 (1-PIECE) - 105916

SKU	System	Color	Configuration	Dimensions & Weight	Packaging	MSRP
105916-L-000-001	Soaker - No System	White	Left	60" x 32" x 88" / 173 lb / 78 kg	111 ft ³	\$ 2642
105916-R-000-001			Right			\$ 2642

CAMELIA TSR-6032 (3-PIECE) - 105916S

SKU	System	Color	Configuration	Dimensions & Weight	Packaging	MSRP
105916-SL-000-001	Soaker - No System	White	Left	60" x 32 1/2" x 88" / 173 lb / 78 kg	111 ft ³	\$ 2850
105916-SR-000-001						\$ 2850

COMMON OPTIONS

SKU	Description	MSRP
OPT20203-B-002	18 in. Modern straight grab bar ³⁰	\$ 269
OPT20203-B-105	OPT 20203-B-XXX Horizontal grab bar on back wall	\$ 269
OPT20203-B-084	Available colours: White (002), Chrome (084) and Brushed Nickel (105)	\$ 269
OPT20203-L-105	18 in. Modern straight grab bar ³⁰	\$ 269
OPT20203-L-002	OPT 20203-L-XXX Vertical grab bar on left wall	\$ 269
OPT20203-L-084	Available colours: White (002), Chrome (084) and Brushed Nickel (105)	\$ 269
OPT20203-R-084	18 in. Modern straight grab bar ³⁰ OPT 20203-R-XXX Vertical grab bar on right wall Available colours: White (002), Chrome (084) and Brushed Nickel (105)	\$ 269

COMMON OPTIONS

SKU	Description	MSRP
OPT20203-R-002	18 in. Modern straight grab bar ³⁰ OPT 20203-R-XXX Vertical grab bar on right wall	\$ 269
OPT20203-R-105	Available colours: White (002), Chrome (084) and Brushed Nickel (105)	\$ 269
OPT20204-B-002	24 in. Modern straight grab bar ³⁰	\$ 315
OPT20204-B-084	OPT 20204-B-XXX Horizontal grab bar on back wall	\$ 315
OPT20204-B-105	Available colours: White (002), Chrome (084) and Brushed Nickel (105)	\$ 315
OPT20204-L-084	24 in. Modern straight grab bar ³⁰	\$ 315
OPT20204-L-105	OPT 20204-L-XXX Vertical grab bar on left wall	\$ 315
OPT20204-L-002	Available colours: White (002), Chrome (084) and Brushed Nickel (105)	\$ 315
OPT20204-R-002	24 in. Modern straight grab bar ³⁰	\$ 315
OPT20204-R-084	OPT 20204-R-XXX Vertical grab bar on right wall	\$ 315
OPT20204-R-105	Available colours: White (002), Chrome (084) and Brushed Nickel (105)	\$ 315
OPT20212-B	Back Wall reinforcement for future grab installation ³³	\$ 100
OPT20212-L	Left Wall reinforcement for future grab installation ³³	\$ 100
OPT20212-R	Right Wall reinforcement for future grab installation ³³	\$ 100
OPT20216-B-002	30 in. Modern straight grab bar ³⁰	\$ 359
OPT20216-B-105	OPT 20216-B-XXX Horizontal grab bar on back wall	\$ 359
OPT20216-B-084	Available colours: White (002), Chrome (084) and Brushed Nickel (105)	\$ 359
OPT20216-L-002	30 in. Modern straight grab bar ³⁰	\$ 359
OPT20216-L-105	OPT 20216-L-XXX Vertical grab bar on left wall	\$ 359
OPT20216-L-084	Available colours: White (002), Chrome (084) and Brushed Nickel (105)	\$ 359
OPT20216-R-002	30 in. Modern straight grab bar ³⁰	\$ 359
OPT20216-R-105	OPT 20216-R-XXX Vertical grab bar on right wall	\$ 359
OPT20216-R-084	Available colours: White (002), Chrome (084) and Brushed Nickel (105)	\$ 359
OPT20219-L-084	Pivot grab bar (back wall) ³⁰³² OPT 20219-L-XXX Left-hand pivot grab bar on back wall Available colours: Chrome (084)	\$ 1867
OPT20219-R-084	Pivot grab bar (back wall) ³⁰³² OPT 20219-R-XXX Right-hand pivot grab bar on back wall Available colours: Chrome (084)	\$ 1867
OPT20400-L-084	Package A ³⁰ OPT 20400-L-XXX Vertical grab bar on left wall, horizontal grab bar on back wall	\$ 486
OPT20400-L-105	Package includes :	\$ 486
OPT20400-L-002	• 24 in. Vertical grab bar on side wall • 30 in. Horizontal grab bar on back wall Available colors: White (002), Chrome (084) and Brushed Nickel (105)	\$ 486
OPT20400-R-002	Package A ³⁰ OPT 20400-R-XXX Vertical grab bar on right wall, horizontal grab bar on back wall	\$ 486
OPT20400-R-084	Package includes :	\$ 486
OPT20400-R-105	• 24 in. Vertical grab bar on side wall • 30 in. Horizontal grab bar on back wall Available colors: White (002), Chrome (084) and Brushed Nickel (105)	\$ 486
OPT20401-L-084	Package B ^{30, 31} OPT 20401-L-XXX Vertical grab bar on left wall, left-hand curved grab bar on back wall Package includes : • 24 in. Vertical grab bar on side wall • 32 in. Horizontal grab bar on back wall Available colors: White (002), Chrome (084) and Brushed Nickel (105)	\$ 663

COMMON OPTIONS

SKU	Description	MSRP
OPT20401-L-105	Package B ^{30, 31} OPT 20401-L-XXX Vertical grab bar on left wall, left-hand curved grab bar on back wall	\$ 663
OPT20401-L-002	Package includes : • 24 in. Vertical grab bar on side wall • 32 in. Horizontal grab bar on back wall Available colors: White (002), Chrome (084) and Brushed Nickel (105)	\$ 663
OPT20401-R-084	Package B ^{30, 31} OPT 20401-R-XXX Vertical grab bar on right wall, right-hand curved grab bar on back wall	\$ 663
OPT20401-R-105	Package includes : • 24 in. Vertical grab bar on side wall	\$ 663
OPT20401-R-002	• 32 in. Horizontal grab bar on back wall Available colors: White (002), Chrome (084) and Brushed Nickel (105)	\$ 663
OPT20402-L-084	Package C ^{30, 32} OPT 20402-L-XXX 2 x Vertical grab bars on side walls, left-hand pivot grab bar on back wall Package includes : • 2 x 24 in. Vertical grab bar on side walls • Pivot grab bar on back wall Available colors: Chrome (084) and Brushed Nickel (105)	\$ 2216
OPT20402-R-084	Package C ^{30, 32} OPT 20402-R-XXX 2 x Vertical grab bars on side walls, right-hand pivot grab bar on back wall Package includes : • 2 x 24 in. Vertical grab bar on side walls • Pivot grab bar on back wall Available colors: Chrome (084) and Brushed Nickel (105)	\$ 2216
OPT20217-L-105	32 in. Curved grab bar (back wall) ³⁰³¹	\$ 536
OPT20217-L-002	OPT 20217-L-XXX Left-hand curved grab bar on back wall	\$ 536
OPT20217-L-084	Available colours: White (002), Chrome (084) and Brushed Nickel (105)	\$ 536
OPT20217-R-002	32 in. Curved grab bar (back wall) ³⁰³¹	\$ 536
OPT20217-R-105	OPT 20217-R-XXX Right-hand curved grab bar on back wall	\$ 536
OPT20217-R-084	Available colours: White (002), Chrome (084) and Brushed Nickel (105)	\$ 536
OPT10189	Three-wall reinforcement for future grab bar installation ³³	\$ 290
OPT20056-106	60 in. curtain rod with installation kit Available color: Stainless Steel (106)	\$ 227
OPT20137-004		\$ 332
OPT20137-084	Cable-operated waste and overflow (16 in. to 22 in.) (included in product packaging when purchased)	\$ 332
OPT20137-105	Available colors: White (001), Bone (004), Chrome (084) and Brushed Nickel (105)	\$ 332
OPT20137-001		\$ 332
OPT20220-002		\$ 280
OPT20220-105	Shelf guard rails (factory installed) Available colours: White (002), Chrome (084), Brushed Nickel (105)	\$ 280
OPT20220-084		\$ 280

ACCESSORIES

SKU	Description	MSRP
10029997-002		\$ 359
10029997-105	24 in. modern straight grab bar with flange (front installation) Specify color: White (002), Chrome (084), Brushed Nickel (105)	\$ 359
10029997-084		\$ 359
10029998-084		\$ 403
10029998-002	30 in. modern straight grab bar with flange (front installation) Specify colour: White (002), Chrome (084), Brushed Nickel (105)	\$ 403
10029998-105		\$ 403

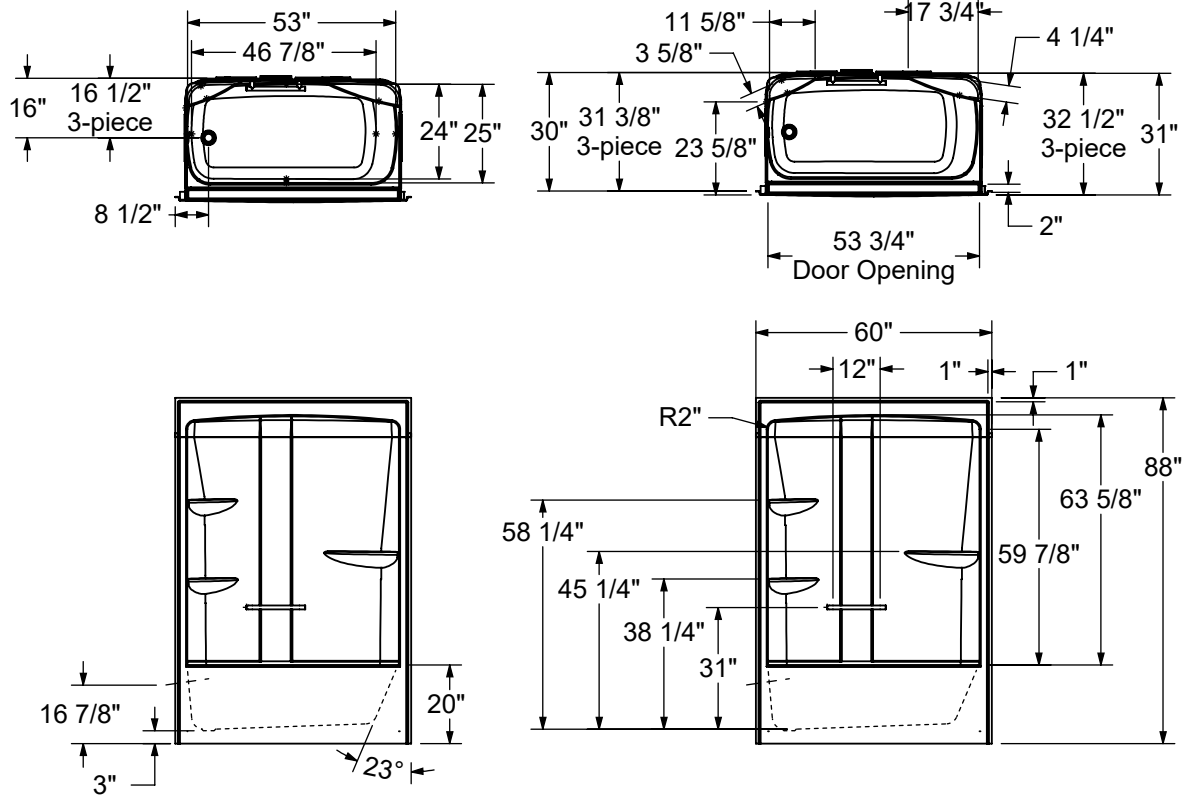
ACCESSORIES

SKU	Description	MSRP
10030095-002		\$ 581
10030095-084	32 in. curved left-hand grab bar with flange (front installation) Specify colour: White (002), Chrome (084), Brushed Nickel (105)	\$ 581
10030095-105		\$ 581
10030097-084		\$ 581
10030097-002	32 in. curved right-hand grab bar with flange (front installation) Specify colour: White (002), Chrome (084), Brushed Nickel (105)	\$ 581
10030097-105		\$ 581
10022491-084		\$ 332
10022491-004	Cable-operated waste and overflow (16 in. to 22 in.) (sold separately)	\$ 332
10022491-105	Available colors: White (001), Bone (004), Chrome (084) and Brushed Nickel (105)	\$ 332
10022491-001		\$ 332
10004306-001	White foam cushion with 2 suction pads (sold separately) Available color: White (001)	\$ 126
10028765-105		\$ 315
10028765-084	24 in. modern straight grab bar ³⁶ Specify color: White (002), Chrome (084), Brushed Nickel (105)	\$ 315
10028765-002		\$ 315
10029248-105		\$ 359
10029248-002	30 in. Modern straight grab bar ³⁶ Specify color: White (002), Chrome (084), Brushed Nickel (105)	\$ 359
10029248-084		\$ 359
10029253-002	32 in. Left hand curved grab bar ³⁶	\$ 536
10029253-084	Left refers to the upper section of the curved bar	\$ 536
10029253-105	Specify color: White (002), Chrome (084), Brushed Nickel (105)	\$ 536
10029254-084		\$ 536
10029254-002	32 in. Right hand curved grab bar ³⁶ Right refers to the upper section of the curved bar	\$ 536
10029254-105	Specify color: White (002), Chrome (084), Brushed Nickel (105)	\$ 536
10029996-084		\$ 315
10029996-002	18 in. modern straight grab bar with flange (front installation) Specify colour: White (002), Chrome (084), Brushed Nickel (105)	\$ 315
10029996-105		\$ 315

FOOTNOTES

No	Description
30	Please see technical drawings on https://www.maax.com for grab bar and/or seat positioning.
31	Right (R)/Left (L) refers to the upper section of the ergonomic grab bar.
32	Right/Left refers to the pivot direction of the bar (from closed to open position).
33	Please see technical drawings on https://www.maax.com for reinforcement positioning and size.
36	
36	Rear access grab bar installation. Must be secured onto unit prior to alcove unit insert.
36	

STANDARD
(Left shown)



All dimensions are approximate. Structure measurements must be verified against the unit to ensure proper fit.



Figaro I (1-piece)

TUB SHOWERS - ACRYLIC



Material : Acrylic
 Min: 22 Gal / 102 L
 Max: 39 Gal / 178 L

Features

- › Model Size : 59.25 L in. x 31.5 W in. x 84.625 H in.
- › Thermoformed cast Acrylic for improved durability
- › Left-hand or right-hand drain configuration
- › 1 Piece construction for reliable water containment
- › 10 microjets system available
- › Installation Type : Alcove
- › Bathing well : 56.625 L in. x 21.125 W in. x 12.75 H in.
- › Made in North America
- › Warranty: Limited lifetime

FIGARO I - 101097

SKU	System	Color	Configuration	Dimensions & Weight	Packaging	MSRP
101097-000-001-001	Soaker - No System	White	Left	59 1/4" x 31 1/2" x 84 5/8" / 157 lb / 71 kg	100 ft ³	\$ 2658
101097-000-001-002			Right			\$ 2658
101097-091-001-001	10 Microjets ¹		Left			\$ 4353
101097-091-001-002			Right			\$ 4353

FIGARO I (3-PIECE) - 101097S

SKU	System	Color	Configuration	Dimensions & Weight	Packaging	MSRP
101097-000-001-004	Soaker - No System	White	Left	59 1/4" x 31 1/2" x 84 5/8" / 157 lb / 71 kg	100 ft ³	\$ 3482
101097-000-001-005			Right			\$ 3482
101097-091-001-004	10 Microjets ¹		Left			\$ 5177
101097-091-001-005			Right			\$ 5177

FIGARO I AFR - 105620

SKU	System	Color	Configuration	Dimensions & Weight	Packaging	MSRP
105620-000-001-103	Soaker - No System	White	Left	59 1/4" x 31 1/2" x 86 3/8" / 157 lb / 71 kg	100 ft ³	\$ 2920
105620-000-001-104			Right			\$ 2920
105620-091-001-104	10 Microjets ¹		Left			\$ 4615
105620-091-001-105			Right			\$ 4615

FIGARO I (3-PIECE AFR) - 105620S

SKU	System	Color	Configuration	Dimensions & Weight	Packaging	MSRP
105620-000-001-109	Soaker - No System	White	Left	59 1/4" x 33" x 86 3/8" / 164 lb / 74 kg	100 ft ³	\$ 3833
105620-000-001-110			Right			\$ 3833
105620-091-001-106	10 Microjets ¹		Left			\$ 5528
105620-091-001-107			Right			\$ 5528

COMMON OPTIONS

SKU	Description	MSRP
OPT10053	One chromatherapy light (factory installed) ⁵⁴	\$ 725
OPT10095	Water heater assembly for whirlpool and combined systems (factory installed)	\$ 950
OPT10250-105	Microjet trim kit (factory installed) Available colours: Chrome (084) and Brushed Nickel (105)	\$ 797
OPT10250-084		\$ 797
OPT20137-004		\$ 332
OPT20137-084	Cable-operated waste and overflow (16 in. to 22 in.) (included in product packaging when purchased) Available colors: White (001), Bone (004), Chrome (084) and Brushed Nickel (105)	\$ 332
OPT20137-105		\$ 332
OPT20137-001		\$ 332

ACCESSORIES

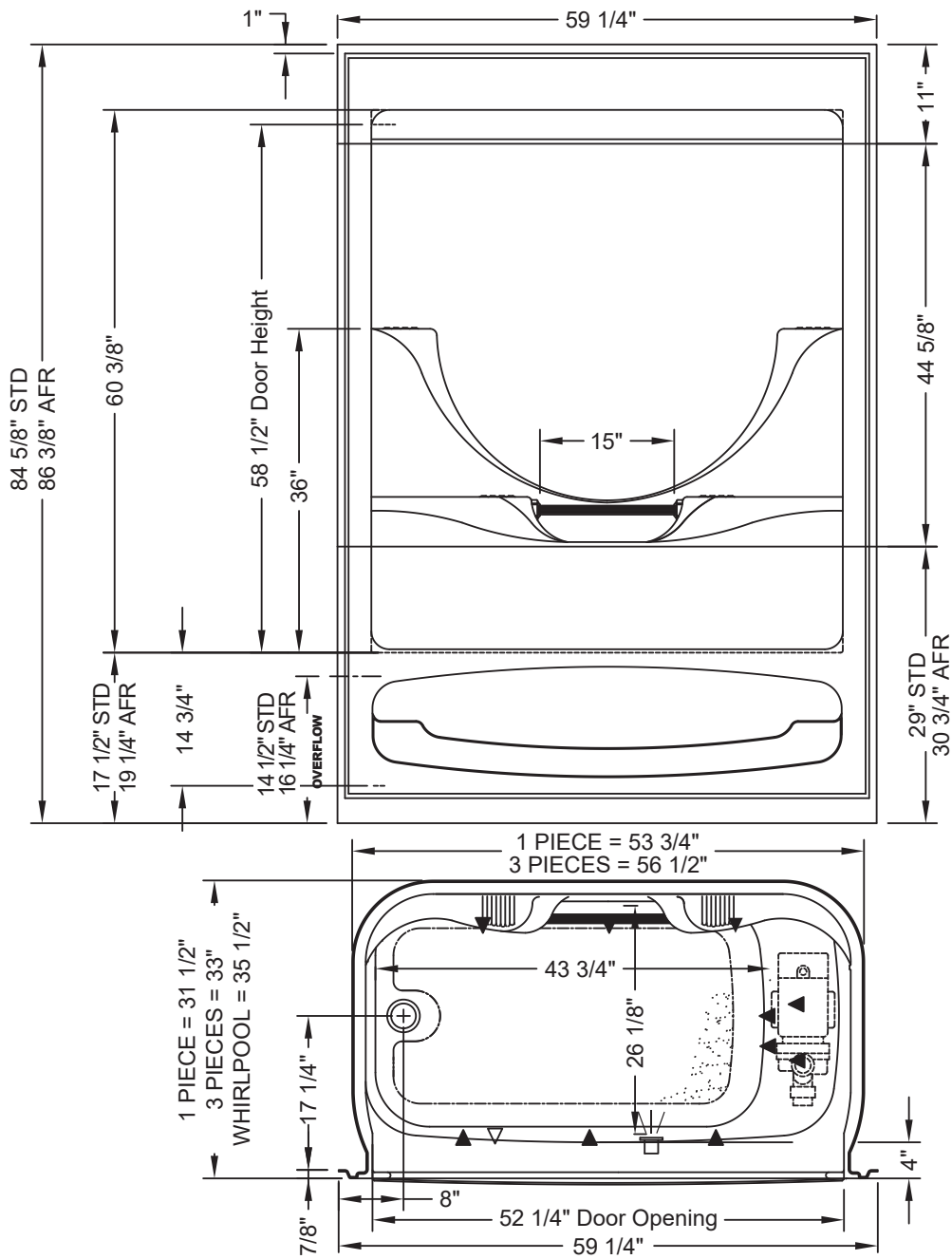
SKU	Description	MSRP
10012135-105	Waste and overflow (16 to 22 in.) (sold separately) Available colours: Chrome (084) and Brushed Nickel (105)	\$ 166
10012135-084		\$ 124
10004306-001	White foam cushion with 2 suction pads (sold separately) Available color: White (001)	\$ 126
10022491-084	Cable-operated waste and overflow (16 in. to 22 in.) (sold separately) Available colors: White (001), Bone (004), Chrome (084) and Brushed Nickel (105)	\$ 332
10022491-004		\$ 332
10022491-105		\$ 332
10022491-001		\$ 332

FOOTNOTES

No	Description
1	Components for standard colour units equipped with systems are colour-coordinated. Trim kit and/or air push with metallic finish can be added (additional charge applies). For non-standard colour units, please specify trim kit and/or air push colour (additional charge applies for metallic finishes). Please note that the positioning of the system's control could be in conflict with the door if one was installed on the unit. To insure compatibility, please contact customer service.
54	A selection of units come with an access panel by default when equipped with a system. However, if the unit is only equipped with chromatherapy, the access panel will not be provided by default.

RECOMMENDED DOORS

SKU	Product Name	Pag.
138522	Incognito 57 51-54 x 56 3/4 in. 8mm	550
135660	Aura 51-55 x 57 - 6mm	562



All dimensions are approximate. Structure measurements must be verified against the unit to ensure proper fit.



Figaro II (1-piece)



Material : Acrylic
 Min: 22 Gal / 102 L
 Max: 39 Gal / 178 L

Features

- › Model Size : 59.25 L in. x 31.5 W in. x 74.5 H in.
- › Thermoformed cast Acrylic for improved durability
- › Left-hand or right-hand drain configuration
- › 1 Piece construction for reliable water containment
- › 10 microjets system available
- › Installation Type : Alcove
- › Maximum water capacity : 47 Gallons
- › Made in North America
- › Warranty: Limited lifetime

FIGARO II - 101098

SKU	System	Color	Configuration	Dimensions & Weight	Packaging	MSRP
101098-000-001-001	Soaker - No System	White	Left	59 1/4" x 33" x 74 1/2" / 145 lb / 66 kg	87 ft ³	\$ 2559
101098-000-001-002			Right			\$ 2559
101098-091-001-001	10 Microjets ¹		Left			\$ 4254
101098-091-001-002			Right			\$ 4254

FIGARO II (2-PIECE) - 101098S

SKU	System	Color	Configuration	Dimensions & Weight	Packaging	MSRP
101098-000-001-004	Soaker - No System	White	Left	59 1/4" x 33" x 74 1/2" / 145 lb / 66 kg	87 ft ³	\$ 3384
101098-000-001-005			Right			\$ 3384
101098-091-001-004	10 Microjets ¹		Left			\$ 5079
101098-091-001-005			Right			\$ 5079

FIGARO II AFR - 105621

SKU	System	Color	Configuration	Dimensions & Weight	Packaging	MSRP
105621-000-001-101	Soaker - No System	White	Left	59 1/4" x 33" x 76 1/4" / 145 lb / 66 kg	87 ft ³	\$ 2813
105621-000-001-102			Right			\$ 2813
105621-091-001-104	10 Microjets ¹		Left			\$ 4508
105621-091-001-105			Right			\$ 4508

FIGARO II (2-PIECE AFR) - 105621S

SKU	System	Color	Configuration	Dimensions & Weight	Packaging	MSRP
105621-000-001-109	Soaker - No System	White	Left	59 1/4" x 33" x 76 1/4" / 140 lb / 63 kg	87 ft ³	\$ 3724
105621-000-001-110			Right			\$ 3724
105621-091-001-106	10 Microjets ¹		Left			\$ 5419
105621-091-001-107			Right			\$ 5419

COMMON OPTIONS

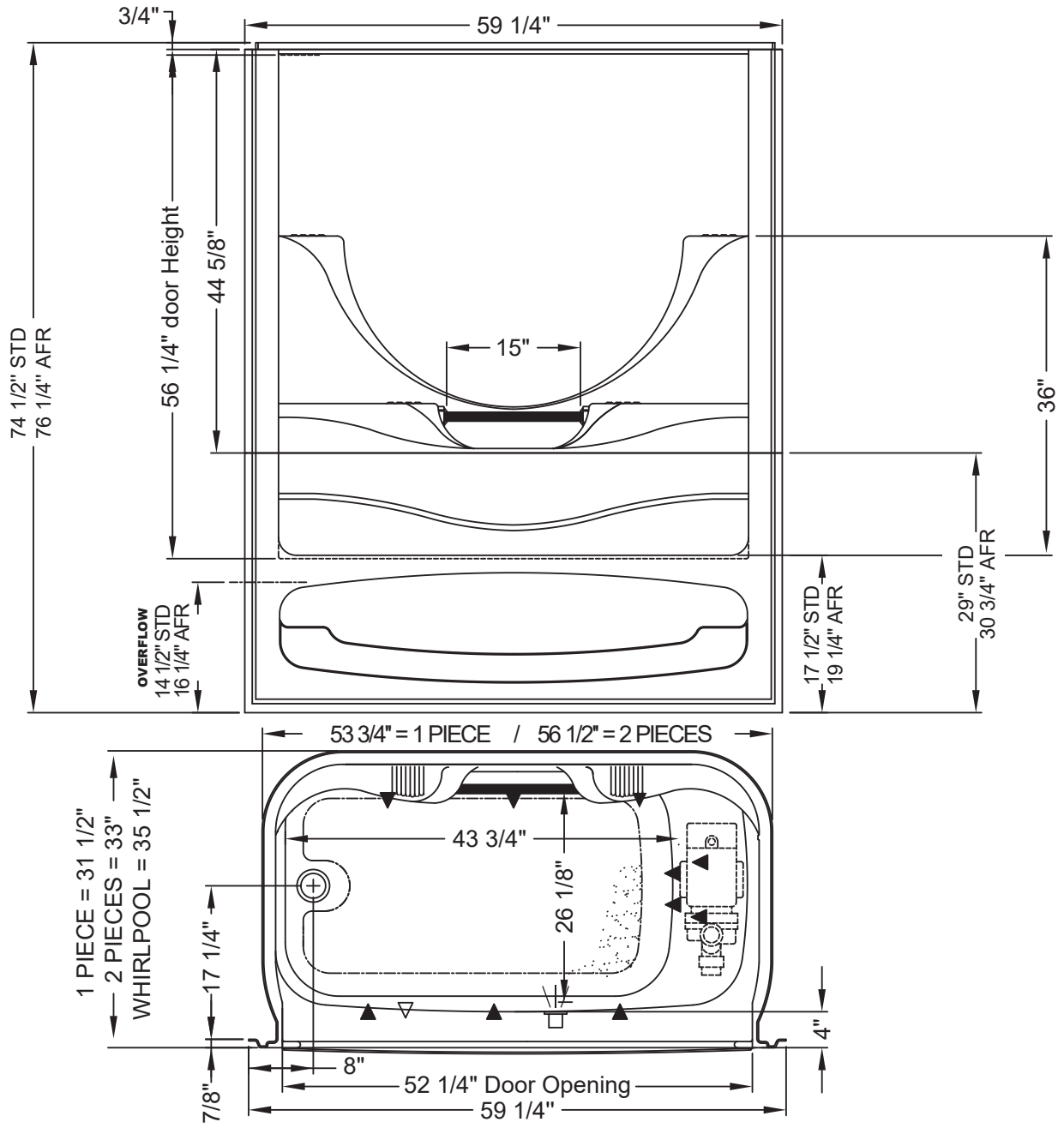
SKU	Description	MSRP
OPT10053	One chromatherapy light (factory installed) ⁵⁴	\$ 725
OPT10095	Water heater assembly for whirlpool and combined systems (factory installed)	\$ 950
OPT10250-105	Microjet trim kit (factory installed) Available colours: Chrome (084) and Brushed Nickel (105)	\$ 797
OPT10250-084		\$ 797
OPT20137-004		\$ 332
OPT20137-084	Cable-operated waste and overflow (16 in. to 22 in.) (included in product packaging when purchased) Available colors: White (001), Bone (004), Chrome (084) and Brushed Nickel (105)	\$ 332
OPT20137-105		\$ 332
OPT20137-001		\$ 332

ACCESSORIES

SKU	Description	MSRP
10012135-105	Waste and overflow (16 to 22 in.) (sold separately) Available colours: Chrome (084) and Brushed Nickel (105)	\$ 166
10012135-084		\$ 124
10004306-001	White foam cushion with 2 suction pads (sold separately) Available color: White (001)	\$ 126
10022491-084	Cable-operated waste and overflow (16 in. to 22 in.) (sold separately) Available colors: White (001), Bone (004), Chrome (084) and Brushed Nickel (105)	\$ 332
10022491-004		\$ 332
10022491-105		\$ 332
10022491-001		\$ 332

FOOTNOTES

No	Description
1	Components for standard colour units equipped with systems are colour-coordinated. Trim kit and/or air push with metallic finish can be added (additional charge applies). For non-standard colour units, please specify trim kit and/or air push colour (additional charge applies for metallic finishes). Please note that the positioning of the system's control could be in conflict with the door if one was installed on the unit. To insure compatibility, please contact customer service.
54	A selection of units come with an access panel by default when equipped with a system. However, if the unit is only equipped with chromatherapy, the access panel will not be provided by default.



All dimensions are approximate. Structure measurements must be verified against the unit to ensure proper fit.

Essence TS-6030



TUB SHOWERS - ACRYLX



Material : AcrylX

Features

- › Proudly made in Canada
- › Fibreglass construction glossy finish and is easier to clean than ABS or Polystyrene
- › Built with 2 strong, roomy shelves
- › Made from fiberglass for a stylish design that lasts
- › Comes with the option of a left hand drain for your convenience
- › Includes a grab bar to keep you stable and safe while showering
- › Convenient large top corner shelves, wide soap dish and acrylic handle
- › Textured bottom bathtub for added safety
- › Proudly made in North America

ESSENCE TS-6030 - 148006

SKU	System	Color	Configuration	Dimensions & Weight	Packaging	MSRP
148006-000-002-294	Soaker - No System	White	Left	59 7/8" x 30" x 77 1/2" / 152 lb / 69 kg	99 ft ³	\$ 2367
148006-000-002-295			Right			\$ 2367

ESSENCE TS-6030 AFR - 148007

SKU	System	Color	Configuration	Dimensions & Weight	Packaging	MSRP
148007-000-002-794	Soaker - No System	White	Left	59 7/8" x 30" x 79 5/8" / 152 lb / 69 kg	99 ft ³	\$ 2367
148007-000-002-795			Right			\$ 2367

COMMON OPTIONS

SKU	Description	MSRP
OPT20203-B-002	18 in. Modern straight grab bar ³⁰	\$ 269
OPT20203-B-105	OPT 20203-B-XXX Horizontal grab bar on back wall	\$ 269
OPT20203-B-084	Available colours: White (002), Chrome (084) and Brushed Nickel (105)	\$ 269
OPT20203-L-105	18 in. Modern straight grab bar ³⁰	\$ 269
OPT20203-L-002	OPT 20203-L-XXX Vertical grab bar on left wall	\$ 269
OPT20203-L-084	Available colours: White (002), Chrome (084) and Brushed Nickel (105)	\$ 269
OPT20203-R-084	18 in. Modern straight grab bar ³⁰ OPT 20203-R-XXX Vertical grab bar on right wall Available colours: White (002), Chrome (084) and Brushed Nickel (105)	\$ 269

COMMON OPTIONS

SKU	Description	MSRP	
OPT20203-R-002	18 in. Modern straight grab bar ³⁰	\$ 269	
OPT20203-R-105	OPT 20203-R-XXX Vertical grab bar on right wall Available colours: White (002), Chrome (084) and Brushed Nickel (105)	\$ 269	
OPT20204-B-002	24 in. Modern straight grab bar ³⁰	\$ 315	
OPT20204-B-084	OPT 20204-B-XXX Horizontal grab bar on back wall Available colours: White (002), Chrome (084) and Brushed Nickel (105)	\$ 315	
OPT20204-B-105		\$ 315	
OPT20204-L-084	24 in. Modern straight grab bar ³⁰	\$ 315	
OPT20204-L-105	OPT 20204-L-XXX Vertical grab bar on left wall Available colours: White (002), Chrome (084) and Brushed Nickel (105)	\$ 315	
OPT20204-L-002		\$ 315	
OPT20204-R-002	24 in. Modern straight grab bar ³⁰	\$ 315	
OPT20204-R-084	OPT 20204-R-XXX Vertical grab bar on right wall Available colours: White (002), Chrome (084) and Brushed Nickel (105)	\$ 315	
OPT20204-R-105		\$ 315	
OPT20197	Left Wall reinforcement for future grab installation ³³	\$ 74	
OPT20198	Right Wall reinforcement for future grab installation ³³	\$ 74	
OPT20199	Back Wall reinforcement for future grab installation ³³	\$ 91	
OPT10109-084	Metallic finish handle replacing Acrylic handle Available colors: Chrome (084) and Brushed Nickel (105)	\$ 345	
OPT10109-105		\$ 345	
148011-000-002-794	Tub only with pin system (AFR) 148011-R-000-XXX Right-hand drain 148011-L-000-XXX Left-hand drain	\$ 1060	
148011-R-000-015		\$ 855	
148011-L-000-007		\$ 805	
148011-000-002-795		\$ 1060	
148011-R-000-019		\$ 855	
148011-L-000-006		\$ 855	
148011-L-000-019		\$ 855	
148011-R-000-006		\$ 855	
148011-R-000-004		\$ 805	
148011-L-000-004		\$ 805	
148011-L-000-015		\$ 855	
148011-R-000-007		\$ 805	
148065-000-002-290		Wall set for Essence TS-6030 and SH-6030	\$ 1310

ACCESSORIES

SKU	Description	MSRP
10004306-001	White foam cushion with 2 suction pads (sold separately) Available color: White (001)	\$ 126
10024636-002	Tile Adaptor (for door installation) Available colors: White (002), Bone (004) and Biscuit (007)	\$ 238
10024636-004		\$ 238
10024636-007		\$ 238
10022491-084	Cable-operated waste and overflow (16 in. to 22 in.) (sold separately) Available colors: White (001), Bone (004), Chrome (084) and Brushed Nickel (105)	\$ 332

ACCESSORIES

SKU	Description	MSRP
10022491-004	Cable-operated waste and overflow (16 in. to 22 in.) (sold separately) Available colors: White (001), Bone (004), Chrome (084) and Brushed Nickel (105)	\$ 332
10022491-105		\$ 332
10022491-001		\$ 332

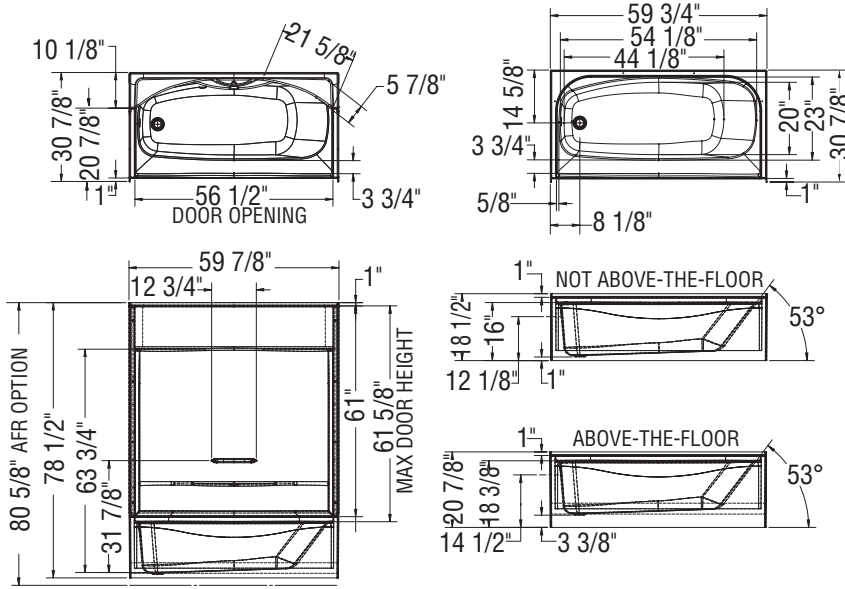
FOOTNOTES

No	Description
28	Handles for standard colour units are colour-coordinated. Handles with metallic finish can be added (additional charge applies). For non-standard colour units, please specify handle colour (additional charge applies for metallic finishes).
30	Please see technical drawings on https://www.maax.com for grab bar and/or seat positioning.
33	Please see technical drawings on https://www.maax.com for reinforcement positioning and size.

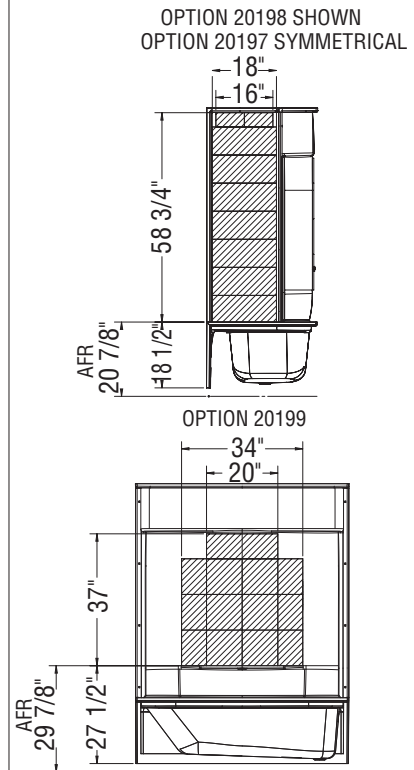
RECOMMENDED DOORS

SKU	Product Name	Pag.
139398	Halo 56 ½-59 x 59 - 8mm	568
135661	Aura 55-59 x 57 - 6mm	564
135245	Connect 55 1/2-57 x 57 - 6mm	572
135330	Incognito 57 Shaker 56-59 x 56 ¾ - 8mm	546
138994	Luminescence SlidingDoor 56 ½-59 x 55 ½-57 ½ - 6mm	570
105410	Polar 54-59 ½ x 57 in.	554
136695	Revelation Round 56-59 x 56 ¾-59 ¼ - 8 mm	558
135670	Aura SC 55-59 x 71 - 8mm	359
136270	Duel 56-59 x 55 ½ x 59 - 8 mm	544
137682	Outback 55 ¼ - 58 1/2 x 57 - 8mm	574
136692	Revelation Round 56-59 x 56 ¾-59 ¼ - 6mm	556
135673	Aura 55-59 x 57 - 8mm	566
135320	Uptown 56-59 x 58 in. 8 mm	560
139354	Incognito 57 56-59 x 56 ¾ - 8mm	552
139351	Incognito 57 56-59 x 56 ¾ - 6mm	548

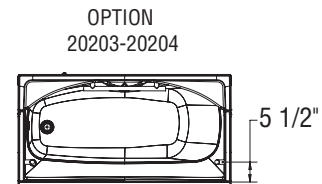
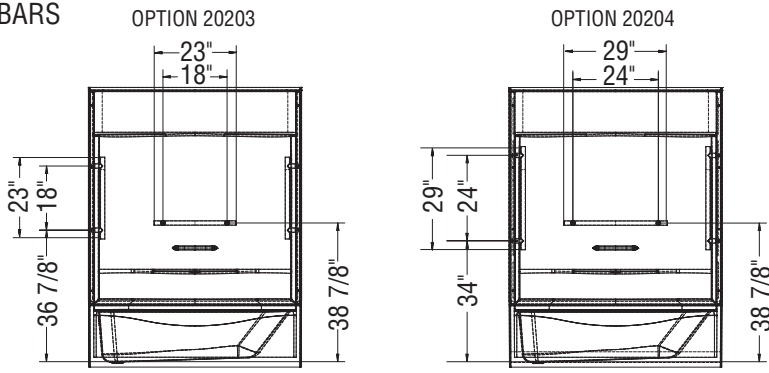
STANDARD



REINFORCEMENT BACKING



GRAB BARS



All dimensions are approximate. Structure measurements must be verified against the unit to ensure proper fit.
 * Dimensions indicated on product pages exclude tiling flanges.



Essence TS-6032

TUB SHOWERS - ACRYLX



Material : AcrylX

Features

- > 4-piece tub shower
- > Large top corner shelves, wide soap dish and standard acrylic handle ²⁸
- > Unique feature: PIN system for easy front installation
- > Optional wall reinforcement and grab bars

ESSENCE TS-6032 - 148012

SKU	System	Color	Configuration	Dimensions & Weight	Packaging	MSRP
148012-000-002-294	Soaker - No System	White	Left	59 7/8" x 32" x 79 1/4" / 152 lb / 69 kg	105 ft ³	\$ 2474
148012-000-002-295			Right			\$ 2474

ESSENCE TS-6032 AFR - 148013

SKU	System	Color	Configuration	Dimensions & Weight	Packaging	MSRP
148013-000-002-794	Soaker - No System	White	Left	59 7/8" x 32" x 81 3/4" / 152 lb / 69 kg	105 ft ³	\$ 2474
148013-000-002-795			Right			\$ 2474

COMMON OPTIONS

SKU	Description	MSRP
OPT20203-B-002	18 in. Modern straight grab bar ³⁰	\$ 269
OPT20203-B-105	OPT 20203-B-XXX Horizontal grab bar on back wall	\$ 269
OPT20203-B-084	Available colours: White (002), Chrome (084) and Brushed Nickel (105)	\$ 269
OPT20203-L-105	18 in. Modern straight grab bar ³⁰	\$ 269
OPT20203-L-002	OPT 20203-L-XXX Vertical grab bar on left wall	\$ 269
OPT20203-L-084	Available colours: White (002), Chrome (084) and Brushed Nickel (105)	\$ 269
OPT20203-R-084	18 in. Modern straight grab bar ³⁰ OPT 20203-R-XXX Vertical grab bar on right wall Available colours: White (002), Chrome (084) and Brushed Nickel (105)	\$ 269

COMMON OPTIONS

SKU	Description	MSRP	
OPT20203-R-002	18 in. Modern straight grab bar ³⁰	\$ 269	
OPT20203-R-105	OPT 20203-R-XXX Vertical grab bar on right wall Available colours: White (002), Chrome (084) and Brushed Nickel (105)	\$ 269	
OPT20204-B-002	24 in. Modern straight grab bar ³⁰	\$ 315	
OPT20204-B-084	OPT 20204-B-XXX Horizontal grab bar on back wall	\$ 315	
OPT20204-B-105	Available colours: White (002), Chrome (084) and Brushed Nickel (105)	\$ 315	
OPT20204-L-084	24 in. Modern straight grab bar ³⁰	\$ 315	
OPT20204-L-105	OPT 20204-L-XXX Vertical grab bar on left wall	\$ 315	
OPT20204-L-002	Available colours: White (002), Chrome (084) and Brushed Nickel (105)	\$ 315	
OPT20204-R-002	24 in. Modern straight grab bar ³⁰	\$ 315	
OPT20204-R-084	OPT 20204-R-XXX Vertical grab bar on right wall	\$ 315	
OPT20204-R-105	Available colours: White (002), Chrome (084) and Brushed Nickel (105)	\$ 315	
OPT20197	Left Wall reinforcement for future grab installation ³³	\$ 74	
OPT20198	Right Wall reinforcement for future grab installation ³³	\$ 74	
OPT20199	Back Wall reinforcement for future grab installation ³³	\$ 91	
OPT10109-084	Metallic finish handle replacing Acrylic handle	\$ 345	
OPT10109-105	Available colors: Chrome (084) and Brushed Nickel (105)	\$ 345	
148016-L-000-006	Tub only with pin system 148016-R-000-XXX Right-hand drain 148016-L-000-XXX Left-hand drain	\$ 934	
148016-L-000-015		\$ 934	
148016-000-002-294		\$ 1163	
148016-L-000-019		\$ 934	
148016-L-000-004		\$ 884	
148016-R-000-006		\$ 934	
148016-R-000-015		\$ 934	
148016-R-000-004		\$ 884	
148016-R-000-019		\$ 934	
148016-000-002-295		\$ 1163	
148016-R-000-007		\$ 884	
148016-L-000-007		\$ 884	
148066-000-002-290		Wall set for Essence TS-6032	\$ 1312

ACCESSORIES

SKU	Description	MSRP
10004306-001	White foam cushion with 2 suction pads (sold separately) Available color: White (001)	\$ 126
10024636-002	Tile Adaptor (for door installation) Available colors: White (002), Bone (004) and Biscuit (007)	\$ 238
10024636-004		\$ 238
10024636-007		\$ 238
10022491-084	Cable-operated waste and overflow (16 in. to 22 in.) (sold separately) Available colors: White (001), Bone (004), Chrome (084) and Brushed Nickel (105)	\$ 332

ACCESSORIES

SKU	Description	MSRP
10022491-004	Cable-operated waste and overflow (16 in. to 22 in.) (sold separately) Available colors: White (001), Bone (004), Chrome (084) and Brushed Nickel (105)	\$ 332
10022491-105		\$ 332
10022491-001		\$ 332

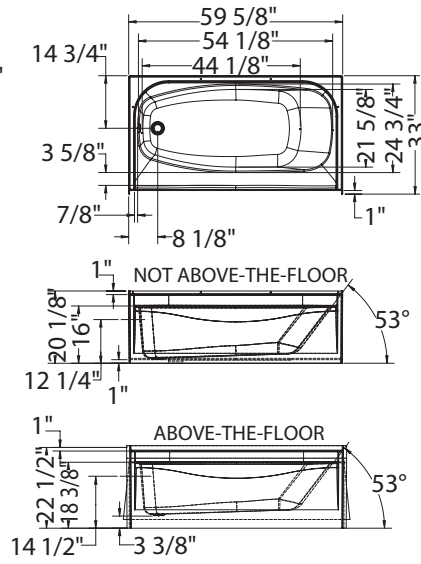
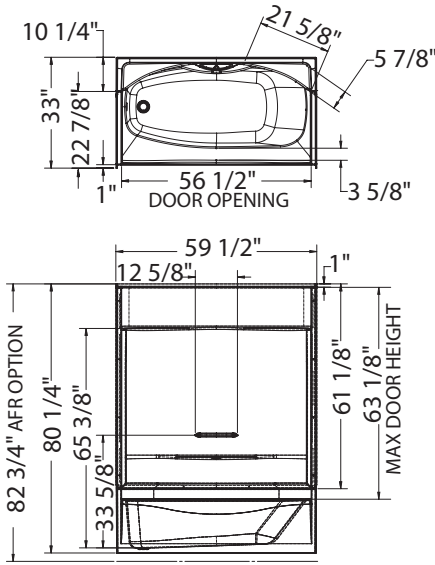
FOOTNOTES

No	Description
28	Handles for standard colour units are colour-coordinated. Handles with metallic finish can be added (additional charge applies). For non-standard colour units, please specify handle colour (additional charge applies for metallic finishes).
30	Please see technical drawings on https://www.maax.com for grab bar and/or seat positioning.
33	Please see technical drawings on https://www.maax.com for reinforcement positioning and size.

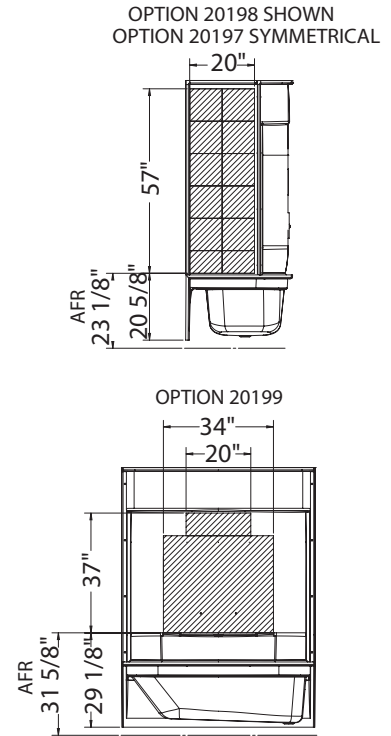
RECOMMENDED DOORS

SKU	Product Name	Pag.
135661	Aura 55-59 x 57 - 6mm	564
135245	Connect 55 1/2-57 x 57 - 6mm	572
135330	Incognito 57 Shaker 56-59 x 56 3/4 - 8mm	546
105410	Polar 54-59 1/2 x 57 in.	554
136695	Revelation Round 56-59 x 56 3/4-59 1/4 - 8 mm	558
135670	Aura SC 55-59 x 71 - 8mm	359
136270	Duel 56-59 x 55 1/2 x 59 - 8 mm	544
137682	Outback 55 1/4 - 58 1/2 x 57 - 8mm	574
136692	Revelation Round 56-59 x 56 3/4-59 1/4 - 6mm	556
135673	Aura 55-59 x 57 - 8mm	566
135320	Uptown 56-59 x 58 in. 8 mm	560
139354	Incognito 57 56-59 x 56 3/4 - 8mm	552
139351	Incognito 57 56-59 x 56 3/4 - 6mm	548

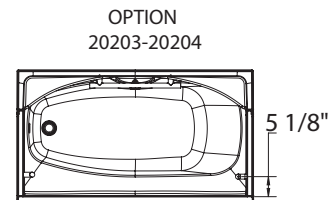
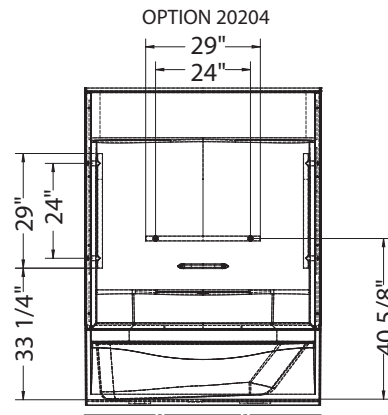
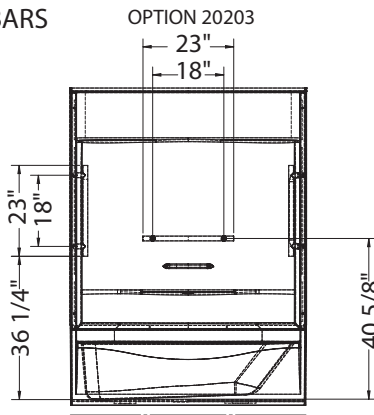
STANDARD



REINFORCEMENT BACKING



GRAB BARS



All dimensions are approximate. Structure measurements must be verified against the unit to ensure proper fit.

Walls



Denso walls 4234— with Davana rectangular door - Chrome



Back wall - 32x72 in.



Material : Acrylic

Features

- › Back wall
- › Integrated convenient footrest
- › Designed for ease of maintenance
- › Easy front installation with snap clips

ACRYLIC WALLS

BACK WALL - 32X72 IN. - 105068

SKU	Color	Pattern	Dimensions & Weight	Packaging	MSRP
105068-000-001-000	White	Smooth wall	32" x 72" x 1 1/2" / 38 lb / 17 kg	14 ft ³	\$ 767

BACK WALL - 36X72 IN. - 105069

SKU	Color	Pattern	Dimensions & Weight	Packaging	MSRP
105069-000-001-000	White	Smooth wall	36" x 72" x 1 1/2" / 42 lb / 19 kg	14 ft ³	\$ 767

BACK WALL - 42X72 IN. - 105070

SKU	Color	Pattern	Dimensions & Weight	Packaging	MSRP
105070-000-001-000	White	Smooth wall	42" x 72" x 1 1/2" / 42 lb / 19 kg	14 ft ³	\$ 842

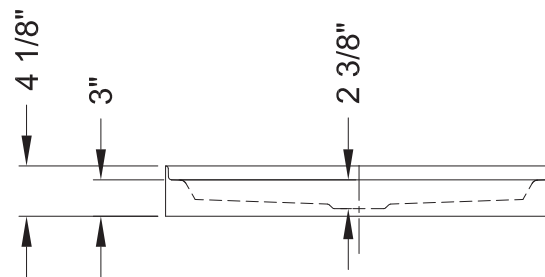
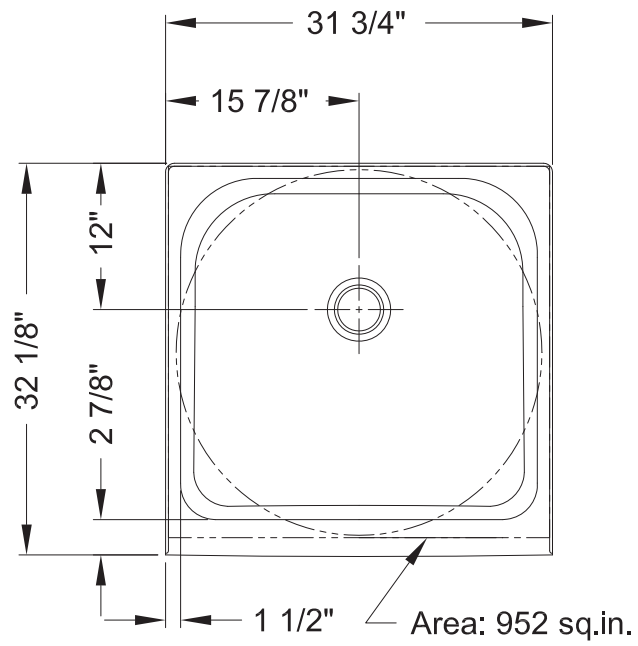
BACK WALL - 48X72 IN. - 105071

SKU	Color	Pattern	Dimensions & Weight	Packaging	MSRP
105071-000-001-000	White	Smooth wall	48" x 72" x 1 1/2" / 48 lb / 22 kg	18 ft ³	\$ 1049

BACK WALL - 60X72 IN. - 105072

SKU	Color	Pattern	Dimensions & Weight	Packaging	MSRP
105072-000-001-000	White	Smooth wall	60" x 72" x 1 1/2" / 52 lb / 24 kg	23 ft ³	\$ 1089

ACRYLIC WALLS



All dimensions are approximate and subject to change without prior notice.
Please refer to installation guide before installing unit.

Wall set (2 walls) 30x72 in.



ACRYLIC WALLS



Material : Acrylic

Features

- › Wall set (2 walls)
- › Integrated convenient footrest
- › Designed for ease of maintenance
- › Easy front installation with snap clips

WALL SET (2 WALLS) 30X72 IN. - 105062

SKU	Color	Pattern	Dimensions & Weight	Packaging	MSRP
105062-000-001-000	White	Smooth wall	30" x 30" x 72" / 53 lb / 24 kg	17 ft ³	\$ 1010

WALL SET (2 WALLS) 32X72 IN. - 105063

SKU	Color	Pattern	Dimensions & Weight	Packaging	MSRP
105063-000-001-000	White	Smooth wall	32" x 32" x 72" / 57 lb / 26 kg	17 ft ³	\$ 1089

WALL SET 36X72 IN. - 105064

SKU	Color	Pattern	Dimensions & Weight	Packaging	MSRP
105064-000-001-000	White	Smooth wall	36" x 36" x 72" / 64 lb / 29 kg	17 ft ³	\$ 1211

WALL SET (2 WALLS) 38X72 IN. - 105065

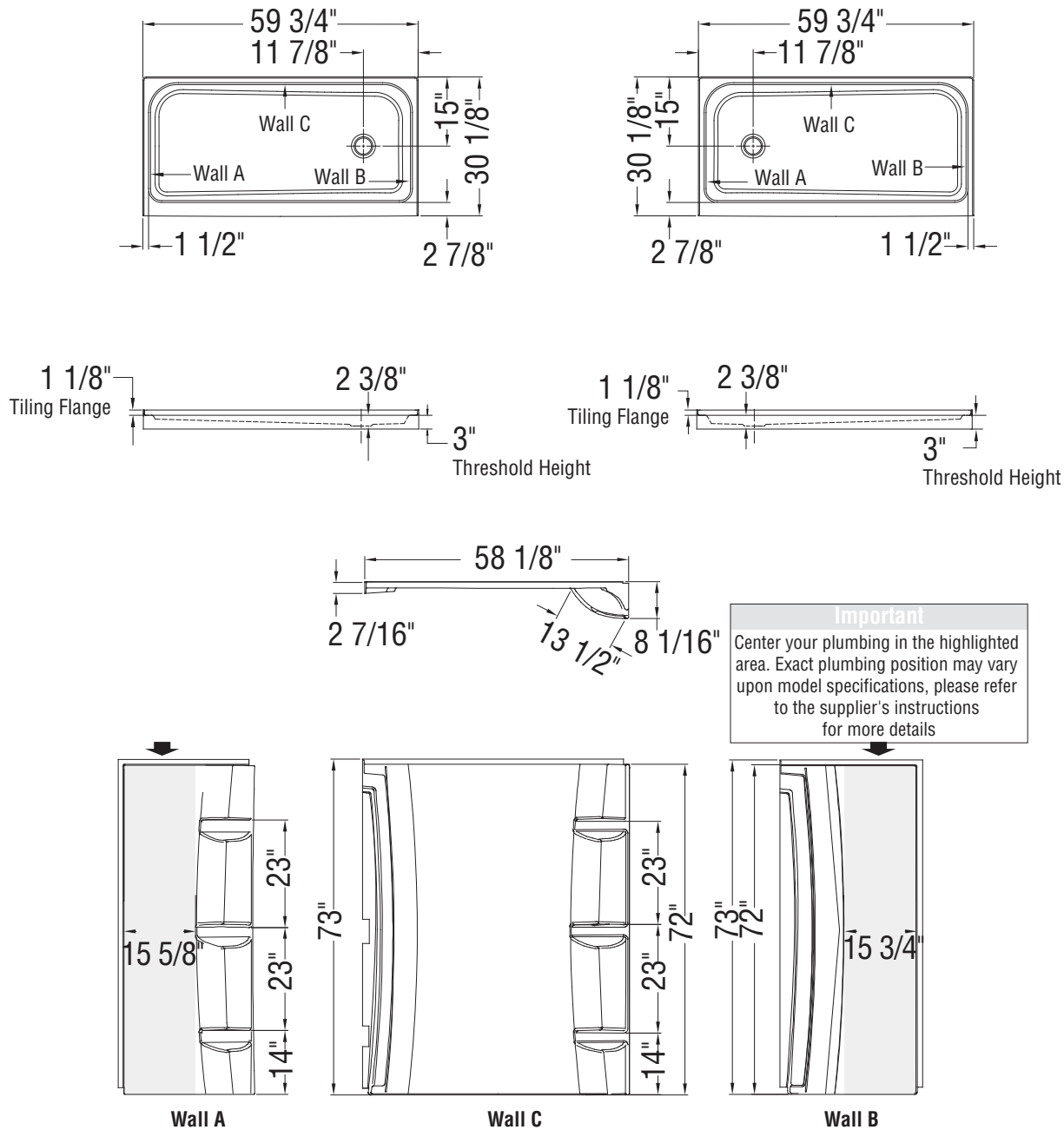
SKU	Color	Pattern	Dimensions & Weight	Packaging	MSRP
105065-000-001-000	White	Smooth wall	38" x 38" x 72" / 68 lb / 31 kg	20 ft ³	\$ 1251

WALL SET 40X72 IN. - 105066

SKU	Color	Pattern	Dimensions & Weight	Packaging	MSRP
105066-000-001-000	White	Smooth wall	40" x 40" x 72" / 71 lb / 32 kg	20 ft ³	\$ 1333

WALL SET (2 WALLS) 42X72 IN. - 105067

SKU	Color	Pattern	Dimensions & Weight	Packaging	MSRP
105067-000-001-000	White	Smooth wall	42" x 42" x 72" / 75 lb / 34 kg	20 ft ³	\$ 1428



All dimensions are approximate. Structure measurements must be verified against the unit to ensure proper fit.

3-Piece Acrylic Wall Set



Material : Acrylic

Features

- › 3-piece construction
- › Made of thermoformed acrylic
- › Low maintenance and easy to keep clean
- › Smooth wall pattern for a modern and minimalist look
- › Drywall and wood framing preparation required prior to the wall installation
- › Standard size and cannot be cut to fit
- › 75 in. High to fit with most shower doors
- › Wall Kit for corner shower
- › Compatible with most 40 in. X 40 in. corner shower kits

ACRYLIC WALLS

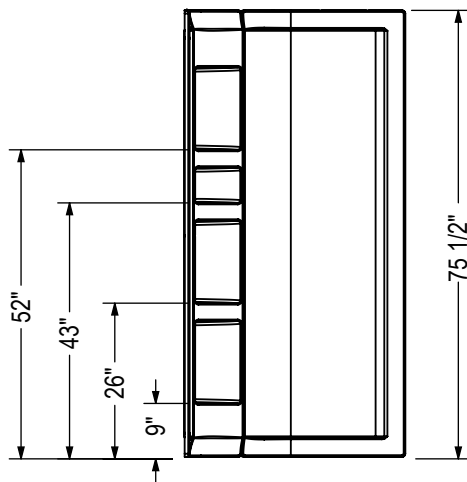
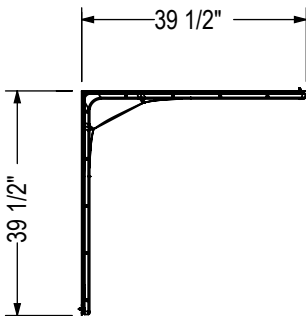
3-PIECE WALL SET - 106383

SKU	Color	Pattern	Dimensions & Weight	Packaging	MSRP
106383-000-001-000	White		40 1/8" x 40 1/8" x 75 3/4" / 24 lb / 11 kg	13.6 ft ³	\$ 977

RECOMMENDED DOORS

SKU	Product Name	Pag.
137445	Radia Neo-round 40 x 40 x 71 1/2 - 6mm	419
137442	Radia Neo-angle 40 x 40 x 71 1/2 - 6mm	417
139320	Davana Neo-angle 40 x 40 x 75 - 8mm	405
137301	Hana Neo-angle 40 x 40 x 75 - 8mm	411

STANDARD



All dimensions are approximate. Structure measurements must be verified against the unit to ensure proper fit.

3-Piece Acrylic Wall Set



38 x 38

Material : Acrylic

Features

- › 3-piece acrylic wall set for 38"x38" and 42"x34" corner shower kits
- › Provides multiple shelves for storage and a footrest
- › Available in white only
- › Can fit on both a 3838 and a 4234 configuration

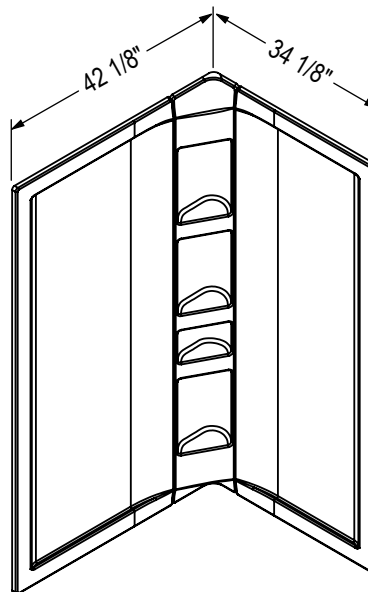
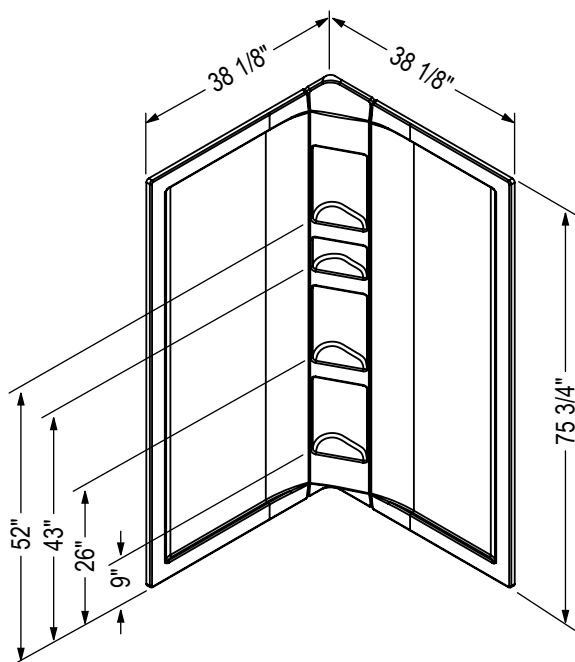
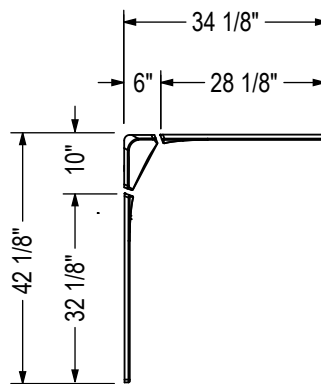
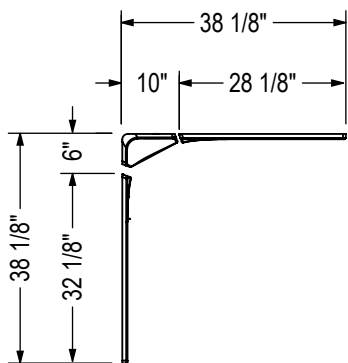
3-PIECE WALL SET - 106108

SKU	Color	Pattern	Dimensions & Weight	Packaging	MSRP
106108-000-001-000	White	Smooth wall	38 1/8" x 38 1/8" x 75 3/4" / 32 lb / 15 kg	13.4 ft ³	\$ 904

RECOMMENDED DOORS

SKU	Product Name	Pag.
137441	Radia Neo-angle 38 x 38 x 71 1/2 - 6mm	417
137449	Radia Neo-round 38 x 38 x 71 1/2 - 6mm	420
139330	Davana Rectangular 42 x 34 x 75 - 8mm	407
137302	Hana Rectangular 42 x 34 x 75 - 8mm	413
139315	Davana Neo-angle 38 x 38 x 75 - 8mm	403
137300	Hana Neo-angle 38 x 38 x 75 - 8mm	409

STANDARD



All dimensions are approximate. Structure measurements must be verified against the unit to ensure proper fit.



59" Elan



Material : Acrylic

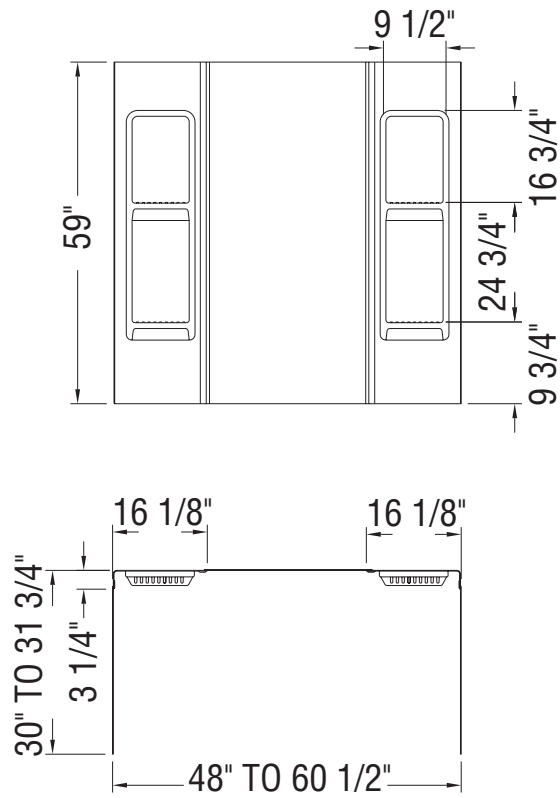
Features

- › 5-piece wall set easy to handle and install
- › Can be cut to size to accommodate any shower space that fits a length of 48-61" and a width of 30-32"
- › 1/16" thick acrylic walls
- › 4 integrated shelves and soap dish for storage
- › Glue-up walls ideal for remodel projects
- › Easy to clean and durable glossy finish

ACRYLIC WALLS

ELAN 59" - 101343

SKU	Color	Pattern	Dimensions & Weight	Packaging	MSRP
101343-000-001-000	White	Smooth wall	60 1/2" x 31 3/4" x 59" / 38 lb / 17 kg	4.7 ft ³	\$ 716



All dimensions are approximate. Structure measurements must be verified against the unit to ensure proper fit.



59" Finesse



Material : Acrylic

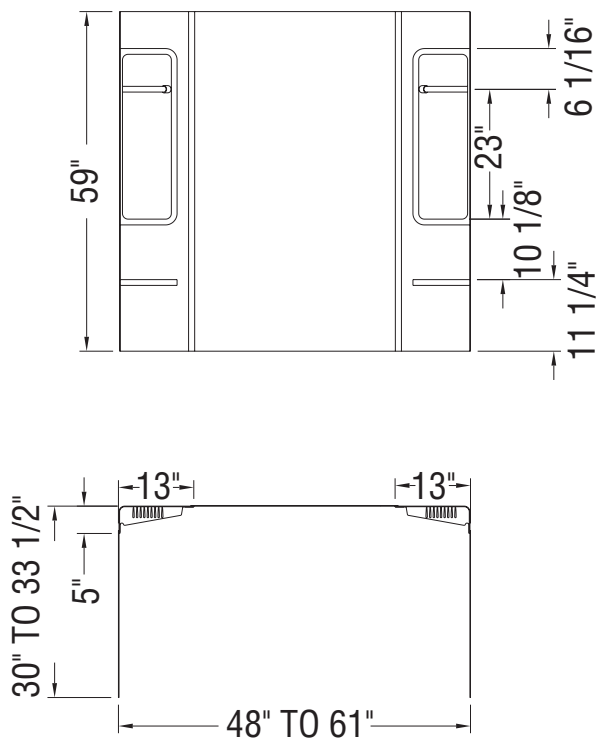
Features

- › 59 " high walls to accommodate a tub shower
- › 5-piece wall set easy to handle and install
- › Can be cut to size to accommodate any shower space that fits a length of 48-61" and a width of 30-34"
- › 3/32" thick acrylic walls
- › 4 integrated shelves with 2 chrome towel bars for convenient storage space
- › Glue-up walls ideal for remodel projects
- › Easy to clean and durable glossy finish

ACRYLIC WALLS

FINESSE 59" - 101347

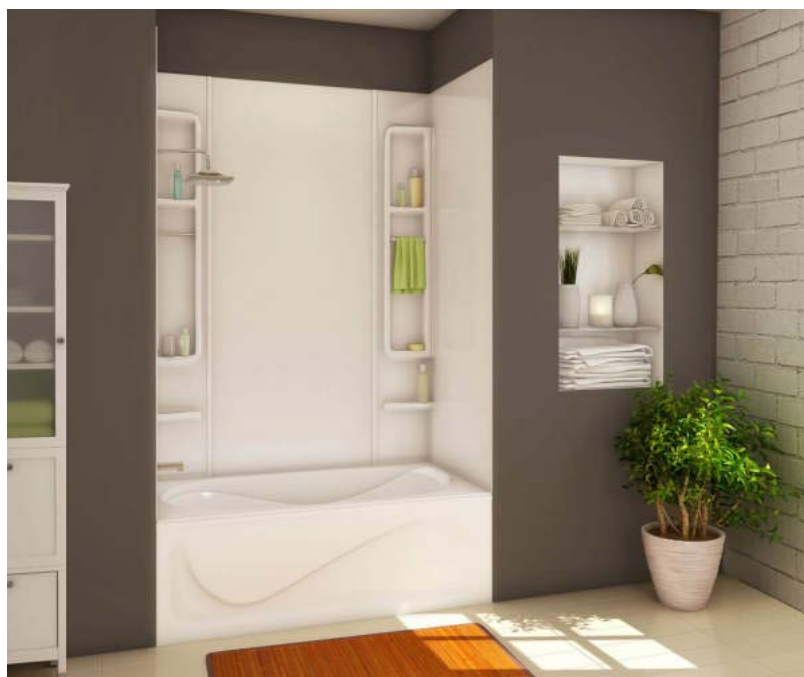
SKU	Color	Pattern	Dimensions & Weight	Packaging	MSRP
101347-000-001-000	White	Smooth wall	61" x 33 1/2" x 59" / 38 lb / 17 kg	6.9 ft ³	\$ 676



All dimensions are approximate. Structure measurements must be verified against the unit to ensure proper fit.



80" Finesse



Material : Acrylic

Features

- › 80" high walls that can be installed on a bathtub or a shower base
- › 5-piece wall set easy to handle and install
- › Can be cut to size to accommodate any shower space that fits a length of 48-61" and a width of 30-34"
- › 1/16" thick acrylic walls
- › 6 integrated shelves with 2 clear acrylic towel bars for convenient storage space
- › Glue-up walls ideal for remodel projects
- › Easy to clean and durable glossy finish
- › Optional roofcap

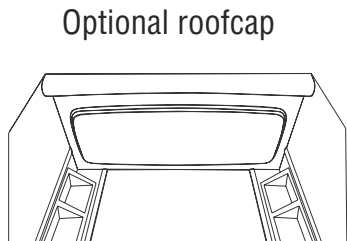
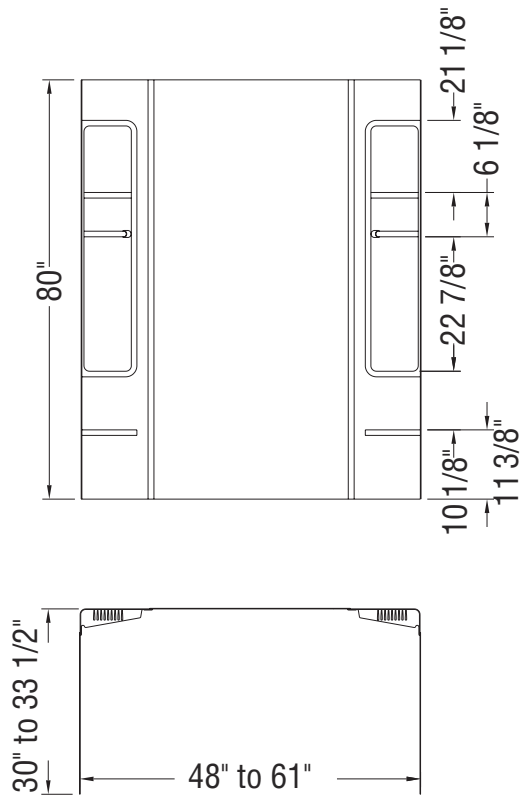
ACRYLIC WALLS

FINESSE 80" - 101345

SKU	Color	Pattern	Dimensions & Weight	Packaging	MSRP
101345-000-001-000	White	Smooth wall	61" x 33 1/2" x 80" / 52 lb / 24 kg	7 ft ³	\$ 799

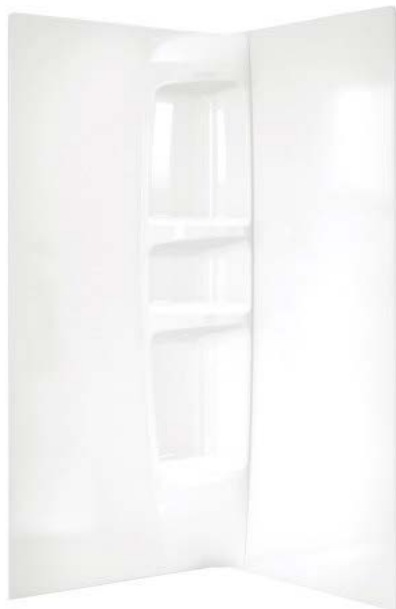
COMMON OPTIONS

SKU	Description	MSRP
101350-000-001-000	Roof cap Available in White only (001)	\$ 471



All dimensions are approximate. Structure measurements must be verified against the unit to ensure proper fit.

Corner Wall Kit 3636



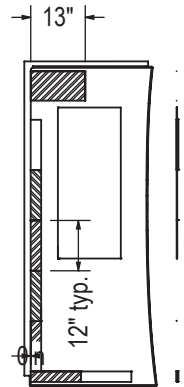
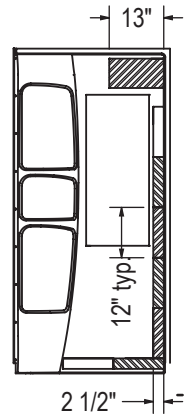
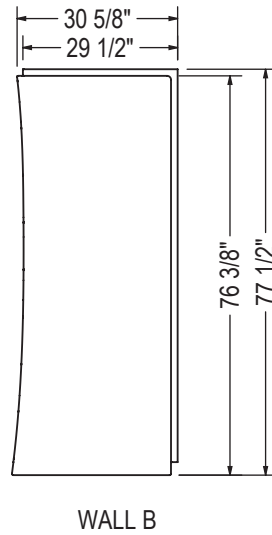
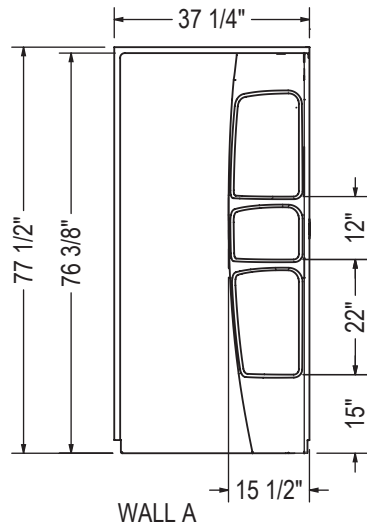
Material : Acrylic

Features

- › Wall set (2 walls)
- › Designed for ease of maintenance
- › Easy front installation

CORNER 3636 - 105753

SKU	Color	Pattern	Dimensions & Weight	Packaging	MSRP
105753-000-001-000	White	Smooth wall	36" x 36" x 76" / 80 lb / 36 kg	21.39 ft ³	\$ 913



All dimensions are approximate. Structure measurements must be verified against the unit to ensure proper fit.

Universal 4242



Material : Acrylic

Features

- › Product dimensions: 41 1/2 in. D X 41 1/2 in. W x 76 in. H
- › Application: for a corner shower
- › Perfect for remodeling – panels can be glued to existing walls or tile
- › Cut-to-size panels can be trim directly on-site
- › Modern vertical subway tile design – 4" wide by 9 1/2" high tiles
- › Install directly to the wall surface like a drywall or a cement board (never install directly on the studs)

ACRYLIC WALLS

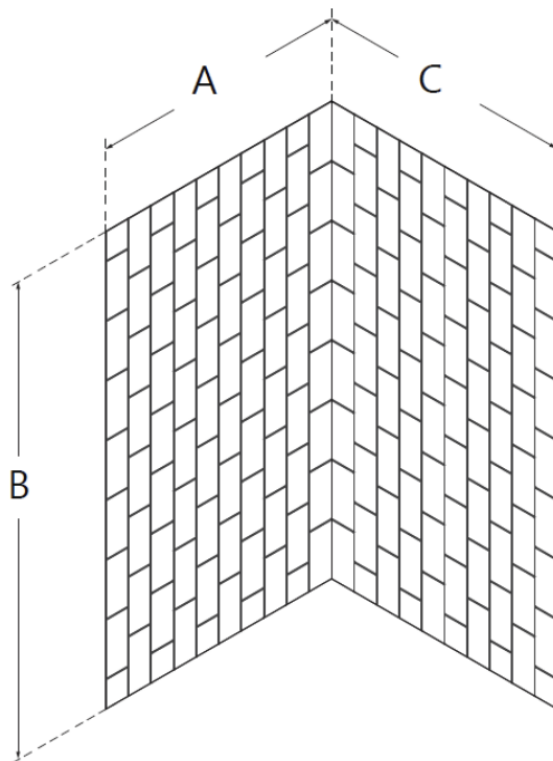
UNIVERSAL CORNER WALL KIT 4242 - 107390

SKU	Color	Pattern	Dimensions & Weight	Packaging	MSRP
107390-000-001	White	Textured Vertical	42" x 42" x 76" / 38 lb / 17 kg	9.375 ft ³	\$ 1281

RECOMMENDED DOORS

SKU	Product Name	Pag.
137451	Radia Square 42 x 42 x 71 1/2 - 6mm	424
137445	Radia Neo-round 40 x 40 x 71 1/2 - 6mm	419
137442	Radia Neo-angle 40 x 40 x 71 1/2 - 6mm	417
137441	Radia Neo-angle 38 x 38 x 71 1/2 - 6mm	417
137449	Radia Neo-round 38 x 38 x 71 1/2 - 6mm	420
137443	Radia Neo-round 32 x 32 x 71 1/2 - 6mm	419
137447	Radia Square 32 x 32 x 71 1/2 - 6mm	424
137444	Radia Neo-round 36 x 36 x 71 1/2 - 6mm	419
137448	Radia Square 36 x 36 x 71 1/2 - 6mm	424
137446	Radia Round 36 x 36 x 71 1/2 - 6mm	422
137440	Radia Neo-angle 36 x 36 x 71 1/2 - 6mm	417
139410	Outback Round 36 x 36 x 75 5/8 - 8mm	426
139330	Davana Rectangular 42 x 34 x 75 - 8mm	407
137302	Hana Rectangular 42 x 34 x 75 - 8mm	413
139315	Davana Neo-angle 38 x 38 x 75 - 8mm	403

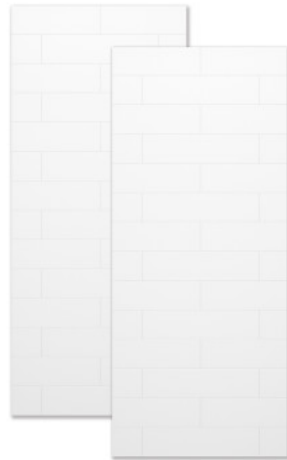
STANDARD



Code	Description	Width (A)	Height (B)	Depth (C)
107390	Universal Corner Wall 42"	41 1/2" (1054mm)	76" (1930mm)	41 1/2" (1054mm)

All dimensions are approximate. Structure measurements must be verified against the unit to ensure proper fit.

Denso 36 in. Wall Kit - Modern Subway-way



Material : SolidSurface

Features

- › Install by itself for a corner shower or Pair with Denso backwall in either 50-inch width (107226-000-270-000) or 62-inch width (107225-000-270-000) for an alcove shower or tub-shower installation
- › Composite walls made of durable high-quality SolidSurface material for an unprecedented peace of mind, with realistic tile look and textured grout lines for a stunning look at a lower cost.
- › Solid 1-piece wall panels designed to be cut-to-fit to ensure compatibility with all configurations, to be installed directly on drywall or over tile for maximum versatility.
- › For added convenience built in a stylish storage solution, see MAAX Glass Shelves featured in the image carousel. Refer to part number: 10042818 Corner Shelf, 10042819 Rectangular Shelf.
- › Compatible with most existing bathtub, shower bases and shower doors. Take a look at MAAX's vast product line for inspiration: <https://www.homedepot.ca/search?q=maax#q=maax>

DENSO 36 IN. - MODERN SUBWAY - 107223

SKU	Color	Pattern	Dimensions & Weight	MSRP
107223-000-270-000	White	Modern Subway Tile	36" x 1/4" x 84" / 80 lb / 36 kg	\$ 1493

DENSO 42 IN. - MODERN SUBWAY - 107224

SKU	Color	Pattern	Dimensions & Weight	MSRP
107224-000-270-000	White	Modern Subway Tile	42" x 1/4" x 84" / 93 lb / 42 kg	\$ 1779

ACCESSORIES

SKU	Description	MSRP
10042818-340	Corner metal and glass shelf (9 5/8 x 9 5/8 in.) Removable tempered glass to ease the cleaning	\$ 143
10042818-201	Ledge to secure the products in place Compatible with most wall solutions	\$ 143
10042818-276	Available colors: Glossy White (276) Matte Black (340)	\$ 143

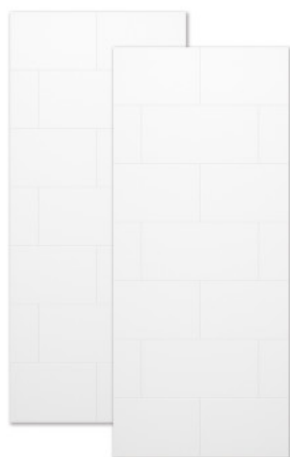
ACCESSORIES

SKU	Description	MSRP
10042818-343	Corner metal and glass shelf (9 5/8 x 9 5/8 in.) Removable tempered glass to ease the cleaning Ledge to secure the products in place Compatible with most wall solutions Available colors: Glossy White (276) Matte Black (340)	\$ 143
10060311	Corner glass shelf (9 3/8 x 9 3/8 in.) (sold separately) 10 mm frosted glass with a clear band along the edge Compatible with Utile and tile shower walls	\$ 158
10042819-340	Rectangular metal and glass shelf (13 5/8 x 4 5/8 in.) Removable tempered glass to ease the cleaning Ledge to secure the products in place Compatible with most wall solutions Available colors: Glossy White (276) Matte Black (340)	\$ 143
10042819-201		\$ 143
10042819-276		\$ 143
10042819-343		\$ 143

RECOMMENDED DOORS

SKU	Product Name	Pag.
137443	Radia Neo-round 32 x 32 x 71 1/2 - 6mm	419
137447	Radia Square 32 x 32 x 71 1/2 - 6mm	424
137444	Radia Neo-round 36 x 36 x 71 1/2 - 6mm	419
137448	Radia Square 36 x 36 x 71 1/2 - 6mm	424
137446	Radia Round 36 x 36 x 71 1/2 - 6mm	422
137440	Radia Neo-angle 36 x 36 x 71 1/2 - 6mm	417
139410	Outback Round 36 x 36 x 75 5/8 - 8mm	426

Denso 36 in. Wall Kit - Traditional Subway



Material : SolidSurface

Features

- › 36-inch wide shower or tub-shower 2 sidewalls kit with a 12-inch by 24-inch horizontal Traditional Subway Tile pattern in a beautiful matte white finish
- › Install by itself for a corner shower or Pair with Denso backwall in either 50-inch width (107230-000-270-000) or 62-inch width (107229-000-270-000) for an alcove shower or tub-shower installation
- › Composite walls made of durable high-quality SolidSurface material for an unprecedented peace of mind, with realistic tile look and textured grout lines for a stunning look at a lower cost.
- › Solid 1-piece wall panels designed to be cut-to-fit to ensure compatibility with all configurations, to be installed directly on drywall or over tile for maximum versatility.
- › For added convenience built in a stylish storage solution, see MAAX Glass Shelves featured in the image carousel. Refer to part number: 10042818 Corner Shelf, 10042819 Rectangular Shelf.
- › Compatible with most existing bathtub, shower bases and shower doors. Take a look at MAAX's vast product line for inspiration: <https://www.homedepot.ca/search?q=maax#!q=maax>

DENSO

DENSO 36 IN. - TRADITIONAL SUBWAY - 107227

SKU	Color	Pattern	Dimensions & Weight	MSRP
107227-000-270-000	White	Traditional Subway Tile	36" x 1/4" x 84" / 80 lb / 36 kg	\$ 1493

DENSO 42 IN. - TRADITIONAL SUBWAY - 107228

SKU	Color	Pattern	Dimensions & Weight	MSRP
107228-000-270-000	White	Traditional Subway Tile	42" x 1/4" x 84" / 93 lb / 42 kg	\$ 1779

ACCESSORIES

SKU	Description	MSRP
10042818-340	Corner metal and glass shelf (9 5/8 x 9 5/8 in.) Removable tempered glass to ease the cleaning Ledge to secure the products in place Compatible with most wall solutions Available colors: Glossy White (276) Matte Black (340)	\$ 143

ACCESSORIES

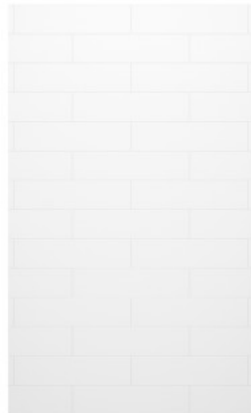
SKU	Description	MSRP
10042818-201	Corner metal and glass shelf (9 5/8 x 9 5/8 in.) Removable tempered glass to ease the cleaning	\$ 143
10042818-276	Ledge to secure the products in place Compatible with most wall solutions	\$ 143
10042818-343	Available colors: Glossy White (276) Matte Black (340)	\$ 143
10060311	Corner glass shelf (9 3/8 x 9 3/8 in.) (sold separately) 10 mm frosted glass with a clear band along the edge Compatible with Utile and tile shower walls	\$ 158
10042819-340	Rectangular metal and glass shelf (13 5/8 x 4 5/8 in.) Removable tempered glass to ease the cleaning Ledge to secure the products in place Compatible with most wall solutions Available colors: Glossy White (276) Matte Black (340)	\$ 143
10042819-201		\$ 143
10042819-276		\$ 143
10042819-343		\$ 143

RECOMMENDED DOORS

SKU	Product Name	Pag.
137443	Radia Neo-round 32 x 32 x 71 1/2 - 6mm	419
137447	Radia Square 32 x 32 x 71 1/2 - 6mm	424
137444	Radia Neo-round 36 x 36 x 71 1/2 - 6mm	419
137448	Radia Square 36 x 36 x 71 1/2 - 6mm	424
137446	Radia Round 36 x 36 x 71 1/2 - 6mm	422
137440	Radia Neo-angle 36 x 36 x 71 1/2 - 6mm	417
139410	Outback Round 36 x 36 x 75 5/8 - 8mm	426



Denso 50 in. Back Wall - Modern Subway



Material : SolidSurface

Features

- › 50-inch wide shower or tub-shower backwall with a 6-inch by 24-inch horizontal Modern Subway Tile pattern in a beautiful matte white finish
- › Pair with Denso 2-piece sidewalls kit in either 36-inch width (107223-000-270-000) or 42-inch width (107224-000-270-000) for either a corner or a alcove installation
- › Composite walls made of durable high-quality SolidSurface material for an unprecedented peace of mind, with realistic tile look and textured grout lines for a stunning look at a lower cost.
- › Solid 1-piece wall panels designed to be cut-to-fit to ensure compatibility with all configurations, to be installed directly on drywall or over tile for maximum versatility.
- › For added convenience built in a stylish storage solution, see MAAX Glass Shelves featured in the image carousel. Refer to part number: 10042818 Corner Shelf, 10042819 Rectangular Shelf.
- › Compatible with most existing bathtub, shower bases and shower doors. Take a look at MAAX's vast product line for inspiration: <https://www.homedepot.ca/search?q=maax#!q=maax>

DENSO 50 IN. BACK WALL - MODERN SUBWAY - 107226

SKU	Color	Pattern	Dimensions & Weight	MSRP
107226-000-270-000	White	Modern Subway Tile	50" x 84" x 1/4" / 56 lb / 25 kg	\$ 1744

DENSO 50 IN. BACK WALL - TRADITIONAL SUBWAY - 107230

SKU	Color	Pattern	Dimensions & Weight	MSRP
107230-000-270-000	White	Traditional Subway Tile	50" x 84" x 1/4" / 56 lb / 25 kg	\$ 1744

ACCESSORIES

SKU	Description	MSRP
10042818-340	Corner metal and glass shelf (9 5/8 x 9 5/8 in.) Removable tempered glass to ease the cleaning Ledge to secure the products in place Compatible with most wall solutions Available colors: Glossy White (276) Matte Black (340)	\$ 143

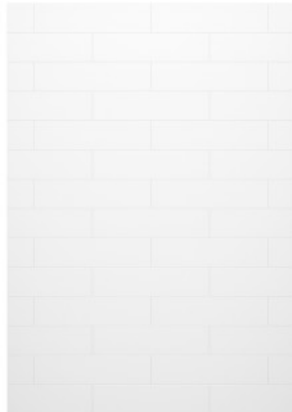
ACCESSORIES

SKU	Description	MSRP
10042818-201	Corner metal and glass shelf (9 5/8 x 9 5/8 in.) Removable tempered glass to ease the cleaning	\$ 143
10042818-276	Ledge to secure the products in place Compatible with most wall solutions	\$ 143
10042818-343	Available colors: Glossy White (276) Matte Black (340)	\$ 143
10060311	Corner glass shelf (9 3/8 x 9 3/8 in.) (sold separately) 10 mm frosted glass with a clear band along the edge Compatible with Utile and tile shower walls	\$ 158
10042819-340	Rectangular metal and glass shelf (13 5/8 x 4 5/8 in.) Removable tempered glass to ease the cleaning Ledge to secure the products in place Compatible with most wall solutions Available colors: Glossy White (276) Matte Black (340)	\$ 143
10042819-201		\$ 143
10042819-276		\$ 143
10042819-343		\$ 143

DENSO



Denso 62 in. Back Wall - Modern Subway



Material : SolidSurface

Features

- › Pair with Denso 2-piece sidewalls kit in either 36-inch width (107223-000-270-000) or 42-inch width (107224-000-270-000) for either a corner or a alcove installation
- › Composite walls made of durable high-quality SolidSurface material for an unprecedented peace of mind, with realistic tile look and textured grout lines for a stunning look at a lower cost.
- › Solid 1-piece wall panels designed to be cut-to-fit to ensure compatibility with all configurations, to be installed directly on drywall or over tile for maximum versatility.
- › For added convenience built in a stylish storage solution, see MAAX Glass Shelves featured in the image carousel. Refer to part number: 10042818 Corner Shelf, 10042819 Rectangular Shelf.
- › Compatible with most existing bathtub, shower bases and shower doors. Take a look at MAAX's vast product line for inspiration: <https://www.homedepot.ca/search?q=maax#q=maax>

DENSO

DENSO 62 IN. BACK WALL - MODERN SUBWAY - 107225

SKU	Color	Pattern	Dimensions & Weight	MSRP
107225-000-270-000	White	Modern Subway Tile	62" x 84" x 1/4" / 69 lb / 31 kg	\$ 1994

DENSO 62 IN. BACK WALL - TRADITIONAL SUBWAY - 107229

SKU	Color	Pattern	Dimensions & Weight	MSRP
107229-000-270-000	White	Traditional Subway Tile	62" x 84" x 1/4" / 69 lb / 31 kg	\$ 1994

ACCESSORIES

SKU	Description	MSRP
10042818-340	Corner metal and glass shelf (9 5/8 x 9 5/8 in.) Removable tempered glass to ease the cleaning	\$ 143
10042818-201	Ledge to secure the products in place Compatible with most wall solutions	\$ 143
10042818-276	Available colors: Glossy White (276) Matte Black (340)	\$ 143

ACCESSORIES

SKU	Description	MSRP
10042818-343	Corner metal and glass shelf (9 5/8 x 9 5/8 in.) Removable tempered glass to ease the cleaning Ledge to secure the products in place Compatible with most wall solutions Available colors: Glossy White (276) Matte Black (340)	\$ 143
10060311	Corner glass shelf (9 3/8 x 9 3/8 in.) (sold separately) 10 mm frosted glass with a clear band along the edge Compatible with Utile and tile shower walls	\$ 158
10042819-340	Rectangular metal and glass shelf (13 5/8 x 4 5/8 in.) Removable tempered glass to ease the cleaning Ledge to secure the products in place Compatible with most wall solutions Available colors: Glossy White (276) Matte Black (340)	\$ 143
10042819-201		\$ 143
10042819-276		\$ 143
10042819-343		\$ 143

DENSO



NexTile 4-piece Tub Wall Set



Material : Composite

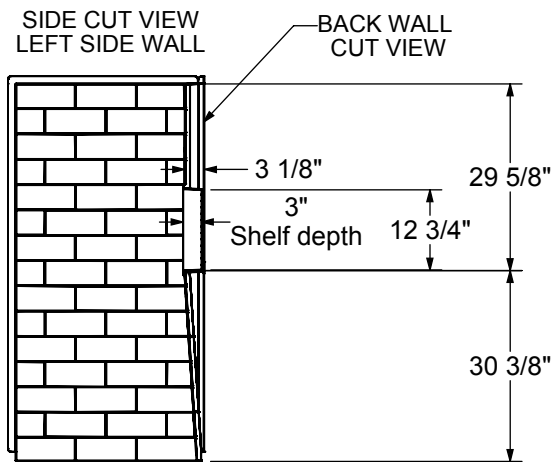
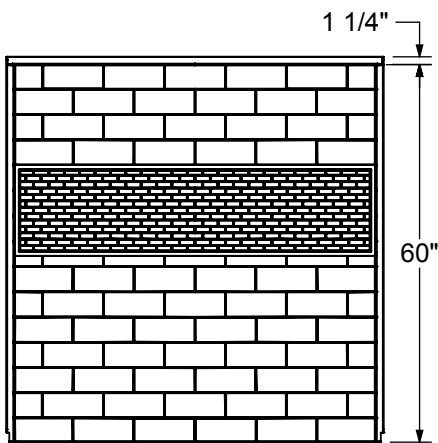
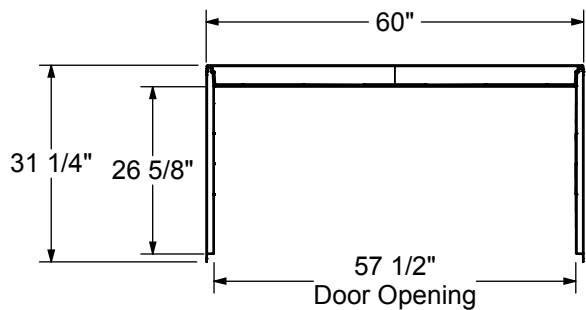
Features

- › Subway tile design with realistic grout texture without the upkeep or high price tag
- › 4-piece direct-to-stud design for easy handling and a quick, 1 person installation
- › Spacious wall-to-wall storage niche with a beautiful accent mosaic tile pattern
- › Compatible with most 60-inch x 30-inch bathtub
- › Pair with one of these Maax tub for a hassle-free solution : New Town 60x30 IFS, Avenue 60x30, Nomad 60x30, Nomad 60x30 AFR, Bosca 60 x 30

NEXTILE

NEXTILE 6030 - 106542

SKU	Color	Pattern	Dimensions & Weight	Packaging	MSRP
106542-000-270-000	White	Classic Subway Tile	60" x 30" x 60" / 105 lb / 48 kg	15.9 ft ³	\$ 1526



All dimensions are approximate. Structure measurements must be verified against the unit to ensure proper fit.

Nextile 6032



Material : Composite

Features

- › 4-piece compression molded composite with subway tile look, textured grout lines, and built-in storage niche
- › Compatible with selected 60" x 32" shower bases
- › Fast direct-to-stud installation
- › Panels easily fit through existing doorways and can be installed by one person
- › No surface coating to chip or crack - color runs throughout



NEXTILE

NEXTILE 6032 SHOWER WALL KIT - 107352

SKU	Color	Pattern	Dimensions & Weight	MSRP
107352-000-270-000	White	Classic Subway Tile	60" x 32" x 74" / 105 lb / 48 kg	\$ 2253

59" Elan



POLYSTYRENE WALLS



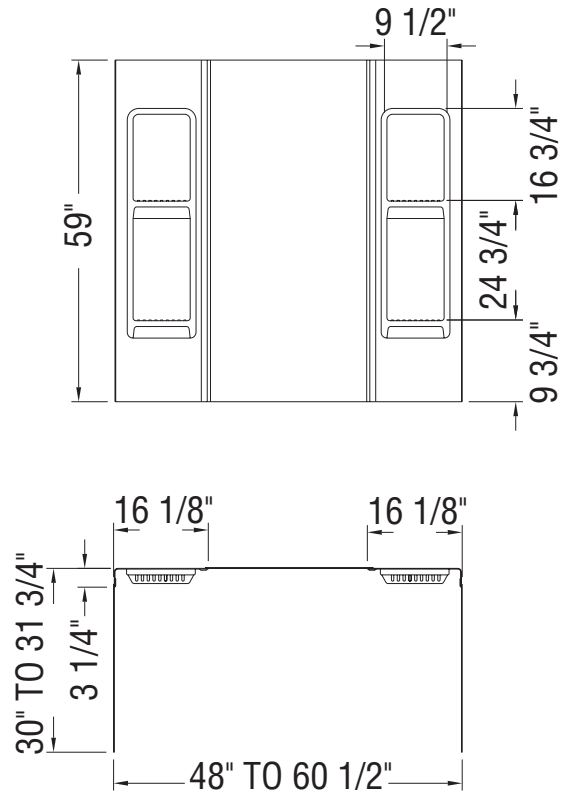
Material : Polystyrene

Features

- › 5-piece wall set easy to handle and install
- › Can be cut to size to accommodate any shower space that fits a length of 48-61" and a width of 30-32"
- › 4 integrated shelves and soap dish storage
- › Glue-up walls ideal for remodel projects
- › Easy to clean and durable glossy finish

ELAN 59" - 101593

SKU	Color	Pattern	Dimensions & Weight	Packaging	MSRP
101593-000-129-000	White	Smooth wall	60 1/2" x 31 3/4" x 59" / 20 lb / 9 kg	5 ft ³	\$ 262



All dimensions are approximate. Structure measurements must be verified against the unit to ensure proper fit.



59" Finesse

POLYSTYRENE WALLS



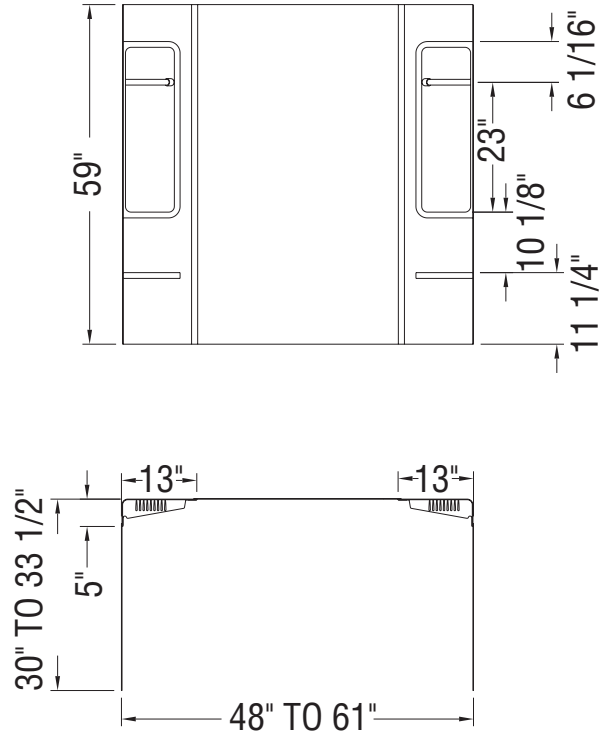
Material : Polystyrene

Features

- › 59 " high walls to accommodate a tub shower
- › 5-piece wall set easy to handle and install
- › Can be cut to size to accommodate any shower space that fits a length of 48-61" and a width of 30-34"
- › 4 integrated shelves with 2 clear acrylic towel bars for convenient storage space
- › Glue-up walls ideal for remodel projects
- › Easy to clean and durable glossy finish

FINESSE 59" - 101594

SKU	Color	Pattern	Dimensions & Weight	Packaging	MSRP
101594-000-129-000	White	Smooth wall	61" x 33 1/2" x 59" / 22 lb / 10 kg	5 ft ³	\$ 374



All dimensions are approximate. Structure measurements must be verified against the unit to ensure proper fit.

59" Utah



POLYSTYRENE WALLS



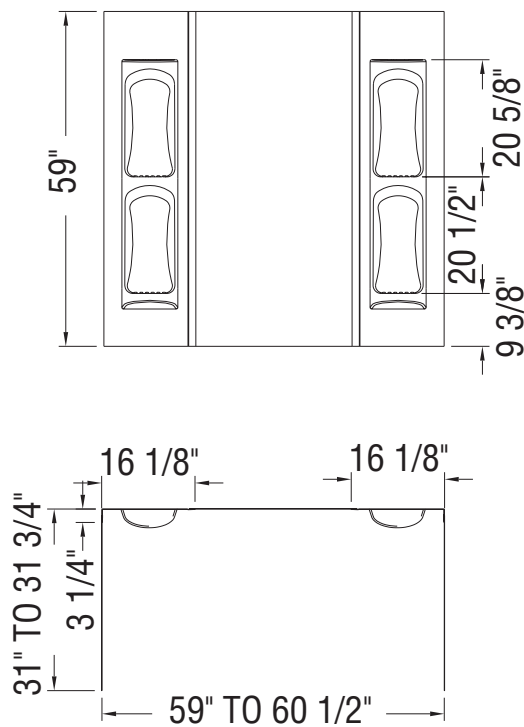
Material : Polystyrene

Features

- > 5-piece tub wall kit
- > 59" high
- > Smooth finish, high gloss (White)
- > 4 shelves
- > Fits a length of 48-61" and a width of 31-32"

UTAH 59" - 102573

SKU	Color	Pattern	Dimensions & Weight	Packaging	MSRP
102573-000-129-000	White	Smooth wall	60 1/2" x 31 3/4" x 59" / 20 lb / 9 kg	5 ft ³	\$ 262



All dimensions are approximate. Structure measurements must be verified against the unit to ensure proper fit.



80" Finesse

POLYSTYRENE WALLS



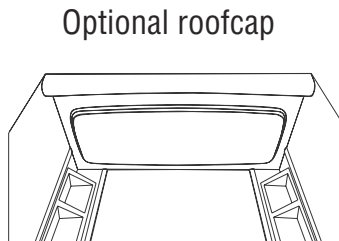
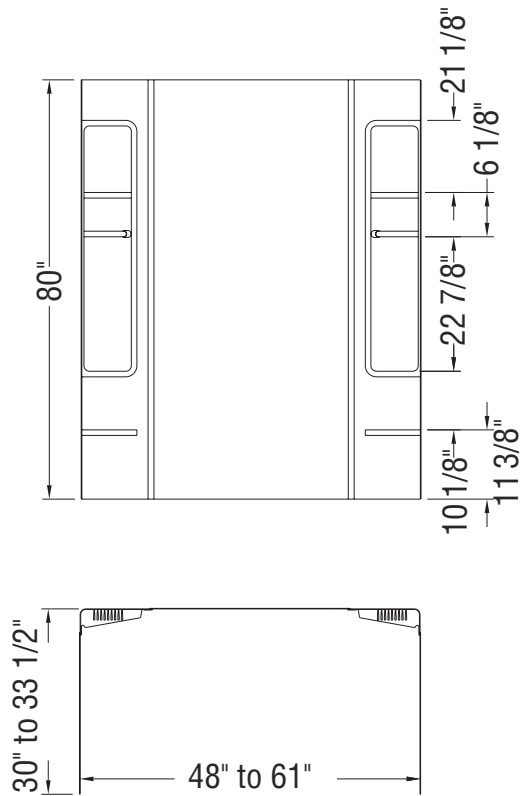
Material : Polystyrene

Features

- › 80" high walls that can be installed on a bathtub or a shower base
- › 5-piece wall set easy to handle and install
- › Can be cut to size to accommodate any shower space that fits a length of 48-61" and a width of 30-34"
- › 6 integrated shelves with 2 clear acrylic towel bars for convenient storage space
- › Glue-up walls ideal for remodel projects
- › Easy to clean and durable glossy finish
- › Optional roofcap

FINESSE 80" - 101595					
SKU	Color	Pattern	Dimensions & Weight	Packaging	MSRP
101595-000-129-000	White	Smooth wall	61" x 33 1/2" x 80" / 32 lb / 15 kg	11 ft ³	\$ 496

COMMON OPTIONS		
SKU	Description	MSRP
101657-000-129-101	Roof cap	\$ 251
101657-000-001-000	Tub wall may be cut to fit smaller bathtubs (e.g. 30 in. x 48 in.). Please refer to the installation guide.	\$ 251
101657-000-130-101	Available in White (129) only	\$ 251



All dimensions are approximate. Structure measurements must be verified against the unit to ensure proper fit.



Single Back Walls

UTILE



Material : Composite

Features

- › Combine with a two side walls for an alcove installation and one side wall for a corner installation
- › Direct-to-stud installation
- › Installs easily in just 1 day versus 3 days for standard ceramic tile
- › Mistake-proof Ulok installation system allows you to perfectly align the panels, slip them together and lock them into place
- › Proudly made in North America
- › Featuring Evergrout™: the first realistic and textured grout lines with that won't crack or leak
- › No tile or grout protective sealer required
- › Solid, 1-piece wall panel: sturdy and durable allows for installation of grab bars and other accessories
- › Solid, 1-piece wall panel: sturdy and durable allows for installation of grab bars and other accessories

UTILE 48 BACK WALL - 103411

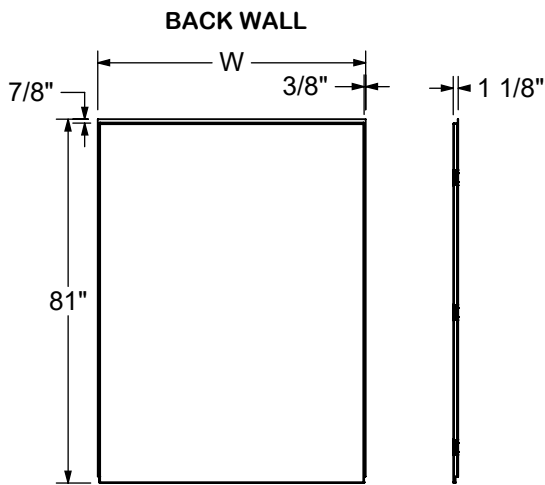
SKU	Color	Pattern	Dimensions & Weight	Packaging	MSRP
103411-300-502-000	Greige	Origin	48" x 80" x 1 1/8" / 77 lb / 35 kg	3.599 ft ³	\$ 1291
103411-300-524-000	Arctik				\$ 1291
103411-301-019-000	Thunder Gray	Metro			\$ 1291
103411-301-500-000	Soft Grey				\$ 1291
103411-301-501-000	Ash Grey				\$ 1291
103411-302-503-000	Sahara	Stone			\$ 1518

ACRYLIC SHIELD - 103412

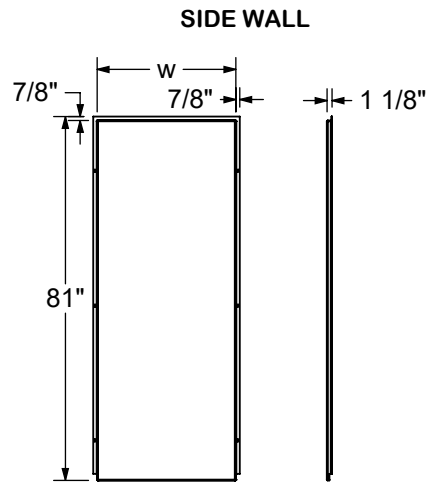
SKU	Color	Pattern	Dimensions & Weight	Packaging	MSRP
103412-300-502-000	Greige	Origin	60" x 80" x 1 1/8" / 96 lb / 44 kg	4.462 ft ³	\$ 1538
103412-300-524-000	Arctik				\$ 1538
103412-301-019-000	Thunder Gray	Metro			\$ 1538
103412-301-500-000	Soft Grey				\$ 1538
103412-301-501-000	Ash Grey				\$ 1538
103412-302-503-000	Sahara	Stone			\$ 1809

ACCESSORIES

SKU	Description	MSRP
10042818-340	Corner metal and glass shelf (9 5/8 x 9 5/8 in.) Removable tempered glass to ease the cleaning Ledge to secure the products in place Compatible with most wall solutions Available colors: Glossy White (276) Matte Black (340)	\$ 143
10042818-201		\$ 143
10042818-276		\$ 143
10042818-343		\$ 143
10042819-340	Rectangular metal and glass shelf (13 5/8 x 4 5/8 in.) Removable tempered glass to ease the cleaning Ledge to secure the products in place Compatible with most wall solutions Available colors: Glossy White (276) Matte Black (340)	\$ 143
10042819-201		\$ 143
10042819-276		\$ 143
10042819-343		\$ 143
10060311	Corner glass shelf (9 3/8 x 9 3/8 in.) (sold separately) 10 mm frosted glass with a clear band along the edge Compatible with Utile and tile shower walls	\$ 158
10060315	10 Corner glass shelf (9 3/8 X 9 3/8 in) 10 mm frosted glass with a clear band along the edge	\$ 1511



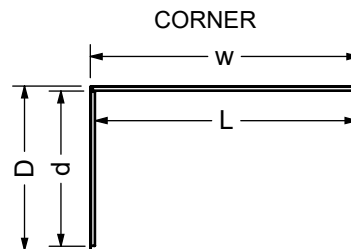
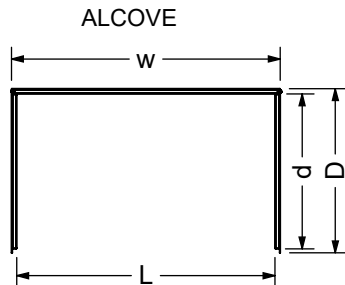
Code	Description	W (in.)
103411	Utile 48 in. back wall	47 5/8
103412	Utile 60 in. back wall	59 5/8



Code	Description	W (in.)
103409	Utile 32 in. side wall	32 1/2

TOP VIEW (ASSEMBLED)

Configuration	W (in.)	L alcove (in.)	L corner (in.)	D (in.)	d (in.)
Utile 4832	47 3/4	45 1/2	46 1/4	32 3/4	30 3/4
Utile 6032	59 3/4	57 1/2	58 1/8	32 3/4	30 3/4



This product is designed to be installed in a building that conforms with the requirements of the National Building Code of Canada 2005

All dimensions are approximate. Structure measurements must be verified against the unit to ensure proper fit.

Single Side Walls



Material : Composite Features

- › Combine with a back wall and two side walls for an alcove installation and one side wall for a corner installation
- › Direct-to-stud installation
- › Installs easily in just 1 day versus 3 days for standard ceramic tile
- › Mistake-proof Ulok installation system allows you to perfectly align the panels, slip them together and lock them into place
- › Proudly made in North America
- › Featuring Evergrout™: the first realistic and textured grout lines with that won't crack or leak
- › No tile or grout protective sealer required
- › Solid, 1-piece wall panel: sturdy and durable allows for installation of grab bars and other accessories

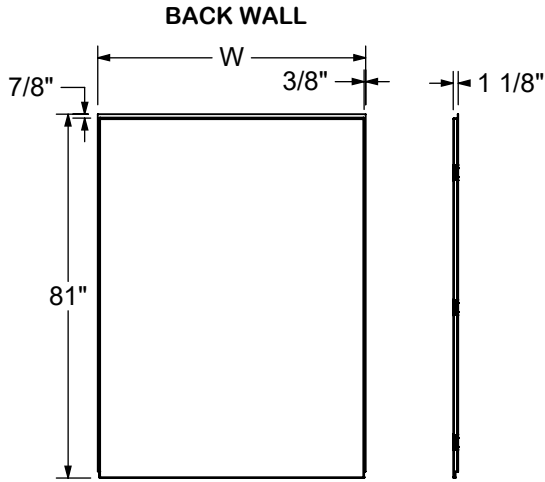
UTILE

UTILE 32 SIDE WALL - 103409

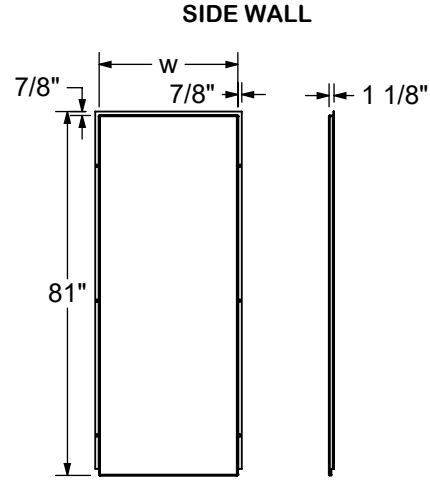
SKU	Color	Pattern	Dimensions & Weight	Packaging	MSRP
103409-300-502-000	Greige	Origin	32" x 80" x 1 1/8" / 51 lb / 23 kg	2.452 ft ³	\$ 770
103409-300-524-000	Arctik				\$ 770
103409-301-019-000	Thunder Gray	Metro			\$ 770
103409-301-500-000	Soft Grey				\$ 770
103409-301-501-000	Ash Grey				\$ 770
103409-302-503-000	Sahara	Stone			\$ 905

ACCESSORIES

SKU	Description	MSRP
10042818-340	Corner metal and glass shelf (9 5/8 x 9 5/8 in.) Removable tempered glass to ease the cleaning Ledge to secure the products in place Compatible with most wall solutions Available colors: Glossy White (276) Matte Black (340)	\$ 143
10042818-201		\$ 143
10042818-276		\$ 143
10042818-343		\$ 143
10042819-340	Rectangular metal and glass shelf (13 5/8 x 4 5/8 in.) Removable tempered glass to ease the cleaning Ledge to secure the products in place Compatible with most wall solutions Available colors: Glossy White (276) Matte Black (340)	\$ 143
10042819-201		\$ 143
10042819-276		\$ 143
10042819-343		\$ 143



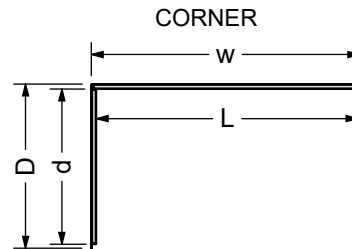
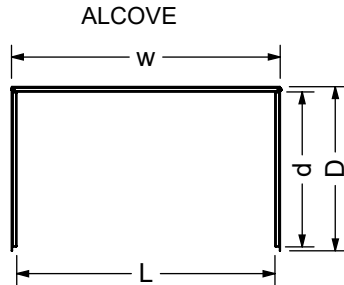
Code	Description	W (in.)
103411	Utile 48 in. back wall	47 5/8
103412	Utile 60 in. back wall	59 5/8



Code	Description	W (in.)
103409	Utile 32 in. side wall	32 1/2

TOP VIEW (ASSEMBLED)

Configuration	W (in.)	L alcove (in.)	L corner (in.)	D (in.)	d (in.)
Utile 4832	47 3/4	45 1/2	46 1/4	32 3/4	30 3/4
Utile 6032	59 3/4	57 1/2	58 1/8	32 3/4	30 3/4



This product is designed to be installed in a building that conforms with the requirements of the National Building Code of Canada 2005
 All dimensions are approximate. Structure measurements must be verified against the unit to ensure proper fit.

Wall Kits - Alcove Shower



Material : Composite
Features

- › Shower kit includes: 1 back wall, 2 side walls and one corner glass shelf
- › Direct-to-stud installation
- › Installs easily in just 1 day versus 3 days for standard ceramic tile
- › Mistake-proof Ulok installation system allows you to perfectly align the panels, slip them together and lock them into place
- › Proudly made in North-America
- › Featuring Evergrout™: the first realistic and textured grout lines with that won't crack or leak
- › No tile or grout protective sealer required
- › Solid, 1-piece wall panel: sturdy and durable allows for installation of grab bars and other accessories

UTILE

UTILE 4832 SHOWER WALL KIT - 107455

SKU	Color	Pattern	Dimensions & Weight	Packaging	MSRP
107455-300-524-000	Arctik	Origin	48" x 32" x 80" / 178 lb / 81 kg	1.778 ft ³	\$ 2829
107455-301-019-000	Thunder Gray	Metro			\$ 2829
107455-301-500-000	Soft Grey				\$ 2829
107455-301-501-000	Ash Grey				\$ 2829

UTILE 6032 SHOWER WALL KIT - 107456

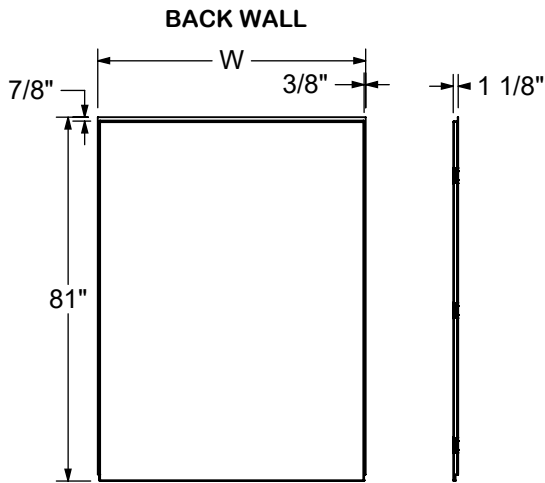
SKU	Color	Pattern	Dimensions & Weight	Packaging	MSRP
107456-300-524-000	Arctik	Origin	60" x 32" x 80" / 198 lb / 90 kg	2.222 ft ³	\$ 2819
107456-301-019-000	Thunder Gray	Metro			\$ 2819
107456-301-500-000	Soft Grey				\$ 2819
107456-301-501-000	Ash Grey				\$ 2819

ACCESSORIES

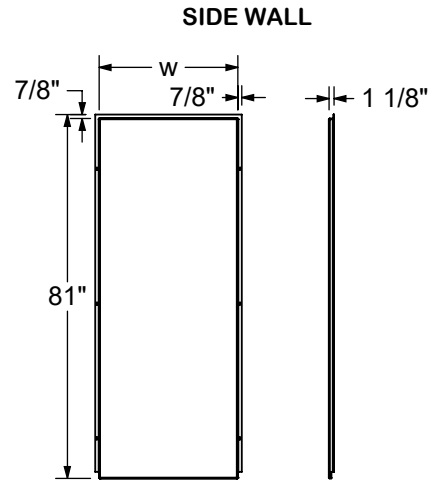
SKU	Description	MSRP
10029996-084	18 in. modern straight grab bar with flange (front installation) Specify colour: White (002), Chrome (084), Brushed Nickel (105)	\$ 315
10029996-002		\$ 315
10029996-105		\$ 315
10030093-084	23 in. Curved left-hand grab bar with flange (front installation) Specify colour: White (002), Chrome (084), Brushed Nickel (105)	\$ 536

ACCESSORIES

SKU	Description	MSRP
10030093-002	23 in. Curved left-hand grab bar with flange (front installation)	\$ 536
10030093-105	Specify colour: White (002), Chrome (084), Brushed Nickel (105)	\$ 536
10030094-084		\$ 536
10030094-105	23 in. Curved right-hand grab bar with flange (front installation)	\$ 536
10030094-002	Specify colour: White (002), Chrome (084), Brushed Nickel (105)	\$ 536
10029997-002		\$ 359
10029997-105	24 in. modern straight grab bar with flange (front installation)	\$ 359
10029997-084	Specify color: White (002), Chrome (084), Brushed Nickel (105)	\$ 359
10029998-084		\$ 403
10029998-002	30 in. modern straight grab bar with flange (front installation)	\$ 403
10029998-105	Specify colour: White (002), Chrome (084), Brushed Nickel (105)	\$ 403
10030095-002		\$ 581
10030095-084	32 in. curved left-hand grab bar with flange (front installation)	\$ 581
10030095-105	Specify colour: White (002), Chrome (084), Brushed Nickel (105)	\$ 581
10030097-084		\$ 581
10030097-002	32 in. curved right-hand grab bar with flange (front installation)	\$ 581
10030097-105	Specify colour: White (002), Chrome (084), Brushed Nickel (105)	\$ 581
10030100-002	37 in. modern curved left-hand grab bar with flange (front installation)	\$ 594
10030084-002	42 in. modern straight grab bar with flange (front installation)	\$ 469
10030086-002	Specify color: White (002), Chrome (084)	\$ 501
10030086-105	48 in. modern straight grab bar with flange (front installation)	\$ 501
10030086-084	Specify color: White (002), Chrome (084), Brushed Nickel (105)	\$ 501
10060311	Corner glass shelf (9 3/8 x 9 3/8 in.) (sold separately) 10 mm frosted glass with a clear band along the edge Compatible with Utile and tile shower walls	\$ 158
10042819-340		\$ 143
10042819-201	Rectangular metal and glass shelf (13 5/8 x 4 5/8 in.) Removable tempered glass to ease the cleaning Ledge to secure the products in place	\$ 143
10042819-276	Compatible with most wall solutions	\$ 143
10042819-343	Available colors: Glossy White (276) Matte Black (340)	\$ 143
10042818-340		\$ 143
10042818-201	Corner metal and glass shelf (9 5/8 x 9 5/8 in.) Removable tempered glass to ease the cleaning Ledge to secure the products in place	\$ 143
10042818-276	Compatible with most wall solutions	\$ 143
10042818-343	Available colors: Glossy White (276) Matte Black (340)	\$ 143



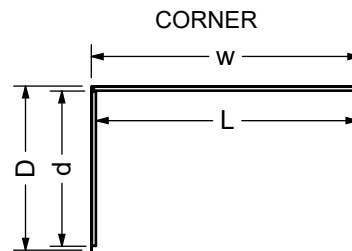
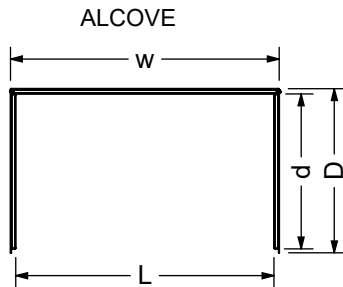
Code	Description	W (in.)
103411	Utile 48 in. back wall	47 5/8
103412	Utile 60 in. back wall	59 5/8



Code	Description	W (in.)
103409	Utile 32 in. side wall	32 1/2

TOP VIEW (ASSEMBLED)

Configuration	W (in.)	L alcove (in.)	L corner (in.)	D (in.)	d (in.)
Utile 4832	47 3/4	45 1/2	46 1/4	32 3/4	30 3/4
Utile 6032	59 3/4	57 1/2	58 1/8	32 3/4	30 3/4



This product is designed to be installed in a building that conforms with the requirements of the National Building Code of Canada 2005
 All dimensions are approximate. Structure measurements must be verified against the unit to ensure proper fit.

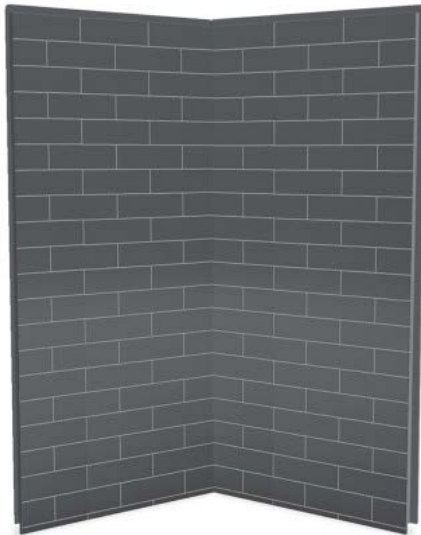
Wall Kits - Corner Shower



Material : Composite

Features

- › Shower kit includes: 2 shower walls with a corner glass shelf
- › Direct-to-stud installation
- › Installs easily in just 1 day versus 3 days for standard ceramic tile
- › Mistake-proof positioning strip allows you to position the panels into place and perfectly align them in the corner
- › Proudly made in North-America
- › Featuring Evergrout™: the first realistic and textured grout lines with that won't crack or leak
- › No tile or grout protective sealer required
- › Solid, 1-piece wall panel: sturdy and durable allows for installation of grab bars and other accessories



UTILE 3636 SHOWER WALL KIT - 103378

SKU	Color	Pattern	Dimensions & Weight	Packaging	MSRP
103378-301-019-000	Thunder Gray	Metro	36" x 36" x 80" / 82 lb / 37 kg	1.5 ft ³	\$ 1729
103378-301-500-000	Soft Grey				\$ 1729
103378-301-501-000	Ash Grey				\$ 1729

UTILE 4832 SHOWER WALL KIT - 107457

SKU	Color	Pattern	Dimensions & Weight	Packaging	MSRP
107457-300-524-000	Arctik	Origin	48" x 32" x 80" / 128 lb / 58 kg	1.778 ft ³	\$ 2060
107457-301-019-000	Thunder Gray	Metro			\$ 2060
107457-301-500-000	Soft Grey				\$ 2060
107457-301-501-000	Ash Grey				\$ 2060

UTILE 6032 SHOWER WALL KIT - 107458

SKU	Color	Pattern	Dimensions & Weight	Packaging	MSRP
107458-300-524-000	Arctik	Origin	60" x 32" x 80" / 147 lb / 67 kg	2.222 ft ³	\$ 2307
107458-301-019-000	Thunder Gray	Metro			\$ 2307
107458-301-500-000	Soft Grey				\$ 2307
107458-301-501-000	Ash Grey				\$ 2307

UTILE

ACCESSORIES

SKU	Description	MSRP
10029996-084		\$ 315
10029996-002	18 in. modern straight grab bar with flange (front installation) Specify colour: White (002), Chrome (084), Brushed Nickel (105)	\$ 315
10029996-105		\$ 315
10030093-084		\$ 536
10030093-002	23 in. Curved left-hand grab bar with flange (front installation) Specify colour: White (002), Chrome (084), Brushed Nickel (105)	\$ 536
10030093-105		\$ 536
10030094-084		\$ 536
10030094-105	23 in. Curved right-hand grab bar with flange (front installation) Specify colour: White (002), Chrome (084), Brushed Nickel (105)	\$ 536
10030094-002		\$ 536
10029997-002		\$ 359
10029997-105	24 in. modern straight grab bar with flange (front installation) Specify color: White (002), Chrome (084), Brushed Nickel (105)	\$ 359
10029997-084		\$ 359
10029998-084		\$ 403
10029998-002	30 in. modern straight grab bar with flange (front installation) Specify colour: White (002), Chrome (084), Brushed Nickel (105)	\$ 403
10029998-105		\$ 403
10030095-002		\$ 581
10030095-084	32 in. curved left-hand grab bar with flange (front installation) Specify colour: White (002), Chrome (084), Brushed Nickel (105)	\$ 581
10030095-105		\$ 581
10030097-084		\$ 581
10030097-002	32 in. curved right-hand grab bar with flange (front installation) Specify colour: White (002), Chrome (084), Brushed Nickel (105)	\$ 581
10030097-105		\$ 581
10029999-105		\$ 427
10029999-002	36 in. modern straight grab bar with flange (front installation) Specify colour: White (002), Chrome (084), Brushed Nickel (105)	\$ 427
10029999-084		\$ 427
10030084-002	42 in. modern straight grab bar with flange (front installation) Specify color: White (002), Chrome (084)	\$ 469
10030086-002		\$ 501
10030086-105	48 in. modern straight grab bar with flange (front installation) Specify color: White (002), Chrome (084), Brushed Nickel (105)	\$ 501
10030086-084		\$ 501
10060311	Corner glass shelf (9 3/8 x 9 3/8 in.) (sold separately) 10 mm frosted glass with a clear band along the edge Compatible with Utile and tile shower walls	\$ 158
10042819-340		\$ 143
10042819-201	Rectangular metal and glass shelf (13 5/8 x 4 5/8 in.) Removable tempered glass to ease the cleaning Ledge to secure the products in place	\$ 143
10042819-276	Compatible with most wall solutions	\$ 143
10042819-343	Available colors: Glossy White (276) Matte Black (340)	\$ 143
10042818-340	Corner metal and glass shelf (9 5/8 x 9 5/8 in.) Removable tempered glass to ease the cleaning Ledge to secure the products in place Compatible with most wall solutions Available colors: Glossy White (276) Matte Black (340)	\$ 143

ACCESSORIES

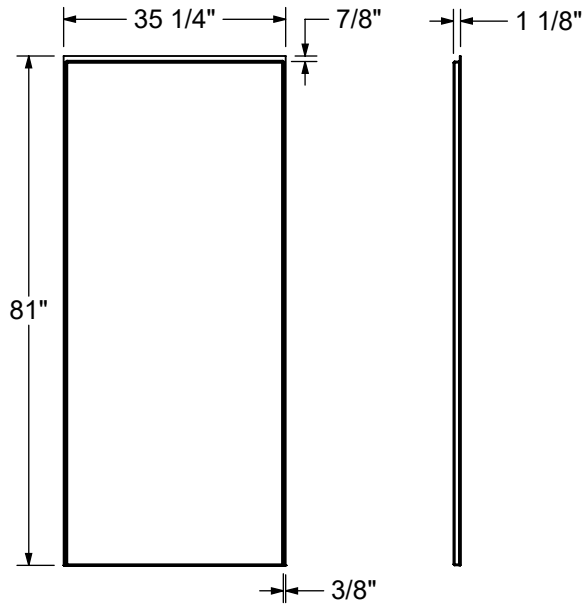
SKU	Description	MSRP
10042818-201	Corner metal and glass shelf (9 5/8 x 9 5/8 in.) Removable tempered glass to ease the cleaning	\$ 143
10042818-276	Ledge to secure the products in place Compatible with most wall solutions	\$ 143
10042818-343	Available colors: Glossy White (276) Matte Black (340)	\$ 143

RECOMMENDED DOORS

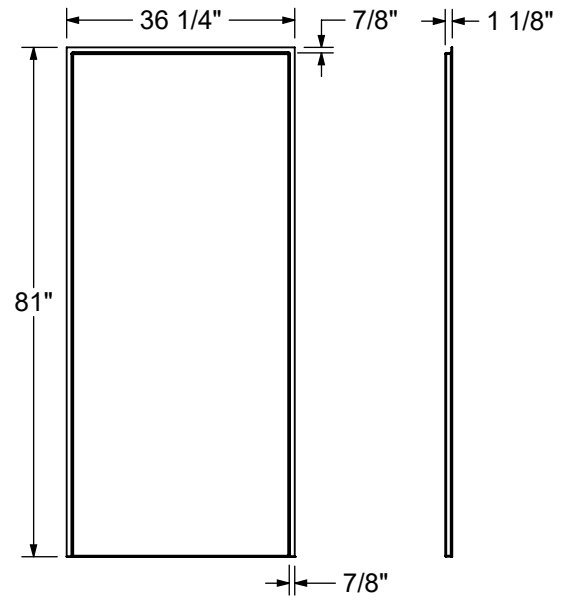
SKU	Product Name	Pag.
137444	Radia Neo-round 36 x 36 x 71 1/2 - 6mm	419
137448	Radia Square 36 x 36 x 71 1/2 - 6mm	424
137446	Radia Round 36 x 36 x 71 1/2 - 6mm	422
137440	Radia Neo-angle 36 x 36 x 71 1/2 - 6mm	417
139410	Outback Round 36 x 36 x 75 5/8 - 8mm	426

UTILE

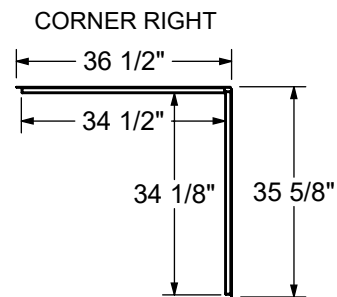
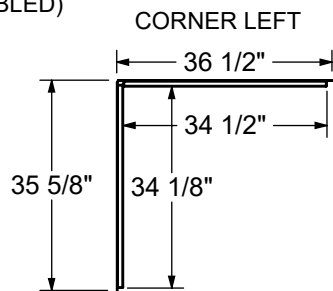
WALL B



WALL S



TOP VIEW (ASSEMBLED)



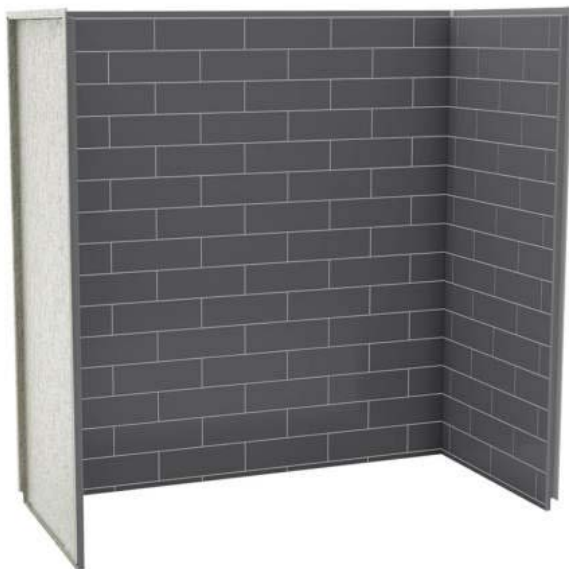
This product is designed to be installed in a building that conforms with the requirements of the National Building Code of Canada 2005

All dimensions are approximate. Structure measurements must be verified against the unit to ensure proper fit.

Wall Kits - Tub



UTILE



Material : Composite

Features

- › Tub shower kit includes: 1 back wall, 2 side walls and one corner glass shelf
- › 4 H x 12 L in. glossy subway tile
- › Direct-to-stud installation
- › Installs easily in just 1 day versus 3 days for standard ceramic tile
- › Mistake-proof Ulok installation system allows you to perfectly align the panels, slip them together and lock them into place
- › Proudly made in North-America
- › Featuring Evergrout™: the first realistic and textured grout lines with that won't crack or leak
- › No tile or grout protective sealer required
- › Solid, 1-piece wall panel: sturdy and durable allows for installation of grab bars and other accessories

UTILE 6032 TUB WALL KIT - 103408

SKU	Color	Pattern	Dimensions & Weight	Packaging	MSRP
103408-301-019-000	Thunder Gray	Metro	60" x 32" x 60" / 145 lb / 66 kg	6.49 ft ³	\$ 2438
103408-301-500-000	Soft Grey				\$ 2438
103408-301-501-000	Ash Grey				\$ 2438

UTILE 6030 TUB WALL KIT - 103414

SKU	Color	Pattern	Dimensions & Weight	Packaging	MSRP
103414-300-502-000	Greige	Origin	60" x 30" x 60" / 125 lb / 57 kg	6.302083333333333 ft ³	\$ 2216
103414-300-524-000	Arctik				\$ 2216
103414-301-019-000	Thunder Gray	Metro			\$ 2216
103414-301-500-000	Soft Grey				\$ 2216
103414-301-501-000	Ash Grey				\$ 2216
103414-302-503-000	Sahara	Stone			\$ 2216

ACCESSORIES

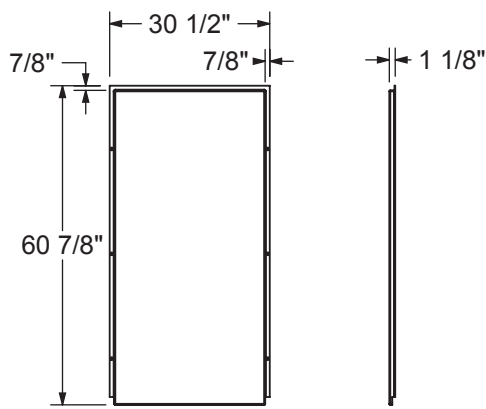
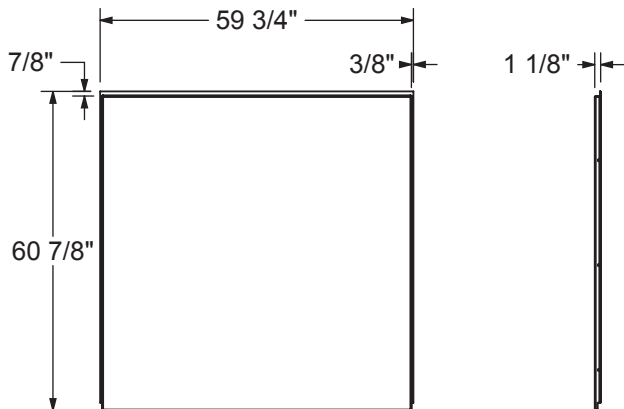
SKU	Description	MSRP
10029996-084	18 in. modern straight grab bar with flange (front installation) Specify colour: White (002), Chrome (084), Brushed Nickel (105)	\$ 315
10029996-002		\$ 315
10029996-105		\$ 315

ACCESSORIES

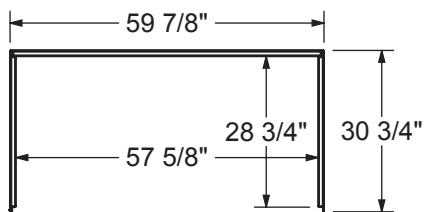
SKU	Description	MSRP
10030093-084		\$ 536
10030093-002	23 in. Curved left-hand grab bar with flange (front installation) Specify colour: White (002), Chrome (084), Brushed Nickel (105)	\$ 536
10030093-105		\$ 536
10030094-084		\$ 536
10030094-105	23 in. Curved right-hand grab bar with flange (front installation) Specify colour: White (002), Chrome (084), Brushed Nickel (105)	\$ 536
10030094-002		\$ 536
10029997-002		\$ 359
10029997-105	24 in. modern straight grab bar with flange (front installation) Specify color: White (002), Chrome (084), Brushed Nickel (105)	\$ 359
10029997-084		\$ 359
10029998-084		\$ 403
10029998-002	30 in. modern straight grab bar with flange (front installation) Specify colour: White (002), Chrome (084), Brushed Nickel (105)	\$ 403
10029998-105		\$ 403
10030095-002		\$ 581
10030095-084	32 in. curved left-hand grab bar with flange (front installation) Specify colour: White (002), Chrome (084), Brushed Nickel (105)	\$ 581
10030095-105		\$ 581
10030097-084		\$ 581
10030097-002	32 in. curved right-hand grab bar with flange (front installation) Specify colour: White (002), Chrome (084), Brushed Nickel (105)	\$ 581
10030097-105		\$ 581
10030100-002	37 in. modern curved left-hand grab bar with flange (front installation) Specify color: White (002), Chrome (084), Brushed Nickel (105)	\$ 594
10030084-002	42 in. modern straight grab bar with flange (front installation) Specify color: White (002), Chrome (084)	\$ 469
10030086-002		\$ 501
10030086-105	48 in. modern straight grab bar with flange (front installation) Specify color: White (002), Chrome (084), Brushed Nickel (105)	\$ 501
10030086-084		\$ 501
10060311	Corner glass shelf (9 3/8 x 9 3/8 in.) (sold separately) 10 mm frosted glass with a clear band along the edge Compatible with Utile and tile shower walls	\$ 158
10042819-340		\$ 143
10042819-201	Rectangular metal and glass shelf (13 5/8 x 4 5/8 in.) Removable tempered glass to ease the cleaning Ledge to secure the products in place	\$ 143
10042819-276	Compatible with most wall solutions	\$ 143
10042819-343	Available colors: Glossy White (276) Matte Black (340)	\$ 143
10042818-340		\$ 143
10042818-201	Corner metal and glass shelf (9 5/8 x 9 5/8 in.) Removable tempered glass to ease the cleaning Ledge to secure the products in place	\$ 143
10042818-276	Compatible with most wall solutions	\$ 143
10042818-343	Available colors: Glossy White (276) Matte Black (340)	\$ 143

BACK WALL

SIDE WALL



TOP VIEW (ASSEMBLED)



This product is designed to be installed in a building that conforms with the requirements of the National Building Code of Canada 2005

All dimensions are approximate. Structure measurements must be verified against the unit to ensure proper fit.

UTILE

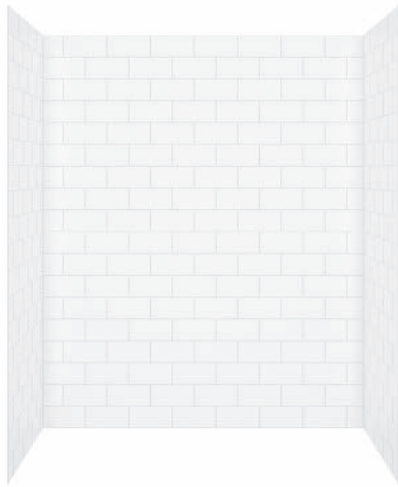
Wall Kits - Alcove Shower - Subway



Material : SolidSurface

Features

- › Shower kit includes: 2-piece back wall, 2 side walls, finishing trims, double face tape and silicone application tool
- › Glue-up installation
- › Realistic tile wall look made of durable solid surface material with textured grout lines
- › 4-piece wall set packaged in one compact box making it easy to handle and install
- › Proudly made in North America
- › Panels can be easily cut to adapt to most shower spaces up to 36 in. deep and fit on most products
- › Featuring Evergrout™: the first realistic and textured grout lines with that won't crack or leak
- › No tile or grout protective sealer required
- › Installs easily in just 1 day versus 3 days for standard ceramic tile



VERSALINE 6036 SUBWAY SHOWER WALL KIT - 107180

SKU	Color	Pattern	Dimensions & Weight	Packaging	MSRP
107180-000-270-000	White	Classic Subway Tile	60" x 36 1/4" x 72" / 90 lb / 41 kg	5.64 ft ³	\$ 1879

VERSALINE 4836 SUBWAY SHOWER WALL KIT - 107182

SKU	Color	Pattern	Dimensions & Weight	Packaging	MSRP
107182-000-270-000	White	Classic Subway Tile	48" x 36 1/4" x 72" / 85 lb / 39 kg	5.64 ft ³	\$ 1681

ACCESSORIES

SKU	Description	MSRP
10042818-340	Corner metal and glass shelf (9 5/8 x 9 5/8 in.) Removable tempered glass to ease the cleaning Ledge to secure the products in place Compatible with most wall solutions Available colors: Glossy White (276) Matte Black (340)	\$ 143
10042818-201		\$ 143
10042818-276		\$ 143
10042818-343		\$ 143
10042819-340	Rectangular metal and glass shelf (13 5/8 x 4 5/8 in.) Removable tempered glass to ease the cleaning Ledge to secure the products in place Compatible with most wall solutions Available colors: Glossy White (276) Matte Black (340)	\$ 143
10042819-201		\$ 143
10042819-276		\$ 143
10042819-343		\$ 143

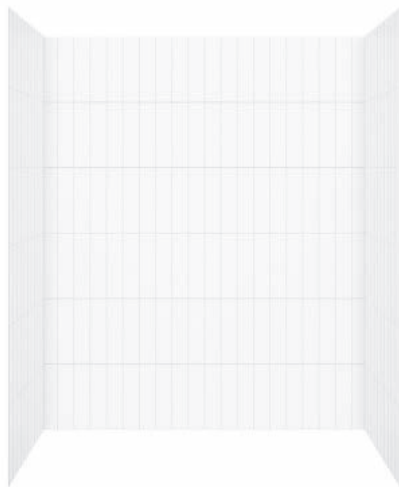
Wall Kits - Alcove Shower - Vertical



Material : SolidSurface

Features

- › Shower kit includes: 2-piece back wall, 2 side walls, finishing trims, double face tape and silicone application tool
- › Glue-up installation
- › Realistic tile wall look made of durable solid surface material with textured grout lines
- › 4-piece wall set packaged in one compact box making it easy to handle and install
- › Proudly made in North America
- › Panels can be easily cut to adapt to most shower spaces up to 36 in. deep and fit on most products
- › Featuring Evergrout™: the first realistic and textured grout lines with that won't crack or leak
- › No tile or grout protective sealer required
- › Installs easily in just 1 day versus 3 days for standard ceramic tile



VERSALINE 6036 VERTICAL SHOWER WALL KIT - 107181

SKU	Color	Pattern	Dimensions & Weight	Packaging	MSRP
107181-000-270-000	White	Textured Vertical	60" x 36 1/4" x 72" / 90 lb / 41 kg	5.64 ft ³	\$ 1879

VERSALINE 4836 VERTICAL SHOWER WALL KIT - 107183

SKU	Color	Pattern	Dimensions & Weight	Packaging	MSRP
107183-000-270-000	White	Textured Vertical	48" x 36 1/4" x 72" / 85 lb / 39 kg	5.64 ft ³	\$ 1681

ACCESSORIES

SKU	Description	MSRP
10042818-340	Corner metal and glass shelf (9 5/8 x 9 5/8 in.) Removable tempered glass to ease the cleaning Ledge to secure the products in place Compatible with most wall solutions Available colors: Glossy White (276) Matte Black (340)	\$ 143
10042818-201		\$ 143
10042818-276		\$ 143
10042818-343		\$ 143
10042819-340	Rectangular metal and glass shelf (13 5/8 x 4 5/8 in.) Removable tempered glass to ease the cleaning Ledge to secure the products in place Compatible with most wall solutions Available colors: Glossy White (276) Matte Black (340)	\$ 143
10042819-201		\$ 143
10042819-276		\$ 143
10042819-343		\$ 143

MAAX[®]

Enjoy the experience

For any questions or comments, please contact info@maax.com

1-877-GET-MAAX
(1-877-438-6229)

Order processing

Eastern Canada
saccanada@maax.com

Western Canada
customercare.bellingham@maax.com

Technical Services

Bathtubs, Tub Showers and Showers
bsav@maax.com

Doors, Shower Kits and Medicine Cabinets
lsav@maax.com

www.maax.ca



MAAX is a proud member of the ABG family – Building a better bathware industry