

Retail

Bathware Line

20
24



National Price List USA

Effective August 2024

MAAX[®]

MOVING / forward

A better experience means always moving forward

We're inspired by you. You're constantly in motion, and never stop looking ahead. And your style is constantly evolving, helping refine the trends of tomorrow. That is why we believe to best serve you, we must always be moving forward — never complacent — finding new ways to enhance your success and enjoyment. We never stop asking questions or exploring innovative new opportunities to make business easier, products better and results more inspiring, no matter what the project. We are driven to continuously push the bounds, creating the best possible bathware experience.

● **CORNER BATHTUBS - ACRYLIC**

Cocoon 6054	102724.....	9
Murmur 5555	105680.....	13
Murmur 6060	105679.....	17
Nancy	101212.....	21

● **FREESTANDING BATHTUBS - ACRYLIC**

Lounge	105798.....	25
--------------	-------------	----

● **FREESTANDING BATHTUBS - ACRYLIC**

Calinda 6030	107527.....	28
Lorca	106471.....	30
Mahaba 6029	107510.....	32
Mahaba 6729	107511.....	34
Malindi 6730	107512.....	36
Nakuru 6731	107513.....	38
Soca 5928	107531.....	40
Soca 6729	107532.....	42

● **FREESTANDING BATHTUBS - ACRYLX**

Delsia 6032	106192.....	44
Delsia 6636	106193.....	47
Elinor	106426.....	50
Sax	105797.....	53

● **FREESTANDING BATHTUBS - ACRYLX**

Odetta	106841.....	56
Orchestra 6032	106150.....	58
Orchestra 6636	106151.....	61

● **OVAL BATHTUBS - ACRYLIC**

Antigua	101250.....	64
Murmur 6034	105642.....	68

● **RECTANGULAR BATHTUBS - ACRYLIC**

Bosca 6030 IFS	106394.....	72
Bosca 6030 IFS AFR	106395.....	72
Cambridge	101227.....	75
Cocoon 6030 IFS	105822.....	79
Cocoon 6032	102722.....	82
Cocoon 6636	102723.....	86
Corinthia II	105684.....	90
Murmur 6032 A	105726.....	92
Murmur 6043 ASY	105728.....	96
New Town 6030 IFS	105454.....	100
New Town 6032	105459.....	103
New Town 6032 IF	105467.....	103
New Town 6032 IFS	105456.....	108
Santorini	105231.....	111
Skybox 6636	105722.....	115
Skybox 6636 IF	106390.....	115
Skybox 7236	105721.....	120
Skybox 7236 IF	106391.....	120

● **RECTANGULAR BATHTUBS - ACRYLX**

Jaxi 6032	106883.....	125
-----------------	-------------	-----

● **ALCOVE BASES - ACRYLIC**

Rectangular Base 4234 - 3 in	102001.....	128
Rectangular Base 4236 - 3 in	105718.....	130
Rectangular Base 4832 - 3 in	101433.....	132
Rectangular Base 4834 - 3 in	102002.....	134
Rectangular Base 4836 - 3 in	105717.....	136
Rectangular Base 6030 - 3 in	105707.....	138
Rectangular Base 6032 - 3 in	105706.....	140
Rectangular Base 6034 - 3 in	102003.....	142
Rectangular Base 6036 - 3 in	105664.....	144
Rectangular Base 6036 - R/L Drain - 3 in	105666.....	144
Rectangular Base 6042 - 3 in	105716.....	146
Square Base 32 - Alcove - 3 in	105663.....	148
Square Base 36 - Alcove - 3 in	101430.....	150
Square Base 42 - Alcove - 3 in	105714.....	152

● **ALCOVE BASES - ACRYLX**

Finesse Base 42 x 32	105625.....	154
Finesse Base 48 X 32	105624.....	156
Finesse Base 60 X 32	105623.....	158

● **CONFIGURABLE SHOWER BASES**

B3Round 3636	410000.....	160
B3Round 4236	410034.....	162
B3Round 4832	410001.....	164
B3Round 4834	410002.....	166
B3Round 4836	410003.....	168
B3Round 4842	410043.....	170
B3Round 6030	410004.....	172
B3Round 6032	410005.....	174
B3Round 6034	410035.....	176
B3Round 6036	410006.....	178
B3Round 6042	410036.....	181
B3Square 3636	420000.....	183
B3Square 4236	420034.....	186
B3Square 4832	420001.....	189
B3Square 4834	420002.....	192
B3Square 4836	420003.....	195
B3Square 4842	420043.....	198
B3Square 6030	420004.....	201
B3Square 6032	420005.....	204
B3Square 6034	420035.....	207
B3Square 6036	420006.....	210
B3Square 6042	420036.....	213
B3Square 7236	420042.....	216
B3X 3636 - Alcove	420020.....	219
B3X 3636 - Corner	420021.....	222
B3X 4236 - Alcove	420039.....	225
B3X 4236 - Corner	420040.....	228
.....	420041.....	228
B3X 4836 - Alcove	420030.....	231
B3X 4836 - Corner	420028.....	234
.....	420029.....	234
B3X 6032 - Alcove	420022.....	237
.....	420023.....	237

B3X 6032 - Corner	420024	240
.....	420025	240
B3X 6036 - Alcove	420031	243
B3X 6036 - Corner	420032	246
.....	420033	246

● **CONFIGURABLE SHOWER BASES**

Olympia Square Base 6032	106012	249
Rectangular 4234 Base	106382	252
Zone Square Base 48	106354	254
Zone Square Base 60 - L	106355	257
Zone Square Base 60 - R	106356	257

● **CORNER BASES - ACRYLIC**

Neo-angle Base 36 - 3 in	101422	260
Neo-angle Base 40 - 3 in	101424	262
Neo-angle Base 42 - 3 in	101425	264
Neo-round Base 32 - 3 in	101426	266
Neo-round Base 36 - 3 in	101427	268
Neo-round Base 40 - 3 in	101428	270
Rectangular Base 6036 - Corner L/R - 3 in	105594	272
Roka 3232	107331	274
Roka 3636	107332	276
Roka 4242	107333	278
Round Base 36 - 3 in	101429	280
Square Base 32 - Corner - 3 in	101431	282
Square Base 36 - Corner - 3 in	101432	284

● **CORNER BASES - ACRYLIC**

Neo-Angle 38 Base	106380	286
Neo-Angle 40 Base	106381	288
Round Base 36 with drain - 3 in	106888	290

SHOWER DOORS 294

● **ALCOVE DOORS - BYPASS**

Incognito 76 Shower Doors - 8 mm	135335	294
Inverto Shower Doors	138762	293
Duel Shower Doors	136271	295
.....	136272	295
Incognito 70 Shower Doors - 6 mm	139349	298
.....	139350	298
Incognito 70 Shower Doors - 8 mm	139352	300
.....	139353	300
Incognito 74 Shower Doors - 8 mm	138520	302
.....	138521	302
Incognito 76 Shaker Shower Doors	135331	304
.....	135332	304
Incognito 76 Smoke Shower Doors	136335	306
Polar Shower Doors	105412	308
.....	105413	308
Revelation Round Shower Doors - 6 mm	136690	310
.....	136691	310
Revelation Round Shower Doors - 8 mm	136693	312
.....	136694	312
Uptown Shower Doors	135321	314
Uptown Bypass Shower Doors	135322	314

● **ALCOVE DOORS - BYPASS**

Aura 6 mm Shower Doors	135662	316
.....	135663	317
.....	135664	320
.....	135665	317
Aura 6 mm Tub Doors	135661	322
Aura 8 mm Shower Doors	135671	324
.....	135672	324
Aura SC 8 mm Shower Doors	135674	326
.....	135675	326
Aura SC 8 mm Tub Door	135670	328

● **ALCOVE DOORS - PIVOT**

Madono Shower Doors	105416	330
.....	105417	330
.....	105418	330
.....	105420	330
Manhattan 1 Panel Shower Doors	138260	332
.....	138261	332
.....	138262	333
.....	138263	333
.....	138264	333
.....	138265	333
Manhattan 2 Panel Shower Doors	138266	336
.....	138267	336
.....	138268	337
.....	138269	337
.....	138270	337
.....	138271	337
.....	138272	338
.....	138273	338
.....	138274	338
.....	138275	338
.....	138276	339
.....	138277	339
Pivolok Deluxe Shower Doors	136435	341
Pivolok Shower Doors	136605	342
.....	136615	342
.....	136625	342
.....	136626	342
.....	136635	343
.....	136645	343
.....	136655	343
.....	136656	343
Polar Shower Doors	136730	345
.....	136731	345
.....	136732	345
.....	136733	345
Reveal 71 Shower Doors	136676	347
.....	136677	347
.....	136679	347
.....	136883	348
Reveal Sleek 71 Shower Doors	139575	350
.....	139576	350
.....	139577	350

Reveal Sleek 71 Shower Doors	139578	351
.....	139579	351
.....	139580	351
Uptown Pivot Shower Doors	135325	353

● **ALCOVE DOORS - SLIDING**

Halo Shower Doors	138996	355
.....	138997	355
Luminescence Shower Doors	138992	357
.....	138993	357
Odyssey SC Shower Doors	137420	359
.....	137421	359
Uptown Slider Shower Doors	135323	361
.....	135324	361

● **ALCOVE DOORS - SLIDING**

Connect Shower Doors	135241	363
.....	135242	363
.....	135243	363
.....	135244	364
Outback Shower Doors	137680	366
.....	137681	366

● **CORNER DOORS - PIVOT**

Silhouette Neo-angle	137901	368
.....	137904	368
Silhouette Plus Neo-angle	137710	370
.....	137720	370
.....	137730	370
.....	137750	370

● **CORNER DOORS - PIVOT**

Davana Neo-angle 38 Door	139315	372
Davana Neo-angle 40 Door	139320	374
Davana Rectangular 4234 Door	139330	376
Hana Neo-angle 38 Door	137300	378
Hana Neo-angle 40 Door	137301	380
Hana Rectangular 4234 Door	137302	382

● **CORNER DOORS - SLIDING**

Halo Round	139399L	384
.....	139399R	384
Radia Neo-angle	137440	386
.....	137441	386
.....	137442	386
Radia Neo-round	137443	388
.....	137444	388
.....	137445	388
.....	137449	389
Radia Round	137446	391
Radia Square	137447	393
.....	137448	393
.....	137451	393

● **CORNER DOORS - SLIDING**

Outback Round	139410	395
---------------------	--------------	-----

● **RETURN PANELS**

Halo Return Panels	139395	397
.....	139396	397
Duel and Inverto Return Panels	137310	398
.....	137311	398
.....	137312	398
Reveal 71 Return Panels	136673	400
.....	136674	400
.....	136675	400
Reveal Sleek 71 Return Panels	139581	402
.....	139582	402
.....	139583	402
Uptown Return Panels	135327	404
.....	135328	404

● **RETURN PANELS**

Halo Return Panels	139998	406
Incognito 76 Return Panels	136560	407
.....	136561	407

SHOWER KITS 410

● **SHOWER KITS - ACRYLIC**

Athena	300008	410
Cyrene	300001	412
Daisy	300021	414
Kassia	107170	416
Olympia Round - Left Opening	105760	418
Olympia Round - Right Opening	105960	418
Sakura	106540	420
Scarlet Square 3232	107484	424
.....	107485	424
Scarlet Square 4242	107487	422
Scarlet Square 3636	107481	426
.....	107482	426
Scarlet Square 4242	107486	428

● **SHOWER KITS - POLYSTYRENE**

32" Mediterranean III	105605	430
38" Himalaya	101694	432
Begonia Carbon	300012	434
Begonia Pebble	105544	436
Begonia Soho	105618	438
Daylight	105672	440
Orchid	300022	442
Papaya	105545	444
Summit	300006	446

SHOWERS 449

● **ALCOVE SHOWERS - ACRYLIC**

Allegro I (1-Piece)	101150	449
Allegro I (3-Piece)	101150S	449
Allegro II (1-Piece)	200011	452
Allegro II (2-Piece)	200011S	452
Camelia SH-3636 (1-piece)	105917	455
Camelia SH-3636 (2-piece)	105917S	455
Camelia SH-4834 (1-piece)	105919	459

Camelia SH-4834 (2-piece)	105919S	459
Camelia SH-6034 (1-piece)	105921	464
Camelia SH-6034 (2-piece)	105921S	464
Camelia SHR-3636 (1-piece)	105918	470
Camelia SHR-3636 (3-piece)	105918S	470
Camelia SHR-4834 (1-piece)	105920	474
Camelia SHR-4834 (3-piece)	105920S	474
Camelia SHR-6034 (1-piece)	105922	479
Camelia SHR-6034 (3-piece)	105922S	479

● **ALCOVE SHOWERS - ACRYLX**

Carlton I	100961	485
-----------	--------	-----

● **ALCOVE SHOWERS - ACRYLX**

32S	103000	487
32SKD	103006	489
36S	103001	491
36SKD	103007	493
48SKD	103008	495
Biarritz 40	200030	497
Biarritz 85	107365	499
Evergreen	102677	501
Gallery SH-3232	105600	504
Gallery SH-3636	105598	507
Gallery SH-4834	105596	510
Jupiter F32	101162	513
Via SH-3232	141499	515
Via SH-3636	141500	517
Via SH-4834	141501	519

● **CORNER SHOWERS - ACRYLIC**

Equinox I	102495	521
Equinox II	102500	523

TUB DOORS 526

● **SCREENS**

Axial Access Tub Screen	138600	526
Axial Duo Tub Screen	137512	528
Axial Square Tub Screen	137511	530
Axial Tub Screen	137510	532

● **TUB DOORS - BYPASS**

Duel Tub Door	136270	534
Incognito 57 Shaker Tub Door	135330	536
Incognito 57 Tub Door - 6 mm	139351	538
Incognito 57 Tub Doors - 8 mm	138522	540
	139354	542
Polar Tub Door	105410	544
Revelation Round Tub Door - 6 mm	136692	546
Revelation Round Tub Door - 8 mm	136695	548
Uptown Bypass Tub Door	135320	550

● **TUB DOORS - BYPASS**

Aura 6 mm Tub Doors	135660	552
	135661	554
Aura 8 mm Tub Doors	135673	556

● **TUB DOORS - SLIDING**

Halo Tub Door	139398	558
---------------	--------	-----

Luminescence Tub Door	138994	560
-----------------------	--------	-----

● **TUB DOORS - SLIDING**

Connect Tub Doors	135245	562
	135246	562
Outback Tub Door	137682	564

TUB SHOWERS 569

● **TUB SHOWERS - ACRYLIC**

Figaro I (1-piece AFR)	105620	569
Figaro I (3-piece AFR)	105620S	569
Figaro II (1-piece AFR)	105621	567
Figaro II (2-piece AFR)	105621S	567
Aspen (1-piece)	101023	571
Aspen (3-piece)	101023S	571
Camelia TS-6032 (1-piece)	105915	574
Camelia TS-6032 (2-piece)	105915S	574
Camelia TSR-6032 (1-piece)	105916	579
Camelia TSR-6032 (3-piece)	105916S	579

● **TUB SHOWERS - ACRYLX**

Gallery TS-6030	105573	584
Nordica	102717	587
TS-3060	105288	589
Via TS-6032	141502	592

WALLS 595

● **ACRYLIC WALLS**

Back wall - 32x72 in.	105068	595
Back wall - 36x72 in.	105069	595
Back wall - 42x72 in.	105070	595
Back wall - 48x72 in.	105071	595
Back wall - 60x72 in.	105072	596
Wall set (2 walls) 30x72 in.	105062	598
Wall set (2 walls) 32x72 in.	105063	598
Wall set (2 walls) 36x72 in.	105064	598
Wall set (2 walls) 38x72 in.	105065	598
Wall set (2 walls) 40x72 in.	105066	599
Wall set (2 walls) 42x72 in.	105067	599

● **ACRYLIC WALLS**

3-Piece Acrylic Wall Set	106383	601
59" Elan	101343	603
59" Finesse	101347	605
80" Finesse	101345	607
Universal 4242	107390	609

● **POLYSTYRENE WALLS**

59" Elan	101593	611
59" Finesse	101594	613
59" Utah	102573	615
80" Finesse	101595	617

● **UTILE**

Single Back Walls	103411	619
	103412	619
Single Side Walls	103409	622
Wall Kits - Alcove Shower	107455	624

Wall Kits - Alcove Shower	107456	624
Wall Kits - Corner Shower	103378	627
.....	107457	627
.....	107458	627
Wall Kits - Tub	103408	631
.....	103414	631

● **VERSALINE**

Wall Kits - Alcove Shower - Subway	107180	634
.....	107182	634
Wall Kits - Alcove Shower - Vertical	107181	635
.....	107183	635

Bathtubs



Odetta 5832



Cocoon 6054



Material : Acrylic
 Min: 38 Gal / 145 L
 Max: 76 Gal / 286 L

Features

- › Proudly made in Canada
- › Spacious interior for two bathers with ergonomic headrest and built-in armrests
- › Durable, high-gloss acrylic; easy to clean
- › Textured bottom for safety
- › Headrest channel allows water to drain easily
- › Faucets not included

COCOON 6054 - 102724

SKU	System	Color	Configuration	Dimensions & Weight	Packaging	MSRP
102724-000-001-000	Soaker - No System	White	Center	59 3/4" x 53 7/8" x 21" / 93 lb / 42 kg	50 ft ³	\$ 1567
102724-000-004-000		Bone				\$ 1567
102724-000-007-000		Biscuit				\$ 1567
102724-091-001-100	10 Microjets ¹	White				\$ 3051
102724-091-004-100		Bone				\$ 3051
102724-091-007-100		Biscuit				\$ 3051
102724-107-001-100	Hydrosens ¹	White				\$ 4192
102724-107-004		Bone				\$ 4192
102724-107-007		Biscuit				\$ 4192
102724-108-001-000	Aerosens ^{1 2}	White				\$ 3813
102724-108-004-000		Bone				\$ 3813
102724-108-007-000		Biscuit				\$ 3813
102724-109-001-100	Combined Hydrosens & Aerosens ^{1 25}	White	\$ 5949			
102724-109-004		Bone	\$ 5949			
102724-109-007		Biscuit	\$ 5949			

COMMON OPTIONS

SKU	Description	MSRP
OPT20025	Backmax: 6 rotating and pulsating backjets ¹²⁷ Optional with Hydrosens or combined Hydrosens and Aerosens	\$ 716

COMMON OPTIONS

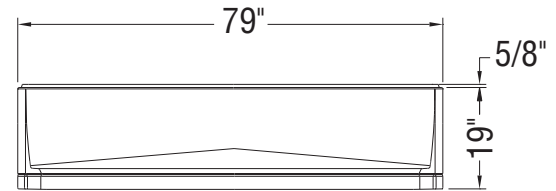
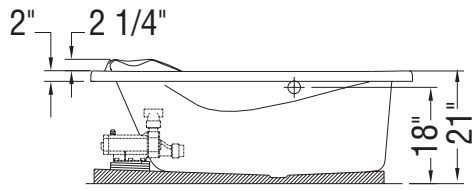
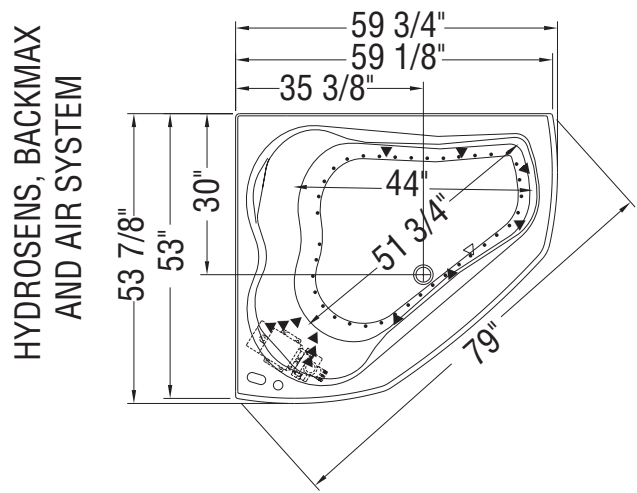
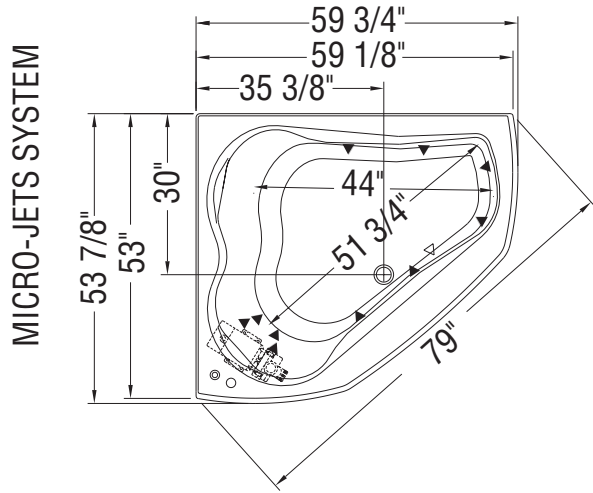
SKU	Description	MSRP
OPT10053	One chromatherapy light (factory installed) ⁵⁴	\$ 641
OPT10095	Water heater assembly for whirlpool and combined systems (factory installed)	\$ 908
OPT20113	Positioning template for drop-in installation (included in product packaging)	\$ 93
OPT10250-105	Microjet trim kit (factory installed) Available colours: Chrome (084) and Brushed Nickel (105)	\$ 650
OPT10250-084		\$ 650
OPT20027-084	Hydrosens™ & Combined Hydrosens™ and Aerosens® trim kit (factory installed) Including the 2 air control covers	\$ 650
OPT20027-105	Available colors: Chrome (084) and Brushed Nickel (105)	\$ 650
OPT20029-105	Metal trim kit for air push control (factory installed)	\$ 50
OPT20029-084	Available colors: Chrome (084) and Brushed Nickel (105)	\$ 50
OPT20137-004		\$ 238
OPT20137-084	Cable-operated waste and overflow (16 in. to 22 in.) (included in product packaging when purchased)	\$ 238
OPT20137-105	Available colors: White (001), Bone (004), Chrome (084) and Brushed Nickel (105)	\$ 238
OPT20137-001		\$ 238
OPT20210-084	Waste and overflow (16 in. to 22 in.) (included in product packaging when purchased)	\$ 84
OPT20210-105	Available colors: Chrome (084) and Brushed Nickel (105)	\$ 123
102727-000-004-000		\$ 817
102727-000-001-000	Acrylic apron (as shown in picture) Specify: Standard colors: White (001), Bone (004), Biscuit (007)	\$ 817
102727-000-007-000		\$ 817

ACCESSORIES

SKU	Description	MSRP
10006920	Tiling flange, 2 x 60 in. (sold separately)	\$ 121
10019591-105	Hydrosens™ (107) & Combined Hydrosens™ and Aerosens® (109) trim kit (sold separately) Air control covers not included	\$ 650
10019591-084	Available colours: Chrome (084) and Brushed Nickel (105)	\$ 650
10022491-084		\$ 238
10022491-004	Cable-operated waste and overflow (16 in. to 22 in.) (sold separately)	\$ 238
10022491-105	Available colors: White (001), Bone (004), Chrome (084) and Brushed Nickel (105)	\$ 238
10022491-001		\$ 238
10006923	Flexible main hose (9 ft. extension) for air push control air massage - Kit (sold separately)	\$ 166
10012135-105	Waste and overflow (16 to 22 in.) (sold separately)	\$ 123
10012135-084	Available colors: Chrome (084) and Brushed Nickel (105)	\$ 84
10018639	Thermax field-installed whirlpool heater (sold separately) Single pack	\$ 907
10019708	Flexible main hose for blower with combined systems (sold separately) Includes: 15ft (4.57m) hose, 2 clips, 1 nylon coupling and 1 power cord	\$ 282
10020880	Cut out template for Cocoon 6054 drop-in installation (sold separately)	\$ 93
10004306-001	White foam cushion with 2 suction pads (sold separately) Available color: White (001)	\$ 120

FOOTNOTES

No	Description
1	Components for standard colour units equipped with systems are colour-coordinated. Trim kit and/or air push with metallic finish can be added (additional charge applies). For non-standard colour units, please specify trim kit and/or air push colour (additional charge applies for metallic finishes). Please note that the positioning of the system's control could be in conflict with the door if one was installed on the unit. To insure compatibility, please contact customer service.
1	Components for standard colour units equipped with systems are colour-coordinated. Trim kit and/or air push with metallic finish can be added (additional charge applies). For non-standard colour units, please specify trim kit and/or air push colour (additional charge applies for metallic finishes). Please note that the positioning of the system's control could be in conflict with the door if one was installed on the unit. To insure compatibility, please contact customer service.
2	Please order flexible main hose 10006923 for installation of the blower further than 3 ft from the bathtub. For the Tandem models and the Serenade models (freestanding and drop-in), the blower is always remote and not factory installed so a 9 ft flexible main hose is included. Please note that the positioning of the system's control could be in conflict with the door if one was installed on the unit. To insure compatibility, please contact customer service.
25	Please order flexible main hose 10019708 for installation of the blower further than 9 ft from the bathtub.
27	Please note the Backmax is positioned on the same side as the pump.
54	A selection of units come with an access panel by default when equipped with a system. However, if the unit is only equipped with chromatherapy, the access panel will not be provided by default.



- (▲): Indicates whirlpool and backjets positioning
- (△): Indicates suction positioning
- (●): Indicates airjets positioning

All dimensions are approximate. Structure measurements must be verified against the unit to ensure proper fit.



Murmur 5555



Material : Acrylic
 Min: 30 Gal / 114 L
 Max: 74 Gal / 282 L

Features

- > Proudly made in Canada
- > Elegant drop-in corner bathtub for 2 people
- > Relaxing armrests and 2 headrests for ultimate comfort
- > Made of thick and durable acrylic that has a high gloss finish for easy clean and maintenance
- > Ample deck space for faucet installation
- > End drain

MURMUR 5555 - 105680

SKU	System	Color	Configuration	Dimensions & Weight	Packaging	MSRP
105680-000-001-000	Soaker - No System	White	Center	54 3/4" x 54 3/4" x 20 3/4" / 78 lb / 35 kg	39 ft ³	\$ 1907
105680-000-004-000		Bone				\$ 1907
105680-000-007-000		Biscuit				\$ 1907
105680-091-001-000	10 Microjets ¹	White				\$ 3391
105680-091-004		Bone				\$ 3391
105680-091-007		Biscuit				\$ 3391
105680-107-001-100	Hydrosens ¹	White				\$ 4532
105680-107-004		Bone				\$ 4532
105680-107-007		Biscuit				\$ 4532
105680-108-001-000	Aerosens ^{1 2}	White				\$ 4153
105680-108-004		Bone				\$ 4153
105680-108-007		Biscuit				\$ 4153
105680-109-001-000	Combined Hydrosens & Aerosens ^{1 25}	White				\$ 6289
105680-109-004		Bone	\$ 6289			
105680-109-007		Biscuit	\$ 6289			

COMMON OPTIONS

SKU	Description	MSRP
OPT10053	One chromatherapy light (factory installed) ⁵⁴	\$ 641
OPT10095	Water heater assembly for whirlpool and combined systems (factory installed)	\$ 908

COMMON OPTIONS

SKU	Description	MSRP
OPT10250-105	Microjet trim kit (factory installed)	\$ 650
OPT10250-084	Available colours: Chrome (084) and Brushed Nickel (105)	\$ 650
OPT20027-084	Hydrosens™ & Combined Hydrosens™ and Aerosens® trim kit (factory installed)	\$ 650
OPT20027-105	Including the 2 air control covers Available colors: Chrome (084) and Brushed Nickel (105)	\$ 650
OPT20029-105	Metal trim kit for air push control (factory installed)	\$ 50
OPT20029-084	Available colors: Chrome (084) and Brushed Nickel (105)	\$ 50
OPT20137-004	Cable-operated waste and overflow (16 in. to 22 in.) (included in product packaging when purchased) Available colors: White (001), Bone (004), Chrome (084) and Brushed Nickel (105)	\$ 238
OPT20137-084		\$ 238
OPT20137-105		\$ 238
OPT20137-001		\$ 238
OPT20210-084	Waste and overflow (16 in. to 22 in.) (included in product packaging when purchased)	\$ 84
OPT20210-105	Available colors: Chrome (084) and Brushed Nickel (105)	\$ 123
OPT20025	Backmax: 6 rotating and pulsating backjets ¹²⁷ Optional with Hydrosens or combined Hydrosens and Aerosens	\$ 716
105697-000-007-000	Removable acrylic apron Specify: Standard colors: White (001), Bone (004), Biscuit (007)	\$ 1195
105697-000-001-000		\$ 1195
105697-000-004-000		\$ 1195

ACCESSORIES

SKU	Description	MSRP
10006920	Tiling flange, 2 x 60 in. (sold separately)	\$ 121
10006923	Flexible main hose (9 ft. extension) for air push control air massage - Kit (sold separately)	\$ 166
10012135-105	Waste and overflow (16 to 22 in.) (sold separately)	\$ 123
10012135-084	Available colors: Chrome (084) and Brushed Nickel (105)	\$ 84
10019708	Flexible main hose for blower with combined systems (sold separately) Includes: 15ft (4.57m) hose, 2 clips, 1 nylon coupling and 1 power cord	\$ 282
10004306-001	White foam cushion with 2 suction pads (sold separately) Available color: White (001)	\$ 120
10019591-105	Hydrosens™ (107) & Combined Hydrosens™ and Aerosens® (109) trim kit (sold separately)	\$ 650
10019591-084	Air control covers not included Available colours: Chrome (084) and Brushed Nickel (105)	\$ 650
10022491-084	Cable-operated waste and overflow (16 in. to 22 in.) (sold separately) Available colors: White (001), Bone (004), Chrome (084) and Brushed Nickel (105)	\$ 238
10022491-004		\$ 238
10022491-105		\$ 238
10022491-001		\$ 238

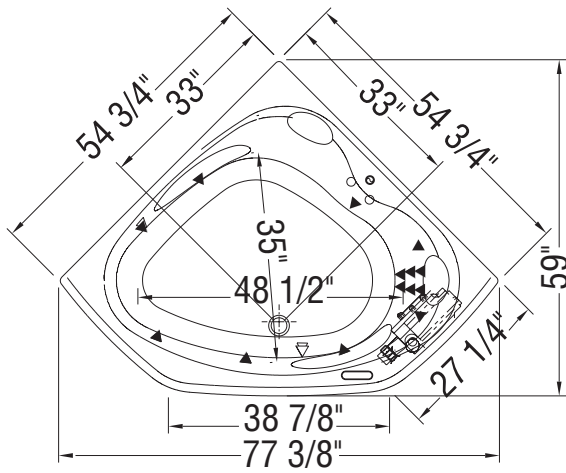
FOOTNOTES

No	Description
1	Components for standard colour units equipped with systems are colour-coordinated. Trim kit and/or air push with metallic finish can be added (additional charge applies). For non-standard colour units, please specify trim kit and/or air push colour (additional charge applies for metallic finishes). Please note that the positioning of the system's control could be in conflict with the door if one was installed on the unit. To insure compatibility, please contact customer service.

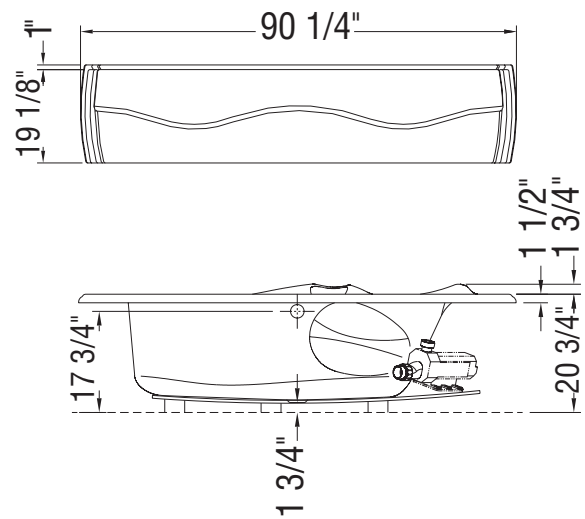
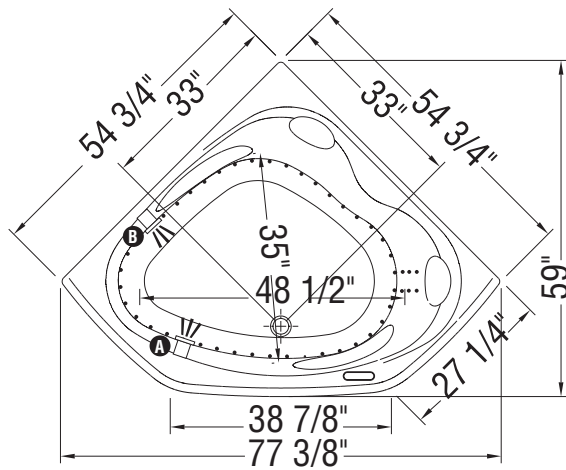
FOOTNOTES

No	Description
1	Components for standard colour units equipped with systems are colour-coordinated. Trim kit and/or air push with metallic finish can be added (additional charge applies). For non-standard colour units, please specify trim kit and/or air push colour (additional charge applies for metallic finishes). Please note that the positioning of the system's control could be in conflict with the door if one was installed on the unit. To insure compatibility, please contact customer service.
2	Please order flexible main hose 10006923 for installation of the blower further than 3 ft from the bathtub. For the Tandem models and the Serenade models (freestanding and drop-in), the blower is always remote and not factory installed so a 9 ft flexible main hose is included. Please note that the positioning of the system's control could be in conflict with the door if one was installed on the unit. To insure compatibility, please contact customer service.
25	Please order flexible main hose 10019708 for installation of the blower further than 9 ft from the bathtub.
27	Please note the Backmax is positioned on the same side as the pump.
54	A selection of units come with an access panel by default when equipped with a system. However, if the unit is only equipped with chromatherapy, the access panel will not be provided by default.

HYDROSENS AND BACKMAX SYSTEMS



AIR SYSTEM



- (▲): Indicates Whirlpool jets positioning
- (△): Indicates suction positioning
- (●): Indicates airjets positioning
- (◻): **A** Indicates chromatherapy light positioning opt. 1
B Indicates chromatherapy light positioning opt. 2

All dimensions are approximate. Structure measurements must be verified against the unit to ensure proper fit.



Murmur 6060



Material : Acrylic
 Min: 38 Gal / 145 L
 Max: 92 Gal / 350 L

Features

- › Elegant drop-in corner bathtub for 2 people
- › Relaxing armrests and 2 headrests for ultimate comfort
- › Made of thick and durable acrylic that has a high gloss finish for easy clean and maintenance
- › Ample deck space for faucet installation
- › End drain

CORNER BATHTUBS - ACRYLIC

MURMUR 6060 - 105679

SKU	System	Color	Configuration	Dimensions & Weight	Packaging	MSRP
105679-000-001-000	Soaker - No System	White	Center	59 3/4" x 59 3/4" x 20 3/4" / 92 lb / 42 kg	52 ft ³	\$ 2057
105679-000-004-000		Bone				\$ 2057
105679-000-007-000		Biscuit				\$ 2057
105679-091-001-000	10 Microjets ¹	White				\$ 3541
105679-091-004		Bone				\$ 3541
105679-091-007		Biscuit				\$ 3541
105679-107-001-100	Hydrosens ¹	White				\$ 4682
105679-107-004		Bone				\$ 4682
105679-107-007		Biscuit				\$ 4682
105679-108-001-000	Aerosens ^{1 2}	White				\$ 4303
105679-108-004		Bone				\$ 4303
105679-108-007		Biscuit				\$ 4303
105679-109-001-000	Combined Hydrosens & Aerosens ^{1 25}	White				\$ 6439
105679-109-004		Bone	\$ 6439			
105679-109-007		Biscuit	\$ 6439			

COMMON OPTIONS

SKU	Description	MSRP
OPT10053	One chromatherapy light (factory installed) ⁵⁴	\$ 641
OPT10095	Water heater assembly for whirlpool and combined systems (factory installed)	\$ 908

COMMON OPTIONS

SKU	Description	MSRP
OPT10250-105	Microjet trim kit (factory installed)	\$ 650
OPT10250-084	Available colours: Chrome (084) and Brushed Nickel (105)	\$ 650
OPT20027-084	Hydrosens™ & Combined Hydrosens™ and Aerosens® trim kit (factory installed)	\$ 650
OPT20027-105	Including the 2 air control covers Available colors: Chrome (084) and Brushed Nickel (105)	\$ 650
OPT20029-105	Metal trim kit for air push control (factory installed)	\$ 50
OPT20029-084	Available colors: Chrome (084) and Brushed Nickel (105)	\$ 50
OPT20137-004	Cable-operated waste and overflow (16 in. to 22 in.) (included in product packaging when purchased) Available colors: White (001), Bone (004), Chrome (084) and Brushed Nickel (105)	\$ 238
OPT20137-084		\$ 238
OPT20137-105		\$ 238
OPT20137-001		\$ 238
OPT20210-084	Waste and overflow (16 in. to 22 in.) (included in product packaging when purchased)	\$ 84
OPT20210-105	Available colors: Chrome (084) and Brushed Nickel (105)	\$ 123
OPT20025	Backmax: 6 rotating and pulsating backjets ¹²⁷ Optional with Hydrosens or combined Hydrosens and Aerosens	\$ 716
105696-000-007-000	Removable acrylic apron Specify: Standard colors: White (001), Bone (004), Biscuit (007)	\$ 1285
105696-000-004-000		\$ 1285
105696-000-001-000		\$ 1285

ACCESSORIES

SKU	Description	MSRP
10006920	Tiling flange, 2 x 60 in. (sold separately)	\$ 121
10006923	Flexible main hose (9 ft. extension) for air push control air massage - Kit (sold separately)	\$ 166
10012135-105	Waste and overflow (16 to 22 in.) (sold separately)	\$ 123
10012135-084	Available colors: Chrome (084) and Brushed Nickel (105)	\$ 84
10019708	Flexible main hose for blower with combined systems (sold separately) Includes: 15ft (4.57m) hose, 2 clips, 1 nylon coupling and 1 power cord	\$ 282
10004306-001	White foam cushion with 2 suction pads (sold separately) Available color: White (001)	\$ 120
10019591-105	Hydrosens™ (107) & Combined Hydrosens™ and Aerosens® (109) trim kit (sold separately)	\$ 650
10019591-084	Air control covers not included Available colours: Chrome (084) and Brushed Nickel (105)	\$ 650
10022491-084	Cable-operated waste and overflow (16 in. to 22 in.) (sold separately) Available colors: White (001), Bone (004), Chrome (084) and Brushed Nickel (105)	\$ 238
10022491-004		\$ 238
10022491-105		\$ 238
10022491-001		\$ 238

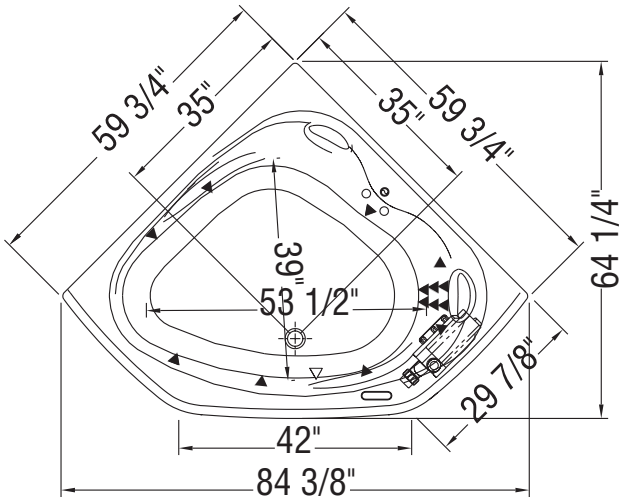
FOOTNOTES

No	Description
1	Components for standard colour units equipped with systems are colour-coordinated. Trim kit and/or air push with metallic finish can be added (additional charge applies). For non-standard colour units, please specify trim kit and/or air push colour (additional charge applies for metallic finishes). Please note that the positioning of the system's control could be in conflict with the door if one was installed on the unit. To insure compatibility, please contact customer service.

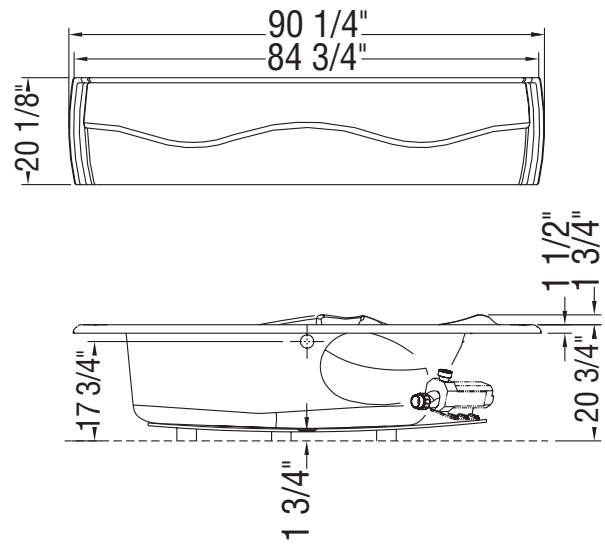
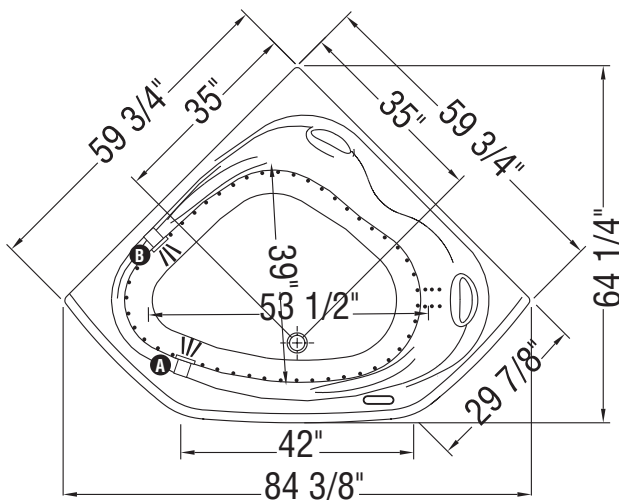
FOOTNOTES

No	Description
1	Components for standard colour units equipped with systems are colour-coordinated. Trim kit and/or air push with metallic finish can be added (additional charge applies). For non-standard colour units, please specify trim kit and/or air push colour (additional charge applies for metallic finishes). Please note that the positioning of the system's control could be in conflict with the door if one was installed on the unit. To insure compatibility, please contact customer service.
2	Please order flexible main hose 10006923 for installation of the blower further than 3 ft from the bathtub. For the Tandem models and the Serenade models (freestanding and drop-in), the blower is always remote and not factory installed so a 9 ft flexible main hose is included. Please note that the positioning of the system's control could be in conflict with the door if one was installed on the unit. To insure compatibility, please contact customer service.
25	Please order flexible main hose 10019708 for installation of the blower further than 9 ft from the bathtub.
27	Please note the Backmax is positioned on the same side as the pump.
54	A selection of units come with an access panel by default when equipped with a system. However, if the unit is only equipped with chromatherapy, the access panel will not be provided by default.

HYDROSENS AND BACKMAX SYSTEMS



AIR SYSTEM



- (▲): Indicates Whirlpool jets positioning
- (△): Indicates suction positioning
- (●): Indicates airjets positioning
- (◻): **A** Indicates chromatherapy light positioning opt. 1
B Indicates chromatherapy light positioning opt. 2

All dimensions are approximate. Structure measurements must be verified against the unit to ensure proper fit.



Nancy



Material : Acrylic
 Min: 49 Gal / 186 L
 Max: 88 Gal / 332 L

Features

- › Proudly made in Canada
- › Opulent drop-in corner bathtub for 2 people
- › Two raised headrests for maximized comfort and relaxation
- › Built-in seat for versatility
- › Made of thick and durable acrylic that has a high gloss finish for easy clean and maintenance
- › Ample deck space for faucet installation

CORNER BATHTUBS - ACRYLIC

NANCY - 101212

SKU	System	Color	Configuration	Dimensions & Weight	Packaging	MSRP
101212-000-001-000	Soaker - No System	White	Center	54" x 54" x 23 1/4" / 126 lb / 57 kg	47 ft ³	\$ 1434
101212-000-004-000		Bone				\$ 1434
101212-000-007-000		Biscuit				\$ 1434
101212-091-001-000	10 Microjets ¹	White				\$ 2918
101212-091-004-000		Bone				\$ 2918
101212-091-007-000		Biscuit				\$ 2918
101212-107-001-000	Hydrosens ¹	White				\$ 4059
101212-107-004		Bone				\$ 4059
101212-107-007		Biscuit				\$ 4059
101212-108-001-000	Aerosens ^{1 2}	White				\$ 3680
101212-108-004-000		Bone				\$ 3680
101212-108-007-000		Biscuit				\$ 3680
101212-109-001-100	Combined Hydrosens & Aerosens ^{1 25}	White	\$ 5816			
101212-109-004		Bone	\$ 5816			
101212-109-007		Biscuit	\$ 5816			

COMMON OPTIONS

SKU	Description	MSRP
OPT10053	One chromatherapy light (factory installed) ⁵⁴	\$ 641
OPT10095	Water heater assembly for whirlpool and combined systems (factory installed)	\$ 908

COMMON OPTIONS

SKU	Description	MSRP
OPT20113	Positioning template for drop-in installation (included in product packaging)	\$ 93
OPT10250-105	Microjet trim kit (factory installed) Available colours: Chrome (084) and Brushed Nickel (105)	\$ 650
OPT10250-084		\$ 650
OPT20027-084	Hydrosens™ & Combined Hydrosens™ and Aerosens® trim kit (factory installed) Including the 2 air control covers	\$ 650
OPT20027-105	Available colors: Chrome (084) and Brushed Nickel (105)	\$ 650
OPT20029-105	Metal trim kit for air push control (factory installed)	\$ 50
OPT20029-084	Available colors: Chrome (084) and Brushed Nickel (105)	\$ 50
OPT20137-004		\$ 238
OPT20137-084	Cable-operated waste and overflow (16 in. to 22 in.) (included in product packaging when purchased)	\$ 238
OPT20137-105	Available colors: White (001), Bone (004), Chrome (084) and Brushed Nickel (105)	\$ 238
OPT20137-001		\$ 238
OPT20210-084	Waste and overflow (16 in. to 22 in.) (included in product packaging when purchased)	\$ 84
OPT20210-105	Available colors: Chrome (084) and Brushed Nickel (105)	\$ 123
OPT20025	Backmax: 6 rotating and pulsating backjets ¹²⁷ Optional with Hydrosens or combined Hydrosens and Aerosens	\$ 716

ACCESSORIES

SKU	Description	MSRP
10006923	Flexible main hose (9 ft. extension) for air push control air massage - Kit (sold separately)	\$ 166
10012135-105	Waste and overflow (16 to 22 in.) (sold separately)	\$ 123
10012135-084	Available colors: Chrome (084) and Brushed Nickel (105)	\$ 84
10019708	Flexible main hose for blower with combined systems (sold separately) Includes: 15ft (4.57m) hose, 2 clips, 1 nylon coupling and 1 power cord	\$ 282
10020881	Cut out template for Nancy drop-in installation (sold separately)	\$ 93
10004306-001	White foam cushion with 2 suction pads (sold separately) Available color: White (001)	\$ 120
10019591-105	Hydrosens™ (107) & Combined Hydrosens™ and Aerosens® (109) trim kit (sold separately) Air control covers not included	\$ 650
10019591-084	Available colours: Chrome (084) and Brushed Nickel (105)	\$ 650
10022491-084		\$ 238
10022491-004	Cable-operated waste and overflow (16 in. to 22 in.) (sold separately)	\$ 238
10022491-105	Available colors: White (001), Bone (004), Chrome (084) and Brushed Nickel (105)	\$ 238
10022491-001		\$ 238

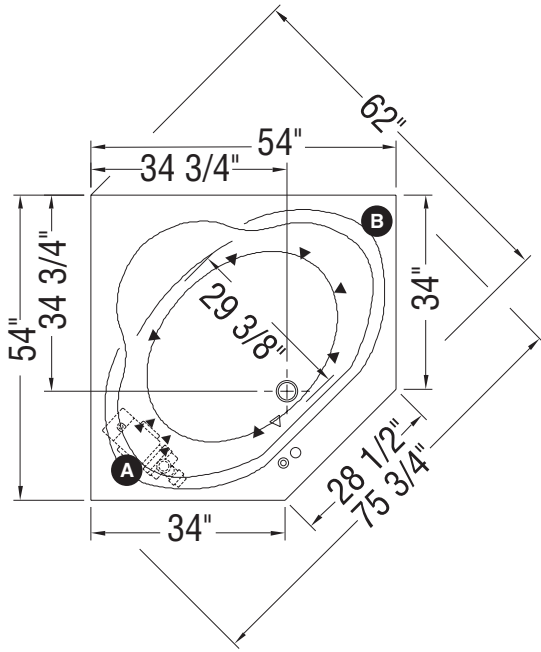
FOOTNOTES

No	Description
1	Components for standard colour units equipped with systems are colour-coordinated. Trim kit and/or air push with metallic finish can be added (additional charge applies). For non-standard colour units, please specify trim kit and/or air push colour (additional charge applies for metallic finishes). Please note that the positioning of the system's control could be in conflict with the door if one was installed on the unit. To insure compatibility, please contact customer service.
1	
2	Please order flexible main hose 10006923 for installation of the blower further than 3 ft from the bathtub. For the Tandem models and the Serenade models (freestanding and drop-in), the blower is always remote and not factory installed so a 9 ft flexible main hose is included. Please note that the positioning of the system's control could be in conflict with the door if one was installed on the unit. To insure compatibility, please contact customer service.

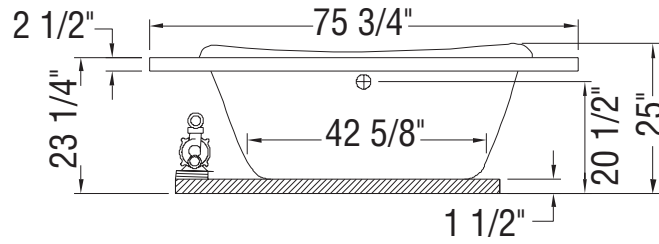
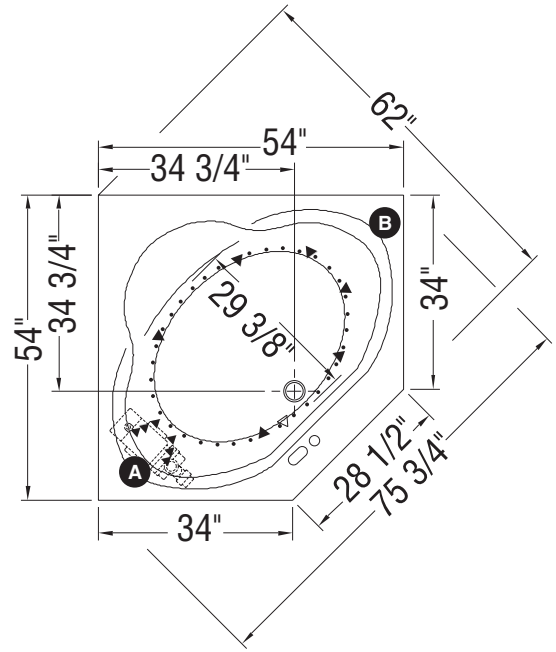
FOOTNOTES

No	Description
25	Please order flexible main hose 10019708 for installation of the blower further than 9 ft from the bathtub.
27	Please note the Backmax is positioned on the same side as the pump.
54	A selection of units come with an access panel by default when equipped with a system. However, if the unit is only equipped with chromatherapy, the access panel will not be provided by default.

MICRO-JETS SYSTEM



HYDROSENS, BACKMAX AND AIR SYSTEM



- Ⓐ : Specify blower and/or pump location when ordering
- Ⓑ : Specify suction location when ordering
- (▲) : Indicates whirlpool and backjets positioning
- (△) : Indicates suction positioning
- (•) : Indicates airjets positioning

All dimensions are approximate. Structure measurements must be verified against the unit to ensure proper fit.

Lounge



Material : Acrylic
 Max: 68 Gal / 259 L

Features

- › Acrylic surface resistant to stains
- › Bathtub skirt available in 4 colours: White, Sterling Silver, Black, Thunder Grey
- › Maximized bathing well with comfortable backrest
- › 2-piece bathtub for easy transportation and seamless installation
- › Compatible with F2 drain connector to save time and money on installation
- › MAAX innovative leveling legs for easy installation
- › High gloss finish resistant to dulling, scratching, and fading
- › Minimalist and versatile design to fit any bathroom
- › Product warranty: 25-year

FREESTANDING BATHTUBS - ACRYLIC

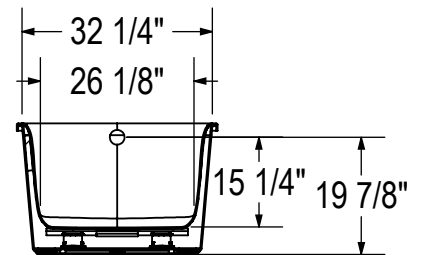
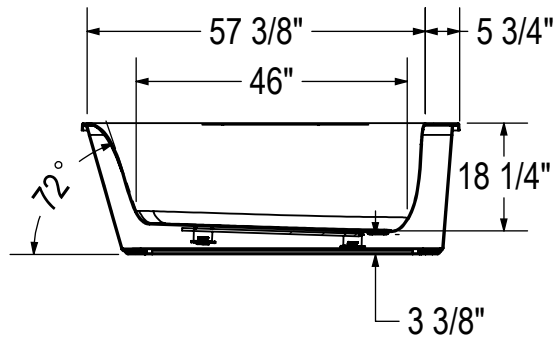
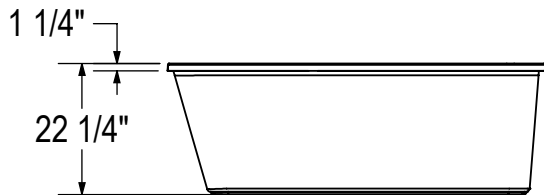
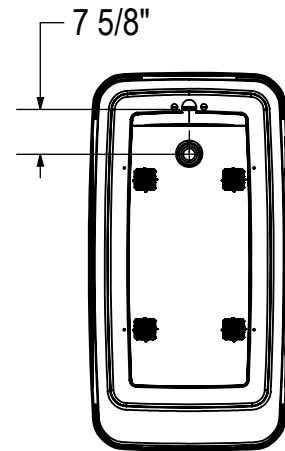
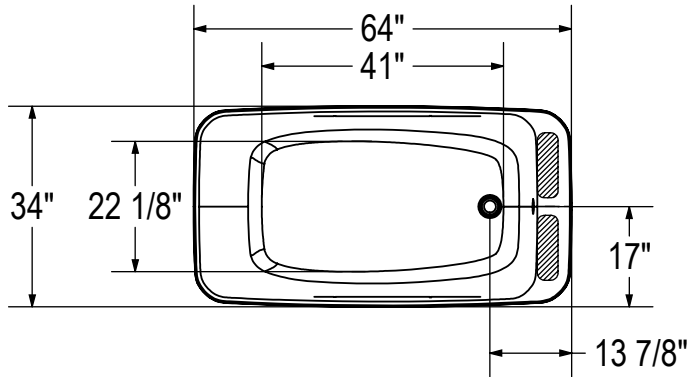
LOUNGE 6434 - 105798						
SKU	System	Color	Configuration	Dimensions & Weight	Packaging	MSRP
105798-000-001-100	Soaker - No System	White	End	64" x 34" x 22 1/4" / 160 lb / 73 kg	31.7832 ft³	\$ 2795
105798-000-001-105		Black				\$ 3095
105798-000-001-106		Sterling Silver				\$ 3095
105798-000-001-107		Thunder Gray				\$ 3095


COMMON OPTIONS		
SKU	Description	MSRP
OPT20137-004	Cable-operated waste and overflow (16 in. to 22 in.) (included in product packaging when purchased) Available colors: White (001), Bone (004), Chrome (084) and Brushed Nickel (105)	\$ 238
OPT20137-084		\$ 238
OPT20137-105		\$ 238
OPT20137-001		\$ 238
106021-000-002-000	Apron only (sold separately as a replacement part) Available standard apron color: White apron (002)	\$ 1464

ACCESSORIES		
SKU	Description	MSRP
10032737	Positioning template for Lounge freestanding installation (sold separately)	\$ 89
10032747	F² Drain - ABS kit for freestanding bathtub installation (sold separately) Minimum space required for assembly is 10 3/8 inches Compatible exclusively with MAAX freestanding bathtubs.	\$ 198

ACCESSORIES

SKU	Description	MSRP
10032757	F ² Drain - Pack of 12 ABS kits for freestanding bathtub installation (sold separately) Minimum space required for assembly is 10 3/8 inches Compatible exclusively with MAAX freestanding bathtubs.	\$ 2282
10034341	F ² Drain - PVC kit for freestanding bathtub installation (sold separately) Minimum space required for assembly is 10 3/8 inches Compatible exclusively with MAAX freestanding bathtubs.	\$ 198
10004306-001	White foam cushion with 2 suction pads (sold separately) Available color: White (001)	\$ 120
10022491-084	Cable-operated waste and overflow (16 in. to 22 in.) (sold separately) Available colors: White (001), Bone (004), Chrome (084) and Brushed Nickel (105)	\$ 238
10022491-004		\$ 238
10022491-105		\$ 238
10022491-001		\$ 238



() : Recommended faucet area 2 sections of 12" (L) x 3 1/2" (W).

All dimensions are approximate. Structure measurements must be verified against the unit to ensure proper fit.



Calinda 6030

FREESTANDING BATHTUBS - ACRYLIC



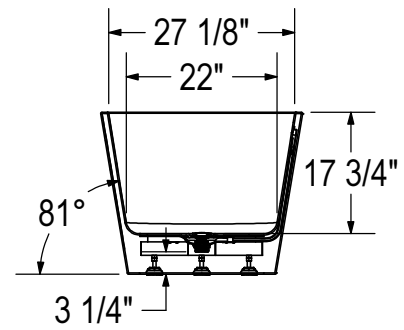
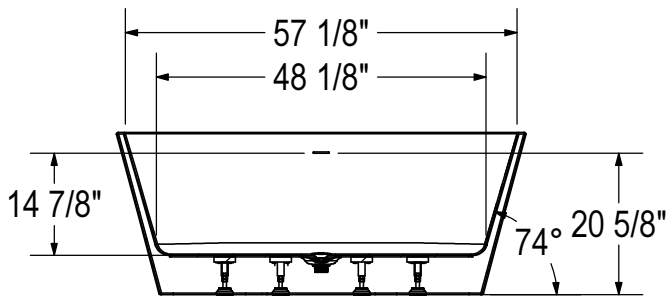
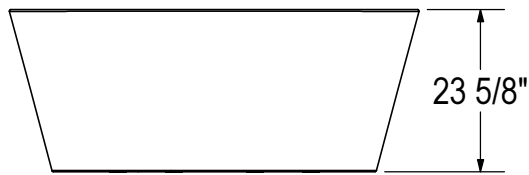
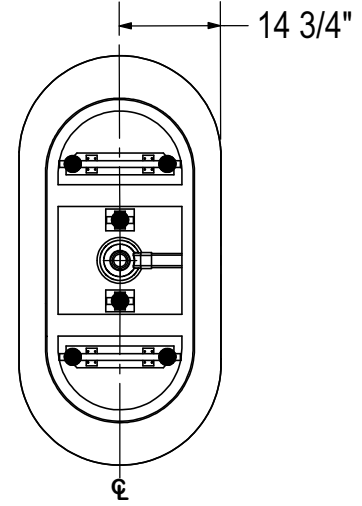
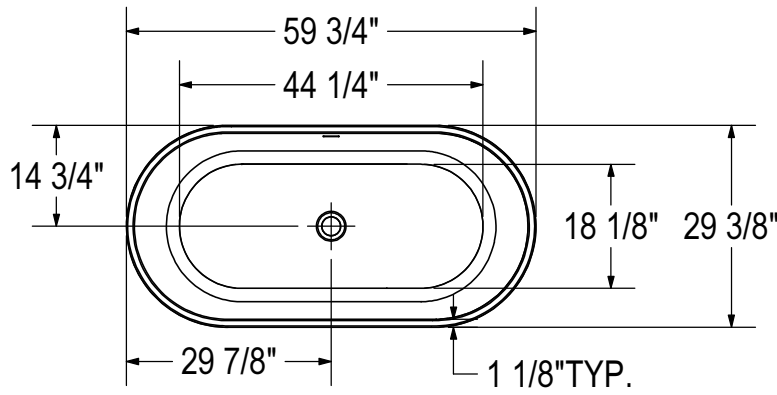
Material : Acrylic
 Max: 77 Gal / 293 L

Features

- › Seamless 1-piece minimalist and versatile design to fit any bathroom style
- › Trimless linear overflow and white pop-up drain to match any faucet finish
- › Hygienic, non-porous acrylic surface for easy cleaning
- › High gloss finish resistant to dulling, scratching, and fading
- › 25-year limited warranty for your peace of mind
- › 1-person bath with maximized bathing well designed for optimal comfort
- › Waste and overflow included and pre-installed to save time on installation
- › Comes with leveling legs for ease of installation
- › Compatible with MAAX F2 Drain to save time and money on installation

CALINDA 6030 - 107527

SKU	System	Color	Configuration	Dimensions & Weight	Packaging	MSRP
107527-000-001-000	Soaker - No System	White	Center	59 3/4" x 29 3/8" x 23 5/8" / 74.8 lb / 34 kg	28.47945601851852 ft ³	\$ 1820
107527-000-001-100		Black				\$ 1920



All dimensions are approximate. Structure measurements must be verified against the unit to ensure proper fit.



Lorca

FREESTANDING BATHTUBS - ACRYLIC



Material : Acrylic
 Max: 70 Gal / 264 L

Features

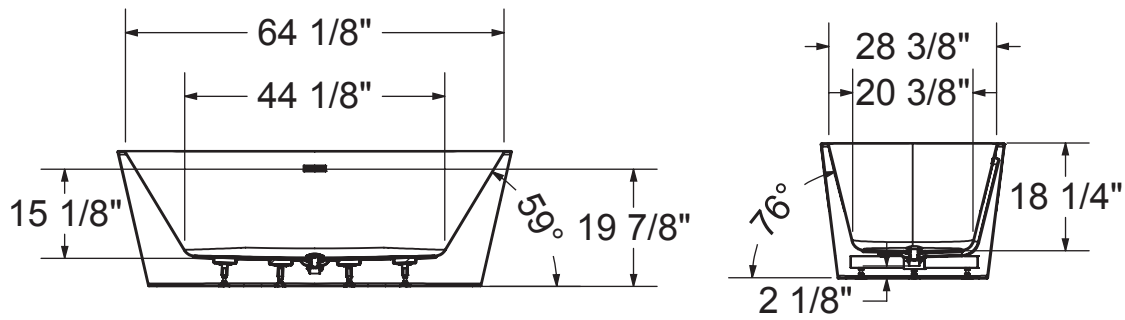
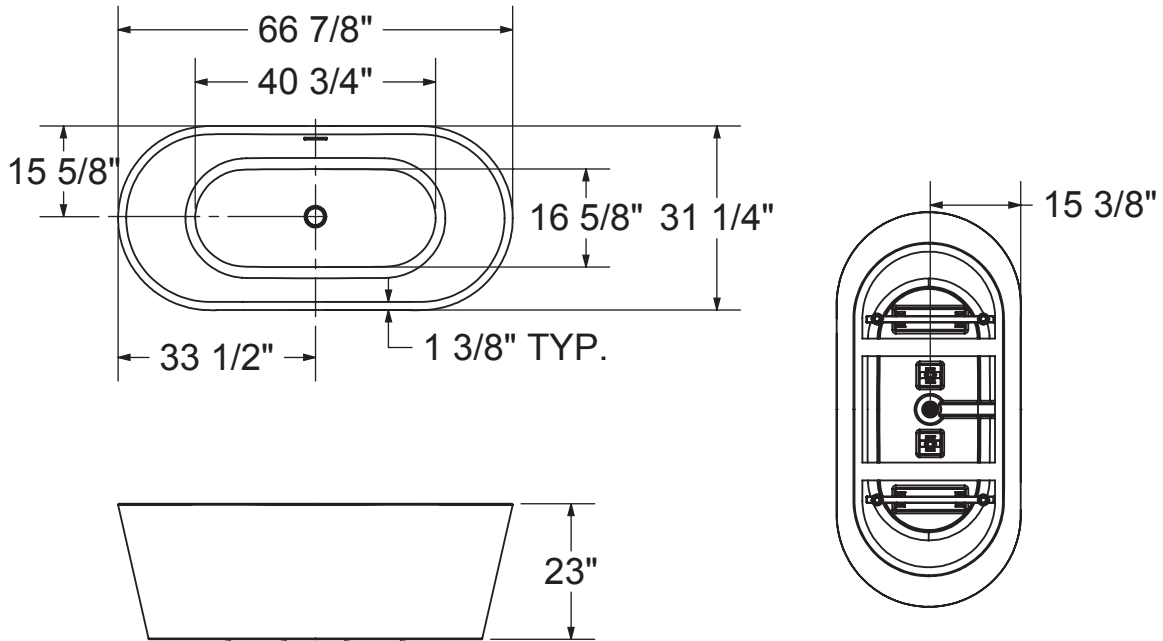
- › Maximised bathing well with comfortable backrests and center drain
- › Linear overflow and waste in chrome (pre-installed)
- › F² Drain compatible
- › Adjustable leveling legs for easy installation
- › Available in white only

LORCA 6731 - 106471

SKU	System	Color	Configuration	Dimensions & Weight	Packaging	MSRP
106471-000-001-000	Soaker - No System	White	Center	66 7/8" x 31 1/4" x 23" / 92 lb / 42 kg	36 ft ³	\$ 3225

ACCESSORIES

SKU	Description	MSRP
10032747	F ² Drain - ABS kit for freestanding bathtub installation (sold separately) Minimum space required for assembly is 10 3/8 inches Compatible exclusively with MAAX freestanding bathtubs.	\$ 198
10032757	F ² Drain - Pack of 12 ABS kits for freestanding bathtub installation (sold separately) Minimum space required for assembly is 10 3/8 inches Compatible exclusively with MAAX freestanding bathtubs.	\$ 2282
10034341	F ² Drain - PVC kit for freestanding bathtub installation (sold separately) Minimum space required for assembly is 10 3/8 inches Compatible exclusively with MAAX freestanding bathtubs.	\$ 198
10037814	Positioning template (sold separately)	\$ 89



All dimensions are approximate. Structure measurements must be verified against the unit to ensure proper fit.



Mahaba 6029

FREESTANDING BATHTUBS - ACRYLIC



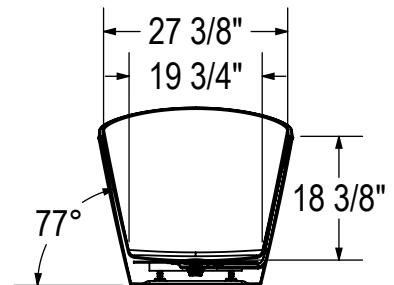
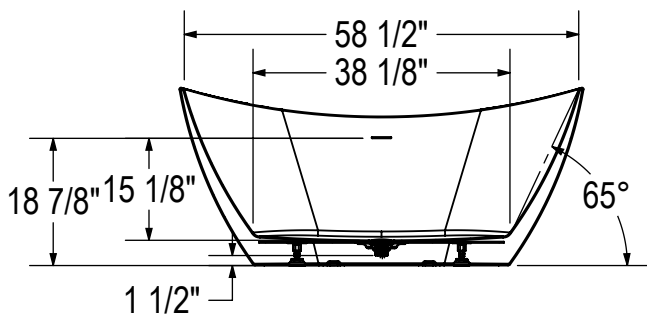
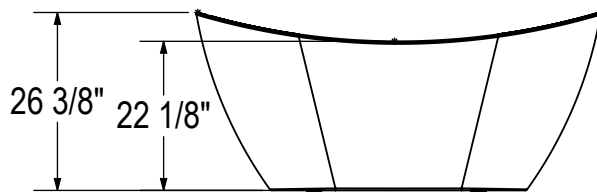
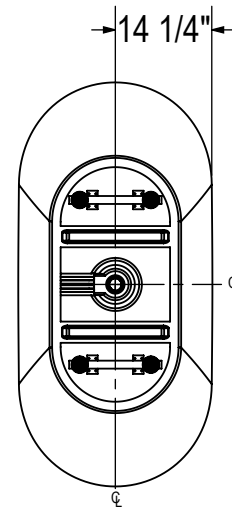
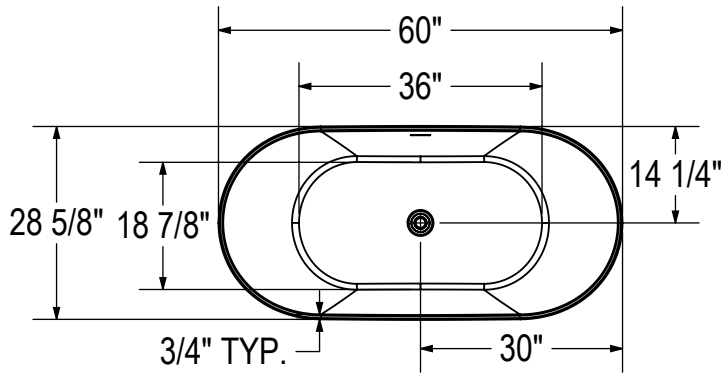
Material : Acrylic
 Max: 78 Gal / 297 L

Features

- › Seamless 1-piece minimalist and versatile design to fit any bathroom style
- › Trimless linear overflow and white pop-up drain to match any faucet finish
- › Hygienic, non-porous acrylic surface for easy cleaning
- › High gloss finish resistant to dulling, scratching, and fading
- › 25-year limited warranty for your peace of mind
- › 1-person bath with maximized bathing well designed for optimal comfort
- › Waste and overflow included and pre-installed to save time on installation
- › Comes with leveling legs for ease of installation
- › Compatible with MAAX F2 Drain to save time and money on installation

MAHABA 6029 - 107510

SKU	System	Color	Configuration	Dimensions & Weight	Packaging	MSRP
107510-000-001-000	Soaker - No System	White	Center	60" x 28 5/8" x 26 3/8" / 74.8 lb / 34 kg	32.722222222222222 ft ³	\$ 1895



All dimensions are approximate. Structure measurements must be verified against the unit to ensure proper fit.



Mahaba 6729

FREESTANDING BATHTUBS - ACRYLIC



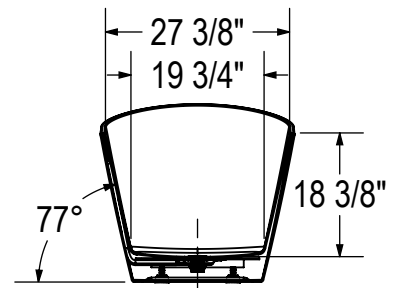
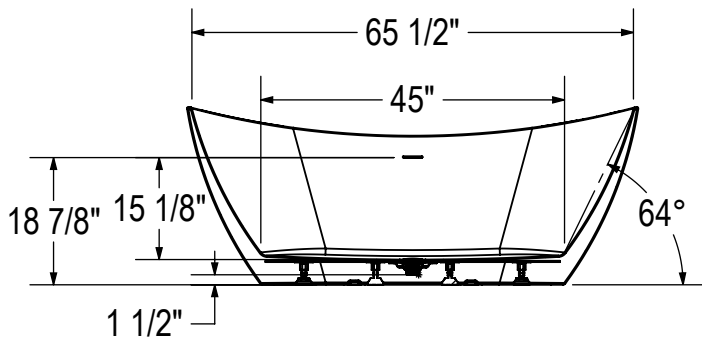
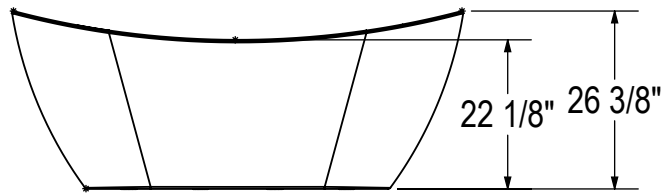
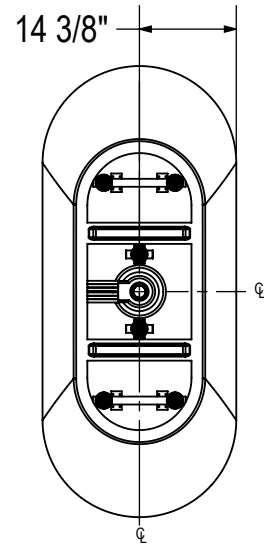
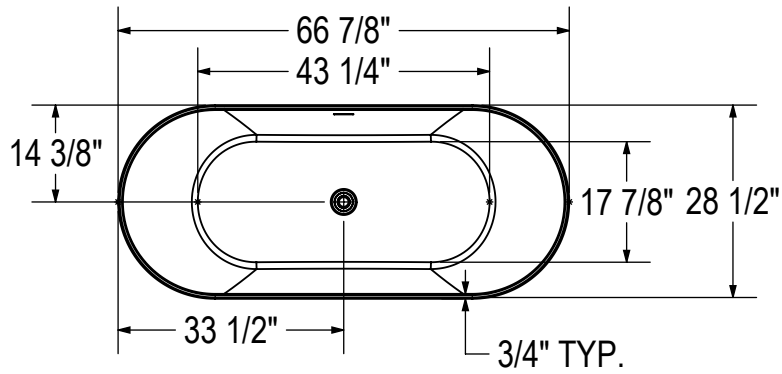
Material : Acrylic
 Max: 84 Gal / 319 L

Features

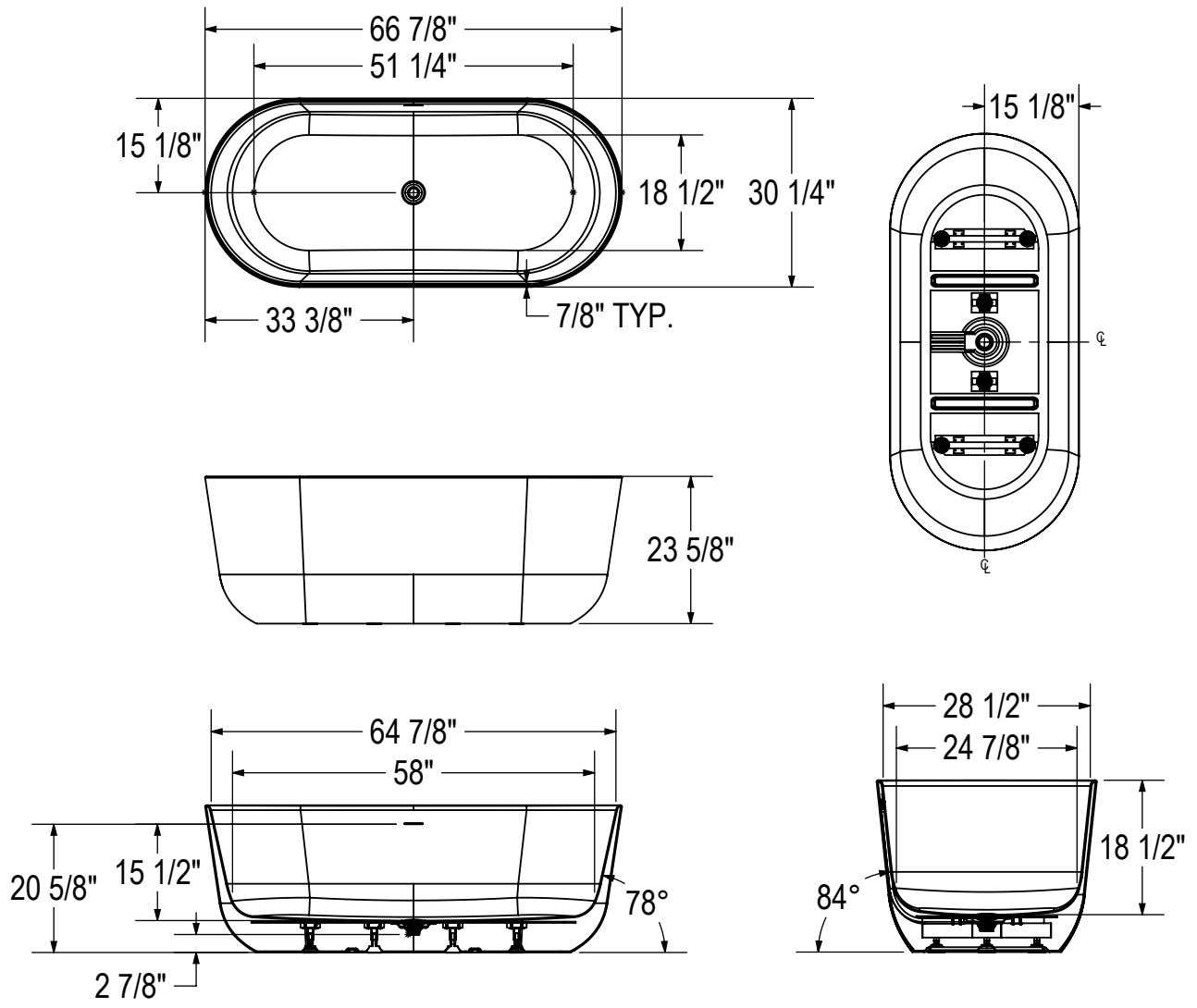
- › Seamless 1-piece minimalist and versatile design to fit any bathroom style
- › Trimless linear overflow and white pop-up drain to match any faucet finish
- › Hygienic, non-porous acrylic surface for easy cleaning
- › High gloss finish resistant to dulling, scratching, and fading
- › 25-year limited warranty for your peace of mind
- › 2-person bath with maximized bathing well designed for optimal comfort
- › Waste and overflow included and pre-installed to save time on installation
- › Comes with leveling legs for ease of installation
- › Compatible with MAAX F2 Drain to save time and money on installation

MAHABA 6729 - 107511

SKU	System	Color	Configuration	Dimensions & Weight	Packaging	MSRP
107511-000-001-000	Soaker - No System	White	Center	66 7/8" x 28 1/2" x 26 3/8" / 101.2 lb / 46 kg	36.416666666666664 ft ³	\$ 1945



All dimensions are approximate. Structure measurements must be verified against the unit to ensure proper fit.



All dimensions are approximate. Structure measurements must be verified against the unit to ensure proper fit.



Nakuru 6731

FREESTANDING BATHTUBS - ACRYLIC



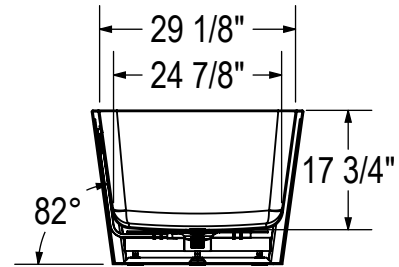
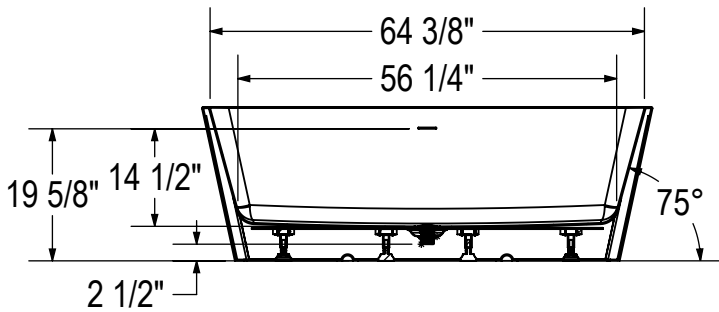
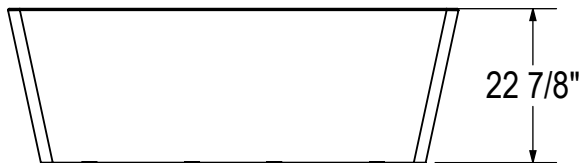
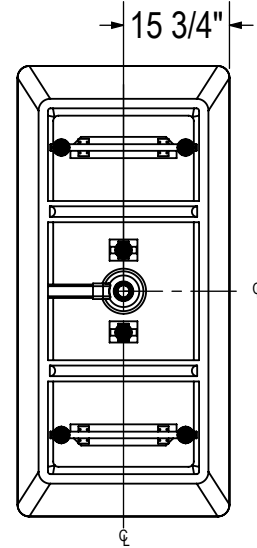
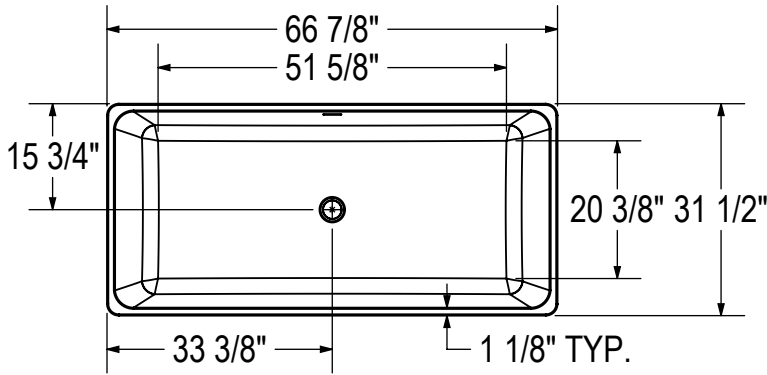
Material : Acrylic
 Max: 103 Gal / 391 L

Features

- › Seamless 1-piece minimalist and versatile design to fit any bathroom style
- › Trimless linear overflow and white pop-up drain to match any faucet finish
- › Hygienic, non-porous acrylic surface for easy cleaning
- › High gloss finish resistant to dulling, scratching, and fading
- › 25-year limited warranty for your peace of mind
- › 2-person bath with maximized bathing well designed for optimal comfort
- › Waste and overflow included and pre-installed to save time on installation
- › Comes with leveling legs for ease of installation
- › Compatible with MAAX F2 Drain to save time and money on installation

NAKURU 6731 - 107513

SKU	System	Color	Configuration	Dimensions & Weight	Packaging	MSRP
107513-000-001-000	Soaker - No System	White	Center	66 7/8" x 31 1/2" x 22 7/8" / 132 lb / 60 kg	33.940972222222222 ft ³	\$ 1970



All dimensions are approximate. Structure measurements must be verified against the unit to ensure proper fit.



Soca 5928

FREESTANDING BATHTUBS - ACRYLIC



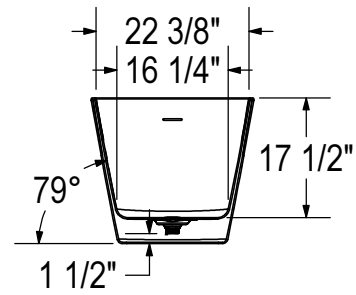
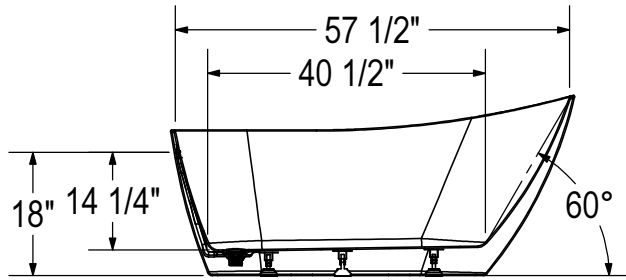
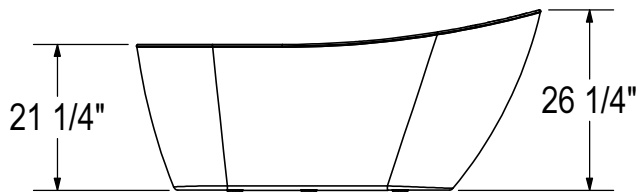
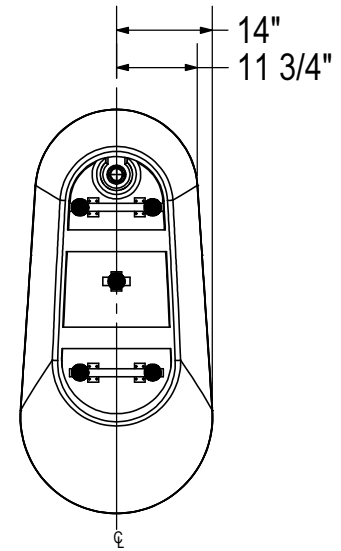
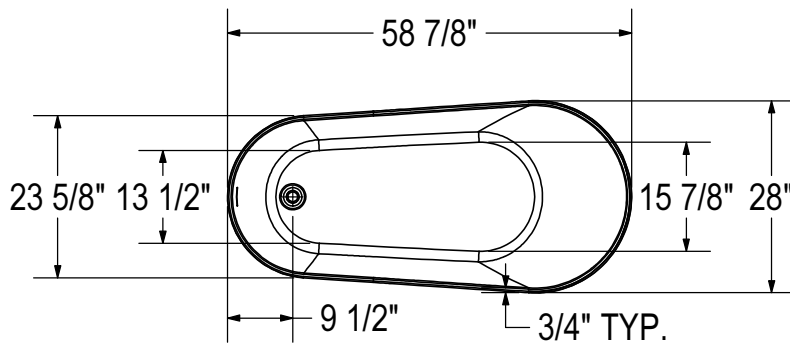
Material : Acrylic
 Max: 58 Gal / 220 L

Features

- › Seamless 1-piece minimalist and versatile design to fit any bathroom style
- › Trimless linear overflow and white pop-up drain to match any faucet finish
- › Hygienic, non-porous acrylic surface for easy cleaning
- › High gloss finish resistant to dulling, scratching, and fading
- › 25-year limited warranty for your peace of mind
- › 1-person bath with maximized bathing well designed for optimal comfort
- › Waste and overflow included and pre-installed to save time on installation
- › Comes with leveling legs for ease of installation
- › Compatible with MAAX F2 Drain to save time and money on installation

SOCA 5928 - 107531

SKU	System	Color	Configuration	Dimensions & Weight	Packaging	MSRP
107531-000-001-000	Soaker - No System	White	End	58 7/8" x 28" x 26 1/4" / 85.8 lb / 39 kg	30.81108940972222 ft ³	\$ 1820



All dimensions are approximate. Structure measurements must be verified against the unit to ensure proper fit.



Soca 6729

FREESTANDING BATHTUBS - ACRYLIC



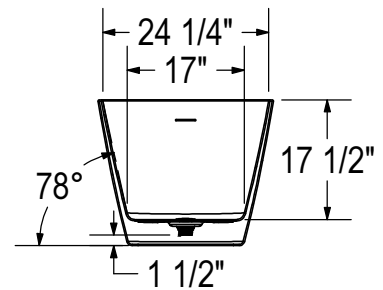
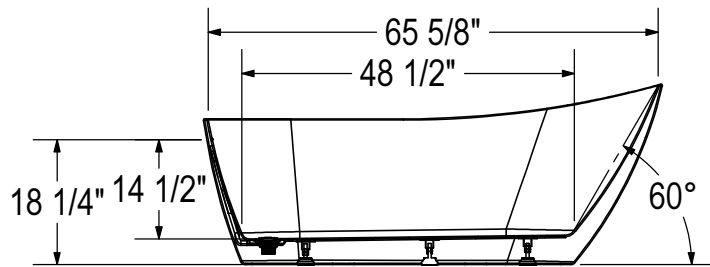
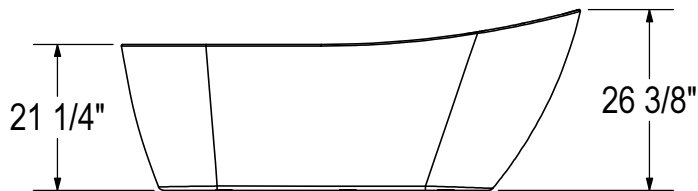
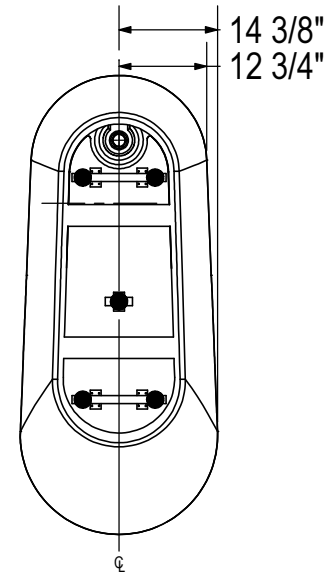
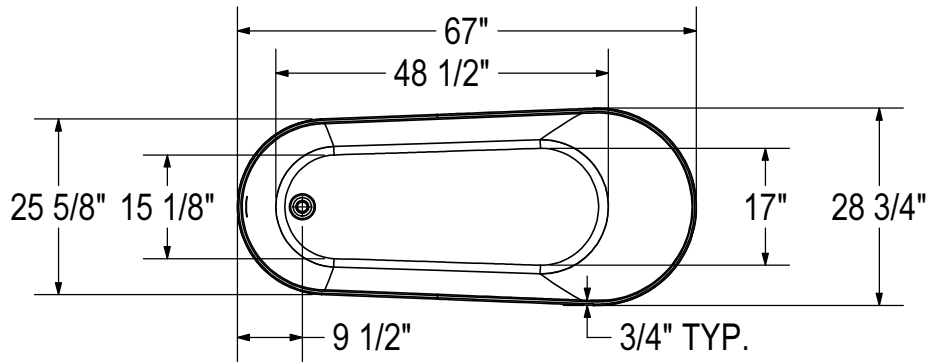
Material : Acrylic
 Max: 65 Gal / 245 L

Features

- › Seamless 1-piece minimalist and versatile design to fit any bathroom style
- › Trimless linear overflow and white pop-up drain to match any faucet finish
- › Hygienic, non-porous acrylic surface for easy cleaning
- › High gloss finish resistant to dulling, scratching, and fading
- › 25-year limited warranty for your peace of mind
- › 1-person bath with maximized bathing well designed for optimal comfort
- › Waste and overflow included and pre-installed to save time on installation
- › Comes with leveling legs for ease of installation
- › Compatible with MAAX F2 Drain to save time and money on installation

SOCA 6729 - 107532

SKU	System	Color	Configuration	Dimensions & Weight	Packaging	MSRP
107532-000-001-000	Soaker - No System	White	End	67" x 28 3/4" x 26 3/8" / 140.8 lb / 64 kg	35.342556423611114 ft ³	\$ 1870



All dimensions are approximate. Structure measurements must be verified against the unit to ensure proper fit.



Delsia 6032

FREESTANDING BATHTUBS - ACRYLX



Material : AcrylX
 Max: 48 Gal / 182 L

Features

- › AcrylX™ surface resistant to stains
- › Bathtub skirt available in 4 colours: White, Sterling Silver, Black, Thunder Grey
- › 2-piece bathtub for easy transportation and seamless installation
- › Compatible with F2 drain connector to save time and money on installation
- › Maximized bathing well and raised backrest
- › MAAX innovative leveling legs for easy installation
- › High gloss finish resistant to dulling, scratching, and fading
- › Classy transitional design to fit any bathroom
- › Product Warranty: limited lifetime

DELSIA 6032 - 106192

SKU	System	Color	Configuration	Dimensions & Weight	Packaging	MSRP
106192-000-002-104	Soaker - No System	White	Center	60" x 32" x 26 5/8" / 95 lb / 43 kg	31.7832 ft ³	\$ 2142
106192-000-002-124		Black				\$ 2442
106192-000-002-125		Sterling Silver				\$ 2442
106192-000-002-126		Thunder Gray				\$ 2442

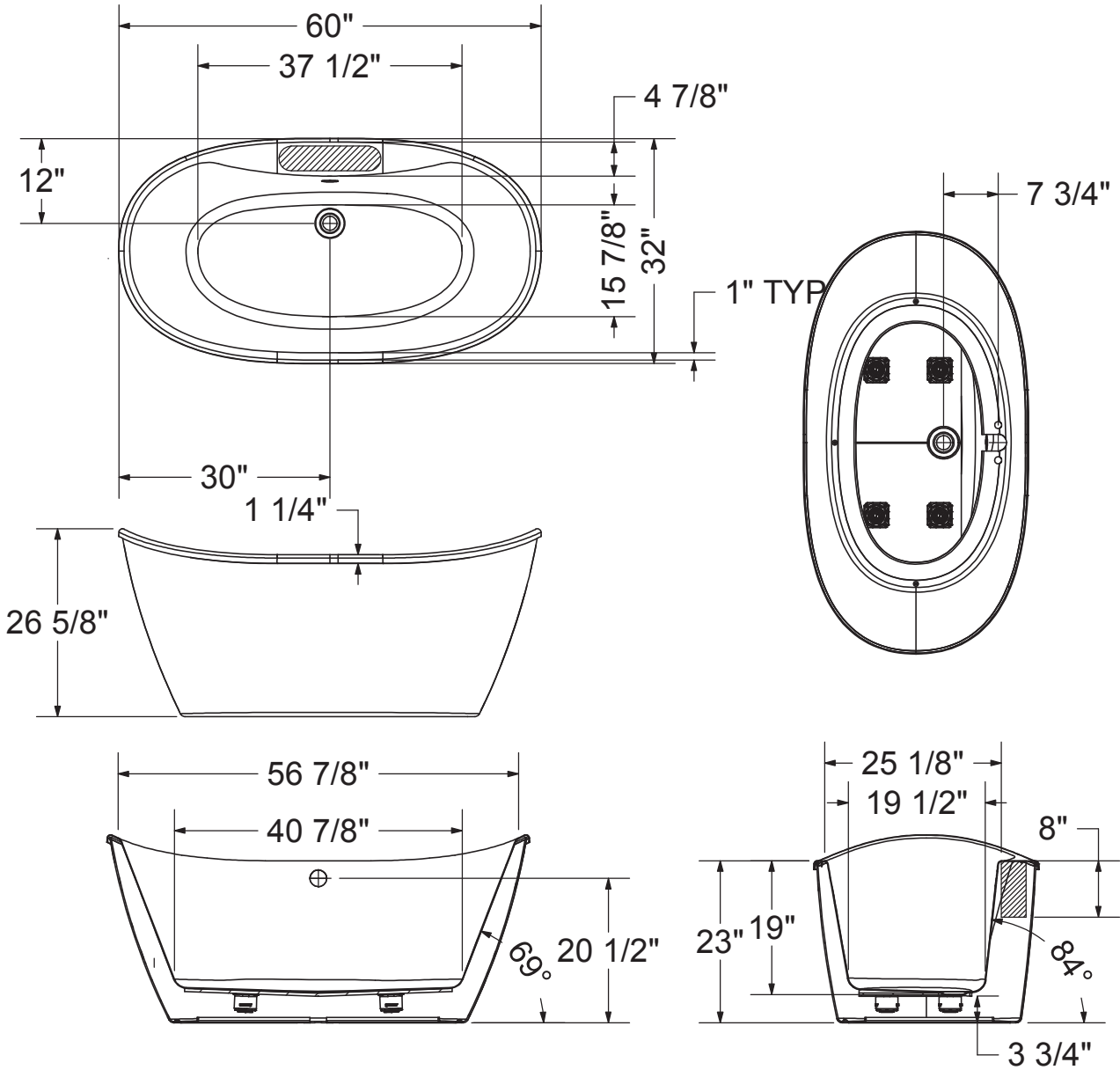
COMMON OPTIONS


SKU	Description	MSRP
OPT20137-004	Cable-operated waste and overflow (16 in. to 22 in.) (included in product packaging when purchased) Available colors: White (001), Bone (004), Chrome (084) and Brushed Nickel (105)	\$ 238
OPT20137-084		\$ 238
OPT20137-105		\$ 238
OPT20137-001		\$ 238
OPT20210-084	Waste and overflow (16 in. to 22 in.) (included in product packaging when purchased) Available colors: Chrome (084) and Brushed Nickel (105)	\$ 84
OPT20210-105		\$ 123
106194-000-002-000	Apron only (sold separately as a replacement part) Available standard apron color: White apron (002)	\$ 1293

ACCESSORIES

SKU	Description	MSRP
10012135-105	Waste and overflow (16 to 22 in.) (sold separately) Available colors: Chrome (084) and Brushed Nickel (105)	\$ 123

ACCESSORIES		
SKU	Description	MSRP
10012135-084	Waste and overflow (16 to 22 in.) (sold separately) Available colors: Chrome (084) and Brushed Nickel (105)	\$ 84
10032747	F ² Drain - ABS kit for freestanding bathtub installation (sold separately) Minimum space required for assembly is 10 3/8 inches Compatible exclusively with MAAX freestanding bathtubs.	\$ 198
10032757	F ² Drain - Pack of 12 ABS kits for freestanding bathtub installation (sold separately) Minimum space required for assembly is 10 3/8 inches Compatible exclusively with MAAX freestanding bathtubs.	\$ 2282
10034341	F ² Drain - PVC kit for freestanding bathtub installation (sold separately) Minimum space required for assembly is 10 3/8 inches Compatible exclusively with MAAX freestanding bathtubs.	\$ 198
10037415	Positioning template for Delsia 6032 freestanding installation (sold separately)	\$ 89
10004306-001	White foam cushion with 2 suction pads (sold separately) Available color: White (001)	\$ 120
10022491-084	Cable-operated waste and overflow (16 in. to 22 in.) (sold separately) Available colors: White (001), Bone (004), Chrome (084) and Brushed Nickel (105)	\$ 238
10022491-004		\$ 238
10022491-105		\$ 238
10022491-001		\$ 238
10022491-001		\$ 238



(): Recommended faucet area of 15" (L) x 3-1/2" (W).
Depth recommended for straight pipes 8".

All dimensions are approximate. Structure measurements must be verified against the unit to ensure proper fit.



Delsia 6636



Material : AcrylX
 Max: 59 Gal / 223 L

Features

- › AcrylX™ surface resistant to stains
- › Available in timeless white colour
- › Maximized bathing well
- › 2-piece bathtub for easy transportation and seamless installation
- › Compatible with F2 drain connector to save time and money on installation
- › MAAX innovative leveling legs for easy installation
- › High gloss finish resistant to dulling, scratching, and fading
- › Minimalist and versatile design to fit any bathroom
- › Product Warranty: limited lifetime

FREESTANDING BATHTUBS - ACRYLX

DELSIA 6636 - 106193

SKU	System	Color	Configuration	Dimensions & Weight	Packaging	MSRP
106193-000-002-104	Soaker - No System	White	Center	66" x 36" x 26 5/8" / 110 lb / 50 kg	38.8461 ft ³	\$ 2569
106193-000-002-124		Black				\$ 2869
106193-000-002-125		Sterling Silver				\$ 2869
106193-000-002-126		Thunder Gray				\$ 2869

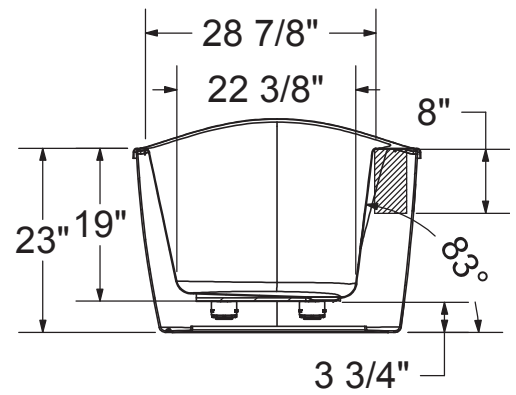
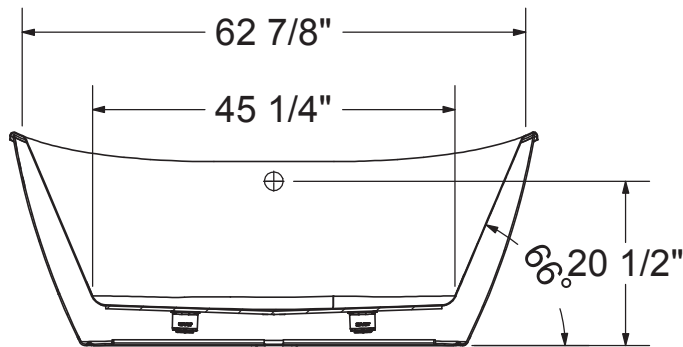
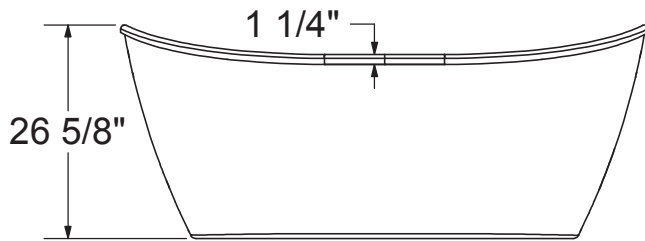
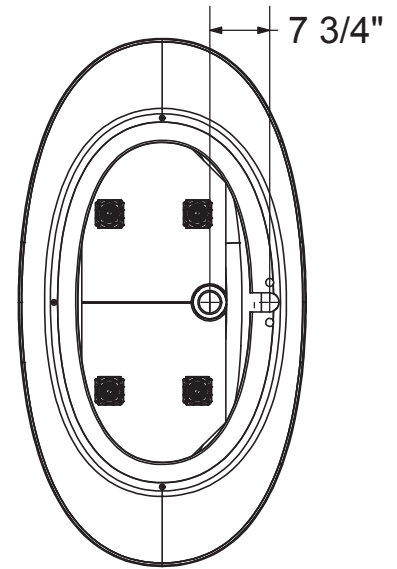
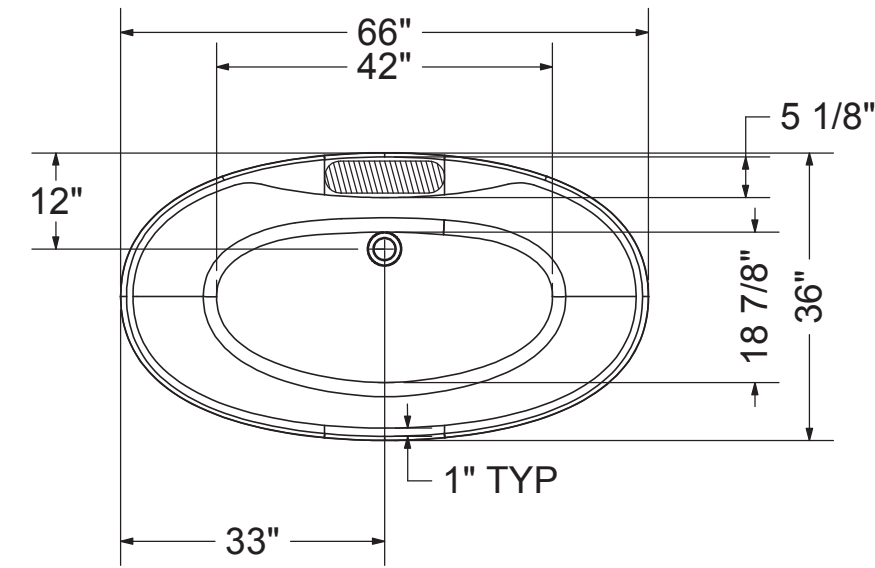
COMMON OPTIONS


SKU	Description	MSRP
OPT20137-004	Cable-operated waste and overflow (16 in. to 22 in.) (included in product packaging when purchased) Available colors: White (001), Bone (004), Chrome (084) and Brushed Nickel (105)	\$ 238
OPT20137-084		\$ 238
OPT20137-105		\$ 238
OPT20137-001		\$ 238
OPT20210-084	Waste and overflow (16 in. to 22 in.) (included in product packaging when purchased) Available colors: Chrome (084) and Brushed Nickel (105)	\$ 84
OPT20210-105		\$ 123
106195-000-002-000	Apron only (sold separately as a replacement part) Available standard apron color: White apron (002)	\$ 1532

ACCESSORIES

SKU	Description	MSRP
10012135-105	Waste and overflow (16 to 22 in.) (sold separately) Available colors: Chrome (084) and Brushed Nickel (105)	\$ 123

ACCESSORIES		
SKU	Description	MSRP
10012135-084	Waste and overflow (16 to 22 in.) (sold separately) Available colors: Chrome (084) and Brushed Nickel (105)	\$ 84
10032747	F ² Drain - ABS kit for freestanding bathtub installation (sold separately) Minimum space required for assembly is 10 3/8 inches Compatible exclusively with MAAX freestanding bathtubs.	\$ 198
10032757	F ² Drain - Pack of 12 ABS kits for freestanding bathtub installation (sold separately) Minimum space required for assembly is 10 3/8 inches Compatible exclusively with MAAX freestanding bathtubs.	\$ 2282
10034341	F ² Drain - PVC kit for freestanding bathtub installation (sold separately) Minimum space required for assembly is 10 3/8 inches Compatible exclusively with MAAX freestanding bathtubs.	\$ 198
10037416	Positioning template for Delsia 6636 freestanding installation (sold separately)	\$ 89
10004306-001	White foam cushion with 2 suction pads (sold separately) Available color: White (001)	\$ 120
10022491-084	Cable-operated waste and overflow (16 in. to 22 in.) (sold separately) Available colors: White (001), Bone (004), Chrome (084) and Brushed Nickel (105)	\$ 238
10022491-004		\$ 238
10022491-105		\$ 238
10022491-001		\$ 238



(): Recommended faucet area of 15" (L) x 4" (W).
Depth recommended for straight pipes 8".

All dimensions are approximate. Structure measurements must be verified against the unit to ensure proper fit.



Elinor

FREESTANDING BATHTUBS - ACRYLX



Material : AcrylX
 Max: 65 Gal / 245 L

Features

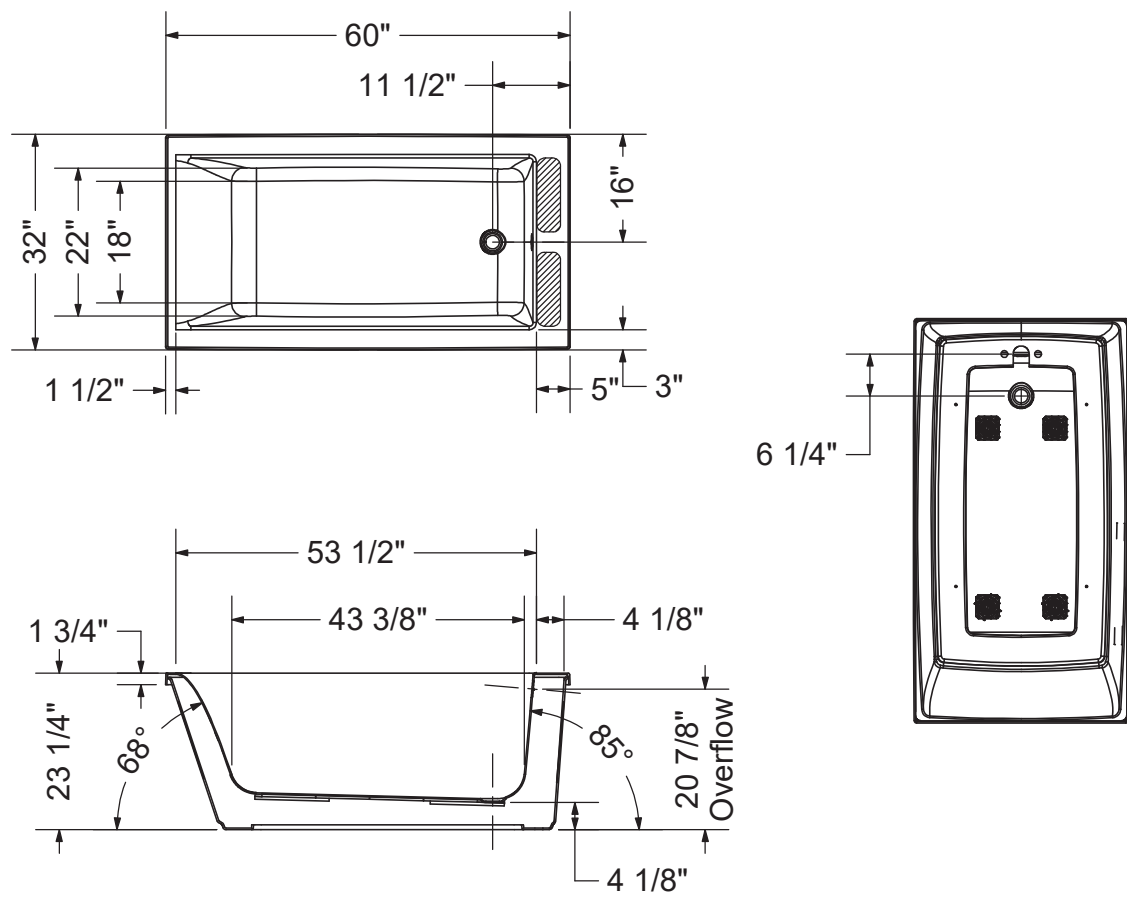
- › Proudly made in Canada
- › Sleek and comfortable 2-piece freestanding bathtub made of AcrylX reinforced with fiberglass
- › Inclined backrest and deep bathing well
- › Ample deck space for faucet installation
- › End drain
- › Above-the-Floor Rough (AFR) and F2 Drain compatible
- › MAAX innovative leveling legs

ELINOR - 106426						
SKU	System	Color	Configuration	Dimensions & Weight	Packaging	MSRP
106426-000-002-100	Soaker - No System	White	End	60" x 32" x 23" / 100 lb / 45 kg	29 ft ³	\$ 2407
106426-000-002-105		Black				\$ 2707
106426-000-002-106		Sterling Silver				\$ 2707
106426-000-002-107		Thunder Gray				\$ 2707

COMMON OPTIONS		
SKU	Description	MSRP
OPT20137-004	Cable-operated waste and overflow (16 in. to 22 in.) (included in product packaging when purchased) Available colors: White (001), Bone (004), Chrome (084) and Brushed Nickel (105)	\$ 238
OPT20137-084		\$ 238
OPT20137-105		\$ 238
OPT20137-001		\$ 238
106429-000-002-000	Apron only (sold separately as a replacement part) Available standard apron color: White apron (002)	\$ 1615

ACCESSORIES		
SKU	Description	MSRP
10032739	Positioning template for freestanding bathtub installation (sold separately)	\$ 89
10032747	F ² Drain - ABS kit for freestanding bathtub installation (sold separately) Minimum space required for assembly is 10 3/8 inches Compatible exclusively with MAAX freestanding bathtubs.	\$ 198

ACCESSORIES		
SKU	Description	MSRP
10032757	F ² Drain - Pack of 12 ABS kits for freestanding bathtub installation (sold separately) Minimum space required for assembly is 10 3/8 inches Compatible exclusively with MAAX freestanding bathtubs.	\$ 2282
10034341	F ² Drain - PVC kit for freestanding bathtub installation (sold separately) Minimum space required for assembly is 10 3/8 inches Compatible exclusively with MAAX freestanding bathtubs.	\$ 198
10004306-001	White foam cushion with 2 suction pads (sold separately) Available color: White (001)	\$ 120
10022491-084	Cable-operated waste and overflow (16 in. to 22 in.) (sold separately) Available colors: White (001), Bone (004), Chrome (084) and Brushed Nickel (105)	\$ 238
10022491-004		\$ 238
10022491-105		\$ 238
10022491-001		\$ 238



(): Recommended faucet area 2 sections of 12" (L) x 3 1/2" (W).

All dimensions are approximate. Structure measurements must be verified against the unit to ensure a proper fit.

Sax



Material : AcrylX
 Max: 44 Gal / 168 L

Features

- › AcrylX™ surface resistant to stains
- › Bathtub skirt available in 4 colours: White, Sterling Silver, Black, Thunder Grey
- › Maximized bathing well with comfortable backrest
- › 2-piece bathtub for easy transportation and seamless installation
- › Compatible with F2 drain connector to save time and money on installation
- › MAAX innovative leveling legs for easy installation
- › High gloss finish resistant to dulling, scratching, and fading
- › Transitional design to fit any bathroom style
- › Product Warranty: limited lifetime

FREESTANDING BATHTUBS - ACRYLX

SAX 6032 FREESTANDING BATHTUB - 105797

SKU	System	Color	Configuration	Dimensions & Weight	Packaging	MSRP
105797-000-002-100	Soaker - No System	White	End	60" x 32" x 24 7/8" / 130 lb / 59 kg	32 ft³	\$ 1909
105797-000-002-125		Black				\$ 2209
105797-000-002-126		Sterling Silver				\$ 2209
105797-000-002-127		Thunder Gray				\$ 2209

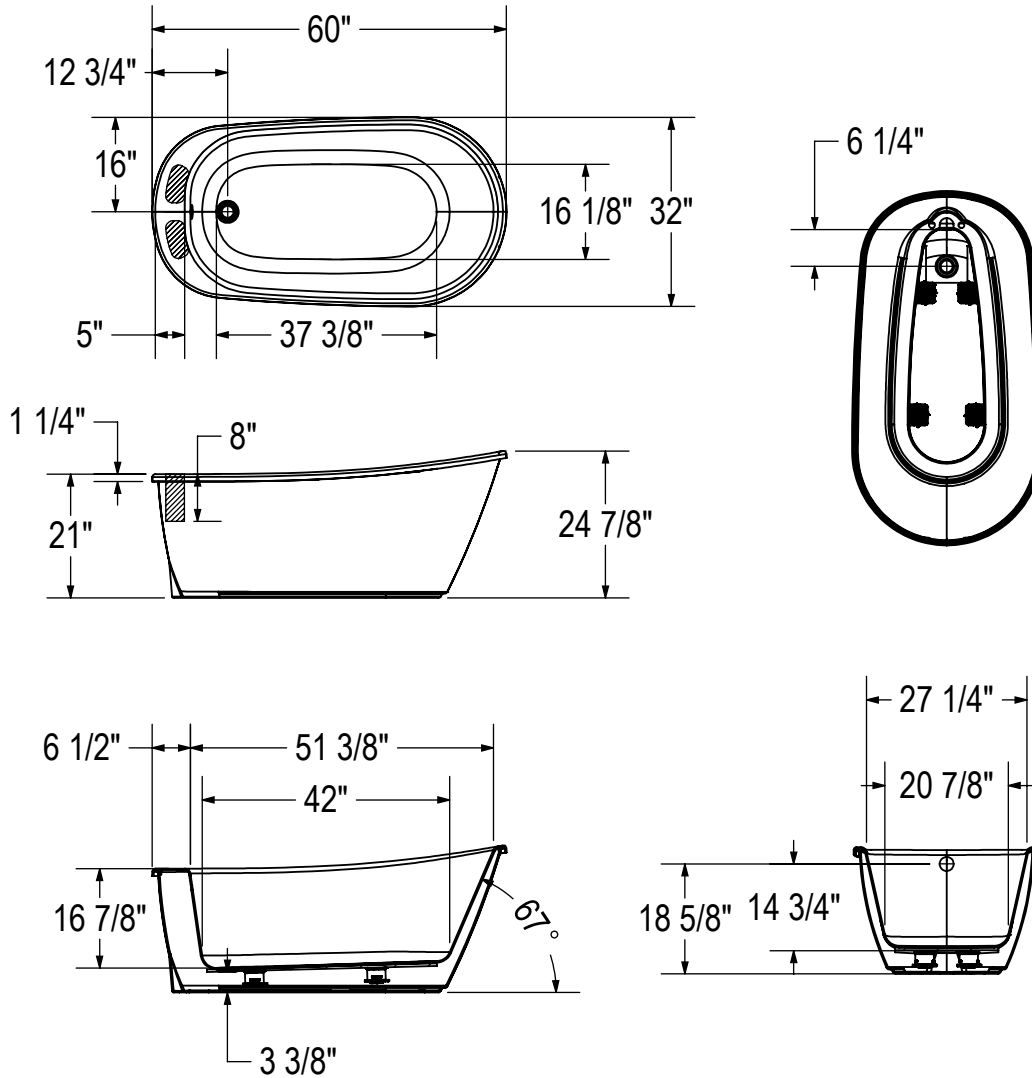
COMMON OPTIONS

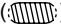
SKU	Description	MSRP
OPT20137-004	Cable-operated waste and overflow (16 in. to 22 in.) (included in product packaging when purchased) Available colors: White (001), Bone (004), Chrome (084) and Brushed Nickel (105)	\$ 238
OPT20137-084		\$ 238
OPT20137-105		\$ 238
OPT20137-001		\$ 238
OPT20210-084	Waste and overflow (16 in. to 22 in.) (included in product packaging when purchased) Available colors: Chrome (084) and Brushed Nickel (105)	\$ 84
OPT20210-105		\$ 123
106020-000-002-000	Apron only (sold separately as a replacement part) Available standard apron color: White apron (002)	\$ 1312

ACCESSORIES

SKU	Description	MSRP
10012135-105	Waste and overflow (16 to 22 in.) (sold separately) Available colors: Chrome (084) and Brushed Nickel (105)	\$ 123

ACCESSORIES		
SKU	Description	MSRP
10012135-084	Waste and overflow (16 to 22 in.) (sold separately) Available colors: Chrome (084) and Brushed Nickel (105)	\$ 84
10032740	Positioning template for Sax freestanding installation (sold separately)	\$ 89
10032747	F ² Drain - ABS kit for freestanding bathtub installation (sold separately) Minimum space required for assembly is 10 3/8 inches Compatible exclusively with MAAX freestanding bathtubs.	\$ 198
10032757	F ² Drain - Pack of 12 ABS kits for freestanding bathtub installation (sold separately) Minimum space required for assembly is 10 3/8 inches Compatible exclusively with MAAX freestanding bathtubs.	\$ 2282
10034341	F ² Drain - PVC kit for freestanding bathtub installation (sold separately) Minimum space required for assembly is 10 3/8 inches Compatible exclusively with MAAX freestanding bathtubs.	\$ 198
10004306-001	White foam cushion with 2 suction pads (sold separately) Available color: White (001)	\$ 120
10022491-084	Cable-operated waste and overflow (16 in. to 22 in.) (sold separately) Available colors: White (001), Bone (004), Chrome (084) and Brushed Nickel (105)	\$ 238
10022491-004		\$ 238
10022491-105		\$ 238
10022491-001		\$ 238
10022491-001		\$ 238



(): Recommended faucet area 2 sections of 7" (L) x 3" (W).
Depth recommended for straight pipes 8".

All dimensions are approximate. Structure measurements must be verified against the unit to ensure proper fit.

Odetta



FREESTANDING BATHTUBS - ACRYLX



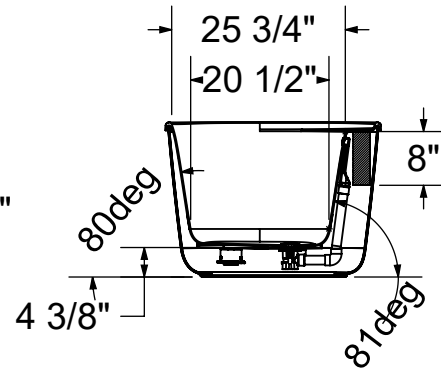
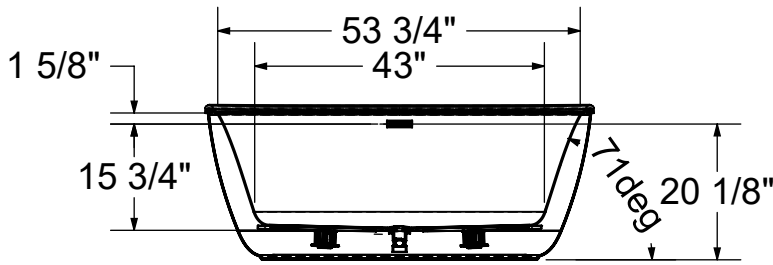
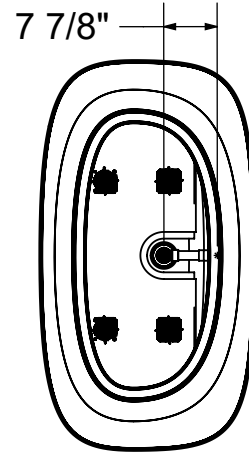
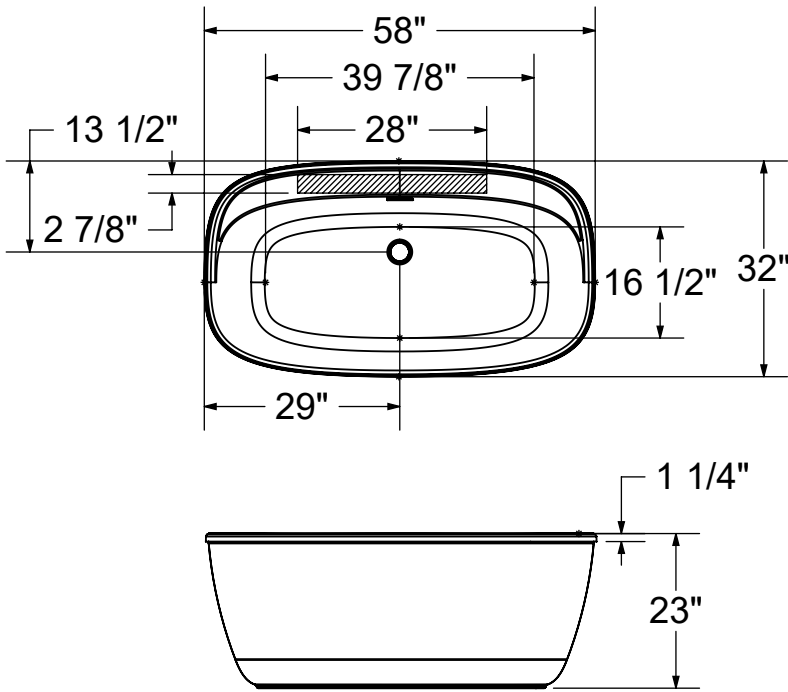
Material : AcrylX
 Max: 61 Gal / 230 L


Features

- › AcrylX™ surface resistant to stains
- › Available in timeless white colour
- › Maximized bathing well
- › 2-piece bathtub for easy transportation and seamless installation
- › Compatible with F2 drain connector to save time and money on installation
- › MAAX innovative leveling legs for easy installation
- › High gloss finish resistant to dulling, scratching, and fading
- › Minimalist and versatile design to fit any bathroom style
- › 25-year warranty for your peace of mind

ODETTA - 106841						
SKU	System	Color	Configuration	Dimensions & Weight	Packaging	MSRP
106841-000-002-000	Soaker - No System	White	Center	58" x 32" x 23" / 105 lb / 48 kg	33.2 ft ³	\$ 2652

ACCESSORIES		
SKU	Description	MSRP
10032747	F ² Drain - ABS kit for freestanding bathtub installation (sold separately) Minimum space required for assembly is 10 3/8 inches Compatible exclusively with MAAX freestanding bathtubs.	\$ 198
10032757	F ² Drain - Pack of 12 ABS kits for freestanding bathtub installation (sold separately) Minimum space required for assembly is 10 3/8 inches Compatible exclusively with MAAX freestanding bathtubs.	\$ 2282
10034341	F ² Drain - PVC kit for freestanding bathtub installation (sold separately) Minimum space required for assembly is 10 3/8 inches Compatible exclusively with MAAX freestanding bathtubs.	\$ 198
10004306-001	White foam cushion with 2 suction pads (sold separately) Available color: White (001)	\$ 120
10034730	Positioning template for Odetta & Fontana freestanding bathtubs installation (sold separately)	\$ 89



 Recommended faucet area 1 section of 28" (L) x 2 7/8" (W).
Depth recommended for straight pipes 8".

All dimensions are approximate. Structure measurements must be verified against the unit to ensure proper fit.



Orchestra 6032

FREESTANDING BATHTUBS - ACRYLX



Material : AcrylX
 Max: 48 Gal / 182 L

Features

- › Proudly made in Canada
- › 2-piece freestanding bathtub made of AcrylX reinforced with fiberglass
- › Raised backrests for optimal comfort and maximized bathing well
- › Includes MAAX innovative adjustable legs for easy levelling and installation
- › Off-centre drain with 3 3/4--inch above-the-floor-rough clearance underneath the tub allows for easy plumbing installation
- › Ample deck space for deck-mounted faucets
- › Accepts standard whirlpool waste and overflow

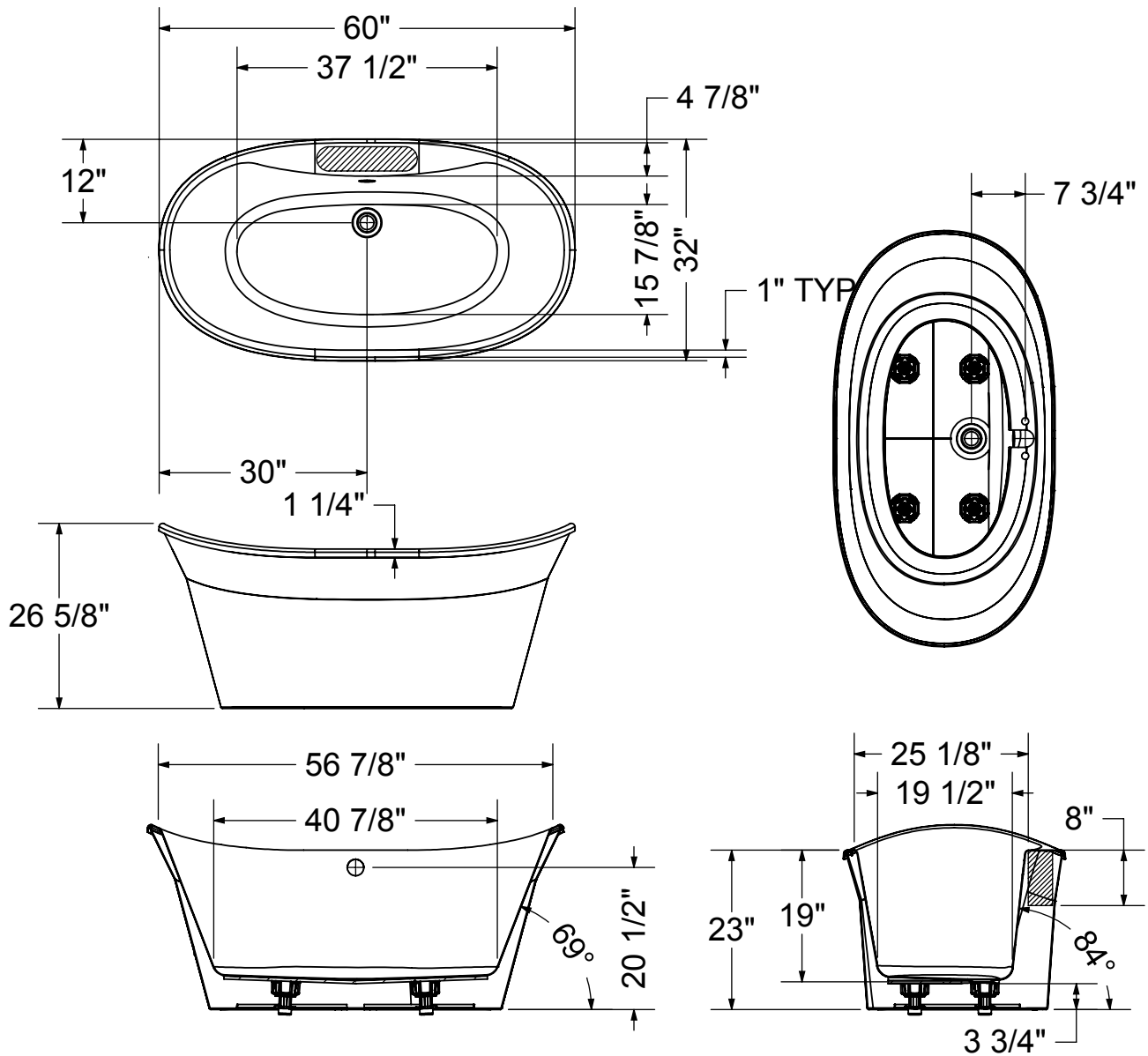
ORCHESTRA 6032 - 106150						
SKU	System	Color	Configuration	Dimensions & Weight	Packaging	MSRP
106150-000-002-100	Soaker - No System	White	Center	60" x 32" x 26 5/8" / 95 lb / 43 kg	33 ft ³	\$ 2247
106150-000-002-127		Black				\$ 2547
106150-000-002-128		Sterling Silver				\$ 2547
106150-000-002-129		Thunder Gray				\$ 2547

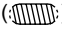
COMMON OPTIONS		
SKU	Description	MSRP
OPT20137-004	Cable-operated waste and overflow (16 in. to 22 in.) (included in product packaging when purchased) Available colors: White (001), Bone (004), Chrome (084) and Brushed Nickel (105)	\$ 238
OPT20137-084		\$ 238
OPT20137-105		\$ 238
OPT20137-001		\$ 238
OPT20210-084	Waste and overflow (16 in. to 22 in.) (included in product packaging when purchased) Available colors: Chrome (084) and Brushed Nickel (105)	\$ 84
OPT20210-105		\$ 123
106163-000-002	Apron only (sold separately as a replacement part) Available standard apron color: White apron (002)	\$ 1357

ACCESSORIES		
SKU	Description	MSRP
10012135-105	Waste and overflow (16 to 22 in.) (sold separately) Available colors: Chrome (084) and Brushed Nickel (105)	\$ 123

ACCESSORIES

SKU	Description	MSRP
10012135-084	Waste and overflow (16 to 22 in.) (sold separately) Available colors: Chrome (084) and Brushed Nickel (105)	\$ 84
10032747	F ² Drain - ABS kit for freestanding bathtub installation (sold separately) Minimum space required for assembly is 10 3/8 inches Compatible exclusively with MAAX freestanding bathtubs.	\$ 198
10032757	F ² Drain - Pack of 12 ABS kits for freestanding bathtub installation (sold separately) Minimum space required for assembly is 10 3/8 inches Compatible exclusively with MAAX freestanding bathtubs.	\$ 2282
10034341	F ² Drain - PVC kit for freestanding bathtub installation (sold separately) Minimum space required for assembly is 10 3/8 inches Compatible exclusively with MAAX freestanding bathtubs.	\$ 198
10004306-001	White foam cushion with 2 suction pads (sold separately) Available color: White (001)	\$ 120
10022491-084	Cable-operated waste and overflow (16 in. to 22 in.) (sold separately) Available colors: White (001), Bone (004), Chrome (084) and Brushed Nickel (105)	\$ 238
10022491-004		\$ 238
10022491-105		\$ 238
10022491-001		\$ 238
10034489		Positioning template for Orchestra 6032 freestanding installation (sold separately)



(): Recommended faucet area of 15" (L) x 3-1/2" (W).
Depth recommended for straight pipes 8".

All dimensions are approximate. Structure measurements must be verified against the unit to ensure proper fit.



Orchestra 6636



Material : AcrylX
 Max: 59 Gal / 223 L

Features

- › Ample deck space for deck-mounted faucets
- › Raised backrests and maximized bathing well for optimal comfort
- › 2-piece freestanding bathtub made of AcrylX reinforced with fiberglass
- › Off-centre drain with 3-3/4-inch above-the-floor-rough clearance underneath the tub allows for easy plumbing installation
- › Drain not included compatible with any standard waste and overflow
- › MAAX innovative adjustable legs enable easy levelling and installation

FREESTANDING BATHTUBS - ACRYLX

ORCHESTRA 6636 - 106151

SKU	System	Color	Configuration	Dimensions & Weight	Packaging	MSRP
106151-000-002-100	Soaker - No System	White	Center	66" x 36" x 26 5/8" / 110 lb / 50 kg	40 ft ³	\$ 2695
106151-000-002-127		Black				\$ 2995
106151-000-002-128		Sterling Silver				\$ 2995
106151-000-002-129		Thunder Gray				\$ 2995

COMMON OPTIONS

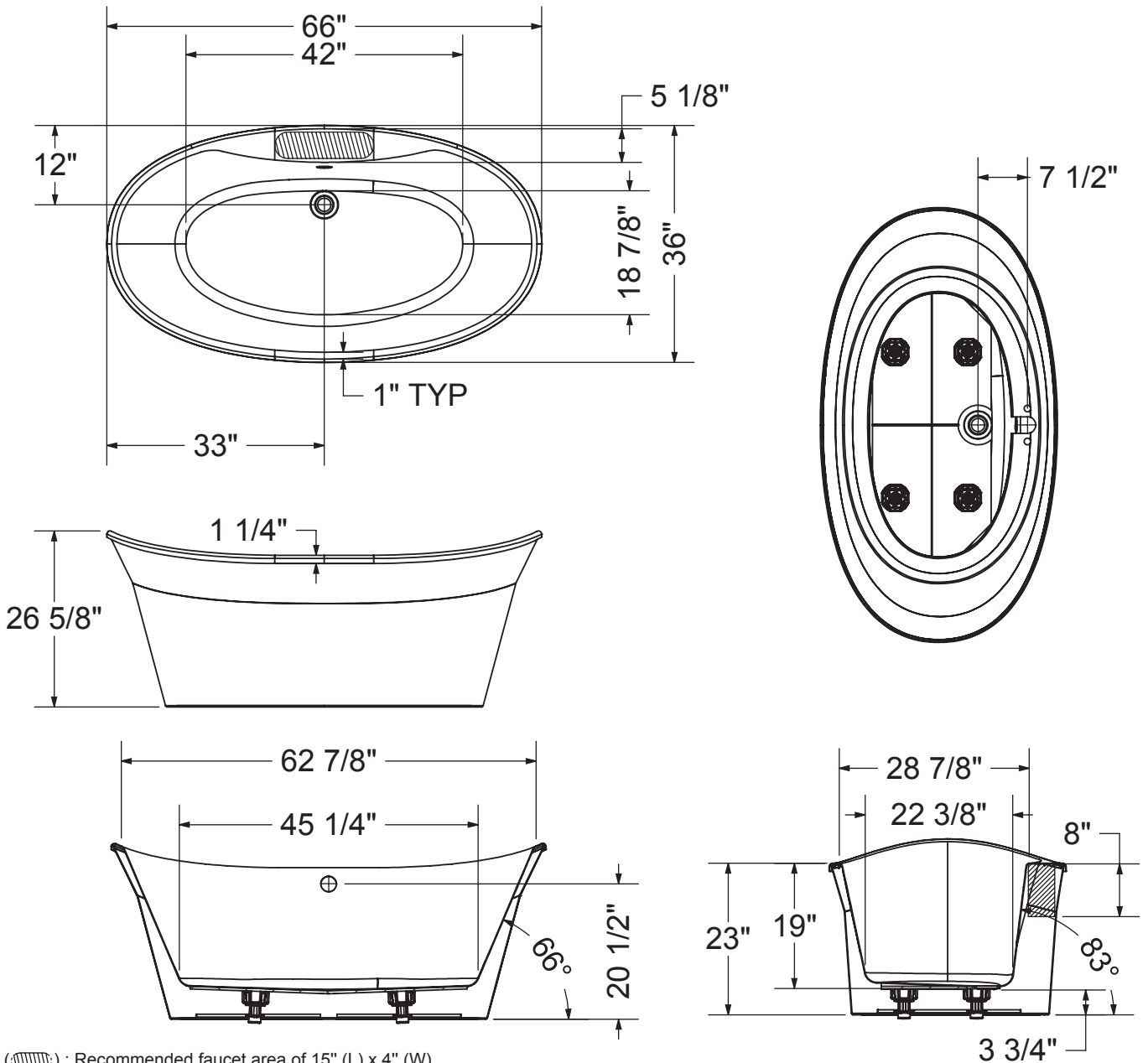
SKU	Description	MSRP
OPT20137-004	Cable-operated waste and overflow (16 in. to 22 in.) (included in product packaging when purchased) Available colors: White (001), Bone (004), Chrome (084) and Brushed Nickel (105)	\$ 238
OPT20137-084		\$ 238
OPT20137-105		\$ 238
OPT20137-001		\$ 238
OPT20210-084	Waste and overflow (16 in. to 22 in.) (included in product packaging when purchased) Available colors: Chrome (084) and Brushed Nickel (105)	\$ 84
OPT20210-105		\$ 123
106164-000-002	Apron only (sold separately as a replacement part) Available standard apron color: White apron (002)	\$ 1607


ACCESSORIES

SKU	Description	MSRP
10012135-105	Waste and overflow (16 to 22 in.) (sold separately) Available colors: Chrome (084) and Brushed Nickel (105)	\$ 123

ACCESSORIES

SKU	Description	MSRP
10012135-084	Waste and overflow (16 to 22 in.) (sold separately) Available colors: Chrome (084) and Brushed Nickel (105)	\$ 84
10032747	F ² Drain - ABS kit for freestanding bathtub installation (sold separately) Minimum space required for assembly is 10 3/8 inches Compatible exclusively with MAAX freestanding bathtubs.	\$ 198
10032757	F ² Drain - Pack of 12 ABS kits for freestanding bathtub installation (sold separately) Minimum space required for assembly is 10 3/8 inches Compatible exclusively with MAAX freestanding bathtubs.	\$ 2282
10034341	F ² Drain - PVC kit for freestanding bathtub installation (sold separately) Minimum space required for assembly is 10 3/8 inches Compatible exclusively with MAAX freestanding bathtubs.	\$ 198
10004306-001	White foam cushion with 2 suction pads (sold separately) Available color: White (001)	\$ 120
10022491-084	Cable-operated waste and overflow (16 in. to 22 in.) (sold separately) Available colors: White (001), Bone (004), Chrome (084) and Brushed Nickel (105)	\$ 238
10022491-004		\$ 238
10022491-105		\$ 238
10022491-001		\$ 238
10034490	Positioning template for Orchestra 6636 freestanding installation (sold separately)	\$ 89



(): Recommended faucet area of 15" (L) x 4" (W).
Depth recommended for straight pipes 8".

All dimensions are approximate. Structure measurements must be verified against the unit to ensure proper fit.

Antigua



OVAL BATHTUBS - ACRYLIC



Material : Acrylic
 Min: 36 Gal / 136 L
 Max: 67 Gal / 255 L

Features

- › Proudly made in Canada
- › Spacious interior for two bathers
- › Raised neckrests for comfort
- › White, durable high-gloss acrylic; smooth and easy to clean
- › Drop-in or alcove installation
- › Includes 2 solid brass polished chrome handles
- › Installs directly on drywall into the stud reinforcements

ANTIGUA - 101250						
SKU	System	Color	Configuration	Dimensions & Weight	Packaging	MSRP
101250-000-001-101	Soaker - No System	White	Center	71 3/4" x 41 3/4" x 22 1/2" / 113 lb / 51 kg	43 ft ³	\$ 1575
101250-000-004-101		Bone				\$ 1575
101250-000-007-101		Biscuit				\$ 1575
101250-091-001-100	10 Microjets ¹	White				\$ 3059
101250-091-004-100		Bone				\$ 3059
101250-091-007-100		Biscuit				\$ 3059
101250-107-001-100	Hydrosens ¹	White				\$ 4200
101250-107-004		Bone				\$ 4200
101250-107-007		Biscuit				\$ 4200
101250-108-001-100	Aerosens ^{1 2}	White				\$ 3821
101250-108-004-100		Bone				\$ 3821
101250-108-007-100		Biscuit				\$ 3821
101250-109-001-100	Combined Hydrosens & Aerosens ^{1 25}	White				\$ 5957
101250-109-004		Bone	\$ 5957			
101250-109-007		Biscuit	\$ 5957			

COMMON OPTIONS		
SKU	Description	MSRP
OPT10053	One chromatherapy light (factory installed) ⁵⁴	\$ 641
OPT10095	Water heater assembly for whirlpool and combined systems (factory installed)	\$ 908

COMMON OPTIONS

SKU	Description	MSRP
OPT10250-105	Microjet trim kit (factory installed)	\$ 650
OPT10250-084	Available colours: Chrome (084) and Brushed Nickel (105)	\$ 650
OPT20027-084	Hydrosens™ & Combined Hydrosens™ and Aerosens® trim kit (factory installed)	\$ 650
OPT20027-105	Including the 2 air control covers Available colors: Chrome (084) and Brushed Nickel (105)	\$ 650
OPT20029-105	Metal trim kit for air push control (factory installed)	\$ 50
OPT20029-084	Available colors: Chrome (084) and Brushed Nickel (105)	\$ 50
OPT20137-004		\$ 238
OPT20137-084	Cable-operated waste and overflow (16 in. to 22 in.) (included in product packaging when purchased)	\$ 238
OPT20137-105	Available colors: White (001), Bone (004), Chrome (084) and Brushed Nickel (105)	\$ 238
OPT20137-001		\$ 238
OPT20210-084	Waste and overflow (16 in. to 22 in.) (included in product packaging when purchased)	\$ 84
OPT20210-105	Available colors: Chrome (084) and Brushed Nickel (105)	\$ 123
OPT20025	Backmax: 6 rotating and pulsating backjets ¹²⁷ Optional with Hydrosens or combined Hydrosens and Aerosens	\$ 716
102728-000-007-000		\$ 482
102728-000-004-000	Acrylic apron (as shown in picture) Specify: Standard colors: White (001), Bone (004), Biscuit (007)	\$ 482
102728-000-001-000		\$ 482

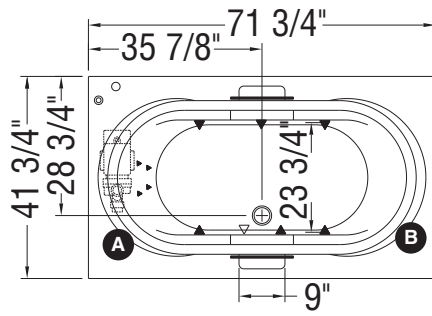
ACCESSORIES

SKU	Description	MSRP
10006916	Tiling flange, 1 X 67 1/4 in., 2 x 37 1/4 in. (sold separately)	\$ 130
10006919	Tiling flange. 1 x 72 in., 2 x 42 in. (sold separately)	\$ 141
10006923	Flexible main hose (9 ft. extension) for air push control air massage - Kit (sold separately)	\$ 166
10012135-105	Waste and overflow (16 to 22 in.) (sold separately)	\$ 123
10012135-084	Available colors: Chrome (084) and Brushed Nickel (105)	\$ 84
10019708	Flexible main hose for blower with combined systems (sold separately) Includes: 15ft (4.57m) hose, 2 clips, 1 nylon coupling and 1 power cord	\$ 282
10004306-001	White foam cushion with 2 suction pads (sold separately) Available color: White (001)	\$ 120
10019591-105	Hydrosens™ (107) & Combined Hydrosens™ and Aerosens® (109) trim kit (sold separately) Air control covers not included	\$ 650
10019591-084	Available colours: Chrome (084) and Brushed Nickel (105)	\$ 650
10022491-084		\$ 238
10022491-004	Cable-operated waste and overflow (16 in. to 22 in.) (sold separately)	\$ 238
10022491-105	Available colors: White (001), Bone (004), Chrome (084) and Brushed Nickel (105)	\$ 238
10022491-001		\$ 238

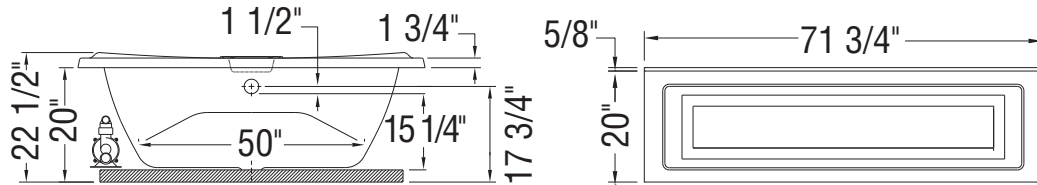
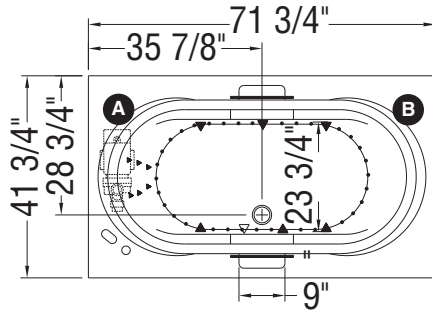
FOOTNOTES

No	Description
1	Components for standard colour units equipped with systems are colour-coordinated. Trim kit and/or air push with metallic finish can be added (additional charge applies). For non-standard colour units, please specify trim kit and/or air push colour (additional charge applies for metallic finishes). Please note that the positioning of the system's control could be in conflict with the door if one was installed on the unit. To insure compatibility, please contact customer service.
1	Components for standard colour units equipped with systems are colour-coordinated. Trim kit and/or air push with metallic finish can be added (additional charge applies). For non-standard colour units, please specify trim kit and/or air push colour (additional charge applies for metallic finishes). Please note that the positioning of the system's control could be in conflict with the door if one was installed on the unit. To insure compatibility, please contact customer service.
2	Please order flexible main hose 10006923 for installation of the blower further than 3 ft from the bathtub. For the Tandem models and the Serenade models (freestanding and drop-in), the blower is always remote and not factory installed so a 9 ft flexible main hose is included. Please note that the positioning of the system's control could be in conflict with the door if one was installed on the unit. To insure compatibility, please contact customer service.
25	Please order flexible main hose 10019708 for installation of the blower further than 9 ft from the bathtub.
27	Please note the Backmax is positioned on the same side as the pump.
54	A selection of units come with an access panel by default when equipped with a system. However, if the unit is only equipped with chromatherapy, the access panel will not be provided by default.

MICRO-JETS SYSTEM



HYDROSENS, BACKMAX AND BUBBLE TUB SYSTEMS



- Ⓐ : Specify blower and/or pump location when ordering
- Ⓑ : Specify blower and/or pump location when ordering
- (▲) : Indicates whirlpool and backjets positioning
- (△) : Indicates suction positioning
- (•) : Indicates airjets positioning

All dimensions are approximate. Structure measurements must be verified against the unit to ensure proper fit.



Murmur 6034

OVAL BATHTUBS - ACRYLIC



Material : Acrylic
 Min: 22 Gal / 82 L
 Max: 26 Gal / 100 L

Features

- > Maximized interior space for comfort
- > Relaxing armrests
- > Ergonomic backrest and headrest
- > End drain
- > Cut-out template included
- > Drop-in installation

MURMUR 6034 - 105642

SKU	System	Color	Configuration	Dimensions & Weight	Packaging	MSRP
105642-000-001-000	Soaker - No System	White	End	60 1/8" x 33 5/8" x 19 3/4" / 58 lb / 26 kg	26 ft ³	\$ 1587
105642-000-004		Bone				\$ 1587
105642-000-007		Biscuit				\$ 1587
105642-091-001-000	10 Microjets ¹	White				\$ 3071
105642-091-004		Bone				\$ 3071
105642-091-007		Biscuit				\$ 3071
105642-107-001	Hydrosens ¹	White				\$ 4212
105642-107-004		Bone				\$ 4212
105642-107-007		Biscuit				\$ 4212
105642-108-001	Aerosens ^{1 2}	White				\$ 3833
105642-108-004		Bone				\$ 3833
105642-108-007		Biscuit				\$ 3833
105642-109-001	Combined Hydrosens & Aerosens ^{1 25}	White				\$ 5969
105642-109-004		Bone				\$ 5969
105642-109-007		Biscuit				\$ 5969

COMMON OPTIONS

SKU	Description	MSRP
OPT10095	Water heater assembly for whirlpool and combined systems (factory installed)	\$ 908

COMMON OPTIONS

SKU	Description	MSRP
OPT10250-105	Microjet trim kit (factory installed)	\$ 650
OPT10250-084	Available colours: Chrome (084) and Brushed Nickel (105)	\$ 650
OPT20027-084	Hydrosens™ & Combined Hydrosens™ and Aerosens® trim kit (factory installed)	\$ 650
OPT20027-105	Including the 2 air control covers Available colors: Chrome (084) and Brushed Nickel (105)	\$ 650
OPT20029-105	Metal trim kit for air push control (factory installed)	\$ 50
OPT20029-084	Available colors: Chrome (084) and Brushed Nickel (105)	\$ 50
OPT20137-004		\$ 238
OPT20137-084	Cable-operated waste and overflow (16 in. to 22 in.) (included in product packaging when purchased)	\$ 238
OPT20137-105	Available colors: White (001), Bone (004), Chrome (084) and Brushed Nickel (105)	\$ 238
OPT20137-001		\$ 238
OPT20210-084	Waste and overflow (16 in. to 22 in.) (included in product packaging when purchased)	\$ 84
OPT20210-105	Available colors: Chrome (084) and Brushed Nickel (105)	\$ 123
OPT20025	Backmax: 6 rotating and pulsating backjets ¹²⁷ Optional with Hydrosens or combined Hydrosens and Aerosens	\$ 716
OPT10053	One chromatherapy light (factory installed) ⁵⁴	\$ 641

ACCESSORIES

SKU	Description	MSRP
10006923	Flexible main hose (9 ft. extension) for air push control air massage - Kit (sold separately)	\$ 166
10012135-105	Waste and overflow (16 to 22 in.) (sold separately)	\$ 123
10012135-084	Available colors: Chrome (084) and Brushed Nickel (105)	\$ 84
10019708	Flexible main hose for blower with combined systems (sold separately) Includes: 15ft (4.57m) hose, 2 clips, 1 nylon coupling and 1 power cord	\$ 282
10004306-001	White foam cushion with 2 suction pads (sold separately) Available color: White (001)	\$ 120
10019591-105	Hydrosens™ (107) & Combined Hydrosens™ and Aerosens® (109) trim kit (sold separately)	\$ 650
10019591-084	Air control covers not included Available colours: Chrome (084) and Brushed Nickel (105)	\$ 650
10022491-084		\$ 238
10022491-004	Cable-operated waste and overflow (16 in. to 22 in.) (sold separately)	\$ 238
10022491-105	Available colors: White (001), Bone (004), Chrome (084) and Brushed Nickel (105)	\$ 238
10022491-001		\$ 238

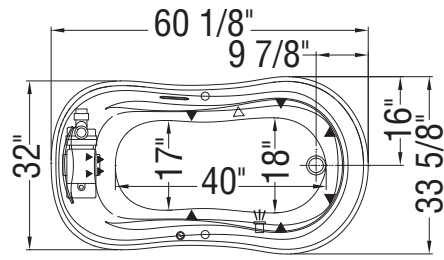
FOOTNOTES

No	Description
1	Components for standard colour units equipped with systems are colour-coordinated. Trim kit and/or air push with metallic finish can be added (additional charge applies). For non-standard colour units, please specify trim kit and/or air push colour (additional charge applies for metallic finishes). Please note that the positioning of the system's control could be in conflict with the door if one was installed on the unit. To insure compatibility, please contact customer service.
2	Please order flexible main hose 10006923 for installation of the blower further than 3 ft from the bathtub. For the Tandem models and the Serenade models (freestanding and drop-in), the blower is always remote and not factory installed so a 9 ft flexible main hose is included. Please note that the positioning of the system's control could be in conflict with the door if one was installed on the unit. To insure compatibility, please contact customer service.
25	Please order flexible main hose 10019708 for installation of the blower further than 9 ft from the bathtub.

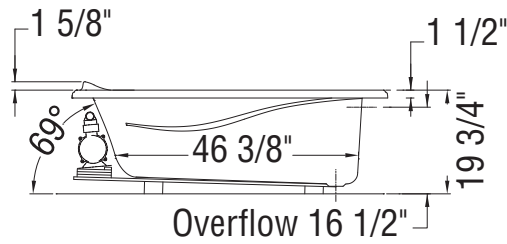
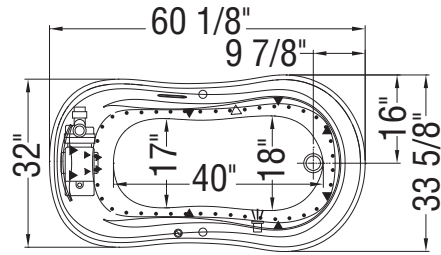
FOOTNOTES

No	Description
27	Please note the Backmax is positioned on the same side as the pump.
54	A selection of units come with an access panel by default when equipped with a system. However, if the unit is only equipped with chromatherapy, the access panel will not be provided by default.

MICRO-JETS SYSTEM



HYDROSENS, BACKMAX AND AIR SYSTEM



- (▲) : Indicates whirlpool and backjets positioning
- (△) : Indicates suction positioning
- (●) : Indicates airjets positioning
- (▮) : Indicates chromatherapy light positioning

All dimensions are approximate. Structure measurements must be verified against the unit to ensure proper fit.



Bosca 6030 IFS

RECTANGULAR BATHTUBS - ACRYLIC



Material : Acrylic
 Min: 34 Gal / 127 L
 Max: 54 Gal / 205 L

Features

- › Proudly made in Canada
- › Rectangular shape bathtub, with a cubic design, in alcove installation, available with right or left drain
- › 3-inch Above-the-floor Rough that leaves enough space to pipe directly under the tub to the floor drain to help you avoid breaking ground or a sweat
- › Integrated flat apron and tiling flange on three sides facilitates a quick and simple installation with no need to worry about leakage or water infiltration
- › Clean lines, extra-long bathing well created by keeping front and rear decking to a minimum, 30-inch width and 70-degree lumbar support for ultimate bathing experience
- › Made of thick and durable acrylic that has a high gloss finish for easy clean and maintenance
- › Compatible with Utile tub walls and most MAAX tub doors

BOSCA 6030 IFS - 106394						
SKU	System	Color	Configuration	Dimensions & Weight	Packaging	MSRP
106394-000-001-001	Soaker - No System	White	Left	59 3/4" x 30" x 18 3/8" / 77 lb / 35 kg	27 ft ³	\$ 1145
106394-000-001-002			Right			\$ 1145
106394-000-004-001		Bone	Left			\$ 1145
106394-000-004-002			Right			\$ 1145
106394-000-007-001		Biscuit	Left			\$ 1145
106394-000-007-002			Right			\$ 1145

BOSCA 6030 IFS AFR - 106395						
SKU	System	Color	Configuration	Dimensions & Weight	Packaging	MSRP
106395-000-001-101	Soaker - No System	White	Left	59 3/4" x 30" x 20 3/8" / 77 lb / 35 kg	33 ft ³	\$ 1145
106395-000-001-102			Right			\$ 1145
106395-000-004-101		Bone	Left			\$ 1145
106395-000-004-102			Right			\$ 1145
106395-000-007-101		Biscuit	Left			\$ 1145
106395-000-007-102			Right			\$ 1145

COMMON OPTIONS

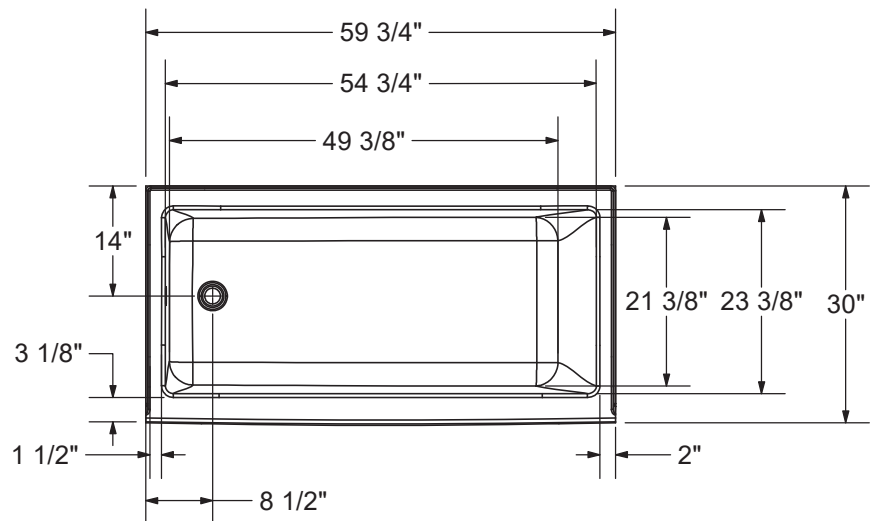
SKU	Description	MSRP
OPT20137-004	Cable-operated waste and overflow (16 in. to 22 in.) (included in product packaging when purchased) Available colors: White (001), Bone (004), Chrome (084) and Brushed Nickel (105)	\$ 238
OPT20137-084		\$ 238
OPT20137-105		\$ 238
OPT20137-001		\$ 238

ACCESSORIES

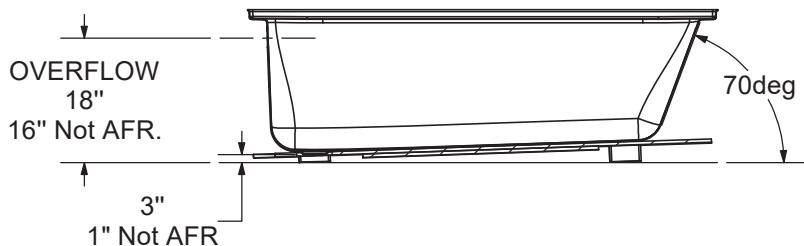
SKU	Description	MSRP
10004306-001	White foam cushion with 2 suction pads (sold separately) Available color: White (001)	\$ 120
10022491-084	Cable-operated waste and overflow (16 in. to 22 in.) (sold separately) Available colors: White (001), Bone (004), Chrome (084) and Brushed Nickel (105)	\$ 238
10022491-004		\$ 238
10022491-105		\$ 238
10022491-001		\$ 238

RECOMMENDED DOORS

SKU	Product Name	Pag.
139398	Halo 56 ½-59 x 59 - 8mm	558
135246	Connect 57-58 1/2 x 57 - 6mm	562
135330	Incognito 57 Shaker 56-59 x 56 ¾ - 8mm	536
138994	Luminescence SlidingDoor 56 ½-59 x 55 ½-57 ½ - 6mm	560
136695	Revelation Round 56-59 x 56 ¾-59 ¼ - 8 mm	548
136692	Revelation Round 56-59 x 56 ¾-59 ¼ - 6mm	546
136270	Duel 56-59 x 55 ½ x 59 - 8 mm	534
137682	Outback 55 ¼ - 58 1/2 x 57 - 8mm	564
105410	Polar 54-59 ½ x 57 in.	544
135673	Aura 55-59 x 57 - 8mm	556
135320	Uptown 56-59 x 58 in. 8 mm	550
139354	Incognito 57 56-59 x 56 ¾ - 8mm	542
139351	Incognito 57 56-59 x 56 ¾ - 6mm	538



1" Single Integrated tiling flange (shown)



Wood support design may vary.
Single Integrated tiling flange: 1" height x 1/4" thickness (shown)

All dimensions are approximate. Structure measurements must be verified against the unit to ensure proper fit.



Cambridge



Material : Acrylic
 Min: 49 Gal / 186 L
 Max: 79 Gal / 300 L

Features

- › Deck for faucet
- › Two raised neckrests
- › Textured bottom
- › Drop-in installation
- › Center drain

RECTANGULAR BATHTUBS - ACRYLIC

CAMBRIDGE - 101227

SKU	System	Color	Configuration	Dimensions & Weight	Packaging	MSRP
101227-000-001-000	Soaker - No System	White	Center	71 1/2" x 35 3/4" x 22" / 85 lb / 39 kg	39 ft ³	\$ 1175
101227-000-004-000		Bone				\$ 1175
101227-000-007-000		Biscuit				\$ 1175
101227-091-001-000	10 Microjets ¹	White				\$ 2659
101227-091-004-000		Bone				\$ 2659
101227-091-007-000		Biscuit				\$ 2659
101227-107-001-000	Hydrosens ¹	White				\$ 3800
101227-107-004		Bone				\$ 3800
101227-107-007		Biscuit				\$ 3800
101227-108-001-000	Aerosens ^{1 2}	White				\$ 3421
101227-108-004-000		Bone				\$ 3421
101227-108-007-000		Biscuit				\$ 3421
101227-109-001-100	Combined Hydrosens & Aerosens ^{1 25}	White				\$ 5557
101227-109-004		Bone	\$ 5557			
101227-109-007		Biscuit	\$ 5557			

COMMON OPTIONS

SKU	Description	MSRP
OPT10095	Water heater assembly for whirlpool and combined systems (factory installed)	\$ 908

COMMON OPTIONS

SKU	Description	MSRP
OPT10250-105	Microjet trim kit (factory installed)	\$ 650
OPT10250-084	Available colours: Chrome (084) and Brushed Nickel (105)	\$ 650
OPT20027-084	Hydrosens™ & Combined Hydrosens™ and Aerosens® trim kit (factory installed)	\$ 650
OPT20027-105	Including the 2 air control covers Available colors: Chrome (084) and Brushed Nickel (105)	\$ 650
OPT20029-105	Metal trim kit for air push control (factory installed)	\$ 50
OPT20029-084	Available colors: Chrome (084) and Brushed Nickel (105)	\$ 50
OPT20137-004		\$ 238
OPT20137-084	Cable-operated waste and overflow (16 in. to 22 in.) (included in product packaging when purchased)	\$ 238
OPT20137-105	Available colors: White (001), Bone (004), Chrome (084) and Brushed Nickel (105)	\$ 238
OPT20137-001		\$ 238
OPT20210-084	Waste and overflow (16 in. to 22 in.) (included in product packaging when purchased)	\$ 84
OPT20210-105	Available colors: Chrome (084) and Brushed Nickel (105)	\$ 123
OPT20025	Backmax: 6 rotating and pulsating backjets ¹²⁷ Optional with Hydrosens or combined Hydrosens and Aerosens	\$ 716
OPT10053	One chromatherapy light (factory installed) ⁵⁴	\$ 641

ACCESSORIES

SKU	Description	MSRP
10006923	Flexible main hose (9 ft. extension) for air push control air massage - Kit (sold separately)	\$ 166
10012135-105	Waste and overflow (16 to 22 in.) (sold separately)	\$ 123
10012135-084	Available colors: Chrome (084) and Brushed Nickel (105)	\$ 84
10019708	Flexible main hose for blower with combined systems (sold separately) Includes: 15ft (4.57m) hose, 2 clips, 1 nylon coupling and 1 power cord	\$ 282
10004306-001	White foam cushion with 2 suction pads (sold separately) Available color: White (001)	\$ 120
10019591-105	Hydrosens™ (107) & Combined Hydrosens™ and Aerosens® (109) trim kit (sold separately)	\$ 650
10019591-084	Air control covers not included Available colours: Chrome (084) and Brushed Nickel (105)	\$ 650
10022491-084		\$ 238
10022491-004	Cable-operated waste and overflow (16 in. to 22 in.) (sold separately)	\$ 238
10022491-105	Available colors: White (001), Bone (004), Chrome (084) and Brushed Nickel (105)	\$ 238
10022491-001		\$ 238

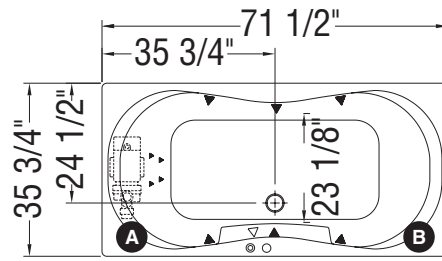
FOOTNOTES

No	Description
1	Components for standard colour units equipped with systems are colour-coordinated. Trim kit and/or air push with metallic finish can be added (additional charge applies). For non-standard colour units, please specify trim kit and/or air push colour (additional charge applies for metallic finishes). Please note that the positioning of the system's control could be in conflict with the door if one was installed on the unit. To insure compatibility, please contact customer service.
1	
2	Please order flexible main hose 10006923 for installation of the blower further than 3 ft from the bathtub. For the Tandem models and the Serenade models (freestanding and drop-in), the blower is always remote and not factory installed so a 9 ft flexible main hose is included. Please note that the positioning of the system's control could be in conflict with the door if one was installed on the unit. To insure compatibility, please contact customer service.
25	Please order flexible main hose 10019708 for installation of the blower further than 9 ft from the bathtub.

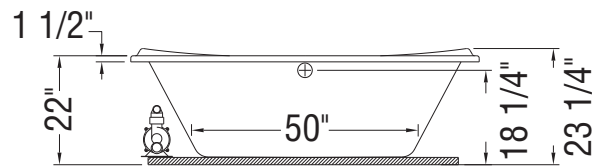
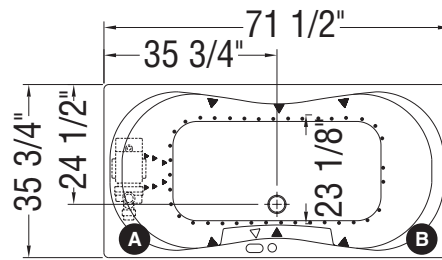
FOOTNOTES

No	Description
27	Please note the Backmax is positioned on the same side as the pump.
54	A selection of units come with an access panel by default when equipped with a system. However, if the unit is only equipped with chromatherapy, the access panel will not be provided by default.

MICRO-JETS SYSTEM



HYDROSENS, BACKMAX AND AIR SYSTEM



- (A) : Specify blower and/or pump location when ordering
- (B) : Specify blower and/or pump location when ordering
- (▲) : Indicates whirlpool and backjets positioning
- (△) : Indicates suction positioning
- (•) : Indicates airjets positioning

All dimensions are approximate. Structure measurements must be verified against the unit to ensure proper fit.



Cocoon 6030 IFS



Material : Acrylic
 Min: 30 Gal / 114 L
 Max: 52 Gal / 197 L

Features

- › Textured bottom for slip-resistance
- › Easy to clean and stain-resistant acrylic finish
- › Integrated armrest for a relaxing bathing experience
- › Sufficient deck space for bath essentials storage
- › 1-piece construction with integrated flanges for easy installation
- › Maximum water capacity: 52 Gallons
- › Ergonomic headrest for comfortable long soaks
- › Above-the-floor rough (AFR) so pipes can be routed without breaking ground or relocating the drain
- › Proudly made in North America

RECTANGULAR BATHTUBS - ACRYLIC

COCOON 6030 IFS - 105822

SKU	System	Color	Configuration	Dimensions & Weight	Packaging	MSRP
105822-000-001-103	Soaker - No System	White	Left	60" x 30" x 20 1/4" / 77 lb / 35 kg	23 ft ³	\$ 1074
105822-000-001-104			Right			\$ 1074
105822-000-004-103		Bone	Left			\$ 1074
105822-000-004-104			Right			\$ 1074
105822-000-007-103		Biscuit	Left			\$ 1074
105822-000-007-104			Right			\$ 1074

COMMON OPTIONS

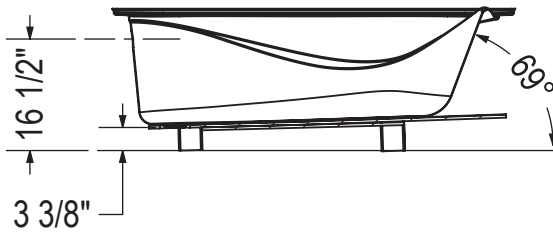
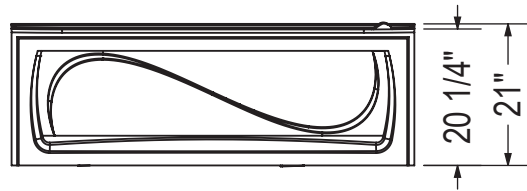
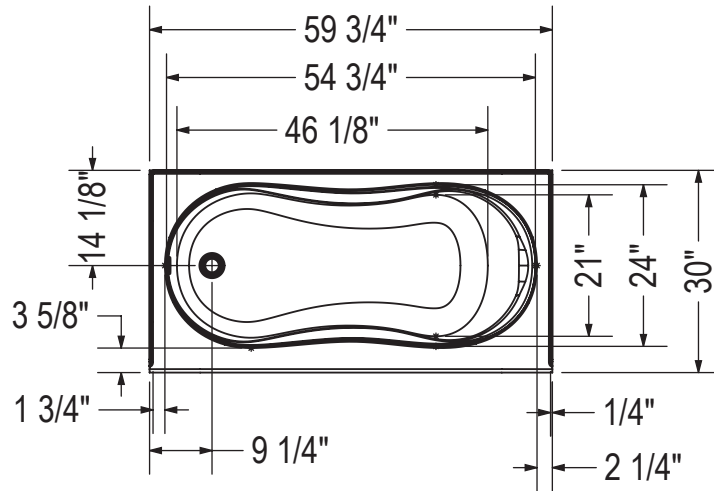
SKU	Description	MSRP
OPT20137-004	Cable-operated waste and overflow (16 in. to 22 in.) (included in product packaging when purchased) Available colors: White (001), Bone (004), Chrome (084) and Brushed Nickel (105)	\$ 238
OPT20137-084		\$ 238
OPT20137-105		\$ 238
OPT20137-001		\$ 238
OPT20210-084	Waste and overflow (16 in. to 22 in.) (included in product packaging when purchased) Available colors: Chrome (084) and Brushed Nickel (105)	\$ 84
OPT20210-105		\$ 123

ACCESSORIES

SKU	Description	MSRP
10012135-105	Waste and overflow (16 to 22 in.) (sold separately)	\$ 123
10012135-084	Available colors: Chrome (084) and Brushed Nickel (105)	\$ 84
10004306-001	White foam cushion with 2 suction pads (sold separately) Available color: White (001)	\$ 120
10022491-084	Cable-operated waste and overflow (16 in. to 22 in.) (sold separately) Available colors: White (001), Bone (004), Chrome (084) and Brushed Nickel (105)	\$ 238
10022491-004		\$ 238
10022491-105		\$ 238
10022491-001		\$ 238

RECOMMENDED DOORS

SKU	Product Name	Pag.
139398	Halo 56 ½-59 x 59 - 8mm	558
135246	Connect 57-58 1/2 x 57 - 6mm	562
135330	Incognito 57 Shaker 56-59 x 56 ¾ - 8mm	536
138994	Luminescence SlidingDoor 56 ½-59 x 55 ½-57 ½ - 6mm	560
136695	Revelation Round 56-59 x 56 ¾-59 ¼ - 8 mm	548
136692	Revelation Round 56-59 x 56 ¾-59 ¼ - 6mm	546
136270	Duel 56-59 x 55 ½ x 59 - 8 mm	534
137682	Outback 55 ¼ - 58 1/2 x 57 - 8mm	564
105410	Polar 54-59 ½ x 57 in.	544
135673	Aura 55-59 x 57 - 8mm	556
135320	Uptown 56-59 x 58 in. 8 mm	550
139354	Incognito 57 56-59 x 56 ¾ - 8mm	542
139351	Incognito 57 56-59 x 56 ¾ - 6mm	538



All dimensions are approximate. Structure measurements must be verified against the unit to ensure proper fit.



Cocoon 6032

RECTANGULAR BATHTUBS - ACRYLIC



Material : Acrylic
 Min: 40 Gal / 150 L
 Max: 52 Gal / 195 L

Features

- › Proudly made in Canada
- › Air injectors, equipped with check valves, ensure water does not flow back into the system for a hygienic experience
- › Automatic 1-minute drying cycle starting 20 minutes after system is turned off
- › Comfortable headrests and built-in armrests for comfort, textured bottom for safety
- › Easy to operate 1-speed pump with deck mounted on/off push button
- › Durable high-gloss acrylic; easy to clean
- › Drop-in or alcove installation

COCOON 6032 - 102722						
SKU	System	Color	Configuration	Dimensions & Weight	Packaging	MSRP
102722-000-001-000	Soaker - No System	White	End	59 7/8" x 31 7/8" x 20 1/2" / 67 lb / 30 kg	31 ft ³	\$ 994
102722-000-004-000		Bone				\$ 994
102722-000-007-000		Biscuit				\$ 994
102722-091-001-100	10 Microjets ¹	White				\$ 2478
102722-091-004-100		Bone				\$ 2478
102722-091-007-100		Biscuit				\$ 2478
102722-107-001	Hydrosens ¹	White				\$ 3619
102722-107-004		Bone				\$ 3619
102722-107-007		Biscuit				\$ 3619
102722-108-001-000	Aerosens ^{1 2}	White				\$ 3240
102722-108-004-000		Bone				\$ 3240
102722-108-007-000		Biscuit				\$ 3240
102722-109-001-100	Combined Hydrosens & Aerosens ^{1 25}	White				\$ 5376
102722-109-004		Bone				\$ 5376
102722-109-007		Biscuit				\$ 5376

COMMON OPTIONS		
SKU	Description	MSRP
OPT20025	Backmax: 6 rotating and pulsating backjets ¹²⁷ Optional with Hydrosens or combined Hydrosens and Aerosens	\$ 716

COMMON OPTIONS

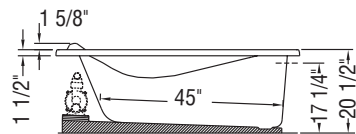
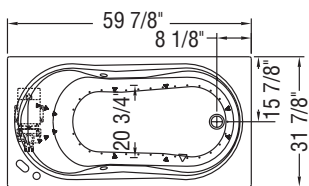
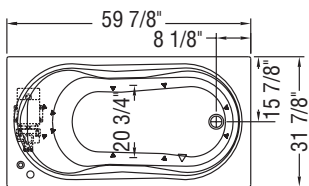
SKU	Description	MSRP
OPT10053	One chromatherapy light (factory installed) ⁵⁴	\$ 641
OPT10095	Water heater assembly for whirlpool and combined systems (factory installed)	\$ 908
OPT10250-105	Microjet trim kit (factory installed) Available colours: Chrome (084) and Brushed Nickel (105)	\$ 650
OPT10250-084		\$ 650
OPT20027-084	Hydrosens™ & Combined Hydrosens™ and Aerosens® trim kit (factory installed) Including the 2 air control covers	\$ 650
OPT20027-105	Available colors: Chrome (084) and Brushed Nickel (105)	\$ 650
OPT20029-105	Metal trim kit for air push control (factory installed)	\$ 50
OPT20029-084	Available colors: Chrome (084) and Brushed Nickel (105)	\$ 50
OPT20137-004		\$ 238
OPT20137-084	Cable-operated waste and overflow (16 in. to 22 in.) (included in product packaging when purchased)	\$ 238
OPT20137-105	Available colors: White (001), Bone (004), Chrome (084) and Brushed Nickel (105)	\$ 238
OPT20137-001		\$ 238
OPT20210-084	Waste and overflow (16 in. to 22 in.) (included in product packaging when purchased)	\$ 84
OPT20210-105	Available colors: Chrome (084) and Brushed Nickel (105)	\$ 123
102725-000-007-000		\$ 422
102725-000-004-000	Acrylic apron for alcove installation Specify: Standard colors: White (001), Bone (004), Biscuit (007)	\$ 422
102725-000-001-000		\$ 422

ACCESSORIES

SKU	Description	MSRP
10006915	Tiling flange, 1 x 61 1/4 in., 2 x 33 1/4 in. (sold separately)	\$ 119
10022491-084		\$ 238
10022491-004	Cable-operated waste and overflow (16 in. to 22 in.) (sold separately)	\$ 238
10022491-105	Available colors: White (001), Bone (004), Chrome (084) and Brushed Nickel (105)	\$ 238
10022491-001		\$ 238
10006923	Flexible main hose (9 ft. extension) for air push control air massage - Kit (sold separately)	\$ 166
10012135-105	Waste and overflow (16 to 22 in.) (sold separately)	\$ 123
10012135-084	Available colors: Chrome (084) and Brushed Nickel (105)	\$ 84
10018639	Thermax field-installed whirlpool heater (sold separately) Single pack	\$ 907
10019708	Flexible main hose for blower with combined systems (sold separately) Includes: 15ft (4.57m) hose, 2 clips, 1 nylon coupling and 1 power cord	\$ 282
10004306-001	White foam cushion with 2 suction pads (sold separately) Available color: White (001)	\$ 120
10019591-105	Hydrosens™ (107) & Combined Hydrosens™ and Aerosens® (109) trim kit (sold separately) Air control covers not included	\$ 650
10019591-084	Available colours: Chrome (084) and Brushed Nickel (105)	\$ 650

FOOTNOTES

No	Description
1	Components for standard colour units equipped with systems are colour-coordinated. Trim kit and/or air push with metallic finish can be added (additional charge applies). For non-standard colour units, please specify trim kit and/or air push colour (additional charge applies for metallic finishes). Please note that the positioning of the system's control could be in conflict with the door if one was installed on the unit. To insure compatibility, please contact customer service.
2	Please order flexible main hose 10006923 for installation of the blower further than 3 ft from the bathtub. For the Tandem models and the Serenade models (freestanding and drop-in), the blower is always remote and not factory installed so a 9 ft flexible main hose is included. Please note that the positioning of the system's control could be in conflict with the door if one was installed on the unit. To insure compatibility, please contact customer service.
25	Please order flexible main hose 10019708 for installation of the blower further than 9 ft from the bathtub.
27	Please note the Backmax is positioned on the same side as the pump.
54	A selection of units come with an access panel by default when equipped with a system. However, if the unit is only equipped with chromatherapy, the access panel will not be provided by default.



RECTANGULAR BATHTUBS - ACRYLIC



Cocoon 6636

RECTANGULAR BATHTUBS - ACRYLIC



Material : Acrylic
 Min: 43 Gal / 164 L
 Max: 62 Gal / 236 L

Features

- › Spacious interior with ergonomic headrest and built-in armrests
- › White, Durable high-gloss acrylic; easy to clean
- › Textured bottom for safety
- › Headrest channel allows water to drain easily
- › Faucets not included

COCOON 6636 - 102723						
SKU	System	Color	Configuration	Dimensions & Weight	Packaging	MSRP
102723-000-001-000	Soaker - No System	White	End	65 7/8" x 36" x 20 1/2" / 70 lb / 32 kg	40 ft ³	\$ 1221
102723-000-004-000		Bone				\$ 1221
102723-000-007-000		Biscuit				\$ 1221
102723-091-001-100	10 Microjets ¹	White				\$ 2705
102723-091-004-100		Bone				\$ 2705
102723-091-007-100		Biscuit				\$ 2705
102723-107-001-100	Hydrosens ¹	White				\$ 3846
102723-107-004		Bone				\$ 3846
102723-107-007		Biscuit				\$ 3846
102723-108-001-000	Aerosens ^{1 2}	White				\$ 3467
102723-108-004-000		Bone				\$ 3467
102723-108-007-000		Biscuit				\$ 3467
102723-109-001-100	Combined Hydrosens & Aerosens ^{1 25}	White				\$ 5603
102723-109-004		Bone				\$ 5603
102723-109-007		Biscuit				\$ 5603

COMMON OPTIONS		
SKU	Description	MSRP
OPT20025	Backmax: 6 rotating and pulsating backjets ¹²⁷ Optional with Hydrosens or combined Hydrosens and Aerosens	\$ 716

COMMON OPTIONS

SKU	Description	MSRP
OPT10053	One chromatherapy light (factory installed) ⁵⁴	\$ 641
OPT10095	Water heater assembly for whirlpool and combined systems (factory installed)	\$ 908
OPT10250-105	Microjet trim kit (factory installed) Available colours: Chrome (084) and Brushed Nickel (105)	\$ 650
OPT10250-084		\$ 650
OPT20027-084	Hydrosens™ & Combined Hydrosens™ and Aerosens® trim kit (factory installed) Including the 2 air control covers	\$ 650
OPT20027-105	Available colors: Chrome (084) and Brushed Nickel (105)	\$ 650
OPT20029-105	Metal trim kit for air push control (factory installed)	\$ 50
OPT20029-084	Available colors: Chrome (084) and Brushed Nickel (105)	\$ 50
OPT20137-004		\$ 238
OPT20137-084	Cable-operated waste and overflow (16 in. to 22 in.) (included in product packaging when purchased)	\$ 238
OPT20137-105	Available colors: White (001), Bone (004), Chrome (084) and Brushed Nickel (105)	\$ 238
OPT20137-001		\$ 238
OPT20210-084	Waste and overflow (16 in. to 22 in.) (included in product packaging when purchased)	\$ 84
OPT20210-105	Available colors: Chrome (084) and Brushed Nickel (105)	\$ 123
102726-000-001-000		\$ 440
102726-000-004-000	Acrylic apron for alcove installation Specify: Standard colors: White (001), Bone (004), Biscuit (007)	\$ 440
102726-000-007-000		\$ 440

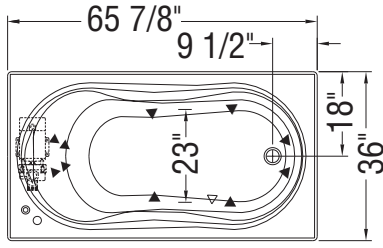
ACCESSORIES

SKU	Description	MSRP
10006916	Tiling flange, 1 X 67 1/4 in., 2 x 37 1/4 in. (sold separately)	\$ 130
10022491-084		\$ 238
10022491-004	Cable-operated waste and overflow (16 in. to 22 in.) (sold separately)	\$ 238
10022491-105	Available colors: White (001), Bone (004), Chrome (084) and Brushed Nickel (105)	\$ 238
10022491-001		\$ 238
10006923	Flexible main hose (9 ft. extension) for air push control air massage - Kit (sold separately)	\$ 166
10012135-105	Waste and overflow (16 to 22 in.) (sold separately)	\$ 123
10012135-084	Available colors: Chrome (084) and Brushed Nickel (105)	\$ 84
10018639	Thermax field-installed whirlpool heater (sold separately) Single pack	\$ 907
10019708	Flexible main hose for blower with combined systems (sold separately) Includes: 15ft (4.57m) hose, 2 clips, 1 nylon coupling and 1 power cord	\$ 282
10004306-001	White foam cushion with 2 suction pads (sold separately) Available color: White (001)	\$ 120
10019591-105	Hydrosens™ (107) & Combined Hydrosens™ and Aerosens® (109) trim kit (sold separately) Air control covers not included	\$ 650
10019591-084	Available colours: Chrome (084) and Brushed Nickel (105)	\$ 650

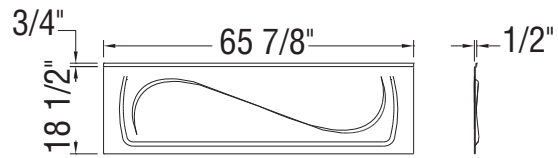
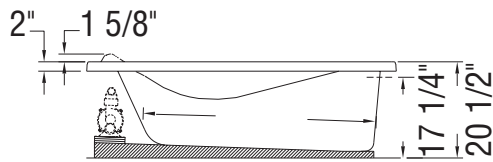
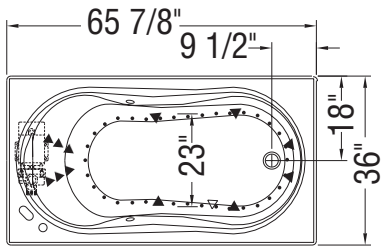
FOOTNOTES

No	Description
1	Components for standard colour units equipped with systems are colour-coordinated. Trim kit and/or air push with metallic finish can be added (additional charge applies). For non-standard colour units, please specify trim kit and/or air push colour (additional charge applies for metallic finishes). Please note that the positioning of the system's control could be in conflict with the door if one was installed on the unit. To insure compatibility, please contact customer service.
2	Please order flexible main hose 10006923 for installation of the blower further than 3 ft from the bathtub. For the Tandem models and the Serenade models (freestanding and drop-in), the blower is always remote and not factory installed so a 9 ft flexible main hose is included. Please note that the positioning of the system's control could be in conflict with the door if one was installed on the unit. To insure compatibility, please contact customer service.
25	Please order flexible main hose 10019708 for installation of the blower further than 9 ft from the bathtub.
27	Please note the Backmax is positioned on the same side as the pump.
54	A selection of units come with an access panel by default when equipped with a system. However, if the unit is only equipped with chromatherapy, the access panel will not be provided by default.

MICRO-JETS SYSTEM



HYDROSENS, BACKMAX AND AIR SYSTEM



- (▲): Indicates whirlpool and backjets positioning
- (△): Indicates suction positioning
- (●): Indicates airjets positioning

All dimensions are approximate. Structure measurements must be verified against the unit to ensure proper fit.



Corinthia II

RECTANGULAR BATHTUBS - ACRYLIC



Material : Acrylic
 Min: 35 Gal / 132 L
 Max: 47 Gal / 177 L

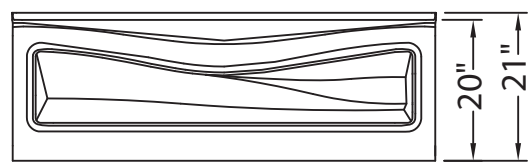
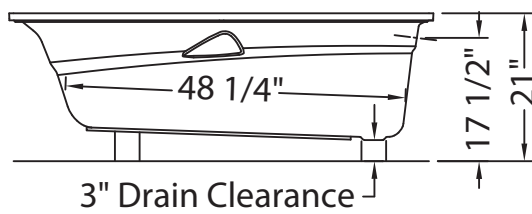
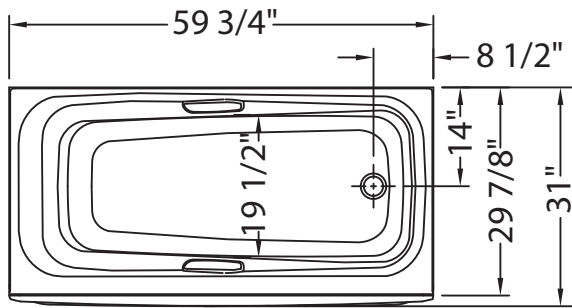
Features

- › Alcove Installation
- › Integrated flange and apron
- › 3" Above-the-Floor Rough (AFR)
- › Textured bottom
- › Available in right-end or left-end drain configuration

CORINTHIA II - 105684						
SKU	System	Color	Configuration	Dimensions & Weight	Packaging	MSRP
105684-000-001-101	Soaker - No System	White	Left	59 3/4" x 29 7/8" x 21" / 80 lb / 36 kg	30 ft ³	\$ 1114
105684-000-001-102			Right			\$ 1114
105684-002-001-103	Multi-Pack ⁹		Left			\$ 2228
105684-002-001-104			Right			\$ 2228

FOOTNOTES	
No	Description
9	6-Pack bathtubs are only available when units are without systems and in a standard colour.

RECOMMENDED DOORS		
SKU	Product Name	Pag.
139398	Halo 56 1/2-59 x 59 - 8mm	558
135246	Connect 57-58 1/2 x 57 - 6mm	562
135330	Incognito 57 Shaker 56-59 x 56 3/4 - 8mm	536
138994	Luminescence SlidingDoor 56 1/2-59 x 55 1/2-57 1/2 - 6mm	560
136695	Revelation Round 56-59 x 56 3/4-59 1/4 - 8 mm	548
136692	Revelation Round 56-59 x 56 3/4-59 1/4 - 6mm	546
136270	Duel 56-59 x 55 1/2 x 59 - 8 mm	534
137682	Outback 55 1/4 - 58 1/2 x 57 - 8mm	564



All dimensions are approximate. Structure measurements must be verified against the unit to ensure proper fit.



Murmur 6032 A

RECTANGULAR BATHTUBS - ACRYLIC



Material : Acrylic
 Min: 31 Gal / 118 L
 Max: 46 Gal / 173 L

Features

- › Relaxing armrests and ergonomic backrest
- › Headrest
- › Integrated tiling flange
- › Integrated apron with access panel when equipped with a system
- › Alcove installation only
- › Right or left-hand drain

MURMUR 6032 A - 105726						
SKU	System	Color	Configuration	Dimensions & Weight	Packaging	MSRP
105726-000-001-001	Soaker - No System	White	Left	59 7/8" x 33 3/8" x 21" / 78 lb / 35 kg	26 ft ³	\$ 1788
105726-000-001-002			Right			\$ 1788
105726-091-001-001	10 Microjets ¹		Left			\$ 3272
105726-091-001-002			Right			\$ 3272
105726-L-000-004	Soaker - No System	Bone	Left			\$ 1788
105726-L-000-007		Biscuit				\$ 1788
105726-L-091-004	10 Microjets ¹	Bone				\$ 3272
105726-L-091-007		Biscuit				\$ 3272
105726-L-107-001	Hydrosens ¹	White				\$ 4413
105726-L-107-004		Bone				\$ 4413
105726-L-107-007		Biscuit				\$ 4413
105726-L-108-001	Aerosens ^{1 2}	White				\$ 4034
105726-L-108-004		Bone				\$ 4034
105726-L-108-007		Biscuit				\$ 4034
105726-L-109-001	Combined Hydrosens & Aerosens ^{1 25}	White				\$ 6170
105726-L-109-004		Bone				\$ 6170
105726-L-109-007		Biscuit		\$ 6170		
105726-R-000-004	Soaker - No System	Bone		Right	\$ 1788	
105726-R-000-007		Biscuit			\$ 1788	
105726-R-091-004	10 Microjets ¹	Bone			\$ 3272	

MURMUR 6032 A - 105726

SKU	System	Color	Configuration	Dimensions & Weight	Packaging	MSRP
105726-R-091-007	10 Microjets ¹	Biscuit	Right	59 7/8" x 33 3/8" x 21" / 78 lb / 35 kg	26 ft ³	\$ 3272
105726-R-107-001	Hydrosens ¹	White				\$ 4413
105726-R-107-004		Bone				\$ 4413
105726-R-107-007		Biscuit				\$ 4413
105726-R-108-001		Aerosens ^{1 2}				White
105726-R-108-004	Bone					\$ 4034
105726-R-108-007	Biscuit					\$ 4034
105726-R-109-001	Combined Hydrosens & Aerosens ^{1 25}	White				\$ 6170
105726-R-109-004		Bone				\$ 6170
105726-R-109-007		Biscuit				\$ 6170

COMMON OPTIONS

SKU	Description	MSRP
OPT10095	Water heater assembly for whirlpool and combined systems (factory installed)	\$ 908
OPT10250-105	Microjet trim kit (factory installed) Available colours: Chrome (084) and Brushed Nickel (105)	\$ 650
OPT10250-084		\$ 650
OPT20027-084	Hydrosens™ & Combined Hydrosens™ and Aerosens® trim kit (factory installed) Including the 2 air control covers	\$ 650
OPT20027-105	Available colors: Chrome (084) and Brushed Nickel (105)	\$ 650
OPT20029-105	Metal trim kit for air push control (factory installed)	\$ 50
OPT20029-084	Available colors: Chrome (084) and Brushed Nickel (105)	\$ 50
OPT20137-004	Cable-operated waste and overflow (16 in. to 22 in.) (included in product packaging when purchased) Available colors: White (001), Bone (004), Chrome (084) and Brushed Nickel (105)	\$ 238
OPT20137-084		\$ 238
OPT20137-105		\$ 238
OPT20137-001		\$ 238
OPT20210-084	Waste and overflow (16 in. to 22 in.) (included in product packaging when purchased)	\$ 84
OPT20210-105	Available colors: Chrome (084) and Brushed Nickel (105)	\$ 123
OPT20025	Backmax: 6 rotating and pulsating backjets ¹²⁷ Optional with Hydrosens or combined Hydrosens and Aerosens	\$ 716
OPT10053	One chromatherapy light (factory installed) ⁵⁴	\$ 641

ACCESSORIES

SKU	Description	MSRP
10006923	Flexible main hose (9 ft. extension) for air push control air massage - Kit (sold separately)	\$ 166
10012135-105	Waste and overflow (16 to 22 in.) (sold separately)	\$ 123
10012135-084	Available colors: Chrome (084) and Brushed Nickel (105)	\$ 84
10019708	Flexible main hose for blower with combined systems (sold separately) Includes: 15ft (4.57m) hose, 2 clips, 1 nylon coupling and 1 power cord	\$ 282
10004306-001	White foam cushion with 2 suction pads (sold separately) Available color: White (001)	\$ 120

ACCESSORIES

SKU	Description	MSRP
10019591-105	Hydrosens™ (107) & Combined Hydrosens™ and Aerosens® (109) trim kit (sold separately) Air control covers not included	\$ 650
10019591-084	Available colours: Chrome (084) and Brushed Nickel (105)	\$ 650
10022491-084	Cable-operated waste and overflow (16 in. to 22 in.) (sold separately) Available colors: White (001), Bone (004), Chrome (084) and Brushed Nickel (105)	\$ 238
10022491-004		\$ 238
10022491-105		\$ 238
10022491-001		\$ 238

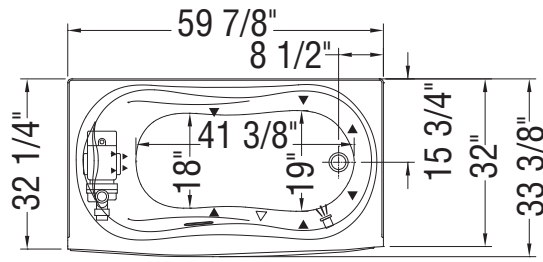
FOOTNOTES

No	Description
1	Components for standard colour units equipped with systems are colour-coordinated. Trim kit and/or air push with metallic finish can be added (additional charge applies). For non-standard colour units, please specify trim kit and/or air push colour (additional charge applies for metallic finishes). Please note that the positioning of the system's control could be in conflict with the door if one was installed on the unit. To insure compatibility, please contact customer service.
1	
2	Please order flexible main hose 10006923 for installation of the blower further than 3 ft from the bathtub. For the Tandem models and the Serenade models (freestanding and drop-in), the blower is always remote and not factory installed so a 9 ft flexible main hose is included. Please note that the positioning of the system's control could be in conflict with the door if one was installed on the unit. To insure compatibility, please contact customer service.
25	Please order flexible main hose 10019708 for installation of the blower further than 9 ft from the bathtub.
27	Please note the Backmax is positioned on the same side as the pump.
54	A selection of units come with an access panel by default when equipped with a system. However, if the unit is only equipped with chromatherapy, the access panel will not be provided by default.

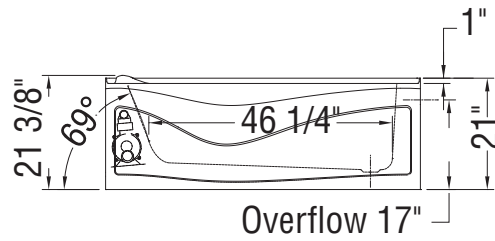
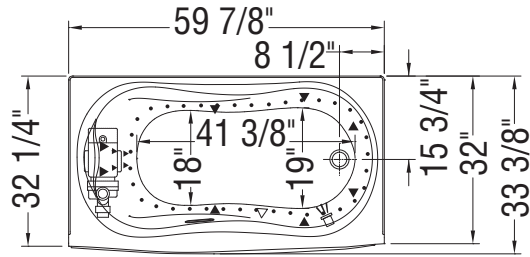
RECOMMENDED DOORS

SKU	Product Name	Pag.
139398	Halo 56 ½-59 x 59 - 8mm	558
135246	Connect 57-58 1/2 x 57 - 6mm	562
135330	Incognito 57 Shaker 56-59 x 56 ¾ - 8mm	536
138994	Luminescence SlidingDoor 56 ½-59 x 55 ½-57 ½ - 6mm	560
136695	Revelation Round 56-59 x 56 ¾-59 ¼ - 8 mm	548
136692	Revelation Round 56-59 x 56 ¾-59 ¼ - 6mm	546
136270	Duel 56-59 x 55 ½ x 59 - 8 mm	534
137682	Outback 55 ¼ - 58 1/2 x 57 - 8mm	564
105410	Polar 54-59 ½ x 57 in.	544
135673	Aura 55-59 x 57 - 8mm	556
135320	Uptown 56-59 x 58 in. 8 mm	550
139354	Incognito 57 56-59 x 56 ¾ - 8mm	542
139351	Incognito 57 56-59 x 56 ¾ - 6mm	538

MICRO-JETS SYSTEM



HYDROSENS, BACKMAX AND AIR SYSTEM



- (▲): Indicates whirlpool and backjets positioning
- (△): Indicates suction positioning
- (●): Indicates airjets positioning
- (♨): Indicates chromatherapy light positioning

All dimensions are approximate. Structure measurements must be verified against the unit to ensure proper fit.



Murmur 6043 ASY

RECTANGULAR BATHTUBS - ACRYLIC



Material : Acrylic
 Min: 30 Gal / 114 L
 Max: 58 Gal / 218 L

Features

- › Asymmetric shape with 2 headrests
- › Deck for faucet
- › Relaxing ergonomic armrests
- › Available in right and left-hand drain (specify when ordering)
- › Drop-in or alcove installation (apron available)
- › Cut-out template included

MURMUR 6043 ASY - 105728

SKU	System	Color	Configuration	Dimensions & Weight	Packaging	MSRP
105728-000-001-001	Soaker - No System	White	Left	59 7/8" x 42 7/8" x 20 1/2" / 65 lb / 29 kg	35 ft ³	\$ 1890
105728-000-001-002			Right			\$ 1890
105728-091-001-001	10 Microjets ¹		Left			\$ 3374
105728-091-001-002			Right			\$ 3374
105728-L-000-004	Soaker - No System	Bone	Left			\$ 1890
105728-L-000-007		Biscuit				\$ 1890
105728-L-091-004	10 Microjets ¹	Bone				\$ 3374
105728-L-091-007		Biscuit				\$ 3374
105728-L-107-001	Hydrosens ¹	White				\$ 4515
105728-L-107-004		Bone				\$ 4515
105728-L-107-007		Biscuit				\$ 4515
105728-L-108-001	Aerosens ^{1 2}	White				\$ 4136
105728-L-108-004		Bone				\$ 4136
105728-L-108-007		Biscuit				\$ 4136
105728-L-109-001	Combined Hydrosens & Aerosens ^{1 25}	White				\$ 6272
105728-L-109-004		Bone				\$ 6272
105728-L-109-007		Biscuit		\$ 6272		
105728-R-000-004	Soaker - No System	Bone		Right	\$ 1890	
105728-R-000-007		Biscuit			\$ 1890	
105728-R-091-004	10 Microjets ¹	Bone			\$ 3374	

MURMUR 6043 ASY - 105728

SKU	System	Color	Configuration	Dimensions & Weight	Packaging	MSRP
105728-R-091-007	10 Microjets ¹	Biscuit	Right	59 7/8" x 42 7/8" x 20 1/2" / 65 lb / 29 kg	35 ft ³	\$ 3374
105728-R-107-001	Hydrosens ¹	White				\$ 4515
105728-R-107-004		Bone				\$ 4515
105728-R-107-007		Biscuit				\$ 4515
105728-R-108-001		Aerosens ^{1 2}				White
105728-R-108-004	Bone					\$ 4136
105728-R-108-007	Biscuit					\$ 4136
105728-R-109-001	Combined Hydrosens & Aerosens ^{1 25}	White				\$ 6272
105728-R-109-004		Bone				\$ 6272
105728-R-109-007		Biscuit				\$ 6272

COMMON OPTIONS

SKU	Description	MSRP
OPT10053	One chromatherapy light (factory installed) ⁵⁴	\$ 641
OPT10095	Water heater assembly for whirlpool and combined systems (factory installed)	\$ 908
OPT10250-105	Microjet trim kit (factory installed) Available colours: Chrome (084) and Brushed Nickel (105)	\$ 650
OPT10250-084		\$ 650
OPT20027-084	Hydrosens™ & Combined Hydrosens™ and Aerosens® trim kit (factory installed) Including the 2 air control covers	\$ 650
OPT20027-105	Available colors: Chrome (084) and Brushed Nickel (105)	\$ 650
OPT20029-105	Metal trim kit for air push control (factory installed)	\$ 50
OPT20029-084	Available colors: Chrome (084) and Brushed Nickel (105)	\$ 50
OPT20137-004	Cable-operated waste and overflow (16 in. to 22 in.) (included in product packaging when purchased) Available colors: White (001), Bone (004), Chrome (084) and Brushed Nickel (105)	\$ 238
OPT20137-084		\$ 238
OPT20137-105		\$ 238
OPT20137-001		\$ 238
OPT20210-084	Waste and overflow (16 in. to 22 in.) (included in product packaging when purchased)	\$ 84
OPT20210-105	Available colors: Chrome (084) and Brushed Nickel (105)	\$ 123
OPT20025	Backmax: 6 rotating and pulsating backjets ¹²⁷ Optional with Hydrosens or combined Hydrosens and Aerosens	\$ 716
105811-L-000-004	Removable acrylic apron 105811-R-000-002 Right-hand drain 105811-L-000-002 Left-hand drain Specify: Standard colors: White (001), Bone (004), Biscuit (007)	\$ 1001
105811-R-000-007		\$ 1001
105811-000-001-001		\$ 1001
105811-L-000-007		\$ 1001
105811-000-001-002		\$ 1001
105811-R-000-004		\$ 1001
105811-000-001-002		\$ 1001

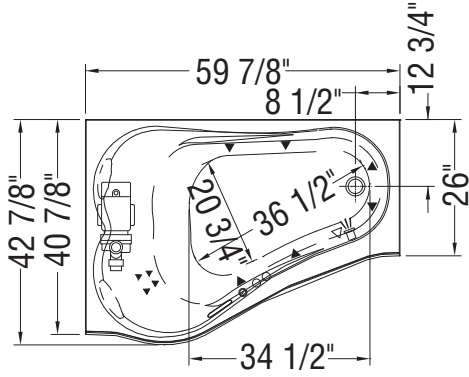
ACCESSORIES

SKU	Description	MSRP
10006918	Tiling flange, 1 x 61 1/4 in., 2 x 42 in. (sold separately)	\$ 132
10006923	Flexible main hose (9 ft. extension) for air push control air massage - Kit (sold separately)	\$ 166
10012135-105	Waste and overflow (16 to 22 in.) (sold separately)	\$ 123
10012135-084	Available colors: Chrome (084) and Brushed Nickel (105)	\$ 84
10019708	Flexible main hose for blower with combined systems (sold separately) Includes: 15ft (4.57m) hose, 2 clips, 1 nylon coupling and 1 power cord	\$ 282
10004306-001	White foam cushion with 2 suction pads (sold separately) Available color: White (001)	\$ 120
10019591-105	Hydrosens™ (107) & Combined Hydrosens™ and Aerosens® (109) trim kit (sold separately) Air control covers not included	\$ 650
10019591-084	Available colours: Chrome (084) and Brushed Nickel (105)	\$ 650
10022491-084		\$ 238
10022491-004	Cable-operated waste and overflow (16 in. to 22 in.) (sold separately)	\$ 238
10022491-105	Available colors: White (001), Bone (004), Chrome (084) and Brushed Nickel (105)	\$ 238
10022491-001		\$ 238

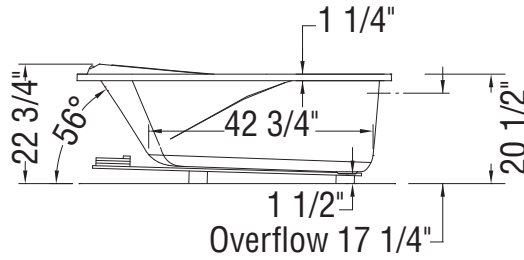
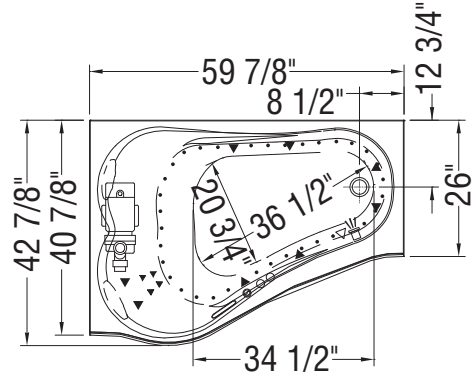
FOOTNOTES

No	Description
1	Components for standard colour units equipped with systems are colour-coordinated. Trim kit and/or air push with metallic finish can be added (additional charge applies). For non-standard colour units, please specify trim kit and/or air push colour (additional charge applies for metallic finishes). Please note that the positioning of the system's control could be in conflict with the door if one was installed on the unit. To insure compatibility, please contact customer service.
1	
2	Please order flexible main hose 10006923 for installation of the blower further than 3 ft from the bathtub. For the Tandem models and the Serenade models (freestanding and drop-in), the blower is always remote and not factory installed so a 9 ft flexible main hose is included. Please note that the positioning of the system's control could be in conflict with the door if one was installed on the unit. To insure compatibility, please contact customer service.
25	Please order flexible main hose 10019708 for installation of the blower further than 9 ft from the bathtub.
27	Please note the Backmax is positioned on the same side as the pump.
54	A selection of units come with an access panel by default when equipped with a system. However, if the unit is only equipped with chromatherapy, the access panel will not be provided by default.

MICRO-JETS SYSTEM



HYDROSENS, BACKMAX AND AIR SYSTEM



- (▲): Indicates whirlpool and backjets positioning
- (△): Indicates suction positioning
- (●): Indicates airjets positioning
- (◻): Indicates chromatherapy light positioning

All dimensions are approximate. Structure measurements must be verified against the unit to ensure proper fit.



New Town 6030 IFS

RECTANGULAR BATHTUBS - ACRYLIC



Material : Acrylic

Min: 38 Gal / 145 L

Max: 44 Gal / 166 L

Features

- › Alcove installation with integrated tiling flange
- › Unique feature: minimalist look with discreet armrests
- › Acrylic surface resistant to stains
- › Available in white, bone or biscuit color to complement any bathroom decor
- › Available in left-hand and right-hand drain configurations to fit your specific bathroom layout
- › Integrated tiling flange for added leak protection and easy installation of shower walls
- › Proudly made in North America
- › Compatible with Utile wall panels
- › Available with an optional pre-installed white linear overflow for non-high rise construction

NEW TOWN 6030 IFS - 105454							
SKU	System	Color	Configuration	Dimensions & Weight	Packaging	MSRP	
105454-000-004-001	Soaker - No System	Bone	Left	59 3/4" x 30" x 20 1/2" / 77 lb / 35 kg	28.7018229166667 ft ³	\$ 1142	
105454-000-004-002			Right			\$ 1142	
105454-000-007-001		Biscuit	Left			\$ 1142	
105454-000-007-002			Right			\$ 1142	
105454-091-001-001	10 Microjets ¹	White	Left			\$ 2626	
105454-091-001-002			Right			\$ 2626	
105454-091-004-102		Bone	Left			\$ 2626	
105454-091-004-103			Right			\$ 2626	
105454-091-007-102		Biscuit	Left			\$ 2626	
105454-091-007-103			Right			\$ 2626	
105454-108-001-001		Aerosens ^{1 2}	White			Left	\$ 3388
105454-108-001-002						Right	\$ 3388
105454-L-108-004	Bone		Left	\$ 3388			
105454-L-108-007				Biscuit	\$ 3388		
105454-R-108-004	Bone		Right	\$ 3388			
105454-R-108-007				Biscuit	\$ 3388		

COMMON OPTIONS

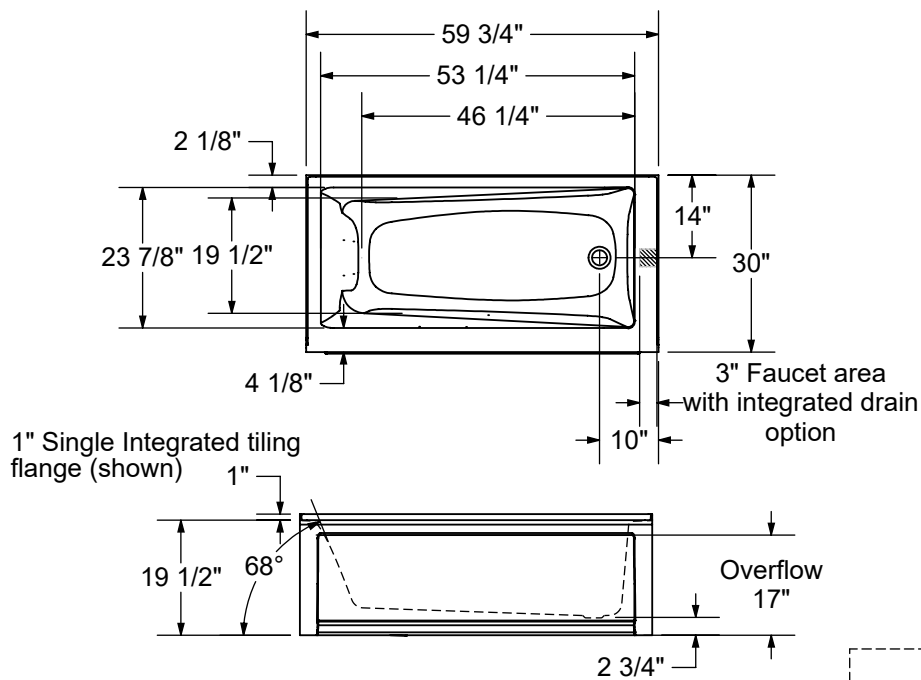
SKU	Description	MSRP
OPT10250-105	Microjet trim kit (factory installed) Available colours: Chrome (084) and Brushed Nickel (105)	\$ 650
OPT10250-084		\$ 650
OPT20029-105	Metal trim kit for air push control (factory installed) Available colors: Chrome (084) and Brushed Nickel (105)	\$ 50
OPT20029-084		\$ 50
OPT20137-004	Cable-operated waste and overflow (16 in. to 22 in.) (included in product packaging when purchased) Available colors: White (001), Bone (004), Chrome (084) and Brushed Nickel (105)	\$ 238
OPT20137-084		\$ 238
OPT20137-105		\$ 238
OPT20137-001		\$ 238
OPT20210-084	Waste and overflow (16 in. to 22 in.) (included in product packaging when purchased) Available colors: Chrome (084) and Brushed Nickel (105)	\$ 84
OPT20210-105		\$ 123
OPT10053	One chromatherapy light (factory installed) ⁵⁴	\$ 641
OPT10095	Water heater assembly for whirlpool and combined systems (factory installed)	\$ 908
OPT20341-001	Linear overflow and pop-up drain for non-high rise construction featuring direct drain pre-installed in the factory Available color: White (001)	\$ 165

ACCESSORIES

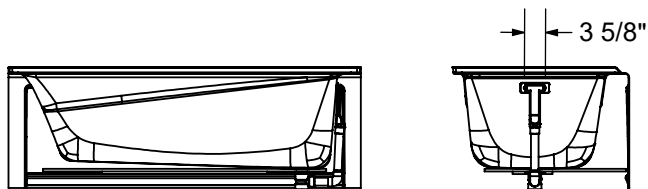
SKU	Description	MSRP
10006923	Flexible main hose (9 ft. extension) for air push control air massage - Kit (sold separately)	\$ 166
10012135-105	Waste and overflow (16 to 22 in.) (sold separately) Available colors: Chrome (084) and Brushed Nickel (105)	\$ 123
10012135-084		\$ 84
10018639	Thermax field-installed whirlpool heater (sold separately) Single pack	\$ 907
10004306-001	White foam cushion with 2 suction pads (sold separately) Available color: White (001)	\$ 120
10022491-084	Cable-operated waste and overflow (16 in. to 22 in.) (sold separately) Available colors: White (001), Bone (004), Chrome (084) and Brushed Nickel (105)	\$ 238
10022491-004		\$ 238
10022491-105		\$ 238
10022491-001		\$ 238

FOOTNOTES

No	Description
1	Components for standard colour units equipped with systems are colour-coordinated. Trim kit and/or air push with metallic finish can be added (additional charge applies). For non-standard colour units, please specify trim kit and/or air push colour (additional charge applies for metallic finishes). Please note that the positioning of the system's control could be in conflict with the door if one was installed on the unit. To insure compatibility, please contact customer service.
2	Please order flexible main hose 10006923 for installation of the blower further than 3 ft from the bathtub. For the Tandem models and the Serenade models (freestanding and drop-in), the blower is always remote and not factory installed so a 9 ft flexible main hose is included. Please note that the positioning of the system's control could be in conflict with the door if one was installed on the unit. To insure compatibility, please contact customer service.
54	A selection of units come with an access panel by default when equipped with a system. However, if the unit is only equipped with chromatherapy, the access panel will not be provided by default.



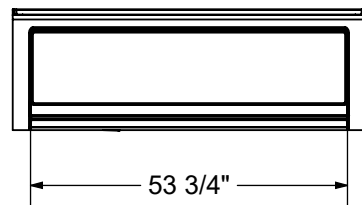
INTEGRATED LINEAR OVERFLOW & DRAIN OPTION



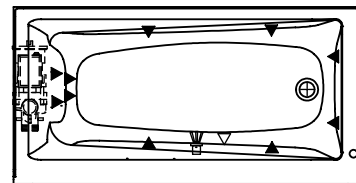
WITHOUT SYSTEM



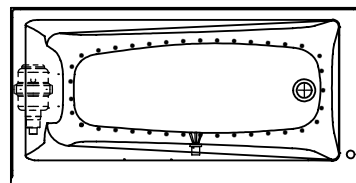
WITH SYSTEM



MICROJETS SYSTEM



AIR SYSTEM



Wood support design may vary.
Single Integrated tiling flange: 1" height x 1/4" thickness (shown)

All dimensions are approximate. Structure measurements must be verified against the unit to ensure proper fit.

- (▲) : Indicates whirlpool jets positioning
- (△) : Indicates suction positioning
- (●) : Indicates airjets positioning
- (☐) : Indicates chromotherapy light positioning



New Town 6032 IF



Material : Acrylic
 Min: 39.63 Gal / 150 L
 Max: 44 Gal / 168 L

Features

- › Proudly made in Canada
- › Durable, high-gloss acrylic easy to clean
- › Foam pillow included with 10 microjets whirlpool system
- › 1-speed 3/4 HP pump, 120V/7.5A with easy to operate on/off push button
- › Textured bottom for safety
- › 6 microjets located on the side of the bathtub and 4 back jets provide an effective massage
- › Alcove or drop-in installation with ample deck space for faucet installation

RECTANGULAR BATHTUBS - ACRYLIC

NEW TOWN 6032 - 105459						
SKU	System	Color	Configuration	Dimensions & Weight	Packaging	MSRP
105459-000-001-000	Soaker - No System	White	End	59 3/4" x 32" x 20" / 85 lb / 39 kg	30 ft ³	\$ 1007
105459-000-004		Bone				\$ 1007
105459-000-007		Biscuit				\$ 1007
105459-091-001-000	10 Microjets ¹	White				\$ 2491
105459-091-004-103		Bone				\$ 2491
105459-091-007-103		Biscuit				\$ 2491
105459-107-001-100	Hydrosens ¹	White				\$ 3632
105459-107-004		Bone				\$ 3632
105459-107-007		Biscuit				\$ 3632
105459-108-001-000	Aerosens ^{1 2}	White				\$ 3253
105459-108-004-000		Bone				\$ 3253
105459-108-007-000		Biscuit				\$ 3253
105459-109-001-100	Combined Hydrosens & Aerosens ^{1 25}	White				\$ 5389
105459-109-004		Bone	\$ 5389			
105459-109-007		Biscuit	\$ 5389			

NEW TOWN 6032 IF - 105467						
SKU	System	Color	Configuration	Dimensions & Weight	Packaging	MSRP
105467-000-001-001	Soaker - No System	White	Left	59 3/4" x 32" x 20" / 85 lb / 39 kg	30 ft ³	\$ 1007

NEW TOWN 6032 IF - 105467

SKU	System	Color	Configuration	Dimensions & Weight	Packaging	MSRP
105467-000-001-002	Soaker - No System	White	Right	59 3/4" x 32" x 20" / 85 lb / 39 kg	30 ft ³	\$ 1007
105467-000-004-001		Bone	Left			\$ 1007
105467-000-004-002			Right			\$ 1007
105467-000-007-001		Biscuit	Left			\$ 1007
105467-000-007-002			Right			\$ 1007
105467-091-001-001		10 Microjets ¹	White			Left
105467-091-001-002	Right					\$ 2491
105467-091-004-104	Bone		Left			\$ 2491
105467-091-004-105			Right			\$ 2491
105467-091-007-104	Biscuit		Left			\$ 2491
105467-091-007-105			Right			\$ 2491
105467-107-001-001	Hydrosens ¹	White	Left			\$ 3632
105467-107-001-002			Right			\$ 3632
105467-108-001-101	Aerosens ^{1 2}		Left			\$ 3253
105467-108-001-102			Right			\$ 3253
105467-109-001-102	Combined Hydrosens & Aerosens ^{1 25}		Left			\$ 5389
105467-109-001-103			Right			\$ 5389
105467-L-107-004	Hydrosens ¹	Bone	Left			\$ 3632
105467-L-107-007		Biscuit				\$ 3632
105467-L-108-004	Aerosens ^{1 2}	Bone				\$ 3253
105467-L-108-007		Biscuit		\$ 3253		
105467-L-109-004	Combined Hydrosens & Aerosens ^{1 25}	Bone		\$ 5389		
105467-L-109-007		Biscuit		\$ 5389		
105467-R-107-004	Hydrosens ¹	Bone		Right	\$ 3632	
105467-R-107-007		Biscuit			\$ 3632	
105467-R-108-004	Aerosens ^{1 2}	Bone			\$ 3253	
105467-R-108-007		Biscuit			\$ 3253	
105467-R-109-004	Combined Hydrosens & Aerosens ^{1 25}	Bone	\$ 5389			
105467-R-109-007		Biscuit	\$ 5389			

COMMON OPTIONS

SKU	Description	MSRP
OPT20025	Backmax: 6 rotating and pulsating backjets ¹²⁷ Optional with Hydrosens or combined Hydrosens and Aerosens	\$ 716
OPT10053	One chromatherapy light (factory installed) ⁵⁴	\$ 641
OPT10095	Water heater assembly for whirlpool and combined systems (factory installed)	\$ 908
OPT10250-105	Microjet trim kit (factory installed) Available colours: Chrome (084) and Brushed Nickel (105)	\$ 650

COMMON OPTIONS

SKU	Description	MSRP
OPT10250-084	Microjet trim kit (factory installed) Available colours: Chrome (084) and Brushed Nickel (105)	\$ 650
OPT20027-084	Hydrosens™ & Combined Hydrosens™ and Aerosens® trim kit (factory installed) Including the 2 air control covers	\$ 650
OPT20027-105	Available colors: Chrome (084) and Brushed Nickel (105)	\$ 650
OPT20029-105	Metal trim kit for air push control (factory installed)	\$ 50
OPT20029-084	Available colors: Chrome (084) and Brushed Nickel (105)	\$ 50
OPT20137-004		\$ 238
OPT20137-084	Cable-operated waste and overflow (16 in. to 22 in.) (included in product packaging when purchased)	\$ 238
OPT20137-105	Available colors: White (001), Bone (004), Chrome (084) and Brushed Nickel (105)	\$ 238
OPT20137-001		\$ 238
OPT20210-084	Waste and overflow (16 in. to 22 in.) (included in product packaging when purchased)	\$ 84
OPT20210-105	Available colors: Chrome (084) and Brushed Nickel (105)	\$ 123

ACCESSORIES

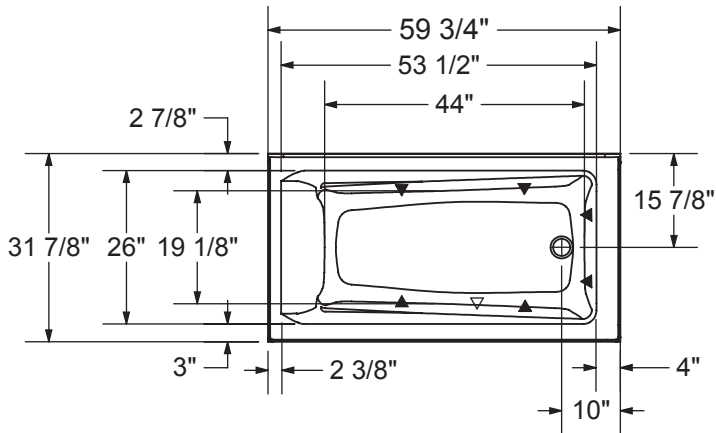
SKU	Description	MSRP
10006923	Flexible main hose (9 ft. extension) for air push control air massage - Kit (sold separately)	\$ 166
10012135-105	Waste and overflow (16 to 22 in.) (sold separately)	\$ 123
10012135-084	Available colors: Chrome (084) and Brushed Nickel (105)	\$ 84
10018639	Thermax field-installed whirlpool heater (sold separately) Single pack	\$ 907
10019708	Flexible main hose for blower with combined systems (sold separately) Includes: 15ft (4.57m) hose, 2 clips, 1 nylon coupling and 1 power cord	\$ 282
10004306-001	White foam cushion with 2 suction pads (sold separately) Available color: White (001)	\$ 120
10019591-105	Hydrosens™ (107) & Combined Hydrosens™ and Aerosens® (109) trim kit (sold separately) Air control covers not included	\$ 650
10019591-084	Available colours: Chrome (084) and Brushed Nickel (105)	\$ 650
10022491-084		\$ 238
10022491-004	Cable-operated waste and overflow (16 in. to 22 in.) (sold separately)	\$ 238
10022491-105	Available colors: White (001), Bone (004), Chrome (084) and Brushed Nickel (105)	\$ 238
10022491-001		\$ 238

FOOTNOTES

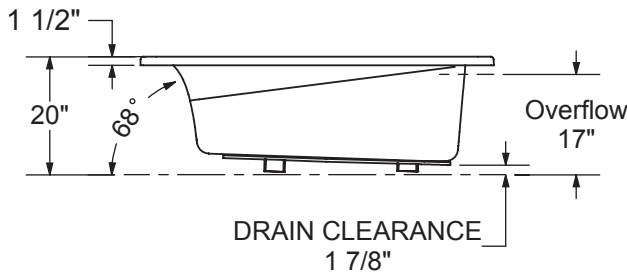
No	Description
1	Components for standard colour units equipped with systems are colour-coordinated. Trim kit and/or air push with metallic finish can be added (additional charge applies). For non-standard colour units, please specify trim kit and/or air push colour (additional charge applies for metallic finishes). Please note that the positioning of the system's control could be in conflict with the door if one was installed on the unit. To insure compatibility, please contact customer service.
1	
2	Please order flexible main hose 10006923 for installation of the blower further than 3 ft from the bathtub. For the Tandem models and the Serenade models (freestanding and drop-in), the blower is always remote and not factory installed so a 9 ft flexible main hose is included. Please note that the positioning of the system's control could be in conflict with the door if one was installed on the unit. To insure compatibility, please contact customer service.
25	Please order flexible main hose 10019708 for installation of the blower further than 9 ft from the bathtub.
27	Please note the Backmax is positioned on the same side as the pump.

FOOTNOTES

No	Description
54	A selection of units come with an access panel by default when equipped with a system. However, if the unit is only equipped with chromatherapy, the access panel will not be provided by default.

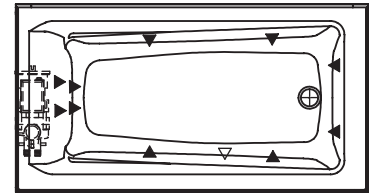


1" Single Integrated tiling flange (not shown)

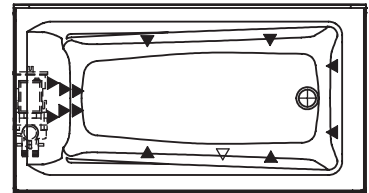


Wood support design may vary.
 Single Integrated tiling flange: 1" height x 1/4" thickness (not shown)
 All dimensions are approximate.
 Structure measurement must be verified against the unit to ensure proper fit.

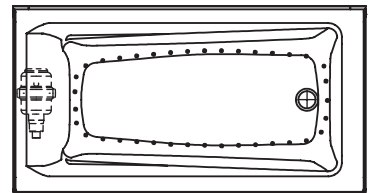
MICROJETS SYSTEM



HYDROSENS with BACKMAX SYSTEM



AIR SYSTEM



- (▲) : Indicates whirlpool jets positioning
- (△) : Indicates suction positioning
- (●) : Indicates airjets positioning



New Town 6032 IFS

RECTANGULAR BATHTUBS - ACRYLIC



Material : Acrylic
 Min: 40 Gal / 151 L
 Max: 46 Gal / 174 L

Features

- > Alcove bathtub
- > Acrylic surface resistant to stains
- > Available in white, bone or biscuit color to complement any bathroom decor
- > Available in left-hand and right-hand drain configurations to fit your specific bathroom layout
- > Integrated flat skirt and tiling flange
- > Bride de carrelage intégrée pour une meilleure protection contre les fuites et une installation facile des murs de douche
- > Proudly made in North America
- > Compatible with UTile for an easy wall solution
- > Product warranty: 25 years

NEW TOWN 6032 IFS - 105456								
SKU	System	Color	Configuration	Dimensions & Weight	Packaging	MSRP		
105456-000-001-001	Soaker - No System	White	Left	59 3/4" x 32" x 20 1/2" / 78 lb / 35 kg	24 ft ³	\$ 1179		
105456-000-001-002			Right			\$ 1179		
105456-000-004-001		Bone	Left			\$ 1179		
105456-000-004-002			Right			\$ 1179		
105456-000-007-001		Biscuit	Left			\$ 1179		
105456-000-007-002			Right			\$ 1179		
105456-091-001-001	10 Microjets ¹	White	Left			59 3/4" x 32" x 20 1/2" / 78 lb / 35 kg	24 ft ³	\$ 2663
105456-091-001-002			Right					\$ 2663
105456-091-004-102		Bone	Left					\$ 2663
105456-091-004-103			Right					\$ 2663
105456-091-007-102		Biscuit	Left					\$ 2663
105456-091-007-103			Right					\$ 2663
105456-108-001-001	Aerosens ^{1 2}	White	Left	59 3/4" x 32" x 20 1/2" / 78 lb / 35 kg	24 ft ³			\$ 3425
105456-108-001-002			Right					\$ 3425
105456-L-108-004		Bone	Left					\$ 3425
105456-L-108-007								Biscuit
105456-R-108-004		Bone	Right					\$ 3425
105456-R-108-007								Biscuit

COMMON OPTIONS

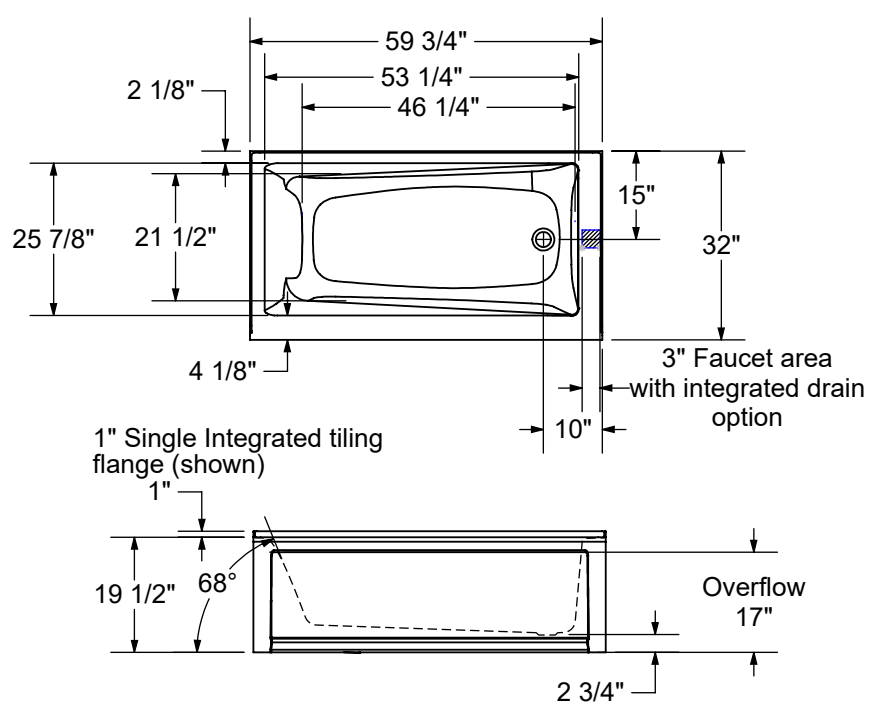
SKU	Description	MSRP
OPT10250-105	Microjet trim kit (factory installed) Available colours: Chrome (084) and Brushed Nickel (105)	\$ 650
OPT10250-084		\$ 650
OPT20029-105	Metal trim kit for air push control (factory installed) Available colors: Chrome (084) and Brushed Nickel (105)	\$ 50
OPT20029-084		\$ 50
OPT20137-004	Cable-operated waste and overflow (16 in. to 22 in.) (included in product packaging when purchased) Available colors: White (001), Bone (004), Chrome (084) and Brushed Nickel (105)	\$ 238
OPT20137-084		\$ 238
OPT20137-105		\$ 238
OPT20137-001		\$ 238
OPT20210-084	Waste and overflow (16 in. to 22 in.) (included in product packaging when purchased) Available colors: Chrome (084) and Brushed Nickel (105)	\$ 84
OPT20210-105		\$ 123
OPT10053	One chromatherapy light (factory installed) ⁵⁴	\$ 641
OPT10095	Water heater assembly for whirlpool and combined systems (factory installed)	\$ 908
OPT20341-001	Linear overflow and pop-up drain for non-high rise construction featuring direct drain pre-installed in the factory Available color: White (001)	\$ 165

ACCESSORIES

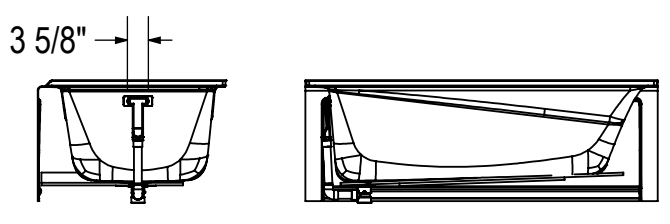
SKU	Description	MSRP
10006923	Flexible main hose (9 ft. extension) for air push control air massage - Kit (sold separately)	\$ 166
10012135-105	Waste and overflow (16 to 22 in.) (sold separately) Available colors: Chrome (084) and Brushed Nickel (105)	\$ 123
10012135-084		\$ 84
10018639	Thermax field-installed whirlpool heater (sold separately) Single pack	\$ 907
10004306-001	White foam cushion with 2 suction pads (sold separately) Available color: White (001)	\$ 120
10022491-084	Cable-operated waste and overflow (16 in. to 22 in.) (sold separately) Available colors: White (001), Bone (004), Chrome (084) and Brushed Nickel (105)	\$ 238
10022491-004		\$ 238
10022491-105		\$ 238
10022491-001		\$ 238

FOOTNOTES

No	Description
1	Components for standard colour units equipped with systems are colour-coordinated. Trim kit and/or air push with metallic finish can be added (additional charge applies). For non-standard colour units, please specify trim kit and/or air push colour (additional charge applies for metallic finishes). Please note that the positioning of the system's control could be in conflict with the door if one was installed on the unit. To insure compatibility, please contact customer service.
2	Please order flexible main hose 10006923 for installation of the blower further than 3 ft from the bathtub. For the Tandem models and the Serenade models (freestanding and drop-in), the blower is always remote and not factory installed so a 9 ft flexible main hose is included. Please note that the positioning of the system's control could be in conflict with the door if one was installed on the unit. To insure compatibility, please contact customer service.
54	A selection of units come with an access panel by default when equipped with a system. However, if the unit is only equipped with chromatherapy, the access panel will not be provided by default.



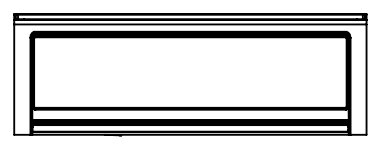
INTEGRATED LINEAR OVERFLOW & DRAIN OPTION



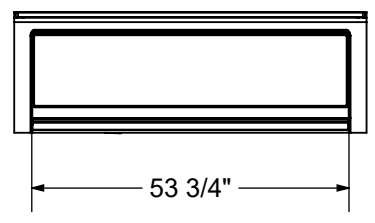
Wood support design may vary.
Single Integrated tiling flange: 1" height x 1/4" thickness (shown)

All dimensions are approximate.
Structure measurement must be verified against the unit to ensure proper fit.

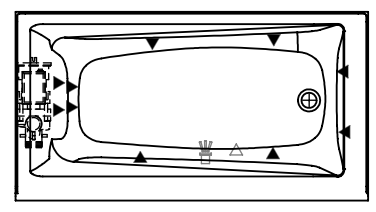
WITHOUT SYSTEM



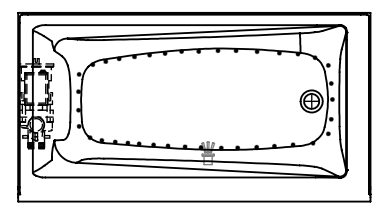
WITH SYSTEM



MICROJETS SYSTEM



AIR SYSTEM



- (▲) : Indicates whirlpool jets positioning
- (▽) : Indicates suction positioning
- (●) : Indicates airjets positioning
- (◻) : Indicates chromatherapy light positioning

Santorini



Material : Acrylic
 Min: 40 Gal / 150 L
 Max: 70 Gal / 264 L

Features

- › Rectangular shape bathtub, with elegant flowing curves design
- › Made of thick and durable acrylic that has a high gloss finish for easy clean and maintenance
- › Built-in armrests and elevated backrest for ultimate comfort
- › Integrated apron with wave inspired design
- › Integrated tiling flanges on 3 sides to facilitates a quick and simple installation with no need to worry about leakage or water infiltration

RECTANGULAR BATHTUBS - ACRYLIC

SANTORINI - 105231						
SKU	System	Color	Configuration	Dimensions & Weight	Packaging	MSRP
105231-000-001-001	Soaker - No System	White	Left	60" x 32" x 18 3/4" / 86 lb / 39 kg	25 ft ³	\$ 1182
105231-000-001-002			Right			\$ 1182
105231-091-001-001	10 Microjets ¹		Left			\$ 2666
105231-091-001-002			Right			\$ 2666
105231-108-001-100	Aerosens ^{1 2}		Left			\$ 3428
105231-108-001-101			Right			\$ 3428
105231-L-000-004	Soaker - No System	Bone	Left			\$ 1182
105231-L-000-007		Biscuit				\$ 1182
105231-L-091-004	10 Microjets ¹	Bone				\$ 2666
105231-L-091-007		Biscuit				\$ 2666
105231-L-107-001	Hydrosens ¹	White				\$ 3807
105231-L-107-004		Bone				\$ 3807
105231-L-107-007		Biscuit		\$ 3807		
105231-L-108-004	Aerosens ^{1 2}	Bone		\$ 3428		
105231-L-108-007		Biscuit		\$ 3428		
105231-L-109-001	Combined Hydrosens & Aerosens ^{1 25}	White		\$ 5564		
105231-L-109-004		Bone		\$ 5564		
105231-L-109-007		Biscuit		\$ 5564		
105231-R-000-004	Soaker - No System	Bone		Right	\$ 1182	
105231-R-000-007		Biscuit			\$ 1182	

SANTORINI - 105231

SKU	System	Color	Configuration	Dimensions & Weight	Packaging	MSRP
105231-R-091-004	10 Microjets ¹	Bone	Right	60" x 32" x 18 3/4" / 86 lb / 39 kg	25 ft ³	\$ 2666
105231-R-091-007		Biscuit				\$ 2666
105231-R-107-001	Hydrosens ¹	White				\$ 3807
105231-R-107-004		Bone				\$ 3807
105231-R-107-007		Biscuit				\$ 3807
105231-R-108-004	Aerosens ^{1 2}	Bone				\$ 3428
105231-R-108-007		Biscuit				\$ 3428
105231-R-109-001	Combined Hydrosens & Aerosens ^{1 25}	White				\$ 5564
105231-R-109-004		Bone				\$ 5564
105231-R-109-007		Biscuit				\$ 5564

COMMON OPTIONS

SKU	Description	MSRP
OPT10095	Water heater assembly for whirlpool and combined systems (factory installed)	\$ 908
OPT10250-105	Microjet trim kit (factory installed) Available colours: Chrome (084) and Brushed Nickel (105)	\$ 650
OPT10250-084		\$ 650
OPT20027-084	Hydrosens™ & Combined Hydrosens™ and Aerosens® trim kit (factory installed) Including the 2 air control covers	\$ 650
OPT20027-105	Available colors: Chrome (084) and Brushed Nickel (105)	\$ 650
OPT20029-105	Metal trim kit for air push control (factory installed)	\$ 50
OPT20029-084	Available colors: Chrome (084) and Brushed Nickel (105)	\$ 50
OPT20137-004		\$ 238
OPT20137-084	Cable-operated waste and overflow (16 in. to 22 in.) (included in product packaging when purchased)	\$ 238
OPT20137-105	Available colors: White (001), Bone (004), Chrome (084) and Brushed Nickel (105)	\$ 238
OPT20137-001		\$ 238
OPT20210-084	Waste and overflow (16 in. to 22 in.) (included in product packaging when purchased)	\$ 84
OPT20210-105	Available colors: Chrome (084) and Brushed Nickel (105)	\$ 123
OPT20025	Backmax: 6 rotating and pulsating backjets ¹²⁷ Optional with Hydrosens or combined Hydrosens and Aerosens	\$ 716
OPT10053	One chromatherapy light (factory installed) ⁵⁴	\$ 641

ACCESSORIES

SKU	Description	MSRP
10006923	Flexible main hose (9 ft. extension) for air push control air massage - Kit (sold separately)	\$ 166
10012135-105	Waste and overflow (16 to 22 in.) (sold separately)	\$ 123
10012135-084	Available colors: Chrome (084) and Brushed Nickel (105)	\$ 84
10019708	Flexible main hose for blower with combined systems (sold separately) Includes: 15ft (4.57m) hose, 2 clips, 1 nylon coupling and 1 power cord	\$ 282
10004306-001	White foam cushion with 2 suction pads (sold separately) Available color: White (001)	\$ 120

ACCESSORIES

SKU	Description	MSRP
10019591-105	Hydrosens™ (107) & Combined Hydrosens™ and Aerosens® (109) trim kit (sold separately) Air control covers not included	\$ 650
10019591-084	Available colours: Chrome (084) and Brushed Nickel (105)	\$ 650
10022491-084	Cable-operated waste and overflow (16 in. to 22 in.) (sold separately) Available colors: White (001), Bone (004), Chrome (084) and Brushed Nickel (105)	\$ 238
10022491-004		\$ 238
10022491-105		\$ 238
10022491-001		\$ 238

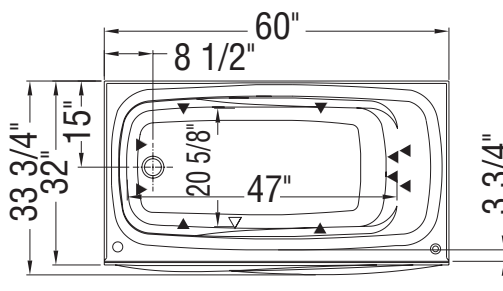
FOOTNOTES

No	Description
1	Components for standard colour units equipped with systems are colour-coordinated. Trim kit and/or air push with metallic finish can be added (additional charge applies). For non-standard colour units, please specify trim kit and/or air push colour (additional charge applies for metallic finishes). Please note that the positioning of the system's control could be in conflict with the door if one was installed on the unit. To insure compatibility, please contact customer service.
1	
2	Please order flexible main hose 10006923 for installation of the blower further than 3 ft from the bathtub. For the Tandem models and the Serenade models (freestanding and drop-in), the blower is always remote and not factory installed so a 9 ft flexible main hose is included. Please note that the positioning of the system's control could be in conflict with the door if one was installed on the unit. To insure compatibility, please contact customer service.
25	Please order flexible main hose 10019708 for installation of the blower further than 9 ft from the bathtub.
27	Please note the Backmax is positioned on the same side as the pump.
54	A selection of units come with an access panel by default when equipped with a system. However, if the unit is only equipped with chromatherapy, the access panel will not be provided by default.

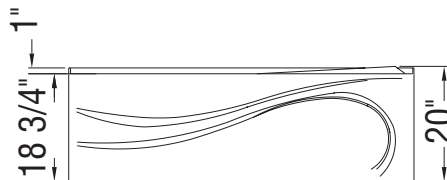
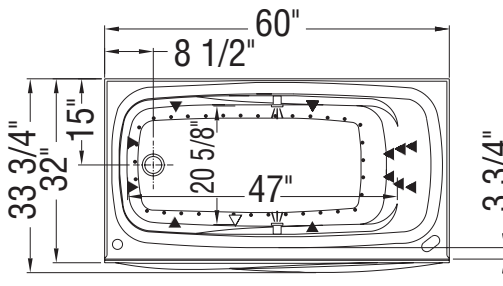
RECOMMENDED DOORS

SKU	Product Name	Pag.
139398	Halo 56 ½-59 x 59 - 8mm	558
135246	Connect 57-58 1/2 x 57 - 6mm	562
135330	Incognito 57 Shaker 56-59 x 56 ¾ - 8mm	536
138994	Luminescence SlidingDoor 56 ½-59 x 55 ½-57 ½ - 6mm	560
136695	Revelation Round 56-59 x 56 ¾-59 ¼ - 8 mm	548
136692	Revelation Round 56-59 x 56 ¾-59 ¼ - 6mm	546
136270	Duel 56-59 x 55 ½ x 59 - 8 mm	534
137682	Outback 55 ¼ - 58 1/2 x 57 - 8mm	564
105410	Polar 54-59 ½ x 57 in.	544
135673	Aura 55-59 x 57 - 8mm	556
135320	Uptown 56-59 x 58 in. 8 mm	550
139354	Incognito 57 56-59 x 56 ¾ - 8mm	542
139351	Incognito 57 56-59 x 56 ¾ - 6mm	538

MICROJETS SYSTEM



HYDROSENS, BACKMAX,
AND AIR SYSTEMS



- (▲) : Indicates Whirlpool jets positioning
- (△) : Indicates suction positioning
- (●) : Indicates airjets positioning
- (▽) : Indicates chromatherapy light positioning

All dimensions are approximate. Structure measurements must be verified against the unit to ensure proper fit.



Skybox 6636



Material : Acrylic
 Min: 59 Gal / 223 L
 Max: 90 Gal / 341 L

Features

- › Proudly made in Canada
- › Rectangular shape bathtub with textured bottom, versatile style fits all types of décor from classic to modern
- › Made of thick and durable acrylic that has a high gloss finish for easy clean and maintenance
- › Unique features: deep bathtub with choice of two deck heights (3/8 or 2 -inch) - This model is the standard 2 inch deck
- › Ample deck space for faucet installation
- › End drain

RECTANGULAR BATHTUBS - ACRYLIC

SKYBOX 6636 - 105722

SKU	System	Color	Configuration	Dimensions & Weight	Packaging	MSRP
105722-000-001-100	Soaker - No System	White	End	66 1/4" x 35 3/4" x 23 5/8" / 72 lb / 33 kg	39 ft ³	\$ 1504
105722-000-004		Bone				\$ 1504
105722-000-007		Biscuit				\$ 1504
105722-091-001-100	10 Microjets ¹	White				\$ 2988
105722-091-004		Bone				\$ 2988
105722-091-007		Biscuit				\$ 2988
105722-107-001-100	Hydrosens ¹	White				\$ 4129
105722-107-004		Bone				\$ 4129
105722-107-007		Biscuit				\$ 4129
105722-108-001-100	Aerosens ^{1 2}	White				\$ 3750
105722-108-004		Bone				\$ 3750
105722-108-007		Biscuit				\$ 3750
105722-109-001-100	Combined Hydrosens & Aerosens ^{1 25}	White	\$ 5886			
105722-109-004		Bone	\$ 5886			
105722-109-007		Biscuit	\$ 5886			

SKYBOX 6636 IF - 106390

SKU	System	Color	Configuration	Dimensions & Weight	Packaging	MSRP
106390-000-001-109	Soaker - No System	White	Left	66 1/4" x 35 3/4" x 23 5/8" / 72 lb / 33 kg	39 ft ³	\$ 1504

SKYBOX 6636 IF - 106390

SKU	System	Color	Configuration	Dimensions & Weight	Packaging	MSRP	
106390-000-001-110	Soaker - No System	White	Right	66 1/4" x 35 3/4" x 23 5/8" / 72 lb / 33 kg	39 ft ³	\$ 1504	
106390-L-000-004		Bone	Left			\$ 1504	
106390-L-000-007		Biscuit				\$ 1504	
106390-L-091-001	10 Microjets ¹	White				\$ 2988	
106390-L-091-004		Bone				\$ 2988	
106390-L-091-007		Biscuit				\$ 2988	
106390-L-107-001	Hydrosens ¹	White				\$ 4129	
106390-L-107-004		Bone				\$ 4129	
106390-L-107-007		Biscuit				\$ 4129	
106390-L-108-001	Aerosens ^{1 2}	White				\$ 3750	
106390-L-108-004		Bone				\$ 3750	
106390-L-108-007		Biscuit				\$ 3750	
106390-L-109-001	Combined Hydrosens & Aerosens ^{1 25}	White				\$ 5886	
106390-L-109-004		Bone				\$ 5886	
106390-L-109-007		Biscuit				\$ 5886	
106390-R-000-004	Soaker - No System	Bone				Right	\$ 1504
106390-R-000-007		Biscuit					\$ 1504
106390-R-091-001	10 Microjets ¹	White					\$ 2988
106390-R-091-004		Bone					\$ 2988
106390-R-091-007		Biscuit	\$ 2988				
106390-R-107-001	Hydrosens ¹	White	\$ 4129				
106390-R-107-004		Bone	\$ 4129				
106390-R-107-007		Biscuit	\$ 4129				
106390-R-108-001	Aerosens ^{1 2}	White	\$ 3750				
106390-R-108-004		Bone	\$ 3750				
106390-R-108-007		Biscuit	\$ 3750				
106390-R-109-001	Combined Hydrosens & Aerosens ^{1 25}	White	\$ 5886				
106390-R-109-004		Bone	\$ 5886				
106390-R-109-007		Biscuit	\$ 5886				

COMMON OPTIONS

SKU	Description	MSRP
OPT10053	One chromatherapy light (factory installed) ⁵⁴	\$ 641
OPT10095	Water heater assembly for whirlpool and combined systems (factory installed)	\$ 908
OPT10250-105	Microjet trim kit (factory installed) Available colours: Chrome (084) and Brushed Nickel (105)	\$ 650
OPT10250-084		\$ 650
OPT10260-084	Two 6-in. acrylic grab bars (factory installed) ⁸ Available colors: White (001), Bone (004), Biscuit (007), Chrome (084) and Brushed Nickel (105)	\$ 385

COMMON OPTIONS

SKU	Description	MSRP
OPT10260-007	Two 6-in. acrylic grab bars (factory installed) ⁸ Available colors: White (001), Bone (004), Biscuit (007), Chrome (084) and Brushed Nickel (105)	\$ 385
OPT10260-004		\$ 385
OPT10260-105		\$ 385
OPT10260-001		\$ 385
OPT20027-084	Hydrosens™ & Combined Hydrosens™ and Aerosens® trim kit (factory installed) Including the 2 air control covers Available colors: Chrome (084) and Brushed Nickel (105)	\$ 650
OPT20027-105		\$ 650
OPT20029-105	Metal trim kit for air push control (factory installed) Available colors: Chrome (084) and Brushed Nickel (105)	\$ 50
OPT20029-084		\$ 50
OPT20137-004	Cable-operated waste and overflow (16 in. to 22 in.) (included in product packaging when purchased) Available colors: White (001), Bone (004), Chrome (084) and Brushed Nickel (105)	\$ 238
OPT20137-084		\$ 238
OPT20137-105		\$ 238
OPT20137-001		\$ 238
OPT20210-084	Waste and overflow (16 in. to 22 in.) (included in product packaging when purchased) Available colors: Chrome (084) and Brushed Nickel (105)	\$ 84
OPT20210-105		\$ 123
OPT20025	Backmax: 6 rotating and pulsating backjets ¹²⁷ Optional with Hydrosens or combined Hydrosens and Aerosens	\$ 716
OPT20205	Lite option 3/8 in. thin deck ⁶ When chosen, this option is offered at no cost	\$ 0

ACCESSORIES

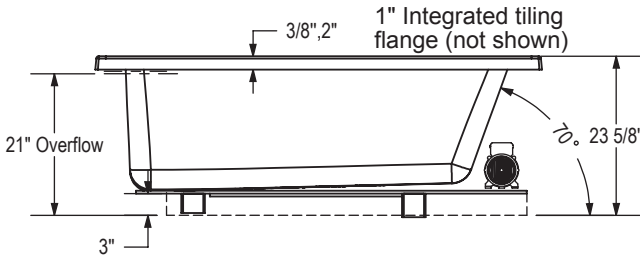
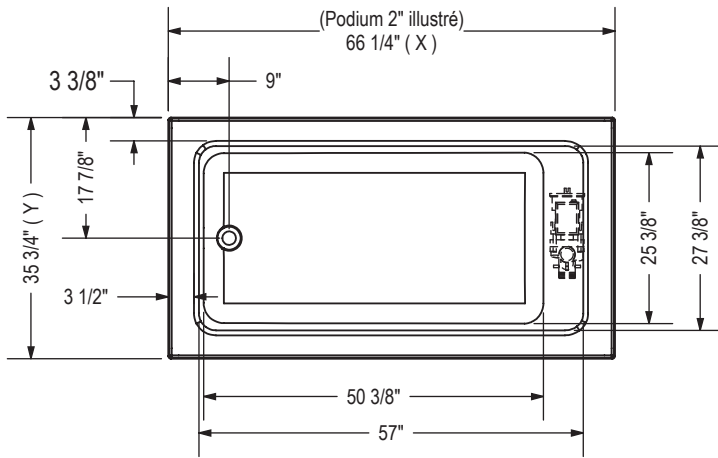
SKU	Description	MSRP
10006923	Flexible main hose (9 ft. extension) for air push control air massage - Kit (sold separately)	\$ 166
10012135-105	Waste and overflow (16 to 22 in.) (sold separately) Available colors: Chrome (084) and Brushed Nickel (105)	\$ 123
10012135-084		\$ 84
10019708	Flexible main hose for blower with combined systems (sold separately) Includes: 15ft (4.57m) hose, 2 clips, 1 nylon coupling and 1 power cord	\$ 282
10004306-001	White foam cushion with 2 suction pads (sold separately) Available color: White (001)	\$ 120
10019591-105	Hydrosens™ (107) & Combined Hydrosens™ and Aerosens® (109) trim kit (sold separately) Air control covers not included Available colours: Chrome (084) and Brushed Nickel (105)	\$ 650
10019591-084		\$ 650
10022491-084	Cable-operated waste and overflow (16 in. to 22 in.) (sold separately) Available colors: White (001), Bone (004), Chrome (084) and Brushed Nickel (105)	\$ 238
10022491-004		\$ 238
10022491-105		\$ 238
10022491-001		\$ 238

FOOTNOTES

No	Description
1	Components for standard colour units equipped with systems are colour-coordinated. Trim kit and/or air push with metallic finish can be added (additional charge applies). For non-standard colour units, please specify trim kit and/or air push colour (additional charge applies for metallic finishes). Please note that the positioning of the system's control could be in conflict with the door if one was installed on the unit. To insure compatibility, please contact customer service.

FOOTNOTES

No	Description
1	Components for standard colour units equipped with systems are colour-coordinated. Trim kit and/or air push with metallic finish can be added (additional charge applies). For non-standard colour units, please specify trim kit and/or air push colour (additional charge applies for metallic finishes). Please note that the positioning of the system's control could be in conflict with the door if one was installed on the unit. To insure compatibility, please contact customer service.
2	Please order flexible main hose 10006923 for installation of the blower further than 3 ft from the bathtub. For the Tandem models and the Serenade models (freestanding and drop-in), the blower is always remote and not factory installed so a 9 ft flexible main hose is included. Please note that the positioning of the system's control could be in conflict with the door if one was installed on the unit. To insure compatibility, please contact customer service.
6	Specify 3/8 (Lite option) or 2 in. on deck height. If ordering unit with an apron, only 2 in. deck height is available.
8	Two 6 in. or 12 in. metal or acrylic grab bars are optional. Factory installed, only one positioning is possible (see technical drawings on https://www.maax.com).
25	Please order flexible main hose 10019708 for installation of the blower further than 9 ft from the bathtub.
27	Please note the Backmax is positioned on the same side as the pump.
54	A selection of units come with an access panel by default when equipped with a system. However, if the unit is only equipped with chromatherapy, the access panel will not be provided by default.



Technical drawing is universal for all 6636 configurations. External dimension (X,Y) vary depending on configuration (see chart)

	DROP IN 2"	DROP IN 3/8"	ALCOVE
X	66 1/4"	66"	65 3/4"
Y	35 3/4"	35 5/8"	35 5/8"

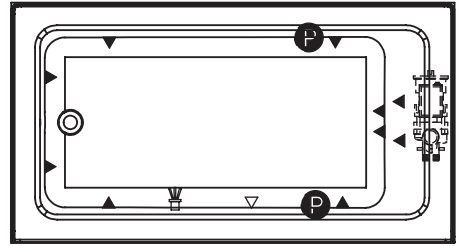
Wood support design may vary.

Integrated tiling flange: 1" height X 1/4" thickness (not shown)
Tiling flange position is determined by chosen configuration.

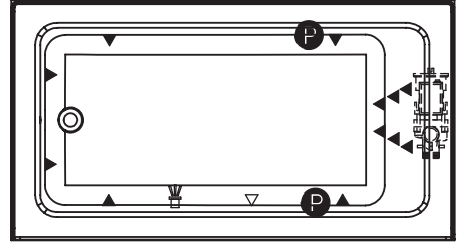
All dimensions are approximate.

Structure measurement must be verified against the unit to ensure proper fit.

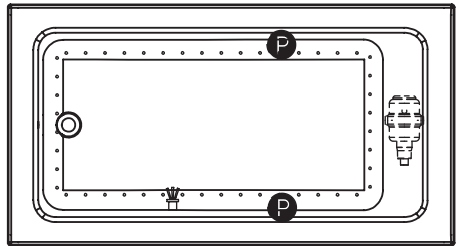
MICROJETS SYSTEM



HYDROSENS with BACKMAX SYSTEM

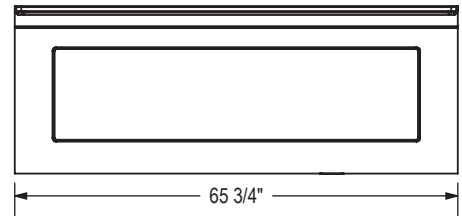


AIR SYSTEM



- (P) : Indicates optional grab bar positioning
- (▲) : Indicates whirlpool jets positioning
- (△) : Indicates suction positioning
- (●) : Indicates airjets positioning
- (☼) : Indicates chromatherapy light positioning

APRON (alcove version only)





Skybox 7236

RECTANGULAR BATHTUBS - ACRYLIC



Material : Acrylic
 Min: 64 Gal / 241 L
 Max: 98 Gal / 373 L

Features

- > Proudly made in Canada
- > Rectangular shape bathtub with textured bottom, versatile style fits all types of décor from classic to modern
- > Made of thick and durable acrylic that has a high gloss finish for easy clean and maintenance
- > Unique features: deep bathtub with choice of two deck heights (3/8 or 2 -inch) - This model is the standard 2 inch deck
- > Ample deck space for faucet installation
- > End drain

SKYBOX 7236 - 105721						
SKU	System	Color	Configuration	Dimensions & Weight	Packaging	MSRP
105721-000-001-100	Soaker - No System	White	End	72 1/4" x 35 3/4" x 23 5/8" / 82 lb / 37 kg	42 ft ³	\$ 1615
105721-000-004		Bone				\$ 1615
105721-000-007		Biscuit				\$ 1615
105721-091-001-100	10 Microjets ¹	White				\$ 3099
105721-091-004		Bone				\$ 3099
105721-091-007		Biscuit				\$ 3099
105721-107-001-100	Hydrosens ¹	White				\$ 4240
105721-107-004		Bone				\$ 4240
105721-107-007		Biscuit				\$ 4240
105721-108-001-100	Aerosens ^{1 2}	White				\$ 3861
105721-108-004		Bone				\$ 3861
105721-108-007		Biscuit				\$ 3861
105721-109-001-100	Combined Hydrosens & Aerosens ^{1 25}	White				\$ 5997
105721-109-004		Bone				\$ 5997
105721-109-007		Biscuit				\$ 5997

SKYBOX 7236 IF - 106391						
SKU	System	Color	Configuration	Dimensions & Weight	Packaging	MSRP
106391-000-001-103	Soaker - No System	White	Left	72 1/4" x 35 3/4" x 23 5/8" / 82 lb / 37 kg	42 ft ³	\$ 1615

SKYBOX 7236 IF - 106391

SKU	System	Color	Configuration	Dimensions & Weight	Packaging	MSRP	
106391-000-001-104	Soaker - No System	White	Right	72 1/4" x 35 3/4" x 23 5/8" / 82 lb / 37 kg	42 ft ³	\$ 1615	
106391-L-000-004		Bone	Left			\$ 1615	
106391-L-000-007		Biscuit				\$ 1615	
106391-L-091-001	10 Microjets ¹	White				\$ 3099	
106391-L-091-004		Bone				\$ 3099	
106391-L-091-007		Biscuit				\$ 3099	
106391-L-107-001	Hydrosens ¹	White				\$ 4240	
106391-L-107-004		Bone				\$ 4240	
106391-L-107-007		Biscuit				\$ 4240	
106391-L-108-001	Aerosens ^{1 2}	White				\$ 3861	
106391-L-108-004		Bone				\$ 3861	
106391-L-108-007		Biscuit				\$ 3861	
106391-L-109-001	Combined Hydrosens & Aerosens ^{1 25}	White				\$ 5997	
106391-L-109-004		Bone				\$ 5997	
106391-L-109-007		Biscuit				\$ 5997	
106391-R-000-004	Soaker - No System	Bone				Right	\$ 1615
106391-R-000-007		Biscuit					\$ 1615
106391-R-091-001	10 Microjets ¹	White					\$ 3099
106391-R-091-004		Bone					\$ 3099
106391-R-091-007		Biscuit	\$ 3099				
106391-R-107-001	Hydrosens ¹	White	\$ 4240				
106391-R-107-004		Bone	\$ 4240				
106391-R-107-007		Biscuit	\$ 4240				
106391-R-108-001	Aerosens ^{1 2}	White	\$ 3861				
106391-R-108-004		Bone	\$ 3861				
106391-R-108-007		Biscuit	\$ 3861				
106391-R-109-001	Combined Hydrosens & Aerosens ^{1 25}	White	\$ 5997				
106391-R-109-004		Bone	\$ 5997				
106391-R-109-007		Biscuit	\$ 5997				

COMMON OPTIONS

SKU	Description	MSRP
OPT20025	Backmax: 6 rotating and pulsating backjets ¹²⁷ Optional with Hydrosens or combined Hydrosens and Aerosens	\$ 716
OPT10053	One chromatherapy light (factory installed) ⁵⁴	\$ 641
OPT10095	Water heater assembly for whirlpool and combined systems (factory installed)	\$ 908
OPT10250-105	Microjet trim kit (factory installed) Available colours: Chrome (084) and Brushed Nickel (105)	\$ 650

COMMON OPTIONS

SKU	Description	MSRP
OPT10250-084	Microjet trim kit (factory installed) Available colours: Chrome (084) and Brushed Nickel (105)	\$ 650
OPT10260-084	Two 6-in. acrylic grab bars (factory installed) ⁸ Available colors: White (001), Bone (004), Biscuit (007), Chrome (084) and Brushed Nickel (105)	\$ 385
OPT10260-007		\$ 385
OPT10260-004		\$ 385
OPT10260-105		\$ 385
OPT10260-001		\$ 385
OPT20027-084		Hydrosens™ & Combined Hydrosens™ and Aerosens® trim kit (factory installed) Including the 2 air control covers
OPT20027-105	Available colors: Chrome (084) and Brushed Nickel (105)	\$ 650
OPT20029-105	Metal trim kit for air push control (factory installed)	\$ 50
OPT20029-084	Available colors: Chrome (084) and Brushed Nickel (105)	\$ 50
OPT20137-004	Cable-operated waste and overflow (16 in. to 22 in.) (included in product packaging when purchased) Available colors: White (001), Bone (004), Chrome (084) and Brushed Nickel (105)	\$ 238
OPT20137-084		\$ 238
OPT20137-105		\$ 238
OPT20137-001		\$ 238
OPT20210-084	Waste and overflow (16 in. to 22 in.) (included in product packaging when purchased)	\$ 84
OPT20210-105	Available colors: Chrome (084) and Brushed Nickel (105)	\$ 123
OPT20205	Lite option 3/8 in. thin deck ⁶ When chosen, this option is offered at no cost	\$ 0
105808-000-007	Acrylic apron without access panel Specify: Standard colours: White (001), Bone (004), Biscuit (007)	\$ 540
105808-000-001-100		\$ 540
105808-000-004		\$ 540
105810-000-001-100	Acrylic apron with access panel Specify: Standard colours: White (001), Bone (004), Biscuit (007)	\$ 644
105810-000-007		\$ 644
105810-000-004		\$ 644

ACCESSORIES

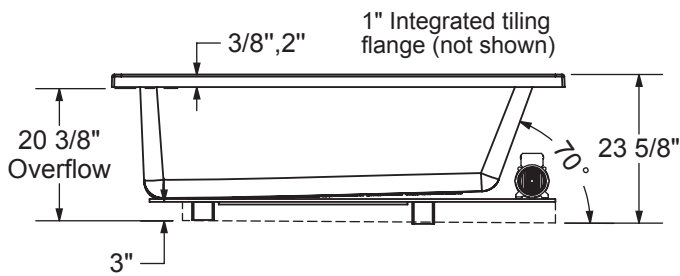
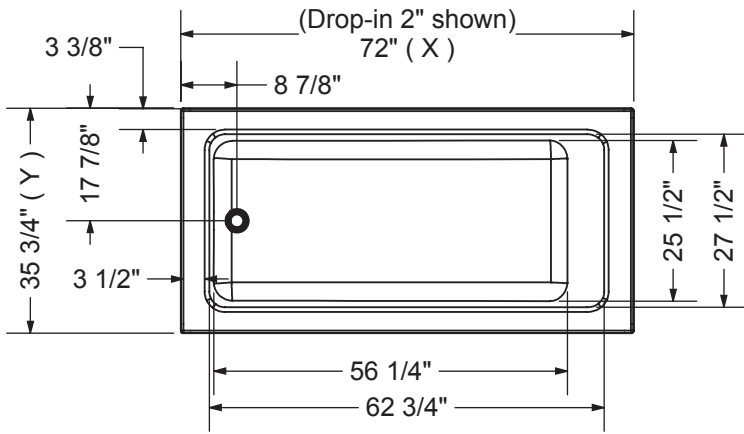
SKU	Description	MSRP
10006923	Flexible main hose (9 ft. extension) for air push control air massage - Kit (sold separately)	\$ 166
10012135-105	Waste and overflow (16 to 22 in.) (sold separately)	\$ 123
10012135-084	Available colors: Chrome (084) and Brushed Nickel (105)	\$ 84
10019708	Flexible main hose for blower with combined systems (sold separately) Includes: 15ft (4.57m) hose, 2 clips, 1 nylon coupling and 1 power cord	\$ 282
10004306-001	White foam cushion with 2 suction pads (sold separately) Available color: White (001)	\$ 120
10019591-105	Hydrosens™ (107) & Combined Hydrosens™ and Aerosens® (109) trim kit (sold separately) Air control covers not included	\$ 650
10019591-084	Available colours: Chrome (084) and Brushed Nickel (105)	\$ 650
10022491-084	Cable-operated waste and overflow (16 in. to 22 in.) (sold separately) Available colors: White (001), Bone (004), Chrome (084) and Brushed Nickel (105)	\$ 238
10022491-004		\$ 238
10022491-105		\$ 238

ACCESSORIES

SKU	Description	MSRP
10022491-001	Cable-operated waste and overflow (16 in. to 22 in.) (sold separately) Available colors: White (001), Bone (004), Chrome (084) and Brushed Nickel (105)	\$ 238

FOOTNOTES

No	Description
1	Components for standard colour units equipped with systems are colour-coordinated. Trim kit and/or air push with metallic finish can be added (additional charge applies). For non-standard colour units, please specify trim kit and/or air push colour (additional charge applies for metallic finishes). Please note that the positioning of the system's control could be in conflict with the door if one was installed on the unit. To insure compatibility, please contact customer service.
6	Specify 3/8 (Lite option) or 2 in. on deck height. If ordering unit with an apron, only 2 in. deck height is available.
8	Two 6 in. or 12 in. metal or acrylic grab bars are optional. Factory installed, only one positioning is possible (see technical drawings on https://www.maax.com).
27	Please note the Backmax is positioned on the same side as the pump.
54	A selection of units come with an access panel by default when equipped with a system. However, if the unit is only equipped with chromatherapy, the access panel will not be provided by default.



	DROP IN 2"	DROP IN 3/8"	ALCOVE
X	72"	71 7/8"	71 1/2"
Y	35 3/4"	35 5/8"	35 3/8"

Technical drawing is universal for all 7236 configurations. External dimension (X,Y) vary depending on configuration (see chart)

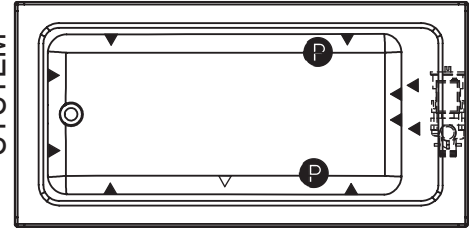
Wood support design may vary.

Integrated tiling flange: 1" height X 1/4" thickness (not shown)
Tiling flange position is determined by chosen configuration.

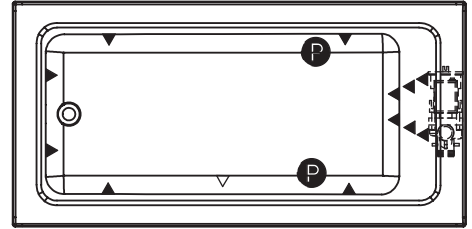
All dimensions are approximate.

Structure measurement must be verified against the unit to ensure proper fit.

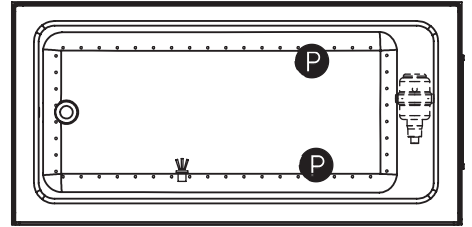
MICROJETS SYSTEM



HYDROSENS with BACKMAX SYSTEM

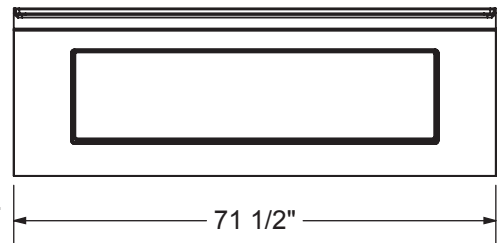


AIR SYSTEM



- (P) : Indicates optional grab bar positioning
- (▲) : Indicates whirlpool jets positioning
- (△) : Indicates suction positioning
- (●) : Indicates airjets positioning
- (☼) : Indicates chromatherapy light positioning

APRON (alcove version only)



Jaxi 6032



Material : AcrylX
 Max: 52 Gal / 197 L

Features

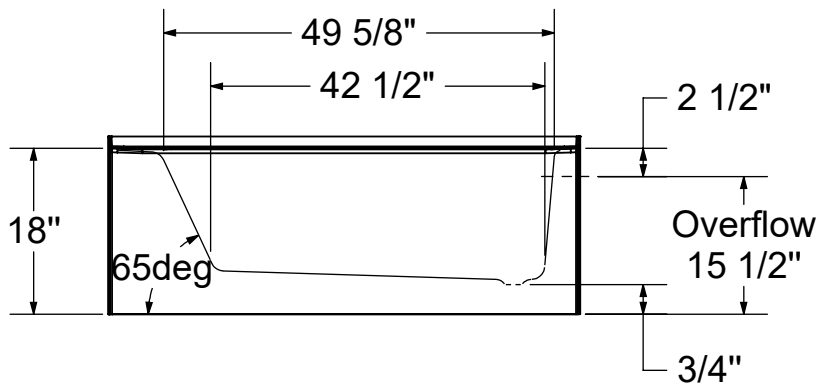
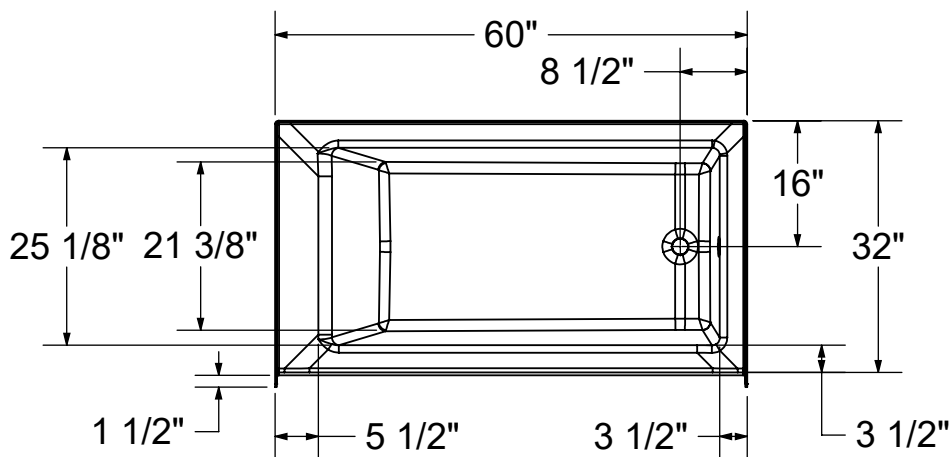
- › Rectangular alcove bathtub
- › Made of durable and long-lasting AcrylX material
- › Integral 18 in. skirt
- › Bathing well: 42.5 L in. X 21.375 W in. X 14.75 H in.
- › Available in left-hand and right-hand drain configurations to fit your specific bathroom layout
- › Includes an ergonomic backrest for bathing comfort
- › Textured bottom
- › Compatible with Utile tub wall surround in 60-in by 32-in to easily create a tile look and texture, at a lower cost, and without the regular maintenance required with tile!
- › Product warranty: Limited Lifetime

JAXI 6032 - 106883

SKU	System	Color	Configuration	Dimensions & Weight	Packaging	MSRP
106883-000-002-100	Soaker - No System	White	Left	60" x 32" x 18" / 48 lb / 22 kg	33 ft ³	\$ 938
106883-000-002-101			Right			\$ 938
106883-L-000-004		Bone	Left			\$ 1038
106883-L-000-007		Biscuit				\$ 1038
106883-R-000-004		Bone	Right			\$ 1038
106883-R-000-007		Biscuit				\$ 1038

RECOMMENDED DOORS

SKU	Product Name	Pag.
139398	Halo 56 ½-59 x 59 - 8mm	558
135246	Connect 57-58 1/2 x 57 - 6mm	562
135330	Incognito 57 Shaker 56-59 x 56 ¾ - 8mm	536
138994	Luminescence SlidingDoor 56 ½-59 x 55 ½-57 ½ - 6mm	560
136695	Revelation Round 56-59 x 56 ¾-59 ¼ - 8 mm	548
136692	Revelation Round 56-59 x 56 ¾-59 ¼ - 6mm	546
136270	Duel 56-59 x 55 ½ x 59 - 8 mm	534
137682	Outback 55 ¼ - 58 1/2 x 57 - 8mm	564
105410	Polar 54-59 ½ x 57 in.	544
135673	Aura 55-59 x 57 - 8mm	556



All dimensions are approximate. Structure measurements must be verified against the unit to ensure proper fit.

Shower Bases



36 in. Square Corner Base (3 in. height)
with Radia Square 36 in. door and walls

Rectangular Base 4234 - 3 in



ALCOVE BASES - ACRYLIC



Material : Acrylic

Features

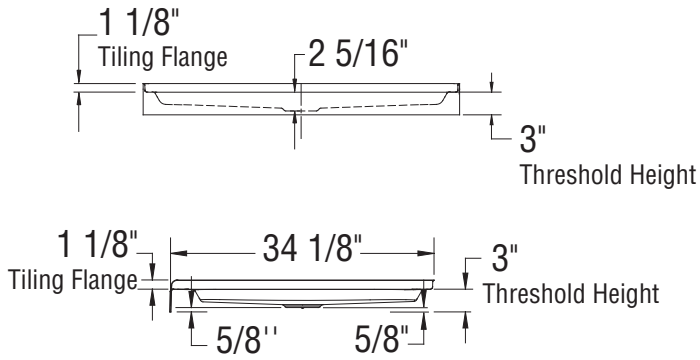
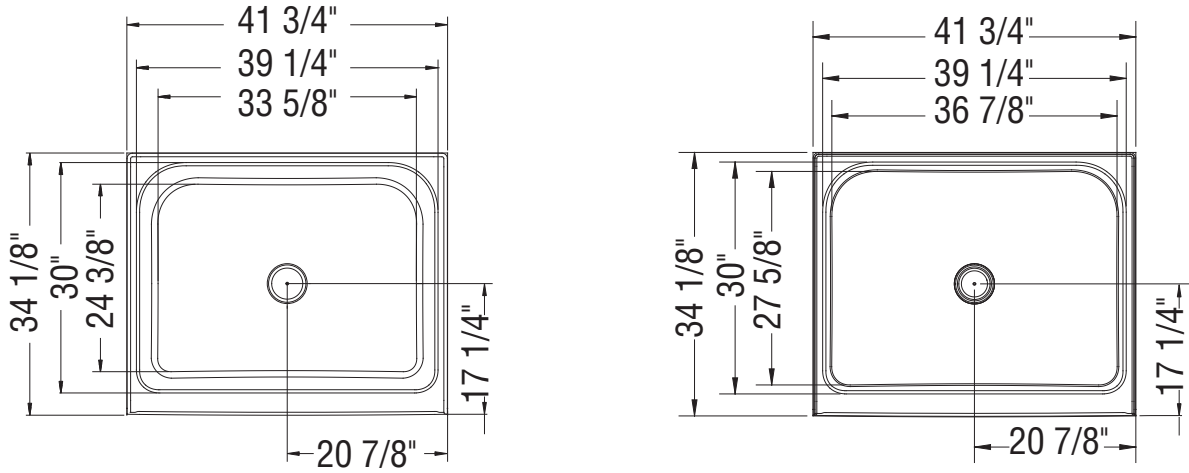
- > 42x34 Acrylic Alcove Shower Base with Center Drain in White, direct to stud installation
- > 3 in. low threshold
- > Durable high shine acrylic stays warm to the touch and is easy to clean
- > Textured bottom
- > Center drain - consult MAAX technical drawing (specification) for exact dimensions
- > Limited warranty is for a period of 25 years, phone # 1-877-GET-MAAX

RECTANGULAR BASE 4234 - 3 IN - 102001

SKU	Color	Configuration	Dimensions & Weight	Packaging	MSRP
102001-000-001-000	White	Center / Alcove	41 3/4" x 34 1/8" x 4 1/8" / 48 lb / 22 kg	9.6 ft ³	\$ 784

RECOMMENDED DOORS

SKU	Product Name	Pag.
138268	Manhattan 39-41 x 68 - 6mm	337
138520	Incognito 74 39-42x74in. 8mm	302
139576	Reveal Sleek 71 38-41 x 71 1/2 - 8mm	350
136679	Reveal 71 38-41 x 71 1/2 - 8 mm	347
135662	Aura 40-44 x 71 - 6mm	316



All dimensions are approximate. Structure measurements must be verified against the unit to ensure proper fit.

Rectangular Base 4236 - 3 in.



ALCOVE BASES - ACRYLIC



Material : Acrylic

Features

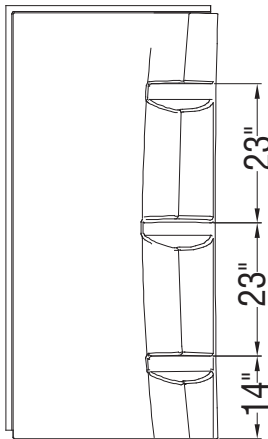
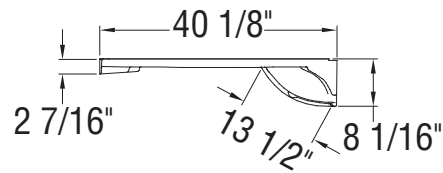
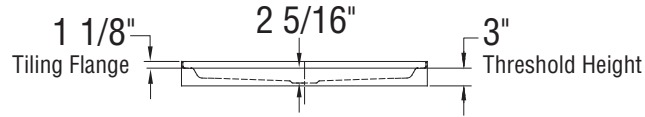
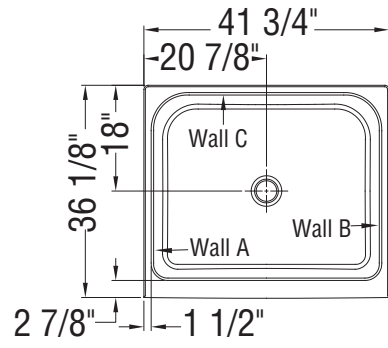
- › 42x36 Acrylic Alcove Shower Base with Center Drain in White, direct to stud installation
- › 3 in. low threshold
- › Durable high shine acrylic stays warm to the touch and is easy to clean
- › Textured bottom
- › Center drain - consult MAAX technical drawing (specification) for exact dimensions
- › Limited warranty is for a period of 25 years, phone # 1-877-GET-MAAX

RECTANGULAR BASE 4236 - 3 IN. - 105718

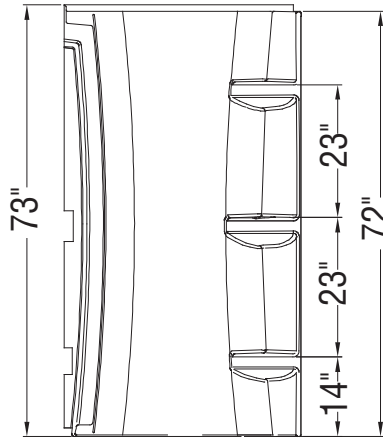
SKU	Color	Configuration	Dimensions & Weight	Packaging	MSRP
105718-000-001-000	White	Center / Alcove	41 3/4" x 36 1/8" x 4 1/8" / 48 lb / 22 kg	9.6 ft ³	\$ 801

RECOMMENDED DOORS

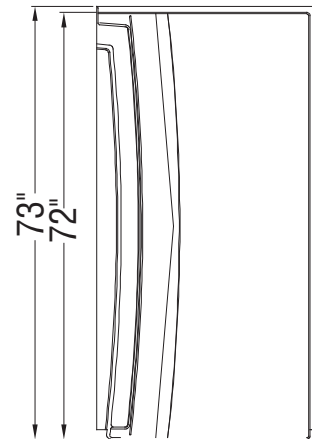
SKU	Product Name	Pag.
138268	Manhattan 39-41 x 68 - 6mm	337
138520	Incognito 74 39-42x74in. 8mm	302
139576	Reveal Sleek 71 38-41 x 71 1/2 - 8mm	350
136679	Reveal 71 38-41 x 71 1/2 - 8 mm	347
135662	Aura 40-44 x 71 - 6mm	316



Wall A



Wall C



Wall B

All dimensions are approximate. Structure measurements must be verified against the unit to ensure proper fit.

Rectangular Base 4832 - 3 in



ALCOVE BASES - ACRYLIC



Material : Acrylic

Features

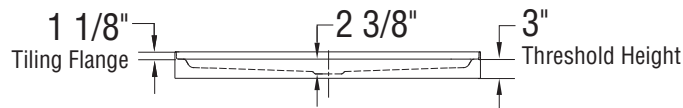
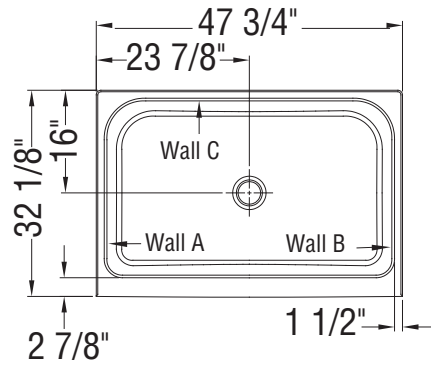
- › Low threshold base
- › Textured bottom
- › Deflecting strip preventing water penetration behind the shower
- › Alcove installation
- › Easy front installation walls with snap clips are available
- › Center drain

RECTANGULAR BASE 4832 - 3 IN - 101433

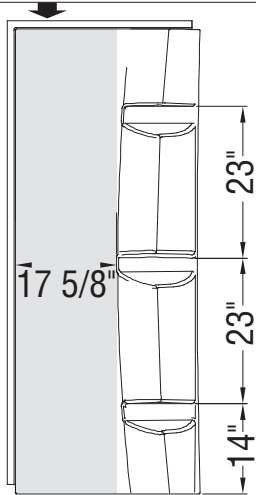
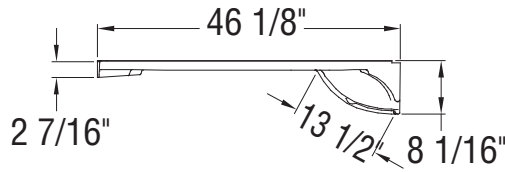
SKU	Color	Configuration	Dimensions & Weight	Packaging	MSRP
101433-000-001-000	White	Center / Alcove	47 3/4" x 32 1/8" x 4 1/8" / 50 lb / 23 kg	9.6 ft ³	\$ 801

RECOMMENDED DOORS

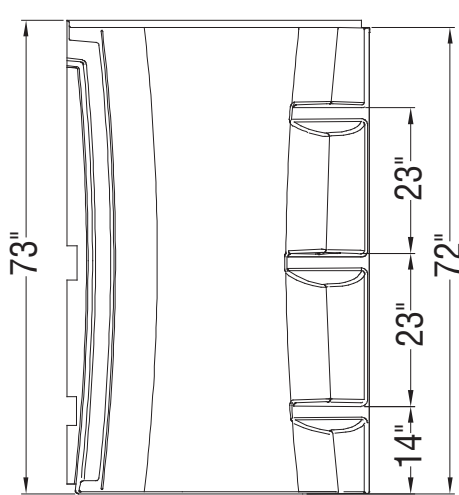
SKU	Product Name	Pag.
135321	Uptown 44-47 x 76 in. 8 mm	314
139352	Incognito 70 44-47 x 70 1/2 - 8mm	300
139349	Incognito 44-47 x 70 1/2 in. 6mm	298
135671	Aura 43-47 x 71 - 8mm	324
136693	Revelation Round 44-47 x 70 1/2-73 - 8mm	312
135323	Uptown 44-47 x 76 in. 8 mm	361
135325	Uptown 45-47 x 76 in. 8 mm	353
135242	Connect 45-46 1/2 x 72 - 6mm	363
139578	Reveal Sleek 71 44-47 x 71 1/2 - 8mm	351
135331	Incognito 76 Shaker 44-47 x 76 - 8mm	304
136271	Duel 44-47 x 70 1/2 x 74 - 8 mm	295
137421	Odyssey SC 45-47 1/2 x 78 - 8 mm	359
135663	Aura 43-47 x 71 - 6mm	317
138996	Halo 44 1/2-47 x 78 3/4 - 8mm	355
137680	Outback 43 1/4 - 46 1/2 x 70 1/2 - 8mm	366



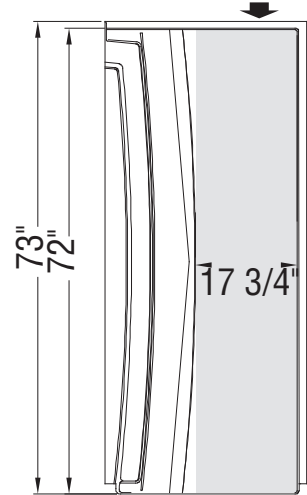
Important
Center your plumbing in the highlighted area. Exact plumbing position may vary upon model specifications, please refer to the supplier's instructions for more details



Wall A



Wall C



Wall B

All dimensions are approximate. Structure measurements must be verified against the unit to ensure proper fit.

Rectangular Base 4834 - 3 in



Material : Acrylic

Features

- › 48x34 Acrylic Alcove Shower Base with Center Drain in White, direct to stud installation
- › 3 in. low threshold
- › Durable high shine acrylic stays warm to the touch and is easy to clean
- › Textured bottom
- › Center drain - consult MAAX technical drawing (specification) for exact dimensions
- › Limited warranty is for a period of 25 years, phone # 1-877-GET-MAAX



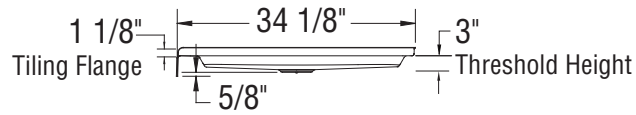
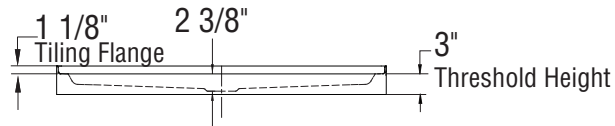
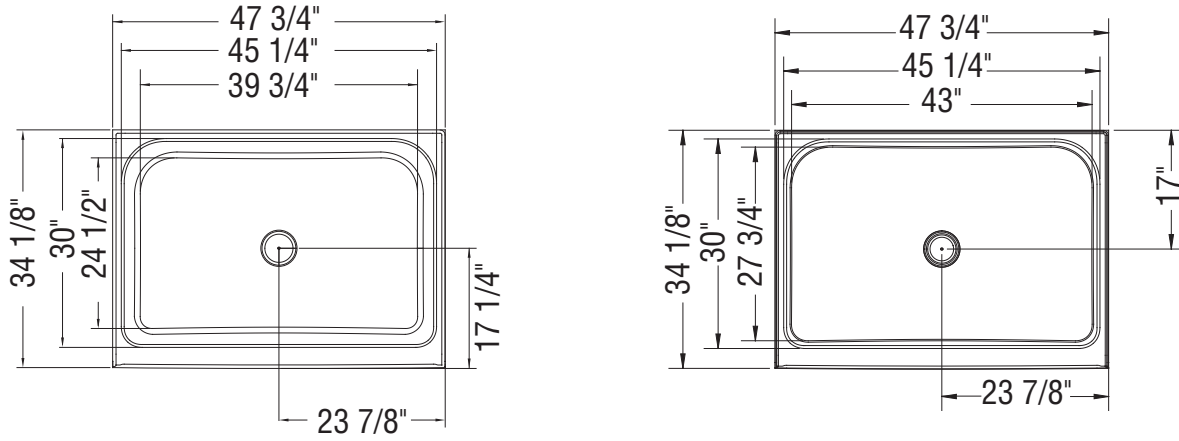
ALCOVE BASES - ACRYLIC

RECTANGULAR BASE 4834 - 3 IN - 102002

SKU	Color	Configuration	Dimensions & Weight	Packaging	MSRP
102002-000-001-000	White	Center / Alcove	47 3/4" x 34 1/8" x 4 1/8" / 52 lb / 24 kg	9.6 ft ³	\$ 821

RECOMMENDED DOORS

SKU	Product Name	Pag.
135321	Uptown 44-47 x 76 in. 8 mm	314
139352	Incognito 70 44-47 x 70 1/2 - 8mm	300
139349	Incognito 44-47 x 70 1/2 in. 6mm	298
135671	Aura 43-47 x 71 - 8mm	324
136693	Revelation Round 44-47 x 70 1/2-73 - 8mm	312
135323	Uptown 44-47 x 76 in. 8 mm	361
135325	Uptown 45-47 x 76 in. 8 mm	353
135242	Connect 45-46 1/2 x 72 - 6mm	363
139578	Reveal Sleek 71 44-47 x 71 1/2 - 8mm	351
135331	Incognito 76 Shaker 44-47 x 76 - 8mm	304
136271	Duel 44-47 x 70 1/2 x 74 - 8 mm	295
137421	Odyssey SC 45-47 1/2 x 78 - 8 mm	359
135663	Aura 43-47 x 71 - 6mm	317
138996	Halo 44 1/2-47 x 78 3/4 - 8mm	355
137680	Outback 43 1/4 - 46 1/2 x 70 1/2 - 8mm	366



All dimensions are approximate. Structure measurements must be verified against the unit to ensure proper fit.

Rectangular Base 4836 - 3 in



ALCOVE BASES - ACRYLIC



Material : Acrylic

Features

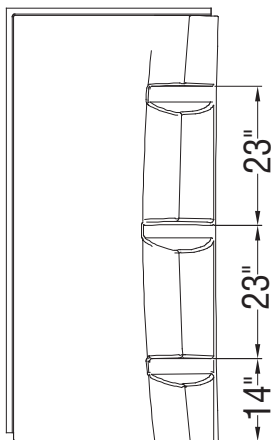
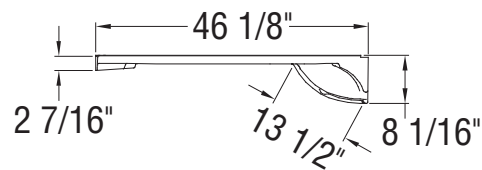
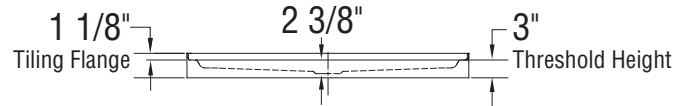
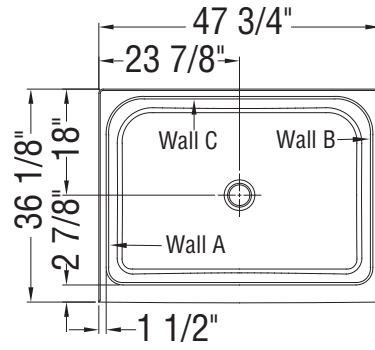
- › Proudly made in Canada
- › 48 x36 Acrylic Alcove Shower Base with Center Drain in White, direct to stud installation
- › 3 in. low threshold
- › Durable high shine acrylic stays warm to the touch and is easy to clean
- › Textured bottom
- › Center drain - consult MAAX technical drawing (specification) for exact dimensions
- › Limited warranty is for a period of 25 years, phone # 1-877-GET-MAAX

RECTANGULAR BASE 4836 - 3 IN - 105717

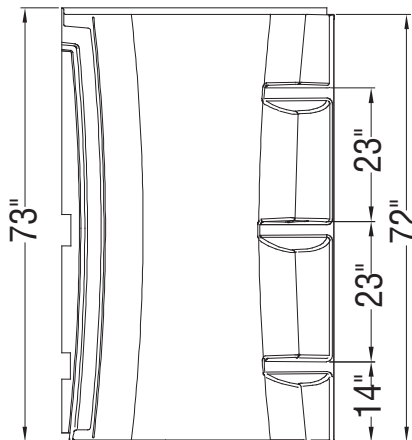
SKU	Color	Configuration	Dimensions & Weight	Packaging	MSRP
105717-000-001-000	White	Center / Alcove	47 3/4" x 36 1/8" x 4 1/8" / 53 lb / 24 kg	9.6 ft ³	\$ 840

RECOMMENDED DOORS

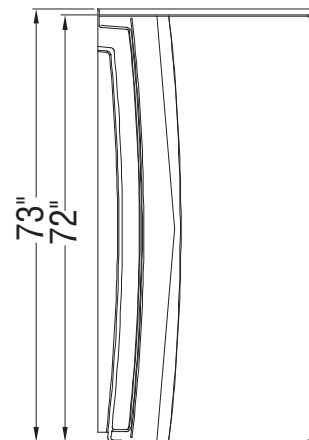
SKU	Product Name	Pag.
135321	Uptown 44-47 x 76 in. 8 mm	314
139352	Incognito 70 44-47 x 70 1/2 - 8mm	300
139349	Incognito 44-47 x 70 1/2 in. 6mm	298
135671	Aura 43-47 x 71 - 8mm	324
136693	Revelation Round 44-47 x 70 1/2-73 - 8mm	312
135323	Uptown 44-47 x 76 in. 8 mm	361
135325	Uptown 45-47 x 76 in. 8 mm	353
135242	Connect 45-46 1/2 x 72 - 6mm	363
139578	Reveal Sleek 71 44-47 x 71 1/2 - 8mm	351
135331	Incognito 76 Shaker 44-47 x 76 - 8mm	304
136271	Duel 44-47 x 70 1/2 x 74 - 8 mm	295
137421	Odyssey SC 45-47 1/2 x 78 - 8 mm	359
135663	Aura 43-47 x 71 - 6mm	317
138996	Halo 44 1/2-47 x 78 3/4 - 8mm	355
137680	Outback 43 1/4 - 46 1/2 x 70 1/2 - 8mm	366



Wall A



Wall C



Wall B

All dimensions are approximate. Structure measurements must be verified against the unit to ensure proper fit.

Rectangular Base 6030 - 3 in



ALCOVE BASES - ACRYLIC



Material : Acrylic

Features

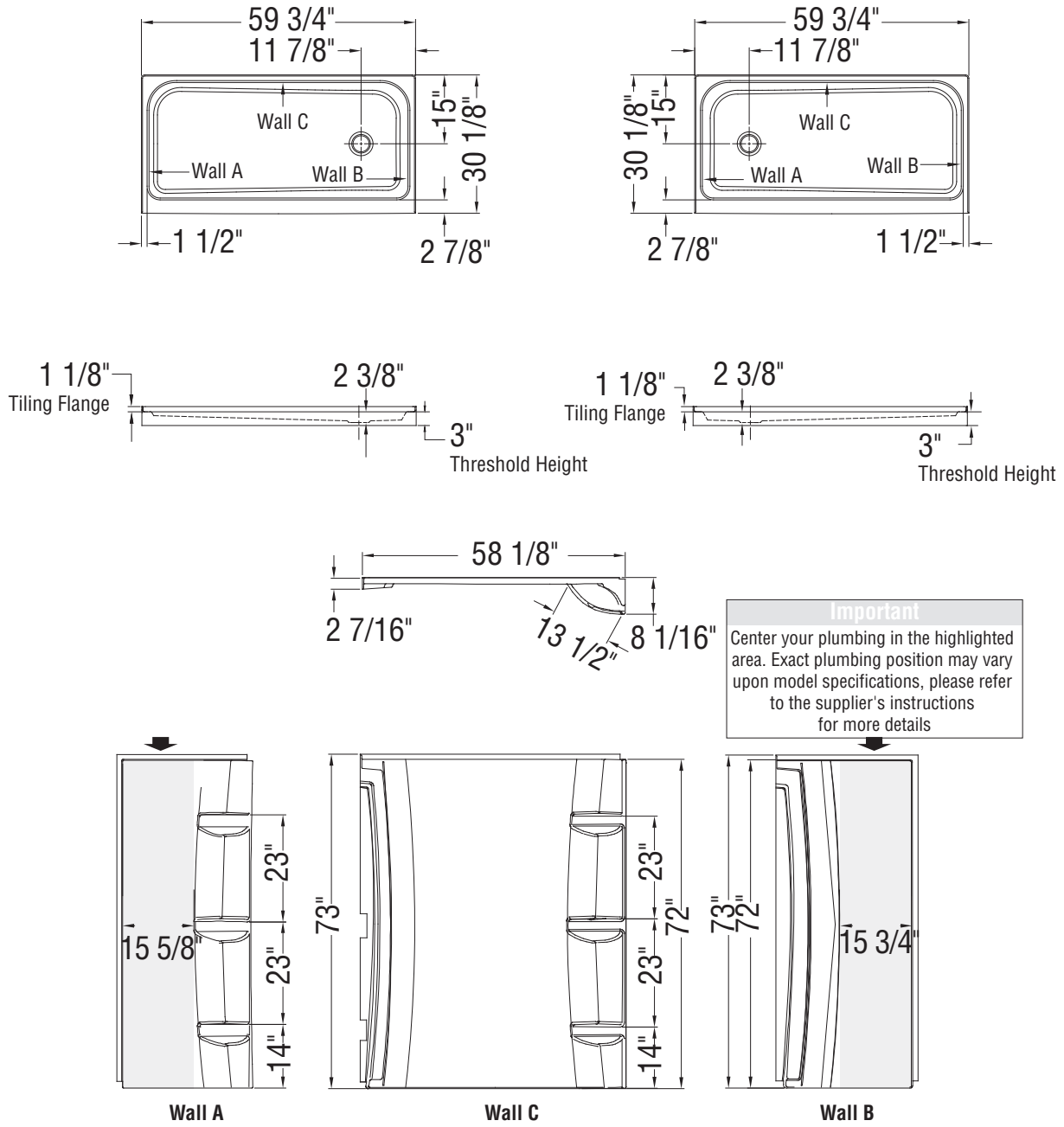
- › Proudly made in Canada
- › 60x30 Acrylic Alcove Shower Base with Right-Hand Drain in White, direct to stud installation
- › 3 in. low threshold
- › Durable high shine acrylic stays warm to the touch and is easy to clean, available in white only
- › Textured bottom
- › Limited warranty is for a period of 25 years, phone # 1-877-GET-MAAX

RECTANGULAR BASE 6030 - 3 IN - 105707

SKU	Color	Configuration	Dimensions & Weight	Packaging	MSRP
105707-000-001-001	White	Left / Alcove	59 3/4" x 30 1/8" x 4 1/8" / 53 lb / 24 kg	12 ft ³	\$ 947
105707-000-001-002		Right / Alcove			\$ 947

RECOMMENDED DOORS

SKU	Product Name	Pag.
138277	Manhattan 57-59 x 68 - 6mm	339
138997	Halo 56 1/2-59 x 78 3/4 - 8mm	355
139353	Incognito 70 56-59 x 70 1/2 - 8mm	300
139350	Incognito 56-59 x 70 1/2 in. 6mm	298
135332	Incognito 76 Shaker 56-59 x 76 - 8mm	304
135335	Incognito 76 56-59 x 76 - 8mm	294
136335	Incognito 76 Smoke 56-59 x 76 - 8mm	306
136691	Revelation Round 56-59 x 70 1/2-73 - 6mm	310
136694	Revelation Round 56-59 x 70 1/2-73 - 8mm	312
135322	Uptown 56-59 x 76 in. 8 mm	314
135324		361
135244	Connect 57-58 1/2 x 72 - 6mm	364
139580	Reveal Sleek 71 56-59 x 71 1/2 - 8mm	351
136272	Duel 56-58 1/2 x 70 1/2 x 74 - 8 mm	295
138762	Inverto 56-59 x 70 1/2-74 - 8mm	293



All dimensions are approximate. Structure measurements must be verified against the unit to ensure proper fit.



Rectangular Base 6032 - 3 in

ALCOVE BASES - ACRYLIC



Material : Acrylic

Features

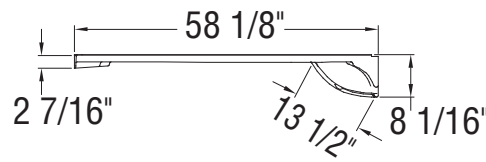
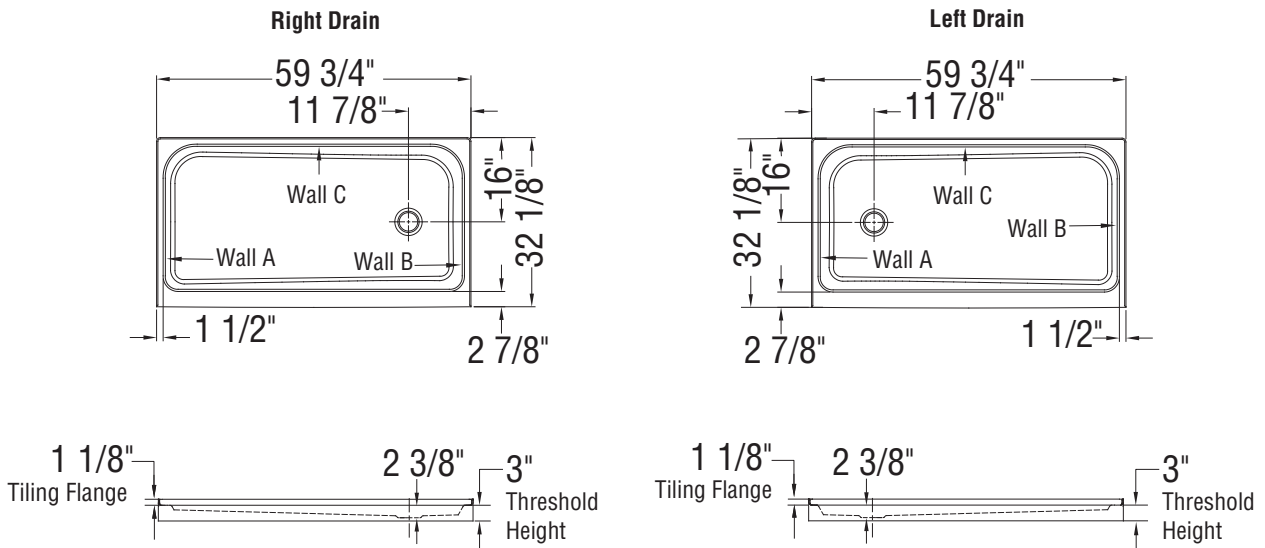
- > 60x32 Acrylic Alcove Shower Base with Left-Hand Drain in White, direct to stud installation
- > 3 in. low threshold
- > Durable high shine acrylic stays warm to the touch and is easy to clean
- > Textured bottom
- > Limited warranty is for a period of 25 years, phone # 1-877-GET-MAAX

RECTANGULAR BASE 6032 - 3 IN - 105706

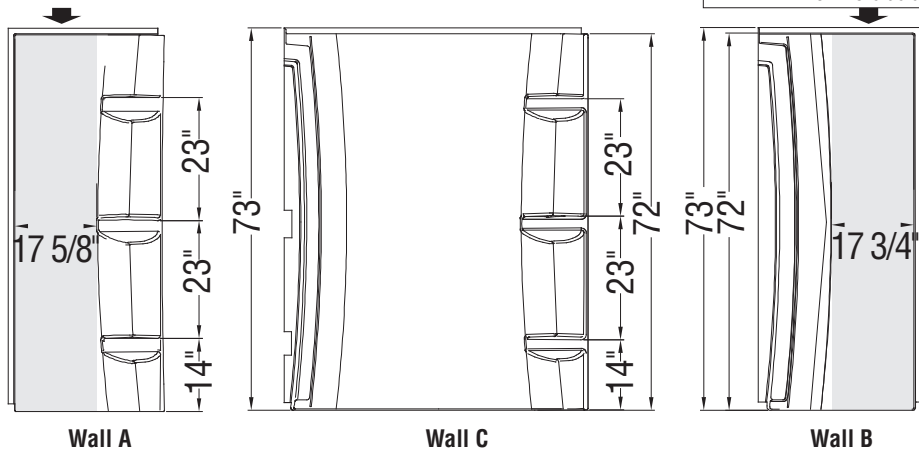
SKU	Color	Configuration	Dimensions & Weight	Packaging	MSRP
105706-000-001-001	White	Left / Alcove	59 3/4" x 32 1/8" x 4 1/8" / 55 lb / 25 kg	12 ft ³	\$ 947
105706-000-001-002		Right / Alcove			\$ 947

RECOMMENDED DOORS

SKU	Product Name	Pag.
138277	Manhattan 57-59 x 68 - 6mm	339
138997	Halo 56 1/2-59 x 78 3/4 - 8mm	355
139353	Incognito 70 56-59 x 70 1/2 - 8mm	300
139350	Incognito 56-59 x 70 1/2 in. 6mm	298
135332	Incognito 76 Shaker 56-59 x 76 - 8mm	304
135335	Incognito 76 56-59 x 76 - 8mm	294
136335	Incognito 76 Smoke 56-59 x 76 - 8mm	306
136691	Revelation Round 56-59 x 70 1/2-73 - 6mm	310
136694	Revelation Round 56-59 x 70 1/2-73 - 8mm	312
135322	Uptown 56-59 x 76 in. 8 mm	314
135324		361
135244	Connect 57-58 1/2 x 72 - 6mm	364
139580	Reveal Sleek 71 56-59 x 71 1/2 - 8mm	351
136272	Duel 56-58 1/2 x 70 1/2 x 74 - 8 mm	295
138762	Inverto 56-59 x 70 1/2-74 - 8mm	293



Important
Center your plumbing in the highlighted area. Exact plumbing position may vary upon model specifications, please refer to the supplier's instructions for more details



All dimensions are approximate. Structure measurements must be verified against the unit to ensure proper fit.

Rectangular Base 6034 - 3 in



ALCOVE BASES - ACRYLIC



Material : Acrylic

Features

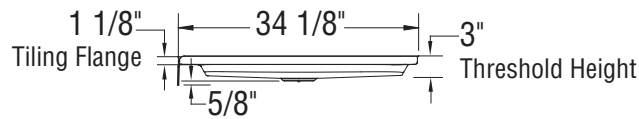
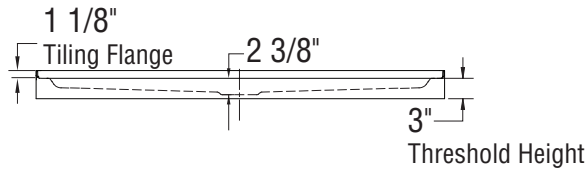
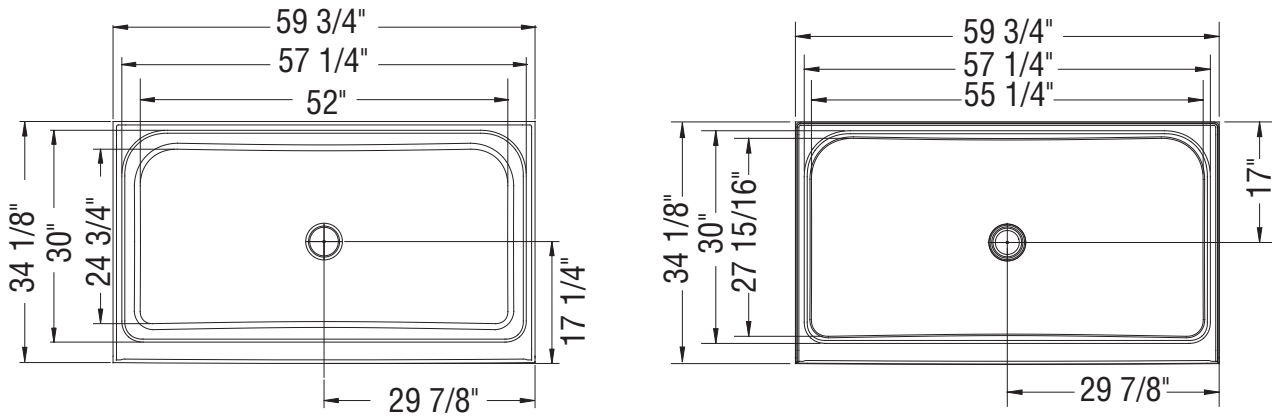
- › 60x34 Acrylic Alcove Shower Base with Center Drain in White, direct to stud installation
- › 3 in. low threshold
- › Durable high shine acrylic stays warm to the touch and is easy to clean
- › Textured bottom
- › Center drain - consult MAAX technical drawing (specification) for exact dimensions
- › Limited warranty is for a period of 25 years, phone # 1-877-GET-MAAX

RECTANGULAR BASE 6034 - 3 IN - 102003

SKU	Color	Configuration	Dimensions & Weight	Packaging	MSRP
102003-000-001-000	White	Center / Alcove	59 3/4" x 34 1/8" x 4 1/8" / 58 lb / 26 kg	12 ft ³	\$ 976

RECOMMENDED DOORS

SKU	Product Name	Pag.
138277	Manhattan 57-59 x 68 - 6mm	339
138997	Halo 56 1/2-59 x 78 3/4 - 8mm	355
139353	Incognito 70 56-59 x 70 1/2 - 8mm	300
139350	Incognito 56-59 x 70 1/2 in. 6mm	298
135332	Incognito 76 Shaker 56-59 x 76 - 8mm	304
135335	Incognito 76 56-59 x 76 - 8mm	294
136335	Incognito 76 Smoke 56-59 x 76 - 8mm	306
136691	Revelation Round 56-59 x 70 1/2-73 - 6mm	310
136694	Revelation Round 56-59 x 70 1/2-73 - 8mm	312
135322	Uptown 56-59 x 76 in. 8 mm	314
135324		361
135244	Connect 57-58 1/2 x 72 - 6mm	364
139580	Reveal Sleek 71 56-59 x 71 1/2 - 8mm	351
136272	Duel 56-58 1/2 x 70 1/2 x 74 - 8 mm	295
138762	Inverto 56-59 x 70 1/2-74 - 8mm	293



All dimensions are approximate. Structure measurements must be verified against the unit to ensure proper fit.

Rectangular Base 6036 - R/L Drain - 3 in.



ALCOVE BASES - ACRYLIC



Material : Acrylic

Features

- > 60x36 Acrylic Alcove Shower Base with Center Drain in White, direct to stud installation
- > 3 in. low threshold
- > Durable high shine acrylic stays warm to the touch and is easy to clean
- > Textured bottom
- > Center drain - consult MAAX technical drawing (specification) for exact dimensions
- > Limited warranty is for a period of 25 years, phone # 1-877-GET-MAAX

RECTANGULAR BASE 6036 - 3 IN - 105664

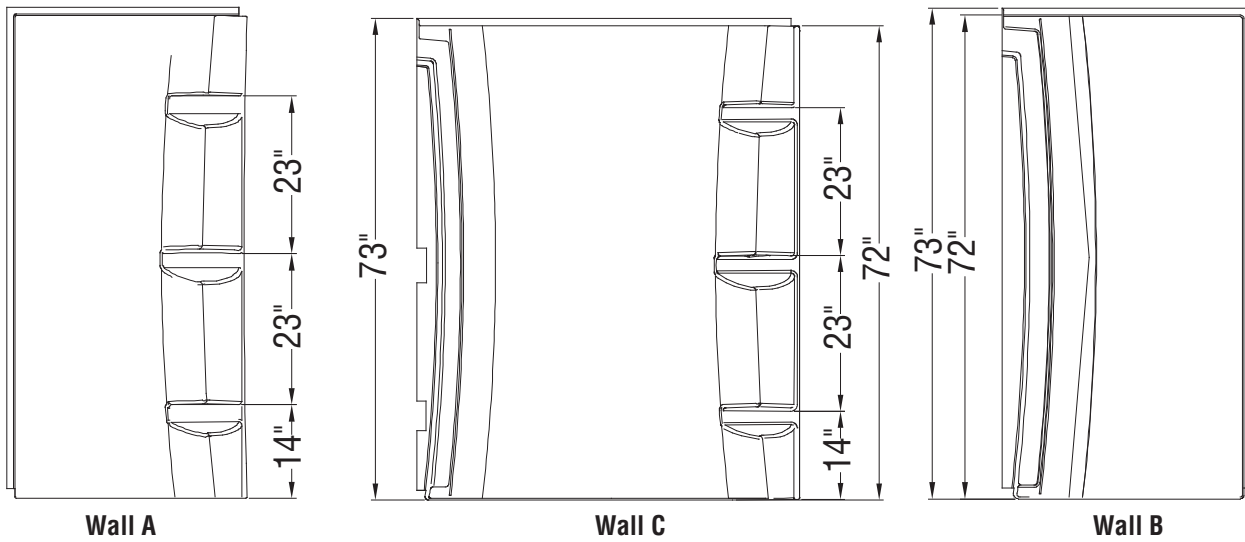
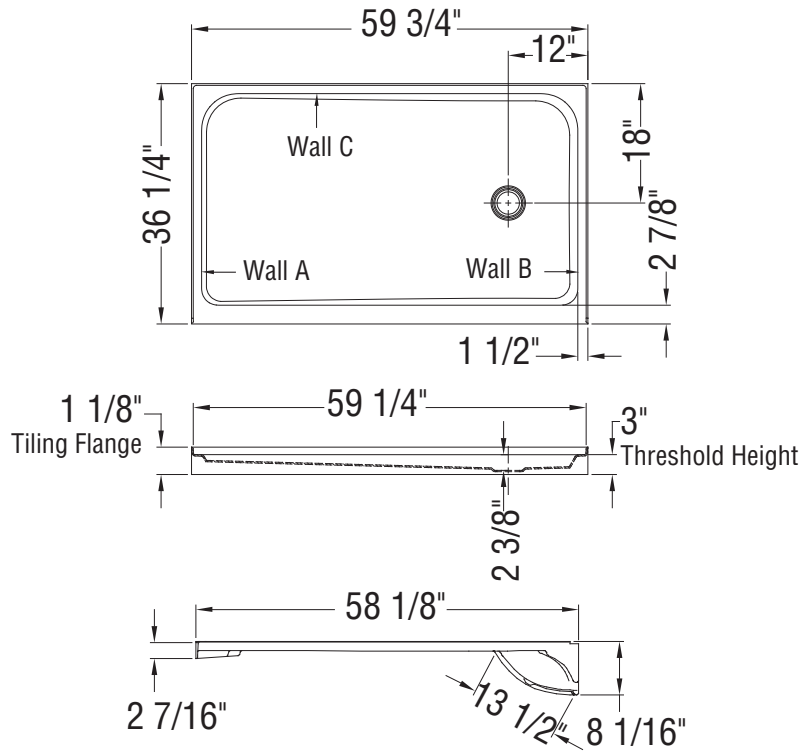
SKU	Color	Configuration	Dimensions & Weight	Packaging	MSRP
105664-000-001-000	White	Center / Alcove	59 3/4" x 36 1/8" x 4 1/8" / 58 lb / 26 kg	12 ft ³	\$ 1018

RECTANGULAR BASE 6036 - R/L DRAIN - 3 IN. - 105666

SKU	Color	Configuration	Dimensions & Weight	Packaging	MSRP
105666-000-001-001	White	Left / Alcove	59 3/4" x 36 1/4" x 4 1/8" / 58 lb / 26 kg	12 ft ³	\$ 1018
105666-000-001-002		Right / Alcove			\$ 1018

RECOMMENDED DOORS

SKU	Product Name	Pag.
138277	Manhattan 57-59 x 68 - 6mm	339
138997	Halo 56 1/2-59 x 78 3/4 - 8mm	355
139353	Incognito 70 56-59 x 70 1/2 - 8mm	300
139350	Incognito 56-59 x 70 1/2 in. 6mm	298
135332	Incognito 76 Shaker 56-59 x 76 - 8mm	304
135335	Incognito 76 56-59 x 76 - 8mm	294
136335	Incognito 76 Smoke 56-59 x 76 - 8mm	306
136691	Revelation Round 56-59 x 70 1/2-73 - 6mm	310



All dimensions are approximate. Structure measurements must be verified against the unit to ensure proper fit.

Rectangular Base 6042 - 3 in



ALCOVE BASES - ACRYLIC



Material : Acrylic
Features

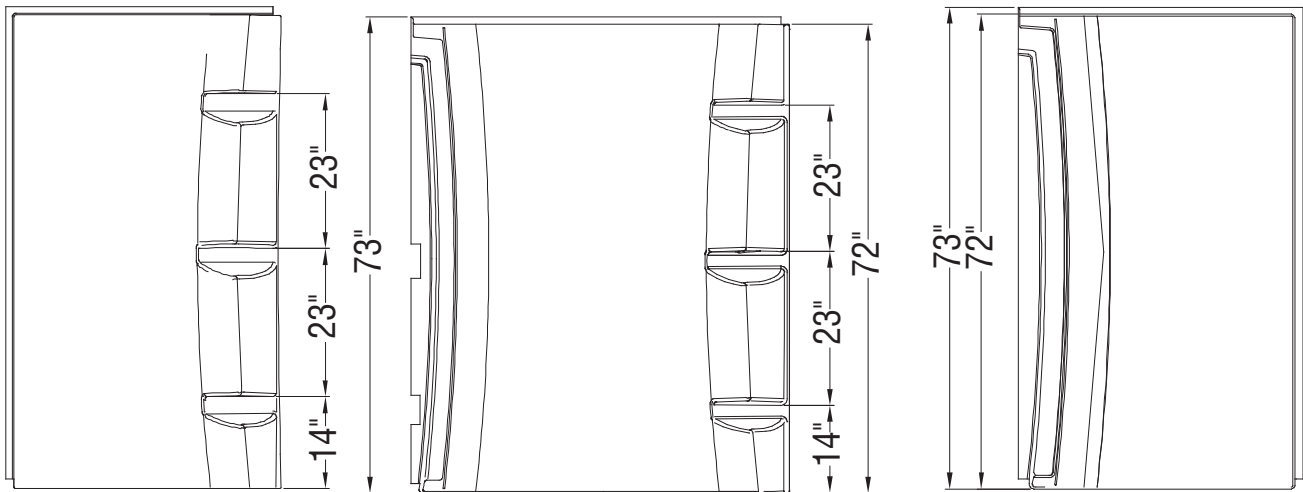
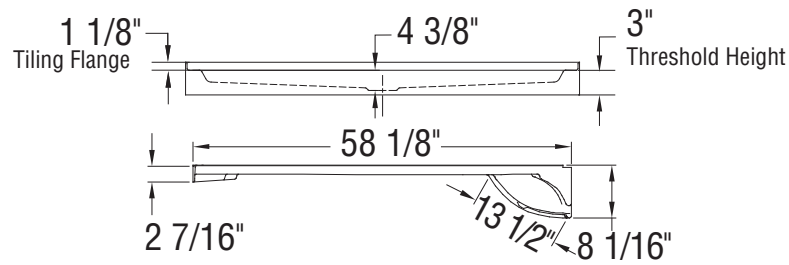
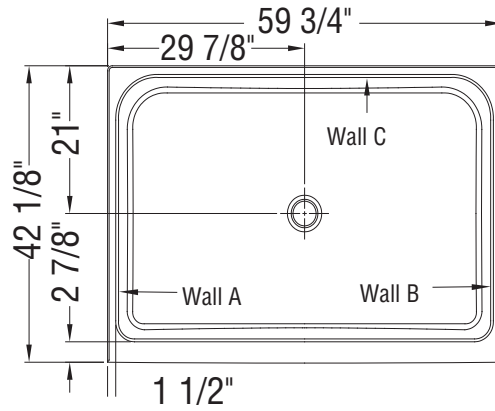
- > Proudly made in Canada

RECTANGULAR BASE 6042 - 3 IN - 105716

SKU	Color	Configuration	Dimensions & Weight	Packaging	MSRP
105716-000-001-000	White	Center / Alcove	59 3/4" x 42 1/8" x 4 1/8" / 60 lb / 27 kg	14 ft ³	\$ 1064

RECOMMENDED DOORS

SKU	Product Name	Pag.
138277	Manhattan 57-59 x 68 - 6mm	339
138997	Halo 56 1/2-59 x 78 3/4 - 8mm	355
139353	Incognito 70 56-59 x 70 1/2 - 8mm	300
139350	Incognito 56-59 x 70 1/2 in. 6mm	298
135332	Incognito 76 Shaker 56-59 x 76 - 8mm	304
135335	Incognito 76 56-59 x 76 - 8mm	294
136335	Incognito 76 Smoke 56-59 x 76 - 8mm	306
136691	Revelation Round 56-59 x 70 1/2-73 - 6mm	310
136694	Revelation Round 56-59 x 70 1/2-73 - 8mm	312
135322	Uptown 56-59 x 76 in. 8 mm	314
135324		361
135244	Connect 57-58 1/2 x 72 - 6mm	364
139580	Reveal Sleek 71 56-59 x 71 1/2 - 8mm	351
136272	Duel 56-58 1/2 x 70 1/2 x 74 - 8 mm	295
138762	Inverto 56-59 x 70 1/2-74 - 8mm	293



Wall A

Wall C

Wall B

All dimensions are approximate. Structure measurements must be verified against the unit to ensure proper fit.

Square Base 32 - Alcove - 3 in



ALCOVE BASES - ACRYLIC



Material : Acrylic

Features

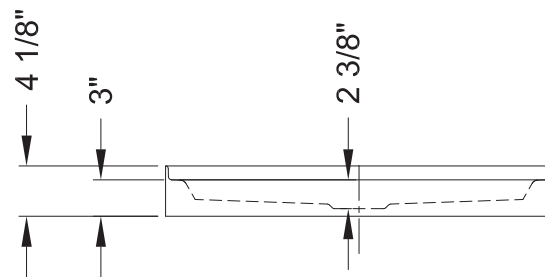
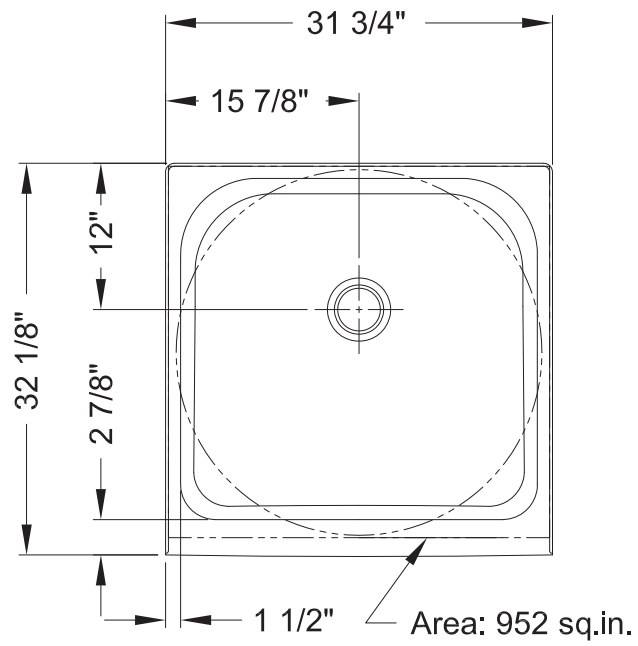
- > Proudly made in Canada
- > 32x32 Acrylic Alcove Shower Base with Off-Center Drain in White
- > 3 in. low threshold
- > Durable high shine acrylic stays warm to the touch and is easy to clean
- > Textured bottom
- > Off-center drain - consult MAAX technical drawing (specification) for exact dimensions
- > Limited warranty is for a period of 25 years, phone # 1-877-GET-MAAX

SQUARE BASE 32 - ALCOVE - 3 IN - 105663

SKU	Color	Configuration	Dimensions & Weight	Packaging	MSRP
105663-000-001-000	White	Back End Drain / Alcove	31 3/4" x 32 1/8" x 4 1/8" / 30 lb / 14 kg	6 ft ³	\$ 600

RECOMMENDED DOORS

SKU	Product Name	Pag.
138263	Manhattan 29-31 x 68 - 6mm	333
105416	Madono 28 1/2-30 1/2 x 67 - 6mm	330
136732	Polar Pivot 29-30 3/4 x 64 1/2 in.	345
136645	Pivolok 29-30 3/4 x 64 1/2 in.	343



All dimensions are approximate and subject to change without prior notice.
Please refer to installation guide before installing unit.

Square Base 36 - Alcove - 3 in



ALCOVE BASES - ACRYLIC



Material : Acrylic

Features

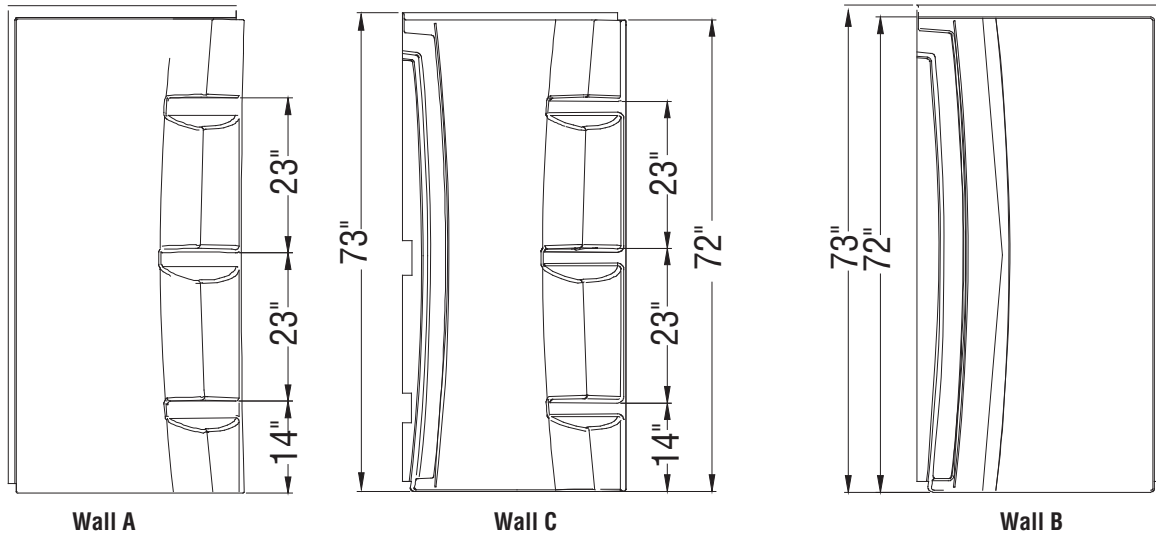
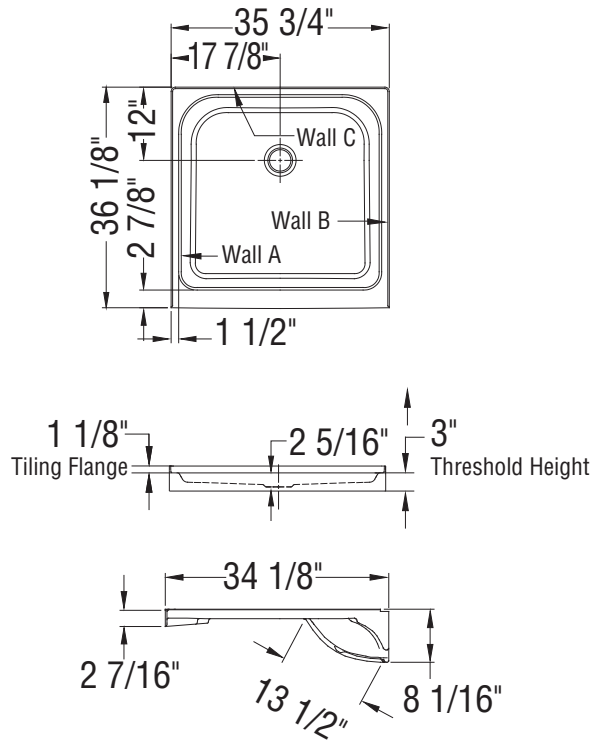
- › Proudly made in Canada
- › 36x36 Acrylic Alcove Shower Base with Off-Center Drain in White, direct to stud installation
- › 3 in. low threshold
- › Durable high shine acrylic stays warm to the touch and is easy to clean, available in white only
- › Textured bottom
- › Off-center drain - consult MAAX technical drawing (specification) for exact dimensions
- › Limited warranty is for a period of 25 years, phone # 1-877-GET-MAAX

SQUARE BASE 36 - ALCOVE - 3 IN - 101430

SKU	Color	Configuration	Dimensions & Weight	Packaging	MSRP
101430-000-001-000	White	Back End Drain / Alcove	36 1/8" x 36 1/8" x 4 1/8" / 40 lb / 18 kg	8.93 ft ³	\$ 669

RECOMMENDED DOORS

SKU	Product Name	Pag.
138265	Manhattan 33-35 x 68 - 6mm	333
139575	Reveal Sleek 71 32 1/2-35 1/2 x 71 1/2 - 8mm	350
105418	Madono 34 1/2-36 1/2 x 67 - 6mm	330
136676	Reveal 71 32 1/2-35 1/2 x 71 1/2 - 8mm	347
136733	Polar Pivot 33-34 3/4 x 64 1/2 in.	345
136435	Pivolok Deluxe 32 1/2-37 x 64 1/2 in.	341
136656	Pivolok 33-34 3/4 x 64 1/2 in.	343



All dimensions are approximate. Structure measurements must be verified against the unit to ensure proper fit.

Square Base 42 - Alcove - 3 in



ALCOVE BASES - ACRYLIC



Material : Acrylic

Features

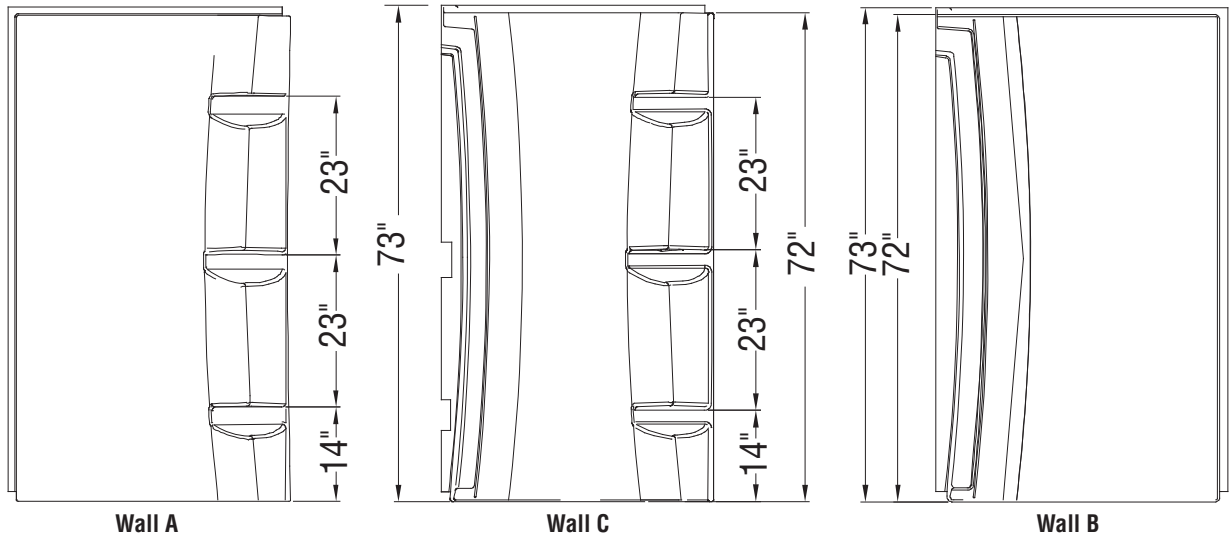
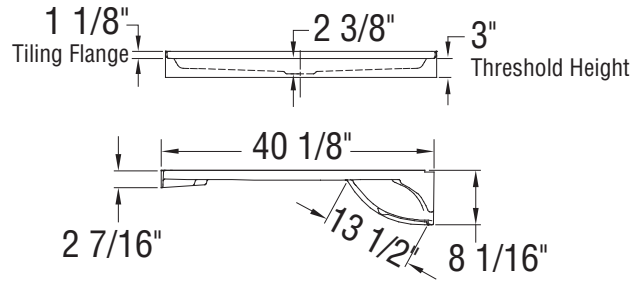
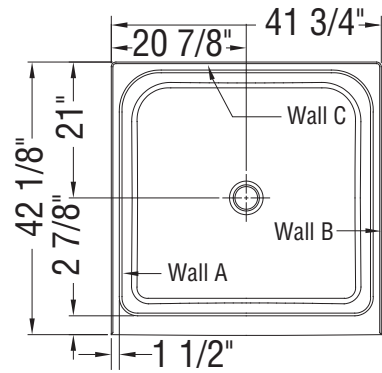
- › 42x42 Acrylic Alcove Shower Base with Center Drain in White, direct to stud installation
- › 3 in. low threshold
- › Durable high shine acrylic stays warm to the touch and is easy to clean
- › Textured bottom
- › Center drain - consult MAAX technical drawing (specification) for exact dimensions
- › Limited warranty is for a period of 25 years, phone # 1-877-GET-MAAX

SQUARE BASE 42 - ALCOVE - 3 IN - 105714

SKU	Color	Configuration	Dimensions & Weight	Packaging	MSRP
105714-000-001-000	White	Center / Alcove	41 3/4" x 42 1/8" x 4 1/8" / 42 lb / 19 kg	9.9 ft ³	\$ 845

RECOMMENDED DOORS

SKU	Product Name	Pag.
138268	Manhattan 39-41 x 68 - 6mm	337
138520	Incognito 74 39-42x74in. 8mm	302
139576	Reveal Sleek 71 38-41 x 71 1/2 - 8mm	350
136679	Reveal 71 38-41 x 71 1/2 - 8 mm	347
135662	Aura 40-44 x 71 - 6mm	316



All dimensions are approximate. Structure measurements must be verified against the unit to ensure proper fit.



Finesse Base 42 x 32

ALCOVE BASES - ACRYLX



Material : AcrylX

Features

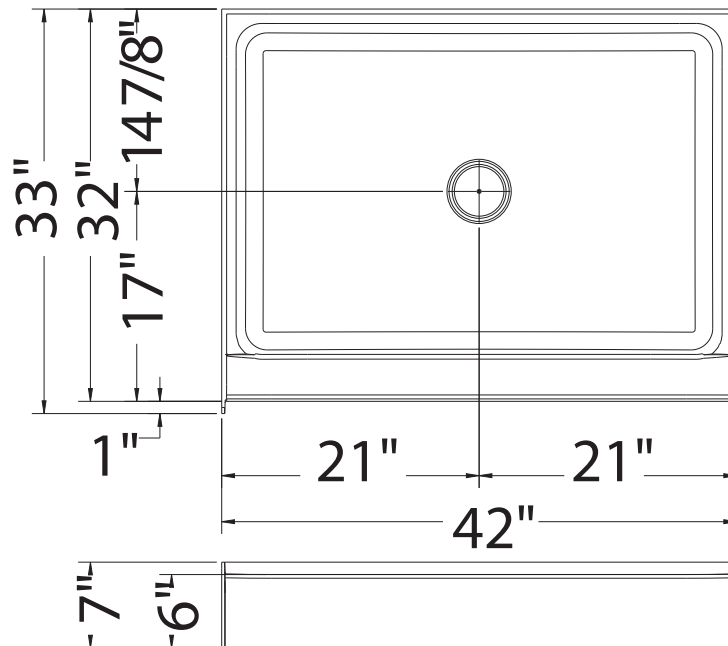
- › Ideal base for the creation of a shower with ceramic walls
- › Textured bottom for safe movement inside the shower
- › Centre drain base
- › Strong fiberglass backing
- › Glossy white AcrylX® finish with a limited lifetime warranty
- › Can be installed with ceramic tiles or the Finesse acrylic wall kit
- › Tiling flange included

FINESSE 42 X 32 - 105625

SKU	Color	Configuration	Dimensions & Weight	Packaging	MSRP
105625-000-002-000	White	Center / Alcove	42" x 32" x 7" / 49 lb / 22 kg	6.5 ft ³	\$ 522

RECOMMENDED DOORS

SKU	Product Name	Pag.
138268	Manhattan 39-41 x 68 - 6mm	337
138520	Incognito 74 39-42x74in. 8mm	302
139576	Reveal Sleek 71 38-41 x 71 ½ - 8mm	350
136679	Reveal 71 38-41 x 71 ½ - 8 mm	347
135662	Aura 40-44 x 71 - 6mm	316



All dimensions are approximate. Structure measurements must be verified against the unit to ensure proper fit.



Finesse Base 48 X 32

ALCOVE BASES - ACRYLX



Material : AcrylX

Features

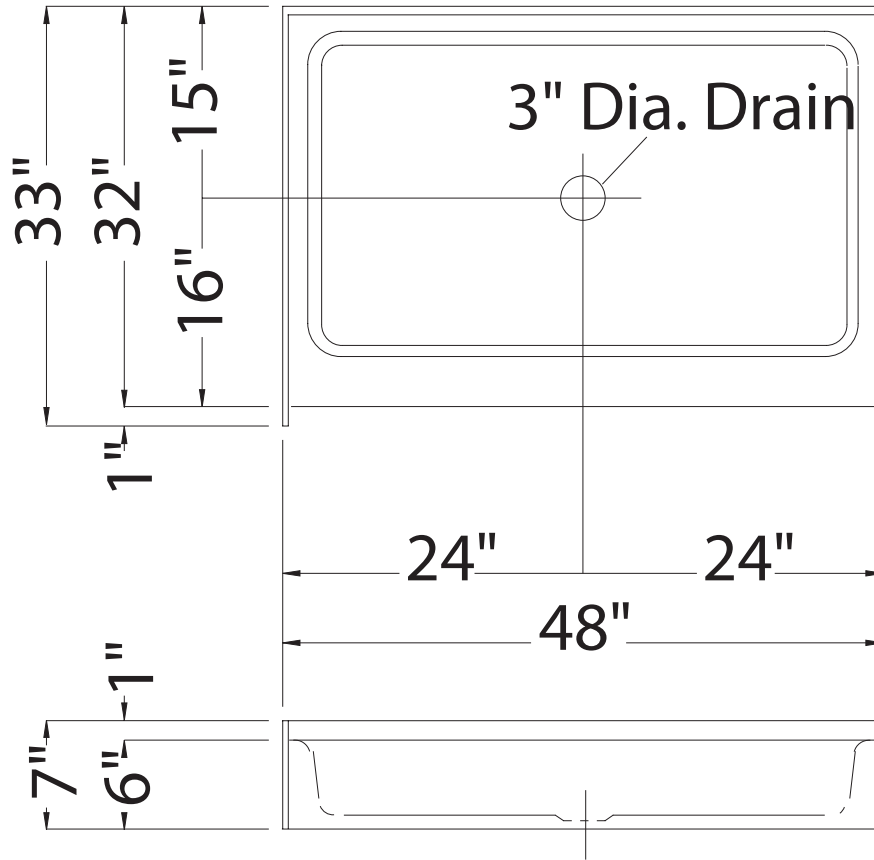
- › Ideal base for the creation of a shower with ceramic walls
- › Textured bottom for safe movement inside the shower
- › Centre drain base
- › Strong fiberglass backing
- › Glossy white AcrylX® finish with a limited lifetime warranty
- › Can be installed with ceramic tiles or the Finesse acrylic wall kit
- › Tiling flange included

FINESSE 48 X 32 - 105624

SKU	Color	Configuration	Dimensions & Weight	Packaging	MSRP
105624-000-002-000	White	Center / Alcove	48" x 32" x 7" / 57 lb / 26 kg	12 ft ³	\$ 559

RECOMMENDED DOORS

SKU	Product Name	Pag.
135321	Uptown 44-47 x 76 in. 8 mm	314
139352	Incognito 70 44-47 x 70 ½ - 8mm	300
139349	Incognito 44-47 x 70 ½ in. 6mm	298
135671	Aura 43-47 x 71 - 8mm	324
136693	Revelation Round 44-47 x 70 ½-73 - 8mm	312
138996	Halo 44 ½-47 x 78 ¾ - 8mm	355
135323	Uptown 44-47 x 76 in. 8 mm	361
135325	Uptown 45-47 x 76 in. 8 mm	353
135242	Connect 45-46 1/2 x 72 - 6mm	363
139578	Reveal Sleek 71 44-47 x 71 ½ - 8mm	351
136271	Duel 44-47 x 70 ½ x 74 - 8 mm	295
137421	Odyssey SC 45-47 1/2 x 78 - 8 mm	359
135663	Aura 43-47 x 71 - 6mm	317
137680	Outback 43 ¼ - 46 ½ x 70 ½ - 8mm	366
138992	Luminescence 44 ½-47 x 70 ½-72 - 6mm	357



All dimensions are approximate. Structure measurements must be verified against the unit to ensure proper fit.



Finesse Base 60 X 32

ALCOVE BASES - ACRYLX



Material : AcrylX

Features

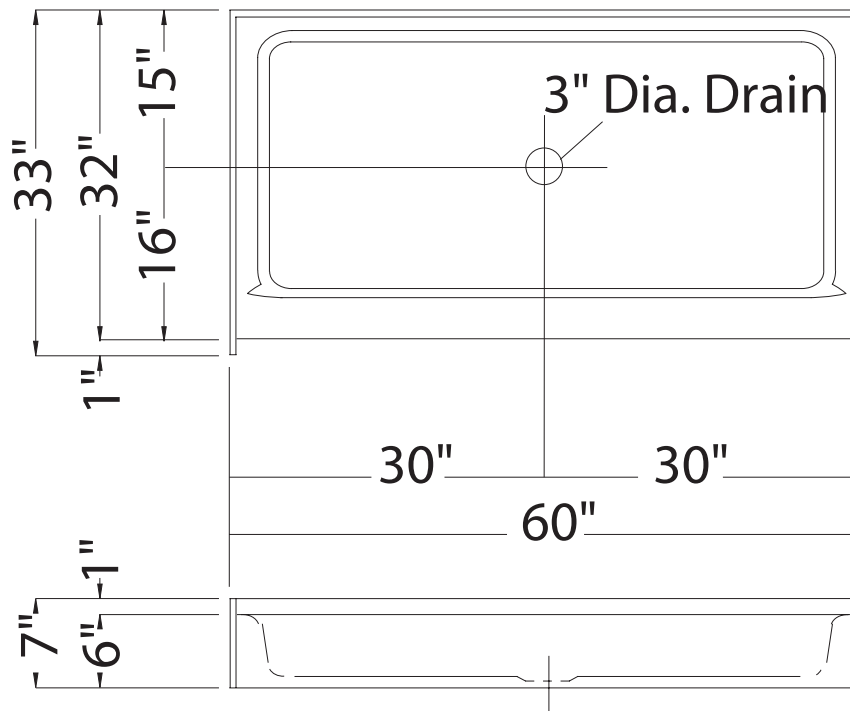
- › Ideal base for the creation of a shower with ceramic walls
- › Textured bottom for safe movement inside the shower
- › Centre drain base
- › Strong fiberglass backing
- › Glossy white AcrylX® finish with a limited lifetime warranty
- › Can be installed with ceramic tiles or the Finesse acrylic wall kit
- › Integrated tiling flange included

FINESSE 32 X 60 - 105623

SKU	Color	Configuration	Dimensions & Weight	Packaging	MSRP
105623-000-002-000	White	Center / Alcove	60" x 32" x 7" / 79 lb / 36 kg	12 ft ³	\$ 611

RECOMMENDED DOORS

SKU	Product Name	Pag.
138277	Manhattan 57-59 x 68 - 6mm	339
138997	Halo 56 ½-59 x 78 ¾ - 8mm	355
139353	Incognito 70 56-59 x 70 ½ - 8mm	300
139350	Incognito 56-59 x 70 ½ in. 6mm	298
135332	Incognito 76 Shaker 56-59 x 76 - 8mm	304
135335	Incognito 76 56-59 x 76 - 8mm	294
136335	Incognito 76 Smoke 56-59 x 76 - 8mm	306
136691	Revelation Round 56-59 x 70 ½-73 - 6mm	310
136694	Revelation Round 56-59 x 70 ½-73 - 8mm	312
135322	Uptown 56-59 x 76 in. 8 mm	314
135324		361
135244	Connect 57-58 1/2 x 72 - 6mm	364
139580	Reveal Sleek 71 56-59 x 71 ½ - 8mm	351
136272	Duel 56-58 ½ x 70 ½ x 74 - 8 mm	295
138762	Inverto 56-59 x 70 ½-74 - 8mm	293



All dimensions are approximate. Structure measurements must be verified against the unit to ensure proper fit.



B3Round 3636

CONFIGURABLE SHOWER BASES



Material : Acrylic

Features

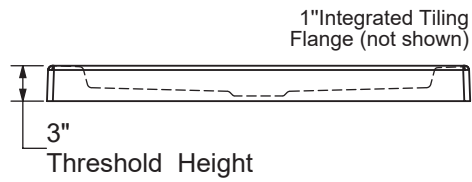
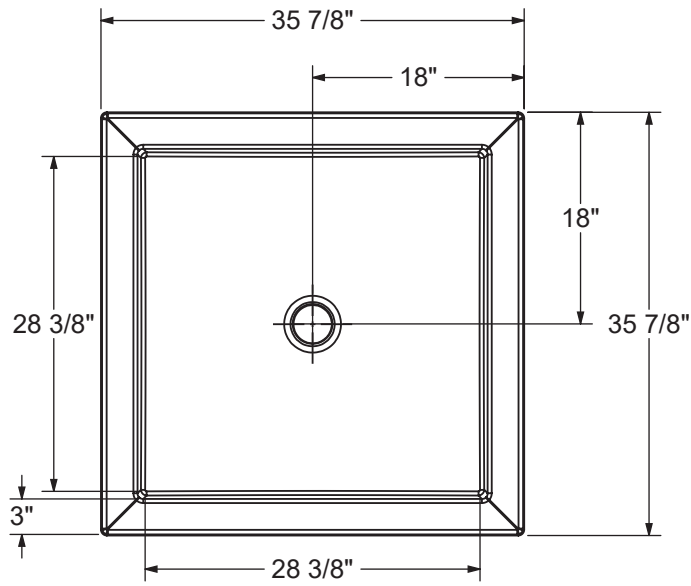
- › Model Size : 35 7/8 L in. X 35 7/8 W in. X 3 H in.
- › Acrylic square shower base with round drain
- › Low 3 in. threshold base allowing an easy and safe access
- › Certain configurations available with Stabili-T anti-slip bottom meeting ADA, ANSI or CSA
- › Multiple configurations available to accommodate different types of installation
- › Compatible with Utile, most glue-up shower walls and ceramic tiles
- › Integrated leak proof tiling flanges
- › 25-year warranty for peace of mind
- › High gloss finish resistant to dulling, scratching, and fading

B3ROUND 3636 - 410000

SKU	Color	Configuration	Dimensions & Weight	Packaging	MSRP
410000-500-001-000	White	Center / Corner Left or Right	35 7/8" x 35 7/8" x 3" / 35 lb / 16 kg	29.781972249349 ft ³	\$ 669
410000-501-001-000		Center / Alcove			\$ 669
410000-505-001-000		Center / Wall Mounted			\$ 669
410000-540-001-000		Center / Corner Left or Right – Stabili-T			\$ 669
410000-541-001-000		Center / Alcove – Stabili-T			\$ 669

RECOMMENDED DOORS

SKU	Product Name	Pag.
139575	Reveal Sleek 71 32 1/2-35 1/2 x 71 1/2 - 8mm	350
136676	Reveal 71 32 1/2-35 1/2 x 71 1/2 - 8mm	347



This technical drawing is universal for every 3636 configuration.

Integrated tiling flange : 1" height x 1/4" thick (not shown)
 Tiling flange position is determined by chosen configuration.

All dimensions are approximate. Structure measurements must be verified against the unit to ensure proper fit.



B3Round 4236

CONFIGURABLE SHOWER BASES



Material : Acrylic

Features

- › Model Size : 41 7/8 L in. X 35 7/8 W in. X 3 H in.
- › Acrylic rectangular shower base with round drain
- › Low 3 in. threshold base allowing an easy and safe access
- › Certain configurations available with Stabili-T anti-slip bottom meeting ADA, ANSI or CSA
- › Multiple configurations available to accommodate different types of installation
- › Compatible with most glue-up Shower walls and ceramic tiles
- › Integrated leak proof tiling flanges
- › 25-year warranty for peace of mind
- › High gloss finish resistant to dulling, scratching, and fading

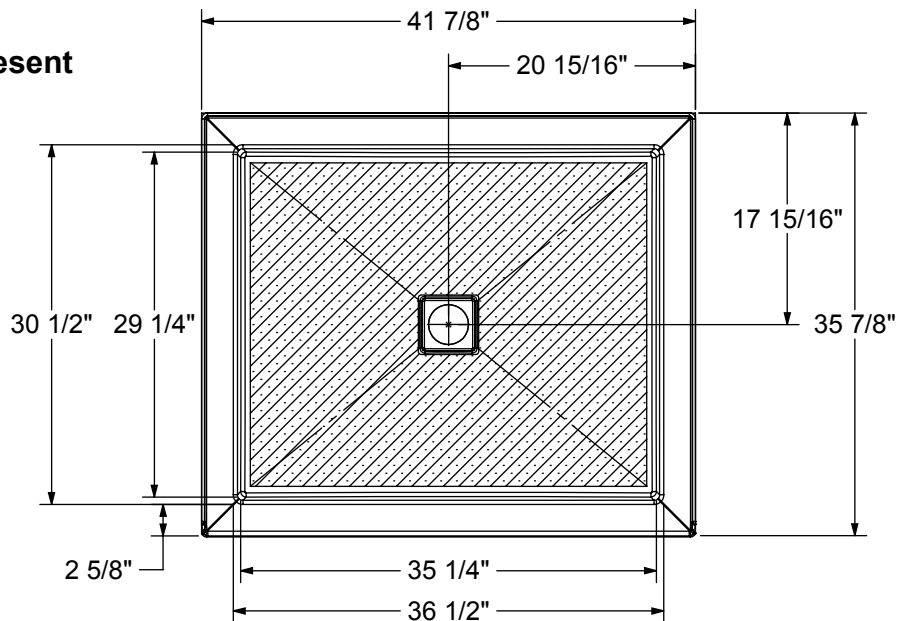
B3ROUND 4236 - 410034

SKU	Color	Configuration	Dimensions & Weight	Packaging	MSRP
410034-541-001-000	White	Center / Alcove – Stabili-T	41 7/8" x 35 7/8" x 3" / 45 lb / 20 kg	46.1211140950521 ft ³	\$ 801
410034-542-001-000		Center / Corner Left – Stabili-T			\$ 801
410034-543-001-000		Center / Corner Right – Stabili-T			\$ 801

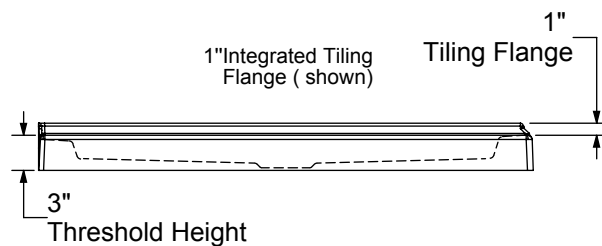
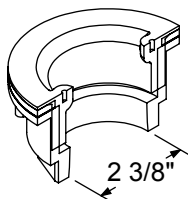
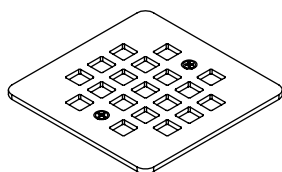
RECOMMENDED DOORS

SKU	Product Name	Pag.
139576	Reveal Sleek 71 38-41 x 71 ½ - 8mm	350
136679	Reveal 71 38-41 x 71 ½ - 8 mm	347

The hatched area represent the antislip surface



DRAIN INCLUDED ON B3 SQUARE ONLY



This technical drawing is universal for every 4236 configuration.

Integrated tiling flange : 1" height x 1/4" thick
Tiling flange position is determined by chosen configuration.

All dimensions are approximate. Structure measurements must be verified against the unit to ensure proper fit.



B3Round 4832

CONFIGURABLE SHOWER BASES



Material : Acrylic

Features

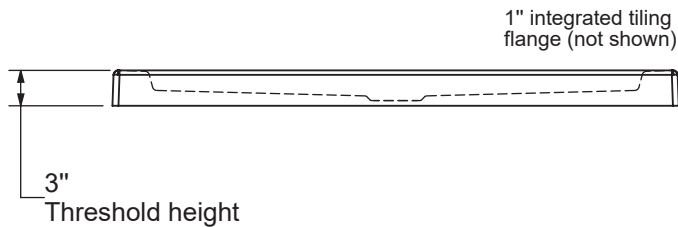
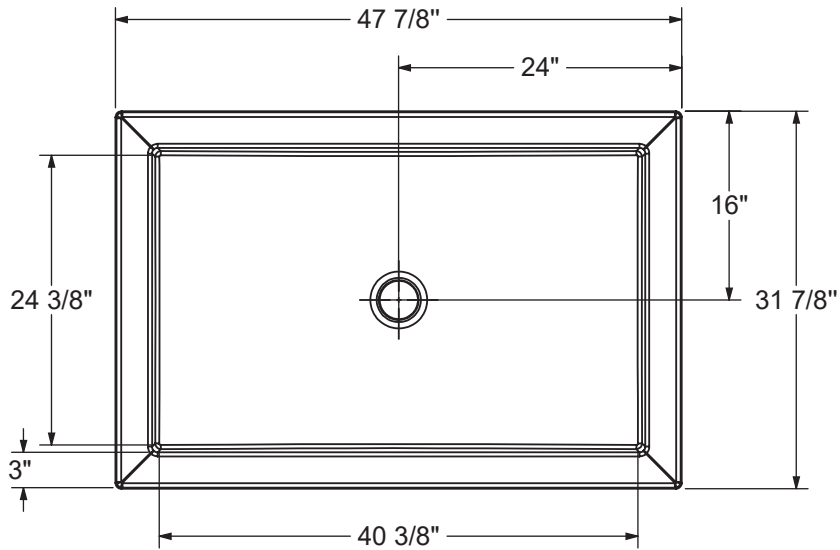
- › Model Size : 47 7/8 L in. X 31 7/8 W in. X 3 H in.
- › Acrylic rectangular shower base with round drain
- › Low 3 in. threshold base allowing an easy and safe access
- › Certain configurations available with Stabili-T anti-slip bottom meeting ADA, ANSI or CSA
- › Multiple configurations available to accommodate different types of installation
- › Compatible with Utile, most glue-up shower walls and ceramic tiles
- › Integrated leak proof tiling flanges
- › 25-year warranty for peace of mind
- › High gloss finish resistant to dulling, scratching, and fading

B3ROUND 4832 - 410001

SKU	Color	Configuration	Dimensions & Weight	Packaging	MSRP
410001-501-001-000	White	Center / Alcove	47 7/8" x 31 7/8" x 3" / 41 lb / 19 kg	65.3675220630787 ft ³	\$ 801
410001-502-001-000		Center / Corner Left			\$ 801
410001-503-001-000		Center / Corner Right			\$ 801
410001-504-001-000		Center / Alcove Deep			\$ 801
410001-505-001-000		Center / Wall Mounted			\$ 801
410001-506-001-000		Center / Tunnel			\$ 801
410001-541-001-000		Center / Alcove – Stabili-T			\$ 801
410001-542-001-000		Center / Corner Left – Stabili-T			\$ 801
410001-543-001-000		Center / Corner Right – Stabili-T			\$ 801

RECOMMENDED DOORS

SKU	Product Name	Pag.
135321	Uptown 44-47 x 76 in. 8 mm	314
139352	Incognito 70 44-47 x 70 ½ - 8mm	300
139349	Incognito 44-47 x 70 ½ in. 6mm	298
135671	Aura 43-47 x 71 - 8mm	324
136693	Revelation Round 44-47 x 70 ½-73 - 8mm	312
135323	Uptown 44-47 x 76 in. 8 mm	361
135325	Uptown 45-47 x 76 in. 8 mm	353
135242	Connect 45-46 1/2 x 72 - 6mm	363



This technical drawing is universal for every 4832 configuration.

Integrated tiling flange : 1" height x 1/4" thick (not shown)
 Tiling flange position is determined by chosen configuration.

All dimensions are approximate. Structure measurements must be verified against the unit to ensure proper fit.

B3Round 4834



CONFIGURABLE SHOWER BASES



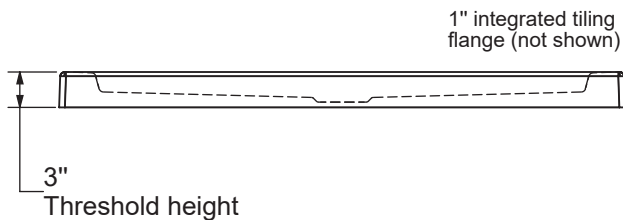
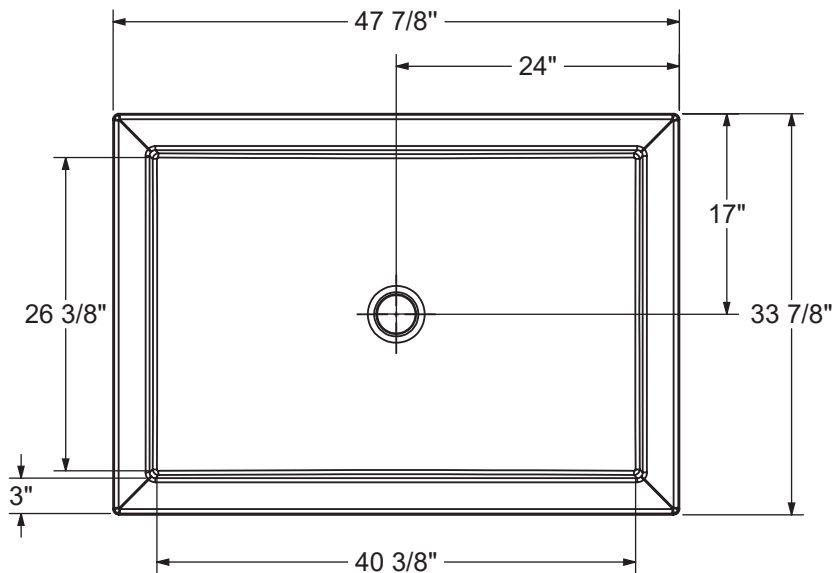
Material : Acrylic

Features

- › Model Size : 47 7/8 L in. X 33 7/8 W in. X 3 H in.
- › Acrylic rectangular shower base with round drain
- › Low 3 in. threshold base allowing an easy and safe access
- › Certain configurations available with Stabili-T anti-slip bottom meeting ADA, ANSI or CSA
- › Multiple configurations available to accomodate different types of installation
- › Compatible with most glue-up Shower walls and ceramic tiles
- › Integrated leak proof tiling flanges
- › 25-year warranty for peace of mind
- › High gloss finish resistant to dulling, scratching, and fading

B3ROUND 4834 - 410002

SKU	Color	Configuration	Dimensions & Weight	Packaging	MSRP
410002-501-001-000	White	Center / Alcove	47 7/8" x 33 7/8" x 3" / 44 lb / 20 kg	52.7295125325521 ft ³	\$ 821
410002-502-001-000		Center / Corner Left			\$ 821
410002-503-001-000		Center / Corner Right			\$ 821
410002-504-001-000		Center / Alcove Deep			\$ 821
410002-505-001-000		Center / Wall Mounted			\$ 821
410002-506-001-000		Center / Tunnel			\$ 821
410002-541-001-000		Center / Alcove – Stabili-T			\$ 821
410002-542-001-000		Center / Corner Left – Stabili-T			\$ 821
410002-543-001-000		Center / Corner Right – Stabili-T			\$ 821



This technical drawing is universal for every 4834 configuration.

Integrated tiling flange : 1" height x 1/4" thick (not shown)
 Tiling flange position is determined by chosen configuration.

All dimensions are approximate. Structure measurements must be verified against the unit to ensure proper fit.



B3Round 4836

CONFIGURABLE SHOWER BASES



Material : Acrylic

Features

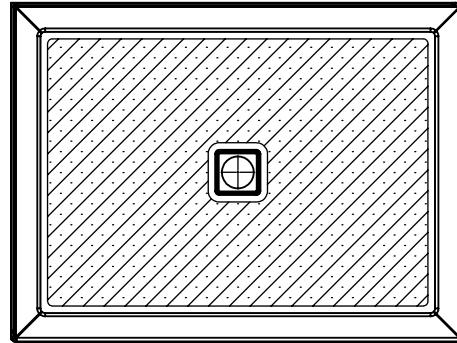
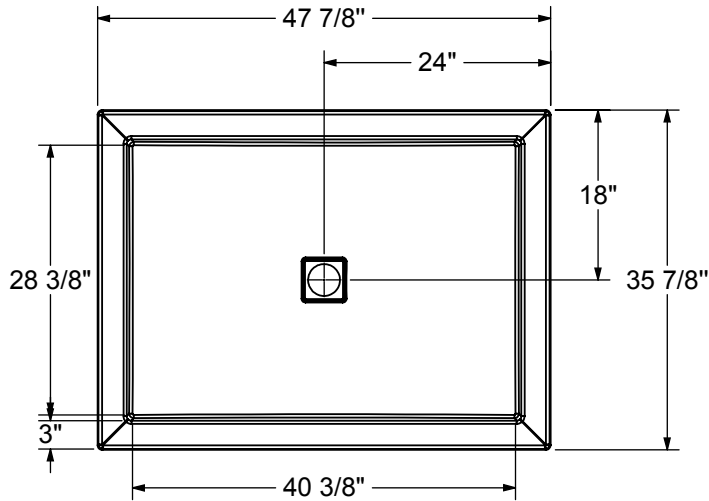
- › Model Size : 47 7/8 L in. X 35 7/8 W in. X 3 H in.
- › Acrylic rectangular shower base with round drain
- › Low 3 in. threshold base allowing an easy and safe access
- › Certain configurations available with Stabili-T anti-slip bottom meeting ADA, ANSI or CSA
- › Multiple configurations available to accomodate different types of installation
- › Compatible with Utile, most glue-up shower walls and ceramic tiles
- › Integrated leak proof tiling flanges
- › 25-year warranty for peace of mind
- › High gloss finish resistant to dulling, scratching, and fading

B3ROUND 4836 - 410003

SKU	Color	Configuration	Dimensions & Weight	Packaging	MSRP
410003-501-001-000	White	Center / Alcove	47 7/8" x 35 7/8" x 3" / 47 lb / 21 kg	52.7295125325521 ft ³	\$ 840
410003-502-001-000		Center / Corner Left			\$ 840
410003-503-001-000		Center / Corner Right			\$ 840
410003-504-001-000		Center / Alcove Deep			\$ 840
410003-505-001-000		Center / Wall Mounted			\$ 840
410003-506-001-000		Center / Tunnel			\$ 840
410003-541-001-000		Center / Alcove – Stabili-T			\$ 840
410003-542-001-000		Center / Corner Left – Stabili-T			\$ 840
410003-543-001-000		Center / Corner Right – Stabili-T			\$ 840

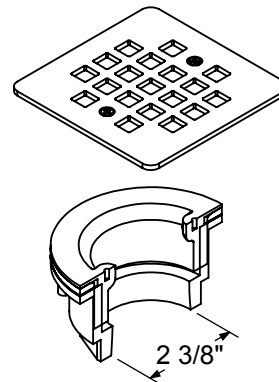
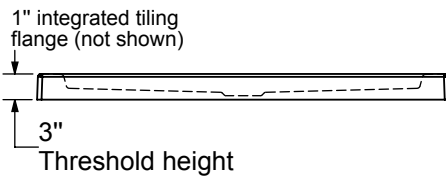
RECOMMENDED DOORS

SKU	Product Name	Pag.
138996	Halo 44 ½-47 x 78 ¾ - 8mm	355
135321	Uptown 44-47 x 76 in. 8 mm	314
135323		361
135325	Uptown 45-47 x 76 in. 8 mm	353
139578	Reveal Sleek 71 44-47 x 71 ½ - 8mm	351
136271	Duel 44-47 x 70 ½ x 74 - 8 mm	295



The hatched area represent the anti-slip surface

DRAIN INCLUDED ON B3 SQUARE ONLY



This technical drawing is universal for every 4836 configuration.

Integrated tiling flange : 1" height x 1/4" thick (not shown)
 Tiling flange position is determined by chosen configuration.

All dimensions are approximate. Structure measurements must be verified against the unit to ensure proper fit.



B3Round 4842

CONFIGURABLE SHOWER BASES



Material : Acrylic

Features

- › Model Size : 47 7/8 L in. X 41 7/8 W in. X 3 H in.
- › Acrylic rectangular shower base with round drain
- › Low 3 in. threshold base allowing an easy and safe access
- › Certain configurations available with Stabili-T anti-slip bottom meeting ADA, ANSI or CSA
- › Multiple configurations available to accommodate different types of installation
- › Compatible with most glue-up Shower walls and ceramic tiles
- › Integrated leak proof tiling flanges
- › 25-year warranty for peace of mind
- › High gloss finish resistant to dulling, scratching, and fading

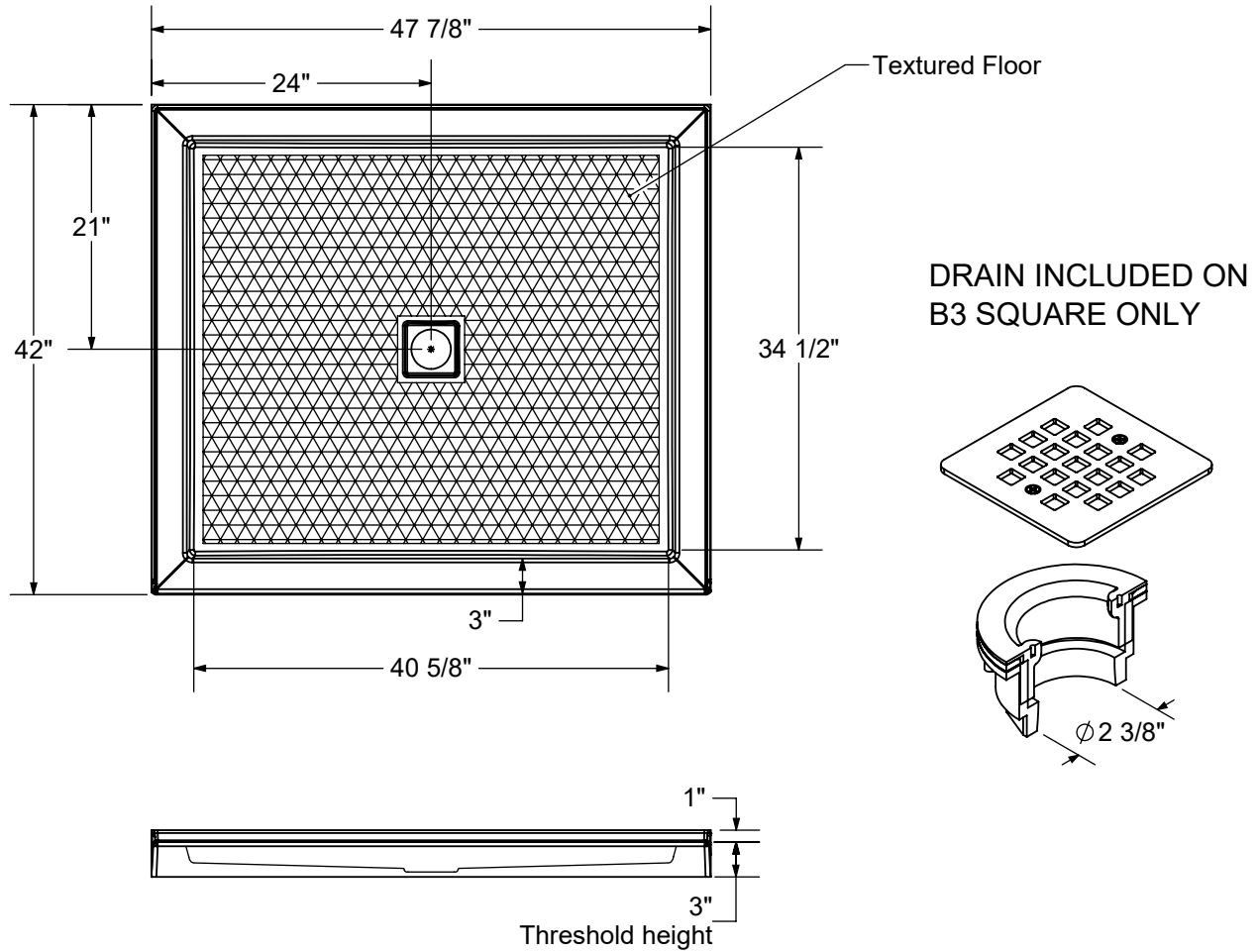
B3ROUND 4842 - 410043

SKU	Color	Configuration	Dimensions & Weight	Packaging	MSRP
410043-541-001-000	White	Center / Alcove – Stabili-T	47 7/8" x 41 7/8" x 3" / 56 lb / 25 kg	4.64066116898148 ft ³	\$ 1089
410043-542-001-000		Center / Corner Left – Stabili-T			\$ 1089
410043-543-001-000		Center / Corner Right – Stabili-T			\$ 1089
410043-544-001-000		Center / Alcove Deep - Stabili-T			\$ 1089

RECOMMENDED DOORS

SKU	Product Name	Pag.
138268	Manhattan 39-41 x 68 - 6mm	337
138520	Incognito 74 39-42x74in. 8mm	302
139576	Reveal Sleek 71 38-41 x 71 ½ - 8mm	350
136679	Reveal 71 38-41 x 71 ½ - 8 mm	347
135662	Aura 40-44 x 71 - 6mm	316

BASE MODEL



- All dimensions are approximate
- Structure measurements must be verified against the unit to ensure proper fit
- Installation to be completed in accordance with manufacturers specifications
- Do not scale drawings



B3Round 6030

CONFIGURABLE SHOWER BASES



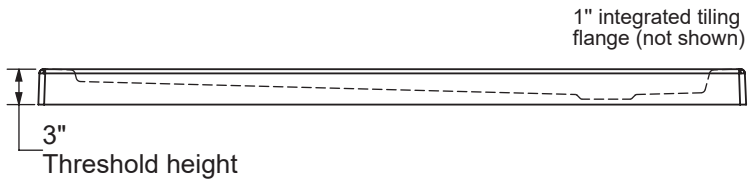
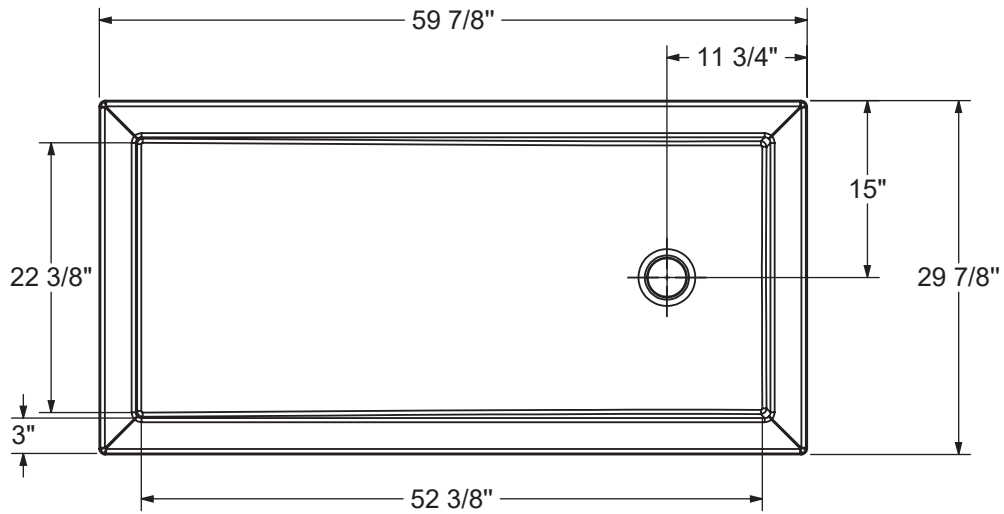
Material : Acrylic

Features

- › Model Size : 59 7/8 L in. X 29 7/8 W in. X 3 H in.
- › Acrylic rectangular shower base with round drain
- › Low 3 in. threshold base allowing an easy and safe access
- › Certain configurations available with Stabili-T anti-slip bottom meeting ADA, ANSI or CSA
- › Multiple configurations available to accomodate different types of installation
- › Compatible with most glue-up Shower walls and ceramic tiles
- › Integrated leak proof tiling flanges
- › 25-year warranty for peace of mind
- › High gloss finish resistant to dulling, scratching, and fading

B3ROUND 6030 - 410004					
SKU	Color	Configuration	Dimensions & Weight	Packaging	MSRP
410004-501-001-001	White	Left / Alcove	59 7/8" x 29 7/8" x 3" / 52 lb / 24 kg	81.7520706741898 ft ³	\$ 947
410004-501-001-002		Right / Alcove			\$ 947
410004-502-001-001		Left / Corner Left			\$ 947
410004-503-001-002		Right / Corner Right			\$ 947
410004-504-001-000		Back End Drain / Alcove Deep			\$ 947
410004-505-001-001		Left / Wall Mounted			\$ 947
410004-505-001-002		Right / Wall Mounted			\$ 947
410004-541-001-001		Left / Alcove – Stabili-T			\$ 947
410004-541-001-002		Right / Alcove – Stabili-T			\$ 947
410004-542-001-001		Left / Corner Left – Stabili-T			\$ 947
410004-543-001-002		Right / Corner Right – Stabili-T			\$ 947

RECOMMENDED DOORS		
SKU	Product Name	Pag.
138277	Manhattan 57-59 x 68 - 6mm	339
138997	Halo 56 ½-59 x 78 ¾ - 8mm	355
139353	Incognito 70 56-59 x 70 ½ - 8mm	300
139350	Incognito 56-59 x 70 ½ in. 6mm	298
135332	Incognito 76 Shaker 56-59 x 76 - 8mm	304
135335	Incognito 76 56-59 x 76 - 8mm	294



This technical drawing is universal for every 6030 configuration.

Integrated tiling flange : 1" height x 1/4" thick (not shown)
 Tiling flange position is determined by chosen configuration.

All dimensions are approximate. Structure measurements must be verified against the unit to ensure proper fit.

B3Round 6032



CONFIGURABLE SHOWER BASES



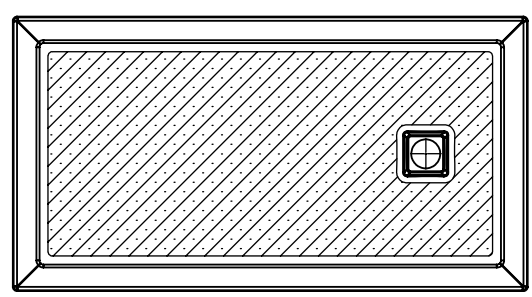
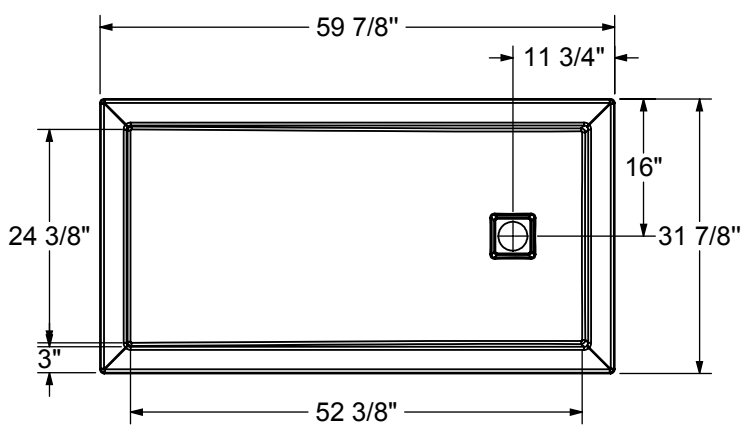
Material : Acrylic

Features

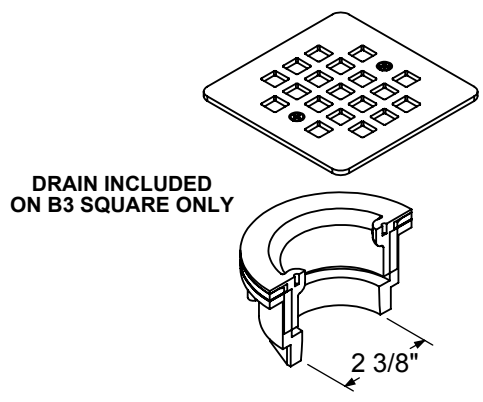
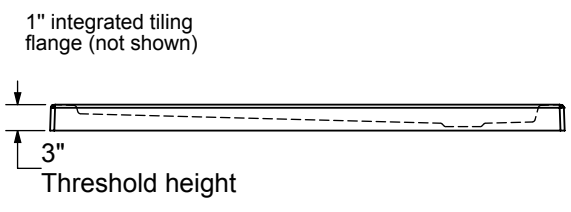
- › Model Size : 59 7/8 L in. X 31 7/8 W in. X 3 H in.
- › Acrylic rectangular shower base with round drain
- › Low 3 in. threshold base allowing an easy and safe access
- › Certain configurations available with Stabili-T anti-slip bottom meeting ADA, ANSI or CSA
- › Multiple configurations available to accomodate different types of installation
- › Compatible with Utile, most glue-up shower walls and ceramic tiles
- › Integrated leak proof tiling flanges
- › 25-year warranty for peace of mind
- › High gloss finish resistant to dulling, scratching, and fading

B3ROUND 6032 - 410005					
SKU	Color	Configuration	Dimensions & Weight	Packaging	MSRP
410005-501-001-001	White	Left / Alcove	59 7/8" x 31 7/8" x 3" / 55 lb / 25 kg	65.9463094075521 ft ³	\$ 947
410005-501-001-002		Right / Alcove			\$ 947
410005-502-001-001		Left / Corner Left			\$ 947
410005-503-001-002		Right / Corner Right			\$ 947
410005-504-001-000		Back End Drain / Alcove Deep			\$ 947
410005-505-001-001		Left / Wall Mounted			\$ 947
410005-505-001-002		Right / Wall Mounted			\$ 947
410005-506-001-104		Back End Drain / Tunnel			\$ 947
410005-541-001-001		Left / Alcove – Stabili-T			\$ 947
410005-541-001-002		Right / Alcove – Stabili-T			\$ 947
410005-542-001-001		Left / Corner Left – Stabili-T			\$ 947
410005-543-001-002		Right / Corner Right – Stabili-T			\$ 947

RECOMMENDED DOORS		
SKU	Product Name	Pag.
138997	Halo 56 ½-59 x 78 ¾ - 8mm	355
135322	Uptown 56-59 x 76 in. 8 mm	314
135324		361
139580	Reveal Sleek 71 56-59 x 71 ½ - 8mm	351
136272	Duel 56-58 ½ x 70 ½ x 74 - 8 mm	295



The hatched area represent the antislip surface



DRAIN INCLUDED ON B3 SQUARE ONLY

This technical drawing is universal for every 6032 configuration.

Integrated tiling flange : 1" height x 1/4" thick (not shown)
 Tiling flange position is determined by chosen configuration.

All dimensions are approximate. Structure measurements must be verified against the unit to ensure proper fit.

B3Round 6034



CONFIGURABLE SHOWER BASES



Material : Acrylic

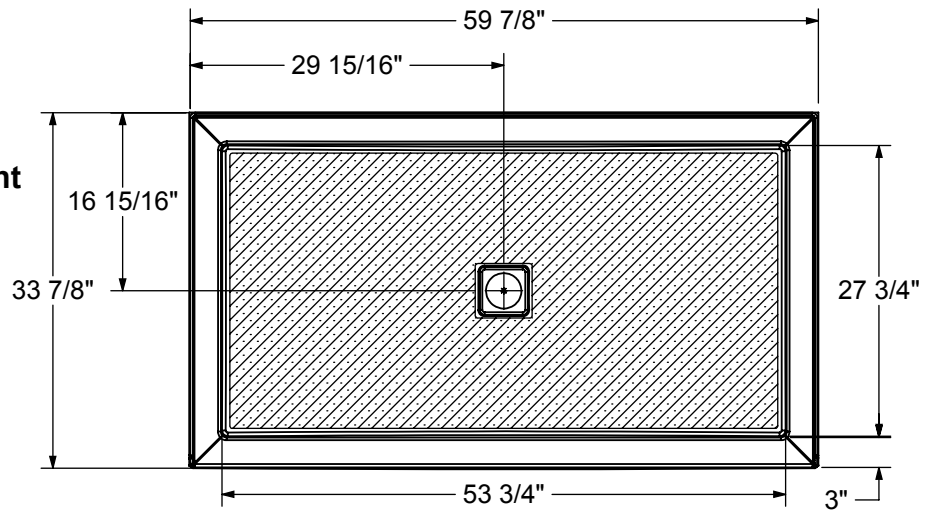
Features

- › Model Size : 59 7/8 L in. X 33 7/8 W in. X 3 H in.
- › Acrylic rectangular shower base with round drain
- › Low 3 in. threshold base allowing an easy and safe access
- › Certain configurations available with Stabili-T anti-slip bottom meeting ADA, ANSI or CSA
- › Multiple configurations available to accomodate different types of installation
- › Compatible with most glue-up Shower walls and ceramic tiles
- › Integrated leak proof tiling flanges
- › 25-year warranty for peace of mind
- › High gloss finish resistant to dulling, scratching, and fading

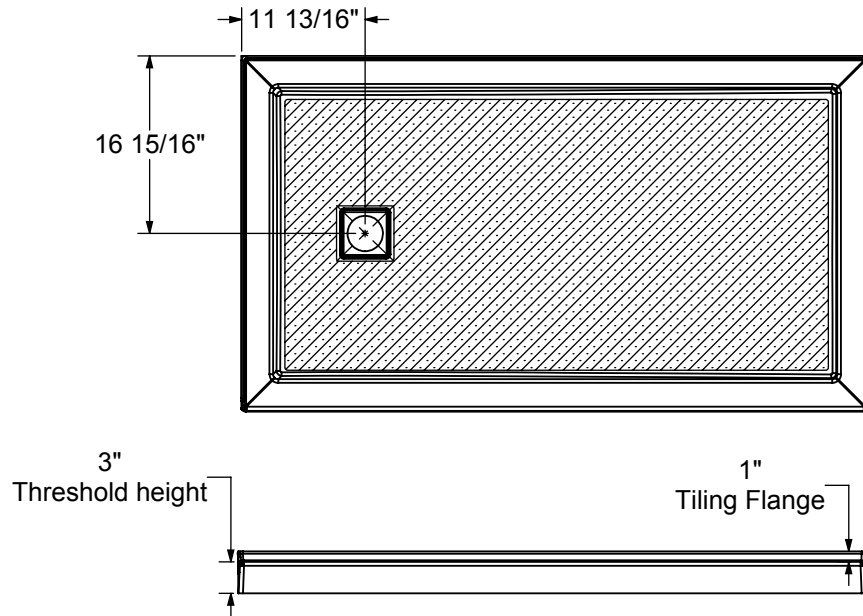
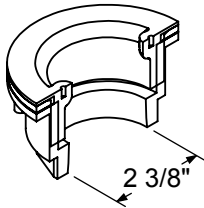
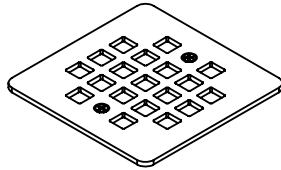
B3ROUND 6034 - 410035					
SKU	Color	Configuration	Dimensions & Weight	Packaging	MSRP
410035-541-001-000	White	Center / Alcove – Stabili-T	59 7/8" x 33 7/8" x 3" / 57 lb / 26 kg	65.9463094075521 ft ³	\$ 976
410035-541-001-001		Left / Alcove – Stabili-T			\$ 976
410035-541-001-002		Right / Alcove – Stabili-T			\$ 976
410035-542-001-000		Center / Corner Left – Stabili-T			\$ 976
410035-542-001-001		Left / Corner Left – Stabili-T			\$ 976
410035-543-001-000		Center / Corner Right – Stabili-T			\$ 976
410035-543-001-002		Right / Corner Right – Stabili-T			\$ 976

RECOMMENDED DOORS		
SKU	Product Name	Pag.
138997	Halo 56 ½-59 x 78 ¾ - 8mm	355
139580	Reveal Sleek 71 56-59 x 71 ½ - 8mm	351
136272	Duel 56-58 ½ x 70 ½ x 74 - 8 mm	295

The hatched area represent the antislip surface



DRAIN INCLUDED ON B3 SQUARE ONLY



This technical drawing is universal for every 6034 configuration.

Integrated tiling flange : 1" height x 1/4" thick
 Tiling flange position is determined by chosen configuration.

All dimensions are approximate. Structure measurements must be verified against the unit to ensure proper fit.



B3Round 6036

CONFIGURABLE SHOWER BASES



Material : Acrylic

Features

- › Model Size : 59 7/8 L in. X 35 7/8 W in. X 3 H in.
- › Acrylic rectangular shower base with round drain
- › Low 3 in. threshold base allowing an easy and safe access
- › Certain configurations available with Stabili-T anti-slip bottom meeting ADA, ANSI or CSA
- › Multiple configurations available to accomodate different types of installation
- › Compatible with Utile, most glue-up shower walls and ceramic tiles
- › Integrated leak proof tiling flanges
- › 25-year warranty for peace of mind
- › High gloss finish resistant to dulling, scratching, and fading

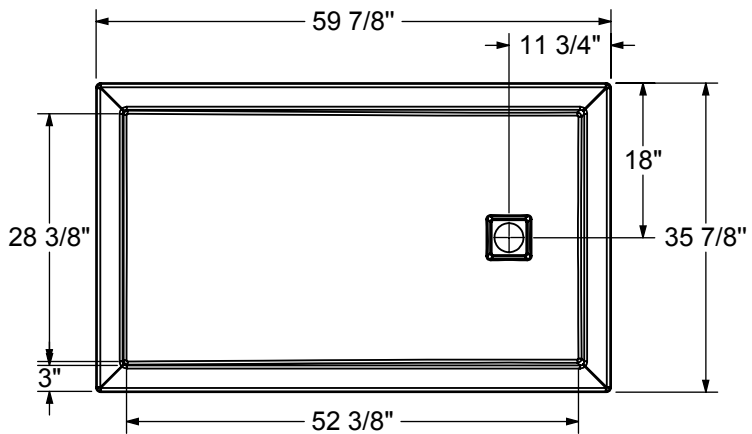
B3ROUND 6036 - 410006					
SKU	Color	Configuration	Dimensions & Weight	Packaging	MSRP
410006-501-001-000	White	Center / Alcove	59 7/8" x 35 7/8" x 3" / 62 lb / 28 kg	65.9463094075521 ft ³	\$ 1018
410006-501-001-001		Left / Alcove			\$ 1018
410006-501-001-002		Right / Alcove			\$ 1018
410006-502-001-000		Center / Corner Left			\$ 1018
410006-502-001-001		Left / Corner Left			\$ 1018
410006-503-001-000		Center / Corner Right			\$ 1018
410006-503-001-002		Right / Corner Right			\$ 1018
410006-504-001-000		Back End Drain / Alcove Deep			\$ 1018
410006-504-001-102		Center / Alcove Deep			\$ 1018
410006-505-001-000		Center / Wall Mounted			\$ 1018
410006-505-001-001		Left / Wall Mounted			\$ 1018
410006-505-001-002		Right / Wall Mounted			\$ 1018
410006-506-001-000		Center / Tunnel			\$ 1018
410006-506-001-100		Back End Drain / Tunnel			\$ 1018
410006-541-001-000		Center / Alcove – Stabili-T			\$ 1018
410006-541-001-001		Left / Alcove – Stabili-T			\$ 1018
410006-541-001-002		Right / Alcove – Stabili-T			\$ 1018
410006-542-001-000		Center / Corner Left – Stabili-T			\$ 1018
410006-542-001-001		Left / Corner Left – Stabili-T			\$ 1018
410006-543-001-000		Center / Corner Right – Stabili-T			\$ 1018

B3ROUND 6036 - 410006

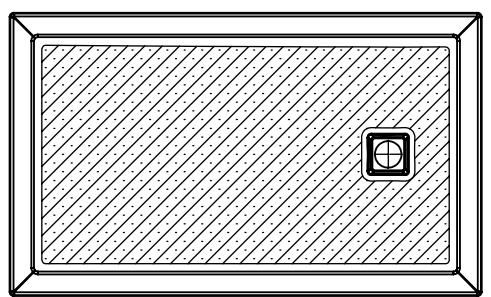
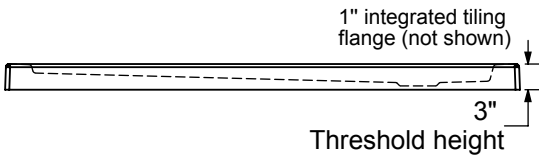
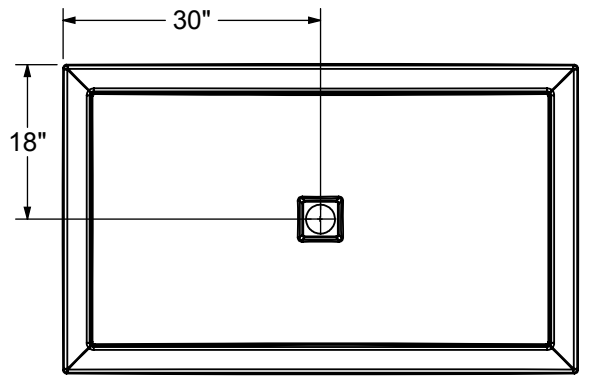
SKU	Color	Configuration	Dimensions & Weight	Packaging	MSRP
410006-543-001-002	White	Right / Corner Right – Stabili-T	59 7/8" x 35 7/8" x 3" / 62 lb / 28 kg	65.9463094075521 ft ³	\$ 1018

RECOMMENDED DOORS

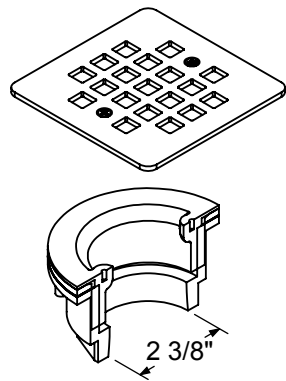
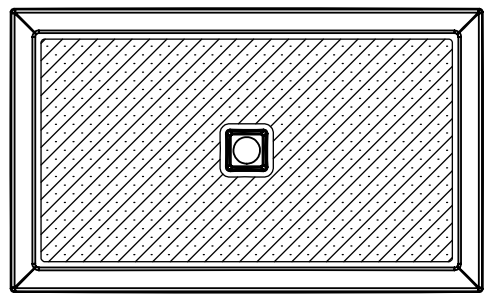
SKU	Product Name	Pag.
138997	Halo 56 ½-59 x 78 ¾ - 8mm	355
135322	Uptown 56-59 x 76 in. 8 mm	314
135324		361
139580	Reveal Sleek 71 56-59 x 71 ½ - 8mm	351
136272	Duel 56-58 ½ x 70 ½ x 74 - 8 mm	295



DRAIN INCLUDED
ON B3 SQUARE ONLY



The hatched area represent the anti-slip surface



This technical drawing is universal for every 6036 configuration.

Integrated tiling flange : 1" height x 1/4" thick (not shown)
Tiling flange position is determined by chosen configuration.

All dimensions are approximate. Structure measurements must be verified against the unit to ensure proper fit.



B3Round 6042



Material : Acrylic

Features

- › Model Size : 59 7/8 L in. X 41 7/8 W in. X 3 H in.
- › Acrylic rectangular shower base with round drain
- › Low 3 in. threshold base allowing an easy and safe access
- › Certain configurations available with Stabili-T anti-slip bottom meeting ADA, ANSI or CSA
- › Multiple configurations available to accommodate different types of installation
- › Compatible with most glue-up Shower walls and ceramic tiles
- › Integrated leak proof tiling flanges
- › 25-year warranty for peace of mind
- › High gloss finish resistant to dulling, scratching, and fading

CONFIGURABLE SHOWER BASES

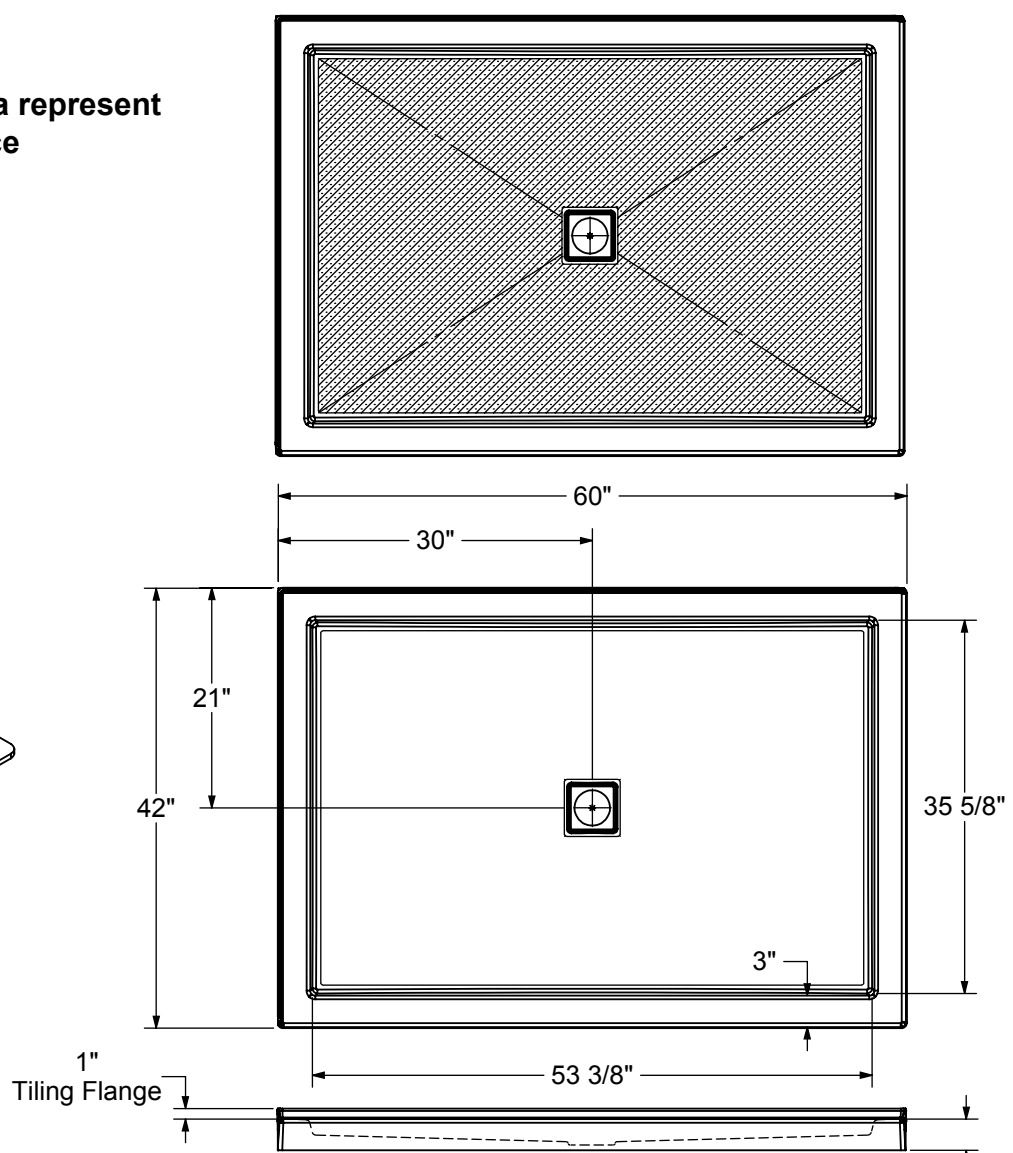
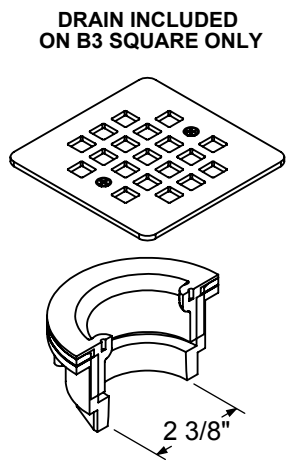
B3ROUND 6042 - 410036

SKU	Color	Configuration	Dimensions & Weight	Packaging	MSRP
410036-541-001-000	White	Center / Alcove – Stabili-T	59 7/8" x 41 7/8" x 3" / 59 lb / 27 kg	65.9463094075521 ft ³	\$ 1064
410036-542-001-000		Center / Corner Left – Stabili-T			\$ 1064
410036-543-001-000		Center / Corner Right – Stabili-T			\$ 1064

RECOMMENDED DOORS

SKU	Product Name	Pag.
138277	Manhattan 57-59 x 68 - 6mm	339
138997	Halo 56 ½-59 x 78 ¾ - 8mm	355
139353	Incognito 70 56-59 x 70 ½ - 8mm	300
139350	Incognito 56-59 x 70 ½ in. 6mm	298
135332	Incognito 76 Shaker 56-59 x 76 - 8mm	304
135335	Incognito 76 56-59 x 76 - 8mm	294
136335	Incognito 76 Smoke 56-59 x 76 - 8mm	306
136691	Revelation Round 56-59 x 70 ½-73 - 6mm	310
136694	Revelation Round 56-59 x 70 ½-73 - 8mm	312
135322	Uptown 56-59 x 76 in. 8 mm	314
135324		361
135244	Connect 57-58 1/2 x 72 - 6mm	364
139580	Reveal Sleek 71 56-59 x 71 ½ - 8mm	351
136272	Duel 56-58 ½ x 70 ½ x 74 - 8 mm	295

The hatched area represent the antislip surface



This technical drawing is universal for every 6042 configuration.

Integrated tiling flange : 1" height x 1/4" thick
 Tiling flange position is determined by chosen configuration.

All dimensions are approximate. Structure measurements must be verified against the unit to ensure proper fit.



B3Square 3636



Material : Acrylic

Features

- › Acrylic rectangular shower base with square drain
- › Low 3 in. threshold base allowing an easy and safe access
- › Certain configurations available with Stabili-T anti-slip bottom meeting ADA, ANSI or CSA
- › Multiple configurations available to accomodate different types of installation
- › Chrome grid and drain included (ABS or PVC available)
- › Compatible with Utile, most glue-up shower walls and ceramic tiles
- › Integrated leak proof tiling flanges
- › Complete drain assembly included for an easy installation
- › High gloss finish resistant to dulling, scratching, and fading

CONFIGURABLE SHOWER BASES

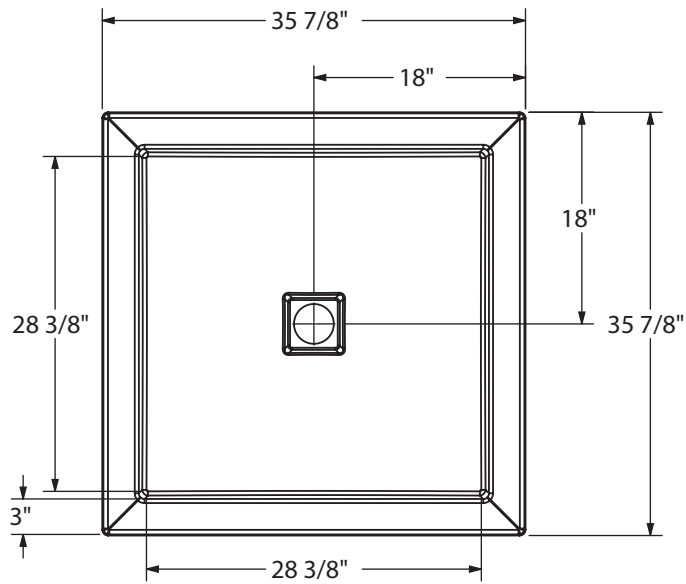
B3SQUARE 3636 - 420000

SKU	Color	Configuration	Dimensions & Weight	Packaging	MSRP
420000-500-001-100	White	Center / Corner Left or Right	35 7/8" x 35 7/8" x 3" / 35 lb / 16 kg	48.9829734519676 ft ³	\$ 742
420000-501-001-100		Center / Alcove			\$ 742
420000-505-001-100		Center / Wall Mounted			\$ 742
420000-540-001-100		Center / Corner Left or Right – Stabili-T			\$ 742
420000-541-001-100		Center / Alcove – Stabili-T			\$ 742

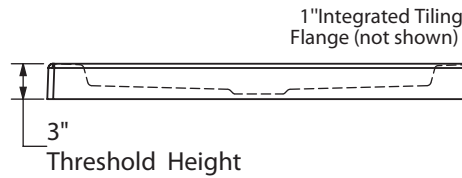
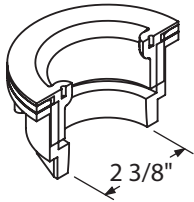
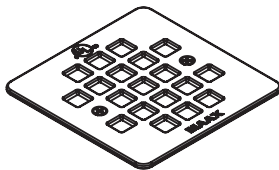
COMMON OPTIONS

SKU	Description	MSRP
OPT20253-340	ABS Square drain Available colors: Chrome (084), Brushed Nickel (305), Dark Bronze (173), Matte Black (340) and Brushed gold (343)	\$ 83
OPT20253-305		\$ 50
OPT20253-343		\$ 83
OPT20253-084		\$ 0
OPT20253-173		\$ 83
OPT20254-173	PVC Square drain Available colors: Chrome (084), Brushed Nickel (305), Dark Bronze (173), Matte Black (340) and Brushed gold (343)	\$ 83
OPT20254-305		\$ 50
OPT20254-340		\$ 83
OPT20254-343		\$ 83
OPT20254-084		\$ 0

ACCESSORIES		
SKU	Description	MSRP
10038458-305-600		\$ 50
10038458-084-600		\$ 50
10038458-173-600	Square drain grid	\$ 83
10038458-340-600	Available colors: White (001), Chrome (084), Dark Bronze (173), Brushed Nickel (305), Matte Black (340) and Brushed gold (343)	\$ 83
10038458-001-600		\$ 83
10038458-343-600		\$ 83



DRAIN INCLUDED
ON B3 SQUARE ONLY



This technical drawing is universal for every 3636 configuration.

Integrated tiling flange : 1" height x 1/4" thick (not shown)
Tiling flange position is determined by chosen configuration.

All dimensions are approximate. Structure measurements must be verified against the unit to ensure proper fit.

B3Square 4236



CONFIGURABLE SHOWER BASES



Material : Acrylic

Features

- › Acrylic rectangular shower base with square drain
- › Low 3 in. threshold base allowing an easy and safe access
- › Certain configurations available with Stabili-T anti-slip bottom meeting ADA, ANSI or CSA
- › Multiple configurations available to accommodate different types of installation
- › Chrome grid and drain included (ABS or PVC available)
- › Compatible with most glue-up Shower walls and ceramic tiles
- › Integrated leak proof tiling flanges
- › Complete drain assembly included for an easy installation
- › High gloss finish resistant to dulling, scratching, and fading

B3SQUARE 4236 - 420034

SKU	Color	Configuration	Dimensions & Weight	Packaging	MSRP
420034-501-001-100	White	Center / Alcove	41 7/8" x 35 7/8" x 3" / 45 lb / 20 kg	46.1976001880787 ft ³	\$ 874
420034-502-001-100		Center / Corner Left			\$ 874
420034-503-001-100		Center / Corner Right			\$ 874
420034-541-001-100		Center / Alcove – Stabili-T			\$ 874
420034-542-001-100		Center / Corner Left – Stabili-T			\$ 874
420034-543-001-100		Center / Corner Right – Stabili-T			\$ 874

COMMON OPTIONS

SKU	Description	MSRP
OPT20253-340	ABS Square drain Available colors: Chrome (084), Brushed Nickel (305), Dark Bronze (173), Matte Black (340) and Brushed gold (343)	\$ 83
OPT20253-305		\$ 50
OPT20253-343		\$ 83
OPT20253-084		\$ 0
OPT20253-173		\$ 83
OPT20254-173	PVC Square drain Available colors: Chrome (084), Brushed Nickel (305), Dark Bronze (173), Matte Black (340) and Brushed gold (343)	\$ 83
OPT20254-305		\$ 50
OPT20254-340		\$ 83
OPT20254-343		\$ 83

COMMON OPTIONS

SKU	Description	MSRP
OPT20254-084	PVC Square drain Available colors: Chrome (084), Brushed Nickel (305), Dark Bronze (173), Matte Black (340) and Brushed gold (343)	\$ 0

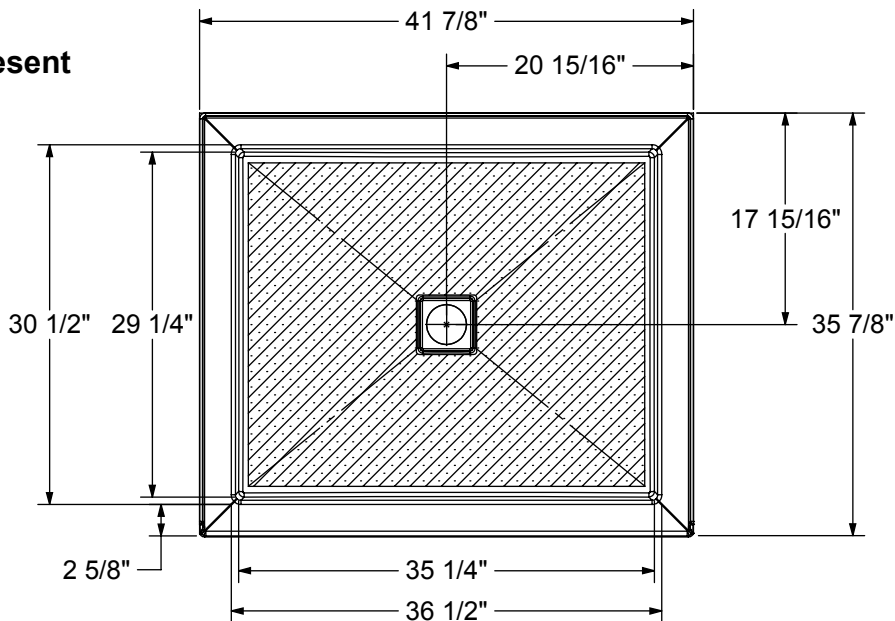
ACCESSORIES

SKU	Description	MSRP
10038458-305-600	Square drain grid Available colors: White (001), Chrome (084), Dark Bronze (173), Brushed Nickel (305), Matte Black (340) and Brushed gold (343)	\$ 50
10038458-084-600		\$ 50
10038458-173-600		\$ 83
10038458-340-600		\$ 83
10038458-001-600		\$ 83
10038458-343-600		\$ 83

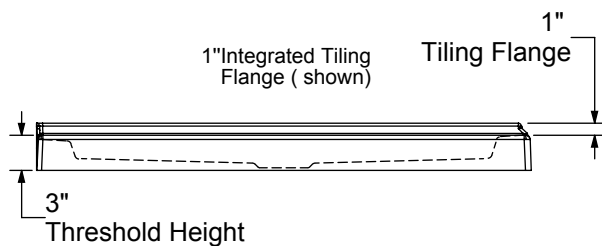
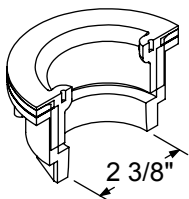
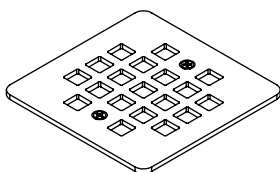
RECOMMENDED DOORS

SKU	Product Name	Pag.
139576	Reveal Sleek 71 38-41 x 71 ½ - 8mm	350
136679	Reveal 71 38-41 x 71 ½ - 8 mm	347

The hatched area represent the antislip surface



DRAIN INCLUDED ON B3 SQUARE ONLY



This technical drawing is universal for every 4236 configuration.

Integrated tiling flange : 1" height x 1/4" thick
 Tiling flange position is determined by chosen configuration.

All dimensions are approximate. Structure measurements must be verified against the unit to ensure proper fit.

B3Square 4832



Material : Acrylic

Features

- › Acrylic rectangular shower base with square drain
- › Low 3 in. threshold base allowing an easy and safe access
- › Certain configurations available with Stabili-T anti-slip bottom meeting ADA, ANSI or CSA
- › Multiple configurations available to accommodate different types of installation
- › Chrome grid and drain included (ABS or PVC available)
- › Compatible with Utile, most glue-up shower walls and ceramic tiles
- › Integrated leak proof tiling flanges
- › Complete drain assembly included for an easy installation
- › High gloss finish resistant to dulling, scratching, and fading

CONFIGURABLE SHOWER BASES

B3SQUARE 4832 - 420001

SKU	Color	Configuration	Dimensions & Weight	Packaging	MSRP
420001-501-001-100	White	Center / Alcove	47 7/8" x 31 7/8" x 3" / 41 lb / 19 kg	65.3675220630787 ft ³	\$ 874
420001-502-001-100		Center / Corner Left			\$ 874
420001-503-001-100		Center / Corner Right			\$ 874
420001-504-001-100		Center / Alcove Deep			\$ 874
420001-505-001-100		Center / Wall Mounted			\$ 874
420001-506-001-100		Center / Tunnel			\$ 874
420001-541-001-102		Center / Alcove – Stabili-T			\$ 874
420001-542-001-100		Center / Corner Left – Stabili-T			\$ 874
420001-543-001-100		Center / Corner Right – Stabili-T			\$ 874

COMMON OPTIONS

SKU	Description	MSRP
OPT20253-340	ABS Square drain Available colors: Chrome (084), Brushed Nickel (305), Dark Bronze (173), Matte Black (340) and Brushed gold (343)	\$ 83
OPT20253-305		\$ 50
OPT20253-343		\$ 83
OPT20253-084		\$ 0
OPT20253-173		\$ 83
OPT20254-173	PVC Square drain Available colors: Chrome (084), Brushed Nickel (305), Dark Bronze (173), Matte Black (340) and Brushed gold (343)	\$ 83

COMMON OPTIONS

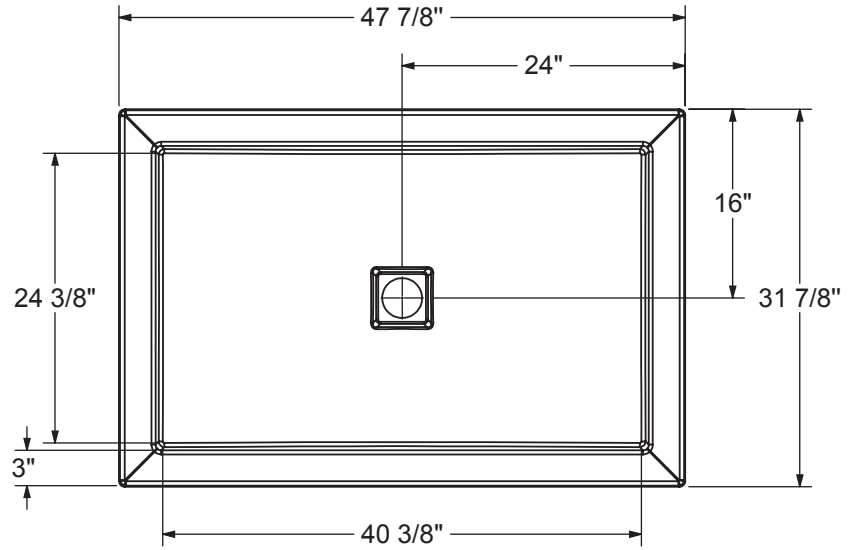
SKU	Description	MSRP
OPT20254-305	PVC Square drain Available colors: Chrome (084), Brushed Nickel (305), Dark Bronze (173), Matte Black (340) and Brushed gold (343)	\$ 50
OPT20254-340		\$ 83
OPT20254-343		\$ 83
OPT20254-084		\$ 0

ACCESSORIES

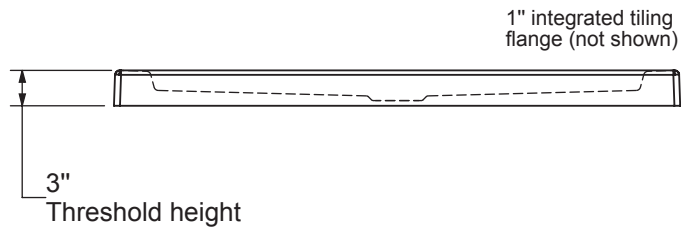
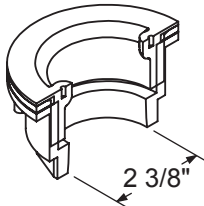
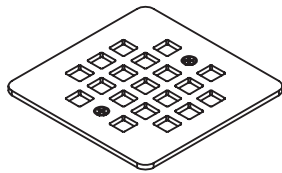
SKU	Description	MSRP
10038458-305-600	Square drain grid Available colors: White (001), Chrome (084), Dark Bronze (173), Brushed Nickel (305), Matte Black (340) and Brushed gold (343)	\$ 50
10038458-084-600		\$ 50
10038458-173-600		\$ 83
10038458-340-600		\$ 83
10038458-001-600		\$ 83
10038458-343-600		\$ 83

RECOMMENDED DOORS

SKU	Product Name	Pag.
135321	Uptown 44-47 x 76 in. 8 mm	314
139352	Incognito 70 44-47 x 70 ½ - 8mm	300
139349	Incognito 44-47 x 70 ½ in. 6mm	298
135671	Aura 43-47 x 71 - 8mm	324
136693	Revelation Round 44-47 x 70 ½-73 - 8mm	312
135323	Uptown 44-47 x 76 in. 8 mm	361
135325	Uptown 45-47 x 76 in. 8 mm	353
135242	Connect 45-46 1/2 x 72 - 6mm	363
139578	Reveal Sleek 71 44-47 x 71 ½ - 8mm	351
135331	Incognito 76 Shaker 44-47 x 76 - 8mm	304
136271	Duel 44-47 x 70 ½ x 74 - 8 mm	295
137421	Odyssey SC 45-47 1/2 x 78 - 8 mm	359
135663	Aura 43-47 x 71 - 6mm	317
138996	Halo 44 ½-47 x 78 ¾ - 8mm	355
137680	Outback 43 ¼ - 46 ½ x 70 ½ - 8mm	366
138992	Luminescence 44 ½-47 x 70 ½-72 - 6mm	357
105413	Polar 42-47 ½ x 68 in.	308
138271	Manhattan 45-47 x 68 - 6mm	337
136690	Revelation Round 44-47 x 70 ½-73 - 6mm	310
135674	Aura SC 43-47 x 71 - 8mm	326



**DRAIN INCLUDED
ON B3 SQUARE ONLY**



This technical drawing is universal for every 4832 configuration.

Integrated tiling flange : 1" height x 1/4" thick (not shown)
Tiling flange position is determined by chosen configuration.

All dimensions are approximate. Structure measurements must be verified against the unit to ensure proper fit.



B3Square 4834

CONFIGURABLE SHOWER BASES



Material : Acrylic

Features

- › Acrylic rectangular shower base with square drain
- › Low 3 in. threshold base allowing an easy and safe access
- › Certain configurations available with Stabili-T anti-slip bottom meeting ADA, ANSI or CSA
- › Multiple configurations available to accommodate different types of installation
- › Chrome grid and drain included (ABS or PVC available)
- › Compatible with most glue-up Shower walls and ceramic tiles
- › Integrated leak proof tiling flanges
- › Complete drain assembly included for an easy installation
- › High gloss finish resistant to dulling, scratching, and fading

B3SQUARE 4834 - 420002

SKU	Color	Configuration	Dimensions & Weight	Packaging	MSRP
420002-501-001-100	White	Center / Alcove	47 7/8" x 33 7/8" x 3" / 44 lb / 20 kg	65.3675220630787 ft ³	\$ 894
420002-502-001-100		Center / Corner Left			\$ 894
420002-503-001-100		Center / Corner Right			\$ 894
420002-504-001-100		Center / Alcove Deep			\$ 894
420002-505-001-100		Center / Wall Mounted			\$ 894
420002-506-001-100		Center / Tunnel			\$ 894
420002-541-001-100		Center / Alcove – Stabili-T			\$ 894
420002-542-001-100		Center / Corner Left – Stabili-T			\$ 894
420002-543-001-100		Center / Corner Right – Stabili-T			\$ 894

COMMON OPTIONS

SKU	Description	MSRP
OPT20253-340	ABS Square drain Available colors: Chrome (084), Brushed Nickel (305), Dark Bronze (173), Matte Black (340) and Brushed gold (343)	\$ 83
OPT20253-305		\$ 50
OPT20253-343		\$ 83
OPT20253-084		\$ 0
OPT20253-173		\$ 83
OPT20254-173	PVC Square drain Available colors: Chrome (084), Brushed Nickel (305), Dark Bronze (173), Matte Black (340) and Brushed gold (343)	\$ 83

COMMON OPTIONS

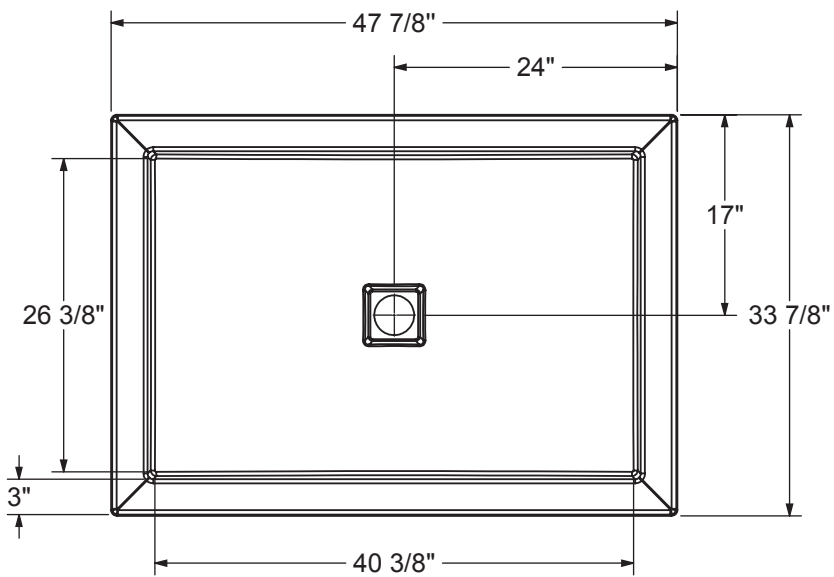
SKU	Description	MSRP
OPT20254-305	PVC Square drain Available colors: Chrome (084), Brushed Nickel (305), Dark Bronze (173), Matte Black (340) and Brushed gold (343)	\$ 50
OPT20254-340		\$ 83
OPT20254-343		\$ 83
OPT20254-084		\$ 0

ACCESSORIES

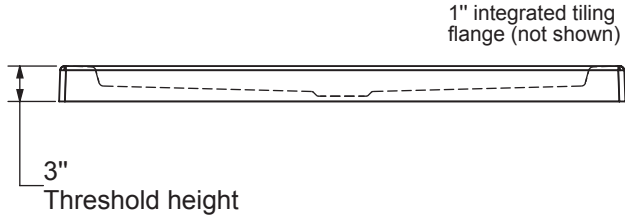
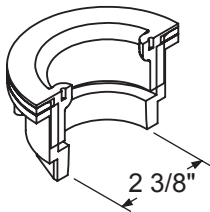
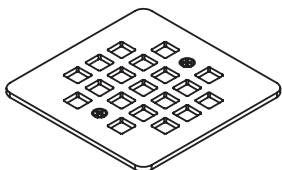
SKU	Description	MSRP
10038458-305-600	Square drain grid Available colors: White (001), Chrome (084), Dark Bronze (173), Brushed Nickel (305), Matte Black (340) and Brushed gold (343)	\$ 50
10038458-084-600		\$ 50
10038458-173-600		\$ 83
10038458-340-600		\$ 83
10038458-001-600		\$ 83
10038458-343-600		\$ 83

RECOMMENDED DOORS

SKU	Product Name	Pag.
135321	Uptown 44-47 x 76 in. 8 mm	314
139352	Incognito 70 44-47 x 70 ½ - 8mm	300
139349	Incognito 44-47 x 70 ½ in. 6mm	298
135671	Aura 43-47 x 71 - 8mm	324
136693	Revelation Round 44-47 x 70 ½-73 - 8mm	312
135323	Uptown 44-47 x 76 in. 8 mm	361
135325	Uptown 45-47 x 76 in. 8 mm	353
135242	Connect 45-46 1/2 x 72 - 6mm	363
139578	Reveal Sleek 71 44-47 x 71 ½ - 8mm	351
135331	Incognito 76 Shaker 44-47 x 76 - 8mm	304
136271	Duel 44-47 x 70 ½ x 74 - 8 mm	295
137421	Odyssey SC 45-47 1/2 x 78 - 8 mm	359
135663	Aura 43-47 x 71 - 6mm	317
138996	Halo 44 ½-47 x 78 ¾ - 8mm	355
137680	Outback 43 ¼ - 46 ½ x 70 ½ - 8mm	366
138992	Luminescence 44 ½-47 x 70 ½-72 - 6mm	357
105413	Polar 42-47 ½ x 68 in.	308
138271	Manhattan 45-47 x 68 - 6mm	337
136690	Revelation Round 44-47 x 70 ½-73 - 6mm	310
135674	Aura SC 43-47 x 71 - 8mm	326



DRAIN INCLUDED
ON B3 SQUARE ONLY



This technical drawing is universal for every 4834 configuration.

Integrated tiling flange : 1" height x 1/4" thick (not shown)
Tiling flange position is determined by chosen configuration.

All dimensions are approximate. Structure measurements must be verified against the unit to ensure proper fit.



B3Square 4836



Material : Acrylic

Features

- › Acrylic rectangular shower base with square drain
- › Low 3 in. threshold base allowing an easy and safe access
- › Certain configurations available with Stabili-T anti-slip bottom meeting ADA, ANSI or CSA
- › Multiple configurations available to accomodate different types of installation
- › Chrome grid and drain included (ABS or PVC available)
- › Compatible with Utile, most glue-up shower walls and ceramic tiles
- › Integrated leak proof tiling flanges
- › Complete drain assembly included for an easy installation
- › High gloss finish resistant to dulling, scratching, and fading

CONFIGURABLE SHOWER BASES

B3SQUARE 4836 - 420003

SKU	Color	Configuration	Dimensions & Weight	Packaging	MSRP
420003-501-001-100	White	Center / Alcove	47 7/8" x 35 7/8" x 3" / 47 lb / 21 kg	65.3675220630787 ft ³	\$ 909
420003-502-001-100		Center / Corner Left			\$ 909
420003-503-001-100		Center / Corner Right			\$ 909
420003-504-001-100		Center / Alcove Deep			\$ 909
420003-505-001-100		Center / Wall Mounted			\$ 909
420003-506-001-100		Center / Tunnel			\$ 909
420003-541-001-100		Center / Alcove – Stabili-T			\$ 909
420003-542-001-100		Center / Corner Left – Stabili-T			\$ 909
420003-543-001-100		Center / Corner Right – Stabili-T			\$ 909

COMMON OPTIONS

SKU	Description	MSRP
OPT20253-340	ABS Square drain Available colors: Chrome (084), Brushed Nickel (305), Dark Bronze (173), Matte Black (340) and Brushed gold (343)	\$ 83
OPT20253-305		\$ 50
OPT20253-343		\$ 83
OPT20253-084		\$ 0
OPT20253-173		\$ 83
OPT20254-173	PVC Square drain Available colors: Chrome (084), Brushed Nickel (305), Dark Bronze (173), Matte Black (340) and Brushed gold (343)	\$ 83

COMMON OPTIONS

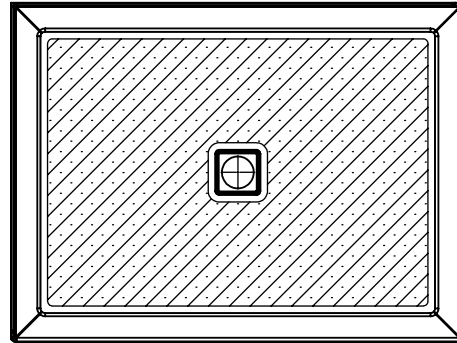
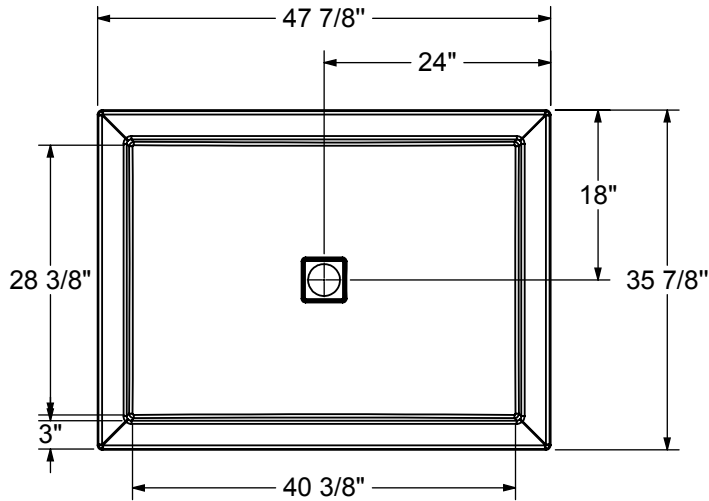
SKU	Description	MSRP
OPT20254-305	PVC Square drain Available colors: Chrome (084), Brushed Nickel (305), Dark Bronze (173), Matte Black (340) and Brushed gold (343)	\$ 50
OPT20254-340		\$ 83
OPT20254-343		\$ 83
OPT20254-084		\$ 0

ACCESSORIES

SKU	Description	MSRP
10038458-305-600	Square drain grid Available colors: White (001), Chrome (084), Dark Bronze (173), Brushed Nickel (305), Matte Black (340) and Brushed gold (343)	\$ 50
10038458-084-600		\$ 50
10038458-173-600		\$ 83
10038458-340-600		\$ 83
10038458-001-600		\$ 83
10038458-343-600		\$ 83

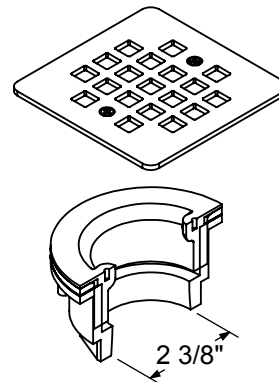
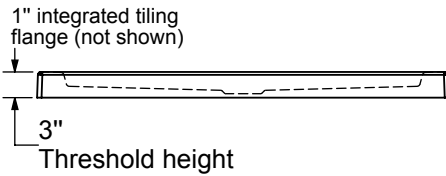
RECOMMENDED DOORS

SKU	Product Name	Pag.
138996	Halo 44 ½-47 x 78 ¾ - 8mm	355
135321	Uptown 44-47 x 76 in. 8 mm	314
135323		361
135325	Uptown 45-47 x 76 in. 8 mm	353
139578	Reveal Sleek 71 44-47 x 71 ½ - 8mm	351
136271	Duel 44-47 x 70 ½ x 74 - 8 mm	295



The hatched area represent the anti-slip surface

DRAIN INCLUDED ON B3 SQUARE ONLY



This technical drawing is universal for every 4836 configuration.

Integrated tiling flange : 1" height x 1/4" thick (not shown)
 Tiling flange position is determined by chosen configuration.

All dimensions are approximate. Structure measurements must be verified against the unit to ensure proper fit.



B3Square 4842

CONFIGURABLE SHOWER BASES



Material : Acrylic

Features

- › Acrylic rectangular shower base with square drain
- › Low 3 in. threshold base allowing an easy and safe access
- › Certain configurations available with Stabili-T anti-slip bottom meeting ADA, ANSI or CSA
- › Multiple configurations available to accommodate different types of installation
- › Chrome grid and drain included (ABS or PVC available)
- › Compatible with most glue-up Shower walls and ceramic tiles
- › Integrated leak proof tiling flanges
- › Complete drain assembly included for an easy installation
- › High gloss finish resistant to dulling, scratching, and fading

B3SQUARE 4842 - 420043

SKU	Color	Configuration	Dimensions & Weight	Packaging	MSRP
420043-541-001-100	White	Center / Alcove – Stabili-T	47 7/8" x 41 7/8" x 3" / 56 lb / 25 kg	4.64066116898148 ft ³	\$ 1180
420043-542-001-100		Center / Corner Left – Stabili-T			\$ 1180
420043-543-001-100		Center / Corner Right – Stabili-T			\$ 1180
420043-544-001-100		Center / Alcove Deep - Stabili-T			\$ 1180

COMMON OPTIONS

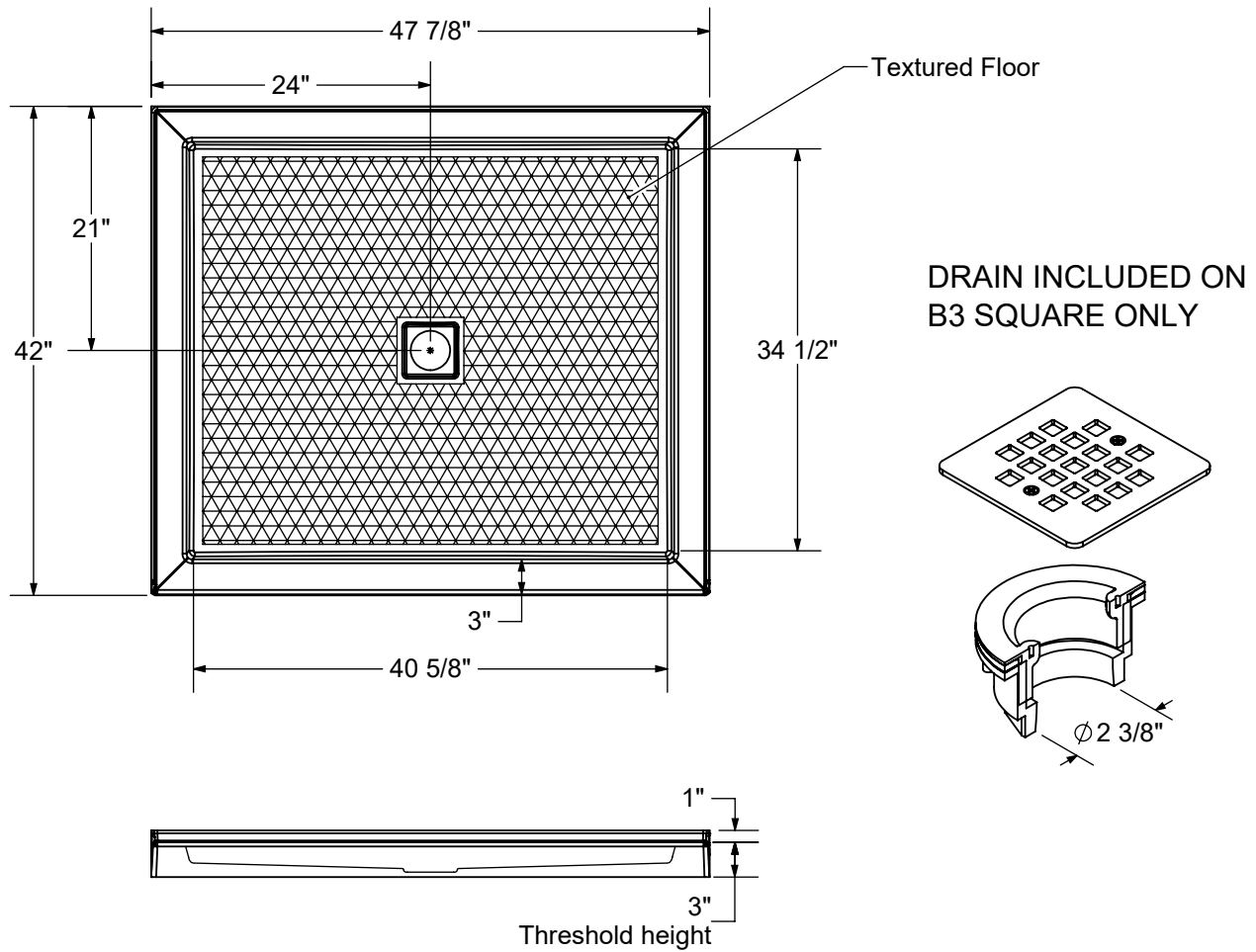
SKU	Description	MSRP
OPT20253-340	ABS Square drain Available colors: Chrome (084), Brushed Nickel (305), Dark Bronze (173), Matte Black (340) and Brushed gold (343)	\$ 83
OPT20253-305		\$ 50
OPT20253-343		\$ 83
OPT20253-084		\$ 0
OPT20253-173		\$ 83
OPT20254-173	PVC Square drain Available colors: Chrome (084), Brushed Nickel (305), Dark Bronze (173), Matte Black (340) and Brushed gold (343)	\$ 83
OPT20254-305		\$ 50
OPT20254-340		\$ 83
OPT20254-343		\$ 83
OPT20254-084		\$ 0

ACCESSORIES		
SKU	Description	MSRP
10038458-305-600	Square drain grid Available colors: White (001), Chrome (084), Dark Bronze (173), Brushed Nickel (305), Matte Black (340) and Brushed gold (343)	\$ 50
10038458-084-600		\$ 50
10038458-173-600		\$ 83
10038458-340-600		\$ 83
10038458-001-600		\$ 83
10038458-343-600		\$ 83

RECOMMENDED DOORS		
SKU	Product Name	Pag.
138996	Halo 44 1/2-47 x 78 3/4 - 8mm	355

BASE MODEL

CONFIGURABLE SHOWER BASES



- All dimensions are approximate
- Structure measurements must be verified against the unit to ensure proper fit
- Installation to be completed in accordance with manufacturers specifications
- Do not scale drawings

B3Square 6030



Material : Acrylic

Features

- › Acrylic rectangular shower base with square drain
- › Low 3 in. threshold base allowing an easy and safe access
- › Certain configurations available with Stabili-T anti-slip bottom meeting ADA, ANSI or CSA
- › Multiple configurations available to accommodate different types of installation
- › Chrome grid and drain included (ABS or PVC available)
- › Compatible with most glue-up Shower walls and ceramic tiles
- › Integrated leak proof tiling flanges
- › Complete drain assembly included for an easy installation
- › High gloss finish resistant to dulling, scratching, and fading

CONFIGURABLE SHOWER BASES

B3SQUARE 6030 - 420004

SKU	Color	Configuration	Dimensions & Weight	Packaging	MSRP
420004-501-001-100	White	Left / Alcove	59 7/8" x 29 7/8" x 3" / 52 lb / 24 kg	81.7520706741898 ft ³	\$ 1018
420004-501-001-101		Right / Alcove			\$ 1018
420004-502-001-100		Left / Corner Left			\$ 1018
420004-503-001-100		Right / Corner Right			\$ 1018
420004-504-001-100		Back End Drain / Alcove Deep			\$ 1018
420004-505-001-100		Left / Wall Mounted			\$ 1018
420004-505-001-101		Right / Wall Mounted			\$ 1018
420004-541-001-104		Left / Alcove – Stabili-T			\$ 1018
420004-541-001-105		Right / Alcove – Stabili-T			\$ 1018
420004-542-001-100		Left / Corner Left – Stabili-T			\$ 1018
420004-543-001-100		Right / Corner Right – Stabili-T			\$ 1018

COMMON OPTIONS

SKU	Description	MSRP
OPT20253-340	ABS Square drain Available colors: Chrome (084), Brushed Nickel (305), Dark Bronze (173), Matte Black (340) and Brushed gold (343)	\$ 83
OPT20253-305		\$ 50
OPT20253-343		\$ 83
OPT20253-084		\$ 0

COMMON OPTIONS

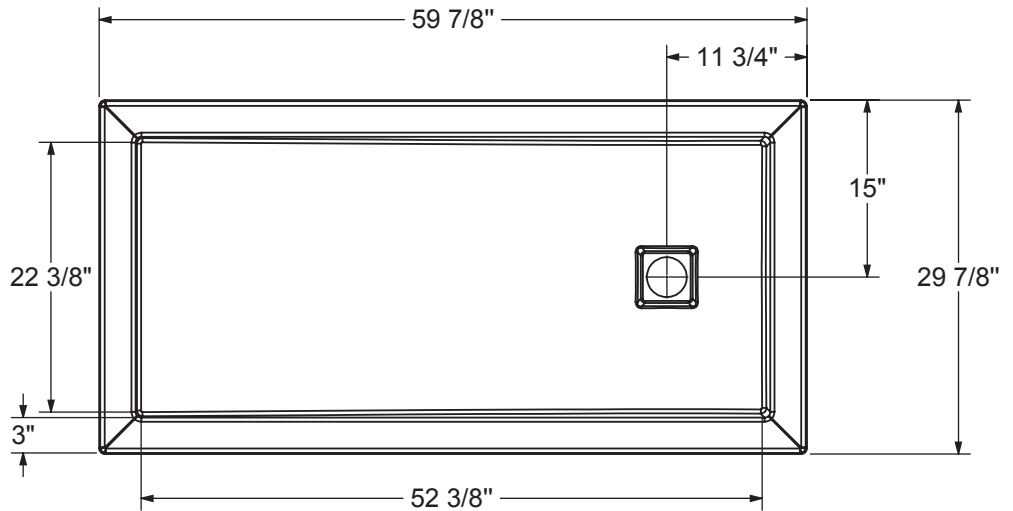
SKU	Description	MSRP
OPT20253-173	ABS Square drain Available colors: Chrome (084), Brushed Nickel (305), Dark Bronze (173), Matte Black (340) and Brushed gold (343)	\$ 83
OPT20254-173	PVC Square drain Available colors: Chrome (084), Brushed Nickel (305), Dark Bronze (173), Matte Black (340) and Brushed gold (343)	\$ 83
OPT20254-305		\$ 50
OPT20254-340		\$ 83
OPT20254-343		\$ 83
OPT20254-084		\$ 0

ACCESSORIES

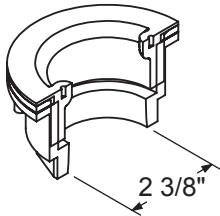
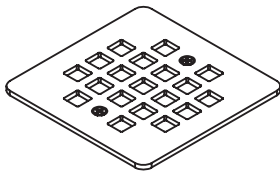
SKU	Description	MSRP
10038458-305-600	Square drain grid Available colors: White (001), Chrome (084), Dark Bronze (173), Brushed Nickel (305), Matte Black (340) and Brushed gold (343)	\$ 50
10038458-084-600		\$ 50
10038458-173-600		\$ 83
10038458-340-600		\$ 83
10038458-001-600		\$ 83
10038458-343-600		\$ 83

RECOMMENDED DOORS

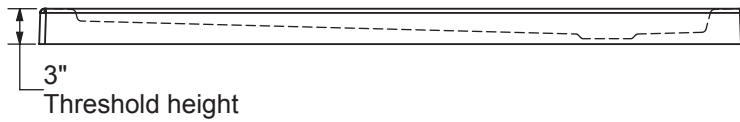
SKU	Product Name	Pag.
138997	Halo 56 ½-59 x 78 ¾ - 8mm	355



**DRAIN INCLUDED
FOR B3 SQUARE ONLY**



1" integrated tiling
flange (not shown)



This technical drawing is universal for every 6030 configuration.

Integrated tiling flange : 1" height x 1/4" thick (not shown)
Tiling flange position is determined by chosen configuration.

All dimensions are approximate. Structure measurements
must be verified against the unit to ensure proper fit.

B3Square 6032



CONFIGURABLE SHOWER BASES



Material : Acrylic

Features

- › Acrylic rectangular shower base with square drain
- › Low 3 in. threshold base allowing an easy and safe access
- › Certain configurations available with Stabili-T anti-slip bottom meeting ADA, ANSI or CSA
- › Multiple configurations available to accommodate different types of installation
- › Chrome grid and drain included (ABS or PVC available)
- › Compatible with Utile, most glue-up shower walls and ceramic tiles
- › Integrated leak proof tiling flanges
- › Complete drain assembly included for an easy installation
- › High gloss finish resistant to dulling, scratching, and fading

B3SQUARE 6032 - 420005

SKU	Color	Configuration	Dimensions & Weight	Packaging	MSRP
420005-501-001-100	White	Left / Alcove	59 7/8" x 31 7/8" x 3" / 55 lb / 25 kg	81.7520706741898 ft ³	\$ 1018
420005-501-001-101		Right / Alcove			\$ 1018
420005-502-001-100		Left / Corner Left			\$ 1018
420005-503-001-100		Right / Corner Right			\$ 1018
420005-504-001-100		Back End Drain / Alcove Deep			\$ 1018
420005-505-001-100		Left / Wall Mounted			\$ 1018
420005-505-001-101		Right / Wall Mounted			\$ 1018
420005-506-001-104		Back End Drain / Tunnel			\$ 1018
420005-541-001-100		Left / Alcove – Stabili-T			\$ 1018
420005-541-001-101		Right / Alcove – Stabili-T			\$ 1018
420005-542-001-100		Left / Corner Left – Stabili-T			\$ 1018
420005-543-001-100		Right / Corner Right – Stabili-T			\$ 1018

COMMON OPTIONS

SKU	Description	MSRP
OPT20253-340		\$ 83
OPT20253-305	ABS Square drain Available colors: Chrome (084), Brushed Nickel (305), Dark Bronze (173), Matte Black (340) and Brushed gold (343)	\$ 50
OPT20253-343		\$ 83

COMMON OPTIONS

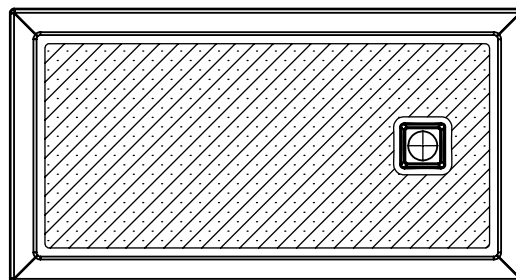
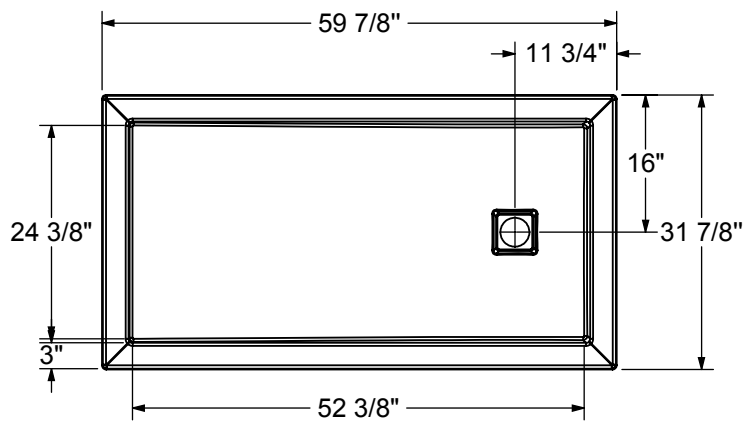
SKU	Description	MSRP
OPT20253-084	ABS Square drain Available colors: Chrome (084), Brushed Nickel (305), Dark Bronze (173), Matte Black (340) and Brushed gold (343)	\$ 0
OPT20253-173		\$ 83
OPT20254-173	PVC Square drain Available colors: Chrome (084), Brushed Nickel (305), Dark Bronze (173), Matte Black (340) and Brushed gold (343)	\$ 83
OPT20254-305		\$ 50
OPT20254-340		\$ 83
OPT20254-343		\$ 83
OPT20254-084		\$ 0

ACCESSORIES

SKU	Description	MSRP
10038458-305-600	Square drain grid Available colors: White (001), Chrome (084), Dark Bronze (173), Brushed Nickel (305), Matte Black (340) and Brushed gold (343)	\$ 50
10038458-084-600		\$ 50
10038458-173-600		\$ 83
10038458-340-600		\$ 83
10038458-001-600		\$ 83
10038458-343-600		\$ 83

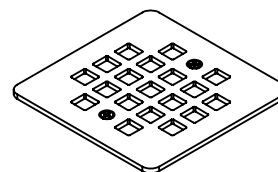
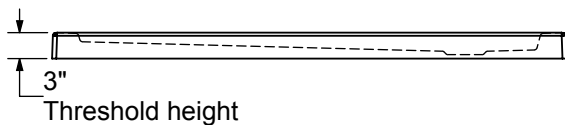
RECOMMENDED DOORS

SKU	Product Name	Pag.
138277	Manhattan 57-59 x 68 - 6mm	339
138997	Halo 56 ½-59 x 78 ¾ - 8mm	355
139353	Incognito 70 56-59 x 70 ½ - 8mm	300
139350	Incognito 56-59 x 70 ½ in. 6mm	298
135332	Incognito 76 Shaker 56-59 x 76 - 8mm	304
135335	Incognito 76 56-59 x 76 - 8mm	294
136335	Incognito 76 Smoke 56-59 x 76 - 8mm	306
136691	Revelation Round 56-59 x 70 ½-73 - 6mm	310
136694	Revelation Round 56-59 x 70 ½-73 - 8mm	312
135322	Uptown 56-59 x 76 in. 8 mm	314
135324		361
135244	Connect 57-58 1/2 x 72 - 6mm	364
139580	Reveal Sleek 71 56-59 x 71 ½ - 8mm	351
136272	Duel 56-58 ½ x 70 ½ x 74 - 8 mm	295
138762	Inverto 56-59 x 70 ½-74 - 8mm	293
137420	Odyssey SC 57-59 1/2 x 78 - 8 mm	359
137681	Outback 55 ¼ - 58 ½ x 70 ½ - 8mm	366
138993	Luminescence 56 ½-59 x 70 ½-72 - 6mm	357
105412	Polar 54-59 ½ x 68 in.	308

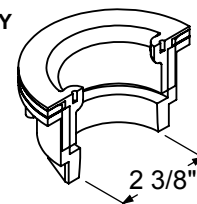


The hatched area represent the antislip surface

1" integrated tiling flange (not shown)



DRAIN INCLUDED ON B3 SQUARE ONLY



This technical drawing is universal for every 6032 configuration.

Integrated tiling flange : 1" height x 1/4" thick (not shown)
 Tiling flange position is determined by chosen configuration.

All dimensions are approximate. Structure measurements must be verified against the unit to ensure proper fit.

B3Square 6034



Material : Acrylic

Features

- › Acrylic rectangular shower base with square drain
- › Low 3 in. threshold base allowing an easy and safe access
- › Certain configurations available with Stabili-T anti-slip bottom meeting ADA, ANSI or CSA
- › Multiple configurations available to accommodate different types of installation
- › Chrome grid and drain included (ABS or PVC available)
- › Compatible with most glue-up Shower walls and ceramic tiles
- › Integrated leak proof tiling flanges
- › Complete drain assembly included for an easy installation
- › High gloss finish resistant to dulling, scratching, and fading

CONFIGURABLE SHOWER BASES

B3SQUARE 6034 - 420035

SKU	Color	Configuration	Dimensions & Weight	Packaging	MSRP
420035-501-001-100	White	Left / Alcove	59 7/8" x 33 7/8" x 3" / 57 lb / 26 kg	81.7520706741898 ft ³	\$ 1046
420035-501-001-101		Right / Alcove			\$ 1046
420035-501-001-102		Center / Alcove			\$ 1046
420035-502-001-100		Left / Corner Left			\$ 1046
420035-502-001-101		Center / Corner Left			\$ 1046
420035-503-001-100		Right / Corner Right			\$ 1046
420035-503-001-101		Center / Corner Right			\$ 1046
420035-541-001-100		Left / Alcove – Stabili-T			\$ 1046
420035-541-001-101		Right / Alcove – Stabili-T			\$ 1046
420035-541-001-102		Center / Alcove – Stabili-T			\$ 1046
420035-542-001-100		Left / Corner Left – Stabili-T			\$ 1046
420035-542-001-101		Center / Corner Left – Stabili-T			\$ 1046
420035-543-001-100		Right / Corner Right – Stabili-T			\$ 1046
420035-543-001-101		Center / Corner Right – Stabili-T			\$ 1046

COMMON OPTIONS

SKU	Description	MSRP
OPT20253-340	ABS Square drain Available colors: Chrome (084), Brushed Nickel (305), Dark Bronze (173), Matte Black (340) and Brushed gold (343)	\$ 83

COMMON OPTIONS

SKU	Description	MSRP
OPT20253-305	ABS Square drain Available colors: Chrome (084), Brushed Nickel (305), Dark Bronze (173), Matte Black (340) and Brushed gold (343)	\$ 50
OPT20253-343		\$ 83
OPT20253-084		\$ 0
OPT20253-173		\$ 83
OPT20254-173	PVC Square drain Available colors: Chrome (084), Brushed Nickel (305), Dark Bronze (173), Matte Black (340) and Brushed gold (343)	\$ 83
OPT20254-305		\$ 50
OPT20254-340		\$ 83
OPT20254-343		\$ 83
OPT20254-084		\$ 0

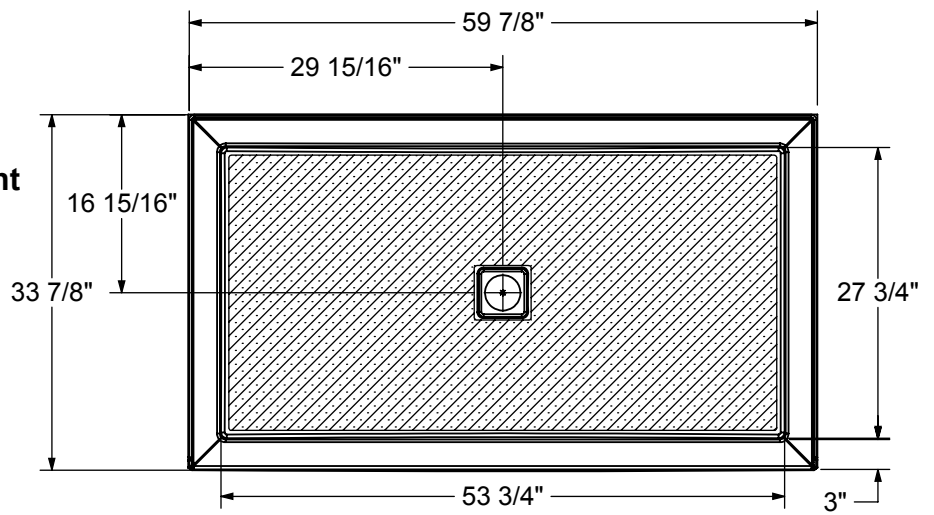
ACCESSORIES

SKU	Description	MSRP
10038458-305-600	Square drain grid Available colors: White (001), Chrome (084), Dark Bronze (173), Brushed Nickel (305), Matte Black (340) and Brushed gold (343)	\$ 50
10038458-084-600		\$ 50
10038458-173-600		\$ 83
10038458-340-600		\$ 83
10038458-001-600		\$ 83
10038458-343-600		\$ 83

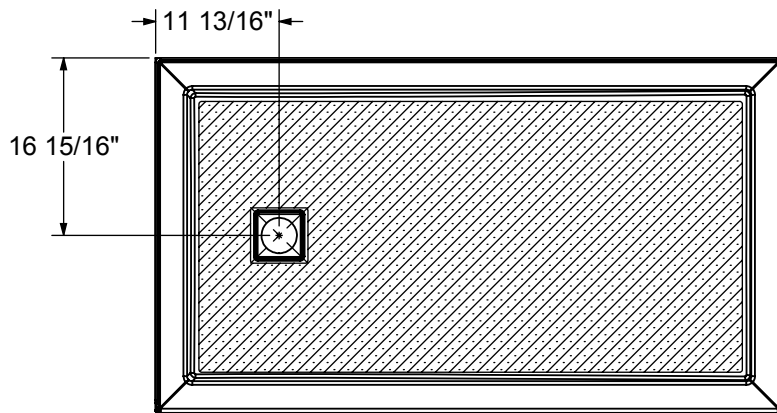
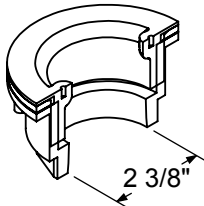
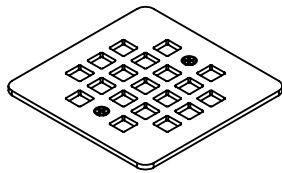
RECOMMENDED DOORS

SKU	Product Name	Pag.
138997	Halo 56 ½-59 x 78 ¾ - 8mm	355
139580	Reveal Sleek 71 56-59 x 71 ½ - 8mm	351
136272	Duel 56-58 ½ x 70 ½ x 74 - 8 mm	295

The hatched area represent the antislip surface



DRAIN INCLUDED ON B3 SQUARE ONLY



This technical drawing is universal for every 6034 configuration.

Integrated tiling flange : 1" height x 1/4" thick
 Tiling flange position is determined by chosen configuration.

All dimensions are approximate. Structure measurements must be verified against the unit to ensure proper fit.



B3Square 6036

CONFIGURABLE SHOWER BASES



Material : Acrylic

Features

- › Acrylic rectangular shower base with square drain
- › Low 3 in. threshold base allowing an easy and safe access
- › Certain configurations available with Stabili-T anti-slip bottom meeting ADA, ANSI or CSA
- › Multiple configurations available to accommodate different types of installation
- › Chrome grid and drain included (ABS or PVC available)
- › Compatible with Utile, most glue-up shower walls and ceramic tiles
- › Integrated leak proof tiling flanges
- › Complete drain assembly included for an easy installation
- › High gloss finish resistant to dulling, scratching, and fading

B3SQUARE 6036 - 420006					
SKU	Color	Configuration	Dimensions & Weight	Packaging	MSRP
420006-501-001-100	White	Left / Alcove	59 7/8" x 35 7/8" x 3" / 62 lb / 28 kg	81.7520706741898 ft ³	\$ 1093
420006-501-001-101		Right / Alcove			\$ 1093
420006-501-001-102		Center / Alcove			\$ 1093
420006-502-001-100		Left / Corner Left			\$ 1093
420006-502-001-101		Center / Corner Left			\$ 1093
420006-503-001-100		Right / Corner Right			\$ 1093
420006-503-001-101		Center / Corner Right			\$ 1093
420006-504-001-100		Back End Drain / Alcove Deep			\$ 1093
420006-504-001-101		Center / Alcove Deep			\$ 1093
420006-505-001-100		Left / Wall Mounted			\$ 1093
420006-505-001-101		Right / Wall Mounted			\$ 1093
420006-505-001-102		Center / Wall Mounted			\$ 1093
420006-506-001-100		Center / Tunnel			\$ 1093
420006-506-001-107		Back End Drain / Tunnel			\$ 1093
420006-541-001-100		Left / Alcove – Stabili-T			\$ 1093
420006-541-001-101		Right / Alcove – Stabili-T			\$ 1093
420006-541-001-102		Center / Alcove – Stabili-T			\$ 1093
420006-542-001-101		Center / Corner Left – Stabili-T			\$ 1093
420006-542-001-104		Left / Corner Left – Stabili-T			\$ 1093

B3SQUARE 6036 - 420006

SKU	Color	Configuration	Dimensions & Weight	Packaging	MSRP
420006-543-001-100	White	Right / Corner Right – Stabili-T	59 7/8" x 35 7/8" x 3" / 62 lb / 28 kg	81.7520706741898 ft ³	\$ 1093
420006-543-001-101		Center / Corner Right – Stabili-T			\$ 1093

COMMON OPTIONS

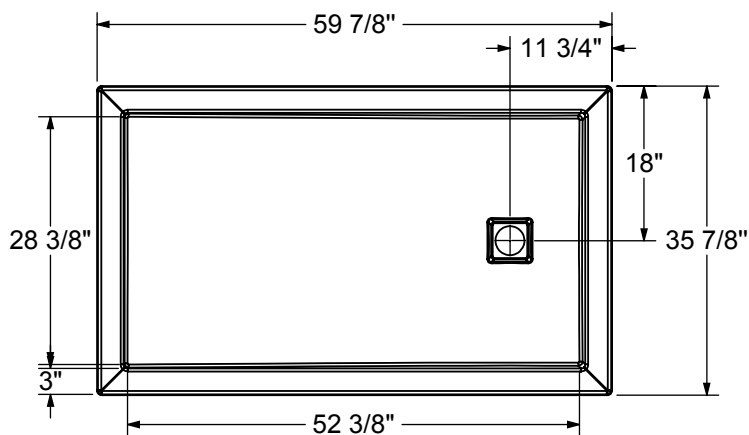
SKU	Description	MSRP
OPT20253-340	ABS Square drain Available colors: Chrome (084), Brushed Nickel (305), Dark Bronze (173), Matte Black (340) and Brushed gold (343)	\$ 83
OPT20253-305		\$ 50
OPT20253-343		\$ 83
OPT20253-084		\$ 0
OPT20253-173		\$ 83
OPT20254-173		PVC Square drain Available colors: Chrome (084), Brushed Nickel (305), Dark Bronze (173), Matte Black (340) and Brushed gold (343)
OPT20254-305	\$ 50	
OPT20254-340	\$ 83	
OPT20254-343	\$ 83	
OPT20254-084	\$ 0	

ACCESSORIES

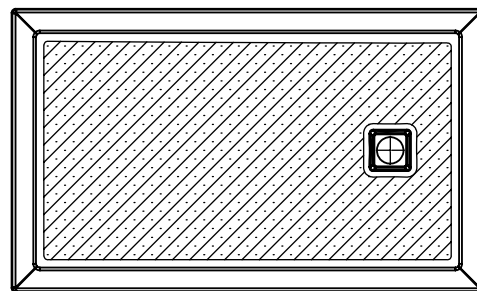
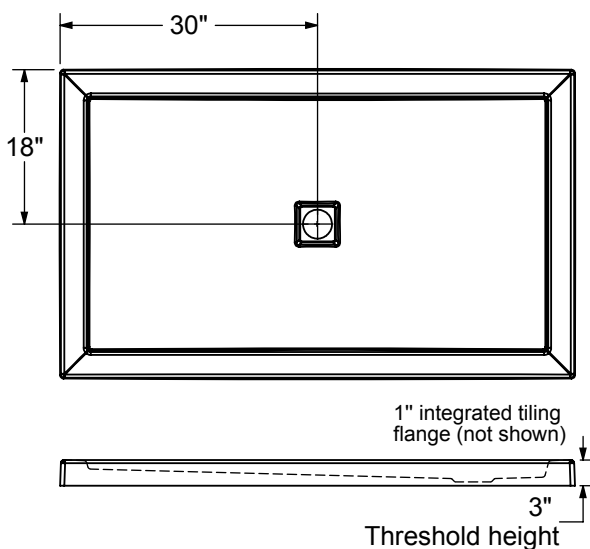
SKU	Description	MSRP
10038458-305-600	Square drain grid Available colors: White (001), Chrome (084), Dark Bronze (173), Brushed Nickel (305), Matte Black (340) and Brushed gold (343)	\$ 50
10038458-084-600		\$ 50
10038458-173-600		\$ 83
10038458-340-600		\$ 83
10038458-001-600		\$ 83
10038458-343-600		\$ 83

RECOMMENDED DOORS

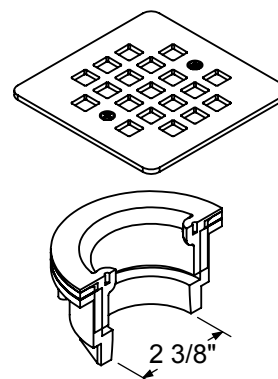
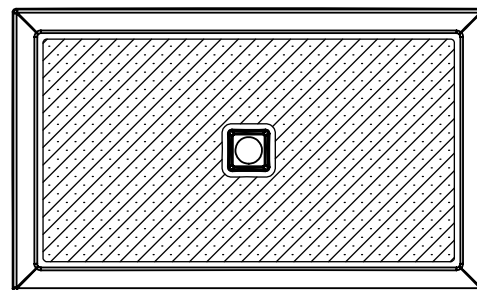
SKU	Product Name	Pag.
138277	Manhattan 57-59 x 68 - 6mm	339
138997	Halo 56 ½-59 x 78 ¾ - 8mm	355
139353	Incognito 70 56-59 x 70 ½ - 8mm	300
139350	Incognito 56-59 x 70 ½ in. 6mm	298
135332	Incognito 76 Shaker 56-59 x 76 - 8mm	304
135335	Incognito 76 56-59 x 76 - 8mm	294
136335	Incognito 76 Smoke 56-59 x 76 - 8mm	306
136691	Revelation Round 56-59 x 70 ½-73 - 6mm	310
136694	Revelation Round 56-59 x 70 ½-73 - 8mm	312
135322	Uptown 56-59 x 76 in. 8 mm	314



DRAIN INCLUDED
ON B3 SQUARE ONLY



The hatched area represent the anti-slip surface



This technical drawing is universal for every 6036 configuration.

Integrated tiling flange : 1" height x 1/4" thick (not shown)
Tiling flange position is determined by chosen configuration.

All dimensions are approximate. Structure measurements must be verified against the unit to ensure proper fit.



B3Square 6042



Material : Acrylic

Features

- › Acrylic rectangular shower base with square drain
- › Low 3 in. threshold base allowing an easy and safe access
- › Certain configurations available with Stabili-T anti-slip bottom meeting ADA, ANSI or CSA
- › Multiple configurations available to accommodate different types of installation
- › Chrome grid and drain included (ABS or PVC available)
- › Compatible with most glue-up Shower walls and ceramic tiles
- › Integrated leak proof tiling flanges
- › Complete drain assembly included for an easy installation
- › High gloss finish resistant to dulling, scratching, and fading

CONFIGURABLE SHOWER BASES

B3SQUARE 6042 - 420036

SKU	Color	Configuration	Dimensions & Weight	Packaging	MSRP
420036-501-001-100	White	Center / Alcove	59 7/8" x 41 7/8" x 3" / 59 lb / 27 kg	81.7520706741898 ft ³	\$ 1135
420036-502-001-100		Center / Corner Left			\$ 1135
420036-503-001-100		Center / Corner Right			\$ 1135
420036-541-001-100		Center / Alcove – Stabili-T			\$ 1135
420036-542-001-100		Center / Corner Left – Stabili-T			\$ 1135
420036-543-001-100		Center / Corner Right – Stabili-T			\$ 1135

COMMON OPTIONS

SKU	Description	MSRP
OPT20253-340	ABS Square drain Available colors: Chrome (084), Brushed Nickel (305), Dark Bronze (173), Matte Black (340) and Brushed gold (343)	\$ 83
OPT20253-305		\$ 50
OPT20253-343		\$ 83
OPT20253-084		\$ 0
OPT20253-173		\$ 83
OPT20254-173	PVC Square drain Available colors: Chrome (084), Brushed Nickel (305), Dark Bronze (173), Matte Black (340) and Brushed gold (343)	\$ 83
OPT20254-305		\$ 50
OPT20254-340		\$ 83
OPT20254-343		\$ 83

COMMON OPTIONS

SKU	Description	MSRP
OPT20254-084	PVC Square drain Available colors: Chrome (084), Brushed Nickel (305), Dark Bronze (173), Matte Black (340) and Brushed gold (343)	\$ 0

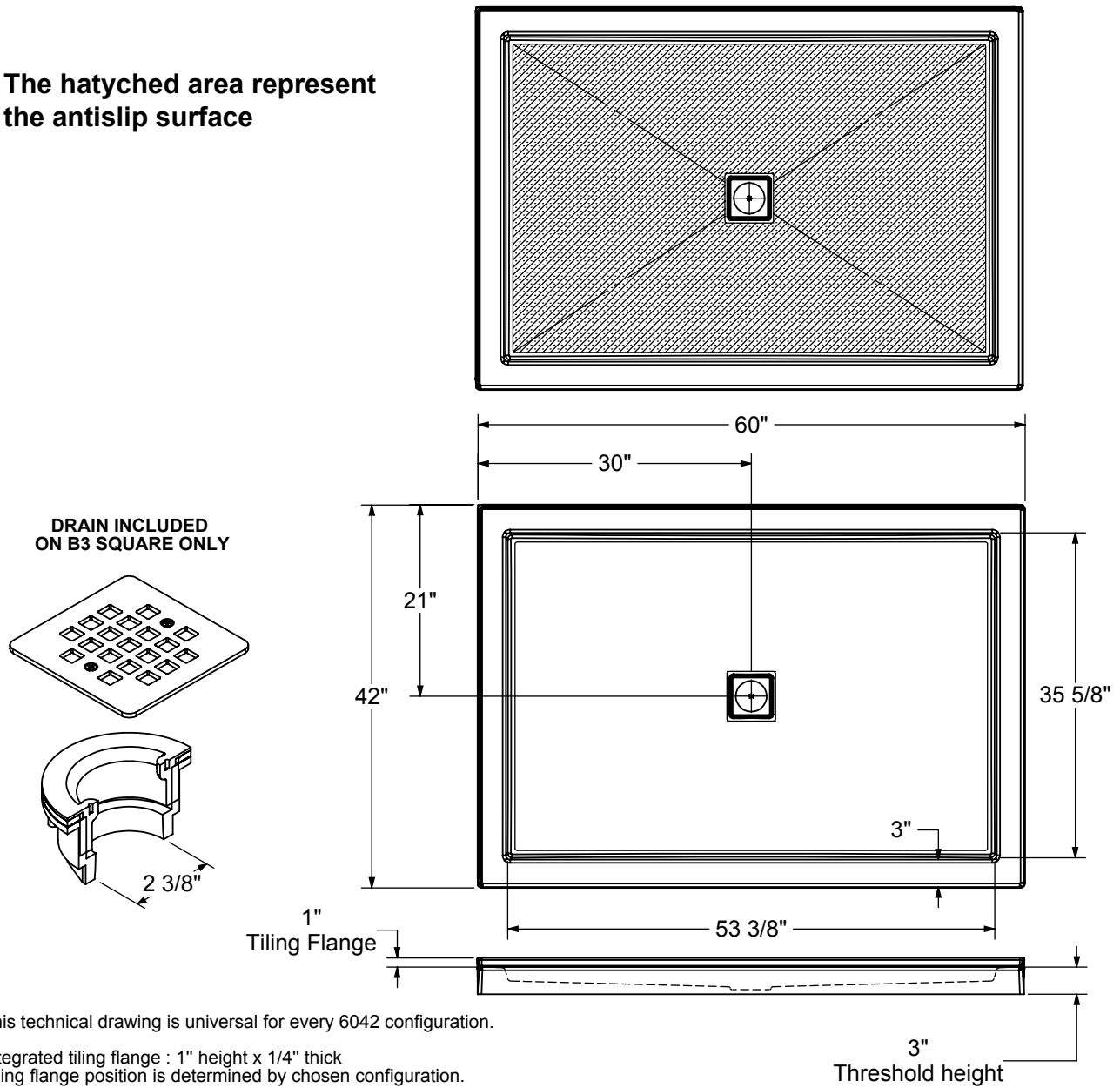
ACCESSORIES

SKU	Description	MSRP
10038458-305-600	Square drain grid Available colors: White (001), Chrome (084), Dark Bronze (173), Brushed Nickel (305), Matte Black (340) and Brushed gold (343)	\$ 50
10038458-084-600		\$ 50
10038458-173-600		\$ 83
10038458-340-600		\$ 83
10038458-001-600		\$ 83
10038458-343-600		\$ 83

RECOMMENDED DOORS

SKU	Product Name	Pag.
138997	Halo 56 1/2-59 x 78 3/4 - 8mm	355

The hatched area represent the antislip surface



This technical drawing is universal for every 6042 configuration.

Integrated tiling flange : 1" height x 1/4" thick
 Tiling flange position is determined by chosen configuration.

All dimensions are approximate. Structure measurements must be verified against the unit to ensure proper fit.

B3Square 7236



CONFIGURABLE SHOWER BASES



Material : Acrylic

Features

- › Acrylic rectangular shower base with square drain
- › Low 3 in. threshold base allowing an easy and safe access
- › Certain configurations available with Stabili-T anti-slip bottom meeting ADA, ANSI or CSA
- › Multiple configurations available to accommodate different types of installation
- › Chrome grid and drain included (ABS or PVC available)
- › Compatible with most glue-up Shower walls and ceramic tiles
- › Integrated leak proof tiling flanges
- › Complete drain assembly included for an easy installation
- › High gloss finish resistant to dulling, scratching, and fading

B3SQUARE 7236 - 420042

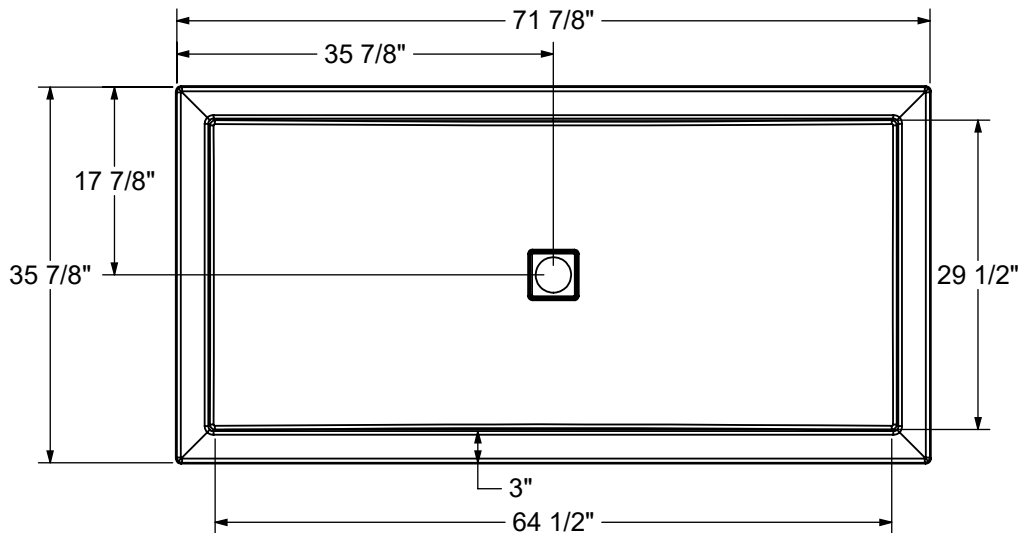
SKU	Color	Configuration	Dimensions & Weight	Packaging	MSRP
420042-501-001-000	White	Center / Alcove	71 7/8" x 35 7/8" x 3" / 60 lb / 27 kg	18.5926649305556 ft ³	\$ 1158
420042-502-001-000		Center / Corner Left			\$ 1158
420042-503-001-000		Center / Corner Right			\$ 1158

COMMON OPTIONS

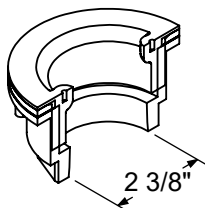
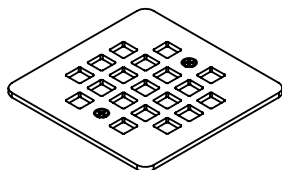
SKU	Description	MSRP
OPT20253-340	ABS Square drain Available colors: Chrome (084), Brushed Nickel (305), Dark Bronze (173), Matte Black (340) and Brushed gold (343)	\$ 83
OPT20253-305		\$ 50
OPT20253-343		\$ 83
OPT20253-084		\$ 0
OPT20253-173		\$ 83
OPT20254-173	PVC Square drain Available colors: Chrome (084), Brushed Nickel (305), Dark Bronze (173), Matte Black (340) and Brushed gold (343)	\$ 83
OPT20254-305		\$ 50
OPT20254-340		\$ 83
OPT20254-343		\$ 83
OPT20254-084		\$ 0

ACCESSORIES

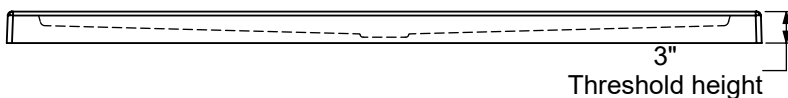
SKU	Description	MSRP
10038458-305-600	Square drain grid Available colors: White (001), Chrome (084), Dark Bronze (173), Brushed Nickel (305), Matte Black (340) and Brushed gold (343)	\$ 50
10038458-084-600		\$ 50
10038458-173-600		\$ 83
10038458-340-600		\$ 83
10038458-001-600		\$ 83
10038458-343-600		\$ 83



**DRAIN INCLUDED
ON B3 SQUARE ONLY**



1" integrated tiling
flange (not shown)



This technical drawing is universal for every 7236 configuration.

Integrated tiling flange : 1" height x 1/4" thick
Tiling flange position is determined by chosen configuration.

All dimensions are approximate. Structure measurements must be verified against the unit to ensure proper fit.



B3X 3636 - Alcove



Material : Acrylic

Features

- › 3 1/4 in. threshold acrylic shower base with square center drain
- › Optimized floor design improving showering space
- › Available with Stabili-T anti-slip bottom meeting ADA, ANSI or CSA requirements
- › 2 1/2 in. high tiling flanges to ensure watertightness
- › Integrated weep holes providing superior water management
- › Square chrome grid and ABS drain included (Upgrade PVC Option available)
- › Multiple grid finishes available

CONFIGURABLE SHOWER BASES

B3X 3636 - 420020

SKU	Color	Configuration	Dimensions & Weight	Packaging	MSRP
420020-501-001-000	White	Center / Alcove	35 7/8" x 35 7/8" x 4" / 35 lb / 16 kg	5.2 ft ³	\$ 771
420020-541-001-000		Center / Alcove – Stabili-T			\$ 771

COMMON OPTIONS

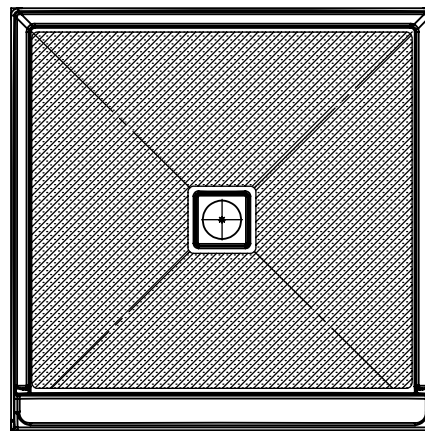
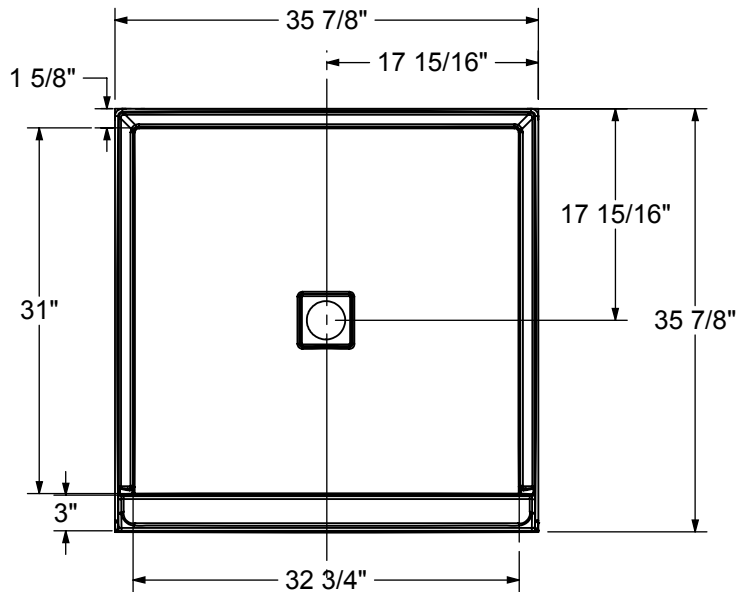
SKU	Description	MSRP
OPT20253-340	ABS Square drain Available colors: Chrome (084), Brushed Nickel (305), Dark Bronze (173), Matte Black (340) and Brushed gold (343)	\$ 83
OPT20253-305		\$ 50
OPT20253-343		\$ 83
OPT20253-084		\$ 0
OPT20253-173		\$ 83
OPT20254-173	PVC Square drain Available colors: Chrome (084), Brushed Nickel (305), Dark Bronze (173), Matte Black (340) and Brushed gold (343)	\$ 83
OPT20254-305		\$ 50
OPT20254-340		\$ 83
OPT20254-343		\$ 83
OPT20254-084		\$ 0

ACCESSORIES

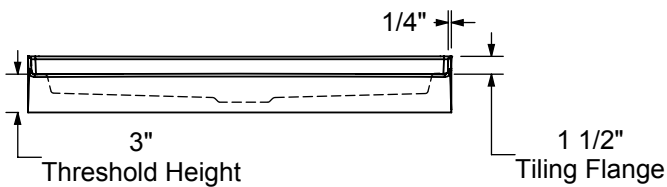
SKU	Description	MSRP
10038458-305-600	Square drain grid Available colors: White (001), Chrome (084), Dark Bronze (173), Brushed Nickel (305), Matte Black (340) and Brushed gold (343)	\$ 50
10038458-084-600		\$ 50
10038458-173-600		\$ 83
10038458-340-600		\$ 83
10038458-001-600		\$ 83
10038458-343-600		\$ 83

RECOMMENDED DOORS

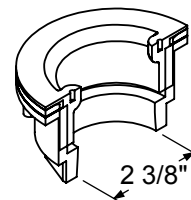
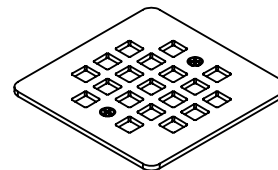
SKU	Product Name	Pag.
138265	Manhattan 33-35 x 68 - 6mm	333
139575	Reveal Sleek 71 32 ½-35 ½ x 71 ½ - 8mm	350
136676	Reveal 71 32 ½-35 ½ x 71 ½ - 8mm	347
136733	Polar Pivot 33-34 ¾ x 64 ½ in.	345
136435	Pivolok Deluxe 32 ½-37 x 64 ½ in.	341
136656	Pivolok 33-34 ¾ x 64 ½ in.	343



The hatched area represent the antislip surface



DRAIN INCLUDED ON B3 SQUARE ONLY



All dimensions are approximate. Structure measurements must be verified against the unit to ensure proper fit.



B3X 3636 - Corner

CONFIGURABLE SHOWER BASES



Material : Acrylic

Features

- › 3 1/4 in. threshold acrylic shower base with square center drain
- › Optimized floor design improving showering space
- › Available with Stabili-T anti-slip bottom meeting ADA, ANSI or CSA requirements
- › 2 1/2 in. high tiling flanges to ensure watertightness
- › Integrated weep holes providing superior water management
- › Square chrome grid and ABS drain included (Upgrade PVC Option available)
- › Multiple grid finishes available

B3X 3636 - 420021

SKU	Color	Configuration	Dimensions & Weight	Packaging	MSRP
420021-500-001-000	White	Center / Corner Left or Right	35 7/8" x 35 7/8" x 4" / 35 lb / 16 kg	5.2 ft ³	\$ 771
420021-540-001-000		Center / Corner Left or Right – Stabili-T			\$ 771

COMMON OPTIONS

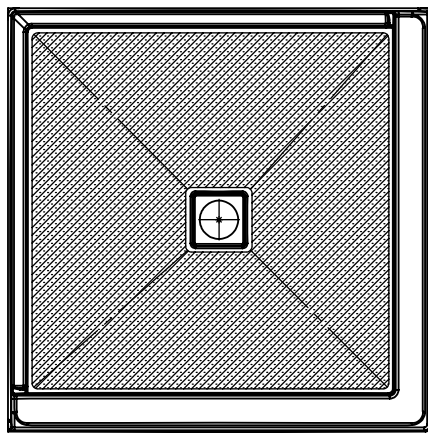
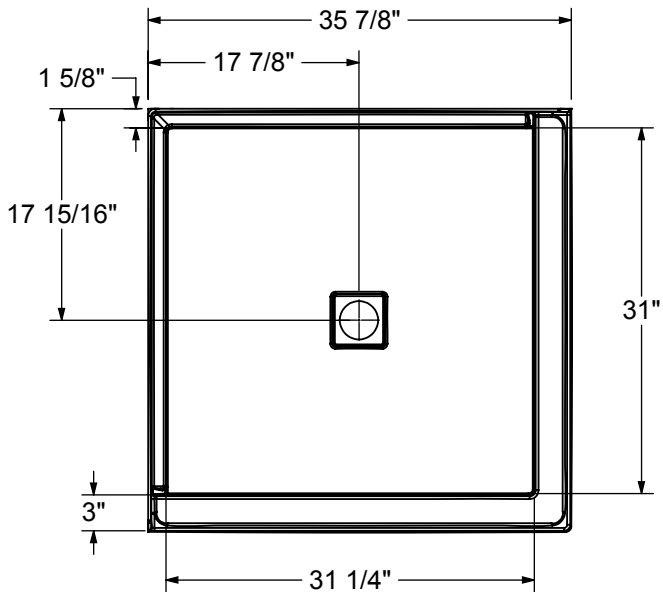
SKU	Description	MSRP
OPT20253-340	ABS Square drain Available colors: Chrome (084), Brushed Nickel (305), Dark Bronze (173), Matte Black (340) and Brushed gold (343)	\$ 83
OPT20253-305		\$ 50
OPT20253-343		\$ 83
OPT20253-084		\$ 0
OPT20253-173		\$ 83
OPT20254-173	PVC Square drain Available colors: Chrome (084), Brushed Nickel (305), Dark Bronze (173), Matte Black (340) and Brushed gold (343)	\$ 83
OPT20254-305		\$ 50
OPT20254-340		\$ 83
OPT20254-343		\$ 83
OPT20254-084		\$ 0

ACCESSORIES

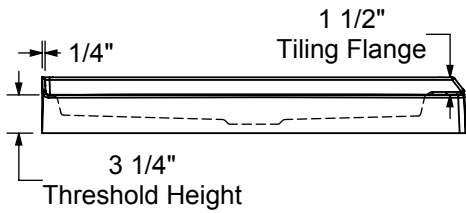
SKU	Description	MSRP
10038458-305-600	Square drain grid Available colors: White (001), Chrome (084), Dark Bronze (173), Brushed Nickel (305), Matte Black (340) and Brushed gold (343)	\$ 50
10038458-084-600		\$ 50
10038458-173-600		\$ 83
10038458-340-600		\$ 83
10038458-001-600		\$ 83
10038458-343-600		\$ 83

RECOMMENDED DOORS

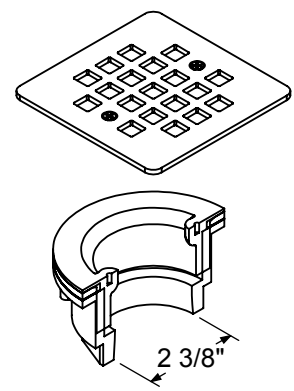
SKU	Product Name	Pag.
139575	Reveal Sleek 71 32 1/2-35 1/2 x 71 1/2 - 8mm	350
136676	Reveal 71 32 1/2-35 1/2 x 71 1/2 - 8mm	347



The hatched area represent the anti-slip surface



DRAIN INCLUDED ON B3 SQUARE ONLY



All dimensions are approximate. Structure measurements must be verified against the unit to ensure proper fit.



B3X 4236 - Alcove



Material : Acrylic

Features

- › 3 1/4 in. threshold acrylic shower base with square center drain
- › Optimized floor design improving showering space
- › Available with Stabili-T anti-slip bottom meeting ADA, ANSI or CSA requirements
- › 2 1/2 in. high tiling flanges to ensure watertightness
- › Integrated weep holes providing superior water management
- › Square chrome grid and ABS drain included (Upgrade PVC Option available)
- › Multiple grid finishes available

CONFIGURABLE SHOWER BASES

B3X 4236 - 420039

SKU	Color	Configuration	Dimensions & Weight	Packaging	MSRP
420039-501-001-000	White	Center / Alcove	41 7/8" x 35 7/8" x 4" / 45 lb / 20 kg	6 ft ³	\$ 914
420039-541-001-000		Center / Alcove – Stabili-T			\$ 914

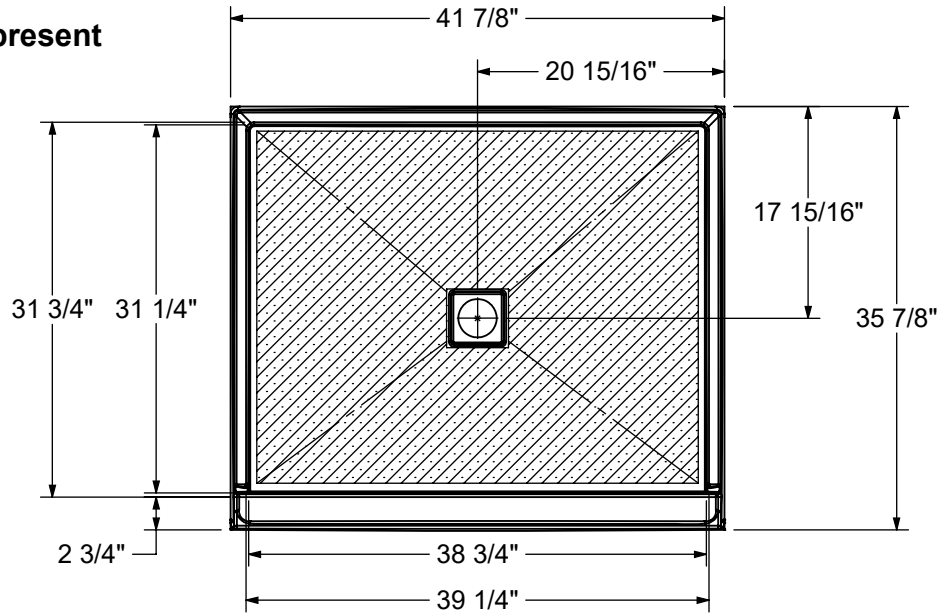
COMMON OPTIONS

SKU	Description	MSRP
OPT20253-340	ABS Square drain Available colors: Chrome (084), Brushed Nickel (305), Dark Bronze (173), Matte Black (340) and Brushed gold (343)	\$ 83
OPT20253-305		\$ 50
OPT20253-343		\$ 83
OPT20253-084		\$ 0
OPT20253-173		\$ 83
OPT20254-173	PVC Square drain Available colors: Chrome (084), Brushed Nickel (305), Dark Bronze (173), Matte Black (340) and Brushed gold (343)	\$ 83
OPT20254-305		\$ 50
OPT20254-340		\$ 83
OPT20254-343		\$ 83
OPT20254-084		\$ 0

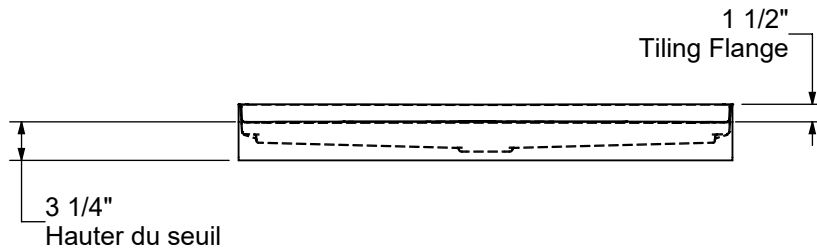
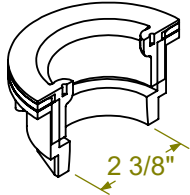
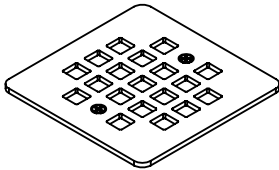
ACCESSORIES		
SKU	Description	MSRP
10038458-305-600	Square drain grid Available colors: White (001), Chrome (084), Dark Bronze (173), Brushed Nickel (305), Matte Black (340) and Brushed gold (343)	\$ 50
10038458-084-600		\$ 50
10038458-173-600		\$ 83
10038458-340-600		\$ 83
10038458-001-600		\$ 83
10038458-343-600		\$ 83

RECOMMENDED DOORS		
SKU	Product Name	Pag.
138268	Manhattan 39-41 x 68 - 6mm	337
138520	Incognito 74 39-42x74in. 8mm	302
139576	Reveal Sleek 71 38-41 x 71 ½ - 8mm	350
136679	Reveal 71 38-41 x 71 ½ - 8 mm	347
135662	Aura 40-44 x 71 - 6mm	316

The hatched area represent the antislip surface



DRAIN INCLUDED ON B3 SQUARE ONLY



This technical drawing is universal for every 4236 configuration.

Integrated tiling flange : 1 1/2" height x 1/4" thick
Tiling flange position is determined by chosen configuration.

All dimensions are approximate. Structure measurements must be verified against the unit to ensure proper fit.



B3X 4236 - Corner

CONFIGURABLE SHOWER BASES



Material : Acrylic

Features

- › 3 1/4 in. threshold acrylic shower base with square center drain
- › Optimized floor design improving showering space
- › Available with Stabili-T anti-slip bottom meeting ADA, ANSI or CSA requirements
- › 2 1/2 in. high tiling flanges to ensure watertightness
- › Integrated weep holes providing superior water management
- › Square chrome grid and ABS drain included (Upgrade PVC Option available)
- › Multiple grid finishes available
- › Left corner installation

B3X 4236 - 420040

SKU	Color	Configuration	Dimensions & Weight	Packaging	MSRP
420040-502-001-000	White	Center / Corner Left	41 7/8" x 35 7/8" x 4" / 45 lb / 20 kg	6 ft ³	\$ 914
420040-542-001-000		Center / Corner Left – Stabili-T			\$ 914

B3X 4236 - 420041

SKU	Color	Configuration	Dimensions & Weight	Packaging	MSRP
420041-503-001-000	White	Center / Corner Right	41 7/8" x 35 7/8" x 4" / 45 lb / 20 kg	6 ft ³	\$ 914
420041-543-001-000		Center / Corner Right – Stabili-T			\$ 914

COMMON OPTIONS

SKU	Description	MSRP
OPT20253-340	ABS Square drain Available colors: Chrome (084), Brushed Nickel (305), Dark Bronze (173), Matte Black (340) and Brushed gold (343)	\$ 83
OPT20253-305		\$ 50
OPT20253-343		\$ 83
OPT20253-084		\$ 0
OPT20253-173		\$ 83
OPT20254-173	PVC Square drain Available colors: Chrome (084), Brushed Nickel (305), Dark Bronze (173), Matte Black (340) and Brushed gold (343)	\$ 83
OPT20254-305		\$ 50
OPT20254-340		\$ 83

COMMON OPTIONS

SKU	Description	MSRP
OPT20254-343	PVC Square drain	\$ 83
OPT20254-084	Available colors: Chrome (084), Brushed Nickel (305), Dark Bronze (173), Matte Black (340) and Brushed gold (343)	\$ 0

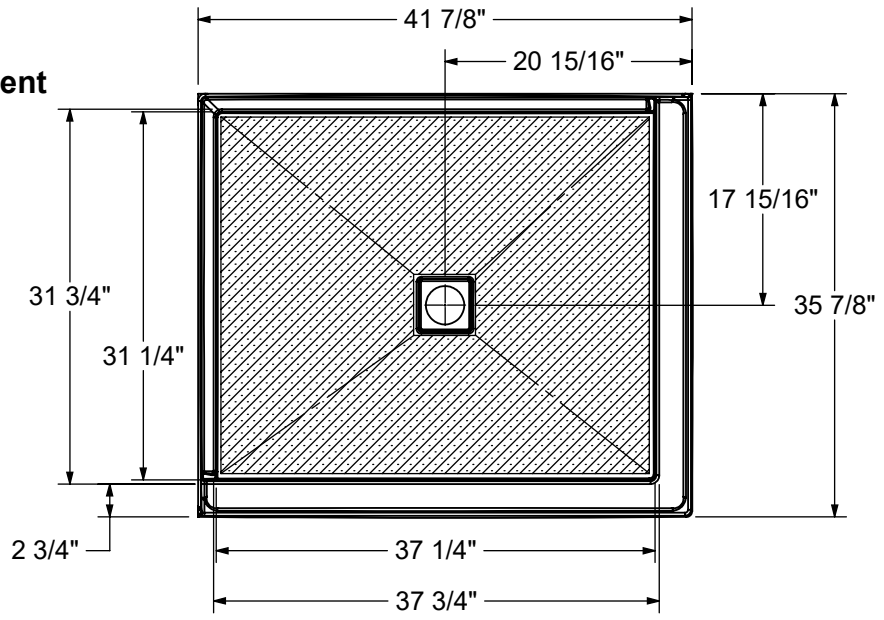
ACCESSORIES

SKU	Description	MSRP
10038458-305-600	Square drain grid Available colors: White (001), Chrome (084), Dark Bronze (173), Brushed Nickel (305), Matte Black (340) and Brushed gold (343)	\$ 50
10038458-084-600		\$ 50
10038458-173-600		\$ 83
10038458-340-600		\$ 83
10038458-001-600		\$ 83
10038458-343-600		\$ 83

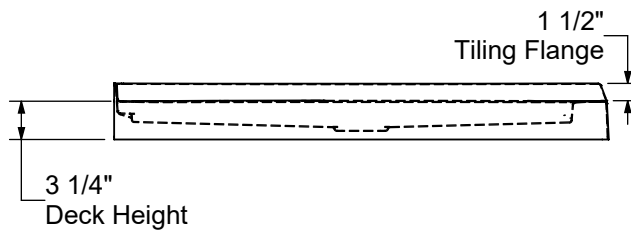
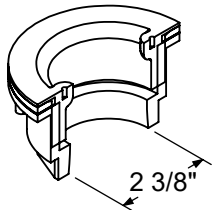
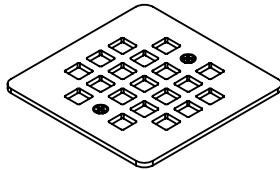
RECOMMENDED DOORS

SKU	Product Name	Pag.
139576	Reveal Sleek 71 38-41 x 71 ½ - 8mm	350
136679	Reveal 71 38-41 x 71 ½ - 8 mm	347

The hatched area represent the antislip surface



DRAIN INCLUDED ON B3 SQUARE ONLY



This technical drawing is universal for every 4236 configuration.

Integrated tiling flange : 1 1/2" height x 1/4" thick
Tiling flange position is determined by chosen configuration.

All dimensions are approximate. Structure measurements must be verified against the unit to ensure proper fit.



B3X 4836 - Alcove



Material : Acrylic

Features

- › 3 1/4 in. threshold acrylic shower base with square center drain
- › Optimized floor design improving showering space
- › Available with Stabili-T anti-slip bottom meeting ADA, ANSI or CSA requirements
- › 2 1/2 in. high tiling flanges to ensure watertightness
- › Integrated weep holes providing superior water management
- › Square chrome grid and ABS drain included (Upgrade PVC Option available)
- › Multiple grid finishes available

CONFIGURABLE SHOWER BASES

B3X 4836 - 420030

SKU	Color	Configuration	Dimensions & Weight	Packaging	MSRP
420030-501-001-000	White	Center / Alcove	47 7/8" x 35 7/8" x 4" / 47 lb / 21 kg	6.9 ft ³	\$ 951
420030-541-001-000		Center / Alcove – Stabili-T			\$ 951

COMMON OPTIONS

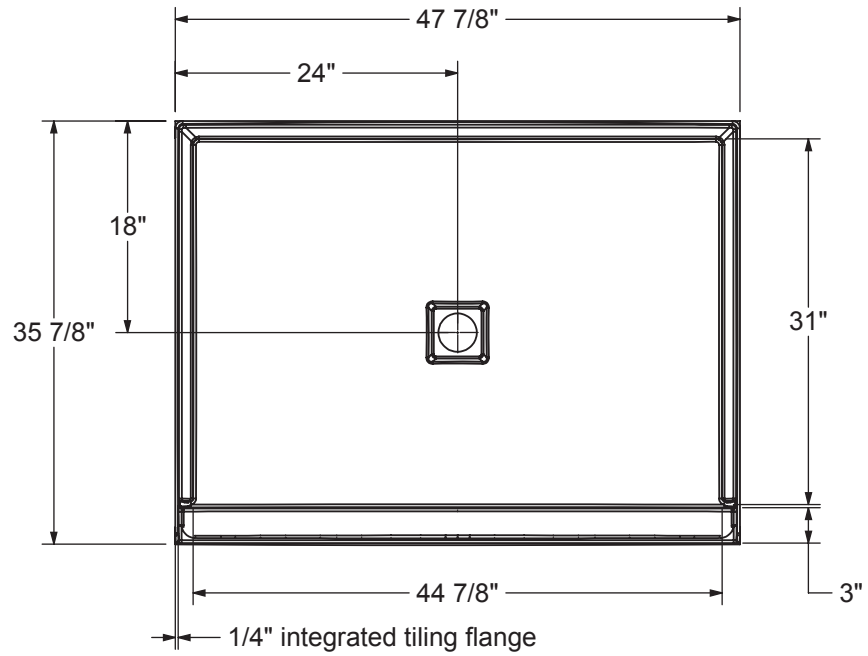
SKU	Description	MSRP
OPT20253-340	ABS Square drain Available colors: Chrome (084), Brushed Nickel (305), Dark Bronze (173), Matte Black (340) and Brushed gold (343)	\$ 83
OPT20253-305		\$ 50
OPT20253-343		\$ 83
OPT20253-084		\$ 0
OPT20253-173		\$ 83
OPT20254-173	PVC Square drain Available colors: Chrome (084), Brushed Nickel (305), Dark Bronze (173), Matte Black (340) and Brushed gold (343)	\$ 83
OPT20254-305		\$ 50
OPT20254-340		\$ 83
OPT20254-343		\$ 83
OPT20254-084		\$ 0

ACCESSORIES

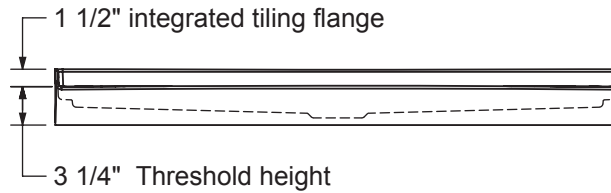
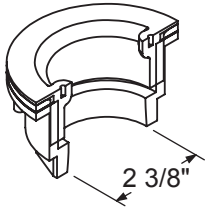
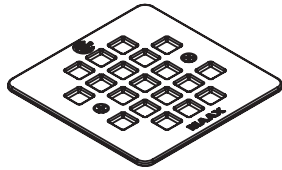
SKU	Description	MSRP
10038458-305-600	Square drain grid Available colors: White (001), Chrome (084), Dark Bronze (173), Brushed Nickel (305), Matte Black (340) and Brushed gold (343)	\$ 50
10038458-084-600		\$ 50
10038458-173-600		\$ 83
10038458-340-600		\$ 83
10038458-001-600		\$ 83
10038458-343-600		\$ 83

RECOMMENDED DOORS

SKU	Product Name	Pag.
135321	Uptown 44-47 x 76 in. 8 mm	314
139352	Incognito 70 44-47 x 70 ½ - 8mm	300
139349	Incognito 44-47 x 70 ½ in. 6mm	298
135671	Aura 43-47 x 71 - 8mm	324
136693	Revelation Round 44-47 x 70 ½-73 - 8mm	312
135323	Uptown 44-47 x 76 in. 8 mm	361
135325	Uptown 45-47 x 76 in. 8 mm	353
135242	Connect 45-46 1/2 x 72 - 6mm	363
139578	Reveal Sleek 71 44-47 x 71 ½ - 8mm	351
135331	Incognito 76 Shaker 44-47 x 76 - 8mm	304
136271	Duel 44-47 x 70 ½ x 74 - 8 mm	295
137421	Odyssey SC 45-47 1/2 x 78 - 8 mm	359
135663	Aura 43-47 x 71 - 6mm	317
138996	Halo 44 ½-47 x 78 ¾ - 8mm	355
137680	Outback 43 ¼ - 46 ½ x 70 ½ - 8mm	366
138992	Luminescence 44 ½-47 x 70 ½-72 - 6mm	357
105413	Polar 42-47 ½ x 68 in.	308
138271	Manhattan 45-47 x 68 - 6mm	337
136690	Revelation Round 44-47 x 70 ½-73 - 6mm	310
135674	Aura SC 43-47 x 71 - 8mm	326



DRAIN INCLUDED



All dimensions are approximate. Structure measurements must be verified against the unit to ensure proper fit.



B3X 4836 - Corner

CONFIGURABLE SHOWER BASES



Material : Acrylic

Features

- › 3 1/4 in. threshold acrylic shower base with square center drain
- › Optimized floor design improving showering space
- › Available with Stabili-T anti-slip bottom meeting ADA, ANSI or CSA requirements
- › 2 1/2 in. high tiling flanges to ensure watertightness
- › Integrated weep holes providing superior water management
- › Square chrome grid and ABS drain included (Upgrade PVC Option available)
- › Multiple grid finishes available
- › Left corner installation

B3X 4836 - 420028

SKU	Color	Configuration	Dimensions & Weight	Packaging	MSRP
420028-502-001-000	White	Center / Corner Left	47 7/8" x 35 7/8" x 4" / 47 lb / 21 kg	6.9 ft ³	\$ 951
420028-542-001-000		Center / Corner Left – Stabili-T			\$ 951

B3X 4836 - 420029

SKU	Color	Configuration	Dimensions & Weight	Packaging	MSRP
420029-503-001-000	White	Center / Corner Right	47 7/8" x 35 7/8" x 4" / 47 lb / 21 kg	6.9 ft ³	\$ 951
420029-543-001-000		Center / Corner Right – Stabili-T			\$ 951

COMMON OPTIONS

SKU	Description	MSRP
OPT20254-173	PVC Square drain Available colors: Chrome (084), Brushed Nickel (305), Dark Bronze (173), Matte Black (340) and Brushed gold (343)	\$ 83
OPT20254-305		\$ 50
OPT20254-340		\$ 83
OPT20254-343		\$ 83
OPT20254-084		\$ 0
OPT20253-340	ABS Square drain Available colors: Chrome (084), Brushed Nickel (305), Dark Bronze (173), Matte Black (340) and Brushed gold (343)	\$ 83
OPT20253-305		\$ 50
OPT20253-343		\$ 83

COMMON OPTIONS

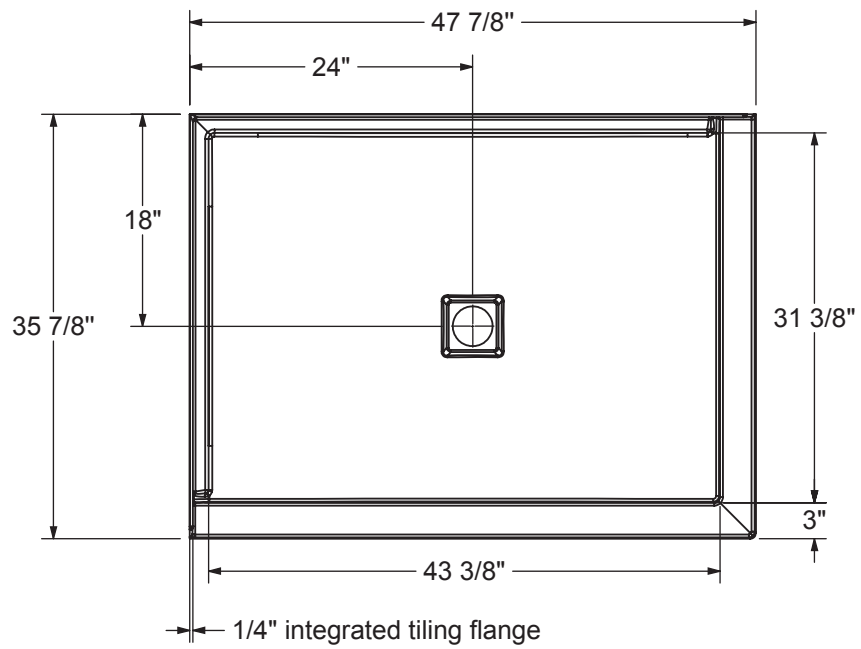
SKU	Description	MSRP
OPT20253-084	ABS Square drain	\$ 0
OPT20253-173	Available colors: Chrome (084), Brushed Nickel (305), Dark Bronze (173), Matte Black (340) and Brushed gold (343)	\$ 83

ACCESSORIES

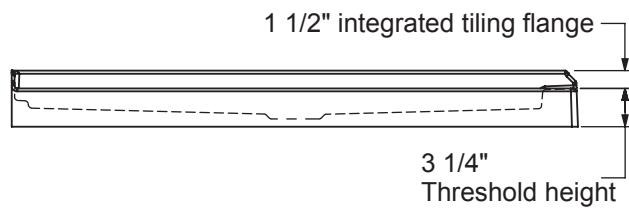
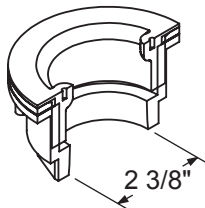
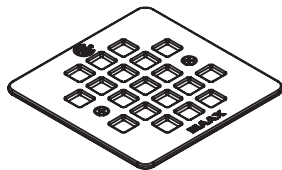
SKU	Description	MSRP
10038458-305-600	Square drain grid Available colors: White (001), Chrome (084), Dark Bronze (173), Brushed Nickel (305), Matte Black (340) and Brushed gold (343)	\$ 50
10038458-084-600		\$ 50
10038458-173-600		\$ 83
10038458-340-600		\$ 83
10038458-001-600		\$ 83
10038458-343-600		\$ 83

RECOMMENDED DOORS

SKU	Product Name	Pag.
138996	Halo 44 ½-47 x 78 ¾ - 8mm	355
135321	Uptown 44-47 x 76 in. 8 mm	314
135323		361
135325	Uptown 45-47 x 76 in. 8 mm	353
139578	Reveal Sleek 71 44-47 x 71 ½ - 8mm	351
136271	Duel 44-47 x 70 ½ x 74 - 8 mm	295



DRAIN INCLUDED



All dimensions are approximate. Structure measurements must be verified against the unit to ensure proper fit.



B3X 6032 - Alcove



Material : Acrylic

Features

- › 3 1/4 in. threshold acrylic shower base with square center drain
- › Optimized floor design improving showering space
- › Available with Stabili-T anti-slip bottom meeting ADA, ANSI or CSA requirements
- › Right or left drain
- › 2 1/2 in. high tiling flanges to ensure watertightness
- › Integrated weep holes providing superior water management
- › Square chrome grid and ABS drain included (Upgrade PVC Option available)
- › Multiple grid finishes available

CONFIGURABLE SHOWER BASES

B3X 6032 - 420022

SKU	Color	Configuration	Dimensions & Weight	Packaging	MSRP
420022-501-001-000	White	Left / Alcove	59 7/8" x 31 7/8" x 4" / 55 lb / 25 kg	7.6 ft ³	\$ 1060
420022-541-001-000		Left / Alcove – Stabili-T			\$ 1060

B3X 6032 - 420023

SKU	Color	Configuration	Dimensions & Weight	Packaging	MSRP
420023-501-001-000	White	Right / Alcove	59 7/8" x 31 7/8" x 4" / 55 lb / 25 kg	7.6 ft ³	\$ 1060
420023-541-001-000		Right / Alcove – Stabili-T			\$ 1060

COMMON OPTIONS

SKU	Description	MSRP
OPT20253-340	ABS Square drain Available colors: Chrome (084), Brushed Nickel (305), Dark Bronze (173), Matte Black (340) and Brushed gold (343)	\$ 83
OPT20253-305		\$ 50
OPT20253-343		\$ 83
OPT20253-084		\$ 0
OPT20253-173		\$ 83
OPT20254-173	PVC Square drain Available colors: Chrome (084), Brushed Nickel (305), Dark Bronze (173), Matte Black (340) and Brushed gold (343)	\$ 83
OPT20254-305		\$ 50
OPT20254-340		\$ 83

COMMON OPTIONS

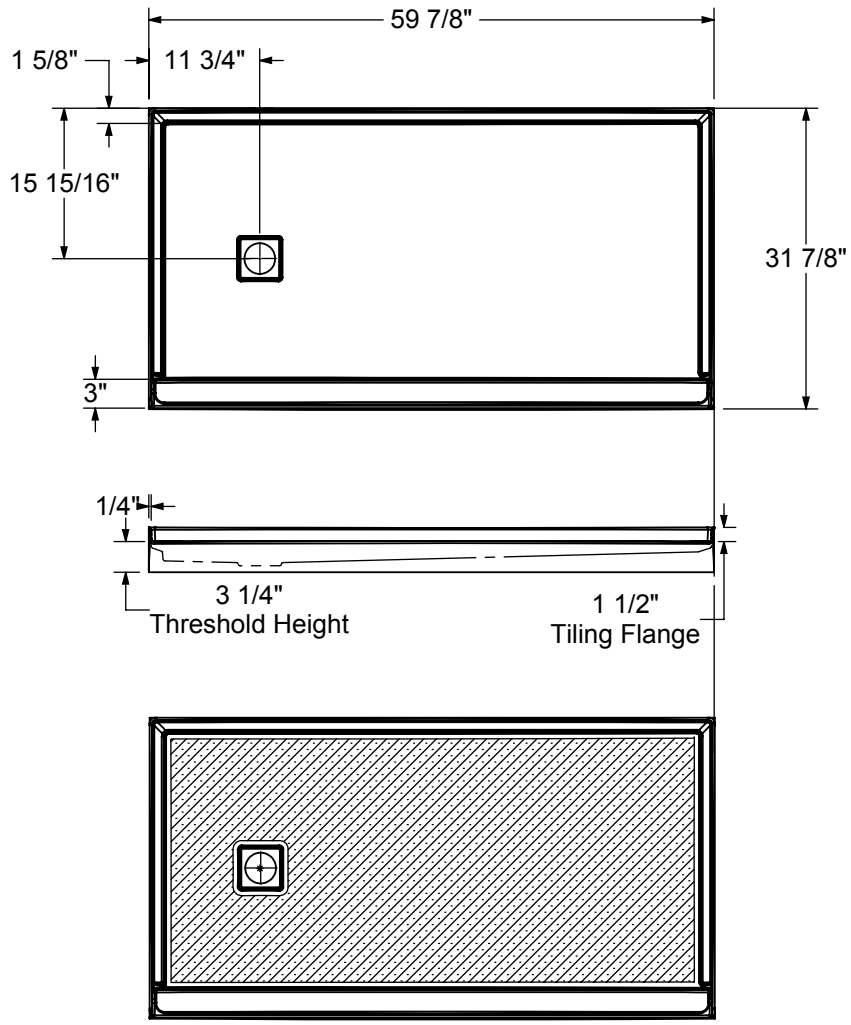
SKU	Description	MSRP
OPT20254-343	PVC Square drain	\$ 83
OPT20254-084	Available colors: Chrome (084), Brushed Nickel (305), Dark Bronze (173), Matte Black (340) and Brushed gold (343)	\$ 0

ACCESSORIES

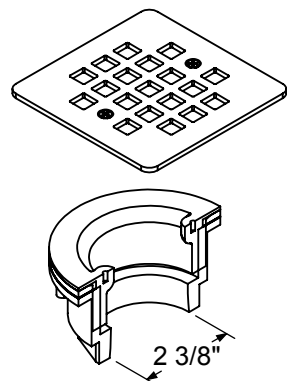
SKU	Description	MSRP
10038458-305-600	Square drain grid Available colors: White (001), Chrome (084), Dark Bronze (173), Brushed Nickel (305), Matte Black (340) and Brushed gold (343)	\$ 50
10038458-084-600		\$ 50
10038458-173-600		\$ 83
10038458-340-600		\$ 83
10038458-001-600		\$ 83
10038458-343-600		\$ 83

RECOMMENDED DOORS

SKU	Product Name	Pag.
138277	Manhattan 57-59 x 68 - 6mm	339
138997	Halo 56 ½-59 x 78 ¾ - 8mm	355
139353	Incognito 70 56-59 x 70 ½ - 8mm	300
139350	Incognito 56-59 x 70 ½ in. 6mm	298
135332	Incognito 76 Shaker 56-59 x 76 - 8mm	304
135335	Incognito 76 56-59 x 76 - 8mm	294
136335	Incognito 76 Smoke 56-59 x 76 - 8mm	306
136691	Revelation Round 56-59 x 70 ½-73 - 6mm	310
136694	Revelation Round 56-59 x 70 ½-73 - 8mm	312
135322	Uptown 56-59 x 76 in. 8 mm	314
135324		361
135244	Connect 57-58 1/2 x 72 - 6mm	364
139580	Reveal Sleek 71 56-59 x 71 ½ - 8mm	351
136272	Duel 56-58 ½ x 70 ½ x 74 - 8 mm	295
138762	Inverto 56-59 x 70 ½-74 - 8mm	293
137420	Odyssey SC 57-59 1/2 x 78 - 8 mm	359
137681	Outback 55 ¼ - 58 ½ x 70 ½ - 8mm	366
138993	Luminescence 56 ½-59 x 70 ½-72 - 6mm	357
105412	Polar 54-59 ½ x 68 in.	308
135661	Aura 55-59 x 57 - 6mm	554
135665	Aura 55-59 x 71 - 6mm	317
135670	Aura SC 55-59 x 71 - 8mm	328
135675		326
135672	Aura 55-59 x 71 - 8mm	324



DRAIN INCLUDED ON B3X SQUARE ONLY



The hatched area represent the antislip surface

All dimensions are approximate. Structure measurements must be verified against the unit to ensure proper fit.



B3X 6032 - Corner

CONFIGURABLE SHOWER BASES



Material : Acrylic

Features

- › 3 1/4 in. threshold acrylic shower base with square center drain
- › Optimized floor design improving showering space
- › Available with Stabili-T anti-slip bottom meeting ADA, ANSI or CSA requirements
- › Right or left drain
- › 2 1/2 in. high tiling flanges to ensure watertightness
- › Integrated weep holes providing superior water management
- › Square chrome grid and ABS drain included (Upgrade PVC Option available)
- › Multiple grid finishes available

B3X 6032 - 420024

SKU	Color	Configuration	Dimensions & Weight	Packaging	MSRP
420024-502-001-000	White	Left / Corner Left	59 7/8" x 31 7/8" x 4" / 55 lb / 25 kg	7.2 ft ³	\$ 1060
420024-542-001-000		Left / Corner Left – Stabili-T			\$ 1060

B3X 6032 - 420025

SKU	Color	Configuration	Dimensions & Weight	Packaging	MSRP
420025-503-001-000	White	Right / Corner Right	59 7/8" x 31 7/8" x 4" / 55 lb / 25 kg	7.2 ft ³	\$ 1060
420025-543-001-000		Right / Corner Right – Stabili-T			\$ 1060

COMMON OPTIONS

SKU	Description	MSRP
OPT20253-340	ABS Square drain Available colors: Chrome (084), Brushed Nickel (305), Dark Bronze (173), Matte Black (340) and Brushed gold (343)	\$ 83
OPT20253-305		\$ 50
OPT20253-343		\$ 83
OPT20253-084		\$ 0
OPT20253-173		\$ 83
OPT20254-173	PVC Square drain Available colors: Chrome (084), Brushed Nickel (305), Dark Bronze (173), Matte Black (340) and Brushed gold (343)	\$ 83
OPT20254-305		\$ 50
OPT20254-340		\$ 83

COMMON OPTIONS

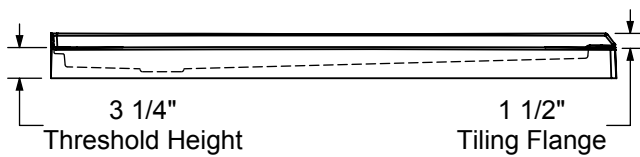
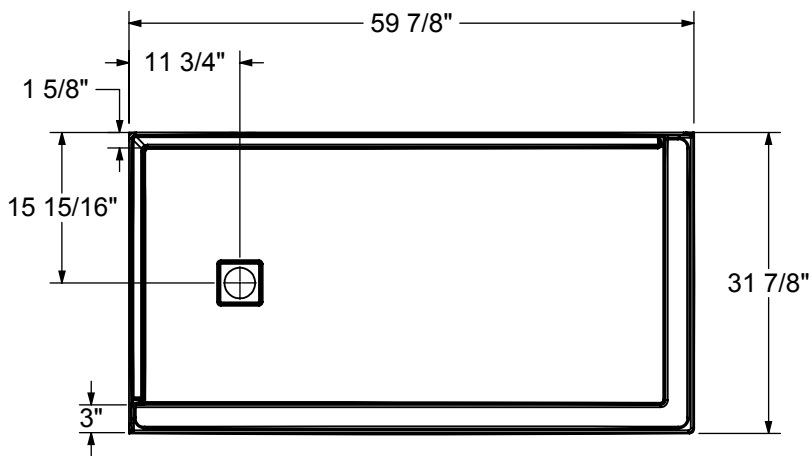
SKU	Description	MSRP
OPT20254-343	PVC Square drain	\$ 83
OPT20254-084	Available colors: Chrome (084), Brushed Nickel (305), Dark Bronze (173), Matte Black (340) and Brushed gold (343)	\$ 0

ACCESSORIES

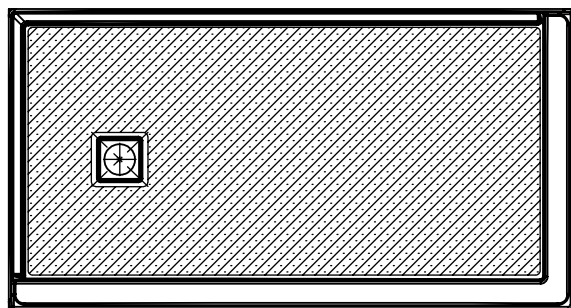
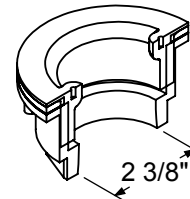
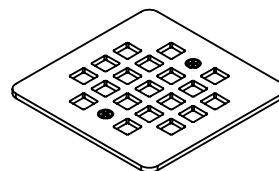
SKU	Description	MSRP
10038458-305-600	Square drain grid Available colors: White (001), Chrome (084), Dark Bronze (173), Brushed Nickel (305), Matte Black (340) and Brushed gold (343)	\$ 50
10038458-084-600		\$ 50
10038458-173-600		\$ 83
10038458-340-600		\$ 83
10038458-001-600		\$ 83
10038458-343-600		\$ 83

RECOMMENDED DOORS

SKU	Product Name	Pag.
138997	Halo 56 ½-59 x 78 ¾ - 8mm	355
135322	Uptown 56-59 x 76 in. 8 mm	314
135324		361
139580	Reveal Sleek 71 56-59 x 71 ½ - 8mm	351
136272	Duel 56-58 ½ x 70 ½ x 74 - 8 mm	295



DRAIN INCLUDED ON B3 SQUARE ONLY

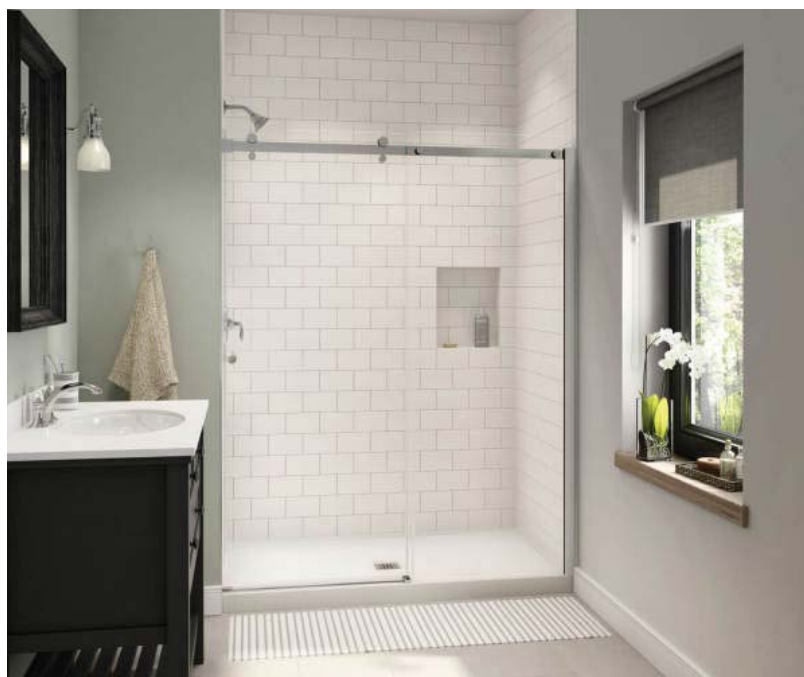


The hatched area represent the antislip surface

All dimensions are approximate. Structure measurements must be verified against the unit to ensure proper fit.



B3X 6036 - Alcove



Material : Acrylic

Features

- › 3 1/4 in. threshold acrylic shower base with square center drain
- › Optimized floor design improving showering space
- › Available with Stabili-T anti-slip bottom meeting ADA, ANSI or CSA requirements
- › 2 1/2 in. high tiling flanges to ensure watertightness
- › Integrated weep holes providing superior water management
- › Square chrome grid and ABS drain included (Upgrade PVC Option available)
- › Multiple grid finishes available

CONFIGURABLE SHOWER BASES

B3X 6036 - 420031

SKU	Color	Configuration	Dimensions & Weight	Packaging	MSRP
420031-501-001-000	White	Center / Alcove	59 7/8" x 35 7/8" x 4" / 62 lb / 28 kg	8.5 ft ³	\$ 1133
420031-541-001-000		Center / Alcove – Stabili-T			\$ 1133

COMMON OPTIONS

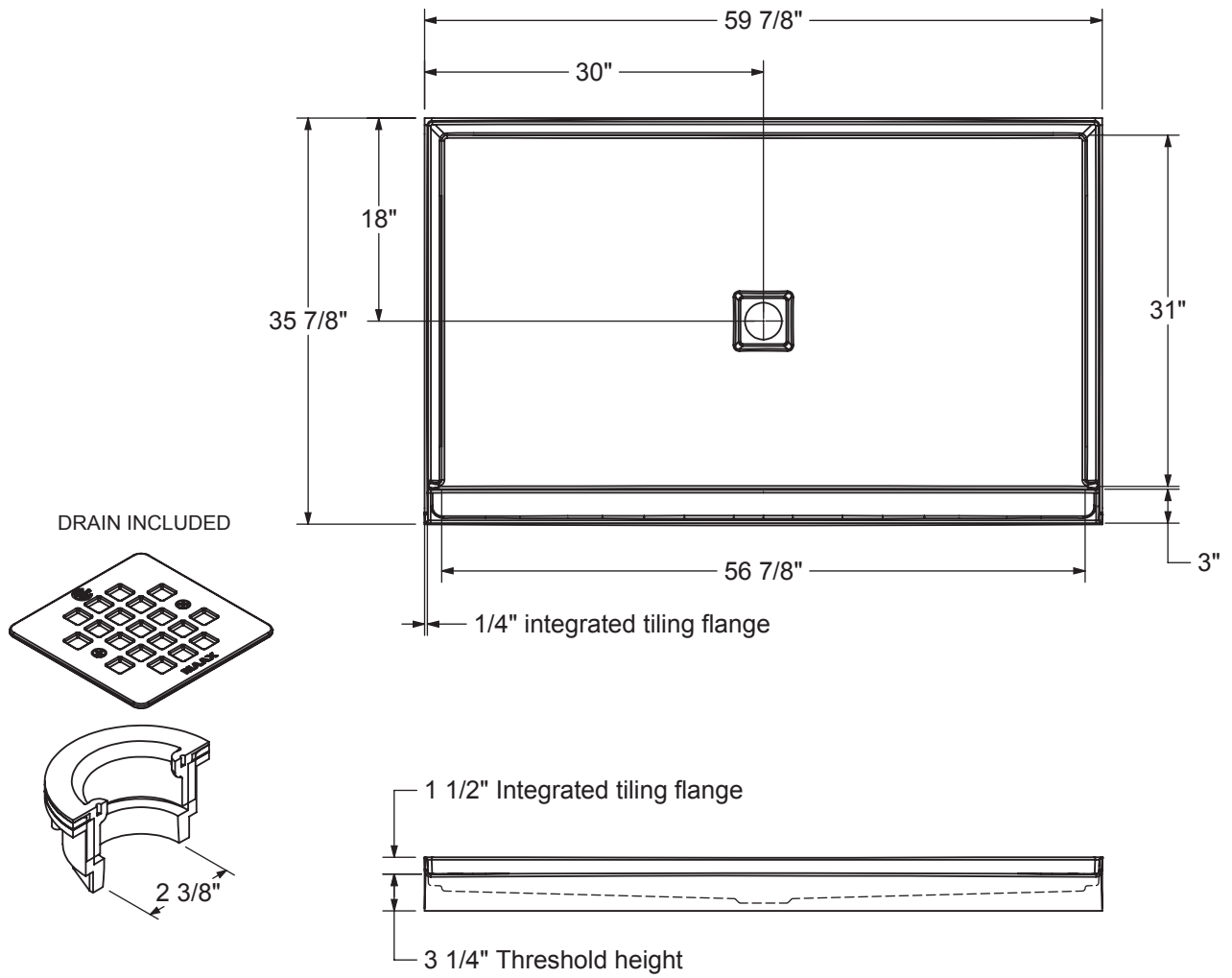
SKU	Description	MSRP
OPT20254-173	PVC Square drain Available colors: Chrome (084), Brushed Nickel (305), Dark Bronze (173), Matte Black (340) and Brushed gold (343)	\$ 83
OPT20254-305		\$ 50
OPT20254-340		\$ 83
OPT20254-343		\$ 83
OPT20254-084		\$ 0
OPT20253-340	ABS Square drain Available colors: Chrome (084), Brushed Nickel (305), Dark Bronze (173), Matte Black (340) and Brushed gold (343)	\$ 83
OPT20253-305		\$ 50
OPT20253-343		\$ 83
OPT20253-084		\$ 0
OPT20253-173		\$ 83

ACCESSORIES

SKU	Description	MSRP
10038458-305-600	Square drain grid Available colors: White (001), Chrome (084), Dark Bronze (173), Brushed Nickel (305), Matte Black (340) and Brushed gold (343)	\$ 50
10038458-084-600		\$ 50
10038458-173-600		\$ 83
10038458-340-600		\$ 83
10038458-001-600		\$ 83
10038458-343-600		\$ 83

RECOMMENDED DOORS

SKU	Product Name	Pag.
138277	Manhattan 57-59 x 68 - 6mm	339
138997	Halo 56 ½-59 x 78 ¾ - 8mm	355
139353	Incognito 70 56-59 x 70 ½ - 8mm	300
139350	Incognito 56-59 x 70 ½ in. 6mm	298
135332	Incognito 76 Shaker 56-59 x 76 - 8mm	304
135335	Incognito 76 56-59 x 76 - 8mm	294
136335	Incognito 76 Smoke 56-59 x 76 - 8mm	306
136691	Revelation Round 56-59 x 70 ½-73 - 6mm	310
136694	Revelation Round 56-59 x 70 ½-73 - 8mm	312
135322	Uptown 56-59 x 76 in. 8 mm	314
135324		361
135244	Connect 57-58 1/2 x 72 - 6mm	364
139580	Reveal Sleek 71 56-59 x 71 ½ - 8mm	351
136272	Duel 56-58 ½ x 70 ½ x 74 - 8 mm	295
138762	Inverto 56-59 x 70 ½-74 - 8mm	293
137420	Odyssey SC 57-59 1/2 x 78 - 8 mm	359
137681	Outback 55 ¼ - 58 ½ x 70 ½ - 8mm	366
138993	Luminescence 56 ½-59 x 70 ½-72 - 6mm	357
105412	Polar 54-59 ½ x 68 in.	308
135661	Aura 55-59 x 57 - 6mm	554
135665	Aura 55-59 x 71 - 6mm	317
135670	Aura SC 55-59 x 71 - 8mm	328
135675		326
135672	Aura 55-59 x 71 - 8mm	324



All dimensions are approximate. Structure measurements must be verified against the unit to ensure proper fit.



B3X 6036 - Corner

CONFIGURABLE SHOWER BASES



Material : Acrylic

Features

- › 3 1/4 in. threshold acrylic shower base with square center drain
- › Optimized floor design improving showering space
- › Available with Stabili-T anti-slip bottom meeting ADA, ANSI or CSA requirements
- › 2 1/2 in. high tiling flanges to ensure watertightness
- › Integrated weep holes providing superior water management
- › Square chrome grid and ABS drain included (Upgrade PVC Option available)
- › Multiple grid finishes available
- › Left corner installation

B3X 6036 - 420032

SKU	Color	Configuration	Dimensions & Weight	Packaging	MSRP
420032-502-001-000	White	Center / Corner Left	59 7/8" x 35 7/8" x 4" / 62 lb / 28 kg	8.5 ft ³	\$ 1133
420032-542-001-000		Center / Corner Left – Stabili-T			\$ 1133

B3X 6036 - 420033

SKU	Color	Configuration	Dimensions & Weight	Packaging	MSRP
420033-503-001-000	White	Center / Corner Right	59 7/8" x 35 7/8" x 4" / 62 lb / 28 kg	8.5 ft ³	\$ 1133
420033-543-001-000		Center / Corner Right – Stabili-T			\$ 1133

COMMON OPTIONS

SKU	Description	MSRP
OPT20254-173	PVC Square drain Available colors: Chrome (084), Brushed Nickel (305), Dark Bronze (173), Matte Black (340) and Brushed gold (343)	\$ 83
OPT20254-305		\$ 50
OPT20254-340		\$ 83
OPT20254-343		\$ 83
OPT20254-084		\$ 0
OPT20253-340		ABS Square drain Available colors: Chrome (084), Brushed Nickel (305), Dark Bronze (173), Matte Black (340) and Brushed gold (343)
OPT20253-305	\$ 50	
OPT20253-343	\$ 83	

COMMON OPTIONS

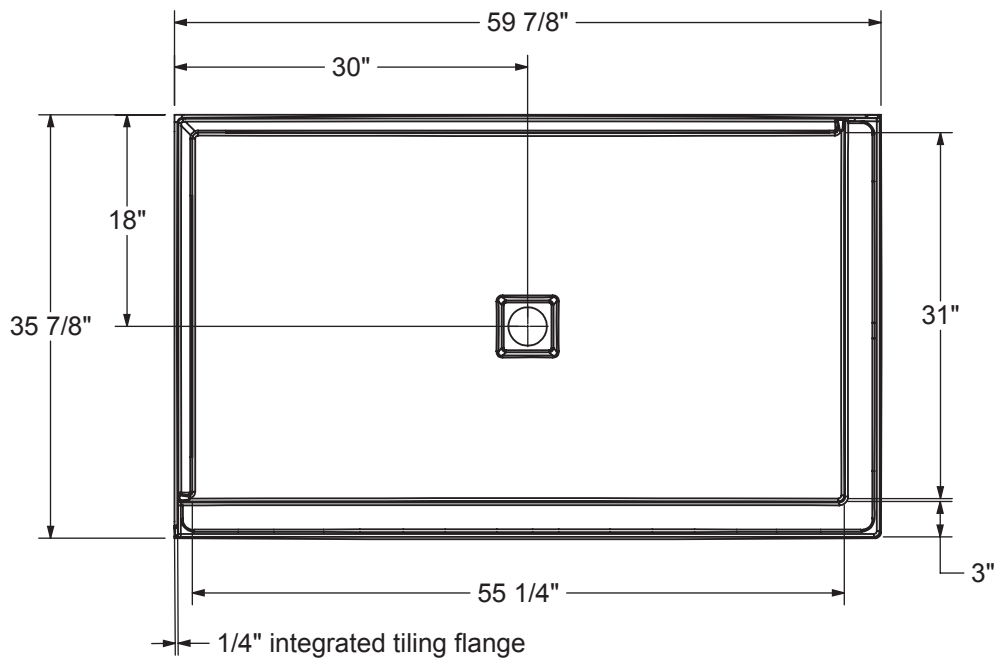
SKU	Description	MSRP
OPT20253-084	ABS Square drain	\$ 0
OPT20253-173	Available colors: Chrome (084), Brushed Nickel (305), Dark Bronze (173), Matte Black (340) and Brushed gold (343)	\$ 83

ACCESSORIES

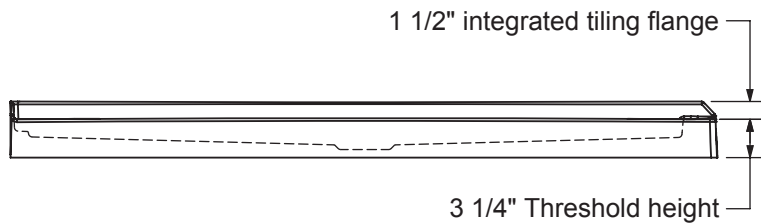
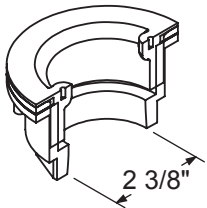
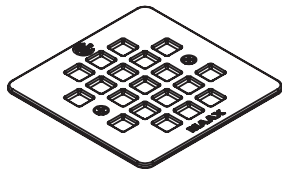
SKU	Description	MSRP
10038458-305-600	Square drain grid Available colors: White (001), Chrome (084), Dark Bronze (173), Brushed Nickel (305), Matte Black (340) and Brushed gold (343)	\$ 50
10038458-084-600		\$ 50
10038458-173-600		\$ 83
10038458-340-600		\$ 83
10038458-001-600		\$ 83
10038458-343-600		\$ 83

RECOMMENDED DOORS

SKU	Product Name	Pag.
138997	Halo 56 ½-59 x 78 ¾ - 8mm	355
135322	Uptown 56-59 x 76 in. 8 mm	314
135324		361
139580	Reveal Sleek 71 56-59 x 71 ½ - 8mm	351
136272	Duel 56-58 ½ x 70 ½ x 74 - 8 mm	295



DRAIN INCLUDED



All dimensions are approximate. Structure measurements must be verified against the unit to ensure proper fit.



Olympia Square Base 6032



Material : Acrylic

Features

- › Configurable base that can be installed in an alcove or a corner installation
- › Drain and square grid included
- › Textured bottom for slip-resistance
- › Easy to clean and stain-resistant acrylic finish
- › Low threshold for safe and easy step-through entrance and exit
- › 1-piece construction with integrated flanges for easy installation
- › Different drain grid finishes available to coordinate with your bathroom finishes
- › Installed directly to the studs for a long-lasting and secure installation
- › Available in different sizes

OLYMPIA SQUARE 6032 - 106012

SKU	Color	Configuration	Dimensions & Weight	Packaging	MSRP
106012-000-001-001	White	Left / Alcove or Corner	59 7/8" x 32" x 2 5/8" / 15 lb / 7 kg	7.62 ft ³	\$ 902
106012-000-001-002		Right / Alcove or Corner			\$ 902

COMMON OPTIONS

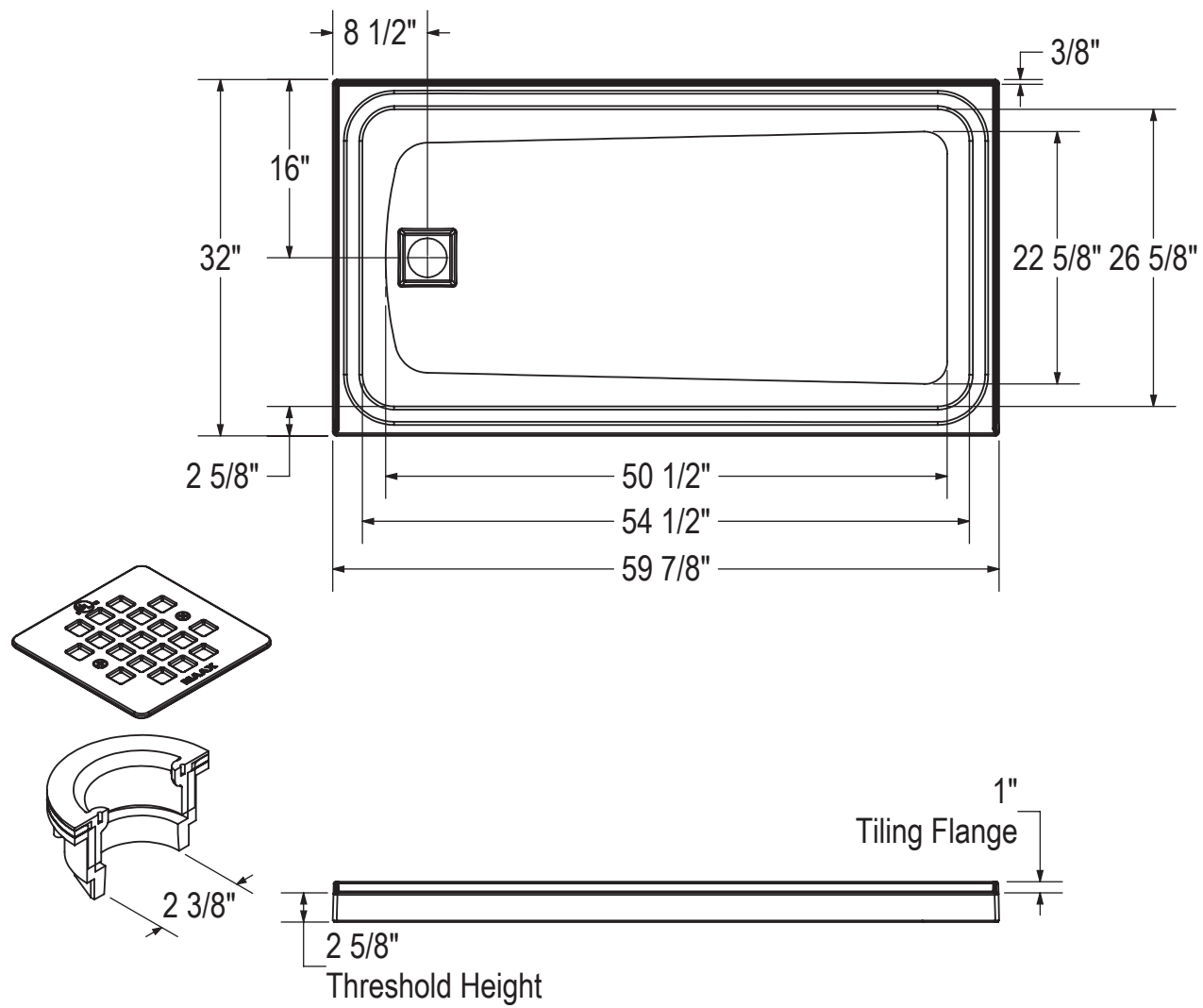
SKU	Description	MSRP
OPT20254-173	PVC Square drain Available colors: Chrome (084), Brushed Nickel (305), Dark Bronze (173), Matte Black (340) and Brushed gold (343)	\$ 83
OPT20254-305		\$ 50
OPT20254-340		\$ 83
OPT20254-343		\$ 83
OPT20254-084		\$ 0
OPT20253-340	ABS Square drain Available colors: Chrome (084), Brushed Nickel (305), Dark Bronze (173), Matte Black (340) and Brushed gold (343)	\$ 83
OPT20253-305		\$ 50
OPT20253-343		\$ 83
OPT20253-084		\$ 0
OPT20253-173		\$ 83

ACCESSORIES

SKU	Description	MSRP
10038458-305-600	Square drain grid Available colors: White (001), Chrome (084), Dark Bronze (173), Brushed Nickel (305), Matte Black (340) and Brushed gold (343)	\$ 50
10038458-084-600		\$ 50
10038458-173-600		\$ 83
10038458-340-600		\$ 83
10038458-001-600		\$ 83
10038458-343-600		\$ 83

RECOMMENDED DOORS

SKU	Product Name	Pag.
138277	Manhattan 57-59 x 68 - 6mm	339
138997	Halo 56 ½-59 x 78 ¾ - 8mm	355
139353	Incognito 70 56-59 x 70 ½ - 8mm	300
139350	Incognito 56-59 x 70 ½ in. 6mm	298
135332	Incognito 76 Shaker 56-59 x 76 - 8mm	304
135335	Incognito 76 56-59 x 76 - 8mm	294
136335	Incognito 76 Smoke 56-59 x 76 - 8mm	306
136691	Revelation Round 56-59 x 70 ½-73 - 6mm	310
136694	Revelation Round 56-59 x 70 ½-73 - 8mm	312
135322	Uptown 56-59 x 76 in. 8 mm	314
135324		361
135244	Connect 57-58 1/2 x 72 - 6mm	364
139580	Reveal Sleek 71 56-59 x 71 ½ - 8mm	351
136272	Duel 56-58 ½ x 70 ½ x 74 - 8 mm	295
138762	Inverto 56-59 x 70 ½-74 - 8mm	293
137420	Odyssey SC 57-59 1/2 x 78 - 8 mm	359
137681	Outback 55 ¼ - 58 ½ x 70 ½ - 8mm	366
138993	Luminescence 56 ½-59 x 70 ½-72 - 6mm	357
105412	Polar 54-59 ½ x 68 in.	308
135661	Aura 55-59 x 57 - 6mm	554
135665	Aura 55-59 x 71 - 6mm	317
135670	Aura SC 55-59 x 71 - 8mm	328
135675		326
135672	Aura 55-59 x 71 - 8mm	324



All dimensions are approximate. Structure measurements must be verified against the unit to ensure proper fit.



Rectangular 4234 Base

CONFIGURABLE SHOWER BASES



Material : Acrylic

Features

- › 3 in. threshold height
- › Corner or alcove installation to accommodate your bathroom layout
- › Made of Acrylic
- › High gloss finish resistant to dulling, scratching, and fading
- › Maximum door width: 40.5 in.
- › Textured bottom for added safety
- › ABS drain included
- › Low threshold design provides a safe and easy step-through entrance and exit for users of all ages
- › Optional 3-piece acrylic wall set with shelves available

RECTANGULAR 4234 - BRUSHED NICKEL - 106382

SKU	Color	Configuration	Dimensions & Weight	Packaging	MSRP
106382-000-001-000	White	Center / Alcove or Corner	42" x 34" x 3" / 43 lb / 20 kg	4.66 ft ³	\$ 856

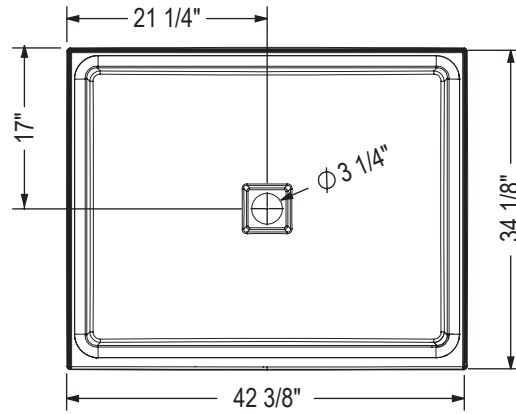
ACCESSORIES

SKU	Description	MSRP
10038458-305-600	Square drain grid Available colors: White (001), Chrome (084), Dark Bronze (173), Brushed Nickel (305), Matte Black (340) and Brushed gold (343)	\$ 50
10038458-084-600		\$ 50
10038458-173-600		\$ 83
10038458-340-600		\$ 83
10038458-001-600		\$ 83
10038458-343-600		\$ 83
10060311	Corner glass shelf (9 3/8 x 9 3/8 in.) (sold separately) 10 mm frosted glass with a clear band along the edge Compatible with Utile and tile shower walls	\$ 152

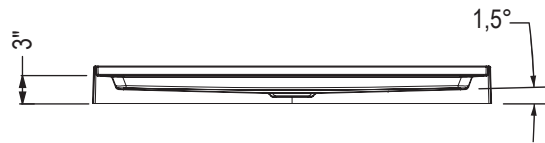
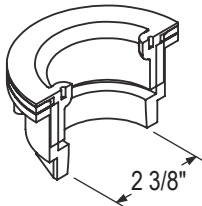
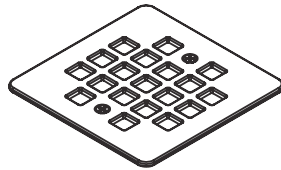
RECOMMENDED DOORS

SKU	Product Name	Pag.
138268	Manhattan 39-41 x 68 - 6mm	337
138520	Incognito 74 39-42x74in. 8mm	302
139576	Reveal Sleek 71 38-41 x 71 1/2 - 8mm	350
136679	Reveal 71 38-41 x 71 1/2 - 8 mm	347

STANDARD



DRAIN INCLUDED



All dimensions are approximate. Structure measurements must be verified against the unit to ensure proper fit.

Zone Square Base 48



CONFIGURABLE SHOWER BASES



Material : Acrylic

Features

- › Proudly made in Canada
- › Acrylic rectangular base with drain included along with its modern square stainless steel grid in a chrome finish (other grid colors available, sold separately)
- › 3-inch low threshold base that can be installed in an alcove or corner setting for maximum versatility
- › Center drain and smooth bottom - available in white only
- › Direct-to-stud installation
- › Compatible with MAAX Utile walls
- › This base comes with a Chrome finish square drain grid, other finishes are available to match with your design: Matte Black (SKU 1001539416), Dark Bronze (1001539414), Brushed Nickel (1001539415)

ZONE SQUARE 48 - 106354

SKU	Color	Configuration	Dimensions & Weight	Packaging	MSRP
106354-000-001-000	White	Center / Alcove or Corner	47 7/8" x 32" x 4" / 50 lb / 23 kg	7.7 ft ³	\$ 874

COMMON OPTIONS

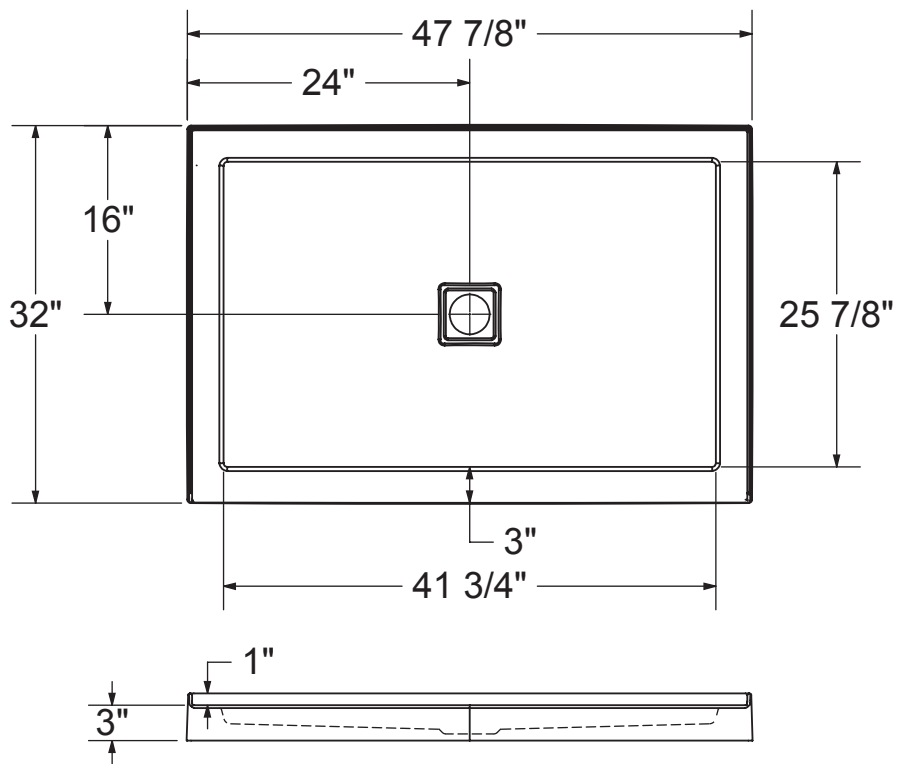
SKU	Description	MSRP
OPT20253-340	ABS Square drain Available colors: Chrome (084), Brushed Nickel (305), Dark Bronze (173), Matte Black (340) and Brushed gold (343)	\$ 83
OPT20253-305		\$ 50
OPT20253-343		\$ 83
OPT20253-084		\$ 0
OPT20253-173		\$ 83
OPT20254-173	PVC Square drain Available colors: Chrome (084), Brushed Nickel (305), Dark Bronze (173), Matte Black (340) and Brushed gold (343)	\$ 83
OPT20254-305		\$ 50
OPT20254-340		\$ 83
OPT20254-343		\$ 83
OPT20254-084		\$ 0

ACCESSORIES

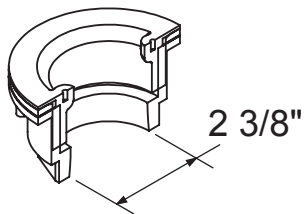
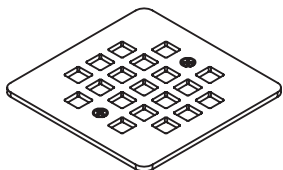
SKU	Description	MSRP
10038458-305-600	Square drain grid Available colors: White (001), Chrome (084), Dark Bronze (173), Brushed Nickel (305), Matte Black (340) and Brushed gold (343)	\$ 50
10038458-084-600		\$ 50
10038458-173-600		\$ 83
10038458-340-600		\$ 83
10038458-001-600		\$ 83
10038458-343-600		\$ 83

RECOMMENDED DOORS

SKU	Product Name	Pag.
135321	Uptown 44-47 x 76 in. 8 mm	314
139352	Incognito 70 44-47 x 70 ½ - 8mm	300
139349	Incognito 44-47 x 70 ½ in. 6mm	298
135671	Aura 43-47 x 71 - 8mm	324
136693	Revelation Round 44-47 x 70 ½-73 - 8mm	312
138996	Halo 44 ½-47 x 78 ¾ - 8mm	355
135323	Uptown 44-47 x 76 in. 8 mm	361
135325	Uptown 45-47 x 76 in. 8 mm	353
135242	Connect 45-46 1/2 x 72 - 6mm	363
139578	Reveal Sleek 71 44-47 x 71 ½ - 8mm	351
136271	Duel 44-47 x 70 ½ x 74 - 8 mm	295
137421	Odyssey SC 45-47 1/2 x 78 - 8 mm	359
135663	Aura 43-47 x 71 - 6mm	317
137680	Outback 43 ¼ - 46 ½ x 70 ½ - 8mm	366
138992	Luminescence 44 ½-47 x 70 ½-72 - 6mm	357
105413	Polar 42-47 ½ x 68 in.	308
138271	Manhattan 45-47 x 68 - 6mm	337
136690	Revelation Round 44-47 x 70 ½-73 - 6mm	310
135674	Aura SC 43-47 x 71 - 8mm	326
135331	Incognito 76 Shaker 44-47 x 76 - 8mm	304



DRAIN INCLUDED



All dimensions are approximate. Structure measurements must be verified against the unit to ensure proper fit.

Zone Square Base 60 - L



CONFIGURABLE SHOWER BASES



Material : Acrylic
Features

- › Proudly made in Canada
- › Acrylic rectangular base with drain included along with its modern square stainless steel grid in a chrome finish (other grid colors available, sold separately)
- › 3-inch low threshold base that can be installed in an alcove or corner setting for maximum versatility
- › Center drain and smooth bottom - available in white only
- › Direct-to-stud installation
- › Compatible with MAAX Utile walls
- › This base comes with a Chrome finish square drain grid, other finishes are available to match with your design: Matte Black (SKU 1001539416), Dark Bronze (1001539414), Brushed Nickel (1001539415)

ZONE SQUARE 60 - 106355					
SKU	Color	Configuration	Dimensions & Weight	Packaging	MSRP
106355-000-001-001	White	Left / Alcove or Corner	59 7/8" x 32" x 4" / 55 lb / 25 kg	9.1 ft ³	\$ 1018

ZONE SQUARE 60 - 106356					
SKU	Color	Configuration	Dimensions & Weight	Packaging	MSRP
106356-000-001-002	White	Right / Alcove or Corner	59 7/8" x 32" x 4" / 55 lb / 25 kg	9.1 ft ³	\$ 1018

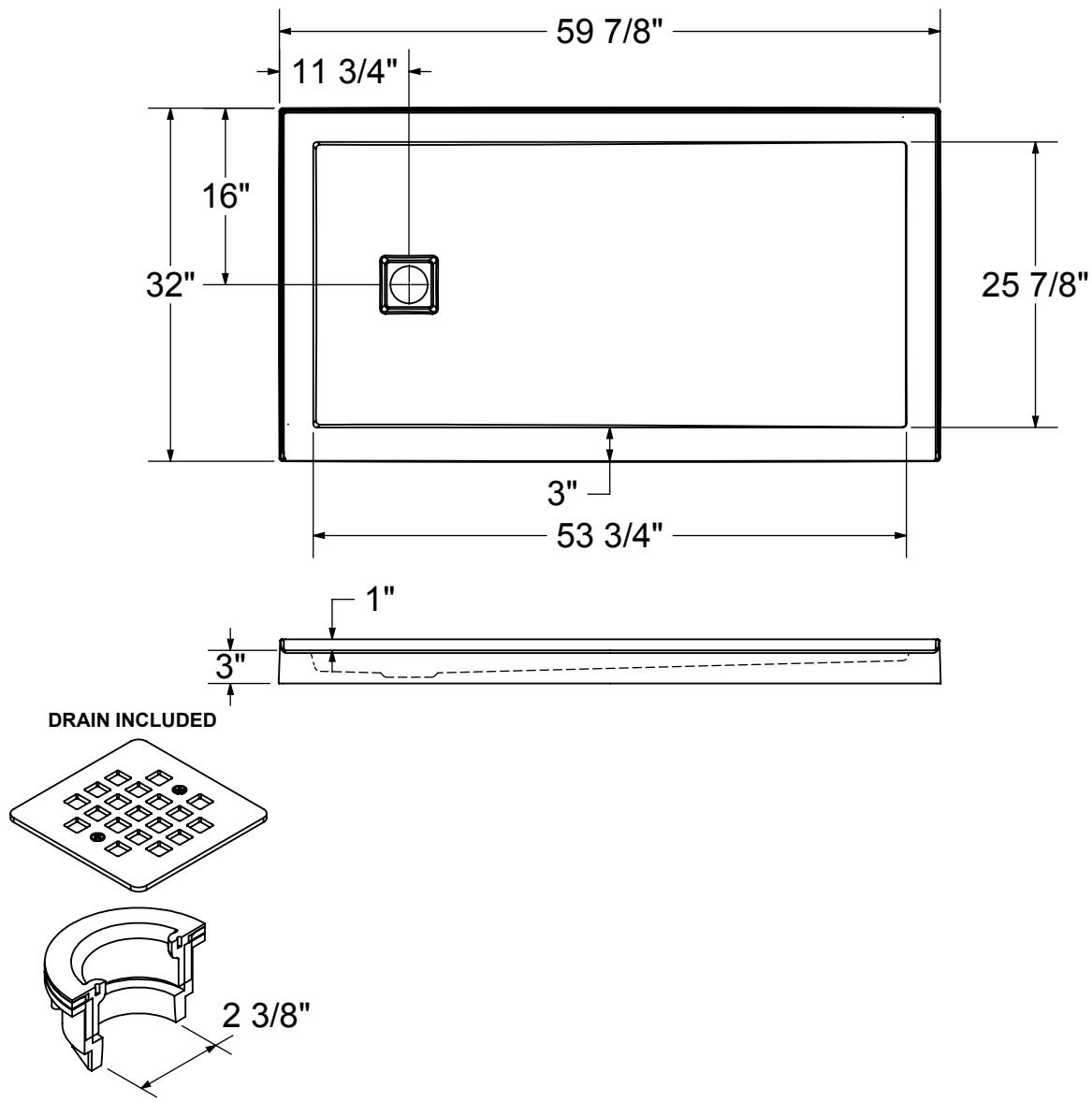
COMMON OPTIONS		
SKU	Description	MSRP
OPT20254-173	PVC Square drain Available colors: Chrome (084), Brushed Nickel (305), Dark Bronze (173), Matte Black (340) and Brushed gold (343)	\$ 83
OPT20254-305		\$ 50
OPT20254-340		\$ 83
OPT20254-343		\$ 83
OPT20254-084		\$ 0
OPT20253-340	ABS Square drain Available colors: Chrome (084), Brushed Nickel (305), Dark Bronze (173), Matte Black (340) and Brushed gold (343)	\$ 83
OPT20253-305		\$ 50
OPT20253-343		\$ 83
OPT20253-084		\$ 0
OPT20253-173		\$ 83

ACCESSORIES

SKU	Description	MSRP
10038458-305-600	Square drain grid Available colors: White (001), Chrome (084), Dark Bronze (173), Brushed Nickel (305), Matte Black (340) and Brushed gold (343)	\$ 50
10038458-084-600		\$ 50
10038458-173-600		\$ 83
10038458-340-600		\$ 83
10038458-001-600		\$ 83
10038458-343-600		\$ 83

RECOMMENDED DOORS

SKU	Product Name	Pag.
138277	Manhattan 57-59 x 68 - 6mm	339
138997	Halo 56 ½-59 x 78 ¾ - 8mm	355
139353	Incognito 70 56-59 x 70 ½ - 8mm	300
139350	Incognito 56-59 x 70 ½ in. 6mm	298
135332	Incognito 76 Shaker 56-59 x 76 - 8mm	304
135335	Incognito 76 56-59 x 76 - 8mm	294
136335	Incognito 76 Smoke 56-59 x 76 - 8mm	306
136691	Revelation Round 56-59 x 70 ½-73 - 6mm	310
136694	Revelation Round 56-59 x 70 ½-73 - 8mm	312
135322	Uptown 56-59 x 76 in. 8 mm	314
135324		361
135244	Connect 57-58 1/2 x 72 - 6mm	364
139580	Reveal Sleek 71 56-59 x 71 ½ - 8mm	351
136272	Duel 56-58 ½ x 70 ½ x 74 - 8 mm	295
138762	Inverto 56-59 x 70 ½-74 - 8mm	293
137420	Odyssey SC 57-59 1/2 x 78 - 8 mm	359
137681	Outback 55 ¼ - 58 ½ x 70 ½ - 8mm	366
138993	Luminescence 56 ½-59 x 70 ½-72 - 6mm	357
105412	Polar 54-59 ½ x 68 in.	308
135661	Aura 55-59 x 57 - 6mm	554
135665	Aura 55-59 x 71 - 6mm	317
135670	Aura SC 55-59 x 71 - 8mm	328
135675		326
135672	Aura 55-59 x 71 - 8mm	324



All dimensions are approximate. Structure measurements must be verified against the unit to ensure proper fit.



Neo-angle Base 36 - 3 in

CORNER BASES - ACRYLIC



Material : Acrylic

Features

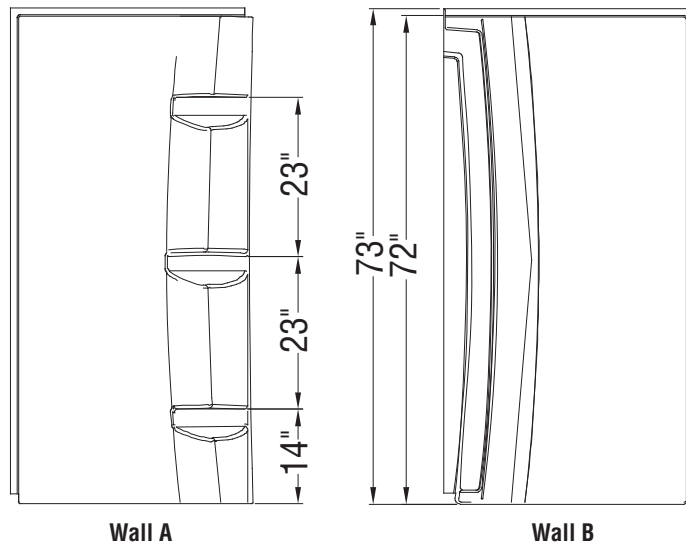
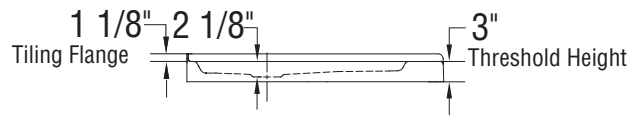
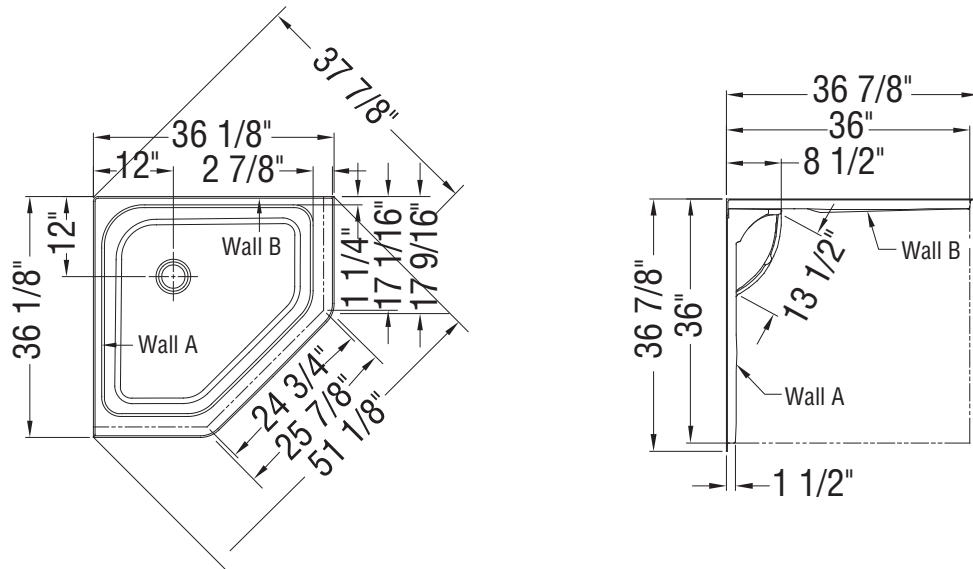
- > Low threshold base
- > Corner drain; textured bottom
- > Deflecting strip preventing water penetration behind the shower
- > Corner installation
- > Easy front installation walls with snap clips are available

NEO-ANGLE BASE 36 - 3 IN - 101422

SKU	Color	Configuration	Dimensions & Weight	Packaging	MSRP
101422-000-001-000	White	Corner / Corner Left or Right	36 1/8" x 36 1/8" x 4 1/8" / 36 lb / 16 kg	8.93 ft ³	\$ 619

RECOMMENDED DOORS

SKU	Product Name	Pag.
137440	Radia Neo-angle 36 x 36 x 71 1/2 - 6mm	386



All dimensions are approximate. Structure measurements must be verified against the unit to ensure proper fit.



Neo-angle Base 40 - 3 in

CORNER BASES - ACRYLIC



Material : Acrylic

Features

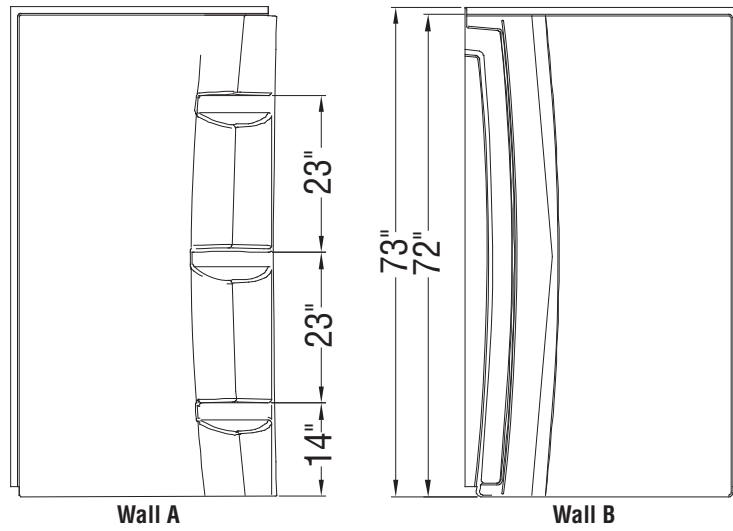
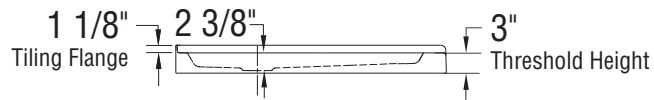
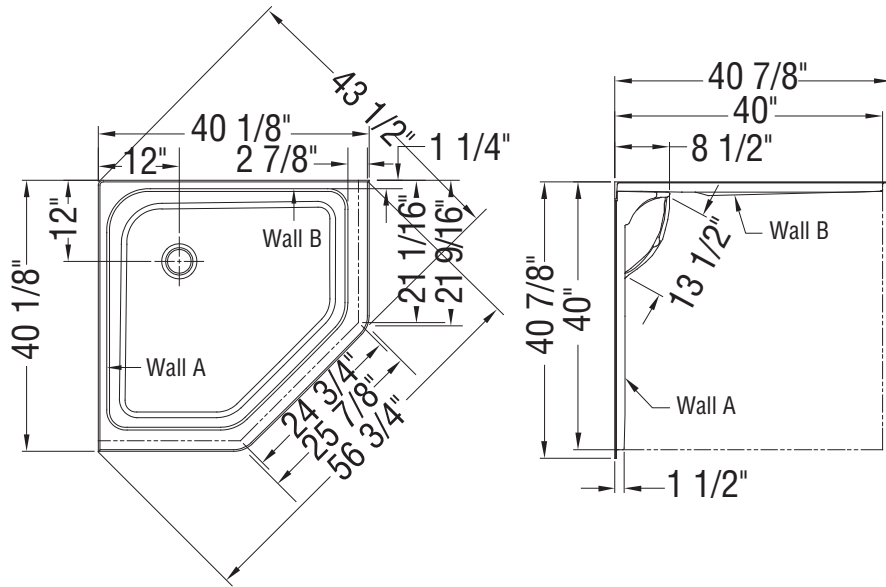
- › Direct to stud corner installation that will save time and money
- › Durable high shine acrylic stays warm to the touch and is easy to clean
- › 3-inch low threshold for easy access
- › Textured bottom for added safety
- › Walls with convenient foot rest available, designed to be easier to clean
- › Ensure fit with MAAX Radia Corner Door # 137442-900

NEO-ANGLE BASE 40 - 3 IN - 101424

SKU	Color	Configuration	Dimensions & Weight	Packaging	MSRP
101424-000-001-000	White	Corner / Corner Left or Right	40 1/8" x 40 1/8" x 4 1/8" / 40 lb / 18 kg	9.9 ft ³	\$ 669

RECOMMENDED DOORS

SKU	Product Name	Pag.
137442	Radia Neo-angle 40 x 40 x 71 1/2 - 6mm	386



All dimensions are approximate. Structure measurements must be verified against the unit to ensure proper fit.



Neo-angle Base 42 - 3 in

CORNER BASES - ACRYLIC



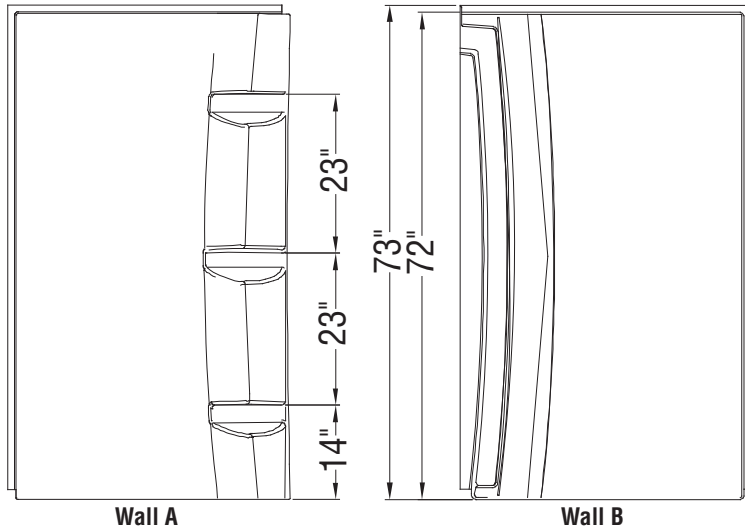
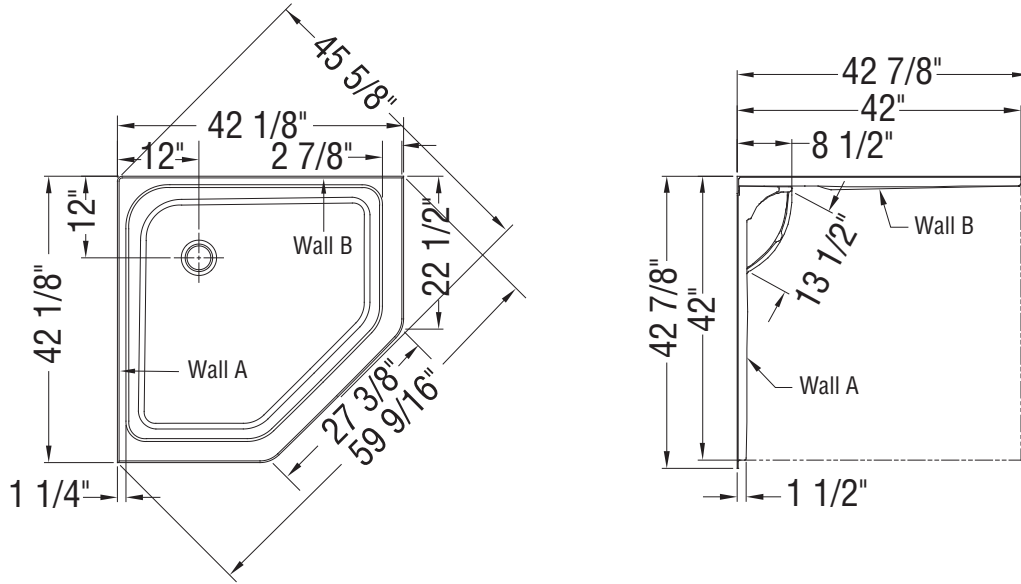
Material : Acrylic

Features

- › Proudly made in Canada
- › 42x42 Acrylic Neo-Angle Base with Corner Drain in White, direct to stud installation
- › 3 in. low threshold
- › Durable high shine acrylic stays warm to the touch and is easy to clean, available in white only
- › Textured bottom
- › Off-center drain - consult MAAX technical drawing (specification) for exact dimensions
- › Limited warranty is for a period of 25 years, phone # 1-877-GET-MAAX

NEO-ANGLE BASE 42 - 3 IN - 101425

SKU	Color	Configuration	Dimensions & Weight	Packaging	MSRP
101425-000-001-000	White	Corner / Corner Left or Right	42 1/8" x 42 1/8" x 4 1/8" / 42 lb / 19 kg	9.9 ft ³	\$ 817



All dimensions are approximate. Structure measurements must be verified against the unit to ensure proper fit.



Neo-round Base 32 - 3 in

CORNER BASES - ACRYLIC



Material : Acrylic

Features

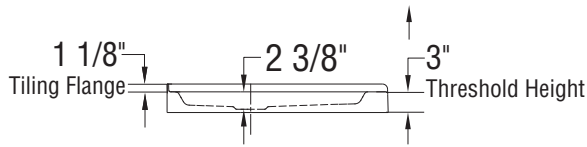
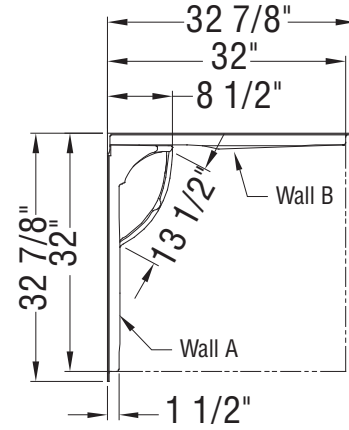
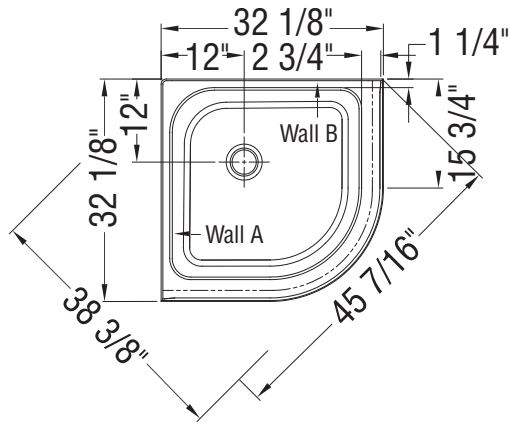
- › Direct to stud corner installation that will save time and money
- › Durable high shine acrylic stays warm to the touch and is easy to clean
- › 3-inch low threshold for easy access
- › Textured bottom for added safety
- › Walls with convenient foot rest available, designed to be easier to clean
- › Ensure fit with MAAX Radia Corner Door # 137443-900

NEO-ROUND BASE 32 - 3 IN - 101426

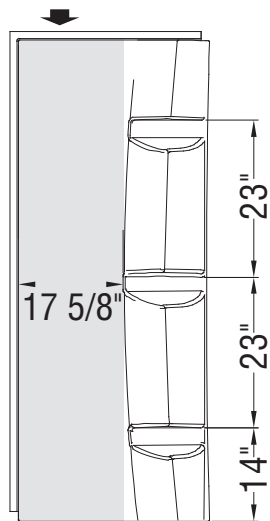
SKU	Color	Configuration	Dimensions & Weight	Packaging	MSRP
101426-000-001-000	White	Corner / Corner Left or Right	32 1/8" x 32 1/8" x 4 1/8" / 32 lb / 15 kg	6 ft ³	\$ 600

RECOMMENDED DOORS

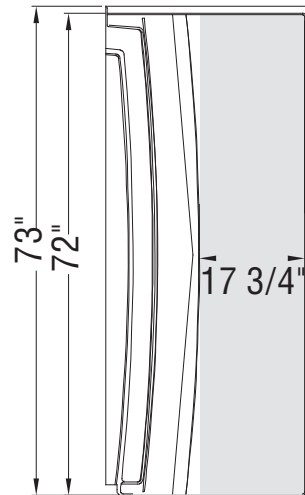
SKU	Product Name	Pag.
137443	Radia Neo-round 32 x 32 x 71 ½ - 6mm	388



Important
Center your plumbing in the highlighted area. Exact plumbing position may vary upon model specifications, please refer to the supplier's instructions for more details



Wall A



Wall B

All dimensions are approximate. Structure measurements must be verified against the unit to ensure proper fit.



Neo-round Base 36 - 3 in

CORNER BASES - ACRYLIC



Material : Acrylic

Features

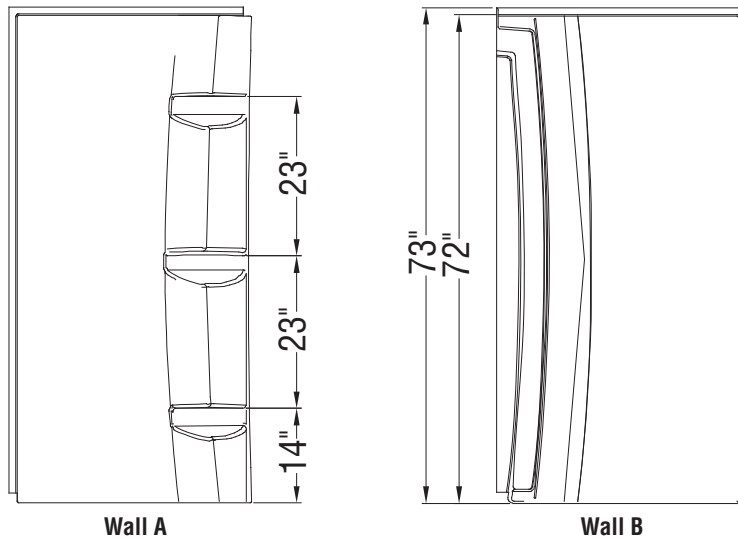
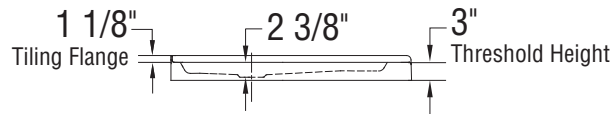
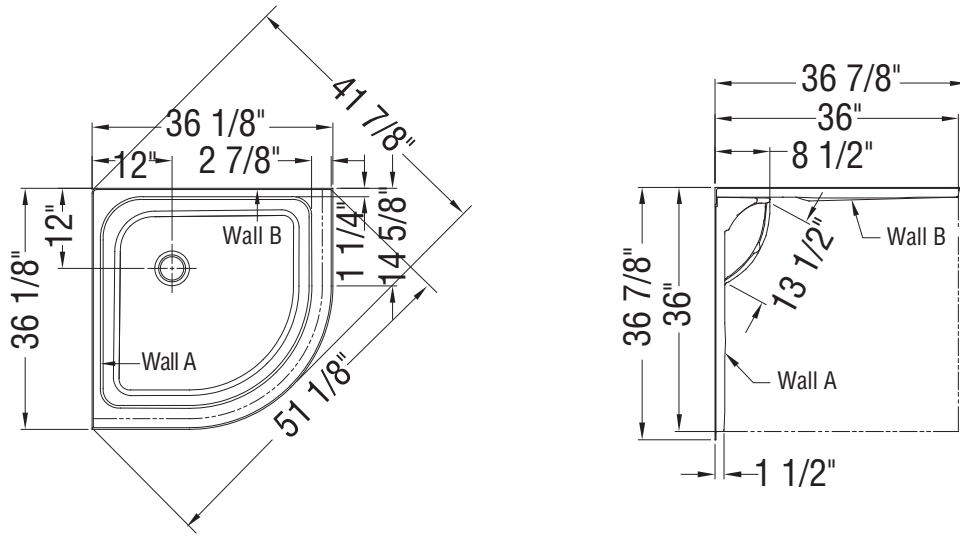
- › Proudly made in Canada
- › Direct to stud corner installation that will save time and money
- › Durable high shine acrylic stays warm to the touch and is easy to clean
- › 3-inch low threshold for easy access
- › Textured bottom for added safety
- › Walls with convenient foot rest available, designed to be easier to clean
- › Ensure fit with MAAX Radia Corner Door # 137444-900

NEO-ROUND BASE 36 - 3 IN - 101427

SKU	Color	Configuration	Dimensions & Weight	Packaging	MSRP
101427-000-001-000	White	Corner / Corner Left or Right	36 1/8" x 36 1/8" x 4 1/8" / 36 lb / 16 kg	8.93 ft ³	\$ 619

RECOMMENDED DOORS

SKU	Product Name	Pag.
137444	Radia Neo-round 36 x 36 x 71 ½ - 6mm	388



All dimensions are approximate. Structure measurements must be verified against the unit to ensure proper fit.



Neo-round Base 40 - 3 in

CORNER BASES - ACRYLIC



Material : Acrylic

Features

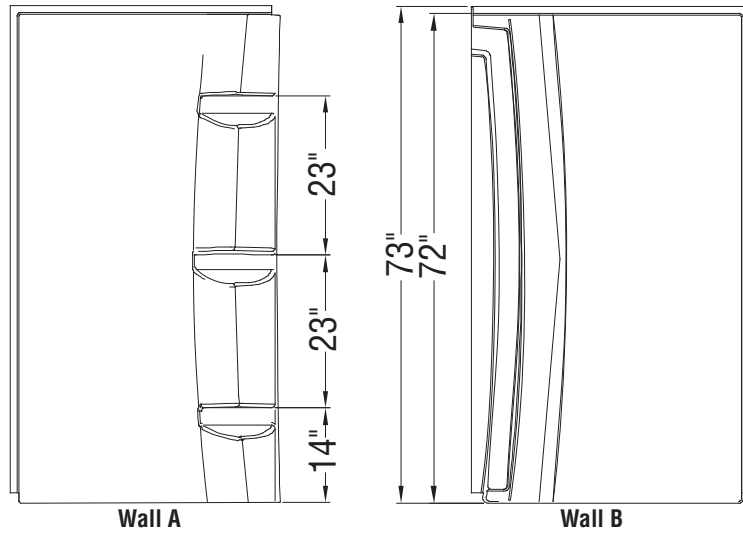
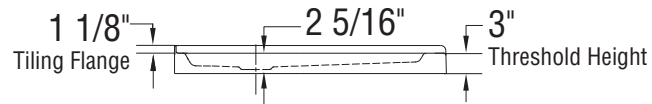
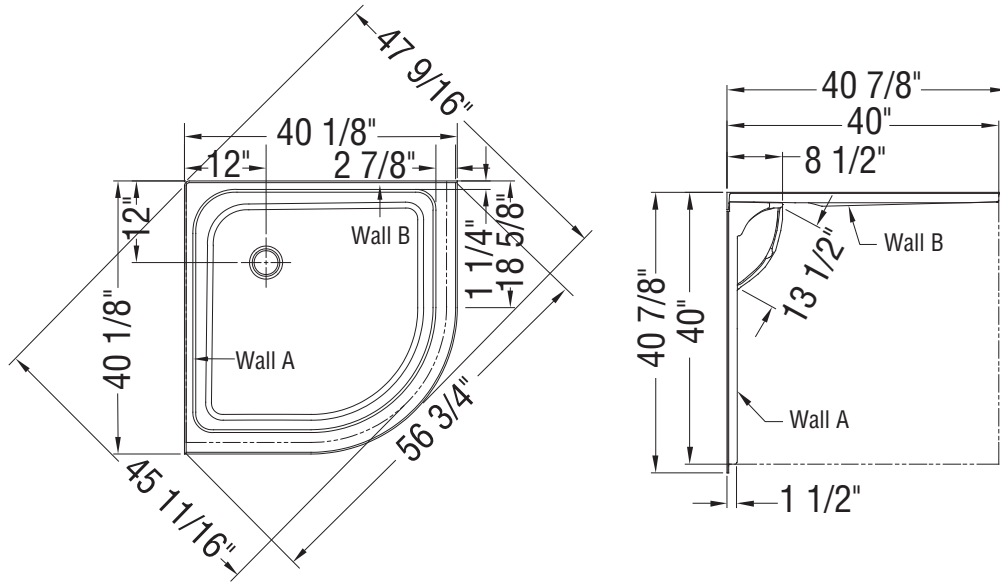
- › Direct to stud corner installation that will save time and money
- › Durable high shine acrylic stays warm to the touch and is easy to clean
- › 3-inch low threshold for easy access
- › Textured bottom for added safety
- › Walls with convenient foot rest available, designed to be easier to clean
- › Ensure fit with MAAX Radia Corner Door # 137445-900

NEO-ROUND BASE 40 - 3 IN - 101428

SKU	Color	Configuration	Dimensions & Weight	Packaging	MSRP
101428-000-001-000	White	Corner / Corner Left or Right	40 1/8" x 40 1/8" x 4 1/8" / 40 lb / 18 kg	8.93 ft ³	\$ 669

RECOMMENDED DOORS

SKU	Product Name	Pag.
137445	Radia Neo-round 40 x 40 x 71 ½ - 6mm	388

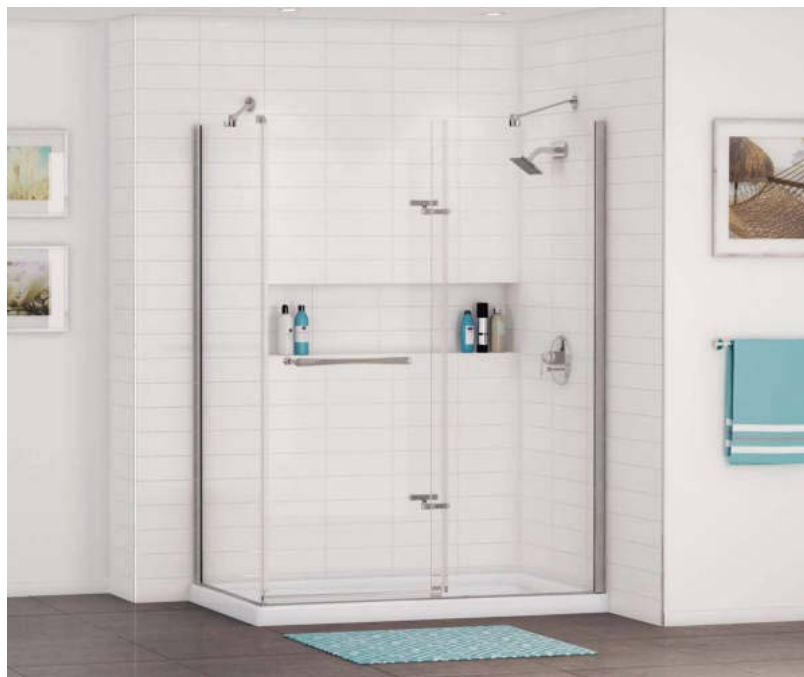


All dimensions are approximate. Structure measurements must be verified against the unit to ensure proper fit.

Rectangular Base 6036 - Corner L/R - 3 in.



CORNER BASES - ACRYLIC



Material : Acrylic

Features

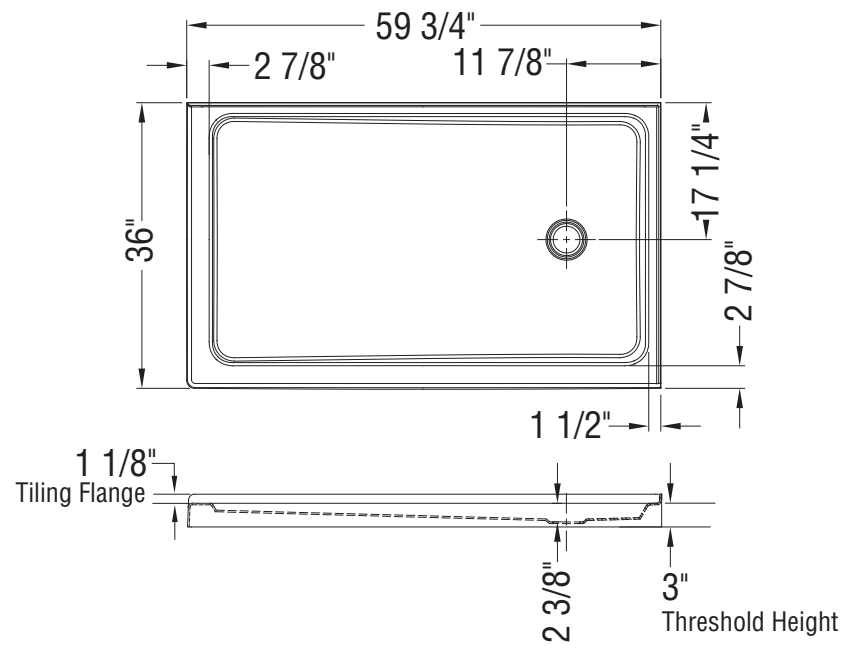
- > 60x36 Acrylic Alcove Shower Base with Left-Hand Drain in White, direct to stud installation
- > 3 in. low threshold
- > Durable high shine acrylic stays warm to the touch and is easy to clean
- > Textured bottom
- > Limited warranty is for a period of 25 years, phone # 1-877-GET-MAAX

RECTANGULAR BASE 6036 - CORNER L/R - 3 IN. - 105594

SKU	Color	Configuration	Dimensions & Weight	Packaging	MSRP
105594-000-001-001	White	Left / Corner Left or Right	59 3/4" x 36 1/4" x 4 1/8" / 58 lb / 26 kg	12 ft ³	\$ 1018
105594-000-001-002		Right / Corner Left or Right			\$ 1018

RECOMMENDED DOORS

SKU	Product Name	Pag.
138997	Halo 56 1/2-59 x 78 3/4 - 8mm	355
135322	Uptown 56-59 x 76 in. 8 mm	314
135324		361
139580	Reveal Sleek 71 56-59 x 71 1/2 - 8mm	351
136272	Duel 56-58 1/2 x 70 1/2 x 74 - 8 mm	295



All dimensions are approximate. Structure measurements must be verified against the unit to ensure proper fit.



Roka 3232

CORNER BASES - ACRYLIC



Material : Acrylic

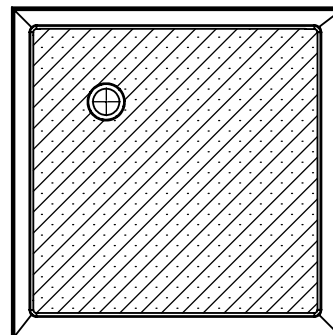
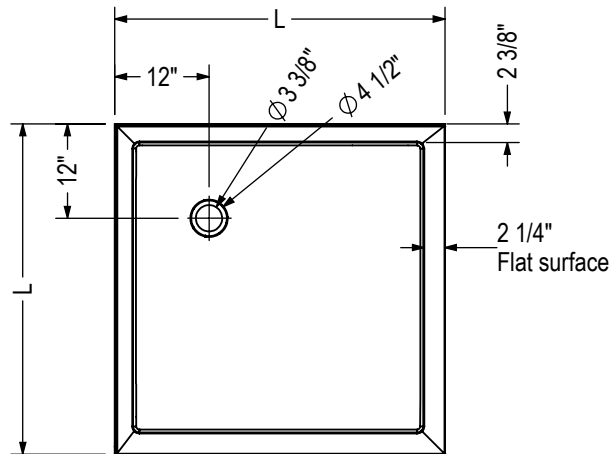
Features

- › Base can be installed in a left or right corner
- › Thermoformed cast Acrylic for improved durability
- › Textured bottom for added safety
- › Easy to clean and stain-resistant acrylic finish
- › Low threshold for safe and easy step-through entrance and exit
- › 1-piece construction with integrated flanges for easy installation
- › Sleek design adds a modern look to any bathroom
- › Installed directly to the studs for a long-lasting and secure installation
- › Available in different sizes to fit your bathroom needs

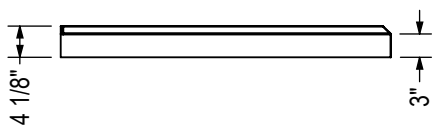
ROKA 3232 - 107331

SKU	Color	Configuration	Dimensions & Weight	Packaging	MSRP
107331-000-001-000	White	Corner / Corner Left or Right	32" x 32" x 3" / 30 lb / 14 kg	3.19 ft ³	\$ 722
107331-000-015-000	Black				\$ 794

STANDARD



The hatched area represent the anti-slip surface



Code	Description	L
107331	ROKA BASE 3232	32"
107332	ROKA BASE 3636	36"
107333	ROKA BASE 4242	42"

All dimensions are approximate. Structure measurements must be verified against the unit to ensure proper fit.



Roka 3636

CORNER BASES - ACRYLIC



Material : Acrylic

Features

- › Base can be installed in a left or right corner
- › Thermoformed cast Acrylic for improved durability
- › Textured bottom for added safety
- › Easy to clean and stain-resistant acrylic finish
- › Low threshold for safe and easy step-through entrance and exit
- › 1-piece construction with integrated flanges for easy installation
- › Compatible with MAAX Utile walls
- › Installed directly to the studs for a long-lasting and secure installation
- › Available in different sizes to fit your bathroom needs

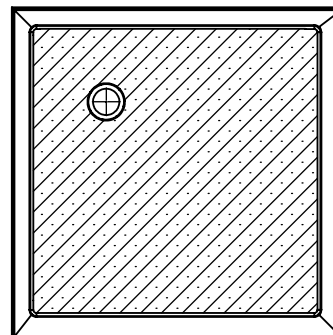
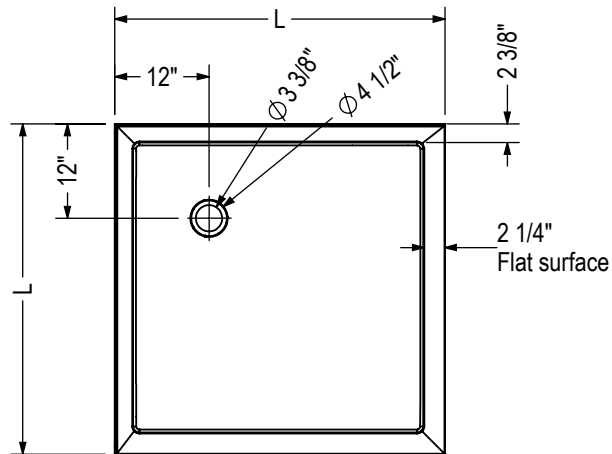
ROKA 3636 - 107332

SKU	Color	Configuration	Dimensions & Weight	Packaging	MSRP
107332-000-001-000	White	Corner / Corner Left or Right	36" x 36" x 3" / 36 lb / 16 kg	4.6 ft ³	\$ 806
107332-000-015-000	Black				\$ 887

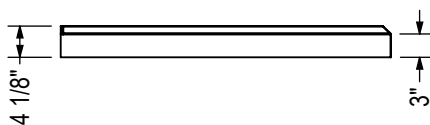
RECOMMENDED DOORS

SKU	Product Name	Pag.
139575	Reveal Sleek 71 32 ½-35 ½ x 71 ½ - 8mm	350
136676	Reveal 71 32 ½-35 ½ x 71 ½ - 8mm	347

STANDARD



The hatched area represent the anti-slip surface



Code	Description	L
107331	ROKA BASE 3232	32"
107332	ROKA BASE 3636	36"
107333	ROKA BASE 4242	42"

All dimensions are approximate. Structure measurements must be verified against the unit to ensure proper fit.



Roka 4242

CORNER BASES - ACRYLIC



Material : Acrylic

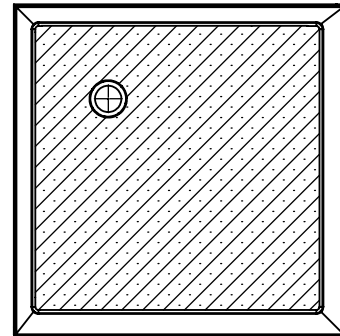
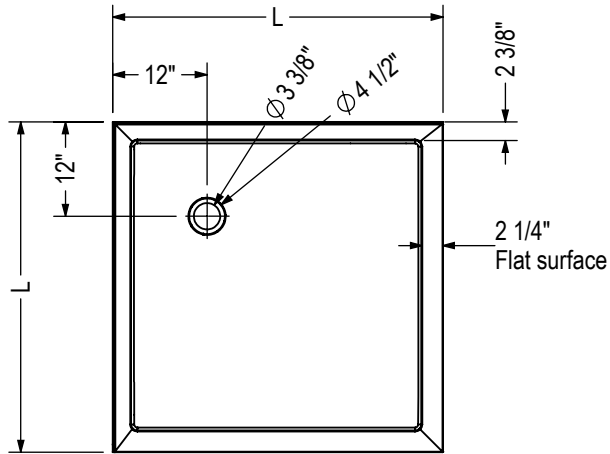
Features

- › Base can be installed in a left or right corner
- › Thermoformed cast Acrylic for improved durability
- › Textured bottom for added safety
- › Easy to clean and stain-resistant acrylic finish
- › Low threshold for safe and easy step-through entrance and exit
- › 1-piece construction with integrated flanges for easy installation
- › Compatible with MAAX Utile walls
- › Installed directly to the studs for a long-lasting and secure installation
- › Available in different sizes to fit your bathroom needs

ROKA 4242 - 107333

SKU	Color	Configuration	Dimensions & Weight	Packaging	MSRP
107333-000-001	White	Corner / Corner Left or Right	42" x 42" x 3" / 51 lb / 23 kg	5.27 ft ³	\$ 1017
107333-000-015	Black				\$ 1119

STANDARD



The hatched area represent the anti-slip surface



Code	Description	L
107331	ROKA BASE 3232	32"
107332	ROKA BASE 3636	36"
107333	ROKA BASE 4242	42"

All dimensions are approximate. Structure measurements must be verified against the unit to ensure proper fit.



Round Base 36 - 3 in

CORNER BASES - ACRYLIC



Material : Acrylic

Features

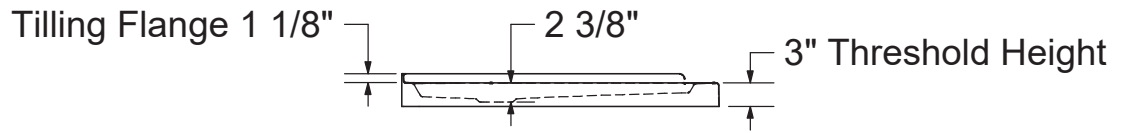
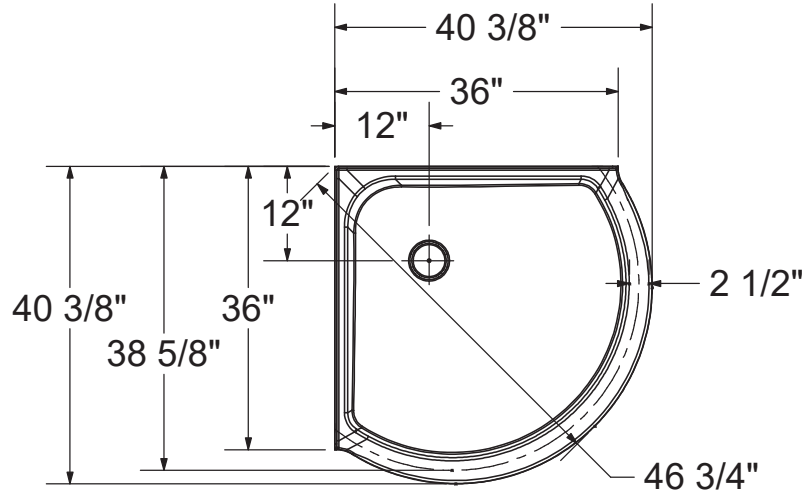
- › Proudly made in Canada
- › Direct to stud installation, save time and money
- › Sturdy 2-piece acrylic walls with built-in shelves
- › Integrated convenient footrest
- › Easy front installation with snap clips
- › Build from high quality acrylic that is easy to clean
- › Compatible with MAAX 36 inch corner bases

ROUND BASE 36 - 3 IN - 101429

SKU	Color	Configuration	Dimensions & Weight	Packaging	MSRP
101429-000-001-000	White	Corner / Corner Left or Right	36 1/8" x 36 1/8" x 4 1/8" / 36 lb / 16 kg	8.93 ft ³	\$ 801

RECOMMENDED DOORS

SKU	Product Name	Pag.
137446	Radia Round 36 x 36 x 71 1/2 - 6mm	391



All dimensions are approximate. Structure measurements must be verified against the unit to ensure proper fit.



Square Base 32 - Corner - 3 in

CORNER BASES - ACRYLIC



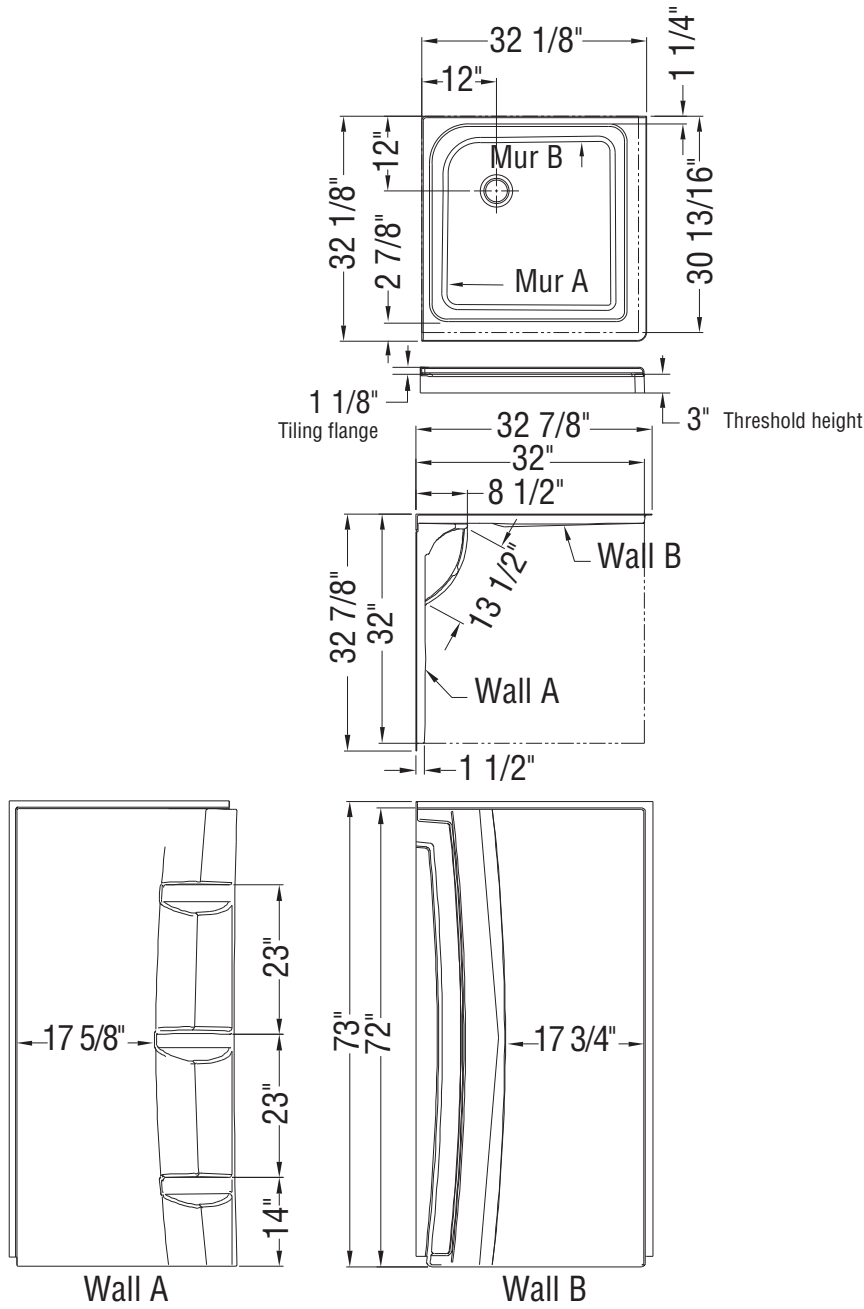
Material : Acrylic

Features

- › Direct to stud corner installation that will save time and money
- › Durable high shine acrylic stays warm to the touch and is easy to clean
- › 3-inch low threshold for easy access
- › Textured bottom for added safety
- › Walls with convenient foot rest available, designed to be easier to clean
- › Ensure fit with MAAX Radia Corner Door # 137447-900

SQUARE BASE 32 - CORNER - 3 IN - 101431

SKU	Color	Configuration	Dimensions & Weight	Packaging	MSRP
101431-000-001-000	White	Corner / Corner Left or Right	32 1/8" x 32 1/8" x 4 1/8" / 30 lb / 14 kg	6 ft ³	\$ 600



All dimensions are approximate. Structure measurements must be verified against the unit to ensure proper fit.

Square Base 36 - Corner - 3 in



CORNER BASES - ACRYLIC



Material : Acrylic

Features

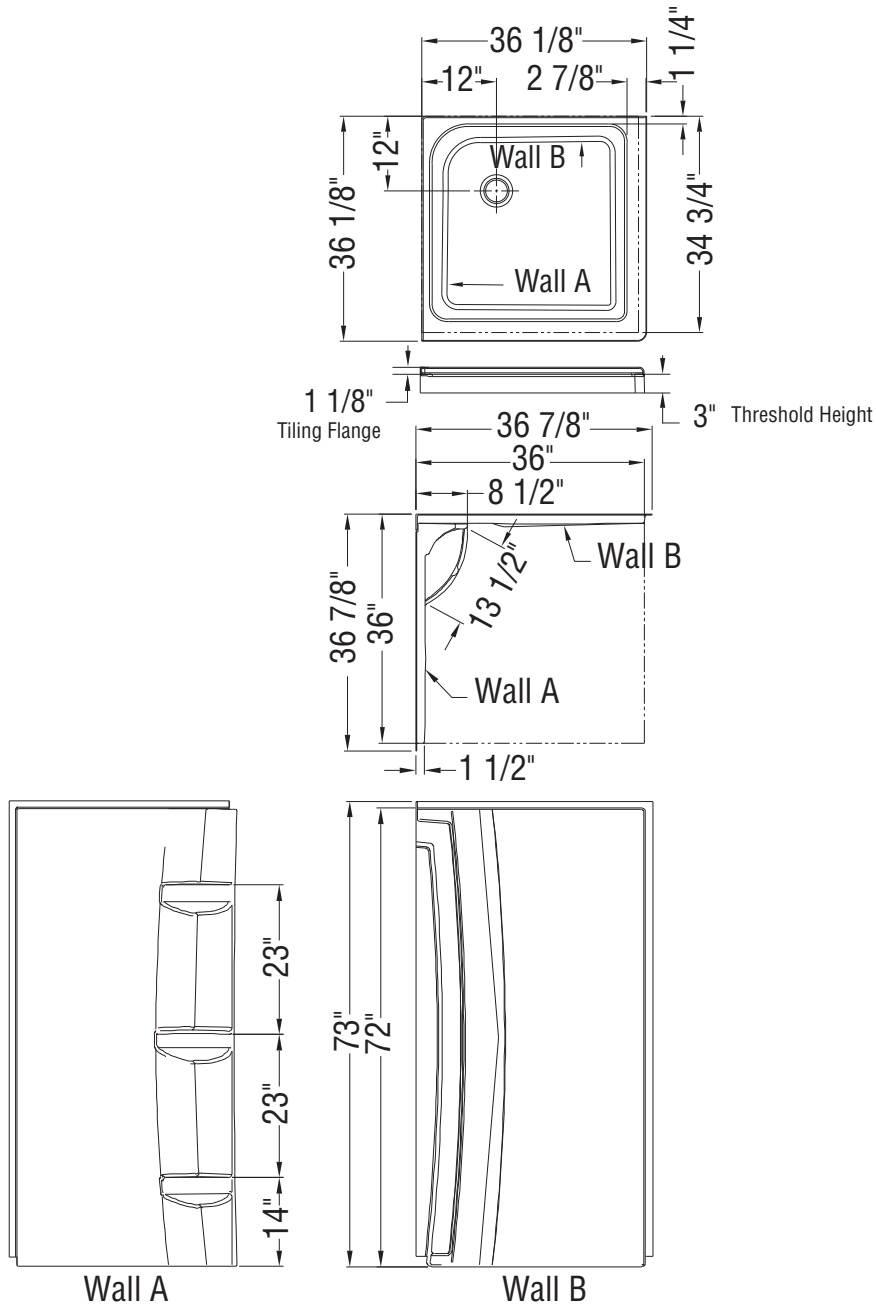
- › Direct to stud corner installation that will save time and money
- › Durable high shine acrylic stays warm to the touch and is easy to clean
- › 3-inch low threshold for easy access
- › Textured bottom for added safety
- › Walls with convenient foot rest available, designed to be easier to clean
- › Ensure fit with MAAX Radia Corner Door # 137448-900

SQUARE BASE 36 - CORNER - 3 IN - 101432

SKU	Color	Configuration	Dimensions & Weight	Packaging	MSRP
101432-000-001-000	White	Corner / Corner Left or Right	36 1/8" x 36 1/8" x 4 1/8" / 40 lb / 18 kg	8.93 ft ³	\$ 669

RECOMMENDED DOORS

SKU	Product Name	Pag.
139575	Reveal Sleek 71 32 1/2-35 1/2 x 71 1/2 - 8mm	350
137448	Radia Square Sliding Shower Door 36 x 36 x 71 1/2 in. 6 mm	393
136676	Reveal 71 32 1/2-35 1/2 x 71 1/2 - 8mm	347



All dimensions are approximate. Structure measurements must be verified against the unit to ensure proper fit.



Neo-Angle 38 Base

CORNER BASES - ACRYLIC



Material : Acrylic

Features

- › 3 in. threshold height
- › Corner left or right installation
- › Made of Acrylic
- › High gloss finish resistant to dulling, scratching, and fading
- › Maximum door width: 36.5 in.
- › Textured bottom for added safety
- › ABS drain included
- › Low threshold design provides a safe and easy step-through entrance and exit for users of all ages
- › Optional 3-piece acrylic wall set with shelves available

NEO-ANGLE BASE 38 - 106380

SKU	Color	Configuration	Dimensions & Weight	Packaging	MSRP
106380-000-001-000	White	Corner / Corner Left or Right	38" x 38" x 3" / 26 lb / 12 kg	4.2 ft ³	\$ 708

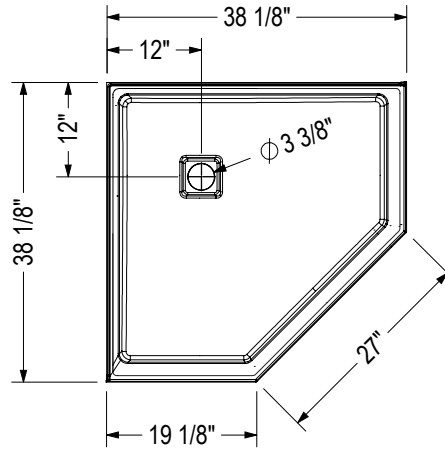
ACCESSORIES

SKU	Description	MSRP
10038458-305-600	Square drain grid Available colors: White (001), Chrome (084), Dark Bronze (173), Brushed Nickel (305), Matte Black (340) and Brushed gold (343)	\$ 50
10038458-084-600		\$ 50
10038458-173-600		\$ 83
10038458-340-600		\$ 83
10038458-001-600		\$ 83
10038458-343-600		\$ 83
10060311	Corner glass shelf (9 3/8 x 9 3/8 in.) (sold separately) 10 mm frosted glass with a clear band along the edge Compatible with Utile and tile shower walls	\$ 152

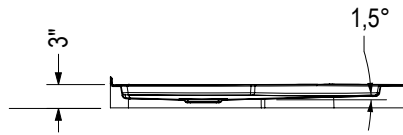
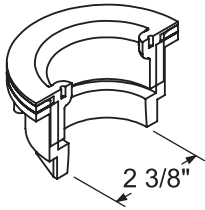
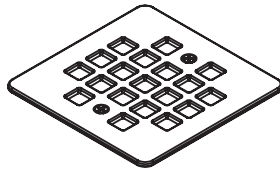
RECOMMENDED DOORS

SKU	Product Name	Pag.
137441	Radia Neo-angle 38 x 38 x 71 ½ - 6mm	386
139315	Davana Neo-angle 38 x 38 x 75 - 8mm	372
137300	Hana Neo-angle 38 x 38 x 75 - 8mm	378

STANDARD



DRAIN INCLUDED



All dimensions are approximate. Structure measurements must be verified against the unit to ensure proper fit.



Neo-Angle 40 Base

CORNER BASES - ACRYLIC



Material : Acrylic

Features

- › 3 in. threshold height
- › Corner left or right installation
- › Made of Acrylic
- › High gloss finish resistant to dulling, scratching, and fading
- › Maximum door width: 38.5 in.
- › Textured bottom for added safety
- › ABS drain included
- › Low threshold design provides a safe and easy step-through entrance and exit for users of all ages
- › Optional 3-piece acrylic wall set with shelves available

NEO-ANGLE BASE 40 - 106381

SKU	Color	Configuration	Dimensions & Weight	Packaging	MSRP
106381-000-001-000	White	Corner / Corner Left or Right	40" x 40" x 3" / 29 lb / 13 kg	4.63 ft ³	\$ 742

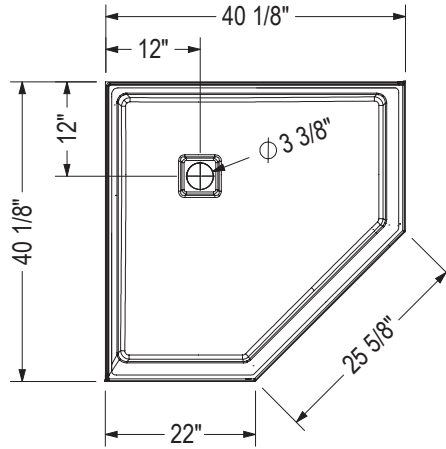
ACCESSORIES

SKU	Description	MSRP
10038458-305-600	Square drain grid Available colors: White (001), Chrome (084), Dark Bronze (173), Brushed Nickel (305), Matte Black (340) and Brushed gold (343)	\$ 50
10038458-084-600		\$ 50
10038458-173-600		\$ 83
10038458-340-600		\$ 83
10038458-001-600		\$ 83
10038458-343-600		\$ 83
10060311	Corner glass shelf (9 3/8 x 9 3/8 in.) (sold separately) 10 mm frosted glass with a clear band along the edge Compatible with Utile and tile shower walls	\$ 152

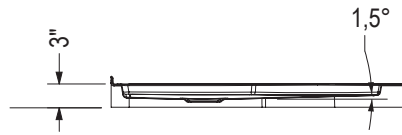
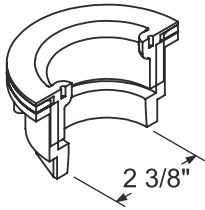
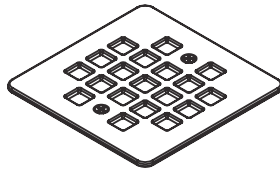
RECOMMENDED DOORS

SKU	Product Name	Pag.
137442	Radia Neo-angle 40 x 40 x 71 ½ - 6mm	386
139320	Davana Neo-angle 40 x 40 x 75 - 8mm	374
137301	Hana Neo-angle 40 x 40 x 75 - 8mm	380

STANDARD



DRAIN INCLUDED



All dimensions are approximate. Structure measurements must be verified against the unit to ensure proper fit.



Round Base 36 with drain - 3 in.

CORNER BASES - ACRYLIC



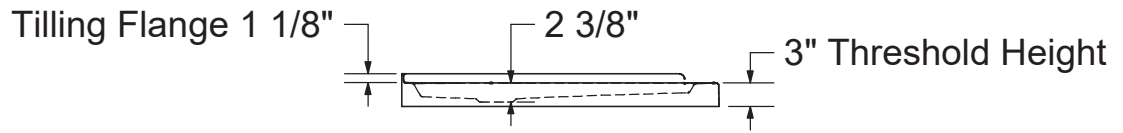
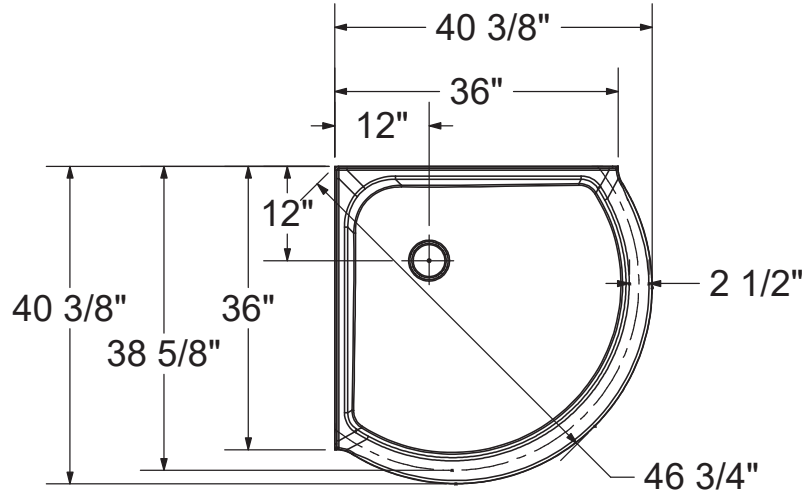
Material : Acrylic

Features

- > 3 in. threshold height
- > Standard round drain with a white drain cover to match any finishes
- > Corner left or right installation
- > Made of Acrylic
- > Textured bottom for slip-resistance
- > Corner drain included
- > Low threshold design provides a safe and easy step-through entrance and exit for users of all ages
- > Integrated tiling flange for added leak protection
- > Combine with a wall set and corner door to create a complete shower solution

ROUND 36 WITH DRAIN - 3 IN. - 106888

SKU	Color	Configuration	Dimensions & Weight	Packaging	MSRP
106888-000-001-100	White	Corner / Corner Left or Right	40 3/8" x 40 3/8" x 3" / 40 lb / 18 kg	10.31 ft ³	\$ 815



All dimensions are approximate. Structure measurements must be verified against the unit to ensure proper fit.

Shower Doors



Duel 48 in. shower door with Return Panel 74 for 32 in. bases



Material : Tempered Glass

Features

- › Frameless clear glass panels 8mm (5/16-inch) thick
- › Available in 3 finishes: Chrome, Brushed Nickel, Dark Bronze
- › Bathub and tub shower are sold separately, explore our wide variety of Bathub and tub shower
- › Bi-directional glass panels for flexible entry and easy access to fixtures on the left or right-hand side
- › The door provides a watertight seal, to prevent leaks or spills during use
- › Reversible, allowing for left or right opening to accommodate different bathroom layouts
- › Silent guide that eliminates the rattling noise
- › Improved safety features that lock the header and firmly secures frame to door jamb
- › Warranty: 10 years

ALCOVE DOORS - BYPASS

INVERTO 56-59 X 70 1/2-74 - 8MM - 138762

SKU	Glass / Finish	Door Opening	Dimensions & Weight	Packaging	MSRP
138762-900-084-000	Clear / Chrome	Reversible	56" - 59" x 74" / 128 lb / 58 kg	4.84 ft ³	\$ 1674
138762-900-173-000	Clear / Dark Bronze				\$ 1929
138762-900-305-000	Clear / Brushed Nickel				\$ 1798



Material : Tempered Glass

Features

- › Components that connect seamlessly for an effortless assembly
- › Expandable Sill, no cutting required to adjust
- › Large knob on the opposite side of the handle, to allows for an easier opening and closing
- › Hand adjustment to perfect the fit in the alcove
- › Slim header and thin edges accentuate the minimalist look
- › Safety features: top and bottom integrated bumper to prevent slamming

INCOGNITO 76 56-59 X 76 - 8MM - 135335

SKU	Glass / Finish	Door Opening	Dimensions & Weight	Packaging	MSRP
135335-900-084-000	Clear / Chrome	Reversible	56" - 59" x 76" / 116 lb / 53 kg	4.89 ft³	\$ 1212
135335-900-305-000	Clear / Brushed Nickel				\$ 1273
135335-900-340-000	Clear / Matte Black				\$ 1303



Duel Shower Doors



Material : Tempered Glass

Features

- › 8 mm (5/16") tempered glass with Lotus easy clean protection
- › High quality rollers for smooth glide
- › Fits showers with 70.5in. wall clearance, glass extends to 74 in.
- › 3in of lateral adjustment to fit many shower opening
- › Sleek and square elements for a modern look
- › Designed in North America
- › The frameless design brings a sense of spaciousness to the room and creates a sleek, minimalist look.
- › 3/4" out-of-plumb adjustment
- › Header leveling and locking System innovation allows for header adjustment

ALCOVE DOORS - BYPASS

DUEL 44-47 X 70 1/2 X 74 - 8 MM - 136271

SKU	Glass / Finish	Door Opening	Dimensions & Weight	Packaging	MSRP
136271-900-084-000	Clear / Chrome	Reversible	44" - 47" x 70 1/2" / 108 lb / 49 kg	3.96 ft ³	\$ 1297
136271-900-173-000	Clear / Dark Bronze				\$ 1402
136271-900-280-000	Clear / Chrome and Matte White				\$ 1397
136271-900-289-000	Clear / Brushed Nickel and Matte Black				\$ 1467
136271-900-290-000	Clear / Brushed Nickel and Matte White				\$ 1467
136271-900-305-000	Clear / Brushed Nickel				\$ 1367
136271-900-340-000	Clear / Matte Black				\$ 1402
136271-900-350-000	Clear / Chrome and Matte Black				\$ 1397
136271-900-360-000	Clear / Matte Black and Chrome				\$ 1502
136271-900-380-000	Clear / Matte Black and Brushed Gold				\$ 1502

DUEL 56-58 1/2 X 70 1/2 X 74 - 8 MM - 136272

SKU	Glass / Finish	Door Opening	Dimensions & Weight	Packaging	MSRP
136272-900-084-000	Clear / Chrome	Reversible	56" - 58 1/2" x 70 1/2" / 130 lb / 59 kg	4.85 ft ³	\$ 1389
136272-900-173-000	Clear / Dark Bronze				\$ 1495
136272-900-280-000	Clear / Chrome and Matte White				\$ 1489
136272-900-289-000	Clear / Brushed Nickel and Matte Black				\$ 1559
136272-900-290-000	Clear / Brushed Nickel and Matte White				\$ 1559
136272-900-305-000	Clear / Brushed Nickel				\$ 1459

DUEL 56-58 1/2 X 70 1/2 X 74 - 8 MM - 136272

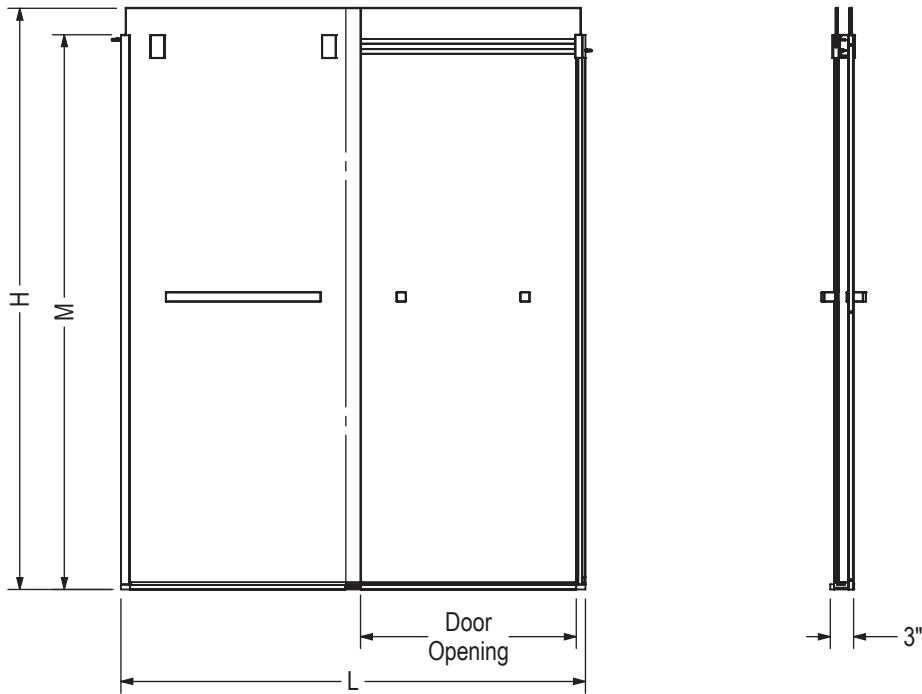
SKU	Glass / Finish	Door Opening	Dimensions & Weight	Packaging	MSRP
136272-900-340-000	Clear / Matte Black	Reversible	56" - 58 1/2" x 70 1/2" / 130 lb / 59 kg	4.85 ft ³	\$ 1495
136272-900-350-000	Clear / Chrome and Matte Black				\$ 1489
136272-900-360-000	Clear / Matte Black and Chrome				\$ 1595
136272-900-380-000	Clear / Matte Black and Brushed Gold				\$ 1595

ACCESSORIES

SKU	Description	MSRP
10068850-291-600	Mixed Finish Hardware Replacement Kit for Duel and Duel Alto. Available colors: Chrome (084), Matte White (291), Matte Black (340) and Brushed Gold (343)	\$ 100
10068850-084-600		\$ 100
10068850-343-600		\$ 100
10068850-340-600		\$ 100

ALCOVE DOORS - BYPASS

STANDARD



Code	Description	H	M	L Adjustable	Door Opening	Wall Adjustment
136270	Duel 56" - 59" x 55 1/2"	59"	55 1/2"	56" - 59"	24 1/2" - 27 1/2"	3/4"
136271	Duel 44" - 47" x 70 1/2"	74"	70 1/2"	44" - 47"	18 1/2" - 21 1/2"	3/4"
136272	Duel 56" - 59" x 70 1/2"	74"	70 1/2"	56" - 59"	24 1/2" - 27 1/2"	3/4"

All dimensions are approximate. Structure measurements must be verified against the unit to ensure proper fit.

Incognito 70 Shower Doors - 6 mm



ALCOVE DOORS - BYPASS



Material : Tempered Glass

Features

- › Components that connect seamlessly for an effortless assembly
- › Expandable Sill, no cutting required to adjust
- › Large knob on the opposite side of the handle, to allows for an easier opening and closing
- › Hand adjustment to perfect the fit in the alcove
- › Fits on showers with a wall height of at least 70.5in
- › Integrated bumper at the top and the bottom

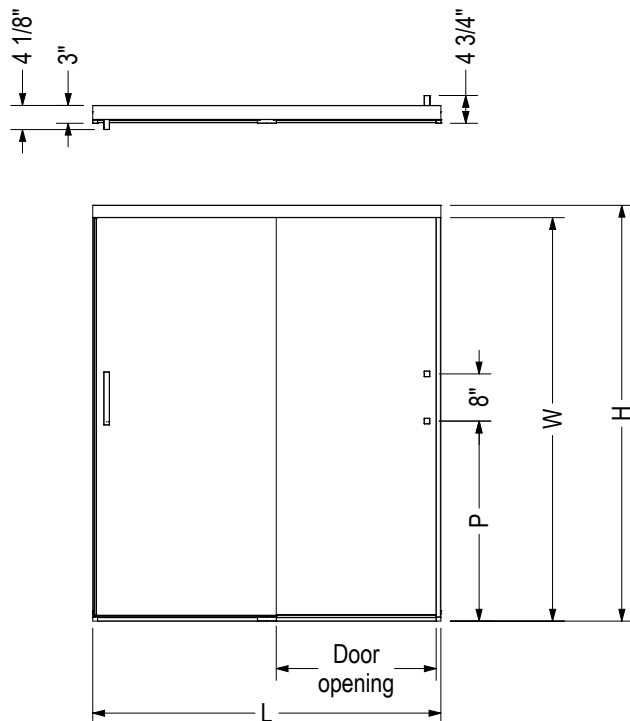
INCOGNITO 44-47 X 70 1/2 IN. 6MM - 139349

SKU	Glass / Finish	Door Opening	Dimensions & Weight	Packaging	MSRP
139349-900-084-000	Clear / Chrome	Reversible	44" - 47" x 70 1/2" / 110 lb / 50 kg	3.47 ft ³	\$ 916
139349-900-173-000	Clear / Dark Bronze				\$ 985
139349-900-305-000	Clear / Brushed Nickel				\$ 963
139349-900-340-000	Clear / Matte Black				\$ 985

INCOGNITO 56-59 X 70 1/2 IN. 6MM - 139350

SKU	Glass / Finish	Door Opening	Dimensions & Weight	Packaging	MSRP
139350-900-084-000	Clear / Chrome	Reversible	56" - 59" x 70 1/2" / 120 lb / 54 kg	3.94 ft ³	\$ 1004
139350-900-173-000	Clear / Dark Bronze				\$ 1079
139350-900-305-000	Clear / Brushed Nickel				\$ 1055
139350-900-340-000	Clear / Matte Black				\$ 1079

STANDARD



ALCOVE DOORS - BYPASS

Code	Description	H	W	L Adjustable	Door Opening	P	Wall adjustment
139349	Incognito 6mm 70 1/2" x 44 - 47"	70 1/2"	68 3/8"	44" - 47"	17 1/8" - 21 1/8"	33 7/8"	1/2"
139350	Incognito 6mm 70 1/2" x 56 - 59"	70 1/2"	68 3/8"	56" - 59"	23 1/8" - 27 1/8"	33 7/8"	1/2"
139351	Incognito 6mm 56 3/4" x 56 - 59"	56 3/4"	54 5/8"	56" - 59"	23 1/8" - 27 1/8"	18 7/8"	1/2"
139352	Incognito 8mm 70 1/2" x 44 - 47"	70 1/2"	68 3/8"	44" - 47"	17 1/8" - 21 1/8"	33 7/8"	1/2"
139353	Incognito 8mm 70 1/2" x 56 - 59"	70 1/2"	68 3/8"	56" - 59"	23 1/8" - 27 1/8"	33 7/8"	1/2"
139354	Incognito 8mm 56 3/4" x 56 - 59"	56 3/4"	54 5/8"	56" - 59"	23 1/8" - 27 1/8"	18 7/8"	1/2"

All dimensions are approximate. Structure measurements must be verified against the unit to ensure proper fit.

Incognito 70 Shower Doors - 8 mm



ALCOVE DOORS - BYPASS



Material : Tempered Glass

Features

- › Configuration consists of Bi-directional glass panels for flexible entry and easy access to fixtures on the left or right-hand side
- › Elegant design and sleek finish add a touch of sophistication to your bathroom
- › Made from high-quality materials, ensuring durability and longevity
- › 8 mm (5/16") tempered glass
- › Easy installation process saves time and hassle
- › Stainless steel hardware and rollers provide a smooth and quiet sliding experience
- › Bottom track design allows for easy access for cleaning and maintenance
- › Made in North-America
- › 1/2" out-of-plumb adjustment, ensuring a perfect fit in any bathroom

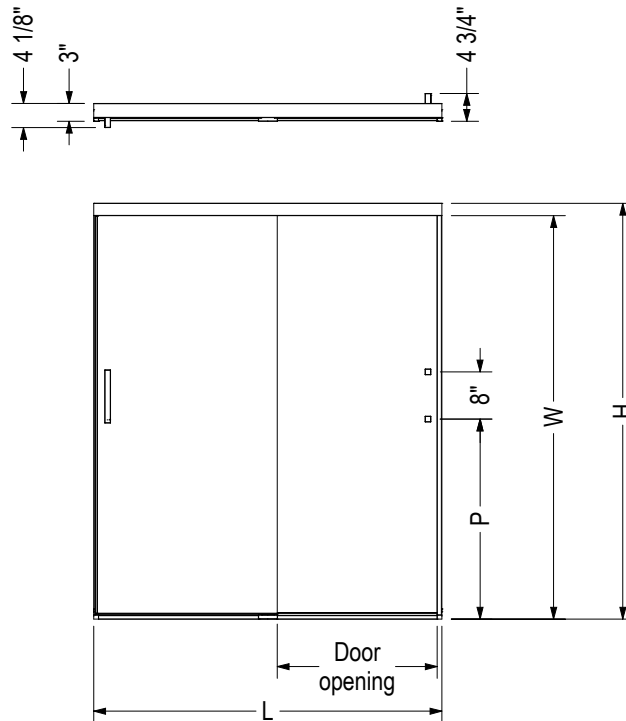
INCOGNITO 70 44-47 X 70 1/2 - 8MM - 139352

SKU	Glass / Finish	Door Opening	Dimensions & Weight	Packaging	MSRP
139352-900-084-000	Clear / Chrome	Reversible	44" - 47" x 70 1/2" / 130 lb / 59 kg	3.47 ft ³	\$ 1036
139352-900-305-000	Clear / Brushed Nickel				\$ 1109
139352-900-340-000	Clear / Matte Black				\$ 1109

INCOGNITO 70 56-59 X 70 1/2 - 8MM - 139353

SKU	Glass / Finish	Door Opening	Dimensions & Weight	Packaging	MSRP
139353-900-084-000	Clear / Chrome	Reversible	56" - 59" x 70 1/2" / 140 lb / 63 kg	3.94 ft ³	\$ 1124
139353-900-305-000	Clear / Brushed Nickel				\$ 1195
139353-900-340-000	Clear / Matte Black				\$ 1195

STANDARD



Code	Description	H	W	L Adjustable	Door Opening	P	Wall adjustment
139349	Incognito 6mm 70 1/2" x 44 - 47"	70 1/2"	68 3/8"	44" - 47"	17 1/8" - 21 1/8"	33 7/8"	1/2"
139350	Incognito 6mm 70 1/2" x 56 - 59"	70 1/2"	68 3/8"	56" - 59"	23 1/8" - 27 1/8"	33 7/8"	1/2"
139351	Incognito 6mm 56 3/4" x 56 - 59"	56 3/4"	54 5/8"	56" - 59"	23 1/8" - 27 1/8"	18 7/8"	1/2"
139352	Incognito 8mm 70 1/2" x 44 - 47"	70 1/2"	68 3/8"	44" - 47"	17 1/8" - 21 1/8"	33 7/8"	1/2"
139353	Incognito 8mm 70 1/2" x 56 - 59"	70 1/2"	68 3/8"	56" - 59"	23 1/8" - 27 1/8"	33 7/8"	1/2"
139354	Incognito 8mm 56 3/4" x 56 - 59"	56 3/4"	54 5/8"	56" - 59"	23 1/8" - 27 1/8"	18 7/8"	1/2"

All dimensions are approximate. Structure measurements must be verified against the unit to ensure proper fit.

Incognito 74 Shower Doors - 8 mm



ALCOVE DOORS - BYPASS



Material : Tempered Glass

Features

- › Components that connect seamlessly for an effortless assembly
- › Large knob on the opposite side of the handle, to allow for an easier opening and closing
- › Hand adjustable positioning
- › Fits on showers with a wall height of at least 74 in.
- › Slim header and thin edges accentuate the minimalist look
- › Safety features: top and bottom integrated bumper to prevent slamming

INCOGNITO 74 39-42X74IN. 8MM - 138520

SKU	Glass / Finish	Door Opening	Dimensions & Weight	MSRP
138520-900-084-000	Clear / Chrome	Reversible	39" - 42" x 74" / 104 lb / 47 kg	\$ 1036
138520-900-305-000	Clear / Brushed Nickel			\$ 1109
138520-900-340-000	Clear / Matte Black			\$ 1137

INCOGNITO 74 51-54X74IN. 8MM - 138521

SKU	Glass / Finish	Door Opening	Dimensions & Weight	MSRP
138521-900-084-000	Clear / Chrome	Reversible	51" - 54" x 74" / 132 lb / 60 kg	\$ 1124
138521-900-305-000	Clear / Brushed Nickel			\$ 1195
138521-900-340-000	Clear / Matte Black			\$ 1225



Incognito 76 Shaker Shower Doors

ALCOVE DOORS - BYPASS



Material : Tempered Glass

Features

- › Glass thickness: 8 mm
- › 2 in , slim header provides a sleek look
- › Features convenient towel bar
- › Detachable door guide is easy to clean
- › Wheel catcher feature keeps door open or closed

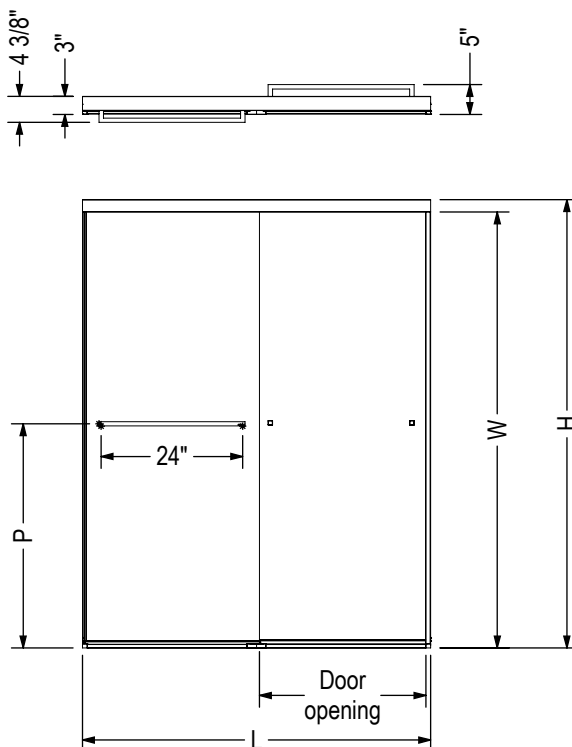
INCOGNITO 76 SHAKER 44-47 X 76 - 8MM - 135331

SKU	Glass / Finish	Door Opening	Dimensions & Weight	Packaging	MSRP
135331-972-340-000	Shaker / Matte Black	Reversible	44" - 47" x 76" / 144 lb / 65 kg	4.48 ft ³	\$ 1361

INCOGNITO 76 SHAKER 56-59 X 76 - 8MM - 135332

SKU	Glass / Finish	Door Opening	Dimensions & Weight	Packaging	MSRP
135332-972-340-000	Shaker / Matte Black	Reversible	56" - 59" x 76" / 116 lb / 53 kg	4.89 ft ³	\$ 1448

STANDARD



ALCOVE DOORS - BYPASS

Code	Description	H	W	L Adjustable	Door opening	P	Wall adjustment
135331	Incognito 76 Shaker 8mm 76" x 44 - 47"	76"	73 7/8"	44" - 47"	18 1/4" - 22 1/4"	38"	1/2"
135332	Incognito 76 Shaker 8mm 76" x 56 - 59"	76"	73 7/8"	56" - 59"	24 1/4" - 28 1/4"	38"	1/2"
135330	Incognito Shaker 8mm 56 3/4" x 56 - 59"	56 3/4"	54 5/8"	56" - 59"	24 1/4" - 28 1/4"	28"	1/2"
135334	Incognito 76 8mm 76" x 44 - 47"	76"	73 7/8"	44" - 47"	18 1/4" - 22 1/4"	38"	1/2"
134335	Incognito 76 8mm 76" x 56 - 59"	76"	73 7/8"	56" - 59"	24 1/4" - 28 1/4"	38"	1/2"

All dimensions are approximate. Structure measurements must be verified against the unit to ensure proper fit.



Incognito 76 Smoke Shower Doors

ALCOVE DOORS - BYPASS



Material : Tempered Glass

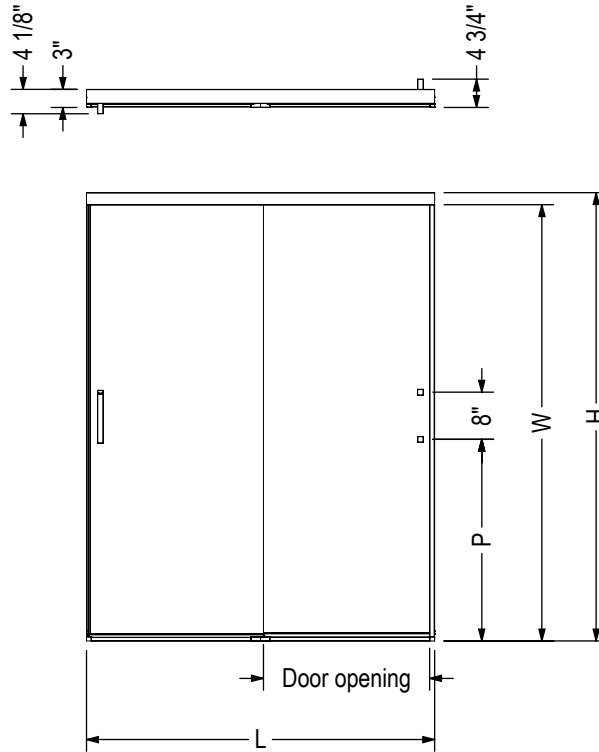
Features

- › Components that connect seamlessly for an effortless assembly
- › Expandable Sill, no cutting required to adjust
- › Large knob on the opposite side of the handle, to allows for an easier opening and closing
- › Hand adjustment to perfect the fit in the alcove
- › Integrated bumper at the top and the bottom
- › Slim header and thin edges accentuate the minimalist look

INCOGNITO 76 SMOKE 56-59 X 76 - 8MM - 136335

SKU	Glass / Finish	Door Opening	Dimensions & Weight	Packaging	MSRP
136335-973-340-000	Dark Smoke / Matte Black	Reversible	56" - 59" x 76" / 116 lb / 53 kg	4.88 ft ³	\$ 1386
136335-975-340-000	Light Smoke / Matte Black				\$ 1386

STANDARD



Code	Description	H	W	L Adjustable	Door opening	P	Wall adjustment
135335	Incognito Smoke 8mm 76" x 56 - 59"	76"	73 7/8"	56" - 59"	24 1/4" - 28 1/4"	33 7/8"	1/2"

All dimensions are approximate. Structure measurements must be verified against the unit to ensure proper fit.



Polar Shower Doors

ALCOVE DOORS - BYPASS



Material : Tempered Glass

Features

- › Raindrop 4 mm tempered glass for more intimacy
- › Chrome frame for a clean simple look
- › Bathub and tub shower are sold separately, explore our wide variety of Bathub and tub shower
- › Bypass door configuration features two sliding panel
- › The EZ Klean bottom track drains water away and significantly reduces maintenance
- › Reversible, allowing for left or right opening to accommodate different bathroom layouts
- › Smooth Sliding Door Functionality enhances accessibility and convenience while elevating the aesthetics of your shower space.
- › Proudly made in North America
- › Warranty: 10 years

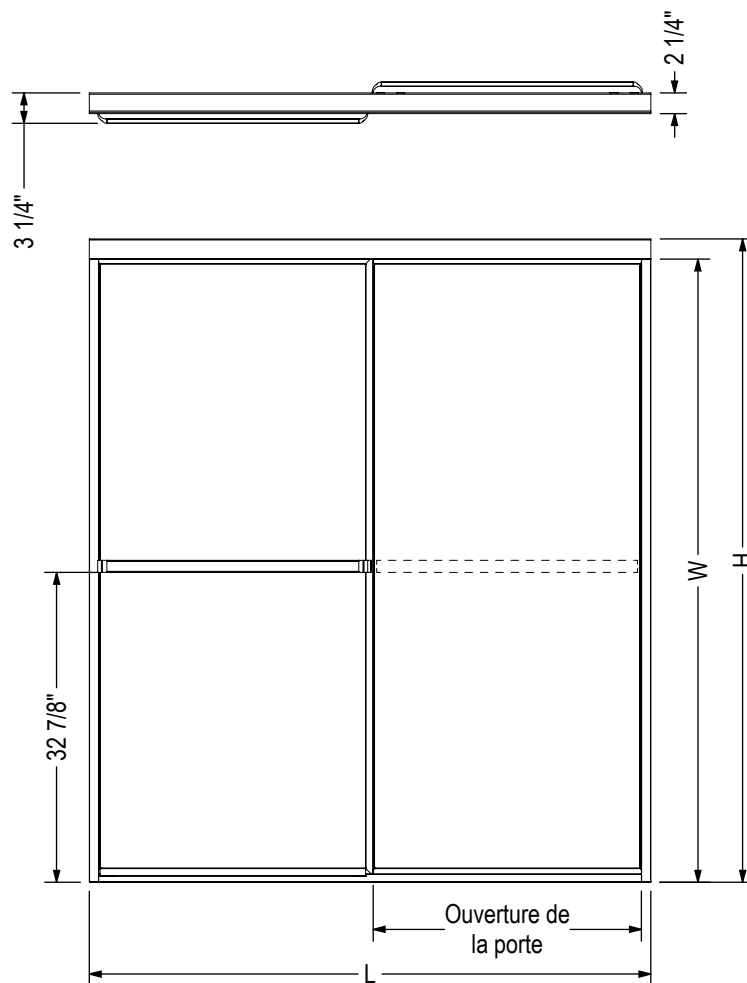
POLAR 54-59 1/2 X 68 IN. - 105412

SKU	Glass / Finish	Door Opening	Dimensions & Weight	Packaging	MSRP
105412-970-084-000	Raindrop / Chrome	Lateral	54" - 59 1/2" x 68" / 68 lb / 31 kg	4.59 ft ³	\$ 875

POLAR 42-47 1/2 X 68 IN. - 105413

SKU	Glass / Finish	Door Opening	Dimensions & Weight	Packaging	MSRP
105413-970-084-000	Raindrop / Chrome	Lateral	42" - 47 1/2" x 68" / 53 lb / 24 kg	3.93 ft ³	\$ 780

STANDARD



ALCOVE DOORS - BYPASS

Code	Description	H	W	L Ajustable	Ouverture de la porte
105410	Polar 54" - 59 1/2" x 57"	57"	55"	54" - 59 1/2"	26" - 28 1/2"
105412	Polar 54" - 59 1/2" x 68"	68"	66"	54" - 59 1/2"	26" - 28 1/2"
105413	Polar 42" - 47 1/2" x 68"	68"	66"	42" - 47 1/2"	20" - 22 1/2"

Toutes ces dimensions sont approximatives. Afin d'assurer une installation parfaite, les dimensions de la structure doivent être vérifiées à partir de l'unité.

Revelation Round Shower Doors - 6 mm



ALCOVE DOORS - BYPASS



Material : Tempered Glass

Features

- Made from high-quality 6 mm (1/4") thick glass, ensuring durability and safety.
- Reversible, allowing installation for left or right openings to accommodate different bathroom layouts.
- Easy installation process saves time and hassle.
- The door provides a watertight seal, ensuring no leaks or spills occur during use.

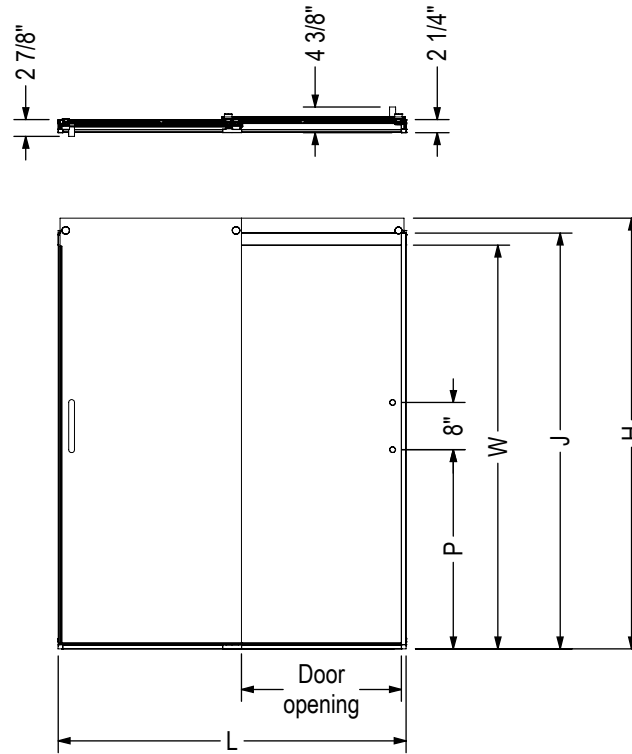
REVELATION ROUND 44-47 X 70 1/2-73 IN 6 MM - 136690

SKU	Glass / Finish	Door Opening	Dimensions & Weight	Packaging	MSRP
136690-900-084-000	Clear / Chrome	Reversible	44" - 47" x 70 1/2" / 82 lb / 37 kg	3.96 ft ³	\$ 984
136690-900-305-000	Clear / Brushed Nickel				\$ 1055
136690-900-340-000	Clear / Matte Black				\$ 1091

REVELATION ROUND 56-59 X 70 1/2-73 IN 6 MM - 136691

SKU	Glass / Finish	Door Opening	Dimensions & Weight	Packaging	MSRP
136691-900-084-000	Clear / Chrome	Reversible	56" - 59" x 70 1/2" / 105 lb / 48 kg	4.55 ft ³	\$ 1072
136691-900-305-000	Clear / Brushed Nickel				\$ 1143
136691-900-340-000	Clear / Matte Black				\$ 1179

STANDARD



Code	Description	H	J	W	L Adjustable	Door Opening	P	Wall adjustment
139690	Revelation 6mm 70 1/2"-73" x 43 - 47"	73"	70 1/2"	68 3/8"	43" - 47"	16" - 20"	33 7/8"	1/2"
139691	Revelation 6mm 70 1/2"-73" x 55 - 59"	73"	70 1/2"	68 3/8"	55" - 59"	22" - 26"	33 7/8"	1/2"
139692	Revelation 6mm 56 3/4"-59 1/4" x 55 - 59"	59 1/4"	56 3/4"	54 5/8"	55" - 59"	22" - 26"	18 7/8"	1/2"
139693	Revelation 8mm 70 1/2"-73" x 43 - 47"	73"	70 1/2"	68 3/8"	43" - 47"	16" - 20"	33 7/8"	1/2"
139694	Revelation 8mm 70 1/2"-73" x 55 - 59"	73"	70 1/2"	68 3/8"	55" - 59"	22" - 26"	33 7/8"	1/2"
139695	Revelation 8mm 56 3/4"-59 1/4" x 55 - 59"	59 1/4"	56 3/4"	54 5/8"	55" - 59"	22" - 26"	18 7/8"	1/2"

All dimensions are approximate. Structure measurements must be verified against the unit to ensure proper fit.

Revelation Round Shower Doors - 8 mm



ALCOVE DOORS - BYPASS



Material : Tempered Glass

Features

- › Components that connect seamlessly for an effortless assembly
- › Exposed double set of wheels
- › Exposed double set of wheels
- › Handle outside / Big knob inside
- › Expandable Sill; No cutting required to adjust
- › Anti-jump features hidden in the frame
- › Detachable door guide to distance the glass for an easier cleaning

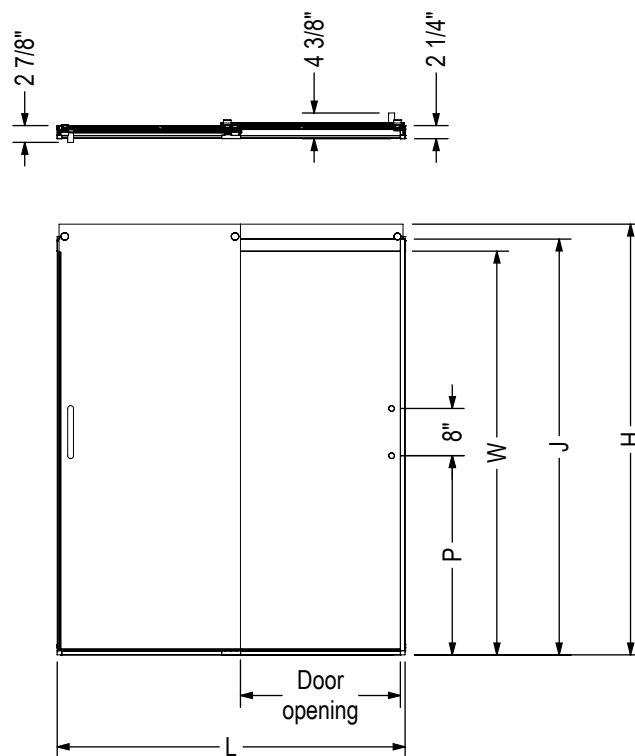
REVELATION ROUND 44-47 X 70 1/2-73 - 8MM - 136693

SKU	Glass / Finish	Door Opening	Dimensions & Weight	Packaging	MSRP
136693-900-084-000	Clear / Chrome	Reversible	44" - 47" x 73" / 130 lb / 59 kg	3.47 ft ³	\$ 1096
136693-900-305-000	Clear / Brushed Nickel				\$ 1168
136693-900-340-000	Clear / Matte Black				\$ 1205

REVELATION ROUND 56-59 X 70 1/2-73 - 8MM - 136694

SKU	Glass / Finish	Door Opening	Dimensions & Weight	Packaging	MSRP
136694-900-084-000	Clear / Chrome	Reversible	56" - 59" x 73" / 140 lb / 63 kg	3.94 ft ³	\$ 1185
136694-900-305-000	Clear / Brushed Nickel				\$ 1256
136694-900-340-000	Clear / Matte Black				\$ 1290

STANDARD



ALCOVE DOORS - BYPASS

Code	Description	H	J	W	L Adjustable	Door Opening	P	Wall adjustment
139690	Revelation 6mm 70 1/2"-73" x 43 - 47"	73"	70 1/2"	68 3/8"	43" - 47"	16" - 20"	33 7/8"	1/2"
139691	Revelation 6mm 70 1/2"-73" x 55 - 59"	73"	70 1/2"	68 3/8"	55" - 59"	22" - 26"	33 7/8"	1/2"
139692	Revelation 6mm 56 3/4"-59 1/4" x 55 - 59"	59 1/4"	56 3/4"	54 5/8"	55" - 59"	22" - 26"	18 7/8"	1/2"
139693	Revelation 8mm 70 1/2"-73" x 43 - 47"	73"	70 1/2"	68 3/8"	43" - 47"	16" - 20"	33 7/8"	1/2"
139694	Revelation 8mm 70 1/2"-73" x 55 - 59"	73"	70 1/2"	68 3/8"	55" - 59"	22" - 26"	33 7/8"	1/2"
139695	Revelation 8mm 56 3/4"-59 1/4" x 55 - 59"	59 1/4"	56 3/4"	54 5/8"	55" - 59"	22" - 26"	18 7/8"	1/2"

All dimensions are approximate. Structure measurements must be verified against the unit to ensure proper fit.



Uptown Shower Doors

ALCOVE DOORS - BYPASS



Material : Tempered Glass

Features

- › 7 mm (5/16") tempered glass
- › Configuration consists of Two Sliding Door
- › Available in 4 Stylish Finishes
- › DIY Product for an easy installation
- › Fits on showers, walls and tile
- › Innovative Soft Close by MAAX technology prevents slamming
- › Glass panels come with the Lotus Easy Clean Glass Protection to repel soap and water stains for carefree maintenance
- › Reversible panel for easy corner installation on the left or on the right
- › 3/8" out-of-plumb adjustment

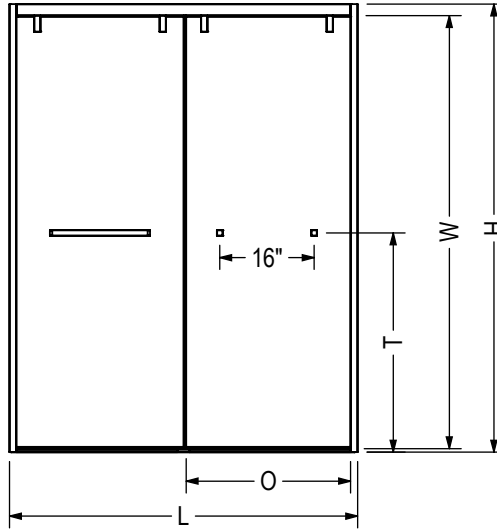
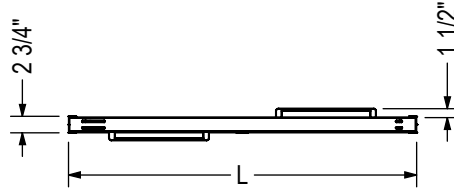
UPTOWN 44-47 X 76 IN. 8 MM - 135321

SKU	Glass / Finish	Door Opening	Dimensions & Weight	Packaging	MSRP
135321-900-084-000	Clear / Chrome	Reversible	44" - 47" x 76" / 112 lb / 51 kg	4.944 ft ³	\$ 1522
135321-900-173-000	Clear / Dark Bronze				\$ 1634
135321-900-305-000	Clear / Brushed Nickel				\$ 1608
135321-900-340-000	Clear / Matte Black				\$ 1634

UPTOWN 56-59 X 76 IN. 8 MM - 135322

SKU	Glass / Finish	Door Opening	Dimensions & Weight	Packaging	MSRP
135322-900-084-000	Clear / Chrome	Reversible	56" - 59" x 76" / 138 lb / 63 kg	6.039 ft ³	\$ 1616
135322-900-173-000	Clear / Dark Bronze				\$ 1743
135322-900-305-000	Clear / Brushed Nickel				\$ 1699
135322-900-340-000	Clear / Matte Black				\$ 1743

STANDARD



Code	Description	H	L	O	T	W
135320	Uptown Bypass Tub door 58" x 56" - 59"	58"	56" - 59"	24 7/8" - 27 7/8"	28 1/4"	55 1/2"
135321	Uptown Bypass door 76" x 44" - 47"	76"	44" - 47"	18 7/8" - 21 7/8"	37 1/8"	73 1/2"
135322	Uptown Bypass door 76" x 56" - 59"	76"	56" - 59"	24 7/8" - 27 7/8"	37 1/8"	73 1/2"

Wall adjustment = 3/8"

All dimensions are approximate. Structure measurements must be verified against the unit to ensure proper fit.



Aura 6 mm Shower Doors

ALCOVE DOORS - BYPASS



Material : Tempered Glass

Features

- › Shower Door for Alcove Installation
- › Bi-directional glass panels for flexible entry and easy access on the left or right-hand side
- › Silent guide glides smoothly and quietly, ensuring a seamless shower experience
- › 6 mm (1/4") clear tempered glass ensuring sturdiness and stability
- › The minimalist design maximizes the opening space, allowing easy entry and exit into the shower space
- › Safety features that keep the glass panel in place: header lock and panel anti-jump
- › Reversible header: one side round and one side flat, so you can decide which style suits you
- › The horizontal handle can double as a stylish towel bar
- › Despite its premium features, the shower door is offered at an affordable price point.

AURA 40-44 X 71 - 6MM - 135662

SKU	Glass / Finish	Door Opening	Dimensions & Weight	Packaging	MSRP
135662-900-084-000	Clear / Chrome	Reversible	40" - 44" x 71" / 94 lb / 43 kg	6.64 ft ³	\$ 1280



Aura 6 mm Shower Doors



Material : Tempered Glass

Features

- › Shower Door for Alcove Installation
- › Bi-directional glass panels for flexible entry and easy access on the left or right-hand side
- › Silent guide glides smoothly and quietly, ensuring a seamless shower experience
- › 6 mm (1/4") clear tempered glass ensuring sturdiness and stability.
- › The minimalist design maximizes the opening space, allowing easy entry and exit into the shower space
- › Safety features that keep the glass panel in place: header lock and panel anti-jump
- › Reversible header: one side round and one side flat, so you can decide which style suits you
- › The horizontal handle can double as a stylish towel bar
- › Despite its premium features, the shower door is offered at an affordable price point.

ALCOVE DOORS - BYPASS

AURA 43-47 X 71 - 6MM - 135663

SKU	Glass / Finish	Door Opening	Dimensions & Weight	Packaging	MSRP
135663-900-084-000	Clear / Chrome	Reversible	43" - 47" x 71" / 90 lb / 41 kg	6.64 ft ³	\$ 1018
135663-900-172-000	Clear / Dark Bronze		43" - 47" x 71" / 100 lb / 45 kg		\$ 1086
135663-900-305-000	Clear / Brushed Nickel		\$ 1067		
135663-900-340-000	Clear / Matte Black		\$ 1086		
135663-978-084-000	Frosted / Chrome		43" - 47" x 71" / 90 lb / 41 kg		\$ 1202
135663-978-172-000	Frosted / Dark Bronze		\$ 1282		
135663-978-305-000	Frosted / Brushed Nickel		\$ 1260		

AURA 55-59 X 71 - 6MM - 135665

SKU	Glass / Finish	Door Opening	Dimensions & Weight	Packaging	MSRP
135665-900-084-000	Clear / Chrome	Reversible	55" - 59" x 71" / 116 lb / 53 kg	4.69 ft ³	\$ 1058
135665-900-172-000	Clear / Dark Bronze		\$ 1129		
135665-900-305-000	Clear / Brushed Nickel		\$ 1109		
135665-900-340-000	Clear / Matte Black		55" - 59" x 71" / 96 lb / 44 kg		\$ 1129
135665-978-084-000	Frosted / Chrome		\$ 1249		
135665-978-172-000	Frosted / Dark Bronze		\$ 1333		

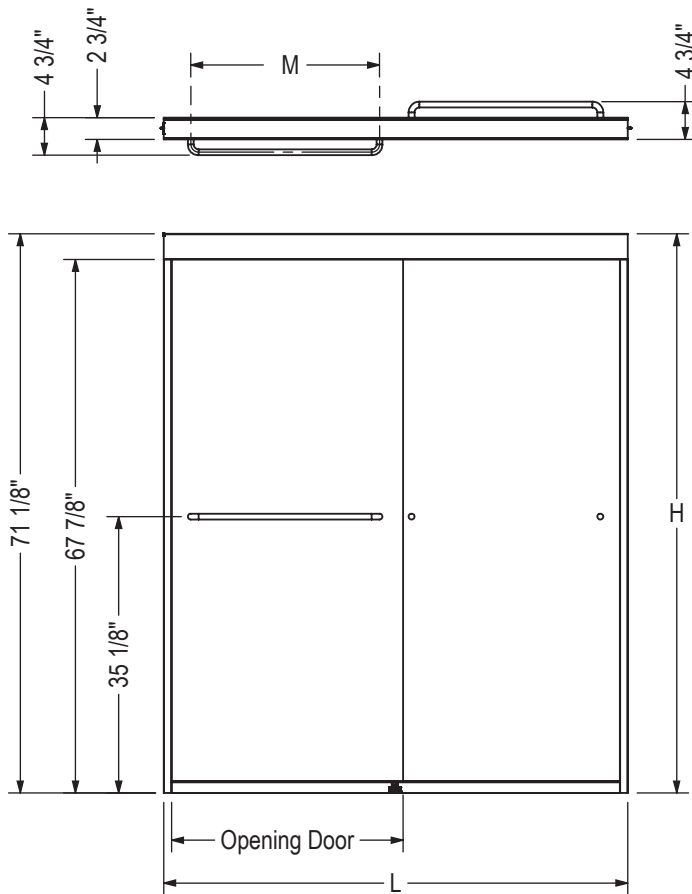
AURA 55-59 X 71 - 6MM - 135665

SKU	Glass / Finish	Door Opening	Dimensions & Weight	Packaging	MSRP
135665-978-305-000	Frosted / Brushed Nickel	Reversible	55" - 59" x 71" / 96 lb / 44 kg	4.69 ft ³	\$ 1309

ACCESSORIES

SKU	Description	MSRP
10068410-005-601	Soft Close by MAAX for Kameleon/Aura doors only	\$ 167

STANDARD



ALCOVE DOORS - BYPASS

Description	Opening Door Adjustable	M	L Adjustable	H
Shower Door 40"-44"x71"x6mm	15 1/2" - 19 1/2"	18"	40" - 44"	71"
Shower Door 43"-47"x71"x6mm	18 1/2" - 22 1/2"	18"	43" - 47"	71"
Shower Door 51"-55"x71"x6mm	21 1/2" - 25 1/2"	24"	51" - 55"	71"
Shower Door 55"-59"x71"x6mm	23 1/2" - 27 1/2"	24"	55" - 59"	71"

All dimensions are approximate. Structure measurements must be verified against the unit to ensure proper fit.



Aura 6 mm Shower Doors

ALCOVE DOORS - BYPASS



Material : Tempered Glass

Features

- › Tub Door for Alcove Installation
- › Bi-directional glass panels for flexible entry and easy access on the left or right-hand side
- › Silent guide glides smoothly and quietly, ensuring a seamless shower experience
- › 6 mm (1/4") clear tempered glass ensuring sturdiness and stability
- › The minimalist design maximizes the opening space, allowing easy entry and exit into the shower space
- › Safety features that keep the glass panel in place: header lock and panel anti-jump
- › Reversible header: one side round and one side flat, so you can decide which style suits you
- › The horizontal handle can double as a stylish towel bar
- › Despite its premium features, the shower door is offered at an affordable price point.

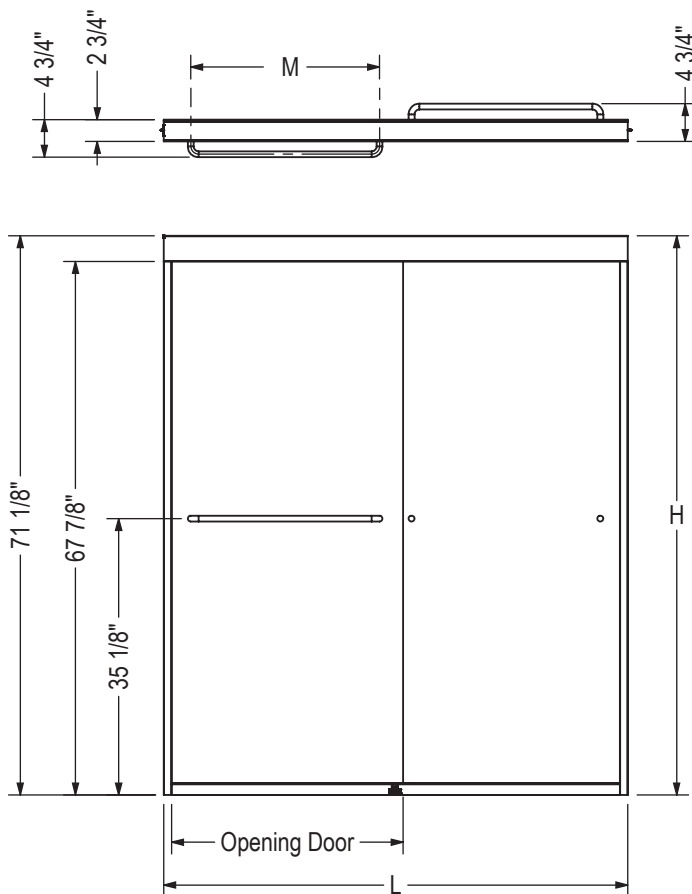
AURA 51-55 X 71 - 6MM - 135664

SKU	Glass / Finish	Door Opening	Dimensions & Weight	Packaging	MSRP
135664-900-084-000	Clear / Chrome	Reversible	51" - 55" x 71" / 108 lb / 49 kg	8.41 ft ³	\$ 1377

ACCESSORIES

SKU	Description	MSRP
10068410-005-601	Soft Close by MAAX for Kameleon/Aura doors only	\$ 167

STANDARD



Description	Opening Door Adjustable	M	L Adjustable	H
Shower Door 40"-44"x71"x6mm	15 1/2" - 19 1/2"	18"	40" - 44"	71"
Shower Door 43"-47"x71"x6mm	18 1/2" - 22 1/2"	18"	43" - 47"	71"
Shower Door 51"-55"x71"x6mm	21 1/2" - 25 1/2"	24"	51" - 55"	71"
Shower Door 55"-59"x71"x6mm	23 1/2" - 27 1/2"	24"	55" - 59"	71"

All dimensions are approximate. Structure measurements must be verified against the unit to ensure proper fit.



Aura 6 mm Tub Doors

ALCOVE DOORS - BYPASS



Material : Tempered Glass

Features

- › Shower Door for Alcove Installation
- › Bi-directional glass panels for flexible entry and easy access on the left or right-hand side
- › Silent guide glides smoothly and quietly, ensuring a seamless shower experience
- › 6 mm (1/4") clear tempered glass ensuring sturdiness and stability.
- › The minimalist design maximizes the opening space, allowing easy entry and exit into the shower space
- › Safety features that keep the glass panel in place: header lock and panel anti-jump
- › Reversible header: one side round and one side flat, so you can decide which style suits you
- › The horizontal handle can double as a stylish towel bar
- › Despite its premium features, the shower door is offered at an affordable price point.

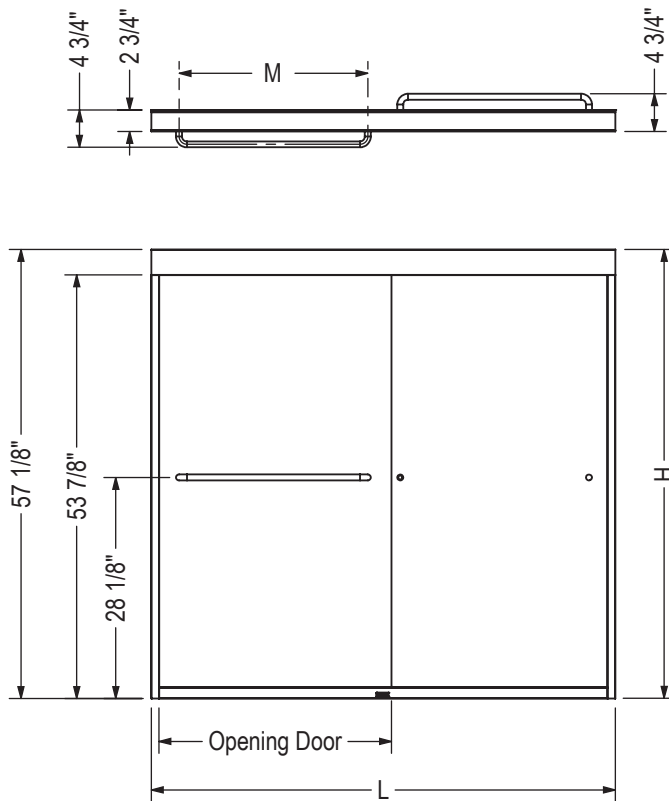
AURA 55-59 X 57 - 6MM - 135661

SKU	Glass / Finish	Door Opening	Dimensions & Weight	Packaging	MSRP
135661-900-340-000	Clear / Matte Black	Reversible	55" - 59" x 57" / 75 lb / 34 kg	5.21 ft ³	\$ 1086

ACCESSORIES

SKU	Description	MSRP
10068410-005-601	Soft Close by MAAX for Kameleon/Aura doors only	\$ 167

STANDARD



Description	Opening Door Adjustable	M	L Adjustable	H
Tub Door 51"-55" x 57", 6mm	21 1/2" - 25 1/2"	24"	51" - 55"	57"
Tub Door 55"-59" x 57", 6mm	23 1/2" - 27 1/2"	24"	55" - 59"	57"

All dimensions are approximate. Structure measurements must be verified against the unit to ensure proper fit.



Aura 8 mm Shower Doors

ALCOVE DOORS - BYPASS



Material : Tempered Glass

Features

- › Shower Door for Alcove Installation
- › Bi-directional glass panels for flexible entry and easy access on the left or right-hand side
- › Silent guide glides smoothly and quietly, ensuring a seamless shower experience
- › 8 mm clear tempered glass ensuring sturdiness and stability
- › The minimalist design maximizes the opening space, allowing easy entry and exit into the shower space
- › Safety features that keep the glass panel in place: header lock and panel anti-jump
- › Reversible header: one side round and one side flat, so you can decide which style suits you
- › The horizontal handle can double as a stylish towel bar
- › Despite its premium features, the shower door is offered at an affordable price point.

AURA 43-47 X 71 - 8MM - 135671

SKU	Glass / Finish	Door Opening	Dimensions & Weight	Packaging	MSRP
135671-900-084-000	Clear / Chrome	Reversible	43" - 47" x 71" / 116 lb / 53 kg	10.06 ft ³	\$ 1138
135671-900-172-000	Clear / Dark Bronze				\$ 1216
135671-900-305-000	Clear / Brushed Nickel				\$ 1194
135671-900-340-000	Clear / Matte Black				\$ 1279

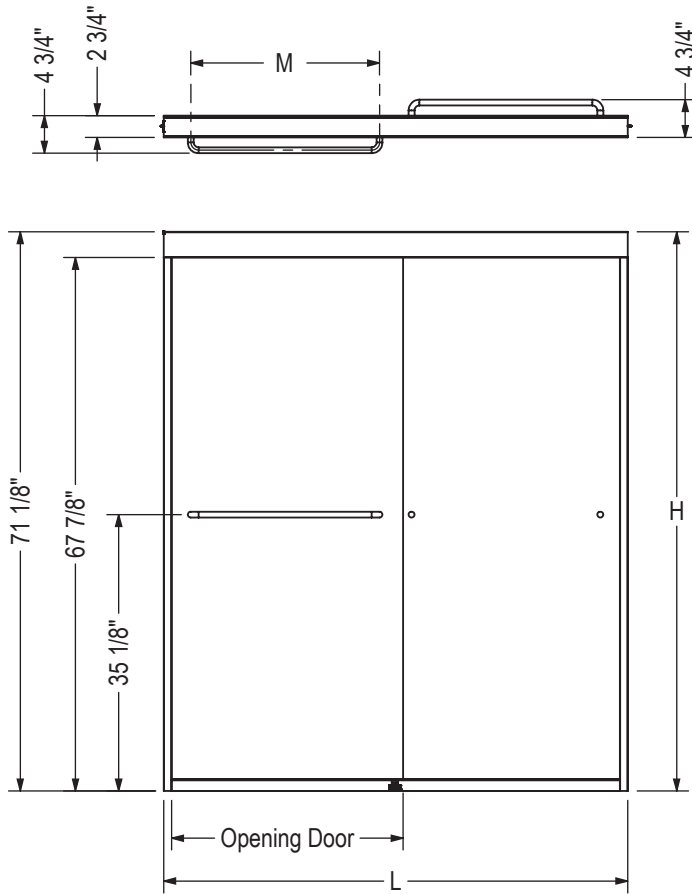
AURA 55-59 X 71 - 8MM - 135672

SKU	Glass / Finish	Door Opening	Dimensions & Weight	Packaging	MSRP
135672-900-084-000	Clear / Chrome	Reversible	55" - 59" x 71" / 147 lb / 67 kg	6.29 ft ³	\$ 1216
135672-900-172-000	Clear / Dark Bronze				\$ 1299
135672-900-305-000	Clear / Brushed Nickel				\$ 1275

ACCESSORIES

SKU	Description	MSRP
10068410-005-601	Soft Close by MAAx for Kameleon/Aura doors only	\$ 167

STANDARD



Description	Opening Door Adjustable	M	L Adjustable	H
Shower Door 43"-47"x71"x8mm	18 1/2" - 22 1/2"	18"	43" - 47"	71"
Shower Door 55"-59"x71"x8mm	23 1/2" - 27 1/2"	24"	55" - 59"	71"

All dimensions are approximate. Structure measurements must be verified against the unit to ensure proper fit.

Aura SC 8 mm Shower Doors



ALCOVE DOORS - BYPASS



Material : Tempered Glass

Features

- Clear 8 mm (5/16") glass bi-directional panels and a horizontal handle that can double as towel bar - 4 finishes: Chrome, Dark Bronze, Brushed Nickel, and Matte Black - The Soft Close technology by MAAX prevents slamming

AURA SC 43-47 X 71 - 8MM - 135674

SKU	Glass / Finish	Door Opening	Dimensions & Weight	Packaging	MSRP
135674-900-084-000	Clear / Chrome	Reversible	43" - 47" x 71" / 74 lb / 34 kg	10.06 ft ³	\$ 1313
135674-900-172-000	Clear / Dark Bronze		43" - 47" x 71" / 128 lb / 58 kg		\$ 1399
135674-900-305-000	Clear / Brushed Nickel				\$ 1375
135674-900-340-000	Clear / Matte Black		43" - 47" x 71" / 74 lb / 34 kg		\$ 1399

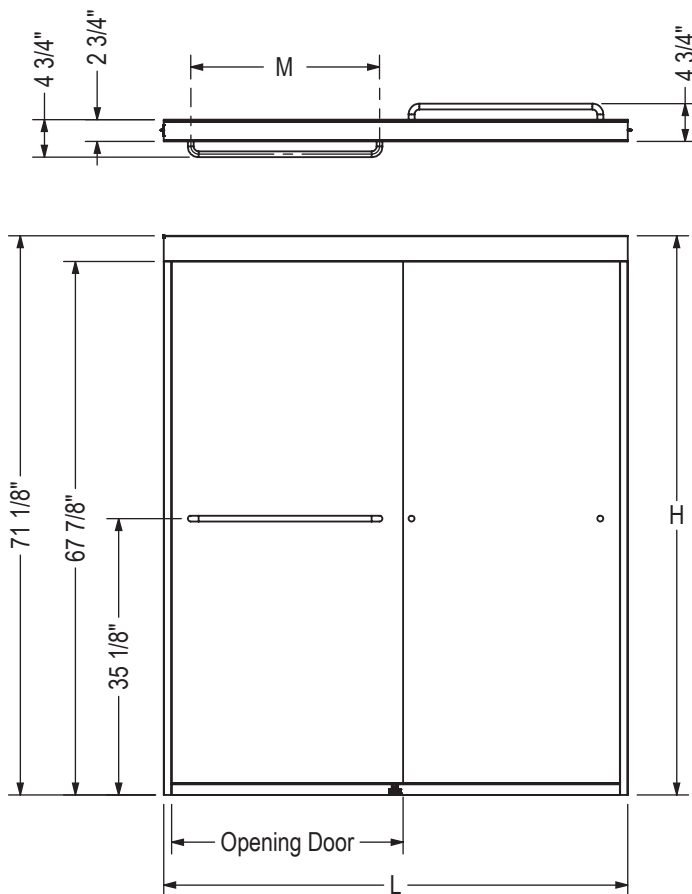
AURA SC 55-59 X 71 - 8MM - 135675

SKU	Glass / Finish	Door Opening	Dimensions & Weight	Packaging	MSRP
135675-900-084-000	Clear / Chrome	Reversible	55" - 59" x 71" / 137.0 lb / 62 kg	12.14 ft ³	\$ 1350
135675-900-172-000	Clear / Dark Bronze		55" - 59" x 71" / 149 lb / 68 kg		\$ 1442
135675-900-305-000	Clear / Brushed Nickel				\$ 1416
135675-900-340-000	Clear / Matte Black		55" - 59" x 71" / 74 lb / 34 kg		\$ 1442

ACCESSORIES

SKU	Description	MSRP
10068410-005-601	Soft Close by MAAX for Kameleon/Aura doors only	\$ 167

STANDARD



Description	Opening Door Adjustable	M	L Adjustable	H
Shower Door 43"-47"x71"x8mm	18 1/2" - 22 1/2"	18"	43" - 47"	71"
Shower Door 55"-59"x71"x8mm	23 1/2" - 27 1/2"	24"	55" - 59"	71"

All dimensions are approximate. Structure measurements must be verified against the unit to ensure proper fit.

Aura SC 8 mm Tub Door



ALCOVE DOORS - BYPASS



Material : Tempered Glass

Features

- Clear 8 mm (5/16") glass bi-directional panels and a horizontal handle that can double as towel bar - 4 finishes: Chrome, Dark Bronze, Brushed Nickel, and Matte Black - The Soft Close technology by MAAX prevents slamming

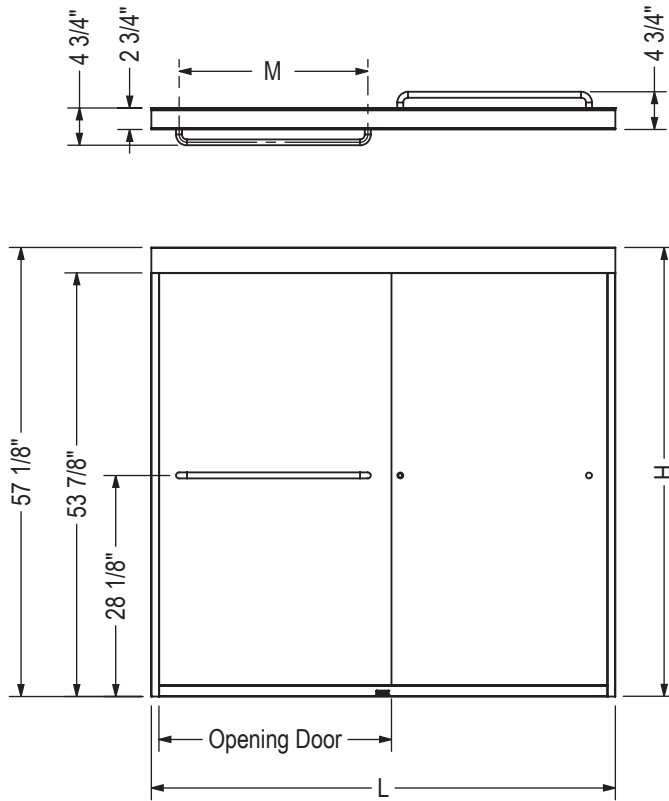
AURA SC 55-59 X 71 - 8MM - 135670

SKU	Glass / Finish	Door Opening	Dimensions & Weight	Packaging	MSRP
135670-900-084-000	Clear / Chrome	Reversible	55" - 59" x 57" / 110.0 lb / 50 kg	9.38 ft ³	\$ 1313
135670-900-172-000	Clear / Dark Bronze		55" - 59" x 57" / 120 lb / 54 kg		\$ 1399
135670-900-305-000	Clear / Brushed Nickel		55" - 59" x 57" / 101 lb / 46 kg		\$ 1375
135670-900-340-000	Clear / Matte Black				\$ 1399

ACCESSORIES

SKU	Description	MSRP
10068410-005-601	Soft Close by MAAX for Kameleon/Aura doors only	\$ 167

STANDARD



Description	Opening Door Adjustable	M	L Adjustable	H
Tub Door 55"-59" x 57", 8mm	23 1/2" - 27 1/2"	24"	55" - 59"	57"

All dimensions are approximate. Structure measurements must be verified against the unit to ensure proper fit.



Madono Shower Doors

ALCOVE DOORS - PIVOT



Material : Tempered Glass

Features

- > 1-panel 1/4 in./6 mm frameless pivot door for alcove shower
- > Chrome knob for a clean simple look
- > Reversible door for left or right opening

MADONO 28 1/2-30 1/2 X 67 - 6MM - 105416

SKU	Glass / Finish	Door Opening	Dimensions & Weight	Packaging	MSRP
105416-900-084-000	Clear / Chrome	Reversible	28 1/2" - 30 1/2" x 67" / 32.0 lb / 15 kg	3.62 ft ³	\$ 619

MADONO 31 1/2-33 1/2 X 67 - 6MM - 105417

SKU	Glass / Finish	Door Opening	Dimensions & Weight	Packaging	MSRP
105417-900-084-000	Clear / Chrome	Reversible	31 1/2" - 33 1/2" x 67" / 34.0 lb / 15 kg	3.99 ft ³	\$ 659

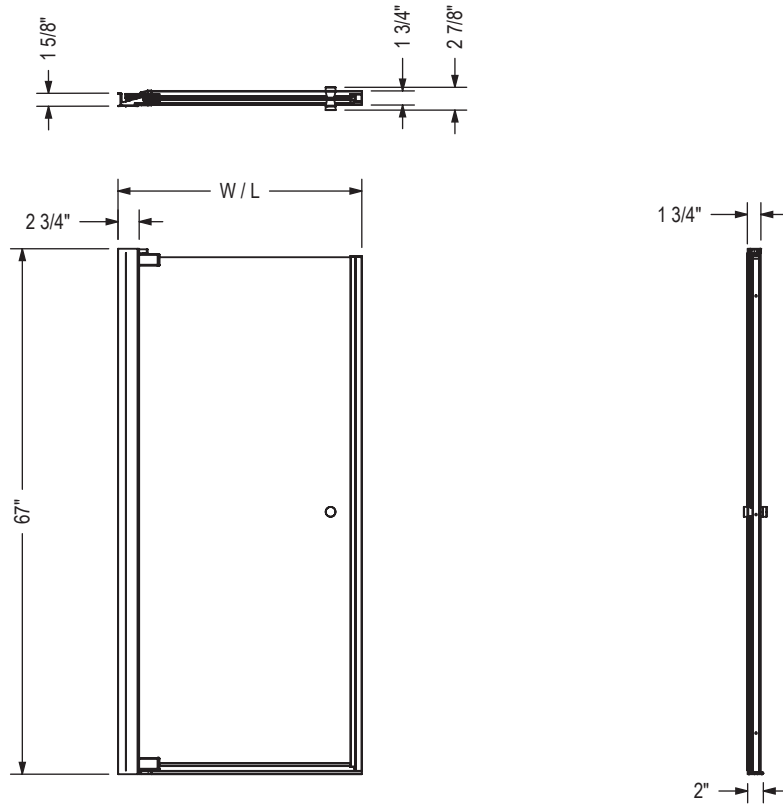
MADONO 34 1/2-36 1/2 X 67 - 6MM - 105418

SKU	Glass / Finish	Door Opening	Dimensions & Weight	Packaging	MSRP
105418-900-084-000	Clear / Chrome	Reversible	34 1/2" - 36 1/2" x 67" / 46 lb / 21 kg	3.99 ft ³	\$ 705

MADONO 24 1/2-26 1/2 X 67 - 6MM - 105420

SKU	Glass / Finish	Door Opening	Dimensions & Weight	Packaging	MSRP
105420-900-084-000	Clear / Chrome	Reversible	24 1/2" - 26 1/2" x 67" / 40 lb / 18 kg	3.62 ft ³	\$ 573

STANDARD



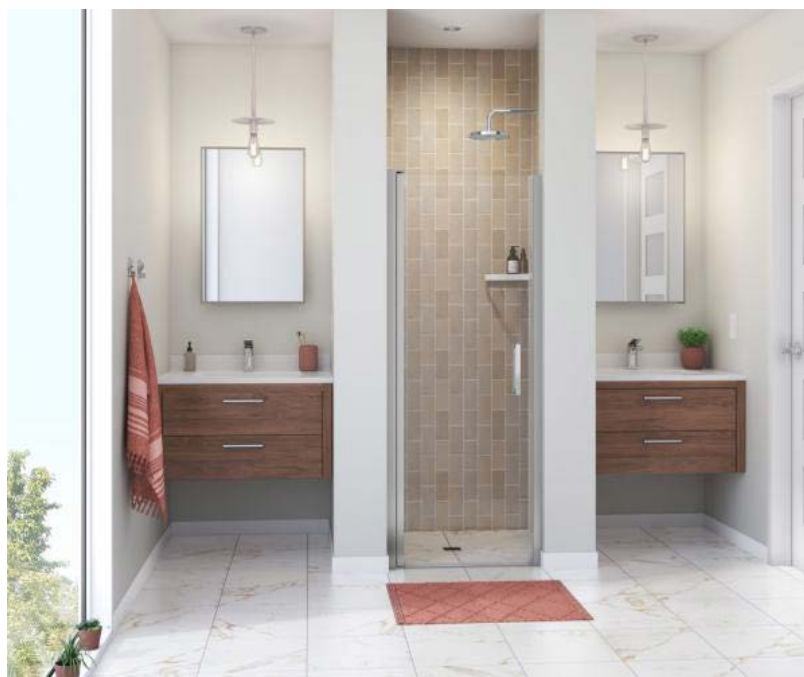
Code	Description	H	W / L
105420/105419	Madono / Insight 24-1/2" - 26-1/2"	67"	24-1/2" - 26-1/2"
105416/105316	Madono / Insight 28-1/2" - 30-1/2"	67"	28-1/2" - 30-1/2"
105417/105317	Madono / Insight 31-1/2" - 33-1/2"	67"	31-1/2" - 33-1/2"
105418/105318	Madono / Insight 34-1/2" - 36-1/2"	67"	34-1/2" - 36-1/2"

All dimensions are approximate. Structure measurements must be verified against the unit to ensure proper fit.



Manhattan 1 Panel Shower Doors

ALCOVE DOORS - PIVOT



Material : Tempered Glass

Features

- › Frameless Pivot door for Alcove Installation
- › Available in 3 stylish finishes and 18 sizes
- › 6mm (1/4") clear tempered glass
- › 2" of lateral adjustment integrated into each door. For an additional 1/2-inch, see filler sold separately (SKU 10041204)
- › Door pivoting inside and outside (180 degrees)
- › Slim interface of 7/8" (22mm) to fit on most shower bases
- › No threshold piece for ease of cleaning and easy access
- › No height restrictions
- › Wide opening for comfortable access

MANHATTAN 23-25 X 68 - 6MM - 138260

SKU	Glass / Finish	Door Opening	Dimensions & Weight	Packaging	MSRP
138260-900-084-100	Clear / Chrome	Reversible	23" - 25" x 68" / 36 lb / 16 kg	5.147 ft ³	\$ 549
138260-900-084-101					\$ 519
138260-900-305-100	Clear / Brushed Nickel				\$ 559
138260-900-305-101					\$ 546
138260-900-340-100	Clear / Matte Black				\$ 571
138260-900-340-101					\$ 571

MANHATTAN 25-27 X 68 - 6MM - 138261

SKU	Glass / Finish	Door Opening	Dimensions & Weight	Packaging	MSRP
138261-900-084-100	Clear / Chrome	Reversible	25" - 27" x 68" / 38 lb / 17 kg	4.049 ft ³	\$ 559
138261-900-084-101					\$ 559
138261-900-305-100	Clear / Brushed Nickel				\$ 587
138261-900-305-101					\$ 587
138261-900-340-100	Clear / Matte Black				\$ 614
138261-900-340-101					\$ 614

MANHATTAN 27-29 X 68 - 6MM - 138262

SKU	Glass / Finish	Door Opening	Dimensions & Weight	Packaging	MSRP
138262-900-084-100	Clear / Chrome	Reversible	27" - 29" x 68" / 40 lb / 18 kg	4.461 ft ³	\$ 598
138262-900-084-101					\$ 598
138262-900-305-100	Clear / Brushed Nickel				\$ 628
138262-900-305-101					\$ 628
138262-900-340-100	Clear / Matte Black				\$ 658
138262-900-340-101					\$ 658

MANHATTAN 29-31 X 68 - 6MM - 138263

SKU	Glass / Finish	Door Opening	Dimensions & Weight	Packaging	MSRP
138263-900-084-100	Clear / Chrome	Reversible	29" - 31" x 68" / 44 lb / 20 kg	4.461 ft ³	\$ 640
138263-900-084-101					\$ 640
138263-900-305-100	Clear / Brushed Nickel				\$ 672
138263-900-305-101					\$ 672
138263-900-340-100	Clear / Matte Black				\$ 704
138263-900-340-101					\$ 704

MANHATTAN 31-33 X 68 - 6MM - 138264

SKU	Glass / Finish	Door Opening	Dimensions & Weight	Packaging	MSRP
138264-900-084-100	Clear / Chrome	Reversible	31" - 33" x 68" / 46 lb / 21 kg	4.804 ft ³	\$ 684
138264-900-084-101					\$ 684
138264-900-305-100	Clear / Brushed Nickel				\$ 718
138264-900-305-101					\$ 718
138264-900-340-100	Clear / Matte Black				\$ 752
138264-900-340-101					\$ 752

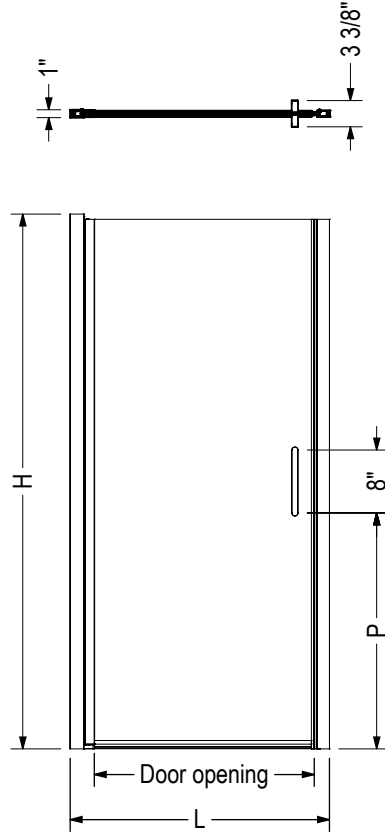
MANHATTAN 33-35 X 68 - 6MM - 138265

SKU	Glass / Finish	Door Opening	Dimensions & Weight	Packaging	MSRP
138265-900-084-100	Clear / Chrome	Reversible	33" - 35" x 68" / 50 lb / 23 kg	5.147 ft ³	\$ 733
138265-900-084-101					\$ 733
138265-900-305-100	Clear / Brushed Nickel				\$ 769
138265-900-305-101					\$ 769
138265-900-340-100	Clear / Matte Black				\$ 806
138265-900-340-101					\$ 806

ACCESSORIES

SKU	Description	MSRP
10041204-340-001		\$ 75
10041204-305-001	Manhattan Shower Door Filler 1/2 in. Available finishes: Chrome (084), Brushed Nickel (305) and Matte Black (340)	\$ 71
10041204-084-001		\$ 68

STANDARD



Code	Description	H	L Adjustable	Door opening	P
138260	Manhattan 68" x 23" - 25"	68"	23" - 25"	18 3/8"	30"
138261	Manhattan 68" x 25" - 27"	68"	25" - 27"	20 3/8"	30"
138262	Manhattan 68" x 27" - 29"	68"	27" - 29"	22 3/8"	30"
138263	Manhattan 68" x 29" - 31"	68"	29" - 31"	24 3/8"	30"
138264	Manhattan 68" x 31" - 33"	68"	31" - 33"	26 3/8"	30"
138265	Manhattan 68" x 33" - 35"	68"	33" - 35"	28 3/8"	30"

All dimensions are approximate. Structure measurements must be verified against the unit to ensure proper fit.



Manhattan 2 Panel Shower Doors

ALCOVE DOORS - PIVOT



Material : Tempered Glass

Features

- › Frameless Pivot door for Alcove Installation
- › Available in 3 stylish finishes and 18 sizes
- › 6mm (1/4") clear tempered glass
- › 2" of lateral adjustment integrated into each door. For an additional 1/2-inch, see filler sold separately (SKU 10041204)
- › Door pivoting inside and outside (180 degrees)
- › Slim interface of 7/8" (22mm) to fit on most shower bases
- › No threshold piece for ease of cleaning and easy access
- › No height restrictions
- › Wide opening for comfortable access

MANHATTAN 35-37 X 68 - 6MM - 138266

SKU	Glass / Finish	Door Opening	Dimensions & Weight	Packaging	MSRP
138266-900-084-100	Clear / Chrome	Reversible	35" - 37" x 68" / 54 lb / 24 kg	4.461 ft ³	\$ 806
138266-900-084-101					\$ 806
138266-900-305-100	Clear / Brushed Nickel				\$ 846
138266-900-305-101					\$ 846
138266-900-340-100	Clear / Matte Black				\$ 887
138266-900-340-101					\$ 887

MANHATTAN 37-39 X 68 - 6MM - 138267

SKU	Glass / Finish	Door Opening	Dimensions & Weight	Packaging	MSRP
138267-900-084-100	Clear / Chrome	Reversible	37" - 39" x 68" / 58 lb / 26 kg	5.147 ft ³	\$ 830
138267-900-084-101					\$ 830
138267-900-305-100	Clear / Brushed Nickel				\$ 872
138267-900-305-101					\$ 872
138267-900-340-100	Clear / Matte Black				\$ 913
138267-900-340-101					\$ 913

MANHATTAN 39-41 X 68 - 6MM - 138268

SKU	Glass / Finish	Door Opening	Dimensions & Weight	Packaging	MSRP
138268-900-084-100	Clear / Chrome	Reversible	39" - 41" x 68" / 60 lb / 27 kg	5.147 ft ³	\$ 855
138268-900-084-101					\$ 855
138268-900-305-100	Clear / Brushed Nickel				\$ 898
138268-900-305-101					\$ 898
138268-900-340-100	Clear / Matte Black				\$ 940
138268-900-340-101					\$ 940

MANHATTAN 41-43 X 68 - 6MM - 138269

SKU	Glass / Finish	Door Opening	Dimensions & Weight	Packaging	MSRP
138269-900-084-100	Clear / Chrome	Reversible	41" - 43" x 68" / 62 lb / 28 kg	4.461 ft ³	\$ 880
138269-900-084-101					\$ 880
138269-900-305-100	Clear / Brushed Nickel				\$ 925
138269-900-305-101					\$ 925
138269-900-340-100	Clear / Matte Black				\$ 969
138269-900-340-101					\$ 969

MANHATTAN 43-45 X 68 - 6MM - 138270

SKU	Glass / Finish	Door Opening	Dimensions & Weight	Packaging	MSRP
138270-900-084-100	Clear / Chrome	Reversible	43" - 45" x 68" / 66 lb / 30 kg	4.804 ft ³	\$ 907
138270-900-084-101					\$ 907
138270-900-305-100	Clear / Brushed Nickel				\$ 953
138270-900-305-101					\$ 953
138270-900-340-100	Clear / Matte Black				\$ 998
138270-900-340-101					\$ 998

MANHATTAN 45-47 X 68 - 6MM - 138271

SKU	Glass / Finish	Door Opening	Dimensions & Weight	Packaging	MSRP
138271-900-084-100	Clear / Chrome	Reversible	45" - 47" x 68" / 70 lb / 32 kg	3.809 ft ³	\$ 934
138271-900-084-101					\$ 934
138271-900-305-100	Clear / Brushed Nickel				\$ 981
138271-900-305-101					\$ 981
138271-900-340-100	Clear / Matte Black				\$ 1028
138271-900-340-101					\$ 1028

MANHATTAN 47-49 X 68 - 6MM - 138272

SKU	Glass / Finish	Door Opening	Dimensions & Weight	Packaging	MSRP
138272-900-084-100	Clear / Chrome	Reversible	47" - 49" x 68" / 72 lb / 33 kg	4.461 ft ³	\$ 962
138272-900-084-101					\$ 962
138272-900-305-100	Clear / Brushed Nickel				\$ 1011
138272-900-305-101					\$ 1011
138272-900-340-100	Clear / Matte Black				\$ 1059
138272-900-340-101					\$ 1059

MANHATTAN 49-51 X 68 - 6MM - 138273

SKU	Glass / Finish	Door Opening	Dimensions & Weight	Packaging	MSRP
138273-900-084-100	Clear / Chrome	Reversible	49" - 51" x 68" / 74 lb / 34 kg	4.804 ft ³	\$ 991
138273-900-084-101					\$ 991
138273-900-305-100	Clear / Brushed Nickel				\$ 1041
138273-900-305-101					\$ 1041
138273-900-340-100	Clear / Matte Black				\$ 1091
138273-900-340-101					\$ 1091

MANHATTAN 51-53 X 68 - 6MM - 138274

SKU	Glass / Finish	Door Opening	Dimensions & Weight	Packaging	MSRP
138274-900-084-100	Clear / Chrome	Reversible	51" - 53" x 68" / 76 lb / 34 kg	4.804 ft ³	\$ 1021
138274-900-084-101					\$ 1021
138274-900-305-100	Clear / Brushed Nickel				\$ 1073
138274-900-305-101					\$ 1073
138274-900-340-100	Clear / Matte Black				\$ 1124
138274-900-340-101					\$ 1124

MANHATTAN 53-55 X 68 - 6MM - 138275

SKU	Glass / Finish	Door Opening	Dimensions & Weight	Packaging	MSRP
138275-900-084-100	Clear / Chrome	Reversible	53" - 55" x 68" / 80 lb / 36 kg	4.804 ft ³	\$ 1050
138275-900-084-101					\$ 1050
138275-900-305-100	Clear / Brushed Nickel				\$ 1103
138275-900-305-101					\$ 1103
138275-900-340-100	Clear / Matte Black				\$ 1156
138275-900-340-101					\$ 1156

MANHATTAN 55-57 X 68 - 6MM - 138276

SKU	Glass / Finish	Door Opening	Dimensions & Weight	Packaging	MSRP
138276-900-084-100	Clear / Chrome	Reversible	55" - 57" x 68" / 82 lb / 37 kg	4.804 ft ³	\$ 1082
138276-900-084-101					\$ 1082
138276-900-305-100	Clear / Brushed Nickel				\$ 1137
138276-900-305-101					\$ 1137
138276-900-340-100	Clear / Matte Black				\$ 1191
138276-900-340-101					\$ 1191

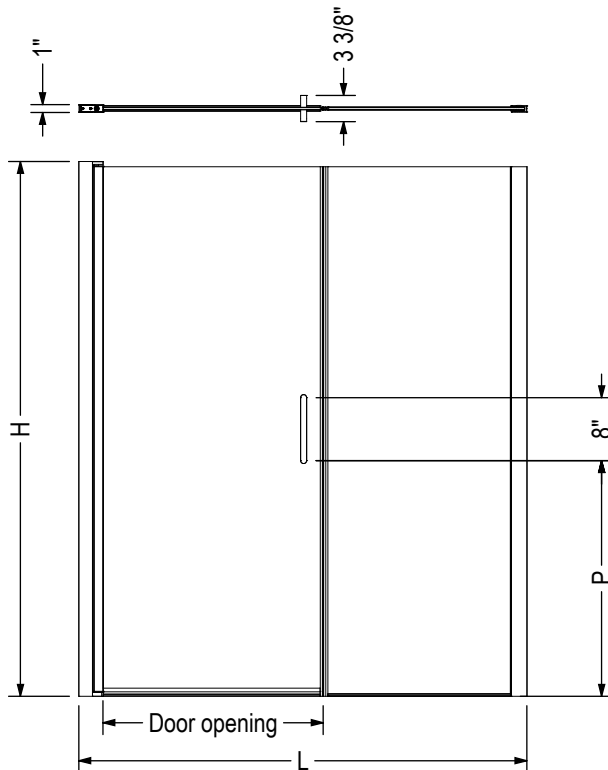
MANHATTAN 57-59 X 68 - 6MM - 138277

SKU	Glass / Finish	Door Opening	Dimensions & Weight	Packaging	MSRP
138277-900-084-100	Clear / Chrome	Reversible	57" - 59" x 68" / 84 lb / 38 kg	5.08 ft ³	\$ 1115
138277-900-084-101					\$ 1115
138277-900-305-100	Clear / Brushed Nickel				\$ 1172
138277-900-305-101					\$ 1172
138277-900-340-100	Clear / Matte Black				\$ 1227
138277-900-340-101					\$ 1227

ACCESSORIES

SKU	Description	MSRP
10041204-340-001		\$ 75
10041204-305-001	Manhattan Shower Door Filler 1/2 in. Available finishes: Chrome (084), Brushed Nickel (305) and Matte Black (340)	\$ 71
10041204-084-001		\$ 68
10037592-084-601		\$ 73
10037592-340-601	Fixed Panel Support Bar for Extra Support. Available finishes: Chrome (084), Brushed Nickel (305) and Matte Black (340)	\$ 80
10037592-305-601		\$ 77

STANDARD



Code	Description	H	L Adjustable	Door opening	P
138266	Manhattan 68" x 35" - 37"	68"	35" - 37"	24 3/8"	30"
138267	Manhattan 68" x 37" - 39"	68"	37" - 39"	26 3/8"	30"
138268	Manhattan 68" x 39" - 41"	68"	39" - 41"	28 3/8"	30"
138269	Manhattan 68" x 41" - 43"	68"	41" - 43"	24 3/8"	30"
138270	Manhattan 68" x 43" - 45"	68"	43" - 45"	26 3/8"	30"
138271	Manhattan 68" x 45" - 47"	68"	45" - 47"	28 3/8"	30"
138272	Manhattan 68" x 47" - 49"	68"	47" - 49"	24 3/8"	30"
138273	Manhattan 68" x 49" - 51"	68"	49" - 51"	26 3/8"	30"
138274	Manhattan 68" x 51" - 53"	68"	51" - 53"	28 3/8"	30"
138275	Manhattan 68" x 53" - 55"	68"	53" - 55"	24 3/8"	30"
138276	Manhattan 68" x 55" - 57"	68"	55" - 57"	26 3/8"	30"
138277	Manhattan 68" x 57" - 59"	68"	57" - 59"	28 3/8"	30"

All dimensions are approximate. Structure measurements must be verified against the unit to ensure proper fit.



Pivolok Deluxe Shower Doors



Material : Tempered Glass

Features

- › 1-panel framed pivot door for alcove shower
- › Full-length magnetic catch concealed in the door edge which allows the door to close tightly
- › Reversible door for left or right installation
- › Framed integrated channel redirects water toward the inside of the shower
- › Fixed panel allows to increase the adjustment to fit wider shower openings

ALCOVE DOORS - PIVOT

PIVOLOK DELUXE 32 1/2-37 X 64 1/2 IN. - 136435

SKU	Glass / Finish	Door Opening	Dimensions & Weight	Packaging	MSRP
136435-900-084-000	Clear / Chrome	Reversible	32 1/2" - 37" x 64 1/2" / 44 lb / 20 kg	3.48 ft ³	\$ 683



Pivolok Shower Doors

ALCOVE DOORS - PIVOT



Material : Tempered Glass

Features

- › 1-panel framed pivot door for alcove shower
- › Full-length magnetic catch allows the door to close tightly
- › Reversible door for left or right installation
- › Integrated channel redirects water toward the inside of the shower
- › Full-length aluminum pull reinforces door and doubles as a handle

PIVOLOK 19-20 ¾ X 64 ½ IN. - 136605

SKU	Glass / Finish	Door Opening	Dimensions & Weight	Packaging	MSRP
136605-900-084-000	Clear / Chrome	Reversible	19" - 20 3/4" x 64 1/2" / 25 lb / 11 kg	2.25 ft³	\$ 476
136605-970-084-000	Raindrop / Chrome				\$ 476

PIVOLOK 21-22 ¾ X 64 ½ IN. - 136615

SKU	Glass / Finish	Door Opening	Dimensions & Weight	Packaging	MSRP
136615-900-084-000	Clear / Chrome	Reversible	21" - 22 3/4" x 64 1/2" / 28 lb / 13 kg	2.41 ft³	\$ 476
136615-970-084-000	Raindrop / Chrome				\$ 476

PIVOLOK 23-24 ¾ X 64 ½ IN. - 136625

SKU	Glass / Finish	Door Opening	Dimensions & Weight	Packaging	MSRP
136625-900-084-000	Clear / Chrome	Reversible	23" - 24 3/4" x 64 1/2" / 32 lb / 15 kg	2.64 ft³	\$ 483
136625-970-084-000	Raindrop / Chrome				\$ 483

PIVOLOK 25-26 ¾ X 64 ½ IN. - 136626

SKU	Glass / Finish	Door Opening	Dimensions & Weight	Packaging	MSRP
136626-900-084-000	Clear / Chrome	Reversible	25" - 26 3/4" x 64 1/2" / 31 lb / 14 kg	2.53 ft³	\$ 483
136626-970-084-000	Raindrop / Chrome				\$ 483

PIVOLOK 27-28 ¾ X 64 ½ IN. - 136635

SKU	Glass / Finish	Door Opening	Dimensions & Weight	Packaging	MSRP
136635-900-084-000	Clear / Chrome	Reversible	27" - 28 ¾" x 64 ½" / 34 lb / 15 kg	3.08 ft³	\$ 503
136635-970-084-000	Raindrop / Chrome				\$ 503

PIVOLOK 29-30 ¾ X 64 ½ IN. - 136645

SKU	Glass / Finish	Door Opening	Dimensions & Weight	Packaging	MSRP
136645-900-084-000	Clear / Chrome	Reversible	29" - 30 ¾" x 64 ½" / 35 lb / 16 kg	3.23 ft³	\$ 520
136645-970-084-000	Raindrop / Chrome				\$ 520

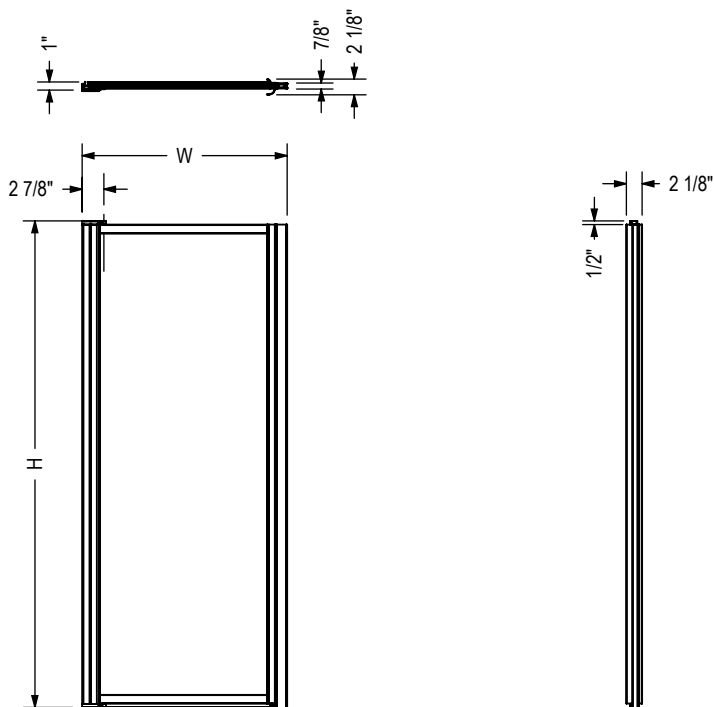
PIVOLOK 31-32 ¾ X 64 ½ IN. - 136655

SKU	Glass / Finish	Door Opening	Dimensions & Weight	Packaging	MSRP
136655-900-084-000	Clear / Chrome	Reversible	31" - 32 ¾" x 64 ½" / 37 lb / 17 kg	3.24 ft³	\$ 520
136655-970-084-000	Raindrop / Chrome				\$ 520

PIVOLOK 33-34 ¾ X 64 ½ IN. - 136656

SKU	Glass / Finish	Door Opening	Dimensions & Weight	Packaging	MSRP
136656-900-084-000	Clear / Chrome	Reversible	33" - 34 ¾" x 64 ½" / 38 lb / 17 kg	3.35 ft³	\$ 534
136656-970-084-000	Raindrop / Chrome				\$ 534

STANDARD



Code	Description	H	W
136605	Door Pivolok 19" - 20 3/4"	64 1/2"	19" - 20 3/4"
136615	Door Pivolok 21" - 22 3/4"	64 1/2"	21" - 22 3/4"
136625	Door Pivolok 23" - 24 3/4"	64 1/2"	23" - 24 3/4"
136626	Door Pivolok 25" - 26 3/4"	64 1/2"	25" - 26 3/4"
136635	Door Pivolok 27" - 28 3/4"	64 1/2"	27" - 28 3/4"
136645	Door Pivolok 29" - 30 3/4"	64 1/2"	29" - 30 3/4"
136655	Door Pivolok 31" - 32 3/4"	64 1/2"	31" - 32 3/4"
136656	Door Pivolok 33" - 34 3/4"	64 1/2"	33" - 34 3/4"

All dimensions are approximate. Structure measurements must be verified against the unit to ensure proper fit.



Polar Shower Doors

ALCOVE DOORS - PIVOT



Material : Tempered Glass

Features

- › Raindrop 4 mm tempered glass for more intimacy
- › Chrome finish frame with integrated vertical handle for a clean look
- › Pivoting door provides a wide opening for ease of access in and out of the shower
- › Reversible, allowing for left or right opening to accommodate different bathroom layouts
- › Full-length magnetic door latch ensures the door remains securely closed
- › Out of plumb adjustment in the wall profile
- › Door made of luxurious ANSI certified tempered glass for your safety
- › Proudly made in North America
- › Warranty: 10 years

POLAR PIVOT 27-28 3/4 X 64 1/2 IN. - 136730

SKU	Glass / Finish	Door Opening	Dimensions & Weight	Packaging	MSRP
136730-970-084-000	Raindrop / Chrome	Reversible	27" - 28 3/4" x 64 1/2" / 34 lb / 15 kg	3.08 ft ³	\$ 503

POLAR PIVOT 31-32 3/4 X 64 1/2 IN. - 136731

SKU	Glass / Finish	Door Opening	Dimensions & Weight	Packaging	MSRP
136731-970-084-000	Raindrop / Chrome	Reversible	31" - 32 3/4" x 64 1/2" / 34 lb / 15 kg	3.08 ft ³	\$ 520

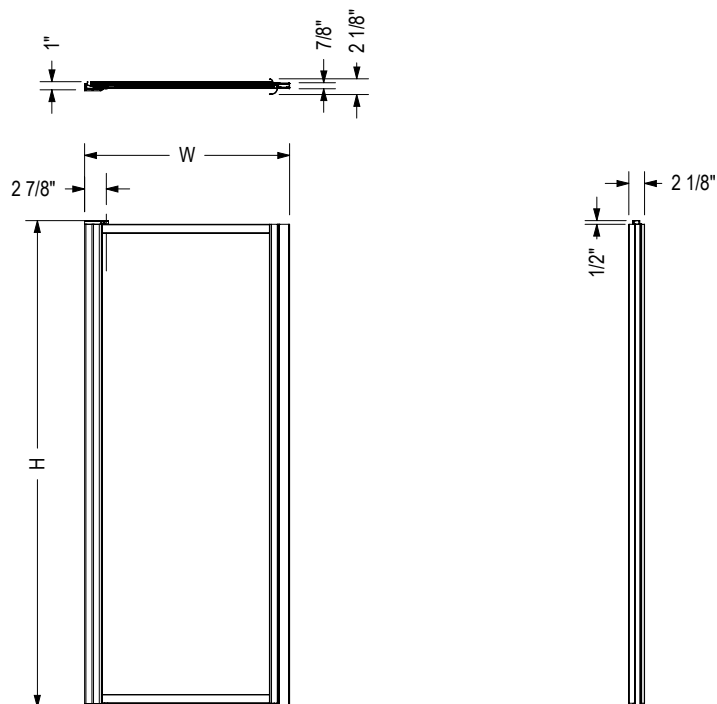
POLAR PIVOT 29-30 3/4 X 64 1/2 IN. - 136732

SKU	Glass / Finish	Door Opening	Dimensions & Weight	Packaging	MSRP
136732-970-084-000	Raindrop / Chrome	Reversible	29" - 30 3/4" x 64 1/2" / 34 lb / 15 kg	3.08 ft ³	\$ 520

POLAR PIVOT 33-34 3/4 X 64 1/2 IN. - 136733

SKU	Glass / Finish	Door Opening	Dimensions & Weight	Packaging	MSRP
136733-970-084-000	Raindrop / Chrome	Reversible	33" - 34 3/4" x 64 1/2" / 34 lb / 15 kg	3.08 ft ³	\$ 534

STANDARD



Code	Description	H	W
136730	Door Polar Pivot 27" - 28 3/4"	64 1/2"	27" - 28 3/4"
136732	Door Polar Pivot 29" - 30 3/4"	64 1/2"	29" - 30 3/4"
136731	Door Polar Pivot 31" - 32 3/4"	64 1/2"	31" - 32 3/4"
136733	Door Polar Pivot 33" - 34 3/4"	64 1/2"	33" - 34 3/4"

All dimensions are approximate. Structure measurements must be verified against the unit to ensure proper fit.



Reveal 71 Shower Doors



Material : Tempered Glass

Features

- › 71 1/2 in. high luxury clear tempered glass, 5/16 in. (8 mm)
- › Unique MAAX Patented hinge - allows for 3 in. lateral adjustment
- › Reversible door for left or right opening
- › For installation on acrylic walls, ceramic and Utile
- › For a corner shower: combine a return panel and an alcove door
- › Available in 3 finishes: Chrome, Brushed Nickel and Dark Bronze

ALCOVE DOORS - PIVOT

REVEAL 71 32 1/2-35 1/2 X 71 1/2 - 8MM - 136676

SKU	Glass / Finish	Door Opening	Dimensions & Weight	Packaging	MSRP
136676-900-084-000	Clear / Chrome	Reversible	32 1/2" - 35 1/2" x 71 1/2" / 110 lb / 50 kg	5.2 ft ³	\$ 1247
136676-900-173-000	Clear / Dark Bronze		32 1/2" - 35 1/2" x 71 1/2" / 100 lb / 45 kg		\$ 1351
136676-900-305-000	Clear / Brushed Nickel				\$ 1317

REVEAL 71 41 1/2-44 1/2 X 71 1/2 - 8MM - 136677

SKU	Glass / Finish	Door Opening	Dimensions & Weight	Packaging	MSRP
136677-900-084-000	Clear / Chrome	Reversible	41 1/2" - 44 1/2" x 71 1/2" / 121 lb / 55 kg	5.2 ft ³	\$ 1361
136677-900-173-000	Clear / Dark Bronze		41 1/2" - 44 1/2" x 71 1/2" / 111 lb / 50 kg		\$ 1466
136677-900-305-000	Clear / Brushed Nickel				\$ 1430

REVEAL 71 38-41 X 71 1/2 - 8 MM - 136679

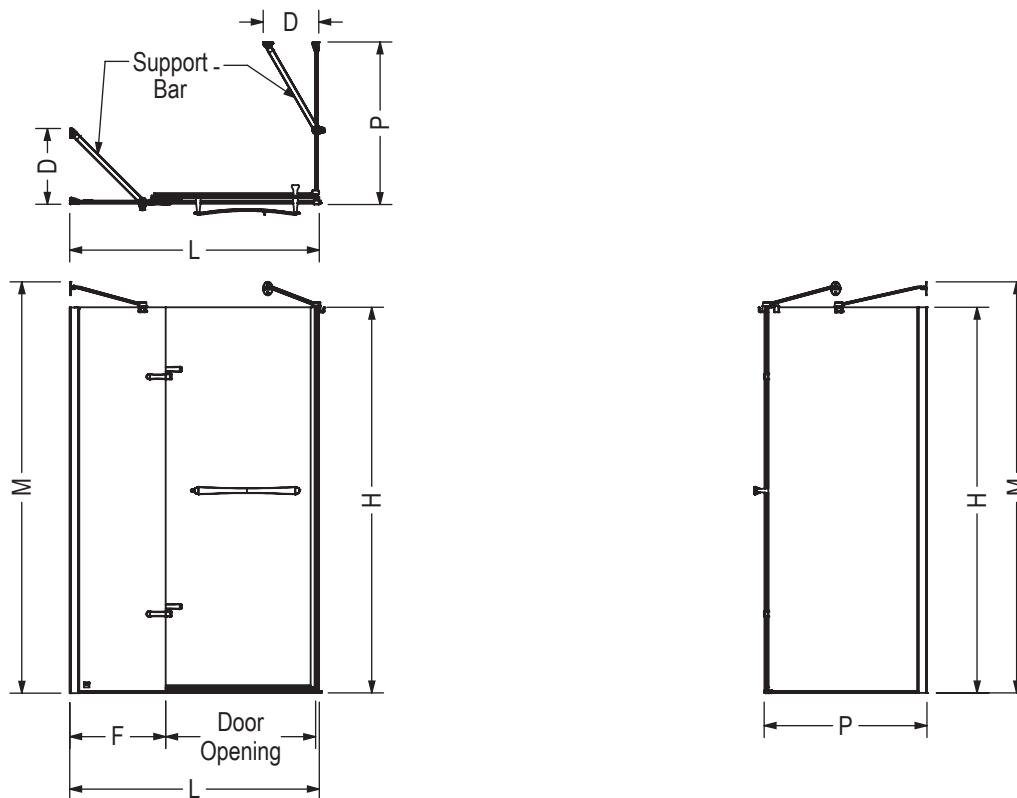
SKU	Glass / Finish	Door Opening	Dimensions & Weight	Packaging	MSRP
136679-900-084-000	Clear / Chrome	Reversible	38" - 41" x 71 1/2" / 114 lb / 52 kg	5.2 ft ³	\$ 1317
136679-900-173-000	Clear / Dark Bronze		38" - 41" x 71 1/2" / 104 lb / 47 kg		\$ 1425
136679-900-305-000	Clear / Brushed Nickel				\$ 1389

REVEAL 71 51 1/2-54 1/2 X 71 1/2 - 8MM - 136883

SKU	Glass / Finish	Door Opening	Dimensions & Weight	Packaging	MSRP
136883-900-084-000	Clear / Chrome	Reversible	51 1/2" - 54 1/2" x 71 1/2" / 142 lb / 64 kg	5.2 ft ³	\$ 1452
136883-900-173-000	Clear / Dark Bronze		51 1/2" - 54 1/2" x 71 1/2" / 132 lb / 60 kg		\$ 1557
136883-900-305-000	Clear / Brushed Nickel				\$ 1522

ALCOVE DOORS - PIVOT

STANDARD



ALCOVE DOORS - PIVOT

Code	Description	H	M	L Adjustable	F	P Adjustable	D Adjustable	Door Opening	Wall Adjustment	Support Bar
136676	Reveal 71.5 x 32.5" - 35.5"	71 1/2"	76 1/4"	32.5" - 35.5"	6 1/4"			23" - 26"	3/4"	
136679	Reveal 71.5 x 38" - 41"	71 1/2"	76 1/4"	38" - 41"	11 3/4"			23" - 26"	3/4"	
136677	Reveal 71.5 x 41.5" - 44.5"	71 1/2"	76 1/4"	41.5" - 44.5"	15 1/4"			23" - 26"	3/4"	
136671	Reveal 71.5 x 44" - 47"	71 1/2"	76 1/4"	44" - 47"	17 1/4"		9" - 15"	23" - 26"	3/4"	X
136883	Reveal 71.5 x 51.5" - 54.5"	71 1/2"	76 1/4"	51.5" - 54.5"	25 1/4"		9" - 15"	23" - 26"	3/4"	X
136672	Reveal 71.5 x 56" - 59"	71 1/2"	76 1/4"	56" - 59"	30"		9" - 15"	23" - 26"	3/4"	X
136673	Return Panel 32"	71 1/2"	76 1/4"			29 7/8"	9" - 15"		3/4"	X
136674	Return Panel 34"	71 1/2"	76 1/4"			31 7/8"	9" - 15"		3/4"	X
136675	Return Panel 36"	71 1/2"	76 1/4"			33 7/8"	9" - 15"		3/4"	X

All dimensions are approximate. Structure measurements must be verified against the unit to ensure proper fit.



Reveal Sleek 71 Shower Doors

ALCOVE DOORS - PIVOT



Material : Tempered Glass

Features

- › Strongly built sill, permanently fixed on the base, better water barrier
- › Strongly built sill, permanently fixed on the base, better water barrier
- › Hinge with patent mechanism that offers 3 in. of lateral adjustment
- › Additional 3/4 in. of out-of-plumb adjustment
- › Header-less door, no height restriction
- › New design, 1 7/8 in. deep, makes it compatible with many bases and tile solutions

REVEAL SLEEK 71 32 1/2-35 1/2 X 71 1/2 - 8MM - 139575

SKU	Glass / Finish	Door Opening	Dimensions & Weight	Packaging	MSRP
139575-900-084-000	Clear / Chrome	Reversible	32 1/2" - 35 1/2" x 71 1/2" / 100 lb / 45 kg	4.722222222222222 ft ³	\$ 1244
139575-900-173-000	Clear / Dark Bronze				\$ 1338
139575-900-305-000	Clear / Brushed Nickel				\$ 1307
139575-900-340-000	Clear / Matte Black				\$ 1338

REVEAL SLEEK 71 38-41 X 71 1/2 - 8MM - 139576

SKU	Glass / Finish	Door Opening	Dimensions & Weight	Packaging	MSRP
139576-900-084-000	Clear / Chrome	Reversible	38" - 41" x 71 1/2" / 114 lb / 52 kg	4.72 ft ³	\$ 1313
139576-900-173-000	Clear / Dark Bronze				\$ 1411
139576-900-305-000	Clear / Brushed Nickel				\$ 1376
139576-900-340-000	Clear / Matte Black				\$ 1411

REVEAL SLEEK 71 41 1/2-44 1/2 X 71 1/2 - 8MM - 139577

SKU	Glass / Finish	Door Opening	Dimensions & Weight	Packaging	MSRP
139577-900-084-000	Clear / Chrome	Reversible	41 1/2" - 44 1/2" x 71 1/2" / 116 lb / 53 kg	4.722 ft ³	\$ 1346
139577-900-173-000	Clear / Dark Bronze				\$ 1448
139577-900-305-000	Clear / Brushed Nickel				\$ 1414
139577-900-340-000	Clear / Matte Black				\$ 1448

REVEAL SLEEK 71 44-47 X 71 1/2 - 8MM - 139578

SKU	Glass / Finish	Door Opening	Dimensions & Weight	Packaging	MSRP
139578-900-084-000	Clear / Chrome	Reversible	44" - 47" x 71 1/2" / 118 lb / 54 kg	2 ft ³	\$ 1379
139578-900-173-000	Clear / Dark Bronze				\$ 1483
139578-900-305-000	Clear / Brushed Nickel				\$ 1451
139578-900-340-000	Clear / Matte Black				\$ 1483

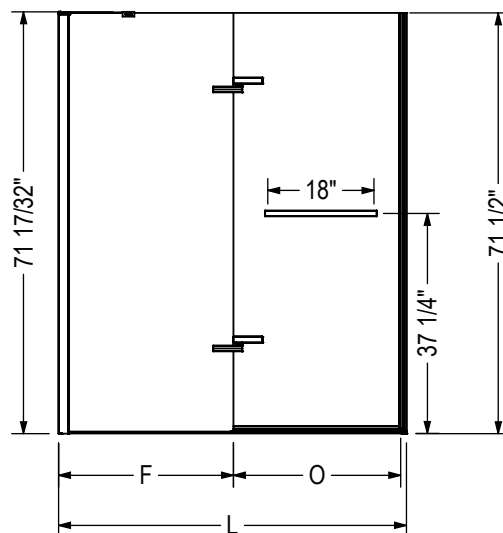
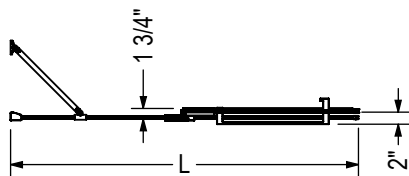
REVEAL SLEEK 71 51 1/2-54 1/2 X 71 1/2 - 8MM - 139579

SKU	Glass / Finish	Door Opening	Dimensions & Weight	Packaging	MSRP
139579-900-084-000	Clear / Chrome	Reversible	51 1/2" - 54 1/2" x 71 1/2" / 125 lb / 57 kg	4.72 ft ³	\$ 1442
139579-900-173-000	Clear / Dark Bronze				\$ 1552
139579-900-305-000	Clear / Brushed Nickel				\$ 1517
139579-900-340-000	Clear / Matte Black				\$ 1552

REVEAL SLEEK 71 56-59 X 71 1/2 - 8MM - 139580

SKU	Glass / Finish	Door Opening	Dimensions & Weight	Packaging	MSRP
139580-900-084-000	Clear / Chrome	Reversible	56" - 59" x 71 1/2" / 142 lb / 64 kg	4.72 ft ³	\$ 1519
139580-900-173-000	Clear / Dark Bronze				\$ 1632
139580-900-305-000	Clear / Brushed Nickel				\$ 1594
139580-900-340-000	Clear / Matte Black				\$ 1632

STANDARD



Code	Description	L	F	O
139575	Reveal Sleek 71 1/2" x 32 1/2" - 35 1/2"	32 1/2" - 35 1/2"	5 3/8"	23 3/4" - 26 3/4"
139576	Reveal Sleek 71 1/2" x 38" - 41"	38" - 41"	10 7/8"	23 3/4" - 26 3/4"
139577	Reveal Sleek 71 1/2" x 41 1/2" - 44 1/2"	41 1/2" - 44 1/2"	14 3/8"	23 3/4" - 26 3/4"
139578	Reveal Sleek 71 1/2" x 44" - 47"	44" - 47"	16 7/8"	23 3/4" - 26 3/4"
139579	Reveal Sleek 71 1/2" x 51 1/2" - 54 1/2"	51 1/2" - 54 1/2"	24 3/8"	23 3/4" - 26 3/4"
139580	Reveal Sleek 71 1/2" x 56" - 59"	56" - 59"	28 7/8"	23 3/4" - 26 3/4"

- Wall adjustment = 3/4"

All dimensions are approximate. Structure measurements must be verified against the unit to ensure proper fit.



Uptown Pivot Shower Doors



Material : Tempered Glass

Features

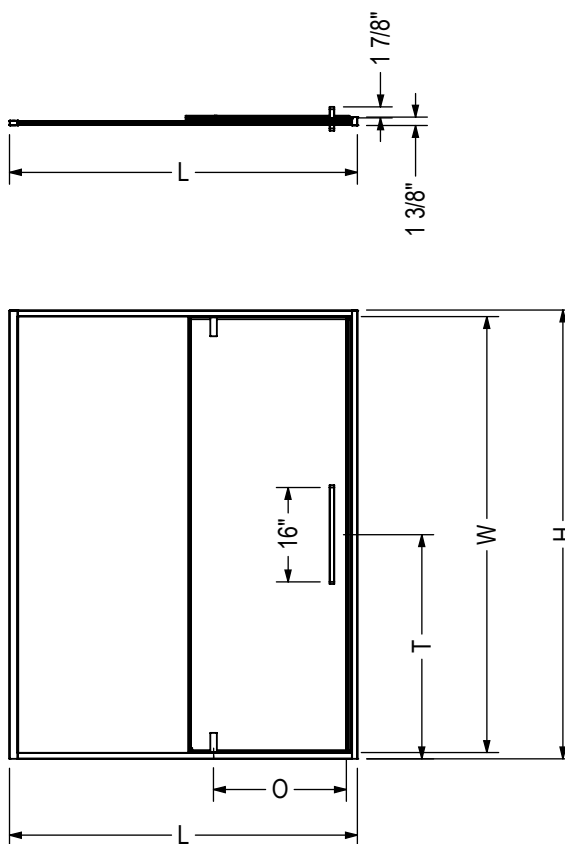
- › 8 mm (5/16") tempered glass with Lotus easy clean protection
- › 76in high clear glass panel (Walkthrough 73-7/8in)
- › Thin header structure for a minimalist look
- › Handle available in Stylish fashion mixed material finish
- › Designed in North America
- › DIY Product for an easy installation
- › Pivoting doors provide a wide opening for ease of access in and out of the shower
- › 16 in. long handle provides an heavy feel & elegance
- › 1/2" out-of-plumb adjustment

ALCOVE DOORS - PIVOT

UPTOWN 45-47 X 76 IN. 8 MM - 135325

SKU	Glass / Finish	Door Opening	Dimensions & Weight	Packaging	MSRP
135325-900-084-000	Clear / Chrome	Reversible	45" - 47" x 76" / 131 lb / 59 kg	5.227 ft ³	\$ 1522
135325-900-173-000	Clear / Dark Bronze				\$ 1634
135325-900-282-000	Clear / Chrome and White Marble				\$ 1602
135325-900-283-000	Clear / Dark Bronze and Beige Marble				\$ 1714
135325-900-285-000	Clear / Matte Black and Wood				\$ 1714
135325-900-305-000	Clear / Brushed Nickel				\$ 1608
135325-900-340-000	Clear / Matte Black				\$ 1634

STANDARD



Code	Description	H	L	O	T	W
135325	Uptown Pivot 76" x 45" - 47"	76"	45" - 47"	22 3/4"	38"	73 7/8"
135326	Uptown Pivot 76" x 57" - 59"	76"	57" - 59"	22 3/4"	38"	73 7/8"

Wall adjustment = 1/2"

All dimensions are approximate. Structure measurements must be verified against the unit to ensure proper fit.



Halo Shower Doors

ALCOVE DOORS - SLIDING



Material : Tempered Glass

Features

- › 8 mm tempered glass panels
- › Available in 4 finishes: Chrome, Brushed Nickel, Dark Bronze, Matte Black
- › Compatible with MAAX's full line of shower bases and walls, making it a versatile addition to any bathroom
- › Sliding door configuration features one sliding glass panel and one stationary panel
- › Ball bearing roller technology along a friction-free stainless steel rail system for a smooth and quiet opening
- › The frameless design brings a sense of spaciousness to the room and creates a sleek, minimalist look
- › Glass panels come with the Lotus Easy Clean Glass Protection to repel soap and water stains for carefree maintenance
- › Compatible with MAAX's Utile wall system, allowing for a seamless and coordinated installation with the shower door, creating a cohesive and stylish bathroom design
- › Warranty: 10 years

HALO 44 1/2-47 X 78 3/4 - 8MM - 138996

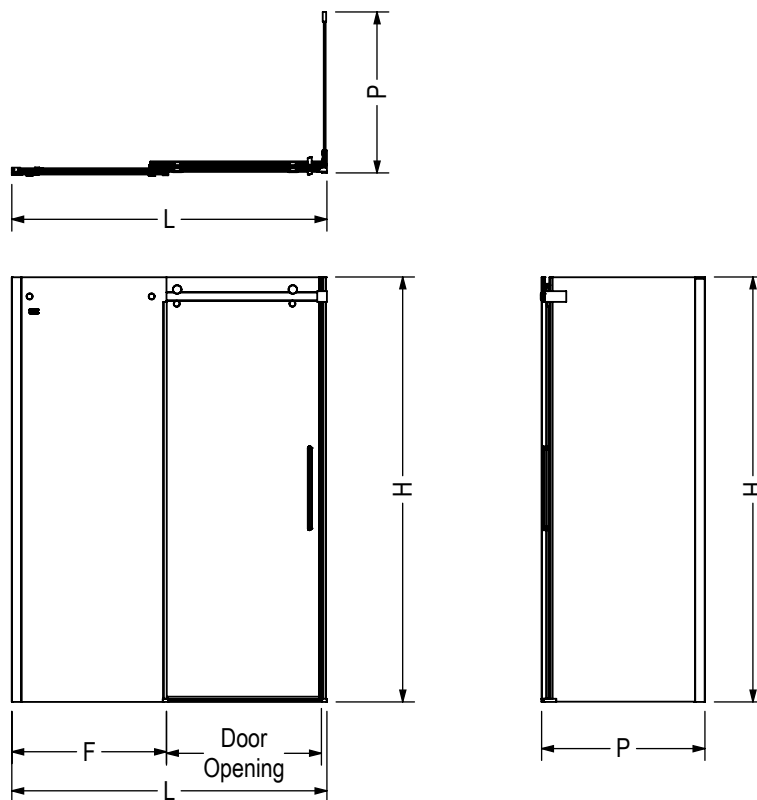
SKU	Glass / Finish	Door Opening	Dimensions & Weight	Packaging	MSRP
138996-900-084-000	Clear / Chrome	Reversible	44 1/2" - 47" x 78 3/4" / 144 lb / 65 kg	6 ft ³	\$ 1389
138996-900-173-000	Clear / Dark Bronze		44 1/2" - 47" x 78 3/4" / 116 lb / 53 kg		\$ 1495
138996-900-305-000	Clear / Brushed Nickel		44 1/2" - 47" x 78 3/4" / 144 lb / 65 kg		\$ 1459
138996-900-340-000	Clear / Matte Black	Lateral	44 1/2" - 47" x 78 3/4" / 132 lb / 60 kg		\$ 1495

HALO 56 1/2-59 X 78 3/4 - 8MM - 138997

SKU	Glass / Finish	Door Opening	Dimensions & Weight	Packaging	MSRP
138997-900-084-000	Clear / Chrome	Reversible	56 1/2" - 59" x 78 3/4" / 174 lb / 79 kg	7.2 ft ³	\$ 1529
138997-900-173-000	Clear / Dark Bronze		56 1/2" - 59" x 78 3/4" / 137 lb / 62 kg		\$ 1634
138997-900-305-000	Clear / Brushed Nickel		56 1/2" - 59" x 78 3/4" / 174 lb / 79 kg		\$ 1599
138997-900-340-000	Clear / Matte Black	Lateral	56 1/2" - 59" x 78 3/4" / 162 lb / 73 kg		\$ 1634

STANDARD

ALCOVE DOORS - SLIDING



Code	Description	H	L Adjustable	F	P Adjustable	Door Opening	Wall Adjustment
138996	Halo 78 3/4" x 47"	78 3/4"	44 1/2" - 47"	22 1/2"	-	16 1/4" - 18 3/4"	1"
138997	Halo 78 3/4" x 59"	78 3/4"	56 1/2" - 59"	28 5/8"	-	22 1/8" - 24 5/8"	1"
139393	Return Panel 30"	78 3/4"	-	-	27 7/8"	-	1"
138998	Return Panel 32"	78 3/4"	-	-	29 7/8"	-	1"
139395	Return Panel 34"	78 3/4"	-	-	31 7/8"	-	1"
139396	Return Panel 36"	78 3/4"	-	-	33 7/8"	-	1"
139394	Return Panel 42"	78 3/4"	-	-	39 7/8"	-	1"

All dimensions are approximate. Structure measurements must be verified against the unit to ensure proper fit.



Luminescence Shower Doors



Material : Tempered Glass

Features

- › Elegant 1/4 -inch (6 mm) clear tempered glass with minimalist hardware
- › Fits showers with 70 1/2 -inch wall clearance, glass extends to 72 -inch
- › Ball bearing roller system, for a quiet and gentle close
- › Door is reversible, provides a right or left opening for ease of installation

ALCOVE DOORS - SLIDING

LUMINESCENCE 44 1/2-47 X 70 1/2-72 - 6MM - 138992

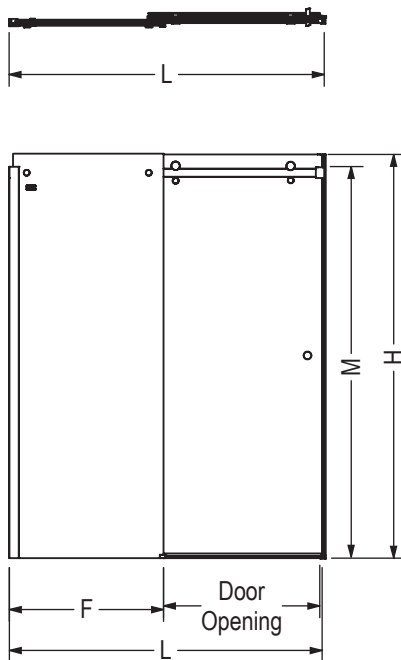
SKU	Glass / Finish	Door Opening	Dimensions & Weight	Packaging	MSRP
138992-900-084-000	Clear / Chrome	Reversible	44 1/2" - 47" x 70 1/2" / 84 lb / 38 kg	4.04 ft ³	\$ 1126
138992-900-173-000	Clear / Dark Bronze				\$ 1234

LUMINESCENCE 56 1/2-59 X 70 1/2-72 - 6MM - 138993

SKU	Glass / Finish	Door Opening	Dimensions & Weight	Packaging	MSRP
138993-900-173-000	Clear / Dark Bronze	Reversible	56 1/2" - 59" x 70 1/2" / 106 lb / 48 kg	5 ft ³	\$ 1289

STANDARD

ALCOVE DOORS - SLIDING



Code	Description	H	M	L Adjustable	F	Door Opening	Wall Adjustment
138992	Luminescence 44 1/2"-47" x 70 1/2"	72"	70 1/2"	44 1/2" - 47"	22 1/2"	18 3/8"	1"
138993	Luminescence 56 1/2"-59" x 70 1/2"	72"	70 1/2"	56 1/2" - 59"	28 5/8"	24 1/2"	1"

All dimensions are approximate. Structure measurements must be verified against the unit to ensure proper fit.

Odyssey SC Shower Doors



Material : Tempered Glass

Features

- › 8 mm (5/16") tempered glass with Lotus easy clean protection
- › Slim stainless header that requires no cut to ease installation
- › Innovative double SOFT CLOSE by MAAX prevents slamming
- › Double-sided handle designed for comfort
- › Detachable door guide to distance the glass when cleaning
- › 78" high clear glass panel
- › High quality rollers for smooth glide
- › Reversible shower door for left or right opening
- › 5/8" out-of-plumb adjustment

ALCOVE DOORS - SLIDING

ODYSSEY SC 57-59 1/2 X 78 - 8 MM - 137420

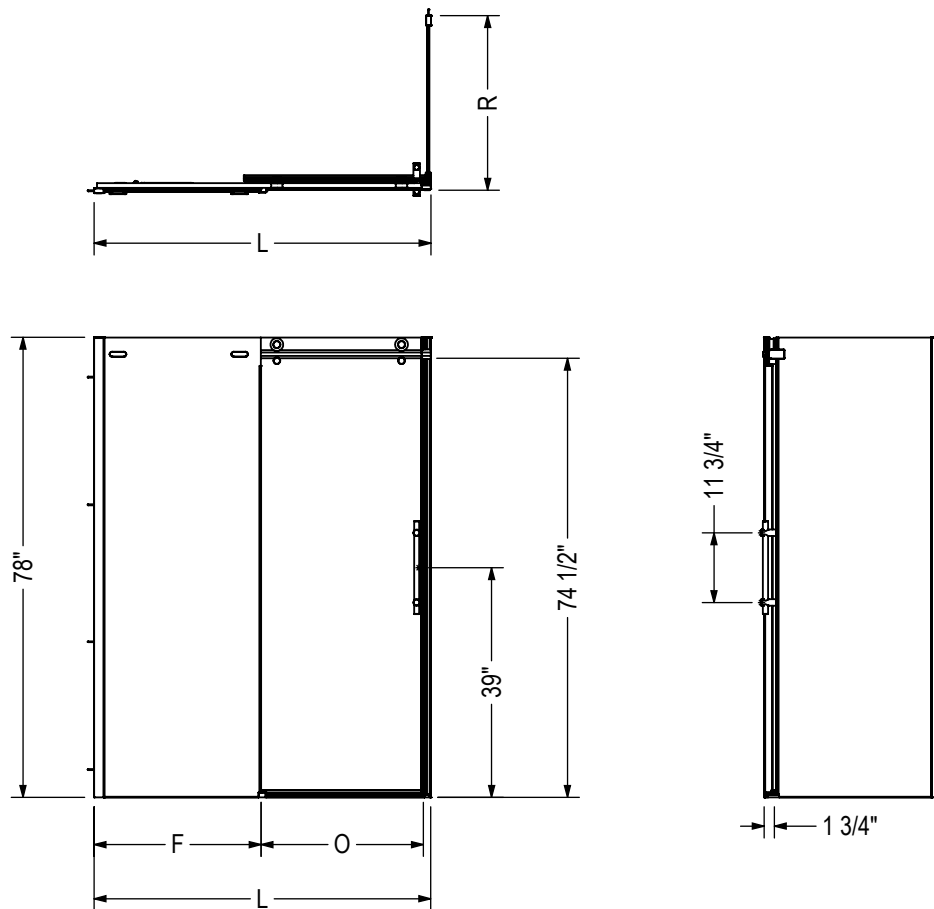
SKU	Glass / Finish	Door Opening	Dimensions & Weight	Packaging	MSRP
137420-900-084-000	Clear / Chrome	Reversible	57" - 59 1/2" x 78" / 141.18 lb / 64 kg	6.99 ft ³	\$ 1650
137420-900-305-000	Clear / Brushed Nickel				\$ 1733
137420-900-340-000	Clear / Matte Black		\$ 1774		
137420-900-343-000	Clear / Brushed Gold		\$ 1980		

ODYSSEY SC 45-47 1/2 X 78 - 8 MM - 137421

SKU	Glass / Finish	Door Opening	Dimensions & Weight	Packaging	MSRP
137421-900-084-000	Clear / Chrome	Reversible	45" - 47 1/2" x 78" / 115.39 lb / 52 kg	5.76 ft ³	\$ 1485
137421-900-305-000	Clear / Brushed Nickel				\$ 1559
137421-900-340-000	Clear / Matte Black		\$ 1597		
137421-900-343-000	Clear / Brushed Gold		\$ 1782		

STANDARD

ALCOVE DOORS - SLIDING



Code	Description	L Adjustable	F	O	R	Wall adjustment
137420	Odyssey Slider door 57"-59 1/2" x 78"	57" - 59 1/2"	27 7/8"	24 1/2" - 25"	-	5/8"
137421	Odyssey Slider door 45"-47 1/2" x 78"	45" - 47 1/2"	21 7/8"	18 1/4" - 18 3/4"	-	5/8"
137422	ODYSSEY RETURN PANEL 32"	-	-	-	29 3/4 - 30 1/2"	3/4"

All dimensions are approximate. Structure measurements must be verified against the unit to ensure proper fit.



Uptown Slider Shower Doors

ALCOVE DOORS - SLIDING



Material : Tempered Glass

Features

- › 7 mm (5/16") tempered glass
- › Configuration consists of a Stationary Panel and Sliding Door
- › Available in 6 stylish finishes (monochrome or mixed-finishes)
- › Handle available in Stylish fashion mixed material finish
- › Fits on showers, walls and tile
- › Innovative Soft Close by MAAX technology prevents slamming
- › Glass panels come with the Lotus Easy Clean Glass Protection to repel soap and water stains for carefree maintenance
- › Reversible panel for easy corner installation on the left or on the right
- › 1/2" out-of-plumb adjustment

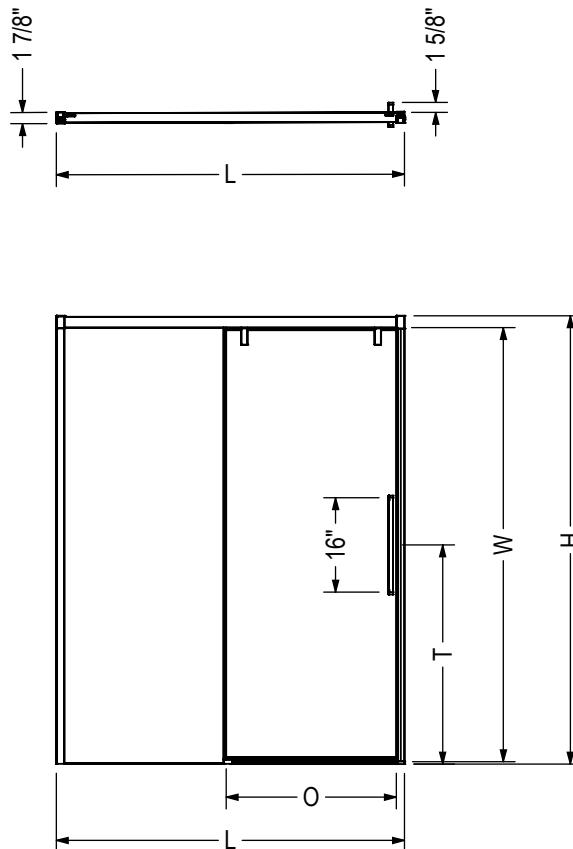
UPTOWN 44-47 X 76 IN. 8 MM - 135323

SKU	Glass / Finish	Door Opening	Dimensions & Weight	Packaging	MSRP
135323-900-084-000	Clear / Chrome	Reversible	44" - 47" x 76" / 107 lb / 49 kg	5.65 ft ³	\$ 1522
135323-900-173-000	Clear / Dark Bronze				\$ 1634
135323-900-282-000	Clear / Chrome and White Marble				\$ 1602
135323-900-283-000	Clear / Dark Bronze and Beige Marble				\$ 1714
135323-900-285-000	Clear / Matte Black and Wood				\$ 1714
135323-900-305-000	Clear / Brushed Nickel				\$ 1608
135323-900-340-000	Clear / Matte Black				\$ 1634

UPTOWN 56-59 X 76 IN. 8 MM - 135324

SKU	Glass / Finish	Door Opening	Dimensions & Weight	Packaging	MSRP
135324-900-084-000	Clear / Chrome	Reversible	56" - 59" x 76" / 133 lb / 60 kg	6.816 ft ³	\$ 1616
135324-900-173-000	Clear / Dark Bronze				\$ 1743
135324-900-282-000	Clear / Chrome and White Marble				\$ 1696
135324-900-283-000	Clear / Dark Bronze and Beige Marble				\$ 1823
135324-900-285-000	Clear / Matte Black and Wood				\$ 1823
135324-900-305-000	Clear / Brushed Nickel				\$ 1699
135324-900-340-000	Clear / Matte Black				\$ 1743

STANDARD



Code	Description	H	L	O	T	W
135323	Uptown Slider 76" x 44" - 47"	76"	44" - 47"	16" - 19"	37 1/8"	73 1/2"
135324	Uptown Slider 76" x 56" - 59"	76"	56" - 59"	22" - 25"	37 1/8"	73 1/2"

Wall adjustment = 1/2"

All dimensions are approximate. Structure measurements must be verified against the unit to ensure proper fit.



Connect Shower Doors



Material : Tempered Glass

Features

- › Model Size: in - 38.64in W X 72in H
- › Configuration consists of a Stationary Panel and Sliding Door
- › Available in 3 finishes: Chrome, Brushed Nickel, Matte Black
- › A 1/2 inch vertical profile to fill an additional gap, sold separately
- › Requires no cutting the door frame expands to adjust to the walls
- › Glass panels come with the Lotus Easy Clean Glass Protection to repel soap and water stains for carefree maintenance
- › Solid expandable frame that provides 1.5 in. adjustment with ClickConnect corner joint
- › Fast, no-cut installation
- › Reversible door for easy left -or right- opening installation

ALCOVE DOORS - SLIDING

CONNECT 43 1/2-45 X 72 - 6MM - 135241

SKU	Glass / Finish	Door Opening	Dimensions & Weight	Packaging	MSRP
135241-900-084-000	Clear / Chrome	Reversible	43 1/2" - 45" x 72" / 85 lb / 39 kg	13.5 ft ³	\$ 1038
135241-900-305-000	Clear / Brushed Nickel				\$ 1149
135241-900-340-000	Clear / Matte Black				\$ 1206

CONNECT 45-46 1/2 X 72 - 6MM - 135242

SKU	Glass / Finish	Door Opening	Dimensions & Weight	Packaging	MSRP
135242-900-084-000	Clear / Chrome	Reversible	45" - 46 1/2" x 72" / 88 lb / 40 kg	13.5 ft ³	\$ 1095
135242-900-305-000	Clear / Brushed Nickel				\$ 1149
135242-900-340-000	Clear / Matte Black				\$ 1206

CONNECT 55 1/2-57 X 72 - 6MM - 135243

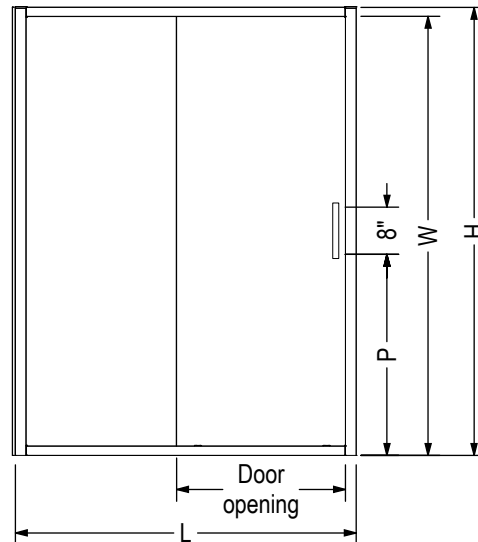
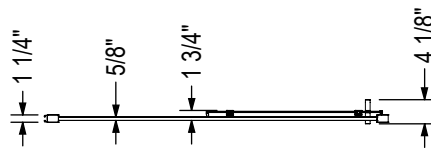
SKU	Glass / Finish	Door Opening	Dimensions & Weight	Packaging	MSRP
135243-900-084-000	Clear / Chrome	Reversible	55 1/2" - 57" x 72" / 104 lb / 47 kg	17.5 ft ³	\$ 1166
135243-900-305-000	Clear / Brushed Nickel				\$ 1224
135243-900-340-000	Clear / Matte Black				\$ 1283

CONNECT 57-58 1/2 X 72 - 6MM - 135244

SKU	Glass / Finish	Door Opening	Dimensions & Weight	Packaging	MSRP
135244-900-084-000	Clear / Chrome	Reversible	57" - 58 1/2" x 72" / 107 lb / 49 kg	17.5 ft ³	\$ 1166
135244-900-305-000	Clear / Brushed Nickel				\$ 1224
135244-900-340-000	Clear / Matte Black				\$ 1283

ALCOVE DOORS - SLIDING

STANDARD



Code	Description	H	W	L Adjustable	Door opening	P
135241	Connect 72" x 43 1/2" - 45"	72"	70 3/8"	43 1/2" - 45"	17 13/16" - 18 9/16"	32 1/8"
135242	Connect 72" x 45" - 46 1/2"	72"	70 3/8"	45" - 46 1/2"	18 9/16" - 19 5/16"	32 1/8"
135243	Connect 72" x 55 1/2" - 57"	72"	70 3/8"	55 1/2" - 57"	23 13/16" - 24 9/16"	32 1/8"
135244	Connect 72" x 57" - 58 1/2"	72"	70 3/8"	57" - 58 1/2"	24 9/16" - 25 5/16"	32 1/8"
135245	Connect tub door 57" x 55 1/2" - 57"	57"	55 7/16"	55 1/2" - 57"	23 13/16" - 24 9/16"	24 5/8"
135246	Connect tub door 57" x 57" - 58 1/2"	57"	55 7/16"	57" - 58 1/2"	24 9/16" - 25 5/16"	24 5/8"

All dimensions are approximate. Structure measurements must be verified against the unit to ensure proper fit.



Outback Shower Doors

ALCOVE DOORS - SLIDING



Material : Tempered Glass

Features

- › Slim stainless header
- › Three stylish finishes: Chrome, Brushed Nickel and Matte Black
- › Door offers 3.25in of adjustment to fit on tile and on shower units
- › 8 mm (5/16") tempered glass with Lotus easy clean protection
- › Reversible shower door for left or right opening

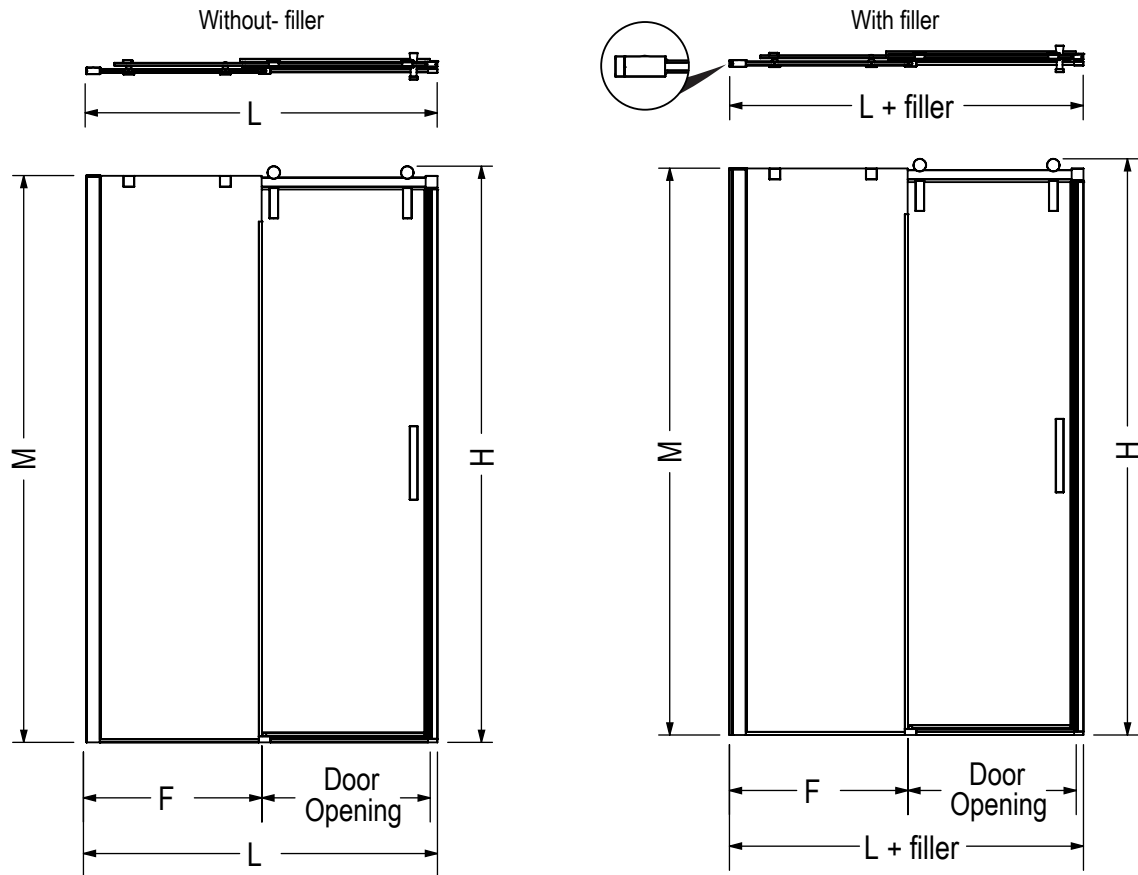
OUTBACK 43 1/4 - 46 1/2 X 70 1/2 - 8MM - 137680

SKU	Glass / Finish	Door Opening	Dimensions & Weight	Packaging	MSRP
137680-900-084-000	Clear / Chrome	Reversible	43 1/4" - 46 1/2" x 70 1/2" / 117 lb / 53 kg	4.82 ft ³	\$ 1247
137680-900-305-000	Clear / Brushed Nickel				\$ 1317
137680-900-340-000	Clear / Matte Black				\$ 1351

OUTBACK 55 1/4 - 58 1/2 X 70 1/2 - 8MM - 137681

SKU	Glass / Finish	Door Opening	Dimensions & Weight	Packaging	MSRP
137681-900-084-000	Clear / Chrome	Reversible	55 1/4" - 58 1/2" x 70 1/2" / 131 lb / 59 kg	5.88 ft ³	\$ 1389
137681-900-305-000	Clear / Brushed Nickel				\$ 1459
137681-900-340-000	Clear / Matte Black				\$ 1495

STANDARD



Code	Description	H	M	L Adjustable	L Adjustable + Wall filler	F	Door Opening	Wall adjustment	Walk thru
835680 / 137680	Outback 48	72"	70 1/2"	43 1/4" - 46 1/2"	43 5/8" - 46 7/8"	21 1/2"	16 1/8" - 19"	3/4"	68 3/4"
835681 / 137681	Outback 60	72"	70 1/2"	55 1/4" - 58 1/2"	55 5/8" - 58 7/8"	27 1/2"	22 1/8" - 25"	3/4"	68 3/4"
835682 / 137682	Outback Tub 60	58 3/16"	57"	55 1/4" - 58 1/2"	55 5/8" - 58 7/8"	27 1/2"	22 1/8" - 25"	3/4"	55 1/4"

To reach maximum alcove dimension (L), you need to add the filler to maintain a maximum door opening.
 To reach the minimum alcove dimension (L), you need to remove the wall jamb filler to maintain a maximum door opening.

All dimensions are approximate. Structure measurements must be verified against the unit to ensure proper fit.



Silhouette Neo-angle

CORNER DOORS - PIVOT



Material : Tempered Glass

Features

- > Neo-angle framed pivot door for corner shower
- > Full-length aluminium pull adds reinforcement and doubles as a handle
- > Reversible door for left or right opening
- > Gutter is integrated in the inside of the door
- > Adjustable pivot mechanism

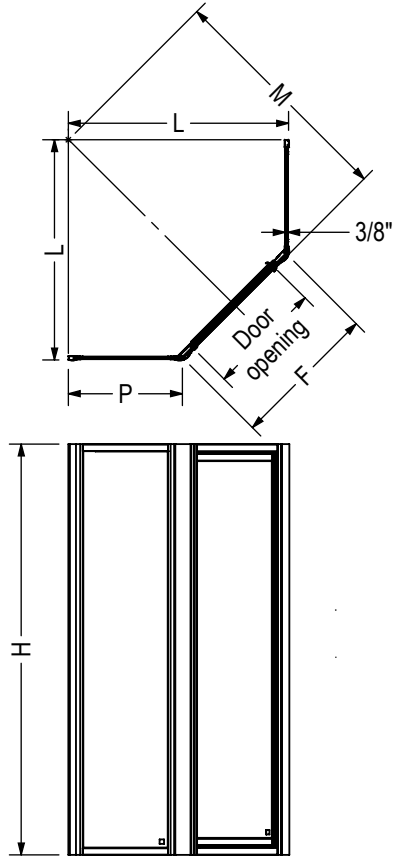
SILHOUETTE NEO-ANGLE PIVOT 38 X 38 X 70 IN. - 137901

SKU	Glass / Finish	Door Opening	Dimensions & Weight	Packaging	MSRP
137901-900-084-000	Clear / Chrome	Central	" x " x 70" / 77 lb / 35 kg	5.76 ft ³	\$ 1091
137901-970-084-000	Raindrop / Chrome				\$ 1091

SILHOUETTE NEO-ANGLE PIVOT 36 X 36 X 70 IN. - 137904

SKU	Glass / Finish	Door Opening	Dimensions & Weight	Packaging	MSRP
137904-900-084-000	Clear / Chrome	Central	" x " x 70" / 74 lb / 34 kg	5.44 ft ³	\$ 1105
137904-970-084-000	Raindrop / Chrome				\$ 1105

STANDARD



Code	Description	H	M Adjustable	L Adjustable	Door opening	F Adjustable	P Adjustable	Wall adjustment
137700	Silhouette Plus Pivot 36" x 70"	69 5/8"	32 1/4" - 35 1/8"	31 1/4" - 33 3/4"	17 3/4"	23 3/8" - 24 7/8"	14 3/8" - 15 7/8"	2 1/2"
137710	Silhouette Plus Pivot 38" x 70"	69 5/8"	37 1/4" - 40 1/8"	34 3/4" - 37 1/4"	17 1/2"	23 3/8" - 24 7/8"	17 7/8" - 19 3/8"	2 1/2"
137720	Silhouette Plus Pivot 36" x 70"	69 5/8"	34 5/8" - 37 1/2"	33 1/8" - 35 3/4"	18 1/2"	24 1/8" - 25 5/8"	15 3/4" - 17 1/4"	2 1/2"
137730	Silhouette Plus Pivot 38 - 40" x 70"	69 5/8"	37 5/8" - 40 1/2"	35 1/4" - 37 7/8"	18 1/2"	24 1/8" - 25 5/8"	17 7/8" - 19 3/8"	2 1/2"
137750	Silhouette Plus Pivot 38 - 40" x 70"	69 5/8"	38 1/8" - 41"	37" - 39 1/2"	22 1/4"	27 7/8" - 29 3/8"	16 7/8" - 18 3/8"	2 1/2"
137760	Silhouette Plus Pivot 42" x 70"	69 5/8"	41" - 43 7/8"	39" - 41 1/2"	22 1/4"	27 7/8" - 29 3/8"	18 7/8" - 20 3/8"	2 1/2"

All dimensions are approximate. Structure measurement must be verified against the unit to ensure proper fit.

Silhouette Plus Neo-angle



CORNER DOORS - PIVOT



Material : Tempered Glass

Features

- > Neo-angle framed pivot door for corner shower
- > Full-length aluminium pull reinforces doors and doubles as a handle
- > Reversible door for left or right opening
- > Gutter is integrated in the inside of the door
- > 6 ways to adjust door to irregular base

SILHOUETTE PLUS NEO-ANGLE 38 X 38 X 70 IN. - 137710

SKU	Glass / Finish	Door Opening	Dimensions & Weight	Packaging	MSRP
137710-900-084-000	Clear / Chrome	Reversible	" x " x 70" / 73 lb / 33 kg	5.39 ft ³	\$ 963
137710-965-084-000	Hammer / Chrome				\$ 963

SILHOUETTE PLUS NEO-ANGLE 36 X 36 X 70 IN. - 137720

SKU	Glass / Finish	Door Opening	Dimensions & Weight	Packaging	MSRP
137720-900-084-000	Clear / Chrome	Reversible	" x " x 70" / 72 lb / 33 kg	5.55 ft ³	\$ 963
137720-965-084-000	Hammer / Chrome				\$ 963

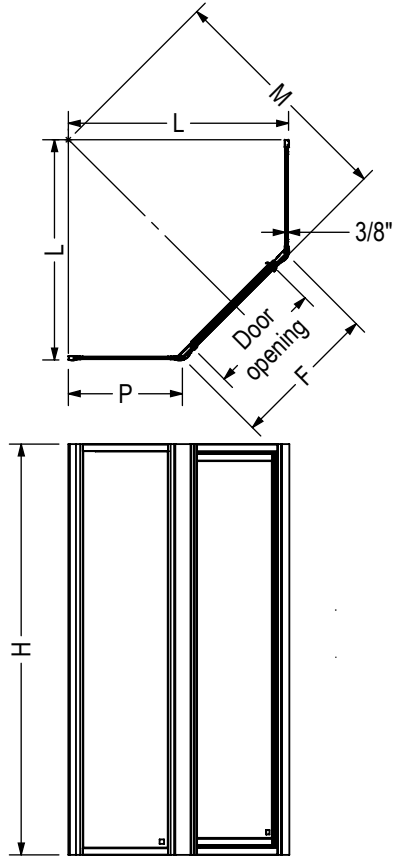
SILHOUETTE PLUS NEO-ANGLE 38 X 38-40 X 40 X 70 IN. - 137730

SKU	Glass / Finish	Door Opening	Dimensions & Weight	Packaging	MSRP
137730-900-084-000	Clear / Chrome	Reversible	" x " x 70" / 71 lb / 32 kg	5.42 ft ³	\$ 984
137730-965-084-000	Hammer / Chrome				\$ 984

SILHOUETTE PLUS NEO-ANGLE 38 X 38-40 X 40 X 70 IN. - 137750

SKU	Glass / Finish	Door Opening	Dimensions & Weight	Packaging	MSRP
137750-965-084-000	Hammer / Chrome	Reversible	" x " x 70" / 78 lb / 35 kg	6.19 ft ³	\$ 1001

STANDARD



Code	Description	H	M Adjustable	L Adjustable	Door opening	F Adjustable	P Adjustable	Wall adjustment
137700	Silhouette Plus Pivot 36" x 70"	69 5/8"	32 1/4" - 35 1/8"	31 1/4" - 33 3/4"	17 3/4"	23 3/8" - 24 7/8"	14 3/8" - 15 7/8"	2 1/2"
137710	Silhouette Plus Pivot 38" x 70"	69 5/8"	37 1/4" - 40 1/8"	34 3/4" - 37 1/4"	17 1/2"	23 3/8" - 24 7/8"	17 7/8" - 19 3/8"	2 1/2"
137720	Silhouette Plus Pivot 36" x 70"	69 5/8"	34 5/8" - 37 1/2"	33 1/8" - 35 3/4"	18 1/2"	24 1/8" - 25 5/8"	15 3/4" - 17 1/4"	2 1/2"
137730	Silhouette Plus Pivot 38 - 40" x 70"	69 5/8"	37 5/8" - 40 1/2"	35 1/4" - 37 7/8"	18 1/2"	24 1/8" - 25 5/8"	17 7/8" - 19 3/8"	2 1/2"
137750	Silhouette Plus Pivot 38 - 40" x 70"	69 5/8"	38 1/8" - 41"	37" - 39 1/2"	22 1/4"	27 7/8" - 29 3/8"	16 7/8" - 18 3/8"	2 1/2"
137760	Silhouette Plus Pivot 42" x 70"	69 5/8"	41" - 43 7/8"	39" - 41 1/2"	22 1/4"	27 7/8" - 29 3/8"	18 7/8" - 20 3/8"	2 1/2"

All dimensions are approximate. Structure measurement must be verified against the unit to ensure proper fit.



Davana Neo-angle 38 Door

CORNER DOORS - PIVOT



Material : Glass

Features

- › Square hardware for a transitional look
- › Reversible pivot door for left or right-hand opening, giving you flexibility in design
- › Glass panels come with the Lotus Easy Clean Glass Protection to repel soap and water stains for carefree maintenance
- › Flush mount hinges on inside glass for easy cleaning
- › The doors' full length magnet provides a better watertight closure
- › Premium square door handle to ease the door opening from the inside and outside
- › Clear glass shower door for a clean look
- › Pair with a wall and base solution to create a complete shower solution
- › Easy installation for a stress-free experience

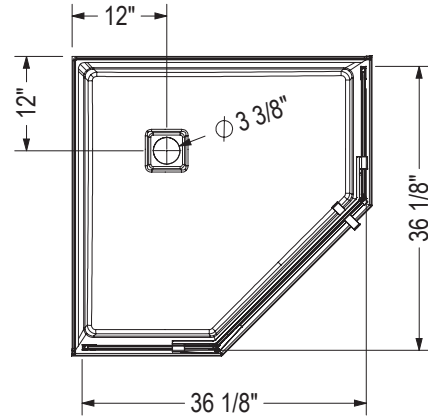
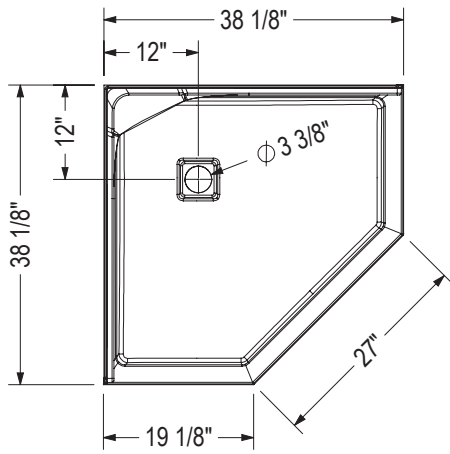
DAVANA NEO-ANGLE 38 X 38 X 75 - 8MM - 139315

SKU	Glass / Finish	Door Opening	Dimensions & Weight	Packaging	MSRP
139315-900-084-000	Clear / Chrome	Reversible	36 1/8" x 36 1/8" x 75" / 133.3 lb / 60 kg	3.67 ft ³	\$ 1372
139315-900-173-000	Clear / Dark Bronze				\$ 1587
139315-900-305-000	Clear / Brushed Nickel				\$ 1475
139315-900-340-000	Clear / Matte Black				\$ 1587

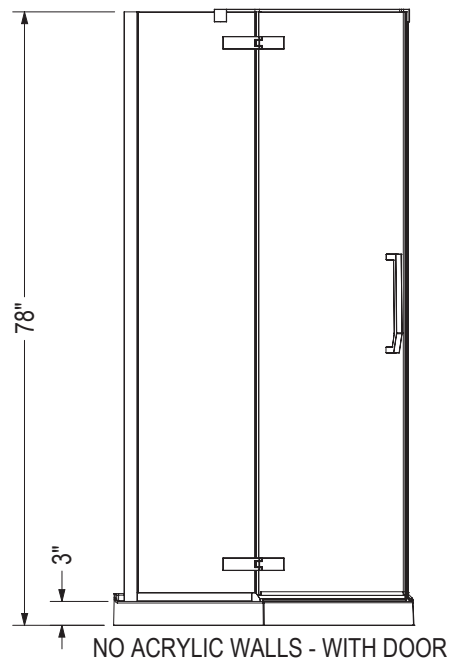
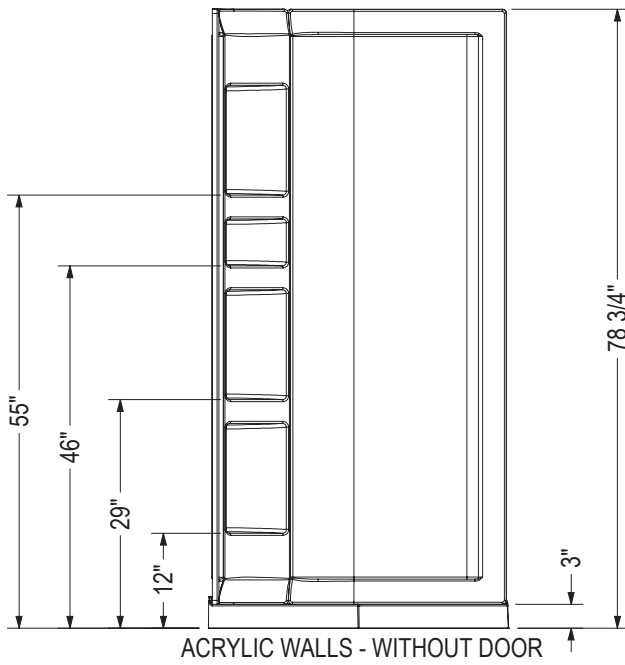
ACCESSORIES

SKU	Description	MSRP
10060311	Corner glass shelf (9 3/8 x 9 3/8 in.) (sold separately) 10 mm frosted glass with a clear band along the edge Compatible with Utile and tile shower walls	\$ 152

STANDARD



-Door opening : 26 1/8"
-Wall jamb adjustment : 3/4"



All dimensions are approximate. Structure measurements must be verified against the unit to ensure proper fit.



Davana Neo-angle 40 Door

CORNER DOORS - PIVOT



Material : Glass

Features

- › Square hardware for a transitional look
- › Reversible pivot door for left or right-hand opening, giving you flexibility in design
- › Glass panels come with the Lotus Easy Clean Glass Protection to repel soap and water stains for carefree maintenance
- › Flush mount hinges on inside glass for easy cleaning
- › The doors' full length magnet provides a better watertight closure
- › Premium square door handle to ease the door opening from the inside and outside
- › Clear glass shower door for a clean look
- › Pair with a wall and base solution to create a complete shower solution
- › Easy installation for a stress-free experience

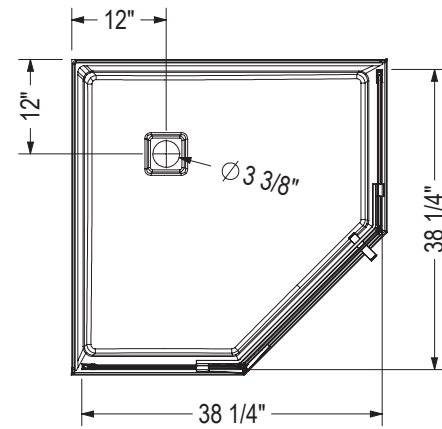
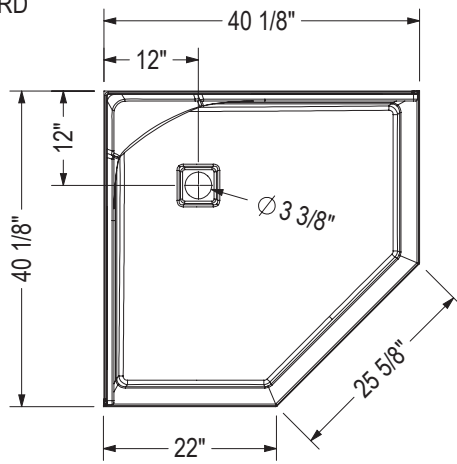
DAVANA NEO-ANGLE 40 X 40 X 75 - 8MM - 139320

SKU	Glass / Finish	Door Opening	Dimensions & Weight	Packaging	MSRP
139320-900-084-000	Clear / Chrome	Reversible	38 1/8" x 38 1/8" x 75" / 138 lb / 63 kg	3.67 ft ³	\$ 1476
139320-900-173-000	Clear / Dark Bronze				\$ 1707
139320-900-305-000	Clear / Brushed Nickel				\$ 1589
139320-900-340-000	Clear / Matte Black				\$ 1707

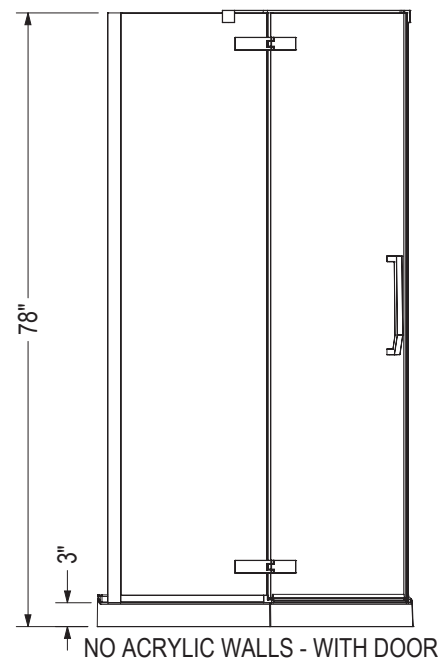
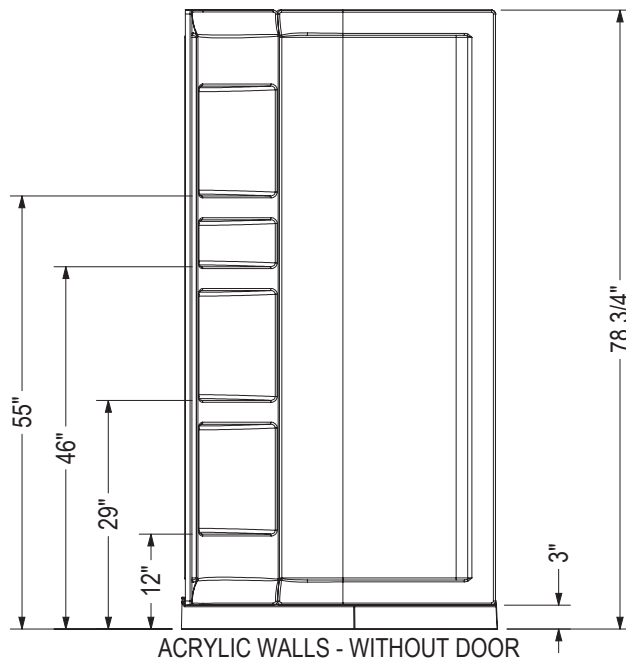
ACCESSORIES

SKU	Description	MSRP
10060311	Corner glass shelf (9 3/8 x 9 3/8 in.) (sold separately) 10 mm frosted glass with a clear band along the edge Compatible with Utile and tile shower walls	\$ 152

STANDARD



-Door opening : 24 1/8"
 -Wall jamb adjustment : 3/4"



All dimensions are approximate. Structure measurements must be verified against the unit to ensure proper fit.



Davana Rectangular 4234 Door

CORNER DOORS - PIVOT



Material : Glass

Features

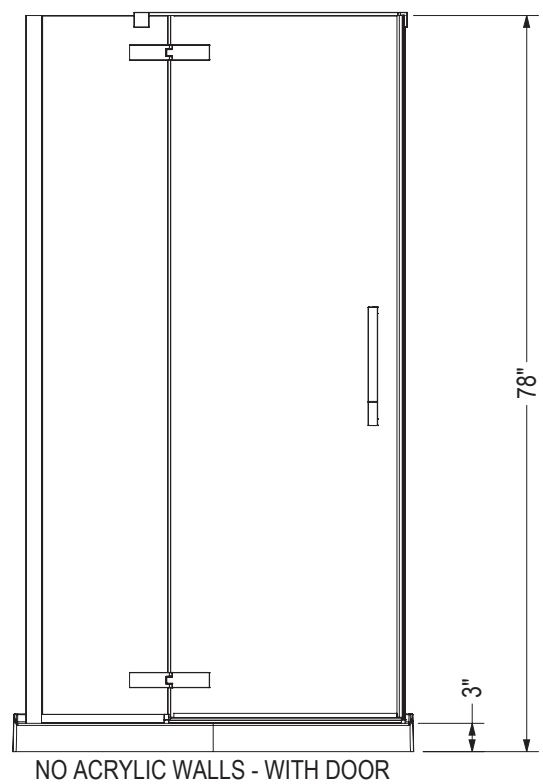
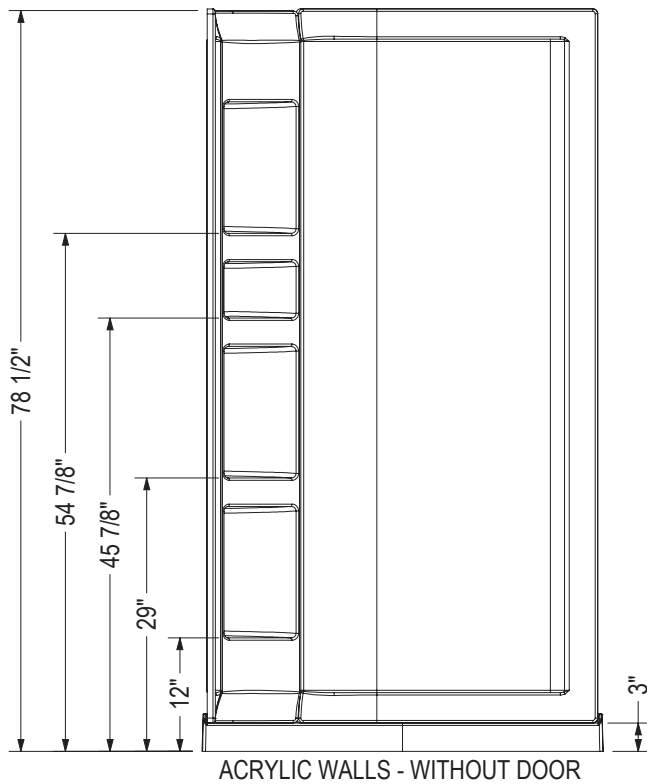
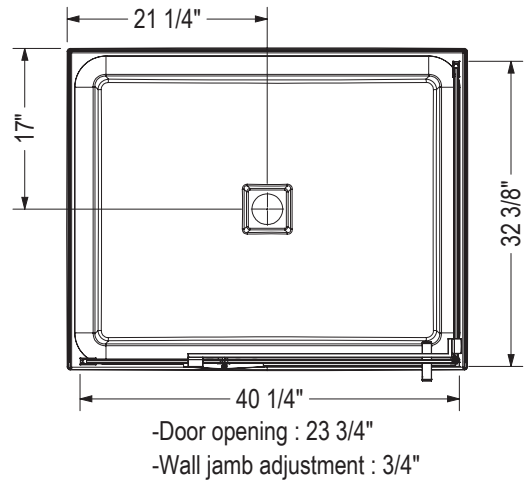
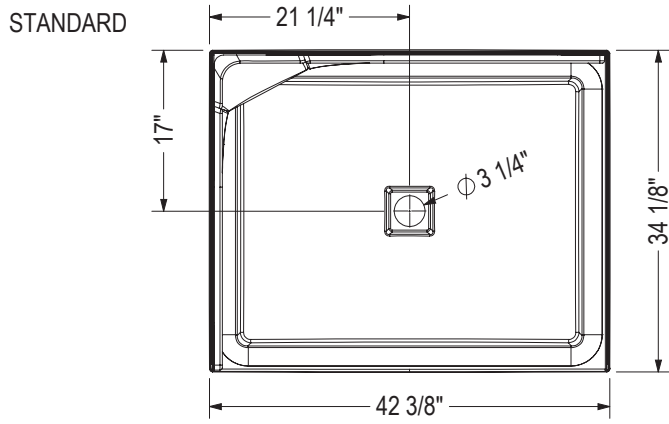
- › Kit includes the door and return panel
- › Square hardware for a transitional look
- › Reversible pivot door for left or right-hand opening, giving you flexibility in design
- › Glass panels come with the Lotus Easy Clean Glass Protection to repel soap and water stains for carefree maintenance
- › Flush mount hinges on inside glass for easy cleaning
- › The doors' full length magnet provides a better watertight closure
- › 8 mm tempered glass glass panels
- › Door frame allows for plenty of wall adjustment and ideal for Out-Of-Plumb walls
- › Pair with a wall and base solution to create a complete shower solution

DAVANA RECTANGULAR 42 X 34 X 75 - 8MM - 139330

SKU	Glass / Finish	Door Opening	Dimensions & Weight	Packaging	MSRP
139330-900-084-000	Clear / Chrome	Reversible	40 1/4" x 32 3/8" x 75" / 155 lb / 70 kg	4.66 ft ³	\$ 1771
139330-900-173-000	Clear / Dark Bronze				\$ 2043
139330-900-305-000	Clear / Brushed Nickel				\$ 1902
139330-900-340-000	Clear / Matte Black				\$ 2043

ACCESSORIES

SKU	Description	MSRP
10060311	Corner glass shelf (9 3/8 x 9 3/8 in.) (sold separately) 10 mm frosted glass with a clear band along the edge Compatible with Utile and tile shower walls	\$ 152



All dimensions are approximate. Structure measurements must be verified against the unit to ensure proper fit.



Hana Neo-angle 38 Door

CORNER DOORS - PIVOT



Material : Glass

Features

- › Rounded square hardware for a transitional look
- › Reversible pivot door for left or right-hand opening, giving you flexibility in design
- › Glass panels come with the Lotus Easy Clean Glass Protection to repel soap and water stains for carefree maintenance
- › Flush mount hinges on inside glass for easy cleaning
- › The doors' full length magnet provides a better watertight closure
- › Premium square door handle to ease the door opening from the inside and outside
- › Clear glass shower door for a clean look
- › Pair with a wall and base solution to create a complete shower solution
- › Easy installation for a stress-free experience

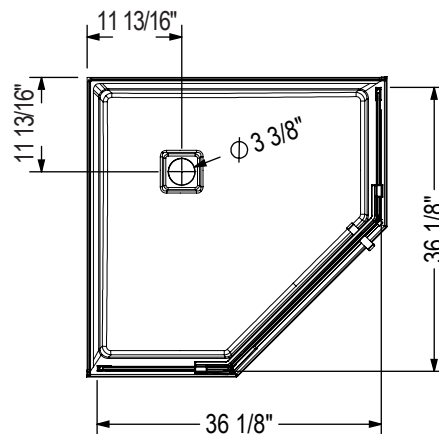
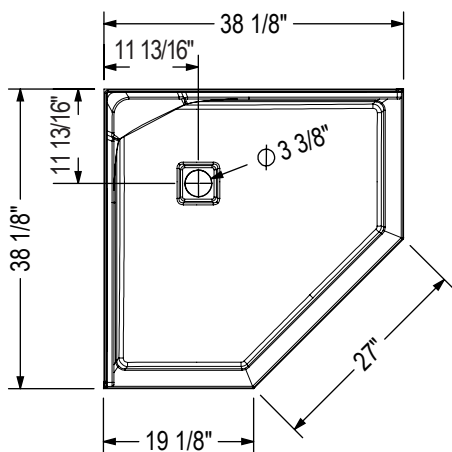
HANA NEO-ANGLE 38 X 38 X 75 - 8MM - 137300

SKU	Glass / Finish	Door Opening	Dimensions & Weight	Packaging	MSRP
137300-900-084-000	Clear / Chrome	Reversible	36 1/8" x 36 1/8" x 75" / 133.3 lb / 60 kg	3.67 ft ³	\$ 1372
137300-900-173-000	Clear / Dark Bronze				\$ 1587
137300-900-305-000	Clear / Brushed Nickel				\$ 1475
137300-900-340-000	Clear / Matte Black				\$ 1587

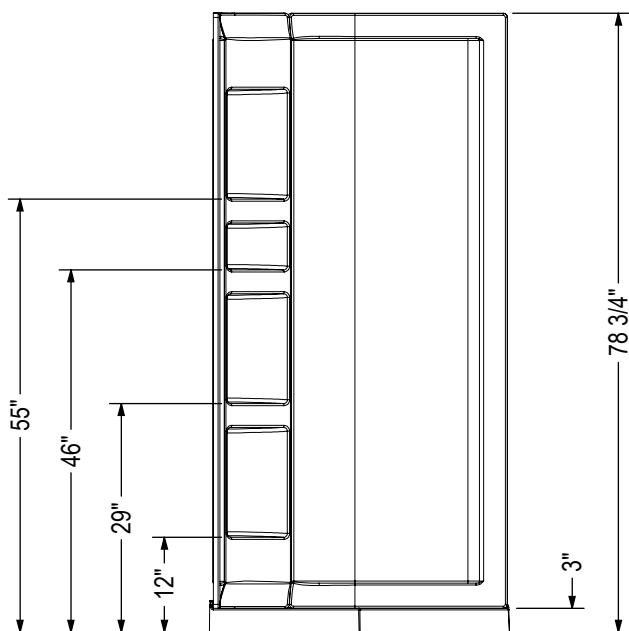
ACCESSORIES

SKU	Description	MSRP
10060311	Corner glass shelf (9 3/8 x 9 3/8 in.) (sold separately) 10 mm frosted glass with a clear band along the edge Compatible with Utile and tile shower walls	\$ 152

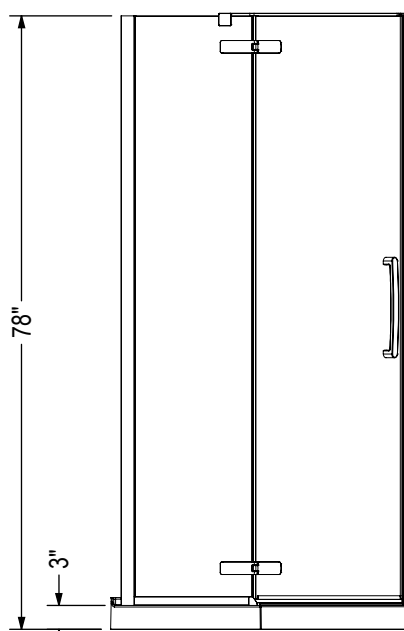
STANDARD



-Door opening : 26 1/8"
-Wall jamb adjustment : 3/4"



ACRYLIC WALLS - WITHOUT DOOR



NO ACRYLIC WALLS - WITH DOOR

All dimensions are approximate. Structure measurements must be verified against the unit to ensure proper fit.



Hana Neo-angle 40 Door

CORNER DOORS - PIVOT



Material : Glass

Features

- › Rounded square hardware for a transitional look
- › Reversible pivot door for left or right-hand opening, giving you flexibility in design
- › Glass panels come with the Lotus Easy Clean Glass Protection to repel soap and water stains for carefree maintenance
- › Flush mount hinges on inside glass for easy cleaning
- › The doors' full length magnet provides a better watertight closure
- › Premium square door handle to ease the door opening from the inside and outside
- › Clear glass shower door for a clean look
- › Pair with a wall and base solution to create a complete shower solution
- › Easy installation for a stress-free experience

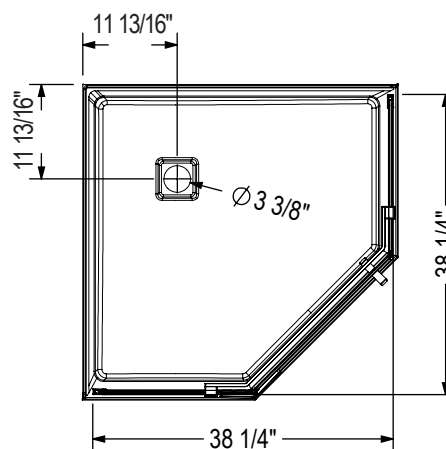
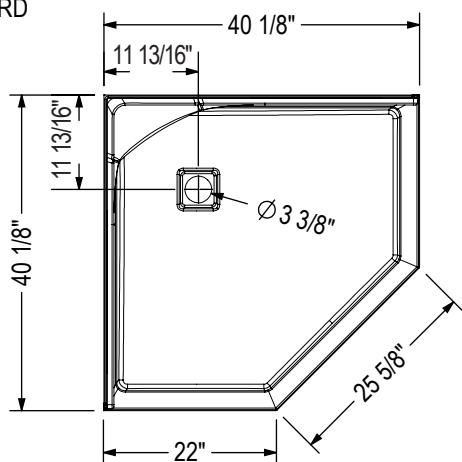
HANA NEO-ANGLE 40 X 40 X 75 - 8MM - 137301

SKU	Glass / Finish	Door Opening	Dimensions & Weight	Packaging	MSRP
137301-900-084-000	Clear / Chrome	Reversible	38 1/8" x 38 1/8" x 75" / 138 lb / 63 kg	3.67 ft ³	\$ 1476
137301-900-173-000	Clear / Dark Bronze				\$ 1707
137301-900-305-000	Clear / Brushed Nickel				\$ 1589
137301-900-340-000	Clear / Matte Black				\$ 1707

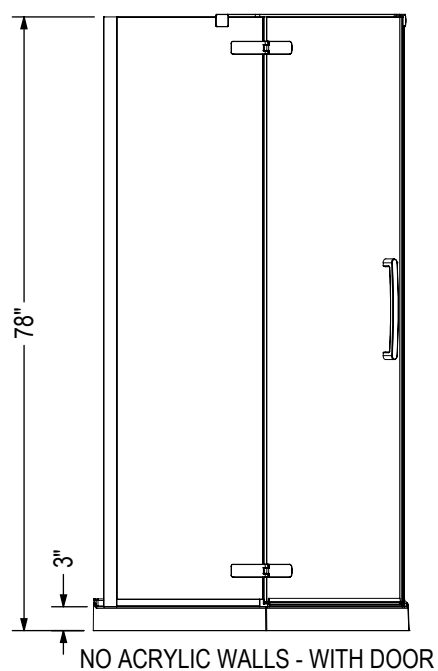
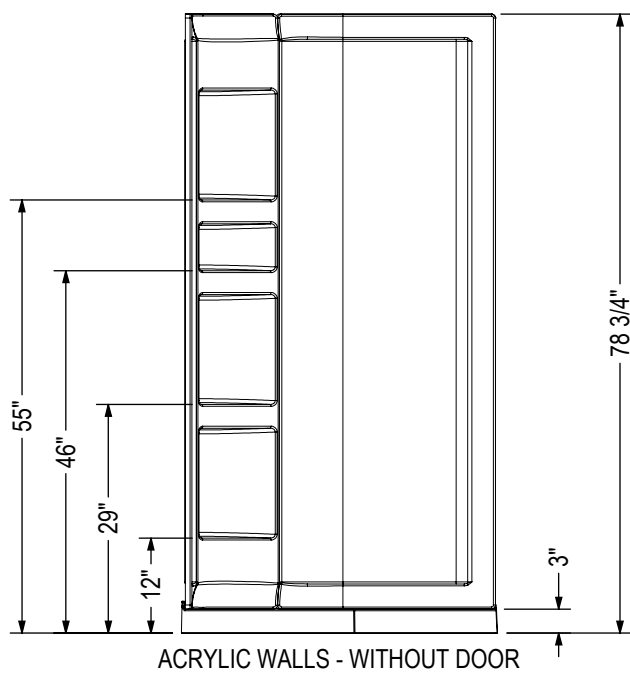
ACCESSORIES

SKU	Description	MSRP
10060311	Corner glass shelf (9 3/8 x 9 3/8 in.) (sold separately) 10 mm frosted glass with a clear band along the edge Compatible with Utile and tile shower walls	\$ 152

STANDARD



-Door opening : 24 1/8"
 -Wall jamb adjustment : 3/4"



All dimensions are approximate. Structure measurements must be verified against the unit to ensure proper fit.



Hana Rectangular 4234 Door

CORNER DOORS - PIVOT



Material : Glass

Features

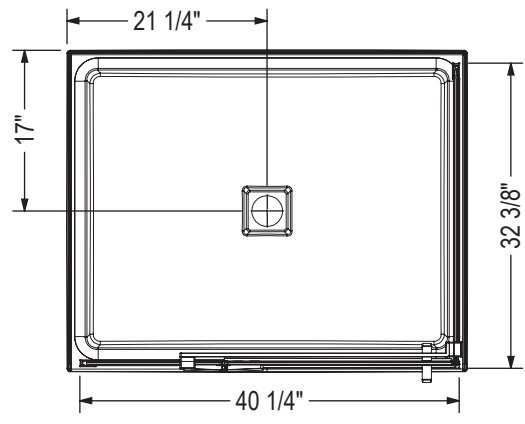
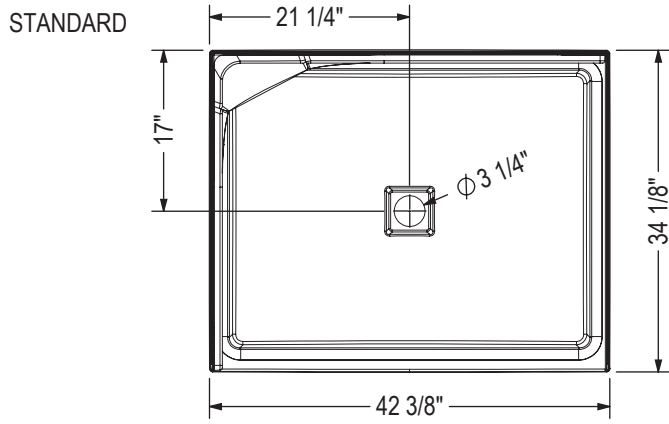
- › Kit includes the door and return panel
- › Rounded square hardware for a transitional look
- › Reversible pivot door for left or right-hand opening, giving you flexibility in design
- › Glass panels come with the Lotus Easy Clean Glass Protection to repel soap and water stains for carefree maintenance
- › Flush mount hinges on inside glass for easy cleaning
- › The doors' full length magnet provides a better watertight closure
- › 8 mm tempered glass glass panels
- › Door frame allows for plenty of wall adjustment and ideal for Out-Of-Plumb walls
- › Pair with a wall and base solution to create a complete shower solution

HANA RECTANGULAR 42 X 34 X 75 - 8MM - 137302

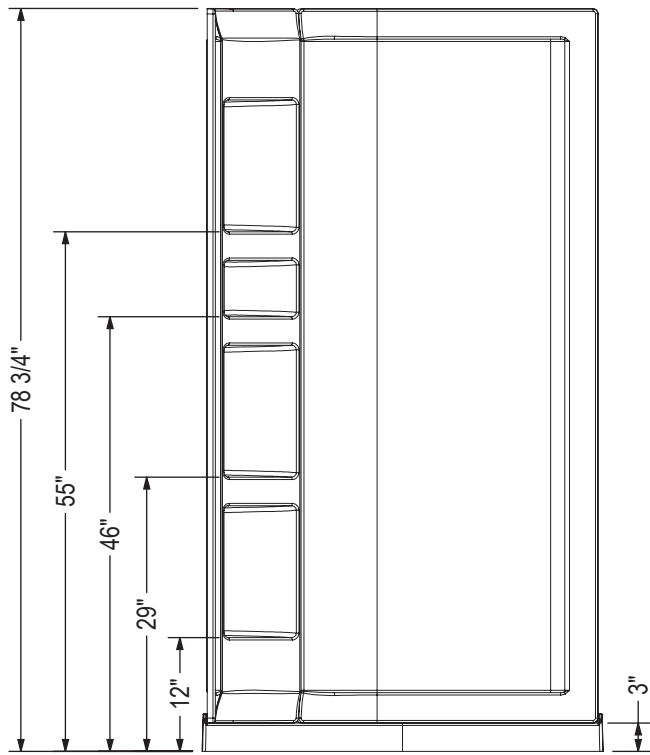
SKU	Glass / Finish	Door Opening	Dimensions & Weight	Packaging	MSRP
137302-900-084-000	Clear / Chrome	Reversible	40 1/4" x 32 3/8" x 75" / 155 lb / 70 kg	4.66 ft ³	\$ 1771
137302-900-173-000	Clear / Dark Bronze				\$ 2043
137302-900-305-000	Clear / Brushed Nickel				\$ 1902
137302-900-340-000	Clear / Matte Black				\$ 2043

ACCESSORIES

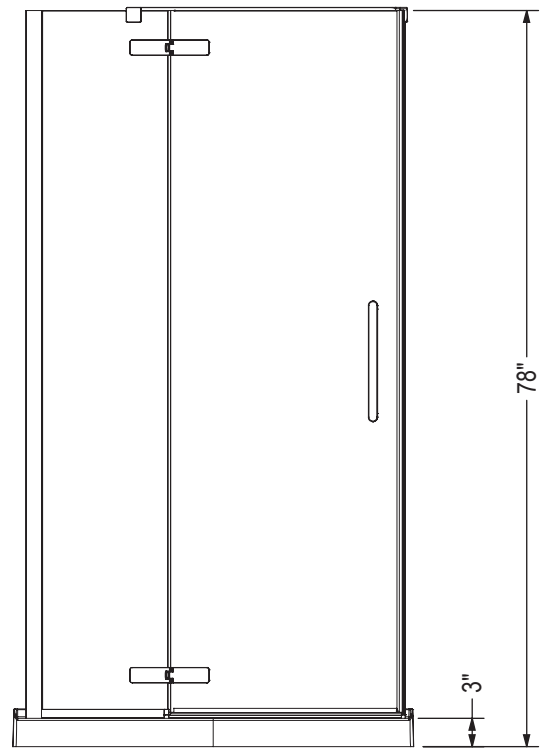
SKU	Description	MSRP
10060311	Corner glass shelf (9 3/8 x 9 3/8 in.) (sold separately) 10 mm frosted glass with a clear band along the edge Compatible with Utile and tile shower walls	\$ 152



-Door opening : 23 3/4"
 -Wall jamb adjustment : 3/4"



ACRYLIC WALLS - WITHOUT DOOR



NO ACRYLIC WALLS - WITH DOOR

All dimensions are approximate. Structure measurements must be verified against the unit to ensure proper fit.



Halo Round

CORNER DOORS - SLIDING



Features

- › 75 5/8" high luxury clear glass panel
- › 8mm (5/16") tempered glass with chrome hardware
- › Ball bearing roller technology allowing for 1/4" adjustment
- › For installation with round shower base and ceramic walls
- › Available as left or right opening specify when ordering

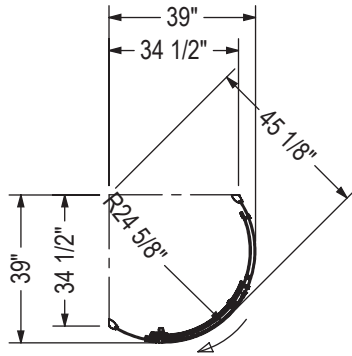
HALO ROUND - 139399L

SKU	Glass / Finish	Door Opening	Dimensions & Weight	Packaging	MSRP
139399-900-084-001	Clear / Chrome	Lateral	" x " x 75 5/8" / 185 lb / 84 kg	21.4 ft ³	\$ 1684

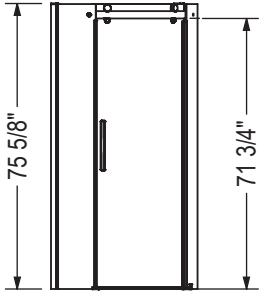
HALO ROUND - 139399R

SKU	Glass / Finish	Door Opening	Dimensions & Weight	Packaging	MSRP
139399-900-084-002	Clear / Chrome	Lateral	" x " x 75 5/8" / 185 lb / 84 kg	21.4 ft ³	\$ 1684

STANDARD

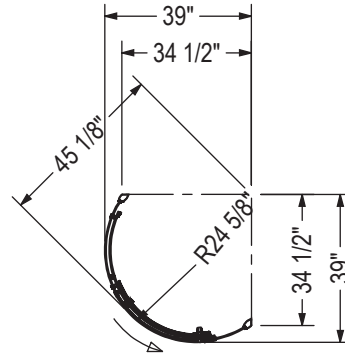
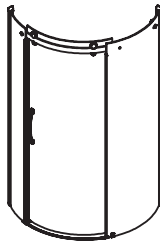


- Closing direction of the door
- Door opening : 22"

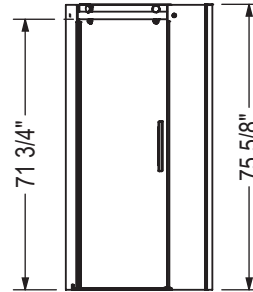


LEFT

139399-900-084-001
or 139399-L-900-084

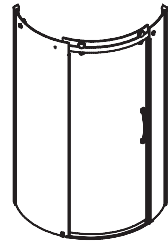


- Closing direction of the door
- Door opening : 22"



RIGHT

139399-900-084-002
or 139399-R-900-084



All dimensions are approximate. Structure measurements must be verified against the unit to ensure proper fit.



Radia Neo-angle

CORNER DOORS - SLIDING



Material : Tempered Glass

Features

- › Magnetic and aluminium extrusion for a better watertight closure as well as provide panel rigidity
- › Features MAAX Clip-and-Push System that allows to detach the bottom wheels to clean the track
- › Reversible door for right or left opening, panels are pre-assembled with the hardware and side jambs for fast and easy installation
- › 3/4-inch of out of plumb adjustment for those not so perfect walls
- › Ensure fit with MAAX Acrylic base # 101422-000-001-000

RADIA NEO-ANGLE 36 X 36 X 71 1/2 - 6MM - 137440

SKU	Glass / Finish	Door Opening	Dimensions & Weight	Packaging	MSRP
137440-900-084-000	Clear / Chrome	Central	" x " x 71 1/2" / 121 lb / 55 kg	5.54 ft ³	\$ 1113
137440-900-305-000	Clear / Brushed Nickel				\$ 1198
137440-900-340-000	Clear / Matte Black				\$ 1198

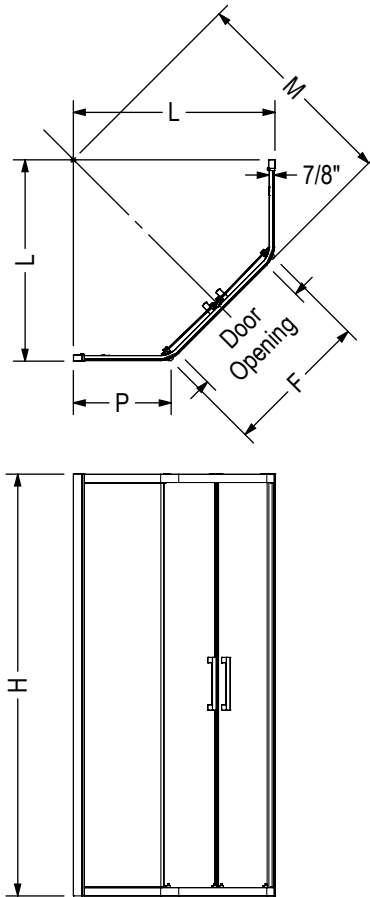
RADIA NEO-ANGLE 38 X 38 X 71 1/2 - 6MM - 137441

SKU	Glass / Finish	Door Opening	Dimensions & Weight	Packaging	MSRP
137441-900-084-000	Clear / Chrome	Central	" x " x 71 1/2" / 127 lb / 58 kg	5.62 ft ³	\$ 1157
137441-900-305-000	Clear / Brushed Nickel				\$ 1244
137441-900-340-000	Clear / Matte Black				\$ 1244

RADIA NEO-ANGLE 40 X 40 X 71 1/2 - 6MM - 137442

SKU	Glass / Finish	Door Opening	Dimensions & Weight	Packaging	MSRP
137442-900-084-000	Clear / Chrome	Central	" x " x 71 1/2" / 134 lb / 61 kg	5.97 ft ³	\$ 1200
137442-900-305-000	Clear / Brushed Nickel				\$ 1290
137442-900-340-000	Clear / Matte Black				\$ 1290

STANDARD



Code	Description	H	M	L	P Adjustable	F	Door Opening	Wall Adjustment
137440	RADIA N-A 36" X 36" X 71.5"	71 5/8"	35 5/8"	34 1/2"	14 9/16" - 15 1/4"	26 3/8"	18 5/16"	3/4"
137441	RADIA N-A 38" X 38" X 71.5"	71 5/8"	37 7/8"	35 5/8"	16 1/8" - 16 13/16"	26 7/16"	18 5/16"	3/4"
137442	RADIA N-A 40" X 40" X 71.5"	71 5/8"	40 15/16"	37 13/16"	18 3/16" - 18 7/8"	26 1/2"	18 5/16"	3/4"

All dimensions are approximate. Structure measurements must be verified against the unit to ensure proper fit.



Radia Neo-round

CORNER DOORS - SLIDING



Material : Tempered Glass

Features

- › 6 mm tempered glass with Lotus Easy Clean Glass Protection - repels soap and water stains for care-free maintenance
- › Magnetic and aluminium extrusion for a better watertight closure as well as provide panel rigidity
- › Features MAAX Clip-and-Push System that allows to detach the bottom wheels to clean the track
- › Reversible door for right or left opening, panels are pre-assembled with the hardware and side jambs for fast and easy installation
- › 3/4-inch of out of plumb adjustment for those not so perfect walls
- › Ensure fit with MAAX Acrylic base # 101426-000-001-000

RADIA NEO-ROUND 32 X 32 X 71 1/2 - 6MM - 137443

SKU	Glass / Finish	Door Opening	Dimensions & Weight	Packaging	MSRP
137443-900-084-000	Clear / Chrome	Central	" x " x 71 1/2" / 112 lb / 51 kg	5.3 ft ³	\$ 1143
137443-900-305-000	Clear / Brushed Nickel				\$ 1230
137443-900-340-000	Clear / Matte Black				\$ 1230

RADIA NEO-ROUND 36 X 36 X 71 1/2 - 6MM - 137444

SKU	Glass / Finish	Door Opening	Dimensions & Weight	Packaging	MSRP
137444-900-084-000	Clear / Chrome	Central	" x " x 71 5/8" / 118 lb / 54 kg	6 ft ³	\$ 1185
137444-900-305-000	Clear / Brushed Nickel				\$ 1275
137444-900-340-000	Clear / Matte Black				\$ 1275

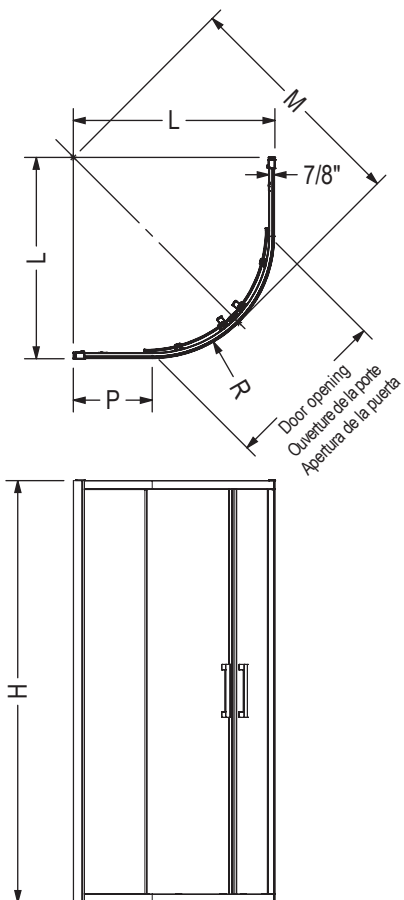
RADIA NEO-ROUND 40 X 40 X 71 1/2 - 6MM - 137445

SKU	Glass / Finish	Door Opening	Dimensions & Weight	Packaging	MSRP
137445-900-084-000	Clear / Chrome	Central	" x " x 71 1/2" / 125 lb / 57 kg	6.25 ft ³	\$ 1230
137445-900-305-000	Clear / Brushed Nickel				\$ 1320
137445-900-340-000	Clear / Matte Black				\$ 1320

RADIA NEO-ROUND 38 X 38 X 71 1/2 - 6MM - 137449

SKU	Glass / Finish	Door Opening	Dimensions & Weight	Packaging	MSRP
137449-900-084-000	Clear / Chrome	Central	" x " x 71 1/2" / 112 lb / 51 kg	8.052 ft ³	\$ 1214
137449-900-340-000	Clear / Matte Black				\$ 1306

STANDARD



Code Código	Description Descripción	H	M	L	P Adjustable	R	Door opening Ouverture de la porte Apertura de la puerta	Wall adjustment Ajustement du mur Ajuste de la pared
137443	RADIA N-R 32" X 32" X 71.5"	71 1/2"	37 7/8"	29 7/8"	14 7/8" - 15 5/8"	14 9/16"	17 1/2"	3/4"
137444	RADIA N-R 36" X 36" X 71.5"	71 1/2"	39 5/8"	34 1/8"	13" - 13 3/4"	20 5/8"	20 1/2"	3/4"
137449	RADIA N-R 38" X 38" X 71.5"	71 1/2"	42 3/8"	36 1/8"	15" - 15 3/4"	20 5/8"	21 1/4"	3/4"
137445	RADIA N-R 40" X 40" X 71.5"	71 1/2"	44 5/8"	37 5/8"	16 1/2" - 17 1/4"	20 11/16"	22 5/8"	3/4"

All dimensions are approximate. Structure measurements must be verified against the unit to ensure proper fit.

Toutes ces dimensions sont approximatives. Afin d'assurer une installation parfaite, les dimensions de la structure doivent être vérifiées à partir de l'unité.

Todas las dimensiones son aproximadas. Las medidas de la estructura deben ser verificadas contra la unidad para asegurar el ajuste apropiado.



Radia Round



Material : Tempered Glass

Features

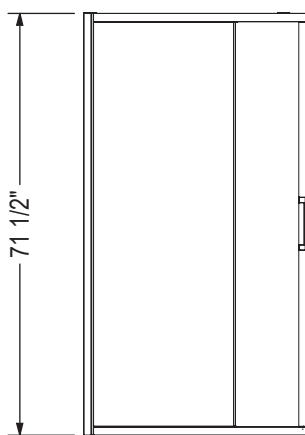
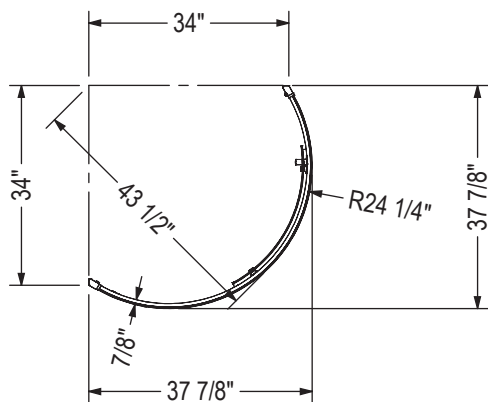
- › Magnetic and aluminium extrusion for a better watertight closure as well as provide panel rigidity
- › Features MAAX Clip-and-Push System that allows to detach the bottom wheels to clean the track
- › Reversible door for right or left opening, panels are pre-assembled with the hardware and side jambs for fast and easy installation
- › 3/4-inch of out of plumb adjustment for those not so perfect walls
- › Ensure fit with MAAX Acrylic base # 105049-000-001-000

CORNER DOORS - SLIDING

RADIA ROUND 36 X 36 X 71 1/2 - 6MM - 137446

SKU	Glass / Finish	Door Opening	Dimensions & Weight	Packaging	MSRP
137446-900-084-000	Clear / Chrome	Reversible	" x " x 71 1/2" / 118 lb / 54 kg	8.48 ft ³	\$ 1372
137446-900-305-000	Clear / Brushed Nickel		" x " x 71 1/2" / 108 lb / 49 kg		\$ 1476
137446-900-340-000	Clear / Matte Black		" x " x 71 1/2" / 108 lb / 49 kg		\$ 1476

STANDARD



Code	Description	Door Opening	Wall Adjustment
137446	RADIA Round 36" X 36" X 71.5"	22 1/8"	3/4"

All dimensions are approximate. Structure measurements must be verified against the unit to ensure proper fit.



Radia Square



Material : Tempered Glass

Features

- › 6 mm tempered glass with Lotus Easy Clean Glass Protection - repels soap and water stains for care-free maintenance
- › Magnetic and aluminium extrusion for a better watertight closure as well as provide panel rigidity
- › Features MAAX Clip-and-Push System that allows to detach the bottom wheels to clean the track
- › Reversible door for right or left opening, panels are pre-assembled with the hardware and side jambs for fast and easy installation
- › 3/4-inch of out of plumb adjustment for those not so perfect walls
- › Ensure fit with MAAX Acrylic base # 101431-000-001-000

CORNER DOORS - SLIDING

RADIA SQUARE SLIDING SHOWER DOOR 32 X 32 X 71 ½ IN. 6 MM - 137447

SKU	Glass / Finish	Door Opening	Dimensions & Weight	Packaging	MSRP
137447-900-084-000	Clear / Chrome	Central	" x " x 71 1/2" / 101 lb / 46 kg	4.73 ft ³	\$ 1230
137447-900-305-000	Clear / Brushed Nickel				\$ 1320
137447-900-340-000	Clear / Matte Black				\$ 1320
137447-977-340-000	French / Matte Black				\$ 1452

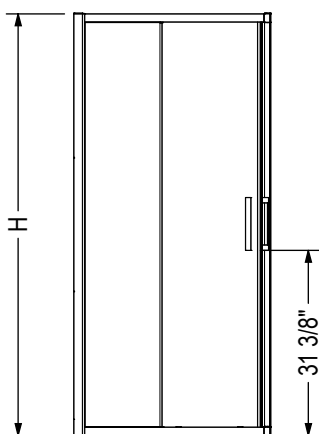
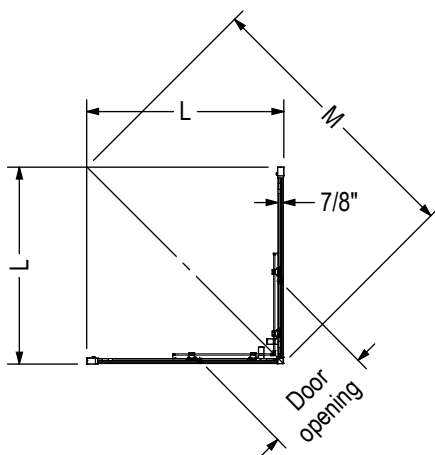
RADIA SQUARE SLIDING SHOWER DOOR 36 X 36 X 71 ½ IN. 6 MM - 137448

SKU	Glass / Finish	Door Opening	Dimensions & Weight	Packaging	MSRP
137448-900-084-000	Clear / Chrome	Central	" x " x 71 1/2" / 108 lb / 49 kg	5.26 ft ³	\$ 1273
137448-900-305-000	Clear / Brushed Nickel				\$ 1367
137448-900-340-000	Clear / Matte Black				\$ 1367
137448-972-340-000	Shaker / Matte Black				\$ 1504
137448-977-340-000	French / Matte Black				\$ 1504

RADIA SQUARE 42 X 42 X 71 ½ - 6MM - 137451

SKU	Glass / Finish	Door Opening	Dimensions & Weight	Packaging	MSRP
137451-900-084-000	Clear / Chrome		" x " x 71 1/2" / 125 lb / 57 kg	6.5 ft ³	\$ 1316
137451-900-340-000	Clear / Matte Black				\$ 1414
137451-977-340-000	French / Matte Black				\$ 1556

STANDARD



Code	Description	H	L Adjustable	Door Opening	Wall adjustment
137447	RADIA Square 32" X 32" X 71.5"	71 5/8"	29 7/8" - 30 5/8"	15 3/16"	3/4"
137448	RADIA Square 36" X 36" X 71.5"	71 5/8"	32 15/16" - 33 3/4"	17 5/16"	3/4"
137451	RADIA Square 42" X 42" X 71.5"	71 5/8"	40 3/4" - 41 1/2"	22 13/16"	3/4"

All dimensions are approximate. Structure measurements must be verified against the unit to ensure proper fit.

Outback Round



Material : Glass

Features

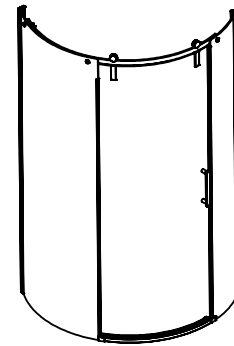
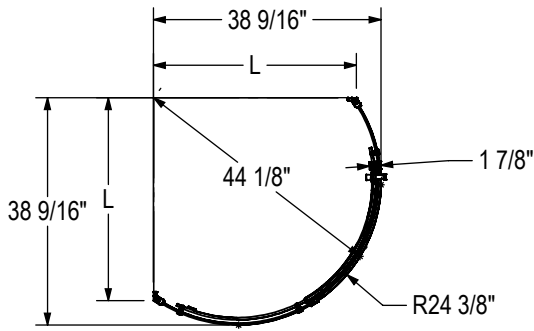
- › Round corner door
- › Door available in a left (-001) or right (-002) configuration
- › Slim and sturdy stainless steel header
- › Glass panels come with the Lotus Easy Clean Glass Protection to repel soap and water stains for carefree maintenance
- › Door features the MAAX clip-and-push system which allows to detach the bottom wheels in order to ease the cleaning of the tracks
- › Sliding door allows for a space-saving design
- › Square door handle outside and minimalist door knob inside to ease the door opening
- › 8 mm tempered glass glass panels
- › Pair with a wall and base solution to create a complete shower solution

CORNER DOORS - SLIDING

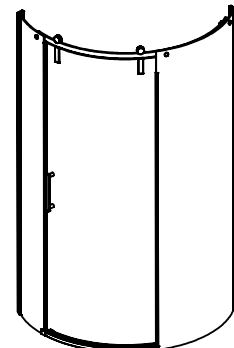
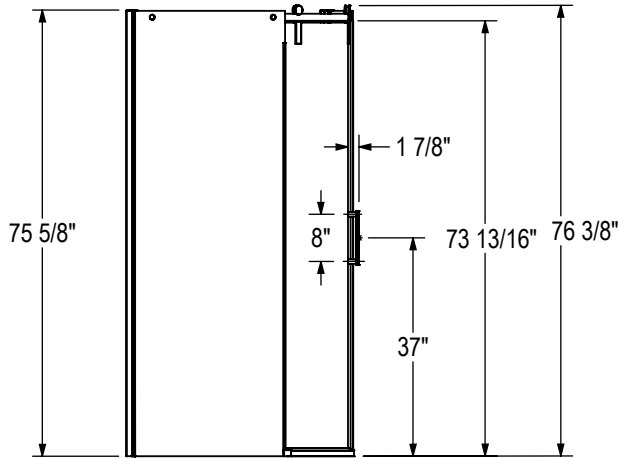
OUTBACK ROUND 36 X 36 X 75 5/8 - 8MM - 139410

SKU	Glass / Finish	Door Opening	Dimensions & Weight	Packaging	MSRP
139410-900-084-001	Clear / Chrome	Lateral	1 1/4" x 1 1/4" x 75 5/8" / 153 lb / 69 kg	9.18 ft ³	\$ 1466
139410-900-084-002					\$ 1466
139410-900-173-001	Clear / Dark Bronze				\$ 1577
139410-900-173-002					\$ 1577
139410-900-305-001	Clear / Brushed Nickel				\$ 1540
139410-900-305-002					\$ 1540
139410-900-340-001	Clear / Matte Black				\$ 1577
139410-900-340-002					\$ 1577

STANDARD



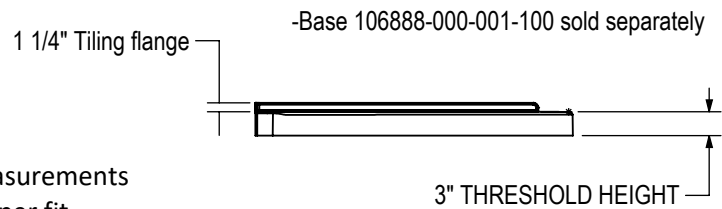
Right Configuration



Left Configuration

Code	Description	L
139410	Outback Round 36" X 36" X 75 5/8"	34 5/16" - 34 9/16"

- Door wall adjustment = 3/4"
- Door opening = 21 1/4"



All dimensions are approximate. Structure measurements must be verified against the unit to ensure proper fit.



Material : Tempered Glass

Features

- › 5/16in tempered glass panels
- › Available in 4 finishes: Chrome, Brushed Nickel, Dark Bronze, Matte Black
- › Return Panel for Corner Shower, compatible with Halo, Halo Pro and Vela doors
- › The frameless design brings a sense of spaciousness to the room and creates a sleek, minimalist look
- › Reversible panel for easy corner installation on the left or on the right
- › Glass panels come with the Lotus Easy Clean Glass Protection to repel soap and water stains for carefree maintenance
- › Easy assembly between door and return panel
- › Compatible with MAAX's Utile wall system, allowing for a seamless and coordinated installation with the shower door, creating a cohesive and stylish bathroom design
- › Warranty: 10 years

RETURN PANELS

HALO RETURN PANEL FOR 34 IN. - 139395

SKU	Color	Configuration	Dimensions & Weight	Packaging	MSRP
139395-900-084-000	Clear / Chrome		30 7/8" - 31 7/8" x 78 3/4" / 68 lb / 31 kg	6 ft ³	\$ 728
139395-900-173-000	Clear / Dark Bronze				\$ 822
139395-900-305-000	Clear / Brushed Nickel				\$ 781
139395-900-340-000	Clear / Matte Black				\$ 822

HALO RETURN PANEL FOR 36 IN. - 139396

SKU	Color	Configuration	Dimensions & Weight	Packaging	MSRP
139396-900-084-000	Clear / Chrome		32 7/8" - 33 7/8" x 78 3/4" / 72 lb / 33 kg	6.50868055555556 ft ³	\$ 750
139396-900-173-000	Clear / Dark Bronze				\$ 846
139396-900-305-000	Clear / Brushed Nickel				\$ 804
139396-900-340-000	Clear / Matte Black				\$ 846



Duel and Inverto Return Panels

RETURN PANELS



Material : Tempered Glass

Features

- › Configuration consists of a single panel to be combined with a Duel shower door
- › For corner showers and for tile or pre-cast wall installations 74" and higher. For an optimal fit we recommend the Duel collection doors.
- › 74in high clear glass panel
- › 8mm (5/16 in) tempered certified glass panel
- › Glass panels come with the Lotus Easy Clean Glass Protection to repel soap and water stains for carefree maintenance
- › Reversible panel for easy corner installation on the left or on the right
- › Out of plumb adjustment in the wall profile
- › Easy assembly between door and return panel
- › Due to the weight and height of the glass, we recommend a 2 person team to install this product

DUEL AND INVERTO RETURN PANEL 32 - 8 MM - 137310

SKU	Color	Configuration	Dimensions & Weight	Packaging	MSRP
137310-900-084-000	Clear / Chrome		30 1/4" - 31" x 74" / 56 lb / 25 kg	3.708 ft ³	\$ 508
137310-900-173-000	Clear / Dark Bronze				\$ 584
137310-900-305-000	Clear / Brushed Nickel				\$ 547
137310-900-340-000	Clear / Matte Black				\$ 584

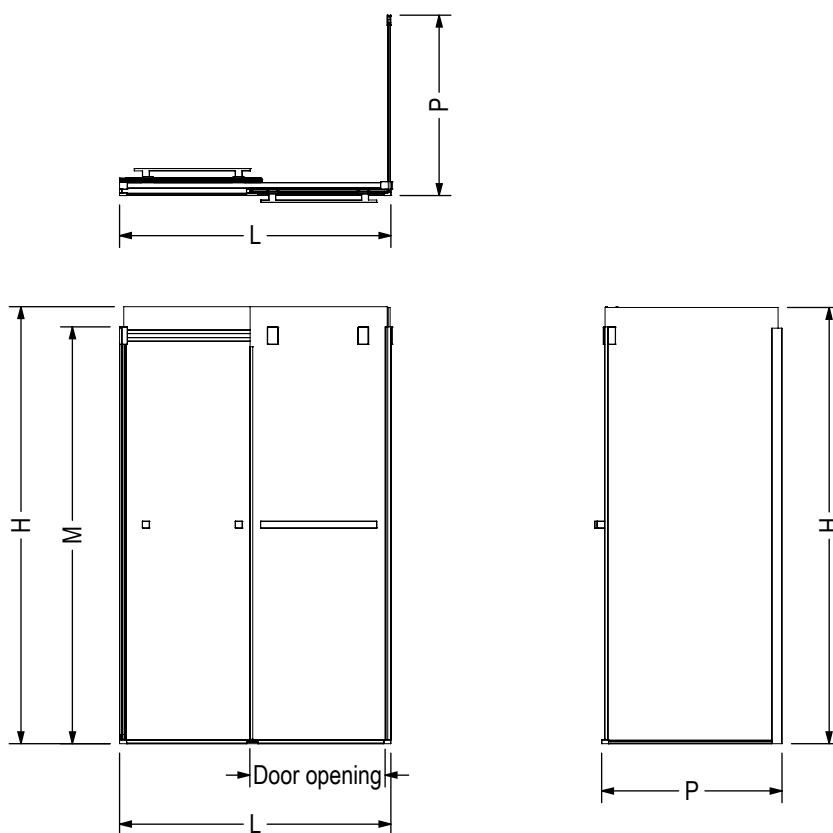
DUEL AND INVERTO RETURN PANEL 36 - 8 MM - 137311

SKU	Color	Configuration	Dimensions & Weight	MSRP
137311-900-084-000	Clear / Chrome		34 1/4" - 35" x 74" / 70 lb / 32 kg	\$ 580
137311-900-173-000	Clear / Dark Bronze			\$ 670
137311-900-305-000	Clear / Brushed Nickel			\$ 623

DUEL AND INVERTO RETURN PANEL 34 - 8 MM - 137312

SKU	Color	Configuration	Dimensions & Weight	Packaging	MSRP
137312-900-084-000	Clear / Chrome		32 1/4" - 33" x 74" / 63 lb / 29 kg	4.41 ft ³	\$ 546
137312-900-173-000	Clear / Dark Bronze				\$ 630
137312-900-305-000	Clear / Brushed Nickel				\$ 580

STANDARD



Code	Description	H	M	L Adjustable	P Adjustable	Door Opening	Wall Adjustment
136271	Duel 44" - 47" x 70 1/2"	74"	70 1/2"	44" - 47"	-	18 1/2" - 21 1/2"	3/4"
136272	Duel 56" - 59" x 70 1/2"	74"	70 1/2"	56" - 59"	-	24 1/2" - 27 1/2"	3/4"
138761	Inverto 44" - 47" x 70 1/2"	74"	70 1/2"	44" - 47"	-	18 1/2" - 21 1/2"	3/4"
138762	Inverto 56" - 59" x 70 1/2"	74"	70 1/2"	56" - 59"	-	24 1/2" - 27 1/2"	3/4"
137310	Return Panel 74 for 32"	74"	70 1/2"	-	30 1/4" - 31"	-	3/4"
137312	Return Panel 74 for 34"	74"	70 1/2"	-	32 1/4" - 33"	-	3/4"
137311	Return Panel 74 for 36"	74"	70 1/2"	-	34 1/4" - 35"	-	3/4"

All dimensions are approximate. Structure measurements must be verified against the unit to ensure proper fit.



Reveal 71 Return Panels

RETURN PANELS



Material : Tempered Glass

Features

- › 8 mm tempered glass panels
- › Available in 3 finishes: Chrome, Brushed Nickel, Matte Black to match your door
- › Return Panel for Corner Shower
- › The frameless design brings a sense of spaciousness to the room and creates a sleek, minimalist look
- › Reversible panel for easy corner installation on the left or on the right
- › Add 1 return panel to a Reveal 71 alcove door for a corner unit
- › Easy assembly between door and return panel
- › Proudly made in Canada
- › Warranty: 10 years

REVEAL 71 32 X 71 1/2 - 8MM - 136673

SKU	Color	Configuration	Dimensions & Weight	Packaging	MSRP
136673-900-084-000	Clear / Chrome		28 3/4" - 29 7/8" x 71 1/2" / 74 lb / 34 kg	5.22 ft ³	\$ 813
136673-900-173-000	Clear / Dark Bronze				\$ 897
136673-900-305-000	Clear / Brushed Nickel				\$ 837

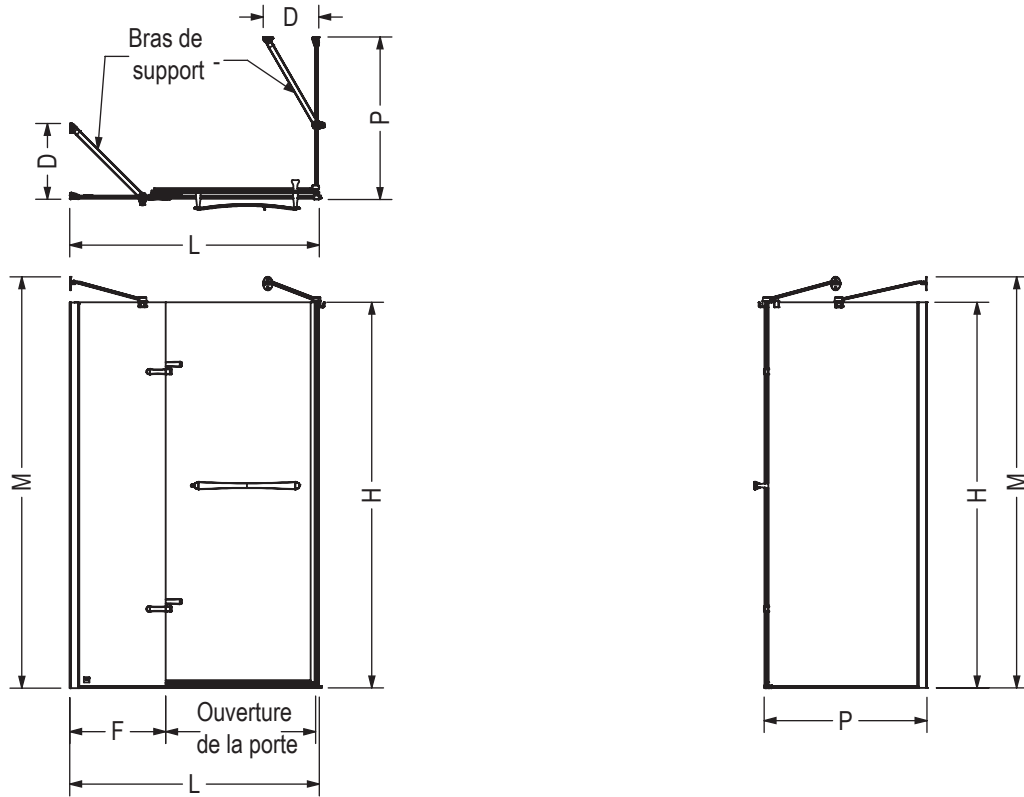
REVEAL 71 RETURN PANEL FOR 34 IN. - 136674

SKU	Color	Configuration	Dimensions & Weight	Packaging	MSRP
136674-900-084-000	Clear / Chrome		30 3/4" - 31 7/8" x 71 1/2" / 75 lb / 34 kg	5.3 ft ³	\$ 839
136674-900-173-000	Clear / Dark Bronze				\$ 920
136674-900-305-000	Clear / Brushed Nickel				\$ 861

REVEAL 71 RETURN PANEL FOR 36 IN. - 136675

SKU	Color	Configuration	Dimensions & Weight	Packaging	MSRP
136675-900-084-000	Clear / Chrome		32 3/4" - 33 7/8" x 71 1/2" / 80 lb / 36 kg	5.3 ft ³	\$ 863
136675-900-173-000	Clear / Dark Bronze				\$ 941
136675-900-305-000	Clear / Brushed Nickel				\$ 880

STANDARD



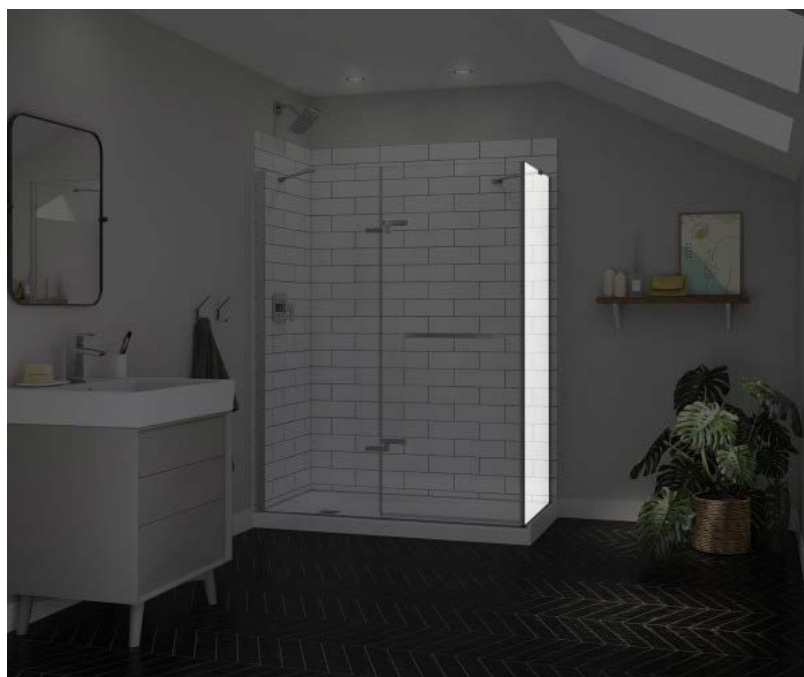
Code	Description	H	M	L Ajustable	F	P Ajustable	D Ajustable	Ouverture de la porte	Ajustement Mural	Bras de support
136676	Reveal 71.5 x 32.5" - 35.5"	71 1/2"	76 1/4"	32.5" - 35.5"	6 1/4"			23" - 26"	3/4"	
136679	Reveal 71.5 x 38" - 41"	71 1/2"	76 1/4"	38" - 41"	11 3/4"			23" - 26"	3/4"	
136677	Reveal 71.5 x 41.5" - 44.5"	71 1/2"	76 1/4"	41.5" - 44.5"	15 1/4"			23" - 26"	3/4"	
136671	Reveal 71.5 x 44" - 47"	71 1/2"	76 1/4"	44" - 47"	17 1/4"		9" - 15"	23" - 26"	3/4"	X
136883	Reveal 71.5 x 51.5" - 54.5"	71 1/2"	76 1/4"	51.5" - 54.5"	25 1/4"		9" - 15"	23" - 26"	3/4"	X
136672	Reveal 71.5 x 56" - 59"	71 1/2"	76 1/4"	56" - 59"	30"		9" - 15"	23" - 26"	3/4"	X
136673	Return Panel 32"	71 1/2"	76 1/4"			29 7/8"	9" - 15"		3/4"	X
136674	Return Panel 34"	71 1/2"	76 1/4"			31 7/8"	9" - 15"		3/4"	X
136675	Return Panel 36"	71 1/2"	76 1/4"			33 7/8"	9" - 15"		3/4"	X

Toutes ces dimensions sont approximatives. Afin d'assurer une installation parfaite, les dimensions de la structure doivent être vérifiées à partir de l'unité.



Reveal Sleek 71 Return Panels

RETURN PANELS



Material : Tempered Glass

Features

- › For installation on acrylic walls, ceramic and Utile
- › For a corner unit, add 1 return panel to a Reveal Sleek alcove door
- › For a corner unit, add 1 return panel to a Reveal Sleek alcove door
- › 8 mm (5/16 in.) tempered glass with a height of 71 1/2 in.
- › Includes a support arm to stabilize the panel
- › Can be installed on the left or right side
- › Offered in 32, 34 and 36 in. wide to fit standard bases dimensions

REVEAL SLEEK 71 RETURN PANEL FOR 32 IN. - 139581

SKU	Color	Configuration	Dimensions & Weight	Packaging	MSRP
139581-900-084-000	Clear / Chrome		29 3/8" - 30 3/8" x 71 1/2" / 74 lb / 34 kg	4.722 ft ³	\$ 501
139581-900-173-000	Clear / Dark Bronze				\$ 540
139581-900-305-000	Clear / Brushed Nickel				\$ 527
139581-900-340-000	Clear / Matte Black				\$ 540

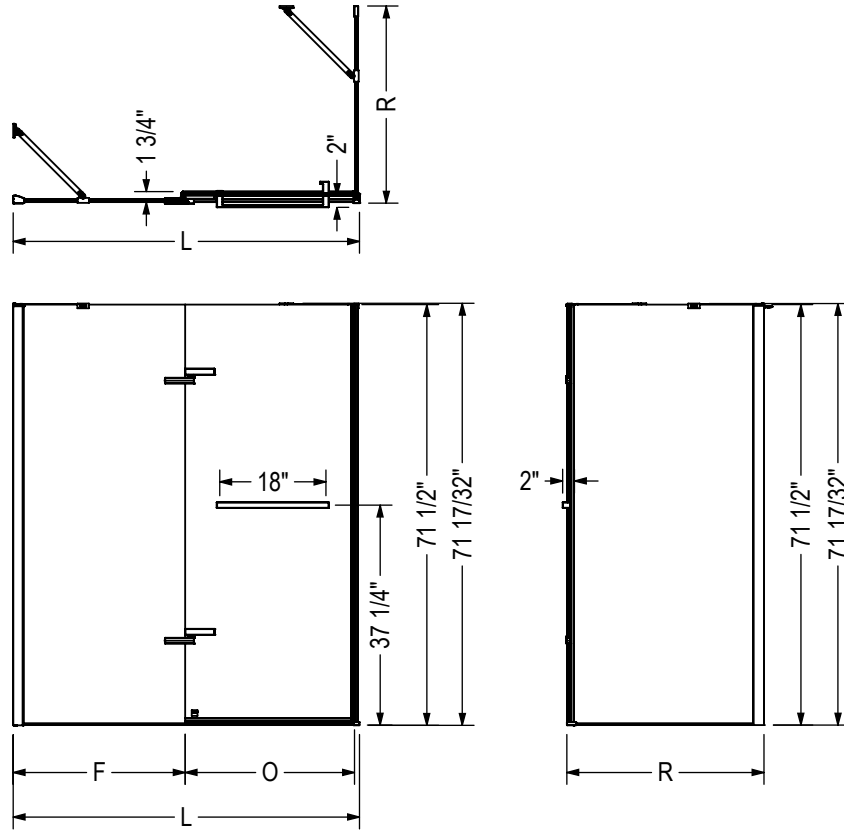
REVEAL SLEEK 71 RETURN PANEL FOR 34 IN. - 139582

SKU	Color	Configuration	Dimensions & Weight	Packaging	MSRP
139582-900-084-000	Clear / Chrome		31 3/8" - 32 3/8" x 71 1/2" / 75 lb / 34 kg	5.972 ft ³	\$ 533
139582-900-173-000	Clear / Dark Bronze				\$ 574
139582-900-305-000	Clear / Brushed Nickel				\$ 560
139582-900-340-000	Clear / Matte Black				\$ 574

REVEAL SLEEK 71 RETURN PANEL FOR 36 IN. - 139583

SKU	Color	Configuration	Dimensions & Weight	Packaging	MSRP
139583-900-084-000	Clear / Chrome		33 3/8" - 34 3/8" x 71 1/2" / 80 lb / 36 kg	5.972 ft ³	\$ 568
139583-900-173-000	Clear / Dark Bronze				\$ 610
139583-900-305-000	Clear / Brushed Nickel				\$ 595
139583-900-340-000	Clear / Matte Black				\$ 610

STANDARD



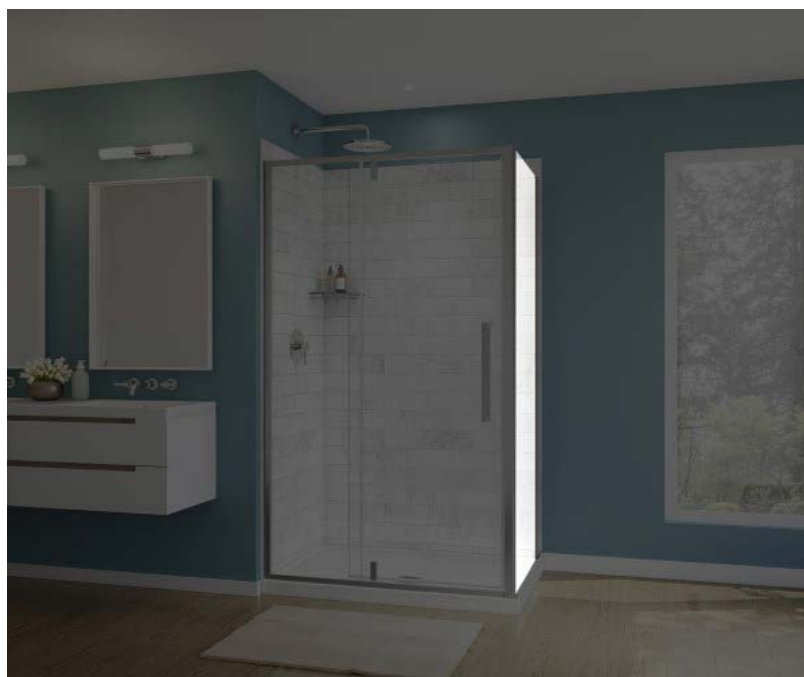
Code	Description	L	F	R	O	Wall Adjustment Return panel (R)	Wall Adjustment Fixed panel (F)
139575	Reveal Sleek 71 1/2" x 32 1/2" - 35 1/2"	32 1/2" - 35 1/2"	5 3/8"	-	23 3/4" - 26 3/4"	-	3/4"
139576	Reveal Sleek 71 1/2" x 38" - 41"	38" - 41"	10 7/8"	-	23 3/4" - 26 3/4"	-	3/4"
139577	Reveal Sleek 71 1/2" x 41 1/2" - 44 1/2"	41 1/2" - 44 1/2"	14 3/8"	-	23 3/4" - 26 3/4"	-	3/4"
139578	Reveal Sleek 71 1/2" x 44" - 47"	44" - 47"	16 7/8"	-	23 3/4" - 26 3/4"	-	3/4"
139579	Reveal Sleek 71 1/2" x 51 1/2" - 54 1/2"	51 1/2" - 54 1/2"	24 3/8"	-	23 3/4" - 26 3/4"	-	3/4"
139580	Reveal Sleek 71 1/2" x 56" - 59"	56" - 59"	28 7/8"	-	23 3/4" - 26 3/4"	-	3/4"
139581	Reveal Sleek Return Panel 32"	-	-	29 7/16" - 30 7/16"	-	1"	-
139582	Reveal Sleek Return Panel 34"	-	-	31 7/16" - 32 7/16"	-	1"	-
139583	Reveal Sleek Return Panel 36"	-	-	33 7/16" - 34 7/16"	-	1"	-

All dimensions are approximate. Structure measurements must be verified against the unit to ensure proper fit.



Uptown Return Panels

RETURN PANELS



Material : Tempered Glass

Features

- › 8 mm (5/16") tempered glass
- › Configuration consists of a single panel to be combined with a Uptown shower door (Bypass, Slider, Pivot)
- › Configuration consists of a single panel to be combined with a Uptown shower door (Bypass, Slider, Pivot)
- › 76in high clear glass panel
- › Glass panels come with the Lotus Easy Clean Glass Protection to repel soap and water stains for carefree maintenance
- › Reversible panel for easy corner installation on the left or on the right
- › Out of plumb adjustment in the wall profile
- › Easy assembly between door and return panel
- › Due to the weight and height of the glass, we recommend a 2 person team to install this product

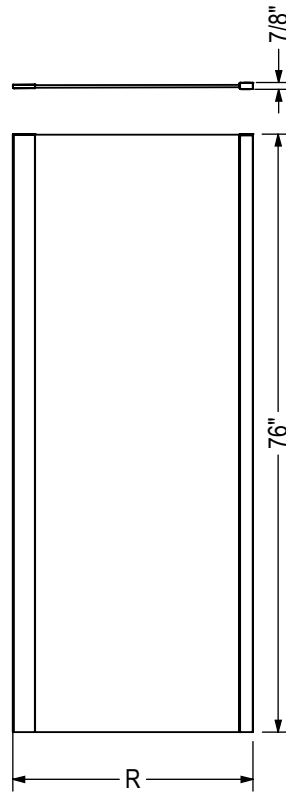
UPTOWN RETURN PANEL 32 X 76 - 8 MM - 135327

SKU	Color	Configuration	Dimensions & Weight	Packaging	MSRP
135327-900-084-000	Clear / Chrome		30 1/8" - 30 7/8" x 76" / 67 lb / 30 kg	4.03 ft ³	\$ 569
135327-900-173-000	Clear / Dark Bronze				\$ 619
135327-900-305-000	Clear / Brushed Nickel				\$ 604
135327-900-340-000	Clear / Matte Black				\$ 619

UPTOWN RETURN PANEL 36 X 76 - 8 MM - 135328

SKU	Color	Configuration	Dimensions & Weight	Packaging	MSRP
135328-900-084-000	Clear / Chrome		34 1/8" - 34 7/8" x 76" / 73 lb / 33 kg	4.52 ft ³	\$ 639
135328-900-173-000	Clear / Dark Bronze				\$ 688
135328-900-305-000	Clear / Brushed Nickel				\$ 674
135328-900-340-000	Clear / Matte Black				\$ 688

STANDARD



Code	Description	R
137391	Uptown Return Panel for 32" base	30 1/8" - 30 7/8"
137392	Uptown Return Panel for 36" base	34 1/8" - 34 7/8"

- Wall adjustment = 3/4"

All dimensions are approximate. Structure measurements must be verified against the unit to ensure proper fit.



Material : Tempered Glass

Features

- › 8 mm tempered glass panels
- › Available in 4 finishes: Chrome, Brushed Nickel, Dark Bronze, Matte Black
- › Return Panel for Corner Shower, compatible with Halo, Halo Pro and Vela doors
- › The frameless design brings a sense of spaciousness to the room and creates a sleek, minimalist look
- › Reversible panel for easy corner installation on the left or on the right
- › Glass panels come with the Lotus Easy Clean Glass Protection to repel soap and water stains for carefree maintenance
- › Easy assembly between door and return panel
- › Compatible with MAAX's Utile wall system, allowing for a seamless and coordinated installation with the shower door, creating a cohesive and stylish bathroom design
- › Warranty: 10 years

HALO RETURN PANEL FOR 32 IN. - 139998					
SKU	Color	Configuration	Dimensions & Weight	Packaging	MSRP
138998-900-084-000	Clear / Chrome		28 3/4" - 29 7/8" x 78 3/4" / 131 lb / 59 kg	7.7 ft ³	\$ 705
138998-900-173-000	Clear / Dark Bronze				\$ 796
138998-900-305-000	Clear / Brushed Nickel		28 3/4" - 29 7/8" x 78 3/4" / 118 lb / 54 kg		\$ 758
138998-900-340-000	Clear / Matte Black				\$ 796



Incognito 76 Return Panels



Material : Tempered Glass

Features

- › Tempered Glass panels 5/16 in. (8 mm) with 76 in. high
- › Return Panels available in 32 in. and 36 in. wide
- › Add 1 return panel to a Incognito bypass alcove door for a corner unit
- › 4 finishes: Chrome, Brushed Nickel, Matte Black and Shaker pattern

RETURN PANELS

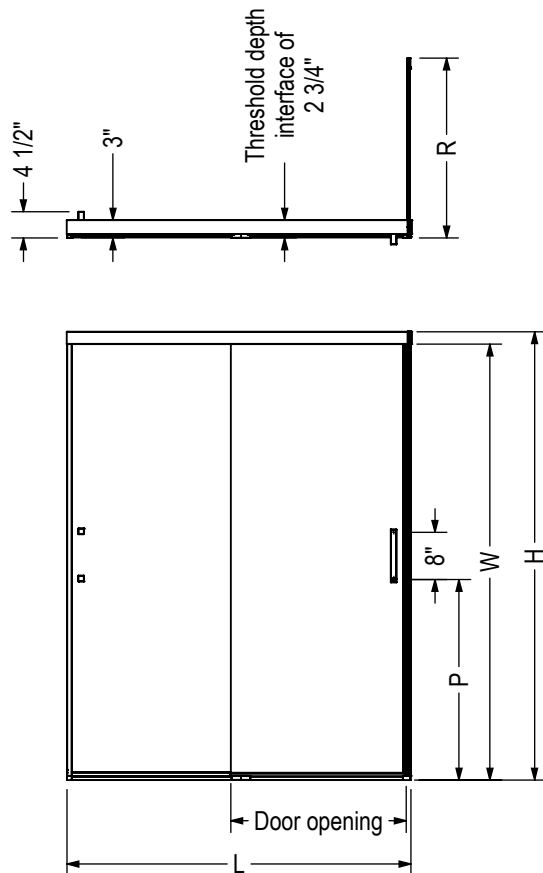
INCOGNITO 76 RETURN PANEL FOR 32 IN. BASE - 136560

SKU	Color	Configuration	Dimensions & Weight	Packaging	MSRP
136560-900-084-000	Clear / Chrome		30" - 31" x 76" / 70 lb / 32 kg	5.48 ft ³	\$ 538
136560-900-305-000	Clear / Brushed Nickel				\$ 567
136560-900-340-000	Clear / Matte Black				\$ 580
136560-972-340-000	Shaker / Matte Black				\$ 594

INCOGNITO 76 RETURN PANEL FOR 36IN. - 136561

SKU	Color	Configuration	Dimensions & Weight	Packaging	MSRP
136561-900-084-000	Clear / Chrome		34" - 35" x 76" / 74 lb / 34 kg	5.44 ft ³	\$ 603
136561-900-305-000	Clear / Brushed Nickel				\$ 633
136561-900-340-000	Clear / Matte Black				\$ 649
136561-972-340-000	Shaker / Matte Black				\$ 665

STANDARD



Code	Description	H	W	L Adjustable	Door opening	P	R	Wall adjustment
135334	Incognito 76" 44 - 47" x 76"	76"	73 7/8"	44" - 47"	18 1/4" - 22 1/4"	33 7/8"	-	1/2"
135335	Incognito 76" 56 - 59" x 76"	76"	73 7/8"	56" - 59"	24 1/4" - 28 1/4"	33 7/8"	-	1/2"
136560	Incognito RP 32"	76"	-	-	-	-	30" - 31"	1"
136561	Incognito RP 36"	76"	-	-	-	-	34" - 35"	1"

All dimensions are approximate. Structure measurements must be verified against the unit to ensure proper fit.

Shower Kits

Summit



Athena



SHOWER KITS - ACRYLIC



Material : Acrylic

Features

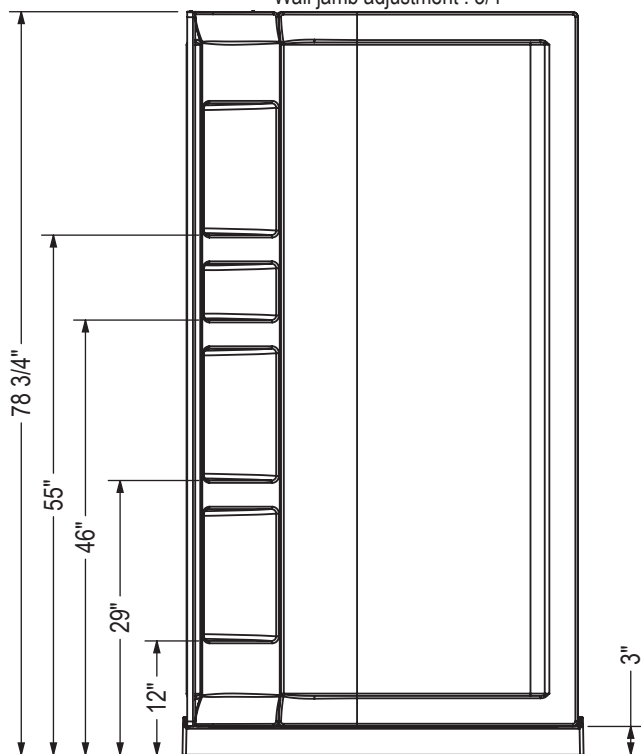
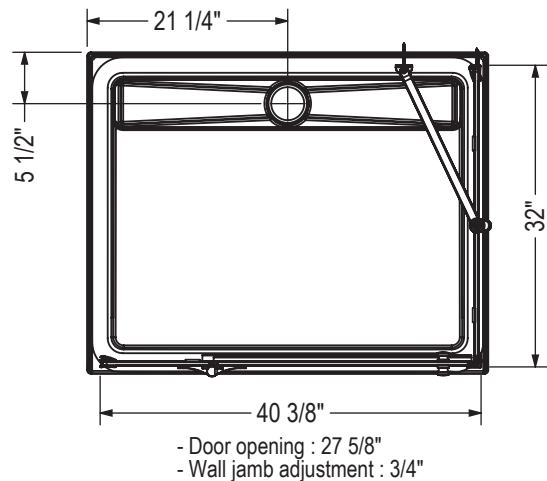
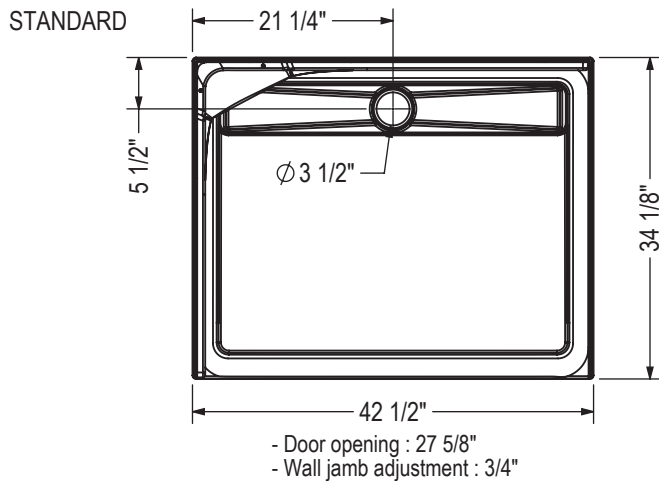
- › 42" X 34" rectangular corner shower kit
- › Unique and chic trench drain design for a fashion forward look
- › Low 3" threshold base allowing a safe and easy access
- › Reversible configuration for a left or right-hand door opening
- › Robe/towel hook is conveniently placed close to the door
- › Optional acrylic wall set available (sold separately)
- › The no header door opening accommodates tall people

ATHENA - 300008

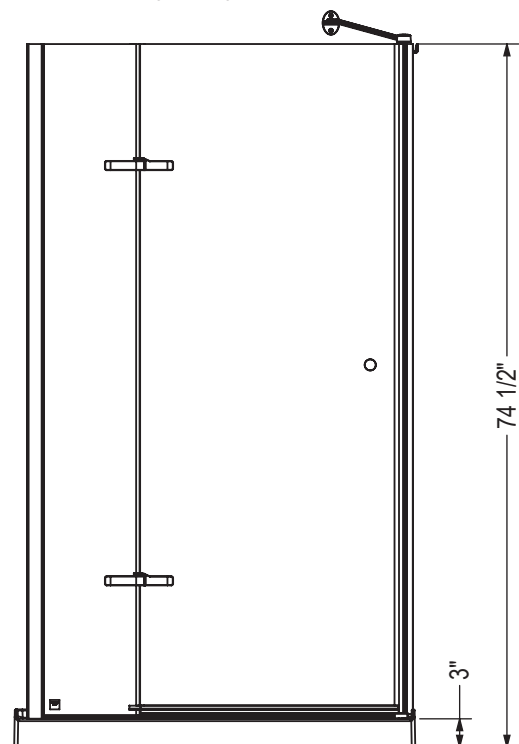
SKU	Color	Configuration	Dimensions & Weight	Packaging	MSRP
300008-900-084-000	White	Center	42" x 34" x 78 3/4" / 180 lb / 82 kg	10 ft ³	\$ 2943

ACCESSORIES

SKU	Description	MSRP
10060311	Corner glass shelf (9 3/8 x 9 3/8 in.) (sold separately) 10 mm frosted glass with a clear band along the edge Compatible with Utile and tile shower walls	\$ 152



ACRYLIC WALLS - WITHOUT DOOR



NO ACRYLIC WALLS - WITH DOOR

All dimensions are approximate. Structure measurements must be verified against the unit to ensure proper fit.



Cyrene

SHOWER KITS - ACRYLIC



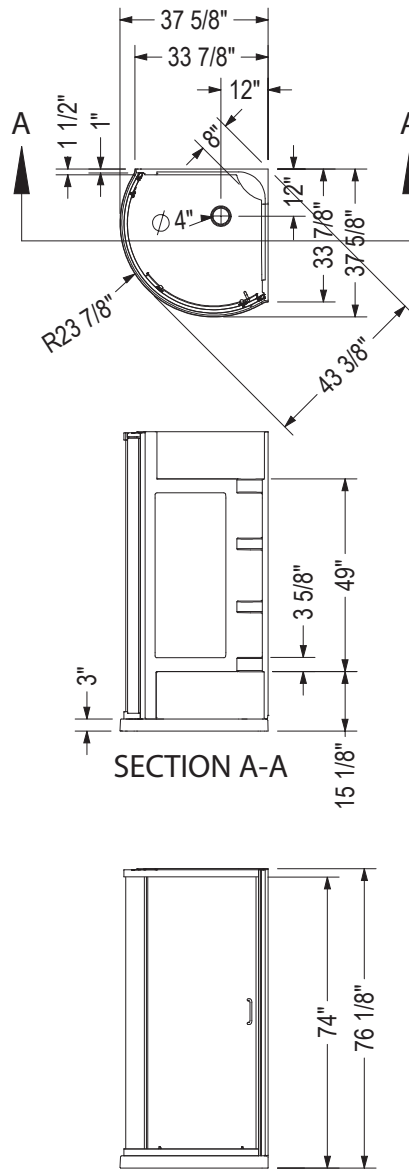
Material : Acrylic

Features

- › 34 in x 34 in wall width round base
- › Low 3" threshold allowing an easy & safe access
- › Smooth and silent roller system
- › Available in White **(001)** only
- › Sliding door left or right opening
- › Shower kit also available in Clear glass

CYRENE - 300001					
SKU	Color	Configuration	Dimensions & Weight	Packaging	MSRP
300001-000-001-102	White	Center	34" x 34" x 76 1/8" / 115 lb / 52 kg	23.7 ft ³	\$ 1521
300001-000-001-103			34" x 34" x 76 1/8" / 125.0 lb / 57 kg		\$ 1697
300001-000-001-105			34" x 34" x 76 1/8" / 115 lb / 52 kg		\$ 1750
300001-000-001-106			34" x 34" x 76 1/8" / 115 lb / 52 kg		\$ 1636

STANDARD



All dimensions are approximate. Structure measurements must be verified against the unit to ensure proper fit.



Daisy

SHOWER KITS - ACRYLIC



Material : Acrylic

Features

- › Shower kit includes: neo-round base and door
- › Door comes with pre-assembled hardware and side jambs for fast and easy installation
- › Door features the MAAX clip-and-push system which allows to detach the bottom wheels in order to ease the cleaning of the tracks
- › Center sliding door opening
- › Glass panels come with the Lotus Easy Clean Glass Protection to repel soap and water stains for carefree maintenance
- › Door frame finish offered in Chrome or Matte Black
- › Square door handle outside and minimalist door knob inside to ease the door opening
- › Base has a low 3 in. threshold for easy access
- › White acrylic shower base

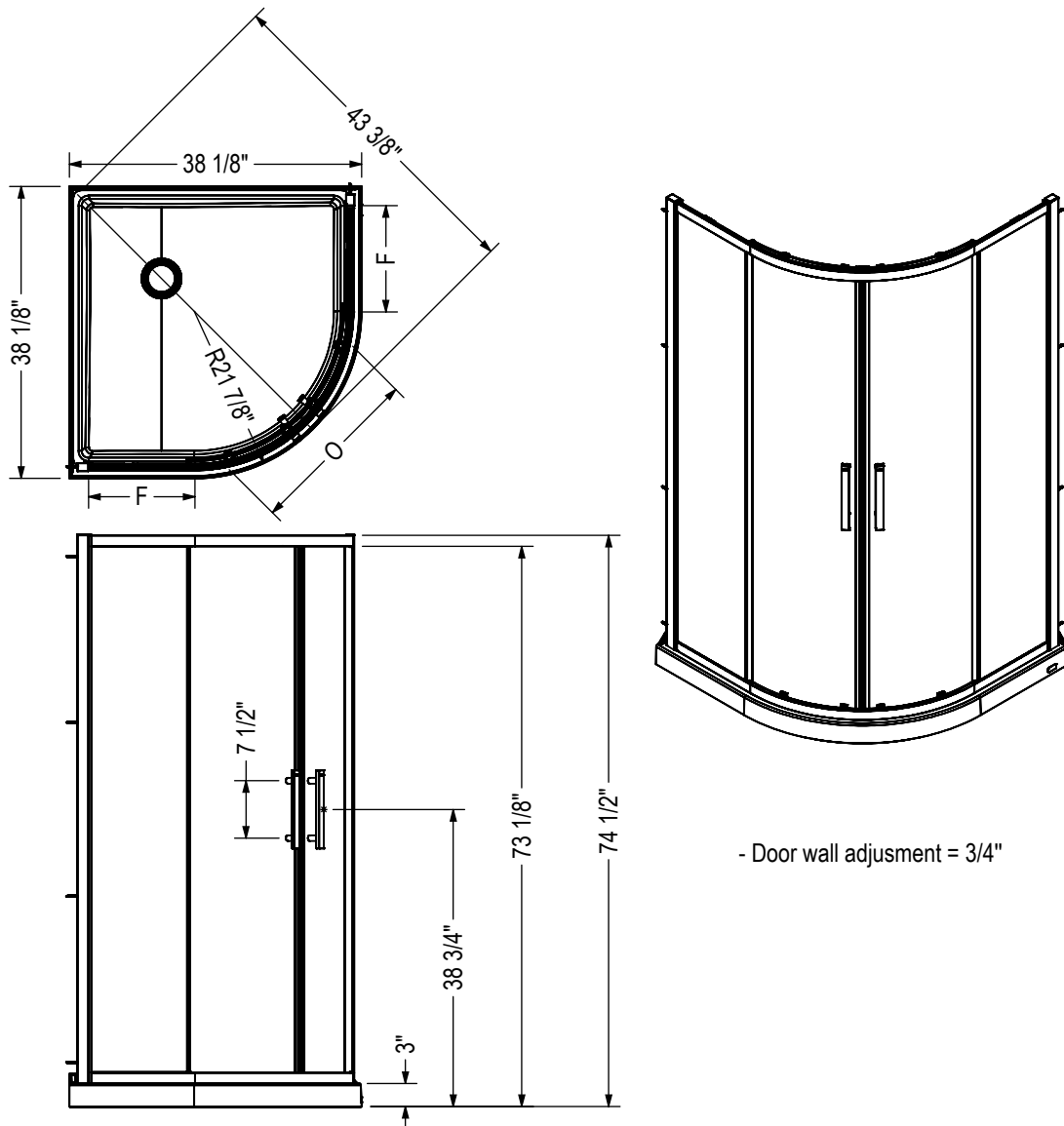
DAISY NEO-RND SHOWER KIT 38X38X 74 5/8 - 300021

SKU	Color	Configuration	Dimensions & Weight	Packaging	MSRP
300021-900-084-000	White	Center	38 1/8" x 38 1/8" x 74 1/2" / 119 lb / 54 kg	17.95 ft ³	\$ 1912
300021-900-340-000					\$ 1973

ACCESSORIES

SKU	Description	MSRP
10060311	Corner glass shelf (9 3/8 x 9 3/8 in.) (sold separately) 10 mm frosted glass with a clear band along the edge Compatible with Utile and tile shower walls	\$ 152

STANDARD



Code	Description	F	O
300021	Daisy N-R Kit 38"-38" x 74.5"	13 1/4"	22"

All dimensions are approximate. Structure measurements must be verified against the unit to ensure proper fit.



Kassia

SHOWER KITS - ACRYLIC



Material : Acrylic

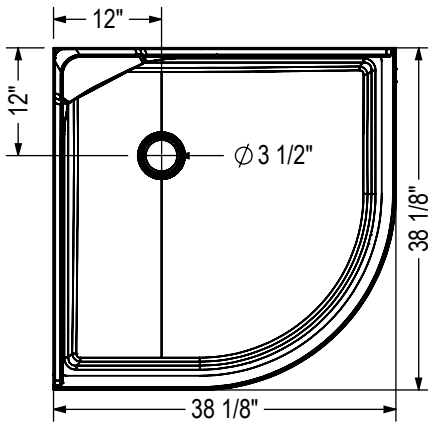
Features

- › Shower kit includes: neo-round base and door
- › Door comes with pre-assembled hardware and side jambs for fast and easy installation
- › Door features the MAAX clip-and-push system which allows to detach the bottom wheels in order to ease the cleaning of the tracks
- › Center sliding door opening
- › Glass panels come with the Lotus Easy Clean Glass Protection to repel soap and water stains for carefree maintenance
- › Door frame finish offered in Chrome or Matte Black
- › Square door handle to ease the door opening from the inside and outside
- › Base has a low 3 in. threshold for easy access
- › White acrylic shower base

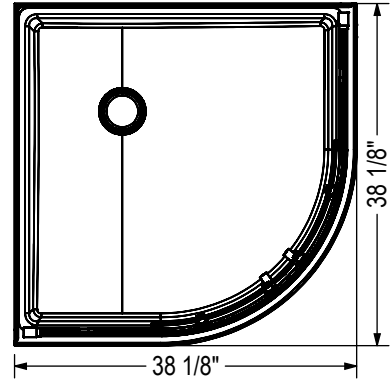
KASSIA - 107170

SKU	Color	Configuration	Dimensions & Weight	Packaging	MSRP
107170-900-084-000	White	Center	38 1/8" x 38 1/8" x 74 5/8" / 119 lb / 54 kg	17.95 ft ³	\$ 1730
107170-900-340-000					\$ 1785

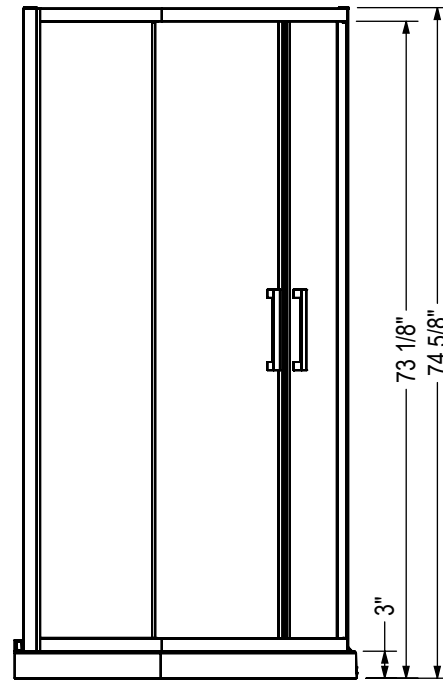
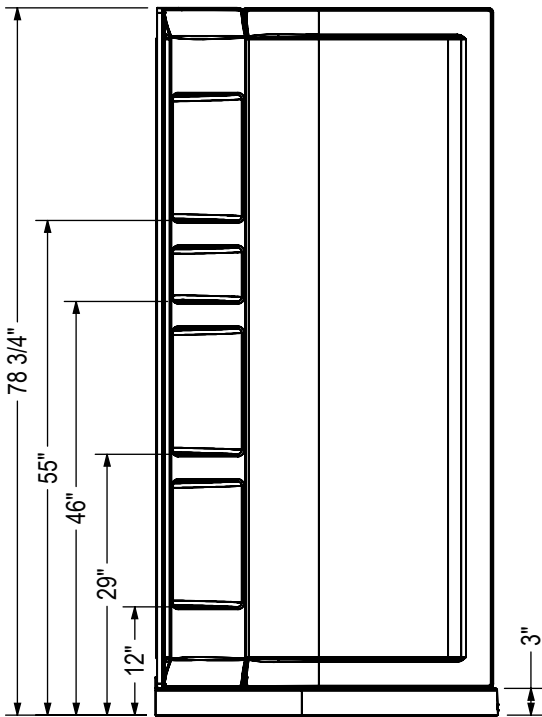
STANDARD



-Door opening : 21 1/4"
-Door wall jamb adjustment : 1"



-Door opening : 21 1/4"
-Door wall jamb adjustment : 1"



All dimensions are approximate. Structure measurements must be verified against the unit to ensure proper fit.

Olympia Round - Left Opening



SHOWER KITS - ACRYLIC



Material : Acrylic

Features

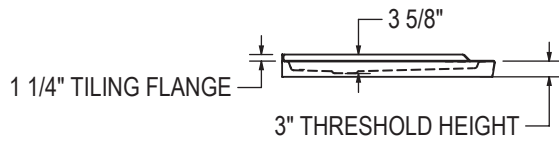
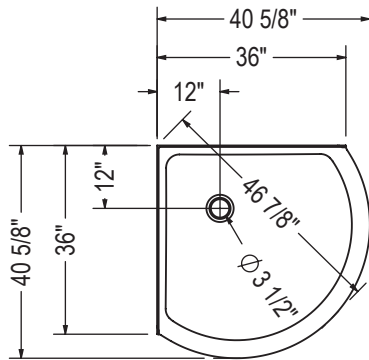
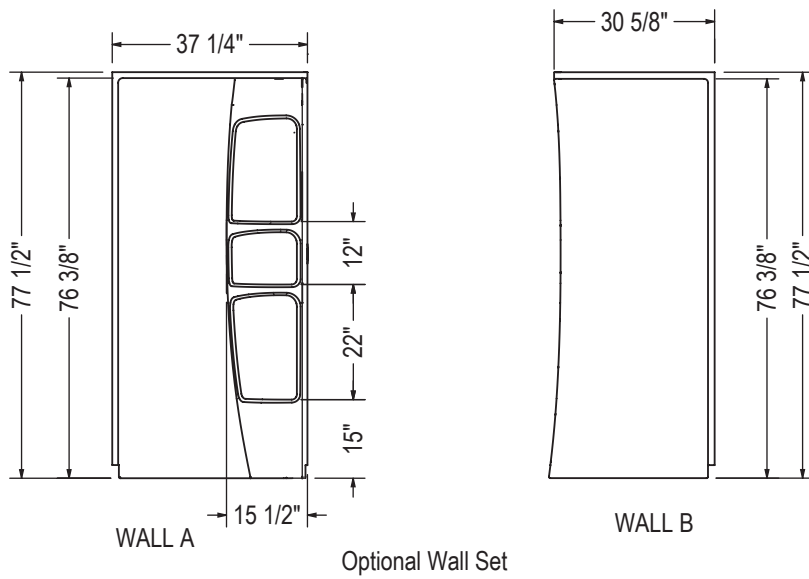
- › Requires 36-in of wall space with a 40 1/8-in floor space (see tech drawing)
- › Round shaped base maximizes interior space of your shower
- › Round shaped base maximizes interior space of your shower
- › Stylish 8mm tempered safety glass with elegant chrome hardware
- › Silent and gentle roller door system
- › Optional white acrylic walls with storage - 1000744386
- › Left hand opening installation

OLYMPIA ROUND - 105760

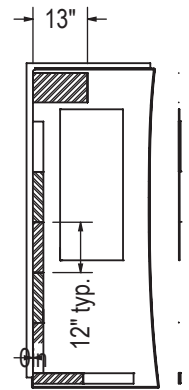
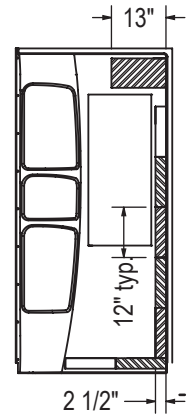
SKU	Color	Configuration	Dimensions & Weight	Packaging	MSRP
105760-000-001-101	White	Left	36" x 36" x 78 5/8" / 206 lb / 93 kg	21.2 ft ³	\$ 1970

OLYMPIA ROUND - 105960

SKU	Color	Configuration	Dimensions & Weight	Packaging	MSRP
105960-000-001-102	White	Right	36" x 36" x 78 5/8" / 206 lb / 93 kg	21.2 ft ³	\$ 1970



All dimensions are approximate. Structure measurements must be verified against the unit to ensure proper fit.





Sakura

SHOWER KITS - ACRYLIC



Material : Acrylic

Features

- › Shower kit includes: neo-round base and door
- › Door comes with pre-assembled hardware and side jambs for fast and easy installation
- › Door features the MAAX clip-and-push system which allows to detach the bottom wheels in order to ease the cleaning of the tracks
- › Center sliding door opening
- › Glass panels come with the Lotus Easy Clean Glass Protection to repel soap and water stains for carefree maintenance
- › Door frame finish offered in Chrome or Matte Black
- › Square door handle to ease the door opening from the inside and outside
- › Base has a low 3 in. threshold for easy access
- › White acrylic shower base

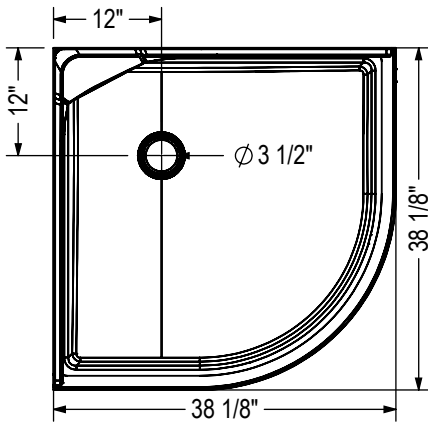
SAKURA - 106540

SKU	Color	Configuration	Dimensions & Weight	Packaging	MSRP
106540-900-084-000	White	Center	38 1/8" x 38 1/8" x 74 5/8" / 121 lb / 55 kg	17.95 ft ³	\$ 1809
106540-900-340-000					\$ 1866

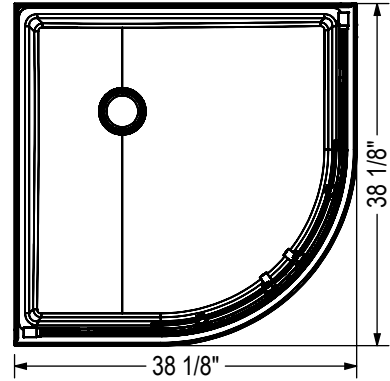
ACCESSORIES

SKU	Description	MSRP
10060311	Corner glass shelf (9 3/8 x 9 3/8 in.) (sold separately) 10 mm frosted glass with a clear band along the edge Compatible with Utile and tile shower walls	\$ 152

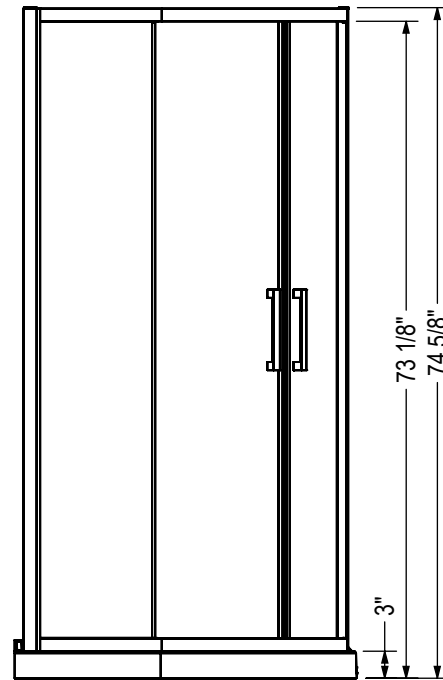
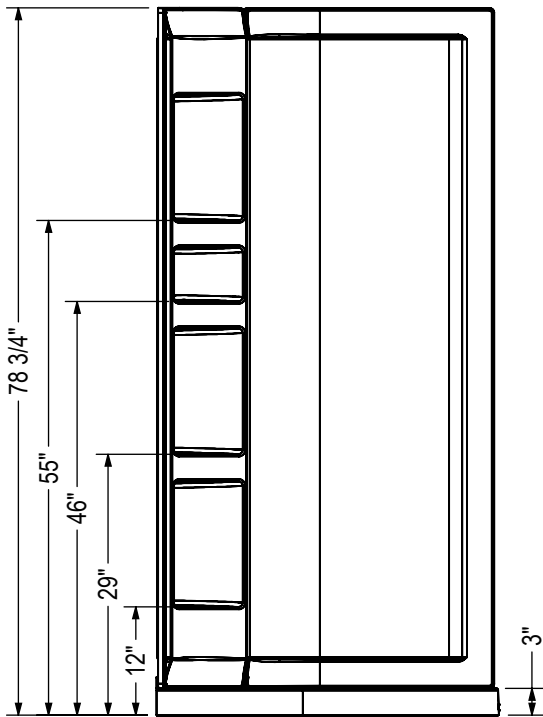
STANDARD



-Door opening : 21 1/4"
 -Door wall jamb adjustment : 1"



-Door opening : 21 1/4"
 -Door wall jamb adjustment : 1"



All dimensions are approximate. Structure measurements must be verified against the unit to ensure proper fit.



Scarlet Square 3232

SHOWER KITS - ACRYLIC



Material : Acrylic

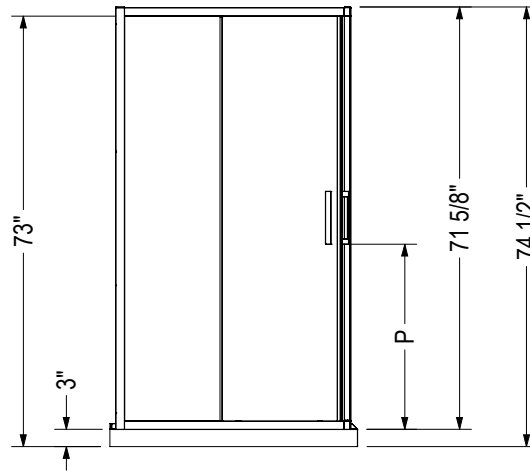
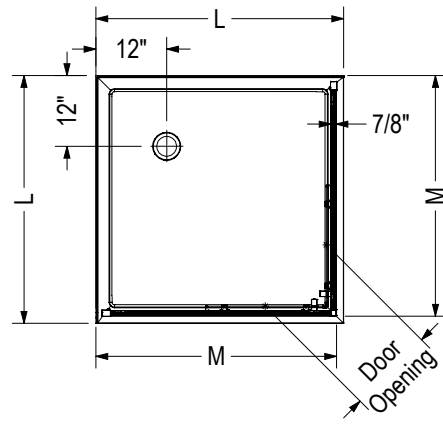
Features

- › Shower kit includes: corner base and door
- › Door comes with pre-assembled panels, the hardware and side jambs for fast and easy installation
- › Door's magnetic and aluminum extrusion provides a better watertight closure and panel rigidity
- › Door features the MAAX clip-and-push system which allows to detach the bottom wheels in order to ease the cleaning of the tracks
- › Center sliding door opening
- › Glass panels come with the Lotus Easy Clean Glass Protection to repel soap and water stains for carefree maintenance
- › Base has a low 3 in. threshold for easy access
- › Acrylic shower base with a textured floor
- › Drain opening fits standard 2 in. compression fitted drains (drain assembly not included)

SCARLET SQUARE 4242 - 107487

SKU	Color	Configuration	Dimensions & Weight	Packaging	MSRP
107487-900-084-000	Black	Corner	42" x 42" x 74 1/2" / 170 lb / 77 kg	23.83 ft ³	\$ 2435
107487-900-340-000					\$ 2533
107487-977-340-000					\$ 2675

STANDARD



Code	Description	L	M Adjustable	Door Opening	P	Wall adjustment
107484 & 107485	Scarlet Square 32" x 32" 6mm	32"	29 7/8" - 30 5/8"	15 3/16"	31 3/8"	3/4"
107481 & 107482	Scarlet Square 36" x 36" 6mm	36"	32 15/16" - 33 3/4"	17 5/16"	31 3/8"	3/4"
107486 & 107487	Scarlet Square 42" x 42" 6mm	42"	40 3/4" - 41 1/2"	22 13/16"	31 3/8"	3/4"

All dimensions are approximate. Structure measurements must be verified against the unit to ensure proper fit.



Scarlet Square 3232

SHOWER KITS - ACRYLIC



Material : Acrylic

Features

- › Shower kit includes: corner base and door
- › Door comes with pre-assembled panels, the hardware and side jambs for fast and easy installation
- › Door's magnetic and aluminum extrusion provides a better watertight closure and panel rigidity
- › Door features the MAAX clip-and-push system which allows to detach the bottom wheels in order to ease the cleaning of the tracks
- › Center sliding door opening
- › Glass panels come with the Lotus Easy Clean Glass Protection to repel soap and water stains for carefree maintenance
- › Base has a low 3 in. threshold for easy access
- › Acrylic shower base with a textured floor
- › Drain opening fits standard 2 in. compression fitted drains (drain assembly not included)

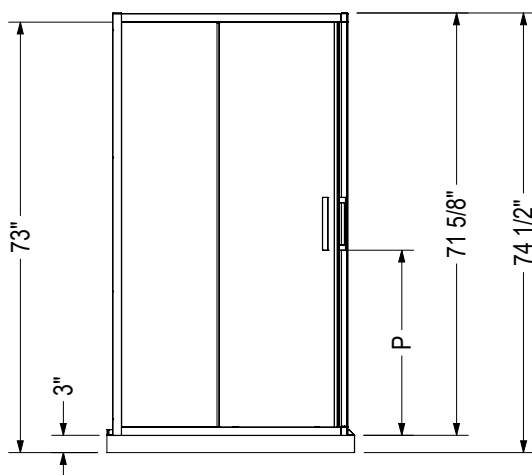
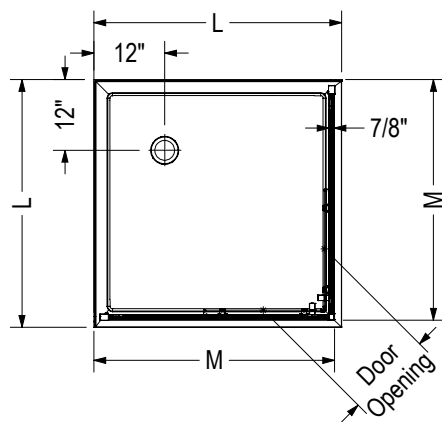
SCARLET SQUARE 3232 - 107484

SKU	Color	Configuration	Dimensions & Weight	Packaging	MSRP
107484-900-084-000	White	Corner	32" x 32" x 74 1/2" / 120 lb / 54 kg	18.53 ft ³	\$ 1952
107484-900-340-000					\$ 2042
107484-977-340-000					\$ 2174

SCARLET SQUARE 3232 - 107485

SKU	Color	Configuration	Dimensions & Weight	Packaging	MSRP
107485-900-084-000	Black	Corner	32" x 32" x 74 1/2" / 120 lb / 54 kg	18.53 ft ³	\$ 2025
107485-900-340-000					\$ 2115
107485-977-340-000					\$ 2247

STANDARD



Code	Description	L	M Adjustable	Door Opening	P	Wall adjustment
107484 & 107485	Scarlet Square 32" x 32" 6mm	32"	29 7/8" - 30 5/8"	15 3/16"	31 3/8"	3/4"
107481 & 107482	Scarlet Square 36" x 36" 6mm	36"	32 15/16" - 33 3/4"	17 5/16"	31 3/8"	3/4"
107486 & 107487	Scarlet Square 42" x 42" 6mm	42"	40 3/4" - 41 1/2"	22 13/16"	31 3/8"	3/4"

All dimensions are approximate. Structure measurements must be verified against the unit to ensure proper fit.



Scarlet Square 3636

SHOWER KITS - ACRYLIC



Material : Acrylic

Features

- › Shower kit includes: corner base and door
- › Door comes with pre-assembled panels, the hardware and side jambs for fast and easy installation
- › Door's magnetic and aluminum extrusion provides a better watertight closure and panel rigidity
- › Door features the MAAX clip-and-push system which allows to detach the bottom wheels in order to ease the cleaning of the tracks
- › Center sliding door opening
- › Glass panels come with the Lotus Easy Clean Glass Protection to repel soap and water stains for carefree maintenance
- › Base has a low 3 in. threshold for easy access
- › Acrylic shower base with a textured floor
- › Drain opening fits standard 2 in. compression fitted drains (drain assembly not included)

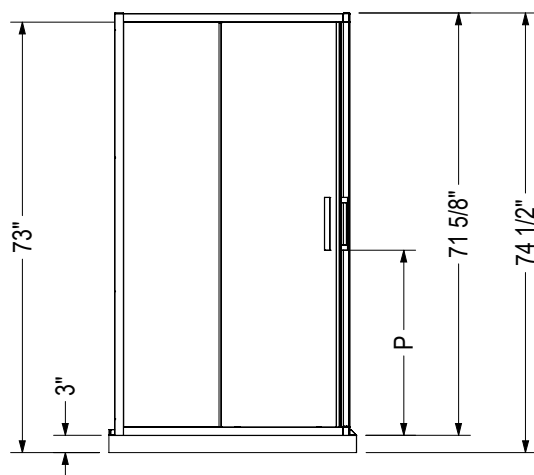
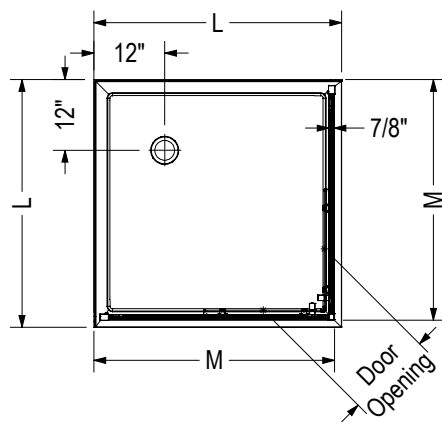
SCARLET SQUARE 3636 - 107481

SKU	Color	Configuration	Dimensions & Weight	Packaging	MSRP
107481-900-084-000	White	Corner	36" x 36" x 74 1/2" / 148 lb / 67 kg	16.72 ft ³	\$ 2079
107481-900-340-000					\$ 2173
107481-972-340-000					\$ 2310
107481-977-340-000					\$ 2310

SCARLET SQUARE 3636 - 107482

SKU	Color	Configuration	Dimensions & Weight	Packaging	MSRP
107482-900-084-000	Black	Corner	36" x 36" x 74 1/2" / 148 lb / 67 kg	16.72 ft ³	\$ 2160
107482-900-340-000					\$ 2254
107482-972-340-000					\$ 2391
107482-977-340-000					\$ 2391

STANDARD



Code	Description	L	M Adjustable	Door Opening	P	Wall adjustment
107484 & 107485	Scarlet Square 32" x 32" 6mm	32"	29 7/8" - 30 5/8"	15 3/16"	31 3/8"	3/4"
107481 & 107482	Scarlet Square 36" x 36" 6mm	36"	32 15/16" - 33 3/4"	17 5/16"	31 3/8"	3/4"
107486 & 107487	Scarlet Square 42" x 42" 6mm	42"	40 3/4" - 41 1/2"	22 13/16"	31 3/8"	3/4"

All dimensions are approximate. Structure measurements must be verified against the unit to ensure proper fit.



Scarlet Square 4242

SHOWER KITS - ACRYLIC



Material : Acrylic

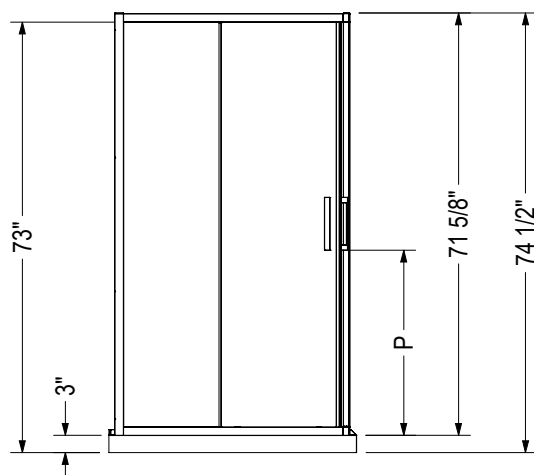
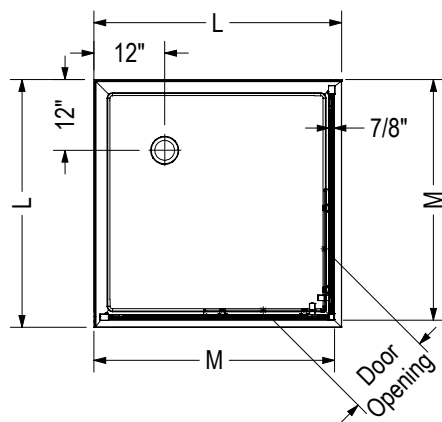
Features

- › Shower kit includes: corner base and door
- › Door comes with pre-assembled panels, the hardware and side jambs for fast and easy installation
- › Door's magnetic and aluminum extrusion provides a better watertight closure and panel rigidity
- › Door features the MAAX clip-and-push system which allows to detach the bottom wheels in order to ease the cleaning of the tracks
- › Center sliding door opening
- › Glass panels come with the Lotus Easy Clean Glass Protection to repel soap and water stains for carefree maintenance
- › Base has a low 3 in. threshold for easy access
- › Acrylic shower base with a textured floor
- › Drain opening fits standard 2 in. compression fitted drains (drain assembly not included)

SCARLET SQUARE 4242 - 107486

SKU	Color	Configuration	Dimensions & Weight	Packaging	MSRP
107486-900-084-000	White	Corner	42" x 42" x 74 1/2" / 170 lb / 77 kg	23.83 ft ³	\$ 2333
107486-900-340-000					\$ 2431
107486-977-340-000					\$ 2573

STANDARD



Code	Description	L	M Adjustable	Door Opening	P	Wall adjustment
107484 & 107485	Scarlet Square 32" x 32" 6mm	32"	29 7/8" - 30 5/8"	15 3/16"	31 3/8"	3/4"
107481 & 107482	Scarlet Square 36" x 36" 6mm	36"	32 15/16" - 33 3/4"	17 5/16"	31 3/8"	3/4"
107486 & 107487	Scarlet Square 42" x 42" 6mm	42"	40 3/4" - 41 1/2"	22 13/16"	31 3/8"	3/4"

All dimensions are approximate. Structure measurements must be verified against the unit to ensure proper fit.



32" Mediterranean III

SHOWER KITS - POLYSTYRENE



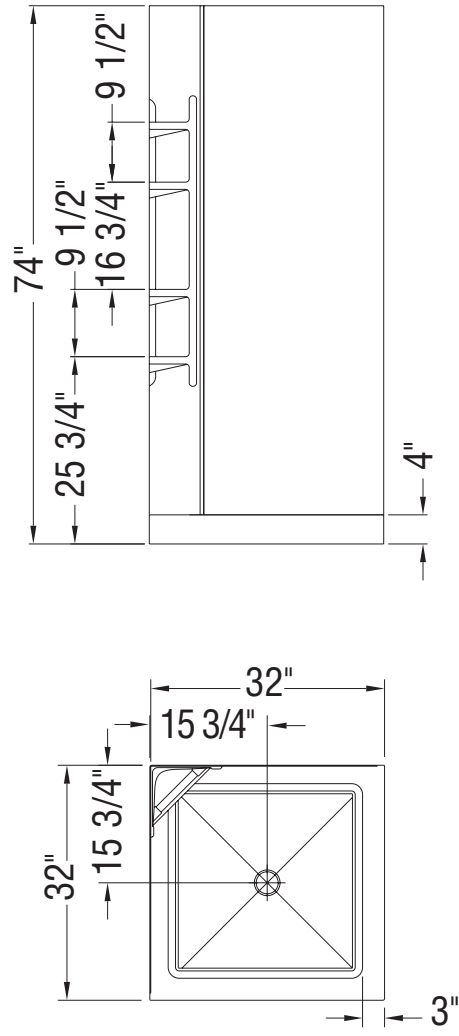
Material : Polystyrene

Features

- › Shower kit includes: corner shower base, corner door and wall
- › Offered with a chrome door finish and white base
- › 3-piece polysterene wall that is glued directly over drywall
- › Includes 4 built-in shelves for all your bathroom essentials
- › Base has a low 4 in. threshold for easy access
- › Pratical shower kit with an All-In-One box solution
- › Plastic injected shower base with a textured floor
- › Drain included with the shower base
- › ANSI certified glass for additional safety

32" MEDITERRANEAN III - 105605

SKU	Color	Configuration	Dimensions & Weight	Packaging	MSRP
105605-000-129-104	White	Center	32" x 32" x 74" / 90 lb / 41 kg	12.4 ft ³	\$ 1621



All dimensions are approximate. Structure measurements must be verified against the unit to ensure proper fit.



38" Himalaya

SHOWER KITS - POLYSTYRENE



Material : Polystyrene

Features

- › Neo-angle corner shower kit
- › Shower kit includes: neo-angle shower base, door and wall
- › Offered with a chrome or white door finish and white base
- › Glue-up wall system extends 2" above the door for optimum protection
- › Includes 3 built-in shelves and 1 towel bar for all your bathroom essentials
- › Reversible pivot door for left or right-hand opening, giving you flexibility in design
- › Framed and solid shower door panels
- › Door frame with full length integrated handle
- › Corner drain included with the shower base

HIMALAYA 38 - 101694

SKU	Color	Configuration	Dimensions & Weight	Packaging	MSRP
101694-000-129-106	White	Center	38" x 38" x 74 1/4" / 82 lb / 37 kg	20.76 ft ³	\$ 1287
101694-000-129-107					\$ 1412



Begonia Carbon

SHOWER KITS - POLYSTYRENE



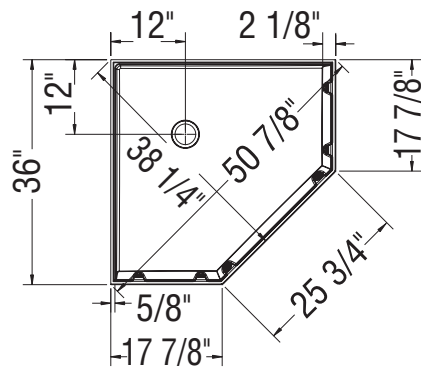
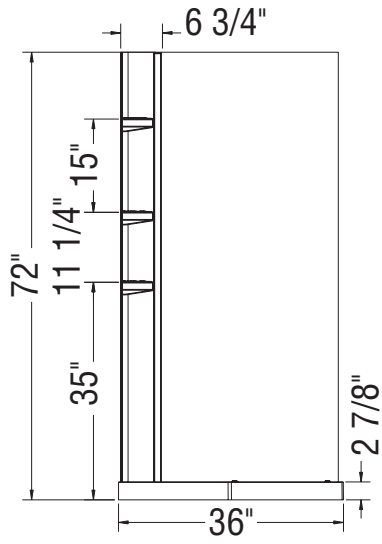
Material : Polystyrene

Features

- › Shower kit includes: neo-angle shower base, door and wall
- › Offered with a chrome door finish and white base
- › Reversible pivot door for left or right-hand opening, giving you flexibility in design
- › Base has a low 2.875 in. threshold for easy access
- › Practical shower kit with an All-In-One box solution
- › Plastic injected shower base with a textured floor
- › Drain included with the shower base
- › Proudly made in North America
- › Minimalist door knob to ease the door opening

BEGONIA CARBON - 300012

SKU	Color	Configuration	Dimensions & Weight	Packaging	MSRP
300012-000-129-104	White	Center	36" x 36" x 72" / 104 lb / 47 kg	12.79 ft ³	\$ 1074



All dimensions are approximate. Structure measurements must be verified against the unit to ensure proper fit.



Begonia Pebble

SHOWER KITS - POLYSTYRENE



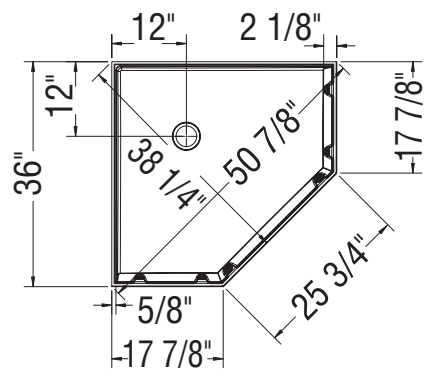
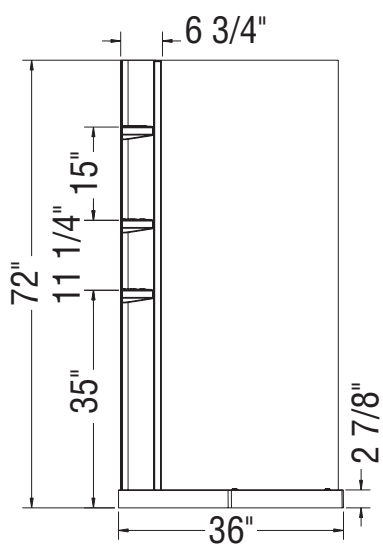
Material : Polystyrene

Features

- › Shower kit includes: neo-angle shower base, door and wall
- › Offered with a chrome door finish and white base
- › Reversible pivot door for left or right-hand opening, giving you flexibility in design
- › Base has a low 2.875 in. threshold for easy access
- › Practical shower kit with an All-In-One box solution
- › Plastic injected shower base with a textured floor
- › Drain included with the shower base
- › Proudly made in North America
- › Minimalist door knob to ease the door opening from the inside and outside

BEGONIA PEBBLE - 105544

SKU	Color	Configuration	Dimensions & Weight	Packaging	MSRP
105544-000-129-103	White	Center	36" x 36" x 72" / 102 lb / 46 kg	12.79 ft³	\$ 1046



All dimensions are approximate. Structure measurements must be verified against the unit to ensure proper fit.



Begonia Soho

SHOWER KITS - POLYSTYRENE



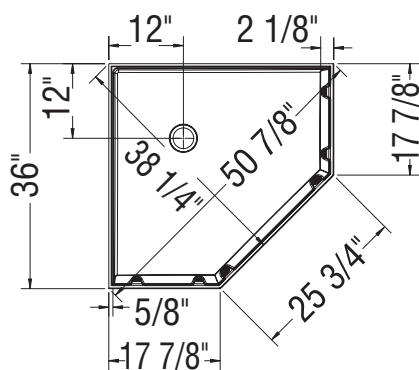
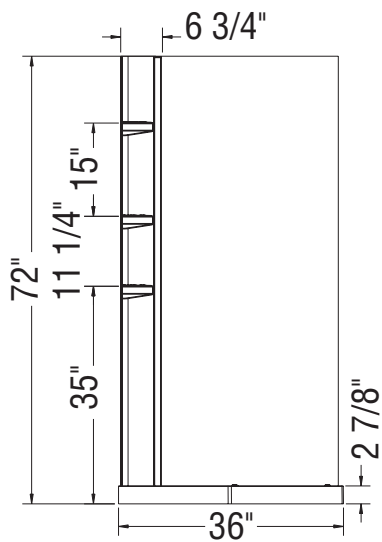
Material : Polystyrene

Features

- › Shower kit includes: neo-angle shower base, door and wall
- › Offered with a chrome door finish and white base
- › Reversible pivot door for left or right-hand opening, giving you flexibility in design
- › Base has a low 2.875 in. threshold for easy access
- › Practical shower kit with an All-In-One-Box-Solution
- › Plastic injected shower base with a textured floor
- › Drain included with the shower base
- › Proudly made in North America
- › Minimalist door knob to ease the door opening

BEGONIA SOHO - 105618

SKU	Color	Configuration	Dimensions & Weight	Packaging	MSRP
105618-000-129-102	White	Center	36" x 36" x 72" / 104 lb / 47 kg	12.79 ft ³	\$ 1046



All dimensions are approximate. Structure measurements must be verified against the unit to ensure proper fit.



Daylight

SHOWER KITS - POLYSTYRENE



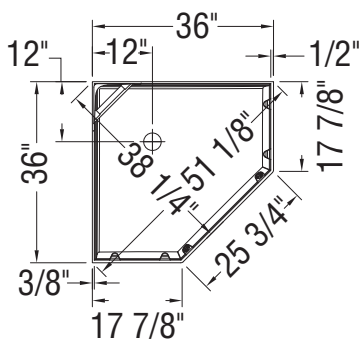
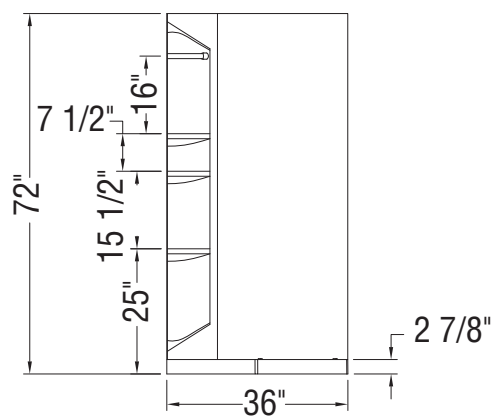
Material : Polystyrene

Features

- › Shower kit includes: neo-angle shower base, door and wall
- › Includes 3 built-in shelves, 2 glass shelves and 1 towel bar for all your bathroom essentials
- › Reversible pivot door for left or right-hand opening, giving you flexibility in design
- › Base has a low 2.875 in. threshold for easy access
- › Neo-angle frameless door with hinges and solid handle
- › Practical shower kit with an All-In-One box solution
- › Plastic injected shower base with a textured floor
- › Corner drain included with the shower base
- › Easy to clean shower kit

DAYLIGHT - 105672

SKU	Color	Configuration	Dimensions & Weight	Packaging	MSRP
105672-000-129-101	White	Center	36" x 36" x 72" / 112 lb / 51 kg	13.88 ft ³	\$ 1417



All dimensions are approximate. Structure measurements must be verified against the unit to ensure proper fit.



Orchid

SHOWER KITS - POLYSTYRENE



Material : Polystyrene

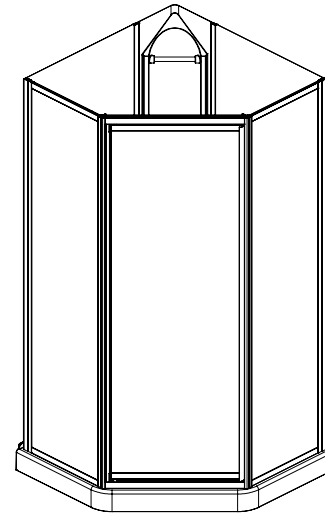
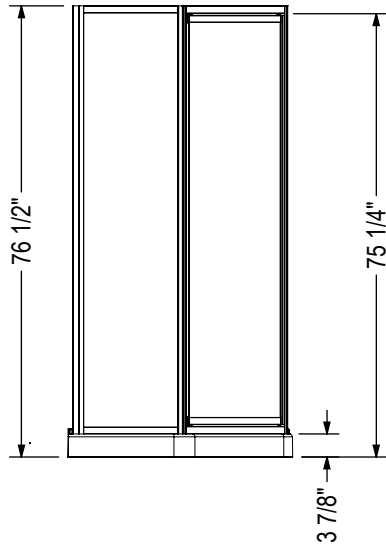
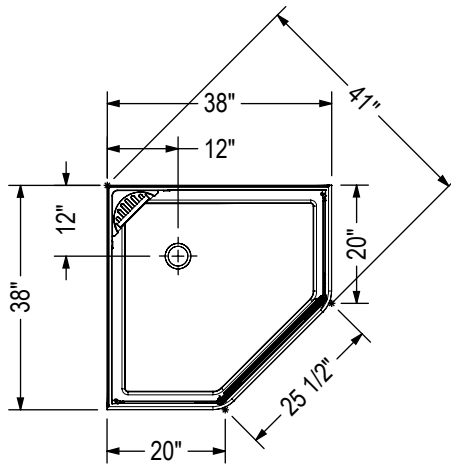
Features

- › Shower kit includes: neo-angle shower base, door and wall
- › 3-piece polysterene wall that is glued directly over drywall
- › Glue-up walls in 3 convenient pieces, 2 flat walls and a corner caddy for all your storage needs
- › Reversible pivot door for left or right-hand opening, giving you flexibility in design
- › Pivot door with a center entry is perfect to install in a compact bathroom
- › The doors' full length magnet provides a better watertight closure
- › Door frame with full lenght integrated handle
- › Corner drain included with the shower base
- › Door frame allows for plenty of wall adjustment and ideal for Out-Of-Plumb walls

ORCHID - 300022

SKU	Color	Configuration	Dimensions & Weight	Packaging	MSRP
300022-000-129-102	White	Center	38" x 38" x 76 1/2" / 82 lb / 37 kg	13.96 ft ³	\$ 1412
300022-000-129-103					\$ 1645

STANDARD



- Pivot door with left or right opening
- Fixe wall jamb adjustment = 1/2" each side

Code	Description	Door opening
800024	Warren Shower Kit 38"-38" x 76 1/2"	21 1/2"

All dimensions are approximate. Structure measurements must be verified against the unit to ensure proper fit.



Papaya

SHOWER KITS - POLYSTYRENE



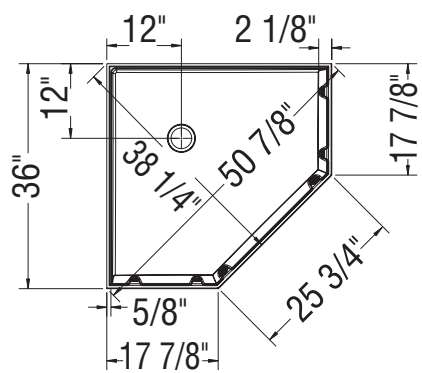
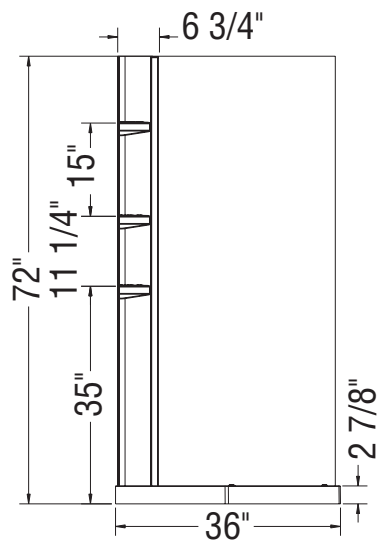
Material : Polystyrene

Features

- › Shower kit includes: neo-angle shower base, door and wall
- › Reversible pivot door for left or right-hand opening, giving you flexibility in design
- › Base has a low 2.875 in. threshold for easy access
- › Neo-angle frameless door with hinges and solid handle
- › Practical shower kit with an All-In-One box solution
- › Plastic injected shower base with a textured floor
- › Corner drain included with the shower base
- › Proudly made in North America
- › Easy to clean shower kit

PAPAYA - 105545

SKU	Color	Configuration	Dimensions & Weight	Packaging	MSRP
105545-000-129-103	White	Center	36" x 36" x 72" / 104 lb / 47 kg	12.67 ft ³	\$ 1308



All dimensions are approximate. Structure measurements must be verified against the unit to ensure proper fit.



Summit

SHOWER KITS - POLYSTYRENE



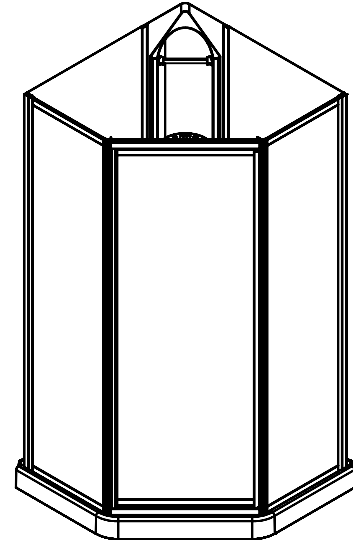
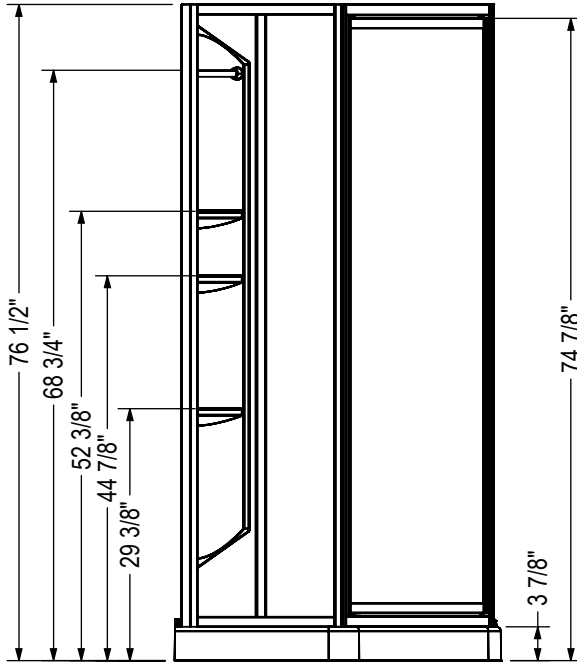
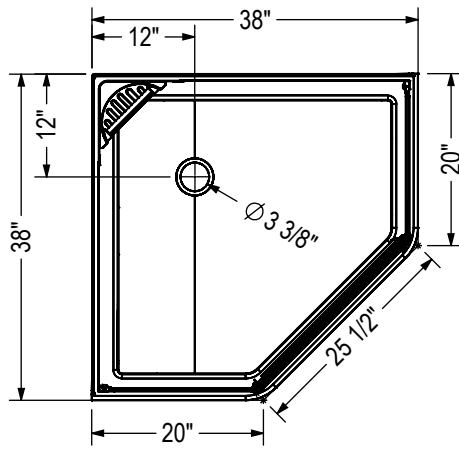
Material : Polystyrene

Features

- › Shower kit includes walls, base and door
- › 3piece wall featuring 3 shelves & 1 acrylic towel bar
- › Clear glass with Center Silk pattern
- › Pivot door with left or right opening
- › 12" drain center

SUMMIT - 300006					
SKU	Color	Configuration	Dimensions & Weight	Packaging	MSRP
300006-000-129-100	Chrome	Center	38" x 38" x 76 1/2" / 82 lb / 37 kg	13.96 ft ³	\$ 1412
300006-000-129-102					\$ 1412

STANDARD



- Pivot door with left or right opening
- Door wall jamb adjustment : 1/2"

SHOWER KITS - POLYSTYRENE

All dimensions are approximate. Structure measurements must be verified against the unit to ensure proper fit.

Code	Description	Door opening
300015	Summit Shower Kit 38"-38" x 76 1/2"	21 1/2"

Showers



Camellia Shower 4832 — with Reveal Sleek - Chrome

Allegro I (1-Piece)



Material : Acrylic

Features

- › Proudly made in Canada
- › 1-piece shower for alcove installation with roof cap included
- › Roof cap helps keep the warmth inside the shower while in use, providing you with a superior experience, especially in cold winter days
- › With its 59.25-inch length, the Allegro by MAAX is an excellent choice if you are looking to convert from a bathtub to a shower
- › Made of high quality acrylic for easy cleaning and long-lasting color and gloss
- › Direct to stud installation

ALCOVE SHOWERS - ACRYLIC

ALLEGRO I (1-PIECE) - 101150

SKU	Color	Configuration	Dimensions & Weight	Packaging	MSRP
101150-000-001-001	White	Right	59 1/4" x 31 1/2" x 84 5/8" / 150 lb / 68 kg	107 ft ³	\$ 2666
101150-000-001-002		Left			\$ 2666
101150-000-001-100		Left			\$ 2666
101150-000-001-101		Right			\$ 2666

ALLEGRO I (3-PIECE) - 101150S

SKU	Color	Configuration	Dimensions & Weight	Packaging	MSRP
101150-000-001-004	White	Right	59 1/4" x 33" x 84 5/8" / 192 lb / 87 kg	107 ft ³	\$ 3461
101150-000-001-005		Left			\$ 3461
101150-000-001-102		Left			\$ 3461
101150-000-001-103		Right			\$ 3461

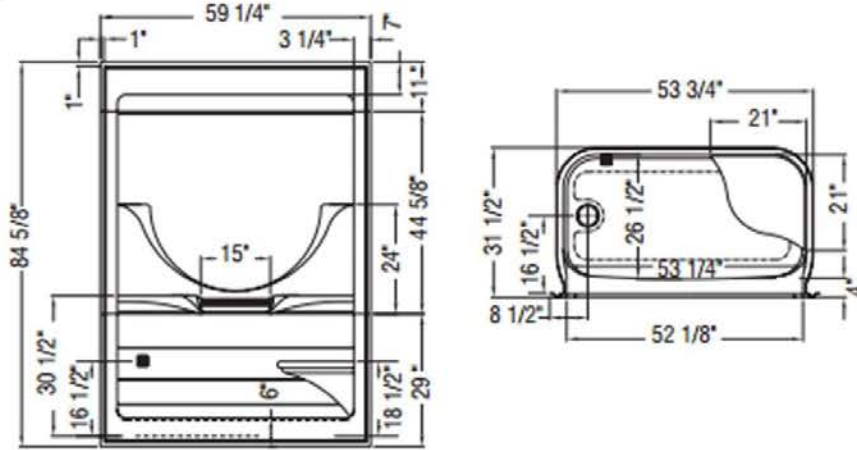
ACCESSORIES

SKU	Description	MSRP
1000041-105	Shower Drain (sold separately) PVC quick caulking shower drain, compression type	\$ 37
1000041-084	Specify grid color: Chrome (084) or Brushed Nickel (105)	\$ 37
1000043-084	Shower Drain (sold separately) 2-piece ABS shower drain with Chrome stainless steel grid	\$ 36
10004349-001	ABS shower drain with ABS grid (sold separately) Available color: White (001) and Bone (004)	\$ 13

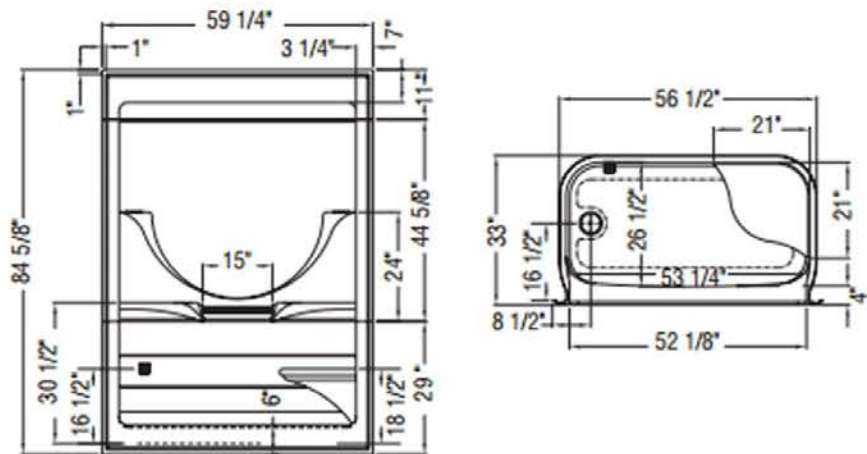
ACCESSORIES

SKU	Description	MSRP
10004349-004	ABS shower drain with ABS grid (sold separately) Available color: White (001) and Bone (004)	\$ 13

Allegro 1 Piece



Allegro 3 Piece



All dimensions are approximate. Structure measurements must be verified against the unit to ensure proper fit



Allegro II (1-Piece)

ALCOVE SHOWERS - ACRYLIC



Material : Acrylic

Features

- › Proudly made in Canada
- › 1-piece shower for alcove installation without roofcap
- › With its 59.25-inch length, the Allegro by MAAX is an excellent choice if you are looking to convert from a bathtub to a shower
- › Made of high quality acrylic for easy cleaning and long-lasting color and gloss
- › Direct to stud installation

ALLEGRO II (1-PIECE) - 200011

SKU	Color	Configuration	Dimensions & Weight	Packaging	MSRP
200011-000-001-001	White	Right	59 1/4" x 31 1/2" x 74 1/2" / 116 lb / 53 kg	94 ft ³	\$ 2517
200011-000-001-002		Left			\$ 2517
200011-000-001-100		Right			\$ 2517
200011-000-001-101		Left			\$ 2517

ALLEGRO II (2-PIECE) - 200011S

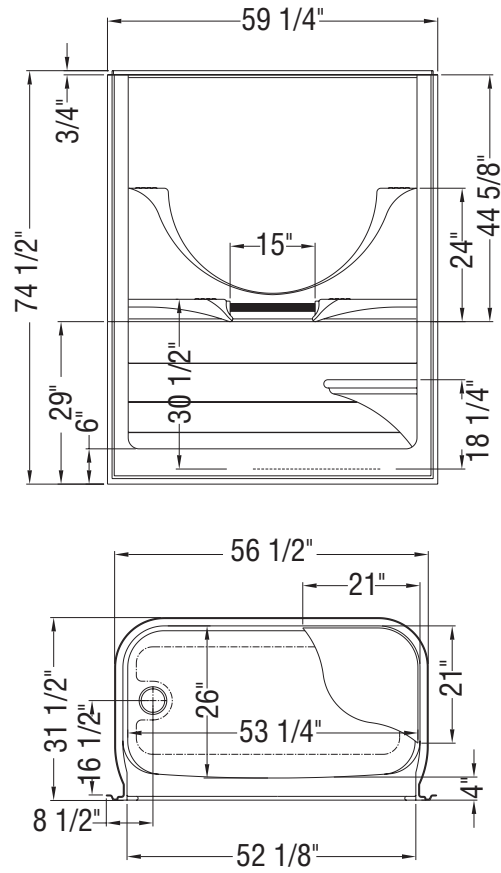
SKU	Color	Configuration	Dimensions & Weight	Packaging	MSRP
200011-000-001-004	White	Right	59 1/4" x 33" x 74 1/2" / 133 lb / 60 kg	94 ft ³	\$ 3316
200011-000-001-005		Left			\$ 3316
200011-000-001-102		Right			\$ 3316
200011-000-001-103		Left			\$ 3316

ACCESSORIES

SKU	Description	MSRP
10000041-105	Shower Drain (sold separately) PVC quick caulking shower drain, compression type	\$ 37
10000041-084	Specify grid color: Chrome (084) or Brushed Nickel (105)	\$ 37
10000043-084	Shower Drain (sold separately) 2-piece ABS shower drain with Chrome stainless steel grid	\$ 36
10004349-001	ABS shower drain with ABS grid (sold separately) Available color: White (001) and Bone (004)	\$ 13

ACCESSORIES

SKU	Description	MSRP
10004349-004	ABS shower drain with ABS grid (sold separately) Available color: White (001) and Bone (004)	\$ 13



All dimensions are approximate. Structure measurements must be verified against the unit to ensure proper fit.



Camelia SH-3636 (1-piece)



Material : Acrylic

Features

- › Model Size: 36 1/2 L in. X 36 W in. X 79 H in.
- › Thermoformed cast Acrylic for improved durability
- › Smooth Walls for a modern and minimalist look
- › 1 Piece construction for reliable water containment
- › Compatible with a wide range of MAAX Products
- › Above-the-Floor Rough (AFR) : No
- › Made in North America
- › 25 years warranty

CAMELIA SH-3636 (1-PIECE) - 105917

SKU	Color	Configuration	Dimensions & Weight	Packaging	MSRP
105917-000-001	White	Center	36" x 36 1/2" x 79" / 127 lb / 58 kg	90 ft ³	\$ 1892

CAMELIA SH-3636 (2-PIECE) - 105917S

SKU	Color	Configuration	Dimensions & Weight	Packaging	MSRP
105917-S-000-001-	White	Center	36" x 36 1/2" x 79" / 127 lb / 58 kg	90 ft ³	\$ 2300

COMMON OPTIONS

SKU	Description	MSRP
OPT20203-R-084	18 in. Modern straight grab bar ⁶⁰	\$ 259
OPT20203-R-002	OPT 20203-R-XXX Vertical grab bar on right wall	\$ 259
OPT20203-R-105	Available colors: White (002), Chrome (084) and Brushed Nickel (105)	\$ 259
OPT20204-L-084	24 in. Modern straight grab bar ⁶	\$ 277
OPT20204-L-105	OPT 20204-L-XXX Vertical grab bar on left wall	\$ 277
OPT20204-L-002	Available colors: White (002), Chrome (084) and Brushed Nickel (105)	\$ 277
OPT20204-R-002	24 in. Modern straight grab bar ⁶⁰	\$ 277
OPT20204-R-084	OPT 20204-R-XXX Vertical grab bar on right wall	\$ 277
OPT20204-R-105	Available colors: White (002), Chrome (084) and Brushed Nickel (105)	\$ 277
OPT20212-B	Wall reinforcement (one wall) for future grab bar installation ⁹ OPT20212-B Reinforcement on back wall	\$ 111

COMMON OPTIONS

SKU	Description	MSRP
OPT20212-L	Wall reinforcement (one wall) for future grab bar installation ⁶¹ OPT 20212-L Reinforcement on left wall	\$ 111
OPT20212-R	Wall reinforcement (one wall) for future grab bar installation ⁹ OPT 20212-R Reinforcement on right wall	\$ 111
OPT20408-L-105	Package A ³⁰ OPT 20408-L-XXX Vertical grab bar on left wall, horizontal grab bar on back wall	\$ 401
OPT20408-L-002	Package includes : • 24 in. Vertical grab bar on side wall	\$ 401
OPT20408-L-084	• 18 in. Horizontal grab bar on back wall Available colors: White (002), Chrome (084) and Brushed Nickel (105)	\$ 401
OPT20408-R-084	Package A ³⁰ OPT 20408-R-XXX Vertical grab bar on right wall, horizontal grab bar on back wall	\$ 401
OPT20408-R-002	Package includes : • 24 in. Vertical grab bar on side wall	\$ 401
OPT20408-R-105	• 18 in. Horizontal grab bar on back wall Available colors: White (002), Chrome (084) and Brushed Nickel (105)	\$ 401
OPT10189	Three-wall reinforcement for future grab bar installation ³³	\$ 232
OPT20055-106	36 in. curtain rod with installation kit Available color: Stainless Steel (106)	\$ 147
OPT20220-002		\$ 256
OPT20220-105	Shelf guard rails (factory installed) Available colors: White (002), Chrome (084), Brushed Nickel (105)	\$ 256
OPT20220-084		\$ 256
OPT20203-B-002	18 in. Modern straight grab bar ⁶	\$ 259
OPT20203-B-105	OPT 20203-B-XXX Horizontal grab bar on back wall Available colors: White (002), Chrome (084) and Brushed Nickel (105)	\$ 259
OPT20203-B-084		\$ 259
OPT20203-L-105	18 in. Modern straight grab bar ⁶⁰	\$ 259
OPT20203-L-002	OPT 20203-L-XXX Vertical grab bar on left wall Available colors: White (002), Chrome (084) and Brushed Nickel (105)	\$ 259
OPT20203-L-084		\$ 259

ACCESSORIES

SKU	Description	MSRP
10000041-105	Shower Drain (sold separately) PVC quick caulking shower drain, compression type	\$ 37
10000041-084	Specify grid color: Chrome (084) or Brushed Nickel (105)	\$ 37
10000043-084	Shower Drain (sold separately) 2-piece ABS shower drain with Chrome stainless steel grid	\$ 36
10004349-001	ABS shower drain with ABS grid (sold separately)	\$ 13
10004349-004	Available color: White (001) and Bone (004)	\$ 13
10028765-105		\$ 261
10028765-084	24 in. modern straight grab bar ¹³ Specify color: White (002), Chrome (084), Brushed Nickel (105)	\$ 261
10028765-002		\$ 261
10029996-084		\$ 261
10029996-002	18 in. modern straight grab bar with flange (front installation) Specify color: White (002), Chrome (084), Brushed Nickel (105)	\$ 261
10029996-105		\$ 261
10029997-002		\$ 277
10029997-105	24 in. modern straight grab bar with flange (front installation) Specify color: White (002), Chrome (084), Brushed Nickel (105)	\$ 277
10029997-084		\$ 277

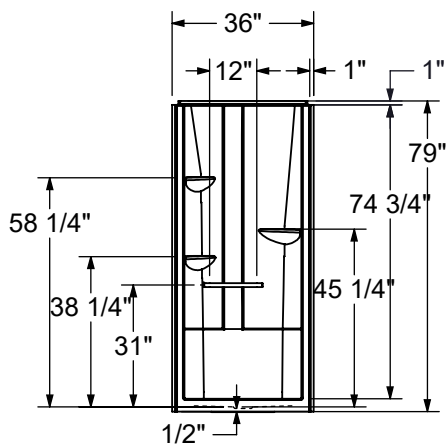
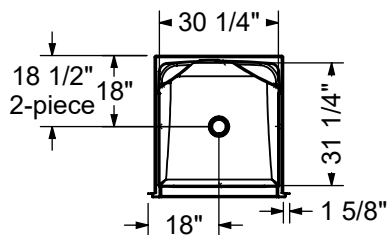
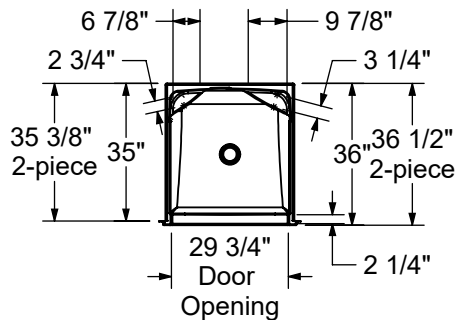
FOOTNOTES

No	Description
6	Specify 3/8 (Lite option) or 2 in. on deck height. If ordering unit with an apron, only 2 in. deck height is available.
9	6-Pack bathtubs are only available when units are without systems and in a standard colour.
13	Two pumps are required with a second Backmax.
30	Please see technical drawings on https://www.maax.com for grab bar and/or seat positioning.
33	Please see technical drawings on https://www.maax.com for reinforcement positioning and size.
60	Please see technical drawings on www.akerbymax.com for grab bar positioning.
61	Please see technical drawings on www.akerbymax.com for reinforcement positioning and size.

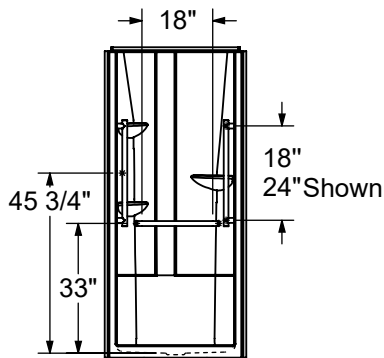
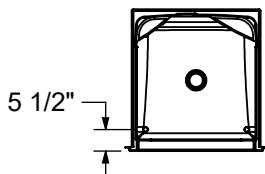
RECOMMENDED DOORS

SKU	Product Name	Pag.
138263	Manhattan 29-31 x 68 - 6mm	333
105416	Madono 28 ½-30 ½ x 67 - 6mm	330
136645	Pivolok 29-30 ¾ x 64 ½ in.	343

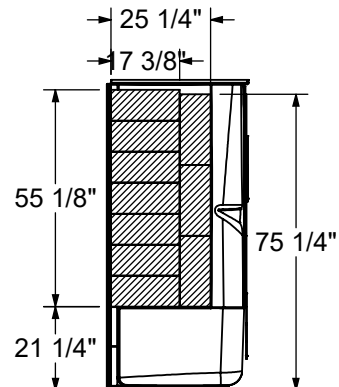
STANDARD
1 PIECE MODEL SHOWN



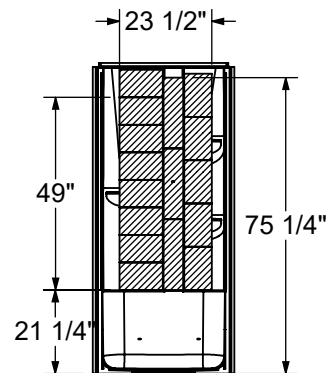
GRAB BAR
Option 20203 & 20204



OPTIONNAL REINFORCEMENT
(Left shown, Right symmetrical)



OPTIONNAL REINFORCEMENT
(Back Wall)



All dimensions are approximate. Structure measurements must be verified against the unit to ensure proper fit.

Camelia SH-4834 (1-piece)



Material : Acrylic

Features

- › Model Size: 48 L in. X 34 1/2 W in. X 79 H in.
- › Thermoformed cast Acrylic for improved durability
- › Smooth Walls for a modern and minimalist look
- › 1 Piece construction for reliable water containment
- › Compatible with a wide range of MAAX Products
- › Above-the-Floor Rough (AFR) : No
- › Made in North America
- › 25 years warranty

ALCOVE SHOWERS - ACRYLIC

CAMELIA SH-4834 (1-PIECE) - 105919

SKU	Color	Configuration	Dimensions & Weight	Packaging	MSRP
105919-000-001	White	Center	48" x 34" x 79" / 138 lb / 63 kg	90 ft ³	\$ 2096
105919-L-000-001					\$ 2096
105919-R-000-001					\$ 2096

CAMELIA SH-4834 (2-PIECE) - 105919S

SKU	Color	Configuration	Dimensions & Weight	Packaging	MSRP
105919-S-000-001-	White	Center	48" x 34 1/2" x 79" / 138 lb / 63 kg	90 ft ³	\$ 2502
105919-SL-000-001					\$ 2502
105919-SR-000-001					\$ 2502

COMMON OPTIONS

SKU	Description	MSRP
OPT20203-B-002	18 in. Modern straight grab bar ⁶ OPT 20203-B-XXX Horizontal grab bar on back wall Available colors: White (002), Chrome (084) and Brushed Nickel (105)	\$ 259
OPT20203-B-105		\$ 259
OPT20203-B-084		\$ 259
OPT20203-L-105	18 in. Modern straight grab bar ⁶⁰ OPT 20203-L-XXX Vertical grab bar on left wall Available colors: White (002), Chrome (084) and Brushed Nickel (105)	\$ 259
OPT20203-L-002		\$ 259
OPT20203-L-084		\$ 259

COMMON OPTIONS

SKU	Description	MSRP
OPT20203-R-084	18 in. Modern straight grab bar ⁶⁰	\$ 259
OPT20203-R-002	OPT 20203-R-XXX Vertical grab bar on right wall	\$ 259
OPT20203-R-105	Available colors: White (002), Chrome (084) and Brushed Nickel (105)	\$ 259
OPT20204-B-002	24 in. Modern straight grab bar ⁶	\$ 277
OPT20204-B-084	OPT 20204-B-XXX Horizontal grab bar on back wall	\$ 277
OPT20204-B-105	Available colors: White (002), Chrome (084) and Brushed Nickel (105)	\$ 277
OPT20204-L-084	24 in. Modern straight grab bar ⁶	\$ 277
OPT20204-L-105	OPT 20204-L-XXX Vertical grab bar on left wall	\$ 277
OPT20204-L-002	Available colors: White (002), Chrome (084) and Brushed Nickel (105)	\$ 277
OPT20204-R-002	24 in. Modern straight grab bar ⁶⁰	\$ 277
OPT20204-R-084	OPT 20204-R-XXX Vertical grab bar on right wall	\$ 277
OPT20204-R-105	Available colors: White (002), Chrome (084) and Brushed Nickel (105)	\$ 277
OPT20212-B	Wall reinforcement (one wall) for future grab bar installation ⁹ OPT20212-B Reinforcement on back wall	\$ 111
OPT20212-L	Wall reinforcement (one wall) for future grab bar installation ⁶¹ OPT 20212-L Reinforcement on left wall	\$ 111
OPT20212-R	Wall reinforcement (one wall) for future grab bar installation ⁹ OPT 20212-R Reinforcement on right wall	\$ 111
OPT20218-L-002	23 in. Curved grab bar (back wall) ^{30, 31}	\$ 434
OPT20218-L-084	OPT20218-L-XXX Left-hand curved grab bar on back wall	\$ 434
OPT20218-L-105	Available colors: White (002), Chrome (084) and Brushed Nickel (105)	\$ 434
OPT20218-R-002	23 in. Curved grab bar (back wall) ^{30, 31}	\$ 434
OPT20218-R-084	OPT20218-R-XXX Right-hand curved grab bar on back wall	\$ 434
OPT20218-R-105	Available colors: White (002), Chrome (084) and Brushed Nickel (105)	\$ 434
OPT20219-L-084	Pivot grab bar (back wall) ³⁰³² OPT 20219-L-XXX Left-hand pivot grab bar on back wall Available colors: Chrome (084)	\$ 1766
OPT20219-R-084	Pivot grab bar (back wall) ³⁰³² OPT 20219-R-XXX Right-hand pivot grab bar on back wall Available colors: Chrome (084)	\$ 1766
OPT20221-L-105	Fold-down seat (factory installed) ³⁴⁵²⁶⁴	\$ 1053
OPT20221-L-002	OPT 20221-L-XXX Left side wall	\$ 1053
OPT20221-L-084	Specify trimming color: White (002), Chrome (084), Brushed Nickel (105)	\$ 1053
OPT20221-R-002	Fold-down seat (factory installed) ¹⁰¹¹¹⁶	\$ 1053
OPT20221-R-105	OPT 20221-R-XXX Right side wall	\$ 1053
OPT20221-R-084	Specify trimming color: White (002), Chrome (084), Brushed Nickel (105)	\$ 1053
OPT20405-L-105	Package A ³⁰ OPT 20405-L-XXX Vertical grab bar on left wall, horizontal grab bar on back wall	\$ 417
OPT20405-L-084	Package includes : • 24 in. Vertical grab bar on side wall	\$ 417
OPT20405-L-002	• 24 in. Horizontal grab bar on back wall Available colors: White (002), Chrome (084) and Brushed Nickel (105)	\$ 417
OPT20405-R-002	Package A ³⁰ OPT 20405-R-XXX Vertical grab bar on right wall, horizontal grab bar on back wall Package includes : • 24 in. Vertical grab bar on side wall • 24 in. Horizontal grab bar on back wall Available colors: White (002), Chrome (084) and Brushed Nickel (105)	\$ 417

COMMON OPTIONS

SKU	Description	MSRP
OPT20405-R-084	Package A ³⁰ OPT 20405-R-XXX Vertical grab bar on right wall, horizontal grab bar on back wall	\$ 417
OPT20405-R-105	Package includes : • 24 in. Vertical grab bar on side wall • 24 in. Horizontal grab bar on back wall Available colors: White (002), Chrome (084) and Brushed Nickel (105)	\$ 417
OPT20406-L-084	Package B ^{30,31} OPT 20406-L-XXX Vertical grab bar on left wall, left-hand curved grab bar on back wall	\$ 564
OPT20406-L-002	Package includes : • 24 in. Vertical grab bar on side wall	\$ 564
OPT20406-L-105	• 23 in. Curved grab bar on back wall Available colors: White (002), Chrome (084) and Brushed Nickel (105)	\$ 564
OPT20406-R-002	Package B ^{30, 31} OPT 20406-R-XXX Vertical grab bar on right wall, right-hand curved grab bar on back wall	\$ 564
OPT20406-R-084	Package includes : • 24 in. Vertical grab bar on side wall	\$ 564
OPT20406-R-105	• 23 in. Curved grab bar on back wall Available colors: White (002), Chrome (084) and Brushed Nickel (105)	\$ 564
OPT20407-L-084	Package C ^{30,32} OPT 20407-L-XXX 2 x Vertical grab bars on side walls, left-hand pivot grab bar on back wall	\$ 1951
OPT20407-L-105	Package includes : • 2 x 24 in. Vertical grab bar on side walls • Pivot grab bar on back wall Available colors: Chrome (084) and Brushed Nickel (105)	\$ 1951
OPT20407-R-105	Package C ^{30,32} OPT 20407-R-XXX 2 x Vertical grab bars on side walls, right-hand pivot grab bar on back wall	\$ 1951
OPT20407-R-084	Package includes : • 2 x 24 in. Vertical grab bar on side walls • Pivot grab bar on back wall Available colors: Chrome (084) and Brushed Nickel (105)	\$ 1951
OPT10189	Three-wall reinforcement for future grab bar installation ³³	\$ 232
OPT20054-106	48 in. curtain rod with installation kit Available color: Stainless Steel (106)	\$ 164
OPT20220-002		\$ 256
OPT20220-105	Shelf guard rails (factory installed) Available colors: White (002), Chrome (084), Brushed Nickel (105)	\$ 256
OPT20220-084		\$ 256

ACCESSORIES

SKU	Description	MSRP
10000041-105	Shower Drain (sold separately)	\$ 37
10000041-084	PVC quick caulking shower drain, compression type Specify grid color: Chrome (084) or Brushed Nickel (105)	\$ 37
10029997-002		\$ 277
10029997-105	24 in. modern straight grab bar with flange (front installation) Specify color: White (002), Chrome (084), Brushed Nickel (105)	\$ 277
10029997-084		\$ 277
10030093-084		\$ 432
10030093-002	23 in. Curved left-hand grab bar with flange (front installation) Specify color: White (002), Chrome (084), Brushed Nickel (105)	\$ 432
10030093-105		\$ 432
10030094-084		\$ 432
10030094-105	23 in. Curved right-hand grab bar with flange (front installation) Specify color: White (002), Chrome (084), Brushed Nickel (105)	\$ 432
10030094-002		\$ 432
10000043-084	Shower Drain (sold separately) 2-piece ABS shower drain with Chrome stainless steel grid	\$ 36

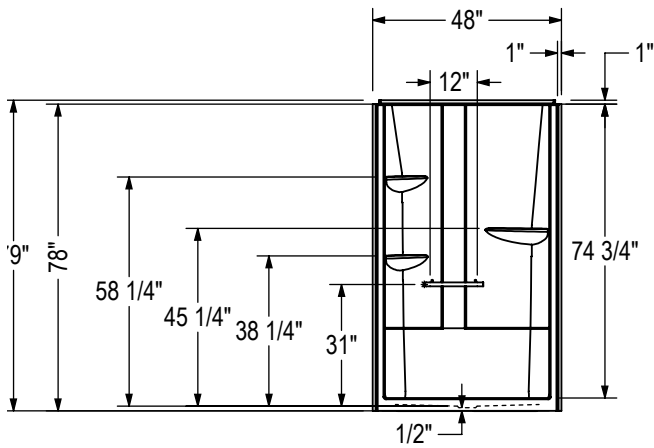
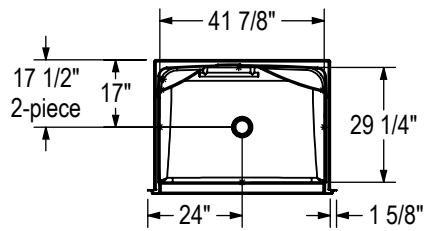
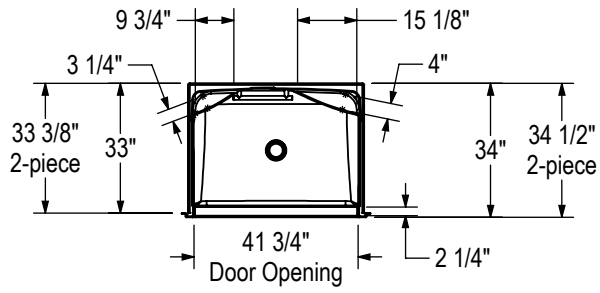
ACCESSORIES

SKU	Description	MSRP
10004349-001	ABS shower drain with ABS grid (sold separately)	\$ 13
10004349-004	Available color: White (001) and Bone (004)	\$ 13
10028765-105		\$ 261
10028765-084	24 in. modern straight grab bar ¹³ Specify color: White (002), Chrome (084), Brushed Nickel (105)	\$ 261
10028765-002		\$ 261
10028917-002		\$ 1053
10028917-084	Rectangular fold-down White polyurethane seat ¹⁴ Available trimming colours: White (002), Chrome (084) and Brushed Nickel (105)	\$ 1053
10028917-105		\$ 1053
10029251-084		\$ 412
10029251-105	23 in. Left hand curved grab bar ¹³ Left refers to the upper section of the curved bar Specify color: White (002), Chrome (084), Brushed Nickel (105)	\$ 412
10029251-002		\$ 412
10029252-002		\$ 412
10029252-084	23 in. Right hand curved grab bar ¹³ Right refers to the upper section of the curved bar Specify color: White (002), Chrome (084), Brushed Nickel (105)	\$ 412
10029252-105		\$ 412
10029996-084		\$ 261
10029996-002	18 in. modern straight grab bar with flange (front installation) Specify color: White (002), Chrome (084), Brushed Nickel (105)	\$ 261
10029996-105		\$ 261

FOOTNOTES

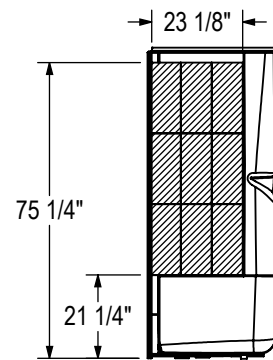
No	Description
6	Specify 3/8 (Lite option) or 2 in. on deck height. If ordering unit with an apron, only 2 in. deck height is available.
9	6-Pack bathtubs are only available when units are without systems and in a standard colour.
10	Systems not available with units installed undermount.
11	Apron access panel is included with a Whirlpool or combined system.
13	Two pumps are required with a second Backmax.
14	Standard grab bars for standard colour units are colour-coordinated. Grab bars with metallic finish can be added (additional charge applies).
16	No heated backrest is offered, but 3 air jets are included on the foot step.
30	Please see technical drawings on https://www.maax.com for grab bar and/or seat positioning.
31	Right (R)/Left (L) refers to the upper section of the ergonomic grab bar.
32	Right/Left refers to the pivot direction of the bar (from closed to open position).
33	Please see technical drawings on https://www.maax.com for reinforcement positioning and size.
34	Fold-down seat only available when unit ordered with no integrated seat.
52	Please specify R/L valve positioning.
60	Please see technical drawings on www.akerbymaax.com for grab bar positioning.
61	Please see technical drawings on www.akerbymaax.com for reinforcement positioning and size.
64	Please see technical drawings on www.akerbymaax.com for grab bar and/or seat positioning.
13	

STANDARD
1 PIECE MODEL SHOWN

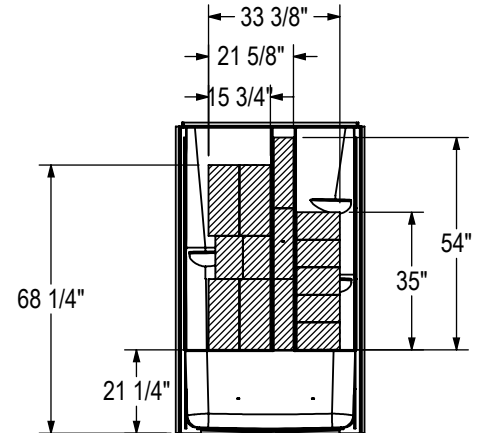


All dimensions are approximate. Structure measurements must be verified against the unit to ensure proper fit.

OPTIONAL REINFORCEMENT
(Left shown)



OPTIONAL REINFORCEMENT
(Back Wall)



Camelia SH-6034 (1-piece)



ALCOVE SHOWERS - ACRYLIC



Material : Acrylic

Features

- › Model Size: 60 L in. X 34 1/2 W in. X 79 H in.
- › Thermoformed cast Acrylic for improved durability
- › Smooth Walls for a modern and minimalist look
- › 1 Piece construction for reliable water containment
- › Compatible with a wide range of MAAX Products
- › Above-the-Floor Rough (AFR) : No
- › Made in North America
- › 25 years warranty

CAMELIA SH-6034 (1-PIECE) - 105921

SKU	Color	Configuration	Dimensions & Weight	Packaging	MSRP
105921-2-000-001	White	Center	60" x 34" x 79" / 151 lb / 68 kg	106 ft ³	\$ 2027
105921-LC-000-001					\$ 2027
105921-LR-000-001		Right			\$ 2027
105921-NC-000-001		Center			\$ 2027
105921-NL-000-001		Left			\$ 2027
105921-NR-000-001		Right			\$ 2027
105921-RC-000-001		Center			\$ 2027
105921-RL-000-001		Left			\$ 2027

CAMELIA SH-6034 (2-PIECE) - 105921S

SKU	Color	Configuration	Dimensions & Weight	Packaging	MSRP
105921-000-001-004	White	Right	60" x 34 1/2" x 79" / 151 lb / 68 kg	106 ft ³	\$ 2705
105921-000-001-005		Left			\$ 2705
105921-000-001-174					\$ 2705
105921-S2-000-001		Center			\$ 2705
105921-SLC-000-001					\$ 2705
105921-SNL-000-001		Left			\$ 2705
105921-SNR-000-001		Right			\$ 2705
105921-SRC-000-001		Center			\$ 2705

COMMON OPTIONS

SKU	Description	MSRP
OPT20203-B-002	18 in. Modern straight grab bar ⁶	\$ 259
OPT20203-B-105	OPT 20203-B-XXX Horizontal grab bar on back wall	\$ 259
OPT20203-B-084	Available colors: White (002), Chrome (084) and Brushed Nickel (105)	\$ 259
OPT20203-L-105	18 in. Modern straight grab bar ⁶⁰	\$ 259
OPT20203-L-002	OPT 20203-L-XXX Vertical grab bar on left wall	\$ 259
OPT20203-L-084	Available colors: White (002), Chrome (084) and Brushed Nickel (105)	\$ 259
OPT20203-R-084	18 in. Modern straight grab bar ⁶⁰	\$ 259
OPT20203-R-002	OPT 20203-R-XXX Vertical grab bar on right wall	\$ 259
OPT20203-R-105	Available colors: White (002), Chrome (084) and Brushed Nickel (105)	\$ 259
OPT20204-B-002	24 in. Modern straight grab bar ⁶	\$ 277
OPT20204-B-084	OPT 20204-B-XXX Horizontal grab bar on back wall	\$ 277
OPT20204-B-105	Available colors: White (002), Chrome (084) and Brushed Nickel (105)	\$ 277
OPT20204-L-084	24 in. Modern straight grab bar ⁶	\$ 277
OPT20204-L-105	OPT 20204-L-XXX Vertical grab bar on left wall	\$ 277
OPT20204-L-002	Available colors: White (002), Chrome (084) and Brushed Nickel (105)	\$ 277
OPT20204-R-002	24 in. Modern straight grab bar ⁶⁰	\$ 277
OPT20204-R-084	OPT 20204-R-XXX Vertical grab bar on right wall	\$ 277
OPT20204-R-105	Available colors: White (002), Chrome (084) and Brushed Nickel (105)	\$ 277
OPT20212-B	Wall reinforcement (one wall) for future grab bar installation ⁹ OPT20212-B Reinforcement on back wall	\$ 111
OPT20212-L	Wall reinforcement (one wall) for future grab bar installation ⁶¹ OPT 20212-L Reinforcement on left wall	\$ 111
OPT20212-R	Wall reinforcement (one wall) for future grab bar installation ⁹ OPT 20212-R Reinforcement on right wall	\$ 111
OPT20216-B-002	30 in. Modern straight grab bar ⁶⁰	\$ 290
OPT20216-B-105	OPT 20216-HB-XXX Horizontal grab bar on back wall	\$ 290
OPT20216-B-084	Available colors: White (002), Chrome (084) and Brushed Nickel (105)	\$ 290
OPT20216-L-002	30 in. Modern straight grab bar ³⁰	\$ 290
OPT20216-L-105	OPT 20216-L-XXX Vertical grab bar on left wall	\$ 290
OPT20216-L-084	Available colors: White (002), Chrome (084) and Brushed Nickel (105)	\$ 290
OPT20216-R-002	30 in. Modern straight grab bar ³⁰	\$ 290
OPT20216-R-105	OPT 20216-R-XXX Vertical grab bar on right wall	\$ 290
OPT20216-R-084	Available colors: White (002), Chrome (084) and Brushed Nickel (105)	\$ 290
OPT20219-L-084	Pivot grab bar (back wall) ³⁰³² OPT 20219-L-XXX Left-hand pivot grab bar on back wall Available colors: Chrome (084)	\$ 1766
OPT20219-R-084	Pivot grab bar (back wall) ³⁰³² OPT 20219-R-XXX Right-hand pivot grab bar on back wall Available colors: Chrome (084)	\$ 1766
OPT20221-L-105	Fold-down seat (factory installed) ³⁴⁵²⁶⁴	\$ 1053
OPT20221-L-002	OPT 20221-L-XXX Left side wall	\$ 1053
OPT20221-L-084	Specify trimming color: White (002), Chrome (084), Brushed Nickel (105)	\$ 1053

COMMON OPTIONS

SKU	Description	MSRP
OPT20221-R-002	Fold-down seat (factory installed) ¹⁰¹¹¹⁶	\$ 1053
OPT20221-R-105	OPT 20221-R-XXX Right side wall	\$ 1053
OPT20221-R-084	Specify trimming color: White (002), Chrome (084), Brushed Nickel (105)	\$ 1053
OPT20403-L-105	Package A ³⁰ OPT 20403-L-XXX Vertical grab bar on left wall, horizontal grab bar on back wall	\$ 442
OPT20403-L-002	Package includes : • 24 in. Vertical grab bar on side wall	\$ 442
OPT20403-L-084	• 30 in. Horizontal grab bar on back wall Available colors: White (002), Chrome (084) and Brushed Nickel (105)	\$ 442
OPT20403-R-084	Package A ³⁰ OPT 20403-R-XXX Vertical grab bar on right wall, horizontal grab bar on back wall	\$ 442
OPT20403-R-002	Package includes : • 24 in. Vertical grab bar on side wall	\$ 442
OPT20403-R-105	• 30 in. Horizontal grab bar on back wall Available colors: White (002), Chrome (084) and Brushed Nickel (105)	\$ 442
OPT20404-L-105	Package B ^{30, 31} OPT 20404-L-XXX Vertical grab bar on left wall, left-hand curved grab bar on back wall	\$ 588
OPT20404-L-084	Package includes : • 24 in. Vertical grab bar on side wall	\$ 588
OPT20404-L-002	• 32 in. Horizontal grab bar on back wall Available colors: White (002), Chrome (084) and Brushed Nickel (105)	\$ 588
OPT20404-R-002	Package B ^{30, 31} OPT 20404-R-XXX Vertical grab bar on right wall, right-hand curved grab bar on back wall	\$ 588
OPT20404-R-084	Package includes : • 24 in. Vertical grab bar on side wall	\$ 588
OPT20404-R-105	• 32 in. Horizontal grab bar on back wall Available colors: White (002), Chrome (084) and Brushed Nickel (105)	\$ 588
OPT20407-L-084	Package C ^{30,32} OPT 20407-L-XXX 2 x Vertical grab bars on side walls, left-hand pivot grab bar on back wall	\$ 1951
OPT20407-L-105	Package includes : • 2 x 24 in. Vertical grab bar on side walls • Pivot grab bar on back wall Available colors: Chrome (084) and Brushed Nickel (105)	\$ 1951
OPT20407-R-105	Package C ^{30,32} OPT 20407-R-XXX 2 x Vertical grab bars on side walls, right-hand pivot grab bar on back wall	\$ 1951
OPT20407-R-084	Package includes : • 2 x 24 in. Vertical grab bar on side walls • Pivot grab bar on back wall Available colors: Chrome (084) and Brushed Nickel (105)	\$ 1951
OPT20217-L-105	32 in. Curved grab bar (back wall) ³⁰³¹	\$ 469
OPT20217-L-002	OPT 20217-L-XXX Left-hand curved grab bar on back wall	\$ 469
OPT20217-L-084	Available colors: White (002), Chrome (084) and Brushed Nickel (105)	\$ 469
OPT20217-R-002	32 in. Curved grab bar (back wall) ³⁰³¹	\$ 469
OPT20217-R-105	OPT 20217-R-XXX Right-hand curved grab bar on back wall	\$ 469
OPT20217-R-084	Available colors: White (002), Chrome (084) and Brushed Nickel (105)	\$ 469
OPT10189	Three-wall reinforcement for future grab bar installation ³³	\$ 232
OPT20056-106	60 in. curtain rod with installation kit Available color: Stainless Steel (106)	\$ 182
OPT20220-002		\$ 256
OPT20220-105	Shelf guard rails (factory installed) Available colors: White (002), Chrome (084), Brushed Nickel (105)	\$ 256
OPT20220-084		\$ 256

ACCESSORIES

SKU	Description	MSRP
10000041-105	Shower Drain (sold separately) PVC quick caulking shower drain, compression type	\$ 37
10000041-084	Specify grid color: Chrome (084) or Brushed Nickel (105)	\$ 37
10029997-002		\$ 277
10029997-105	24 in. modern straight grab bar with flange (front installation) Specify color: White (002), Chrome (084), Brushed Nickel (105)	\$ 277
10029997-084		\$ 277
10029998-084		\$ 293
10029998-002	30 in. modern straight grab bar with flange (front installation) Specify color: White (002), Chrome (084), Brushed Nickel (105)	\$ 293
10029998-105		\$ 293
10030095-002		\$ 464
10030095-084	32 in. curved left-hand grab bar with flange (front installation) Specify color: White (002), Chrome (084), Brushed Nickel (105)	\$ 464
10030095-105		\$ 464
10030097-084		\$ 464
10030097-002	32 in. curved right-hand grab bar with flange (front installation) Specify color: White (002), Chrome (084), Brushed Nickel (105)	\$ 464
10030097-105		\$ 464
10000043-084	Shower Drain (sold separately) 2-piece ABS shower drain with Chrome stainless steel grid	\$ 36
10004349-001	ABS shower drain with ABS grid (sold separately)	\$ 13
10004349-004	Available color: White (001) and Bone (004)	\$ 13
10028765-105		\$ 261
10028765-084	24 in. modern straight grab bar ¹³ Specify color: White (002), Chrome (084), Brushed Nickel (105)	\$ 261
10028765-002		\$ 261
10028917-002		\$ 1053
10028917-084	Rectangular fold-down White polyurethane seat ¹⁴ Available trimming colours: White (002), Chrome (084) and Brushed Nickel (105)	\$ 1053
10028917-105		\$ 1053
10029248-105		\$ 277
10029248-002	30 in. Modern straight grab bar ¹³ Specify color: White (002), Chrome (084), Brushed Nickel (105)	\$ 277
10029248-084		\$ 277
10029253-002		\$ 447
10029253-084	32 in. Left hand curved grab bar ¹³ Left refers to the upper section of the curved bar Specify color: White (002), Chrome (084), Brushed Nickel (105)	\$ 447
10029253-105		\$ 447
10029254-084		\$ 447
10029254-002	32 in. Right hand curved grab bar ¹³ Right refers to the upper section of the curved bar Specify color: White (002), Chrome (084), Brushed Nickel (105)	\$ 447
10029254-105		\$ 447

FOOTNOTES

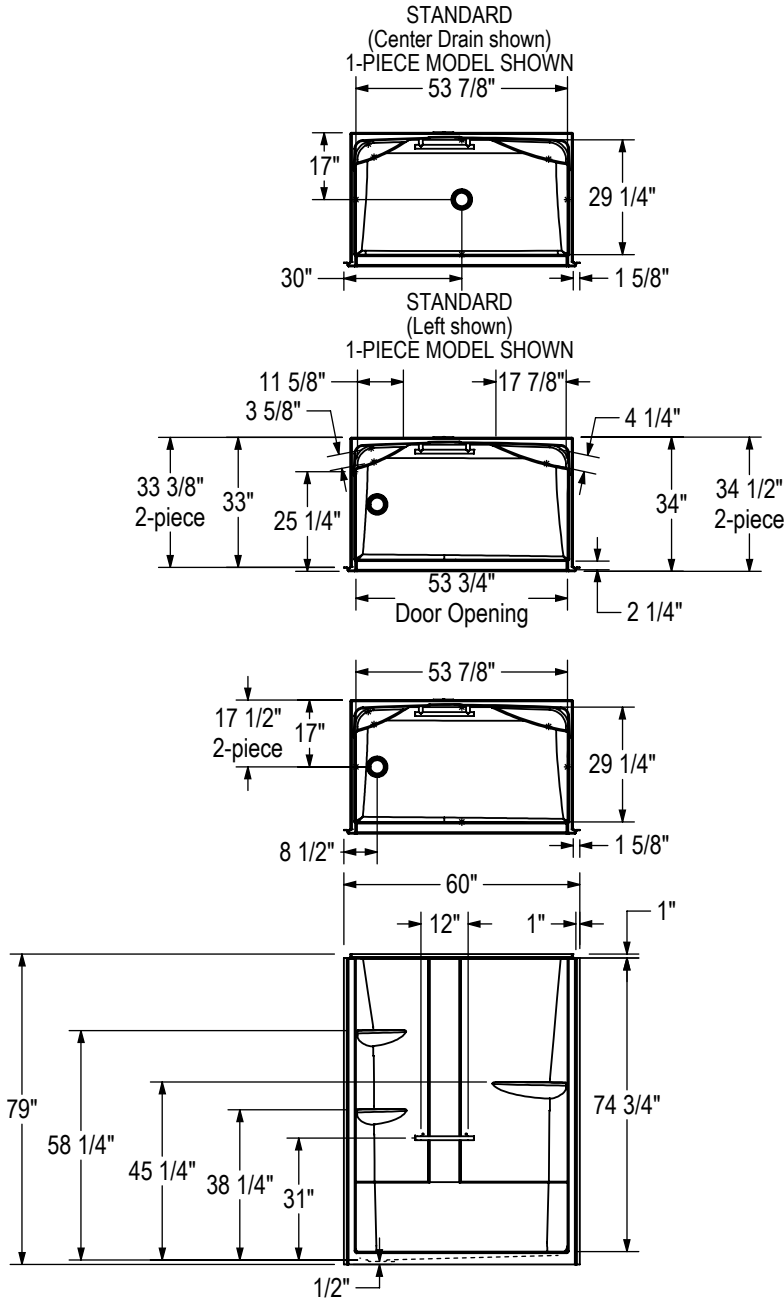
No	Description
6	Specify 3/8 (Lite option) or 2 in. on deck height. If ordering unit with an apron, only 2 in. deck height is available.
9	6-Pack bathtubs are only available when units are without systems and in a standard colour.
10	Systems not available with units installed undermount.

FOOTNOTES

No	Description
11	Apron access panel is included with a Whirlpool or combined system.
13	Two pumps are required with a second Backmax.
14	Standard grab bars for standard colour units are colour-coordinated. Grab bars with metallic finish can be added (additional charge applies).
16	No heated backrest is offered, but 3 air jets are included on the foot step.
30	Please see technical drawings on https://www.maax.com for grab bar and/or seat positioning.
31	Right (R)/Left (L) refers to the upper section of the ergonomic grab bar.
32	Right/Left refers to the pivot direction of the bar (from closed to open position).
33	Please see technical drawings on https://www.maax.com for reinforcement positioning and size.
34	Fold-down seat only available when unit ordered with no integrated seat.
52	Please specify R/L valve positioning.
60	Please see technical drawings on www.akerbymax.com for grab bar positioning.
61	Please see technical drawings on www.akerbymax.com for reinforcement positioning and size.
64	Please see technical drawings on www.akerbymax.com for grab bar and/or seat positioning.

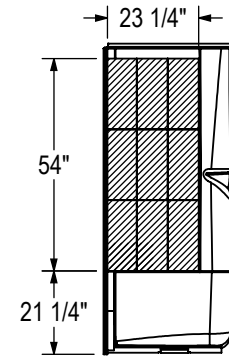
RECOMMENDED DOORS

SKU	Product Name	Pag.
138275	Manhattan 53-55 x 68 - 6mm	338
138521	Incognito 74 51-54x74in. 8mm	302
139579	Reveal Sleek 71 51 ½-54 ½ x 71 ½ - 8mm	351
136883	Reveal 71 51 ½-54 ½ x 71 ½ - 8mm	348
135664	Aura 51-55 x 71 - 6mm	320

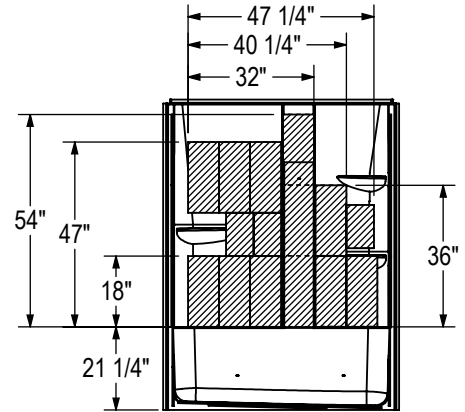


All dimensions are approximate. Structure measurements must be verified against the unit to ensure proper fit.

OPTIONAL REINFORCEMENT
(Left shown)



OPTIONAL REINFORCEMENT
(Back Wall)



Camelia SHR-3636 (1-piece)



ALCOVE SHOWERS - ACRYLIC



Material : Acrylic

Features

- › Model Size: 36 1/2 L in. X 36 W in. X 88 H in.
- › Thermoformed cast Acrylic for improved durability
- › Smooth Walls for a modern and minimalist look
- › 1 Piece construction for reliable water containment
- › Compatible with a wide range of MAAX Products
- › Above-the-Floor Rough (AFR) : No
- › Made in North America
- › 25 years warranty

CAMELIA SHR-3636 (1-PIECE) - 105918

SKU	Color	Configuration	Dimensions & Weight	Packaging	MSRP
105918-000-001	White	Center	36" x 36 1/2" x 88" / 142 lb / 64 kg	90 ft ³	\$ 2096

CAMELIA SHR-3636 (3-PIECE) - 105918S

SKU	Color	Configuration	Dimensions & Weight	Packaging	MSRP
105918-S-000-001-	White	Center	36" x 36 1/2" x 79" / 142 lb / 64 kg	90 ft ³	\$ 2502

COMMON OPTIONS

SKU	Description	MSRP
OPT20203-L-105	18 in. Modern straight grab bar ⁶⁰	\$ 259
OPT20203-L-002	OPT 20203-L-XXX Vertical grab bar on left wall	\$ 259
OPT20203-L-084	Available colors: White (002), Chrome (084) and Brushed Nickel (105)	\$ 259
OPT20203-R-084	18 in. Modern straight grab bar ⁶⁰	\$ 259
OPT20203-R-002	OPT 20203-R-XXX Vertical grab bar on right wall	\$ 259
OPT20203-R-105	Available colors: White (002), Chrome (084) and Brushed Nickel (105)	\$ 259
OPT20204-B-002	24 in. Modern straight grab bar ⁶	\$ 277
OPT20204-B-084	OPT 20204-B-XXX Horizontal grab bar on back wall	\$ 277
OPT20204-B-105	Available colors: White (002), Chrome (084) and Brushed Nickel (105)	\$ 277

COMMON OPTIONS

SKU	Description	MSRP
OPT20204-L-084	24 in. Modern straight grab bar ⁶	\$ 277
OPT20204-L-105	OPT 20204-L-XXX Vertical grab bar on left wall	\$ 277
OPT20204-L-002	Available colors: White (002), Chrome (084) and Brushed Nickel (105)	\$ 277
OPT20204-R-002	24 in. Modern straight grab bar ⁶⁰	\$ 277
OPT20204-R-084	OPT 20204-R-XXX Vertical grab bar on right wall	\$ 277
OPT20204-R-105	Available colors: White (002), Chrome (084) and Brushed Nickel (105)	\$ 277
OPT20212-B	Wall reinforcement (one wall) for future grab bar installation ⁹ OPT20212-B Reinforcement on back wall	\$ 111
OPT20212-L	Wall reinforcement (one wall) for future grab bar installation ⁶¹ OPT 20212-L Reinforcement on left wall	\$ 111
OPT20212-R	Wall reinforcement (one wall) for future grab bar installation ⁹ OPT 20212-R Reinforcement on right wall	\$ 111
OPT20408-L-105	Package A ³⁰ OPT 20408-L-XXX Vertical grab bar on left wall, horizontal grab bar on back wall	\$ 401
OPT20408-L-002	Package includes : • 24 in. Vertical grab bar on side wall	\$ 401
OPT20408-L-084	• 18 in. Horizontal grab bar on back wall Available colors: White (002), Chrome (084) and Brushed Nickel (105)	\$ 401
OPT20408-R-084	Package A ³⁰ OPT 20408-R-XXX Vertical grab bar on right wall, horizontal grab bar on back wall	\$ 401
OPT20408-R-002	Package includes : • 24 in. Vertical grab bar on side wall	\$ 401
OPT20408-R-105	• 18 in. Horizontal grab bar on back wall Available colors: White (002), Chrome (084) and Brushed Nickel (105)	\$ 401
OPT10189	Three-wall reinforcement for future grab bar installation ³³	\$ 232
OPT20055-106	36 in. curtain rod with installation kit Available color: Stainless Steel (106)	\$ 147
OPT20220-002		\$ 256
OPT20220-105	Shelf guard rails (factory installed) Available colors: White (002), Chrome (084), Brushed Nickel (105)	\$ 256
OPT20220-084		\$ 256
OPT20203-B-002	18 in. Modern straight grab bar ⁶	\$ 259
OPT20203-B-105	OPT 20203-B-XXX Horizontal grab bar on back wall	\$ 259
OPT20203-B-084	Available colors: White (002), Chrome (084) and Brushed Nickel (105)	\$ 259

ACCESSORIES

SKU	Description	MSRP
10000041-105	Shower Drain (sold separately)	\$ 37
10000041-084	PVC quick caulking shower drain, compression type Specify grid color: Chrome (084) or Brushed Nickel (105)	\$ 37
10000043-084	Shower Drain (sold separately) 2-piece ABS shower drain with Chrome stainless steel grid	\$ 36
10004349-001	ABS shower drain with ABS grid (sold separately)	\$ 13
10004349-004	Available color: White (001) and Bone (004)	\$ 13
10028765-105		\$ 261
10028765-084	24 in. modern straight grab bar ¹³ Specify color: White (002), Chrome (084), Brushed Nickel (105)	\$ 261
10028765-002		\$ 261
10029996-084	18 in. modern straight grab bar with flange (front installation) Specify color: White (002), Chrome (084), Brushed Nickel (105)	\$ 261

ACCESSORIES

SKU	Description	MSRP
10029996-002	18 in. modern straight grab bar with flange (front installation)	\$ 261
10029996-105	Specify color: White (002), Chrome (084), Brushed Nickel (105)	\$ 261
10029997-002	24 in. modern straight grab bar with flange (front installation) Specify color: White (002), Chrome (084), Brushed Nickel (105)	\$ 277
10029997-105		\$ 277
10029997-084		\$ 277

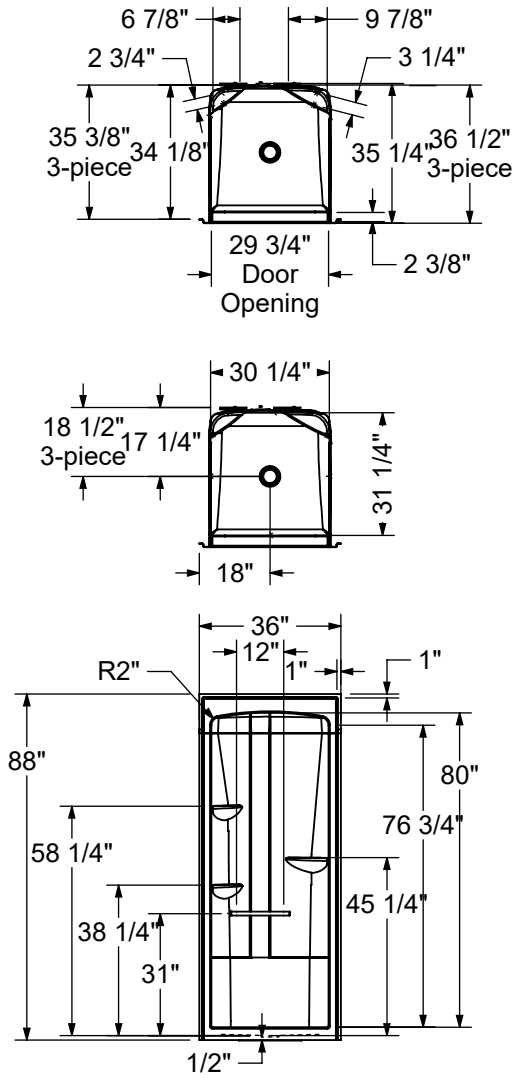
FOOTNOTES

No	Description
6	Specify 3/8 (Lite option) or 2 in. on deck height. If ordering unit with an apron, only 2 in. deck height is available.
9	6-Pack bathtubs are only available when units are without systems and in a standard colour.
13	Two pumps are required with a second Backmax.
30	Please see technical drawings on https://www.maax.com for grab bar and/or seat positioning.
33	Please see technical drawings on https://www.maax.com for reinforcement positioning and size.
60	Please see technical drawings on www.akerbymaax.com for grab bar positioning.
61	Please see technical drawings on www.akerbymaax.com for reinforcement positioning and size.

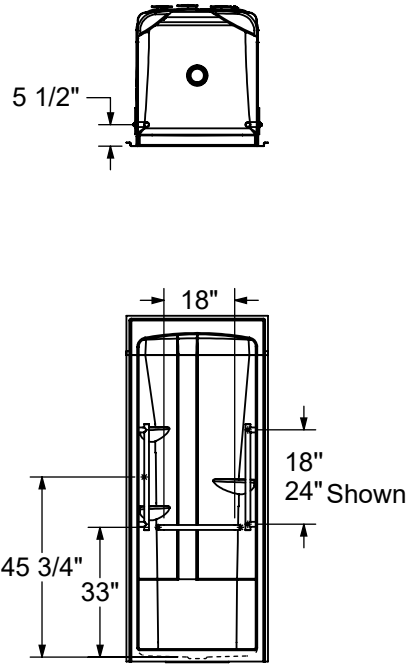
RECOMMENDED DOORS

SKU	Product Name	Pag.
138263	Manhattan 29-31 x 68 - 6mm	333
105416	Madono 28 ½-30 ½ x 67 - 6mm	330
136645	Pivolok 29-30 ¾ x 64 ½ in.	343

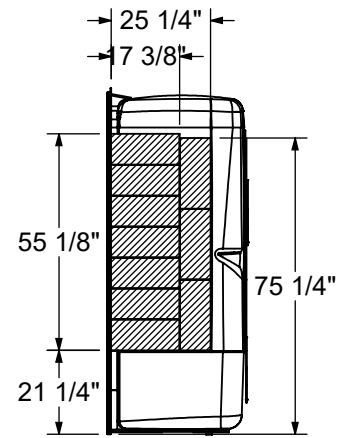
STANDARD
1-PIECE MODEL SHOWN



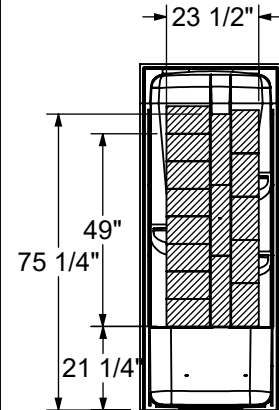
GRAB BAR
Option 20203 & 20204



OPTIONNAL REINFORCEMENT
(Left shown, Right symmetrical)



OPTIONNAL REINFORCEMENT
(Back Wall)



All dimensions are approximate. Structure measurements must be verified against the unit to ensure proper fit.

Camelia SHR-4834 (1-piece)



ALCOVE SHOWERS - ACRYLIC



Material : Acrylic

Features

- › Model Size: 48 L in. X 34 1/2 W in. X 88 H in.
- › Thermoformed cast Acrylic for improved durability
- › Smooth Walls for a modern and minimalist look
- › 1 Piece construction for reliable water containment
- › Compatible with a wide range of MAAX Products
- › Above-the-Floor Rough (AFR) : No
- › Made in North America
- › 25 years warranty

CAMELIA SHR-4834 (1-PIECE) - 105920

SKU	Color	Configuration	Dimensions & Weight	Packaging	MSRP
105920-000-001	White	Center	48" x 34 1/2" x 88" / 154 lb / 70 kg	100 ft ³	\$ 2232
105920-L-000-001					\$ 2232
105920-R-000-001					\$ 2232

CAMELIA SHR-4834 (3-PIECE) - 105920S

SKU	Color	Configuration	Dimensions & Weight	Packaging	MSRP
105920-S-000-001-	White	Center	48" x 34 1/2" x 88" / 154 lb / 70 kg	100 ft ³	\$ 2637
105920-SL-000-001					\$ 2637
105920-SR-000-001					\$ 2637

COMMON OPTIONS

SKU	Description	MSRP
OPT20203-B-002	18 in. Modern straight grab bar ⁶ OPT 20203-B-XXX Horizontal grab bar on back wall Available colors: White (002), Chrome (084) and Brushed Nickel (105)	\$ 259
OPT20203-B-105		\$ 259
OPT20203-B-084		\$ 259
OPT20203-L-105	18 in. Modern straight grab bar ⁶⁰ OPT 20203-L-XXX Vertical grab bar on left wall Available colors: White (002), Chrome (084) and Brushed Nickel (105)	\$ 259
OPT20203-L-002		\$ 259
OPT20203-L-084		\$ 259

COMMON OPTIONS

SKU	Description	MSRP
OPT20203-R-084	18 in. Modern straight grab bar ⁶⁰	\$ 259
OPT20203-R-002	OPT 20203-R-XXX Vertical grab bar on right wall	\$ 259
OPT20203-R-105	Available colors: White (002), Chrome (084) and Brushed Nickel (105)	\$ 259
OPT20204-B-002	24 in. Modern straight grab bar ⁶	\$ 277
OPT20204-B-084	OPT 20204-B-XXX Horizontal grab bar on back wall	\$ 277
OPT20204-B-105	Available colors: White (002), Chrome (084) and Brushed Nickel (105)	\$ 277
OPT20204-L-084	24 in. Modern straight grab bar ⁶	\$ 277
OPT20204-L-105	OPT 20204-L-XXX Vertical grab bar on left wall	\$ 277
OPT20204-L-002	Available colors: White (002), Chrome (084) and Brushed Nickel (105)	\$ 277
OPT20204-R-002	24 in. Modern straight grab bar ⁶⁰	\$ 277
OPT20204-R-084	OPT 20204-R-XXX Vertical grab bar on right wall	\$ 277
OPT20204-R-105	Available colors: White (002), Chrome (084) and Brushed Nickel (105)	\$ 277
OPT20212-B	Wall reinforcement (one wall) for future grab bar installation ⁹ OPT20212-B Reinforcement on back wall	\$ 111
OPT20212-L	Wall reinforcement (one wall) for future grab bar installation ⁶¹ OPT 20212-L Reinforcement on left wall	\$ 111
OPT20212-R	Wall reinforcement (one wall) for future grab bar installation ⁹ OPT 20212-R Reinforcement on right wall	\$ 111
OPT20218-L-002	23 in. Curved grab bar (back wall) ^{30, 31}	\$ 434
OPT20218-L-084	OPT20218-L-XXX Left-hand curved grab bar on back wall	\$ 434
OPT20218-L-105	Available colors: White (002), Chrome (084) and Brushed Nickel (105)	\$ 434
OPT20218-R-002	23 in. Curved grab bar (back wall) ^{30, 31}	\$ 434
OPT20218-R-084	OPT20218-R-XXX Right-hand curved grab bar on back wall	\$ 434
OPT20218-R-105	Available colors: White (002), Chrome (084) and Brushed Nickel (105)	\$ 434
OPT20219-L-084	Pivot grab bar (back wall) ³⁰³² OPT 20219-L-XXX Left-hand pivot grab bar on back wall Available colors: Chrome (084)	\$ 1766
OPT20219-R-084	Pivot grab bar (back wall) ³⁰³² OPT 20219-R-XXX Right-hand pivot grab bar on back wall Available colors: Chrome (084)	\$ 1766
OPT20221-L-105	Fold-down seat (factory installed) ³⁴⁵²⁶⁴	\$ 1053
OPT20221-L-002	OPT 20221-L-XXX Left side wall	\$ 1053
OPT20221-L-084	Specify trimming color: White (002), Chrome (084), Brushed Nickel (105)	\$ 1053
OPT20221-R-002	Fold-down seat (factory installed) ¹⁰¹¹¹⁶	\$ 1053
OPT20221-R-105	OPT 20221-R-XXX Right side wall	\$ 1053
OPT20221-R-084	Specify trimming color: White (002), Chrome (084), Brushed Nickel (105)	\$ 1053
OPT20405-L-105	Package A ³⁰ OPT 20405-L-XXX Vertical grab bar on left wall, horizontal grab bar on back wall	\$ 417
OPT20405-L-084	Package includes : • 24 in. Vertical grab bar on side wall	\$ 417
OPT20405-L-002	• 24 in. Horizontal grab bar on back wall Available colors: White (002), Chrome (084) and Brushed Nickel (105)	\$ 417
OPT20405-R-002	Package A ³⁰ OPT 20405-R-XXX Vertical grab bar on right wall, horizontal grab bar on back wall Package includes : • 24 in. Vertical grab bar on side wall • 24 in. Horizontal grab bar on back wall Available colors: White (002), Chrome (084) and Brushed Nickel (105)	\$ 417

COMMON OPTIONS

SKU	Description	MSRP
OPT20405-R-084	Package A ³⁰ OPT 20405-R-XXX Vertical grab bar on right wall, horizontal grab bar on back wall	\$ 417
OPT20405-R-105	Package includes : • 24 in. Vertical grab bar on side wall • 24 in. Horizontal grab bar on back wall Available colors: White (002), Chrome (084) and Brushed Nickel (105)	\$ 417
OPT20406-L-084	Package B ^{30,31} OPT 20406-L-XXX Vertical grab bar on left wall, left-hand curved grab bar on back wall	\$ 564
OPT20406-L-002	Package includes : • 24 in. Vertical grab bar on side wall	\$ 564
OPT20406-L-105	• 23 in. Curved grab bar on back wall Available colors: White (002), Chrome (084) and Brushed Nickel (105)	\$ 564
OPT20406-R-002	Package B ^{30, 31} OPT 20406-R-XXX Vertical grab bar on right wall, right-hand curved grab bar on back wall	\$ 564
OPT20406-R-084	Package includes : • 24 in. Vertical grab bar on side wall	\$ 564
OPT20406-R-105	• 23 in. Curved grab bar on back wall Available colors: White (002), Chrome (084) and Brushed Nickel (105)	\$ 564
OPT20407-L-084	Package C ^{30,32} OPT 20407-L-XXX 2 x Vertical grab bars on side walls, left-hand pivot grab bar on back wall	\$ 1951
OPT20407-L-105	Package includes : • 2 x 24 in. Vertical grab bar on side walls • Pivot grab bar on back wall Available colors: Chrome (084) and Brushed Nickel (105)	\$ 1951
OPT20407-R-105	Package C ^{30,32} OPT 20407-R-XXX 2 x Vertical grab bars on side walls, right-hand pivot grab bar on back wall	\$ 1951
OPT20407-R-084	Package includes : • 2 x 24 in. Vertical grab bar on side walls • Pivot grab bar on back wall Available colors: Chrome (084) and Brushed Nickel (105)	\$ 1951
OPT10189	Three-wall reinforcement for future grab bar installation ³³	\$ 232
OPT20054-106	48 in. curtain rod with installation kit Available color: Stainless Steel (106)	\$ 164
OPT20220-002		\$ 256
OPT20220-105	Shelf guard rails (factory installed) Available colors: White (002), Chrome (084), Brushed Nickel (105)	\$ 256
OPT20220-084		\$ 256

ACCESSORIES

SKU	Description	MSRP
10029996-084		\$ 261
10029996-002	18 in. modern straight grab bar with flange (front installation) Specify color: White (002), Chrome (084), Brushed Nickel (105)	\$ 261
10029996-105		\$ 261
10029997-002		\$ 277
10029997-105	24 in. modern straight grab bar with flange (front installation) Specify color: White (002), Chrome (084), Brushed Nickel (105)	\$ 277
10029997-084		\$ 277
10030093-084		\$ 432
10030093-002	23 in. Curved left-hand grab bar with flange (front installation) Specify color: White (002), Chrome (084), Brushed Nickel (105)	\$ 432
10030093-105		\$ 432
10030094-084		\$ 432
10030094-105	23 in. Curved right-hand grab bar with flange (front installation) Specify color: White (002), Chrome (084), Brushed Nickel (105)	\$ 432
10030094-002		\$ 432

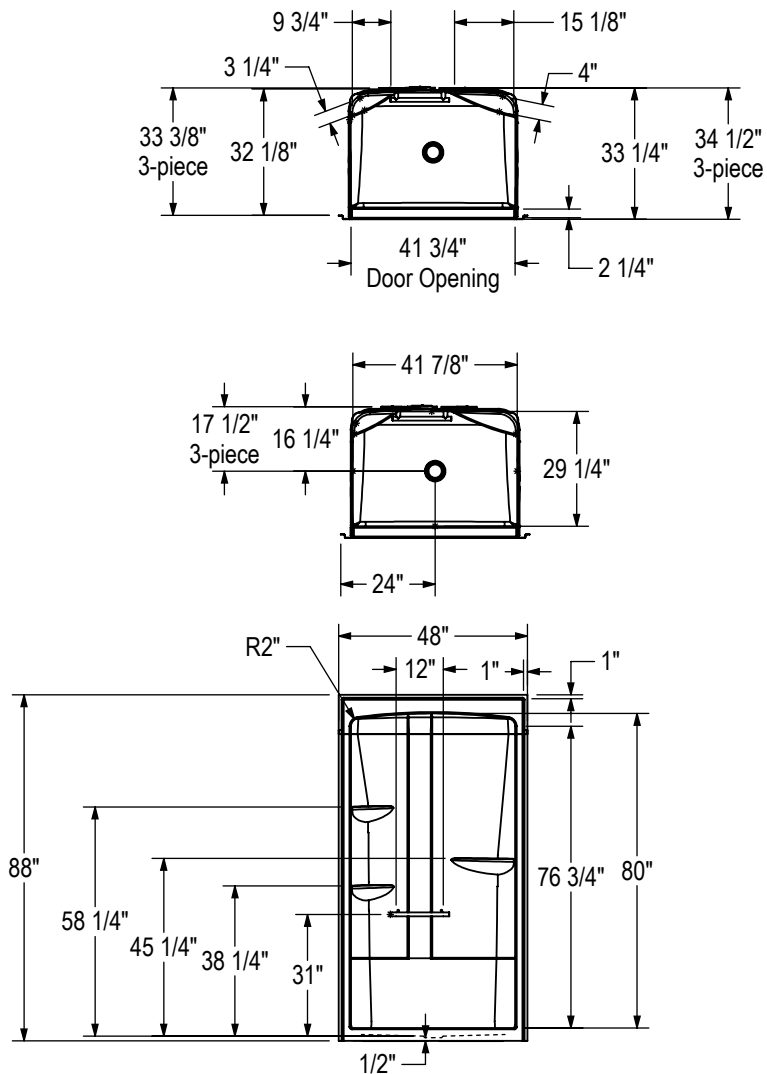
ACCESSORIES

SKU	Description	MSRP
10000041-105	Shower Drain (sold separately) PVC quick caulking shower drain, compression type	\$ 37
10000041-084	Specify grid color: Chrome (084) or Brushed Nickel (105)	\$ 37
10000043-084	Shower Drain (sold separately) 2-piece ABS shower drain with Chrome stainless steel grid	\$ 36
10004349-001	ABS shower drain with ABS grid (sold separately)	\$ 13
10004349-004	Available color: White (001) and Bone (004)	\$ 13
10028765-105		\$ 261
10028765-084	24 in. modern straight grab bar ¹³ Specify color: White (002), Chrome (084), Brushed Nickel (105)	\$ 261
10028765-002		\$ 261
10028917-002		\$ 1053
10028917-084	Rectangular fold-down White polyurethane seat ¹⁴ Available trimming colours: White (002), Chrome (084) and Brushed Nickel (105)	\$ 1053
10028917-105		\$ 1053
10029251-084		\$ 412
10029251-105	23 in. Left hand curved grab bar ¹³ Left refers to the upper section of the curved bar	\$ 412
10029251-002	Specify color: White (002), Chrome (084), Brushed Nickel (105)	\$ 412
10029252-002		\$ 412
10029252-084	23 in. Right hand curved grab bar ¹³ Right refers to the upper section of the curved bar	\$ 412
10029252-105	Specify color: White (002), Chrome (084), Brushed Nickel (105)	\$ 412

FOOTNOTES

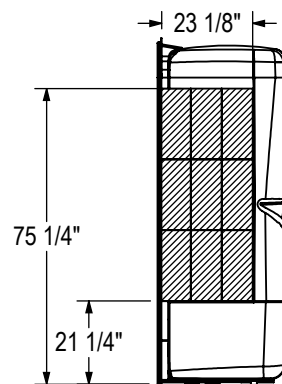
No	Description
6	Specify 3/8 (Lite option) or 2 in. on deck height. If ordering unit with an apron, only 2 in. deck height is available.
9	6-Pack bathtubs are only available when units are without systems and in a standard colour.
10	Systems not available with units installed undermount.
11	Apron access panel is included with a Whirlpool or combined system.
13	Two pumps are required with a second Backmax.
14	Standard grab bars for standard colour units are colour-coordinated. Grab bars with metallic finish can be added (additional charge applies).
16	No heated backrest is offered, but 3 air jets are included on the foot step.
30	Please see technical drawings on https://www.maax.com for grab bar and/or seat positioning.
31	Right (R)/Left (L) refers to the upper section of the ergonomic grab bar.
32	Right/Left refers to the pivot direction of the bar (from closed to open position).
33	Please see technical drawings on https://www.maax.com for reinforcement positioning and size.
34	Fold-down seat only available when unit ordered with no integrated seat.
52	Please specify R/L valve positioning.
60	Please see technical drawings on www.akerbymaax.com for grab bar positioning.
61	Please see technical drawings on www.akerbymaax.com for reinforcement positioning and size.
64	Please see technical drawings on www.akerbymaax.com for grab bar and/or seat positioning.
13	

STANDARD
1-PIECE MODEL SHOWN

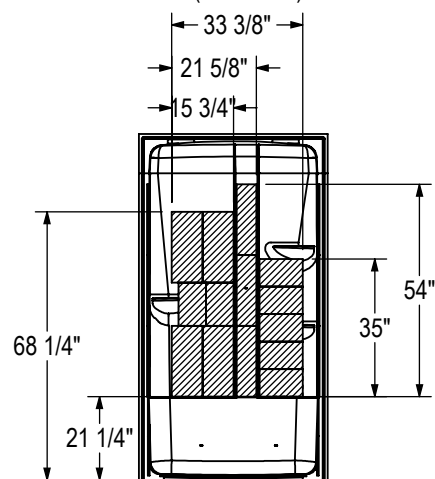


All dimensions are approximate. Structure measurements must be verified against the unit to ensure proper fit.

OPTIONAL REINFORCEMENT
(Left shown)



OPTIONAL REINFORCEMENT
(Back Wall)



Camelia SHR-6034 (1-piece)



Material : Acrylic

Features

- › Model Size: 60 L in. X 34 1/2 W in. X 88 H in.
- › Thermoformed cast Acrylic for improved durability
- › Smooth Walls for a modern and minimalist look
- › 1 Piece construction for reliable water containment
- › Compatible with a wide range of MAAX Products
- › Above-the-Floor Rough (AFR) : No
- › Made in North America
- › 25 years warranty

ALCOVE SHOWERS - ACRYLIC

CAMELIA SHR-6034 (1-PIECE) - 105922

SKU	Color	Configuration	Dimensions & Weight	Packaging	MSRP
105922-2-000-001	White	Center	60" x 34" x 88" / 169 lb / 77 kg	116 ft ³	\$ 2300
105922-LC-000-001					\$ 2300
105922-LR-000-001		Right			\$ 2300
105922-NC-000-001		Center			\$ 2300
105922-NL-000-001		Left			\$ 2300
105922-NR-000-001		Right			\$ 2300
105922-RC-000-001		Center			\$ 2300
105922-RL-000-001		Left			\$ 2300

CAMELIA SHR-6034 (3-PIECE) - 105922S

SKU	Color	Configuration	Dimensions & Weight	Packaging	MSRP
105922-000-001-190	White	Center	60" x 34" x 88" / 169 lb / 77 kg	116 ft ³	\$ 2839
105922-S2-000-001					\$ 2839
105922-SLC-000-001					\$ 2839
105922-SLR-000-001		Right			\$ 2839
105922-SNL-000-001		Left			\$ 2839
105922-SNR-000-001		Right			\$ 2839
105922-SRC-000-001		Center			\$ 2839
105922-SRL-000-001		Left			\$ 2839

COMMON OPTIONS

SKU	Description	MSRP
OPT20203-B-002	18 in. Modern straight grab bar ⁶	\$ 259
OPT20203-B-105	OPT 20203-B-XXX Horizontal grab bar on back wall	\$ 259
OPT20203-B-084	Available colors: White (002), Chrome (084) and Brushed Nickel (105)	\$ 259
OPT20203-L-105	18 in. Modern straight grab bar ⁶⁰	\$ 259
OPT20203-L-002	OPT 20203-L-XXX Vertical grab bar on left wall	\$ 259
OPT20203-L-084	Available colors: White (002), Chrome (084) and Brushed Nickel (105)	\$ 259
OPT20203-R-084	18 in. Modern straight grab bar ⁶⁰	\$ 259
OPT20203-R-002	OPT 20203-R-XXX Vertical grab bar on right wall	\$ 259
OPT20203-R-105	Available colors: White (002), Chrome (084) and Brushed Nickel (105)	\$ 259
OPT20204-B-002	24 in. Modern straight grab bar ⁶	\$ 277
OPT20204-B-084	OPT 20204-B-XXX Horizontal grab bar on back wall	\$ 277
OPT20204-B-105	Available colors: White (002), Chrome (084) and Brushed Nickel (105)	\$ 277
OPT20204-L-084	24 in. Modern straight grab bar ⁶	\$ 277
OPT20204-L-105	OPT 20204-L-XXX Vertical grab bar on left wall	\$ 277
OPT20204-L-002	Available colors: White (002), Chrome (084) and Brushed Nickel (105)	\$ 277
OPT20204-R-002	24 in. Modern straight grab bar ⁶⁰	\$ 277
OPT20204-R-084	OPT 20204-R-XXX Vertical grab bar on right wall	\$ 277
OPT20204-R-105	Available colors: White (002), Chrome (084) and Brushed Nickel (105)	\$ 277
OPT20212-B	Wall reinforcement (one wall) for future grab bar installation ⁹ OPT20212-B Reinforcement on back wall	\$ 111
OPT20212-L	Wall reinforcement (one wall) for future grab bar installation ⁶¹ OPT 20212-L Reinforcement on left wall	\$ 111
OPT20212-R	Wall reinforcement (one wall) for future grab bar installation ⁹ OPT 20212-R Reinforcement on right wall	\$ 111
OPT20216-B-002	30 in. Modern straight grab bar ⁶⁰	\$ 290
OPT20216-B-105	OPT 20216-HB-XXX Horizontal grab bar on back wall	\$ 290
OPT20216-B-084	Available colors: White (002), Chrome (084) and Brushed Nickel (105)	\$ 290
OPT20216-L-002	30 in. Modern straight grab bar ³⁰	\$ 290
OPT20216-L-105	OPT 20216-L-XXX Vertical grab bar on left wall	\$ 290
OPT20216-L-084	Available colors: White (002), Chrome (084) and Brushed Nickel (105)	\$ 290
OPT20216-R-002	30 in. Modern straight grab bar ³⁰	\$ 290
OPT20216-R-105	OPT 20216-R-XXX Vertical grab bar on right wall	\$ 290
OPT20216-R-084	Available colors: White (002), Chrome (084) and Brushed Nickel (105)	\$ 290
OPT20219-L-084	Pivot grab bar (back wall) ³⁰³² OPT 20219-L-XXX Left-hand pivot grab bar on back wall Available colors: Chrome (084)	\$ 1766
OPT20219-R-084	Pivot grab bar (back wall) ³⁰³² OPT 20219-R-XXX Right-hand pivot grab bar on back wall Available colors: Chrome (084)	\$ 1766
OPT20221-L-105	Fold-down seat (factory installed) ³⁴⁵²⁶⁴	\$ 1053
OPT20221-L-002	OPT 20221-L-XXX Left side wall	\$ 1053
OPT20221-L-084	Specify trimming color: White (002), Chrome (084), Brushed Nickel (105)	\$ 1053

COMMON OPTIONS

SKU	Description	MSRP
OPT20221-R-002	Fold-down seat (factory installed) ¹⁰¹¹¹⁶	\$ 1053
OPT20221-R-105	OPT 20221-R-XXX Right side wall	\$ 1053
OPT20221-R-084	Specify trimming color: White (002), Chrome (084), Brushed Nickel (105)	\$ 1053
OPT20403-L-105	Package A ³⁰ OPT 20403-L-XXX Vertical grab bar on left wall, horizontal grab bar on back wall	\$ 442
OPT20403-L-002	Package includes : • 24 in. Vertical grab bar on side wall	\$ 442
OPT20403-L-084	• 30 in. Horizontal grab bar on back wall Available colors: White (002), Chrome (084) and Brushed Nickel (105)	\$ 442
OPT20403-R-084	Package A ³⁰ OPT 20403-R-XXX Vertical grab bar on right wall, horizontal grab bar on back wall	\$ 442
OPT20403-R-002	Package includes : • 24 in. Vertical grab bar on side wall	\$ 442
OPT20403-R-105	• 30 in. Horizontal grab bar on back wall Available colors: White (002), Chrome (084) and Brushed Nickel (105)	\$ 442
OPT20404-L-105	Package B ^{30, 31} OPT 20404-L-XXX Vertical grab bar on left wall, left-hand curved grab bar on back wall	\$ 588
OPT20404-L-084	Package includes : • 24 in. Vertical grab bar on side wall	\$ 588
OPT20404-L-002	• 32 in. Horizontal grab bar on back wall Available colors: White (002), Chrome (084) and Brushed Nickel (105)	\$ 588
OPT20404-R-002	Package B ^{30, 31} OPT 20404-R-XXX Vertical grab bar on right wall, right-hand curved grab bar on back wall	\$ 588
OPT20404-R-084	Package includes : • 24 in. Vertical grab bar on side wall	\$ 588
OPT20404-R-105	• 32 in. Horizontal grab bar on back wall Available colors: White (002), Chrome (084) and Brushed Nickel (105)	\$ 588
OPT20407-L-084	Package C ^{30,32} OPT 20407-L-XXX 2 x Vertical grab bars on side walls, left-hand pivot grab bar on back wall	\$ 1951
OPT20407-L-105	Package includes : • 2 x 24 in. Vertical grab bar on side walls • Pivot grab bar on back wall Available colors: Chrome (084) and Brushed Nickel (105)	\$ 1951
OPT20407-R-105	Package C ^{30,32} OPT 20407-R-XXX 2 x Vertical grab bars on side walls, right-hand pivot grab bar on back wall	\$ 1951
OPT20407-R-084	Package includes : • 2 x 24 in. Vertical grab bar on side walls • Pivot grab bar on back wall Available colors: Chrome (084) and Brushed Nickel (105)	\$ 1951
OPT20217-L-105	32 in. Curved grab bar (back wall) ³⁰³¹	\$ 469
OPT20217-L-002	OPT 20217-L-XXX Left-hand curved grab bar on back wall	\$ 469
OPT20217-L-084	Available colors: White (002), Chrome (084) and Brushed Nickel (105)	\$ 469
OPT20217-R-002	32 in. Curved grab bar (back wall) ³⁰³¹	\$ 469
OPT20217-R-105	OPT 20217-R-XXX Right-hand curved grab bar on back wall	\$ 469
OPT20217-R-084	Available colors: White (002), Chrome (084) and Brushed Nickel (105)	\$ 469
OPT10189	Three-wall reinforcement for future grab bar installation ³³	\$ 232
OPT20056-106	60 in. curtain rod with installation kit Available color: Stainless Steel (106)	\$ 182
OPT20220-002		\$ 256
OPT20220-105	Shelf guard rails (factory installed) Available colors: White (002), Chrome (084), Brushed Nickel (105)	\$ 256
OPT20220-084		\$ 256

ACCESSORIES

SKU	Description	MSRP
10029997-002	24 in. modern straight grab bar with flange (front installation) Specify color: White (002), Chrome (084), Brushed Nickel (105)	\$ 277

ACCESSORIES		
SKU	Description	MSRP
10029997-105	24 in. modern straight grab bar with flange (front installation)	\$ 277
10029997-084	Specify color: White (002), Chrome (084), Brushed Nickel (105)	\$ 277
10029998-084		\$ 293
10029998-002	30 in. modern straight grab bar with flange (front installation)	\$ 293
10029998-105	Specify color: White (002), Chrome (084), Brushed Nickel (105)	\$ 293
10030095-002		\$ 464
10030095-084	32 in. curved left-hand grab bar with flange (front installation)	\$ 464
10030095-105	Specify color: White (002), Chrome (084), Brushed Nickel (105)	\$ 464
10030097-084		\$ 464
10030097-002	32 in. curved right-hand grab bar with flange (front installation)	\$ 464
10030097-105	Specify color: White (002), Chrome (084), Brushed Nickel (105)	\$ 464
10000041-105	Shower Drain (sold separately)	\$ 37
10000041-084	PVC quick caulking shower drain, compression type Specify grid color: Chrome (084) or Brushed Nickel (105)	\$ 37
10000043-084	Shower Drain (sold separately) 2-piece ABS shower drain with Chrome stainless steel grid	\$ 36
10004349-001	ABS shower drain with ABS grid (sold separately)	\$ 13
10004349-004	Available color: White (001) and Bone (004)	\$ 13
10028765-105		\$ 261
10028765-084	24 in. modern straight grab bar ¹³	\$ 261
10028765-002	Specify color: White (002), Chrome (084), Brushed Nickel (105)	\$ 261
10029248-105		\$ 277
10029248-002	30 in. Modern straight grab bar ¹³	\$ 277
10029248-084	Specify color: White (002), Chrome (084), Brushed Nickel (105)	\$ 277
10029253-002		\$ 447
10029253-084	32 in. Left hand curved grab bar ¹³	\$ 447
10029253-105	Left refers to the upper section of the curved bar Specify color: White (002), Chrome (084), Brushed Nickel (105)	\$ 447
10029254-084		\$ 447
10029254-002	32 in. Right hand curved grab bar ¹³	\$ 447
10029254-105	Right refers to the upper section of the curved bar Specify color: White (002), Chrome (084), Brushed Nickel (105)	\$ 447

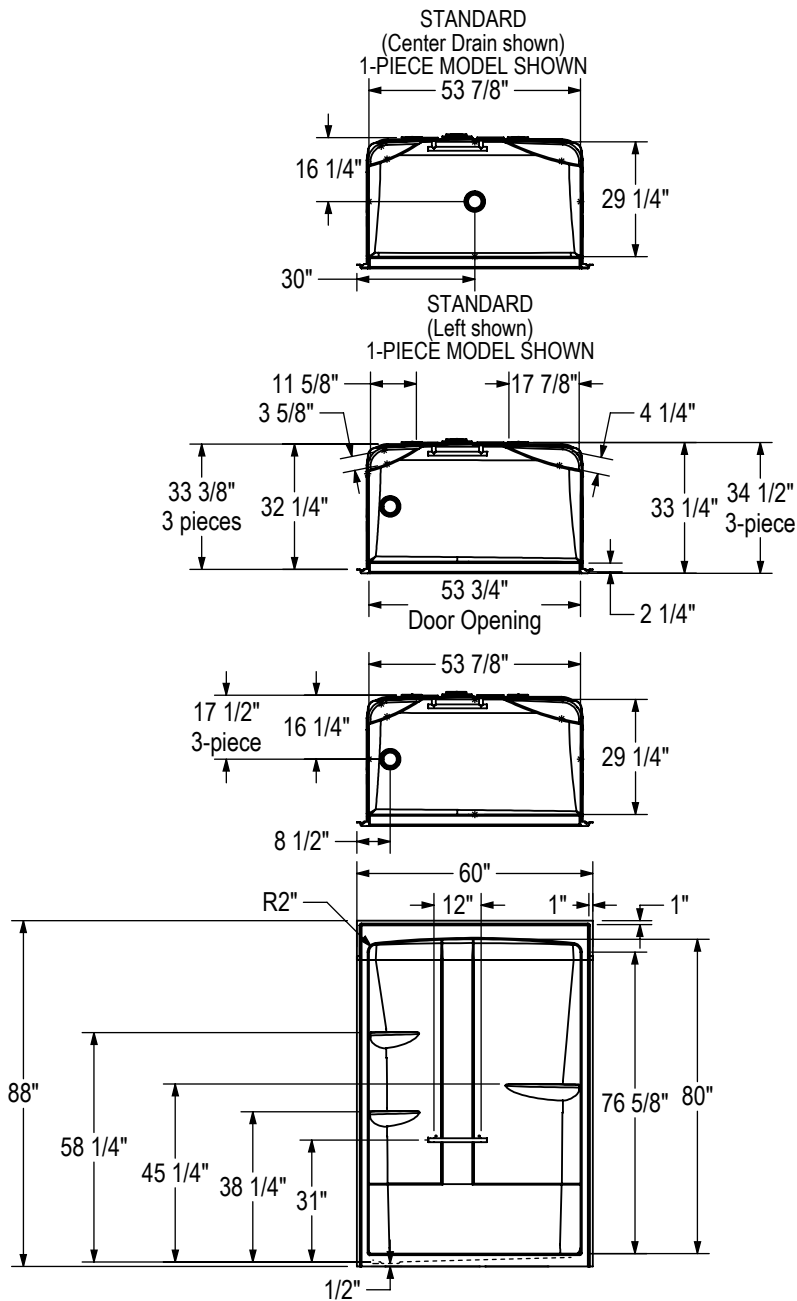
FOOTNOTES	
No	Description
6	Specify 3/8 (Lite option) or 2 in. on deck height. If ordering unit with an apron, only 2 in. deck height is available.
9	6-Pack bathtubs are only available when units are without systems and in a standard colour.
10	Systems not available with units installed undermount.
11	Apron access panel is included with a Whirlpool or combined system.
13	Two pumps are required with a second Backmax.
16	No heated backrest is offered, but 3 air jets are included on the foot step.
30	Please see technical drawings on https://www.maax.com for grab bar and/or seat positioning.

FOOTNOTES

No	Description
31	Right (R)/Left (L) refers to the upper section of the ergonomic grab bar.
32	Right/Left refers to the pivot direction of the bar (from closed to open position).
33	Please see technical drawings on https://www.maax.com for reinforcement positioning and size.
34	Fold-down seat only available when unit ordered with no integrated seat.
52	Please specify R/L valve positioning.
60	Please see technical drawings on www.akerbymaax.com for grab bar positioning.
61	Please see technical drawings on www.akerbymaax.com for reinforcement positioning and size.
64	Please see technical drawings on www.akerbymaax.com for grab bar and/or seat positioning.

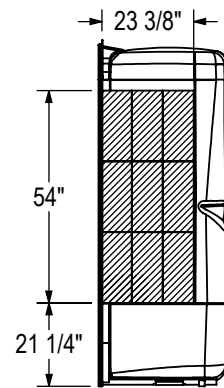
RECOMMENDED DOORS

SKU	Product Name	Pag.
138275	Manhattan 53-55 x 68 - 6mm	338
138521	Incognito 74 51-54x74in. 8mm	302
139579	Reveal Sleek 71 51 ½-54 ½ x 71 ½ - 8mm	351
136883	Reveal 71 51 ½-54 ½ x 71 ½ - 8mm	348
135664	Aura 51-55 x 71 - 6mm	320

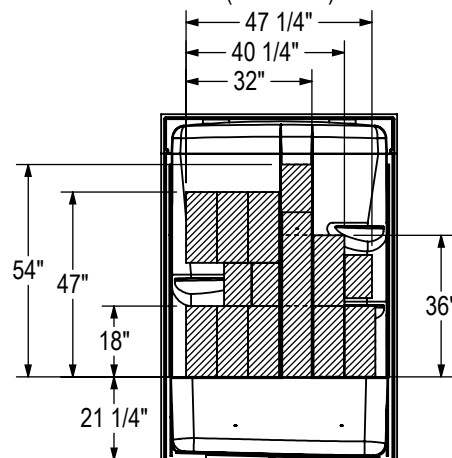


All dimensions are approximate. Structure measurements must be verified against the unit to ensure proper fit.

OPTIONAL REINFORCEMENT (Left shown)



OPTIONAL REINFORCEMENT (Back Wall)





Carlton I



Material : AcrylX

Features

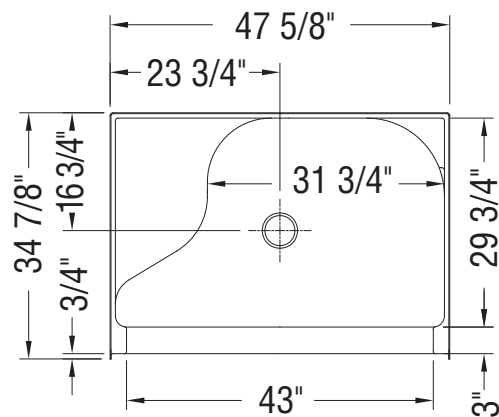
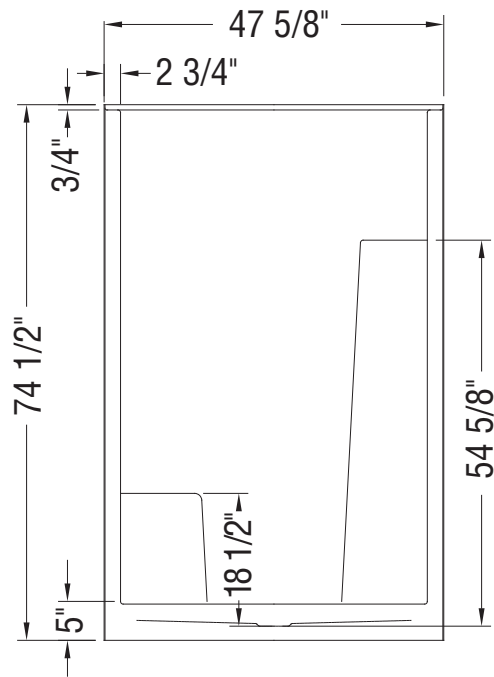
- > 1-piece shower without roof cap
- > Integrated shelf and seat
- > Center drain

ALCOVE SHOWERS - ACRYLX

CARLTON I - 100961					
SKU	Color	Configuration	Dimensions & Weight	Packaging	MSRP
100961-000-002-001	White	Center	47 5/8" x 34 7/8" x 74 1/2" / 109 lb / 49 kg	74 ft³	\$ 1707
100961-000-002-002					\$ 1707

ACCESSORIES		
SKU	Description	MSRP
10000041-105	Shower Drain (sold separately) PVC quick caulking shower drain, compression type	\$ 37
10000041-084	Specify grid color: Chrome (084) or Brushed Nickel (105)	\$ 37
10000043-084	Shower Drain (sold separately) 2-piece ABS shower drain with Chrome stainless steel grid	\$ 36
10004349-001	ABS shower drain with ABS grid (sold separately)	\$ 13
10004349-004	Available color: White (001) and Bone (004)	\$ 13

RECOMMENDED DOORS		
SKU	Product Name	Pag.
138269	Manhattan 41-43 x 68 - 6mm	337
138270	Manhattan 43-45 x 68 - 6mm	337
105413	Polar 42-47 ½ x 68 in.	308



All dimensions are approximate. Structure measurements must be verified against the unit to ensure proper fit.



32S



Material : AcrylX
Features

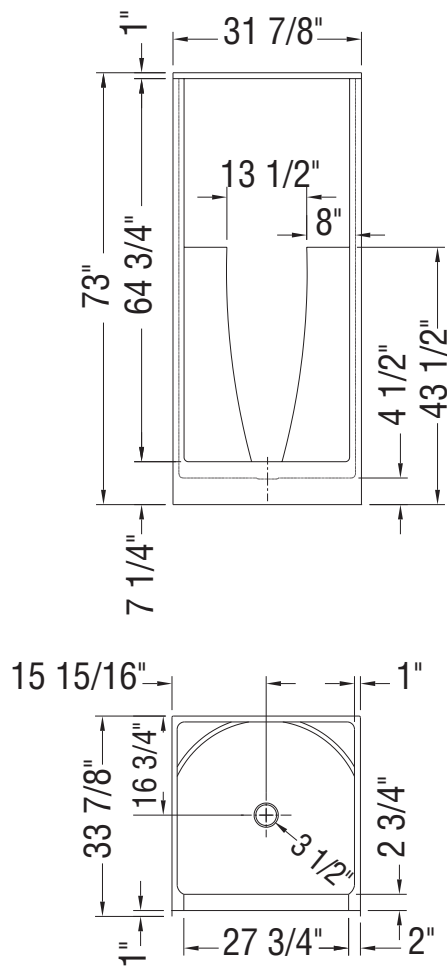
- > 1-piece shower
- > Built-in soap dishes

ALCOVE SHOWERS - ACRYLX

32S - 103000					
SKU	Color	Configuration	Dimensions & Weight	Packaging	MSRP
103000-000-002-000	White	Center	31 7/8" x 33 7/8" x 73" / 84 lb / 38 kg	46 ft ³	\$ 1150
103000-000-004-000	Bone				\$ 1150
103000-000-006	Sterling Silver				\$ 1250
103000-000-007-000	Biscuit				\$ 1150
103000-000-015	Black				\$ 1250
103000-000-019	Thunder Gray				\$ 1250

ACCESSORIES		
SKU	Description	MSRP
10000041-105	Shower Drain (sold separately) PVC quick caulking shower drain, compression type	\$ 37
10000041-084	Specify grid color: Chrome (084) or Brushed Nickel (105)	\$ 37
10000043-084	Shower Drain (sold separately) 2-piece ABS shower drain with Chrome stainless steel grid	\$ 36
10004349-001	ABS shower drain with ABS grid (sold separately)	\$ 13
10004349-004	Available color: White (001) and Bone (004)	\$ 13

RECOMMENDED DOORS		
SKU	Product Name	Pag.
136635	Pivolok 27-28 3/4 x 64 1/2 in.	343



All dimensions are approximate. Structure measurements must be verified against the unit to ensure proper fit.

32SKD



Material : AcrylX

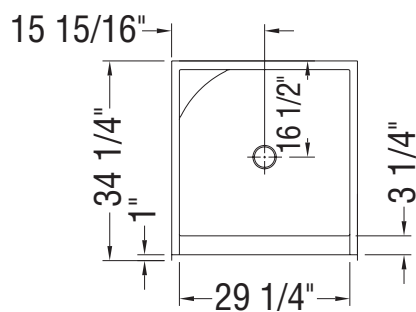
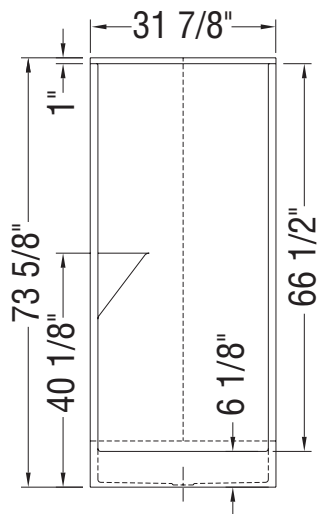
Features

- > 3-piece shower
- > Built-in shelf

32SKD - 103006					
SKU	Color	Configuration	Dimensions & Weight	Packaging	MSRP
103006-000-002-000	White	Center	31 7/8" x 34 1/4" x 73 5/8" / 93 lb / 42 kg	49 ft ³	\$ 1602
103006-000-004-000	Bone				\$ 1602
103006-000-006	Sterling Silver				\$ 1702
103006-000-007-000	Biscuit				\$ 1602
103006-000-015	Black				\$ 1702
103006-000-019	Thunder Gray				\$ 1702

ACCESSORIES		
SKU	Description	MSRP
10000041-105	Shower Drain (sold separately) PVC quick caulking shower drain, compression type	\$ 37
10000041-084	Specify grid color: Chrome (084) or Brushed Nickel (105)	\$ 37
10000043-084	Shower Drain (sold separately) 2-piece ABS shower drain with Chrome stainless steel grid	\$ 36
10004349-001	ABS shower drain with ABS grid (sold separately)	\$ 13
10004349-004	Available color: White (001) and Bone (004)	\$ 13

RECOMMENDED DOORS		
SKU	Product Name	Pag.
136645	Pivolok 29-30 3/4 x 64 1/2 in.	343



All dimensions are approximate. Structure measurements must be verified against the unit to ensure proper fit.

36S



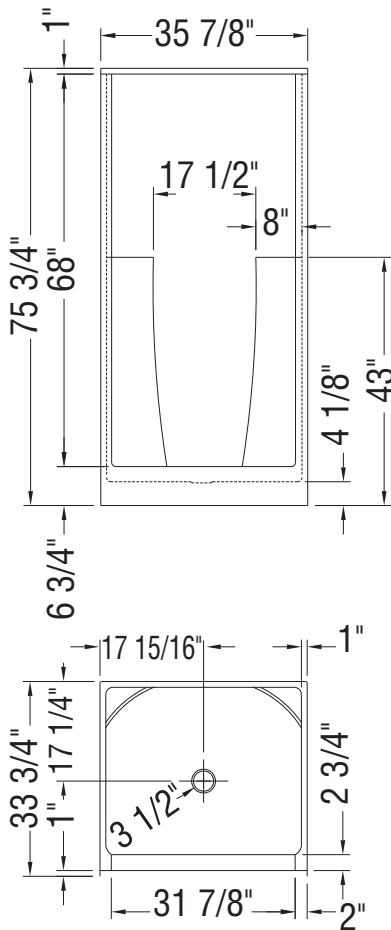
Material : AcrylX
Features

- > 1-piece shower
- > Built-in soap dishes

36S - 103001					
SKU	Color	Configuration	Dimensions & Weight	Packaging	MSRP
103001-000-002-000	White	Center	35 7/8" x 33 3/4" x 76" / 88 lb / 40 kg	54 ft ³	\$ 1402
103001-000-004-000	Bone				\$ 1402
103001-000-006-000	Sterling Silver				\$ 1502
103001-000-007-000	Biscuit				\$ 1402
103001-000-015	Black				\$ 1502
103001-000-019	Thunder Gray				\$ 1502

ACCESSORIES		
SKU	Description	MSRP
10000041-105	Shower Drain (sold separately) PVC quick caulking shower drain, compression type	\$ 37
10000041-084	Specify grid color: Chrome (084) or Brushed Nickel (105)	\$ 37
10000043-084	Shower Drain (sold separately) 2-piece ABS shower drain with Chrome stainless steel grid	\$ 36
10004349-001	ABS shower drain with ABS grid (sold separately)	\$ 13
10004349-004	Available color: White (001) and Bone (004)	\$ 13

RECOMMENDED DOORS		
SKU	Product Name	Pag.
138264	Manhattan 31-33 x 68 - 6mm	333
105417	Madono 31 1/2-33 1/2 x 67 - 6mm	330



All dimensions are approximate. Structure measurements must be verified against the unit to ensure proper fit.

36SKD



Material : AcrylX

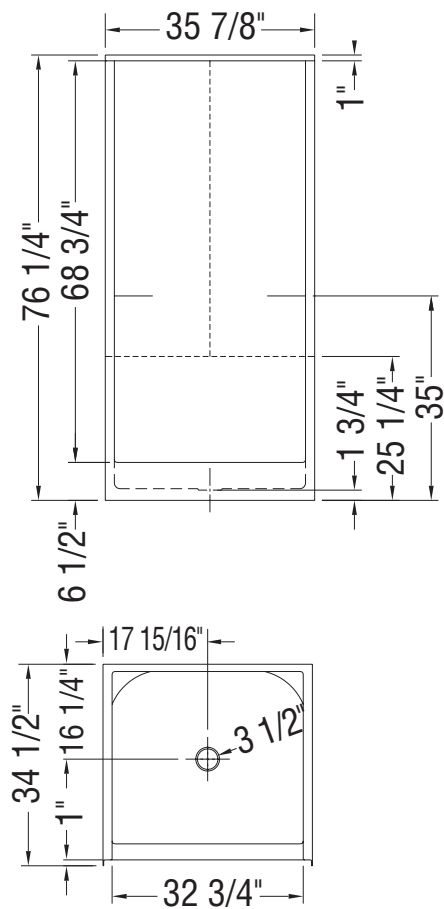
Features

- > 3-piece shower
- > 2 built-in shelves

36SKD - 103007					
SKU	Color	Configuration	Dimensions & Weight	Packaging	MSRP
103007-000-002-000	White	Center	35 7/8" x 34 1/2" x 76 1/4" / 98 lb / 44 kg	56 ft ³	\$ 1697
103007-000-004-000	Bone				\$ 1697
103007-000-006	Sterling Silver				\$ 1797
103007-000-007-000	Biscuit				\$ 1697
103007-000-015	Black				\$ 1797
103007-000-019	Thunder Gray				\$ 1797

ACCESSORIES		
SKU	Description	MSRP
10000041-105	Shower Drain (sold separately) PVC quick caulking shower drain, compression type	\$ 37
10000041-084	Specify grid color: Chrome (084) or Brushed Nickel (105)	\$ 37
10000043-084	Shower Drain (sold separately) 2-piece ABS shower drain with Chrome stainless steel grid	\$ 36
10004349-001	ABS shower drain with ABS grid (sold separately)	\$ 13
10004349-004	Available color: White (001) and Bone (004)	\$ 13

RECOMMENDED DOORS		
SKU	Product Name	Pag.
138264	Manhattan 31-33 x 68 - 6mm	333
105417	Madono 31 1/2-33 1/2 x 67 - 6mm	330



All dimensions are approximate. Structure measurements must be verified against the unit to ensure proper fit.

48SKD



Material : AcrylX

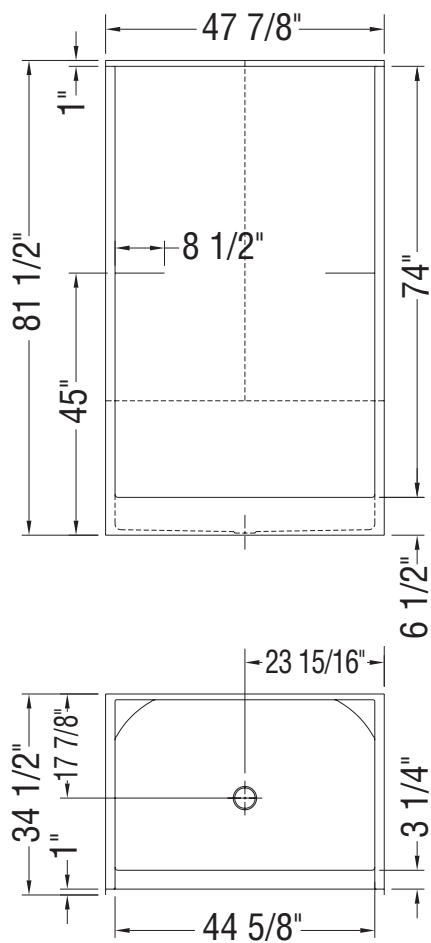
Features

- > 3-piece shower
- > Built-in soap dishes

48SKD - 103008					
SKU	Color	Configuration	Dimensions & Weight	Packaging	MSRP
103008-000-002-000	White	Center	47 7/8" x 34 1/2" x 81 1/2" / 108 lb / 49 kg	79 ft ³	\$ 1909
103008-000-004-000	Bone				\$ 1909
103008-000-006	Sterling Silver				\$ 2009
103008-000-007-000	Biscuit				\$ 1909
103008-000-015	Black				\$ 2009
103008-000-019	Thunder Gray				\$ 2009

ACCESSORIES		
SKU	Description	MSRP
10000041-105	Shower Drain (sold separately) PVC quick caulking shower drain, compression type	\$ 37
10000041-084	Specify grid color: Chrome (084) or Brushed Nickel (105)	\$ 37
10000043-084	Shower Drain (sold separately) 2-piece ABS shower drain with Chrome stainless steel grid	\$ 36
10004349-001	ABS shower drain with ABS grid (sold separately)	\$ 13
10004349-004	Available color: White (001) and Bone (004)	\$ 13

RECOMMENDED DOORS		
SKU	Product Name	Pag.
138270	Manhattan 43-45 x 68 - 6mm	337
139352	Incognito 70 44-47 x 70 1/2 - 8mm	300



All dimensions are approximate. Structure measurements must be verified against the unit to ensure proper fit.



Biarritz 40



Material : AcrylX
Features

- > 1-piece shower
- > 2 built-in shelves

ALCOVE SHOWERS - ACRYLX

BIARRITZ 40 - 200030

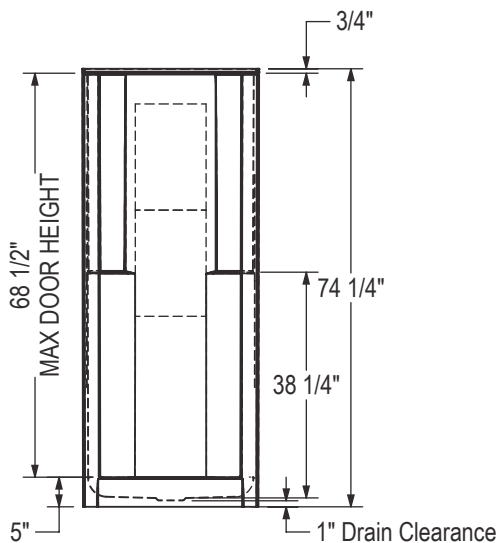
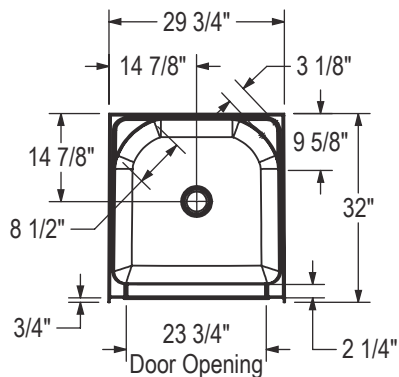
SKU	Color	Configuration	Dimensions & Weight	Packaging	MSRP
200030-000-002-000	White	Center	29 3/4" x 32" x 75" / 73 lb / 33 kg	44 ft ³	\$ 1094

ACCESSORIES

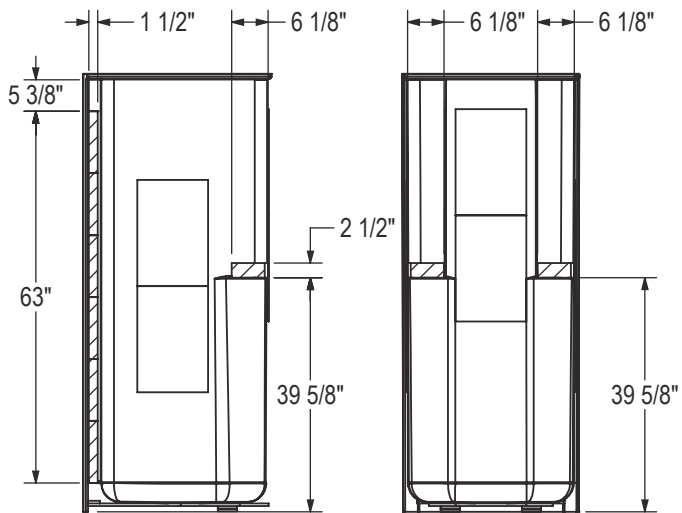
SKU	Description	MSRP
10000041-105	Shower Drain (sold separately) PVC quick caulking shower drain, compression type	\$ 37
10000041-084	Specify grid color: Chrome (084) or Brushed Nickel (105)	\$ 37
10000043-084	Shower Drain (sold separately) 2-piece ABS shower drain with Chrome stainless steel grid	\$ 36
10004349-001	ABS shower drain with ABS grid (sold separately)	\$ 13
10004349-004	Available color: White (001) and Bone (004)	\$ 13

RECOMMENDED DOORS

SKU	Product Name	Pag.
138260	Manhattan 23-25 x 68 - 6mm	332
136625	Pivolok 23-24 3/4 x 64 1/2 in.	342



REINFORCEMENT BACKING



All dimensions are approximate. Structure measurements must be verified against the unit to ensure proper fit.



Biarritz 85



Material : AcrylX

Features

- > 1-piece shower
- > Built-in shelves

ALCOVE SHOWERS - ACRYLX

BIARRITZ 85 - 107365

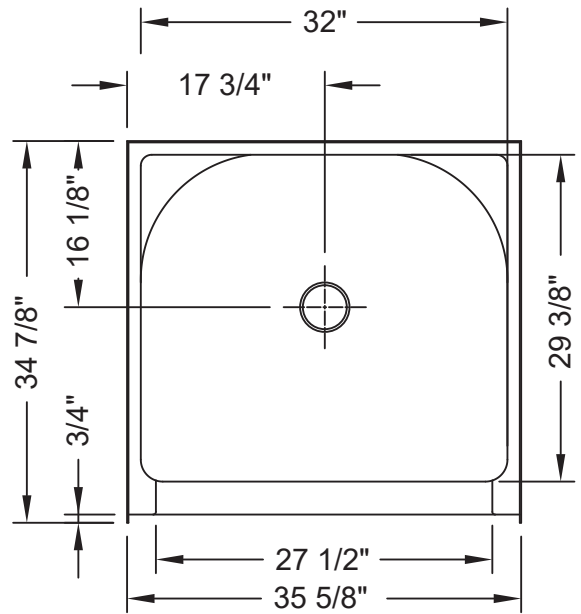
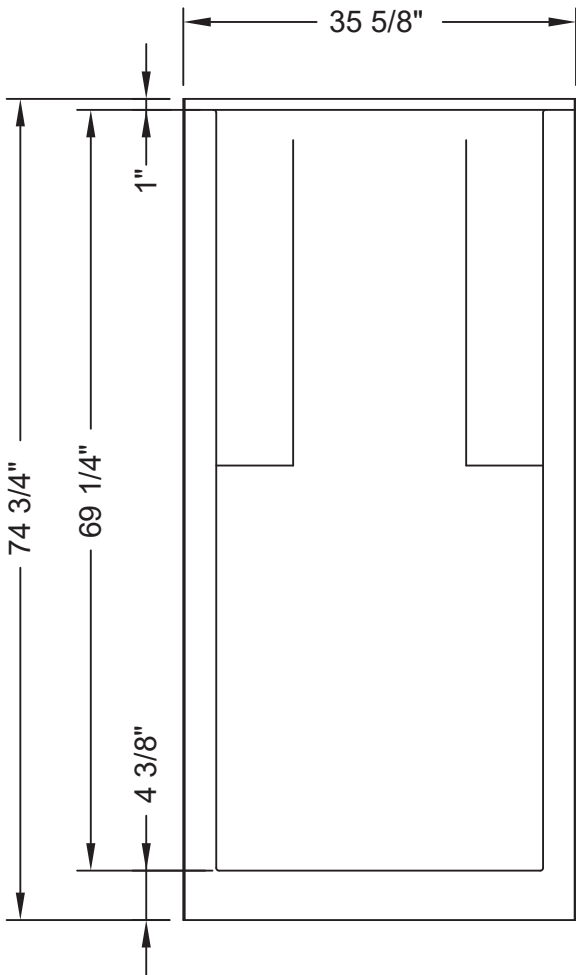
SKU	Color	Configuration	Dimensions & Weight	Packaging	MSRP
107365-000-002-000	White	Center	35 5/8" x 34 7/8" x 75 1/2" / 78 lb / 35 kg	55 ft ³	\$ 1402

ACCESSORIES

SKU	Description	MSRP
10000041-105	Shower Drain (sold separately) PVC quick caulking shower drain, compression type	\$ 37
10000041-084	Specify grid color: Chrome (084) or Brushed Nickel (105)	\$ 37
10000043-084	Shower Drain (sold separately) 2-piece ABS shower drain with Chrome stainless steel grid	\$ 36
10004349-001	ABS shower drain with ABS grid (sold separately)	\$ 13
10004349-004	Available color: White (001) and Bone (004)	\$ 13

RECOMMENDED DOORS

SKU	Product Name	Pag.
138262	Manhattan 27-29 x 68 - 6mm	333
136635	Pivolok 27-28 ¾ x 64 ½ in.	343



All dimensions are approximate. Structure measurements must be verified against the unit to ensure proper fit.



Evergreen



Material : AcrylX

Features

- > 1-piece shower
- > Right or left-hand built-in seat
- > Built-in shelf

EVERGREEN - 102677

SKU	Color	Configuration	Dimensions & Weight	Packaging	MSRP
102677-000-002-001	White	Center	47 3/4" x 37" x 76 1/4" / 98 lb / 44 kg	65 ft ³	\$ 1707
102677-000-002-002					\$ 1707
102677-000-004-001	Bone				\$ 1707
102677-000-004-002					\$ 1707
102677-000-007-001	Biscuit				\$ 1707
102677-000-007-002					\$ 1707
102677-L-000-006	Sterling Silver				\$ 1807
102677-L-000-015	Black				\$ 1807
102677-L-000-019	Thunder Gray				\$ 1807
102677-R-000-006	Sterling Silver				\$ 1807
102677-R-000-015	Black				\$ 1807
102677-R-000-019	Thunder Gray				\$ 1807

ACCESSORIES

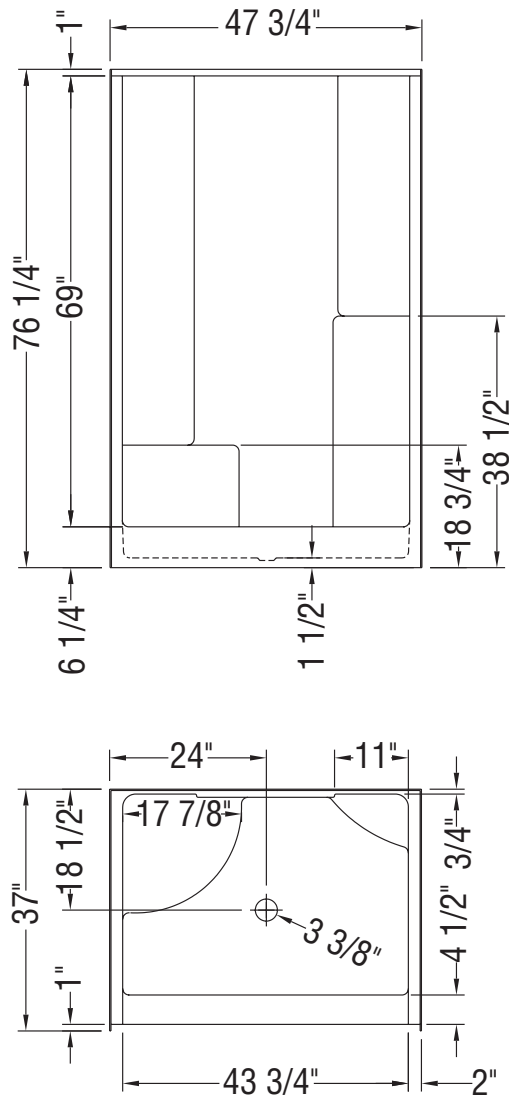
SKU	Description	MSRP
10000041-105	Shower Drain (sold separately) PVC quick caulking shower drain, compression type	\$ 37
10000041-084	Specify grid color: Chrome (084) or Brushed Nickel (105)	\$ 37
10000043-084	Shower Drain (sold separately) 2-piece ABS shower drain with Chrome stainless steel grid	\$ 36
10004349-001	ABS shower drain with ABS grid (sold separately) Available color: White (001) and Bone (004)	\$ 13

ACCESSORIES

SKU	Description	MSRP
10004349-004	ABS shower drain with ABS grid (sold separately) Available color: White (001) and Bone (004)	\$ 13

RECOMMENDED DOORS

SKU	Product Name	Pag.
138270	Manhattan 43-45 x 68 - 6mm	337
105413	Polar 42-47 ½ x 68 in.	308



All dimensions are approximate. Structure measurements must be verified against the unit to ensure proper fit.

Gallery SH-3232



ALCOVE SHOWERS - ACRYLX



Material : AcrylX

Features

- › Model Size : 32 L in. x 33 W in. x 75 H in.
- › Made of AcrylX high gloss finish for improved durability
- › Smooth Walls for a modern and minimalist look
- › Center drain configuration
- › 2 pieces construction for easy handling and installation
- › Unique MAAX PIN system for easy front installation
- › Installation Type : Alcove
- › Made in North America
- › Warranty: Limited lifetime

GALLERY SH-3232 - 105600

SKU	Color	Configuration	Dimensions & Weight	Packaging	MSRP
105600-000-002-000	White	Center	31 7/8" x 32" x 75" / 115 lb / 52 kg	38.6 ft ³	\$ 1657

COMMON OPTIONS

SKU	Description	MSRP
OPT20203-B-002	18 in. Modern straight grab bar ⁶⁰	\$ 259
OPT20203-B-105	OPT 20203-B-XXX Horizontal grab bar on back wall	\$ 259
OPT20203-B-084	Available colors: White (002), Chrome (084) and Brushed Nickel (105)	\$ 259
OPT20203-L-105	18 in. Modern straight grab bar ⁶⁰	\$ 259
OPT20203-L-002	OPT 20203-L-XXX Vertical grab bar on left wall	\$ 259
OPT20203-L-084	Available colors: White (002), Chrome (084) and Brushed Nickel (105)	\$ 259
OPT20203-R-084	18 in. Modern straight grab bar ⁶⁰	\$ 259
OPT20203-R-002	OPT 20203-R-XXX Vertical grab bar on right wall	\$ 259
OPT20203-R-105	Available colors: White (002), Chrome (084) and Brushed Nickel (105)	\$ 259
OPT20204-L-084	24 in. Modern straight grab bar ⁶⁰	\$ 277
OPT20204-L-105	OPT 20204-L-XXX Vertical grab bar on left wall	\$ 277
OPT20204-L-002	Available colors: White (002), Chrome (084) and Brushed Nickel (105)	\$ 277
OPT20204-R-002	24 in. Modern straight grab bar ⁶⁰	\$ 277
OPT20204-R-002	OPT 20204-R-XXX Vertical grab bar on right wall	\$ 277
	Available colors: White (002), Chrome (084) and Brushed Nickel (105)	

COMMON OPTIONS

SKU	Description	MSRP
OPT20204-R-084	24 in. Modern straight grab bar ⁶⁰	\$ 277
OPT20204-R-105	OPT 20204-R-XXX Vertical grab bar on right wall Available colors: White (002), Chrome (084) and Brushed Nickel (105)	\$ 277
OPT10189	Three-wall reinforcement for future grab bar installation ³³	\$ 232

ACCESSORIES

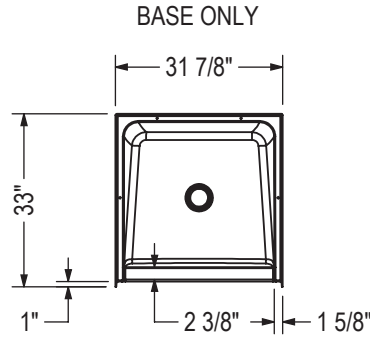
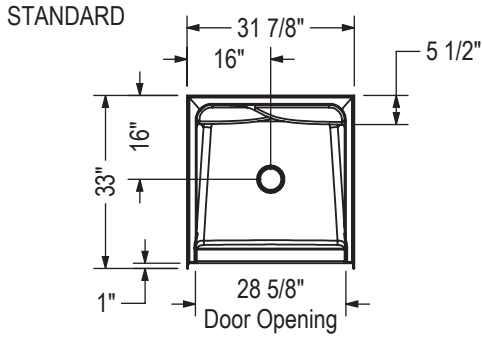
SKU	Description	MSRP
10000041-105	Shower Drain (sold separately) PVC quick caulking shower drain, compression type	\$ 37
10000041-084	Specify grid color: Chrome (084) or Brushed Nickel (105)	\$ 37
10000043-084	Shower Drain (sold separately) 2-piece ABS shower drain with Chrome stainless steel grid	\$ 36
10004349-001	ABS shower drain with ABS grid (sold separately)	\$ 13
10004349-004	Available color: White (001) and Bone (004)	\$ 13

FOOTNOTES

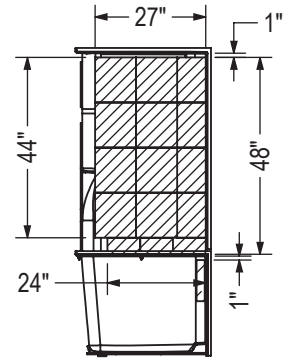
No	Description
6	Specify 3/8 (Lite option) or 2 in. on deck height. If ordering unit with an apron, only 2 in. deck height is available.
33	Please see technical drawings on https://www.maax.com for reinforcement positioning and size.
60	Please see technical drawings on www.akerbymaax.com for grab bar positioning.

RECOMMENDED DOORS

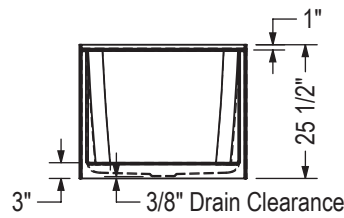
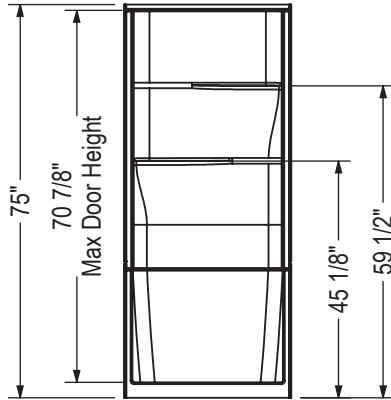
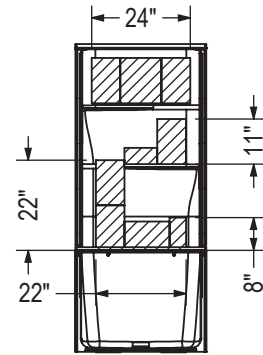
SKU	Product Name	Pag.
138262	Manhattan 27-29 x 68 - 6mm	333
105416	Madono 28 ½-30 ½ x 67 - 6mm	330
136635	Pivolok 27-28 ¾ x 64 ½ in.	343



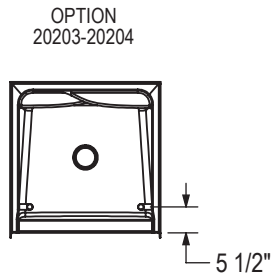
REINFORCEMENT BACKING
OPT 10189 (Left shown, Right symmetrical)



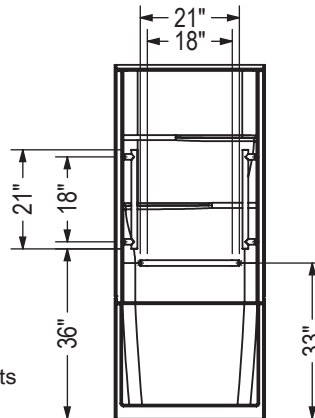
OPT 10189 (Back shown)



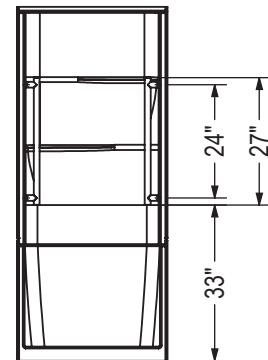
GRAB BAR



OPTION 20203



OPTION 20204



All dimensions are approximate. Structure measurements must be verified against the unit to ensure proper fit.



Gallery SH-3636



Material : AcrylX

Features

- › Model Size : 36 L in. x 37 W in. x 75 H in.
- › Made of AcrylX high gloss finish for improved durability
- › Smooth Walls for a modern and minimalist look
- › Center drain configuration
- › 2 pieces construction for easy handling and installation
- › Unique MAAX PIN system for easy front installation
- › Installation Type : Alcove
- › Made in North America
- › Warranty: Limited lifetime

GALLERY SH-3636 - 105598

SKU	Color	Configuration	Dimensions & Weight	Packaging	MSRP
105598-000-002-000	White	Center	35 7/8" x 36" x 75" / 131 lb / 59 kg	49 ft ³	\$ 1772

COMMON OPTIONS

SKU	Description	MSRP
OPT10189	Three-wall reinforcement for future grab bar installation ³³	\$ 232
OPT20203-B-002	18 in. Modern straight grab bar ⁶	\$ 259
OPT20203-B-105	OPT 20203-B-XXX Horizontal grab bar on back wall	\$ 259
OPT20203-B-084	Available colors: White (002), Chrome (084) and Brushed Nickel (105)	\$ 259
OPT20203-L-105	18 in. Modern straight grab bar ⁶⁰	\$ 259
OPT20203-L-002	OPT 20203-L-XXX Vertical grab bar on left wall	\$ 259
OPT20203-L-084	Available colors: White (002), Chrome (084) and Brushed Nickel (105)	\$ 259
OPT20203-R-084	18 in. Modern straight grab bar ⁶⁰	\$ 259
OPT20203-R-002	OPT 20203-R-XXX Vertical grab bar on right wall	\$ 259
OPT20203-R-105	Available colors: White (002), Chrome (084) and Brushed Nickel (105)	\$ 259
OPT20204-L-084	24 in. Modern straight grab bar ⁶	\$ 277
OPT20204-L-105	OPT 20204-L-XXX Vertical grab bar on left wall	\$ 277
OPT20204-L-002	Available colors: White (002), Chrome (084) and Brushed Nickel (105)	\$ 277
OPT20204-R-002	24 in. Modern straight grab bar ⁶⁰	\$ 277
	OPT 20204-R-XXX Vertical grab bar on right wall	\$ 277
	Available colors: White (002), Chrome (084) and Brushed Nickel (105)	

COMMON OPTIONS

SKU	Description	MSRP
OPT20204-R-084	24 in. Modern straight grab bar ⁶⁰	\$ 277
OPT20204-R-105	OPT 20204-R-XXX Vertical grab bar on right wall Available colors: White (002), Chrome (084) and Brushed Nickel (105)	\$ 277

ACCESSORIES

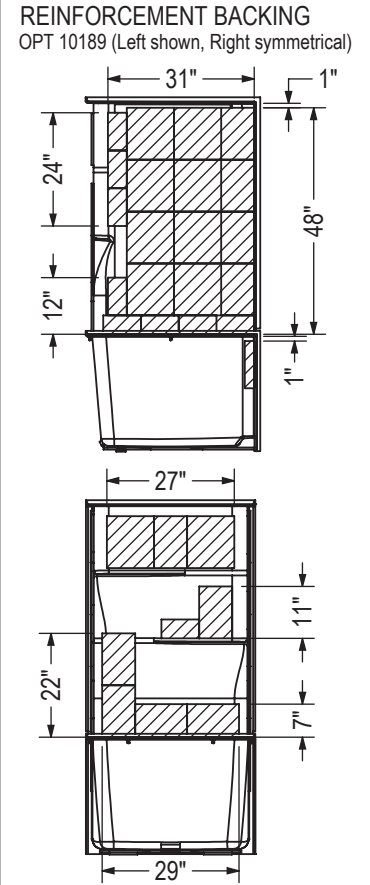
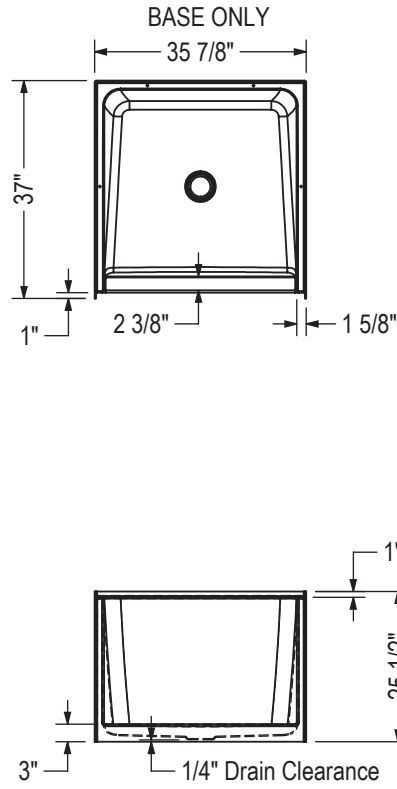
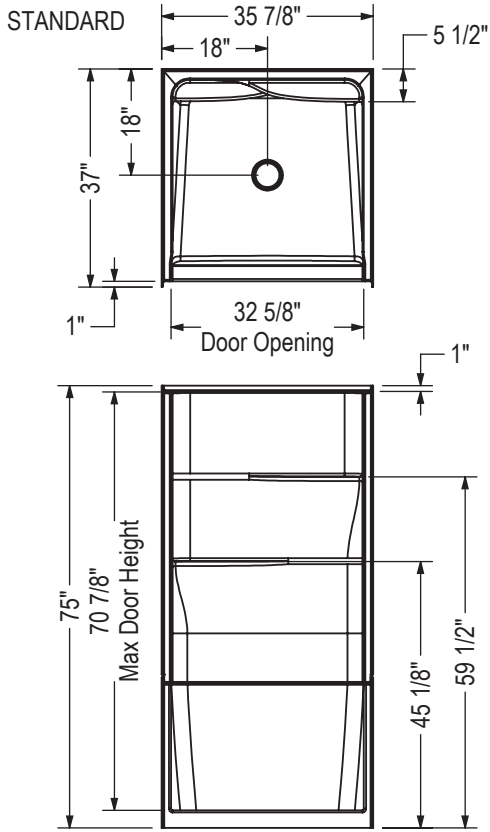
SKU	Description	MSRP
10000041-105	Shower Drain (sold separately)	\$ 37
10000041-084	PVC quick caulking shower drain, compression type Specify grid color: Chrome (084) or Brushed Nickel (105)	\$ 37
10000043-084	Shower Drain (sold separately) 2-piece ABS shower drain with Chrome stainless steel grid	\$ 36
10004349-001	ABS shower drain with ABS grid (sold separately)	\$ 13
10004349-004	Available color: White (001) and Bone (004)	\$ 13

FOOTNOTES

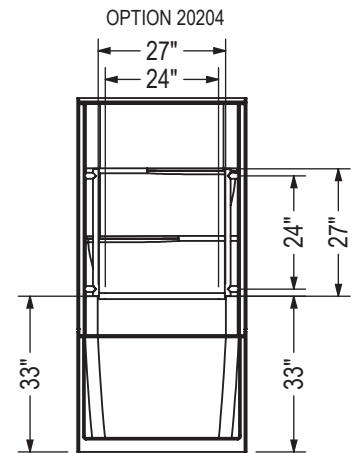
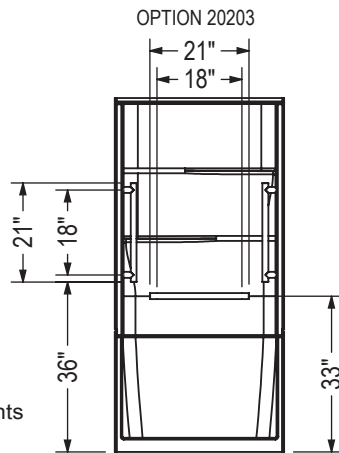
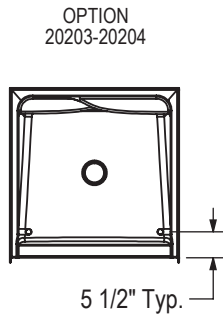
No	Description
6	Specify 3/8 (Lite option) or 2 in. on deck height. If ordering unit with an apron, only 2 in. deck height is available.
33	Please see technical drawings on https://www.maax.com for reinforcement positioning and size.
60	Please see technical drawings on www.akerbymaax.com for grab bar positioning.

RECOMMENDED DOORS

SKU	Product Name	Pag.
138264	Manhattan 31-33 x 68 - 6mm	333
105417	Madono 31 ½-33 ½ x 67 - 6mm	330
136435	Pivolok Deluxe 32 ½-37 x 64 ½ in.	341
136655	Pivolok 31-32 ¾ x 64 ½ in.	343



GRAB BAR



All dimensions are approximate. Structure measurements must be verified against the unit to ensure proper fit.



Gallery SH-4834

ALCOVE SHOWERS - ACRYLX



Material : AcrylX

Features

- › Model Size : 48 L in. x 34 W in. x 75 H in.
- › Made of AcrylX high gloss finish for improved durability
- › Smooth Walls for a modern and minimalist look
- › Center drain configuration
- › 2 pieces construction for easy handling and installation
- › Unique MAAX PIN system for easy front installation
- › Installation Type : Alcove
- › Made in North America
- › Warranty: Limited lifetime

GALLERY SH-4834 - 105596

SKU	Color	Configuration	Dimensions & Weight	Packaging	MSRP
105596-000-002-001	White	Center	47 7/8" x 34" x 75" / 131 lb / 59 kg	60.1 ft ³	\$ 1990
105596-000-002-002					\$ 1990

COMMON OPTIONS

SKU	Description	MSRP
OPT10189	Three-wall reinforcement for future grab bar installation ³³	\$ 232
OPT20203-B-002	18 in. Modern straight grab bar ⁶	\$ 259
OPT20203-B-105	OPT 20203-B-XXX Horizontal grab bar on back wall	\$ 259
OPT20203-B-084	Available colors: White (002), Chrome (084) and Brushed Nickel (105)	\$ 259
OPT20203-L-105	18 in. Modern straight grab bar ⁶⁰	\$ 259
OPT20203-L-002	OPT 20203-L-XXX Vertical grab bar on left wall	\$ 259
OPT20203-L-084	Available colors: White (002), Chrome (084) and Brushed Nickel (105)	\$ 259
OPT20203-R-084	18 in. Modern straight grab bar ⁶⁰	\$ 259
OPT20203-R-002	OPT 20203-R-XXX Vertical grab bar on right wall	\$ 259
OPT20203-R-105	Available colors: White (002), Chrome (084) and Brushed Nickel (105)	\$ 259
OPT20204-B-002	24 in. Modern straight grab bar ⁶	\$ 277
OPT20204-B-084	OPT 20204-B-XXX Horizontal grab bar on back wall	\$ 277
OPT20204-B-105	Available colors: White (002), Chrome (084) and Brushed Nickel (105)	\$ 277
OPT20204-L-084	24 in. Modern straight grab bar ⁶ OPT 20204-L-XXX Vertical grab bar on left wall Available colors: White (002), Chrome (084) and Brushed Nickel (105)	\$ 277

COMMON OPTIONS

SKU	Description	MSRP
OPT20204-L-105	24 in. Modern straight grab bar ⁶	\$ 277
OPT20204-L-002	OPT 20204-L-XXX Vertical grab bar on left wall Available colors: White (002), Chrome (084) and Brushed Nickel (105)	\$ 277
OPT20204-R-002	24 in. Modern straight grab bar ⁶⁰	\$ 277
OPT20204-R-084	OPT 20204-R-XXX Vertical grab bar on right wall Available colors: White (002), Chrome (084) and Brushed Nickel (105)	\$ 277
OPT20204-R-105	Available colors: White (002), Chrome (084) and Brushed Nickel (105)	\$ 277

ACCESSORIES

SKU	Description	MSRP
10000041-105	Shower Drain (sold separately) PVC quick caulking shower drain, compression type	\$ 37
10000041-084	Specify grid color: Chrome (084) or Brushed Nickel (105)	\$ 37
10000043-084	Shower Drain (sold separately) 2-piece ABS shower drain with Chrome stainless steel grid	\$ 36
10004349-001	ABS shower drain with ABS grid (sold separately)	\$ 13
10004349-004	Available color: White (001) and Bone (004)	\$ 13

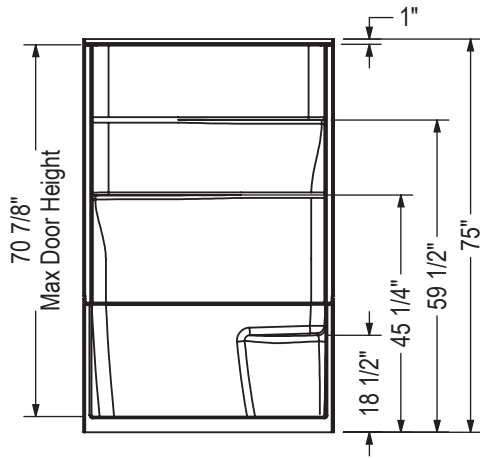
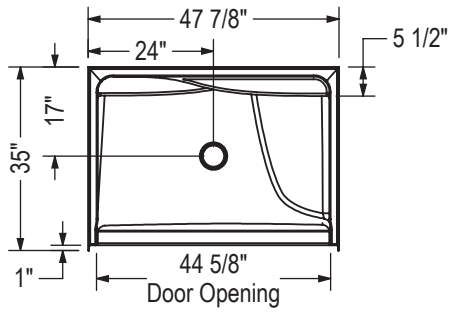
FOOTNOTES

No	Description
6	Specify 3/8 (Lite option) or 2 in. on deck height. If ordering unit with an apron, only 2 in. deck height is available.
33	Please see technical drawings on https://www.maax.com for reinforcement positioning and size.
60	Please see technical drawings on www.akerbymaax.com for grab bar positioning.

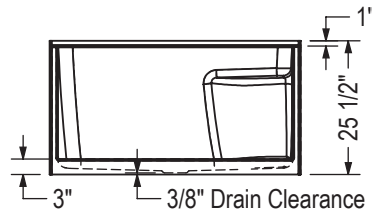
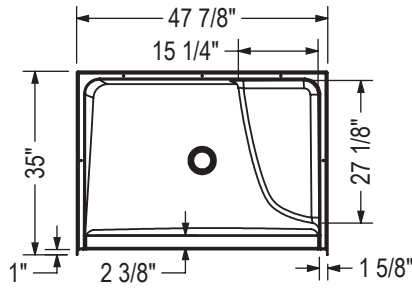
RECOMMENDED DOORS

SKU	Product Name	Pag.
138270	Manhattan 43-45 x 68 - 6mm	337
139352	Incognito 70 44-47 x 70 ½ - 8mm	300
139349	Incognito 44-47 x 70 ½ in. 6mm	298
136271	Duel 44-47 x 70 ½ x 74 - 8 mm	295
138271	Manhattan 45-47 x 68 - 6mm	337
138992	Luminescence 44 ½-47 x 70 ½-72 - 6mm	357
105413	Polar 42-47 ½ x 68 in.	308
137680	Outback 43 ¼ - 46 ½ x 70 ½ - 8mm	366

STANDARD

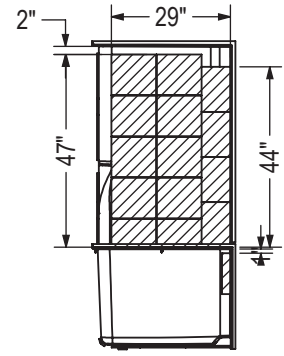


BASE ONLY

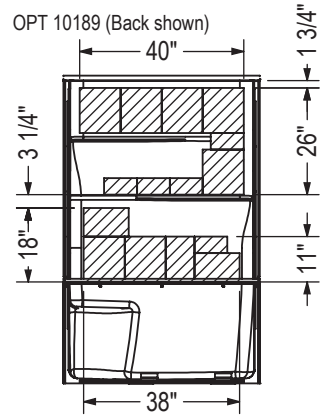


REINFORCEMENT BACKING

OPT 10189 (Left shown, Right symmetrical)

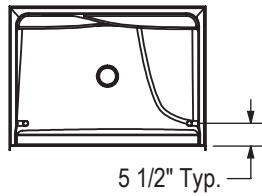


OPT 10189 (Back shown)

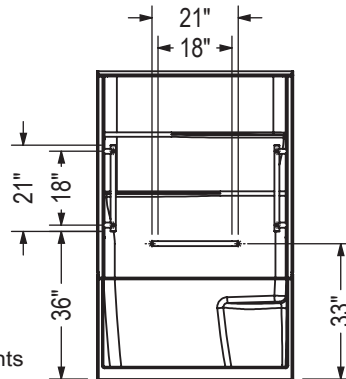


GRAB BAR

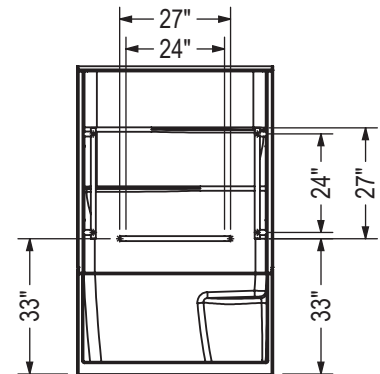
OPTION 20203-20204



OPTION 20203



OPTION 20204



All dimensions are approximate. Structure measurements must be verified against the unit to ensure proper fit.

Jupiter F32



Material : AcrylX

Features

- › 1-piece shower for alcove installation, without roof cap
- › 2 convenient integrated shelves
- › Central drain
- › Compatible with MAAX Pivolok 24 3/4 inch x 64 1/2 inch Framed Pivot Shower Door in Chrom , SKU 1001094663

JUPITER F32 - 101162

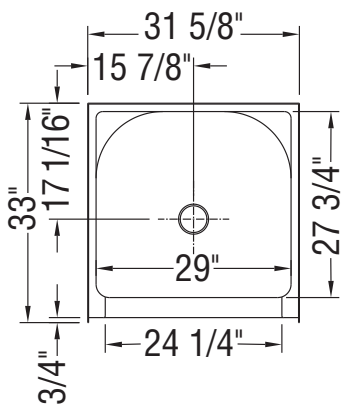
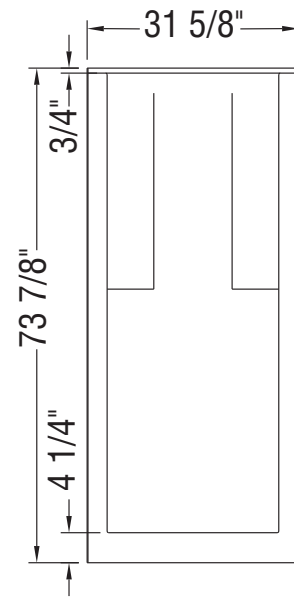
SKU	Color	Configuration	Dimensions & Weight	Packaging	MSRP
101162-000-002-000	White	Center	31 5/8" x 33" x 73 7/8" / 69 lb / 31 kg	47 ft ³	\$ 1150

ACCESSORIES

SKU	Description	MSRP
10000041-105	Shower Drain (sold separately) PVC quick caulking shower drain, compression type	\$ 37
10000041-084	Specify grid color: Chrome (084) or Brushed Nickel (105)	\$ 37
10000043-084	Shower Drain (sold separately) 2-piece ABS shower drain with Chrome stainless steel grid	\$ 36
10004349-001	ABS shower drain with ABS grid (sold separately)	\$ 13
10004349-004	Available color: White (001) and Bone (004)	\$ 13

RECOMMENDED DOORS

SKU	Product Name	Pag.
138260	Manhattan 23-25 x 68 - 6mm	332
136625	Pivolok 23-24 3/4 x 64 1/2 in.	342



All dimensions are approximate. Structure measurements must be verified against the unit to ensure proper fit.

Via SH-3232



Material : AcrylX

Features

- > 1-piece shower with subway tile design
- > Brighter and glossier AcrylX™ finish
- > Integrated toiletry shelves
- > Bright white finish: matches other bathroom fixtures
- > Center drain position
- > Slip resistant, textured bottom

ALCOVE SHOWERS - ACRYLX

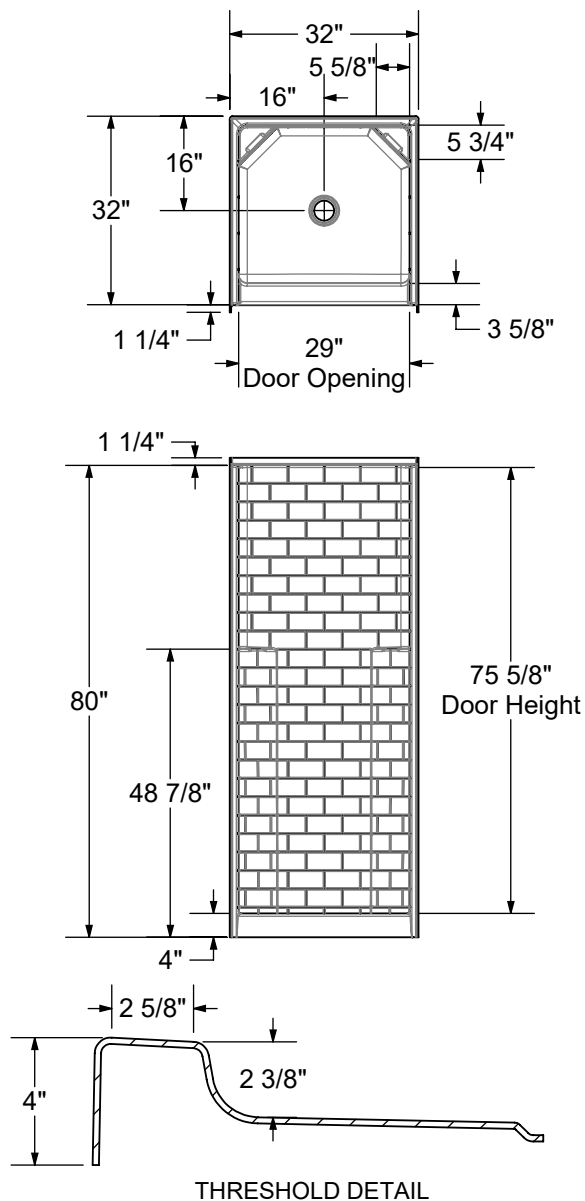
VIA SH-3232 - 141499

SKU	Color	Configuration	Dimensions & Weight	MSRP
141499-000-002-000	White	Center	33 1/4" x 32" x 81 1/4" / 87 lb / 39 kg	\$ 977

RECOMMENDED DOORS

SKU	Product Name	Pag.
138263	Manhattan 29-31 x 68 - 6mm	333
138262	Manhattan 27-29 x 68 - 6mm	333
105416	Madono 28 1/2-30 1/2 x 67 - 6mm	330
136645	Pivolok 29-30 3/4 x 64 1/2 in.	343

BASE MODEL



- All dimensions are approximate. Structure measurements must be verified against the unit to ensure proper fit
- Installation to be completed in accordance with manufacturers specifications
- Do not scale drawings

Via SH-3636



Material : AcrylX

Features

- > 1-piece shower with subway tile design
- > Brighter and glossier AcrylX™ finish
- > Integrated toiletry shelves
- > Bright white finish: matches other bathroom fixtures
- > Center drain position
- > Slip resistant, textured bottom

VIA SH-3636 - 141500

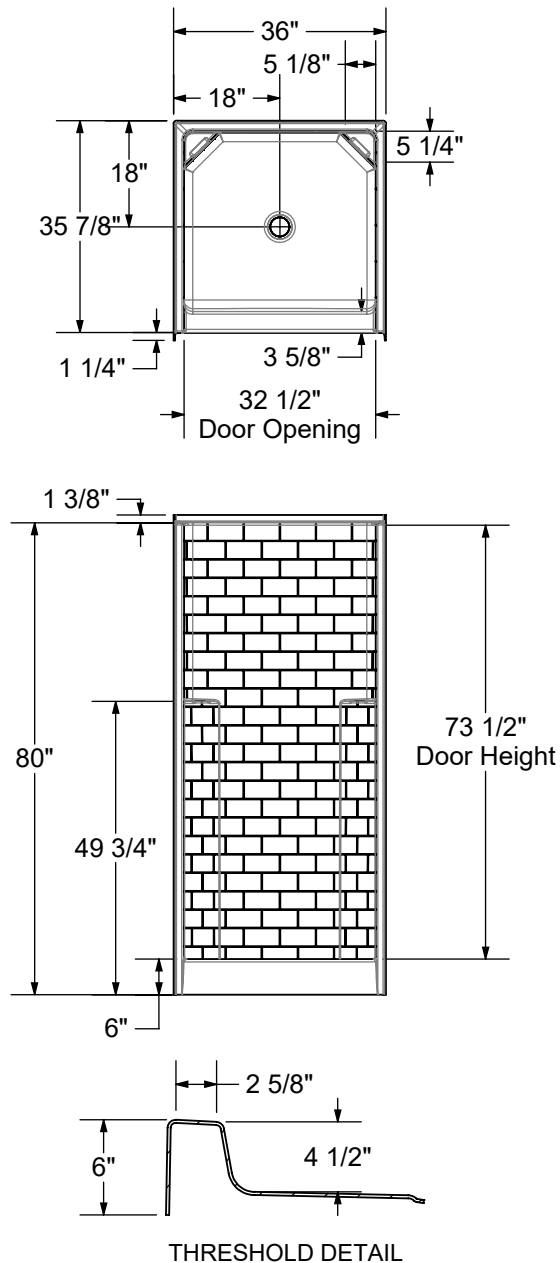
SKU	Color	Configuration	Dimensions & Weight	MSRP
141500-000-002-000	White	Center	37 1/4" x 36" x 81 1/4" / 97 lb / 44 kg	\$ 1053

RECOMMENDED DOORS

SKU	Product Name	Pag.
138264	Manhattan 31-33 x 68 - 6mm	333
139575	Reveal Sleek 71 32 1/2-35 1/2 x 71 1/2 - 8mm	350
105417	Madono 31 1/2-33 1/2 x 67 - 6mm	330
136676	Reveal 71 32 1/2-35 1/2 x 71 1/2 - 8mm	347
136435	Pivolok Deluxe 32 1/2-37 x 64 1/2 in.	341
136655	Pivolok 31-32 3/4 x 64 1/2 in.	343

BASE MODEL

ALCOVE SHOWERS - ACRYLX



- All dimensions are approximate. Structure measurements must be verified against the unit to ensure proper fit
- Installation to be completed in accordance with manufacturers specifications
- Do not scale drawings

Via SH-4834



Material : AcrylX

Features

- › 1-piece shower with subway tile design
- › Brighter and glossier AcrylX™ finish
- › Integrated toiletry shelves
- › Bright white finish: matches other bathroom fixtures
- › Center drain position
- › Slip resistant, textured bottom

ALCOVE SHOWERS - ACRYLX

VIA SH-4834 - 141501

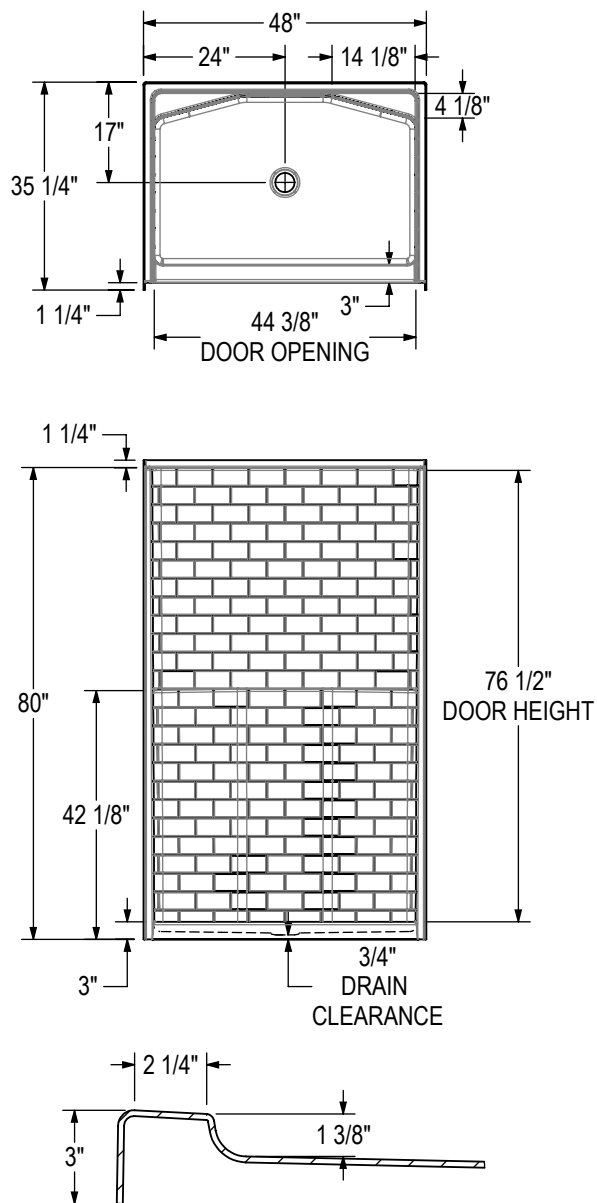
SKU	Color	Configuration	Dimensions & Weight	MSRP
141501-000-002-100	White	Center	48" x 35 1/4" x 81 1/4" / 119 lb / 54 kg	\$ 1127

RECOMMENDED DOORS

SKU	Product Name	Pag.
138270	Manhattan 43-45 x 68 - 6mm	337
137680	Outback 43 1/4 - 46 1/2 x 70 1/2 - 8mm	366
139352	Incognito 70 44-47 x 70 1/2 - 8mm	300
139349	Incognito 44-47 x 70 1/2 in. 6mm	298
135671	Aura 43-47 x 71 - 8mm	324
139577	Reveal Sleek 71 41 1/2-44 1/2 x 71 1/2 - 8mm	350
136693	Revelation Round 44-47 x 70 1/2-73 - 8mm	312
135323	Uptown 44-47 x 76 in. 8 mm	361
135241	Connect 43 1/2-45 x 72 - 6mm	363
139578	Reveal Sleek 71 44-47 x 71 1/2 - 8mm	351
135321	Uptown 44-47 x 76 in. 8 mm	314
136271	Duel 44-47 x 70 1/2 x 74 - 8 mm	295
135663	Aura 43-47 x 71 - 6mm	317
135331	Incognito 76 Shaker 44-47 x 76 - 8mm	304
105413	Polar 42-47 1/2 x 68 in.	308

STANDARD MODEL

ALCOVE SHOWERS - ACRYLX



All dimensions are approximate. Structure measurements must be verified against the unit to ensure proper fit.



Equinox I



Material : Acrylic
Features

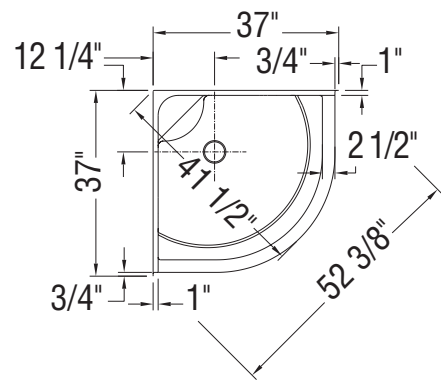
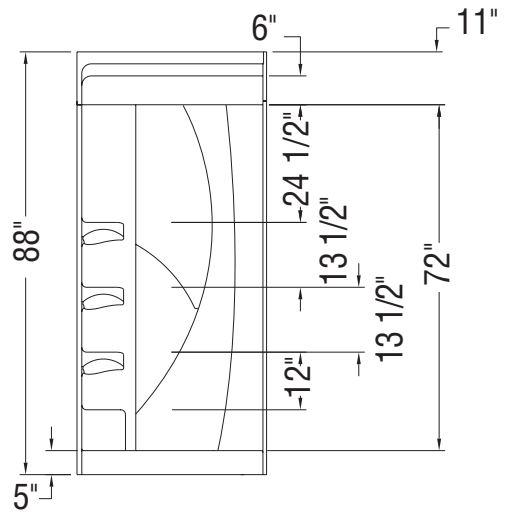
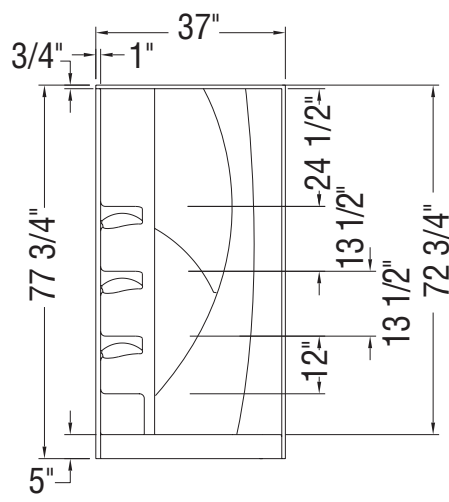
- > 1-piece shower
- > 3 built-in shelves
- > Footrest
- > Optional roof cap

CORNER SHOWERS - ACRYLIC

EQUINOX I - 102495					
SKU	Color	Configuration	Dimensions & Weight	Packaging	MSRP
102495-000-001-000	White	Center	37" x 37" x 77 3/4" / 93 lb / 42 kg	69 ft³	\$ 2006

COMMON OPTIONS		
SKU	Description	MSRP
102515-000-001-000	Roof cap Standard colour: White (001)	\$ 916

ACCESSORIES		
SKU	Description	MSRP
10000041-105	Shower Drain (sold separately) PVC quick caulking shower drain, compression type	\$ 37
10000041-084	Specify grid color: Chrome (084) or Brushed Nickel (105)	\$ 37
10000043-084	Shower Drain (sold separately) 2-piece ABS shower drain with Chrome stainless steel grid	\$ 36
10004349-001	ABS shower drain with ABS grid (sold separately)	\$ 13
10004349-004	Available color: White (001) and Bone (004)	\$ 13



All dimensions are approximate. Structure measurements must be verified against the unit to ensure proper fit.



Equinox II



Material : Acrylic
Features

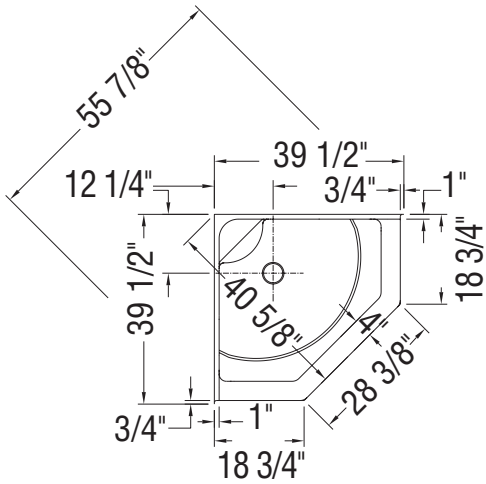
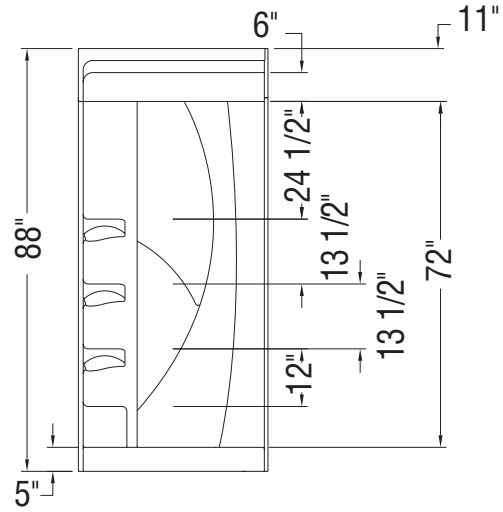
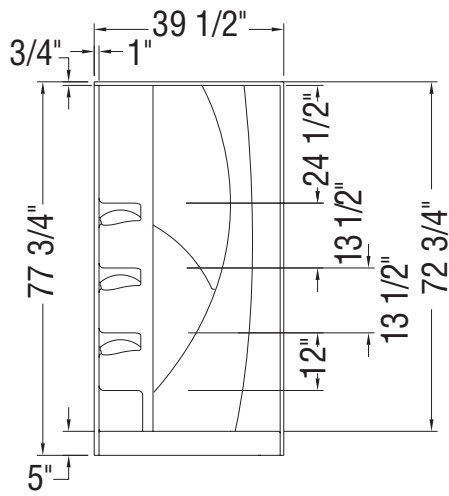
- > 1-piece shower
- > 3 built-in shelves
- > Footrest
- > Optional roof cap

EQUINOX II - 102500					
SKU	Color	Configuration	Dimensions & Weight	Packaging	MSRP
102500-000-001-000	White	Center	39 1/2" x 39 1/2" x 77 3/4" / 110 lb / 50 kg	75 ft ³	\$ 2006

COMMON OPTIONS		
SKU	Description	MSRP
102517-000-001-000	Roof cap Specify: Standard colour: White (001), Bone (004), Biscuit (007)	\$ 916

ACCESSORIES		
SKU	Description	MSRP
10000041-105	Shower Drain (sold separately) PVC quick caulking shower drain, compression type	\$ 37
10000041-084	Specify grid color: Chrome (084) or Brushed Nickel (105)	\$ 37
10000043-084	Shower Drain (sold separately) 2-piece ABS shower drain with Chrome stainless steel grid	\$ 36
10004349-001	ABS shower drain with ABS grid (sold separately)	\$ 13
10004349-004	Available color: White (001) and Bone (004)	\$ 13

RECOMMENDED DOORS		
SKU	Product Name	Pag.
137901	Silhouette Neo-angle Pivot 38 x 38 x 70 in.	368



All dimensions are approximate. Structure measurements must be verified against the unit to ensure proper fit.

Tub Doors



Inverto tub shower door in Dark Bronze



Axial Access Tub Screen

SCREENS



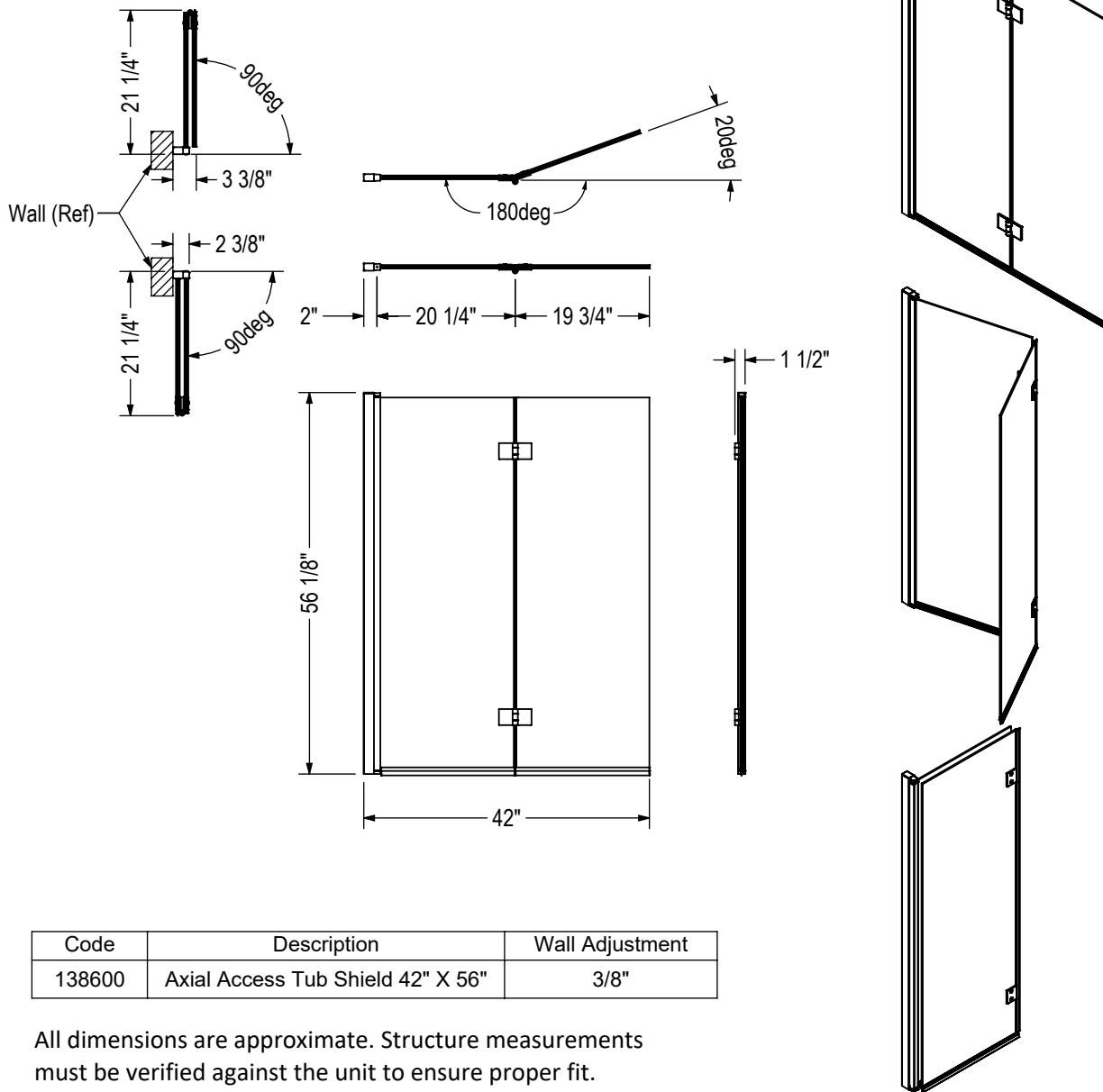
Material : Tempered Glass

Features

- > 6 mm tempered glass with Lotus glass protection
- > Double Pivoting panels: makes it easy to clean the panels and the tub
- > Easy access to faucets
- > Pivots inward and outward, maximizes the tub access to provide care
- > Ideal for slanted ceilings

AXIAL ACCESS PIVOT 42 X 56 - 6MM - 138600

SKU	Color	Configuration	Dimensions & Weight	Packaging	MSRP
138600-900-084-000	Clear / Chrome		42" - 42" x 56" / 61 lb / 28 kg	2.84 ft ³	\$ 851
138600-900-340-000	Clear / Matte Black				\$ 915



Code	Description	Wall Adjustment
138600	Axial Access Tub Shield 42" X 56"	3/8"

All dimensions are approximate. Structure measurements must be verified against the unit to ensure proper fit.



Axial Duo Tub Screen

SCREENS



Material : Tempered Glass

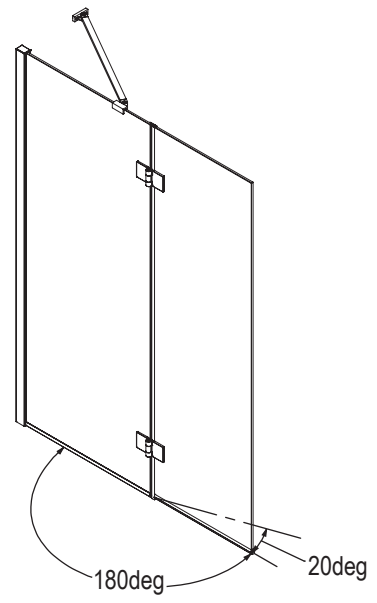
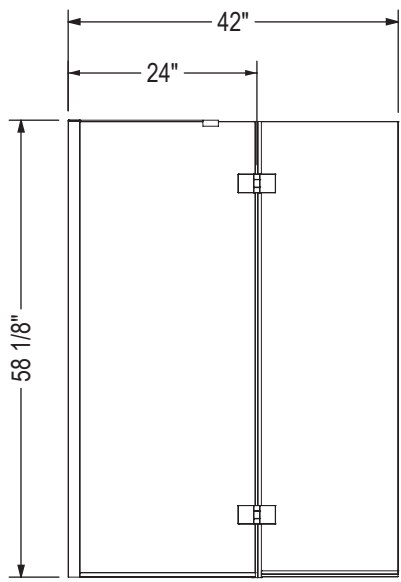
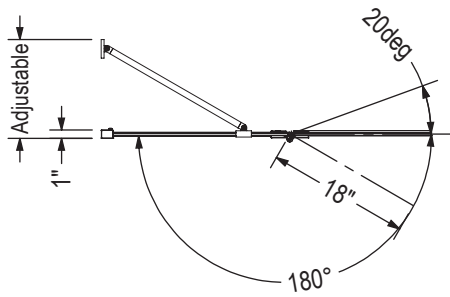
Features

- › 8 mm tempered glass with Lotus glass protection
- › Double glass one fix 24in and one pivot 18in This gives you a wide access to get in and out while making the corner watertight
- › Wide opening for easy access to faucets
- › The moving panel can tilt slightly inside the tub to prevent water spill
- › Fixed panel clears most toilets or vanities
- › Fast and easy installation

AXIAL DUO 42 X 58 - 8MM - 137512

SKU	Color	Configuration	Dimensions & Weight	Packaging	MSRP
137512-900-084-000	Clear / Chrome		41" - 42" x 58" / 48 lb / 22 kg	2.7 ft ³	\$ 940
137512-900-305-000	Clear / Brushed Nickel				\$ 1013

STANDARD



Code	Description	Wall Adjustment
137512	AXIAL Duo Tub 42" X 58"	3/8"

All dimensions are approximate. Structure measurements must be verified against the unit to ensure proper fit.



Axial Square Tub Screen

SCREENS



Material : Tempered Glass

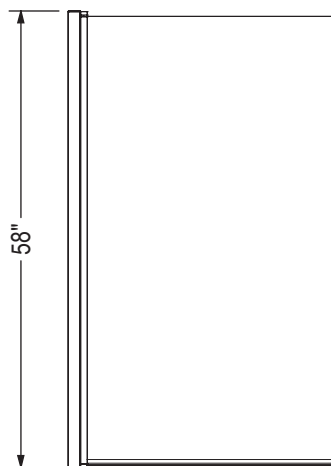
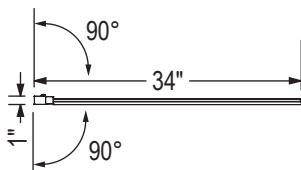
Features

- › 8 mm tempered glass with Lotus glass protection with a Square pivot
- › Pivoting single panel: nothing on the tub, makes it easy to clean the panel and the tub
- › Wide opening for easy access to faucets
- › Pivots inward and outward, maximizes the tub access to provide care
- › Ideal for slanted ceilings
- › Fast and easy installation

AXIAL SQUARE 34 X 58 - 8MM - 137511

SKU	Color	Configuration	Dimensions & Weight	Packaging	MSRP
137511-900-084-000	Clear / Chrome		33" - 34" x 58" / 40 lb / 18 kg	2.82 ft³	\$ 761
137511-900-305-000	Clear / Brushed Nickel				\$ 815

STANDARD



Code	Description	Wall Adjustment
137511	AXIAL Square Tub 34" X 58"	3/8"

All dimensions are approximate. Structure measurements must be verified against the unit to ensure proper fit.



Axial Tub Screen

SCREENS



Material : Tempered Glass

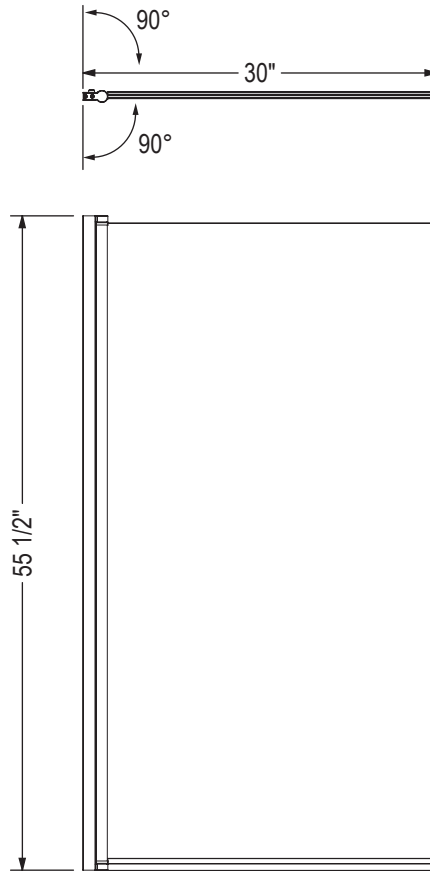
Features

- › 6 mm tempered glass with Lotus glass protection
- › Pivoting single panel: nothing on the tub, makes it easy to clean the panel and the tub
- › Wide opening for easy access to faucets
- › Pivots inward and outward, maximizes the tub access to provide care
- › Ideal for slanted ceilings
- › Fast and easy installation

AXIAL 30 X 55 1/2 - 6MM - 137510

SKU	Color	Configuration	Dimensions & Weight	Packaging	MSRP
137510-900-084-000	Clear / Chrome		29" - 30" x 55 1/2" / 26 lb / 12 kg	2.65 ft ³	\$ 688

STANDARD



Code	Description	Wall Adjustment
137510	AXIAL Tub 30" X 55 1/2"	3/8"

All dimensions are approximate. Structure measurements must be verified against the unit to ensure proper fit.



Duel Tub Door

TUB DOORS - BYPASS



Material : Tempered Glass

Features

- › 8 mm (5/16") tempered glass with Lotus easy clean protection
- › Fits tub showers with 55 1/2 in. wall clearance, glass extends to 59 in.
- › 3in of lateral adjustment to fit many shower opening
- › Designed in North America
- › Sleek and square elements for a modern look
- › High quality rollers for smooth glide
- › The frameless design brings a sense of spaciousness to the room and creates a sleek, minimalist look.
- › Header leveling and locking System innovation allows for header adjustment
- › 3/4" out-of-plumb adjustment

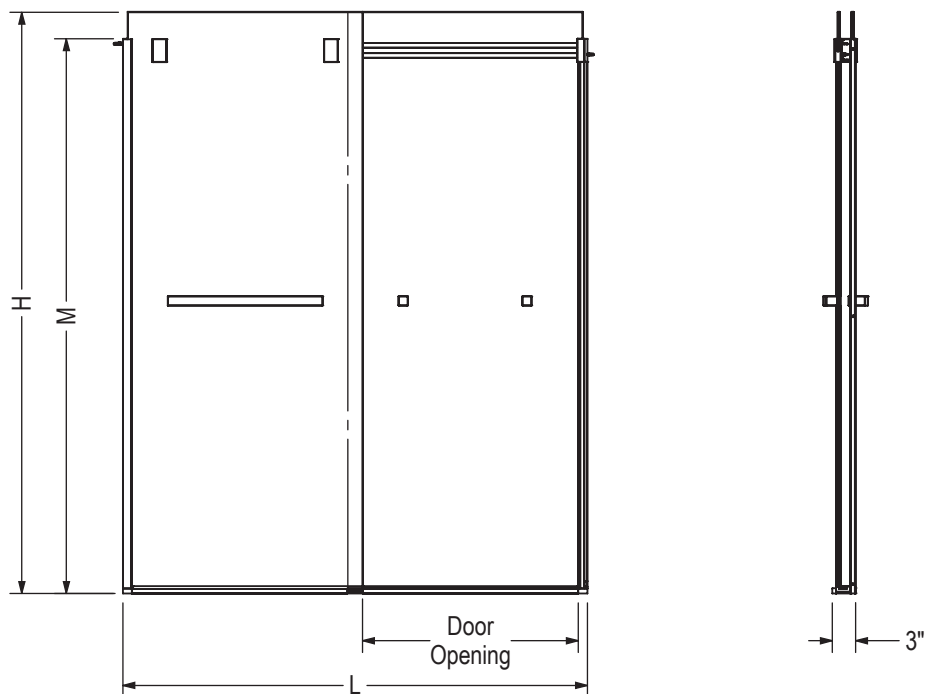
DUEL 56-59 X 55 1/2 X 59 - 8 MM - 136270

SKU	Color	Door Opening	Dimensions & Weight	Packaging	MSRP
136270-900-084-000	Clear / Chrome	Reversible	56" - 59" x 55" / 106 lb / 48 kg	3.91 ft ³	\$ 1269
136270-900-173-000	Clear / Dark Bronze				\$ 1374
136270-900-280-000	Clear / Chrome and Matte White				\$ 1369
136270-900-289-000	Clear / Brushed Nickel and Matte Black				\$ 1439
136270-900-290-000	Clear / Brushed Nickel and Matte White				\$ 1439
136270-900-305-000	Clear / Brushed Nickel				\$ 1339
136270-900-340-000	Clear / Matte Black				\$ 1374
136270-900-350-000	Clear / Chrome and Matte Black				\$ 1369
136270-900-360-000	Clear / Matte Black and Chrome				\$ 1474
136270-900-380-000	Clear / Matte Black and Brushed Gold				\$ 1474

ACCESSORIES

SKU	Description	MSRP
10068850-291-600	Mixed Finish Hardware Replacement Kit for Duel and Duel Alto. Available colors: Chrome (084), Matte White (291), Matte Black (340) and Brushed Gold (343)	\$ 100
10068850-084-600		\$ 100
10068850-343-600		\$ 100
10068850-340-600		\$ 100

STANDARD



Code	Description	H	M	L Adjustable	Door Opening	Wall Adjustment
136270	Duel 56" - 59" x 55 1/2"	59"	55 1/2"	56" - 59"	24 1/2" - 27 1/2"	3/4"
136271	Duel 44" - 47" x 70 1/2"	74"	70 1/2"	44" - 47"	18 1/2" - 21 1/2"	3/4"
136272	Duel 56" - 59" x 70 1/2"	74"	70 1/2"	56" - 59"	24 1/2" - 27 1/2"	3/4"

All dimensions are approximate. Structure measurements must be verified against the unit to ensure proper fit.



Incognito 57 Shaker Tub Door

TUB DOORS - BYPASS



Material : Tempered Glass

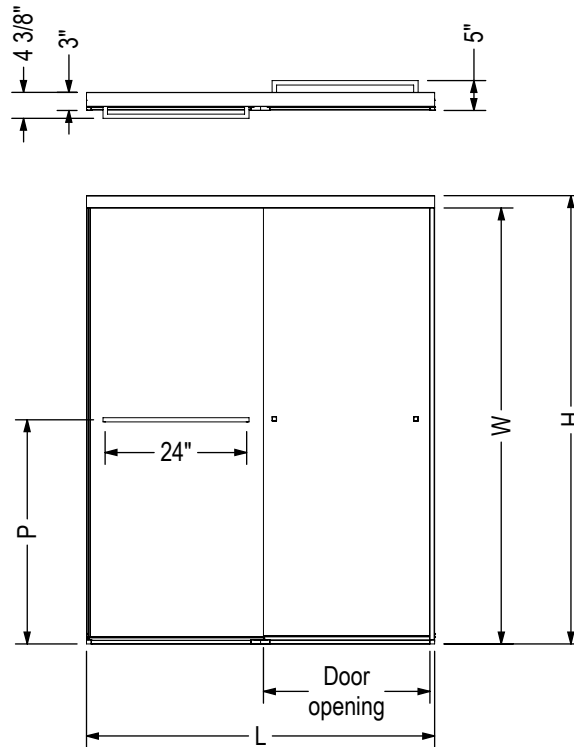
Features

- › Shaker style glass design, inspired by French door style
- › Glass thickness: 8 mm
- › 2 in , slim header provides a sleek look
- › Features convenient towel bar
- › Detachable door guide is easy to clean
- › Wheel catcher feature keeps door open or closed

INCOGNITO 57 SHAKER 56-59 X 56 3/4 - 8MM - 135330

SKU	Color	Door Opening	Dimensions & Weight	Packaging	MSRP
135330-972-340-000	Shaker / Matte Black	Reversible	56" - 59" x 56 3/4" / 112 lb / 51 kg	3 ft ³	\$ 1335

STANDARD



TUB DOORS - BYPASS

Code	Description	H	W	L Adjustable	Door opening	P	Wall adjustment
135331	Incognito 76 Shaker 8mm 76" x 44 - 47"	76"	73 7/8"	44" - 47"	18 1/4" - 22 1/4"	38"	1/2"
135332	Incognito 76 Shaker 8mm 76" x 56 - 59"	76"	73 7/8"	56" - 59"	24 1/4" - 28 1/4"	38"	1/2"
135330	Incognito Shaker 8mm 56 3/4" x 56 - 59"	56 3/4"	54 5/8"	56" - 59"	24 1/4" - 28 1/4"	28"	1/2"

All dimensions are approximate. Structure measurements must be verified against the unit to ensure proper fit.



Incognito 57 Tub Door - 6 mm

TUB DOORS - BYPASS



Material : Tempered Glass

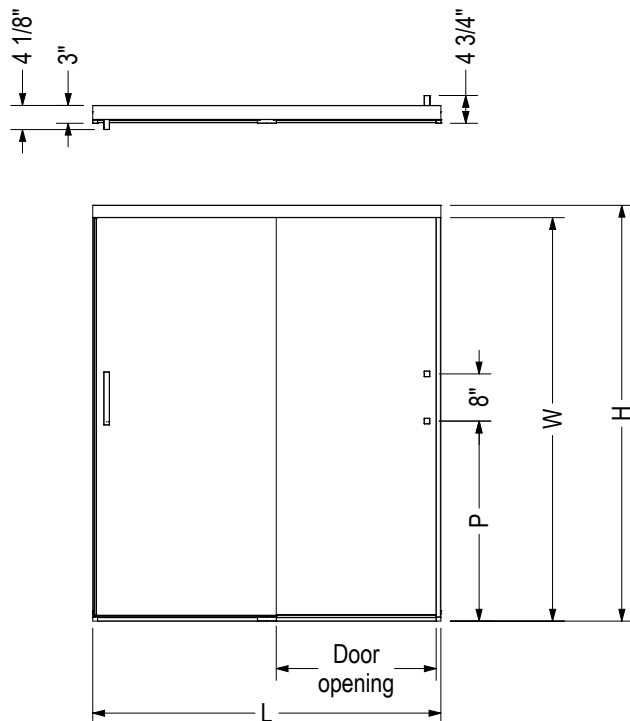
Features

- › Components that connect seamlessly for an effortless assembly
- › Expandable Sill, no cutting required to adjust
- › Large knob on the opposite side of the handle, to allows for an easier opening and closing
- › Hand adjustment to perfect the fit in the alcove
- › Fits on showers with a wall height of at least 56.75in
- › Integrated bumper at the top and the bottom

INCOGNITO 57 56-59 X 56 3/4 - 6MM - 139351

SKU	Color	Door Opening	Dimensions & Weight	Packaging	MSRP
139351-900-084-000	Clear / Chrome	Reversible	56" - 59" x 56 3/4" / 105 lb / 48 kg	3 ft ³	\$ 890
139351-900-173-000	Clear / Dark Bronze				\$ 957
139351-900-305-000	Clear / Brushed Nickel				\$ 934
139351-900-340-000	Clear / Matte Black				\$ 957

STANDARD



Code	Description	H	W	L Adjustable	Door Opening	P	Wall adjustment
139349	Incognito 6mm 70 1/2" x 44 - 47"	70 1/2"	68 3/8"	44" - 47"	17 1/8" - 21 1/8"	33 7/8"	1/2"
139350	Incognito 6mm 70 1/2" x 56 - 59"	70 1/2"	68 3/8"	56" - 59"	23 1/8" - 27 1/8"	33 7/8"	1/2"
139351	Incognito 6mm 56 3/4" x 56 - 59"	56 3/4"	54 5/8"	56" - 59"	23 1/8" - 27 1/8"	18 7/8"	1/2"
139352	Incognito 8mm 70 1/2" x 44 - 47"	70 1/2"	68 3/8"	44" - 47"	17 1/8" - 21 1/8"	33 7/8"	1/2"
139353	Incognito 8mm 70 1/2" x 56 - 59"	70 1/2"	68 3/8"	56" - 59"	23 1/8" - 27 1/8"	33 7/8"	1/2"
139354	Incognito 8mm 56 3/4" x 56 - 59"	56 3/4"	54 5/8"	56" - 59"	23 1/8" - 27 1/8"	18 7/8"	1/2"

All dimensions are approximate. Structure measurements must be verified against the unit to ensure proper fit.

Incognito 57 Tub Doors - 8 mm



TUB DOORS - BYPASS



Material : Tempered Glass

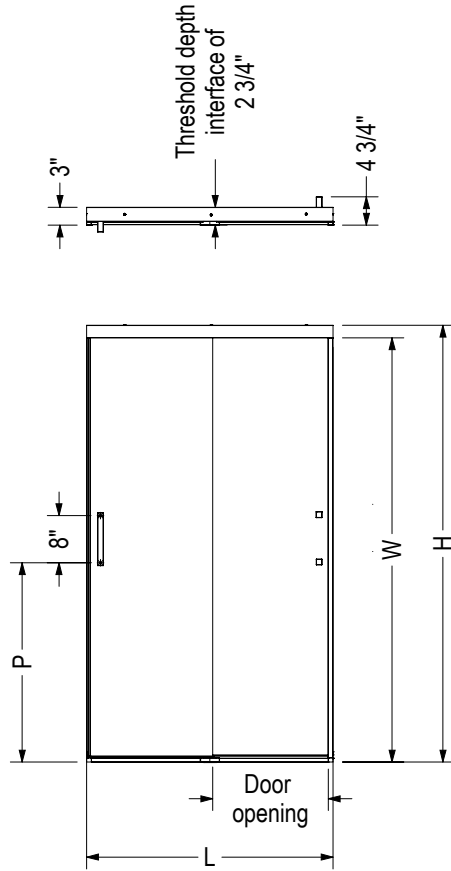
Features

- › Components that connect seamlessly for an effortless assembly
- › Large knob on the opposite side of the handle, to allow for an easier opening and closing
- › Hand adjustable positioning
- › Fits on showers with a wall height of at least 56.75 in.
- › Slim header and thin edges accentuate the minimalist look
- › Safety features: top and bottom integrated bumper to prevent slamming

INCOGNITO 57 51-54 X 56 3/4 IN. 8MM - 138522

SKU	Color	Door Opening	Dimensions & Weight	MSRP
138522-900-084-000	Clear / Chrome	Reversible	51" - 54" x 56 3/4" / 110 lb / 50 kg	\$ 1011
138522-900-305-000	Clear / Brushed Nickel			\$ 1082
138522-900-340-000	Clear / Matte Black			\$ 1109

STANDARD



Code	Description	H	W	L Adjustable	Door opening	P	Wall adjustment
138520	Incognito 74" 39 - 42" x 74"	74"	71 7/8"	39" - 42"	16 1/2" - 19 1/2"	34 1/8"	1/2"
138521	Incognito 74" 51 - 54" x 74"	74"	68 3/8"	51" - 54"	22 1/2" - 25 1/2"	34 1/8"	1/2"
138522	Incognito 56 3/4" 51 - 54" x 56 3/4"	56 3/4"	54 5/8"	51" - 54"	22 1/2" - 25 1/2"	19 1/8"	1/2"

All dimensions are approximate. Structure measurement must be verified against the unit to ensure proper fit.

Incognito 57 Tub Doors - 8 mm



TUB DOORS - BYPASS



Material : Tempered Glass

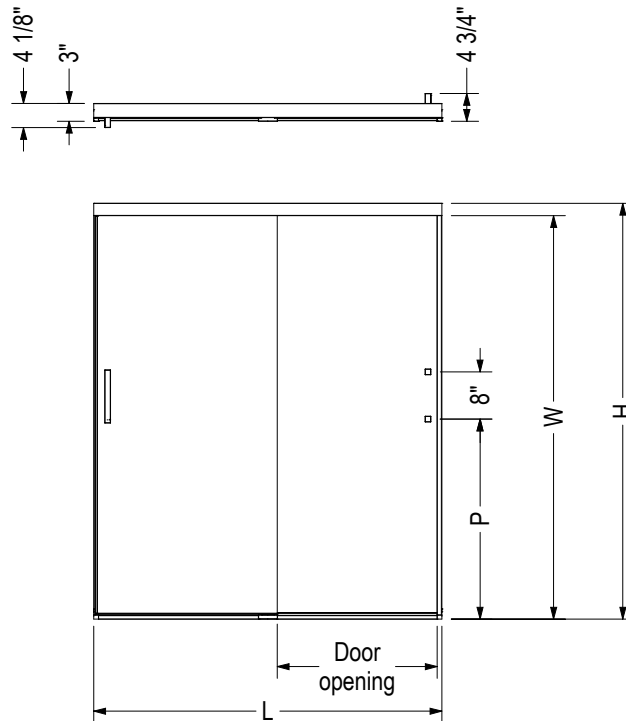
Features

- › Components that connect seamlessly for an effortless assembly
- › Large knob on the opposite side of the handle, to allow for an easier opening and closing
- › Hand adjustment to perfect the fit in the alcove
- › Fits on showers with a wall height of at least 56.75in
- › Slim header and thin edges accentuate the minimalist look
- › Safety features: top and bottom integrated bumper to prevent slamming

INCOGNITO 56-59 X 56 3/4 IN. 8 MM - 139354

SKU	Color	Door Opening	Dimensions & Weight	Packaging	MSRP
139354-900-084-000	Clear / Chrome	Reversible	56" - 59" x 56 3/4" / 120 lb / 54 kg	3 ft ³	\$ 1011
139354-900-305-000	Clear / Brushed Nickel				\$ 1082
139354-900-340-000	Clear / Matte Black				\$ 1082

STANDARD



Code	Description	H	W	L Adjustable	Door Opening	P	Wall adjustment
139349	Incognito 6mm 70 1/2" x 44 - 47"	70 1/2"	68 3/8"	44" - 47"	17 1/8" - 21 1/8"	33 7/8"	1/2"
139350	Incognito 6mm 70 1/2" x 56 - 59"	70 1/2"	68 3/8"	56" - 59"	23 1/8" - 27 1/8"	33 7/8"	1/2"
139351	Incognito 6mm 56 3/4" x 56 - 59"	56 3/4"	54 5/8"	56" - 59"	23 1/8" - 27 1/8"	18 7/8"	1/2"
139352	Incognito 8mm 70 1/2" x 44 - 47"	70 1/2"	68 3/8"	44" - 47"	17 1/8" - 21 1/8"	33 7/8"	1/2"
139353	Incognito 8mm 70 1/2" x 56 - 59"	70 1/2"	68 3/8"	56" - 59"	23 1/8" - 27 1/8"	33 7/8"	1/2"
139354	Incognito 8mm 56 3/4" x 56 - 59"	56 3/4"	54 5/8"	56" - 59"	23 1/8" - 27 1/8"	18 7/8"	1/2"

All dimensions are approximate. Structure measurements must be verified against the unit to ensure proper fit.



Polar Tub Door

TUB DOORS - BYPASS



Material : Tempered Glass

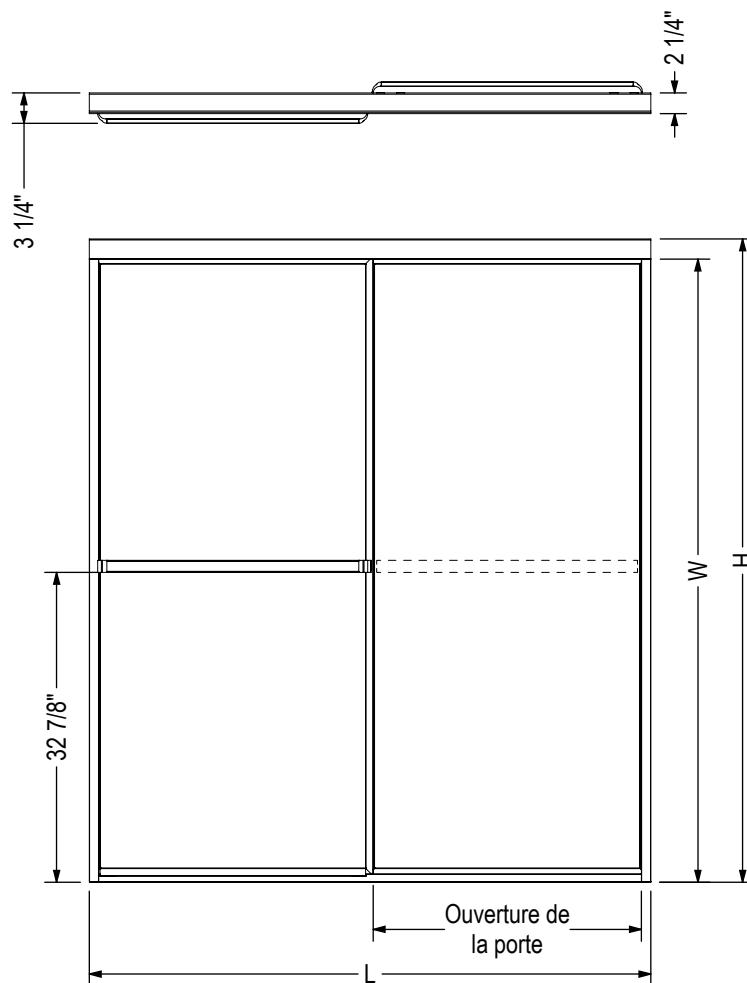
Features

- › Raindrop 4 mm tempered glass for more intimacy
- › Chrome frame for a clean simple look
- › Bathub and tub shower are sold separately, explore our wide variety of Bathub and tub shower
- › Bypass door configuration features two sliding panel
- › The EZ Klean bottom track drains water away and significantly reduces maintenance
- › Reversible, allowing for left or right opening to accommodate different bathroom layouts
- › Smooth Sliding Door Functionality enhances accessibility and convenience while elevating the aesthetics of your shower space.
- › Proudly made in North America
- › Warranty: 10 years

POLAR 54-59 1/2 X 57 IN. - 105410

SKU	Color	Door Opening	Dimensions & Weight	Packaging	MSRP
105410-970-084-000	Raindrop / Chrome	Lateral	55" - 59 1/2" x 57" / 50 lb / 23 kg	3.28 ft ³	\$ 663

STANDARD



Code	Description	H	W	L Ajustable	Ouverture de la porte
105410	Polar 54" - 59 1/2" x 57"	57"	55"	54" - 59 1/2"	26" - 28 1/2"
105412	Polar 54" - 59 1/2" x 68"	68"	66"	54" - 59 1/2"	26" - 28 1/2"
105413	Polar 42" - 47 1/2" x 68"	68"	66"	42" - 47 1/2"	20" - 22 1/2"

Toutes ces dimensions sont approximatives. Afin d'assurer une installation parfaite, les dimensions de la structure doivent être vérifiées à partir de l'unité.

Revelation Round Tub Door - 6 mm



TUB DOORS - BYPASS



Material : Tempered Glass

Features

- Made from high-quality 6 mm (1/4") thick glass, ensuring durability and safety.
- Reversible, allowing installation for left or right openings to accommodate different bathroom layouts.
- Easy installation process saves time and hassle.
- The door provides a watertight seal, ensuring no leaks or spills occur during use.

REVELATION ROUND 56-59 X 56 3/4-59 1/4 IN 6 MM - 136692

SKU	Color	Door Opening	Dimensions & Weight	Packaging	MSRP
136692-900-084-000	Clear / Chrome	Reversible	56" - 59" x 59 1/4" / 82 lb / 37 kg	3.64 ft ³	\$ 957
136692-900-305-000	Clear / Brushed Nickel				\$ 1028
136692-900-340-000	Clear / Matte Black				\$ 1064

Revelation Round Tub Door - 8 mm



TUB DOORS - BYPASS



Material : Tempered Glass

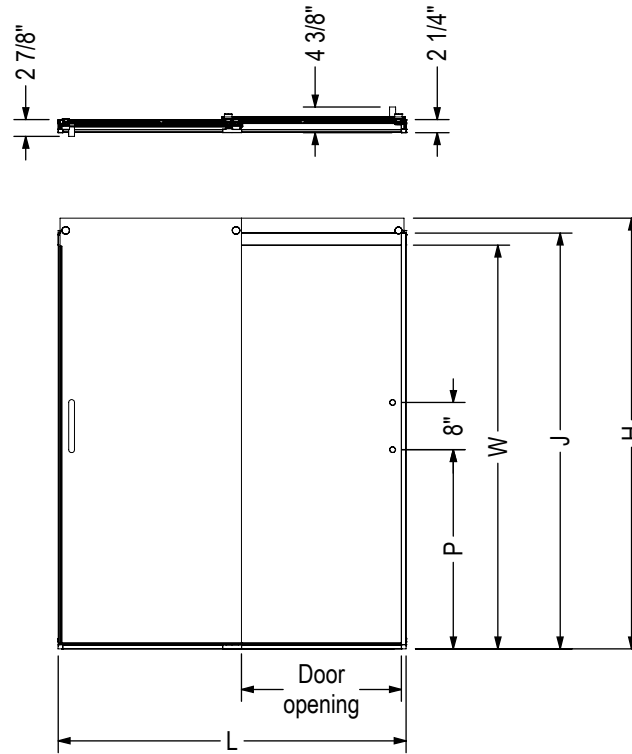
Features

- › Components that connect seamlessly for an effortless assembly
- › Exposed double set of wheels
- › Exposed double set of wheels
- › Handle outside / Big knob inside
- › Expandable Sill; No cutting required to adjust
- › Anti-jump features hidden in the frame
- › Detachable door guide to distance the glass for an easier cleaning

REVELATION ROUND 56-59 X 56 3/4-59 1/4 - 8 MM - 136695

SKU	Color	Door Opening	Dimensions & Weight	Packaging	MSRP
136695-900-084-000	Clear / Chrome	Reversible	56" - 59" x 59 1/4" / 120 lb / 54 kg	3 ft ³	\$ 1069
136695-900-305-000	Clear / Brushed Nickel				\$ 1142
136695-900-340-000	Clear / Matte Black				\$ 1177

STANDARD



Code	Description	H	J	W	L Adjustable	Door Opening	P	Wall adjustment
139690	Revelation 6mm 70 1/2"-73" x 43 - 47"	73"	70 1/2"	68 3/8"	43" - 47"	16" - 20"	33 7/8"	1/2"
139691	Revelation 6mm 70 1/2"-73" x 55 - 59"	73"	70 1/2"	68 3/8"	55" - 59"	22" - 26"	33 7/8"	1/2"
139692	Revelation 6mm 56 3/4"-59 1/4" x 55 - 59"	59 1/4"	56 3/4"	54 5/8"	55" - 59"	22" - 26"	18 7/8"	1/2"
139693	Revelation 8mm 70 1/2"-73" x 43 - 47"	73"	70 1/2"	68 3/8"	43" - 47"	16" - 20"	33 7/8"	1/2"
139694	Revelation 8mm 70 1/2"-73" x 55 - 59"	73"	70 1/2"	68 3/8"	55" - 59"	22" - 26"	33 7/8"	1/2"
139695	Revelation 8mm 56 3/4"-59 1/4" x 55 - 59"	59 1/4"	56 3/4"	54 5/8"	55" - 59"	22" - 26"	18 7/8"	1/2"

All dimensions are approximate. Structure measurements must be verified against the unit to ensure proper fit.



Uptown Bypass Tub Door

TUB DOORS - BYPASS



Material : Tempered Glass

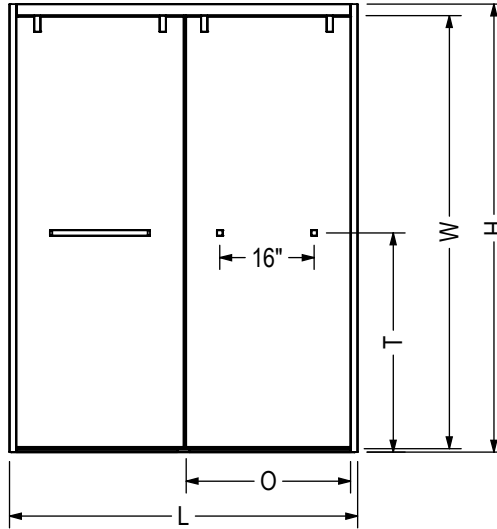
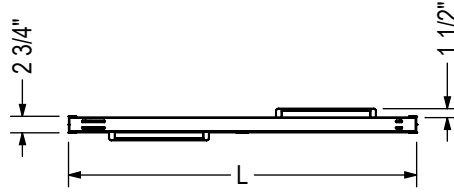
Features

- › 8 mm (5/16") tempered glass
- › Configuration consists of Bi-directional glass panels for flexible entry and easy access to fixtures on the left or right-hand side
- › Available in 4 Stylish Finishes
- › DIY Product for an easy installation
- › Fits on showers, walls and tile
- › Innovative Soft Close by MAAX technology prevents slamming
- › Glass panels come with the Lotus Easy Clean Glass Protection to repel soap and water stains for carefree maintenance
- › Reversible panel for easy corner installation on the left or on the right
- › 3/8" out-of-plumb adjustment

UPTOWN 56-59 X 58 IN. 8 MM - 135320

SKU	Color	Door Opening	Dimensions & Weight	Packaging	MSRP
135320-900-084-000	Clear / Chrome	Reversible	56" - 59" x 58" / 106 lb / 48 kg	4.732 ft ³	\$ 1443
135320-900-173-000	Clear / Dark Bronze				\$ 1557
135320-900-305-000	Clear / Brushed Nickel				\$ 1517
135320-900-340-000	Clear / Matte Black				\$ 1557

STANDARD



Code	Description	H	L	O	T	W
135320	Uptown Bypass Tub door 58" x 56" - 59"	58"	56" - 59"	24 7/8" - 27 7/8"	28 1/4"	55 1/2"
135321	Uptown Bypass door 76" x 44" - 47"	76"	44" - 47"	18 7/8" - 21 7/8"	37 1/8"	73 1/2"
135322	Uptown Bypass door 76" x 56" - 59"	76"	56" - 59"	24 7/8" - 27 7/8"	37 1/8"	73 1/2"

Wall adjustment = 3/8"

All dimensions are approximate. Structure measurements must be verified against the unit to ensure proper fit.



Aura 6 mm Tub Doors

TUB DOORS - BYPASS



Material : Tempered Glass

Features

- › Shower Door for Alcove Installation
- › Bi-directional glass panels for flexible entry and easy access on the left or right-hand side
- › Silent guide glides smoothly and quietly, ensuring a seamless shower experience
- › 6 mm (1/4") clear tempered glass ensuring sturdiness and stability
- › The minimalist design maximizes the opening space, allowing easy entry and exit into the shower space
- › Safety features that keep the glass panel in place: header lock and panel anti-jump
- › Reversible header: one side round and one side flat, so you can decide which style suits you
- › The horizontal handle can double as a stylish towel bar
- › Despite its premium features, the shower door is offered at an affordable price point.

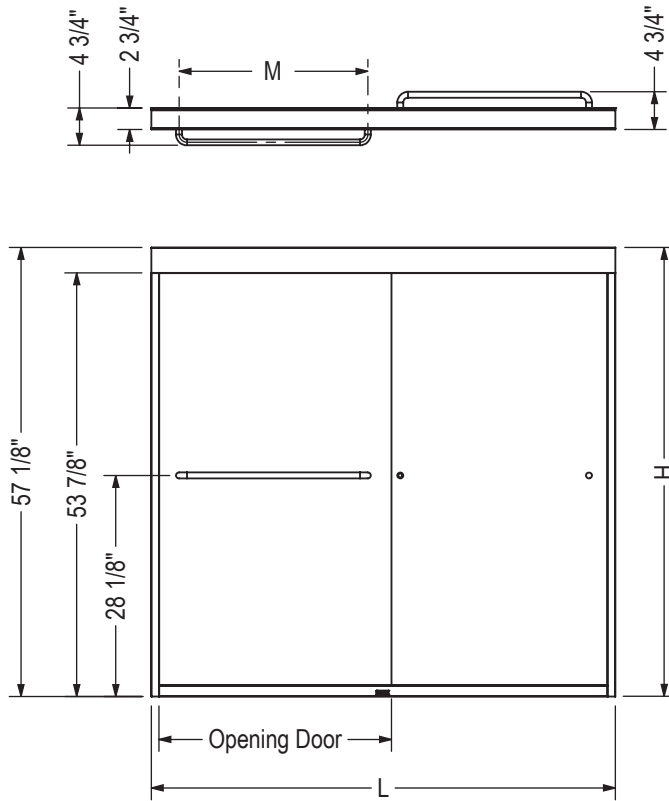
AURA 51-55 X 57 - 6MM - 135660

SKU	Color	Door Opening	Dimensions & Weight	Packaging	MSRP
135660-900-084-000	Clear / Chrome	Reversible	51" - 55" x 57" / 98 lb / 44 kg	4.6 ft ³	\$ 1280

ACCESSORIES

SKU	Description	MSRP
10068410-005-601	Soft Close by MAAX for Kameleon/Aura doors only	\$ 167

STANDARD



Description	Opening Door Adjustable	M	L Adjustable	H
Tub Door 51"-55" x 57", 6mm	21 1/2" - 25 1/2"	24"	51" - 55"	57"
Tub Door 55"-59" x 57", 6mm	23 1/2" - 27 1/2"	24"	55" - 59"	57"

All dimensions are approximate. Structure measurements must be verified against the unit to ensure proper fit.



Aura 6 mm Tub Doors

TUB DOORS - BYPASS



Material : Tempered Glass

Features

- › Shower Door for Alcove Installation
- › Bi-directional glass panels for flexible entry and easy access on the left or right-hand side
- › Silent guide glides smoothly and quietly, ensuring a seamless shower experience
- › 6 mm (1/4") clear tempered glass ensuring sturdiness and stability.
- › The minimalist design maximizes the opening space, allowing easy entry and exit into the shower space
- › Safety features that keep the glass panel in place: header lock and panel anti-jump
- › Reversible header: one side round and one side flat, so you can decide which style suits you
- › The horizontal handle can double as a stylish towel bar
- › Despite its premium features, the shower door is offered at an affordable price point.

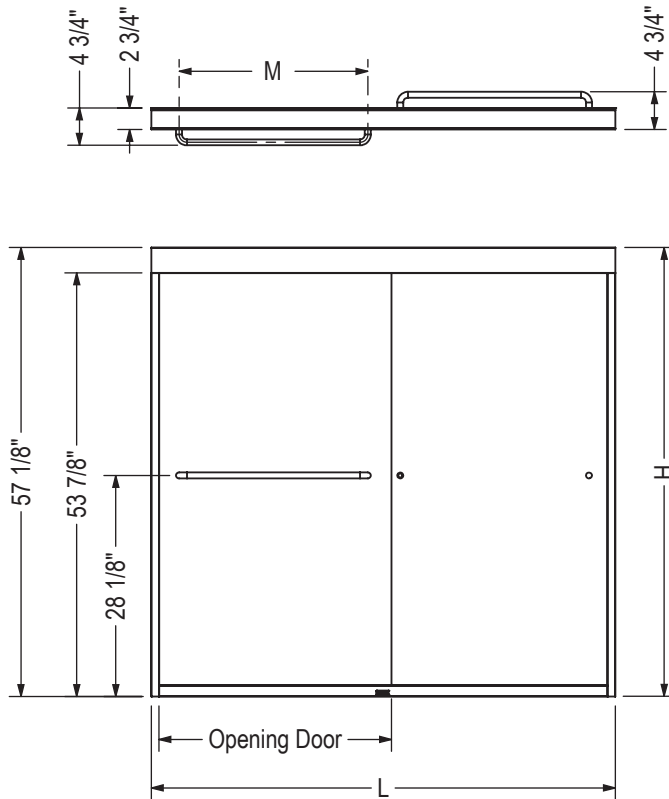
AURA 55-59 X 57 - 6MM - 135661

SKU	Color	Door Opening	Dimensions & Weight	Packaging	MSRP
135661-900-084-000	Clear / Chrome	Reversible	55" - 59" x 57" / 95 lb / 43 kg	5.21 ft ³	\$ 1018
135661-900-172-000	Clear / Dark Bronze				\$ 1086
135661-900-305-000	Clear / Brushed Nickel				\$ 1067
135661-978-084-000	Frosted / Chrome		55" - 59" x 57" / 75 lb / 34 kg		\$ 1202
135661-978-172-000	Frosted / Dark Bronze				\$ 1282
135661-978-305-000	Frosted / Brushed Nickel				\$ 1260

ACCESSORIES

SKU	Description	MSRP
10068410-005-601	Soft Close by MAAX for Kameleon/Aura doors only	\$ 167

STANDARD



Description	Opening Door Adjustable	M	L Adjustable	H
Tub Door 51"-55" x 57", 6mm	21 1/2" - 25 1/2"	24"	51" - 55"	57"
Tub Door 55"-59" x 57", 6mm	23 1/2" - 27 1/2"	24"	55" - 59"	57"

All dimensions are approximate. Structure measurements must be verified against the unit to ensure proper fit.



Aura 8 mm Tub Doors

TUB DOORS - BYPASS



Material : Tempered Glass

Features

- › Shower Door for Alcove Installation
- › Bi-directional glass panels for flexible entry and easy access on the left or right-hand side
- › Silent guide glides smoothly and quietly, ensuring a seamless shower experience
- › 8 mm clear tempered glass ensuring sturdiness and stability
- › The minimalist design maximizes the opening space, allowing easy entry and exit into the shower space
- › Safety features that keep the glass panel in place: header lock and panel anti-jump
- › Reversible header: one side round and one side flat, so you can decide which style suits you
- › The horizontal handle can double as a stylish towel bar
- › Despite its premium features, the shower door is offered at an affordable price point.

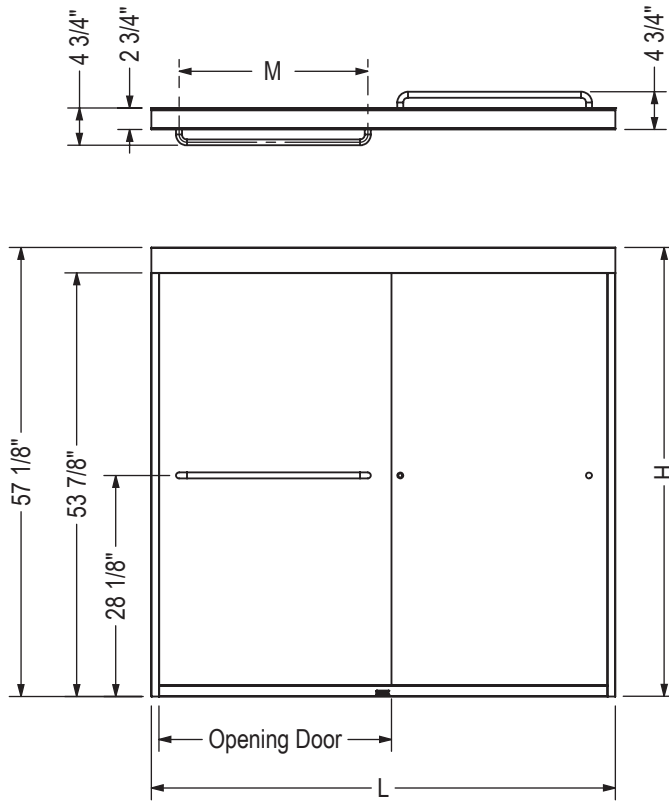
AURA 55-59 X 57 - 8MM - 135673

SKU	Color	Door Opening	Dimensions & Weight	Packaging	MSRP
135673-900-084-000	Clear / Chrome	Reversible	55" - 59" x 57" / 100 lb / 45 kg	5.21 ft ³	\$ 1177
135673-900-172-000	Clear / Dark Bronze				\$ 1256
135673-900-305-000	Clear / Brushed Nickel				\$ 1235
135673-900-340-000	Clear / Matte Black				\$ 1256

ACCESSORIES

SKU	Description	MSRP
10068410-005-601	Soft Close by MAAX for Kameleon/Aura doors only	\$ 167

STANDARD



Description	Opening Door Adjustable	M	L Adjustable	H
Tub Door 55"-59" x 57", 8mm	23 1/2" - 27 1/2"	24"	55" - 59"	57"

All dimensions are approximate. Structure measurements must be verified against the unit to ensure proper fit.



Halo Tub Door

TUB DOORS - SLIDING



Material : Tempered Glass

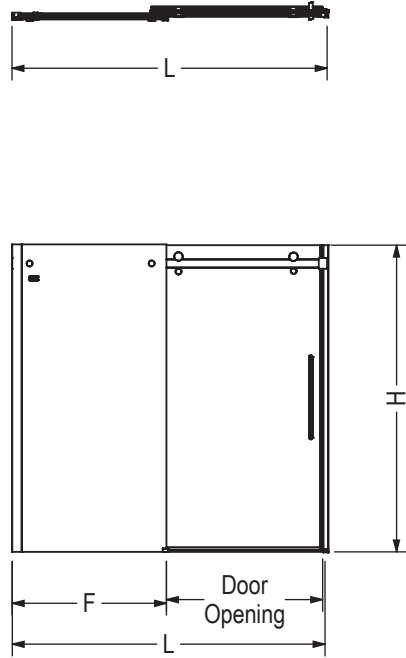
Features

- › 8 mm tempered glass panels
- › Available in 4 finishes: Chrome, Brushed Nickel, Dark Bronze, Matte Black
- › Compatible with MAAX's Utile tub wall system, allowing for a seamless and coordinated installation with the shower door, creating a cohesive and stylish bathroom design
- › Sliding door configuration features one sliding glass panel and one stationary panel
- › Ball bearing roller technology along a friction-free stainless steel rail system for a smooth and quiet opening
- › The frameless design brings a sense of spaciousness to the room and creates a sleek, minimalist look.
- › Glass panels come with the Lotus Easy Clean Glass Protection to repel soap and water stains for carefree maintenance
- › Compatible with MAAX's Utile tub wall system, allowing for a seamless and coordinated installation with the shower door, creating a cohesive and stylish bathroom design
- › Warranty: 10 years

HALO 56 1/2-59 X 59 - 8MM - 139398

SKU	Color	Door Opening	Dimensions & Weight	Packaging	MSRP
139398-900-084-000	Clear / Chrome	Lateral	56 1/2" - 59" x 59" / 131 lb / 59 kg	7.7 ft ³	\$ 1367
139398-900-173-000	Clear / Dark Bronze	Reversible	56 1/2" - 59" x 59" / 108 lb / 49 kg		\$ 1473
139398-900-305-000	Clear / Brushed Nickel				\$ 1438
139398-900-340-000	Clear / Matte Black	Lateral	56 1/2" - 59" x 59" / 118 lb / 54 kg		\$ 1473

STANDARD



Code	Description	H	L Adjustable	F	Door Opening	Wall Adjustment
139398	Halo TUBDOOR 59" x 59"	59"	56 1/2" - 59"	28 5/8"	24 1/2"	1"

All dimensions are approximate. Structure measurements must be verified against the unit to ensure proper fit.



Luminescence Tub Door

TUB DOORS - SLIDING



Material : Tempered Glass

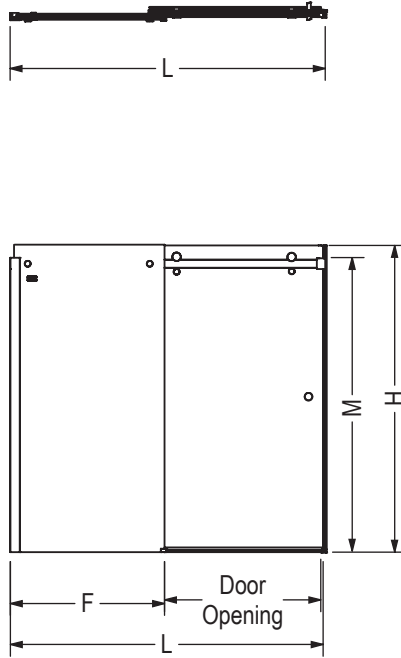
Features

- › Fits showers with 55 1/2 -inch wall clearance, glass extends to 57 1/2 -inch
- › Ball bearing roller system, for a quiet and gentle close
- › Door is reversible, provides a right or left opening for ease of installation

LUMINESCENCE SLIDINGDOOR 56 1/2-59 X 55 1/2-57 1/2 - 6MM - 138994

SKU	Color	Door Opening	Dimensions & Weight	Packaging	MSRP
138994-900-084-000	Clear / Chrome	Reversible	56 1/2" - 59" x 55 1/2" / 86 lb / 39 kg	4.02 ft³	\$ 1106
138994-900-305-000	Clear / Brushed Nickel				\$ 1177

STANDARD



Code	Description	H	M	L Adjustable	F	Door Opening	Wall Adjustment
138994	Luminescence 56 1/2"-59" x 55 1/2"	57 1/2"	55 1/2"	56 1/2" - 59"	28 5/8"	24 1/2"	1"

All dimensions are approximate. Structure measurements must be verified against the unit to ensure proper fit.



Connect Tub Doors

TUB DOORS - SLIDING



Material : Tempered Glass

Features

- › Model Size: in - 39.09in W X 72in H
- › Configuration consists of a Stationary Panel and Sliding Door
- › Frame and hardware finish: Matte Black
- › A 1/2 inch vertical profile to fill an additional gap, sold separately
- › Requires no cutting the door frame expands to adjust to the walls
- › Glass panels come with the Lotus Easy Clean Glass Protection to repel soap and water stains for carefree maintenance
- › Solid expandable frame that provides 1.5 in. adjustment with ClickConnect corner joint
- › Fast, no-cut installation
- › Reversible door for easy left -or right- opening installation

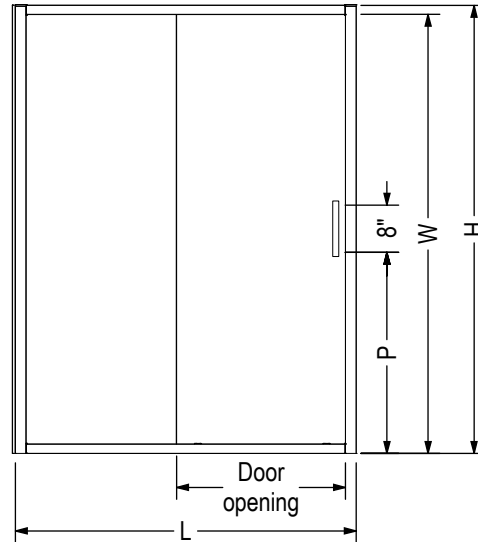
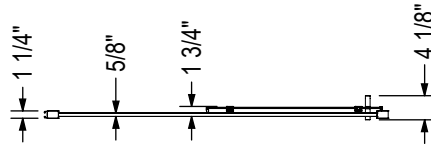
CONNECT 55 1/2-57 X 57 - 6MM - 135245

SKU	Color	Door Opening	Dimensions & Weight	Packaging	MSRP
135245-900-084-000	Clear / Chrome	Reversible	55 1/2" - 57" x 57" / 86 lb / 39 kg	13.8 ft ³	\$ 1072
135245-900-305-000	Clear / Brushed Nickel				\$ 1126
135245-900-340-000	Clear / Matte Black				\$ 1180

CONNECT 57-58 1/2 X 57 - 6MM - 135246

SKU	Color	Door Opening	Dimensions & Weight	Packaging	MSRP
135246-900-084-000	Clear / Chrome	Reversible	57" - 58 1/2" x 57" / 89 lb / 40 kg	13.8 ft ³	\$ 1072
135246-900-305-000	Clear / Brushed Nickel				\$ 1126
135246-900-340-000	Clear / Matte Black				\$ 1180

STANDARD



Code	Description	H	W	L Adjustable	Door opening	P
135241	Connect 72" x 43 1/2" - 45"	72"	70 3/8"	43 1/2" - 45"	17 13/16" - 18 9/16"	32 1/8"
135242	Connect 72" x 45" - 46 1/2"	72"	70 3/8"	45" - 46 1/2"	18 9/16" - 19 5/16"	32 1/8"
135243	Connect 72" x 55 1/2" - 57"	72"	70 3/8"	55 1/2" - 57"	23 13/16" - 24 9/16"	32 1/8"
135244	Connect 72" x 57" - 58 1/2"	72"	70 3/8"	57" - 58 1/2"	24 9/16" - 25 5/16"	32 1/8"
135245	Connect tub door 57" x 55 1/2" - 57"	57"	55 7/16"	55 1/2" - 57"	23 13/16" - 24 9/16"	24 5/8"
135246	Connect tub door 57" x 57" - 58 1/2"	57"	55 7/16"	57" - 58 1/2"	24 9/16" - 25 5/16"	24 5/8"

All dimensions are approximate. Structure measurements must be verified against the unit to ensure proper fit.



Outback Tub Door

TUB DOORS - SLIDING



Material : Tempered Glass

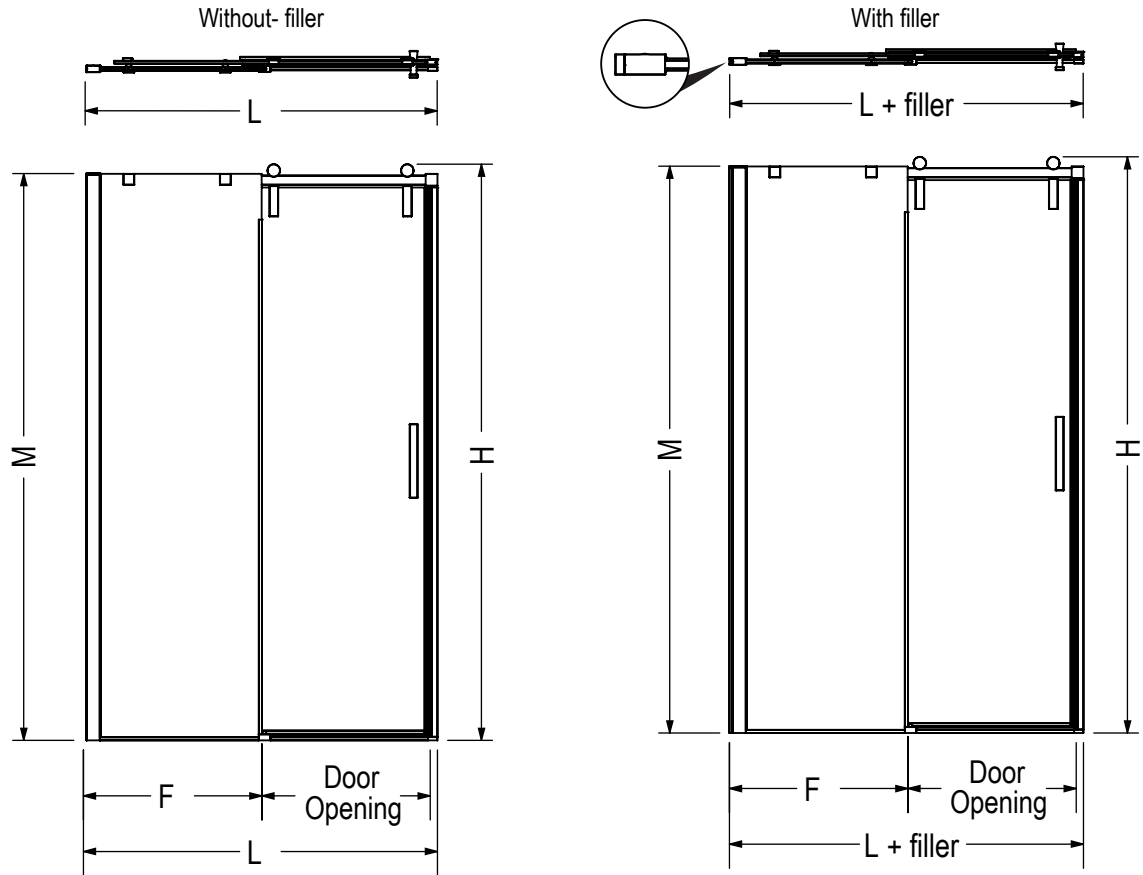
Features

- › Unique contemporary barn door look with a minimalist design
- › Slim stainless header
- › Three stylish finishes: Chrome, Brushed Nickel and Matte Black
- › Door offers 3.25in of adjustment to fit on tile and on shower units
- › 8 mm (5/16") tempered glass with Lotus easy clean protection
- › Reversible shower door for left or right opening

OUTBACK 55 1/4 - 58 1/2 X 57 - 8MM - 137682

SKU	Color	Door Opening	Dimensions & Weight	Packaging	MSRP
137682-900-084-000	Clear / Chrome	Reversible	55 1/4" - 58 1/2" x 57" / 106 lb / 48 kg	4.83 ft ³	\$ 1225
137682-900-305-000	Clear / Brushed Nickel				\$ 1297
137682-900-340-000	Clear / Matte Black				\$ 1332

STANDARD



Code	Description	H	M	L Adjustable	L Adjustable + Wall filler	F	Door Opening	Wall adjustment	Walk thru
835680 / 137680	Outback 48	72"	70 1/2"	43 1/4" - 46 1/2"	43 5/8" - 46 7/8"	21 1/2"	16 1/8" - 19"	3/4"	68 3/4"
835681 / 137681	Outback 60	72"	70 1/2"	55 1/4" - 58 1/2"	55 5/8" - 58 7/8"	27 1/2"	22 1/8" - 25"	3/4"	68 3/4"
835682 / 137682	Outback Tub 60	58 3/16"	57"	55 1/4" - 58 1/2"	55 5/8" - 58 7/8"	27 1/2"	22 1/8" - 25"	3/4"	55 1/4"

To reach maximum alcove dimension (L), you need to add the filler to maintain a maximum door opening.
 To reach the minimum alcove dimension (L), you need to remove the wall jamb filler to maintain a maximum door opening.

All dimensions are approximate. Structure measurements must be verified against the unit to ensure proper fit.

Tub Showers



Allia TS—with Incognito Matte Black Door



Material : Acrylic
 Min: 26 Gal / 102 L
 Max: 47 Gal / 178 L

Features

- > Proudly made in Canada
- > 1-piece tub shower without roofcap
- > Spacious 32 inch width bathtub with textured floor and perfectly angled backrest for your comfort
- > Integrated built-in shelves and towel bar for your convenience
- > Made of thick and durable acrylic that has a high gloss finish for easy clean and maintenance
- > Above-the-Floor Rough feature insures easy plumbing connection regardless of your current drain position (see AFR video in picture carousel)

FIGARO II AFR - 105621

SKU	System	Color	Configuration	Dimensions & Weight	Packaging	MSRP
105621-000-001-101	Soaker - No System	White	Left	59 1/4" x 33" x 76 1/4" / 145 lb / 66 kg	87 ft ³	\$ 2520
105621-000-001-102			Right			\$ 2520
105621-091-001-104	10 Microjets ¹		Left			\$ 4004
105621-091-001-105			Right			\$ 4004

FIGARO II (2-PIECE AFR) - 105621S

SKU	System	Color	Configuration	Dimensions & Weight	Packaging	MSRP
105621-000-001-109	Soaker - No System	White	Left	59 1/4" x 33" x 76 1/4" / 140 lb / 63 kg	87 ft ³	\$ 3333
105621-000-001-110			Right			\$ 3333
105621-091-001-106	10 Microjets ¹		Left			\$ 4817
105621-091-001-107			Right			\$ 4817

COMMON OPTIONS

SKU	Description	MSRP
OPT10053	One chromatherapy light (factory installed) ⁵⁴	\$ 641
OPT10095	Water heater assembly for whirlpool and combined systems (factory installed)	\$ 908
OPT10250-105	Microjet trim kit (factory installed) Available colours: Chrome (084) and Brushed Nickel (105)	\$ 650

COMMON OPTIONS

SKU	Description	MSRP
OPT10250-084	Microjet trim kit (factory installed) Available colours: Chrome (084) and Brushed Nickel (105)	\$ 650
OPT20137-004	Cable-operated waste and overflow (16 in. to 22 in.) (included in product packaging when purchased) Available colors: White (001), Bone (004), Chrome (084) and Brushed Nickel (105)	\$ 238
OPT20137-084		\$ 238
OPT20137-105		\$ 238
OPT20137-001		\$ 238

ACCESSORIES

SKU	Description	MSRP
10012135-105	Waste and overflow (16 to 22 in.) (sold separately)	\$ 123
10012135-084	Available colors: Chrome (084) and Brushed Nickel (105)	\$ 84
10004306-001	White foam cushion with 2 suction pads (sold separately) Available color: White (001)	\$ 120
10022491-084	Cable-operated waste and overflow (16 in. to 22 in.) (sold separately) Available colors: White (001), Bone (004), Chrome (084) and Brushed Nickel (105)	\$ 238
10022491-004		\$ 238
10022491-105		\$ 238
10022491-001		\$ 238

FOOTNOTES

No	Description
1	Components for standard colour units equipped with systems are colour-coordinated. Trim kit and/or air push with metallic finish can be added (additional charge applies). For non-standard colour units, please specify trim kit and/or air push colour (additional charge applies for metallic finishes). Please note that the positioning of the system's control could be in conflict with the door if one was installed on the unit. To insure compatibility, please contact customer service.
54	A selection of units come with an access panel by default when equipped with a system. However, if the unit is only equipped with chromatherapy, the access panel will not be provided by default.

RECOMMENDED DOORS

SKU	Product Name	Pag.
138522	Incognito 57 51-54 x 56 3/4 in. 8mm	540
135660	Aura 51-55 x 57 - 6mm	552



Material : Acrylic
 Min: 27 Gal / 102 L
 Max: 47 Gal / 178 L

Features

- › 1-piece tub shower with integrated roofcap
- › Spacious 32 inch width bathub with textured floor and perfectly angled backrest for your comfort
- › Integrated built-in shelves and towel bar for your convenience
- › Made of thick and durable acrylic that has a high gloss finish for easy clean and maintenance
- › Above-the-Floor Rough feature insures easy plumbing connection regardless of your current drain position (see AFR video in picture carousel)

FIGARO I AFR - 105620

SKU	System	Color	Configuration	Dimensions & Weight	Packaging	MSRP
105620-000-001-103	Soaker - No System	White	Left	59 1/4" x 31 1/2" x 86 3/8" / 157 lb / 71 kg	100 ft ³	\$ 2612
105620-000-001-104			Right			\$ 2612
105620-091-001-104	10 Microjets ¹		Left			\$ 4096
105620-091-001-105			Right			\$ 4096

FIGARO I (3-PIECE AFR) - 105620S

SKU	System	Color	Configuration	Dimensions & Weight	Packaging	MSRP
105620-000-001-109	Soaker - No System	White	Left	59 1/4" x 33" x 86 3/8" / 164 lb / 74 kg	100 ft ³	\$ 3430
105620-000-001-110			Right			\$ 3430
105620-091-001-106	10 Microjets ¹		Left			\$ 4914
105620-091-001-107			Right			\$ 4914

COMMON OPTIONS

SKU	Description	MSRP
OPT10053	One chromatherapy light (factory installed) ⁵⁴	\$ 641
OPT10095	Water heater assembly for whirlpool and combined systems (factory installed)	\$ 908
OPT10250-105	Microjet trim kit (factory installed) Available colours: Chrome (084) and Brushed Nickel (105)	\$ 650

COMMON OPTIONS

SKU	Description	MSRP
OPT10250-084	Microjet trim kit (factory installed) Available colours: Chrome (084) and Brushed Nickel (105)	\$ 650
OPT20137-004	Cable-operated waste and overflow (16 in. to 22 in.) (included in product packaging when purchased) Available colors: White (001), Bone (004), Chrome (084) and Brushed Nickel (105)	\$ 238
OPT20137-084		\$ 238
OPT20137-105		\$ 238
OPT20137-001		\$ 238

ACCESSORIES

SKU	Description	MSRP
10012135-105	Waste and overflow (16 to 22 in.) (sold separately) Available colors: Chrome (084) and Brushed Nickel (105)	\$ 123
10012135-084		\$ 84
10004306-001	White foam cushion with 2 suction pads (sold separately) Available color: White (001)	\$ 120
10022491-084	Cable-operated waste and overflow (16 in. to 22 in.) (sold separately) Available colors: White (001), Bone (004), Chrome (084) and Brushed Nickel (105)	\$ 238
10022491-004		\$ 238
10022491-105		\$ 238
10022491-001		\$ 238

FOOTNOTES

No	Description
1	Components for standard colour units equipped with systems are colour-coordinated. Trim kit and/or air push with metallic finish can be added (additional charge applies). For non-standard colour units, please specify trim kit and/or air push colour (additional charge applies for metallic finishes). Please note that the positioning of the system's control could be in conflict with the door if one was installed on the unit. To insure compatibility, please contact customer service.
54	A selection of units come with an access panel by default when equipped with a system. However, if the unit is only equipped with chromatherapy, the access panel will not be provided by default.

RECOMMENDED DOORS

SKU	Product Name	Pag.
138522	Incognito 57 51-54 x 56 3/4 in. 8mm	540
135660	Aura 51-55 x 57 - 6mm	552



Aspen (1-piece)



Material : Acrylic
 Min: 32 Gal / 123 L
 Max: 40 Gal / 150 L

Features

- › 1 or 3-piece tub shower
- › Integrated shelves
- › Acrylic towel bar
- › Roof cap included
- › Textured bottom
- › Integrated apron with access panel when equipped with system

ASPEN - 101023

SKU	System	Color	Configuration	Dimensions & Weight	Packaging	MSRP
101023-000-001-001	Soaker - No System	White	Left	59 1/2" x 30 5/8" x 84 3/4" / 180 lb / 82 kg	95 ft ³	\$ 2378
101023-000-001-002			Right			\$ 2378
101023-091-001-001	10 Microjets ¹		Left			\$ 3862
101023-091-001-002			Right			\$ 3862
101023-108-001-001	Aerosens ^{1 2}		Left			\$ 4624
101023-108-001-002			Right			\$ 4624

ASPEN-3P (3-PIECE) - 101023S

SKU	System	Color	Configuration	Dimensions & Weight	Packaging	MSRP
101023-000-001-004	Soaker - No System	White	Left	59 1/2" x 30 3/4" x 85" / 190 lb / 86 kg	95 ft ³	\$ 3118
101023-000-001-005			Right			\$ 3118
101023-091-001-004	10 Microjets ¹		Left			\$ 4602
101023-091-001-005			Right			\$ 4602
101023-108-001-004	Aerosens ^{1 2}		Left			\$ 5364
101023-108-001-005			Right			\$ 5364

COMMON OPTIONS

SKU	Description	MSRP
OPT20029-105	Metal trim kit for air push control (factory installed)	\$ 50
OPT20029-084	Available colors: Chrome (084) and Brushed Nickel (105)	\$ 50
OPT20137-004		\$ 238
OPT20137-084	Cable-operated waste and overflow (16 in. to 22 in.) (included in product packaging when purchased)	\$ 238
OPT20137-105	Available colors: White (001), Bone (004), Chrome (084) and Brushed Nickel (105)	\$ 238
OPT20137-001		\$ 238
OPT10053	One chromatherapy light (factory installed) ⁵⁴	\$ 641
OPT10095	Water heater assembly for whirlpool and combined systems (factory installed)	\$ 908
OPT10250-105	Microjet trim kit (factory installed)	\$ 650
OPT10250-084	Available colours: Chrome (084) and Brushed Nickel (105)	\$ 650

ACCESSORIES

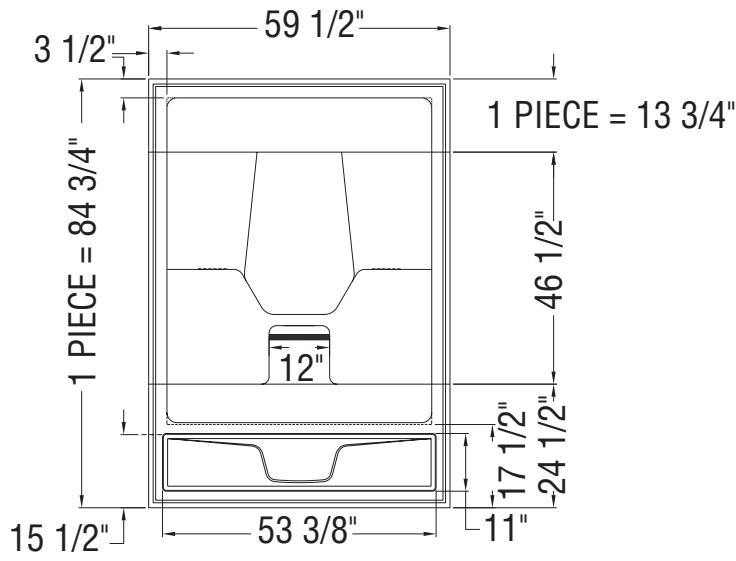
SKU	Description	MSRP
10006923	Flexible main hose (9 ft. extension) for air push control air massage - Kit (sold separately)	\$ 166
10012135-105	Waste and overflow (16 to 22 in.) (sold separately)	\$ 123
10012135-084	Available colors: Chrome (084) and Brushed Nickel (105)	\$ 84
10004306-001	White foam cushion with 2 suction pads (sold separately) Available color: White (001)	\$ 120
10022491-084		\$ 238
10022491-004	Cable-operated waste and overflow (16 in. to 22 in.) (sold separately)	\$ 238
10022491-105	Available colors: White (001), Bone (004), Chrome (084) and Brushed Nickel (105)	\$ 238
10022491-001		\$ 238

FOOTNOTES

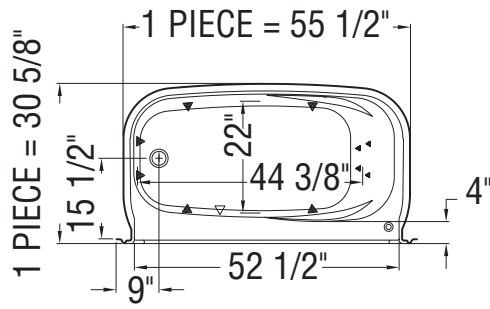
No	Description
1	Components for standard colour units equipped with systems are colour-coordinated. Trim kit and/or air push with metallic finish can be added (additional charge applies). For non-standard colour units, please specify trim kit and/or air push colour (additional charge applies for metallic finishes). Please note that the positioning of the system's control could be in conflict with the door if one was installed on the unit. To insure compatibility, please contact customer service.
2	Please order flexible main hose 10006923 for installation of the blower further than 3 ft from the bathtub. For the Tandem models and the Serenade models (freestanding and drop-in), the blower is always remote and not factory installed so a 9 ft flexible main hose is included. Please note that the positioning of the system's control could be in conflict with the door if one was installed on the unit. To insure compatibility, please contact customer service.
54	A selection of units come with an access panel by default when equipped with a system. However, if the unit is only equipped with chromatherapy, the access panel will not be provided by default.

RECOMMENDED DOORS

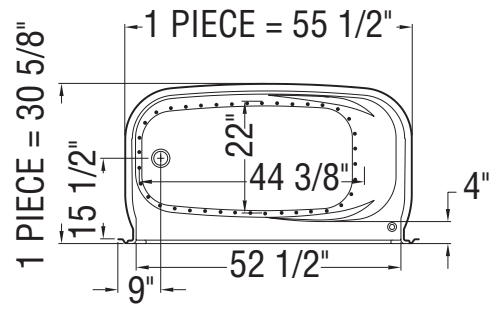
SKU	Product Name	Pag.
138522	Incognito 57 51-54 x 56 3/4 in. 8mm	540
135660	Aura 51-55 x 57 - 6mm	552



MICRO-JETS SYSTEM



AIR SYSTEM



- (▲) : Indicates whirlpool and backjets positioning
- (△) : Indicates suction positioning
- (•) : Indicates airjets positioning

All dimensions are approximate. Structure measurements must be verified against the unit to ensure proper fit.

Camelia TS-6032 (1-piece)



TUB SHOWERS - ACRYLIC



Material : Acrylic
 Min: 38 Gal / 144 L
 Max: 49 Gal / 185 L

Features

- › Model Size: 60 L in. X 32 W in. X 79 H in.
- › Thermoformed cast Acrylic for improved durability
- › Smooth Walls for a modern and minimalist look
- › 1 Piece construction for reliable water containment
- › Compatible with a wide range of MAAX Products
- › Above-the-Floor Rough (AFR) : Yes
- › Made in North America
- › 25 years warranty

CAMELIA TS-6032 (1-PIECE) - 105915

SKU	System	Color	Configuration	Dimensions & Weight	Packaging	MSRP
105915-L-000-001	Soaker - No System	White	Left	60" x 32" x 79" / 155 lb / 70 kg	101 ft ³	\$ 2027
105915-R-000-001			Right			\$ 2027

CAMELIA TS-6032 (2-PIECE) - 105915S

SKU	System	Color	Configuration	Dimensions & Weight	Packaging	MSRP
105915-SL-000-001	Soaker - No System	White	Left	60" x 32 1/2" x 79" / 155 lb / 70 kg	101 ft ³	\$ 2637
105915-SR-000-001			Right			\$ 2637

COMMON OPTIONS

SKU	Description	MSRP
OPT20203-B-002	18 in. Modern straight grab bar ⁶	\$ 259
OPT20203-B-105	OPT 20203-B-XXX Horizontal grab bar on back wall	\$ 259
OPT20203-B-084	Available colors: White (002), Chrome (084) and Brushed Nickel (105)	\$ 259
OPT20203-L-105	18 in. Modern straight grab bar ⁶⁰	\$ 259
OPT20203-L-002	OPT 20203-L-XXX Vertical grab bar on left wall	\$ 259
OPT20203-L-084	Available colors: White (002), Chrome (084) and Brushed Nickel (105)	\$ 259
OPT20203-R-084	18 in. Modern straight grab bar ⁶⁰ OPT 20203-R-XXX Vertical grab bar on right wall Available colors: White (002), Chrome (084) and Brushed Nickel (105)	\$ 259

COMMON OPTIONS

SKU	Description	MSRP
OPT20203-R-002	18 in. Modern straight grab bar ⁶⁰ OPT 20203-R-XXX Vertical grab bar on right wall	\$ 259
OPT20203-R-105	Available colors: White (002), Chrome (084) and Brushed Nickel (105)	\$ 259
OPT20204-B-002	24 in. Modern straight grab bar ⁶	\$ 277
OPT20204-B-084	OPT 20204-B-XXX Horizontal grab bar on back wall	\$ 277
OPT20204-B-105	Available colors: White (002), Chrome (084) and Brushed Nickel (105)	\$ 277
OPT20204-L-084	24 in. Modern straight grab bar ⁶	\$ 277
OPT20204-L-105	OPT 20204-L-XXX Vertical grab bar on left wall	\$ 277
OPT20204-L-002	Available colors: White (002), Chrome (084) and Brushed Nickel (105)	\$ 277
OPT20204-R-002	24 in. Modern straight grab bar ⁶⁰	\$ 277
OPT20204-R-084	OPT 20204-R-XXX Vertical grab bar on right wall	\$ 277
OPT20204-R-105	Available colors: White (002), Chrome (084) and Brushed Nickel (105)	\$ 277
OPT20212-B	Wall reinforcement (one wall) for future grab bar installation ⁹ OPT20212-B Reinforcement on back wall	\$ 111
OPT20212-L	Wall reinforcement (one wall) for future grab bar installation ⁶¹ OPT 20212-L Reinforcement on left wall	\$ 111
OPT20212-R	Wall reinforcement (one wall) for future grab bar installation ⁹ OPT 20212-R Reinforcement on right wall	\$ 111
OPT20216-B-002	30 in. Modern straight grab bar ⁶⁰	\$ 290
OPT20216-B-105	OPT 20216-HB-XXX Horizontal grab bar on back wall	\$ 290
OPT20216-B-084	Available colors: White (002), Chrome (084) and Brushed Nickel (105)	\$ 290
OPT20216-L-002	30 in. Modern straight grab bar ³⁰	\$ 290
OPT20216-L-105	OPT 20216-L-XXX Vertical grab bar on left wall	\$ 290
OPT20216-L-084	Available colors: White (002), Chrome (084) and Brushed Nickel (105)	\$ 290
OPT20216-R-002	30 in. Modern straight grab bar ³⁰	\$ 290
OPT20216-R-105	OPT 20216-R-XXX Vertical grab bar on right wall	\$ 290
OPT20216-R-084	Available colors: White (002), Chrome (084) and Brushed Nickel (105)	\$ 290
OPT20219-L-084	Pivot grab bar (back wall) ³⁰³² OPT 20219-L-XXX Left-hand pivot grab bar on back wall Available colors: Chrome (084)	\$ 1766
OPT20219-R-084	Pivot grab bar (back wall) ³⁰³² OPT 20219-R-XXX Right-hand pivot grab bar on back wall Available colors: Chrome (084)	\$ 1766
OPT20400-L-084	Package A ³⁰ OPT 20400-L-XXX Vertical grab bar on left wall, horizontal grab bar on back wall	\$ 380
OPT20400-L-105	Package includes : • 24 in. Vertical grab bar on side wall	\$ 380
OPT20400-L-002	• 30 in. Horizontal grab bar on back wall Available colors: White (002), Chrome (084) and Brushed Nickel (105)	\$ 380
OPT20400-R-002	Package A ³⁰ OPT 20400-R-XXX Vertical grab bar on right wall, horizontal grab bar on back wall	\$ 380
OPT20400-R-084	Package includes : • 24 in. Vertical grab bar on side wall	\$ 380
OPT20400-R-105	• 30 in. Horizontal grab bar on back wall Available colors: White (002), Chrome (084) and Brushed Nickel (105)	\$ 380
OPT20401-L-084	Package B ^{30, 31} OPT 20401-L-XXX Vertical grab bar on left wall, left-hand curved grab bar on back wall Package includes : • 24 in. Vertical grab bar on side wall • 32 in. Horizontal grab bar on back wall Available colors: White (002), Chrome (084) and Brushed Nickel (105)	\$ 527

COMMON OPTIONS

SKU	Description	MSRP
OPT20401-L-105	Package B ^{30, 31} OPT 20401-L-XXX Vertical grab bar on left wall, left-hand curved grab bar on back wall	\$ 527
OPT20401-L-002	Package includes : • 24 in. Vertical grab bar on side wall • 32 in. Horizontal grab bar on back wall Available colors: White (002), Chrome (084) and Brushed Nickel (105)	\$ 527
OPT20401-R-084	Package B ^{30, 31} OPT 20401-R-XXX Vertical grab bar on right wall, right-hand curved grab bar on back wall	\$ 527
OPT20401-R-105	Package includes : • 24 in. Vertical grab bar on side wall	\$ 527
OPT20401-R-002	• 32 in. Horizontal grab bar on back wall Available colors: White (002), Chrome (084) and Brushed Nickel (105)	\$ 527
OPT20402-L-084	Package C ^{30, 32} OPT 20402-L-XXX 2 x Vertical grab bars on side walls, left-hand pivot grab bar on back wall Package includes : • 2 x 24 in. Vertical grab bar on side walls • Pivot grab bar on back wall Available colors: Chrome (084) and Brushed Nickel (105)	\$ 1905
OPT20402-R-084	Package C ^{30, 32} OPT 20402-R-XXX 2 x Vertical grab bars on side walls, right-hand pivot grab bar on back wall Package includes : • 2 x 24 in. Vertical grab bar on side walls • Pivot grab bar on back wall Available colors: Chrome (084) and Brushed Nickel (105)	\$ 1905
OPT20217-L-105	32 in. Curved grab bar (back wall) ³⁰³¹	\$ 469
OPT20217-L-002	OPT 20217-L-XXX Left-hand curved grab bar on back wall	\$ 469
OPT20217-L-084	Available colors: White (002), Chrome (084) and Brushed Nickel (105)	\$ 469
OPT20217-R-002	32 in. Curved grab bar (back wall) ³⁰³¹	\$ 469
OPT20217-R-105	OPT 20217-R-XXX Right-hand curved grab bar on back wall	\$ 469
OPT20217-R-084	Available colors: White (002), Chrome (084) and Brushed Nickel (105)	\$ 469
OPT10189	Three-wall reinforcement for future grab bar installation ³³	\$ 232
OPT20056-106	60 in. curtain rod with installation kit Available color: Stainless Steel (106)	\$ 182
OPT20137-004		\$ 238
OPT20137-084	Cable-operated waste and overflow (16 in. to 22 in.) (included in product packaging when purchased)	\$ 238
OPT20137-105	Available colors: White (001), Bone (004), Chrome (084) and Brushed Nickel (105)	\$ 238
OPT20137-001		\$ 238
OPT20220-002		\$ 256
OPT20220-105	Shelf guard rails (factory installed) Available colors: White (002), Chrome (084), Brushed Nickel (105)	\$ 256
OPT20220-084		\$ 256

ACCESSORIES

SKU	Description	MSRP
10004306-001	White foam cushion with 2 suction pads (sold separately) Available color: White (001)	\$ 120
10029998-084		\$ 293
10029998-002	30 in. modern straight grab bar with flange (front installation) Specify color: White (002), Chrome (084), Brushed Nickel (105)	\$ 293
10029998-105		\$ 293
10030095-002	32 in. curved left-hand grab bar with flange (front installation) Specify color: White (002), Chrome (084), Brushed Nickel (105)	\$ 464

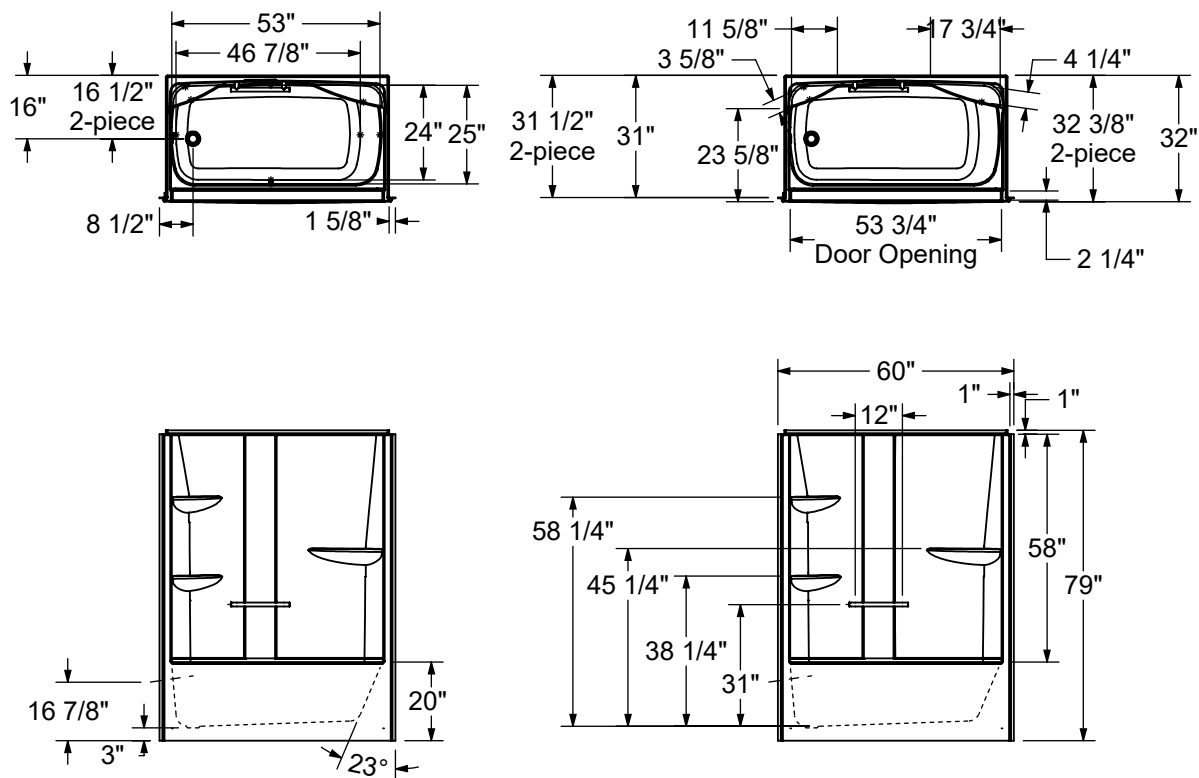
ACCESSORIES

SKU	Description	MSRP
10030095-084	32 in. curved left-hand grab bar with flange (front installation)	\$ 464
10030095-105	Specify color: White (002), Chrome (084), Brushed Nickel (105)	\$ 464
10030097-084		\$ 464
10030097-002	32 in. curved right-hand grab bar with flange (front installation)	\$ 464
10030097-105	Specify color: White (002), Chrome (084), Brushed Nickel (105)	\$ 464
10022491-084		\$ 238
10022491-004	Cable-operated waste and overflow (16 in. to 22 in.) (sold separately)	\$ 238
10022491-105	Available colors: White (001), Bone (004), Chrome (084) and Brushed Nickel (105)	\$ 238
10022491-001		\$ 238
10028765-105		\$ 261
10028765-084	24 in. modern straight grab bar ¹³	\$ 261
10028765-002	Specify color: White (002), Chrome (084), Brushed Nickel (105)	\$ 261
10029248-105		\$ 277
10029248-002	30 in. Modern straight grab bar ¹³	\$ 277
10029248-084	Specify color: White (002), Chrome (084), Brushed Nickel (105)	\$ 277
10029253-002		\$ 447
10029253-084	32 in. Left hand curved grab bar ¹³	\$ 447
10029253-105	Left refers to the upper section of the curved bar Specify color: White (002), Chrome (084), Brushed Nickel (105)	\$ 447
10029254-084		\$ 447
10029254-002	32 in. Right hand curved grab bar ¹³	\$ 447
10029254-105	Right refers to the upper section of the curved bar Specify color: White (002), Chrome (084), Brushed Nickel (105)	\$ 447
10029996-084		\$ 261
10029996-002	18 in. modern straight grab bar with flange (front installation)	\$ 261
10029996-105	Specify color: White (002), Chrome (084), Brushed Nickel (105)	\$ 261
10029997-002		\$ 277
10029997-105	24 in. modern straight grab bar with flange (front installation)	\$ 277
10029997-084	Specify color: White (002), Chrome (084), Brushed Nickel (105)	\$ 277

FOOTNOTES

No	Description
6	Specify 3/8 (Lite option) or 2 in. on deck height. If ordering unit with an apron, only 2 in. deck height is available.
9	6-Pack bathtubs are only available when units are without systems and in a standard colour.
13	Two pumps are required with a second Backmax.
30	Please see technical drawings on https://www.maax.com for grab bar and/or seat positioning.
31	Right (R)/Left (L) refers to the upper section of the ergonomic grab bar.
32	Right/Left refers to the pivot direction of the bar (from closed to open position).
33	Please see technical drawings on https://www.maax.com for reinforcement positioning and size.
60	Please see technical drawings on www.akerbymaax.com for grab bar positioning.
61	Please see technical drawings on www.akerbymaax.com for reinforcement positioning and size.

STANDARD
 (Left shown, Right symmetrical)
 1-PIECE MODEL SHOWN



All dimensions are approximate. Structure measurements must be verified against the unit to ensure proper fit.



Camelia TSR-6032 (1-piece)



Material : Acrylic
 Min: 38 Gal / 144 L
 Max: 49 Gal / 185 L

Features

- › Model Size: 60 L in. X 32 W in. X 88 H in.
- › Thermoformed cast Acrylic for improved durability
- › Smooth Walls for a modern and minimalist look
- › 1 Piece construction for reliable water containment
- › Compatible with a wide range of MAAX Products
- › Above-the-Floor Rough (AFR) : Yes
- › Made in North America
- › 25 years warranty

CAMELIA TSR-6032 (1-PIECE) - 105916

SKU	System	Color	Configuration	Dimensions & Weight	Packaging	MSRP
105916-L-000-001	Soaker - No System	White	Left	60" x 32" x 88" / 173 lb / 78 kg	111 ft ³	\$ 2300
105916-R-000-001			Right			\$ 2300

CAMELIA TSR-6032 (3-PIECE) - 105916S

SKU	System	Color	Configuration	Dimensions & Weight	Packaging	MSRP
105916-SL-000-001	Soaker - No System	White	Left	60" x 32 1/2" x 88" / 173 lb / 78 kg	111 ft ³	\$ 2705
105916-SR-000-001						\$ 2705

COMMON OPTIONS

SKU	Description	MSRP
OPT20203-B-002	18 in. Modern straight grab bar ⁶	\$ 259
OPT20203-B-105	OPT 20203-B-XXX Horizontal grab bar on back wall	\$ 259
OPT20203-B-084	Available colors: White (002), Chrome (084) and Brushed Nickel (105)	\$ 259
OPT20203-L-105	18 in. Modern straight grab bar ⁶⁰	\$ 259
OPT20203-L-002	OPT 20203-L-XXX Vertical grab bar on left wall	\$ 259
OPT20203-L-084	Available colors: White (002), Chrome (084) and Brushed Nickel (105)	\$ 259
OPT20203-R-084	18 in. Modern straight grab bar ⁶⁰ OPT 20203-R-XXX Vertical grab bar on right wall Available colors: White (002), Chrome (084) and Brushed Nickel (105)	\$ 259

COMMON OPTIONS

SKU	Description	MSRP
OPT20203-R-002	18 in. Modern straight grab bar ⁶⁰ OPT 20203-R-XXX Vertical grab bar on right wall	\$ 259
OPT20203-R-105	Available colors: White (002), Chrome (084) and Brushed Nickel (105)	\$ 259
OPT20204-B-002	24 in. Modern straight grab bar ⁶	\$ 277
OPT20204-B-084	OPT 20204-B-XXX Horizontal grab bar on back wall	\$ 277
OPT20204-B-105	Available colors: White (002), Chrome (084) and Brushed Nickel (105)	\$ 277
OPT20204-L-084	24 in. Modern straight grab bar ⁶	\$ 277
OPT20204-L-105	OPT 20204-L-XXX Vertical grab bar on left wall	\$ 277
OPT20204-L-002	Available colors: White (002), Chrome (084) and Brushed Nickel (105)	\$ 277
OPT20204-R-002	24 in. Modern straight grab bar ⁶⁰	\$ 277
OPT20204-R-084	OPT 20204-R-XXX Vertical grab bar on right wall	\$ 277
OPT20204-R-105	Available colors: White (002), Chrome (084) and Brushed Nickel (105)	\$ 277
OPT20212-B	Wall reinforcement (one wall) for future grab bar installation ⁹ OPT20212-B Reinforcement on back wall	\$ 111
OPT20212-L	Wall reinforcement (one wall) for future grab bar installation ⁶¹ OPT 20212-L Reinforcement on left wall	\$ 111
OPT20212-R	Wall reinforcement (one wall) for future grab bar installation ⁹ OPT 20212-R Reinforcement on right wall	\$ 111
OPT20216-B-002	30 in. Modern straight grab bar ⁶⁰	\$ 290
OPT20216-B-105	OPT 20216-HB-XXX Horizontal grab bar on back wall	\$ 290
OPT20216-B-084	Available colors: White (002), Chrome (084) and Brushed Nickel (105)	\$ 290
OPT20216-L-002	30 in. Modern straight grab bar ³⁰	\$ 290
OPT20216-L-105	OPT 20216-L-XXX Vertical grab bar on left wall	\$ 290
OPT20216-L-084	Available colors: White (002), Chrome (084) and Brushed Nickel (105)	\$ 290
OPT20216-R-002	30 in. Modern straight grab bar ³⁰	\$ 290
OPT20216-R-105	OPT 20216-R-XXX Vertical grab bar on right wall	\$ 290
OPT20216-R-084	Available colors: White (002), Chrome (084) and Brushed Nickel (105)	\$ 290
OPT20219-L-084	Pivot grab bar (back wall) ³⁰³² OPT 20219-L-XXX Left-hand pivot grab bar on back wall Available colors: Chrome (084)	\$ 1766
OPT20219-R-084	Pivot grab bar (back wall) ³⁰³² OPT 20219-R-XXX Right-hand pivot grab bar on back wall Available colors: Chrome (084)	\$ 1766
OPT20400-L-084	Package A ³⁰ OPT 20400-L-XXX Vertical grab bar on left wall, horizontal grab bar on back wall	\$ 380
OPT20400-L-105	Package includes : • 24 in. Vertical grab bar on side wall	\$ 380
OPT20400-L-002	• 30 in. Horizontal grab bar on back wall Available colors: White (002), Chrome (084) and Brushed Nickel (105)	\$ 380
OPT20400-R-002	Package A ³⁰ OPT 20400-R-XXX Vertical grab bar on right wall, horizontal grab bar on back wall	\$ 380
OPT20400-R-084	Package includes : • 24 in. Vertical grab bar on side wall	\$ 380
OPT20400-R-105	• 30 in. Horizontal grab bar on back wall Available colors: White (002), Chrome (084) and Brushed Nickel (105)	\$ 380
OPT20401-L-084	Package B ^{30, 31} OPT 20401-L-XXX Vertical grab bar on left wall, left-hand curved grab bar on back wall Package includes : • 24 in. Vertical grab bar on side wall • 32 in. Horizontal grab bar on back wall Available colors: White (002), Chrome (084) and Brushed Nickel (105)	\$ 527

COMMON OPTIONS

SKU	Description	MSRP
OPT20401-L-105	Package B ^{30, 31} OPT 20401-L-XXX Vertical grab bar on left wall, left-hand curved grab bar on back wall	\$ 527
OPT20401-L-002	Package includes : • 24 in. Vertical grab bar on side wall • 32 in. Horizontal grab bar on back wall Available colors: White (002), Chrome (084) and Brushed Nickel (105)	\$ 527
OPT20401-R-084	Package B ^{30, 31} OPT 20401-R-XXX Vertical grab bar on right wall, right-hand curved grab bar on back wall	\$ 527
OPT20401-R-105	Package includes : • 24 in. Vertical grab bar on side wall	\$ 527
OPT20401-R-002	• 32 in. Horizontal grab bar on back wall Available colors: White (002), Chrome (084) and Brushed Nickel (105)	\$ 527
OPT20402-L-084	Package C ^{30, 32} OPT 20402-L-XXX 2 x Vertical grab bars on side walls, left-hand pivot grab bar on back wall Package includes : • 2 x 24 in. Vertical grab bar on side walls • Pivot grab bar on back wall Available colors: Chrome (084) and Brushed Nickel (105)	\$ 1905
OPT20402-R-084	Package C ^{30, 32} OPT 20402-R-XXX 2 x Vertical grab bars on side walls, right-hand pivot grab bar on back wall Package includes : • 2 x 24 in. Vertical grab bar on side walls • Pivot grab bar on back wall Available colors: Chrome (084) and Brushed Nickel (105)	\$ 1905
OPT20217-L-105	32 in. Curved grab bar (back wall) ³⁰³¹	\$ 469
OPT20217-L-002	OPT 20217-L-XXX Left-hand curved grab bar on back wall	\$ 469
OPT20217-L-084	Available colors: White (002), Chrome (084) and Brushed Nickel (105)	\$ 469
OPT20217-R-002	32 in. Curved grab bar (back wall) ³⁰³¹	\$ 469
OPT20217-R-105	OPT 20217-R-XXX Right-hand curved grab bar on back wall	\$ 469
OPT20217-R-084	Available colors: White (002), Chrome (084) and Brushed Nickel (105)	\$ 469
OPT10189	Three-wall reinforcement for future grab bar installation ³³	\$ 232
OPT20056-106	60 in. curtain rod with installation kit Available color: Stainless Steel (106)	\$ 182
OPT20137-004		\$ 238
OPT20137-084	Cable-operated waste and overflow (16 in. to 22 in.) (included in product packaging when purchased)	\$ 238
OPT20137-105	Available colors: White (001), Bone (004), Chrome (084) and Brushed Nickel (105)	\$ 238
OPT20137-001		\$ 238
OPT20220-002		\$ 256
OPT20220-105	Shelf guard rails (factory installed) Available colors: White (002), Chrome (084), Brushed Nickel (105)	\$ 256
OPT20220-084		\$ 256

ACCESSORIES

SKU	Description	MSRP
10029997-002		\$ 277
10029997-105	24 in. modern straight grab bar with flange (front installation) Specify color: White (002), Chrome (084), Brushed Nickel (105)	\$ 277
10029997-084		\$ 277
10029998-084		\$ 293
10029998-002	30 in. modern straight grab bar with flange (front installation) Specify color: White (002), Chrome (084), Brushed Nickel (105)	\$ 293
10029998-105		\$ 293

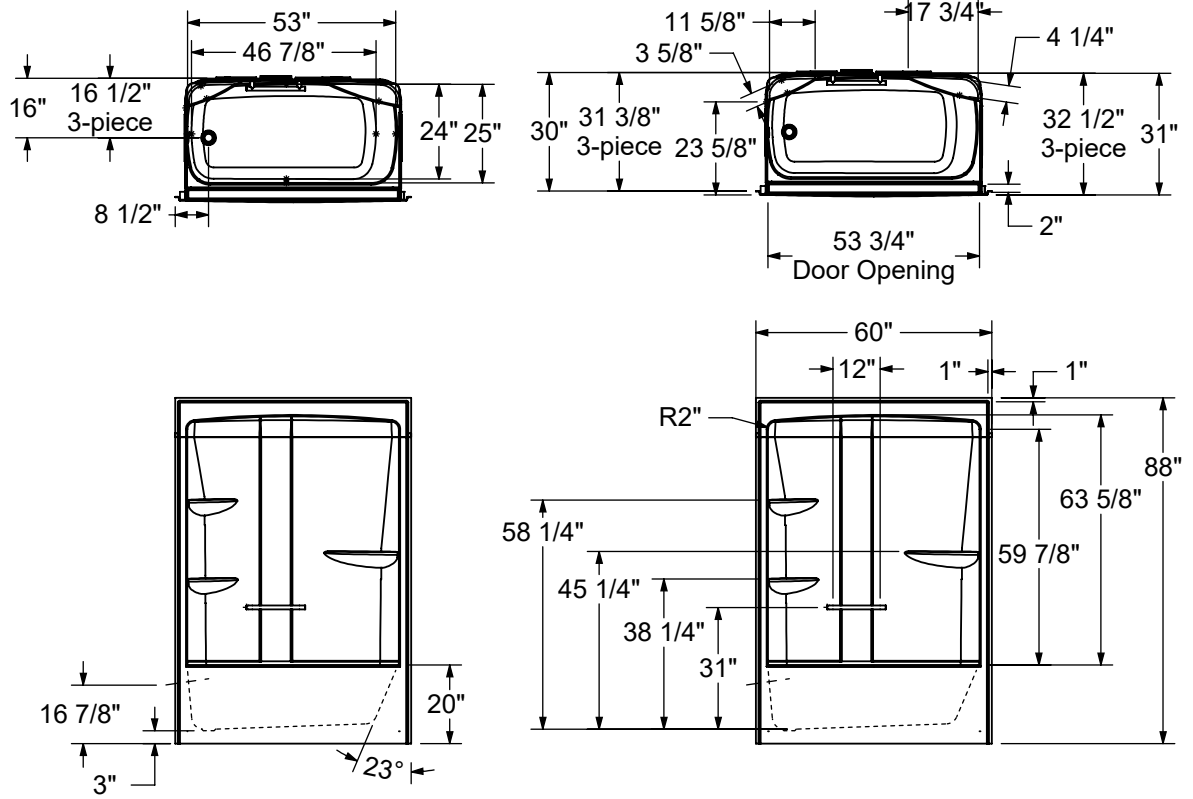
ACCESSORIES

SKU	Description	MSRP
10030095-002		\$ 464
10030095-084	32 in. curved left-hand grab bar with flange (front installation) Specify color: White (002), Chrome (084), Brushed Nickel (105)	\$ 464
10030095-105		\$ 464
10030097-084		\$ 464
10030097-002	32 in. curved right-hand grab bar with flange (front installation) Specify color: White (002), Chrome (084), Brushed Nickel (105)	\$ 464
10030097-105		\$ 464
10022491-084		\$ 238
10022491-004	Cable-operated waste and overflow (16 in. to 22 in.) (sold separately)	\$ 238
10022491-105	Available colors: White (001), Bone (004), Chrome (084) and Brushed Nickel (105)	\$ 238
10022491-001		\$ 238
10004306-001	White foam cushion with 2 suction pads (sold separately) Available color: White (001)	\$ 120
10028765-105		\$ 261
10028765-084	24 in. modern straight grab bar ¹³ Specify color: White (002), Chrome (084), Brushed Nickel (105)	\$ 261
10028765-002		\$ 261
10029248-105		\$ 277
10029248-002	30 in. Modern straight grab bar ¹³ Specify color: White (002), Chrome (084), Brushed Nickel (105)	\$ 277
10029248-084		\$ 277
10029253-002	32 in. Left hand curved grab bar ¹³	\$ 447
10029253-084	Left refers to the upper section of the curved bar	\$ 447
10029253-105	Specify color: White (002), Chrome (084), Brushed Nickel (105)	\$ 447
10029254-084		\$ 447
10029254-002	32 in. Right hand curved grab bar ¹³ Right refers to the upper section of the curved bar	\$ 447
10029254-105	Specify color: White (002), Chrome (084), Brushed Nickel (105)	\$ 447
10029996-084		\$ 261
10029996-002	18 in. modern straight grab bar with flange (front installation) Specify color: White (002), Chrome (084), Brushed Nickel (105)	\$ 261
10029996-105		\$ 261

FOOTNOTES

No	Description
6	Specify 3/8 (Lite option) or 2 in. on deck height. If ordering unit with an apron, only 2 in. deck height is available.
9	6-Pack bathtubs are only available when units are without systems and in a standard colour.
13	Two pumps are required with a second Backmax.
30	Please see technical drawings on https://www.maax.com for grab bar and/or seat positioning.
31	Right (R)/Left (L) refers to the upper section of the ergonomic grab bar.
32	Right/Left refers to the pivot direction of the bar (from closed to open position).
33	Please see technical drawings on https://www.maax.com for reinforcement positioning and size.
60	Please see technical drawings on www.akerbymaax.com for grab bar positioning.
61	Please see technical drawings on www.akerbymaax.com for reinforcement positioning and size.

STANDARD
(Left shown)



All dimensions are approximate. Structure measurements must be verified against the unit to ensure proper fit.



Gallery TS-6030

TUB SHOWERS - ACRYLX



Material : AcrylX

Features

- › Model Size : 59.875 L in. x 31 W in. x 75 H in.
- › Made of AcrylX high gloss finish for improved durability
- › Installation Type : Alcove
- › Left-hand or right-hand drain configuration
- › 2 pieces construction for easy handling and installation
- › Unique MAAX PIN system for easy front installation
- › Bathing well : 56.625 L in. x 23.875 W in. x 12.75 H in.
- › Made in North America
- › Warranty: Limited lifetime

GALLERY TS-6030 - 105573

SKU	System	Color	Configuration	Dimensions & Weight	Packaging	MSRP
105573-000-002-001	Soaker - No System	White	Left	59 7/8" x 30" x 75" / 155 lb / 70 kg	63 ft ³	\$ 1889
105573-000-002-002			Right			\$ 1889

COMMON OPTIONS

SKU	Description	MSRP
OPT20204-L-084	24 in. Modern straight grab bar ⁶	\$ 277
OPT20204-L-105	OPT 20204-L-XXX Vertical grab bar on left wall	\$ 277
OPT20204-L-002	Available colors: White (002), Chrome (084) and Brushed Nickel (105)	\$ 277
OPT20204-R-002	24 in. Modern straight grab bar ⁶⁰	\$ 277
OPT20204-R-084	OPT 20204-R-XXX Vertical grab bar on right wall	\$ 277
OPT20204-R-105	Available colors: White (002), Chrome (084) and Brushed Nickel (105)	\$ 277
OPT10189	Three-wall reinforcement for future grab bar installation ³³	\$ 232
OPT20137-004		\$ 238
OPT20137-084	Cable-operated waste and overflow (16 in. to 22 in.) (included in product packaging when purchased)	\$ 238
OPT20137-105	Available colors: White (001), Bone (004), Chrome (084) and Brushed Nickel (105)	\$ 238
OPT20137-001		\$ 238
OPT20203-B-002	18 in. Modern straight grab bar ⁶	\$ 259
OPT20203-B-105	OPT 20203-B-XXX Horizontal grab bar on back wall	\$ 259
OPT20203-B-084	Available colors: White (002), Chrome (084) and Brushed Nickel (105)	\$ 259

COMMON OPTIONS

SKU	Description	MSRP
OPT20203-L-105	18 in. Modern straight grab bar ⁶⁰	\$ 259
OPT20203-L-002	OPT 20203-L-XXX Vertical grab bar on left wall	\$ 259
OPT20203-L-084	Available colors: White (002), Chrome (084) and Brushed Nickel (105)	\$ 259
OPT20203-R-084	18 in. Modern straight grab bar ⁶⁰	\$ 259
OPT20203-R-002	OPT 20203-R-XXX Vertical grab bar on right wall	\$ 259
OPT20203-R-105	Available colors: White (002), Chrome (084) and Brushed Nickel (105)	\$ 259
OPT20204-B-002	24 in. Modern straight grab bar ⁶	\$ 277
OPT20204-B-084	OPT 20204-B-XXX Horizontal grab bar on back wall	\$ 277
OPT20204-B-105	Available colors: White (002), Chrome (084) and Brushed Nickel (105)	\$ 277

ACCESSORIES

SKU	Description	MSRP
10012135-105	Waste and overflow (16 to 22 in.) (sold separately)	\$ 123
10012135-084	Available colors: Chrome (084) and Brushed Nickel (105)	\$ 84
10004306-001	White foam cushion with 2 suction pads (sold separately) Available color: White (001)	\$ 120
10022491-084		\$ 238
10022491-004	Cable-operated waste and overflow (16 in. to 22 in.) (sold separately)	\$ 238
10022491-105	Available colors: White (001), Bone (004), Chrome (084) and Brushed Nickel (105)	\$ 238
10022491-001		\$ 238

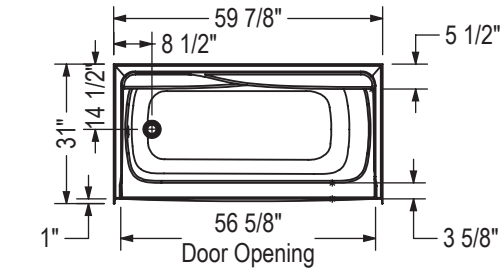
FOOTNOTES

No	Description
6	Specify 3/8 (Lite option) or 2 in. on deck height. If ordering unit with an apron, only 2 in. deck height is available.
33	Please see technical drawings on https://www.maax.com for reinforcement positioning and size.
60	Please see technical drawings on www.akerbymaax.com for grab bar positioning.

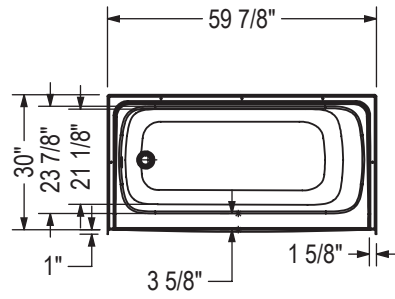
RECOMMENDED DOORS

SKU	Product Name	Pag.
139351	Incognito 57 56-59 x 56 ¾ - 6mm	538
139354	Incognito 57 56-59 x 56 ¾ - 8mm	542
135330	Incognito 57 Shaker 56-59 x 56 ¾ - 8mm	536
135245	Connect 55 1/2-57 x 57 - 6mm	562
136270	Duel 56-59 x 55 ½ x 59 - 8 mm	534
137682	Outback 55 ¼ - 58 1/2 x 57 - 8mm	564
138994	Luminescence SlidingDoor 56 ½-59 x 55 ½-57 ½ - 6mm	560
135661	Aura 55-59 x 57 - 6mm	554
135670	Aura SC 55-59 x 71 - 8mm	328

STANDARD

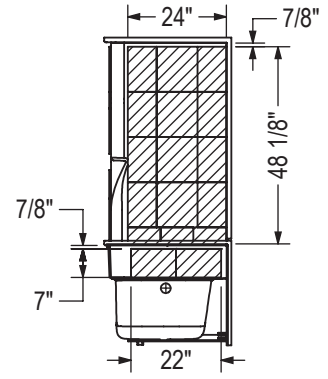


BASE ONLY

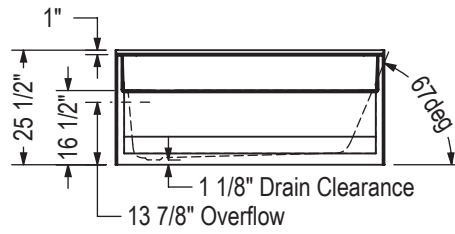
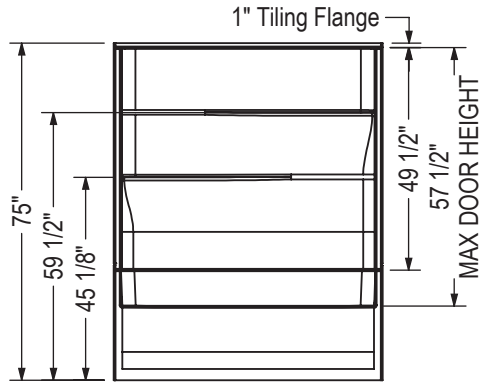
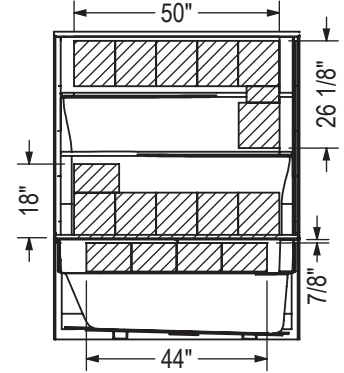


REINFORCEMENT BACKING

OPT 10189 (Left shown, Right symmetrical)

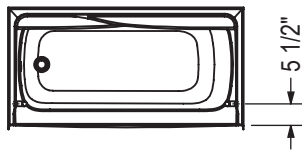


OPT 10189 (Back shown)

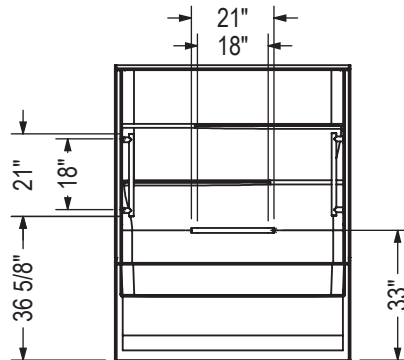


GRAB BAR

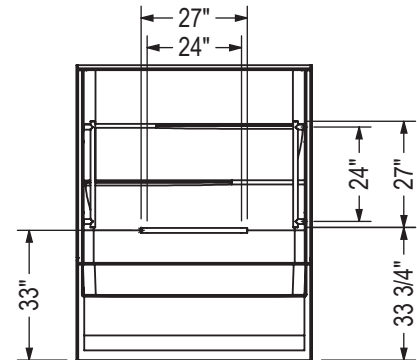
OPTION 20203-20204



OPTION 20203



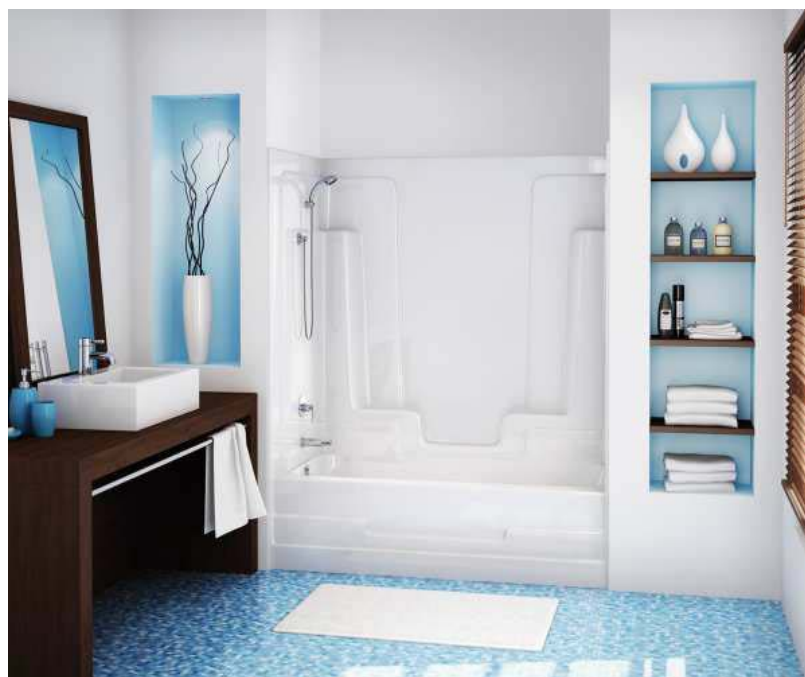
OPTION 20204



All dimensions are approximate. Structure measurements must be verified against the unit to ensure proper fit.



Nordica



Material : AcrylX

Features

- > Built-in shelves
- > Soap dish
- > Textured bottom

NORDICA - 102717

SKU	System	Color	Configuration	Dimensions & Weight	Packaging	MSRP
102717-000-002-001	Soaker - No System	White	Left	59 3/8" x 32 3/4" x 73 1/2" / 130 lb / 59 kg	88 ft ³	\$ 1336
102717-000-002-002			Right			\$ 1336

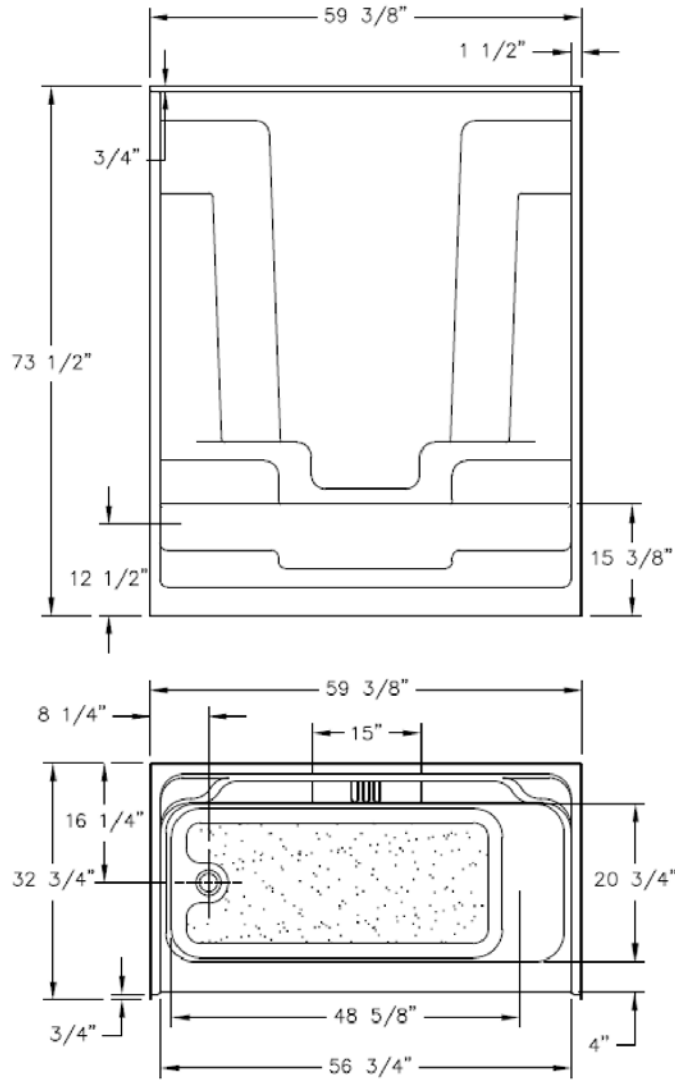
ACCESSORIES

SKU	Description	MSRP
10012135-105	Waste and overflow (16 to 22 in.) (sold separately) Available colors: Chrome (084) and Brushed Nickel (105)	\$ 123
10012135-084		\$ 84
10004306-001	White foam cushion with 2 suction pads (sold separately) Available color: White (001)	\$ 120
10022491-084	Cable-operated waste and overflow (16 in. to 22 in.) (sold separately) Available colors: White (001), Bone (004), Chrome (084) and Brushed Nickel (105)	\$ 238
10022491-004		\$ 238
10022491-105		\$ 238
10022491-001		\$ 238

RECOMMENDED DOORS

SKU	Product Name	Pag.
139351	Incognito 57 56-59 x 56 3/4 - 6mm	538
139354	Incognito 57 56-59 x 56 3/4 - 8mm	542
135330	Incognito 57 Shaker 56-59 x 56 3/4 - 8mm	536
136270	Duel 56-59 x 55 1/2 x 59 - 8 mm	534

BASE MODEL/ MODELE DE BASE



- All dimensions are approximate/Les dimensions sont approximatives
- Structure measurements must be verified against the unit to ensure proper fit/Dimensions de l'unité doivent être vérifiées avant l'installation
- Installation to be completed in accordance with manufacturer's specifications/Installation doit être faite selon les instructions du fabricant
- Do not scale drawings/Ne pas mettre à l'échelle les dessins

TS-3060



Material : AcrylX
 Min: 25 Gal / 94 L
 Max: 36 Gal / 136 L

Features

- › Model Size : 60 L in. x 30 W in. x 76.25 H in.
- › Made of AcrylX high gloss finish for improved durability
- › Left-hand or right-hand drain configuration
- › 1 Piece construction for reliable water containment
- › Installation Type : Alcove
- › AFR: Provides extra space to accommodate your plumbing needs
- › Bathing well : 48.5 L in. x 21.75 W in. x 13.625 H in.
- › Made in North America
- › Warranty: Limited lifetime

TS-3060 - 105288

SKU	System	Color	Configuration	Dimensions & Weight	Packaging	MSRP
105288-000-002-501	Soaker - No System	White	Left	60" x 30" x 76 1/4" / 120 lb / 54 kg	60.45 ft ³	\$ 1336
105288-000-002-502			Right			\$ 1336
105288-000-004-001		Bone	Left			\$ 1336
105288-000-004-002			Right			\$ 1336
105288-000-007-001		Biscuit	Left			\$ 1336
105288-000-007-002			Right			\$ 1336
105288-L-000-006		Left	Sterling Silver			\$ 1536
105288-L-000-015			Black			\$ 1536
105288-L-000-019			Thunder Gray			\$ 1536
105288-R-000-006		Right	Sterling Silver			\$ 1536
105288-R-000-015			Black			\$ 1536
105288-R-000-019			Thunder Gray			\$ 1536

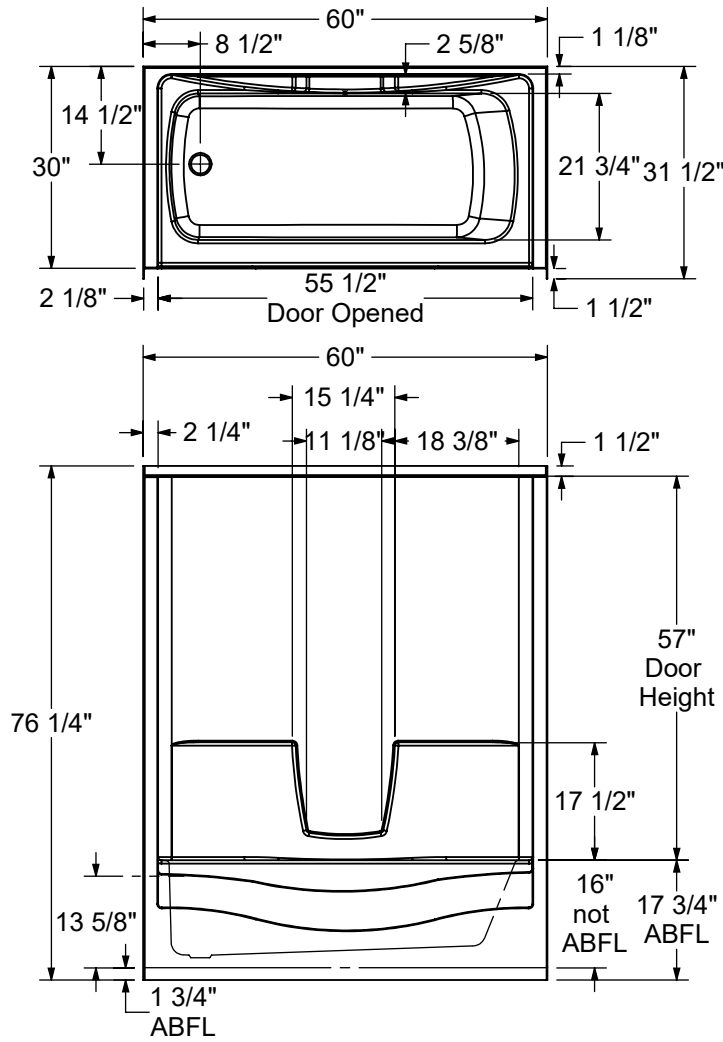
COMMON OPTIONS

SKU	Description	MSRP
OPT20137-004	Cable-operated waste and overflow (16 in. to 22 in.) (included in product packaging when purchased) Available colors: White (001), Bone (004), Chrome (084) and Brushed Nickel (105)	\$ 238
OPT20137-084		\$ 238
OPT20137-105		\$ 238
OPT20137-001		\$ 238

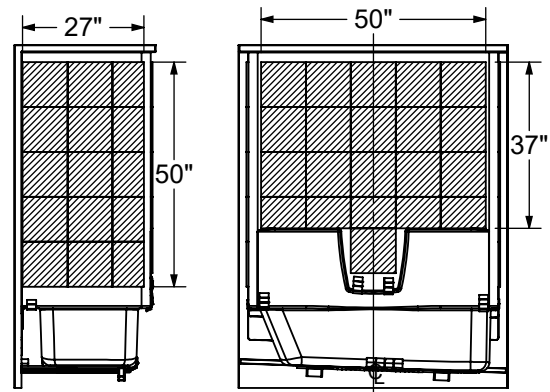
ACCESSORIES

SKU	Description	MSRP
10012135-105	Waste and overflow (16 to 22 in.) (sold separately)	\$ 123
10012135-084	Available colors: Chrome (084) and Brushed Nickel (105)	\$ 84
10004306-001	White foam cushion with 2 suction pads (sold separately) Available color: White (001)	\$ 120
10022491-084	Cable-operated waste and overflow (16 in. to 22 in.) (sold separately) Available colors: White (001), Bone (004), Chrome (084) and Brushed Nickel (105)	\$ 238
10022491-004		\$ 238
10022491-105		\$ 238
10022491-001		\$ 238

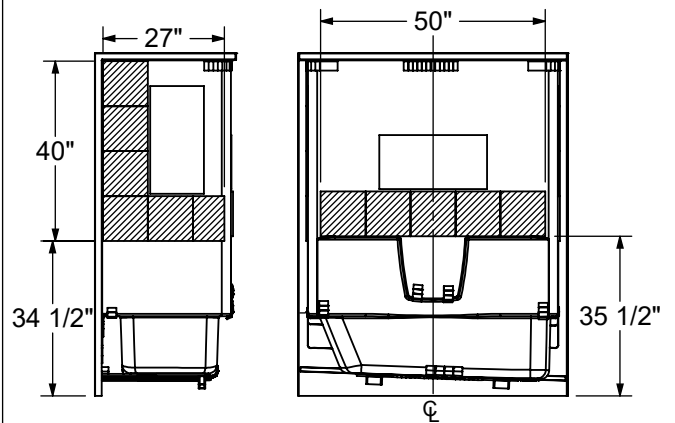
STANDARD
(Left Shown)



REINFORCEMENT
FULL BACKING



REINFORCEMENT
BUILDER BACKING



All dimensions are approximate. Structure measurements must be verified against the unit to ensure proper fit.

Via TS-6032



TUB SHOWERS - ACRYLX



Material : AcrylX

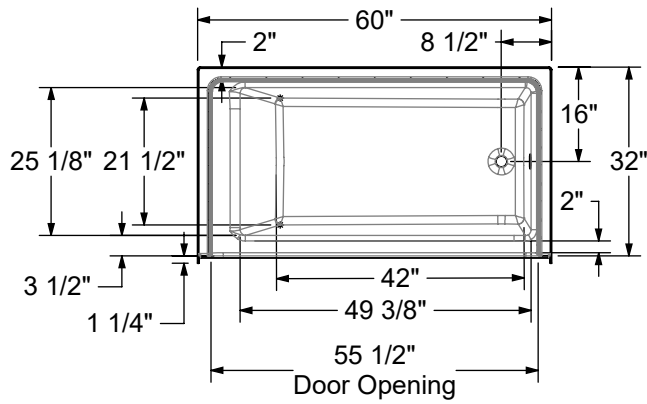
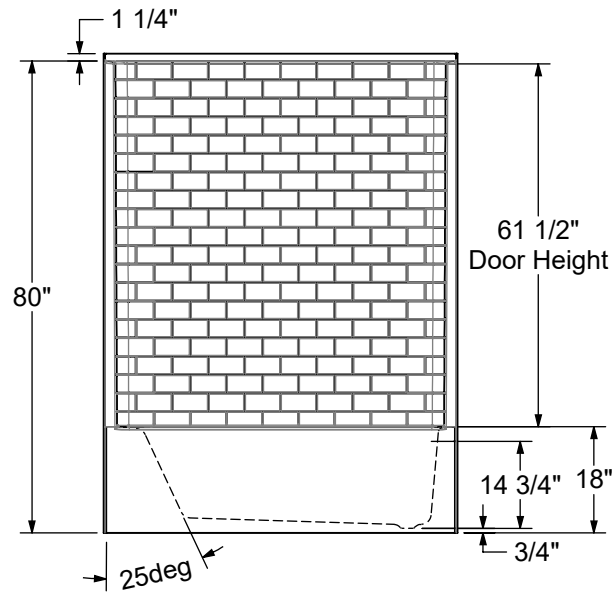
Features

- › 1-piece tub shower with subway tile design
- › Brighter and glossier AcrylX™ finish
- › Ergonomic backrest
- › Slip resistant, textured bottom
- › Bright white finish: matches other bathroom fixtures

VIA TS-6032 - 141502					
SKU	System	Color	Configuration	Dimensions & Weight	MSRP
141502-000-002-102	Soaker - No System	White	Left	60" x 33 1/4" x 81 1/4" / 137 lb / 62 kg	\$ 1127
141502-000-002-103			Right		\$ 1127

RECOMMENDED DOORS		
SKU	Product Name	Pag.
135670	Aura SC 55-59 x 71 - 8mm	328
137682	Outback 55 ¼ - 58 1/2 x 57 - 8mm	564
105410	Polar 54-59 ½ x 57 in.	544
135673	Aura 55-59 x 57 - 8mm	556
135245	Connect 55 1/2-57 x 57 - 6mm	562
135661	Aura 55-59 x 57 - 6mm	554

STANDARD MODEL



All dimensions are approximate. Structure measurements must be verified against the unit to ensure proper fit.

Walls



Denso walls 4234— with Davana rectangular door - Chrome



Back wall - 32x72 in.



Material : Acrylic

Features

- › Back wall
- › Integrated convenient footrest
- › Designed for ease of maintenance
- › Easy front installation with snap clips

BACK WALL - 32X72 IN. - 105068					
SKU	Color	Pattern	Dimensions & Weight	Packaging	MSRP
105068-000-001-000	White	Smooth wall	32" x 72" x 1 1/2" / 38 lb / 17 kg	14 ft ³	\$ 608

BACK WALL - 36X72 IN. - 105069					
SKU	Color	Pattern	Dimensions & Weight	Packaging	MSRP
105069-000-001-000	White	Smooth wall	36" x 72" x 1 1/2" / 42 lb / 19 kg	14 ft ³	\$ 645

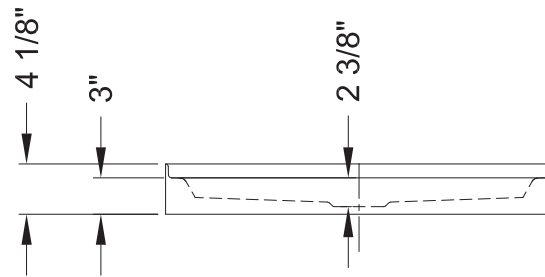
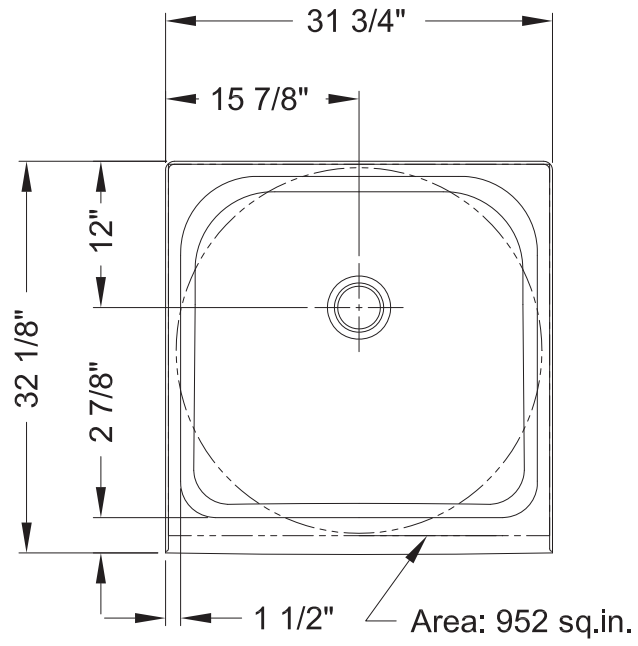
BACK WALL - 42X72 IN. - 105070					
SKU	Color	Pattern	Dimensions & Weight	Packaging	MSRP
105070-000-001-000	White	Smooth wall	42" x 72" x 1 1/2" / 42 lb / 19 kg	14 ft ³	\$ 720

BACK WALL - 48X72 IN. - 105071					
SKU	Color	Pattern	Dimensions & Weight	Packaging	MSRP
105071-000-001-000	White	Smooth wall	48" x 72" x 1 1/2" / 48 lb / 22 kg	18 ft ³	\$ 871

BACK WALL - 60X72 IN. - 105072

SKU	Color	Pattern	Dimensions & Weight	Packaging	MSRP
105072-000-001-000	White	Smooth wall	60" x 72" x 1 1/2" / 52 lb / 24 kg	23 ft ³	\$ 945

ACRYLIC WALLS



All dimensions are approximate and subject to change without prior notice.
Please refer to installation guide before installing unit.

Wall set (2 walls) 30x72 in.



ACRYLIC WALLS



Material : Acrylic

Features

- › Wall set (2 walls)
- › Integrated convenient footrest
- › Designed for ease of maintenance
- › Easy front installation with snap clips

WALL SET (2 WALLS) 30X72 IN. - 105062

SKU	Color	Pattern	Dimensions & Weight	Packaging	MSRP
105062-000-001-000	White	Smooth wall	30" x 30" x 72" / 53 lb / 24 kg	17 ft ³	\$ 945

WALL SET (2 WALLS) 32X72 IN. - 105063

SKU	Color	Pattern	Dimensions & Weight	Packaging	MSRP
105063-000-001-000	White	Smooth wall	32" x 32" x 72" / 57 lb / 26 kg	17 ft ³	\$ 984

WALL SET 36X72 IN. - 105064

SKU	Color	Pattern	Dimensions & Weight	Packaging	MSRP
105064-000-001-000	White	Smooth wall	36" x 36" x 72" / 64 lb / 29 kg	17 ft ³	\$ 1022

WALL SET (2 WALLS) 38X72 IN. - 105065

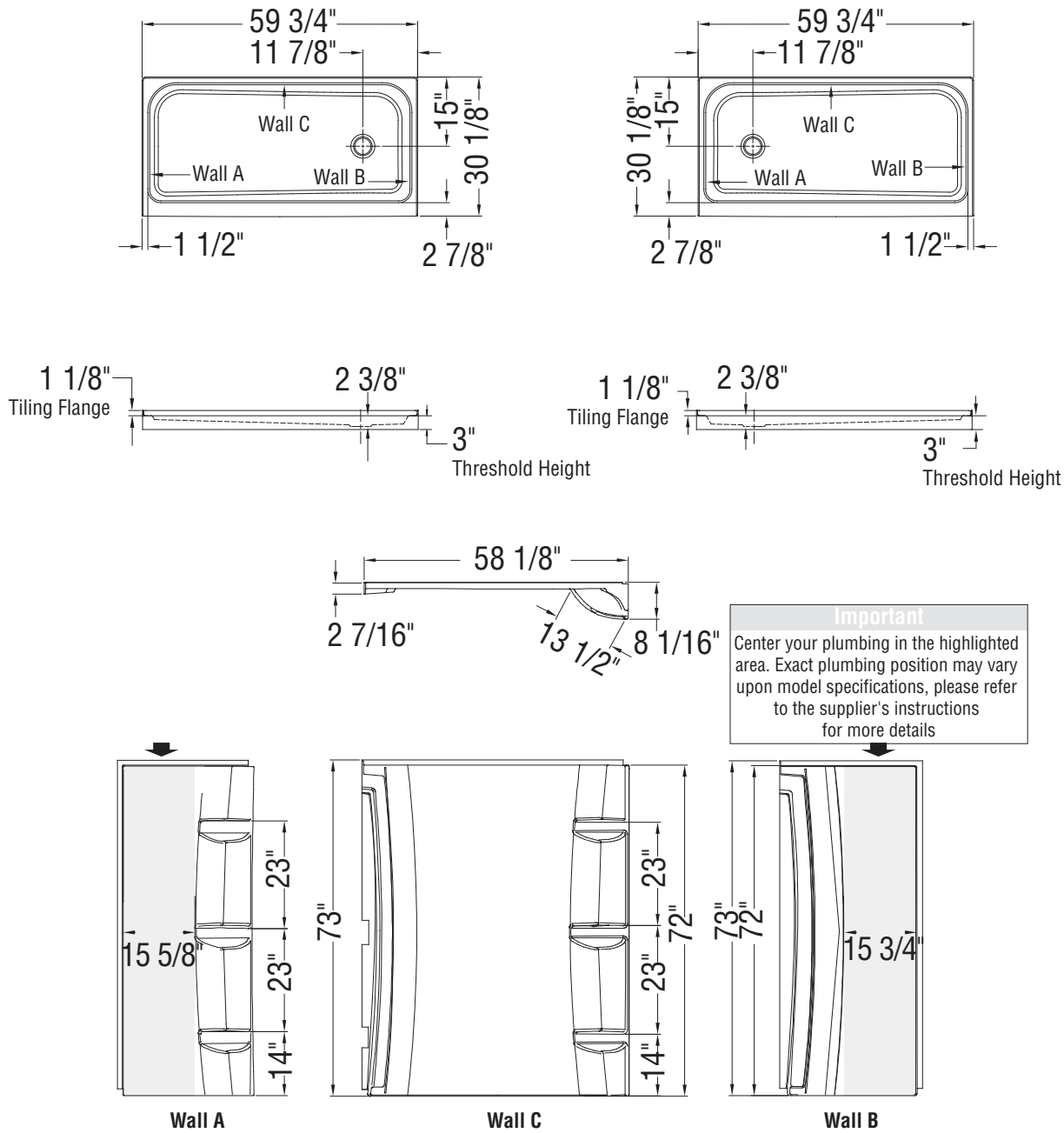
SKU	Color	Pattern	Dimensions & Weight	Packaging	MSRP
105065-000-001-000	White	Smooth wall	38" x 38" x 72" / 68 lb / 31 kg	20 ft ³	\$ 1045

WALL SET 40X72 IN. - 105066

SKU	Color	Pattern	Dimensions & Weight	Packaging	MSRP
105066-000-001-000	White	Smooth wall	40" x 40" x 72" / 71 lb / 32 kg	20 ft ³	\$ 1060

WALL SET (2 WALLS) 42X72 IN. - 105067

SKU	Color	Pattern	Dimensions & Weight	Packaging	MSRP
105067-000-001-000	White	Smooth wall	42" x 42" x 72" / 75 lb / 34 kg	20 ft ³	\$ 1099



All dimensions are approximate. Structure measurements must be verified against the unit to ensure proper fit.



3-Piece Acrylic Wall Set



Material : Acrylic

Features

- › 3-piece construction
- › Made of thermoformed acrylic
- › Low maintenance and easy to keep clean
- › Smooth wall pattern for a modern and minimalist look
- › Drywall and wood framing preparation required prior to the wall installation
- › Standard size and cannot be cut to fit
- › 75 in. High to fit with most shower doors
- › Wall Kit for corner shower
- › Compatible with most 40 in. X 40 in. corner shower kits

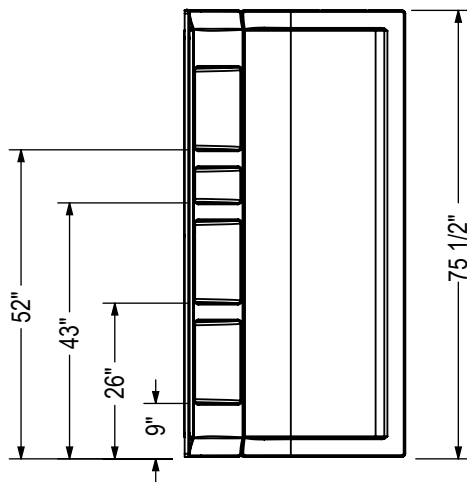
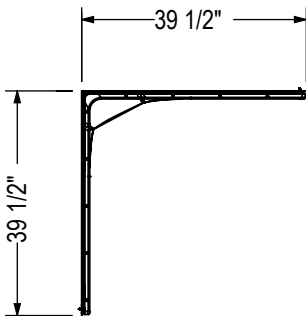
3-PIECE WALL SET - 106383

SKU	Color	Pattern	Dimensions & Weight	Packaging	MSRP
106383-000-001-000	White		40 1/8" x 40 1/8" x 75 3/4" / 24 lb / 11 kg	13.6 ft ³	\$ 908

RECOMMENDED DOORS

SKU	Product Name	Pag.
137445	Radia Neo-round 40 x 40 x 71 1/2 - 6mm	388
137442	Radia Neo-angle 40 x 40 x 71 1/2 - 6mm	386
139320	Davana Neo-angle 40 x 40 x 75 - 8mm	374
137301	Hana Neo-angle 40 x 40 x 75 - 8mm	380

STANDARD



All dimensions are approximate. Structure measurements must be verified against the unit to ensure proper fit.



59" Elan



Material : Acrylic

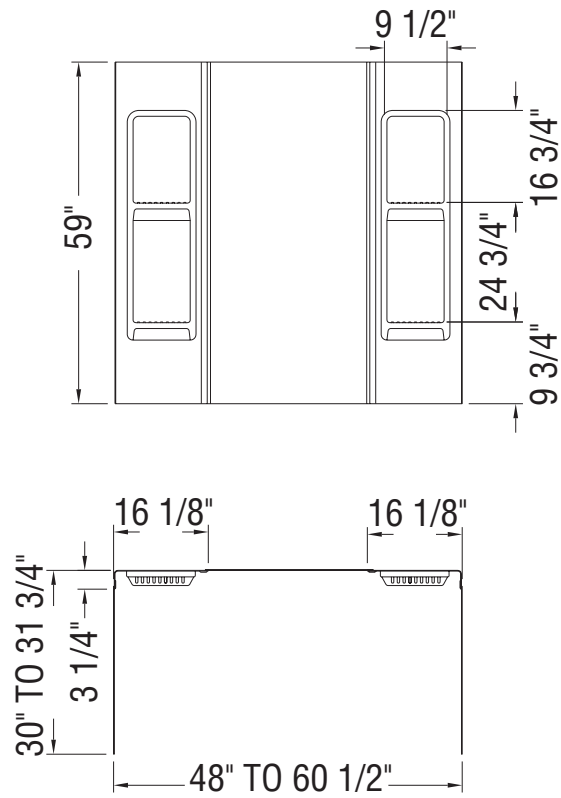
Features

- › 5-piece wall set easy to handle and install
- › Can be cut to size to accommodate any shower space that fits a length of 48-61" and a width of 30-32"
- › 1/16" thick acrylic walls
- › 4 integrated shelves and soap dish for storage
- › Glue-up walls ideal for remodel projects
- › Easy to clean and durable glossy finish

ACRYLIC WALLS

ELAN 59" - 101343

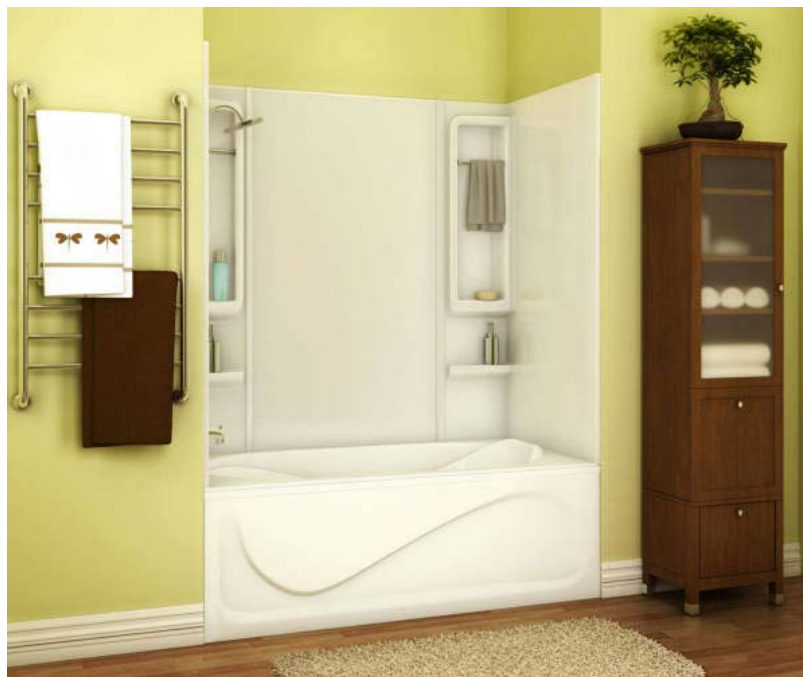
SKU	Color	Pattern	Dimensions & Weight	Packaging	MSRP
101343-000-001-000	White	Smooth wall	60 1/2" x 31 3/4" x 59" / 38 lb / 17 kg	4.7 ft ³	\$ 662



All dimensions are approximate. Structure measurements must be verified against the unit to ensure proper fit.



59" Finesse



Material : Acrylic

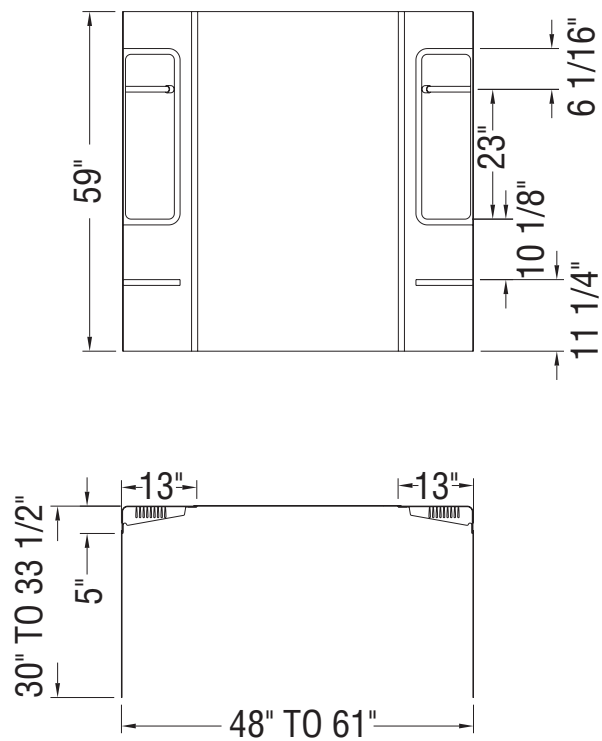
Features

- › 59 " high walls to accommodate a tub shower
- › 5-piece wall set easy to handle and install
- › Can be cut to size to accommodate any shower space that fits a length of 48-61" and a width of 30-34"
- › 3/32" thick acrylic walls
- › 4 integrated shelves with 2 chrome towel bars for convenient storage space
- › Glue-up walls ideal for remodel projects
- › Easy to clean and durable glossy finish

ACRYLIC WALLS

FINESSE 59" - 101347

SKU	Color	Pattern	Dimensions & Weight	Packaging	MSRP
101347-000-001-000	White	Smooth wall	61" x 33 1/2" x 59" / 38 lb / 17 kg	6.9 ft ³	\$ 627



All dimensions are approximate. Structure measurements must be verified against the unit to ensure proper fit.



80" Finesse



Material : Acrylic

Features

- › 80" high walls that can be installed on a bathtub or a shower base
- › 5-piece wall set easy to handle and install
- › Can be cut to size to accommodate any shower space that fits a length of 48-61" and a width of 30-34"
- › 1/16" thick acrylic walls
- › 6 integrated shelves with 2 clear acrylic towel bars for convenient storage space
- › Glue-up walls ideal for remodel projects
- › Easy to clean and durable glossy finish
- › Optional roofcap

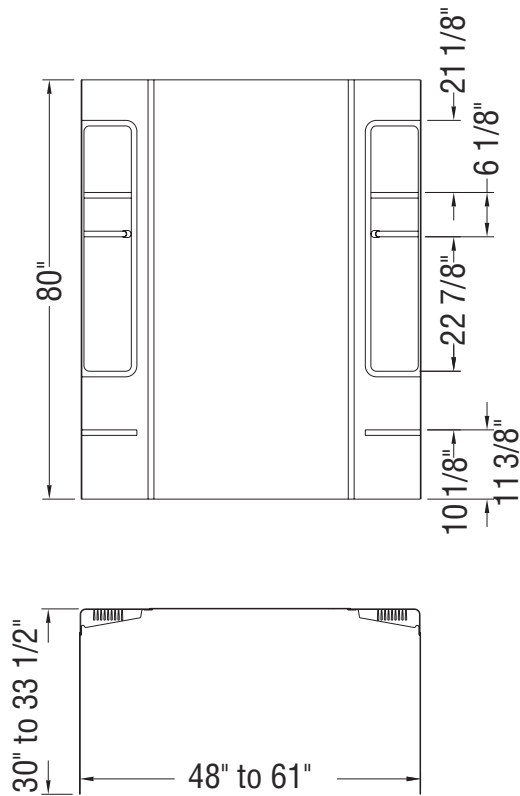
ACRYLIC WALLS

FINESSE 80" - 101345

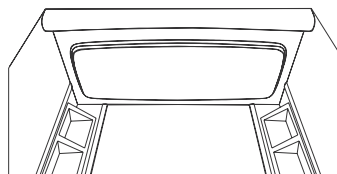
SKU	Color	Pattern	Dimensions & Weight	Packaging	MSRP
101345-000-001-000	White	Smooth wall	61" x 33 1/2" x 80" / 52 lb / 24 kg	7 ft ³	\$ 742

COMMON OPTIONS

SKU	Description	MSRP
101350-000-001-000	Roof cap Available in White only (001)	\$ 450



Optional roofcap



All dimensions are approximate. Structure measurements must be verified against the unit to ensure proper fit.



Universal 4242



Material : Acrylic

Features

- › Product dimensions: 41 1/2 in. D X 41 1/2 in. W x 76 in. H
- › Application: for a corner shower
- › Perfect for remodeling – panels can be glued to existing walls or tile
- › Cut-to-size panels can be trim directly on-site
- › Modern vertical subway tile design – 4" wide by 9 1/2" high tiles
- › Install directly to the wall surface like a drywall or a cement board (never install directly on the studs)

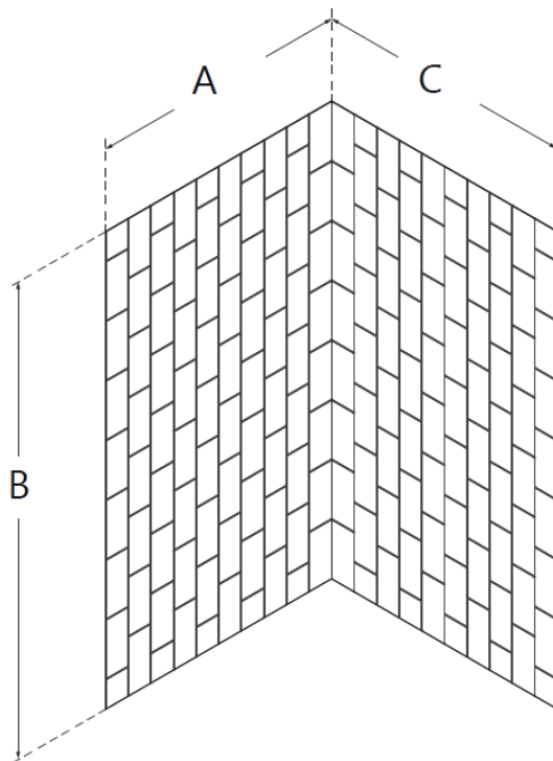
UNIVERSAL CORNER WALL KIT 4242 - 107390

SKU	Color	Pattern	Dimensions & Weight	Packaging	MSRP
107390-000-001	White	Textured Vertical	42" x 42" x 76" / 38 lb / 17 kg	9.375 ft ³	\$ 1193

RECOMMENDED DOORS

SKU	Product Name	Pag.
137451	Radia Square 42 x 42 x 71 1/2 - 6mm	393
137445	Radia Neo-round 40 x 40 x 71 1/2 - 6mm	388
137442	Radia Neo-angle 40 x 40 x 71 1/2 - 6mm	386
137441	Radia Neo-angle 38 x 38 x 71 1/2 - 6mm	386
137449	Radia Neo-round 38 x 38 x 71 1/2 - 6mm	389
137443	Radia Neo-round 32 x 32 x 71 1/2 - 6mm	388
137447	Radia Square Sliding Shower Door 32 x 32 x 71 1/2 in. 6 mm	393
137444	Radia Neo-round 36 x 36 x 71 1/2 - 6mm	388
137448	Radia Square Sliding Shower Door 36 x 36 x 71 1/2 in. 6 mm	393
137446	Radia Round 36 x 36 x 71 1/2 - 6mm	391
137440	Radia Neo-angle 36 x 36 x 71 1/2 - 6mm	386
139410	Outback Round 36 x 36 x 75 5/8 - 8mm	395
139330	Davana Rectangular 42 x 34 x 75 - 8mm	376
137302	Hana Rectangular 42 x 34 x 75 - 8mm	382
139315	Davana Neo-angle 38 x 38 x 75 - 8mm	372

STANDARD



Code	Description	Width (A)	Height (B)	Depth (C)
107390	Universal Corner Wall 42"	41 1/2" (1054mm)	76" (1930mm)	41 1/2" (1054mm)

All dimensions are approximate. Structure measurements must be verified against the unit to ensure proper fit.

59" Elan



Material : Polystyrene

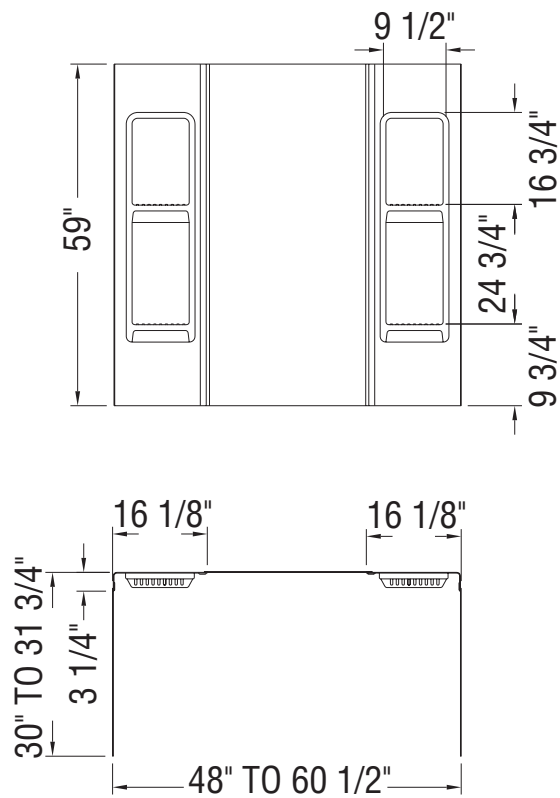
Features

- › 5-piece wall set easy to handle and install
- › Can be cut to size to accommodate any shower space that fits a length of 48-61" and a width of 30-32"
- › 4 integrated shelves and soap dish storage
- › Glue-up walls ideal for remodel projects
- › Easy to clean and durable glossy finish

POLYSTYRENE WALLS

ELAN 59" - 101593

SKU	Color	Pattern	Dimensions & Weight	Packaging	MSRP
101593-000-129-000	White	Smooth wall	60 1/2" x 31 3/4" x 59" / 20 lb / 9 kg	5 ft ³	\$ 222



All dimensions are approximate. Structure measurements must be verified against the unit to ensure proper fit.



59" Finesse



Material : Polystyrene

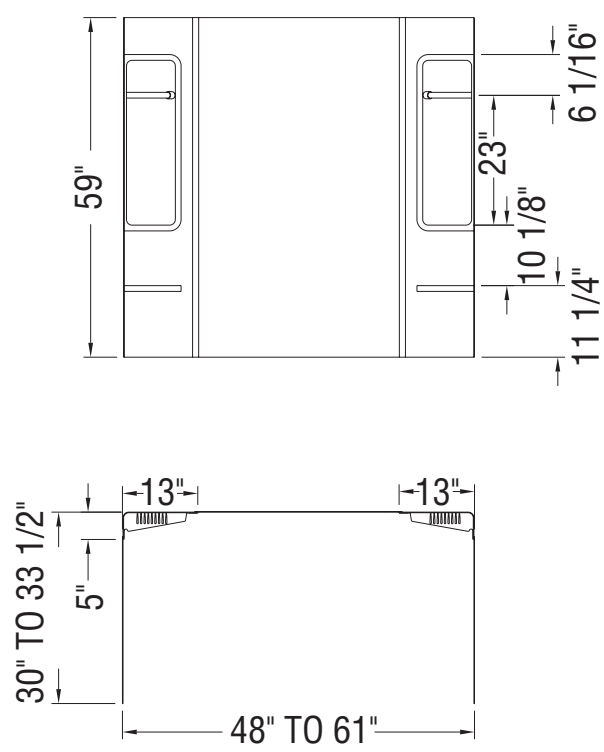
Features

- › 59 " high walls to accommodate a tub shower
- › 5-piece wall set easy to handle and install
- › Can be cut to size to accommodate any shower space that fits a length of 48-61" and a width of 30-34"
- › 4 integrated shelves with 2 clear acrylic towel bars for convenient storage space
- › Glue-up walls ideal for remodel projects
- › Easy to clean and durable glossy finish

POLYSTYRENE WALLS

FINESSE 59" - 101594

SKU	Color	Pattern	Dimensions & Weight	Packaging	MSRP
101594-000-129-000	White	Smooth wall	61" x 33 1/2" x 59" / 22 lb / 10 kg	5 ft ³	\$ 323



All dimensions are approximate. Structure measurements must be verified against the unit to ensure proper fit.

59" Utah



Material : Polystyrene

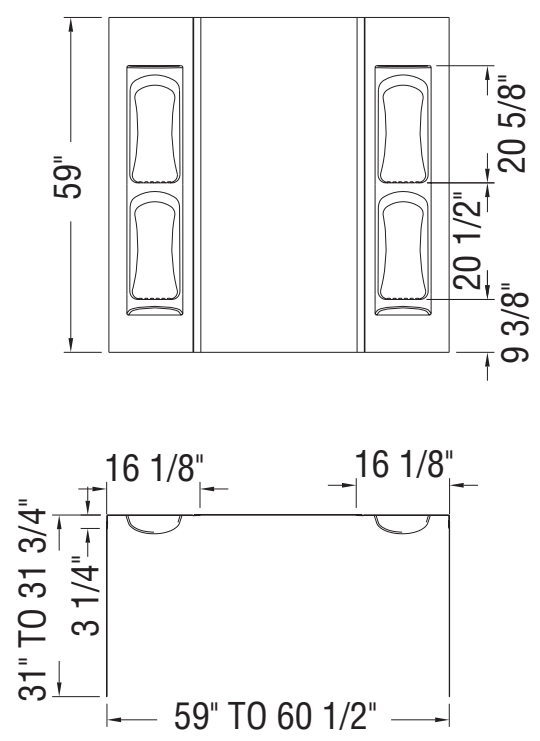
Features

- › 5-piece tub wall kit
- › 59" high
- › Smooth finish, high gloss (White)
- › 4 shelves
- › Fits a length of 48-61" and a width of 31-32"

POLYSTYRENE WALLS

UTAH 59" - 102573

SKU	Color	Pattern	Dimensions & Weight	Packaging	MSRP
102573-000-129-000	White	Smooth wall	60 1/2" x 31 3/4" x 59" / 20 lb / 9 kg	5 ft ³	\$ 222



All dimensions are approximate. Structure measurements must be verified against the unit to ensure proper fit.

80" Finesse



Material : Polystyrene

Features

- › 80" high walls that can be installed on a bathtub or a shower base
- › 5-piece wall set easy to handle and install
- › Can be cut to size to accommodate any shower space that fits a length of 48-61" and a width of 30-34"
- › 6 integrated shelves with 2 clear acrylic towel bars for convenient storage space
- › Glue-up walls ideal for remodel projects
- › Easy to clean and durable glossy finish
- › Optional roofcap

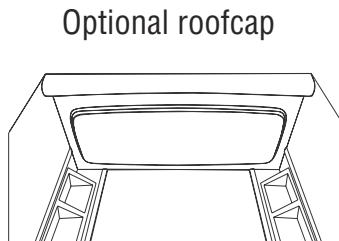
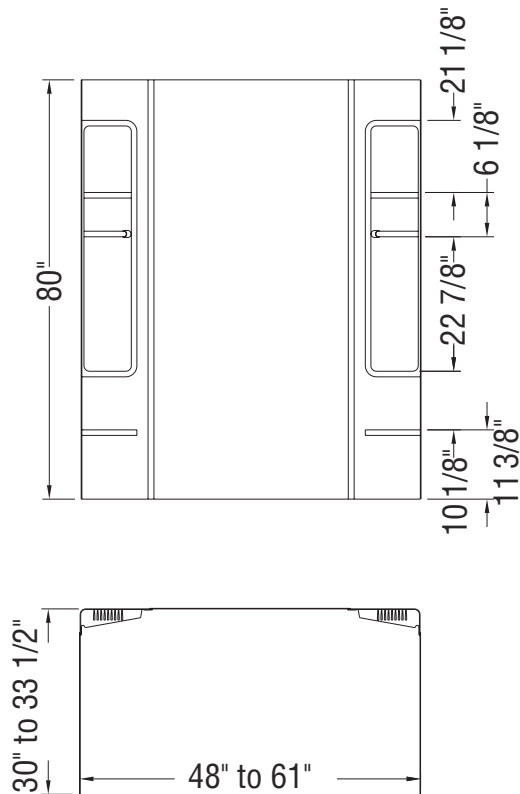
POLYSTYRENE WALLS

FINESSE 80" - 101595

SKU	Color	Pattern	Dimensions & Weight	Packaging	MSRP
101595-000-129-000	White	Smooth wall	61" x 33 1/2" x 80" / 32 lb / 15 kg	11 ft ³	\$ 383

COMMON OPTIONS

SKU	Description	MSRP
101657-000-129-101	Roof cap	\$ 194
101657-000-001-000	Tub wall may be cut to fit smaller bathtubs (e.g. 30 in. x 48 in.). Please refer to the installation guide.	\$ 194
101657-000-130-101	Available in White (129) only	\$ 194



All dimensions are approximate. Structure measurements must be verified against the unit to ensure proper fit.



Single Back Walls



Material : Composite Features

- › Combine with a two side walls for an alcove installation and one side wall for a corner installation
- › Direct-to-stud installation
- › Installs easily in just 1 day versus 3 days for standard ceramic tile
- › Mistake-proof Ulok installation system allows you to perfectly align the panels, slip them together and lock them into place
- › Proudly made in North America
- › Featuring Evergrout™: the first realistic and textured grout lines with that won't crack or leak
- › No tile or grout protective sealer required
- › Solid, 1-piece wall panel: sturdy and durable allows for installation of grab bars and other accessories
- › Solid, 1-piece wall panel: sturdy and durable allows for installation of grab bars and other accessories

UTILE

UTILE 48 BACK WALL - 103411

SKU	Color	Pattern	Dimensions & Weight	Packaging	MSRP
103411-300-502-000	Greige	Origin	48" x 80" x 1 1/8" / 77 lb / 35 kg	3.599 ft ³	\$ 1601
103411-300-524-000	Arctik				\$ 1601
103411-301-019-000	Thunder Gray	Metro			\$ 1601
103411-301-500-000	Soft Grey				\$ 1601
103411-301-501-000	Ash Gray				\$ 1601
103411-302-503-000	Sahara	Stone			\$ 1601

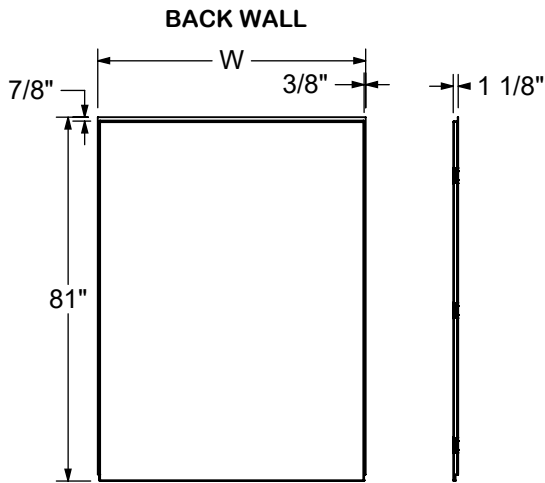
ACRYLIC SHIELD - 103412

SKU	Color	Pattern	Dimensions & Weight	Packaging	MSRP
103412-300-502-000	Greige	Origin	60" x 80" x 1 1/8" / 96 lb / 44 kg	4.462 ft ³	\$ 1909
103412-300-524-000	Arctik				\$ 1909
103412-301-019-000	Thunder Gray	Metro			\$ 1909
103412-301-500-000	Soft Grey				\$ 1909
103412-301-501-000	Ash Gray				\$ 1909
103412-302-503-000	Sahara	Stone			\$ 1909

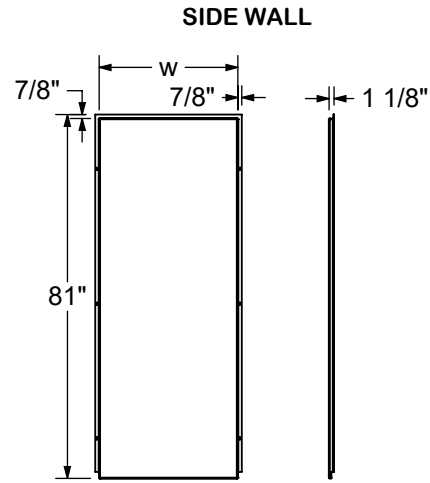
ACCESSORIES

SKU	Description	MSRP
10042818-340	Corner metal and glass shelf (9 5/8 x 9 5/8 in.)	\$ 167
10042818-201	Removable tempered glass to ease the cleaning Ledge to secure the products in place	\$ 167
10042818-276	Compatible with most wall solutions	\$ 167
10042818-343	Available colors: Glossy White (276) Matte Black (340)	\$ 167
10042819-340	Rectangular metal and glass shelf (13 5/8 x 4 5/8 in.)	\$ 167
10042819-201	Removable tempered glass to ease the cleaning Ledge to secure the products in place	\$ 167
10042819-276	Compatible with most wall solutions	\$ 167
10042819-343	Available colors: Glossy White (276) Matte Black (340)	\$ 167
10060311	Corner glass shelf (9 3/8 x 9 3/8 in.) (sold separately) 10 mm frosted glass with a clear band along the edge Compatible with Utile and tile shower walls	\$ 152
10060315	10 Corner glass shelf (9 3/8 X 9 3/8 in) 10 mm frosted glass with a clear band along the edge	\$ 1449

UTILE



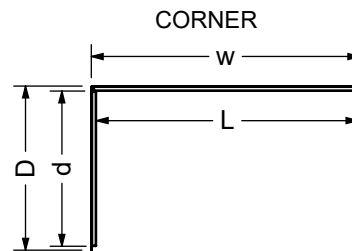
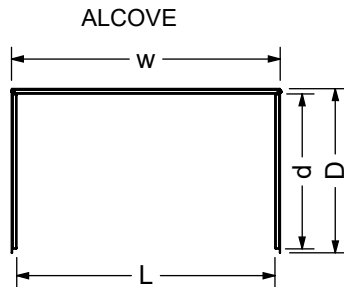
Code	Description	W (in.)
103411	Utile 48 in. back wall	47 5/8
103412	Utile 60 in. back wall	59 5/8



Code	Description	W (in.)
103409	Utile 32 in. side wall	32 1/2

TOP VIEW (ASSEMBLED)

Configuration	W (in.)	L alcove (in.)	L corner (in.)	D (in.)	d (in.)
Utile 4832	47 3/4	45 1/2	46 1/4	32 3/4	30 3/4
Utile 6032	59 3/4	57 1/2	58 1/8	32 3/4	30 3/4



This product is designed to be installed in a building that conforms with the requirements of the National Building Code of Canada 2005
 All dimensions are approximate. Structure measurements must be verified against the unit to ensure proper fit.



Single Side Walls

UTILE



Material : Composite

Features

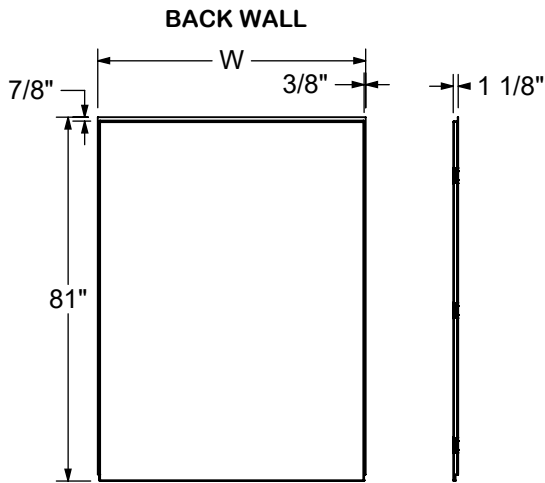
- › Combine with a back wall and two side walls for an alcove installation and one side wall for a corner installation
- › Direct-to-stud installation
- › Installs easily in just 1 day versus 3 days for standard ceramic tile
- › Mistake-proof Ulok installation system allows you to perfectly align the panels, slip them together and lock them into place
- › Proudly made in North America
- › Featuring Evergrout™: the first realistic and textured grout lines with that won't crack or leak
- › No tile or grout protective sealer required
- › Solid, 1-piece wall panel: sturdy and durable allows for installation of grab bars and other accessories

UTILE 32 SIDE WALL - 103409

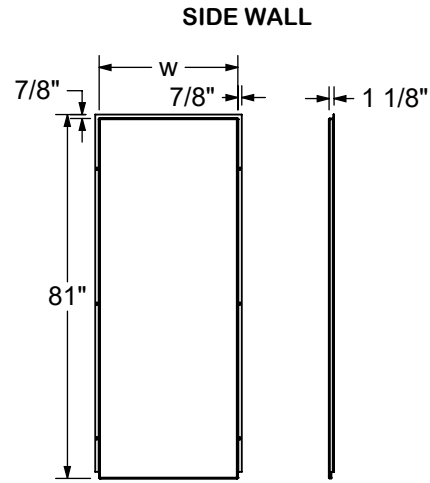
SKU	Color	Pattern	Dimensions & Weight	Packaging	MSRP
103409-300-502-000	Greige	Origin	32" x 80" x 1 1/8" / 51 lb / 23 kg	2.452 ft ³	\$ 957
103409-300-524-000	Arctik				\$ 957
103409-301-019-000	Thunder Gray	Metro			\$ 957
103409-301-500-000	Soft Grey				\$ 957
103409-301-501-000	Ash Gray				\$ 957
103409-302-503-000	Sahara	Stone			\$ 957

ACCESSORIES

SKU	Description	MSRP
10042818-340	Corner metal and glass shelf (9 5/8 x 9 5/8 in.) Removable tempered glass to ease the cleaning Ledge to secure the products in place Compatible with most wall solutions Available colors: Glossy White (276) Matte Black (340)	\$ 167
10042818-201		\$ 167
10042818-276		\$ 167
10042818-343		\$ 167
10042819-340	Rectangular metal and glass shelf (13 5/8 x 4 5/8 in.) Removable tempered glass to ease the cleaning Ledge to secure the products in place Compatible with most wall solutions Available colors: Glossy White (276) Matte Black (340)	\$ 167
10042819-201		\$ 167
10042819-276		\$ 167
10042819-343		\$ 167



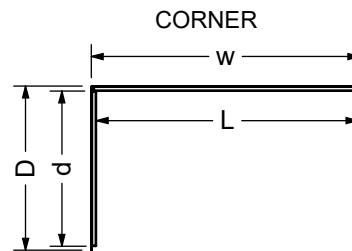
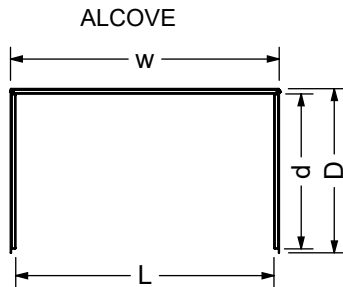
Code	Description	W (in.)
103411	Utile 48 in. back wall	47 5/8
103412	Utile 60 in. back wall	59 5/8



Code	Description	W (in.)
103409	Utile 32 in. side wall	32 1/2

TOP VIEW (ASSEMBLED)

Configuration	W (in.)	L alcove (in.)	L corner (in.)	D (in.)	d (in.)
Utile 4832	47 3/4	45 1/2	46 1/4	32 3/4	30 3/4
Utile 6032	59 3/4	57 1/2	58 1/8	32 3/4	30 3/4



This product is designed to be installed in a building that conforms with the requirements of the National Building Code of Canada 2005
 All dimensions are approximate. Structure measurements must be verified against the unit to ensure proper fit.

Wall Kits - Alcove Shower



UTILE



Material : Composite
Features

- › Shower kit includes: 1 back wall, 2 side walls and one corner glass shelf
- › Direct-to-stud installation
- › Installs easily in just 1 day versus 3 days for standard ceramic tile
- › Mistake-proof Ulok installation system allows you to perfectly align the panels, slip them together and lock them into place
- › Proudly made in North-America
- › Featuring Evergrout™: the first realistic and textured grout lines with that won't crack or leak
- › No tile or grout protective sealer required
- › Solid, 1-piece wall panel: sturdy and durable allows for installation of grab bars and other accessories

UTILE 4832 SHOWER WALL KIT - 107455

SKU	Color	Pattern	Dimensions & Weight	Packaging	MSRP
107455-300-524-000	Arctik	Origin	48" x 32" x 80" / 178 lb / 81 kg	1.778 ft ³	\$ 3515
107455-301-019-000	Thunder Gray	Metro			\$ 3515
107455-301-500-000	Soft Grey				\$ 3515
107455-301-501-000	Ash Gray				\$ 3515

UTILE 6032 SHOWER WALL KIT - 107456

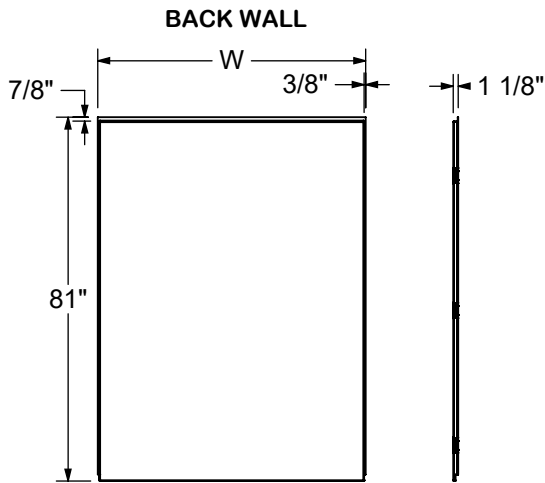
SKU	Color	Pattern	Dimensions & Weight	Packaging	MSRP
107456-300-524-000	Arctik	Origin	60" x 32" x 80" / 198 lb / 90 kg	2.222 ft ³	\$ 3823
107456-301-019-000	Thunder Gray	Metro			\$ 3823
107456-301-500-000	Soft Grey				\$ 3823
107456-301-501-000	Ash Gray				\$ 3823

ACCESSORIES

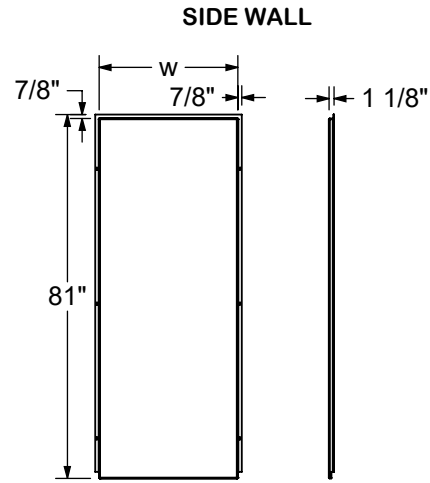
SKU	Description	MSRP
10029996-084	18 in. modern straight grab bar with flange (front installation) Specify color: White (002), Chrome (084), Brushed Nickel (105)	\$ 261
10029996-002		\$ 261
10029996-105		\$ 261
10030093-084	23 in. Curved left-hand grab bar with flange (front installation) Specify color: White (002), Chrome (084), Brushed Nickel (105)	\$ 432

ACCESSORIES

SKU	Description	MSRP
10030093-002	23 in. Curved left-hand grab bar with flange (front installation)	\$ 432
10030093-105	Specify color: White (002), Chrome (084), Brushed Nickel (105)	\$ 432
10030094-084		\$ 432
10030094-105	23 in. Curved right-hand grab bar with flange (front installation)	\$ 432
10030094-002	Specify color: White (002), Chrome (084), Brushed Nickel (105)	\$ 432
10029997-002		\$ 277
10029997-105	24 in. modern straight grab bar with flange (front installation)	\$ 277
10029997-084	Specify color: White (002), Chrome (084), Brushed Nickel (105)	\$ 277
10029998-084		\$ 293
10029998-002	30 in. modern straight grab bar with flange (front installation)	\$ 293
10029998-105	Specify color: White (002), Chrome (084), Brushed Nickel (105)	\$ 293
10030095-002		\$ 464
10030095-084	32 in. curved left-hand grab bar with flange (front installation)	\$ 464
10030095-105	Specify color: White (002), Chrome (084), Brushed Nickel (105)	\$ 464
10030097-084		\$ 464
10030097-002	32 in. curved right-hand grab bar with flange (front installation)	\$ 464
10030097-105	Specify color: White (002), Chrome (084), Brushed Nickel (105)	\$ 464
10030100-002	37 in. modern curved left-hand grab bar with flange (front installation)	\$ 523
10030084-002	42 in. modern straight grab bar with flange (front installation)	\$ 345
10030086-002	Specify color: White (002), Chrome (084)	\$ 360
10030086-105	48 in. modern straight grab bar with flange (front installation)	\$ 360
10030086-084	Specify color: White (002), Chrome (084), Brushed Nickel (105)	\$ 360
10060311	Corner glass shelf (9 3/8 x 9 3/8 in.) (sold separately) 10 mm frosted glass with a clear band along the edge Compatible with Utile and tile shower walls	\$ 152
10042819-340		\$ 167
10042819-201	Rectangular metal and glass shelf (13 5/8 x 4 5/8 in.) Removable tempered glass to ease the cleaning	\$ 167
10042819-276	Ledge to secure the products in place	\$ 167
10042819-343	Compatible with most wall solutions Available colors: Glossy White (276) Matte Black (340)	\$ 167
10042818-340		\$ 167
10042818-201	Corner metal and glass shelf (9 5/8 x 9 5/8 in.) Removable tempered glass to ease the cleaning	\$ 167
10042818-276	Ledge to secure the products in place	\$ 167
10042818-343	Compatible with most wall solutions Available colors: Glossy White (276) Matte Black (340)	\$ 167



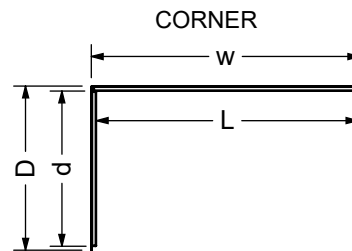
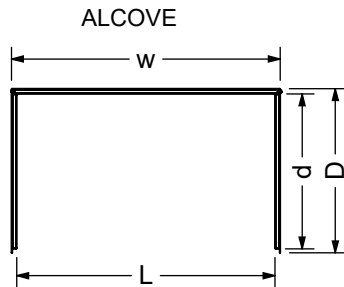
Code	Description	W (in.)
103411	Utile 48 in. back wall	47 5/8
103412	Utile 60 in. back wall	59 5/8



Code	Description	W (in.)
103409	Utile 32 in. side wall	32 1/2

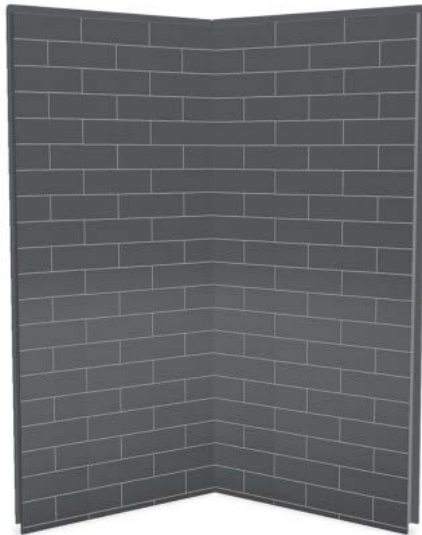
TOP VIEW (ASSEMBLED)

Configuration	W (in.)	L alcove (in.)	L corner (in.)	D (in.)	d (in.)
Utile 4832	47 3/4	45 1/2	46 1/4	32 3/4	30 3/4
Utile 6032	59 3/4	57 1/2	58 1/8	32 3/4	30 3/4



This product is designed to be installed in a building that conforms with the requirements of the National Building Code of Canada 2005
 All dimensions are approximate. Structure measurements must be verified against the unit to ensure proper fit.

Wall Kits - Corner Shower



Material : Composite

Features

- › Shower kit includes: 2 shower walls with a corner glass shelf
- › Direct-to-stud installation
- › Installs easily in just 1 day versus 3 days for standard ceramic tile
- › Mistake-proof positioning strip allows you to position the panels into place and perfectly align them in the corner
- › Proudly made in North-America
- › Featuring Evergrout™: the first realistic and textured grout lines with that won't crack or leak
- › No tile or grout protective sealer required
- › Solid, 1-piece wall panel: sturdy and durable allows for installation of grab bars and other accessories

UTILE

UTILE 3636 SHOWER WALL KIT - 103378

SKU	Color	Pattern	Dimensions & Weight	Packaging	MSRP
103378-301-019-000	Thunder Gray	Metro	36" x 36" x 80" / 82 lb / 37 kg	1.5 ft ³	\$ 2149
103378-301-500-000	Soft Grey				\$ 2149
103378-301-501-000	Ash Gray				\$ 2149

UTILE 4832 SHOWER WALL KIT - 107457

SKU	Color	Pattern	Dimensions & Weight	Packaging	MSRP
107457-300-524-000	Arctik	Origin	48" x 32" x 80" / 128 lb / 58 kg	1.778 ft ³	\$ 2558
107457-301-019-000	Thunder Gray	Metro			\$ 2558
107457-301-500-000	Soft Grey				\$ 2558
107457-301-501-000	Ash Gray				\$ 2558

UTILE 6032 SHOWER WALL KIT - 107458

SKU	Color	Pattern	Dimensions & Weight	Packaging	MSRP
107458-300-524-000	Arctik	Origin	60" x 32" x 80" / 147 lb / 67 kg	2.222 ft ³	\$ 2866
107458-301-019-000	Thunder Gray	Metro			\$ 2866
107458-301-500-000	Soft Grey				\$ 2866
107458-301-501-000	Ash Gray				\$ 2866

ACCESSORIES

SKU	Description	MSRP
10029996-084		\$ 261
10029996-002	18 in. modern straight grab bar with flange (front installation) Specify color: White (002), Chrome (084), Brushed Nickel (105)	\$ 261
10029996-105		\$ 261
10030093-084		\$ 432
10030093-002	23 in. Curved left-hand grab bar with flange (front installation) Specify color: White (002), Chrome (084), Brushed Nickel (105)	\$ 432
10030093-105		\$ 432
10030094-084		\$ 432
10030094-105	23 in. Curved right-hand grab bar with flange (front installation) Specify color: White (002), Chrome (084), Brushed Nickel (105)	\$ 432
10030094-002		\$ 432
10029997-002		\$ 277
10029997-105	24 in. modern straight grab bar with flange (front installation) Specify color: White (002), Chrome (084), Brushed Nickel (105)	\$ 277
10029997-084		\$ 277
10029998-084		\$ 293
10029998-002	30 in. modern straight grab bar with flange (front installation) Specify color: White (002), Chrome (084), Brushed Nickel (105)	\$ 293
10029998-105		\$ 293
10030095-002		\$ 464
10030095-084	32 in. curved left-hand grab bar with flange (front installation) Specify color: White (002), Chrome (084), Brushed Nickel (105)	\$ 464
10030095-105		\$ 464
10030097-084		\$ 464
10030097-002	32 in. curved right-hand grab bar with flange (front installation) Specify color: White (002), Chrome (084), Brushed Nickel (105)	\$ 464
10030097-105		\$ 464
10029999-105		\$ 323
10029999-002	36 in. modern straight grab bar with flange (front installation) Specify color: Chrome (084), Brushed Nickel (105)	\$ 323
10029999-084		\$ 323
10030084-002	42 in. modern straight grab bar with flange (front installation) Specify color: White (002), Chrome (084)	\$ 345
10030086-002		\$ 360
10030086-105	48 in. modern straight grab bar with flange (front installation) Specify color: White (002), Chrome (084), Brushed Nickel (105)	\$ 360
10030086-084		\$ 360
10060311	Corner glass shelf (9 3/8 x 9 3/8 in.) (sold separately) 10 mm frosted glass with a clear band along the edge Compatible with Utile and tile shower walls	\$ 152
10042819-340		\$ 167
10042819-201	Rectangular metal and glass shelf (13 5/8 x 4 5/8 in.) Removable tempered glass to ease the cleaning Ledge to secure the products in place	\$ 167
10042819-276	Compatible with most wall solutions	\$ 167
10042819-343	Available colors: Glossy White (276) Matte Black (340)	\$ 167
10042818-340	Corner metal and glass shelf (9 5/8 x 9 5/8 in.) Removable tempered glass to ease the cleaning Ledge to secure the products in place Compatible with most wall solutions Available colors: Glossy White (276) Matte Black (340)	\$ 167

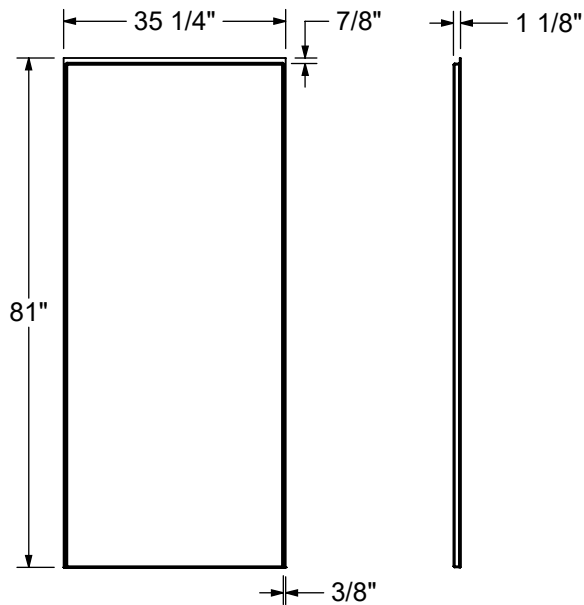
ACCESSORIES

SKU	Description	MSRP
10042818-201	Corner metal and glass shelf (9 5/8 x 9 5/8 in.) Removable tempered glass to ease the cleaning	\$ 167
10042818-276	Ledge to secure the products in place Compatible with most wall solutions	\$ 167
10042818-343	Available colors: Glossy White (276) Matte Black (340)	\$ 167

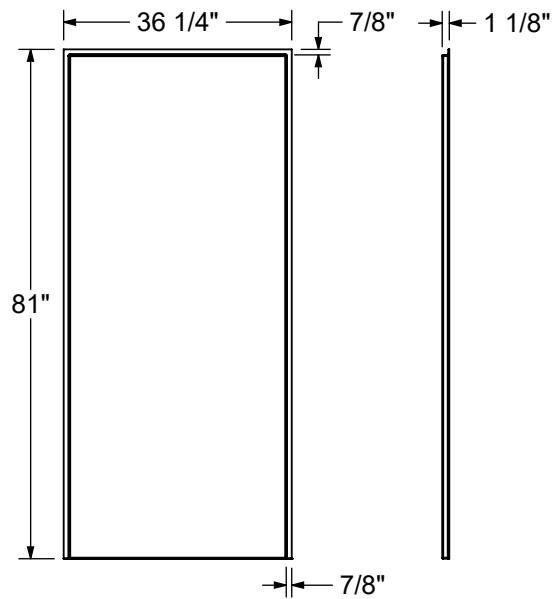
RECOMMENDED DOORS

SKU	Product Name	Pag.
137444	Radia Neo-round 36 x 36 x 71 ½ - 6mm	388
137448	Radia Square Sliding Shower Door 36 x 36 x 71 ½ in. 6 mm	393
137446	Radia Round 36 x 36 x 71 ½ - 6mm	391
137440	Radia Neo-angle 36 x 36 x 71 ½ - 6mm	386
139410	Outback Round 36 x 36 x 75 5/8 - 8mm	395

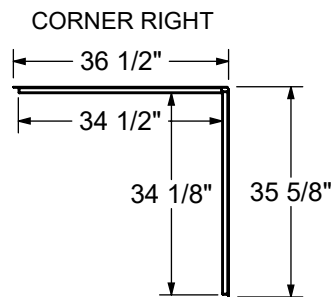
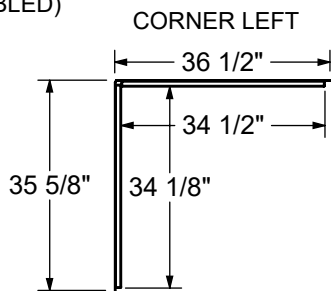
WALL B



WALL S



TOP VIEW (ASSEMBLED)

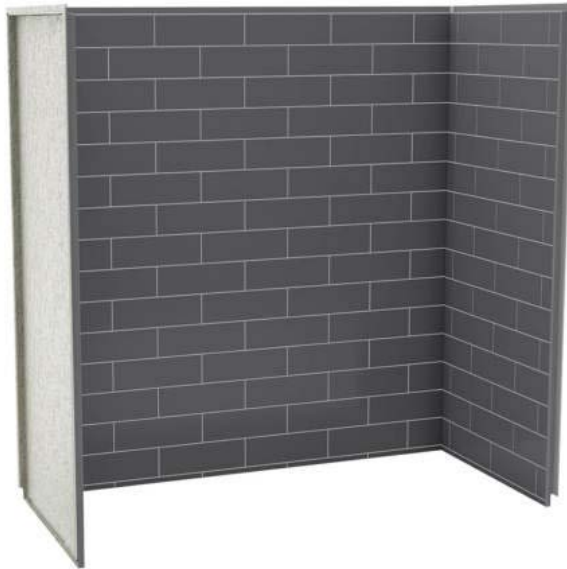


This product is designed to be installed in a building that conforms with the requirements of the National Building Code of Canada 2005

All dimensions are approximate. Structure measurements must be verified against the unit to ensure proper fit.



Wall Kits - Tub



Material : Composite
Features

- › Tub shower kit includes: 1 back wall, 2 side walls and one corner glass shelf
- › 4 H x 12 L in. glossy subway tile
- › Direct-to-stud installation
- › Installs easily in just 1 day versus 3 days for standard ceramic tile
- › Mistake-proof Ulok installation system allows you to perfectly align the panels, slip them together and lock them into place
- › Proudly made in North-America
- › Featuring Evergrout™: the first realistic and textured grout lines with that won't crack or leak
- › No tile or grout protective sealer required
- › Solid, 1-piece wall panel: sturdy and durable allows for installation of grab bars and other accessories

UTILE

UTILE 6032 TUB WALL KIT - 103408					
SKU	Color	Pattern	Dimensions & Weight	Packaging	MSRP
103408-301-019-000	Thunder Gray	Metro	60" x 32" x 60" / 145 lb / 66 kg	6.49 ft ³	\$ 3021
103408-301-500-000	Soft Grey				\$ 3021
103408-301-501-000	Ash Gray				\$ 3021

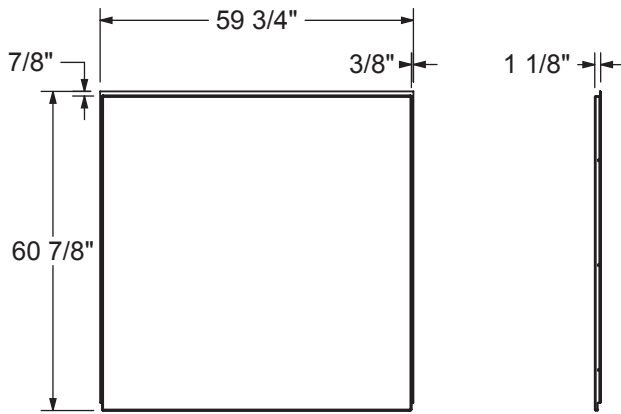
UTILE 6030 TUB WALL KIT - 103414					
SKU	Color	Pattern	Dimensions & Weight	Packaging	MSRP
103414-300-502-000	Greige	Origin	60" x 30" x 60" / 125 lb / 57 kg	6.3020833333333333 ft ³	\$ 2747
103414-300-524-000	Arctik				\$ 2747
103414-301-019-000	Thunder Gray	Metro			\$ 2747
103414-301-500-000	Soft Grey				\$ 2747
103414-301-501-000	Ash Gray				\$ 2747
103414-302-503-000	Sahara	Stone			\$ 2747

ACCESSORIES		
SKU	Description	MSRP
10029996-084	18 in. modern straight grab bar with flange (front installation) Specify color: White (002), Chrome (084), Brushed Nickel (105)	\$ 261
10029996-002		\$ 261
10029996-105		\$ 261

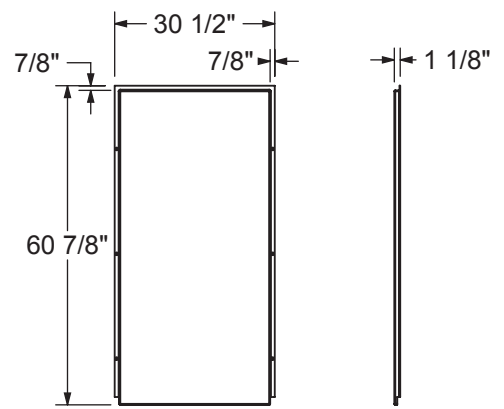
ACCESSORIES

SKU	Description	MSRP
10030093-084		\$ 432
10030093-002	23 in. Curved left-hand grab bar with flange (front installation) Specify color: White (002), Chrome (084), Brushed Nickel (105)	\$ 432
10030093-105		\$ 432
10030094-084		\$ 432
10030094-105	23 in. Curved right-hand grab bar with flange (front installation) Specify color: White (002), Chrome (084), Brushed Nickel (105)	\$ 432
10030094-002		\$ 432
10029997-002		\$ 277
10029997-105	24 in. modern straight grab bar with flange (front installation) Specify color: White (002), Chrome (084), Brushed Nickel (105)	\$ 277
10029997-084		\$ 277
10029998-084		\$ 293
10029998-002	30 in. modern straight grab bar with flange (front installation) Specify color: White (002), Chrome (084), Brushed Nickel (105)	\$ 293
10029998-105		\$ 293
10030095-002		\$ 464
10030095-084	32 in. curved left-hand grab bar with flange (front installation) Specify color: White (002), Chrome (084), Brushed Nickel (105)	\$ 464
10030095-105		\$ 464
10030097-084		\$ 464
10030097-002	32 in. curved right-hand grab bar with flange (front installation) Specify color: White (002), Chrome (084), Brushed Nickel (105)	\$ 464
10030097-105		\$ 464
10030100-002	37 in. modern curved left-hand grab bar with flange (front installation) Specify color: White (002), Chrome (084), Brushed Nickel (105)	\$ 523
10030084-002	42 in. modern straight grab bar with flange (front installation) Specify color: White (002), Chrome (084)	\$ 345
10030086-002		\$ 360
10030086-105	48 in. modern straight grab bar with flange (front installation) Specify color: White (002), Chrome (084), Brushed Nickel (105)	\$ 360
10030086-084		\$ 360
10060311	Corner glass shelf (9 3/8 x 9 3/8 in.) (sold separately) 10 mm frosted glass with a clear band along the edge Compatible with Utile and tile shower walls	\$ 152
10042819-340		\$ 167
10042819-201	Rectangular metal and glass shelf (13 5/8 x 4 5/8 in.) Removable tempered glass to ease the cleaning Ledge to secure the products in place	\$ 167
10042819-276	Compatible with most wall solutions	\$ 167
10042819-343	Available colors: Glossy White (276) Matte Black (340)	\$ 167
10042818-340		\$ 167
10042818-201	Corner metal and glass shelf (9 5/8 x 9 5/8 in.) Removable tempered glass to ease the cleaning Ledge to secure the products in place	\$ 167
10042818-276	Compatible with most wall solutions	\$ 167
10042818-343	Available colors: Glossy White (276) Matte Black (340)	\$ 167

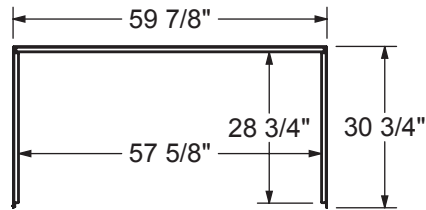
BACK WALL



SIDE WALL



TOP VIEW (ASSEMBLED)



This product is designed to be installed in a building that conforms with the requirements of the National Building Code of Canada 2005

All dimensions are approximate. Structure measurements must be verified against the unit to ensure proper fit.

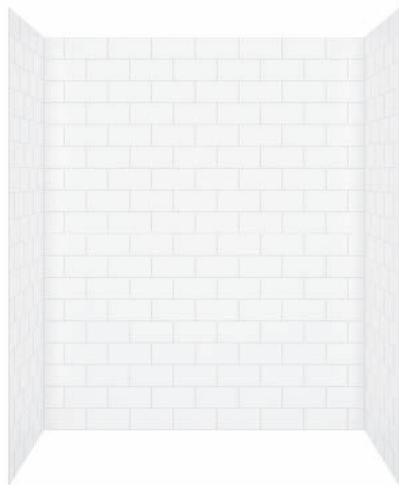
Wall Kits - Alcove Shower - Subway



Material : SolidSurface

Features

- › Shower kit includes: 2-piece back wall, 2 side walls, finishing trims, double face tape and silicone application tool
- › Glue-up installation
- › Realistic tile wall look made of durable solid surface material with textured grout lines
- › 4-piece wall set packaged in one compact box making it easy to handle and install
- › Proudly made in North America
- › Panels can be easily cut to adapt to most shower spaces up to 36 in. deep and fit on most products
- › Featuring Evergrout™: the first realistic and textured grout lines with that won't crack or leak
- › No tile or grout protective sealer required
- › Installs easily in just 1 day versus 3 days for standard ceramic tile



VERSALINE 6036 - SUBWAY - 107180

SKU	Color	Pattern	Dimensions & Weight	Packaging	MSRP
107180-000-270-000	White	Classic Subway Tile	60" x 36 1/4" x 72" / 90 lb / 41 kg	5.64 ft ³	\$ 1858

VERSALINE 4836 - SUBWAY - 107182

SKU	Color	Pattern	Dimensions & Weight	Packaging	MSRP
107182-000-270-000	White	Classic Subway Tile	48" x 36 1/4" x 72" / 85 lb / 39 kg	5.64 ft ³	\$ 1658

ACCESSORIES

SKU	Description	MSRP
10042818-340	Corner metal and glass shelf (9 5/8 x 9 5/8 in.) Removable tempered glass to ease the cleaning Ledge to secure the products in place Compatible with most wall solutions Available colors: Glossy White (276) Matte Black (340)	\$ 167
10042818-201		\$ 167
10042818-276		\$ 167
10042818-343		\$ 167
10042819-340	Rectangular metal and glass shelf (13 5/8 x 4 5/8 in.) Removable tempered glass to ease the cleaning Ledge to secure the products in place Compatible with most wall solutions Available colors: Glossy White (276) Matte Black (340)	\$ 167
10042819-201		\$ 167
10042819-276		\$ 167
10042819-343		\$ 167

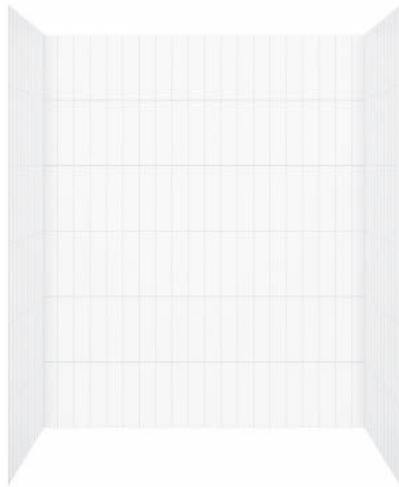
Wall Kits - Alcove Shower - Vertical



Material : SolidSurface

Features

- › Shower kit includes: 2-piece back wall, 2 side walls, finishing trims, double face tape and silicone application tool
- › Glue-up installation
- › Realistic tile wall look made of durable solid surface material with textured grout lines
- › 4-piece wall set packaged in one compact box making it easy to handle and install
- › Proudly made in North America
- › Panels can be easily cut to adapt to most shower spaces up to 36 in. deep and fit on most products
- › Featuring Evergrout™: the first realistic and textured grout lines with that won't crack or leak
- › No tile or grout protective sealer required
- › Installs easily in just 1 day versus 3 days for standard ceramic tile



VERSALINE 6036 - VERTICAL - 107181

SKU	Color	Pattern	Dimensions & Weight	Packaging	MSRP
107181-000-270-000	White	Textured Vertical	60" x 36 1/4" x 72" / 90 lb / 41 kg	5.64 ft ³	\$ 1858

VERSALINE 4836 - VERTICAL - 107183

SKU	Color	Pattern	Dimensions & Weight	Packaging	MSRP
107183-000-270-000	White	Textured Vertical	48" x 36 1/4" x 72" / 85 lb / 39 kg	5.64 ft ³	\$ 1658

ACCESSORIES

SKU	Description	MSRP
10042818-340	Corner metal and glass shelf (9 5/8 x 9 5/8 in.) Removable tempered glass to ease the cleaning Ledge to secure the products in place Compatible with most wall solutions Available colors: Glossy White (276) Matte Black (340)	\$ 167
10042818-201		\$ 167
10042818-276		\$ 167
10042818-343		\$ 167
10042819-340	Rectangular metal and glass shelf (13 5/8 x 4 5/8 in.) Removable tempered glass to ease the cleaning Ledge to secure the products in place Compatible with most wall solutions Available colors: Glossy White (276) Matte Black (340)	\$ 167
10042819-201		\$ 167
10042819-276		\$ 167
10042819-343		\$ 167

MAAX[®]

Enjoy the experience

For any questions or comments, please contact info@maax.com

1-877-GET-MAAX
(1-877-438-6229)

Order processing

Eastern U.S.A.
customercare.minneapolis@maax.com

Western U.S.A.
customercare.bellingham@maax.com

Technical Services

Bathtubs, Tub Showers and Showers
bsav@maax.com

Doors, Door enclosures and Shower Kits
lsav@maax.com

www.maax.com

