

# Storage Accessories

Practical and Functional Shelves

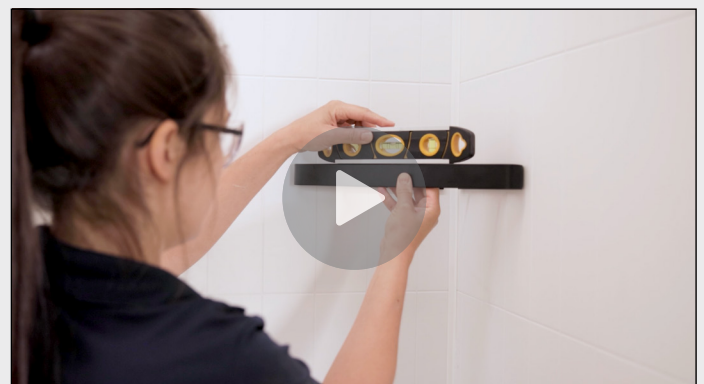


## Features & Benefits:

- Sleek and distinctive look
- **Removable tempered glass** to ease the cleaning
- Open channel to **allow water to outflow** naturally
- Ledge to **secure products in place**
- **2 finishes** available to match with any door and faucet
- Sold separately and can be combined with **any shower wall solutions** (Utile, Denso, Versaline, Tile)



Features Video

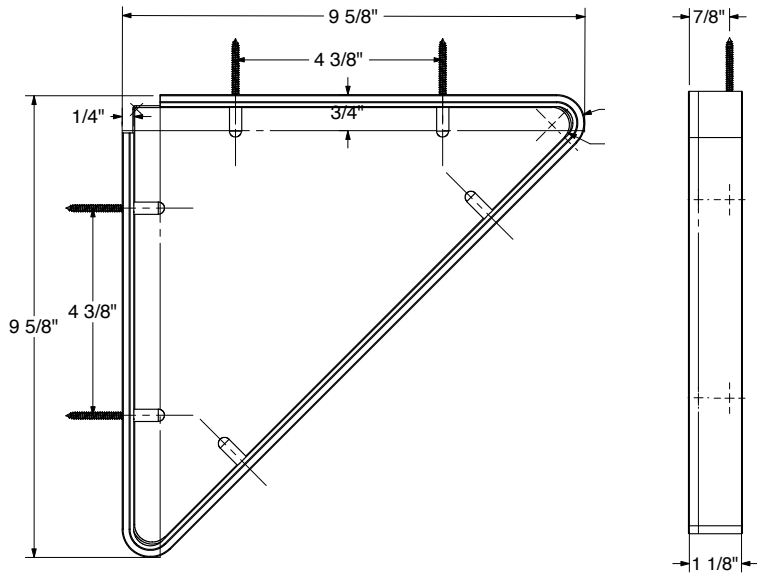


Installation Video

# Storage Accessories

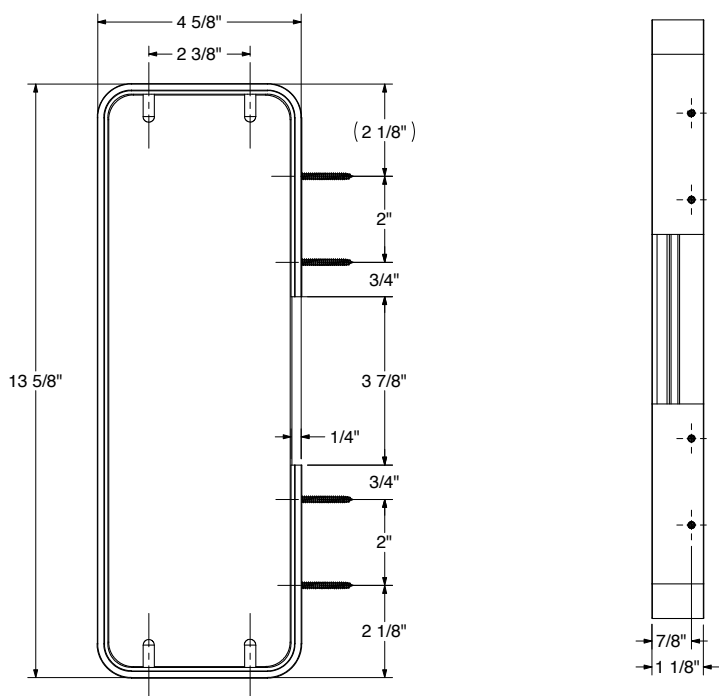
## Practical and Functional Shelves

### Corner Shelf — 9 5/8 in. x 9 5/8 in.



Model #	Description
10042818-276	Metal corner shelf – glossy white
10042818-340	Metal corner shelf – matte black

### Rectangular Shelf — 13 5/8 in. x 4 5/8 in.



Model #	Description
10042819-276	Metal rectangular shelf – glossy white
10042819-340	Metal rectangular shelf – matte black