

Utile

DESIGNER Series

PRODUCT CATALOG



by MAAX

Visit Us Online

▪ Get inspired

Browse different Utile pattern collections. Explore home styles. Visualize bathroom spaces. And establish your creative vision.

▪ Utile Configurator Tool

Our planning tools work wonders. If you're embarking on a remodeling journey use our online configurator to create your personalized Utile shower solution.

www.maax.com/utile/createyourutile

▪ Visit Us On Facebook, Pinterest and Twitter!

See real Utile renovations and visit us online regularly for cleaning tips and up-to-the-minute news on new product offerings



Utile CONFIGURATOR tool



It's all just a click away

www.maax.com/utile

Table of Contents

The evolution of tile	4
How to build your Utile	6
ORGANIK Series	
Shower	10
Tub Shower	10
MARBLE Series	
Shower	12
Tub Shower	12
FACTORY Series	
Shower Factory Rough	14
Shower Factory Sleek	14
EROSION Series	
Shower	16
WALLPAPER Series	
Shower Funky Wallpaper	18
Shower Hexa Wallpaper	19
Shower Squares Wallpaper	20
SMOOTH Series	
Shower	22
Recommended Products	
Shower Bases	24
Bathubs	28
Doors	30
Accessories	36
Technical Drawings and General Information	38

The evolution of tile



It's not tile, **it's Utile wall panels.** Utile by MAAX is an innovative shower wall solution that provides sophisticated style without the hassle of tiling. It's now easier than ever to give bathrooms a designer makeover, providing years of **durability and elegance with minimal maintenance.**

Stylish Shower Walls

Give a dull bathroom a designer's flair with incredible ease. U tile features a cleverly engineered surface that looks and feels so much like stone and tile that you will dazzle people when you tell them it's not... unless you want to keep it our secret.



Installs with the greatest of ease

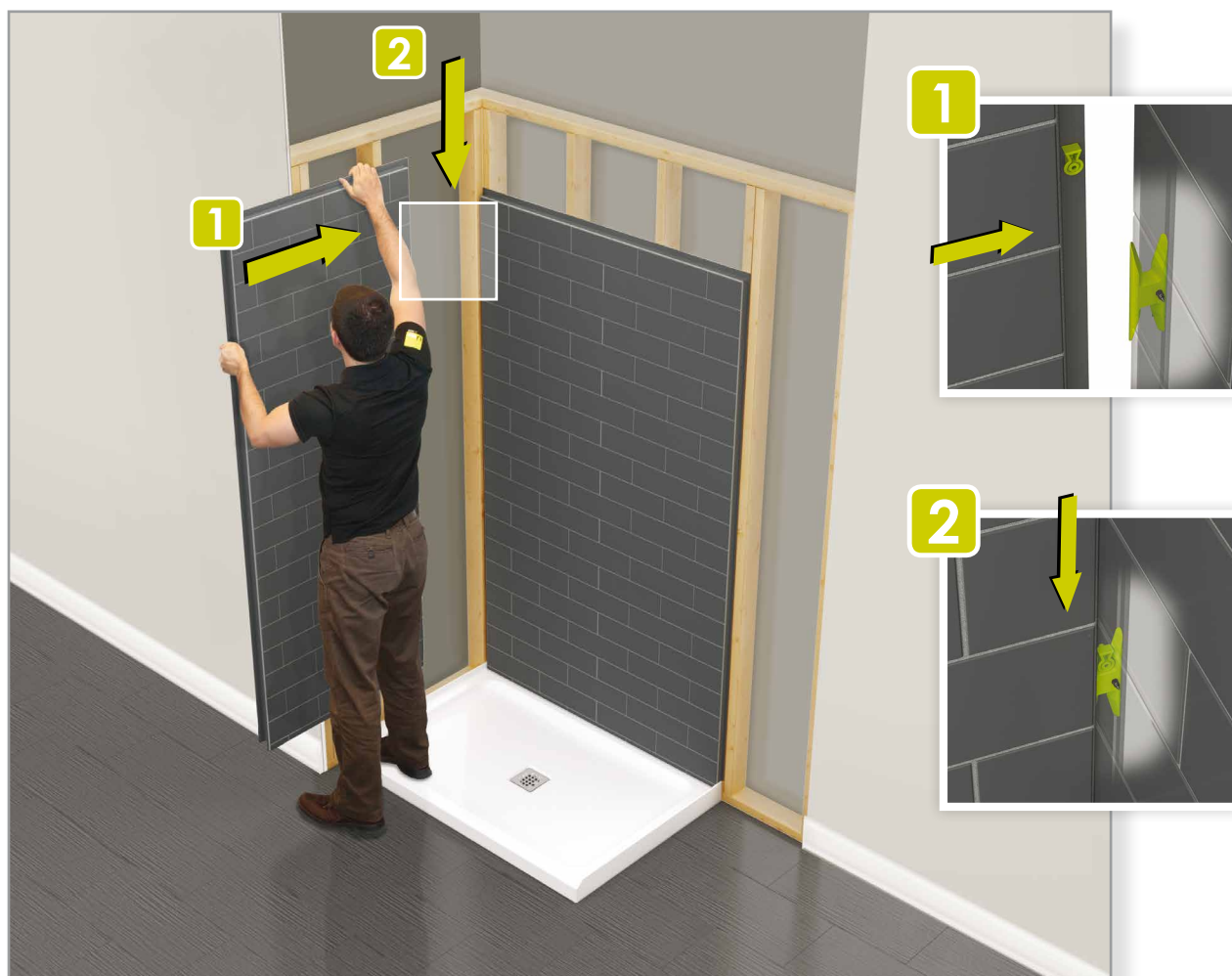
Get it right the first time with the **Ulok** system designed to perfectly align the walls, slip them together and lock them into place. It assures a quick and easy installation.

Save time and money!

Why choose Utile?

- **Quicker** to install than standard ceramic tiles
- Mistake-proof **Ulok** system makes assembly simple and quick
- Direct to stud installation
- Grout-free – no risk of water infiltration
- No mortar, grout or mess

Ulok System



Quick

**Quick and easy installation
worry-free for years!**

How to easily build your own U tile

Step 1 Pattern

DESIGNER Series

Rich colors, deep textures and stylish patterns.



ORGANIK			
Clay	Permafrost	Loam	
FACTORY SLEEK		FACTORY ROUGH	
Smoke	Vapor	MARBLE	
		Carrara	
EROSION			
Charcoal	Pebble Grey	Taupe	Bora White
FUNKY WALLPAPER		HEXA WALLPAPER	
Vertigo	Shades	HEXA WALLPAPER	
		Waterfall	
		SQUARES WALLPAPER	
		Interlink	
SMOOTH			
Thunder Grey	Ash Grey	White	

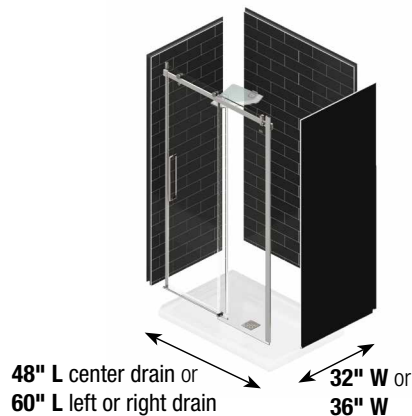
Build your unique U tile shower solution with our interactive configurator tool www.maax.com/utile/createyourutile



Step 2 Configuration

Various sizes and installation types.

3 WALL SHOWER (ALCOVE)



48" L X 32" W

60" L X 32" W

48" L X 36" W

60" L X 36" W

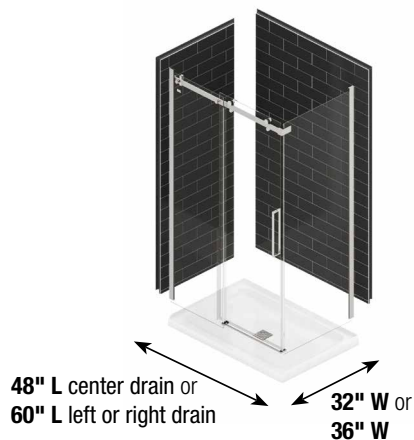
THE FOLLOWING COMPONENTS ARE REQUIRED

- 48" Shower back wall (1 wall/box)
- 32" *or* 36" Shower side wall (1 wall/box)
- 32" *or* 36" Shower side wall (1 wall/box)
- 48" x 32" *or* 36" Shower base
- 48" Shower door
 - Sliding (Halo or ModulR door) *or*
 - Pivot (Reveal or ModulR door)

THE FOLLOWING COMPONENTS ARE REQUIRED

- 60" Shower back wall (1 wall/box)
- 32" *or* 36" Shower side wall (1 wall/box)
- 32" *or* 36" Shower side wall (1 wall/box)
- 60" x 32" *or* 36" Shower base
- 60" Shower door
 - Sliding (Halo or ModulR door) *or*
 - Pivot (Reveal or ModulR door)

2 WALL SHOWER (CORNER)



48" L X 32" W

60" L X 32" W

48" L X 36" W

60" L X 36" W

THE FOLLOWING COMPONENTS ARE REQUIRED

- 48" Shower back wall (1 wall/box)
- 32" *or* 36" Shower side wall (1 wall/box)
- 48" x 32" *or* 36" Shower base
- 48" Shower door
 - Sliding (Halo or ModulR door) *or*
 - Pivot (Reveal or ModulR door)

THE FOLLOWING COMPONENTS ARE REQUIRED

- 60" Shower back wall (1 wall/box)
- 32" *or* 36" Shower side wall (1 wall/box)
- 60" x 32" *or* 36" Shower base
- 60" Shower door
 - Sliding (Halo or ModulR door) *or*
 - Pivot (Reveal or ModulR door)

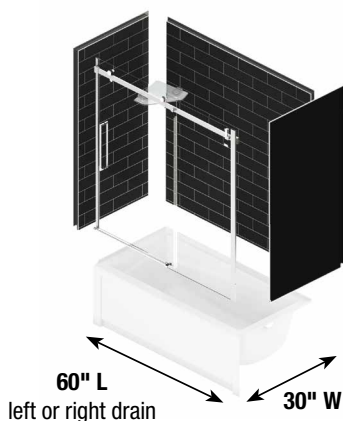
Corner installation:

- Add a 32" or 36" side glass panel (Halo or Reveal return panel) *or*
- Select a ModulR corner door

Corner installation:

- Add a 32" or 36" side glass panel (Halo or Reveal return panel) *or*
- Select a ModulR corner door

3 WALL TUB SHOWER



60" L X 30" W

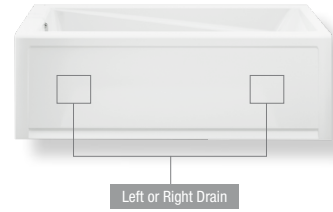
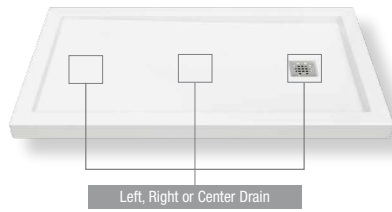
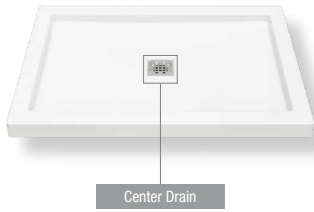
THE FOLLOWING COMPONENTS ARE REQUIRED

- Tub shower kit (3 walls/box)
- 60" x 30" Bathtub - left or right drain
- 60" Sliding tub shower door (Halo or ModulR door)

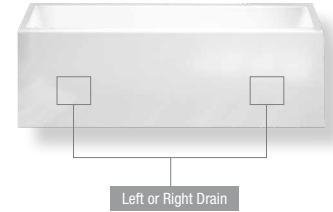
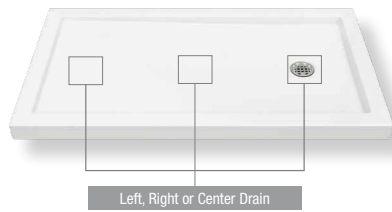
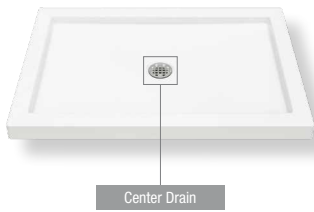
Step 3

Required Bases / Bathtubs

B3 SQUARE BASE 48" L X 32" or 36" W	B3 SQUARE BASE 60" L X 32 or 36"W	EXHIBIT BATHTUB 60" L X 30" W
--	--	--------------------------------------



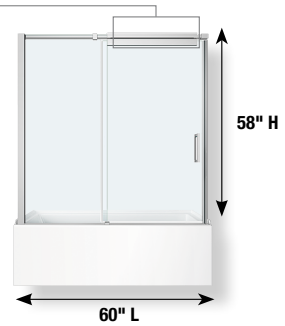
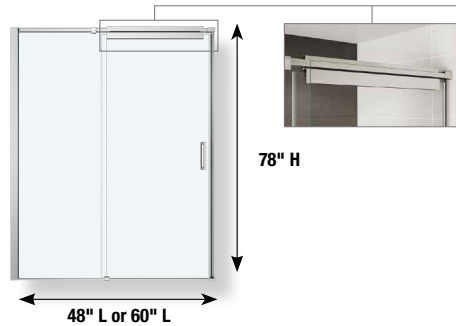
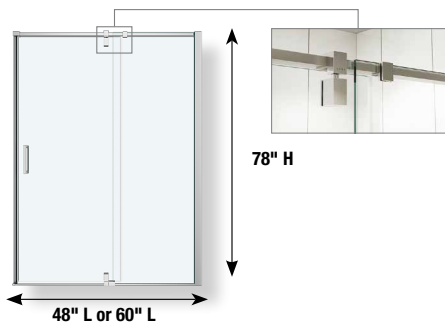
B3 ROUND BASE 48" L X 32 or 36" W	B3 ROUND BASE 60" L X 32 or 36"W	RUBIX BATHTUB 60" L X 30" W
--	---	------------------------------------



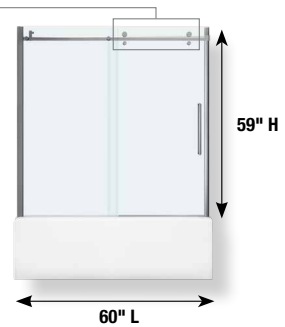
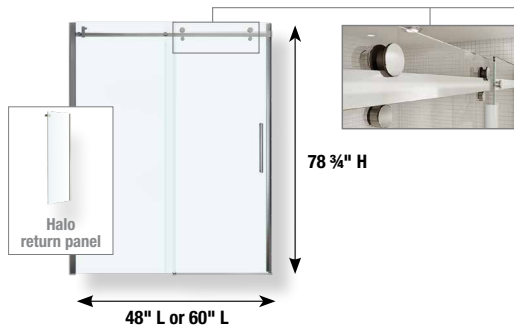
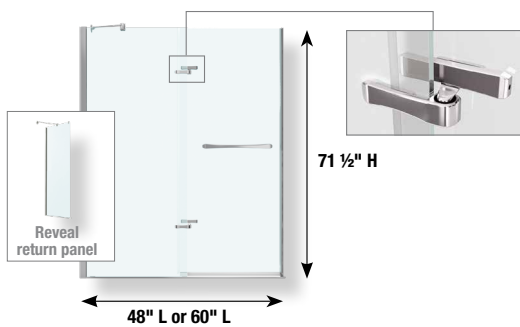
Step 4

Recommended Doors

MODULR PIVOT SHOWER DOOR	MODULR SLIDING SHOWER DOOR	MODULR SLIDING TUB SHOWER DOOR
---------------------------------	-----------------------------------	---------------------------------------



REVEAL PIVOT SHOWER DOOR	HALO SLIDING SHOWER DOOR	HALO SLIDING TUB SHOWER DOOR
---------------------------------	---------------------------------	-------------------------------------



ORGANIK

Series



Utile

by MAAX

Utile ORGANIK

48" - 60" x 32" x 80"

48" - 60" x 36" x 80"

60" x 30" x 60"

- Realistic looking tile and grout
- Solid, one-piece walls: Sturdy and durable
- Mistake-proof Ulok system makes assembly simple and quick
- Corner or alcove shower and tubshower installation
- 10-year warranty • 1 corner shelf included

UTILE WALL PANELS - ORGANIK



Utile Back Wall (1 glass shelf included)

No	Model	Dimensions	Pkg	Approx. weight
103421-312-XXX	Utile Organik Back Wall 48" Colors: Permafrost (504), Clay (505), Loam (507)	48 x 80 x 1 1/8 in. (1219 x 2032 x 29 mm)	4.6 ft ³ (0.13 m ³)	77 lb (34.9 kg)
103422-312-XXX	Utile Organik Back Wall 60" Colors: Permafrost (504), Clay (505), Loam (507)	60 x 80 x 1 1/8 in. (1524 x 2032 x 29 mm)	5.8 ft ³ (0.16 m ³)	96 lb (43.5 kg)

Utile Side Wall

! For an alcove installation, 2 side walls are required.

No	Model	Dimensions	Pkg	Approx. weight
103419-312-XXX	Utile Organik Side Wall 32" Colors: Permafrost (504), Clay (505), Loam (507)	32 x 80 x 1 1/8 in. (813 x 2032 x 29 mm)	3.2 ft ³ (0.09 m ³)	51 lb (23.1 kg)
103415-312-XXX	Utile Organik Side Wall 36" Colors: Permafrost (504), Clay (505), Loam (507)	36 x 80 x 1 1/8 in. (914 x 2032 x 29 mm)	3.6 ft ³ (0.10 m ³)	53 lb (24 kg)

Utile Tub Walls (1 back wall, 2 side walls and 1 glass shelf included)

No	Model	Dimensions	Pkg	Approx. weight
103424-312-XXX	Utile Organik Tub wall kit 6030 Colors: Permafrost (504), Clay (505), Loam (507)	60 x 30 x 60 in. (1524 x 762 x 1524 mm)	7 ft ³ (0.37 m ³)	143 lb (64.9 kg)

MARBLE

Series



Utile

by MAAX

Utile MARBLE

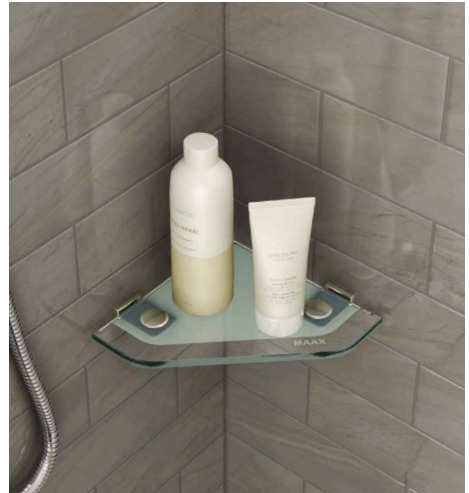
48" - 60" x 32" x 80"

48" - 60" x 36" x 80"

60" x 30" x 60"

- Realistic looking tile and grout
- Solid, one-piece walls: Sturdy and durable
- Mistake-proof Ulok system makes assembly simple and quick
- Corner or alcove shower and tubshower installation
- 10-year warranty • 1 corner shelf included

UTILE WALL PANELS - MARBLE



Utile Back Wall (1 glass shelf included)

No	Model	Dimensions	Pkg	Approx. weight
103421-307-XXX	Utile Marble Back Wall 48" Color: Carrara (508)	48 x 80 x 1 1/8 in. (1219 x 2032 x 29 mm)	4.6 ft³ (0.13 m ³)	77 lb (34.9 kg)
103422-307-XXX	Utile Marble Back Wall 60" Color: Carrara (508)	60 x 80 x 1 1/8 in. (1524 x 2032 x 29 mm)	5.8 ft³ (0.16 m ³)	96 lb (43.5 kg)

Utile Side Wall

! For an alcove installation, 2 side walls are required.

No	Model	Dimensions	Pkg	Approx. weight
103419-307-XXX	Utile Marble Side Wall 32" Color: Carrara (508)	32 x 80 x 1 1/8 in. (813 x 2032 x 29 mm)	3.2 ft³ (0.09 m ³)	51 lb (23.1 kg)
103415-307-XXX	Utile Marble Side Wall 36" Color: Carrara (508)	36 x 80 x 1 1/8 in. (914 x 2032 x 29 mm)	3.6 ft³ (0.10 m ³)	53 lb (24 kg)

Utile Tub Walls (1 back wall, 2 side walls and 1 glass shelf included)

No	Model	Dimensions	Pkg	Approx. weight
103424-307-XXX	Utile Marble Tub wall kit 6030 Color: Carrara (508)	60 x 30 x 60 in. (1524 x 762 x 1524 mm)	7 ft³ (0.37 m ³)	143 lb (64.9 kg)

FACTORY

Series



Utile

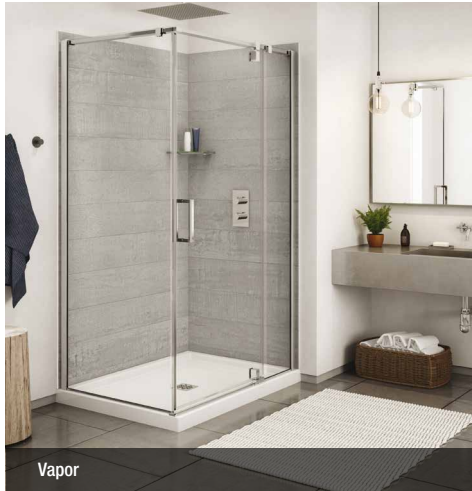
by MAAX

Utile FACTORY

48" - 60" x 36" x 80"

- Realistic looking tile and grout
- Solid, one-piece walls: Sturdy and durable
- Mistake-proof Ulok system makes assembly simple and quick
- Corner or alcove installation
- 10-year warranty • 1 corner shelf included

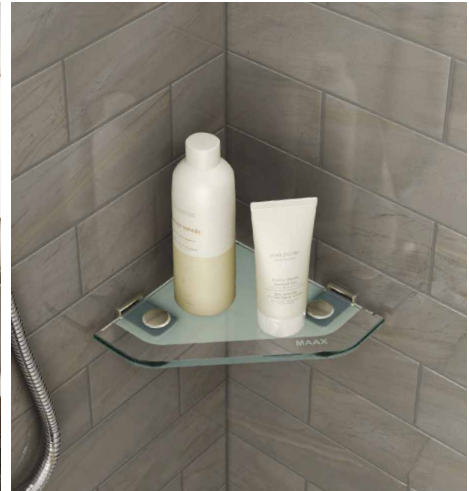
UTILE WALL PANELS - FACTORY



Vapor



Smoke



Utile Back Wall (1 glass shelf included)

No	Model	Dimensions	Pkg	Approx. weight
103421-304-XXX	Utile Factory Rough Back Wall 48" Color: Vapor (516)	48 x 80 x 1 1/8 in. (1219 x 2032 x 29 mm)	4.6 ft³ (0.13 m ³)	77 lb (34.9 kg)
103422-304-XXX	Utile Factory Rough Back Wall 60" Color: Vapor (516)	60 x 80 x 1 1/8 in. (1524 x 2032 x 29 mm)	5.8 ft³ (0.16 m ³)	96 lb (43.5 kg)
103421-305-XXX	Utile Factory Sleek Back Wall 48" Color: Smoke (517)	48 x 80 x 1 1/8 in. (1219 x 2032 x 29 mm)	4.6 ft³ (0.13 m ³)	77 lb (34.9 kg)
103422-305-XXX	Utile Factory Sleek Back Wall 60" Color: Smoke (517)	60 x 80 x 1 1/8 in. (1524 x 2032 x 29 mm)	5.8 ft³ (0.16 m ³)	96 lb (43.5 kg)

Utile Side Wall

! For an alcove installation, 2 side walls are required.

No	Model	Dimensions	Pkg	Approx. weight
103415-304-XXX	Utile Factory Rough Side Wall 36" Color: Vapor (516)	36 x 80 x 1 1/8 in. (914 x 2032 x 29 mm)	3.6 ft³ (0.10 m ³)	53 lb (24 kg)
103415-305-XXX	Utile Factory Sleek Side Wall 36" Color: Smoke (517)	36 x 80 x 1 1/8 in. (914 x 2032 x 29 mm)	3.6 ft³ (0.10 m ³)	53 lb (24 kg)

EROSION

Series



Utile

by MAAX

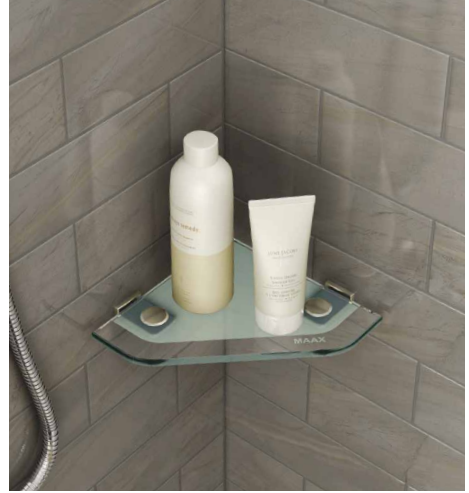
Utile EROSION

48" - 60" x 32" x 80"

48" - 60" x 36" x 80"

- Realistic looking tile and grout
- Solid, one-piece walls: Sturdy and durable
- Mistake-proof Ulok system makes assembly simple and quick
- Corner or alcove installation
- 10-year warranty • 1 corner shelf included

UTILE WALL PANELS - EROSION



Utile Back Wall (1 glass shelf included)

No	Model	Dimensions	Pkg	Approx. weight
103421-306-XXX	Utile Erosion Back Wall 48" Colors: Taupe (512), Bora white (513), Pebble grey (514), Charcoal (515)	48 x 80 x 1 1/8 in. (1219 x 2032 x 29 mm)	4.6 ft³ (0.16 m ³)	77lb (34.9 kg)
103422-306-XXX	Utile Erosion Back Wall 60" Colors: Taupe (512), Bora white (513), Pebble grey (514), Charcoal (515)	60 x 80 x 1 1/8 in. (1524 x 2032 x 29 mm)	5.8 ft³ (0.13 m ³)	96 lb (43.5 kg)

Utile Side Wall

! For an alcove installation, 2 side walls are required.

No	Model	Dimensions	Pkg	Approx. weight
103419-306-XXX	Utile Erosion Side Wall 32" Colors: Taupe (512), Bora white (513), Pebble grey (514), Charcoal (515)	32 x 80 x 1 1/8 in. (813 x 2032 x 29 mm)	3.2 ft³ (0.09 m ³)	51 lb (23.1 kg)
103415-306-XXX	Utile Erosion Side Wall 36" Colors: Taupe (512), Bora white (513), Pebble grey (514), Charcoal (515)	36 x 80 x 1 1/8 in. (914 x 2032 x 29 mm)	3.6 ft³ (0.10 m ³)	53 lb (24 kg)

WALLPAPER

Series

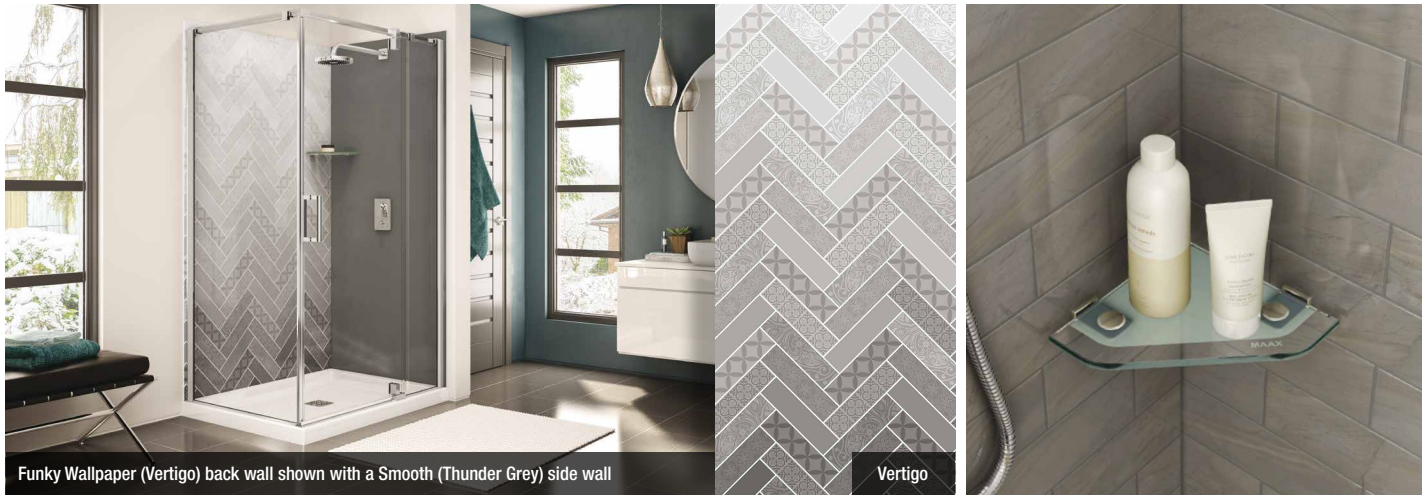


Utile FUNKY WALLPAPER

48" - 60" x 36" x 80"

- Realistic looking tile and grout
- Solid, one-piece walls: Sturdy and durable
- Mistake-proof Ulok system makes assembly simple and quick
- Corner or alcove installation
- 10-year warranty • 1 corner shelf included

UTILE WALL PANELS - WALLPAPER



Utile Back Wall (1 glass shelf included)

No	Model	Dimensions	Pkg	Approx. weight
103421-308-XXX	Utile Funky Wallpaper Back Wall 48" Color: Vertigo (518)	48 x 80 x 1 1/8 in. (1219 x 2032 x 29 mm)	4.6 ft ³ (0.13 m ³)	77 lb (34.9 kg)
103422-308-XXX	Utile Funky Wallpaper Back Wall 60" Color: Vertigo (518)	60 x 80 x 1 1/8 in. (1524 x 2032 x 29 mm)	5.8 ft ³ (0.16 m ³)	96 lb (43.5 kg)

Utile Side Wall

! For an alcove installation, 2 side walls are required.

No	Model	Dimensions	Pkg	Approx. weight
103415-308-XXX	Utile Funky Wallpaper Side Wall 36" Color: Vertigo (518)	36 x 80 x 1 1/8 in. (914 x 2032 x 29 mm)	3.6 ft ³ (0.10 m ³)	53 lb (24 kg)



How to build a Halo or Reveal corner shower door

Select a Shower door you desire and add a return panel



Alcove Shower Door

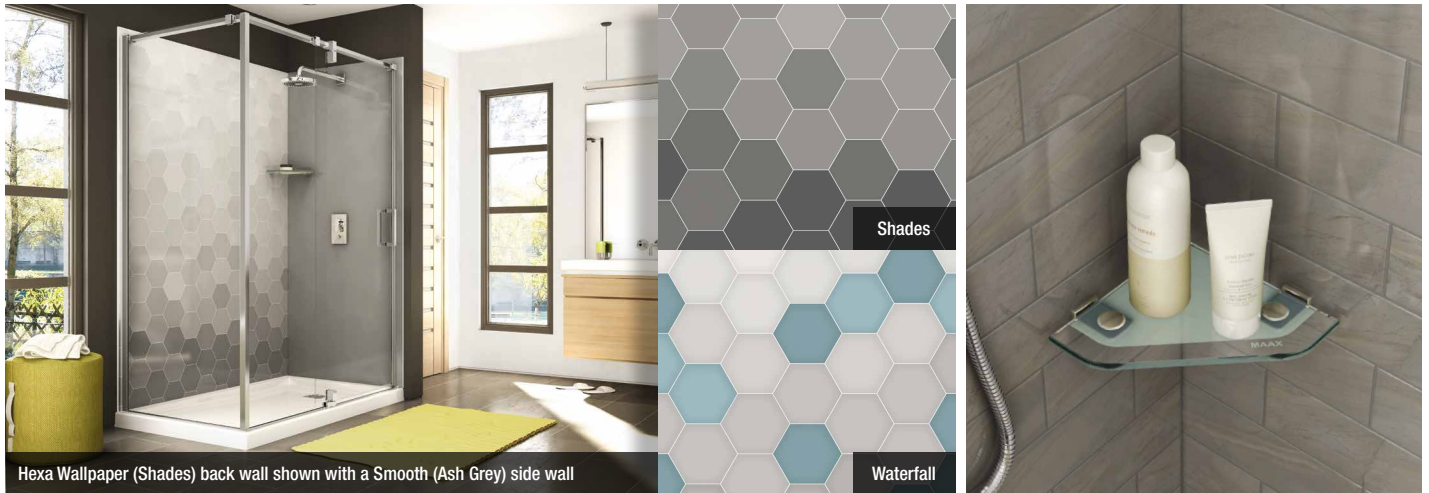


Return panel

Utile HEXA WALLPAPER

48" - 60" x 36" x 80"

- Realistic looking tile and grout
- Solid, one-piece walls: Sturdy and durable
- Mistake-proof Ulok system makes assembly simple and quick
- Corner or alcove installation
- 10-year warranty • 1 corner shelf included



UTILE WALL PANELS - WALLPAPER

Utile Back Wall (1 glass shelf included)

No	Model	Dimensions	Pkg	Approx. weight
103421-309-XXX	Utile Hexa Wallpaper Back Wall 48" Colors: Shades (519), Waterfall (520)	48 x 80 x 1 1/8 in. (1219 x 2032 x 29 mm)	4.6 ft ³ (0.13 m ³)	77 lb (34.9 kg)
103422-309-XXX	Utile Hexa Wallpaper Back Wall 60" Colors: Shades (519), Waterfall (520)	60 x 80 x 1 1/8 in. (1524 x 2032 x 29 mm)	5.8 ft ³ (0.16 m ³)	96 lb (43.5 kg)

Utile Side Wall

! For an alcove installation, 2 side walls are required.

No	Model	Dimensions	Pkg	Approx. weight
103415-309-XXX	Utile Accent Side Wall 36" Colors: Shades (519), Waterfall (520)	36 x 80 x 1 1/8 in. (914 x 2032 x 29 mm)	3.6 ft ³ (0.10 m ³)	53 lb (24 kg)

CREATE YOUR OWN **UTILE**
with our online configurator tool



maax.com/utile/createyourutile



Utile SQUARES WALLPAPER

48" - 60" x 36" x 80"

- Realistic looking tile and grout
- Solid, one-piece walls: Sturdy and durable
- Mistake-proof Ulok system makes assembly simple and quick
- Corner or alcove installation
- 10-year warranty • 1 corner shelf included

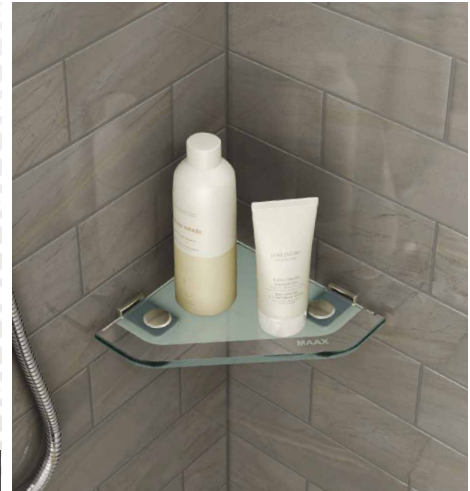
UTILE WALL PANELS - WALLPAPER



Squares Wallpaper (Interlink) back wall shown with a Smooth (White) side wall



Interlink



Utile Back Wall (1 glass shelf included)

No	Model	Dimensions	Pkg	Approx. weight
103421-310-XXX	Utile Squares Wallpaper Back Wall 48" Color: Interlink (521)	48 x 80 x 1 1/8 in. (1219 x 2032 x 29 mm)	4.6 ft³ (0.13 m ³)	77 lb (34.9 m ³)
103422-310-XXX	Utile Squares Wallpaper Back Wall 60" Color: Interlink (521)	60 x 80 x 1 1/8 in. (1524 x 2032 x 29 mm)	5.8 ft³ (0.16 m ³)	96 lb (43.5 m ³)

Utile Side Wall

! For an alcove installation, 2 side walls are required.

No	Model	Dimensions	Pkg	Approx. weight
103415-310-XXX	Utile Squares Wallpaper Side Wall 36" Color: Interlink (521)	36 x 80 x 1 1/8 in. (914 x 2032 x 29 mm)	3.6 ft³ (0.10 m ³)	53 lb (24 kg)

MAAX
DIGITAL

Introducing the new MAAX Partner Portal Information at your fingertips

It's finally here—live on our website!

Get instant access to your order information at any time. Don't have an account yet? [Register now.](#)

www.maax.com/partnerportal

The power is in your hands!

This new tool gives you access to all the order information you need, when you need it:

- Order history
- Order status
- Delivery dates
- Ship dates
- Shipment tracking
- And more...

SMOOTH

Series



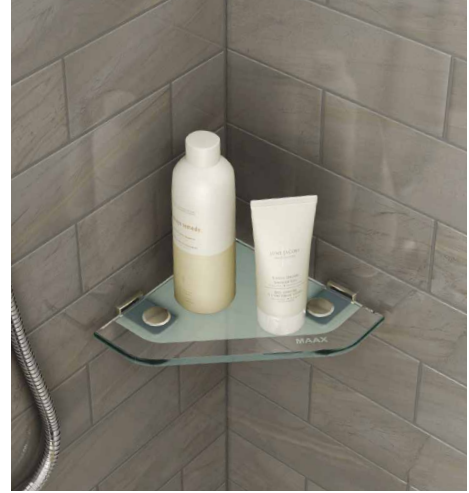
by MAAX

Utile SMOOTH

48" - 60" x 36" x 80"

- Realistic looking tile and grout
- Solid, one-piece walls: Sturdy and durable
- Mistake-proof Ulok system makes assembly simple and quick
- Corner or alcove installation
- 10-year warranty • 1 corner shelf included

UTILE WALL PANELS - SMOOTH



Utile Back Wall (1 glass shelf included)

No	Model	Dimensions	Pkg	Approx. weight
103421-311-XXX	Utile Smooth Back Wall 48" Colors: White (523), Ash grey (501), Thunder grey (019)	48 x 80 x 1 1/8 in. (1219 x 2032 x 29 mm)	4.6 ft ³ (0.13 m ³)	77 lb (34.9 kg)
103422-311-XXX	Utile Smooth Back Wall 60" Colors: White (523), Ash grey (501), Thunder grey (019)	60 x 80 x 1 1/8 in. (1524 x 2032 x 29 mm)	5.8 ft ³ (0.16 m ³)	96 lb (43.5 kg)

Utile Side Wall

! For an alcove installation, 2 side walls are required.

No	Model	Dimensions	Pkg	Approx. weight
103415-311-XXX	Utile Smooth Side Wall 36" Colors: White (523), Ash grey (501), Thunder grey (019)	36 x 80 x 1 1/8 in. (914 x 2032 x 29 mm)	3.6 ft ³ (0.10 m ³)	53 lb (24 kg)

SHOWER BASES



REQUIRED SHOWER BASES (only compatible models)

- Acrylic rectangular shower base with square or round drain
- Smooth floor
- Right, left or center drain
- 3" low threshold base
- **B3Square only:** Square stainless steel grid & ABS drain included
Optional PVC drain for high rise construction also available

BASES 4832

ALCOVE

No	Model	Dimensions	Pkg	Approx. weight
420001-501-XXX	B3Square 4832 rectangular shower base - Alcove Installation (Square center drain) Specify: Standard colors: White (001), Bone (004), Biscuit (007)	47 7/8" X 31 7/8" X 3 in. (1216 X 810 x 76 mm)	6.6 ft ³ (0.19 m ³)	41 lb (18.6 kg)
410001-501-XXX	B3Round 4832 rectangular shower base - Alcove Installation (Round center drain) Specify: Standard colors: White (001), Bone (004), Biscuit (007)	47 7/8" X 31 7/8" X 3 in. (1216 X 810 x 76 mm)	6.6 ft ³ (0.19 m ³)	41 lb (18.6 kg)

CORNER

420001-502-XXX	B3Square 4832 rectangular shower base - Corner Left Installation (Square center drain) Specify: Standard colors: White (001), Bone (004), Biscuit (007)	47 7/8" X 31 7/8" X 3 in. (1216 X 810 x 76 mm)	6.6 ft ³ (0.19 m ³)	41 lb (18.6 kg)
410001-502-XXX	B3Round 4832 rectangular shower base - Corner Left Installation (Round center drain) Specify: Standard colors: White (001), Bone (004), Biscuit (007)	47 7/8" X 31 7/8" X 3 in. (1216 X 810 x 76 mm)	6.6 ft ³ (0.19 m ³)	41 lb (18.6 kg)
420001-503-XXX	B3Square 4832 rectangular shower base - Corner Right Installation (Square center drain) Specify: Standard colors: White (001), Bone (004), Biscuit (007)	47 7/8" X 31 7/8" X 3 in. (1216 X 810 x 76 mm)	6.6 ft ³ (0.19 m ³)	41 lb (18.6 kg)
410001-503-XXX	B3Round 4832 rectangular shower base - Corner Right Installation (Round center drain) Specify: Standard colors: White (001), Bone (004), Biscuit (007)	47 7/8" X 31 7/8" X 3 in. (1216 X 810 x 76 mm)	6.6 ft ³ (0.19 m ³)	41 lb (18.6 kg)

BASES 4836

ALCOVE

No	Model	Dimensions	Pkg	Approx. weight
420003-501-XXX	B3Square 4836 rectangular shower base - Alcove Installation (Square center drain) Specify: Standard colors: White (001), Bone (004), Biscuit (007)	47 7/8" X 35 7/8" X 3 in. (1216 X 911 x 76 mm)	6.6 ft ³ (0.19 m ³)	47 lb (21.3 kg)
410003-501-XXX	B3Round 4836 rectangular shower base - Alcove Installation (Round center drain) Specify: Standard colors: White (001), Bone (004), Biscuit (007)	47 7/8" X 35 7/8" X 3 in. (1216 X 911 x 76 mm)	6.6 ft ³ (0.19 m ³)	47 lb (21.3 kg)

CORNER

420003-502-XXX	B3Square 4836 rectangular shower base - Corner Left Installation (Square center drain) Specify: Standard colors: White (001), Bone (004), Biscuit (007)	47 7/8" X 35 7/8" X 3 in. (1216 X 911 x 76 mm)	6.6 ft ³ (0.19 m ³)	47 lb (21.3 kg)
410003-502-XXX	B3Round 4836 rectangular shower base - Corner Left Installation (Round center drain) Specify: Standard colors: White (001), Bone (004), Biscuit (007)	47 7/8" X 35 7/8" X 3 in. (1216 X 911 x 76 mm)	6.6 ft ³ (0.19 m ³)	47 lb (21.3 kg)
420003-503-XXX	B3Square 4836 rectangular shower base - Corner Right Installation (Square center drain) Specify: Standard colors: White (001), Bone (004), Biscuit (007)	47 7/8" X 35 7/8" X 3 in. (1216 X 911 x 76 mm)	6.6 ft ³ (0.19 m ³)	47 lb (21.3 kg)
410003-503-XXX	B3Round 4836 rectangular shower base - Corner Right Installation (Round center drain) Specify: Standard colors: White (001), Bone (004), Biscuit (007)	47 7/8" X 35 7/8" X 3 in. (1216 X 911 x 76 mm)	6.6 ft ³ (0.19 m ³)	47 lb (21.3 kg)

For additional information on these products, please refer to the **MAAX Walls and Bases Price List**

BASES 6032

ALCOVE

No	Model	Dimensions	Pkg	Approx. weight
420005-501-XXX	B3Square 6032 rectangular shower base - Alcove Installation 420005-R-501-XXX Square right-hand drain 420005-L-501-XXX Square left-hand drain Specify: Standard colors: White (001), Bone (004), Biscuit (007)	59 7/8 X 31 7/8 X 3 in. (1521 X 810 x 76 mm)	7.8 ft³ (0.22 m ³)	55 lb (25 kg)
410005-501-XXX	B3Round 6032 rectangular shower base - Alcove Installation 410005-R-501-XXX Round right-hand drain 410005-L-501-XXX Round left-hand drain Specify: Standard colors: White (001), Bone (004), Biscuit (007)	59 7/8 X 31 7/8 X 3 in. (1521 X 810 x 76 mm)	7.8 ft³ (0.22 m ³)	55 lb (25 kg)

CORNER

420005-L-502-XXX	B3Square 6032 rectangular shower base - Corner Left Installation (Square left-hand drain) Specify: Standard colors: White (001), Bone (004), Biscuit (007)	59 7/8 X 31 7/8 X 3 in. (1521 X 810 x 76 mm)	7.8 ft³ (0.22 m ³)	55 lb (25 kg)
410005-L-502-XXX	B3Round 6032 rectangular shower base - Corner Left Installation (Round left-hand drain) Specify: Standard colors: White (001), Bone (004), Biscuit (007)	59 7/8 X 31 7/8 X 3 in. (1521 X 810 x 76 mm)	7.8 ft³ (0.22 m ³)	55 lb (25 kg)
420005-R-503-XXX	B3Square 6032 rectangular shower base - Corner Right Installation (Square right-hand drain) Specify: Standard colors: White (001), Bone (004), Biscuit (007)	59 7/8 X 31 7/8 X 3 in. (1521 X 810 x 76 mm)	7.8 ft³ (0.22 m ³)	55 lb (25 kg)
410005-R-503-XXX	B3Round 6032 rectangular shower base - Corner Right Installation (Round right-hand drain) Specify: Standard colors: White (001), Bone (004), Biscuit (007)	59 7/8 X 31 7/8 X 3 in. (1521 X 810 x 76 mm)	7.8 ft³ (0.22 m ³)	55 lb (25 kg)

BASES 6036

ALCOVE

No	Model	Dimensions	Pkg	Approx. weight
420006-501-XXX	B3Square 6036 rectangular shower base - Alcove Installation 420006-501-XXX Center square drain 420006-R-501-XXX Square right-hand drain 420006-L-501-XXX Square left-hand drain Specify: Standard colors: White (001), Bone (004), Biscuit (007)	59 7/8 X 35 7/8 X 3 in. (1521 X 911 x 76 mm)	8.9 ft³ (0.25 m ³)	62 lb (28 kg)
410006-501-XXX	B3Round 6036 rectangular shower base - Alcove Installation 410006-501-XXX Round center drain 410006-R-501-XXX Round right-hand drain 410006-L-501-XXX Round left-hand drain Specify: Standard colors: White (001), Bone (004), Biscuit (007)	59 7/8 X 35 7/8 X 3 in. (1521 X 911 x 76 mm)	8.9 ft³ (0.25 m ³)	62 lb (28 kg)

CORNER

420006-502-XXX	B3Square 6036 rectangular shower base - Corner Left Installation 420006-502-XXX Square center drain 420006-L-502-XXX Square left-hand drain Specify: Standard colors: White (001), Bone (004), Biscuit (007)	59 7/8 X 35 7/8 X 3 in. (1521 X 911 x 76 mm)	8.9 ft³ (0.25 m ³)	62 lb (28 kg)
410006-502-XXX	B3Round 6036 rectangular shower base - Corner Left Installation 410006-502-XXX Round center drain 410006-L-502-XXX Round left-hand drain Specify: Standard colors: White (001), Bone (004), Biscuit (007)	59 7/8 X 35 7/8 X 3 in. (1521 X 911 x 76 mm)	8.9 ft³ (0.25 m ³)	62 lb (28 kg)
420006-503-XXX	B3Square 6036 rectangular shower base - Corner Right Installation 420006-503-XXX Square center drain 420006-R-503-XXX Square right-hand drain Specify: Standard colors: White (001), Bone (004), Biscuit (007)	59 7/8 X 35 7/8 X 3 in. (1521 X 911 x 76 mm)	8.9 ft³ (0.25 m ³)	62 lb (28 kg)
410006-503-XXX	B3Round 6036 rectangular shower base - Corner Right Installation 410006-503-XXX Round center drain 410006-R-503-XXX Round right-hand drain Specify: Standard colors: White (001), Bone (004), Biscuit (007)	59 7/8 X 35 7/8 X 3 in. (1521 X 911 x 76 mm)	8.9 ft³ (0.25 m ³)	62 lb (28 kg)

BATHTUBS



Utile

by MAAX

REQUIRED BATHTUBS (only compatible models)

RUBIX 6030

No	Model	Dimensions	Pkg	Approx. weight
105815-000-XXX	Rubix 6030 Bathtub 105815-R-000-XXX Right-hand drain 105815-L-000-XXX Left-hand drain Specify: Standard colors: White (001), Bone (004), Biscuit (007)	59 ¾ X 30 X 18 ¾ in. (1518 X 762 X 467 mm)	26 ft³ (0,74 m³)	77 lb (35 kg)

RUBIX 6030 AFR

No	Model	Dimensions	Pkg	Approx. weight
105816-000-XXX	Rubix 6030 AFR Bathtub 105816-R-000-XXX Right-hand drain 105816-L-000-XXX Left-hand drain Specify: Standard colors: White (001), Bone (004), Biscuit (007)	59 ¾ X 30 X 20 ¾ in. (1518 X 762 X 518 mm)	26 ft³ (0,74 m³)	77 lb (35 kg)

EXHIBIT 6030 (IFS)

No	Model	Dimensions	Pkg	Approx. weight
105519-000-XXX	Exhibit 6030 (IFS) Bathtub 105519-R-000-XXX Right-hand drain 105519-L-000-XXX Left-hand drain Specify: Standard colors: White (001), Bone (004), Biscuit (007)	59 ¾ X 30 X 18 ¼ in. (1518 X 762 X 464 mm)	26 ft³ (0,74 m³)	77 lb (35 kg)

EXHIBIT 6030 (IFS) AFR

No	Model	Dimensions	Pkg	Approx. weight
105511-000-XXX	Exhibit 6030 (IFS) AFR Bathtub 105511-R-000-XXX Right-hand drain 105511-L-000-XXX Left-hand drain Specify: Standard colors: White (001), Bone (004), Biscuit (007)	59 ¾ X 30 X 19 ½ in. (1518 X 762 X 495 mm)	26 ft³ (0,74 m³)	77 lb (35 kg)

BATHTUBS

 For additional information on these products, please refer to the **MAAX Professional Price List**

SHOWER & TUB SHOWER DOORS



RECOMMENDED SHOWER DOORS 48

SHOWER DOORS

MODULR - PIVOT SHOWER DOOR ALCOVE 48 X 78 IN., 8 MM

No	Door Opening	Glass Pattern	Finish	Pkg	Approx. weight
137833-900-084	Left and right	Clear glass	Chrome	10.11 ft ³ (0.28 m ³)	136 lb (62 kg)
137833-900-305			Brushed nickel		

MODULR - SLIDING SHOWER DOOR ALCOVE 48 X 78 IN., 8 MM

No	Door Opening	Glass Pattern	Finish	Pkg	Approx. weight
137831-900-084	Left and right	Clear glass	Chrome	9.51 ft ³ (0.27 m ³)	122 lb (55 kg)
137831-900-305			Brushed nickel		

MODULR - PIVOT SHOWER DOOR CORNER 48 X 32 X 78 IN., 8 MM

No	Door Opening	Glass Pattern	Finish	Pkg	Approx. weight
137859-900-084	Left and right	Clear glass	Chrome	16.14 ft ³ (0.45 m ³)	216 lb (98 kg)
137859-900-305			Brushed nickel		

MODULR - SLIDING SHOWER DOOR CORNER 48 X 32 X 78 IN., 8 MM

No	Door Opening	Glass Pattern	Finish	Pkg	Approx. weight
137862-900-084	Left and right	Clear glass	Chrome	15.55 ft ³ (0.44 m ³)	202 lb (92 kg)
137862-900-305			Brushed nickel		

MODULR - PIVOT SHOWER DOOR CORNER 48 X 36 X 78 IN., 8 MM

No	Door Opening	Glass Pattern	Finish	Pkg	Approx. weight
137857-900-084	Left and right	Clear glass	Chrome	16.65 ft ³ (0.47 m ³)	228 lb (104 kg)
137857-900-305			Brushed nickel		

MODULR - SLIDING SHOWER DOOR CORNER 48 X 36 X 78 IN., 8 MM

No	Door Opening	Glass Pattern	Finish	Pkg	Approx. weight
137860-900-084	Left and right	Clear glass	Chrome	16.05 ft ³ (0.45 m ³)	214 lb (97 kg)
137860-900-305			Brushed nickel		

REVEAL 71 - PIVOT SHOWER DOOR 44 - 47 X 71 1/2 IN., 8 MM

No	Door Opening	Glass Pattern	Finish	Pkg	Approx. weight
136671-900-084	Left and right	Clear glass	Chrome	5.22 ft ³ (0.15 m ³)	118 lb (54 kg)
136671-900-305			Brushed nickel		
136671-900-173			Dark bronze		

! For a corner installation 48 x 32 or 48 x 36 IN., add a return panel

REVEAL 71 - RETURN PANEL 32 IN., 8 MM

No	Door Opening	Glass Pattern	Finish	Pkg	Approx. weight
136673-900-084	Left and right	Clear glass	Chrome	5.22 ft ³ (0.15 m ³)	74 lb (34 kg)
136673-900-305			Brushed nickel		
136673-900-173			Dark bronze		

REVEAL 71 - RETURN PANEL 36 IN., 8 MM

No	Door Opening	Glass Pattern	Finish	Pkg	Approx. weight
136675-900-084	Left and right	Clear glass	Chrome	6.8 ft ³ (0.19 m ³)	80 lb (36 kg)
136675-900-305			Brushed nickel		
136675-900-173			Dark bronze		

RECOMMENDED SHOWER DOORS 48

HALO - SLIDING SHOWER DOOR 44 1/2 - 47 X 78 3/4 IN., 8 MM

No	Door Opening	Glass Pattern	Finish	Pkg	Approx. weight
138996-900-084	Left and right	Clear glass	Chrome	6.16 ft ³ (0.17 m ³)	126 lb (57 kg)
138996-900-305			Brushed nickel		
138996-900-173			Dark bronze		

! For a corner installation 48 x 32 or 48 x 36 IN., add a return panel

HALO - RETURN PANEL 32 IN., 8 MM

No	Door Opening	Glass Pattern	Finish	Pkg	Approx. weight
138998-900-084	Left and right	Clear glass	Chrome	5.69 ft ³ (0.16 m ³)	72 lb (33 kg)
138998-900-305			Brushed nickel		
138998-900-173			Dark bronze		

HALO - RETURN PANEL 36 IN., 8 MM

No	Door Opening	Glass Pattern	Finish	Pkg	Approx. weight
139396-900-084	Left and right	Clear glass	Chrome	6.5 ft ³ (0.18 m ³)	82 lb (37 kg)
139396-900-305			Brushed nickel		
139396-900-173			Dark bronze		



For additional information on these products, please refer to the MAAX ModulR Price List



For additional information on these products, please refer to the MAAX Shower Doors Price List

RECOMMENDED SHOWER DOORS 60

MODULR - PIVOT SHOWER DOOR ALCOVE 60 X 78 IN., 8 MM

No	Door Opening	Glass Pattern	Finish	Pkg	Approx. weight
137832-900-084	Left and right	Clear glass	Chrome	12.09 ft ³ (0.34 m ³)	167 lb (76 kg)
137832-900-305			Brushed nickel		

MODULR - SLIDING SHOWER DOOR ALCOVE 60 X 78 IN., 8 MM

No	Door Opening	Glass Pattern	Finish	Pkg	Approx. weight
137830-900-084	Left and right	Clear glass	Chrome	12.31 ft ³ (0.34 m ³)	154 lb (70 kg)
137830-900-305			Brushed nickel		

MODULR - PIVOT SHOWER DOOR CORNER 60 X 32 X 78 IN., 8 MM

No	Door Opening	Glass Pattern	Finish	Pkg	Approx. weight
137870-900-084	Left and right	Clear glass	Chrome	18.12 ft ³ (0.51 m ³)	247 lb (112 kg)
137870-900-305			Brushed nickel		

MODULR - SLIDING SHOWER DOOR CORNER 60 X 32 X 78 IN., 8 MM

No	Door Opening	Glass Pattern	Finish	Pkg	Approx. weight
137872-900-084	Left and right	Clear glass	Chrome	18.34 ft ³ (0.51 m ³)	234 lb (106 kg)
137872-900-305			Brushed nickel		

MODULR - PIVOT SHOWER DOOR CORNER 60 X 36 X 78 IN., 8 MM

No	Door Opening	Glass Pattern	Finish	Pkg	Approx. weight
137869-900-084	Left and right	Clear glass	Chrome	18.62 ft ³ (0.52 m ³)	259 lb (118 kg)
137869-900-305			Brushed nickel		

MODULR - SLIDING SHOWER DOOR CORNER 60 X 36 X 78 IN., 8 MM

No	Door Opening	Glass Pattern	Finish	Pkg	Approx. weight
137871-900-084	Left and right	Clear glass	Chrome	18.84 ft ³ (0.53 m ³)	246 lb (112 kg)
137871-900-305			Brushed nickel		

REVEAL 71 - PIVOT SHOWER DOOR 56 - 59 X 71 1/2 IN., 8 MM

No	Door Opening	Glass Pattern	Finish	Pkg	Approx. weight
136672-900-084	Left and right	Clear glass	Chrome	5.22 ft ³ (0.15 m ³)	142 lb (64 kg)
136672-900-305			Brushed nickel		
136672-900-173			Dark bronze		

! For a corner installation 60 x 32 or 60 x 36 IN., add a return panel

REVEAL 71 - RETURN PANEL 32 IN., 8 MM

No	Door Opening	Glass Pattern	Finish	Pkg	Approx. weight
136673-900-084	Left and right	Clear glass	Chrome	5.22 ft ³ (0.15 m ³)	74 lb (34 kg)
136673-900-305			Brushed nickel		
136673-900-173			Dark bronze		

REVEAL 71 - RETURN PANEL 36 IN., 8 MM

No	Door Opening	Glass Pattern	Finish	Pkg	Approx. weight
136675-900-084	Left and right	Clear glass	Chrome	6.8 ft ³ (0.19 m ³)	80 lb (36 kg)
136675-900-305			Brushed nickel		
136675-900-173			Dark bronze		

RECOMMENDED SHOWER DOORS 60

HALO - SLIDING SHOWER DOOR 56 1/2 - 59 X 78 3/4 IN., 8 MM

No	Door Opening	Glass Pattern	Finish	Pkg	Approx. weight
138997-900-084	Left and right	Clear glass	Chrome	7.46 ft ³ (0.21 m ³)	154 lb (70 kg)
138997-900-305			Brushed nickel		
138997-900-173			Dark bronze		

! For a corner installation 60 x 32 or 60 x 36 IN., add a return panel

HALO - RETURN PANEL 32 IN., 8 MM

No	Door Opening	Glass Pattern	Finish	Pkg	Approx. weight
138998-900-084	Left and right	Clear glass	Chrome	5.69 ft ³ (0.16 m ³)	72 lb (38 kg)
138998-900-305			Brushed nickel		
138998-900-173			Dark bronze		

HALO - RETURN PANEL 36 IN., 8 MM

No	Door Opening	Glass Pattern	Finish	Pkg	Approx. weight
139396-900-084	Left and right	Clear glass	Chrome	6.5 ft ³ (0.18 m ³)	82lb (37 kg)
139396-900-305			Brushed nickel		
139396-900-173			Dark bronze		

RECOMMENDED TUB SHOWER DOOR 60

MODULR - SLIDING TUB DOOR 60 X 58 IN., 8 MM

No	Door Opening	Glass Pattern	Finish	Pkg	Approx. weight
137846-900-084	Left and right	Clear glass	Chrome	8.99 ft ³ (0.25 m ³)	116 lb (53 kg)
137846-900-305			Nickel		

HALO - SLIDING TUB DOOR 56 1/2 - 59 X 59 IN., 8 MM

No	Door Opening	Glass Pattern	Finish	Pkg	Approx. weight
139398-900-084	Left and right	Clear glass	Chrome	5.7 ft ³ (0.16 m ³)	118 lb (54 kg)
139398-900-305			Brushed Nickel		
139398-900-173			Dark Bronze		



For additional information on these products, please refer to the MAAX ModulR Price List



For additional information on these products, please refer to the MAAX Shower Doors Price List

ACCESSORIES



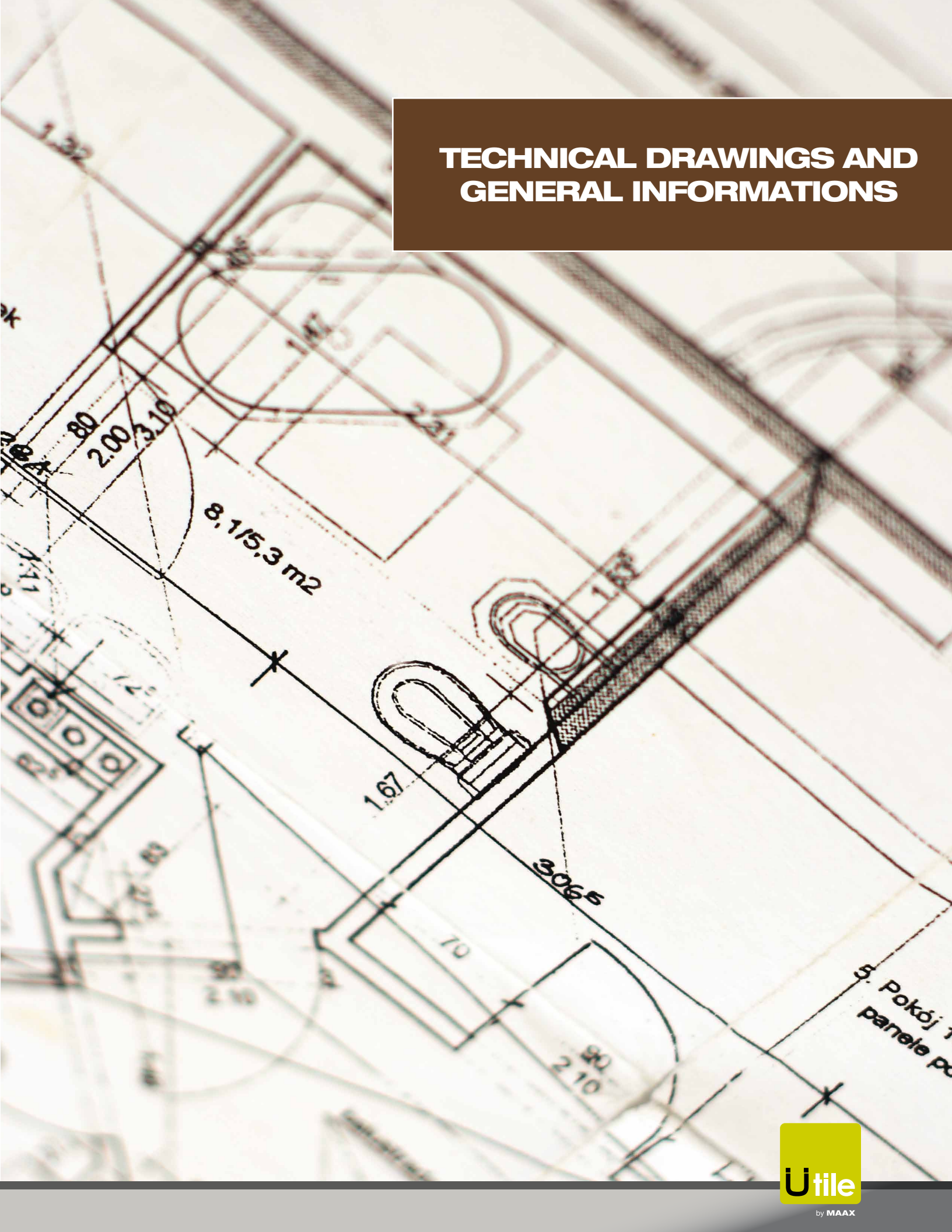
ACCESSORIES

No	Description	Dimensions
10060311	Utile corner glass shelf	9 3/8 x 9 3/8 " (238 x 238 mm)
10060315	Pack of 10 glass shelves	10 1/2 x 10 1/2 x 10 " (267 x 267 x 254 mm)
10029996-XXX	18 in. Modern Straight Grab Bar with Flange (front installation) Specify color: White (002), Chrome (084), Brushed Nickel (105)	21" x 1 1/4"
10029997-XXX	24 in. Modern Straight Grab Bar with Flange (front installation) Specify color: White (002), Chrome (084), Brushed Nickel (105)	27" x 1 1/4"
10029998-XXX	30 in. Modern Straight Grab Bar with Flange (front installation) Specify color: White (002), Chrome (084), Brushed Nickel (105)	33" x 1 1/4"
10029999-XXX	36 in. Modern Straight Grab Bar with Flange (front installation) Specify color: White (002), Chrome (084), Brushed Nickel (105)	39" x 1 1/4"
10030084-XXX	42 in. Modern Straight Grab Bar with Flange (front installation) Specify color: White (002), Chrome (084), Brushed Nickel (105)	45" x 1 1/4"
10030086-XXX	48 in. Modern Straight Grab Bar with Flange (front installation) Specify color: White (002), Chrome (084), Brushed Nickel (105)	51" x 1 1/4"
10030093-XXX (LH) 10030094-XXX (RH)	23 in. Modern Curved Grab Bar with Flange (front installation) Specify color: White (002), Chrome (084), Brushed Nickel (105)	26" x 11 1/4" x 1 1/4"
10030095-XXX (LH) 10030097-XXX (RH)	32 in. Modern Curved Grab Bar with Flange (front installation) Specify color: White (002), Chrome (084), Brushed Nickel (105)	35" x 11 1/4" x 1 1/4"
10030100-XXX (LH) 10030101-XXX (RH)	37 in. Modern Curved Grab Bar with Flange (front installation) Specify color: White (002), Chrome (084), Brushed Nickel (105)	40" x 11 1/4" x 1 1/4"

DOOR ACCESSORIES

No	Description	
10068586-084-603	Designer Handle: 2 in 1 handle and towel hook (sold separately) Available colors: Chrome (084), Brushed Nickel (305)	N/A
10068586-305-603		

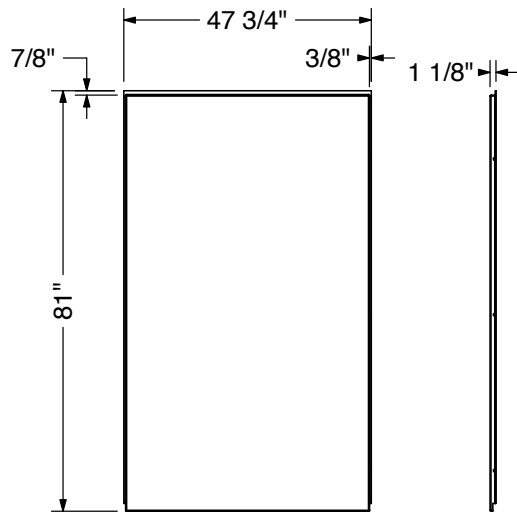
TECHNICAL DRAWINGS AND GENERAL INFORMATIONS



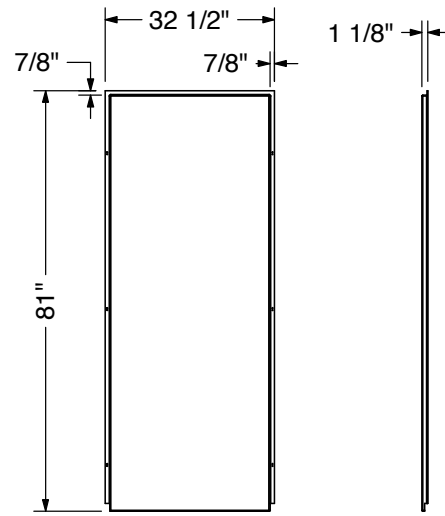
Utile Shower Unit

Shower 48" x 32"

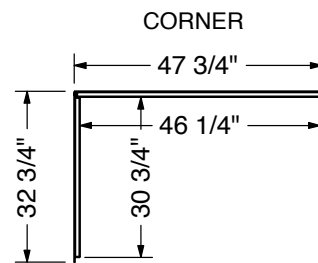
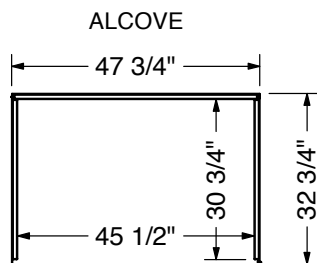
BACK WALL



SIDE WALL



TOP VIEW (ASSEMBLED)

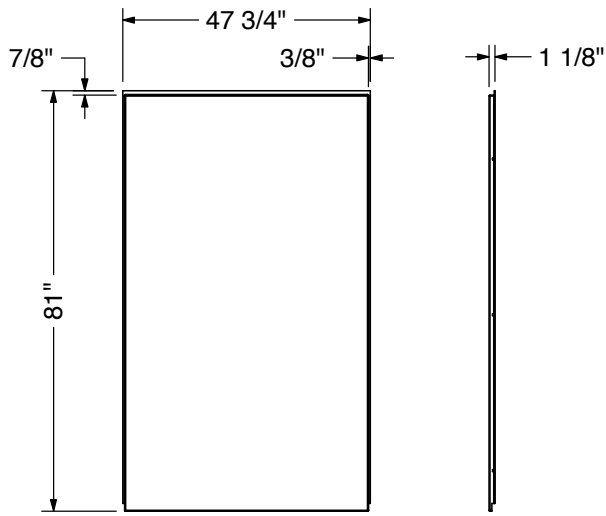


This product is designed to be installed in a building that conforms with the requirements of the National Building Code of Canada 2005
 All dimensions are approximate. Structure measurements must be verified against the unit to ensure proper fit.

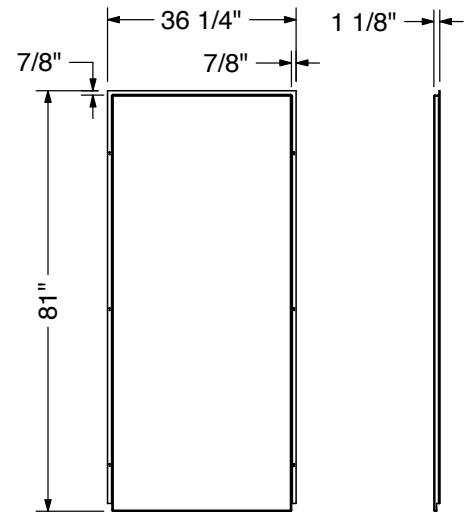
Utile Shower Unit

Shower 48" x 36"

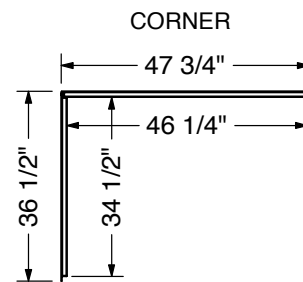
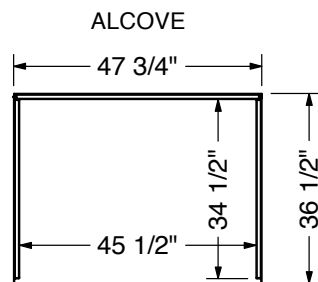
BACK WALL



SIDE WALL



TOP VIEW (ASSEMBLED)



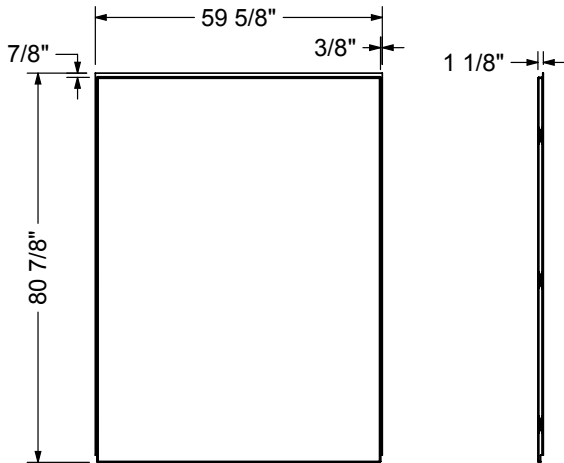
This product is designed to be installed in a building that conforms with the requirements of the National Building Code of Canada 2005

All dimensions are approximate. Structure measurements must be verified against the unit to ensure proper fit.

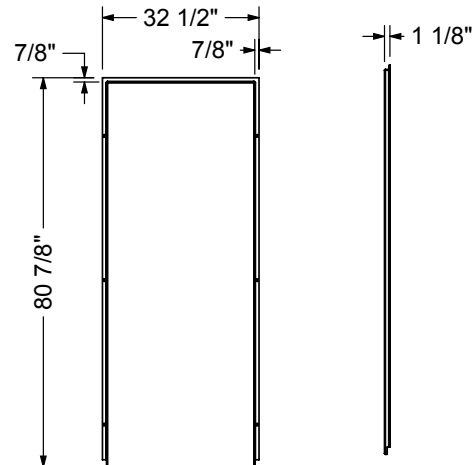
Utile Shower Unit

Shower 60" x 32"

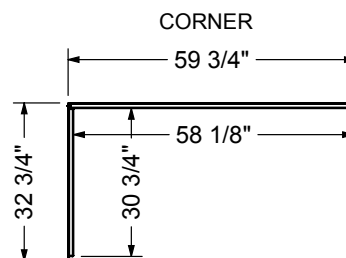
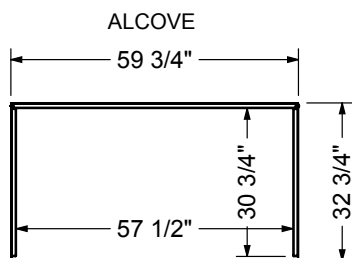
BACK WALL



SIDE WALL



TOP VIEW (ASSEMBLED)

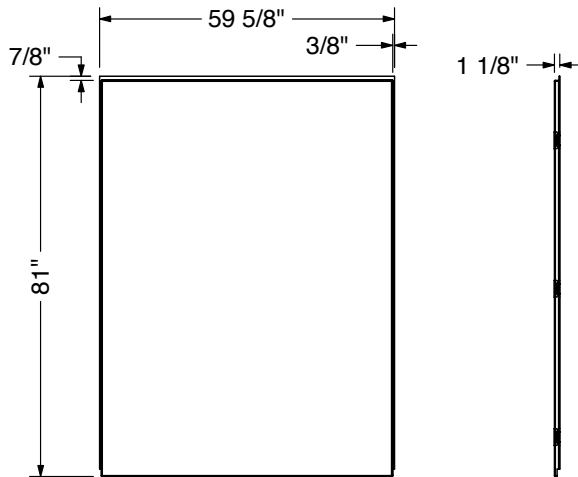


This product is designed to be installed in a building that conforms with the requirements of the National Building Code of Canada 2005
 All dimensions are approximate. Structure measurements must be verified against the unit to ensure proper fit.

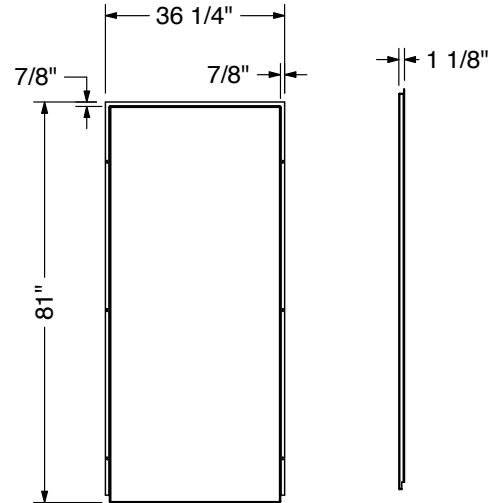
Utile Shower Unit

Shower 60" x 36"

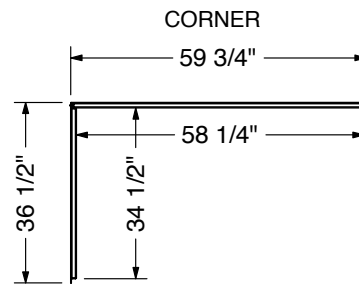
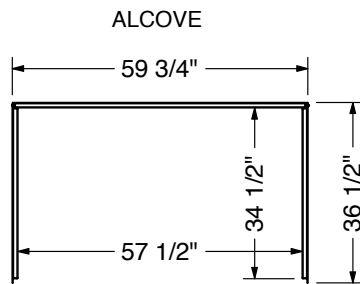
BACK WALL



SIDE WALL



TOP VIEW (ASSEMBLED)



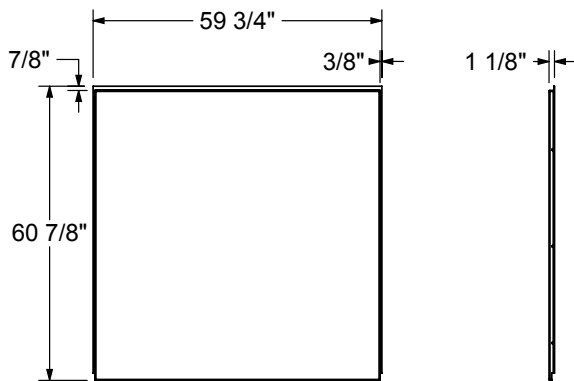
This product is designed to be installed in a building that conforms with the requirements of the National Building Code of Canada 2005

All dimensions are approximate. Structure measurements must be verified against the unit to ensure proper fit.

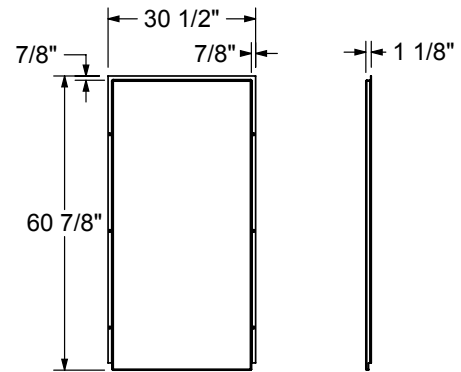
Utile Tub Shower Kit

Tub Shower 60" x 30"

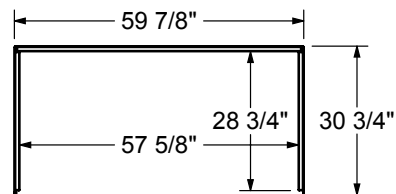
BACK WALL



SIDE WALL



TOP VIEW (ASSEMBLED)



This product is designed to be installed in a building that conforms with the requirements of the National Building Code of Canada 2005
 All dimensions are approximate. Structure measurements must be verified against the unit to ensure proper fit.

Maintenance Tips

MAAX uses **durable, high quality materials and innovative technology** in manufacturing and design of its products to reduce the time needed to spend cleaning and caring for them. However, proper and regular maintenance is still vital.

Follow these general use and maintenance tips, as well as any that come with the MAAX products and you will be rewarded with years of great service.



Utile shower walls / bathtubs / shower bases / shower doors maintenance

- ✓ **Clean regularly** with a non-abrasive cleaning spray or cream-based cleansing agent.
- ✓ **Never use tile or grout cleaner** as they are not adequate for Utile products and could damage the unit.
- ✓ **Never use abrasive cleansers, scrapers, metal brushes** or anything that could scratch or dull the surface of your MAAX unit.
- ✓ In order to avoid damaging the finish of the unit when renovating, **remove plaster residues** from surfaces with a plastic or wooden spatula wrapped in a moist cloth.
- ✓ **Wipe down your shower door after every use** with a squeegee or soft cloth. This reduces the buildup from soap, bath additives, natural body oils and mineral deposits in water, making cleaning easy and helping to maintain the unit's natural luster.
- ✓ **Repair nicked or damaged surfaces** immediately using the MAAX repair kit for Utile products. For more information call customer services at **1-877-GET-MAAX (1-877-438-6229)**.



Did you know?

It is recommended to readjust your shower door every 6 months to avoid water leakage and premature wear and tear.

Terms, Conditions and Warranties

Price

Orders are accepted subject to prices in effect at the time of shipment of this price list and prices are subject to change without notice. The published pricing schedule shows suggested list prices and is subject to a trade discount as determined by MAAX Bath Inc. (hereafter "MAAX"). Orders will be invoiced at the price in effect at the time the orders are placed. Selling prices may be readjusted without notice during the year, for instance if transportation costs increase due to fuel surcharges.

Conditions of acceptance

The acceptance, shipment or delivery of any order is conditional upon approval of MAAX's credit department and upon these sales terms and conditions applying to the order and not any others, unless specifically agreed to in writing by MAAX. MAAX reserves the right to require satisfactory security for performance of the purchaser obligations prior to making shipment on any order. Any sold merchandise remains the property of MAAX until full payment is received, in accordance with applicable laws, such as the Uniform Commercial Code — Sales in the United States.

Terms of payment

General payment terms are net 30 days. A rate of 2% monthly (26.82% per annum, compounded monthly) will apply on overdue accounts. No goods will be delivered to customers not complying with our sales and payment conditions.

Taxes

All prices published are exclusive of applicable taxes.

Lost merchandise

If, upon receipt, the recipient notices that certain products are missing, he must immediately notify our customer service department. The recipient must then indicate which products are missing on the delivery slip and countersign it. The enclosed bill of lading allows you to verify shipped and received merchandise.

Shipping damage

Damage occurring in transit is the responsibility of the carrier. MAAX will not be held responsible for shipping damage. The product should be carefully examined by the user or installer at time of receipt to ensure it is damage free. If any damage is discovered, it should be noted on the freight bill, and a claim should be filed against the carrier as soon as possible. Inspection of the unit prior to installation is the responsibility of the installer or building contractor who acts on behalf of the user, or the user himself. They are responsible for ensuring that the unit is free of defect or damage. In the event of a problem, the unit must not be installed. MAAX is not responsible for failures, costs, damages or claims that could have been discovered, repaired or avoided by proper inspection and testing prior to installation.

Return Policy (other than doors)

MAAX provides a selective and conditional merchandise return program. Product may be returned to MAAX under the following conditions:

- Product is in original, new condition – not previously installed or used as display;
- Product has been in the customer's possession for less than 6 months;
- Product is still available in the most current price list (not discontinued) or has not been announced for discontinuation;
- Product is in a standard colour or finish, as indicated in the most current price list;
- Any stock product may be returned. To know if a product is a stock unit, please contact the customer care department; and
- Product was received in error, does not represent what the customer ordered or has a manufacturing defect.

Products are not eligible for return to MAAX under the following conditions:

- Product has been previously installed, drilled, permanently marked, spray painted, or in any other way altered from its original condition. Product is "weathered" degraded due to storage outside or exposure to the elements resulting in discolouration;
- Product is defective due to negligent storage; or
- Product is equipped with any accessories or options.

Prior to returning merchandise a MAAX customer must complete and

submit the RGA Request Form supplying general and specific information about the unit(s) for return. MAAX must then authorize and approve the return in writing by issuing an RGA number.

All products are subject to inspection prior to credit reimbursement, and MAAX reserves its right to reduce such reimbursement as follows:

- MAAX will apply a 25% restocking fee against the reimbursement credit for all returns for any reason other than manufacturing defect or MAAX error.
- A repair cost will be applied against the credit reimbursement for any repair required to bring a product back to 100% resalable condition. In these circumstances the customer will be notified.
- Any unit returned via common carrier must have the freight prepaid by the customer.
- For any product returned that does not qualify for return as specified above or does not match the RGA form, MAAX will charge a \$25 per unit handling fee. MAAX will notify customers in such instances and the customer will be requested to either take the unit back with freight prepaid and charged or notify MAAX in writing of their desire that it be scrapped.

Door Return policy

MAAX provides a selective and conditional merchandise return program. Product may be returned to MAAX under the following conditions:

- Product is in original, new condition – not previously installed or used as display;
- Product has been in the customer's possession for less than 12 months;
- Product is still available in the most current price list (not discontinued) or has not been announced for discontinuation;
- Product is in a standard colour or finish, as indicated in the most current price list;
- Any stock product may be returned. To know if a product is a stock unit, please contact the customer care department; and
- Product was received in error, does not represent what the customer ordered or has a manufacturing defect.
- Products are not eligible for return to MAAX under the following conditions:
 - Product has been previously installed, drilled, permanently marked, spray painted, or in any other way altered from its original condition;
 - Product is "weathered"; degraded due to storage outside or exposure to the elements resulting in discolouration;
 - Product is defective due to negligent storage; or
 - Product is equipped with any accessories or options.

Prior to returning merchandise a MAAX customer must complete and submit the RGA Request Form supplying general and specific information about the unit(s) for return.

MAAX must then authorize and approve the return in writing by issuing an RGA number.

All products are subject to inspection prior to credit reimbursement and MAAX reserves the right to reduce such reimbursement as follows:

- MAAX will apply a 25% restocking fee against the reimbursement credit for all returns for any reason other than manufacturing defect or MAAX error.
- A repair cost will be applied against the credit reimbursement for any repair required to bring a product back to 100% resalable condition. In these circumstances the customer will be notified.
- Any unit returned via common carrier must have the freight prepaid by the customer to the closest participating plant. Contact customer service to locate closest participating plant.

Cancellation

Orders must be cancelled within 24 hours of receipt of MAAX's confirmation. All cancellation requests must be made by fax and be confirmed by MAAX.

Design and dimensions

MAAX reserves the right to discontinue products at any time or change specifications and/or design without notice and without incurring obligation. All dimensions are approximate and subject to change without notice.

Terms, Conditions and Warranties (cont'd)

CLIENT SHALL INFORM OWNER/END-USER ABOUT THE FOLLOWING CONDITIONS AND WARRANTIES

Colour variations

MAAX shall not be responsible for variations in granite colour, wood grain, or colour shades in the natural wood used; or for slight differences in colour or texture of the material delivered in relation to the sample shown or provided to the purchaser. The purchaser may not use such differences to obtain a price discount or to cancel the order.

Maintenance

Regular disinfection provides an effective defence against various types of bacteria that can develop in the deposits building up over time in all bathtubs and showers. For daily maintenance cleaning, use a moist cloth and gentle liquid detergent. For acrylic surfaces, occasional use of a special acrylic surface cleaner such as Lumashine or Lumacream will add lustre and protect the finish.

Certain types of therapeutic products when added to bath water, or if applied non-diluted directly in the bath, may damage the unit finish. Test the product on a small inconspicuous surface prior to use.

Do not use abrasive cleaners, scrapers, metal brushes, or any items or products that could scratch or dull the surface. Mirror should be cleaned with non-ammonia based cleaner only.

Limited warranty

MAAX offers the following express limited warranties on its products. These warranties extend only to the original owner/end-user for personal household use and start from the manufacturing date of the unit. For commercial uses, additional limitations apply.

MAAX warrants **acrylic units** to be free from defects in workmanship and materials under normal use and service for a period of twenty five (25) years from the initial date of purchase by the owner/end-user, contractor or builder from an authorized dealer.

MAAX warrants **acrylic** shower kits to be free from defects in workmanship and materials under normal use and service for a period of ten (10) years from the initial date of purchase by the owner/end-user, contractor or builder from an authorized dealer.

MAAX warrants **Utile wall units** to be free of all material or workmanship defects under normal use and service for a period of ten (10) years from the initial date of purchase by the owner/end-user, contractor or builder from an authorized dealer.

MAAX warrants **fibreglass units** to be free from defects in workmanship and materials under normal use and service for a period of five (5) years from the initial date of purchase by the owner/end-user, contractor or builder from an authorized dealer.

MAAX warrants **ABS** to be free from defects in workmanship and materials under normal use and service for a period of three (3) years from the initial date of purchase by the owner/end-user, contractor or builder from an authorized dealer.

MAAX warrants **polystyrene** shower kits, tub wall kits, utility tubs and accessories to be free from defects in workmanship and materials under normal use and service for a period of one (1) year from the initial date of purchase by the owner/end-user, contractor or builder from an authorized dealer.

MAAX warrants **whirlpool motors/pumps** to be free from defects in workmanship and materials under normal use and service for a period of five (5) years from the initial date of purchase by the owner/end-user, contractor or builder from an authorized dealer.

MAAX warrants **blowers** to be free from defects in workmanship and materials under normal use and service for a period of five (5) years from the initial date of purchase by the owner/end-user, contractor or builder from an authorized dealer.

MAAX warrants **whirlpool and air systems** (except perimeter air system check valves that have a 25-year warranty – see below) to be free from defects in workmanship and materials under normal use and service for a period of two (2) years from the initial date of purchase by the owner/end-user, contractor or builder from an authorized dealer.

MAAX warrants **perimeter air system check valves** to be free from defects in workmanship and materials under normal use and service for a period of twenty five (25) years from the initial date of purchase by the owner/end-user, contractor or builder from an authorized dealer.

MAAX warrants **shower doors** to be free from defects in workmanship and materials under normal use and service for a period of ten (10) years from the initial date of purchase by the owner/end-user, contractor or builder from an authorized dealer. Shower door sealing materials and gaskets are not covered by this warranty.

MAAX warrants **grab bars** to be free from defects in workmanship and materials under normal use and service for a period of one (1) year from the initial date of purchase by the owner/end-user, contractor or builder from an authorized dealer.

MAAX warrants **ceramic cartridges** for faucets against any leaks resulting from normal use by the owner/end-user, contractor or builder for a limited lifetime period.

MAAX warrants **thermostatic polysulfone cartridges** to be free from defects in workmanship and materials under normal use and service for a lifetime warranty from the initial date of purchase by the owner/end-user, contractor or builder from an authorized dealer.

MAAX warrants **shower massage systems** to be free from defects in workmanship and materials under normal use and service for a period of five (5) years from the initial date of purchase by the owner/end-user, contractor or builder from an authorized dealer.

MAAX warrants **steam systems** to be free from defects in workmanship and materials under normal use and service for a period of five (5) years, and **steam nozzles** for two (2) years, from the initial date of purchase by the owner/end-user, contractor or builder from an authorized dealer.

MAAX warrants **Chrome, Polished Brass and Brushed Nickel faucet finishes** to be free from defects in workmanship and materials under normal use and service by the owner/end-user, contractor or builder for lifetime warranty from the initial date of purchase.

MAAX warrants **medicine cabinets** to be free from defects in workmanship and materials under normal use and service for a period of five (5) years from the initial date of purchase by the owner/end-user, contractor or builder from an authorized dealer.

MAAX warrants **storage modules** and vanities to be free from defects in workmanship and materials under normal use and service for a period of five (5) years from the initial date of purchase by the owner/end-user, contractor or builder from an authorized dealer.

MAAX warrants **glass mirrors** to be free from defects in workmanship and materials under normal use and service for a period of two (2) years from the initial date of purchase by the owner/end-user, contractor or builder from an authorized dealer.

MAAX warrants **electrical components**, including chromotherapy systems, to be free from defects in workmanship and materials under normal use and service for a period of two (2) years from the initial date of purchase by the owner/end-user, contractor or builder from an authorized dealer.

MAAX warrants the **factory treated wood parts** to be free from defects in workmanship and materials under normal use and service for a period of two (2) years from the initial date of purchase by the owner/end-user, contractor or builder from an authorized dealer.

Any product reported to the authorized dealer or to MAAX as being defective within the warranty period will be repaired or replaced (with a product of equal value) at the option of MAAX. Costs for freight associated with shipping of replacement product/parts might be charged to customer. In no event will MAAX be liable for the cost of repair or replacement of any installation materials, including but not limited to,

Terms, Conditions and Warranties (cont'd)

tiles, marble, etc. This warranty extends to the original owner/end-user and is not transferable to a subsequent owner.

Neither the distributor, authorized MAAX dealer nor any other person has been authorized to make any affirmation, representation or warranty other than those contained in this warranty shall not be enforceable against MAAX or any other person.

MAAX reserves the right to modify this warranty at any time, it being understood that such modification will not alter the warranty conditions applicable at the time of the sale of the products in question.

Limitations

This warranty shall not apply following incorrect operating procedures, breakage or damages caused by normal wear and tear, fault, carelessness, abuse, misuse, misapplication, improper maintenance, alteration or modification of the unit, as well as chemical or natural corrosion, accident, fire, flood, act of God or any other casualty. This warranty shall not apply to stain or malfunction caused by ferrous water, hard water or salty water.

The owner/end-user of the product covered by this warranty is entirely responsible for its proper installation and electrical wiring. This warranty is void if unit is not tested prior to final enclosure as per the installation instructions. MAAX neither installs nor supervises the installation, nor hires a contractor for this purpose, and consequently cannot be held responsible for any defect, breakage or damage caused thereby or resulting thereof, either directly or indirectly. The owner/end-user must provide access to the components of the product as described in the installation guide, so that MAAX can execute the warranty specified herein.

If such access is not available, all expenses to provide said access will be the responsibility of the owner/end-user. This warranty does not apply to products or equipment not installed or operated in accordance with instructions supplied by MAAX and all applicable rules, regulations and legislation pertaining to such installations.

MAAX strongly recommends that its products—for example, but without limitation, shower doors and other items—be installed by professionals with experience in bathroom products. Installation of shower doors by an inexperienced person may result in glass breakage and, consequently, cause personal injury or death.

MAAX is not liable for any costs, damages or claims resulting from the purchase of products that do not fit through openings or existing structures. MAAX is not liable for any costs, damages or claims resulting from defects that could have been discovered, repaired or avoided by inspection and testing prior to installation.

MAAX is not liable for personal injuries or death to any person or for any direct, special, incidental or consequential damage, loss of use, loss of time, loss of profits, inconvenience, incidental expenses, labour or material charges, or any other costs resulting from the use of its products or pertaining to the application of the present warranty, or resulting from the removal or replacement of any product or element or part covered by this warranty.

EXCEPT AS OTHERWISE PROVIDED ABOVE, MAAX MAKES NO WARRANTIES, EXPRESS OR IMPLIED, INCLUDING WARRANTIES OF MERCHANTABILITY AND FITNESS FOR A PARTICULAR PURPOSE OR COMPLIANCE WITH ANY CODE.

In any case, MAAX cannot be liable for any amount over and above the purchase price paid for the product by the owner/end-user, contractor or builder. All options that are not sold separately as accessories must be factory installed. Otherwise, warranty does not apply. This warranty gives the owner/end-user specific legal rights. The owner/end-user may also have other rights which vary from one state and/or province to another.

Commercial Limitations

In addition to the above conditions and limitations, the warranty period for products installed for commercial applications or used in commercial ventures is of one (1) year from the initial date of purchase by the owner/

end-user, contractor or builder from an authorized dealer. If the product is sold by MAAX as a display, MAAX standard warranty applies.

Warranty Service

In order to obtain service provided under this warranty during regular business hours, contact the dealer or distributor who sold the unit, or MAAX directly. MAAX will provide the warranty service described above when the following conditions have been met:

- (1) the failure is of the nature or type covered by the warranty;
- (2) the user has informed an authorized MAAX Agent or Warranty Service Department representative, of the nature of the problem during the warranty period;
- (3) conclusive evidence (e.g., serial number or proof of purchase) is provided to the foregoing by the user proving that the failure occurred or was discovered within the warranty period; and
- (4) an authorized independent service person or company representative has been permitted to inspect the product during regular business hours within a reasonable time after the problem was reported by the user.

MAAX's warranty obligation shall be discharged upon tender of replacement or repair. The purchaser refusal to accept the tender terminates MAAX's warranty obligation. Any product replaced or repaired during the warranty period will be covered during the remaining period of the original warranty.

MAAX products are certified by one or more of the following certification agencies: UL, IAPMO, INTERTEK (ETL) and WARNOCK HERSEY. Certain models are pending certification approval. Certification may be ended by MAAX or certification agencies without notice.



The symbol ® / R indicates a registered trademark of MAAX Bath Inc. or an affiliated company. The symbol TM indicates a trademark of MAAX Bath Inc. or an affiliated company.

© MAAX Bath Inc., 2011

EXPERIENCE A GREENER **MAAX**®

The environment is important to all of us. We, at MAAX, believe in doing our part in reducing our ecological footprint.

Our product catalogs are now printed on FSC® certified paper. FSC® certification guarantees that all fibres used come from renewable sources and meet the highest international standards.

With your cooperation and understanding, through a simple gesture, it is quite impressive to see how we can all contribute improving our environment.

We also invite you to use our electronic documents. No matter how small the effort, it makes a difference!



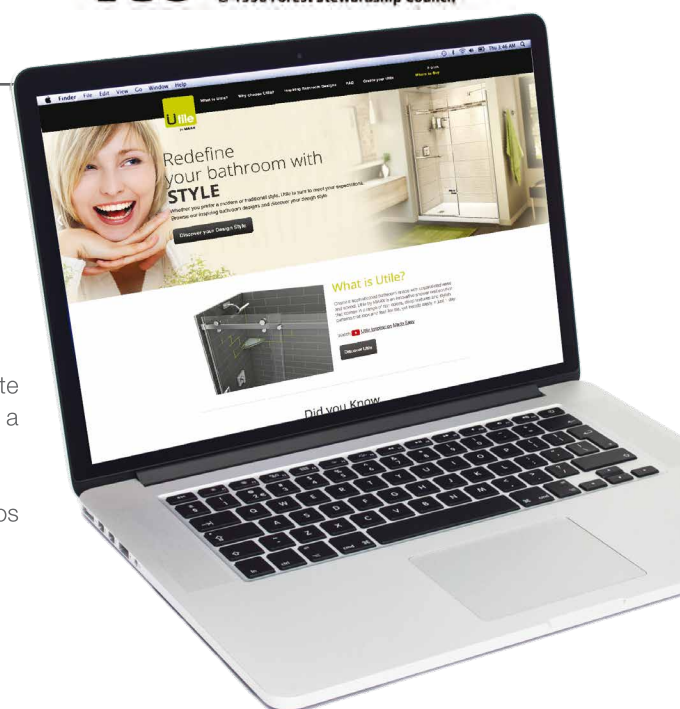
JOIN US AT MAAX.COM

www.maax.com is an essential and inspiring source of information.

In addition to finding all the products details included in this book, our website offers design tips, product configurators and other useful sections such as a press room, technical support and where to buy.

Download technical drawings, installation guides, specification pages, photos and videos with one click

Our site, constantly evolving, is your personal assistant.



MAAX[®]

Enjoy the experience

For any questions or comments, please contact info@maax.com

1-877-GET-MAAX
(1-877-438-6229)

Order processing

Eastern Canada
Fax: 1-800-201-8308

Technical Services

Bathtubs, Tub Showers and Showers
Fax: 1-800-667-9247
bsav@maax.com

Doors, Door enclosures, Shower Kits and Medicine Cabinets
Fax: 1-877-636-6250
lsav@maax.com

www.maax.com

