

Professional

AcryIX™ bathware line

20
24



Price List Western USA

Effective August 2024

MAAX®

MOVING / forward

A better experience means always moving forward

We're inspired by you. You're constantly in motion, and never stop looking ahead. And your style is constantly evolving, helping refine the trends of tomorrow. That is why we believe to best serve you, we must always be moving forward — never complacent — finding new ways to enhance your success and enjoyment. We never stop asking questions or exploring innovative new opportunities to make business easier, products better and results more inspiring, no matter what the project. We are driven to continuously push the bounds, creating the best possible bathware experience.



BATHTUBS 9

● **CORNER BATHTUBS - ACRYLX**

VO5050 5 ft 140111..... 9

● **OVAL BATHTUBS - ACRYLX**

VO6042 5 ft 140112..... 12

● **RECTANGULAR BATHTUBS - ACRYLX**

TOF-3060 145008..... 15

TOF-3060 AFR 145009..... 15

TOF-3260 145014..... 17

TOF-3260 AFR 145015..... 17

CODE COMPLIANT 20

● **ALCOVE SHOWERS - ACRYLX**

OPS-3636 - Base Model 106027..... 20

.....with L-shaped grab bar 106028..... 20

.....with L-shaped and vertical grab bar 106029..... 20

.....with L-shaped grab bar and seat 106030..... 21

.....with L-shaped and vertical grab bars and seat 106031..... 21

.....Complete Accessibility Model 106032..... 21

.....Complete Accessibility Package With Vertical Grab Bar 106033..... 22

OPS-3636-RS - Base Model 106064..... 24

.....with L-shaped grab bar 106065..... 24

.....with L-shaped and vertical grab bars 106066..... 24

.....with L-shaped grab bar and seat 106067..... 25

.....with L-shaped and vertical grab bars and seat 106068..... 25

.....Complete Accessibility Model 106069..... 25

.....Complete Accessibility Package with Vertical Grab Bar 106070..... 26

OPS-4248 - Base Model 106053..... 28

.....with California Title 24 grab bar 106054..... 28

.....with California Title 24 grab bar and seat 106055..... 28

.....California Title 24 Compliant 106056..... 29

OPS-4248-RS - Base Model 106083..... 31

.....with California Title 24 grab bar 106084..... 31

.....with California Title 24 grab bar and seat 106085..... 31

.....California Title 24 Compliant 106086..... 32

OPS-6030 - Base Model 106034..... 34

.....with ADA/ANSI grab bar 106035..... 34

.....with ADA grab bar 106036..... 34

.....with ADA/ANSI grab bar and seat 106037..... 35

.....ADA/ANSI compliant (with seat) 106038..... 35

.....ADA compliant (without seat) 106039..... 35

.....ANSI Grab Bar 106771..... 35

.....ANSI Grab Bar and Seat 106772..... 36

.....ANSI Compliant 106773..... 36

OPS-6030-RS - Base Model 106071..... 39

.....with ADA/ANSI Grab Bar 106072..... 39

.....with ADA Grab Bar 106073..... 39

.....with ADA/ANSI Grab Bar and seat 106074..... 40

.....ADA/ANSI compliant (with seat) 106075..... 40

.....ADA compliant (without seat) 106076..... 40

.....ANSI Grab Bar 106774..... 40

.....ANSI Grab Bar and Seat 106775..... 41

.....ANSI Compliant 106776..... 41

OPS-6036 - Base Model 106040..... 44

.....with ADA/ANSI Grab Bar 106041..... 44

.....with ADA Grab Bar 106042..... 44

.....with ADA/ANSI Grab Bar and Seat 106043..... 45

.....ADA/ANSI Compliant (with seat) 106044..... 45

.....ADA Compliant (without seat) 106045..... 45

.....ANSI Grab Bar 106777..... 45

.....ANSI Grab Bar and Seat 106778..... 46

.....ANSI Compliant 106779..... 46

OPS-6036-RS - Base Model 106077..... 49

.....with ADA/ANSI Grab Bars 106078..... 49

.....with ADA Grab Bar 106079..... 49

.....with ADA/ANSI Grab Bar and Seat 106080..... 50

.....ADA/ANSI Compliant (with seat) 106081..... 50

.....ADA Compliant (without seat) 106082..... 50

.....ANSI Grab Bar 106780..... 50

.....ANSI Grab Bar and Seat 106781..... 51

.....ANSI Compliant 106782..... 51

● **TUB SHOWERS - ACRYLX**

OPTS-6032 - Base Model 106057..... 54

.....with ADA Grab Bars 106058..... 54

.....with ANSI Grab Bars 106059..... 55

.....with ADA Grab Bars and Seat 106060..... 55

.....with ANSI Grab Bars and Seat 106061..... 56

.....with ADA Compliant 106062..... 56

.....with ANSI Compliant 106063..... 57

SHOWER BASES 60

● **ALCOVE BASES - ACRYLX**

Icon Base 3232 106747..... 60

Icon Base 3636 106748..... 62

Icon Base 3642 106749..... 64

Icon Base 4234 106750..... 66

Icon Base 4236 106751..... 68

Icon Base 4242 106752..... 70

Icon Base 4832 106753..... 72

Icon Base 4834 106754..... 74

Icon Base 4836 106755..... 76

Icon Base 4842 106767..... 78

Icon Base 4848 106756..... 80

Icon Base 6030 L / R 106757..... 82

Icon Base 6032 106759..... 84

Icon Base 6032 L / R 106758..... 86

Icon Base 6034 106761..... 88

Icon Base 6034 L / R 106760..... 90

Icon Base 6036 106763..... 92

Icon Base 6036 L / R 106762..... 94

Icon Base 6042 106764..... 96

Icon Base 7236 106765..... 98

Icon Base 7248 106766..... 100

SPL 3232 145020..... 102

SPL 3232 AFR 145021..... 102

SPL 3636	145026	104
SPL 3636 AFR	145027	104
SPS 3060	145038	106
SPS 3060 AFR	145039	106
SPS 3448	145032	108
SPS 3448 AFR	145033	108
SPS 3460	145044	110
SPS 3460 AFR	145045	110

● **CORNER BASES - ACRYLX**

SPL 3838	106785	112
SPL 3850	106788	114
SPL 3860	106786	116

SHOWER DOORS

122

● **ALCOVE DOORS - BYPASS**

Kameleon SC Shower Doors - 6 mm	134662	122
	134663	124
	134664	122
	134665	119
Kameleon SC Shower Doors - 8 mm	134674	127
	134675	127
Kameleon Shower Doors - 6 mm	134562	133
	134563	130
	134564	133
	134565	130
Kameleon Shower Doors - 8 mm	134571	135
	134572	135

● **ALCOVE DOORS - BYPASS**

Inverto Shower Doors	138762	138
Incognito 70 Shower Doors - 6 mm	139349	139
	139350	139
Incognito 70 Shower Doors - 8 mm	139352	141
	139353	141
Incognito 74 Shower Doors - 8 mm	138520	143
	138521	143
Incognito 76 Shaker Shower Doors	135331	145
	135332	145
Incognito 76 Shower Doors - 8 mm	135334	147
	135335	147
Incognito 76 Smoke Shower Doors	136335	149
Polar Shower Doors	105412	151
	105413	151
Revelation Round Shower Doors - 6 mm	136690	153
	136691	153
Revelation Round Shower Doors - 8 mm	136693	155
	136694	155
Revelation Square Shower Doors - 6 mm	135690	157
	135691	157
Revelation Square Shower Doors - 8 mm	135693	159
	135694	159
Uptown Shower Doors	135321	161
Uptown Bypass Shower Doors	135322	161

● **ALCOVE DOORS - PIVOT**

Madono Shower Doors	105416	163
	105417	163
	105418	163
	105420	163
Manhattan 1 Panel Shower Doors	138260	165
	138261	165
	138262	166
	138263	166
	138264	166
	138265	166
Manhattan 2 Panel Shower Doors	138266	169
	138267	169
	138268	170
	138269	170
	138270	170
	138271	170
	138272	171
	138273	171
	138274	171
	138275	171
	138276	172
	138277	172
Pivolok Deluxe Shower Doors	136435	174
Pivolok Shower Doors	136605	175
	136615	175
	136625	175
	136626	175
	136635	176
	136645	176
	136655	176
	136656	176
Polar Shower Doors	136730	178
	136731	178
	136732	178
	136733	178
Reveal 71 Shower Doors	136676	180
	136677	180
	136679	180
	136883	181
Reveal Sleek 71 Shower Doors	139575	183
	139576	183
	139577	183
	139578	184
	139579	184
	139580	184
Uptown Pivot Shower Doors	135325	186

● **ALCOVE DOORS - SLIDING**

Connect Pro Shower Doors	135235	188
	135236	188
	135237	188
	135238	188
Halo Pro GS Shower Doors	138540	191
	138541	191

Halo Pro Shower Doors	138950	193
.....	138952	193
Halo Pro TB Shower Doors	138954	195
.....	138956	195

● **ALCOVE DOORS - SLIDING**

Halo Shower Doors	138996	197
.....	138997	197
Luminescence Shower Doors	138992	199
.....	138993	199
Odyssey SC Shower Doors	137420	201
.....	137421	201
Uptown Slider Shower Doors	135323	203
.....	135324	203

● **CORNER DOORS - PIVOT**

Link Curve Neo-angle	137280	205
.....	137281	205
Link Curve Rectangular	133302	207
Link Neo-angle	136315	209
.....	136321	209
Link Rectangular	136330	211

● **CORNER DOORS - PIVOT**

Silhouette Neo-angle	137901	213
.....	137904	213
Silhouette Plus Neo-angle	137710	215
.....	137720	215
.....	137730	215
.....	137750	215

● **CORNER DOORS - SLIDING**

Halo Round	139399L	217
.....	139399R	217
Radia Neo-angle	137440	219
.....	137441	219
.....	137442	219
Radia Neo-round	137443	221
.....	137444	221
.....	137445	221
.....	137449	222
Radia Round	137446	224
Radia Square	137447	226
.....	137448	226
.....	137451	226

● **RETURN PANELS**

Connect Pro Return Panels	135239	228
.....	135240	228
Halo Pro GS Return Panels	136542	230
.....	136543	230

● **RETURN PANELS**

Halo Return Panels	139393	232
.....	139394	232
.....	139395	232
.....	139396	233

Reveal 71 Return Panels	136673	234
.....	136674	234
.....	136675	234
Reveal Sleek 71 Return Panels	139581	236
.....	139582	236
.....	139583	236
Uptown Return Panels	135327	238
.....	135328	238

● **RETURN PANELS**

Halo Return Panels	139998	240
Incognito 76 Return Panels	136560	242
.....	136561	242

SHOWERS

245

● **ALCOVE SHOWERS - ACRYLX**

14834STT	106884	245
16034STTS	106922	247
Icon SH 4834	107426	249
Icon SH 4834X AFR	107427	251
KDS 3060	145036	253
KDS 3060 AFR	145037	253
KDS 3232	145018	256
KDS 3232 AFR	145019	256
KDS 3448	145030	259
KDS 3448 AFR	145031	259
KDS 3460	145042	262
KDS 3460 AFR	145043	262
KDS 3636	145024	265
KDS 3636 AFR	145025	265
SS32	140085	268
SS3260	107106	270
SS3648	140545	273
SS3648 R/L	140087	275
SS3660	140088	277
SS3660 R/L	102676	279
SST36	140045	281
SST3648	140546	283
SST3660	140093	285
SST42	105932	287
US36	102613	289

● **CORNER SHOWERS - ACRYLX**

CSS36	140007	291
CSS40	140009	293
SECCSS36	140079	295

TUB DOORS

298

● **TUB DOORS - BYPASS**

Kameleon SC Tub Door - 8 mm	134670	298
Kameleon SC Tub Doors - 6 mm	134660	301
.....	134661	303
Kameleon Tub Door - 8 mm	134573	306
Kameleon Tub Doors - 6 mm	134560	312
.....	134561	309

● **TUB DOORS - BYPASS**

Incognito 57 Shaker Tub Door	135330.....	314
Incognito 57 Tub Door - 6 mm	139351.....	316
Incognito 57 Tub Doors - 8 mm	138522.....	318
.....	139354.....	320
Polar Tub Door	105410.....	322
Revelation Round Tub Door - 6 mm	136692.....	324
Revelation Round Tub Door - 8 mm	136695.....	326
Revelation Square Tub Door - 6 mm	135692.....	328
Revelation Square Tub Door - 8 mm	135695.....	330
Uptown Bypass Tub Door	135320.....	332

● **TUB DOORS - SLIDING**

Halo Tub Door	139398.....	334
Luminescence Tub Door	138994.....	336

TUB SHOWERS **339**

● **TUB SHOWERS - ACRYLX**

6030STTM AFR	106886.....	339
6030STT	106923.....	339
6032STTM AFR	106887.....	342
6032STTT	106924.....	342
BG6034C	140001.....	345
Icon TS6032	107157.....	348
Icon TS6032X AFR	107164.....	348
Icon TS6036	107162.....	350
Icon TS6036X AFR	107168.....	350
KDTS 3060	145006.....	352
KDTS 3060 AFR	145007.....	352
KDTS 3260	145012.....	355
KDTS 3260 AFR	145013.....	355
TSEA Plus	105674.....	358
TSEA62	140100.....	362
TSEA63	140101.....	365
TSEA72	140103.....	368
TSOT6042 R/L	140579.....	371
TSTEA Plus	105930.....	374
TSTEA62	140109.....	378
TSTEA63	140110.....	381

Bathtubs



TOF6030 Bathtub



VO5050 5 ft



Material : AcrylX
 Min: 49 Gal / 186 L
 Max: 67 Gal / 255 L

Features

- › Bathtub with vertical back splash
- › Integrated apron
- › Integrated tiling flange
- › Centre drain
- › Corner installation

CORNER BATHTUBS - ACRYLX

VO5050 5 FT - 140111

SKU	System	Color	Configuration	Dimensions & Weight	Packaging	MSRP
140111-000-002-000	Soaker - No System	White	Center	51 1/2" x 51 1/2" x 17 1/2" / 90 lb / 41 kg	44 ft ³	\$ 1099
140111-003-002	Whirlpool ^{1 4}					\$ 2447

COMMON OPTIONS

SKU	Description	MSRP
OPT10053	One chromatherapy light (factory installed) ⁵⁴	\$ 641
OPT10095	Water heater assembly for whirlpool and combined systems (factory installed)	\$ 908
OPT10106-084	Metal trim kit for whirlpool and combined systems (factory installed) Available colors: Chrome (084) and Brushed Nickel (105)	\$ 568
OPT10106-105		\$ 568
OPT20137-004	Cable-operated waste and overflow (16 in. to 22 in.) (included in product packaging when purchased) Available colors: White (001), Bone (004), Chrome (084) and Brushed Nickel (105)	\$ 238
OPT20137-084		\$ 238
OPT20137-105		\$ 238
OPT20137-001		\$ 238

ACCESSORIES

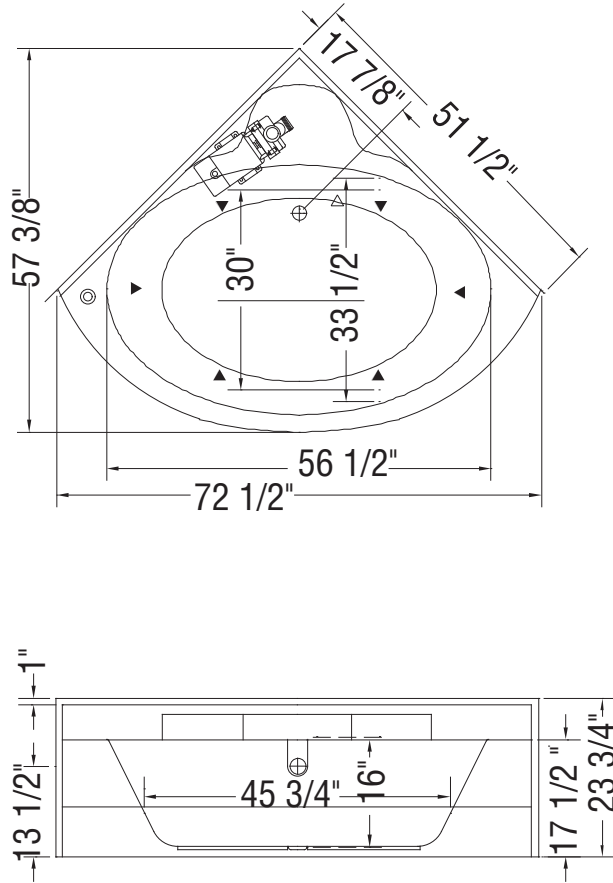
SKU	Description	MSRP
10004306-001	White foam cushion with 2 suction pads (sold separately) Available color: White (001)	\$ 120
10006887-105	Metal trim kit for Whirlpool and combined systems (sold separately) Available colors: Chrome (084) and Brushed Nickel (105)	\$ 568

ACCESSORIES

SKU	Description	MSRP
10006887-084	Metal trim kit for Whirlpool and combined systems (sold separately) Available colors: Chrome (084) and Brushed Nickel (105)	\$ 568
10022491-084	Cable-operated waste and overflow (16 in. to 22 in.) (sold separately) Available colors: White (001), Bone (004), Chrome (084) and Brushed Nickel (105)	\$ 238
10022491-004		\$ 238
10022491-105		\$ 238
10022491-001		\$ 238

FOOTNOTES

No	Description
1	Components for standard colour units equipped with systems are colour-coordinated. Trim kit and/or air push with metallic finish can be added (additional charge applies). For non-standard colour units, please specify trim kit and/or air push colour (additional charge applies for metallic finishes). Please note that the positioning of the system's control could be in conflict with the door if one was installed on the unit. To insure compatibility, please contact customer service.
4	For details on pump position and requirements, see technical drawings on https://www.maax.com . When there is a pump position A or B indicated on the technical drawing, please specify position when ordering.
54	A selection of units come with an access panel by default when equipped with a system. However, if the unit is only equipped with chromatherapy, the access panel will not be provided by default.



(▲): Indicates Whirlpool jets positioning
(⊕): Indicates suction positioning

All dimensions are approximate. Structure measurements must be verified against the unit to ensure proper fit.



VO6042 5 ft

OVAL BATHTUBS - ACRYLX



Material : AcrylX
 Min: 49 Gal / 186 L
 Max: 68 Gal / 259 L

Features

- › Classic oval bathtub
- › Integrated apron
- › 6 inch integrated back splash and tiling flange
- › Center drain
- › Alcove installation

VO6042 5 FT - 140112

SKU	System	Color	Configuration	Dimensions & Weight	Packaging	MSRP
140112-000-002-000	Soaker - No System	White	Center	59 3/4" x 42" x 18 1/4" / 90 lb / 41 kg	41 ft ³	\$ 1137
140112-003-002-000	Whirlpool ^{1 4}					\$ 2485

COMMON OPTIONS

SKU	Description	MSRP
OPT10053	One chromatherapy light (factory installed) ⁵⁴	\$ 641
OPT10095	Water heater assembly for whirlpool and combined systems (factory installed)	\$ 908
OPT10106-084	Metal trim kit for whirlpool and combined systems (factory installed) Available colors: Chrome (084) and Brushed Nickel (105)	\$ 568
OPT10106-105		\$ 568
OPT20137-004	Cable-operated waste and overflow (16 in. to 22 in.) (included in product packaging when purchased) Available colors: White (001), Bone (004), Chrome (084) and Brushed Nickel (105)	\$ 238
OPT20137-084		\$ 238
OPT20137-105		\$ 238
OPT20137-001		\$ 238

ACCESSORIES

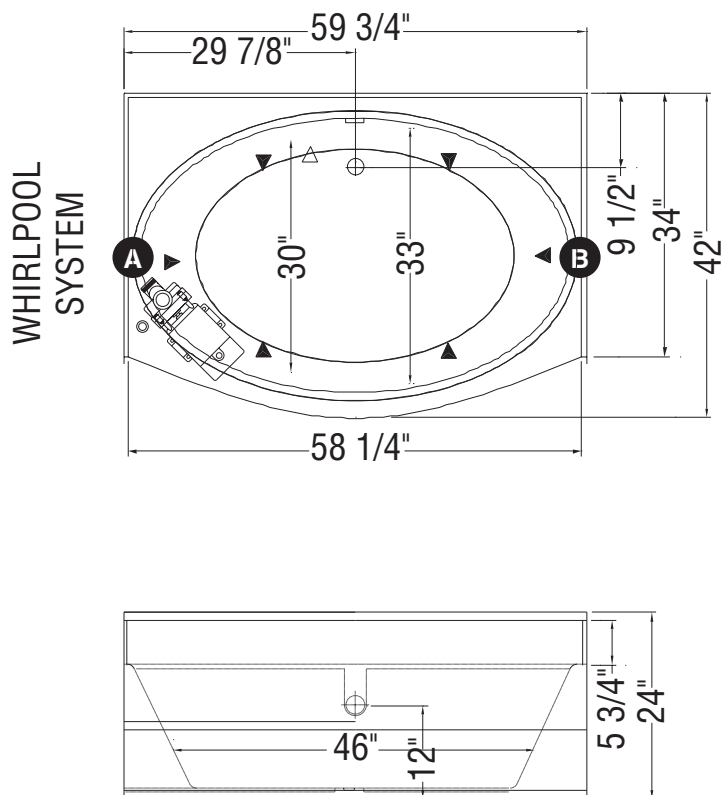
SKU	Description	MSRP
10004306-001	White foam cushion with 2 suction pads (sold separately) Available color: White (001)	\$ 120
10006887-105	Metal trim kit for Whirlpool and combined systems (sold separately) Available colors: Chrome (084) and Brushed Nickel (105)	\$ 568

ACCESSORIES

SKU	Description	MSRP
10006887-084	Metal trim kit for Whirlpool and combined systems (sold separately) Available colors: Chrome (084) and Brushed Nickel (105)	\$ 568
10022491-084	Cable-operated waste and overflow (16 in. to 22 in.) (sold separately) Available colors: White (001), Bone (004), Chrome (084) and Brushed Nickel (105)	\$ 238
10022491-004		\$ 238
10022491-105		\$ 238
10022491-001		\$ 238

FOOTNOTES

No	Description
1	Components for standard colour units equipped with systems are colour-coordinated. Trim kit and/or air push with metallic finish can be added (additional charge applies). For non-standard colour units, please specify trim kit and/or air push colour (additional charge applies for metallic finishes). Please note that the positioning of the system's control could be in conflict with the door if one was installed on the unit. To insure compatibility, please contact customer service.
4	For details on pump position and requirements, see technical drawings on https://www.maax.com . When there is a pump position A or B indicated on the technical drawing, please specify position when ordering.
54	A selection of units come with an access panel by default when equipped with a system. However, if the unit is only equipped with chromatherapy, the access panel will not be provided by default.



Ⓐ : Specify blower and/or pump position when ordering
 Ⓑ : Specify blower and/or pump position when ordering

(▲) : Indicates Whirlpool jets positioning
 (△) : Indicates suction positioning

All dimensions are approximate. Structure measurements must be verified against the unit to ensure proper fit.



TOF-3060



Material : AcrylX
 Min: 24 Gal / 90 L
 Max: 37 Gal / 141 L

Features

- > 1 1/2 in. wrap around backsplash
- > Integrated apron and tiling flange
- > Textured floor
- > Right or left drain
- > Alcove installation

TOF-3060 - 145008

SKU	System	Color	Configuration	Dimensions & Weight	Packaging	MSRP
145008-000-002-084	Soaker - No System	White	Left	59 3/4" x 29 7/8" x 17 1/2" / 52 lb / 24 kg	28 ft ³	\$ 845
145008-000-002-085			Right			\$ 845

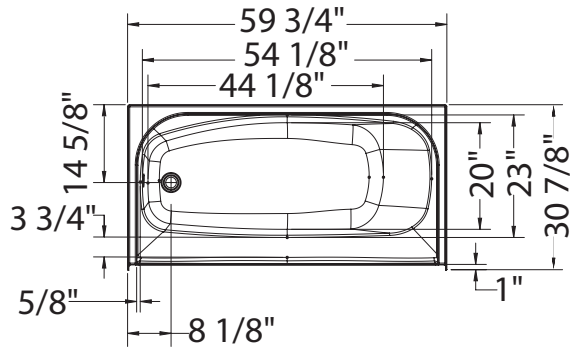
TOF-3060 AFR - 145009

SKU	System	Color	Configuration	Dimensions & Weight	Packaging	MSRP
145009-000-002-584	Soaker - No System	White	Left	59 3/4" x 29 7/8" x 19 7/8" / 52 lb / 24 kg	28 ft ³	\$ 845
145009-000-002-585			Right			\$ 845

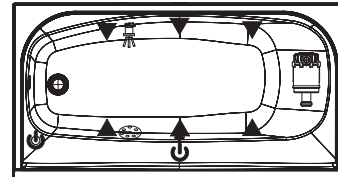
ACCESSORIES

SKU	Description	MSRP
10004306-001	White foam cushion with 2 suction pads (sold separately) Available color: White (001)	\$ 120
10024636-002	Tile Adaptor (for door installation) Available colors: White (002), Bone (004) and Biscuit (007)	\$ 201
10024636-004		\$ 201
10024636-007		\$ 201
10022491-084	Cable-operated waste and overflow (16 in. to 22 in.) (sold separately) Available colors: White (001), Bone (004), Chrome (084) and Brushed Nickel (105)	\$ 238
10022491-004		\$ 238
10022491-105		\$ 238
10022491-001		\$ 238

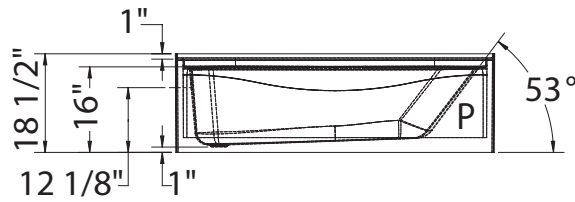
NO SYSTEM



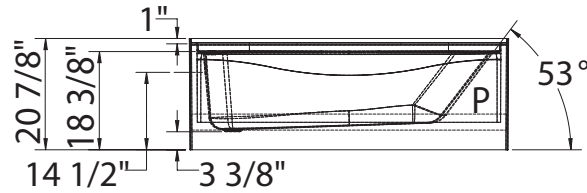
WHIRLPOOL WITH CHROMATHERAPY



NOT ABOVE-THE-FLOOR



ABOVE-THE-FLOOR



- (▲): Indicates Whirlpool jets positioning
- (△): Indicates suction positioning
- (▽): Indicates chromatherapy light positioning

All dimensions are approximate. Structure measurements must be verified against the unit to ensure proper fit.



TOF-3260



Material : AcrylX
 Min: 31 Gal / 118 L
 Max: 38 Gal / 145 L

Features

- > 3 in. wrap around backsplash
- > Integrated apron and tiling flange
- > Textured floor
- > Right or left drain
- > Alcove installation

RECTANGULAR BATHTUBS - ACRYLX

TOF-3260 - 145014

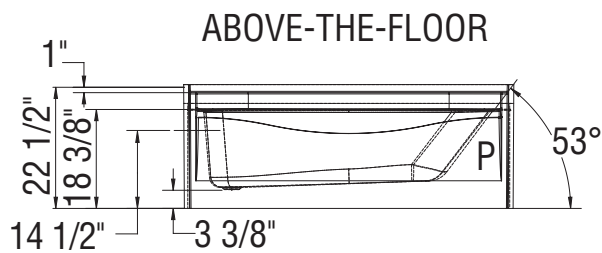
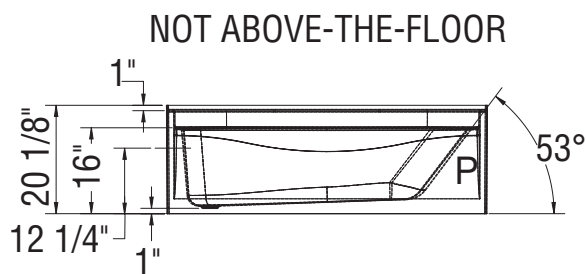
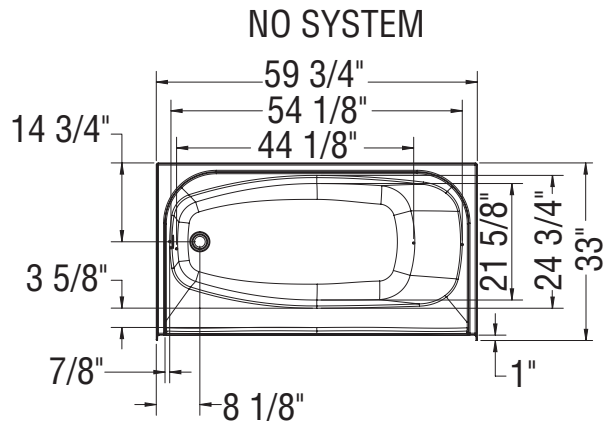
SKU	System	Color	Configuration	Dimensions & Weight	Packaging	MSRP
145014-000-002-084	Soaker - No System	White	Left	59 3/4" x 33" x 19 1/8" / 52 lb / 24 kg	28 ft ³	\$ 951
145014-000-002-085			Right			\$ 951

TOF-3260 AFR - 145015

SKU	System	Color	Configuration	Dimensions & Weight	Packaging	MSRP
145015-000-002-584	Soaker - No System	White	Left	59 3/4" x 33" x 21 1/2" / 52 lb / 24 kg	28 ft ³	\$ 951
145015-000-002-585			Right			\$ 951

ACCESSORIES

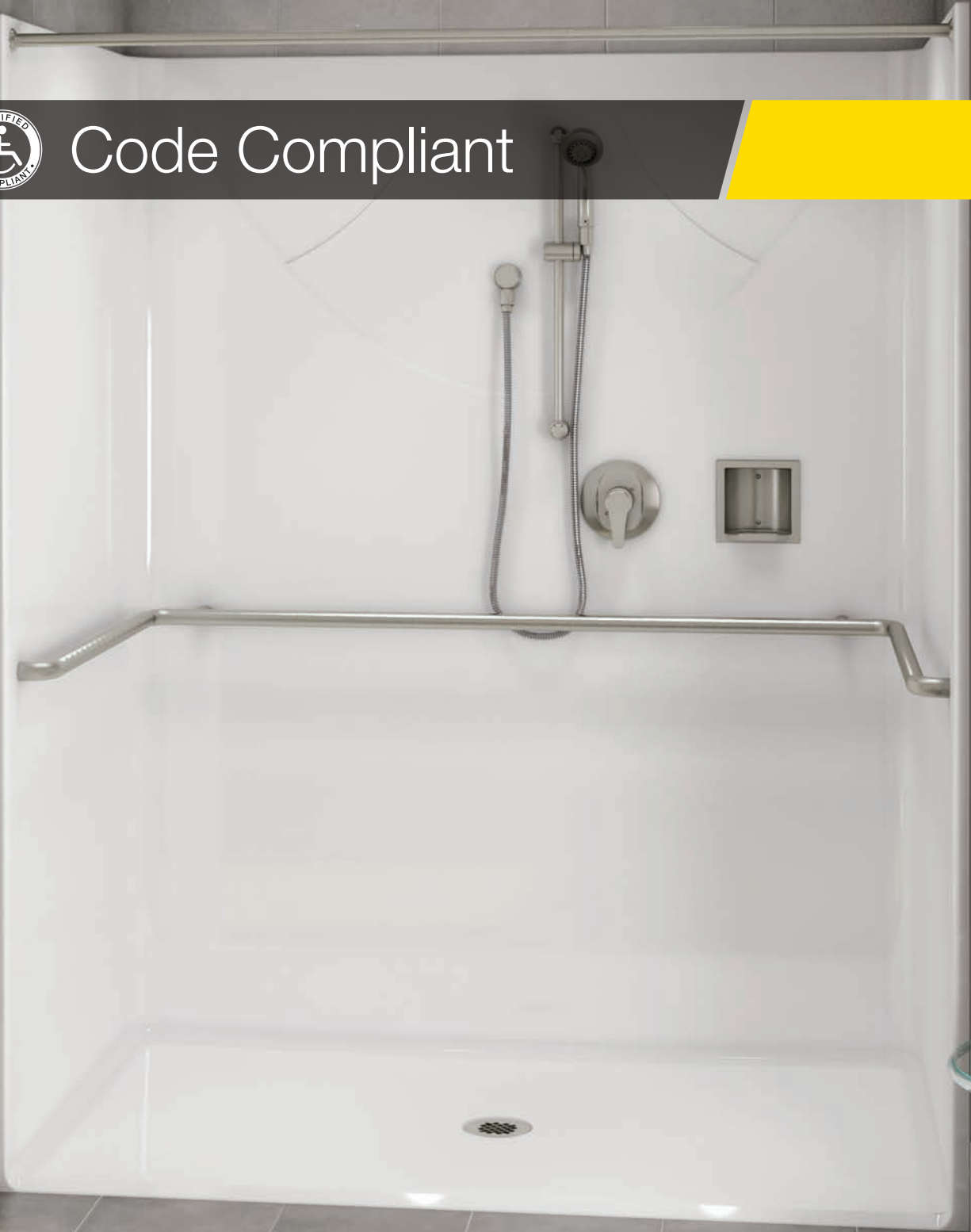
SKU	Description	MSRP
10004306-001	White foam cushion with 2 suction pads (sold separately) Available color: White (001)	\$ 120
10024636-002	Tile Adaptor (for door installation) Available colors: White (002), Bone (004) and Biscuit (007)	\$ 201
10024636-004		\$ 201
10024636-007		\$ 201
10022491-084	Cable-operated waste and overflow (16 in. to 22 in.) (sold separately) Available colors: White (001), Bone (004), Chrome (084) and Brushed Nickel (105)	\$ 238
10022491-004		\$ 238
10022491-105		\$ 238
10022491-001		\$ 238



All dimensions are approximate. Structure measurements must be verified against the unit to ensure proper fit.



Code Compliant



OPS-6036 Code Compliant Shower



OPS-3636 - Base Model

ALCOVE SHOWERS - ACRYLX



Material : AcrylX

Features

- > 1-piece transfer shower reinforced according to FHA accessibility requirements
- > Non-code compliant unit. Configurable for superior accessibility
- > Center drain, textured bottom
- > 1 1/8 in. skirt and 1/2 in. high threshold

OPS-3636 - BASE MODEL - 106027

SKU	Color	Configuration	Dimensions & Weight	Packaging	MSRP
106027-000-002-000	White	Center	38 3/4" x 39" x 78 3/4" / 162 lb / 73 kg	75 ft ³	\$ 1795

OPS-3636 - L-SHAPED GRAB BAR - 106028

SKU	Color	Configuration	Dimensions & Weight	Packaging	MSRP
106028-000-002-100	White	Center This Package Includes : • 1 x Horizontal L Shaped 34 3/8" x 18" Textured Stainless Steel Grab Bar (Installed on the Left-Hand Side)	38 3/4" x 39" x 78 3/4" / 162 lb / 73 kg	75 ft ³	\$ 2156
106028-000-002-101		Center This Package Includes : • 1 x Horizontal L Shaped 34 3/8" x 18" Textured Stainless Steel Grab Bar (Installed on the Right-Hand Side)			\$ 2156

OPS-3636 - L-SHAPED AND VERTICAL GRAB BAR - 106029

SKU	Color	Configuration	Dimensions & Weight	Packaging	MSRP
106029-000-002-102	White	Center This Package Includes : • 1 x Horizontal L Shaped 34 3/8" x 18" Textured Stainless Steel Grab Bar (Installed on the Left-Hand Side) • 1 x Vertical Straight 18" Textured Stainless Steel Grab Bar (Installed on the Left-Hand Side)	38 3/4" x 39" x 78 3/4" / 162 lb / 73 kg	75 ft ³	\$ 2367

OPS-3636 - L-SHAPED AND VERTICAL GRAB BAR - 106029

SKU	Color	Configuration	Dimensions & Weight	Packaging	MSRP
106029-000-002-103	White	Center This Package Includes : • 1 x Horizontal L Shaped 34 3/8" x 18" Textured Stainless Steel Grab Bar (Installed on the Right-Hand Side) • 1 x Vertical Straight 18" Textured Stainless Steel Grab Bar (Installed on the Right-Hand Side)	38 3/4" x 39" x 78 3/4" / 162 lb / 73 kg	75 ft ³	\$ 2367

OPS-3636 - L-SHAPED GRAB BAR AND SEAT - 106030

SKU	Color	Configuration	Dimensions & Weight	Packaging	MSRP
106030-000-002-104	White	Center This Package Includes : • 1 x Horizontal L Shaped 34 3/8" x 18" Textured Stainless Steel Grab Bar (Installed on the Left-Hand Side) • 1 x L Shaped fold-up Phenolic White Seat (Installed on the Right-Hand Side)	38 3/4" x 39" x 78 3/4" / 162 lb / 73 kg	75 ft ³	\$ 3168
106030-000-002-105		Center This Package Includes : • 1 x Horizontal L Shaped 34 3/8" x 18" Textured Stainless Steel Grab Bar (Installed on the Right-Hand Side) • 1 x L Shaped fold-up Phenolic White Seat (Installed on the Left-Hand Side)			\$ 3168

OPS-3636 - L-SHAPED AND VERTICAL GRAB BAR AND SEAT - 106031

SKU	Color	Configuration	Dimensions & Weight	Packaging	MSRP
106031-000-002-106	White	Center This Package Includes : • 1 x Horizontal L Shaped 34 3/8" x 18" Textured Stainless Steel Grab Bar (Installed on the Left-Hand Side) • 1 x Vertical Straight 18" Textured Stainless Steel Grab Bar (Installed on the Left-Hand Side) • 1 x L Shaped fold-up Phenolic White Seat (Installed on the Right-Hand Side)	38 3/4" x 39" x 78 3/4" / 162 lb / 73 kg	75 ft ³	\$ 3377
106031-000-002-107		Center This Package Includes : • 1 x Horizontal L Shaped 34 3/8" x 18" Textured Stainless Steel Grab Bar (Installed on the Right-Hand Side) • 1 x Vertical Straight 18" Textured Stainless Steel Grab Bar (Installed on the Right-Hand Side) • 1 x L Shaped fold-up Phenolic White Seat (Installed on the Left-Hand Side)			\$ 3377

OPS-3636 - COMPLETE ACCESSIBILITY PACKAGE - 106032

SKU	Color	Configuration	Dimensions & Weight	Packaging	MSRP
106032-000-002-108	White	Center This Package Includes : • 1 x Horizontal L Shaped 34 3/8" x 18" Textured Stainless Steel Grab Bar (Installed on the Left-Hand Side) • 1 x L Shaped fold-up Phenolic White Seat (Installed on the Right-Hand Side) • 1 x Chrome pressure balance mixing valve with hand shower • 1 x 24" Chrome Slide Bar with 60" Hose	38 3/4" x 39" x 78 3/4" / 162 lb / 73 kg	75 ft ³	\$ 4144

OPS-3636 - COMPLETE ACCESSIBILITY PACKAGE - 106032

SKU	Color	Configuration	Dimensions & Weight	Packaging	MSRP
106032-000-002-109	White	Center This Package Includes : <ul style="list-style-type: none"> • 1 x Horizontal L Shaped 34 3/8" x 18" Textured Stainless Steel Grab Bar (Installed on the Right-Hand Side) • 1 x L Shaped fold-up Phenolic White Seat (Installed on the Left-Hand Side) • 1 x Chrome pressure balance mixing valve with hand shower • 1 x 24" Chrome Slide Bar with 60" Hose 	38 3/4" x 39" x 78 3/4" / 162 lb / 73 kg	75 ft ³	\$ 4144

OPS-3636 - COMPLETE ACCESSIBILITY PACKAGE WITH VERTICAL GRAB BAR - 106033

SKU	Color	Configuration	Dimensions & Weight	Packaging	MSRP
106033-000-002-110	White	Center This Package Includes : <ul style="list-style-type: none"> • 1 x Horizontal L Shaped 34 3/8" x 18" Textured Stainless Steel Grab Bar (Installed on the Left-Hand Side) • 1 x Vertical Straight 18" Textured Stainless Steel Grab Bar (Installed on the Left-Hand Side) • 1 x L Shaped fold-up Phenolic White Seat (Installed on the Right-Hand Side) • 1 x Chrome pressure balance mixing valve with hand shower • 1 x 24" Chrome Slide Bar with 60" Hose 	38 3/4" x 39" x 78 3/4" / 162 lb / 73 kg	75 ft ³	\$ 4355
106033-000-002-111		Center This Package Includes : <ul style="list-style-type: none"> • 1 x Horizontal L Shaped 34 3/8" x 18" Textured Stainless Steel Grab Bar (Installed on the Right-Hand Side) • 1 x Vertical Straight 18" Textured Stainless Steel Grab Bar (Installed on the Right-Hand Side) • 1 x L Shaped fold-up Phenolic White Seat (Installed on the Left-Hand Side) • 1 x Chrome pressure balance mixing valve with hand shower • 1 x 24" Chrome Slide Bar with 60" Hose 			\$ 4355

COMMON OPTIONS

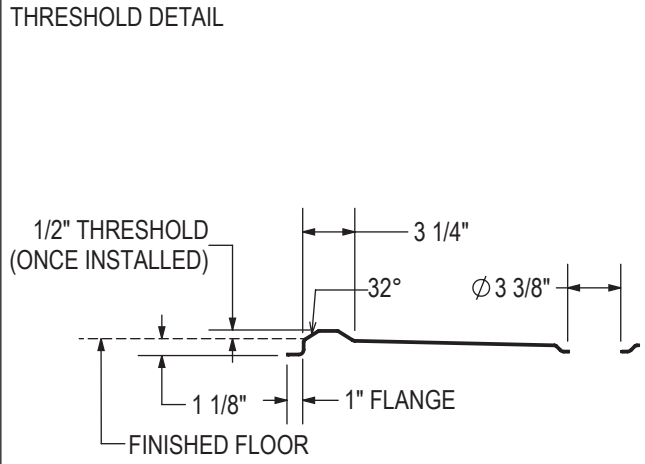
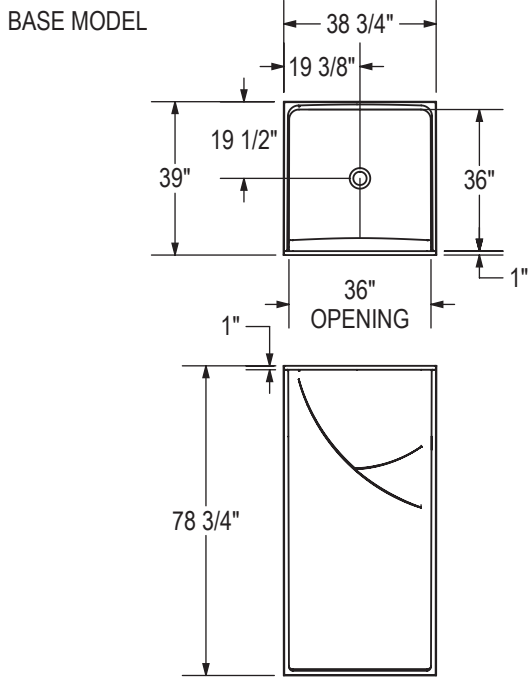
SKU	Description	MSRP
OPT20059-084	Recessed soap dish (Drilled, not installed) in Chrome (084) ⁴²	\$ 174
OPT10225-084	36 in. Chrome (084) curtain rod (factory installed)	\$ 98

ACCESSORIES

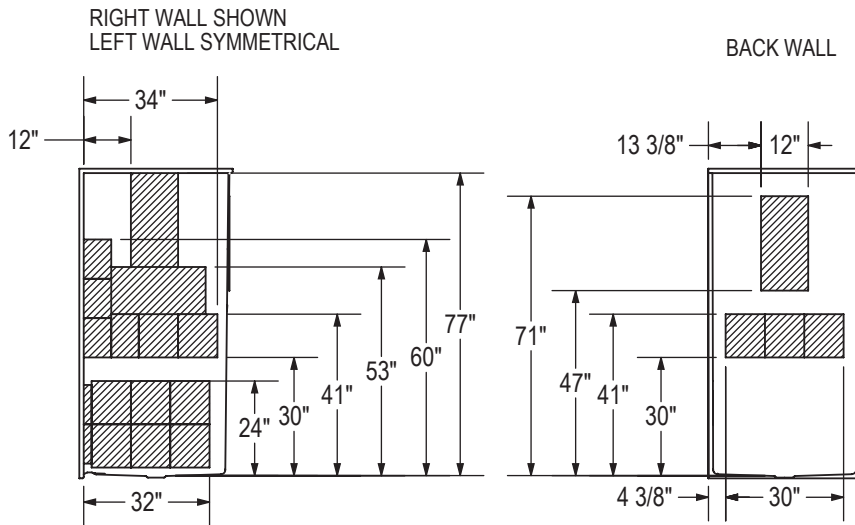
SKU	Description	MSRP
10000064	Solid Brass drain with Chrome plated Stainless Steel grid (sold separately)	\$ 63
10020632-002	36 in. White vinyl shower curtain with Stainless Steel hooks (sold separately)	\$ 133

FOOTNOTES

No	Description
42	Unless otherwise specified, left or right-hand seat determines grab bars and options positioning. Note that left-hand seat inverses grab bars positioning.



REINFORCEMENT BACKING



All dimensions are approximate. Structure measurements must be verified against the unit to ensure proper fit.



OPS-3636-RS - Base Model

ALCOVE SHOWERS - ACRYLX



Material : AcrylX

Features

- > 1-piece transfer shower reinforced according to FHA accessibility requirements
- > Non-code compliant unit. Configurable for superior accessibility
- > Center drain and textured bottom
- > 3/4" reduced skirt and 1/2" high threshold

OPS-3636-RS - BASE MODEL - 106064

SKU	Color	Configuration	Dimensions & Weight	Packaging	MSRP
106064-000-002-114	White	Center	38 3/4" x 39" x 78 3/4" / 162 lb / 73 kg	75 ft ³	\$ 1795

OPS-3636-RS - L-SHAPED GRAB BAR - 106065

SKU	Color	Configuration	Dimensions & Weight	Packaging	MSRP
106065-000-002-115	White	Center This Package Includes : • 1 x Horizontal L Shaped 34 3/8" x 18" Textured Stainless Steel Grab Bar (Installed on the Left-Hand Side)	38 3/4" x 39" x 78 3/4" / 162 lb / 73 kg	75 ft ³	\$ 2156
106065-000-002-116		Center This Package Includes : • 1 x Horizontal L Shaped 34 3/8" x 18" Textured Stainless Steel Grab Bar (Installed on the Right-Hand Side)			\$ 2156

OPS-3636-RS - L-SHAPED AND VERTICAL GRAB BAR - 106066

SKU	Color	Configuration	Dimensions & Weight	Packaging	MSRP
106066-000-002-117	White	Center This Package Includes : • 1 x Horizontal L Shaped 34 3/8" x 18" Textured Stainless Steel Grab Bar (Installed on the Left-Hand Side) • 1 x Vertical Straight 18" Textured Stainless Steel Grab Bar (Installed on the Left-Hand Side)	38 3/4" x 39" x 78 3/4" / 162 lb / 73 kg	75 ft ³	\$ 2367

OPS-3636-RS - L-SHAPED AND VERTICAL GRAB BAR - 106066

SKU	Color	Configuration	Dimensions & Weight	Packaging	MSRP
106066-000-002-118	White	Center This Package Includes : • 1 x Horizontal L Shaped 34 3/8" x 18" Textured Stainless Steel Grab Bar (Installed on the Right-Hand Side) • 1 x Vertical Straight 18" Textured Stainless Steel Grab Bar (Installed on the Right-Hand Side)	38 3/4" x 39" x 78 3/4" / 162 lb / 73 kg	75 ft ³	\$ 2367

OPS-3636-RS - L-SHAPED GRAB BAR AND SEAT - 106067

SKU	Color	Configuration	Dimensions & Weight	Packaging	MSRP
106067-000-002-119	White	Center This Package Includes : • 1 x Horizontal L Shaped 34 3/8" x 18" Textured Stainless Steel Grab Bar (Installed on the Left-Hand Side) • 1 x L Shaped fold-up Phenolic White Seat (Installed on the Right-Hand Side)	38 3/4" x 39" x 78 3/4" / 162 lb / 73 kg	75 ft ³	\$ 3168
106067-000-002-120		Center This Package Includes : • 1 x Horizontal L Shaped 34 3/8" x 18" Textured Stainless Steel Grab Bar (Installed on the Right-Hand Side) • 1 x L Shaped fold-up Phenolic White Seat (Installed on the Left-Hand Side)			\$ 3168

OPS-3636-RS - L-SHAPED AND VERTICAL GRAB BAR AND SEAT - 106068

SKU	Color	Configuration	Dimensions & Weight	Packaging	MSRP
106068-000-002-121	White	Center This Package Includes : • 1 x Horizontal L Shaped 34 3/8" x 18" Textured Stainless Steel Grab Bar (Installed on the Left-Hand Side) • 1 x Vertical Straight 18" Textured Stainless Steel Grab Bar (Installed on the Left-Hand Side) • 1 x L Shaped fold-up Phenolic White Seat (Installed on the Right-Hand Side)	38 3/4" x 39" x 78 3/4" / 162 lb / 73 kg	75 ft ³	\$ 3377
106068-000-002-122		Center This Package Includes : • 1 x Horizontal L Shaped 34 3/8" x 18" Textured Stainless Steel Grab Bar (Installed on the Right-Hand Side) • 1 x Vertical Straight 18" Textured Stainless Steel Grab Bar (Installed on the Right-Hand Side) • 1 x L Shaped fold-up Phenolic White Seat (Installed on the Left-Hand Side)			\$ 3377

OPS-3636-RS - COMPLETE ACCESSIBILITY PACKAGE - 106069

SKU	Color	Configuration	Dimensions & Weight	Packaging	MSRP
106069-000-002-123	White	Center This Package Includes : • 1 x Horizontal L Shaped 34 3/8" x 18" Textured Stainless Steel Grab Bar (Installed on the Left-Hand Side) • 1 x L Shaped fold-up Phenolic White Seat (Installed on the Right-Hand Side) • 1 x Chrome pressure balance mixing valve with hand shower • 1 x 24" Chrome Slide Bar with 60" Hose	38 3/4" x 39" x 78 3/4" / 162 lb / 73 kg	75 ft ³	\$ 4144

OPS-3636-RS - COMPLETE ACCESSIBILITY PACKAGE - 106069

SKU	Color	Configuration	Dimensions & Weight	Packaging	MSRP
106069-000-002-124	White	Center This Package Includes : <ul style="list-style-type: none"> • 1 x Horizontal L Shaped 34 3/8" x 18" Textured Stainless Steel Grab Bar (Installed on the Right-Hand Side) • 1 x L Shaped fold-up Phenolic White Seat (Installed on the Left-Hand Side) • 1 x Chrome pressure balance mixing valve with hand shower • 1 x 24" Chrome Slide Bar with 60" Hose 	38 3/4" x 39" x 78 3/4" / 162 lb / 73 kg	75 ft ³	\$ 4144

OPS-3636-RS - COMPLETE ACCESSIBILITY PACKAGE WITH VERTICAL BAR - 106070

SKU	Color	Configuration	Dimensions & Weight	Packaging	MSRP
106070-000-002-125	White	Center This Package Includes : <ul style="list-style-type: none"> • 1 x Horizontal L Shaped 34 3/8" x 18" Textured Stainless Steel Grab Bar (Installed on the Left-Hand Side) • 1 x Vertical Straight 18" Textured Stainless Steel Grab Bar (Installed on the Left-Hand Side) • 1 x L Shaped fold-up Phenolic White Seat (Installed on the Right-Hand Side) • 1 x Chrome pressure balance mixing valve with hand shower • 1 x 24" Chrome Slide Bar with 60" Hose 	38 3/4" x 39" x 78 3/4" / 162 lb / 73 kg	75 ft ³	\$ 4355
106070-000-002-126		Center This Package Includes : <ul style="list-style-type: none"> • 1 x Horizontal L Shaped 34 3/8" x 18" Textured Stainless Steel Grab Bar (Installed on the Right-Hand Side) • 1 x Vertical Straight 18" Textured Stainless Steel Grab Bar (Installed on the Right-Hand Side) • 1 x L Shaped fold-up Phenolic White Seat (Installed on the Left-Hand Side) • 1 x Chrome pressure balance mixing valve with hand shower • 1 x 24" Chrome Slide Bar with 60" Hose 			\$ 4355

COMMON OPTIONS

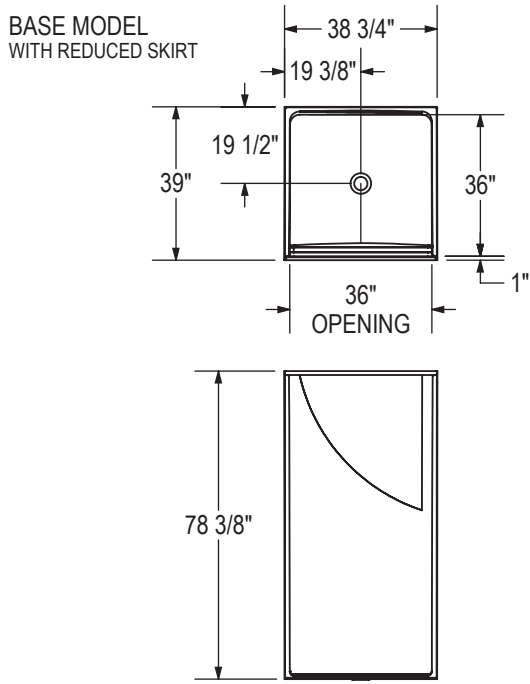
SKU	Description	MSRP
OPT20059-084	Recessed soap dish (Drilled, not installed) in Chrome (084) ⁴²	\$ 174
OPT10225-084	36 in. Chrome (084) curtain rod (factory installed)	\$ 98

ACCESSORIES

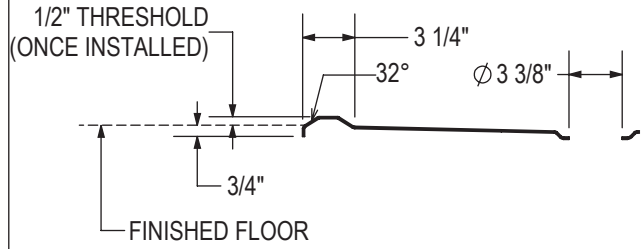
SKU	Description	MSRP
10000064	Solid Brass drain with Chrome plated Stainless Steel grid (sold separately)	\$ 63
10020632-002	36 in. White vinyl shower curtain with Stainless Steel hooks (sold separately)	\$ 133

FOOTNOTES

No	Description
42	Unless otherwise specified, left or right-hand seat determines grab bars and options positioning. Note that left-hand seat inverts grab bars positioning.

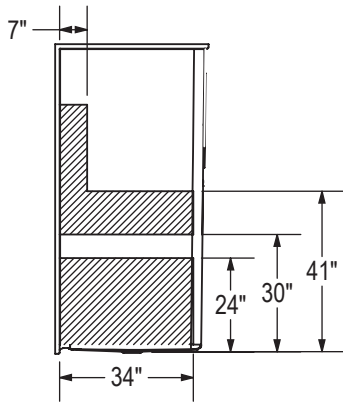


THRESHOLD DETAIL (REDUCED SKIRT)

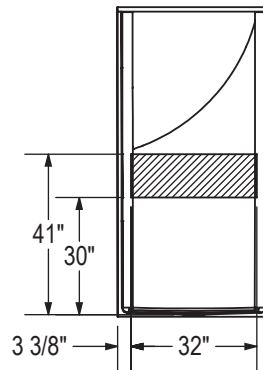


REINFORCEMENT BACKING

RIGHT WALL SHOWN
LEFT WALL SYMMETRICAL



BACK WALL



All dimensions are approximate. Structure measurements must be verified against the unit to ensure proper fit.



OPS-4248 - Base Model

ALCOVE SHOWERS - ACRYLX



Material : AcrylX

Features

- > 1-piece shower reinforced to meet California Title 24 requirements
- > Configurable to be fully compliant with California Title 24
- > 1 1/4" skirt and 1/2" exterior threshold
- > Back center drain, textured bottom

OPS-4248 - BASE MODEL - 106053

SKU	Color	Configuration	Dimensions & Weight	Packaging	MSRP
106053-000-002-000	White	Center	45 1/4" x 51 1/2" x 78 3/4" / 162 lb / 73 kg	75 ft ³	\$ 2500

OPS-4248 - CALIFORNIA TITLE 24 GRAB BAR - 106054

SKU	Color	Configuration	Dimensions & Weight	Packaging	MSRP
106054-000-002-105	White	Center This Package Includes : • 1 x Horizontal L Shaped 19" x 46" Textured Stainless Steel Grab Bar (Installed on the Left-Hand Side)	45 1/4" x 51 1/2" x 78 3/4" / 162 lb / 73 kg	75 ft ³	\$ 2898
106054-000-002-106		Center This Package Includes : • 1 x Horizontal L Shaped 19" x 46" Textured Stainless Steel Grab Bar (Installed on the Right-Hand Side)			\$ 2898

OPS-4248 - CALIFORNIA TITLE 24 GRAB BAR AND SEAT - 106055

SKU	Color	Configuration	Dimensions & Weight	Packaging	MSRP
106055-000-002-113	White	Center This Package Includes : • 1 x Horizontal L Shaped 19" x 46" Textured Stainless Steel Grab Bar (Installed on the Left-Hand Side) • 1 x L Shaped fold-up Phenolic White Seat (Installed on the Right-Hand Side)	45 1/4" x 51 1/2" x 78 3/4" / 162 lb / 73 kg	75 ft ³	\$ 3999

OPS-4248 - CALIFORNIA TITLE 24 GRAB BAR AND SEAT - 106055

SKU	Color	Configuration	Dimensions & Weight	Packaging	MSRP
106055-000-002-114	White	Center This Package Includes : • 1 x Horizontal L Shaped 19" x 46" Textured Stainless Steel Grab Bar (Installed on the Right-Hand Side) • 1 x L Shaped fold-up Phenolic White Seat (Installed on the Left-Hand Side)	45 1/4" x 51 1/2" x 78 3/4" / 162 lb / 73 kg	75 ft ³	\$ 3999

OPS-4248 - CALIFORNIA TITLE 24 COMPLIANT - 106056

SKU	Color	Configuration	Dimensions & Weight	Packaging	MSRP
106056-000-002-121	White	Center This Package Includes : • 1 x Horizontal L Shaped 19" x 46" Textured Stainless Steel Grab Bar (Installed on the Left-Hand Side) • 1 x L Shaped fold-up Phenolic White Seat (Installed on the Right-Hand Side) • 1 x Chrome pressure balance mixing valve and hand shower • 1 x 24" Chrome Slide Bar and 60" Hose	45 1/4" x 51 1/2" x 78 3/4" / 162 lb / 73 kg	75 ft ³	\$ 5997
106056-000-002-122		Center This Package Includes : • 1 x Horizontal L Shaped 19" x 46" Textured Stainless Steel Grab Bar (Installed on the Right-Hand Side) • 1 x L Shaped fold-up Phenolic White Seat (Installed on the left-Hand Side) • 1 x Chrome pressure balance mixing valve and hand shower • 1 x 24" Chrome Slide Bar and 60" Hose			\$ 5997

COMMON OPTIONS

SKU	Description	MSRP
OPT20059-084	Recessed soap dish (Drilled, not installed) in Chrome (084) ⁴²	\$ 174

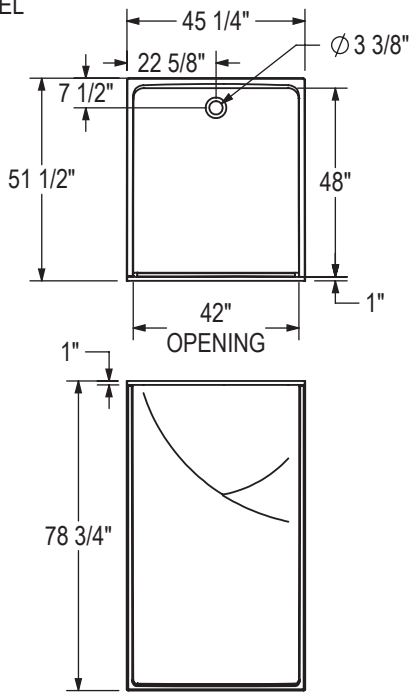
ACCESSORIES

SKU	Description	MSRP
1000064	Solid Brass drain with Chrome plated Stainless Steel grid (sold separately)	\$ 63

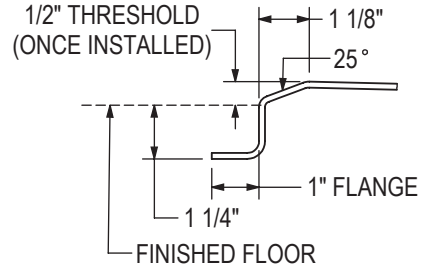
FOOTNOTES

No	Description
42	Unless otherwise specified, left or right-hand seat determines grab bars and options positioning. Note that left-hand seat inverses grab bars positioning.

BASE MODEL

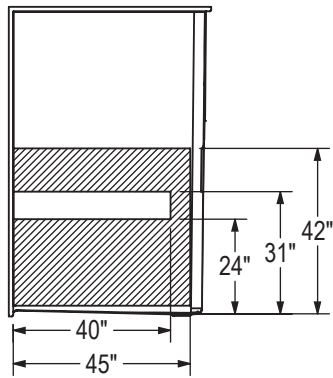


THRESHOLD DETAIL

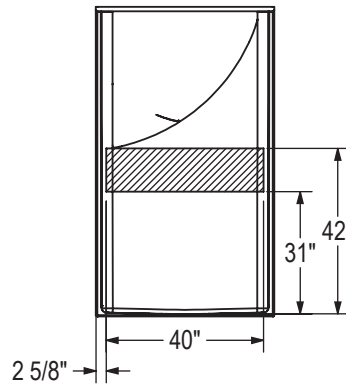


REINFORCEMENT BACKING

RIGHT WALL SHOWN
LEFT WALL SYMMETRICAL



BACKWALL



All dimensions are approximate. Structure measurements must be verified against the unit to ensure proper fit.



OPS-4248-RS - Base Model



Material : AcrylX

Features

- › 1-piece shower reinforced to meet California Title 24 requirements
- › Configurable to be fully compliant with California Title 24
- › 3/4 in. reduced skirt and 1/2 in. exterior threshold
- › Back center drain, textured bottom

OPS-4248-RS - BASE MODEL - 106083

SKU	Color	Configuration	Dimensions & Weight	Packaging	MSRP
106083-000-002-129	White	Center	45 1/4" x 51 1/2" x 78 3/4" / 162 lb / 73 kg	75 ft ³	\$ 2535

OPS-4248-RS - CALIFORNIA TITLE 24 GRAB BAR - 106084

SKU	Color	Configuration	Dimensions & Weight	Packaging	MSRP
106084-000-002-135	White	Center This Package Includes : • 1 x Horizontal L Shaped 19" x 46" Textured Stainless Steel Grab Bar (Installed on the Left-Hand Side)	45 1/4" x 51 1/2" x 78 3/4" / 162 lb / 73 kg	75 ft ³	\$ 2935
106084-000-002-136		Center This Package Includes : • 1 x Horizontal L Shaped 19" x 46" Textured Stainless Steel Grab Bar (Installed on the Right-Hand Side)			\$ 2935

OPS-4248-RS - CALIFORNIA TITLE 24 GRAB BAR AND SEAT - 106085

SKU	Color	Configuration	Dimensions & Weight	Packaging	MSRP
106085-000-002-143	White	Center This Package Includes : • 1 x Horizontal L Shaped 19" x 46" Textured Stainless Steel Grab Bar (Installed on the Left-Hand Side) • 1 x L Shaped fold-up Phenolic White Seat (Installed on the Right-Hand Side)	45 1/4" x 51 1/2" x 78 3/4" / 162 lb / 73 kg	75 ft ³	\$ 4038

OPS-4248-RS - CALIFORNIA TITLE 24 GRAB BAR AND SEAT - 106085

SKU	Color	Configuration	Dimensions & Weight	Packaging	MSRP
106085-000-002-144	White	Center This Package Includes : • 1 x Horizontal L Shaped 19" x 46" Textured Stainless Steel Grab Bar (Installed on the Right-Hand Side) • 1 x L Shaped fold-up Phenolic White Seat (Installed on the Left-Hand Side)	45 1/4" x 51 1/2" x 78 3/4" / 162 lb / 73 kg	75 ft ³	\$ 4038

OPS-4248-RS - CALIFORNIA TITLE 24 COMPLIANT - 106086

SKU	Color	Configuration	Dimensions & Weight	Packaging	MSRP
106086-000-002-151	White	Center This Package Includes : • 1 x Horizontal L Shaped 19" x 46" Textured Stainless Steel Grab Bar (Installed on the Left-Hand Side) • 1 x L Shaped fold-up Phenolic White Seat (Installed on the Right-Hand Side) • 1 x Chrome pressure balance mixing valve and hand shower • 1 x 24" Chrome Slide Bar and 60" Hose	45 1/4" x 51 1/2" x 78 3/4" / 162 lb / 73 kg	75 ft ³	\$ 6033
106086-000-002-152		Center This Package Includes : • 1 x Horizontal L Shaped 19" x 46" Textured Stainless Steel Grab Bar (Installed on the Right-Hand Side) • 1 x L Shaped fold-up Phenolic White Seat (Installed on the left-Hand Side) • 1 x Chrome pressure balance mixing valve and hand shower • 1 x 24" Chrome Slide Bar and 60" Hose			\$ 6033

COMMON OPTIONS

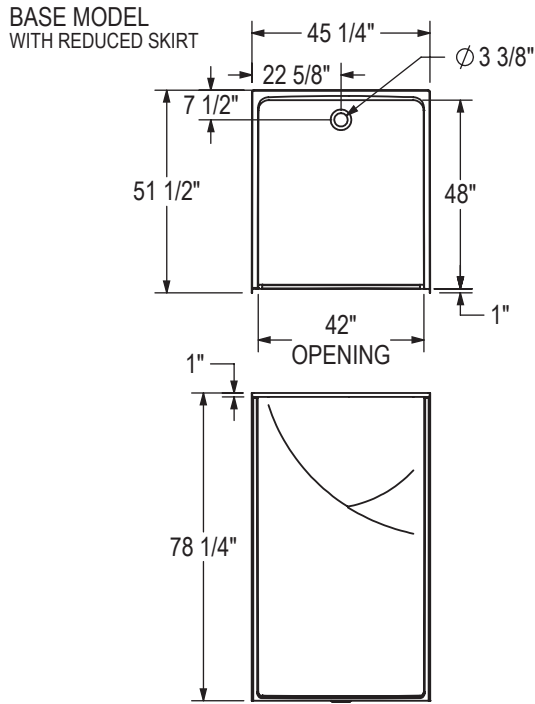
SKU	Description	MSRP
OPT20059-084	Recessed soap dish (Drilled, not installed) in Chrome (084) ⁴²	\$ 174

ACCESSORIES

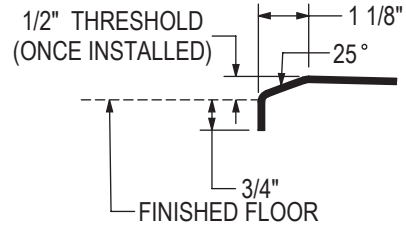
SKU	Description	MSRP
1000064	Solid Brass drain with Chrome plated Stainless Steel grid (sold separately)	\$ 63

FOOTNOTES

No	Description
42	Unless otherwise specified, left or right-hand seat determines grab bars and options positioning. Note that left-hand seat inverses grab bars positioning.

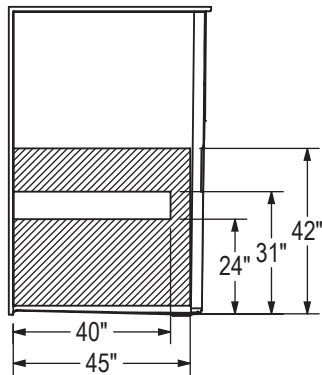


THRESHOLD DETAIL (REDUCED SKIRT)

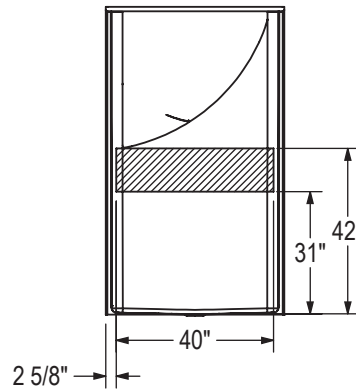


REINFORCEMENT BACKING

RIGHT WALL SHOWN
LEFT WALL SYMMETRICAL



BACKWALL



All dimensions are approximate. Structure measurements must be verified against the unit to ensure proper fit.



OPS-6030 - Base Model

ALCOVE SHOWERS - ACRYLX



Material : AcrylX

Features

- > 1-piece roll-in shower reinforced according to FHA accessibility requirements
- > Configurable to be compliant with major accessibility codes when properly installed
- > Center drain, textured bottom
- > 1 1/8" skirt and 1/2" high threshold

OPS-6030 - BASE MODEL - 106034

SKU	Color	Configuration	Dimensions & Weight	Packaging	MSRP
106034-000-002-000	White	Center	62 3/4" x 33 1/4" x 78 3/4" / 195 lb / 88 kg	105 ft ³	\$ 1909

OPS-6030 - ADA L-BAR - 106035

SKU	Color	Configuration	Dimensions & Weight	Packaging	MSRP
106035-000-002-100	White	Center This Package Includes : • 1 x Horizontal L Shaped 27" x 37" Textured Stainless Steel Grab Bar (Installed on the Left-Hand Side)	62 3/4" x 33 1/4" x 78 3/4" / 195 lb / 88 kg	105 ft ³	\$ 2396
106035-000-002-101		Center This Package Includes : • 1 x Horizontal L Shaped 27" x 37" Textured Stainless Steel Grab Bar (Installed on the Right-Hand Side)			\$ 2396

OPS-6030 - ADA U-BAR - 106036

SKU	Color	Configuration	Dimensions & Weight	Packaging	MSRP
106036-000-002-102	White	Center This Package Includes : • 1 x Horizontal U Shaped 27" x 60" x 27" Textured Stainless Steel Grab Bar (Factory installed)	62 3/4" x 33 1/4" x 78 3/4" / 195 lb / 88 kg	105 ft ³	\$ 2623

OPS-6030 - ADA GRAB BAR AND SEAT - 106037

SKU	Color	Configuration	Dimensions & Weight	Packaging	MSRP
106037-000-002-103	White	Center This Package Includes : • 1 x Horizontal L Shaped 27" x 37" Textured Stainless Steel Grab Bar (Installed on the Left-Hand Side) • 1 x L Shaped fold-up Phenolic White Seat (Installed on the Right-Hand Side)	62 3/4" x 33 1/4" x 78 3/4" / 195 lb / 88 kg	105 ft ³	\$ 3407
106037-000-002-104		Center This Package Includes : • 1 x Horizontal L Shaped 27" x 37" Textured Stainless Steel Grab Bar (Installed on the Right-Hand Side) • 1 x L Shaped fold-up Phenolic White Seat (Installed on the Left-Hand Side)			\$ 3407

OPS-6030 - ADA COMPLIANT (WITH SEAT) - 106038

SKU	Color	Configuration	Dimensions & Weight	Packaging	MSRP
106038-000-002-105	White	Center This Package Includes : • 1 x Horizontal L Shaped 27" x 37" Textured Stainless Steel Grab Bar (Installed on the Left-Hand Side) • 1 x L Shaped fold-up Phenolic White Seat (Installed on the Right-Hand Side) • 1 x Chrome pressure balance mixing valve and hand shower • 1 x 24" Chrome Slide Bar and 60" Hose	62 3/4" x 33 1/4" x 78 3/4" / 195 lb / 88 kg	105 ft ³	\$ 4393
106038-000-002-106		Center This Package Includes : • 1 x Horizontal L Shaped 27" x 37" Textured Stainless Steel Grab Bar (Installed on the Right-Hand Side) • 1 x L Shaped fold-up Phenolic White Seat (Installed on the Left-Hand Side) • 1 x Chrome pressure balance mixing valve and hand shower • 1 x 24" Chrome Slide Bar and 60" Hose			\$ 4393

OPS-6030 - ADA COMPLIANT (WITHOUT SEAT) - 106039

SKU	Color	Configuration	Dimensions & Weight	Packaging	MSRP
106039-000-002-107	White	Center This Package Includes : • 1 x Horizontal U Shaped 27" x 60" x 27" Textured Stainless Steel Grab Bar (Factory installed) • 1 x Chrome pressure balance mixing valve and hand shower • 1 x 24" Chrome Slide Bar and 60" Hose	62 3/4" x 33 1/4" x 78 3/4" / 195 lb / 88 kg	105 ft ³	\$ 3608

OPS-6030 - ANSI GRAB BAR - 106771

SKU	Color	Configuration	Dimensions & Weight	Packaging	MSRP
106771-000-002-191	White	Center This Package Includes : • 1 x Horizontal L Shaped 27" x 37" Textured Stainless Steel Grab Bar (Installed on the Left-Hand Side) • 1 x Vertical Straight 18" Textured Stainless Steel Grab Bar (Installed on the Left-Hand Side)	62 3/4" x 33 1/4" x 78 3/4" / 195 lb / 88 kg	105 ft ³	\$ 2604

OPS-6030 - ANSI GRAB BAR - 106771

SKU	Color	Configuration	Dimensions & Weight	Packaging	MSRP
106771-000-002-192	White	Center This Package Includes : • 1 x Horizontal L Shaped 27" x 37" Textured Stainless Steel Grab Bar (Installed on the Right-Hand Side) • 1 x Vertical Straight 18" Textured Stainless Steel Grab Bar (Installed on the Right-Hand Side)	62 3/4" x 33 1/4" x 78 3/4" / 195 lb / 88 kg	105 ft ³	\$ 2604

OPS-6030 - ANSI GRAB BAR AND SEAT - 106772

SKU	Color	Configuration	Dimensions & Weight	Packaging	MSRP
106772-000-002-193	White	Center This Package Includes : • 1 x Horizontal L Shaped 27" x 37" Textured Stainless Steel Grab Bar (Installed on the Left-Hand Side) • 1 x Vertical Straight 18" Textured Stainless Steel Grab Bar (Installed on the left-Hand Side) • 1 x L Shaped fold-up Phenolic White Seat (Installed on the Right-Hand Side)	62 3/4" x 33 1/4" x 78 3/4" / 195 lb / 88 kg	105 ft ³	\$ 3616
106772-000-002-194		Center This Package Includes : • 1 x Horizontal L Shaped 27" x 37" Textured Stainless Steel Grab Bar (Installed on the Right-Hand Side) • 1 x Vertical Straight 18" Textured Stainless Steel Grab Bar (Installed on the Right-Hand Side) • 1 x L Shaped fold-up Phenolic White Seat (Installed on the Left-Hand Side)			\$ 3616

OPS-6030 - ANSI COMPLIANT - 106773

SKU	Color	Configuration	Dimensions & Weight	Packaging	MSRP
106773-000-002-195	White	Center This Package Includes : • 1 x Horizontal L Shaped 27" x 37" Textured Stainless Steel Grab Bar (Installed on the Left-Hand Side) • 1 x Vertical Straight 18" Textured Stainless Steel Grab Bar (Installed on the left-Hand Side) • 1 x L Shaped fold-up Phenolic White Seat (Installed on the Right-Hand Side) • 1 x Chrome pressure balance mixing valve and hand shower • 1 x 24" Chrome Slide Bar and 60" Hose	62 3/4" x 33 1/4" x 78 3/4" / 195 lb / 88 kg	105 ft ³	\$ 4602
106773-000-002-196		Center This Package Includes : • 1 x Horizontal L Shaped 27" x 37" Textured Stainless Steel Grab Bar (Installed on the Right-Hand Side) • 1 x Vertical Straight 18" Textured Stainless Steel Grab Bar (Installed on the Right-Hand Side) • 1 x L Shaped fold-up Phenolic White Seat (Installed on the Left-Hand Side) • 1 x Chrome pressure balance mixing valve and hand shower • 1 x 24" Chrome Slide Bar and 60" Hose			\$ 4602

COMMON OPTIONS

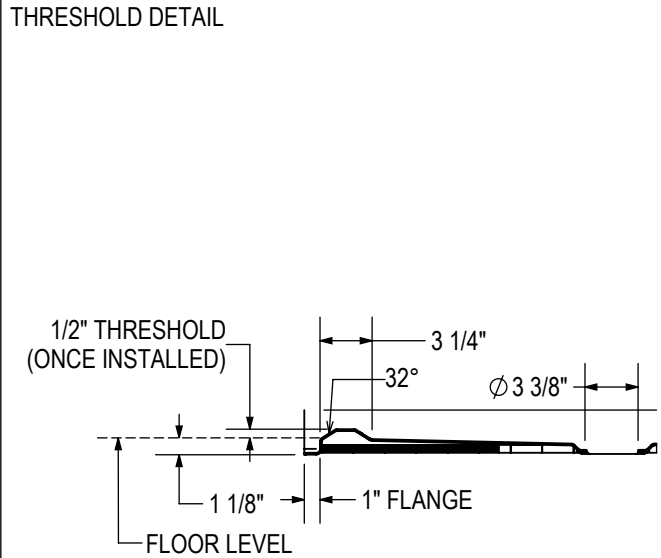
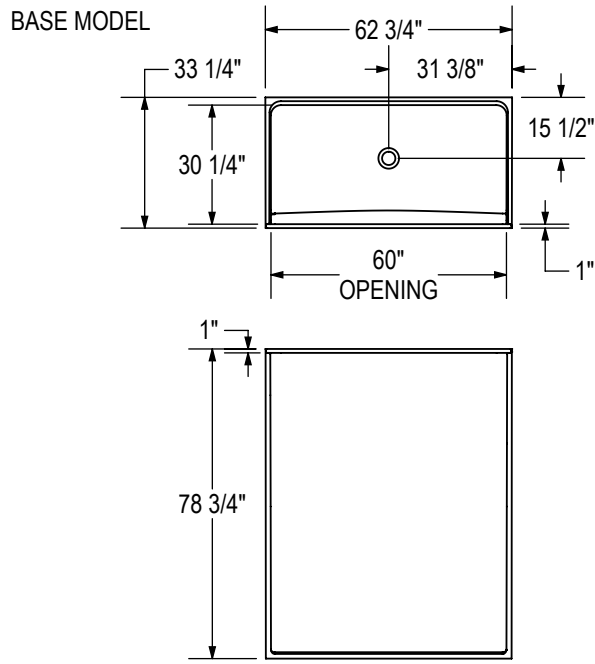
SKU	Description	MSRP
OPT20059-084	Recessed soap dish (Drilled, not installed) in Chrome (084) ⁴²	\$ 174
OPT20241-084	60 in. curtain rod (factory installed) Available color: Chrome (084)	\$ 133

ACCESSORIES

SKU	Description	MSRP
10000064	Solid Brass drain with Chrome plated Stainless Steel grid (sold separately)	\$ 63
10020633-002	72 in. White vinyl shower curtain with Stainless Steel hooks (sold separately) ²¹	\$ 192

FOOTNOTES

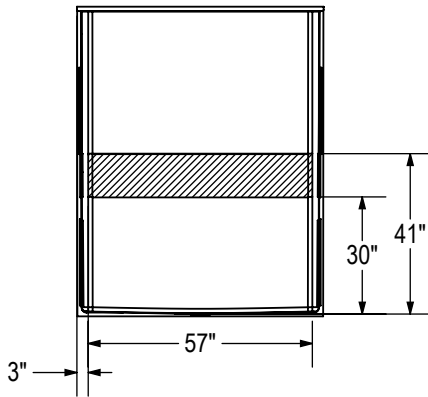
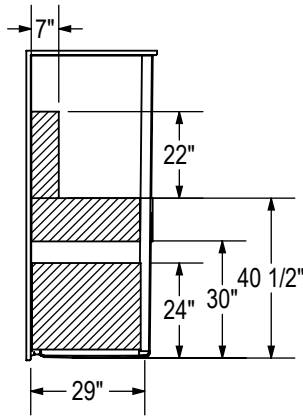
No	Description
21	Specify when ordering if an integrated tiling flange is required and on which side (L/R, Left or Right).
42	Unless otherwise specified, left or right-hand seat determines grab bars and options positioning. Note that left-hand seat inverses grab bars positioning.



REINFORCEMENT BACKING

RIGHT WALL SHOWN
LEFT WALL SYMMETRICAL

BACK WALL



All dimensions are approximate. Structure measurements must be verified against the unit to ensure proper fit.



OPS-6030-RS - Base Model



Material : AcrylX

Features

- › 1-piece roll-in shower reinforced according to FHA accessibility requirements
- › Configurable to be compliant with major accessibility codes when properly installed
- › Center drain, textured bottom
- › 3/4" reduced skirt and 1/2" high threshold

OPS-6030-RS - BASE MODEL - 106071

SKU	Color	Configuration	Dimensions & Weight	Packaging	MSRP
106071-000-002-111	White	Center	62 3/4" x 33 1/4" x 78 3/4" / 195 lb / 88 kg	105 ft ³	\$ 1909

OPS-6030-RS - ADA L-BAR - 106072

SKU	Color	Configuration	Dimensions & Weight	Packaging	MSRP
106072-000-002-112	White	Center This Package Includes : • 1 x Horizontal L Shaped 27" x 37" Textured Stainless Steel Grab Bar (Installed on the Left-Hand Side)	62 3/4" x 33 1/4" x 78 3/4" / 195 lb / 88 kg	105 ft ³	\$ 2396
106072-000-002-113		Center This Package Includes : • 1 x Horizontal L Shaped 27" x 37" Textured Stainless Steel Grab Bar (Installed on the Right-Hand Side)			\$ 2396

OPS-6030-RS - ADA U-BAR - 106073

SKU	Color	Configuration	Dimensions & Weight	Packaging	MSRP
106073-000-002-114	White	Center This Package Includes : • 1 x Horizontal U Shaped 27" x 60" x 27" Textured Stainless Steel Grab Bar (Factory installed)	62 3/4" x 33 1/4" x 78 3/4" / 195 lb / 88 kg	105 ft ³	\$ 2623

OPS-6030-RS - ADA GRAB BAR AND SEAT - 106074

SKU	Color	Configuration	Dimensions & Weight	Packaging	MSRP
106074-000-002-115	White	Center This Package Includes : • 1 x Horizontal L Shaped 27" x 37" Textured Stainless Steel Grab Bar (Installed on the Left-Hand Side) • 1 x L Shaped fold-up Phenolic White Seat (Installed on the Right-Hand Side)	62 3/4" x 33 1/4" x 78 3/4" / 195 lb / 88 kg	105 ft ³	\$ 3407
106074-000-002-116		Center This Package Includes : • 1 x Horizontal L Shaped 27" x 37" Textured Stainless Steel Grab Bar (Installed on the Right-Hand Side) • 1 x L Shaped fold-up Phenolic White Seat (Installed on the Left-Hand Side)			\$ 3407

OPS-6030-RS - ADA COMPLIANT (WITH SEAT) - 106075

SKU	Color	Configuration	Dimensions & Weight	Packaging	MSRP
106075-000-002-117	White	Center This Package Includes : • 1 x Horizontal L Shaped 27" x 37" Textured Stainless Steel Grab Bar (Installed on the Left-Hand Side) • 1 x L Shaped fold-up Phenolic White Seat (Installed on the Right-Hand Side) • 1 x Chrome pressure balance mixing valve and hand shower • 1 x 24" Chrome Slide Bar and 60" Hose	62 3/4" x 33 1/4" x 78 3/4" / 195 lb / 88 kg	105 ft ³	\$ 4393
106075-000-002-118		Center This Package Includes : • 1 x Horizontal L Shaped 27" x 37" Textured Stainless Steel Grab Bar (Installed on the Right-Hand Side) • 1 x L Shaped fold-up Phenolic White Seat (Installed on the Left-Hand Side) • 1 x Chrome pressure balance mixing valve and hand shower • 1 x 24" Chrome Slide Bar and 60" Hose			\$ 4393

OPS-6030-RS - ADA COMPLIANT (WITHOUT SEAT) - 106076

SKU	Color	Configuration	Dimensions & Weight	Packaging	MSRP
106076-000-002-119	White	Center This Package Includes : • 1 x Horizontal U Shaped 27" x 60" x 27" Textured Stainless Steel Grab Bar (Factory installed) • 1 x Chrome pressure balance mixing valve and hand shower • 1 x 24" Chrome Slide Bar and 60" Hose	62 3/4" x 33 1/4" x 78 3/4" / 195 lb / 88 kg	105 ft ³	\$ 3608

OPS-6030-RS - ANSI GRAB BAR - 106774

SKU	Color	Configuration	Dimensions & Weight	Packaging	MSRP
106774-000-002-197	White	Center This Package Includes : • 1 x Horizontal L Shaped 27" x 37" Textured Stainless Steel Grab Bar (Installed on the Left-Hand Side) • 1 x Vertical Straight 18" Textured Stainless Steel Grab Bar (Installed on the Left-Hand Side)	62 3/4" x 33 1/4" x 78 3/4" / 195 lb / 88 kg	105 ft ³	\$ 2604

OPS-6030-RS - ANSI GRAB BAR - 106774

SKU	Color	Configuration	Dimensions & Weight	Packaging	MSRP
106774-000-002-198	White	Center This Package Includes : <ul style="list-style-type: none"> • 1 x Horizontal L Shaped 27" x 37" Textured Stainless Steel Grab Bar (Installed on the Right-Hand Side) • 1 x Vertical Straight 18" Textured Stainless Steel Grab Bar (Installed on the Right-Hand Side) 	62 3/4" x 33 1/4" x 78 3/4" / 195 lb / 88 kg	105 ft ³	\$ 2604

OPS-6030-RS - ANSI GRAB BAR AND SEAT - 106775

SKU	Color	Configuration	Dimensions & Weight	Packaging	MSRP
106775-000-002-199	White	Center This Package Includes : <ul style="list-style-type: none"> • 1 x Horizontal L Shaped 27" x 37" Textured Stainless Steel Grab Bar (Installed on the Left-Hand Side) • 1 x Vertical Straight 18" Textured Stainless Steel Grab Bar (Installed on the left-Hand Side) • 1 x L Shaped fold-up Phenolic White Seat (Installed on the Right-Hand Side) 	62 3/4" x 33 1/4" x 78 3/4" / 195 lb / 88 kg	105 ft ³	\$ 3616
106775-000-002-200		Center This Package Includes : <ul style="list-style-type: none"> • 1 x Horizontal L Shaped 27" x 37" Textured Stainless Steel Grab Bar (Installed on the Right-Hand Side) • 1 x Vertical Straight 18" Textured Stainless Steel Grab Bar (Installed on the Right-Hand Side) • 1 x L Shaped fold-up Phenolic White Seat (Installed on the Left-Hand Side) 			\$ 3616

OPS-6030-RS - ANSI COMPLIANT - 106776

SKU	Color	Configuration	Dimensions & Weight	Packaging	MSRP
106776-000-002-201	White	Center This Package Includes : <ul style="list-style-type: none"> • 1 x Horizontal L Shaped 27" x 37" Textured Stainless Steel Grab Bar (Installed on the Left-Hand Side) • 1 x Vertical Straight 18" Textured Stainless Steel Grab Bar (Installed on the left-Hand Side) • 1 x L Shaped fold-up Phenolic White Seat (Installed on the Right-Hand Side) • 1 x Chrome pressure balance mixing valve and hand shower • 1 x 24" Chrome Slide Bar and 60" Hose 	62 3/4" x 33 1/4" x 78 3/4" / 195 lb / 88 kg	105 ft ³	\$ 4602
106776-000-002-202		Center This Package Includes : <ul style="list-style-type: none"> • 1 x Horizontal L Shaped 27" x 37" Textured Stainless Steel Grab Bar (Installed on the Right-Hand Side) • 1 x Vertical Straight 18" Textured Stainless Steel Grab Bar (Installed on the Right-Hand Side) • 1 x L Shaped fold-up Phenolic White Seat (Installed on the Left-Hand Side) • 1 x Chrome pressure balance mixing valve and hand shower • 1 x 24" Chrome Slide Bar and 60" Hose 			\$ 4602

COMMON OPTIONS

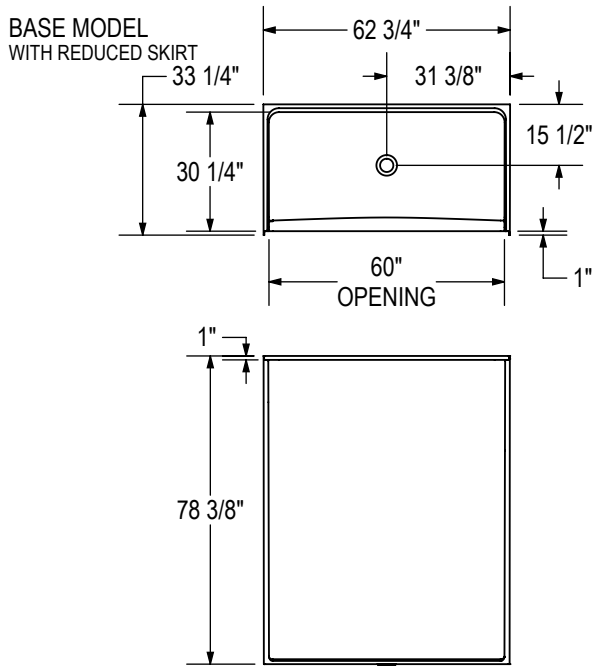
SKU	Description	MSRP
OPT20059-084	Recessed soap dish (Drilled, not installed) in Chrome (084) ⁴²	\$ 174
OPT20241-084	60 in. curtain rod (factory installed) Available color: Chrome (084)	\$ 133

ACCESSORIES

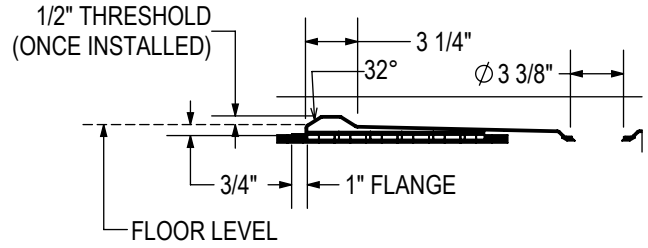
SKU	Description	MSRP
10000064	Solid Brass drain with Chrome plated Stainless Steel grid (sold separately)	\$ 63
10020633-002	72 in. White vinyl shower curtain with Stainless Steel hooks (sold separately) ²¹	\$ 192

FOOTNOTES

No	Description
21	Specify when ordering if an integrated tiling flange is required and on which side (L/R, Left or Right).
42	Unless otherwise specified, left or right-hand seat determines grab bars and options positioning. Note that left-hand seat inverses grab bars positioning.



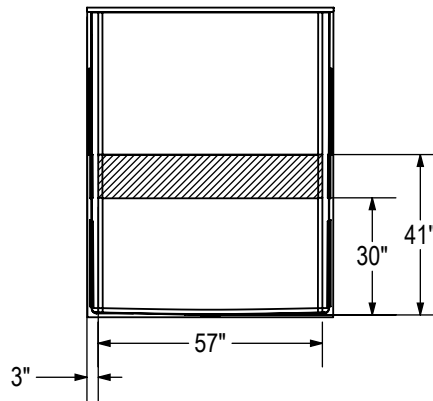
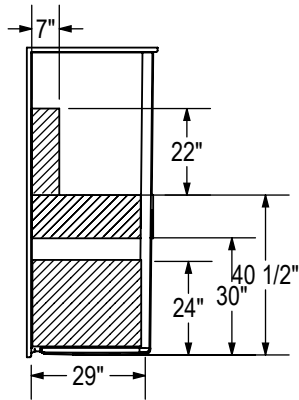
THRESHOLD DETAIL (REDUCED SKIRT)



REINFORCEMENT BACKING

RIGHT WALL SHOWN
LEFT WALL SYMMETRICAL

BACK WALL



All dimensions are approximate. Structure measurements must be verified against the unit to ensure proper fit.



OPS-6036 - Base Model

ALCOVE SHOWERS - ACRYLX



Material : AcrylX

Features

- > 1-piece roll-in shower reinforced according to FHA accessibility requirements
- > Configurable to be compliant with major accessibility codes when properly installed
- > Center drain, textured bottom
- > 1 1/8" skirt and 1/2" high threshold

OPS-6036 - BASE MODEL - 106040

SKU	Color	Configuration	Dimensions & Weight	Packaging	MSRP
106040-000-002-000	White	Center	62 1/2" x 39 1/4" x 78 3/4" / 225 lb / 102 kg	119 ft ³	\$ 2130

OPS-6036 - ADA L-BAR - 106041

SKU	Color	Configuration	Dimensions & Weight	Packaging	MSRP
106041-000-002-100	White	Center This Package Includes : • 1 x Horizontal L Shaped 33" x 37" Textured Stainless Steel Grab Bar (Installed on the Left-Hand Side)	62 1/2" x 39 1/4" x 78 3/4" / 225 lb / 102 kg	119 ft ³	\$ 2641
106041-000-002-101		Center This Package Includes : • 1 x Horizontal L Shaped 33" x 37" Textured Stainless Steel Grab Bar (Installed on the Right-Hand Side)			\$ 2641

OPS-6036 - ADA U-BAR - 106042

SKU	Color	Configuration	Dimensions & Weight	Packaging	MSRP
106042-000-002-102	White	Center This Package Includes : • 1 x Horizontal U Shaped 33" x 60" x 33" Textured Stainless Steel Grab Bar (Factory installed)	62 1/2" x 39 1/4" x 78 3/4" / 225 lb / 102 kg	119 ft ³	\$ 2892

OPS-6036 - ADA GRAB BAR AND SEAT - 106043

SKU	Color	Configuration	Dimensions & Weight	Packaging	MSRP
106043-000-002-103	White	Center This Package Includes : • 1 x Horizontal L Shaped 33" x 37" Textured Stainless Steel Grab Bar (Installed on the Left-Hand Side) • 1 x L Shaped fold-up Phenolic White Seat (Installed on the Right-Hand Side)	62 1/2" x 39 1/4" x 78 3/4" / 225 lb / 102 kg	119 ft³	\$ 3651
106043-000-002-104		Center This Package Includes : • 1 x Horizontal L Shaped 33" x 37" Textured Stainless Steel Grab Bar (Installed on the Right-Hand Side) • 1 x L Shaped fold-up Phenolic White Seat (Installed on the Left-Hand Side)			\$ 3651

OPS-6036 - ADA COMPLIANT (WITH SEAT) - 106044

SKU	Color	Configuration	Dimensions & Weight	Packaging	MSRP
106044-000-002-105	White	Center This Package Includes : • 1 x Horizontal L Shaped 33" x 37" Textured Stainless Steel Grab Bar (Installed on the Left-Hand Side) • 1 x L Shaped fold-up Phenolic White Seat (Installed on the Right-Hand Side) • 1 x Chrome pressure balance mixing valve and hand shower • 1 x 24" Chrome Slide Bar and 60" Hose	62 1/2" x 39 1/4" x 78 3/4" / 225 lb / 102 kg	119 ft³	\$ 4639
106044-000-002-106		Center This Package Includes : • 1 x Horizontal L Shaped 33" x 37" Textured Stainless Steel Grab Bar (Installed on the Right-Hand Side) • 1 x L Shaped fold-up Phenolic White Seat (Installed on the left-Hand Side) • 1 x Chrome pressure balance mixing valve and hand shower • 1 x 24" Chrome Slide Bar and 60" Hose			\$ 4639

OPS-6036 - ADA COMPLIANT (WITHOUT SEAT) - 106045

SKU	Color	Configuration	Dimensions & Weight	Packaging	MSRP
106045-000-002-107	White	Center This Package Includes : • 1 x Horizontal U Shaped 33" x 60" x 33" Textured Stainless Steel Grab Bar (Factory installed) • 1 x Chrome pressure balance mixing valve and hand shower • 1 x 24" Chrome Slide Bar and 60" Hose	62 1/2" x 39 1/4" x 78 3/4" / 225 lb / 102 kg	119 ft³	\$ 3878

OPS-6036 - ANSI GRAB BAR - 106777

SKU	Color	Configuration	Dimensions & Weight	Packaging	MSRP
106777-000-002-130	White	Center This Package Includes : • 1 x Horizontal L Shaped 33" x 37" Textured Stainless Steel Grab Bar (Installed on the Left-Hand Side) • 1 x Vertical Straight 18" Textured Stainless Steel Grab Bar (Instaled on the Left-Hand Side)	62 7/8" x 39 1/4" x 78 3/4" / 225 lb / 102 kg	119 ft³	\$ 2852

OPS-6036 - ANSI GRAB BAR - 106777

SKU	Color	Configuration	Dimensions & Weight	Packaging	MSRP
106777-000-002-131	White	Center This Package Includes : • 1 x Horizontal L Shaped 33" x 37" Textured Stainless Steel Grab Bar (Installed on the Right-Hand Side) • 1 x Vertical Straight 18" Textured Stainless Steel Grab Bar (Instaled on the Right-Hand Side)	62 7/8" x 39 1/4" x 78 3/4" / 225 lb / 102 kg	119 ft ³	\$ 2852

OPS-6036 - ANSI GRAB BAR AND SEAT - 106778

SKU	Color	Configuration	Dimensions & Weight	Packaging	MSRP
106778-000-002-132	White	Center This Package Includes : • 1 x Horizontal L Shaped 33" x 37" Textured Stainless Steel Grab Bar (Installed on the Left-Hand Side) • 1 x Vertical Straight 18" Textured Stainless Steel Grab Bar (Instaled on the Left-Hand Side) • 1 x L Shaped fold-up Phenolic White Seat (Installed on the Right-Hand Side)	62 7/8" x 39 1/4" x 78 3/4" / 225 lb / 102 kg	119 ft ³	\$ 3861
106778-000-002-133		Center This Package Includes : • 1 x Horizontal L Shaped 33" x 37" Textured Stainless Steel Grab Bar (Installed on the Right-Hand Side) • 1 x Vertical Straight 18" Textured Stainless Steel Grab Bar (Instaled on the Right-Hand Side) • 1 x L Shaped fold-up Phenolic White Seat (Installed on the Left-Hand Side)			\$ 3861

OPS-6036 - ANSI COMPLIANT - 106779

SKU	Color	Configuration	Dimensions & Weight	Packaging	MSRP
106779-000-002-134	White	Center This Package Includes : • 1 x Horizontal L Shaped 33" x 37" Textured Stainless Steel Grab Bar (Installed on the Left-Hand Side) • 1 x Vertical Straight 18" Textured Stainless Steel Grab Bar (Instaled on the Left-Hand Side) • 1 x L Shaped fold-up Phenolic White Seat (Installed on the Right-Hand Side) • 1 x Chrome pressure balance mixing valve and hand shower • 1 x 24" Chrome Slide Bar and 60" Hose	62 7/8" x 39 1/4" x 78 3/4" / 225 lb / 102 kg	119 ft ³	\$ 4848
106779-000-002-135		Center This Package Includes : • 1 x Horizontal L Shaped 33" x 37" Textured Stainless Steel Grab Bar (Installed on the Right-Hand Side) • 1 x Vertical Straight 18" Textured Stainless Steel Grab Bar (Instaled on the Right-Hand Side) • 1 x L Shaped fold-up Phenolic White Seat (Installed on the Left-Hand Side) • 1 x Chrome pressure balance mixing valve and hand shower • 1 x 24" Chrome Slide Bar and 60" Hose			\$ 4848

COMMON OPTIONS

SKU	Description	MSRP
OPT20059-084	Recessed soap dish (Drilled, not installed) in Chrome (084) ⁴²	\$ 174
OPT20241-084	60 in. curtain rod (factory installed) Available color: Chrome (084)	\$ 133

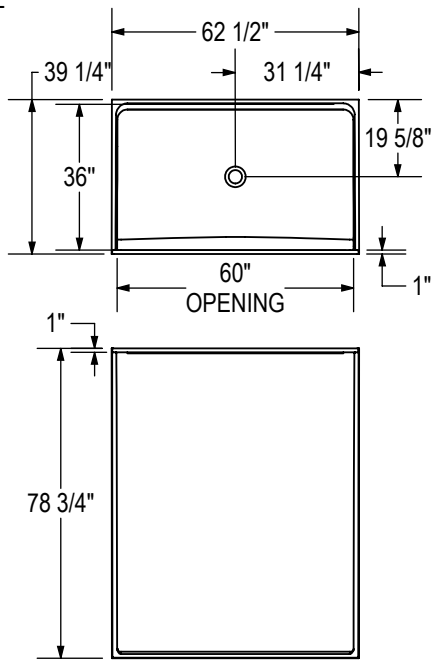
ACCESSORIES

SKU	Description	MSRP
10000064	Solid Brass drain with Chrome plated Stainless Steel grid (sold separately)	\$ 63
10020633-002	72 in. White vinyl shower curtain with Stainless Steel hooks (sold separately) ²¹	\$ 192

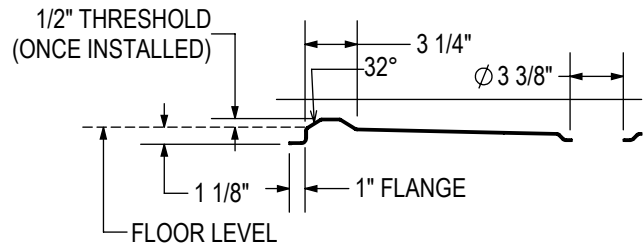
FOOTNOTES

No	Description
21	Specify when ordering if an integrated tiling flange is required and on which side (L/R, Left or Right).
42	Unless otherwise specified, left or right-hand seat determines grab bars and options positioning. Note that left-hand seat inverses grab bars positioning.

BASE MODEL



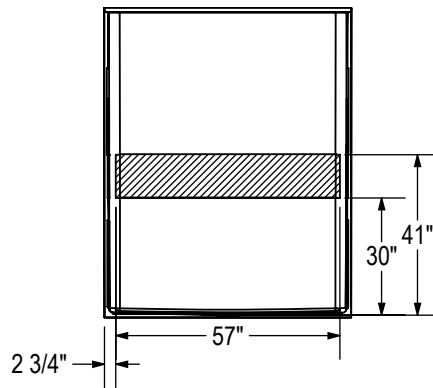
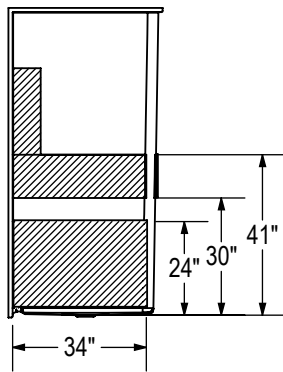
THRESHOLD DETAIL



REINFORCEMENT BACKING

RIGHT WALL SHOWN
LEFT WALL SYMMETRICAL

BACK WALL



All dimensions are approximate. Structure measurements must be verified against the unit to ensure proper fit.



OPS-6036-RS - Base Model



Material : AcrylX

Features

- > 1-piece roll-in shower reinforced according to FHA accessibility requirements
- > Configurable to be compliant with major accessibility codes when properly installed
- > Center drain, Textured bottom
- > 3/4" reduced skirt and 1/2" high threshold

ALCOVE SHOWERS - ACRYLX

OPS-6036-RS - BASE MODEL - 106077

SKU	Color	Configuration	Dimensions & Weight	Packaging	MSRP
106077-000-002-111	White	Center	62 1/2" x 39 1/4" x 78 3/4" / 225 lb / 102 kg	119 ft ³	\$ 2130

OPS-6036-RS - ADA L-BAR - 106078

SKU	Color	Configuration	Dimensions & Weight	Packaging	MSRP
106078-000-002-112	White	Center This Package Includes : • 1 x Horizontal L Shaped 27" x 37" Textured Stainless Steel Grab Bar (Installed on the Left-Hand Side)	62 1/2" x 39 1/4" x 78 3/4" / 225 lb / 102 kg	119 ft ³	\$ 2641
106078-000-002-113		Center This Package Includes : • 1 x Horizontal L Shaped 27" x 37" Textured Stainless Steel Grab Bar (Installed on the Right-Hand Side)			\$ 2641

OPS-6036-RS - ADA U-BAR - 106079

SKU	Color	Configuration	Dimensions & Weight	Packaging	MSRP
106079-000-002-114	White	Center This Package Includes : • 1 x Horizontal U Shaped 27" x 60" x 27" Textured Stainless Steel Grab Bar (Factory installed)	62 1/2" x 39 1/4" x 78 3/4" / 225 lb / 102 kg	119 ft ³	\$ 2892

OPS-6036-RS - ADA GRAB BAR AND SEAT - 106080

SKU	Color	Configuration	Dimensions & Weight	Packaging	MSRP
106080-000-002-115	White	Center This Package Includes : • 1 x Horizontal L Shaped 27" x 37" Textured Stainless Steel Grab Bar (Installed on the Left-Hand Side) • 1 x L Shaped fold-up Phenolic White Seat (Installed on the Right-Hand Side)	62 1/2" x 39 1/4" x 78 3/4" / 225 lb / 102 kg	119 ft³	\$ 3651
106080-000-002-116		Center This Package Includes : • 1 x Horizontal L Shaped 27" x 37" Textured Stainless Steel Grab Bar (Installed on the Right-Hand Side) • 1 x L Shaped fold-up Phenolic White Seat (Installed on the Left-Hand Side)			\$ 3651

OPS-6036-RS - ADA COMPLIANT (WITH SEAT) - 106081

SKU	Color	Configuration	Dimensions & Weight	Packaging	MSRP
106081-000-002-117	White	Center This Package Includes : • 1 x Horizontal L Shaped 27" x 37" Textured Stainless Steel Grab Bar (Installed on the Left-Hand Side) • 1 x L Shaped fold-up Phenolic White Seat (Installed on the Right-Hand Side) • 1 x Chrome pressure balance mixing valve and hand shower • 1 x 24" Chrome Slide Bar and 60" Hose	62 1/2" x 39 1/4" x 78 3/4" / 225 lb / 102 kg	119 ft³	\$ 4639
106081-000-002-118		Center This Package Includes : • 1 x Horizontal L Shaped 27" x 37" Textured Stainless Steel Grab Bar (Installed on the Right-Hand Side) • 1 x L Shaped fold-up Phenolic White Seat (Installed on the Left-Hand Side) • 1 x Chrome pressure balance mixing valve and hand shower • 1 x 24" Chrome Slide Bar and 60" Hose			\$ 4639

OPS-6036-RS - ADA COMPLIANT (WITHOUT SEAT) - 106082

SKU	Color	Configuration	Dimensions & Weight	Packaging	MSRP
106082-000-002-119	White	Center This Package Includes : • 1 x Horizontal U Shaped 27" x 60" x 27" Textured Stainless Steel Grab Bar (Factory installed) • 1 x Chrome pressure balance mixing valve and hand shower • 1 x 24" Chrome Slide Bar and 60" Hose	62 1/2" x 39 1/4" x 78 3/4" / 225 lb / 102 kg	119 ft³	\$ 3878

OPS-6036-RS - ANSI GRAB BAR - 106780

SKU	Color	Configuration	Dimensions & Weight	Packaging	MSRP
106780-000-002-136	White	Center This Package Includes : • 1 x Horizontal L Shaped 33" x 37" Textured Stainless Steel Grab Bar (Installed on the Left-Hand Side) • 1 x Vertical Straight 18" Textured Stainless Steel Grab Bar (Instaled on the Left-Hand Side)	62 7/8" x 39 1/4" x 78 3/4" / 225 lb / 102 kg	119 ft³	\$ 2852

OPS-6036-RS - ANSI GRAB BAR - 106780

SKU	Color	Configuration	Dimensions & Weight	Packaging	MSRP
106780-000-002-137	White	Center This Package Includes : • 1 x Horizontal L Shaped 33" x 37" Textured Stainless Steel Grab Bar (Installed on the Right-Hand Side) • 1 x Vertical Straight 18" Textured Stainless Steel Grab Bar (Instaled on the Right-Hand Side)	62 7/8" x 39 1/4" x 78 3/4" / 225 lb / 102 kg	119 ft ³	\$ 2852

OPS-6036-RS - ANSI GRAB BAR AND SEAT - 106781

SKU	Color	Configuration	Dimensions & Weight	Packaging	MSRP
106781-000-002-138	White	Center This Package Includes : • 1 x Horizontal L Shaped 33" x 37" Textured Stainless Steel Grab Bar (Installed on the Left-Hand Side) • 1 x Vertical Straight 18" Textured Stainless Steel Grab Bar (Instaled on the Left-Hand Side) • 1 x L Shaped fold-up Phenolic White Seat (Installed on the Right-Hand Side)	62 7/8" x 39 1/4" x 78 3/4" / 225 lb / 102 kg	119 ft ³	\$ 3861
106781-000-002-139		Center This Package Includes : • 1 x Horizontal L Shaped 33" x 37" Textured Stainless Steel Grab Bar (Installed on the Right-Hand Side) • 1 x Vertical Straight 18" Textured Stainless Steel Grab Bar (Instaled on the Right-Hand Side) • 1 x L Shaped fold-up Phenolic White Seat (Installed on the Left-Hand Side)			\$ 3861

OPS-6036-RS - ANSI COMPLIANT - 106782

SKU	Color	Configuration	Dimensions & Weight	Packaging	MSRP
106782-000-002-140	White	Center This Package Includes : • 1 x Horizontal L Shaped 33" x 37" Textured Stainless Steel Grab Bar (Installed on the Left-Hand Side) • 1 x Vertical Straight 18" Textured Stainless Steel Grab Bar (Instaled on the Left-Hand Side) • 1 x L Shaped fold-up Phenolic White Seat (Installed on the Right-Hand Side) • 1 x Chrome pressure balance mixing valve and hand shower • 1 x 24" Chrome Slide Bar and 60" Hose	62 7/8" x 39 1/4" x 78 3/4" / 225 lb / 102 kg	119 ft ³	\$ 4848
106782-000-002-141		Center This Package Includes : • 1 x Horizontal L Shaped 33" x 37" Textured Stainless Steel Grab Bar (Installed on the Right-Hand Side) • 1 x Vertical Straight 18" Textured Stainless Steel Grab Bar (Instaled on the Right-Hand Side) • 1 x L Shaped fold-up Phenolic White Seat (Installed on the Left-Hand Side) • 1 x Chrome pressure balance mixing valve and hand shower • 1 x 24" Chrome Slide Bar and 60" Hose			\$ 4848

COMMON OPTIONS

SKU	Description	MSRP
OPT20059-084	Recessed soap dish (Drilled, not installed) in Chrome (084) ⁴²	\$ 174
OPT20241-084	60 in. curtain rod (factory installed) Available color: Chrome (084)	\$ 133

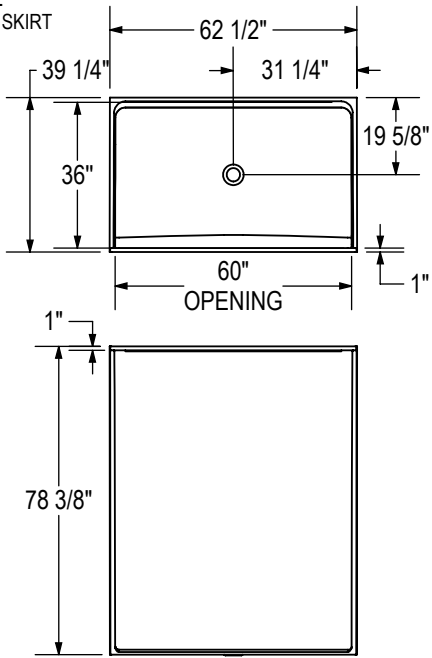
ACCESSORIES

SKU	Description	MSRP
10000064	Solid Brass drain with Chrome plated Stainless Steel grid (sold separately)	\$ 63
10020633-002	72 in. White vinyl shower curtain with Stainless Steel hooks (sold separately) ²¹	\$ 192

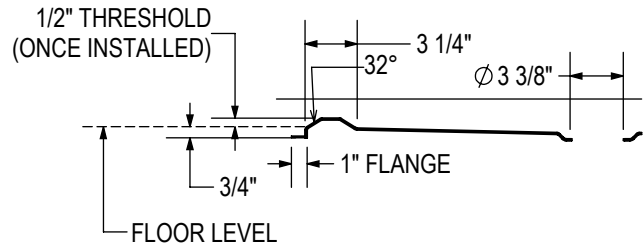
FOOTNOTES

No	Description
21	Specify when ordering if an integrated tiling flange is required and on which side (L/R, Left or Right).
42	Unless otherwise specified, left or right-hand seat determines grab bars and options positioning. Note that left-hand seat inverses grab bars positioning.

BASE MODEL
WITH REDUCED SKIRT

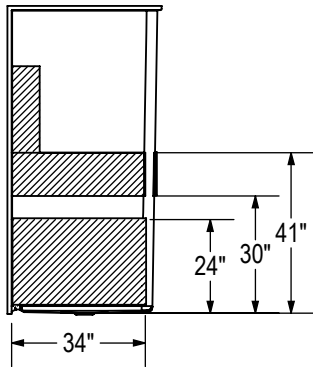


THRESHOLD DETAIL (REDUCED SKIRT)

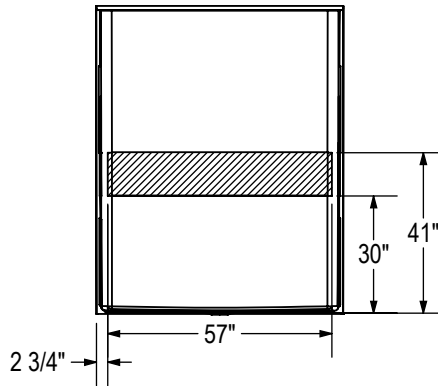


REINFORCEMENT BACKING

RIGHT WALL SHOWN
LEFT WALL SYMMETRICAL



BACK WALL



All dimensions are approximate. Structure measurements must be verified against the unit to ensure proper fit.



OPTS-6032 - Base Model

TUB SHOWERS - ACRYLX



Material : AcrylX

Features

- › 1-piece tub shower reinforced according to FHA accessibility requirements
- › Configurable to be compliant with major accessibility codes when properly installed
- › Right-hand or left-hand drain ⁴¹, textured bottom
- › Above-the-Floor Rough

OPTS-6032 - BASE MODEL - 106057

SKU	System	Color	Configuration	Dimensions & Weight	Packaging	MSRP
106057-000-002-001	Soaker - No System	White	Left	59 3/4" x 34" x 74 1/2" / 154 lb / 70 kg	90 ft ³	\$ 1571
106057-000-002-002			Right			\$ 1571

OPTS-6032 - ADA GRAB BARS - 106058

SKU	System	Color	Configuration	Dimensions & Weight	Packaging	MSRP
106058-000-002-100	Soaker - No System	White	Left This Package Includes : <ul style="list-style-type: none"> • 2 x Horizontal Straight 24" Textured Stainless Steel Grab Bar (Installed on the Left Side of the Back Wall) • 1 x Horizontal Straight 24" Textured Stainless Steel Grab Bar (Installed on the Left-Hand Side) • 1 x Horizontal Straight 24" Textured Stainless Steel Grab Bar (Installed on the Right-Hand Side) 	59 3/4" x 34" x 74 1/2" / 154 lb / 70 kg	90 ft ³	\$ 2629
106058-000-002-101			Right This Package Includes : <ul style="list-style-type: none"> • 2 x Horizontal Straight 24" Textured Stainless Steel Grab Bar (Installed on the Right Side of the Back Wall) • 1 x Horizontal Straight 24" Textured Stainless Steel Grab Bar (Installed on the Left-Hand Side) • 1 x Horizontal Straight 24" Textured Stainless Steel Grab Bar (Installed on the Right-Hand Side) 			\$ 2629

OPTS-6032 - ANSI GRAB BARS - 106059

SKU	System	Color	Configuration	Dimensions & Weight	Packaging	MSRP
106059-000-002-102	Soaker - No System	White	Left This Package Includes : <ul style="list-style-type: none"> • 2 x Horizontal Straight 24" Textured Stainless Steel Grab Bar (Installed on the Left Side of the Back Wall) • 1 x Horizontal Straight 24" Textured Stainless Steel Grab Bar (Installed on the Left-Hand Side) • 1 x Horizontal Straight 24" Textured Stainless Steel Grab Bar (Installed on the Right-Hand Side) • 1 x Vertical Straight 18" Textured Stainless Steel Grab Bar (Installed on the Left-Hand Side) 	59 3/4" x 34" x 74 1/2" / 154 lb / 70 kg	90 ft ³	\$ 2894
106059-000-002-103			Right This Package Includes : <ul style="list-style-type: none"> • 2 x Horizontal Straight 24" Textured Stainless Steel Grab Bar (Installed on the Right Side of the Back Wall) • 1 x Horizontal Straight 24" Textured Stainless Steel Grab Bar (Installed on the Left-Hand Side) • 1 x Horizontal Straight 24" Textured Stainless Steel Grab Bar (Installed on the Right-Hand Side) • 1 x Vertical Straight 18" Textured Stainless Steel Grab Bar (Installed on the Right-Hand Side) 			\$ 2894

OPTS-6032 - ADA GRAB BARS AND SEAT - 106060

SKU	System	Color	Configuration	Dimensions & Weight	Packaging	MSRP
106060-000-002-104	Soaker - No System	White	Left This Package Includes : <ul style="list-style-type: none"> • 2 x Horizontal Straight 24" Textured Stainless Steel Grab Bar (Installed on the Left Side of the Back Wall) • 1 x Horizontal Straight 24" Textured Stainless Steel Grab Bar (Installed on the Left-Hand Side) • 1 x Horizontal Straight 24" Textured Stainless Steel Grab Bar (Installed on the Right-Hand Side) • 1 x Removable Phenolic White Seat 	59 3/4" x 34" x 74 1/2" / 154 lb / 70 kg	90 ft ³	\$ 3571
106060-000-002-105			Right This Package Includes : <ul style="list-style-type: none"> • 2 x Horizontal Straight 24" Textured Stainless Steel Grab Bar (Installed on the Right Side of the Back Wall) • 1 x Horizontal Straight 24" Textured Stainless Steel Grab Bar (Installed on the Left-Hand Side) • 1 x Horizontal Straight 24" Textured Stainless Steel Grab Bar (Installed on the Right-Hand Side) • 1 x Removable Phenolic White Seat 			\$ 3571

OPTS-6032 - ANSI GRAB BARS AND SEAT - 106061

SKU	System	Color	Configuration	Dimensions & Weight	Packaging	MSRP
106061-000-002-106	Soaker - No System	White	Left This Package Includes : <ul style="list-style-type: none"> • 2 x Horizontal Straight 24" Textured Stainless Steel Grab Bar (Installed on the Left Side of the Back Wall) • 1 x Horizontal Straight 24" Textured Stainless Steel Grab Bar (Installed on the Left-Hand Side) • 1 x Horizontal Straight 24" Textured Stainless Steel Grab Bar (Installed on the Right-Hand Side) • 1 x Vertical Straight 18" Textured Stainless Steel Grab Bar (Installed on the Left-Hand Side) • 1 x Removable Phenolic White Seat 	59 3/4" x 34" x 74 1/2" / 154 lb / 70 kg	90 ft ³	\$ 3836
106061-000-002-107			Right This Package Includes : <ul style="list-style-type: none"> • 2 x Horizontal Straight 24" Textured Stainless Steel Grab Bar (Installed on the Right Side of the Back Wall) • 1 x Horizontal Straight 24" Textured Stainless Steel Grab Bar (Installed on the Left-Hand Side) • 1 x Horizontal Straight 24" Textured Stainless Steel Grab Bar (Installed on the Right-Hand Side) • 1 x Vertical Straight 18" Textured Stainless Steel Grab Bar (Installed on the Right-Hand Side) • 1 x Removable Phenolic White Seat 			\$ 3836

OPTS-6032 - ADA COMPLIANT - 106062

SKU	System	Color	Configuration	Dimensions & Weight	Packaging	MSRP
106062-000-002-108	Soaker - No System	White	Left This Package Includes : <ul style="list-style-type: none"> • 2 x Horizontal Straight 24" Textured Stainless Steel Grab Bar (Installed on the Left Side of the Back Wall) • 1 x Horizontal Straight 24" Textured Stainless Steel Grab Bar (Installed on the Left-Hand Side) • 1 x Horizontal Straight 24" Textured Stainless Steel Grab Bar (Installed on the Right-Hand Side) • 1 x Removable Phenolic White Seat 	59 3/4" x 34" x 74 1/2" / 154 lb / 70 kg	90 ft ³	\$ 4558
106062-000-002-109			Right This Package Includes : <ul style="list-style-type: none"> • 2 x Horizontal Straight 24" Textured Stainless Steel Grab Bar (Installed on the Right Side of the Back Wall) • 1 x Horizontal Straight 24" Textured Stainless Steel Grab Bar (Installed on the Left-Hand Side) • 1 x Horizontal Straight 24" Textured Stainless Steel Grab Bar (Installed on the Right-Hand Side) • 1 x Removable Phenolic White Seat 			\$ 4558

OPTS-6032 - ANSI COMPLIANT - 106063

SKU	System	Color	Configuration	Dimensions & Weight	Packaging	MSRP
106063-000-002-110	Soaker - No System	White	Left This Package Includes : <ul style="list-style-type: none"> • 2 x Horizontal Straight 24" Textured Stainless Steel Grab Bar (Installed on the Left Side of the Back Wall) • 1 x Horizontal Straight 24" Textured Stainless Steel Grab Bar (Installed on the Left-Hand Side) • 1 x Horizontal Straight 24" Textured Stainless Steel Grab Bar (Installed on the Right-Hand Side) • 1 x Vertical Straight 18" Textured Stainless Steel Grab Bar (Installed on the Left-Hand Side) • 1 x Removable Phenolic White Seat • 1 x Chrome pressure balance mixing valve with hand shower • 1 x 24" Chrome Slide Bar with 60" Hose 	59 3/4" x 34" x 74 1/2" / 154 lb / 70 kg	90 ft ³	\$ 4823
106063-000-002-111			Right This Package Includes : <ul style="list-style-type: none"> • 2 x Horizontal Straight 24" Textured Stainless Steel Grab Bar (Installed on the Right Side of the Back Wall) • 1 x Horizontal Straight 24" Textured Stainless Steel Grab Bar (Installed on the Left-Hand Side) • 1 x Horizontal Straight 24" Textured Stainless Steel Grab Bar (Installed on the Right-Hand Side) • 1 x Vertical Straight 18" Textured Stainless Steel Grab Bar (Installed on the Right-Hand Side) • 1 x Removable Phenolic White Seat • 1 x Chrome pressure balance mixing valve with hand shower • 1 x 24" Chrome Slide Bar with 60" Hose 			\$ 4823

COMMON OPTIONS

SKU	Description	MSRP
OPT20059-084	Recessed soap dish (Drilled, not installed) in Chrome (084) ⁴²	\$ 174
OPT20240-084	56 in. Curtain rod (factory installed) Available color: Chrome (084)	\$ 124

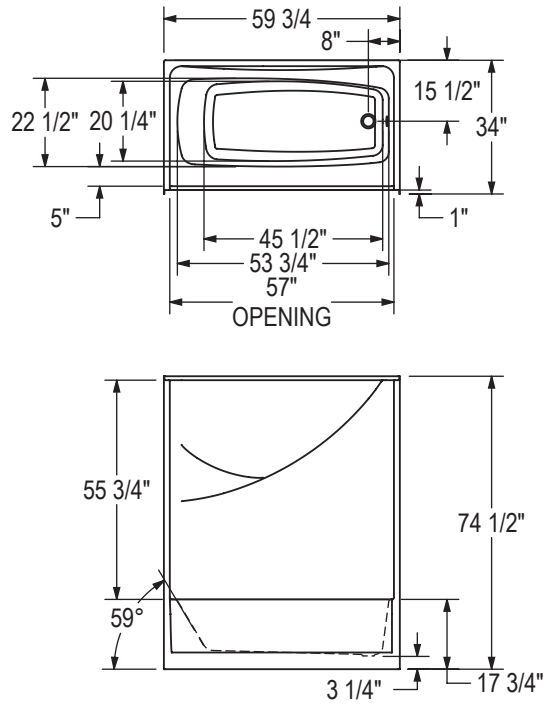
ACCESSORIES

SKU	Description	MSRP
10020633-002	72 in. White vinyl shower curtain with Stainless Steel hooks (sold separately) ²¹	\$ 192

FOOTNOTES

No	Description
21	Specify when ordering if an integrated tiling flange is required and on which side (L/R, Left or Right).
41	Unless otherwise specified, left or right-hand drain determines seat, grab bar and options positioning. Note that right-hand drain inverses seat and grab bar positioning.
42	Unless otherwise specified, left or right-hand seat determines grab bars and options positioning. Note that left-hand seat inverses grab bars positioning.

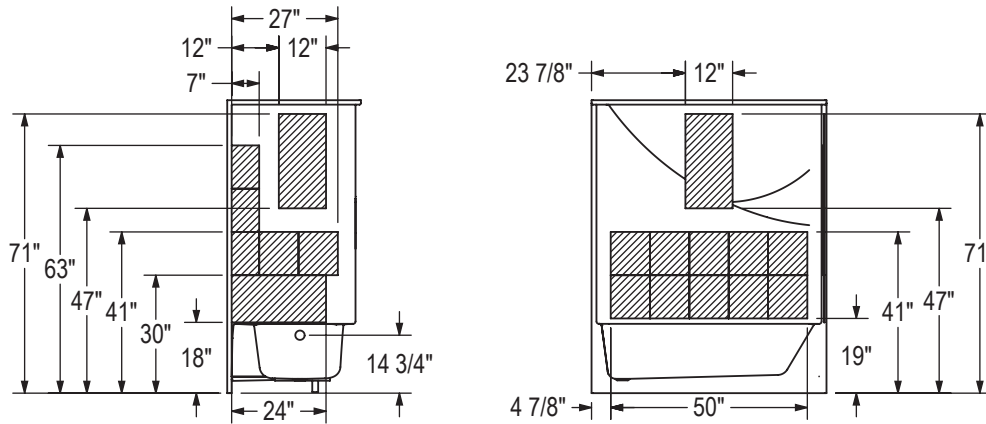
BASE MODEL
 RIGHT SIDE SHOWN
 LEFT SIDE SYMMETRICAL



REINFORCEMENT BACKING

RIGHT WALL SHOWN
 LEFT WALL SYMMETRICAL

BACK WALL



All dimensions are approximate. Structure measurements must be verified against the unit to ensure proper fit.

Shower Bases



Icon 6036 Shower Base with Halo Pro Shower Door



Icon Base 3232

ALCOVE BASES - ACRYLX

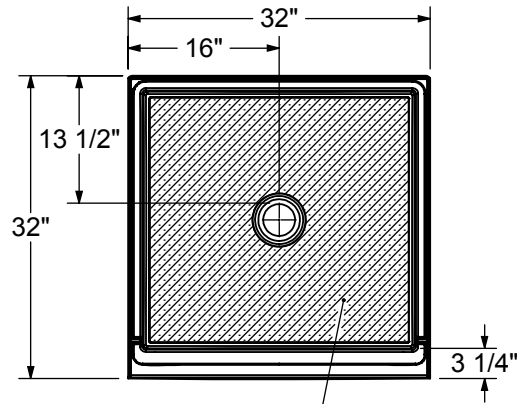


Material : AcrylX

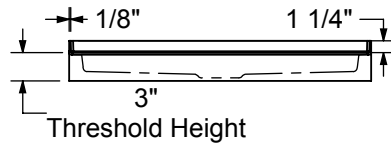
Features

- > Low Threshold Shower Base
- > ArmorCore Reinforcement
- > Integrated Weep Holes
- > Textured Floor
- > Center Drain

ICON 3232 - 106747					
SKU	Color	Configuration	Dimensions & Weight	Packaging	MSRP
106747-000-002-000	White	Center / Alcove	32" x 32" x 4 1/4" / 39 lb / 18 kg	2.51 ft ³	\$ 452



The hatched area represents the anti slip



All dimensions are approximate. Structure measurements must be verified against the unit to ensure proper fit.



Icon Base 3636

ALCOVE BASES - ACRYLX

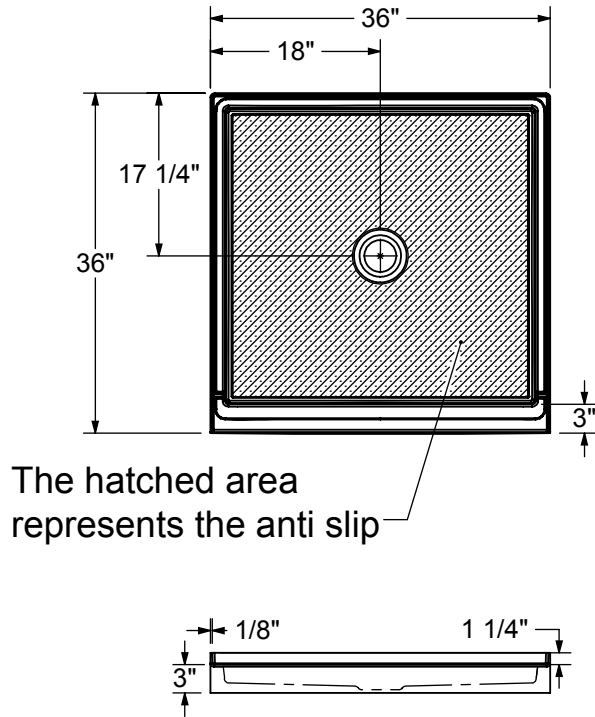


Material : AcrylX

Features

- > Low Threshold Shower Base
- > ArmorCore Reinforcement
- > Integrated Weep Holes
- > Textured Floor
- > Center Drain

ICON 3636 - 106748					
SKU	Color	Configuration	Dimensions & Weight	Packaging	MSRP
106748-000-002-000	White	Center / Alcove	36" x 36" x 4 1/4" / 48 lb / 22 kg	3.18 ft ³	\$ 469



All dimensions are approximate. Structure measurements must be verified against the unit to ensure proper fit.



Icon Base 3642

ALCOVE BASES - ACRYLX

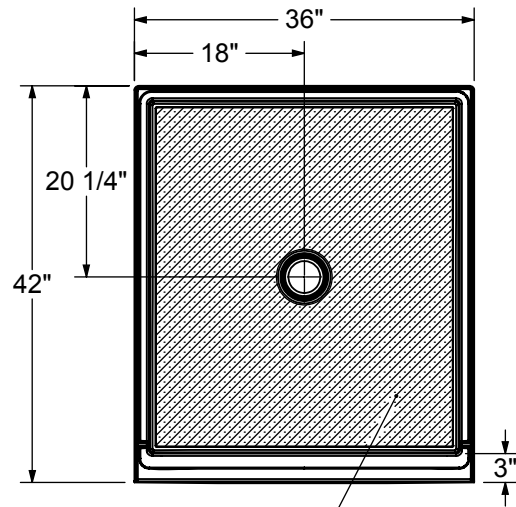


Material : AcrylX

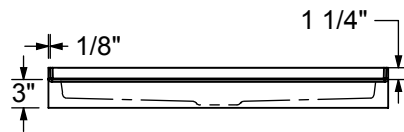
Features

- > Low Threshold Shower Base
- > ArmorCore Reinforcement
- > Integrated Weep Holes
- > Textured Floor
- > Center Drain

ICON 3642 - 106749					
SKU	Color	Configuration	Dimensions & Weight	Packaging	MSRP
106749-000-002-000	White	Center / Alcove	36" x 42" x 4 1/4" / 55 lb / 25 kg	3.19 ft ³	\$ 486



The hatched area represents the anti slip



All dimensions are approximate. Structure measurements must be verified against the unit to ensure proper fit.



Icon Base 4234

ALCOVE BASES - ACRYLX

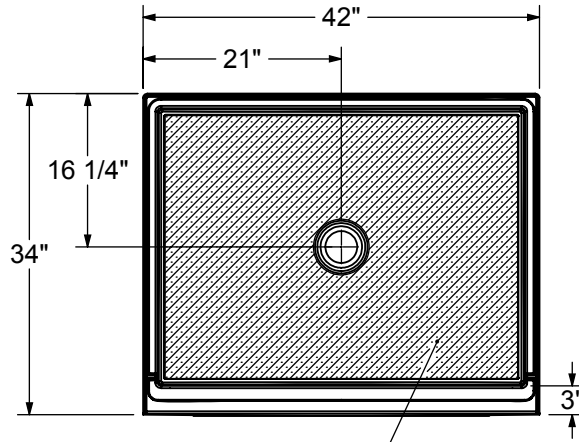


Material : AcrylX

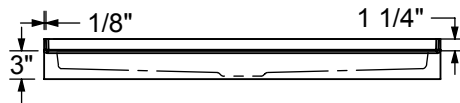
Features

- > Low Threshold Shower Base
- > ArmorCore Reinforcement
- > Integrated Weep Holes
- > Textured Floor
- > Center Drain

ICON 4234 - 106750					
SKU	Color	Configuration	Dimensions & Weight	Packaging	MSRP
106750-000-002-000	White	Center / Alcove	42" x 34" x 4 1/4" / 52 lb / 24 kg	3.51 ft ³	\$ 486



The hatched area represents the anti slip



All dimensions are approximate. Structure measurements must be verified against the unit to ensure proper fit.



Icon Base 4236

ALCOVE BASES - ACRYLX

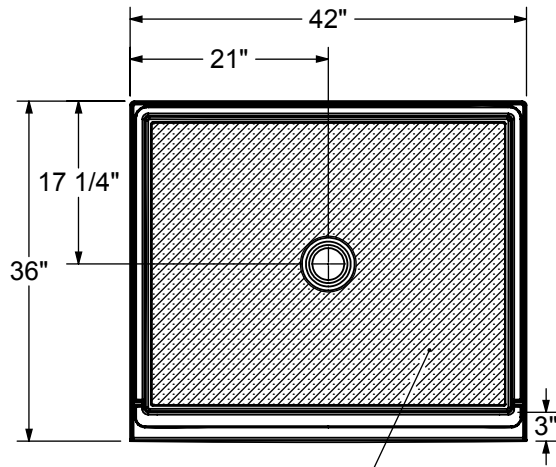


Material : AcrylX

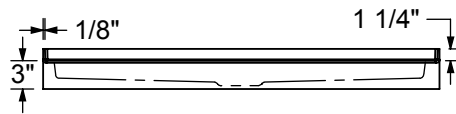
Features

- > Low Threshold Shower Base
- > ArmorCore Reinforcement
- > Integrated Weep Holes
- > Textured Floor
- > Center Drain

ICON 4236 - 106751					
SKU	Color	Configuration	Dimensions & Weight	Packaging	MSRP
106751-000-002-000	White	Center / Alcove	42" x 36" x 4 1/4" / 55 lb / 25 kg	3.72 ft ³	\$ 486



The hatched area represents the anti slip



All dimensions are approximate. Structure measurements must be verified against the unit to ensure proper fit.



Icon Base 4242

ALCOVE BASES - ACRYLX

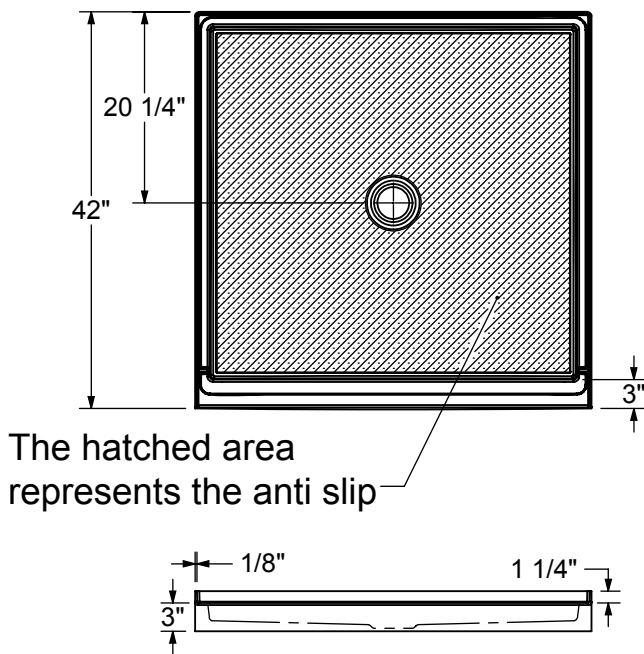


Material : AcrylX

Features

- > Low Threshold Shower Base
- > ArmorCore Reinforcement
- > Integrated Weep Holes
- > Textured Floor
- > Center Drain

ICON 4242 - 106752					
SKU	Color	Configuration	Dimensions & Weight	Packaging	MSRP
106752-000-002-000	White	Center / Alcove	42" x 42" x 4 1/4" / 63 lb / 29 kg	4.34 ft ³	\$ 554



All dimensions are approximate. Structure measurements must be verified against the unit to ensure proper fit.



Icon Base 4832

ALCOVE BASES - ACRYLX

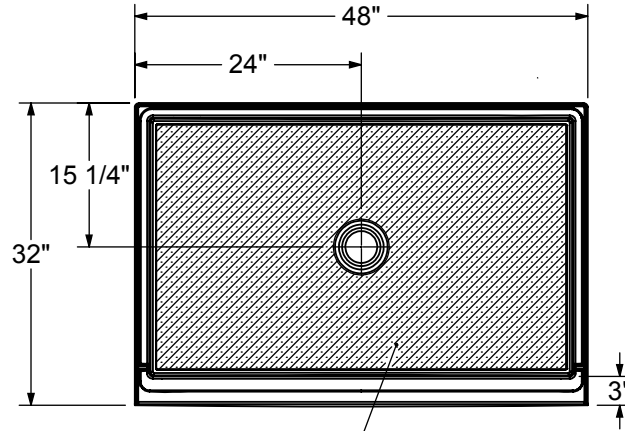


Material : AcrylX

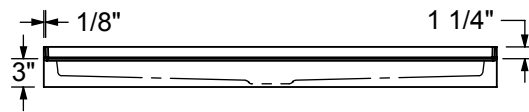
Features

- > Low Threshold Shower Base
- > ArmorCore Reinforcement
- > Integrated Weep Holes
- > Textured Floor
- > Center Drain

ICON 4832 - 106753					
SKU	Color	Configuration	Dimensions & Weight	Packaging	MSRP
106753-000-002-000	White	Center / Alcove	48" x 32" x 4 1/4" / 56 lb / 25 kg	3.78 ft ³	\$ 519



The hatched area represents the anti slip



All dimensions are approximate. Structure measurements must be verified against the unit to ensure proper fit.



Icon Base 4834

ALCOVE BASES - ACRYLX

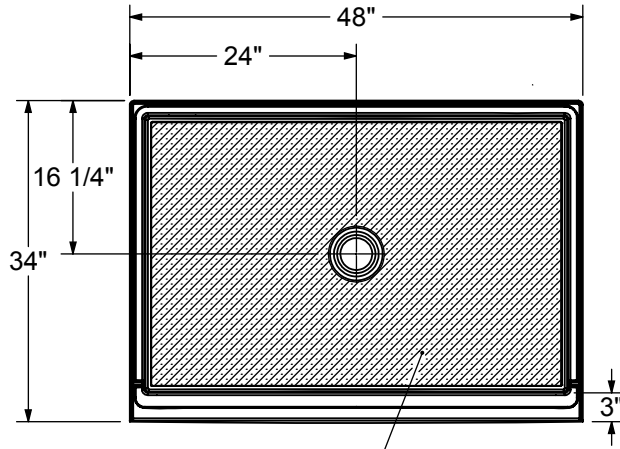


Material : AcrylX

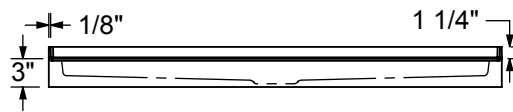
Features

- > Low Threshold Shower Base
- > ArmorCore Reinforcement
- > Integrated Weep Holes
- > Textured Floor
- > Center Drain

ICON 4834 - 106754					
SKU	Color	Configuration	Dimensions & Weight	Packaging	MSRP
106754-000-002-000	White	Center / Alcove	48" x 34" x 4 1/4" / 59 lb / 27 kg	4.01 ft ³	\$ 519



The hatched area represents the anti slip



All dimensions are approximate. Structure measurements must be verified against the unit to ensure proper fit.



Icon Base 4836

ALCOVE BASES - ACRYLX

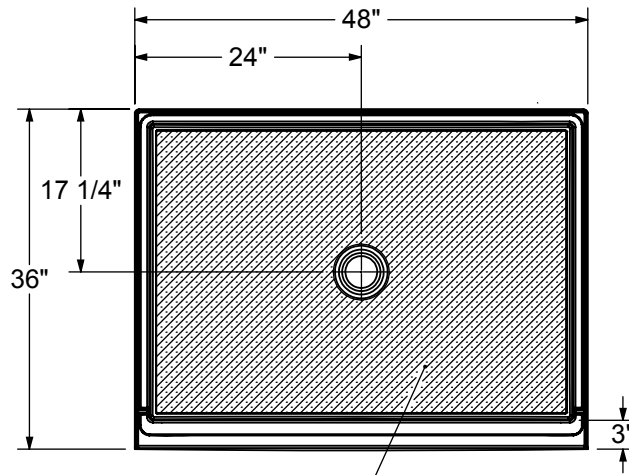


Material : AcrylX

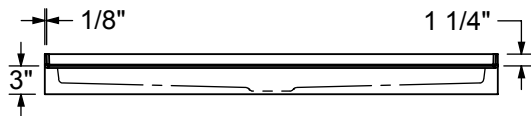
Features

- > Low Threshold Shower Base
- > ArmorCore Reinforcement
- > Integrated Weep Holes
- > Textured Floor
- > Center Drain

ICON 4836 - 106755					
SKU	Color	Configuration	Dimensions & Weight	Packaging	MSRP
106755-000-002-000	White	Center / Alcove	48" x 36" x 4 1/4" / 62 lb / 28 kg	4.25 ft ³	\$ 537



The hatched area represents the anti slip



All dimensions are approximate. Structure measurements must be verified against the unit to ensure proper fit.



Icon Base 4842

ALCOVE BASES - ACRYLX

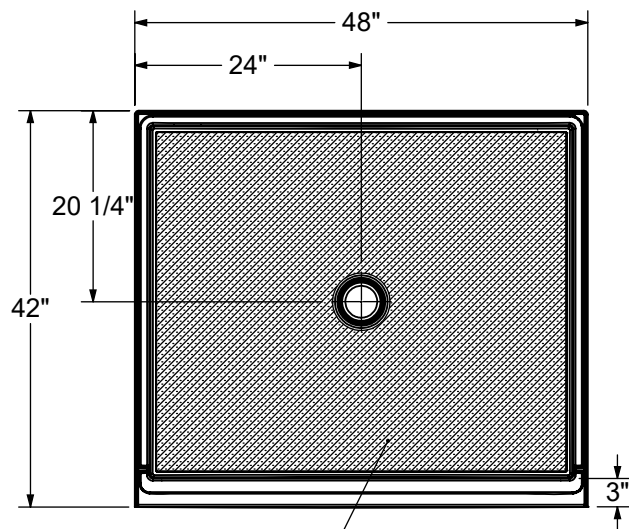


Material : AcrylX

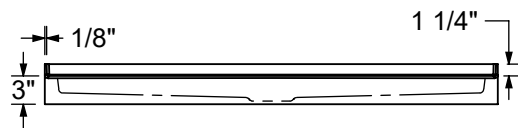
Features

- > Low Threshold Shower Base
- > ArmorCore Reinforcement
- > Integrated Weep Holes
- > Textured Floor
- > Center Drain

ICON 4842 - 106767					
SKU	Color	Configuration	Dimensions & Weight	Packaging	MSRP
106767-000-002-000	White	Center / Alcove	48" x 42" x 4 1/4" / 71 lb / 32 kg	4.958 ft ³	\$ 618



The hatched area represents the anti slip



All dimensions are approximate. Structure measurements must be verified against the unit to ensure proper fit.



Icon Base 4848

ALCOVE BASES - ACRYLX

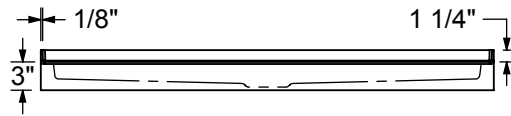
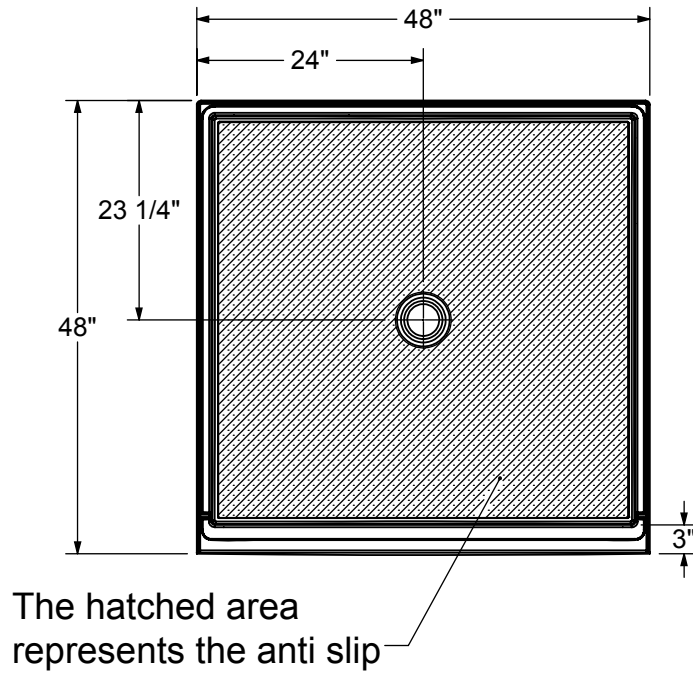


Material : AcrylX

Features

- > Low Threshold Shower Base
- > ArmorCore Reinforcement
- > Integrated Weep Holes
- > Textured Floor
- > Center Drain

ICON 4848 - 106756					
SKU	Color	Configuration	Dimensions & Weight	Packaging	MSRP
106756-000-002-000	White	Center / Alcove	48" x 48" x 4 1/4" / 81 lb / 37 kg	5.67 ft ³	\$ 669



All dimensions are approximate. Structure measurements must be verified against the unit to ensure proper fit.



Icon Base 6030 L / R

ALCOVE BASES - ACRYLX



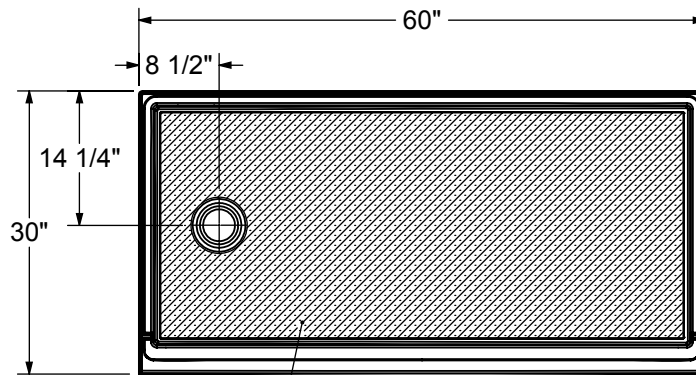
Material : AcrylX

Features

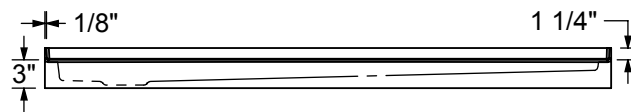
- > Low Threshold Shower Base
- > ArmorCore Reinforcement
- > Integrated Weep Holes
- > Textured Floor
- > Right or left Drain

ICON 6030 L / R - 106757					
SKU	Color	Configuration	Dimensions & Weight	Packaging	MSRP
106757-000-002-001	White	Left / Alcove	60" x 30" x 4 1/4" / 65 lb / 29 kg	4.43 ft ³	\$ 637
106757-000-002-002		Right / Alcove			\$ 637

Left model shown
Right drain model symmetrical



The hatched area represents the anti slip



All dimensions are approximate. Structure measurements must be verified against the unit to ensure proper fit.



Icon Base 6032

ALCOVE BASES - ACRYLX

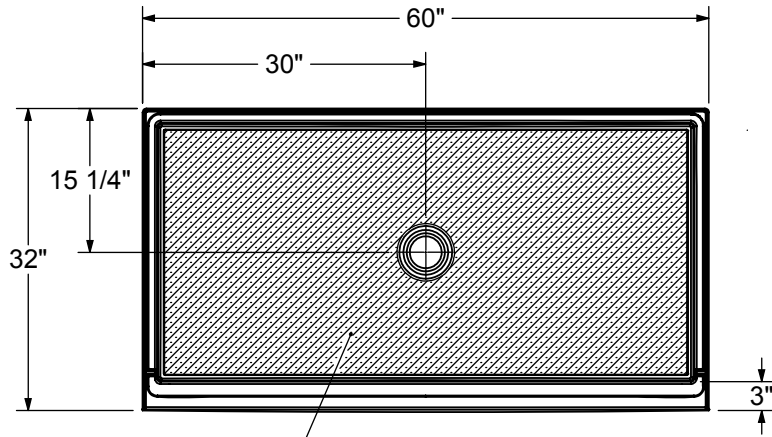


Material : AcrylX

Features

- > Low Threshold Shower Base
- > ArmorCore Reinforcement
- > Integrated Weep Holes
- > Textured Floor
- > Center Drain

ICON 6032 - 106759					
SKU	Color	Configuration	Dimensions & Weight	Packaging	MSRP
106759-000-002-000	White	Center / Alcove	60" x 32" x 4 1/4" / 69 lb / 31 kg	4.72 ft ³	\$ 602



The hatched area represents the anti slip



All dimensions are approximate. Structure measurements must be verified against the unit to ensure proper fit.



Icon Base 6032 L / R

ALCOVE BASES - ACRYLX



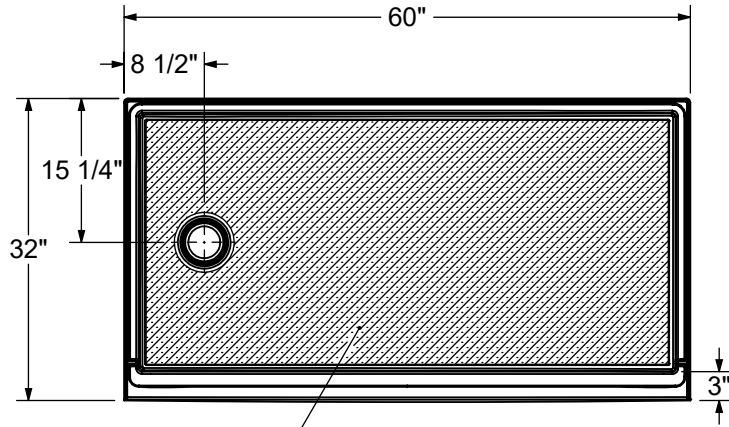
Material : AcrylX

Features

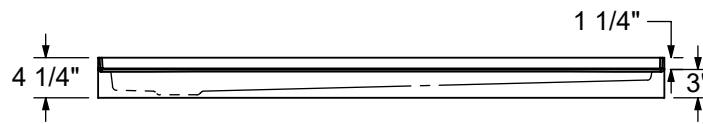
- > Low Threshold Shower Base
- > ArmorCore Reinforcement
- > Integrated Weep Holes
- > Textured Floor
- > Right or left Drain

ICON 6032 L / R - 106758					
SKU	Color	Configuration	Dimensions & Weight	Packaging	MSRP
106758-000-002-001	White	Left / Alcove	60" x 32" x 4 1/4" / 69 lb / 31 kg	4.72 ft ³	\$ 637
106758-000-002-002		Right / Alcove			\$ 637

Left model shown
Right drain model symmetrical



The hatched area represents the anti slip



All dimensions are approximate. Structure measurements must be verified against the unit to ensure proper fit.



Icon Base 6034

ALCOVE BASES - ACRYLX

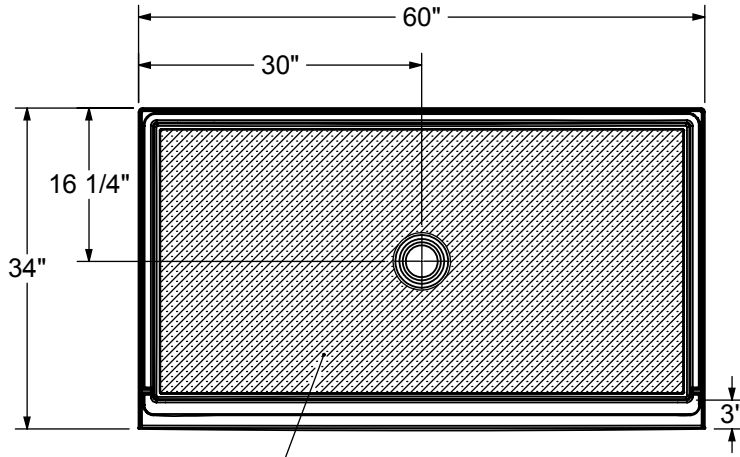


Material : AcrylX

Features

- > Low Threshold Shower Base
- > ArmorCore Reinforcement
- > Integrated Weep Holes
- > Textured Floor
- > Center Drain

ICON 6034 - 106761					
SKU	Color	Configuration	Dimensions & Weight	Packaging	MSRP
106761-000-002-000	White	Center / Alcove	60" x 34" x 4 1/4" / 71 lb / 32 kg	5.02 ft ³	\$ 618



The hatched area represents the anti slip



All dimensions are approximate. Structure measurements must be verified against the unit to ensure proper fit.



Icon Base 6034 L / R

ALCOVE BASES - ACRYLX



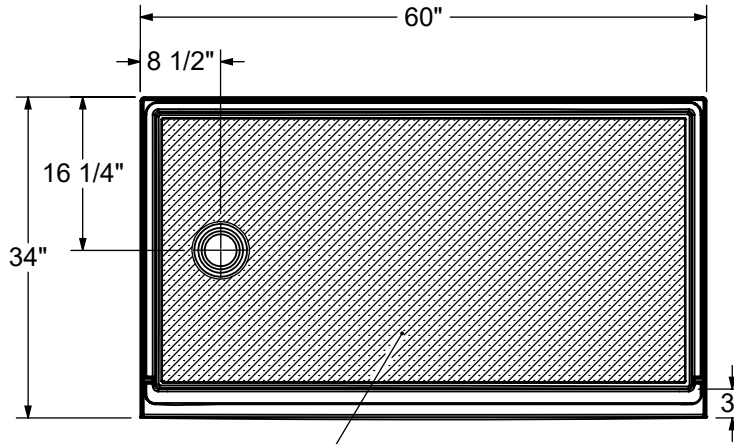
Material : AcrylX

Features

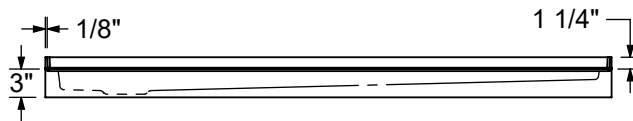
- > Low Threshold Shower Base
- > ArmorCore Reinforcement
- > Integrated Weep Holes
- > Textured Floor
- > Right or left Drain

ICON 6034 L / R - 106760					
SKU	Color	Configuration	Dimensions & Weight	Packaging	MSRP
106760-000-002-001	White	Left / Alcove	60" x 34" x 4 1/4" / 71 lb / 32 kg	5.02 ft³	\$ 637
106760-000-002-002		Right / Alcove			\$ 637

Left model shown
Right drain model symmetrical



The hatched area represents the anti slip



All dimensions are approximate. Structure measurements must be verified against the unit to ensure proper fit.



Icon Base 6036

ALCOVE BASES - ACRYLX

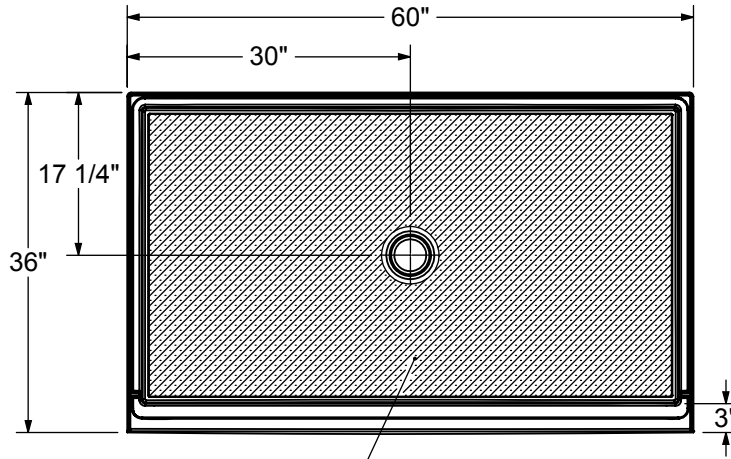


Material : AcrylX

Features

- > Low Threshold Shower Base
- > ArmorCore Reinforcement
- > Integrated Weep Holes
- > Textured Floor
- > Center Drain

ICON 6036 - 106763					
SKU	Color	Configuration	Dimensions & Weight	Packaging	MSRP
106763-000-002-000	White	Center / Alcove	60" x 36" x 4 1/4" / 77 lb / 35 kg	5.31 ft ³	\$ 652



The hatched area represents the anti slip



All dimensions are approximate. Structure measurements must be verified against the unit to ensure proper fit.



Icon Base 6036 L / R

ALCOVE BASES - ACRYLX



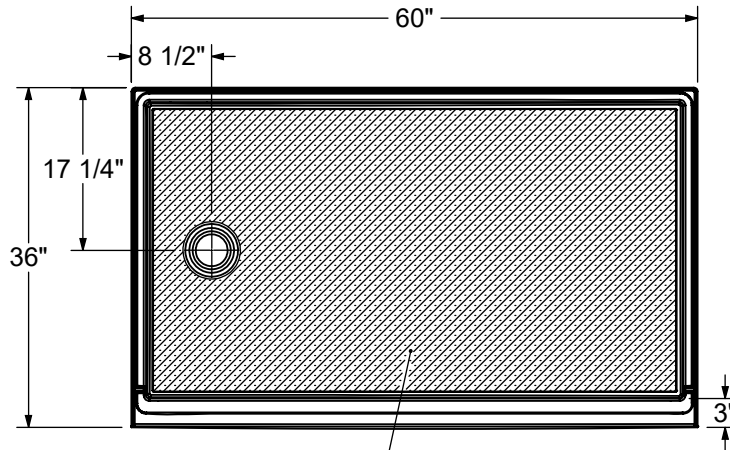
Material : AcrylX

Features

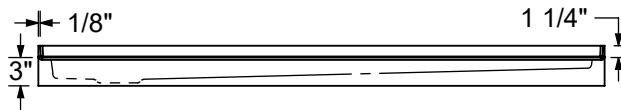
- > Low Threshold Shower Base
- > ArmorCore Reinforcement
- > Integrated Weep Holes
- > Textured Floor
- > Right or left Drain

ICON 6036 L / R - 106762					
SKU	Color	Configuration	Dimensions & Weight	Packaging	MSRP
106762-000-002-001	White	Left / Alcove	60" x 36" x 4 1/4" / 77 lb / 35 kg	5.31 ft ³	\$ 669
106762-000-002-002		Right / Alcove			\$ 669

Left model shown
Right drain model symmetrical



The hatched area represents the anti slip



All dimensions are approximate. Structure measurements must be verified against the unit to ensure proper fit.



Icon Base 6042

ALCOVE BASES - ACRYLX

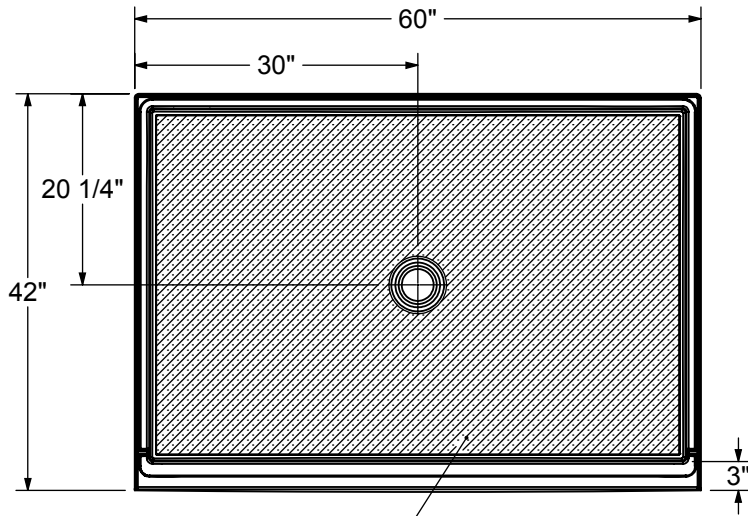


Material : AcrylX

Features

- > Low Threshold Shower Base
- > ArmorCore Reinforcement
- > Integrated Weep Holes
- > Textured Floor
- > Center Drain

ICON 6042 - 106764					
SKU	Color	Configuration	Dimensions & Weight	Packaging	MSRP
106764-000-002-000	White	Center / Alcove	60" x 42" x 4 1/4" / 88 lb / 40 kg	6.2 ft ³	\$ 737



The hatched area represents the anti slip



All dimensions are approximate. Structure measurements must be verified against the unit to ensure proper fit.



Icon Base 7236

ALCOVE BASES - ACRYLX

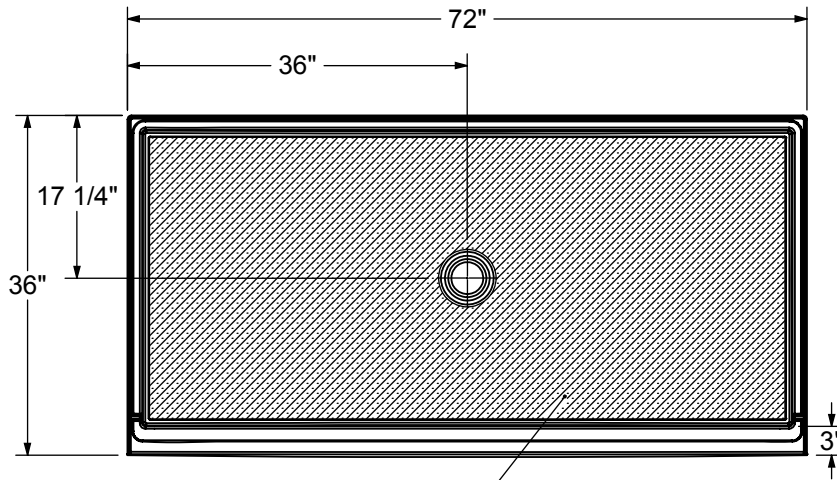


Material : AcrylX

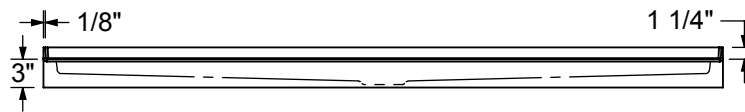
Features

- > Low Threshold Shower Base
- > ArmorCore Reinforcement
- > Integrated Weep Holes
- > Textured Floor
- > Center Drain

ICON 7236 - 106765					
SKU	Color	Configuration	Dimensions & Weight	Packaging	MSRP
106765-000-002-000	White	Center / Alcove	72" x 36" x 4 1/4" / 91 lb / 41 kg	6.38 ft ³	\$ 919



The hatched area represents the anti slip



All dimensions are approximate. Structure measurements must be verified against the unit to ensure proper fit.



Icon Base 7248

ALCOVE BASES - ACRYLX

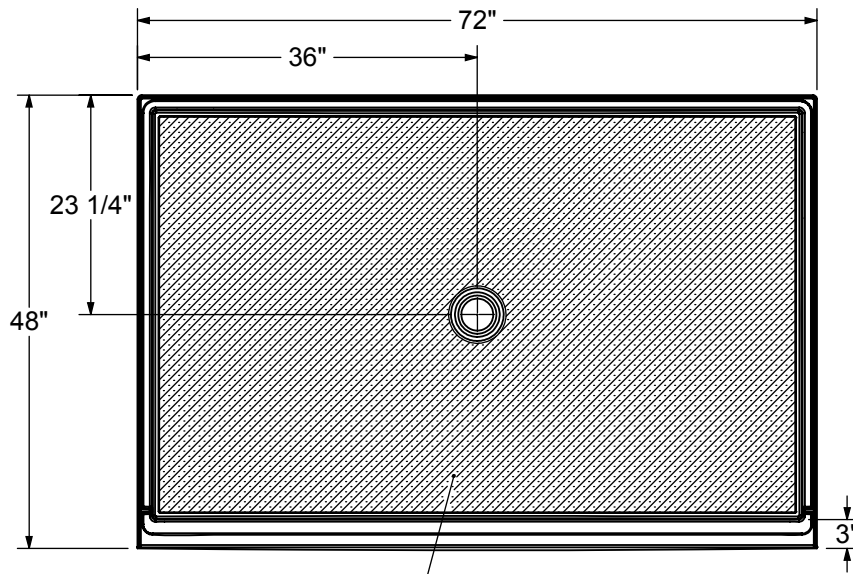


Material : AcrylX

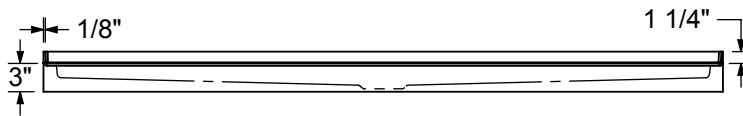
Features

- > Low Threshold Shower Base
- > ArmorCore Reinforcement
- > Integrated Weep Holes
- > Textured Floor
- > Center Drain

ICON 7248 - 106766					
SKU	Color	Configuration	Dimensions & Weight	Packaging	MSRP
106766-000-002-000	White	Center / Alcove	72" x 48" x 4 1/4" / 119 lb / 54 kg	8.5 ft ³	\$ 1003



The hatched area represents the anti slip



All dimensions are approximate. Structure measurements must be verified against the unit to ensure proper fit.



SPL 3232

ALCOVE BASES - ACRYLX



Material : AcrylX

Features

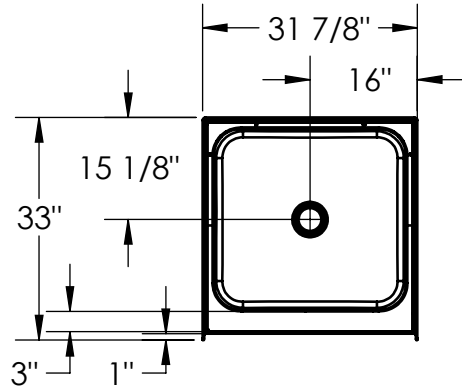
- › Base available with 3 3/8" or 7" (AFR) threshold
- › Integrated tiling flange
- › Textured floor
- › Center drain
- › Available with Above-the-Floor Rough (AFR)

SPL 3232 - 145020

SKU	Color	Configuration	Dimensions & Weight	Packaging	MSRP
145020-000-002-083	White	Center / Alcove	31 7/8" x 32" x 4 3/8" / 32 lb / 15 kg	6.9 ft ³	\$ 470

SPL 3232 AFR - 145021

SKU	Color	Configuration	Dimensions & Weight	Packaging	MSRP
145021-000-002-583	White	Center / Alcove	31 7/8" x 32" x 7 7/8" / 32 lb / 15 kg	6.9 ft ³	\$ 470



NOT ABOVE THE FLOOR



All dimensions are approximate. Structure measurements must be verified against the unit to ensure proper fit.



SPL 3636

ALCOVE BASES - ACRYLX



Material : AcrylX

Features

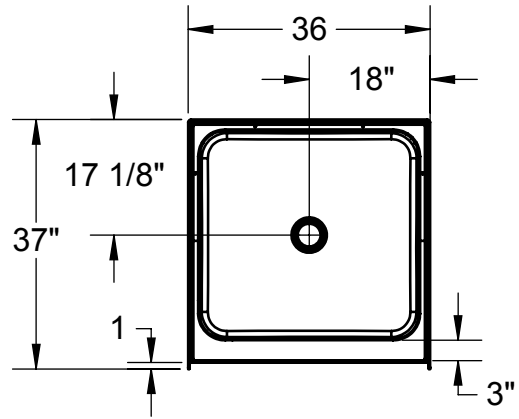
- › Base available with 3 3/8" or 7" (AFR) threshold
- › Integrated tiling flange
- › Textured floor
- › Center drain
- › Available with Above-the-Floor Rough (AFR)

SPL 3636 - 145026

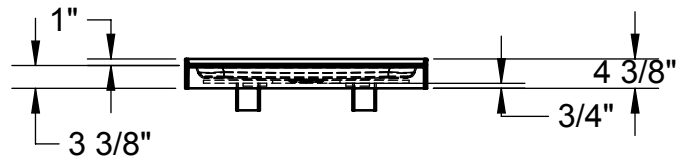
SKU	Color	Configuration	Dimensions & Weight	Packaging	MSRP
145026-000-002-083	White	Center / Alcove	35 7/8" x 36" x 4 3/8" / 35 lb / 16 kg	7.4 ft ³	\$ 537

SPL 3636 AFR - 145027

SKU	Color	Configuration	Dimensions & Weight	Packaging	MSRP
145027-000-002-583	White	Center / Alcove	35 7/8" x 36" x 7 7/8" / 35 lb / 16 kg	7.4 ft ³	\$ 537



Not above the Floor



All dimensions are approximate. Structure measurements must be verified against the unit to ensure proper fit.



SPS 3060

ALCOVE BASES - ACRYLX



Material : AcrylX

Features

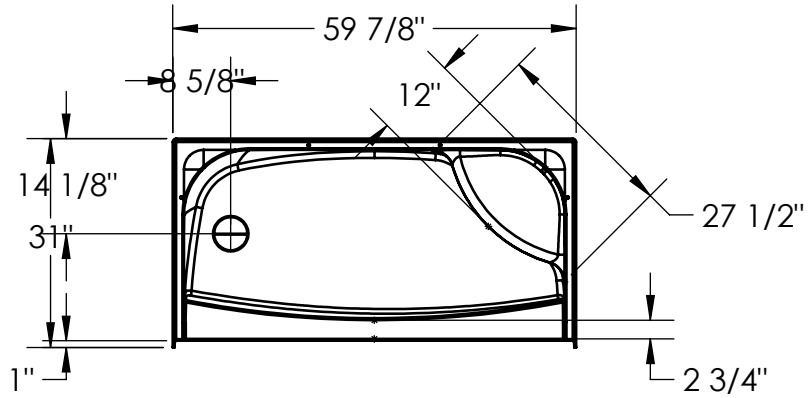
- › Base available in 6 in. (AFR) or 4 in. low height
- › Rectangular shower base
- › Integrated tiling flange
- › Right or left integrated seat
- › Textured floor
- › Right, left or center drain

SPS 3060 - 145038					
SKU	Color	Configuration	Dimensions & Weight	Packaging	MSRP
145038-000-002-083	White	Center / Alcove	59 7/8" x 30" x 20 1/8" / 52 lb / 24 kg	28 ft ³	\$ 924
145038-000-002-084		Right / Alcove			\$ 924
145038-000-002-085		Left / Alcove			\$ 924

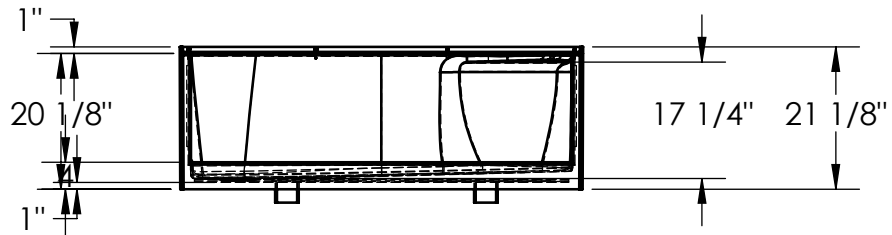
SPS 3060 AFR - 145039					
SKU	Color	Configuration	Dimensions & Weight	Packaging	MSRP
145039-000-002-583	White	Center / Alcove	59 7/8" x 30" x 22 1/8" / 52 lb / 24 kg	28 ft ³	\$ 924
145039-000-002-584		Right / Alcove			\$ 924
145039-000-002-585		Left / Alcove			\$ 924

ACCESSORIES		
SKU	Description	MSRP
10024636-002	Tile Adaptor (for door installation) Available colors: White (002), Bone (004) and Biscuit (007)	\$ 201
10024636-004		\$ 201
10024636-007		\$ 201

RIGHT SEAT SHOWN LEFT SEAT SYMMETRICAL



NOT ABOVE THE FLOOR



All dimensions are approximate. Structure measurements must be verified against the unit to ensure proper fit.



SPS 3448

ALCOVE BASES - ACRYLX



Material : AcrylX

Features

- › Base available in 6 in. (AFR) or 4 in. low height
- › Integrated tiling flange
- › Right or left integrated seat
- › Available with Above-the-Floor Rough (AFR)
- › Textured floor
- › Center drain

SPS 3448 - 145032

SKU	Color	Configuration	Dimensions & Weight	Packaging	MSRP
145032-000-002-083	White	Center / Alcove	47 7/8" x 33 5/8" x 20 1/8" / 45 lb / 20 kg	24.6 ft ³	\$ 797
145032-000-002-084					\$ 797
145032-000-002-085					\$ 797

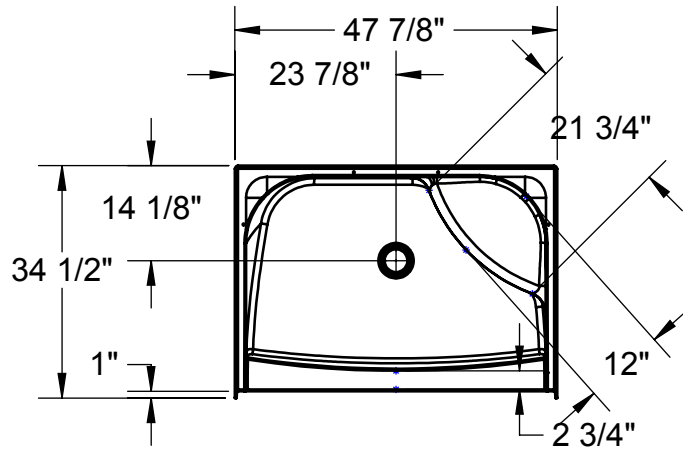
SPS 3448 AFR - 145033

SKU	Color	Configuration	Dimensions & Weight	Packaging	MSRP
145033-000-002-583	White	Center / Alcove	47 7/8" x 33 5/8" x 22 1/8" / 45 lb / 20 kg	24.6 ft ³	\$ 797
145033-000-002-584					\$ 797
145033-000-002-585					\$ 797

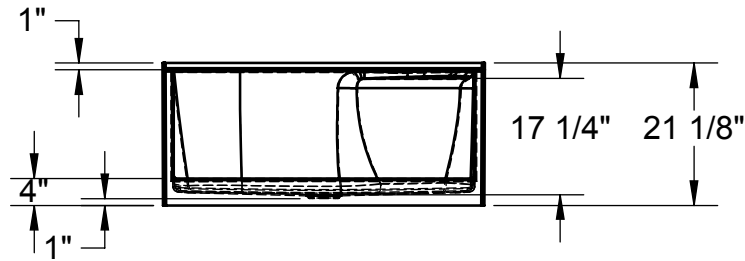
ACCESSORIES

SKU	Description	MSRP
10024636-002	Tile Adaptor (for door installation) Available colors: White (002), Bone (004) and Biscuit (007)	\$ 201
10024636-004		\$ 201
10024636-007		\$ 201

RIGHT SEAT SHOWN LEFT SEAT SYMMETRICAL



NOT ABOVE -THE-FLOOR



All dimensions are approximate. Structure measurements must be verified against the unit to ensure proper fit.



SPS 3460

ALCOVE BASES - ACRYLX



Material : AcrylX

Features

- › Base available in 6 in. (AFR) or 4 in. low height
- › Integrated tiling flange
- › Right or left integrated seat
- › Available with Above-the-Floor Rough (AFR)
- › Textured floor
- › Right, left or center drain

SPS 3460 - 145044

SKU	Color	Configuration	Dimensions & Weight	Packaging	MSRP
145044-000-002-083	White	Center / Alcove	59 7/8" x 33 1/2" x 20 1/8" / 55 lb / 25 kg	28 ft ³	\$ 1034
145044-000-002-084		Right / Alcove			\$ 1034
145044-000-002-085		Left / Alcove			\$ 1034

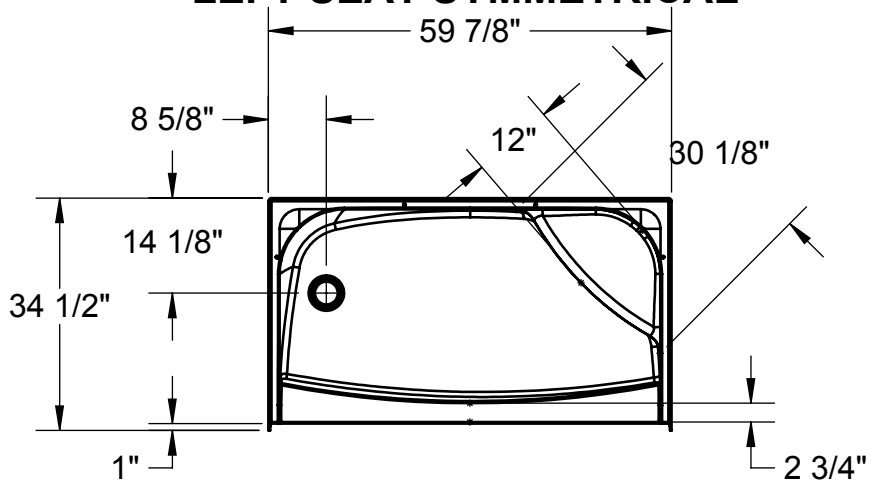
SPS 3460 AFR - 145045

SKU	Color	Configuration	Dimensions & Weight	Packaging	MSRP
145045-000-002-583	White	Center / Alcove	59 7/8" x 33 1/2" x 22 1/8" / 55 lb / 25 kg	28 ft ³	\$ 1034
145045-000-002-584		Right / Alcove			\$ 1034
145045-000-002-585		Left / Alcove			\$ 1034

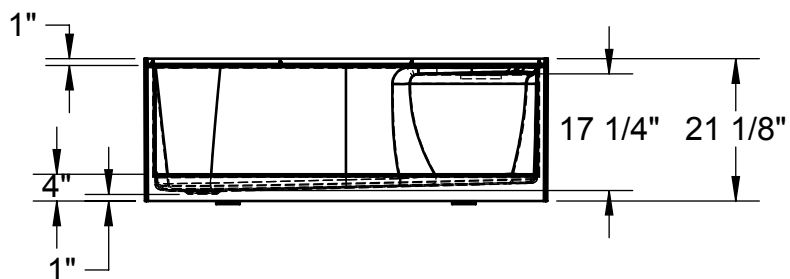
ACCESSORIES

SKU	Description	MSRP
10024636-002	Tile Adaptor (for door installation) Available colors: White (002), Bone (004) and Biscuit (007)	\$ 201
10024636-004		\$ 201
10024636-007		\$ 201

RIGHT SEAT SHOWN LEFT SEAT SYMMETRICAL



NOT ABOVE THE FLOOR



All dimensions are approximate. Structure measurements must be verified against the unit to ensure proper fit.



SPL 3838

CORNER BASES - ACRYLX

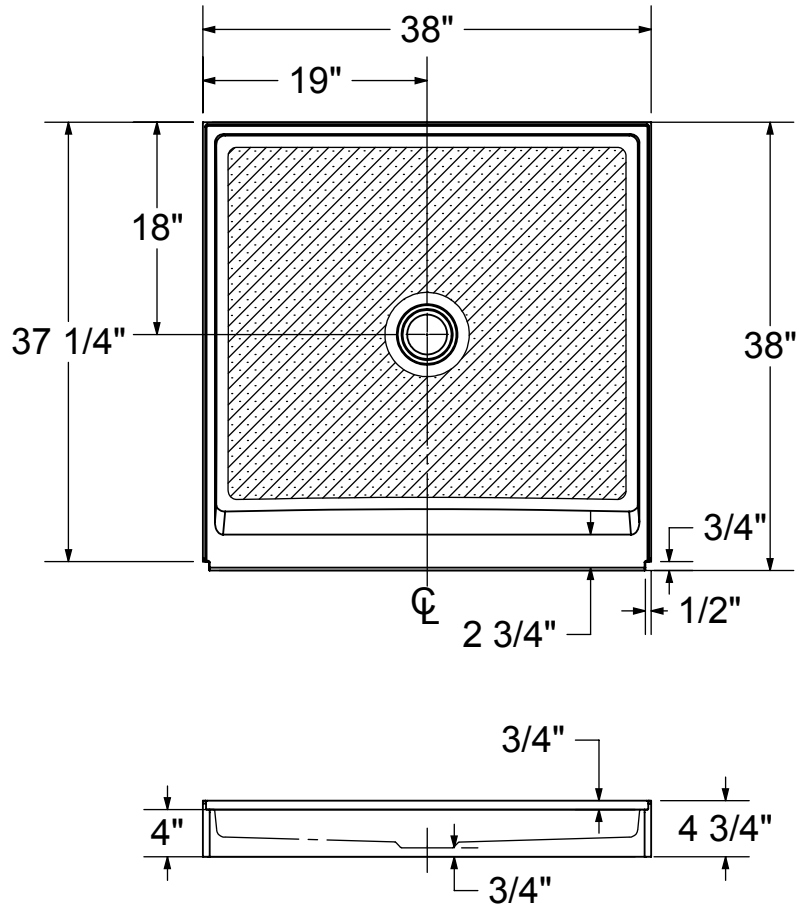


Material : AcrylX

Features

- > 4 inch low threshold base
- > Integrated tiling flange
- > Center drain
- > Textured floor finish
- > 36 x 36 inch Clear inside dimensions

SPL 3838 - 106785				
SKU	Color	Configuration	Dimensions & Weight	MSRP
106785-000-002-000	White	Center / Corner Left or Right	38" x 38" x 4 3/4" / 30 lb / 14 kg	\$ 977
106785-000-004-000	Bone			\$ 977
106785-000-007-000	Biscuit			\$ 977



All dimensions are approximate. Structure measurements must be verified against the unit to ensure proper fit.



SPL 3850

CORNER BASES - ACRYLX

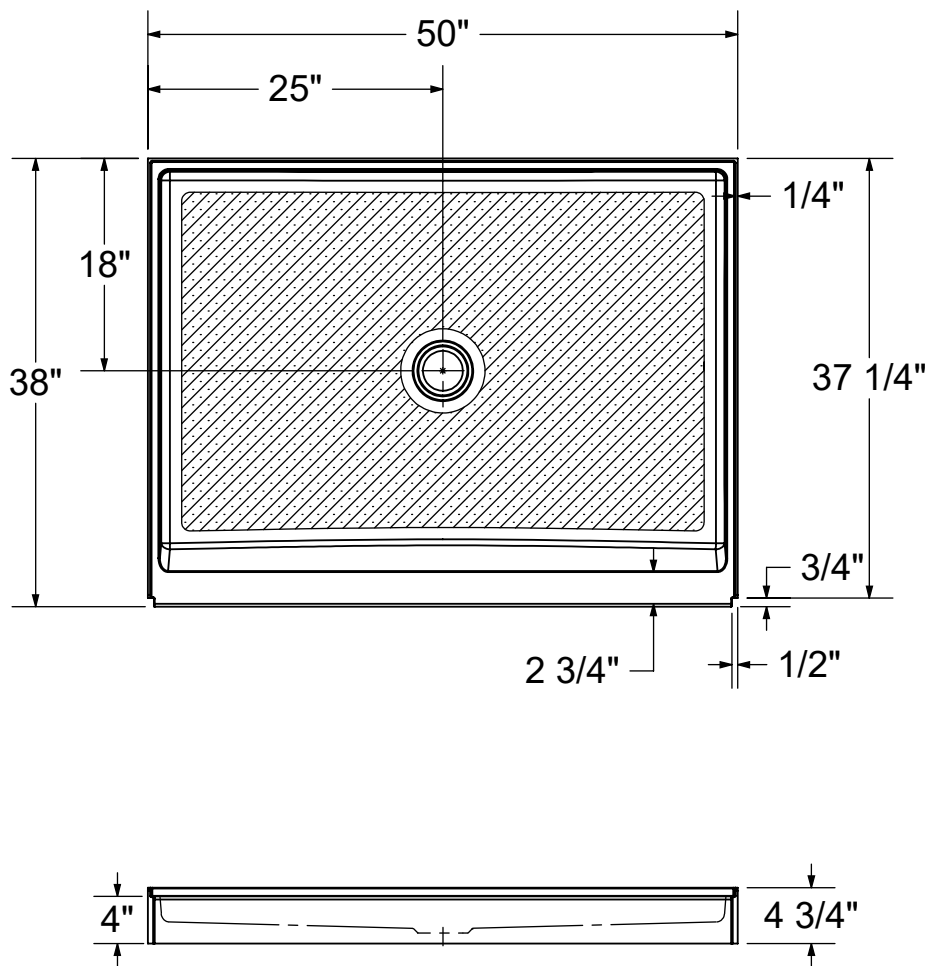


Material : AcrylX

Features

- › Rectangular shower base with AcrylX™ finish
- › 4 inch low threshold base
- › Integrated tiling flange
- › Center drain
- › Textured floor finish
- › 48 x 36 inch Clear inside dimensions

SPL 3850 - 106788				
SKU	Color	Configuration	Dimensions & Weight	MSRP
106788-000-002-000	White	Center / Corner Left or Right	50" x 38" x 4 3/4" / 35 lb / 16 kg	\$ 1127
106788-000-004-000	Bone			\$ 1127
106788-000-007-000	Biscuit			\$ 1127



All dimensions are approximate. Structure measurements must be verified against the unit to ensure proper fit.



SPL 3860

CORNER BASES - ACRYLX

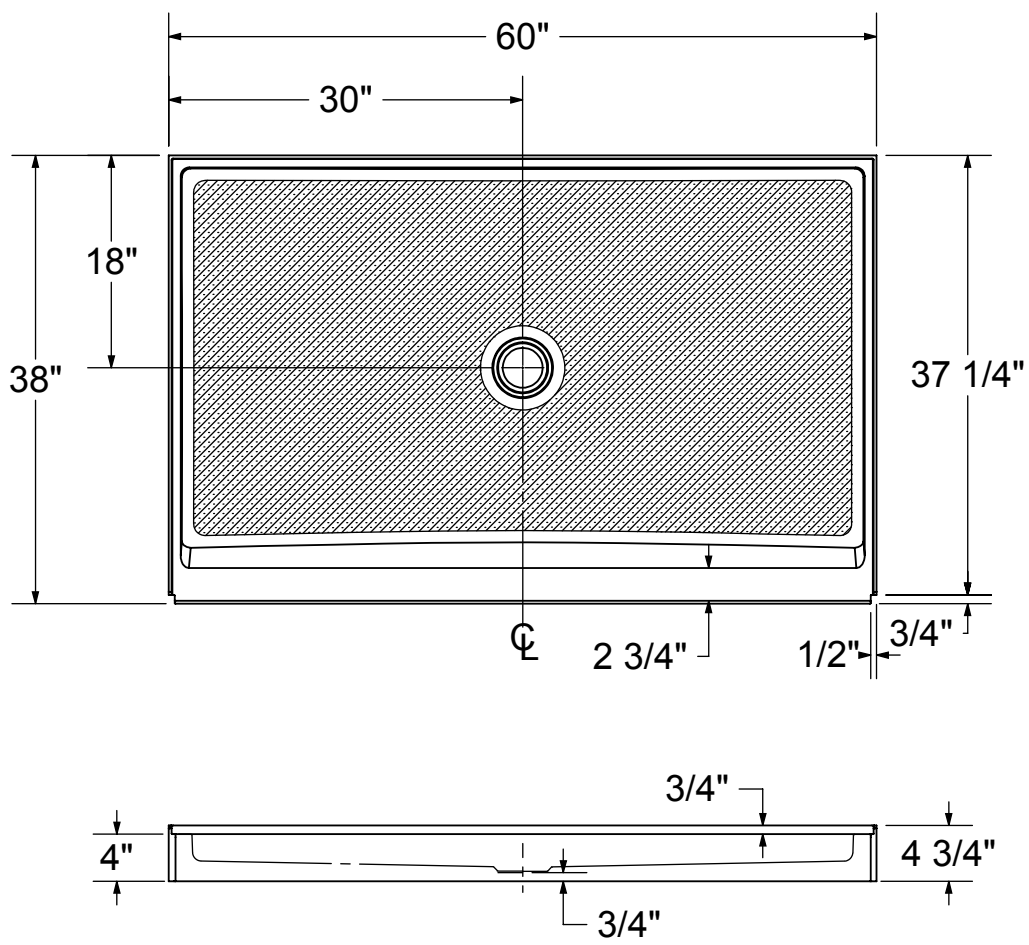


Material : AcrylX

Features

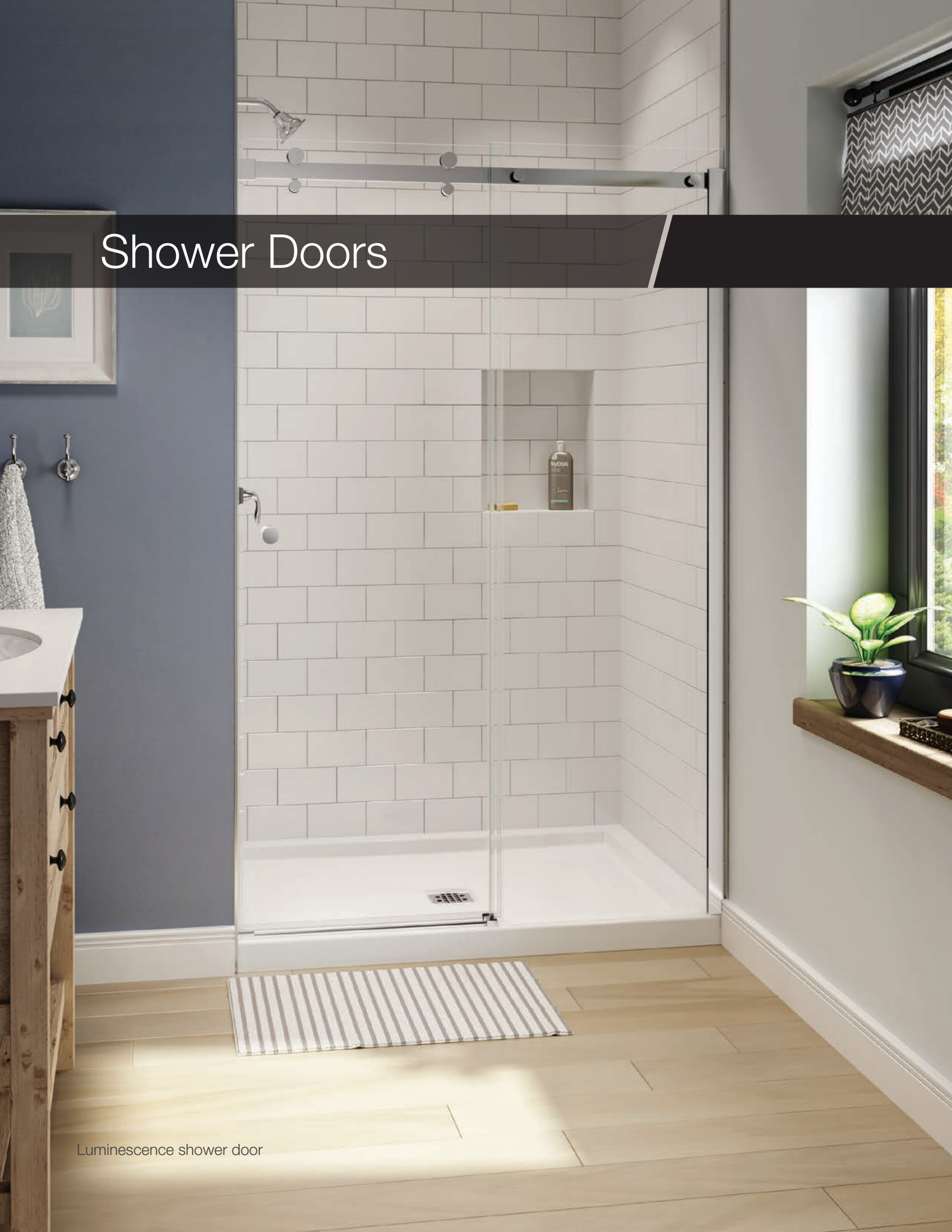
- › Rectangular shower base with AcrylX™ finish
- › 4 inch low threshold base
- › Integrated tiling flange
- › Center drain
- › Textured floor finish
- › 58 x 36 inch Clear inside dimensions

SPL 3860 - 106786				
SKU	Color	Configuration	Dimensions & Weight	MSRP
106786-000-002-000	White	Center / Corner Left or Right	60" x 38" x 4 3/4" / 40 lb / 18 kg	\$ 1278
106786-000-004-000	Bone			\$ 1278
106786-000-007-000	Biscuit			\$ 1278



All dimensions are approximate. Structure measurements must be verified against the unit to ensure proper fit.

Shower Doors



Luminescence shower door

Kameleon SC Shower Doors - 6 mm



Material : Tempered Glass

Features

- › Innovative SOFT CLOSE by MAAX prevents slamming
- › Silent guide eliminates the rattling noise
- › High quality rollers for smooth glide
- › Safety features: header lock and panel anti-jump
- › 6mm tempered glass and frame color choice
- › Modern towel bar
- › Reversible header: one side round and one side flat

ALCOVE DOORS - BYPASS

KAMELEON SC 55-59 X 71 - 6MM - 134665

SKU	Glass / Finish	Door Opening	Dimensions & Weight	Packaging	MSRP
134665-900-084-000	Clear / Chrome		55" - 59" x 71" / 106 lb / 48 kg	5.56 ft ³	\$ 1212
134665-900-172-000	Clear / Dark Bronze				\$ 1286
134665-900-305-000	Clear / Brushed Nickel				\$ 1266
134665-900-340-000	Clear / Matte Black				\$ 1286

COMMON OPTIONS

SKU	Description	MSRP
OPT20248-084	24 in. Square towel bar Available colors: Chrome (084), Dark Bronze (172) and Brushed Nickel (305)	\$ 101
OPT20248-305		\$ 112
OPT20248-172		\$ 115
OPT20246-084	24 in. T-round towel bar Available colors: Chrome (084), Dark Bronze (172) and Brushed Nickel (305)	\$ 101
OPT20246-305		\$ 112
OPT20246-172		\$ 115

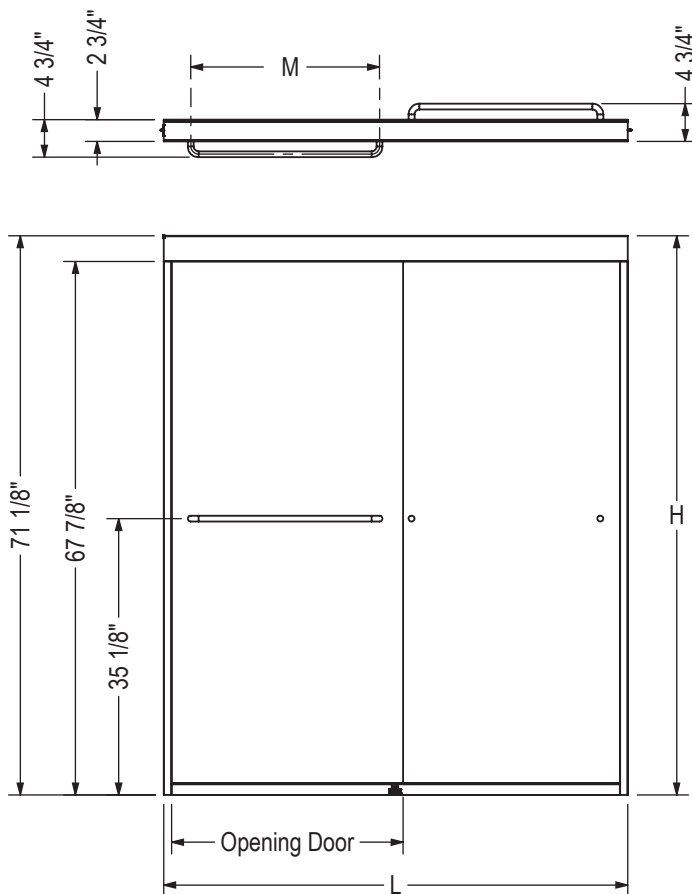
ACCESSORIES

SKU	Description	MSRP
10068376-305	24 in. Square towel bar Available colors: Chrome (084), Dark Bronze (172) and Brushed Nickel (305)	\$ 235
10068376-172		\$ 248

ACCESSORIES

SKU	Description	MSRP
10068376-084	24 in. Square towel bar Available colors: Chrome (084), Dark Bronze (172) and Brushed Nickel (305)	\$ 226
10068410-005-601	Soft Close by MAAx for Kameleon/Aura doors only	\$ 167

STANDARD



Description	Opening Door Adjustable	M	L Adjustable	H
Shower Door 40"-44"x71"x6mm	15 1/2" - 19 1/2"	18"	40" - 44"	71"
Shower Door 43"-47"x71"x6mm	18 1/2" - 22 1/2"	18"	43" - 47"	71"
Shower Door 51"-55"x71"x6mm	21 1/2" - 25 1/2"	24"	51" - 55"	71"
Shower Door 55"-59"x71"x6mm	23 1/2" - 27 1/2"	24"	55" - 59"	71"

All dimensions are approximate. Structure measurements must be verified against the unit to ensure proper fit.

Kameleon SC Shower Doors - 6 mm



ALCOVE DOORS - BYPASS



Material : Tempered Glass

Features

- › Innovative SOFT CLOSE by MAAX prevents slamming
- › Silent guide eliminates the rattling noise
- › High quality rollers for smooth glide
- › Safety features: header lock and panel anti-jump
- › 6mm tempered glass and frame color choice
- › Modern towel bar
- › Reversible header: one side round and one side flat

KAMELEON SC 40-44 X 71 - 6MM - 134662

SKU	Glass / Finish	Door Opening	Dimensions & Weight	Packaging	MSRP
134662-900-084-000	Clear / Chrome		40" - 44" x 71" / 84 lb / 38 kg	6.4 ft ³	\$ 1129

KAMELEON SC 51-55 X 71 - 6MM - 134664

SKU	Glass / Finish	Door Opening	Dimensions & Weight	Packaging	MSRP
134664-900-084-000	Clear / Chrome		51" - 55" x 71" / 98 lb / 44 kg	5.27 ft ³	\$ 1205

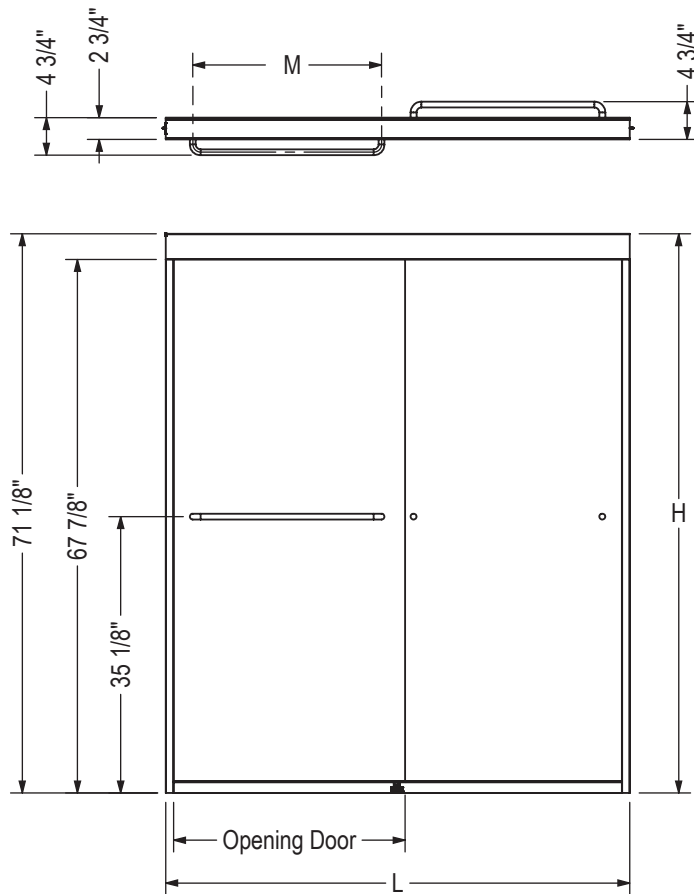
COMMON OPTIONS

SKU	Description	MSRP
OPT20245-305		\$ 94
OPT20245-172	18 in. T-round towel bar	\$ 98
OPT20245-084	Available colors: Chrome (084) , Dark Bronze (172) and Brushed Nickel (305)	\$ 88
OPT20247-305		\$ 94
OPT20247-084	18 in. Square towel bar	\$ 88
OPT20247-172	Available colors: Chrome (084), Dark Bronze (172) and Brushed Nickel (305)	\$ 98

ACCESSORIES

SKU	Description	MSRP
10068410-005-601	Soft Close by MAAX for Kameleon/Aura doors only	\$ 167

STANDARD



ALCOVE DOORS - BYPASS

Description	Opening Door Adjustable	M	L Adjustable	H
Shower Door 40"-44"x71"x6mm	15 1/2" - 19 1/2"	18"	40" - 44"	71"
Shower Door 43"-47"x71"x6mm	18 1/2" - 22 1/2"	18"	43" - 47"	71"
Shower Door 51"-55"x71"x6mm	21 1/2" - 25 1/2"	24"	51" - 55"	71"
Shower Door 55"-59"x71"x6mm	23 1/2" - 27 1/2"	24"	55" - 59"	71"

All dimensions are approximate. Structure measurements must be verified against the unit to ensure proper fit.

Kameleon SC Shower Doors - 6 mm



ALCOVE DOORS - BYPASS



Material : Tempered Glass

Features

- › Innovative SOFT CLOSE by MAAX prevents slamming
- › Silent guide eliminates the rattling noise
- › High quality rollers for smooth glide
- › Safety features: header lock and panel anti-jump
- › 6mm tempered glass and frame color choice
- › Modern towel bar
- › Reversible header: one side round and one side flat

KAMELEON SC 43-47 X 71 - 6MM - 134663

SKU	Glass / Finish	Door Opening	Dimensions & Weight	Packaging	MSRP
134663-900-084-000	Clear / Chrome		43" - 47" x 71" / 90 lb / 41 kg	4.69 ft ³	\$ 1169
134663-900-172-000	Clear / Dark Bronze				\$ 1239
134663-900-305-000	Clear / Brushed Nickel				\$ 1221
134663-900-340-000	Clear / Matte Black				\$ 1239

COMMON OPTIONS

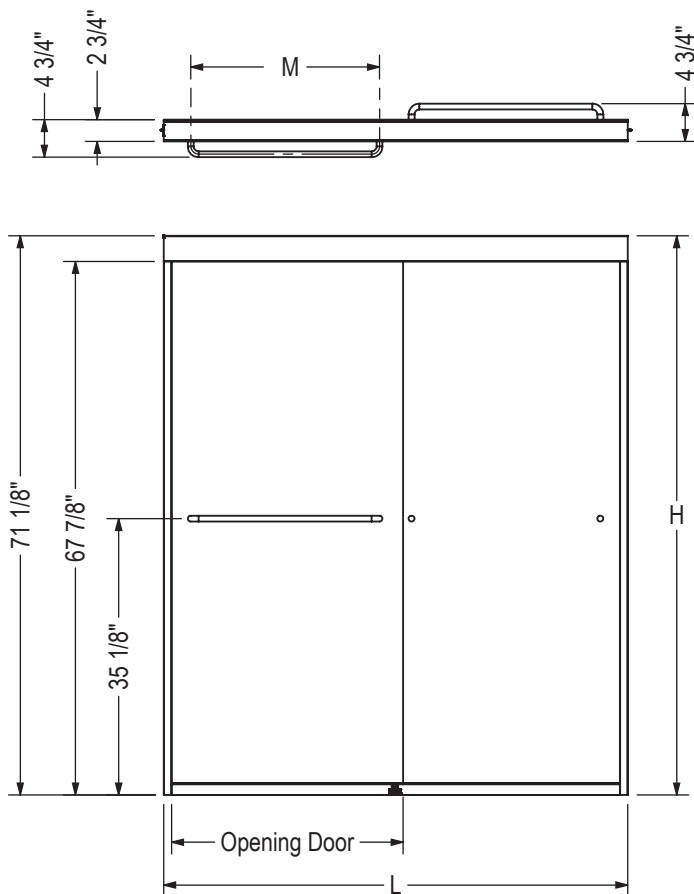
SKU	Description	MSRP
OPT20246-084		\$ 101
OPT20246-305	24 in. T-round towel bar Available colors: Chrome (084), Dark Bronze (172) and Brushed Nickel (305)	\$ 112
OPT20246-172		\$ 115
OPT20247-305		\$ 94
OPT20247-084	18 in. Square towel bar Available colors: Chrome (084), Dark Bronze (172) and Brushed Nickel (305)	\$ 88
OPT20247-172		\$ 98
OPT20248-084		\$ 101
OPT20248-305	24 in. Square towel bar Available colors: Chrome (084), Dark Bronze (172) and Brushed Nickel (305)	\$ 112
OPT20248-172		\$ 115
OPT20245-305		\$ 94
OPT20245-172	18 in. T-round towel bar Available colors: Chrome (084) , Dark Bronze (172) and Brushed Nickel (305)	\$ 98
OPT20245-084		\$ 88

ACCESSORIES

SKU	Description	MSRP
10068376-305	24 in. Square towel bar Available colors: Chrome (084), Dark Bronze (172) and Brushed Nickel (305)	\$ 235
10068376-172		\$ 248
10068376-084		\$ 226
10068410-005-601	Soft Close by MAAX for Kameleon/Aura doors only	\$ 167

STANDARD

ALCOVE DOORS - BYPASS



Description	Opening Door Adjustable	M	L Adjustable	H
Shower Door 40"-44"x71"x6mm	15 1/2" - 19 1/2"	18"	40" - 44"	71"
Shower Door 43"-47"x71"x6mm	18 1/2" - 22 1/2"	18"	43" - 47"	71"
Shower Door 51"-55"x71"x6mm	21 1/2" - 25 1/2"	24"	51" - 55"	71"
Shower Door 55"-59"x71"x6mm	23 1/2" - 27 1/2"	24"	55" - 59"	71"

All dimensions are approximate. Structure measurements must be verified against the unit to ensure proper fit.

Kameleon SC Shower Doors - 8 mm



Material : Tempered Glass

Features

- › Innovative SOFT CLOSE by MAAX prevents slamming
- › Silent guide eliminates the rattling noise
- › High quality rollers for smooth glide
- › Safety features: header lock and panel anti-jump
- › 8 mm tempered glass and frame color choice
- › Modern towel bar
- › Reversible header: one side round and one side flat

ALCOVE DOORS - BYPASS

KAMELEON SC 43-47 X 71 - 8MM - 134674

SKU	Glass / Finish	Door Opening	Dimensions & Weight	Packaging	MSRP
134674-900-084-000	Clear / Chrome		43" - 47" x 71" / 116 lb / 53 kg	4.69 ft ³	\$ 1336
134674-900-172-000	Clear / Dark Bronze				\$ 1419
134674-900-305-000	Clear / Brushed Nickel				\$ 1395
134674-900-340-000	Clear / Matte Black				\$ 1419

KAMELEON SC 55-59 X 71 - 8MM - 134675

SKU	Glass / Finish	Door Opening	Dimensions & Weight	Packaging	MSRP
134675-900-084-000	Clear / Chrome		55" - 59" x 71" / 137 lb / 62 kg	5.56 ft ³	\$ 1378
134675-900-172-000	Clear / Dark Bronze				\$ 1465
134675-900-305-000	Clear / Brushed Nickel				\$ 1439
134675-900-340-000	Clear / Matte Black				\$ 1465

COMMON OPTIONS

SKU	Description	MSRP
OPT20245-305		\$ 94
OPT20245-172	18 in. T-round towel bar Available colors: Chrome (084) , Dark Bronze (172) and Brushed Nickel (305)	\$ 98
OPT20245-084		\$ 88
OPT20246-084	24 in. T-round towel bar Available colors: Chrome (084), Dark Bronze (172) and Brushed Nickel (305)	\$ 101

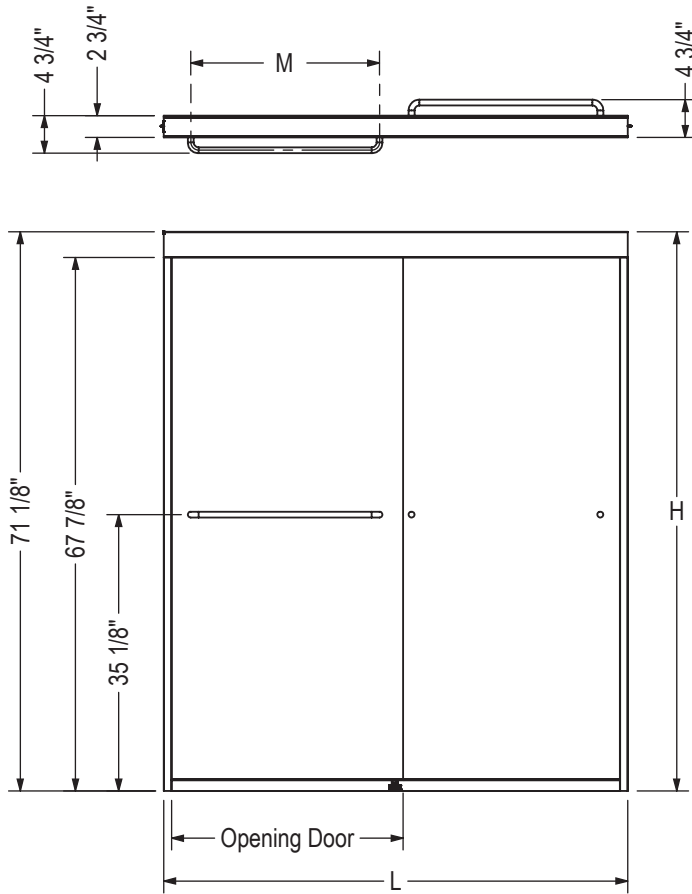
COMMON OPTIONS

SKU	Description	MSRP
OPT20246-305	24 in. T-round towel bar	\$ 112
OPT20246-172	Available colors: Chrome (084), Dark Bronze (172) and Brushed Nickel (305)	\$ 115
OPT20247-305	18 in. Square towel bar Available colors: Chrome (084), Dark Bronze (172) and Brushed Nickel (305)	\$ 94
OPT20247-084		\$ 88
OPT20247-172		\$ 98
OPT20248-084	24 in. Square towel bar Available colors: Chrome (084), Dark Bronze (172) and Brushed Nickel (305)	\$ 101
OPT20248-305		\$ 112
OPT20248-172		\$ 115

ACCESSORIES

SKU	Description	MSRP
10068376-305	24 in. Square towel bar Available colors: Chrome (084), Dark Bronze (172) and Brushed Nickel (305)	\$ 235
10068376-172		\$ 248
10068376-084		\$ 226
10068410-005-601	Soft Close by MAAX for Kameleon/Aura doors only	\$ 167

STANDARD



Description	Opening Door Adjustable	M	L Adjustable	H
Shower Door 43"-47"x71"x8mm	18 1/2" - 22 1/2"	18"	43" - 47"	71"
Shower Door 55"-59"x71"x8mm	23 1/2" - 27 1/2"	24"	55" - 59"	71"

All dimensions are approximate. Structure measurements must be verified against the unit to ensure proper fit.



Kameleon Shower Doors - 6 mm

ALCOVE DOORS - BYPASS



Material : Tempered Glass

Features

- › Silent guide eliminates the rattling noise
- › High quality rollers for smooth glide
- › Safety features: header lock and panel anti-jump
- › Clear and privacy glass options with frame color choice
- › Rounded towel bar for a clean and versatile look
- › Reversible header: one side round and one side flat

KAMELEON 43-47 X 71 - 6MM - 134563

SKU	Glass / Finish	Door Opening	Dimensions & Weight	Packaging	MSRP
134563-900-084-000	Clear / Chrome		43" - 47" x 71" / 90 lb / 41 kg	4.69 ft ³	\$ 1028
134563-900-172-000	Clear / Dark Bronze				\$ 1098
134563-900-305-000	Clear / Brushed Nickel				\$ 1081
134563-900-340-000	Clear / Matte Black				\$ 1098
134563-978-084-000	Frosted / Chrome				\$ 1214
134563-978-172-000	Frosted / Dark Bronze				\$ 1296
134563-978-305-000	Frosted / Brushed Nickel				\$ 1276

KAMELEON 55-59 X 71 - 6MM - 134565

SKU	Glass / Finish	Door Opening	Dimensions & Weight	Packaging	MSRP
134565-900-084-000	Clear / Chrome		55" - 59" x 71" / 106 lb / 48 kg	5.56 ft ³	\$ 1069
134565-900-172-000	Clear / Dark Bronze				\$ 1145
134565-900-305-000	Clear / Brushed Nickel				\$ 1122
134565-900-340-000	Clear / Matte Black				\$ 1145
134565-978-084-000	Frosted / Chrome				\$ 1262
134565-978-172-000	Frosted / Dark Bronze				\$ 1352
134565-978-305-000	Frosted / Brushed Nickel				\$ 1324

COMMON OPTIONS

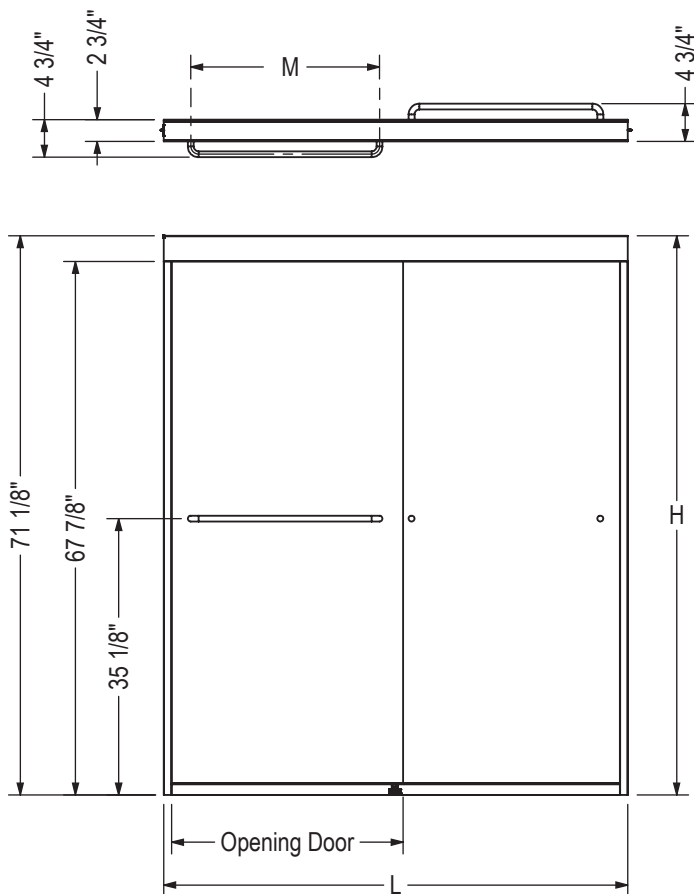
SKU	Description	MSRP
OPT20245-305	18 in. T-round towel bar Available colors: Chrome (084) , Dark Bronze (172) and Brushed Nickel (305)	\$ 94
OPT20245-172		\$ 98
OPT20245-084		\$ 88
OPT20247-305	18 in. Square towel bar Available colors: Chrome (084), Dark Bronze (172) and Brushed Nickel (305)	\$ 94
OPT20247-084		\$ 88
OPT20247-172		\$ 98

ACCESSORIES

SKU	Description	MSRP
10068410-005-601	Soft Close by MAAX for Kameleon/Aura doors only	\$ 167

STANDARD

ALCOVE DOORS - BYPASS



Description	Opening Door Adjustable	M	L Adjustable	H
Shower Door 40"-44"x71"x6mm	15 1/2" - 19 1/2"	18"	40" - 44"	71"
Shower Door 43"-47"x71"x6mm	18 1/2" - 22 1/2"	18"	43" - 47"	71"
Shower Door 51"-55"x71"x6mm	21 1/2" - 25 1/2"	24"	51" - 55"	71"
Shower Door 55"-59"x71"x6mm	23 1/2" - 27 1/2"	24"	55" - 59"	71"

All dimensions are approximate. Structure measurements must be verified against the unit to ensure proper fit.



Kameleon Shower Doors - 6 mm



Material : Tempered Glass

Features

- › Silent guide eliminates the rattling noise
- › High quality rollers for smooth glide
- › Safety features: header lock and panel anti-jump
- › 6 mm tempered glass and frame color choice
- › Modern towel bar
- › Reversible header: one side round and one side flat

ALCOVE DOORS - BYPASS

KAMELEON 40-44 X 71 - 6MM - 134562

SKU	Glass / Finish	Door Opening	Dimensions & Weight	Packaging	MSRP
134562-900-084-000	Clear / Chrome		40" - 44" x 71" / 84 lb / 38 kg	4.4 ft ³	\$ 987

KAMELEON 51-55 X 71 - 6MM - 134564

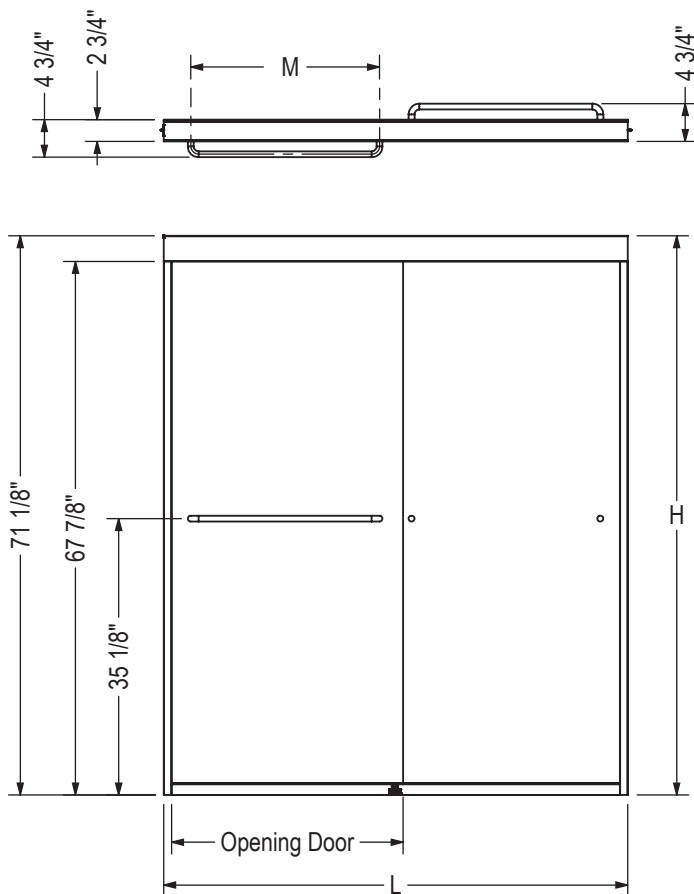
SKU	Glass / Finish	Door Opening	Dimensions & Weight	Packaging	MSRP
134564-900-084-000	Clear / Chrome		51" - 55" x 71" / 98 lb / 44 kg	5.27 ft ³	\$ 955

COMMON OPTIONS

SKU	Description	MSRP
OPT20245-305		\$ 94
OPT20245-172	18 in. T-round towel bar	\$ 98
OPT20245-084	Available colors: Chrome (084) , Dark Bronze (172) and Brushed Nickel (305)	\$ 88
OPT20247-305		\$ 94
OPT20247-084	18 in. Square towel bar	\$ 88
OPT20247-172	Available colors: Chrome (084), Dark Bronze (172) and Brushed Nickel (305)	\$ 98

STANDARD

ALCOVE DOORS - BYPASS



Description	Opening Door Adjustable	M	L Adjustable	H
Shower Door 40"-44"x71"x6mm	15 1/2" - 19 1/2"	18"	40" - 44"	71"
Shower Door 43"-47"x71"x6mm	18 1/2" - 22 1/2"	18"	43" - 47"	71"
Shower Door 51"-55"x71"x6mm	21 1/2" - 25 1/2"	24"	51" - 55"	71"
Shower Door 55"-59"x71"x6mm	23 1/2" - 27 1/2"	24"	55" - 59"	71"

All dimensions are approximate. Structure measurements must be verified against the unit to ensure proper fit.



Kameleon Shower Doors - 8 mm



Material : Tempered Glass

Features

- › Silent guide eliminates the rattling noise
- › High quality rollers for smooth glide
- › Safety features: header lock and panel anti-jump
- › 8 mm tempered glass and frame color choice
- › Modern towel bar
- › Reversible header: one side round and one side flat

ALCOVE DOORS - BYPASS

KAMELEON 43-47 X 71 - 8MM - 134571

SKU	Glass / Finish	Door Opening	Dimensions & Weight	Packaging	MSRP
134571-900-084-000	Clear / Chrome		43" - 47" x 71" / 116 lb / 53 kg	4.69 ft ³	\$ 1195
134571-900-172-000	Clear / Dark Bronze				\$ 1279
134571-900-305-000	Clear / Brushed Nickel				\$ 1254
134571-900-340-000	Clear / Matte Black				\$ 1279

KAMELEON 55-59 X 71 - 8MM - 134572

SKU	Glass / Finish	Door Opening	Dimensions & Weight	Packaging	MSRP
134572-900-084-000	Clear / Chrome		55" - 59" x 71" / 137 lb / 62 kg	5.56 ft ³	\$ 1236
134572-900-172-000	Clear / Dark Bronze				\$ 1321
134572-900-305-000	Clear / Brushed Nickel				\$ 1298
134572-900-340-000	Clear / Matte Black				\$ 1321

COMMON OPTIONS

SKU	Description	MSRP
OPT20245-305		\$ 94
OPT20245-172	18 in. T-round towel bar Available colors: Chrome (084) , Dark Bronze (172) and Brushed Nickel (305)	\$ 98
OPT20245-084		\$ 88
OPT20247-305	18 in. Square towel bar Available colors: Chrome (084), Dark Bronze (172) and Brushed Nickel (305)	\$ 94

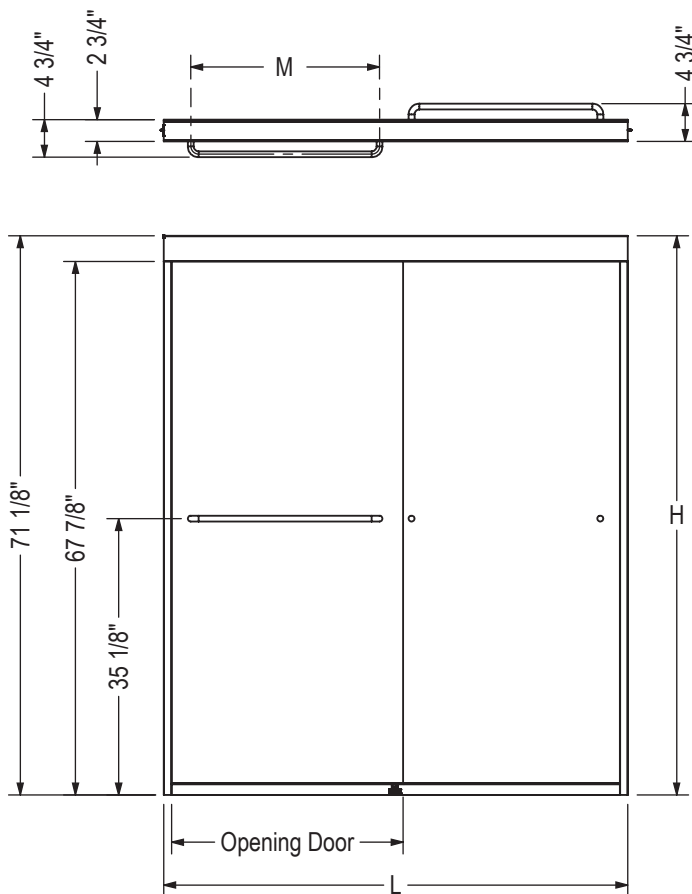
COMMON OPTIONS

SKU	Description	MSRP
OPT20247-084	18 in. Square towel bar	\$ 88
OPT20247-172	Available colors: Chrome (084), Dark Bronze (172) and Brushed Nickel (305)	\$ 98

ACCESSORIES

SKU	Description	MSRP
10068410-005-601	Soft Close by MAAX for Kameleon/Aura doors only	\$ 167

STANDARD



Description	Opening Door Adjustable	M	L Adjustable	H
Shower Door 43"-47"x71"x8mm	18 1/2" - 22 1/2"	18"	43" - 47"	71"
Shower Door 55"-59"x71"x8mm	23 1/2" - 27 1/2"	24"	55" - 59"	71"

All dimensions are approximate. Structure measurements must be verified against the unit to ensure proper fit.



Material : Tempered Glass

Features

- › Frameless clear glass panels 8mm (5/16-inch) thick
- › Available in 3 finishes: Chrome, Brushed Nickel, Dark Bronze
- › Bathub and tub shower are sold separately, explore our wide variety of Bathub and tub shower
- › Bi-directional glass panels for flexible entry and easy access to fixtures on the left or right-hand side
- › The door provides a watertight seal, to prevent leaks or spills during use
- › Reversible, allowing for left or right opening to accommodate different bathroom layouts
- › Silent guide that eliminates the rattling noise
- › Improved safety features that lock the header and firmly secures frame to door jamb
- › Warranty: 10 years

INVERTO 56-59 X 70 ½-74 - 8MM - 138762

SKU	Glass / Finish	Door Opening	Dimensions & Weight	Packaging	MSRP
138762-900-084-000	Clear / Chrome		56" - 59" x 74" / 128 lb / 58 kg	4.84 ft³	\$ 1674
138762-900-173-000	Clear / Dark Bronze				\$ 1929
138762-900-305-000	Clear / Brushed Nickel				\$ 1798

Incognito 70 Shower Doors - 6 mm



Material : Tempered Glass

Features

- › Components that connect seamlessly for an effortless assembly
- › Expandable Sill, no cutting required to adjust
- › Large knob on the opposite side of the handle, to allow for an easier opening and closing
- › Hand adjustment to perfect the fit in the alcove
- › Fits on showers with a wall height of at least 70.5in
- › Integrated bumper at the top and the bottom

ALCOVE DOORS - BYPASS

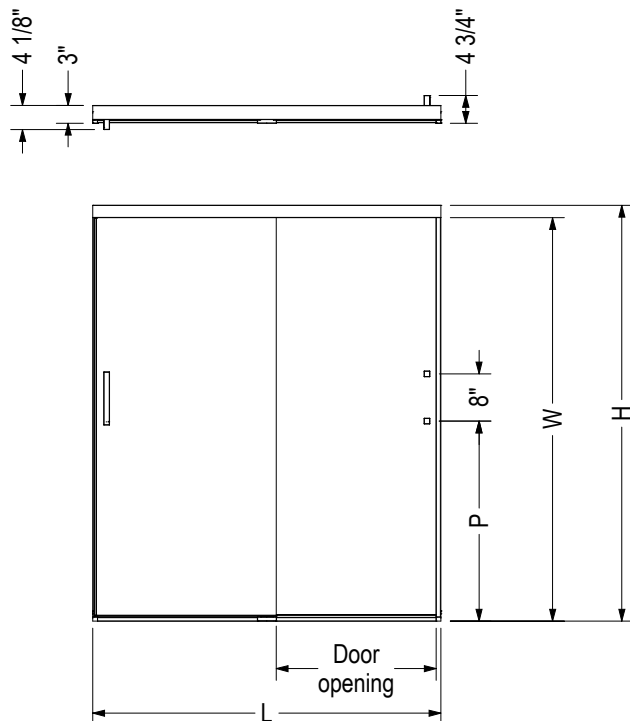
INCOGNITO 44-47 X 70 1/2 IN. 6MM - 139349

SKU	Glass / Finish	Door Opening	Dimensions & Weight	Packaging	MSRP
139349-900-084-000	Clear / Chrome		44" - 47" x 70 1/2" / 110 lb / 50 kg	3.47 ft ³	\$ 916
139349-900-173-000	Clear / Dark Bronze				\$ 985
139349-900-305-000	Clear / Brushed Nickel				\$ 963
139349-900-340-000	Clear / Matte Black				\$ 985

INCOGNITO 56-59 X 70 1/2 IN. 6MM - 139350

SKU	Glass / Finish	Door Opening	Dimensions & Weight	Packaging	MSRP
139350-900-084-000	Clear / Chrome		56" - 59" x 70 1/2" / 120 lb / 54 kg	3.94 ft ³	\$ 1004
139350-900-173-000	Clear / Dark Bronze				\$ 1079
139350-900-305-000	Clear / Brushed Nickel				\$ 1055
139350-900-340-000	Clear / Matte Black				\$ 1079

STANDARD



Code	Description	H	W	L Adjustable	Door Opening	P	Wall adjustment
139349	Incognito 6mm 70 1/2" x 44 - 47"	70 1/2"	68 3/8"	44" - 47"	17 1/8" - 21 1/8"	33 7/8"	1/2"
139350	Incognito 6mm 70 1/2" x 56 - 59"	70 1/2"	68 3/8"	56" - 59"	23 1/8" - 27 1/8"	33 7/8"	1/2"
139351	Incognito 6mm 56 3/4" x 56 - 59"	56 3/4"	54 5/8"	56" - 59"	23 1/8" - 27 1/8"	18 7/8"	1/2"
139352	Incognito 8mm 70 1/2" x 44 - 47"	70 1/2"	68 3/8"	44" - 47"	17 1/8" - 21 1/8"	33 7/8"	1/2"
139353	Incognito 8mm 70 1/2" x 56 - 59"	70 1/2"	68 3/8"	56" - 59"	23 1/8" - 27 1/8"	33 7/8"	1/2"
139354	Incognito 8mm 56 3/4" x 56 - 59"	56 3/4"	54 5/8"	56" - 59"	23 1/8" - 27 1/8"	18 7/8"	1/2"

All dimensions are approximate. Structure measurements must be verified against the unit to ensure proper fit.

Incognito 70 Shower Doors - 8 mm



ALCOVE DOORS - BYPASS



Material : Tempered Glass

Features

- › Configuration consists of Bi-directional glass panels for flexible entry and easy access to fixtures on the left or right-hand side
- › Elegant design and sleek finish add a touch of sophistication to your bathroom
- › Made from high-quality materials, ensuring durability and longevity
- › 8 mm (5/16") tempered glass
- › Easy installation process saves time and hassle
- › Stainless steel hardware and rollers provide a smooth and quiet sliding experience
- › Bottom track design allows for easy access for cleaning and maintenance
- › Made in North-America
- › 1/2" out-of-plumb adjustment, ensuring a perfect fit in any bathroom

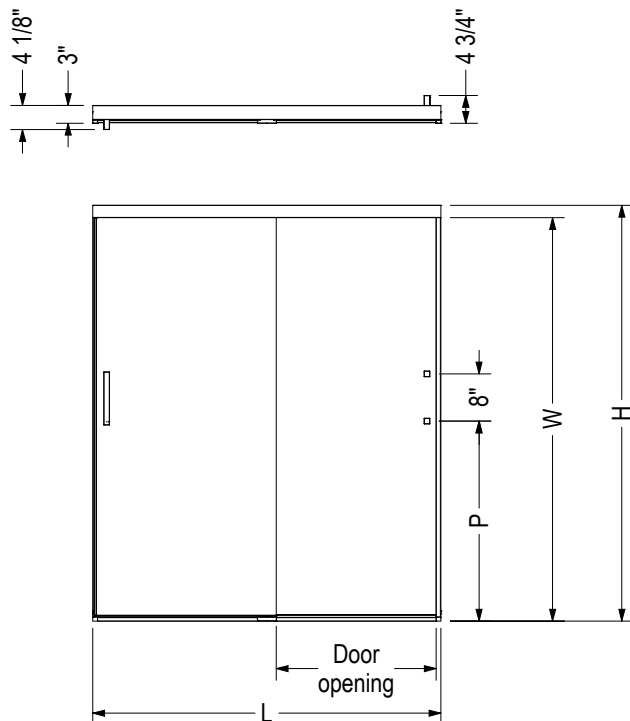
INCOGNITO 70 44-47 X 70 1/2 - 8MM - 139352

SKU	Glass / Finish	Door Opening	Dimensions & Weight	Packaging	MSRP
139352-900-084-000	Clear / Chrome		44" - 47" x 70 1/2" / 130 lb / 59 kg	3.47 ft ³	\$ 1036
139352-900-305-000	Clear / Brushed Nickel				\$ 1109
139352-900-340-000	Clear / Matte Black				\$ 1109

INCOGNITO 70 56-59 X 70 1/2 - 8MM - 139353

SKU	Glass / Finish	Door Opening	Dimensions & Weight	Packaging	MSRP
139353-900-084-000	Clear / Chrome		56" - 59" x 70 1/2" / 140 lb / 63 kg	3.94 ft ³	\$ 1124
139353-900-305-000	Clear / Brushed Nickel				\$ 1195
139353-900-340-000	Clear / Matte Black				\$ 1195

STANDARD



Code	Description	H	W	L Adjustable	Door Opening	P	Wall adjustment
139349	Incognito 6mm 70 1/2" x 44 - 47"	70 1/2"	68 3/8"	44" - 47"	17 1/8" - 21 1/8"	33 7/8"	1/2"
139350	Incognito 6mm 70 1/2" x 56 - 59"	70 1/2"	68 3/8"	56" - 59"	23 1/8" - 27 1/8"	33 7/8"	1/2"
139351	Incognito 6mm 56 3/4" x 56 - 59"	56 3/4"	54 5/8"	56" - 59"	23 1/8" - 27 1/8"	18 7/8"	1/2"
139352	Incognito 8mm 70 1/2" x 44 - 47"	70 1/2"	68 3/8"	44" - 47"	17 1/8" - 21 1/8"	33 7/8"	1/2"
139353	Incognito 8mm 70 1/2" x 56 - 59"	70 1/2"	68 3/8"	56" - 59"	23 1/8" - 27 1/8"	33 7/8"	1/2"
139354	Incognito 8mm 56 3/4" x 56 - 59"	56 3/4"	54 5/8"	56" - 59"	23 1/8" - 27 1/8"	18 7/8"	1/2"

All dimensions are approximate. Structure measurements must be verified against the unit to ensure proper fit.

Incognito 74 Shower Doors - 8 mm



Material : Tempered Glass

Features

- › Components that connect seamlessly for an effortless assembly
- › Large knob on the opposite side of the handle, to allow for an easier opening and closing
- › Hand adjustable positioning
- › Fits on showers with a wall height of at least 74 in.
- › Slim header and thin edges accentuate the minimalist look
- › Safety features: top and bottom integrated bumper to prevent slamming

ALCOVE DOORS - BYPASS

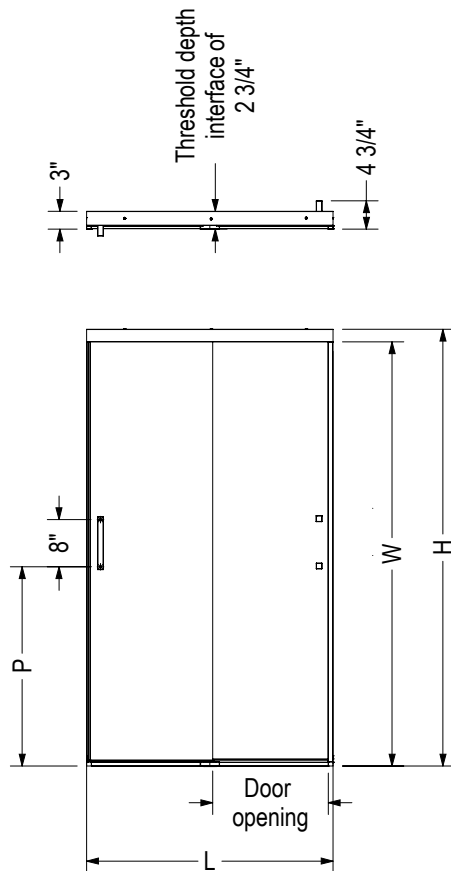
INCOGNITO 74 39-42X74IN. 8MM - 138520

SKU	Glass / Finish	Door Opening	Dimensions & Weight	MSRP
138520-900-084-000	Clear / Chrome		39" - 42" x 74" / 104 lb / 47 kg	\$ 1036
138520-900-305-000	Clear / Brushed Nickel			\$ 1109
138520-900-340-000	Clear / Matte Black			\$ 1137

INCOGNITO 74 51-54X74IN. 8MM - 138521

SKU	Glass / Finish	Door Opening	Dimensions & Weight	MSRP
138521-900-084-000	Clear / Chrome		51" - 54" x 74" / 132 lb / 60 kg	\$ 1124
138521-900-305-000	Clear / Brushed Nickel			\$ 1195
138521-900-340-000	Clear / Matte Black			\$ 1225

STANDARD



Code	Description	H	W	L Adjustable	Door opening	P	Wall adjustment
138520	Incognito 74" 39 - 42" x 74"	74"	71 7/8"	39" - 42"	16 1/2" - 19 1/2"	34 1/8"	1/2"
138521	Incognito 74" 51 - 54" x 74"	74"	68 3/8"	51" - 54"	22 1/2" - 25 1/2"	34 1/8"	1/2"
138522	Incognito 56 3/4" 51 - 54" x 56 3/4"	56 3/4"	54 5/8"	51" - 54"	22 1/2" - 25 1/2"	19 1/8"	1/2"

All dimensions are approximate. Structure measurement must be verified against the unit to ensure proper fit.



Incognito 76 Shaker Shower Doors



Material : Tempered Glass

Features

- › Glass thickness: 8 mm
- › 2 in , slim header provides a sleek look
- › Features convenient towel bar
- › Detachable door guide is easy to clean
- › Wheel catcher feature keeps door open or closed

ALCOVE DOORS - BYPASS

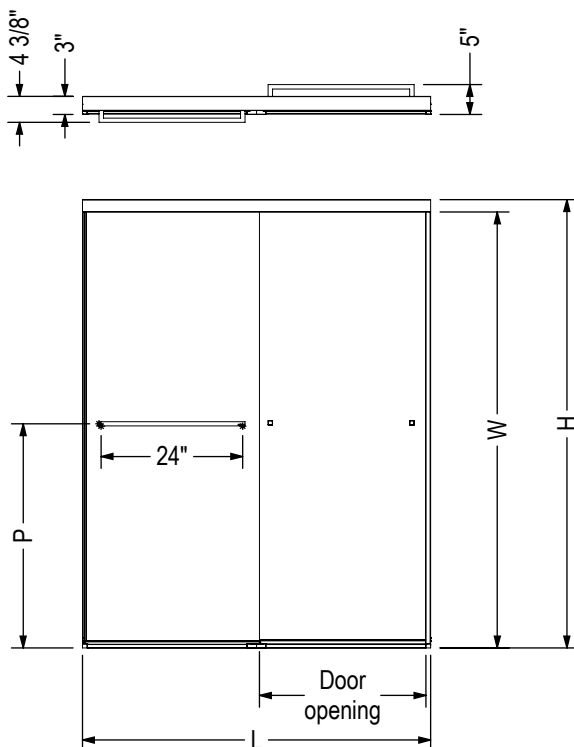
INCOGNITO 76 SHAKER 44-47 X 76 - 8MM - 135331

SKU	Glass / Finish	Door Opening	Dimensions & Weight	Packaging	MSRP
135331-972-340-000	Shaker / Matte Black		44" - 47" x 76" / 144 lb / 65 kg	4.48 ft ³	\$ 1361

INCOGNITO 76 SHAKER 56-59 X 76 - 8MM - 135332

SKU	Glass / Finish	Door Opening	Dimensions & Weight	Packaging	MSRP
135332-972-340-000	Shaker / Matte Black		56" - 59" x 76" / 116 lb / 53 kg	4.89 ft ³	\$ 1448

STANDARD



Code	Description	H	W	L Adjustable	Door opening	P	Wall adjustment
135331	Incognito 76 Shaker 8mm 76" x 44 - 47"	76"	73 7/8"	44" - 47"	18 1/4" - 22 1/4"	38"	1/2"
135332	Incognito 76 Shaker 8mm 76" x 56 - 59"	76"	73 7/8"	56" - 59"	24 1/4" - 28 1/4"	38"	1/2"
135330	Incognito Shaker 8mm 56 3/4" x 56 - 59"	56 3/4"	54 5/8"	56" - 59"	24 1/4" - 28 1/4"	28"	1/2"
135334	Incognito 76 8mm 76" x 44 - 47"	76"	73 7/8"	44" - 47"	18 1/4" - 22 1/4"	38"	1/2"
134335	Incognito 76 8mm 76" x 56 - 59"	76"	73 7/8"	56" - 59"	24 1/4" - 28 1/4"	38"	1/2"

All dimensions are approximate. Structure measurements must be verified against the unit to ensure proper fit.

Incognito 76 Shower Doors - 8 mm



Material : Tempered Glass

Features

- › Components that connect seamlessly for an effortless assembly
- › Expandable Sill, no cutting required to adjust
- › Large knob on the opposite side of the handle, to allows for an easier opening and closing
- › Hand adjustment to perfect the fit in the alcove
- › Slim header and thin edges accentuate the minimalist look
- › Safety features: top and bottom integrated bumper to prevent slamming

ALCOVE DOORS - BYPASS

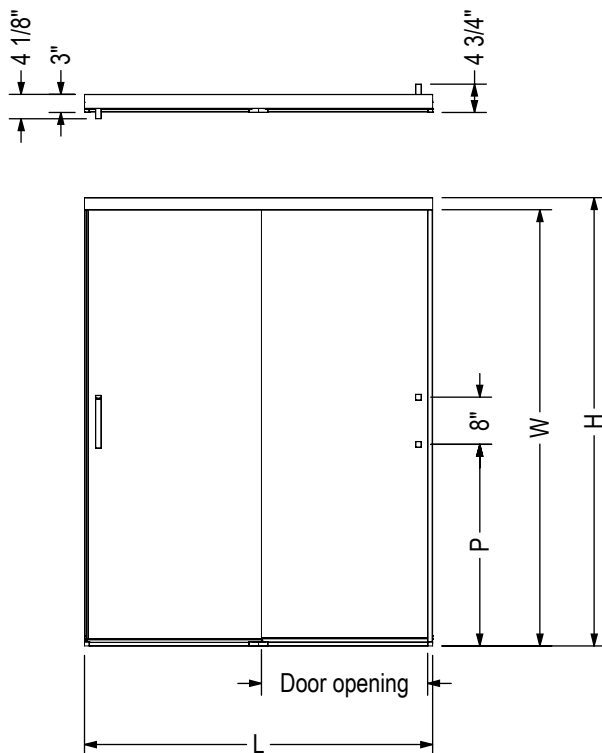
INCOGNITO 76 44-47 X 76 - 8MM - 135334

SKU	Glass / Finish	Door Opening	Dimensions & Weight	Packaging	MSRP
135334-900-084-000	Clear / Chrome		44" - 47" x 76" / 144 lb / 65 kg	4.48 ft ³	\$ 1124
135334-900-305-000	Clear / Brushed Nickel				\$ 1183
135334-900-340-000	Clear / Matte Black				\$ 1210

INCOGNITO 76 56-59 X 76 - 8MM - 135335

SKU	Glass / Finish	Door Opening	Dimensions & Weight	Packaging	MSRP
135335-900-084-000	Clear / Chrome		56" - 59" x 76" / 116 lb / 53 kg	4.89 ft ³	\$ 1212
135335-900-305-000	Clear / Brushed Nickel				\$ 1273
135335-900-340-000	Clear / Matte Black				\$ 1303

STANDARD



Code	Description	H	W	L Adjustable	Door opening	P	Wall adjustment
139354	Incognito 8mm 56 3/4" x 56 - 59"	56 3/4"	54 5/8"	56" - 59"	24 1/4" - 28 1/4"	18 7/8"	1/2"
135334	Incognito 8mm 76" x 44 - 47"	76"	73 7/8"	44" - 47"	18 1/4" - 22 1/4"	33 7/8"	1/2"
135335	Incognito 8mm 76" x 56 - 59"	76"	73 7/8"	56" - 59"	24 1/4" - 28 1/4"	33 7/8"	1/2"

All dimensions are approximate. Structure measurements must be verified against the unit to ensure proper fit.



Incognito 76 Smoke Shower Doors



Material : Tempered Glass

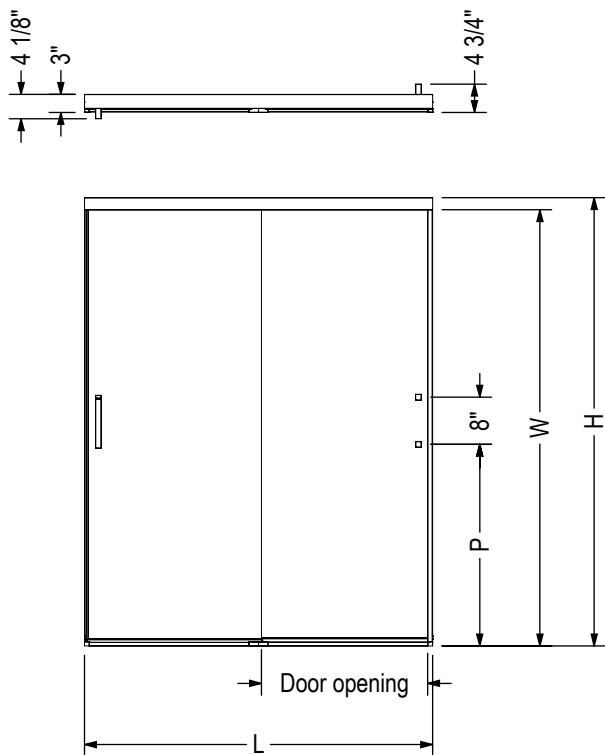
Features

- › Components that connect seamlessly for an effortless assembly
- › Expandable Sill, no cutting required to adjust
- › Large knob on the opposite side of the handle, to allows for an easier opening and closing
- › Hand adjustment to perfect the fit in the alcove
- › Integrated bumper at the top and the bottom
- › Slim header and thin edges accentuate the minimalist look

ALCOVE DOORS - BYPASS

INCOGNITO 76 SMOKE 56-59 X 76 - 8MM - 136335					
SKU	Glass / Finish	Door Opening	Dimensions & Weight	Packaging	MSRP
136335-973-340-000	Dark Smoke / Matte Black		56" - 59" x 76" / 116 lb / 53 kg	4.88 ft ³	\$ 1386
136335-975-340-000	Light Smoke / Matte Black				\$ 1386

STANDARD



Code	Description	H	W	L Adjustable	Door opening	P	Wall adjustment
135335	Incognito Smoke 8mm 76" x 56 - 59"	76"	73 7/8"	56" - 59"	24 1/4" - 28 1/4"	33 7/8"	1/2"

All dimensions are approximate. Structure measurements must be verified against the unit to ensure proper fit.



Polar Shower Doors



Material : Tempered Glass

Features

- › Raindrop 4 mm tempered glass for more intimacy
- › Chrome frame for a clean simple look
- › Bathub and tub shower are sold separately, explore our wide variety of Bathub and tub shower
- › Bypass door configuration features two sliding panel
- › The EZ Klean bottom track drains water away and significantly reduces maintenance
- › Reversible, allowing for left or right opening to accommodate different bathroom layouts
- › Smooth Sliding Door Functionality enhances accessibility and convenience while elevating the aesthetics of your shower space.
- › Proudly made in North America
- › Warranty: 10 years

ALCOVE DOORS - BYPASS

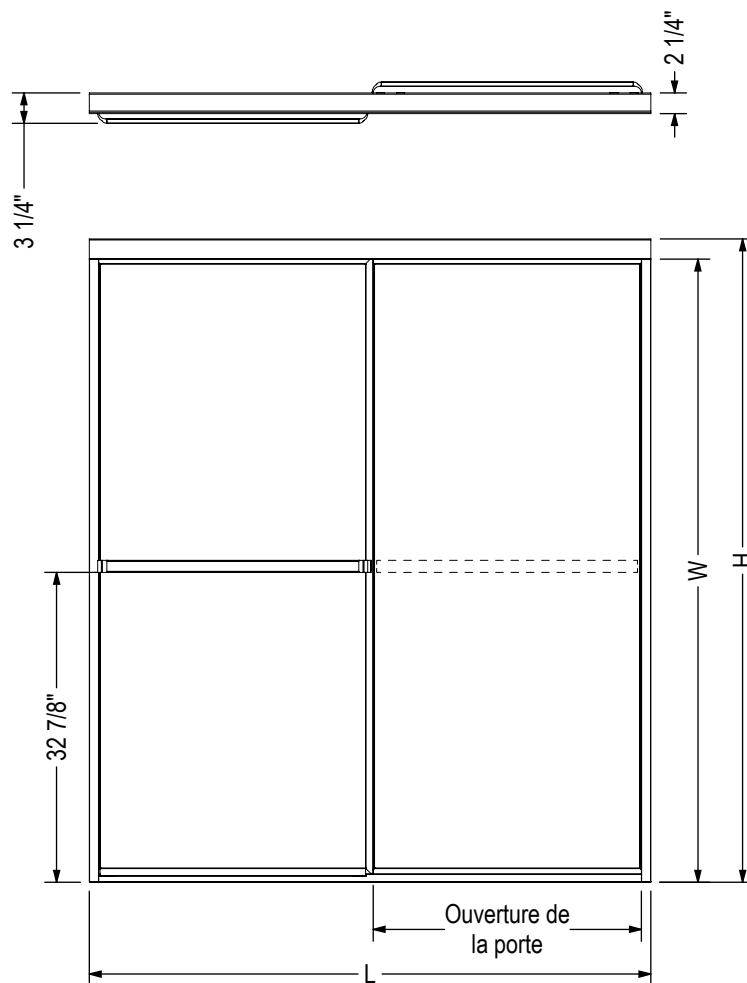
POLAR 54-59 1/2 X 68 IN. - 105412

SKU	Glass / Finish	Door Opening	Dimensions & Weight	Packaging	MSRP
105412-970-084-000	Raindrop / Chrome		54" - 59 1/2" x 68" / 68 lb / 31 kg	4.59 ft ³	\$ 875

POLAR 42-47 1/2 X 68 IN. - 105413

SKU	Glass / Finish	Door Opening	Dimensions & Weight	Packaging	MSRP
105413-970-084-000	Raindrop / Chrome		42" - 47 1/2" x 68" / 53 lb / 24 kg	3.93 ft ³	\$ 780

STANDARD



Code	Description	H	W	L Ajustable	Ouverture de la porte
105410	Polar 54" - 59 1/2" x 57"	57"	55"	54" - 59 1/2"	26" - 28 1/2"
105412	Polar 54" - 59 1/2" x 68"	68"	66"	54" - 59 1/2"	26" - 28 1/2"
105413	Polar 42" - 47 1/2" x 68"	68"	66"	42" - 47 1/2"	20" - 22 1/2"

Toutes ces dimensions sont approximatives. Afin d'assurer une installation parfaite, les dimensions de la structure doivent être vérifiées à partir de l'unité.

Revelation Round Shower Doors - 6 mm



ALCOVE DOORS - BYPASS



Material : Tempered Glass

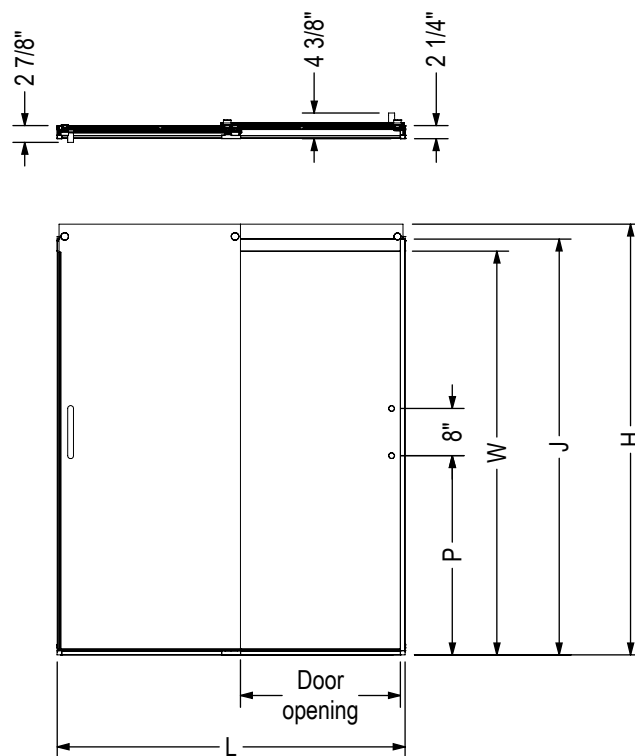
Features

- > - Made from high-quality 6 mm (1/4") thick glass, ensuring durability and safety.
- Reversible, allowing installation for left or right openings to accommodate different bathroom layouts.
- Easy installation process saves time and hassle.
- The door provides a watertight seal, ensuring no leaks or spills occur during use.

REVELATION ROUND 44-47 X 70 1/2-73 IN 6 MM - 136690					
SKU	Glass / Finish	Door Opening	Dimensions & Weight	Packaging	MSRP
136690-900-084-000	Clear / Chrome		44" - 47" x 70 1/2" / 82 lb / 37 kg	3.96 ft ³	\$ 984
136690-900-305-000	Clear / Brushed Nickel				\$ 1055
136690-900-340-000	Clear / Matte Black				\$ 1091

REVELATION ROUND 56-59 X 70 1/2-73 IN 6 MM - 136691					
SKU	Glass / Finish	Door Opening	Dimensions & Weight	Packaging	MSRP
136691-900-084-000	Clear / Chrome		56" - 59" x 70 1/2" / 105 lb / 48 kg	4.55 ft ³	\$ 1072
136691-900-305-000	Clear / Brushed Nickel				\$ 1143
136691-900-340-000	Clear / Matte Black				\$ 1179

STANDARD



Code	Description	H	J	W	L Adjustable	Door Opening	P	Wall adjustment
139690	Revelation 6mm 70 1/2"-73" x 43 - 47"	73"	70 1/2"	68 3/8"	43" - 47"	16" - 20"	33 7/8"	1/2"
139691	Revelation 6mm 70 1/2"-73" x 55 - 59"	73"	70 1/2"	68 3/8"	55" - 59"	22" - 26"	33 7/8"	1/2"
139692	Revelation 6mm 56 3/4"-59 1/4" x 55 - 59"	59 1/4"	56 3/4"	54 5/8"	55" - 59"	22" - 26"	18 7/8"	1/2"
139693	Revelation 8mm 70 1/2"-73" x 43 - 47"	73"	70 1/2"	68 3/8"	43" - 47"	16" - 20"	33 7/8"	1/2"
139694	Revelation 8mm 70 1/2"-73" x 55 - 59"	73"	70 1/2"	68 3/8"	55" - 59"	22" - 26"	33 7/8"	1/2"
139695	Revelation 8mm 56 3/4"-59 1/4" x 55 - 59"	59 1/4"	56 3/4"	54 5/8"	55" - 59"	22" - 26"	18 7/8"	1/2"

All dimensions are approximate. Structure measurements must be verified against the unit to ensure proper fit.



Revelation Round Shower Doors - 8 mm

ALCOVE DOORS - BYPASS



Material : Tempered Glass

Features

- › Components that connect seamlessly for an effortless assembly
- › Exposed double set of wheels
- › Exposed double set of wheels
- › Handle outside / Big knob inside
- › Expandable Sill; No cutting required to adjust
- › Anti-jump features hidden in the frame
- › Detachable door guide to distance the glass for an easier cleaning

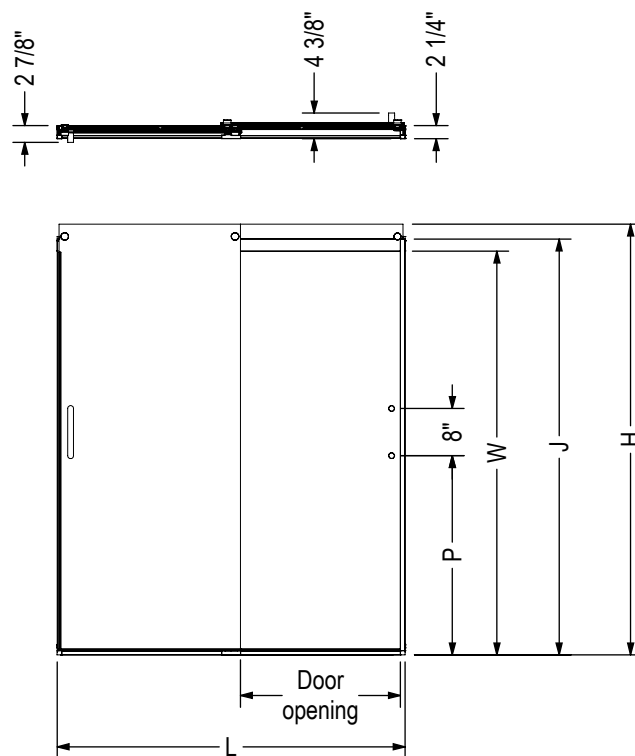
REVELATION ROUND 44-47 X 70 1/2-73 - 8MM - 136693

SKU	Glass / Finish	Door Opening	Dimensions & Weight	Packaging	MSRP
136693-900-084-000	Clear / Chrome		44" - 47" x 73" / 130 lb / 59 kg	3.47 ft ³	\$ 1096
136693-900-305-000	Clear / Brushed Nickel				\$ 1168
136693-900-340-000	Clear / Matte Black				\$ 1205

REVELATION ROUND 56-59 X 70 1/2-73 - 8MM - 136694

SKU	Glass / Finish	Door Opening	Dimensions & Weight	Packaging	MSRP
136694-900-084-000	Clear / Chrome		56" - 59" x 73" / 140 lb / 63 kg	3.94 ft ³	\$ 1185
136694-900-305-000	Clear / Brushed Nickel				\$ 1256
136694-900-340-000	Clear / Matte Black				\$ 1290

STANDARD



Code	Description	H	J	W	L Adjustable	Door Opening	P	Wall adjustment
139690	Revelation 6mm 70 1/2"-73" x 43 - 47"	73"	70 1/2"	68 3/8"	43" - 47"	16" - 20"	33 7/8"	1/2"
139691	Revelation 6mm 70 1/2"-73" x 55 - 59"	73"	70 1/2"	68 3/8"	55" - 59"	22" - 26"	33 7/8"	1/2"
139692	Revelation 6mm 56 3/4"-59 1/4" x 55 - 59"	59 1/4"	56 3/4"	54 5/8"	55" - 59"	22" - 26"	18 7/8"	1/2"
139693	Revelation 8mm 70 1/2"-73" x 43 - 47"	73"	70 1/2"	68 3/8"	43" - 47"	16" - 20"	33 7/8"	1/2"
139694	Revelation 8mm 70 1/2"-73" x 55 - 59"	73"	70 1/2"	68 3/8"	55" - 59"	22" - 26"	33 7/8"	1/2"
139695	Revelation 8mm 56 3/4"-59 1/4" x 55 - 59"	59 1/4"	56 3/4"	54 5/8"	55" - 59"	22" - 26"	18 7/8"	1/2"

All dimensions are approximate. Structure measurements must be verified against the unit to ensure proper fit.

Revelation Square Shower Doors - 6 mm



ALCOVE DOORS - BYPASS



Material : Tempered Glass

Features

- > Components that connect seamlessly for an effortless assembly
- > Exposed double set of wheels
- > Handle outside / Big knob inside
- > Anti-jump features hidden in the frame

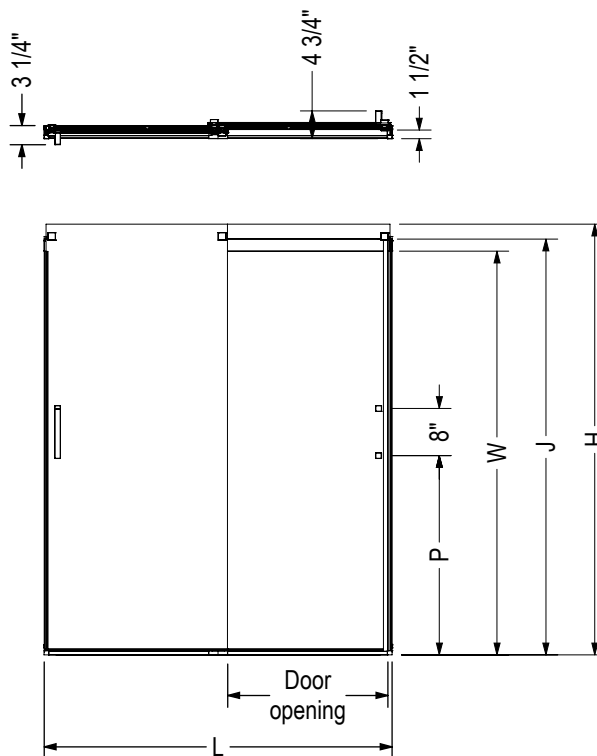
REVELATION SQUARE 44-47 X 70 1/2-73 - 6MM - 135690

SKU	Glass / Finish	Door Opening	Dimensions & Weight	Packaging	MSRP
135690-900-084-000	Clear / Chrome		44" - 47" x 73" / 110 lb / 50 kg	3.47 ft ³	\$ 984
135690-900-305-000	Clear / Brushed Nickel				\$ 1055
135690-900-340-000	Clear / Matte Black				\$ 1091

REVELATION SQUARE 56-59 X 70 1/2-73 - 6MM - 135691

SKU	Glass / Finish	Door Opening	Dimensions & Weight	Packaging	MSRP
135691-900-084-000	Clear / Chrome		56" - 59" x 73" / 120 lb / 54 kg	3.94 ft ³	\$ 1072
135691-900-305-000	Clear / Brushed Nickel				\$ 1143
135691-900-340-000	Clear / Matte Black				\$ 1179

STANDARD



Code	Description	H	J	W	L Adjustable	Door Opening	P	Wall adjustment
134690	Revelation SQ 6mm 70 1/2"-73" x 43 - 47"	73"	70 1/2"	68 3/8"	43" - 47"	16" - 20"	33 7/8"	1/2"
134691	Revelation SQ 6mm 70 1/2"-73" x 55 - 59"	73"	70 1/2"	68 3/8"	55" - 59"	22" - 26"	33 7/8"	1/2"
134692	Revelation SQ 6mm 56 3/4"-59 1/4" x 55 - 59"	59 1/4"	56 3/4"	54 5/8"	55" - 59"	22" - 26"	18 7/8"	1/2"
134693	Revelation SQ 8mm 70 1/2"-73" x 43 - 47"	73"	70 1/2"	68 3/8"	43" - 47"	16" - 20"	33 7/8"	1/2"
134694	Revelation SQ 8mm 70 1/2"-73" x 55 - 59"	73"	70 1/2"	68 3/8"	55" - 59"	22" - 26"	33 7/8"	1/2"
134695	Revelation SQ 8mm 56 3/4"-59 1/4" x 55 - 59"	59 1/4"	56 3/4"	54 5/8"	55" - 59"	22" - 26"	18 7/8"	1/2"

All dimensions are approximate. Structure measurements must be verified against the unit to ensure proper fit.

Revelation Square Shower Doors - 8 mm



ALCOVE DOORS - BYPASS



Material : Tempered Glass

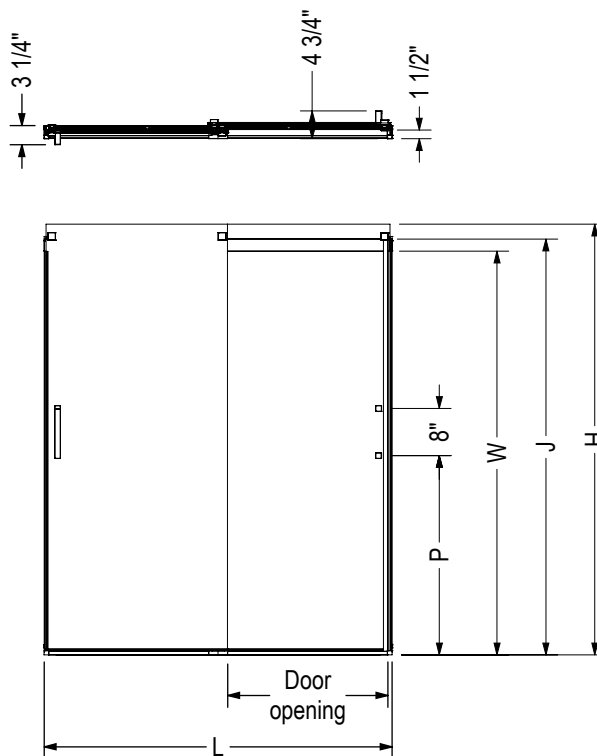
Features

- > Components that connect seamlessly for an effortless assembly
- > Exposed double set of wheels
- > Handle outside / Big knob inside
- > Anti-jump features hidden in the frame

REVELATION SQUARE 44-47 X 70 1/2-73 - 8MM - 135693					
SKU	Glass / Finish	Door Opening	Dimensions & Weight	Packaging	MSRP
135693-900-084-000	Clear / Chrome		44" - 47" x 73" / 130 lb / 59 kg	3.47 ft ³	\$ 1096
135693-900-305-000	Clear / Brushed Nickel				\$ 1168
135693-900-340-000	Clear / Matte Black				\$ 1205

REVELATION SQUARE 56-59 X 70 1/2-73 - 8MM - 135694					
SKU	Glass / Finish	Door Opening	Dimensions & Weight	Packaging	MSRP
135694-900-084-000	Clear / Chrome		56" - 59" x 73" / 140 lb / 63 kg	3.94 ft ³	\$ 1185
135694-900-305-000	Clear / Brushed Nickel				\$ 1256
135694-900-340-000	Clear / Matte Black				\$ 1290

STANDARD



Code	Description	H	J	W	L Adjustable	Door Opening	P	Wall adjustment
134690	Revelation SQ 6mm 70 1/2"-73" x 43 - 47"	73"	70 1/2"	68 3/8"	43" - 47"	16" - 20"	33 7/8"	1/2"
134691	Revelation SQ 6mm 70 1/2"-73" x 55 - 59"	73"	70 1/2"	68 3/8"	55" - 59"	22" - 26"	33 7/8"	1/2"
134692	Revelation SQ 6mm 56 3/4"-59 1/4" x 55 - 59"	59 1/4"	56 3/4"	54 5/8"	55" - 59"	22" - 26"	18 7/8"	1/2"
134693	Revelation SQ 8mm 70 1/2"-73" x 43 - 47"	73"	70 1/2"	68 3/8"	43" - 47"	16" - 20"	33 7/8"	1/2"
134694	Revelation SQ 8mm 70 1/2"-73" x 55 - 59"	73"	70 1/2"	68 3/8"	55" - 59"	22" - 26"	33 7/8"	1/2"
134695	Revelation SQ 8mm 56 3/4"-59 1/4" x 55 - 59"	59 1/4"	56 3/4"	54 5/8"	55" - 59"	22" - 26"	18 7/8"	1/2"

All dimensions are approximate. Structure measurements must be verified against the unit to ensure proper fit.



Uptown Shower Doors



Material : Tempered Glass

Features

- › 7 mm (5/16") tempered glass
- › Configuration consists of Two Sliding Door
- › Available in 4 Stylish Finishes
- › DIY Product for an easy installation
- › Fits on showers, walls and tile
- › Innovative Soft Close by MAAX technology prevents slamming
- › Glass panels come with the Lotus Easy Clean Glass Protection to repel soap and water stains for carefree maintenance
- › Reversible panel for easy corner installation on the left or on the right
- › 3/8" out-of-plumb adjustment

ALCOVE DOORS - BYPASS

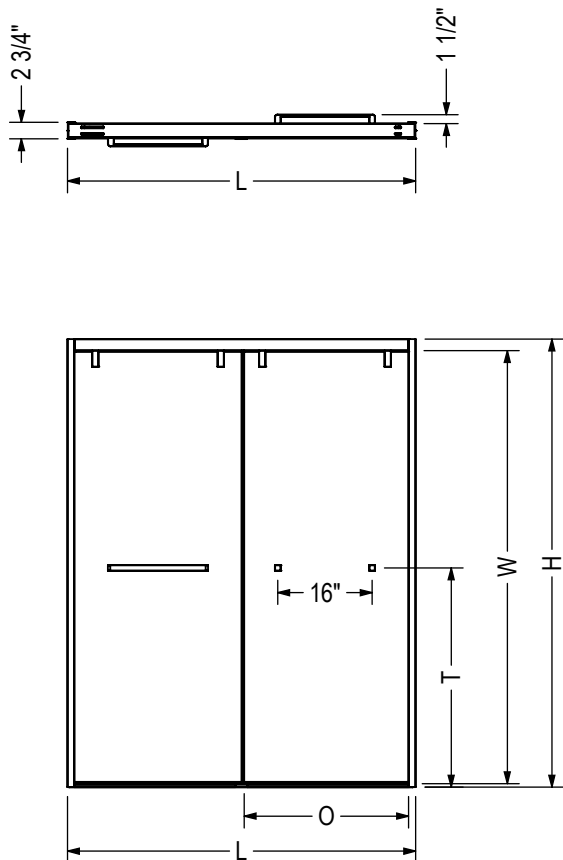
UPTOWN 44-47 X 76 IN. 8 MM - 135321

SKU	Glass / Finish	Door Opening	Dimensions & Weight	Packaging	MSRP
135321-900-084-000	Clear / Chrome		44" - 47" x 76" / 112 lb / 51 kg	4.944 ft ³	\$ 1522
135321-900-173-000	Clear / Dark Bronze				\$ 1634
135321-900-305-000	Clear / Brushed Nickel				\$ 1608
135321-900-340-000	Clear / Matte Black				\$ 1634

UPTOWN 56-59 X 76 IN. 8 MM - 135322

SKU	Glass / Finish	Door Opening	Dimensions & Weight	Packaging	MSRP
135322-900-084-000	Clear / Chrome		56" - 59" x 76" / 138 lb / 63 kg	6.039 ft ³	\$ 1616
135322-900-173-000	Clear / Dark Bronze				\$ 1743
135322-900-305-000	Clear / Brushed Nickel				\$ 1699
135322-900-340-000	Clear / Matte Black				\$ 1743

STANDARD



Code	Description	H	L	O	T	W
135320	Uptown Bypass Tub door 58" x 56" - 59"	58"	56" - 59"	24 7/8" - 27 7/8"	28 1/4"	55 1/2"
135321	Uptown Bypass door 76" x 44" - 47"	76"	44" - 47"	18 7/8" - 21 7/8"	37 1/8"	73 1/2"
135322	Uptown Bypass door 76" x 56" - 59"	76"	56" - 59"	24 7/8" - 27 7/8"	37 1/8"	73 1/2"

Wall adjustment = 3/8"

All dimensions are approximate. Structure measurements must be verified against the unit to ensure proper fit.



Madono Shower Doors



Material : Tempered Glass

Features

- > 1-panel 1/4 in./6 mm frameless pivot door for alcove shower
- > Chrome knob for a clean simple look
- > Reversible door for left or right opening

ALCOVE DOORS - PIVOT

MADONO 28 1/2-30 1/2 X 67 - 6MM - 105416

SKU	Glass / Finish	Door Opening	Dimensions & Weight	Packaging	MSRP
105416-900-084-000	Clear / Chrome		28 1/2" - 30 1/2" x 67" / 32.0 lb / 15 kg	3.62 ft ³	\$ 619

MADONO 31 1/2-33 1/2 X 67 - 6MM - 105417

SKU	Glass / Finish	Door Opening	Dimensions & Weight	Packaging	MSRP
105417-900-084-000	Clear / Chrome		31 1/2" - 33 1/2" x 67" / 34.0 lb / 15 kg	3.99 ft ³	\$ 659

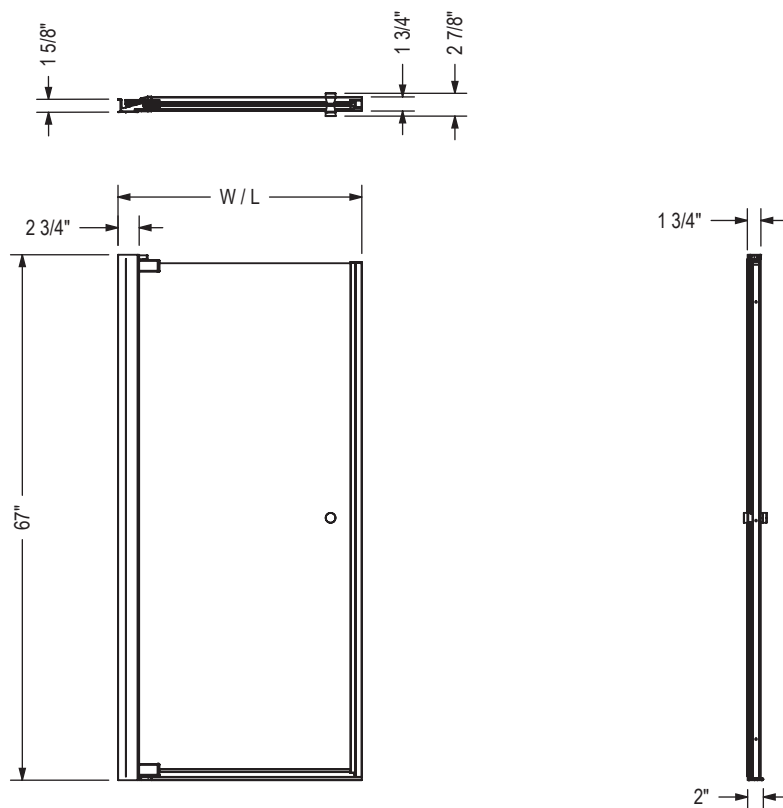
MADONO 34 1/2-36 1/2 X 67 - 6MM - 105418

SKU	Glass / Finish	Door Opening	Dimensions & Weight	Packaging	MSRP
105418-900-084-000	Clear / Chrome		34 1/2" - 36 1/2" x 67" / 46 lb / 21 kg	3.99 ft ³	\$ 705

MADONO 24 1/2-26 1/2 X 67 - 6MM - 105420

SKU	Glass / Finish	Door Opening	Dimensions & Weight	Packaging	MSRP
105420-900-084-000	Clear / Chrome		24 1/2" - 26 1/2" x 67" / 40 lb / 18 kg	3.62 ft ³	\$ 573

STANDARD

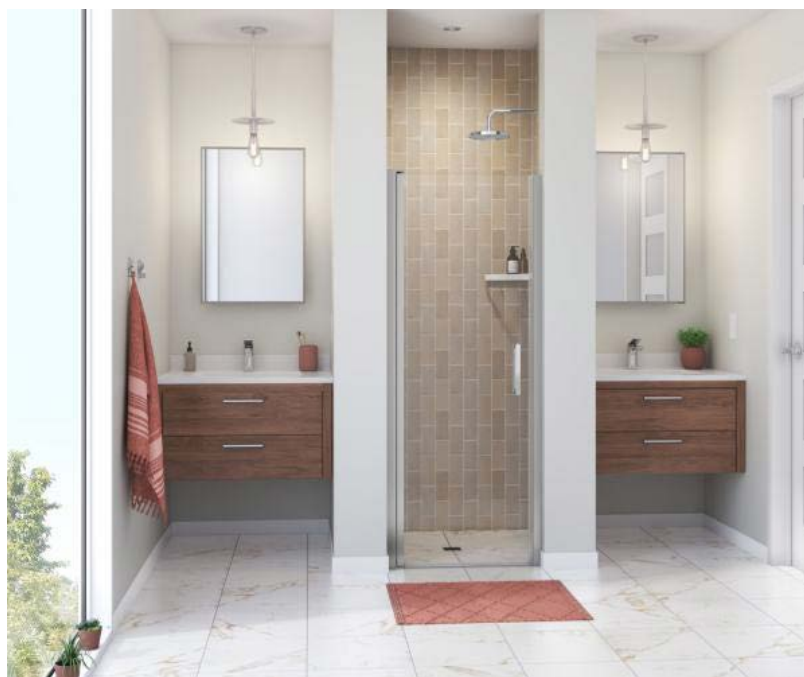


Code	Description	H	W / L
105420/105419	Madono / Insight 24-1/2" - 26-1/2"	67"	24-1/2" - 26-1/2"
105416/105316	Madono / Insight 28-1/2" - 30-1/2"	67"	28-1/2" - 30-1/2"
105417/105317	Madono / Insight 31-1/2" - 33-1/2"	67"	31-1/2" - 33-1/2"
105418/105318	Madono / Insight 34-1/2" - 36-1/2"	67"	34-1/2" - 36-1/2"

All dimensions are approximate. Structure measurements must be verified against the unit to ensure proper fit.



Manhattan 1 Panel Shower Doors



Material : Tempered Glass

Features

- › Frameless Pivot door for Alcove Installation
- › Available in 3 stylish finishes and 18 sizes
- › 6mm (1/4") clear tempered glass
- › 2" of lateral adjustment integrated into each door. For an additional 1/2-inch, see filler sold separately (SKU 10041204)
- › Door pivoting inside and outside (180 degrees)
- › Slim interface of 7/8" (22mm) to fit on most shower bases
- › No threshold piece for ease of cleaning and easy access
- › No height restrictions
- › Wide opening for comfortable access

ALCOVE DOORS - PIVOT

MANHATTAN 23-25 X 68 - 6MM - 138260

SKU	Glass / Finish	Door Opening	Dimensions & Weight	Packaging	MSRP
138260-900-084-100	Clear / Chrome		23" - 25" x 68" / 36 lb / 16 kg	5.147 ft ³	\$ 549
138260-900-084-101					\$ 519
138260-900-305-100	Clear / Brushed Nickel				\$ 559
138260-900-305-101					\$ 546
138260-900-340-100	Clear / Matte Black				\$ 571
138260-900-340-101					\$ 571

MANHATTAN 25-27 X 68 - 6MM - 138261

SKU	Glass / Finish	Door Opening	Dimensions & Weight	Packaging	MSRP
138261-900-084-100	Clear / Chrome		25" - 27" x 68" / 38 lb / 17 kg	4.049 ft ³	\$ 559
138261-900-084-101					\$ 559
138261-900-305-100	Clear / Brushed Nickel				\$ 587
138261-900-305-101					\$ 587
138261-900-340-100	Clear / Matte Black				\$ 614
138261-900-340-101					\$ 614

MANHATTAN 27-29 X 68 - 6MM - 138262

SKU	Glass / Finish	Door Opening	Dimensions & Weight	Packaging	MSRP
138262-900-084-100	Clear / Chrome		27" - 29" x 68" / 40 lb / 18 kg	4.461 ft ³	\$ 598
138262-900-084-101					\$ 598
138262-900-305-100	Clear / Brushed Nickel				\$ 628
138262-900-305-101					\$ 628
138262-900-340-100	Clear / Matte Black				\$ 658
138262-900-340-101					\$ 658

MANHATTAN 29-31 X 68 - 6MM - 138263

SKU	Glass / Finish	Door Opening	Dimensions & Weight	Packaging	MSRP
138263-900-084-100	Clear / Chrome		29" - 31" x 68" / 44 lb / 20 kg	4.461 ft ³	\$ 640
138263-900-084-101					\$ 640
138263-900-305-100	Clear / Brushed Nickel				\$ 672
138263-900-305-101					\$ 672
138263-900-340-100	Clear / Matte Black				\$ 704
138263-900-340-101					\$ 704

MANHATTAN 31-33 X 68 - 6MM - 138264

SKU	Glass / Finish	Door Opening	Dimensions & Weight	Packaging	MSRP
138264-900-084-100	Clear / Chrome		31" - 33" x 68" / 46 lb / 21 kg	4.804 ft ³	\$ 684
138264-900-084-101					\$ 684
138264-900-305-100	Clear / Brushed Nickel				\$ 718
138264-900-305-101					\$ 718
138264-900-340-100	Clear / Matte Black				\$ 752
138264-900-340-101					\$ 752

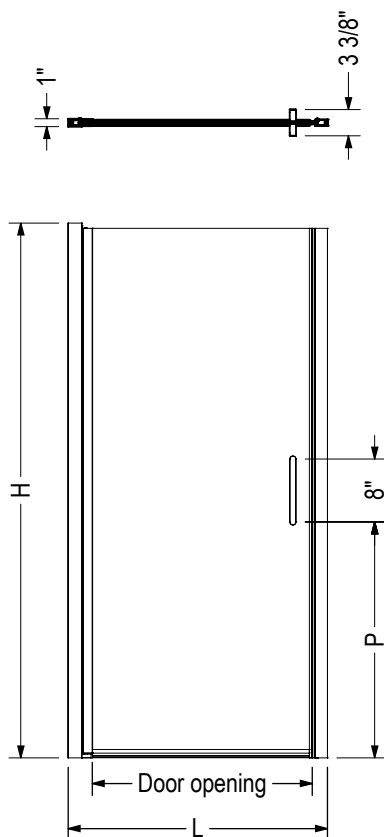
MANHATTAN 33-35 X 68 - 6MM - 138265

SKU	Glass / Finish	Door Opening	Dimensions & Weight	Packaging	MSRP
138265-900-084-100	Clear / Chrome		33" - 35" x 68" / 50 lb / 23 kg	5.147 ft ³	\$ 733
138265-900-084-101					\$ 733
138265-900-305-100	Clear / Brushed Nickel				\$ 769
138265-900-305-101					\$ 769
138265-900-340-100	Clear / Matte Black				\$ 806
138265-900-340-101					\$ 806

ACCESSORIES

SKU	Description	MSRP
10041204-340-001		\$ 75
10041204-305-001	Manhattan Shower Door Filler 1/2 in. Available finishes: Chrome (084), Brushed Nickel (305) and Matte Black (340)	\$ 71
10041204-084-001		\$ 68

STANDARD



Code	Description	H	L Adjustable	Door opening	P
138260	Manhattan 68" x 23" - 25"	68"	23" - 25"	18 3/8"	30"
138261	Manhattan 68" x 25" - 27"	68"	25" - 27"	20 3/8"	30"
138262	Manhattan 68" x 27" - 29"	68"	27" - 29"	22 3/8"	30"
138263	Manhattan 68" x 29" - 31"	68"	29" - 31"	24 3/8"	30"
138264	Manhattan 68" x 31" - 33"	68"	31" - 33"	26 3/8"	30"
138265	Manhattan 68" x 33" - 35"	68"	33" - 35"	28 3/8"	30"

All dimensions are approximate. Structure measurements must be verified against the unit to ensure proper fit.



Manhattan 2 Panel Shower Doors



Material : Tempered Glass

Features

- › Frameless Pivot door for Alcove Installation
- › Available in 3 stylish finishes and 18 sizes
- › 6mm (1/4") clear tempered glass
- › 2" of lateral adjustment integrated into each door. For an additional 1/2-inch, see filler sold separately (SKU 10041204)
- › Door pivoting inside and outside (180 degrees)
- › Slim interface of 7/8" (22mm) to fit on most shower bases
- › No threshold piece for ease of cleaning and easy access
- › No height restrictions
- › Wide opening for comfortable access

ALCOVE DOORS - PIVOT

MANHATTAN 35-37 X 68 - 6MM - 138266

SKU	Glass / Finish	Door Opening	Dimensions & Weight	Packaging	MSRP
138266-900-084-100	Clear / Chrome		35" - 37" x 68" / 54 lb / 24 kg	4.461 ft ³	\$ 806
138266-900-084-101					\$ 806
138266-900-305-100	Clear / Brushed Nickel				\$ 846
138266-900-305-101					\$ 846
138266-900-340-100	Clear / Matte Black				\$ 887
138266-900-340-101					\$ 887

MANHATTAN 37-39 X 68 - 6MM - 138267

SKU	Glass / Finish	Door Opening	Dimensions & Weight	Packaging	MSRP
138267-900-084-100	Clear / Chrome		37" - 39" x 68" / 58 lb / 26 kg	5.147 ft ³	\$ 830
138267-900-084-101					\$ 830
138267-900-305-100	Clear / Brushed Nickel				\$ 872
138267-900-305-101					\$ 872
138267-900-340-100	Clear / Matte Black				\$ 913
138267-900-340-101					\$ 913

MANHATTAN 39-41 X 68 - 6MM - 138268

SKU	Glass / Finish	Door Opening	Dimensions & Weight	Packaging	MSRP
138268-900-084-100	Clear / Chrome		39" - 41" x 68" / 60 lb / 27 kg	5.147 ft ³	\$ 855
138268-900-084-101					\$ 855
138268-900-305-100	Clear / Brushed Nickel				\$ 898
138268-900-305-101					\$ 898
138268-900-340-100	Clear / Matte Black				\$ 940
138268-900-340-101					\$ 940

MANHATTAN 41-43 X 68 - 6MM - 138269

SKU	Glass / Finish	Door Opening	Dimensions & Weight	Packaging	MSRP
138269-900-084-100	Clear / Chrome		41" - 43" x 68" / 62 lb / 28 kg	4.461 ft ³	\$ 880
138269-900-084-101					\$ 880
138269-900-305-100	Clear / Brushed Nickel				\$ 925
138269-900-305-101					\$ 925
138269-900-340-100	Clear / Matte Black				\$ 969
138269-900-340-101					\$ 969

MANHATTAN 43-45 X 68 - 6MM - 138270

SKU	Glass / Finish	Door Opening	Dimensions & Weight	Packaging	MSRP
138270-900-084-100	Clear / Chrome		43" - 45" x 68" / 66 lb / 30 kg	4.804 ft ³	\$ 907
138270-900-084-101					\$ 907
138270-900-305-100	Clear / Brushed Nickel				\$ 953
138270-900-305-101					\$ 953
138270-900-340-100	Clear / Matte Black				\$ 998
138270-900-340-101					\$ 998

MANHATTAN 45-47 X 68 - 6MM - 138271

SKU	Glass / Finish	Door Opening	Dimensions & Weight	Packaging	MSRP
138271-900-084-100	Clear / Chrome		45" - 47" x 68" / 70 lb / 32 kg	3.809 ft ³	\$ 934
138271-900-084-101					\$ 934
138271-900-305-100	Clear / Brushed Nickel				\$ 981
138271-900-305-101					\$ 981
138271-900-340-100	Clear / Matte Black				\$ 1028
138271-900-340-101					\$ 1028

MANHATTAN 47-49 X 68 - 6MM - 138272

SKU	Glass / Finish	Door Opening	Dimensions & Weight	Packaging	MSRP
138272-900-084-100	Clear / Chrome		47" - 49" x 68" / 72 lb / 33 kg	4.461 ft ³	\$ 962
138272-900-084-101					\$ 962
138272-900-305-100	Clear / Brushed Nickel				\$ 1011
138272-900-305-101					\$ 1011
138272-900-340-100	Clear / Matte Black				\$ 1059
138272-900-340-101					\$ 1059

MANHATTAN 49-51 X 68 - 6MM - 138273

SKU	Glass / Finish	Door Opening	Dimensions & Weight	Packaging	MSRP
138273-900-084-100	Clear / Chrome		49" - 51" x 68" / 74 lb / 34 kg	4.804 ft ³	\$ 991
138273-900-084-101					\$ 991
138273-900-305-100	Clear / Brushed Nickel				\$ 1041
138273-900-305-101					\$ 1041
138273-900-340-100	Clear / Matte Black				\$ 1091
138273-900-340-101					\$ 1091

MANHATTAN 51-53 X 68 - 6MM - 138274

SKU	Glass / Finish	Door Opening	Dimensions & Weight	Packaging	MSRP
138274-900-084-100	Clear / Chrome		51" - 53" x 68" / 76 lb / 34 kg	4.804 ft ³	\$ 1021
138274-900-084-101					\$ 1021
138274-900-305-100	Clear / Brushed Nickel				\$ 1073
138274-900-305-101					\$ 1073
138274-900-340-100	Clear / Matte Black				\$ 1124
138274-900-340-101					\$ 1124

MANHATTAN 53-55 X 68 - 6MM - 138275

SKU	Glass / Finish	Door Opening	Dimensions & Weight	Packaging	MSRP
138275-900-084-100	Clear / Chrome		53" - 55" x 68" / 80 lb / 36 kg	4.804 ft ³	\$ 1050
138275-900-084-101					\$ 1050
138275-900-305-100	Clear / Brushed Nickel				\$ 1103
138275-900-305-101					\$ 1103
138275-900-340-100	Clear / Matte Black				\$ 1156
138275-900-340-101					\$ 1156

MANHATTAN 55-57 X 68 - 6MM - 138276

SKU	Glass / Finish	Door Opening	Dimensions & Weight	Packaging	MSRP
138276-900-084-100	Clear / Chrome		55" - 57" x 68" / 82 lb / 37 kg	4.804 ft ³	\$ 1082
138276-900-084-101					\$ 1082
138276-900-305-100	Clear / Brushed Nickel				\$ 1137
138276-900-305-101					\$ 1137
138276-900-340-100	Clear / Matte Black				\$ 1191
138276-900-340-101					\$ 1191

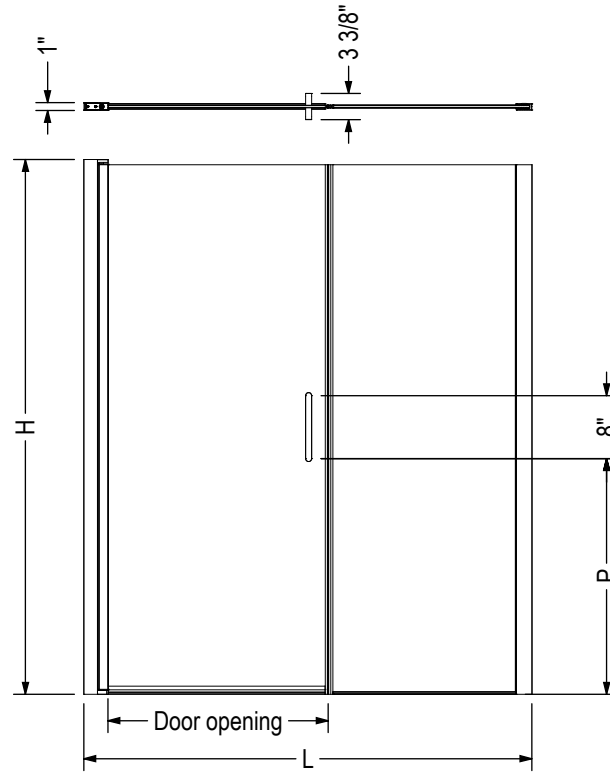
MANHATTAN 57-59 X 68 - 6MM - 138277

SKU	Glass / Finish	Door Opening	Dimensions & Weight	Packaging	MSRP
138277-900-084-100	Clear / Chrome		57" - 59" x 68" / 84 lb / 38 kg	5.08 ft ³	\$ 1115
138277-900-084-101					\$ 1115
138277-900-305-100	Clear / Brushed Nickel				\$ 1172
138277-900-305-101					\$ 1172
138277-900-340-100	Clear / Matte Black				\$ 1227
138277-900-340-101					\$ 1227

ACCESSORIES

SKU	Description	MSRP
10041204-340-001		\$ 75
10041204-305-001	Manhattan Shower Door Filler 1/2 in. Available finishes: Chrome (084), Brushed Nickel (305) and Matte Black (340)	\$ 71
10041204-084-001		\$ 68
10037592-084-601		\$ 73
10037592-340-601	Fixed Panel Support Bar for Extra Support. Available finishes: Chrome (084), Brushed Nickel (305) and Matte Black (340)	\$ 80
10037592-305-601		\$ 77

STANDARD



Code	Description	H	L Adjustable	Door opening	P
138266	Manhattan 68" x 35" - 37"	68"	35" - 37"	24 3/8"	30"
138267	Manhattan 68" x 37" - 39"	68"	37" - 39"	26 3/8"	30"
138268	Manhattan 68" x 39" - 41"	68"	39" - 41"	28 3/8"	30"
138269	Manhattan 68" x 41" - 43"	68"	41" - 43"	24 3/8"	30"
138270	Manhattan 68" x 43" - 45"	68"	43" - 45"	26 3/8"	30"
138271	Manhattan 68" x 45" - 47"	68"	45" - 47"	28 3/8"	30"
138272	Manhattan 68" x 47" - 49"	68"	47" - 49"	24 3/8"	30"
138273	Manhattan 68" x 49" - 51"	68"	49" - 51"	26 3/8"	30"
138274	Manhattan 68" x 51" - 53"	68"	51" - 53"	28 3/8"	30"
138275	Manhattan 68" x 53" - 55"	68"	53" - 55"	24 3/8"	30"
138276	Manhattan 68" x 55" - 57"	68"	55" - 57"	26 3/8"	30"
138277	Manhattan 68" x 57" - 59"	68"	57" - 59"	28 3/8"	30"

All dimensions are approximate. Structure measurements must be verified against the unit to ensure proper fit.



Pivolok Deluxe Shower Doors

ALCOVE DOORS - PIVOT



Material : Tempered Glass

Features

- › 1-panel framed pivot door for alcove shower
- › Full-length magnetic catch concealed in the door edge which allows the door to close tightly
- › Reversible door for left or right installation
- › Framed integrated channel redirects water toward the inside of the shower
- › Fixed panel allows to increase the adjustment to fit wider shower openings

PIVOLOK DELUXE 32 1/2-37 X 64 1/2 IN. - 136435

SKU	Glass / Finish	Door Opening	Dimensions & Weight	Packaging	MSRP
136435-900-084-000	Clear / Chrome		32 1/2" - 37" x 64 1/2" / 44 lb / 20 kg	3.48 ft ³	\$ 683



Pivolok Shower Doors



Material : Tempered Glass

Features

- > 1-panel framed pivot door for alcove shower
- > Full-length magnetic catch allows the door to close tightly
- > Reversible door for left or right installation
- > Integrated channel redirects water toward the inside of the shower
- > Full-length aluminum pull reinforces door and doubles as a handle

ALCOVE DOORS - PIVOT

PIVOLOK 19-20 ¾ X 64 ½ IN. - 136605

SKU	Glass / Finish	Door Opening	Dimensions & Weight	Packaging	MSRP
136605-900-084-000	Clear / Chrome		19" - 20 3/4" x 64 1/2" / 25 lb / 11 kg	2.25 ft³	\$ 476
136605-970-084-000	Raindrop / Chrome				\$ 476

PIVOLOK 21-22 ¾ X 64 ½ IN. - 136615

SKU	Glass / Finish	Door Opening	Dimensions & Weight	Packaging	MSRP
136615-900-084-000	Clear / Chrome		21" - 22 3/4" x 64 1/2" / 28 lb / 13 kg	2.41 ft³	\$ 476
136615-970-084-000	Raindrop / Chrome				\$ 476

PIVOLOK 23-24 ¾ X 64 ½ IN. - 136625

SKU	Glass / Finish	Door Opening	Dimensions & Weight	Packaging	MSRP
136625-900-084-000	Clear / Chrome		23" - 24 3/4" x 64 1/2" / 32 lb / 15 kg	2.64 ft³	\$ 483
136625-970-084-000	Raindrop / Chrome				\$ 483

PIVOLOK 25-26 ¾ X 64 ½ IN. - 136626

SKU	Glass / Finish	Door Opening	Dimensions & Weight	Packaging	MSRP
136626-900-084-000	Clear / Chrome		25" - 26 3/4" x 64 1/2" / 31 lb / 14 kg	2.53 ft³	\$ 483
136626-970-084-000	Raindrop / Chrome				\$ 483

PIVOLOK 27-28 ¾ X 64 ½ IN. - 136635

SKU	Glass / Finish	Door Opening	Dimensions & Weight	Packaging	MSRP
136635-900-084-000	Clear / Chrome		27" - 28 ¾" x 64 ½" / 34 lb / 15 kg	3.08 ft³	\$ 503
136635-970-084-000	Raindrop / Chrome				\$ 503

PIVOLOK 29-30 ¾ X 64 ½ IN. - 136645

SKU	Glass / Finish	Door Opening	Dimensions & Weight	Packaging	MSRP
136645-900-084-000	Clear / Chrome		29" - 30 ¾" x 64 ½" / 35 lb / 16 kg	3.23 ft³	\$ 520
136645-970-084-000	Raindrop / Chrome				\$ 520

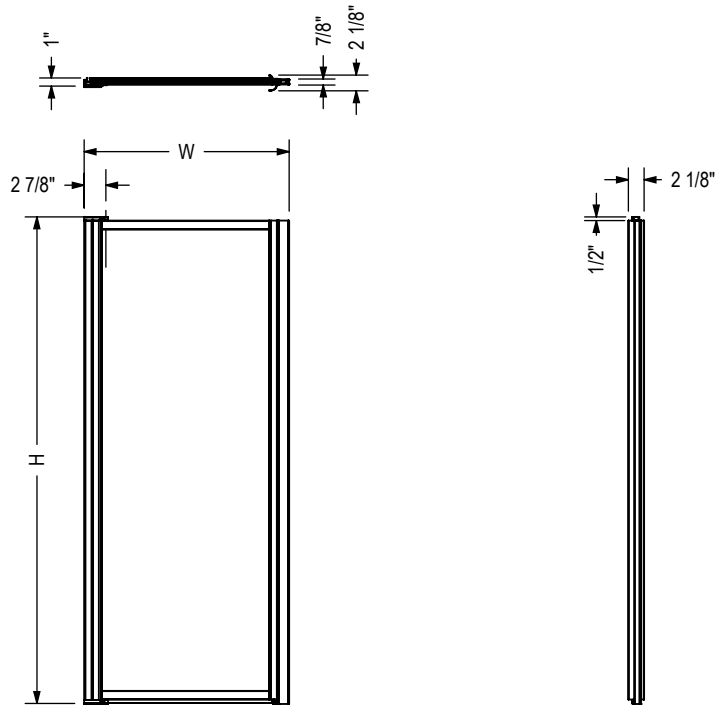
PIVOLOK 31-32 ¾ X 64 ½ IN. - 136655

SKU	Glass / Finish	Door Opening	Dimensions & Weight	Packaging	MSRP
136655-900-084-000	Clear / Chrome		31" - 32 ¾" x 64 ½" / 37 lb / 17 kg	3.24 ft³	\$ 520
136655-970-084-000	Raindrop / Chrome				\$ 520

PIVOLOK 33-34 ¾ X 64 ½ IN. - 136656

SKU	Glass / Finish	Door Opening	Dimensions & Weight	Packaging	MSRP
136656-900-084-000	Clear / Chrome		33" - 34 ¾" x 64 ½" / 38 lb / 17 kg	3.35 ft³	\$ 534
136656-970-084-000	Raindrop / Chrome				\$ 534

STANDARD



Code	Description	H	W
136605	Door Pivolok 19" - 20 3/4"	64 1/2"	19" - 20 3/4"
136615	Door Pivolok 21" - 22 3/4"	64 1/2"	21" - 22 3/4"
136625	Door Pivolok 23" - 24 3/4"	64 1/2"	23" - 24 3/4"
136626	Door Pivolok 25" - 26 3/4"	64 1/2"	25" - 26 3/4"
136635	Door Pivolok 27" - 28 3/4"	64 1/2"	27" - 28 3/4"
136645	Door Pivolok 29" - 30 3/4"	64 1/2"	29" - 30 3/4"
136655	Door Pivolok 31" - 32 3/4"	64 1/2"	31" - 32 3/4"
136656	Door Pivolok 33" - 34 3/4"	64 1/2"	33" - 34 3/4"

All dimensions are approximate. Structure measurements must be verified against the unit to ensure proper fit.



Polar Shower Doors

ALCOVE DOORS - PIVOT



Material : Tempered Glass

Features

- › Raindrop 4 mm tempered glass for more intimacy
- › Chrome finish frame with integrated vertical handle for a clean look
- › Pivoting door provides a wide opening for ease of access in and out of the shower
- › Reversible, allowing for left or right opening to accommodate different bathroom layouts
- › Full-length magnetic door latch ensures the door remains securely closed
- › Out of plumb adjustment in the wall profile
- › Door made of luxurious ANSI certified tempered glass for your safety
- › Proudly made in North America
- › Warranty: 10 years

POLAR PIVOT 27-28 3/4 X 64 1/2 IN. - 136730

SKU	Glass / Finish	Door Opening	Dimensions & Weight	Packaging	MSRP
136730-970-084-000	Raindrop / Chrome		27" - 28 3/4" x 64 1/2" / 34 lb / 15 kg	3.08 ft ³	\$ 503

POLAR PIVOT 31-32 3/4 X 64 1/2 IN. - 136731

SKU	Glass / Finish	Door Opening	Dimensions & Weight	Packaging	MSRP
136731-970-084-000	Raindrop / Chrome		31" - 32 3/4" x 64 1/2" / 34 lb / 15 kg	3.08 ft ³	\$ 520

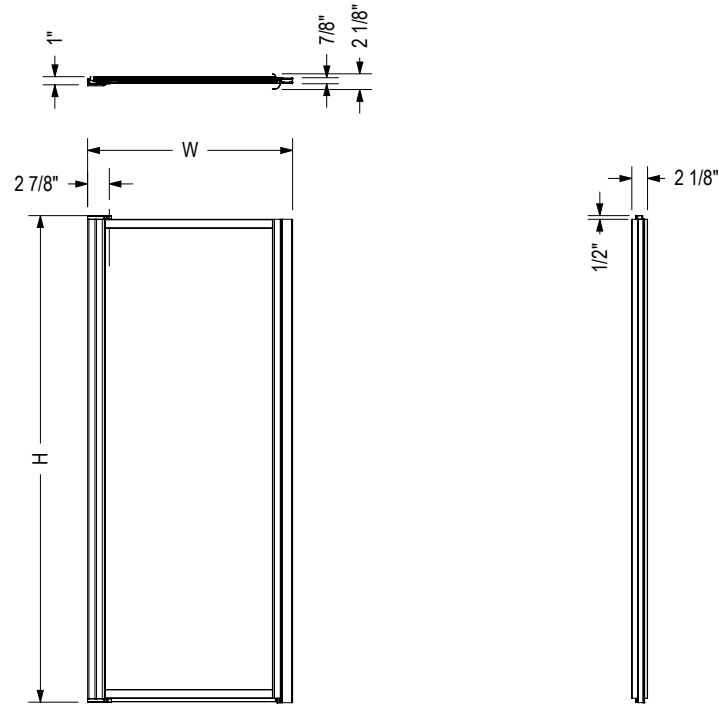
POLAR PIVOT 29-30 3/4 X 64 1/2 IN. - 136732

SKU	Glass / Finish	Door Opening	Dimensions & Weight	Packaging	MSRP
136732-970-084-000	Raindrop / Chrome		29" - 30 3/4" x 64 1/2" / 34 lb / 15 kg	3.08 ft ³	\$ 520

POLAR PIVOT 33-34 3/4 X 64 1/2 IN. - 136733

SKU	Glass / Finish	Door Opening	Dimensions & Weight	Packaging	MSRP
136733-970-084-000	Raindrop / Chrome		33" - 34 3/4" x 64 1/2" / 34 lb / 15 kg	3.08 ft ³	\$ 534

STANDARD



Code	Description	H	W
136730	Door Polar Pivot 27" - 28 3/4"	64 1/2"	27" - 28 3/4"
136732	Door Polar Pivot 29" - 30 3/4"	64 1/2"	29" - 30 3/4"
136731	Door Polar Pivot 31" - 32 3/4"	64 1/2"	31" - 32 3/4"
136733	Door Polar Pivot 33" - 34 3/4"	64 1/2"	33" - 34 3/4"

All dimensions are approximate. Structure measurements must be verified against the unit to ensure proper fit.



Reveal 71 Shower Doors

ALCOVE DOORS - PIVOT



Material : Tempered Glass

Features

- > 71 1/2 in. high luxury clear tempered glass, 5/16 in. (8 mm)
- > Unique MAAX Patented hinge - allows for 3 in. lateral adjustment
- > Reversible door for left or right opening
- > For installation on acrylic walls, ceramic and Utile
- > For a corner shower: combine a return panel and an alcove door
- > Available in 3 finishes: Chrome, Brushed Nickel and Dark Bronze

REVEAL 71 32 1/2-35 1/2 X 71 1/2 - 8MM - 136676

SKU	Glass / Finish	Door Opening	Dimensions & Weight	Packaging	MSRP
136676-900-084-000	Clear / Chrome		32 1/2" - 35 1/2" x 71 1/2" / 110 lb / 50 kg	5.2 ft ³	\$ 1247
136676-900-173-000	Clear / Dark Bronze		32 1/2" - 35 1/2" x 71 1/2" / 100 lb / 45 kg		\$ 1351
136676-900-305-000	Clear / Brushed Nickel				\$ 1317

REVEAL 71 41 1/2-44 1/2 X 71 1/2 - 8MM - 136677

SKU	Glass / Finish	Door Opening	Dimensions & Weight	Packaging	MSRP
136677-900-084-000	Clear / Chrome		41 1/2" - 44 1/2" x 71 1/2" / 121 lb / 55 kg	5.2 ft ³	\$ 1361
136677-900-173-000	Clear / Dark Bronze		41 1/2" - 44 1/2" x 71 1/2" / 111 lb / 50 kg		\$ 1466
136677-900-305-000	Clear / Brushed Nickel				\$ 1430

REVEAL 71 38-41 X 71 1/2 - 8 MM - 136679

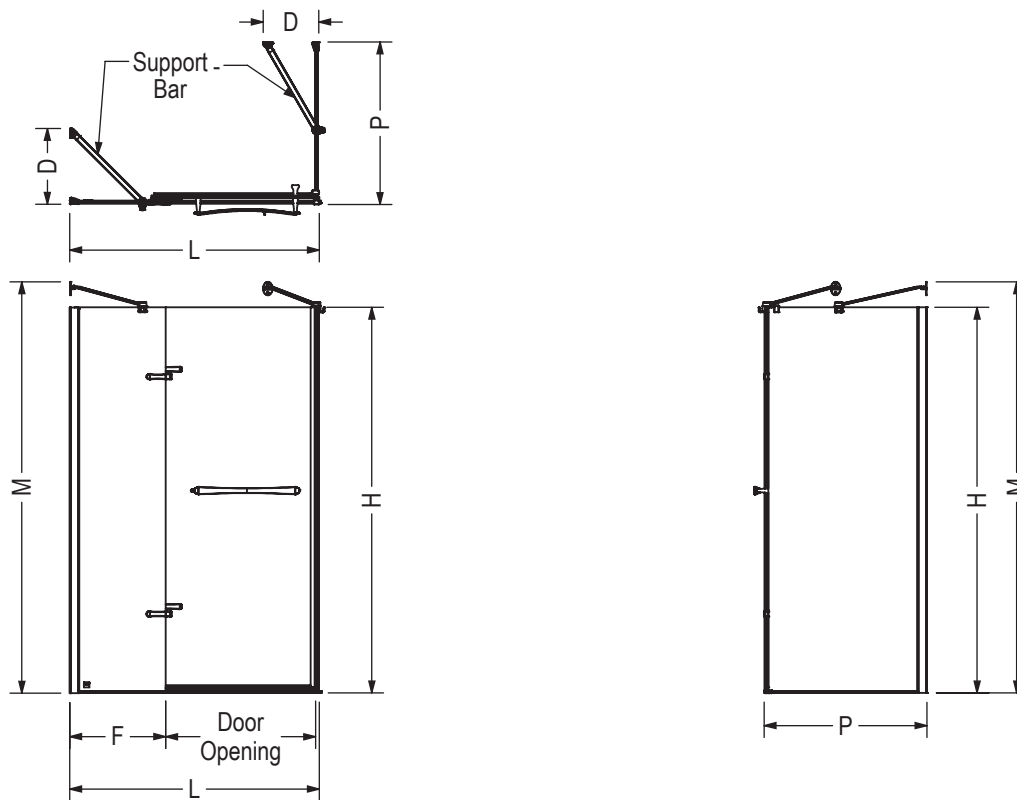
SKU	Glass / Finish	Door Opening	Dimensions & Weight	Packaging	MSRP
136679-900-084-000	Clear / Chrome		38" - 41" x 71 1/2" / 114 lb / 52 kg	5.2 ft ³	\$ 1317
136679-900-173-000	Clear / Dark Bronze		38" - 41" x 71 1/2" / 104 lb / 47 kg		\$ 1425
136679-900-305-000	Clear / Brushed Nickel				\$ 1389

REVEAL 71 51 1/2-54 1/2 X 71 1/2 - 8MM - 136883

SKU	Glass / Finish	Door Opening	Dimensions & Weight	Packaging	MSRP
136883-900-084-000	Clear / Chrome		51 1/2" - 54 1/2" x 71 1/2" / 142 lb / 64 kg	5.2 ft ³	\$ 1452
136883-900-173-000	Clear / Dark Bronze		51 1/2" - 54 1/2" x 71 1/2" / 132 lb / 60 kg		\$ 1557
136883-900-305-000	Clear / Brushed Nickel				\$ 1522

STANDARD

ALCOVE DOORS - PIVOT



Code	Description	H	M	L Adjustable	F	P Adjustable	D Adjustable	Door Opening	Wall Adjustment	Support Bar
136676	Reveal 71.5 x 32.5" - 35.5"	71 1/2"	76 1/4"	32.5" - 35.5"	6 1/4"			23" - 26"	3/4"	
136679	Reveal 71.5 x 38" - 41"	71 1/2"	76 1/4"	38" - 41"	11 3/4"			23" - 26"	3/4"	
136677	Reveal 71.5 x 41.5" - 44.5"	71 1/2"	76 1/4"	41.5" - 44.5"	15 1/4"			23" - 26"	3/4"	
136671	Reveal 71.5 x 44" - 47"	71 1/2"	76 1/4"	44" - 47"	17 1/4"		9" - 15"	23" - 26"	3/4"	X
136883	Reveal 71.5 x 51.5" - 54.5"	71 1/2"	76 1/4"	51.5" - 54.5"	25 1/4"		9" - 15"	23" - 26"	3/4"	X
136672	Reveal 71.5 x 56" - 59"	71 1/2"	76 1/4"	56" - 59"	30"		9" - 15"	23" - 26"	3/4"	X
136673	Return Panel 32"	71 1/2"	76 1/4"			29 7/8"	9" - 15"		3/4"	X
136674	Return Panel 34"	71 1/2"	76 1/4"			31 7/8"	9" - 15"		3/4"	X
136675	Return Panel 36"	71 1/2"	76 1/4"			33 7/8"	9" - 15"		3/4"	X

All dimensions are approximate. Structure measurements must be verified against the unit to ensure proper fit.



Reveal Sleek 71 Shower Doors



Material : Tempered Glass

Features

- › Strongly built sill, permanently fixed on the base, better water barrier
- › Strongly built sill, permanently fixed on the base, better water barrier
- › Hinge with patent mechanism that offers 3 in. of lateral adjustment
- › Additional 3/4 in. of out-of-plumb adjustment
- › Header-less door, no height restriction
- › New design, 1 7/8 in. deep, makes it compatible with many bases and tile solutions

ALCOVE DOORS - PIVOT

REVEAL SLEEK 71 32 1/2-35 1/2 X 71 1/2 - 8MM - 139575

SKU	Glass / Finish	Door Opening	Dimensions & Weight	Packaging	MSRP
139575-900-084-000	Clear / Chrome		32 1/2" - 35 1/2" x 71 1/2" / 100 lb / 45 kg	4.722222222222222 ft ³	\$ 1244
139575-900-173-000	Clear / Dark Bronze				\$ 1338
139575-900-305-000	Clear / Brushed Nickel				\$ 1307
139575-900-340-000	Clear / Matte Black				\$ 1338

REVEAL SLEEK 71 38-41 X 71 1/2 - 8MM - 139576

SKU	Glass / Finish	Door Opening	Dimensions & Weight	Packaging	MSRP
139576-900-084-000	Clear / Chrome		38" - 41" x 71 1/2" / 114 lb / 52 kg	4.72 ft ³	\$ 1313
139576-900-173-000	Clear / Dark Bronze				\$ 1411
139576-900-305-000	Clear / Brushed Nickel				\$ 1376
139576-900-340-000	Clear / Matte Black				\$ 1411

REVEAL SLEEK 71 41 1/2-44 1/2 X 71 1/2 - 8MM - 139577

SKU	Glass / Finish	Door Opening	Dimensions & Weight	Packaging	MSRP
139577-900-084-000	Clear / Chrome		41 1/2" - 44 1/2" x 71 1/2" / 116 lb / 53 kg	4.722 ft ³	\$ 1346
139577-900-173-000	Clear / Dark Bronze				\$ 1448
139577-900-305-000	Clear / Brushed Nickel				\$ 1414
139577-900-340-000	Clear / Matte Black				\$ 1448

REVEAL SLEEK 71 44-47 X 71 1/2 - 8MM - 139578

SKU	Glass / Finish	Door Opening	Dimensions & Weight	Packaging	MSRP
139578-900-084-000	Clear / Chrome		44" - 47" x 71 1/2" / 118 lb / 54 kg	2 ft ³	\$ 1379
139578-900-173-000	Clear / Dark Bronze				\$ 1483
139578-900-305-000	Clear / Brushed Nickel				\$ 1451
139578-900-340-000	Clear / Matte Black				\$ 1483

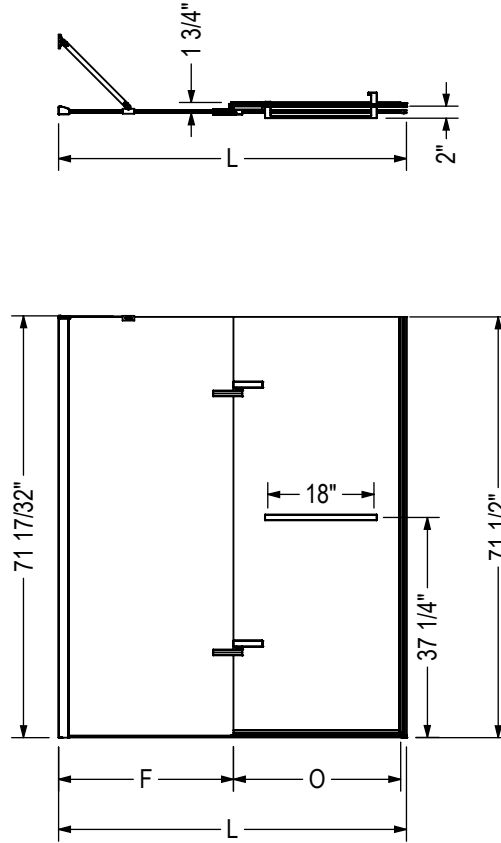
REVEAL SLEEK 71 51 1/2-54 1/2 X 71 1/2 - 8MM - 139579

SKU	Glass / Finish	Door Opening	Dimensions & Weight	Packaging	MSRP
139579-900-084-000	Clear / Chrome		51 1/2" - 54 1/2" x 71 1/2" / 125 lb / 57 kg	4.72 ft ³	\$ 1442
139579-900-173-000	Clear / Dark Bronze				\$ 1552
139579-900-305-000	Clear / Brushed Nickel				\$ 1517
139579-900-340-000	Clear / Matte Black				\$ 1552

REVEAL SLEEK 71 56-59 X 71 1/2 - 8MM - 139580

SKU	Glass / Finish	Door Opening	Dimensions & Weight	Packaging	MSRP
139580-900-084-000	Clear / Chrome		56" - 59" x 71 1/2" / 142 lb / 64 kg	4.72 ft ³	\$ 1519
139580-900-173-000	Clear / Dark Bronze				\$ 1632
139580-900-305-000	Clear / Brushed Nickel				\$ 1594
139580-900-340-000	Clear / Matte Black				\$ 1632

STANDARD



Code	Description	L	F	O
139575	Reveal Sleek 71 1/2" x 32 1/2" - 35 1/2"	32 1/2" - 35 1/2"	5 3/8"	23 3/4" - 26 3/4"
139576	Reveal Sleek 71 1/2" x 38" - 41"	38" - 41"	10 7/8"	23 3/4" - 26 3/4"
139577	Reveal Sleek 71 1/2" x 41 1/2" - 44 1/2"	41 1/2" - 44 1/2"	14 3/8"	23 3/4" - 26 3/4"
139578	Reveal Sleek 71 1/2" x 44" - 47"	44" - 47"	16 7/8"	23 3/4" - 26 3/4"
139579	Reveal Sleek 71 1/2" x 51 1/2" - 54 1/2"	51 1/2" - 54 1/2"	24 3/8"	23 3/4" - 26 3/4"
139580	Reveal Sleek 71 1/2" x 56" - 59"	56" - 59"	28 7/8"	23 3/4" - 26 3/4"

- Wall adjustment = 3/4"

All dimensions are approximate. Structure measurements must be verified against the unit to ensure proper fit.



Uptown Pivot Shower Doors

ALCOVE DOORS - PIVOT



Material : Tempered Glass

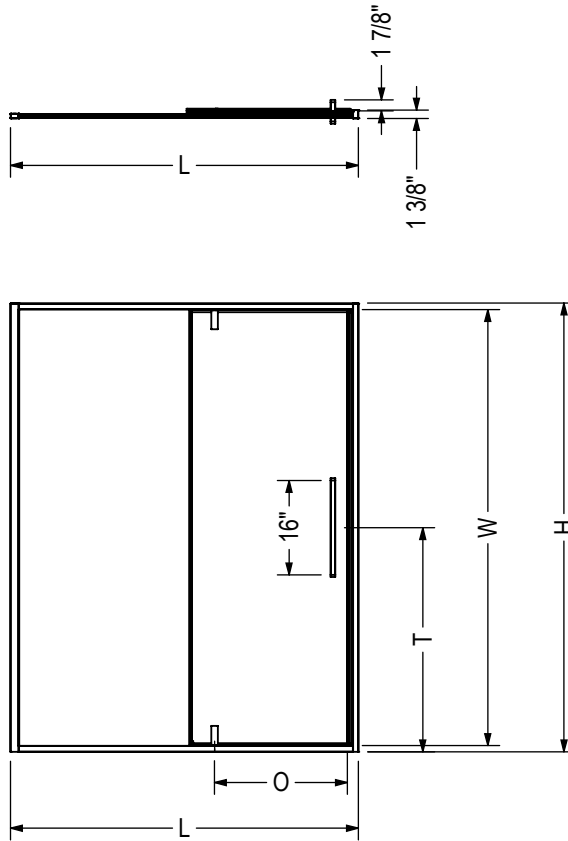
Features

- › 8 mm (5/16") tempered glass with Lotus easy clean protection
- › 76in high clear glass panel (Walkthrough 73-7/8in)
- › Thin header structure for a minimalist look
- › Handle available in Stylish fashion mixed material finish
- › Designed in North America
- › DIY Product for an easy installation
- › Pivoting doors provide a wide opening for ease of access in and out of the shower
- › 16 in. long handle provides an heavy feel & elegance
- › 1/2" out-of-plumb adjustment

UPTOWN 45-47 X 76 IN. 8 MM - 135325

SKU	Glass / Finish	Door Opening	Dimensions & Weight	Packaging	MSRP
135325-900-084-000	Clear / Chrome		45" - 47" x 76" / 131 lb / 59 kg	5.227 ft ³	\$ 1522
135325-900-173-000	Clear / Dark Bronze				\$ 1634
135325-900-282-000	Clear / Chrome and White Marble				\$ 1602
135325-900-283-000	Clear / Dark Bronze and Beige Marble				\$ 1714
135325-900-285-000	Clear / Matte Black and Wood				\$ 1714
135325-900-305-000	Clear / Brushed Nickel				\$ 1608
135325-900-340-000	Clear / Matte Black				\$ 1634

STANDARD



Code	Description	H	L	O	T	W
135325	Uptown Pivot 76" x 45" - 47"	76"	45" - 47"	22 3/4"	38"	73 7/8"
135326	Uptown Pivot 76" x 57" - 59"	76"	57" - 59"	22 3/4"	38"	73 7/8"

Wall adjustment = 1/2"

All dimensions are approximate. Structure measurements must be verified against the unit to ensure proper fit.



Connect Pro Shower Doors

ALCOVE DOORS - SLIDING



Material : Tempered Glass

Features

- › Configuration consists of a Stationary Panel and Sliding Door
- › For corner or alcove showers and for tile or pre-cast wall installations 76" and higher, we suggest Connect Pro doors.
- › Requires no cutting the door frame expands to adjust to the walls
- › Glass panels come with the Lotus Easy Clean Glass Protection to repel soap and water stains for carefree maintenance
- › Designed in North America
- › Solid expandable frame that provides 1.5 in. adjustment with ClickConnect corner joint
- › Fast, no-cut installation
- › Reversible door for easy left -or right- opening installation

CONNECT PRO 43 1/2-45 X 76 - 6MM - 135235

SKU	Glass / Finish	Door Opening	Dimensions & Weight	Packaging	MSRP
135235-900-084-000	Clear / Chrome		43 1/2" - 45" x 76" / 78 lb / 35 kg	14.28 ft ³	\$ 1067
135235-900-340-000	Clear / Matte Black				\$ 1173

CONNECT PRO 45-46 1/2 X 76 - 6MM - 135236

SKU	Glass / Finish	Door Opening	Dimensions & Weight	Packaging	MSRP
135236-900-084-000	Clear / Chrome		45" - 46 1/2" x 76" / 82 lb / 37 kg	15.02 ft ³	\$ 1067
135236-900-340-000	Clear / Matte Black				\$ 1173

CONNECT PRO 55 1/2-57 X 76 - 6MM - 135237

SKU	Glass / Finish	Door Opening	Dimensions & Weight	Packaging	MSRP
135237-900-084-000	Clear / Chrome		55 1/2" - 57" x 76" / 98 lb / 44 kg	17.95 ft ³	\$ 1135
135237-900-340-000	Clear / Matte Black				\$ 1248

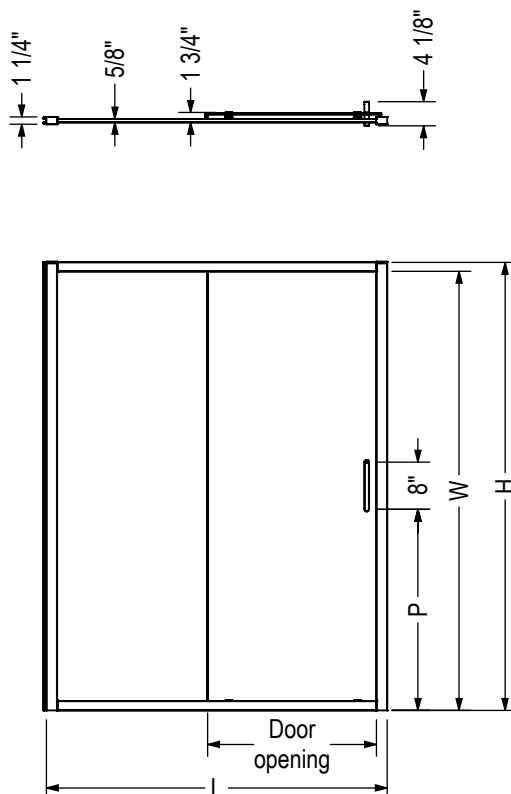
CONNECT PRO 57-58 1/2 X 76 - 6MM - 135238

SKU	Glass / Finish	Door Opening	Dimensions & Weight	Packaging	MSRP
135238-900-084-000	Clear / Chrome		57" - 58 1/2" x 76" / 101 lb / 46 kg	18.48 ft ³	\$ 1135
135238-900-340-000	Clear / Matte Black				\$ 1248

ACCESSORIES

SKU	Description	MSRP
10041135-084		\$ 93
10041135-305	Connect PRO Shower Door Filler Available finishes: Chrome (084), Brushed Nickel (305) and Matte Black (340)	\$ 100
10041135-340		\$ 100

STANDARD



Code	Description	H	W	L Adjustable	Door opening	P
135235	Connect Pro 76" x 43 1/2" - 45"	76"	74 3/8"	43 1/2" - 45"	17 13/16" - 18 9/16"	34 1/8"
135236	Connect Pro 76" x 45" - 46 1/2"	76"	74 3/8"	45" - 46 1/2"	18 9/16" - 19 5/16"	34 1/8"
135237	Connect Pro 76" x 55 1/2" - 57"	76"	74 3/8"	55 1/2" - 57"	23 13/16" - 24 9/16"	34 1/8"
135238	Connect Pro 76" x 57" - 58 1/2"	76"	74 3/8"	57" - 58 1/2"	24 9/16" - 25 5/16"	34 1/8"

All dimensions are approximate. Structure measurements must be verified against the unit to ensure proper fit.



Halo Pro GS Shower Doors

ALCOVE DOORS - SLIDING



Material : Tempered Glass

Features

- › 5/16in tempered glass panels with MAAX new Shatter-Resistant Technology, GlassShield®
- › Available in 2 finishes: Chrome and Matte Black
- › Halo Pro is specifically designed for the trained installer in mind
- › Sliding door configuration features one sliding glass panel and one stationary panel
- › The door provides a watertight seal, ensuring no leaks or spills occur during use
- › Reversible, allowing for left or right opening to accommodate different bathroom layouts
- › For a corner shower: combine a Halo return panel and an Halo Pro alcove door
- › Glass panels come with the Lotus Easy Clean Glass Protection to repel soap and water stains for carefree maintenance
- › Compatible with MAAX's full line of shower bases and walls, making it a versatile addition to any bathroom, validate all dimensions and measure on site before your final selection.

HALO PRO GS 44 1/2-47 X 78 3/4 - 8MM - 138540

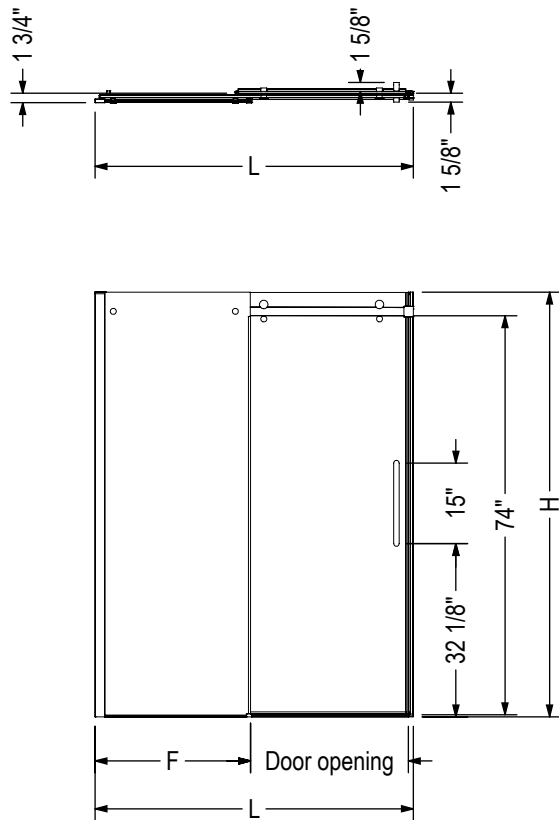
SKU	Glass / Finish	Door Opening	Dimensions & Weight	Packaging	MSRP
138540-810-084-000	Clear GlassShield / Chrome		44 1/2" - 47" x 78 3/4" / 110 lb / 50 kg	8.65740740740741 ft ³	\$ 1554
138540-810-340-000	Clear GlassShield / Matte Black				\$ 1658

HALO PRO GS 56 1/2-59 X 78 3/4 - 8MM - 138541

SKU	Glass / Finish	Door Opening	Dimensions & Weight	Packaging	MSRP
138541-810-084-000	Clear GlassShield / Chrome		56 1/2" - 59" x 78 3/4" / 138 lb / 63 kg	10.6864872685185 ft ³	\$ 1660
138541-810-340-000	Clear GlassShield / Matte Black				\$ 1773

STANDARD

ALCOVE DOORS - SLIDING



Code	Description	H	L Adjustable	F	P Adjustable	Door Opening	Wall Adjustment
136540	Halo Pro GS 78 3/4" x 47"	78 3/4"	44 1/2" - 47"	22 1/2"	-	16 1/4" - 18 3/4"	1"
136541	Halo Pro GS 78 3/4" x 59"	78 3/4"	56 1/2" - 59"	28 5/8"	-	22 1/8" - 24 5/8"	1"

All dimensions are approximate. Structure measurements must be verified against the unit to ensure proper fit.



Halo Pro Shower Doors

ALCOVE DOORS - SLIDING



Material : Tempered Glass

Features

- › 5/16in tempered glass panels
- › Available in 2 finishes: Chrome and Matte Black
- › Halo Pro is specifically designed for the trained installer in mind
- › Sliding door configuration features one sliding glass panel and one stationary panel
- › The door provides a watertight seal, ensuring no leaks or spills occur during use
- › Reversible, allowing for left or right opening to accommodate different bathroom layouts
- › For a corner shower: combine a Halo return panel and an Halo Pro alcove door
- › Glass panels come with the Lotus Easy Clean Glass Protection to repel soap and water stains for carefree maintenance
- › Compatible with MAAX's full line of shower bases and walls, making it a versatile addition to any bathroom, validate all dimensions and measure on site before your final selection.

HALO PRO 44 1/2-47 X 78 3/4 - 8MM - 138950

SKU	Glass / Finish	Door Opening	Dimensions & Weight	Packaging	MSRP
138950-900-084-000	Clear / Chrome		44 1/2" - 47" x 78 3/4" / 109 lb / 49 kg	8.30078125 ft ³	\$ 1372
138950-900-340-000	Clear / Matte Black				\$ 1476

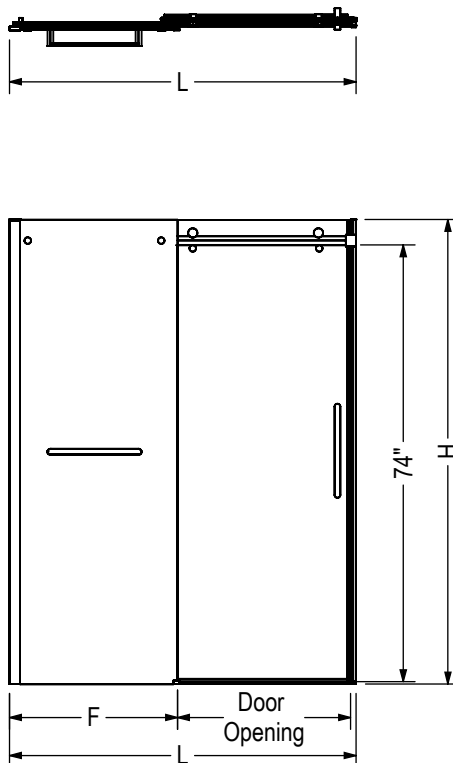
HALO PRO 56 1/2-59 X 78 3/4 - 8MM - 138952

SKU	Glass / Finish	Door Opening	Dimensions & Weight	Packaging	MSRP
138952-900-084-000	Clear / Chrome		56 1/2" - 59" x 78 3/4" / 123 lb / 56 kg	8.42375578703704 ft ³	\$ 1478
138952-900-340-000	Clear / Matte Black				\$ 1591

ACCESSORIES

SKU	Description	MSRP
10060311	Corner glass shelf (9 3/8 x 9 3/8 in.) (sold separately) 10 mm frosted glass with a clear band along the edge Compatible with Utile and tile shower walls	\$ 152

STANDARD



Code	Description	H	L Adjustable	F	Door Opening	Wall Adjustment
138950	Halo Pro 78 3/4" x 47" without Towel bar	78 3/4"	44 1/2" - 47"	22 1/2"	16 1/4" - 18 3/4"	1"
138954	Halo Pro 78 3/4" x 47" with Towel bar	78 3/4"	44 1/2" - 47"	22 1/2"	16 1/4" - 18 3/4"	1"
138952	Halo Pro 78 3/4" x 59" without Towel bar	78 3/4"	56 1/2" - 59"	28 5/8"	22 1/8" - 24 5/8"	1"
138956	Halo Pro 78 3/4" x 59" with Towel bar	78 3/4"	56 1/2" - 59"	28 5/8"	22 1/8" - 24 5/8"	1"

All dimensions are approximate. Structure measurements must be verified against the unit to ensure proper fit.



Halo Pro TB Shower Doors

ALCOVE DOORS - SLIDING



Material : Tempered Glass

Features

- › 5/16in tempered glass panels
- › Available in 2 finishes: Chrome and Matte Black
- › Halo Pro is specifically designed for the trained installer in mind
- › Sliding door configuration features one sliding glass panel and one stationary panel and a towel bar on the fix panel
- › The door provides a watertight seal, ensuring no leaks or spills occur during use
- › Reversible, allowing for left or right opening to accommodate different bathroom layouts
- › For a corner shower: combine a Halo return panel and an Halo Pro alcove door
- › Glass panels come with the Lotus Easy Clean Glass Protection to repel soap and water stains for carefree maintenance
- › Compatible with MAAX's full line of shower bases and walls, making it a versatile addition to any bathroom, validate all dimensions and measure on site before your final selection.

HALO PRO TB 44 1/2-47 X 78 3/4 - 8MM - 138954

SKU	Glass / Finish	Door Opening	Dimensions & Weight	Packaging	MSRP
138954-900-084-000	Clear / Chrome		44 1/2" - 47" x 78 3/4" / 109 lb / 49 kg	8.3740234375 ft ³	\$ 1506
138954-900-340-000	Clear / Matte Black				\$ 1620

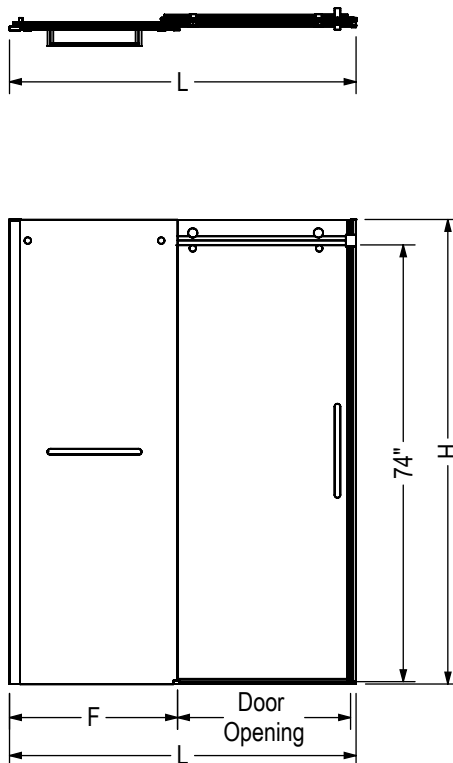
HALO PRO TB 56 1/2-59 X 78 3/4 - 8MM - 138956

SKU	Glass / Finish	Door Opening	Dimensions & Weight	Packaging	MSRP
138956-900-084-000	Clear / Chrome		56 1/2" - 59" x 78 3/4" / 123 lb / 56 kg	9.80128761574074 ft ³	\$ 1614
138956-900-340-000	Clear / Matte Black				\$ 1734

ACCESSORIES

SKU	Description	MSRP
10060311	Corner glass shelf (9 3/8 x 9 3/8 in.) (sold separately) 10 mm frosted glass with a clear band along the edge Compatible with Utile and tile shower walls	\$ 152

STANDARD



Code	Description	H	L Adjustable	F	Door Opening	Wall Adjustment
138950	Halo Pro 78 3/4" x 47" without Towel bar	78 3/4"	44 1/2" - 47"	22 1/2"	16 1/4" - 18 3/4"	1"
138954	Halo Pro 78 3/4" x 47" with Towel bar	78 3/4"	44 1/2" - 47"	22 1/2"	16 1/4" - 18 3/4"	1"
138952	Halo Pro 78 3/4" x 59" without Towel bar	78 3/4"	56 1/2" - 59"	28 5/8"	22 1/8" - 24 5/8"	1"
138956	Halo Pro 78 3/4" x 59" with Towel bar	78 3/4"	56 1/2" - 59"	28 5/8"	22 1/8" - 24 5/8"	1"

All dimensions are approximate. Structure measurements must be verified against the unit to ensure proper fit.



Halo Shower Doors

ALCOVE DOORS - SLIDING



Material : Tempered Glass

Features

- › 8 mm tempered glass panels
- › Available in 4 finishes: Chrome, Brushed Nickel, Dark Bronze, Matte Black
- › Compatible with MAAX's full line of shower bases and walls, making it a versatile addition to any bathroom
- › Sliding door configuration features one sliding glass panel and one stationary panel
- › Ball bearing roller technology along a friction-free stainless steel rail system for a smooth and quiet opening
- › The frameless design brings a sense of spaciousness to the room and creates a sleek, minimalist look
- › Glass panels come with the Lotus Easy Clean Glass Protection to repel soap and water stains for carefree maintenance
- › Compatible with MAAX's Utile wall system, allowing for a seamless and coordinated installation with the shower door, creating a cohesive and stylish bathroom design
- › Warranty: 10 years

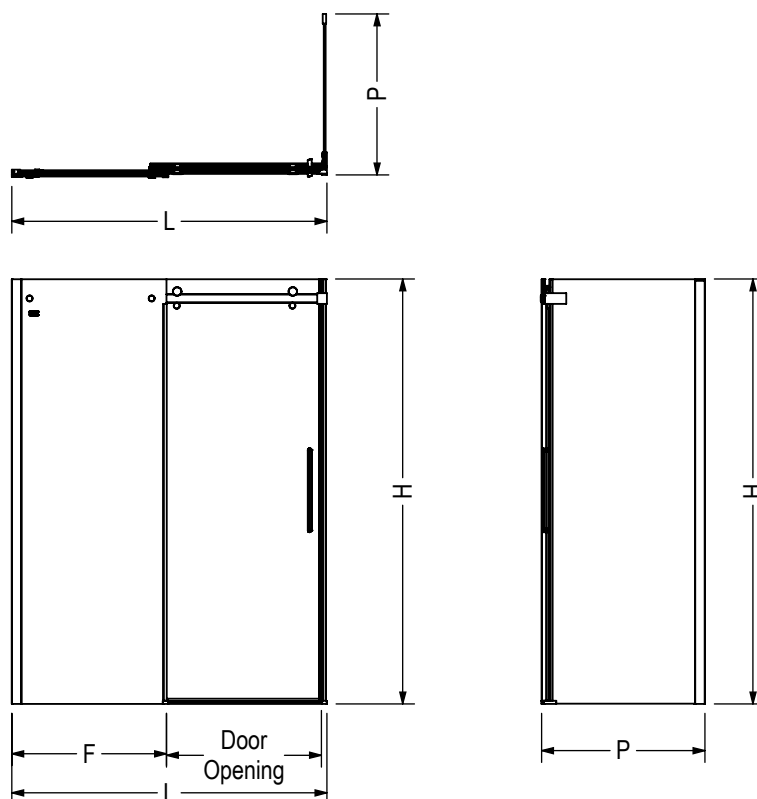
HALO 44 1/2-47 X 78 3/4 - 8MM - 138996

SKU	Glass / Finish	Door Opening	Dimensions & Weight	Packaging	MSRP
138996-900-084-000	Clear / Chrome		44 1/2" - 47" x 78 3/4" / 144 lb / 65 kg	6 ft ³	\$ 1389
138996-900-173-000	Clear / Dark Bronze		44 1/2" - 47" x 78 3/4" / 116 lb / 53 kg		\$ 1495
138996-900-305-000	Clear / Brushed Nickel		44 1/2" - 47" x 78 3/4" / 144 lb / 65 kg		\$ 1459
138996-900-340-000	Clear / Matte Black		44 1/2" - 47" x 78 3/4" / 132 lb / 60 kg		\$ 1495

HALO 56 1/2-59 X 78 3/4 - 8MM - 138997

SKU	Glass / Finish	Door Opening	Dimensions & Weight	Packaging	MSRP
138997-900-084-000	Clear / Chrome		56 1/2" - 59" x 78 3/4" / 174 lb / 79 kg	7.2 ft ³	\$ 1529
138997-900-173-000	Clear / Dark Bronze		56 1/2" - 59" x 78 3/4" / 137 lb / 62 kg		\$ 1634
138997-900-305-000	Clear / Brushed Nickel		56 1/2" - 59" x 78 3/4" / 174 lb / 79 kg		\$ 1599
138997-900-340-000	Clear / Matte Black		56 1/2" - 59" x 78 3/4" / 162 lb / 73 kg		\$ 1634

STANDARD



Code	Description	H	L Adjustable	F	P Adjustable	Door Opening	Wall Adjustment
138996	Halo 78 3/4" x 47"	78 3/4"	44 1/2" - 47"	22 1/2"	-	16 1/4" - 18 3/4"	1"
138997	Halo 78 3/4" x 59"	78 3/4"	56 1/2" - 59"	28 5/8"	-	22 1/8" - 24 5/8"	1"
139393	Return Panel 30"	78 3/4"	-	-	27 7/8"	-	1"
138998	Return Panel 32"	78 3/4"	-	-	29 7/8"	-	1"
139395	Return Panel 34"	78 3/4"	-	-	31 7/8"	-	1"
139396	Return Panel 36"	78 3/4"	-	-	33 7/8"	-	1"
139394	Return Panel 42"	78 3/4"	-	-	39 7/8"	-	1"

All dimensions are approximate. Structure measurements must be verified against the unit to ensure proper fit.



Luminescence Shower Doors



Material : Tempered Glass

Features

- › Elegant 1/4 -inch (6 mm) clear tempered glass with minimalist hardware
- › Fits showers with 70 1/2 -inch wall clearance, glass extends to 72 -inch
- › Ball bearing roller system, for a quiet and gentle close
- › Door is reversible, provides a right or left opening for ease of installation

ALCOVE DOORS - SLIDING

LUMINESCENCE 44 1/2-47 X 70 1/2-72 - 6MM - 138992

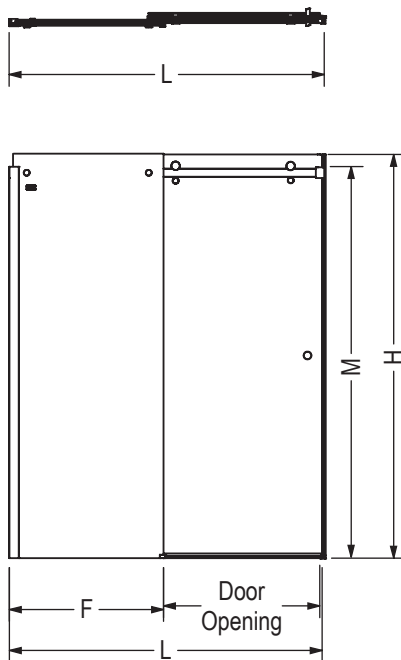
SKU	Glass / Finish	Door Opening	Dimensions & Weight	Packaging	MSRP
138992-900-084-000	Clear / Chrome	Center	44 1/2" - 47" x 70 1/2" / 84 lb / 38 kg	4.04 ft ³	\$ 1126
138992-900-173-000	Clear / Dark Bronze				\$ 1234

LUMINESCENCE 56 1/2-59 X 70 1/2-72 - 6MM - 138993

SKU	Glass / Finish	Door Opening	Dimensions & Weight	Packaging	MSRP
138993-900-173-000	Clear / Dark Bronze		56 1/2" - 59" x 70 1/2" / 106 lb / 48 kg	5 ft ³	\$ 1289

STANDARD

ALCOVE DOORS - SLIDING



Code	Description	H	M	L Adjustable	F	Door Opening	Wall Adjustment
138992	Luminescence 44 1/2"-47" x 70 1/2"	72"	70 1/2"	44 1/2" - 47"	22 1/2"	18 3/8"	1"
138993	Luminescence 56 1/2"-59" x 70 1/2"	72"	70 1/2"	56 1/2" - 59"	28 5/8"	24 1/2"	1"

All dimensions are approximate. Structure measurements must be verified against the unit to ensure proper fit.

Odyssey SC Shower Doors



Material : Tempered Glass

Features

- › 8 mm (5/16") tempered glass with Lotus easy clean protection
- › Slim stainless header that requires no cut to ease installation
- › Innovative double SOFT CLOSE by MAAX prevents slamming
- › Double-sided handle designed for comfort
- › Detachable door guide to distance the glass when cleaning
- › 78" high clear glass panel
- › High quality rollers for smooth glide
- › Reversible shower door for left or right opening
- › 5/8" out-of-plumb adjustment

ALCOVE DOORS - SLIDING

ODYSSEY SC 57-59 1/2 X 78 - 8 MM - 137420

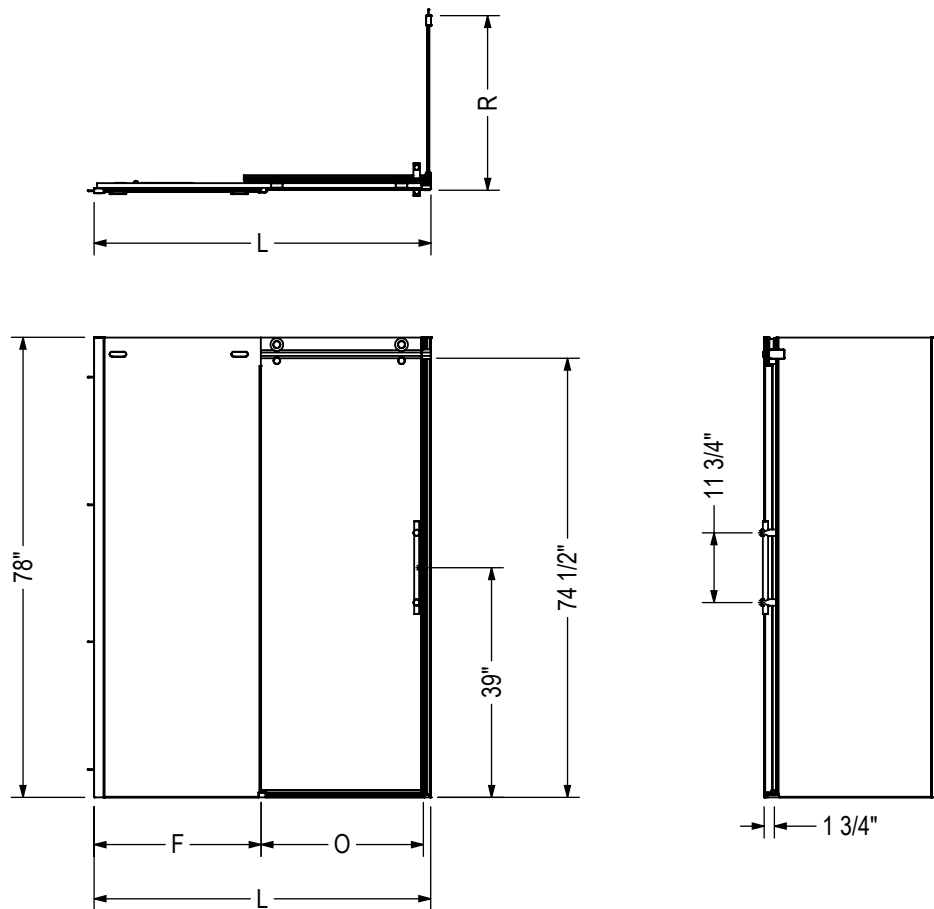
SKU	Glass / Finish	Door Opening	Dimensions & Weight	Packaging	MSRP
137420-900-084-000	Clear / Chrome		57" - 59 1/2" x 78" / 141.18 lb / 64 kg	6.99 ft ³	\$ 1650
137420-900-305-000	Clear / Brushed Nickel				\$ 1733
137420-900-340-000	Clear / Matte Black				\$ 1774
137420-900-343-000	Clear / Brushed Gold		57" - 59 1/2" x 78" / 145.18 lb / 66 kg		\$ 1980

ODYSSEY SC 45-47 1/2 X 78 - 8 MM - 137421

SKU	Glass / Finish	Door Opening	Dimensions & Weight	Packaging	MSRP
137421-900-084-000	Clear / Chrome		45" - 47 1/2" x 78" / 115.39 lb / 52 kg	5.76 ft ³	\$ 1485
137421-900-305-000	Clear / Brushed Nickel				\$ 1559
137421-900-340-000	Clear / Matte Black				\$ 1597
137421-900-343-000	Clear / Brushed Gold		45" - 47 1/2" x 78" / 119.39 lb / 54 kg		\$ 1782

STANDARD

ALCOVE DOORS - SLIDING



Code	Description	L Adjustable	F	O	R	Wall adjustment
137420	Odyssey Slider door 57"-59 1/2" x 78"	57" - 59 1/2"	27 7/8"	24 1/2" - 25"	-	5/8"
137421	Odyssey Slider door 45"-47 1/2" x 78"	45" - 47 1/2"	21 7/8"	18 1/4" - 18 3/4"	-	5/8"
137422	ODYSSEY RETURN PANEL 32"	-	-	-	29 3/4" - 30 1/2"	3/4"

All dimensions are approximate. Structure measurements must be verified against the unit to ensure proper fit.



Uptown Slider Shower Doors



Material : Tempered Glass

Features

- › 7 mm (5/16") tempered glass
- › Configuration consists of a Stationary Panel and Sliding Door
- › Available in 6 stylish finishes (monochrome or mixed-finishes)
- › Handle available in Stylish fashion mixed material finish
- › Fits on showers, walls and tile
- › Innovative Soft Close by MAAX technology prevents slamming
- › Glass panels come with the Lotus Easy Clean Glass Protection to repel soap and water stains for carefree maintenance
- › Reversible panel for easy corner installation on the left or on the right
- › 1/2" out-of-plumb adjustment

ALCOVE DOORS - SLIDING

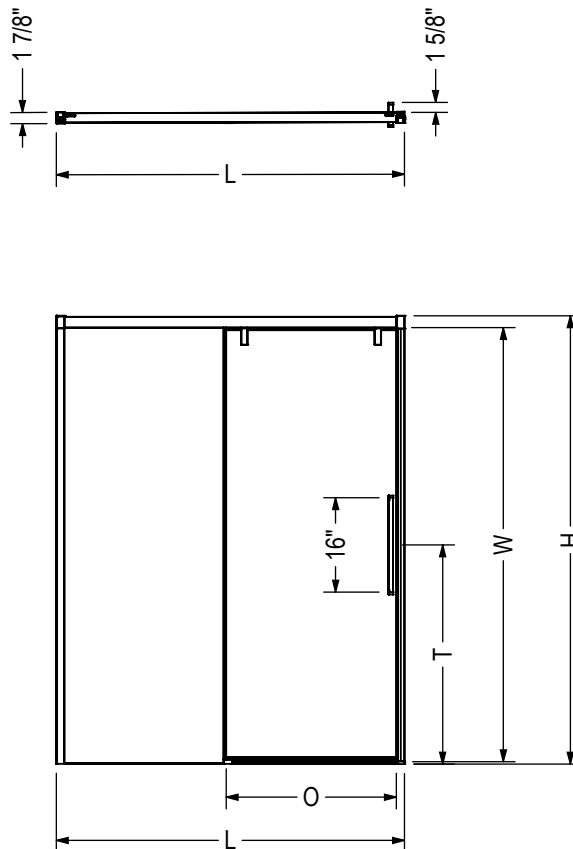
UPTOWN 44-47 X 76 IN. 8 MM - 135323

SKU	Glass / Finish	Door Opening	Dimensions & Weight	Packaging	MSRP
135323-900-084-000	Clear / Chrome		44" - 47" x 76" / 107 lb / 49 kg	5.65 ft ³	\$ 1522
135323-900-173-000	Clear / Dark Bronze				\$ 1634
135323-900-282-000	Clear / Chrome and White Marble				\$ 1602
135323-900-283-000	Clear / Dark Bronze and Beige Marble				\$ 1714
135323-900-285-000	Clear / Matte Black and Wood				\$ 1714
135323-900-305-000	Clear / Brushed Nickel				\$ 1608
135323-900-340-000	Clear / Matte Black				\$ 1634

UPTOWN 56-59 X 76 IN. 8 MM - 135324

SKU	Glass / Finish	Door Opening	Dimensions & Weight	Packaging	MSRP
135324-900-084-000	Clear / Chrome		56" - 59" x 76" / 133 lb / 60 kg	6.816 ft ³	\$ 1616
135324-900-173-000	Clear / Dark Bronze				\$ 1743
135324-900-282-000	Clear / Chrome and White Marble				\$ 1696
135324-900-283-000	Clear / Dark Bronze and Beige Marble				\$ 1823
135324-900-285-000	Clear / Matte Black and Wood				\$ 1823
135324-900-305-000	Clear / Brushed Nickel				\$ 1699
135324-900-340-000	Clear / Matte Black				\$ 1743

STANDARD



Code	Description	H	L	O	T	W
135323	Uptown Slider 76" x 44" - 47"	76"	44" - 47"	16" - 19"	37 1/8"	73 1/2"
135324	Uptown Slider 76" x 56" - 59"	76"	56" - 59"	22" - 25"	37 1/8"	73 1/2"

Wall adjustment = 1/2"

All dimensions are approximate. Structure measurements must be verified against the unit to ensure proper fit.



Link Curve Neo-angle



Material : Tempered Glass

Features

- › 8 mm frameless neo-angle door with Lotus glass protection
- › Chrome, brushed nickel or dark bronze hardware available
- › Flush mount hinges on inside glass for easy cleaning
- › Reversible door for right or left-hand door opening

CORNER DOORS - PIVOT

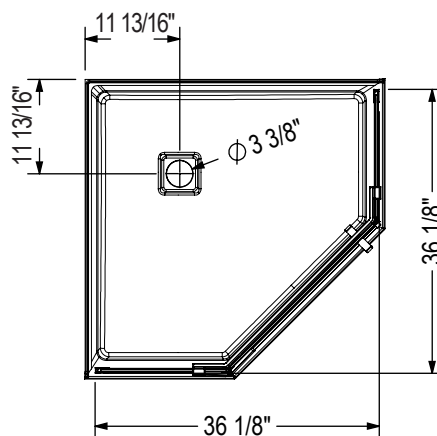
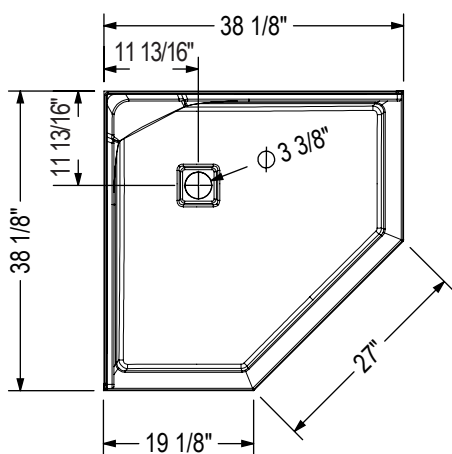
LINK CURVE NEO-ANGLE 38 X 38 X 75 - 8MM - 137280

SKU	Glass / Finish	Door Opening	Dimensions & Weight	Packaging	MSRP
137280-900-084-000	Clear / Chrome		" x " x 75" / 143 lb / 65 kg	3.67 ft ³	\$ 1372
137280-900-173-000	Clear / Dark Bronze				\$ 1587
137280-900-305-000	Clear / Brushed Nickel				\$ 1475

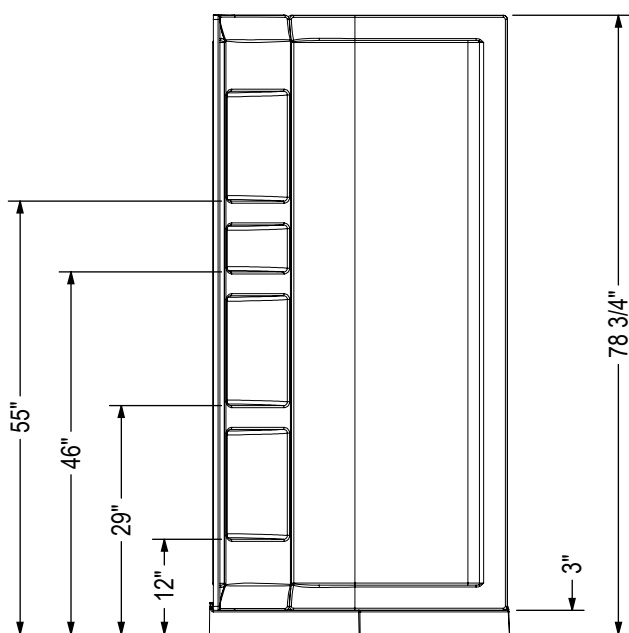
LINK CURVE NEO-ANGLE 40 X 40 X 75 - 8MM - 137281

SKU	Glass / Finish	Door Opening	Dimensions & Weight	Packaging	MSRP
137281-900-084-000	Clear / Chrome		" x " x 75" / 147.7 lb / 67 kg	3.67 ft ³	\$ 1476
137281-900-173-000	Clear / Dark Bronze				\$ 1707
137281-900-305-000	Clear / Brushed Nickel				\$ 1589

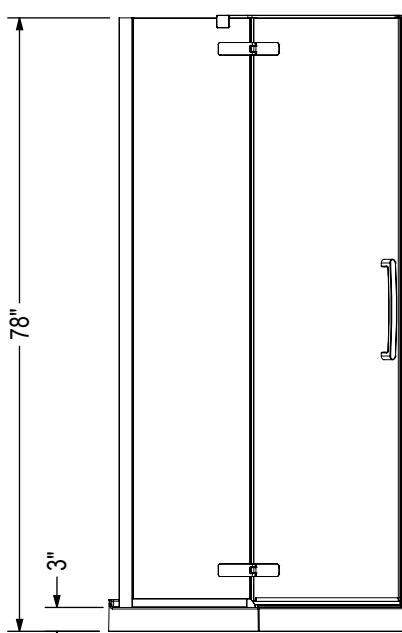
STANDARD



-Door opening : 26 1/8"
-Wall jamb adjustment : 3/4"



ACRYLIC WALLS - WITHOUT DOOR



NO ACRYLIC WALLS - WITH DOOR

All dimensions are approximate. Structure measurements must be verified against the unit to ensure proper fit.



Link Curve Rectangular



Material : Tempered Glass

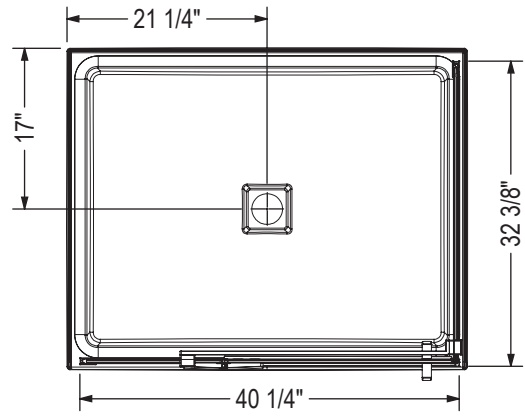
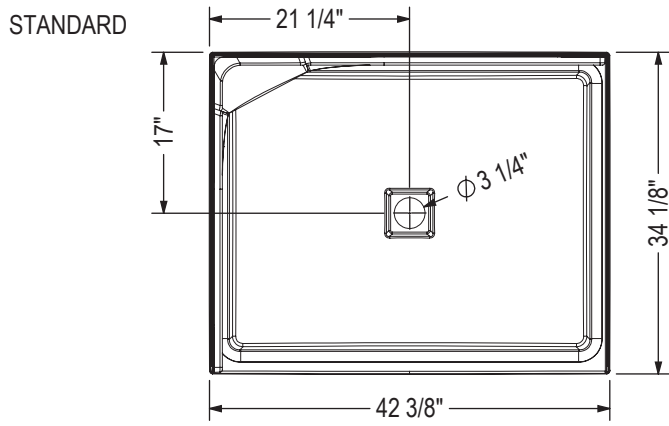
Features

- › 8 mm frameless rectangular door with Lotus glass protection
- › Chrome, Brushed Nickel or Dark Bronze hardware available
- › Flush mount hinges on inside glass for easy cleaning
- › Rounded handle and hinges

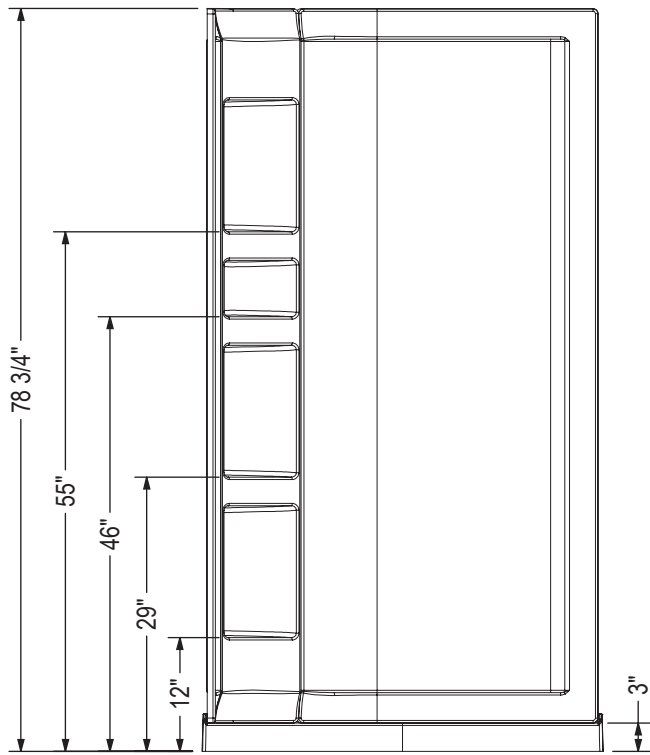
CORNER DOORS - PIVOT

LINK CURVE RECTANGULAR 42 X 34 X 75 - 8MM - 133302

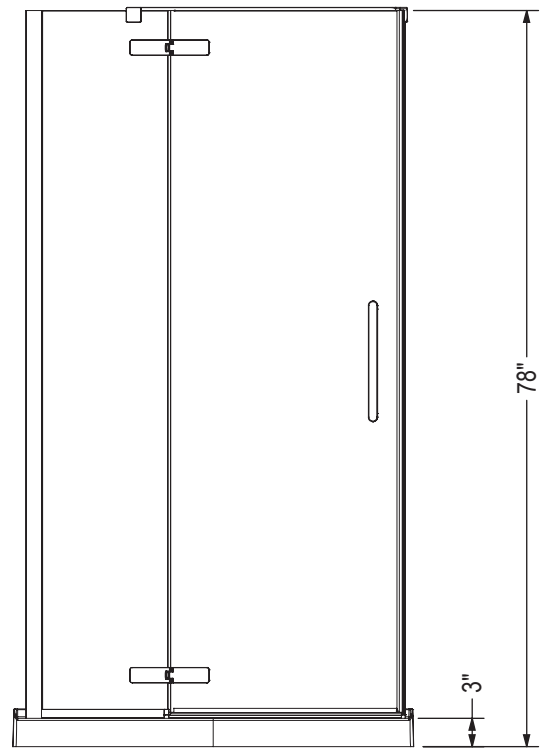
SKU	Glass / Finish	Door Opening	Dimensions & Weight	Packaging	MSRP
133302-900-084-000	Clear / Chrome		" x " x 75" / 165 lb / 75 kg	4.66 ft ³	\$ 1771
133302-900-173-000	Clear / Dark Bronze				\$ 2043
133302-900-305-000	Clear / Brushed Nickel				\$ 1902
133302-900-340-000	Clear / Matte Black				\$ 1771



-Door opening : 23 3/4"
 -Wall jamb adjustment : 3/4"



ACRYLIC WALLS - WITHOUT DOOR



NO ACRYLIC WALLS - WITH DOOR

All dimensions are approximate. Structure measurements must be verified against the unit to ensure proper fit.



Link Neo-angle



Material : Tempered Glass

Features

- › 8 mm frameless neo-angle door with Lotus glass protection
- › Chrome, Brushed Nickel or Dark Bronze hardware available
- › Flush mount hinges on inside glass for easy cleaning
- › Reversible right or left-hand door opening
- › Straight handle and hinges

CORNER DOORS - PIVOT

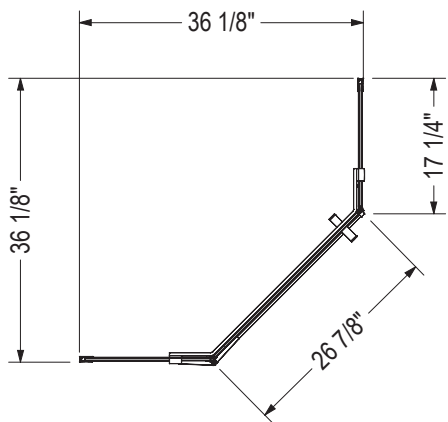
LINK NEO-ANGLE 38 X 38 X 75 - 8MM - 136315

SKU	Glass / Finish	Door Opening	Dimensions & Weight	Packaging	MSRP
136315-900-084-000	Clear / Chrome		" x " x 75" / 143 lb / 65 kg	3.67 ft ³	\$ 1372
136315-900-173-000	Clear / Dark Bronze				\$ 1587
136315-900-305-000	Clear / Brushed Nickel				\$ 1475
136315-900-340-000	Clear / Matte Black				\$ 1372

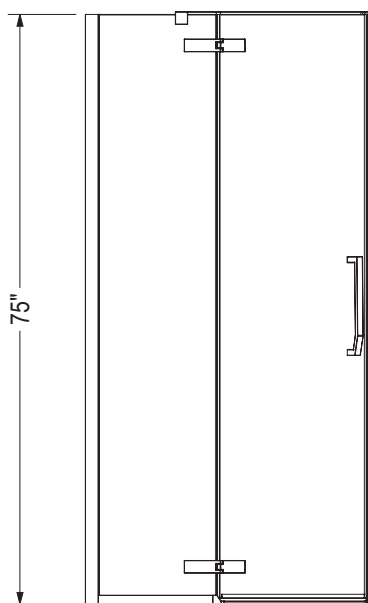
LINK NEO-ANGLE 40 X 40 X 75 - 8MM - 136321

SKU	Glass / Finish	Door Opening	Dimensions & Weight	Packaging	MSRP
136321-900-084-000	Clear / Chrome		" x " x 75" / 148 lb / 67 kg	3.67 ft ³	\$ 1476
136321-900-173-000	Clear / Dark Bronze				\$ 1707
136321-900-305-000	Clear / Brushed Nickel				\$ 1589
136321-900-340-000	Clear / Matte Black				\$ 1707

STANDARD



- Door opening : $26 \frac{1}{8}"$
- Wall jamb adjustment : $\frac{3}{4}"$



All dimensions are approximate. Structure measurements must be verified against the unit to ensure proper fit.



Link Rectangular



Material : Tempered Glass

Features

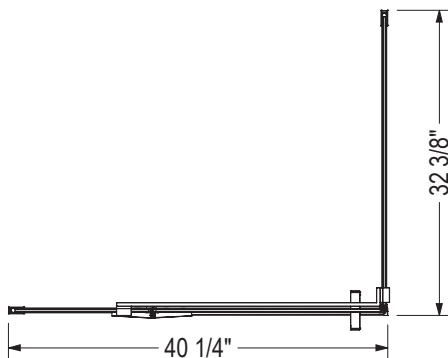
- › 8 mm frameless rectangular door with Lotus glass protection
- › Chrome, Brushed Nickel or Dark Bronze hardware available
- › Flush mount hinges on inside glass for easy cleaning
- › Reversible right or left-hand door opening
- › Straight handle and hinges

CORNER DOORS - PIVOT

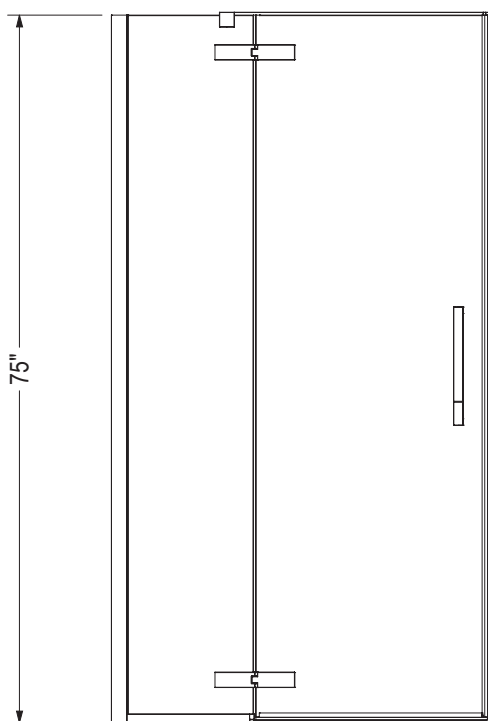
LINK RECTANGULAR 42 X 34 X 75 - 8MM - 136330

SKU	Glass / Finish	Door Opening	Dimensions & Weight	Packaging	MSRP
136330-900-084-000	Clear / Chrome		42" x 34" x 75" / 165 lb / 75 kg	4.66 ft ³	\$ 1771
136330-900-173-000	Clear / Dark Bronze				\$ 2043
136330-900-305-000	Clear / Brushed Nickel				\$ 1902

STANDARD



- Door opening : 23 3/4"
- Wall jamb adjustment : 3/4"



All dimensions are approximate. Structure measurements must be verified against the unit to ensure proper fit.



Silhouette Neo-angle



Material : Tempered Glass

Features

- > Neo-angle framed pivot door for corner shower
- > Full-length aluminium pull adds reinforcement and doubles as a handle
- > Reversible door for left or right opening
- > Gutter is integrated in the inside of the door
- > Adjustable pivot mechanism

CORNER DOORS - PIVOT

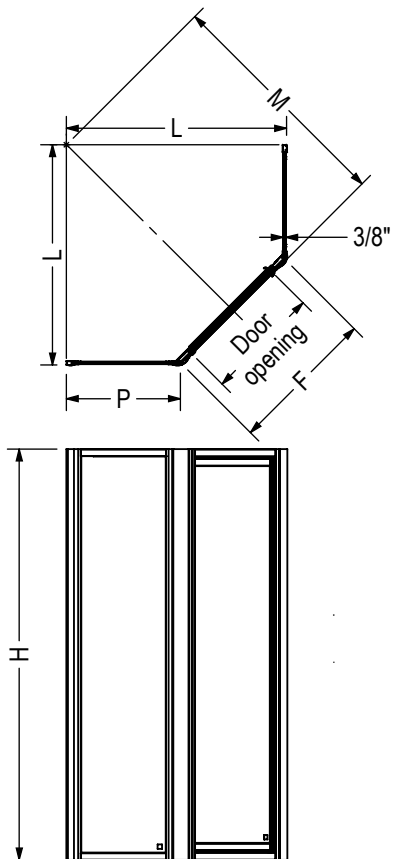
SILHOUETTE NEO-ANGLE PIVOT 38 X 38 X 70 IN. - 137901

SKU	Glass / Finish	Door Opening	Dimensions & Weight	Packaging	MSRP
137901-900-084-000	Clear / Chrome		" x " x 70" / 77 lb / 35 kg	5.76 ft ³	\$ 1091
137901-970-084-000	Raindrop / Chrome				\$ 1091

SILHOUETTE NEO-ANGLE PIVOT 36 X 36 X 70 IN. - 137904

SKU	Glass / Finish	Door Opening	Dimensions & Weight	Packaging	MSRP
137904-900-084-000	Clear / Chrome		" x " x 70" / 74 lb / 34 kg	5.44 ft ³	\$ 1105
137904-970-084-000	Raindrop / Chrome				\$ 1105

STANDARD



Code	Description	H	M Adjustable	L Adjustable	Door opening	F Adjustable	P Adjustable	Wall adjustment
137700	Silhouette Plus Pivot 36" x 70"	69 5/8"	32 1/4" - 35 1/8"	31 1/4" - 33 3/4"	17 3/4"	23 3/8" - 24 7/8"	14 3/8" - 15 7/8"	2 1/2"
137710	Silhouette Plus Pivot 38" x 70"	69 5/8"	37 1/4" - 40 1/8"	34 3/4" - 37 1/4"	17 1/2"	23 3/8" - 24 7/8"	17 7/8" - 19 3/8"	2 1/2"
137720	Silhouette Plus Pivot 36" x 70"	69 5/8"	34 5/8" - 37 1/2"	33 1/8" - 35 3/4"	18 1/2"	24 1/8" - 25 5/8"	15 3/4" - 17 1/4"	2 1/2"
137730	Silhouette Plus Pivot 38 - 40" x 70"	69 5/8"	37 5/8" - 40 1/2"	35 1/4" - 37 7/8"	18 1/2"	24 1/8" - 25 5/8"	17 7/8" - 19 3/8"	2 1/2"
137750	Silhouette Plus Pivot 38 - 40" x 70"	69 5/8"	38 1/8" - 41"	37" - 39 1/2"	22 1/4"	27 7/8" - 29 3/8"	16 7/8" - 18 3/8"	2 1/2"
137760	Silhouette Plus Pivot 42" x 70"	69 5/8"	41" - 43 7/8"	39" - 41 1/2"	22 1/4"	27 7/8" - 29 3/8"	18 7/8" - 20 3/8"	2 1/2"

All dimensions are approximate. Structure measurement must be verified against the unit to ensure proper fit.



Silhouette Plus Neo-angle



Material : Tempered Glass

Features

- > Neo-angle framed pivot door for corner shower
- > Full-length aluminium pull reinforces doors and doubles as a handle
- > Reversible door for left or right opening
- > Gutter is integrated in the inside of the door
- > 6 ways to adjust door to irregular base

CORNER DOORS - PIVOT

SILHOUETTE PLUS NEO-ANGLE 38 X 38 X 70 IN. - 137710

SKU	Glass / Finish	Door Opening	Dimensions & Weight	Packaging	MSRP
137710-900-084-000	Clear / Chrome		" x " x 70" / 73 lb / 33 kg	5.39 ft ³	\$ 963
137710-965-084-000	Hammer / Chrome				\$ 963

SILHOUETTE PLUS NEO-ANGLE 36 X 36 X 70 IN. - 137720

SKU	Glass / Finish	Door Opening	Dimensions & Weight	Packaging	MSRP
137720-900-084-000	Clear / Chrome		" x " x 70" / 72 lb / 33 kg	5.55 ft ³	\$ 963
137720-965-084-000	Hammer / Chrome				\$ 963

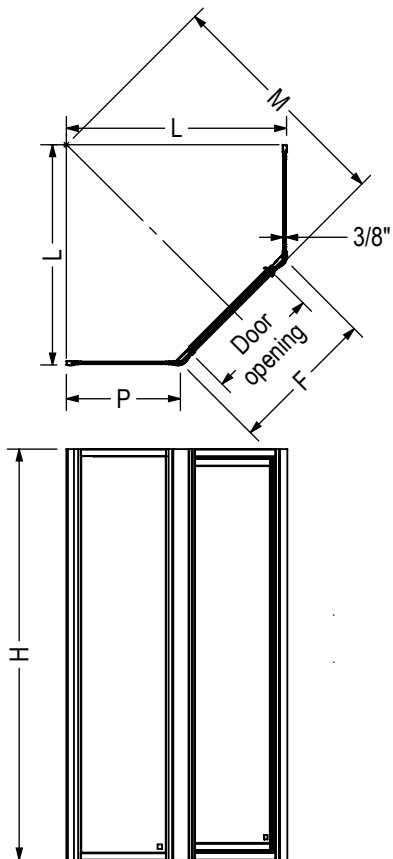
SILHOUETTE PLUS NEO-ANGLE 38 X 38-40 X 40 X 70 IN. - 137730

SKU	Glass / Finish	Door Opening	Dimensions & Weight	Packaging	MSRP
137730-900-084-000	Clear / Chrome		" x " x 70" / 71 lb / 32 kg	5.42 ft ³	\$ 984
137730-965-084-000	Hammer / Chrome				\$ 984

SILHOUETTE PLUS NEO-ANGLE 38 X 38-40 X 40 X 70 IN. - 137750

SKU	Glass / Finish	Door Opening	Dimensions & Weight	Packaging	MSRP
137750-965-084-000	Hammer / Chrome		" x " x 70" / 78 lb / 35 kg	6.19 ft ³	\$ 1001

STANDARD



Code	Description	H	M Adjustable	L Adjustable	Door opening	F Adjustable	P Adjustable	Wall adjustment
137700	Silhouette Plus Pivot 36" x 70"	69 5/8"	32 1/4" - 35 1/8"	31 1/4" - 33 3/4"	17 3/4"	23 3/8" - 24 7/8"	14 3/8" - 15 7/8"	2 1/2"
137710	Silhouette Plus Pivot 38" x 70"	69 5/8"	37 1/4" - 40 1/8"	34 3/4" - 37 1/4"	17 1/2"	23 3/8" - 24 7/8"	17 7/8" - 19 3/8"	2 1/2"
137720	Silhouette Plus Pivot 36" x 70"	69 5/8"	34 5/8" - 37 1/2"	33 1/8" - 35 3/4"	18 1/2"	24 1/8" - 25 5/8"	15 3/4" - 17 1/4"	2 1/2"
137730	Silhouette Plus Pivot 38 - 40" x 70"	69 5/8"	37 5/8" - 40 1/2"	35 1/4" - 37 7/8"	18 1/2"	24 1/8" - 25 5/8"	17 7/8" - 19 3/8"	2 1/2"
137750	Silhouette Plus Pivot 38 - 40" x 70"	69 5/8"	38 1/8" - 41"	37" - 39 1/2"	22 1/4"	27 7/8" - 29 3/8"	16 7/8" - 18 3/8"	2 1/2"
137760	Silhouette Plus Pivot 42" x 70"	69 5/8"	41" - 43 7/8"	39" - 41 1/2"	22 1/4"	27 7/8" - 29 3/8"	18 7/8" - 20 3/8"	2 1/2"

All dimensions are approximate. Structure measurement must be verified against the unit to ensure proper fit.



Halo Round



Features

- › 75 5/8" high luxury clear glass panel
- › 8mm (5/16") tempered glass with chrome hardware
- › Ball bearing roller technology allowing for 1/4" adjustment
- › For installation with round shower base and ceramic walls
- › Available as left or right opening specify when ordering

CORNER DOORS - SLIDING

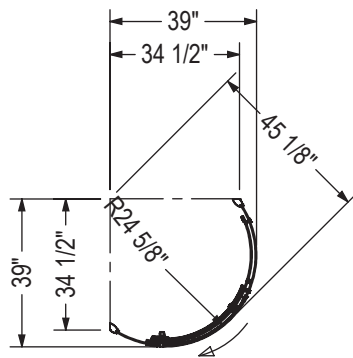
HALO ROUND - 139399L

SKU	Glass / Finish	Door Opening	Dimensions & Weight	Packaging	MSRP
139399-900-084-001	Clear / Chrome		" x " x 75 5/8" / 185 lb / 84 kg	21.4 ft ³	\$ 1684

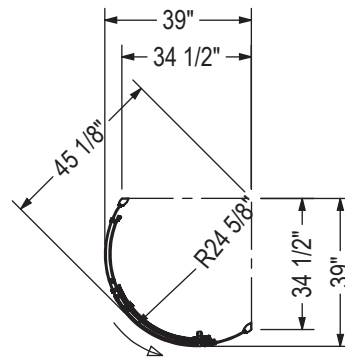
HALO ROUND - 139399R

SKU	Glass / Finish	Door Opening	Dimensions & Weight	Packaging	MSRP
139399-900-084-002	Clear / Chrome		" x " x 75 5/8" / 185 lb / 84 kg	21.4 ft ³	\$ 1684

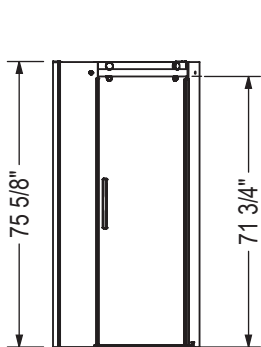
STANDARD



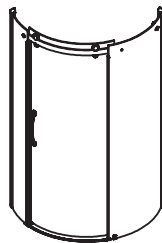
- Closing direction of the door
- Door opening : 22"



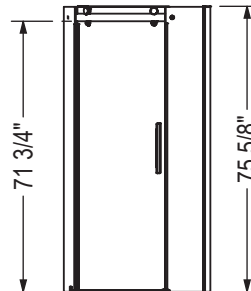
- Closing direction of the door
- Door opening : 22"



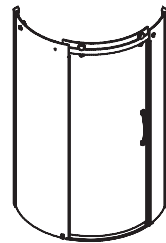
LEFT



139399-900-084-001
or 139399-L-900-084



RIGHT



139399-900-084-002
or 139399-R-900-084

All dimensions are approximate. Structure measurements must be verified against the unit to ensure proper fit.



Radia Neo-angle



Material : Tempered Glass

Features

- › Magnetic and aluminium extrusion for a better watertight closure as well as provide panel rigidity
- › Features MAAX Clip-and-Push System that allows to detach the bottom wheels to clean the track
- › Reversible door for right or left opening, panels are pre-assembled with the hardware and side jambs for fast and easy installation
- › 3/4-inch of out of plumb adjustment for those not so perfect walls
- › Ensure fit with MAAX Acrylic base # 101422-000-001-000

CORNER DOORS - SLIDING

RADIA NEO-ANGLE 36 X 36 X 71 ½ - 6MM - 137440

SKU	Glass / Finish	Door Opening	Dimensions & Weight	Packaging	MSRP
137440-900-084-000	Clear / Chrome		" x " x 71 1/2" / 121 lb / 55 kg	5.54 ft ³	\$ 1113
137440-900-305-000	Clear / Brushed Nickel				\$ 1198
137440-900-340-000	Clear / Matte Black		" x " x 71 1/2" / 108 lb / 49 kg		\$ 1198

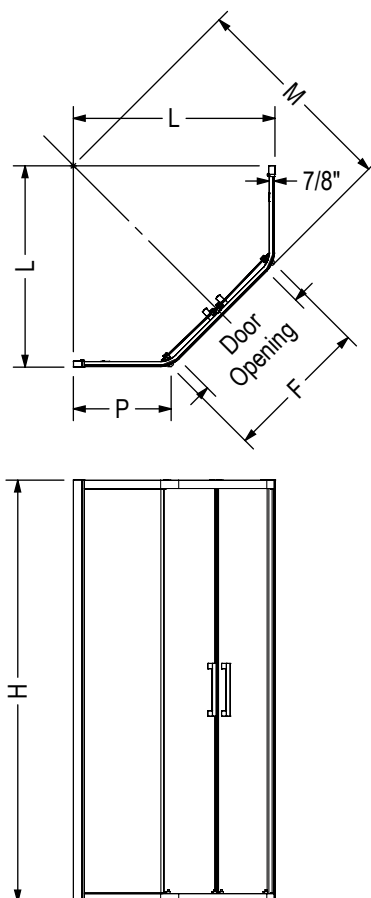
RADIA NEO-ANGLE 38 X 38 X 71 ½ - 6MM - 137441

SKU	Glass / Finish	Door Opening	Dimensions & Weight	Packaging	MSRP
137441-900-084-000	Clear / Chrome		" x " x 71 1/2" / 127 lb / 58 kg	5.62 ft ³	\$ 1157
137441-900-305-000	Clear / Brushed Nickel				\$ 1244
137441-900-340-000	Clear / Matte Black		" x " x 71 1/2" / 114 lb / 52 kg		\$ 1244

RADIA NEO-ANGLE 40 X 40 X 71 ½ - 6MM - 137442

SKU	Glass / Finish	Door Opening	Dimensions & Weight	Packaging	MSRP
137442-900-084-000	Clear / Chrome		" x " x 71 1/2" / 134 lb / 61 kg	5.97 ft ³	\$ 1200
137442-900-305-000	Clear / Brushed Nickel				\$ 1290
137442-900-340-000	Clear / Matte Black		" x " x 71 1/2" / 121 lb / 55 kg		\$ 1290

STANDARD



Code	Description	H	M	L	P Adjustable	F	Door Opening	Wall Adjustment
137440	RADIA N-A 36" X 36" X 71.5"	71 5/8"	35 5/8"	34 1/2"	14 9/16" - 15 1/4"	26 3/8"	18 5/16"	3/4"
137441	RADIA N-A 38" X 38" X 71.5"	71 5/8"	37 7/8"	35 5/8"	16 1/8" - 16 13/16"	26 7/16"	18 5/16"	3/4"
137442	RADIA N-A 40" X 40" X 71.5"	71 5/8"	40 15/16"	37 13/16"	18 3/16" - 18 7/8"	26 1/2"	18 5/16"	3/4"

All dimensions are approximate. Structure measurements must be verified against the unit to ensure proper fit.



Radia Neo-round



Material : Tempered Glass

Features

- › 6 mm tempered glass with Lotus Easy Clean Glass Protection - repels soap and water stains for care-free maintenance
- › Magnetic and aluminium extrusion for a better watertight closure as well as provide panel rigidity
- › Features MAAX Clip-and-Push System that allows to detach the bottom wheels to clean the track
- › Reversible door for right or left opening, panels are pre-assembled with the hardware and side jambs for fast and easy installation
- › 3/4-inch of out of plumb adjustment for those not so perfect walls
- › Ensure fit with MAAX Acrylic base # 101426-000-001-000

CORNER DOORS - SLIDING

RADIA NEO-ROUND 32 X 32 X 71 ½ - 6MM - 137443

SKU	Glass / Finish	Door Opening	Dimensions & Weight	Packaging	MSRP
137443-900-084-000	Clear / Chrome		" x " x 71 1/2" / 112 lb / 51 kg	5.3 ft ³	\$ 1143
137443-900-305-000	Clear / Brushed Nickel				\$ 1230
137443-900-340-000	Clear / Matte Black				\$ 1230

RADIA NEO-ROUND 36 X 36 X 71 ½ - 6MM - 137444

SKU	Glass / Finish	Door Opening	Dimensions & Weight	Packaging	MSRP
137444-900-084-000	Clear / Chrome		" x " x 71 5/8" / 118 lb / 54 kg	6 ft ³	\$ 1185
137444-900-305-000	Clear / Brushed Nickel				\$ 1275
137444-900-340-000	Clear / Matte Black				\$ 1275

RADIA NEO-ROUND 40 X 40 X 71 ½ - 6MM - 137445

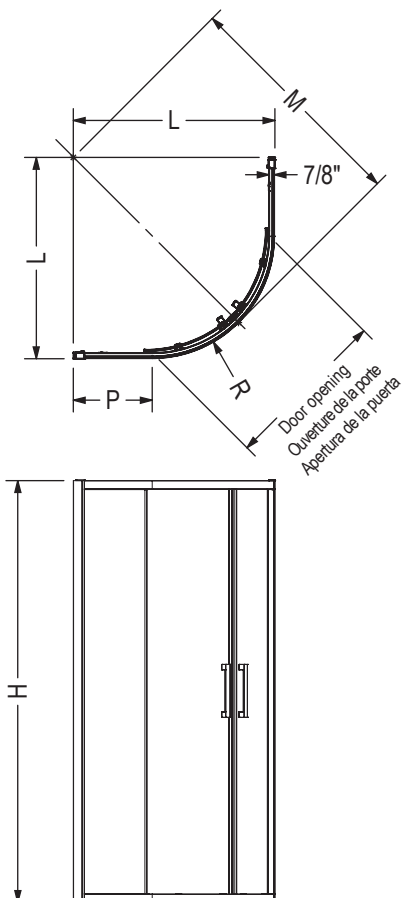
SKU	Glass / Finish	Door Opening	Dimensions & Weight	Packaging	MSRP
137445-900-084-000	Clear / Chrome		" x " x 71 1/2" / 125 lb / 57 kg	6.25 ft ³	\$ 1230
137445-900-305-000	Clear / Brushed Nickel				\$ 1320
137445-900-340-000	Clear / Matte Black				\$ 1320

RADIA NEO-ROUND 38 X 38 X 71 1/2 - 6MM - 137449

SKU	Glass / Finish	Door Opening	Dimensions & Weight	Packaging	MSRP
137449-900-084-000	Clear / Chrome		" x " x 71 1/2" / 112 lb / 51 kg	8.052 ft ³	\$ 1214
137449-900-340-000	Clear / Matte Black				\$ 1306

CORNER DOORS - SLIDING

STANDARD



Code Código	Description Descripción	H	M	L	P Adjustable	R	Door opening Ouverture de la porte Apertura de la puerta	Wall adjustment Ajustement du mur Ajuste de la pared
137443	RADIA N-R 32" X 32" X 71.5"	71 1/2"	37 7/8"	29 7/8"	14 7/8" - 15 5/8"	14 9/16"	17 1/2"	3/4"
137444	RADIA N-R 36" X 36" X 71.5"	71 1/2"	39 5/8"	34 1/8"	13" - 13 3/4"	20 5/8"	20 1/2"	3/4"
137449	RADIA N-R 38" X 38" X 71.5"	71 1/2"	42 3/8"	36 1/8"	15" - 15 3/4"	20 5/8"	21 1/4"	3/4"
137445	RADIA N-R 40" X 40" X 71.5"	71 1/2"	44 5/8"	37 5/8"	16 1/2" - 17 1/4"	20 11/16"	22 5/8"	3/4"

All dimensions are approximate. Structure measurements must be verified against the unit to ensure proper fit.

Toutes ces dimensions sont approximatives. Afin d'assurer une installation parfaite, les dimensions de la structure doivent être vérifiées à partir de l'unité.

Todas las dimensiones son aproximadas. Las medidas de la estructura deben ser verificadas contra la unidad para asegurar el ajuste apropiado.



Radia Round

CORNER DOORS - SLIDING



Material : Tempered Glass

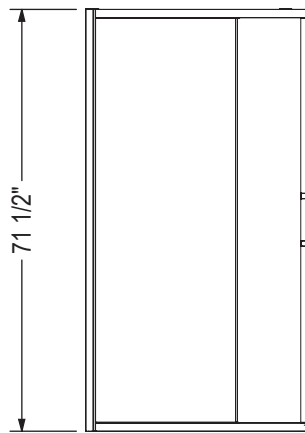
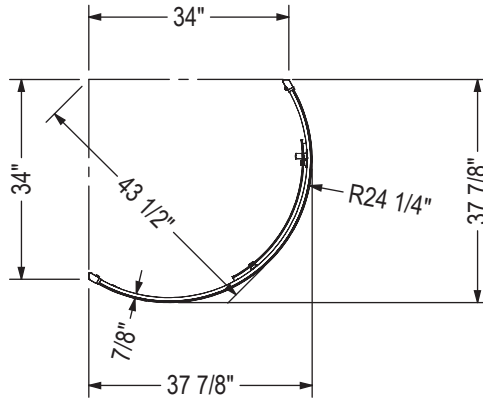
Features

- › Magnetic and aluminium extrusion for a better watertight closure as well as provide panel rigidity
- › Features MAAX Clip-and-Push System that allows to detach the bottom wheels to clean the track
- › Reversible door for right or left opening, panels are pre-assembled with the hardware and side jambs for fast and easy installation
- › 3/4-inch of out of plumb adjustment for those not so perfect walls
- › Ensure fit with MAAX Acrylic base # 105049-000-001-000

RADIA ROUND 36 X 36 X 71 1/2 - 6MM - 137446

SKU	Glass / Finish	Door Opening	Dimensions & Weight	Packaging	MSRP
137446-900-084-000	Clear / Chrome		" x " x 71 1/2" / 118 lb / 54 kg	8.48 ft ³	\$ 1372
137446-900-305-000	Clear / Brushed Nickel				\$ 1476
137446-900-340-000	Clear / Matte Black		" x " x 71 1/2" / 108 lb / 49 kg		\$ 1476

STANDARD



Code	Description	Door Opening	Wall Adjustment
137446	RADIA Round 36" X 36" X 71.5"	22 1/8"	3/4"

All dimensions are approximate. Structure measurements must be verified against the unit to ensure proper fit.



Radia Square

CORNER DOORS - SLIDING



Material : Tempered Glass

Features

- › 6 mm tempered glass with Lotus Easy Clean Glass Protection - repels soap and water stains for care-free maintenance
- › Magnetic and aluminium extrusion for a better watertight closure as well as provide panel rigidity
- › Features MAAX Clip-and-Push System that allows to detach the bottom wheels to clean the track
- › Reversible door for right or left opening, panels are pre-assembled with the hardware and side jambs for fast and easy installation
- › 3/4-inch of out of plumb adjustment for those not so perfect walls
- › Ensure fit with MAAX Acrylic base # 101431-000-001-000

RADIA SQUARE SLIDING SHOWER DOOR 32 X 32 X 71 ½ IN. 6 MM - 137447

SKU	Glass / Finish	Door Opening	Dimensions & Weight	Packaging	MSRP
137447-900-084-000	Clear / Chrome		" x " x 71 1/2" / 101 lb / 46 kg	4.73 ft ³	\$ 1230
137447-900-305-000	Clear / Brushed Nickel				\$ 1320
137447-900-340-000	Clear / Matte Black				\$ 1320
137447-977-340-000	French / Matte Black				\$ 1452

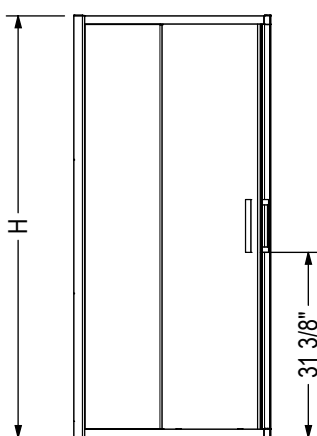
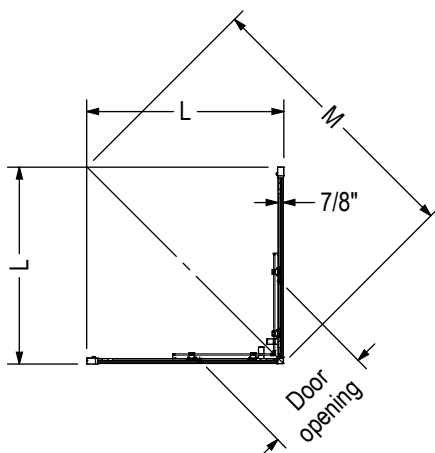
RADIA SQUARE SLIDING SHOWER DOOR 36 X 36 X 71 ½ IN. 6 MM - 137448

SKU	Glass / Finish	Door Opening	Dimensions & Weight	Packaging	MSRP
137448-900-084-000	Clear / Chrome		" x " x 71 1/2" / 108 lb / 49 kg	5.26 ft ³	\$ 1273
137448-900-305-000	Clear / Brushed Nickel				\$ 1367
137448-900-340-000	Clear / Matte Black				\$ 1367
137448-972-340-000	Shaker / Matte Black				\$ 1504
137448-977-340-000	French / Matte Black				\$ 1504

RADIA SQUARE 42 X 42 X 71 ½ - 6MM - 137451

SKU	Glass / Finish	Door Opening	Dimensions & Weight	Packaging	MSRP
137451-900-084-000	Clear / Chrome		" x " x 71 1/2" / 125 lb / 57 kg	6.5 ft ³	\$ 1316
137451-900-340-000	Clear / Matte Black				\$ 1414
137451-977-340-000	French / Matte Black				\$ 1556

STANDARD



Code	Description	H	L Adjustable	Door Opening	Wall adjustment
137447	RADIA Square 32" X 32" X 71.5"	71 5/8"	29 7/8" - 30 5/8"	15 3/16"	3/4"
137448	RADIA Square 36" X 36" X 71.5"	71 5/8"	32 15/16" - 33 3/4"	17 5/16"	3/4"
137451	RADIA Square 42" X 42" X 71.5"	71 5/8"	40 3/4" - 41 1/2"	22 13/16"	3/4"

All dimensions are approximate. Structure measurements must be verified against the unit to ensure proper fit.



Connect Pro Return Panels

RETURN PANELS



Material : Tempered Glass

Features

- › Configuration consists of a Stationary Panel to be combined with a Connect Pro shower door
- › Frame and hardware finish: Chrome
- › For corner showers and for tile or pre-cast wall installations 76" and higher, we suggest Connect Pro doors.
- › Requires no cutting the door frame expands to adjust to the walls
- › 1/4in (6mm) Glass panels come with the Lotus Easy Clean Glass Protection to repel soap and water stains for carefree maintenance
- › Designed in North America
- › Pre-installed aluminum profile on return panels
- › Fast, no-cut installation
- › Out of plumb adjustment in the wall profile

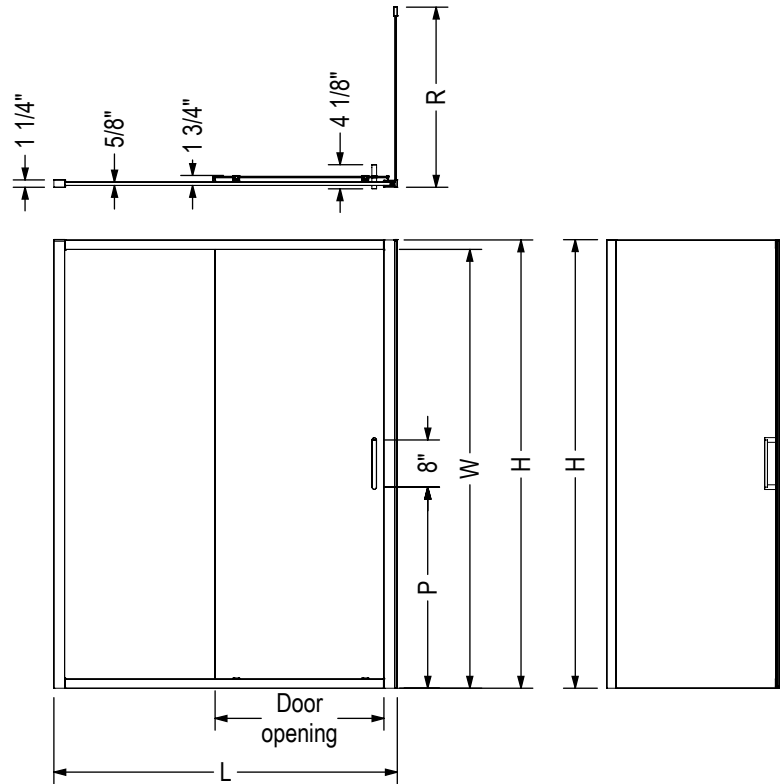
CONNECT PRO RETURN PANEL 32 X 76 - 6MM - 135239

SKU	Color	Configuration	Dimensions & Weight	Packaging	MSRP
135239-900-084-000	Clear / Chrome		30 1/8" - 30 7/8" x 76" / 57 lb / 26 kg	7.31 ft³	\$ 370
135239-900-340-000	Clear / Matte Black				\$ 444

CONNECT PRO RETURN PANEL 36 X 76 - 6MM - 135240

SKU	Color	Configuration	Dimensions & Weight	Packaging	MSRP
135240-900-084-000	Clear / Chrome		34 1/8" - 34 7/8" x 76" / 65 lb / 29 kg	8.34 ft³	\$ 403
135240-900-340-000	Clear / Matte Black				\$ 481

STANDARD



Code	Description	H	W	L Adjustable	Door opening	P	R
135235	Connect Pro 76" x 43 1/2" - 45"	76"	74 3/8"	43 1/2" - 45"	17 13/16" - 18 9/16"	34 1/8"	-
135236	Connect Pro 76" x 45" - 46 1/2"	76"	74 3/8"	45" - 46 1/2"	18 9/16" - 19 5/16"	34 1/8"	-
135237	Connect Pro 76" x 55 1/2" - 57"	76"	74 3/8"	55 1/2" - 57"	23 13/16" - 24 9/16"	34 1/8"	-
135238	Connect Pro 76" x 57" - 58 1/2"	76"	74 3/8"	57" - 58 1/2"	24 9/16" - 25 5/16"	34 1/8"	-
135239	Connect Pro Return panel 32"	76"	-	-	-	-	30 1/8" - 30 7/8"
135240	Connect Pro Return panel 36"	76"	-	-	-	-	34 1/8" - 34 1/8"

All dimensions are approximate. Structure measurements must be verified against the unit to ensure proper fit.

- Wall adjustment return panel = 3/4"



Halo Pro GS Return Panels

RETURN PANELS



Material : Tempered Glass

Features

- › 5/16in tempered glass panels with MAAX new Shatter-Resistant Technology, GlassShield®
- › Available in 2 finishes: Chrome and Matte Black
- › Return Panel for Corner Shower, compatible with Halo Pro GlassShield® (GS)
- › The frameless design brings a sense of spaciousness to the room and creates a sleek, minimalist look
- › Reversible panel for easy corner installation on the left or on the right
- › Glass panels come with the Lotus Easy Clean Glass Protection to repel soap and water stains for carefree maintenance
- › Easy assembly between door and return panel
- › Compatible with MAAX's Utile wall system, allowing for a seamless and coordinated installation with the shower door, creating a cohesive and stylish bathroom design
- › Warranty: 10 years

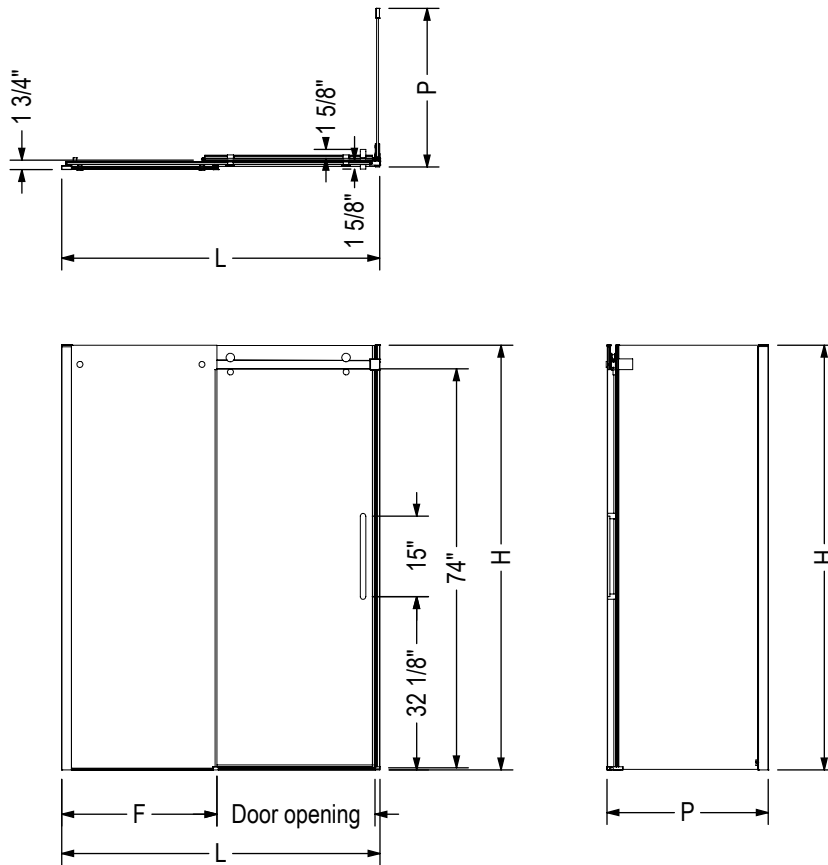
HALO PRO GS RETURN PANEL FOR 32 IN. - 136542

SKU	Color	Configuration	Dimensions & Weight	Packaging	MSRP
136542-810-084-000	Clear GlassShield / Chrome		28 3/4" - 29 7/8" x 78 3/4" / 52 lb / 24 kg	4.66688368055556 ft ³	\$ 765
136542-810-340-000	Clear GlassShield / Matte Black				\$ 856

HALO PRO GS RETURN PANEL FOR 36 IN. - 136543

SKU	Color	Configuration	Dimensions & Weight	Packaging	MSRP
136543-810-084-000	Clear GlassShield / Chrome		32 3/4" - 33 7/8" x 78 3/4" / 62 lb / 28 kg	5.34324363425926 ft ³	\$ 811
136543-810-340-000	Clear GlassShield / Matte Black				\$ 906

STANDARD



Code	Description	H	L Adjustable	F	P Adjustable	Door Opening	Wall Adjustment
136540	Halo Pro GS 78 3/4" x 47"	78 3/4"	44 1/2" - 47"	22 1/2"	-	16 1/4" - 18 3/4"	1"
136541	Halo Pro GS 78 3/4" x 59"	78 3/4"	56 1/2" - 59"	28 5/8"	-	22 1/8" - 24 5/8"	1"
136542	Halo Pro GS RP 32"	78 3/4"	-	-	29 7/8"	-	1"
136543	Halo Pro GS RP 36"	78 3/4"	-	-	33 7/8"	-	1"

All dimensions are approximate. Structure measurements must be verified against the unit to ensure proper fit.



Halo Return Panels

RETURN PANELS



Material : Tempered Glass

Features

- › 5/16in tempered glass panels
- › Available in 4 finishes: Chrome, Brushed Nickel, Dark Bronze, Matte Black
- › Return Panel for Corner Shower, compatible with Halo, Halo Pro and Vela doors
- › The frameless design brings a sense of spaciousness to the room and creates a sleek, minimalist look
- › Reversible panel for easy corner installation on the left or on the right
- › Glass panels come with the Lotus Easy Clean Glass Protection to repel soap and water stains for carefree maintenance
- › Easy assembly between door and return panel
- › Compatible with MAAX's Utile wall system, allowing for a seamless and coordinated installation with the shower door, creating a cohesive and stylish bathroom design
- › Warranty: 10 years

HALO RETURN PANEL FOR 30 IN. - 139393

SKU	Color	Configuration	Dimensions & Weight	Packaging	MSRP
139393-900-084-000	Clear / Chrome		26 3/4" - 27 7/8" x 78 3/4" / 60 lb / 27 kg	4.86979166666667 ft ³	\$ 678
139393-900-173-000	Clear / Dark Bronze				\$ 764
139393-900-305-000	Clear / Brushed Nickel				\$ 730
139393-900-340-000	Clear / Matte Black				\$ 764

HALO RETURN PANEL FOR 42 IN. - 139394

SKU	Color	Configuration	Dimensions & Weight	Packaging	MSRP
139394-900-084-000	Clear / Chrome		38 7/8" - 39 7/8" x 78 3/4" / 82 lb / 37 kg	6.78819444444444 ft ³	\$ 774
139394-900-173-000	Clear / Dark Bronze				\$ 873
139394-900-305-000	Clear / Brushed Nickel				\$ 831
139394-900-340-000	Clear / Matte Black				\$ 873

HALO RETURN PANEL FOR 34 IN. - 139395

SKU	Color	Configuration	Dimensions & Weight	Packaging	MSRP
139395-900-084-000	Clear / Chrome		30 7/8" - 31 7/8" x 78 3/4" / 68 lb / 31 kg	6 ft ³	\$ 728

HALO RETURN PANEL FOR 34 IN. - 139395

SKU	Color	Configuration	Dimensions & Weight	Packaging	MSRP
139395-900-173-000	Clear / Dark Bronze		30 7/8" - 31 7/8" x 78 3/4" / 68 lb / 31 kg	6 ft ³	\$ 822
139395-900-305-000	Clear / Brushed Nickel				\$ 781
139395-900-340-000	Clear / Matte Black				\$ 822

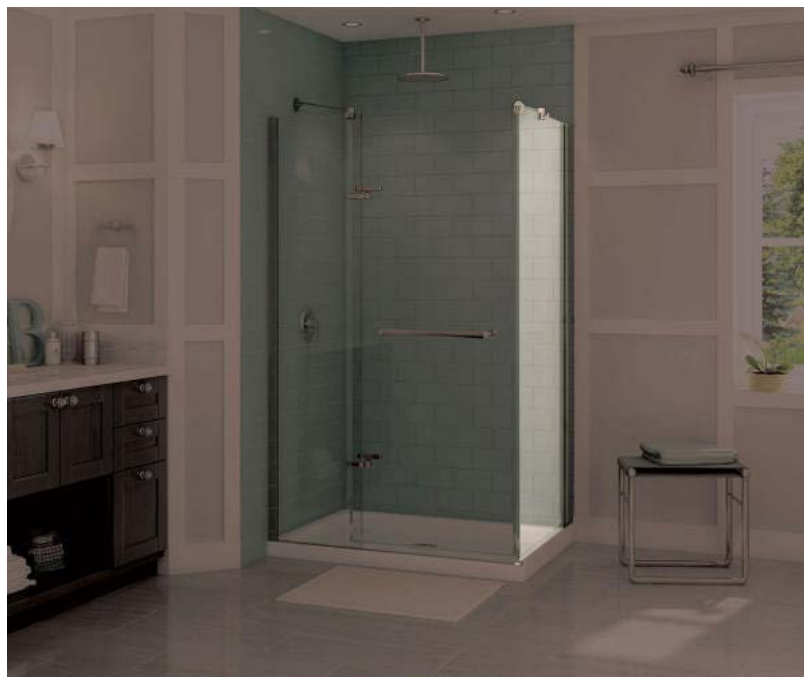
HALO RETURN PANEL FOR 36 IN. - 139396

SKU	Color	Configuration	Dimensions & Weight	Packaging	MSRP
139396-900-084-000	Clear / Chrome		32 7/8" - 33 7/8" x 78 3/4" / 72 lb / 33 kg	6.50868055555556 ft ³	\$ 750
139396-900-173-000	Clear / Dark Bronze				\$ 846
139396-900-305-000	Clear / Brushed Nickel				\$ 804
139396-900-340-000	Clear / Matte Black				\$ 846



Reveal 71 Return Panels

RETURN PANELS



Material : Tempered Glass

Features

- > 8 mm tempered glass panels
- > Available in 3 finishes: Chrome, Brushed Nickel, Matte Black to match your door
- > Return Panel for Corner Shower
- > The frameless design brings a sense of spaciousness to the room and creates a sleek, minimalist look
- > Reversible panel for easy corner installation on the left or on the right
- > Add 1 return panel to a Reveal 71 alcove door for a corner unit
- > Easy assembly between door and return panel
- > Proudly made in Canada
- > Warranty: 10 years

REVEAL 71 32 X 71 1/2 - 8MM - 136673

SKU	Color	Configuration	Dimensions & Weight	Packaging	MSRP
136673-900-084-000	Clear / Chrome		28 3/4" - 29 7/8" x 71 1/2" / 74 lb / 34 kg	5.22 ft ³	\$ 813
136673-900-173-000	Clear / Dark Bronze				\$ 897
136673-900-305-000	Clear / Brushed Nickel				\$ 837

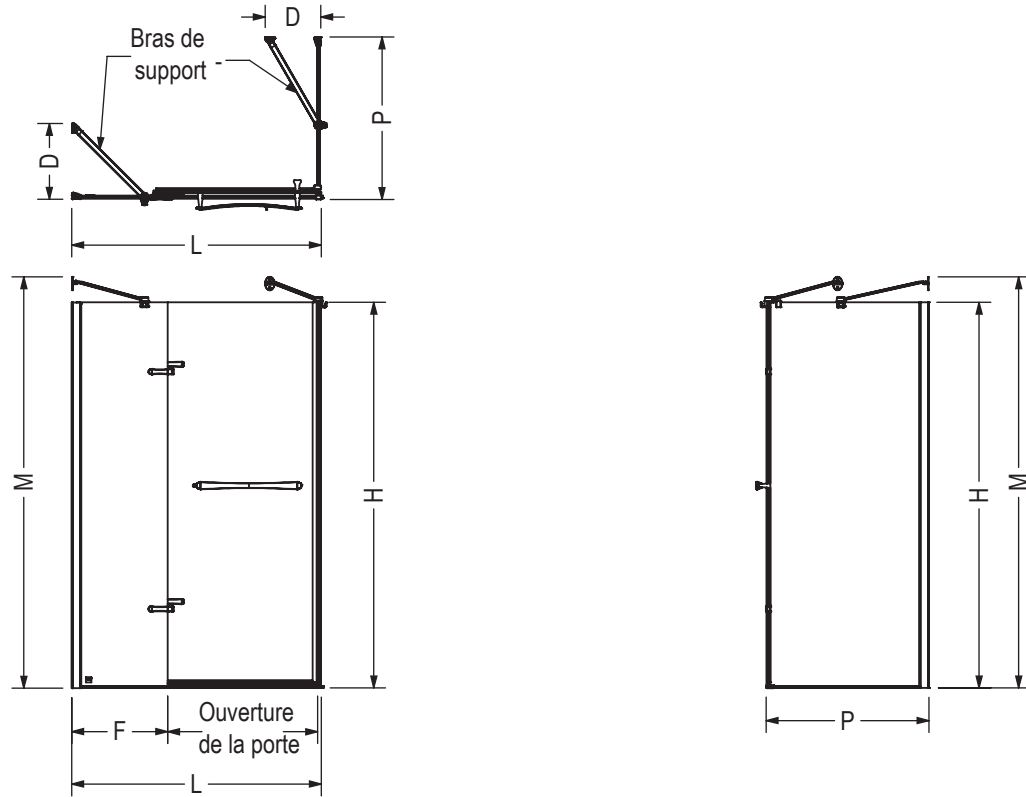
REVEAL 71 RETURN PANEL FOR 34 IN. - 136674

SKU	Color	Configuration	Dimensions & Weight	Packaging	MSRP
136674-900-084-000	Clear / Chrome		30 3/4" - 31 7/8" x 71 1/2" / 75 lb / 34 kg	5.3 ft ³	\$ 839
136674-900-173-000	Clear / Dark Bronze				\$ 920
136674-900-305-000	Clear / Brushed Nickel				\$ 861

REVEAL 71 RETURN PANEL FOR 36 IN. - 136675

SKU	Color	Configuration	Dimensions & Weight	Packaging	MSRP
136675-900-084-000	Clear / Chrome		32 3/4" - 33 7/8" x 71 1/2" / 80 lb / 36 kg	5.3 ft ³	\$ 863
136675-900-173-000	Clear / Dark Bronze				\$ 941
136675-900-305-000	Clear / Brushed Nickel				\$ 880

STANDARD



Code	Description	H	M	L Ajustable	F	P Ajustable	D Ajustable	Ouverture de la porte	Ajustement Mural	Bras de support
136676	Reveal 71.5 x 32.5" - 35.5"	71 1/2"	76 1/4"	32.5" - 35.5"	6 1/4"			23" - 26"	3/4"	
136679	Reveal 71.5 x 38" - 41"	71 1/2"	76 1/4"	38" - 41"	11 3/4"			23" - 26"	3/4"	
136677	Reveal 71.5 x 41.5" - 44.5"	71 1/2"	76 1/4"	41.5" - 44.5"	15 1/4"			23" - 26"	3/4"	
136671	Reveal 71.5 x 44" - 47"	71 1/2"	76 1/4"	44" - 47"	17 1/4"		9" - 15"	23" - 26"	3/4"	X
136883	Reveal 71.5 x 51.5" - 54.5"	71 1/2"	76 1/4"	51.5" - 54.5"	25 1/4"		9" - 15"	23" - 26"	3/4"	X
136672	Reveal 71.5 x 56" - 59"	71 1/2"	76 1/4"	56" - 59"	30"		9" - 15"	23" - 26"	3/4"	X
136673	Return Panel 32"	71 1/2"	76 1/4"			29 7/8"	9" - 15"		3/4"	X
136674	Return Panel 34"	71 1/2"	76 1/4"			31 7/8"	9" - 15"		3/4"	X
136675	Return Panel 36"	71 1/2"	76 1/4"			33 7/8"	9" - 15"		3/4"	X

Toutes ces dimensions sont approximatives. Afin d'assurer une installation parfaite, les dimensions de la structure doivent être vérifiées à partir de l'unité.



Reveal Sleek 71 Return Panels

RETURN PANELS



Material : Tempered Glass

Features

- › For installation on acrylic walls, ceramic and Utile
- › For a corner unit, add 1 return panel to a Reveal Sleek alcove door
- › For a corner unit, add 1 return panel to a Reveal Sleek alcove door
- › 8 mm (5/16 in.) tempered glass with a height of 71 1/2 in.
- › Includes a support arm to stabilize the panel
- › Can be installed on the left or right side
- › Offered in 32, 34 and 36 in. wide to fit standard bases dimensions

REVEAL SLEEK 71 RETURN PANEL FOR 32 IN. - 139581

SKU	Color	Configuration	Dimensions & Weight	Packaging	MSRP
139581-900-084-000	Clear / Chrome		29 3/8" - 30 3/8" x 71 1/2" / 74 lb / 34 kg	4.722 ft ³	\$ 501
139581-900-173-000	Clear / Dark Bronze				\$ 540
139581-900-305-000	Clear / Brushed Nickel				\$ 527
139581-900-340-000	Clear / Matte Black				\$ 540

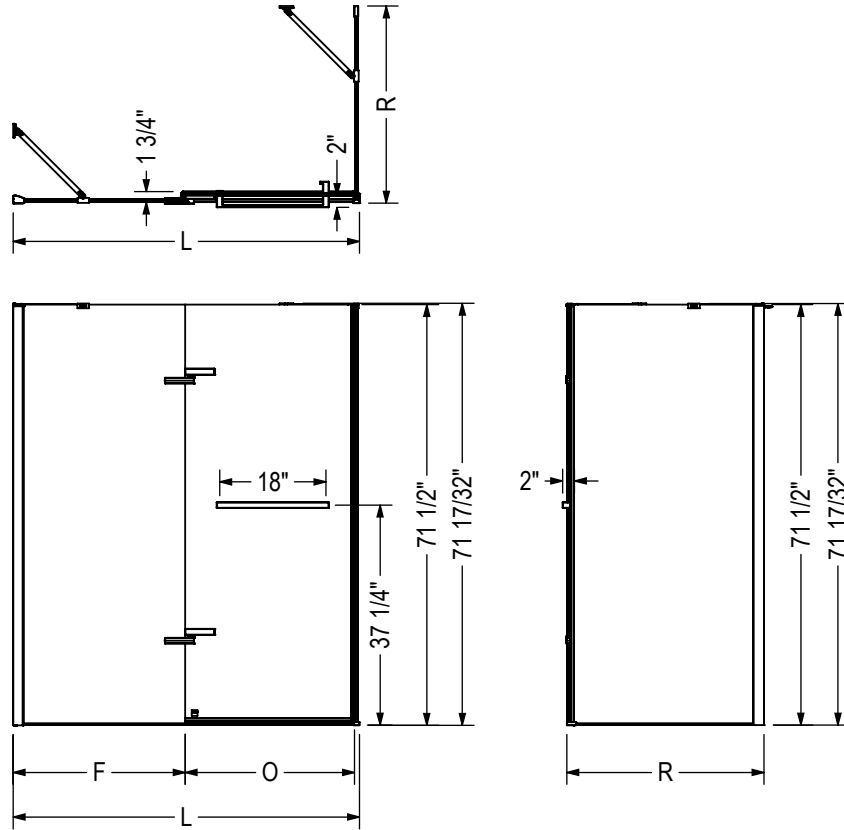
REVEAL SLEEK 71 RETURN PANEL FOR 34 IN. - 139582

SKU	Color	Configuration	Dimensions & Weight	Packaging	MSRP
139582-900-084-000	Clear / Chrome		31 3/8" - 32 3/8" x 71 1/2" / 75 lb / 34 kg	5.972 ft ³	\$ 533
139582-900-173-000	Clear / Dark Bronze				\$ 574
139582-900-305-000	Clear / Brushed Nickel				\$ 560
139582-900-340-000	Clear / Matte Black				\$ 574

REVEAL SLEEK 71 RETURN PANEL FOR 36 IN. - 139583

SKU	Color	Configuration	Dimensions & Weight	Packaging	MSRP
139583-900-084-000	Clear / Chrome		33 3/8" - 34 3/8" x 71 1/2" / 80 lb / 36 kg	5.972 ft ³	\$ 568
139583-900-173-000	Clear / Dark Bronze				\$ 610
139583-900-305-000	Clear / Brushed Nickel				\$ 595
139583-900-340-000	Clear / Matte Black				\$ 610

STANDARD



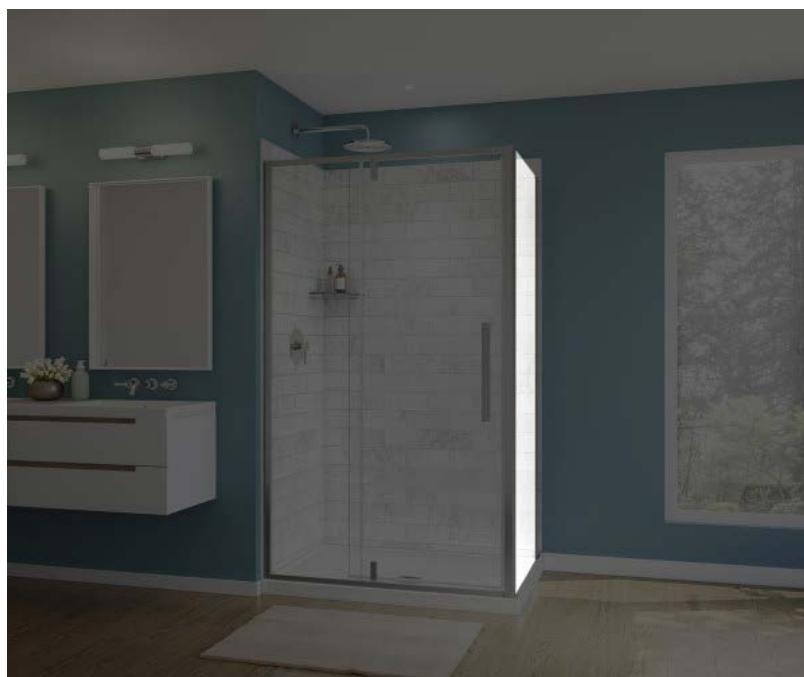
Code	Description	L	F	R	O	Wall Adjustment Return panel (R)	Wall Adjustment Fixed panel (F)
139575	Reveal Sleek 71 1/2" x 32 1/2" - 35 1/2"	32 1/2" - 35 1/2"	5 3/8"	-	23 3/4" - 26 3/4"	-	3/4"
139576	Reveal Sleek 71 1/2" x 38" - 41"	38" - 41"	10 7/8"	-	23 3/4" - 26 3/4"	-	3/4"
139577	Reveal Sleek 71 1/2" x 41 1/2" - 44 1/2"	41 1/2" - 44 1/2"	14 3/8"	-	23 3/4" - 26 3/4"	-	3/4"
139578	Reveal Sleek 71 1/2" x 44" - 47"	44" - 47"	16 7/8"	-	23 3/4" - 26 3/4"	-	3/4"
139579	Reveal Sleek 71 1/2" x 51 1/2" - 54 1/2"	51 1/2" - 54 1/2"	24 3/8"	-	23 3/4" - 26 3/4"	-	3/4"
139580	Reveal Sleek 71 1/2" x 56" - 59"	56" - 59"	28 7/8"	-	23 3/4" - 26 3/4"	-	3/4"
139581	Reveal Sleek Return Panel 32"	-	-	29 7/16" - 30 7/16"	-	1"	-
139582	Reveal Sleek Return Panel 34"	-	-	31 7/16" - 32 7/16"	-	1"	-
139583	Reveal Sleek Return Panel 36"	-	-	33 7/16" - 34 7/16"	-	1"	-

All dimensions are approximate. Structure measurements must be verified against the unit to ensure proper fit.



Uptown Return Panels

RETURN PANELS



Material : Tempered Glass

Features

- › 8 mm (5/16") tempered glass
- › Configuration consists of a single panel to be combined with a Uptown shower door (Bypass, Slider, Pivot)
- › Configuration consists of a single panel to be combined with a Uptown shower door (Bypass, Slider, Pivot)
- › 76in high clear glass panel
- › Glass panels come with the Lotus Easy Clean Glass Protection to repel soap and water stains for carefree maintenance
- › Reversible panel for easy corner installation on the left or on the right
- › Out of plumb adjustment in the wall profile
- › Easy assembly between door and return panel
- › Due to the weight and height of the glass, we recommend a 2 person team to install this product

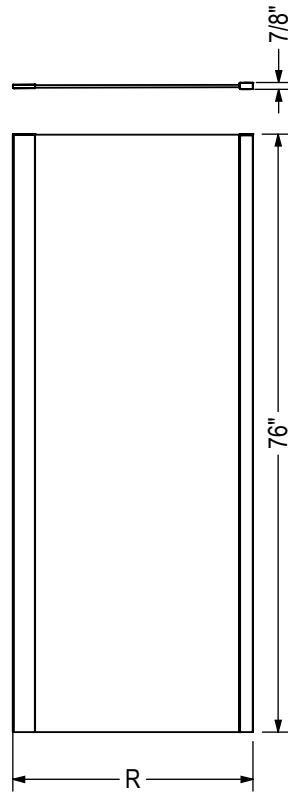
UPTOWN RETURN PANEL 32 X 76 - 8 MM - 135327

SKU	Color	Configuration	Dimensions & Weight	Packaging	MSRP
135327-900-084-000	Clear / Chrome		30 1/8" - 30 7/8" x 76" / 67 lb / 30 kg	4.03 ft ³	\$ 569
135327-900-173-000	Clear / Dark Bronze				\$ 619
135327-900-305-000	Clear / Brushed Nickel				\$ 604
135327-900-340-000	Clear / Matte Black				\$ 619

UPTOWN RETURN PANEL 36 X 76 - 8 MM - 135328

SKU	Color	Configuration	Dimensions & Weight	Packaging	MSRP
135328-900-084-000	Clear / Chrome		34 1/8" - 34 7/8" x 76" / 73 lb / 33 kg	4.52 ft ³	\$ 639
135328-900-173-000	Clear / Dark Bronze				\$ 688
135328-900-305-000	Clear / Brushed Nickel				\$ 674
135328-900-340-000	Clear / Matte Black				\$ 688

STANDARD



Code	Description	R
137391	Uptown Return Panel for 32" base	30 1/8" - 30 7/8"
137392	Uptown Return Panel for 36" base	34 1/8" - 34 7/8"

- Wall adjustment = 3/4"

All dimensions are approximate. Structure measurements must be verified against the unit to ensure proper fit.



Halo Return Panels

RETURN PANELS



Material : Tempered Glass

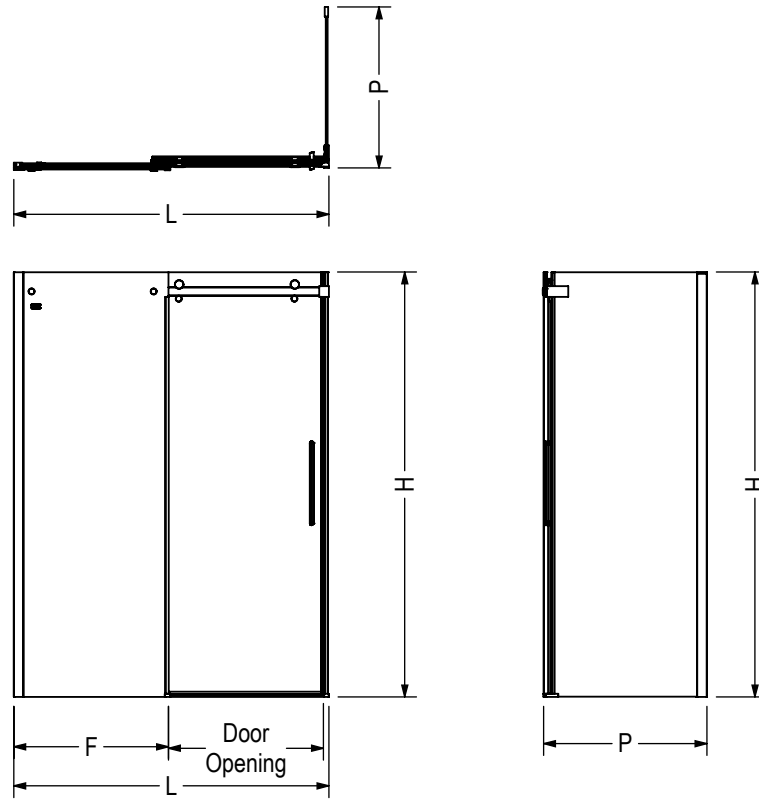
Features

- › 8 mm tempered glass panels
- › Available in 4 finishes: Chrome, Brushed Nickel, Dark Bronze, Matte Black
- › Return Panel for Corner Shower, compatible with Halo, Halo Pro and Vela doors
- › The frameless design brings a sense of spaciousness to the room and creates a sleek, minimalist look
- › Reversible panel for easy corner installation on the left or on the right
- › Glass panels come with the Lotus Easy Clean Glass Protection to repel soap and water stains for carefree maintenance
- › Easy assembly between door and return panel
- › Compatible with MAAX's Utile wall system, allowing for a seamless and coordinated installation with the shower door, creating a cohesive and stylish bathroom design
- › Warranty: 10 years

HALO RETURN PANEL FOR 32 IN. - 139998

SKU	Color	Configuration	Dimensions & Weight	Packaging	MSRP
138998-900-084-000	Clear / Chrome		28 3/4" - 29 7/8" x 78 3/4" / 131 lb / 59 kg	7.7 ft ³	\$ 705
138998-900-173-000	Clear / Dark Bronze				\$ 796
138998-900-305-000	Clear / Brushed Nickel		28 3/4" - 29 7/8" x 78 3/4" / 118 lb / 54 kg		\$ 758
138998-900-340-000	Clear / Matte Black				\$ 796

STANDARD



Code	Description	H	L Adjustable	F	P Adjustable	Door Opening	Wall Adjustment
138996	Halo 78 3/4" x 47"	78 3/4"	44 1/2" - 47"	22 1/2"	-	16 1/4" - 18 3/4"	1"
138997	Halo 78 3/4" x 59"	78 3/4"	56 1/2" - 59"	28 5/8"	-	22 1/8" - 24 5/8"	1"
139393	Return Panel 30"	78 3/4"	-	-	27 7/8"	-	1"
138998	Return Panel 32"	78 3/4"	-	-	29 7/8"	-	1"
139395	Return Panel 34"	78 3/4"	-	-	31 7/8"	-	1"
139396	Return Panel 36"	78 3/4"	-	-	33 7/8"	-	1"
139394	Return Panel 42"	78 3/4"	-	-	39 7/8"	-	1"

All dimensions are approximate. Structure measurements must be verified against the unit to ensure proper fit.



Incognito 76 Return Panels

RETURN PANELS



Material : Tempered Glass

Features

- › Tempered Glass panels 5/16 in. (8 mm) with 76 in. high
- › Return Panels available in 32 in. and 36 in. wide
- › Add 1 return panel to a Incognito bypass alcove door for a corner unit
- › 4 finishes: Chrome, Brushed Nickel, Matte Black and Shaker pattern

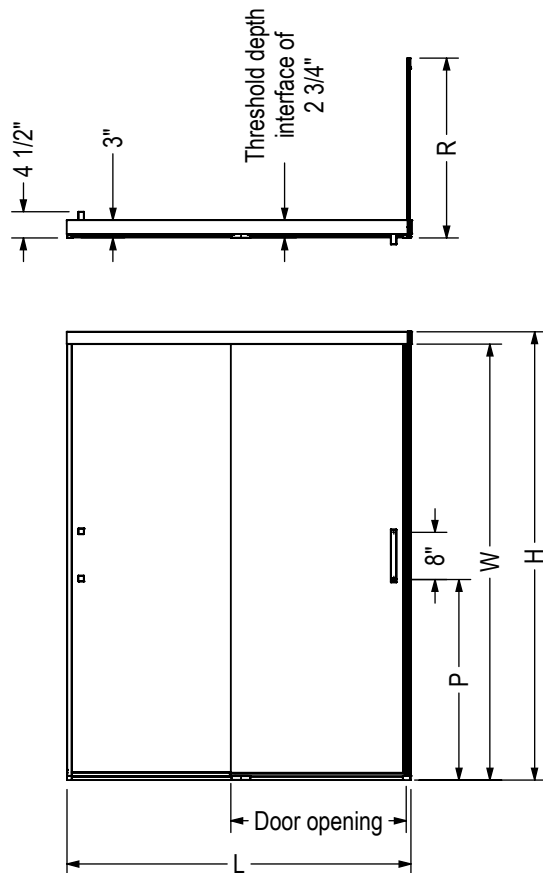
INCOGNITO 76 RETURN PANEL FOR 32 IN. BASE - 136560

SKU	Color	Configuration	Dimensions & Weight	Packaging	MSRP
136560-900-084-000	Clear / Chrome		30" - 31" x 76" / 70 lb / 32 kg	5.48 ft ³	\$ 538
136560-900-305-000	Clear / Brushed Nickel				\$ 567
136560-900-340-000	Clear / Matte Black				\$ 580
136560-972-340-000	Shaker / Matte Black				\$ 594

INCOGNITO 76 RETURN PANEL FOR 36IN. - 136561

SKU	Color	Configuration	Dimensions & Weight	Packaging	MSRP
136561-900-084-000	Clear / Chrome		34" - 35" x 76" / 74 lb / 34 kg	5.44 ft ³	\$ 603
136561-900-305-000	Clear / Brushed Nickel				\$ 633
136561-900-340-000	Clear / Matte Black				\$ 649
136561-972-340-000	Shaker / Matte Black				\$ 665

STANDARD



Code	Description	H	W	L Adjustable	Door opening	P	R	Wall adjustment
135334	Incognito 76" 44 - 47" x 76"	76"	73 7/8"	44" - 47"	18 1/4" - 22 1/4"	33 7/8"	-	1/2"
135335	Incognito 76" 56 - 59" x 76"	76"	73 7/8"	56" - 59"	24 1/4" - 28 1/4"	33 7/8"	-	1/2"
136560	Incognito RP 32"	76"	-	-	-	-	30" - 31"	1"
136561	Incognito RP 36"	76"	-	-	-	-	34" - 35"	1"

All dimensions are approximate. Structure measurements must be verified against the unit to ensure proper fit.

Showers



CSS36 Shower with Radia Neo-Angle Shower Door



14834STT



Material : AcrylX

Features

- > 1-piece shower with subway tile design
- > Integrated toiletry shelves
- > AcrylX™ applied acrylic finish
- > Limited lifetime warranty
- > Optional feature: reinforced walls for future grab bar installation
- > Center drain

ALCOVE SHOWERS - ACRYLX

14834STT - 106884

SKU	Color	Configuration	Dimensions & Weight	Packaging	MSRP
106884-000-002-000	White	Center	48" x 35 1/4" x 81 1/4" / 119 lb / 54 kg	80.79 ft ³	\$ 1127

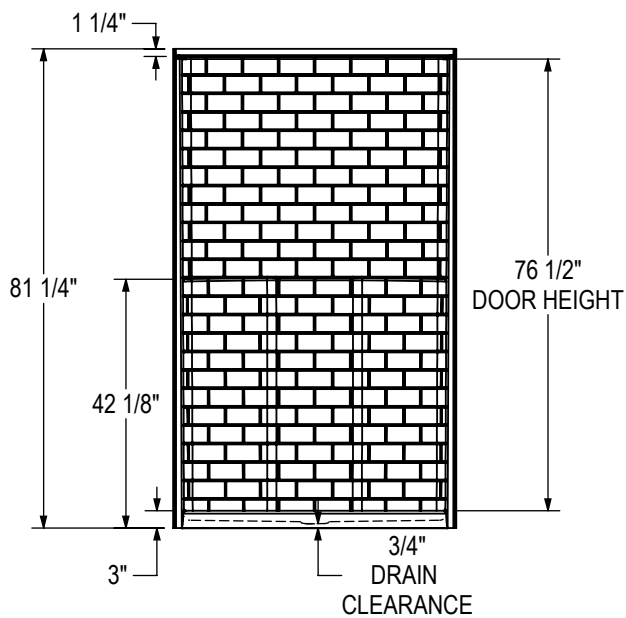
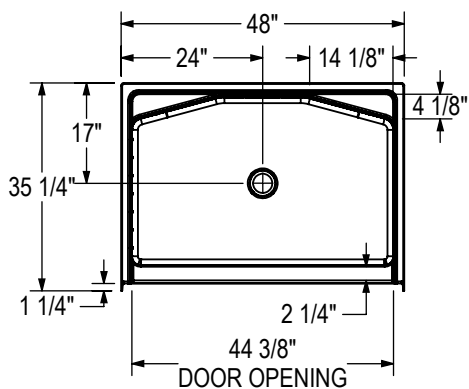
COMMON OPTIONS

SKU	Description	MSRP
OPT10189	Three-wall reinforcement for future grab bar installation ³³	\$ 232
OPT20212-B	Wall reinforcement (one wall) for future grab bar installation ⁹ OPT20212-B Reinforcement on back wall	\$ 111
OPT20212-L	Wall reinforcement (one wall) for future grab bar installation ⁶¹ OPT 20212-L Reinforcement on left wall	\$ 111
OPT20212-R	Wall reinforcement (one wall) for future grab bar installation ⁹ OPT 20212-R Reinforcement on right wall	\$ 111
OPT20315	Builder backing of unit for future installation of grab bars	\$ 153

FOOTNOTES

No	Description
9	6-Pack bathtubs are only available when units are without systems and in a standard colour.
33	Please see technical drawings on https://www.maax.com for reinforcement positioning and size.
61	Please see technical drawings on www.akerbymaax.com for reinforcement positioning and size.

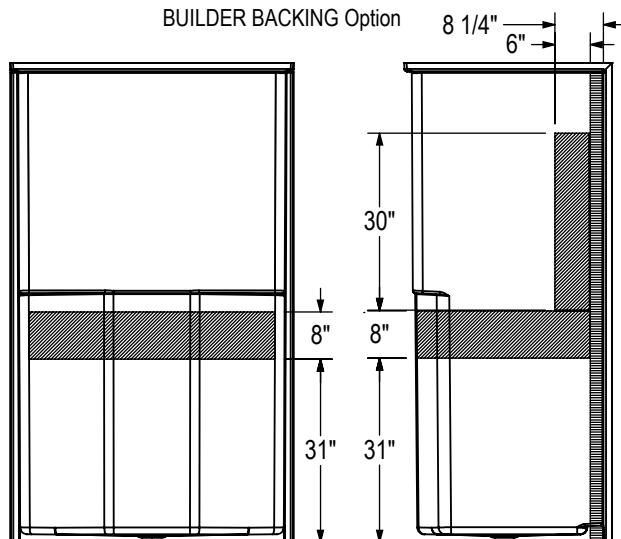
STANDARD MODEL



All dimensions are approximate. Structure measurements must be verified against the unit to ensure proper fit.

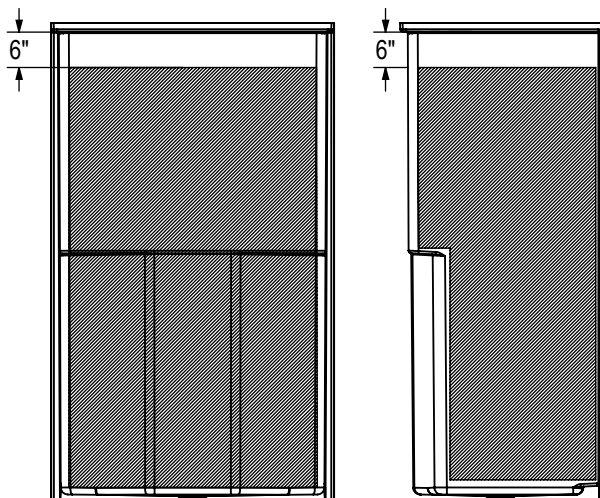
REINFORCEMENT BACKING

BUILDER BACKING Option



FULL WALL Reinforcement Option

SINGLE WALL Reinforcement Option



ALCOVE SHOWERS - ACRYLX



16034STTS



Material : AcrylX

Features

- › 1-piece shower with subway tile design
- › Integrated toiletry shelves
- › Integrated seat (left or right hand)
- › AcrylX™ applied acrylic finish
- › Limited lifetime warranty
- › Center drain
- › Optional feature: reinforced walls for future grab bar installation

ALCOVE SHOWERS - ACRYLX

16034STTS - 106922

SKU	Color	Configuration	Dimensions & Weight	Packaging	MSRP
106922-000-002-100	White	Center	60" x 35 1/4" x 81 1/4" / 142 lb / 64 kg	99.57 ft ³	\$ 1241
106922-000-002-101					\$ 1241

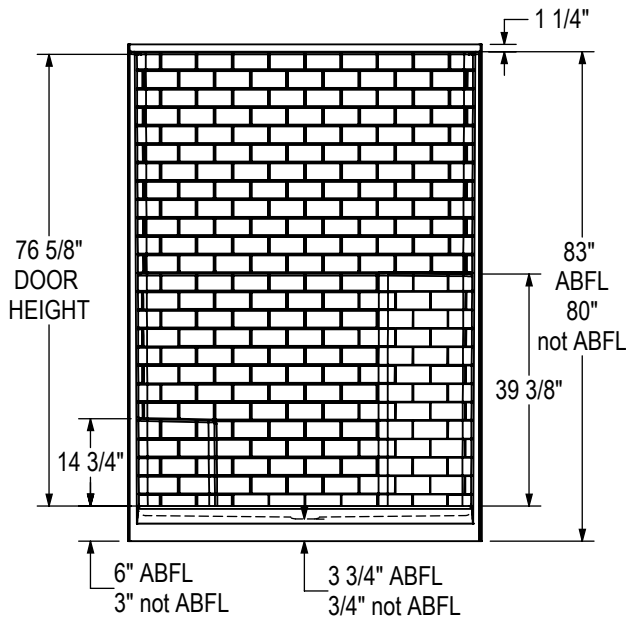
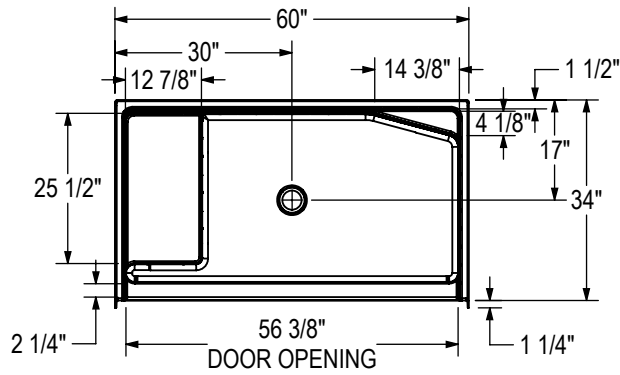
COMMON OPTIONS

SKU	Description	MSRP
OPT10189	Three-wall reinforcement for future grab bar installation ³³	\$ 232
OPT20212-B	Wall reinforcement (one wall) for future grab bar installation ⁹ OPT20212-B Reinforcement on back wall	\$ 111
OPT20212-L	Wall reinforcement (one wall) for future grab bar installation ⁶¹ OPT 20212-L Reinforcement on left wall	\$ 111
OPT20212-R	Wall reinforcement (one wall) for future grab bar installation ⁹ OPT 20212-R Reinforcement on right wall	\$ 111
OPT20316	Builder backing of unit for future installation of grab bars	\$ 153

FOOTNOTES

No	Description
9	6-Pack bathtubs are only available when units are without systems and in a standard colour.
33	Please see technical drawings on https://www.maax.com for reinforcement positioning and size.
61	Please see technical drawings on www.akerbymaax.com for reinforcement positioning and size.

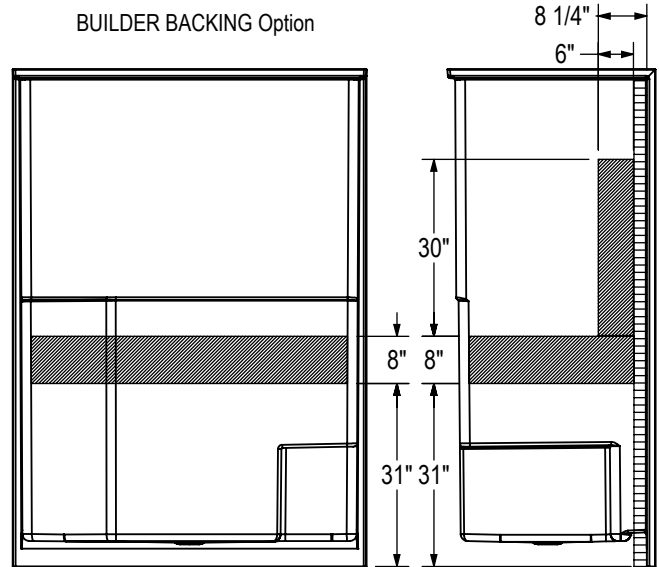
STANDARD MODEL
(Left Seat Shown)



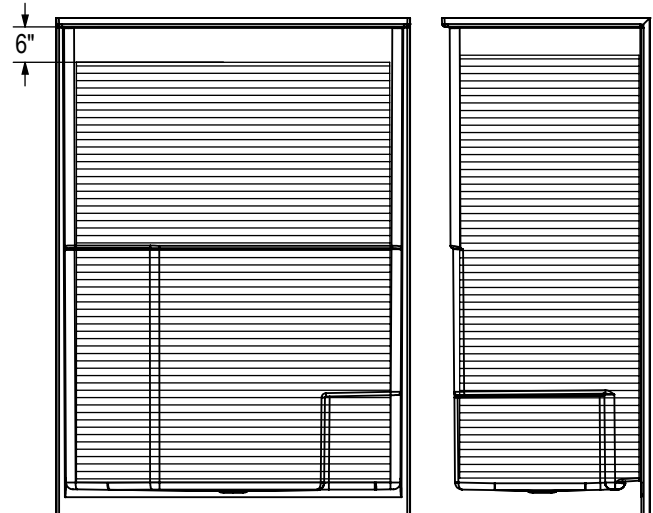
All dimensions are approximate. Structure measurements must be verified against the unit to ensure proper fit.

REINFORCEMENT BACKING

BUILDER BACKING Option



FULL WALL Reinforcement Option
SINGLE WALL Reinforcement Option





Icon SH 4834



Material : AcrylX

Features

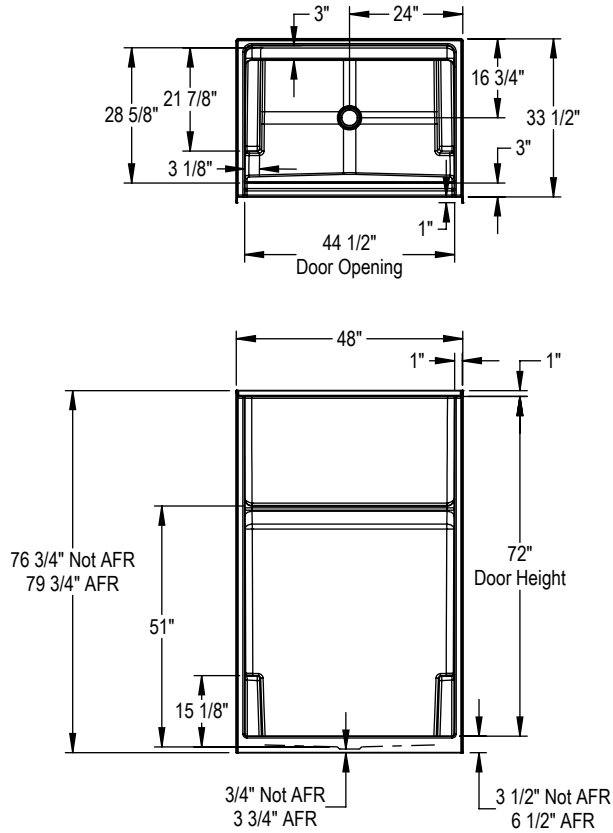
- › Made of AcrylX applied acrylic for improved durability
- › Smooth Walls for a modern and minimalist look
- › Flat walls to easily accommodate future grab bars
- › Slip-resistant textured bottom for additional safety
- › Built-in shelf provide generous storage space, making it easy to keep bathing essentials organized
- › Two integrated and convenient footrests
- › 1 Piece construction for easy installation and maintenance
- › Available with and without an Above-the-Floor Rough (AFR) configuration
- › Pair with the optional teak wood seat to add functionality to the shower space

ALCOVE SHOWERS - ACRYLX

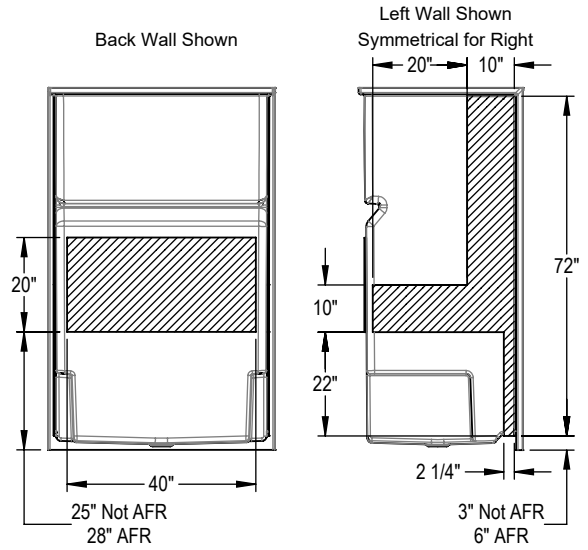
ICON SH 4834 - 107426

SKU	Color	Configuration	Dimensions & Weight	Packaging	MSRP
107426-000-002-000	White	Center	48" x 33 1/2" x 75 1/2" / 135 lb / 61 kg	74.09 ft ³	\$ 1352

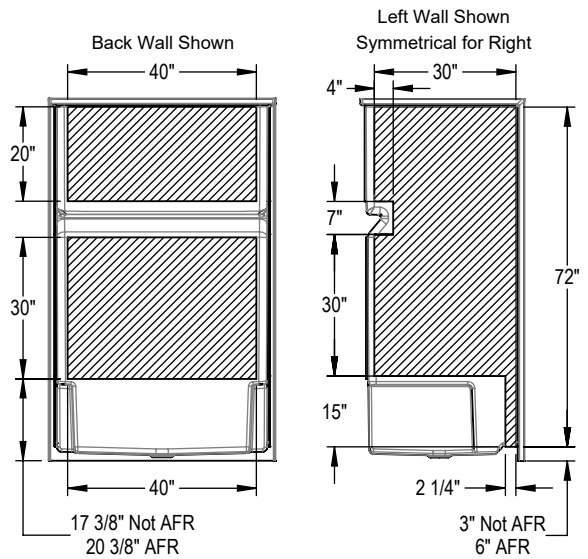
BASE MODEL
Center Drain Shown



BUILDER BACKING OPTION



FULL BACKING OPTION



All dimensions are approximate. Structure measurements must be verified against the unit to ensure proper fit.

ALCOVE SHOWERS - ACRYLX



Icon SH 4834X AFR



Material : AcrylX

Features

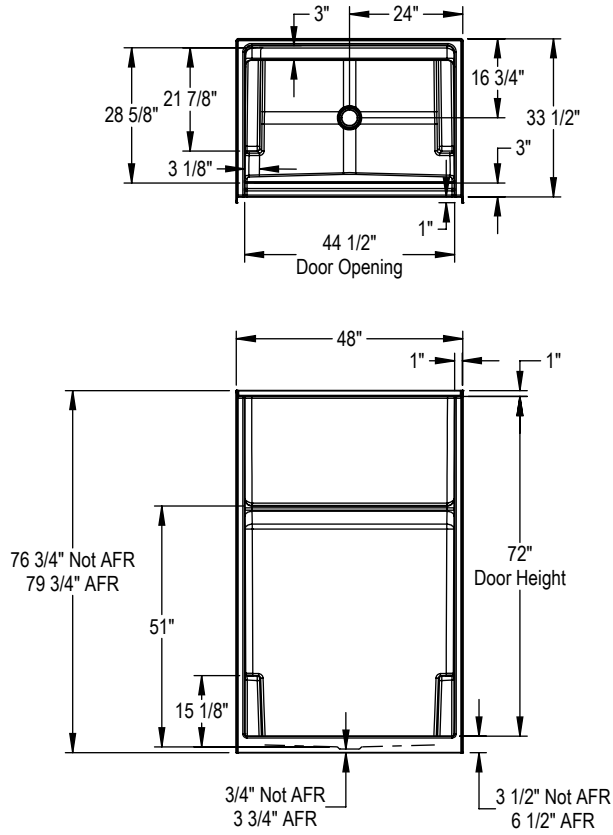
- › Made of AcrylX applied acrylic for improved durability
- › Smooth Walls for a modern and minimalist look
- › Flat walls to easily accommodate future grab bars
- › Slip-resistant textured bottom for additional safety
- › Built-in shelf provide generous storage space, making it easy to keep bathing essentials organized
- › Two integrated and convenient footrests
- › 1 Piece construction for easy installation and maintenance
- › Available with and without an Above-the-Floor Rough (AFR) configuration
- › Pair with the optional teak wood seat to add functionality to the shower space

ALCOVE SHOWERS - ACRYLX

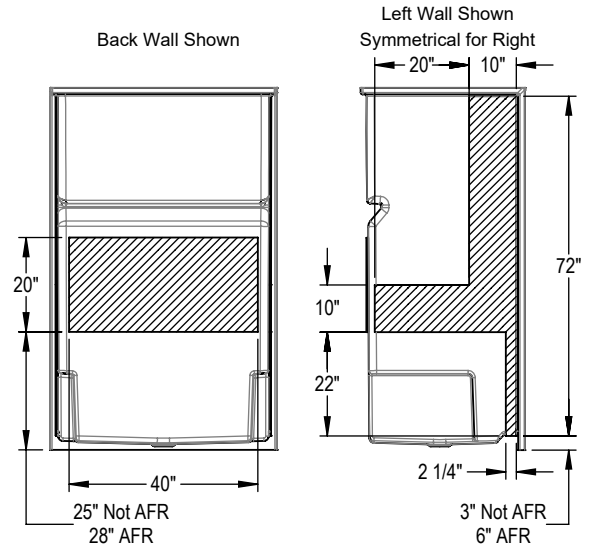
ICON SH 4834X AFR - 107427

SKU	Color	Configuration	Dimensions & Weight	Packaging	MSRP
107427-000-002-500	White	Center	48" x 33 1/2" x 78 1/2" / 138 lb / 63 kg	76.99 ft ³	\$ 1387

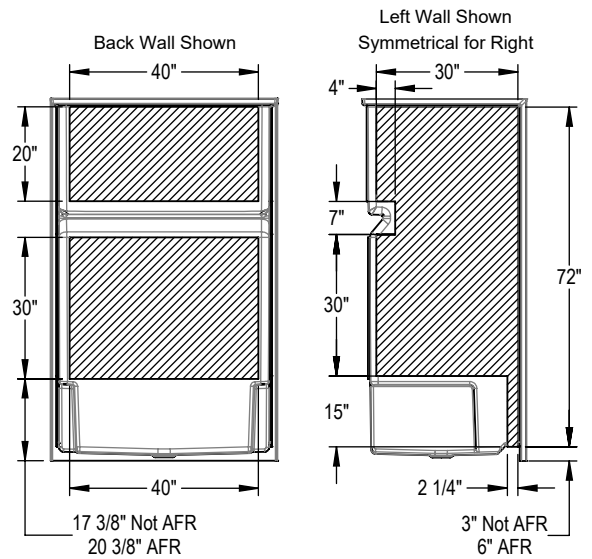
BASE MODEL
Center Drain Shown



BUILDER BACKING OPTION



FULL BACKING OPTION



All dimensions are approximate. Structure measurements must be verified against the unit to ensure proper fit.

ALCOVE SHOWERS - ACRYLX



KDS 3060



Material : AcrylX

Features

- › Product also available with Above-the-Floor Rough
- › 4-piece shower with low threshold base
- › Large top corner shelves, wide soap dish and acrylic handle ²⁸
- › Right seat, left seat or no seat configuration
- › Unique feature: PIN system for easy front installation
- › All grab bars can support up to 300 lbs

ALCOVE SHOWERS - ACRYLX

KDS 3060 - 145036

SKU	Color	Configuration	Dimensions & Weight	Packaging	MSRP
145036-000-002-093	White	Center	59 3/4" x 30" x 80 1/8" / 152 lb / 69 kg	99 ft ³	\$ 1601
145036-000-002-094		Right			\$ 1601
145036-000-002-095		Left			\$ 1601

KDS 3060 AFR - 145037

SKU	Color	Configuration	Dimensions & Weight	Packaging	MSRP
145037-000-002-593	White	Center	59 3/4" x 30" x 82 1/4" / 152 lb / 69 kg	99 ft ³	\$ 1601
145037-000-002-594		Right			\$ 1601
145037-000-002-595		Left			\$ 1601

COMMON OPTIONS

SKU	Description	MSRP
OPT20212-B	Wall reinforcement (one wall) for future grab bar installation ⁹ OPT20212-B Reinforcement on back wall	\$ 111
OPT20212-L	Wall reinforcement (one wall) for future grab bar installation ⁶¹ OPT 20212-L Reinforcement on left wall	\$ 111
OPT20212-R	Wall reinforcement (one wall) for future grab bar installation ⁹ OPT 20212-R Reinforcement on right wall	\$ 111
OPT10109-084	Metallic finish handle replacing Acrylic handle	\$ 251
OPT10109-105	Available colors: Chrome (084) and Brushed Nickel (105)	\$ 251

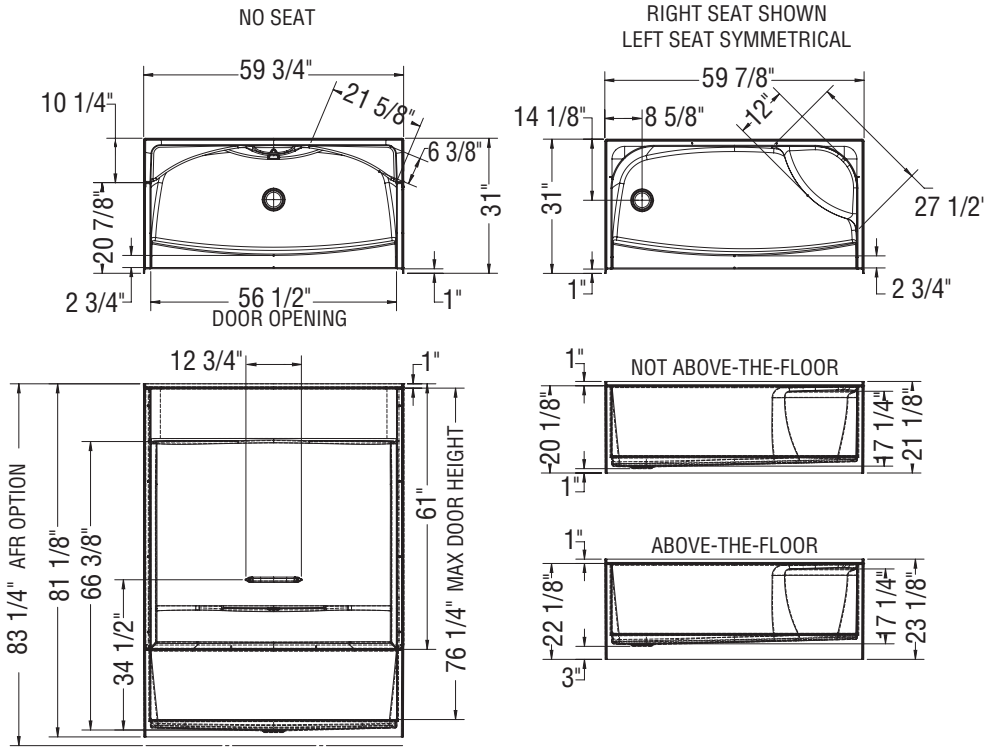
COMMON OPTIONS

SKU	Description	MSRP
OPT20203-B-002	18 in. Modern straight grab bar ⁶	\$ 259
OPT20203-B-105	OPT 20203-B-XXX Horizontal grab bar on back wall	\$ 259
OPT20203-B-084	Available colors: White (002), Chrome (084) and Brushed Nickel (105)	\$ 259
OPT20203-L-105	18 in. Modern straight grab bar ⁶⁰	\$ 259
OPT20203-L-002	OPT 20203-L-XXX Vertical grab bar on left wall	\$ 259
OPT20203-L-084	Available colors: White (002), Chrome (084) and Brushed Nickel (105)	\$ 259
OPT20203-R-084	18 in. Modern straight grab bar ⁶⁰	\$ 259
OPT20203-R-002	OPT 20203-R-XXX Vertical grab bar on right wall	\$ 259
OPT20203-R-105	Available colors: White (002), Chrome (084) and Brushed Nickel (105)	\$ 259
OPT20204-B-002	24 in. Modern straight grab bar ⁶	\$ 277
OPT20204-B-084	OPT 20204-B-XXX Horizontal grab bar on back wall	\$ 277
OPT20204-B-105	Available colors: White (002), Chrome (084) and Brushed Nickel (105)	\$ 277
OPT20204-L-084	24 in. Modern straight grab bar ⁶	\$ 277
OPT20204-L-105	OPT 20204-L-XXX Vertical grab bar on left wall	\$ 277
OPT20204-L-002	Available colors: White (002), Chrome (084) and Brushed Nickel (105)	\$ 277
OPT20204-R-002	24 in. Modern straight grab bar ⁶⁰	\$ 277
OPT20204-R-084	OPT 20204-R-XXX Vertical grab bar on right wall	\$ 277
OPT20204-R-105	Available colors: White (002), Chrome (084) and Brushed Nickel (105)	\$ 277
145040-000-002-095	Shower base only with PIN system	\$ 914
145040-000-002-094	145040-R-000-002 Right seat, left drain	\$ 914
145040-000-002-093	145040-L-000-002 Left seat, right drain 145040-000-002 No seat, center drain	\$ 914
145048-000-002-090	Side walls (right and left) for KDTS 2954, KDTS 3060 and KDS 3060	\$ 353
145061-000-002-090	Back wall for KDTS 3060, KDTS 3260, KDS 3060 and KDS 3460 ²⁸	\$ 334

FOOTNOTES

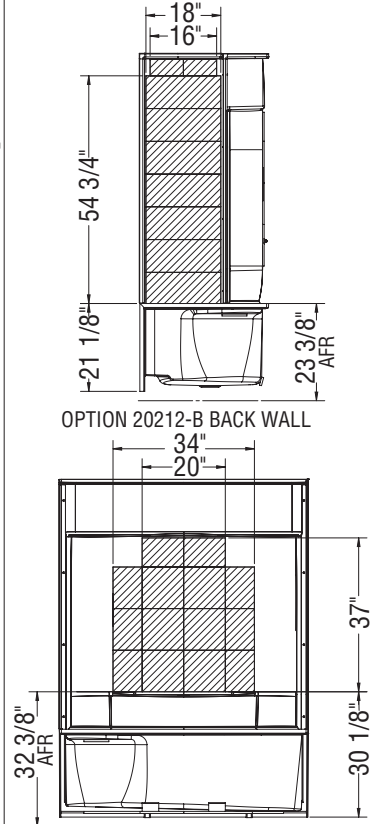
No	Description
6	Specify 3/8 (Lite option) or 2 in. on deck height. If ordering unit with an apron, only 2 in. deck height is available.
9	6-Pack bathtubs are only available when units are without systems and in a standard colour.
28	Handles for standard colour units are colour-coordinated. Handles with metallic finish can be added (additional charge applies). For non-standard colour units, please specify handle colour (additional charge applies for metallic finishes).
60	Please see technical drawings on www.akerbymax.com for grab bar positioning.
61	Please see technical drawings on www.akerbymax.com for reinforcement positioning and size.

STANDARD

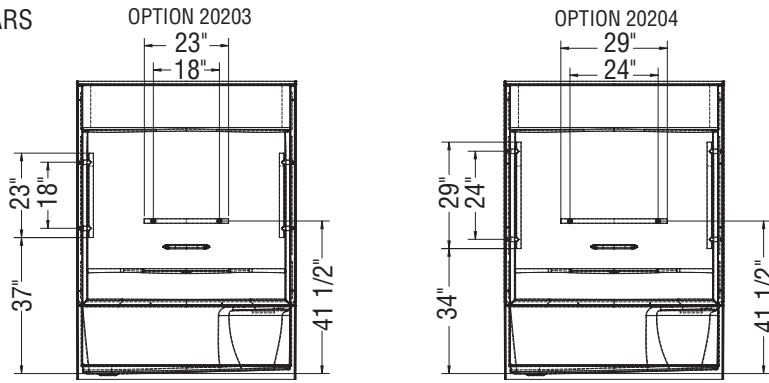


REINFORCEMENT BACKING

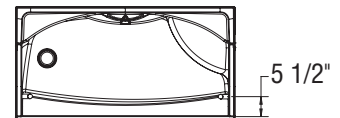
OPTION 20212-R RIGHT WALL SHOWN
OPTION 20212-L LEFT WALL SYMMETRICAL



GRAB BARS



OPTION 20203-20204

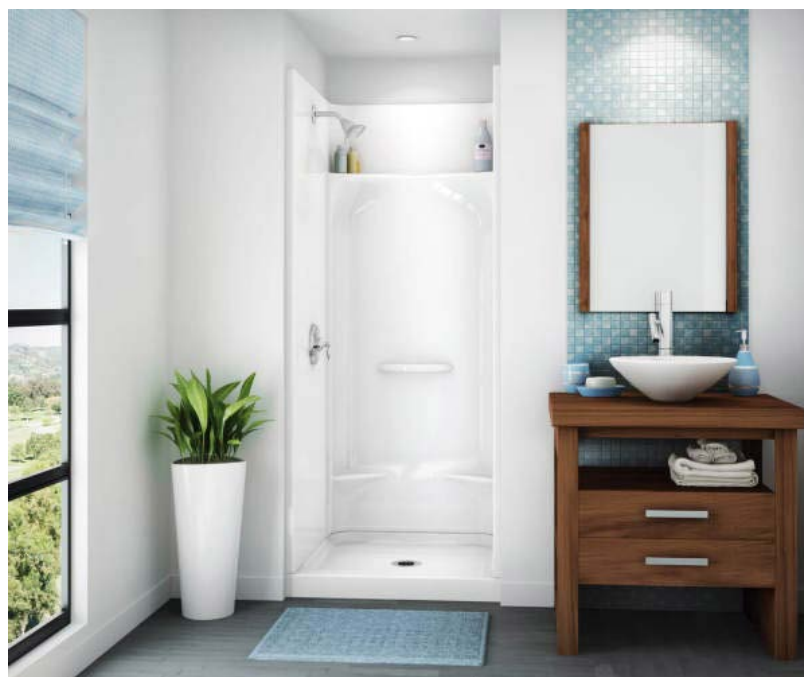


All dimensions are approximate. Structure measurements must be verified against the unit to ensure proper fit.



KDS 3232

ALCOVE SHOWERS - ACRYLX



Material : AcrylX

Features

- › Product available with Above-the-Floor Rough
- › 4-piece shower with low threshold base
- › Large top corner shelves, convenient footrests and acrylic handle ²⁸
- › Center drain
- › Unique feature: PIN system for easy front installation
- › All grab bars can support up to 300 lbs

KDS 3232 - 145018					
SKU	Color	Configuration	Dimensions & Weight	Packaging	MSRP
145018-000-002-093	White	Center	31 7/8" x 32" x 76" / 122 lb / 55 kg	52 ft ³	\$ 1134

KDS 3232 AFR - 145019					
SKU	Color	Configuration	Dimensions & Weight	Packaging	MSRP
145019-000-002-593	White	Center	31 7/8" x 32" x 79 1/2" / 122 lb / 55 kg	52 ft ³	\$ 1134

COMMON OPTIONS		
SKU	Description	MSRP
OPT20212-L	Wall reinforcement (one wall) for future grab bar installation ⁶¹ OPT 20212-L Reinforcement on left wall	\$ 111
OPT20212-R	Wall reinforcement (one wall) for future grab bar installation ⁹ OPT 20212-R Reinforcement on right wall	\$ 111
OPT10109-084	Metallic finish handle replacing Acrylic handle	\$ 251
OPT10109-105	Available colors: Chrome (084) and Brushed Nickel (105)	\$ 251
OPT20203-B-002	18 in. Modern straight grab bar ⁶	\$ 259
OPT20203-B-105	OPT 20203-B-XXX Horizontal grab bar on back wall	\$ 259
OPT20203-B-084	Available colors: White (002), Chrome (084) and Brushed Nickel (105)	\$ 259
OPT20203-L-105	18 in. Modern straight grab bar ⁶⁰ OPT 20203-L-XXX Vertical grab bar on left wall	\$ 259
	Available colors: White (002), Chrome (084) and Brushed Nickel (105)	

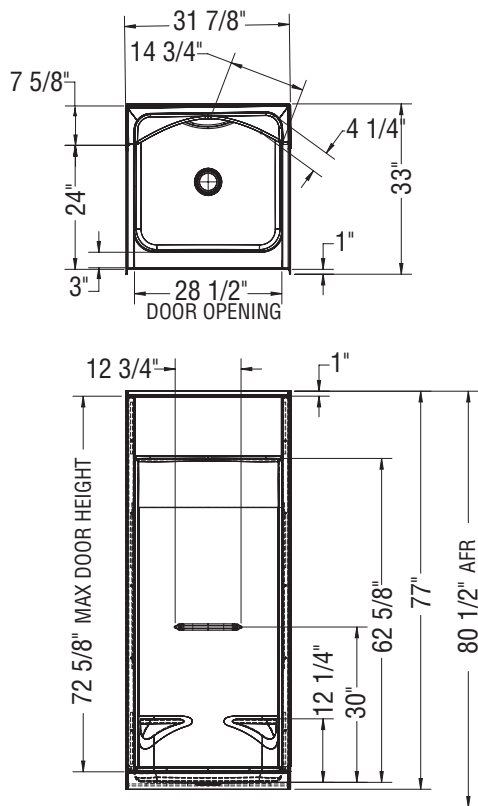
COMMON OPTIONS

SKU	Description	MSRP
OPT20203-L-002	18 in. Modern straight grab bar ⁶⁰	\$ 259
OPT20203-L-084	OPT 20203-L-XXX Vertical grab bar on left wall Available colors: White (002), Chrome (084) and Brushed Nickel (105)	\$ 259
OPT20203-R-084	18 in. Modern straight grab bar ⁶⁰	\$ 259
OPT20203-R-002	OPT 20203-R-XXX Vertical grab bar on right wall Available colors: White (002), Chrome (084) and Brushed Nickel (105)	\$ 259
OPT20203-R-105	18 in. Modern straight grab bar ⁶⁰	\$ 259
OPT20204-L-084	24 in. Modern straight grab bar ⁶	\$ 277
OPT20204-L-105	OPT 20204-L-XXX Vertical grab bar on left wall Available colors: White (002), Chrome (084) and Brushed Nickel (105)	\$ 277
OPT20204-L-002	24 in. Modern straight grab bar ⁶⁰	\$ 277
OPT20204-R-002	24 in. Modern straight grab bar ⁶⁰	\$ 277
OPT20204-R-084	OPT 20204-R-XXX Vertical grab bar on right wall Available colors: White (002), Chrome (084) and Brushed Nickel (105)	\$ 277
OPT20204-R-105	24 in. Modern straight grab bar ⁶⁰	\$ 277
OPT20212-B	Wall reinforcement (one wall) for future grab bar installation ⁹ OPT20212-B Reinforcement on back wall	\$ 111
145022-000-002-093	Shower base only with PIN system 145022-000-002 Center drain	\$ 443
145054-000-002-090	Side walls (right and left) for KDS 3232 and KDS 3636	\$ 362
145062-000-002-090	Back wall for KDS 3232 ²⁸	\$ 329

FOOTNOTES

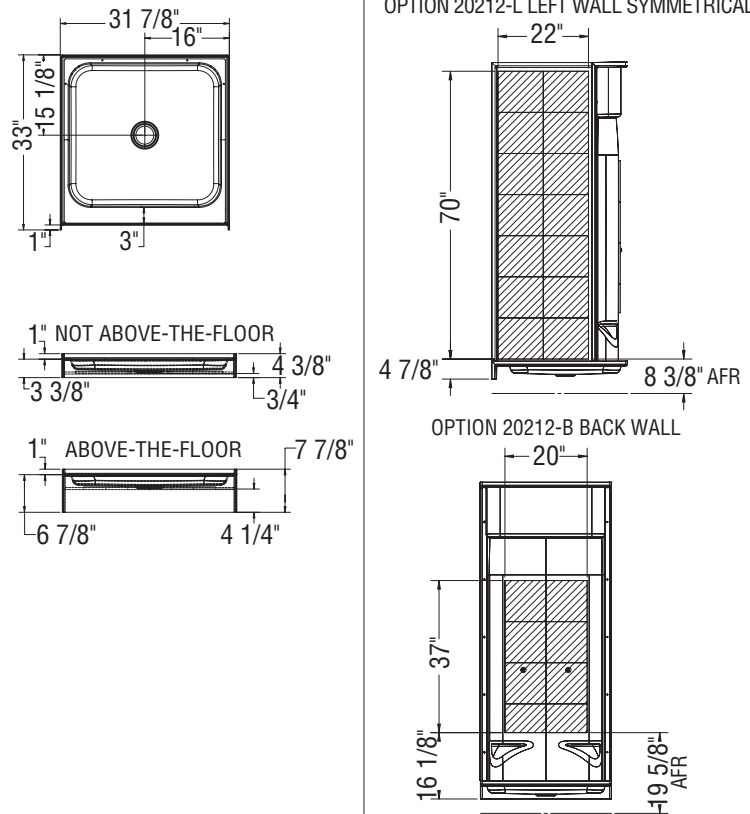
No	Description
6	Specify 3/8 (Lite option) or 2 in. on deck height. If ordering unit with an apron, only 2 in. deck height is available.
9	6-Pack bathtubs are only available when units are without systems and in a standard colour.
28	Handles for standard colour units are colour-coordinated. Handles with metallic finish can be added (additional charge applies). For non-standard colour units, please specify handle colour (additional charge applies for metallic finishes).
60	Please see technical drawings on www.akerbymaax.com for grab bar positioning.
61	Please see technical drawings on www.akerbymaax.com for reinforcement positioning and size.

STANDARD



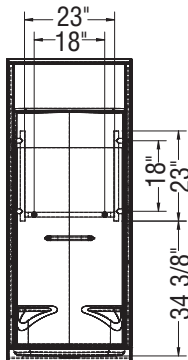
REINFORCEMENT BACKING

OPTION 20212-R RIGHT WALL SHOWN
 OPTION 20212-L LEFT WALL SYMMETRICAL

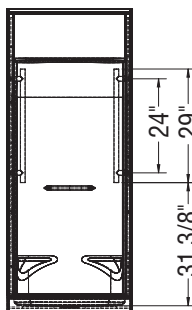


GRAB BARS

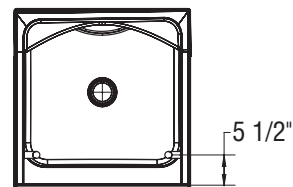
OPTION 20203



OPTION 20204



OPTION 20203-20204



All dimensions are approximate. Structure measurements must be verified against the unit to ensure proper fit.



KDS 3448



Material : AcrylX

Features

- › Product also available with Above-the-Floor Rough
- › 4-piece shower with low threshold base
- › Large top corner shelves, convenient footrests and acrylic handle ²⁸
- › Right seat, left seat or no seat configuration
- › Unique feature: PIN system for easy front installation
- › All grab bars can support up to 300 lbs

ALCOVE SHOWERS - ACRYLX

KDS 3448 - 145030

SKU	Color	Configuration	Dimensions & Weight	Packaging	MSRP
145030-000-002-093	White	Center	47 7/8" x 33 5/8" x 80 1/8" / 141 lb / 64 kg	83 ft ³	\$ 1448
145030-000-002-094					\$ 1448
145030-000-002-095					\$ 1448

KDS 3448 AFR - 145031

SKU	Color	Configuration	Dimensions & Weight	Packaging	MSRP
145031-000-002-593	White	Center	47 7/8" x 33 5/8" x 82 1/4" / 141 lb / 64 kg	83 ft ³	\$ 1448
145031-000-002-594					\$ 1448
145031-000-002-595					\$ 1448

COMMON OPTIONS

SKU	Description	MSRP
OPT20212-L	Wall reinforcement (one wall) for future grab bar installation ⁶¹ OPT 20212-L Reinforcement on left wall	\$ 111
OPT20212-R	Wall reinforcement (one wall) for future grab bar installation ⁹ OPT 20212-R Reinforcement on right wall	\$ 111
OPT10109-084	Metallic finish handle replacing Acrylic handle Available colors: Chrome (084) and Brushed Nickel (105)	\$ 251
OPT10109-105		\$ 251
OPT20203-B-002	18 in. Modern straight grab bar ⁶ OPT 20203-B-XXX Horizontal grab bar on back wall Available colors: White (002), Chrome (084) and Brushed Nickel (105)	\$ 259

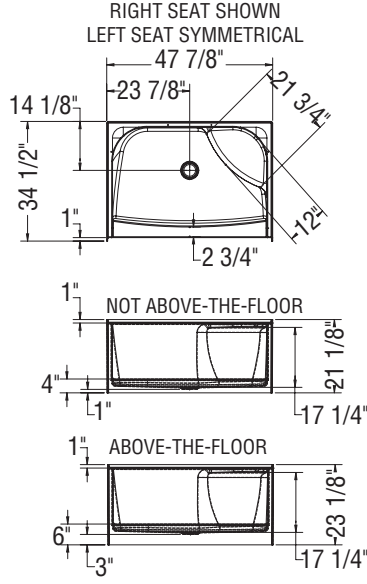
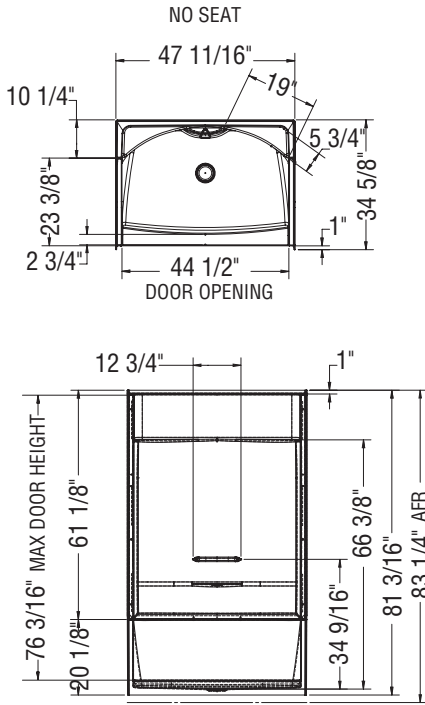
COMMON OPTIONS

SKU	Description	MSRP
OPT20203-B-105	18 in. Modern straight grab bar ⁶	\$ 259
OPT20203-B-084	OPT 20203-B-XXX Horizontal grab bar on back wall Available colors: White (002), Chrome (084) and Brushed Nickel (105)	\$ 259
OPT20203-L-105	18 in. Modern straight grab bar ⁶⁰	\$ 259
OPT20203-L-002	OPT 20203-L-XXX Vertical grab bar on left wall	\$ 259
OPT20203-L-084	Available colors: White (002), Chrome (084) and Brushed Nickel (105)	\$ 259
OPT20203-R-084	18 in. Modern straight grab bar ⁶⁰	\$ 259
OPT20203-R-002	OPT 20203-R-XXX Vertical grab bar on right wall	\$ 259
OPT20203-R-105	Available colors: White (002), Chrome (084) and Brushed Nickel (105)	\$ 259
OPT20204-L-084	24 in. Modern straight grab bar ⁶	\$ 277
OPT20204-L-105	OPT 20204-L-XXX Vertical grab bar on left wall	\$ 277
OPT20204-L-002	Available colors: White (002), Chrome (084) and Brushed Nickel (105)	\$ 277
OPT20204-R-002	24 in. Modern straight grab bar ⁶⁰	\$ 277
OPT20204-R-084	OPT 20204-R-XXX Vertical grab bar on right wall	\$ 277
OPT20204-R-105	Available colors: White (002), Chrome (084) and Brushed Nickel (105)	\$ 277
OPT20212-B	Wall reinforcement (one wall) for future grab bar installation ⁹ OPT20212-B Reinforcement on back wall	\$ 111
145035-000-002-594	Shower base only with AFR with PIN system 145035-R-000-002 Above-the-Floor Rough, Right seat, center drain	\$ 797
145035-000-002-593	145035-L-000-002 Above-the-Floor Rough, Left seat, center drain	\$ 797
145035-000-002-595	145035-000-002 Above-the-Floor Rough, No seat, center drain	\$ 797
145057-000-002-090	Side walls (right and left) for KDS 3448 and KDS 3460	\$ 425
145064-000-002-090	Back wall for KDS 3448 ²⁸	\$ 226

FOOTNOTES

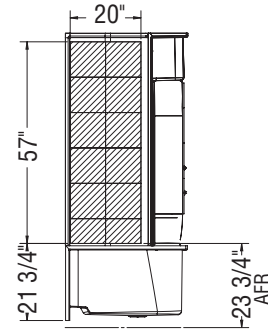
No	Description
6	Specify 3/8 (Lite option) or 2 in. on deck height. If ordering unit with an apron, only 2 in. deck height is available.
9	6-Pack bathtubs are only available when units are without systems and in a standard colour.
28	Handles for standard colour units are colour-coordinated. Handles with metallic finish can be added (additional charge applies). For non-standard colour units, please specify handle colour (additional charge applies for metallic finishes).
60	Please see technical drawings on www.akerbymaax.com for grab bar positioning.
61	Please see technical drawings on www.akerbymaax.com for reinforcement positioning and size.

STANDARD

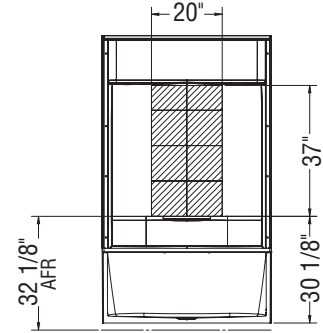


REINFORCEMENT BACKING

OPTION 20212-R RIGHT WALL SHOWN
OPTION 20212-L LEFT WALL SYMMETRICAL

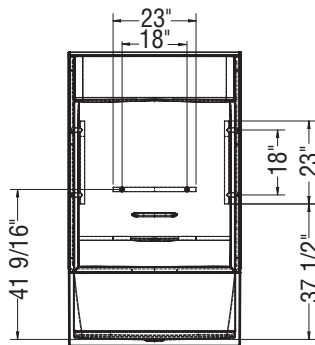


OPTION 20212-B BACK WALL

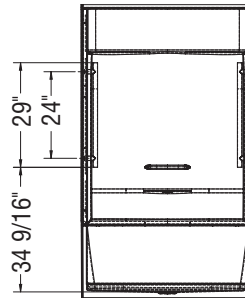


GRAB BARS

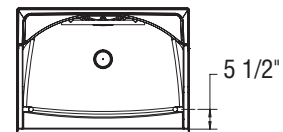
OPTION 20203



OPTION 20204



OPTION
20203-20204



All dimensions are approximate. Structure measurements must be verified against the unit to ensure proper fit.
*Dimensions indicated on product pages exclude tiling flanges.



KDS 3460

ALCOVE SHOWERS - ACRYLX



Material : AcrylX

Features

- › Product also available with Above-the-Floor Rough
- › 4-piece shower with low threshold base
- › Large top corner shelves, wide soap dish and standard acrylic handle ²⁸
- › Right seat, left seat or no seat configuration
- › Unique feature: PIN system for easy front installation
- › All grab bars can support up to 300 lbs

KDS 3460 - 145042

SKU	Color	Configuration	Dimensions & Weight	Packaging	MSRP
145042-000-002-093	White	Center	59 3/4" x 33 1/2" x 80 1/8" / 155 lb / 70 kg	105 ft ³	\$ 1743
145042-000-002-094		Right			\$ 1743
145042-000-002-095		Left			\$ 1743

KDS 3460 AFR - 145043

SKU	Color	Configuration	Dimensions & Weight	Packaging	MSRP
145043-000-002-593	White	Center	59 3/4" x 33 1/2" x 82 1/8" / 155 lb / 70 kg	105 ft ³	\$ 1743
145043-000-002-594		Right			\$ 1743
145043-000-002-595		Left			\$ 1743

COMMON OPTIONS

SKU	Description	MSRP
OPT20212-B	Wall reinforcement (one wall) for future grab bar installation ⁹ OPT20212-B Reinforcement on back wall	\$ 111
OPT20212-L	Wall reinforcement (one wall) for future grab bar installation ⁶¹ OPT 20212-L Reinforcement on left wall	\$ 111
OPT20212-R	Wall reinforcement (one wall) for future grab bar installation ⁹ OPT 20212-R Reinforcement on right wall	\$ 111
OPT10109-084	Metallic finish handle replacing Acrylic handle	\$ 251
OPT10109-105	Available colors: Chrome (084) and Brushed Nickel (105)	\$ 251

COMMON OPTIONS

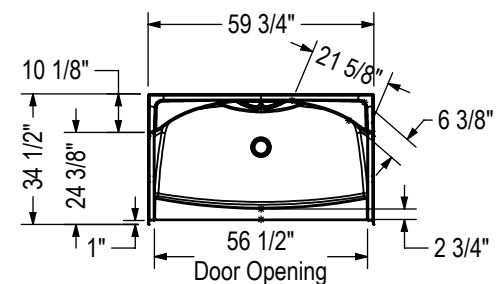
SKU	Description	MSRP
OPT20203-B-002	18 in. Modern straight grab bar ⁶⁰	\$ 259
OPT20203-B-105	OPT 20203-B-XXX Horizontal grab bar on back wall	\$ 259
OPT20203-B-084	Available colors: White (002), Chrome (084) and Brushed Nickel (105)	\$ 259
OPT20203-L-105	18 in. Modern straight grab bar ⁶⁰	\$ 259
OPT20203-L-002	OPT 20203-L-XXX Vertical grab bar on left wall	\$ 259
OPT20203-L-084	Available colors: White (002), Chrome (084) and Brushed Nickel (105)	\$ 259
OPT20203-R-084	18 in. Modern straight grab bar ⁶⁰	\$ 259
OPT20203-R-002	OPT 20203-R-XXX Vertical grab bar on right wall	\$ 259
OPT20203-R-105	Available colors: White (002), Chrome (084) and Brushed Nickel (105)	\$ 259
OPT20204-B-002	24 in. Modern straight grab bar ⁶⁰	\$ 277
OPT20204-B-084	OPT 20204-B-XXX Horizontal grab bar on back wall	\$ 277
OPT20204-B-105	Available colors: White (002), Chrome (084) and Brushed Nickel (105)	\$ 277
OPT20204-L-084	24 in. Modern straight grab bar ⁶⁰	\$ 277
OPT20204-L-105	OPT 20204-L-XXX Vertical grab bar on left wall	\$ 277
OPT20204-L-002	Available colors: White (002), Chrome (084) and Brushed Nickel (105)	\$ 277
OPT20204-R-002	24 in. Modern straight grab bar ⁶⁰	\$ 277
OPT20204-R-084	OPT 20204-R-XXX Vertical grab bar on right wall	\$ 277
OPT20204-R-105	Available colors: White (002), Chrome (084) and Brushed Nickel (105)	\$ 277
145047-000-002-593	Shower base only with AFR with PIN system	\$ 984
145047-000-002-594	145047-R-000-002 Above-the-Floor Rough, Right seat, left drain	\$ 984
145047-000-002-595	145047-L-000-002 Above-the-Floor Rough, Left seat, right drain	\$ 984
	145047-000-002 Above-the-Floor Rough, No seat, center drain	\$ 984
145057-000-002-090	Side walls (right and left) for KDS 3448 and KDS 3460	\$ 425
145061-000-002-090	Back wall for KDTS 3060, KDTS 3260, KDS 3060 and KDS 3460 ²⁸	\$ 334

FOOTNOTES

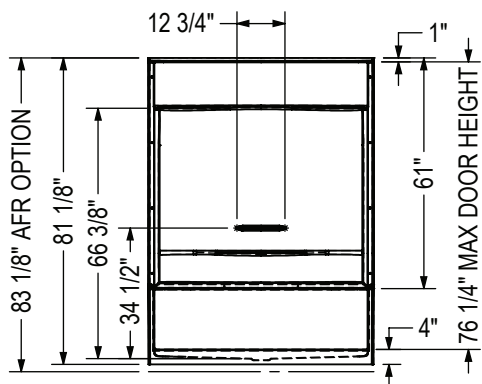
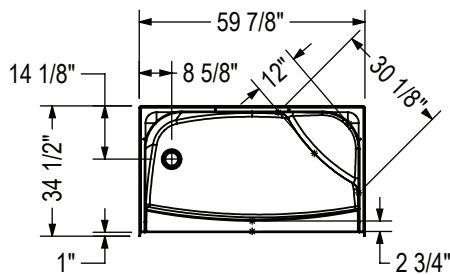
No	Description
6	Specify 3/8 (Lite option) or 2 in. on deck height. If ordering unit with an apron, only 2 in. deck height is available.
9	6-Pack bathtubs are only available when units are without systems and in a standard colour.
28	Handles for standard colour units are colour-coordinated. Handles with metallic finish can be added (additional charge applies). For non-standard colour units, please specify handle colour (additional charge applies for metallic finishes).
60	Please see technical drawings on www.akerbymaax.com for grab bar positioning.
61	Please see technical drawings on www.akerbymaax.com for reinforcement positioning and size.

STANDARD

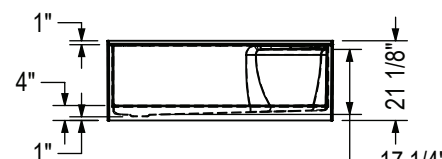
NO SEAT



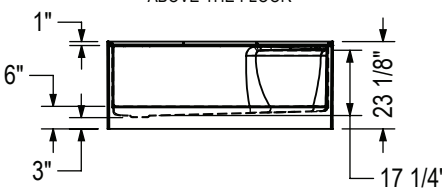
RIGHT SEAT SHOWN
LEFT SEAT SYMMETRICAL



NOT ABOVE-THE-FLOOR

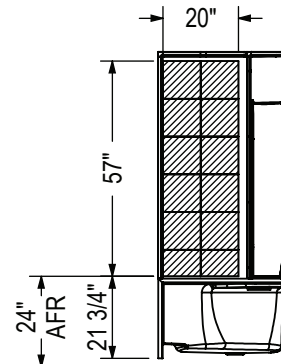


ABOVE-THE-FLOOR

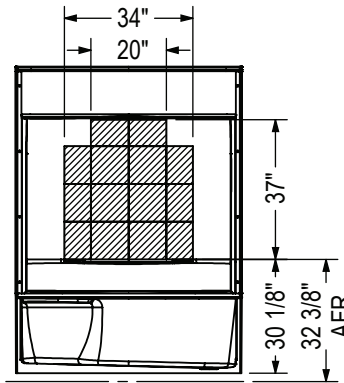


REINFORCEMENT BACKING

OPTION 20212-R RIGHT WALL SHOWN
OPTION 20212-L LEFT WALL SYMMETRICAL

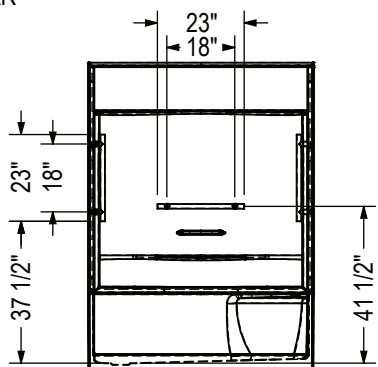


OPTION 20212-B BACK WALL

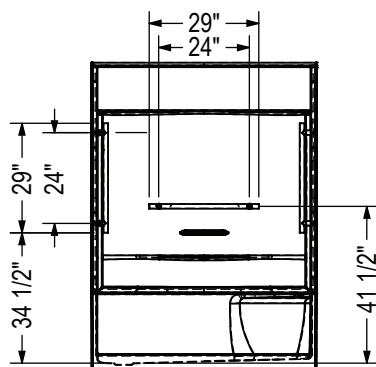


GRAB BAR

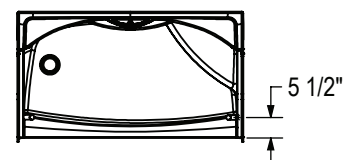
OPTION 20203



OPTION 20204



OPTION
20203-20204



All dimensions are approximate. Structure measurements must be verified against the unit to ensure proper fit.



KDS 3636



Material : AcrylX

Features

- › Product also available with Above-the-Floor Rough
- › 4-piece shower with low threshold base
- › Large top corner shelves, convenient footrest and acrylic handle ²⁸
- › Center drain
- › Unique feature: PIN system for easy front installation
- › All grab bars can support up to 300 lbs

ALCOVE SHOWERS - ACRYLX

KDS 3636 - 145024

SKU	Color	Configuration	Dimensions & Weight	Packaging	MSRP
145024-000-002-093	White	Center	35 7/8" x 36" x 76" / 132 lb / 60 kg	64 ft ³	\$ 1259

KDS 3636 AFR - 145025

SKU	Color	Configuration	Dimensions & Weight	Packaging	MSRP
145025-000-002-593	White	Center	35 7/8" x 36" x 79 1/2" / 132 lb / 60 kg	64 ft ³	\$ 1259

COMMON OPTIONS

SKU	Description	MSRP
OPT20204-R-002	24 in. Modern straight grab bar ⁶⁰	\$ 277
OPT20204-R-084	OPT 20204-R-XXX Vertical grab bar on right wall	\$ 277
OPT20204-R-105	Available colors: White (002), Chrome (084) and Brushed Nickel (105)	\$ 277
OPT20212-B	Wall reinforcement (one wall) for future grab bar installation ⁹ OPT 20212-B Reinforcement on back wall	\$ 111
OPT20212-L	Wall reinforcement (one wall) for future grab bar installation ⁶¹ OPT 20212-L Reinforcement on left wall	\$ 111
OPT20212-R	Wall reinforcement (one wall) for future grab bar installation ⁹ OPT 20212-R Reinforcement on right wall	\$ 111
OPT10109-084	Metallic finish handle replacing Acrylic handle	\$ 251
OPT10109-105	Available colors: Chrome (084) and Brushed Nickel (105)	\$ 251

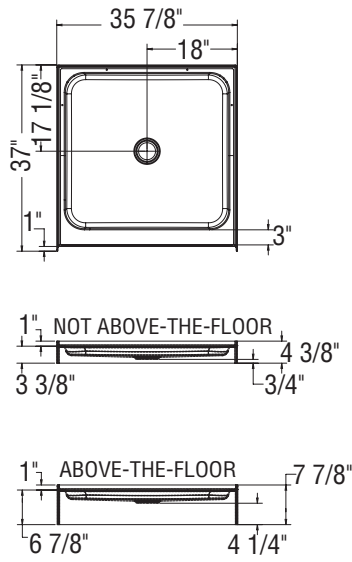
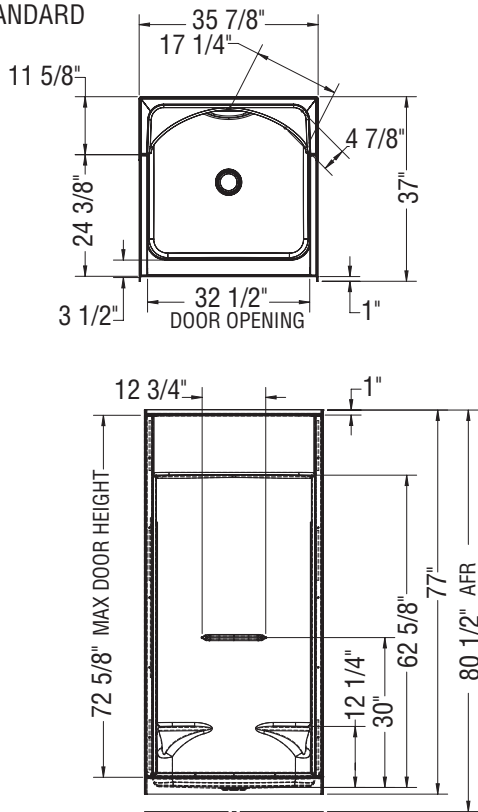
COMMON OPTIONS

SKU	Description	MSRP
OPT20203-B-002	18 in. Modern straight grab bar ⁶	\$ 259
OPT20203-B-105	OPT 20203-B-XXX Horizontal grab bar on back wall	\$ 259
OPT20203-B-084	Available colors: White (002), Chrome (084) and Brushed Nickel (105)	\$ 259
OPT20203-L-105	18 in. Modern straight grab bar ⁶⁰	\$ 259
OPT20203-L-002	OPT 20203-L-XXX Vertical grab bar on left wall	\$ 259
OPT20203-L-084	Available colors: White (002), Chrome (084) and Brushed Nickel (105)	\$ 259
OPT20203-R-084	18 in. Modern straight grab bar ⁶⁰	\$ 259
OPT20203-R-002	OPT 20203-R-XXX Vertical grab bar on right wall	\$ 259
OPT20203-R-105	Available colors: White (002), Chrome (084) and Brushed Nickel (105)	\$ 259
OPT20204-L-084	24 in. Modern straight grab bar ⁶	\$ 277
OPT20204-L-105	OPT 20204-L-XXX Vertical grab bar on left wall	\$ 277
OPT20204-L-002	Available colors: White (002), Chrome (084) and Brushed Nickel (105)	\$ 277
145029-000-002-593	Shower base only with AFR and PIN system 145029-000-002 Above-the-Floor Rough, Center drain	\$ 505
145054-000-002-090	Side walls (right and left) for KDS 3232 and KDS 3636	\$ 362
145063-000-002-090	Back wall for KDS 3636 ²⁸	\$ 392

FOOTNOTES

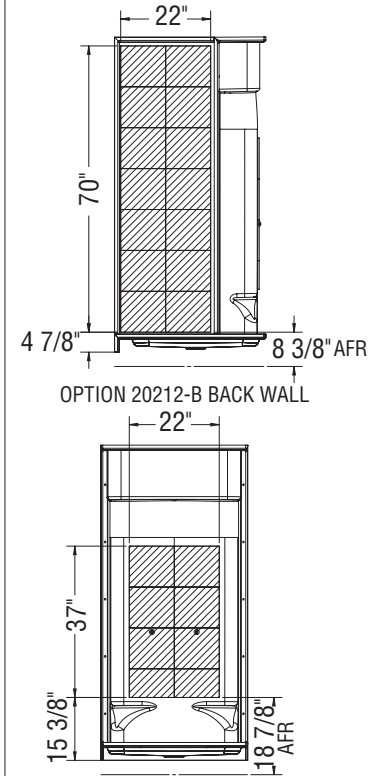
No	Description
6	Specify 3/8 (Lite option) or 2 in. on deck height. If ordering unit with an apron, only 2 in. deck height is available.
9	6-Pack bathtubs are only available when units are without systems and in a standard colour.
28	Handles for standard colour units are colour-coordinated. Handles with metallic finish can be added (additional charge applies). For non-standard colour units, please specify handle colour (additional charge applies for metallic finishes).
60	Please see technical drawings on www.akerbymaax.com for grab bar positioning.
61	Please see technical drawings on www.akerbymaax.com for reinforcement positioning and size.

STANDARD



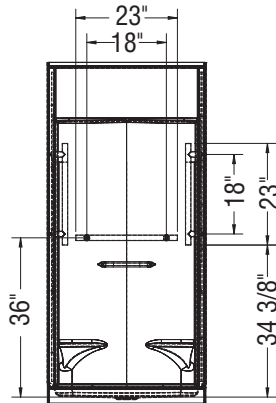
REINFORCEMENT BACKING

OPTION 20212-R RIGHT WALL SHOWN
OPTION 20212-L LEFT WALL SYMMETRICAL

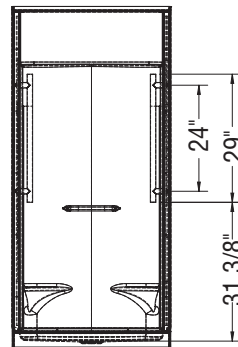


GRAB BARS

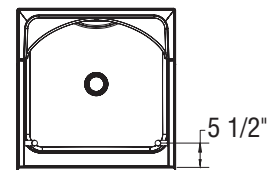
OPTION 20203



OPTION 20204



OPTION 20203-20204



All dimensions are approximate. Structure measurements must be verified against the unit to ensure proper fit.



SS32

ALCOVE SHOWERS - ACRYLX

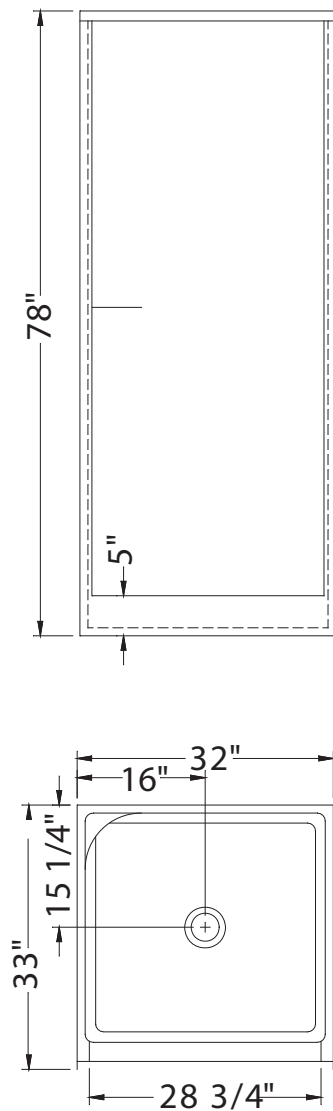


Material : AcrylX

Features

- > 1-piece shower without roof cap
- > Integrated shelf
- > Center drain

SS32 - 140085					
SKU	Color	Configuration	Dimensions & Weight	Packaging	MSRP
140085-000-002-000	White	Center	32" x 33" x 78" / 102 lb / 46 kg	55 ft ³	\$ 987



All dimensions are approximate. Structure measurements must be verified against the unit to ensure proper fit.



SS3260

ALCOVE SHOWERS - ACRYLX



Material : AcrylX

Features

- › Made of AcrylX™ applied acrylic for improved durability
- › Walls designed to facilitate the addition of grab bars
- › Slip-resistant textured bottom for additional safety
- › Built-in shelves provide generous storage space, making it easy to keep bathing essentials organized
- › Full length built-in storage solution without having the need to alter the wall stud structure
- › Integrated seating option on either the right or left side, ensuring optimal comfort
- › One-piece construction that allows for an easy installation and maintenance
- › Integrated tiling flange for an effective installation
- › 3.5 in. threshold for an effortless access

SS3260 - 107106

SKU	Color	Configuration	Dimensions & Weight	Packaging	MSRP
107106-000-002-001	White	Center	60" x 33" x 78" / 115 lb / 52 kg	90.59 ft³	\$ 1826
107106-000-002-002					\$ 1826

COMMON OPTIONS

SKU	Description	MSRP
OPT20203-B-002	18 in. Modern straight grab bar ⁶⁰	\$ 259
OPT20203-B-105	OPT 20203-B-XXX Horizontal grab bar on back wall	\$ 259
OPT20203-B-084	Available colors: White (002), Chrome (084) and Brushed Nickel (105)	\$ 259
OPT20203-L-105	18 in. Modern straight grab bar ⁶⁰	\$ 259
OPT20203-L-002	OPT 20203-L-XXX Vertical grab bar on left wall	\$ 259
OPT20203-L-084	Available colors: White (002), Chrome (084) and Brushed Nickel (105)	\$ 259
OPT20203-R-084	18 in. Modern straight grab bar ⁶⁰	\$ 259
OPT20203-R-002	OPT 20203-R-XXX Vertical grab bar on right wall	\$ 259
OPT20203-R-105	Available colors: White (002), Chrome (084) and Brushed Nickel (105)	\$ 259
OPT20204-B-002	24 in. Modern straight grab bar ⁶⁰	\$ 277
OPT20204-B-084	OPT 20204-B-XXX Horizontal grab bar on back wall	\$ 277
OPT20204-B-105	Available colors: White (002), Chrome (084) and Brushed Nickel (105)	\$ 277
OPT20204-L-084	24 in. Modern straight grab bar ⁶⁰	\$ 277
	OPT 20204-L-XXX Vertical grab bar on left wall	\$ 277
	Available colors: White (002), Chrome (084) and Brushed Nickel (105)	

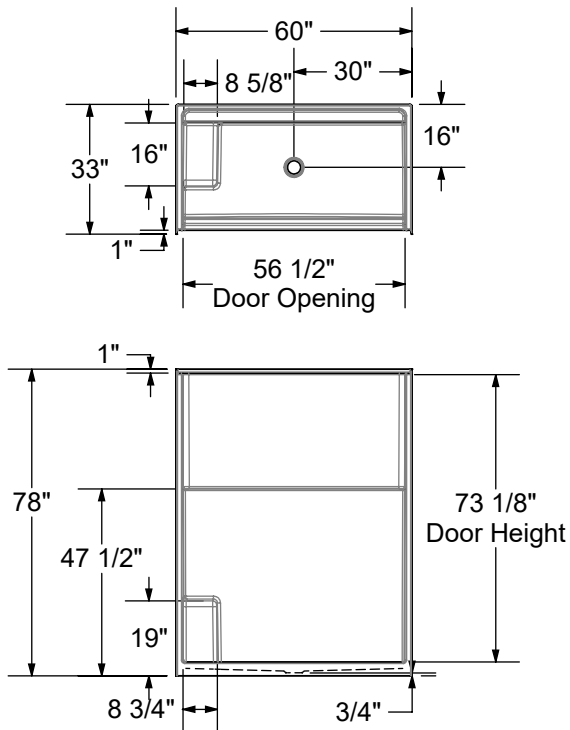
COMMON OPTIONS

SKU	Description	MSRP
OPT20204-L-105	24 in. Modern straight grab bar ⁶ OPT 20204-L-XXX Vertical grab bar on left wall	\$ 277
OPT20204-L-002	Available colors: White (002), Chrome (084) and Brushed Nickel (105)	\$ 277
OPT20204-R-002	24 in. Modern straight grab bar ⁶⁰	\$ 277
OPT20204-R-084	OPT 20204-R-XXX Vertical grab bar on right wall	\$ 277
OPT20204-R-105	Available colors: White (002), Chrome (084) and Brushed Nickel (105)	\$ 277
OPT20212-B	Wall reinforcement (one wall) for future grab bar installation ⁹ OPT20212-B Reinforcement on back wall	\$ 111
OPT20212-L	Wall reinforcement (one wall) for future grab bar installation ⁶¹ OPT 20212-L Reinforcement on left wall	\$ 111
OPT20212-R	Wall reinforcement (one wall) for future grab bar installation ⁹ OPT 20212-R Reinforcement on right wall	\$ 111

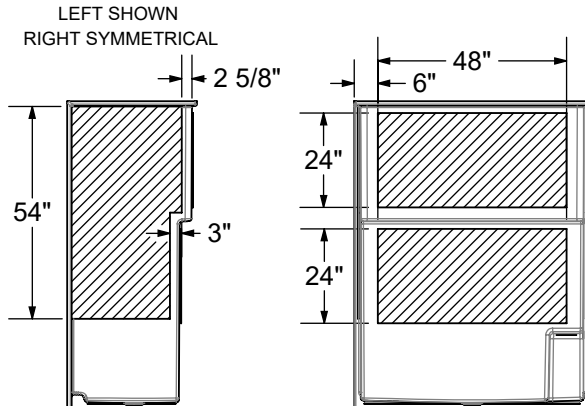
FOOTNOTES

No	Description
6	Specify 3/8 (Lite option) or 2 in. on deck height. If ordering unit with an apron, only 2 in. deck height is available.
9	6-Pack bathtubs are only available when units are without systems and in a standard colour.
60	Please see technical drawings on www.akerbymax.com for grab bar positioning.
61	Please see technical drawings on www.akerbymax.com for reinforcement positioning and size.

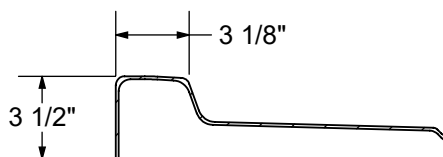
BASE MODEL



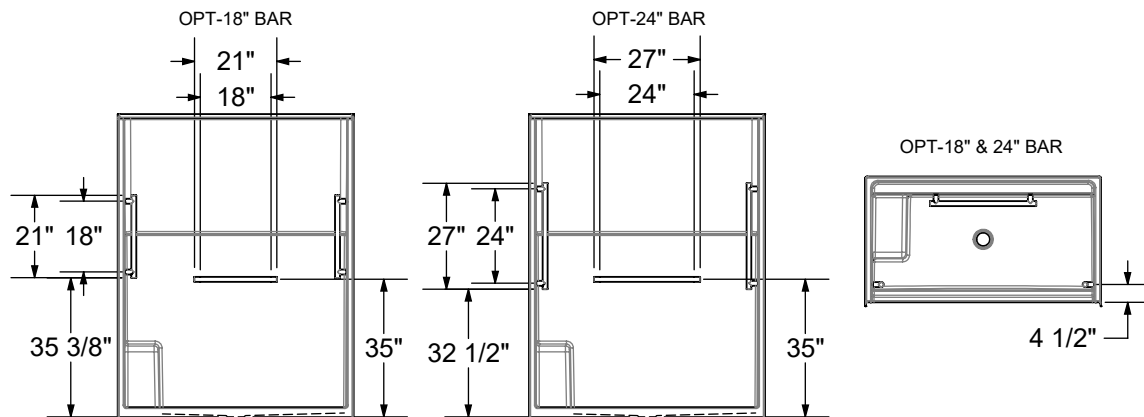
OPT - REINFORCEMENT



THRESHOLD DETAIL



OPT - GRAB BAR



- All dimensions are approximate. Structure measurements must be verified against the unit to ensure proper fit
- Installation to be completed in accordance with manufacturers specifications
- Do not scale drawings



SS3648



Material : AcrylX

Features

- > 1-piece shower without roof cap
- > Integrated seats and shelves
- > Center drain

ALCOVE SHOWERS - ACRYLX

SS3648 - 140545

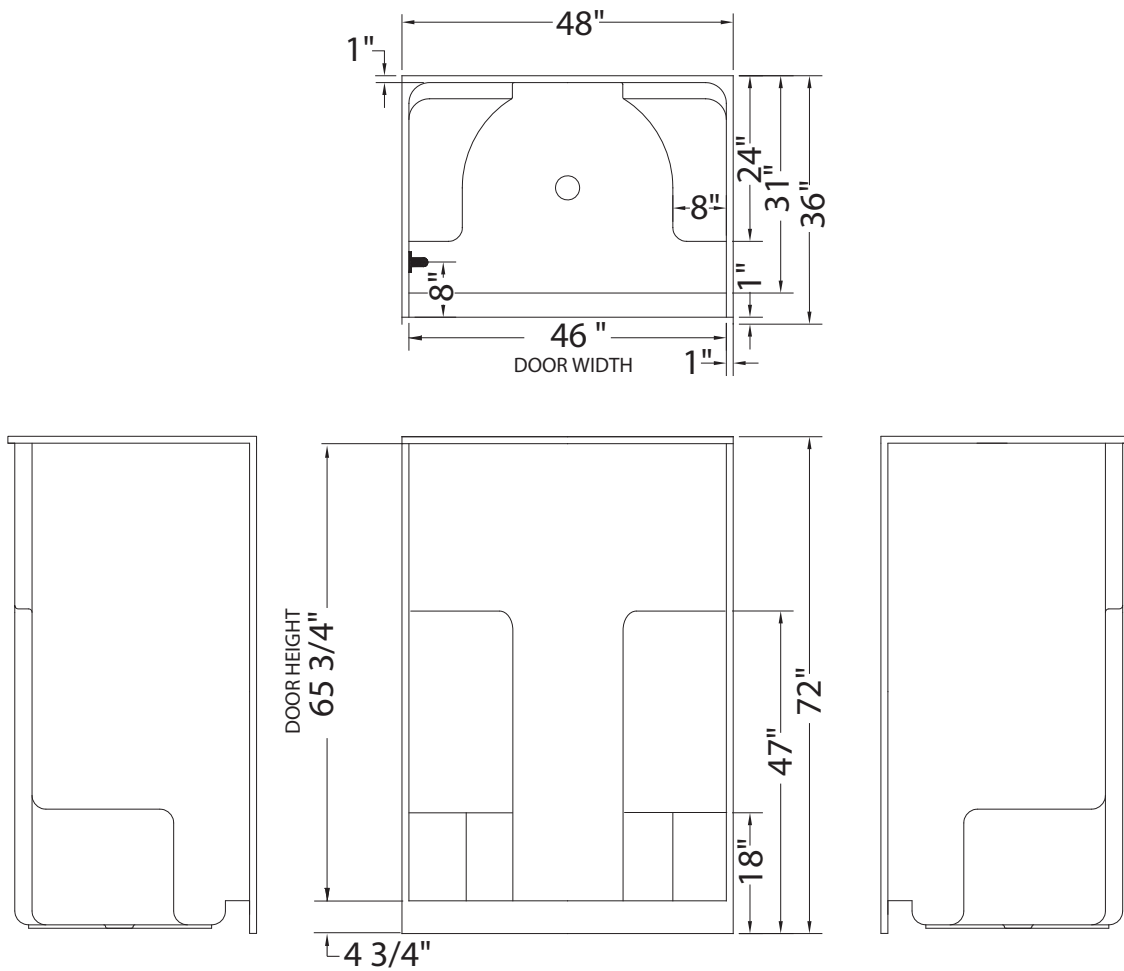
SKU	Color	Configuration	Dimensions & Weight	Packaging	MSRP
140545-000-002-011	White	Center	48" x 36" x 72" / 115 lb / 52 kg	81 ft ³	\$ 1143

COMMON OPTIONS

SKU	Description	MSRP
OPT20212-B	Wall reinforcement (one wall) for future grab bar installation ⁹ OPT20212-B Reinforcement on back wall	\$ 111
OPT20212-L	Wall reinforcement (one wall) for future grab bar installation ⁶¹ OPT 20212-L Reinforcement on left wall	\$ 111
OPT20212-R	Wall reinforcement (one wall) for future grab bar installation ⁹ OPT 20212-R Reinforcement on right wall	\$ 111

FOOTNOTES

No	Description
9	6-Pack bathtubs are only available when units are without systems and in a standard colour.
61	Please see technical drawings on www.akerbymaax.com for reinforcement positioning and size.



All dimensions are approximate. Structure measurements must be verified against the unit to ensure proper fit.



SS3648 R/L



Material : AcrylX

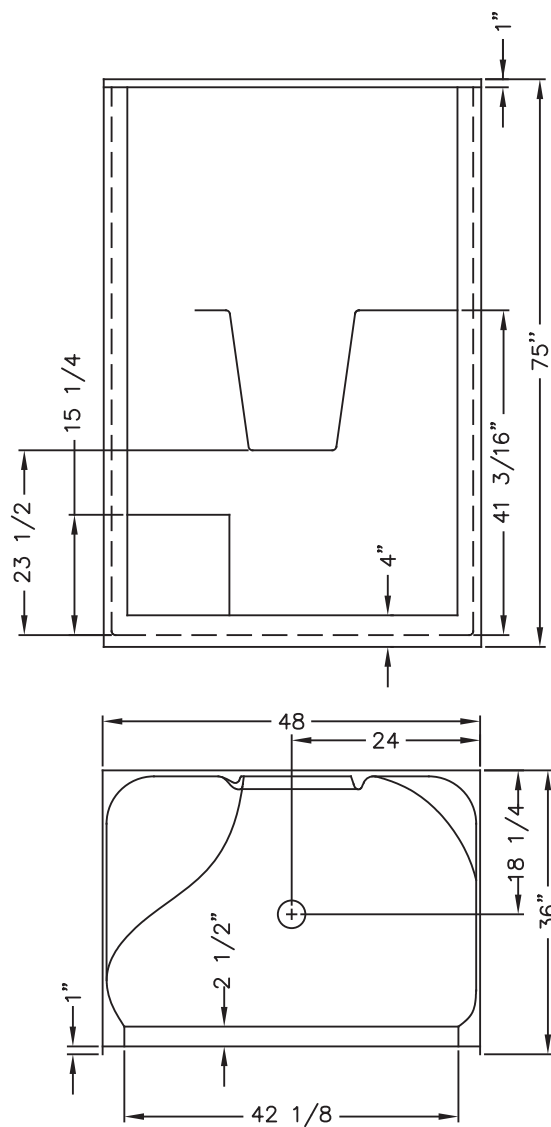
Features

- > 1-piece shower without roof cap
- > Integrated seat (specify left or right) and shelves
- > Center drain

ALCOVE SHOWERS - ACRYLX

SS3648 R/L - 140087

SKU	Color	Configuration	Dimensions & Weight	Packaging	MSRP
140087-000-002-001	White	Center	48" x 36" x 75" / 115 lb / 52 kg	86 ft ³	\$ 1143
140087-000-002-002					\$ 1143



All dimensions are approximate. Structure measurements must be verified against the unit to ensure proper fit.



SS3660



Material : AcrylX

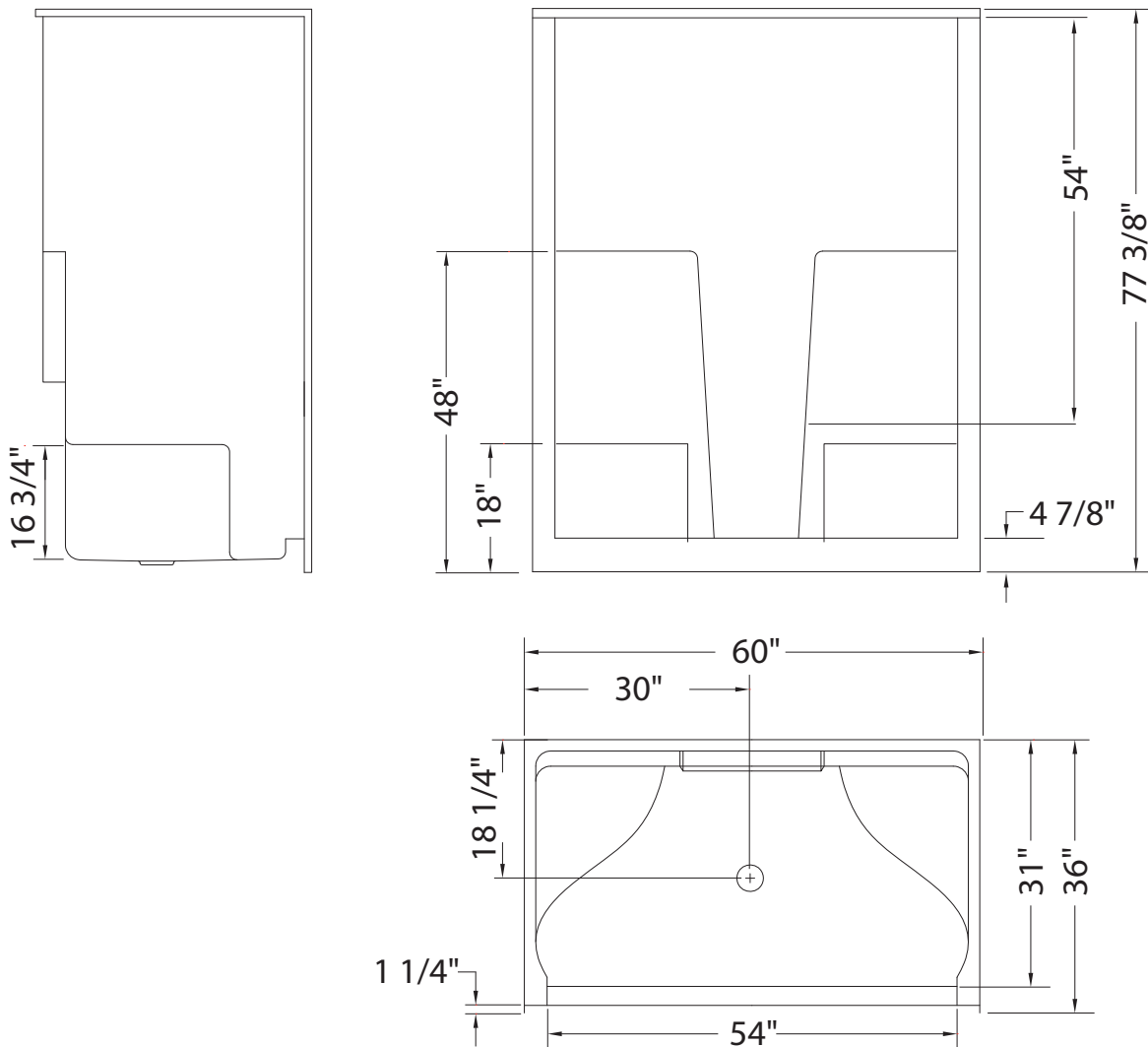
Features

- > 1-piece shower without roof cap
- > Integrated shelves and seats
- > Center drain

ALCOVE SHOWERS - ACRYLX

SS3660 - 140088

SKU	Color	Configuration	Dimensions & Weight	Packaging	MSRP
140088-000-002-000	White	Center	60" x 36" x 77.325" / 130 lb / 59 kg	105 ft ³	\$ 1158



All dimensions are approximate. Structure measurements must be verified against the unit to ensure proper fit.



SS3660 R/L



Material : AcrylX

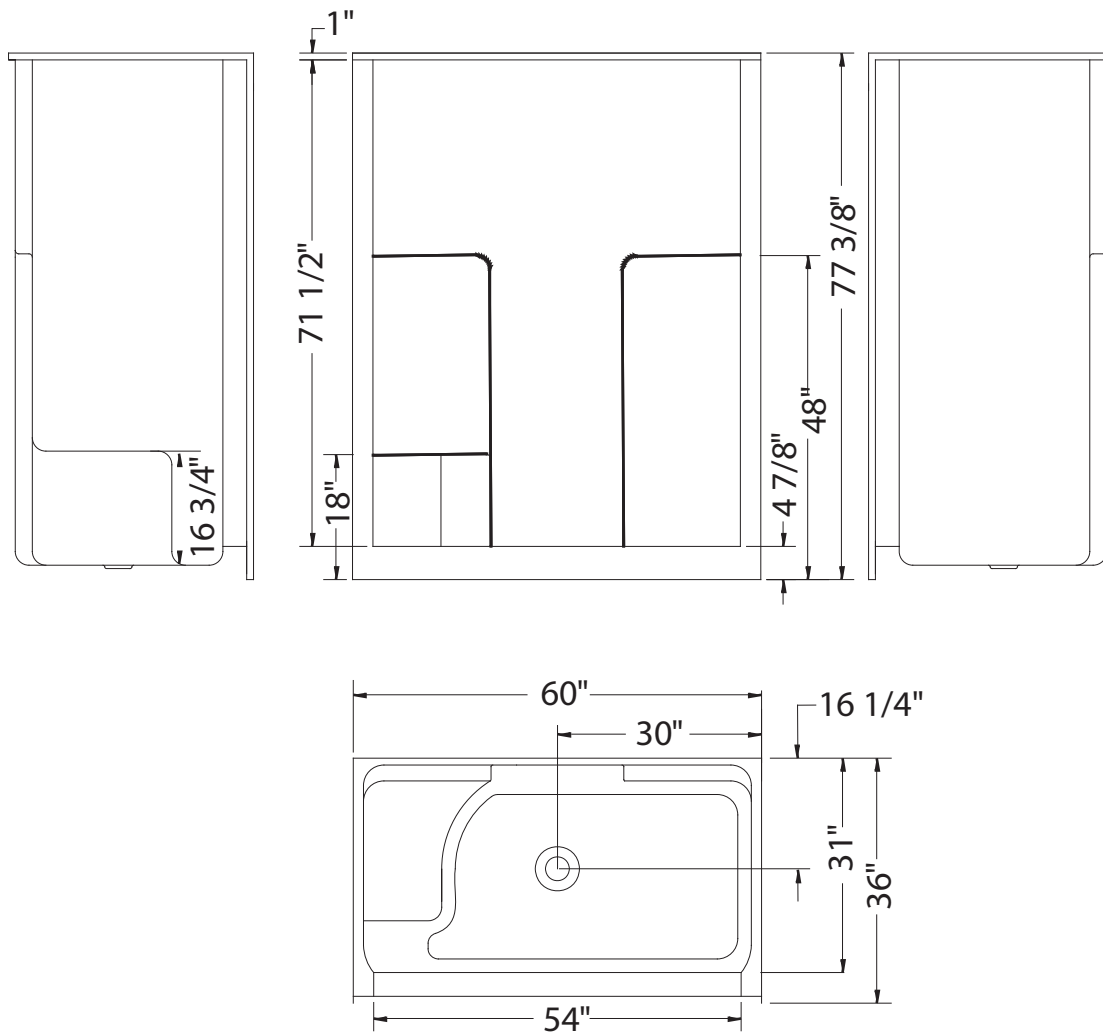
Features

- > 1-piece shower without roof cap
- > Integrated shelves and seat
- > Center drain

ALCOVE SHOWERS - ACRYLX

SS3660 R/L - 102676

SKU	Color	Configuration	Dimensions & Weight	Packaging	MSRP
102676-000-002-001	White	Center	60" x 36" x 77 3/8" / 130 lb / 59 kg	105 ft ³	\$ 1158
102676-000-002-002					\$ 1158



All dimensions are approximate. Structure measurements must be verified against the unit to ensure proper fit.



SST36



Material : AcrylX

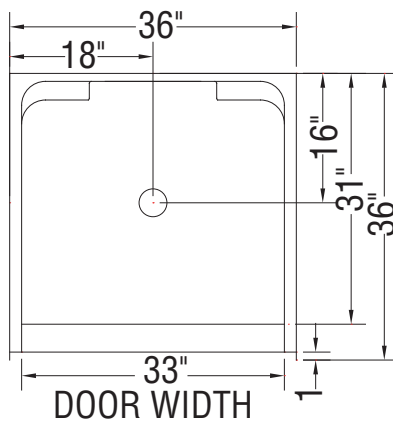
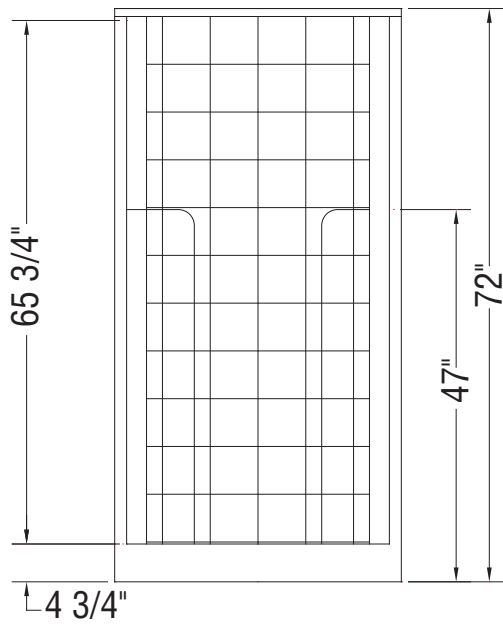
Features

- > 1-piece shower without roof cap
- > Integrated shelves
- > Unique feature: tile pattern finish
- > Center drain

ALCOVE SHOWERS - ACRYLX

SST36 - 140045

SKU	Color	Configuration	Dimensions & Weight	Packaging	MSRP
140045-000-002-000	White	Center	36" x 36" x 72" / 100 lb / 45 kg	62 ft ³	\$ 1065



All dimensions are approximate. Structure measurements must be verified against the unit to ensure proper fit.



SST3648



Material : AcrylX

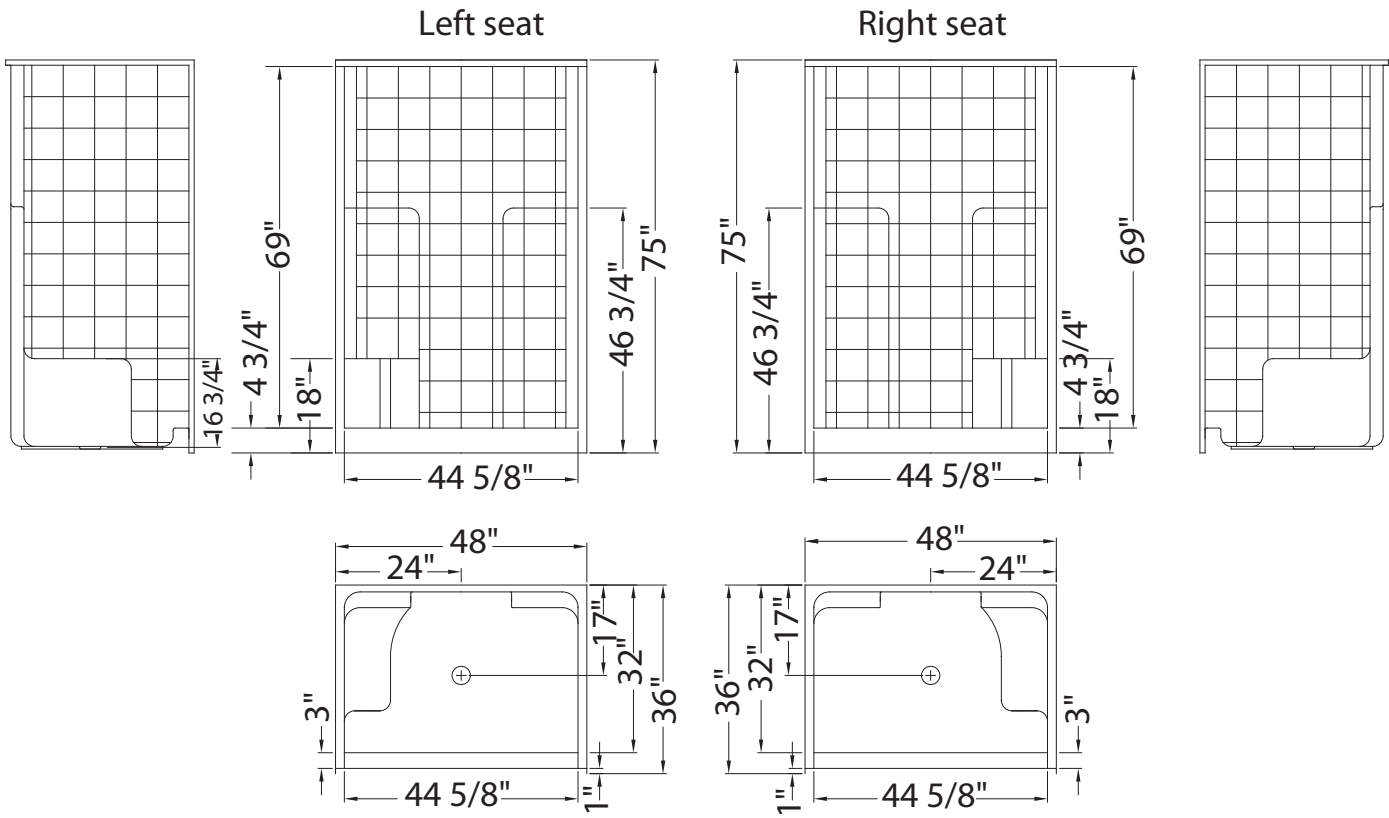
Features

- > 1-piece shower without roof cap
- > Integrated seats and shelves
- > Unique feature: tile pattern finish
- > Center drain

ALCOVE SHOWERS - ACRYLX

SST3648 - 140546

SKU	Color	Configuration	Dimensions & Weight	Packaging	MSRP
140546-000-002-011	White	Center	48" x 36" x 75" / 133 lb / 60 kg	101 ft ³	\$ 1158



All dimensions are approximate. Structure measurements must be verified against the unit to ensure proper fit.



SST3660



Material : AcrylX

Features

- > 1-piece shower without roof cap
- > Integrated shelves and seats
- > Unique feature: tile pattern finish

ALCOVE SHOWERS - ACRYLX

SST3660 - 140093

SKU	Color	Configuration	Dimensions & Weight	Packaging	MSRP
140093-000-002-000	White	Center	60" x 36" x 72" / 133 lb / 60 kg	101 ft ³	\$ 1321

COMMON OPTIONS

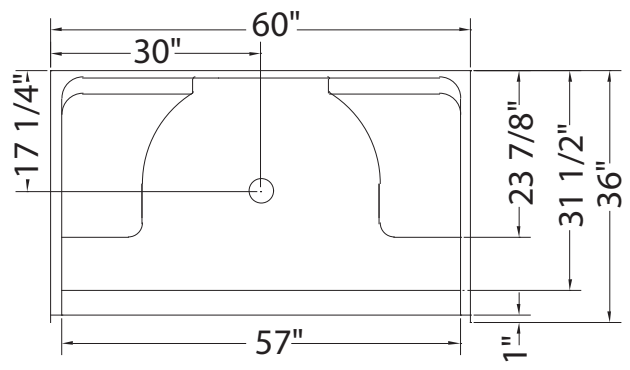
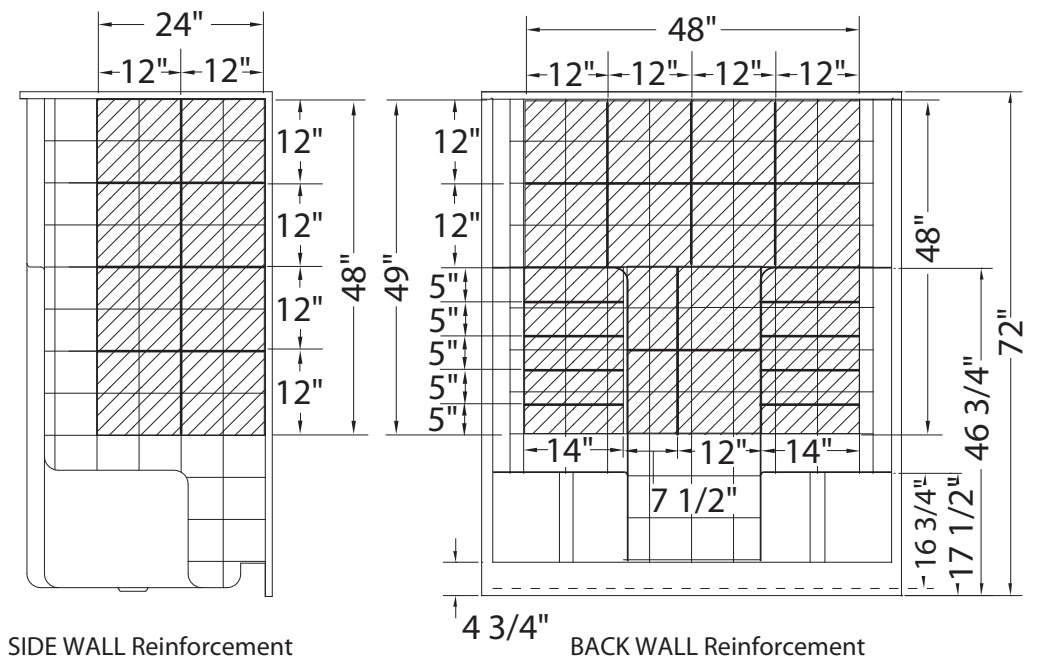
SKU	Description	MSRP
OPT20212-B	Wall reinforcement (one wall) for future grab bar installation ⁹ OPT20212-B Reinforcement on back wall	\$ 111
OPT20212-L	Wall reinforcement (one wall) for future grab bar installation ⁶¹ OPT 20212-L Reinforcement on left wall	\$ 111
OPT20212-R	Wall reinforcement (one wall) for future grab bar installation ⁹ OPT 20212-R Reinforcement on right wall	\$ 111

FOOTNOTES

No	Description
9	6-Pack bathtubs are only available when units are without systems and in a standard colour.
61	Please see technical drawings on www.akerbymaax.com for reinforcement positioning and size.

Full Wall Reinforcement Shown

ALCOVE SHOWERS - ACRYLX



All dimensions are approximate. Structure measurements must be verified against the unit to ensure proper fit.



SST42



Material : AcrylX

Features

- > 1-piece shower without roof cap
- > Integrated shelves
- > Center drain
- > Unique feature: 8 in. tile pattern finish

ALCOVE SHOWERS - ACRYLX

SST42 - 105932

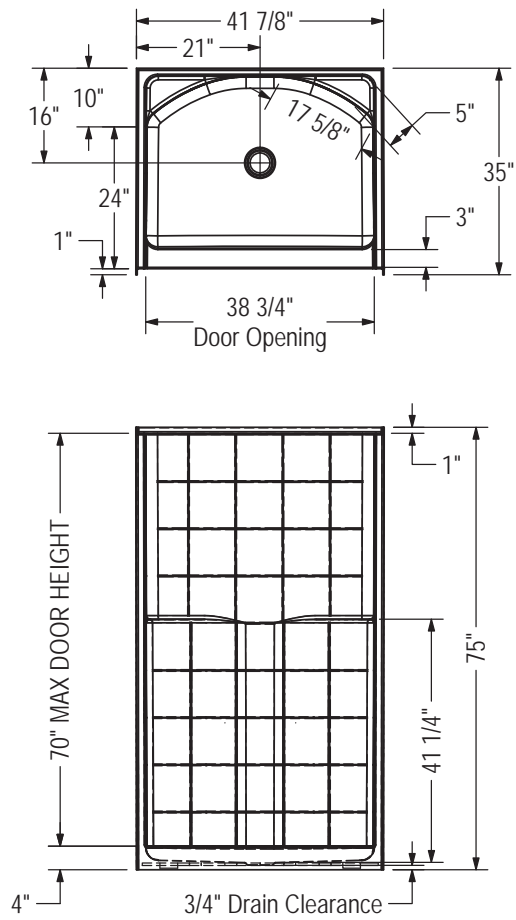
SKU	Color	Configuration	Dimensions & Weight	Packaging	MSRP
105932-000-002-000	White	Center	42" x 34" x 75" / 112 lb / 51 kg	63.8 ft ³	\$ 1310

COMMON OPTIONS

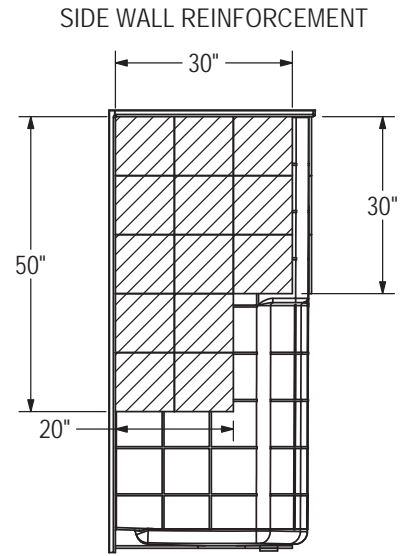
SKU	Description	MSRP
OPT20212-B	Wall reinforcement (one wall) for future grab bar installation ⁹ OPT20212-B Reinforcement on back wall	\$ 111
OPT20212-L	Wall reinforcement (one wall) for future grab bar installation ⁶¹ OPT 20212-L Reinforcement on left wall	\$ 111
OPT20212-R	Wall reinforcement (one wall) for future grab bar installation ⁹ OPT 20212-R Reinforcement on right wall	\$ 111

FOOTNOTES

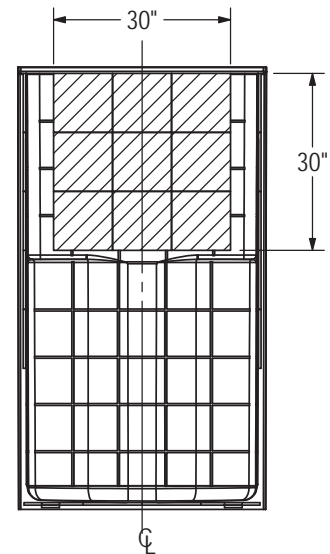
No	Description
9	6-Pack bathtubs are only available when units are without systems and in a standard colour.
61	Please see technical drawings on www.akerbymaax.com for reinforcement positioning and size.



REINFORCEMENT BACKING



BACKWALL REINFORCEMENT



All dimensions are approximate. Structure measurements must be verified against the unit ensure proper fit.



US36



Material : AcrylX

Features

- > 1-piece shower without roof cap
- > Integrated shelves
- > Center drain

US36 - 102613

SKU	Color	Configuration	Dimensions & Weight	Packaging	MSRP
102613-000-002-000	White	Center	36" x 36" x 79 1/4" / 112 lb / 51 kg	66 ft ³	\$ 1042

COMMON OPTIONS

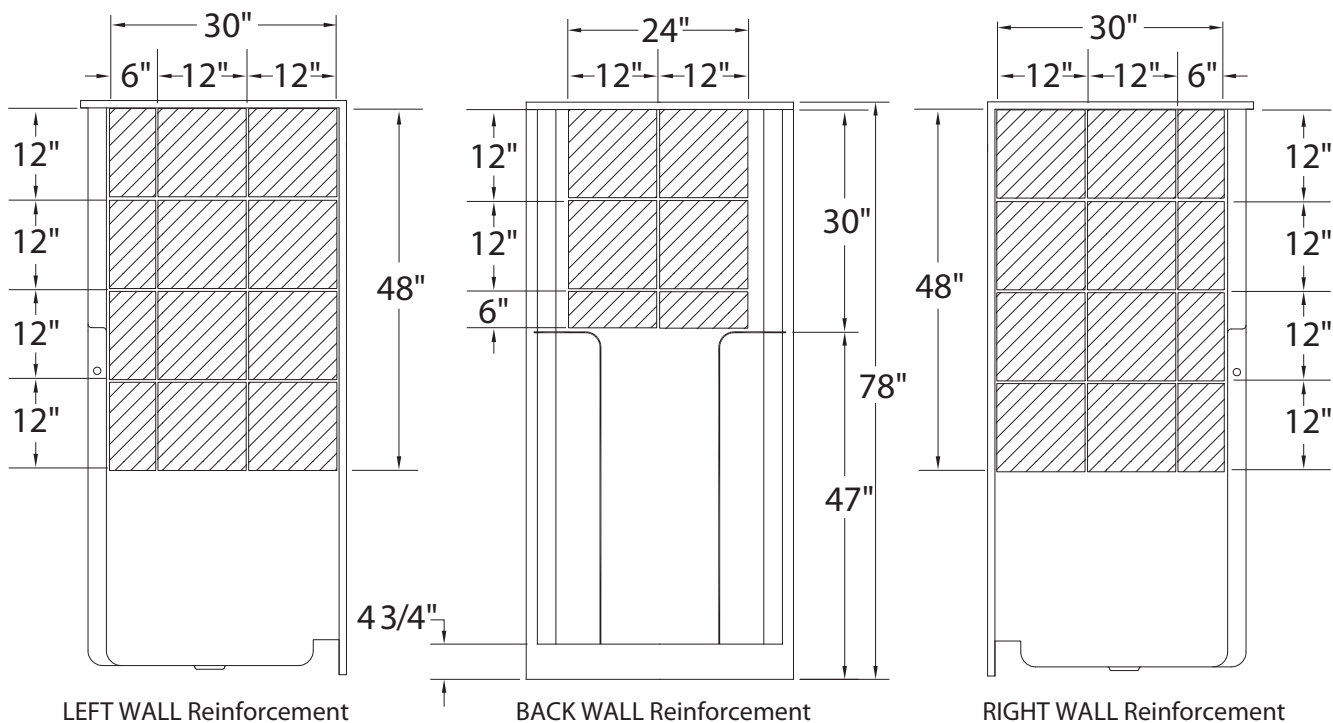
SKU	Description	MSRP
OPT20212-B	Wall reinforcement (one wall) for future grab bar installation ⁹ OPT20212-B Reinforcement on back wall	\$ 111
OPT20212-L	Wall reinforcement (one wall) for future grab bar installation ⁶¹ OPT 20212-L Reinforcement on left wall	\$ 111
OPT20212-R	Wall reinforcement (one wall) for future grab bar installation ⁹ OPT 20212-R Reinforcement on right wall	\$ 111

FOOTNOTES

No	Description
9	6-Pack bathtubs are only available when units are without systems and in a standard colour.
61	Please see technical drawings on www.akerbymaax.com for reinforcement positioning and size.

Full Wall Reinforcement Shown

ALCOVE SHOWERS - ACRYLX



All dimensions are approximate. Structure measurements must be verified against the unit to ensure proper fit.



CSS36

CORNER SHOWERS - ACRYLX



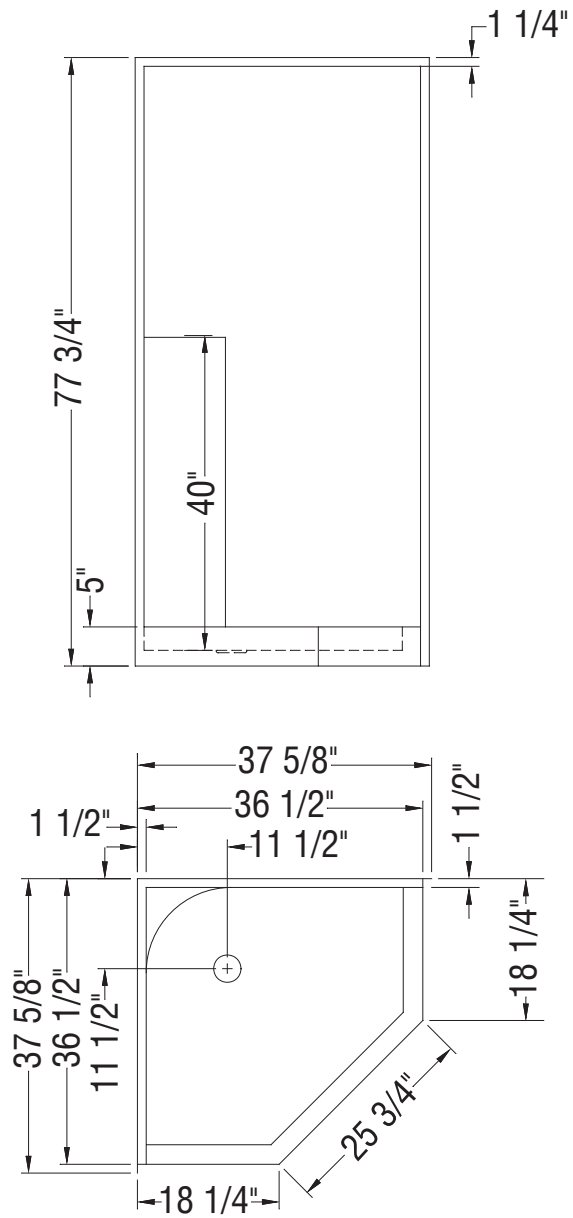
Material : AcrylX

Features

- > 1-piece neo-angle corner shower without roof cap
- > Integrated shelf
- > Center drain

CSS36 - 140007					
SKU	Color	Configuration	Dimensions & Weight	Packaging	MSRP
140007-000-002-000	White	Center	37 5/8" x 37 5/8" x 77 3/4" / 109 lb / 49 kg	70 ft ³	\$ 1138

ACCESSORIES		
SKU	Description	MSRP
10000041-105	Shower Drain (sold separately) PVC quick caulking shower drain, compression type	\$ 37
10000041-084	Specify grid color: Chrome (084) or Brushed Nickel (105)	\$ 37
10000043-084	Shower Drain (sold separately) 2-piece ABS shower drain with Chrome stainless steel grid	\$ 36
10004349-001	ABS shower drain with ABS grid (sold separately)	\$ 13
10004349-004	Available color: White (001) and Bone (004)	\$ 13



All dimensions are approximate. Structure measurements must be verified against the unit to ensure proper fit.



CSS40



Material : AcrylX

Features

- > 1-piece neo-angle corner shower without roof cap
- > Integrated shelf
- > Center drain

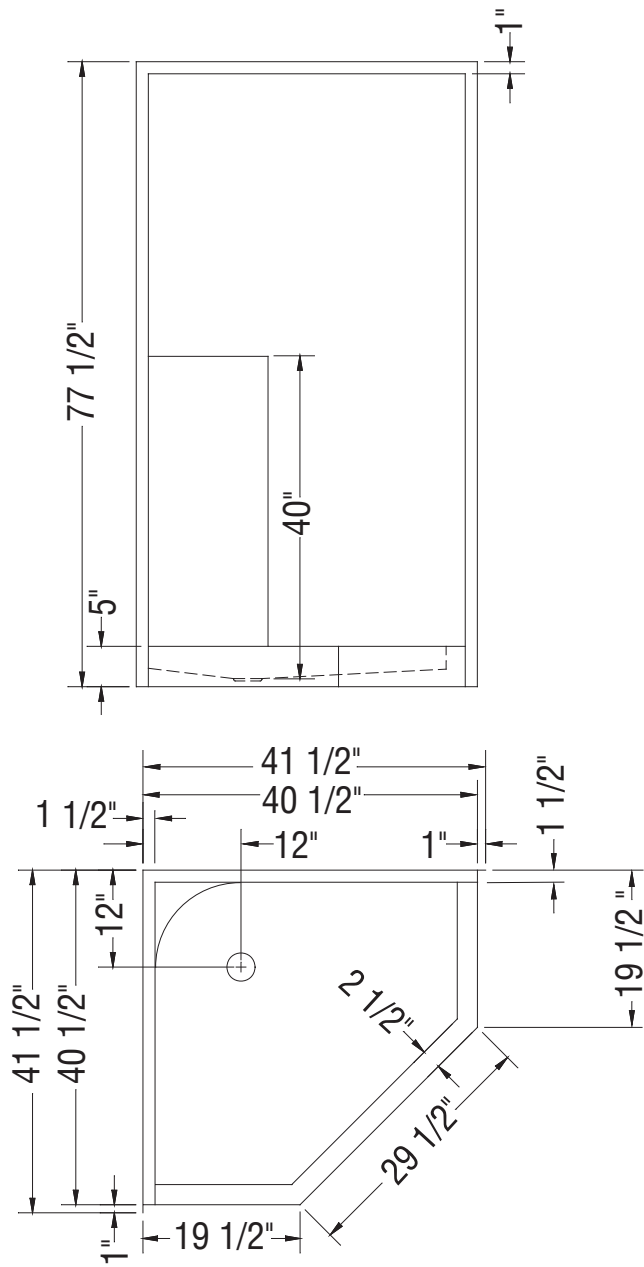
CORNER SHOWERS - ACRYLX

CSS40 - 140009

SKU	Color	Configuration	Dimensions & Weight	Packaging	MSRP
140009-000-002-000	White	Center	41 1/2" x 41 1/2" x 77 1/2" / 109 lb / 49 kg	100 ft ³	\$ 1217

ACCESSORIES

SKU	Description	MSRP
10000041-105	Shower Drain (sold separately) PVC quick caulking shower drain, compression type	\$ 37
10000041-084	Specify grid color: Chrome (084) or Brushed Nickel (105)	\$ 37
10000043-084	Shower Drain (sold separately) 2-piece ABS shower drain with Chrome stainless steel grid	\$ 36
10004349-001	ABS shower drain with ABS grid (sold separately)	\$ 13
10004349-004	Available color: White (001) and Bone (004)	\$ 13



Toutes ces dimensions sont approximatives.
 Afin d'assurer une installation parfaite, les dimensions
 de la structure doivent être vérifiées à partir de l'unité.



SECCSS36



Material : AcrylX

Features

- › 2-piece neo-angle corner shower without roof cap
- › Sectional unit ideal for renovation projects
- › Integrated soap dish
- › Center drain

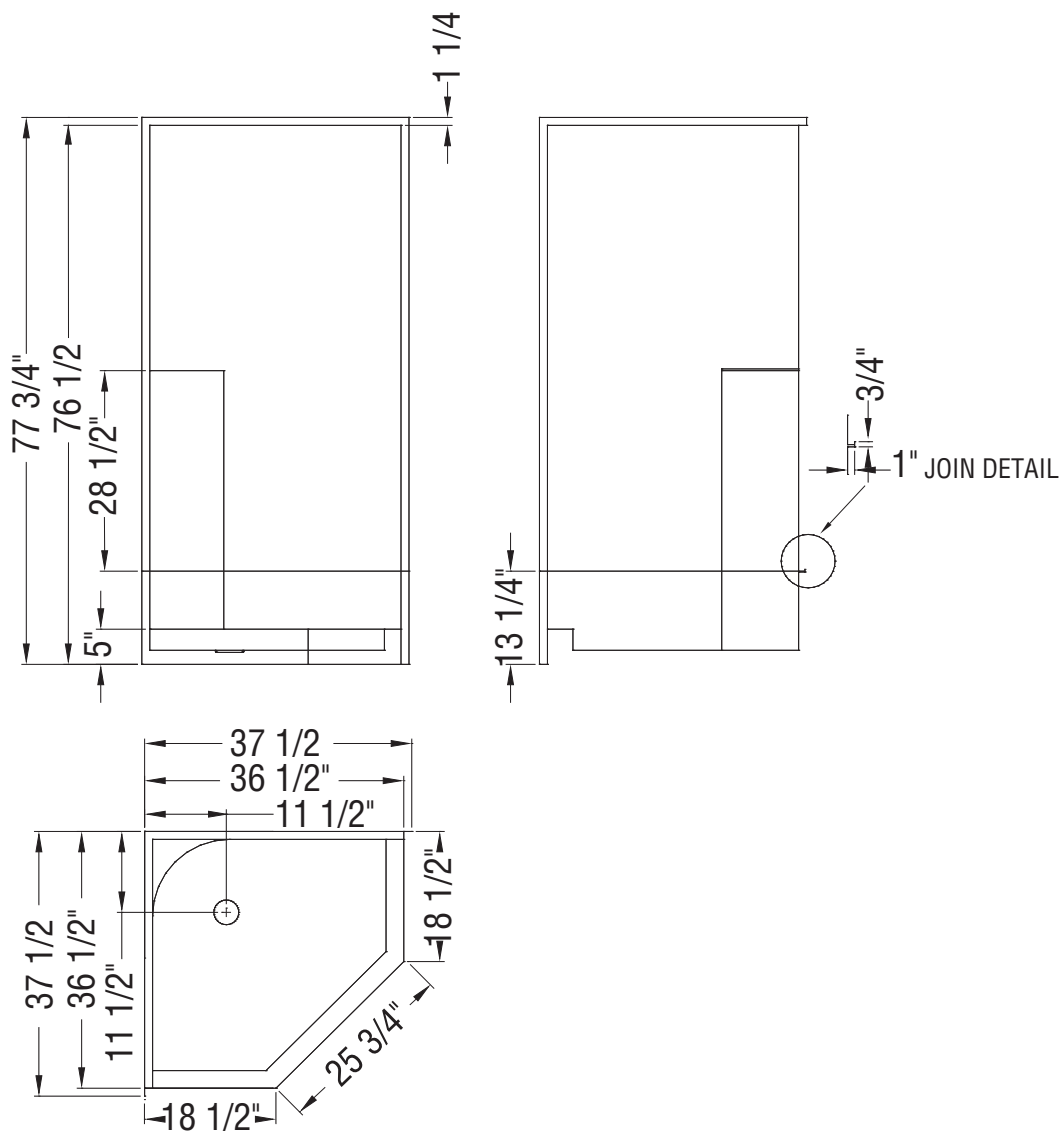
CORNER SHOWERS - ACRYLX

SECCSS36 - 140079

SKU	Color	Configuration	Dimensions & Weight	Packaging	MSRP
140079-000-002-003	White	Center	37 1/2" x 37 1/2" x 77 3/4" / 111 lb / 50 kg	70 ft ³	\$ 1375

ACCESSORIES

SKU	Description	MSRP
10000041-105	Shower Drain (sold separately) PVC quick caulking shower drain, compression type	\$ 37
10000041-084	Specify grid color: Chrome (084) or Brushed Nickel (105)	\$ 37
10000043-084	Shower Drain (sold separately) 2-piece ABS shower drain with Chrome stainless steel grid	\$ 36
10004349-001	ABS shower drain with ABS grid (sold separately)	\$ 13
10004349-004	Available color: White (001) and Bone (004)	\$ 13



All dimensions are approximate. Structure measurements must be verified against the unit to ensure proper fit.

Tub Doors



Inverto tub door in chrome

Kameleon SC Tub Door - 8 mm



TUB DOORS - BYPASS



Material : Tempered Glass

Features

- › Innovative SOFT CLOSE by MAAX prevents slamming
- › Silent guide eliminates the rattling noise
- › High quality rollers for smooth glide
- › Safety features: header lock and panel anti-jump
- › 8 mm tempered glass and frame color choice
- › Modern towel bar
- › Reversible header: one side round and one side flat

KAMELEON SC 55-59 X 57 - 8MM - 134670

SKU	Color	Door Opening	Dimensions & Weight	Packaging	MSRP
134670-900-084-000	Clear / Chrome	Reversible	55" - 59" x 57" / 110 lb / 50 kg	4.58 ft ³	\$ 1336
134670-900-172-000	Clear / Dark Bronze				\$ 1419
134670-900-305-000	Clear / Brushed Nickel				\$ 1395
134670-900-340-000	Clear / Matte Black				\$ 1419

COMMON OPTIONS

SKU	Description	MSRP
OPT20246-084	24 in. T-round towel bar Available colors: Chrome (084), Dark Bronze (172) and Brushed Nickel (305)	\$ 101
OPT20246-305		\$ 112
OPT20246-172		\$ 115
OPT20248-084	24 in. Square towel bar Available colors: Chrome (084), Dark Bronze (172) and Brushed Nickel (305)	\$ 101
OPT20248-305		\$ 112
OPT20248-172		\$ 115

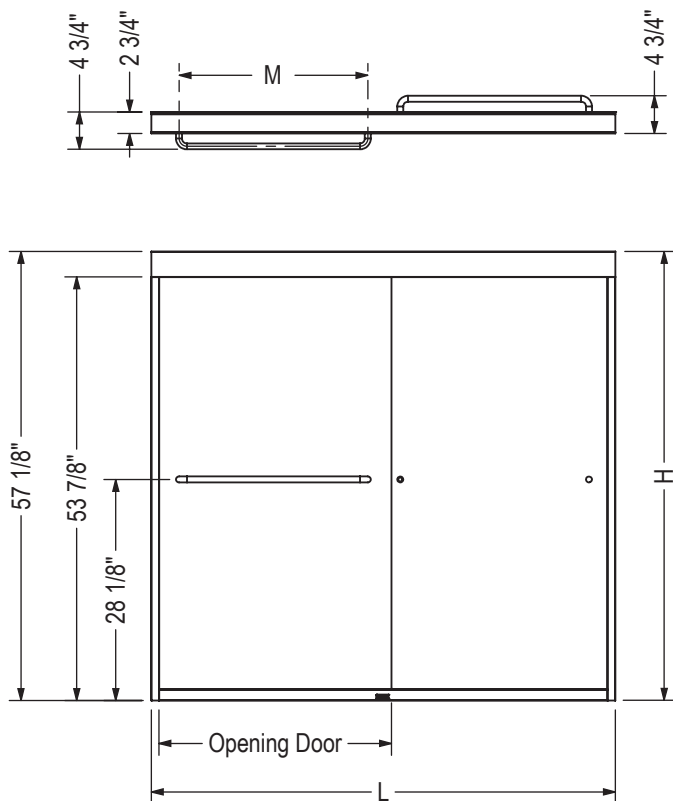
ACCESSORIES

SKU	Description	MSRP
10068376-305	24 in. Square towel bar Available colors: Chrome (084), Dark Bronze (172) and Brushed Nickel (305)	\$ 235
10068376-172		\$ 248

ACCESSORIES

SKU	Description	MSRP
10068376-084	24 in. Square towel bar Available colors: Chrome (084), Dark Bronze (172) and Brushed Nickel (305)	\$ 226
10068410-005-601	Soft Close by MAAx for Kameleon/Aura doors only	\$ 167

STANDARD



Description	Opening Door Adjustable	M	L Adjustable	H
Tub Door 55"x59"x8mm	23 1/2" - 27 1/2"	24"	55" - 59"	57"

All dimensions are approximate. Structure measurements must be verified against the unit to ensure proper fit.

Kameleon SC Tub Doors - 6 mm



Material : Tempered Glass

Features

- › Innovative SOFT CLOSE by MAAX prevents slamming
- › Silent guide eliminates the rattling noise
- › High quality rollers for smooth glide
- › Safety features: header lock and panel anti-jump
- › 6 mm tempered glass and frame color choice
- › Modern towel bar
- › Reversible header: one side round and one side flat

TUB DOORS - BYPASS

KAMELEON SC 51-55 X 57 - 6MM - 134660

SKU	Color	Door Opening	Dimensions & Weight	Packaging	MSRP
134660-900-084-000	Clear / Chrome	Reversible	51" - 55" x 57" / 85 lb / 39 kg	4.11 ft ³	\$ 1129

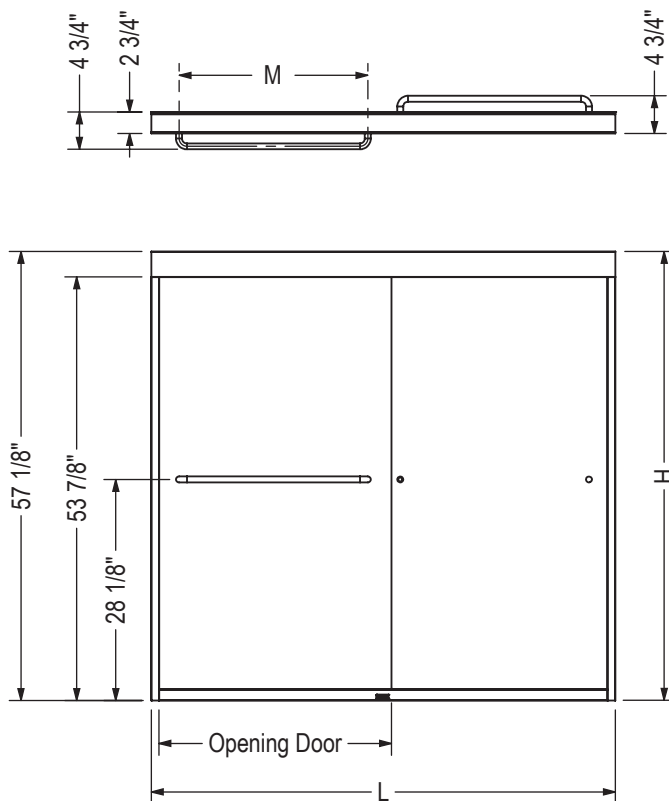
COMMON OPTIONS

SKU	Description	MSRP
OPT20246-084	24 in. T-round towel bar Available colors: Chrome (084), Dark Bronze (172) and Brushed Nickel (305)	\$ 101
OPT20246-305		\$ 112
OPT20246-172		\$ 115
OPT20248-084	24 in. Square towel bar Available colors: Chrome (084), Dark Bronze (172) and Brushed Nickel (305)	\$ 101
OPT20248-305		\$ 112
OPT20248-172		\$ 115

ACCESSORIES

SKU	Description	MSRP
10068376-305	24 in. Square towel bar Available colors: Chrome (084), Dark Bronze (172) and Brushed Nickel (305)	\$ 235
10068376-172		\$ 248
10068376-084		\$ 226
10068410-005-601	Soft Close by MAAX for Kameleon/Aura doors only	\$ 167

STANDARD



Description	Opening Door Adjustable	M	L Adjustable	H
Tub Door 51"x55"x6mm	21 1/2" - 25 1/2"	24"	51" - 55"	57"
Tub Door 55"x59"x6mm	23 1/2" - 27 1/2"	24"	55" - 59"	57"

All dimensions are approximate. Structure measurements must be verified against the unit to ensure proper fit.

Kameleon SC Tub Doors - 6 mm



Material : Tempered Glass

Features

- › Innovative SOFT CLOSE by MAAX prevents slamming
- › Silent guide eliminates the rattling noise
- › High quality rollers for smooth glide
- › Safety features: header lock and panel anti-jump
- › 6mm tempered glass and frame color choice
- › Modern towel bar
- › Reversible header: one side round and one side flat

TUB DOORS - BYPASS

KAMELEON SC 55-59 X 57 - 6MM - 134661

SKU	Color	Door Opening	Dimensions & Weight	Packaging	MSRP
134661-900-084-000	Clear / Chrome	Reversible	55" - 59" x 57" / 85 lb / 39 kg	4.58 ft ³	\$ 1169
134661-900-172-000	Clear / Dark Bronze				\$ 1239
134661-900-305-000	Clear / Brushed Nickel				\$ 1221
134661-900-340-000	Clear / Matte Black				\$ 1239

COMMON OPTIONS

SKU	Description	MSRP
OPT20246-084	24 in. T-round towel bar Available colors: Chrome (084), Dark Bronze (172) and Brushed Nickel (305)	\$ 101
OPT20246-305		\$ 112
OPT20246-172		\$ 115
OPT20248-084	24 in. Square towel bar Available colors: Chrome (084), Dark Bronze (172) and Brushed Nickel (305)	\$ 101
OPT20248-305		\$ 112
OPT20248-172		\$ 115

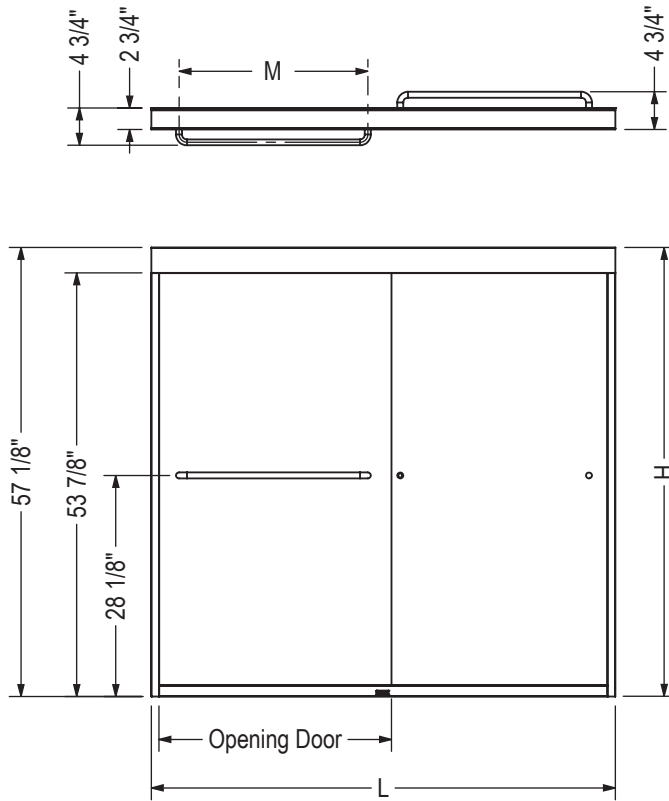
ACCESSORIES

SKU	Description	MSRP
10068376-305	24 in. Square towel bar Available colors: Chrome (084), Dark Bronze (172) and Brushed Nickel (305)	\$ 235
10068376-172		\$ 248

ACCESSORIES

SKU	Description	MSRP
10068376-084	24 in. Square towel bar Available colors: Chrome (084), Dark Bronze (172) and Brushed Nickel (305)	\$ 226
10068410-005-601	Soft Close by MAAx for Kameleon/Aura doors only	\$ 167

STANDARD



Description	Opening Door Adjustable	M	L Adjustable	H
Tub Door 51"x55"x6mm	21 1/2" - 25 1/2"	24"	51" - 55"	57"
Tub Door 55"x59"x6mm	23 1/2" - 27 1/2"	24"	55" - 59"	57"

All dimensions are approximate. Structure measurements must be verified against the unit to ensure proper fit.



Kameleon Tub Door - 8 mm

TUB DOORS - BYPASS



Material : Tempered Glass

Features

- › Silent guide eliminates the rattling noise
- › High quality rollers for smooth glide
- › Safety features: header lock and panel anti-jump
- › 8 mm tempered glass and frame color choice
- › Modern towel bar
- › Reversible header: one side round and one side flat

KAMELEON 55-59 X 57 - 8MM - 134573

SKU	Color	Door Opening	Dimensions & Weight	Packaging	MSRP
134573-900-084-000	Clear / Chrome	Reversible	55" - 59" x 57" / 110 lb / 50 kg	4.58 ft ³	\$ 1195
134573-900-172-000	Clear / Dark Bronze				\$ 1279
134573-900-305-000	Clear / Brushed Nickel				\$ 1254
134573-900-340-000	Clear / Matte Black				\$ 1279

COMMON OPTIONS

SKU	Description	MSRP
OPT20246-084	24 in. T-round towel bar Available colors: Chrome (084), Dark Bronze (172) and Brushed Nickel (305)	\$ 101
OPT20246-305		\$ 112
OPT20246-172		\$ 115
OPT20248-084	24 in. Square towel bar Available colors: Chrome (084), Dark Bronze (172) and Brushed Nickel (305)	\$ 101
OPT20248-305		\$ 112
OPT20248-172		\$ 115

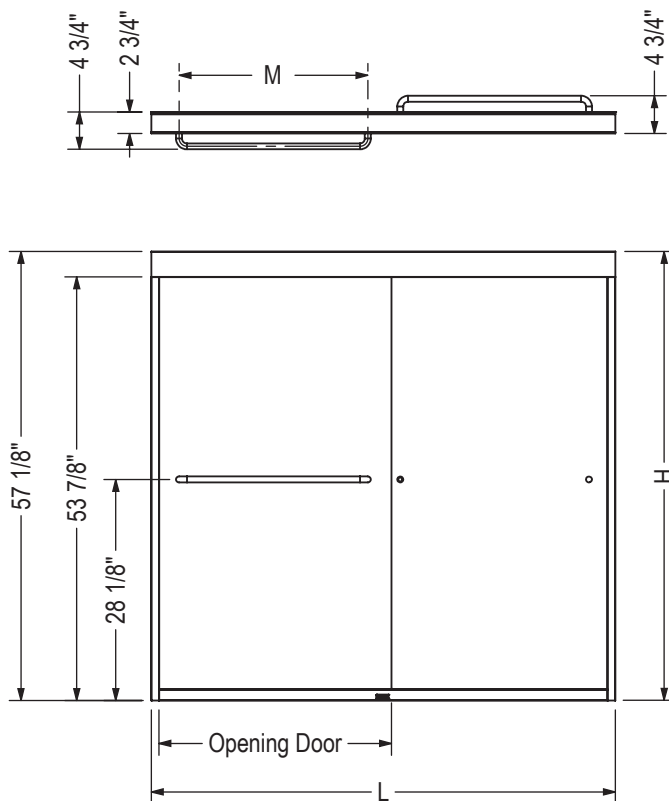
ACCESSORIES

SKU	Description	MSRP
10068376-305	24 in. Square towel bar Available colors: Chrome (084), Dark Bronze (172) and Brushed Nickel (305)	\$ 235
10068376-172		\$ 248

ACCESSORIES

SKU	Description	MSRP
10068376-084	24 in. Square towel bar Available colors: Chrome (084), Dark Bronze (172) and Brushed Nickel (305)	\$ 226
10068410-005-601	Soft Close by MAAx for Kameleon/Aura doors only	\$ 167

STANDARD



Description	Opening Door Adjustable	M	L Adjustable	H
Tub Door 55"x59"x8mm	23 1/2" - 27 1/2"	24"	55" - 59"	57"

All dimensions are approximate. Structure measurements must be verified against the unit to ensure proper fit.



Kameleon Tub Doors - 6 mm



Material : Tempered Glass

Features

- › Silent guide eliminates the rattling noise
- › High quality rollers for smooth glide
- › Safety features: header lock and panel anti-jump
- › Clear and privacy glass options with frame color choice
- › Rounded towel bar for a clean and versatile look
- › Reversible header: one side round and one side flat

TUB DOORS - BYPASS

KAMELEON 55-59 X 57 - 6MM - 134561

SKU	Color	Door Opening	Dimensions & Weight	Packaging	MSRP
134561-900-084-000	Clear / Chrome	Reversible	55" - 59" x 57" / 85 lb / 39 kg	4.58 ft ³	\$ 1028
134561-900-172-000	Clear / Dark Bronze				\$ 1098
134561-900-305-000	Clear / Brushed Nickel				\$ 1081
134561-900-340-000	Clear / Matte Black				\$ 1098
134561-978-084-000	Frosted / Chrome				\$ 1214
134561-978-172-000	Frosted / Dark Bronze				\$ 1296
134561-978-305-000	Frosted / Brushed Nickel				\$ 1276

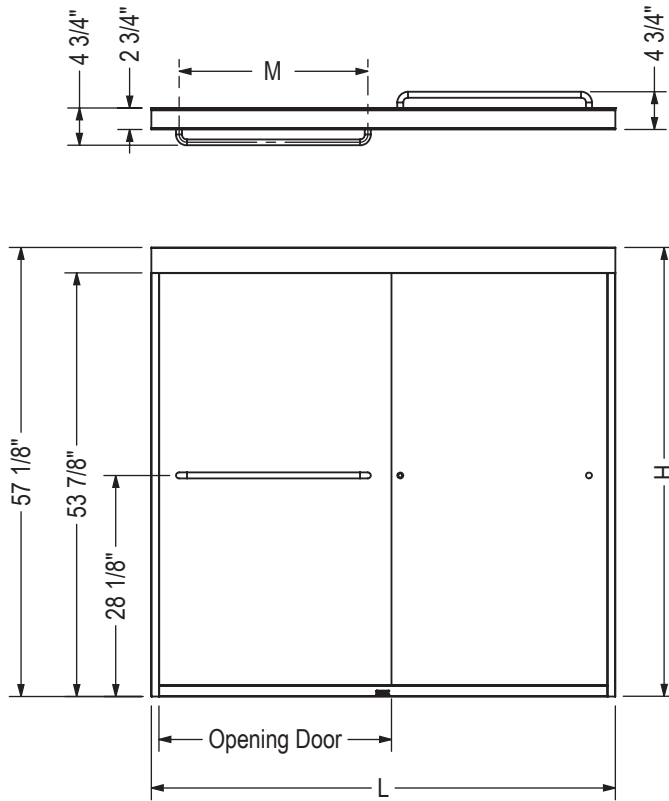
COMMON OPTIONS

SKU	Description	MSRP
OPT20246-084		\$ 101
OPT20246-305	24 in. T-round towel bar	\$ 112
OPT20246-172	Available colors: Chrome (084), Dark Bronze (172) and Brushed Nickel (305)	\$ 115
OPT20248-084		\$ 101
OPT20248-305	24 in. Square towel bar	\$ 112
OPT20248-172	Available colors: Chrome (084), Dark Bronze (172) and Brushed Nickel (305)	\$ 115

ACCESSORIES

SKU	Description	MSRP
10068376-305	24 in. Square towel bar Available colors: Chrome (084), Dark Bronze (172) and Brushed Nickel (305)	\$ 235
10068376-172		\$ 248
10068376-084		\$ 226
10068410-005-601	Soft Close by MAAX for Kameleon/Aura doors only	\$ 167

STANDARD



Description	Opening Door Adjustable	M	L Adjustable	H
Tub Door 51"x55"x6mm	21 1/2" - 25 1/2"	24"	51" - 55"	57"
Tub Door 55"x59"x6mm	23 1/2" - 27 1/2"	24"	55" - 59"	57"

All dimensions are approximate. Structure measurements must be verified against the unit to ensure proper fit.



Kameleon Tub Doors - 6 mm

TUB DOORS - BYPASS



Material : Tempered Glass

Features

- › Silent guide eliminates the rattling noise
- › High quality rollers for smooth glide
- › Safety features: header lock and panel anti-jump
- › Clear glass with frame color choice
- › Rounded towel bar for a clean and versatile look
- › Reversible header: one side round and one side flat

KAMELEON 51-55 X 57 - 6MM - 134560

SKU	Color	Door Opening	Dimensions & Weight	Packaging	MSRP
134560-900-084-000	Clear / Chrome	Reversible	51" - 55" x 57" / 85 lb / 39 kg	4.11 ft ³	\$ 987

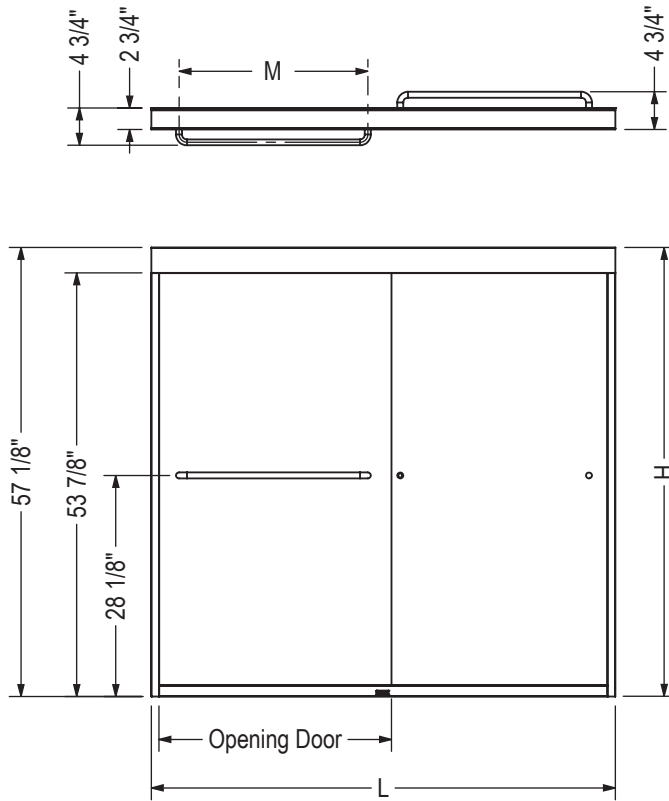
COMMON OPTIONS

SKU	Description	MSRP
OPT20246-084	24 in. T-round towel bar Available colors: Chrome (084), Dark Bronze (172) and Brushed Nickel (305)	\$ 101
OPT20246-305		\$ 112
OPT20246-172		\$ 115
OPT20248-084	24 in. Square towel bar Available colors: Chrome (084), Dark Bronze (172) and Brushed Nickel (305)	\$ 101
OPT20248-305		\$ 112
OPT20248-172		\$ 115

ACCESSORIES

SKU	Description	MSRP
10068376-305	24 in. Square towel bar Available colors: Chrome (084), Dark Bronze (172) and Brushed Nickel (305)	\$ 235
10068376-172		\$ 248
10068376-084		\$ 226
10068410-005-601	Soft Close by MAAX for Kameleon/Aura doors only	\$ 167

STANDARD



Description	Opening Door Adjustable	M	L Adjustable	H
Tub Door 51"x55"x6mm	21 1/2" - 25 1/2"	24"	51" - 55"	57"
Tub Door 55"x59"x6mm	23 1/2" - 27 1/2"	24"	55" - 59"	57"

All dimensions are approximate. Structure measurements must be verified against the unit to ensure proper fit.



Incognito 57 Shaker Tub Door

TUB DOORS - BYPASS



Material : Tempered Glass

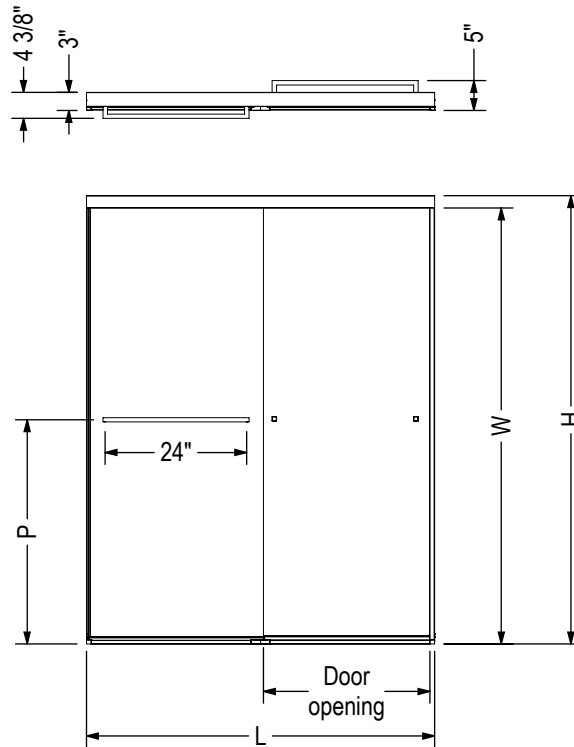
Features

- › Shaker style glass design, inspired by French door style
- › Glass thickness: 8 mm
- › 2 in , slim header provides a sleek look
- › Features convenient towel bar
- › Detachable door guide is easy to clean
- › Wheel catcher feature keeps door open or closed

INCOGNITO 57 SHAKER 56-59 X 56 3/4 - 8MM - 135330

SKU	Color	Door Opening	Dimensions & Weight	Packaging	MSRP
135330-972-340-000	Shaker / Matte Black	Reversible	56" - 59" x 56 3/4" / 112 lb / 51 kg	3 ft ³	\$ 1335

STANDARD



Code	Description	H	W	L Adjustable	Door opening	P	Wall adjustment
135331	Incognito 76 Shaker 8mm 76" x 44 - 47"	76"	73 7/8"	44" - 47"	18 1/4" - 22 1/4"	38"	1/2"
135332	Incognito 76 Shaker 8mm 76" x 56 - 59"	76"	73 7/8"	56" - 59"	24 1/4" - 28 1/4"	38"	1/2"
135330	Incognito Shaker 8mm 56 3/4" x 56 - 59"	56 3/4"	54 5/8"	56" - 59"	24 1/4" - 28 1/4"	28"	1/2"

All dimensions are approximate. Structure measurements must be verified against the unit to ensure proper fit.

Incognito 57 Tub Door - 6 mm



TUB DOORS - BYPASS



Material : Tempered Glass

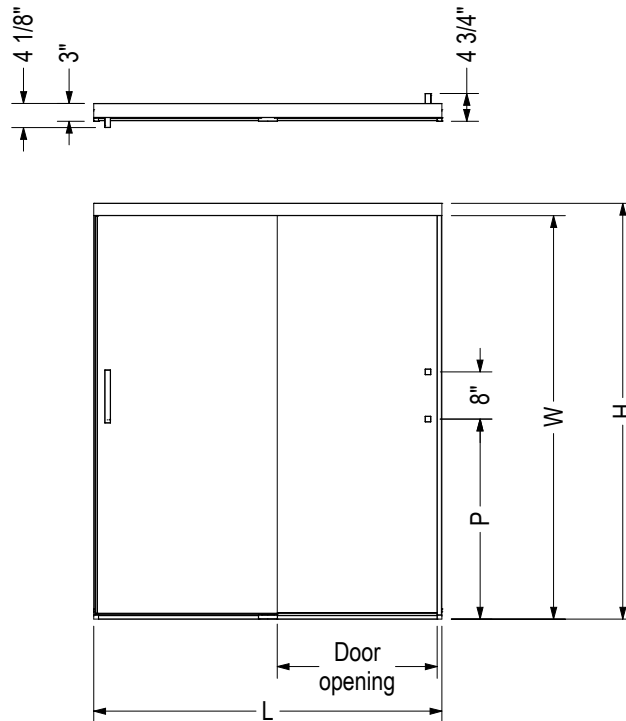
Features

- › Components that connect seamlessly for an effortless assembly
- › Expandable Sill, no cutting required to adjust
- › Large knob on the opposite side of the handle, to allow for an easier opening and closing
- › Hand adjustment to perfect the fit in the alcove
- › Fits on showers with a wall height of at least 56.75in
- › Integrated bumper at the top and the bottom

INCOGNITO 57 56-59 X 56 3/4 - 6MM - 139351

SKU	Color	Door Opening	Dimensions & Weight	Packaging	MSRP
139351-900-084-000	Clear / Chrome	Reversible	56" - 59" x 56 3/4" / 105 lb / 48 kg	3 ft ³	\$ 890
139351-900-173-000	Clear / Dark Bronze				\$ 957
139351-900-305-000	Clear / Brushed Nickel				\$ 934
139351-900-340-000	Clear / Matte Black				\$ 957

STANDARD



Code	Description	H	W	L Adjustable	Door Opening	P	Wall adjustment
139349	Incognito 6mm 70 1/2" x 44 - 47"	70 1/2"	68 3/8"	44" - 47"	17 1/8" - 21 1/8"	33 7/8"	1/2"
139350	Incognito 6mm 70 1/2" x 56 - 59"	70 1/2"	68 3/8"	56" - 59"	23 1/8" - 27 1/8"	33 7/8"	1/2"
139351	Incognito 6mm 56 3/4" x 56 - 59"	56 3/4"	54 5/8"	56" - 59"	23 1/8" - 27 1/8"	18 7/8"	1/2"
139352	Incognito 8mm 70 1/2" x 44 - 47"	70 1/2"	68 3/8"	44" - 47"	17 1/8" - 21 1/8"	33 7/8"	1/2"
139353	Incognito 8mm 70 1/2" x 56 - 59"	70 1/2"	68 3/8"	56" - 59"	23 1/8" - 27 1/8"	33 7/8"	1/2"
139354	Incognito 8mm 56 3/4" x 56 - 59"	56 3/4"	54 5/8"	56" - 59"	23 1/8" - 27 1/8"	18 7/8"	1/2"

All dimensions are approximate. Structure measurements must be verified against the unit to ensure proper fit.

Incognito 57 Tub Doors - 8 mm



TUB DOORS - BYPASS



Material : Tempered Glass

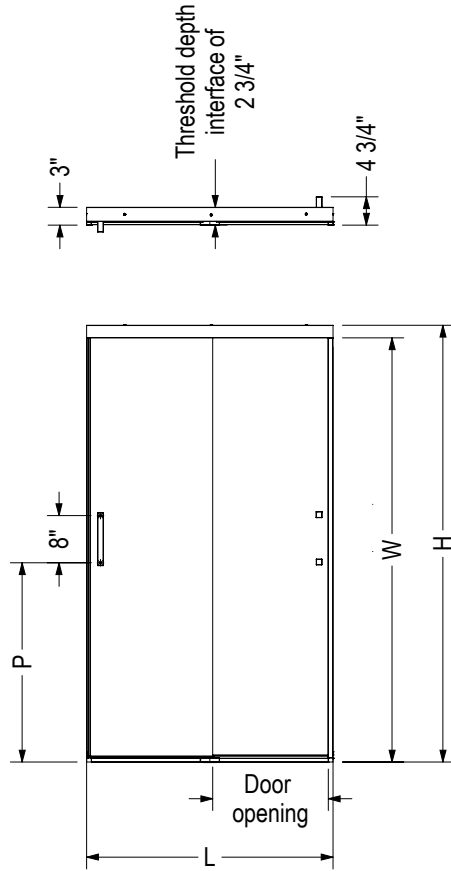
Features

- › Components that connect seamlessly for an effortless assembly
- › Large knob on the opposite side of the handle, to allow for an easier opening and closing
- › Hand adjustable positioning
- › Fits on showers with a wall height of at least 56.75 in.
- › Slim header and thin edges accentuate the minimalist look
- › Safety features: top and bottom integrated bumper to prevent slamming

INCOGNITO 57 51-54 X 56 3/4 IN. 8MM - 138522

SKU	Color	Door Opening	Dimensions & Weight	MSRP
138522-900-084-000	Clear / Chrome	Reversible	51" - 54" x 56 3/4" / 110 lb / 50 kg	\$ 1011
138522-900-305-000	Clear / Brushed Nickel			\$ 1082
138522-900-340-000	Clear / Matte Black			\$ 1109

STANDARD



Code	Description	H	W	L Adjustable	Door opening	P	Wall adjustment
138520	Incognito 74" 39 - 42" x 74"	74"	71 7/8"	39" - 42"	16 1/2" - 19 1/2"	34 1/8"	1/2"
138521	Incognito 74" 51 - 54" x 74"	74"	68 3/8"	51" - 54"	22 1/2" - 25 1/2"	34 1/8"	1/2"
138522	Incognito 56 3/4" 51 - 54" x 56 3/4"	56 3/4"	54 5/8"	51" - 54"	22 1/2" - 25 1/2"	19 1/8"	1/2"

All dimensions are approximate. Structure measurement must be verified against the unit to ensure proper fit.

Incognito 57 Tub Doors - 8 mm



TUB DOORS - BYPASS



Material : Tempered Glass

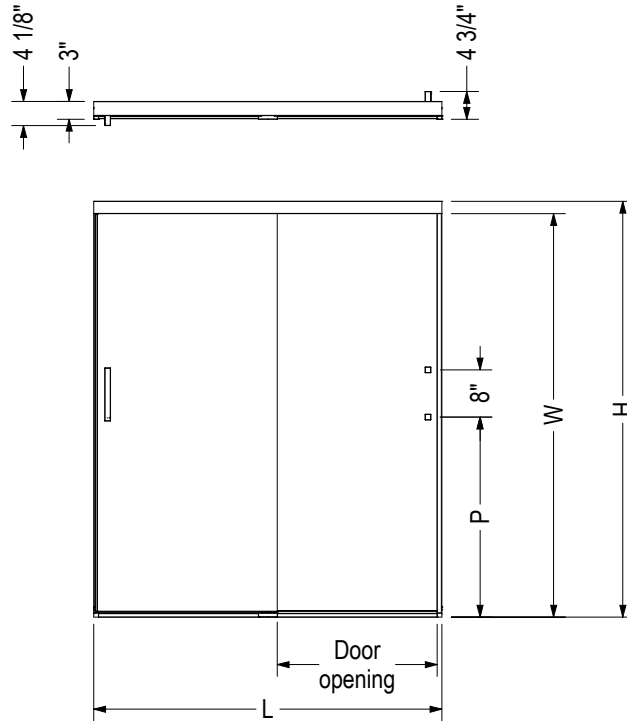
Features

- › Components that connect seamlessly for an effortless assembly
- › Large knob on the opposite side of the handle, to allow for an easier opening and closing
- › Hand adjustment to perfect the fit in the alcove
- › Fits on showers with a wall height of at least 56.75in
- › Slim header and thin edges accentuate the minimalist look
- › Safety features: top and bottom integrated bumper to prevent slamming

INCOGNITO 56-59 X 56 3/4 IN. 8 MM - 139354

SKU	Color	Door Opening	Dimensions & Weight	Packaging	MSRP
139354-900-084-000	Clear / Chrome	Reversible	56" - 59" x 56 3/4" / 120 lb / 54 kg	3 ft ³	\$ 1011
139354-900-305-000	Clear / Brushed Nickel				\$ 1082
139354-900-340-000	Clear / Matte Black				\$ 1082

STANDARD



Code	Description	H	W	L Adjustable	Door Opening	P	Wall adjustment
139349	Incognito 6mm 70 1/2" x 44 - 47"	70 1/2"	68 3/8"	44" - 47"	17 1/8" - 21 1/8"	33 7/8"	1/2"
139350	Incognito 6mm 70 1/2" x 56 - 59"	70 1/2"	68 3/8"	56" - 59"	23 1/8" - 27 1/8"	33 7/8"	1/2"
139351	Incognito 6mm 56 3/4" x 56 - 59"	56 3/4"	54 5/8"	56" - 59"	23 1/8" - 27 1/8"	18 7/8"	1/2"
139352	Incognito 8mm 70 1/2" x 44 - 47"	70 1/2"	68 3/8"	44" - 47"	17 1/8" - 21 1/8"	33 7/8"	1/2"
139353	Incognito 8mm 70 1/2" x 56 - 59"	70 1/2"	68 3/8"	56" - 59"	23 1/8" - 27 1/8"	33 7/8"	1/2"
139354	Incognito 8mm 56 3/4" x 56 - 59"	56 3/4"	54 5/8"	56" - 59"	23 1/8" - 27 1/8"	18 7/8"	1/2"

All dimensions are approximate. Structure measurements must be verified against the unit to ensure proper fit.



Polar Tub Door

TUB DOORS - BYPASS



Material : Tempered Glass

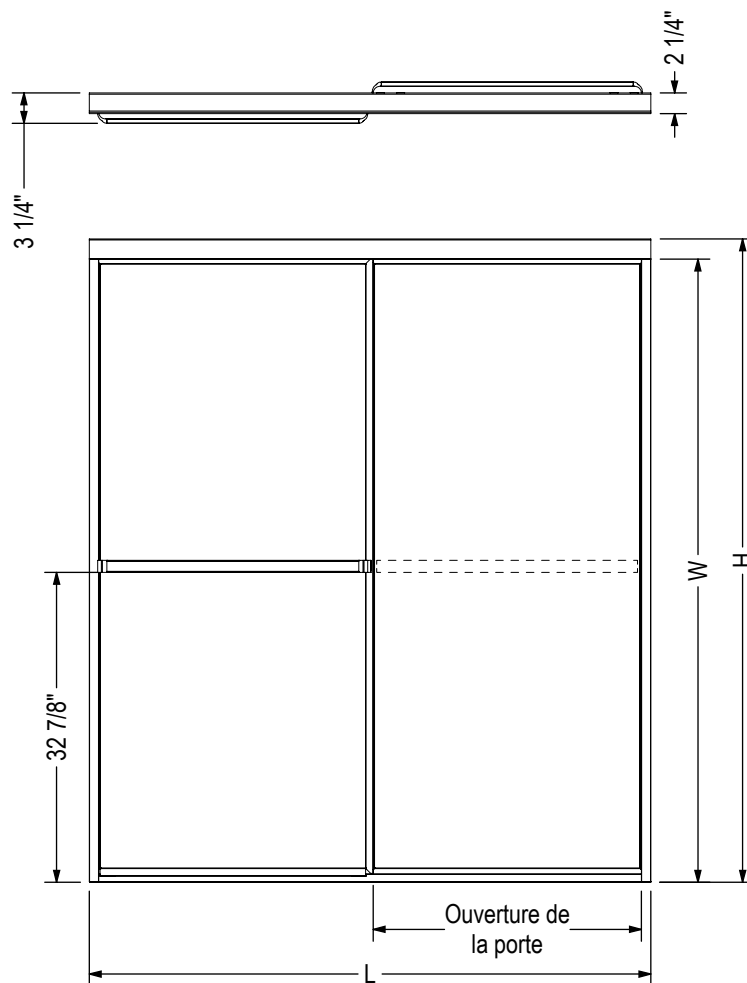
Features

- › Raindrop 4 mm tempered glass for more intimacy
- › Chrome frame for a clean simple look
- › Bathub and tub shower are sold separately, explore our wide variety of Bathub and tub shower
- › Bypass door configuration features two sliding panel
- › The EZ Klean bottom track drains water away and significantly reduces maintenance
- › Reversible, allowing for left or right opening to accommodate different bathroom layouts
- › Smooth Sliding Door Functionality enhances accessibility and convenience while elevating the aesthetics of your shower space.
- › Proudly made in North America
- › Warranty: 10 years

POLAR 54-59 1/2 X 57 IN. - 105410

SKU	Color	Door Opening	Dimensions & Weight	Packaging	MSRP
105410-970-084-000	Raindrop / Chrome	Lateral	55" - 59 1/2" x 57" / 50 lb / 23 kg	3.28 ft ³	\$ 663

STANDARD



TUB DOORS - BYPASS

Code	Description	H	W	L Ajustable	Ouverture de la porte
105410	Polar 54" - 59 1/2" x 57"	57"	55"	54" - 59 1/2"	26" - 28 1/2"
105412	Polar 54" - 59 1/2" x 68"	68"	66"	54" - 59 1/2"	26" - 28 1/2"
105413	Polar 42" - 47 1/2" x 68"	68"	66"	42" - 47 1/2"	20" - 22 1/2"

Toutes ces dimensions sont approximatives. Afin d'assurer une installation parfaite, les dimensions de la structure doivent être vérifiées à partir de l'unité.

Revelation Round Tub Door - 6 mm



TUB DOORS - BYPASS



Material : Tempered Glass

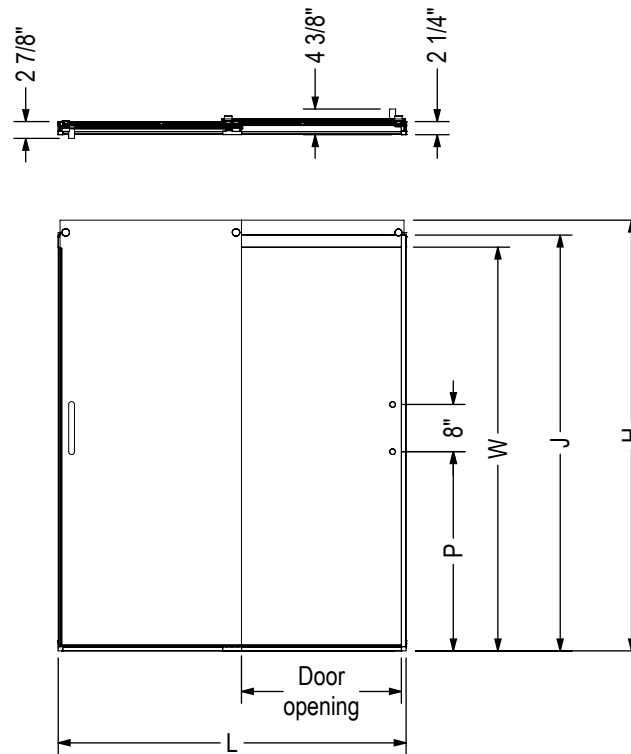
Features

- Made from high-quality 6 mm (1/4") thick glass, ensuring durability and safety.
- Reversible, allowing installation for left or right openings to accommodate different bathroom layouts.
- Easy installation process saves time and hassle.
- The door provides a watertight seal, ensuring no leaks or spills occur during use.

REVELATION ROUND 56-59 X 56 3/4-59 1/4 IN 6 MM - 136692

SKU	Color	Door Opening	Dimensions & Weight	Packaging	MSRP
136692-900-084-000	Clear / Chrome	Reversible	56" - 59" x 59 1/4" / 82 lb / 37 kg	3.64 ft ³	\$ 957
136692-900-305-000	Clear / Brushed Nickel				\$ 1028
136692-900-340-000	Clear / Matte Black				\$ 1064

STANDARD



TUB DOORS - BYPASS

Code	Description	H	J	W	L Adjustable	Door Opening	P	Wall adjustment
139690	Revelation 6mm 70 1/2"-73" x 43 - 47"	73"	70 1/2"	68 3/8"	43" - 47"	16" - 20"	33 7/8"	1/2"
139691	Revelation 6mm 70 1/2"-73" x 55 - 59"	73"	70 1/2"	68 3/8"	55" - 59"	22" - 26"	33 7/8"	1/2"
139692	Revelation 6mm 56 3/4"-59 1/4" x 55 - 59"	59 1/4"	56 3/4"	54 5/8"	55" - 59"	22" - 26"	18 7/8"	1/2"
139693	Revelation 8mm 70 1/2"-73" x 43 - 47"	73"	70 1/2"	68 3/8"	43" - 47"	16" - 20"	33 7/8"	1/2"
139694	Revelation 8mm 70 1/2"-73" x 55 - 59"	73"	70 1/2"	68 3/8"	55" - 59"	22" - 26"	33 7/8"	1/2"
139695	Revelation 8mm 56 3/4"-59 1/4" x 55 - 59"	59 1/4"	56 3/4"	54 5/8"	55" - 59"	22" - 26"	18 7/8"	1/2"

All dimensions are approximate. Structure measurements must be verified against the unit to ensure proper fit.

Revelation Round Tub Door - 8 mm



TUB DOORS - BYPASS



Material : Tempered Glass

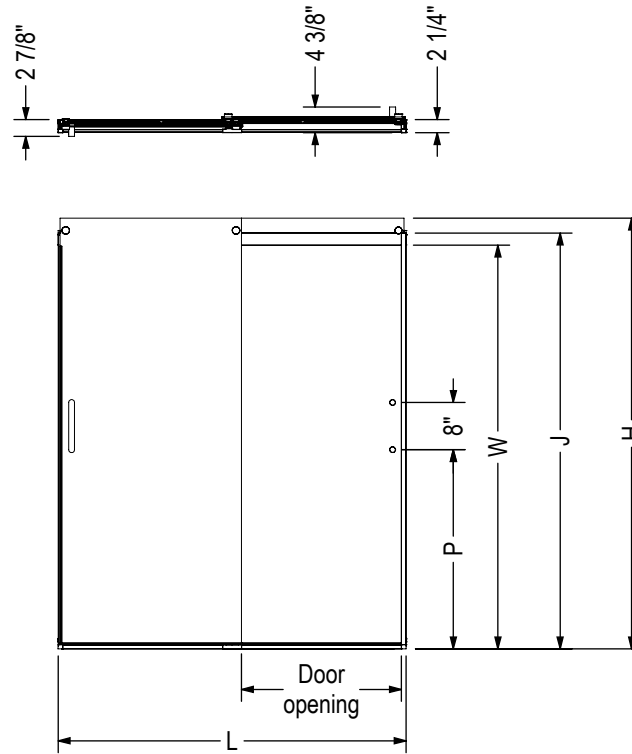
Features

- › Components that connect seamlessly for an effortless assembly
- › Exposed double set of wheels
- › Exposed double set of wheels
- › Handle outside / Big knob inside
- › Expandable Sill; No cutting required to adjust
- › Anti-jump features hidden in the frame
- › Detachable door guide to distance the glass for an easier cleaning

REVELATION ROUND 56-59 X 56 3/4-59 1/4 - 8 MM - 136695

SKU	Color	Door Opening	Dimensions & Weight	Packaging	MSRP
136695-900-084-000	Clear / Chrome	Reversible	56" - 59" x 59 1/4" / 120 lb / 54 kg	3 ft ³	\$ 1069
136695-900-305-000	Clear / Brushed Nickel				\$ 1142
136695-900-340-000	Clear / Matte Black				\$ 1177

STANDARD



Code	Description	H	J	W	L Adjustable	Door Opening	P	Wall adjustment
139690	Revelation 6mm 70 1/2"-73" x 43 - 47"	73"	70 1/2"	68 3/8"	43" - 47"	16" - 20"	33 7/8"	1/2"
139691	Revelation 6mm 70 1/2"-73" x 55 - 59"	73"	70 1/2"	68 3/8"	55" - 59"	22" - 26"	33 7/8"	1/2"
139692	Revelation 6mm 56 3/4"-59 1/4" x 55 - 59"	59 1/4"	56 3/4"	54 5/8"	55" - 59"	22" - 26"	18 7/8"	1/2"
139693	Revelation 8mm 70 1/2"-73" x 43 - 47"	73"	70 1/2"	68 3/8"	43" - 47"	16" - 20"	33 7/8"	1/2"
139694	Revelation 8mm 70 1/2"-73" x 55 - 59"	73"	70 1/2"	68 3/8"	55" - 59"	22" - 26"	33 7/8"	1/2"
139695	Revelation 8mm 56 3/4"-59 1/4" x 55 - 59"	59 1/4"	56 3/4"	54 5/8"	55" - 59"	22" - 26"	18 7/8"	1/2"

All dimensions are approximate. Structure measurements must be verified against the unit to ensure proper fit.

Revelation Square Tub Door - 6 mm



TUB DOORS - BYPASS



Material : Tempered Glass

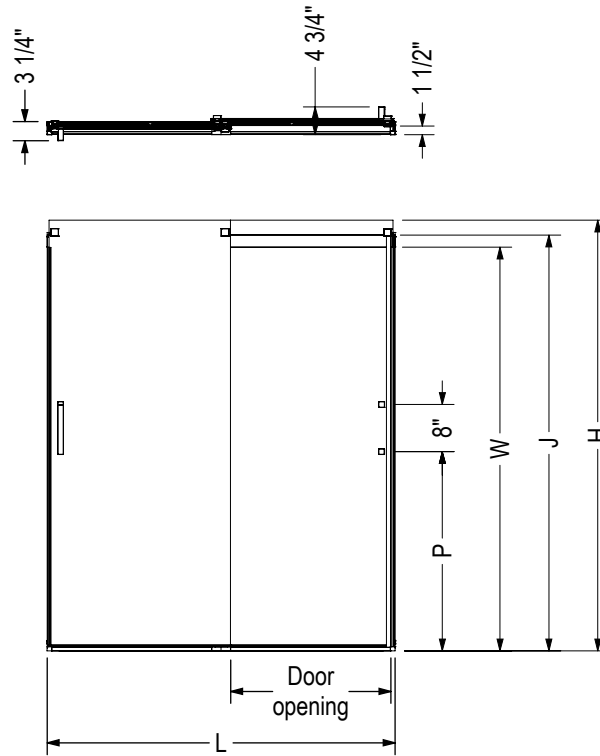
Features

- › Components that connect seamlessly for an effortless assembly
- › Exposed double set of wheels
- › Handle outside / Big knob inside
- › Anti-jump features hidden in the frame

REVELATION SQUARE 56-59 X 56 3/4-58 1/4 - 6MM - 135692

SKU	Color	Door Opening	Dimensions & Weight	Packaging	MSRP
135692-900-084-000	Clear / Chrome	Reversible	56" - 59" x 59 1/4" / 105 lb / 48 kg	3 ft ³	\$ 957
135692-900-305-000	Clear / Brushed Nickel				\$ 1028
135692-900-340-000	Clear / Matte Black				\$ 1064

STANDARD



Code	Description	H	J	W	L Adjustable	Door Opening	P	Wall adjustment
134690	Revelation SQ 6mm 70 1/2"-73" x 43 - 47"	73"	70 1/2"	68 3/8"	43" - 47"	16" - 20"	33 7/8"	1/2"
134691	Revelation SQ 6mm 70 1/2"-73" x 55 - 59"	73"	70 1/2"	68 3/8"	55" - 59"	22" - 26"	33 7/8"	1/2"
134692	Revelation SQ 6mm 56 3/4"-59 1/4" x 55 - 59"	59 1/4"	56 3/4"	54 5/8"	55" - 59"	22" - 26"	18 7/8"	1/2"
134693	Revelation SQ 8mm 70 1/2"-73" x 43 - 47"	73"	70 1/2"	68 3/8"	43" - 47"	16" - 20"	33 7/8"	1/2"
134694	Revelation SQ 8mm 70 1/2"-73" x 55 - 59"	73"	70 1/2"	68 3/8"	55" - 59"	22" - 26"	33 7/8"	1/2"
134695	Revelation SQ 8mm 56 3/4"-59 1/4" x 55 - 59"	59 1/4"	56 3/4"	54 5/8"	55" - 59"	22" - 26"	18 7/8"	1/2"

All dimensions are approximate. Structure measurements must be verified against the unit to ensure proper fit.

Revelation Square Tub Door - 8 mm



TUB DOORS - BYPASS



Material : Tempered Glass

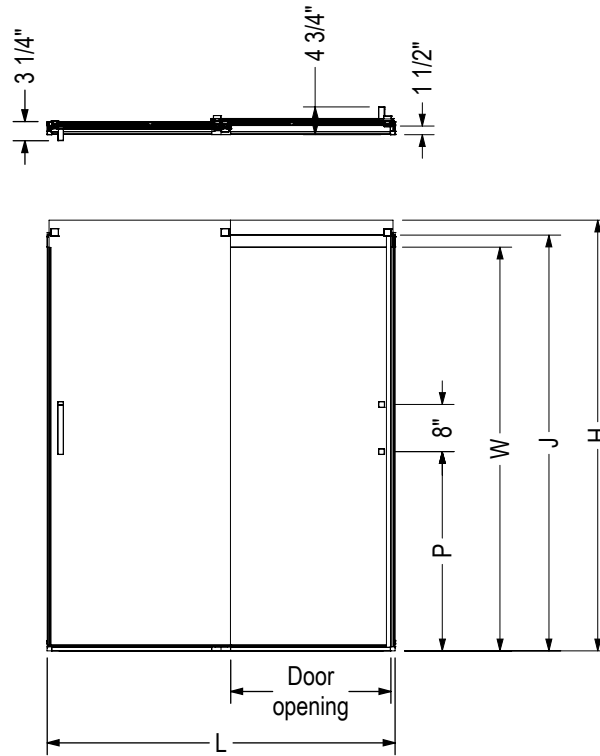
Features

- › Components that connect seamlessly for an effortless assembly
- › Exposed double set of wheels
- › Handle outside / Big knob inside
- › Anti-jump features hidden in the frame

REVELATION SQUARE 56-59 X 56 3/4-59 1/4 - 8MM - 135695

SKU	Color	Door Opening	Dimensions & Weight	Packaging	MSRP
135695-900-084-000	Clear / Chrome	Reversible	56" - 59" x 59 1/4" / 120 lb / 54 kg	3 ft ³	\$ 1069
135695-900-305-000	Clear / Brushed Nickel				\$ 1142
135695-900-340-000	Clear / Matte Black				\$ 1177

STANDARD



Code	Description	H	J	W	L Adjustable	Door Opening	P	Wall adjustment
134690	Revelation SQ 6mm 70 1/2"-73" x 43 - 47"	73"	70 1/2"	68 3/8"	43" - 47"	16" - 20"	33 7/8"	1/2"
134691	Revelation SQ 6mm 70 1/2"-73" x 55 - 59"	73"	70 1/2"	68 3/8"	55" - 59"	22" - 26"	33 7/8"	1/2"
134692	Revelation SQ 6mm 56 3/4"-59 1/4" x 55 - 59"	59 1/4"	56 3/4"	54 5/8"	55" - 59"	22" - 26"	18 7/8"	1/2"
134693	Revelation SQ 8mm 70 1/2"-73" x 43 - 47"	73"	70 1/2"	68 3/8"	43" - 47"	16" - 20"	33 7/8"	1/2"
134694	Revelation SQ 8mm 70 1/2"-73" x 55 - 59"	73"	70 1/2"	68 3/8"	55" - 59"	22" - 26"	33 7/8"	1/2"
134695	Revelation SQ 8mm 56 3/4"-59 1/4" x 55 - 59"	59 1/4"	56 3/4"	54 5/8"	55" - 59"	22" - 26"	18 7/8"	1/2"

All dimensions are approximate. Structure measurements must be verified against the unit to ensure proper fit.

Uptown Bypass Tub Door



TUB DOORS - BYPASS



Material : Tempered Glass

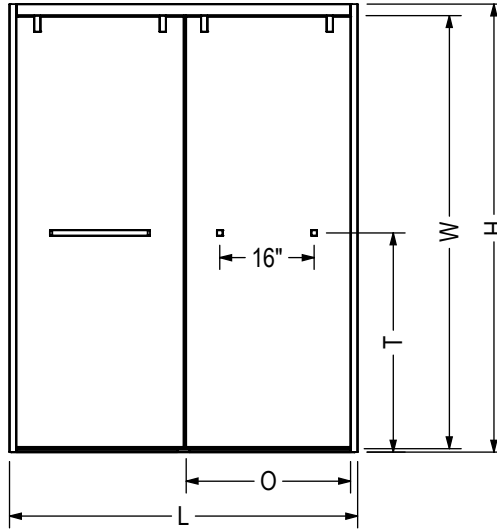
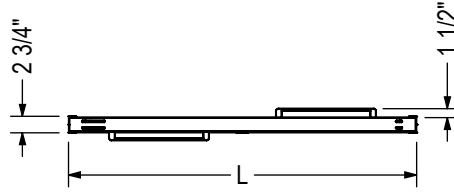
Features

- › 8 mm (5/16") tempered glass
- › Configuration consists of Bi-directional glass panels for flexible entry and easy access to fixtures on the left or right-hand side
- › Available in 4 Stylish Finishes
- › DIY Product for an easy installation
- › Fits on showers, walls and tile
- › Innovative Soft Close by MAAX technology prevents slamming
- › Glass panels come with the Lotus Easy Clean Glass Protection to repel soap and water stains for carefree maintenance
- › Reversible panel for easy corner installation on the left or on the right
- › 3/8" out-of-plumb adjustment

UPTOWN 56-59 X 58 IN. 8 MM - 135320

SKU	Color	Door Opening	Dimensions & Weight	Packaging	MSRP
135320-900-084-000	Clear / Chrome	Reversible	56" - 59" x 58" / 106 lb / 48 kg	4.732 ft ³	\$ 1443
135320-900-173-000	Clear / Dark Bronze				\$ 1557
135320-900-305-000	Clear / Brushed Nickel				\$ 1517
135320-900-340-000	Clear / Matte Black				\$ 1557

STANDARD



Code	Description	H	L	O	T	W
135320	Uptown Bypass Tub door 58" x 56" - 59"	58"	56" - 59"	24 7/8" - 27 7/8"	28 1/4"	55 1/2"
135321	Uptown Bypass door 76" x 44" - 47"	76"	44" - 47"	18 7/8" - 21 7/8"	37 1/8"	73 1/2"
135322	Uptown Bypass door 76" x 56" - 59"	76"	56" - 59"	24 7/8" - 27 7/8"	37 1/8"	73 1/2"

Wall adjustment = 3/8"

All dimensions are approximate. Structure measurements must be verified against the unit to ensure proper fit.



Halo Tub Door

TUB DOORS - SLIDING



Material : Tempered Glass

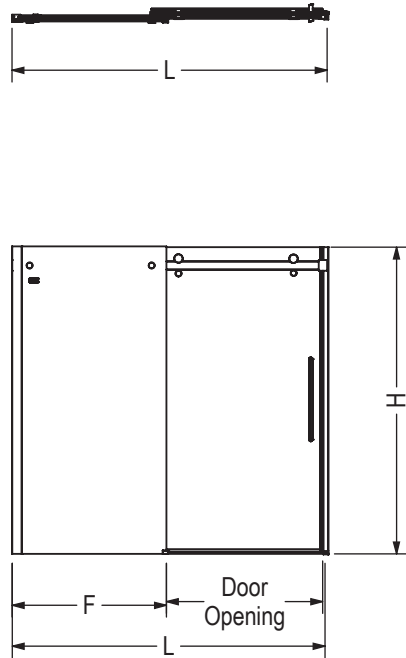
Features

- › 8 mm tempered glass panels
- › Available in 4 finishes: Chrome, Brushed Nickel, Dark Bronze, Matte Black
- › Compatible with MAAX's Utile tub wall system, allowing for a seamless and coordinated installation with the shower door, creating a cohesive and stylish bathroom design
- › Sliding door configuration features one sliding glass panel and one stationary panel
- › Ball bearing roller technology along a friction-free stainless steel rail system for a smooth and quiet opening
- › The frameless design brings a sense of spaciousness to the room and creates a sleek, minimalist look.
- › Glass panels come with the Lotus Easy Clean Glass Protection to repel soap and water stains for carefree maintenance
- › Compatible with MAAX's Utile tub wall system, allowing for a seamless and coordinated installation with the shower door, creating a cohesive and stylish bathroom design
- › Warranty: 10 years

HALO 56 1/2-59 X 59 - 8MM - 139398

SKU	Color	Door Opening	Dimensions & Weight	Packaging	MSRP
139398-900-084-000	Clear / Chrome	Lateral	56 1/2" - 59" x 59" / 131 lb / 59 kg	7.7 ft ³	\$ 1367
139398-900-173-000	Clear / Dark Bronze	Reversible	56 1/2" - 59" x 59" / 108 lb / 49 kg		\$ 1473
139398-900-305-000	Clear / Brushed Nickel				\$ 1438
139398-900-340-000	Clear / Matte Black	Lateral	56 1/2" - 59" x 59" / 118 lb / 54 kg		\$ 1473

STANDARD



TUB DOORS - SLIDING

Code	Description	H	L Adjustable	F	Door Opening	Wall Adjustment
139398	Halo TUBDOOR 59" x 59"	59"	56 1/2" - 59"	28 5/8"	24 1/2"	1"

All dimensions are approximate. Structure measurements must be verified against the unit to ensure proper fit.



Luminescence Tub Door

TUB DOORS - SLIDING



Material : Tempered Glass

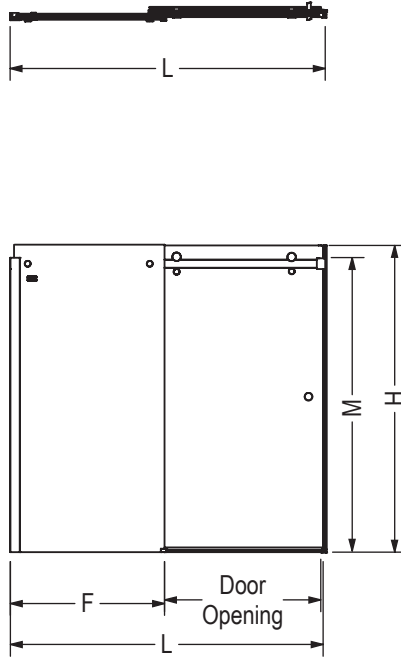
Features

- › Fits showers with 55 1/2 -inch wall clearance, glass extends to 57 1/2 -inch
- › Ball bearing roller system, for a quiet and gentle close
- › Door is reversible, provides a right or left opening for ease of installation

LUMINESCENCE SLIDINGDOOR 56 1/2-59 X 55 1/2-57 1/2 - 6MM - 138994

SKU	Color	Door Opening	Dimensions & Weight	Packaging	MSRP
138994-900-084-000	Clear / Chrome	Reversible	56 1/2" - 59" x 55 1/2" / 86 lb / 39 kg	4.02 ft³	\$ 1106
138994-900-305-000	Clear / Brushed Nickel				\$ 1177

STANDARD



Code	Description	H	M	L Adjustable	F	Door Opening	Wall Adjustment
138994	Luminescence 56 1/2"-59" x 55 1/2"	57 1/2"	55 1/2"	56 1/2" - 59"	28 5/8"	24 1/2"	1"

All dimensions are approximate. Structure measurements must be verified against the unit to ensure proper fit.

Tub Showers



TSEA Plus Tub Shower



6030STT



Material : AcrylX

Features

- > 1-piece tub shower with subway tile design
- > Left or right-hand drain
- > Ergonomic backrest
- > Slip resistant, textured bottom
- > AcrylX™ applied acrylic finish
- > Limited lifetime warranty
- > Optional feature: reinforced walls for future grab bar installation

TUB SHOWERS - ACRYLX

6030STTM AFR - 106886

SKU	System	Color	Configuration	Dimensions & Weight	Packaging	MSRP
106886-000-002-100	Soaker - No System	White	Left	60" x 31 1/4" x 76 1/4" / 126 lb / 57 kg	84 ft³	\$ 1090
106886-000-002-101			Right			\$ 1090

6030STT - 106923

SKU	System	Color	Configuration	Dimensions & Weight	Packaging	MSRP
106923-000-002-100	Soaker - No System	White	Left	60" x 31 1/4" x 74 1/4" / 128 lb / 58 kg	84 ft³	\$ 1053
106923-000-002-101			Right			\$ 1053

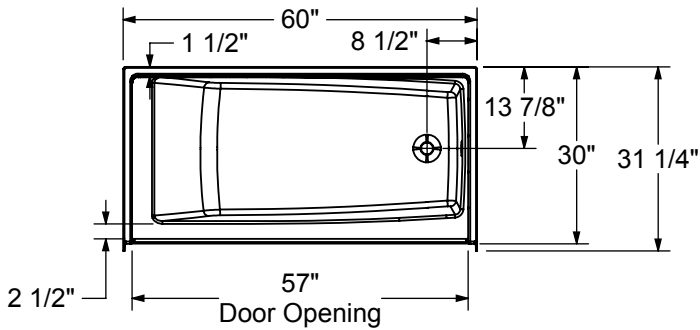
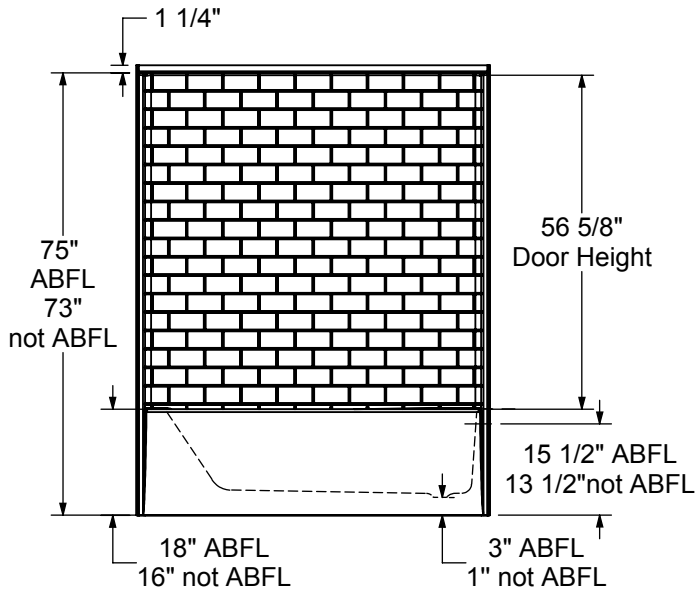
COMMON OPTIONS

SKU	Description	MSRP
OPT10189	Three-wall reinforcement for future grab bar installation ³³	\$ 232
OPT20212-B	Wall reinforcement (one wall) for future grab bar installation ⁹ OPT20212-B Reinforcement on back wall	\$ 111
OPT20212-L	Wall reinforcement (one wall) for future grab bar installation ⁶¹ OPT 20212-L Reinforcement on left wall	\$ 111
OPT20212-R	Wall reinforcement (one wall) for future grab bar installation ⁹ OPT 20212-R Reinforcement on right wall	\$ 111
OPT20317	Builder backing of unit for future installation of grab bars	\$ 153

FOOTNOTES

No	Description
9	6-Pack bathtubs are only available when units are without systems and in a standard colour.
33	Please see technical drawings on https://www.maax.com for reinforcement positioning and size.
61	Please see technical drawings on www.akerbymaax.com for reinforcement positioning and size.

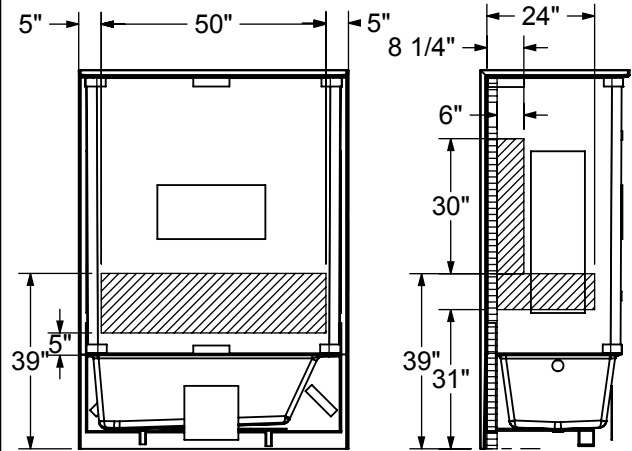
STANDARD
(Right Shown)



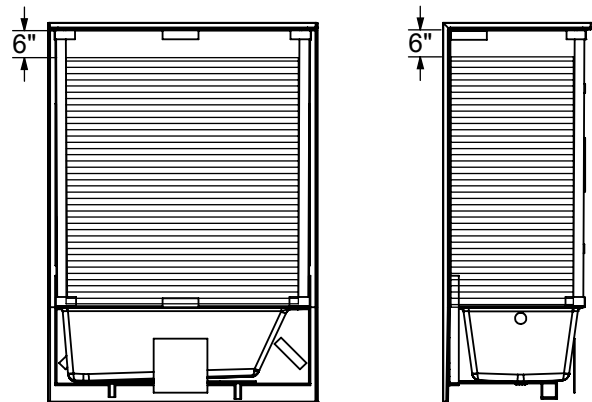
All dimensions are approximate. Structure measurements must be verified against the unit to ensure proper fit.

OPTIONAL REINFORCEMENT

BUILDER BACKING Option



FULL WALL Reinforcement Option
SINGLE WALL Reinforcement Option





6032STTT

TUB SHOWERS - ACRYLX



Material : AcrylX

Features

- > 1-piece tub shower with subway tile design
- > Left or right-hand drain
- > Ergonomic backrest
- > Slip resistant, textured bottom
- > AcrylX™ applied acrylic finish
- > Limited lifetime warranty
- > Optional feature: reinforced walls for future grab bar installation

6032STTM AFR - 106887

SKU	System	Color	Configuration	Dimensions & Weight	Packaging	MSRP
106887-000-002-100	Soaker - No System	White	Left	60" x 33 1/4" x 84 1/4" / 137 lb / 62 kg	95.194 ft ³	\$ 1165
106887-000-002-101			Right			\$ 1165

6032STT - 106924

SKU	System	Color	Configuration	Dimensions & Weight	Packaging	MSRP
106924-000-002-100	Soaker - No System	White	Left	60" x 33 1/4" x 81 1/4" / 136 lb / 62 kg	95.194 ft ³	\$ 1127
106924-000-002-101			Right			\$ 1127

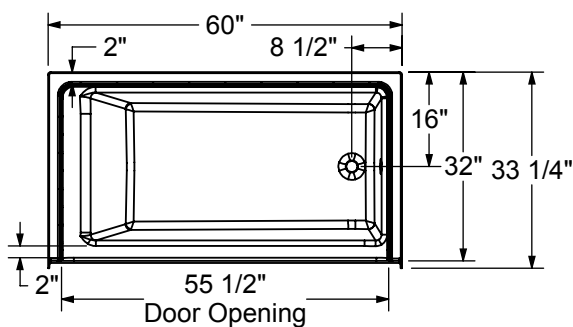
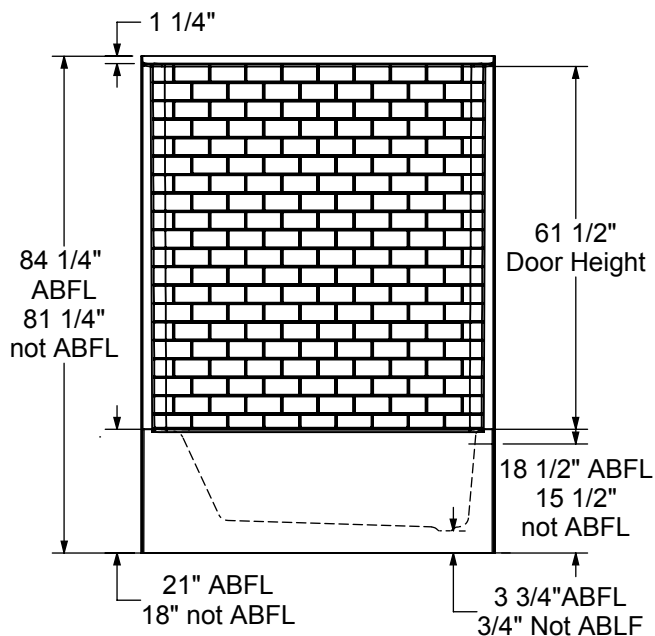
COMMON OPTIONS

SKU	Description	MSRP
OPT10189	Three-wall reinforcement for future grab bar installation ³³	\$ 232
OPT20212-B	Wall reinforcement (one wall) for future grab bar installation ⁹ OPT20212-B Reinforcement on back wall	\$ 111
OPT20212-L	Wall reinforcement (one wall) for future grab bar installation ⁶¹ OPT 20212-L Reinforcement on left wall	\$ 111
OPT20212-R	Wall reinforcement (one wall) for future grab bar installation ⁹ OPT 20212-R Reinforcement on right wall	\$ 111
OPT20317	Builder backing of unit for future installation of grab bars	\$ 153

FOOTNOTES

No	Description
9	6-Pack bathtubs are only available when units are without systems and in a standard colour.
33	Please see technical drawings on https://www.maax.com for reinforcement positioning and size.
61	Please see technical drawings on www.akerbymax.com for reinforcement positioning and size.

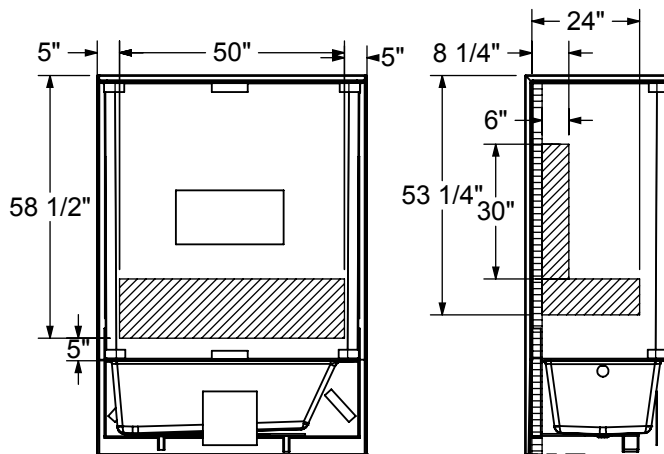
STANDARD
(Right Shown)



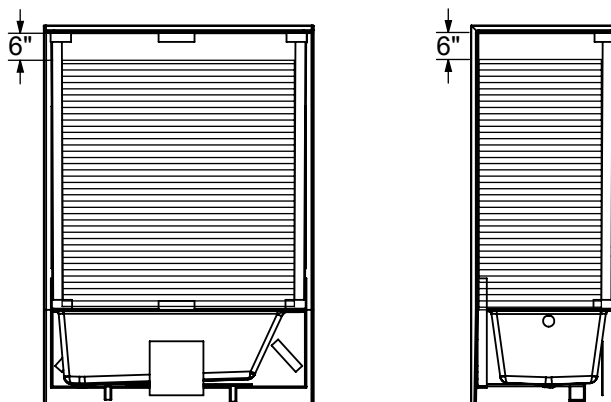
All dimensions are approximate. Structure measurements must be verified against the unit to ensure proper fit.

OPTIONAL REINFORCEMENT

BUILDER BACKING Option



FULL WALL Reinforcement Option
SINGLE WALL Reinforcement Option





BG6034C



Material : AcrylX
 Min: 23 Gal / 86 L
 Max: 33 Gal / 123 L

Features

- > 1-piece tub shower without roof cap
- > Built-in shelves
- > Center drain

TUB SHOWERS - ACRYLX

BG6034C - 140001

SKU	System	Color	Configuration	Dimensions & Weight	Packaging	MSRP
140001-000-002-000	Soaker - No System	White	Center	60" x 34" x 73 3/4" / 140 lb / 63 kg	98 ft ³	\$ 1267
140001-003-002	Whirlpool ^{1 4}					\$ 2615

COMMON OPTIONS

SKU	Description	MSRP
OPT10053	One chromatherapy light (factory installed) ⁵⁴	\$ 641
OPT10095	Water heater assembly for whirlpool and combined systems (factory installed)	\$ 908
OPT10106-084	Metal trim kit for whirlpool and combined systems (factory installed) Available colors: Chrome (084) and Brushed Nickel (105)	\$ 568
OPT10106-105		\$ 568
OPT20137-004	Cable-operated waste and overflow (16 in. to 22 in.) (included in product packaging when purchased) Available colors: White (001), Bone (004), Chrome (084) and Brushed Nickel (105)	\$ 238
OPT20137-084		\$ 238
OPT20137-105		\$ 238
OPT20137-001		\$ 238

ACCESSORIES

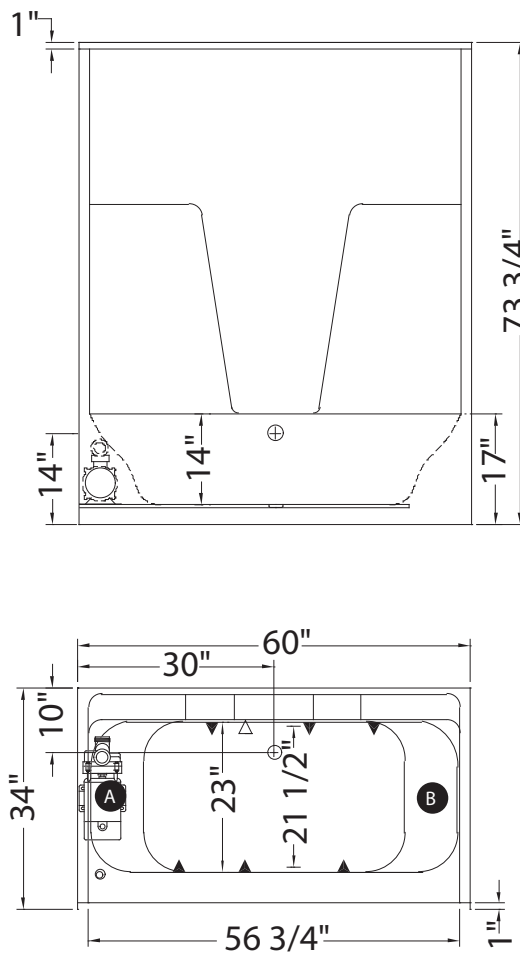
SKU	Description	MSRP
10004306-001	White foam cushion with 2 suction pads (sold separately) Available color: White (001)	\$ 120
10006887-105	Metal trim kit for Whirlpool and combined systems (sold separately) Available colors: Chrome (084) and Brushed Nickel (105)	\$ 568

ACCESSORIES

SKU	Description	MSRP
10006887-084	Metal trim kit for Whirlpool and combined systems (sold separately) Available colors: Chrome (084) and Brushed Nickel (105)	\$ 568
10022491-084	Cable-operated waste and overflow (16 in. to 22 in.) (sold separately) Available colors: White (001), Bone (004), Chrome (084) and Brushed Nickel (105)	\$ 238
10022491-004		\$ 238
10022491-105		\$ 238
10022491-001		\$ 238

FOOTNOTES

No	Description
1	Components for standard colour units equipped with systems are colour-coordinated. Trim kit and/or air push with metallic finish can be added (additional charge applies). For non-standard colour units, please specify trim kit and/or air push colour (additional charge applies for metallic finishes). Please note that the positioning of the system's control could be in conflict with the door if one was installed on the unit. To insure compatibility, please contact customer service.
4	For details on pump position and requirements, see technical drawings on https://www.maax.com . When there is a pump position A or B indicated on the technical drawing, please specify position when ordering.
54	A selection of units come with an access panel by default when equipped with a system. However, if the unit is only equipped with chromatherapy, the access panel will not be provided by default.



- Ⓐ : Standard blower and/or pump location
- Ⓑ : Optional blower and/or pump location
- (▲): Indicates Whirlpool jets positioning
- (△): Indicates suction positioning

All dimensions are approximate. Structure measurements must be verified against the unit to ensure proper fit.



Icon TS6032

TUB SHOWERS - ACRYLX



Material : AcrylX

Features

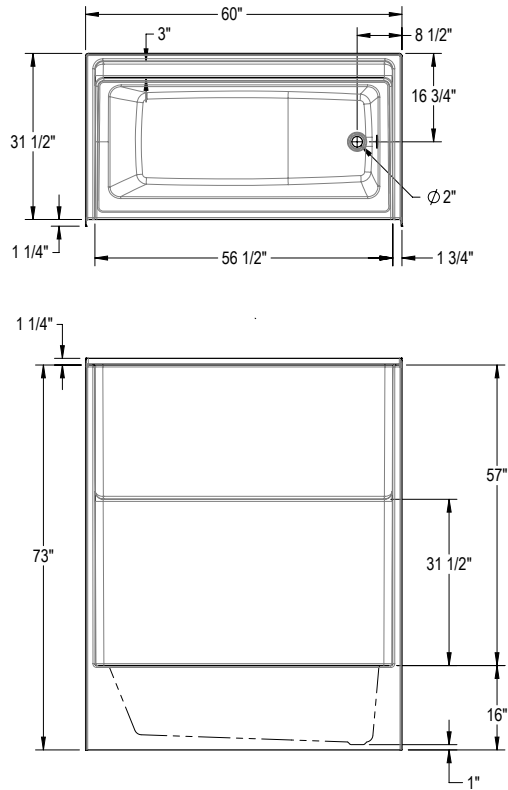
- › Made of AcrylX applied acrylic for improved durability
- › 1-Piece construction for reliable water containment
- › Smooth walls for a modern and minimalist look
- › Left-hand or right-hand drain configuration
- › Ample shelf capacity
- › Flat walls to easily accommodate future grab bars
- › Standard non-AFR (above-the-floor rough)
- › Slip-resistant textured bottom for additional safety
- › Warranty: Limited lifetime

ICON TS6032 - 107157

SKU	System	Color	Configuration	Dimensions & Weight	Packaging	MSRP
107157-000-002-001	Soaker - No System	White	Left	60" x 32 3/4" x 74 1/4" / 135 lb / 61 kg	84.43359375 ft ³	\$ 1264
107157-000-002-002			Right			\$ 1264

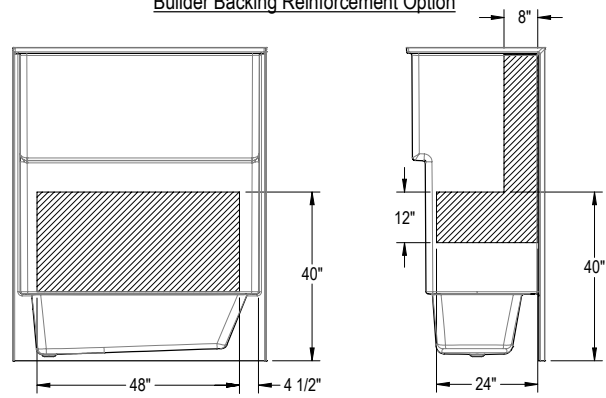
ICON TS6032X AFR - 107164

SKU	System	Color	Configuration	Dimensions & Weight	Packaging	MSRP
107164-000-002-501	Soaker - No System	White	Left	60" x 32 3/4" x 76 1/4" / 138 lb / 63 kg	86.7078993055556 ft ³	\$ 1299
107164-000-002-502			Right			\$ 1299

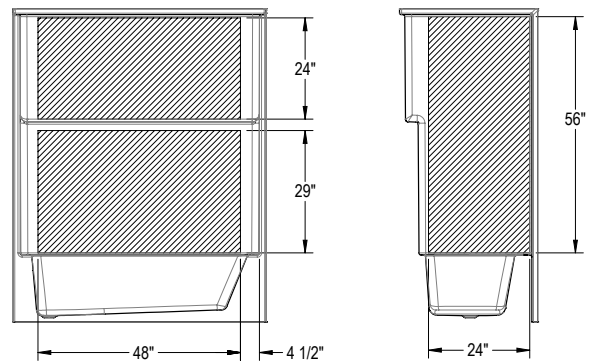


All dimensions are approximate. Structure measurements must be verified against the unit to ensure proper fit.

Builder Backing Reinforcement Option



Full Wall Reinforcement Option



TUB SHOWERS - ACRYLX



Icon TS6036

TUB SHOWERS - ACRYLX



Material : AcrylX

Features

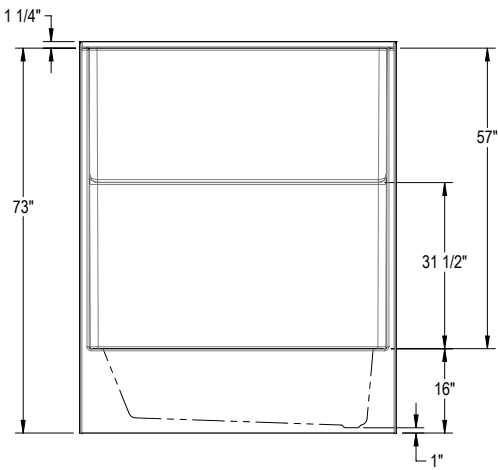
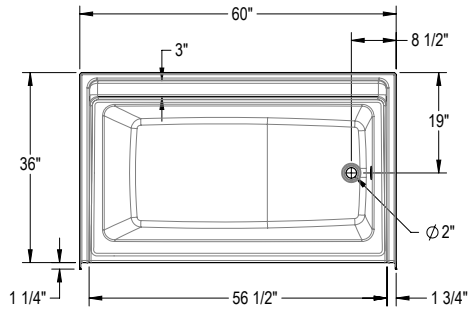
- › Made of AcrylX applied acrylic for improved durability
- › 1-Piece construction for reliable water containment
- › Smooth walls for a modern and minimalist look
- › Left-hand or right-hand drain configuration
- › Ample shelf capacity
- › Flat walls to easily accommodate future grab bars
- › Standard non-AFR (above-the-floor rough)
- › Slip-resistant textured bottom for additional safety
- › Warranty: Limited lifetime

ICON TS6036 - 107162

SKU	System	Color	Configuration	Dimensions & Weight	Packaging	MSRP
107162-000-002-001	Soaker - No System	White	Left	60" x 37 1/4" x 74 1/4" / 140 lb / 63 kg	96.03515625 ft ³	\$ 1324
107162-000-002-002			Right			\$ 1324

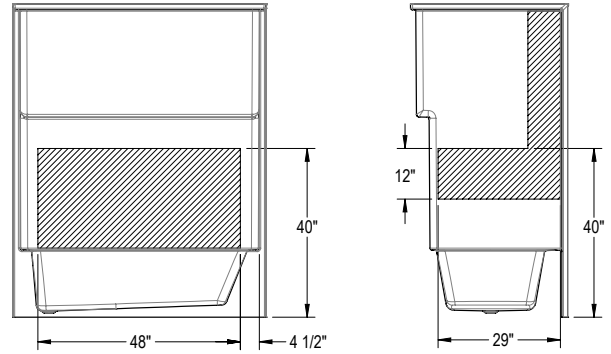
ICON TS6036X AFR - 107168

SKU	System	Color	Configuration	Dimensions & Weight	Packaging	MSRP
107168-000-002-501	Soaker - No System	White	Left	60" x 37 1/4" x 76 1/4" / 143 lb / 65 kg	98.6219618055556 ft ³	\$ 1359
107168-000-002-502			Right			\$ 1359

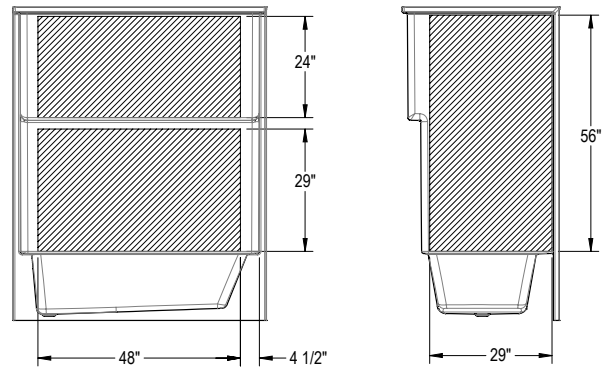


All dimensions are approximate. Structure measurements must be verified against the unit to ensure proper fit.

Builder Backing Reinforcement Option



Full Wall Reinforcement Option





KDTS 3060

TUB SHOWERS - ACRYLX



Material : AcrylX

Features

- › Product also available with Above-the-Floor Rough (AFR) feature
- › 4-piece tub shower
- › Large top corner shelves, wide soap dish and acrylic handle ²⁸
- › Unique feature: PIN system for easy front installation
- › Optional wall reinforcement and grab bars
- › All grab bars can support up to 300 lbs

KDTS 3060 - 145006

SKU	System	Color	Configuration	Dimensions & Weight	Packaging	MSRP
145006-000-002-094	Soaker - No System	White	Left	59 7/8" x 30 1/8" x 77 1/2" / 152 lb / 69 kg	99 ft ³	\$ 1522
145006-000-002-095			Right			\$ 1522

KDTS 3060 AFR - 145007

SKU	System	Color	Configuration	Dimensions & Weight	Packaging	MSRP
145007-000-002-594	Soaker - No System	White	Left	59 7/8" x 30 1/8" x 79 5/8" / 152 lb / 69 kg	99 ft ³	\$ 1522
145007-000-002-595			Right			\$ 1522

COMMON OPTIONS

SKU	Description	MSRP
OPT20203-R-084	18 in. Modern straight grab bar ⁶⁰ OPT 20203-R-XXX Vertical grab bar on right wall Available colors: White (002), Chrome (084) and Brushed Nickel (105)	\$ 259
OPT20203-R-002		\$ 259
OPT20203-R-105		\$ 259
OPT20204-B-002	24 in. Modern straight grab bar ⁶ OPT 20204-B-XXX Horizontal grab bar on back wall Available colors: White (002), Chrome (084) and Brushed Nickel (105)	\$ 277
OPT20204-B-084		\$ 277
OPT20204-B-105		\$ 277
OPT20204-L-084	24 in. Modern straight grab bar ⁶ OPT 20204-L-XXX Vertical grab bar on left wall Available colors: White (002), Chrome (084) and Brushed Nickel (105)	\$ 277

COMMON OPTIONS

SKU	Description	MSRP
OPT20204-L-105	24 in. Modern straight grab bar ⁶	\$ 277
OPT20204-L-002	OPT 20204-L-XXX Vertical grab bar on left wall Available colors: White (002), Chrome (084) and Brushed Nickel (105)	\$ 277
OPT20204-R-002	24 in. Modern straight grab bar ⁶⁰	\$ 277
OPT20204-R-084	OPT 20204-R-XXX Vertical grab bar on right wall	\$ 277
OPT20204-R-105	Available colors: White (002), Chrome (084) and Brushed Nickel (105)	\$ 277
OPT20212-B	Wall reinforcement (one wall) for future grab bar installation ⁹ OPT20212-B Reinforcement on back wall	\$ 111
OPT20212-L	Wall reinforcement (one wall) for future grab bar installation ⁶¹ OPT 20212-L Reinforcement on left wall	\$ 111
OPT20212-R	Wall reinforcement (one wall) for future grab bar installation ⁹ OPT 20212-R Reinforcement on right wall	\$ 111
OPT10109-084	Metallic finish handle replacing Acrylic handle	\$ 251
OPT10109-105	Available colors: Chrome (084) and Brushed Nickel (105)	\$ 251
OPT20203-B-002	18 in. Modern straight grab bar ⁶	\$ 259
OPT20203-B-105	OPT 20203-B-XXX Horizontal grab bar on back wall	\$ 259
OPT20203-B-084	Available colors: White (002), Chrome (084) and Brushed Nickel (105)	\$ 259
OPT20203-L-105	18 in. Modern straight grab bar ⁶⁰	\$ 259
OPT20203-L-002	OPT 20203-L-XXX Vertical grab bar on left wall	\$ 259
OPT20203-L-084	Available colors: White (002), Chrome (084) and Brushed Nickel (105)	\$ 259
145010-000-002-094	Tub only with PIN system	\$ 835
145010-000-002-095	145010-R-000-002 Right-hand drain 145010-L-000-002 Left-hand drain	\$ 835
145048-000-002-090	Side walls (right and left) for KDTS 2954, KDTS 3060 and KDS 3060	\$ 353
145061-000-002-090	Back wall for KDTS 3060, KDTS 3260, KDS 3060 and KDS 3460 ²⁸	\$ 334

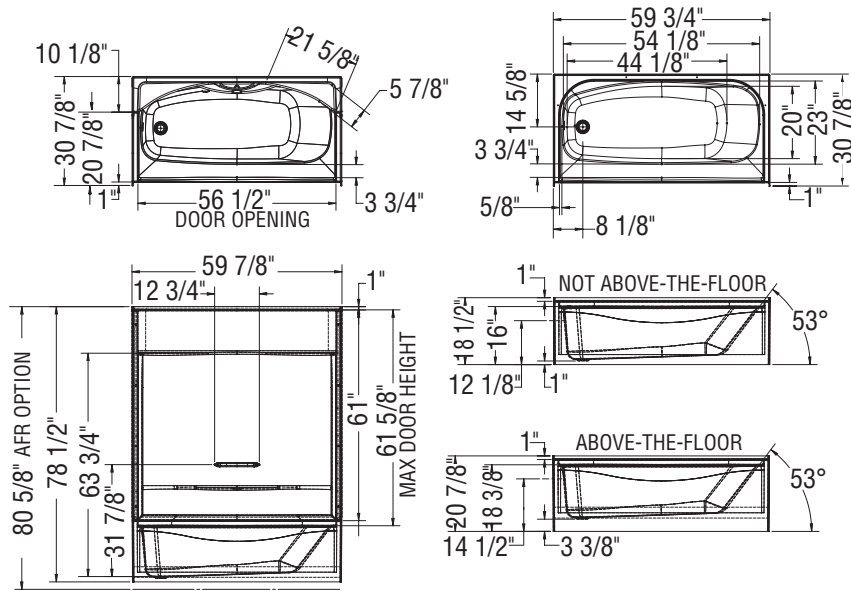
ACCESSORIES

SKU	Description	MSRP
10004306-001	White foam cushion with 2 suction pads (sold separately) Available color: White (001)	\$ 120
10022491-084		\$ 238
10022491-004	Cable-operated waste and overflow (16 in. to 22 in.) (sold separately)	\$ 238
10022491-105	Available colors: White (001), Bone (004), Chrome (084) and Brushed Nickel (105)	\$ 238
10022491-001		\$ 238

FOOTNOTES

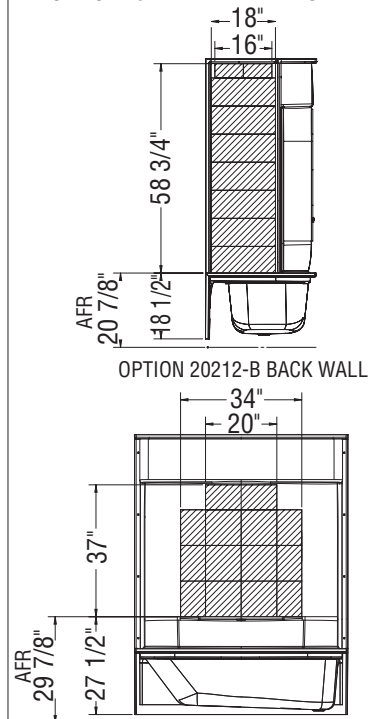
No	Description
6	Specify 3/8 (Lite option) or 2 in. on deck height. If ordering unit with an apron, only 2 in. deck height is available.
9	6-Pack bathtubs are only available when units are without systems and in a standard colour.
28	Handles for standard colour units are colour-coordinated. Handles with metallic finish can be added (additional charge applies). For non-standard colour units, please specify handle colour (additional charge applies for metallic finishes).
60	Please see technical drawings on www.akerbymaax.com for grab bar positioning.
61	Please see technical drawings on www.akerbymaax.com for reinforcement positioning and size.

STANDARD

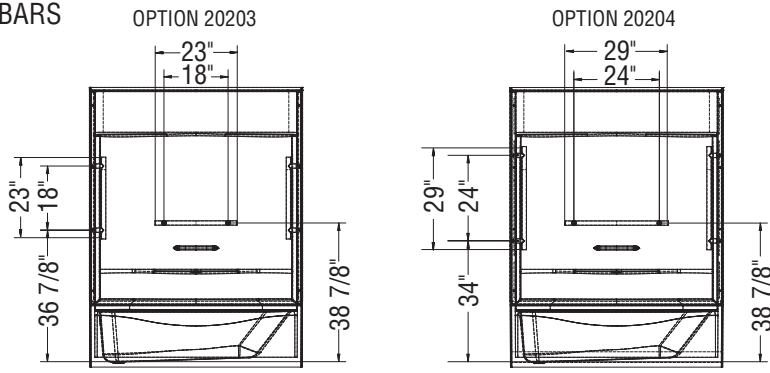


REINFORCEMENT BACKING

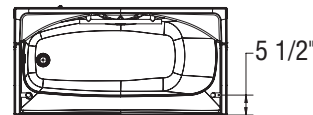
OPTION 20212-R RIGHT WALL SHOWN
OPTION 20212-L LEFT WALL SYMMETRICAL



GRAB BARS



OPTION 20203-20204



All dimensions are approximate. Structure measurements must be verified against the unit to ensure proper fit.



KDTS 3260



Material : AcrylX

Features

- › Product available with or without Above-the-Floor Rough feature
- › 4-piece tub shower
- › Large top corner shelves, wide soap dish and acrylic handle ²⁸
- › Optional wall reinforcement and grab bar
- › Unique feature: PIN system for easier front installation
- › All grab bars can support up to 300 lbs

TUB SHOWERS - ACRYLX

KDTS 3260 - 145012

SKU	System	Color	Configuration	Dimensions & Weight	Packaging	MSRP
145012-000-002-094	Soaker - No System	White	Left	59 7/8" x 32" x 79 1/4" / 152 lb / 69 kg	105 ft ³	\$ 1594
145012-000-002-095			Right			\$ 1594

KDTS 3260 AFR - 145013

SKU	System	Color	Configuration	Dimensions & Weight	Packaging	MSRP
145013-000-002-594	Soaker - No System	White	Left	59 7/8" x 32" x 81 3/4" / 152 lb / 69 kg	105 ft ³	\$ 1594
145013-000-002-595			Right			\$ 1594

COMMON OPTIONS

SKU	Description	MSRP
OPT20203-R-084	18 in. Modern straight grab bar ⁶⁰ OPT 20203-R-XXX Vertical grab bar on right wall Available colors: White (002), Chrome (084) and Brushed Nickel (105)	\$ 259
OPT20203-R-002		\$ 259
OPT20203-R-105		\$ 259
OPT20204-B-002	24 in. Modern straight grab bar ⁶ OPT 20204-B-XXX Horizontal grab bar on back wall Available colors: White (002), Chrome (084) and Brushed Nickel (105)	\$ 277
OPT20204-B-084		\$ 277
OPT20204-B-105		\$ 277
OPT20204-L-084	24 in. Modern straight grab bar ⁶ OPT 20204-L-XXX Vertical grab bar on left wall Available colors: White (002), Chrome (084) and Brushed Nickel (105)	\$ 277

COMMON OPTIONS

SKU	Description	MSRP
OPT20204-L-105	24 in. Modern straight grab bar ⁶	\$ 277
OPT20204-L-002	OPT 20204-L-XXX Vertical grab bar on left wall Available colors: White (002), Chrome (084) and Brushed Nickel (105)	\$ 277
OPT20204-R-002	24 in. Modern straight grab bar ⁶⁰	\$ 277
OPT20204-R-084	OPT 20204-R-XXX Vertical grab bar on right wall Available colors: White (002), Chrome (084) and Brushed Nickel (105)	\$ 277
OPT20204-R-105	Available colors: White (002), Chrome (084) and Brushed Nickel (105)	\$ 277
OPT20212-B	Wall reinforcement (one wall) for future grab bar installation ⁹ OPT20212-B Reinforcement on back wall	\$ 111
OPT20212-L	Wall reinforcement (one wall) for future grab bar installation ⁶¹ OPT 20212-L Reinforcement on left wall	\$ 111
OPT20212-R	Wall reinforcement (one wall) for future grab bar installation ⁹ OPT 20212-R Reinforcement on right wall	\$ 111
OPT10109-084	Metallic finish handle replacing Acrylic handle	\$ 251
OPT10109-105	Available colors: Chrome (084) and Brushed Nickel (105)	\$ 251
OPT20203-B-002	18 in. Modern straight grab bar ⁶	\$ 259
OPT20203-B-105	OPT 20203-B-XXX Horizontal grab bar on back wall Available colors: White (002), Chrome (084) and Brushed Nickel (105)	\$ 259
OPT20203-B-084	Available colors: White (002), Chrome (084) and Brushed Nickel (105)	\$ 259
OPT20203-L-105	18 in. Modern straight grab bar ⁶⁰	\$ 259
OPT20203-L-002	OPT 20203-L-XXX Vertical grab bar on left wall Available colors: White (002), Chrome (084) and Brushed Nickel (105)	\$ 259
OPT20203-L-084	Available colors: White (002), Chrome (084) and Brushed Nickel (105)	\$ 259
145017-000-002-595	Tub only with PIN system (AFR)	\$ 935
145017-000-002-594	145017-R-000-002 Right-hand drain 145017-L-000-002 Left-hand drain	\$ 935
145051-000-002-090	Side walls (right and left) for KDTS 3260	\$ 325
145061-000-002-090	Back wall for KDTS 3060, KDTS 3260, KDS 3060 and KDS 3460 ²⁸	\$ 334

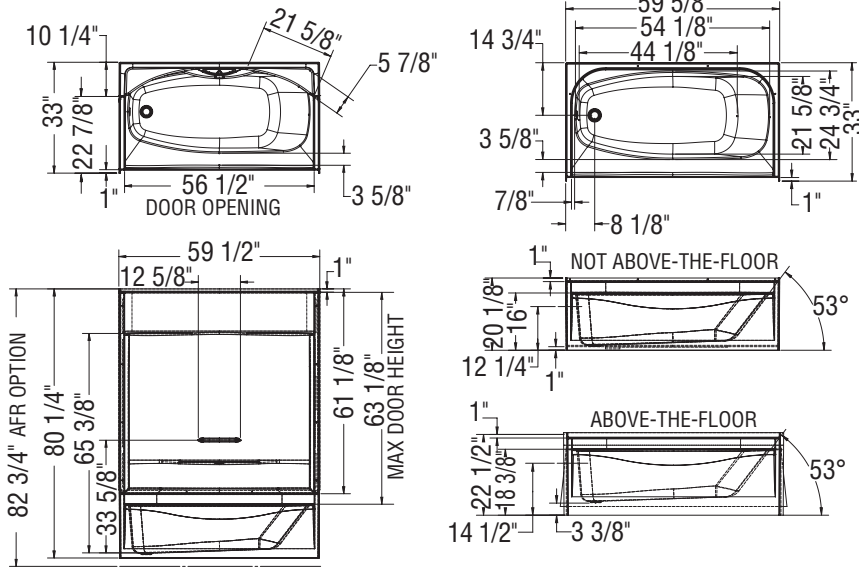
ACCESSORIES

SKU	Description	MSRP
10004306-001	White foam cushion with 2 suction pads (sold separately) Available color: White (001)	\$ 120
10022491-084		\$ 238
10022491-004	Cable-operated waste and overflow (16 in. to 22 in.) (sold separately)	\$ 238
10022491-105	Available colors: White (001), Bone (004), Chrome (084) and Brushed Nickel (105)	\$ 238
10022491-001		\$ 238

FOOTNOTES

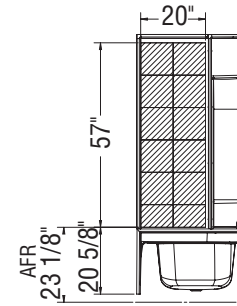
No	Description
6	Specify 3/8 (Lite option) or 2 in. on deck height. If ordering unit with an apron, only 2 in. deck height is available.
9	6-Pack bathtubs are only available when units are without systems and in a standard colour.
28	Handles for standard colour units are colour-coordinated. Handles with metallic finish can be added (additional charge applies). For non-standard colour units, please specify handle colour (additional charge applies for metallic finishes).
60	Please see technical drawings on www.akerbymaax.com for grab bar positioning.
61	Please see technical drawings on www.akerbymaax.com for reinforcement positioning and size.

STANDARD

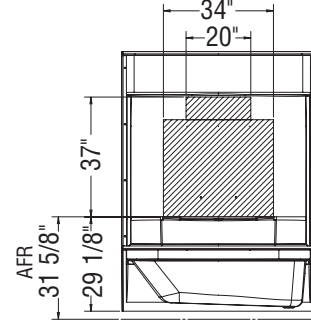


REINFORCEMENT BACKING

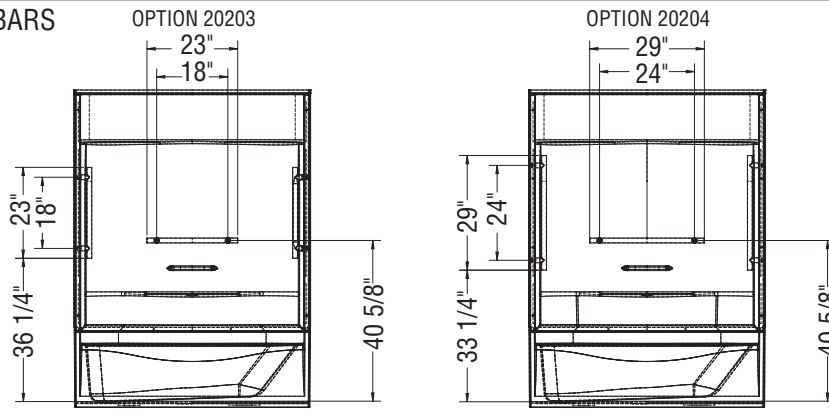
OPTION 20212-R RIGHT WALL SHOWN
OPTION 20212-L LEFT WALL SYMMETRICAL



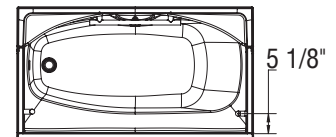
OPTION 20212-B BACK WALL



GRAB BARS



OPTION 20203-20204



All dimensions are approximate. Structure measurements must be verified against the unit to ensure proper fit.



TSEA Plus

TUB SHOWERS - ACRYLX



Material : AcrylX
 Min: 36 Gal / 136 L
 Max: 49 Gal / 182 L

Features

- > 1-piece tub shower without roof cap
- > Integrated wide shelves
- > 20 in. apron, 13 3/8 in. deep bathing well
- > Above-the-Floor Rough (AFR)
- > Optional wall reinforcement and grab bars
- > Textured bottom

TSEA PLUS - 105674						
SKU	System	Color	Configuration	Dimensions & Weight	Packaging	MSRP
105674-000-002-001	Soaker - No System	White	Left	59 3/4" x 32" x 78" / 123 lb / 56 kg	91.3 ft ³	\$ 1138
105674-000-002-002			Right			\$ 1138
105674-L-003-002	Whirlpool ^{1 4}		Left			\$ 2486
105674-R-003-002			Right			\$ 2486

COMMON OPTIONS		
SKU	Description	MSRP
OPT20203-R-084	18 in. Modern straight grab bar ⁶⁰	\$ 259
OPT20203-R-002	OPT 20203-R-XXX Vertical grab bar on right wall	\$ 259
OPT20203-R-105	Available colors: White (002), Chrome (084) and Brushed Nickel (105)	\$ 259
OPT20204-B-002	24 in. Modern straight grab bar ⁶	\$ 277
OPT20204-B-084	OPT 20204-B-XXX Horizontal grab bar on back wall	\$ 277
OPT20204-B-105	Available colors: White (002), Chrome (084) and Brushed Nickel (105)	\$ 277
OPT20204-L-084	24 in. Modern straight grab bar ⁶	\$ 277
OPT20204-L-105	OPT 20204-L-XXX Vertical grab bar on left wall	\$ 277
OPT20204-L-002	Available colors: White (002), Chrome (084) and Brushed Nickel (105)	\$ 277
OPT20204-R-002	24 in. Modern straight grab bar ⁶⁰	\$ 277
OPT20204-R-084	OPT 20204-R-XXX Vertical grab bar on right wall	\$ 277
OPT20204-R-105	Available colors: White (002), Chrome (084) and Brushed Nickel (105)	\$ 277

COMMON OPTIONS

SKU	Description	MSRP
OPT20212-B	Wall reinforcement (one wall) for future grab bar installation ⁹ OPT20212-B Reinforcement on back wall	\$ 111
OPT20212-L	Wall reinforcement (one wall) for future grab bar installation ⁶¹ OPT 20212-L Reinforcement on left wall	\$ 111
OPT20212-R	Wall reinforcement (one wall) for future grab bar installation ⁹ OPT 20212-R Reinforcement on right wall	\$ 111
OPT10053	One chromatherapy light (factory installed) ⁵⁴	\$ 641
OPT10095	Water heater assembly for whirlpool and combined systems (factory installed)	\$ 908
OPT10106-084	Metal trim kit for whirlpool and combined systems (factory installed)	\$ 568
OPT10106-105	Available colors: Chrome (084) and Brushed Nickel (105)	\$ 568
OPT20137-004	Cable-operated waste and overflow (16 in. to 22 in.) (included in product packaging when purchased) Available colors: White (001), Bone (004), Chrome (084) and Brushed Nickel (105)	\$ 238
OPT20137-084		\$ 238
OPT20137-105		\$ 238
OPT20137-001		\$ 238
OPT20203-B-002	18 in. Modern straight grab bar ⁶ OPT 20203-B-XXX Horizontal grab bar on back wall Available colors: White (002), Chrome (084) and Brushed Nickel (105)	\$ 259
OPT20203-B-105		\$ 259
OPT20203-B-084		\$ 259
OPT20203-L-105	18 in. Modern straight grab bar ⁶⁰ OPT 20203-L-XXX Vertical grab bar on left wall Available colors: White (002), Chrome (084) and Brushed Nickel (105)	\$ 259
OPT20203-L-002		\$ 259
OPT20203-L-084		\$ 259

ACCESSORIES

SKU	Description	MSRP
10004306-001	White foam cushion with 2 suction pads (sold separately) Available color: White (001)	\$ 120
10006887-105	Metal trim kit for Whirlpool and combined systems (sold separately) Available colors: Chrome (084) and Brushed Nickel (105)	\$ 568
10006887-084		\$ 568
10022491-084	Cable-operated waste and overflow (16 in. to 22 in.) (sold separately) Available colors: White (001), Bone (004), Chrome (084) and Brushed Nickel (105)	\$ 238
10022491-004		\$ 238
10022491-105		\$ 238
10022491-001		\$ 238

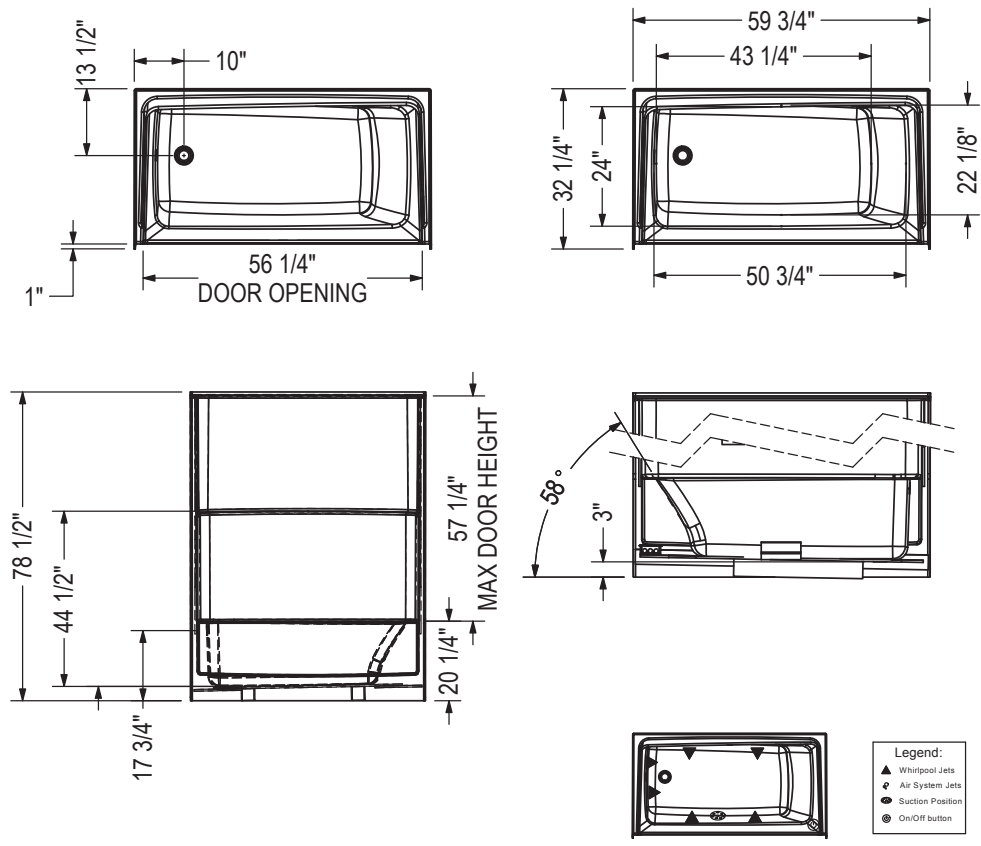
FOOTNOTES

No	Description
1	Components for standard colour units equipped with systems are colour-coordinated. Trim kit and/or air push with metallic finish can be added (additional charge applies). For non-standard colour units, please specify trim kit and/or air push colour (additional charge applies for metallic finishes). Please note that the positioning of the system's control could be in conflict with the door if one was installed on the unit. To insure compatibility, please contact customer service.
4	For details on pump position and requirements, see technical drawings on https://www.maax.com . When there is a pump position A or B indicated on the technical drawing, please specify position when ordering.
6	Specify 3/8 (Lite option) or 2 in. on deck height. If ordering unit with an apron, only 2 in. deck height is available.
9	6-Pack bathtubs are only available when units are without systems and in a standard colour.

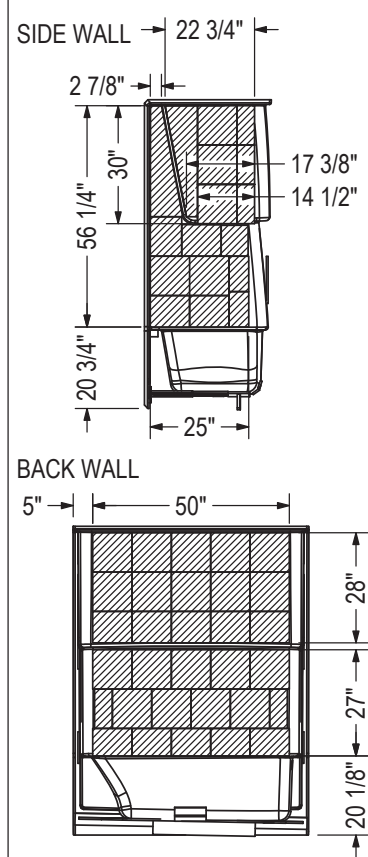
FOOTNOTES

No	Description
54	A selection of units come with an access panel by default when equipped with a system. However, if the unit is only equipped with chromatherapy, the access panel will not be provided by default.
60	Please see technical drawings on www.akerbymaax.com for grab bar positioning.
61	Please see technical drawings on www.akerbymaax.com for reinforcement positioning and size.

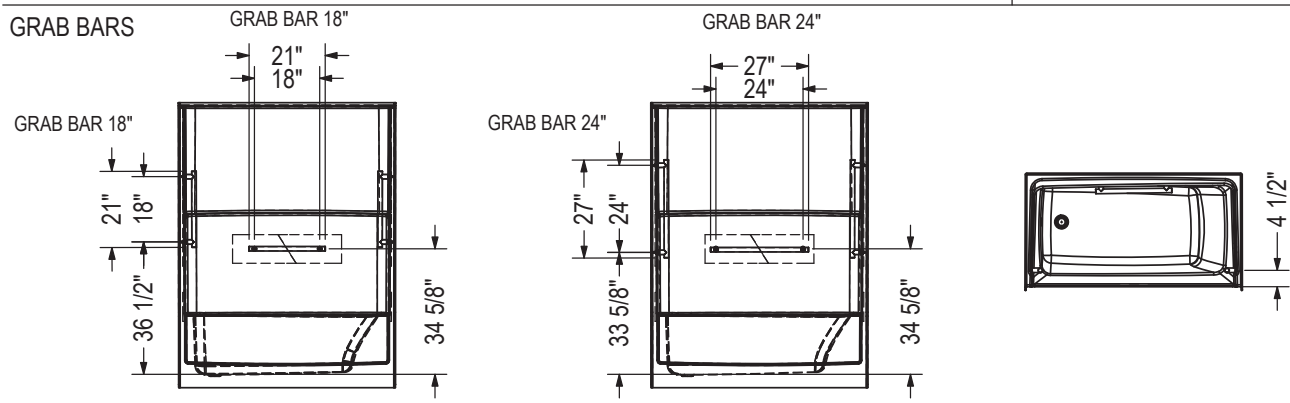
STANDARD



OPTIONAL REINFORCEMENT



GRAB BARS



All dimensions are approximate. Structure measurements must be verified against the unit to ensure proper fit.



TSEA62

TUB SHOWERS - ACRYLX



Material : AcrylX
 Min: 36 Gal / 137 L
 Max: 52 Gal / 196 L

Features

- > 1-piece tub shower without roof cap
- > Integrated shelf

TSEA62 - 140100						
SKU	System	Color	Configuration	Dimensions & Weight	Packaging	MSRP
140100-000-002-001	Soaker - No System	White	Left	59 7/8" x 31" x 74" / 130 lb / 59 kg	90 ft ³	\$ 1100
140100-000-002-002			Right			\$ 1100
140100-L-003-002	Whirlpool ^{1 4}		Left			\$ 2448
140100-R-003-002			Right			\$ 2448

COMMON OPTIONS		
SKU	Description	MSRP
OPT10053	One chromatherapy light (factory installed) ⁵⁴	\$ 641
OPT10095	Water heater assembly for whirlpool and combined systems (factory installed)	\$ 908
OPT10106-084	Metal trim kit for whirlpool and combined systems (factory installed) Available colors: Chrome (084) and Brushed Nickel (105)	\$ 568
OPT10106-105		\$ 568
OPT20212-B	Wall reinforcement (one wall) for future grab bar installation ⁹ OPT20212-B Reinforcement on back wall	\$ 111
OPT20212-L	Wall reinforcement (one wall) for future grab bar installation ⁶¹ OPT 20212-L Reinforcement on left wall	\$ 111
OPT20212-R	Wall reinforcement (one wall) for future grab bar installation ⁹ OPT 20212-R Reinforcement on right wall	\$ 111

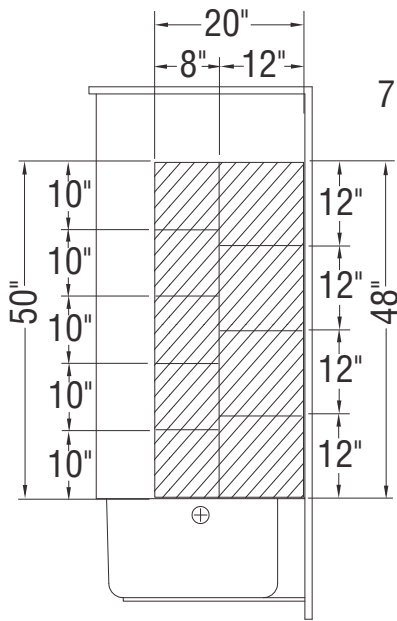
ACCESSORIES

SKU	Description	MSRP
10004306-001	White foam cushion with 2 suction pads (sold separately) Available color: White (001)	\$ 120
10006887-105	Metal trim kit for Whirlpool and combined systems (sold separately)	\$ 568
10006887-084	Available colors: Chrome (084) and Brushed Nickel (105)	\$ 568

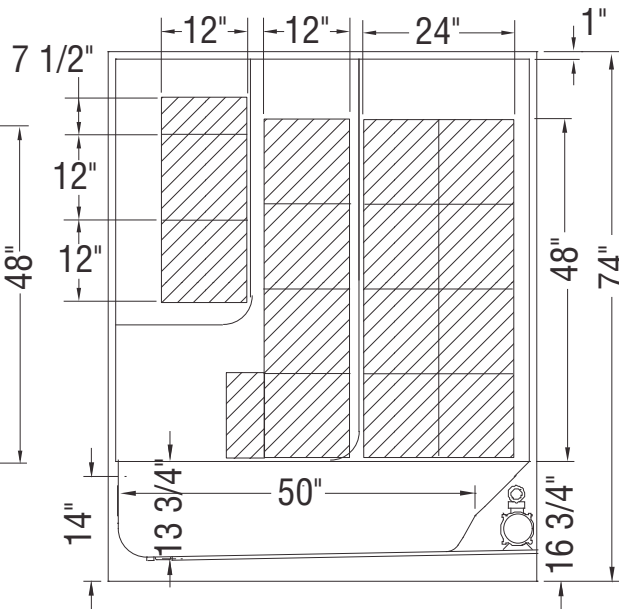
FOOTNOTES

No	Description
1	Components for standard colour units equipped with systems are colour-coordinated. Trim kit and/or air push with metallic finish can be added (additional charge applies). For non-standard colour units, please specify trim kit and/or air push colour (additional charge applies for metallic finishes). Please note that the positioning of the system's control could be in conflict with the door if one was installed on the unit. To insure compatibility, please contact customer service.
4	For details on pump position and requirements, see technical drawings on https://www.maax.com . When there is a pump position A or B indicated on the technical drawing, please specify position when ordering.
9	6-Pack bathtubs are only available when units are without systems and in a standard colour.
54	A selection of units come with an access panel by default when equipped with a system. However, if the unit is only equipped with chromatherapy, the access panel will not be provided by default.
61	Please see technical drawings on www.akerbymax.com for reinforcement positioning and size.

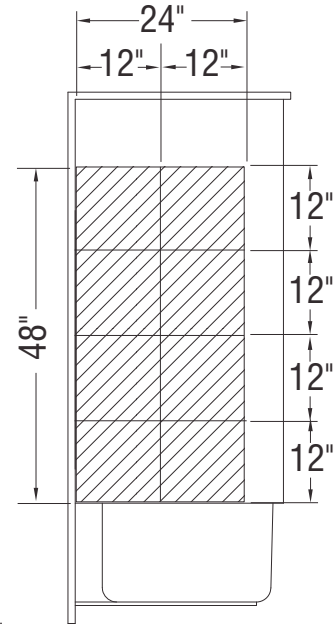
Full Wall Reinforcement Shown



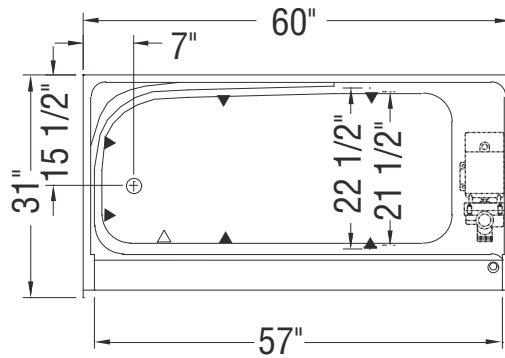
LEFT WALL Reinforcement



BACK WALL Reinforcement



RIGHT WALL Reinforcement



(▲): Indicates Whirlpool jets positioning
 (△): Indicates suction positioning

All dimensions are approximate. Structure measurements must be verified against the unit to ensure proper fit.



TSEA63



Material : AcrylX
 Min: 37 Gal / 140 L
 Max: 54 Gal / 205 L

Features

- > 1-piece tub shower without roof cap
- > Integrated shelf

TSEA63 - 140101						
SKU	System	Color	Configuration	Dimensions & Weight	Packaging	MSRP
140101-000-002-001	Soaker - No System	White	Left	60" x 34" x 77 3/4" / 130 lb / 59 kg	103 ft ³	\$ 1119
140101-000-002-002			Right			\$ 1119
140101-003-002-001	Whirlpool ^{1 4}		Left			\$ 2467
140101-003-002-002			Right			\$ 2467

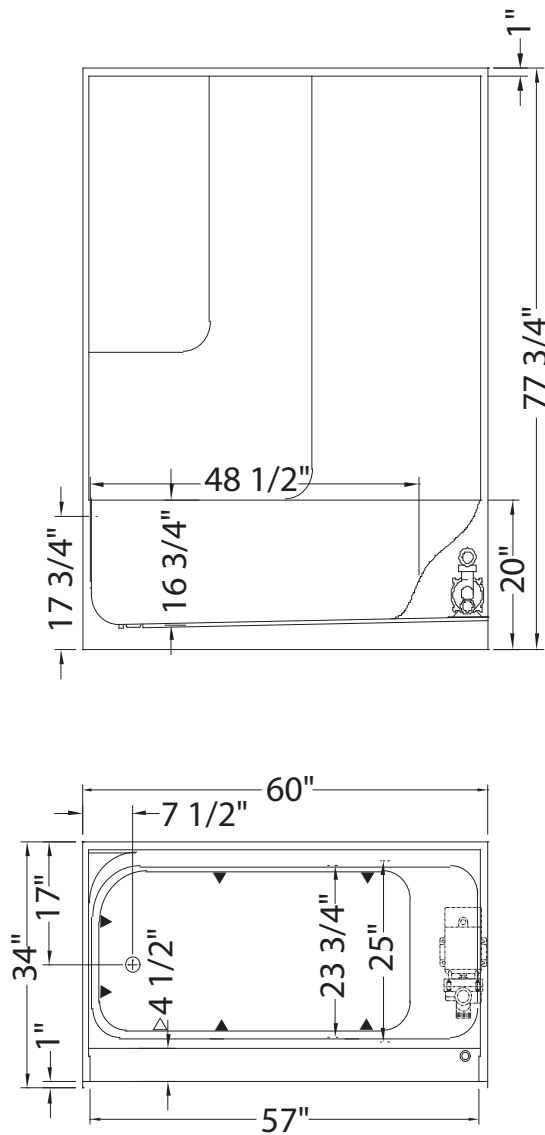
COMMON OPTIONS		
SKU	Description	MSRP
OPT10053	One chromatherapy light (factory installed) ⁵⁴	\$ 641
OPT10095	Water heater assembly for whirlpool and combined systems (factory installed)	\$ 908
OPT10106-084	Metal trim kit for whirlpool and combined systems (factory installed) Available colors: Chrome (084) and Brushed Nickel (105)	\$ 568
OPT10106-105		\$ 568
OPT20212-B	Wall reinforcement (one wall) for future grab bar installation ⁹ OPT20212-B Reinforcement on back wall	\$ 111
OPT20212-L	Wall reinforcement (one wall) for future grab bar installation ⁶¹ OPT 20212-L Reinforcement on left wall	\$ 111
OPT20212-R	Wall reinforcement (one wall) for future grab bar installation ⁹ OPT 20212-R Reinforcement on right wall	\$ 111

ACCESSORIES

SKU	Description	MSRP
10004306-001	White foam cushion with 2 suction pads (sold separately) Available color: White (001)	\$ 120
10006887-105	Metal trim kit for Whirlpool and combined systems (sold separately)	\$ 568
10006887-084	Available colors: Chrome (084) and Brushed Nickel (105)	\$ 568

FOOTNOTES

No	Description
1	Components for standard colour units equipped with systems are colour-coordinated. Trim kit and/or air push with metallic finish can be added (additional charge applies). For non-standard colour units, please specify trim kit and/or air push colour (additional charge applies for metallic finishes). Please note that the positioning of the system's control could be in conflict with the door if one was installed on the unit. To insure compatibility, please contact customer service.
4	For details on pump position and requirements, see technical drawings on https://www.maax.com . When there is a pump position A or B indicated on the technical drawing, please specify position when ordering.
9	6-Pack bathtubs are only available when units are without systems and in a standard colour.
54	A selection of units come with an access panel by default when equipped with a system. However, if the unit is only equipped with chromatherapy, the access panel will not be provided by default.
61	Please see technical drawings on www.akerbymax.com for reinforcement positioning and size.



(▲): Indicates Whirlpool jets positioning

(△): Indicates suction positioning

All dimensions are approximate. Structure measurements must be verified against the unit to ensure proper fit.



TSEA72

TUB SHOWERS - ACRYLX



Material : AcrylX
 Min: 37 Gal / 140 L
 Max: 53 Gal / 200 L

Features

- > 1-piece tub shower without roof cap
- > Integrated shelf, headrest and soap dish

TSEA72 - 140103						
SKU	System	Color	Configuration	Dimensions & Weight	Packaging	MSRP
140103-000-002-001	Soaker - No System	White	Left	71 3/4" x 35 3/4" x 75" / 162 lb / 73 kg	125 ft ³	\$ 1849
140103-000-002-002			Right			\$ 1849
140103-003-002-001	Whirlpool ^{1 4}		Left			\$ 3197
140103-003-002-002			Right			\$ 3197

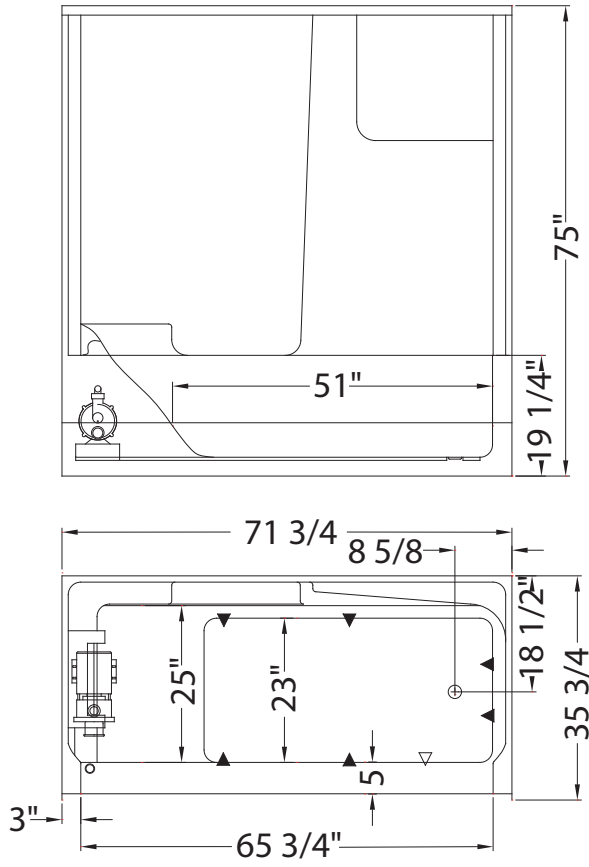
COMMON OPTIONS		
SKU	Description	MSRP
OPT10053	One chromatherapy light (factory installed) ⁵⁴	\$ 641
OPT10095	Water heater assembly for whirlpool and combined systems (factory installed)	\$ 908
OPT10106-084	Metal trim kit for whirlpool and combined systems (factory installed) Available colors: Chrome (084) and Brushed Nickel (105)	\$ 568
OPT10106-105		\$ 568
OPT20137-004	Cable-operated waste and overflow (16 in. to 22 in.) (included in product packaging when purchased) Available colors: White (001), Bone (004), Chrome (084) and Brushed Nickel (105)	\$ 238
OPT20137-084		\$ 238
OPT20137-105		\$ 238
OPT20137-001		\$ 238

ACCESSORIES

SKU	Description	MSRP
10006887-105	Metal trim kit for Whirlpool and combined systems (sold separately)	\$ 568
10006887-084	Available colors: Chrome (084) and Brushed Nickel (105)	\$ 568
10022491-084	Cable-operated waste and overflow (16 in. to 22 in.) (sold separately) Available colors: White (001), Bone (004), Chrome (084) and Brushed Nickel (105)	\$ 238
10022491-004		\$ 238
10022491-105		\$ 238
10022491-001		\$ 238

FOOTNOTES

No	Description
1	Components for standard colour units equipped with systems are colour-coordinated. Trim kit and/or air push with metallic finish can be added (additional charge applies). For non-standard colour units, please specify trim kit and/or air push colour (additional charge applies for metallic finishes). Please note that the positioning of the system's control could be in conflict with the door if one was installed on the unit. To insure compatibility, please contact customer service.
4	For details on pump position and requirements, see technical drawings on https://www.maax.com . When there is a pump position A or B indicated on the technical drawing, please specify position when ordering.
54	A selection of units come with an access panel by default when equipped with a system. However, if the unit is only equipped with chromatherapy, the access panel will not be provided by default.



(▲): Indicates Whirlpool jets positioning

(△): Indicates suction positioning

All dimensions are approximate. Structure measurements must be verified against the unit to ensure proper fit.



TSOT6042 R/L



Material : AcrylX
 Min: 41 Gal / 155 L
 Max: 57 Gal / 216 L

Features

- › 1-piece oval tub shower without roof cap
- › Integrated soap dishes
- › Unique feature: tile pattern finish

TSOT6042 - 140579

SKU	System	Color	Configuration	Dimensions & Weight	Packaging	MSRP
140579-000-002-001	Soaker - No System	White	Left	60" x 42" x 72" / 130 lb / 59 kg	117 ft ³	\$ 1775
140579-000-002-002			Right			\$ 1775
140579-L-003-002	Whirlpool ^{1 4}		Left			\$ 3123
140579-R-003-002			Right			\$ 3123

COMMON OPTIONS

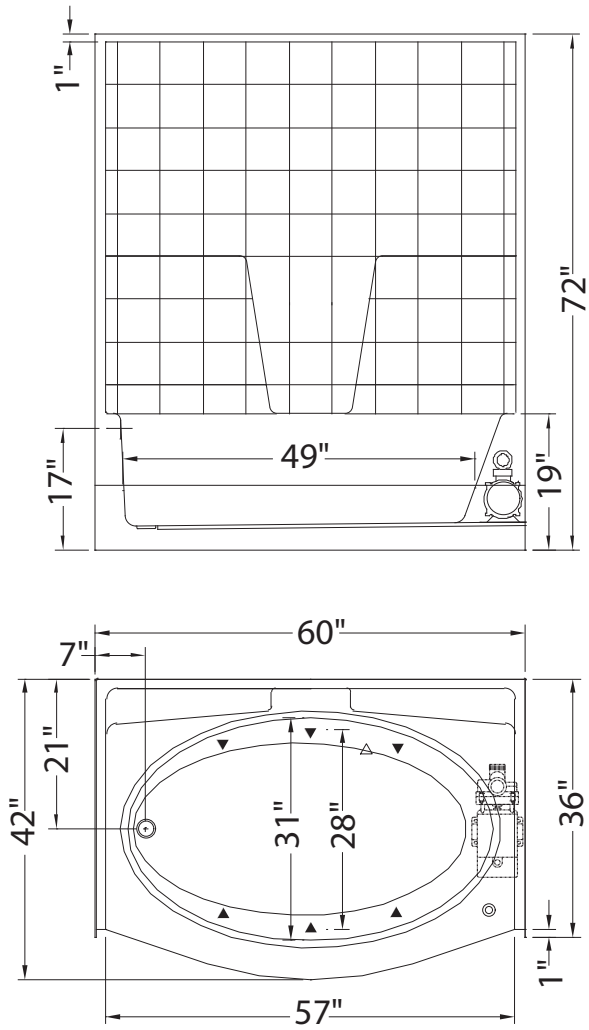
SKU	Description	MSRP
OPT10053	One chromatherapy light (factory installed) ⁵⁴	\$ 641
OPT10095	Water heater assembly for whirlpool and combined systems (factory installed)	\$ 908
OPT10106-084	Metal trim kit for whirlpool and combined systems (factory installed) Available colors: Chrome (084) and Brushed Nickel (105)	\$ 568
OPT10106-105		\$ 568
OPT20137-004	Cable-operated waste and overflow (16 in. to 22 in.) (included in product packaging when purchased) Available colors: White (001), Bone (004), Chrome (084) and Brushed Nickel (105)	\$ 238
OPT20137-084		\$ 238
OPT20137-105		\$ 238
OPT20137-001		\$ 238

ACCESSORIES

SKU	Description	MSRP
10004306-001	White foam cushion with 2 suction pads (sold separately) Available color: White (001)	\$ 120
10006887-105	Metal trim kit for Whirlpool and combined systems (sold separately) Available colors: Chrome (084) and Brushed Nickel (105)	\$ 568
10006887-084		\$ 568
10022491-084	Cable-operated waste and overflow (16 in. to 22 in.) (sold separately) Available colors: White (001), Bone (004), Chrome (084) and Brushed Nickel (105)	\$ 238
10022491-004		\$ 238
10022491-105		\$ 238
10022491-001		\$ 238

FOOTNOTES

No	Description
1	Components for standard colour units equipped with systems are colour-coordinated. Trim kit and/or air push with metallic finish can be added (additional charge applies). For non-standard colour units, please specify trim kit and/or air push colour (additional charge applies for metallic finishes). Please note that the positioning of the system's control could be in conflict with the door if one was installed on the unit. To insure compatibility, please contact customer service.
4	For details on pump position and requirements, see technical drawings on https://www.maax.com . When there is a pump position A or B indicated on the technical drawing, please specify position when ordering.
54	A selection of units come with an access panel by default when equipped with a system. However, if the unit is only equipped with chromatherapy, the access panel will not be provided by default.



- (▲): Indicates Whirlpool jets positioning
- (○): Indicates suction positioning

All dimensions are approximate. Structure measurements must be verified against the unit to ensure proper fit.



TSTEa Plus

TUB SHOWERS - ACRYLX



Material : AcrylX
 Min: 36 Gal / 137 L
 Max: 49 Gal / 185 L

Features

- > 1-piece tub shower without roof cap
- > Integrated wide shelves
- > 8 in. tile pattern
- > 20 in. apron, 13 3/8 in. deep bathing well
- > Above-the-Floor Rough
- > Optional wall reinforcement and grab bars

TSTEA PLUS - 105930						
SKU	System	Color	Configuration	Dimensions & Weight	Packaging	MSRP
105930-000-002-001	Soaker - No System	White	Left	59 3/4" x 32" x 78" / 123 lb / 56 kg	91.3 ft ³	\$ 1185
105930-000-002-002			Right			\$ 1185
105930-L-003-002	Whirlpool ^{1 4}		Left			\$ 2533
105930-R-003-002			Right			\$ 2533

COMMON OPTIONS		
SKU	Description	MSRP
OPT20203-R-084	18 in. Modern straight grab bar ⁶⁰	\$ 259
OPT20203-R-002	OPT 20203-R-XXX Vertical grab bar on right wall	\$ 259
OPT20203-R-105	Available colors: White (002), Chrome (084) and Brushed Nickel (105)	\$ 259
OPT20204-B-002	24 in. Modern straight grab bar ⁶	\$ 277
OPT20204-B-084	OPT 20204-B-XXX Horizontal grab bar on back wall	\$ 277
OPT20204-B-105	Available colors: White (002), Chrome (084) and Brushed Nickel (105)	\$ 277
OPT20204-L-084	24 in. Modern straight grab bar ⁶	\$ 277
OPT20204-L-105	OPT 20204-L-XXX Vertical grab bar on left wall	\$ 277
OPT20204-L-002	Available colors: White (002), Chrome (084) and Brushed Nickel (105)	\$ 277
OPT20204-R-002	24 in. Modern straight grab bar ⁶⁰	\$ 277
OPT20204-R-084	OPT 20204-R-XXX Vertical grab bar on right wall	\$ 277
OPT20204-R-105	Available colors: White (002), Chrome (084) and Brushed Nickel (105)	\$ 277

COMMON OPTIONS

SKU	Description	MSRP
OPT20212-B	Wall reinforcement (one wall) for future grab bar installation ⁹ OPT20212-B Reinforcement on back wall	\$ 111
OPT20212-L	Wall reinforcement (one wall) for future grab bar installation ⁶¹ OPT 20212-L Reinforcement on left wall	\$ 111
OPT20212-R	Wall reinforcement (one wall) for future grab bar installation ⁹ OPT 20212-R Reinforcement on right wall	\$ 111
OPT10053	One chromatherapy light (factory installed) ⁵⁴	\$ 641
OPT10095	Water heater assembly for whirlpool and combined systems (factory installed)	\$ 908
OPT10106-084	Metal trim kit for whirlpool and combined systems (factory installed)	\$ 568
OPT10106-105	Available colors: Chrome (084) and Brushed Nickel (105)	\$ 568
OPT20137-004	Cable-operated waste and overflow (16 in. to 22 in.) (included in product packaging when purchased) Available colors: White (001), Bone (004), Chrome (084) and Brushed Nickel (105)	\$ 238
OPT20137-084		\$ 238
OPT20137-105		\$ 238
OPT20137-001		\$ 238
OPT20203-B-002	18 in. Modern straight grab bar ⁶ OPT 20203-B-XXX Horizontal grab bar on back wall Available colors: White (002), Chrome (084) and Brushed Nickel (105)	\$ 259
OPT20203-B-105		\$ 259
OPT20203-B-084		\$ 259
OPT20203-L-105	18 in. Modern straight grab bar ⁶⁰ OPT 20203-L-XXX Vertical grab bar on left wall Available colors: White (002), Chrome (084) and Brushed Nickel (105)	\$ 259
OPT20203-L-002		\$ 259
OPT20203-L-084		\$ 259

ACCESSORIES

SKU	Description	MSRP
10004306-001	White foam cushion with 2 suction pads (sold separately) Available color: White (001)	\$ 120
10006887-105	Metal trim kit for Whirlpool and combined systems (sold separately) Available colors: Chrome (084) and Brushed Nickel (105)	\$ 568
10006887-084		\$ 568
10022491-084	Cable-operated waste and overflow (16 in. to 22 in.) (sold separately) Available colors: White (001), Bone (004), Chrome (084) and Brushed Nickel (105)	\$ 238
10022491-004		\$ 238
10022491-105		\$ 238
10022491-001		\$ 238

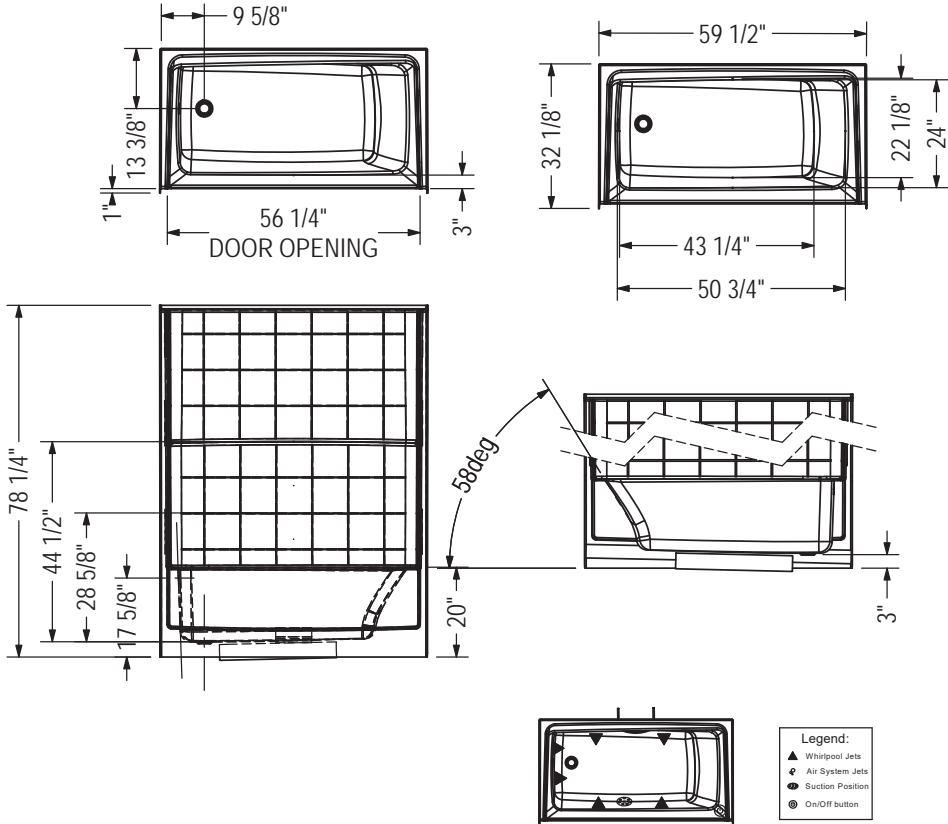
FOOTNOTES

No	Description
1	Components for standard colour units equipped with systems are colour-coordinated. Trim kit and/or air push with metallic finish can be added (additional charge applies). For non-standard colour units, please specify trim kit and/or air push colour (additional charge applies for metallic finishes). Please note that the positioning of the system's control could be in conflict with the door if one was installed on the unit. To insure compatibility, please contact customer service.
4	For details on pump position and requirements, see technical drawings on https://www.maax.com . When there is a pump position A or B indicated on the technical drawing, please specify position when ordering.
6	Specify 3/8 (Lite option) or 2 in. on deck height. If ordering unit with an apron, only 2 in. deck height is available.
9	6-Pack bathtubs are only available when units are without systems and in a standard colour.

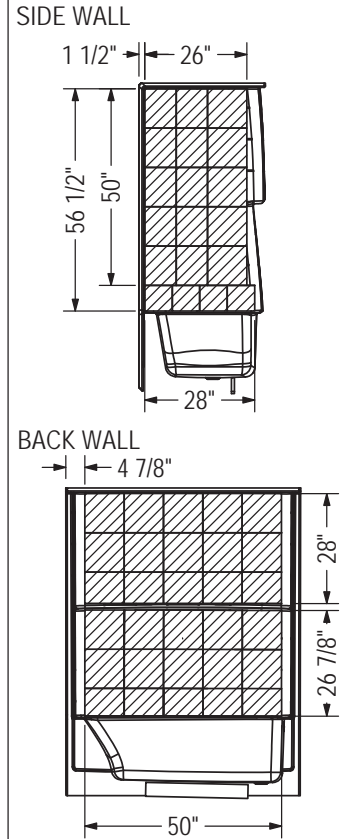
FOOTNOTES

No	Description
54	A selection of units come with an access panel by default when equipped with a system. However, if the unit is only equipped with chromatherapy, the access panel will not be provided by default.
60	Please see technical drawings on www.akerbymaax.com for grab bar positioning.
61	Please see technical drawings on www.akerbymaax.com for reinforcement positioning and size.

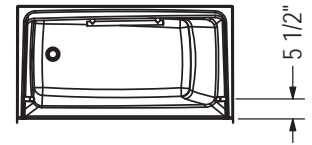
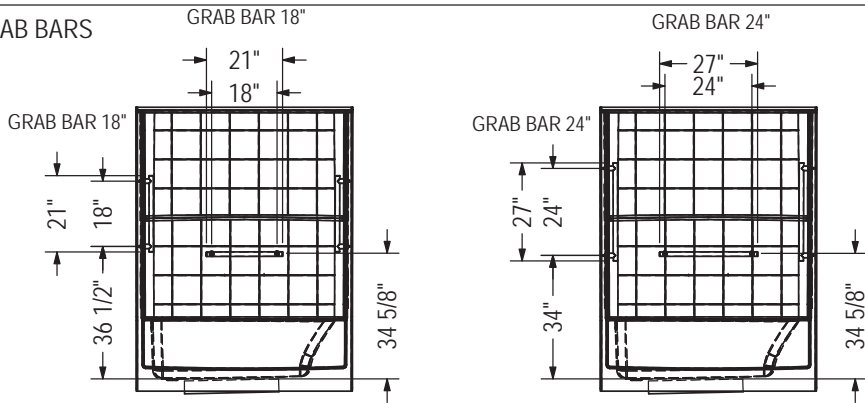
STANDARD



REINFORCEMENT BACKING



GRAB BARS



All dimensions are approximate. Structure measurements must be verified against the unit to ensure proper fit.



TSTE A62

TUB SHOWERS - ACRYLX



Material : AcrylX
 Min: 36 Gal / 137 L
 Max: 52 Gal / 196 L

Features

- > 1-piece tub shower without roof cap
- > Integrated shelf
- > Unique feature: tile pattern finish

TSTE A62 - 140109						
SKU	System	Color	Configuration	Dimensions & Weight	Packaging	MSRP
140109-000-002-001	Soaker - No System	White	Left	60" x 31" x 72" / 130 lb / 59 kg	88 ft ³	\$ 1119
140109-000-002-002			Right			\$ 1119
140109-003-002-001	Whirlpool ^{1 4}		Left			\$ 2467
140109-003-002-002			Right			\$ 2467

COMMON OPTIONS		
SKU	Description	MSRP
OPT10053	One chromatherapy light (factory installed) ⁵⁴	\$ 641
OPT10095	Water heater assembly for whirlpool and combined systems (factory installed)	\$ 908
OPT10106-084	Metal trim kit for whirlpool and combined systems (factory installed) Available colors: Chrome (084) and Brushed Nickel (105)	\$ 568
OPT10106-105		\$ 568
OPT20212-B	Wall reinforcement (one wall) for future grab bar installation ⁹ OPT20212-B Reinforcement on back wall	\$ 111
OPT20212-L	Wall reinforcement (one wall) for future grab bar installation ⁶¹ OPT 20212-L Reinforcement on left wall	\$ 111
OPT20212-R	Wall reinforcement (one wall) for future grab bar installation ⁹ OPT 20212-R Reinforcement on right wall	\$ 111

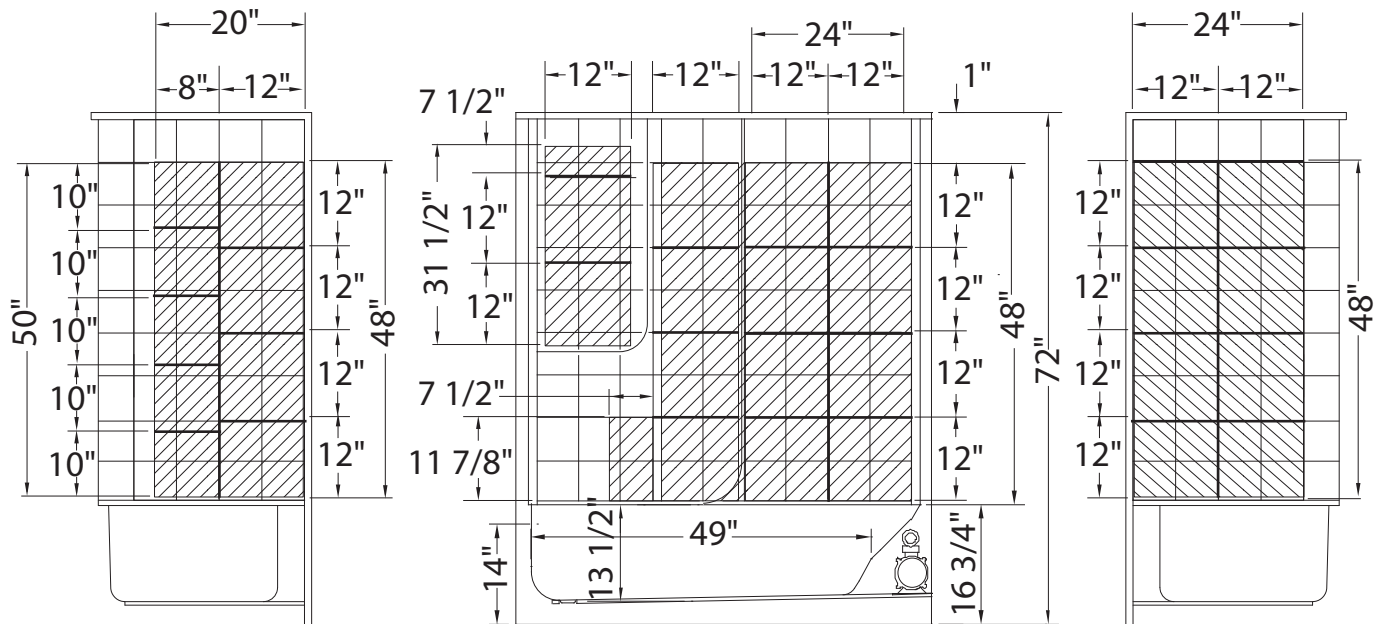
ACCESSORIES

SKU	Description	MSRP
10004306-001	White foam cushion with 2 suction pads (sold separately) Available color: White (001)	\$ 120
10006887-105	Metal trim kit for Whirlpool and combined systems (sold separately)	\$ 568
10006887-084	Available colors: Chrome (084) and Brushed Nickel (105)	\$ 568

FOOTNOTES

No	Description
1	Components for standard colour units equipped with systems are colour-coordinated. Trim kit and/or air push with metallic finish can be added (additional charge applies). For non-standard colour units, please specify trim kit and/or air push colour (additional charge applies for metallic finishes). Please note that the positioning of the system's control could be in conflict with the door if one was installed on the unit. To insure compatibility, please contact customer service.
4	For details on pump position and requirements, see technical drawings on https://www.maax.com . When there is a pump position A or B indicated on the technical drawing, please specify position when ordering.
9	6-Pack bathtubs are only available when units are without systems and in a standard colour.
54	A selection of units come with an access panel by default when equipped with a system. However, if the unit is only equipped with chromatherapy, the access panel will not be provided by default.
61	Please see technical drawings on www.akerbymax.com for reinforcement positioning and size.

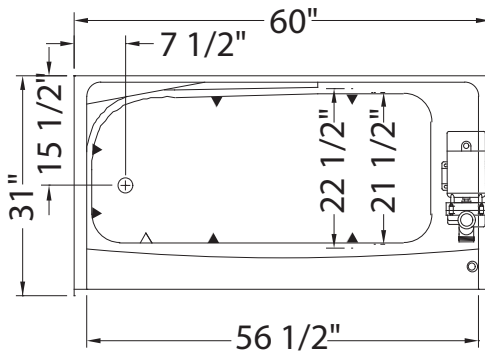
Full Wall Reinforcement Shown



LEFT WALL Reinforcement

BACK WALL Reinforcement

RIGHT WALL Reinforcement



- (▲): Indicates Whirlpool jets positioning
- (△): Indicates suction positioning

All dimensions are approximate. Structure measurements must be verified against the unit to ensure proper fit.



TSTE A63



Material : AcrylX
 Min: 37 Gal / 140 L
 Max: 54 Gal / 205 L

Features

- > 1-piece tub shower without roof cap
- > Integrated shelf
- > Unique feature: tile pattern finish

TUB SHOWERS - ACRYLX

TSTE A63 - 140110

SKU	System	Color	Configuration	Dimensions & Weight	Packaging	MSRP
140110-000-002-001	Soaker - No System	White	Left	60" x 34" x 72" / 140 lb / 63 kg	96 ft ³	\$ 1259
140110-000-002-002			Right			\$ 1259
140110-003-002-002	Whirlpool ^{1 4}		Right			\$ 2607
140110-L-003-002			Left			\$ 2607

COMMON OPTIONS

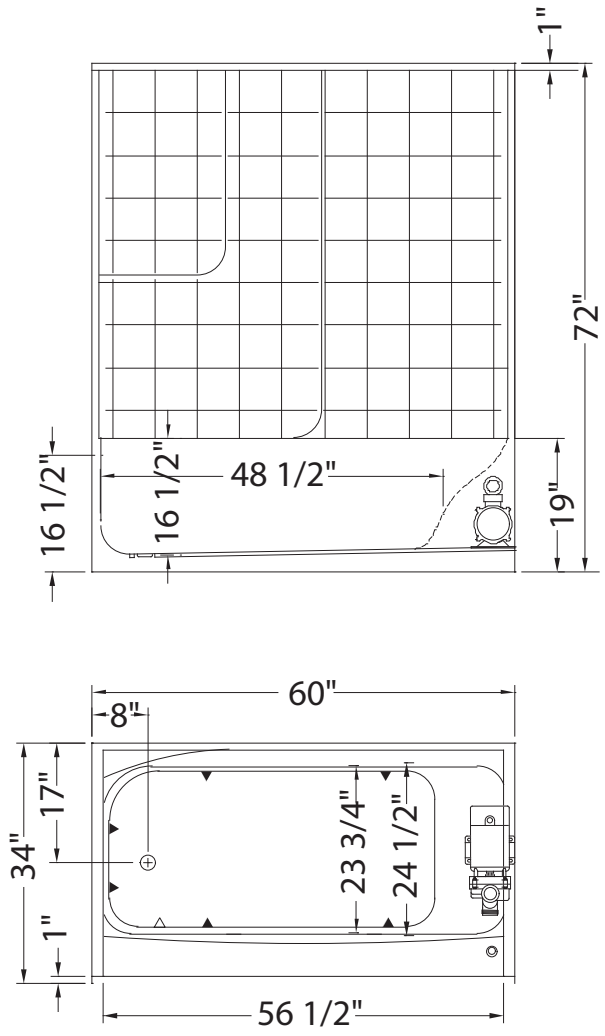
SKU	Description	MSRP
OPT10053	One chromatherapy light (factory installed) ⁵⁴	\$ 641
OPT10095	Water heater assembly for whirlpool and combined systems (factory installed)	\$ 908
OPT10106-084	Metal trim kit for whirlpool and combined systems (factory installed) Available colors: Chrome (084) and Brushed Nickel (105)	\$ 568
OPT10106-105		\$ 568

ACCESSORIES

SKU	Description	MSRP
10004306-001	White foam cushion with 2 suction pads (sold separately) Available color: White (001)	\$ 120
10006887-105	Metal trim kit for Whirlpool and combined systems (sold separately) Available colors: Chrome (084) and Brushed Nickel (105)	\$ 568
10006887-084		\$ 568

FOOTNOTES

No	Description
1	Components for standard colour units equipped with systems are colour-coordinated. Trim kit and/or air push with metallic finish can be added (additional charge applies). For non-standard colour units, please specify trim kit and/or air push colour (additional charge applies for metallic finishes). Please note that the positioning of the system's control could be in conflict with the door if one was installed on the unit. To insure compatibility, please contact customer service.
4	For details on pump position and requirements, see technical drawings on https://www.maax.com . When there is a pump position A or B indicated on the technical drawing, please specify position when ordering.
54	A selection of units come with an access panel by default when equipped with a system. However, if the unit is only equipped with chromatherapy, the access panel will not be provided by default.



(▲): Indicates Whirlpool jets positioning
(△): Indicates suction positioning

All dimensions are approximate. Structure measurements must be verified against the unit to ensure proper fit.

MAAX[®]

Enjoy the experience

For any questions or comments, please contact info@maax.com

1-877-GET-MAAX
(1-877-438-6229)

Order processing

Eastern U.S.A.
customercare.minneapolis@maax.com

Western U.S.A.
customercare.bellingham@maax.com

Technical Services

Bathtubs, Tub Showers and Showers
bsav@maax.com

Doors, Door enclosures and Shower Kits
lsav@maax.com

www.maax.com

