

AMETYS 3666

65 3/4" x 35 3/4" x 22" Bath



COLORS	DRAIN POSITION(S)	SIZE(S)
Biscuit	End	60 x 32
Black		66 x 36
White		
White and Biscuit		
White and Black		

FEATURES

- Acrylic surface resistant to stains and discoloration
- 2-piece bathtub for an easy installation
- Freestanding bathtub that allows more flexibility
- Available in end drain configuration to fit your specific bathroom layout
- Comes with leveling legs for ease of installation
- Acrylic thermoformed and reinforced with fiberglass
- Lightweight, easy to transport and handle through tight spaces
- Integrated armrests available for a relaxing bathing experience
- Warranty: Limited lifetime

ATTRIBUTES

- Installation Type : Freestanding
- Above-the-Floor Rough : No
- Material : Acrylic
- Residential Warranty : Lifetime





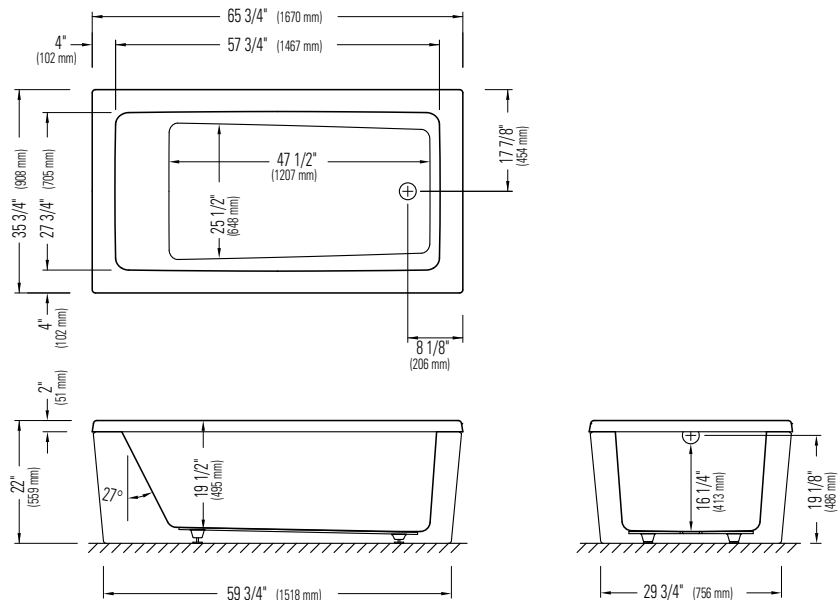
Produits Neptune

AMETYS 3666

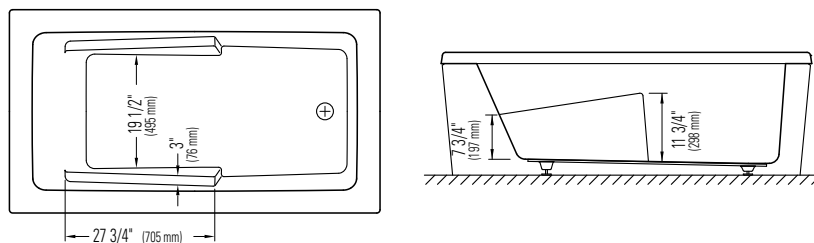
WITH OR WITHOUT ARMRESTS

Bathtub

Without armrests



With armrests



*All dimensions are approximate and subject to change without notice.
Please refer to the installation guide before beginning the installation



TECHNICAL SPECIFICATIONS

65 3/4" x 35 3/4" x 22" Bath

DIMENSIONS

PRODUCT LENGTH	BATHING WELL LENGTH	PRODUCT WIDTH	BATHING WELL WIDTH	PRODUCT HEIGHT
65 3/4"	47 1/2"	35 3/4"	25 1/2"	22"
DEEP SUMP HEIGHT	THRESHOLD WIDTH	DECK WIDTH	WEIGHT	DRAIN SIZE
16 1/4"	4"	4"	132 Lbs	2"
DRAIN CLEARANCE	SHIPPING LENGTH	SHIPPING WIDTH	SHIPPING HEIGHT	
1"	68"	37"	25"	

Project: _____

Contractor: _____

Representative: _____

Date: _____

Tel: _____

Notes: _____
