

BELIEVE 7242

71 7/8" x 41 7/8" x 23 1/2" Bath



| COLORS | DRAIN POSITION(S) | SIZE(S) |
|---------|-------------------|---------|
| Biscuit | Center Drain | 66 x 36 |
| White | | 66 x 42 |
| | | 72 x 36 |
| | | 72 x 42 |

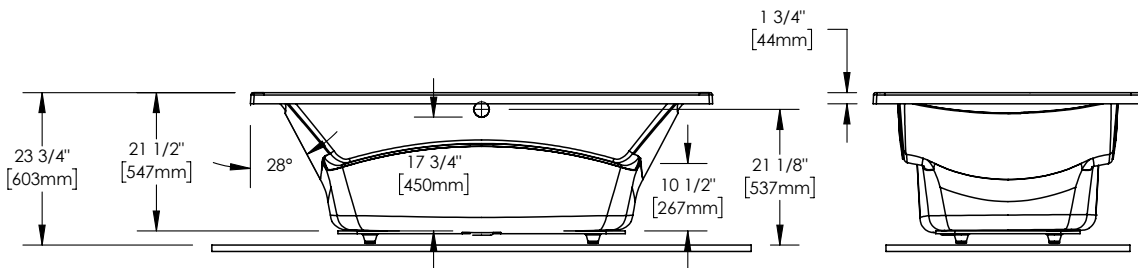
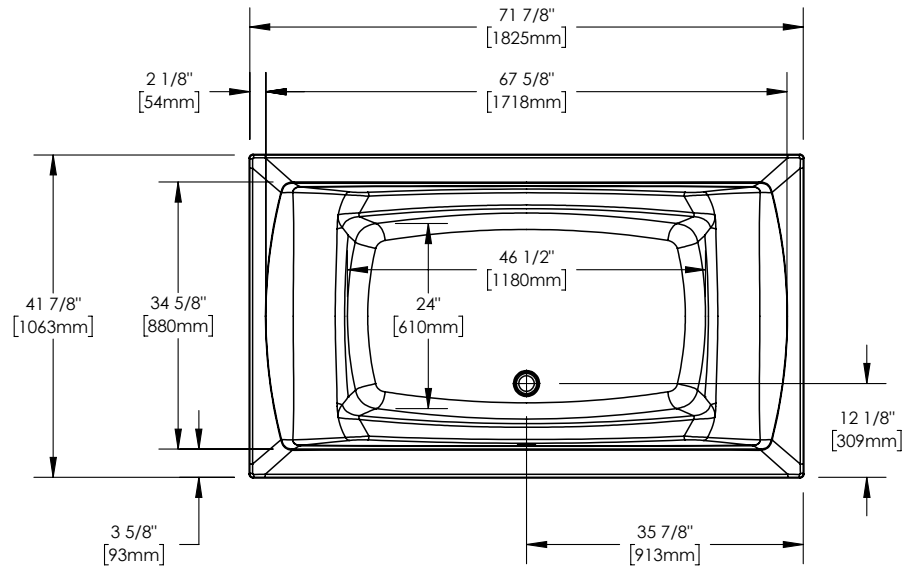
FEATURES

- Made of thermoformed acrylic and reinforced with fiberglass
- High gloss finish is resistant to dulling, scratching and fading
- Drop-in bathtub
- Available in center drain configuration
- Comes with leveling legs for ease of installation
- Available with massage systems for outmost relaxation
- Transitional style that complements any bathroom
- Available in different size
- 10-year limited warranty provides peace of mind

ATTRIBUTES

- Installation Type : Drop-In
- Above-the-Floor Rough : No
- Material : Acrylic
- Residential Warranty : 10
- Commercial Warranty : 10 Years



71 7/8" x 41 7/8" x 23 1/2" Bath


**Wood support design may vary.
All dimensions are approximate.
Structure measurements must be verified
against the unit to ensure proper fit.**



TECHNICAL SPECIFICATIONS

71 7/8" x 41 7/8" x 23 1/2" Bath

DIMENSIONS

| | | | | |
|-------------------------|----------------------------|----------------------|---------------------------|------------------------|
| PRODUCT LENGTH | BATHING WELL LENGTH | PRODUCT WIDTH | BATHING WELL WIDTH | PRODUCT HEIGHT |
| 71 7/8" | 46 1/2" | 41 7/8" | 24" | 23 1/2" |
| DEEP SUMP HEIGHT | DECK WIDTH | WEIGHT | DRAIN CLEARANCE | SHIPPING LENGTH |
| 17 3/4" | 3 5/8" | 66 Lbs | 2" | 74" |
| SHIPPING WIDTH | SHIPPING HEIGHT | | | |
| 42" | 24 1/2" | | | |

Project: _____

Contractor: _____

Representative: _____

Date: _____

Tel: _____

Notes: _____
