

# HALLSTATT 6029

60" x 28 5/8" x 26 3/8" Bath



COLOR(S)	DRAIN POSITION(S)	SIZE(S)
White	Center	60 x 29 67 x 29

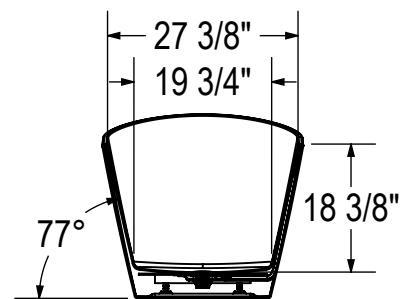
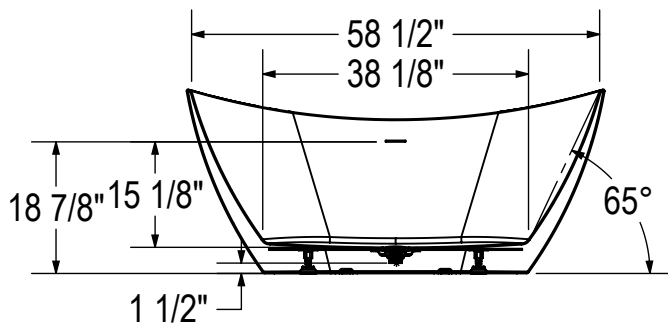
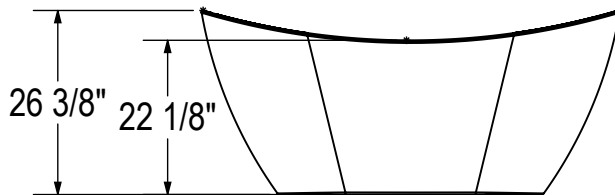
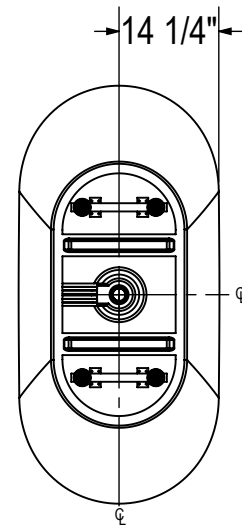
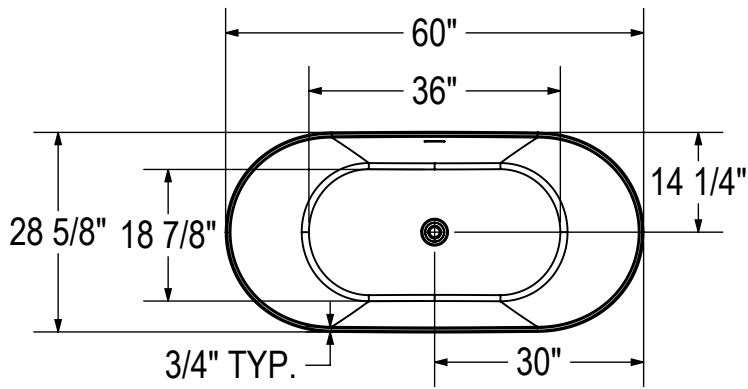
## FEATURES

- Stain-resistant acrylic surface
- Compatible with 123 connect Drop-In Drain Installation Kit, saving time and money on installation
- Drain and overflow included and pre-installed for faster installation
- Comes with leveling legs for ease of installation
- Above-the-floor rough (AFR) facilitates plumbing installation without relocating the existing drain

## ATTRIBUTES

- Installation Type : Freestanding
- Above-the-Floor Rough : Yes
- Material : Acrylic
- Residential Warranty : 10
- Commercial Warranty : 10 Years





All dimensions are approximate. Structure measurements must be verified against the unit to ensure proper fit.



# TECHNICAL SPECIFICATIONS

60" x 28 5/8" x 26 3/8" Bath

## DIMENSIONS

<b>PRODUCT LENGTH</b>	<b>BATHING WELL LENGTH</b>	<b>PRODUCT WIDTH</b>	<b>BATHING WELL WIDTH</b>	<b>PRODUCT HEIGHT</b>
60"	36"	28 5/8"	18 7/8"	26 3/8"
<b>DEEP SUMP HEIGHT</b>	<b>WEIGHT</b>	<b>DRAIN SIZE</b>	<b>DRAIN CLEARANCE</b>	<b>SHIPPING LENGTH</b>
15 1/8"	74.8 Lbs	1 1/2"	3 3/4"	61"
<b>SHIPPING WIDTH</b>	<b>SHIPPING HEIGHT</b>			
30"	27 1/2"			

Project: \_\_\_\_\_

Contractor: \_\_\_\_\_

Representative: \_\_\_\_\_

Date: \_\_\_\_\_

Tel: \_\_\_\_\_

Notes: \_\_\_\_\_

\_\_\_\_\_

\_\_\_\_\_