

# MONACO F1 3060 AFR

57 3/4" x 29 3/4" x 22 3/8" Bath



COLORS	DRAIN POSITION(S)	SIZE(S)
White	Center Drain	60 x 30

## FEATURES

- Acrylic surface resistant to stains and discoloration
- High-gloss finish adds luxurious look to your bathroom
- 1-piece construction for easy installation
- Freestanding bathtub that allows more flexibility
- Available in center drain configuration
- Above-the-floor rough (AFR) so pipes can be routed without breaking ground or relocating the drain
- Comes with leveling legs for ease of installation
- Integrated linear overflow and drain kit included in chrome finish for an efficient installation
- Warranty: 10 years

## ATTRIBUTES

- Installation Type : Freestanding
- Above-the-Floor Rough : Yes
- Material : Acrylic

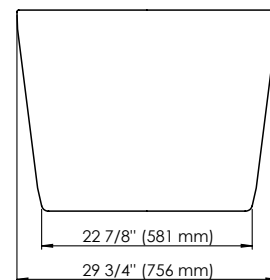
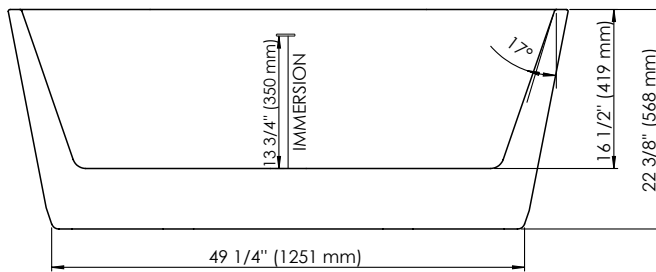
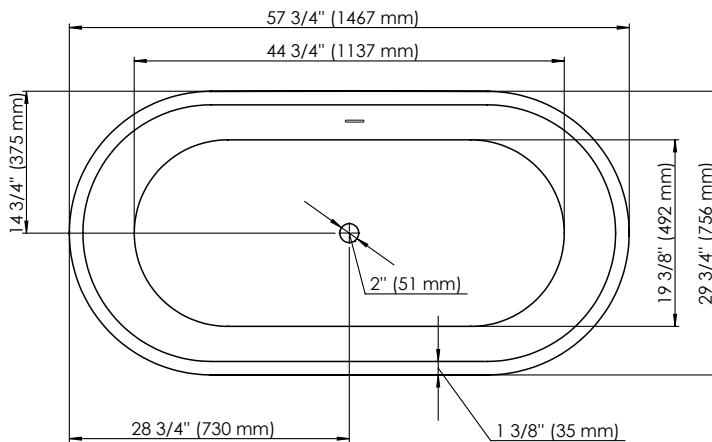




Produits Neptune  
Rouge

**MONACO 3060F1**

Bathtub



Ajustable feet  
Above-the-floor rough (AFR)

\*All dimensions are approximate and subject to change without notice  
Please refer to the installation guide before beginning the installation



# TECHNICAL SPECIFICATIONS

57 3/4" x 29 3/4" x 22 3/8" Bath

## DIMENSIONS

<b>PRODUCT LENGTH</b>	<b>BATHING WELL LENGTH</b>	<b>PRODUCT WIDTH</b>	<b>BATHING WELL WIDTH</b>	<b>PRODUCT HEIGHT</b>
57 3/4"	44 3/4"	29 3/4"	19 3/8"	22 3/8"
<b>DEEP SUMP HEIGHT</b>	<b>THRESHOLD WIDTH</b>	<b>DECK WIDTH</b>	<b>WEIGHT</b>	<b>DRAIN SIZE</b>
13 3/4"	1 3/8"	1 3/8"	92.59 Lbs	2"
<b>SHIPPING LENGTH</b>	<b>SHIPPING WIDTH</b>	<b>SHIPPING HEIGHT</b>		
60"	31"	24"		

Project: \_\_\_\_\_

Contractor: \_\_\_\_\_

Representative: \_\_\_\_\_

Date: \_\_\_\_\_

Tel: \_\_\_\_\_

Notes: \_\_\_\_\_

\_\_\_\_\_

\_\_\_\_\_