

JUNA 3060 IFS AFR

59 3/4" x 30" x 19 3/4" Bathtub



OPTIONS

COLOR(S)	CONFIGURATION(S)	SIZE(S)	SYSTEM(S)
White	Left Drain	60 x 30	Activ-Air
	Right Drain	60 x 32	Soaker - no system
		66 x 32	Whirlpool
			Whirlpool & Activ-Air

FEATURES

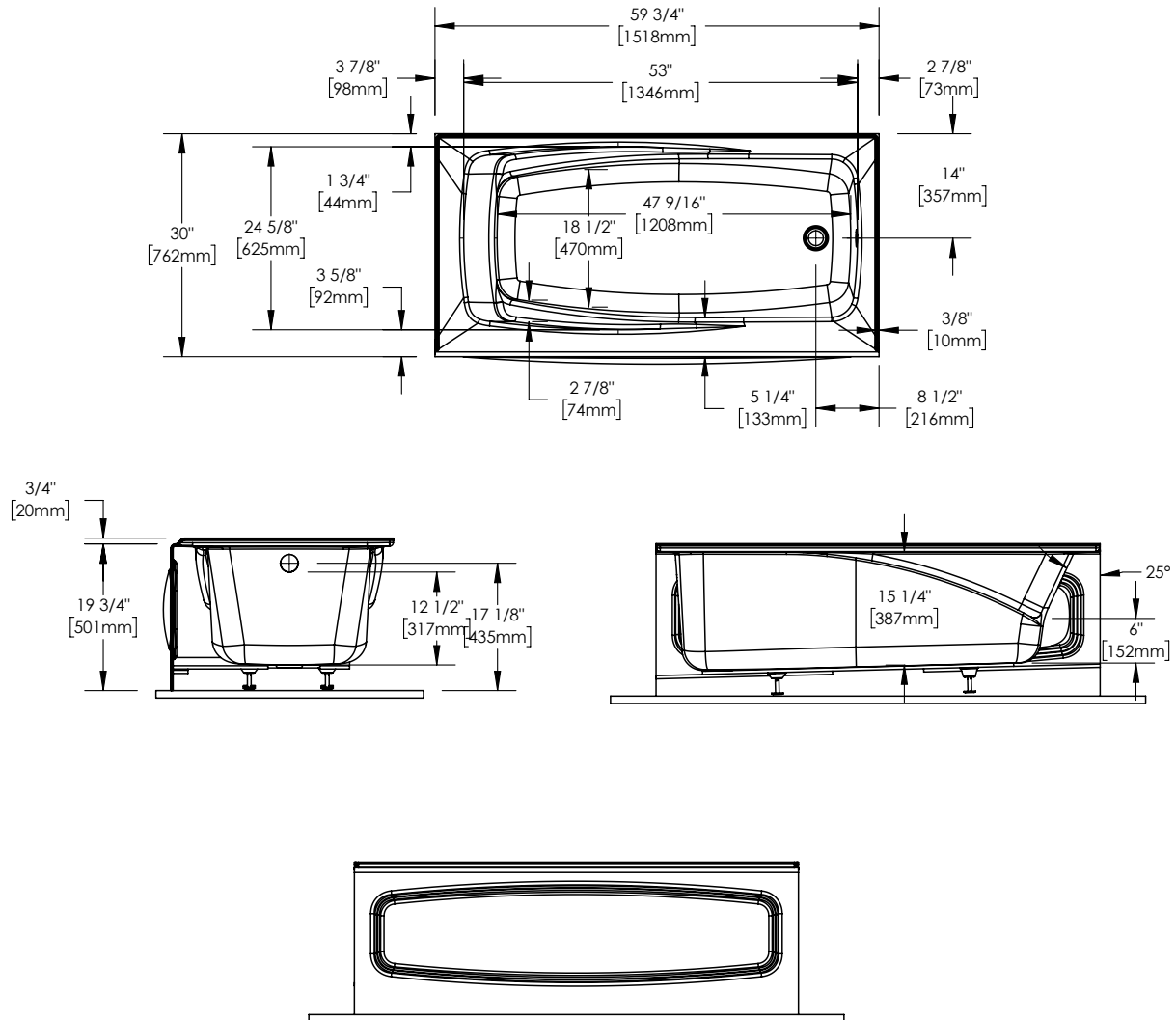
- Thermoformed acrylic reinforced with fiberglass for a durable bathtub
- Alcove installation
- Leveling legs for an easy installation
- Above-the-floor rough (AFR) so pipes can be routed without breaking ground or relocating the drain
- Available in left-hand or right-hand drain configuration
- Warranty: Limited Lifetime
- Tiling Flange and 19.75 in. skirt integrated to the bathtub
- Acrylic surface resistant to stains
- Available systems: Whirlpool Bathtub, Activ-Air bathtub and Whirlpool and Activ-Air combo

ATTRIBUTES

- Installation Type : Alcove
- Above-the-Floor Rough : Yes
- Material : Acrylic
- Residential Warranty : 25
- Commercial Warranty : 1 Year



59 3/4" x 30" x 19 3/4" Bathtub

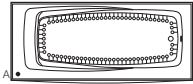


**Wood support design may vary.
All dimensions are approximate.
Structure measurements must be verified
against the unit to ensure proper fit.**

DIMENSIONS

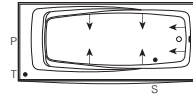
PRODUCT LENGTH	BATHING WELL LENGTH	PRODUCT WIDTH	BATHING WELL WIDTH	PRODUCT HEIGHT
59 3/4"	47 9/16"	30"	18 1/2"	19 3/4"
DEEP SUMP HEIGHT	DECK WIDTH	SKIRT HEIGHT	WEIGHT	DRAIN SIZE
12 3/16"	3 5/8"	19 3/4"	66 Lbs	2"
DRAIN CLEARANCE	SHIPPING LENGTH	SHIPPING WIDTH	SHIPPING HEIGHT	
3"	33 1/2"	61"	22 1/2"	

SYSTEMS



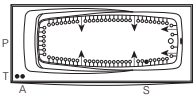
**Activ-Air left drain
Activ-Air right drain**

Included: 29 Activ-Air micro-jets, one blower with heating element (200 W) and one pneumatic control.



**Whirlpool left drain
Whirlpool right drain**

Included: 6 round jets, two air controls, one 7.5 A pump and one pneumatic control.



**Whirlpool/Activ-Air combo left drain
Whirlpool/Activ-Air combo right drain**

Included: 6 round jets, 28 Activ-Air micro-jets, two air controls, one 7.5 A pump, one blower with heating element (200 W) and two pneumatic controls.

Project: _____

Contractor: _____

Representative: _____

Date: _____

Tel: _____

Notes: _____
