



Albana

Bathtub with Integrated Skirt and Tiling Flange

Key Features:

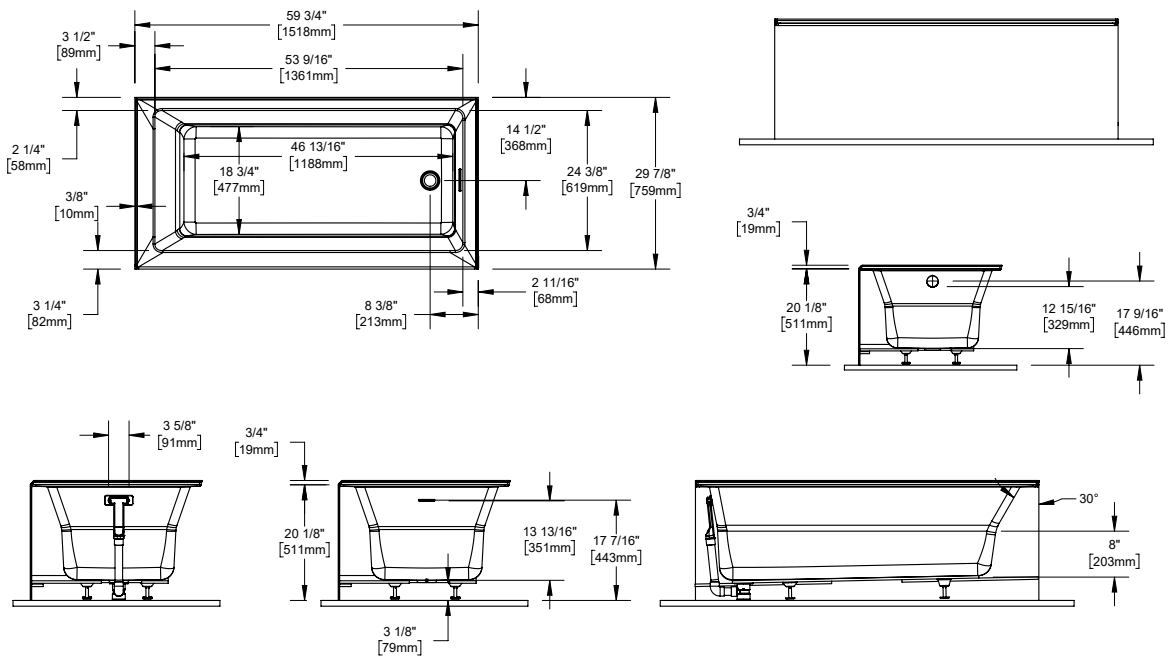
- **NEW!** Available option - pre-installed drain and linear overflow
- Stain-resistant acrylic surface
- Leveling legs for an easy installation
- Integrated tiling flange for added leak protection
- Available in left-hand or right-hand drain configuration
- Thermoformed acrylic reinforced with fiberglass for a durable bathtub

Albana

Bathtub with Integrated Skirt and Tiling Flange

Description	Dimensions	Drain Position	Sellable Part #
Albana 3060 IFS AFR	59 3/4" x 29 7/8" x 20 1/8"	End drain	220163-OPT20343
Albana 3260 IFS AFR	59 3/4" x 31 7/8" x 20 1/8"	End drain	220167-OPT20343

Albana 3060 IFS AFR (220163)



*Toutes ces dimensions sont approximatives et sujettes à changements sans préavis.
Veuillez vous référer au guide d'installation avant d'installer l'unité.

Albana

Bathtub with Integrated Skirt and Tiling Flange

Albana 3260 IFS AFR (220164)

