

Banff BFS-6036F Shower

Alcove 1-piece shower | 62 3/4" x 39 1/2" x 78 3/4"



NBC



NBC-Alberta



CSA



ADA/ANSI

Key Features:

- One-piece roll-in shower
- Code compliant packages available
- Low threshold and easy access design
- Integrated textured bottom
- Center drain
- Customizable grab bar & seat configurations
- Offered in white only

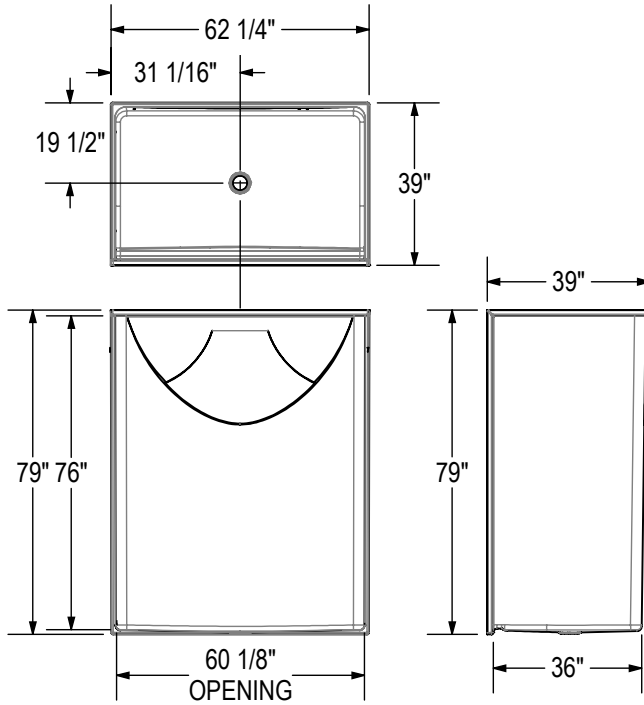


Description	Model #	Option Package	Option Code	Standard	Dimensions
Banff BFS-6036F	220377	CSA	OPT22069	CSA B651	62 3/4" x 39 1/2" x 78 3/4"
		NBC	OPT22032	National Building Code 2020 (NBC) -British Columbia Building Code 2024 (BCBC) -Ontario Building Code – Revision 2023(OBC) -Quebec Construction Code (NBC 2015-amended)	
		NBC-Alberta	OPT22033	National Building Code – 2023 Alberta Edition	
		ADA/ANSI	OPT22070	ADA/ANSI A117.1	

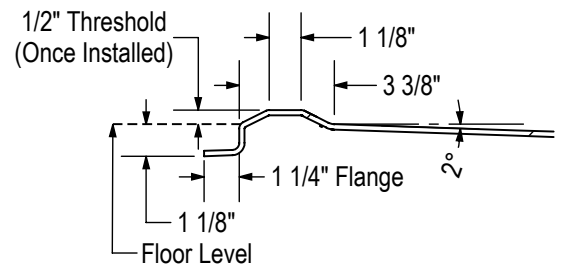
Banff BFS-6036F Shower

Alcove 1-piece shower | 62 3/4" x 39 1/2" x 78 3/4"

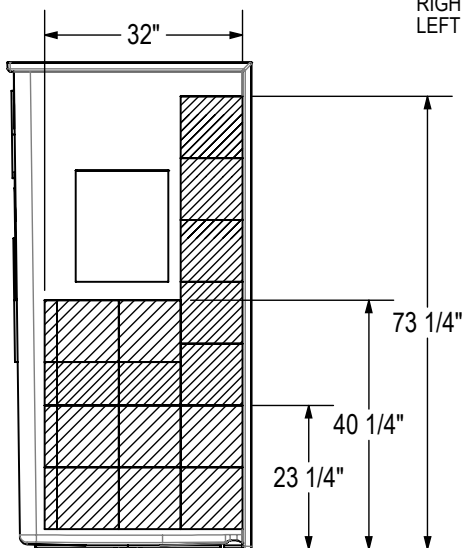
BASE MODEL



THRESHOLD DETAIL

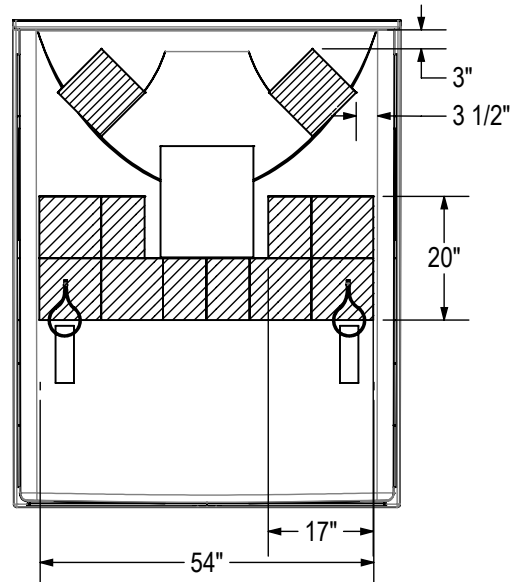


REINFORCEMENT BACKING



RIGHT WALL SHOWN
LEFT WALL SYMMETRICAL

BACK WALL



All dimensions are approximate. Structure measurements must be verified against the unit to ensure proper fit.



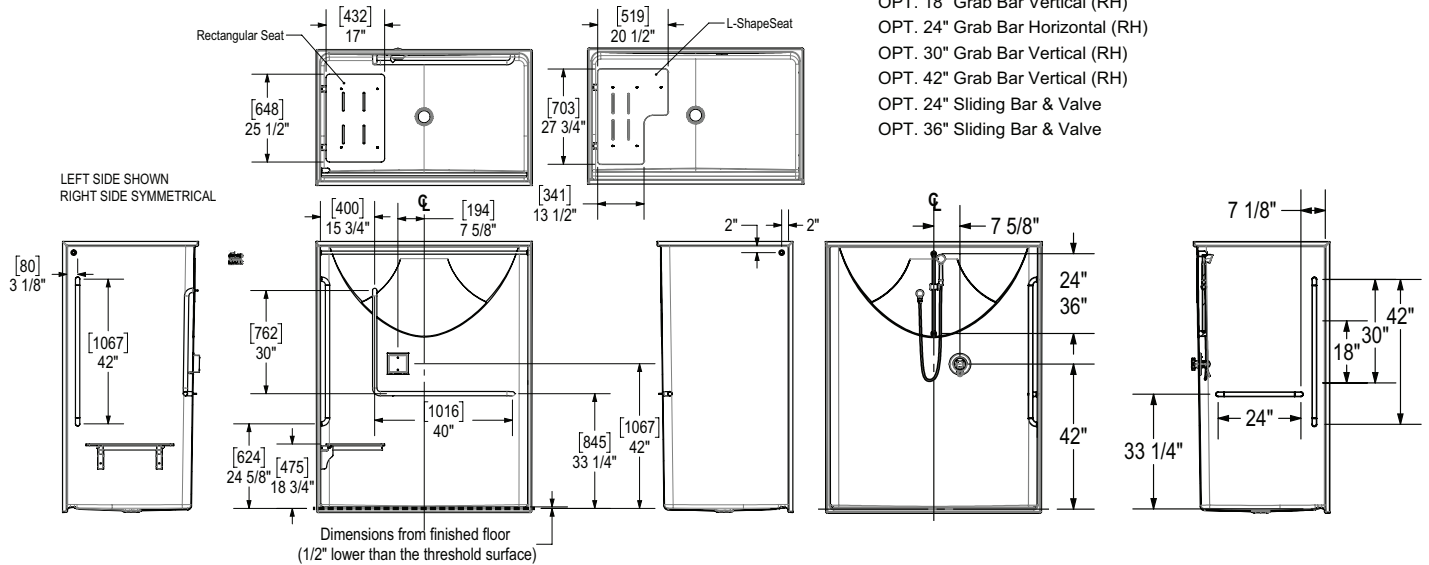
Banff BFS-6036F Shower

Alcove 1-piece shower | 62 3/4" x 39 1/2" x 78 3/4"

BASE MODEL WITH NATIONAL BUILDING CODE of Canada package (NBC/OBC/BCBC)

ADDITIONAL OPTIONS

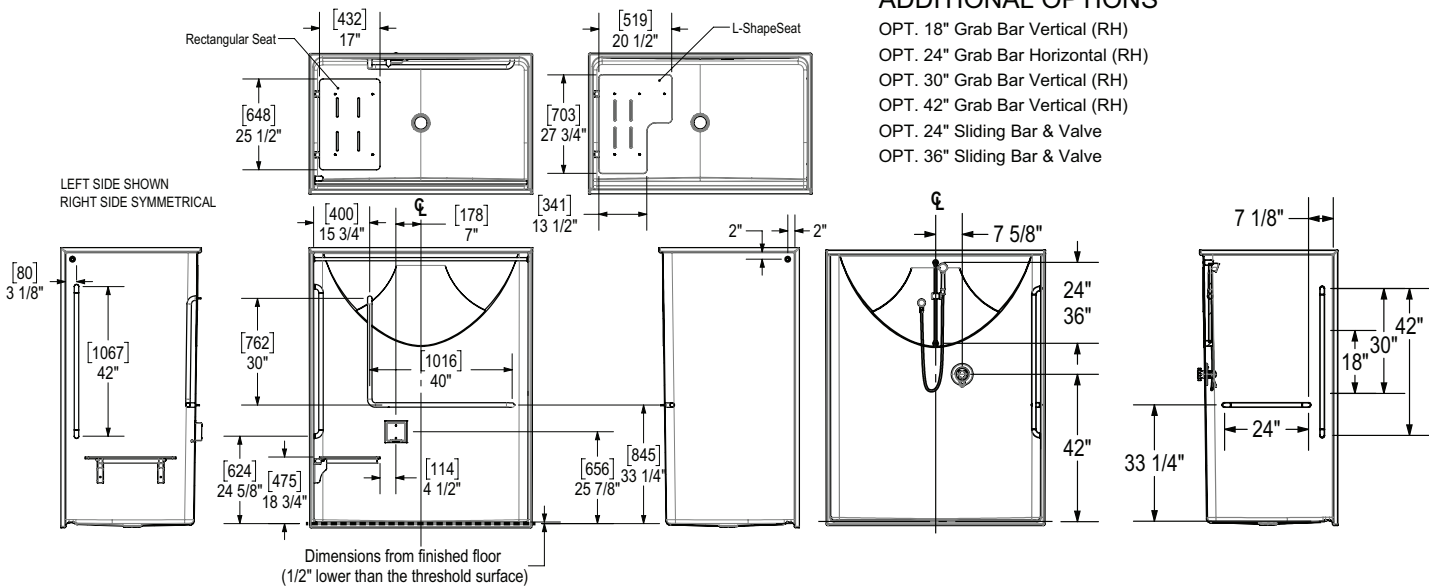
- OPT. 18" Grab Bar Vertical (RH)
- OPT. 24" Grab Bar Horizontal (RH)
- OPT. 30" Grab Bar Vertical (RH)
- OPT. 42" Grab Bar Vertical (RH)
- OPT. 24" Sliding Bar & Valve
- OPT. 36" Sliding Bar & Valve



BASE MODEL WITH NATIONAL BUILDING CODE - 2023 ALBERTA EDITION

ADDITIONAL OPTIONS

- OPT. 18" Grab Bar Vertical (RH)
- OPT. 24" Grab Bar Horizontal (RH)
- OPT. 30" Grab Bar Vertical (RH)
- OPT. 42" Grab Bar Vertical (RH)
- OPT. 24" Sliding Bar & Valve
- OPT. 36" Sliding Bar & Valve



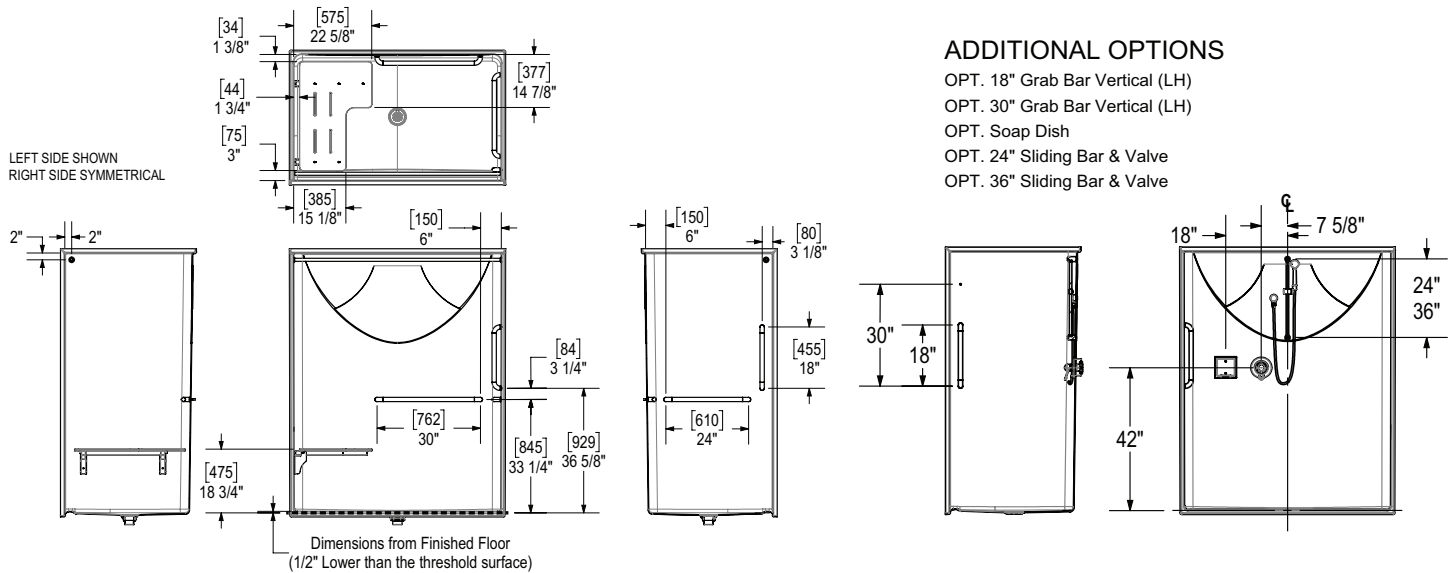
All dimensions are approximate. Structure measurements must be verified against the unit to ensure proper fit.



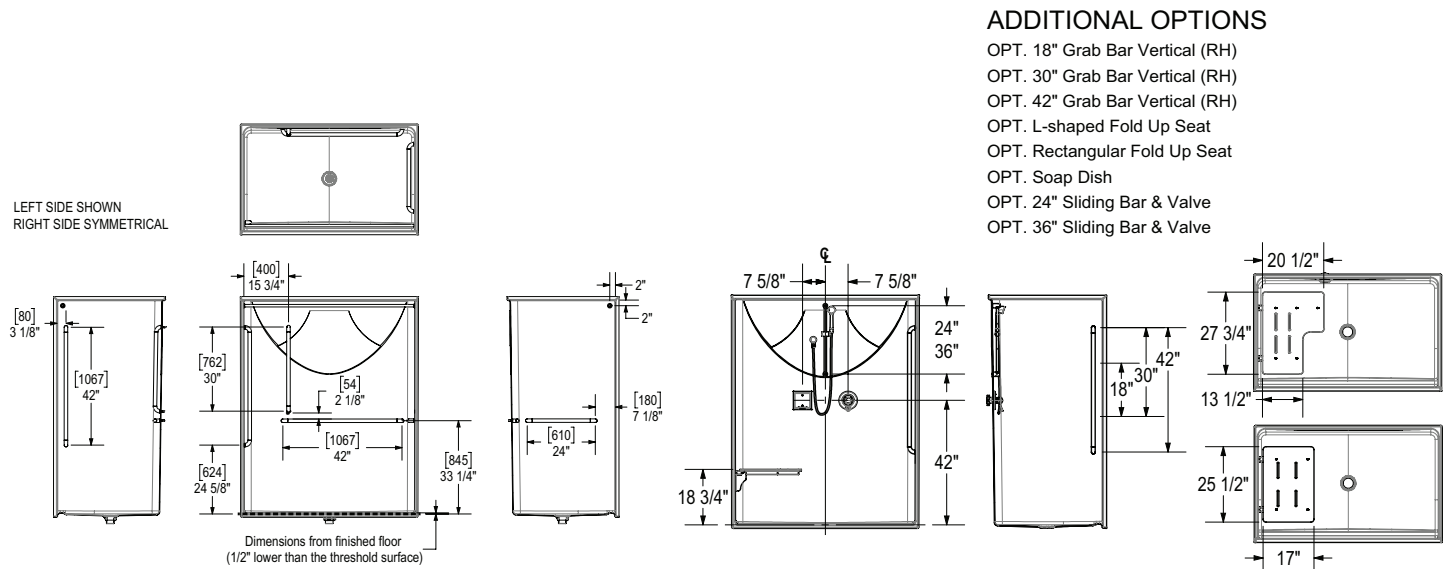
Banff BFS-6036F Shower

Alcove 1-piece shower | 62 3/4" x 39 1/2" x 78 3/4"

BASE MODEL WITH ADA/ANSI A117.1 package



BASE MODEL WITH CSA B651 package



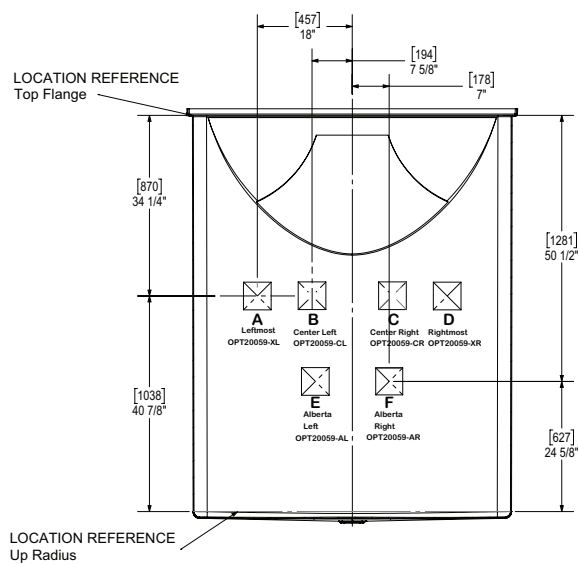
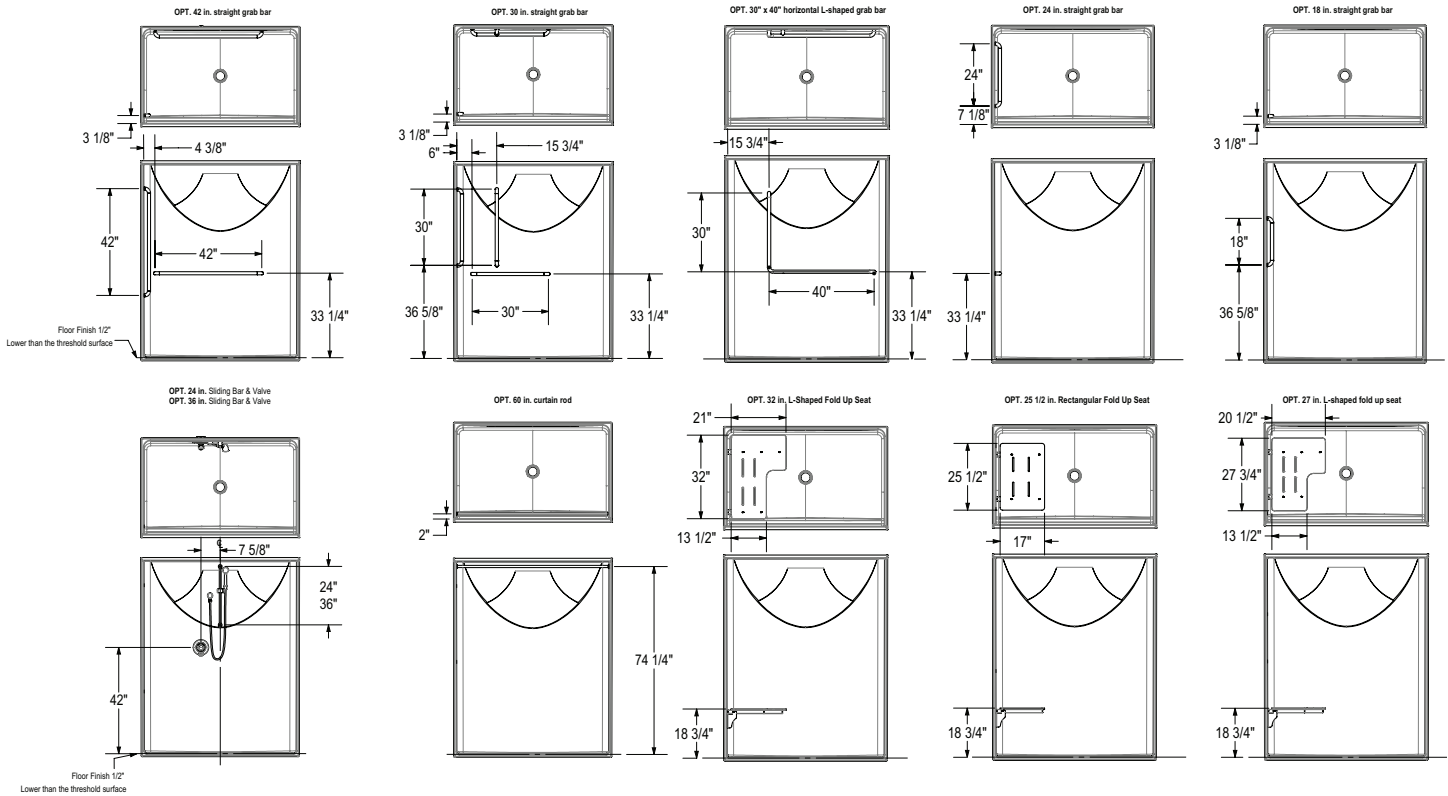
All dimensions are approximate. Structure measurements must be verified against the unit to ensure proper fit.

Banff BFS-6036F Shower

Alcove 1-piece shower | 62 3/4" x 39 1/2" x 78 3/4"

LEFT SIDE SHOWN
RIGHT SIDE SYMMETRICAL

BASE MODEL OPTIONS



Soap Dish □ 5 1/4"

All dimensions are approximate. Structure measurements must be verified against the unit to ensure proper fit.