



Pia **NEW**

Bathtub with Tiling Flange and Skirt on 2 sides – Corner Installation

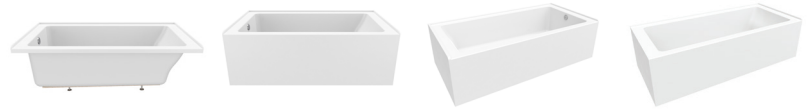
Key Features:

- Thermoformed acrylic reinforced with fiberglass for a durable bathtub
- Gloss finish resistant to stains and discoloration
- Multiple sizes available
- Corner installation, perfect for remodeling
- Above-the-floor rough (AFR) so pipes can be routed without breaking ground or relocating the drain
- Integrated tiling flange for added leak protection
- Available in left or right installation

Pia **NEW**

Bathtub with Tiling Flange and Skirt on 2 sides – Corner Installation

The Pia Family is Growing!



		DROP-IN	IF	IFS	CORNER L2L / R2R	CORNER L2R / R2L
3060	AFR	•	•	•	•	•
	N-AFR			•		
3260	AFR		•	•	•	•
	N-AFR			•		
3660	AFR		•	•	•	•
	N-AFR			•		
3272	AFR		•	•	•	•
	N-AFR			•		
3672	AFR		•	•	•	•
	N-AFR			•		

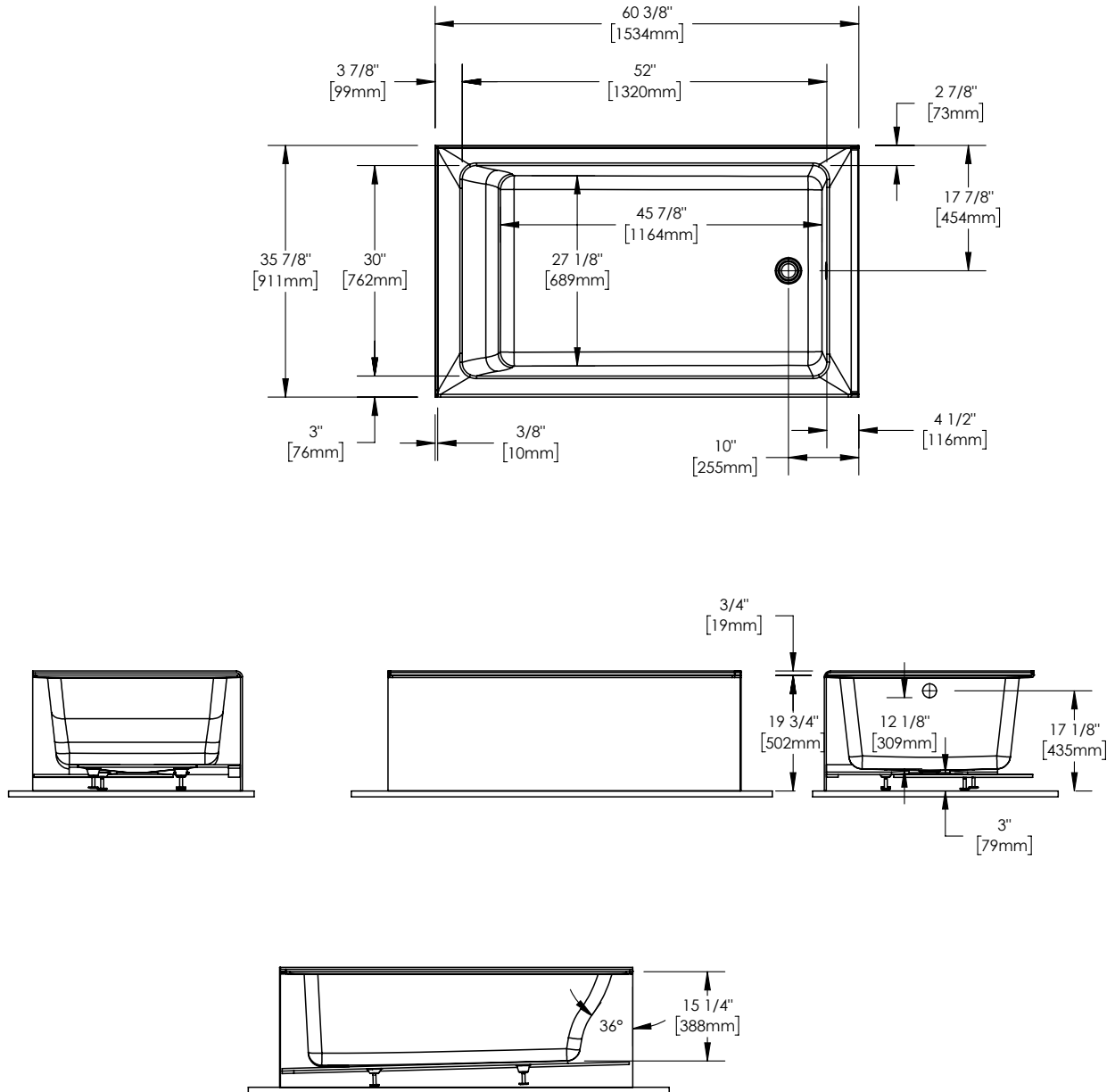
NEW

Description	Dimensions	Drain Position	Installation Type	Sellable Codes
PIA 30 x 60 AFR with Tiling Flange L2L side and Skirt on 2 sides, LH	30" x 60"	Left-hand drain	Corner	220191-000-001-100
PIA 30 x 60 AFR with Tiling Flange R2L side and Skirt on 2 sides, RH	30" x 60"	Right-hand drain		220191-000-001-200
PIA 30 x 60 AFR with Tiling Flange R2R side and Skirt on 2 sides, RH	30" x 60"	Right-hand drain		220191-000-001-300
PIA 30 x 60 AFR with Tiling Flange L2R side and Skirt on 2 sides, LH	30" x 60"	Left-hand drain		220191-000-001-400
PIA 32 x 60 AFR with Tiling Flange L2L side and Skirt on 2 sides, LH	32" x 60"	Left-hand drain		220192-000-001-100
PIA 32 x 60 AFR with Tiling Flange R2L side and Skirt on 2 sides, RH	32" x 60"	Right-hand drain		220192-000-001-200
PIA 32 x 60 AFR with Tiling Flange R2R side and Skirt on 2 sides, RH	32" x 60"	Right-hand drain		220192-000-001-300
PIA 32 x 60 AFR with Tiling Flange L2R side and Skirt on 2 sides, LH	32" x 60"	Left-hand drain		220192-000-001-400
PIA 36 x 60 AFR with Tiling Flange L2L side and Skirt on 2 sides, LH	36" x 60"	Left-hand drain		220390-000-001-100
PIA 36 x 60 AFR with Tiling Flange R2L side and Skirt on 2 sides, RH	36" x 60"	Right-hand drain		220390-000-001-200
PIA 36 x 60 AFR with Tiling Flange R2R side and Skirt on 2 sides, RH	36" x 60"	Right-hand drain		220390-000-001-300
PIA 36 x 60 AFR with Tiling Flange L2R side and Skirt on 2 sides, LH	36" x 60"	Left-hand drain		220390-000-001-400
PIA 32 x 72 AFR with Tiling Flange L2L side and Skirt on 2 sides, LH	32" x 72"	Left-hand drain		220392-000-001-100
PIA 32 x 72 AFR with Tiling Flange R2L side and Skirt on 2 sides, RH	32" x 72"	Right-hand drain		220392-000-001-200
PIA 32 x 72 AFR with Tiling Flange R2R side and Skirt on 2 sides, RH	32" x 72"	Right-hand drain		220392-000-001-300
PIA 32 x 72 AFR with Tiling Flange L2R side and Skirt on 2 sides, LH	32" x 72"	Left-hand drain		220392-000-001-400
PIA 36 x 72 AFR with Tiling Flange L2L side and Skirt on 2 sides, LH	36" x 72"	Left-hand drain		220394-000-001-100
PIA 36 x 72 AFR with Tiling Flange R2L side and Skirt on 2 sides, RH	36" x 72"	Right-hand drain		220394-000-001-200
PIA 36 x 72 AFR with Tiling Flange R2R side and Skirt on 2 sides, RH	36" x 72"	Right-hand drain		220394-000-001-300
PIA 36 x 72 AFR with Tiling Flange L2R side and Skirt on 2 sides, LH	36" x 72"	Left-hand drain		220394-000-001-400

Pia NEW

Bathtub with Tiling Flange and Skirt on 2 sides – Corner Installation

Pia 3660 IFS AFR R2L

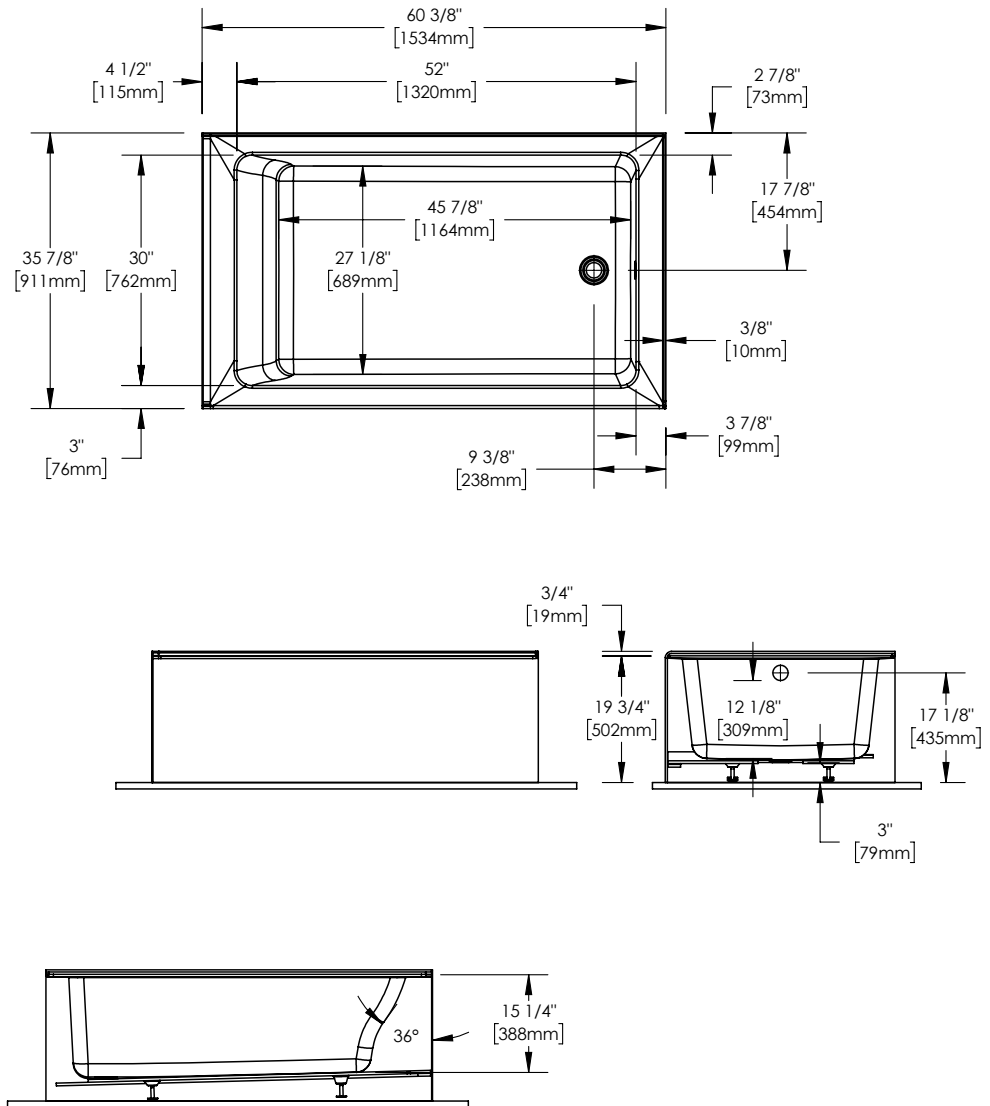


Wood support design may vary.
All dimensions are approximate.
Structure measurements must be verified
against the unit to ensure proper fit.

Pia NEW

Bathtub with Tiling Flange and Skirt on 2 sides – Corner Installation

Pia 3660 IFS AFR R2R

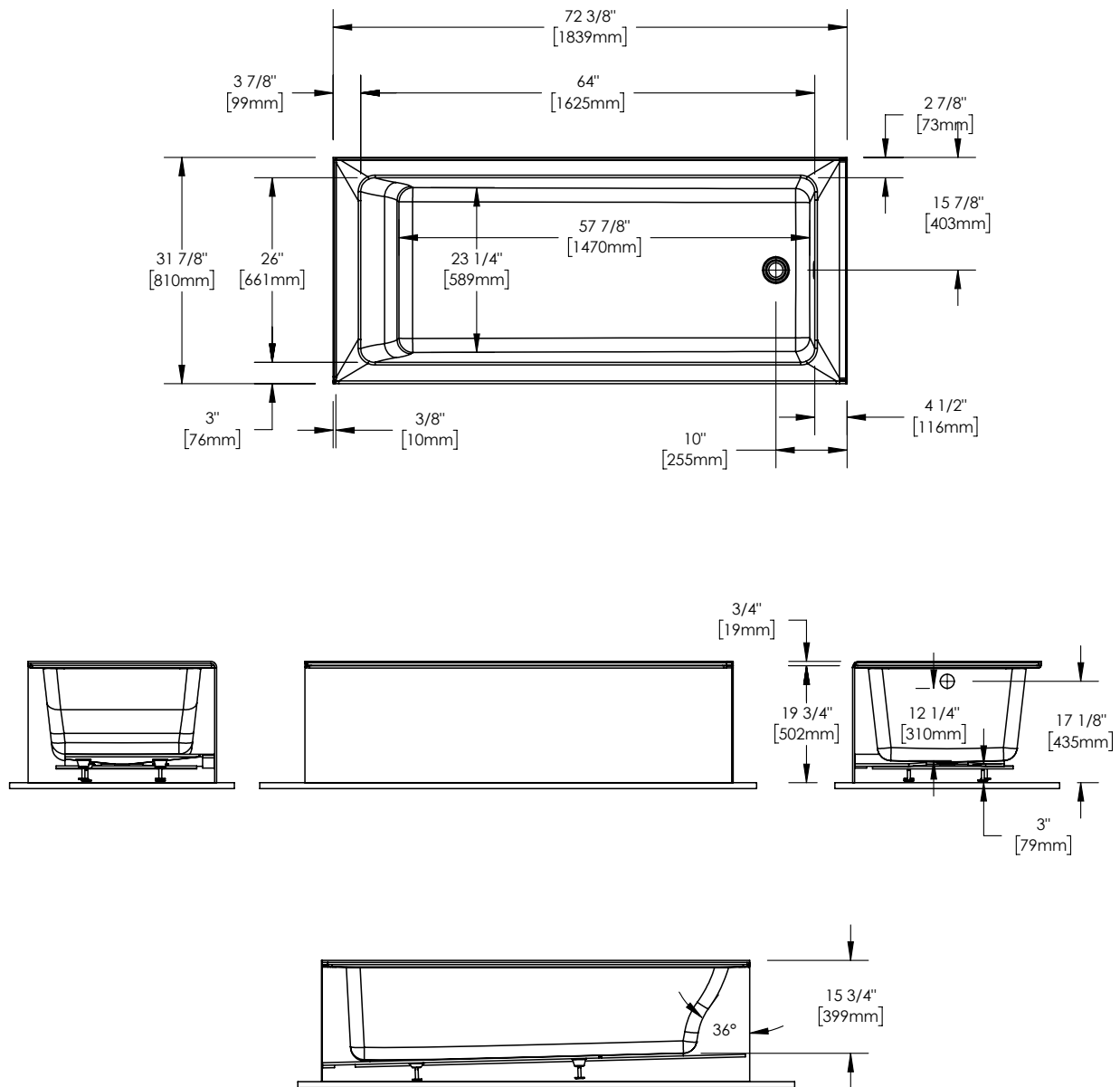


Wood support design may vary.
All dimensions are approximate.
Structure measurements must be verified

Pia NEW

Bathtub with Tiling Flange and Skirt on 2 sides – Corner Installation

Pia 3272 IFS AFR R2L

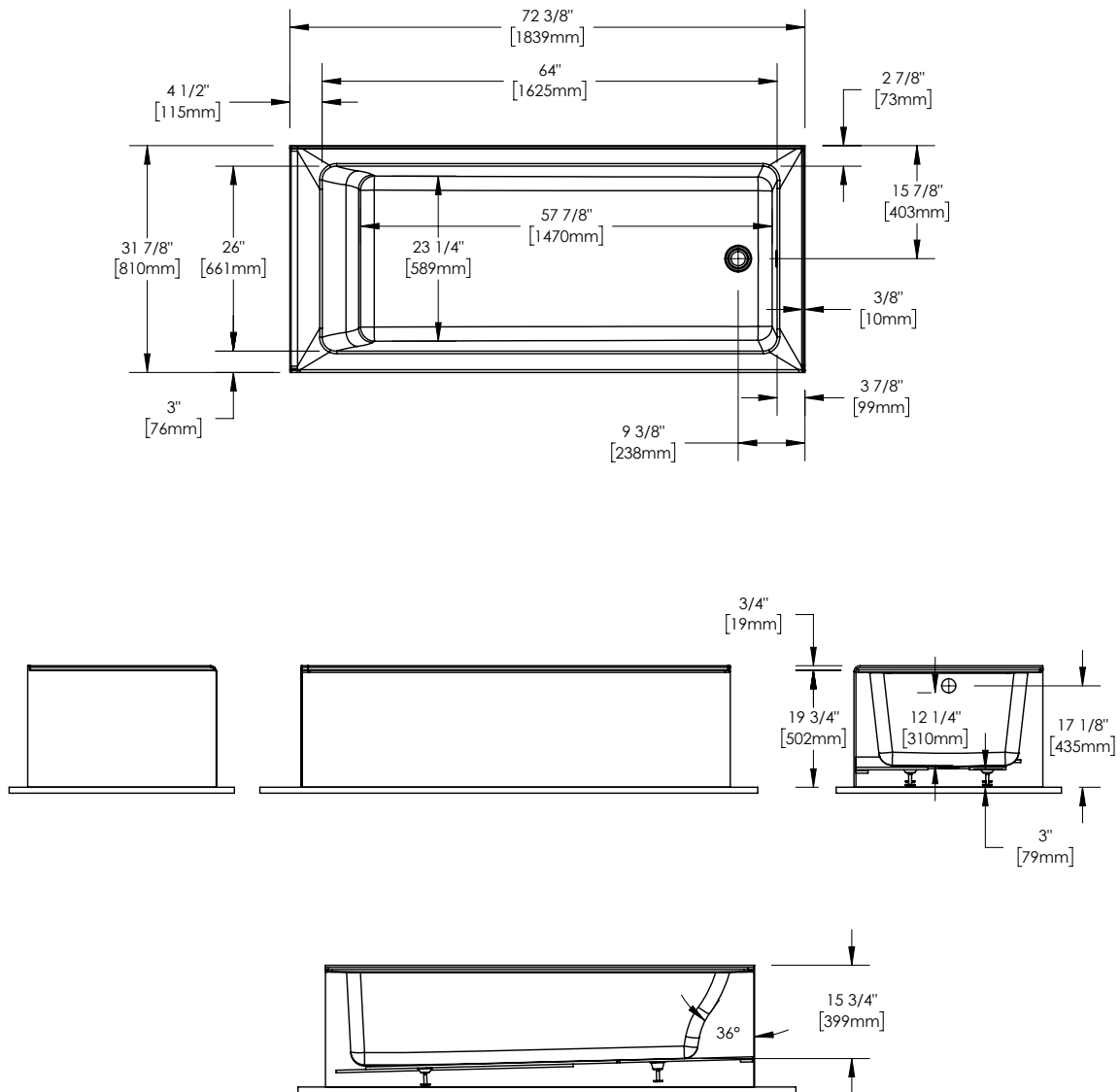


Wood support design may vary.
All dimensions are approximate.
Structure measurements must be verified

Pia NEW

Bathtub with Tiling Flange and Skirt on 2 sides – Corner Installation

Pia 3272 IFS AFR R2R

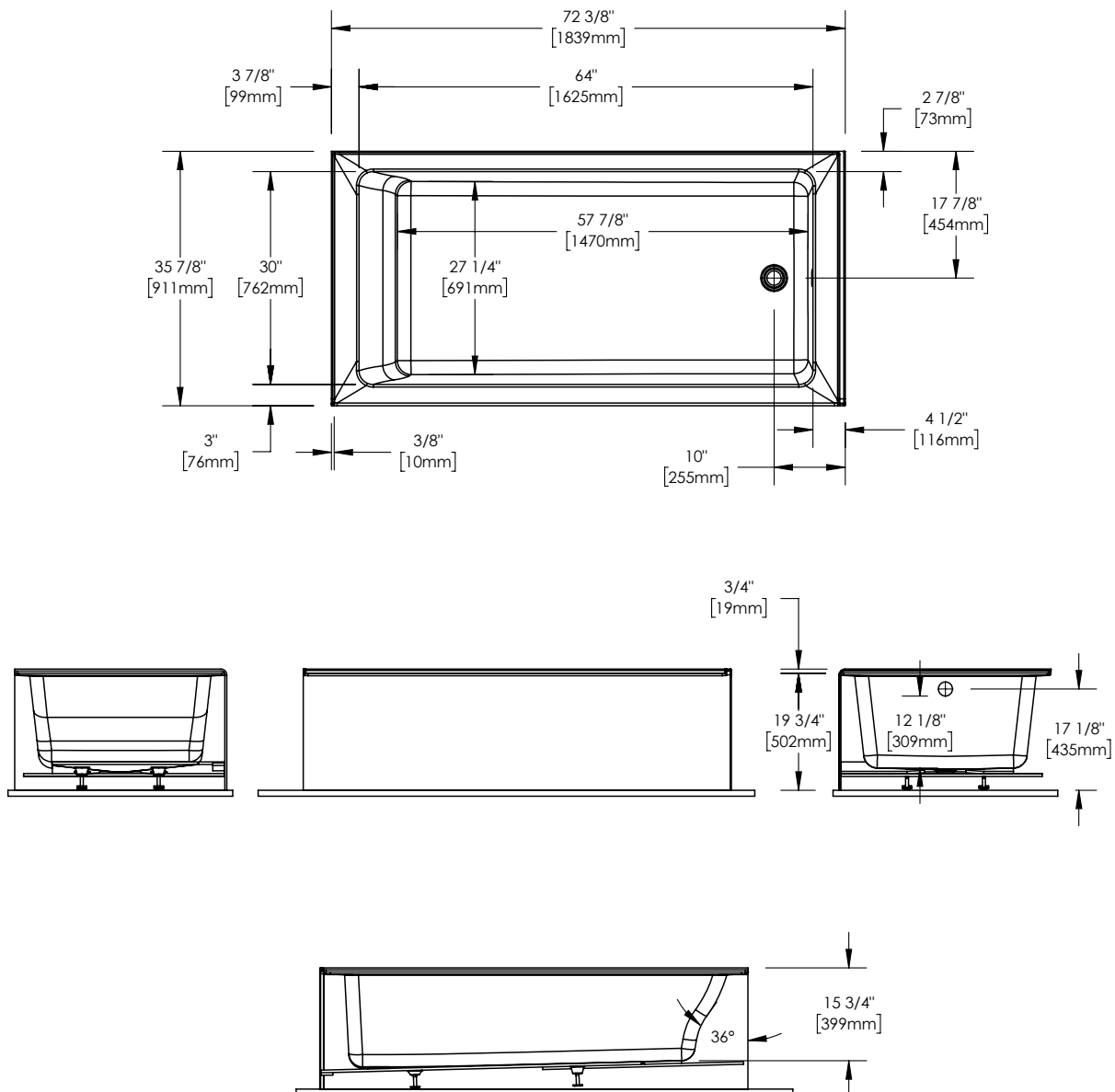


Wood support design may vary.
All dimensions are approximate.
Structure measurements must be verified
against the unit to ensure proper fit.

Pia NEW

Bathtub with Tiling Flange and Skirt on 2 sides – Corner Installation

Pia 3672 IFS AFR R2L

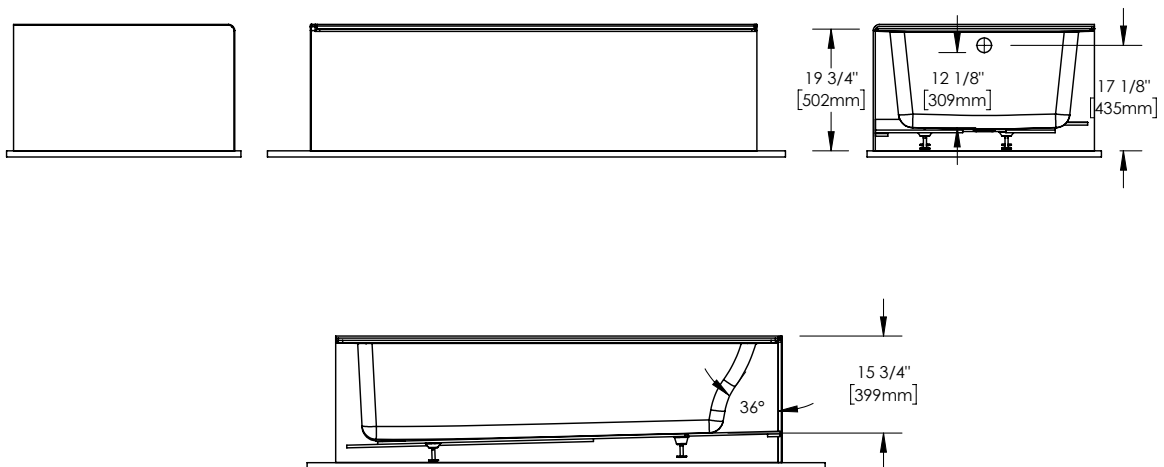
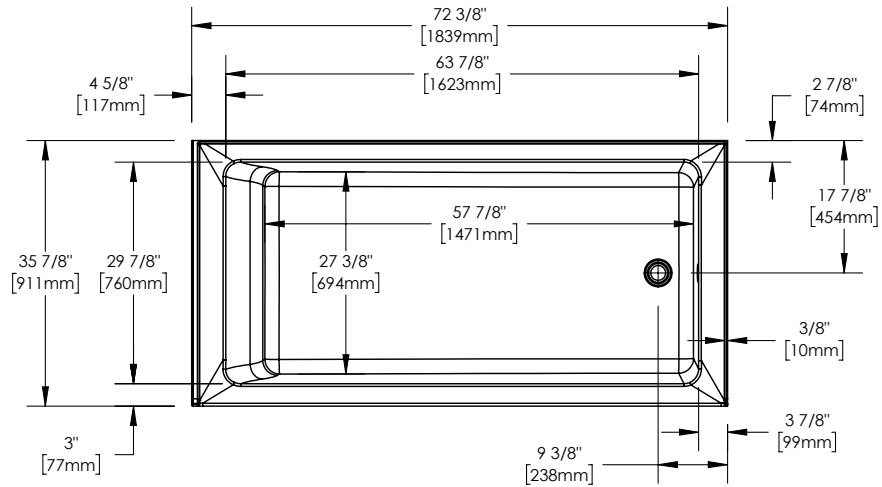


Wood support design may vary.
All dimensions are approximate.
Structure measurements must be verified
against the unit to ensure proper fit.

Pia NEW

Bathtub with Tiling Flange and Skirt on 2 sides – Corner Installation

Pia 3672 IFS AFR R2R



Wood support design may vary.
All dimensions are approximate.
Structure measurements must be verified
against the unit to ensure proper fit.