



# Pia **NEW**

Bathtub with Integrated Tiling Flange and Skirt – Alcove Installation

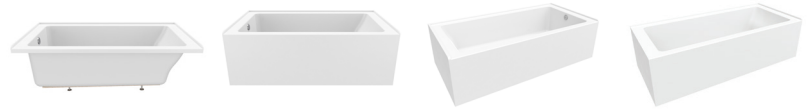
## Key Features:

- Thermoformed acrylic reinforced with fiberglass for a durable bathtub
- Gloss finish resistant to stains and discoloration
- Multiple sizes available
- Alcove installation, perfect for remodeling
- Above-the-floor rough (AFR) so pipes can be routed without breaking ground or relocating the drain
- Integrated tiling flange for added leak protection
- Available in left or right installation

# Pia **NEW**

Bathtub with Integrated Tiling Flange and Skirt – Alcove Installation

## The Pia Family is Growing!



		DROP-IN	IF	IFS	CORNER L2L / R2R	CORNER L2R / R2L
3060	AFR	•	•	•	•	•
	N-AFR			•		
3260	AFR		•	•	•	•
	N-AFR			•		
3660	AFR		•	•	•	•
	N-AFR			•		
3272	AFR		•	•	•	•
	N-AFR			•		
3672	AFR		•	•	•	•
	N-AFR			•		

**NEW**

# Pia NEW

## Bathtub with Integrated Tiling Flange and Skirt – Alcove Installation

Description	Dimensions	Drain Position	Installation Type	Sellable Codes
PIA 30 x 60 AFR with Tiling Flange and Skirt, LH	30" x 60"	Left-hand drain	Alcove	220191-000-001-101
PIA 30 x 60 AFR with Tiling Flange and Skirt, RH	30" x 60"	Right-hand drain		220191-000-001-102
PIA 30 x 60 with Tiling Flange and Skirt, LH	30" x 60"	Left-hand drain		220191-000-001-201
PIA 30 x 60 with Tiling Flange and Skirt, RH	30" x 60"	Right-hand drain		220191-000-001-202
PIA 32 x 60 AFR with Tiling Flange and Skirt, LH	32" x 60"	Left-hand drain		220192-000-001-101
PIA 32 x 60 AFR with Tiling Flange and Skirt, RH	32" x 60"	Right-hand drain		220192-000-001-102
PIA 32 x 60 with Tiling Flange and Skirt, LH	32" x 60"	Left-hand drain		220192-000-001-201
PIA 32 x 60 with Tiling Flange and Skirt, RH	32" x 60"	Right-hand drain		220192-000-001-202
PIA 36 x 60 AFR with Tiling Flange and Skirt, LH	36" x 60"	Left-hand drain		220390-000-001-101
PIA 36 x 60 AFR with Tiling Flange and Skirt, RH	36" x 60"	Right-hand drain		220390-000-001-102
PIA 36 x 60 with Tiling Flange and Skirt, LH	36" x 60"	Left-hand drain		220390-000-001-201
PIA 36 x 60 with Tiling Flange and Skirt, RH	36" x 60"	Right-hand drain		220390-000-001-202
PIA 32 x 72 AFR with Tiling Flange and Skirt, LH	32" x 72"	Left-hand drain		220392-000-001-101
PIA 32 x 72 AFR with Tiling Flange and Skirt, RH	32" x 72"	Right-hand drain		220392-000-001-102
PIA 32 x 72 with Tiling Flange and Skirt, LH	32" x 72"	Left-hand drain		220392-000-001-201
PIA 32 x 72 with Tiling Flange and Skirt, RH	32" x 72"	Right-hand drain		220392-000-001-202
PIA 36 x 72 AFR with Tiling Flange and Skirt, LH	36" x 72"	Left-hand drain		220394-000-001-101
PIA 36 x 72 AFR with Tiling Flange and Skirt, RH	36" x 72"	Right-hand drain		220394-000-001-102
PIA 36 x 72 with Tiling Flange and Skirt, LH	36" x 72"	Left-hand drain		220394-000-001-201
PIA 36 x 72 with Tiling Flange and Skirt, RH	36" x 72"	Right-hand drain		220394-000-001-202



### Complementary product

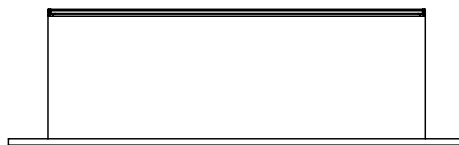
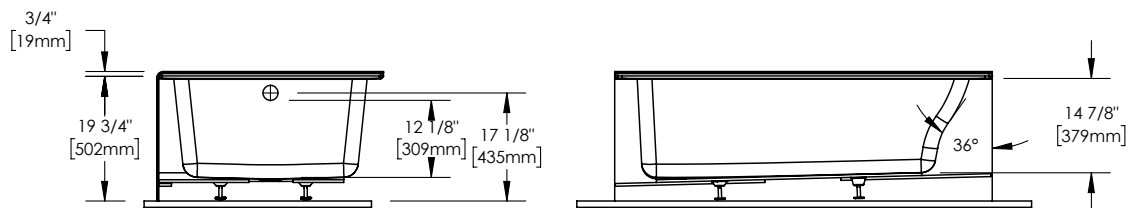
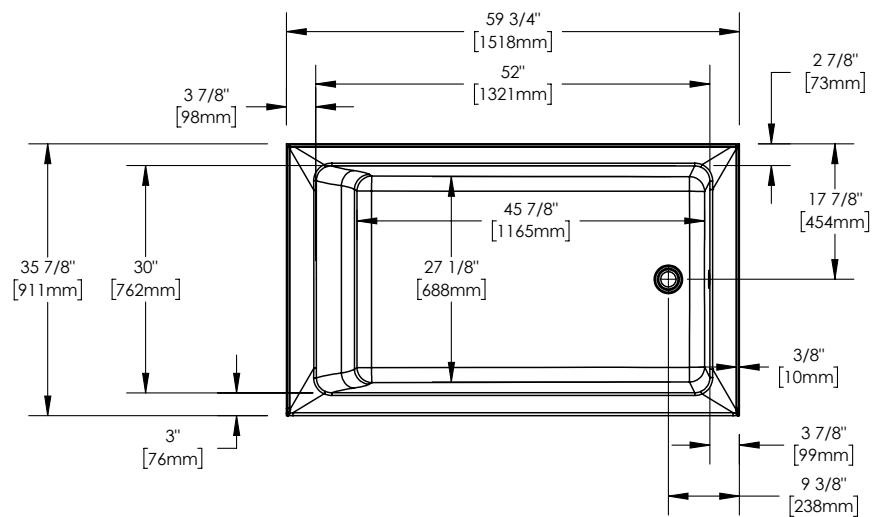
Herencia Door

Description	Dimensions	Sellable Code
Herencia Tub Door	42" x 59"	220085

# Pia NEW

Bathtub with Integrated Tiling Flange and Skirt – Alcove Installation

## Pia 3660 IFS AFR

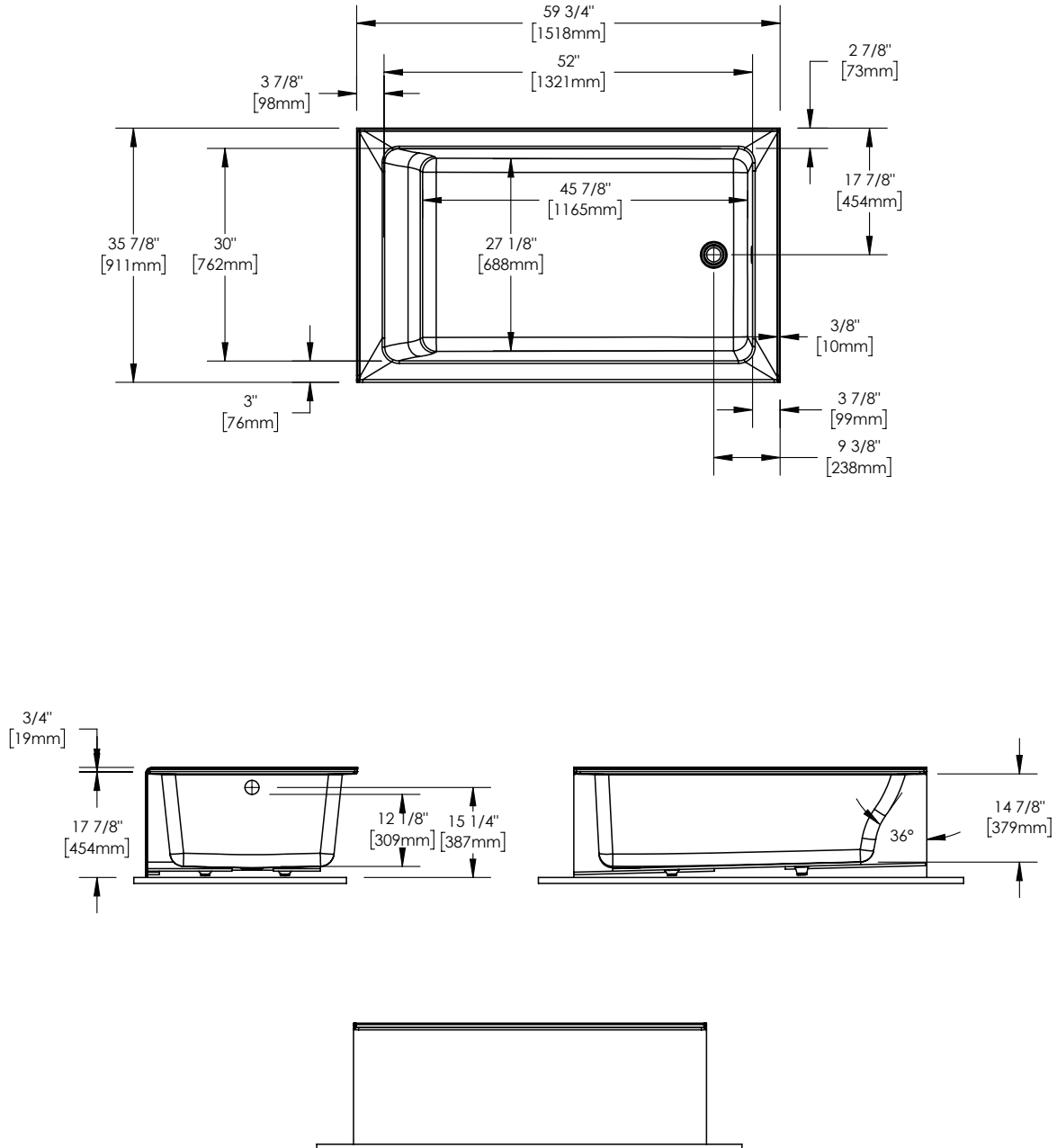


Wood support design may vary.  
All dimensions are approximate.  
Structure measurements must be verified  
against the unit to ensure proper fit.

# Pia NEW

Bathtub with Integrated Tiling Flange and Skirt – Alcove Installation

## Pia 3660 IFS

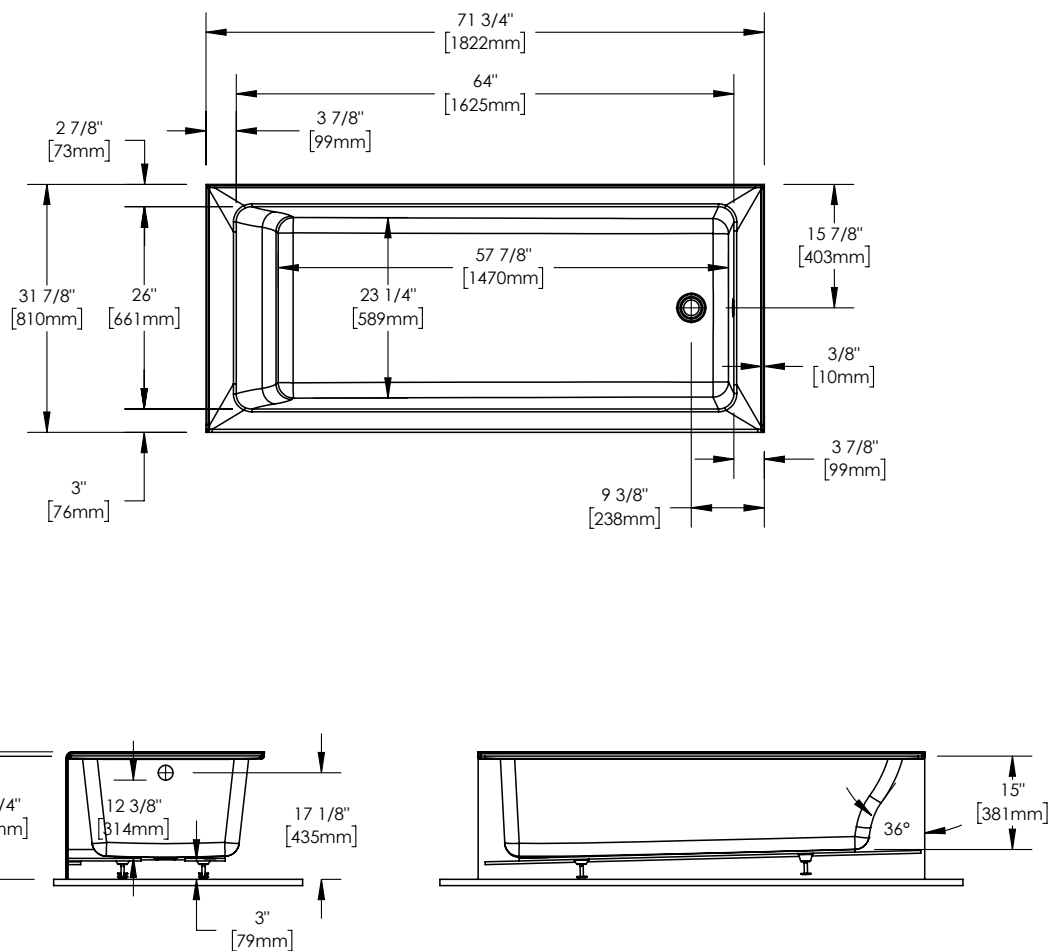


Wood support design may vary.  
All dimensions are approximate.  
Structure measurements must be verified  
against the unit to ensure proper fit.

# Pia NEW

Bathtub with Integrated Tiling Flange and Skirt – Alcove Installation

## Pia 3272 IFS AFR

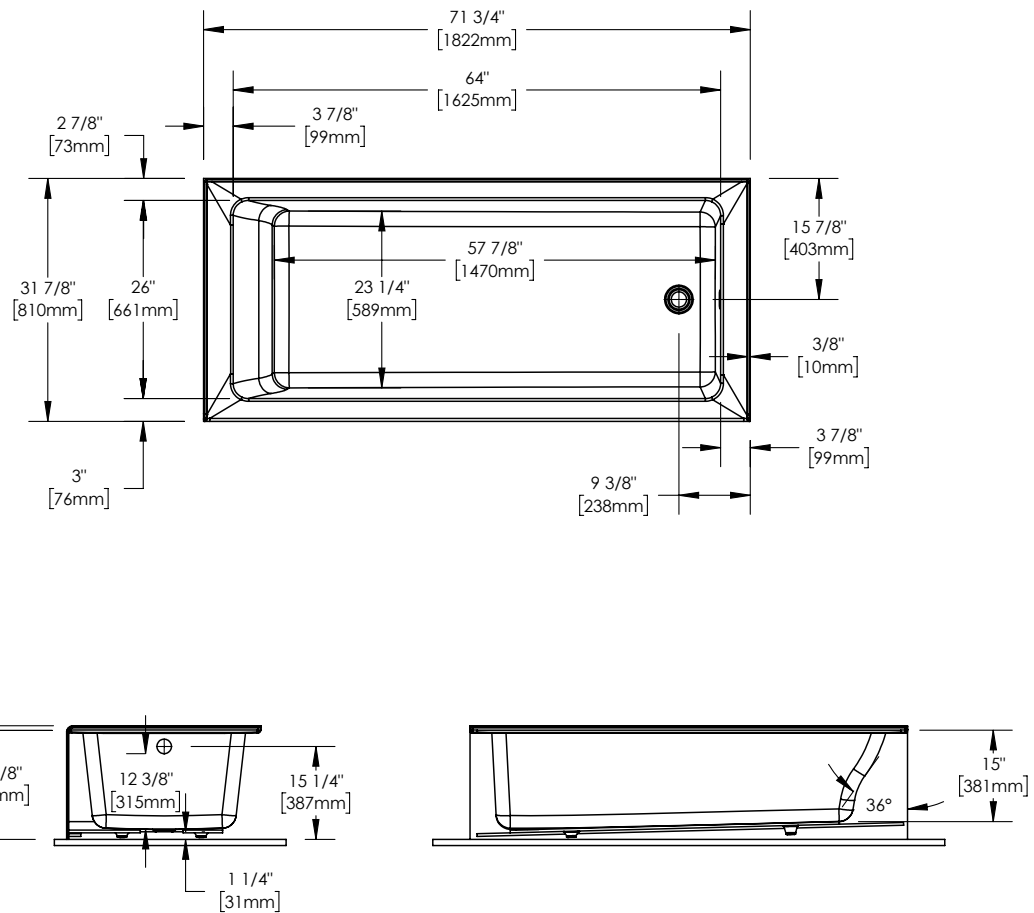


Wood support design may vary.  
All dimensions are approximate.  
Structure measurements must be verified  
against the unit to ensure proper fit.

# Pia NEW

Bathtub with Integrated Tiling Flange and Skirt – Alcove Installation

## Pia 3272 IFS

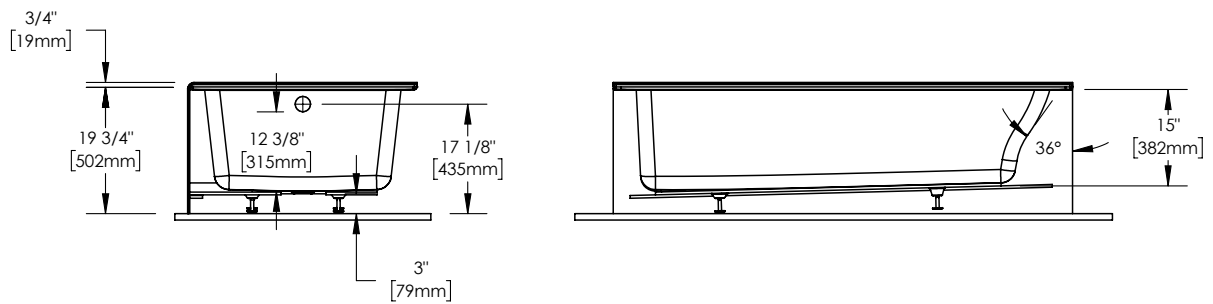
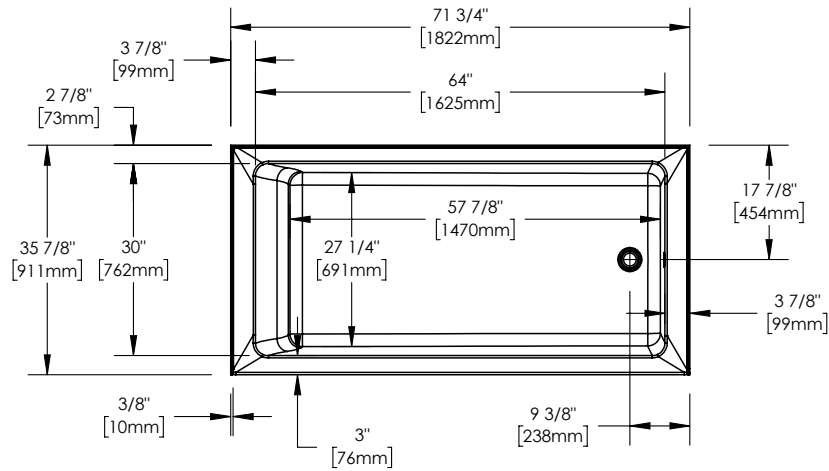


Wood support design may vary.  
All dimensions are approximate.  
Structure measurements must be verified  
against the unit to ensure proper fit.

# Pia NEW

Bathtub with Integrated Tiling Flange and Skirt – Alcove Installation

## Pia 3672 IFS AFR



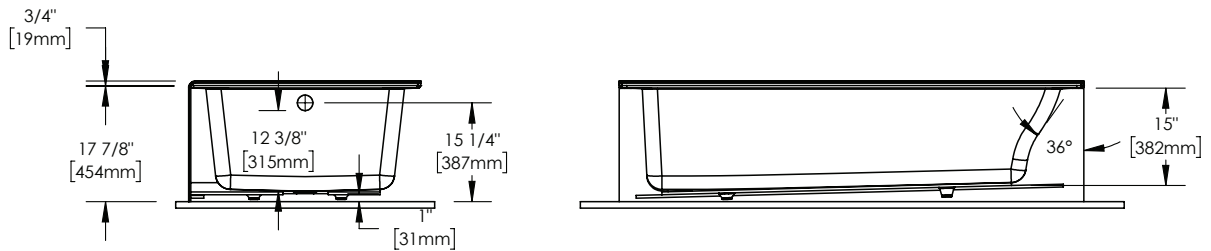
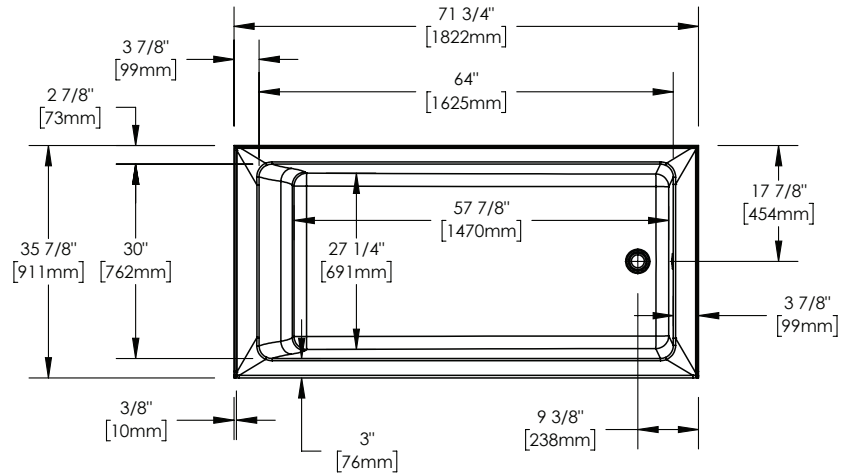
Wood support design may vary.  
All dimensions are approximate.  
Structure measurements must be verified  
against the unit to ensure proper fit.



# Pia NEW

Bathtub with Integrated Tiling Flange and Skirt – Alcove Installation

## Pia 3672 IFS



Wood support design may vary.  
All dimensions are approximate.  
Structure measurements must be verified  
against the unit to ensure proper fit.