

Quick Ship Inventory

Ready to Ship in 48 Hours



Code Approved Showers and Shower Pans

Quick Ship Inventory

Standard Features

- Premium white finish
- Factory installed pre-leveled shower base
- Accessorized to meet code compliance
- Curtain rod included

*QSI units include commercial ADA, TAS & MN code compliant models.
Curtain rods and accessories are not included with shower pans.

Code-approved showers
and shower pans
shipped in 48 hours



Need
your
bathware
FAST?

No problem.

With Aquarius Bathware
Quick Ship Inventory
(QSI), it's always
in-stock and
ready to go.

1 Choose Your Bathware

Choose 1 to 2 models in a premium white finish

- Save more time by adding an optional accessory. This will not affect the 48 hour time frame.

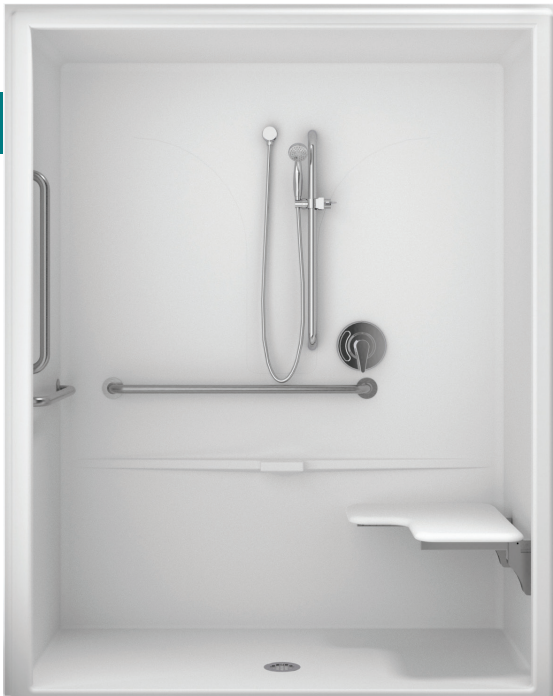
2 Place an Order

E-mail or fax your order form by 12pm CST in order to be processed same day.

3 Order Confirmation

You will receive an order acknowledgement.





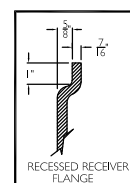
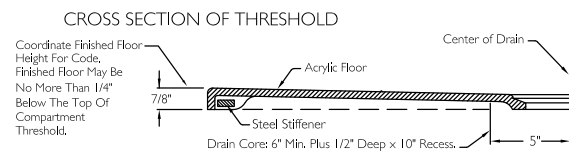
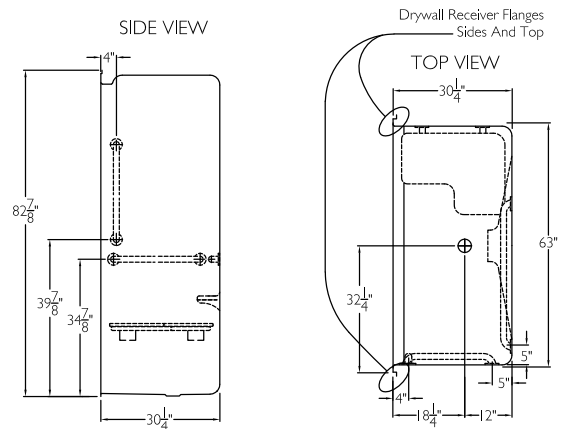
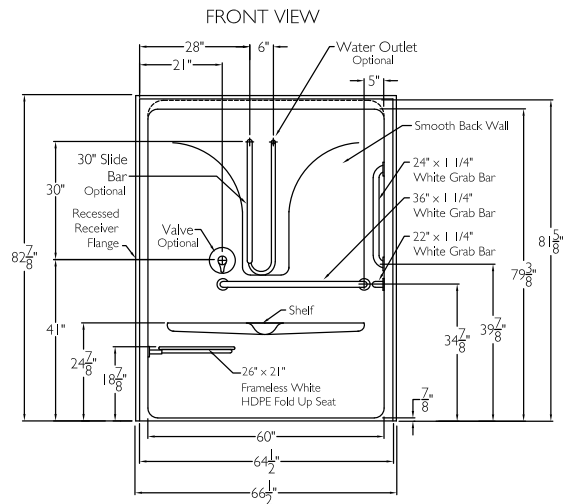
QSI 6430 BF .875

Roll-in Shower

Dimensions (inches)

Exterior: 66.5 W x 30.25 D x 82.875 H

Interior: 64.5 W x 30.25 D x 81.625 H



STANDARD FEATURES

- Finish Cast Acrylic
- Pieces 1
- Wall Smooth
- Warranty 30 Year Limited

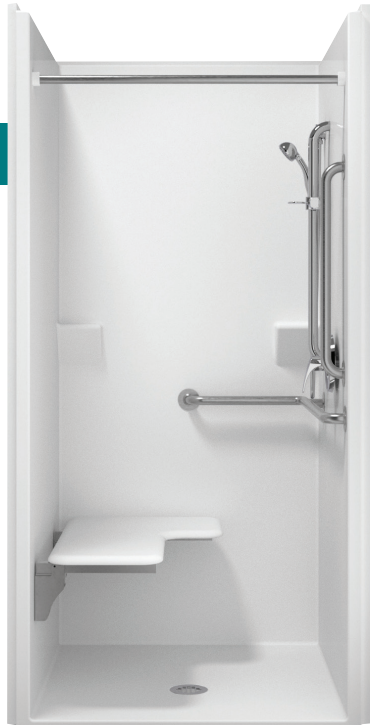
TECHNICAL INFORMATION

- Handed By Seat L/R
- Codes ADA/ANSI when properly installed

STANDARD ACCESSORIES

- Stainless steel curtain rod (not shown),
- stainless steel grab bars,
- white fold-up seat





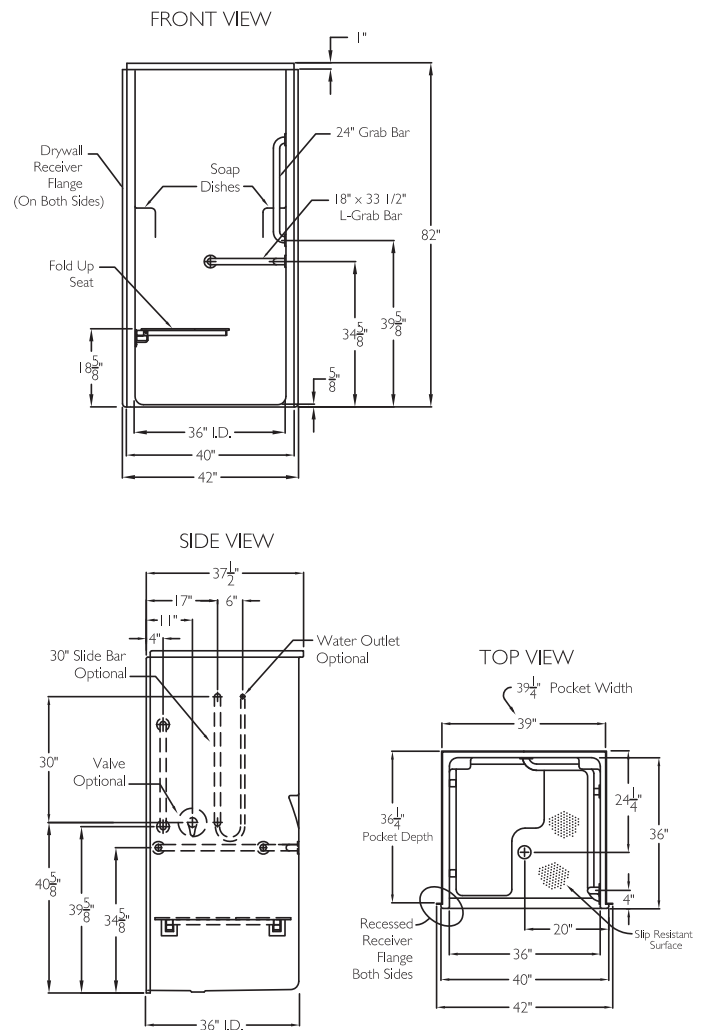
QSI 3682 BF .625 RRF

Transfer Shower with Dual Receiver Flanges

Dimensions (inches)

Exterior: 42 W x 37.5 D x 82 H

Interior: 36 W x 36 D x 80.375 H



STANDARD FEATURES

- Finish AcrylX™
- Pieces 1
- Wall Smooth
- Warranty 30 Year Limited

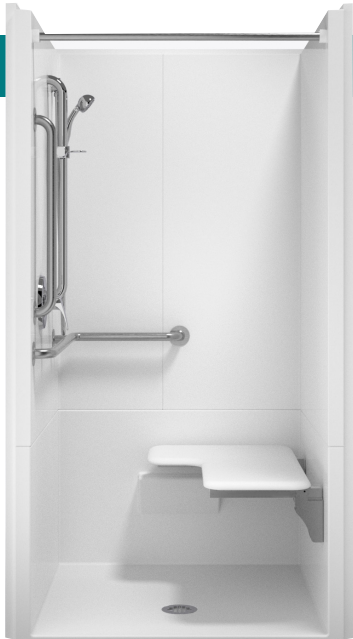
TECHNICAL INFORMATION

- Handed By Valve Wall L/R
- Codes ADA/ANSI when properly installed

STANDARD ACCESSORIES



Stainless steel curtain rod,
stainless steel grab bars,
white fold-up seat



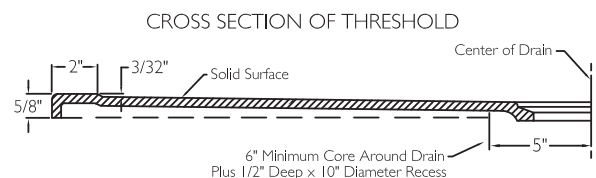
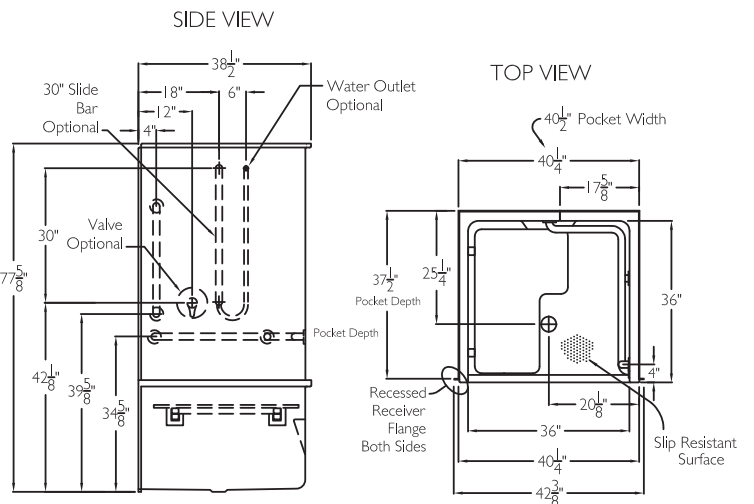
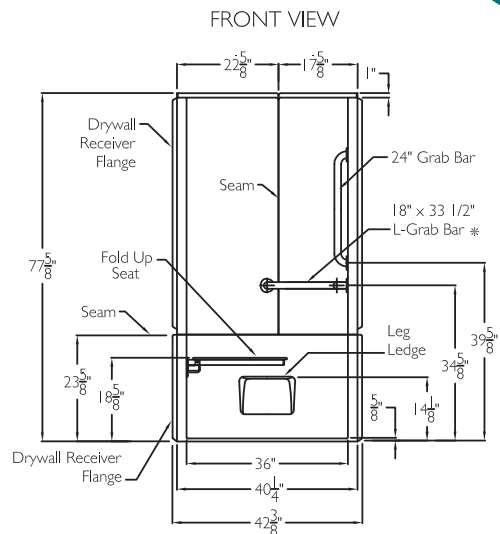
QSI 3637 BF 3P .625 RRF Barrier-Free Shower

Dimensions (inches)

Exterior: 42.375 W x 38.5 D x 77.625 H

Interior: 36 W x 36 D x 76H

3-Piece
Remodeling
Sectional



STANDARD FEATURES

- Finish AcrylX™
- Pieces 3
- Wall Smooth
- Warranty 30 Year Limited

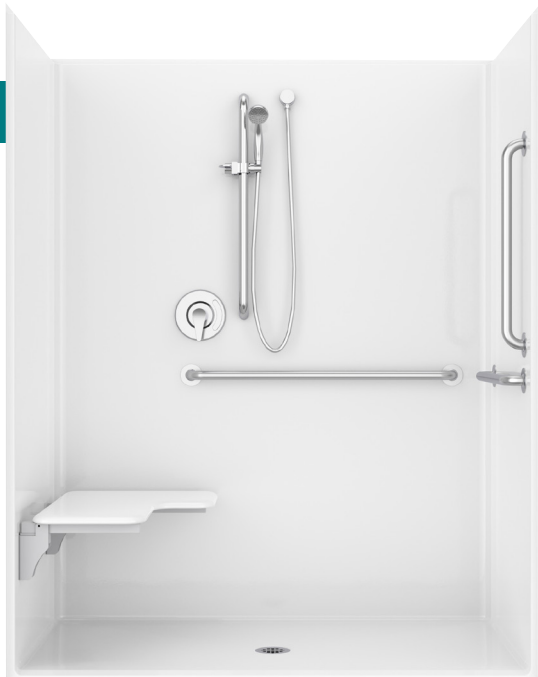
TECHNICAL INFORMATION

- Handed By Valve Wall L/R
- Codes ADA/ANSI when properly installed

STANDARD ACCESSORIES



Stainless steel curtain rod,
stainless steel grab bars,
white fold-up seat



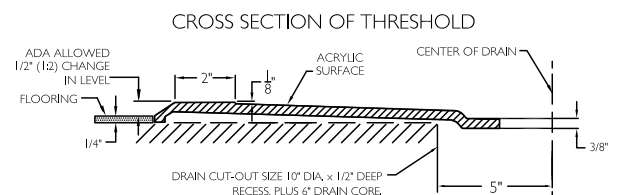
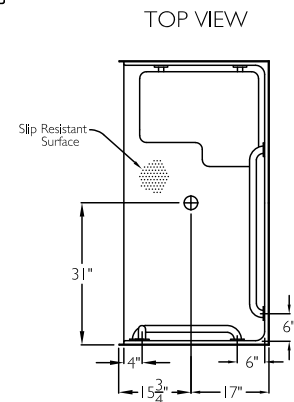
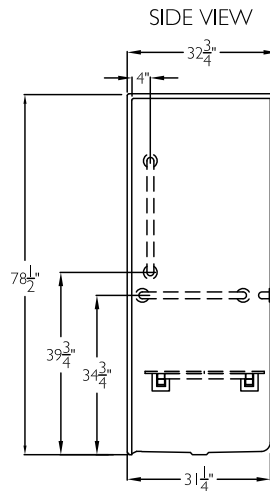
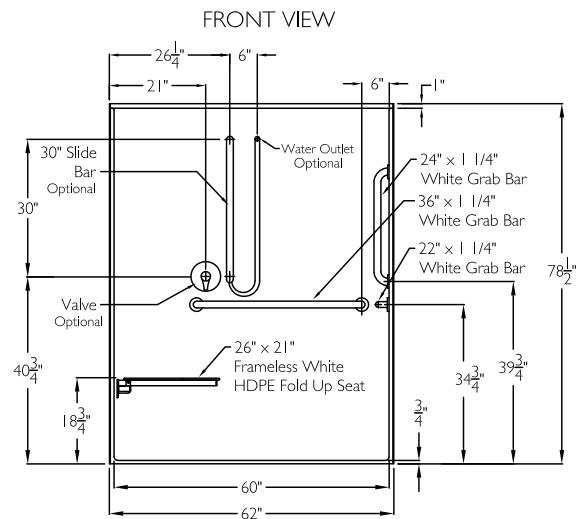
QSI 6233 BF-F .75

Roll-in Shower

Dimensions (inches)

Exterior: 62 W x 32.75 D x 78.5 H

Interior: 60 W x 30 D x 77.125 H



STANDARD FEATURES

Finish Acrylix™

Pieces 1

Wall Smooth

Warranty 30 Year Limited

TECHNICAL INFORMATION

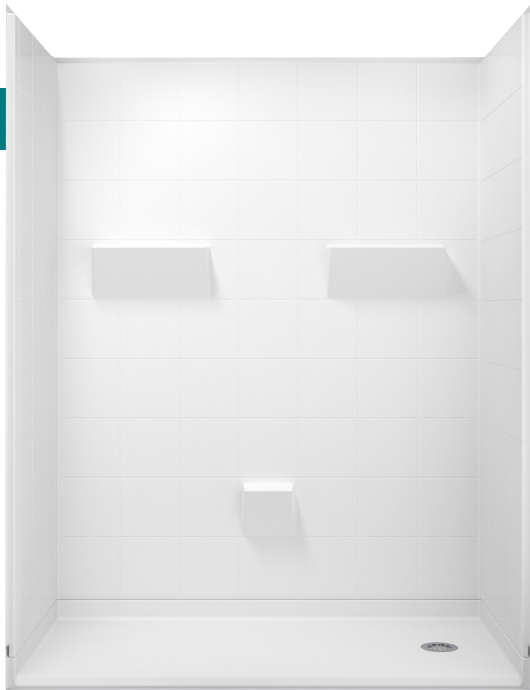
Handed By Seat L/R

Codes ADA/ANSI
when properly installed

STANDARD ACCESSORIES



Stainless steel curtain rod (not shown),
stainless steel grab bars,
white fold-up seat



QSI 6030 BF 5P 1.0 L/R Barrier-Free Shower

Dimensions (inches)

Exterior: 60 W x 31 D x 78 H

Interior: 57.75 W x 28.875 D x 76 H

5-Piece
Remodeling
Sectional

STANDARD FEATURES

Finish AcrylX™

Pieces 5

Wall Simulated Tile

Warranty 30 Year Limited

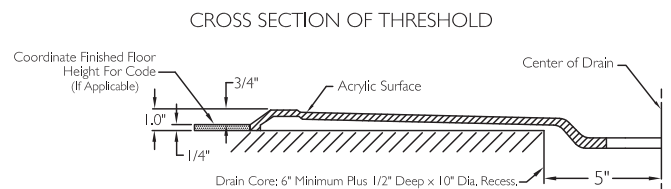
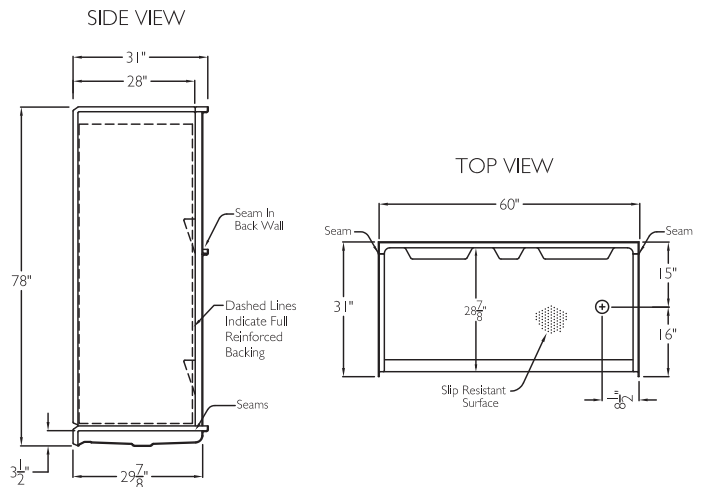
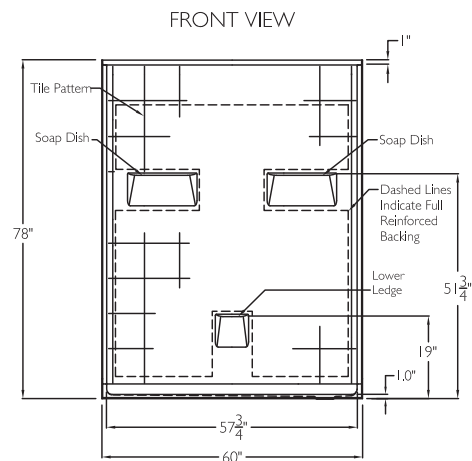
TECHNICAL INFORMATION

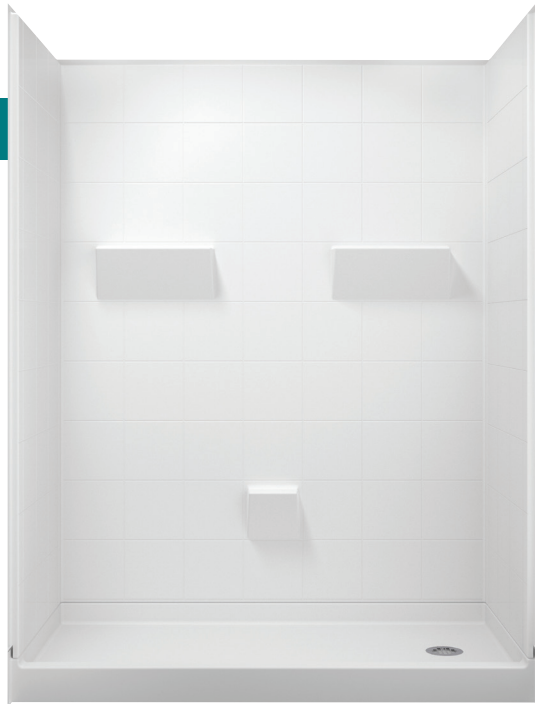
Handed By Drain L/R

Codes Unit is not
code compliant

STANDARD ACCESSORIES

Grab bars and curtain rod available,
field installed only





QSI 6030 SH 5P 4.0 L/R

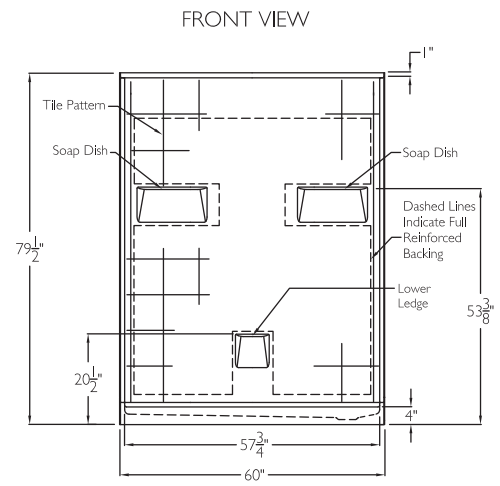
Accessible Shower

Dimensions (inches)

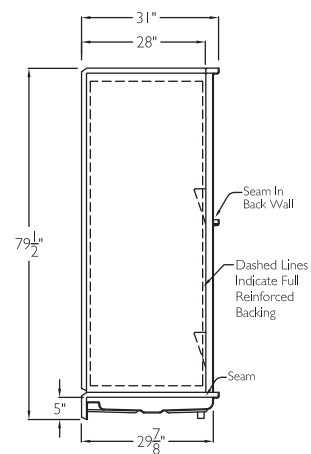
Exterior: 60 W x 31 D x 79.5 H

Interior: 57.75 W x 28.875 D x 74.5 H

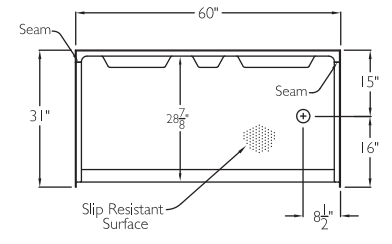
5-Piece Remodeling Sectional



SIDE VIEW



TOP VIEW



STANDARD FEATURES

Finish AcrylX™

Pieces 5

Wall Simulated Tile

Warranty 30 Year Limited

TECHNICAL INFORMATION

Handed By Drain L/R

Codes Unit is not code compliant

STANDARD ACCESSORIES



Grab bars and curtain rod available, field installed only

QSI 3838 BF PAN .5

Shower Pan

Dimensions (inches)

Exterior: 38.625 W x 37.25 D x 4.5 H

Interior: 36 W x 36.36 D x 0.5 H



STANDARD FEATURES

Finish AcrylX™

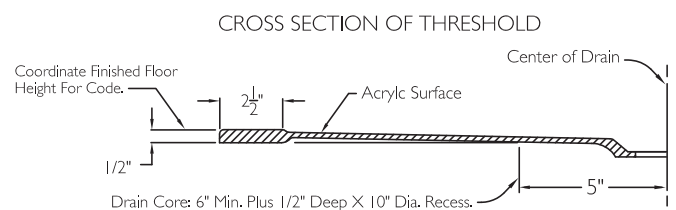
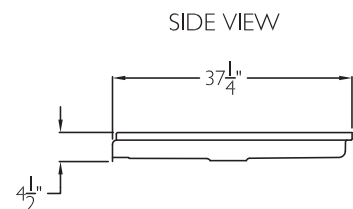
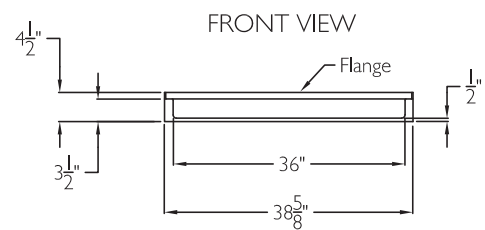
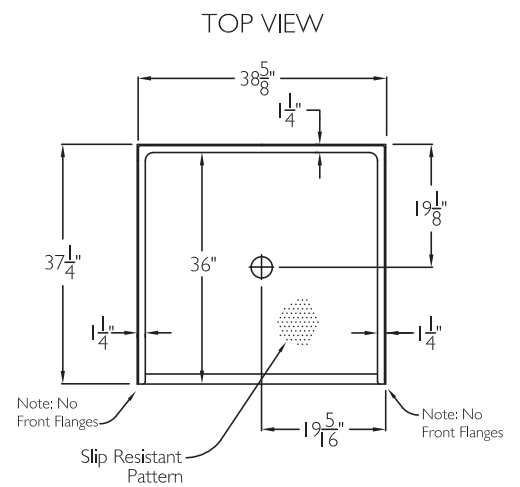
Pieces 1

Warranty 30 Year Limited

TECHNICAL INFORMATION

Handed By Center Drain

Codes ADA/ANSI
when properly installed



QSI 6030 BF COL L/R

Shower Pan

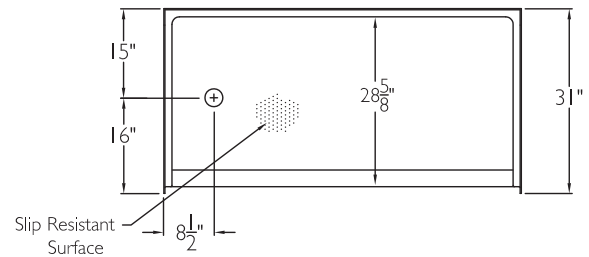
Dimensions (inches)

Exterior: 60 W x 31 D x 4.5 H

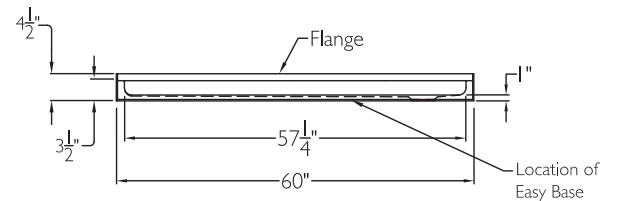
Interior: 57.25 W x 25.625 D x 1 H



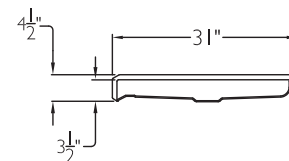
TOP VIEW



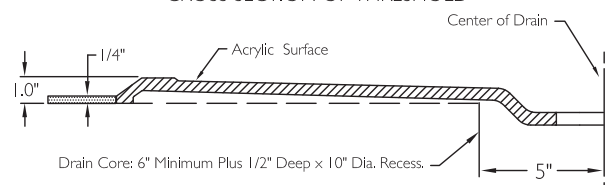
FRONT VIEW



SIDE VIEW



CROSS SECTION OF THRESHOLD



STANDARD FEATURES

Finish AcrylX™

Pieces 1

Warranty 30 Year Limited

TECHNICAL INFORMATION

Handed By Drain L/R

Codes Unit is not code compliant



Models

QSI 6430 BF .875

QSI 3682 BF .625 RRF

QSI 3637 BF 3P .625 RRF

QSI 6233 BF-F .75

QSI 6030 BF 5P 1.0 L/R

QSI 6030 SH 5P 4.0 L/R

QSI 3838 BF PAN .5

QSI 6030 BF PAN 1.0 L/R



How to Order



Fill-out your form,
double check for accuracy.



Submit order form by 12pm CST
for order to be processed same
day. Orders received after
12pm CST will be processed
the following business day.



Scan and e-mail your
completed form to:
orders@praxiscompanies.com
Or, fax form to:
731.925.4290



Quantity Ordered

Orders can be placed for 1 or 2 each
of any model.



Finish Color

White



Optional Accessories

"Impact" weighted white shower curtain with antimicrobial, fire-retardant fabric

White collapsible water retainment dam with two end caps



When Will They Ship?

48 Standard QSI models - with or without optional accessories, will ship in 48 hours.



Pricing

QSI model pricing, as well as shipping pricing, can be found on the QSI order form.



Questions?

Give customer service a call — we are here for you!

800.443.7269



Ready to Ship in 48 Hours



Aquarius Bathware
435 Industrial Road
Savannah, TN 38372

Customer Service
800.443.7269

Code Approved Showers and Shower Pans

Quick Ship Inventory

aquariusbathware.com

QSIBRO7 | 092023