



A 6034TO with Transfer Seat Installation Instructions



Tools you might need for proper installation

- galvanized nails or screws
- large level
- hammer or screw gun
- shims
- adhesive

Thank you for purchasing American Bath group bathware.
For best results, please read and follow all directions carefully

PRE-INSTALLATION PLANNING

READ INSTRUCTIONS COMPLETELY
BEFORE BEGINNING INSTALLATION

1. Do not store units out of doors - Keep out of sunlight and exposure to weather.
2. Do not remove the Medallion Identification number, doing so may affect the warranty. This number may be found above the drain, left or right corner of the unit.
3. Review Figure 3 and dimensioned bathtub diagrams to make sure alcove is of proper size. If a fire rated alcove is required, approved finish material must be installed prior to unit installation. Access to drain and supply areas should be provided so that these connections may be made after the unit has been installed. Framing alcove must reflect dimensions on diagram to permit installation of unit. Note in diagram the required opening in the floor to provide clearance for the drain trap and fitting connection.
4. The wide mounting flange is approximately 5/8" thick. Attach tub to the framing with countersunk fasteners through this flange at an angle into the framing as shown in Figure 3. Note: A wooden ledger board, (1 x 3 minimum) must be secured to the framing along the back wall for the bathtub rim to rest on. After the bathtub is installed, wall board will be installed to the framing above the tub flange. Stop the wall board with a 1/16" gap to the tub flange.

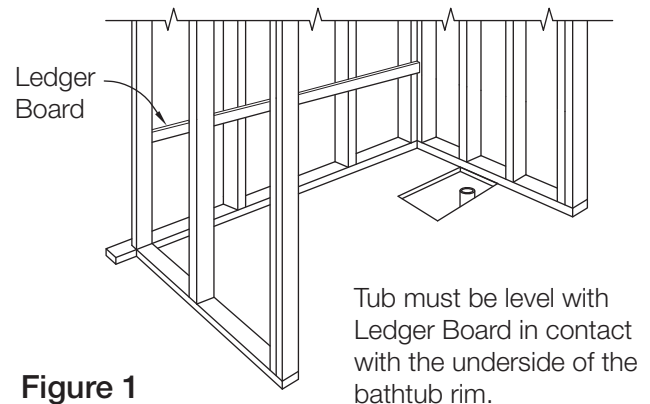
INSTALLATION PROCEDURE

1. Make certain your recessed framed pocket is square and plumb in accordance with rough-in dimensions. You may prefer to complete framing of the back wall and the plumbing end wall, then frame out the opposite end wall after the unit has been set.

Note: Double studs are necessary at the front.

Install Ledger Board Along The Back

Secure wood ledger board to framing. This board must be placed for the tub rim to rest on.



2. Finish rough plumbing but leave unstrapped at this stage. Find drain line and trap locations as shown in framing diagram.
3. Drain and Overflow assembly should be installed on unit according to the manufacturers instructions. Apply a bead of 100% silicone caulk around the drain opening in the unit before installing the fitting. A 12" x 6" minimum cutout in the floor is needed to provide access to the drain and overflow fitting.
Apply a bead of adhesive to the top of the ledger board.
4. Now move the unit into place. Make sure bathtub rim sits on the ledger board.
5. Plumb and level the bathtub in two directions: Place a level on top of the apron and along the top of the flange at each end. Confirm the apron is in full contact with the floor when leveling the bathtub. Pull bathtub and adjust the height of the Ledger Board if necessary to achieve a level and plumb installation.
6. Mount the bathtub with galvanized or stainless steel screws through the bathtub flange at angle into the framing studs. See Detail in Figure 3.



A 6034TO with Transfer Seat Installation Instructions



7. Make connections to supply and drain lines.
Strap all lines to the framing.
8. This bathtub has wide mounting flanges. Wall board is intended to be installed above the mounting flange. Finishing materials such as ceramic tile will extend be installed to this finishing material and the bottom edge should stop leaving a 1/16" gap to the bathtub.

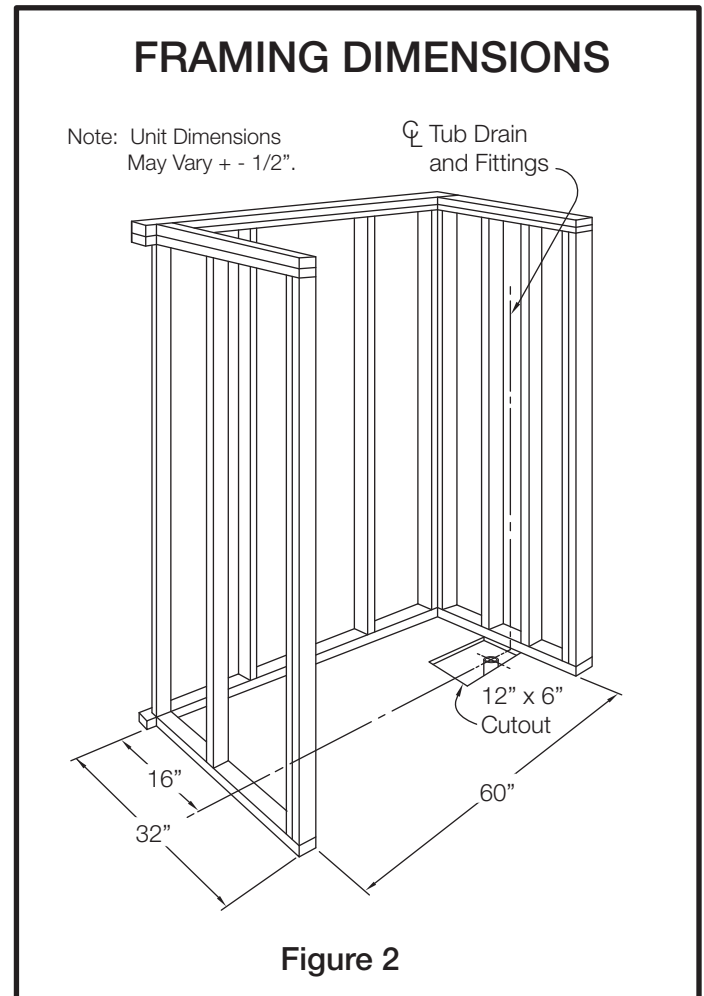
See Figure 3 for details on the wall board and finishing. Drill pilot holes at an angle through the wide flange at stud locations. Counter-sink so fastener head is recessed into the wide flange. Install fastener into each stud. Figure 3 diagrams show a suggested wall finishing method using ceramic tile to conceal the flange and fastener. Caulk all seams between finished wall and bathtub.

Check for leaks before closing off plumbing access. American Bath Group is not responsible for for leaking connections.

DO NOT USE ABRASIVES CLEANERS

The most important caution is to avoid use of harsh abrasive cleaners or gritty scouring powders. To clean the unit, simply use a household liquid detergent with a soft sponge or cloth and warm water. More persistent stains, tar, or paint can be removed with naphtha or mineral spirits.

Remove excess plaster by scraping with a sharpened soft wood stick. Avoid wire brushes, metal scrapers or tools. Restore dull areas by rubbing with automotive type body cleaning compound.





A 6034TO with Transfer Seat Installation Instructions



LIMITED WARRANTY

American Bath Group warrants to the owner of its Bathtub units as follows: Units manufactured of fiberglass reinforced polyester resin, that it will, free of charge, repair or exchange as its option, any American Bath Group unit found to be defective in materials or workmanship upon inspection by an authorized representative of American Bath Group for a period of Five (5) years for Acrylic Faced units from date of purchase. The exchange of a unit is limited to supplying a replacement unit of comparable size and style and does not include any costs of removal or installation. This warranty shall be voided if the unit is moved from its place of initial installation or is not installed in accordance with the instructions supplied by the manufacturer of the unit. Further, this warranty does not apply if the unit has been subjected to accident, abuse, misuse, damage caused by flood, fire or act of God. Since local code requirements vary greatly throughout the country, distributors, dealers, installation contractors and users of plumbing products should determine whether there are any code restrictions on the use of a specific product. American Bath Group makes no representation or warranty regarding and shall not be responsible for any code compliance. The owner agrees by use of this unit that the obligations of American Bath Group shall not exceed to contingent or indirect damage or injury to the structure of its contents, that the obligations of American Bath group are limited to those set forth herein, and that no other obligations, expressed or implied, are assumed by American Bath Group.

Contact: Warranty Department (800-443-7269)

American Bath Group
435 Industrial Rd. Savannah, TN 38373

www.americanbathgroup.com

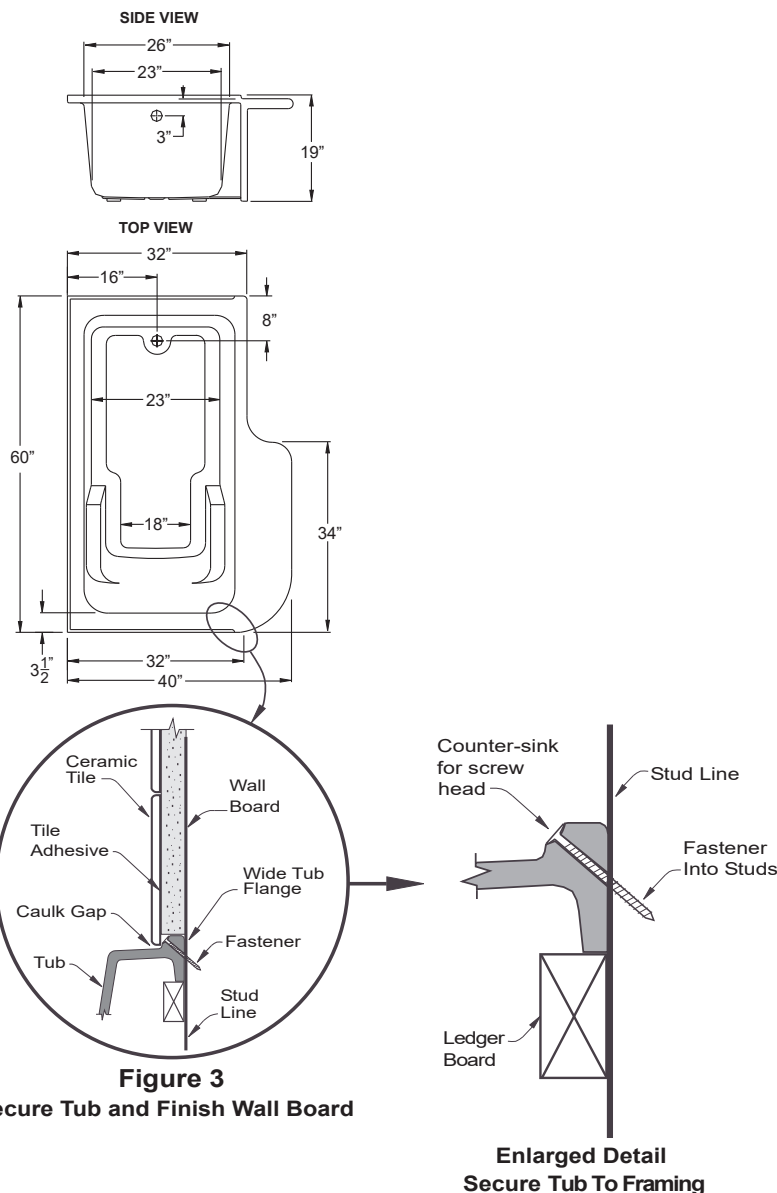


Figure 2

Figure 3
Secure Tub and Finish Wall Board

Enlarged Detail
Secure Tub To Framing