

# Shower Installation Manual

## MP Barrier Free Shower Models

4836BF, 5430BF, 5436BF, 5050BF, 6030BF, 6033BF,  
6036BF, 6048BF, 6060BFDE

This installation manual provides a visual guidance for the installation of a barrier free multi-piece showers.

### RECEIVING REQUIREMENTS:

An adult must be present during the arrival of your unit to receive, inspect and note on the bill of lading any visual damage to the carton or crate that may have occurred during transit. (see images BF 1 & 2) Do not allow the driver to leave until this is done, failure to do so may limit or void your claim with the LTL carrier for repair or replacement.

### DOCUMENT CONDITION OF CRATE:

Photograph any suspicion of damage for your records and contact your sales representative immediately. (see image BF 3)

### INCLEMENT WEATHER:

In the event the unit cannot be adequately inspected on the spot due say inclement weather, we recommend signing the bill of lading with the following words, "Subject to further inspection". Failure to have this phrase legally releases the trucking company of all responsibility for concealed damage, as they close the bill permanently leaving you with no recourse.

### DRY ASSEMBLE:

Dry assemble your modular shower prior to moving into the bathroom space. This procedure can be performed on any clean, dry, and open space. (see image BF 4)

### SNAP A PHOTO:

Take a picture of the unit now, the purpose and benefit will be covered in later step.

### WHY:

This is an important step for ensuring that:

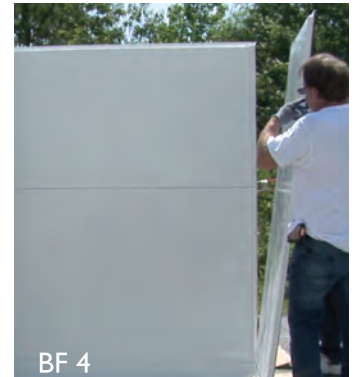
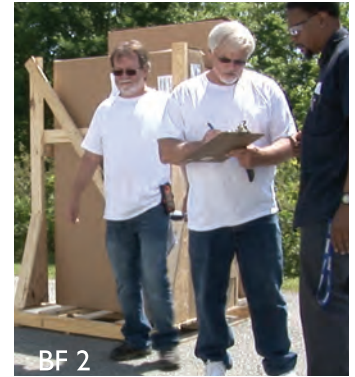
- You have received the correct panels
- You have received the correct drain location
- The panels and pan are free from damage and defect
- And the panels align properly when assembled prior to installing in the framing pocket.

### CHECK ACCESSORIES:

Check all loose accessories to confirm you received what you ordered and inspect for any damage during transit.

(see image BF 5)

Any defects, damage or misalignment should be photographed and reported immediately.



## CAUTION

It is a wise choice to delay demolition of the existing bathtub area until you're confident that your unit is the correct size, hand and condition.

## CAUTION

You will not want your customer to be without a working bathroom while waiting for a replacement.

## CAUTION

Remember, SLOW IS FAST.

### The Following Is A List Of The Required Tools:



---

|                                    |                                |
|------------------------------------|--------------------------------|
| Hammer                             | 5 Foot Level                   |
| 1/8" counter sink drill bit        | 2 Foot Level                   |
| Flat head screw driver             | 3 Buckets 5 gal                |
| Utility Knife                      | Tape Measure                   |
| Plumb bob                          | Safety Glasses Latex Gloves    |
| Drill with Phillips or Square tool | Sharpie Marker or Pencil       |
| Caulking Gun                       | Thin-set mixing tool for drill |

---

### The Following Is A List Of Materials Needed:

---

|   |  |
|---|--|
| #8 or 10 SS Pan Head Wood Screws            | Large Wiping Cloths                              |
| Card Board                                  | Denatured Alcohol                                |
| Masking Tape                                | Goof off cleaner                                 |
| Shims-wood or composite                     | Plumbers grease                                  |
| 1-Tube White or color matching bathroom     | Plumber's putty                                  |
| Caulk 3-Tubes 100% Clear -Silicone Caulking | 3- 3' lengths 1/2" PVC -plastic pipe (see video) |
| BAG of Rapid CURE Thin-set Mortar           |  |

---

Shower Installation Manual  
 MP Barrier Free Shower Models  
 4836BF, 5430BF, 5436BF, 5050BF, 6030BF, 6033BF,  
 6036BF, 6048BF, 6060BFDE



The Following Is A List Of “Quick Connect” Tools & Materials Recommended With Factory Provided Shower Valve Option



- |                                 |                                     |                                       |
|---------------------------------|-------------------------------------|---------------------------------------|
| Standard ½” Close Coupling MIPT | Qty 2 - MIPT x ½” Push On Elbow     |                                       |
| Pex pipe ½” (Red, White, Blue)  | Qty 1 - MIPT x ½” Push On Coupling  | Shark Bite Brand Fitting Removal Tool |
| Shark Bite Brand Code Compliant | Qty 2 - ½’ x ½” Push On Coupling    | Pipe Thread Compound                  |
|                                 | Qty 1 - Elbow Supply High/Low Eared |                                       |

**QUICK CONNECT FRAMING:**

For this option, the framing cove where the valve will be located must be prepared in advance by creating a window size frame to receive pex pipe in a looped pattern to prevent kinking and allow ease of connection from the valve to the water supplies. (see image BF 6)





### TIP: BE PROACTIVE TO SAVE TIME.

Since you will not know the condition, structural integrity and level of the subfloor beneath the old tub in advance, save time by having the materials you need on hand. 40LB BAG OF RAPID SET MORTAR and 3 TUBES 100% SILICONE ADHESIVE.

### INSPECT FRAMING POCKET:

Check the framing pocket to insure it is sized properly with the dimensions provided on the Framing Diagram page at the back of manual. NEXT, check the pocket for square, plumb and level. (See Image BF 7) Next, check the pocket for square. (see image BF 8) the back wall for vertically plumb. NOTE; It is more common than not adjustments will need to be made.

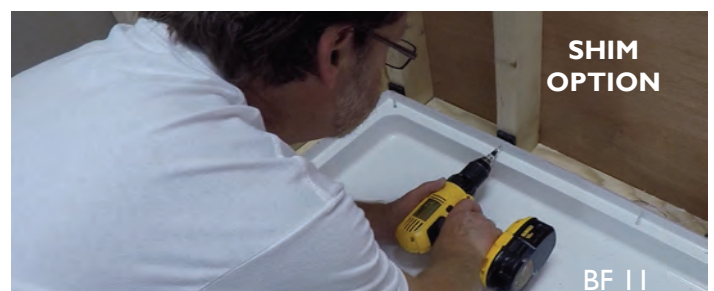
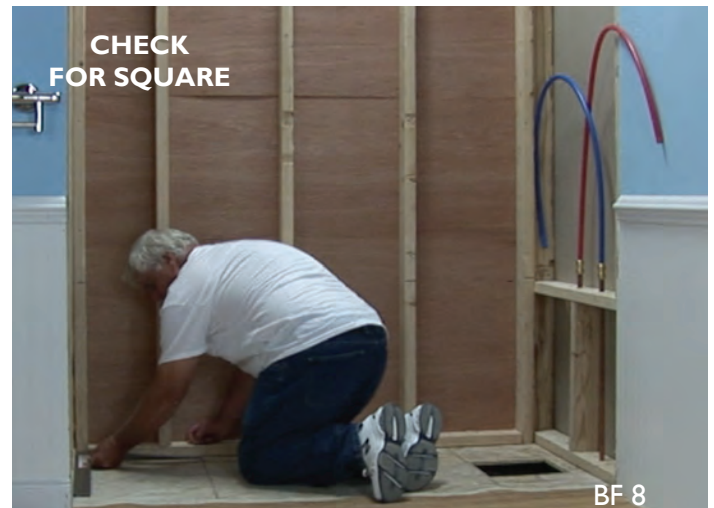
### INSPECT THE BACK WALL FOR PLUMB:

Stud walls are often deceptive when it comes to being plumb and straight from top to bottom. 1/8" out of plumb is enough to disturb proper assembly of shower walls.

Start by evaluating the back stud wall. THIS IS CRITICAL TO PROPER SHOWER WALL PANEL ALIGNMENT proper assembly and consistent grout lines in corners where back and side walls come together (see image BF 7. Use tall 5 or 6 foot level or plumb bob. In this demonstration the top of the stud wall leans forward toward the bathroom and is not plumb. Corrective adjustment tips follow.

### BACK WALL ADJUSTMENT TIPS:

IF determined the stud wall leans forward toward the top of the wall, two corrective procedures are available. If your framing cove provides additional depth, shim the shower base away from the back wall (see image AP BF 11) This will allow easy adjustment as you assemble the wall panels. If you have roughed in the plumbing and cannot easily move the shower base, an alternate option is to notch the studs with a wood chisel in the mounting flange areas of the lower and upper panels to level and plumb back walls resulting in a smoother assembly with consistent grout lines in corners. (see image AP BF 12)



# Shower Installation Manual

## MP Barrier Free Shower Models

4836BF, 5430BF, 5436BF, 5050BF, 6030BF, 6033BF,  
6036BF, 6048BF, 6060BFDE

### INSPECT SUBFLOOR:

Your NEXT STEP is to inspect the subfloor for level and structural integrity (see image BF 13) A solid non-flexing subfloor is required. Strengthen and replace any weak or damaged subfloor materials. Most subfloors will not be perfectly level.

### DRY FIT PAN:

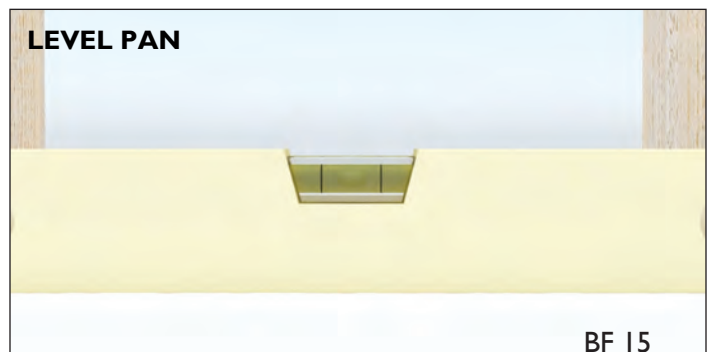
Dry-fit your pan to ensure it fits in the frame and drain location properly. (see image BF 14) .

### TEMPORARILY LEVEL & SECURE PAN TO WALL

Place 3 foot level on the flange deck just inside the metal pins, check level of pan in both directions. The bubble must be perfectly centered. Like the foundation of a home, a solid level base is vital to ensure trouble free wall assembly and consistent grout lines. (see images BF 15) Adjust pan until level. Temporarily fasten to wall with one screw, shimming on back wall if necessary. (see image BF 16) Check level twice before drawing a line on the subfloor indicating the front edge of the threshold and on the stud above the flange. (see BF 17)

### CHECK DRAFT TO DRAIN:

Using a smaller level, check for draft to drain. Remove the pan.



### DRAIN INSTALLATION:

Remove the inside neoprene gasket and compression ring from the drain and set aside for a later step. (see image BF 18) Install the 2" no caulk shower drain body on the pan with plumbers putty. (see images BF 19 & 20) Tighten the nut until snug and excess putty squeezes out around the flange. Remove excess.

### PREPARE DRAIN PIPE:

Prepare drain pipe below the floor to meet local plumbing codes.

### DRAIN CORE PREPARATION:

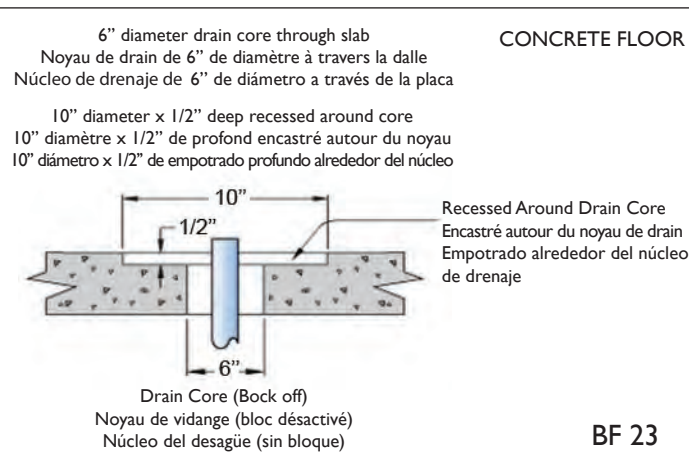
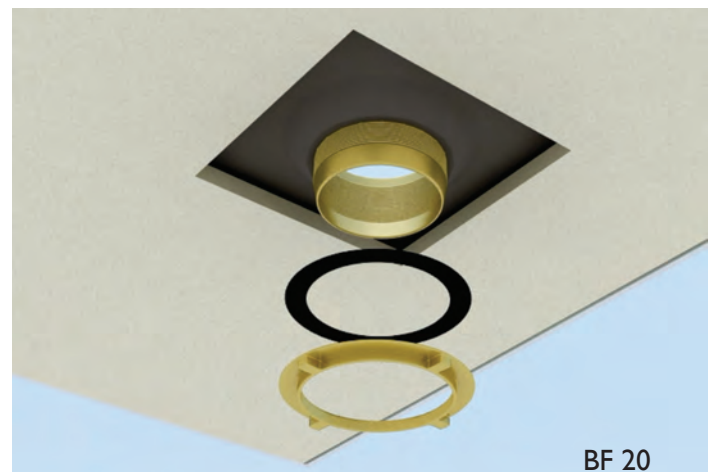
The details for the drain core area can be found in the instructions on the Framing Diagrams page. A 10 inch by 10 inch opening around the drain is required to receive the shower pan and prevent the drain area from being pushed up out of its engineered position. Failure to do so will cause puddling in your shower. See image BF 21 and BF 22 .

For a commercial or home installation on concrete floors the same opening around is required (image BF 23).

Stub out and extend the drainpipe 2 to 4 inches above the floor. This will be trimmed at a later step.

### CLEAN POCKET AREA OF DEBRIS:

Insure pocket is clean from all debris, even a small pebble can affect the draft to drain. (see image BF 22)



# Shower Installation Manual

MP Barrier Free Shower Models  
4836BF, 5430BF, 5436BF, 5050BF, 6030BF, 6033BF,  
6036BF, 6048BF, 6060BFDE



**TIP:**  
If floors are out of level more than 1/8 of an inch, you will need to fill the void using a rapid modified thin set that will ensure your base has solid non-flexing support.

### PREPARATION TO BOND BASE TO FLOOR

Transfer the location of all identified areas where adhesive shall be applied to bond the base to the sub floor using a marker or grease pencil. This shall include the leveling strips, the center threshold support and the drain areas (as shown here).

### UNLEVEL FLOORS

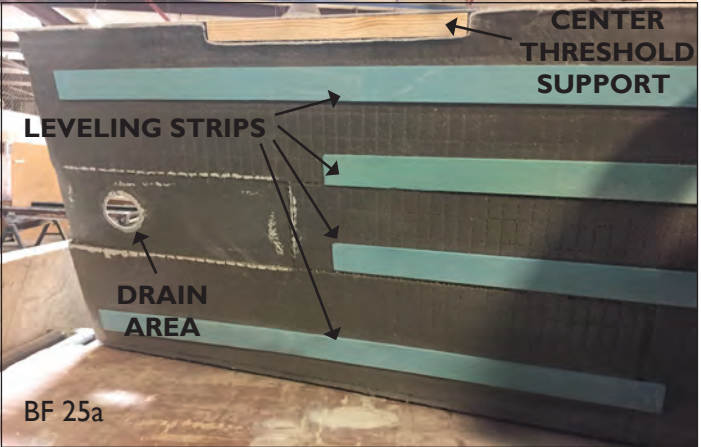
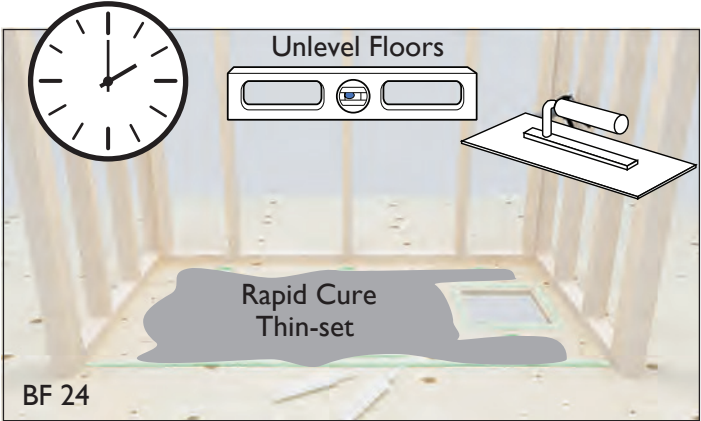
Installer shall apply a rapid curing thin-set tile mortar (often referred to as latex modified thin-set) to **LEVEL** and **ADHERE** the base to the subfloor in a **ONE STEP PROCEDURE**. Available at tile stores and home centers, refer to manufacturer cure times. Apply to all area in measured amount in accordance with need as shown including perimeter of the drain area and thin layer beneath threshold support brace to ensure a permanent strong non-flexing base. Pull base back to ensure contact is uniform, add or remove excess as needed to achieve proper level and support. This procedure may be used on **UNLEVEL OR LEVEL SUBFLOORS**. (SEE Image 24)

### LEVEL SUBFLOORS:

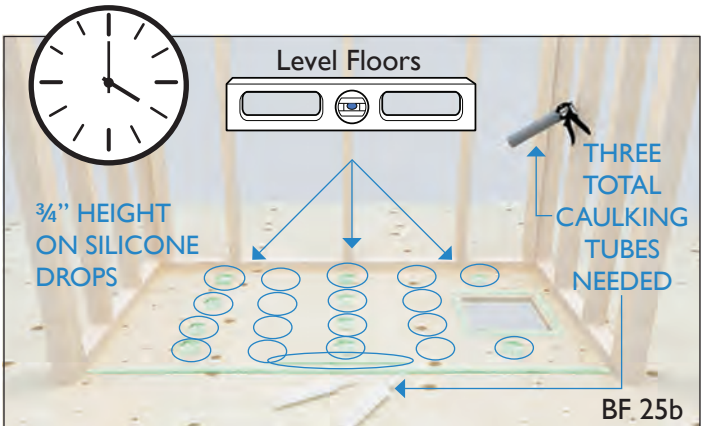
Transfer the location of all identified area where adhesive shall be applied to bond the base to the subfloor using a marker or grease pencil. This shall include the leveling strips, the center of threshold support and the area surrounding the drain resulting in strong non-flexing base.

Apply approximately 3 tubes of clear 100% silicone adhesive in 2" -3" diameter puddles at least 3/4" in height to ensure robust contact in an evenly spaced pattern to previously marked areas on subfloor. This procedure should **NOT** be use on **UNLEVEL SUBFLOORS**. (See Image 25B)

2h cure



4h cure



# Shower Installation Manual

## MP Barrier Free Shower Models

4836BF, 5430BF, 5436BF, 5050BF, 6030BF, 6033BF,  
6036BF, 6048BF, 6060BFDE

### INSTALL PAN:

Place in pocket positioning to previously marked lines (see images BF-25C). Place level on flange back and side flanges and adjust until your bubble is perfectly centered between the center lines. **LEVEL IS VERY IMPORTANT TO NEXT STEPS.** Shim pan away from back wall if necessary (referenced on page 6 **ENSURE WALLS ARE PLUMB SOLUTION**) Secure shower base to all available studs by counter sinking the #10 stainless steel wood screws (see image BF 26). This allows the screw heads to be flush with the finished flange so as not to interfere with finished wall installation.

Check for level and draft to drain one final time (see image BF 27) This will be the last opportunity to ensure a perfectly level pan that has draft to the drain before installing the walls.

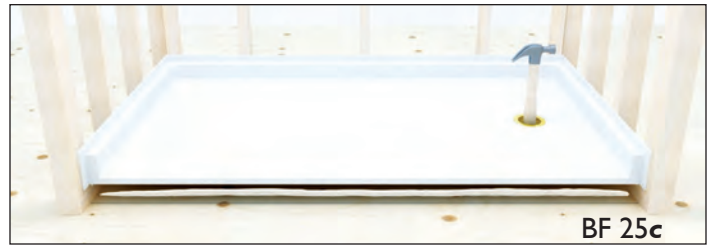
### BRACE PAN TO FLOOR:

While the adhesive cures the pan needs to be secured to the floor using one of the following two methods (see image BF 28)

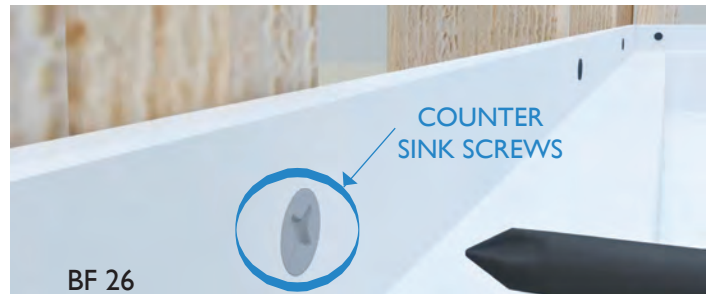
Bracing is the preferred method as it has demonstrated over time to provide the best results.

Brace the unit as close to the drain as possible as shown. (see image BF 29)

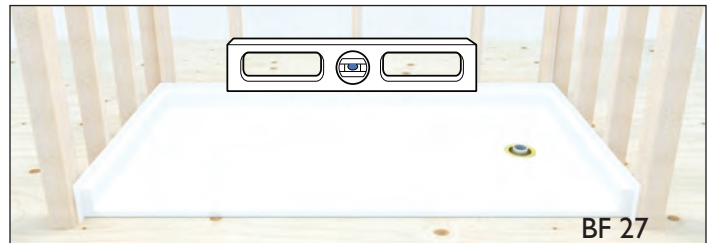
After bracing, check that there is draft toward the drain. (see image BF 30)



BF 25c



BF 26



BF 27



BF 28



BF 29



BF 30



A properly braced threshold will result in flush contact to the subfloor along the entire threshold. (see image BF 31)

Leave braces intact for 4 hours. (see image BF 32)

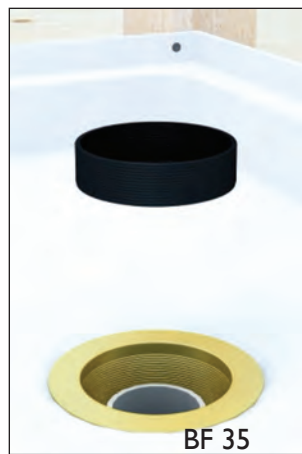
After 4 hours, remove the braces and check draft to drain one final time.

**ALTERNATE BRACING METHOD:**

When bracing is not possible, an alternative method is to weight down the pan with 5 gallon buckets filled with water as shown. (see image BF 33) Again, after 4 hours, remove the weights and check draft to drain one final time.

**COMPLETE DRAIN CONNECTION:**

Cut the drain pipe even with the top of the rubber gasket using an inside pipe cutting tool (see image BF 34) Using plumbers grease, lubricate the inside of the rubber gasket and slide over the drain pipe with beveled edge facing up. (see image BF 35) Push down until it seats itself. Then screw compression ring into place until tight. If there is positive draft, you may now tighten the compression nut. (see image BF 36) then snap the grid drain into place. (see image BF 37)



# Shower Installation Manual

## MP Barrier Free Shower Models

4836BF, 5430BF, 5436BF, 5050BF, 6030BF, 6033BF,  
6036BF, 6048BF, 6060BFDE

### APPLY PROTECTION TO FLOOR:

Place protection on the floor to prevent scratches and dings to the finish while completing the assembly process. The protection can be cut from the cardboard packaging as the example shown here. (see *image BF 38*)

### PIN & SLOT:

Your shower features a pin and slot system that enables you to install all panels from the front finished side without requiring rear access.

### CAULK INTERIOR SEAMS BEFORE SETTING WALLS:

Clear caulk back wall pan ledge encircling all pins. (see *image BF 39*)

### SET BACK WALLS:

Set the lower back panel into place. Check for level. (see *image BF 40*) Secure to studs with screws, shimming or notching where necessary. (see *image BF 41*) Repeat process for upper back panel. (see *image BF 42, 43, 44*)



Clear caulk pan ledge and vertical back wall seam of the panel opposite the valve wall. (see image BF 45)

**INSTALL END WALL:**

Set panel on ledge and slide backward into place. This may require force using a wood block and hammer as shown. (see image BF 46) Check for level. (see image BF 47)

**REFER TO PHOTOS:**

Before screwing flange to studs, inspect the gap seams in the corners and on the base. The gaps should match the picture taken in the dry-fit procedure. If there is a larger gap, this means the base is not level or the back wall is not square and plumb. Now is the time to correct. Once corrected secure to studs using shims where necessary. (see image BF 48) Using very soapy water, wipe away any excess adhesive that may have squeezed out.

**STANDARD VALVE INSTALLATION:**

Refer to valve manufacturer's instructions for conventional sweat installations. Repeat side wall installation above.

**QUICK CONNECT PROCEDURE:**

For valve installations with pex connections, find the desired location of your valve and apply protective masking tape over the area to be cut. (see image BF 49)



**TIP:**

Each wall panel has steel rod supports around the perimeter. Be sure to check that where you are about to drill does not interfere with one of these rods. (see image BF 50).



BF 45



BF 46



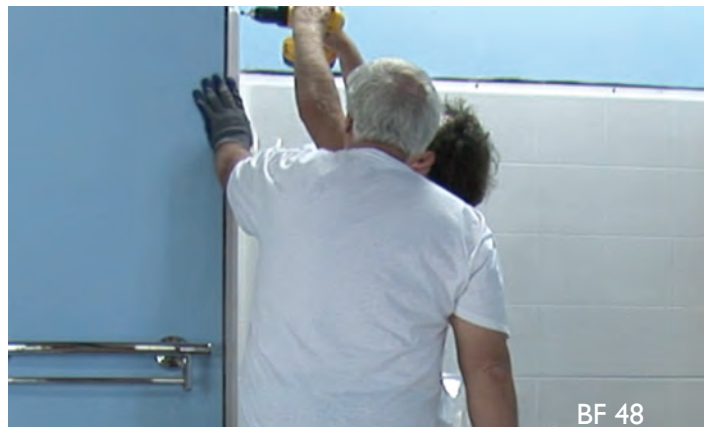
BF 47



BF 50



BF 49



BF 48

# Shower Installation Manual

## MP Barrier Free Shower Models

4836BF, 5430BF, 5436BF, 5050BF, 6030BF, 6033BF,  
6036BF, 6048BF, 6060BFDE

### VALVE INSTALLATION:

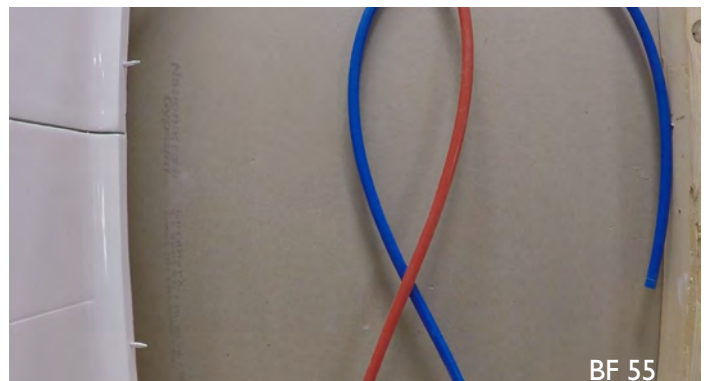
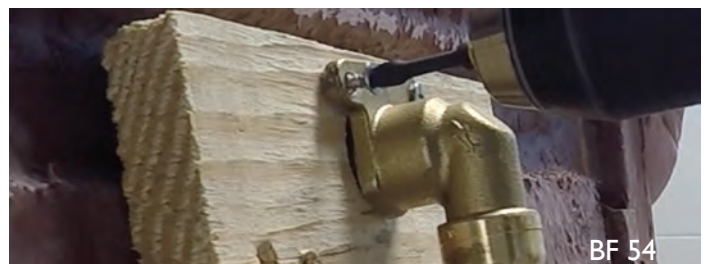
Mark the center of your valve and drill a hole in the diameter listed in your valve instructions then drill a 1" hole for the supply outlet. (see images BF 51 & 52) Mount the valve directly to the panel by connecting the front trim plate to the valve body using the mounting screws provided by the valve manufacturer. (see image BF 53) Next, mount the supply outlet to the shark-bite-eared-elbow. (see image BF 54)

### FRAMING COVE PREPARED IN ADVANCE:

The framing cove must be prepared in advance, creating a window size frame to receive pex pipe in a looped pattern to prevent kinking and allow ease of connection from the valve to the water supplies. (see image BF 55)

### CONNECT:

Connect the hot and cold water pex supply lines using pex or shark-bite fittings. (see image BF 56) Notice the installers are using 90 degree fittings which work best in this application. (see image BF 57) Next, connect the shower head supply line to the elbow outlet.



### TEST FOR LEAKS:

While the wall is resting on the floor and fully connected, now is the time to turn the water back on and test for leaks. (see image BF 58)

### FINISH CAULKING:

Caulk all seams with matching color caulk. (see image BF 59) Set the panel on ledge and slide backward into place. (see image BF 60) This may require force using a wood block and hammer as shown. (see image BF 61) Check for level and secure to studs using shims where necessary. (see image BF 62)

Your shower is fully reinforced and ready to receive surface mount accessories now or anytime in the future.

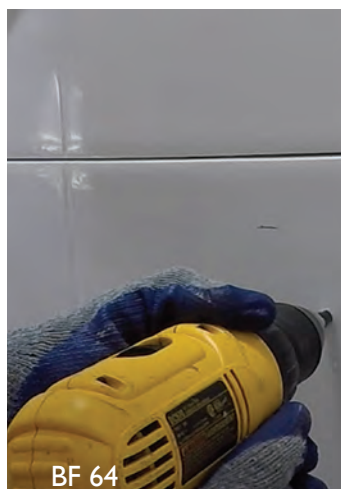


### TIP:

It is highly recommended that the client be involved in identifying the ideal placement of accessories according to their needs.

### ACCESSORY INSTALLATION:

Always mark, drill and caulk in a circular pattern around pilot holes for all accessories. (see images BF 63, 64, 65)



# Shower Installation Manual

## MP Barrier Free Shower Models

4836BF, 5430BF, 5436BF, 5050BF, 6030BF, 6033BF,  
6036BF, 6048BF, 6060BFDE

### FINISH CAULK:

The unit is designed to allow a 1/8" gap at the seams. Caulk all seams as well as the front edge of the threshold with color matching caulk. (see images BF 66, 67, 68) Do not use your shower until caulk is cured. See caulk instructions for cure time. A premium caulk is recommended.

### OPTIONAL FLANGE TRIM AVAILABLE:

For fast 2 day installations save time and money by ordering a 3" flange trim molding kit (White only) which is an available option that transitions the drywall to the shower covering the gap. (see image BF 69) This allows you to avoid paint and patching. During the removal of your existing tub or shower, it is recommended that you cut the wall board away approximately 1" beyond the perimeter or outside edge of the nailing flange of your shower unit. (see image BF 70) This step will minimize the amount of drywall patching required.

### RECOMMENDED WATER STOP ACCESSORIES:

A collapsible water retainer and weighted shower curtain are recommended and available for purchase. When installed properly and paired together, they provide an effective and safe solution for keeping water in your barrier free shower during use. (see images BF 71 & 72) Please note that it is important that the curtain be hung at a height that allows it to make contact with the floor. Ask your sales representative for all water splash & accessory options.

*Congratulations, you have successfully installed your barrier free shower providing years of safety and independence.*



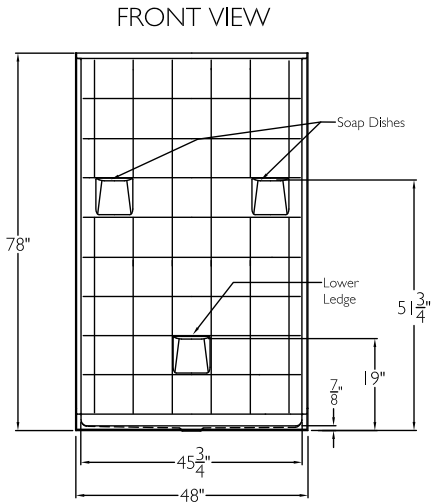
# Shower Installation Manual

## MP Barrier Free Shower Models

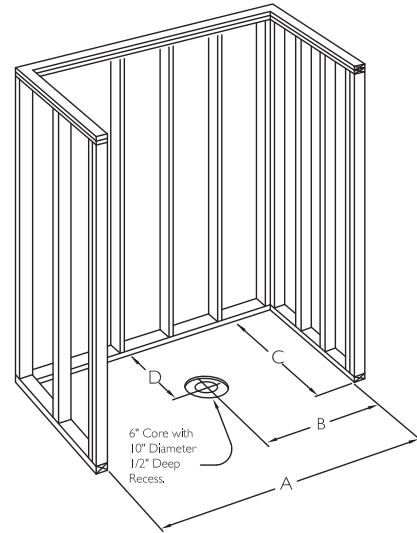
4836BF, 5430BF, 5436BF, 5050BF, 6030BF, 6033BF,  
6036BF, 6048BF, 6060BFDE

Model No. 4836BF

Center Handed Unit



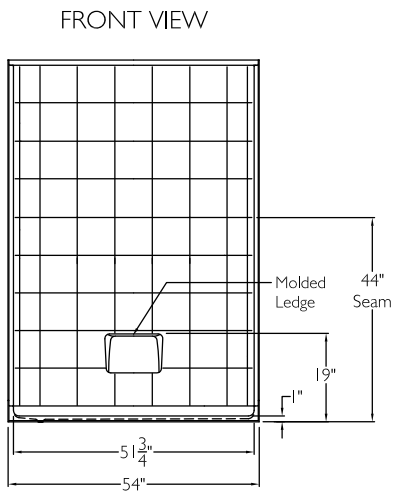
Framing Diagram



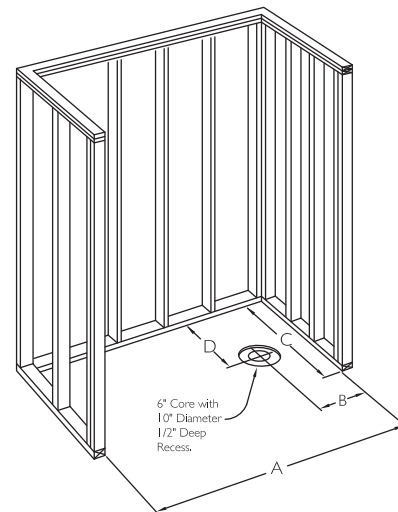
| A       | B       | C   | D   |
|---------|---------|-----|-----|
| 60 1/4" | 30 1/8" | 37" | 18" |

Model No. 5430BF

Right Handed Unit



Framing Diagram



| A       | B       | C   | D   |
|---------|---------|-----|-----|
| 54 1/4" | 8 9/16" | 31" | 15" |

# Shower Installation Manual

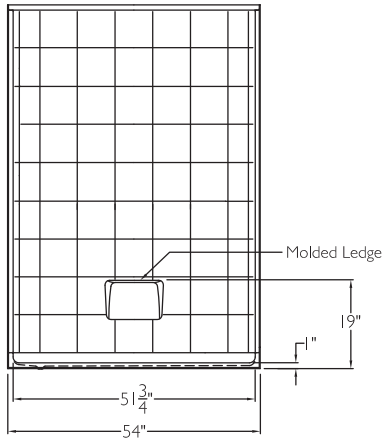
## MP Barrier Free Shower Models

4836BF, 5430BF, 5436BF, 5050BF, 6030BF, 6033BF,  
6036BF, 6048BF, 6060BFDE

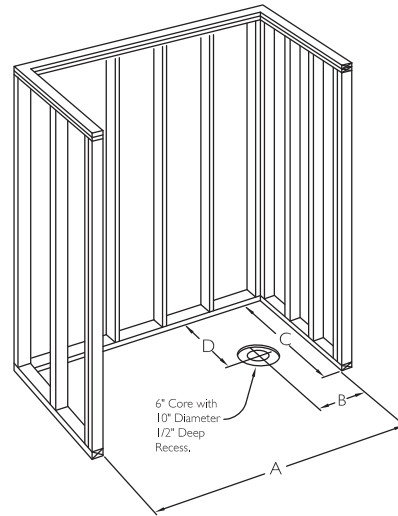
Model No. 5436BF

Right Handed Unit

FRONT VIEW



Framing Diagram

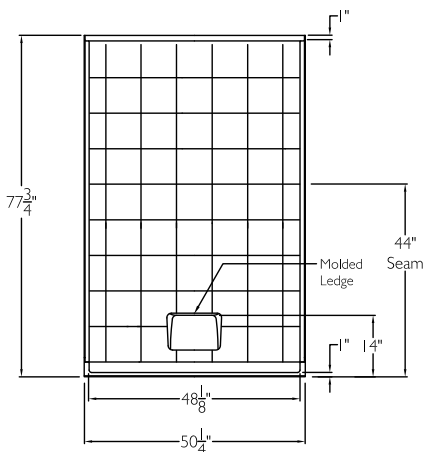


| A       | B       | C       | D       |
|---------|---------|---------|---------|
| 54 1/4" | 8 9/16" | 36 7/8" | 17 5/8" |

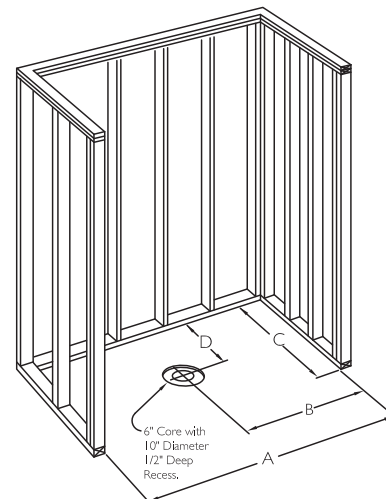
Model No. 5050BF

Center Handed Unit

FRONT VIEW



Framing Diagram



| A       | B       | C       | D   |
|---------|---------|---------|-----|
| 50 3/4" | 25 3/8" | 50 1/8" | 25" |



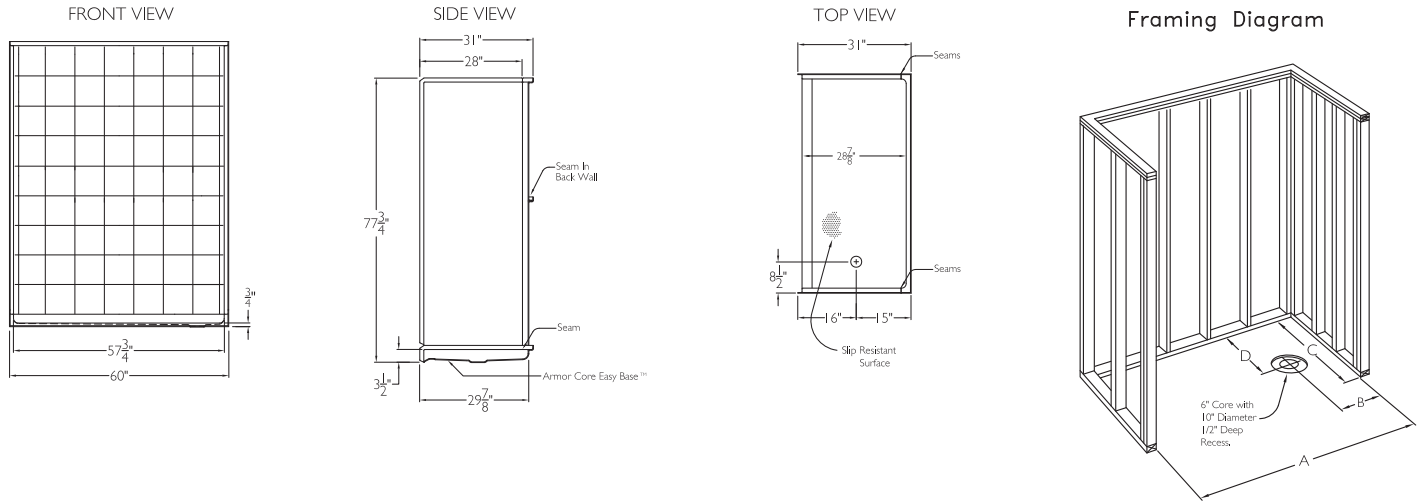
# Shower Installation Manual

## MP Barrier Free Shower Models

**4836BF, 5430BF, 5436BF, 5050BF, 6030BF, 6033BF,  
6036BF, 6048BF, 6060BFDE**

### Model No. 6030BF

Right Handed Unit

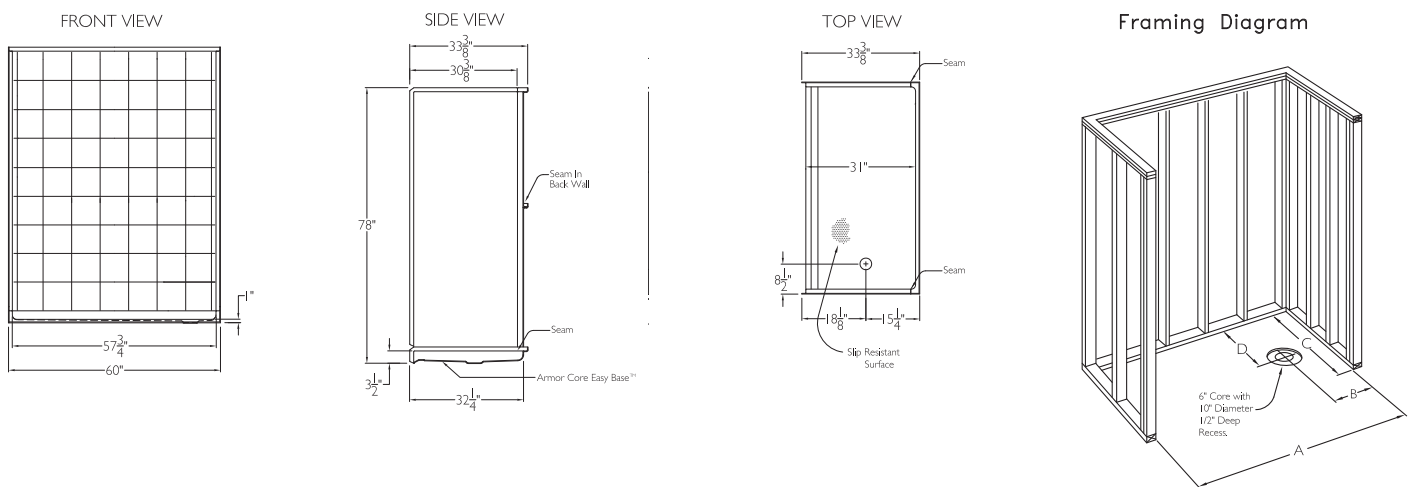


Above Model Shown With Soap Dishes

*Note: All 60" Models Available With Soap Dishes Or (NSD) No Soap Dish*

### Model No. 6033BF

Right Handed Unit



Above Model Shown With Soap Dishes

*Note: All 60" Models Available With Soap Dishes Or (NSD) No Soap Dish*

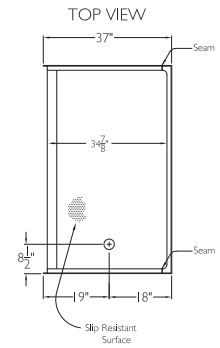
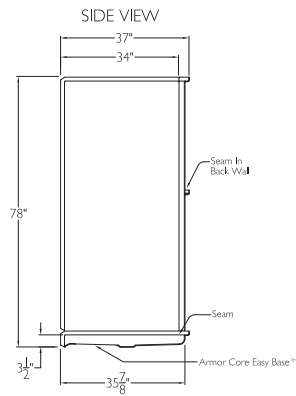
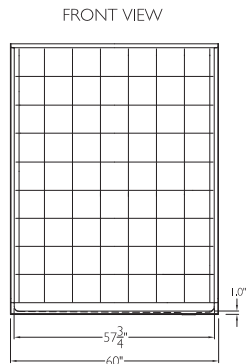
# Shower Installation Manual

## MP Barrier Free Shower Models

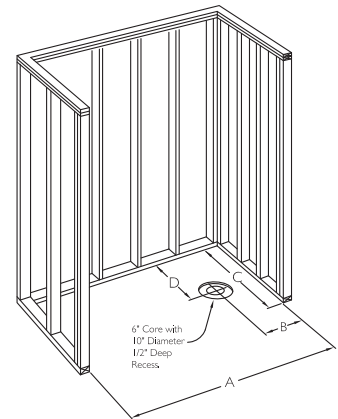
4836BF, 5430BF, 5436BF, 5050BF, 6030BF, 6033BF,  
6036BF, 6048BF, 6060BFDE

Model No. 6036BF

Right Handed Unit



Framing Diagram



| A       | B       | C   | D   |
|---------|---------|-----|-----|
| 60 1/4" | 8 9/16" | 37" | 18" |

Above Model Shown With Soap Dishes

Note: All 60" Models Available With Soap Dishes Or (NSD) No Soap Dish

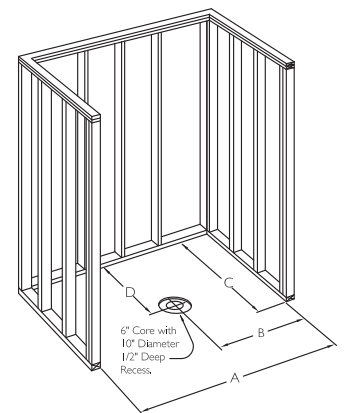
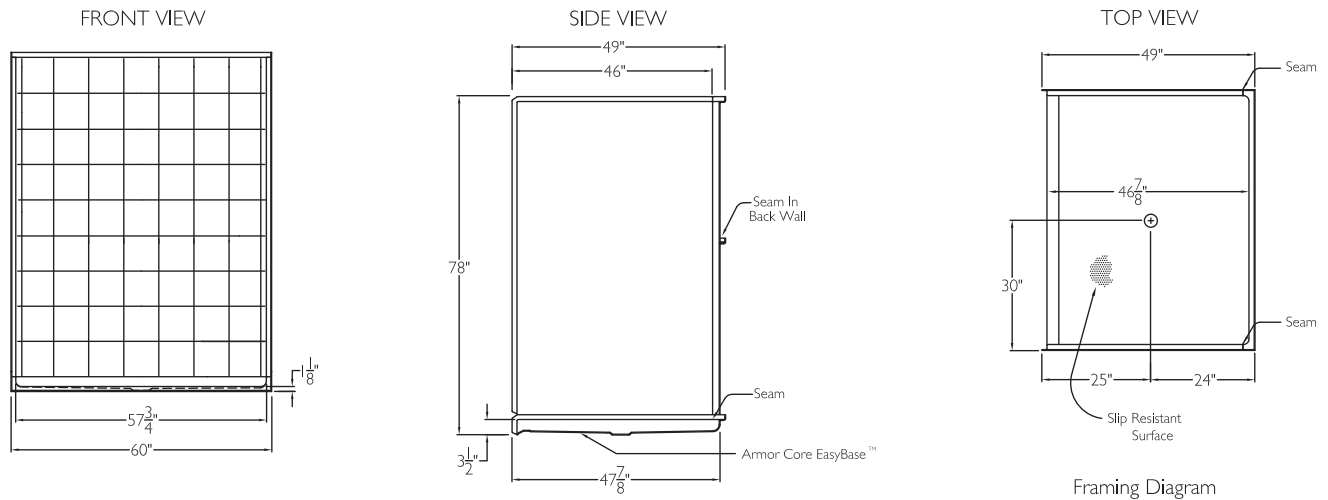
# Shower Installation Manual

## MP Barrier Free Shower Models

4836BF, 5430BF, 5436BF, 5050BF, 6030BF, 6033BF,  
6036BF, 6048BF, 6060BFDE

Model No. 6048BF

Center Handed Unit



Above Model Shown With Soap Dishes

*Note: All 60" Models Available With Soap Dishes Or (NSD) No Soap Dish*

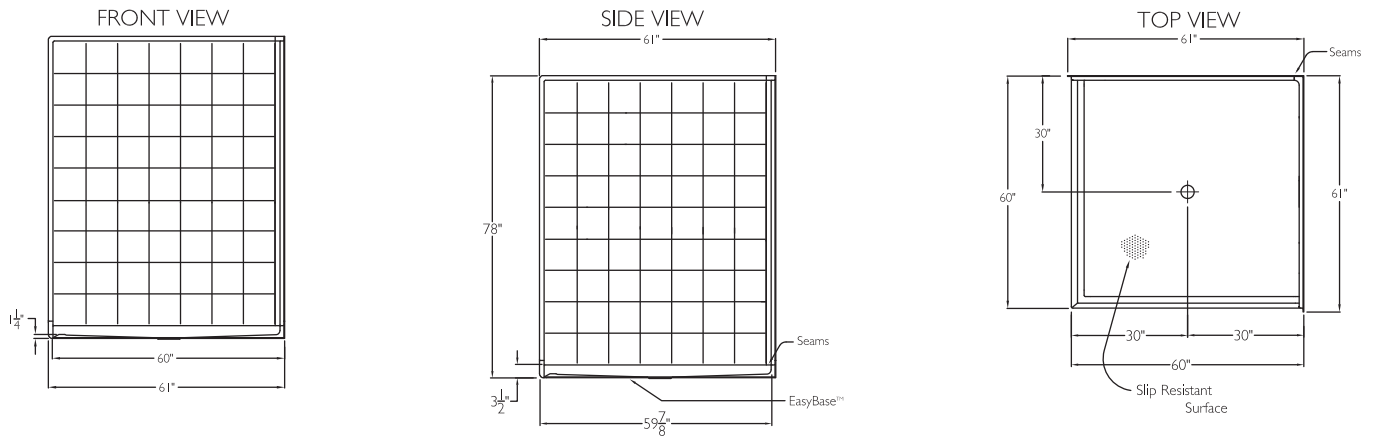
# Shower Installation Manual

## MP Barrier Free Shower Models

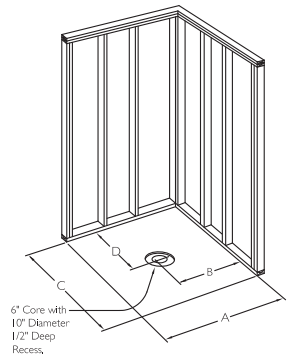
4836BF, 5430BF, 5436BF, 5050BF, 6030BF, 6033BF,  
6036BF, 6048BF, 6060BFDE

Model No. 6060BF DE

Center Handed Unit



Framing Diagram



Above Model Shown With Soap Dishes

*Note: All 60" Models Available With Soap Dishes Or (NSD) No Soap Dish*

