



MP Fitted Semi Permanent Threshold (Fits Legacy Shower Models Only)

Model - 1THR60-MP

The Solid Surface molded semi-permanent threshold dimensions:

Length - 57 5/8"

Height - 3" (outside) - 2 3/8" (inside)

Width - 3"

Inside edge is 5/8" shorter than the outside.

The semi-permanent threshold is prepared in the factory to fit your shower. However, it may be necessary to make small adjustments in the field to achieve a perfect fit.

Any necessary modifications can be accomplished with common wood working tools such as a saw, sander/grinder, sandpaper, and file.

In addition to the tools listed above, a tape measure is required, plus one or two tubes of 100% silicone caulking to complete this project.

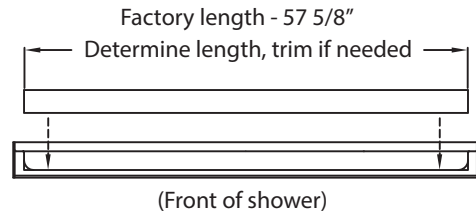
When satisfied with the fit, secure the threshold piece to the shower using the silicone caulking.

Apply silicone to all edges of the semi-permanent threshold. Carefully place the piece on the shower threshold.

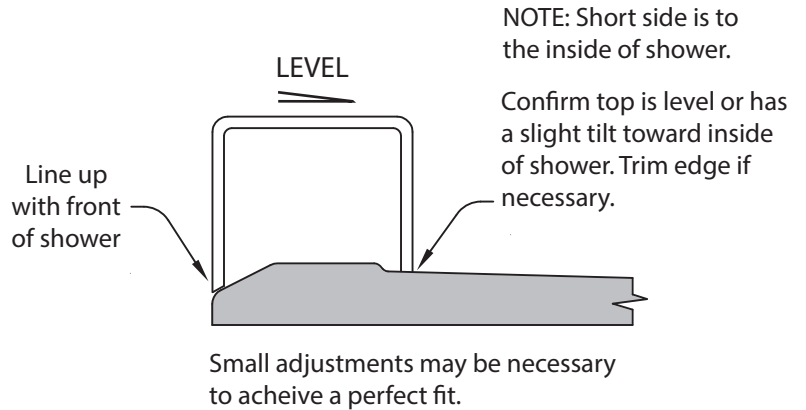
Gently press semi-permanent threshold to the shower. Line up the front of the threshold with the front of the shower as indicated in Step #2.

Smooth caulking with a dampened finger. Remove excess caulking before it cures.

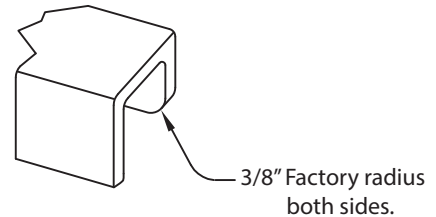
Step #1 - Confirm length, adjust as needed



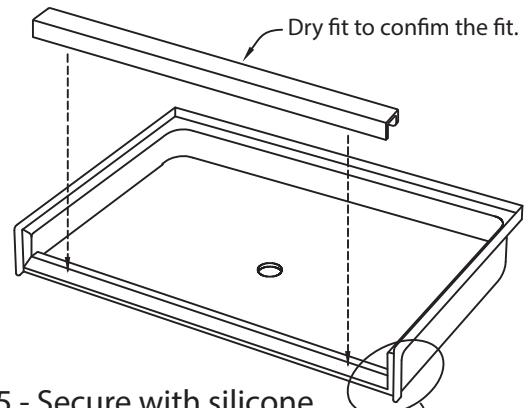
Step #2 - Confirm bottom shape matches shower



Step #3 - Confirm radius matches shower



Step #4 - Final dry fit of part



Step #5 - Secure with silicone

When satisfied with the fit, secure all edges of the threshold piece to the shower using the silicone caulking.

