



# Swan



## Product Specification Guide

- Bath Walls
- Vanity Tops & Bowls
- Utilities
- Shower Floors
- Kitchen Sinks
- Guides & Colors



## **I. BATH WALLS**

- 4 Swanstone Bath Wall Kits
- 47 Swanstone Bath Walls
- 50 Decorative Wall Panels
- 55 Wainscoting
- 56 Swanstone Bath Accessories
- 59 Veritek Bath Wall Kits
- 65 Veritek Shower Wall Kits
- 66 Shower Alcove Walls
- 67 Bathtubs

## **II. SHOWER PANS**

- 70 Swanstone Shower Pans
- 76 Swanstone Trench Drain Shower Pans
- 78 Veritek Shower Pans
- 86 Accessories

## **III. VANITY TOPS AND BOWLS**

- 88 Swanstone Vanity Tops
- 95 Swanstone Vanity Bowls
- 98 Accessories

## **IV. KITCHEN SINKS**

- 100 Granite Kitchen Sinks
- 119 Swanstone Sinks

## **V. UTILITIES**

- 136 Swanstone Utility Sinks
- 138 Veritek Utility Sinks
- 140 Laundry Tubs
- 142 Mop Sinks
- 144 Accessories

## **VI. GUIDES, COLORS AND INDEX**

- 146 Swanstone Specifications and Technical Data Sheet
- 148 Technical Information
- 154 Warranty Information

## **MATERIALS**

---

### **Swanstone**

Swanstone is a reinforced solid surface. Color and texture run all the way through and cannot wear away. Choose from a wide variety of easy-to-clean colors for your kitchen and bath. Products include bath and shower walls, shower pans, vanity tops and bowls and kitchen sinks. All Swanstone products are covered by our limited lifetime warranty.

### **Veritek®**

Veritek® is our affordable compression-molded material with no surface coating to chip or crack. This non-porous material will not mold or mildew, so it is perfect for your bath, laundry and utility rooms. Choose from bathtubs, bath and shower walls, shower pans and utility sinks and basins. We cover Veritek® products with the industry's best warranties.

### **Granite**

Swan granite sinks feature the hardness and resistance of stone, but is smooth and modern. Made from 80% quartz natural stone, it is a rock-hard material that is beautiful and strong.

---



# BATH WALLS

# SK-363672

## Swanstone Shower Wall Kit

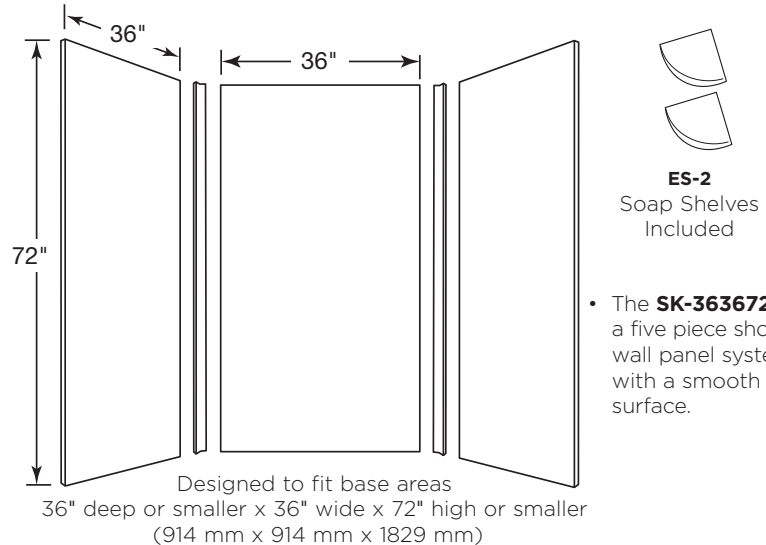


### Manufactured from Swanstone Solid Surface

Recommended for high-use traffic areas and commercial surfaces.

### FEATURES

- Reinforced solid surface means color and texture run all the way through and cannot wear away.
- Will not mold or mildew, no grout to clean.
- Ideal for remodeling, panels glue up over existing surface.
- Coordinates with other Swanstone bath products.
- A complete kit with everything you need to design your shower.
- Wall panels are easily trimmed to fit shower applications.
- Heat resistant—walls can handle steamer units.
- Compression molding means superior durability.
- Warranty: Limited Lifetime - Residential  
Limited 30-year - Commercial



- The **SK-363672** is a five piece shower wall panel system with a smooth surface.

### SPECIFICATIONS

Model	Part	Ship Wt. Lb.	Carton Dims. In.	Cu. Ft.
SK-363672	SK363672	110	75 x 39 x 5	8.46

**Kit Includes:** Two side panels, one back panel, two corner molding strips, two corner soap shelves.

**Packaging:** Each kit is packed in an individual carton.

### COLORS

#### Solid Colors:

- White (010)
- Bisque (018)
- Bone (037)

#### Aggregate Colors:

- Bermuda Sand (040)
- Black Galaxy (015)
- Carrara (221)
- Concrete Ash Gray (203)
- Concrete Birch (226)
- Concrete Charcoal Gray (209)
- Concrete Clay (212)
- Concrete Limestone (218)
- Concrete Sandstone (215)
- Ice (130)
- Tahiti White (011)

### ACCESSORIES

See page 56 for complete listing of all wall accessories.

### STANDARDS AND RATINGS

American Society of Testing and Materials (ASTM) E-84: Class A Flame Spread Rating

American National Standard Institute—ANSI Z124.6

International Association of Plumbing and Mechanical Officials (IAPMO)—Listed

cUPC listed—Certified to CSA Test Standard B45.5 by IAPMO

Uniform Plumbing Code (UPC)

For a complete list of tests and results see the Technical Data Sheet.

### MAINTENANCE AND CLEANING INFORMATION

Clean regularly with common household liquid cleaners and rinse within five minutes of application. Occasional scrubbing with abrasive cleaners ensures that the original luster will be maintained. **Do not** use "leave on" cleaning products, such as automatic spray shower cleaners. Prolonged contact with harsh chemicals could have an adverse reaction over time and discolor surfaces. **Do not** use cleaning agents that caution use on acrylic, polyester or plastics.

### SUPPORT DOCUMENTS

Installation instructions available at [swanstone.com](http://swanstone.com).

# SK-364872

## Swanstone Shower Wall Kit

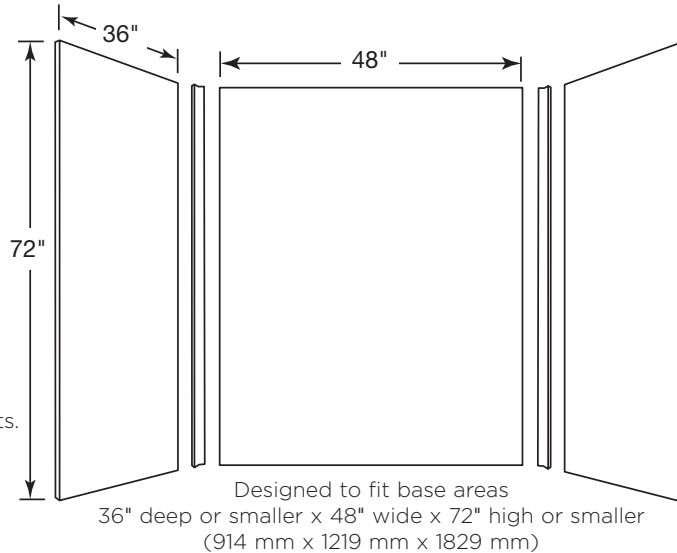


### Manufactured from Swanstone Solid Surface

Recommended for high-use traffic areas and commercial surfaces.

### FEATURES

- Reinforced solid surface means color and texture run all the way through and cannot wear away.
- Will not mold or mildew, no grout to clean.
- Ideal for remodeling, panels glue up over existing surface.
- Coordinates with other Swanstone bath products.
- A complete kit with everything you need to design your shower.
- Wall panels are easily trimmed to fit shower applications.
- Heat resistant—walls can handle steamer units.
- Compression molding means superior durability.
- Warranty: Limited Lifetime - Residential  
Limited 30-year - Commercial



**ES-2**  
Soap Shelves  
Included

- The **SK-364872** is a five piece shower wall panel system with a smooth surface.

### SPECIFICATIONS

Model	Part	Ship Wt. Lb.	Carton Dims. In.	Cu. Ft.
SK-364872	SK364872	175	76 x 54 x 4	9.5

**Kit Includes:** Two side panels, one back panel, two corner molding strips, two corner soap shelves.

**Packaging:** Each kit is packed in an individual carton.

### COLORS

#### Solid Colors:

- White (010)
- Bisque (018)
- Bone (037)

#### Aggregate Colors:

- Bermuda Sand (040)
- Black Galaxy (015)
- Carrara (221)
- Concrete Ash Gray (203)
- Concrete Birch (226)
- Concrete Charcoal Gray (209)
- Concrete Clay (212)
- Concrete Limestone (218)
- Concrete Sandstone (215)
- Ice (130)
- Tahiti White (011)

### ACCESSORIES

See page 56 for complete listing of all wall accessories.

### STANDARDS AND RATINGS

American Society of Testing and Materials (ASTM) E-84: Class A Flame Spread Rating

American National Standard Institute—ANSI Z124.6

International Association of Plumbing and Mechanical Officials (IAPMO)—Listed

cUPC listed—Certified to CSA Test Standard B45.5 by IAPMO

Uniform Plumbing Code (UPC)

For a complete list of tests and results see the Technical Data Sheet.

### MAINTENANCE AND CLEANING INFORMATION

Clean regularly with common household liquid cleaners and rinse within five minutes of application. Occasional scrubbing with abrasive cleaners ensures that the original luster will be maintained. **Do not** use “leave on” cleaning products, such as automatic spray shower cleaners. Prolonged contact with harsh chemicals could have an adverse reaction over time and discolor surfaces.

**Do not** use cleaning agents that caution use on acrylic, polyester or plastics.

### SUPPORT DOCUMENTS

Installation instructions available at [swanstone.com](http://swanstone.com).

**MADE IN USA**

# SK-366072

## Swanstone Shower Wall Kit

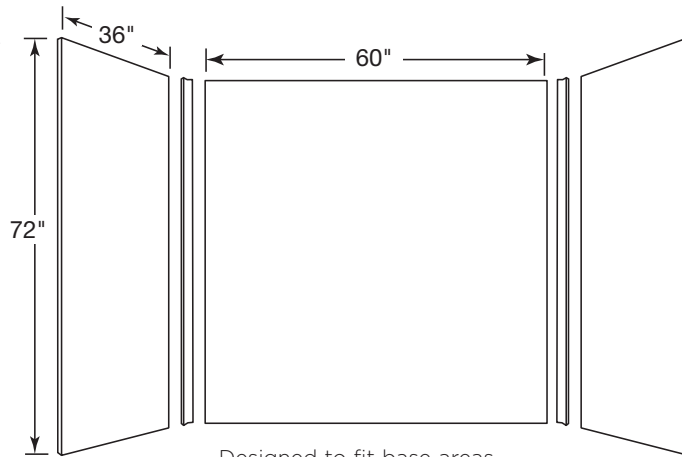


### Manufactured from Swanstone Solid Surface

Recommended for high-use traffic areas and commercial surfaces.

### FEATURES

- Reinforced solid surface means color and texture run all the way through and cannot wear away.
- Will not mold or mildew, no grout to clean.
- Ideal for remodeling, panels glue up over existing surface.
- Coordinates with other Swanstone bath products.
- A complete kit with everything you need to design your shower.
- Wall panels are easily trimmed to fit shower applications.
- Heat resistant—walls can handle steamer units.
- Compression molding means superior durability.
- Warranty: Limited Lifetime – Residential  
Limited 30-year – Commercial



Designed to fit base areas  
36" deep or smaller x 60" wide x 72" high or smaller  
(914 mm x 1524 mm x 1829 mm)

**ES-2**  
Soap Shelves  
Included

- The **SK-366072** is a five piece shower wall panel system with a smooth surface.

### SPECIFICATIONS

Model	Part	Ship Wt. Lb.	Carton Dims. In.	Cu. Ft.
SK-366072	SK366072	185	76 x 64 x 4	11.25

**Kit Includes:** Two side panels, one back panel, two corner molding strips, two corner soap shelves.

**Packaging:** Each kit is packed in an individual carton.

### COLORS

#### Solid Colors:

- White (010)
- Bisque (018)
- Bone (037)

#### Aggregate Colors:

- Bermuda Sand (040)
- Black Galaxy (015)
- Carrara (221)
- Concrete Ash Gray (203)
- Concrete Birch (226)
- Concrete Charcoal Gray (209)
- Concrete Clay (212)
- Concrete Limestone (218)
- Concrete Sandstone (215)
- Ice (130)
- Tahiti White (011)

### ACCESSORIES

See page 56 for complete listing of all wall accessories.

### STANDARDS AND RATINGS

American Society of Testing and Materials (ASTM) E-84: Class A Flame Spread Rating

American National Standard Institute—ANSI Z124.6

International Association of Plumbing and Mechanical Officials (IAPMO)—Listed

cUPC listed—Certified to CSA Test Standard B45.5 by IAPMO

Uniform Plumbing Code (UPC)

For a complete list of tests and results see the Technical Data Sheet.

### MAINTENANCE AND CLEANING INFORMATION

Clean regularly with common household liquid cleaners and rinse within five minutes of application. Occasional scrubbing with abrasive cleaners ensures that the original luster will be maintained. **Do not** use "leave on" cleaning products, such as automatic spray shower cleaners. Prolonged contact with harsh chemicals could have an adverse reaction over time and discolor surfaces. **Do not** use cleaning agents that caution use on acrylic, polyester or plastics.

### SUPPORT DOCUMENTS

Installation instructions available at [swanstone.com](http://swanstone.com).

**MADE IN USA**

# SK-363696

## Swanstone Shower Wall Kit

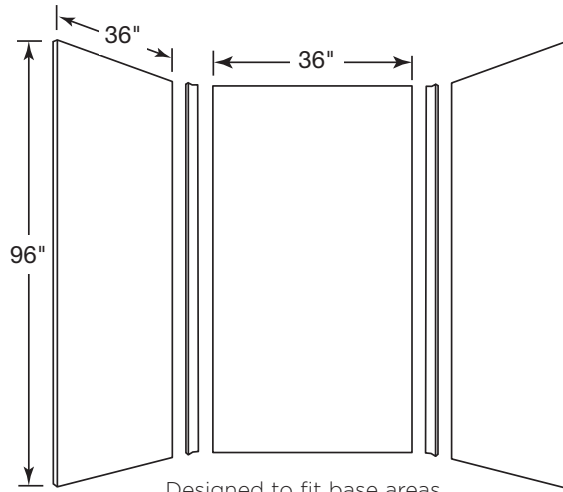


### Manufactured from Swanstone Solid Surface

Recommended for high-use traffic areas and commercial surfaces.

### FEATURES

- Reinforced solid surface means color and texture run all the way through and cannot wear away.
- Will not mold or mildew, no grout to clean.
- Ideal for remodeling, panels glue up over existing surface.
- Coordinates with other Swanstone bath products.
- A complete kit with everything you need to design your shower.
- Wall panels are easily trimmed to fit shower applications.
- Heat resistant—walls can handle steamer units.
- Compression molding means superior durability.
- Warranty: Limited Lifetime - Residential  
Limited 30-year - Commercial



**ES-2**  
Soap Shelves  
Included

- The **SK-363696** is a five piece shower wall panel system with a smooth surface.

Designed to fit base areas  
36" deep or smaller x 36" wide x 96" high or smaller  
(914 mm x 914 mm x 2438 mm)

### SPECIFICATIONS

Model	Part	Ship Wt. Lb.	Carton Dims. In.	Cu. Ft.
SK-363696	SK363696	172	102 x 42 x 4	9.9

**Kit Includes:** Two side panels, one back panel, two corner molding strips, two corner soap shelves.

**Packaging:** Each kit is packed in an individual carton.

### COLORS

#### Solid Colors:

- White (010)
- Bisque (018)
- Bone (037)

#### Aggregate Colors:

- Bermuda Sand (040)
- Black Galaxy (015)
- Carrara (221)
- Concrete Ash Gray (203)
- Concrete Birch (226)
- Concrete Charcoal Gray (209)
- Concrete Clay (212)
- Concrete Limestone (218)
- Concrete Sandstone (215)
- Ice (130)
- Tahiti White (011)

### ACCESSORIES

See page 56 for complete listing of all wall accessories.

### STANDARDS AND RATINGS

American Society of Testing and Materials (ASTM) E-84: Class A Flame Spread Rating

American National Standard Institute—ANSI Z124.6

International Association of Plumbing and Mechanical Officials (IAPMO)—Listed

cUPC listed—Certified to CSA Test Standard B45.5 by IAPMO

Uniform Plumbing Code (UPC)

For a complete list of tests and results see the Technical Data Sheet.

### MAINTENANCE AND CLEANING INFORMATION

Clean regularly with common household liquid cleaners and rinse within five minutes of application. Occasional scrubbing with abrasive cleaners ensures that the original luster will be maintained. **Do not** use "leave on" cleaning products, such as automatic spray shower cleaners. Prolonged contact with harsh chemicals could have an adverse reaction over time and discolor surfaces.

**Do not** use cleaning agents that caution use on acrylic, polyester or plastics.

### SUPPORT DOCUMENTS

Installation instructions available at [swanstone.com](http://swanstone.com).



# SK-364896

## Swanstone Shower Wall Kit

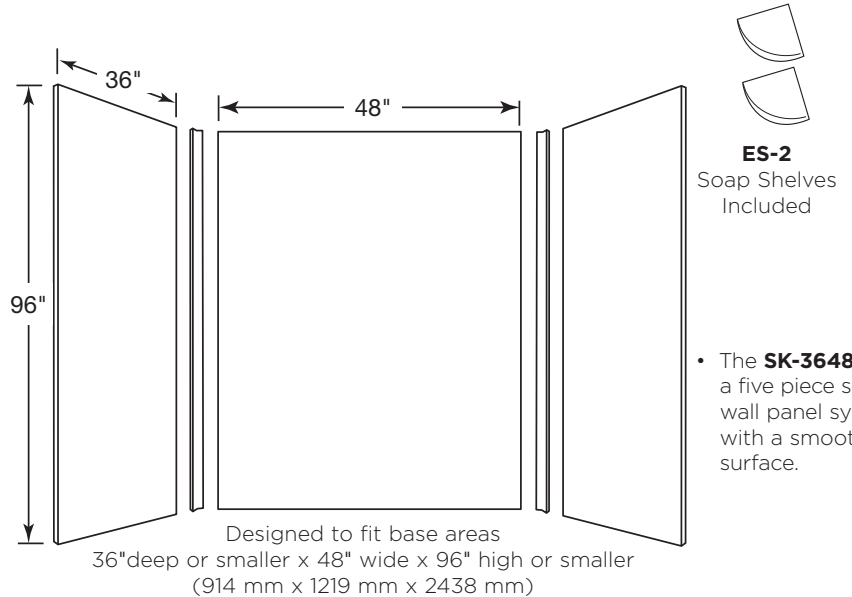


### Manufactured from Swanstone Solid Surface

Recommended for high-use traffic areas and commercial surfaces.

### FEATURES

- Reinforced solid surface means color and texture run all the way through and cannot wear away.
- Will not mold or mildew, no grout to clean.
- Ideal for remodeling, panels glue up over existing surface.
- Coordinates with other Swanstone bath products.
- A complete kit with everything you need to design your shower.
- Wall panels are easily trimmed to fit shower applications.
- Heat resistant—walls can handle steamer units.
- Compression molding means superior durability.
- Warranty: Limited Lifetime – Residential  
Limited 30-year – Commercial



### SPECIFICATIONS

Model	Part	Ship Wt. Lb.	Carton Dims. In.	Cu. Ft.
SK-364896	SK364896	232	102 x 54 x 4	12.8

**Kit Includes:** Two side panels, one back panel, two corner molding strips, two corner soap shelves.

**Packaging:** Each kit is packed in an individual carton.

### COLORS

#### Solid Colors:

- White (010)
- Bisque (018)
- Bone (037)

#### Aggregate Colors:

- Bermuda Sand (040)
- Black Galaxy (015)
- Carrara (221)
- Concrete Ash Gray (203)
- Concrete Birch (226)
- Concrete Charcoal Gray (209)
- Concrete Clay (212)
- Concrete Limestone (218)
- Concrete Sandstone (215)
- Ice (130)
- Tahiti White (011)

### ACCESSORIES

See page 56 for complete listing of all wall accessories.

### STANDARDS AND RATINGS

American Society of Testing and Materials (ASTM) E-84: Class A Flame Spread Rating

American National Standard Institute—ANSI Z124.6

International Association of Plumbing and Mechanical Officials (IAPMO)—Listed

cUPC listed—Certified to CSA Test Standard B45.5 by IAPMO

Uniform Plumbing Code (UPC)

For a complete list of tests and results see the Technical Data Sheet.

### MAINTENANCE AND CLEANING INFORMATION

Clean regularly with common household liquid cleaners and rinse within five minutes of application. Occasional scrubbing with abrasive cleaners ensures that the original luster will be maintained. **Do not** use “leave on” cleaning products, such as automatic spray shower cleaners. Prolonged contact with harsh chemicals could have an adverse reaction over time and discolor surfaces. **Do not** use cleaning agents that caution use on acrylic, polyester or plastics.

### SUPPORT DOCUMENTS

Installation instructions available at [swanstone.com](http://swanstone.com).

**MADE IN USA**

# SK-366296

## Swanstone Shower Wall Kit

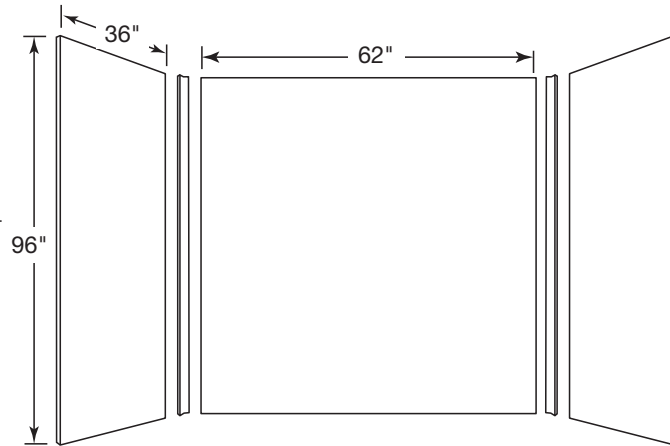


### Manufactured from Swanstone Solid Surface

Recommended for high-use traffic areas and commercial surfaces.

### FEATURES

- Reinforced solid surface means color and texture run all the way through and cannot wear away.
- Will not mold or mildew, no grout to clean.
- Ideal for remodeling, panels glue up over existing surface.
- Coordinates with other Swanstone bath products.
- A complete kit with everything you need to design your shower.
- Wall panels are easily trimmed to fit shower applications.
- Heat resistant—walls can handle steamer units.
- Compression molding means superior durability.
- Warranty: Limited Lifetime – Residential  
Limited 30-year – Commercial



Designed to fit base areas  
36" deep or smaller x 62" wide x 96" high or smaller  
(914 mm x 1575 mm x 2438 mm)



**ES-2**  
Soap Shelves  
Included

- The **SK-366296** is a five piece shower wall panel system with a smooth surface.

### SPECIFICATIONS

Model	Part	Ship Wt. Lb.	Carton Dims. In.	Cu. Ft.
SK-366296	SK366296	288	103 x 68 x 4	16.2

**Kit Includes:** Two side panels, one back panel, two corner molding strips, two corner soap shelves.

**Packaging:** Each kit is packed in an individual carton.

### COLORS

#### Solid Colors:

- White (010)
- Bisque (018)
- Bone (037)

#### Aggregate Colors:

- Bermuda Sand (040)
- Black Galaxy (015)
- Carrara (221)
- Concrete Ash Gray (203)
- Concrete Birch (226)
- Concrete Charcoal Gray (209)
- Concrete Clay (212)
- Concrete Limestone (218)
- Concrete Sandstone (215)
- Ice (130)
- Tahiti White (011)

### ACCESSORIES

See page 56 for complete listing of all wall accessories.

### STANDARDS AND RATINGS

American Society of Testing and Materials (ASTM) E-84: Class A Flame Spread Rating

American National Standard Institute—ANSI Z124.6

International Association of Plumbing and Mechanical Officials (IAPMO)—Listed

cUPC listed—Certified to CSA Test Standard B45.5 by IAPMO

Uniform Plumbing Code (UPC)

For a complete list of tests and results see the Technical Data Sheet.

### MAINTENANCE AND CLEANING INFORMATION

Clean regularly with common household liquid cleaners and rinse within five minutes of application. Occasional scrubbing with abrasive cleaners ensures that the original luster will be maintained. **Do not** use "leave on" cleaning products, such as automatic spray shower cleaners. Prolonged contact with harsh chemicals could have an adverse reaction over time and discolor surfaces.

**Do not** use cleaning agents that caution use on acrylic, polyester or plastics.

### SUPPORT DOCUMENTS

Installation instructions available at [swanstone.com](http://swanstone.com).

**MADE IN USA**

# SK-484896

## Swanstone Shower Wall Kit

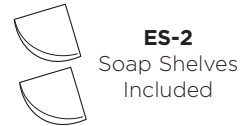
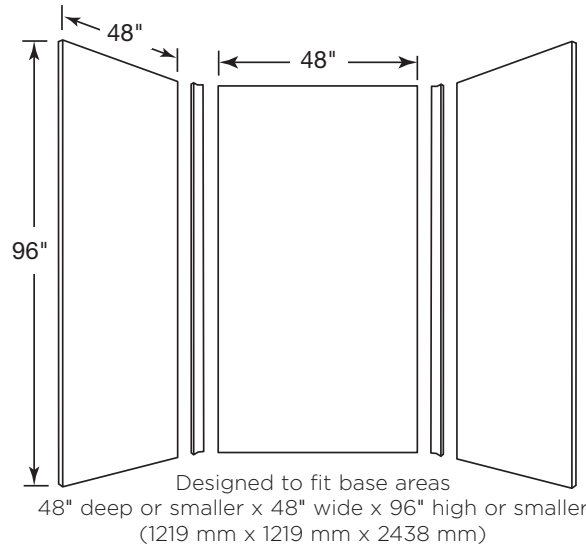


### Manufactured from Swanstone Solid Surface

Recommended for high-use traffic areas and commercial surfaces.

### FEATURES

- Reinforced solid surface means color and texture run all the way through and cannot wear away.
- Will not mold or mildew, no grout to clean.
- Ideal for remodeling, panels glue up over existing surface.
- Coordinates with other Swanstone bath products.
- A complete kit with everything you need to design your shower.
- Wall panels are easily trimmed to fit shower applications.
- Heat resistant—walls can handle steamer units.
- Compression molding means superior durability.
- Warranty: Limited Lifetime – Residential  
Limited 30-year – Commercial



- The **SK-484896** is a five piece shower wall panel system with a smooth surface.

### SPECIFICATIONS

Model	Part	Ship Wt. Lb.	Carton Dims. In.	Cu. Ft.
SK-484896	SK484896	244	102 x 54 x 4	12.8

**Kit Includes:** Two side panels, one back panel, two corner molding strips, two corner soap shelves.

**Packaging:** Each kit is packed in an individual carton.

### COLORS

#### Solid Colors:

- White (010)
- Bisque (018)
- Bone (037)

#### Aggregate Colors:

- Bermuda Sand (040)
- Black Galaxy (015)
- Carrara (221)
- Concrete Ash Gray (203)
- Concrete Birch (226)
- Concrete Charcoal Gray (209)
- Concrete Clay (212)
- Concrete Limestone (218)
- Concrete Sandstone (215)
- Ice (130)
- Tahiti White (011)

### ACCESSORIES

See page 56 for complete listing of all wall accessories.

### STANDARDS AND RATINGS

American Society of Testing and Materials (ASTM) E-84: Class A Flame Spread Rating

American National Standard Institute—ANSI Z124.6

International Association of Plumbing and Mechanical Officials (IAPMO)—Listed

cUPC listed—Certified to CSA Test Standard B45.5 by IAPMO

Uniform Plumbing Code (UPC)

For a complete list of tests and results see the Technical Data Sheet.

### MAINTENANCE AND CLEANING INFORMATION

Clean regularly with common household liquid cleaners and rinse within five minutes of application. Occasional scrubbing with abrasive cleaners ensures that the original luster will be maintained. **Do not** use “leave on” cleaning products, such as automatic spray shower cleaners. Prolonged contact with harsh chemicals could have an adverse reaction over time and discolor surfaces. **Do not** use cleaning agents that caution use on acrylic, polyester or plastics.

### SUPPORT DOCUMENTS

Installation instructions available at [swanstone.com](http://swanstone.com).

**MADE IN USA**



# STMK72-3636

## Swanstone Classic Subway Tile Shower Wall Kit

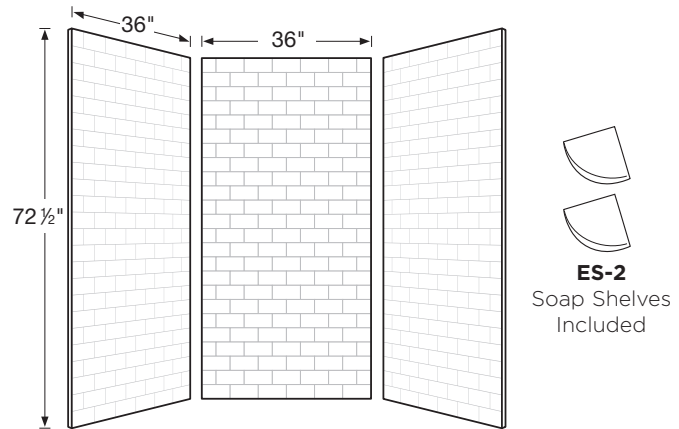


### Manufactured from Swanstone Solid Surface

Recommended for high-use traffic areas and commercial surfaces.

### FEATURES

- Classic look of 3 x 6-inch subway tile provides timeless elegance for your bath.
- No grout to maintain; will not mold or mildew.
- Color and texture run all the way through and cannot wear away.
- Ideal for remodeling; easier to install than tile—panels glue up over existing surface.
- Coordinates with other Swanstone bath products.
- Heat resistant—walls can handle steamer units.
- Compression molding means superior durability.
- Warranty: Limited Lifetime - Residential  
Limited 30-year - Commercial



Designed to fit base areas  
36" deep or smaller x 36" wide x 72 1/2" high or smaller  
(914 mm x 914 mm x 1829 mm)

### SPECIFICATIONS

Model	Part	Ship Wt. Lb.	Carton Dims. In.	Cu. Ft.
STMK72-3636	STMK723636	192	78 X 42 x 4	7.6

**Kit Includes:** Two side panels, one back panel, two corner soap shelves.

**Packaging:** Each kit is packed in an individual carton.

### COLORS

#### Solid Colors:

- White (010)
- Bisque (018)
- Bone (037)

#### Aggregate Colors:

- Bermuda Sand (040)
- Black Galaxy (015)
- Carrara (221)
- Concrete Ash Gray (203)
- Concrete Birch (226)
- Concrete Charcoal Gray (209)
- Concrete Clay (212)
- Concrete Limestone (218)
- Concrete Sandstone (215)
- Ice (130)
- Tahiti White (011)

### ACCESSORIES

See page 56 for complete listing of all wall accessories.

### STANDARDS AND RATINGS

American Society of Testing and Materials (ASTM) E-84: Class A Flame Spread Rating

American National Standard Institute—ANSI Z124.6

International Association of Plumbing and Mechanical Officials (IAPMO)—Listed

cUPC listed—Certified to CSA Test Standard B45.5 by IAPMO

Uniform Plumbing Code (UPC)

For a complete list of tests and results see the Technical Data Sheet.

### MAINTENANCE AND CLEANING INFORMATION

Clean regularly with common household liquid cleaners and rinse within five minutes of application. Occasional scrubbing with abrasive cleaners ensures that the original luster will be maintained. **Do not** use "leave on" cleaning products, such as automatic spray shower cleaners. Prolonged contact with harsh chemicals could have an adverse reaction over time and discolor surfaces.

**Do not** use cleaning agents that caution use on acrylic, polyester or plastics.

### SUPPORT DOCUMENTS

Installation instructions available at [swanstone.com](http://swanstone.com).



# STMK72-3662

## Swanstone Classic Subway Tile Bath Wall Kit

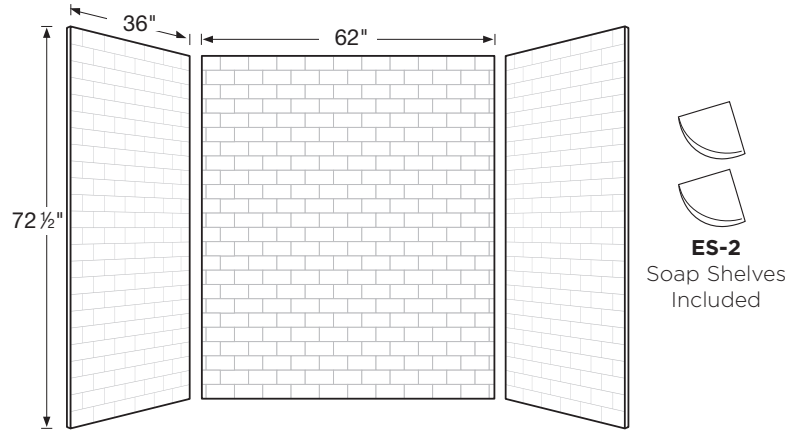


### Manufactured from Swanstone Solid Surface

Recommended for high-use traffic areas and commercial surfaces.

### FEATURES

- Classic look of 3 x 6-inch subway tile provides timeless elegance for your bath.
- No grout to maintain; will not mold or mildew.
- Color and texture run all the way through and cannot wear away.
- Ideal for remodeling; easier to install than tile—panels glue up over existing surface.
- Coordinates with other Swanstone bath products.
- Heat resistant—walls can handle steamer units.
- Compression molding means superior durability.
- Warranty: Limited Lifetime - Residential  
Limited 30-year - Commercial



Designed to fit base areas  
36" deep or smaller x 62" wide x 72 1/2" high or smaller  
(914 mm x 1575 mm x 1829 mm)

### SPECIFICATIONS

Model	Part	Ship Wt. Lb.	Carton Dims. In.	Cu. Ft.
STMK72-3662	STMK723662	236	78 x 68 x 4	12.3

**Kit Includes:** Two side panels, one back panel, two corner soap shelves.

**Packaging:** Each kit is packed in an individual carton.

### COLORS

#### Solid Colors:

- White (010)
- Bisque (018)
- Bone (037)

#### Aggregate Colors:

- Bermuda Sand (040)
- Black Galaxy (015)
- Carrara (221)
- Concrete Ash Gray (203)
- Concrete Birch (226)
- Concrete Charcoal Gray (209)
- Concrete Clay (212)
- Concrete Limestone (218)
- Concrete Sandstone (215)
- Ice (130)
- Tahiti White (011)

### ACCESSORIES

See page 56 for complete listing of all wall accessories.

### STANDARDS AND RATINGS

American Society of Testing and Materials (ASTM) E-84: Class A Flame Spread Rating

American National Standard Institute—ANSI Z124.6

International Association of Plumbing and Mechanical Officials (IAPMO)—Listed

cUPC listed—Certified to CSA Test Standard B45.5 by IAPMO

Uniform Plumbing Code (UPC)

For a complete list of tests and results see the Technical Data Sheet.

### MAINTENANCE AND CLEANING INFORMATION

Clean regularly with common household liquid cleaners and rinse within five minutes of application. Occasional scrubbing with abrasive cleaners ensures that the original luster will be maintained. **Do not** use "leave on" cleaning products, such as automatic spray shower cleaners. Prolonged contact with harsh chemicals could have an adverse reaction over time and discolor surfaces. **Do not** use cleaning agents that caution use on acrylic, polyester or plastics.

### SUPPORT DOCUMENTS

Installation instructions available at [swanstone.com](http://swanstone.com).



# STMK96-3636

## Swanstone Classic Subway Tile Shower Wall Kit

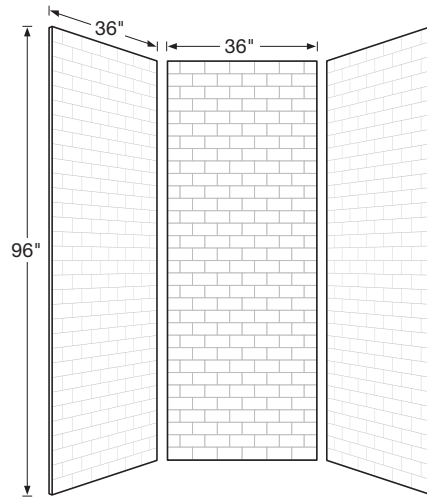


### Manufactured from Swanstone Solid Surface

Recommended for high-use traffic areas and commercial surfaces.

### FEATURES

- Classic look of 3 x 6-inch subway tile provides timeless elegance for your bath.
- No grout to maintain; will not mold or mildew.
- Color and texture run all the way through and cannot wear away.
- Ideal for remodeling; easier to install than tile—panels glue up over existing surface.
- Coordinates with other Swanstone bath products.
- Heat resistant—walls can handle steamer units.
- Compression molding means superior durability.
- Warranty: Limited Lifetime - Residential  
Limited 30-year - Commercial



**ES-2**  
Soap Shelves  
Included

Designed to fit base areas  
36" deep or smaller x 36" wide x 96" high or smaller  
(914 mm x 914 mm x 2438 mm)

### SPECIFICATIONS

Model	Part	Ship Wt. Lb.	Carton Dims. In.	Cu. Ft.
STMK96-3636	STMK963636	211	102 x 42 x 4	10.2

**Kit Includes:** Two side panels, one back panel, two corner soap shelves.

**Packaging:** Each kit is packed in an individual carton.

### COLORS

#### Solid Colors:

- White (010)
- Bisque (018)
- Bone (037)

#### Aggregate Colors:

- Bermuda Sand (040)
- Black Galaxy (015)
- Carrara (221)
- Concrete Ash Gray (203)
- Concrete Birch (226)
- Concrete Charcoal Gray (209)
- Concrete Clay (212)
- Concrete Limestone (218)
- Concrete Sandstone (215)
- Ice (130)
- Tahiti White (011)

### ACCESSORIES

See page 56 for complete listing of all wall accessories.

### STANDARDS AND RATINGS

American Society of Testing and Materials (ASTM) E-84: Class A Flame Spread Rating

American National Standard Institute—ANSI Z124.6

International Association of Plumbing and Mechanical Officials (IAPMO)—Listed

cUPC listed—Certified to CSA Test Standard B45.5 by IAPMO

Uniform Plumbing Code (UPC)

For a complete list of tests and results see the Technical Data Sheet.

### MAINTENANCE AND CLEANING INFORMATION

Clean regularly with common household liquid cleaners and rinse within five minutes of application. Occasional scrubbing with abrasive cleaners ensures that the original luster will be maintained. **Do not** use "leave on" cleaning products, such as automatic spray shower cleaners. Prolonged contact with harsh chemicals could have an adverse reaction over time and discolor surfaces.

**Do not** use cleaning agents that caution use on acrylic, polyester or plastics.

### SUPPORT DOCUMENTS

Installation instructions available at [swanstone.com](http://swanstone.com).



# STMK96-3662

## Swanstone Classic Subway Tile Bath Wall Kit

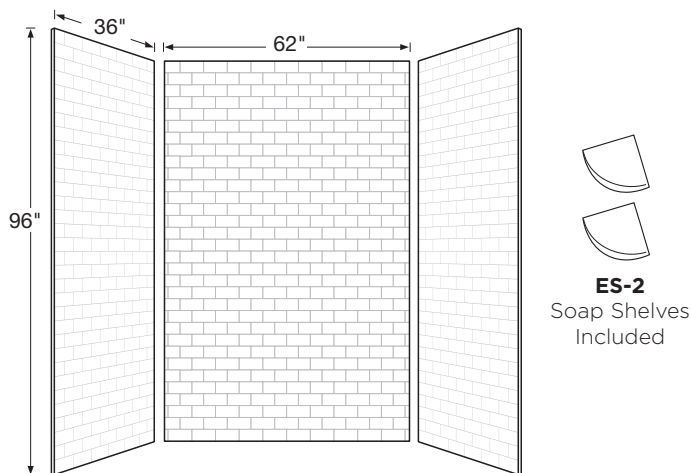


### Manufactured from Swanstone Solid Surface

Recommended for high-use traffic areas and commercial surfaces.

### FEATURES

- Classic look of 3 x 6-inch subway tile provides timeless elegance for your bath.
- No grout to maintain; will not mold or mildew.
- Color and texture run all the way through and cannot wear away.
- Ideal for remodeling; easier to install than tile—panels glue up over existing surface.
- Coordinates with other Swanstone bath products.
- Heat resistant—walls can handle steamer units.
- Compression molding means superior durability.
- Warranty: Limited Lifetime - Residential  
Limited 30-year - Commercial



Designed to fit base areas  
36" deep or smaller x 62" wide x 96" high or smaller  
(914 mm x 1575 mm x 2438 mm)

### SPECIFICATIONS

Model	Part	Ship Wt. Lb.	Carton Dims. In.	Cu. Ft.
STMK96-3662	STMK963662	247	102 x 68 x 4	16.06

**Kit Includes:** Two side panels, one back panel, two corner soap shelves.

**Packaging:** Each kit is packed in an individual carton.

### COLORS

#### Solid Colors:

- White (010)
- Bisque (018)
- Bone (037)

#### Aggregate Colors:

- Bermuda Sand (040)
- Black Galaxy (015)
- Carrara (221)
- Concrete Ash Gray (203)
- Concrete Birch (226)
- Concrete Charcoal Gray (209)
- Concrete Clay (212)
- Concrete Limestone (218)
- Concrete Sandstone (215)
- Ice (130)
- Tahiti White (011)

### ACCESSORIES

See page 56 for complete listing of all wall accessories.

### STANDARDS AND RATINGS

American Society of Testing and Materials (ASTM) E-84: Class A Flame Spread Rating

American National Standard Institute—ANSI Z124.6

International Association of Plumbing and Mechanical Officials (IAPMO)—Listed

cUPC listed—Certified to CSA Test Standard B45.5 by IAPMO

Uniform Plumbing Code (UPC)

For a complete list of tests and results see the Technical Data Sheet.

### MAINTENANCE AND CLEANING INFORMATION

Clean regularly with common household liquid cleaners and rinse within five minutes of application. Occasional scrubbing with abrasive cleaners ensures that the original luster will be maintained. **Do not** use "leave on" cleaning products, such as automatic spray shower cleaners. Prolonged contact with harsh chemicals could have an adverse reaction over time and discolor surfaces. **Do not** use cleaning agents that caution use on acrylic, polyester or plastics.

### SUPPORT DOCUMENTS

Installation instructions available at [swanstone.com](http://swanstone.com).

# SQMK72-3636

## Swanstone Square Tile Shower Wall Kit

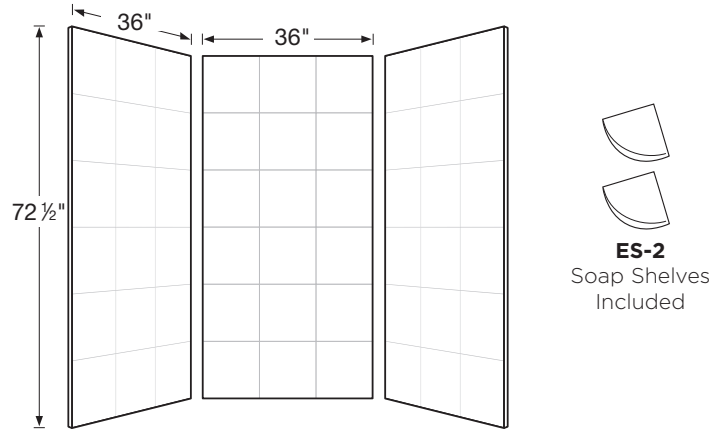


### Manufactured from Swanstone Solid Surface

Recommended for high-use traffic areas and commercial surfaces.

### FEATURES

- Chamfered-edges on the 12-inch square tile pattern provide the high-end look of travertine.
- No grout to maintain; will not mold or mildew.
- Color and texture run all the way through and cannot wear away.
- Ideal for remodeling; easier to install than tile—panels glue up over existing surface.
- Coordinates with Swanstone bath products.
- Heat resistant—walls can handle steamer units.
- Compression molding means superior durability.
- Warranty: Limited Lifetime - Residential  
Limited 30-year - Commercial



Designed to fit base areas  
36" deep or smaller x 36" wide x 72" high or smaller  
(914 mm x 914 mm x 1829 mm)

### SPECIFICATIONS

Model	Part	Ship Wt. Lb.	Carton Dims. In.	Cu. Ft.
SQMK72-3636	SQMK723636	192	78 x 42 x 4	7.6

**Kit Includes:** Two side panels, one back panel, two corner soap shelves.

**Packaging:** Each kit is packed in an individual carton.

### COLORS

#### Solid Colors:

- White (010)
- Bisque (018)
- Bone (037)

#### Aggregate Colors:

- Bermuda Sand (040)
- Black Galaxy (015)
- Carrara (221)
- Concrete Ash Gray (203)
- Concrete Birch (226)
- Concrete Charcoal Gray (209)
- Concrete Clay (212)
- Concrete Limestone (218)
- Concrete Sandstone (215)
- Ice (130)
- Tahiti White (011)

### ACCESSORIES

See page 56 for complete listing of all wall accessories.

### STANDARDS AND RATINGS

American Society of Testing and Materials (ASTM) E-84: Class A Flame Spread Rating

American National Standard Institute—ANSI Z124.6

International Association of Plumbing and Mechanical Officials (IAPMO)—Listed

cUPC listed—Certified to CSA Test Standard B45.5 by IAPMO

Uniform Plumbing Code (UPC)

For a complete list of tests and results see the Technical Data Sheet.

### MAINTENANCE AND CLEANING INFORMATION

Clean regularly with common household liquid cleaners and rinse within five minutes of application. Occasional scrubbing with abrasive cleaners ensures that the original luster will be maintained. **Do not** use "leave on" cleaning products, such as automatic spray shower cleaners. Prolonged contact with harsh chemicals could have an adverse reaction over time and discolor surfaces.

**Do not** use cleaning agents that caution use on acrylic, polyester or plastics.

### SUPPORT DOCUMENTS

Installation instructions available at [swanstone.com](http://swanstone.com).

**MADE IN USA**

# SQMK72-3662

## Swanstone Square Tile Bath Wall Kit

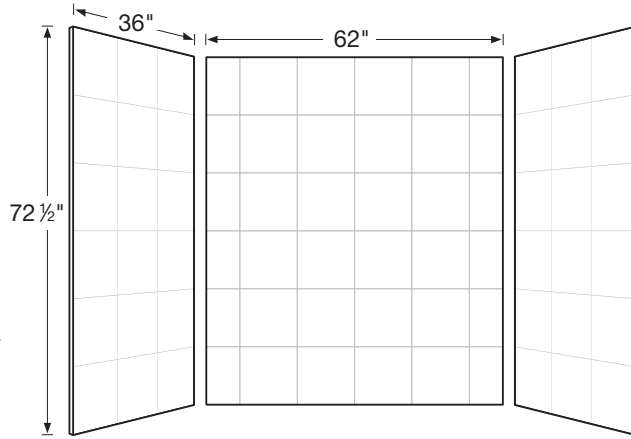


### Manufactured from Swanstone Solid Surface

Recommended for high-use traffic areas and commercial surfaces.

### FEATURES

- Chamfered-edges on the 12-inch square tile pattern provide the high-end look of travertine.
- No grout to maintain; will not mold or mildew.
- Color and texture run all the way through and cannot wear away.
- Ideal for remodeling; easier to install than tile—panels glue up over existing surface.
- Coordinates with other Swanstone bath products.
- Heat resistant—walls can handle steamer units.
- Compression molding means superior durability.
- Warranty: Limited Lifetime - Residential  
Limited 30-year - Commercial



Designed to fit base areas  
36" deep or smaller x 62" wide x 72" high or smaller  
(914 mm x 1575 mm x 1829 mm)

### SPECIFICATIONS

Model	Part	Ship Wt. Lb.	Carton Dims. In.	Cu. Ft.
SQMK72-3662	SQMK723662	247	78 x 68 x 4	12.3

**Kit Includes:** Two side panels, one back panel, two corner soap shelves.

**Packaging:** Each kit is packed in an individual carton.

### COLORS

#### Solid Colors:

- White (010)
- Bisque (018)
- Bone (037)

#### Aggregate Colors:

- Bermuda Sand (040)
- Black Galaxy (015)
- Carrara (221)
- Concrete Ash Gray (203)
- Concrete Birch (226)
- Concrete Charcoal Gray (209)
- Concrete Clay (212)
- Concrete Limestone (218)
- Concrete Sandstone (215)
- Ice (130)
- Tahiti White (011)

### ACCESSORIES

See page 56 for complete listing of all wall accessories.

### STANDARDS AND RATINGS

American Society of Testing and Materials (ASTM) E-84: Class A Flame Spread Rating

American National Standard Institute—ANSI Z124.6

International Association of Plumbing and Mechanical Officials (IAPMO)—Listed

cUPC listed—Certified to CSA Test Standard B45.5 by IAPMO

Uniform Plumbing Code (UPC)

For a complete list of tests and results see the Technical Data Sheet.

### MAINTENANCE AND CLEANING INFORMATION

Clean regularly with common household liquid cleaners and rinse within five minutes of application. Occasional scrubbing with abrasive cleaners ensures that the original luster will be maintained. **Do not** use "leave on" cleaning products, such as automatic spray shower cleaners. Prolonged contact with harsh chemicals could have an adverse reaction over time and discolor surfaces. **Do not** use cleaning agents that caution use on acrylic, polyester or plastics.

### SUPPORT DOCUMENTS

Installation instructions available at [swanstone.com](http://swanstone.com).



# SQMK96-3636

## Swanstone Square Tile Shower Wall Kit

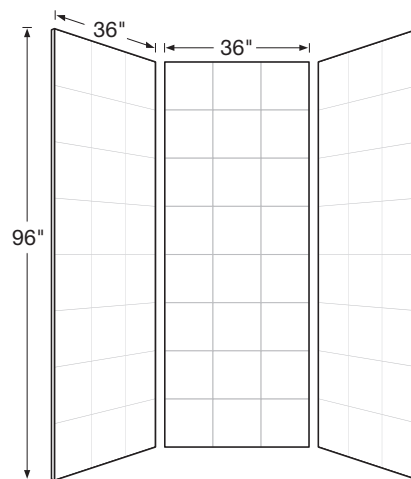


### Manufactured from Swanstone Solid Surface

Recommended for high-use traffic areas and commercial surfaces.

### FEATURES

- Chamfered-edges on the 12-inch square tile pattern provide the high-end look of travertine.
- No grout to maintain; will not mold or mildew.
- Color and texture run all the way through and cannot wear away.
- Ideal for remodeling; easier to install than tile—panels glue up over existing surface.
- Coordinates with other Swanstone bath products.
- Heat resistant—walls can handle steamer units.
- Compression molding means superior durability.
- Warranty: Limited Lifetime - Residential  
Limited 30-year - Commercial



**ES-2**  
Soap Shelves  
Included

Designed to fit base areas  
36" deep or smaller x 36" wide x 96" high or smaller  
(914 mm x 914 mm x 2438 mm)

### SPECIFICATIONS

Model	Part	Ship Wt. Lb.	Carton Dims. In.	Cu. Ft.
SQMK96-3636	SQMK963636	245	102 x 42 x 4	10

**Kit Includes:** Two side panels, one back panel, two corner soap shelves.

**Packaging:** Each kit is packed in an individual carton.

### COLORS

#### Solid Colors:

- White (010)
- Bisque (018)
- Bone (037)

#### Aggregate Colors:

- Bermuda Sand (040)
- Black Galaxy (015)
- Carrara (221)
- Concrete Ash Gray (203)
- Concrete Birch (226)
- Concrete Charcoal Gray (209)
- Concrete Clay (212)
- Concrete Limestone (218)
- Concrete Sandstone (215)
- Ice (130)
- Tahiti White (011)

### ACCESSORIES

See page 56 for complete listing of all wall accessories.

### STANDARDS AND RATINGS

American Society of Testing and Materials (ASTM) E-84: Class A Flame Spread Rating

American National Standard Institute—ANSI Z124.6

International Association of Plumbing and Mechanical Officials (IAPMO)—Listed

cUPC listed—Certified to CSA Test Standard B45.5 by IAPMO

Uniform Plumbing Code (UPC)

For a complete list of tests and results see the Technical Data Sheet.

### MAINTENANCE AND CLEANING INFORMATION

Clean regularly with common household liquid cleaners and rinse within five minutes of application. Occasional scrubbing with abrasive cleaners ensures that the original luster will be maintained. **Do not** use "leave on" cleaning products, such as automatic spray shower cleaners. Prolonged contact with harsh chemicals could have an adverse reaction over time and discolor surfaces. **Do not** use cleaning agents that caution use on acrylic, polyester or plastics.

### SUPPORT DOCUMENTS

Installation instructions available at [swanstone.com](http://swanstone.com).



# SQMK96-3662

## Swanstone Square Tile Bath Wall Kit

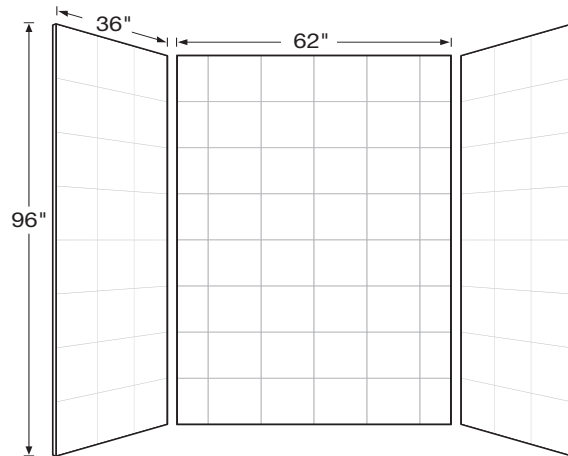


### Manufactured from Swanstone Solid Surface

Recommended for high-use traffic areas and commercial surfaces.

### FEATURES

- Chamfered-edges on the 12-inch square tile pattern provide the high-end look of travertine.
- No grout to maintain; will not mold or mildew.
- Color and texture run all the way through and cannot wear away.
- Ideal for remodeling; easier to install than tile—panels glue up over existing surface.
- Coordinates with other Swanstone bath products.
- Heat resistant—walls can handle steamer units.
- Compression molding means superior durability.
- Warranty: Limited Lifetime – Residential  
Limited 30-year – Commercial



**ES-2**  
Soap Shelves  
Included

Designed to fit base areas  
36" deep or smaller x 62" wide x 96" high or smaller  
(914 mm x 1575 mm x 2438 mm)

### SPECIFICATIONS

Model	Part	Ship Wt. Lb.	Carton Dims. In.	Cu. Ft.
SQMK96-3662	SQMK963662	236	102 x 68 x 4	16.06

**Kit Includes:** Two side panels, one back panel, two corner soap shelves.

**Packaging:** Each kit is packed in an individual carton.

### COLORS

#### Solid Colors:

- White (010)
- Bisque (018)
- Bone (037)

#### Aggregate Colors:

- Bermuda Sand (040)
- Black Galaxy (015)
- Carrara (221)
- Concrete Ash Gray (203)
- Concrete Birch (226)
- Concrete Charcoal Gray (209)
- Concrete Clay (212)
- Concrete Limestone (218)
- Concrete Sandstone (215)
- Ice (130)
- Tahiti White (011)

### ACCESSORIES

See page 56 for complete listing of all wall accessories.

### STANDARDS AND RATINGS

American Society of Testing and Materials (ASTM) E-84: Class A Flame Spread Rating

American National Standard Institute—ANSI Z124.6

International Association of Plumbing and Mechanical Officials (IAPMO)—Listed  
cUPC listed—Certified to CSA Test Standard B45.5 by IAPMO

Uniform Plumbing Code (UPC)

For a complete list of tests and results see the Technical Data Sheet.

### MAINTENANCE AND CLEANING INFORMATION

Clean regularly with common household liquid cleaners and rinse within five minutes of application. Occasional scrubbing with abrasive cleaners ensures that the original luster will be maintained. **Do not** use "leave on" cleaning products, such as automatic spray shower cleaners. Prolonged contact with harsh chemicals could have an adverse reaction over time and discolor surfaces. **Do not** use cleaning agents that caution use on acrylic, polyester or plastics.

### SUPPORT DOCUMENTS

Installation instructions available at [swanstone.com](http://swanstone.com).

**MADE IN USA**



# MSMK72-3062

## Swanstone Modern Subway Tile Bath Wall Kit

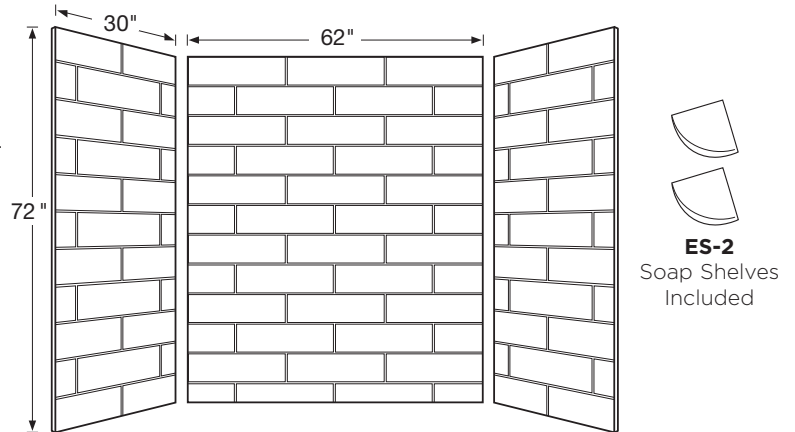


### Manufactured from Swanstone Solid Surface

Recommended for high-use traffic areas and commercial surfaces.

### FEATURES

- Modern 6 x 24-inch subway tile pattern with textured grout lines provides a clean and simple look for your bath.
- No grout to maintain; will not mold or mildew.
- Color and texture run all the way through and cannot wear away.
- Ideal for remodeling; easier to install than tile—panels glue up over existing surface.
- Coordinates with other Swanstone bath products.
- Heat resistant—walls can handle steamer units.
- Compression molding means superior durability.
- Warranty: Limited Lifetime - Residential  
Limited 30-year - Commercial



Designed to fit base areas  
30" deep or smaller x 62" wide x 72" high or smaller  
(762 mm x 1575 mm x 1829 mm)

### SPECIFICATIONS

Model	Part	Ship Wt. Lb.	Carton Dims. In.	Cu. Ft.
MSMK72-3062	MSMK723062	214	78 x 68 x 4	12.3

**Kit Includes:** Two side panels, one back panel, two corner soap shelves.

**Packaging:** Each kit is packed in an individual carton.

### COLORS

#### Solid Colors:

- White (010)
- Bisque (018)
- Bone (037)

#### Aggregate Colors:

- Bermuda Sand (040)
- Black Galaxy (015)
- Carrara (221)
- Concrete Ash Gray (203)
- Concrete Birch (226)
- Concrete Charcoal Gray (209)
- Concrete Clay (212)
- Concrete Limestone (218)
- Concrete Sandstone (215)
- Ice (130)
- Tahiti White (011)

### ACCESSORIES

See page 56 for complete listing of all wall accessories.

### STANDARDS AND RATINGS

American Society of Testing and Materials (ASTM) E-84: Class A Flame Spread Rating

American National Standard Institute—ANSI Z124.6

International Association of Plumbing and Mechanical Officials (IAPMO)—Listed  
cUPC listed—Certified to CSA Test Standard B45.5 by IAPMO

Uniform Plumbing Code (UPC)

For a complete list of tests and results see the Technical Data Sheet.

### MAINTENANCE AND CLEANING INFORMATION

Clean regularly with common household liquid cleaners and rinse within five minutes of application. Occasional scrubbing with abrasive cleaners ensures that the original luster will be maintained. **Do not** use “leave on” cleaning products, such as automatic spray shower cleaners. Prolonged contact with harsh chemicals could have an adverse reaction over time and discolor surfaces. **Do not** use cleaning agents that caution use on acrylic, polyester or plastics.

### SUPPORT DOCUMENTS

Installation instructions available at [swanstone.com](http://swanstone.com).



# MSMK72-3262

## Swanstone Modern Subway Tile Bath Wall Kit

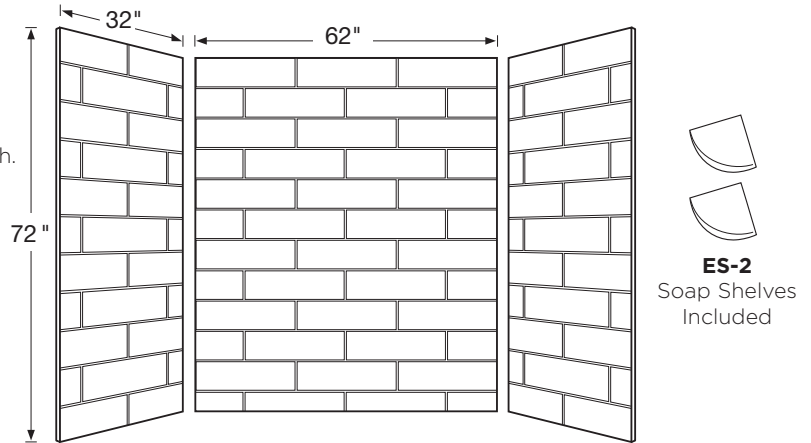


### Manufactured from Swanstone Solid Surface

Recommended for high-use traffic areas and commercial surfaces.

### FEATURES

- Modern 6 x 24-inch subway tile pattern with textured grout lines provides a clean and simple look for your bath.
- No grout to maintain; will not mold or mildew.
- Color and texture run all the way through and cannot wear away.
- Ideal for remodeling; easier to install than tile—panels glue up over existing surface.
- Coordinates with other Swanstone bath products.
- Heat resistant—walls can handle steamer units.
- Compression molding means superior durability.
- Warranty: Limited Lifetime - Residential  
Limited 30-year - Commercial



Designed to fit base areas  
32" deep or smaller x 62" wide x 72" high or smaller  
(813 mm x 1575 mm x 1829 mm)

### SPECIFICATIONS

Model	Part	Ship Wt. Lb.	Carton Dims. In.	Cu. Ft.
MSMK72-3262	MSMK723262	221	78 x 68 x 4	12.3

**Kit Includes:** Two side panels, one back panel, two corner soap shelves.

**Packaging:** Each kit is packed in an individual carton.

### COLORS

#### Solid Colors:

- White (010)
- Bisque (018)
- Bone (037)

#### Aggregate Colors:

- Bermuda Sand (040)
- Black Galaxy (015)
- Carrara (221)
- Concrete Ash Gray (203)
- Concrete Birch (226)
- Concrete Charcoal Gray (209)
- Concrete Clay (212)
- Concrete Limestone (218)
- Concrete Sandstone (215)
- Ice (130)
- Tahiti White (011)

### ACCESSORIES

See page 56 for complete listing of all wall accessories.

### STANDARDS AND RATINGS

American Society of Testing and Materials (ASTM) E-84: Class A Flame Spread Rating

American National Standard Institute—ANSI Z124.6

International Association of Plumbing and Mechanical Officials (IAPMO)—Listed

cUPC listed—Certified to CSA Test Standard B45.5 by IAPMO

Uniform Plumbing Code (UPC)

For a complete list of tests and results see the Technical Data Sheet.

### MAINTENANCE AND CLEANING INFORMATION

Clean regularly with common household liquid cleaners and rinse within five minutes of application. Occasional scrubbing with abrasive cleaners ensures that the original luster will be maintained. **Do not** use “leave on” cleaning products, such as automatic spray shower cleaners. Prolonged contact with harsh chemicals could have an adverse reaction over time and discolor surfaces. **Do not** use cleaning agents that caution use on acrylic, polyester or plastics.

### SUPPORT DOCUMENTS

Installation instructions available at [swanstone.com](http://swanstone.com).

# MSMK72-3462

## Swanstone Modern Subway Tile Bath Wall Kit

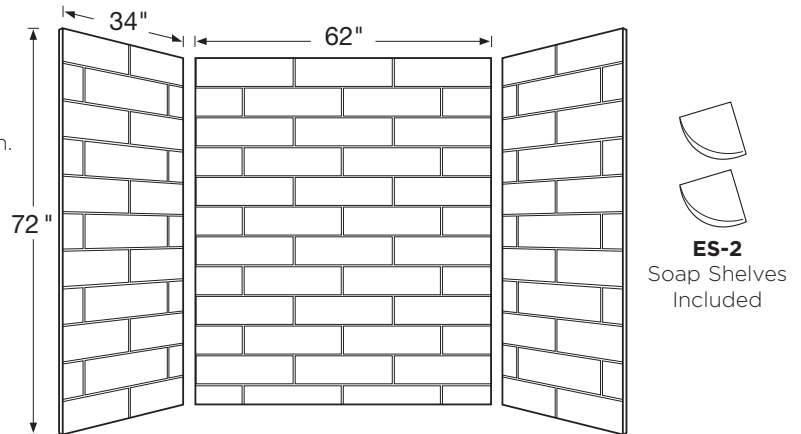


### Manufactured from Swanstone Solid Surface

Recommended for high-use traffic areas and commercial surfaces.

### FEATURES

- Modern 6 x 24-inch subway tile pattern with textured grout lines provides a clean and simple look for your bath.
- No grout to maintain; will not mold or mildew.
- Color and texture run all the way through and cannot wear away.
- Ideal for remodeling; easier to install than tile—panels glue up over existing surface.
- Coordinates with other Swanstone bath products.
- Heat resistant—walls can handle steamer units.
- Compression molding means superior durability.
- Warranty: Limited Lifetime - Residential  
Limited 30-year - Commercial



Designed to fit base areas  
34" deep or smaller x 62" wide x 72" high or smaller  
(864 mm x 1575 mm x 1829 mm)

### SPECIFICATIONS

Model	Part	Ship Wt. Lb.	Carton Dims. In.	Cu. Ft.
MSMK72-3462	MSMK723462	228	78 x 68 x 4	12.3

**Kit Includes:** Two side panels, one back panel, two corner soap shelves.

**Packaging:** Each kit is packed in an individual carton.

### COLORS

#### Solid Colors:

- White (010)
- Bisque (018)
- Bone (037)

#### Aggregate Colors:

- Bermuda Sand (040)
- Black Galaxy (015)
- Carrara (221)
- Concrete Ash Gray (203)
- Concrete Birch (226)
- Concrete Charcoal Gray (209)
- Concrete Clay (212)
- Concrete Limestone (218)
- Concrete Sandstone (215)
- Ice (130)
- Tahiti White (011)

### ACCESSORIES

See page 56 for complete listing of all wall accessories.

### STANDARDS AND RATINGS

American Society of Testing and Materials (ASTM) E-84: Class A Flame Spread Rating

American National Standard Institute—ANSI Z124.6

International Association of Plumbing and Mechanical Officials (IAPMO)—Listed  
cUPC listed—Certified to CSA Test Standard B45.5 by IAPMO

Uniform Plumbing Code (UPC)

For a complete list of tests and results see the Technical Data Sheet.

### MAINTENANCE AND CLEANING INFORMATION

Clean regularly with common household liquid cleaners and rinse within five minutes of application. Occasional scrubbing with abrasive cleaners ensures that the original luster will be maintained. **Do not** use “leave on” cleaning products, such as automatic spray shower cleaners. Prolonged contact with harsh chemicals could have an adverse reaction over time and discolor surfaces. **Do not** use cleaning agents that caution use on acrylic, polyester or plastics.

### SUPPORT DOCUMENTS

Installation instructions available at [swanstone.com](http://swanstone.com).

# MSMK72-3662

## Swanstone Modern Subway Tile Bath Wall Kit

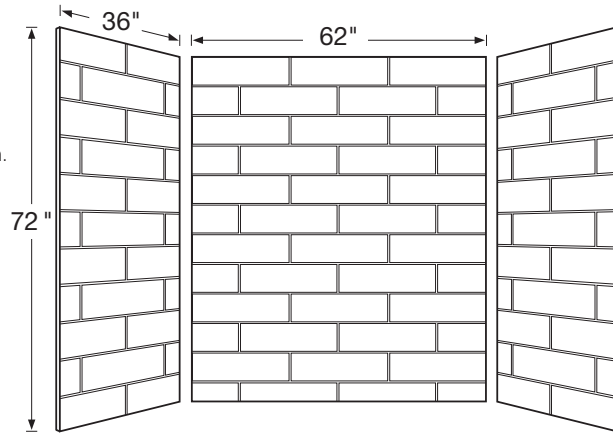


### Manufactured from Swanstone Solid Surface

Recommended for high-use traffic areas and commercial surfaces.

### FEATURES

- Modern 6 x 24-inch subway tile pattern with textured grout lines provides a clean and simple look for your bath.
- No grout to maintain; will not mold or mildew.
- Color and texture run all the way through and cannot wear away.
- Ideal for remodeling; easier to install than tile—panels glue up over existing surface.
- Coordinates with other Swanstone bath products.
- Heat resistant—walls can handle steamer units.
- Compression molding means superior durability.
- Warranty: Limited Lifetime - Residential  
Limited 30-year - Commercial



Designed to fit base areas  
36" deep or smaller x 62" wide x 72" high or smaller  
(914 mm x 1575 mm x 1829 mm)

### SPECIFICATIONS

Model	Part	Ship Wt. Lb.	Carton Dims. In.	Cu. Ft.
MSMK72-3662	MSMK723662	235	78 x 68 x 4	12.3

**Kit Includes:** Two side panels, one back panel, two corner soap shelves.

**Packaging:** Each kit is packed in an individual carton.

### COLORS

#### Solid Colors:

- White (010)
- Bisque (018)
- Bone (037)

#### Aggregate Colors:

- Bermuda Sand (040)
- Black Galaxy (015)
- Carrara (221)
- Concrete Ash Gray (203)
- Concrete Birch (226)
- Concrete Charcoal Gray (209)
- Concrete Clay (212)
- Concrete Limestone (218)
- Concrete Sandstone (215)
- Ice (130)
- Tahiti White (011)

### ACCESSORIES

See page 56 for complete listing of all wall accessories.

### STANDARDS AND RATINGS

American Society of Testing and Materials (ASTM) E-84: Class A Flame Spread Rating

American National Standard Institute—ANSI Z124.6

International Association of Plumbing and Mechanical Officials (IAPMO)—Listed

cUPC listed—Certified to CSA Test Standard B45.5 by IAPMO

Uniform Plumbing Code (UPC)

For a complete list of tests and results see the Technical Data Sheet.

### MAINTENANCE AND CLEANING INFORMATION

Clean regularly with common household liquid cleaners and rinse within five minutes of application. Occasional scrubbing with abrasive cleaners ensures that the original luster will be maintained. **Do not** use "leave on" cleaning products, such as automatic spray shower cleaners. Prolonged contact with harsh chemicals could have an adverse reaction over time and discolor surfaces. **Do not** use cleaning agents that caution use on acrylic, polyester or plastics.

### SUPPORT DOCUMENTS

Installation instructions available at [swanstone.com](http://swanstone.com).

# MSMK84-3062

## Swanstone Modern Subway Tile Bath Wall Kit

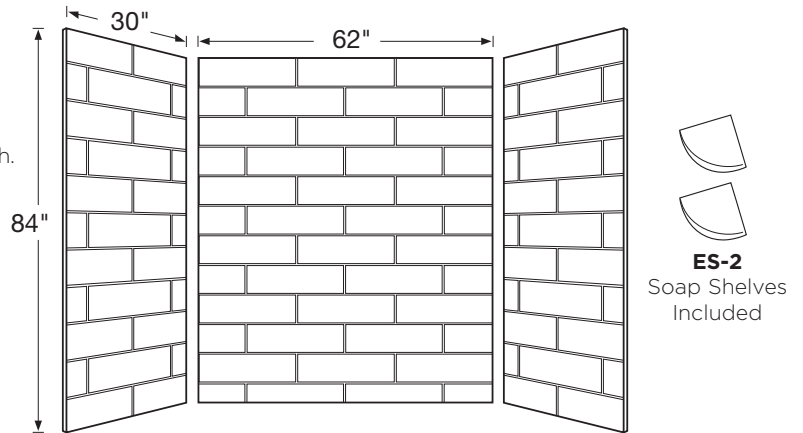


### Manufactured from Swanstone Solid Surface

Recommended for high-use traffic areas and commercial surfaces.

### FEATURES

- Modern 6 x 24-inch subway tile pattern with textured grout lines provides a clean and simple look for your bath.
- No grout to maintain; will not mold or mildew.
- Color and texture run all the way through and cannot wear away.
- Ideal for remodeling; easier to install than tile—panels glue up over existing surface.
- Coordinates with other Swanstone bath products.
- Heat resistant—walls can handle steamer units.
- Compression molding means superior durability.
- Warranty: Limited Lifetime - Residential  
Limited 30-year - Commercial



Designed to fit base areas  
30" deep or smaller x 62" wide x 84" high or smaller  
(762 mm x 1575 mm x 2134 mm)

### SPECIFICATIONS

Model	Part	Ship Wt. Lb.	Carton Dims. In.	Cu. Ft.
MSMK84-3062	MSMK843062	249	90 x 68 x 4	14.2

**Kit Includes:** Two side panels, one back panel, two corner soap shelves.

**Packaging:** Each kit is packed in an individual carton.

### COLORS

#### Solid Colors:

- White (010)
- Bisque (018)
- Bone (037)

#### Aggregate Colors:

- Bermuda Sand (040)
- Black Galaxy (015)
- Carrara (221)
- Concrete Ash Gray (203)
- Concrete Birch (226)
- Concrete Charcoal Gray (209)
- Concrete Clay (212)
- Concrete Limestone (218)
- Concrete Sandstone (215)
- Ice (130)
- Tahiti White (011)

### ACCESSORIES

See page 56 for complete listing of all wall accessories.

### STANDARDS AND RATINGS

American Society of Testing and Materials (ASTM) E-84: Class A Flame Spread Rating

American National Standard Institute—ANSI Z124.6

International Association of Plumbing and Mechanical Officials (IAPMO)—Listed  
cUPC listed—Certified to CSA Test Standard B45.5 by IAPMO

Uniform Plumbing Code (UPC)

For a complete list of tests and results see the Technical Data Sheet.

### MAINTENANCE AND CLEANING INFORMATION

Clean regularly with common household liquid cleaners and rinse within five minutes of application. Occasional scrubbing with abrasive cleaners ensures that the original luster will be maintained. **Do not** use “leave on” cleaning products, such as automatic spray shower cleaners. Prolonged contact with harsh chemicals could have an adverse reaction over time and discolor surfaces. **Do not** use cleaning agents that caution use on acrylic, polyester or plastics.

### SUPPORT DOCUMENTS

Installation instructions available at [swanstone.com](http://swanstone.com).



# MSMK84-3262

## Swanstone Modern Subway Tile Bath Wall Kit

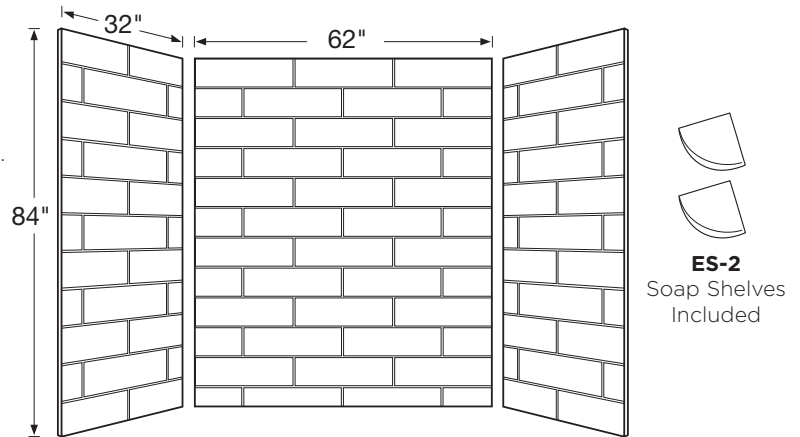


### Manufactured from Swanstone Solid Surface

Recommended for high-use traffic areas and commercial surfaces.

### FEATURES

- Modern 6 x 24-inch subway tile pattern with textured grout lines provides a clean and simple look for your bath.
- No grout to maintain; will not mold or mildew.
- Color and texture run all the way through and cannot wear away.
- Ideal for remodeling; easier to install than tile—panels glue up over existing surface.
- Coordinates with other Swanstone bath products.
- Heat resistant—walls can handle steamer units.
- Compression molding means superior durability.
- Warranty: Limited Lifetime - Residential  
Limited 30-year - Commercial



Designed to fit base areas  
32" deep or smaller x 62" wide x 84" high or smaller  
(819 mm x 1575 mm x 2134 mm)

### SPECIFICATIONS

Model	Part	Ship Wt. Lb.	Carton Dims. In.	Cu. Ft.
MSMK84-3262	MSMK843262	258	90 x 68 x 4	14.2

**Kit Includes:** Two side panels, one back panel, two corner soap shelves.

**Packaging:** Each kit is packed in an individual carton.

### COLORS

#### Solid Colors:

- White (010)
- Bisque (018)
- Bone (037)

#### Aggregate Colors:

- Bermuda Sand (040)
- Black Galaxy (015)
- Carrara (221)
- Concrete Ash Gray (203)
- Concrete Birch (226)
- Concrete Charcoal Gray (209)
- Concrete Clay (212)
- Concrete Limestone (218)
- Concrete Sandstone (215)
- Ice (130)
- Tahiti White (011)

### ACCESSORIES

See page 56 for complete listing of all wall accessories.

### STANDARDS AND RATINGS

American Society of Testing and Materials (ASTM) E-84: Class A Flame Spread Rating

American National Standard Institute—ANSI Z124.6

International Association of Plumbing and Mechanical Officials (IAPMO)—Listed

cUPC listed—Certified to CSA Test Standard B45.5 by IAPMO

Uniform Plumbing Code (UPC)

For a complete list of tests and results see the Technical Data Sheet.

### MAINTENANCE AND CLEANING INFORMATION

Clean regularly with common household liquid cleaners and rinse within five minutes of application. Occasional scrubbing with abrasive cleaners ensures that the original luster will be maintained. **Do not** use “leave on” cleaning products, such as automatic spray shower cleaners. Prolonged contact with harsh chemicals could have an adverse reaction over time and discolor surfaces. **Do not** use cleaning agents that caution use on acrylic, polyester or plastics.

### SUPPORT DOCUMENTS

Installation instructions available at [swanstone.com](http://swanstone.com).

# MSMK84-3462

## Swanstone Modern Subway Tile Bath Wall Kit

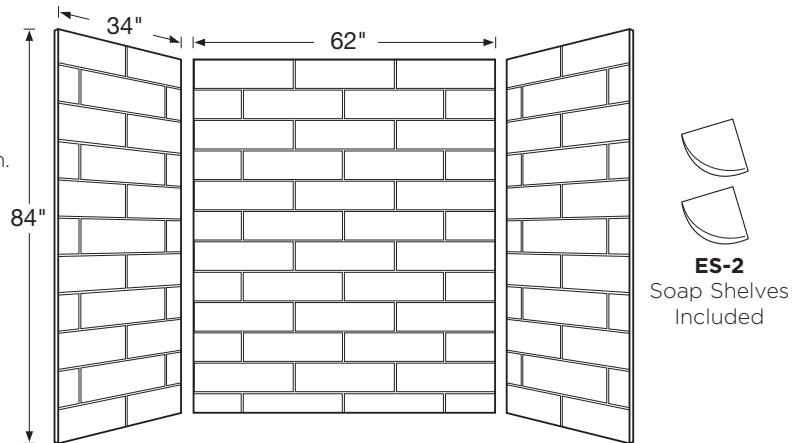


### Manufactured from Swanstone Solid Surface

Recommended for high-use traffic areas and commercial surfaces.

### FEATURES

- Modern 6 x 24-inch subway tile pattern with textured grout lines provides a clean and simple look for your bath.
- No grout to maintain; will not mold or mildew.
- Color and texture run all the way through and cannot wear away.
- Ideal for remodeling; easier to install than tile—panels glue up over existing surface.
- Coordinates with other Swanstone bath products.
- Heat resistant—walls can handle steamer units.
- Compression molding means superior durability.
- Warranty: Limited Lifetime – Residential  
Limited 30-year – Commercial



Designed to fit base areas  
34" deep or smaller x 62" wide x 84" high or smaller  
(864 mm x 1575 mm x 2134 mm)

### SPECIFICATIONS

Model	Part	Ship Wt. Lb.	Carton Dims. In.	Cu. Ft.
MSMK84-3462	MSMK843462	266	90 x 68 x 4	14.2

**Kit Includes:** Two side panels, one back panel, two corner soap shelves.

**Packaging:** Each kit is packed in an individual carton.

### COLORS

#### Solid Colors:

- White (010)
- Bisque (018)
- Bone (037)

#### Aggregate Colors:

- Bermuda Sand (040)
- Black Galaxy (015)
- Carrara (221)
- Concrete Ash Gray (203)
- Concrete Birch (226)
- Concrete Charcoal Gray (209)
- Concrete Clay (212)
- Concrete Limestone (218)
- Concrete Sandstone (215)
- Ice (130)
- Tahiti White (011)

### ACCESSORIES

See page 56 for complete listing of all wall accessories.

### STANDARDS AND RATINGS

American Society of Testing and Materials (ASTM) E-84: Class A Flame Spread Rating

American National Standard Institute—ANSI Z124.6

International Association of Plumbing and Mechanical Officials (IAPMO)—Listed  
cUPC listed—Certified to CSA Test Standard B45.5 by IAPMO

Uniform Plumbing Code (UPC)

For a complete list of tests and results see the Technical Data Sheet.

### MAINTENANCE AND CLEANING INFORMATION

Clean regularly with common household liquid cleaners and rinse within five minutes of application. Occasional scrubbing with abrasive cleaners ensures that the original luster will be maintained. **Do not** use “leave on” cleaning products, such as automatic spray shower cleaners. Prolonged contact with harsh chemicals could have an adverse reaction over time and discolor surfaces. **Do not** use cleaning agents that caution use on acrylic, polyester or plastics.

### SUPPORT DOCUMENTS

Installation instructions available at [swanstone.com](http://swanstone.com).





# MSMK84-3662

## Swanstone Modern Subway Tile Bath Wall Kit

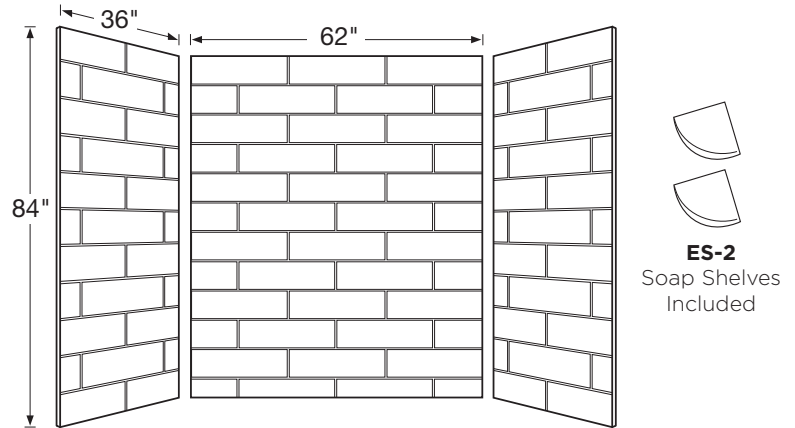


### Manufactured from Swanstone Solid Surface

Recommended for high-use traffic areas and commercial surfaces.

### FEATURES

- Modern 6 x 24-inch subway tile pattern with textured grout lines provides a clean and simple look for your bath.
- No grout to maintain; will not mold or mildew.
- Color and texture run all the way through and cannot wear away.
- Ideal for remodeling; easier to install than tile—panels glue up over existing surface.
- Coordinates with other Swanstone bath products.
- Heat resistant—walls can handle steamer units.
- Compression molding means superior durability.
- Warranty: Limited Lifetime - Residential  
Limited 30-year - Commercial



Designed to fit base areas  
36" deep or smaller x 62" wide x 84" high or smaller  
(914 mm x 1575 mm x 2134 mm)

### SPECIFICATIONS

Model	Part	Ship Wt. Lb.	Carton Dims. In.	Cu. Ft.
MSMK84-3662	MSMK843662	274	90 x 68 x 4	14.2

**Kit Includes:** Two side panels, one back panel, two corner soap shelves.

**Packaging:** Each kit is packed in an individual carton.

### COLORS

#### Solid Colors:

- White (010)
- Bisque (018)
- Bone (037)

#### Aggregate Colors:

- Bermuda Sand (040)
- Black Galaxy (015)
- Carrara (221)
- Concrete Ash Gray (203)
- Concrete Birch (226)
- Concrete Charcoal Gray (209)
- Concrete Clay (212)
- Concrete Limestone (218)
- Concrete Sandstone (215)
- Ice (130)
- Tahiti White (011)

### ACCESSORIES

See page 56 for complete listing of all wall accessories.

### STANDARDS AND RATINGS

American Society of Testing and Materials (ASTM) E-84: Class A Flame Spread Rating

American National Standard Institute—ANSI Z124.6

International Association of Plumbing and Mechanical Officials (IAPMO)—Listed

cUPC listed—Certified to CSA Test Standard B45.5 by IAPMO

Uniform Plumbing Code (UPC)

For a complete list of tests and results see the Technical Data Sheet.

### MAINTENANCE AND CLEANING INFORMATION

Clean regularly with common household liquid cleaners and rinse within five minutes of application. Occasional scrubbing with abrasive cleaners ensures that the original luster will be maintained. **Do not** use "leave on" cleaning products, such as automatic spray shower cleaners. Prolonged contact with harsh chemicals could have an adverse reaction over time and discolor surfaces. **Do not** use cleaning agents that caution use on acrylic, polyester or plastics.

### SUPPORT DOCUMENTS

Installation instructions available at [swanstone.com](http://swanstone.com).



# MSMK96-3062

## Swanstone Modern Subway Tile Bath Wall Kit

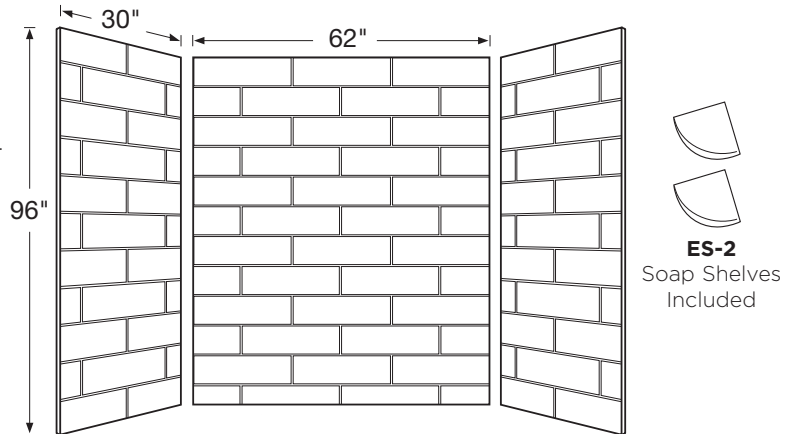


### Manufactured from Swanstone Solid Surface

Recommended for high-use traffic areas and commercial surfaces.

### FEATURES

- Modern 6 x 24-inch subway tile pattern with textured grout lines provides a clean and simple look for your bath.
- No grout to maintain; will not mold or mildew.
- Color and texture run all the way through and cannot wear away.
- Ideal for remodeling; easier to install than tile—panels glue up over existing surface.
- Coordinates with other Swanstone bath products.
- Heat resistant—walls can handle steamer units.
- Compression molding means superior durability.
- Warranty: Limited Lifetime - Residential  
Limited 30-year - Commercial



Designed to fit base areas  
30" deep or smaller x 62" wide x 96" high or smaller  
(762 mm x 1575 mm x 2438 mm)

### SPECIFICATIONS

Model	Part	Ship Wt. Lb.	Carton Dims. In.	Cu. Ft.
MSMK96-3062	MSMK963062	285	102 x 68 x 4	16.1

**Kit Includes:** Two side panels, one back panel, two corner soap shelves.

**Packaging:** Each kit is packed in an individual carton.

### COLORS

#### Solid Colors:

- White (010)
- Bisque (018)
- Bone (037)

#### Aggregate Colors:

- Bermuda Sand (040)
- Black Galaxy (015)
- Carrara (221)
- Concrete Ash Gray (203)
- Concrete Birch (226)
- Concrete Charcoal Gray (209)
- Concrete Clay (212)
- Concrete Limestone (218)
- Concrete Sandstone (215)
- Ice (130)
- Tahiti White (011)

### ACCESSORIES

See page 56 for complete listing of all wall accessories.

### STANDARDS AND RATINGS

American Society of Testing and Materials (ASTM) E-84: Class A Flame Spread Rating

American National Standard Institute—ANSI Z124.6

International Association of Plumbing and Mechanical Officials (IAPMO)—Listed

cUPC listed—Certified to CSA Test Standard B45.5 by IAPMO

Uniform Plumbing Code (UPC)

For a complete list of tests and results see the Technical Data Sheet.

### MAINTENANCE AND CLEANING INFORMATION

Clean regularly with common household liquid cleaners and rinse within five minutes of application. Occasional scrubbing with abrasive cleaners ensures that the original luster will be maintained. **Do not** use "leave on" cleaning products, such as automatic spray shower cleaners. Prolonged contact with harsh chemicals could have an adverse reaction over time and discolor surfaces. **Do not** use cleaning agents that caution use on acrylic, polyester or plastics.

### SUPPORT DOCUMENTS

Installation instructions available at [swanstone.com](http://swanstone.com).



# MSMK96-3262

## Swanstone Modern Subway Tile Bath Wall Kit

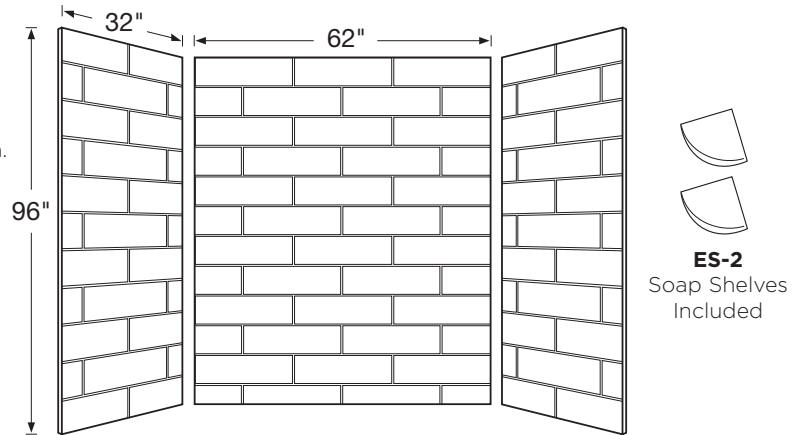


### Manufactured from Swanstone Solid Surface

Recommended for high-use traffic areas and commercial surfaces.

### FEATURES

- Modern 6 x 24-inch subway tile pattern with textured grout lines provides a clean and simple look for your bath.
- No grout to maintain; will not mold or mildew.
- Color and texture run all the way through and cannot wear away.
- Ideal for remodeling; easier to install than tile—panels glue up over existing surface.
- Coordinates with other Swanstone bath products.
- Heat resistant—walls can handle steamer units.
- Compression molding means superior durability.
- Warranty: Limited Lifetime - Residential  
Limited 30-year - Commercial



Designed to fit base areas  
32" deep or smaller x 62" wide x 96" high or smaller  
(813 mm x 1575 mm x 2438 mm)

### SPECIFICATIONS

Model	Part	Ship Wt. Lb.	Carton Dims. In.	Cu. Ft.
MSMK96-3262	MSMK963262	294	102 x 68 x 4	16.1

**Kit Includes:** Two side panels, one back panel, two corner soap shelves.  
**Packaging:** Each kit is packed in an individual carton.

### COLORS

#### Solid Colors:

- White (010)
- Bisque (018)
- Bone (037)

#### Aggregate Colors:

- Bermuda Sand (040)
- Black Galaxy (015)
- Carrara (221)
- Concrete Ash Gray (203)
- Concrete Birch (226)
- Concrete Charcoal Gray (209)
- Concrete Clay (212)
- Concrete Limestone (218)
- Concrete Sandstone (215)
- Ice (130)
- Tahiti White (011)

### ACCESSORIES

See page 56 for complete listing of all wall accessories.

**MADE IN USA**

### STANDARDS AND RATINGS

American Society of Testing and Materials (ASTM) E-84: Class A Flame Spread Rating

American National Standard Institute—ANSI Z124.6

International Association of Plumbing and Mechanical Officials (IAPMO)—Listed

cUPC listed—Certified to CSA Test Standard B45.5 by IAPMO

Uniform Plumbing Code (UPC)

For a complete list of tests and results see the Technical Data Sheet.

### MAINTENANCE AND CLEANING INFORMATION

Clean regularly with common household liquid cleaners and rinse within five minutes of application. Occasional scrubbing with abrasive cleaners ensures that the original luster will be maintained. **Do not** use “leave on” cleaning products, such as automatic spray shower cleaners. Prolonged contact with harsh chemicals could have an adverse reaction over time and discolor surfaces. **Do not** use cleaning agents that caution use on acrylic, polyester or plastics.

### SUPPORT DOCUMENTS

Installation instructions available at [swanstone.com](http://swanstone.com).

# MSMK96-3462

## Swanstone Modern Subway Tile Bath Wall Kit

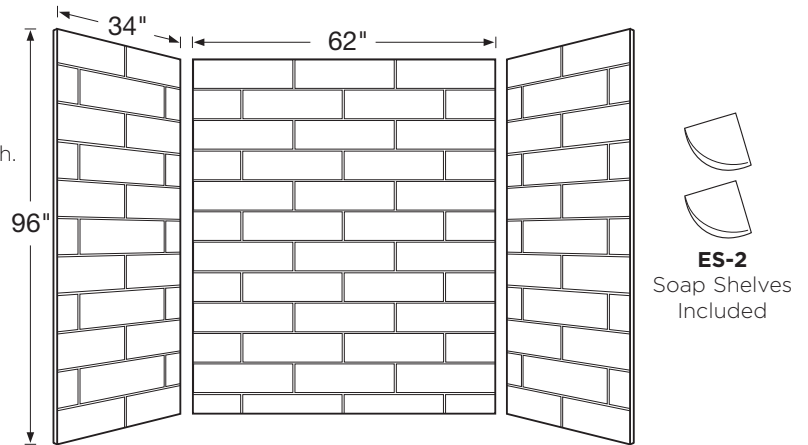


### Manufactured from Swanstone Solid Surface

Recommended for high-use traffic areas and commercial surfaces.

### FEATURES

- Modern 6 x 24-inch subway tile pattern with textured grout lines provides a clean and simple look for your bath.
- No grout to maintain; will not mold or mildew.
- Color and texture run all the way through and cannot wear away.
- Ideal for remodeling; easier to install than tile—panels glue up over existing surface.
- Coordinates with other Swanstone bath products.
- Heat resistant—walls can handle steamer units.
- Compression molding means superior durability.
- Warranty: Limited Lifetime - Residential  
Limited 30-year - Commercial



Designed to fit base areas  
34" deep or smaller x 62" wide x 96" high or smaller  
(864 mm x 1575 mm x 2438 mm)

### SPECIFICATIONS

Model	Part	Ship Wt. Lb.	Carton Dims. In.	Cu. Ft.
MSMK96-3462	MSMK963462	303	102 x 68 x 4	16.1

**Kit Includes:** Two side panels, one back panel, two corner soap shelves.

**Packaging:** Each kit is packed in an individual carton.

### COLORS

#### Solid Colors:

- White (010)
- Bisque (018)
- Bone (037)

#### Aggregate Colors:

- Bermuda Sand (040)
- Black Galaxy (015)
- Carrara (221)
- Concrete Ash Gray (203)
- Concrete Birch (226)
- Concrete Charcoal Gray (209)
- Concrete Clay (212)
- Concrete Limestone (218)
- Concrete Sandstone (215)
- Ice (130)
- Tahiti White (011)

### ACCESSORIES

See page 56 for complete listing of all wall accessories.

### STANDARDS AND RATINGS

American Society of Testing and Materials (ASTM) E-84: Class A Flame Spread Rating

American National Standard Institute—ANSI Z124.6

International Association of Plumbing and Mechanical Officials (IAPMO)—Listed  
cUPC listed—Certified to CSA Test Standard B45.5 by IAPMO

Uniform Plumbing Code (UPC)

For a complete list of tests and results see the Technical Data Sheet.

### MAINTENANCE AND CLEANING INFORMATION

Clean regularly with common household liquid cleaners and rinse within five minutes of application. Occasional scrubbing with abrasive cleaners ensures that the original luster will be maintained. **Do not** use “leave on” cleaning products, such as automatic spray shower cleaners. Prolonged contact with harsh chemicals could have an adverse reaction over time and discolor surfaces. **Do not** use cleaning agents that caution use on acrylic, polyester or plastics.

### SUPPORT DOCUMENTS

Installation instructions available at [swanstone.com](http://swanstone.com).



# MSMK96-3662

## Swanstone Modern Subway Tile Bath Wall Kit

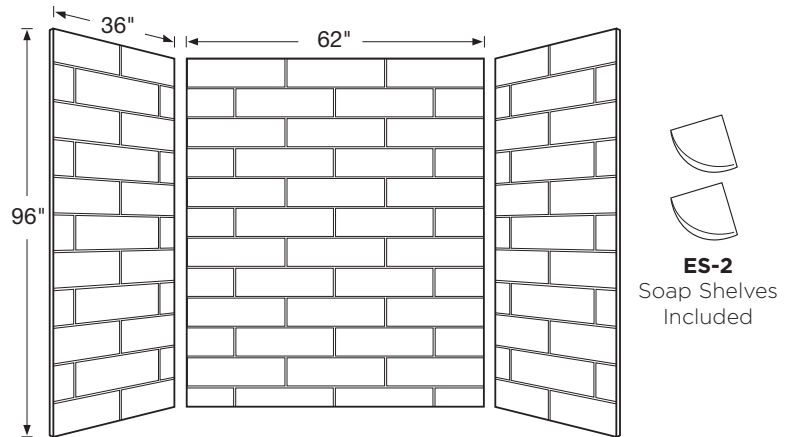


### Manufactured from Swanstone Solid Surface

Recommended for high-use traffic areas and commercial surfaces.

### FEATURES

- Modern 6 x 24-inch subway tile pattern with textured grout lines provides a clean and simple look for your bath.
- No grout to maintain; will not mold or mildew.
- Color and texture run all the way through and cannot wear away.
- Ideal for remodeling; easier to install than tile—panels glue up over existing surface.
- Coordinates with other Swanstone bath products.
- Heat resistant—walls can handle steamer units.
- Compression molding means superior durability.
- Warranty: Limited Lifetime - Residential  
Limited 30-year - Commercial



Designed to fit base areas  
36" deep or smaller x 62" wide x 96" high or smaller  
(914 mm x 1575 mm x 2438 mm)

### SPECIFICATIONS

Model	Part	Ship Wt. Lb.	Carton Dims. In.	Cu. Ft.
MSMK96-3662	MSMK963662	313	102 x 68 x 4	16.1

**Kit Includes:** Two side panels, one back panel, two corner soap shelves.  
**Packaging:** Each kit is packed in an individual carton.

### COLORS

#### Solid Colors:

- White (010)
- Bisque (018)
- Bone (037)

#### Aggregate Colors:

- Bermuda Sand (040)
- Black Galaxy (015)
- Carrara (221)
- Concrete Ash Gray (203)
- Concrete Birch (226)
- Concrete Charcoal Gray (209)
- Concrete Clay (212)
- Concrete Limestone (218)
- Concrete Sandstone (215)
- Ice (130)
- Tahiti White (011)

### ACCESSORIES

See page 56 for complete listing of all wall accessories.

### STANDARDS AND RATINGS

American Society of Testing and Materials (ASTM) E-84: Class A Flame Spread Rating

American National Standard Institute—ANSI Z124.6

International Association of Plumbing and Mechanical Officials (IAPMO)—Listed

cUPC listed—Certified to CSA Test Standard B45.5 by IAPMO

Uniform Plumbing Code (UPC)

For a complete list of tests and results see the Technical Data Sheet.

### MAINTENANCE AND CLEANING INFORMATION

Clean regularly with common household liquid cleaners and rinse within five minutes of application. Occasional scrubbing with abrasive cleaners ensures that the original luster will be maintained. **Do not** use "leave on" cleaning products, such as automatic spray shower cleaners. Prolonged contact with harsh chemicals could have an adverse reaction over time and discolor surfaces. **Do not** use cleaning agents that caution use on acrylic, polyester or plastics.

### SUPPORT DOCUMENTS

Installation instructions available at [swanstone.com](http://swanstone.com).

# TSMK72-3062

## Swanstone Traditional Subway Tile Bath Wall Kit

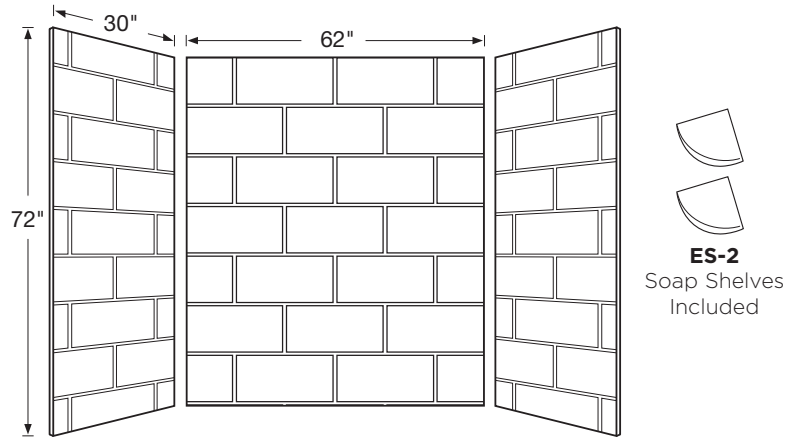


### Manufactured from Swanstone Solid Surface

Recommended for high-use traffic areas and commercial surfaces.

### FEATURES

- Traditional 12 x 24-inch subway tile pattern with textured grout lines provides your bathroom with beautiful style.
- No grout to maintain; will not mold or mildew.
- Color and texture run all the way through and cannot wear away.
- Ideal for remodeling; easier to install than tile—panels glue up over existing surface.
- Coordinates with other Swanstone bath products.
- Heat resistant—walls can handle steamer units.
- Compression molding means superior durability.
- Warranty: Limited Lifetime - Residential  
Limited 30-year - Commercial



Designed to fit base areas  
30" deep or smaller x 62" wide x 72 1/2" high or smaller  
(762 mm x 1575 mm x 1829 mm)

### SPECIFICATIONS

Model	Part	Ship Wt. Lb.	Carton Dims. In.	Cu. Ft.
TSMK72-3062	TSMK723062	214	78 x 68 x 4	12.3

**Kit Includes:** Two side panels, one back panel, two corner soap shelves.

**Packaging:** Each kit is packed in an individual carton.

### COLORS

#### Solid Colors:

- White (010)
- Bisque (018)
- Bone (037)

#### Aggregate Colors:

- Bermuda Sand (040)
- Black Galaxy (015)
- Carrara (221)
- Concrete Ash Gray (203)
- Concrete Birch (226)
- Concrete Charcoal Gray (209)
- Concrete Clay (212)
- Concrete Limestone (218)
- Concrete Sandstone (215)
- Ice (130)
- Tahiti White (011)

### ACCESSORIES

See page 56 for complete listing of all wall accessories.

### STANDARDS AND RATINGS

American Society of Testing and Materials (ASTM) E-84: Class A Flame Spread Rating

American National Standard Institute—ANSI Z124.6

International Association of Plumbing and Mechanical Officials (IAPMO)—Listed  
cUPC listed—Certified to CSA Test Standard B45.5 by IAPMO

Uniform Plumbing Code (UPC)

For a complete list of tests and results see the Technical Data Sheet.

### MAINTENANCE AND CLEANING INFORMATION

Clean regularly with common household liquid cleaners and rinse within five minutes of application. Occasional scrubbing with abrasive cleaners ensures that the original luster will be maintained. **Do not** use “leave on” cleaning products, such as automatic spray shower cleaners. Prolonged contact with harsh chemicals could have an adverse reaction over time and discolor surfaces. **Do not** use cleaning agents that caution use on acrylic, polyester or plastics.

### SUPPORT DOCUMENTS

Installation instructions available at [swanstone.com](http://swanstone.com).

# TSMK72-3262

## Swanstone Traditional Subway Tile Bath Wall Kit

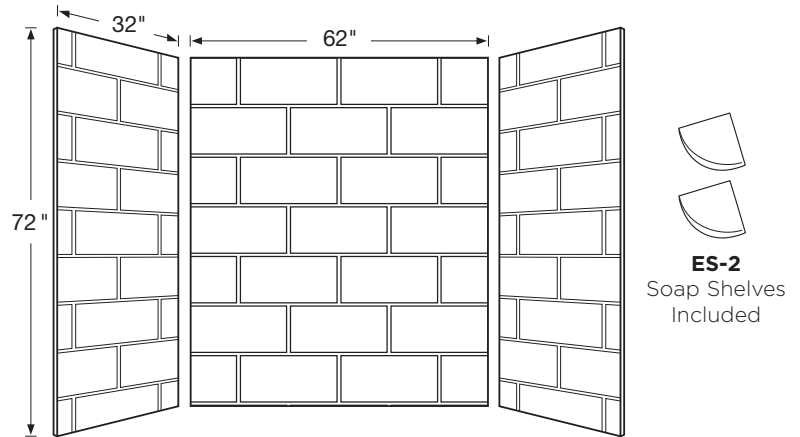


### Manufactured from Swanstone Solid Surface

Recommended for high-use traffic areas and commercial surfaces.

### FEATURES

- Traditional 12 x 24-inch subway tile pattern with textured grout lines provides your bathroom with beautiful style.
- No grout to maintain; will not mold or mildew.
- Color and texture run all the way through and cannot wear away.
- Ideal for remodeling; easier to install than tile—panels glue up over existing surface.
- Coordinates with other Swanstone bath products.
- Heat resistant—walls can handle steamer units.
- Compression molding means superior durability.
- Warranty: Limited Lifetime - Residential  
Limited 30-year - Commercial



Designed to fit base areas  
32" deep or smaller x 62" wide x 72 1/2" high or smaller  
(813 mm x 1575 mm x 1829 mm)

### SPECIFICATIONS

Model	Part	Ship Wt. Lb.	Carton Dims. In.	Cu. Ft.
TSMK72-3262	TSMK723262	221	78 x 68 x 4	12.3

**Kit Includes:** Two side panels, one back panel, two corner soap shelves.

**Packaging:** Each kit is packed in an individual carton.

### COLORS

#### Solid Colors:

- White (010)
- Bisque (018)
- Bone (037)

#### Aggregate Colors:

- Bermuda Sand (040)
- Black Galaxy (015)
- Carrara (221)
- Concrete Ash Gray (203)
- Concrete Birch (226)
- Concrete Charcoal Gray (209)
- Concrete Clay (212)
- Concrete Limestone (218)
- Concrete Sandstone (215)
- Ice (130)
- Tahiti White (011)

### ACCESSORIES

See page 56 for complete listing of all wall accessories.

### STANDARDS AND RATINGS

American Society of Testing and Materials (ASTM) E-84: Class A Flame Spread Rating

American National Standard Institute—ANSI Z124.6

International Association of Plumbing and Mechanical Officials (IAPMO)—Listed  
cUPC listed—Certified to CSA Test Standard B45.5 by IAPMO

Uniform Plumbing Code (UPC)

For a complete list of tests and results see the Technical Data Sheet.

### MAINTENANCE AND CLEANING INFORMATION

Clean regularly with common household liquid cleaners and rinse within five minutes of application. Occasional scrubbing with abrasive cleaners ensures that the original luster will be maintained. **Do not** use “leave on” cleaning products, such as automatic spray shower cleaners. Prolonged contact with harsh chemicals could have an adverse reaction over time and discolor surfaces. **Do not** use cleaning agents that caution use on acrylic, polyester or plastics.

### SUPPORT DOCUMENTS

Installation instructions available at [swanstone.com](http://swanstone.com).

# TSMK72-3462

## Swanstone Traditional Subway Tile Bath Wall Kit

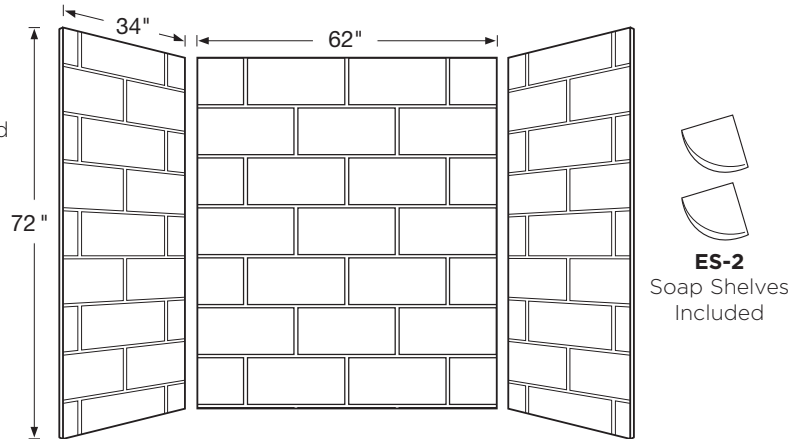


### Manufactured from Swanstone Solid Surface

Recommended for high-use traffic areas and commercial surfaces.

### FEATURES

- Traditional 12 x 24-inch subway tile pattern with textured grout lines provides your bathroom with beautiful style.
- No grout to maintain; will not mold or mildew.
- Color and texture run all the way through and cannot wear away.
- Ideal for remodeling; easier to install than tile—panels glue up over existing surface.
- Coordinates with other Swanstone bath products.
- Heat resistant—walls can handle steamer units.
- Compression molding means superior durability.
- Warranty: Limited Lifetime - Residential  
Limited 30-year - Commercial



Designed to fit base areas  
34" deep or smaller x 62" wide x 72 1/2" high or smaller  
(864 mm x 1575 mm x 1829 mm)

### SPECIFICATIONS

Model	Part	Ship Wt. Lb.	Carton Dims. In.	Cu. Ft.
TSMK72-3462	TSMK723462	228	78 x 68 x 4	12.3

**Kit Includes:** Two side panels, one back panel, two corner soap shelves.

**Packaging:** Each kit is packed in an individual carton.

### COLORS

#### Solid Colors:

- White (010)
- Bisque (018)
- Bone (037)

#### Aggregate Colors:

- Bermuda Sand (040)
- Black Galaxy (015)
- Carrara (221)
- Concrete Ash Gray (203)
- Concrete Birch (226)
- Concrete Charcoal Gray (209)
- Concrete Clay (212)
- Concrete Limestone (218)
- Concrete Sandstone (215)
- Ice (130)
- Tahiti White (011)

### ACCESSORIES

See page 56 for complete listing of all wall accessories.

### STANDARDS AND RATINGS

American Society of Testing and Materials (ASTM) E-84: Class A Flame Spread Rating

American National Standard Institute—ANSI Z124.6

International Association of Plumbing and Mechanical Officials (IAPMO)—Listed  
cUPC listed—Certified to CSA Test Standard B45.5 by IAPMO

Uniform Plumbing Code (UPC)

For a complete list of tests and results see the Technical Data Sheet.

### MAINTENANCE AND CLEANING INFORMATION

Clean regularly with common household liquid cleaners and rinse within five minutes of application. Occasional scrubbing with abrasive cleaners ensures that the original luster will be maintained. **Do not** use "leave on" cleaning products, such as automatic spray shower cleaners. Prolonged contact with harsh chemicals could have an adverse reaction over time and discolor surfaces. **Do not** use cleaning agents that caution use on acrylic, polyester or plastics.

### SUPPORT DOCUMENTS

Installation instructions available at [swanstone.com](http://swanstone.com).



# TSMK72-3662

## Swanstone Traditional Subway Tile Bath Wall Kit

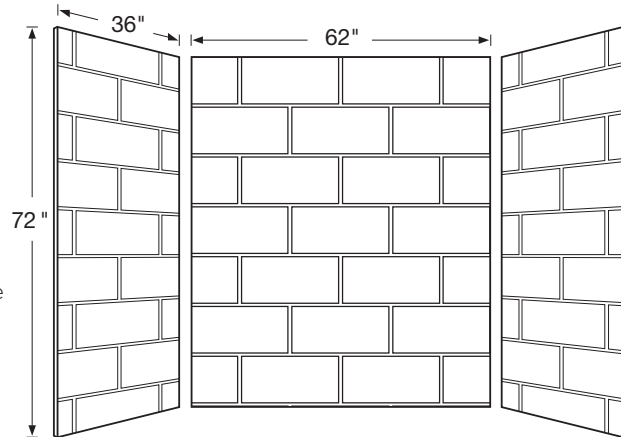


### Manufactured from Swanstone Solid Surface

Recommended for high-use traffic areas and commercial surfaces.

### FEATURES

- Traditional 12 x 24-inch subway tile pattern with textured grout lines provides your bathroom with beautiful style.
- No grout to maintain; will not mold or mildew.
- Color and texture run all the way through and cannot wear away.
- Ideal for remodeling; easier to install than tile—panels glue up over existing surface.
- Coordinates with other Swanstone bath products.
- Heat resistant—walls can handle steamer units.
- Compression molding means superior durability.
- Warranty: Limited Lifetime - Residential  
Limited 30-year - Commercial



**ES-2**  
Soap Shelves  
Included

Designed to fit base areas  
36" deep or smaller x 62" wide x 72 1/2" high or smaller  
(914 mm x 1575 mm x 1829 mm)

### SPECIFICATIONS

Model	Part	Ship Wt. Lb.	Carton Dims. In.	Cu. Ft.
TSMK72-3662	TSMK723662	235	78 x 68 x 4	12.3

**Kit Includes:** Two side panels, one back panel, two corner soap shelves.

**Packaging:** Each kit is packed in an individual carton.

### COLORS

#### Solid Colors:

- White (010)
- Bisque (018)
- Bone (037)

#### Aggregate Colors:

- Bermuda Sand (040)
- Black Galaxy (015)
- Carrara (221)
- Concrete Ash Gray (203)
- Concrete Birch (226)
- Concrete Charcoal Gray (209)
- Concrete Clay (212)
- Concrete Limestone (218)
- Concrete Sandstone (215)
- Ice (130)
- Tahiti White (011)

### ACCESSORIES

See page 56 for complete listing of all wall accessories.

### STANDARDS AND RATINGS

American Society of Testing and Materials (ASTM) E-84: Class A Flame Spread Rating

American National Standard Institute—ANSI Z124.6

International Association of Plumbing and Mechanical Officials (IAPMO)—Listed

cUPC listed—Certified to CSA Test Standard B45.5 by IAPMO

Uniform Plumbing Code (UPC)

For a complete list of tests and results see the Technical Data Sheet.

### MAINTENANCE AND CLEANING INFORMATION

Clean regularly with common household liquid cleaners and rinse within five minutes of application. Occasional scrubbing with abrasive cleaners ensures that the original luster will be maintained. **Do not** use "leave on" cleaning products, such as automatic spray shower cleaners. Prolonged contact with harsh chemicals could have an adverse reaction over time and discolor surfaces. **Do not** use cleaning agents that caution use on acrylic, polyester or plastics.

### SUPPORT DOCUMENTS

Installation instructions available at [swanstone.com](http://swanstone.com).



# TSMK84-3062

## Swanstone Traditional Subway Tile Bath Wall Kit

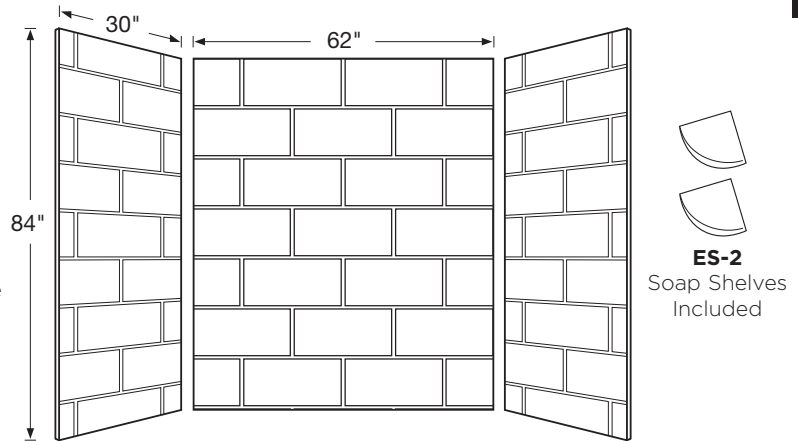


### Manufactured from Swanstone Solid Surface

Recommended for high-use traffic areas and commercial surfaces.

### FEATURES

- Traditional 12 x 24-inch subway tile pattern with textured grout lines provides your bathroom with beautiful style.
- No grout to maintain; will not mold or mildew.
- Color and texture run all the way through and cannot wear away.
- Ideal for remodeling; easier to install than tile—panels glue up over existing surface.
- Coordinates with other Swanstone bath products.
- Heat resistant—walls can handle steamer units.
- Compression molding means superior durability.
- Warranty: Limited Lifetime - Residential  
Limited 30-year - Commercial



Designed to fit base areas  
30" deep or smaller x 62" wide x 84" high or smaller  
(762 mm x 1575 mm x 2134 mm)

### SPECIFICATIONS

Model	Part	Ship Wt. Lb.	Carton Dims. In.	Cu. Ft.
TSMK84-3062	TSMK843062	249	90 x 68 x 4	14.2

**Kit Includes:** Two side panels, one back panel, two corner soap shelves.

**Packaging:** Each kit is packed in an individual carton.

### COLORS

#### Solid Colors:

- White (010)
- Bisque (018)
- Bone (037)

#### Aggregate Colors:

- Bermuda Sand (040)
- Black Galaxy (015)
- Carrara (221)
- Concrete Ash Gray (203)
- Concrete Birch (226)
- Concrete Charcoal Gray (209)
- Concrete Clay (212)
- Concrete Limestone (218)
- Concrete Sandstone (215)
- Ice (130)
- Tahiti White (011)

### ACCESSORIES

See page 56 for complete listing of all wall accessories.

### STANDARDS AND RATINGS

American Society of Testing and Materials (ASTM) E-84: Class A Flame Spread Rating

American National Standard Institute—ANSI Z124.6

International Association of Plumbing and Mechanical Officials (IAPMO)—Listed  
cUPC listed—Certified to CSA Test Standard B45.5 by IAPMO

Uniform Plumbing Code (UPC)

For a complete list of tests and results see the Technical Data Sheet.

### MAINTENANCE AND CLEANING INFORMATION

Clean regularly with common household liquid cleaners and rinse within five minutes of application. Occasional scrubbing with abrasive cleaners ensures that the original luster will be maintained. **Do not** use “leave on” cleaning products, such as automatic spray shower cleaners. Prolonged contact with harsh chemicals could have an adverse reaction over time and discolor surfaces. **Do not** use cleaning agents that caution use on acrylic, polyester or plastics.

### SUPPORT DOCUMENTS

Installation instructions available at [swanstone.com](http://swanstone.com).

# TSMK84-3262

## Swanstone Traditional Subway Tile Bath Wall Kit

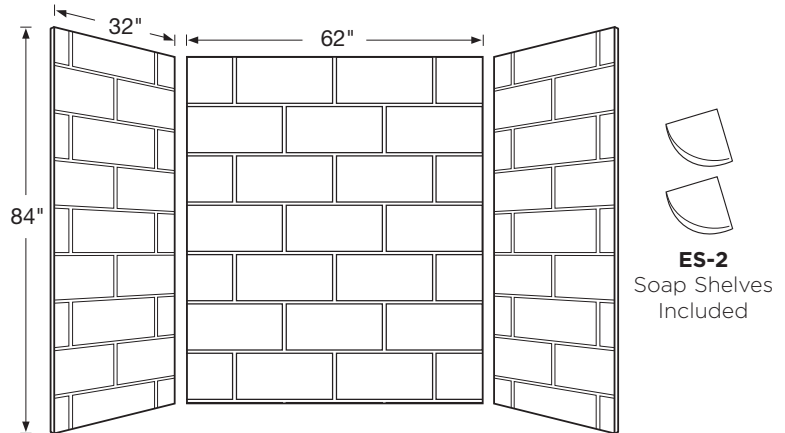


### Manufactured from Swanstone Solid Surface

Recommended for high-use traffic areas and commercial surfaces.

### FEATURES

- Traditional 12 x 24-inch subway tile pattern with textured grout lines provides your bathroom with beautiful style.
- No grout to maintain; will not mold or mildew.
- Color and texture run all the way through and cannot wear away.
- Ideal for remodeling; easier to install than tile—panels glue up over existing surface.
- Coordinates with other Swanstone bath products.
- Heat resistant—walls can handle steamer units.
- Compression molding means superior durability.
- Warranty: Limited Lifetime - Residential  
Limited 30-year - Commercial



Designed to fit base areas  
32" deep or smaller x 62" wide x 84" high or smaller  
(813 mm x 1575 mm x 2134 mm)

### SPECIFICATIONS

Model	Part	Ship Wt. Lb.	Carton Dims. In.	Cu. Ft.
TSMK84-3262	TSMK843262	258	90 x 68 x 4	14.2

**Kit Includes:** Two side panels, one back panel, two corner soap shelves.

**Packaging:** Each kit is packed in an individual carton.

### COLORS

#### Solid Colors:

- White (010)
- Bisque (018)
- Bone (037)

#### Aggregate Colors:

- Bermuda Sand (040)
- Black Galaxy (015)
- Carrara (221)
- Concrete Ash Gray (203)
- Concrete Birch (226)
- Concrete Charcoal Gray (209)
- Concrete Clay (212)
- Concrete Limestone (218)
- Concrete Sandstone (215)
- Ice (130)
- Tahiti White (011)

### ACCESSORIES

See page 56 for complete listing of all wall accessories.

### STANDARDS AND RATINGS

American Society of Testing and Materials (ASTM) E-84: Class A Flame Spread Rating

American National Standard Institute—ANSI Z124.6

International Association of Plumbing and Mechanical Officials (IAPMO)—Listed

cUPC listed—Certified to CSA Test Standard B45.5 by IAPMO

Uniform Plumbing Code (UPC)

For a complete list of tests and results see the Technical Data Sheet.

### MAINTENANCE AND CLEANING INFORMATION

Clean regularly with common household liquid cleaners and rinse within five minutes of application. Occasional scrubbing with abrasive cleaners ensures that the original luster will be maintained. **Do not** use "leave on" cleaning products, such as automatic spray shower cleaners. Prolonged contact with harsh chemicals could have an adverse reaction over time and discolor surfaces. **Do not** use cleaning agents that caution use on acrylic, polyester or plastics.

### SUPPORT DOCUMENTS

Installation instructions available at [swanstone.com](http://swanstone.com).

# TSMK84-3462

## Swanstone Traditional Subway Tile Bath Wall Kit

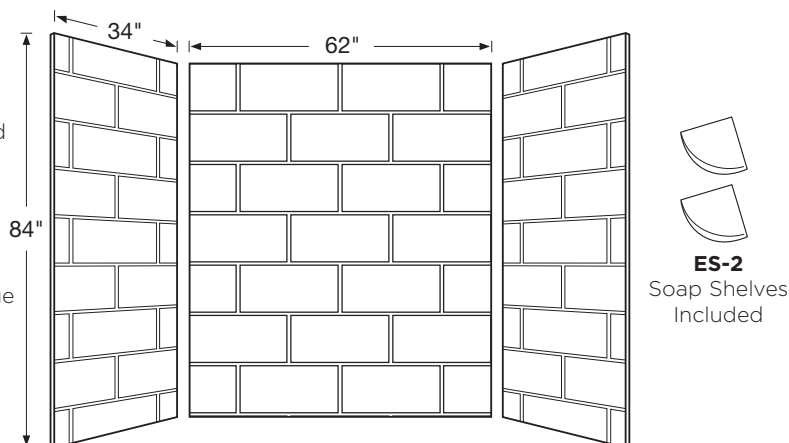


### Manufactured from Swanstone Solid Surface

Recommended for high-use traffic areas and commercial surfaces.

### FEATURES

- Traditional 12 x 24-inch subway tile pattern with textured grout lines provides your bathroom with beautiful style.
- No grout to maintain; will not mold or mildew.
- Color and texture run all the way through and cannot wear away.
- Ideal for remodeling; easier to install than tile—panels glue up over existing surface.
- Coordinates with other Swanstone bath products.
- Heat resistant—walls can handle steamer units.
- Compression molding means superior durability.
- Warranty: Limited Lifetime - Residential  
Limited 30-year - Commercial



Designed to fit base areas  
34" deep or smaller x 62" wide x 84" high or smaller  
(864 mm x 1575 mm x 2134 mm)

### SPECIFICATIONS

Model	Part	Ship Wt. Lb.	Carton Dims. In.	Cu. Ft.
TSMK84-3462	TSMK843462	266	90 x 68 x 4	14.2

### COLORS

#### Solid Colors:

- White (010)
- Bisque (018)
- Bone (037)

#### Aggregate Colors:

- Bermuda Sand (040)
- Black Galaxy (015)
- Carrara (221)
- Concrete Ash Gray (203)
- Concrete Birch (226)
- Concrete Charcoal Gray (209)
- Concrete Clay (212)
- Concrete Limestone (218)
- Concrete Sandstone (215)
- Ice (130)
- Tahiti White (011)

### ACCESSORIES

See page 56 for complete listing of all wall accessories.

### STANDARDS AND RATINGS

American Society of Testing and Materials (ASTM) E-84: Class A Flame Spread Rating

American National Standard Institute—ANSI Z124.6

International Association of Plumbing and Mechanical Officials (IAPMO)—Listed  
cUPC listed—Certified to CSA Test Standard B45.5 by IAPMO

Uniform Plumbing Code (UPC)

For a complete list of tests and results see the Technical Data Sheet.

### MAINTENANCE AND CLEANING INFORMATION

Clean regularly with common household liquid cleaners and rinse within five minutes of application. Occasional scrubbing with abrasive cleaners ensures that the original luster will be maintained. **Do not** use “leave on” cleaning products, such as automatic spray shower cleaners. Prolonged contact with harsh chemicals could have an adverse reaction over time and discolor surfaces. **Do not** use cleaning agents that caution use on acrylic, polyester or plastics.

### SUPPORT DOCUMENTS

Installation instructions available at [swanstone.com](http://swanstone.com).

# TSMK84-3662

## Swanstone Traditional Subway Tile Bath Wall Kit

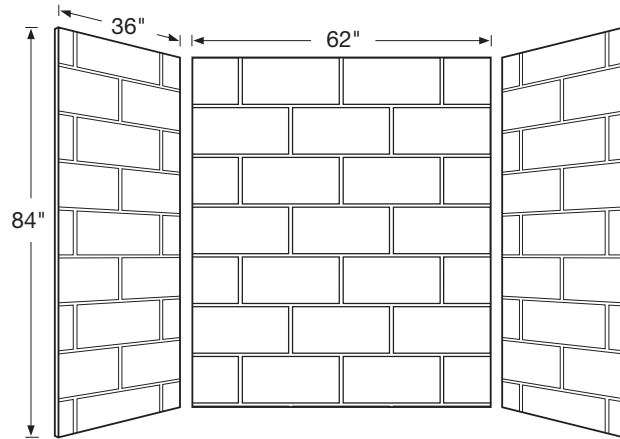


### Manufactured from Swanstone Solid Surface

Recommended for high-use traffic areas and commercial surfaces.

### FEATURES

- Traditional 12 x 24-inch subway tile pattern with textured grout lines provides your bathroom with beautiful style.
- No grout to maintain; will not mold or mildew.
- Color and texture run all the way through and cannot wear away.
- Ideal for remodeling; easier to install than tile—panels glue up over existing surface.
- Coordinates with other Swanstone bath products.
- Heat resistant—walls can handle steamer units.
- Compression molding means superior durability.
- Warranty: Limited Lifetime - Residential  
Limited 30-year - Commercial



**ES-2**  
Soap Shelves  
Included

Designed to fit base areas  
36" deep or smaller x 62" wide x 84" high or smaller  
(914 mm x 1575 mm x 2134 mm)

### SPECIFICATIONS

Model	Part	Ship Wt. Lb.	Carton Dims. In.	Cu. Ft.
TSMK84-3662	TSMK843662	274	90 x 68 x 4	14.2

### COLORS

#### Solid Colors:

- White (010)
- Bisque (018)
- Bone (037)

#### Aggregate Colors:

- Bermuda Sand (040)
- Black Galaxy (015)
- Carrara (221)
- Concrete Ash Gray (203)
- Concrete Birch (226)
- Concrete Charcoal Gray (209)
- Concrete Clay (212)
- Concrete Limestone (218)
- Concrete Sandstone (215)
- Ice (130)
- Tahiti White (011)

### ACCESSORIES

See page 56 for complete listing of all wall accessories.

### STANDARDS AND RATINGS

American Society of Testing and Materials (ASTM) E-84: Class A Flame Spread Rating

American National Standard Institute—ANSI Z124.6

International Association of Plumbing and Mechanical Officials (IAPMO)—Listed

cUPC listed—Certified to CSA Test Standard B45.5 by IAPMO

Uniform Plumbing Code (UPC)

For a complete list of tests and results see the Technical Data Sheet.

### MAINTENANCE AND CLEANING INFORMATION

Clean regularly with common household liquid cleaners and rinse within five minutes of application. Occasional scrubbing with abrasive cleaners ensures that the original luster will be maintained. **Do not** use “leave on” cleaning products, such as automatic spray shower cleaners. Prolonged contact with harsh chemicals could have an adverse reaction over time and discolor surfaces. **Do not** use cleaning agents that caution use on acrylic, polyester or plastics.

### SUPPORT DOCUMENTS

Installation instructions available at [swanstone.com](http://swanstone.com).

# TSMK96-3062

## Swanstone Traditional Subway Tile Bath Wall Kit

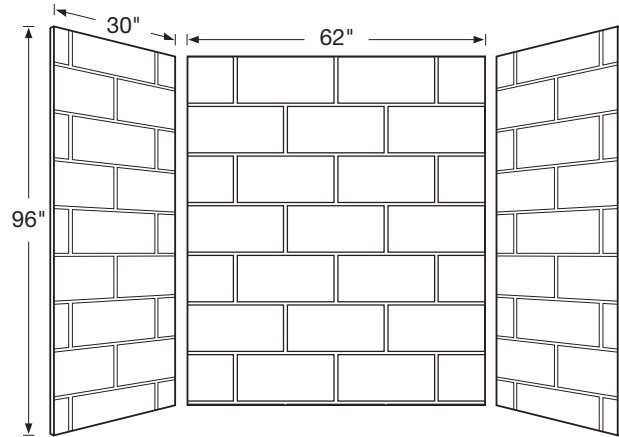


### Manufactured from Swanstone Solid Surface

Recommended for high-use traffic areas and commercial surfaces.

### FEATURES

- Traditional 12 x 24-inch subway tile pattern with textured grout lines provides your bathroom with beautiful style.
- No grout to maintain; will not mold or mildew.
- Color and texture run all the way through and cannot wear away.
- Ideal for remodeling; easier to install than tile—panels glue up over existing surface.
- Coordinates with other Swanstone bath products.
- Heat resistant—walls can handle steamer units.
- Compression molding means superior durability.
- Warranty: Limited Lifetime - Residential  
Limited 30-year - Commercial



**ES-2**  
Soap Shelves  
Included

Designed to fit base areas  
30" deep or smaller x 62" wide x 96" high or smaller  
(762 mm x 1575 mm x 2438 mm)

### SPECIFICATIONS

Model	Part	Ship Wt. Lb.	Carton Dims. In.	Cu. Ft.
TSMK96-3062	TSMK963062	285	102 x 68 x 4	16.1

**Kit Includes:** Two side panels, one back panel, two corner soap shelves.

**Packaging:** Each kit is packed in an individual carton.

### COLORS

#### Solid Colors:

- White (010)
- Bisque (018)
- Bone (037)

#### Aggregate Colors:

- Bermuda Sand (040)
- Black Galaxy (015)
- Carrara (221)
- Concrete Ash Gray (203)
- Concrete Birch (226)
- Concrete Charcoal Gray (209)
- Concrete Clay (212)
- Concrete Limestone (218)
- Concrete Sandstone (215)
- Ice (130)
- Tahiti White (011)

### ACCESSORIES

See page 56 for complete listing of all wall accessories.

### STANDARDS AND RATINGS

American Society of Testing and Materials (ASTM) E-84: Class A Flame Spread Rating

American National Standard Institute—ANSI Z124.6

International Association of Plumbing and Mechanical Officials (IAPMO)—Listed  
cUPC listed—Certified to CSA Test Standard B45.5 by IAPMO

Uniform Plumbing Code (UPC)

For a complete list of tests and results see the Technical Data Sheet.

### MAINTENANCE AND CLEANING INFORMATION

Clean regularly with common household liquid cleaners and rinse within five minutes of application. Occasional scrubbing with abrasive cleaners ensures that the original luster will be maintained. **Do not** use “leave on” cleaning products, such as automatic spray shower cleaners. Prolonged contact with harsh chemicals could have an adverse reaction over time and discolor surfaces. **Do not** use cleaning agents that caution use on acrylic, polyester or plastics.

### SUPPORT DOCUMENTS

Installation instructions available at [swanstone.com](http://swanstone.com).

# TSMK96-3262

## Swanstone Traditional Subway Tile Bath Wall Kit

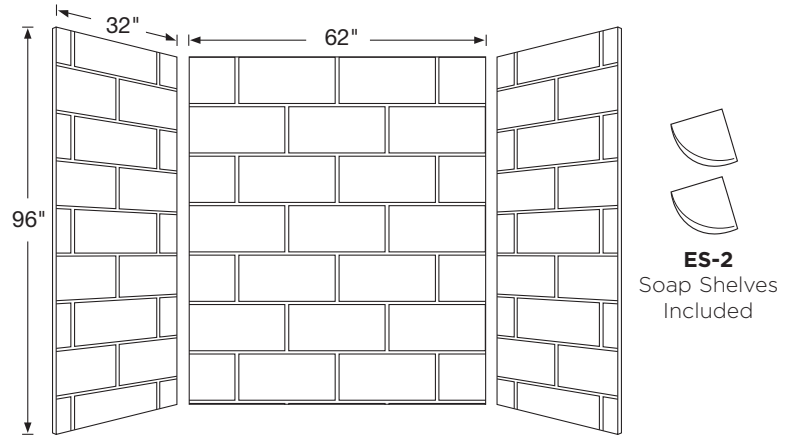


### Manufactured from Swanstone Solid Surface

Recommended for high-use traffic areas and commercial surfaces.

### FEATURES

- Traditional 12 x 24-inch subway tile pattern with textured grout lines provides your bathroom with beautiful style.
- No grout to maintain; will not mold or mildew.
- Color and texture run all the way through and cannot wear away.
- Ideal for remodeling; easier to install than tile—panels glue up over existing surface.
- Coordinates with other Swanstone bath products.
- Heat resistant—walls can handle steamer units.
- Compression molding means superior durability.
- Warranty: Limited Lifetime - Residential  
Limited 30-year - Commercial



Designed to fit base areas  
32" deep or smaller x 62" wide x 96" high or smaller  
(813 mm x 1575 mm x 2438 mm)

### SPECIFICATIONS

Model	Part	Ship Wt. Lb.	Carton Dims. In.	Cu. Ft.
TSMK96-3262	TSMK963262	294	102 x 68 x 4	16.1

**Kit Includes:** Two side panels, one back panel, two corner soap shelves.

**Packaging:** Each kit is packed in an individual carton.

### COLORS

#### Solid Colors:

- White (010)
- Bisque (018)
- Bone (037)

#### Aggregate Colors:

- Bermuda Sand (040)
- Black Galaxy (015)
- Carrara (221)
- Concrete Ash Gray (203)
- Concrete Birch (226)
- Concrete Charcoal Gray (209)
- Concrete Clay (212)
- Concrete Limestone (218)
- Concrete Sandstone (215)
- Ice (130)
- Tahiti White (011)

### ACCESSORIES

See page 56 for complete listing of all wall accessories.

### STANDARDS AND RATINGS

American Society of Testing and Materials (ASTM) E-84: Class A Flame Spread Rating

American National Standard Institute—ANSI Z124.6

International Association of Plumbing and Mechanical Officials (IAPMO)—Listed

cUPC listed—Certified to CSA Test Standard B45.5 by IAPMO

Uniform Plumbing Code (UPC)

For a complete list of tests and results see the Technical Data Sheet.

### MAINTENANCE AND CLEANING INFORMATION

Clean regularly with common household liquid cleaners and rinse within five minutes of application. Occasional scrubbing with abrasive cleaners ensures that the original luster will be maintained. **Do not** use "leave on" cleaning products, such as automatic spray shower cleaners. Prolonged contact with harsh chemicals could have an adverse reaction over time and discolor surfaces. **Do not** use cleaning agents that caution use on acrylic, polyester or plastics.

### SUPPORT DOCUMENTS

Installation instructions available at [swanstone.com](http://swanstone.com).

# TSMK96-3462

## Swanstone Traditional Subway Tile Bath Wall Kit

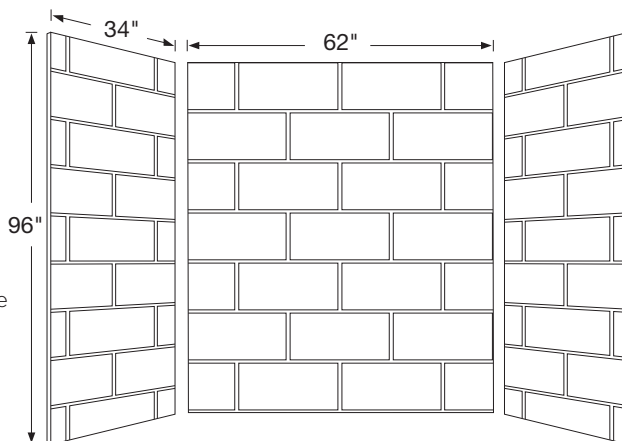


### Manufactured from Swanstone Solid Surface

Recommended for high-use traffic areas and commercial surfaces.

### FEATURES

- Traditional 12 x 24-inch subway tile pattern with textured grout lines provides your bathroom with beautiful style.
- No grout to maintain; will not mold or mildew.
- Color and texture run all the way through and cannot wear away.
- Ideal for remodeling; easier to install than tile—panels glue up over existing surface.
- Coordinates with other Swanstone bath products.
- Heat resistant—walls can handle steamer units.
- Compression molding means superior durability.
- Warranty: Limited Lifetime - Residential  
Limited 30-year - Commercial



**ES-2**  
Soap Shelves  
Included

Designed to fit base areas  
34" deep or smaller x 62" wide x 96" high or smaller  
(864 mm x 1575 mm x 2438 mm)

### SPECIFICATIONS

Model	Part	Ship Wt. Lb.	Carton Dims. In.	Cu. Ft.
TSMK96-3462	TSMK963462	303	102 x 68 x 4	16.1

### COLORS

#### Solid Colors:

- White (010)
- Bisque (018)
- Bone (037)

#### Aggregate Colors:

- Bermuda Sand (040)
- Black Galaxy (015)
- Carrara (221)
- Concrete Ash Gray (203)
- Concrete Birch (226)
- Concrete Charcoal Gray (209)
- Concrete Clay (212)
- Concrete Limestone (218)
- Concrete Sandstone (215)
- Ice (130)
- Tahiti White (011)

### ACCESSORIES

See page 56 for complete listing of all wall accessories.

### STANDARDS AND RATINGS

American Society of Testing and Materials (ASTM) E-84: Class A Flame Spread Rating

American National Standard Institute—ANSI Z124.6

International Association of Plumbing and Mechanical Officials (IAPMO)—Listed  
cUPC listed—Certified to CSA Test Standard B45.5 by IAPMO

Uniform Plumbing Code (UPC)

For a complete list of tests and results see the Technical Data Sheet.

### MAINTENANCE AND CLEANING INFORMATION

Clean regularly with common household liquid cleaners and rinse within five minutes of application. Occasional scrubbing with abrasive cleaners ensures that the original luster will be maintained. **Do not** use “leave on” cleaning products, such as automatic spray shower cleaners. Prolonged contact with harsh chemicals could have an adverse reaction over time and discolor surfaces. **Do not** use cleaning agents that caution use on acrylic, polyester or plastics.

### SUPPORT DOCUMENTS

Installation instructions available at [swanstone.com](http://swanstone.com).



# TSMK96-3662

## Swanstone Traditional Subway Tile Bath Wall Kit

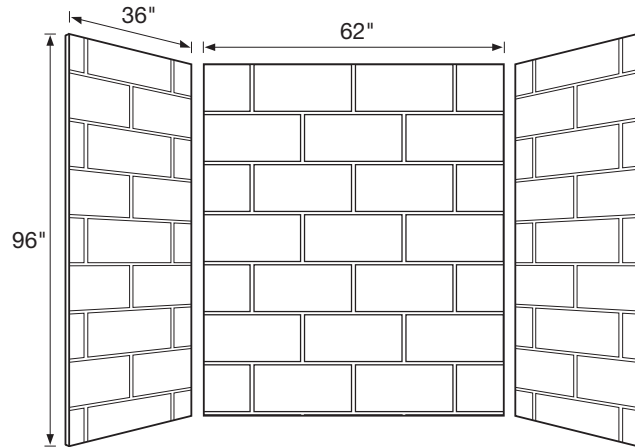


### Manufactured from Swanstone Solid Surface

Recommended for high-use traffic areas and commercial surfaces.

### FEATURES

- Traditional 12 x 24-inch subway tile pattern with textured grout lines provides your bathroom with beautiful style.
- No grout to maintain; will not mold or mildew.
- Color and texture run all the way through and cannot wear away.
- Ideal for remodeling; easier to install than tile—panels glue up over existing surface.
- Coordinates with other Swanstone bath products.
- Heat resistant—walls can handle steamer units.
- Compression molding means superior durability.
- Warranty: Limited Lifetime - Residential  
Limited 30-year - Commercial



Designed to fit base areas  
36" deep or smaller x 62" wide x 96" high or smaller  
(914 mm x 1575 mm x 2438 mm)

### SPECIFICATIONS

Model	Part	Ship Wt. Lb.	Carton Dims. In.	Cu. Ft.
TSMK96-3662	TSMK963662	313	102 x 68 x 4	16.1

**Kit Includes:** Two side panels, one back panel, two corner soap shelves.

**Packaging:** Each kit is packed in an individual carton.

### COLORS

#### Solid Colors:

- White (010)
- Bisque (018)
- Bone (037)

#### Aggregate Colors:

- Bermuda Sand (040)
- Black Galaxy (015)
- Carrara (221)
- Concrete Ash Gray (203)
- Concrete Birch (226)
- Concrete Charcoal Gray (209)
- Concrete Clay (212)
- Concrete Limestone (218)
- Concrete Sandstone (215)
- Ice (130)
- Tahiti White (011)

### ACCESSORIES

See page 56 for complete listing of all wall accessories.

### STANDARDS AND RATINGS

American Society of Testing and Materials (ASTM) E-84: Class A Flame Spread Rating

American National Standard Institute—ANSI Z124.6

International Association of Plumbing and Mechanical Officials (IAPMO)—Listed

cUPC listed—Certified to CSA Test Standard B45.5 by IAPMO

Uniform Plumbing Code (UPC)

For a complete list of tests and results see the Technical Data Sheet.

### MAINTENANCE AND CLEANING INFORMATION

Clean regularly with common household liquid cleaners and rinse within five minutes of application. Occasional scrubbing with abrasive cleaners ensures that the original luster will be maintained. **Do not** use "leave on" cleaning products, such as automatic spray shower cleaners. Prolonged contact with harsh chemicals could have an adverse reaction over time and discolor surfaces. **Do not** use cleaning agents that caution use on acrylic, polyester or plastics.

### SUPPORT DOCUMENTS

Installation instructions available at [swanstone.com](http://swanstone.com).





# SS-60-3

## Swanstone Bath Wall Kit

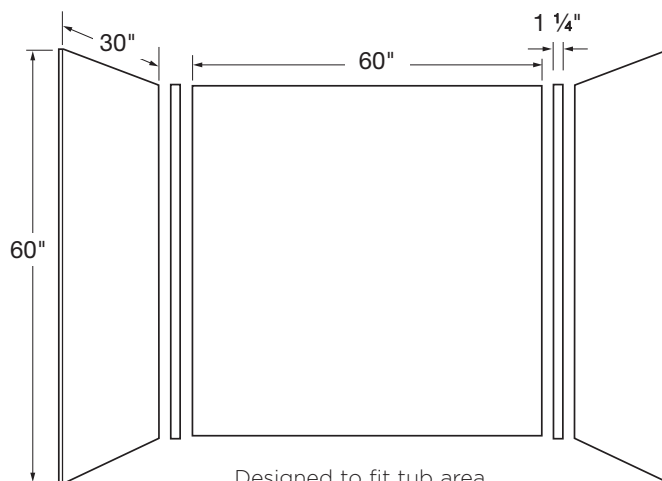


### Manufactured from Swanstone Solid Surface

Recommended for high-use traffic areas and commercial surfaces.

### FEATURES

- Will not mold or mildew, no grout to clean.
- Color and texture run all the way through and cannot wear away.
- Ideal for both remodeling projects and new construction.
- Heat resistant—walls can handle steamer units.
- Reinforced solid surface means color and texture run all the way through and cannot wear away.
- Unique glue-up wall system includes a single back panel, two side panels and two corner molding strips.
- Optional **TK-6072** trim kit available.
- Warranty: Limited Lifetime – Residential  
Limited 30-year – Commercial



Designed to fit tub area  
30" deep x 60" wide or smaller  
(762 mm x 1524 mm)

### SPECIFICATIONS

Model	Part	Ship Wt. Lb.	Carton Dims. In.	Cu. Ft.
SS-60-3	SS00603	145	66 x 66 x 4	10.08

**Kit Includes:** One flat back panel, two flat side panels, two corner moldings. Soap shelves and installation kit (**SS-29**) sold separately.

**Packaging:** Each kit is packed in a flat, rectangular carton.

### COLORS

#### Solid Colors:

- White (010)
- Bisque (018)
- Bone (037)

#### Aggregate Colors:

- Bermuda Sand (040)
- Black Galaxy (015)
- Carrara (221)
- Concrete Ash Gray (203)
- Concrete Birch (226)
- Concrete Charcoal Gray (209)
- Concrete Clay (212)
- Concrete Limestone (218)
- Concrete Sandstone (215)
- Ice (130)
- Tahiti White (011)

### ACCESSORIES

See page 56 for complete listing of all wall accessories.

### STANDARDS AND RATINGS

American Society of Testing and Materials (ASTM) E-84: Class A Flame Spread Rating

American National Standard Institute—ANSI Z124.6

International Association of Plumbing and Mechanical Officials (IAPMO)—Listed

cUPC listed—Certified to CSA Test Standard B45.5 by IAPMO

Uniform Plumbing Code (UPC)

For a complete list of tests and results see the Technical Data Sheet.

### MAINTENANCE AND CLEANING INFORMATION

Clean regularly with common household liquid cleaners and rinse within five minutes of application. Occasional scrubbing with abrasive cleaners ensures that the original luster will be maintained. **Do not** use “leave on” cleaning products, such as automatic spray shower cleaners. Prolonged contact with harsh chemicals could have an adverse reaction over time and discolor surfaces.

**Do not** use cleaning agents that caution use on acrylic, polyester or plastics.

### SUPPORT DOCUMENTS

Installation instructions available at [swanstone.com](http://swanstone.com).

# SSIT-60-3

## Swanstone Bath Wall Kit

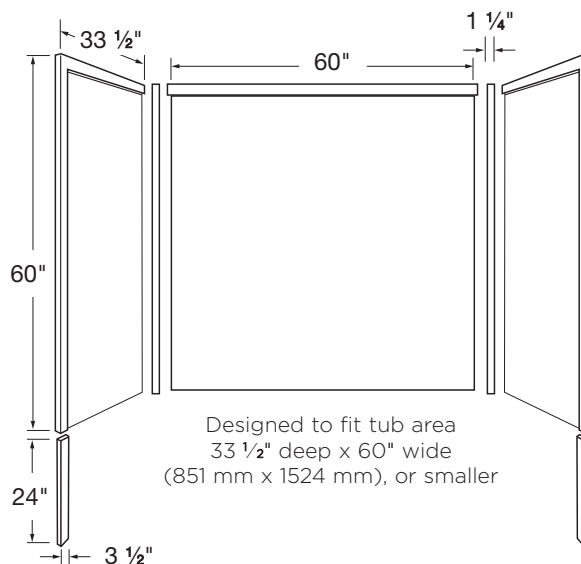


### Manufactured from Swanstone Solid Surface

Recommended for high-use traffic areas and commercial surfaces.

### FEATURES

- Reinforced solid surface means color and texture run all the way through and cannot wear away.
- For added detailing, the panels' edges feature raised trim, eliminating the need for a separate trim kit.
- Will not mold or mildew, no grout to clean.
- Ideal for both remodeling projects and new construction.
- Heat resistant—walls can handle steamer units.
- Unique glue-up wall system includes a single, seamless back panel, two side panels and two corner molding strips.
- Warranty: Limited Lifetime - Residential  
Limited 30-year - Commercial



### SPECIFICATIONS

Model	Part	Ship Wt. Lb.	Carton Dims. In.	Cu. Ft.
SSIT-60-3	S100603	169	67 x 67 x 4	10.39

**Kit Includes:** One back panel with integral trim, two side panels with integral trim, two bathtub apron strips, two corner moldings. Soap shelves and installation kit (SS-29) sold separately.

**Packaging:** Each kit is packed in a flat, rectangular carton.

### COLORS

#### Solid Colors:

- White (010)
- Bisque (018)
- Bone (037)

#### Aggregate Colors:

- Bermuda Sand (040)
- Black Galaxy (015)
- Carrara (221)
- Concrete Ash Gray (203)
- Concrete Birch (226)
- Concrete Charcoal Gray (209)
- Concrete Clay (212)
- Concrete Limestone (218)
- Concrete Sandstone (215)
- Ice (130)
- Tahiti White (011)

### ACCESSORIES

See page 56 for complete listing of all wall accessories.

### STANDARDS AND RATINGS

American Society of Testing and Materials (ASTM) E-84: Class A Flame Spread Rating

American National Standard Institute—ANSI Z124.6

International Association of Plumbing and Mechanical Officials (IAPMO)—Listed

cUPC listed—Certified to CSA Test Standard B45.5 by IAPMO

Uniform Plumbing Code (UPC)

For a complete list of tests and results see the Technical Data Sheet.

### MAINTENANCE AND CLEANING INFORMATION

Clean regularly with common household liquid cleaners and rinse within five minutes of application. Occasional scrubbing with abrasive cleaners ensures that the original luster will be maintained. **Do not** use “leave on” cleaning products, such as automatic spray shower cleaners. Prolonged contact with harsh chemicals could have an adverse reaction over time and discolor surfaces. **Do not** use cleaning agents that caution use on acrylic, polyester or plastics.

### SUPPORT DOCUMENTS

Installation instructions available at [swanstone.com](http://swanstone.com).

**MADE IN USA**

# SS-72-3

## Swanstone Bath Wall Kit

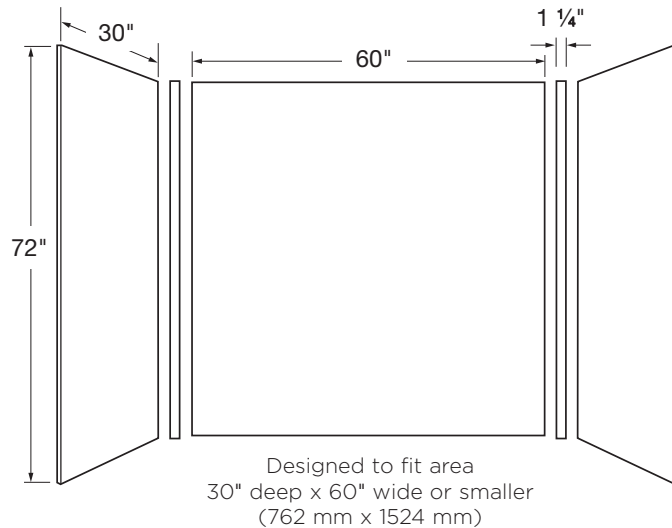


### Manufactured from Swanstone Solid Surface

Recommended for high-use traffic areas and commercial surfaces.

### FEATURES

- Will not mold or mildew, no grout to clean.
- Color and texture run all the way through and cannot wear away.
- Ideal for both remodeling projects and new construction.
- Heat resistant—walls can handle steamer units.
- Reinforced solid surface means color and texture run all the way through and cannot wear away.
- Unique glue-up wall system includes a single back panel, two side panels and two corner molding strips.
- Optional **TK-6072** trim kit available.
- Warranty: Limited Lifetime – Residential  
Limited 30-year – Commercial



### SPECIFICATIONS

Model	Part	Ship Wt. Lb.	Carton Dims. In.	Cu. Ft.
SS-72-3	SS00723	165	78 x 66 x 4	11.92

**Kit Includes:** One flat back panel, two flat side panels, two corner moldings. Soap shelves and installation kit (**SS-29**) sold separately.

**Packaging:** Each kit is packed in a flat, rectangular carton.

### COLORS

#### Solid Colors:

- White (010)
- Bisque (018)
- Bone (037)

#### Aggregate Colors:

- Bermuda Sand (040)
- Black Galaxy (015)
- Carrara (221)
- Concrete Ash Gray (203)
- Concrete Birch (226)
- Concrete Charcoal Gray (209)
- Concrete Clay (212)
- Concrete Limestone (218)
- Concrete Sandstone (215)
- Ice (130)
- Tahiti White (011)

### ACCESSORIES

See page 56 for complete listing of all wall accessories.

### STANDARDS AND RATINGS

American Society of Testing and Materials (ASTM) E-84: Class A Flame Spread Rating

American National Standard Institute—ANSI Z124.6

International Association of Plumbing and Mechanical Officials (IAPMO)—Listed  
cUPC listed—Certified to CSA Test Standard B45.5 by IAPMO

Uniform Plumbing Code (UPC)

For a complete list of tests and results see the Technical Data Sheet.

### MAINTENANCE AND CLEANING INFORMATION

Clean regularly with common household liquid cleaners and rinse within five minutes of application. Occasional scrubbing with abrasive cleaners ensures that the original luster will be maintained. **Do not** use “leave on” cleaning products, such as automatic spray shower cleaners. Prolonged contact with harsh chemicals could have an adverse reaction over time and discolor surfaces.

**Do not** use cleaning agents that caution use on acrylic, polyester or plastics.

### SUPPORT DOCUMENTS

Installation instructions available at [swanstone.com](http://swanstone.com).



# SS-60-5

## Swanstone Bath Wall Kit

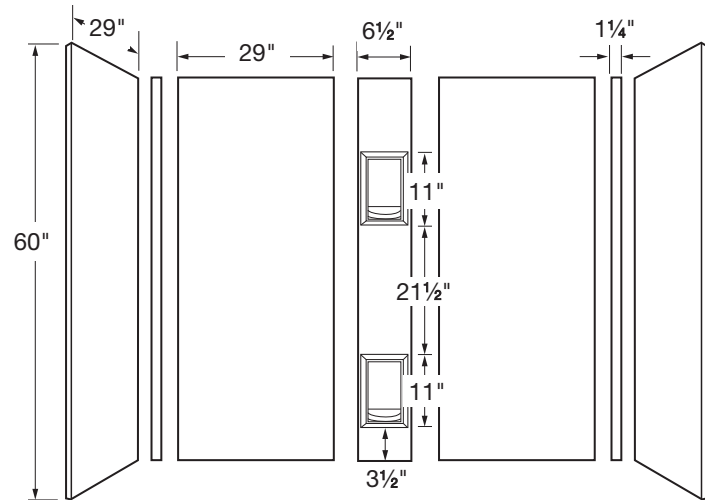


### Manufactured from Swanstone Solid Surface

Recommended for high-use traffic areas and commercial surfaces.

### FEATURES

- Will not mold or mildew, no grout to clean.
- Color and texture run all the way through and cannot wear away.
- Ideal for both remodeling projects and new construction.
- Heat resistant—walls can handle steamer units.
- Reinforced solid surface means color and texture run all the way through and cannot wear away.
- Middle back panel features two soap shelves.
- Optional **TK-6072** trim kit available.
- Warranty: Limited Lifetime – Residential  
Limited 30-year – Commercial



Designed to fit tub area 30" deep x 60" wide  
(762 mm x 1524 mm), or smaller

### SPECIFICATIONS

Model	Part	Ship Wt. Lb.	Carton Dims. In.	Cu. Ft.
SS-60-5	SS00605	121	65 x 31 x 6	7

**Kit Includes:** One back panel with two molded-in soap and shampoo shelves, four flat wall panels, two corner moldings.

**Packaging:** Each kit is packed in a flat, rectangular carton.

### COLORS

#### Solid Colors:

- White (010)
- Bisque (018)
- Bone (037)

#### Aggregate Colors:

- Bermuda Sand (040)
- Black Galaxy (015)
- Carrara (221)
- Concrete Ash Gray (203)
- Concrete Birch (226)
- Concrete Charcoal Gray (209)
- Concrete Clay (212)
- Concrete Limestone (218)
- Concrete Sandstone (215)
- Ice (130)
- Tahiti White (011)

### ACCESSORIES

See page 56 for complete listing of all wall accessories.

### STANDARDS AND RATINGS

American Society of Testing and Materials (ASTM) E-84: Class A Flame Spread Rating

American National Standard Institute—ANSI Z124.6

International Association of Plumbing and Mechanical Officials (IAPMO)—Listed

cUPC listed—Certified to CSA Test Standard B45.5 by IAPMO

Uniform Plumbing Code (UPC)

For a complete list of tests and results see the Technical Data Sheet.

### MAINTENANCE AND CLEANING INFORMATION

Clean regularly with common household liquid cleaners and rinse within five minutes of application. Occasional scrubbing with abrasive cleaners ensures that the original luster will be maintained. **Do not** use "leave on" cleaning products, such as automatic spray shower cleaners. Prolonged contact with harsh chemicals could have an adverse reaction over time and discolor surfaces. **Do not** use cleaning agents that caution use on acrylic, polyester or plastics.

### SUPPORT DOCUMENTS

Installation instructions available at [swanstone.com](http://swanstone.com).

**MADE IN USA**

# SS-6060-1

## Swanstone Bath Wall Single Panel

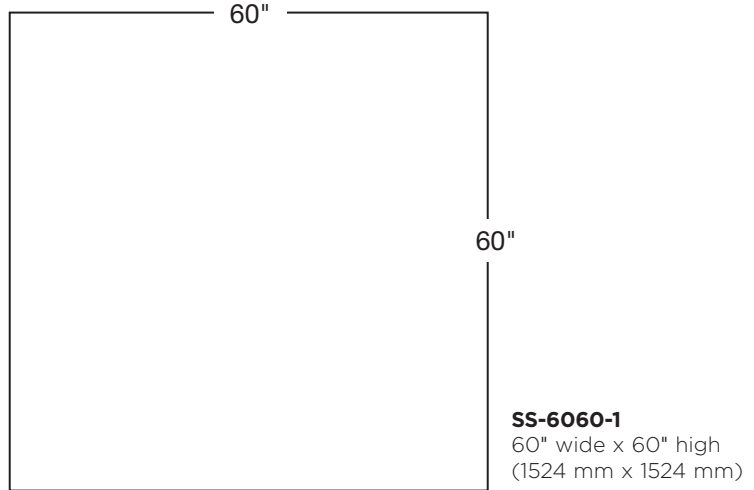


### Manufactured from Swanstone Solid Surface

Recommended for high-use traffic areas and commercial surfaces.

### FEATURES

- Reinforced solid surface means color and texture run all the way through and cannot wear away.
- Will not mold or mildew, no grout to clean.
- Color and texture run all the way through and cannot wear away.
- Ideal for remodeling, panels glue up over existing surface.
- Coordinates with other Swanstone bath products.
- Can be easily trimmed to fit any shower application.
- Heat resistant—walls can handle steamer units.
- Compression molding means superior durability.
- Warranty: Limited Lifetime – Residential  
Limited 30-year – Commercial



### SPECIFICATIONS

Model	Part	Ship Wt. Lb.	Carton Dims. In.	Cu. Ft.
SS-6060-1	SS0606001	106	66 x 66 x 4	7.79

**Kit Includes:** One flat wall panel. It may be necessary to combine cartons to accommodate desired installation area. No installation materials provided. Order two SS-72 installation kits per panel.

**Packaging:** Each kit is packed in an individual carton.

### COLORS

#### Solid Colors:

- White (010)
- Bisque (018)
- Bone (037)

#### Aggregate Colors:

- Bermuda Sand (040)
- Black Galaxy (015)
- Carrara (221)
- Concrete Ash Gray (203)
- Concrete Birch (226)
- Concrete Charcoal Gray (209)
- Concrete Clay (212)
- Concrete Limestone (218)
- Concrete Sandstone (215)
- Ice (130)
- Tahiti White (011)

### ACCESSORIES

See page 56 for complete listing of all wall accessories.

### STANDARDS AND RATINGS

American Society of Testing and Materials (ASTM) E-84: Class A Flame Spread Rating

American National Standard Institute—ANSI Z124.6

International Association of Plumbing and Mechanical Officials (IAPMO)—Listed

cUPC listed—Certified to CSA Test Standard B45.5 by IAPMO

Uniform Plumbing Code (UPC)

For a complete list of tests and results see the Technical Data Sheet.

### MAINTENANCE AND CLEANING INFORMATION

Clean regularly with common household liquid cleaners and rinse within five minutes of application. Occasional scrubbing with abrasive cleaners ensures that the original luster will be maintained. **Do not** use “leave on” cleaning products, such as automatic spray shower cleaners. Prolonged contact with harsh chemicals could have an adverse reaction over time and discolor surfaces.

**Do not** use cleaning agents that caution use on acrylic, polyester or plastics.

### SUPPORT DOCUMENTS

Installation instructions available at [swanstone.com](http://swanstone.com).



# Swanstone Bath Wall



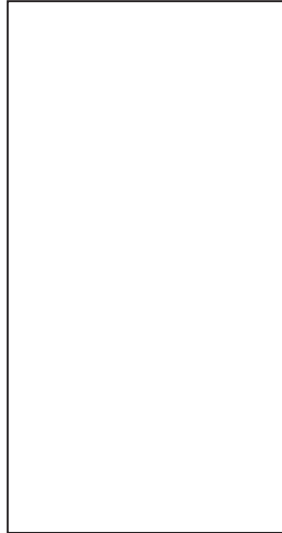
## Single Panels

### Manufactured from Swanstone Solid Surface

Recommended for high-use traffic areas and commercial surfaces.

### FEATURES

- Reinforced solid surface means color and texture run all the way through and cannot wear away.
- Will not mold or mildew, no grout to clean.
- Ideal for remodeling, panels glue up over existing surface.
- Coordinates with other Swanstone bath products.
- Can be easily trimmed to fit any shower application.
- Widest range of sizes to fit most any project.
- Heat resistant—walls can handle steamer units.
- Compression molding means superior durability.
- Warranty: Limited Lifetime – Residential  
Limited 30-year – Commercial



### Single Panel Shower Walls

- 36" wide x 72" high (914 mm x 1829 mm)
- 60" wide x 72" high (1524 mm x 1829 mm)
- 36" wide x 96" high (914 mm x 2438 mm)
- 48" wide x 96" high (1219 mm x 2438 mm)
- 62" wide x 96" high (1574 mm x 2438 mm)

### SPECIFICATIONS

Model	Part	Nominal Dimensions	Ship Wt. Lb.	Carton Dims. In.	Cu. Ft.
SS-3672-1	SS0367201	36" W x 72" H	53	74 x 45 x 4	7.71
SS-6072-1	SS0607201	60" W x 72" H	117	78 x 66 x 4	9.29
SS-3696-1	SS0369601	36" W x 96" H	84	98 x 38 x 4	8.62
SS-4896-1	SS0489601	48" W x 96" H	96	98 x 56 x 4	12.75
SS-6296-1	SS0629601	62" W x 96" H	108	102 x 68 x 4	16.06

**Kit Includes:** One flat wall panel. It may be necessary to combine cartons to accommodate desired installation area. No installation materials provided. Order one SS-72 installation kit per panel, except for 48" panel, which needs two kits per panel.

**Packaging:** Each kit is packed in an individual carton.

### COLORS

#### Solid Colors:

- White (010)
- Bisque (018)
- Bone (037)

#### Aggregate Colors:

- Bermuda Sand (040)
- Black Galaxy (015)
- Carrara (221)
- Concrete Ash Gray (203)
- Concrete Birch (226)
- Concrete Charcoal Gray (209)
- Concrete Clay (212)
- Concrete Limestone (218)
- Concrete Sandstone (215)
- Ice (130)
- Tahiti White (011)

### ACCESSORIES

See page 56 for complete listing of all wall accessories.

### STANDARDS AND RATINGS

American Society of Testing and Materials (ASTM) E-84: Class A Flame Spread Rating

American National Standard Institute—ANSI Z124.6

International Association of Plumbing and Mechanical Officials (IAPMO)—Listed

cUPC listed—Certified to CSA Test Standard B45.5 by IAPMO

Uniform Plumbing Code (UPC)

For a complete list of tests and results see the Technical Data Sheet.

### MAINTENANCE AND CLEANING INFORMATION

Clean regularly with common household liquid cleaners and rinse within five minutes of application. Occasional scrubbing with abrasive cleaners ensures that the original luster will be maintained. **Do not** use "leave on" cleaning products, such as automatic spray shower cleaners. Prolonged contact with harsh chemicals could have an adverse reaction over time and discolor surfaces.

**Do not** use cleaning agents that caution use on acrylic, polyester or plastics.

### SUPPORT DOCUMENTS

Installation instructions available at [swanstone.com](http://swanstone.com).



# Swanstone Bath Wall

Double Panels

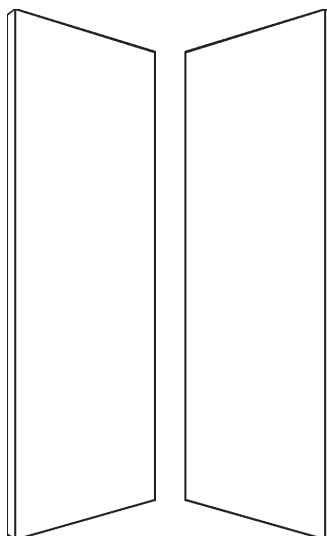


## Manufactured from Swanstone Solid Surface

Recommended for high-use traffic areas and commercial surfaces.

### FEATURES

- Reinforced solid surface means color and texture run all the way through and cannot wear away.
- Will not mold or mildew, no grout to clean.
- Ideal for remodeling, panels glue up over existing surface.
- Coordinates with other Swanstone bath products.
- Can be easily trimmed to fit any shower application.
- Widest range of sizes to fit most any project.
- Heat resistant—walls can handle steamer units.
- Compression molding means superior durability.
- Warranty: Limited Lifetime – Residential  
Limited 30-year – Commercial



### Double Panel Shower Walls

- 36" wide x 72" high (914 mm x 1829 mm)
- 36" wide x 96" high (914 mm x 2438 mm)
- 48" wide x 96" high (1219 mm x 2438 mm)

### SPECIFICATIONS

Model	Part	Nominal Dimensions	Ship Wt. Lb.	Carton Dims. In.	Cu. Ft.
SS-3672-2	SS0367202	36" W x 72" H	91	74 x 45 x 4	7.71
SS-3696-2	SS0369602	36" W x 96" H	131	102 x 45 x 4	10.21
SS-4896-2	SS0489602	48" W x 96" H	193	102 x 56 x 4	12.70

**Kit Includes:** Two flat wall panels. It may be necessary to combine cartons to accommodate desired installation area. No installation materials provided. Order one SS-72 installation kit per panel, except for 48" panel, which needs two kits per panel.

**Packaging:** Each kit is packed in an individual carton.

### COLORS

#### Solid Colors:

- White (010)
- Bisque (018)
- Bone (037)

#### Aggregate Colors:

- Bermuda Sand (040)
- Black Galaxy (015)
- Carrara (221)
- Concrete Ash Gray (203)
- Concrete Birch (226)
- Concrete Charcoal Gray (209)
- Concrete Clay (212)
- Concrete Limestone (218)
- Concrete Sandstone (215)
- Ice (130)
- Tahiti White (011)

### ACCESSORIES

See page 56 for complete listing of all wall accessories.

### STANDARDS AND RATINGS

American Society of Testing and Materials (ASTM) E-84: Class A Flame Spread Rating

American National Standard Institute—ANSI Z124.6

International Association of Plumbing and Mechanical Officials (IAPMO)—Listed

cUPC listed—Certified to CSA Test Standard B45.5 by IAPMO

Uniform Plumbing Code (UPC)

For a complete list of tests and results see the Technical Data Sheet.

### MAINTENANCE AND CLEANING INFORMATION

Clean regularly with common household liquid cleaners and rinse within five minutes of application. Occasional scrubbing with abrasive cleaners ensures that the original luster will be maintained. **Do not** use "leave on" cleaning products, such as automatic spray shower cleaners. Prolonged contact with harsh chemicals could have an adverse reaction over time and discolor surfaces.

**Do not** use cleaning agents that caution use on acrylic, polyester or plastics.

### SUPPORT DOCUMENTS

Installation instructions available at [swanstone.com](http://swanstone.com).

**MADE IN USA**



# Swanstone Classic Subway Tile Bath Wall



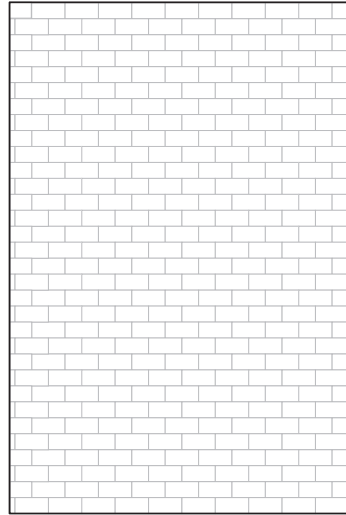
Single Panel

## Manufactured from Swanstone Solid Surface

Recommended for high-use traffic areas and commercial surfaces.

## FEATURES

- Classic look of 3 x 6-inch subway tile provides timeless elegance for your bath.
- No grout to maintain; will not mold or mildew.
- Color and texture run all the way through and cannot wear away.
- Ideal for remodeling, panels glue up over existing surface.
- Coordinates with other Swanstone bath products.
- Can be easily trimmed to fit any shower application.
- Widest range of sizes to fit most any project.
- Heat resistant—walls can handle steamer units.
- Compression molding means superior durability.
- Warranty: Limited Lifetime – Residential  
Limited 30-year – Commercial



### Single Panel Shower Walls

36" wide x 96" high (914 mm x 2438 mm)  
62" wide x 96" high (1575 mm x 2438 mm)

## SPECIFICATIONS

Model	Part	Nominal Dimensions	Ship Wt. Lb.	Carton Dims. In.	Cu. Ft.
SSST-3696-1	SSST369601	36" W x 96" H	96	42 x 4 x 102	10
SSST-6296-1	SSST629601	62" W x 96" H	108	68 x 4 x 102	16.06

**Includes:** One flat wall panel. It may be necessary to combine cartons to accommodate desired installation area. No installation materials provided. Order one SS-72 installation kit per SSST-3696 panel; the SSST-6296 requires two installation kits per panel.

**Packaging:** Each panel is packed in an individual carton.

## COLORS

### Solid Colors:

- White (010)
- Bisque (018)
- Bone (037)

### Aggregate Colors:

- Bermuda Sand (040)
- Black Galaxy (015)
- Carrara (221)
- Concrete Ash Gray (203)
- Concrete Birch (226)
- Concrete Charcoal Gray (209)
- Concrete Clay (212)
- Concrete Limestone (218)
- Concrete Sandstone (215)
- Ice (130)
- Tahiti White (011)

## ACCESSORIES

See page 56 for complete listing of all wall accessories.

## STANDARDS AND RATINGS

American Society of Testing and Materials (ASTM) E-84: Class A Flame Spread Rating

American National Standard Institute—ANSI Z124.6

International Association of Plumbing and Mechanical Officials (IAPMO)—Listed

cUPC listed—Certified to CSA Test Standard B45.5 by IAPMO

Uniform Plumbing Code (UPC)

For a complete list of tests and results see the Technical Data Sheet.

## MAINTENANCE AND CLEANING INFORMATION

Clean regularly with common household liquid cleaners and rinse within five minutes of application. Occasional scrubbing with abrasive cleaners ensures that the original luster will be maintained. **Do not** use "leave on" cleaning products, such as automatic spray shower cleaners. Prolonged contact with harsh chemicals could have an adverse reaction over time and discolor surfaces.

**Do not** use cleaning agents that caution use on acrylic, polyester or plastics.

## SUPPORT DOCUMENTS

Installation instructions available at [swanstone.com](http://swanstone.com).

**MADE IN USA**



# Swanstone Modern Subway Tile Bath Wall



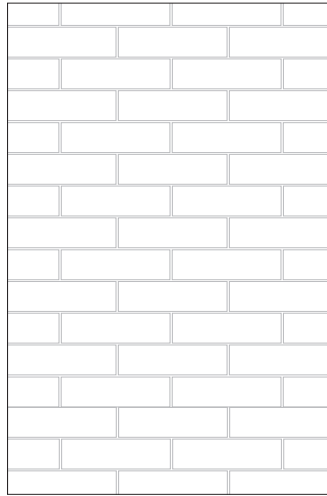
## Single Panel

### Manufactured from Swanstone Solid Surface

Recommended for high-use traffic areas and commercial surfaces.

### FEATURES

- Modern 6 x 24-inch subway tile pattern with textured grout lines provides a clean and simple look for your bath.
- No grout to maintain; will not mold or mildew.
- Color and texture run all the way through and cannot wear away.
- Ideal for remodeling, panels glue up over existing surface.
- Coordinates with other Swanstone bath products.
- Heat resistant—walls can handle steamer units.
- Compression molding means superior durability.
- Warranty: Limited Lifetime – Residential  
Limited 30-year – Commercial



### Single Panel Shower Walls

- 30" wide x 96" high (762 mm x 2438 mm)
- 32" wide x 96" high (813 mm x 2438 mm)
- 34" wide x 96" high (864 mm x 2438 mm)
- 36" wide x 96" high (914 mm x 2438 mm)
- 62" wide x 96" high (1575 mm x 2438 mm)
- 30" wide x 84" high (762 mm x 2134 mm)
- 32" wide x 84" high (813 mm x 2134 mm)
- 34" wide x 84" high (864 mm x 2134 mm)
- 36" wide x 84" high (914 mm x 2134 mm)
- 62" wide x 84" high (1575 mm x 2134 mm)
- 30" wide x 72" high (762 mm x 1829 mm)
- 32" wide x 72" high (813 mm x 1829 mm)
- 34" wide x 72" high (864 mm x 1829 mm)
- 36" wide x 72" high (914 mm x 1829 mm)
- 62" wide x 72" high (1575 mm x 1829 mm)

### SPECIFICATIONS

Model	Part	Nominal Dimensions	Ship Wt. Lb.	Carton Dims. In.	Cu. Ft.
MSMK-9630-1	MSMK9630.xxx	30 W x 96 H	70	102 x 43 x 4	10.2
MSMK-9632-1	MSMK9632.xxx	32 W x 96 H	75	102 x 43 x 4	10.2
MSMK-9634-1	MSMK9634.xxx	34 W x 96 H	80	102 x 43 x 4	10.2
MSMK-9636-1	MSMK9636.xxx	36 W x 96 H	85	102 x 43 x 4	10.2
MSMK-8430-1	MSMK8430.xxx	30 W x 84 H	62	90 x 43 x 4	9
MSMK-8432-1	MSMK8432.xxx	32 W x 84 H	66	90 x 43 x 4	9
MSMK-8434-1	MSMK8434.xxx	34 W x 84 H	70	90 x 43 x 4	9
MSMK-8436-1	MSMK8436.xxx	36 W x 84 H	74	90 x 43 x 4	9
MSMK-7230-1	MSMK7230.xxx	30 W x 72 H	53	78 x 43 x 4	7.8
MSMK-7232-1	MSMK7232.xxx	32 W x 72 H	56	78 x 43 x 4	7.8
MSMK-7234-1	MSMK7234.xxx	34 W x 72 H	60	78 x 43 x 4	7.8
MSMK-7236-1	MSMK7236.xxx	36 W x 72 H	63	78 x 43 x 4	7.8
MSMK-9662-1	MSMK9662.xxx	62 W x 96 H	145	102 x 68 x 4	16.1
MSMK-8462-1	MSMK8462.xxx	62 W x 84 H	127	90 x 68 x 4	14.2
MSMK-7262-1	MSMK7262.xxx	62 W x 72 H	109	78 x 68 x 4	12.3

**Includes:** One flat wall panel. It may be necessary to combine cartons to accommodate desired installation area. No installation materials provided.

**Packaging:** Each panel is packed in an individual carton.

### COLORS

#### Solid Colors:

- White (010)
- Bisque (018)
- Bone (037)

#### Aggregate Colors:

- Bermuda Sand (040)
- Black Galaxy (015)
- Carrara (221)
- Concrete Ash Gray (203)
- Concrete Birch (226)
- Concrete Charcoal Gray (209)
- Concrete Clay (212)
- Concrete Limestone (218)
- Concrete Sandstone (215)
- Ice (130)
- Tahiti White (011)

### ACCESSORIES

See page 56 for complete listing of all wall accessories.

### STANDARDS AND RATINGS

American Society of Testing and Materials (ASTM) E-84: Class A Flame Spread Rating

American National Standard Institute—ANSI Z124.6

International Association of Plumbing and Mechanical Officials (IAPMO)—Listed

cUPC listed—Certified to CSA Test Standard B45.5 by IAPMO

Uniform Plumbing Code (UPC)

For a complete list of tests and results see the Technical Data Sheet.

### MAINTENANCE AND CLEANING INFORMATION

Clean regularly with common household liquid cleaners and rinse within five minutes of application. Occasional scrubbing with abrasive cleaners ensures that the original luster will be maintained. **Do not** use “leave on” cleaning products, such as automatic spray shower cleaners. Prolonged contact with harsh chemicals could have an adverse reaction over time and discolor surfaces. **Do not** use cleaning agents that caution use on acrylic, polyester or plastics.

### SUPPORT DOCUMENTS

Installation instructions available at [swanstone.com](http://swanstone.com).

# Swanstone Traditional Subway Tile Bath Wall



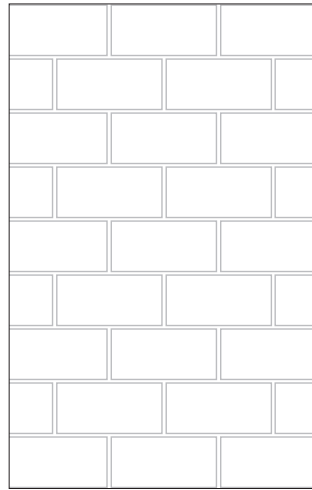
Single Panel

## Manufactured from Swanstone Solid Surface

Recommended for high-use traffic areas and commercial surfaces.

### FEATURES

- Traditional 12 x 24-inch subway tile provides your bathroom with beautiful style.
- No grout to maintain; will not mold or mildew.
- Color and texture run all the way through and cannot wear away.
- Ideal for remodeling, panels glue up over existing surface.
- Coordinates with other Swanstone bath products.
- Heat resistant—walls can handle steamer units.
- Compression molding means superior durability.
- Warranty: Limited Lifetime – Residential  
Limited 30-year – Commercial



### Single Panel Shower Walls

- 30" wide x 96" high (762 mm x 2438 mm)
- 32" wide x 96" high (813 mm x 2438 mm)
- 34" wide x 96" high (864 mm x 2438 mm)
- 36" wide x 96" high (914 mm x 2438 mm)
- 62" wide x 96" high (1575 mm x 2438 mm)
- 30" wide x 84" high (762 mm x 2134 mm)
- 32" wide x 84" high (813 mm x 2134 mm)
- 34" wide x 84" high (864 mm x 2134 mm)
- 36" wide x 84" high (914 mm x 2134 mm)
- 62" wide x 84" high (1575 mm x 2134 mm)
- 30" wide x 72" high (762 mm x 1829 mm)
- 32" wide x 72" high (813 mm x 1829 mm)
- 34" wide x 72" high (864 mm x 1829 mm)
- 36" wide x 72" high (914 mm x 1829 mm)
- 62" wide x 72" high (1575 mm x 1829 mm)

### SPECIFICATIONS

Model	Part	Nominal Dimensions	Ship Wt. Lb.	Carton Dims. In.	Cu. Ft.
TSMK-9630-1	TSMK9630.xxx	30 W x 96 H	70	102 x 43 x 4	10.2
TSMK-9632-1	TSMK9632.xxx	32 W x 96 H	75	102 x 43 x 4	10.2
TSMK-9634-1	TSMK9634.xxx	34 W x 96 H	80	102 x 43 x 4	10.2
TSMK-9636-1	TSMK9636.xxx	36 W x 96 H	85	102 x 43 x 4	10.2
TSMK-8430-1	TSMK8430.xxx	30 W x 84 H	62	90 x 43 x 4	9
TSMK-8432-1	TSMK8432.xxx	32 W x 84 H	66	90 x 43 x 4	9
TSMK-8434-1	TSMK8434.xxx	34 W x 84 H	70	90 x 43 x 4	9
TSMK-8436-1	TSMK8436.xxx	36 W x 84 H	74	90 x 43 x 4	9
TSMK-7230-1	TSMK7230.xxx	30 W x 72 H	53	78 x 43 x 4	7.8
TSMK-7232-1	TSMK7232.xxx	32 W x 72 H	56	78 x 43 x 4	7.8
TSMK-7234-1	TSMK7234.xxx	34 W x 72 H	60	78 x 43 x 4	7.8
TSMK-7236-1	TSMK7236.xxx	36 W x 72 H	63	78 x 43 x 4	7.8
TSMK-9662-1	TSMK9662.xxx	62 W x 96 H	145	102 x 68 x 4	16.1
TSMK-8462-1	TSMK8462.xxx	62 W x 84 H	127	90 x 68 x 4	14.2
TSMK-7262-1	TSMK7262.xxx	62 W x 72 H	109	78 x 68 x 4	12.3

**Includes:** One flat wall panel. It may be necessary to combine cartons to accommodate desired installation area. No installation materials provided.

**Packaging:** Each panel is packed in an individual carton.

### COLORS

#### Solid Colors:

- White (010)
- Bisque (018)
- Bone (037)

#### Aggregate Colors:

- Bermuda Sand (040)
- Black Galaxy (015)
- Carrara (221)
- Concrete Ash Gray (203)
- Concrete Birch (226)
- Concrete Charcoal Gray (209)
- Concrete Clay (212)
- Concrete Limestone (218)
- Concrete Sandstone (215)
- Ice (130)
- Tahiti White (011)

### ACCESSORIES

See page 56 for complete listing of all wall accessories.

**MADE IN USA**

### STANDARDS AND RATINGS

American Society of Testing and Materials (ASTM) E-84: Class A Flame Spread Rating

American National Standard Institute—ANSI Z124.6

International Association of Plumbing and Mechanical Officials (IAPMO)—Listed

cUPC listed—Certified to CSA Test Standard B45.5 by IAPMO

Uniform Plumbing Code (UPC)

For a complete list of tests and results see the Technical Data Sheet.

### MAINTENANCE AND CLEANING INFORMATION

Clean regularly with common household liquid cleaners and rinse within five minutes of application. Occasional scrubbing with abrasive cleaners ensures that the original luster will be maintained. **Do not** use "leave on" cleaning products, such as automatic spray shower cleaners. Prolonged contact with harsh chemicals could have an adverse reaction over time and discolor surfaces. **Do not** use cleaning agents that caution use on acrylic, polyester or plastics.

### SUPPORT DOCUMENTS

Installation instructions available at [swanstone.com](http://swanstone.com).

# Swanstone Square Tile Bath Wall

Single Panel



## Manufactured from Swanstone Solid Surface

Recommended for high-use traffic areas and commercial surfaces.

### FEATURES

- Chamfered-edges on the 12-inch square tile pattern provide the high-end look of travertine.
- No grout to maintain; will not mold or mildew.
- Color and texture run all the way through and cannot wear away.
- Ideal for remodeling, panels glue up over existing surface.
- Coordinates with other Swanstone bath products.
- Can be easily trimmed to fit any shower application.
- Widest range of sizes to fit most any project.
- Heat resistant—walls can handle steamer units.
- Compression molding means superior durability.
- Warranty: Limited Lifetime - Residential  
Limited 30-year - Commercial



### Single Panel Shower Walls

36" wide x 96" high (914 mm x 2438 mm)  
62" wide x 96" high (1575 mm x 2438 mm)

### SPECIFICATIONS

Model	Part	Nominal Dimensions	Ship Wt. Lb.	Carton Dims. In.	Cu. Ft.
SSSQ-3696-1	SSSQ369601	36" W x 96" H	96	42 x 4 x 102	10
SSSQ-6296-1	SSSQ629601	62" W x 96" H	108	68 x 4 x 102	16.06

**Kit Includes:** One flat wall panel. It may be necessary to combine cartons to accommodate desired installation area. No installation materials provided. Order one SS-72 installation kit per SSSQ-3696 panel; the SSSQ-6296 requires two installation kits per panel.

**Packaging:** Each kit is packed in an individual carton.

### COLORS

#### Solid Colors:

- White (010)
- Bisque (018)
- Bone (037)

#### Aggregate Colors:

- Bermuda Sand (040)
- Black Galaxy (015)
- Carrara (221)
- Concrete Ash Gray (203)
- Concrete Birch (226)
- Concrete Charcoal Gray (209)
- Concrete Clay (212)
- Concrete Limestone (218)
- Concrete Sandstone (215)
- Ice (130)
- Tahiti White (011)

### ACCESSORIES

See page 56 for complete listing of all wall accessories.

### STANDARDS AND RATINGS

American Society of Testing and Materials (ASTM) E-84: Class A Flame Spread Rating

American National Standard Institute—ANSI Z124.6

International Association of Plumbing and Mechanical Officials (IAPMO)—Listed

cUPC listed—Certified to CSA Test Standard B45.5 by IAPMO

Uniform Plumbing Code (UPC)

For a complete list of tests and results see the Technical Data Sheet.

### MAINTENANCE AND CLEANING INFORMATION

Clean regularly with common household liquid cleaners and rinse within five minutes of application. Occasional scrubbing with abrasive cleaners ensures that the original luster will be maintained. **Do not** use "leave on" cleaning products, such as automatic spray shower cleaners. Prolonged contact with harsh chemicals could have an adverse reaction over time and discolor surfaces.

**Do not** use cleaning agents that caution use on acrylic, polyester or plastics.

### SUPPORT DOCUMENTS

Installation instructions available at [swanstone.com](http://swanstone.com).

**MADE IN USA**

# Swanstone Decorative Wall Panels



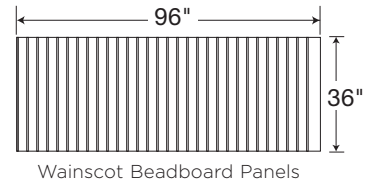
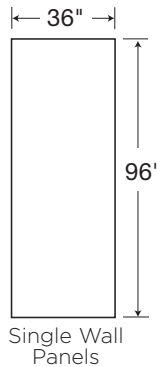
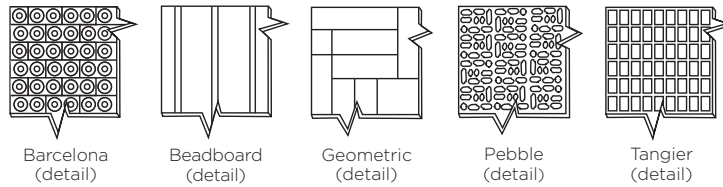
## Single Panel

### Manufactured from Swanstone Solid Surface

Recommended for high-use traffic areas and commercial surfaces.

### FEATURES

- Three dimensional textures and patterns.
- Five decorative wall panel patterns from which to choose.
- Use one or more panels to add drama or a subtle touch to your bath suite.
- Reinforced solid surface means color and texture run all the way through and cannot wear away.
- Will not mold or mildew, no grout to clean.
- Ideal for remodeling, panels glue up over existing surface.
- Trim panels for a variety of design options.
- Also makes beautiful wainscoting or kitchen backsplash.
- Warranty: Limited Lifetime – Residential  
Limited 30-year – Commercial



### Decorative Wall Panels

36" wide x 96" high\*  
(914 mm x 2438 mm)

\*Wainscot Beadboard: 96" wide x 36" high

### SPECIFICATIONS

Model	Part	Description	Ship Wt. Lb.	Carton Dims. In.	Cu. Ft.
<b>Single Wall Panels</b> All panels are 36" wide x 96" high* (914 mm x 2438 mm)					
DWP-3696BA-1	DPO3696BA01	Barcelona	78	98 x 38 x 4	8.62
DWP-3696BB-1	DPO3696BB01	Beadboard	78	98 x 38 x 4	8.62
DWP-3696GO-1	DPO3696GO01	Geometric	78	98 x 38 x 4	8.62
DWP-3696PB-1	DPO3696PB01	Pebble	78	98 x 38 x 4	8.62
DWP-3696TN-1	DPO3696TN01	Tangier	78	98 x 38 x 4	8.62
DWP-9636WB-1	DPO9636WB01	Wainscot Beadboard*	78	98 x 38 x 4	8.62

\*Wainscot Beadboard is 96" W x 36" H

**Kit Includes:** One flat wall panel. It may be necessary to combine cartons to accommodate desired installation area. No installation materials provided.

**Packaging:** Each kit is packed in an individual carton.

### COLORS

#### Solid Colors:

- White (010)
- Bisque (018)
- Bone (037)

#### Aggregate Colors:

- Arctic Granite (035)
- Baby's Breath (168)
- Barley (091)
- Bermuda Sand (040)
- Canyon (124)
- Cloud Bone (126)
- Cloud White (125)
- Glacier (121)
- Golden Steppe (128)
- Gray Granite (042)
- Ice (130)
- Mountain Haze (129)
- Night Sky (012)
- Pebble (072)
- Prairie (122)
- Tahiti Desert (050)
- Tahiti Gray (053)
- Tahiti Ivory (059)
- Tahiti Matrix (058)
- Tahiti Sand (051)
- Tahiti White (011)
- Tundra (131)

### ACCESSORIES

See page 56 for complete listing of all wall accessories.



### STANDARDS AND RATINGS

American Society of Testing and Materials (ASTM) E-84: Class A Flame Spread Rating

American National Standard Institute—ANSI Z124.6

International Association of Plumbing and Mechanical Officials (IAPMO)—Listed

cUPC listed—Certified to CSA Test Standard B45.5 by IAPMO

Uniform Plumbing Code (UPC)

For a complete list of tests and results see the Technical Data Sheet.

### MAINTENANCE AND CLEANING INFORMATION

Clean regularly with common household liquid cleaners and rinse within five minutes of application. Occasional scrubbing with abrasive cleaners ensures that the original luster will be maintained. **Do not** use "leave on" cleaning products, such as automatic spray shower cleaners. Prolonged contact with harsh chemicals could have an adverse reaction over time and discolor surfaces. **Do not** use cleaning agents that caution use on acrylic, polyester or plastics.

### SUPPORT DOCUMENTS

Installation instructions available at [swanstone.com](http://swanstone.com).

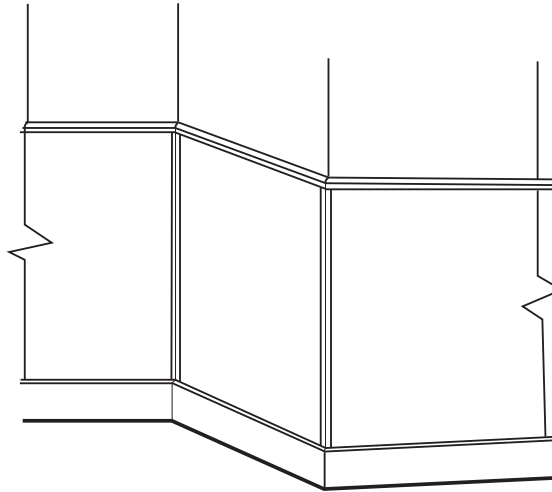
# Swanstone Wainscoting Panels

## Manufactured from Swanstone Solid Surface

Recommended for high-use traffic areas and commercial surfaces.

### FEATURES

- Swanstone protective wall coverings are perfect for commercial spaces and high-traffic, high-pressure areas like shipping rooms, hallways and elevator interiors.
- Reinforced solid surface means color and texture run all the way through and cannot wear away.
- Resistant to cracks, gouges and dings.
- Durable and easy to clean.
- Renewable surface which can be repaired if necessary.
- Compression molding means superior durability.
- Warranty: Limited Lifetime – Residential  
Limited 30-year – Commercial



Wainscoting Panels

### SPECIFICATIONS

Model	Part	Description	Carton Dims. In.
SS-3696SK	SS03696SK	36" H x 96" W Skidded Panels	-
SS-4896SK	SS04896SK	48" H x 96" W Skidded Panels	-
SS-30145SK	SS30145SK	30" H x 145" W Skidded Panels	-
DWP-9636WB-1	DP09636WB01	36" H x 96" W Wainscot Beadboard	98 x 38 x 4

**NOTE:** Solid colors are not recommended due to increased maintenance.

### COLORS

#### Solid Colors:

- White (010)
- Bisque (018)
- Bone (037)

#### Aggregate Colors:

- Arctic Granite (035)
- Baby's Breath (168)
- Barley (091)
- Bermuda Sand (040)
- Canyon (124)
- Cloud Bone (126)
- Cloud White (125)
- Glacier (121)
- Golden Steppe (128)
- Gray Granite (042)
- Ice (130)
- Mountain Haze (129)
- Night Sky (012)
- Pebble (072)
- Prairie (122)
- Tahiti Desert (050)
- Tahiti Gray (053)
- Tahiti Ivory (059)
- Tahiti Matrix (058)
- Tahiti Sand (051)
- Tahiti White (011)
- Tundra (131)

### STANDARDS AND RATINGS

American Society of Testing and Materials (ASTM) E-84: Class A Flame Spread Rating

American National Standard Institute—ANSI Z124.6

International Association of Plumbing and Mechanical Officials (IAPMO)—Listed

cUPC listed—Certified to CSA Test Standard B45.5 by IAPMO

Uniform Plumbing Code (UPC)

For a complete list of tests and results see the Technical Data Sheet.

### MAINTENANCE AND CLEANING INFORMATION

Clean regularly with common household liquid cleaners and rinse within five minutes of application. Occasional scrubbing with abrasive cleaners ensures that the original luster will be maintained. **Do not** use "leave on" cleaning products, such as automatic spray shower cleaners. Prolonged contact with harsh chemicals could have an adverse reaction over time and discolor surfaces.

**Do not** use cleaning agents that caution use on acrylic, polyester or plastics.

### SUPPORT DOCUMENTS

Installation instructions available at [swanstone.com](http://swanstone.com).

# Swanstone Bath Accessories Chart



## AS-1075 Recessed Accessory Shelf

Model	Part	Dimensions	Ship Wt. Lb.	Ship FedEx	Carton Dims. In.	Cu. Ft.
AS-1075	AS01075	10 3/4" H x 7 1/2" W x 4 1/8" D	5	FedEx	14 x 10 x 6	.49

**Kit Includes:** One recessed shelf. Installs vertically or horizontally between studs. Packed in individual cartons.

## SS-7211 Corner Soap Shelf

Model	Part	Dimensions	Ship Wt. Lb.	Ship FedEx	Carton Dims. In.	Cu. Ft.
SS-7211	SS07211	5 3/4" W x 11" H	5	FedEx	14 x 11 x 7	.62

**Includes:** One molded soap shelf. Installs in corner only. Packed in individual cartons.

## ES-2 Corner Soap Shelf

Model	Part	Dimensions	Ship Wt. Lb.	Ship FedEx	Carton Dims. In.	Cu. Ft.
ES-2	ES20000	4 3/4"D x 4 3/4"W	2	FedEx	13 x 7 x 4	.21

**Kit Includes:** Two soap shelves. Installs in corner only. Packed in individual cartons. See corner molding, page 90.

## RS-2215 Recessed Shampoo Shelf

Model	Part	Dimensions	Ship Wt. Lb.	Ship FedEx	Carton Dims. In.	Cu. Ft.
RS-2215	RS02215	22" H x 15" W x 4 5/16" D	12	FedEx	27 x 20 x 7	2.19

**Kit Includes:** One recessed shampoo shelf. Installs vertically between studs. Packed in individual cartons.

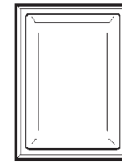
## CS-1616 Corner Shower Seat

Model	Part	Dimensions	Ship Wt. Lb.	Ship FedEx	Carton Dims. In.	Cu. Ft.
CS-1616	CS01616	16 5/16" D x 16 5/16" W x 4" H	20	FedEx	22 x 22 x 5	1.40

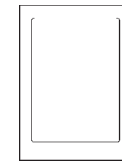
**Kit Includes:** One Swanstone shower seat, one stainless steel mounting bracket, six lag bolts, and washers. Packed in individual cartons.

### WARRANTY

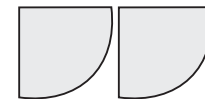
Limited Lifetime - Residential  
Limited 30-year - Commercial



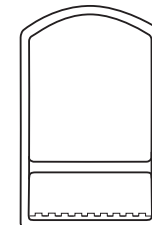
AS-1075



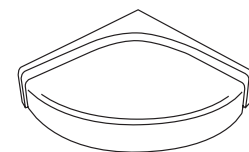
SS-7211



ES-2



RS-2215



CS-1616

capacity 300 lbs.

# Swanstone Bath Accessories Chart

## DSP-2 Tub Wall Soap Shelf Panel

Model	Part	Dimensions	Ship Wt. Lb.	Ship FedEx	Carton Dims. In.	Cu. Ft.
DSP-2	SS60000SD	6 1/2" W x 60" H	9	FedEx	61 x 8 x 5	1.42

**Kit Includes:** One 6 1/2" x 60" panel with two molded-in soap shelves

### WARRANTY

Limited Lifetime - Residential  
Limited 30-year - Commercial

## Swanstone Wall Panel Trim Kits

Model	Part	Dimensions	Ship Wt. Lb.	Ship FedEx	Carton Dims. In.	Cu. Ft.
TK-6072	TK06072	-	23	FedEx	76 x 10 x 3	1.32
TK-105	TK00105	-	32	-	107 x 10 x 3	1.86
TK-105-TP	TK00105TP	-	10	-	107 x 10 x 3	1.86

**TK-6072** accommodates Swanstone 60" or 72" high bathtub and shower wall panel systems.

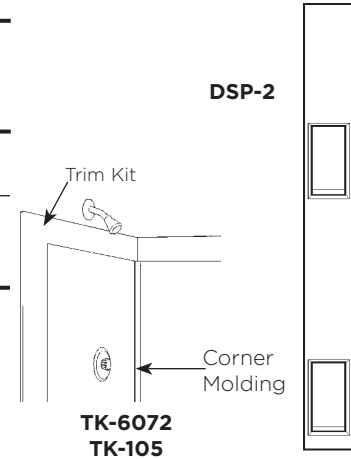
**Kit Includes:** Four 3 7/8" x 74" trim strips, two 1 1/4" x 1/2" x 72" corner moldings.

**TK-105** accommodates Swanstone 96" high shower wall panel system.

**Kit Includes:** Two 3 7/8" x 105" trim strips, two 3 7/8" x 74" trim strips, two 1 1/4" x 1/2" x 96" corner moldings.

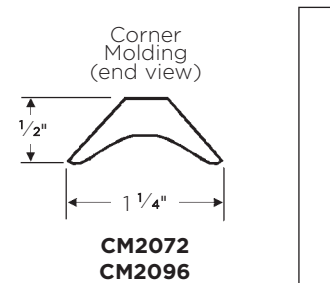
**TK-105-TP:** Single trim piece

**Kit Includes:** One 3 7/8" x 105" trim piece. Can be cut to use with 72" walls.



## Swanstone Corner Moldings (set of 2)

Model	Part	Dimensions	Ship Wt. Lb.	Ship FedEx	Carton Dims. In.	Cu. Ft.
CM-2072	CM00072	1/2" D x 1 1/4" W x 72" H4	FedEx	73 x 2 x 2	.17	
CM-2096	CM00096	1/2" D x 1 1/4" W x 96" H6	FedEx	97 x 2 x 2	.22	



## TK-0372 Batten Strip

Model	Part	Dimensions	Ship Wt. Lb.	Ship FedEx	Carton Dims. In.	Cu. Ft.
TK-0372	TK00372	1/4" D x 3 3/4" W x 72" H	5	FedEx	73 x 4 x 1	.17

**Kit Includes:** One 3 3/4" x 72" flat batten strip

**Batten Strip  
TK0372**

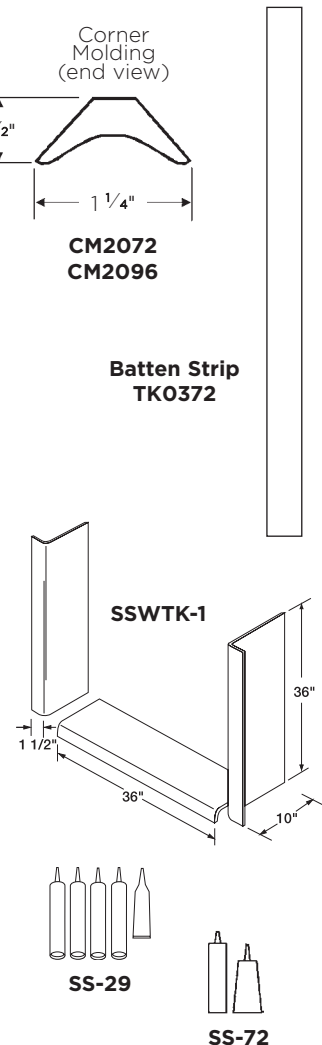
## SSWTK-1 Swanstone Window Trim Kit

Model	Part	Dimensions	Ship Wt. Lb.	Ship FedEx	Carton Dims. In.	Cu. Ft.
SSWTK-1 (single)	TK03610	-	30	FedEx	37 x 12 x 4	1.03

Designed for window sill applications up to 36" wide and 10" deep.

**Kit Includes:** One horizontal Swanstone sill panel and two vertical Swanstone jamb panels.

**Packaging:** Packed in individual cartons, both singly\* and with a master carton (6 pack).



## SS-29 and SS-72 Installation Kits

Model	Part	Dimensions	Ship Wt. Lb.	Ship FedEx	Carton Dims. In.	Cu. Ft.
SS-29*	SS29000	-	6	FedEx	12 x 7 x 7	.34
SS-72**	Ss72000	-	2	FedEx	14 x 7 x 4	.23

**\*Kit Includes:** Four tubes of clear silicone and one tube of color coordinated silicone to mount wall panels.

One kit per tub wall panel system. Packed in individual cartons.

**\*\*Kit Includes:** One tube of clear silicone and one tube of color coordinated silicone to attach single panel to any properly prepared surface. For multiple panel applications, more than one kit will be required. One kit per panel. Packed in individual cartons.



# SB-1248

## Swanstone Shower Bench Seat Top

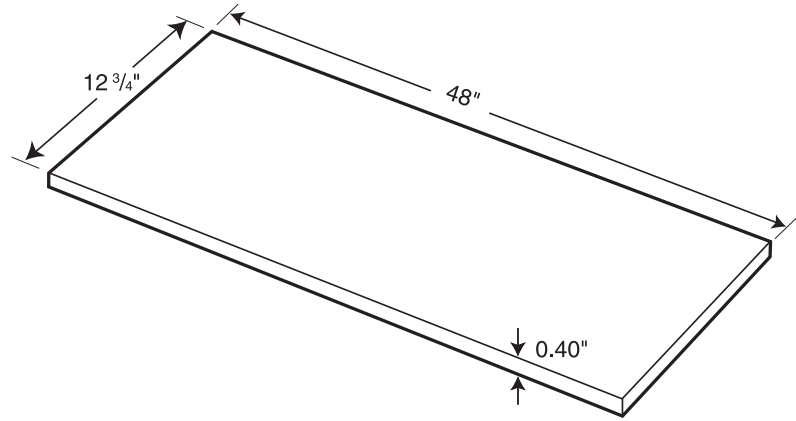


### Manufactured from Swanstone Solid Surface

Recommended for high-use traffic areas and commercial surfaces.

### FEATURES

- Finished edges on both sides for installing either right or left side.
- 48-inch width fits a variety of shower sizes.
- Seat is two times thicker than wall panels.
- Reinforced solid surface means color and texture run all the way through and cannot wear away.
- Will not mold or mildew, no grout to clean.
- Compression molding means superior durability.
- Warranty: Limited Lifetime – Residential  
Limited 30-year – Commercial



### SPECIFICATIONS

Model	Part	Nominal Dimensions	Ship Wt. Lb.	Ship FedEx	Carton Dims. In.	Cu. Ft.
SB-1248	SB01248	12 3/4" x 48" (324 mm x 1219 mm)	16	FedEx	51 x 14 x 1.5	.65

**Includes:** One 12" x 48" shower bench seat

**Packaging:** Each kit is packed in an individual carton.

### COLORS

#### Solid Colors:

- White (010)
- Bisque (018)
- Bone (037)

#### Aggregate Colors:

- Bermuda Sand (040)
- Black Galaxy (015)
- Carrara (221)
- Concrete Ash Gray (203)
- Concrete Birch (226)
- Concrete Charcoal Gray (209)
- Concrete Clay (212)
- Concrete Limestone (218)
- Concrete Sandstone (215)
- Ice (130)
- Tahiti White (011)

### STANDARDS AND RATINGS

American Society of Testing and Materials (ASTM) E-84: Class A Flame Spread Rating

American National Standard Institute—ANSI Z124.6

International Association of Plumbing and Mechanical Officials (IAPMO)—Listed

cUPC listed—Certified to CSA Test Standard B45.5 by IAPMO

Uniform Plumbing Code (UPC)

For a complete list of tests and results see the Technical Data Sheet.

### MAINTENANCE AND CLEANING INFORMATION

Clean regularly with common household liquid cleaners and rinse within five minutes of application. Occasional scrubbing with abrasive cleaners ensures that the original luster will be maintained. **Do not** use "leave on" cleaning products, such as automatic spray shower cleaners. Prolonged contact with harsh chemicals could have an adverse reaction over time and discolor surfaces.

**Do not** use cleaning agents that caution use on acrylic, polyester or plastics.

### SUPPORT DOCUMENTS

Installation instructions available at [swanstone.com](http://swanstone.com).

**MADE IN USA**



# TF-57

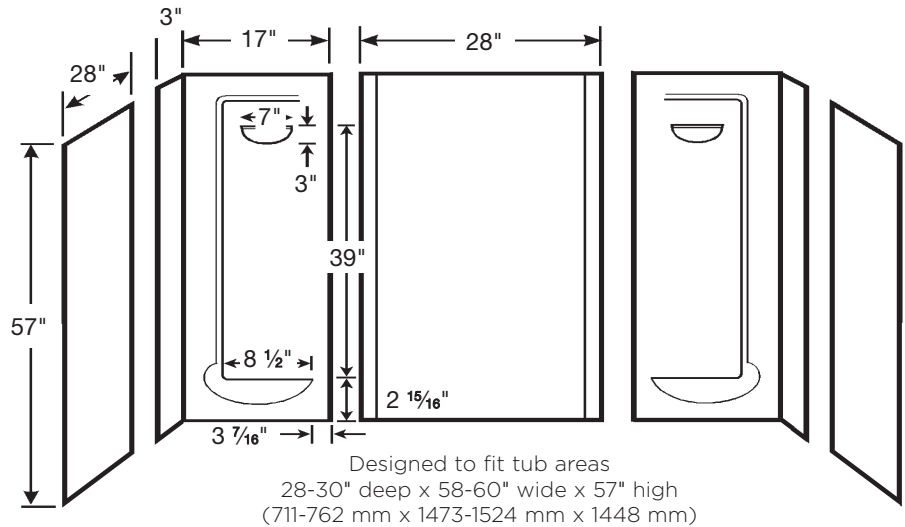
Veritek® Bath Wall Kit



Manufactured from Veritek®

## FEATURES

- Will not mold or mildew, no grout to clean.
- Ideal for both remodeling projects and new construction.
- Affordable wall system made of Veritek® with no surface coating to chip or crack—color runs throughout.
- The **TF-57** is a glue-up five piece unit with a softly textured surface.
- Warranty:  
 Limited Lifetime - Residential  
 Limited 5-year - Commercial



## SPECIFICATIONS

Model	Part	Ship Wt. Lb.	Carton Dims. In.	Cu. Ft.
TF-57	TF57000	58	60 x 31 x 5	5.39

**Kit Includes:** One back panel, two corner panels with four molded-in shampoo shelves and soap shelves, two side panels.

**Packaging:** Each kit is packed in a flat, rectangular carton.

## COLORS

### Solid Colors:

- White (010)
- Bisque (018)
- Bone (037)

## MAINTENANCE AND CLEANING INFORMATION

Clean regularly with common household liquid cleaners and a sponge or soft cloth. For hard water stains, scale removers can be used. To protect finish, fiberglass wax or automotive paste wax can be applied. **Do not** use abrasive cleaners or scouring pads. **Do not** use "leave on" cleaning products, such as automatic spray shower cleaners. Prolonged contact with harsh chemicals could have an adverse reaction over time and discolor surfaces. **Do not** use cleaning agents that caution use on acrylic, polyester or plastics.

## SUPPORT DOCUMENTS

Installation instructions available at [swanstone.com](http://swanstone.com).

# GN-58

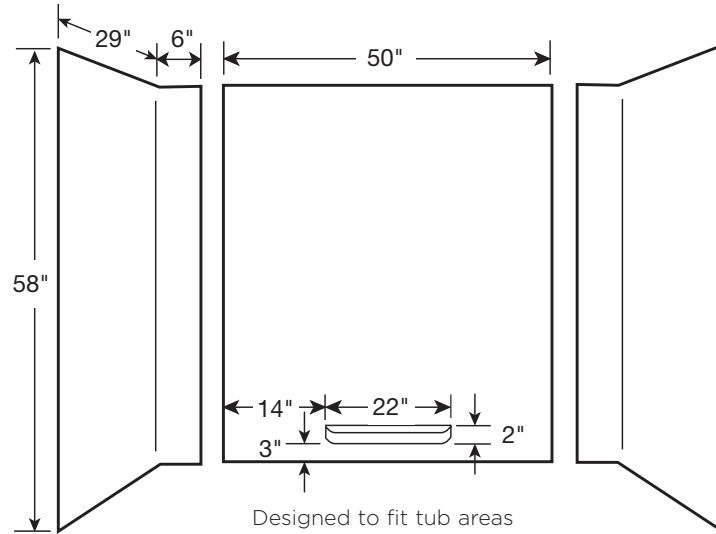
## Veritek® Bath Wall Kit



Manufactured from Veritek®

### FEATURES

- Will not mold or mildew, no grout to clean.
- Ideal for both remodeling projects and new construction.
- Meets ADA guidelines for soap shelf height and grab bar installation.
- Affordable wall system made of Veritek® with no surface coating to chip or crack—color runs throughout.
- The GN-58 is a glue-up three piece compression-molded composite with molded-in color and a natural gloss surface.
- Warranty: Limited Lifetime - Residential  
Limited 5-year - Commercial



Designed to fit tub areas  
30" deep x 60" wide or smaller x 58" high  
(762 mm x 1524 mm x 1473 mm)



### SPECIFICATIONS

Model	Part	Ship Wt. Lb.	Carton Dims. In.	Cu. Ft.
GN-58	GN58000	57	61 x 61 x 6	12.92

**Kit Includes:** One back panel with molded-in soap shelf, two end panels.  
**Packaging:** Each kit is packed in a flat, rectangular carton.

### COLORS

- Solid Colors:**
- White (010)
  - Bisque (018)
  - Bone (037)

### MAINTENANCE AND CLEANING INFORMATION

Clean regularly with common household liquid cleaners and a sponge or soft cloth. For hard water stains, scale removers can be used. To protect finish, fiberglass wax or automotive paste wax can be applied. **Do not** use abrasive cleaners or scouring pads. **Do not** use "leave on" cleaning products, such as automatic spray shower cleaners. Prolonged contact with harsh chemicals could have an adverse reaction over time and discolor surfaces. **Do not** use cleaning agents that caution use on acrylic, polyester or plastics.

### SUPPORT DOCUMENTS

Installation instructions available at [swanstone.com](http://swanstone.com).

**MADE IN USA**

# TI-7260

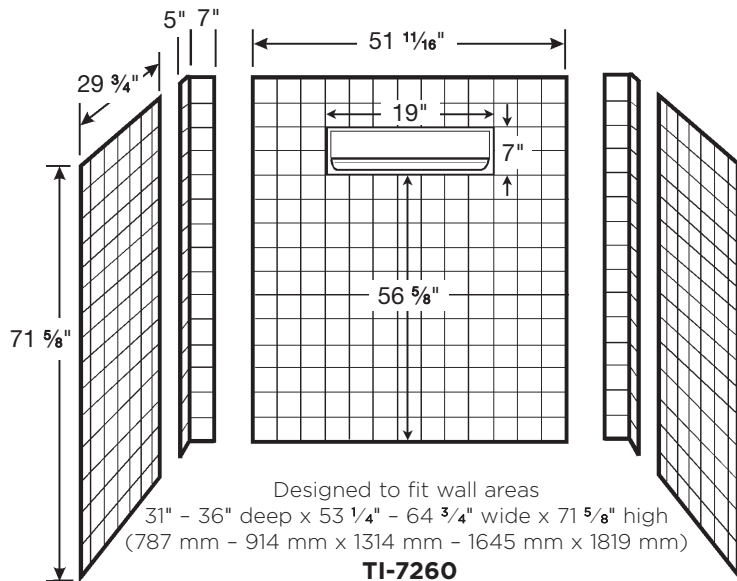
Veritek® SwanTile™ Bath Wall Kit



Manufactured from Veritek®

## FEATURES

- Compression molded Veritek® is a composite material with no surface coating to chip or crack.
- For use with Swanstone, Veritek® and other standard shower pans.
- Glue-up five piece shower wall panel system.
- Warranty: Limited Lifetime - Residential  
Limited 5-year - Commercial



## SPECIFICATIONS

Model	Part	Ship Wt. Lb.	Carton Dims. In.	Cu. Ft.
TI-7260	T107260	95	73 x 55 x 6	13.94

**Kit Includes:** One back panel with molded-in soap shelf, two corner panels, two side panels.

**Packaging:** Each kit is packed in a flat, rectangular carton.

## COLORS

### Solid Colors:

- White (010)
- Bisque (018)
- Bone (037)

## MAINTENANCE AND CLEANING INFORMATION

Clean regularly with common household liquid cleaners and a sponge or soft cloth. For hard water stains, scale removers can be used. To protect finish, fiberglass wax or automotive paste wax can be applied. **Do not** use abrasive cleaners or scouring pads. **Do not** use "leave on" cleaning products, such as automatic spray shower cleaners. Prolonged contact with harsh chemicals could have an adverse reaction over time and discolor surfaces. **Do not** use cleaning agents that caution use on acrylic, polyester or plastics.

## SUPPORT DOCUMENTS

Installation instructions available at [swanstone.com](http://swanstone.com).

**MADE IN USA**

# TI-3

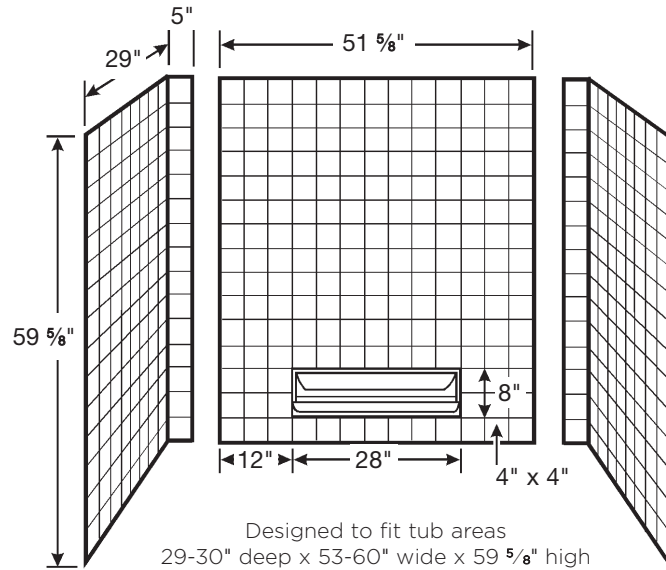
Veritek® SwanTile™ Bath Wall Kit



Manufactured from Veritek®

## FEATURES

- Has the real tile look, no grout to clean.
- Made of Veritek® with no surface coating to chip or crack—color runs throughout.
- Molded-in soap shelf and storage shelf.
- The **TI-3** is a glue-up three piece compression-molded unit with molded-in color.
- Patented design keeps shower head spray from aiming at seams.
- Warranty: Limited Lifetime – Residential  
Limited 5-year – Commercial



## SPECIFICATIONS

Model	Part	Ship Wt. Lb.	Carton Dims. In.	Cu. Ft.
TI-3	TI30000	67	65 x 57 x 6	12.87

TI-3 Kit Includes: One back panel with molded-in soap shelf, two end panels.

## COLORS

### Solid Colors:

- White (O10)
- Bisque (O18)
- Bone (O37)

## MAINTENANCE AND CLEANING INFORMATION

Clean regularly with common household liquid cleaners and a sponge or soft cloth. For hard water stains, scale removers can be used. To protect finish, fiberglass wax or automotive paste wax can be applied. **Do not** use abrasive cleaners or scouring pads. **Do not** use "leave on" cleaning products, such as automatic spray shower cleaners. Prolonged contact with harsh chemicals could have an adverse reaction over time and discolor surfaces. **Do not** use cleaning agents that caution use on acrylic, polyester or plastics.

## SUPPORT DOCUMENTS

Installation instructions available at [swanstone.com](http://swanstone.com).

**MADE IN USA**

# TI-5

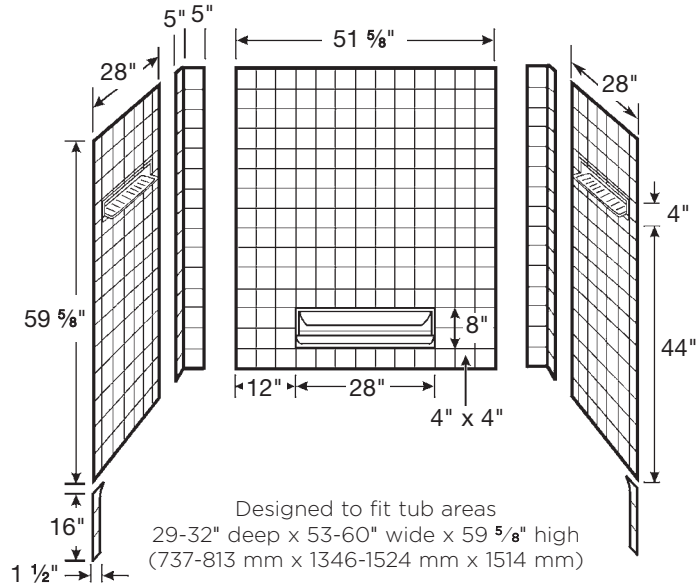
## Veritek® SwanTile™ Bath Wall Kit



Manufactured from Veritek®

### FEATURES

- Has the real tile look, no grout to clean.
- Will not mold or mildew.
- Ideal for both remodeling projects and new construction.
- Made of Veritek® with no surface coating to chip or crack—color runs throughout.
- Built-in shelves for storage of toiletries on all three walls.
- The **TI-5** is a glue-up seven piece compression-molded unit with molded-in color.
- Patented design keeps shower head spray from aiming at seams.
- Warranty: Limited Lifetime – Residential  
Limited 5-year – Commercial



### SPECIFICATIONS

Model	Part	Ship Wt. Lb.	Carton Dims. In.	Cu. Ft.
TI-5	TI50000	76	65 x 57 x 6	12.87

TI-5 Kit Includes: One back panel with molded-in soap shelf, two corner panels, two side panels with molded-in convenience shelves, two apron strips.

### COLORS

#### Solid Colors:

- White (O10)
- Bisque (O18)
- Bone (O37)

### MAINTENANCE AND CLEANING INFORMATION

Clean regularly with common household liquid cleaners and a sponge or soft cloth. For hard water stains, scale removers can be used. To protect finish, fiberglass wax or automotive paste wax can be applied. **Do not** use abrasive cleaners or scouring pads. **Do not** use "leave on" cleaning products, such as automatic spray shower cleaners. Prolonged contact with harsh chemicals could have an adverse reaction over time and discolor surfaces. **Do not** use cleaning agents that caution use on acrylic, polyester or plastics.

### SUPPORT DOCUMENTS

Installation instructions available at [swanstone.com](http://swanstone.com).

# BA-3060

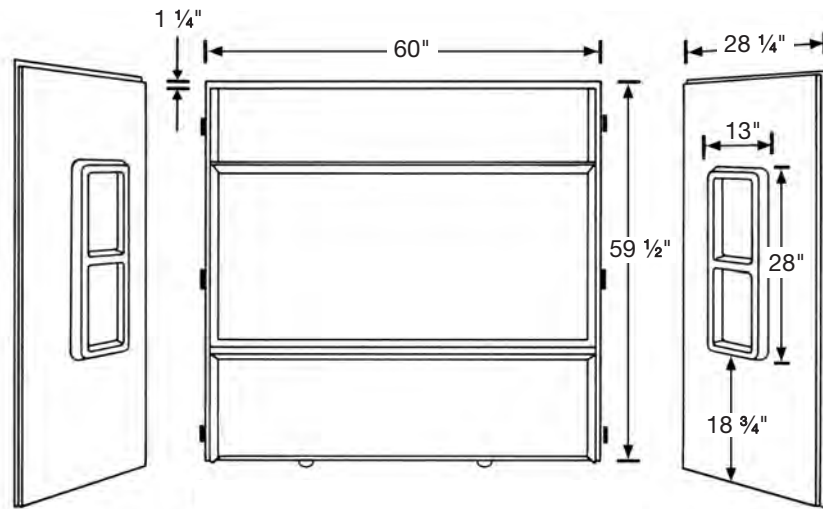
## Veritek® Bath Alcove Wall Kit



Manufactured from Veritek®

### FEATURES

- Nails directly to studs for fast installation.
- Sturdy interlocking system for one-piece appearance.
- Panels easily fit through existing doorways and can be installed by one person.
- Made of Veritek® with no surface coating to chip or crack.
- The BA-3060 is a three piece compression-molded composite material with molded-in color and a natural gloss surface.
- Warranty: Limited Lifetime – Residential  
Limited 5-year – Commercial



Designed to fit tub area  
30" deep x 60" wide\* x 59 1/2" high (762 mm x 1524 mm x 1511 mm)  
Shower door opening size: 58 1/16" wide at tub ledge, 58" high

### SPECIFICATIONS

Model	Part	Ship Wt. Lb.	Carton Dims. In.	Cu. Ft.
BA-3060	BA03060	75	65 x 63 x 7	15.40

\*1 1/2-inch additional area required on outer edges of wall panels to accommodate nail-up flange.

**Kit Includes:** One right side panel and one left side panel with recessed soap shelves and one back panel with six factory-installed wall mounting clips.

**Packaging:** Each kit is packed in a flat, rectangular carton.

### COLORS

**Solid Colors:**

- White (010)
- Bisque (018)
- Bone (037)

### STANDARDS AND RATINGS

American National Standard Institute—  
ANSI Z124.1.2

### MAINTENANCE AND CLEANING INFORMATION

Clean regularly with common household liquid cleaners and a sponge or soft cloth. For hard water stains, scale removers can be used. To protect finish, fiberglass wax or automotive paste wax can be applied. **Do not** use abrasive cleaners or scouring pads. **Do not** use "leave on" cleaning products, such as automatic spray shower cleaners. Prolonged contact with harsh chemicals could have an adverse reaction over time and discolor surfaces. **Do not** use cleaning agents that caution use on acrylic, polyester or plastics.

### SUPPORT DOCUMENTS

Installation instructions available at [swanstone.com](http://swanstone.com).

**MADE IN USA**

# SA-38

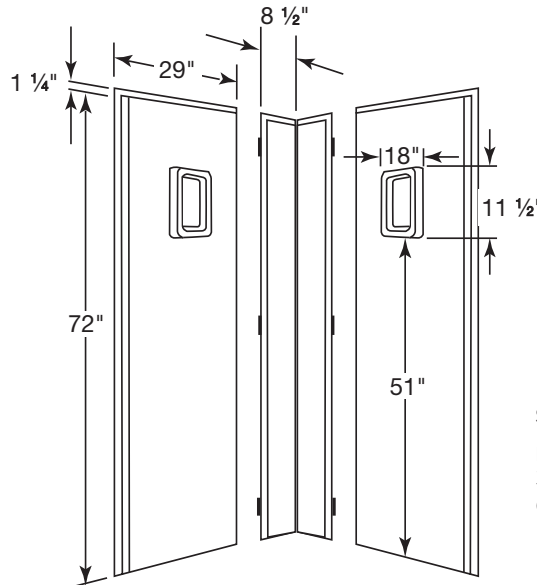
## NEO Angle Shower Alcove Wall Kit



Manufactured from Veritek®

### FEATURES

- Nails directly to studs for fast installation.
- Sturdy interlocking system for one-piece appearance.
- Panels easily fit through existing doorways and can be installed by one person.
- Made of Veritek® composite material with no surface coating to chip or crack.
- The SA-38 NEO is a three piece compression-molded unit with a natural gloss surface.
- Warranty: Limited Lifetime – Residential  
Limited 5-year – Commercial



### SA-38 NEO

Designed to fit wall areas  
38" deep x 38" wide\* x 72" high  
(965 mm x 965 mm x 1829 mm)

### SPECIFICATIONS

Model	Part	Ship Wt. Lb.	Carton Dims. In.	Cu. Ft.
SA-38 NEO	NEO0000SA	84	76 x 36 x 13	20.58

Fits NEO shower pan size 38" D x 38" W (965 mm x 965 mm)

\*1 1/2-inch additional area required on outer edges of wall panels to accommodate nail-up flange.

**Kit Includes:** One right side panel and one left side panel with recessed soap shelf, one corner panel and wall mounting clips.

**Packaging:** Each kit is packed in a flat, rectangular carton.

### COLORS

#### Solid Colors:

- White (010)
- Bisque (018)
- Bone (037)

### MAINTENANCE AND CLEANING INFORMATION

Clean regularly with common household liquid cleaners and a sponge or soft cloth. For hard water stains, scale removers can be used. To protect finish, fiberglass wax or automotive paste wax can be applied. **Do not** use abrasive cleaners or scouring pads. **Do not** use "leave on" cleaning products, such as automatic spray shower cleaners. Prolonged contact with harsh chemicals could have an adverse reaction over time and discolor surfaces. **Do not** use cleaning agents that caution use on acrylic, polyester or plastics.

### SUPPORT DOCUMENTS

Installation instructions available at [swanstone.com](http://swanstone.com).

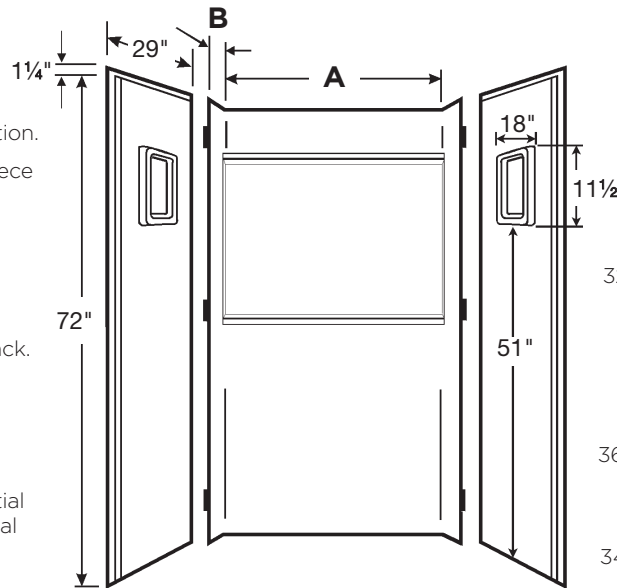
**MADE IN USA**

# Veritek® Shower Alcove Wall Kit

Manufactured from Veritek®

## FEATURES

- Nails directly to studs for fast installation.
- Sturdy interlocking system for one-piece appearance.
- Panels easily fit through existing doorways and can be installed by one person.
- Made of Veritek® composite material with no surface coating to chip or crack.
- The SA Series is a three piece compression-molded material with molded-in color and a natural gloss surface.
- Warranty: Limited Lifetime - Residential  
Limited 5-year - Commercial



## Back Panel Dimensions

SA-3232	A 32"	B 3"
SA-3636	A 36"	B 7"
SA-3448	A 48"	B 5"

### SA-3232

Designed to fit wall area  
32" D x 32" W x 72" H\*  
(813 mm x 813 mm x 1829 mm)  
Fits shower pan size  
32" D x 32" W (813 mm x 813 mm)

### SA-3636

Designed to fit wall area  
36" D x 36" W x 72" H\*  
(914 mm x 914 mm x 1829 mm)  
Fits shower pan size  
36" D x 36" W (914 mm x 914 mm)

### SA-3448

Designed to fit wall area  
34" D x 48" W x 72" H\* (864 mm x  
1219 mm x 1829 mm)  
Fits shower pan size  
34" D x 48" W (864 mm x 1219 mm)

## SPECIFICATIONS

Model	Part	Ship Wt. Lb.	Carton Dims. In.	Cu. Ft.
SA-3232	SA03232	66	76 x 35 x 10	15.4
SA-3636	SA03636	84	80 x 40 x 10	18.5
SA-3448	SA03448	106	76 x 52 x 10	22.9

\*1 1/2-inch additional area required on outer edges of wall panels to accommodate nail-up flange.

**Each Kit Includes:** One right and one left side panel with recessed shelf and one back panel with six factory-installed wall mounting clips

**Packaging:** Each kit is packed in a flat, rectangular carton.

## COLORS

### Solid Colors:

- White (010)
- Bisque (018)
- Bone (037)

## MAINTENANCE AND CLEANING INFORMATION

Clean regularly with common household liquid cleaners and a sponge or soft cloth. For hard water stains, scale removers can be used. To protect finish, fiberglass wax or automotive paste wax can be applied. **Do not** use abrasive cleaners or scouring pads. **Do not** use "leave on" cleaning products, such as automatic spray shower cleaners. Prolonged contact with harsh chemicals could have an adverse reaction over time and discolor surfaces. **Do not** use cleaning agents that caution use on acrylic, polyester or plastics.

## SUPPORT DOCUMENTS

Installation instructions available at [swanstone.com](http://swanstone.com).



# BT-3060 L/R

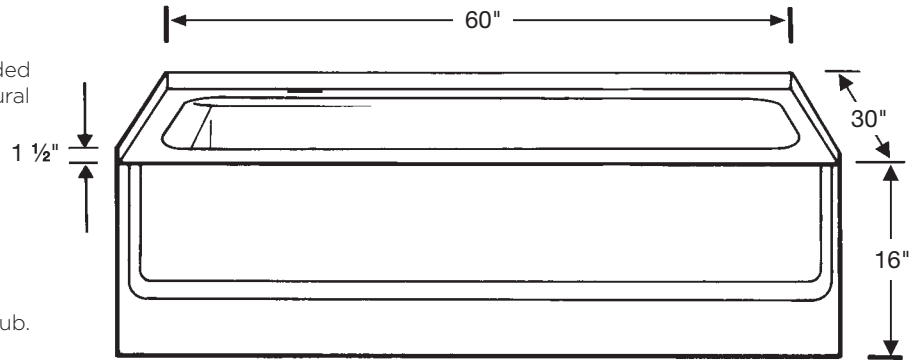
Veritek® Bathtub



Manufactured from Veritek®

## FEATURES

- The BT-3060 L/R is a compression-molded material with molded-in color and a natural gloss surface for easy cleaning.
- Solid colors match many Swanstone and Veritek wall systems.
- Generous 16" height is deeper than a standard tub.
- Pre-leveled bottom for easy installation.
- Skid-resistant pattern molded into bathtub.
- Made of Veritek® with no surface coating to chip or crack—color runs throughout.
- Warranty: Limited Lifetime - Residential  
Limited 5-year - Commercial



### BT-3060 L/R Veritek® Bathtub

Designed to fit tub area  
30" deep x 60" wide (762 mm x 1524 mm)  
Capacity: 65 gallons to bottom of overflow  
13 1/2" from bottom of tub to center line of overflow  
Bathing well dimensions: 22 1/2" x 50" x 13"  
(572 mm x 1270 mm x 330 mm)

## SPECIFICATIONS

Model	Part	Ship Wt. Lb.	Carton Dims. In.	Cu. Ft.
BT-3060L/R	BTO3060 LD/RD	70	62 x 33 x 19	22.16

**Kit Includes:** One bathtub and six bathtub clips

**Packaging:** Each kit is packed in a flat, rectangular carton.

## COLORS

### Solid Colors:

- White (010)
- Bisque (018)
- Bone (037)

## MAINTENANCE AND CLEANING INFORMATION

Clean regularly with common household liquid cleaners and a sponge or soft cloth. For hard water stains, scale removers can be used. To protect finish, fiberglass wax or automotive paste wax can be applied. **Do not** use abrasive cleaners or scouring pads. **Do not** use "leave on" cleaning products, such as automatic spray shower cleaners. Prolonged contact with harsh chemicals could have an adverse reaction over time and discolor surfaces. **Do not** use cleaning agents that caution use on acrylic, polyester or plastics.

## SUPPORT DOCUMENTS

Installation instructions available at [swanstone.com](http://swanstone.com).

**MADE IN USA**



# **SHOWER PANS**

# Swanstone Single Threshold Shower Pans

With Fit-Flo™ Drain



## Manufactured from Swanstone Solid Surface

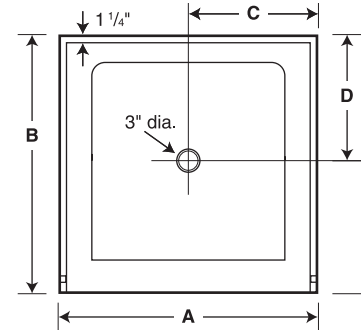
Recommended for high-use traffic areas and commercial surfaces.

## FEATURES

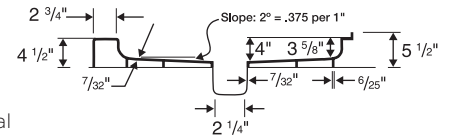
- Reinforced solid surface means color and texture run all the way through and cannot wear away.
- Will not mold or mildew, no grout to clean.
- Coordinates with Swanstone shower and bath systems.
- Pebbled, slip-resistant surface.
- Warranty: Limited Lifetime – Residential  
Limited 30-year – Commercial

Model	Nominal Size	Rough-In Dimensions			
		A	B	C	D
SS-3232	32" x 32"	32 3/8"	32 3/16"	16 3/16"	16 3/16"
SS-3248	32" x 48"	48 3/8"	32 3/16"	24 3/16"	16 3/16"
SS-3260	32" x 60"	60 3/8"	32 3/16"	30 3/16"	16 3/16"
SS-3442	34" x 42"	42 3/8"	34 3/16"	21 3/16"	17 3/16"
SS-3448	34" x 48"	48 3/8"	34 3/16"	24 3/16"	17 3/16"
SS-3454	34" x 54"	54 3/8"	34 3/16"	27 3/16"	17 3/16"
SS-3460	34" x 60"	60 3/8"	34 3/16"	30 3/16"	17 3/16"
SS-3636	36" x 36"	36 3/8"	36 3/16"	18 3/16"	18 3/16"
SS-4236	42" x 36"	36 3/8"	42 3/16"	18 3/16"	20 3/16"
SS-4242	42" x 42"	42 3/8"	42 3/16"	21 3/16"	21 3/16"

Model	A	B	C	D
SS-3232	32"	32"	16"	16"
SS-3248	48"	32"	24"	16"
SS-3260	60"	32"	30"	16"
SS-3442	42"	34"	21"	17"
SS-3448	48"	34"	24"	17"
SS-3454	54"	34"	27"	17"
SS-3460	60"	34"	30"	17"
SS-3636	36"	36"	18"	18"
SS-4236	36"	42"	18"	21"
SS-4242	42"	42"	21"	21"



**IMPORTANT:** Rough-in dimensions are provided for reference only. You must measure the actual shower pan and check local building code requirements before construction of the stud wall.



## SPECIFICATIONS

Model	Part	Ship Wt. Lb.	Carton Dims. In.	Cu. Ft.
SS-3232	SF03232MD	32	38 x 37 x 10	9
SS-3248	SF03248MD	49	54 x 38 x 10	12
SS-3260	SF03260MD	56	66 x 37 x 10	15
SS-3442	SF03442MD	37	48 x 40 x 10	12
SS-3448	SF03448MD	47	54 x 39 x 10	13
SS-3454	SF03454MD	55	60 x 40 x 10	14
SS-3460	SF03460MD	54	69 x 40 x 10	16
SS-3636	SF03636MD	40	42 x 41 x 10	10
SS-4236	SF04236MD	44	47 x 42 x 10	12
SS-4242	SF04242MD	53	48 x 48 x 10	14

**Includes:** One code-approved compression-molded Swanstone pan with molded-in Fit-Flo drain.

**Packaging:** Each pan packed in a rectangular carton.

## COLORS

### Solid Colors:

- White (010)
- Bisque (018)
- Bone (037)

### Aggregate Colors:

- Bermuda Sand (040)
- Black Galaxy (015)
- Carrara (221)
- Concrete Ash Gray (203)
- Concrete Birch (226)
- Concrete Charcoal Gray (209)
- Concrete Clay (212)
- Concrete Limestone (218)
- Concrete Sandstone (215)
- Ice (130)
- Tahiti White (011)

**MADE IN USA**

## STANDARDS AND RATINGS

American National Standard Institute—ANSI Z124.1.2

International Association of Plumbing and Mechanical Officials (IAPMO)—Listed

CSA Standard B45.5 by IAPMO

Uniform Plumbing Code (UPC)

For a complete list of tests and results see the Technical Data Sheet.

## MAINTENANCE AND CLEANING INFORMATION

Clean regularly with common household liquid cleaners and a sponge or soft cloth. For hard water stains, scale removers can be used. If necessary, abrasive cleaners can be used with a nylon brush or pad to remove build up on the shower pan surface. **Do not** use a metal-scouring pad or a wire brush, as it will damage the surface. **Do not** use "leave on" cleaning products, such as automatic spray shower cleaners. Prolonged contact with harsh chemicals could have an adverse reaction over time and discolor surfaces. **Do not** use cleaning agents that caution use on acrylic, polyester or plastics.

## SUPPORT DOCUMENTS

Installation instructions available at [swanstone.com](http://swanstone.com).

# Swanstone Single Threshold Shower Pans

With Fit-Flo™ Drain



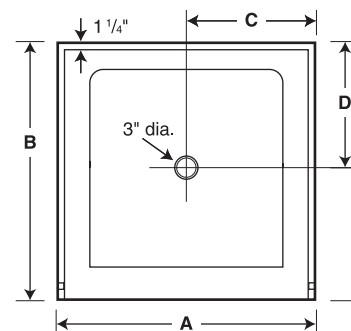
## Manufactured from Swanstone Solid Surface

Recommended for high-use traffic areas and commercial surfaces.

### FEATURES

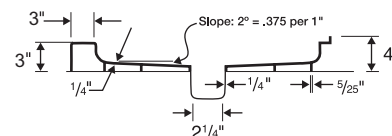
- Reinforced solid surface means color and texture run all the way through and cannot wear away.
- Will not mold or mildew, no grout to clean.
- Coordinates with Swanstone shower and bath systems.
- Textured, slip-resistant surface.
- Low 3" threshold
- Warranty: Limited Lifetime - Residential  
Limited 30-year - Commercial

Model	A	B	C	D
SS-3660	60"	36"	30"	17"
SS-4260	60"	42"	30"	20"



Model	Nominal Size	Rough-In Dimensions			
		A	B	C	D
SS-3660	36" x 60"	60 3/8"	36 3/16"	30 3/16"	17 6/16"
SS-4260	42" x 60"	60 3/8"	42 3/16"	30 3/16"	20 3/16"

**IMPORTANT:** Rough-in dimensions are provided for reference only. You must measure the actual shower pan and check local building code requirements before construction of the stud wall.



### SPECIFICATIONS

Model	Part	Ship Wt. Lb.	Carton Dims. In.	Cu. Ft.
SS-3660	SFO3660MD	71	66 x 42 x 10	19
SS-4260	SFO4260MD	79	66 x 48 x 10	22

**Includes:** One code-approved compression-molded Swanstone pan with molded-in Fit-Flo drain.

**Packaging:** Each pan packed in a rectangular carton.

### COLORS

#### Solid Colors:

- White (010)
- Bisque (018)
- Bone (037)

#### Aggregate Colors:

- Bermuda Sand (040)
- Black Galaxy (015)
- Carrara (221)
- Concrete Ash Gray (203)
- Concrete Birch (226)
- Concrete Charcoal Gray (209)
- Concrete Clay (212)
- Concrete Limestone (218)
- Concrete Sandstone (215)
- Ice (130)
- Tahiti White (011)

### STANDARDS AND RATINGS

American National Standard Institute—ANSI Z124.1.2

International Association of Plumbing and Mechanical Officials (IAPMO)—Listed

CSA Standard B45.5 by IAPMO

Uniform Plumbing Code (UPC)

For a complete list of tests and results see the Technical Data Sheet.

### MAINTENANCE AND CLEANING INFORMATION

Clean regularly with common household liquid cleaners and a sponge or soft cloth. For hard water stains, scale removers can be used. If necessary, abrasive cleaners can be used with a nylon brush or pad to remove build up on the shower pan surface. **Do not** use a metal-scouring pad or a wire brush, as it will damage the surface. **Do not** use “leave on” cleaning products, such as automatic spray shower cleaners. Prolonged contact with harsh chemicals could have an adverse reaction over time and discolor surfaces. **Do not** use cleaning agents that caution use on acrylic, polyester or plastics.

### SUPPORT DOCUMENTS

Installation instructions available at [swanstone.com](http://swanstone.com).

# SS-36DTF

Swanstone Double Threshold Shower Pans with Fit-Flo™ Drain



## Manufactured from Swanstone Solid Surface

Recommended for high-use traffic areas and commercial surfaces.

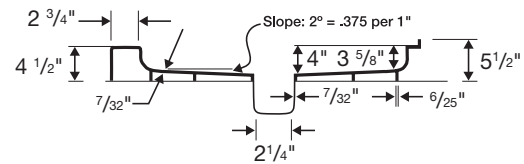
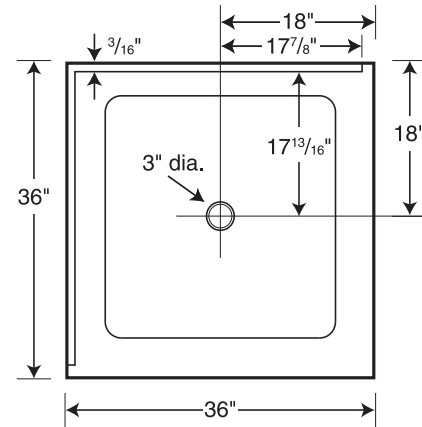
### FEATURES

- Reinforced solid surface means color and texture run all the way through and cannot wear away.
- Will not mold or mildew, no grout to clean.
- Coordinates with Swanstone shower and bath systems.
- Pebbled, slip-resistant surface.
- Warranty: Limited Lifetime – Residential  
Limited 30-year – Commercial

Model	Nominal Size	Rough-In Dimensions			
		36"	36"	18"	18"
SS-36DTF	36" x 36"	36 1/16"	36 1/16"	18 3/16"	18 3/16"

### IMPORTANT:

Rough-in dimensions are provided for reference only. You must measure the actual shower pan and check local building code requirements before construction of the stud wall.



### SPECIFICATIONS

Model	Part	Ship Wt. Lb.	Carton Dims. In.	Cu. Ft.
SS-36DTF	SD03636MD	44	42 x 41 x 10	10

**Includes:** One code-approved compression-molded Swanstone pan with molded-in Fit-Flo drain.

**Packaging:** Each pan packed in a rectangular carton.

### COLORS

#### Solid Colors:

- White (010)
- Bisque (018)
- Bone (037)

#### Aggregate Colors:

- Bermuda Sand (040)
- Black Galaxy (015)
- Carrara (221)
- Concrete Ash Gray (203)
- Concrete Birch (226)
- Concrete Charcoal Gray (209)
- Concrete Clay (212)
- Concrete Limestone (218)
- Concrete Sandstone (215)
- Ice (130)
- Tahiti White (011)

### STANDARDS AND RATINGS

American National Standard Institute—ANSI Z124.1.2

International Association of Plumbing and Mechanical Officials (IAPMO)—Listed

CSA Standard B45.5 by IAPMO

Uniform Plumbing Code (UPC)

For a complete list of tests and results see the Technical Data Sheet.

### MAINTENANCE AND CLEANING INFORMATION

Clean regularly with common household liquid cleaners and a sponge or soft cloth. For hard water stains, scale removers can be used. If necessary, abrasive cleaners can be used with a nylon brush or pad to remove build up on the shower pan surface. **Do not** use a metal-scouring pad or a wire brush, as it will damage the surface. **Do not** use "leave on" cleaning products, such as automatic spray shower cleaners. Prolonged contact with harsh chemicals could have an adverse reaction over time and discolor surfaces. **Do not** use cleaning agents that caution use on acrylic, polyester or plastics.

### SUPPORT DOCUMENTS

Installation instructions available at [swanstone.com](http://swanstone.com).

**MADE IN USA**

# Swanstone Neo Angle Shower Pans

With Fit-Flo™ Drain



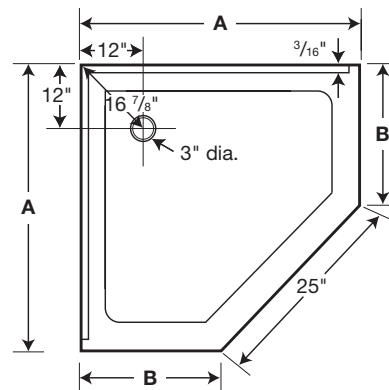
## Manufactured from Swanstone Solid Surface

Recommended for high-use traffic areas and commercial surfaces.

### FEATURES

- Reinforced solid surface means color and texture run all the way through and cannot wear away.
- Will not mold or mildew, no grout to clean.
- Coordinates with Swanstone shower and bath systems.
- Pebbled, slip-resistant surface.
- Warranty: Limited Lifetime - Residential  
Limited 30-year - Commercial

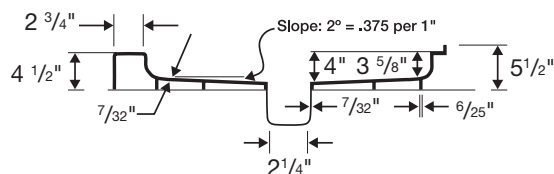
Model	A	B
SS-36NEO	36"	18"
SS-38NEO	38"	20"



Model	Nominal Size	Rough-In Dimensions			
		A	B	25"	12"
SS-36NEO	36" x 36"	36 1/8"	18 3/16"	25 1/8"	12 3/16"
SS-38NEO	38" x 38"	38 1/8"	20 3/16"	25 1/8"	12 3/16"

### IMPORTANT:

Rough-in dimensions are provided for reference only. You must measure the actual shower pan and check local building code requirements before construction of the stud wall.



### SPECIFICATIONS

Model	Part	Ship Wt. Lb.	Carton Dims. In.	Cu. Ft.
SS-36NEO	SN00036MD	40	42 x 42 x 10	11
SS-38NEO	SN00038MD	44	44 x 43 x 10	11

**Includes:** One code-approved compression-molded Swanstone pan with molded-in Fit-Flo drain.

**Packaging:** Each pan packed in a rectangular carton.

### COLORS

#### Solid Colors:

- White (010)
- Bisque (018)
- Bone (037)

#### Aggregate Colors:

- Bermuda Sand (040)
- Black Galaxy (015)
- Carrara (221)
- Concrete Ash Gray (203)
- Concrete Birch (226)
- Concrete Charcoal Gray (209)
- Concrete Clay (212)
- Concrete Limestone (218)
- Concrete Sandstone (215)
- Ice (130)
- Tahiti White (011)

### STANDARDS AND RATINGS

American National Standard Institute—ANSI Z124.1.2

International Association of Plumbing and Mechanical Officials (IAPMO)—Listed

CSA Standard B45.5 by IAPMO

Uniform Plumbing Code (UPC)

For a complete list of tests and results see the Technical Data Sheet.

### MAINTENANCE AND CLEANING INFORMATION

Clean regularly with common household liquid cleaners and a sponge or soft cloth. For hard water stains, scale removers can be used. If necessary, abrasive cleaners can be used with a nylon brush or pad to remove build up on the shower pan surface. **Do not** use a metal-scouring pad or a wire brush, as it will damage the surface. **Do not** use "leave on" cleaning products, such as automatic spray shower cleaners. Prolonged contact with harsh chemicals could have an adverse reaction over time and discolor surfaces. **Do not** use cleaning agents that caution use on acrylic, polyester or plastics.

### SUPPORT DOCUMENTS

Installation instructions available at [swanstone.com](http://swanstone.com).

**MADE IN USA**

# SR-3260L/R

## Swanstone Retrofit Shower Pans With Fit-Flo™ Drain



### Manufactured from Swanstone Solid Surface

Recommended for high-use traffic areas and commercial surfaces.

### FEATURES

- Reinforced solid surface means color and texture run all the way through and cannot wear away.
- Will not mold or mildew, no grout to clean.
- Coordinates with Swanstone shower and bath systems.
- Pebbled, slip-resistant surface.
- Without expensive plumbing re-work, this pan can be installed in the same area once occupied by a standard bathtub.
- Warranty: Limited Lifetime - Residential  
Limited 30-year - Commercial

Nominal Size	Rough-In Dimensions			
	60"	32"	8"	15"
32" x 60"	60 3/8"	32 3/16"	8 3/16"	15 3/16"

**IMPORTANT:** Rough-in dimensions are provided for reference only. You must measure the actual shower pan and check local building code requirements before construction of the stud wall.

### SPECIFICATIONS

Model	Part	Ship Wt. Lb.	Carton Dims. In.	Cu. Ft.
SR-3260L (Retrofit left drain)	SR03260LM	59	66 x 37 x 10	15
SR-3260R (Retrofit right drain)	SR03260RM	59	66 x 37 x 10	15

**Includes:** One code-approved compression-molded Swanstone pan with molded-in Fit-Flo drain.

**Packaging:** Each pan packed in a rectangular carton.

### COLORS

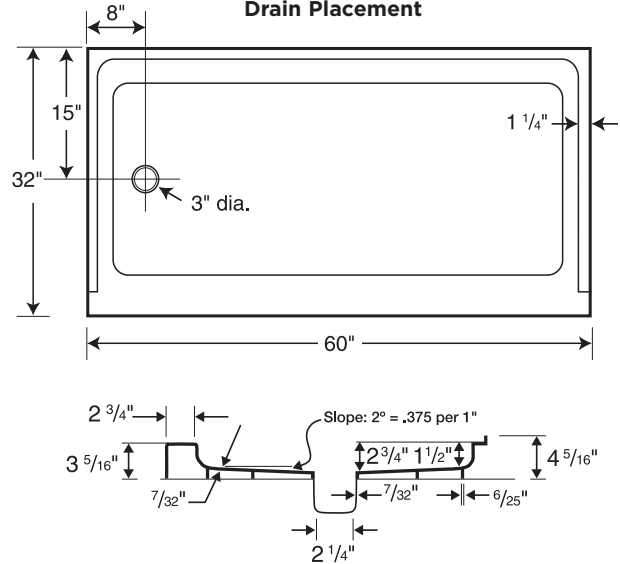
#### Solid Colors:

- White (010)
- Bisque (018)
- Bone (037)

#### Aggregate Colors:

- Bermuda Sand (040)
- Black Galaxy (015)
- Carrara (221)
- Concrete Ash Gray (203)
- Concrete Birch (226)
- Concrete Charcoal Gray (209)
- Concrete Clay (212)
- Concrete Limestone (218)
- Concrete Sandstone (215)
- Ice (130)
- Tahiti White (011)

### Retrofit Shower Pan Available in Right or Left Drain Placement



### STANDARDS AND RATINGS

American National Standard Institute—ANSI Z124.1.2

International Association of Plumbing and Mechanical Officials (IAPMO)—Listed

CSA Standard B45.5 by IAPMO

Uniform Plumbing Code (UPC)

For a complete list of tests and results see the Technical Data Sheet.

### MAINTENANCE AND CLEANING INFORMATION

Clean regularly with common household liquid cleaners and a sponge or soft cloth. For hard water stains, scale removers can be used. If necessary, abrasive cleaners can be used with a nylon brush or pad to remove build up on the shower pan surface. **Do not** use a metal-scouring pad or a wire brush, as it will damage the surface. **Do not** use “leave on” cleaning products, such as automatic spray shower cleaners. Prolonged contact with harsh chemicals could have an adverse reaction over time and discolor surfaces. **Do not** use cleaning agents that caution use on acrylic, polyester or plastics.

### SUPPORT DOCUMENTS

Installation instructions available at [swanstone.com](http://swanstone.com).



# SBF-3060L/R

Swanstone Barrier-Free Shower Pans With Fit-Flo™ Drain



## Manufactured from Swanstone Solid Surface

Recommended for high-use traffic areas and commercial surfaces.

## FEATURES

- Reinforced solid surface means color and texture run all the way through and cannot wear away.
- Will not mold or mildew, no grout to clean.
- Coordinates with Swanstone shower and bath systems.
- “S” pattern molded into pan provides a slip-resistant surface.
- Warranty: Limited Lifetime – Residential  
Limited 30-year – Commercial

Nominal Size	Rough-In Dimensions			
	60"	30"	8"	15"
30" x 60"	60 3/8"	30 3/16"	8 3/16"	15 3/16"

**IMPORTANT:** Rough-in dimensions are provided for reference only. You must measure the actual shower pan and check local building code requirements before construction of the stud wall.

## SPECIFICATIONS

Model	Part	Ship Wt. Lb.	Ship FedEx	Carton Dims. In.	Cu. Ft.
SBF-3060L (left drain)	SBO3060LM	64	-	66 x 36 x 10	14
SBF-3060R (left drain)	SBO3060RM	64	-	66 x 36 x 10	14
BF-1260 2" D x 60" W (305 mm x 1524 mm) (ramp)	BF01260	25	FedEx	66 x 14 x 2	1.07

**Includes:** One code-approved compression-molded Swanstone pan with molded-in Fit-Flo drain.

**Packaging:** Each pan packed in a rectangular carton.

## COLORS

### Solid Colors:

- White (010)
- Bisque (018)
- Bone (037)

### Aggregate Colors:

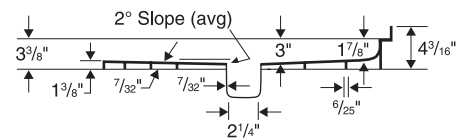
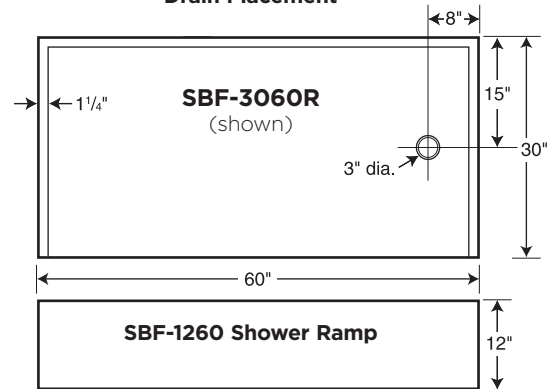
- Bermuda Sand (040)
- Black Galaxy (015)
- Carrara (221)
- Concrete Ash Gray (203)
- Concrete Birch (226)
- Concrete Charcoal Gray (209)
- Concrete Clay (212)
- Concrete Limestone (218)
- Concrete Sandstone (215)
- Ice (130)
- Tahiti White (011)

## ACCESSORIES

See page 86 for complete listing of all Universal Design accessories.

**MADE IN USA**

## Barrier Free Shower Pans Available in Right or Left Drain Placement



## STANDARDS AND RATINGS

American National Standard Institute—ANSI Z124.1.2

International Association of Plumbing and Mechanical Officials (IAPMO)—Listed

CSA Standard B45.5 by IAPMO

Uniform Plumbing Code (UPC)

For a complete list of tests and results see the Technical Data Sheet.

## MAINTENANCE AND CLEANING INFORMATION

Clean regularly with common household liquid cleaners and a sponge or soft cloth. For hard water stains, scale removers can be used. If necessary, abrasive cleaners can be used with a nylon brush or pad to remove build up on the shower pan surface. **Do not** use a metal-scouring pad or a wire brush, as it will damage the surface. **Do not** use “leave on” cleaning products, such as automatic spray shower cleaners. Prolonged contact with harsh chemicals could have an adverse reaction over time and discolor surfaces. **Do not** use cleaning agents that caution use on acrylic, polyester or plastics.

## SUPPORT DOCUMENTS

Installation instructions available at [swanstone.com](http://swanstone.com).

# STF-3838



## Swanstone Performix Transfer Trench Drain Shower Pan

### Manufactured from Swanstone Solid Surface

Recommended for high-use traffic areas and commercial surfaces.

### FEATURES

- Compression-molded solid surface with glass reinforcement technology.
- 3/4" low threshold entry.
- Patented wall-to-wall trench system with attractive 304 stainless grate.
- No need to recess slab which provides a cost-saving, easy installation.
- Reinforced solid surface will not mold or mildew, no grout to clean.
- Engineered for strength with molded-in structure supports.
- Slip-resistant, textured bottom surface.
- Coordinates with Swanstone shower systems.
- To be used with Swanstone walls 36" x 48" or larger.
- Warranty: Limited Lifetime - Residential  
Limited 30-year - Commercial

Model	Nominal Size	Rough-In Dimensions			
		A	B	C	D
STF-3838	38" x 38"	37 1/4"	37 3/16"	18 1/8"	33 1/16"
Shower Transfer Pan					

**IMPORTANT:** Rough-in dimensions are provided for reference only. You must measure the actual shower pan and check local building code requirements before construction of the stud wall.

### SPECIFICATIONS

Model	Part	Ship Wt. Lb.	Carton Dims. In.	Cu. Ft.
STF-3838	ST03838	50	45 x 43 x 10	12

**Includes:** One code-approved compression-molded Swanstone trench drain shower pan. Standard 2" shower drain sold separately.

**Packaging:** Each pan packed in a rectangular carton.

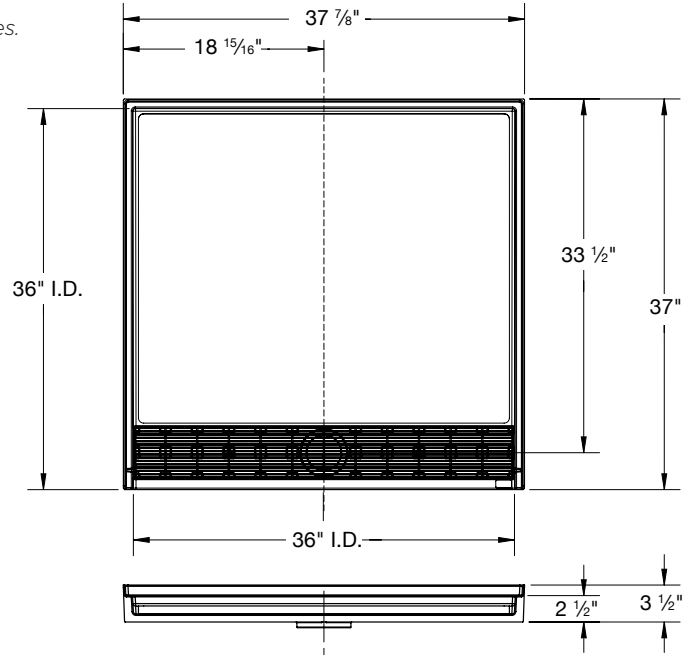
### COLORS

#### Solid Colors:

- White (010)
- Bisque (018)
- Bone (037)

#### Aggregate Colors:

- Bermuda Sand (040)
- Black Galaxy (015)
- Carrara (221)
- Concrete Ash Gray (203)
- Concrete Birch (226)
- Concrete Charcoal Gray (209)
- Concrete Clay (212)
- Concrete Limestone (218)
- Concrete Sandstone (215)
- Ice (130)
- Tahiti White (011)



### STANDARDS AND RATINGS

- ADA
- FHA/ANSI B
- HUD UM73a
- American National Standard Institute—ANSI Z124.1.2
- International Association of Plumbing and Mechanical Officials (IAPMO)—Listed
- CSA Standard B45.5 by IAPMO
- Uniform Plumbing Code (UPC)
- California Building Code (CBC)/Title 24
- For a complete list of tests and results see the Technical Data Sheet.

### MAINTENANCE AND CLEANING INFORMATION

Clean regularly with common household liquid cleaners and a sponge or soft cloth. For hard water stains, scale removers can be used. If necessary, abrasive cleaners can be used with a nylon brush or pad to remove build up on the shower pan surface. **Do not** use a metal-scouring pad or a wire brush, as it will damage the surface. **Do not** use “leave on” cleaning products, such as automatic spray shower cleaners. Prolonged contact with harsh chemicals could have an adverse reaction over time and discolor surfaces. **Do not** use cleaning agents that caution use on acrylic, polyester or plastics.

### SUPPORT DOCUMENTS

Installation instructions available at [swanstone.com](http://swanstone.com).

**MADE IN USA**

# SBF-3462

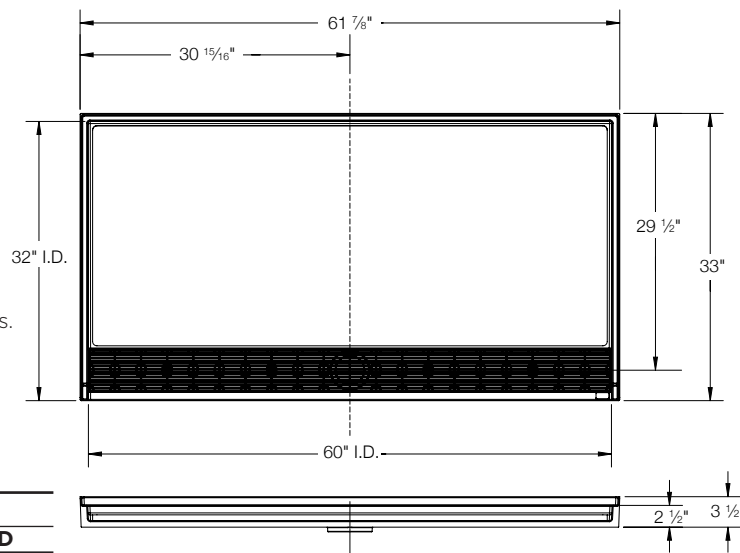
## Swanstone Performix Roll-In Trench Drain Shower Pan



Manufactured from Swanstone Solid Surface

### FEATURES

- Compression-molded solid surface with glass reinforcement technology.
- 3/4" low threshold entry.
- Patented wall-to-wall trench system with attractive 304 stainless grate.
- No need to recess slab which provides a cost-saving, easy installation.
- Reinforced solid surface will not mold or mildew, no grout to clean.
- Engineered for strength with molded-in structure supports.
- Slip-resistant, textured bottom surface.
- Coordinates with Swanstone shower systems.
- Warranty: Limited Lifetime - Residential  
Limited 30-year - Commercial



Model	Nominal Size	Rough-In Dimensions			
		A	B	C	D
SBF-3462 Roll-In Shower Pan	34" x 62"	61 1/4"	33 3/16"	30 1/8"	29 9/16"

**IMPORTANT:** Rough-in dimensions are provided for reference only. You must measure the actual shower pan and check local building code requirements before construction of the stud wall. Meets ADA requirements for use in new construction or existing bathing facilities.

### SPECIFICATIONS

Model	Part	Ship Wt. Lb.	Carton Dims. In.	Cu. Ft.
SBF-3462	SB03462	67	69 x 39 x 10	15.18

**Includes:** One code-approved compression-molded Swanstone trench drain shower pan. Standard 2" drain sold separately.

**Packaging:** Each pan packed in a rectangular carton.

**Note:** This product meets the dimensional requirements to allow for installation in ADA applications. For up-to-date ADA regulations, visit ADA.gov.

### COLORS

#### Solid Colors:

- White (010)
- Bisque (018)
- Bone (037)

#### Aggregate Colors:

- Bermuda Sand (040)
- Black Galaxy (015)
- Carrara (221)
- Concrete Ash Gray (203)
- Concrete Birch (226)
- Concrete Charcoal Gray (209)
- Concrete Clay (212)
- Concrete Limestone (218)
- Concrete Sandstone (215)
- Ice (130)
- Tahiti White (011)

### STANDARDS AND RATINGS

ADA

American National Standard Institute—ANSI Z124.1.2

International Association of Plumbing and Mechanical Officials (IAPMO)—Listed

CSA Standard B45.5 by IAPMO

Uniform Plumbing Code (UPC)

California Building Code (CBC)/Title 24

For a complete list of tests and results see the Technical Data Sheet.

### MAINTENANCE AND CLEANING INFORMATION

Clean regularly with common household liquid cleaners and a sponge or soft cloth. For hard water stains, scale removers can be used. If necessary, abrasive cleaners can be used with a nylon brush or pad to remove build up on the shower pan surface. **Do not** use a metal-scouring pad or a wire brush, as it will damage the surface. **Do not** use "leave on" cleaning products, such as automatic spray shower cleaners. Prolonged contact with harsh chemicals could have an adverse reaction over time and discolor surfaces. **Do not** use cleaning agents that caution use on acrylic, polyester or plastics.

### SUPPORT DOCUMENTS

Installation instructions available at [swanstone.com](http://swanstone.com).

**MADE IN USA**

# Veritek® Single Threshold Shower Pans

With Fit-Flo™ Drain

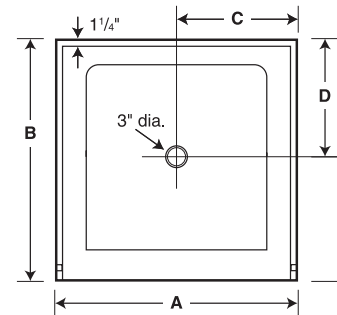


Manufactured from Veritek®

## FEATURES

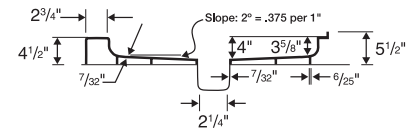
- Will not mold or mildew, no grout to clean.
- Coordinates with other Swanstone or Veritek® products.
- Pebbled, slip-resistant surface.
- Made of Veritek® with no surface coating to chip or crack.
- Warranty: Limited Lifetime - Residential  
Limited 5-year - Commercial

Model	A	B	C	D
R-3232	32"	32"	16"	16"
R-3248	48"	32"	24"	16"
R-3260	60"	32"	30"	16"
R-3442	42"	34"	21"	17"
R-3448	48"	34"	24"	17"
R-3454	54"	34"	27"	17"
R-3460	60"	34"	30"	17"
R-3636	36"	36"	18"	18"
R-4236	42"	42"	18"	20"
R-4242	42"	42"	21"	21"



Model	Nominal Size	Rough-In Dimensions			
		A	B	C	D
R-3232	32" x 32"	32 3/8"	32 3/16"	16 3/16"	16 3/16"
R-3248	32" x 48"	48 3/8"	32 3/16"	24 3/16"	16 3/16"
R-3260	32" x 60"	60 3/8"	32 3/16"	30 3/16"	16 3/16"
R-3442	34" x 42"	42 3/8"	34 3/16"	21 3/16"	17 3/16"
R-3448	34" x 48"	48 3/8"	34 3/16"	24 3/16"	17 3/16"
R-3454	34" x 54"	54 3/8"	34 3/16"	27 3/16"	17 3/16"
R-3460	34" x 60"	60 3/8"	34 3/16"	30 3/16"	17 3/16"
R-3636	36" x 36"	36 3/8"	36 3/16"	18 3/16"	18 3/16"
R-4236	42" x 36"	36 3/8"	42 3/16"	18 3/16"	20 3/16"
R-4242	42" x 42"	42 3/8"	42 3/16"	21 3/16"	21 3/16"

**IMPORTANT:** Rough-in dimensions are provided for reference only. You must measure the actual shower pan and check local building code requirements before construction of the stud wall.



## SPECIFICATIONS

Model	Part	Ship Wt. Lb.	Carton Dims. In.	Cu. Ft.
R-3232	FF03232MD	32	38 x 37 x 10	9
R-3248	FF03248MD	49	54 x 38 x 10	12
R-3260	FF03260MD	56	66 x 37 x 10	15
R-3442	FF03442MD	46	48 x 40 x 10	12
R-3448	FF03448MD	47	54 x 39 x 10	13
R-3454	FF03454MD	55	60 x 40 x 10	14
R-3460	FF03460MD	63	66 x 40 x 10	16
R-3636	FF03636MD	40	42 x 41 x 10	10
R-4236	FF04236MD	44	47 x 42 x 10	12
R-4242	FF04242MD	53	48 x 48 x 10	14

**Includes:** One code-approved compression-molded Veritek® shower pan with molded-in Fit-Flo drain.

**Packaging:** Each pan packed in a rectangular carton.

## COLORS

### Solid Colors:

- White (010)
- Bisque (018)
- Bone (037)

## STANDARDS AND RATINGS

American National Standard Institute—ANSI Z124.1.2

International Association of Plumbing and Mechanical Officials (IAPMO)—Listed

CSA Standard B45.5 by IAPMO

Uniform Plumbing Code (UPC)

For a complete list of tests and results see the Technical Data Sheet.

## MAINTENANCE AND CLEANING INFORMATION

Clean regularly with common household liquid cleaners and a sponge or soft cloth. For hard water stains, scale removers can be used. If necessary, abrasive cleaners can be used with a nylon brush or pad to remove build up on the shower pan surface. **Do not** use a metal-scouring pad or a wire brush, as it will damage the surface. **Do not** use "leave on" cleaning products, such as automatic spray shower cleaners. Prolonged contact with harsh chemicals could have an adverse reaction over time and discolor surfaces. **Do not** use cleaning agents that caution use on acrylic, polyester or plastics.

## SUPPORT DOCUMENTS

Installation instructions available at [swanstone.com](http://swanstone.com).

**MADE IN USA**

# Veritek® Single Threshold Shower Pans

With Fit-Flo™ Drain

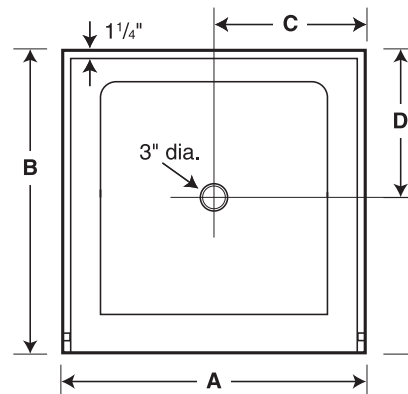


Manufactured from Veritek®

## FEATURES

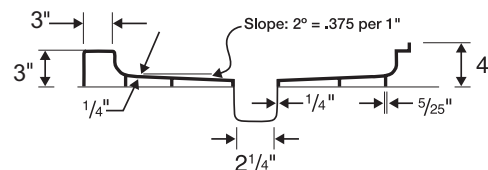
- Will not mold or mildew, no grout to clean.
- Coordinates with other Swanstone or Veritek® products.
- Textured, slip-resistant surface.
- Low 3" threshold
- Made of Veritek® with no surface coating to chip or crack.
- Warranty: Limited Lifetime - Residential  
Limited 5-year - Commercial

Model	A	B	C	D
R-3660	60"	36"	30"	17"
R-4260	60"	42"	30"	20"



Model	Nominal Size	Rough-In Dimensions			
		A	B	C	D
R-3660	36" x 60"	60 3/8"	36 3/16"	30 3/16"	17 6/16"
R-4260	42" x 60"	60 3/8"	42 3/16"	30 3/16"	20 3/16"

**IMPORTANT:** Rough-in dimensions are provided for reference only. You must measure the actual shower pan and check local building code requirements before construction of the stud wall.



## SPECIFICATIONS

Model	Part	Ship Wt. Lb.	Carton Dims. In.	Cu. Ft.
R-3660	FF03660MD	71	66 x 42 x 10	19
R-4260	FF04260MD	79	66 x 48 x 10	22

**Includes:** One code-approved compression-molded Veritek® shower pan with molded-in Fit-Flo drain.

**Packaging:** Each pan packed in a rectangular carton.

## COLORS

### Solid Colors:

- White (010)
- Bisque (018)
- Bone (037)

## STANDARDS AND RATINGS

American National Standard Institute—ANSI Z124.1.2

International Association of Plumbing and Mechanical Officials (IAPMO)—Listed

CSA Standard B45.5 by IAPMO

Uniform Plumbing Code (UPC)

For a complete list of tests and results see the Technical Data Sheet.

## MAINTENANCE AND CLEANING INFORMATION

Clean regularly with common household liquid cleaners and a sponge or soft cloth. For hard water stains, scale removers can be used. If necessary, abrasive cleaners can be used with a nylon brush or pad to remove build up on the shower pan surface. **Do not** use a metal-scouring pad or a wire brush, as it will damage the surface. **Do not** use “leave on” cleaning products, such as automatic spray shower cleaners. Prolonged contact with harsh chemicals could have an adverse reaction over time and discolor surfaces. **Do not** use cleaning agents that caution use on acrylic, polyester or plastics.

## SUPPORT DOCUMENTS

Installation instructions available at [swanstone.com](http://swanstone.com).

**MADE IN USA**

# R-36DTF

Veritek® Double Threshold Shower Pans With Fit-Flo™ Drain



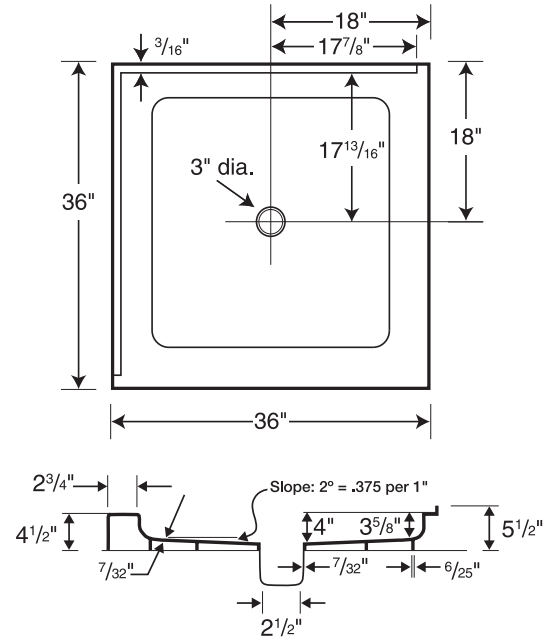
Manufactured from Veritek®

## FEATURES

- Will not mold or mildew, no grout to clean.
- Coordinates with other Swanstone or Veritek® products.
- Pebbled, slip-resistant surface.
- Made of Veritek® with no surface coating to chip or crack.
- Warranty: Limited Lifetime - Residential  
Limited 5-year - Commercial

Model	Nominal Size	Rough-In Dimensions			
		36"	36"	18"	18"
R-36DTF	36" x 36"	36 1/16"	36 1/16"	18 3/16"	18 3/16"

**IMPORTANT:** Rough-in dimensions are provided for reference only. You must measure the actual shower pan and check local building code requirements before construction of the stud wall.



## SPECIFICATIONS

Model	Part	Ship Wt. Lb.	Carton Dims. In.	Cu. Ft.
R-36DTF	FD03636MD	44	42 x 41 x 10	10

**Includes:** One code-approved compression-molded Veritek® shower pan with molded-in Fit-Flo drain.

**Packaging:** Each pan packed in a rectangular carton.

## COLORS

### Solid Colors:

- White (010)
- Bisque (018)
- Bone (037)

## STANDARDS AND RATINGS

American National Standard Institute—ANSI Z124.1.2

International Association of Plumbing and Mechanical Officials (IAPMO)—Listed

CSA Standard B45.5 by IAPMO

Uniform Plumbing Code (UPC)

For a complete list of tests and results see the Technical Data Sheet.

## MAINTENANCE AND CLEANING INFORMATION

Clean regularly with common household liquid cleaners and a sponge or soft cloth. For hard water stains, scale removers can be used. If necessary, abrasive cleaners can be used with a nylon brush or pad to remove build up on the shower pan surface. **Do not** use a metal-scouring pad or a wire brush, as it will damage the surface. **Do not** use “leave on” cleaning products, such as automatic spray shower cleaners. Prolonged contact with harsh chemicals could have an adverse reaction over time and discolor surfaces. **Do not** use cleaning agents that caution use on acrylic, polyester or plastics.

## SUPPORT DOCUMENTS

Installation instructions available at [swanstone.com](http://swanstone.com).

**MADE IN USA**

# Veritek® NEO Angle Shower Pans

With Fit-Flo™ Drain



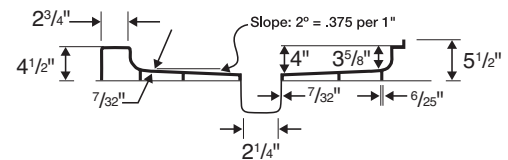
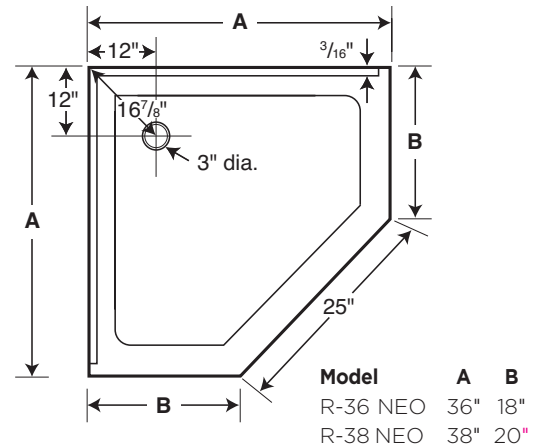
Manufactured from Veritek®

## FEATURES

- Will not mold or mildew, no grout to clean.
- Coordinates with other Swanstone or Veritek® products.
- Pebbled, slip-resistant surface.
- Made of Veritek® with no surface coating to chip or crack.
- Warranty: Limited Lifetime – Residential  
Limited 5-year – Commercial

Model	Nominal Size	Rough-In Dimensions			
		A	B	25"	12"
R-36NEO	36" x 36"	36 1/8"	18 3/16"	25 1/8"	12 3/16"
R-38NEO	38" x 38"	38 1/8"	20 3/16"	25 1/8"	12 3/16"

**IMPORTANT:** Rough-in dimensions are provided for reference only. You must measure the actual shower pan and check local building code requirements before construction of the stud wall.



## SPECIFICATIONS

Model	Part	Ship Wt. Lb.	Carton Dims. In.	Cu. Ft.
R-36NEO	FN00036MD	40	42 x 42 x 10	11
R-38NEO	FN00038MD	44	44 x 43 x 10	11

**Includes:** One code-approved compression-molded Veritek® shower pan with molded-in Fit-Flo drain.

**Packaging:** Each pan packed in a rectangular carton.

## COLORS

### Solid Colors:

- White (010)
- Bisque (018)
- Bone (037)

## STANDARDS AND RATINGS

American National Standard Institute—ANSI Z124.1.2

International Association of Plumbing and Mechanical Officials (IAPMO)—Listed

CSA Standard B45.5 by IAPMO

Uniform Plumbing Code (UPC)

For a complete list of tests and results see the Technical Data Sheet.

## MAINTENANCE AND CLEANING INFORMATION

Clean regularly with common household liquid cleaners and a sponge or soft cloth. For hard water stains, scale removers can be used. If necessary, abrasive cleaners can be used with a nylon brush or pad to remove build up on the shower pan surface. **Do not** use a metal-scouring pad or a wire brush, as it will damage the surface. **Do not** use “leave on” cleaning products, such as automatic spray shower cleaners. Prolonged contact with harsh chemicals could have an adverse reaction over time and discolor surfaces. **Do not** use cleaning agents that caution use on acrylic, polyester or plastics.

## SUPPORT DOCUMENTS

Installation instructions available at [swanstone.com](http://swanstone.com).

**MADE IN USA**



# FR-3260L/R

Veritek® Retrofit Shower Pans With Fit-Flo™ Drain



Manufactured from Veritek®

## FEATURES

- Will not mold or mildew, no grout to clean.
- Coordinates with other Swanstone or Veritek® products.
- Pebbled, slip-resistant surface.
- Made of Veritek® with no surface coating to chip or crack.
- Without expensive plumbing re-work, this pan can be installed in the same space once occupied by a standard bathtub.
- Warranty: Limited Lifetime - Residential  
Limited 5-year - Commercial

Nominal Size	Rough-In Dimensions			
	60"	32"	8"	15"
32" x 60"	60 3/8"	32 3/16"	8 3/16"	15 3/16"

**IMPORTANT:** Rough-in dimensions are provided for reference only. You must measure the actual shower pan and check local building code requirements before construction of the stud wall.

## SPECIFICATIONS

Model	Part	Ship Wt. Lb.	Carton Dims. In.	Cu. Ft.
FR-3260L (Left Drain)	FR3260LM	56	66 x 37 x 10	15
FR-3260R (Right Drain)	FR3260RM	56	66 x 37 x 10	15

**Includes:** One code-approved compression-molded Veritek® shower pan with molded-in Fit-Flo drain.

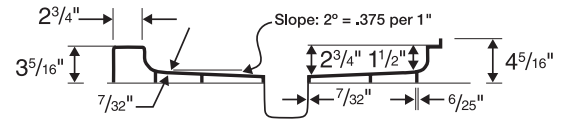
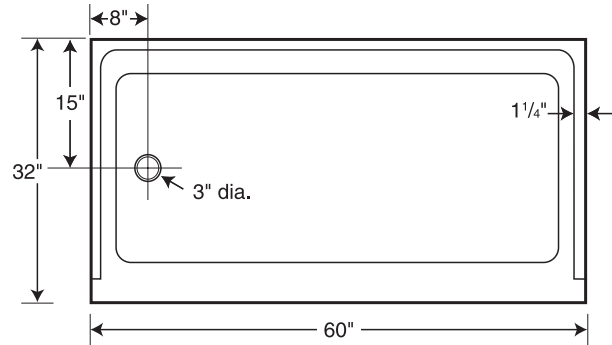
**Packaging:** Each pan packed in a rectangular carton.

## COLORS

### Solid Colors:

- White (010)
- Bisque (018)
- Bone (037)

## Retrofit Shower Pan Available in Right or Left Drain Placement



## STANDARDS AND RATINGS

American National Standard Institute—ANSI Z124.1.2

International Association of Plumbing and Mechanical Officials (IAPMO)—Listed

CSA Standard B45.5 by IAPMO

Uniform Plumbing Code (UPC)

For a complete list of tests and results see the Technical Data Sheet.

## MAINTENANCE AND CLEANING INFORMATION

Clean regularly with common household liquid cleaners and a sponge or soft cloth. For hard water stains, scale removers can be used. If necessary, abrasive cleaners can be used with a nylon brush or pad to remove build up on the shower pan surface. **Do not** use a metal-scouring pad or a wire brush, as it will damage the surface. **Do not** use “leave on” cleaning products, such as automatic spray shower cleaners. Prolonged contact with harsh chemicals could have an adverse reaction over time and discolor surfaces. **Do not** use cleaning agents that caution use on acrylic, polyester or plastics.

## SUPPORT DOCUMENTS

Installation instructions available at [swanstone.com](http://swanstone.com).

**MADE IN USA**



# FBF-3060L/R

Veritek Barrier-Free Shower Pans With Fit-Flo™ Drain



Manufactured from Veritek®

## FEATURES

- Will not mold or mildew, no grout to clean.
- Coordinates with other Swanstone or Veritek® shower and bath systems.
- "S" pattern molded into pan provides a slip-resistant surface.
- Made of Veritek® with no surface coating to chip or crack.
- Can be recessed for flush mounting or can be used with a ramp.
- Warranty: Limited Lifetime - Residential  
Limited 5-year - Commercial

Nominal Size	Rough-In Dimensions			
	60"	30"	8"	15"
30" x 60"	60 3/8"	30 3/16"	8 3/16"	15 3/16"

**IMPORTANT:** Rough-in dimensions are provided for reference only. You must measure the actual shower pan and check local building code requirements before construction of the stud wall.

## SPECIFICATIONS

Model	Part	Ship Wt. Lb.	Carton Dims. In.	Cu. Ft.
FBF-3060L (Left Drain)	FB03060LM	64	66 x 36 x 10	14
FBF-3060R (Right Drain)	FB03060RM	64	66 x 36 x 10	14
FBF-1260 12" D x 60" W - Ramp	FB01260	25	66 x 14 x 2	1.07

**Includes:** One code-approved compression-molded Veritek® shower pan with molded-in Fit-Flo drain.

**Packaging:** Each pan packed in a rectangular carton.

## COLORS

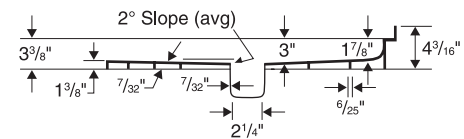
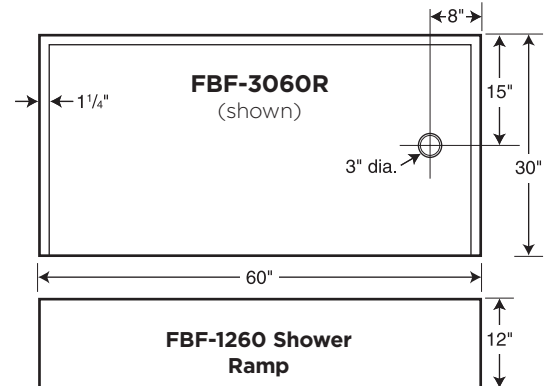
### Solid Colors:

- White (010)
- Bisque (018)
- Bone (037)

## ACCESSORIES

See page 86 for complete listing of all Universal Design accessories.

## Barrier-Free Shower Pans Available in Right or Left Drain Placement.



## STANDARDS AND RATINGS

American National Standard Institute—ANSI Z124.1.2

International Association of Plumbing and Mechanical Officials (IAPMO)—Listed

CSA Standard B45.5 by IAPMO

Uniform Plumbing Code (UPC)

For a complete list of tests and results see the Technical Data Sheet.

## MAINTENANCE AND CLEANING INFORMATION

Clean regularly with common household liquid cleaners and a sponge or soft cloth. For hard water stains, scale removers can be used. If necessary, abrasive cleaners can be used with a nylon brush or pad to remove build up on the shower pan surface. **Do not** use a metal-scouring pad or a wire brush, as it will damage the surface. **Do not** use "leave on" cleaning products, such as automatic spray shower cleaners. Prolonged contact with harsh chemicals could have an adverse reaction over time and discolor surfaces. **Do not** use cleaning agents that caution use on acrylic, polyester or plastics.

## SUPPORT DOCUMENTS

Installation instructions available at [swanstone.com](http://swanstone.com).

**MADE IN USA**

# FTF-3838

Veritek® Performix Transfer Trench Drain Shower Pan



**Manufactured from Veritek®**

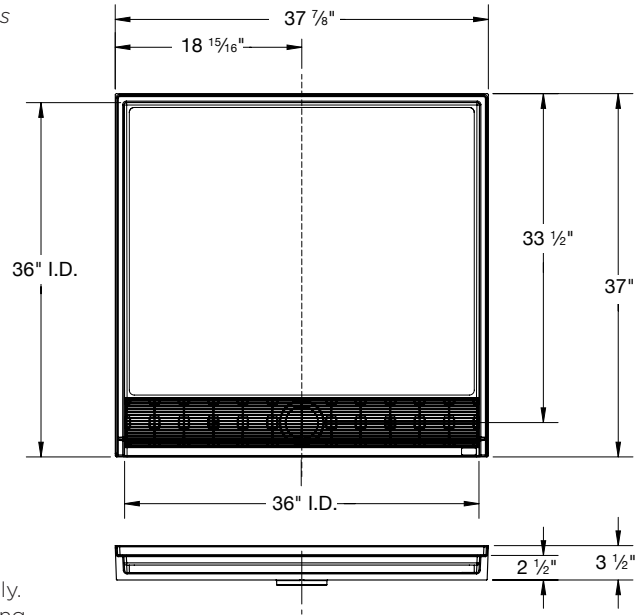
Recommended for high-use traffic areas and commercial surfaces

**FEATURES**

- Made of Veritek® with no surface coating to chip or crack.
- 3/4" low threshold entry.
- Patented wall-to-wall trench system with attractive 304 stainless grate.
- Impact, chemical and mold resistant.
- Pebbled, textured bottom surface.
- Coordinates with other Swanstone or Veritek® products.
- Warranty: Limited Lifetime - Residential  
Limited 10-year - Commercial

Model	Nominal Size	Rough-In Dimensions			
		A	B	C	D
FTF-3838 Shower Transfer Pan	38" x 38"	37 1/4"	37 3/16"	18 1/8"	33 11/16"

**IMPORTANT:** Rough-in dimensions are provided for reference only. You must measure the actual shower floor and check local building code requirements before construction of the stud wall.



**SPECIFICATIONS**

Model	Part	Ship Wt. Lb.	Carton Dims. In.	Cu. Ft.
FTF-3838	FT03838	50	45 x 43 x 10	12

**Includes:** One code-approved Veritek® trench drain shower pan. Standard 2" drain sold separately.

**Packaging:** Each floor packed in a rectangular carton.

**COLORS**

**Solid Colors:**

- White (010)
- Bisque (018)
- Bone (037)

**STANDARDS AND RATINGS**

ADA  
 FHA/ANSI B  
 HUD UM73a  
 American National Standard Institute—ANSI Z124.1.2  
 International Association of Plumbing and Mechanical Officials (IAPMO)—Listed  
 CSA Standard B45.5 by IAPMO  
 Uniform Plumbing Code (UPC)  
 California Building Code (CBC)/Title 24  
 For a complete list of tests and results see the Technical Data Sheet.

**MAINTENANCE AND CLEANING INFORMATION**

Clean regularly with common household liquid cleaners and a sponge or soft cloth. For hard water stains, scale removers can be used. If necessary, abrasive cleaners can be used with a nylon brush or pad to remove build up on the shower floor surface. **Do not** use a metal-scouring pad or a wire brush, as it will damage the surface. **Do not** use "leave on" cleaning products, such as automatic spray shower cleaners. Prolonged contact with harsh chemicals could have an adverse reaction over time and discolor surfaces. **Do not** use cleaning agents that caution use on acrylic, polyester or plastics.

**SUPPORT DOCUMENTS**

Installation instructions available at [swanstone.com](http://swanstone.com).

# FBF-3462

Veritek® Performix Roll-In Trench Drain Shower Pan



Manufactured from Veritek®

## FEATURES

- Made of Veritek® with no surface coating to chip or crack.
- ¾" low threshold entry.
- Patented wall-to-wall trench system with attractive 304 stainless grate.
- Impact, chemical and mold resistant.
- Pebbled, textured bottom surface.
- Coordinates with other Swanstone or Veritek® products.
- Warranty: Limited Lifetime - Residential  
Limited 10-year - Commercial

Model	Nominal Size	Rough-In Dimensions			
		A	B	C	D
FBF-3462 Roll-In Shower Pan	34" x 62"	61 ¼"	33 ⅜"	30 ⅛"	29 ⅞"

**IMPORTANT:** Rough-in dimensions are provided for reference only. You must measure the actual shower floor and check local building code requirements before construction of the stud wall. Meets ADA requirements for use in new construction or existing bathing facilities.

## SPECIFICATIONS

Model	Part	Ship Wt. Lb.	Carton Dims. In.	Cu. Ft.
FBF-3462	FB03462	67	69 x 39 x 10	15.18

**Includes:** One code-approved Veritek® trench drain shower pan. Standard 2" drain sold separately.

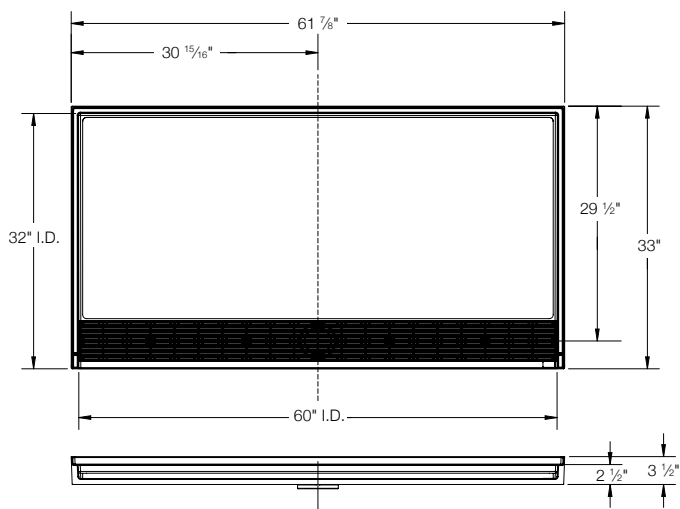
**Packaging:** Each floor packed in a rectangular carton.

**Note:** This product meets the dimensional requirements to allow for installation in ADA applications. For up-to-date ADA regulations, visit [ADA.gov](http://ADA.gov).

## COLORS

### Solid Colors:

- White (010)
- Bisque (018)
- Bone (037)



SHOWER PANS

## STANDARDS AND RATINGS

ADA

American National Standard Institute—ANSI Z124.1.2

International Association of Plumbing and Mechanical Officials (IAPMO)—Listed

CSA Standard B45.5 by IAPMO

Uniform Plumbing Code (UPC)

California Building Code (CBC)/Title 24

For a complete list of tests and results see the Technical Data Sheet.

## MAINTENANCE AND CLEANING INFORMATION

Clean regularly with common household liquid cleaners and a sponge or soft cloth. For hard water stains, scale removers can be used. If necessary, abrasive cleaners can be used with a nylon brush or pad to remove build up on the shower floor surface. **Do not** use a metal-scouring pad or a wire brush, as it will damage the surface. **Do not** use “leave on” cleaning products, such as automatic spray shower cleaners. Prolonged contact with harsh chemicals could have an adverse reaction over time and discolor surfaces. **Do not** use cleaning agents that caution use on acrylic, polyester or plastics.

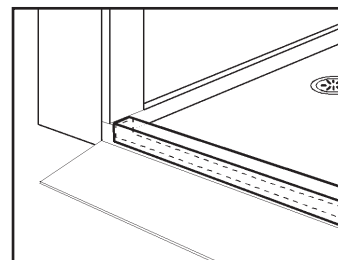
## SUPPORT DOCUMENTS

Installation instructions available at [swanstone.com](http://swanstone.com).

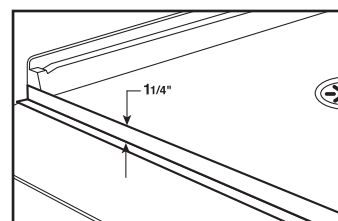
**MADE IN USA**

## BARRIER-FREE AND TRANSFER SHOWER PAN ACCESSORIES

Model	Part	Dimensions	Ship Wt. Lb.	Ship FedEx	Carton Dims. In.	Cu. Ft.
<b>Thresholds</b>						
<b>BF-6000 Aluminum Removable Threshold</b>						
BF-6000	BF6000	2 1/2" D x 2 1/4" H x 60" W	5	FedEx	61 x 3 x 3	.32
<b>BF-FT Barrier-Free Flexible Threshold</b>						
BF-FT	BF6000FT	Vinyl Strip 1 1/4" x 1" / Aluminum Ext. 3/4"	5	FedEx	60 x 2 x 2	.14
<b>BT-CT Silicone Collapsible Threshold</b>						
BT-CT	BT6000CT	1 1/2" D x 67" W x 1" H	3	FedEx	18 x 14 x 2	.24



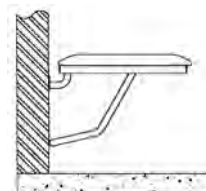
**BF-6000**  
Aluminum Removable Threshold



**BF-FT**  
Barrier-Free Flexible Threshold

## Folding Shower Seats

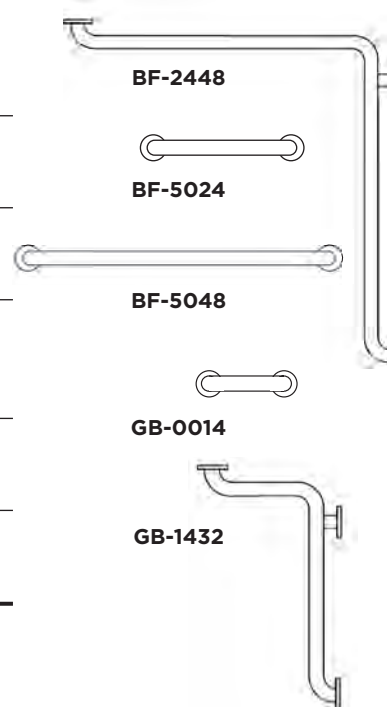
<b>BF-2300R Folding Shower Seat, Right Side Wall Installation (White Only)</b>						
BF-2300R	BF00023RH	23 1/2" W x 21" D (597 mm x 572 mm)	21	FedEx	30 x 26 x 6	2.71
(Mounting materials not included)						
<b>BF-2300L Folding Shower Seat, Left Side Wall Installation (White Only)</b>						
BF-2300L	BF00023LH	23 1/2" W x 21" D (597 mm x 572 mm)	21	FedEx	30 x 26 x 6	2.71
(Mounting materials not included)						



**BF-2300L**  
23 1/2" W x 21" D

## Grab Bars

<b>BF-2448 L-Shaped Stainless Steel Grab Bar</b> (For use when shower seat is installed on either side.)						
BF-2448	BF02448	24" D x 48" L (610 mm x 1219 mm)	9	FedEx	51 x 26 x 4	3.07
<b>BF-5024 Straight Stainless Steel Grab Bar</b> (For use when shower seat is installed on back wall.)						
BF-5024	BF05024	24" L (610 mm)	3	FedEx	31 x 4 x 4	.29
<b>BF-5048 Straight Stainless Steel Grab Bar</b> (For use when shower seat is installed on back wall.)						
BF-5048	BF05048	48" L (1219 mm)	5	FedEx	51 x 4 x 4	.47
<b>BF-5072 Grab Bar Kit</b> (For use when shower seat is installed on back wall.)						
BF-5072	BF05072		8	FedEx	51 x 8 x 4	.94
Kit includes BF-5024 and BF-5048.						
<b>GB-0014 Straight Stainless Steel Grab Bar</b> (For use with transfer shower pan.)						
GB-0014	GB00014	14" L (356 mm)	5	FedEx	5 x 5 x 15	.22
<b>GB-1432 "L-Shaped" Stainless Steel Grab Bar</b> (For use when shower seat is installed on either side.)						
GB-1432	GB01432	14" x 32" (356 mm x 813 mm)	9	FedEx	51 x 26 x 4	3.07



# **VANITY TOPS AND BOWLS**

# Swanstone Ellipse

## 17" and 19" Single Bowl Vanity Tops



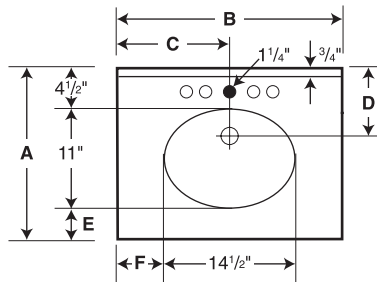
### Manufactured from Swanstone Solid Surface

Recommended for high-use traffic areas and commercial surfaces.

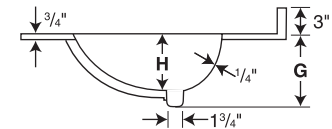
### FEATURES

- Reinforced solid surface means color and texture run all the way through and cannot wear away.
- Coordinates with other Swanstone products.
- Easily accommodates all faucet styles.
- Chemical resistant—acetone will not harm.
- Heat resistant—hot curling irons will not damage it.
- Make-up and hair-dye can be buffed with household cleansers.
- Heat, stain and scratch resistant for lasting beauty.
- Warranty: Limited Lifetime – Residential  
Limited 30-year – Commercial

Capacity:  
2 gallons to overflow



○ Drill Points ● Pre-drilled



Model	A	B	C	D	E	F	G	H
VT1B1719	17"	19"	9 1/2"	7 3/32"	2 1/4"	2 1/4"	6 3/4"	5"
VT1B1925	19"	25"	12 1/2"	7 5/8"	3 1/2"	5 1/4"	7 1/4"	5 1/2"
VT1B1931	19"	31"	15 1/2"	7 5/8"	3 1/2"	8 1/4"	7 1/4"	5 1/2"
VT1B1937	19"	37"	18 1/2"	7 5/8"	3 1/2"	11 1/4"	7 1/4"	5 1/2"

### SPECIFICATIONS

Model	Part	Nominal Dimensions	Ship Wt. Lb.	Ship FedEx	Carton Dims. In.	Cu. Ft.
<b>17" Bowl</b>						
VT1B1719	VT01719	17" D x 19" W	15	FedEx	25 x 23 x 13	4.33
<b>19" Bowl</b>						
VT1B1925	VT01925	19" D x 25" W	18	FedEx	29 x 25 x 13	5.45
VT1B1931	VT01931	19" D x 31" W	23	FedEx	35 x 25 x 13	6.58
VT1B1937	VT01937	19" D x 37" W	27	FedEx	41 x 25 x 13	7.71

**Includes:** One compression-molded vanity top with overflow, integral bowl and backsplash.

**Packaging:** Each unit is packed in a rectangular carton.

### COLORS

#### Solid Colors:

- White (010)
- Bisque (018)
- Bone (037)

#### Aggregate Colors:

- Bermuda Sand (040)
- Black Galaxy (015)
- Carrara (221)
- Concrete Ash Gray (203)
- Concrete Birch (226)
- Concrete Charcoal Gray (209)
- Concrete Clay (212)
- Concrete Limestone (218)
- Concrete Sandstone (215)
- Ice (130)
- Tahiti White (011)

### ACCESSORIES

Optional VT18-3SS Side Splash available (See page 98)

Optional Front and Side Apron available (See page 98)

### STANDARDS AND RATINGS

American National Standard Institute—ANSI Z124.3

International Association of Plumbing and Mechanical Officials (IAPMO)—Listed

cUPC listed—Certified to CSA Test Standard B45.5 by IAPMO

Uniform Plumbing Code (UPC)

For a complete list of tests and results see the Technical Data Sheet.

### MAINTENANCE AND CLEANING INFORMATION

Cleaning regularly with common household liquid cleaners is recommended. If necessary abrasive liquids or detergents are safe and effective for use with nylon scouring pads, sponges, Mr. Clean® Magic Eraser® or other similar products. Mineral-stain removers are acceptable as well. **Do not** use metal scouring pads.

### SUPPORT DOCUMENTS

Installation instructions available at [swanstone.com](http://swanstone.com).

**MADE IN USA**

# Swanstone Ellipse

22" Single Bowl Vanity Tops

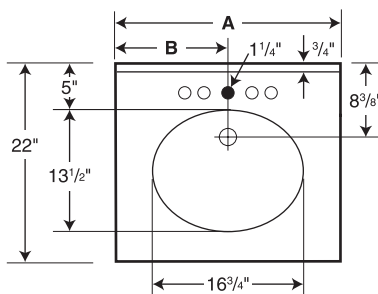


**Manufactured from Swanstone Solid Surface**

*Recommended for high-use traffic areas and commercial surfaces.*

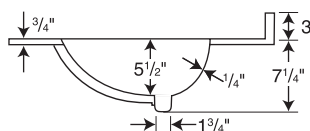
## FEATURES

- Reinforced solid surface means color and texture run all the way through and cannot wear away.
- Coordinates with other Swanstone products.
- Easily accommodates all faucet styles.
- Chemical resistant—acetone will not harm.
- Heat resistant—hot curling irons will not damage it.
- Make-up and hair-dye can be buffed with household cleansers.
- Heat, stain and scratch resistant for lasting beauty.
- Warranty: Limited Lifetime - Residential  
Limited 30-year - Commercial



Model	A	B
VT1B2225	25"	12 1/2"
VT1B2231	31"	15 1/2"
VT1B2237	37"	18 1/2"
VT1B2243	43"	21 1/2"
VT1B2249	49"	24 1/2"
VT1B2255	55"	27 1/2"
VT1B2261	61"	30 1/2"

○ Drill Points ● Pre-drilled



Capacity:  
1 3/4 gallons  
to overflow

## SPECIFICATIONS

Model	Part	Nominal Dimensions	Ship Wt. Lb.	Ship FedEx	Carton Dims. In.	Cu. Ft.
VT1B2225	VT02225	22" D x 25" W	21	FedEx	29 x 25 x 13	5.45
VT1B2231	VT02231	22" D x 31" W	26	FedEx	35 x 25 x 13	6.58
VT1B2237	VT02237	22" D x 37" W	30	FedEx	41 x 25 x 13	7.71
VT1B2243	VT02243	22" D x 43" W	31	FedEx	46 x 25 x 13	8.65
VT1B2249	VT02249	22" D x 49" W	36	FedEx**	53 x 25 x 12	9.21
VT1B2255	VC02255	22" D x 55" W	55	-	58 x 25 x 13	10.91
VT1B2261	VC02261	22" D x 61" W	59	-	63 x 27 x 13	12.80

**Includes:** One compression-molded vanity top with overflow, integral bowl and backsplash.

**Packaging:** Each Swanstone unit is packed in a rectangular carton.

**Note:** For up-to-date ADA regulations, visit [ADA.gov](http://ADA.gov).

\*\* If shipped via FedEx Ground, an oversize freight charge will apply.

## COLORS

### Solid Colors:

- White (010)
- Bisque (018)
- Bone (037)

### Aggregate Colors:

- Bermuda Sand (040)
- Black Galaxy (015)
- Carrara (221)
- Concrete Ash Gray (203)
- Concrete Birch (226)
- Concrete Charcoal Gray (209)
- Concrete Clay (212)
- Concrete Limestone (218)
- Concrete Sandstone (215)
- Ice (130)
- Tahiti White (011)

## ACCESSORIES

Optional VT21-3SS Side Splash available (See page 98)

Optional Front and Side Apron available (See page 98)

**MADE IN USA**

## STANDARDS AND RATINGS

American National Standard Institute—ANSI Z124.3

International Association of Plumbing and Mechanical Officials (IAPMO)—Listed

cUPC listed—Certified to CSA Test Standard B45.5 by IAPMO

Uniform Plumbing Code (UPC)

For a complete list of tests and results see the Technical Data Sheet.

## MAINTENANCE AND CLEANING INFORMATION

Cleaning regularly with common household liquid cleaners is recommended. If necessary abrasive liquids or detergents are safe and effective for use with nylon scouring pads, sponges, Mr. Clean® Magic Eraser® or other similar products. Mineral-stain removers are acceptable as well. **Do not** use metal scouring pads.

## SUPPORT DOCUMENTS

Installation instructions available at [swanstone.com](http://swanstone.com).

# VT2B2261

## Swanstone Ellipse 22" Double Bowl Vanity Tops

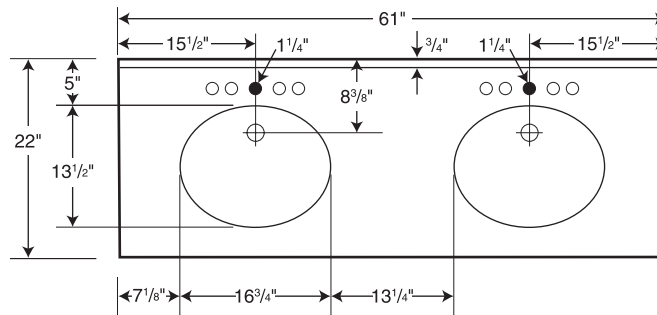


### Manufactured from Swanstone Solid Surface

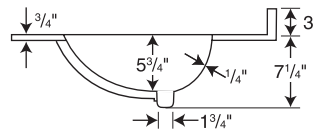
Recommended for high-use traffic areas and commercial surfaces.

### FEATURES

- Reinforced solid surface means color and texture run all the way through and cannot wear away.
- Coordinates with other Swanstone products.
- Easily accommodates all faucet styles.
- Chemical resistant—acetone will not harm.
- Heat resistant—hot curling irons will not damage it.
- Make-up and hair-dye can be buffed with household cleansers.
- Heat, stain and scratch resistant for lasting beauty.
- Warranty: Limited Lifetime - Residential  
Limited 30-year - Commercial



○ Drill Points ● Pre-drilled



Capacity:  
1 3/4 gallons  
to overflow

### SPECIFICATIONS

Model	Part	Nominal Dimensions	Ship Wt. Lb.	Carton Dims. In.	Cu. Ft.
VT2B2261	VT022612B	22" D x 61" W	47	63 x 27 x 13	12.80

**Includes:** One compression-molded vanity top with overflow, integral bowl and backsplash.

**Packaging:** Each unit is packed in a rectangular carton.

### COLORS

#### Solid Colors:

- White (010)
- Bisque (018)
- Bone (037)

#### Aggregate Colors:

- Bermuda Sand (040)
- Black Galaxy (015)
- Carrara (221)
- Concrete Ash Gray (203)
- Concrete Birch (226)
- Concrete Charcoal Gray (209)
- Concrete Clay (212)
- Concrete Limestone (218)
- Concrete Sandstone (215)
- Ice (130)
- Tahiti White (011)

### ACCESSORIES

Optional VT22SS Side Splash available (See page 98)

Optional Front and Side Apron available (See page 98)

### STANDARDS AND RATINGS

American National Standard Institute—ANSI Z124.3

International Association of Plumbing and Mechanical Officials (IAPMO)—Listed

cUPC listed—Certified to CSA Test Standard B45.5 by IAPMO

Uniform Plumbing Code (UPC)

For a complete list of tests and results see the Technical Data Sheet.

### MAINTENANCE AND CLEANING INFORMATION

Cleaning regularly with common household liquid cleaners is recommended. If necessary abrasive liquids or detergents are safe and effective for use with nylon scouring pads, sponges, Mr. Clean® Magic Eraser® or other similar products. Mineral-stain removers are acceptable as well. **Do not** use metal scouring pads.

### SUPPORT DOCUMENTS

Installation instructions available at [swanstone.com](http://swanstone.com).

**MADE IN USA**



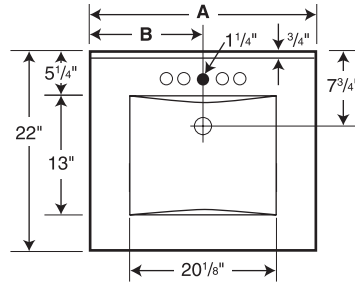
# Swanstone Contour Vanity Tops

**Manufactured from Swanstone Solid Surface**

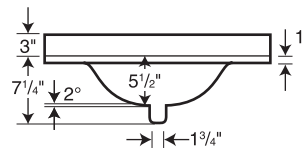
*Recommended for high-use traffic areas and commercial surfaces.*

## FEATURES

- Reinforced solid surface means color and texture run all the way through and cannot wear away.
- Coordinates with other Swanstone products.
- Easily accommodates all faucet styles.
- Chemical resistant—acetone will not harm.
- Heat resistant—hot curling irons will not damage it.
- Make-up and hair-dye can be buffed with household cleansers.
- Heat, stain and scratch resistant for lasting beauty.
- Contemporary style with unique sweeping bowl.
- Warranty: Limited Lifetime - Residential  
Limited 30-year - Commercial



○ Drill Points    ● Pre-drilled



Model	A	B
CV-2225	25"	12 1/2"
CV-2231	31"	15 1/2"
CV-2237	37"	18 1/2"
CV-2243	43"	21 1/2"
CV-2249	49"	24 1/2"

Capacity:  
2 gallons to overflow

## SPECIFICATIONS

Model	Part	Nominal Dimensions	Ship Wt. Lb.	Ship FedEx	Carton Dims. In.	Cu. Ft.
CV-2225	CV02225	22" D x 25" W	24	FedEx	29 x 26 x 14	6.11
CV-2231	CV02231	22" D x 31" W	29	FedEx	34 x 26 x 14	7.16
CV-2237	CV02237	22" D x 37" W	34	FedEx	41 x 26 x 14	8.64
CV-2243	CV02243	22" D x 43" W	35	FedEx**	53 x 26 x 14	11.16
CV-2249	CV02249	22" D x 49" W	38	FedEx**	53 x 26 x 14	11.16

**Includes:** One compression-molded vanity top with overflow, integral bowl and backsplash.

**Packaging:** Each unit is packed in a rectangular carton.

**Note:** For up-to-date ADA regulations, visit [ADA.gov](http://ADA.gov).

\*\* If shipped via FedEx Ground, an oversize freight charge will apply.

## COLORS

### Solid Colors:

- White (010)
- Bisque (018)
- Bone (037)

### Aggregate Colors:

- Bermuda Sand (040)
- Black Galaxy (015)
- Carrara (221)
- Concrete Ash Gray (203)
- Concrete Birch (226)
- Concrete Charcoal Gray (209)
- Concrete Clay (212)
- Concrete Limestone (218)
- Concrete Sandstone (215)
- Ice (130)
- Tahiti White (011)

## ACCESSORIES

Optional VT21-3SS Side Splash available (See page 98)

Optional Front and Side Apron available (See page 98)

 **MADE IN USA**

## STANDARDS AND RATINGS

American National Standard Institute—  
ANSI Z124.3

International Association of Plumbing and  
Mechanical Officials (IAPMO)—Listed

cUPC listed—Certified to CSA Test Standard  
B45.5 by IAPMO

Uniform Plumbing Code (UPC)

For a complete list of tests and results see  
the Technical Data Sheet.

## MAINTENANCE AND CLEANING INFORMATION

Cleaning regularly with common household liquid cleaners is recommended. If necessary abrasive liquids or detergents are safe and effective for use with nylon scouring pads, sponges, Mr. Clean® Magic Eraser® or other similar products. Mineral-stain removers are acceptable as well. **Do not** use metal scouring pads.

## SUPPORT DOCUMENTS

Installation instructions available at  
[swanstone.com](http://swanstone.com).

# Swanstone Europa

## Vanity Tops

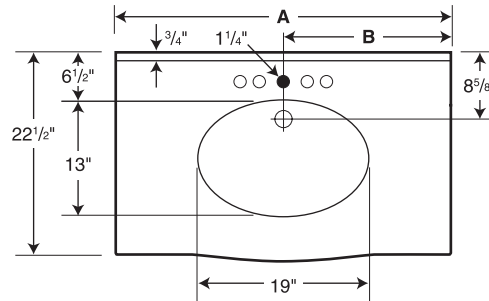


### Manufactured from Swanstone Solid Surface

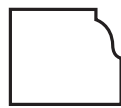
Recommended for high-use traffic areas and commercial surfaces.

### FEATURES

- Reinforced solid surface means color and texture run all the way through and cannot wear away.
- Coordinates with other Swanstone products.
- Easily accommodates all faucet styles.
- Chemical resistant—acetone will not harm.
- Heat resistant—hot curling irons will not damage it.
- Make-up and hair-dye can be buffed with household cleansers.
- Heat, stain and scratch resistant for lasting beauty.
- Gently curved front edge with sculpted ogee detailing.
- Warranty: Limited Lifetime – Residential  
Limited 30-year – Commercial

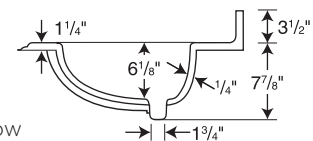


○ Drill Points ● Pre-drilled



Roman Ogee Edge

Model	A	B
EVIB2225	25"	12 1/2"
EVIB2231	31"	15 1/2"
EVIB2237	37"	18 1/2"
EVIB2243	43"	21 1/2"
EVIB2249	49"	24 1/2"
EVIB2255	55"	27 1/2"
EVIB2261	61"	30 1/2"



Capacity:  
2 gallons to overflow

### SPECIFICATIONS

Model	Part	Nominal Dimensions	Ship Wt. Lb.	Ship FedEx	Carton Dims. In.	Cu. Ft.
EVIB2225	EV02225	22 1/2" D x 25" W	28	FedEx	28 x 26 x 14	5.90
EVIB2231	EV02231	22 1/2" D x 31" W	33	FedEx	34 x 26 x 14	7.16
EVIB2237	EV02237	22 1/2" D x 37" W	41	FedEx	40 x 26 x 14	8.43
EVIB2243	EV02243	22 1/2" D x 43" W	43	FedEx	46 x 26 x 14	9.69
EVIB2249	EV02249	22 1/2" D x 49" W	44	FedEx**	52 x 26 x 14	10.95
EVIB2255	EV02255	22 1/2" D x 55" W	50	-	58 x 26 x 14	12.22
EVIB2261	EV02261	22 1/2" D x 61" W	62	-	65 x 26 x 14	13.69

**Includes:** One compression-molded vanity top with overflow, integral bowl and backsplash.

**Packaging:** Each unit is packed in a rectangular carton.

**Note:** For up-to-date ADA regulations, visit [ADA.gov](http://ADA.gov).

\*\* If shipped via FedEx Ground, an oversize freight charge will apply.

### COLORS

#### Solid Colors:

- White (010)
- Bisque (018)
- Bone (037)

#### Aggregate Colors:

- Bermuda Sand (040)
- Black Galaxy (015)
- Carrara (221)
- Concrete Ash Gray (203)
- Concrete Birch (226)
- Concrete Charcoal Gray (209)
- Concrete Clay (212)
- Concrete Limestone (218)
- Concrete Sandstone (215)
- Ice (130)
- Tahiti White (011)

### ACCESSORIES

Optional EVTSS Side Splash available (See page 98)

Optional Front and Side Apron available (See page 98)

**MADE IN USA**

### STANDARDS AND RATINGS

American National Standard Institute—ANSI Z124.3

International Association of Plumbing and Mechanical Officials (IAPMO)—Listed

cUPC listed—Certified to CSA Test Standard B45.5 by IAPMO

Uniform Plumbing Code (UPC)

For a complete list of tests and results see the Technical Data Sheet.

### MAINTENANCE AND CLEANING INFORMATION

Cleaning regularly with common household liquid cleaners is recommended. If necessary abrasive liquids or detergents are safe and effective for use with nylon scouring pads, sponges, Mr. Clean® Magic Eraser® or other similar products. Mineral-stain removers are acceptable as well. **Do not** use metal scouring pads.

### SUPPORT DOCUMENTS

Installation instructions available at [swanstone.com](http://swanstone.com).

# Swanstone Chesapeake

## Single Bowl Vanity Tops

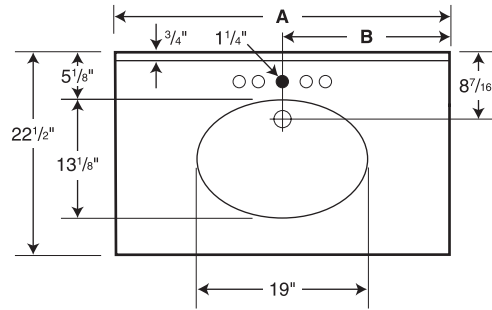


### Manufactured from Swanstone Solid Surface

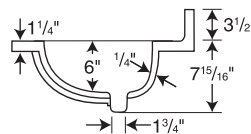
Recommended for high-use traffic areas and commercial surfaces.

### FEATURES

- Reinforced solid surface means color and texture run all the way through and cannot wear away.
- Coordinates with other Swanstone products.
- Easily accommodates all faucet styles.
- Chemical resistant—acetone will not harm.
- Heat resistant—hot curling irons will not damage it.
- Make-up and hair-dye can be buffed with household cleansers.
- Heat, stain and scratch resistant for lasting beauty.
- Larger bowl, thicker edge and taller back splash is an updated version of our Ellipse vanity top.
- Warranty: Limited Lifetime – Residential  
Limited 30-year – Commercial



○ Drill Points    ● Pre-drilled



Capacity:  
2 gallons to overflow

### SPECIFICATIONS

Model	Part	Nominal Dimensions	Ship Wt. Lb.	Ship FedEx	Carton Dims. In.	Cu. Ft.
CH1B2225	CH02225	22 1/2" D x 25" W	22	FedEx	28 x 26 x 14	5.90
CH1B2231	CH02231	22 1/2" D x 31" W	27	FedEx	35 x 26 x 14	7.37
CH1B2237	CH02237	22 1/2" D x 37" W	28	FedEx	41 x 26 x 14	8.64
CH1B2243	CH02243	22 1/2" D x 43" W	40	FedEx	47 x 26 x 14	9.90
CH1B2249	CH02249	22 1/2" D x 49" W	46	FedEx**	53 x 26 x 14	11.16
CH1B2255	CH02255	22 1/2" D x 55" W	52	FedEx**	58 x 25 x 13	10.91
CH1B2261	CH02261	22 1/2" D x 61" W	59	FedEx**	64 x 27 x 14	14.00

**Includes:** One compression-molded vanity top with overflow, integral bowl and backsplash.

**Packaging:** Each unit is packed in a rectangular carton.

**Note:** For up-to-date ADA regulations, visit ADA.gov.

\*\* If shipped via FedEx Ground, an oversize freight charge will apply.

### COLORS

#### Solid Colors:

- White (010)
- Bisque (018)
- Bone (037)

#### Aggregate Colors:

- Bermuda Sand (040)
- Black Galaxy (015)
- Carrara (221)
- Concrete Ash Gray (203)
- Concrete Birch (226)
- Concrete Charcoal Gray (209)
- Concrete Clay (212)
- Concrete Limestone (218)
- Concrete Sandstone (215)
- Ice (130)
- Tahiti White (011)

### ACCESSORIES

Optional CHVTSS Side Splash available (See page 98)

Optional Front and Side Apron available (See page 98)

**MADE IN USA**

### STANDARDS AND RATINGS

American National Standard Institute—ANSI Z124.3

International Association of Plumbing and Mechanical Officials (IAPMO)—Listed

cUPC listed—Certified to CSA Test Standard B45.5 by IAPMO

Uniform Plumbing Code (UPC)

For a complete list of tests and results see the Technical Data Sheet.

### MAINTENANCE AND CLEANING INFORMATION

Cleaning regularly with common household liquid cleaners is recommended. If necessary abrasive liquids or detergents are safe and effective for use with nylon scouring pads, sponges, Mr. Clean® Magic Eraser® or other similar products. Mineral-stain removers are acceptable as well. **Do not** use metal scouring pads.

### SUPPORT DOCUMENTS

Installation instructions available at [swanstone.com](http://swanstone.com).

# Swanstone Chesapeake

## Double Bowl Vanity Tops

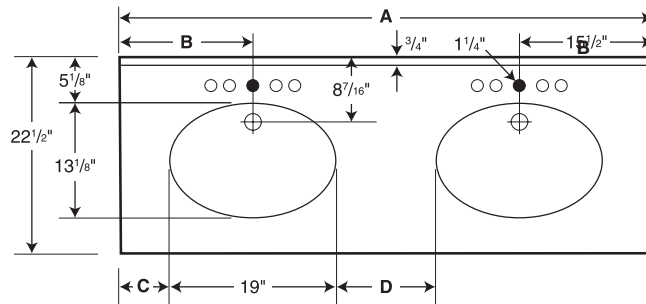


### Manufactured from Swanstone Solid Surface

Recommended for high-use traffic areas and commercial surfaces.

### FEATURES

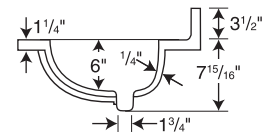
- Reinforced solid surface means color and texture run all the way through and cannot wear away.
- Coordinates with other Swanstone products.
- Easily accommodates all faucet styles.
- Chemical resistant—acetone will not harm.
- Heat resistant—hot curling irons will not damage it.
- Make-up and hair-dye can be buffed with household cleansers.
- Heat, stain and scratch resistant for lasting beauty.
- Larger bowl, thicker edge and taller back splash is an updated version of our Ellipse vanity top.
- Warranty: Limited Lifetime – Residential  
Limited 30-year – Commercial



○ Drill Points ● Pre-drilled

Model	A	B	C	D
CH2B-2261	61"	15 1/2"	6"	11"
CH2B-2273	73"	17 1/2"	8"	19"

Capacity: 2 gallons to overflow



### SPECIFICATIONS

Model	Part	Nominal Dimensions	Ship Wt. Lb.	Ship FedEx	Carton Dims. In.	Cu. Ft.
CH2B2261	CH022612B	22 1/2" D x 61" W	51	FedEx**	64 x 26 x 14	13.48
CH2B2273	CH022732B	22 1/2" D x 73" W	68	FedEx**	77 x 26 x 14	16.22

**Includes:** One compression-molded vanity top with overflow, integral bowl and backsplash.

**Packaging:** Each unit is packed in a rectangular carton.

**Note:** For up-to-date ADA regulations, visit [ADA.gov](http://ADA.gov).

\*\* If shipped via FedEx Ground, an oversize freight charge will apply.

### COLORS

#### Solid Colors:

- White (010)
- Bisque (018)
- Bone (037)

#### Aggregate Colors:

- Bermuda Sand (040)
- Black Galaxy (015)
- Carrara (221)
- Concrete Ash Gray (203)
- Concrete Birch (226)
- Concrete Charcoal Gray (209)
- Concrete Clay (212)
- Concrete Limestone (218)
- Concrete Sandstone (215)
- Ice (130)
- Tahiti White (011)

### ACCESSORIES

Optional CHVTSS Side Splash available (See page 98)

Optional Front and Side Apron available (See page 98)

**MADE IN USA**

### STANDARDS AND RATINGS

American National Standard Institute—ANSI Z124.3

International Association of Plumbing and Mechanical Officials (IAPMO)—Listed

cUPC listed—Certified to CSA Test Standard B45.5 by IAPMO

Uniform Plumbing Code (UPC)

For a complete list of tests and results see the Technical Data Sheet.

### MAINTENANCE AND CLEANING INFORMATION

Cleaning regularly with common household liquid cleaners is recommended. If necessary abrasive liquids or detergents are safe and effective for use with nylon scouring pads, sponges, Mr. Clean® Magic Eraser® or other similar products. Mineral-stain removers are acceptable as well. **Do not** use metal scouring pads.

### SUPPORT DOCUMENTS

Installation instructions available at [swanstone.com](http://swanstone.com).

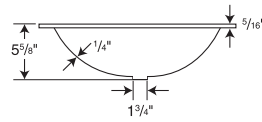
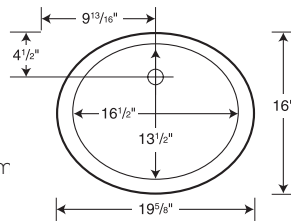
# Swanstone Undermount Vanity Bowls

## Manufactured from Swanstone Solid Surface

Recommended for high-use traffic areas and commercial surfaces.

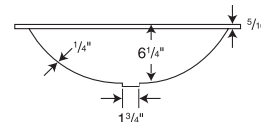
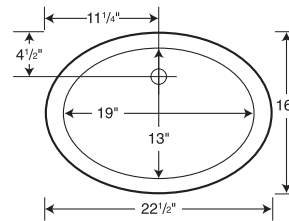
### FEATURES

- Reinforced solid surface means color and texture run all the way through and cannot wear away.
- Coordinates with other Swanstone products.
- Chemical resistant—acetone will not harm
- Make-up and hair-dye can be buffed with household cleansers.
- Heat, stain and scratch resistant for lasting beauty.
- Undermount style bowl installs into most countertop materials, including solid surface, tile and granite.
- ADA-compliant when installed to ADA guidelines.
- Warranty: Limited Lifetime – Residential  
Limited 30-year – Commercial



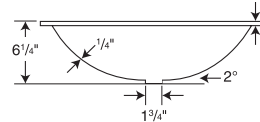
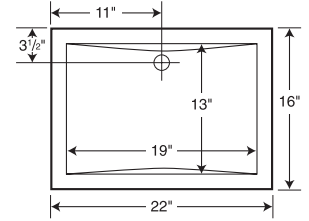
**UL-1613**  
Undermount

Capacity:  
1 3/4 gallons to overflow



**UL-1913**  
Undermount

Capacity:  
2 gallons to overflow



**UC-1913**  
Contour Undermount

Capacity:  
2 gallons to overflow

### SPECIFICATIONS

Model	Part	Nominal Dimensions	Ship Wt. Lb.	Ship FedEx	Carton Dims. In.	Cu. Ft.
UL-1613	UL01613	13 1/2" D x 16 1/2" W	8	FedEx	26 x 22 x 9	2.98
UL-1913	UL01913	13" D x 19" W	15	FedEx	25 x 21 x 8	2.43
UC-1913	UC01913	13" D x 19" W	14	FedEx	25 x 21 x 8	2.43

**Includes:** One compression-molded vanity bowl.

**Packaging:** Each unit is packed in a rectangular carton.

### COLORS

#### Solid Colors:

- White (010)
- Bisque (018)
- Bone (037)

#### Aggregate Colors:

- Bermuda Sand (040)
- Black Galaxy (015)
- Carrara (221)
- Concrete Ash Gray (203)
- Concrete Birch (226)
- Concrete Charcoal Gray (209)
- Concrete Clay (212)
- Concrete Limestone (218)
- Concrete Sandstone (215)
- Ice (130)
- Tahiti White (011)

### STANDARDS AND RATINGS

American National Standard Institute—ANSI Z124.3

International Association of Plumbing and Mechanical Officials (IAPMO)—Listed

cUPC listed—Certified to CSA Test Standard B45.5 by IAPMO

Uniform Plumbing Code (UPC)

For a complete list of tests and results see the Technical Data Sheet.

### MAINTENANCE AND CLEANING INFORMATION

Cleaning regularly with common household liquid cleaners is recommended. If necessary abrasive liquids or detergents are safe and effective for use with nylon scouring pads, sponges, Mr. Clean® Magic Eraser® or other similar products. Mineral-stain removers are acceptable as well. **Do not** use metal scouring pads.

### SUPPORT DOCUMENTS

Installation instructions available at [swanstone.com](http://swanstone.com).

# ULAD-1913

## Swanstone Undermount Vanity Bowls

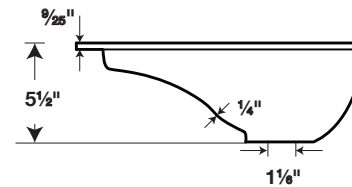
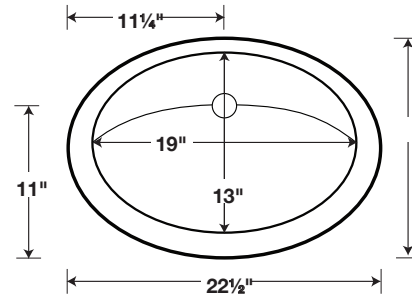


### Manufactured from Swanstone Solid Surface

Recommended for high-use traffic areas and commercial surfaces.

### FEATURES

- Reinforced solid surface means color and texture run all the way through and cannot wear away.
- Coordinates with other Swanstone products.
- Chemical resistant—acetone will not harm.
- Make-up and hair-dye can be buffed with household cleansers.
- Heat, stain and scratch resistant for lasting beauty.
- Undermount style bowl installs into most countertop materials, including solid surface, tile and granite.
- ADA-compliant when installed to ADA guidelines.
- Warranty: Limited Lifetime – Residential  
Limited 30-year – Commercial



**ULAD-1913**  
Undermount

### SPECIFICATIONS

Model	Part	Nominal Dimensions	Ship Wt. Lb.	Ship FedEx	Carton Dims. In.	Cu. Ft.
ULAD-1913	ULAD01913	13" D x 19" W	10	FedEx	23 x 21 x 7	2.25

**Includes:** One compression-molded vanity bowl.

**Packaging:** Each unit is packed in a rectangular carton.

### COLORS

#### Solid Colors:

- White (010)
- Bisque (018)
- Bone (037)

#### Aggregate Colors:

- Bermuda Sand (040)
- Black Galaxy (015)
- Carrara (221)
- Concrete Ash Gray (203)
- Concrete Birch (226)
- Concrete Charcoal Gray (209)
- Concrete Clay (212)
- Concrete Limestone (218)
- Concrete Sandstone (215)
- Ice (130)
- Tahiti White (011)

### STANDARDS AND RATINGS

American National Standard Institute—ANSI Z124.3

International Association of Plumbing and Mechanical Officials (IAPMO)—Listed

cUPC listed—Certified to CSA Test Standard B45.5 by IAPMO

Uniform Plumbing Code (UPC)

For a complete list of tests and results see the Technical Data Sheet.

### MAINTENANCE AND CLEANING INFORMATION

Cleaning regularly with common household liquid cleaners is recommended. If necessary abrasive liquids or detergents are safe and effective for use with nylon scouring pads, sponges, Mr. Clean® Magic Eraser® or other similar products. Mineral-stain removers are acceptable as well. **Do not** use metal scouring pads.

### SUPPORT DOCUMENTS

Installation instructions available at [swanstone.com](http://swanstone.com).

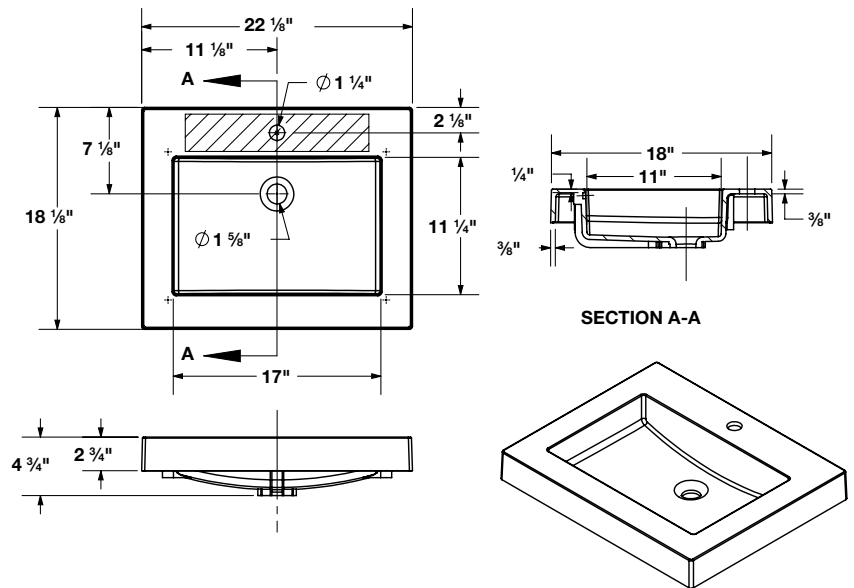
# Swanstone Vessel Sink

## Manufactured from Swanstone Solid Surface

Recommended for high-use traffic areas and commercial surfaces.

### FEATURES

- Reinforced solid surface means color and texture run all the way through and cannot wear away.
- Coordinates with other Swanstone products.
- Chemical resistant—acetone will not harm.
- Undrilled deck allows for any faucet size or position.
- Heat, stain and scratch resistant for lasting beauty.
- Top mount style bowl installs into most countertop materials, including solid surface, tile and granite.
- ADA-compliant when installed to ADA guidelines.
- Warranty: Limited Lifetime – Residential  
Limited 30-year – Commercial



### SPECIFICATIONS

Model	Part	Nominal Dimensions	Ship Wt. Lb.	Ship FedEx	Carton Dims. In.	Cu. Ft.
WB-02218	WB02218	22 1/8" D x 18 1/8" W	10	FedEx	27 x 23 x 9	3.04

**Includes:** One compression-molded vanity bowl.

**Packaging:** Each unit is packed in a rectangular carton.

### COLORS

#### Solid Colors:

- White (010)
- Bisque (018)
- Bone (037)

#### Aggregate Colors:

- Bermuda Sand (040)
- Black Galaxy (015)
- Carrara (221)
- Concrete Ash Gray (203)
- Concrete Birch (226)
- Concrete Charcoal Gray (209)
- Concrete Clay (212)
- Concrete Limestone (218)
- Concrete Sandstone (215)
- Ice (130)
- Tahiti White (011)

### STANDARDS AND RATINGS

American National Standard Institute—ANSI Z124.3

International Association of Plumbing and Mechanical Officials (IAPMO)—Listed  
cUPC listed—Certified to CSA Test Standard B45.5 by IAPMO

Uniform Plumbing Code (UPC)

For a complete list of tests and results see the Technical Data Sheet.

### MAINTENANCE AND CLEANING INFORMATION

Cleaning regularly with common household liquid cleaners is recommended. If necessary abrasive liquids or detergents are safe and effective for use with nylon scouring pads, sponges, Mr. Clean® Magic Eraser® or other similar products. Mineral-stain removers are acceptable as well. **Do not** use metal scouring pads.

### SUPPORT DOCUMENTS

Installation instructions available at [swanstone.com](http://swanstone.com).



# Vanity Top Accessories Chart

## Manufactured from Swanstone Solid Surface

Recommended for high-use traffic areas and commercial surfaces.

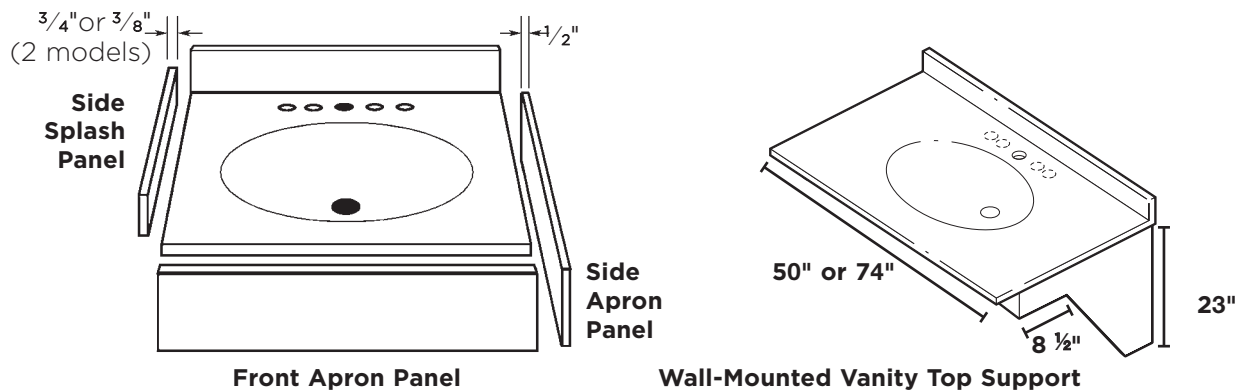
### FEATURES

- Warranty: Limited Lifetime – Residential  
Limited 30-year – Commercial

Model	Part	Dimensions	Ship Wt. Lb.	Ship FedEx	Carton Dims. In.	Cu. Ft.
<b>Side Splash Panel for Vanity Tops</b> (one per carton)						
VT18-3SS	VT01803SS	18" W x 3" H x $\frac{3}{8}$ " D	2	FedEx	22 x 4 x 2	.10
VT19-SS	VT00019SS	18" W x 3" H x $\frac{3}{4}$ " D	3	FedEx	22 x 4 x 2	.10
VT21-3SS	VT02103SS	21" W x 3" H x $\frac{3}{8}$ " D	3	FedEx	22 x 4 x 2	.10
VT22-SS	VT00022SS	22" W x 3" H x $\frac{3}{4}$ " D	2	FedEx	22 x 4 x 2	.10
<b>Side Splash Panel for Chesapeake</b> (one per carton)						
CHVTSS	CHVTSS	21 $\frac{5}{8}$ " W x 3 $\frac{1}{2}$ " H x $\frac{3}{4}$ " D	3	FedEx	26 x 4 x 2	.12
<b>Side Splash Panel for Europa</b> (one per carton)						
EVTSS	EV00022SS	21 $\frac{1}{4}$ " W x 3 $\frac{1}{2}$ " H x $\frac{3}{4}$ " D	3	FedEx	26 x 4 x 2	.12
<b>Front Apron Panel</b> (one per carton)						
VT37FA	VT02237FA	37" W x 8" H x $\frac{1}{2}$ " D	10	FedEx	38 x 9 x 2	.40
VT55FA	VT02255FA	55" W x 8" H x $\frac{1}{2}$ " D	14	FedEx	56 x 9 x 2	.58
VT61FA	VT02261FA	61" W x 8" H x $\frac{1}{2}$ " D	14	FedEx	62 x 9 x 2	.65
<b>Side Apron Panel</b> (one per carton)						
VT22SA	VT00022SA	21" W x 8" H x $\frac{1}{2}$ " D	6	FedEx	22 x 9 x 2	.23
<b>Swanstone Accessible Vanity Top Finish Kit</b>						
VTS-50ADA	VTS50ADA	50" W x 23" H x 21 $\frac{1}{2}$ " D	20	FedEx	52 x 28 x 3	2.52
VTS-74ADA	VTS74ADA	74" W x 23" H x 21 $\frac{1}{2}$ " D	30	FedEx**	76 x 29 x 3	3.82

**Note:** For up-to-date ADA regulations, visit [ADA.gov](http://ADA.gov).

\*\* If shipped via FedEx Ground, an oversize freight charge will apply.





# KITCHEN SINKS

# QZDB-3322

## Granite Double Bowl Kitchen Sink

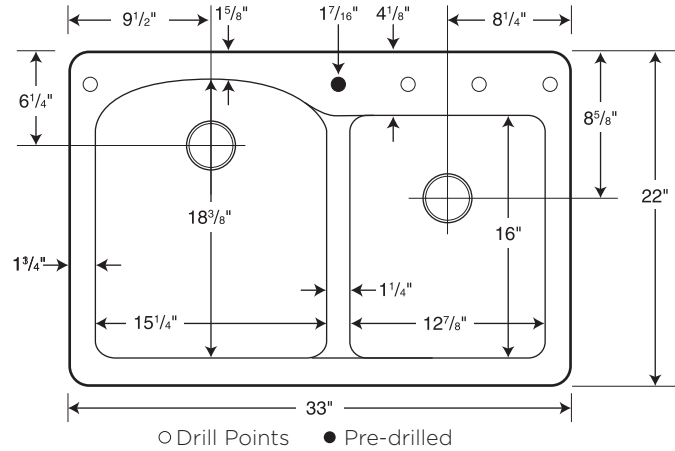
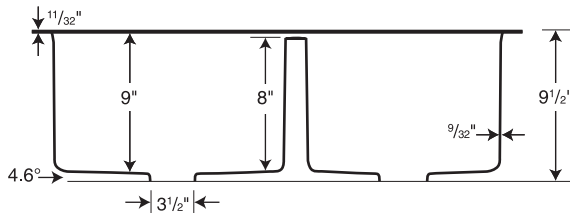


### Manufactured from Quartz

Recommended for high-use traffic areas and commercial surfaces.

### FEATURES

- Made with 80% quartz stone, only a diamond is harder.
- Virtually indestructible, will not damage from kitchen use.
- Standard sink size.
- Ideal for remodeling or new construction.
- Offers design flexibility, installs as a drop-in or undermount.
- Warranty: Limited Lifetime - Residential  
Limited 10-year - Commercial



Capacity: 9 1/2 gallons in large (left) bowl,  
7 gallons in small (right) bowl

### SPECIFICATIONS

Model	Part	Nominal Dimensions	Ship Wt. Lb.	Ship FedEx	Carton Dims. In.	Cu. Ft.
QZDB-3322	QZ03322DB	33" W x 22" D (838 mm x 559 mm)	46	FedEx	41 x 30 x 20	14

### COLORS

- Opal White (210)
- Espresso (170)
- Granito (076)
- Metallico (173)
- Nero (077)

### STANDARDS AND RATINGS

American National Standard Institute—  
ANSI Z124.6

International Association of Plumbing and  
Mechanical Officials (IAPMO) - listed

cUPC listed - Certified to CSA Standard  
B45 by IAPMO

Heat resistance to 392°F, 200°C

### MAINTENANCE AND CLEANING INFORMATION

Clean your Swan Granite Sink by using warm water and a soft clean cloth, or sponge. Non-abrasive liquid cleaners and detergents can also be used. Hard water, calcium and lime deposits can be removed with white vinegar on a paper towel and rinsing after 20 minutes. To restore luster and extend time between cleanings Granite Cleaner & Polish is recommended. Staining liquids, such as dyes and vegetable juices should be rinsed off as soon as possible. **Do not** use abrasive cleaners, metal-scouring pads, and bleach or alkali cleaners, such as ammonia.

### SUPPORT DOCUMENTS

Installation instructions available at  
[swanstone.com](http://swanstone.com).

Undermount clips sold separately. Faucet options are limited to available hole placement. Please contact your dealer for more information.

# QZED-3322

## Granite Even Double Bowl Kitchen Sink

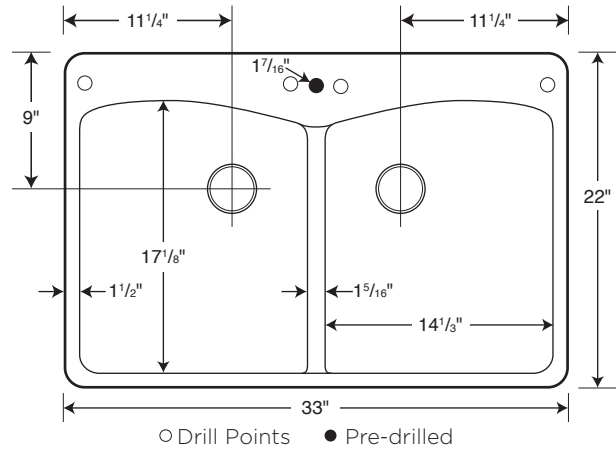
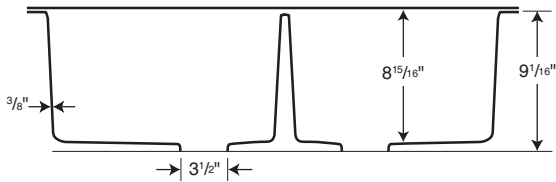


### Manufactured from Quartz

Recommended for high-use traffic areas and commercial surfaces.

### FEATURES

- Made with 80% quartz stone, only a diamond is harder.
- Virtually indestructible, will not damage from kitchen use.
- Standard sink size.
- Ideal for remodeling or new construction.
- Offers design flexibility, installs as a drop-in or undermount.
- Warranty: Limited Lifetime – Residential  
Limited 10-year – Commercial



Capacity: 9 1/2 gallons per each bowl

### SPECIFICATIONS

Model	Nominal Part	Ship Dimensions	Ship Wt. Lb.	Carton FedEx	Dims. In.	Cu. Ft.
QZED-3322	QZ03322ED	33" W x 22" D (838 mm x 559 mm)	50	FedEx	37 x 25 x 13	6.96

### COLORS

- Opal White (210)
- Espresso (170)
- Granito (076)
- Metallico (173)
- Nero (077)

### STANDARDS AND RATINGS

American National Standard Institute—ANSI Z124.6

International Association of Plumbing and Mechanical Officials (IAPMO) - listed

cUPC listed - Certified to CSA Standard B45 by IAPMO

Heat resistance to 392°F, 200°C

### MAINTENANCE AND CLEANING INFORMATION

Clean your Swan Granite Sink by using warm water and a soft clean cloth, or sponge. Non-abrasive liquid cleaners and detergents can also be used. Hard water, calcium and lime deposits can be removed with white vinegar on a paper towel and rinsing after 20 minutes. To restore luster and extend time between cleanings Granite Cleaner & Polish is recommended. Staining liquids, such as dyes and vegetable juices should be rinsed off as soon as possible. **Do not** use abrasive cleaners, metal-scouring pads, and bleach or alkali cleaners, such as ammonia.

### SUPPORT DOCUMENTS

Installation instructions available at [swanstone.com](http://swanstone.com).

Undermount clips sold separately. Faucet options are limited to available hole placement. Please contact your dealer for more information.

# QZLD-3322

Granite Low Divide Double Bowl Kitchen Sink

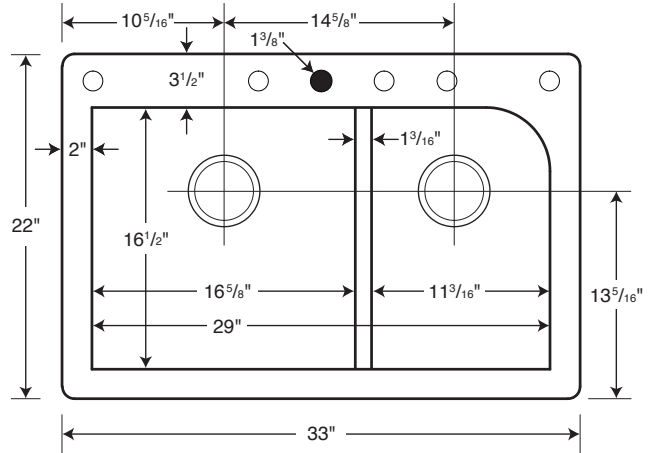
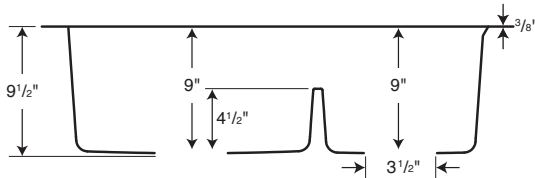


## Manufactured from Quartz

Recommended for high-use traffic areas and commercial surfaces.

### FEATURES

- Low divider provides a functionality of a single bowl with practicality of a double bowl.
- Made with 80% quartz stone, only a diamond is harder.
- Virtually indestructible, will not damage from everyday kitchen use.
- Standard sink size.
- Ideal for remodeling or new construction.
- Offers design flexibility, installs as a drop-in or undermount.
- Warranty: Limited Lifetime - Residential  
Limited 10-year - Commercial



○ Drill Points    ● Pre-drilled  
Capacity:  
10 gallons in large (left) bowl,  
7 gallons in small (right) bowl

### SPECIFICATIONS

Model	Part	Nominal Dimensions	Ship Wt. Lb.	Ship FedEx	Carton Dims. In.	Cu. Ft.
QZLD-3322	QZ03322LD	33" W x 22" D (838 mm x 559 mm)	48	FedEx	37 x 25 x 13	6.96

### COLORS

- Espresso (170)
- Granito (076)
- Metallico (173)
- Nero (077)

### STANDARDS AND RATINGS

American National Standard Institute—ANSI Z124.6  
International Association of Plumbing and Mechanical Officials (IAPMO) – listed  
cUPC listed – Certified to CSA Standard B45 by IAPMO  
Heat resistance to 392°F, 200°C

### MAINTENANCE AND CLEANING INFORMATION

Clean your Swan Granite Sink by using warm water and a soft clean cloth, or sponge. Non-abrasive liquid cleaners and detergents can also be used. Hard water, calcium and lime deposits can be removed with white vinegar on a paper towel and rinsing after 20 minutes. To restore luster and extend time between cleanings Granite Cleaner & Polish is recommended. Staining liquids, such as dyes and vegetable juices should be rinsed off as soon as possible. **Do not** use abrasive cleaners, metal-scouring pads, and bleach or alkali cleaners, such as ammonia.

### SUPPORT DOCUMENTS

Installation instructions available at [swanstone.com](http://swanstone.com).

Undermount clips sold separately. Faucet options are limited to available hole placement. Please contact your dealer for more information.

# QZLS-3322

Granite Large/Small Bowl Kitchen Sink

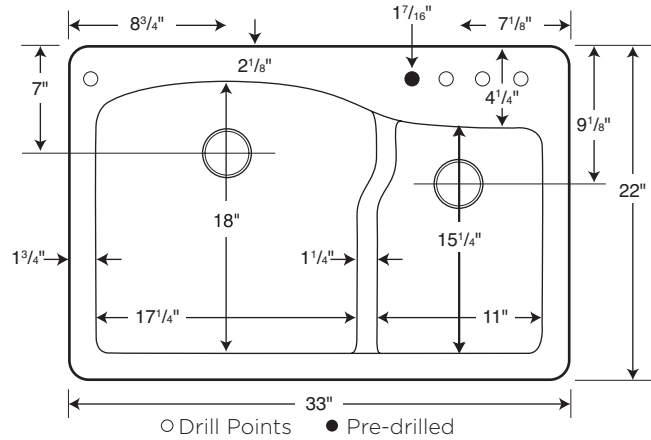
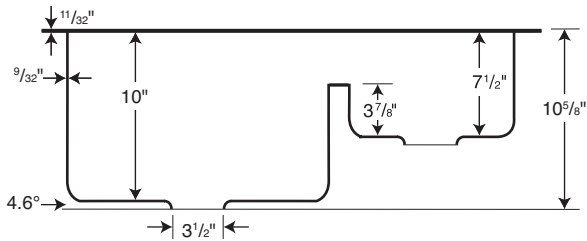


## Manufactured from Quartz

Recommended for high-use traffic areas and commercial surfaces.

### FEATURES

- Made with 80% quartz stone, only a diamond is harder.
- Virtually indestructible, will not damage from kitchen use.
- Standard sink size.
- Ideal for remodeling or new construction.
- Offers design flexibility, installs as a drop-in or undermount.
- Warranty: Limited Lifetime - Residential  
Limited 10-year - Commercial



Capacity: 8 1/2 gallons in large (left) bowl until it reaches the divider height, 2 1/4 gallons in small (right) bowl until it reaches the divider height

### SPECIFICATIONS

Model	Part	Nominal Dimensions	Ship Wt. Lb.	Ship FedEx	Carton Dims. In.	Cu. Ft.
QZLS-3322	QZ03322LS	33" W x 22" D (838 mm x 559 mm)	48	FedEx	37 x 26 x 15	8.4

### COLORS

- Opal White (210)
- Espresso (170)
- Granito (076)
- Metallico (173)
- Nero (077)

### STANDARDS AND RATINGS

American National Standard Institute—ANSI Z124.6

International Association of Plumbing and Mechanical Officials (IAPMO) - listed

cUPC listed - Certified to CSA Standard B45 by IAPMO

Heat resistance to 392°F, 200°C

### MAINTENANCE AND CLEANING INFORMATION

Clean your Swan Granite Sink by using warm water and a soft clean cloth, or sponge. Non-abrasive liquid cleaners and detergents can also be used. Hard water, calcium and lime deposits can be removed with white vinegar on a paper towel and rinsing after 20 minutes. To restore luster and extend time between cleanings Granite Cleaner & Polish is recommended. Staining liquids, such as dyes and vegetable juices should be rinsed off as soon as possible. **Do not** use abrasive cleaners, metal-scouring pads, and bleach or alkali cleaners, such as ammonia.

### SUPPORT DOCUMENTS

Installation instructions available at [swanstone.com](http://swanstone.com).

Undermount clips sold separately. Faucet options are limited to available hole placement. Please contact your dealer for more information.

# QZRC-3322

Granite Offset Double Bowl Kitchen Sink

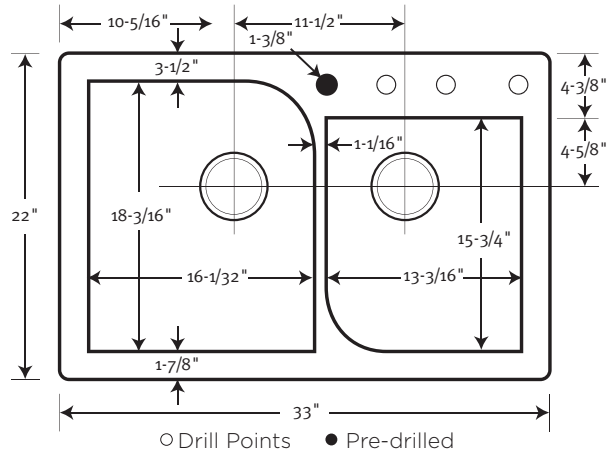
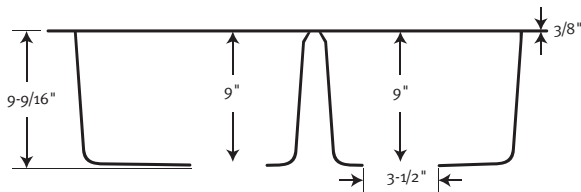


## Manufactured from Quartz

Recommended for high-use traffic areas and commercial surfaces.

### FEATURES

- Made with 80% quartz stone, only a diamond is harder.
- Virtually indestructible, will not damage from kitchen use.
- Standard sink size.
- Ideal for remodeling or new construction.
- Offers design flexibility, installs as a drop-in or undermount.
- Warranty: Limited Lifetime - Residential  
Limited 10-year - Commercial



Capacity: 11 gallons in large (left) bowl, and 7 1/4 gallons in small (right) bowl

### SPECIFICATIONS

Model	Part	Nominal Dimensions	Ship Wt. Lb.	Ship FedEx	Carton Dims. In.	Cu. Ft.
QZRC-3322	QZ03322RC	33" W x 22" D (838 mm x 559 mm)	48	FedEx	37 x 25 x 13	6.96

### COLORS

- Espresso (170)
- Granito (076)
- Metallico (173)
- Nero (077)

### STANDARDS AND RATINGS

American National Standard Institute—ANSI Z124.6

International Association of Plumbing and Mechanical Officials (IAPMO) - listed

cUPC listed - Certified to CSA Standard B45 by IAPMO

Heat resistance to 392°F, 200°C

### MAINTENANCE AND CLEANING INFORMATION

Clean your Swan Granite Sink by using warm water and a soft clean cloth, or sponge. Non-abrasive liquid cleaners and detergents can also be used. Hard water, calcium and lime deposits can be removed with white vinegar on a paper towel and rinsing after 20 minutes. To restore luster and extend time between cleanings Granite Cleaner & Polish is recommended. Staining liquids, such as dyes and vegetable juices should be rinsed off as soon as possible. **Do not** use abrasive cleaners, metal-scouring pads, and bleach or alkali cleaners, such as ammonia.

### SUPPORT DOCUMENTS

Installation instructions available at [swanstone.com](http://swanstone.com).

Undermount clips sold separately. Faucet options are limited to available hole placement. Please contact your dealer for more information.

# QZSQ-3322

Granite Equal Double Bowl Kitchen Sink

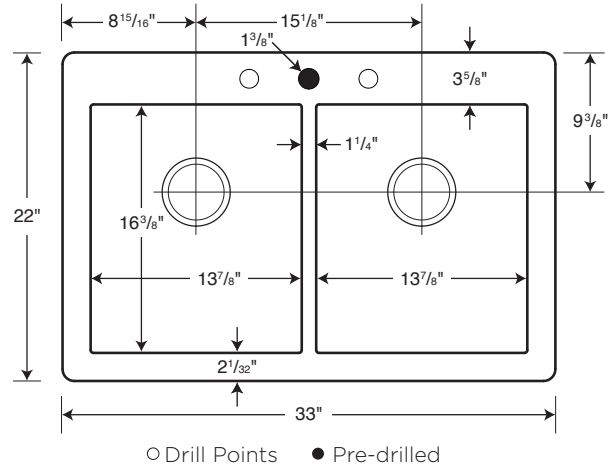
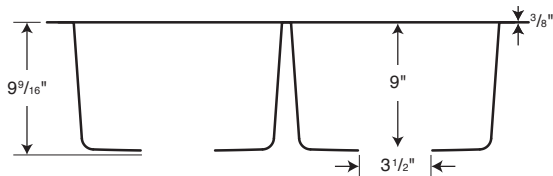


## Manufactured from Quartz

Recommended for high-use traffic areas and commercial surfaces.

### FEATURES

- Made with 80% quartz stone, only a diamond is harder.
- Virtually indestructible, will not damage from kitchen use.
- Standard sink size.
- Ideal for remodeling or new construction.
- Offers design flexibility, installs as a drop-in or undermount.
- Warranty: Limited Lifetime - Residential  
Limited 10-year - Commercial



Capacity: 8 1/2 gallons per each bowl

### SPECIFICATIONS

Model	Nominal Part	Ship Dimensions	Ship Wt. Lb.	Carton FedEx	Dims. In.	Cu. Ft.
QZSQ-3322	QZ03322SQ	33" W x 22" D (838 mm x 559 mm)	48	FedEx	37 x 25 x 13	6.96

### COLORS

- Espresso (170)
- Granito (076)
- Metallico (173)
- Nero (077)

### STANDARDS AND RATINGS

American National Standard Institute—ANSI Z124.6

International Association of Plumbing and Mechanical Officials (IAPMO) - listed

cUPC listed - Certified to CSA Standard B45 by IAPMO

Heat resistance to 392°F, 200°C

### MAINTENANCE AND CLEANING INFORMATION

Clean your Swan Granite Sink by using warm water and a soft clean cloth, or sponge. Non-abrasive liquid cleaners and detergents can also be used. Hard water, calcium and lime deposits can be removed with white vinegar on a paper towel and rinsing after 20 minutes. To restore luster and extend time between cleanings Granite Cleaner & Polish is recommended. Staining liquids, such as dyes and vegetable juices should be rinsed off as soon as possible. **Do not** use abrasive cleaners, metal-scouring pads, and bleach or alkali cleaners, such as ammonia.

### SUPPORT DOCUMENTS

Installation instructions available at [swanstone.com](http://swanstone.com).

Undermount clips sold separately. Faucet options are limited to available hole placement. Please contact your dealer for more information.

# QZAD-3322

Granite Large Single Ascend™ Bowl Kitchen Sink

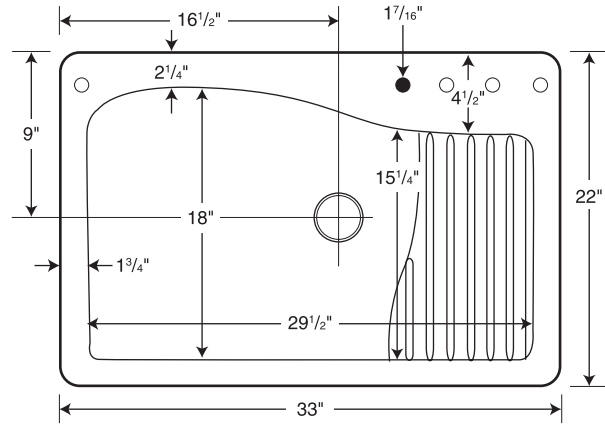
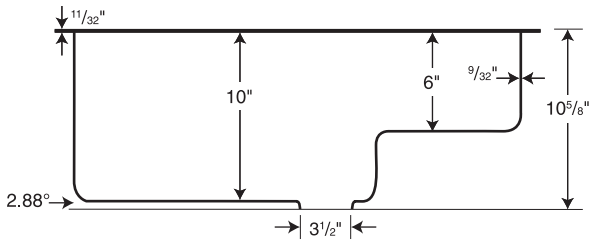


## Manufactured from Quartz

Recommended for high-use traffic areas and commercial surfaces.

### FEATURES

- Made with 80% quartz stone, only a diamond is harder.
- Virtually indestructible, will not damage from kitchen use.
- Standard sink size.
- Ideal for remodeling or new construction.
- Offers design flexibility, installs as a drop-in or undermount.
- Warranty: Limited Lifetime - Residential  
Limited 10-year - Commercial



Capacity: 16 gallons

### SPECIFICATIONS

Model	Part	Nominal Dimensions	Ship Wt. Lb.	Ship FedEx	Carton Dims. In.	Cu. Ft.
QZAD-3322	QZ03322AD	33" W x 22" D (838 mm x 559 mm)	54	FedEx	39 x 26 x 13	7.63

### COLORS

- Opal White (210)
- Espresso (170)
- Granito (076)
- Metallico (173)
- Nero (077)

### STANDARDS AND RATINGS

American National Standard Institute—ANSI Z124.6

International Association of Plumbing and Mechanical Officials (IAPMO) - listed

cUPC listed - Certified to CSA Standard B45 by IAPMO

Heat resistance to 392°F, 200°C

### MAINTENANCE AND CLEANING INFORMATION

Clean your Swan Granite Sink by using warm water and a soft clean cloth, or sponge. Non-abrasive liquid cleaners and detergents can also be used. Hard water, calcium and lime deposits can be removed with white vinegar on a paper towel and rinsing after 20 minutes. To restore luster and extend time between cleanings Granite Cleaner & Polish is recommended. Staining liquids, such as dyes and vegetable juices should be rinsed off as soon as possible. **Do not** use abrasive cleaners, metal-scouring pads, and bleach or alkali cleaners, such as ammonia.

### SUPPORT DOCUMENTS

Installation instructions available at [swanstone.com](http://swanstone.com).

Undermount clips sold separately. Faucet options are limited to available hole placement. Please contact your dealer for more information.



# QZSB-3322

Granite Single Bowl Kitchen Sink

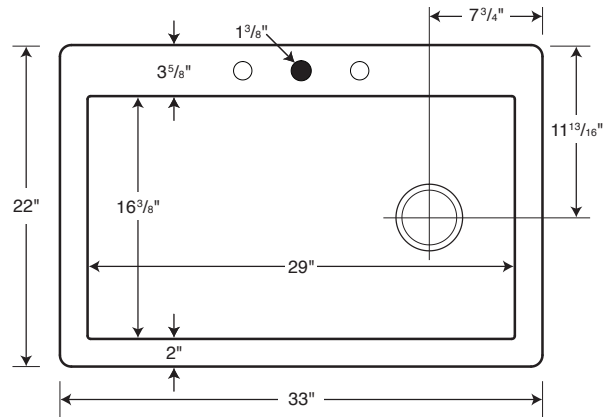
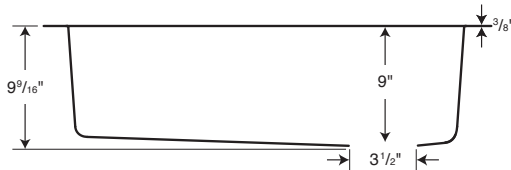


## Manufactured from Quartz

Recommended for high-use traffic areas and commercial surfaces.

### FEATURES

- Made with 80% quartz stone, only a diamond is harder.
- Virtually indestructible, will not damage from kitchen use.
- Standard sink size.
- Ideal for remodeling or new construction.
- Offers design flexibility, installs as a drop-in or undermount.
- Warranty: Limited Lifetime - Residential  
Limited 10-year - Commercial



○ Drill Points ● Pre-drilled

Capacity: 18 gallons

### SPECIFICATIONS

Model	Part	Nominal Dimensions	Ship Wt. Lb.	Ship FedEx	Carton Dims. In.	Cu. Ft.
QZSB-3322	QZ03322SB	33" W x 22" D (838 mm x 559 mm)	48	FedEx	37 x 25 x 13	6.96

### COLORS

- Opal White (210)
- Espresso (170)
- Granito (076)
- Metallico (173)
- Nero (077)

### STANDARDS AND RATINGS

American National Standard Institute—ANSI Z124.6

International Association of Plumbing and Mechanical Officials (IAPMO) - listed

cUPC listed - Certified to CSA Standard B45 by IAPMO

Heat resistance to 392°F, 200°C

### MAINTENANCE AND CLEANING INFORMATION

Clean your Swan Granite Sink by using warm water and a soft clean cloth, or sponge. Non-abrasive liquid cleaners and detergents can also be used. Hard water, calcium and lime deposits can be removed with white vinegar on a paper towel and rinsing after 20 minutes. To restore luster and extend time between cleanings Granite Cleaner & Polish is recommended. Staining liquids, such as dyes and vegetable juices should be rinsed off as soon as possible. **Do not** use abrasive cleaners, metal-scouring pads, and bleach or alkali cleaners, such as ammonia.

### SUPPORT DOCUMENTS

Installation instructions available at [swanstone.com](http://swanstone.com).

Undermount clips sold separately. Faucet options are limited to available hole placement. Please contact your dealer for more information.

# QZBS-1816

## Granite Bar Sink

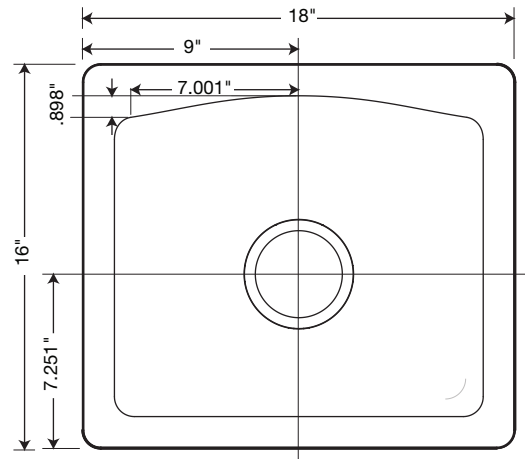
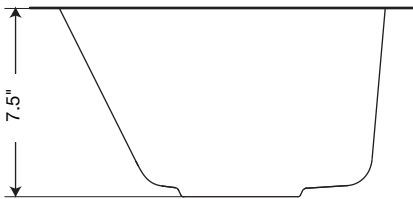


### Manufactured from Quartz

Recommended for high-use traffic areas and commercial surfaces.

### FEATURES

- Made with 80% quartz natural stone, only a diamond is harder.
- Superb heat and scratch resistance.
- Large, deep bowl is beautiful and versatile.
- Ideal as a kitchen island sink.
- Installs as a drop-in or undermount.
- Warranty: Limited Lifetime - Residential  
Limited 10-year - Commercial



Capacity: 3 1/2 gallons

### SPECIFICATIONS

Model	Part	Nominal Dimensions	Ship Wt. Lb.	Ship FedEx	Carton Dims. In.	Cu. Ft.
QZBS-1816	QZ01816BS	18" W x 16" D (457 mm x 406 mm)	17	FedEx	21 x 19 x 12	2.88

### COLORS

- Opal White (210)
- Espresso (170)
- Granito (076)
- Metallico (173)
- Nero (077)

### STANDARDS AND RATINGS

American National Standard Institute—ANSI Z124.6

International Association of Plumbing and Mechanical Officials (IAPMO) - listed

cUPC listed - Certified to CSA Standard B45 by IAPMO

Heat resistance to 392°F, 200°C

### MAINTENANCE AND CLEANING INFORMATION

Clean your Swan Granite Sink by using warm water and a soft clean cloth, or sponge. Non-abrasive liquid cleaners and detergents can also be used. Hard water, calcium and lime deposits can be removed with white vinegar on a paper towel and rinsing after 20 minutes. To restore luster and extend time between cleanings Granite Cleaner & Polish is recommended. Staining liquids, such as dyes and vegetable juices should be rinsed off as soon as possible. **Do not** use abrasive cleaners, metal-scouring pads, and bleach or alkali cleaners, such as ammonia.

### SUPPORT DOCUMENTS

Installation instructions available at [swanstone.com](http://swanstone.com).

Undermount clips sold separately. Faucet options are limited to available hole placement. Please contact your dealer for more information.

# QZSB-2522

Granite Single Bowl Kitchen Sink

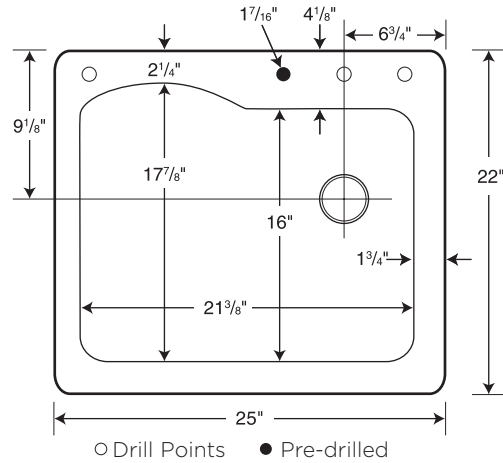
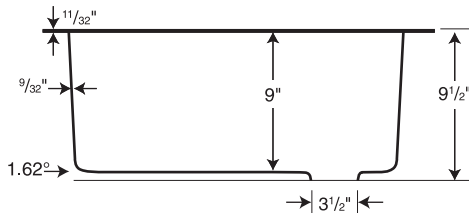


## Manufactured from Quartz

Recommended for high-use traffic areas and commercial surfaces.

### FEATURES

- Made with 80% quartz stone, only a diamond is harder.
- Virtually indestructible, will not damage from kitchen use.
- Standard sink size.
- Ideal for remodeling or new construction.
- Offers design flexibility, installs as a drop-in or undermount.
- Warranty: Limited Lifetime - Residential  
Limited 10-year - Commercial



○ Drill Points ● Pre-drilled

Capacity: 13 gallons

### SPECIFICATIONS

Model	Part	Nominal Dimensions	Ship Wt. Lb.	Ship FedEx	Carton Dims. In.	Cu. Ft.
QZSB-2522	QZ02522SB	25" W x 22" D (635 mm x 559 mm)	37	FedEx	28 x 25 x 14	5.7

### COLORS

- Opal White (210)
- Espresso (170)
- Granito (076)
- Metallico (173)
- Nero (077)

### STANDARDS AND RATINGS

American National Standard Institute—ANSI Z124.6

International Association of Plumbing and Mechanical Officials (IAPMO) - listed

cUPC listed - Certified to CSA Standard B45 by IAPMO

Heat resistance to 392°F, 200°C

### MAINTENANCE AND CLEANING INFORMATION

Clean your Swan Granite Sink by using warm water and a soft clean cloth, or sponge. Non-abrasive liquid cleaners and detergents can also be used. Hard water, calcium and lime deposits can be removed with white vinegar on a paper towel and rinsing after 20 minutes. To restore luster and extend time between cleanings Granite Cleaner & Polish is recommended. Staining liquids, such as dyes and vegetable juices should be rinsed off as soon as possible. **Do not** use abrasive cleaners, metal-scouring pads, and bleach or alkali cleaners, such as ammonia.

### SUPPORT DOCUMENTS

Installation instructions available at [swanstone.com](http://swanstone.com).

Undermount clips sold separately. Faucet options are limited to available hole placement. Please contact your dealer for more information.

# QUDB-3322

Granite Undermount Double Bowl Kitchen Sink

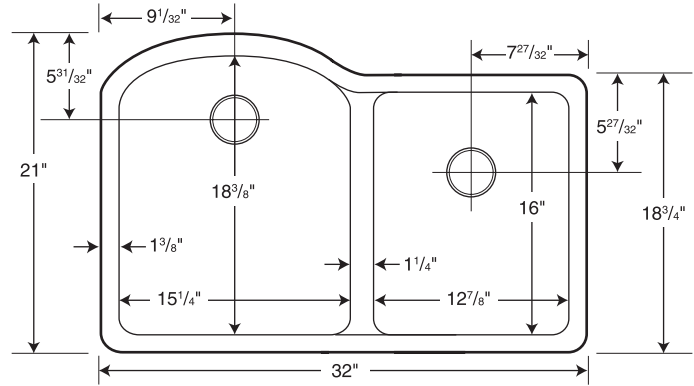
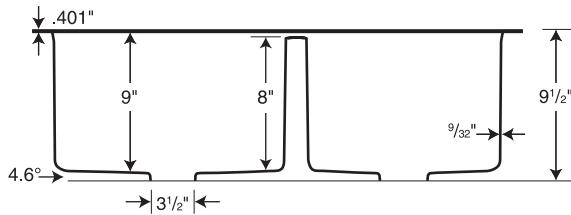


## Manufactured from Quartz

Recommended for high-use traffic areas and commercial surfaces.

### FEATURES

- Made with 80% quartz stone, only a diamond is harder.
- Virtually indestructible, will not damage from kitchen use.
- Ideal for remodeling or new construction.
- Mounts under most countertop materials including granite, quartz, solid surface and tile.
- Warranty: Limited Lifetime - Residential  
Limited 10-year - Commercial



Capacity: 9 1/2 gallons in large (left) bowl, 7 gallons in small (right) bowl

### SPECIFICATIONS

Model	Part	Nominal Dimensions	Ship Wt. Lb.	Ship FedEx	Carton Dims. In.	Cu. Ft.
QUDB-3322	QU03322DB	32" W x 21" D (813 mm x 533 mm)	53	FedEx	39 x 28 x 13	8.22

### COLORS

- Opal White (210)
- Espresso (170)
- Granito (076)
- Metallico (173)
- Nero (077)

### STANDARDS AND RATINGS

American National Standard Institute—ANSI Z124.6

International Association of Plumbing and Mechanical Officials (IAPMO) - listed

cUPC listed - Certified to CSA Standard B45 by IAPMO

Heat resistance to 392°F, 200°C

### MAINTENANCE AND CLEANING INFORMATION

Clean your Swan Granite Sink by using warm water and a soft clean cloth, or sponge. Non-abrasive liquid cleaners and detergents can also be used. Hard water, calcium and lime deposits can be removed with white vinegar on a paper towel and rinsing after 20 minutes. To restore luster and extend time between cleanings Granite Cleaner & Polish is recommended. Staining liquids, such as dyes and vegetable juices should be rinsed off as soon as possible. **Do not** use abrasive cleaners, metal-scouring pads, and bleach or alkali cleaners, such as ammonia.

### SUPPORT DOCUMENTS

Installation instructions available at [swanstone.com](http://swanstone.com).

# QUED-3322

Granite Undermount Even Double Bowl Kitchen Sink

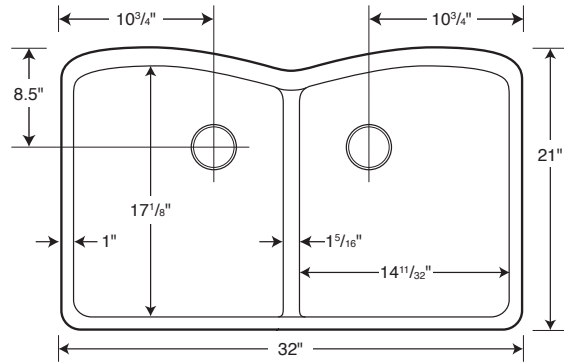


## Manufactured from Quartz

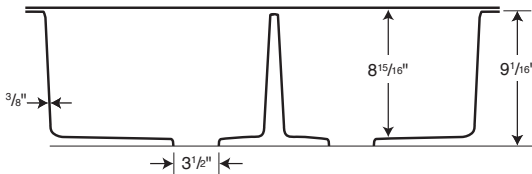
Recommended for high-use traffic areas and commercial surfaces.

### FEATURES

- Made with 80% quartz stone, only a diamond is harder.
- Virtually indestructible, will not damage from kitchen use.
- Standard sink size.
- Ideal for remodeling or new construction.
- Mounts under most countertop materials including granite, quartz, solid surface and tile.
- Warranty: Limited Lifetime - Residential  
Limited 10-year - Commercial



Capacity: 9 1/2 gallons per each bowl



### SPECIFICATIONS

Model	Part	Nominal Dimensions	Ship Wt. Lb.	Ship FedEx	Carton Dims. In.	Cu. Ft.
QUED-3322	QU03322ED	32" W x 21" D (813 mm x 533 mm)	50	FedEx	37 x 25 x 21	6.96

### COLORS

- Opal White (210)
- Espresso (170)
- Granito (076)
- Metallico (173)
- Nero (077)

### STANDARDS AND RATINGS

American National Standard Institute—ANSI Z124.6

International Association of Plumbing and Mechanical Officials (IAPMO) - listed

cUPC listed - Certified to CSA Standard B45 by IAPMO

Heat resistance to 392°F, 200°C

### MAINTENANCE AND CLEANING INFORMATION

Clean your Swan Granite Sink by using warm water and a soft clean cloth, or sponge. Non-abrasive liquid cleaners and detergents can also be used. Hard water, calcium and lime deposits can be removed with white vinegar on a paper towel and rinsing after 20 minutes. To restore luster and extend time between cleanings Granite Cleaner & Polish is recommended. Staining liquids, such as dyes and vegetable juices should be rinsed off as soon as possible. **Do not** use abrasive cleaners, metal-scouring pads, and bleach or alkali cleaners, such as ammonia.

### SUPPORT DOCUMENTS

Installation instructions available at [swanstone.com](http://swanstone.com).

Undermount clips sold separately. Faucet options are limited to available hole placement. Please contact your dealer for more information.

# QULD-3322

Granite Undermount Low Divide Double Bowl Kitchen Sink

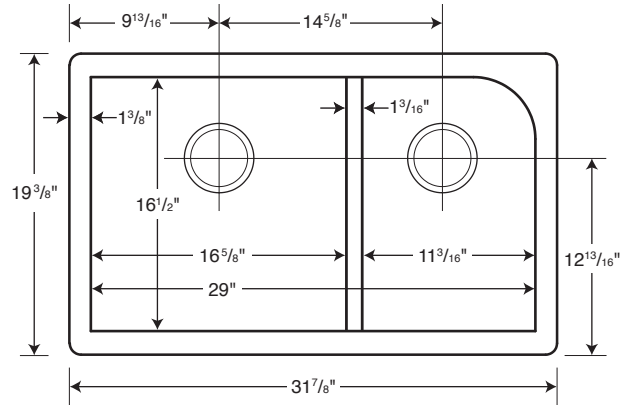
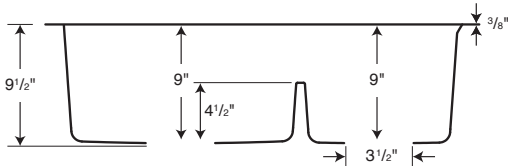


## Manufactured from Quartz

Recommended for high-use traffic areas and commercial surfaces.

### FEATURES

- Low divider provides functionality of a single bowl with practicality of a double bowl.
- Made with 80% quartz stone, only a diamond is harder.
- Virtually indestructible, will not damage from kitchen use.
- Standard size is ideal for remodeling or new construction.
- Mounts under most countertop materials including granite, quartz, solid surface and tile.
- Warranty: Limited Lifetime - Residential  
Limited 10-year - Commercial



Capacity:  
10 gallons in large (left) bowl,  
7 gallons in small (right) bowl

### SPECIFICATIONS

Model	Part	Nominal Dimensions	Ship Wt. Lb.	Ship FedEx	Carton Dims. In.	Cu. Ft.
QULD-3322	QU03322LD	32" W x 21" D (813 mm x 533 mm)	48	FedEx	37 x 25 x 13	6.96

### COLORS

- Espresso (170)
- Granito (076)
- Metallico (173)
- Nero (077)

### STANDARDS AND RATINGS

American National Standard Institute—ANSI Z124.6

International Association of Plumbing and Mechanical Officials (IAPMO) - listed

cUPC listed - Certified to CSA Standard B45 by IAPMO

Heat resistance to 392°F, 200°C

### MAINTENANCE AND CLEANING INFORMATION

Clean your Swan Granite Sink by using warm water and a soft clean cloth, or sponge. Non-abrasive liquid cleaners and detergents can also be used. Hard water, calcium and lime deposits can be removed with white vinegar on a paper towel and rinsing after 20 minutes. To restore luster and extend time between cleanings Granite Cleaner & Polish is recommended. Staining liquids, such as dyes and vegetable juices should be rinsed off as soon as possible. **Do not** use abrasive cleaners, metal-scouring pads, and bleach or alkali cleaners, such as ammonia.

### SUPPORT DOCUMENTS

Installation instructions available at [swanstone.com](http://swanstone.com).

Undermount clips sold separately. Faucet options are limited to available hole placement. Please contact your dealer for more information.

# QULS-3322

Granite Undermount Large/Small Bowl Kitchen Sink

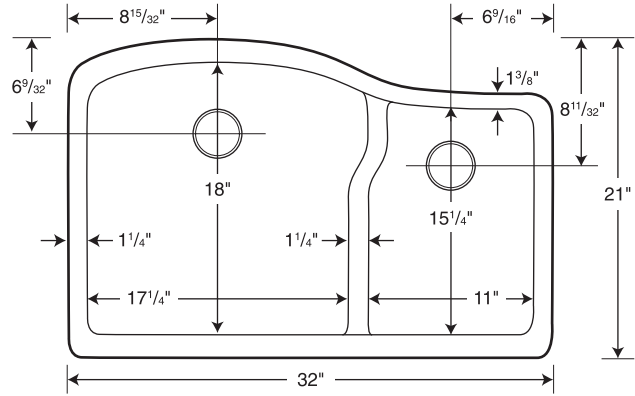
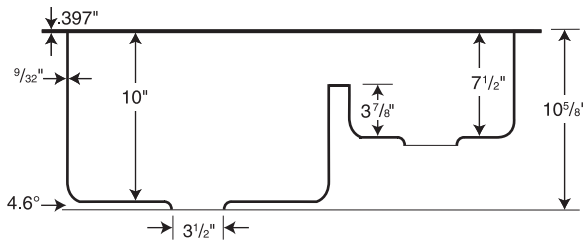


## Manufactured from Quartz

Recommended for high-use traffic areas and commercial surfaces.

### FEATURES

- Made with 80% quartz stone, only a diamond is harder.
- Virtually indestructible, will not damage from kitchen use.
- Standard sink size.
- Ideal for remodeling or new construction.
- Mounts under most countertop materials including granite, quartz, solid surface and tile.
- Warranty: Limited Lifetime - Residential  
Limited 10-year - Commercial



Capacity: 8 1/2 gallons in large (left) bowl until it reaches the divider height, 2 1/4 gallons in small (right) bowl until it reaches the divider height

### SPECIFICATIONS

Model	Part	Nominal Dimensions	Ship Wt. Lb.	Ship FedEx	Carton Dims. In.	Cu. Ft.
QULS-3322	QU03322LS	32" W x 21" D (813 mm x 533 mm)	48	FedEx	37 x 26 x 15	8.3

### COLORS

- Opal White (210)
- Espresso (170)
- Granito (076)
- Metallico (173)
- Nero (077)

### STANDARDS AND RATINGS

American National Standard Institute—ANSI Z124.6  
International Association of Plumbing and Mechanical Officials (IAPMO) - listed  
cUPC listed - Certified to CSA Standard B45 by IAPMO  
Heat resistance to 392°F, 200°C

### MAINTENANCE AND CLEANING INFORMATION

Clean your Swan Granite Sink by using warm water and a soft clean cloth, or sponge. Non-abrasive liquid cleaners and detergents can also be used. Hard water, calcium and lime deposits can be removed with white vinegar on a paper towel and rinsing after 20 minutes. To restore luster and extend time between cleanings Granite Cleaner & Polish is recommended. Staining liquids, such as dyes and vegetable juices should be rinsed off as soon as possible. **Do not** use abrasive cleaners, metal-scouring pads, and bleach or alkali cleaners, such as ammonia.

### SUPPORT DOCUMENTS

Installation instructions available at [swanstone.com](http://swanstone.com).

Undermount clips sold separately. Faucet options are limited to available hole placement. Please contact your dealer for more information.

# QURC-3322

Granite Undermount Offset Double Bowl Kitchen Sink

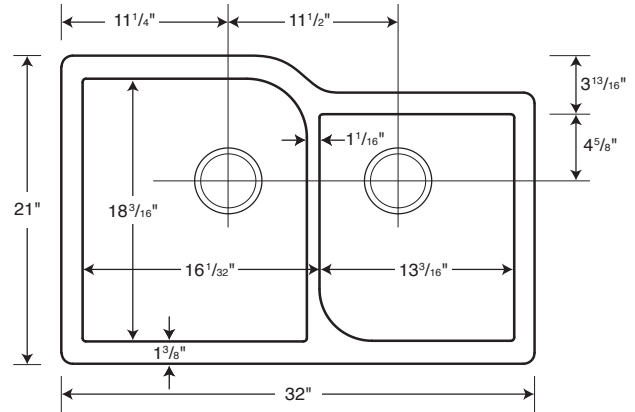
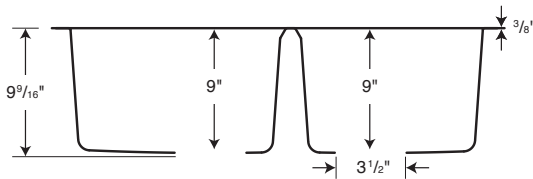


## Manufactured from Quartz

Recommended for high-use traffic areas and commercial surfaces.

## FEATURES

- Made with 80% quartz stone, only a diamond is harder.
- Virtually indestructible, will not damage from kitchen use.
- Standard sink size.
- Ideal for remodeling or new construction.
- Mounts under most countertop materials including granite, quartz, solid surface and tile.
- Warranty: Limited Lifetime - Residential  
Limited 10-year - Commercial



Capacity: 11 gallons in large (left) bowl, and 7 1/4 gallons in small (right) bowl

## SPECIFICATIONS

Model	Part	Nominal Dimensions	Ship Wt. Lb.	Ship FedEx	Carton Dims. In.	Cu. Ft.
QURC-3322	QU03322RC	32" W x 21" D (813 mm x 533 mm)	48	FedEx	37 x 25 x 13	6.96

## COLORS

- Espresso (170)
- Granito (076)
- Metallico (173)
- Nero (077)

## STANDARDS AND RATINGS

American National Standard Institute—ANSI Z124.6

International Association of Plumbing and Mechanical Officials (IAPMO) - listed

cUPC listed - Certified to CSA Standard B45 by IAPMO

Heat resistance to 392°F, 200°C

## MAINTENANCE AND CLEANING INFORMATION

Clean your Swan Granite Sink by using warm water and a soft clean cloth, or sponge. Non-abrasive liquid cleaners and detergents can also be used. Hard water, calcium and lime deposits can be removed with white vinegar on a paper towel and rinsing after 20 minutes. To restore luster and extend time between cleanings Granite Cleaner & Polish is recommended. Staining liquids, such as dyes and vegetable juices should be rinsed off as soon as possible. **Do not** use abrasive cleaners, metal-scouring pads, and bleach or alkali cleaners, such as ammonia.

## SUPPORT DOCUMENTS

Installation instructions available at [swanstone.com](http://swanstone.com).

Undermount clips sold separately. Faucet options are limited to available hole placement. Please contact your dealer for more information.



# QUSQ-3322

## Granite Undermount Equal Double Bowl Kitchen Sink

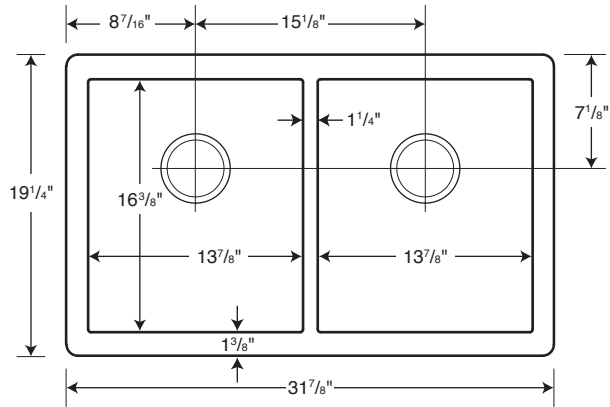
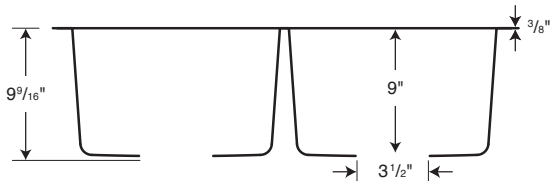


### Manufactured from Quartz

Recommended for high-use traffic areas and commercial surfaces.

### FEATURES

- Made with 80% quartz stone, only a diamond is harder.
- Virtually indestructible, will not damage from kitchen use.
- Standard sink size.
- Ideal for remodeling or new construction.
- Mounts under most countertop materials including granite, quartz, solid surface and tile.
- Warranty: Limited Lifetime - Residential  
Limited 10-year - Commercial



Capacity: 8 1/2 gallons per each bowl

### SPECIFICATIONS

Model	Part	Nominal Dimensions	Ship Wt. Lb.	Ship FedEx	Carton Dims. In.	Cu. Ft.
QUSQ-3322	QU03322SQ	32" W x 21" D (813 mm x 533 mm)	48	FedEx	37 x 25 x 13	6.96

### COLORS

- Espresso (170)
- Granito (076)
- Metallico (173)
- Nero (077)

### STANDARDS AND RATINGS

American National Standard Institute—ANSI Z124.6

International Association of Plumbing and Mechanical Officials (IAPMO) - listed

cUPC listed - Certified to CSA Standard B45 by IAPMO

Heat resistance to 392°F, 200°C

### MAINTENANCE AND CLEANING INFORMATION

Clean your Swan Granite Sink by using warm water and a soft clean cloth, or sponge. Non-abrasive liquid cleaners and detergents can also be used. Hard water, calcium and lime deposits can be removed with white vinegar on a paper towel and rinsing after 20 minutes. To restore luster and extend time between cleanings Granite Cleaner & Polish is recommended. Staining liquids, such as dyes and vegetable juices should be rinsed off as soon as possible. **Do not** use abrasive cleaners, metal-scouring pads, and bleach or alkali cleaners, such as ammonia.

### SUPPORT DOCUMENTS

Installation instructions available at [swanstone.com](http://swanstone.com).

Undermount clips sold separately. Faucet options are limited to available hole placement. Please contact your dealer for more information.

# QUAD-3322

Granite Undermount Large Single Ascend™ Bowl Kitchen Sink

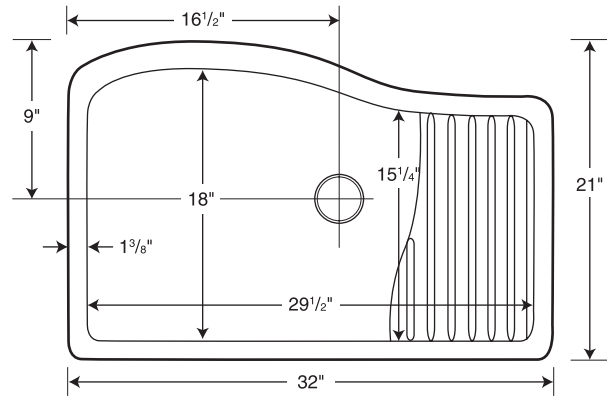
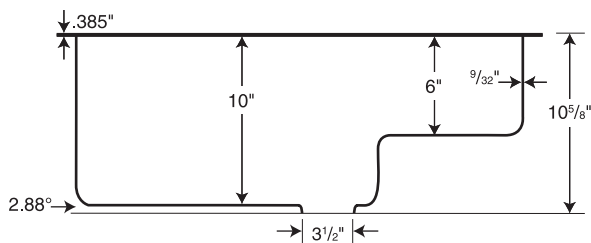


## Manufactured from Quartz

Recommended for high-use traffic areas and commercial surfaces.

## FEATURES

- Made with 80% quartz stone, only a diamond is harder.
- Virtually indestructible, will not damage from kitchen use.
- Standard sink size.
- Ideal for remodeling or new construction.
- Mounts under most countertop materials including granite, quartz, solid surface and tile.
- Warranty: Limited Lifetime - Residential  
Limited 10-year - Commercial



## SPECIFICATIONS

Model	Part	Nominal Dimensions	Ship Wt. Lb.	Ship FedEx	Carton Dims. In.	Cu. Ft.
QUAD-3322	QU03322AD	32" W x 21" D (813 mm x 533 mm)	49	FedEx	40 x 30 x 21	14.58

## COLORS

- Opal White (210)
- Espresso (170)
- Granito (076)
- Metallico (173)
- Nero (077)

## STANDARDS AND RATINGS

American National Standard Institute—ANSI Z124.6

International Association of Plumbing and Mechanical Officials (IAPMO) - listed

cUPC listed - Certified to CSA Standard B45 by IAPMO

Heat resistance to 392°F, 200°C

## MAINTENANCE AND CLEANING INFORMATION

Clean your Swan Granite Sink by using warm water and a soft clean cloth, or sponge. Non-abrasive liquid cleaners and detergents can also be used. Hard water, calcium and lime deposits can be removed with white vinegar on a paper towel and rinsing after 20 minutes. To restore luster and extend time between cleanings Granite Cleaner & Polish is recommended. Staining liquids, such as dyes and vegetable juices should be rinsed off as soon as possible. **Do not** use abrasive cleaners, metal-scouring pads, and bleach or alkali cleaners, such as ammonia.

## SUPPORT DOCUMENTS

Installation instructions available at [swanstone.com](http://swanstone.com).

Undermount clips sold separately. Faucet options are limited to available hole placement. Please contact your dealer for more information.

# QUSB-3322

Granite Undermount Single Bowl Kitchen Sink

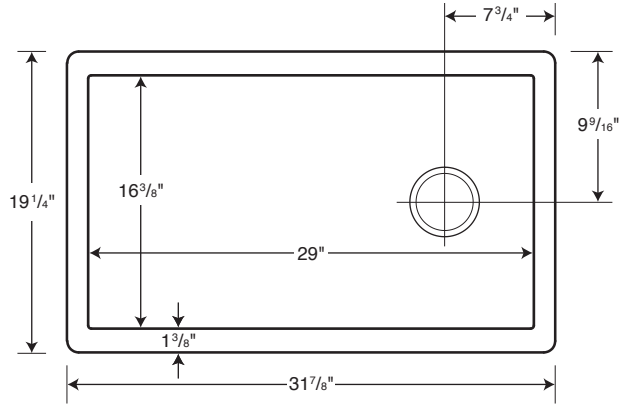
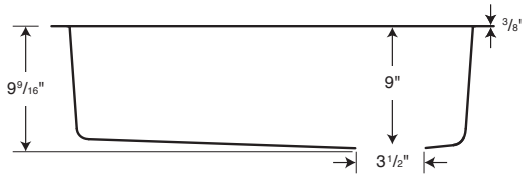


## Manufactured from Quartz

Recommended for high-use traffic areas and commercial surfaces.

### FEATURES

- Made with 80% quartz stone, only a diamond is harder.
- Virtually indestructible, will not damage from kitchen use.
- Standard sink size.
- Ideal for remodeling or new construction.
- Mounts under most countertop materials including granite/ quartz, solid surface and tile.
- Warranty: Limited Lifetime - Residential  
Limited 10-year - Commercial



Capacity: 18 gallons

### SPECIFICATIONS

Model	Part	Nominal Dimensions	Ship Wt. Lb.	Ship FedEx	Carton Dims. In.	Cu. Ft.
QUSB-3322	QU03322SB	32" W x 21" D (813 mm x 533 mm)	48	FedEx	37 x 25 x 13	6.96

### COLORS

- Opal White (210)
- Espresso (170)
- Granito (076)
- Metallico (173)
- Nero (077)

### STANDARDS AND RATINGS

American National Standard Institute—ANSI Z124.6  
International Association of Plumbing and Mechanical Officials (IAPMO) - listed  
cUPC listed - Certified to CSA Standard B45 by IAPMO  
Heat resistance to 392°F, 200°C

### MAINTENANCE AND CLEANING INFORMATION

Clean your Swan Granite Sink by using warm water and a soft clean cloth, or sponge. Non-abrasive liquid cleaners and detergents can also be used. Hard water, calcium and lime deposits can be removed with white vinegar on a paper towel and rinsing after 20 minutes. To restore luster and extend time between cleanings Granite Cleaner & Polish is recommended. Staining liquids, such as dyes and vegetable juices should be rinsed off as soon as possible. **Do not** use abrasive cleaners, metal-scouring pads, and bleach or alkali cleaners, such as ammonia.

### SUPPORT DOCUMENTS

Installation instructions available at [swanstone.com](http://swanstone.com).

Undermount clips sold separately. Faucet options are limited to available hole placement. Please contact your dealer for more information.

# QUSB-2522

Granite Undermount Single Bowl Kitchen Sink

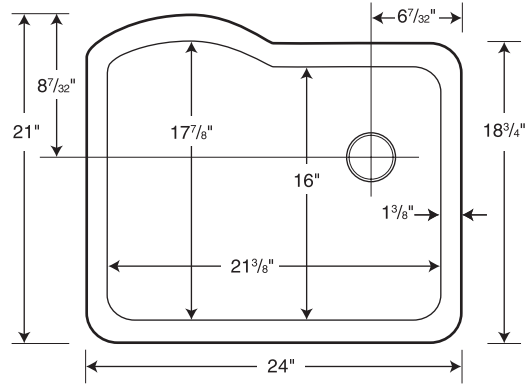
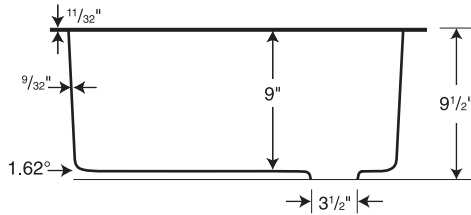


## Manufactured from Quartz

Recommended for high-use traffic areas and commercial surfaces.

### FEATURES

- Made with 80% quartz stone, only a diamond is harder.
- Virtually indestructible, will not damage from kitchen use.
- Ideal for remodeling or new construction.
- Mounts under most countertop materials including granite, quartz, solid surface and tile.
- Warranty: Limited Lifetime - Residential  
Limited 10-year - Commercial



Capacity: 13 gallons

### SPECIFICATIONS

Model	Part	Nominal Dimensions	Ship Wt. Lb.	Ship FedEx	Carton Dims. In.	Cu. Ft.
QUSB-2522	QU02522SB	24" W x 21" D (610 mm x 533 mm)	37	FedEx	28 x 25 x 14	5.67

### COLORS

- Opal White (210)
- Espresso (170)
- Granito (076)
- Metallico (173)
- Nero (077)

### STANDARDS AND RATINGS

American National Standard Institute—ANSI Z124.6

International Association of Plumbing and Mechanical Officials (IAPMO) - listed

cUPC listed - Certified to CSA Standard B45 by IAPMO

Heat resistance to 392°F, 200°C

### MAINTENANCE AND CLEANING INFORMATION

Clean your Swan Granite Sink by using warm water and a soft clean cloth, or sponge. Non-abrasive liquid cleaners and detergents can also be used. Hard water, calcium and lime deposits can be removed with white vinegar on a paper towel and rinsing after 20 minutes. To restore luster and extend time between cleanings Granite Cleaner & Polish is recommended. Staining liquids, such as dyes and vegetable juices should be rinsed off as soon as possible. **Do not** use abrasive cleaners, metal-scouring pads, and bleach or alkali cleaners, such as ammonia.

### SUPPORT DOCUMENTS

Installation instructions available at [swanstone.com](http://swanstone.com).

# KSDB-3322

## Swanstone Double Bowl Kitchen Sink

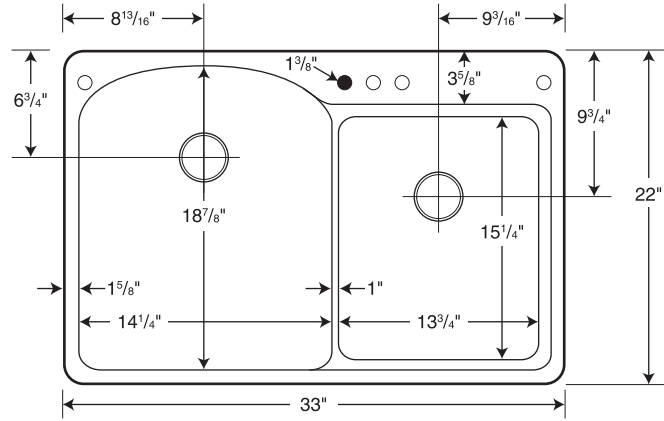
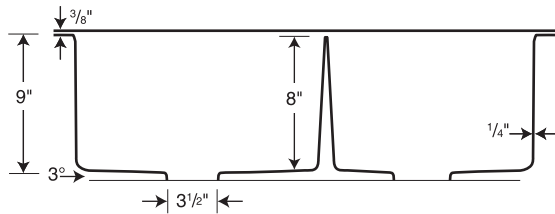


### Manufactured from Swanstone Solid Surface

Recommended for high-use traffic areas and commercial surfaces.

### FEATURES

- Swan's most popular sink.
- Classic style in a standard size.
- Renewable surface will not wear away.
- Hot pots and boiling water will not damage it.
- Highest resistance of impact from heavy objects.
- Easily accommodates all faucet styles.
- Heat, stain and scratch resistant for lasting beauty.
- Warranty: Limited Lifetime - Residential  
Limited 10-year - Commercial



○ Drill Points    ● Pre-drilled

Capacity: 7 1/4 gallons in large (left) bowl,  
5 3/4 gallons in small (right) bowl

### SPECIFICATIONS

Model	Part	Nominal Dimensions	Ship Wt. Lb.	Ship FedEx	Carton Dims. In.	Cu. Ft.
KSDB-3322	KS03322DB	33" W x 22" D (838 mm x 559 mm)	33	FedEx	26 x 13 x 39	7.63

### COLORS

#### Solid Colors:

- White (010)
- Bisque (018)
- Bone (037)

#### Aggregate Colors:

- Arctic Granite (035)
- Baby's Breath (168)
- Barley (091)
- Bermuda Sand (040)
- Canyon (124)
- Cloud Bone (126)
- Cloud White (125)
- Glacier (121)
- Golden Steppe (128)
- Gray Granite (042)
- Ice (130)
- Mountain Haze (129)
- Night Sky (012)
- Pebble (072)
- Prairie (122)
- Tahiti Desert (050)
- Tahiti Gray (053)
- Tahiti Ivory (059)
- Tahiti Matrix (058)
- Tahiti Sand (051)
- Tahiti White (011)
- Tundra (131)

### STANDARDS AND RATINGS

American National Standard Institute—ANSI Z124.6

International Association of Plumbing and Mechanical Officials (IAPMO)—Listed  
cUPC listed—Certified to CSA Test Standard B45.5 by IAPMO

Uniform Plumbing Code (UPC)

National Sanitation Foundation—NSF/ANSI 51 Food Equipment Materials

For a complete list of tests and results see the Technical Data Sheet.

### MAINTENANCE AND CLEANING INFORMATION

Clean your Swanstone sink by using abrasive cleaners or other similar products. Use of a nylon scouring pad or Mr. Clean® Magic Eraser® is also recommended. Food-based stains can be removed using a 50-50 mix of bleach and water solution and soaking for 15 minutes. For rust or other mineral stains, rust-removing products are acceptable. **Do not** use metal scouring pads.

### SUPPORT DOCUMENTS

Installation instructions available at [swanstone.com](http://swanstone.com).

**MADE IN USA**

# KSLB-3322

## Swanstone Super Double Bowl Kitchen Sink

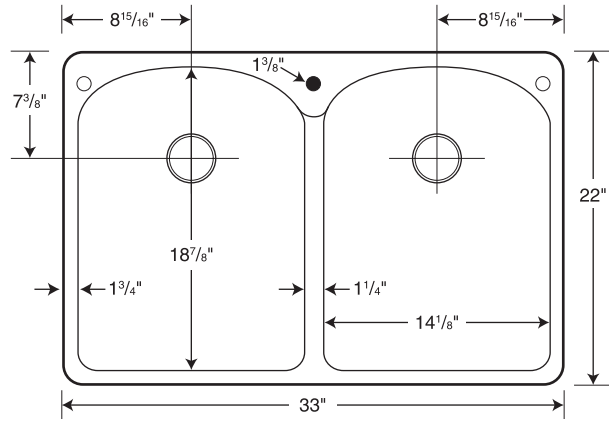
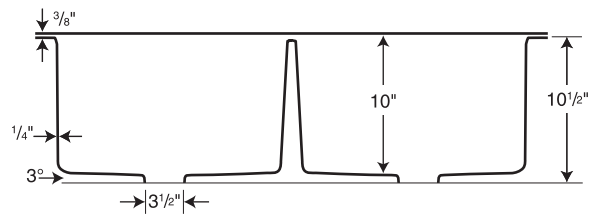


### Manufactured from Swanstone Solid Surface

Recommended for high-use traffic areas and commercial surfaces.

### FEATURES

- Two extra deep bowls for enormous workspace.
- Renewable surface will not wear away.
- Hot pots and boiling water will not damage it.
- Highest resistance of impact from heavy objects.
- Heat, stain and scratch resistant for lasting beauty.
- Warranty: Limited Lifetime - Residential  
Limited 10-year - Commercial



○ Drill Points ● Pre-drilled

Capacity: 9 gallons

### SPECIFICATIONS

Model	Part	Nominal Dimensions	Ship Wt. Lb.	Ship FedEx	Carton Dims. In.	Cu. Ft.
KSLB-3322	KS02233LB	33" W x 22" D (838 mm x 559 mm)	38	FedEx	37 x 25 x 14	7.50

### COLORS

#### Solid Colors:

- White (010)
- Bisque (018)
- Bone (037)

#### Aggregate Colors:

- Arctic Granite (035)
- Baby's Breath (168)
- Barley (091)
- Bermuda Sand (040)
- Canyon (124)
- Cloud Bone (126)
- Cloud White (125)
- Glacier (121)
- Golden Steppe (128)
- Gray Granite (042)
- Ice (130)
- Mountain Haze (129)
- Night Sky (012)
- Pebble (072)
- Prairie (122)
- Tahiti Desert (050)
- Tahiti Gray (053)
- Tahiti Ivory (059)
- Tahiti Matrix (058)
- Tahiti Sand (051)
- Tahiti White (011)
- Tundra (131)

### STANDARDS AND RATINGS

American National Standard Institute—ANSI Z124.6

International Association of Plumbing and Mechanical Officials (IAPMO)—Listed

cUPC listed—Certified to CSA Test Standard B45.5 by IAPMO

Uniform Plumbing Code (UPC)

National Sanitation Foundation—NSF/ANSI 51 Food Equipment Materials

For a complete list of tests and results see the Technical Data Sheet.

### MAINTENANCE AND CLEANING INFORMATION

Clean your Swanstone sink by using abrasive cleaners or other similar products. Use of a nylon scouring pad or Mr. Clean<sup>®</sup> Magic Eraser<sup>®</sup> is also recommended. Food-based stains can be removed using a 50-50 mix of bleach and water solution and soaking for 15 minutes. For rust or other mineral stains, rust-removing products are acceptable. **Do not** use metal scouring pads.

### SUPPORT DOCUMENTS

Installation instructions available at [swanstone.com](http://swanstone.com).

**MADE IN USA**

# KSLS-3322

Swanstone Large/Small Bowl Kitchen Sink

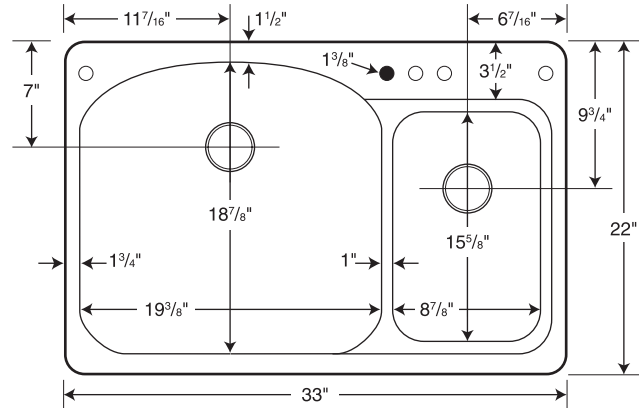
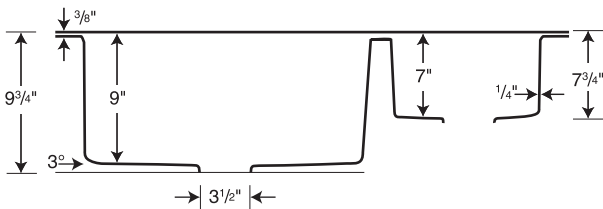


## Manufactured from Swanstone Solid Surface

Recommended for high-use traffic areas and commercial surfaces.

## FEATURES

- Designed with gourmet-style prep and clean-up features.
- Renewable surface will not wear away.
- Hot pots and boiling water will not damage it.
- Highest resistance of impact from heavy objects.
- Easily accommodates all faucet styles.
- Heat, stain and scratch resistant for lasting beauty.
- Warranty: Limited Lifetime - Residential  
Limited 10-year - Commercial



○ Drill Points    ● Pre-drilled  
Capacity: 13 3/4 gallons in large (left) bowl,  
4 gallons in small (right) bowl

## SPECIFICATIONS

Model	Part	Nominal Dimensions	Ship Wt. Lb.	Ship FedEx	Carton Dims. In.	Cu. Ft.
KSLS-3322	KS03322LS	33" W x 22" D (838 mm x 559 mm)	30	FedEx	38 x 25 x 13	7.15

## COLORS

### Solid Colors:

- White (010)
- Bisque (018)
- Bone (037)

### Aggregate Colors:

- Arctic Granite (035)
- Baby's Breath (168)
- Barley (091)
- Bermuda Sand (040)
- Canyon (124)
- Cloud Bone (126)
- Cloud White (125)
- Glacier (121)
- Golden Steppe (128)
- Gray Granite (042)
- Ice (130)
- Mountain Haze (129)
- Night Sky (012)
- Pebble (072)
- Prairie (122)
- Tahiti Desert (050)
- Tahiti Gray (053)
- Tahiti Ivory (059)
- Tahiti Matrix (058)
- Tahiti Sand (051)
- Tahiti White (011)
- Tundra (131)

## STANDARDS AND RATINGS

American National Standard Institute—ANSI Z124.6

International Association of Plumbing and Mechanical Officials (IAPMO)—Listed

cUPC listed—Certified to CSA Test Standard B45.5 by IAPMO

Uniform Plumbing Code (UPC)

National Sanitation Foundation—NSF/ANSI 51 Food Equipment Materials

For a complete list of tests and results see the Technical Data Sheet.

## SUPPORT DOCUMENTS

Installation instructions available at [swanstone.com](http://swanstone.com).

## MAINTENANCE AND CLEANING INFORMATION

Clean your Swanstone sink by using abrasive cleaners or other similar products. Use of a nylon scouring pad or Mr. Clean<sup>®</sup> Magic Eraser<sup>®</sup> is also recommended. Food-based stains can be removed using a 50-50 mix of bleach and water solution and soaking for 15 minutes. For rust or other mineral stains, rust-removing products are acceptable. **Do not** use metal scouring pads.

**MADE IN USA**

# KSTB-4422

## Swanstone Triple Bowl Kitchen Sink

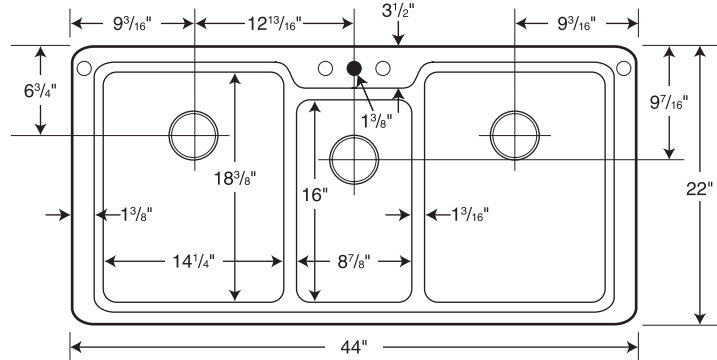


### Manufactured from Swanstone Solid Surface

Recommended for high-use traffic areas and commercial surfaces.

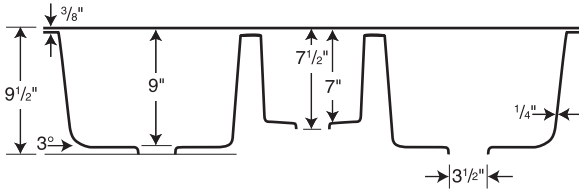
### FEATURES

- Three bowls for maximum workspace.
- Renewable surface will not wear away.
- Hot pots and boiling water will not damage it.
- Highest resistance of impact from heavy objects.
- Easily accommodates all faucet styles.
- Heat, stain and scratch resistant for lasting beauty.
- Warranty: Limited Lifetime - Residential  
Limited 10-year - Commercial



○ Drill Points ● Pre-drilled

Capacity:  
Large: 7 1/4 gallons  
Small: 3 1/2 gallons



### SPECIFICATIONS

Model	Part	Nominal Dimensions	Ship Wt. Lb.	Ship FedEx	Carton Dims. In.	Cu. Ft.
KSTB-4422	KS04422TB	44" W x 22" D (1118 mm x 559 mm)	46	FedEx	48 x 27 x 13	9.75

### COLORS

#### Solid Colors:

- White (O10)
- Bisque (O18)
- Bone (O37)

#### Aggregate Colors:

- Arctic Granite (O35)
- Baby's Breath (168)
- Barley (O91)
- Bermuda Sand (O40)
- Canyon (124)
- Cloud Bone (126)
- Cloud White (125)
- Glacier (121)
- Golden Steppe (128)
- Gray Granite (O42)
- Ice (130)
- Mountain Haze (129)
- Night Sky (O12)
- Pebble (O72)
- Prairie (122)
- Tahiti Desert (O50)
- Tahiti Gray (O53)
- Tahiti Ivory (O59)
- Tahiti Matrix (O58)
- Tahiti Sand (O51)
- Tahiti White (O11)
- Tundra (131)

### STANDARDS AND RATINGS

American National Standard Institute—ANSI Z124.6

International Association of Plumbing and Mechanical Officials (IAPMO)—Listed

cUPC listed—Certified to CSA Test Standard B45.5 by IAPMO

Uniform Plumbing Code (UPC)

National Sanitation Foundation—NSF/ANSI 51 Food Equipment Materials

For a complete list of tests and results see the Technical Data Sheet.

### MAINTENANCE AND CLEANING INFORMATION

Clean your Swanstone sink by using abrasive cleaners or other similar products. Use of a nylon scouring pad or Mr. Clean® Magic Eraser® is also recommended. Food-based stains can be removed using a 50-50 mix of bleach and water solution and soaking for 15 minutes. For rust or other mineral stains, rust-removing products are acceptable. **Do not** use metal scouring pads.

### SUPPORT DOCUMENTS

Installation instructions available at [swanstone.com](http://swanstone.com).

**MADE IN USA**



# KSSB-3322

## Swanstone Large Single Bowl Kitchen Sink

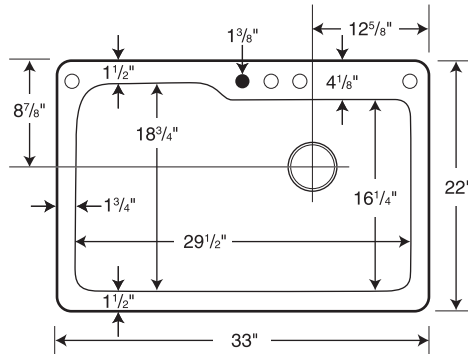


### Manufactured from Swanstone Solid Surface

Recommended for high-use traffic areas and commercial surfaces.

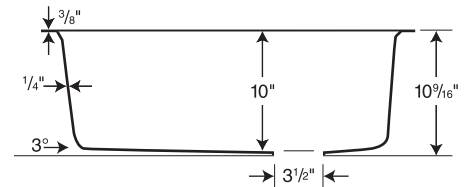
### FEATURES

- Easily accommodates your largest cooking pots and baking sheets.
- Renewable surface will not wear away.
- Hot pots and boiling water will not damage it.
- Highest resistance of impact from heavy objects.
- Easily accommodates all faucet styles.
- Heat, stain and scratch resistant for lasting beauty.
- Warranty: Limited Lifetime - Residential  
Limited 10-year - Commercial



○ Drill Points ● Pre-drilled

Capacity: 22 gallons



### SPECIFICATIONS

Model	Part	Nominal Dimensions	Ship Wt. Lb.	Ship FedEx	Carton Dims. In.	Cu. Ft.
KSSB-3322	KS03322SB	33" W x 22" D (838 mm x 559 mm)	33	FedEx	39 x 26 x 13	7.63

### COLORS

#### Solid Colors:

- White (010)
- Bisque (018)
- Bone (037)

#### Aggregate Colors:

- Arctic Granite (035)
- Baby's Breath (168)
- Barley (091)
- Bermuda Sand (040)
- Canyon (124)
- Cloud Bone (126)
- Cloud White (125)
- Glacier (121)
- Golden Steppe (128)
- Gray Granite (042)
- Ice (130)
- Mountain Haze (129)
- Night Sky (012)
- Pebble (072)
- Prairie (122)
- Tahiti Desert (050)
- Tahiti Gray (053)
- Tahiti Ivory (059)
- Tahiti Matrix (058)
- Tahiti Sand (051)
- Tahiti White (011)
- Tundra (131)

### STANDARDS AND RATINGS

American National Standard Institute—ANSI Z124.6

International Association of Plumbing and Mechanical Officials (IAPMO)—Listed

cUPC listed—Certified to CSA Test Standard B45.5 by IAPMO

Uniform Plumbing Code (UPC)

National Sanitation Foundation-NSF/ANSI 51 Food Equipment Materials

For a complete list of tests and results see the Technical Data Sheet.

### MAINTENANCE AND CLEANING INFORMATION

Clean your Swanstone sink by using abrasive cleaners or other similar products. Use of a nylon scouring pad or Mr. Clean® Magic Eraser® is also recommended. Food-based stains can be removed using a 50-50 mix of bleach and water solution and soaking for 15 minutes. For rust or other mineral stains, rust-removing products are acceptable. **Do not** use metal scouring pads.

### SUPPORT DOCUMENTS

Installation instructions available at [swanstone.com](http://swanstone.com).

**MADE IN USA**

# KSDB-2518



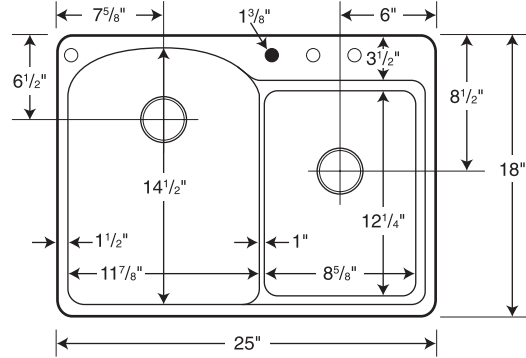
## Swanstone Space-Saver Double Bowl Kitchen Sink

### Manufactured from Swanstone Solid Surface

Recommended for high-use traffic areas and commercial surfaces.

### FEATURES

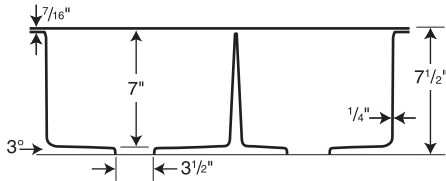
- Ideal double-bowl for recreation vehicles, boats and other limited spaces.
- Renewable surface will not wear away.
- Hot pots and boiling water will not damage it.
- Highest resistance of impact from heavy objects.
- Easily accommodates all faucet styles.
- Heat, stain and scratch resistant for lasting beauty.
- Warranty: Limited Lifetime - Residential  
Limited 10-year - Commercial



○ Drill Points ● Pre-drilled

Capacity:

4 gallons in large (left) bowl  
2 1/2 in gallons small (right) bowl



### SPECIFICATIONS

Model	Part	Nominal Dimensions	Ship Wt. Lb.	Ship FedEx	Carton Dims. In.	Cu. Ft.
KSDB-2518	KSO2518DB	25" W x 18" D (635 mm x 457 mm)	18	FedEx	30 x 23 x 11	4.4

### COLORS

#### Solid Colors:

- White (010)
- Bisque (018)
- Bone (037)

#### Aggregate Colors:

- Arctic Granite (035)
- Baby's Breath (168)
- Barley (091)
- Bermuda Sand (040)
- Canyon (124)
- Cloud Bone (126)
- Cloud White (125)
- Glacier (121)
- Golden Steppe (128)
- Gray Granite (042)
- Ice (130)
- Mountain Haze (129)
- Night Sky (012)
- Pebble (072)
- Prairie (122)
- Tahiti Desert (050)
- Tahiti Gray (053)
- Tahiti Ivory (059)
- Tahiti Matrix (058)
- Tahiti Sand (051)
- Tahiti White (011)
- Tundra (131)

### STANDARDS AND RATINGS

American National Standard Institute—ANSI Z124.6

International Association of Plumbing and Mechanical Officials (IAPMO)—Listed

cUPC listed—Certified to CSA Test Standard B45.5 by IAPMO

Uniform Plumbing Code (UPC)

National Sanitation Foundation—NSF/ANSI 51 Food Equipment Materials

For a complete list of tests and results see the Technical Data Sheet.

### MAINTENANCE AND CLEANING INFORMATION

Clean your Swanstone sink by using abrasive cleaners or other similar products. Use of a nylon scouring pad or Mr. Clean® Magic Eraser® is also recommended. Food-based stains can be removed using a 50-50 mix of bleach and water solution and soaking for 15 minutes. For rust or other mineral stains, rust-removing products are acceptable.

**Do not** use metal scouring pads.

### SUPPORT DOCUMENTS

Installation instructions available at

[swanstone.com](http://swanstone.com).

**MADE IN USA**

# KSRB-18

## Swanstone Round Bowl Sink

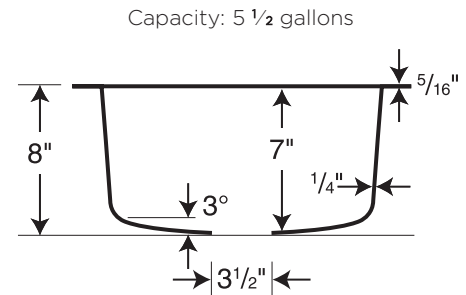
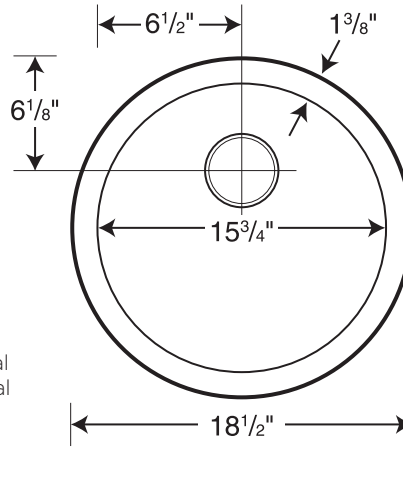


### Manufactured from Swanstone Solid Surface

Recommended for high-use traffic areas and commercial surfaces.

### FEATURES

- Ideal as a vegetable prep sink in kitchen island.
- Also makes a high-capacity entertainment sink.
- Renewable surface will not wear away.
- Hot pots and boiling water will not damage it.
- Highest resistance of impact from heavy objects.
- Easily accommodates all faucet styles.
- Heat, stain and scratch resistant for lasting beauty.
- Warranty: Limited Lifetime - Residential  
Limited 10-year - Commercial



### SPECIFICATIONS

Model	Part	Nominal Dimensions	Ship Wt. Lb.	Ship FedEx	Carton Dims. In.	Cu. Ft.
KSRB-18	KS00018RB	18 1/2" Diameter (470 mm)	18	FedEx	22 x 21 x 10	2.68

### COLORS

#### Solid Colors:

- White (010)
- Bisque (018)
- Bone (037)

#### Aggregate Colors:

- Arctic Granite (035)
- Baby's Breath (168)
- Barley (091)
- Bermuda Sand (040)
- Canyon (124)
- Cloud Bone (126)
- Cloud White (125)
- Glacier (121)
- Golden Steppe (128)
- Gray Granite (042)
- Ice (130)
- Mountain Haze (129)
- Night Sky (012)
- Pebble (072)
- Prairie (122)
- Tahiti Desert (050)
- Tahiti Gray (053)
- Tahiti Ivory (059)
- Tahiti Matrix (058)
- Tahiti Sand (051)
- Tahiti White (011)
- Tundra (131)

### STANDARDS AND RATINGS

American National Standard Institute—ANSI Z124.6

International Association of Plumbing and Mechanical Officials (IAPMO)—Listed  
cUPC listed—Certified to CSA Test Standard B45.5 by IAPMO

Uniform Plumbing Code (UPC)

National Sanitation Foundation—NSF/ANSI 51 Food Equipment Materials

For a complete list of tests and results see the Technical Data Sheet.

### MAINTENANCE AND CLEANING INFORMATION

Clean your Swanstone sink by using abrasive cleaners or other similar products. Use of a nylon scouring pad or Mr. Clean® Magic Eraser® is also recommended. Food-based stains can be removed using a 50-50 mix of bleach and water solution and soaking for 15 minutes. For rust or other mineral stains, rust-removing products are acceptable.

**Do not** use metal scouring pads.

### SUPPORT DOCUMENTS

Installation instructions available at [swanstone.com](http://swanstone.com).

**MADE IN USA**

# KSSB-2522

## Swanstone Single Bowl Kitchen Sink

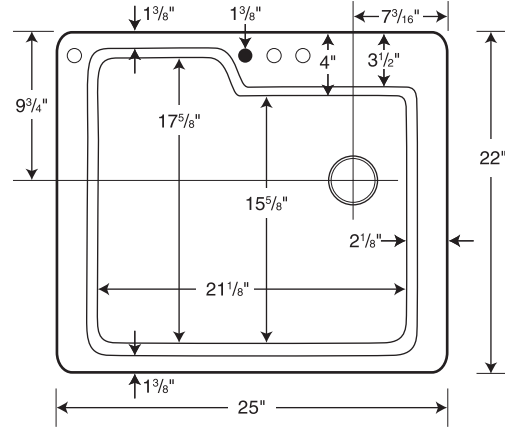


### Manufactured from Swanstone Solid Surface

Recommended for high-use traffic areas and commercial surfaces.

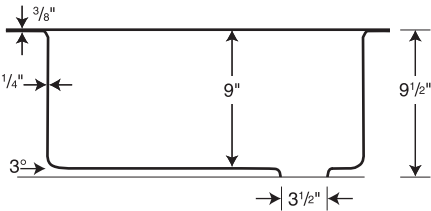
### FEATURES

- Incorporates specialized convenience features into compact design.
- Renewable surface will not wear away.
- Hot pots and boiling water will not damage it.
- Highest resistance of impact from heavy objects.
- Easily accommodates all faucet styles.
- Heat, stain and scratch resistant for lasting beauty.
- Warranty: Limited Lifetime - Residential  
Limited 10-year - Commercial



○ Drill Points ● Pre-drilled

Capacity: 13 gallons



### SPECIFICATIONS

Model	Part	Nominal Dimensions	Ship Wt. Lb.	Ship FedEx	Carton Dims. In.	Cu. Ft.
KSSB-2522	KS02522SB	25" W x 22" D (635 mm x 559 mm)	23	FedEx	26 x 14 x 29	6.11

### COLORS

#### Solid Colors:

- White (010)
- Bisque (018)
- Bone (037)

#### Aggregate Colors:

- Arctic Granite (035)
- Baby's Breath (168)
- Barley (091)
- Bermuda Sand (040)
- Canyon (124)
- Cloud Bone (126)
- Cloud White (125)
- Glacier (121)
- Golden Steppe (128)
- Gray Granite (042)
- Ice (130)
- Mountain Haze (129)
- Night Sky (012)
- Pebble (072)
- Prairie (122)
- Tahiti Desert (050)
- Tahiti Gray (053)
- Tahiti Ivory (059)
- Tahiti Matrix (058)
- Tahiti Sand (051)
- Tahiti White (011)
- Tundra (131)

### STANDARDS AND RATINGS

American National Standard Institute—ANSI Z124.6

International Association of Plumbing and Mechanical Officials (IAPMO)—Listed

cUPC listed—Certified to CSA Test Standard B45.5 by IAPMO

Uniform Plumbing Code (UPC)

National Sanitation Foundation—NSF/ANSI 51 Food Equipment Materials

For a complete list of tests and results see the Technical Data Sheet.

### MAINTENANCE AND CLEANING INFORMATION

Clean your Swanstone sink by using abrasive cleaners or other similar products. Use of a nylon scouring pad or Mr. Clean® Magic Eraser® is also recommended. Food-based stains can be removed using a 50-50 mix of bleach and water solution and soaking for 15 minutes. For rust or other mineral stains, rust-removing products are acceptable. **Do not** use metal scouring pads.

### SUPPORT DOCUMENTS

Installation instructions available at [swanstone.com](http://swanstone.com).

**MADE IN USA**

# BS-1515

## Swanstone Entertainment Sink

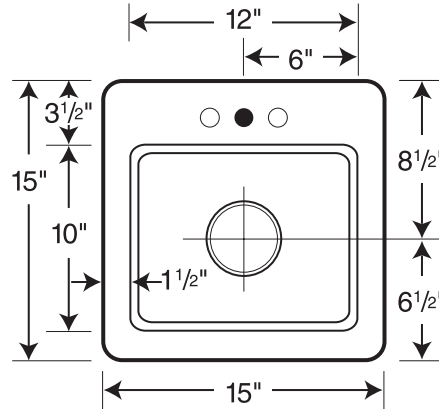


### Manufactured from Swanstone Solid Surface

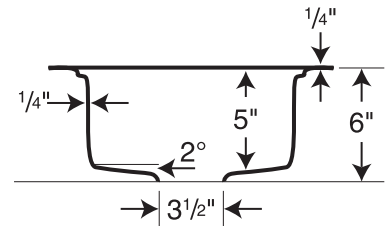
Recommended for high-use traffic areas and commercial surfaces.

### FEATURES

- Renewable surface will not wear away.
- Hot pots and boiling water will not damage it.
- Highest resistance of impact from heavy objects.
- Easily accommodates all faucet styles.
- Heat, stain and scratch resistant for lasting beauty.
- Warranty: Limited Lifetime - Residential  
Limited 10-year - Commercial



○ Drill Points ● Pre-drilled  
Capacity: 2 1/2 gallons



### SPECIFICATIONS

Model	Part	Nominal Dimensions	Ship Wt. Lb.	Ship FedEx	Carton Dims. In.	Cu. Ft.
BS-1515	BS01515	15" W x 15" D (381 mm x 381 mm)	10	FedEx	19 x 18 x 8	1.59

### COLORS

#### Solid Colors:

- White (010)
- Bisque (018)
- Bone (037)

#### Aggregate Colors:

- Arctic Granite (035)
- Baby's Breath (168)
- Barley (091)
- Bermuda Sand (040)
- Canyon (124)
- Cloud Bone (126)
- Cloud White (125)
- Glacier (121)
- Golden Steppe (128)
- Gray Granite (042)
- Ice (130)
- Mountain Haze (129)
- Night Sky (012)
- Pebble (072)
- Prairie (122)
- Tahiti Desert (050)
- Tahiti Gray (053)
- Tahiti Ivory (059)
- Tahiti Matrix (058)
- Tahiti Sand (051)
- Tahiti White (011)
- Tundra (131)

### STANDARDS AND RATINGS

American National Standard Institute—ANSI Z124.6

International Association of Plumbing and Mechanical Officials (IAPMO)—Listed

cUPC listed—Certified to CSA Test Standard B45.5 by IAPMO

Uniform Plumbing Code (UPC)

National Sanitation Foundation—NSF/ANSI 51 Food Equipment Materials

For a complete list of tests and results see the Technical Data Sheet.

### MAINTENANCE AND CLEANING INFORMATION

Clean your Swanstone sink by using abrasive cleaners or other similar products. Use of a nylon scouring pad or Mr. Clean® Magic Eraser® is also recommended. Food-based stains can be removed using a 50-50 mix of bleach and water solution and soaking for 15 minutes. For rust or other mineral stains, rust-removing products are acceptable. **Do not** use metal scouring pads.

### SUPPORT DOCUMENTS

Installation instructions available at [swanstone.com](http://swanstone.com).

**MADE IN USA**

# US-3015

## Swanstone Undermount Double Bowl Kitchen Sink

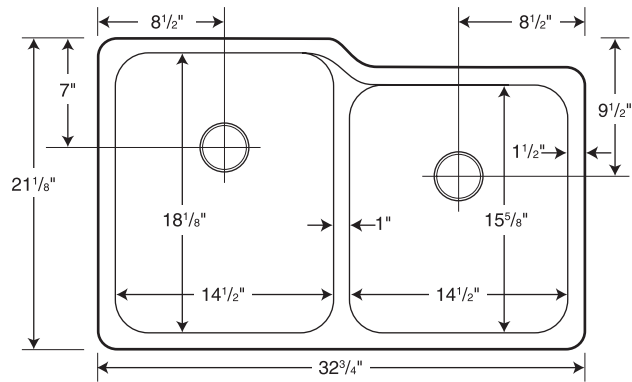
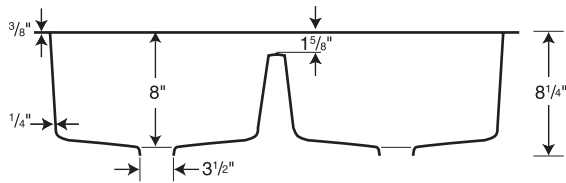


### Manufactured from Swanstone Solid Surface

Recommended for high-use traffic areas and commercial surfaces.

### FEATURES

- Reinforced solid surface means color and texture run all the way through and cannot wear away.
- Mounts underneath your choice of countertop for high-design appeal.
- Heat and stain resistant for lasting beauty.
- Warranty: Limited Lifetime – Residential  
Limited 10-year – Commercial



Capacity: 6 gallons in large (left) bowl,  
5 1/2 gallons in small (right) bowl

### SPECIFICATIONS

Model	Part	Nominal Dimensions	Ship Wt. Lb.	Ship FedEx	Carton Dims. In.	Cu. Ft.
US-3015	US03015SB	32 3/4" W x 21 1/8" D (832 mm x 539 mm)	39	FedEx	37 x 24 x 13	6.68

### COLORS

#### Solid Colors:

- White (010)
- Bisque (018)
- Bone (037)

#### Aggregate Colors:

- Arctic Granite (035)
- Baby's Breath (168)
- Barley (091)
- Bermuda Sand (040)
- Canyon (124)
- Cloud Bone (126)
- Cloud White (125)
- Glacier (121)
- Golden Steppe (128)
- Gray Granite (042)
- Ice (130)
- Mountain Haze (129)
- Night Sky (012)
- Pebble (072)
- Prairie (122)
- Tahiti Desert (050)
- Tahiti Gray (053)
- Tahiti Ivory (059)
- Tahiti Matrix (058)
- Tahiti Sand (051)
- Tahiti White (011)
- Tundra (131)

### STANDARDS AND RATINGS

American National Standard Institute—  
ANSI Z124.6

International Association of Plumbing and  
Mechanical Officials (IAPMO)—Listed

cUPC listed—Certified to CSA Test Standard  
B45.5 by IAPMO

Uniform Plumbing Code (UPC)

National Sanitation Foundation—NSF/ANSI 51  
Food Equipment Materials

For a complete list of tests and results see  
the Technical Data Sheet.

### MAINTENANCE AND CLEANING INFORMATION

Clean your Swanstone sink by using abrasive  
cleaners or other similar products. Use of  
a nylon scouring pad or Mr. Clean® Magic  
Eraser® is also recommended. Food-based  
stains can be removed using a 50-50 mix of  
bleach and water solution and soaking for  
15 minutes. For rust or other mineral stains,  
rust-removing products are acceptable.

**Do not** use metal scouring pads.

### SUPPORT DOCUMENTS

Installation instructions available at  
[swanstone.com](http://swanstone.com).

# US-2215

## Swanstone Undermount Single Bowl Kitchen Sink

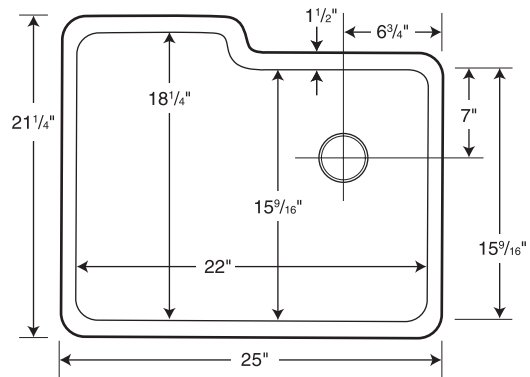
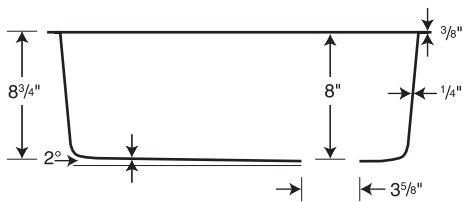


### Manufactured from Swanstone Solid Surface

Recommended for high-use traffic areas and commercial surfaces.

### FEATURES

- Reinforced solid surface means color and texture run all the way through and cannot wear away.
- Mounts underneath your choice of countertop for high-design appeal.
- Heat, stain, and scratch resistant for lasting beauty.
- Warranty: Limited Lifetime – Residential  
Limited 10-year – Commercial



Capacity: 9 3/4 gallons

### SPECIFICATIONS

Model	Part	Nominal Dimensions	Ship Wt. Lb.	Ship FedEx	Carton Dims. In.	Cu. Ft.
US-2215	US02215SB	25" W x 21 1/4" D (635 mm x 540 mm)	25	FedEx	28 x 24 x 12	4.67

### COLORS

#### Solid Colors:

- White (010)
- Bisque (018)
- Bone (037)

#### Aggregate Colors:

- Arctic Granite (035)
- Baby's Breath (168)
- Barley (091)
- Bermuda Sand (040)
- Canyon (124)
- Cloud Bone (126)
- Cloud White (125)
- Glacier (121)
- Golden Steppe (128)
- Gray Granite (042)
- Ice (130)
- Mountain Haze (129)
- Night Sky (012)
- Pebble (072)
- Prairie (122)
- Tahiti Desert (050)
- Tahiti Gray (053)
- Tahiti Ivory (059)
- Tahiti Matrix (058)
- Tahiti Sand (051)
- Tahiti White (011)
- Tundra (131)

### STANDARDS AND RATINGS

American National Standard Institute—ANSI Z124.6

International Association of Plumbing and Mechanical Officials (IAPMO)—Listed

cUPC listed—Certified to CSA Test Standard B45.5 by IAPMO

Uniform Plumbing Code (UPC)

National Sanitation Foundation-NSF/ANSI 51 Food Equipment Materials

For a complete list of tests and results see the Technical Data Sheet.

### MAINTENANCE AND CLEANING INFORMATION

Clean your Swanstone sink by using abrasive cleaners or other similar products. Use of a nylon scouring pad or Mr. Clean® Magic Eraser® is also recommended. Food-based stains can be removed using a 50-50 mix of bleach and water solution and soaking for 15 minutes. For rust or other mineral stains, rust-removing products are acceptable. **Do not** use metal scouring pads.

### SUPPORT DOCUMENTS

Installation instructions available at [swanstone.com](http://swanstone.com).

**MADE IN USA**

# US-2021

## Swanstone Undermount Large Bowl Kitchen Sink

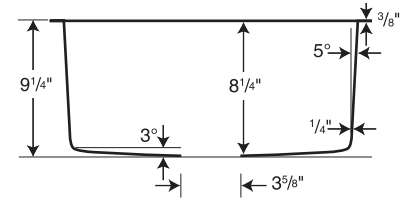
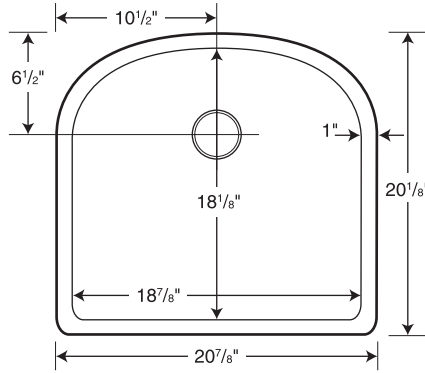


### Manufactured from Swanstone Solid Surface

Recommended for high-use traffic areas and commercial surfaces.

### FEATURES

- Reinforced solid surface means color and texture run all the way through and cannot wear away.
- Mounts underneath your choice of countertop for high-design appeal.
- Heat, stain, and scratch resistant for lasting beauty.
- Warranty: Limited Lifetime - Residential  
Limited 10-year - Commercial



Capacity: 9 gallons

### SPECIFICATIONS

Model	Part	Nominal Dimensions	Ship Wt. Lb.	Ship FedEx	Carton Dims. In.	Cu. Ft.
US-2021	US02021SB	20 7/8" W x 20 1/8" D (530 mm x 511 mm)	22	FedEx	25 x 24 x 11	3.82

### COLORS

#### Solid Colors:

- White (010)
- Bisque (018)
- Bone (037)

#### Aggregate Colors:

- Arctic Granite (035)
- Baby's Breath (168)
- Barley (091)
- Bermuda Sand (040)
- Canyon (124)
- Cloud Bone (126)
- Cloud White (125)
- Glacier (121)
- Golden Steppe (128)
- Gray Granite (042)
- Ice (130)
- Mountain Haze (129)
- Night Sky (012)
- Pebble (072)
- Prairie (122)
- Tahiti Desert (050)
- Tahiti Gray (053)
- Tahiti Ivory (059)
- Tahiti Matrix (058)
- Tahiti Sand (051)
- Tahiti White (011)
- Tundra (131)

### STANDARDS AND RATINGS

American National Standard Institute—ANSI Z124.6

International Association of Plumbing and Mechanical Officials (IAPMO)—Listed

cUPC listed—Certified to CSA Test Standard B45.5 by IAPMO

Uniform Plumbing Code (UPC)

National Sanitation Foundation—NSF/ANSI 51 Food Equipment Materials

For a complete list of tests and results see the Technical Data Sheet.

### MAINTENANCE AND CLEANING INFORMATION

Clean your Swanstone sink by using abrasive cleaners or other similar products. Use of a nylon scouring pad or Mr. Clean® Magic Eraser® is also recommended. Food-based stains can be removed using a 50-50 mix of bleach and water solution and soaking for 15 minutes. For rust or other mineral stains, rust-removing products are acceptable.

**Do not** use metal scouring pads.

### SUPPORT DOCUMENTS

Installation instructions available at [swanstone.com](http://swanstone.com).

**MADE IN USA**



# US-1711

## Swanstone Undermount Small Bowl Kitchen Sink

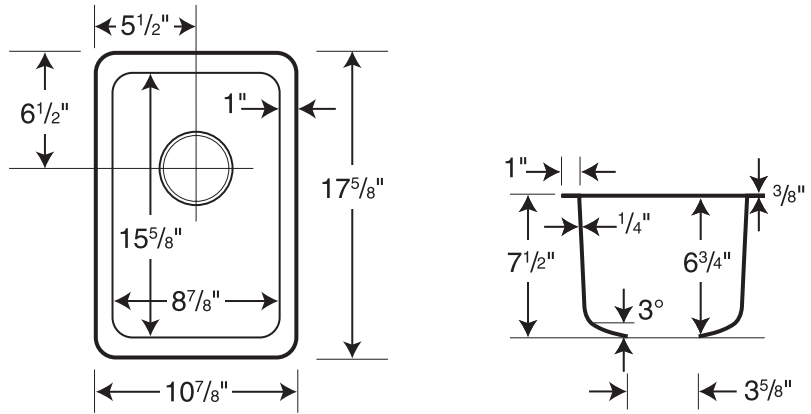


### Manufactured from Swanstone Solid Surface

Recommended for high-use traffic areas and commercial surfaces.

### FEATURES

- Reinforced solid surface means color and texture run all the way through and cannot wear away.
- Mounts underneath your choice of countertop for high-design appeal.
- Heat, stain, and scratch resistant for lasting beauty.
- Warranty: Limited Lifetime - Residential  
Limited 10-year - Commercial



Capacity: 3 gallons

### SPECIFICATIONS

Model	Part	Nominal Dimensions	Ship Wt. Lb.	Ship FedEx	Carton Dims. In.	Cu. Ft.
US-1711	US01711SB	10 7/8" W x 17 5/8" D (276 mm x 448 mm)	18	FedEx	21 x 14 x 8	1.36

### COLORS

#### Solid Colors:

- White (010)
- Bisque (018)
- Bone (037)

#### Aggregate Colors:

- Arctic Granite (035)
- Baby's Breath (168)
- Barley (091)
- Bermuda Sand (040)
- Canyon (124)
- Cloud Bone (126)
- Cloud White (125)
- Glacier (121)
- Golden Steppe (128)
- Gray Granite (042)
- Ice (130)
- Mountain Haze (129)
- Night Sky (012)
- Pebble (072)
- Prairie (122)
- Tahiti Desert (050)
- Tahiti Gray (053)
- Tahiti Ivory (059)
- Tahiti Matrix (058)
- Tahiti Sand (051)
- Tahiti White (011)
- Tundra (131)

### STANDARDS AND RATINGS

American National Standard Institute—ANSI Z124.6

International Association of Plumbing and Mechanical Officials (IAPMO)—Listed

cUPC listed—Certified to CSA Test Standard B45.5 by IAPMO

Uniform Plumbing Code (UPC)

National Sanitation Foundation—NSF/ANSI 51 Food Equipment Materials

For a complete list of tests and results see the Technical Data Sheet.

### MAINTENANCE AND CLEANING INFORMATION

Clean your Swanstone sink by using abrasive cleaners or other similar products. Use of a nylon scouring pad or Mr. Clean® Magic Eraser® is also recommended. Food-based stains can be removed using a 50-50 mix of bleach and water solution and soaking for 15 minutes. For rust or other mineral stains, rust-removing products are acceptable.

**Do not** use metal scouring pads.

### SUPPORT DOCUMENTS

Installation instructions available at [swanstone.com](http://swanstone.com).

**MADE IN USA**

# USRB-18

## Swanstone Undermount Round Bowl Kitchen Sink

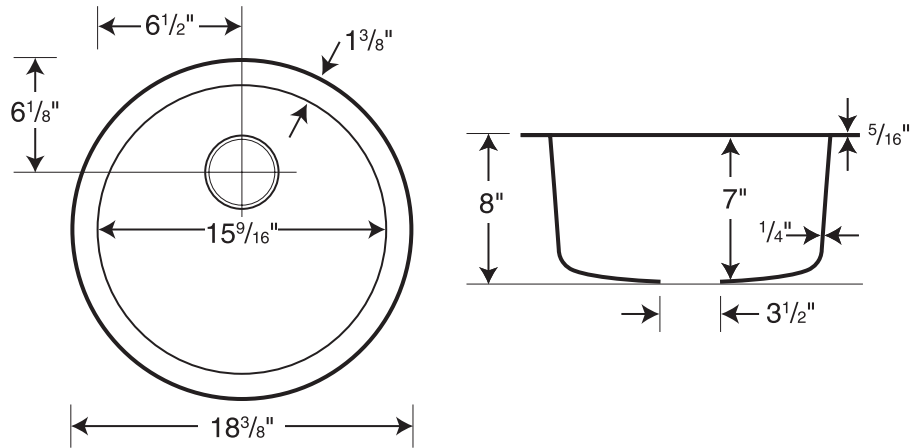


### Manufactured from Swanstone Solid Surface

Recommended for high-use traffic areas and commercial surfaces.

### FEATURES

- Reinforced solid surface means color and texture run all the way through and cannot wear away.
- Mounts underneath your choice of countertop for high-design appeal.
- Heat, stain, and scratch resistant for lasting beauty.
- Warranty: Limited Lifetime - Residential  
Limited 10-year - Commercial



Capacity: 5 1/2 gallons

### SPECIFICATIONS

Model	Part	Nominal Dimensions	Ship Wt. Lb.	Ship FedEx	Carton Dims. In.	Cu. Ft.
USRB-18	US00018RB	18 3/8" Diameter (467 mm)	18	FedEx	22 x 21 x 10	2.67

### COLORS

#### Solid Colors:

- White (010)
- Bisque (018)
- Bone (037)

#### Aggregate Colors:

- Arctic Granite (035)
- Baby's Breath (168)
- Barley (091)
- Bermuda Sand (040)
- Canyon (124)
- Cloud Bone (126)
- Cloud White (125)
- Glacier (121)
- Golden Steppe (128)
- Gray Granite (042)
- Ice (130)
- Mountain Haze (129)
- Night Sky (012)
- Pebble (072)
- Prairie (122)
- Tahiti Desert (050)
- Tahiti Gray (053)
- Tahiti Ivory (059)
- Tahiti Matrix (058)
- Tahiti Sand (051)
- Tahiti White (011)
- Tundra (131)

### STANDARDS AND RATINGS

American National Standard Institute—ANSI Z124.6

International Association of Plumbing and Mechanical Officials (IAPMO)—Listed

cUPC listed—Certified to CSA Test Standard B45.5 by IAPMO

Uniform Plumbing Code (UPC)

National Sanitation Foundation—NSF/ANSI 51 Food Equipment Materials

For a complete list of tests and results see the Technical Data Sheet.

### MAINTENANCE AND CLEANING INFORMATION

Clean your Swanstone sink by using abrasive cleaners or other similar products. Use of a nylon scouring pad or Mr. Clean® Magic Eraser® is also recommended. Food-based stains can be removed using a 50-50 mix of bleach and water solution and soaking for 15 minutes. For rust or other mineral stains, rust-removing products are acceptable.

**Do not** use metal scouring pads.

### SUPPORT DOCUMENTS

Installation instructions available at [swanstone.com](http://swanstone.com).

# US-1210

## Swanstone Undermount Entertainment Sink

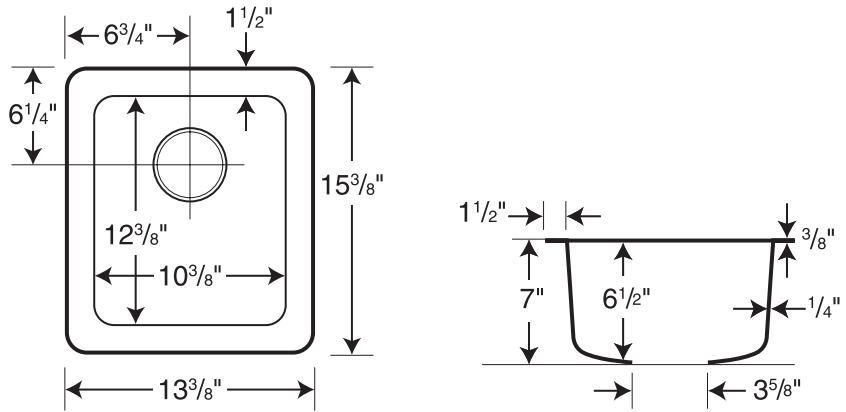


### Manufactured from Swanstone Solid Surface

Recommended for high-use traffic areas and commercial surfaces.

### FEATURES

- Reinforced solid surface means color and texture run all the way through and cannot wear away.
- Mounts underneath your choice of countertop for high-design appeal.
- Heat, stain, and scratch resistant for lasting beauty.
- Warranty: Limited Lifetime - Residential  
Limited 10-year - Commercial



Capacity: 2 1/2 gallons

### SPECIFICATIONS

Model	Part	Nominal Dimensions	Ship Wt. Lb.	Ship FedEx	Carton Dims. In.	Cu. Ft.
US-1210	US01513SB	13 3/8"W x 15 3/8"D (340 mm x 391 mm)	11	FedEx	19 x 16 x 9	1.58

### COLORS

#### Solid Colors:

- White (010)
- Bisque (018)
- Bone (037)

#### Aggregate Colors:

- Arctic Granite (035)
- Baby's Breath (168)
- Barley (091)
- Bermuda Sand (040)
- Canyon (124)
- Cloud Bone (126)
- Cloud White (125)
- Glacier (121)
- Golden Steppe (128)
- Gray Granite (042)
- Ice (130)
- Mountain Haze (129)
- Night Sky (012)
- Pebble (072)
- Prairie (122)
- Tahiti Desert (050)
- Tahiti Gray (053)
- Tahiti Ivory (059)
- Tahiti Matrix (058)
- Tahiti Sand (051)
- Tahiti White (011)
- Tundra (131)

### STANDARDS AND RATINGS

American National Standard Institute—ANSI Z124.6

International Association of Plumbing and Mechanical Officials (IAPMO)—Listed

cUPC listed—Certified to CSA Test Standard B45.5 by IAPMO

Uniform Plumbing Code (UPC)

National Sanitation Foundation—NSF/ANSI 51 Food Equipment Materials

For a complete list of tests and results see the Technical Data Sheet.

### MAINTENANCE AND CLEANING INFORMATION

Clean your Swanstone sink by using abrasive cleaners or other similar products. Use of a nylon scouring pad or Mr. Clean® Magic Eraser® is also recommended. Food-based stains can be removed using a 50-50 mix of bleach and water solution and soaking for 15 minutes. For rust or other mineral stains, rust-removing products are acceptable. **Do not** use metal scouring pads.

### SUPPORT DOCUMENTS

Installation instructions available at [swanstone.com](http://swanstone.com).

**MADE IN USA**

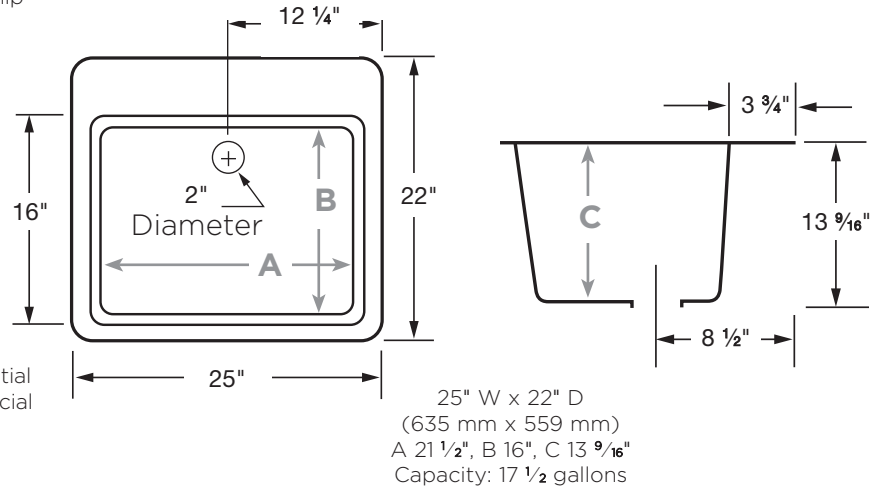


# UTILITIES

Manufactured from Swanstone

**FEATURES**

- Highest resistance of impact from heavy objects with no surface coating to chip or crack.
- Will not mold or mildew.
- Available in solid and aggregate colors.
- Flat deck—allows for a variety of faucet applications and includes five drill points.
- Easily installs as a drop-in or undermount for an upgraded laundry room look.
- Drain included.
- Warranty: Limited Lifetime - Residential  
Limited 10-year - Commercial



**SPECIFICATIONS**

Model	Part	Nominal Dimensions	Ship Wt. Lb.	Ship FedEx	Carton Dims. In.	Cu. Ft.
SSUS	SSUS1000	25" W x 22" D (635 mm x 559 mm)	18	FedEx	26 x 23 x 16	5.43

Fits opening of 23 5/8" W x 20 5/8" D (600 mm x 524 mm)

**Includes:** One utility sink with matching drain, hardware for countertop attachment and installation instructions.

**Packaging:** Individual cartons.

**Note:** Five starter holes are countersunk on the underside of the utility sink to accommodate a single, 4-inch or 8-inch faucet.

**COLORS**

**Solid Colors:**

- White (010)
- Bisque (018)

**Aggregate Colors:**

- Gray Granite (042)
- Midnight Sparkle (101)

**STANDARDS AND RATINGS**

American National Standard Institute—ANSI Z124.6

International Association of Plumbing and Mechanical Officials (IAPMO)—Listed

CSA Test Standard B45.5

Uniform Plumbing Code (UPC)

**MAINTENANCE AND CLEANING INFORMATION**

Clean your Swanstone sink regularly with common household liquid cleaners and a sponge or soft cloth. Use of a nylon scouring pad or Mr. Clean® Magic Eraser® is also recommended. For rust or other mineral stains, rust-removing products are acceptable. To protect finish, fiberglass wax or automotive past can be applied. **Do not abrasive cleaners or metal scouring pads.**

**SUPPORT DOCUMENTS**

Installation instructions available at [swanstone.com](http://swanstone.com).

# SSUS-S

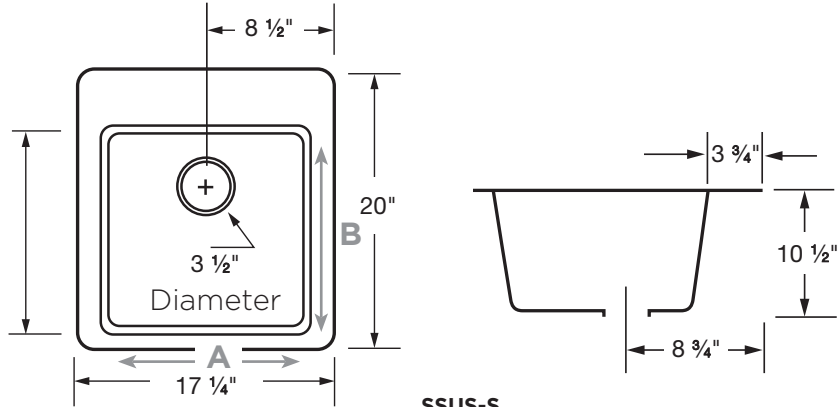
## Swanstone Compact Utility Sink



Manufactured from Swanstone

### FEATURES

- Highest resistance of impact from heavy objects with no surface coating to chip or crack.
- Will not mold or mildew.
- Available in solid and aggregate colors.
- Flat deck—allows for a variety of faucet applications and includes five drill points.
- Easily installs as a drop-in or undermount for an upgraded laundry room look.
- Uses standard 3 1/2" drain (not included).
- Warranty: Limited Lifetime - Residential  
Limited 10-year - Commercial



**SSUS-S**  
17 1/4" W x 20" D  
(438 mm x 508 mm)  
A 14", B 14"  
Capacity: 7 gallons

### SPECIFICATIONS

Model	Part	Nominal Dimensions	Ship Wt. Lb.	Ship FedEx	Carton Dims. In.	Cu. Ft.
SSUS-S	SSUS2000	17 1/4" W x 20" D (438 mm x 508 mm)	12	FedEx	23 x 22 x 14	4.10

Fits opening of 15 5/8" W x 18 5/8" D (403 mm x 473 mm)

**Includes:** One utility sink, hardware for countertop attachment and installation instructions.

**Packaging:** Individual carton.

**Note:** Five starter holes are countersunk on the underside of the utility sink to accommodate a single, 4-inch or 8-inch faucet.

### COLORS

#### Solid Colors:

- White (010)

#### Aggregate Colors:

- Midnight Sparkle (101)

### STANDARDS AND RATINGS

American National Standard Institute—ANSI Z124.6

International Association of Plumbing and Mechanical Officials (IAPMO)—Listed

CSA Test Standard B45.5

Uniform Plumbing Code (UPC)

### MAINTENANCE AND CLEANING INFORMATION

Clean your Swanstone sink regularly with common household liquid cleaners and a sponge or soft cloth. Use of a nylon scouring pad or Mr. Clean® Magic Eraser® is also recommended. For rust or other mineral stains, rust-removing products are acceptable. To protect finish, fiberglass wax or automotive past can be applied.

**Do not abrasive cleaners or metal scouring pads.**

### SUPPORT DOCUMENTS

Installation instructions available at [swanstone.com](http://swanstone.com).

**MADE IN USA**

# DIT

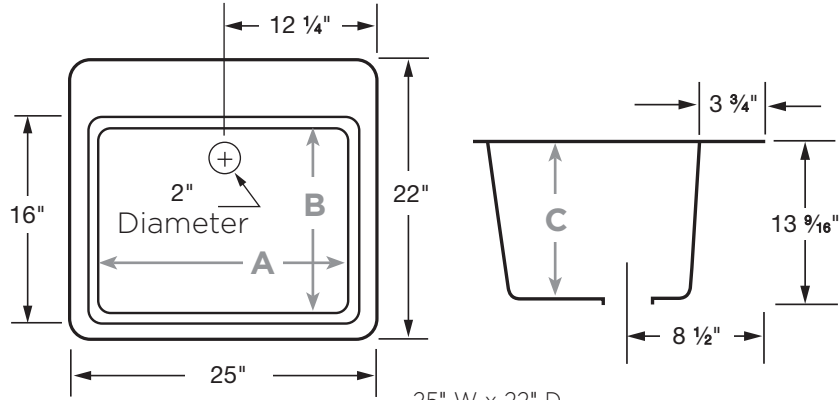
## Veritek® Large Utility Sink



Manufactured from Swanstone

### FEATURES

- Made of sturdy Veritek® with no surface coating to chip or crack.
- Will not mold or mildew.
- Flat deck—allows for a variety of faucet applications and includes pre-drilled points.
- Rubber drain stopper & drain not included.
- Warranty: Limited 1-year - Residential  
Limited 1-year - Commercial



25" W x 22" D  
(635 mm x 559 mm)  
**A** 21 1/2", **B** 16", **C** 13 9/16"  
Capacity: 17 1/2 gallons

### SPECIFICATIONS

Model	Part	Nominal Dimensions	Ship Wt. Lb.	Ship FedEx	Carton Dims. In.	Cu. Ft.
DIT	DIT10000	25" W x 22" D (635 mm x 559 mm)	18	FedEx	26 x 23 x 16	5.43

Fits opening of 23 5/8" W x 20 5/8" D (600 mm x 524 mm)

**Includes:** One utility sink, hardware for countertop attachment.

**Packaging:** Individual cartons.

**Note:** Three starter holes are countersunk on the underside of the utility sink to accommodate a single, or 4-inch faucet.

### COLORS

**Solid Colors:**

- Flock (O33)

### STANDARDS AND RATINGS

American National Standard Institute—ANSI Z124.6

International Association of Plumbing and Mechanical Officials (IAPMO)—Listed

CSA Test Standard B45.5

Uniform Plumbing Code (UPC)

### SUPPORT DOCUMENTS

Installation instructions available at [swanstone.com](http://swanstone.com).

### MAINTENANCE AND CLEANING INFORMATION

Clean regularly with common household liquid cleaners and a sponge or soft cloth. For hard water stains, scale removers can be used. **Do not** use abrasive cleaners or metal scouring pads.

**MADE IN USA**



# DIT-S

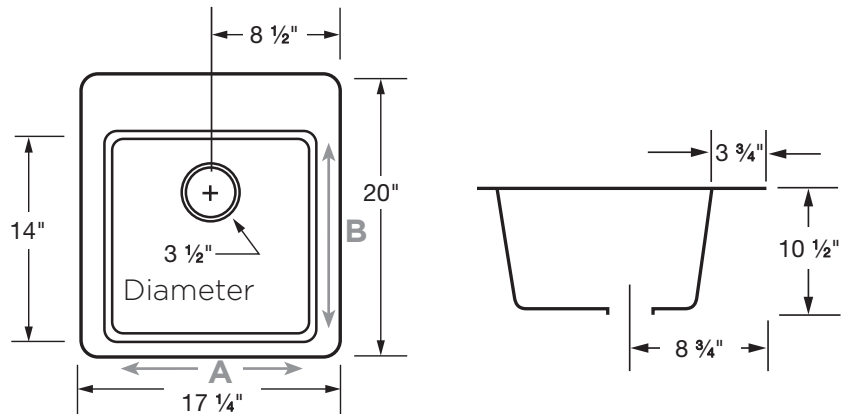
## Veritek® Compact Utility Sink



Manufactured from Swanstone

### FEATURES

- Made of sturdy Veritek® with no surface coating to chip or crack.
- Will not mold or mildew.
- Flat deck—allows for a variety of faucet applications and includes pre-drilled points.
- Rubber drain stopper & drain not included.
- Warranty: Limited 1-year - Residential  
Limited 1-year - Commercial



17 1/4" W x 20" D  
(438 mm x 508 mm)  
**A 14", B 14"**  
Capacity: 7 gallons

### SPECIFICATIONS

Model	Part	Nominal Dimensions	Ship Wt. Lb.	Ship FedEx	Carton Dims. In.	Cu. Ft.
DIT	DIT20000	17 1/4" W x 20" D (438 mm x 508 mm)	12	FedEx	23 x 22 x 14	4.10

Fits opening of 15 5/8" W x 18 5/8" D (403 mm x 473 mm)

**Includes:** One utility sink, hardware for countertop attachment.

**Packaging:** Individual carton.

**Note:** Three starter holes are countersunk on the underside of the utility sink to accommodate a single, or 4-inch faucet.

### COLORS

**Solid Colors:**

- Flock (O33)

### STANDARDS AND RATINGS

American National Standard Institute—ANSI Z124.6

International Association of Plumbing and Mechanical Officials (IAPMO)—Listed

CSA Test Standard B45.5

Uniform Plumbing Code (UPC)

### SUPPORT DOCUMENTS

Installation instructions available at [swanstone.com](http://swanstone.com).

### MAINTENANCE AND CLEANING INFORMATION

Clean regularly with common household liquid cleaners and a sponge or soft cloth. For hard water stains, scale removers can be used. **Do not** use abrasive cleaners or metal scouring pads.

**MADE IN USA**

# MF-F and MF-W

Single Laundry Tubs



Manufactured from Veritek®

## FEATURES

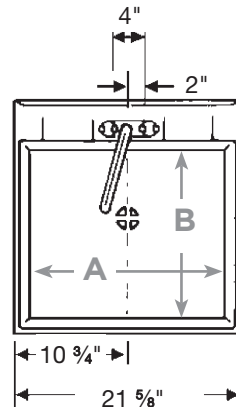
- Made of sturdy Veritek® with no surface coating to chip or crack.
- Will not mold or mildew.
- Warranty: Limited 1-year – Residential  
Limited 1-year – Commercial

### MF-F Floor Model

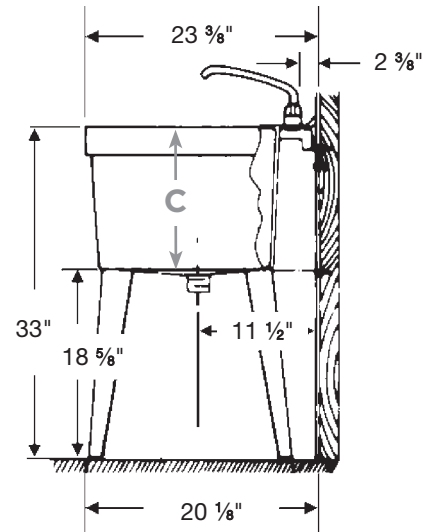
- 18-gallon capacity (68L)
- Four metal legs
- Pre-drilled 4" centers
- Installed drain

### MF-W Wall Mounted Model

- 18-gallon capacity (68L)
- Wall-bracket assembly
- Pre-drilled 4" centers
- Installed drain



**Floor Model**  
23 3/8" D x 21 5/8" W  
(594 mm x 549 mm)  
A 20 3/4", B 19 1/4", C 13 1/4"



## SPECIFICATIONS

Model	Part	Nominal Dimensions	Ship Wt. Lb.	Ship FedEx	Carton Dims. In.	Cu. Ft.
MF-F I Floor Mode	MF0000FM.001	23 3/8" D x 21 5/8" W (594 mm x 549 mm)	28	FedEx	24 x 23 x 17	5.43
MF-W Wall Model w/Hanger	MF0000WM.001	23 3/8" D x 21 5/8" W (594 mm x 549 mm)	28	FedEx	24 x 23 x 17	5.43
MF-6PK (Tubs Only)	MF000006.001	23 3/8" D x 21 5/8" W (594 mm x 549 mm)	113	FedEx	40 x 24 x 23	12.78
LP-MF-6PK	LP60000MS.000		25	FedEx	22 x 13 x 4	0.67
WM-MF-6PK	WM60000MF.000		11	FedEx	27 x 13 x 9	1.83

**MF-F Includes:** One single tub, factory-installed drain, four metal legs with hardware.

**Packaging:** Packed in individual carton.

**MF-W Includes:** One single tub, factory-installed drain and wall bracket assembly.

**Packaging:** Packed in individual carton.

**MF-6PK Includes:** Six single tubs with factory-installed drains. Legs or wall-mount brackets must be ordered separately.

**Packaging:** Packed in individual carton.

**LP-MF-6PK Includes:** 24 metal legs (six sets) with hardware.

**Packaging:** Packed in individual carton.

**WM-MF-6PK Includes:** Six wall bracket assemblies with hardware.

**Packaging:** Packed in individual carton.

## STANDARDS AND RATINGS

American National Standard Institute—ANSI Z124.6

International Association of Plumbing and Mechanical Officials (IAPMO)—Listed

CSA Test Standard B45.5

Uniform Plumbing Code (UPC)

## MAINTENANCE AND CLEANING INFORMATION

Clean regularly with common household liquid cleaners and a sponge or soft cloth. For hard water stains, scale removers can be used. **Do not** use abrasive cleaners or metal scouring pads.

## SUPPORT DOCUMENTS

Installation instructions available at [swanstone.com](http://swanstone.com).

## COLORS

**Solid Colors:**

- White (010)

**MADE IN USA**

# MF-2F and MF-2W

Double Laundry Tubs



Manufactured from Veritek®

## FEATURES

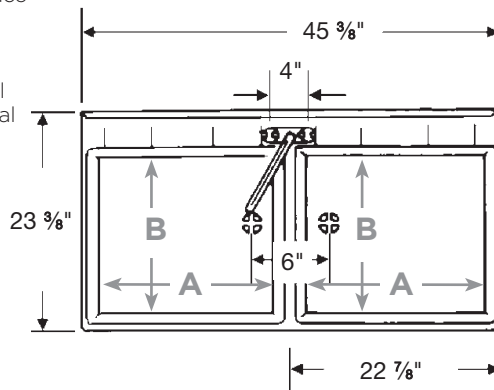
- Made of sturdy Veritek® with no surface coating to chip or crack.
- Will not mold or mildew.
- Warranty: Limited 1-year - Residential  
Limited 1-year - Commercial

### MF-2F Floor Model

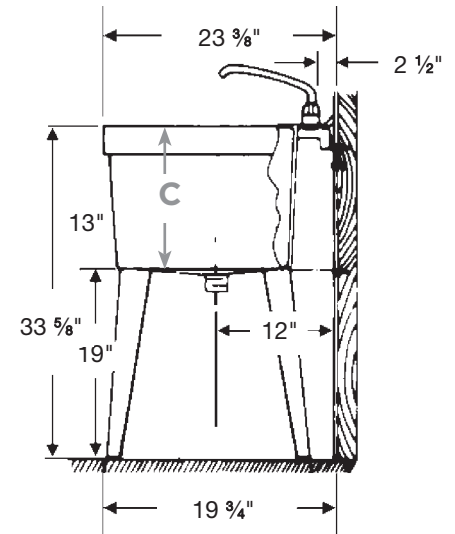
- 44-gallon capacity (166L)
- Four legs
- Pre-marked 4" centers but not drilled
- Drain included
- Molded-in wash board

### MF-2W Wall Mounted Model

- 44-gallon capacity (166L)
- Wall-bracket assembly
- Pre-marked 4" centers but are not drilled
- Drain included
- Molded-in wash board



**MF-2F Floor Model**  
23 3/8" D x 45 3/8" W  
(594 mm x 1153 mm)  
A 22", B 19 1/8", C 13 5/8"



## SPECIFICATIONS

Model	Part	Nominal Dimensions	Ship Wt. Lb.	Ship FedEx	Carton Dims. In.	Cu. Ft.
MF-2F Floor Model	MF20000FM	23 3/8" D x 45 3/8" W (594 mm x 1153 mm)	49	FedEx	47 x 24 x 18	11.75
MF-2W Wall Model	MF20000WM	23 3/8" D x 45 3/8" W (594 mm x 1153 mm)	49	FedEx	47 x 24 x 18	11.75

**MF-2F Includes:** One double tub, factory-installed drain, four legs with hardware and twin waste.

**Packaging:** Packed in individual cartons only. Not available in six pack.

**MF-2W Includes:** One double tub, factory installed drain, wall bracket assembly, and twin waste.

**Packaging:** Packed in individual cartons only. Not available in six pack.

## COLORS

### Solid Colors:

- White (010)

## STANDARDS AND RATINGS

American National Standard Institute—ANSI Z124.6

International Association of Plumbing and Mechanical Officials (IAPMO)—Listed

CSA Test Standard B45.5

Uniform Plumbing Code (UPC)

## MAINTENANCE AND CLEANING INFORMATION

Clean regularly with common household liquid cleaners and a sponge or soft cloth. For hard water stains, scale removers can be used. **Do not** use abrasive cleaners or metal scouring pads.

## SUPPORT DOCUMENTS

Installation instructions available at [swanstone.com](http://swanstone.com).

**MADE IN USA**

# MS-2424

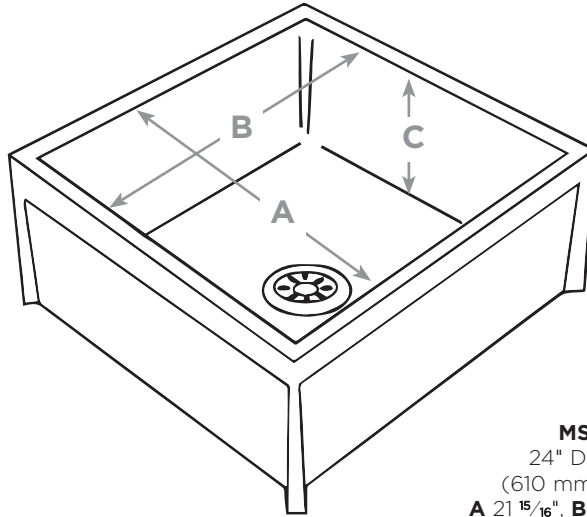
## Mop Sink



Manufactured from Swanstone Composite

### FEATURES

- Manufactured from Swan's compression molded stone composite.
- Includes a 3-inch IPS cast brass drain and a 3-inch drain seal gasket (**MS-2411**).
- Dome strainer and lint basket.
- The most impact and stain-resistant mop sink available.
- Warranty: Limited 1-year – Residential  
Limited 1-year – Commercial



**MS-2424**  
24" D x 24" W  
(610 mm x 610 mm)  
A 21 15/16", B 21 15/16", C 9 1/8"

### SPECIFICATIONS

Model	Part	Nominal Dimensions	Ship Wt. Lb.	Ship FedEx	Carton Dims. In.	Cu. Ft.
MS-2424	MS02424WA	24" D x 24" W (610 mm x 610 mm)	49	FedEx	25 x 25 x 13	4.71

**Includes:** One sink plus one code-approved 3-inch IPS cast brass drain and a 3-inch rubber drain adapter (MS-2411).

**Packaging:** Packed in individual cartons.

### COLORS

**Solid Colors:**

- Flock (033)

### ACCESSORIES

See page 130 for complete listing of all mop sink accessories.

### STANDARDS AND RATINGS

American National Standard Institute—ANSI Z124.6

International Association of Plumbing and Mechanical Officials (IAPMO)—Listed

CSA Test Standard B45.5

Uniform Plumbing Code (UPC)

### MAINTENANCE AND CLEANING INFORMATION

Clean regularly with common household liquid cleaners and a sponge or soft cloth. For hard water stains, scale removers can be used. **Do not** use abrasive cleaners or metal scouring pads.

### SUPPORT DOCUMENTS

Installation instructions available at [swanstone.com](http://swanstone.com).



# MS-2436

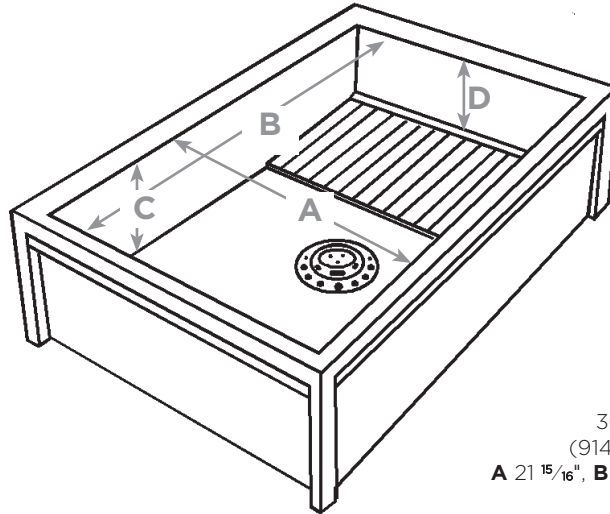
Mop Sin



Manufactured from Swanstone Composite

## FEATURES

- Manufactured from Swan's compression molded stone composite.
- Includes a 3" IPS cast brass drain and a 3" drain seal gasket (**MS-2411**).
- Dome strainer and lint basket.
- The most impact and stain-resistant mop sink available.
- Warranty: Limited 1-year - Residential  
Limited 1-year - Commercial



**MS-2436**  
36" D x 24" W  
(914 mm x 610 mm)  
**A** 21 <sup>15</sup>/<sub>16</sub>" **B** 33 <sup>15</sup>/<sub>16</sub>" **C** 9 <sup>1</sup>/<sub>8</sub>" **D** 8 <sup>1</sup>/<sub>2</sub>"

## SPECIFICATIONS

Model	Part	Nominal Dimensions	Ship Wt. Lb.	Ship FedEx	Carton Dims. In.	Cu. Ft.
MS-2436	MS02436WA	36" D x 24" W (914 mm x 610 mm)	63	FedEx	37 x 25 x 13	6.96

**Includes:** One sink plus one code-approved 3-inch IPS cast brass drain and a 3-inch rubber drain adapter (MS-2411).

**Packaging:** Packed in individual cartons.

## COLORS

### Solid Colors:

- Flock (033)

## ACCESSORIES

See page 130 for complete listing of all mop sink accessories.

## STANDARDS AND RATINGS

American National Standard Institute—ANSI Z124.6

International Association of Plumbing and Mechanical Officials (IAPMO)—Listed

CSA Test Standard B45.5

Uniform Plumbing Code (UPC)

## MAINTENANCE AND CLEANING INFORMATION

Clean regularly with common household liquid cleaners and a sponge or soft cloth. For hard water stains, scale removers can be used. **Do not** use abrasive cleaners or metal scouring pads.

## SUPPORT DOCUMENTS

Installation instructions available at [swanstone.com](http://swanstone.com).

**MADE IN USA**

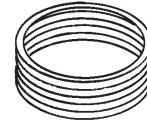
# Mop Sink Accessories Chart



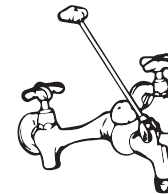
Model	Part	Dimensions	Ship Wt. Lb.	Ship FedEx	Carton Dims. In.	Cu. Ft.
<b>Rubber Drain Adapter 3" to 2"</b>						
MS-2410	MS00302DA.000	3" to 2"	1	FedEx	3 x 2 x 2	.01
<b>Rubber Drain Adapter 3" to 3"</b>						
MS-2411	MS00303DA.000	3" to 3"	1	FedEx	3 x 3 x 2	.01
<b>Drain Assembly (not shown)</b>						
MS-2403	MS02403DA		3	FedEx	7 x 7 x 3	.09
<b>Mop Sink Faucet (with vacuum breaker)</b>						
MS-2412	MS24000SF.000	spout length 6"	7	FedEx	11 x 11 x 6	.42
<b>Mop Hanger</b>						
MS-2437	MS24000MH.000		3	FedEx	25 x 4 x 3	.17
<b>Two Panels And One Corner Bracket For MS-2424 (not shown)</b>						
MS-1224-2	WG22240.000		2	FedEx	24 x 5 x 2	.14
<b>Vinyl Rim Guard, For Both Sizes</b>						
MS-2408	MS24000RG.000		2	FedEx	39 x 3 x 2	.14
<b>Hose &amp; Hose Holder</b>						
MS-2405	MS24000HH.000		2	FedEx	11 x 11 x 4	.28



MS-2410



MS-2411



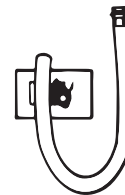
MS-2412  
Rough  
Chrome



MS-2437



MS-2408



MS-2405

# **GUIDES, COLORS AND INDEX**



### Product

Swanstone Reinforced Solid Surface Products

### Manufacturer

Swan, St. Louis, Missouri with manufacturing facilities in Centralia, Illinois.

### Product Composition

Swanstone is a compression-molded compound that consists of a blend of polymer resins, fillers and reinforcement additives. In the manufacturing process, Swanstone transforms into a thermoset material that has extreme resistance to heat, impact, expansion, and chemicals.

### Product Category

Swanstone is available in bath walls, integral top and bowl vanity tops, kitchen sinks, kitchen countertops, bar sinks, undermount bowls and blank vanity tops. Offset vanity top bowl locations are available.

### Colors

Swanstone is available in a variety of solid and aggregate colors.

### Warranties

Swanstone wall panels and trim kits, vanity tops and bowls, kitchen and bar sinks, window trim kits and shower pans are covered by a limited lifetime warranty for residential applications. For commercial applications Swan offers the following limited warranties:

**25-Year Limited Warranty** on wall panels and trim kits.

**25-Year Limited Warranty** against thermal cracking on our vanity tops and bowls.

**10-Year Limited Warranty** against defects on countertops.

**10-Year Limited Warranty** against defects and/or thermal cracking on our kitchen sinks and bar sinks.

**10-Year Limited Warranty** against warping, blistering, loss of color, or fading on shower pans. Complete details and product warranty application for both residential and commercial are available by writing to Swan.

### Maintenance

Swanstone should be cleaned as you would any other fine kitchen or bath fixture. For kitchen sinks and countertops, rinse any food or beverage residue as soon as possible; follow up with normal household cleaners. To remove residue that cannot be rinsed away or

removed with other types of cleaners, use powdered abrasive cleaners and/or a nylon or plastic scrubbing pad. Vanity tops should be cleaned with normal household cleaners. Cleaners designed for removing mineral-based stains can be used on Swanstone, as well as a mild solution (50/50) of chlorine bleach and water. In the event of a scratch, start with powdered abrasive cleaner and a scrubbing pad; if further attention is needed, use white automotive rubbing compound or light sanding with a 400 grit or 40 micron sandpaper.

### Application

Any interior, horizontal and vertical surface application. Also, available for kitchen sink, shower pan, lavatory bowl and bar sink applications.

### Limitations

Swanstone products are not recommended for exterior use. Material should not be used in areas exposed to sustained temperatures exceeding 450 degrees F. Follow all recommended installation procedures provided by manufacturer.

### Finish

The decorative surface of Swanstone is a matte finish equal to a 320 grit sandpaper (gloss reading of 25). A higher sheen can be produced by buffing the product with commercial rubbing compound.

### Availability

Swanstone is available nationwide through local stocking distributors. Contact Swan for your nearest distributor.

### Cost

Cost varies with product category. Contact your local distributor for applicable costs.

### Installation

Swanstone reinforced solid surface products are shipped with complete installation manuals provided with every unit. Consult the specific product installation manual for step-by-step installation procedures. All manuals are available through Swan or your local distributor.

### Chemical And Stain Resistance

Chemical and Stain Resistance—NEMA LD3-3.09 No lasting effect on Swanstone occurred from the exposure to the following.

#### Class I Chemicals

Solvents  
Acetone  
Amyl Acetate  
Benzene  
Carbon Tetrachloride  
Ethyl Ether  
Gasoline/Kerosene  
Ethanol  
Methanol  
Toluene  
Chloroform  
Ethyl Acetate  
Naphtha

#### Other

Ammonia (10%)  
Iodine  
Lye (1%)  
Mercurochrome  
Nail Polish Remover  
Potassium Permanganate  
Silver Nitrate (10%)  
Sodium Bisulfate  
Sodium Hypochlorite (5%)  
Trisodium Phosphate  
Urea (6%)  
Vinegar

#### Class II Chemicals

Acids  
Furfural  
Methylene Chloride  
Nitric Acid (30%, 70%)\*  
Phenol  
Acids (99.5%)  
Citric  
Hydrochloric (20%)  
Phosphoric  
Sulfuric (77.96%)\*  
Trichlor Acetic  
Formic  
Hydrogen Peroxide

#### Alkalies

Ammonium Hydroxide  
Sodium Hydroxide  
(10% & 40%)  
Sodium Hydroxide Flake

\*May cause slight lightening.



PROPERTY TEST	TYPICAL RESULTS	TEST
Impact Resistance	No damage 1 1/2 Diameter Steel Ball. Over 72"	NEMA LD-3
Izod Impact		
Method A (with notch)	3.0 ft. - lb./in.	ASTM D256
Method E (reverse notch)	4.0 ft. - lb./in.	ASTM D256
Stain Resistance	Passes	CSA B45.5/IAPMO Z124-2011
Cigarette Resistance	Passes	CSA B45.5/IAPMO Z124-2011
Boiling Water Resistance	No effect	NEMA LD-3
High Temperature Resistance	Slight effect	NEMA LD-3
Abrasion Assistance	Passes	ASTM D4060
Color Fastness and Aging	No change	NEMA LD-3
Tensile Strength	4439 PSI	ASTM D638
Tensile Modulus	7.48 x 10 <sup>5</sup> PSI	ASTM D638
Tensile Elongation	.45%	ASTM D638
Hardness	Barcol Hardness: 51 Rockwell RB Hardness: 60.5 15-T Hardness: 34.7	ASTM D2583
Slip Resistance	Passes	ASTM F462
Fungus Resistance	Passes: 0 growth	ASTM G21-96
Bacterial Resistance	Passes: 0 growth	ASTM G22-90
Wear and Cleanability	Passes	CSA B45.5/IAPMO Z124-2011
Flexural Strength	8225 PSI	ASTM D790
Flexural Modulus	7.49 x 10 <sup>5</sup> PSI	ASTM D790
Thermal Expansion	1.23 x 10 <sup>-5</sup> in/in/°F	ASTM D696
Gloss (60°)	40	NEMA LD3
Water Absorption	.321%	ASTM D570
Specific Gravity	1.55	

### FLAMMABILITY

Flame Spread Index	Meets Class A	ASTM E84
Smoke Developed Index	85	ASTM E84
Fire Rating	Class A	

Approximate weight per square foot 2 lbs. for 1/4" sheet. See product guide for actual weights.

### RATINGS AND LISTINGS

American National Standard  
Institute-ANSI Z124.3 and Z124.6

National Plumbing Code of Canada  
CSA 1345 Series

International Association of  
Plumbing and Mechanical  
Officials  
(IAPMO)-listed

New York City Material Acceptance  
Application #298-88-M

Housing and Urban Development  
-HUD UM 73 Certified

Swanstone® is NSF Standard  
51 Certified for Both Food  
and Splash Zone Applications

### TECHNICAL SERVICES

Please call (800) 325-7008 or email us at [help@swanstone.com](mailto:help@swanstone.com).  
Visit [swanstone.com](http://swanstone.com) for details, including specifications and drawings.



## SECTION 06067 – PLASTIC SURFACING

### PART 1 – GENERAL

#### 1.1 RELATED DOCUMENTS

Drawings and general provisions of Contract, including General and Supplementary Conditions and Division 1 Specification sections, apply to this section.

#### 1.2 SECTION INCLUDES

- A. Solid Surface Compression Molded Sheet Materials.
  - a. Countertops.
  - b. Wall Panels.
  - c. Tub Walls with Trim Kit.
  - d. Shower Walls with Trim Kit.
  - e. (Insert Other)
- B. Solid Surface Compression Molded Products.
  - a. Single Bowl Kitchen Sinks (undermount / self rimming).
  - b. Double Bowl Kitchen Sinks (undermount / self rimming).
  - c. Molded Counter Tops.
  - d. Countertops with Integral Bowl.
  - e. Vanity Tops.
  - f. Vanity Tops with Integral Bowl.
  - g. Lavatory Bowls.
  - h. Bar Sinks (undermount / self rimming).
  - i. Barrier Free Shower Pans.
  - j. Shower Pans.
  - k. Window Trim Kits.
  - l. Corner Soap Shelves.
  - m. Recessed Accessory Shelves.
  - n. Economy Soap Shelves.
  - o. Soap Shelf Panels.
  - p. (Insert Other)

#### 1.3 RELATED SECTIONS

- A. Section 06200 – Finish Carpentry.
- B. Section 06400 – Architectural Woodwork.
- C. Section 12300 – Manufactured Casework.
- D. Sections of Division 15 for coordination of plumbing fixture installation.

#### 1.4 REFERENCES

- A. ADA – American Disabilities Act.
- B. ANSI Z 124.3 – Plastic Lavatories.
- C. ANSI Z 124.6 – Plastic Sinks.
- D. ANSI Z 124.1.2 – Plastic Bathtub & Shower Units
- E. ASTM D 256 – Standard Test Method for Determining the Pendulum Impact Resistance of Notched Specimens of Plastics.
- F. ASTM D 570 – Standard Test Method for Water Absorption.
- G. ASTM D 638 – Standard Test Method for Tensile Properties.
- H. ASTM D 696 – Standard Test Method for Coefficient of Linear Thermal Expansion of Plastics Between – 30 degrees C. and 30 degrees C.

- I. ASTM D 2583 – Standard Test Method for Rockwell Hardness of Plastics and Electrical Insulating Materials.
- J. ASTM D 790 – Standard Test Methods for Flexural Properties of Unreinforced and Reinforced Plastics and Electrical Insulating Materials.
- K. ASTM F-462 – Standard Consumer Safety Specification for Slip-Resistance Bathing Facilities.
- L. ASTM G21-96 – Standard Practice for Determining Resistance of Synthetic Polymeric Materials for Fungi.
- M. ASTM G22-90 – Standard Practice for Determining Resistance of Plastics to Bacteria.
- N. NEMA – National Electrical Manufacturers Association.
- O. NSF – National Sanitation Foundation.

#### 1.5 SUBMITTALS

- A. Submit shop drawings under provisions of Section 01300 which indicate dimensions, component sizes, fabrication details, attachment provisions and coordination requirements with adjacent work.
- B. Samples:
  - 1. Selection Samples: Submit 1.75" x 3.5" actual samples of surfacing materials to illustrate full range of colors, patterns, and finishes available.
  - 2. Verification Samples: Submit two samples, each 1.75" x 3.5" square, illustrating each selected surfacing material in specified color, pattern, and finish.
- C. Product Data:
  - 1. Indicate product description, fabrication information and compliance with specified performance requirements.
- D. Manufacturer's Instructions:
  - 1. Submit manufacturer's printed installation instructions for each product.
  - 2. Submit manufacturer's care and maintenance data, including repair and cleaning instructions. Include in project closeout documents.

#### 1.6 DELIVERY, STORAGE, AND HANDLING

- A. Deliver, store, protect, and handle products in accordance with provisions of Section 01600.
- B. Store surfacing materials to prevent breakage and marring of surfaces in accordance with manufacturer's printed instructions.
- C. Provide protective coverings to prevent physical damage or staining following installation for duration of project.

#### 1.7 SEQUENCING

- A. Ensure that fabricators using products of this section are in possession of complete manufacturer's instructions before beginning fabrication. Work should be performed by factory trained fabricators.

# Technical Information

## 1.8 WARRANTY

- A. Countertops: Provide manufacturer's 10-year **WARRANTY** against defects in materials. **WARRANTY** shall provide material only to repair or replace defective materials.
- B. Commercial: Swan offers the following limited warranties: 25-Year Limited **WARRANTY** on wall panels and trim kits; 25-Year Limited **WARRANTY** against thermal cracking on our vanity tops and bowls; 10-Year Limited **WARRANTY** against defects and/or thermal cracking on our kitchen sinks and bar sinks; 10-Year Limited **WARRANTY** against warping, blistering, loss of color, or fading on shower pans. **WARRANTY** shall provide material only to repair or replace defective materials.
- C. Residential: Provide manufacturer's Lifetime **WARRANTY** against defects in materials.

## PART 2 - PRODUCTS

### 2.1 MANUFACTURER

- A. Subject to with requirements, provide plastic surfacing material by the following manufacturer:
  - 1. The Swan Corporation  
515 Olive Street  
St. Louis, MO 63101  
Telephone: 800/325-7008  
Fax: 314/231-8165
- B. Requests for substitutions will be considered in accordance with provisions of Section 01600.
- C. Substitutions: Not permitted.

### 2.2 SWANSTONE SOLID SURFACING MATERIAL

- A. Swanstone Solid Surfacing Materials.
- B. Product Description: Homogenous compression molded material composed of acrylic resins or polyester/acrylic resin blend, fire-retardant filler materials, fiber reinforcement, and coloring agents meeting the following requirements:
  - 1. Nominal sheet thickness: 0.225 inch (6mm)
  - 2. Surface burning characteristics in accordance with ASTM E 84: Flame spread meets Class A, Smoke Developed Index 85.
  - 3. Liquid Absorption, ASTM D 570, for 1/4 inch material thickness: 0.321 percent.
  - 4. Izod Impact, ASTM D 256,  
Method A: 3.0 ft.-lb./in.  
Method E: 4.0 ft.-lb./in.
  - 5. Tensile Modulus, ASTM D 638 Nominal:  
7.48 X 10<sup>5</sup> PSI.
  - 6. Hardness, ASTM D 2583, Barcol Hardness: 51.  
Rockwell RB Hardness: 60.5, IST Hardness:  
34.7.
  - 7. Flexural Modulus, ASTM D 790:  
7.49 X 10<sup>5</sup> PSI.
- 8. Gloss Level 40% at 60°, NEMA LD 3; +/- 5%.
- 9. Stain Resistance, CSA B45.5/IAPMO Z124-2011, Passes.
- 10. Boiling Water Resistance, NEMA LD 3, Method 3.5: No effect.
- 11. High Temperature Resistance, NEMA LD 3, Method 3.6: Slight effect (sustain temperature up to 375 degrees F).
- 12. Ball Impact Resistance, NEMA LD 3, Method 3.8, 1 1/2" diameter steel ball: Over 72", no damage.
- 13. Specific Gravity: 1.55 grams per cubic centimeter.
- 14. Approximate weight: 2 pounds per square foot in 1/4" sheet products.
- 15. NSF Food Zone and Splash Zone Compliant.
- 16. Bacterial Resistance, ASTM G22-90:  
Passes: 0 Growth.
- 17. Abrasion Resistance, ASTM D4060, Passes.

- C. Countertops:
  - 1. Swanstone Solid Surfacing Material:
  - 2. Type: Counter Top Model \_\_\_\_\_.
  - 3. Type: Island Top Model \_\_\_\_\_.
  - 4. Type: Backsplash Model \_\_\_\_\_.
  - 5. Size: \_\_\_\_\_ inches by \_\_\_\_\_ inches.
  - 6. Color: \_\_\_\_\_.
  - 7. Color: Indicated on drawings.
  - 8. Color: Selected from manufacturer's range of available colors.
- D. Wall Panels:
  - 1. Swanstone Solid Surfacing Material (nominal .225" thickness):
  - 2. Type: Wall Panel Model \_\_\_\_\_.
  - 3. Size: \_\_\_\_\_ inches by \_\_\_\_\_ inches.
  - 4. Color: \_\_\_\_\_.
  - 5. Color: Indicated on drawings.
  - 6. Color: Selected from manufacturer's range of available colors.
- E. Tub Walls with Trim Kit:
  - 1. Swanstone Solid Surfacing Material (nominal .225" thickness):
  - 2. Type: Tub Wall Panel Model \_\_\_\_\_.
  - 3. Trim Kit Model \_\_\_\_\_.
  - 4. Size: \_\_\_\_\_ inches by \_\_\_\_\_ inches.
  - 5. Color: \_\_\_\_\_.
  - 6. Color: Indicated on drawings.
  - 7. Color: Selected from manufacturer's range of available colors
- F. Shower Walls with Trim Kit:
  - 1. Swanstone Solid Surfacing Material (nominal .225" thickness):
  - 2. Type: Shower Wall Panel Model \_\_\_\_\_.
  - 3. Trim Kit Model \_\_\_\_\_.
  - 4. Size: \_\_\_\_\_ inches by \_\_\_\_\_ inches.
  - 5. Color: \_\_\_\_\_.
  - 6. Color: Indicated on drawings.
  - 7. Color: Selected from manufacturer's range of available colors

## Technical Information

### 2.3 SWANSTONE SOLID SURFACE COMPRESSION MOLDED PRODUCTS

A. Product Description: Compression molded items of same homogenous material, composed of mineral-filled thermoplastic polymers with fiber reinforcement finished to smooth surface, as solid plastic surfacing material meeting the following requirements:

1. Physical characteristics when tested in accordance with ANSI Z 124.3:
  - a. Test 3.3; Surface test: No chips, cracks, or blisters.
  - b. Test 3.4; Subsurface test: No voids.
  - c. Test 4.2; Drain fitting connection test, 25 pounds at 24 inches: No cracks or chips.
  - d. Test 4.3; Impact load test, 1/2 pound ball at 20 inches: No cracks or chips.
  - e. Test 4.4; Load test, 300 pounds: No cracks
  - f. Test 4.4; Residual deflection, after removal of 300 pound load: No deflection.
  - g. Test 5.1; Colorfastness test: No change after 200 hours.
  - h. Test 5.3; Wear and cleanability test: Maximum 0.2 percent reflectance loss after 10,000 cycles.
  - i. Test 5.4; Cigarette burn resistance test, 2 minute duration: No effect after cleaning.
  - j. Test 5.6; Ignition test: Pass.
  - k. Test 6.3.2; Water resistance test, 500 cycles alternating between 150 degrees F and 50 degrees F: No crazing blistering, or spalling.

B. Single Bowl Kitchen Sinks:

1. Swanstone Compression Molded Fixtures;
2. Model Number \_\_\_\_\_ single bowl; outside dimensions \_\_\_\_ inches by \_\_\_\_ inches bowl dimensions \_\_\_\_ inches by \_\_\_\_ inches by \_\_\_\_ inches.
3. Color: \_\_\_\_\_.
4. Color: Indicated on drawings.
5. Color: Selected from manufacturer's full range of available colors.

C. Double Bowl Kitchen Sinks:

1. Swanstone Compression Molded Fixtures;
2. Model Number \_\_\_\_\_ double bowl; outside dimensions \_\_\_\_ inches by \_\_\_\_ inches bowl dimensions \_\_\_\_ inches by \_\_\_\_ inches by \_\_\_\_ inches.
3. Color: \_\_\_\_\_.
4. Color: Indicated on drawings.
5. Color: Selected from manufacturer's full range of available colors.

D. Molded Counter Tops: Integral top and seamless edges. Compression molded into one piece between edges and top with factory installed 1/4" Rseburg Ultrakote particle board or plywood. Tops will include a factory installed .5" perimeter build-up.

1. Swanstone Compression Molded Fixtures;
2. Type: Counter Top Model \_\_\_\_\_.
3. Type: Island Top Model \_\_\_\_\_.
4. Type: Backsplash Model \_\_\_\_\_.
5. Color: \_\_\_\_\_.
6. Color: Indicated on drawings.
7. Color: Selected from manufacturer's range of available colors.

E. Countertops with Integral Bowls:

1. Swanstone Compression Molded Fixtures;
2. Type: Counter Top Model \_\_\_\_\_.
3. Size: \_\_\_\_\_ inches by \_\_\_\_\_ inches with \_\_\_\_\_ inches bowl depth.
4. Color: \_\_\_\_\_.
5. Color: Indicated on drawings.
6. Color: Selected from manufacturer's full range of available colors.

F. Vanity Tops:

1. Swanstone Solid Surfacing Material;
2. Type: Vanity Top Model \_\_\_\_\_.
3. Type: Backsplash Model \_\_\_\_\_.
4. Size: \_\_\_\_\_ inches by \_\_\_\_\_ inches.
5. Color: \_\_\_\_\_.
6. Color: Indicated on drawings.
7. Color: Selected from manufacturer's range of available colors.

G. Vanity Tops with Integral Bowls:

1. Swanstone Compression Molded Fixtures;
2. Model Number \_\_\_\_\_, molded with integral bowl (s) and 3" inches high integral backsplash:
3. Top Size: \_\_\_\_\_ wide by \_\_\_\_\_ deep.
  - a. Bowl: Single, centered in top width.
  - b. Bowl: Single, offset to left quarter point of top width, viewed from front edge.
  - c. Bowl: Single, offset to right quarter point of top width, viewed from front edge.
  - d. Bowls: Double, each offset to quarter points of top width, viewed from front edge.
4. Color: \_\_\_\_\_.
5. Color: Indicated on drawings.
6. Color: Selected from manufacturer's full range of available colors.

H. Lavatory Bowls:

1. Swanstone Compression Molded Fixtures;
2. Model Number \_\_\_\_\_; outside dimensions \_\_\_\_ inches by \_\_\_\_ inches inside dimensions \_\_\_\_ inches by \_\_\_\_ inches by \_\_\_\_ inches.
3. Color: \_\_\_\_\_.
4. Color: Indicated on drawings.
5. Color: Selected from manufacturer's full range of available colors.

## Technical Information

- I. Bar Sinks (undermount / self rimming)
1. Swanstone Compression Molded Fixtures;
  2. Model Number \_\_\_\_\_;
  3. Size: \_\_\_\_\_ inches by \_\_\_\_\_ inches with \_\_\_\_\_ inches bowl depth.
  4. Color: \_\_\_\_\_.
  5. Color: Indicated on drawings.
  6. Color: Selected from manufacturer's full range of available colors.
- J. Barrier Free Shower Pans:
1. Swanstone Solid Surfacing Material;
  2. Type: Barrier Shower Pan Model \_\_\_\_\_.
  3. Size: \_\_\_\_\_ inches by \_\_\_\_\_ inches.
  4. Color: \_\_\_\_\_.
  5. Color: Indicated on drawings.
  6. Color: Selected from manufacturer's range of available colors.
- K. Shower Pans:
1. Swanstone Solid Surfacing Material;
  2. Type: Shower Pan Model \_\_\_\_\_.
  3. Size: \_\_\_\_\_ inches by \_\_\_\_\_ inches.
  4. Color: \_\_\_\_\_.
  5. Color: Indicated on drawings.
  6. Color: Selected from manufacturer's range of available colors.
- L. Window Trim Kits:
1. Swanstone Solid Surfacing Material;
  2. Type: Window Trim Kit Model \_\_\_\_\_.
  3. Size: \_\_\_\_\_ inches by \_\_\_\_\_ inches.
  4. Color: \_\_\_\_\_.
  5. Color: Indicated on drawings.
  6. Color: Selected from manufacturer's range of available colors.
- M. Corner Soap Shelves:
1. Swanstone Compression Molded Fixtures;
  2. Model Number \_\_\_\_\_.
  3. Color: \_\_\_\_\_.
  4. Color: Indicated on drawings.
  5. Color: Selected from manufacturer's range of available colors.
- N. Recessed Accessory Shelves:
1. Swanstone Compression Molded Fixtures;
  2. Model Number \_\_\_\_\_.
  3. Color: \_\_\_\_\_.
  4. Color: Indicated on drawings.
  5. Color: Selected from manufacturer's range of available colors.
- O. Economy Soap Shelves:
1. Swanstone Compression Molded Fixtures;
  2. Model Number \_\_\_\_\_.
  3. Color: \_\_\_\_\_.
  4. Color: Indicated on drawings.
  5. Color: Selected from manufacturer's range of available colors.

- P. Soap Shelf Panels:
1. Swanstone Compression Molded Fixtures;
  2. Model Number \_\_\_\_\_.
  3. Color: \_\_\_\_\_.
  4. Color: Indicated on drawings.
  5. Color: Selected from manufacturer's range of available colors.

### ACCESSORIES

- A. Supply materials for installation of products as specified in manufacturer's printed installation instructions including color matched silicon sealant and adhesives where applicable.

### FABRICATION

- A. Fabricate components in shop to the greatest extent practical to sizes and shapes indicated, in accordance with approved shop drawings.
- B. Form joints between components using manufacturer's standard joint adhesive. Joints shall be inconspicuous in appearance and without voids.
- C. Provide holes and cutouts for plumbing and bath accessories as indicated on the drawings.
- D. Rout and finish component edges to a smooth, uniform finish.
- E. All surfaces shall have a uniform finish.

## PART 3 - EXECUTION

### 3.1 PREPARATION

- A. Preparation and Fabrication: Precondition surfacing materials and surfaces to receive surfacing materials in accordance with manufacturer's printed instructions. Fabrication of seams and fixture mounting in accordance with factory fabrication manual. Work to be performed by factory trained specialists.

### 3.2 INSTALLATION

- A. Install components plumb and level in accordance with approved shop drawings and manufacturer's printed installation instructions.
- B. Form field joints using manufacturers recommended adhesive, with joints inconspicuous in finished work.
- C. Adhere undermount sinks/bowls to countertop using manufacturers recommended adhesive and mounting hardware.
- D. Adhere topmount sinks to countertops using manufacturer's recommended adhesive and color coordinating silicone sealant.
- E. Provide backsplashes and endsplashes as indicated on the drawings. Adhere to countertop using standard color coordinating silicone sealant.

## Technical Information

---

- F. Remove adhesives, sealants and other stains upon completion of installation per manufacturer's written instructions.
- G. Protect surfaces from damage until project completion.
- H. Fabricator/Installer is to review "Care and Maintenance Procedures" including repair and cleaning instructions with the Owner upon completion of project.

<b>Product</b>	<b>Maintenance</b>	<b>PROPERTY</b>	<b>TYPICAL RESULT</b>	<b>TEST</b>
Veritek compression molded products.	The Veritek finish is stain and abrasion resistant; however, the finish requires reasonable care. Clean regularly with common household liquid cleaners and a sponge or soft cloth. For hard water stains, scale removers can be used. To protect finish, fiberglass wax or automotive paste wax can be applied. Do not use abrasive cleaners or scouring pads. Do not use "leave on" cleaning products, such as automatic spray shower cleaners. Prolonged contact with harsh chemicals could have an adverse reaction over time and discolor surfaces. Do not use cleaning agents that caution use on acrylic, polyester or plastics.	Impact Resistance on wall surrounds	No cracks (10 lbs dropped 48" on unit)	ANSI-Z 124.1.2
<b>Manufacturer</b> Swan is headquartered in St. Louis, Missouri with manufacturing in Centralia, Illinois.		Loads on wall surrounds	No cracks (25 lbs. for one minute repeated at 2 minute intervals)	ANSI-Z 124.1.2
<b>Product Composition</b> Veritek is a compressionmolded material with no surface coating to chip or crack. It's a non-porous material that will not mold or mildew.		Izod Impact		ASTM D256
<b>Product Category</b> Veritek is available in bathtubs, bath walls and shower pans.		Method A (with notch) Method B (rev. notch)	Passes	
<b>Colors</b> Veritek is available in a White (010), Bisque (018) and Bone (037).		Stain Resistance	Passes	ANSI-Z 124.1.2
<b>Warranties</b> Veritek wall panels, bathtubs, and shower pans are covered by a limited lifetime warranty for residential applications. For commercial applications, Swan offers the following warranties: five year Limited Warranty on bathtubs, bath walls, and shower pans. Complete details on these warranties are available on our website: <a href="http://www.swanstone.com">www.swanstone.com</a> .		Cigarette Resistance	Passes	ANSI-Z 124.1.2
		Boiling Water Resistance	Passes	ANSI-Z 124.1.2
		Chemical Resistance		NEMA LD3
		High Temperature Resistance	Passes	ASTM D2565
		Color Fastness Test		ASTMD3-3.08
		Thermal Conductivity		ASTM 638
		Tensile Strength		ASTM D-638
		Tensile Modules		ASTM D-638
		Elongation		ASTM D-638
		Hardness		ASTM D-785
		Bacterial Resistance		ASTM G-22
		Wear and Cleanability	Passes	ANSI-Z 124.1.2
		Flexural Strength		ASTM D-790
		Flexural Modules		ASTM D-638
		Thermal Expansion		ASTM D-696
		Gloss (60°)		NEMA LD3
		Water Absorption		ASTM D-570
		Specific Gravity		N/A
		Slip Resistance	Passes	ASTM F462
		<b>FLAMMABILITY</b>		
		Ignition Test	Passes	ANSI-Z 124.1.2
		Flame Spread	Class I	ASTM E84
	<b>Limitations</b> Veritek products are not recommended for exterior use. Follow all recommended installation procedures provided by the manufacturer.			
	<b>Finish</b> Natural-gloss			
	<b>Cost</b> Cost varies with product category. Contact your local distributor for applicable costs.			
	<b>Installation</b> Veritek products are shipped with complete installation manuals provided with every unit. Consult the specific product installation manual for step-by-step installation procedures. All manuals are available through Swan or your local distributor.			



# Limited Warranty

Information



## Limited Warranty For Residential Applications

If a Swanstone product covered by this warranty is found to be defective in materials or workmanship, after inspection by an authorized Swan representative, we will repair, or at our option, exchange the product for a similar model. This warranty extends for a designated period of time, so long as it remains in use in its original place of installation.

This warranty covers only products installed in accordance with Swan's installation instructions, used as recommended, and not damaged due to misuse, abuse or improper installation. Gloss reduction and scratching of the finish over time due to use, cleaning practices or water or atmospheric conditions are not manufacturing defects but are indicative of normal wear and tear. It does not apply to any seams or changes made to the product by professional tradesmen or fabricators.

The warranty applies only to the original purchaser and installation of these products in residential applications. It does not apply to commercial applications.

Swan's option to repair or exchange products under this warranty does not cover any labor or other costs of removal or installations, nor shall Swan be responsible for any other incidental or consequential damages attributable to a product defect or to the repair or exchange of a defective product.

### Limited Lifetime Warranty

SWANSTONE KITCHEN SINKS  
GRANITE KITCHEN SINKS  
SWANSTONE VANITY TOPS AND BOWLS  
SWANSTONE BATH WALLS AND ACCESSORIES  
SWANSTONE SHOWER PANS  
SWANSTONE WAINSCOTING  
VERITEK BATH WALLS  
VERITEK SHOWER PANS  
VERITEK BATHTUBS  
VERITEK ALCOVE WALLS  
SWANSTONE VANITY TOP BLANKS  
SWANSTONE UTILITY SINKS

### 10-Year Limited Warranty

SWANSTONE COUNTERTOPS

### 1-Year Limited Warranty

VERITEK LAUNDRY AND MOP SINKS

## Limited Warranty For Commercial Applications

If a Swanstone product covered by this warranty is found to be defective in materials or workmanship, after inspection by an authorized Swan Corporation representative, we will repair, or at our option, exchange the product for a similar model. This warranty extends for a designated period of time, so long as it remains in use in its original place of installation.

This warranty covers only products installed in accordance with The Swan Corporation's installation instructions, used as recommended, and not damaged due to misuse, abuse or improper installation. It does not apply to any seams or changes made to the product by professional tradesmen or fabricators.

The warranty applies only to the original purchaser and installation of these products in commercial applications.

The Swan Corporation's option to repair or exchange the products under this warranty does not cover any labor or other costs of removal or installations, nor shall The Swan Corporation be responsible for any other incidental or consequential damages attributable to a product defect or to the repair or exchange of a defective product.

### 30-Year Limited Warranty

SWANSTONE VANITY TOPS AND BOWLS  
SWANSTONE BATH WALL PANELS, TRIM KITS  
AND ACCESSORIES  
SWANSTONE WAINSCOTING  
SWANSTONE VANITY TOP BLANKS  
SWANSTONE PERFORMIX SHOWER PANS

### 10-Year Limited Warranty

SWANSTONE KITCHEN SINKS  
GRANITE KITCHEN SINKS  
SWANSTONE SHOWER PANS  
SWANSTONE COUNTERTOPS

### 5-Year Limited Warranty

VERITEK BATH WALLS  
VERITEK SHOWER PANS  
VERITEK BATHTUBS  
VERITEK ALCOVE WALLS  
SWANSTONE UTILITY SINKS

### 1-Year Limited Warranty

VERITEK LAUNDRY TUBS AND MOP SINKS



# STANDARD COLOR GUIDE

## Swanstone Solid Colors

---



**Bisque**  
(018)



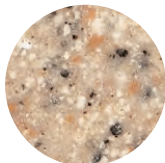
**Bone**  
(037)



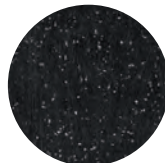
**White**  
(010)

## Swanstone Aggregate Colors

---



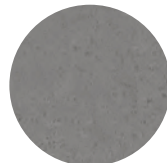
**Bermuda Sand**  
(040)



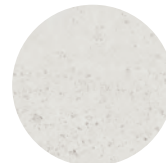
**Black Galaxy**  
(015)



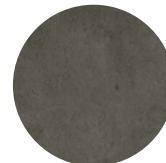
**Carrara**  
(221)



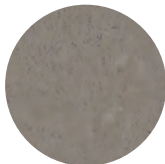
**Concrete Ash Gray**  
(203)



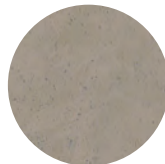
**Concrete Birch**  
(226)



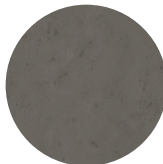
**Concrete Charcoal Gray**  
(209)



**Concrete Clay**  
(212)



**Concrete Limestone**  
(218)



**Concrete Sandstone**  
(215)



**Ice**  
(130)



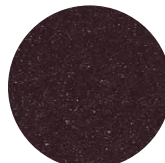
**Tahiti White**  
(011)

## Granite Colors\*

---



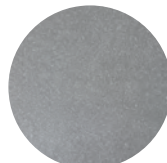
**Bianca**  
(075)



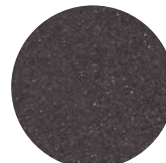
**Espresso**  
(170)



**Granito**  
(076)



**Metallico**  
(173)



**Nero**  
(077)



**Opal White**  
(210)

## Veritek® Colors

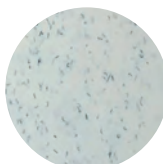
---



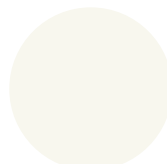
**Bisque**  
(018)



**Bone**  
(037)



**Flock**  
(033)\*\*



**White**  
(010)

Not all products available in all colors. Color representation not exact.  
Please view actual product or color sample.

\*Available for kitchen sinks only.  
\*\*Available for utility sinks only.



Building Better Surfaces | [swanstone.com](http://swanstone.com)