



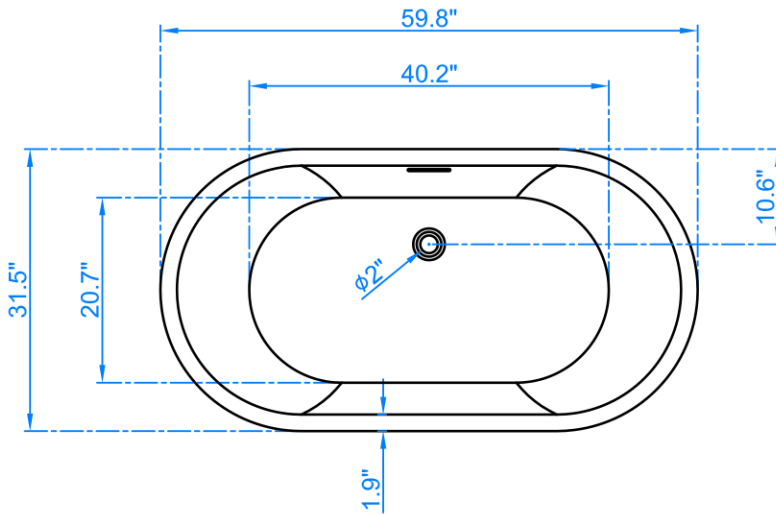
MAIDSTONE

www.MaidstoneSupply.com

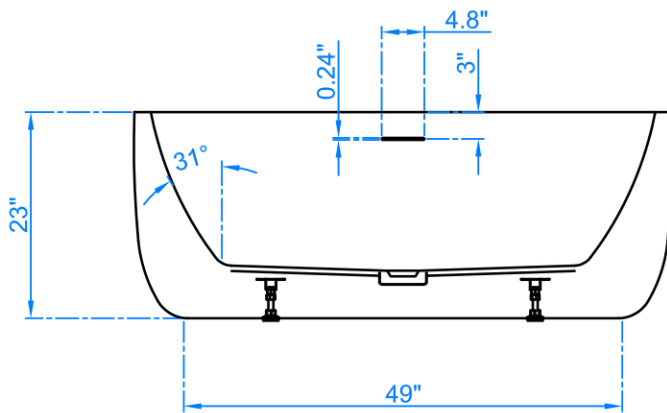
Acry Cont Freestanding Tub

Part No: 220SA13-60-2

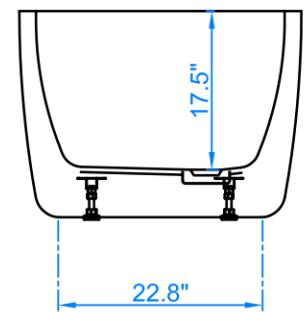
TOP VIEW



Weights in pounds (Empty): 104
Weights in pounds (Shipping): 128
Weights in pounds (Filled): 708
Water Capacity (GAL): 73
Shipping dimensions (Inch): 62 * 33 * 25



FRONT VIEW



SIDE VIEW

Contact Maidstone for additional information and specifications. For complete warranty information and a list of dealers visit www.MaidstoneSupply.com. All products and specifications are subject to change without notice. Maidstone is not responsible for typographical and/or dimensional errors. Typographical errors are subject to correction.

Note: Rough-in dimensions may vary +/- 1/2" and are subject to change. No responsibility is assumed by Maidstone.