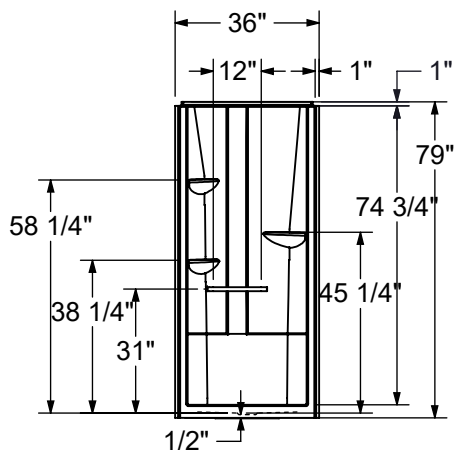
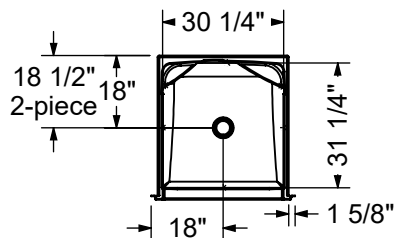
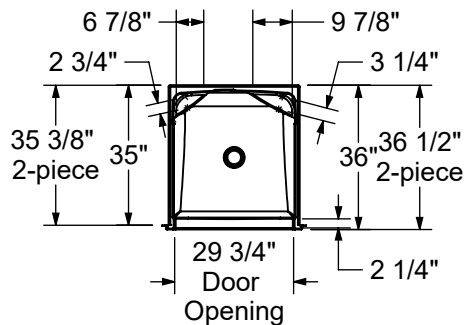
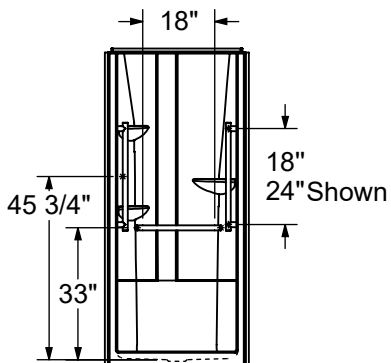
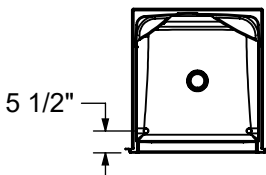


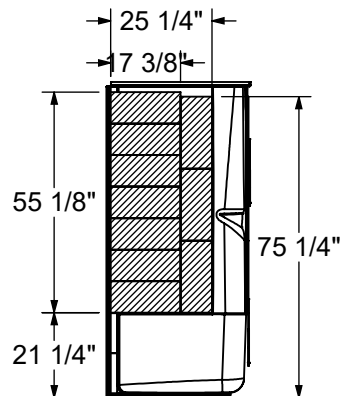
STANDARD  
1 PIECE MODEL SHOWN



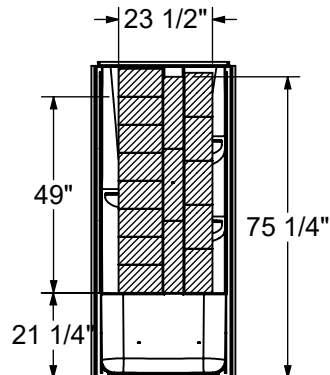
GRAB BAR  
Option 20203 & 20204



OPTIONAL REINFORCEMENT  
(Left shown, Right symmetrical)



OPTIONAL REINFORCEMENT  
(Back Wall)



All dimensions are approximate. Structure measurements must be verified against the unit to ensure proper fit.