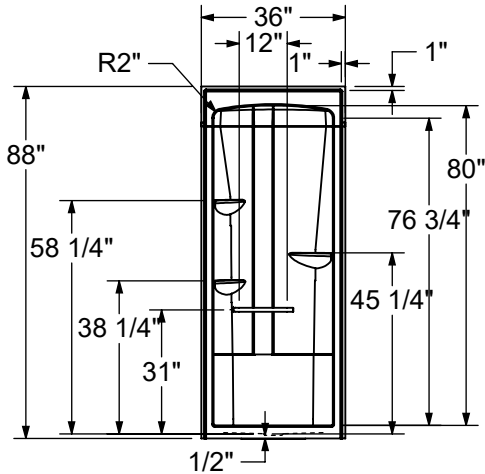
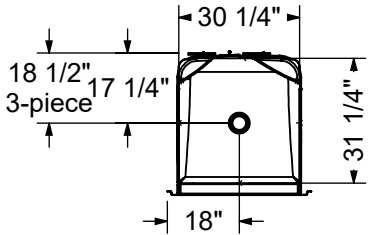
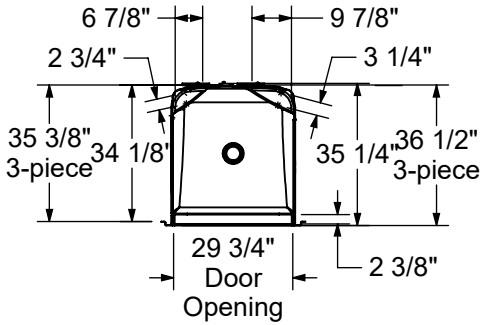
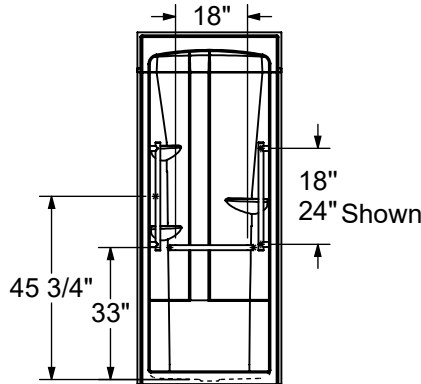
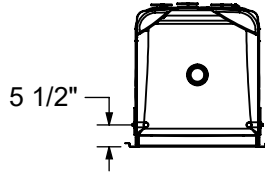


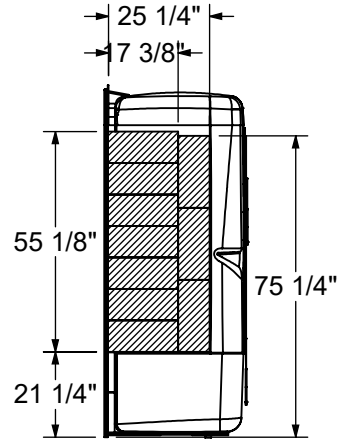
STANDARD
1-PIECE MODEL SHOWN



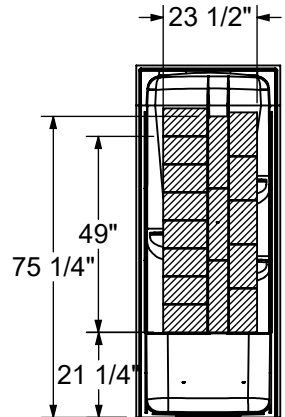
GRAB BAR
Option 20203 & 20204



OPTIONNAL REINFORCEMENT
(Left shown, Right symmetrical)



OPTIONNAL REINFORCEMENT
(Back Wall)



All dimensions are approximate. Structure measurements must be verified against the unit to ensure proper fit.