



One Piece & Sectional ADA/Barrier Free Installation Instructions

36" ADA AcrylX™ & Solid Surface Transfer Showers
60" ADA AcrylX™ & Solid Surface Roll-In Showers

Materials and tools you may need for proper installation:

Materials:

- 20-1.25" wood screws
- 3-tubes of 100% silicone caulk
- One tube of white or color coordinated acrylic bathtub caulk
- 1/8" shims (not provided)
- 1 - 50 lb. bag of concrete for bracing the threshold
- 2 - 50 lb. bags of concrete for bracing at the drain

Tools:

- Caulking gun
- Hammer
- Drill
- 1/8" drill bit
- 4' level
- 2' level
- Torpedo Level
- Screwdriver
- Screwdriver attachment to match the screws

Helpful Hints For Installation:

- Pieces of PVC pipe - These can be used to lay the product face down on and roll it up to the framing pocket rather than sliding or picking up.
- Please place cardboard from the carton into the bottom of the shower during installation to prevent damage to the finished surface.
- When placing the shower into the framing pocket, you can use the handle of the hammer to align the drain pipe with the drain fitting.

NOTE: INSTALLATION OF THESE SHOWER UNITS MAY BE SUBJECT TO CODE APPROVAL. Refer to job prints and/or consult with architect to see if your installation must comply with ADA.

These shower units install differently from typical residential showers. Installation may need to conform to requirements of the Americans With Disabilities Act. (ADA) and other local codes. These requirements relate to the height of the threshold in relation to the finished floor. Certain showers will install directly on the sub floor and others will require a recess pit. These showers require special preparation of the installation site and very specific installation procedures to assure the shower drains properly and meets code requirements.

QUESTIONS: Please phone 800.443.7269 for additional information.

STORAGE & HANDLING

Do not store units out of doors. - Keep out of sunlight and exposure to weather.

1. Most handling damage is the result of impact blows to the back side of the shower units.
2. Stress cracks can develop when shipping boards are removed before unit is positioned for final installation.
3. Placing objects inside of shower can cause scratches, abrasions or nicks to the finished surface.
4. Storing units outside right-side-up can cause the sunlight to discolor the acrylic finish. Also, unit becomes unstable and is easily knocked over by wind or bumping.
5. The back side of the shower is not waterproof. Unit must be stored so that water will drain off the unit and not accumulate in any one spot. Water can permeate the laminates and soak the glassed in wood supports causing bulges in the acrylic surface.
6. Do not remove the Medallion Identification number. Doing so may affect the warranty. This number may be found above the drain, left or right corner of unit.



One Piece & Sectional ADA/Barrier Free Installation Instructions

36" ADA AcrylX™ & Solid Surface Transfer Showers
60" ADA AcrylX™ & Solid Surface Roll-In Showers

7. Never drag these units on any surface. Always transport the unit by hand using (2) people or a two-wheel dolly.
8. Never let these units drop from any height, not even an inch.
9. Never clean the shower finished surface with metal tools of any kind, including razors.

**** Very Important for Showers with Thresholds 2" or Less:**
See Figure 1.

Showers with thresholds of 2 inches or less must be stored and installed with care. During storage, this unit should sit as it is received. It should be stored with a 2" x 4" block of some other type of material at each of the (4) points numbered in the Top View. These units do not have wooden bottoms to reinforce the floor as conventional showers have. By placing the shower on some type of blocking, the drain will not touch the floor. This will allow the draft of the floor to be maintained without the weight of the shower pushing the drain upward. The blocks should only be placed at the outside corner edges of the shower and should never be placed under the middle of the threshold. This procedure should only be used during storage and not during installation.

Very Important For Sectional Showers:

When installing sectional showers, the process will be the same as for one piece units with this exception:

All wall parts must be lifted away from the base.

ALL seams **MUST** have 100% silicone caulking applied as these parts are lifted back in place on the base for final assembly and installation. This is essential to prevent water from migrating through to the wall area behind the shower.

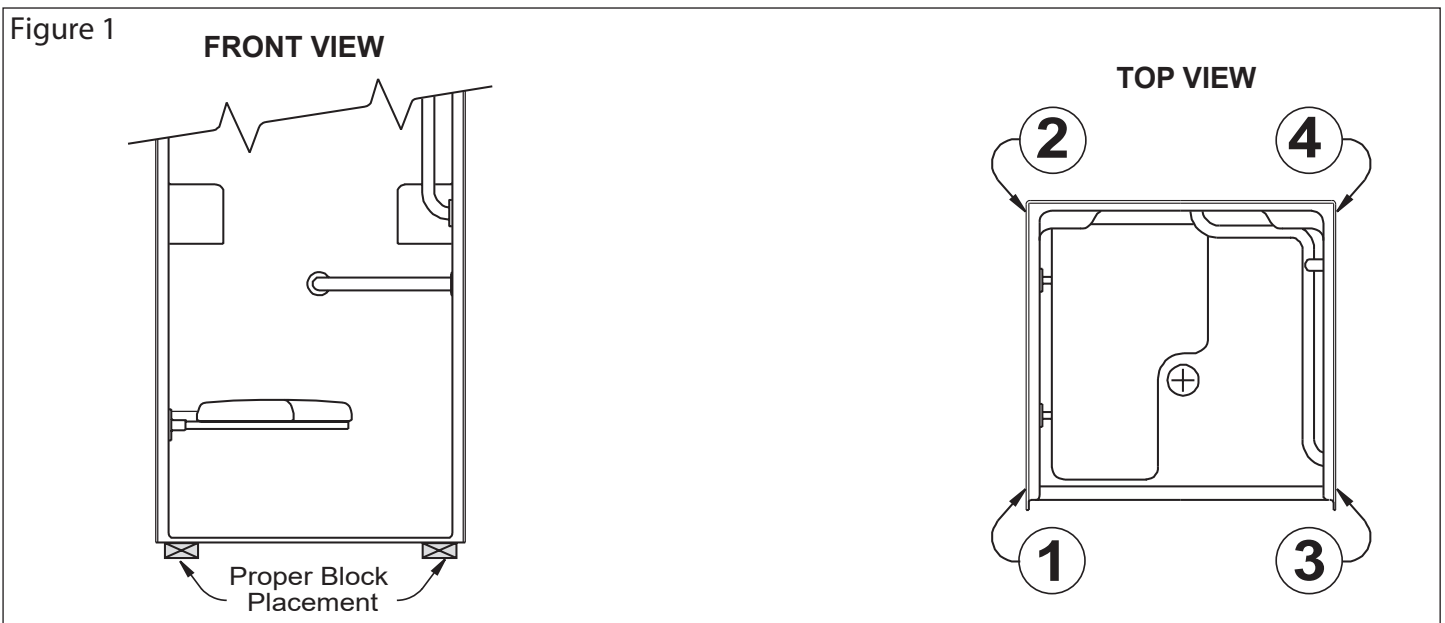
RECESS INSTALLATION See Figure 2.

This diagram illustrates a typical installation for showers that **NO RECESS NECESSARY** have vertical thresholds 3/4" to 2" high. The recess allows the shower to be installed below the finished floor level. The recess is deep enough so the shower threshold will be at the code acceptable height above the finished floor: An alternative to the recessed installation is to either build up the entire room floor to be even with the top of the threshold or to construct a ramp to the shower entry.

NO RECESS INSTALLATION See Figure 3.

This diagram illustrates a typical installation for showers that do not require recessed installation to comply with ADA guidelines. This style shower is illustrated in Figure 3. They are for 36" x 36" inside dimension showers with vertical thresholds no higher than 1/2"

Figure 1





One Piece & Sectional ADA/Barrier Free Installation Instructions

36" ADA AcryIX™ & Solid Surface Transfer Showers
60" ADA AcryIX™ & Solid Surface Roll-In Showers

Figure 2

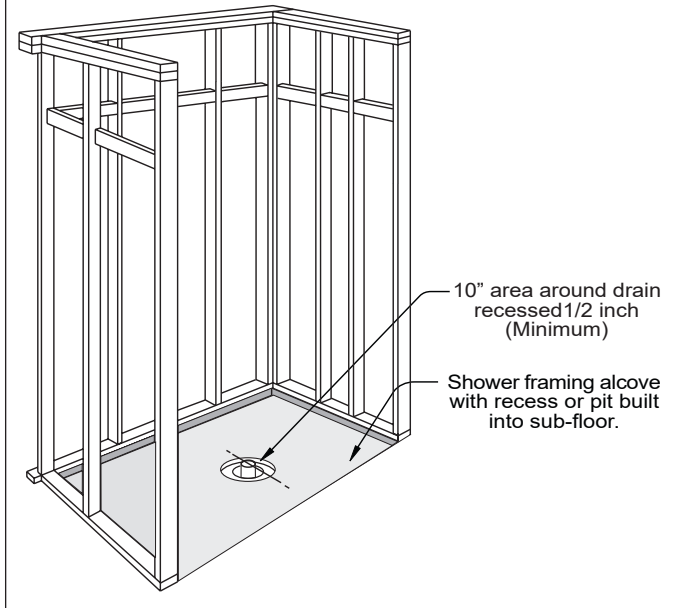
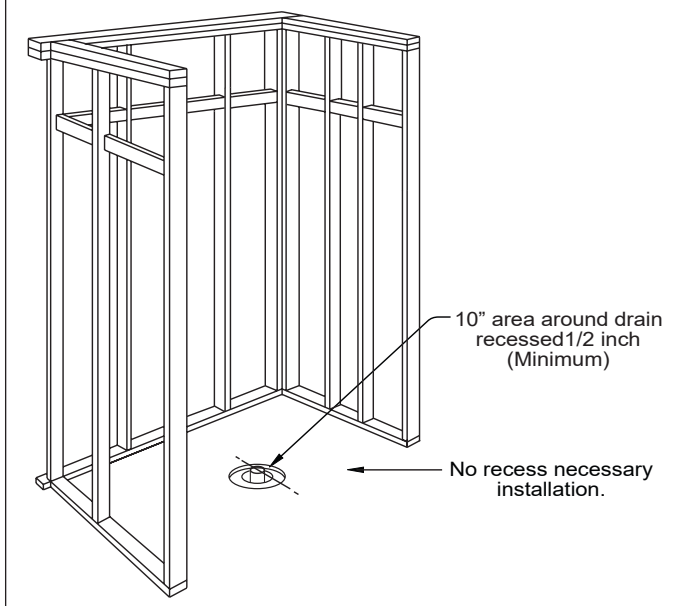


Figure 3





One Piece & Sectional ADA/Barrier Free Installation Instructions

36" ADA AcrylX™ & Solid Surface Transfer Showers
60" ADA AcrylX™ & Solid Surface Roll-In Showers

SHOWER INSTALLATION

Note: At the time of installation, ensure the sub-floor is level. A level floor is essential for a successful installation. In addition, the area must be clean, free of debris and must be dry.

A 10" x 10" x 1/2" deep box out (6" core drill) is required to be centered around the drain pipe. Ensure this area is prepared before installation.

1. Place the shower into the intended alcove to confirm the fit and proper placement of the drain pipe.

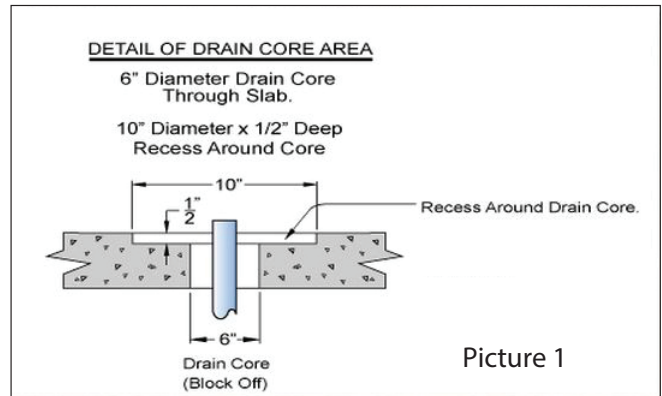
****Helpful Tip**** Place two short sections of 1/2" PVC pipe on the floor to help move the shower to the installed location in front of the alcove. Remove the pipe sections. Tilt the shower up-right into the installed position. Draw a line on the floor where the front of the threshold lies.

2. Remove the shower from the alcove by leaning it forward so it can be laid on the front flanges.
3. Clean the area of all dirt, trash, oil, grease, water and other containments that may affect adhesion.
4. Apply 100% silicone caulking beads 1/2" wide x 1/2" high around the box-out. See Figure 4.
5. Apply 4-100% silicone caulking pads 3/4" high by 3" wide halfway between the outer wall and drain. See Figure 4.

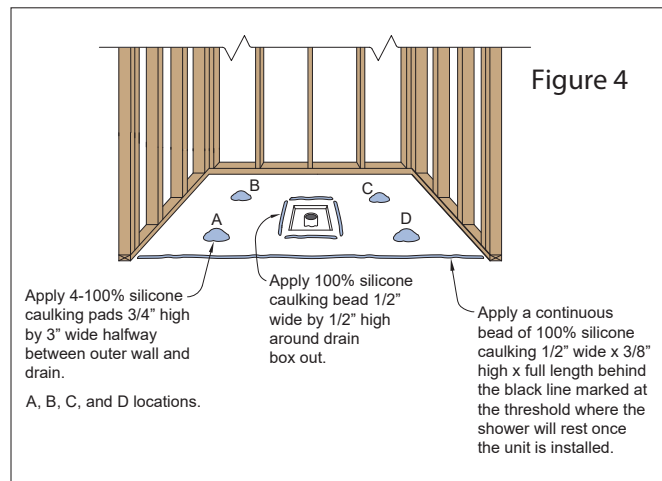
NOTE: YOU DO NOT NEED TO BACKFILL THE DRAIN LOCATION BOX-OUT WITH BEDDING MATERIAL.

6. Next apply a continuous bead of 100% silicone caulking 1/2" wide x 3/8" thick x the entire length just behind the line drawn at the threshold where the shower will rest once is is installed.
7. Install the drain fitting provided in the shower prior to setting it into its final position, but do not store the shower on its bottom while the drain fitting is installed.

****HELPFUL TIP** TEMPORARILY REMOVE THE INNER DONUT PIPE GASKET FROM THE DRAIN FITTING.**



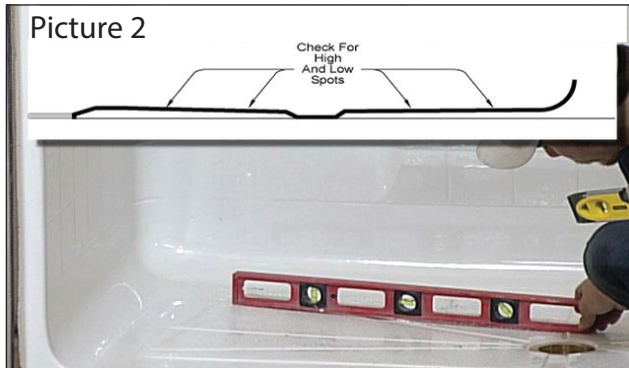
Picture 1



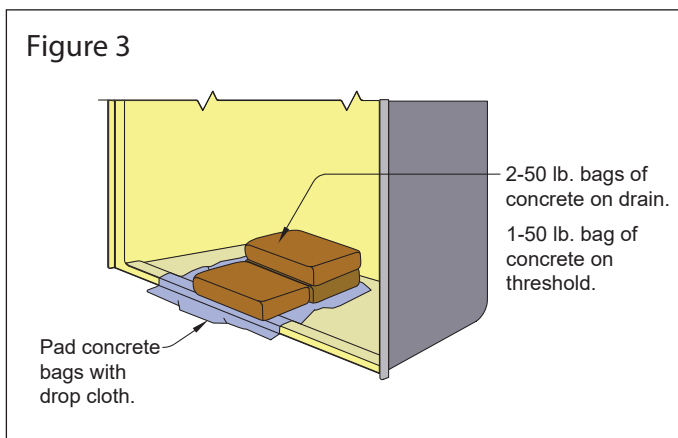


One Piece & Sectional ADA/Barrier Free Installation Instructions

36" ADA AcryIX™ & Solid Surface Transfer Showers
60" ADA AcryIX™ & Solid Surface Roll-In Showers



8. Set the shower into place and guide the drain pipe into the drain fitting using the handle of a hammer or similar object.
9. Level the shower and set plumb. Secure the shower to the framing studs using galvanized 6D nails or screws through the flanges, 8" on center and into each framing stud along the sides and across the back.
10. Use a 2 foot level on the shower floor to ensure there is proper slope and drainage. If the shower does not drain, or if there are high spots, or low spots in the floor, the shower needs to be pulled out to determine where the problem lies.
This should be done after Step 9, and before the support materials underneath have a chance to cure. See Picture 2.



11. Place a drop cloth over the shower threshold and floor. Place 2-50 lb. bags of concrete on the drain. See Figure 3.
12. Place one 50 lb. bag of concrete on the threshold. See Figure 3.
13. All bags of concrete may be removed 24 hours after the 100% silicone has been placed.

****THE DRAIN CONNECTION SHOULD BE COMPLETED AFTER THE FLOOR HAS BEEN CURED AND BRACING IS REMOVED.**

****NOTE: THE SHOWER MANUFACTURER IS NOT RESPONSIBLE FOR LEAKING DRAINS.**



One Piece & Sectional ADA/Barrier Free Installation Instructions

36" ADA AcrylX™ & Solid Surface Transfer Showers
60" ADA AcrylX™ & Solid Surface Roll-In Showers

****CHECK THE FLOOR TO ENSURE THERE ARE NO HIGH OR LOW SPOTS AND THE SLOPE TO THE DRAIN HAS BEEN MAINTAINED. See Picture 6. ****

****Attention: THE THRESHOLD MUST BE FLAT ACROSS THE FULL WIDTH WITH NO BOW AND LEVEL TO THE FLOOR.****

Following the appropriate installation procedures is imperative on this shower. Not following these procedures could result in product failure which will not be covered under manufacturer's warranty.

CLEANING AND CARE

The following non-abrasive cleaning products are recommended for cleaning the surface of the bathing unit:

- Ivory liquid, Dawn liquid or other liquid washing cleaners.
- A vinegar and water solution.
- Alcohol or mineral spirits to spot clean.

DO NOT USE ABRASIVE CLEANERS

The most important caution is to avoid use of harsh abrasive cleaners or gritty scouring powders. To clean the unit, simply use a household liquid detergent with a soft cloth or sponge and warm water. More persistent stains, tar or paint can be removed with naphtha or mineral spirits. Remove excess plaster by scraping with a sharpened wood stick. Avoid wire brushes, metal scrapers or tools. Restore dull areas by rubbing with automotive type body cleaning compound.

© 2022. Praxis Companies LLC Bathware
435 Industrial Rd. Savannah TN. 38372

For warranty service contact:
Customer Service: 800-443-7269.
www.praxiscompanies.com

LIMITED WARRANTY

Units manufactured of fiberglass reinforced polyester resin, that it will, free of charge, repair or exchange as its option, any Praxis Bathware LLC unit found to be defective in materials or workmanship upon inspection by an authorized representative of Praxis Bathware LLC for a period indicated below:

Lifetime Warranty
AcrylX™ Residential* Use
CenturyStone™ Residential Use.

Thirty (30) Year Warranty
AcrylX™ Commercial* Use
CenturyStone™ Commercial* Use

The exchange of a unit is limited to supplying a replacement unit of comparable size and style and does not include any costs of removal or installation. This warranty shall be voided if the unit is moved from its place of initial installation or is not installed in accordance with the instructions supplied by the manufacturer of the unit. Further; this warranty does not apply if the unit has been subjected to accident, abuse, misuse, damage caused by flood, fire or act of God. Since local code requirements vary greatly throughout the country, distributors, dealers, installation contractors and users of plumbing products should determine whether there are any code restrictions on the use of a specific product. Aquarius Bathware LLC makes no representation or warranty regarding and shall not be responsible for any code compliance. The owner agrees by use of this unit that the obligations of Aquarius Bathware LLC shall not exceed to contingent or indirect damage or injury to the structure of its contents, that the obligations of Aquarius Bathware are limited to those set forth herein, and that no other obligations, expressed or implied, are assumed by Aquarius Bathware LLC.

* Residential Use is considered any unit installed in a permanent residence dwelling of individual ownership, such as but not limited to single family home, multi-family home or condominium. Commercial Use is considered transient lodging, such as but not limited to healthcare facility, dormitory, hotel or apartment complex.