



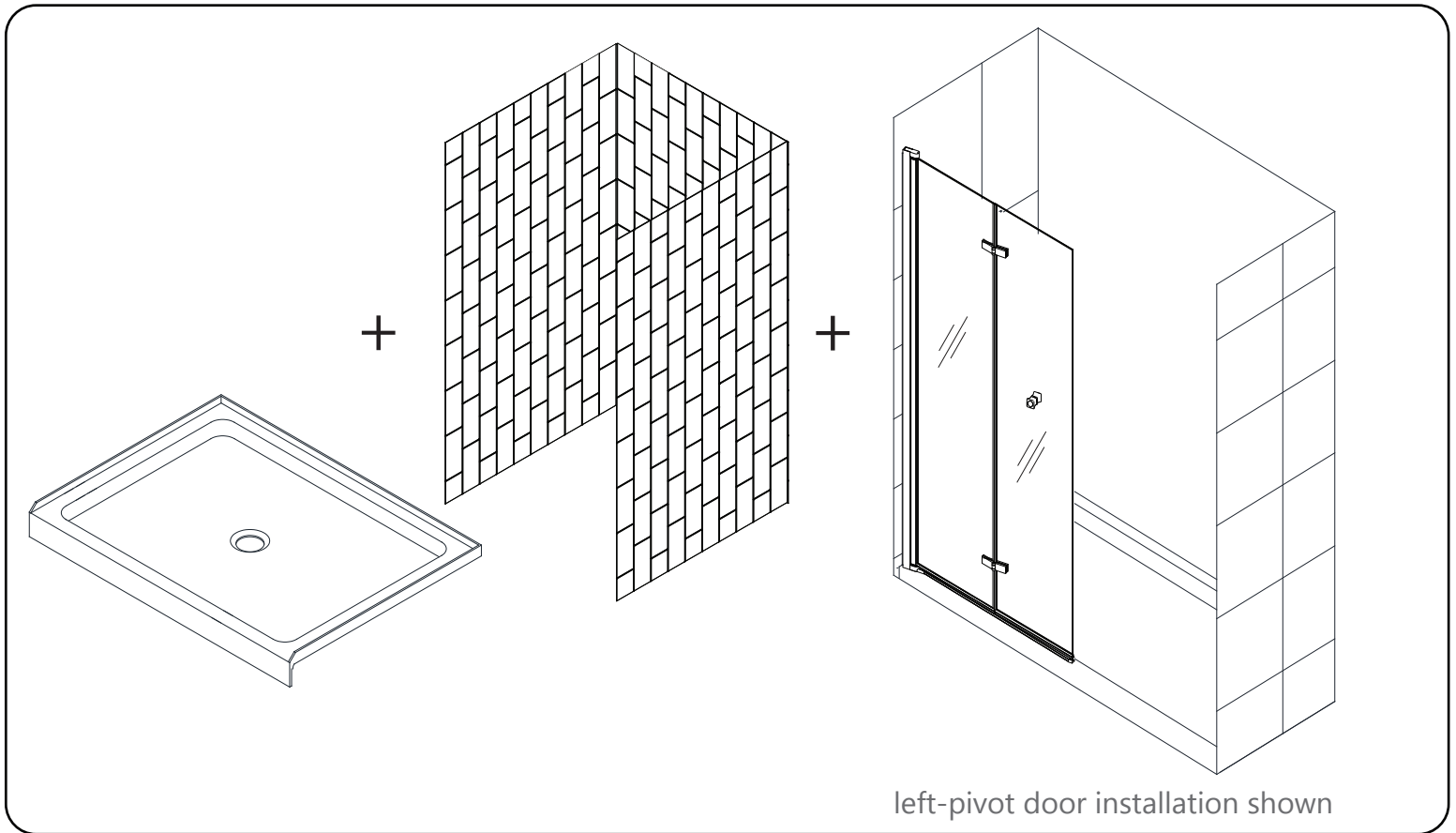
AQUA-Q FOLD

SHOWER DOOR, BASE & BACKWALL INSTALLATION INSTRUCTIONS

PLEASE REVIEW THIS ENTIRE MANUAL PRIOR TO INSTALLATION

IMPORTANT!

DreamLine® reserves the right to alter, modify or redesign products at any time without prior notice for the purpose of product improvement and customer experience. Please refer to the model's web page on **DreamLine.com** for the latest technical drawings, installation manuals, warranty information or additional product details.



STEP 1: Shower Base Installation Instructions

STEP 2: Shower Backwall Installation Instructions

STEP 3: Shower Door Installation Instructions

Do Not Return Product to the Store. Contact DreamLine® with any questions

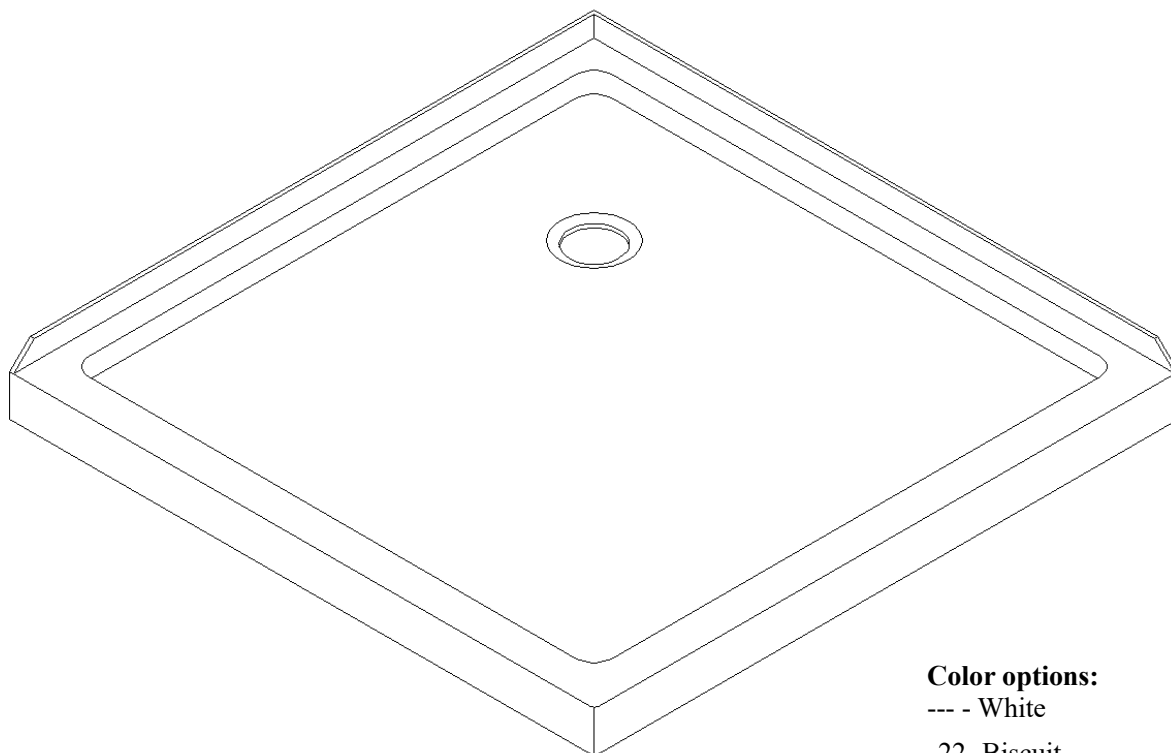


SLIMLINE SHOWER BASE

SHOWER BASE DIMENSIONS AND INSTALLATION INSTRUCTIONS

IMPORTANT

DreamLine® reserves the right to alter, modify or redesign products at any time without prior notice for the purpose of product improvement and customer experience. Please refer to the model's web page on **DreamLine.com** for the latest technical drawings, installation manuals, warranty information or additional product details.



Color options:

- - White
- 22- Biscuit
- 88- Black
- T44- Stone Texture Gray
(60" single threshold only)

Double Threshold Shower Base with Corner Drain Configuration shown as an example

Please review this entire manual before beginning installation



Questions?

Please Call **DreamLine Customer Support: 1-855-831-2126**
Hours of Operation M-F 8AM - 7PM EST and Saturday 9AM - 5PM EST

Support@DreamLine.com



For more information about DreamLine® products please visit DreamLine.com

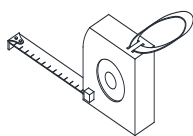
Preparation

1. Prior to installation, examine all boxes and packages for shipping damage and compare the piece count with your packing slip. After opening all boxes and packages read this introduction carefully. Check that all of the parts are included in the package by checking off the components on the parts list. If the unit has been damaged, has a finishing defect, or has missing parts, please contact our customer support department within **3 business days** of the delivery date. Please note that **DreamLine® will not replace any damaged products or missing parts free of charge after 3 business days or if the product has been installed.** Please contact DreamLine® if with any questions and please provide an order number, job name or other proof of purchase to help identify the original order.
2. Install all of the required plumbing and drainage before installing the shower base. **Use a competent and licensed (if required by local code) plumber for all plumbing installation.**
3. **Shower bases must be installed by a licensed plumber. Please note that you should consult your local building codes with questions on installation compliance standards. Building and plumbing codes may vary by location and DreamLine® is not responsible for code compliance standards for your project.**
4. Make sure that prior to the installation the installation surface is leveled and solid and will be able to support the total weight of the unit. Also make sure the walls are at right angles. While some adjustment in leveling of the tray is possible, irregular installation surface level or improper angle of side walls will result in serious problems for your installation. Please note that some adjustments may be necessary during the installation process.
5. **Center drain configurations are centered on the width only. See technical drawing tables for drain locations.**
6. **Drain not included with this product.** The drain opening is 3-3/8" in diameter and **accepts a standard 2" compression fitted drain.**

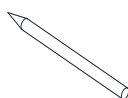
IMPORTANT NOTE:

Dimensions provided are for reference only. Measure the actual shower tray before installation. This includes overall dimensions and drain location. Allowed tolerance for center of the drain is +/-1/2".

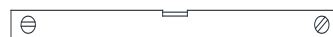
Tools Required



Tape
Measure



Pencil



Level

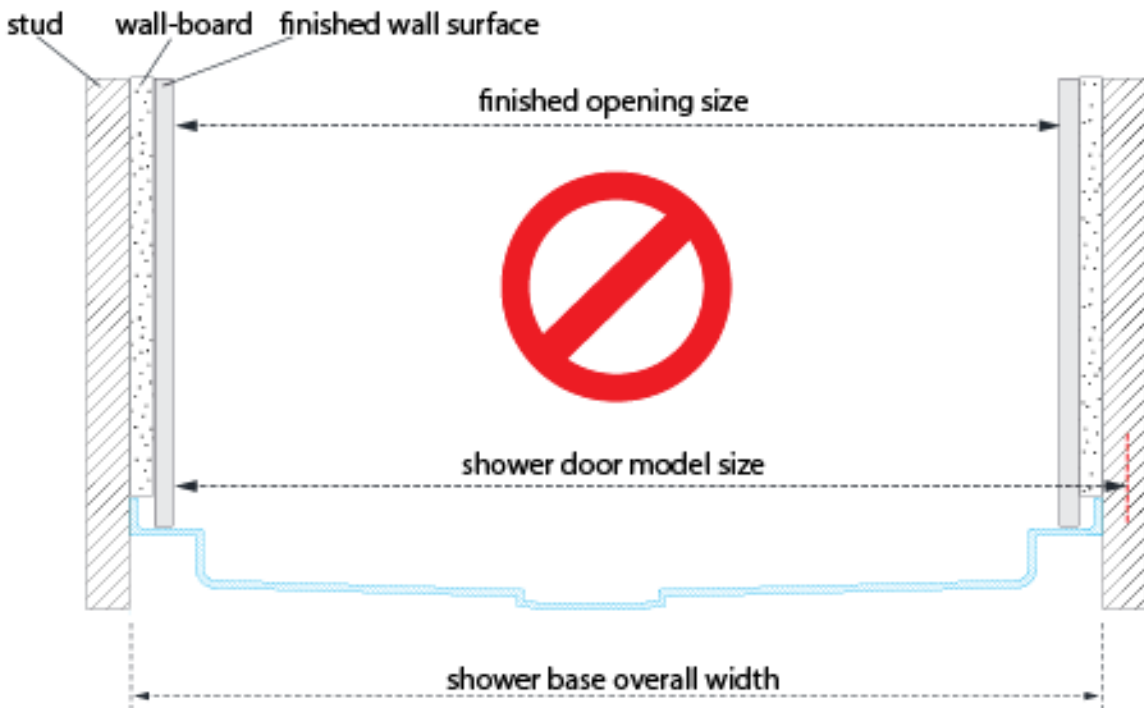
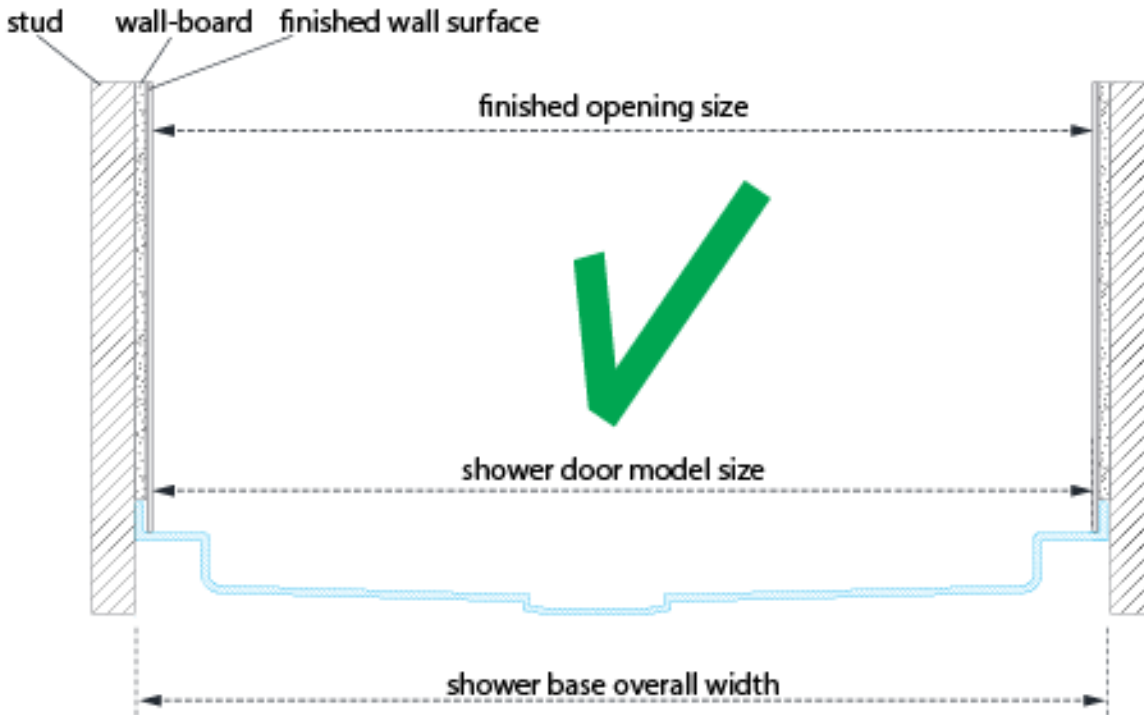


Mortar



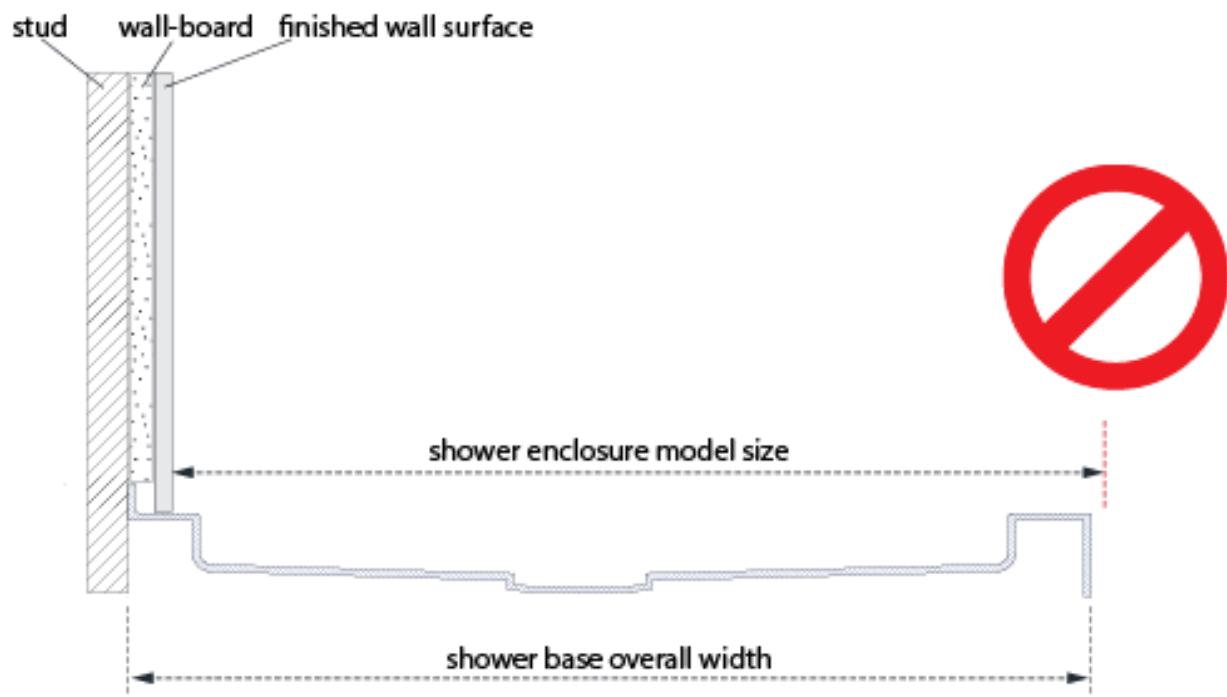
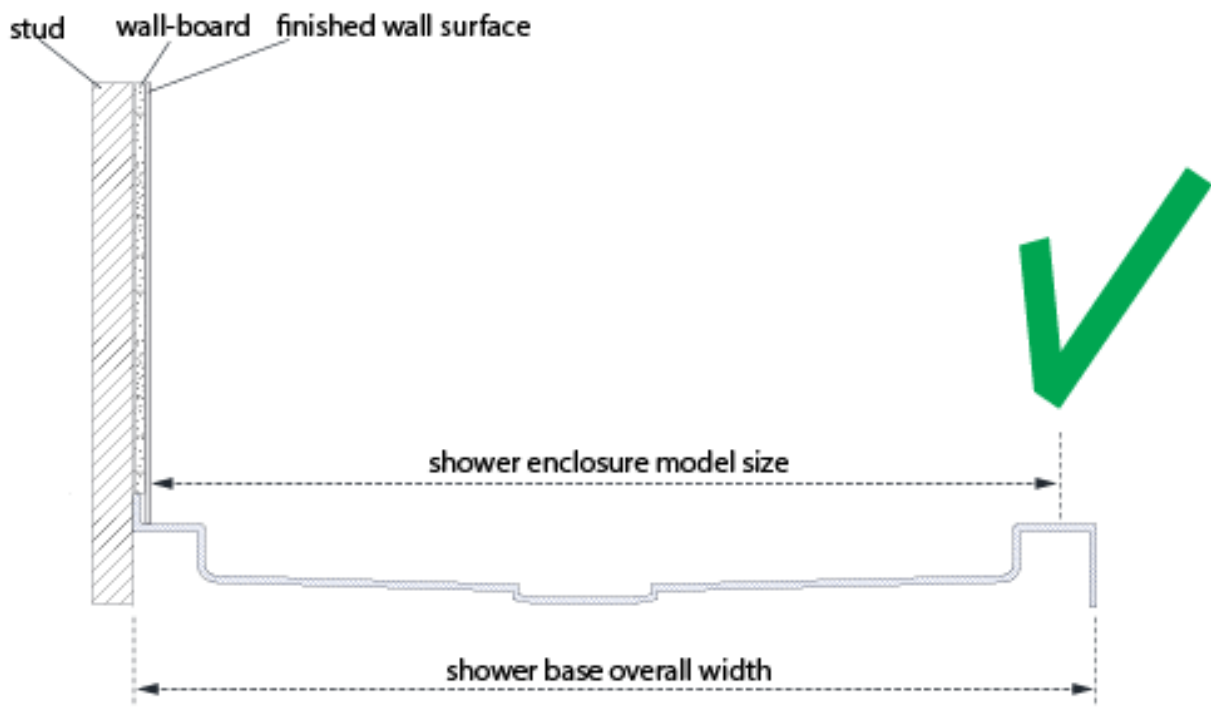
When constructing or installing a shower base, consider how **the thickness of the wall treatment (wallboard, tile, etc.) will affect the finished opening size for the shower door.**

Compare the overall dimensions of the shower door model with the finished opening size before proceeding with the installation.

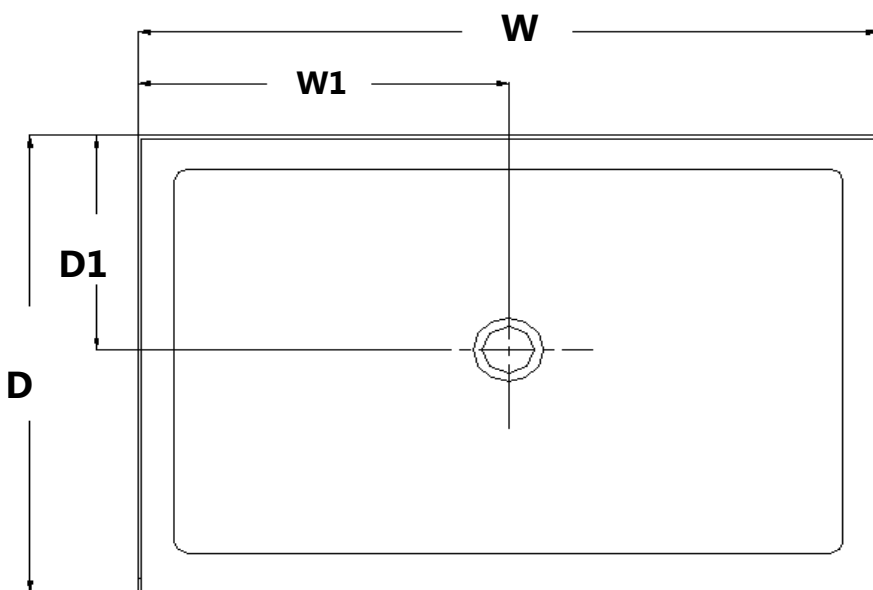
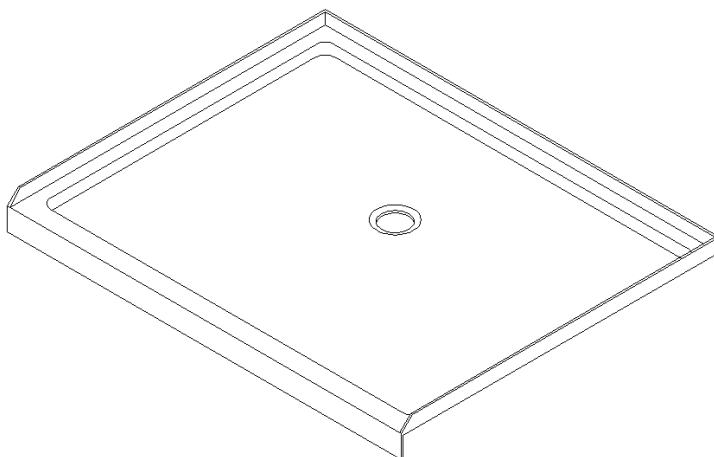




When constructing or installing a shower base, consider how **the thickness of the wall treatment (wallboard, tile, etc.) will affect where the shower enclosure will sit on the threshold.** Compare the overall outside dimensions of the shower enclosure model size with the finished threshold before proceeding with the installation.



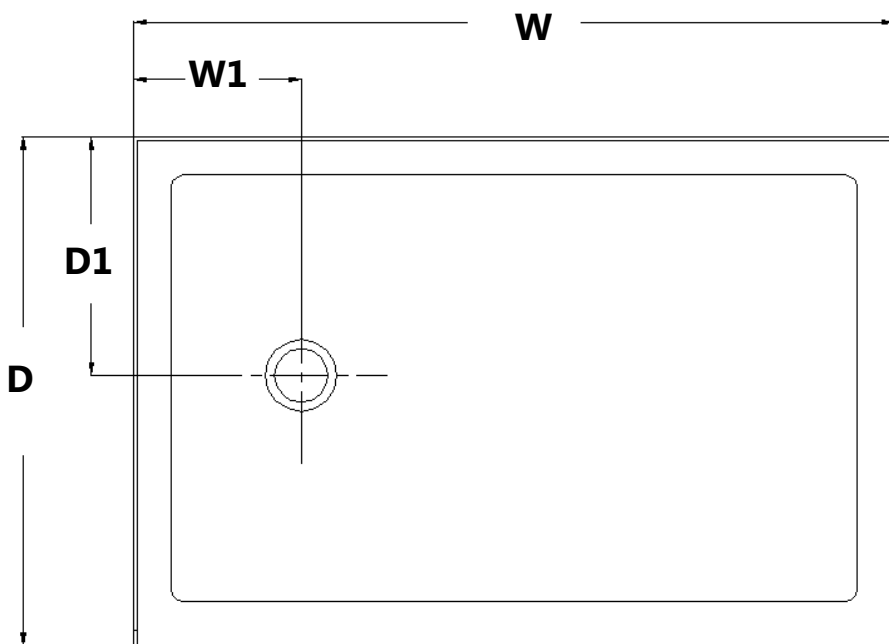
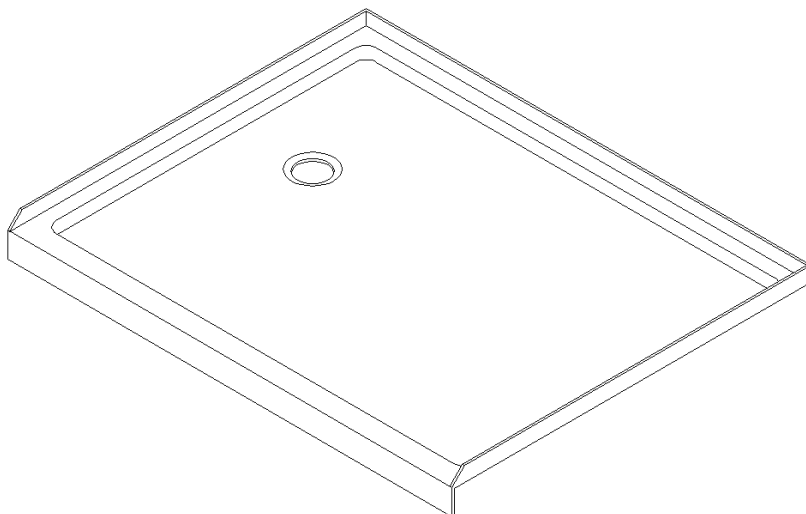
SINGLE THRESHOLD SHOWER BASE Center Drain Configuration



MODEL	SPECIFICATION	D (in)	W (in)	D1 (in)	W1 (in)
DLT-1132320	32" x 32"	32"	32"	15"	16"
DLT-1136360	36" x 36"	36"	36"	15"	18"
DLT-1132420	32" x 42"	32"	42"	15"	21"
DLT-1134420	34" x 42"	34"	42"	15"	21"
DLT-1136420	36" x 42"	36"	42"	15"	21"
DLT-1142420	42" x 42"	42"	42"	20"	21"
DLT-1132480	32" x 48"	32"	48"	15"	24"
DLT-1134480	34" x 48"	34"	48"	15"	24"
DLT-1136480	36" x 48"	36"	48"	15"	24"
DLT-1132540	32" x 54"	32"	54"	15"	27"
DLT-1134540	34" x 54"	34"	54"	15"	27"
DLT-1136540	36" x 54"	36"	54"	15"	27"
DLT-1130600	30" x 60"	30"	60"	15"	30"
DLT-1132600	32" x 60"	32"	60"	15"	30"
DLT-1134600	34" x 60"	34"	60"	15"	30"
DLT-1136600	36" x 60"	36"	60"	15"	30"

SINGLE THRESHOLD SHOWER BASE

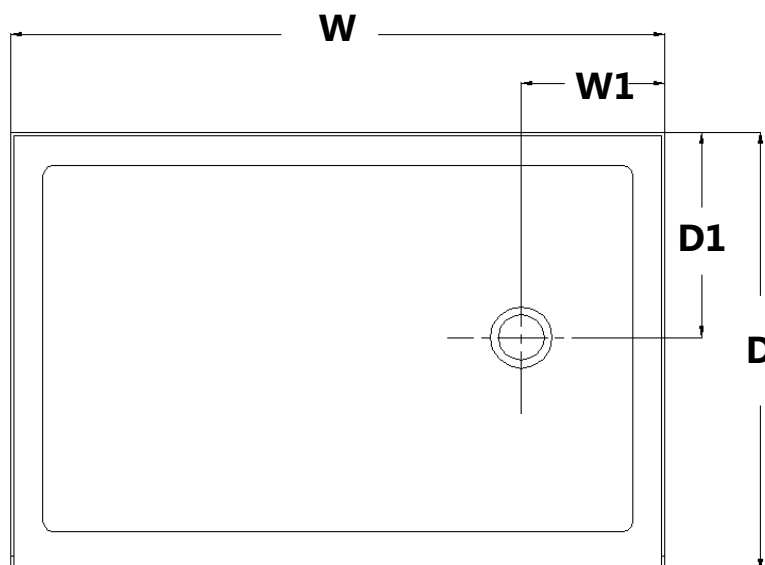
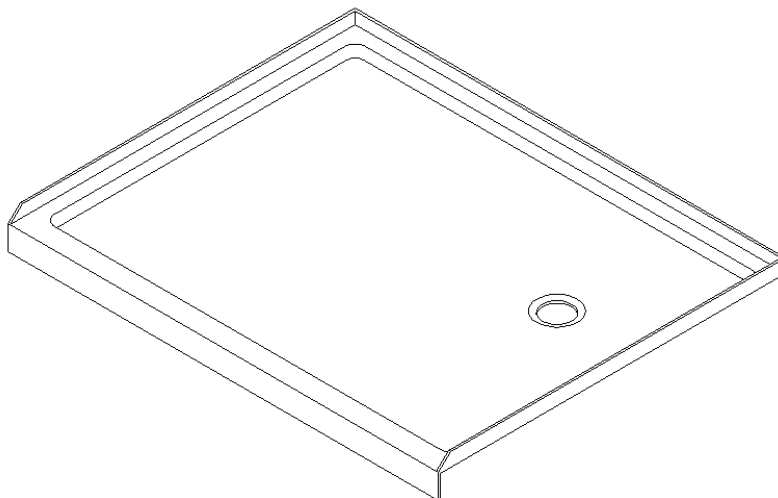
Left-Hand Drain Configuration



MODEL	SPECIFICATION	D (in)	W (in)	D1 (in)	W1 (in)
DLT-1130601	30"×60"	30"	60"	15"	12"
DLT-1132601	32"×60"	32"	60"	15"	12"
DLT-1134601	34"×60"	34"	60"	17"	12"
DLT-1136601	36"×60"	36"	60"	18"	12"

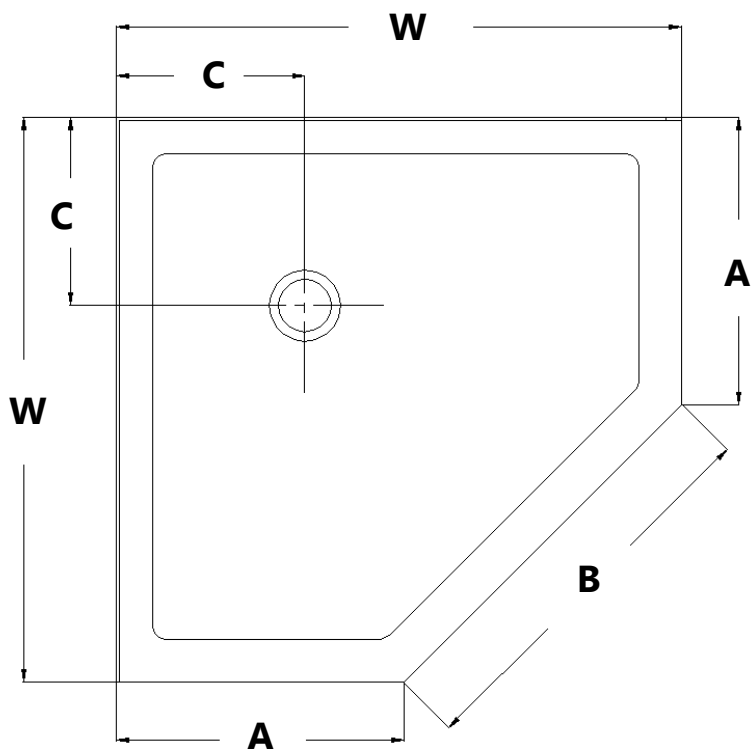
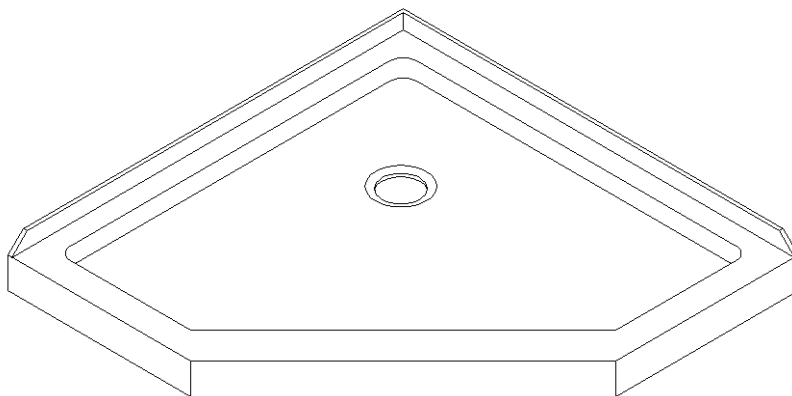
SINGLE THRESHOLD SHOWER BASE

Right-Hand Drain Configuration



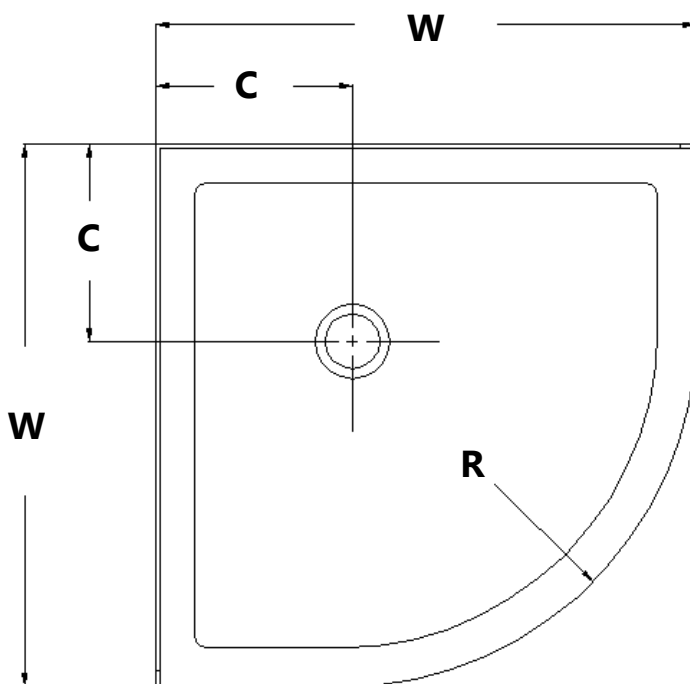
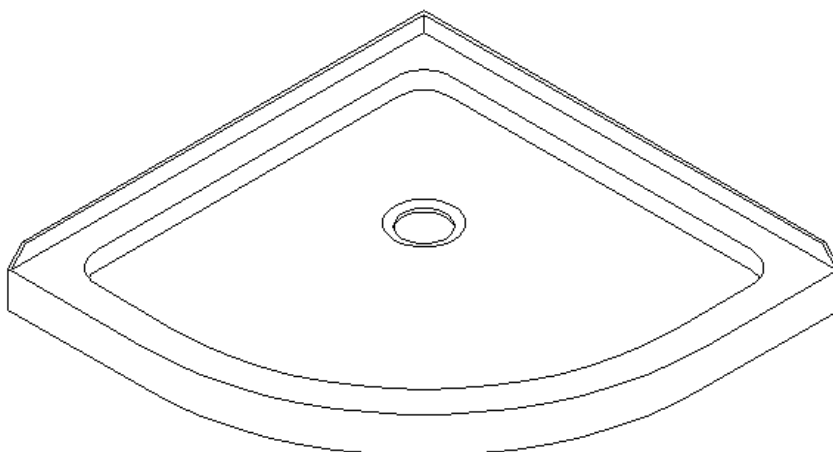
MODEL	SPECIFICATION	D (in)	W (in)	D1 (in)	W1 (in)
DLT-1130602	30"×60"	30"	60"	15"	12"
DLT-1132602	32"×60"	32"	60"	15"	12"
DLT-1134602	34"×60"	34"	60"	17"	12"
DLT-1136602	36"×60"	36"	60"	18"	12"

NEO ANGLE SHOWER BASE



MODEL	SPECIFICATION	W (in)	A (in)	B (in)	C (in)
DLT-2036360	36"×36"	36"	18 5/16"	25"	12"
DLT-2038380	38"×38"	38"	20 5/16"	25"	12"
DLT-2040400	40"×40"	40"	22 5/16"	25"	14 3/8"
DLT-2042420	42"×42"	42"	24 5/16"	25"	14 3/8"

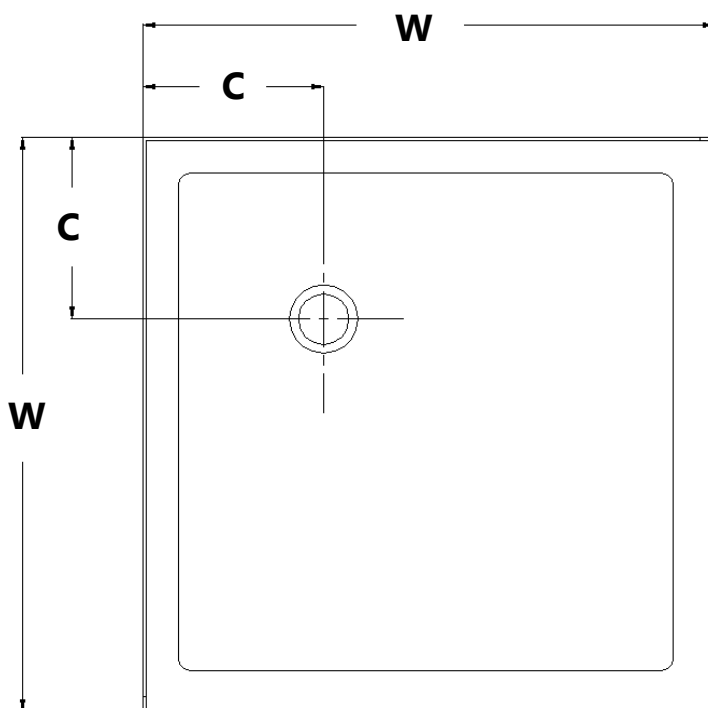
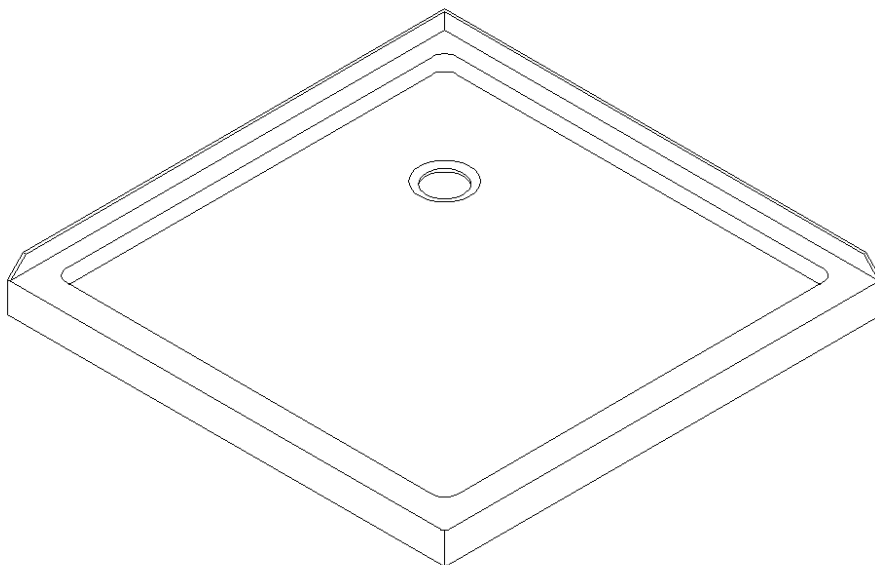
QUARTER ROUND SHOWER BASE



MODEL	SPECIFICATION	W (in)	C (in)	R (in)
DLT-7033330	33"×33"	33"	12"	21 5/8"
DLT-7036360	36"×36"	36"	12"	21 5/8"
DLT-7038380	38"×38"	38"	12"	21 5/8"

DOUBLE THRESHOLD SHOWER BASE

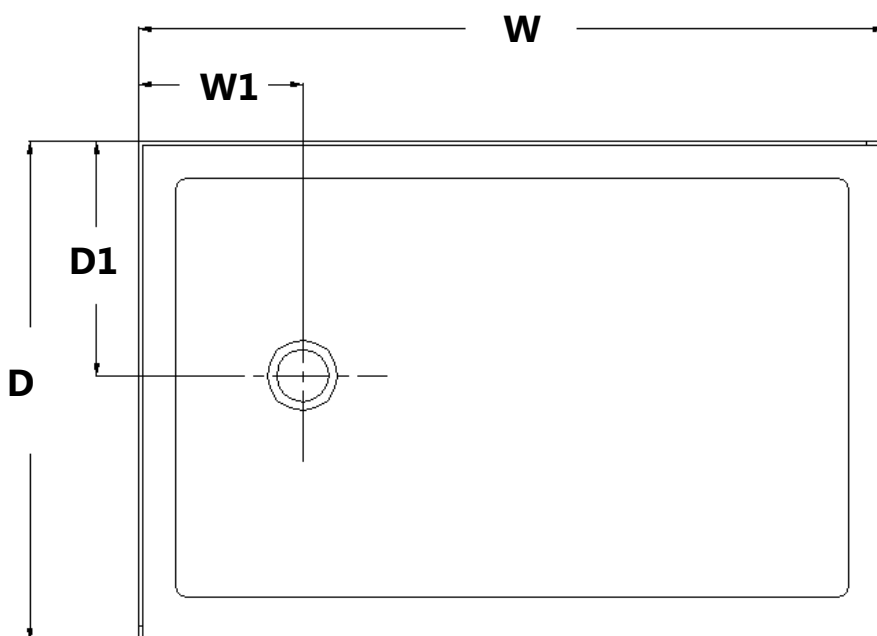
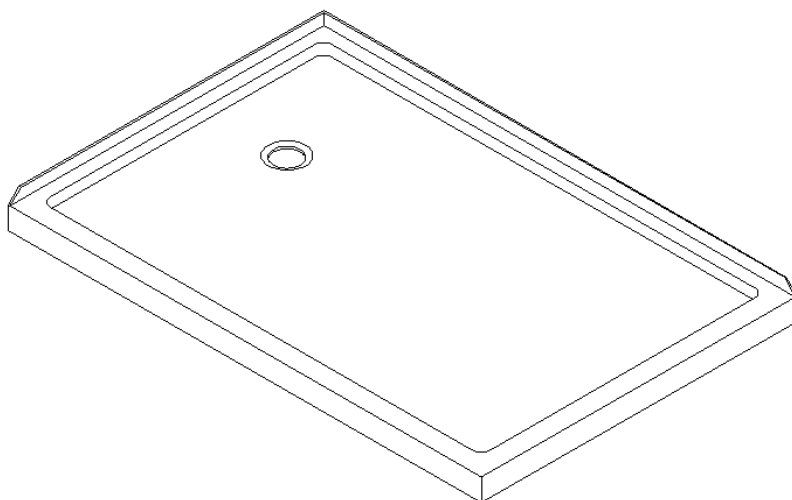
Corner Drain Configuration



MODEL	SPECIFICATION	W (in)	C (in)
DLT-1032320	32" x 32"	32"	12"
DLT-1036360	36" x 36"	36"	12"
DLT-1042420	42" x 42"	42"	12"

DOUBLE THRESHOLD SHOWER BASE

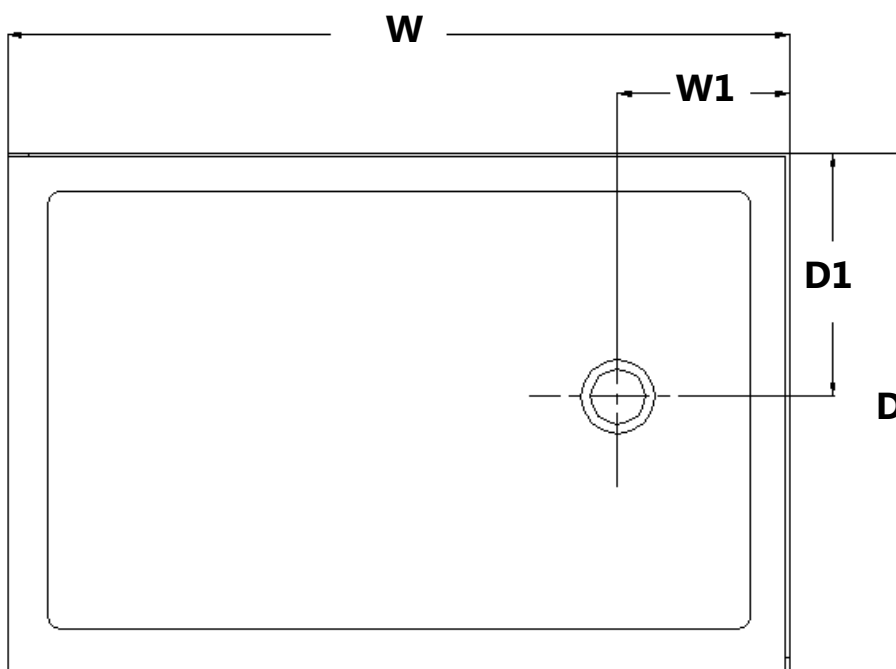
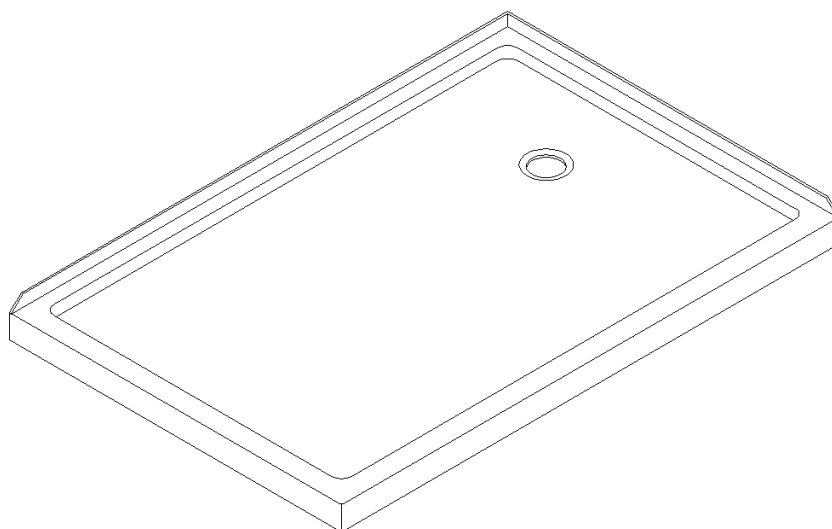
Left-Hand Drain Configuration



MODEL	SPECIFICATION	D (in)	W (in)	D1 (in)	W1 (in)
DLT-1034481	34"×48"	34"	48"	17"	12"
DLT-1036481	36"×48"	36"	48"	18"	12"
DLT-1036541	36"×54"	36"	54"	18"	12"
DLT-1036601	36"×60"	36"	60"	18"	12"

DOUBLE THRESHOLD SHOWER BASE

Right-Hand Drain Configuration



MODEL	SPECIFICATION	D (in)	W (in)	D1 (in)	W1 (in)
DLT-1034482	34"×48"	34"	48"	17"	12"
DLT-1036482	36"×48"	36"	48"	18"	12"
DLT-1036542	36"×54"	36"	54"	18"	12"
DLT-1036602	36"×60"	36"	60"	18"	12"

Shower Base Installation - Preparation

1. Ensure that the floor and the studs are at right angles.
Provide a 5" x 5" opening in the sub-floor for the drain.
The 2" PVC waste pipe should extend above the surface of the sub-floor according to the drain installation instructions and the height of the Shower base.
Refer to the product drawings and tables in this installation manual for the drain location.

(Fig 1a and Fig 1b)

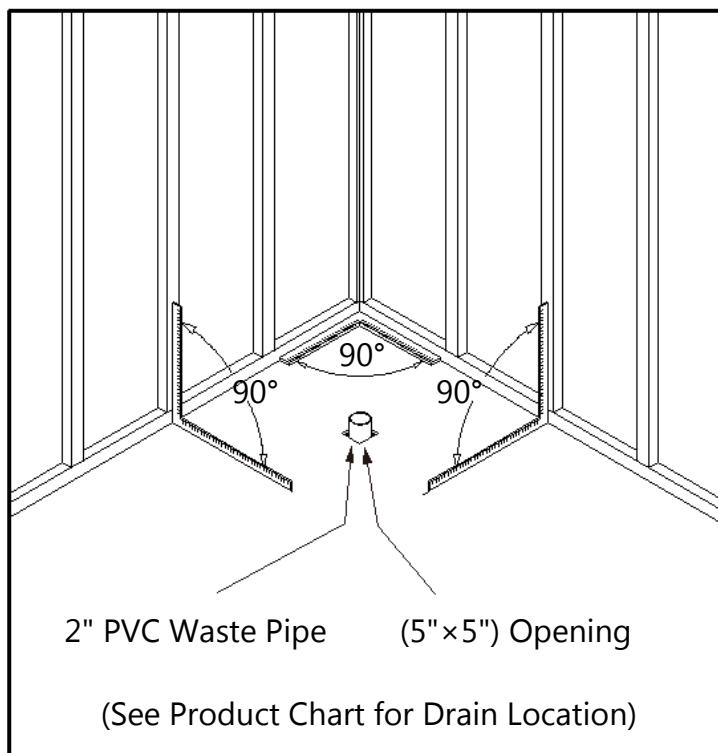


Fig 1a

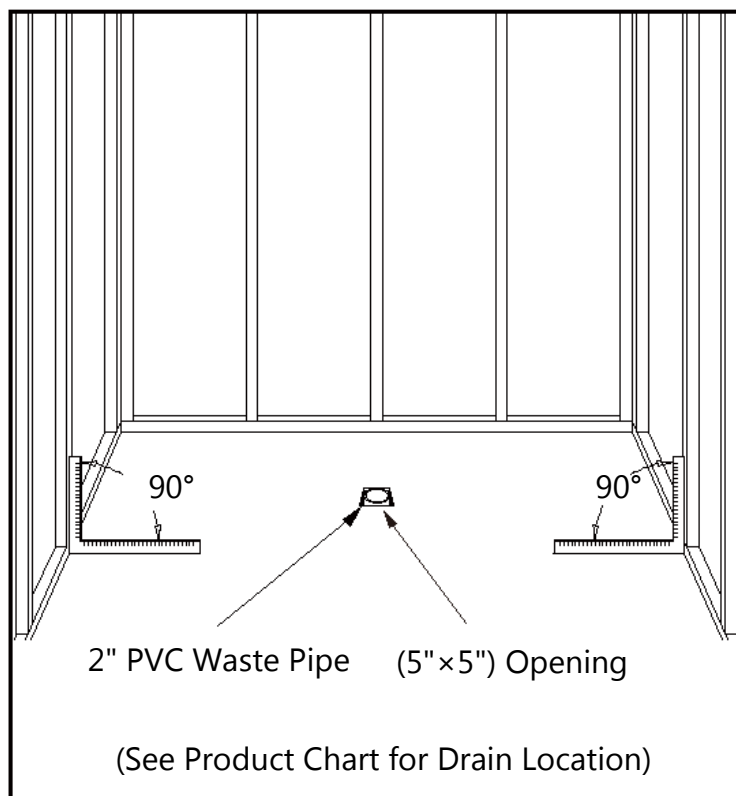


Fig 1b

2. Install the shower drain (**NOT INCLUDED**) according to the drain installation manual (supplied with the drain).

(Fig 2)

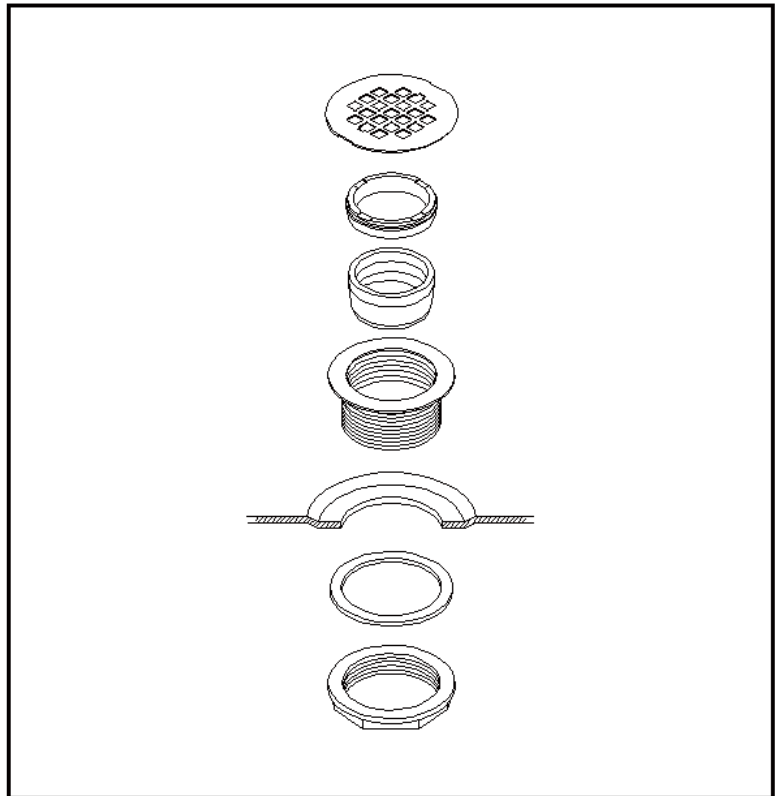
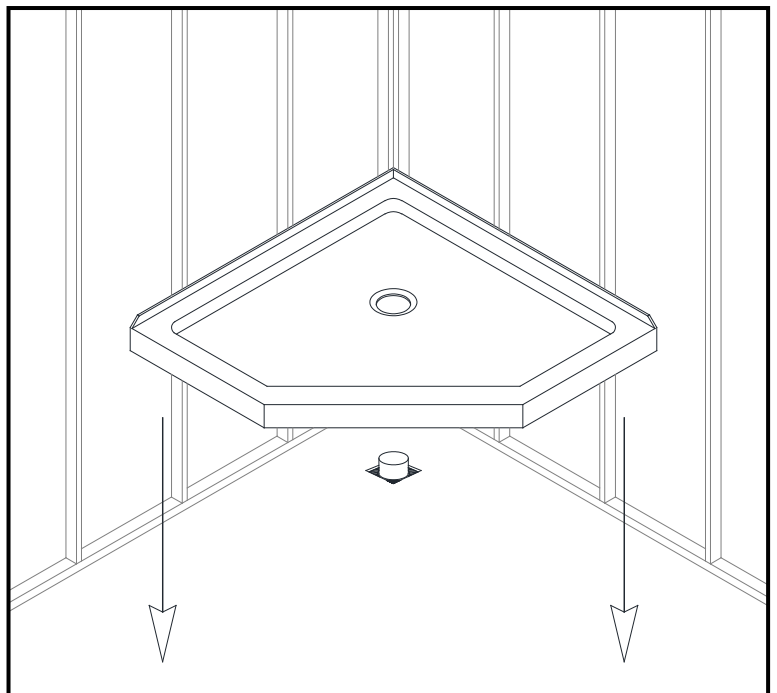


Fig 2

3. Place the tray into the designated position so that the Drain cutout drops around the Drain Pipe and butt the Shower Base up against the studs.

(Fig 3)



Lower the base over the drain pipe and set it into place against the studs.

Fig 3

4. Level the tray and place marks on the studs above the upper edge of the tile flange.

(Fig 4)

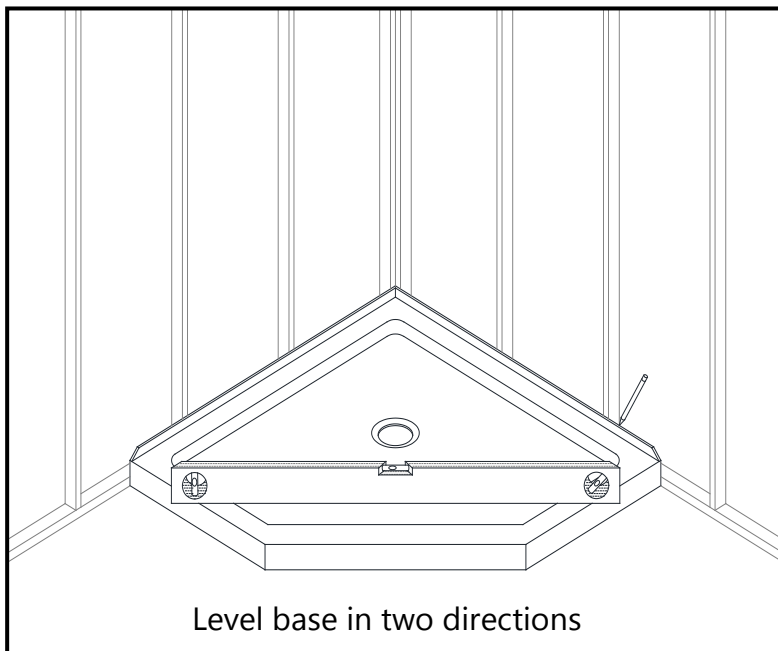


Fig 4

5. Mix the bedding material (Mortar, cement-sand mix, etc.) **Concrete or plaster is not recommended.** Apply enough bedding material to support the entire bottom of the shower base. This will add additional stability and prevent the base from shifting position.

(Fig 5)

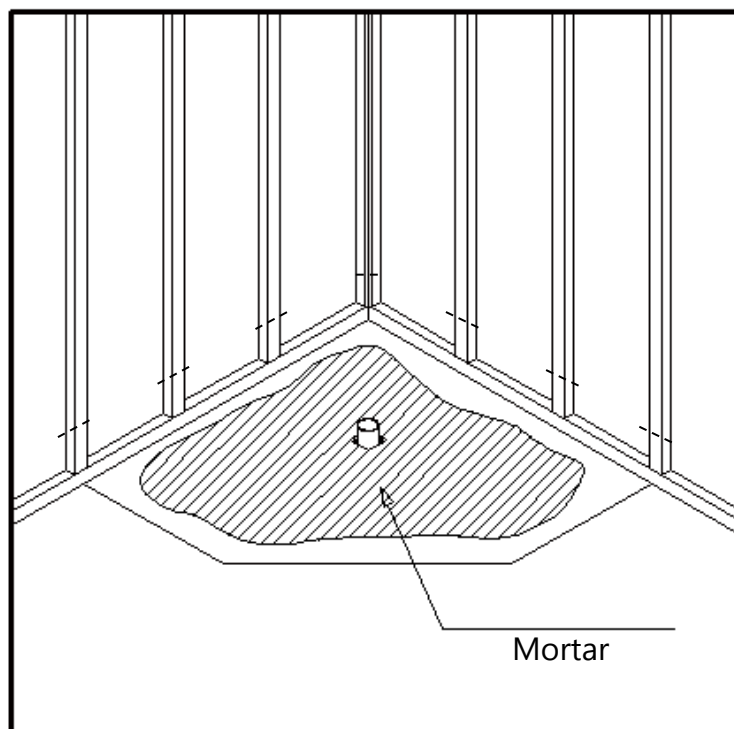


Fig 5

6. After the bedding material has been poured and *before* it sets, place the shower base into the position with the drain assembly sliding over the PVC waste pipe. It will be necessary to push the shower base until the top of the tile flange aligns with the marks drawn on the studs and the front edge is contacting the rough floor along the entire length of the shower base. Ensure that the base is level in all directions. You may need to use shims to hold the tray level until the bedding fully sets. Remove all excess mortar.

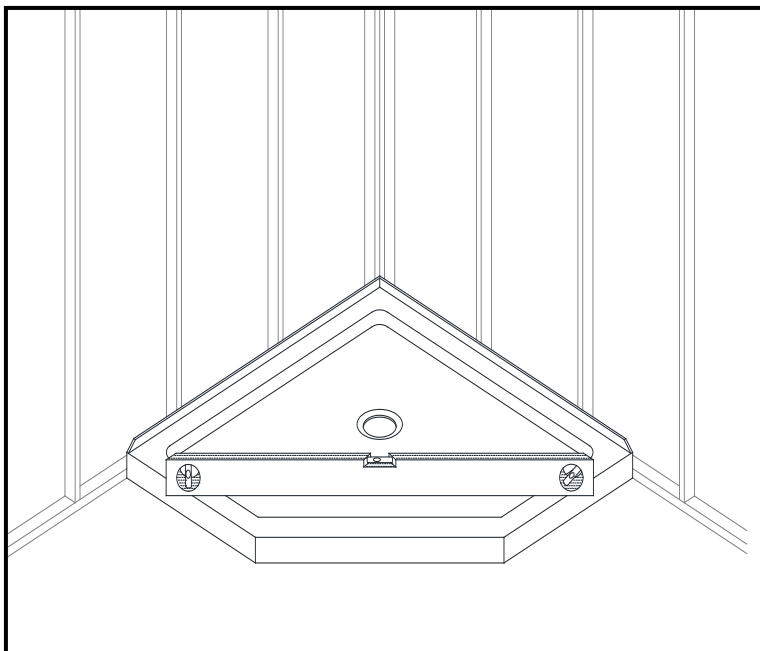


Fig 6

7. Allow the bedding material to completely harden before applying weight to the bottom of the shower base. Install the cement board (or the wallboard) above the tile flanges and secure it to the studs. Put the tiles (or other finishing wall material) over the cement board leaving 1/8" gap between the bottom of the tile or wall kit and the shower base. Use caulk to fill the gap.

(Fig 7a and Fig 7b)

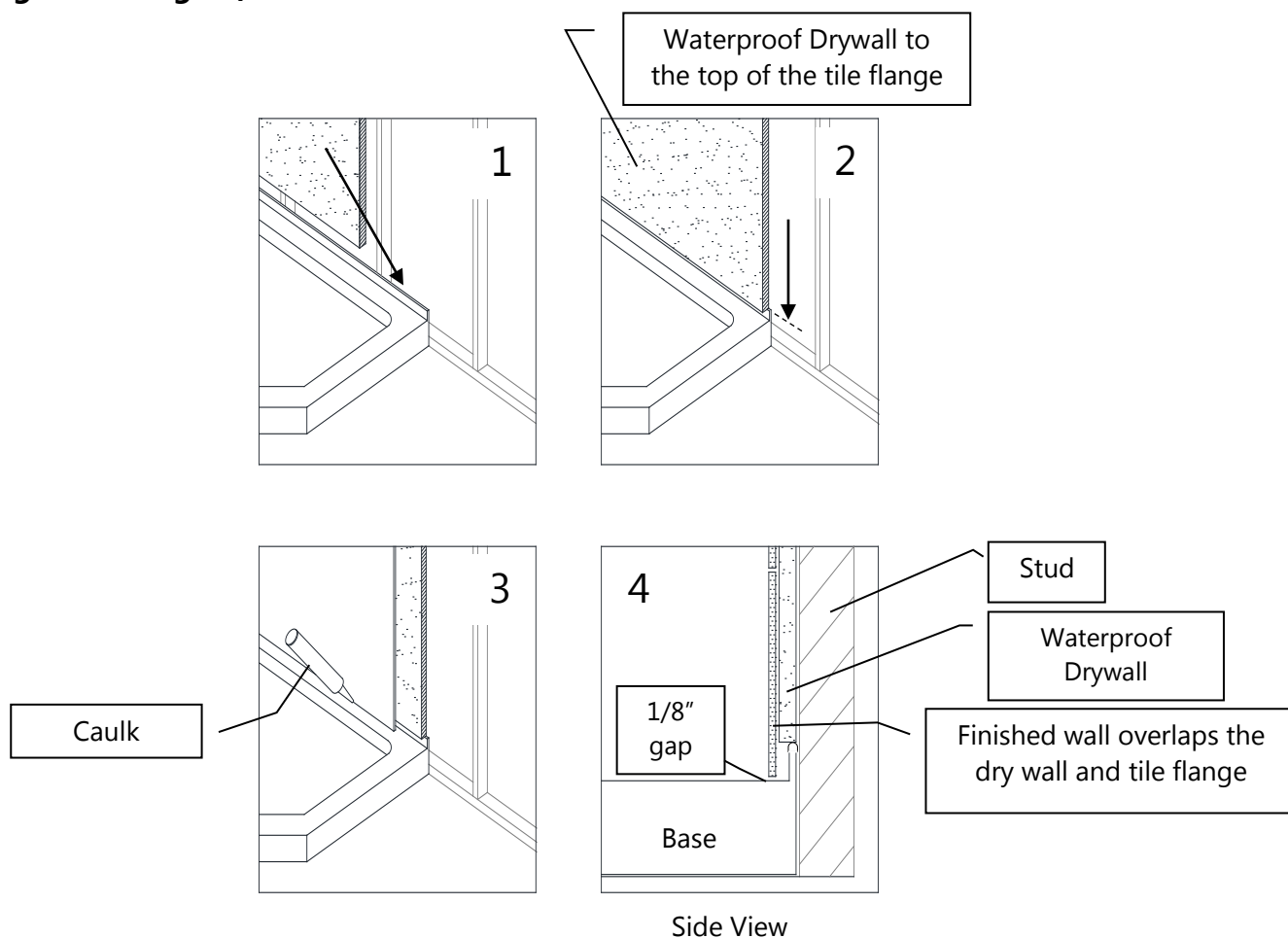


Fig 7a

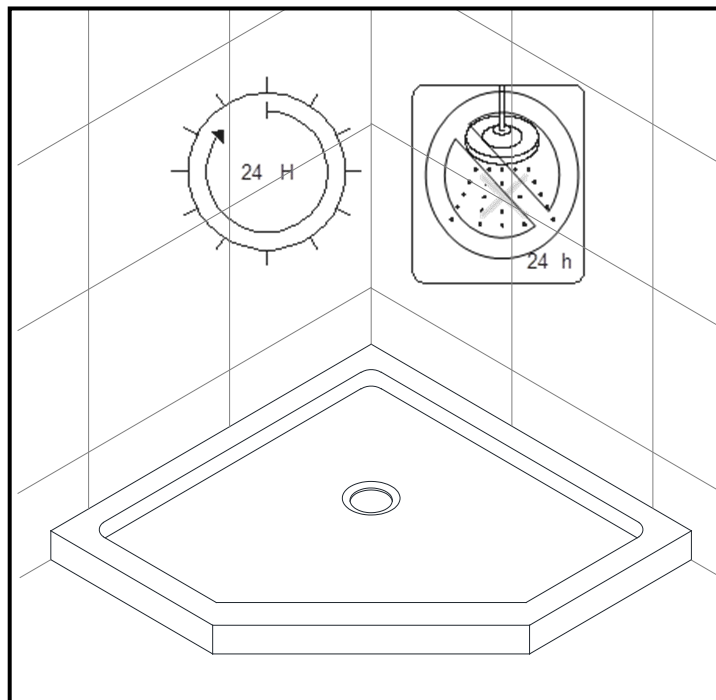


Fig 7b

Product Maintenance

BASES and BACKWALLS: To ensure long lasting life for your acrylic base and/or back walls: wipe them off after each use with a soft cloth. To clean the acrylic base or back walls use non-abrasive sprays or cream-based cleaners. Avoid the use of aerosol spray cleaners. Never use abrasive cleansers, metal brushes or scrapers that could scratch or dull the surface.

GLASS: To ensure long-lasting life for your glass shower products: wipe them off after each use with a soft cloth. Rinse and wipe off the glass using either a soft cloth or a squeegee to prevent soap buildup and water spots (Hard water can etch the surface of the glass over time if left to dry). To prevent scratching the surface: never use abrasive cleaners or cleaning products that contain scouring agents. Never use bristle brushes or abrasive sponges that may scratch the surface.

HARDWARE: To ensure a long-lasting finish: wipe off the metal parts after each use with a soft cloth. Do not use abrasive cleaners or cleaning products containing ammonia, bleach or acid. If accidentally used, rinse the surface as soon as possible to prevent damage to the finish (peeling or corrosion). After cleaning the polished finishes, rinse thoroughly and wipe dry with a soft cloth.

Clean stainless-steel surfaces at least once a week. When applying stainless steel cleaner or polish to stainless steel hardware, work with (not across) the grain. Never use an abrasive sponge or cloth, steel wool or wired brush as these may permanently scratch the surfaces.

NOTE: To maximize the life of your door, it is important to regularly inspect the glass and other hardware for misalignment, proper attachment, and/or damage. Contact DreamLine with any questions or concerns.

NOTES



TEL: [866-731-2244](tel:866-731-2244)

FAX: [866-857-3638](tel:866-857-3638)

DREAMLINE.COM

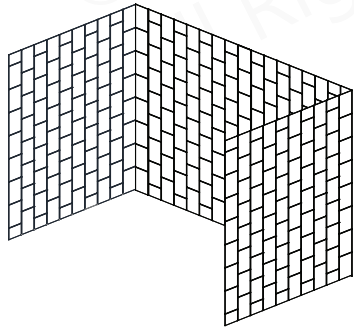
For more information on [DreamLine® Shower Doors](http://DreamLine.com) and [Enclosures](http://DreamLine.com) please visit DreamLine.com

Q-WALLS

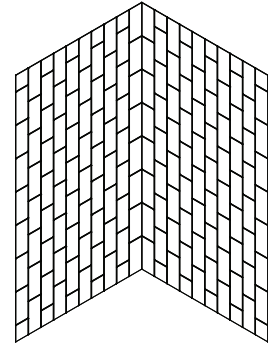
SHOWER BACKWALL INSTALLATION INSTRUCTIONS

PLEASE REVIEW THIS ENTIRE MANUAL PRIOR TO INSTALLATION

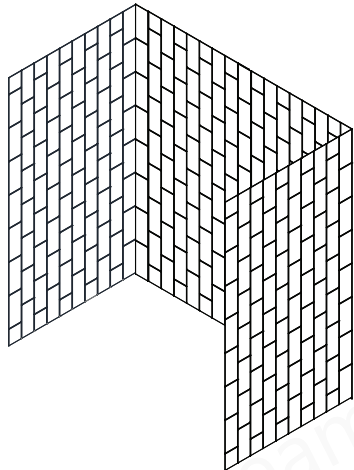
SHBW-1560620-##



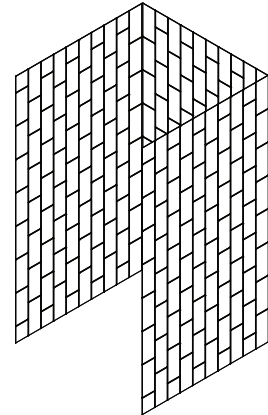
SHBW-1541760-##



SHBW-1548760-##
SHBW-1554760-##
SHBW-1560760-##



SHBW-1532760-##
SHBW-1536760-##



Finish
00 = White
22 = Biscuit
88 = Black

*Vertical Subway pattern shown as an example

IMPORTANT!

DreamLine[®] reserves the right to alter, modify or redesign products at any time without prior notice for the purpose of product improvement and customer experience. Please refer to the model's web page on **DreamLine.com** for the latest technical drawings, installation manuals, warranty information or additional product details.

Do Not Return Product to the Store. Contact DreamLine[®] with any questions



Questions?

Please contact DreamLine Customer Support
See DreamLine.com for hours of operation

Support@DreamLine.com

1-866-731-2244



Table of Contents

Section Title	Page #
Important Product Information	2
Model-Specific Information	3
Tools	4
Q-Wall Model Configurations	5
J-Strip Installation	6
Detailed Diagrams of Q-Wall Components (4 Configurations)	7-10
Parts List	11
Installation Steps	12-23
Installation of Additional Configurations	24-25
Product Maintenance	26
Factory Parts Information	27-30

Symbol Legend



TIP - for ease of installation.



CORRECT - recommended.



NOTE - take note of special feature; additional information.

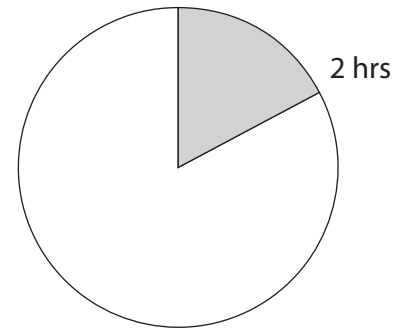


INCORRECT - not recommended.



REQUIRED - requires special attention; signifies a warning.

Average Installation Time



Record the following purchase information for your records or in the event you need to contact DreamLine®:

Purchase Order Number _____

Store/Vendor Purchased From _____

Installation Date _____

OD Number (optional) _____
located on the shipping box or label if available.

Installed By: _____

SKU Number _____



IMPORTANT

- DreamLine® reserves the right to alter, modify or redesign products any time without prior notice for product improvement and customer experience. Please refer to the model's web page on DreamLine.com for the latest technical drawings, installation manuals, warranty information or additional product details.
- This product should be installed by someone familiar with the construction requirements for this type of project and the care necessary for the safe installation and operation of the product.
- The safety of any installation is the responsibility of the installer.
- Professional installation recommended. (*All Models*)
- Professional installation required. (*Enigma Series*)
- To prevent damage or serious injury, Do Not lean against the installed panel/door/glass.
- To prevent damage or serious injury: Do Not attempt to lift or move a heavy lite of glass alone. Use an assistant and/or a professional grade glass suction cup.
- The installation of some models may require drilling down into the threshold. Contact the manufacturer of the base, tub, or threshold material with any questions regarding the drilling of holes into their product.
- All drawings in this installation manual are for illustrative purposes only and are not drawn to scale.

TEMPERED GLASS WARNING

- Your Shower Door Glass Could Shatter Without Warning if Improperly Installed or Mishandled
- Do Not install or operate a shower door if the glass has chipped corners, slivered edges or is otherwise damaged and/or has been dropped or banged into a hard surface such as tile, marble or glass.
- **The main causes of tempered glass breakage are:**
 - Improper handling, storage or installation
 - Misuse/abuse
 - Lack of maintenance
 - Failure to replace damaged glass
 - **Improper handling during storage, unpacking and installation:**
 - Corners and edges are the most susceptible area to damage on a lite of tempered glass and should be protected and handled with care during storage, unpacking, installation and operation. A concentrated point of pressure or impact with a surface harder than itself may cause the tempered glass to shatter. The tempered glass may release immediately, within several hours or even days later.
 - **Incorrect installation of door hardware, rollers, hinges, channels, stopper or glass:**
 - Improper installation may include: loose hardware and/or lack of proper gaskets between the hardware and glass. Additionally, improper alignment of guide rails, wall profiles or other hardware during installation or operation may place stress on the glass edges and cause it to break.
 - This product must be installed by a professional and experienced installer familiar with the safe handling of tempered glass.
 - **Improper use of this product:**
 - Aggressively opening or closing the door may cause trauma to the glass, which can lead to breakage. This may occur immediately or hours or even days later.
 - **The shower door hardware and glass should be inspected periodically:**
 - Instruct the homeowner how to perform a periodic inspection of the shower hardware and glass - some minor adjustments may be necessary based upon the use (or misuse) of the shower door. Ensure that the hardware remains tight and that the door alignment and operation are correct. Any adjustments should be made upon discovery to prevent damage to the product.
 - Additional considerations should be given to the installation of frameless tempered glass products in households with young children or an elderly person due to an increased chance of improper handling. In such cases, alternatives such as shower curtains or grab bars should be considered.

GENERAL PREPARATION

- After opening all boxes and packages, read this introduction carefully. Check that all the items are included in the package by marking off the components on the "**Detailed Diagram of Product Components**" page. Examine all boxes and packages for shipping damage. If the unit has been damaged, has a finishing defect, or is missing parts; please contact our Customer Support department within 3 business days of the delivery date. **Please note that DreamLine® will not replace any damaged products or missing parts free of charge after 3 business days or if the product has been installed.** Please contact DreamLine® if you have any questions.
- **Please note that you should refer to your local building codes with questions on installation compliance standards. Building and plumbing codes may vary by location, and DreamLine® is not responsible for code compliance standards for your project and will not accept any returns.**
- If this unit is going to be installed in a new construction, install all the required plumbing and drainage before installing the shower. **Use a competent and licensed (if required by local code) plumber for all plumbing installation.**
- Make sure that prior to beginning the installation, the surfaces are leveled and solid and will be able to support the total weight of the unit. Also make sure the walls are at right angles. Irregular installation surface level, radius corners or improper angle of side walls will result in serious problems for your installation. Please note that some adjustments and drilling will be necessary during the installation process.
- Protect all primary surfaces of the product during installation. Never set your glass down directly onto a tile floor. Leave corner protectors in place until it is necessary to remove them. Always use a piece of wood or cardboard to protect the bottom edge and corners of the glass prior to and during installation.
- This unit must be installed upon a finished threshold and against finished walls.
- *DreamLine® shower doors are not designed to be installed into a fiberglass surround due to the radius corners and lack of a solid surface to mount the hardware.*

WARNING: TO AVOID THE RISK OF DAMAGE OR INJURY:

- **Follow all recommendations and requirements as shown in the installation instructions.**
- Perform a thorough inspection of the glass and all parts for any damage prior to installation. Any damage to tempered glass can cause breakage. **Do Not install damaged glass!**
- Do Not install or operate a shower or tub door if the glass has chipped corners, slivered edges or is otherwise damaged. Do Not install or operate a shower or tub door that has been dropped or banged into a hard surface such as tile, marble or glass.
- **CAUTION:** Contact with any hard surface can damage tempered glass and cause it to shatter.
- This product uses tempered glass. Glass cannot be cut after it has been tempered. **Do Not attempt to cut tempered glass.**
- DreamLine® Glass Shower doors, Tub doors, Inline panels, and Return panels can shatter due to improper handling or lack of maintenance. Conduct periodic inspections of glass and all parts for possible damage, missing or loose parts.
- Always wear proper safety equipment such as: safety goggles, work gloves and appropriate footwear during the installation process.
- **WARNING. Risk of leakage and/or damage.** Follow all instructions regarding the application of silicone sealant or caulk. Allow 24 hours for the sealant to cure before the initial use of the shower or tub product. Follow the silicone manufacturer's recommendations regarding the use of their product.
- **Thoroughly read these instructions before installing or using this product.**
- **Leave this manual for the end-user of the product.**



This product should be installed by someone familiar with the construction requirements for this type of project and the care necessary for the safe installation and operation of the product.

Model Specific Preparation

1. Prior to installation, examine all boxes and packages for shipping damage and compare the piece count with the packing slip. After opening all boxes and packages read this introduction carefully. Check that all of the necessary parts are included in the package by checking off the components on the Parts List. If the unit has been damaged, has a finishing defect, or is missing parts, please contact our customer support department within **3 business days** of the delivery date. **Please note that DreamLine® will not replace any damaged products or missing parts free of charge after 3 business days or if the product has been installed.** Contact DreamLine® if you have any questions, and please provide an order number, job name or other proof of purchase to help identify the original order.
2. **Please note that you should consult your local building codes with questions on installation compliance standards. Building and plumbing codes may vary by location, and DreamLine™ is not responsible for code compliance standards for your project and will not accept any returns on this basis.**
3. This acrylic wall system is specially designed to be installed over any solid surface. If you are installing the acrylic walls over existing tiles, remove and replace all loose tiles before the installation. If you are installing over existing painted walls, remove all loose paint. Sanding the painted surface can help with adhesion. Note that some cutting and drilling will be necessary during the installation process.
4. Make sure to turn off the water supply, remove faucet, handles or any fixture trims protruding from the wall prior to installation. Remove any soap film and dirt from all wall surfaces using regular household detergent, then wipe dry.
5. If this unit is going to be installed in a new construction, please install all of the required plumbing and drainage before installing the shower. Use a competent and licensed (if required by local code) plumber for all plumbing installation.
6. Side walls must be trimmed to size in most cases (using a straight edge and a razor knife or other tool suitable for trimming acrylic). Score the acrylic wall several times with a fresh blade to cut to size. The Q-Wall will snap off at the cut line.
7. Use an adhesive that is safe to use with acrylic walls, i.e. LN715, LN915 etc. Use caulk to seal around the bottom / top edges, top corners and around any fixture cutouts.
8. Designed to be installed over backer board, drywall or tile. Not intended for installation on bare studs.
9. Making cutouts for shower fixtures will not void the warranty, however **making cutouts for window openings will void the warranty.**
10. **Professional installation recommended.**

Tools



Measure the opening before proceeding with the installation to be sure that the correct model size Q-Wall Panels have been ordered.

Prior to installation, cover the shower/tub drain with tape to avoid losing screws or other small parts.

Set screw gun clutch to low torque when installing screws and bolts to avoid stripping the heads.



Unpack your unit carefully and inspect it. Lay it out and identify all parts using the detailed diagram and packing list in this manual as a reference.

Before discarding the carton, check for small hardware bags that may have fallen to the bottom of the box. If any parts are damaged or missing, please contact DreamLine® or replacement. Do not discard carton until the door is successfully installed.

The shipping boxes may contain extra parts not used in your model configuration. Please retain these installation instructions for future reference.



This installation manual provides detailed instructions for installing the Large Shower Height and Tub Height configurations. If you are installing the Small Shower Height or Corner configurations, please refer to **page 20** for installation modifications specific to the configuration being installed.

Q-Wall Model Configurations

The Installation of this configuration is shown as an example throughout this manual

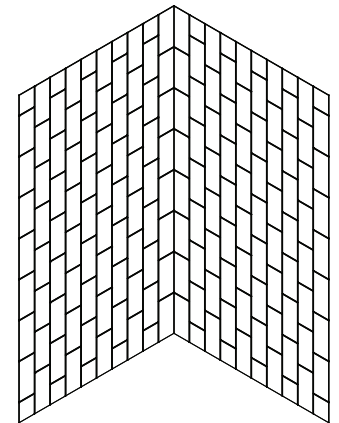
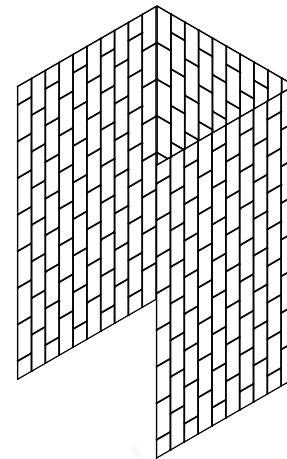
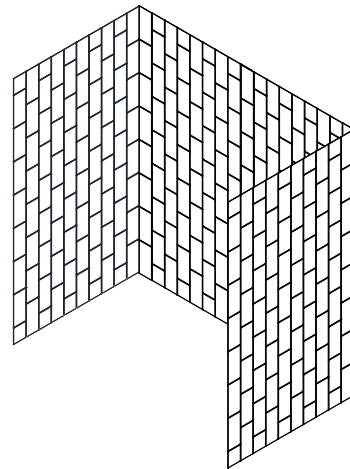
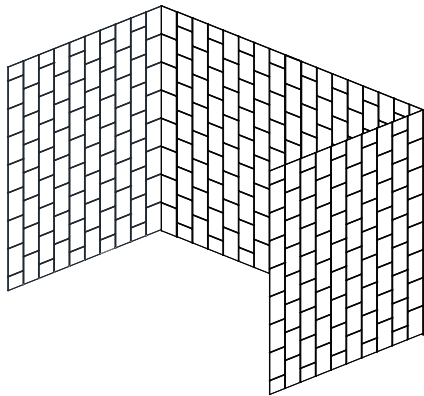
See "Installation of Other Configurations" on page 24

Tub Height

Shower Height (Large Alcove)

Shower Height (Small Alcove)

Corner



2 Back Panels
2 Side Panels
4 J-Strips
Screws
Wall Anchors

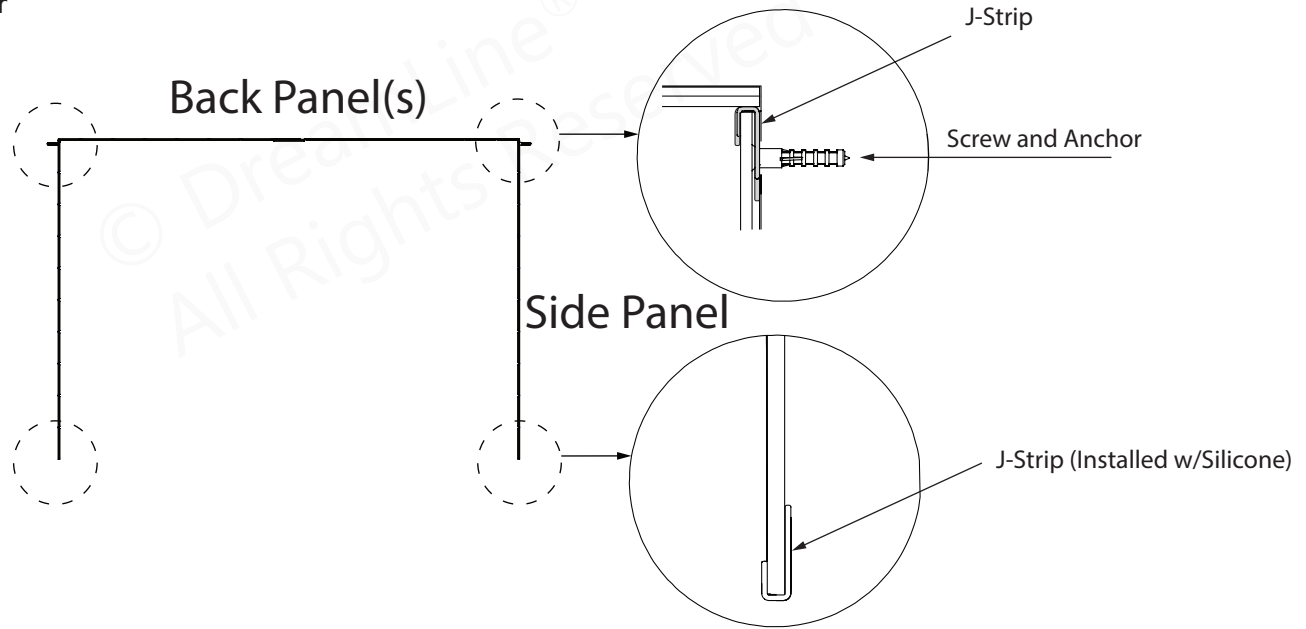
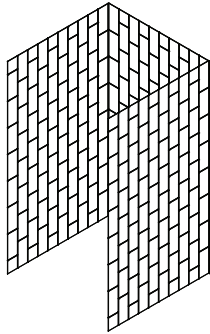
2 Back Panels
2 Side Panels
4 J-Strips
Screws
Wall Anchors

3 Side Panels
4 J-Strips
Screws
Wall Anchors

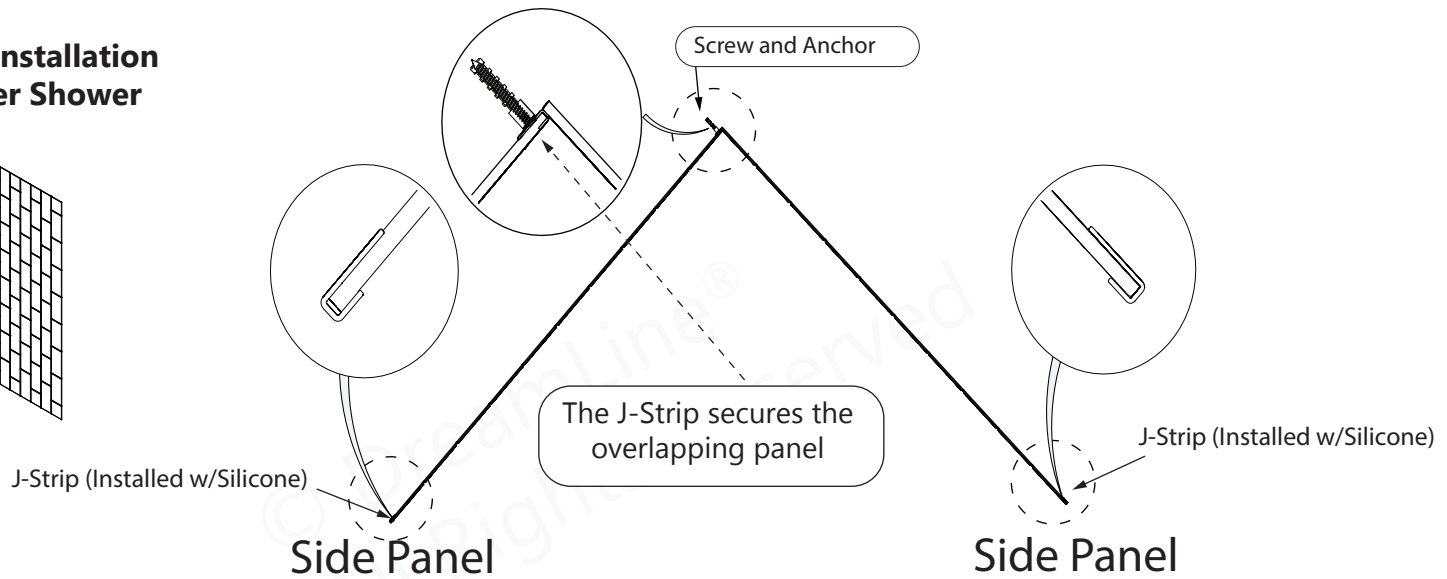
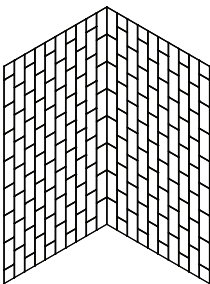
2 Side Panels
3 J-Strips
Screws
Wall Anchors

J-Strip Installation

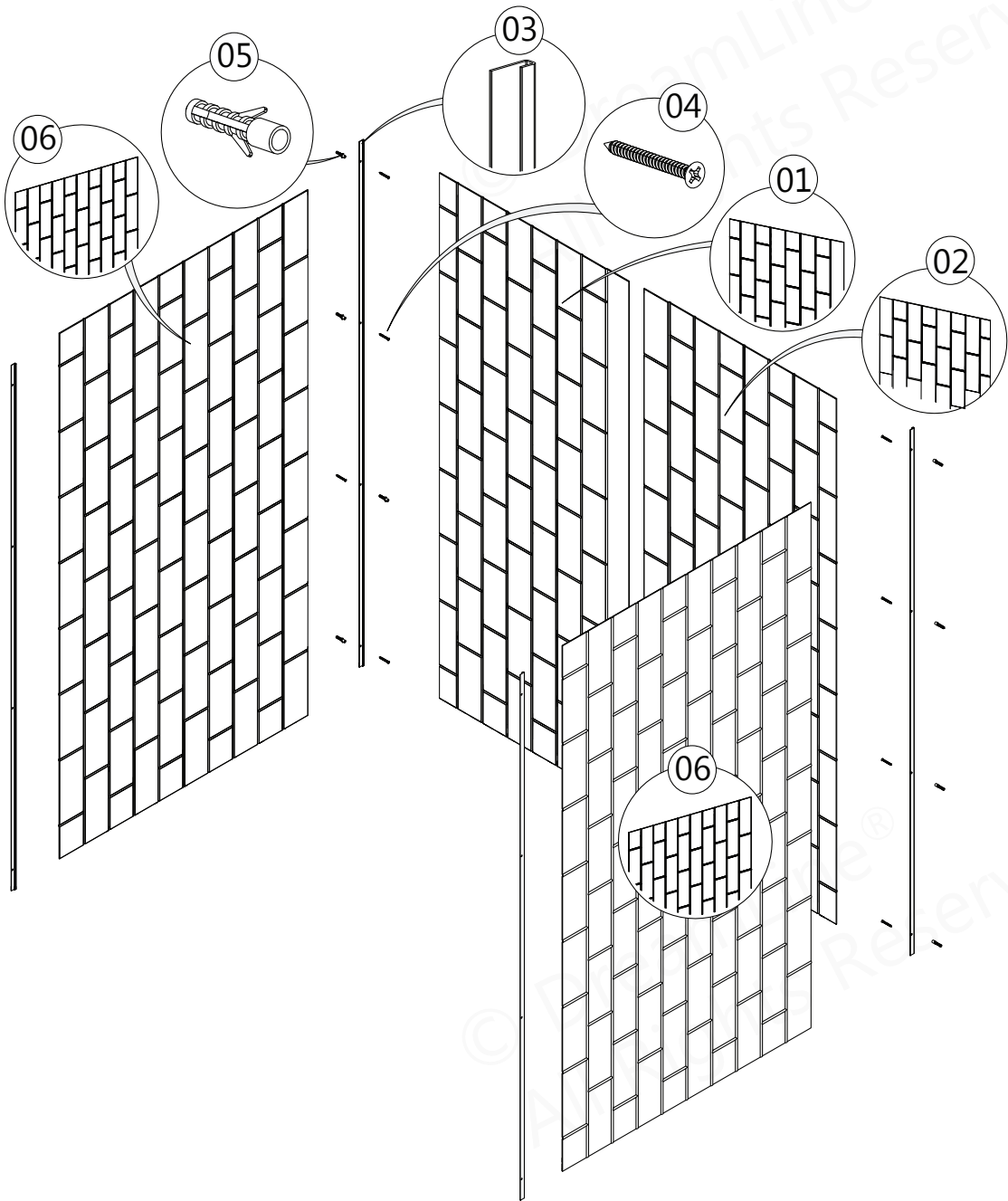
J-Strip (x4) Installation for an alcove configuration



J-Strip (x3) Installation for a Corner Shower



Detailed Diagram of Q-Wall Components: Shower Height (Large Alcove)

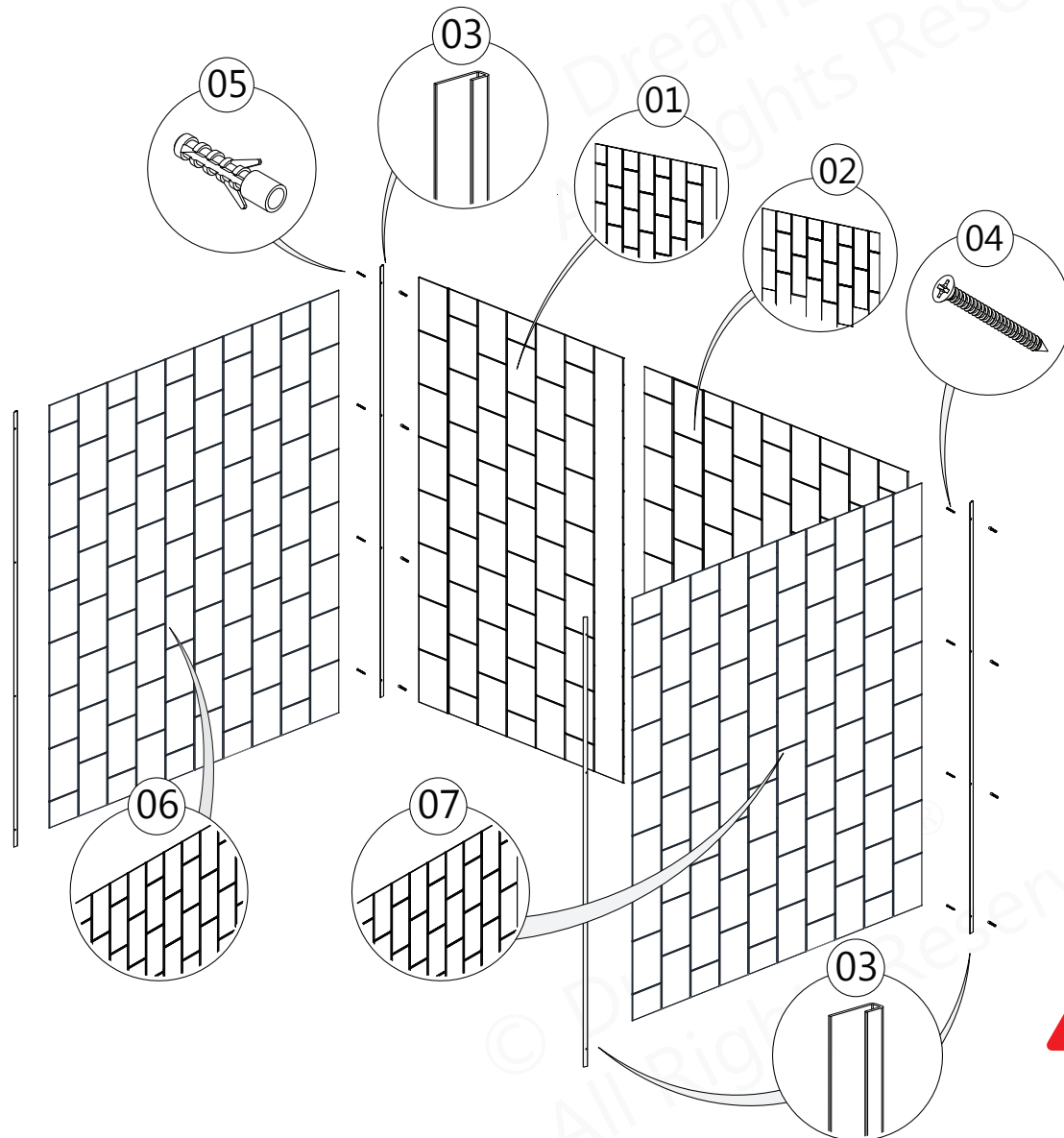


The installation of this configuration is shown as an example throughout this manual

Q-Wall Parts List

01	Q-Wall Back Panel (underlap)	1 pc
02	Q-Wall Back Panel (overlap)	1 pc
03	J-Strips	4 pcs
04	ST 4.2 x30 Countersunk Screw	20 pcs
05	Ø 5/16" (8mm) Wall Anchors	20 pcs
06	Q-Wall Side Panel	2 pcs

Detailed Diagram of Q-Wall Components: Tub Height



See "Installation of Additional Configurations" on pages 24-25

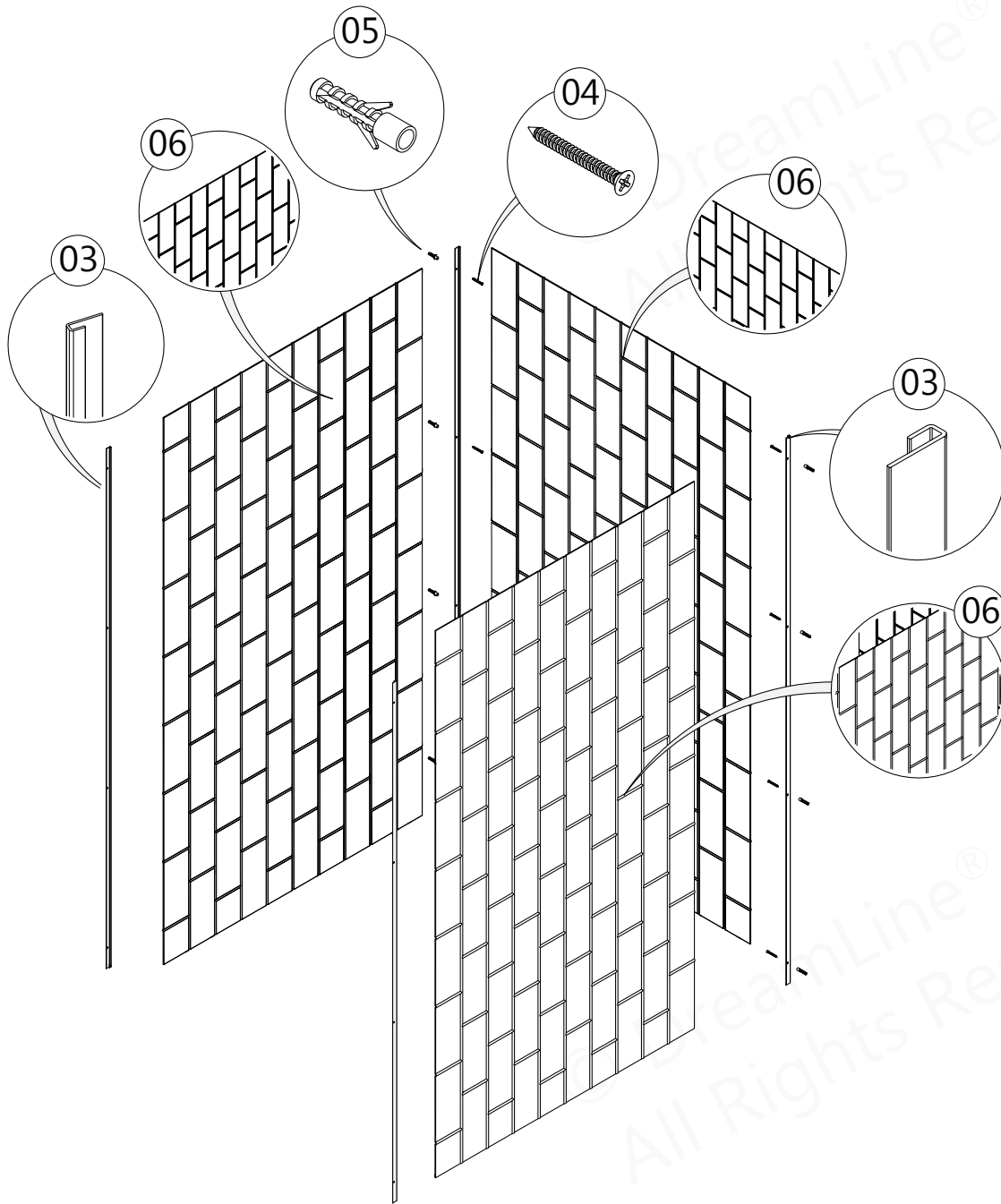
Q-Wall Parts List

01	Q-Wall Back Panel (underlap)	1 pc
02	Q-Wall Back Panel (overlap)	1 pc
03	J-Strips	4 pcs
04	ST 4.2 x30 Countersunk Screws	20 pcs
05	Ø 5/16" (8mm) Wall Anchors	20 pcs
06	*Left Q-Wall Side Panel	1 pc
07	*Right Q-Wall Side Panel	1 pc



*** Tub height side walls are each matched to one of the back walls and can only be reversed by reversing the back walls as well.**

Detailed Diagram of Q-Wall Components: Shower Height (Small Alcove)

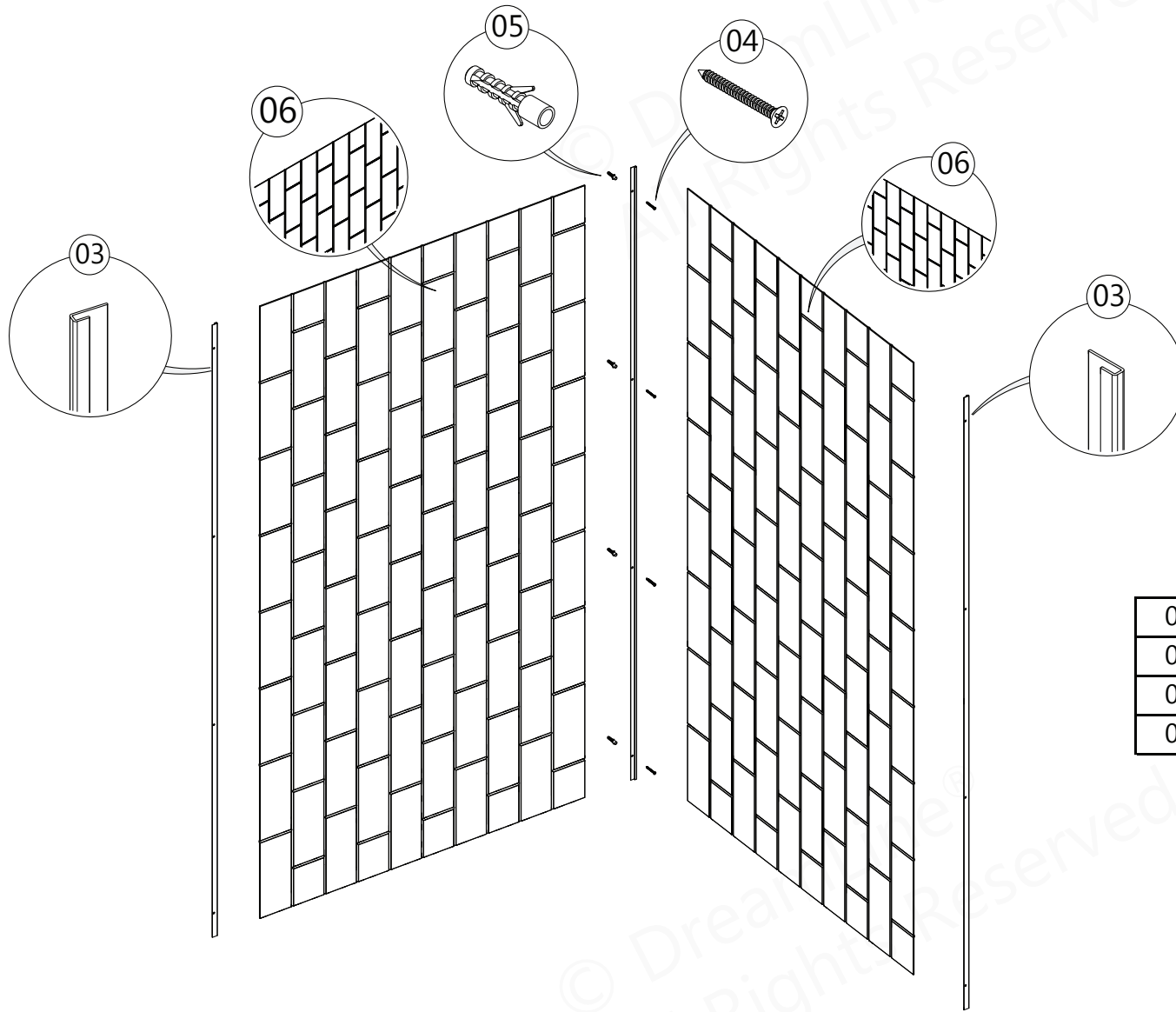


See "Installation of Additional Configurations" on pages 24-25

Q-Wall Parts List

03	J-Strips	4 pcs
04	ST 4.2 x30 Countersunk Screw	20 pcs
05	Ø 5/16" (8mm) Wall Anchors	20 pcs
06	Q-Wall Side Panel	3 pcs

Detailed Diagram of Q-Wall Components: Corner Shower

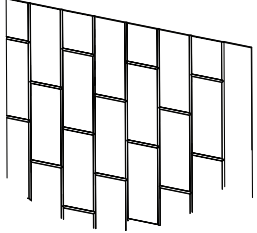


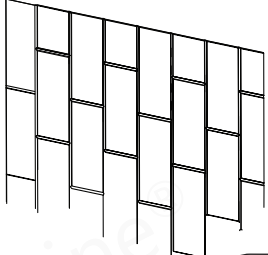
See "Installation of Additional Configurations" on pages 24-25

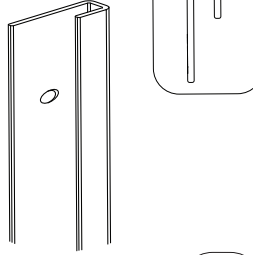
Q-Wall Parts List

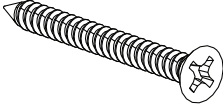
03	J-Strips	3 pcs
04	ST 4.2 x30 Countersunk Screw	20 pcs
05	Ø 5/16" (8mm) Wall Anchors	20 pcs
06	Q-Wall Side Panel	2 pcs

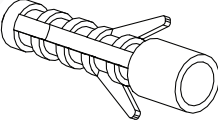
Parts List

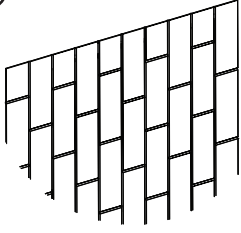
01

 Q-Wall Back Panel (with underlap edge) x1

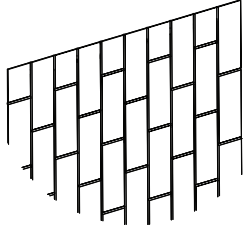
02

 Q-Wall Back Panel (with overlap edge) x1

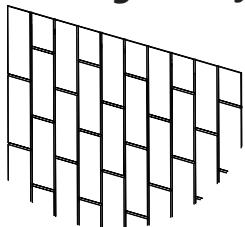
03

 J-Strip x4

04

 ST4.2 x 30mm Countersunk Screw x20

05

 5/16" (8mm) Wall Anchor x20

06

 Q-Wall Side Panel x2

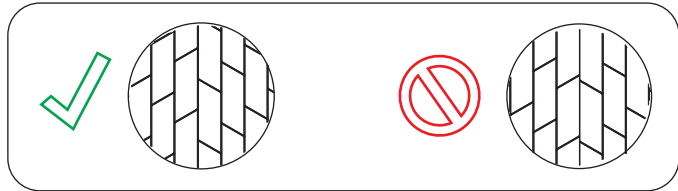
06 Tub Height Only

 *Left Q-Wall Side Panel x1

07 Tub Height Only

 *Right Q-Wall Side Panel x1



The 'brick pattern' will not always align in the corner(s) by design. Flip the Q-Wall Side Panels around and/or upside down to produce a more desirable staggering of the horizontal grout lines. **Tub height side panels are each matched to one of the back panels and can only be reversed by reversing the back panels as well.**

Corner Alignment examples:

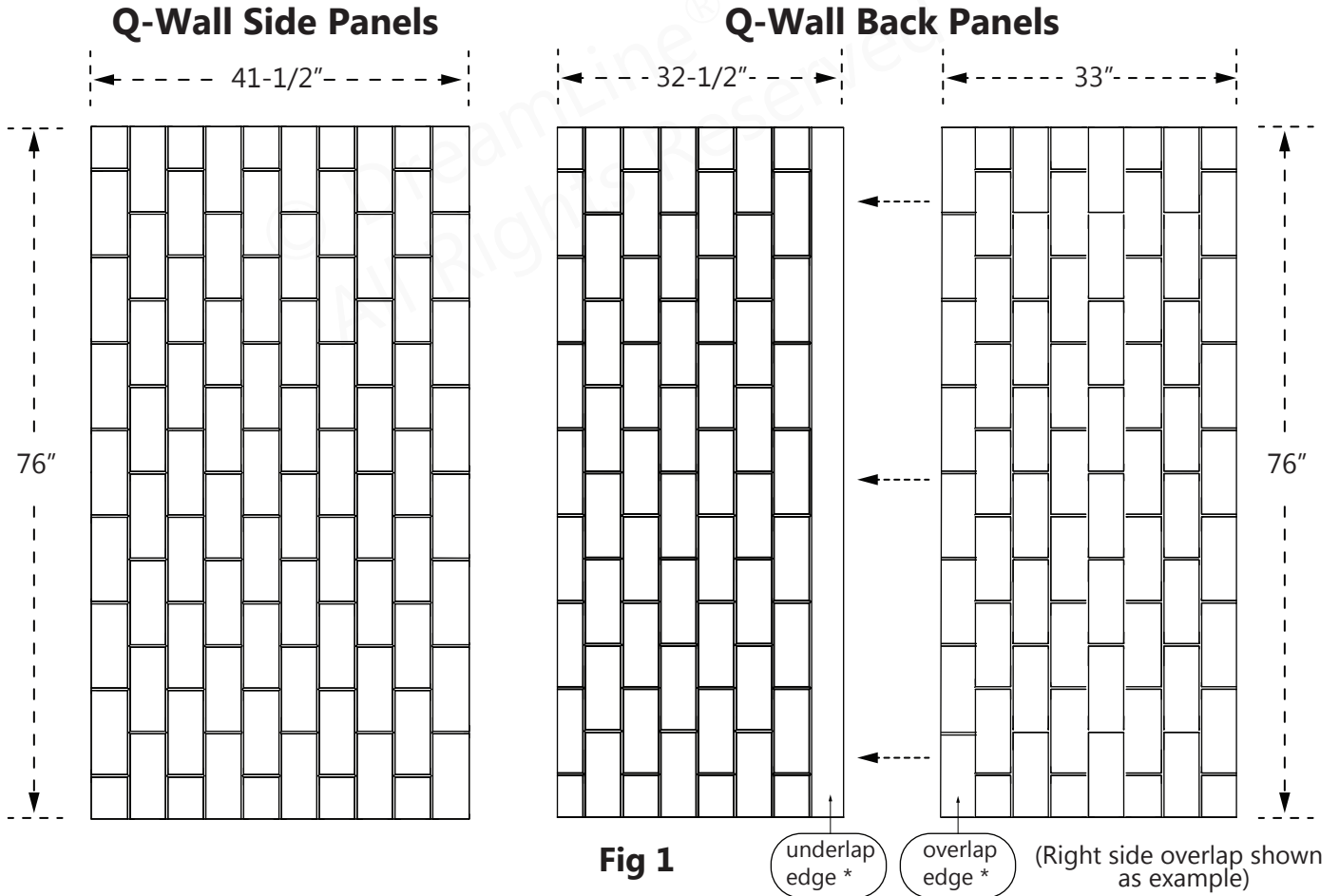


1

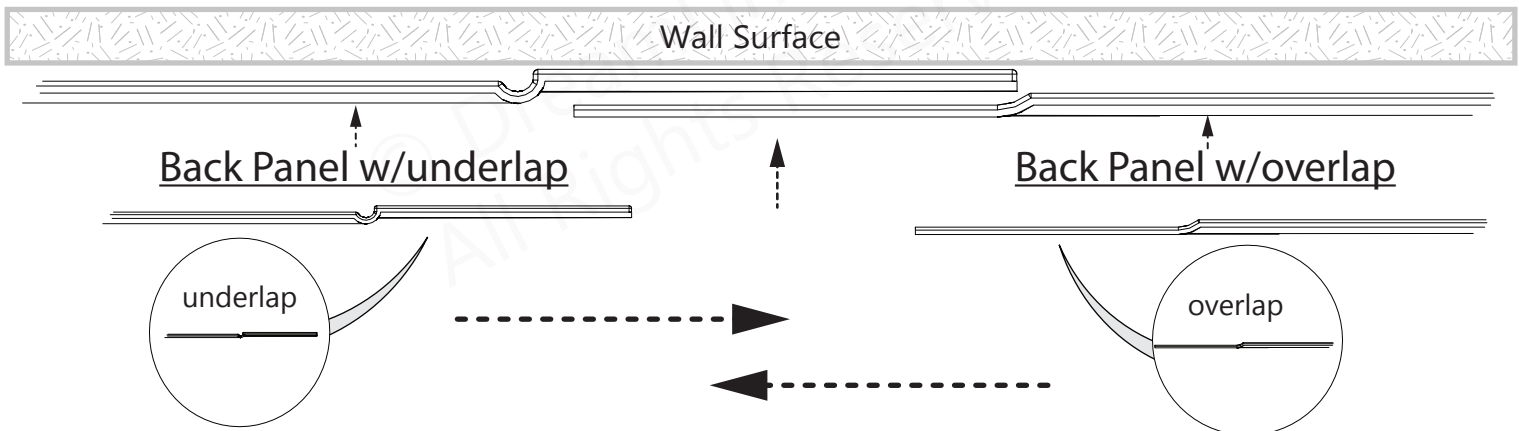
Installation Steps (Shower Height Only)

NOTE

Identify the **Q-Wall Side Panels (#06)** and **Q-Wall Back Panels (#01 & 02)**, which are different. The **Q-Wall Back Panel (Overlap) (#02)** is 33" wide; the **Q-Wall Back Panel (Underlap) (#01)** is 32-1/2" wide. The **Q-Wall Side Panels (#06)** are 41-1/2" wide. The grout lines are recessed on the primary surface of the Q-Wall panels. The primary surface of each **Q-Wall Panel** is covered with clear protective plastic.



Q-Wall Back Panels/Overlap and Underlap (Overhead View)



NOTE

The shower height **Q-Wall back panels** can be flipped upside down to reverse the (left/right) direction of the overlap seam away from the shower head if desired. (Right side overlap shown here as an example) **Tube height Q-Wall side panels are each matched to one of the Q-Wall back panels and can only be reversed by reversing the back panels as well.**

2

NOTE

Lay the back **Q-Wall Back Panels (#01, #02)** face-up on a clean, flat surface. Overlap the two back **Q-Wall Back Panels** (see previous page) evenly from top to bottom and tape the seam where the two **Q-Wall Back Panels** meet.

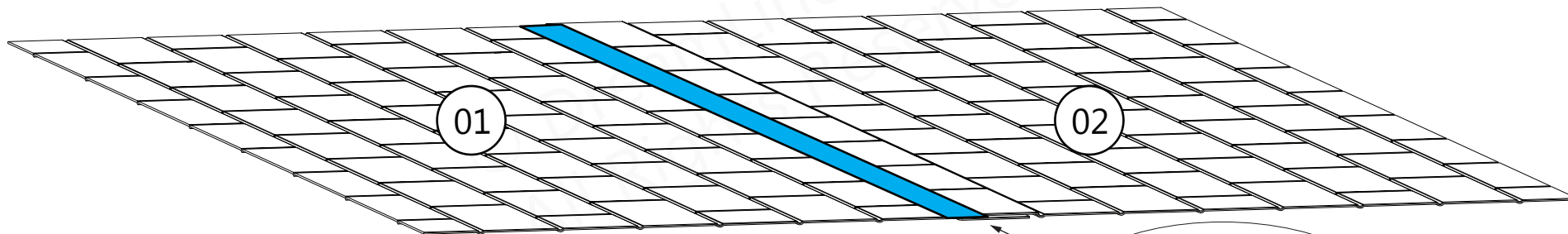


Fig 2

(2) **Q-Wall Back Panels** shown laying flat

detail of overlap

(Right-hand overlap shown as example)

3

NOTE

Measure the width of the rear wall in the shower or tub opening, from corner to corner, at the top, middle and bottom. Record these measurements as **W1**, **W2** and **W3**.

W1: _____

W2: _____

W3: _____

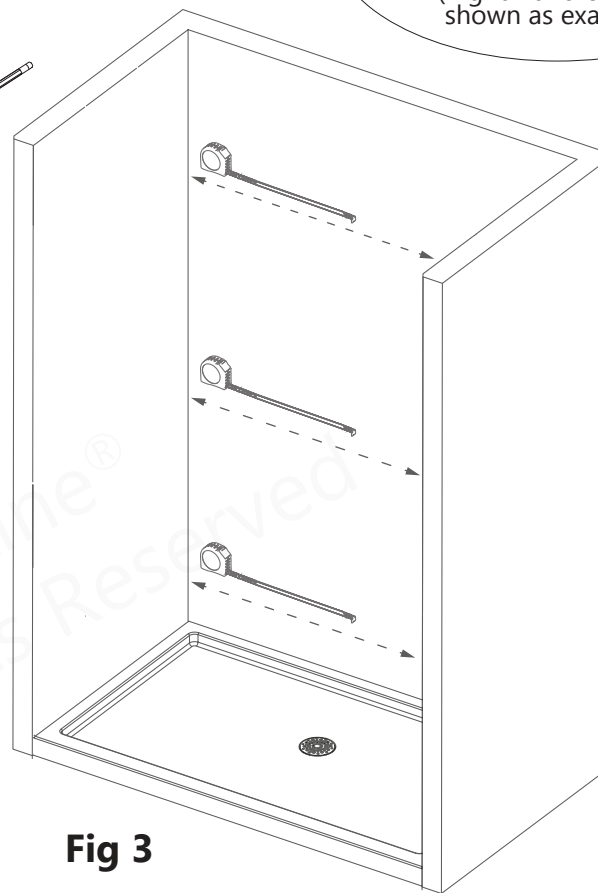
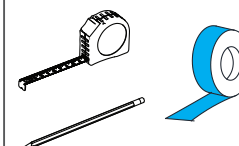


Fig 3

NOTE

Q-Wall Back Panels (#01 & #02) can be flipped if desired to switch the direction of the overlap. The **Tub Height Side Wall (#06 & #07)** patterns are each matched to one of the **Q-Wall Back Walls** and can only be reversed by reversing the back walls as well.

Tools Needed



4



Decide in which direction the **Q-Wall Back Walls** (#01 & #02) will be installed (which direction the seam will face). Transfer the measurements from Step #3 to the **Q-Wall Back Panels** accordingly. Measure out from one side to mark the **Q-Wall Back Panels**, using a straight edge to mark a cut line. The overlap does not need to be centered.

W1: _____

W2: _____

W3: _____

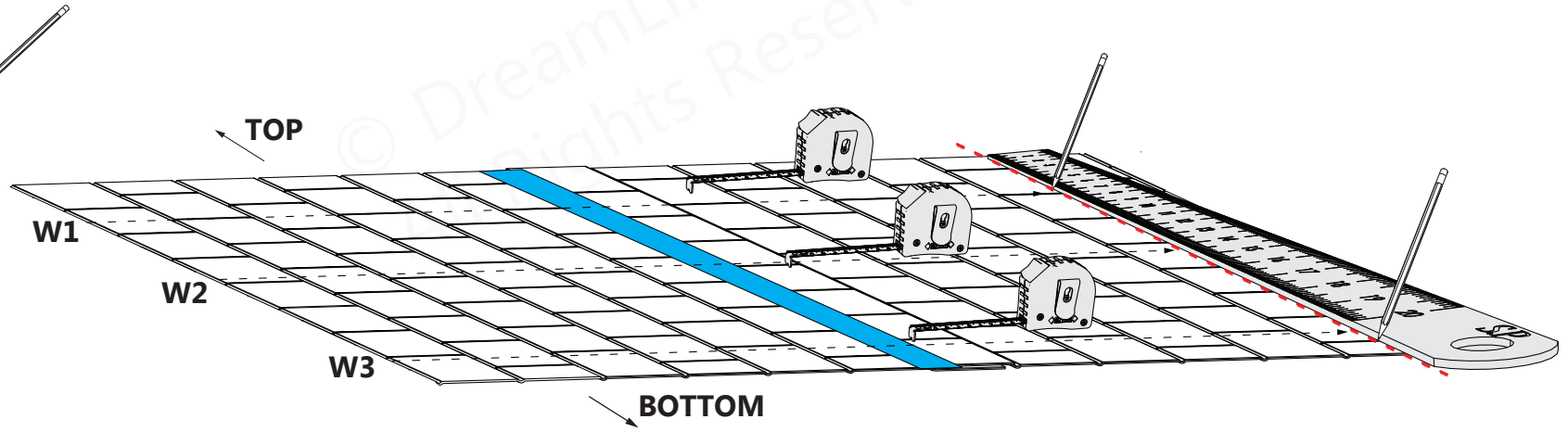


Fig 4

5

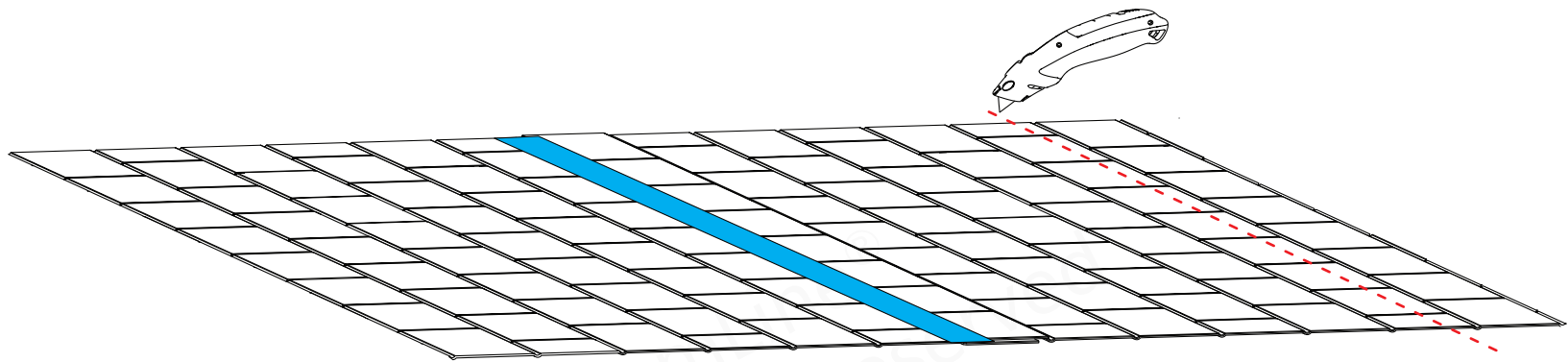
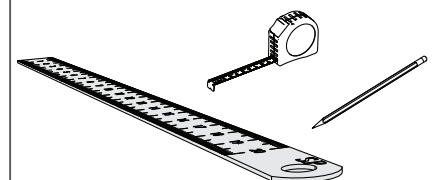


Fig 5



Use a fresh utility blade and a straight edge to score along the finished cut line several times to get a clean break. The **Q-Wall Back Panel** will snap at the scored line.

Tools Needed



6

NOTE

Remove the tape and separate the **Q-Wall Back Panels (#01 & #02)**. Dry fit both rear **Q-Wall Back Panels** against the back wall of the opening in the direction decided upon in **Step 4**. Make any minor adjustments necessary.

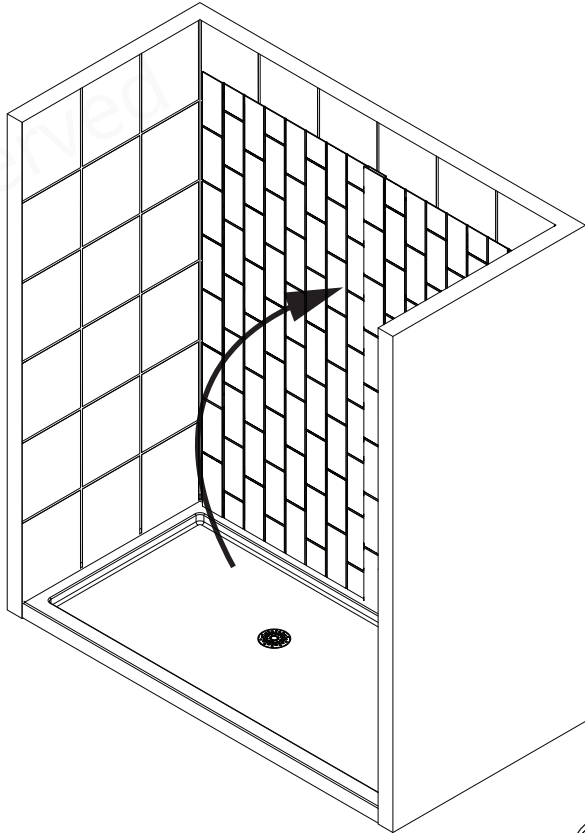
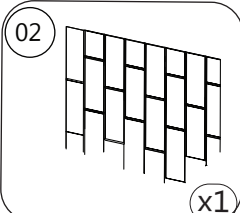
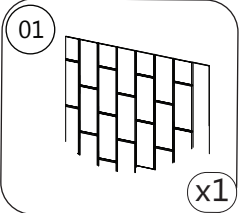
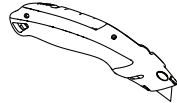


Fig 6

Parts Needed



Tools Needed



7

NOTE

Apply tub surround adhesive evenly to the back side of the underlapping **Q-Wall Back Panel (#01)**. Install the left/underlapping **Q-Wall Back Panel (#01)** against the rear wall of the opening, pressing evenly over the entire surface of the **Q-Wall Back Panel**, especially at the corners and the edges.

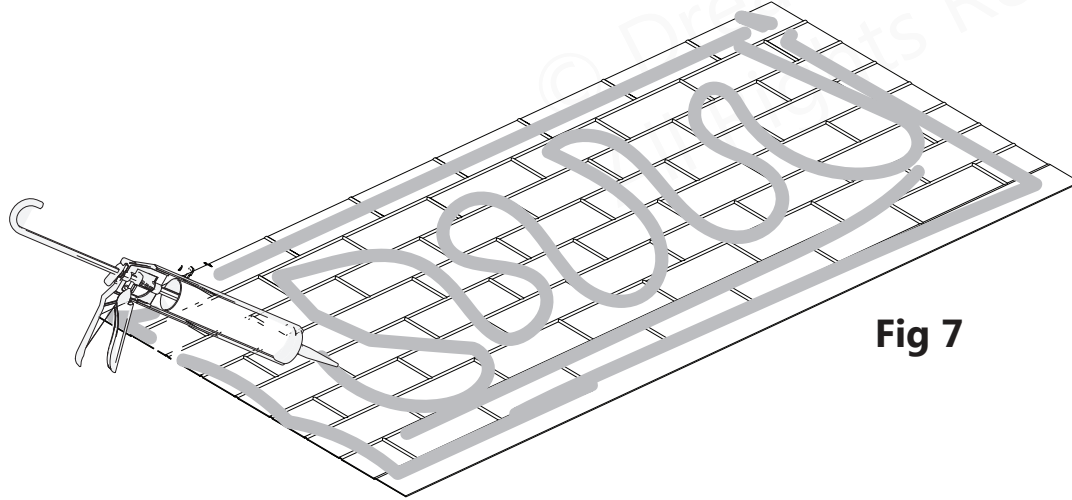
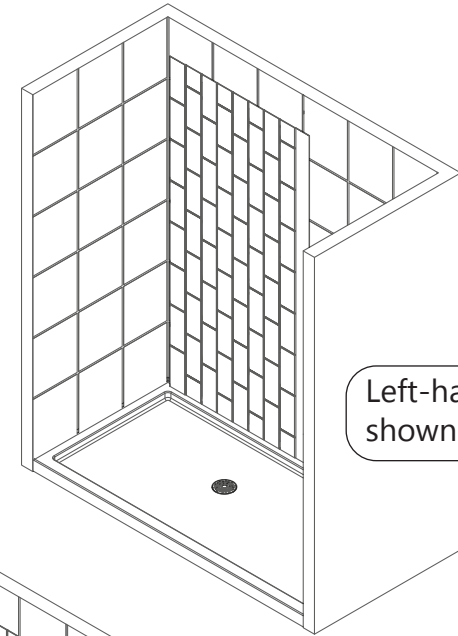


Fig 7



Left-hand underlap shown as example

8

NOTE

Dry fit the 2nd **Q-Wall Back Panel (#02)** (overlapping) and make any adjustments necessary.

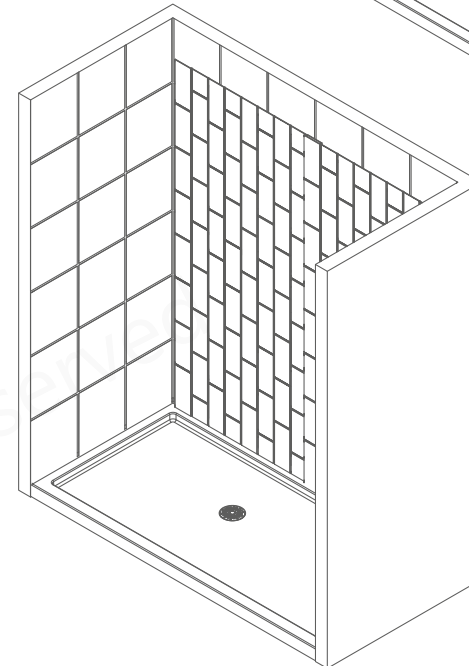
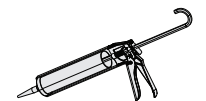


Fig 8

Tools Needed



9

NOTE

Remove the **Q-Wall Back Panel (#02)** and then apply clear silicone to the face of the underlap on the installed **Q-Wall Back Panel (#01)** (where the two back panels will overlap).

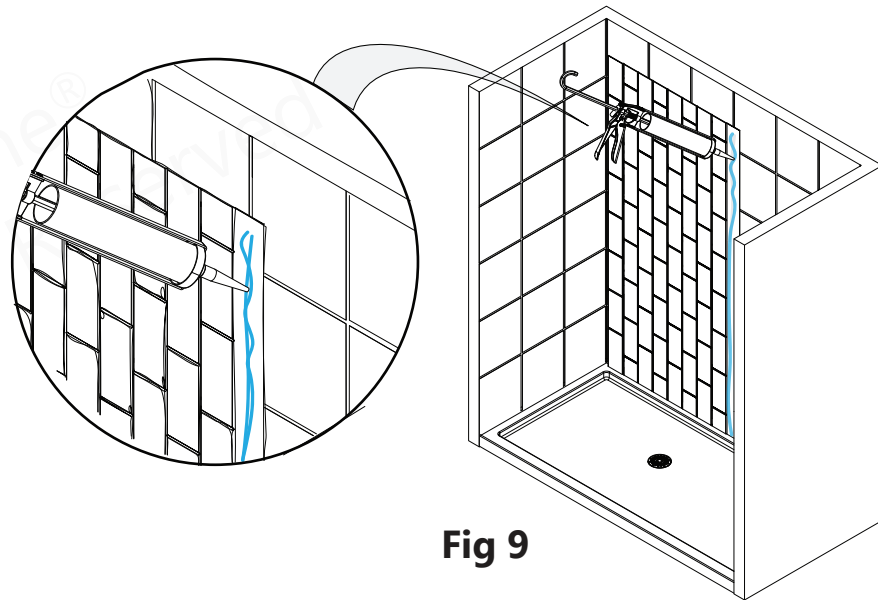


Fig 9

10

NOTE

Do not apply adhesive to the overlap on the 2nd **Q-Wall Back Panel (#02)**

TIP

When installing the 2nd **Q-Wall Back Panel (#02)**, press firmly over the entire surface, paying special attention to the edges, corners and the overlap.

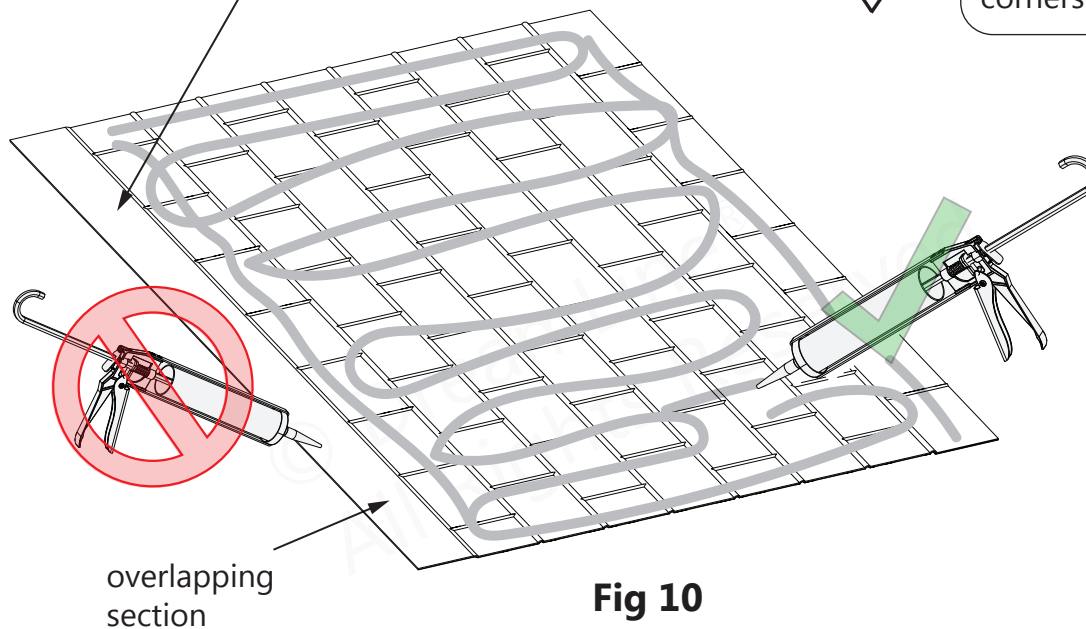
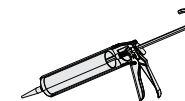


Fig 10

Tools Needed



11

NOTE

Dry fit the **J-Strips (#03)** into both back corners, with the wider flat side against the side walls, so the **Q-Wall Side Panels (#06) (#06 and #07 for Tub height models)** can slide into them easily.

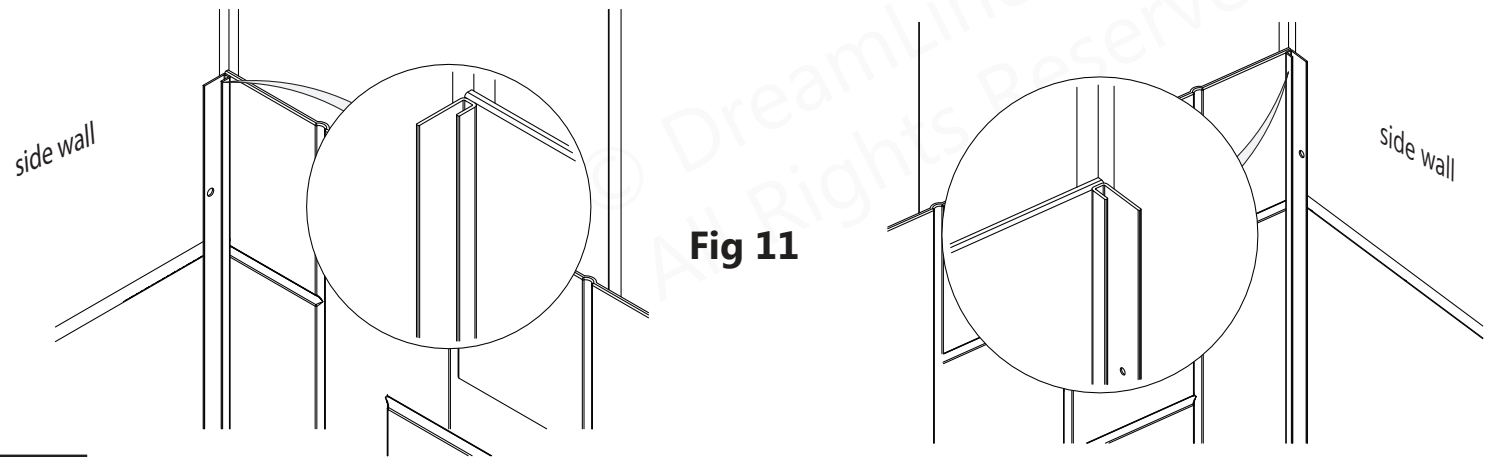


Fig 11

NOTE

As an option, if there is no wood framing at the J-Strip locations, mark and drill the holes and insert the \varnothing 5/16" (8mm) Wall Anchors

12

NOTE

Apply clear silicone to the backs of both **J-Strips (#03)** and a thin bead of silicone into the corner of the opening behind where the **J-Strip** will be installed. Press the J-Strips tight into the back corners. Wipe away any excess silicone with a clean rag. Use an \varnothing 1/8" bit to drill into the wall through the holes in the J-Strips (if not using anchors). Secure the **J-Strips (#03)** with the **ST 4.2 x 30 Countersunk Screws (#04)**. Be sure the screw heads are flush with the surface of the J-Strips.

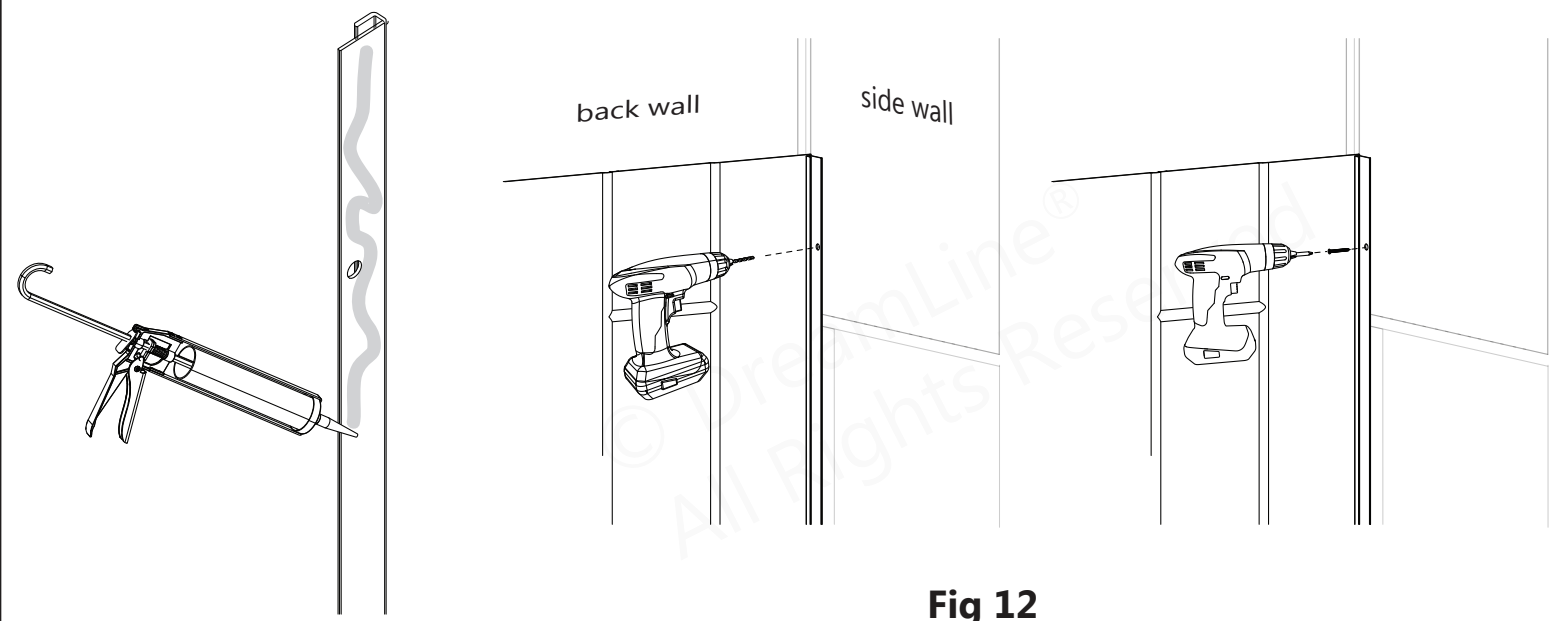
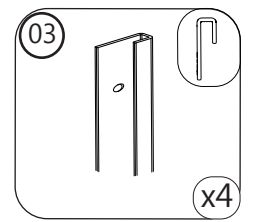


Fig 12

Parts Needed



Tools Needed



13

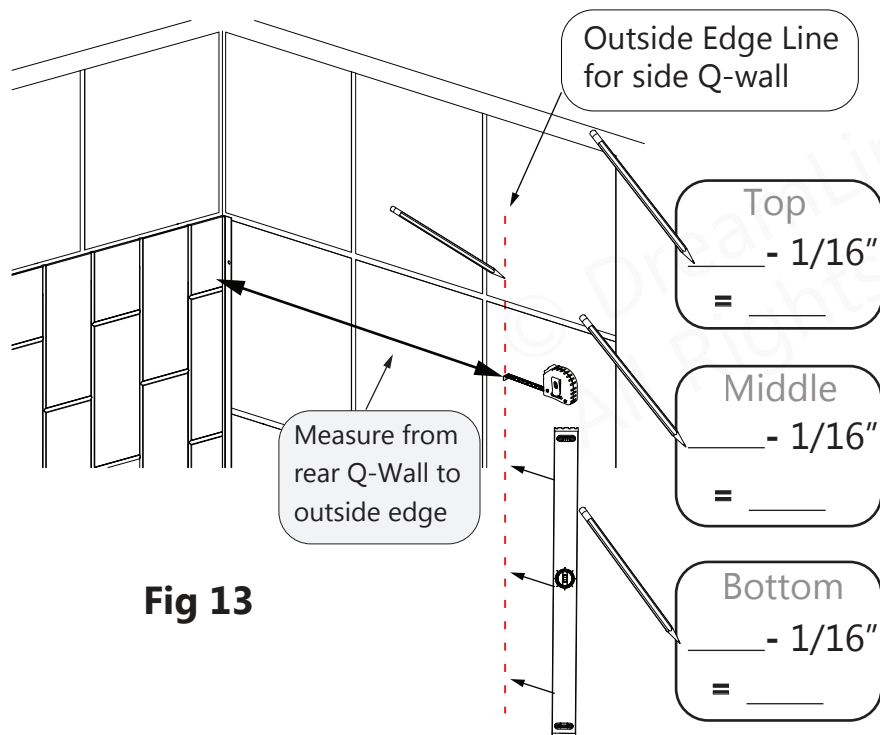


Fig 13

NOTE

Measure from the installed **Q-Wall Back Panel (#01 or #02)** to the intended outside edge on both side walls. Measure at the top, middle and bottom of the shower opening and record the measurements here.

Subtract 1/16" (1.5 mm) from each measurement to allow for the **J-Strips (#03)** and mark an edge line using a level.

Transfer these measurements to the correct **Q-Wall Side Panel**, keeping the brick pattern in mind. **(Note: Tub height side panels are each "pattern-matched" to a specific Back Panel)**

Draw a cut line on the **Q-Wall Side Panel** on the edge that will fit into the **J-Strips**. Score several times with a new blade. The **Q-Wall Side Panel** will snap at the cut line. Dry-fit the panel in the opening. Repeat steps for the opposite side.

14

NOTE

The horizontal grout lines will not align in the corner(s) by design. Try flipping the side panels around to produce a more desirable staggering (brick pattern) of the horizontal grout lines. **Tub Height Side Walls (#06, #07) are each matched to one of the back walls and can only be reversed by reversing the back walls as well.**

NOTE

Corner Alignment examples:

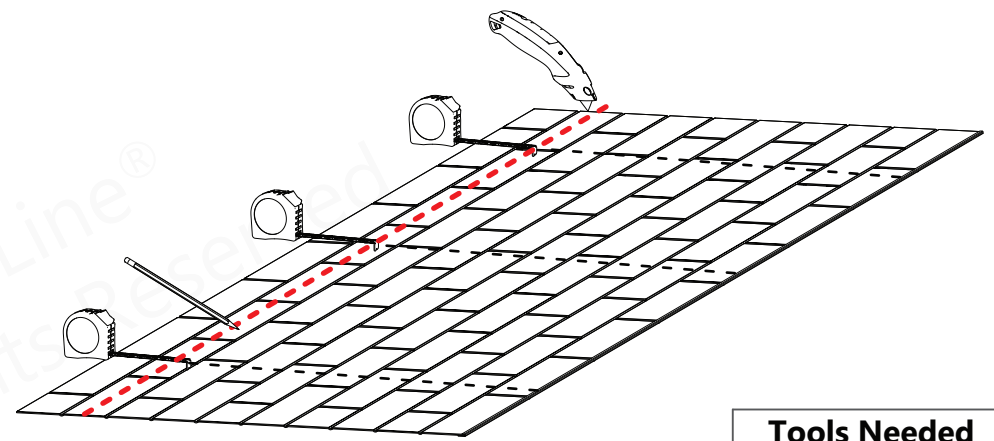


Fig 14

Tools Needed

15

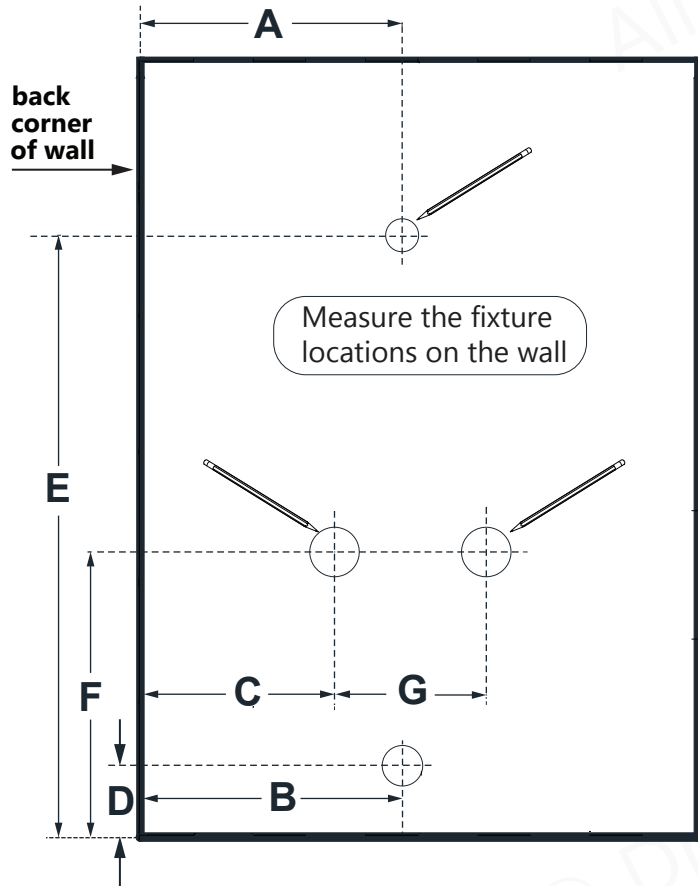


Measure the location of the shower fixtures by measuring in from the installed **Q-Wall Back Panels** and up from the threshold or tub deck. **(See Fig 15 below)**. Transfer these measurements to the corresponding **Q-Wall Side Panel (#06)/(#06 and #07 for Tub Height models)**. Double check all measurements, then mark and drill the cutouts using a hole saw.



Take exact measurements:

- from the **Q-Wall Back Panel (#01/02)** to the center of the fixture holes: **(A, B, C, G)**
- from the tub deck or shower threshold up to the center of the fixture holes **(D, E, F)**.



Example Only: Right **Q-Wall Side Panel (#06)** with typical fixture locations.



When finished, dry fit the newly-cut side panel in the opening. Make any adjustments necessary before applying adhesive.

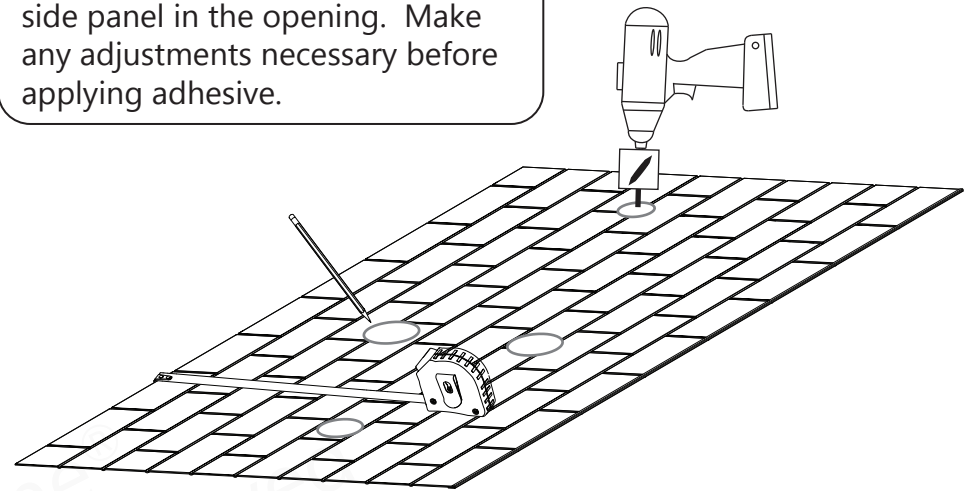
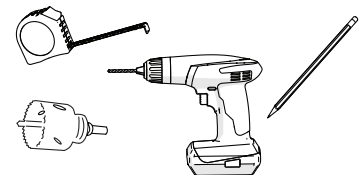
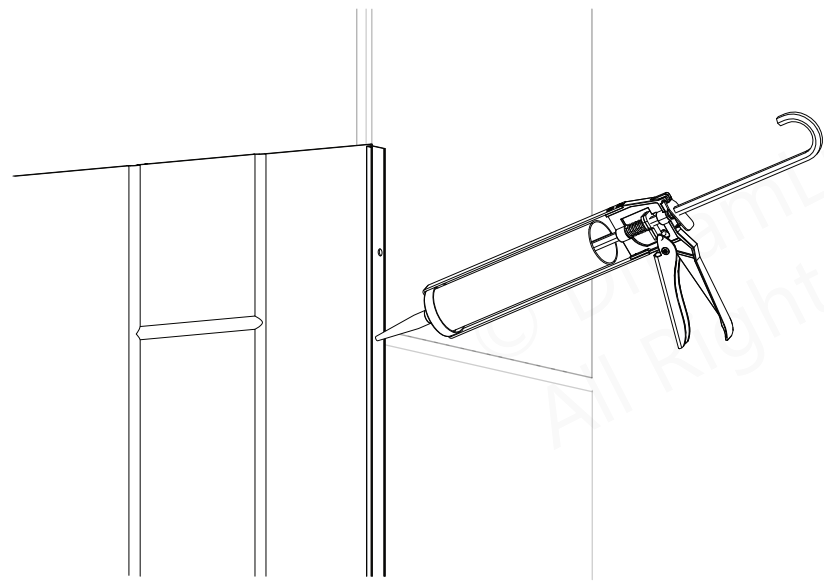


Fig 15

Tools Needed



16



NOTE

Apply a bead of clear silicone from top to bottom inside both of the installed **J-Strips**, and over the screw heads.

Fig 16a

NOTE

Apply tub surround adhesive to the back surface of both **Q-Wall Side Panels (#02)**. Peel back the protective plastic film along the edge before inserting into the installed **J-Strips (#03)** in the back corners. Press firmly over the entire surface, paying special attention to the edges and corners.

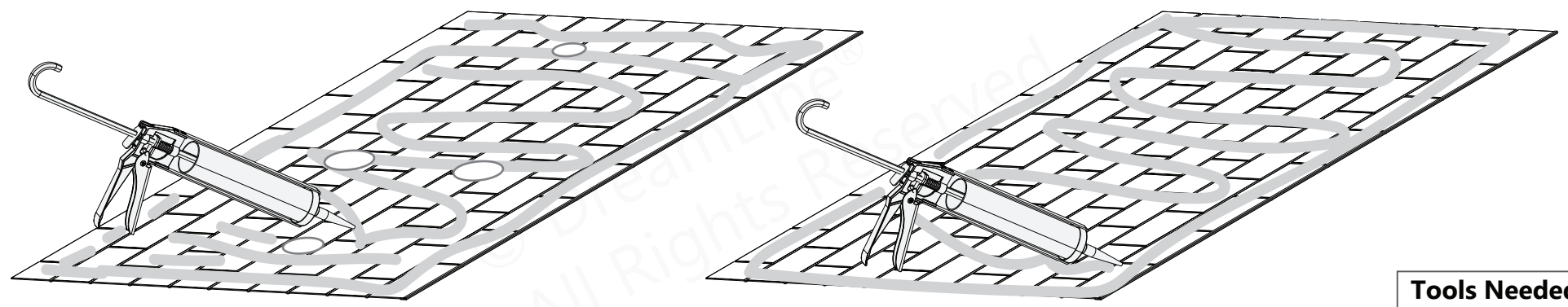
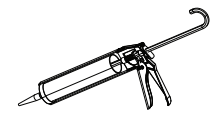


Fig 16b

Tools Needed



17

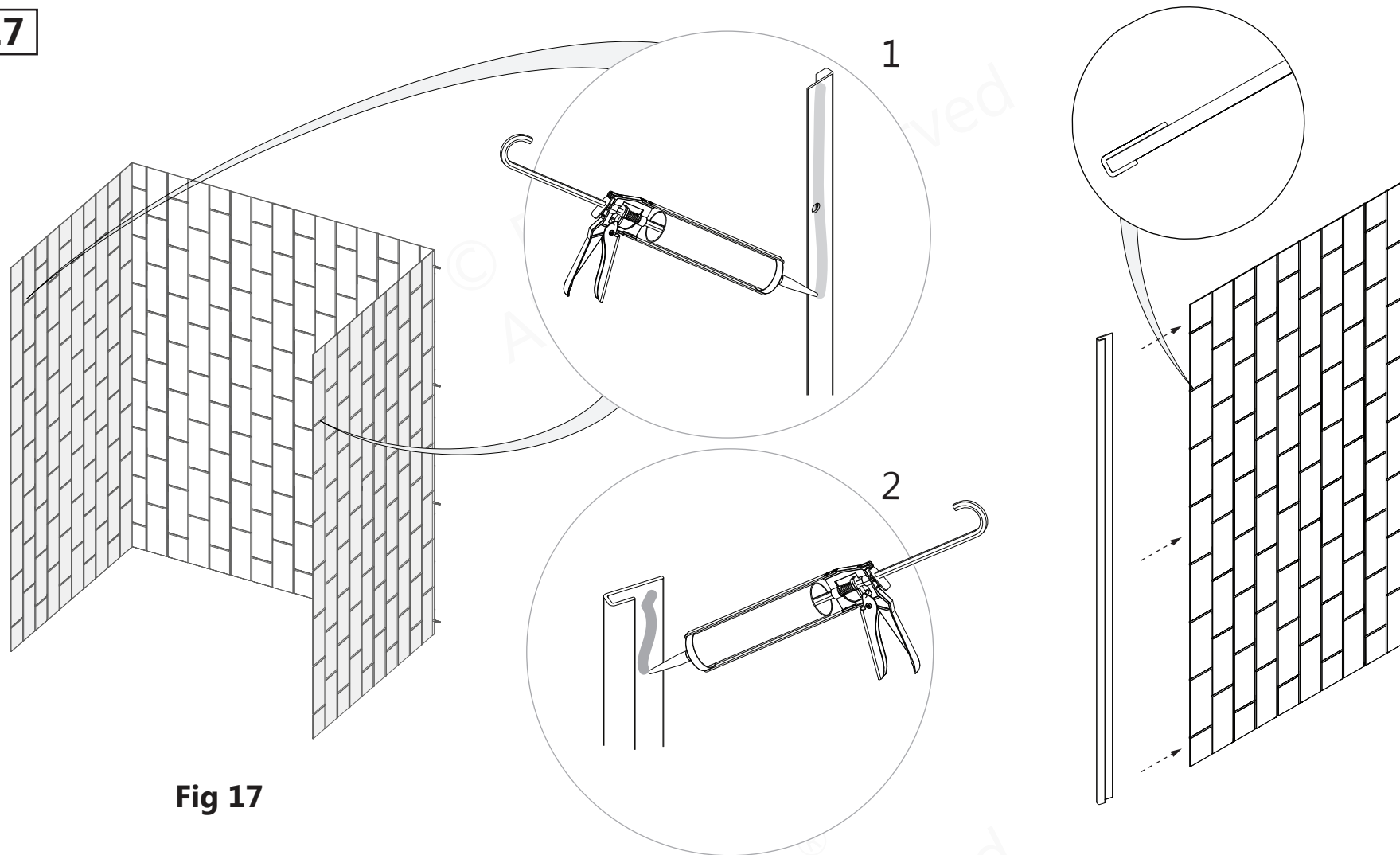
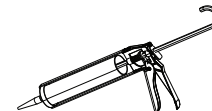


Fig 17



Apply silicone to the back of each of the two J-Strips for the outside edges of the **Q-Wall side panels**, where they will adhere to the wall. Then apply silicone to the inside of each J-Strip, and slide it onto the outside edge of the Q-Wall side panel. Press the J-Strip firmly to the wall and use tape if necessary to hold it in place while the silicone cures. Wipe away any excess silicone.

Tools Needed

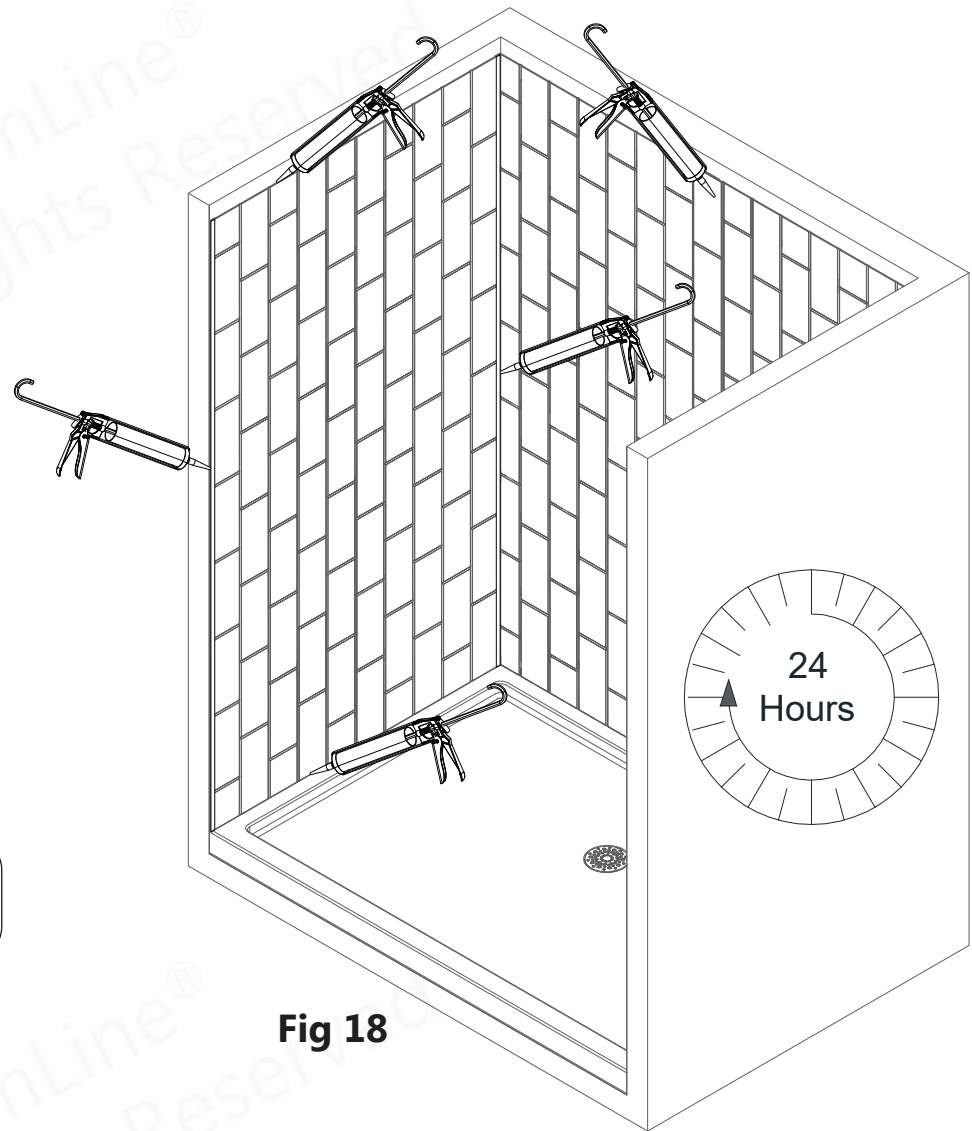
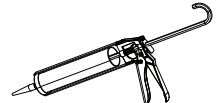


18**NOTE**

Apply a good quality, mildew-resistant silicone caulk (in the same color as the Q-Wall Panels) where the two rear Q-Wall Back Panels overlap, both sides of the J-Strips; on the outside edges of the Q-Wall Side Panels and along the exposed top edges if desired.



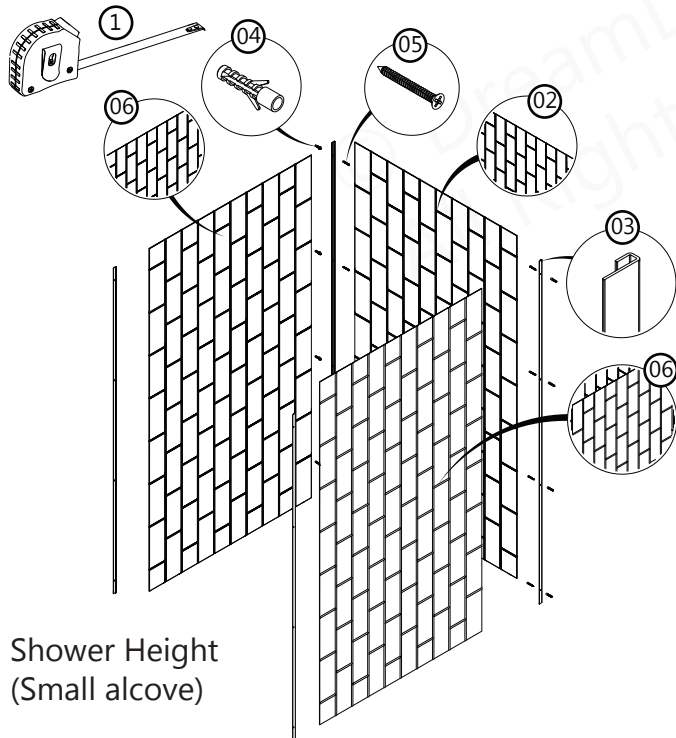
Allow 24 hours for the silicone to cure before using the shower.

**Fig 18****Tools Needed**

Additional Q-Wall Configurations

NOTE

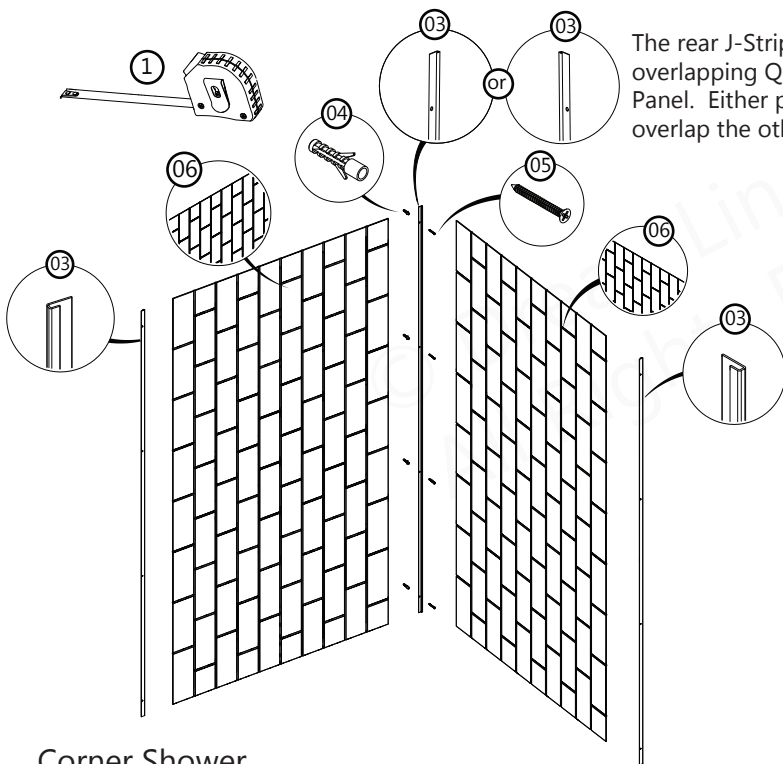
While the Q-Wall model configurations vary slightly, the installation methods are basically the same. The difference between models lies in the number and types of Q-Wall Panels and J-Strips and the installation order. The Tub Height model Side Panels are designated left and right to each match the brick pattern on one of the Back Panels. The Small Shower Height and the corner configurations do not have overlapping Q-Wall Back Panels. The Small Shower Height configuration uses 3 Q-Wall Side Panels and 4 J-Strips. The Corner configuration uses 2 Q-Wall Side Panels and 3 J-Strips. See the diagrams below for the installation sequence and correct placement of parts.



Shower Height
(Small alcove)

Shower Height (Small Alcove)

- 1) Measure the opening
- 2) Transfer measurements to Q-Wall side panel (to be used against back wall)
- 3) Install Q-Wall Side Panel at rear of shower
- 4) Install J-Strips on back corners
- 5) Measure side shower walls
- 6) Mark and cut Q-Wall Side Panels including holes for fixtures, accounting for overlap and alignment of brick pattern in corners (See p. 11 bottom)
- 7) Install Q-Wall Side Panels on both walls
- 8) Install J-Strips on the outside edges of both Q-Wall Side Panels



Corner Shower

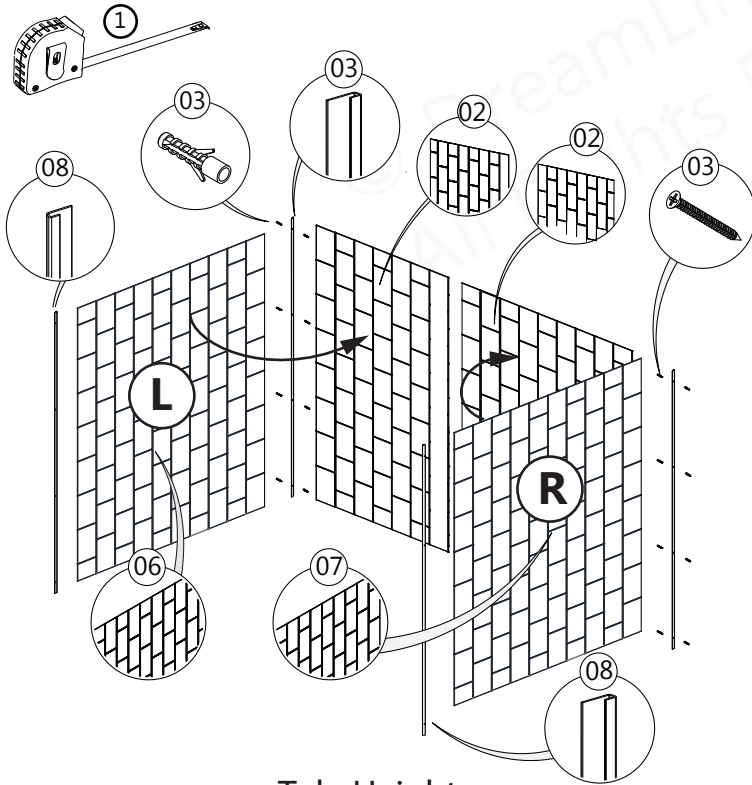
Corner

- 1) Measure the opening
- 2) Transfer measurements to both side panels and cut them to size, accounting for overlap and alignment of brick pattern in corners (see p. 11 bottom)
- 3) Install one Q-Wall Side Panel on either wall.
- 4) Install one J-Strip against the face of the panel just installed (to receive the 2nd panel)
- 5) Install the second Q-Wall and slide it into the J-Strip.
- 6) Install J-Strips on the outside edges of both Q-Wall Side Panels

Additional Q-Wall Configurations



The method to install the Tub Height **Q-Wall Side Panels (#06) and (#07)** is different from the other models. Each of the side walls is cut to match the 'brick pattern' on either the left or the right Q-Wall Back Panels. Therefore, if the Q-Wall Back Panels are reversed, the Q-Wall Side Panels must be reversed with the adjacent back panels to maintain the brick pattern.

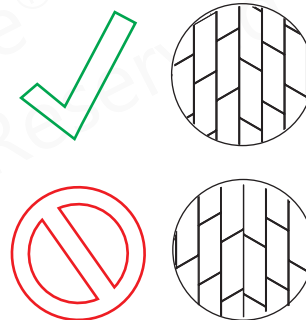


Tub Height

Tub Height

- 1) Measure the opening
- 2) Cut Back Panels, dry fit and install
- 3) Install J-Strips in back corners
- 4) Measure side walls
- 5) Transfer measurements to Left and Right side panels (mark for fixtures)
- 6) Mark and cut Q-Wall Left and Right Side Panels including holes for fixtures, accounting for alignment of brick pattern in corners (Each side panel is designed to match only one of the Back Panels.)
- 7) Install Q-Wall Side Panels on both walls
- 8) Install J-Strips on the outside edges of both Q-Wall Side Panels

Corner Alignment examples:



Tub height side walls are each matched to one of the back walls and can only be reversed by reversing the back walls as well.

Product Maintenance

BASES and BACKWALLS: To ensure long lasting life for your acrylic back walls: wipe them off after each use with a soft cloth. To clean the acrylic back walls use non-abrasive sprays or cream based cleaners. Avoid the use of aerosol spray cleaners. Never use abrasive cleansers, metal brushes or scrapers that could permanently scratch or dull the surface.

GLASS: To ensure long lasting life for your glass shower products: wipe them off after each use with a soft cloth. Rinse and wipe off the glass using either a soft cloth or a squeegee to prevent soap buildup and water spots (Hard water can etch the surface of the glass over time if left to dry). To prevent scratching the surface: never use abrasive cleaners or cleaning products that contain scouring agents. Never use bristle brushes or abrasive sponges that may scratch the surface of the glass.

HARDWARE: To ensure a long lasting finish: wipe off all metal parts after each use with a soft cloth. Do not use abrasive cleaners or cleaning products containing ammonia, bleach or acid. If accidentally used, rinse the surface as soon as possible to prevent damage to the finish (peeling or corrosion). After cleaning the polished finishes, rinse thoroughly and wipe dry with a soft clean-cloth.

Clean stainless steel surfaces at least once a week. When applying stainless steel cleaner or polish to stainless steel hardware, work with the grain (not across the grain). Never use an abrasive sponge or cloth, steel wool or wired brush as these may permanently scratch the surfaces.



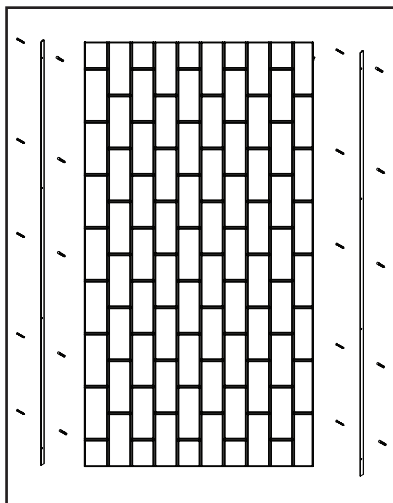
To maximize the life of your door, it is important to regularly inspect the glass and other hardware for misalignment, proper attachment, and/or damage. Contact DreamLine® with any questions or concerns.



Prior to contacting DreamLine® Customer Service, please have the following information readily available:

- Purchase Order Information
- Name, PO Number, Dealer/Vendor Name, etc.
- SKU/Model Number (see Pages 27-29)
- Factory Part Information (see Pages 27-29)

Factory Parts Information



Q-Wall Side Panel

SHBW-1541176-## Q-Wall Side Panel (x1) (41" x 76") FACTORY PARTS INFORMATION			
ITEM #	FACTORY PART NUMBER	ITEM DESCRIPTION	QTY
	SHBW-1541176-00	WHITE	
02	031054193025 00	Q-Wall Side Panel 41-1/2" x 76" x 3/32" (1054x1930x2.5mm)	1 pc
03	0600700 01 -1930	J-Strip (JT070) Vinyl	2 pcs
	SHBW-1541176-22	BISCUIT	
02	031054193025 02	Q-Wall Side Panel 41-1/2" x 76" x 3/32" (1054x1930x2.5mm)	1 pc
03	0600700 04 -1930	J-Strip (JT070) Vinyl	2 pcs
	SHBW-1541176-88	BLACK	
02	031054193025 08	Q-Wall Side Panel 41-1/2" x 76" x 3/32" (1054x1930x2.5mm)	1 pc
03	0600700 02 -1930	J-Strip (JT070) Vinyl	2 pcs
	Hardware		
04	092106	ST4.2x30mm Countersunk Screw	10 pcs
05	07552148	Wall Anchor 8mm (5/16in)	10 pcs

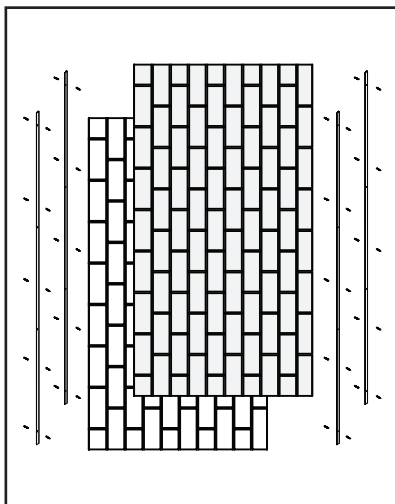
BOLD digit indicates finish:

01 = White; **02/04** = Biscuit; **02/08** = Black

Contact Support@DreamLine.com for Part replacement, installation assistance or additional information.

Complete **Warranty** information is available on DreamLine.com.

Factory Parts Information



Q-Wall Side Panels

SHBW-1541276-## Q-Wall Side Panels (x2) (41" x 76") FACTORY PARTS INFORMATION			
ITEM #	FACTORY PART NUMBER	ITEM DESCRIPTION	QTY
SHBW-1541276-00		WHITE	
02	031054193025 00	Q-Wall Side Panel 41-1/2" x 76" x 3/32" (1054x1930x2.5mm)	2 pcs
03	0600700 01 -1930	J-Strip (JT070) Vinyl	4 pcs
SHBW-1541276-22		BISCUIT	
02	031054193025 02	Q-Wall Side Panel 41-1/2" x 76" x 3/32" (1054x1930x2.5mm)	2 pcs
03	0600700 04 -1930	J-Strip (JT070) Vinyl	4 pcs
SHBW-1541276-88		BLACK	
02	031054193025 08	Q-Wall Side Panel 41-1/2" x 76" x 3/32" (1054x1930x2.5mm)	2 pcs
03	0600700 02 -1930	J-Strip (JT070) Vinyl	4 pcs
Hardware			
04	092106	ST4.2x30mm Countersunk Screw	20 pcs
05	07552148	Wall Anchor 8mm (5/16in)	20 pcs

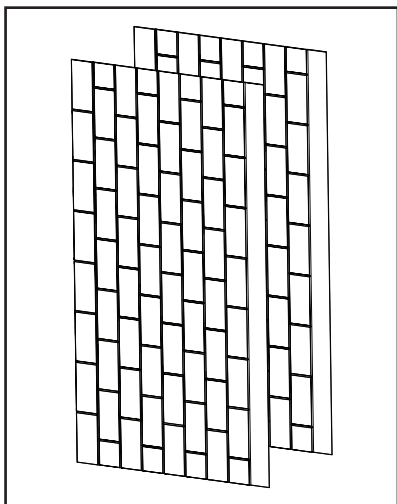
BOLD digit indicates finish:

01 = White; **02/04** = Biscuit; **02/08** = Black

Contact Support@DreamLine.com for Part replacement, installation assistance or additional information.

Complete **Warranty** information is available on DreamLine.com.

Factory Parts Information



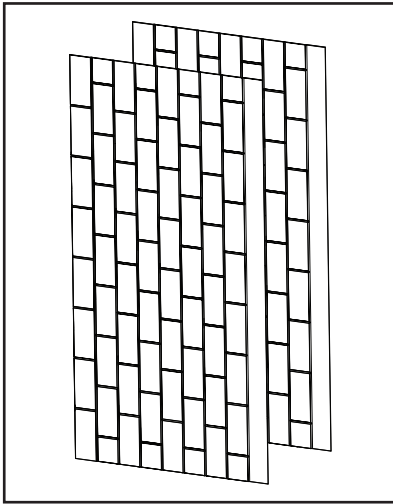
Q-Wall Back Panels
(1 Overlap and 1 Underlap)

SHBW-1536276-## Q-Walls Back Panels (60"x 36"x 76") FACTORY PARTS INFORMATION			
ITEM #	FACTORY PART NUMBER	ITEM DESCRIPTION	QTY
SHBW-1536276-00		WHITE	
01	031930082825 00	Q-Wall Back Panel (w/underlap) 76" x 32-1/2" x 3/32" (1930x828x2.5mm)	1 pc
01	03193084125 00	Q-Wall Back Panel (w/overlap) 76" x 33 x 3/32" (1930x841x2.5mm)	1 pc
SHBW-1536276-22		BISCUIT	
01	031930082825 02	Q-Wall Back Panel (w/underlap) 76" x 32-1/2" x 3/32" (1930x828x2.5mm)	1 pc
01	031930084125 02	Q-Wall Back Panel (w/overlap) 76" x 33 x 3/32" (1930x841x2.5mm)	1 pc
SHBW-1536276-88		BLACK	
01	031930082825 08	Q-Wall Back Panel (w/underlap) 76" x 32-1/2" x 3/32" (1930x828x2.5mm)	1 pc
01	031930084125 08	Q-Wall Back Panel (w/overlap) 76" x 33 x 3/32" (1930x841x2.5mm)	1 pc

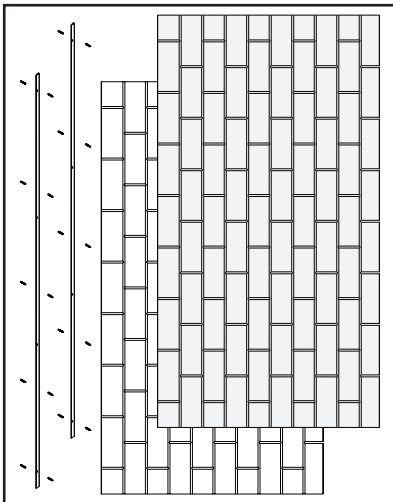
BOLD digit indicates finish:
01 = White; **02/04** = Biscuit; **02/08**= Black

Contact Support@DreamLine.com for Part replacement, installation assistance or additional information.
 Complete **Warranty** information is available on DreamLine.com.

Factory Parts Information



Q-Wall Tub Back Panels



Q-Wall Tub Side Panels

SHBW-1560620-## Q-Wall - Tub (60"x36"x62") FACTORY PARTS INFORMATION			
ITEM #	FACTORY PART NUMBER	ITEM DESCRIPTION	QTY
SHBW-1560620-00		WHITE	
01	031564082825 00	Q-Wall Back Panel w/underlap 61-1/2" x 32-1/2 x 3/32" (1564x828x2.5mm)	1 pc
01	031564084125 00	Q-Wall Back Panel w/overlap 61-1/2" x 33" x 3/32" (1564x841x2.5mm)	1 pc
02	031054156425 00	Q-Wall Side Panel 41-1/2" x 61-1/2" x 3/32" (1054x1564x2.5mm)	2 pcs
03	0600700 01 -1564	J-Strip (JT070) Vinyl	4 pcs
SHBW-1560620-22		BISCUIT	
01	031564082825 02	Q-Wall Back Panel w/underlap 61-1/2" x 32-1/2 x 3/32" (1564x828x2.5mm)	1 pc
01	031564084125 02	Q-Wall Back Panel w/overlap 61-1/2" x 33" x 3/32" (1564x841x2.5mm)	1 pc
02	031054156425 02	Q-Wall Side Panel 41-1/2" x 61-1/2" x 3/32" (1054x1564x2.5mm)	2 pcs
03	0600700 04 -1564	J-Strip (JT070) Vinyl	4 pcs
SHBW-1560620-88		BLACK	
01	031564082825 08	Q-Wall Back Panel w/underlap 61-1/2" x 32-1/2 x 3/32" (1564x828x2.5mm)	1 pc
01	031564084125 08	Q-Wall Back Panel w/overlap 61-1/2" x 33" x 3/32" (1564x841x2.5mm)	1 pc
02	031054156425 08	Q-Wall Side Panel 41-1/2" x 61-1/2" x 3/32" (1054x1564x2.5mm)	2 pcs
03	0600700 02 -1564	J-Strip (JT070) Vinyl	4 pcs
Hardware			
04	092106	ST4.2x30mm Countersunk Screw	10 pcs
05	07552148	Wall Anchor 8mm (5/16in)	10 pcs

BOLD digit indicates finish:
01 = White; **02/04** = Biscuit; **02/08** = Black

Contact Support@DreamLine.com for Part replacement, installation assistance or additional information.
 Complete **Warranty** information is available on DreamLine.com.



TEL: 866-731-2244
FAX: 866-857-3638
DREAMLINE.COM



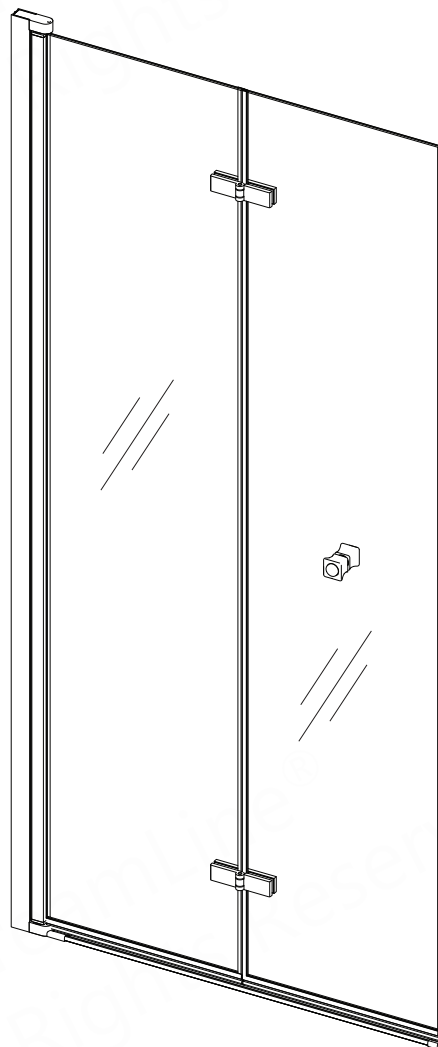
For more information on DreamLine® Shower Doors and Enclosures please visit **DreamLine.com**



AQUA-Q FOLD

SHOWER AND TUB DOOR INSTALLATION INSTRUCTIONS

PLEASE REVIEW THIS ENTIRE MANUAL PRIOR TO INSTALLATION



left-pivot door installation shown

Model#

SD-363072Q-##

SD-363472Q-##

SD-363658Q-##

##=finish

01 - Chrome

04 - Brushed Nickel

06 - Oil Rubbed Bronze

09 - Satin Black

IMPORTANT!

DreamLine® reserves the right to alter, modify or redesign products at any time without prior notice for the purpose of product improvement and customer experience. Please refer to the model's web page on **DreamLine.com** for the latest technical drawings, installation manuals, warranty information or additional product details.

Do Not Return Product to the Store. Contact DreamLine® with any questions



Questions?

Please contact DreamLine Customer Support
See **DreamLine.com** for hours of operation

Support@DreamLine.com

1-866-731-2244





Record the following purchase information for your records or in the event you need to contact DreamLine®:

Purchase Order
Number _____

Store/Vendor
Purchased From _____

Installation Date _____

OD Number
(optional) _____
located on the shipping box or label
if available.

Installed By: _____

SKU Number _____

Table of Contents

Section Title	Page #
Warnings and General Preparation	2
Model Specific Preparation	3
Adjustable Wall Profile System	4
Tools	5
Detailed Diagram of Aqua-Q Swing Shower Door Components	6
Parts List	7-8
Installation Steps	9-17
Glass-to-Glass Hinge Assembly Installation	11, 18
Vinyl Seals Installation	14
Aluminum Threshold Dam Strip Installation	15
Knob Handle Installation	16
Product Maintenance	19
Troubleshooting	20
Factory Parts Information	21

Symbol Legend



TIP - for ease of installation.



CORRECT - recommended.



NOTE - take note of special feature; additional information.

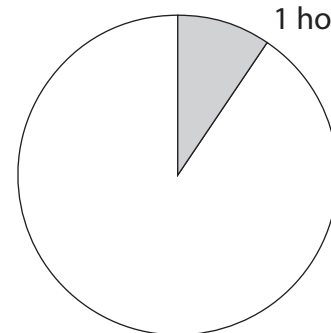


INCORRECT - not recommended.



REQUIRED - requires special attention; signifies a warning.

Average Installation Time





IMPORTANT

- DreamLine® reserves the right to alter, modify or redesign products any time without prior notice for product improvement and customer experience. Please refer to the model's web page on **DreamLine.com** for the latest technical drawings, installation manuals, warranty information or additional product details.
- This product should be installed by someone familiar with the construction requirements for this type of project and the care necessary for the safe installation and operation of the product.
- The safety of any installation is the responsibility of the installer.
- Professional installation recommended. (*All Models*)
- Professional installation required. (*Enigma Series*)
- To prevent damage or serious injury, Do Not lean against the installed panel/door/glass.
- To prevent damage or serious injury: Do Not attempt to lift or move a heavy lite of glass alone. Use an assistant and/or a professional grade glass suction cup.
- The installation of some models may require drilling down into the threshold. Contact the manufacturer of the base, tub, or threshold material with any questions regarding the drilling of holes into their product.
- All drawings in this installation manual are for illustrative purposes only and are not drawn to scale.

TEMPERED GLASS WARNING

- Your Shower Door Glass Could Shatter Without Warning if Improperly Installed or Mishandled
- Do Not install or operate a shower door if the glass has chipped corners, slivered edges or is otherwise damaged and/or has been dropped or banged into a hard surface such as tile, marble or glass.
- **The main causes of tempered glass breakage are:**
 - Improper handling, storage or installation
 - Misuse/abuse
 - Lack of maintenance
 - Failure to replace damaged glass
 - **Improper handling during storage, unpacking and installation:**
 - Corners and edges are the most susceptible area to damage on a lite of tempered glass and should be protected and handled with care during storage, unpacking, installation and operation. A concentrated point of pressure or impact with a surface harder than itself may cause the tempered glass to shatter. The tempered glass may release immediately, within several hours or even days later.
 - **Incorrect installation of door hardware, rollers, hinges, channels, stopper or glass:**
 - Improper installation may include: loose hardware and/or lack of proper gaskets between the hardware and glass. Additionally, improper alignment of guide rails, wall profiles or other hardware during installation or operation may place stress on the glass edges and cause it to break.
 - This product must be installed by a professional and experienced installer familiar with the safe handling of tempered glass.
 - **Improper use of this product:**
 - Aggressively opening or closing the door may cause trauma to the glass, which can lead to breakage. This may occur immediately or hours or even days later.
 - **The shower door hardware and glass should be inspected periodically:**
 - Instruct the homeowner how to perform a periodic inspection of the shower hardware and glass - some minor adjustments may be necessary based upon the use (or misuse) of the shower door. Ensure that the hardware remains tight and that the door alignment and operation are correct. Any adjustments should be made upon discovery to prevent damage to the product.
 - Additional considerations should be given to the installation of frameless tempered glass products in households with young children or an elderly person due to an increased chance of improper handling. In such cases, alternatives such as shower curtains or grab bars should be considered.

GENERAL PREPARATION

- After opening all boxes and packages, read this introduction carefully. Check that all the items are included in the package by marking off the components on the **“Detailed Diagram of Product Components”** page. Examine all boxes and packages for shipping damage. If the unit has been damaged, has a finishing defect, or is missing parts; please contact our Customer Support department within 3 business days of the delivery date. **Please note that DreamLine® will not replace any damaged products or missing parts free of charge after 3 business days or if the product has been installed.** Please contact DreamLine® if you have any questions.
- **Please note that you should refer to your local building codes with questions on installation compliance standards. Building and plumbing codes may vary by location, and DreamLine® is not responsible for code compliance standards for your project and will not accept any returns.**
- If this unit is going to be installed in a new construction, install all the required plumbing and drainage before installing the shower. **Use a competent and licensed (if required by local code) plumber for all plumbing installation.**
- Make sure that prior to beginning the installation, the surfaces are leveled and solid and will be able to support the total weight of the unit. Also make sure the walls are at right angles. Irregular installation surface level, radius corners or improper angle of side walls will result in serious problems for your installation. Please note that some adjustments and drilling will be necessary during the installation process.
- Protect all primary surfaces of the product during installation. Never set your glass down directly onto a tile floor. Leave corner protectors in place until it is necessary to remove them. Always use a piece of wood or cardboard to protect the bottom edge and corners of the glass prior to and during installation.
- This unit must be installed upon a finished threshold and against finished walls.
- *DreamLine® shower doors are not designed to be installed into a fiberglass surround due to the radius corners and lack of a solid surface to mount the hardware.*

WARNING: TO AVOID THE RISK OF DAMAGE OR INJURY:

- **Follow all recommendations and requirements as shown in the installation instructions.**
- Perform a thorough inspection of the glass and all parts for any damage prior to installation. Any damage to tempered glass can cause breakage. **Do Not install damaged glass!**
- Do Not install or operate a shower or tub door if the glass has chipped corners, slivered edges or is otherwise damaged. Do Not install or operate a shower or tub door that has been dropped or banged into a hard surface such as tile, marble or glass.
- **CAUTION:** Contact with any hard surface can damage tempered glass and cause it to shatter.
- This product uses tempered glass. Glass cannot be cut after it has been tempered. **Do Not attempt to cut tempered glass.**
- DreamLine® Glass Shower doors, Tub doors, Inline panels, and Return panels can shatter due to improper handling or lack of maintenance. Conduct periodic inspections of glass and all parts for possible damage, missing or loose parts.
- Always wear proper safety equipment such as: safety goggles, work gloves and appropriate footwear during the installation process.
- **WARNING. Risk of leakage and/or damage.** Follow all instructions regarding the application of silicone sealant or caulk. Allow 24 hours for the sealant to cure before the initial use of the shower or tub product. Follow the silicone manufacturer's recommendations regarding the use of their product.
- **Thoroughly read these instructions before installing or using this product.**
- **Leave this manual for the end-user of the product.**



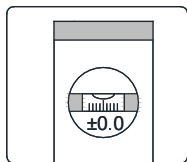
This product should be installed by someone familiar with the construction requirements for this type of project and the care necessary for the safe installation and operation of the product.



Model Specific Preparation

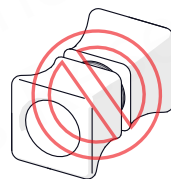
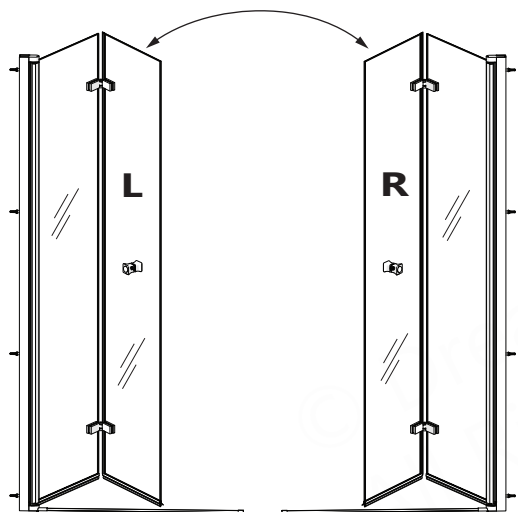
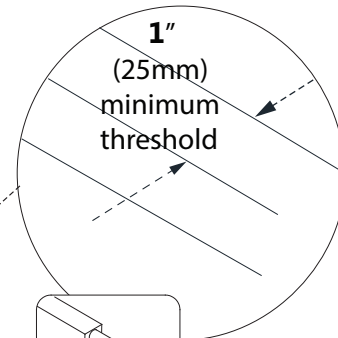
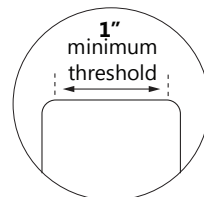
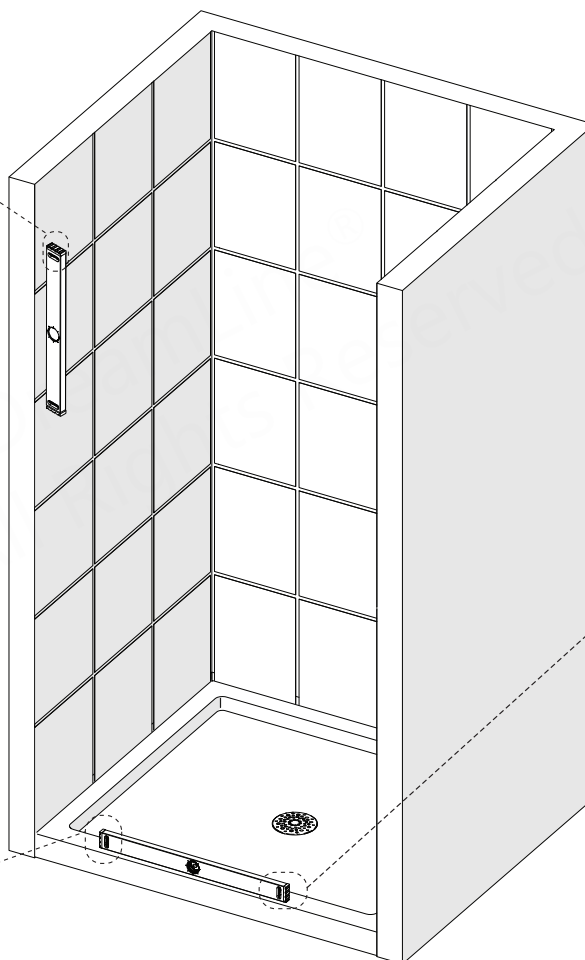
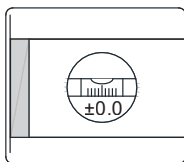


REQUIRED:



Installation wall must be plumb

3/8" (12mm) Out-of-Plumb Adjustment within the Wall Profile; Verify threshold and walls with a level



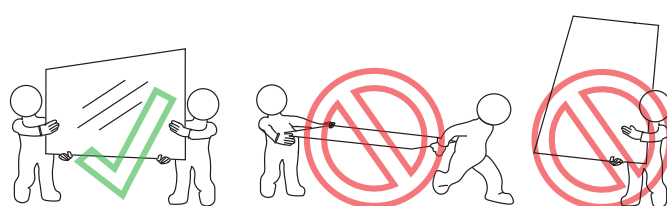
DO NOT attach the Handle to the Door Glass until instructed. **DO NOT** use the handle to lift the glass during installation. This may result in damage to the glass and/or serious personal injury. Always use an assistant and/or a professional-grade glass suction cup when handling heavy glass panels.

NOTE

This model is reversible for right or left-hand door installation. The left-hand door installation is shown throughout this manual. For the right-hand door installation, simply begin on the opposite wall and reverse the orientation of the installation steps shown.

NOTE

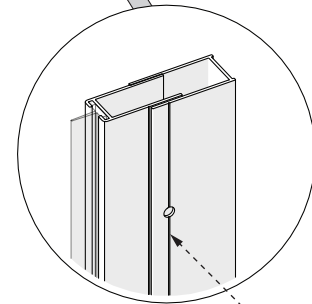
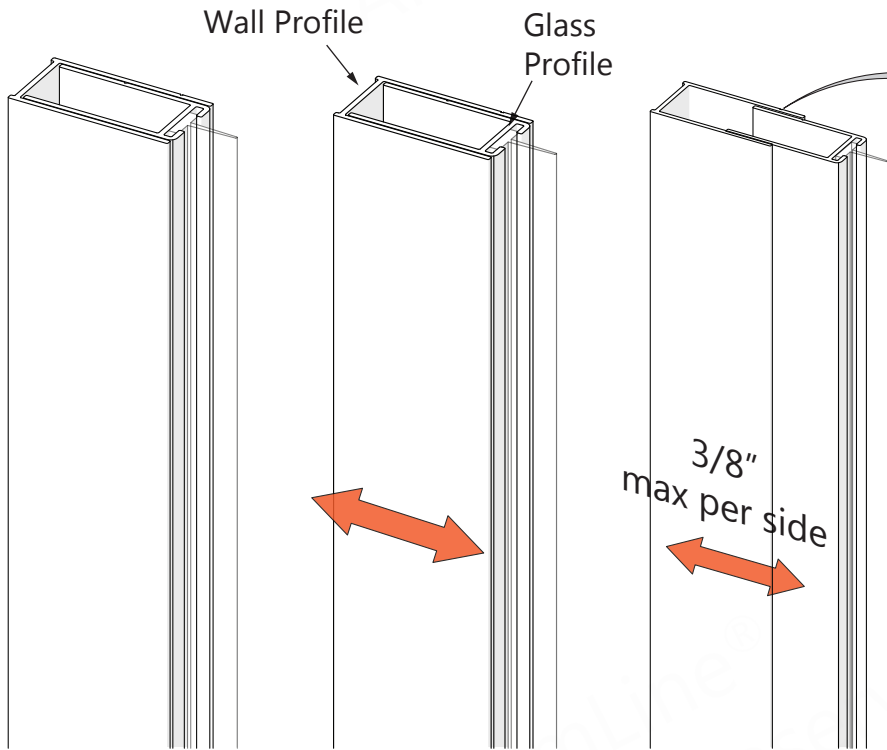
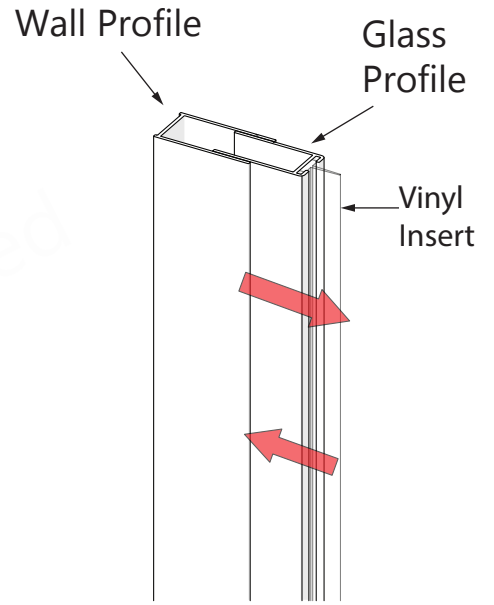
Professional installation with two installers is recommended for this product.



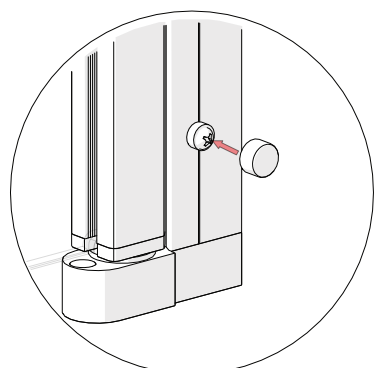
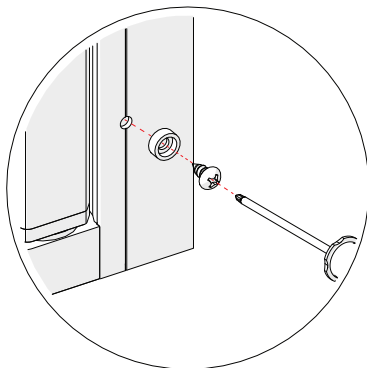
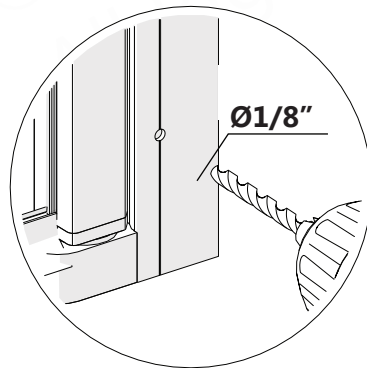
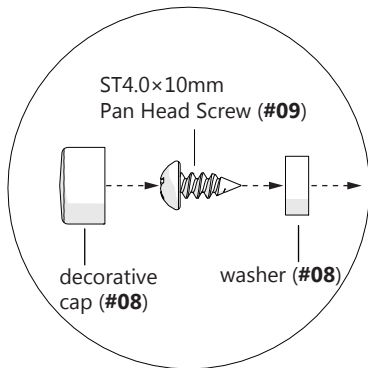
Adjustable Wall Profile System



The Glass Profiles can be adjusted up to 3/8" within the Wall Profile for overall width or to correct for out-of-plumb conditions within the model size. Screw them together after making final adjustments.



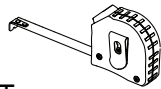
ID groove with holes for attaching profiles must face the inside of the shower



Tools



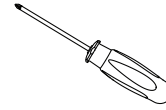
Level



Tape Measure



Pencil



#2 Phillips Screwdriver



Power Drill



Drill Bit
Ø1/8"
(3mm)



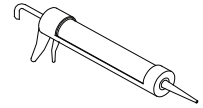
Drill Bit
Ø5/16"
(8mm)



Razor Knife



Soft Head Hammer



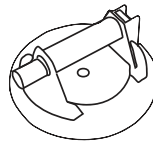
100% Silicone*



Safety Glasses



Work Gloves



Professional-grade
Glass Suction Cup
(Optional but recommended)



Verify that the correct model size has been ordered; measure the finished opening **before** proceeding with the installation.

Confirm that the finished walls are plumb and the threshold is level and pitched into the shower area.

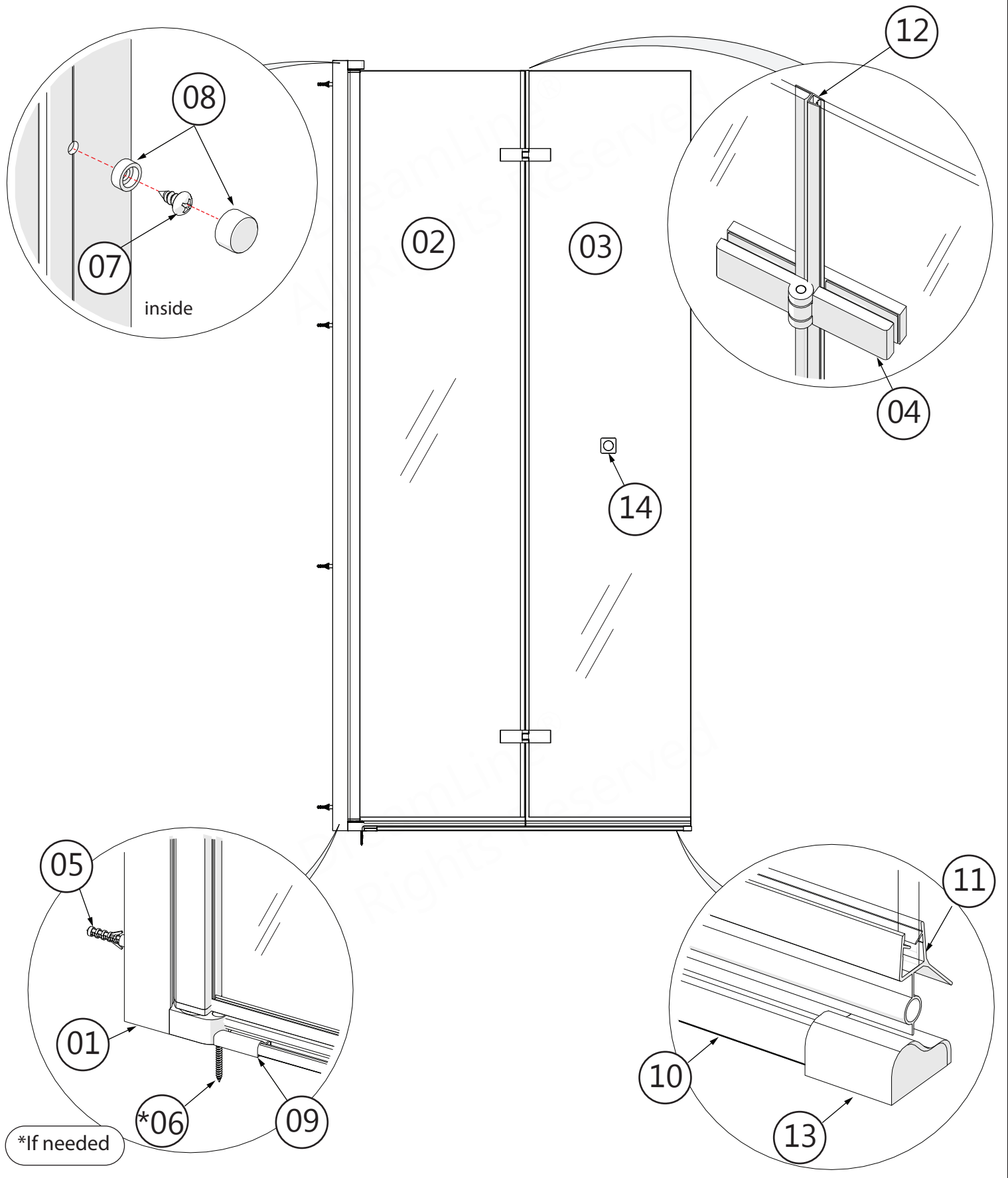
Cover the shower/tub drain with tape prior to installation to prevent the loss of screws or small parts.

Use a type of drill bit that is appropriate for drilling into the finished surface material.



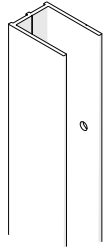
Unpack your unit carefully and inspect it. Lay it out and identify all parts using the Detailed Diagram on page 6; and packing list in this manual as a reference. Before discarding the carton, check for small hardware bags that may have fallen to the bottom of the box. If any parts are damaged or missing, please contact DreamLine® for replacement. The shipping boxes may contain extra parts not used in your model configuration. Retain these installation instructions for future reference.

Detailed Diagram of AQUA-Q FOLD Shower Door Components



Parts List

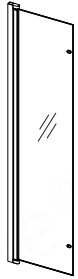
01



Wall Profile

x1

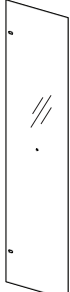
02



Hinge Panel Assembly
(Door Glass 1 with pre-installed Glass Profile)

x1

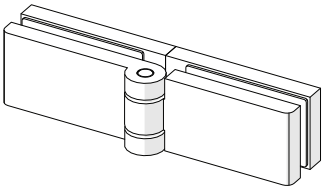
03



Door Glass 2

x1

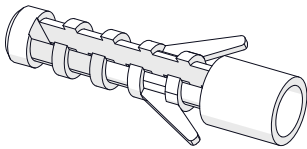
04



Hinge Assembly

x2

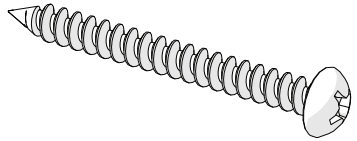
05



Wall Anchor
5/16" (8mm)

x4

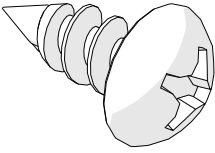
06



ST4.0x40mm
Pan Head Screw

x5

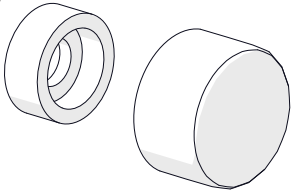
07



ST4.0x10mm
Pan Head Screw

x4

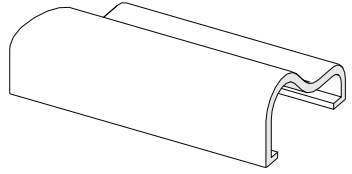
08



Decorative Cover
(with Washer)

x4sets

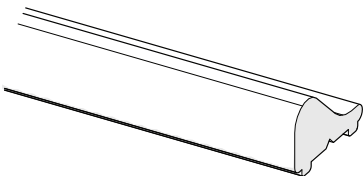
09



Threshold Connector
(left/right)

x1set

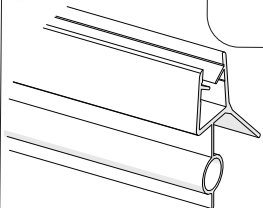
10



Aluminum Threshold

x1


11



Bottom Sweep Vinyl

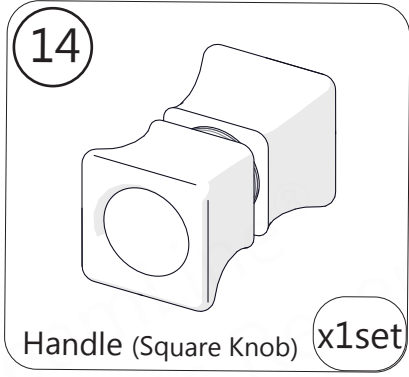
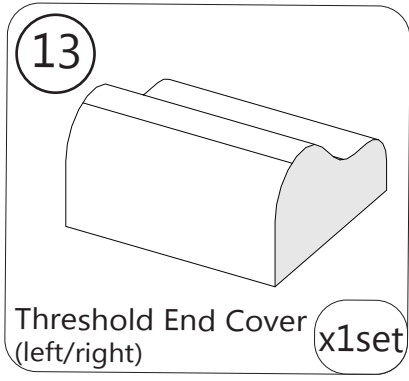
x2

12



Vertical Vinyl Seal

x1



1

Installation Steps



Check the walls and threshold for plumb and level. This model allows for up to 1/2" of out-of-plumb adjustment per wall. The threshold must be level for correct installation.

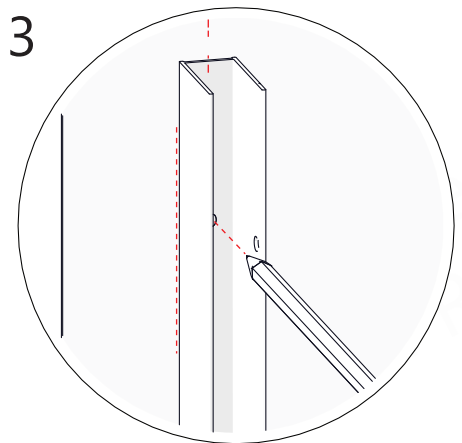
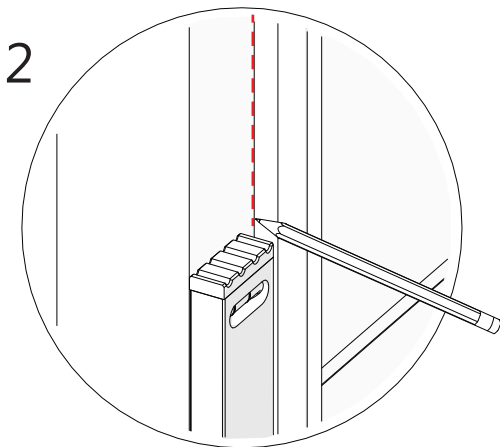
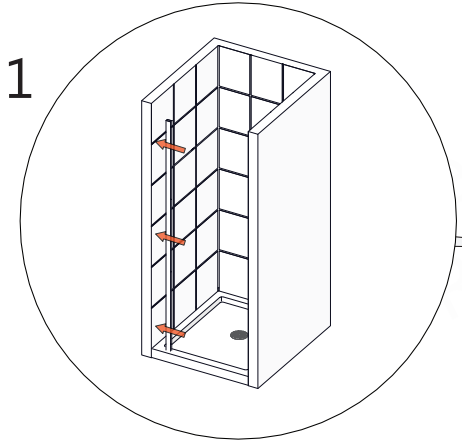
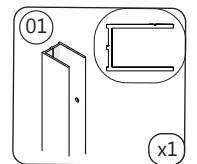


Fig 1

Parts Needed

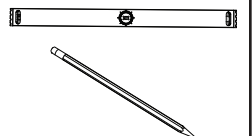


Center the **Wall Profile (#01)** on the Threshold.



Confirm the **Wall Profile (#01)** is plumb with a level before marking the location of the holes for drilling.

Tools Needed



2

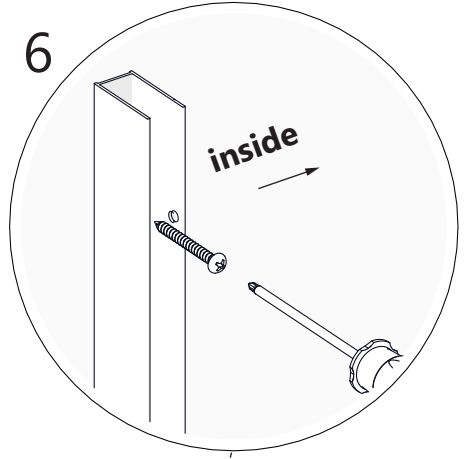
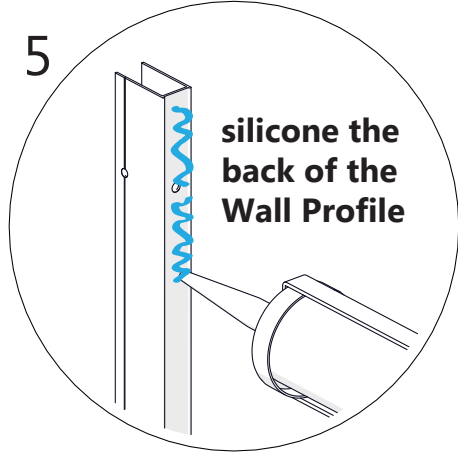
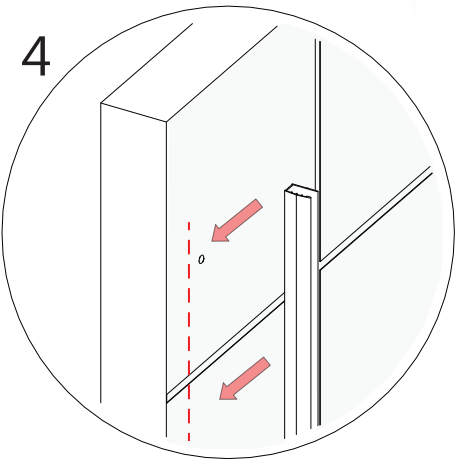
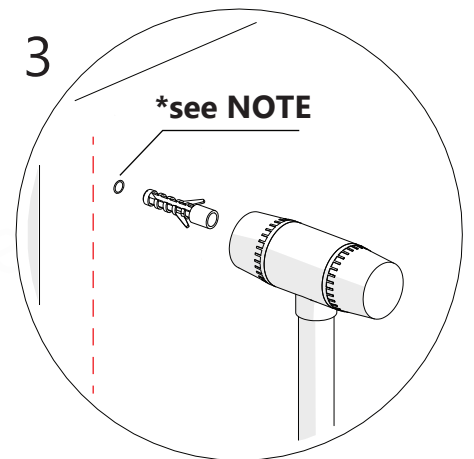
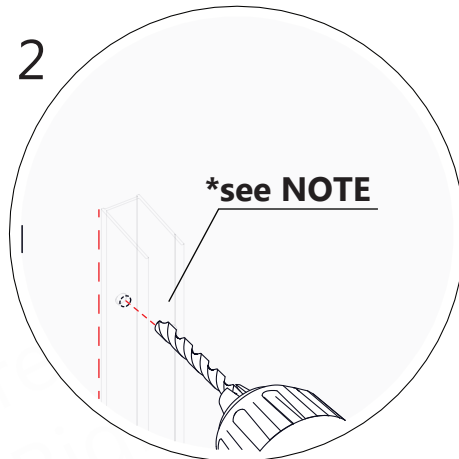
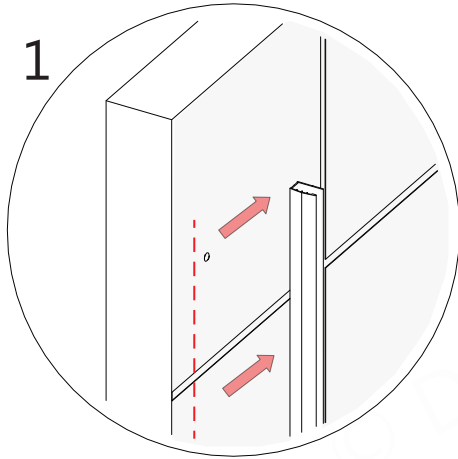


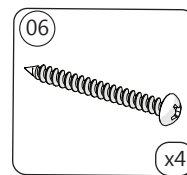
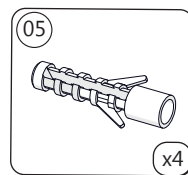
Fig 2

NOTE Install the **Wall Profiles (#03)** so that the **holes** face towards the **inside** of the shower.

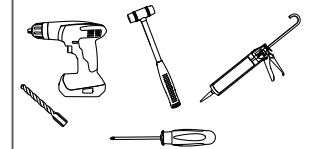
NOTE

▪ **If a Stud is present behind the wall:**
 drill a $\text{Ø}3/16''$ (4mm) hole up to the stud,
 drill an $\text{Ø}1/8''$ (3mm) pilot hole into the stud and
 use the **ST4.0 x 40mm Pan Head Screws (#05)**
OR
 ▪ **If No Stud is present behind the wall:**
 drill a $\text{Ø}5/16''$ (7mm) hole and insert the **Wall Anchors (#07)**
 and use the **ST4.0 x 40mm Pan Head Screws (#05)**.

Parts Needed



Tools Needed



3

Glass-to-Glass Hinge Assembly Installation



Secure the **Door Glass 1 (Pivot Profile) (#02)** and **Door Glass 2 (#03)** with the **Hinge Assembly (#04)** **before install** it into the **Wall Profile (#01)**



Maintain even spacing between the door glass during the hinge installation.

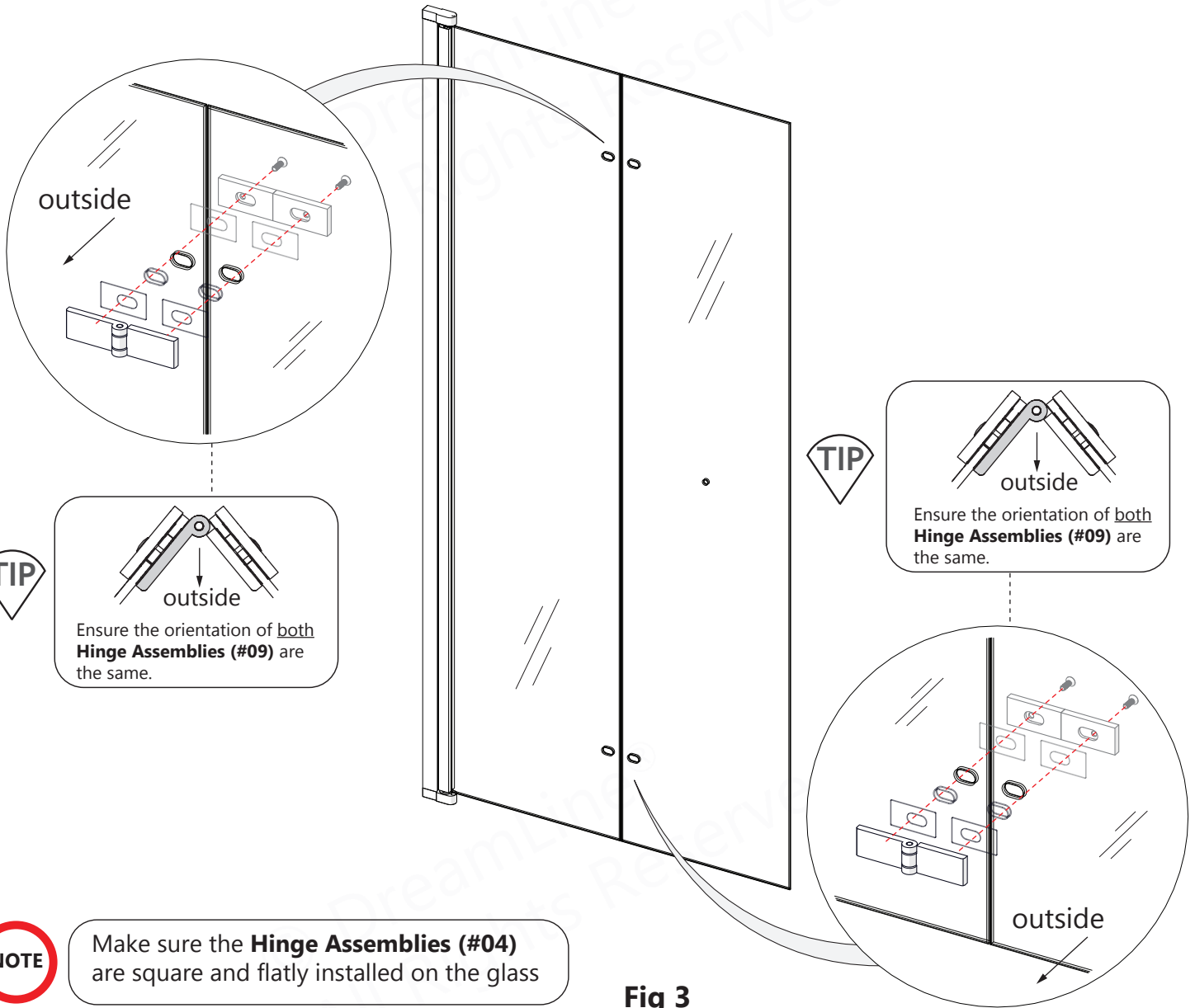


Fig 3

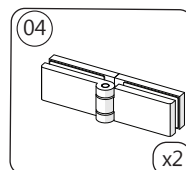
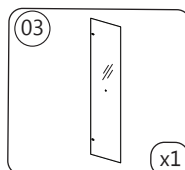
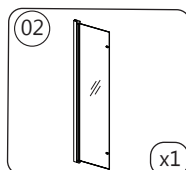


Make sure the **Hinge Assemblies (#04)** are square and flatly installed on the glass

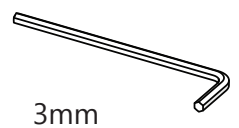


To prevent glass-to-metal contact, confirm the vinyl gaskets are present between the **Hinge Assemblies** and the **Door Glass**.

Parts Needed



Tools Needed



4

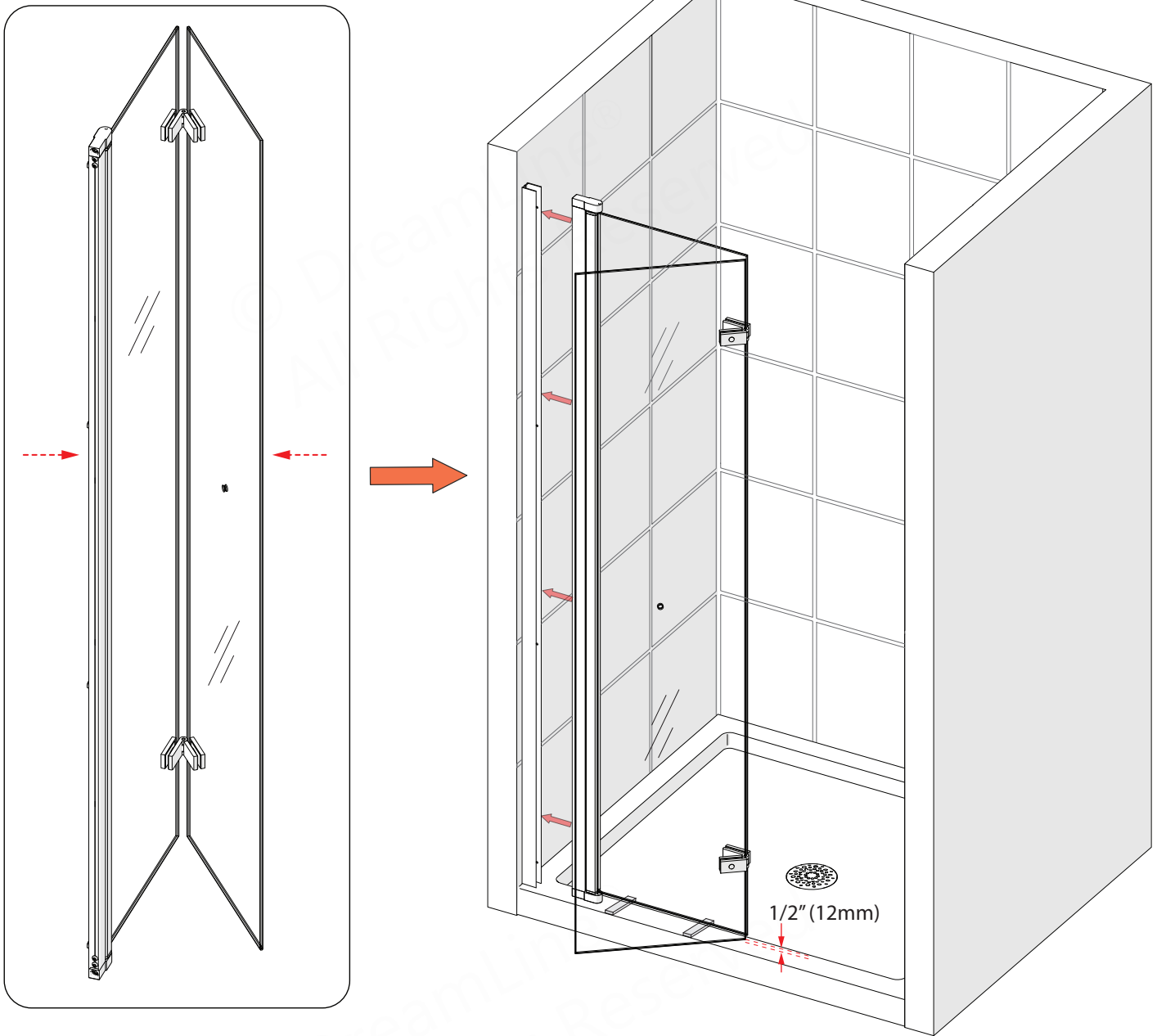
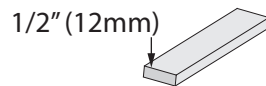


Fig 4

NOTE

Place **1/2" (12mm)** thick wood or plastic shims onto the threshold to provide proper spacing beneath the door glass.



Make any final adjustments to the door so that it is level and plumb in the opening.

5

Decorative Caps Installation

NOTE

After final adjustments, drill $\varnothing 1/8"$ holes through the pre-drilled holes located in the ID groove in the **Wall Profile (#01)**. Drill only through the **first layer** of the **Glass Profile** and install the **ST4.0x10mm Pan Head Screws (#07)** using the **Decorative Covers and Washers (#08)** Fig 5

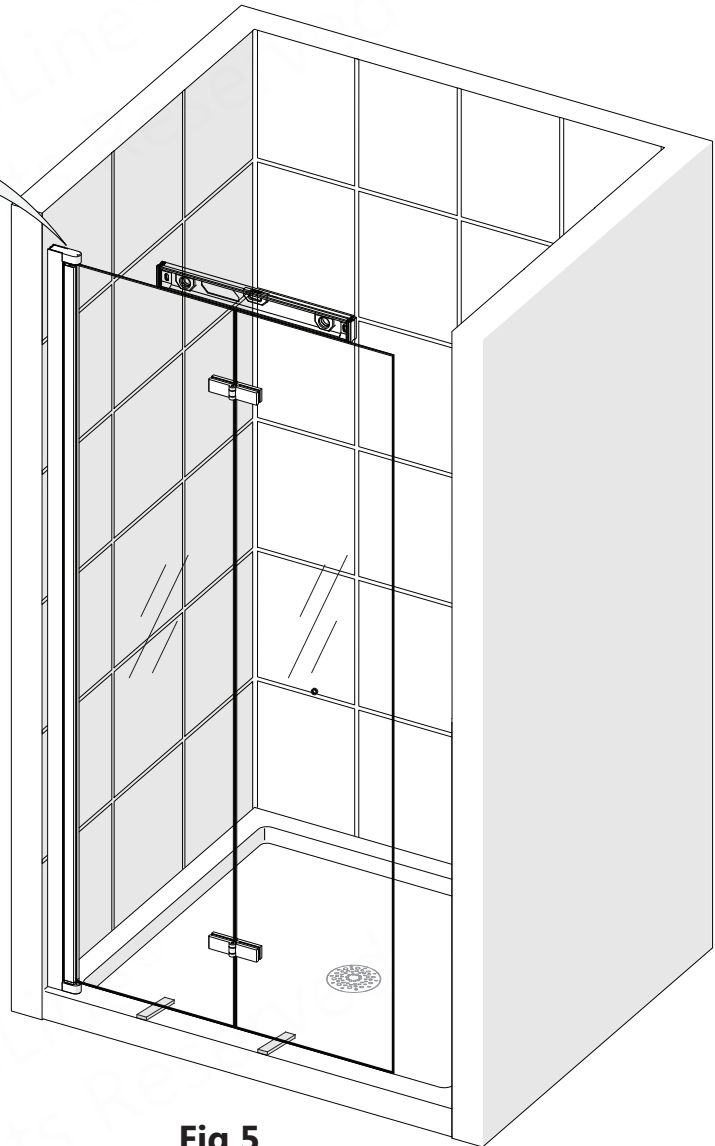
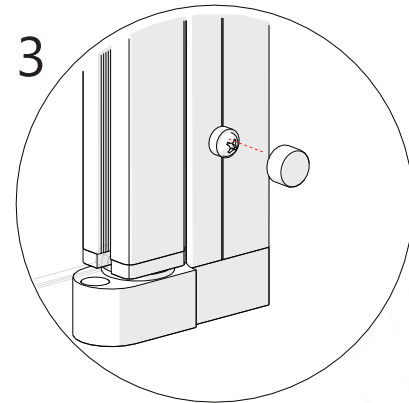
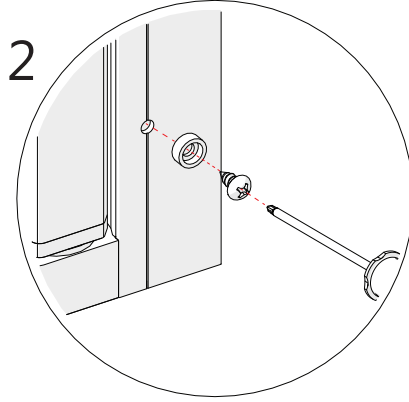
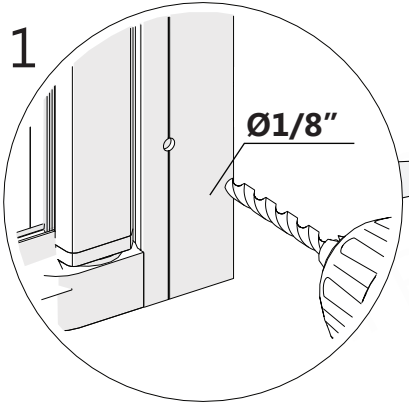
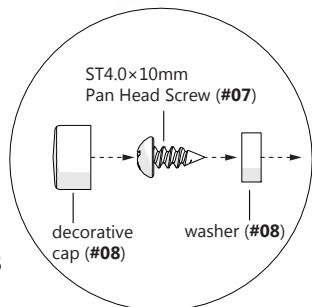


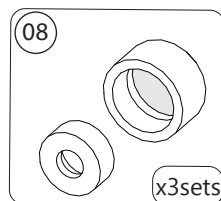
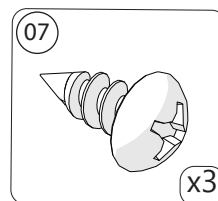
Fig 5

NOTE

Include the washers when installing the **ST4.0x10mm Pan Head Screws (#07)** and **Decorative Caps (#08)**.



Parts Needed

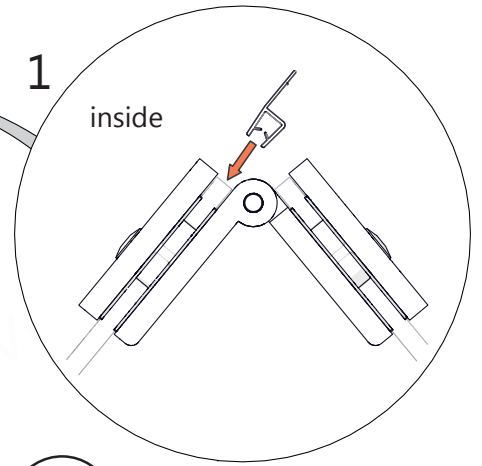
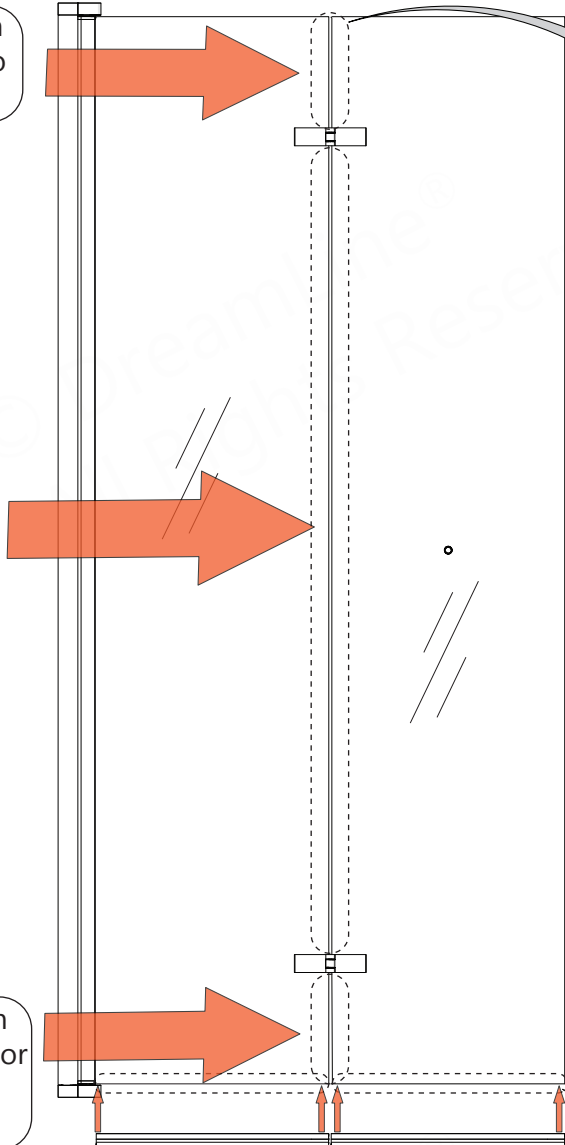
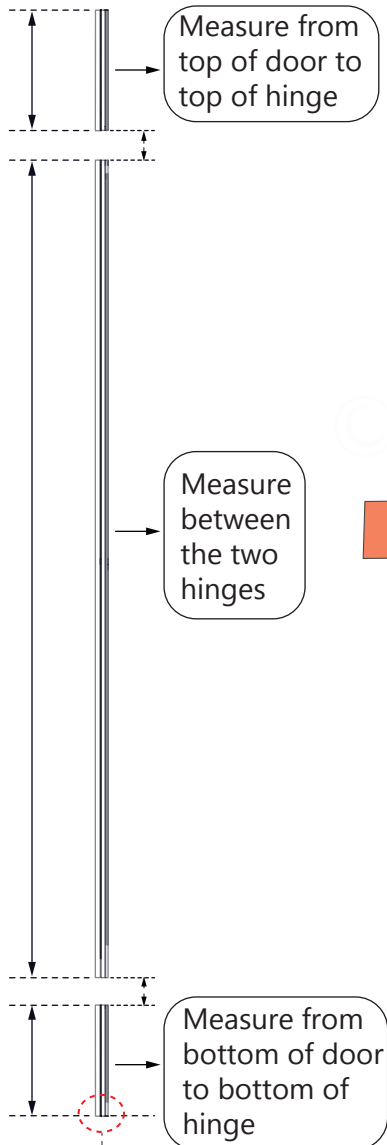


Tools Needed



6

Vinyl Seals Installation



TIP
 Attach the **Vertical Vinyl Seal (#12)** to the inside edge of the **Door Glass (#03)** that is on the same side as the shower head so that the flexible fin is pointing away from the water source.

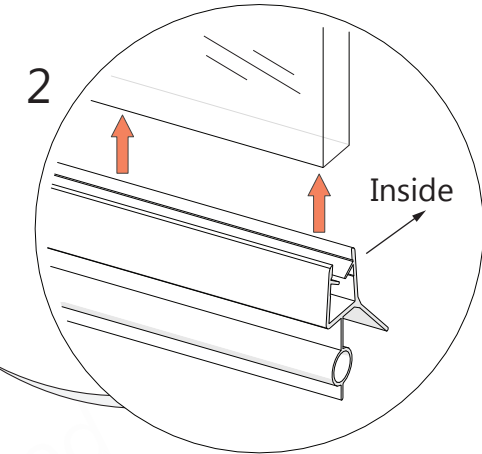
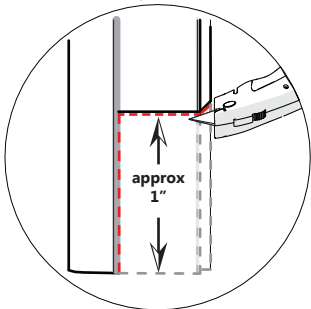
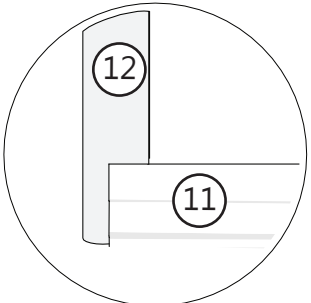


Fig 6

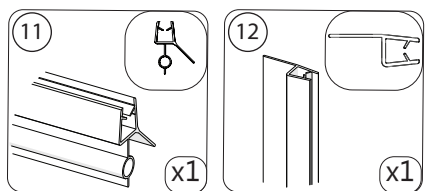


NOTE Remove the 1/2" shims and open the door.

NOTE Use a razor knife to notch the **Vertical Vinyl Seal (#12)** to fit around the **Bottom Sweep Vinyl (#11)** as shown to prevent leakage in the corner. Notch **Bottom Sweep Vinyl (#11)** +/- 1" to fit around sweep and press the onto the bottom edge of the **Door Glass (#01)**.



Parts Needed



Tools Needed



Threshold Installation

NOTE

Open the Door Glass and install the Threshold Dam Strip.

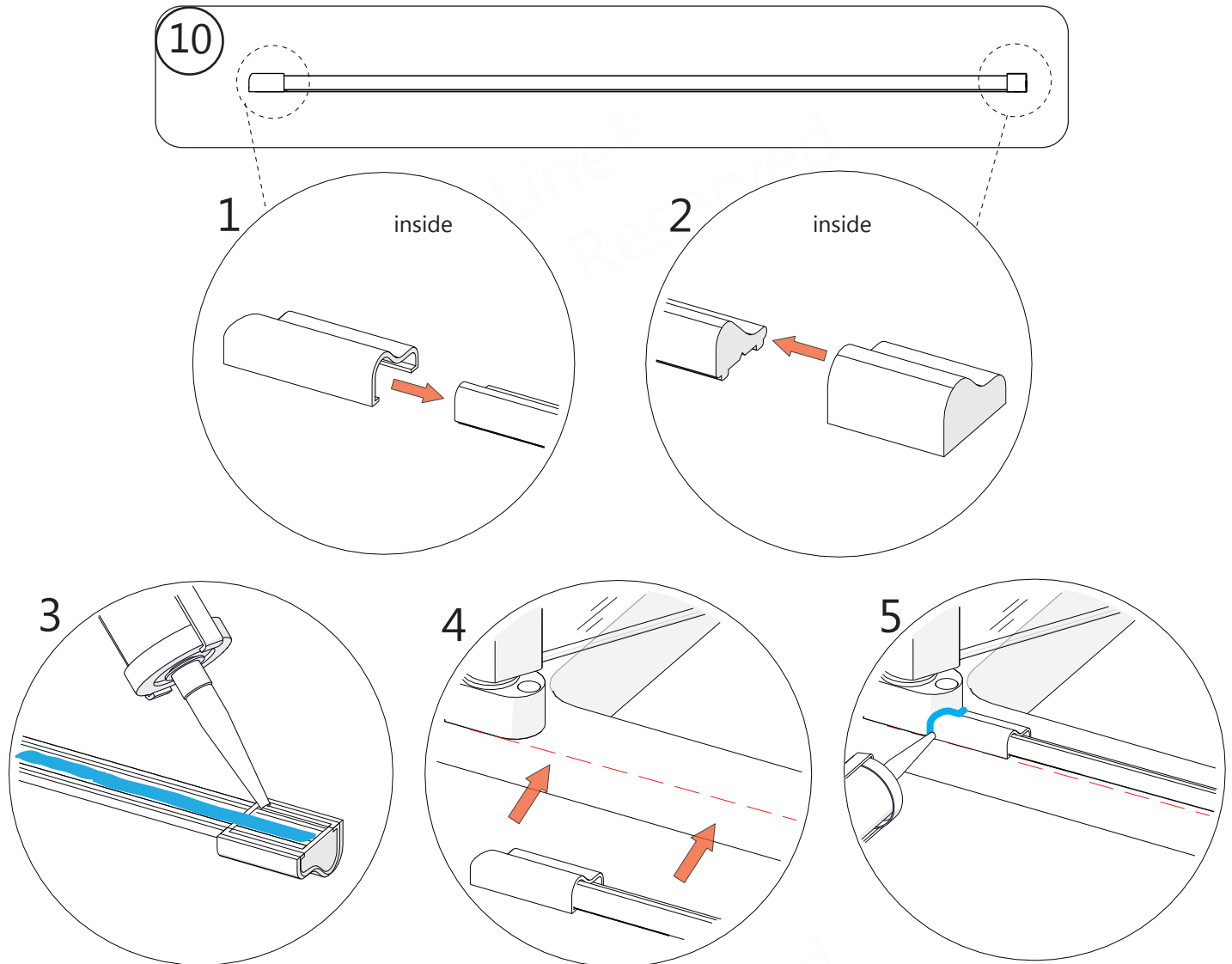


Fig 7

NOTE

This product is shipped with both a left and right **Dam Strip Clip** installation. The large curved lip of the dam strip is intended to face toward the outside of the shower to ensure the flow of water is redirected towards the drain.

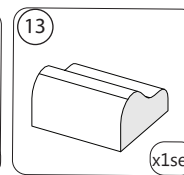
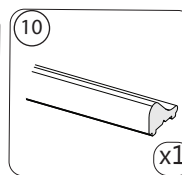
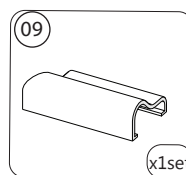
NOTE

Apply silicone along the connections of the **Threshold Connector (#09)** and **Hinged Glass Profile (#02)**.

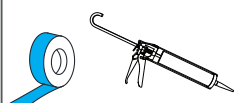
TIP

If the Door Pivot has movement or seems loose, secure the Bottom Pivot to the threshold using the **ST4.0x40mm Pan Head Screws (#04)**

Parts Needed



Tools Needed



Knob Handle Installation

NOTE

Install the **Knob Handle (#10)** through the pre-drilled holes on the **Door Glass (#01)**. Be sure to use all of the included gaskets and sleeves to prevent glass-to-metal contact.

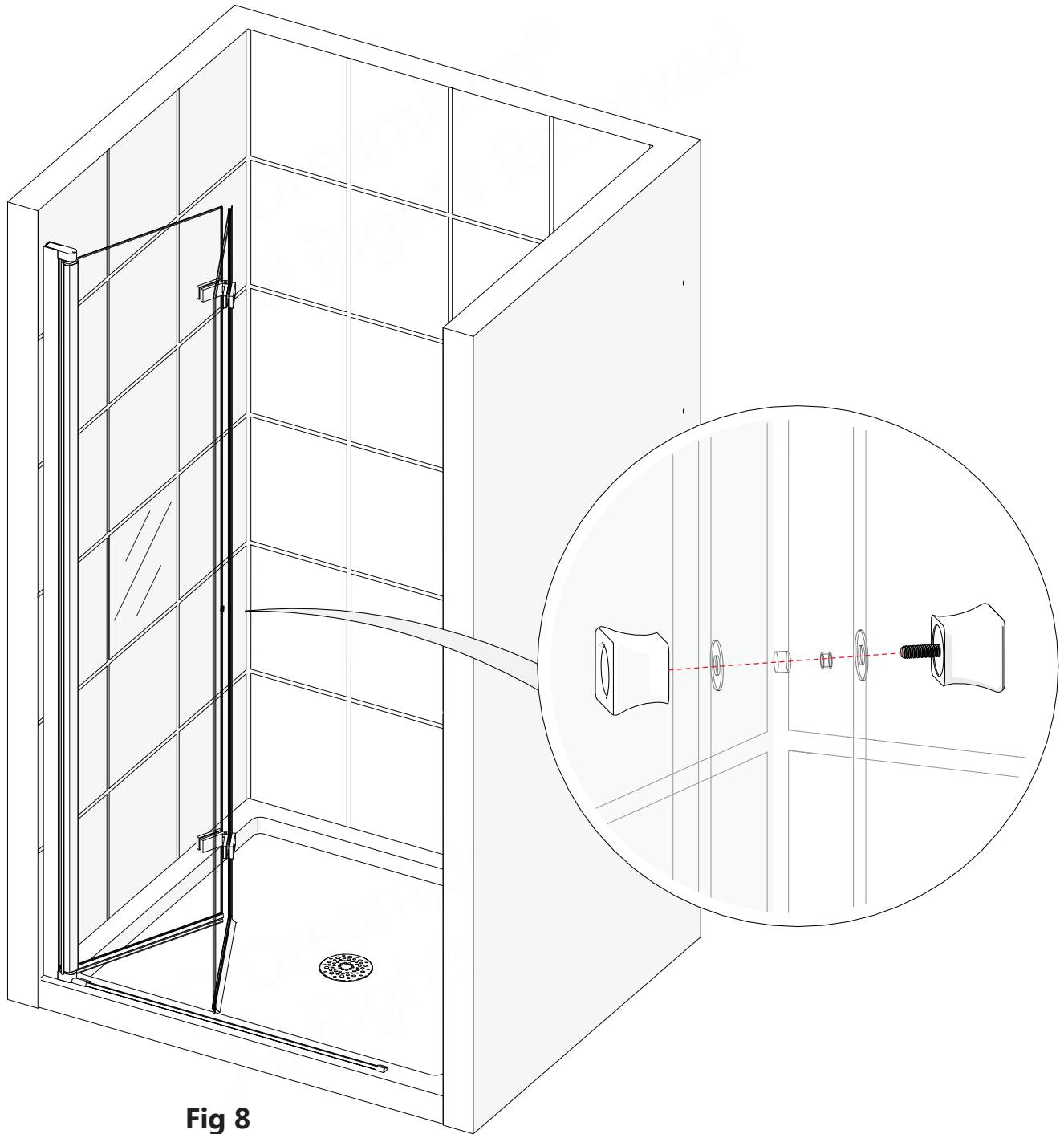
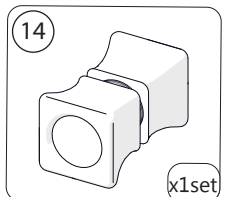


Fig 8

NOTE

Extra gaskets are supplied with the **Knob Handle (#10)** are to be used to align the inside and outside knobs with one another if necessary.

Parts Needed



9

NOTE

The surfaces need to be clean and free of debris before applying silicone

NOTE

Apply silicone to the wall and threshold, along the inside edge of the wall profile and threshold.

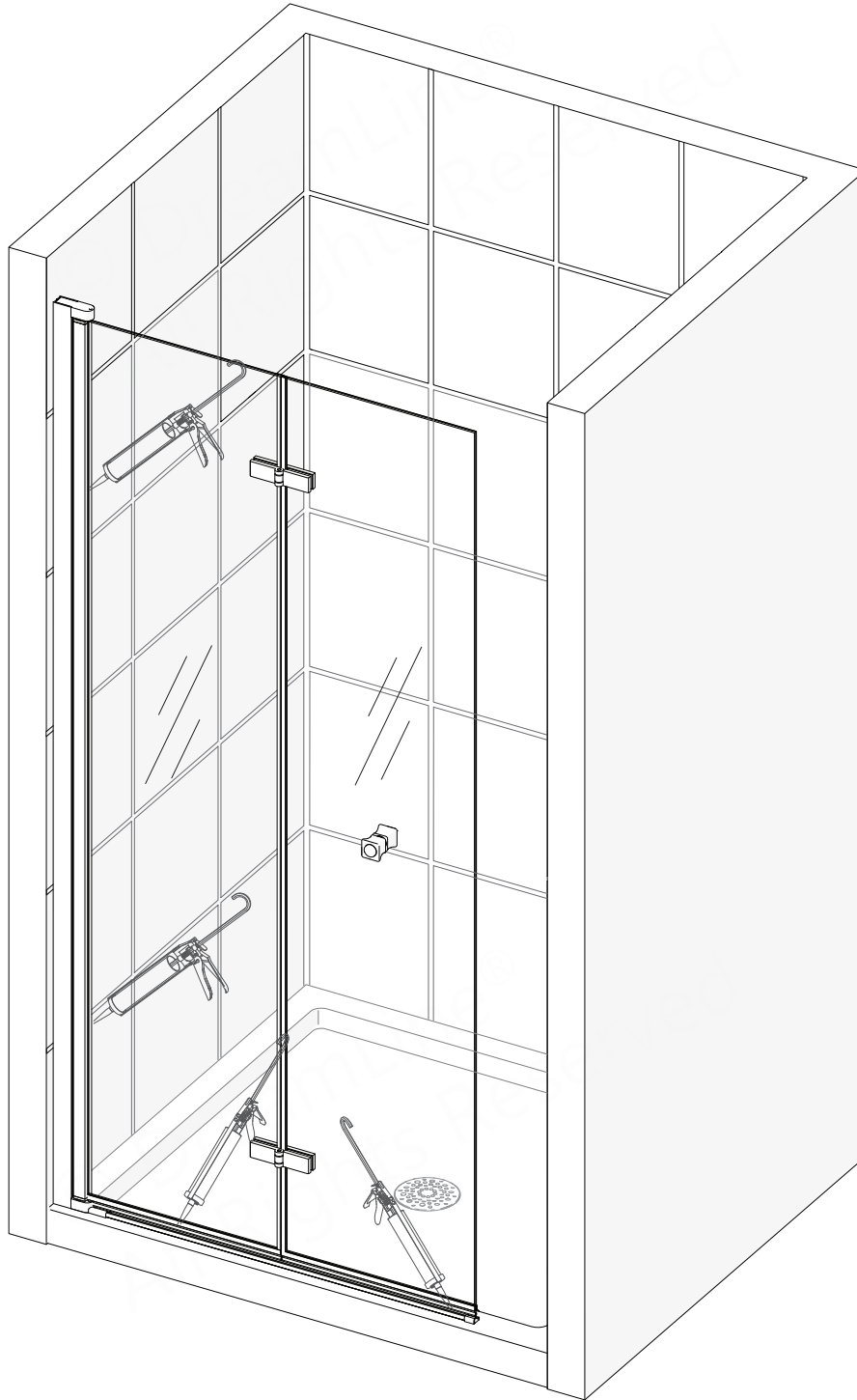
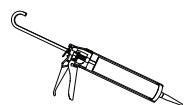


Fig 9



Allow 24 hours for the silicone to cure before using the shower

Tools Needed



Product Maintenance

BASES and BACKWALLS: To ensure long lasting life for your acrylic back walls: wipe them off after each use with a soft cloth. To clean the acrylic back walls use non-abrasive sprays or cream based cleaners. Avoid the use of aerosol spray cleaners. Never use abrasive cleansers, metal brushes or scrapers that could permanently scratch or dull the surface.

GLASS: To ensure long lasting life for your glass shower products: wipe them off after each use with a soft cloth. Rinse and wipe off the glass using either a soft cloth or a squeegee to prevent soap buildup and water spots (Hard water can etch the surface of the glass over time if left to dry). To prevent scratching the surface: never use abrasive cleaners or cleaning products that contain scouring agents. Never use bristle brushes or abrasive sponges that may scratch the surface of the glass.

HARDWARE: To ensure a long lasting finish: wipe off all metal parts after each use with a soft cloth. Do not use abrasive cleaners or cleaning products containing ammonia, bleach or acid. If accidentally used, rinse the surface as soon as possible to prevent damage to the finish (peeling or corrosion). After cleaning the polished finishes, rinse thoroughly and wipe dry with a soft clean cloth. Clean stainless steel surfaces at least once a week. When applying stainless steel cleaner or polish to stainless steel hardware, work with the grain (not across the grain). Never use an abrasive sponge or cloth, steel wool or wired brush as these may permanently scratch the surfaces.

 **To maximize the life of your door, it is important to regularly inspect the glass and other hardware for misalignment, proper attachment, and/or damage. Contact DreamLine® with any questions or concerns.**

AQUA-Q Fold Maintenance Checklist

- Check that the unit is stable, operates smoothly and that the installation is secure.
- Confirm that all screws/bolts are tight.
- Check that the Handle is tightly secured to the Door Glass and that all gaskets are in place to prevent glass-to-metal contact.
- Confirm that all vinyl seals are intact (replace if missing or damaged to prevent leakage)
- Inspect exposed and concealed glass edges for damage
 - Damaged Glass Must be Replaced!**
- Inspect silicone caulk for gaps. Replace silicone as necessary to prevent water leakage.

Troubleshooting

Problem/Symptom	Suggested Solution	Page(s)
Missing Parts	<ul style="list-style-type: none"> • Check all shipping/packaging material for missing parts/components. • If not found, contact DreamLine Customer Support [1-866-731-2244] to order factory part replacement. 	6-8
Door is not operating smoothly	<ul style="list-style-type: none"> • Check the Vinyl Seals for proper trimming and installation • Confirm the Hinge Assemblies are tightly secured to the Door Glass. See Hinge Installation instructions • Confirm the vinyl is tightly secured to the bottom of the Door Glass (#02, #03). • Confirm the Hinge Side Vinyl Seal (#12) is correctly notched around the Bottom Sweep Vinyl (#11). 	11 14
Door Pivot has movement (seems loose) during operation	<ul style="list-style-type: none"> • Secure the Bottom Pivot to the threshold using the ST4.0x40mm Pan Head Screws (#06) 	15
Knob Handle (#14) rattles during operation	<ul style="list-style-type: none"> • Confirm the vinyl gaskets are present and the knob is tightly secured to the glass. 	16



The Aqua-Q Fold Shower/Tub Door is designed to swing out.



Prior to contacting DreamLine® Customer Service, please have the following information readily available:

- Purchase Order Information
 - Name, PO Number, Dealer/Vendor Name, etc.
- SKU/Model Number (see Cover Page)
- Factory Part Information (see Page 21-23)

Factory Parts Information

AQUA-Q FOLD {SD-363072Q-##}		FACTORY PARTS INFORMATION	
ITEM #	FACTORY PART NUMBER	ITEM DESCRIPTION	QTY
01	042800 11 -1828	Left and Right Wall Profile for 1/4" Thick Glass	1 pc
02	220330 102	Hinge and Door Assembly	1 pc
03	010033009	Door Glass	1 pc
04	0742 1060	Square Bi-Fold Hinge Assembly for 1/4" Thick Glass	2 pcs
05	07552148	Wall Anchor 8mm (5/16in)	4 pcs
06	091107	ST4.0 x 40mm Pan Head Screw	5 pcs
07	091101	ST4.0x10mm Stelf-Tapping Round Head Screw	4 pcs
08	0755 1011	Decorative Cover and Washer	4 sets
09	0755 1057 /0755 1058	Threshold Decorative Connector (right or left)	1 set
10	040920 11 -0671	Bottom Anti-Splash Guard for 1/4" Thick Glass	1 pc
11	063015060-0341	Clear Bottom Sweep Vinyl for 6mm Glass	2 pcs
12	063005060-1781	Clear Vinyl Seal with a Flexible Fin 70 1/8" Length for 6mm Glass	1 pc
13	0755 1077 /0755 1078	Threshold End Cover (left or right)	1 set
14	0722 1101	Double Sided Square Knob Handle Assembly for 1/4" Thick Glass	1 set

BOLD digit indicates finish:

01 = Chrome

04 = Brushed Nickel

06 = Oil Rubbed Bronze

09 = Satin Black

Contact Support@DreamLine.com for Part replacement, installation assistance or additional information.
Complete **Warranty** information is available on DreamLine.com.

Factory Parts Information

AQUA-Q FOLD {SD-363472Q-##}		FACTORY PARTS INFORMATION	
ITEM #	FACTORY PART NUMBER	ITEM DESCRIPTION	QTY
01	042800 11 -1828	Left and Right Wall Profile for 1/4" Thick Glass	1 pc
02	220330 103	Hinge and Door Assembly	1 pc
03	010033007	Door Glass	1 pc
04	0742 1060	Square Bi-Fold Hinge Assembly for 1/4" Thick Glass	2 pcs
05	07552148	Wall Anchor 8mm (5/16in)	4 pcs
06	091107	ST4.0 x 40mm Pan Head Screw	5 pcs
07	091101	ST4.0x10mm Stelf-Tapping Round Head Screw	4 pcs
08	0755 1011	Decorative Cover and Washer	4 sets
09	0755 1057 / 0755 1058	Threshold Decorative Connector (right or left)	2 pcs
10	040920 11 -0774	Bottom Anti-Splash Guard for 1/4" Thick Glass	1 pc
11	063015060-0392	Clear Bottom Sweep Vinyl for 6mm Glass	2 pcs
12	063005060-1781	Clear Vinyl Seal with a Flexible Fin 70 1/8" Length for 6mm Glass	1 pc
13	0755 1077 / 0755 1078	Threshold End Cover (left or right)	2 pcs
14	0722 1101	Double Sided Square Knob Handle Assembly for 1/4" Thick Glass	1 pc

BOLD digit indicates finish:

01 = Chrome

04 = Brushed Nickel

06 = Oil Rubbed Bronze

09 = Satin Black

Contact Support@DreamLine.com for Part replacement, installation assistance or additional information.
Complete **Warranty** information is available on DreamLine.com.

Factory Parts Information

AQUA-Q FOLD {SD-363658Q-##}		FACTORY PARTS INFORMATION	
ITEM #	FACTORY PART NUMBER	ITEM DESCRIPTION	QTY
01	042800 1 1-1472	Left and Right Wall Profile for 1/4" Thick Glass	1 pc
02	220330 1 01	Hinge and Door Assembly	1 pc
03	010033011	Door Glass	1 pc
04	0742 1 060	Square Bi-Fold Hinge Assembly for 1/4" Thick Glass	2 pcs
05	07552148	Wall Anchor 8mm (5/16in)	4 pcs
06	091107	ST4.0 x 40mm Pan Head Screw	5 pcs
07	091101	ST4.0x10mm Stelf-Tapping Round Head Screw	4 pcs
08	0755 1 011	Decorative Cover and Washer	4 sets
09	0755 1 057 / 0755 1 058	Threshold Decorative Connector (right or left)	2 pcs
10	040920 1 1-0836	Bottom Anti-Splash Guard for 1/4" Thick Glass	1 pc
11	063015060-0424	Clear Bottom Sweep Vinyl for 6mm Glass	2 pcs
12	063005060-1425	Clear Vinyl Seal with a Flexible Fin for 6mm Glass	1 pc
13	0755 1 077 / 0755 1 078	Threshold End Cover (left or right)	2 pcs
14	0722 1 101	Double Sided Square Knob Handle Assembly for 1/4" Thick Glass	1 pc

BOLD digit indicates finish:

01 = Chrome

04 = Brushed Nickel

06 = Oil Rubbed Bronze

09 = Satin Black

Contact Support@DreamLine.com for Part replacement, installation assistance or additional information.
Complete **Warranty** information is available on DreamLine.com.

NOTES:

© DreamLine®
All Rights Reserved

© DreamLine®
All Rights Reserved

NOTES:

© DreamLine®
All Rights Reserved

© DreamLine®
All Rights Reserved

NOTES:

© DreamLine®
All Rights Reserved

© DreamLine®
All Rights Reserved

© DreamLine®
All Rights Reserved



© DreamLine®
All Rights Reserved

TEL: 866-731-2244
FAX: 866-857-3638
DREAMLINE.COM



For more information on DreamLine® Shower Doors and Enclosures please visit **DreamLine.com**