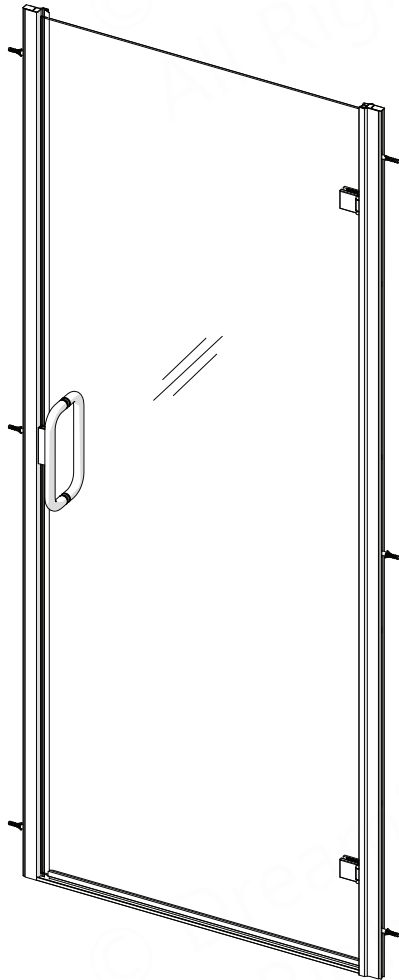




ALLIANCE SWING

SHOWER DOOR INSTALLATION INSTRUCTIONS

PLEASE REVIEW THIS ENTIRE MANUAL PRIOR TO INSTALLATION



SHOWER MODEL #s:

| | |
|------------|------------|
| SDA224W660 | SDA230W720 |
| SDA224W720 | SDA231W660 |
| SDA225W660 | SDA231W720 |
| SDA225W720 | SDA232W660 |
| SDA226W660 | SDA232W720 |
| SDA226W720 | SDA233W660 |
| SDA227W660 | SDA233W720 |
| SDA227W720 | SDA234W660 |
| SDA228W660 | SDA234W720 |
| SDA228W720 | SDA235W660 |
| SDA229W660 | SDA235W720 |
| SDA229W720 | SDA236W660 |
| SDA230W660 | SDA236W720 |

Available in:

- 01 - Chrome
- 04 - Brushed Nickel
- 06 - Oil Rubbed Bronze
- 09 - Satin Black

IMPORTANT!

DreamLine® reserves the right to alter, modify or redesign products at any time without prior notice for the purpose of product improvement and customer experience. Please refer to the model's web page on **DreamLine.com** for the latest technical drawings, installation manuals, warranty information or additional product details.

Do Not Return Product to the Store. Contact DreamLine® with any questions



Questions?

Please contact DreamLine Customer Support
See DreamLine.com for hours of operation

Support@DreamLine.com

1-866-731-2244





Record the following purchase information for your records or in the event you need to contact DreamLine®:

Purchase Order
Number _____

Store/Vendor
Purchased From _____

Installation Date _____

OD Number
(optional) _____
*found on the shipping box or label
if available.






Installed By: _____

SKU Number _____

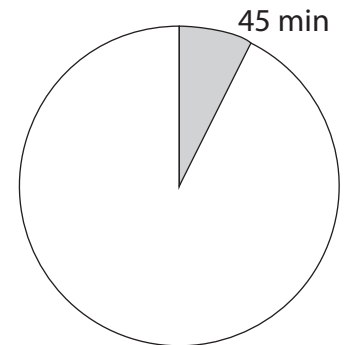
Table of Contents

| Section Title | Page # |
|--|--------|
| Warnings and General Preparation | 2 |
| Model Specific Preparation | 3 |
| Tools | 4 |
| Detailed Diagram of Shower/Tub Door Components | 5 |
| Parts List | 6 |
| Installation Steps | 7-20 |
| Product Maintenance | 21 |
| Troubleshooting | 22 |
| Factory Parts Information | 23-25 |

Symbol Legend

| | |
|--|--|
|  <p>TIP - for ease of installation.</p> |  <p>CORRECT - recommended.</p> |
|  <p>NOTE - take note of special feature; additional information.</p> |  <p>INCORRECT - not recommended.</p> |
|  <p>REQUIRED - requires special attention; signifies a warning.</p> | |

Average Installation Time





IMPORTANT

- DreamLine® reserves the right to alter, modify or redesign products any time without prior notice for product improvement and customer experience. Please refer to the model's web page on DreamLine.com for the latest technical drawings, installation manuals, warranty information or additional product details.
- This product should be installed by someone familiar with the construction requirements for this type of project and the care necessary for the safe installation and operation of the product.
- The safety of any installation is the responsibility of the installer.
- Professional installation recommended. (*All Models*)
- Professional installation required. (*Enigma Series*)
- To prevent damage or serious injury: Do Not lean against the installed panel/door/glass.
- To prevent damage or serious injury: Do Not attempt to lift or move a heavy lite of glass alone. Use an assistant and/or a professional grade glass suction cup.
- The installation of some models may require drilling down into the threshold. Contact the manufacturer of the base, tub, or threshold material with any questions regarding the drilling of holes into their product.
- All drawings in this installation manual are for illustrative purposes only and are not drawn to scale.

TEMPERED GLASS WARNING

- Your Shower Door Glass Could Shatter Without Warning if Improperly Installed or Mishandled
- Do Not install or operate a shower door if the glass has chipped corners, slivered edges or is otherwise damaged and/or has been dropped or banged into a hard surface such as tile, marble or glass.
- **The main causes of tempered glass breakage are:**
 - Improper handling, storage or installation
 - Misuse/abuse
 - Lack of maintenance
 - Failure to replace damaged glass
 - **Improper handling during storage, unpacking and installation:**
 - Corners and edges are the most susceptible area to damage on a lite of tempered glass and should be protected and handled with care during storage, unpacking, installation and operation. A concentrated point of pressure or impact with a surface harder than itself may cause the tempered glass to shatter. The tempered glass may release immediately, within several hours or even days later.
 - **Incorrect installation of door hardware, rollers, hinges, channels, stopper or glass:**
 - Improper installation may include: loose hardware and/or lack of proper gaskets between the hardware and glass. Additionally, improper alignment of guide rails, wall profiles or other hardware during installation or operation may place stress on the glass edges and cause it to break.
 - This product must be installed by a professional and experienced installer familiar with the safe handling of tempered glass.
 - **Improper use of this product:**
 - Aggressively opening or closing the door may cause trauma to the glass, which can lead to breakage. This may occur immediately or hours or even days later.
 - **The shower door hardware and glass should be inspected periodically:**
 - Instruct the homeowner how to perform a periodic inspection of the shower hardware and glass - some minor adjustments may be necessary based upon the use (or misuse) of the shower door. Ensure that the hardware remains tight and that the door alignment and operation are correct. Any adjustments should be made upon discovery to prevent damage to the product.
 - Additional considerations should be given to the installation of frameless tempered glass products in households with young children or an elderly person due to an increased chance of improper handling. In such cases, alternatives such as shower curtains or grab bars should be considered.

GENERAL PREPARATION

- After opening all boxes and packages, read this introduction carefully. Check that all the items are included in the package by marking off the components on the "**Detailed Diagram of Product Components**" page. Examine all boxes and packages for shipping damage. If the unit has been damaged, has a finishing defect, or is missing parts; please contact our Customer Support department within 3 business days of the delivery date. **Please note that DreamLine® will not replace any damaged products or missing parts free of charge after 3 business days or if the product has been installed.** Please contact DreamLine® if you have any questions.
- **Please note that you should refer to your local building codes with questions on installation compliance standards. Building and plumbing codes may vary by location, and DreamLine® is not responsible for code compliance standards for your project and will not accept any returns.**
- If this unit is going to be installed in a new construction, install all the required plumbing and drainage before installing the shower. **Use a competent and licensed (if required by local code) plumber for all plumbing installation.**
- Make sure that prior to beginning the installation, the surfaces are leveled and solid and will be able to support the total weight of the unit. Also make sure the walls are at right angles. Irregular installation surface level, radius corners or improper angle of side walls will result in serious problems for your installation. Please note that some adjustments and drilling will be necessary during the installation process.
- Protect all primary surfaces of the product during installation. Never set your glass down directly onto a tile floor. Leave corner protectors in place until it is necessary to remove them. Always use a piece of wood or cardboard to protect the bottom edge and corners of the glass prior to and during installation.
- This unit must be installed upon a finished threshold and against finished walls.
- *DreamLine® shower doors are not designed to be installed into a fiberglass surround due to the radius corners and lack of a solid surface to mount the hardware.*

WARNING: TO AVOID THE RISK OF DAMAGE OR INJURY:

- **Follow all recommendations and requirements as shown in the installation instructions.**
- Perform a thorough inspection of the glass and all parts for any damage prior to installation. Any damage to tempered glass can cause breakage. **Do Not install damaged glass!**
- Do Not install or operate a shower or tub door if the glass has chipped corners, slivered edges or is otherwise damaged. Do Not install or operate a shower or tub door that has been dropped or banged into a hard surface such as tile, marble or glass.
- **CAUTION:** Contact with any hard surface can damage tempered glass and cause it to shatter.
- This product uses tempered glass. Glass cannot be cut after it has been tempered. **Do Not attempt to cut tempered glass.**
- DreamLine® Glass Shower doors, Tub doors, Inline panels, and Return panels can shatter due to improper handling or lack of maintenance. Conduct periodic inspections of glass and all parts for possible damage, missing or loose parts.
- Always wear proper safety equipment such as: safety goggles, work gloves and appropriate footwear during the installation process.
- **WARNING. Risk of leakage and/or damage.** Follow all instructions regarding the application of silicone sealant or caulk. Allow 24 hours for the sealant to cure before the initial use of the shower or tub product. Follow the silicone manufacturer's recommendations regarding the use of their product.
- **Thoroughly read these instructions before installing or using this product.**
- **Leave this manual for the end-user of the product.**



This product should be installed by someone familiar with the construction requirements for this type of project and the care necessary for the safe installation and operation of the product.

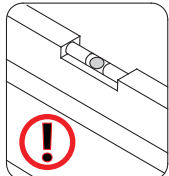
Model Specific Preparation

REQUIRED:

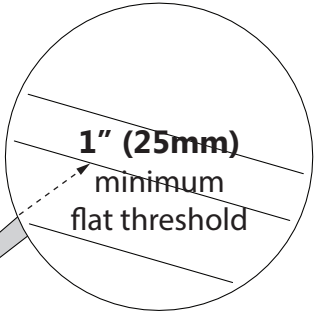
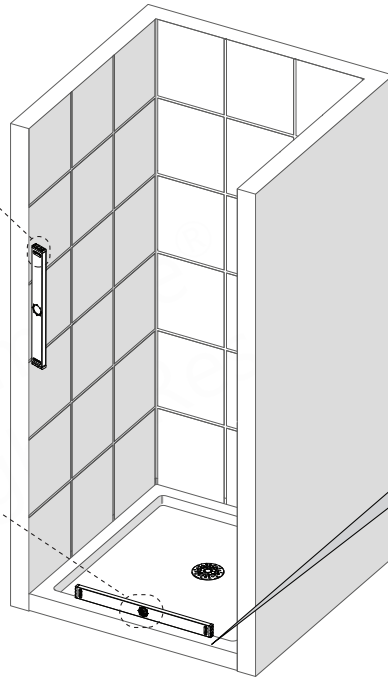
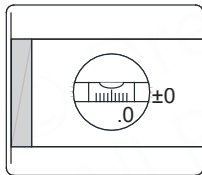
1/4" Out-of-Plumb Adjustment; Verify threshold and walls with a level



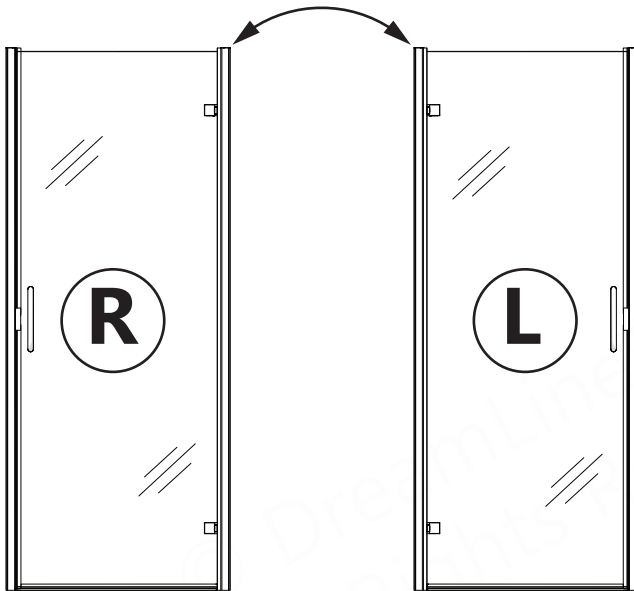
Threshold must be level



Threshold must be level



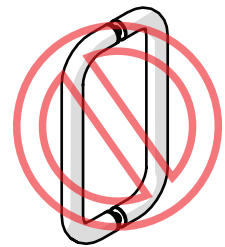
This door is reversible. The door glass can be installed on either side of the shower.



Leave corner protectors on the glass until it is necessary to remove them!



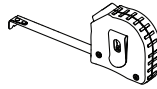
DO NOT attach the Pull Handle to the door glass until instructed. DO NOT attempt to use the Handle to lift the door glass during installation. This may result in damage to the glass and/or serious injury. Always use a professional grade glass suction cup and an assistant.



Tools



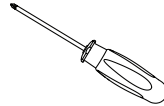
4-Foot Level



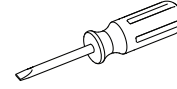
Tape Measure



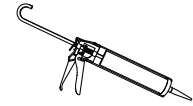
Pencil



Phillips
Screwdriver



Flat-head
Screwdriver



Caulk gun with
clear, mold-resistant
Silicone



Screw Gun
or Impact Driver
w/ #2 Phillips bit



Power
Drill



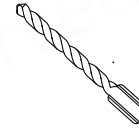
Drill Bit
Ø1/8"
(3mm)



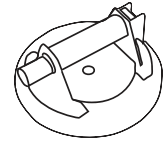
Drill Bit
Ø9/64"
(3.5mm)



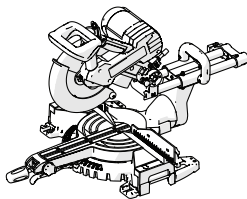
Drill Bit
Ø3/16"
(4mm)



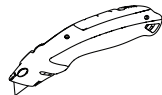
Drill Bit
Ø7/32"
(6mm)
For S-Curved Glass



Professional-grade
Glass suction cup



Compound Miter Saw
with Blade for Metal



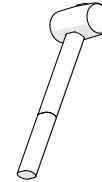
Razor Knife



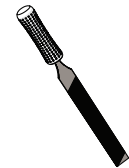
Safety Glasses



Work Gloves



Rubber Mallet



Metal File



Verify that the correct model size has been ordered; measure the finished opening **before** proceeding with the installation.

Confirm that the finished walls are plumb and the threshold is level and pitched into the shower area.

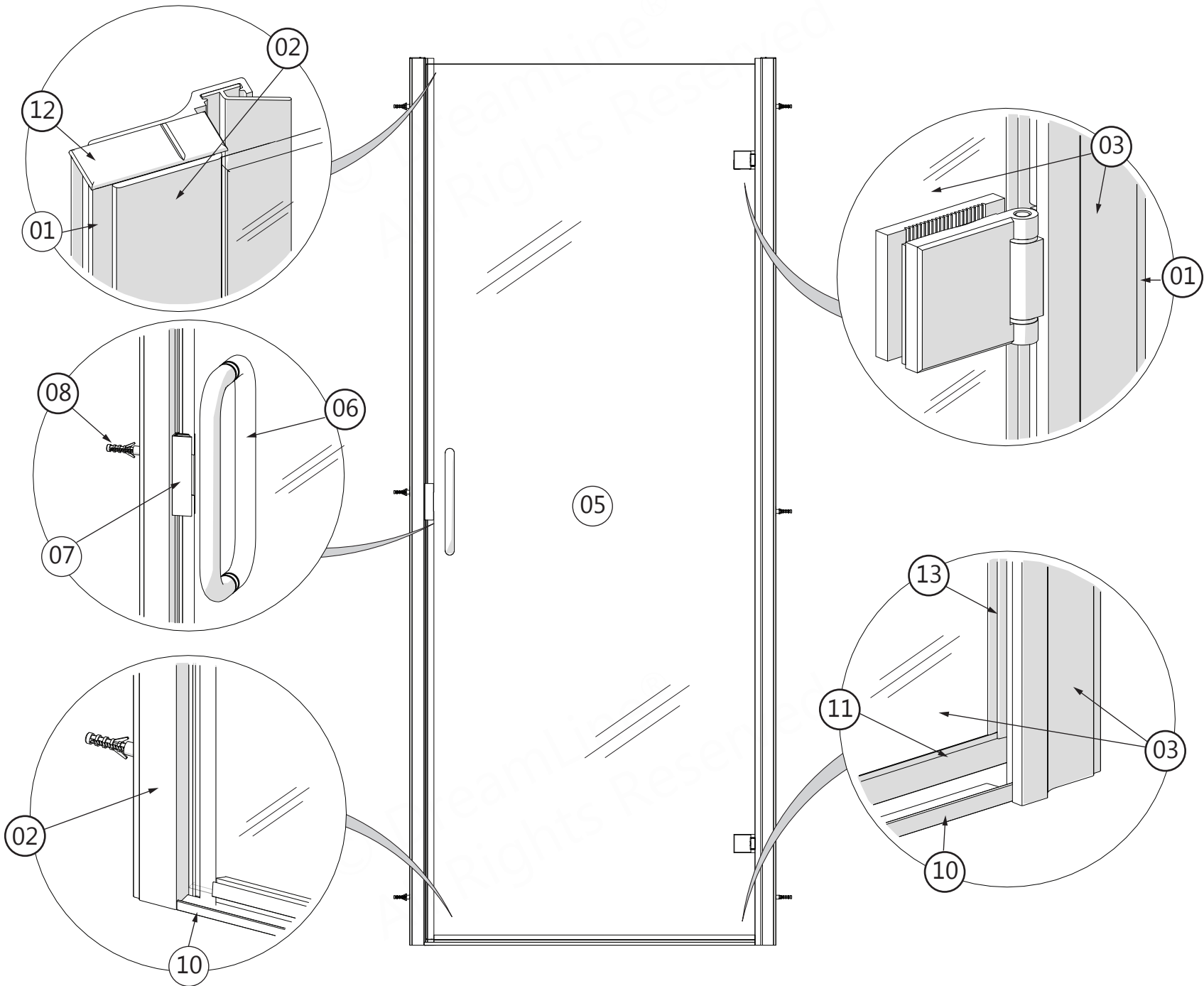
Use a good quality waterproof, mildew-resistant 100% silicone caulk.

Cover the shower/tub drain with tape prior to installation to prevent the loss of screws or small parts.

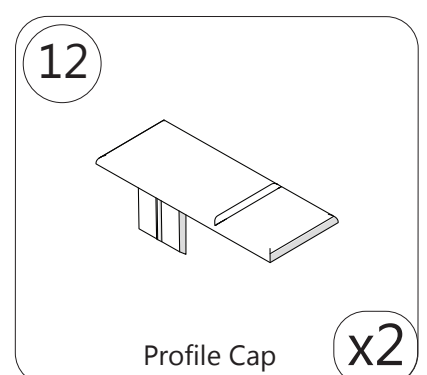
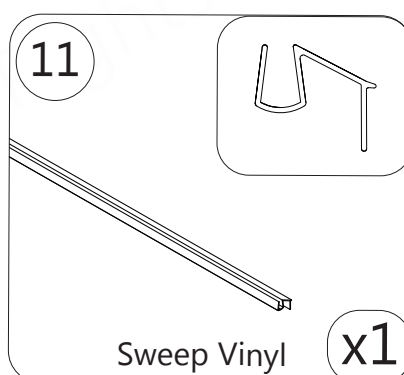
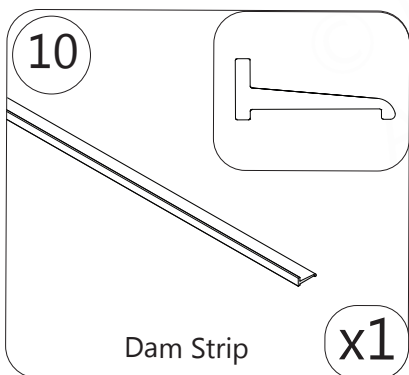
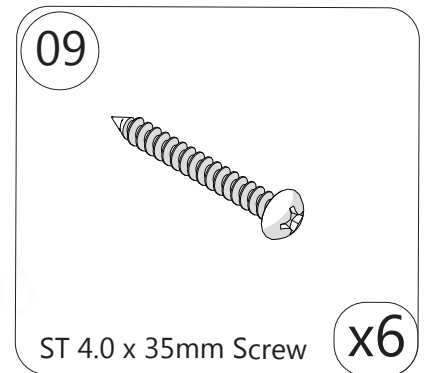
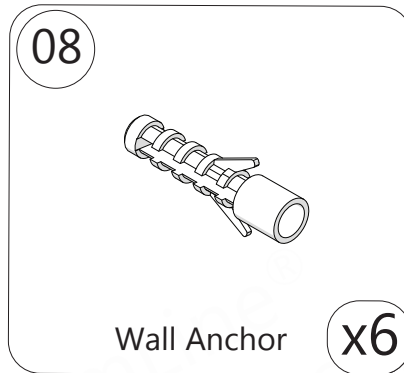
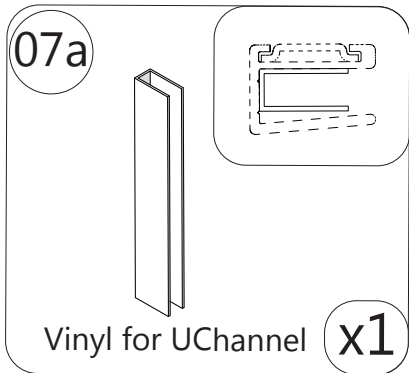
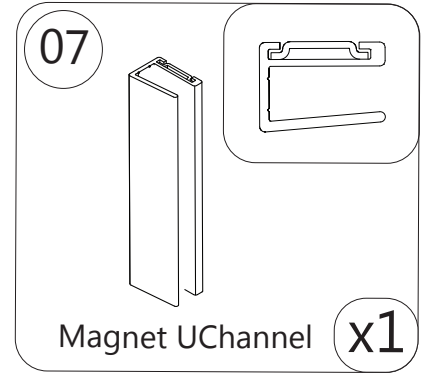
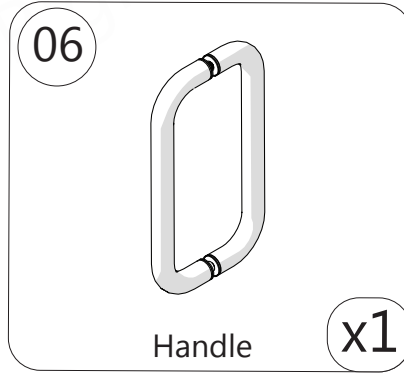
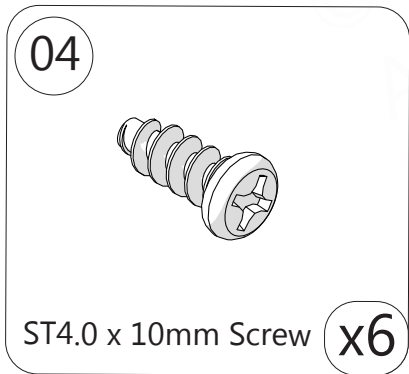
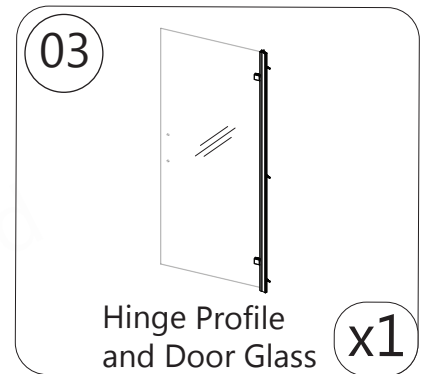
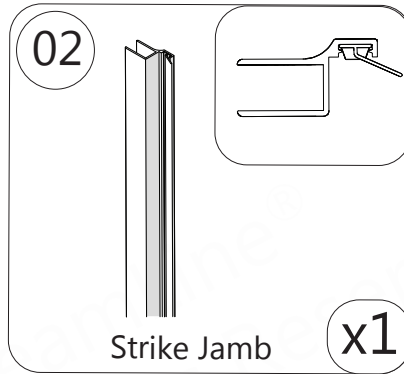
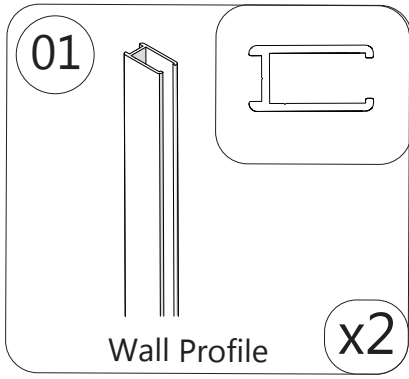


Unpack your unit carefully and inspect it. Lay it out and identify all parts using the **Detailed Diagram** on page 7 and Parts List in this manual as a reference. Before discarding the carton, check for small hardware bags that may have fallen to the bottom of the box. If any parts are damaged or missing, please contact DreamLine® for replacement. The shipping boxes may contain extra parts not used in your model configuration. Retain these installation instructions for future reference.

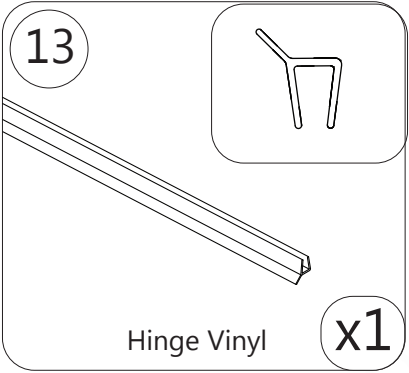
Detailed Diagram of Alliance Swing Door Components



Parts List



Parts List



1

Installation Steps

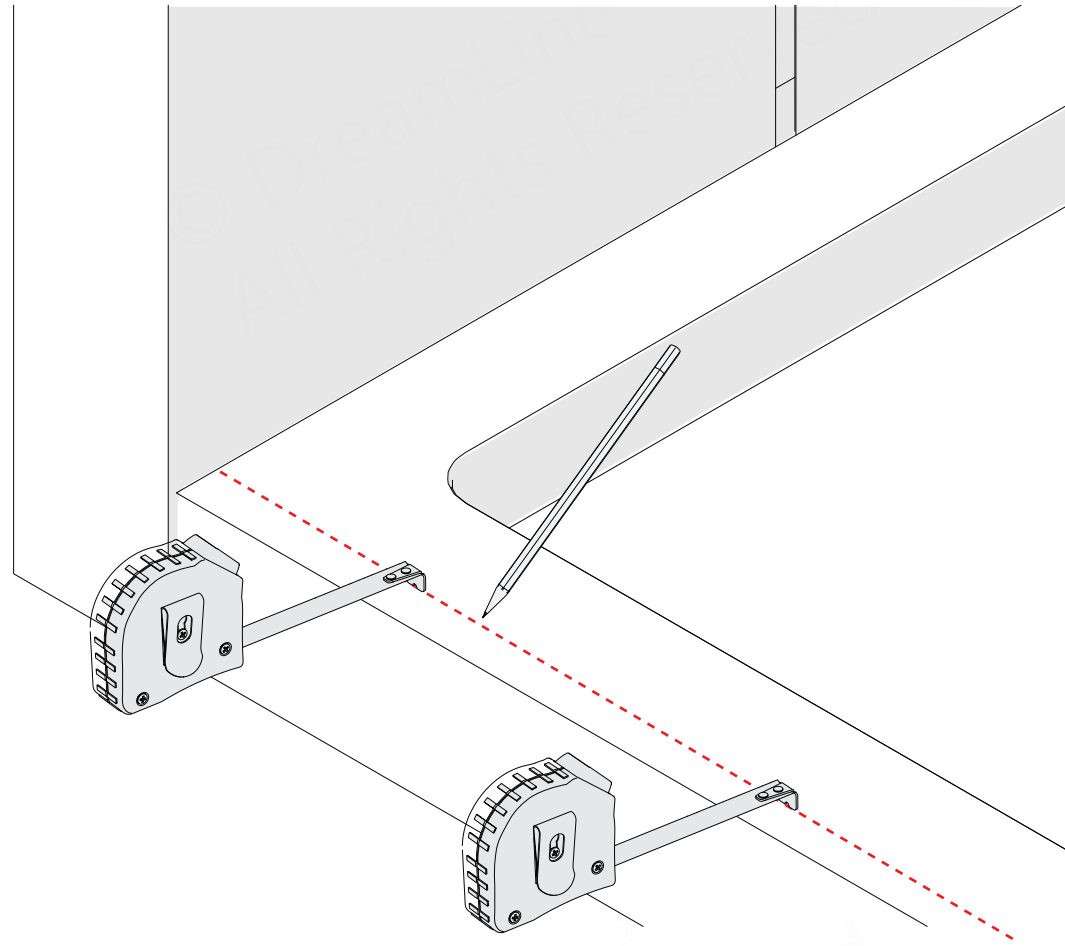
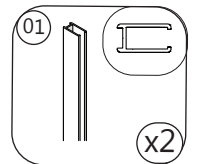
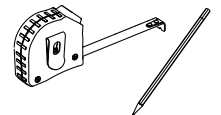


Fig 1

Parts Needed



Tools Needed



Mark a line on the threshold to represent the outside edge of the shower door, keeping in mind the door will extend 1" into the opening behind the line. The line should be parallel with the outside edge of the threshold. **Fig 1**

2

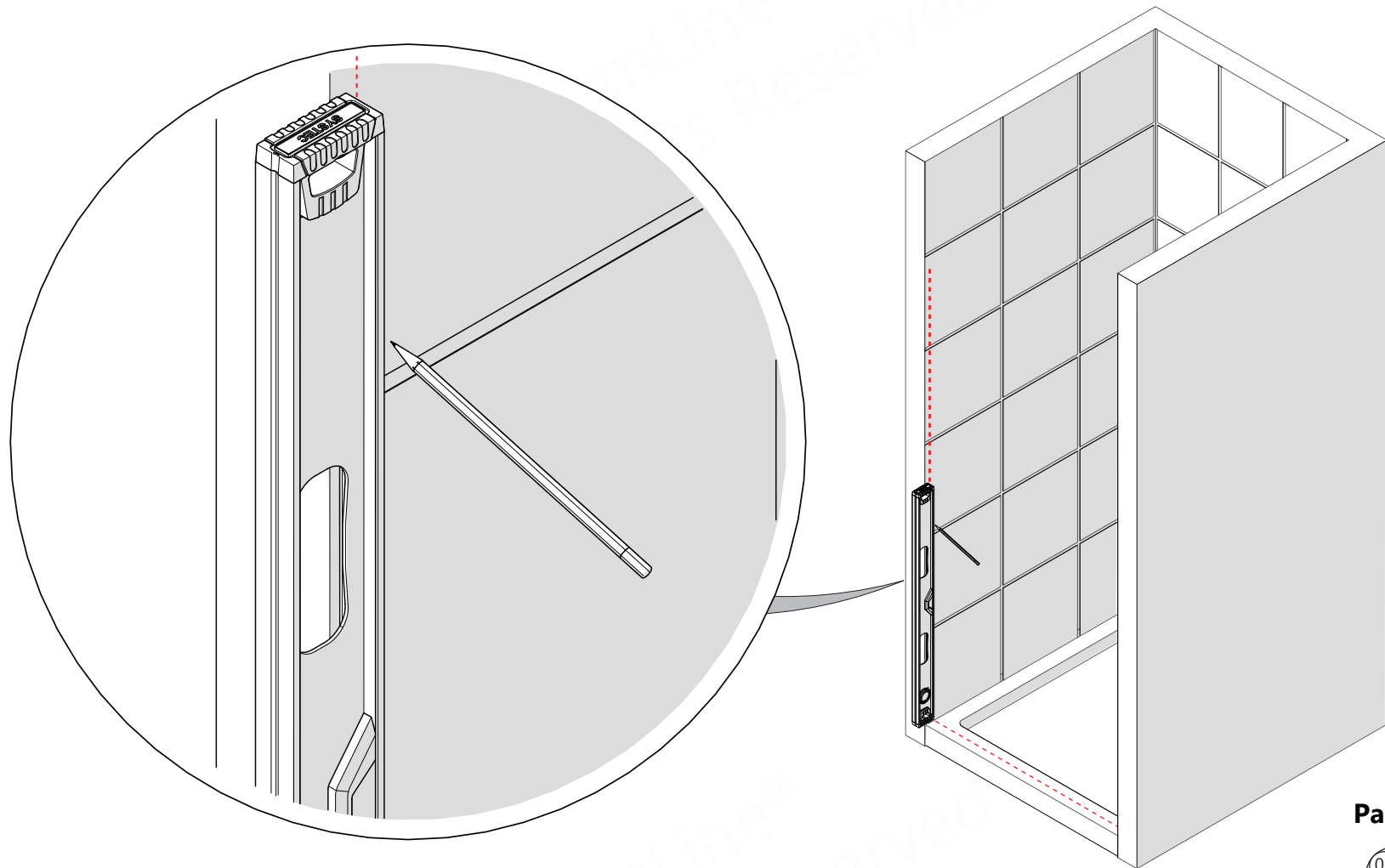
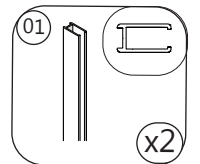


Fig 2

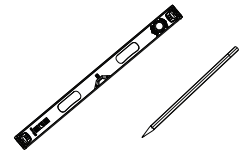
NOTE

Use a 4 or 6-foot level and a pencil to mark plumb lines on both walls, extending the line just made on the threshold. **Fig 2**

Parts Needed



Tools Needed



3

NOTE

Place the outside edge of each **Wall Profile (#01)** on the lines just made and use a level to double-check that they are plumb. Mark the holes for drilling through the pre-drilled holes in the **Wall Profiles (#01)**. **Fig 3**

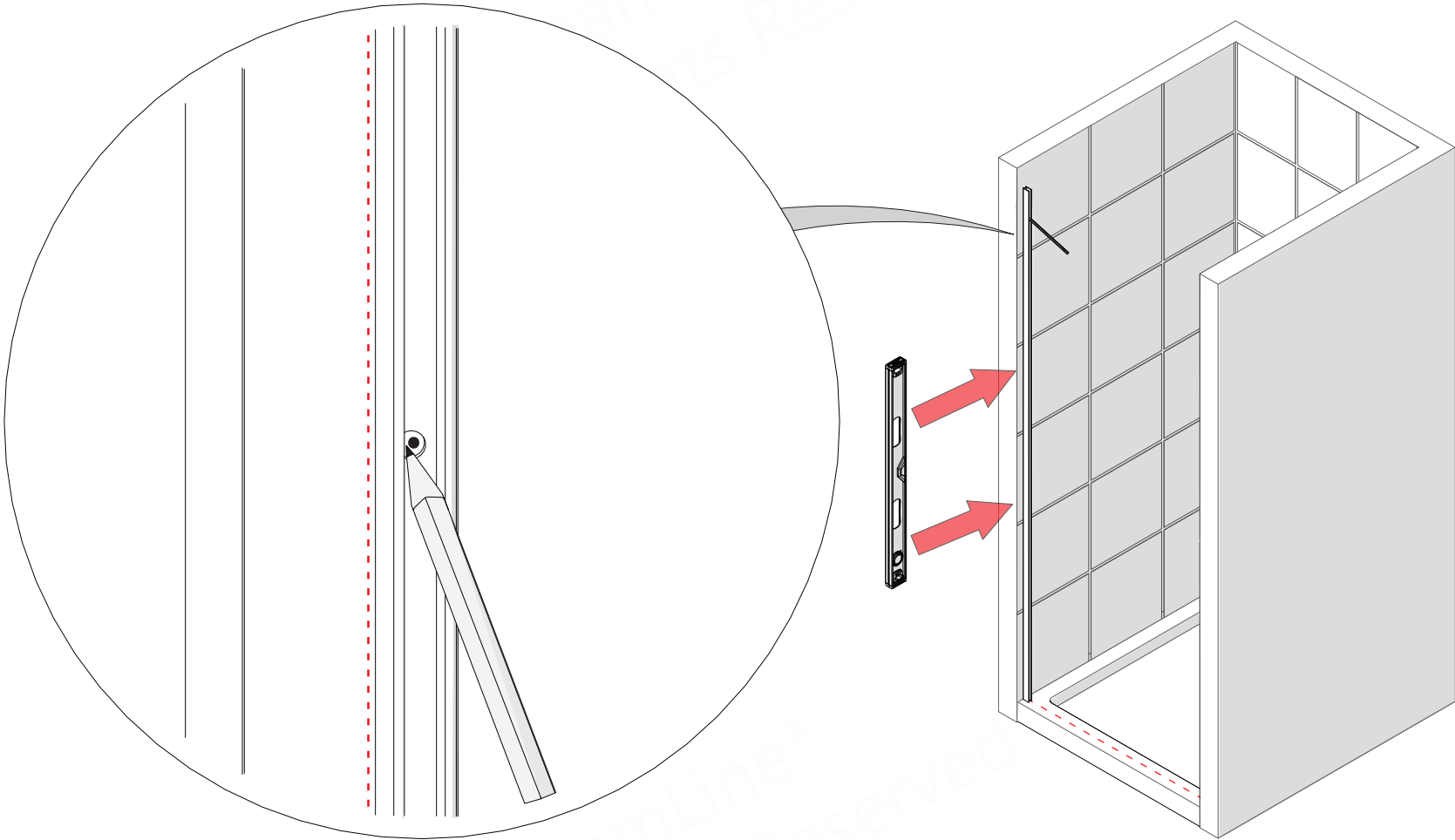
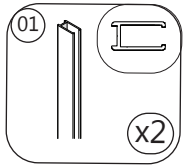


Fig 3

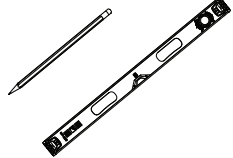
TIP

Use both profiles to mark the holes for drilling, one on each side. Install each profile on its respective side in the same position in which it was marked. **Fig 3**

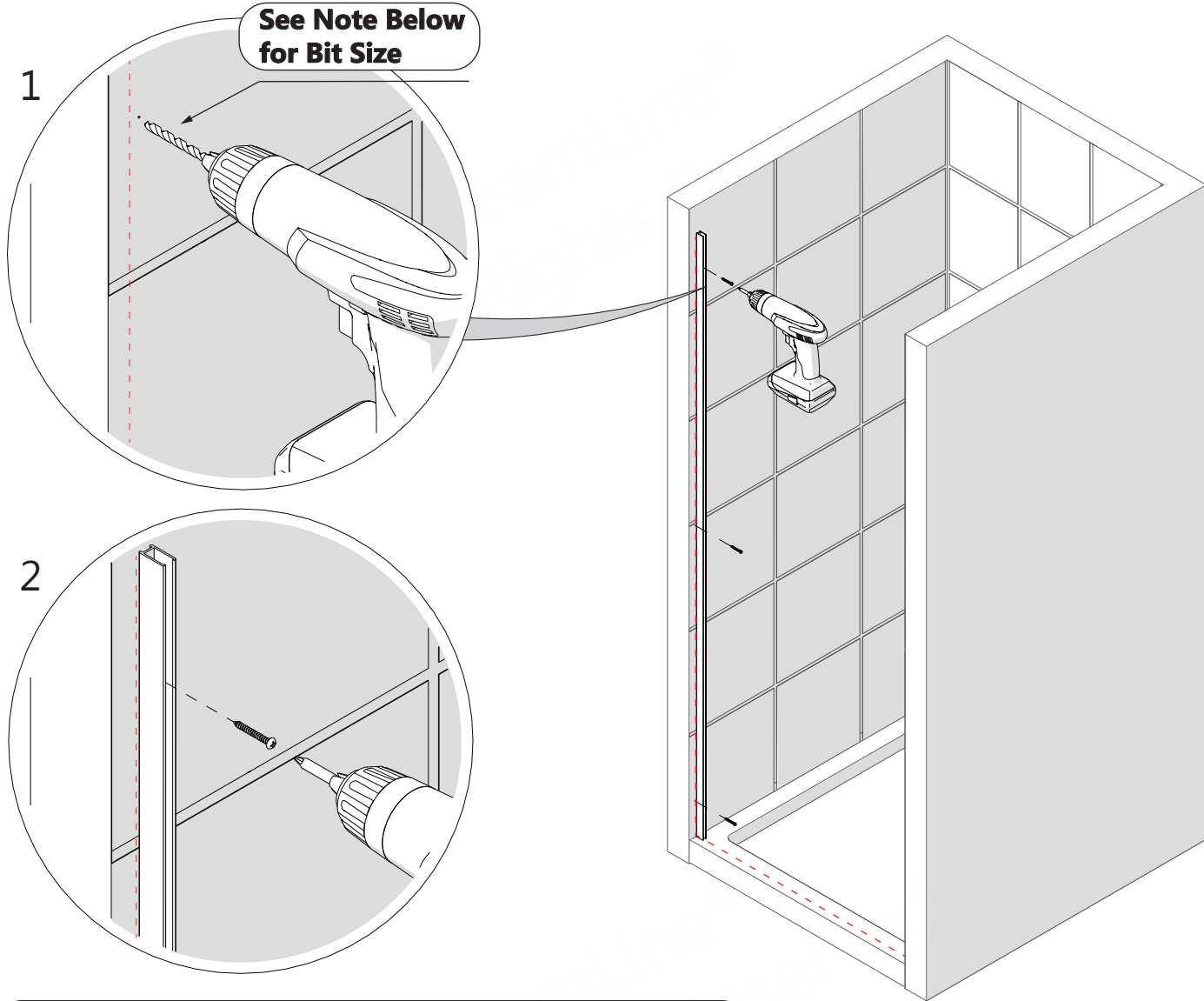
Parts Needed



Tools Needed



4



See Note Below
for Bit Size

1

2

Parts Needed

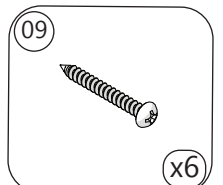
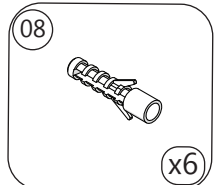
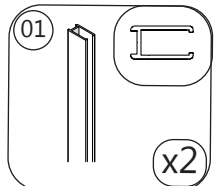
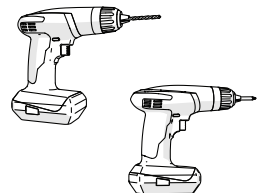


Fig 4

NOTE

- **If a stud is present behind the wall:**
drill a $\text{Ø } 3/16''$ (4mm) hole up to the stud and pilot the stud using a $\text{Ø } 1/8''$ (3mm) bit. Install the Wall Profiles using the **ST4.0 x 35mm Screws (#09)**
- OR
- **If no stud is present behind the wall:**
drill a $\text{Ø } 5/16''$ (7mm) hole and insert a **Wall Anchor (#08)** and use the **ST4.0 x 35mm Screws (#09)**.

Tools Needed



5

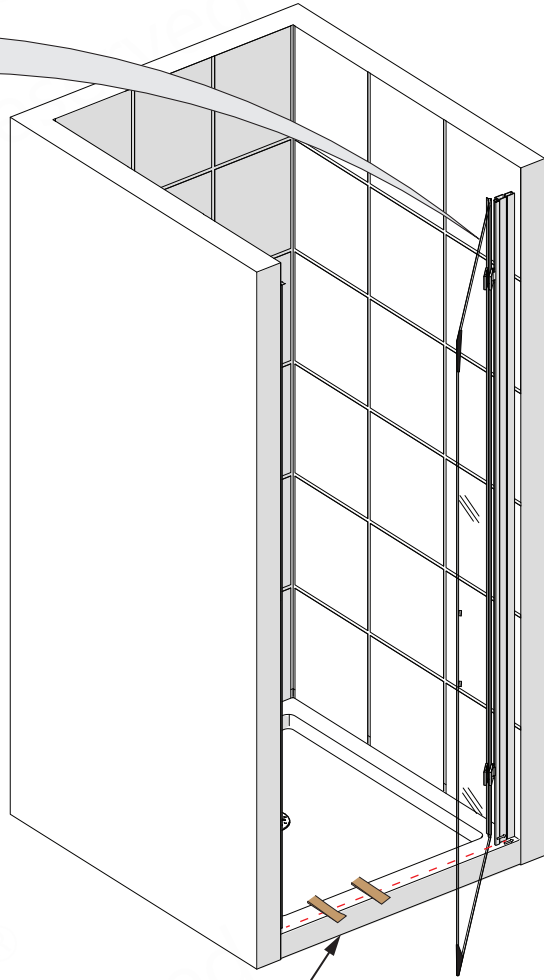
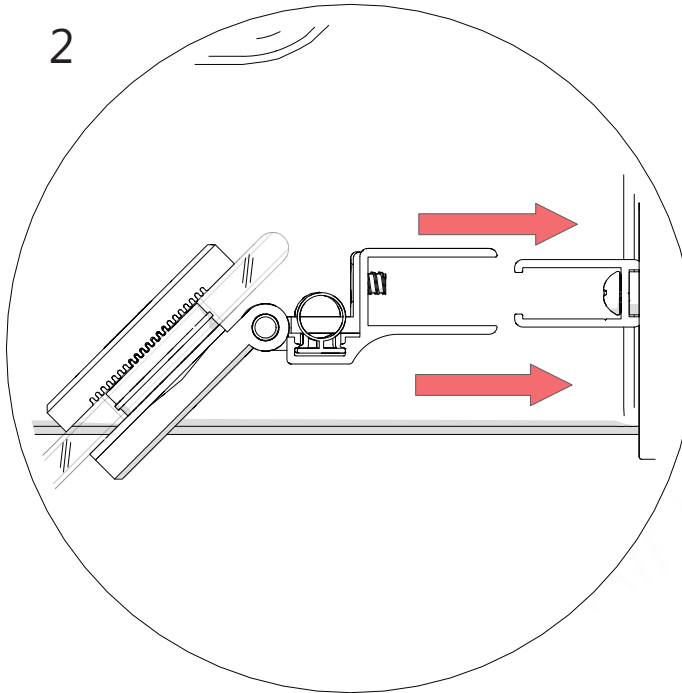
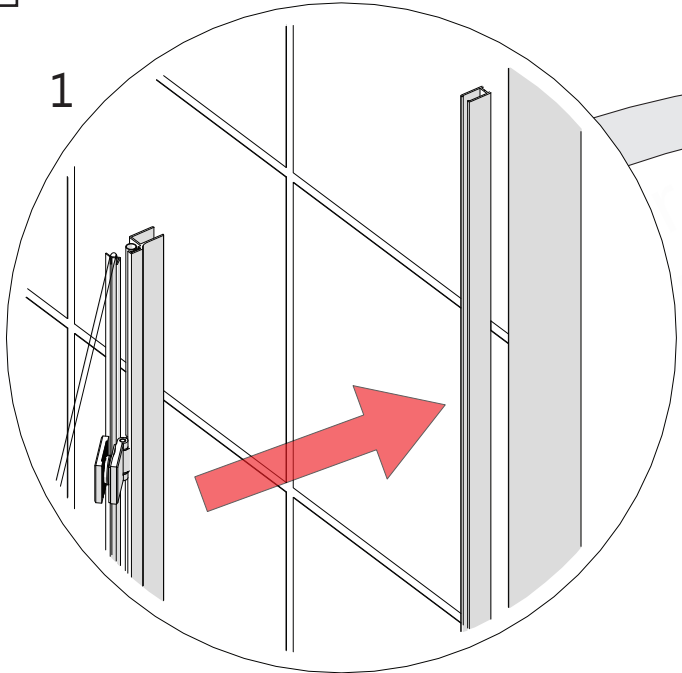
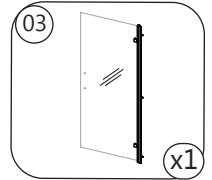


Fig 5



- The hinge screws should face the inside of the shower.
- Place shims beneath the door glass as soon as it is installed to prevent the glass from making contact with the threshold.

Parts Needed



6

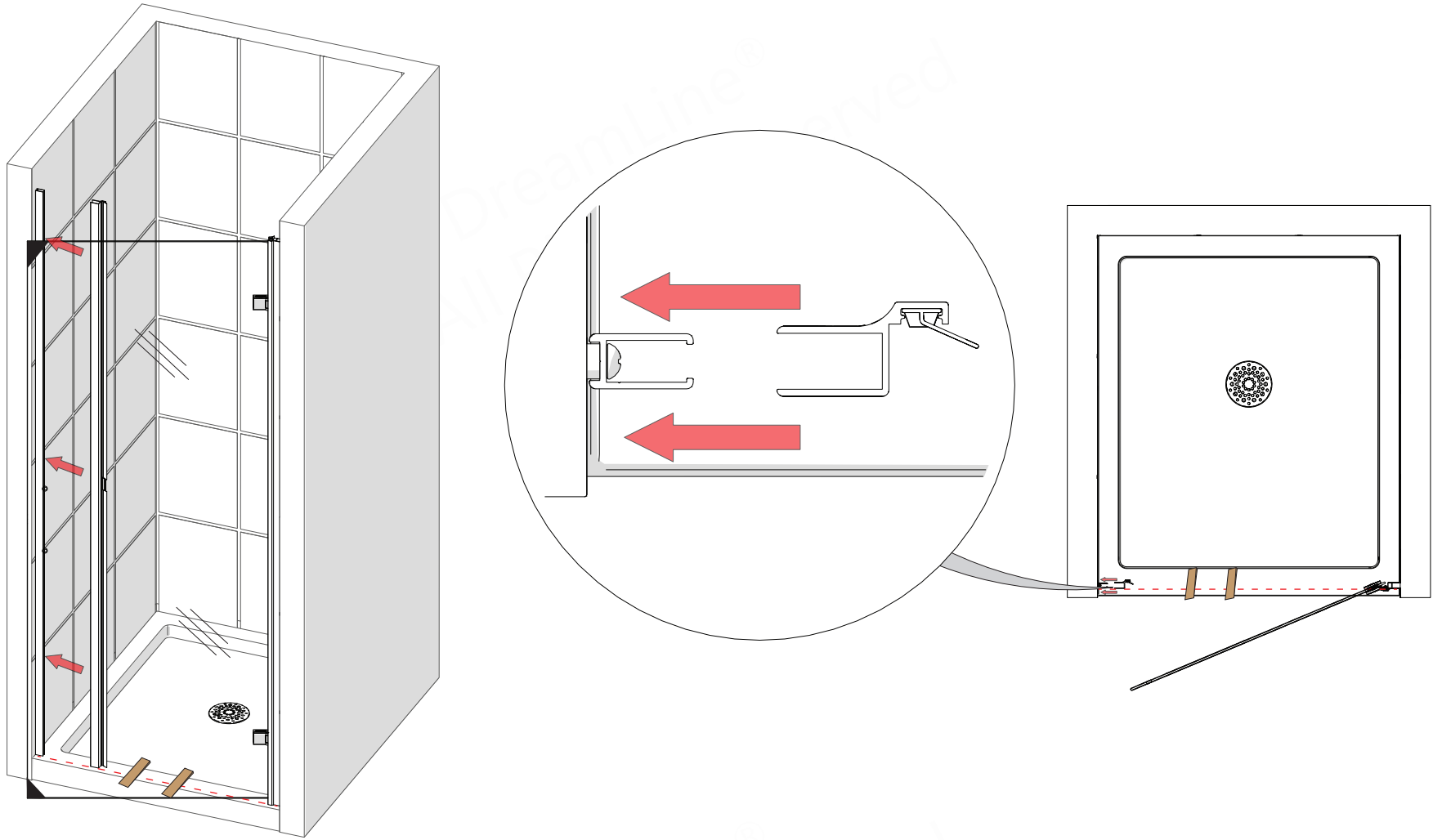
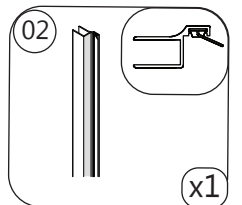


Fig 6



It will be easier to install and adjust the **Strike Jamb (#02)** and the door from inside the shower, with a helper on the outside.

Parts Needed



7

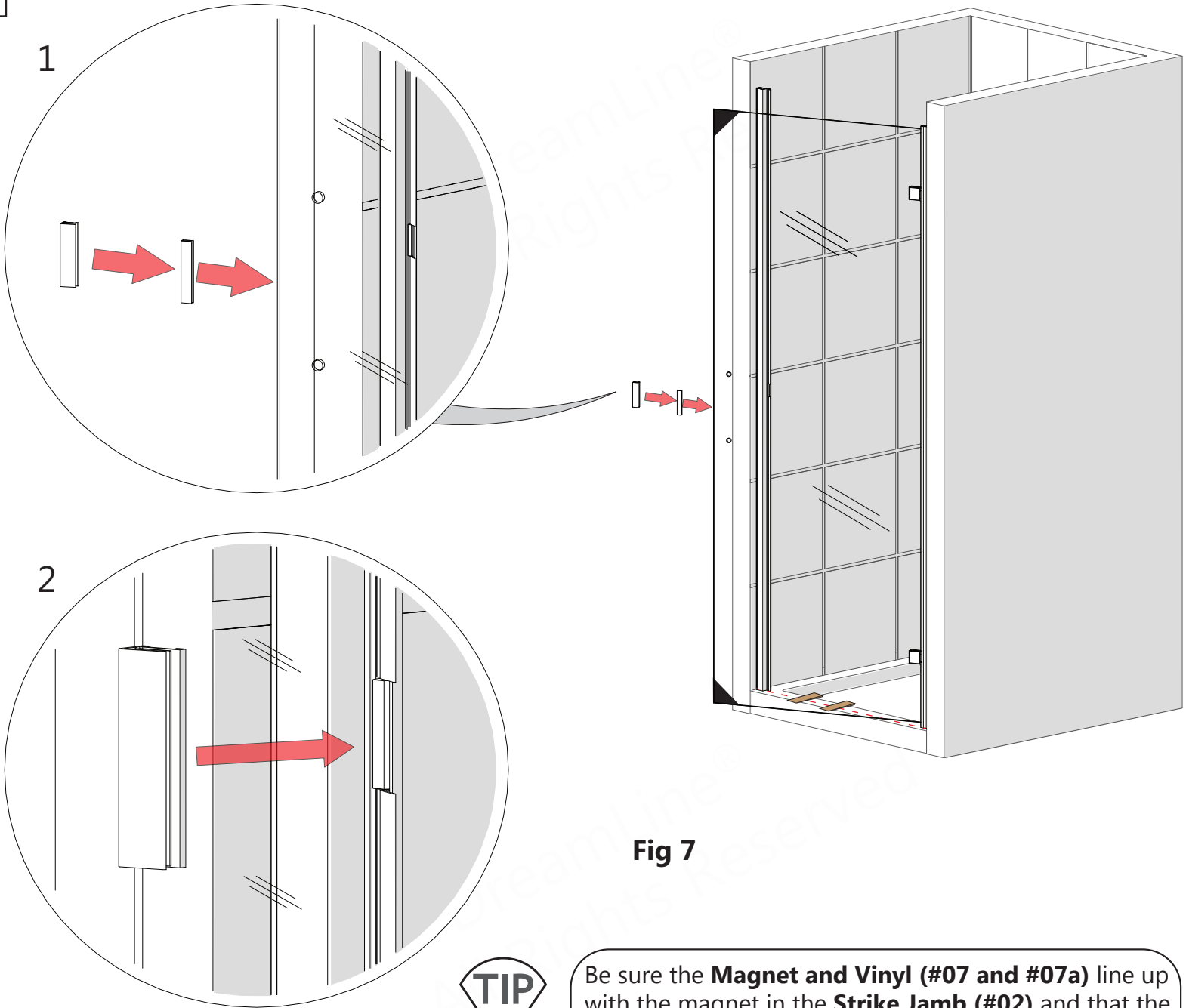
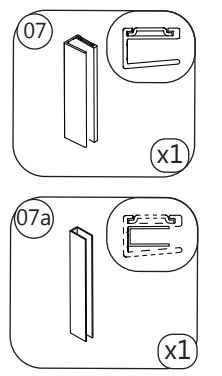


Fig 7



Be sure the **Magnet and Vinyl (#07 and #07a)** line up with the magnet in the **Strike Jamb (#02)** and that the **Magnet and Vinyl** clear the profiles. **Fig 7**

Parts Needed



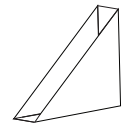
8

NOTE

Adjust the **Hinge Profile and Door Glass (#03)** to bring the strike side edge of the **Door Glass** within 1/4" of the **Strike Jamb (#02)** Fig 8.1

TIP

The **Corner Protectors** on the **Door Glass** can be removed at this point in order to make adjustments.



Corner Protector

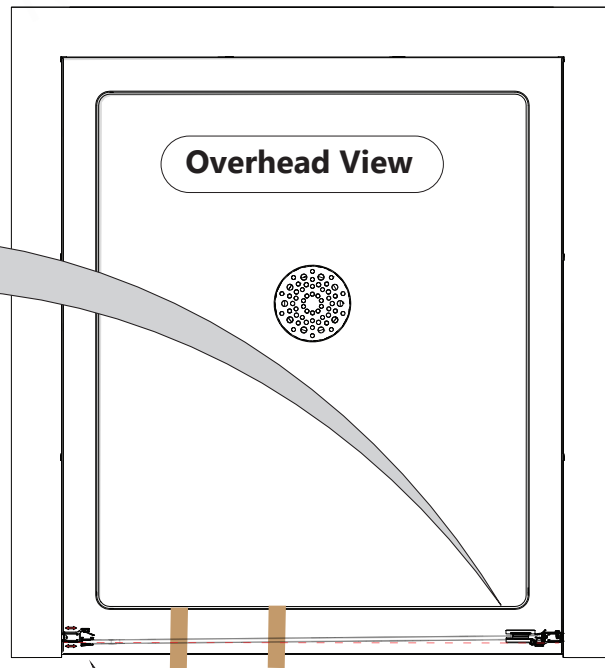
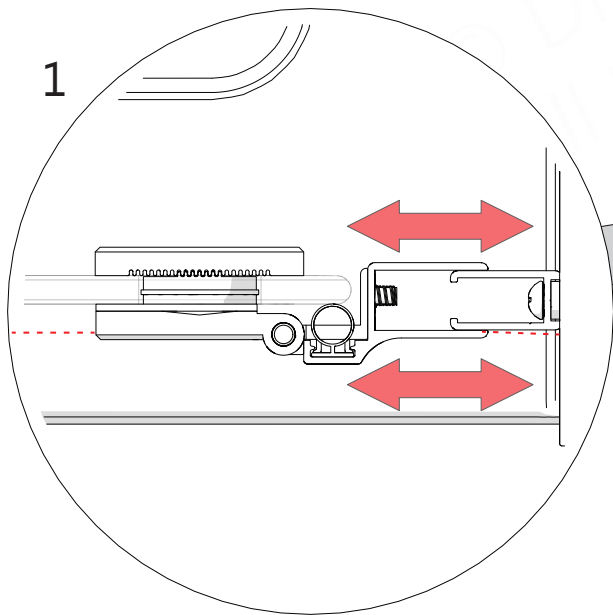
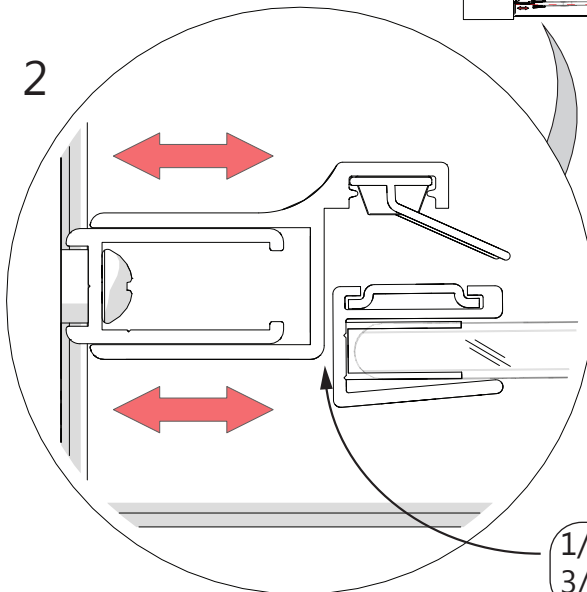


Fig 8

NOTE

Adjust the **Strike Jamb (#02)** to leave a **1/8" - 3/16"** gap between the **Strike Jamb (#02)** and the edge of the **Magnet and Vinyl (#07)** on the Door Glass. Fig 8.2

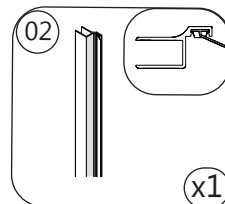
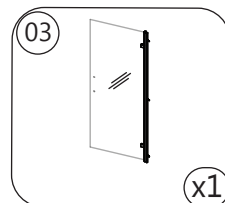


TIP

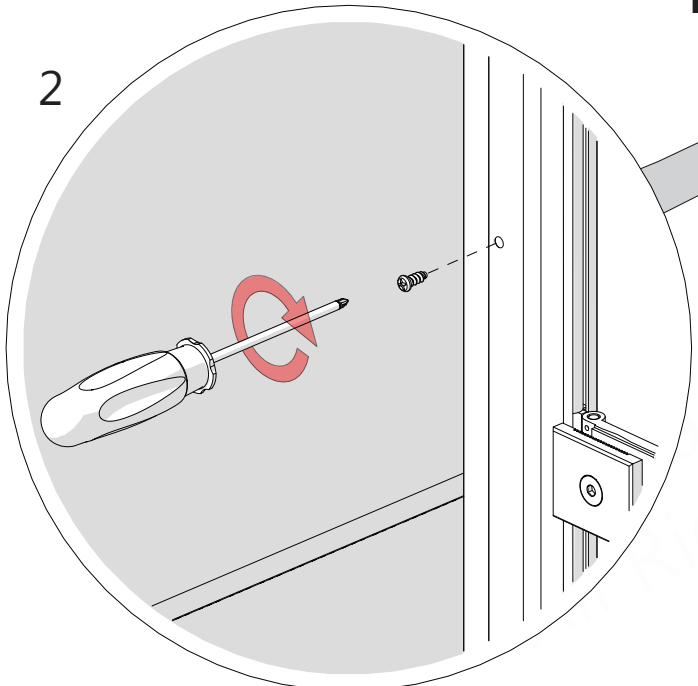
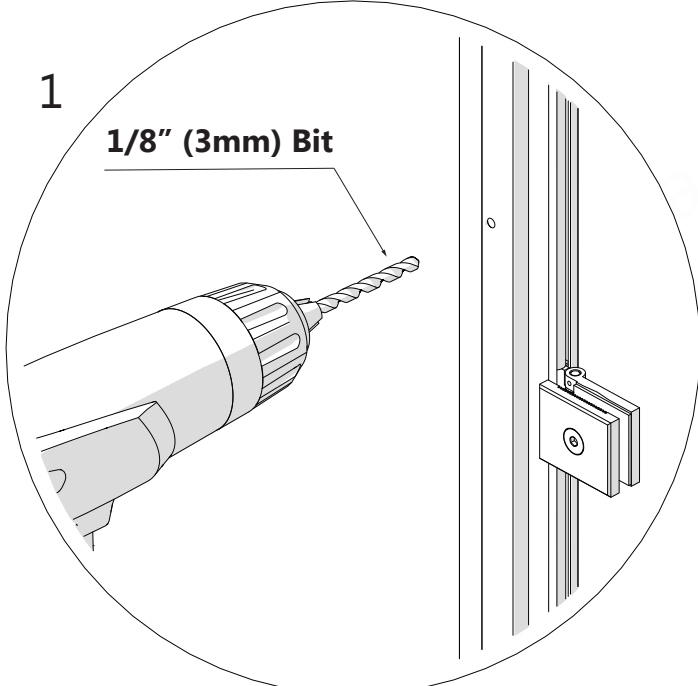
It will be easier to adjust the **Hinge Profile and Door Glass (#03)** and the **Strike Jamb (#02)** and the **Door Glass** from inside the shower, with a helper on the outside.

1/8" (3mm) - 3/16" (5mm) gap

Parts Needed



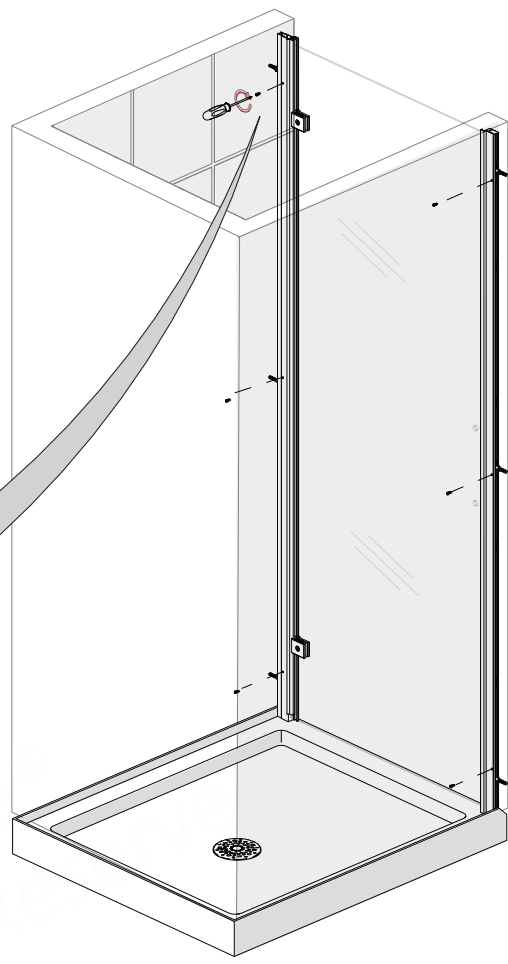
9



NOTE

After all adjustments are made, use a **1/8" (3mm)** bit to drill through just one layer of the inner **Wall Profile (#01)** Fig 9.1

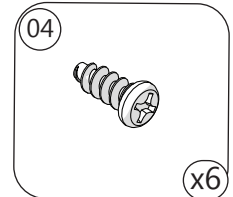
Fig 9



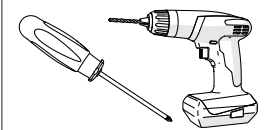
NOTE

Install the **ST4.0 x 10mm screws (#04)** on both sides of the shower. Fig 9.2

Parts Needed



Tools Needed



10



When installing the **Handle (#06)** be sure the bolts in the handle are tightened with a Phillips screwdriver and that the set screws face down and are fully tightened. **Fig 10**

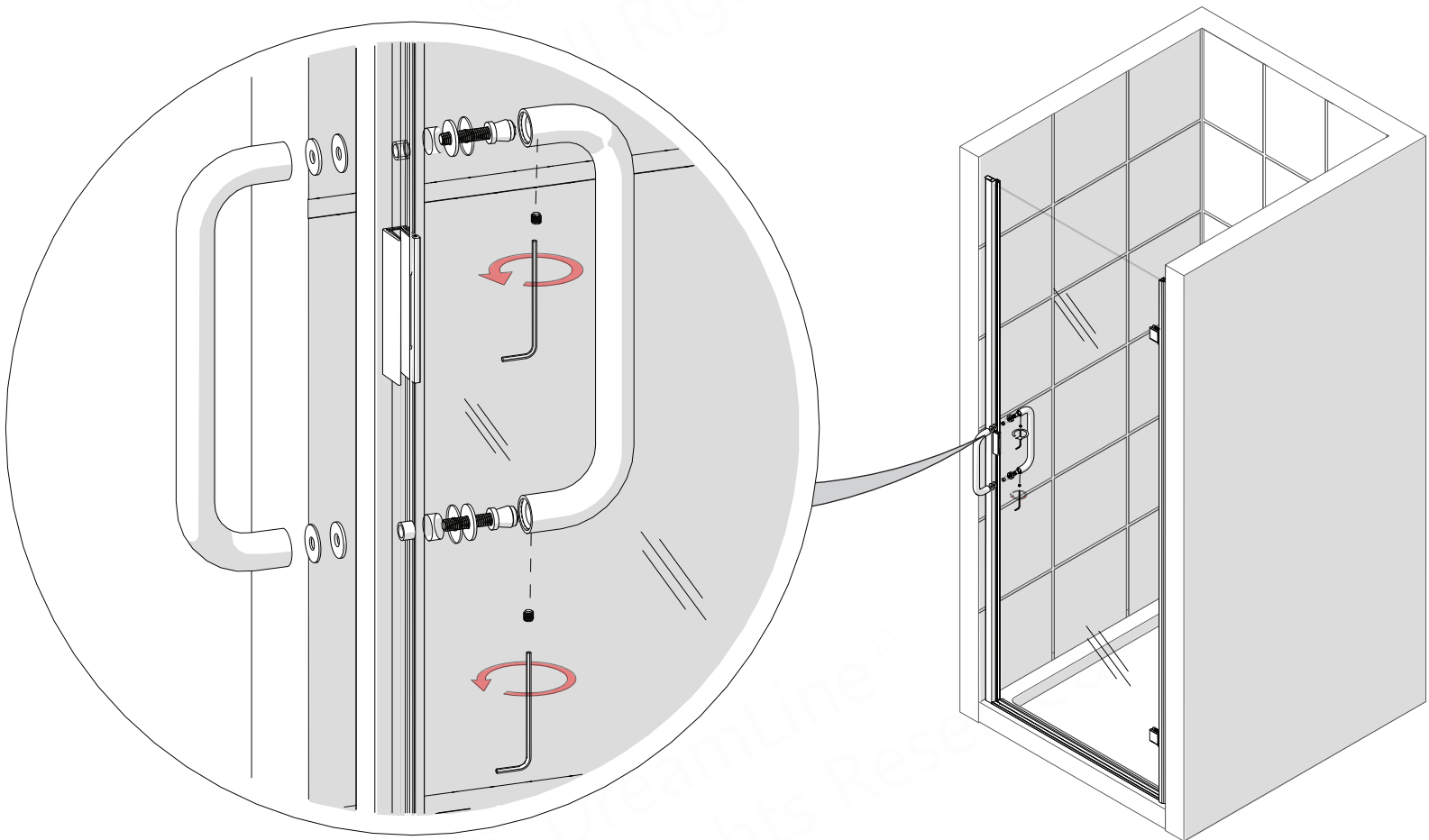
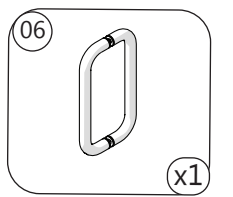
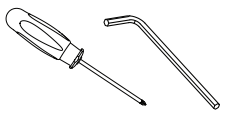


Fig 10

Parts Needed



Tools Needed



11

NOTE

Install the **Sweep Vinyl (#10)** as shown onto the bottom of the **Door Glass**, pushing it toward the hinge side of the door and working it upward until it is tight on the **Door Glass**. The Sweep Vinyl should **cover the entire bottom edge of the Door Glass**, and may need to be trimmed to length. **Fig 11**

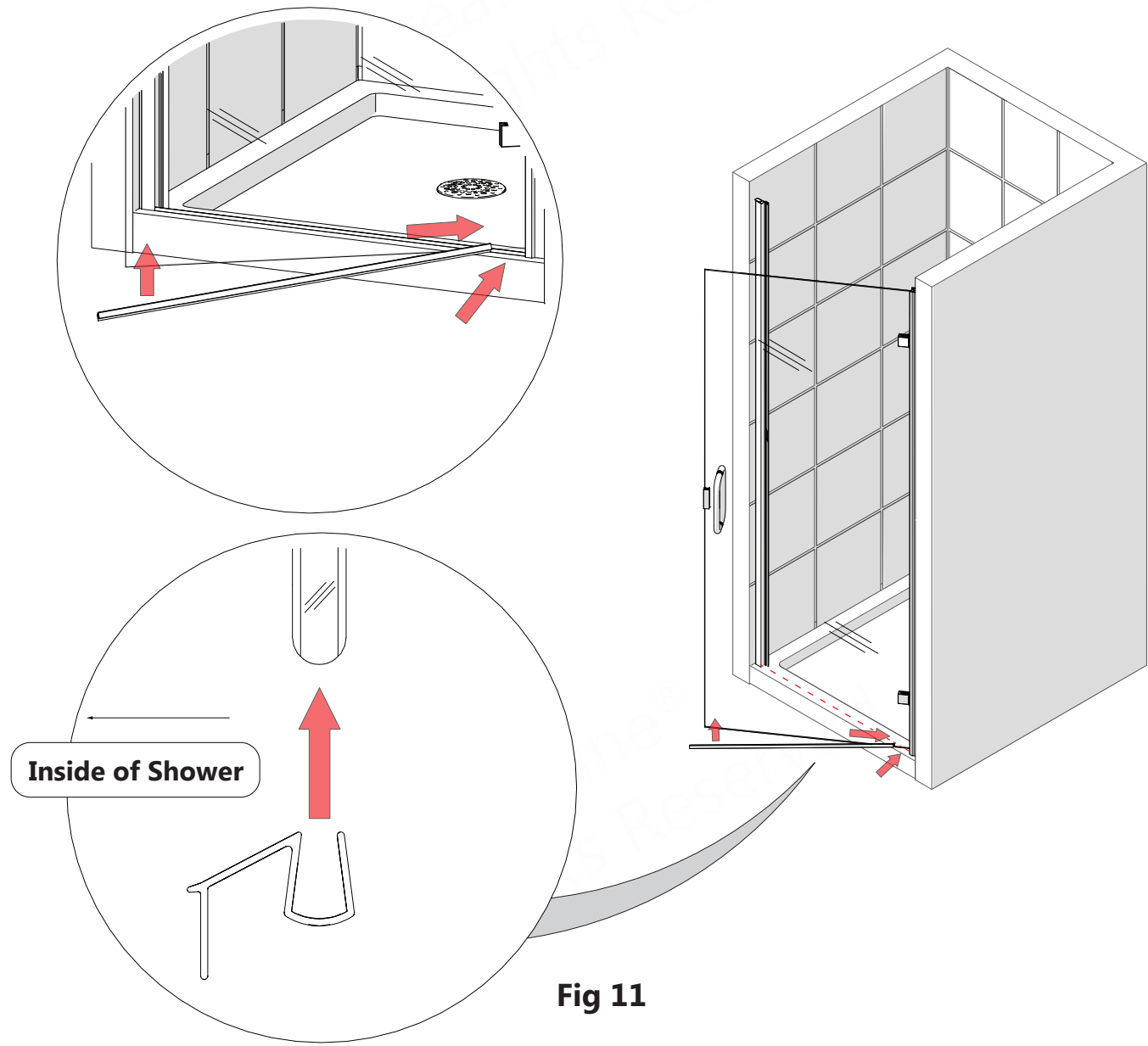
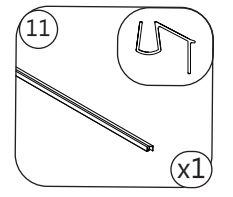
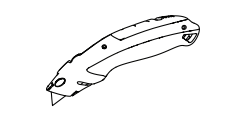


Fig 11

Parts Needed



Tools Needed



12

NOTE

From inside the shower, mark the **Sweep Vinyl (#11)** where it meets the **Strike Vinyl**. Use a razor knife to remove only the inner aspect of the **Sweep Vinyl (#11)** **Fig 12.2** so it fits around the **Strike Vinyl** and allows the **Door Glass** to meet the **Strike Vinyl** evenly from top to bottom. **Fig 12**

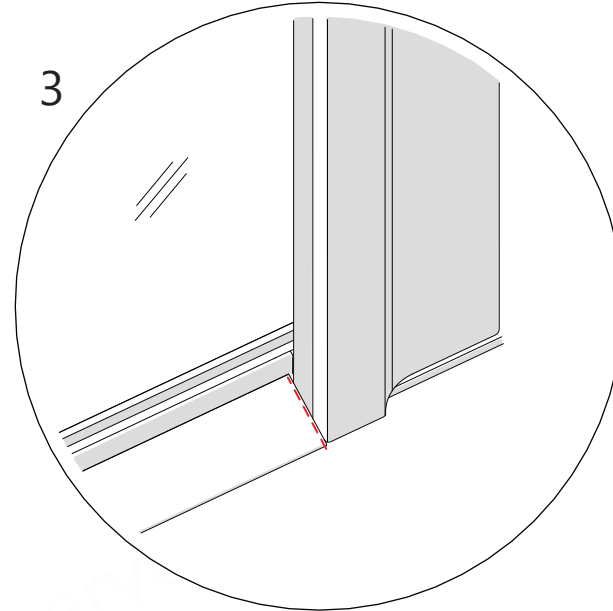
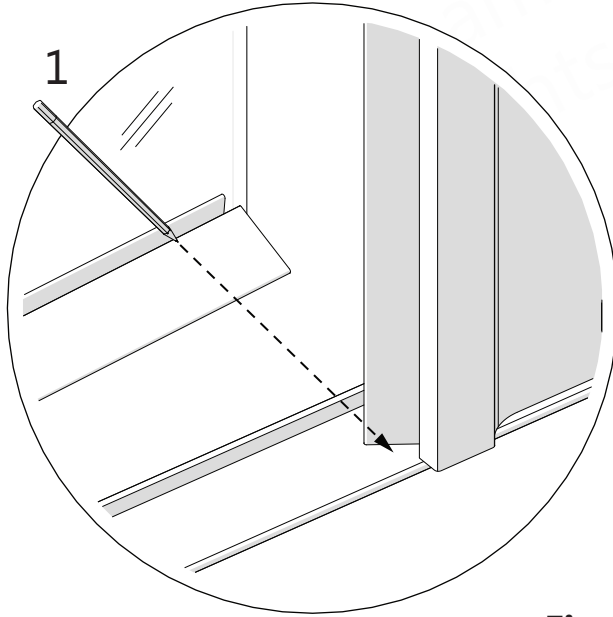
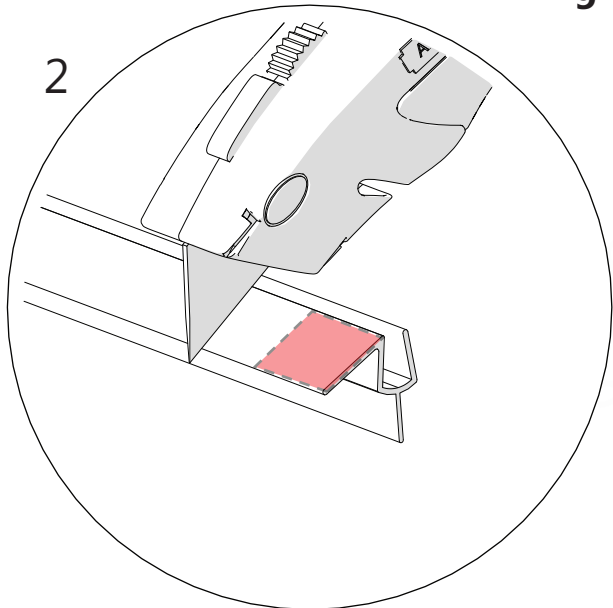
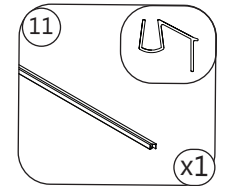


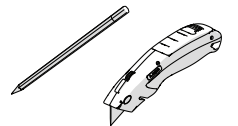
Fig 12



Parts Needed



Tools Needed



13

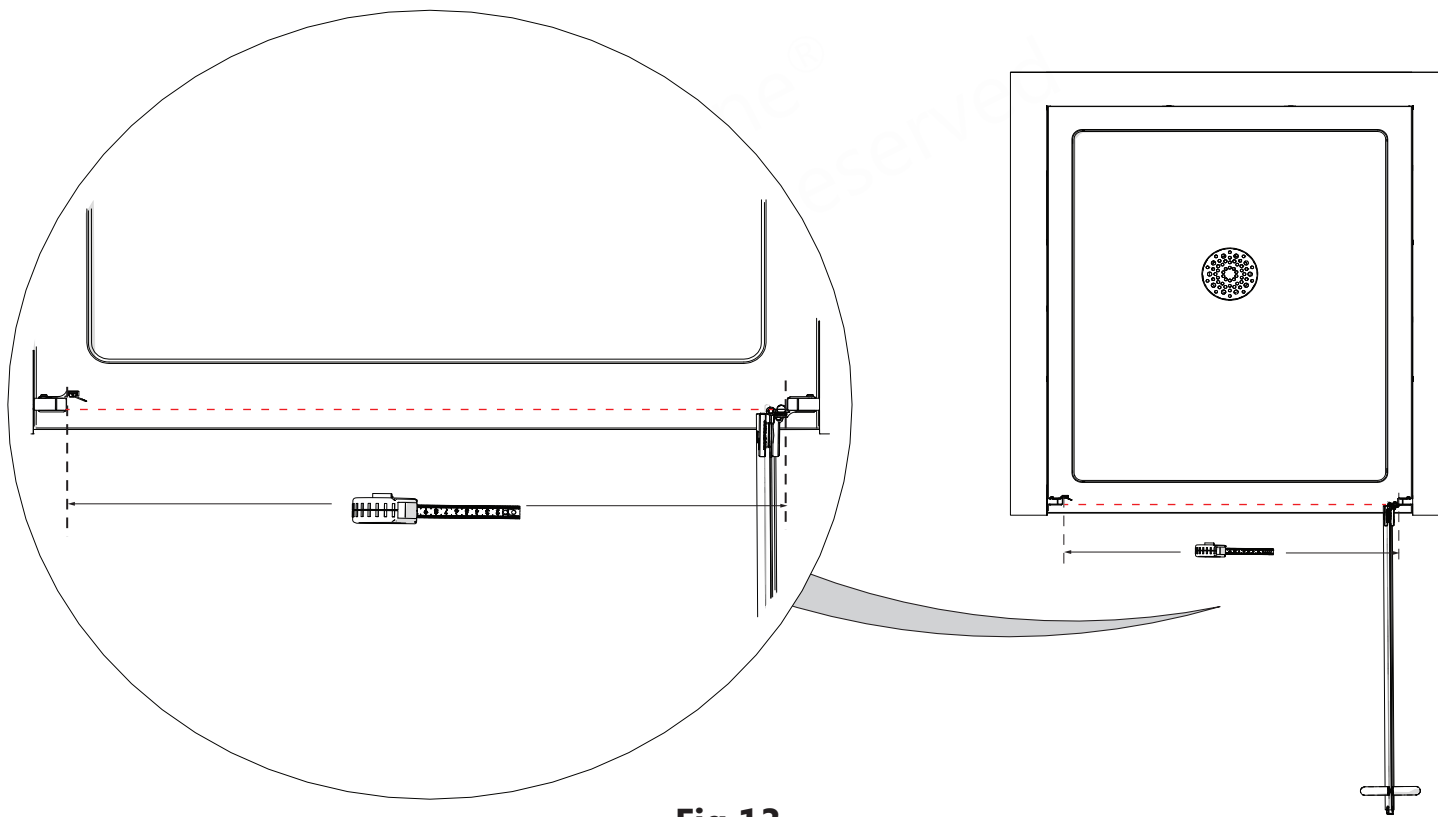
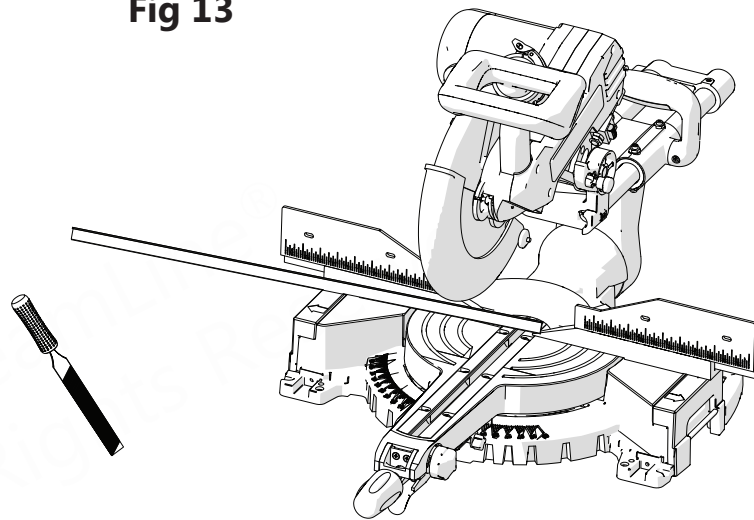


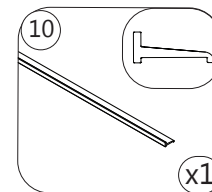
Fig 13

NOTE

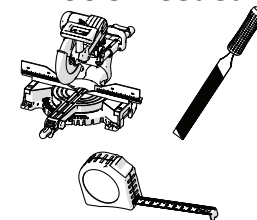
Measure the distance between both profiles at the threshold. Cut the Dam Strip to that width and file off any burrs at the cut edge **Fig 13**



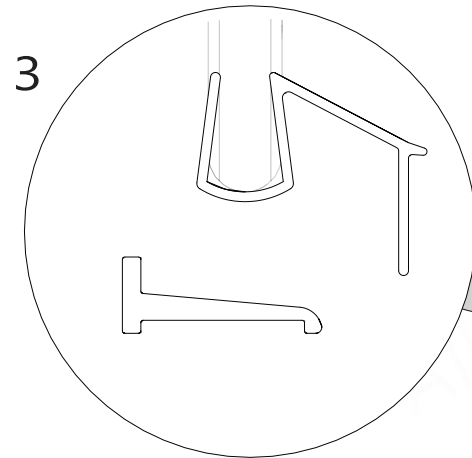
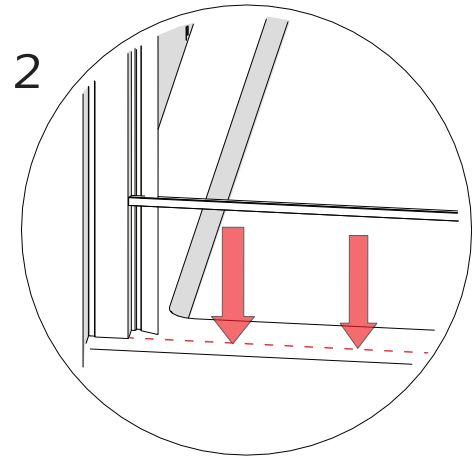
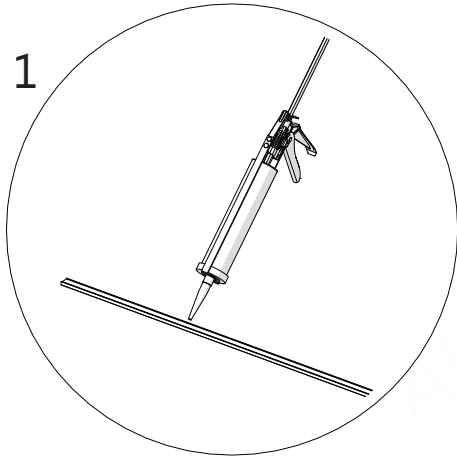
Parts Needed



Tools Needed



14



NOTE

Apply a small bead of silicone to the underside of the **Dam Strip (#10)** and place it between the profiles, with the outside edge on the line made earlier. **Fig 14**

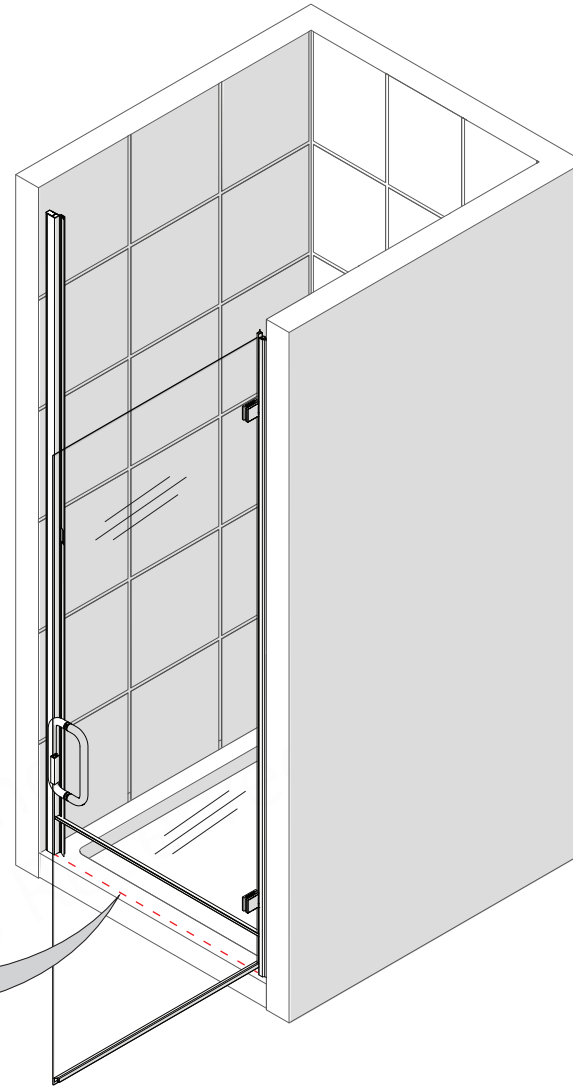
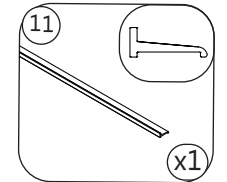
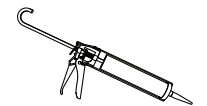


Fig 14

Parts Needed



Tools Needed



15

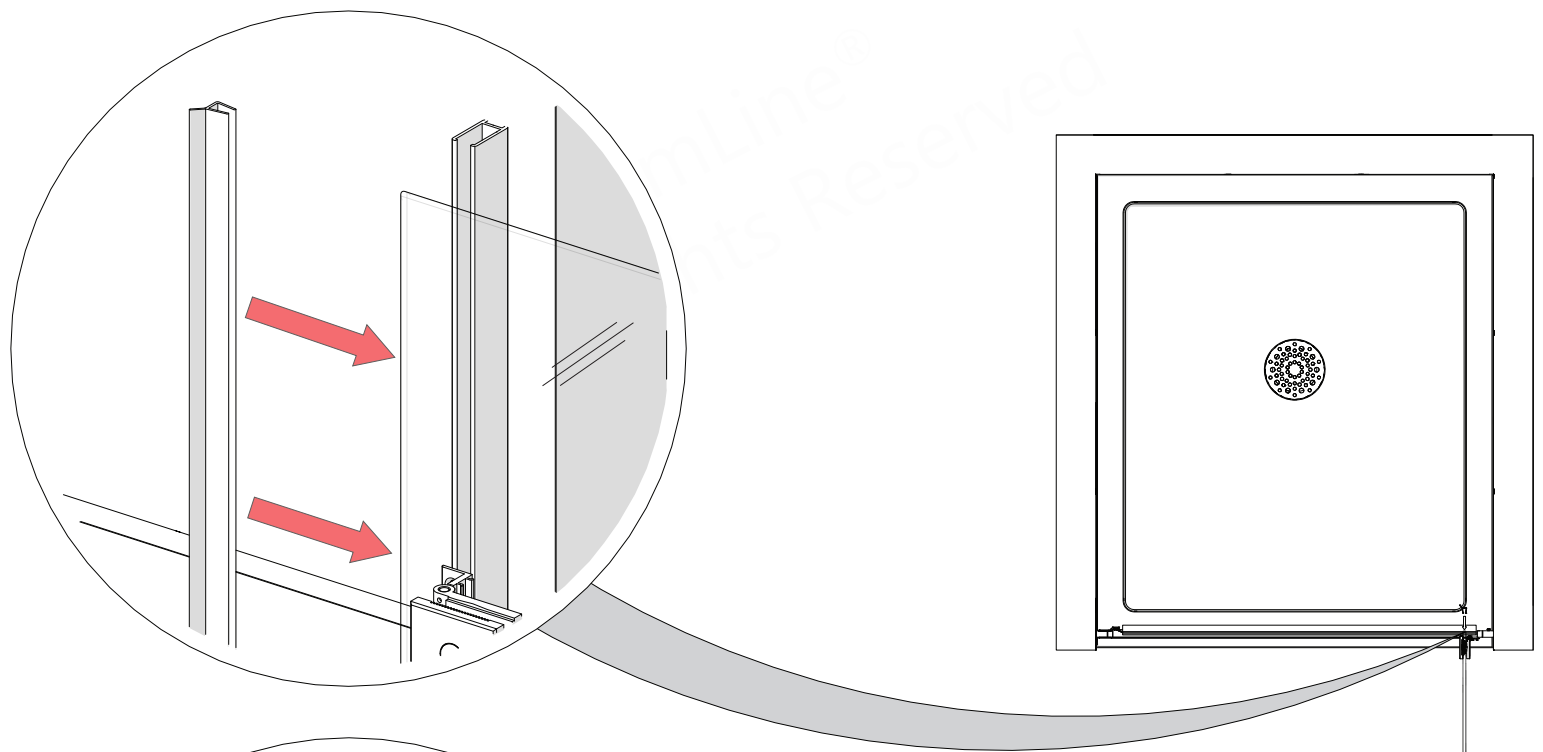
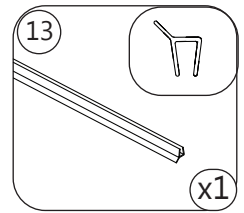


Fig 15

NOTE

Be sure the **Hinge Vinyl (#13)** is pressed firmly onto the **Door Glass (#05)**. Start at the bottom and work upward to the top. Be sure the fin is angled in the correct direction. Trim off any excess at the top. **Fig 15**

Parts Needed



16

NOTE

The **Profile Caps (#12)** can be re-sized if needed by bending them at the snap-off line. Apply a dab of silicone to the bottom fins and snap them into the tops of the **Profiles**. Use a good quality, mildew-resistant silicone to seal the entire interior perimeter of the shower door. Allow 24 hours for the silicone to cure before using the shower. **Fig 16**

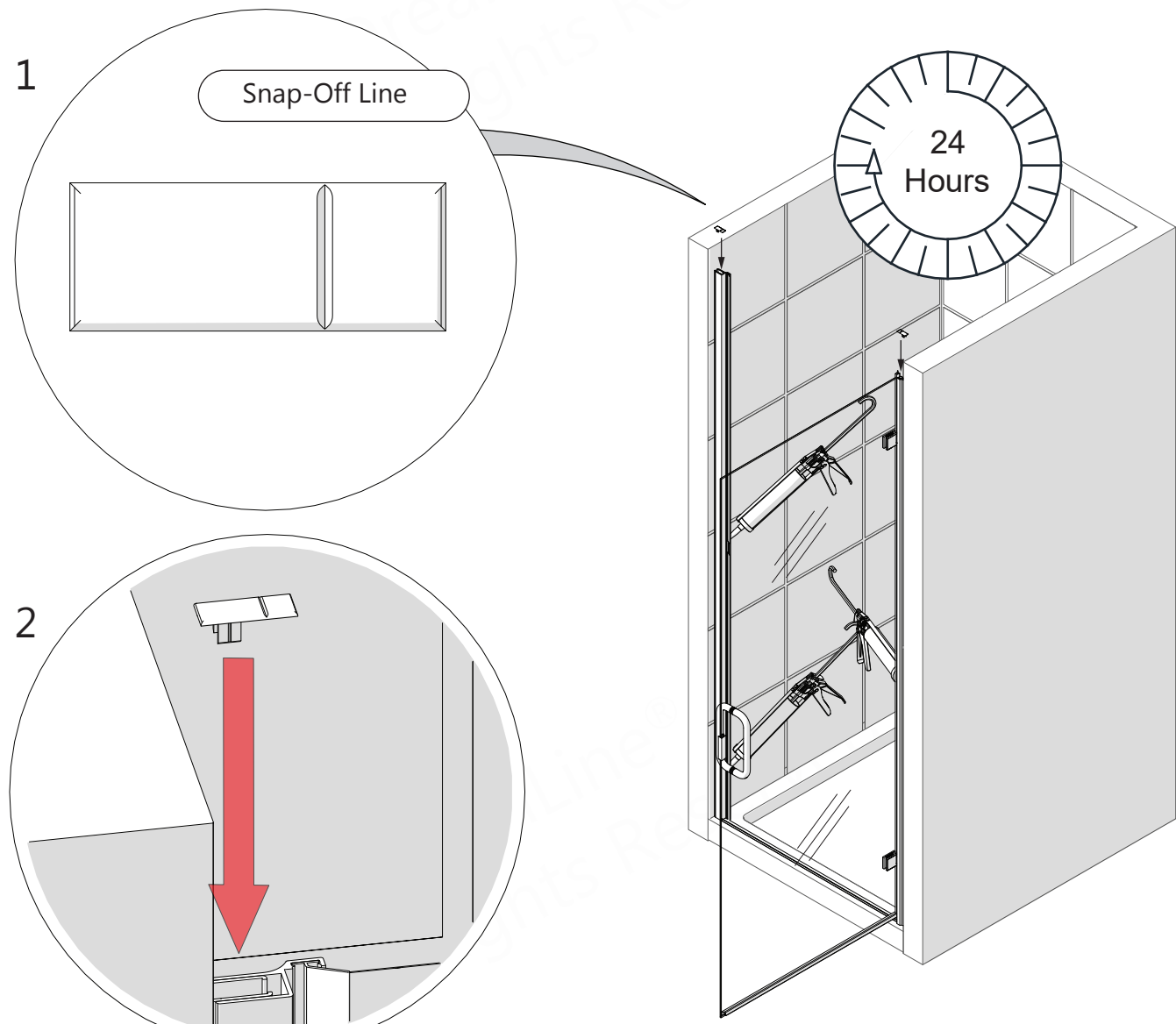
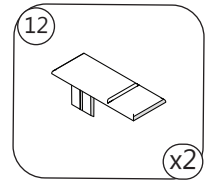
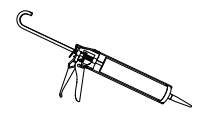


Fig 16

Parts Needed



Tools Needed



Product Maintenance

BASES and BACKWALLS: To ensure long-lasting life for your acrylic back walls: wipe them off after each use with a soft cloth. To clean the acrylic back walls use non-abrasive sprays or cream based cleaners. Avoid the use of aerosol spray cleaners. Never use abrasive cleansers, metal brushes or scrapers that could permanently scratch or dull the surface.

GLASS: To ensure long-lasting life for your glass shower products: wipe them off after each use with a soft cloth. Rinse and wipe off the glass using either a soft cloth or a squeegee to prevent soap buildup and water spots (Hard water can etch the surface of the glass over time if left to dry). To prevent scratching the surface: never use abrasive cleaners or cleaning products that contain scouring agents. Never use bristle brushes or abrasive sponges that may scratch the surface of the glass.

HARDWARE: To ensure a long-lasting finish: wipe off all metal parts after each use with a soft cloth. Do not use abrasive cleaners or cleaning products containing ammonia, bleach or acid. If accidentally used, rinse the surface as soon as possible to prevent damage to the finish (peeling or corrosion). After cleaning the polished finishes, rinse thoroughly and wipe dry with a soft, clean cloth. Clean stainless steel surfaces at least once a week. When applying stainless steel cleaner or polish to stainless steel hardware, work with the grain (not across the grain). Never use an abrasive sponge or cloth, steel wool or wired brush as these may permanently scratch the surfaces.



To maximize the life of your door, it is important to regularly inspect the glass and other hardware for misalignment, proper attachment, and/or damage. Contact DreamLine® with any questions or concerns.

ALLIANCE SWING Maintenance Checklist

- Check that the unit is stable, operates smoothly and that the installation is secure.
- Confirm that all screws/bolts are tight.
- Check door glass for smooth operation.
- Inspect exposed and concealed glass edges for damage **(damaged glass must be replaced!)**
- Inspect silicone caulk for gaps. Replace silicone as necessary to prevent water leakage.

Troubleshooting

| Problem/Symptom | Suggested Solution | Page(s) |
|--|---|----------|
| Missing Parts | <ul style="list-style-type: none"> •Check all shipping/packaging material for missing parts/components. •If not found, contact DreamLine Customer Support [1-866-731-2244] to order factory part replacement. | 5-6 |
| Water Leakage | <ul style="list-style-type: none"> •Check that the Door Glass (#05) meets the strike vinyl evenly and that the magnets on the door and the strike jamb are aligned. •Check that a good quality, mold-resistant silicone has been used around the entire interior perimeter of the shower door. | 14, 22 |
| Door Glass rubbing on threshold | <ul style="list-style-type: none"> •Check that threshold is level. •Check that the Dam Strip (#10) is completely secured to the threshold. •Check that the Sweep Vinyl (#11) is pushed all the way onto the Door Glass. | 3, 17-20 |
| Door Glass not closing evenly with wall profiles or Magnet and Vinyl (#07) contacting Wall Profile. | <ul style="list-style-type: none"> •Check that the Strike Jamb (#02) and the Hinge Profile and Door Glass (#03) are secure and haven't shifted. If necessary, remove the ST4.0x 10 mm screws (#04) in the Profiles, adjust (protect the glass edges at all times) and re-secure the Profiles. | 14, 15 |

Factory Parts Information

| ALLIANCE SWING | | FACTORY PARTS INFORMATION | |
|----------------|---|-----------------------------------|-----|
| ITEM # | FACTORY PART NUMBER | ITEM DESCRIPTION | QTY |
| 01 | 045170 4 1-1692; 045170 1 1-1692; 045170 4 1-1845; 045170 1 1-1845 | Wall Profile | 2 |
| 02 | 220970 4 02; 220970 4 04; 220970 1 04; 220970 1 02 | Strike Jamb | 1 |
| 03 | 220970 4 01; 220970 1 01; 220970 4 03; 220970 1 03 | Hinge-Side Profile and Door Glass | 1 |
| 04 | 07552148 | Wall Anchor | 6 |
| 05 | 091106 | ST4.0 x 35mm Screw | 6 |
| 06 | 07555173 | Vinyl for Magnet UChannel | 1 |
| 06a | 0703 4 273; 0703 1 273 | Magnet UChannel | 1 |
| 07 | 091136 | ST4.0 x 10mm Screw | 6 |
| 08 | 0723 4 061; 0723 1 061 | Handle | 1 |
| 09 | 060513060-1692; 060513060-1845 | Hinge Vinyl | 1 |
| 10 | 045190 4 1-0610; 045190 4 1-0635; 045190 1 1-0686; 045190 1 1-0711; 045190 1 1-0762; 045190 1 1-0812 | Dam Strip | 1 |
| 11 | 063510060-0864 | Sweep Vinyl | 1 |
| 12 | 07050002 | Profile Cap | 2 |
| | (See Pages 25-26) | Door Glass | 1 |

BOLD digit indicates finish: 1 = Chrome; 4= Brushed Nickel; 06=ORB; 09=Satin Black

BOLD digit indicates finish color:

1 or 8 = Polished SS

4 or 5 or 7 = Brushed SS

6 = Oil Rubbed Bronze

9 = Satin Black

Contact Support@DreamLine.com for Part replacement, installation assistance or additional information.

Complete **Warranty** information is available on DreamLine.com.

Factory Parts Information

| CLEAR DOOR GLASS | | |
|------------------|-------------|---|
| FACTORY PART # | DESCRIPTION | DESCRIPTION |
| 010097002 | Door Glass | 66" (1670mm) x 21.5" (543mm) x 1/4" (6mm) |
| 010097004 | Door Glass | 72" (1822mm) x 21.5" (543mm) x 1/4" (6mm) |
| 010097005 | Door Glass | 66" (1670mm) x 22.5" (568mm) x 1/4" (6mm) |
| 010097006 | Door Glass | 72" (1822mm) x 22.5" (568mm) x 1/4" (6mm) |
| 010097007 | Door Glass | 66" (1670mm) x 23.5" (594mm) x 1/4" (6mm) |
| 010097008 | Door Glass | 72" (1822mm) x 23.5" (594mm) x 1/4" (6mm) |
| 010097010 | Door Glass | 66" (1670mm) x 24.5" (619mm) x 1/4" (6mm) |
| 010097011 | Door Glass | 72" (1822mm) x 24.5" (619mm) x 1/4" (6mm) |
| 010097013 | Door Glass | 66" (1670mm) x 25.5" (645mm) x 1/4" (6mm) |
| 010097015 | Door Glass | 72" (1822mm) x 25.5" (645mm) x 1/4" (6mm) |
| 010097016 | Door Glass | 66" (1670mm) x 26.5" (670mm) x 1/4" (6mm) |
| 010097017 | Door Glass | 72" (1822mm) x 26.5" (670mm) x 1/4" (6mm) |
| 010097019 | Door Glass | 66" (1670mm) x 27.5" (695mm) x 1/4" (6mm) |
| 010097021 | Door Glass | 72" (1822mm) x 27.5" (695mm) x 1/4" (6mm) |
| 010097022 | Door Glass | 66" (1670mm) x 28.5" (721mm) x 1/4" (6mm) |
| 010097023 | Door Glass | 72" (1822mm) x 28.5" (721mm) x 1/4" (6mm) |
| 010097025 | Door Glass | 66" (1670mm) x 29.5" (746mm) x 1/4" (6mm) |
| 010097026 | Door Glass | 72" (1822mm) x 29.5" (746mm) x 1/4" (6mm) |
| 010097027 | Door Glass | 66" (1670mm) x 30.5" (772mm) x 1/4" (6mm) |
| 010097028 | Door Glass | 72" (1822mm) x 30.5" (772mm) x 1/4" (6mm) |
| 010097029 | Door Glass | 66" (1670mm) x 31.5" (797mm) x 1/4" (6mm) |
| 010097030 | Door Glass | 72" (1822mm) x 31.5" (797mm) x 1/4" (6mm) |
| 010097031 | Door Glass | 66" (1670mm) x 32.5" (822mm) x 1/4" (6mm) |
| 010097032 | Door Glass | 72" (1822mm) x 32.5" (822mm) x 1/4" (6mm) |
| 010097033 | Door Glass | 66" (1670mm) x 33.5" (848mm) x 1/4" (6mm) |
| 010097034 | Door Glass | 72" (1822mm) x 33.5" (848mm) x 1/4" (6mm) |

Contact **Support@DreamLine.com** for Part replacement, installation assistance or additional information.

Complete **Warranty** information is available on **DreamLine.com**.

Factory Parts Information

| RAIN DOOR GLASS | | |
|-----------------|------------|---|
| FACTORY PART # | | DESCRIPTION |
| 010097001 | Door Glass | 66" (1670mm) x 21.5" (543mm) x 1/4" (6mm) |
| 010097009 | Door Glass | 66" (1670mm) x 24.5" (619mm) x 1/4" (6mm) |
| 010097003 | Door Glass | 72" (1822mm) x 21.5" (543mm) x 1/4" (6mm) |
| 010097012 | Door Glass | 66" (1670mm) x 25.5" (645mm) x 1/4" (6mm) |
| 010097014 | Door Glass | 72" (1822mm) x 25.5" (645mm) x 1/4" (6mm) |
| 010097018 | Door Glass | 66" (1670mm) x 27.5" (695mm) x 1/4" (6mm) |
| 010097020 | Door Glass | 72" (1822mm) x 27.5" (695mm) x 1/4" (6mm) |
| 010097024 | Door Glass | 66" (1670mm) x 29.5" (746mm) x 1/4" (6mm) |

Contact **Support@DreamLine.com** for Part replacement, installation assistance or additional information.
Complete **Warranty** information is available on **DreamLine.com**.

NOTES

© DreamLine®
All Rights Reserved

© DreamLine®
All Rights Reserved



TEL: 866-731-2244
FAX: 866-857-3638
DREAMLINE.COM

For more information on DreamLine® Shower Doors and Enclosures please visit **DreamLine.com**