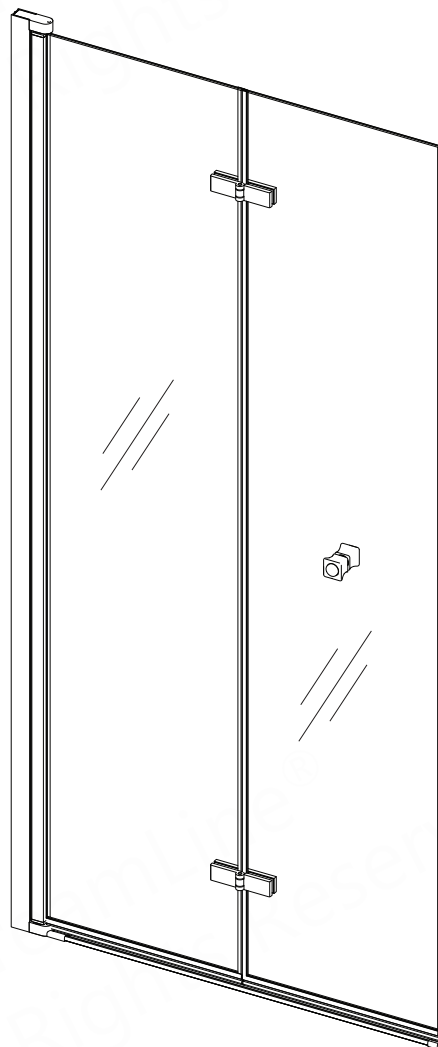




# AQUA-Q FOLD

## SHOWER AND TUB DOOR INSTALLATION INSTRUCTIONS

PLEASE REVIEW THIS ENTIRE MANUAL PRIOR TO INSTALLATION



left-pivot door installation shown

**Model#**

SD-363072Q-##

SD-363472Q-##

SD-363658Q-##

**##=finish**

01 - Chrome

04 - Brushed Nickel

06 - Oil Rubbed Bronze

09 - Satin Black

**IMPORTANT!**

DreamLine® reserves the right to alter, modify or redesign products at any time without prior notice for the purpose of product improvement and customer experience. Please refer to the model's web page on **DreamLine.com** for the latest technical drawings, installation manuals, warranty information or additional product details.

**Do Not Return Product to the Store. Contact DreamLine® with any questions**



**Questions?**

Please contact DreamLine Customer Support  
See **DreamLine.com** for hours of operation

**Support@DreamLine.com**

**1-866-731-2244**





Record the following purchase information for your records or in the event you need to contact DreamLine®:

Purchase Order  
Number \_\_\_\_\_

Store/Vendor  
Purchased From \_\_\_\_\_

Installation Date \_\_\_\_\_

OD Number  
(optional) \_\_\_\_\_  
located on the shipping box or label  
if available.

Installed By: \_\_\_\_\_

SKU Number \_\_\_\_\_

# Table of Contents

Section Title	Page #
Warnings and General Preparation	2
Model Specific Preparation	3
Adjustable Wall Profile System	4
Tools	5
Detailed Diagram of Aqua-Q Swing Shower Door Components	6
Parts List	7-8
Installation Steps	9-17
Glass-to-Glass Hinge Assembly Installation	11, 18
Vinyl Seals Installation	14
Aluminum Threshold Dam Strip Installation	15
Knob Handle Installation	16
Product Maintenance	19
Troubleshooting	20
Factory Parts Information	21

## Symbol Legend



**TIP** - for ease of installation.



**CORRECT** - recommended.



**NOTE** - take note of special feature; additional information.

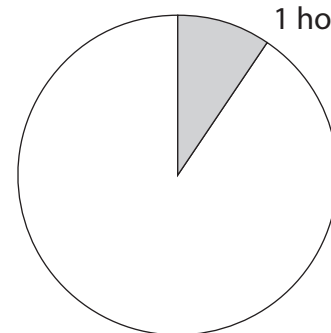


**INCORRECT** - not recommended.



**REQUIRED** - requires special attention; signifies a warning.

Average Installation Time





**IMPORTANT**

- DreamLine® reserves the right to alter, modify or redesign products any time without prior notice for product improvement and customer experience. Please refer to the model's web page on **DreamLine.com** for the latest technical drawings, installation manuals, warranty information or additional product details.
- This product should be installed by someone familiar with the construction requirements for this type of project and the care necessary for the safe installation and operation of the product.
- The safety of any installation is the responsibility of the installer.
- Professional installation recommended. (*All Models*)
- Professional installation required. (*Enigma Series*)
- To prevent damage or serious injury, Do Not lean against the installed panel/door/glass.
- To prevent damage or serious injury: Do Not attempt to lift or move a heavy lite of glass alone. Use an assistant and/or a professional grade glass suction cup.
- The installation of some models may require drilling down into the threshold. Contact the manufacturer of the base, tub, or threshold material with any questions regarding the drilling of holes into their product.
- All drawings in this installation manual are for illustrative purposes only and are not drawn to scale.

**TEMPERED GLASS WARNING**

- Your Shower Door Glass Could Shatter Without Warning if Improperly Installed or Mishandled
- Do Not install or operate a shower door if the glass has chipped corners, slivered edges or is otherwise damaged and/or has been dropped or banged into a hard surface such as tile, marble or glass.
- **The main causes of tempered glass breakage are:**
  - Improper handling, storage or installation
  - Misuse/abuse
  - Lack of maintenance
  - Failure to replace damaged glass
  - **Improper handling during storage, unpacking and installation:**
  - Corners and edges are the most susceptible area to damage on a lite of tempered glass and should be protected and handled with care during storage, unpacking, installation and operation. A concentrated point of pressure or impact with a surface harder than itself may cause the tempered glass to shatter. The tempered glass may release immediately, within several hours or even days later.
  - **Incorrect installation of door hardware, rollers, hinges, channels, stopper or glass:**
  - Improper installation may include: loose hardware and/or lack of proper gaskets between the hardware and glass. Additionally, improper alignment of guide rails, wall profiles or other hardware during installation or operation may place stress on the glass edges and cause it to break.
  - This product must be installed by a professional and experienced installer familiar with the safe handling of tempered glass.
  - **Improper use of this product:**
    - Aggressively opening or closing the door may cause trauma to the glass, which can lead to breakage. This may occur immediately or hours or even days later.
    - **The shower door hardware and glass should be inspected periodically:**
      - Instruct the homeowner how to perform a periodic inspection of the shower hardware and glass - some minor adjustments may be necessary based upon the use (or misuse) of the shower door. Ensure that the hardware remains tight and that the door alignment and operation are correct. Any adjustments should be made upon discovery to prevent damage to the product.
      - Additional considerations should be given to the installation of frameless tempered glass products in households with young children or an elderly person due to an increased chance of improper handling. In such cases, alternatives such as shower curtains or grab bars should be considered.

**GENERAL PREPARATION**

- After opening all boxes and packages, read this introduction carefully. Check that all the items are included in the package by marking off the components on the “**Detailed Diagram of Product Components**” page. Examine all boxes and packages for shipping damage. If the unit has been damaged, has a finishing defect, or is missing parts; please contact our Customer Support department within 3 business days of the delivery date. **Please note that DreamLine® will not replace any damaged products or missing parts free of charge after 3 business days or if the product has been installed.** Please contact DreamLine® if you have any questions.
- **Please note that you should refer to your local building codes with questions on installation compliance standards. Building and plumbing codes may vary by location, and DreamLine® is not responsible for code compliance standards for your project and will not accept any returns.**
- If this unit is going to be installed in a new construction, install all the required plumbing and drainage before installing the shower. **Use a competent and licensed (if required by local code) plumber for all plumbing installation.**
- Make sure that prior to beginning the installation, the surfaces are leveled and solid and will be able to support the total weight of the unit. Also make sure the walls are at right angles. Irregular installation surface level, radius corners or improper angle of side walls will result in serious problems for your installation. Please note that some adjustments and drilling will be necessary during the installation process.
- Protect all primary surfaces of the product during installation. Never set your glass down directly onto a tile floor. Leave corner protectors in place until it is necessary to remove them. Always use a piece of wood or cardboard to protect the bottom edge and corners of the glass prior to and during installation.
- This unit must be installed upon a finished threshold and against finished walls.
- *DreamLine® shower doors are not designed to be installed into a fiberglass surround due to the radius corners and lack of a solid surface to mount the hardware.*

**WARNING: TO AVOID THE RISK OF DAMAGE OR INJURY:**

- **Follow all recommendations and requirements as shown in the installation instructions.**
- Perform a thorough inspection of the glass and all parts for any damage prior to installation. Any damage to tempered glass can cause breakage. **Do Not install damaged glass!**
- Do Not install or operate a shower or tub door if the glass has chipped corners, slivered edges or is otherwise damaged. Do Not install or operate a shower or tub door that has been dropped or banged into a hard surface such as tile, marble or glass.
- **CAUTION:** Contact with any hard surface can damage tempered glass and cause it to shatter.
- This product uses tempered glass. Glass cannot be cut after it has been tempered. **Do Not attempt to cut tempered glass.**
- DreamLine® Glass Shower doors, Tub doors, Inline panels, and Return panels can shatter due to improper handling or lack of maintenance. Conduct periodic inspections of glass and all parts for possible damage, missing or loose parts.
- Always wear proper safety equipment such as: safety goggles, work gloves and appropriate footwear during the installation process.
- **WARNING. Risk of leakage and/or damage.** Follow all instructions regarding the application of silicone sealant or caulk. Allow 24 hours for the sealant to cure before the initial use of the shower or tub product. Follow the silicone manufacturer's recommendations regarding the use of their product.
- **Thoroughly read these instructions before installing or using this product.**
- **Leave this manual for the end-user of the product.**



This product should be installed by someone familiar with the construction requirements for this type of project and the care necessary for the safe installation and operation of the product.

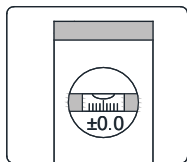


**Professional Installation recommended**

# Model Specific Preparation

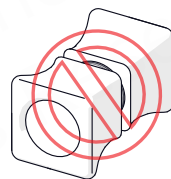
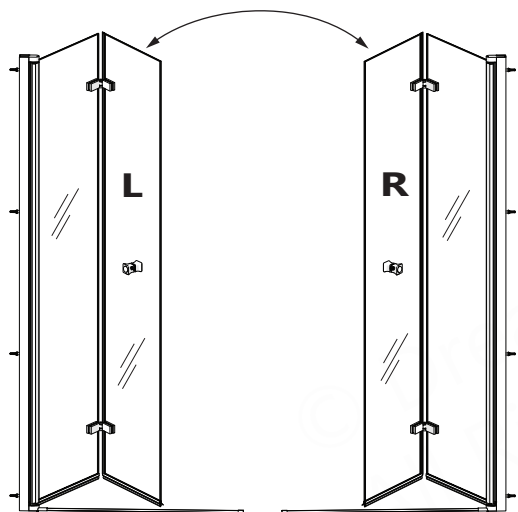
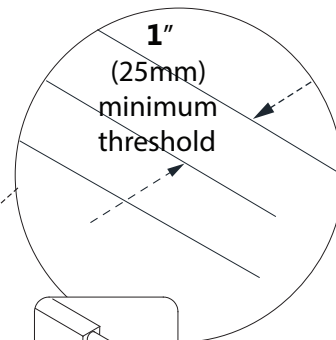
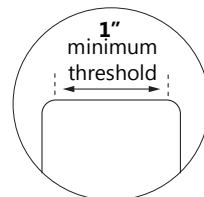
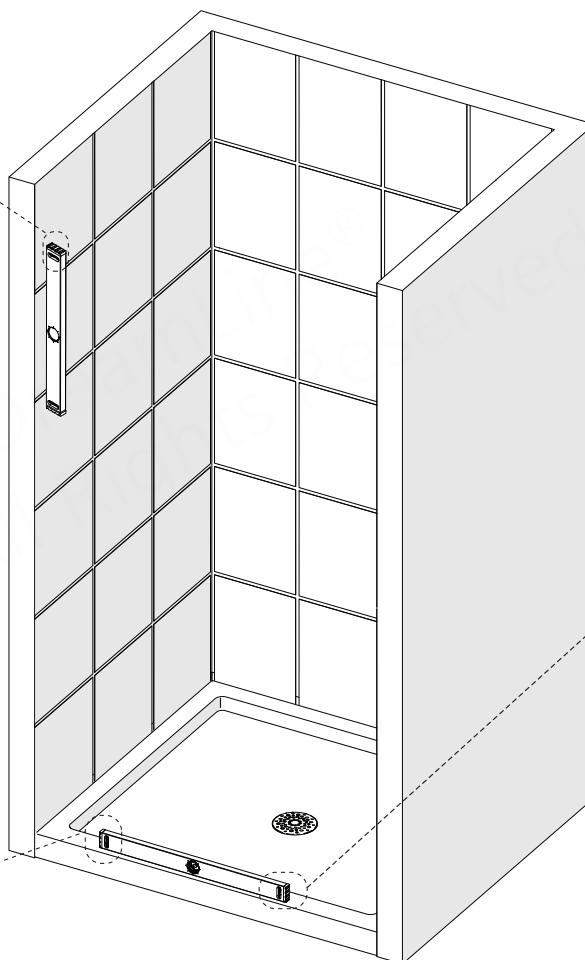
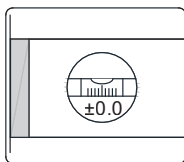


## REQUIRED:



Installation wall must be plumb

3/8" (12mm) Out-of-Plumb Adjustment within the Wall Profile; Verify threshold and walls with a level



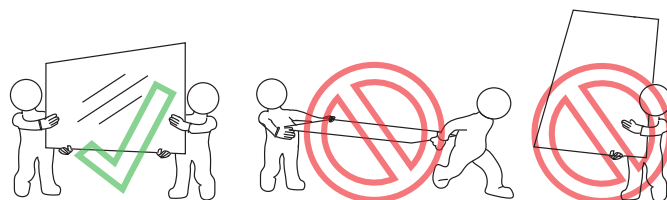
**DO NOT** attach the Handle to the Door Glass until instructed. **DO NOT** use the handle to lift the glass during installation. This may result in damage to the glass and/or serious personal injury. Always use an assistant and/or a professional-grade glass suction cup when handling heavy glass panels.

**NOTE**

This model is reversible for right or left-hand door installation. The left-hand door installation is shown throughout this manual. For the right-hand door installation, simply begin on the opposite wall and reverse the orientation of the installation steps shown.

**NOTE**

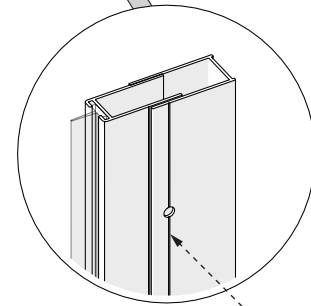
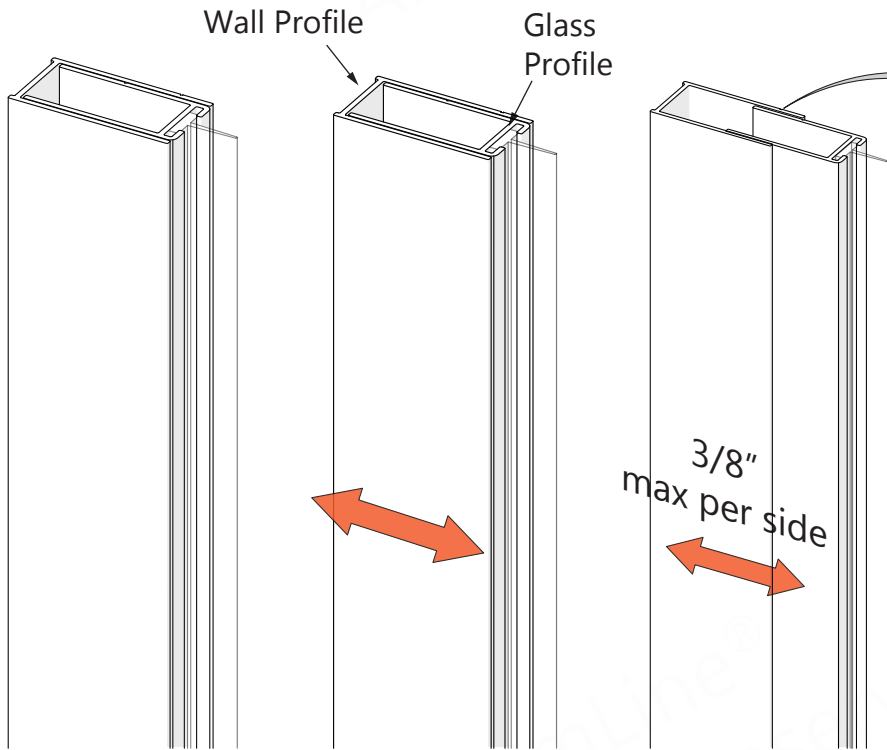
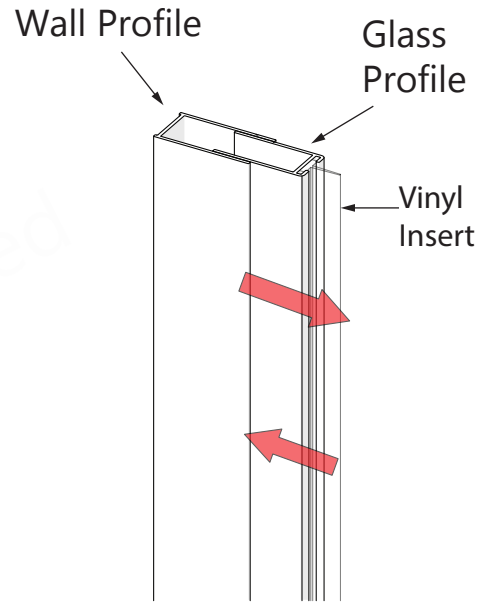
Professional installation with two installers is recommended for this product.



# Adjustable Wall Profile System

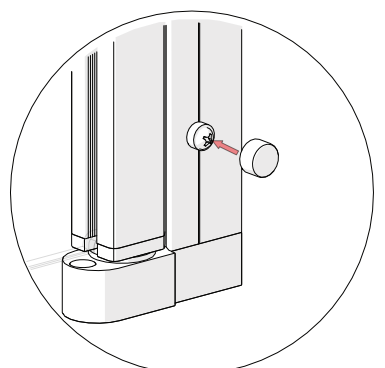
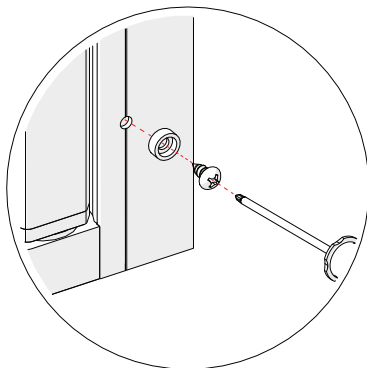
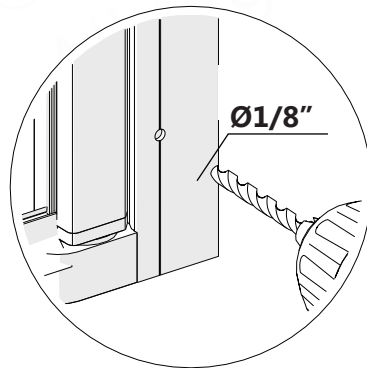
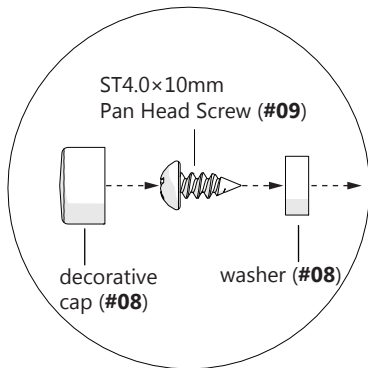


The Glass Profiles can be adjusted up to 3/8" within the Wall Profile for overall width or to correct for out-of-plumb conditions within the model size. Screw them together after making final adjustments.



**NOTE**

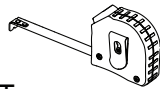
ID groove with holes for attaching profiles must face the inside of the shower



## Tools



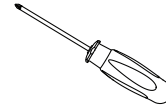
Level



Tape Measure



Pencil



#2 Phillips Screwdriver



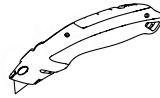
Power Drill



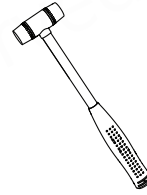
Drill Bit  
Ø1/8"  
(3mm)



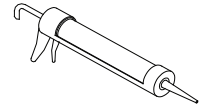
Drill Bit  
Ø5/16"  
(8mm)



Razor Knife



Soft Head Hammer



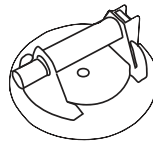
100% Silicone\*



Safety Glasses



Work Gloves



Professional-grade  
Glass Suction Cup  
(Optional but recommended)



Verify that the correct model size has been ordered; measure the finished opening **before** proceeding with the installation.

Confirm that the finished walls are plumb and the threshold is level and pitched into the shower area.

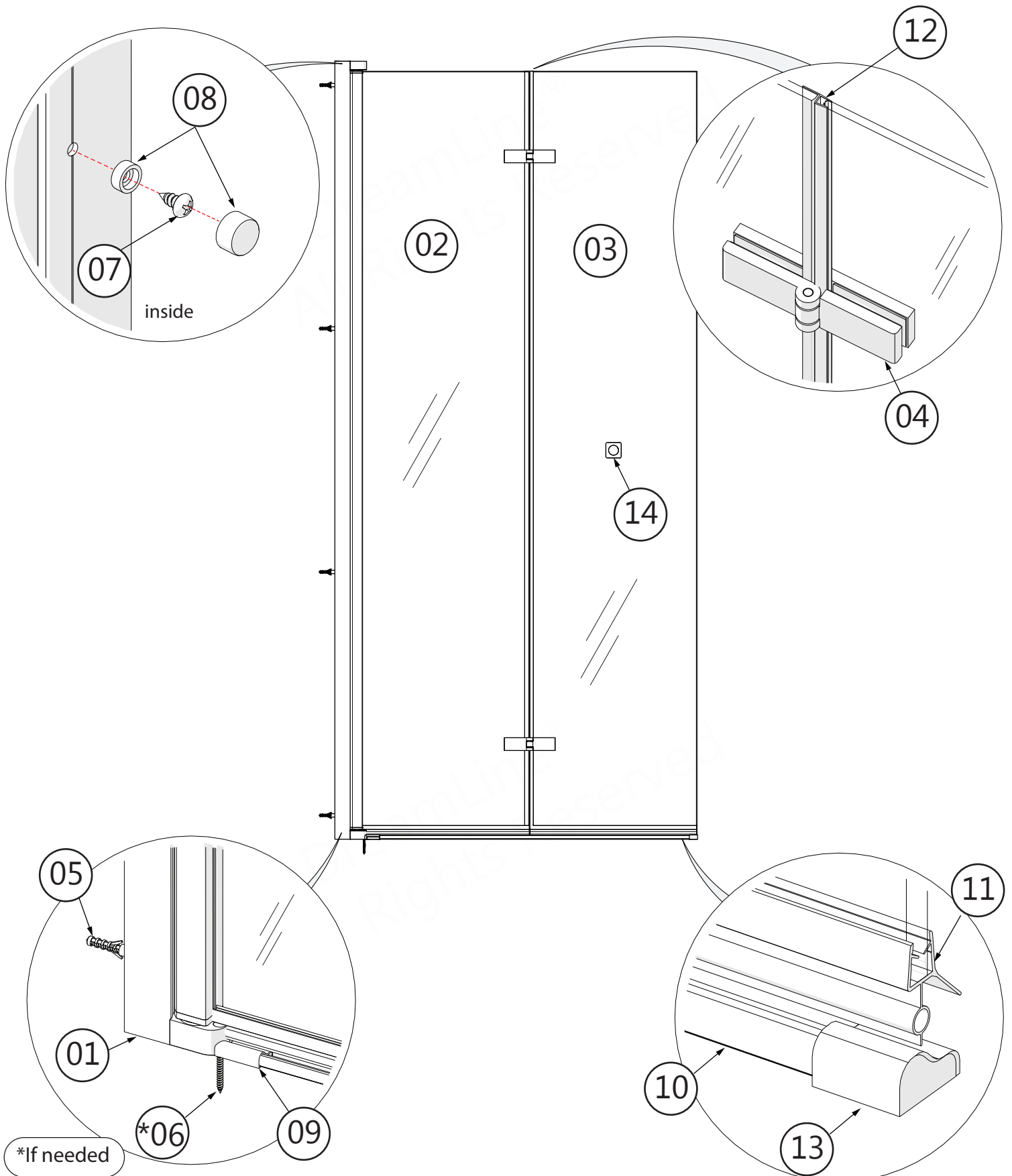
Cover the shower/tub drain with tape prior to installation to prevent the loss of screws or small parts.

Use a type of drill bit that is appropriate for drilling into the finished surface material.



Unpack your unit carefully and inspect it. Lay it out and identify all parts using the Detailed Diagram on page 6; and packing list in this manual as a reference. Before discarding the carton, check for small hardware bags that may have fallen to the bottom of the box. If any parts are damaged or missing, please contact DreamLine® for replacement. The shipping boxes may contain extra parts not used in your model configuration. Retain these installation instructions for future reference.

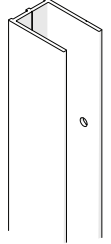
# Detailed Diagram of AQUA-Q FOLD Shower Door Components





# Parts List

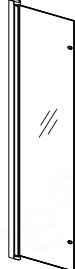
01



Wall Profile

x1

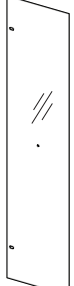
02



Hinge Panel Assembly  
(Door Glass 1 with pre-installed Glass Profile)

x1

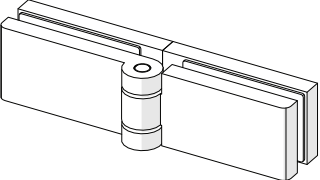
03



Door Glass 2

x1

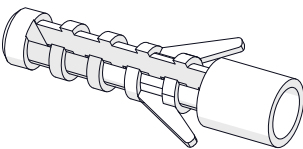
04



Hinge Assembly

x2

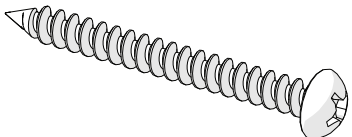
05



Wall Anchor  
5/16" (8mm)

x4

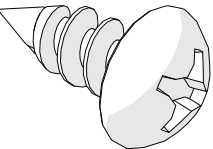
06



ST4.0x40mm  
Pan Head Screw

x5

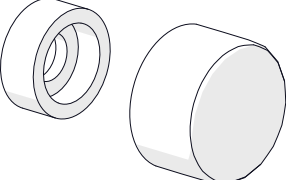
07



ST4.0x10mm  
Pan Head Screw

x4

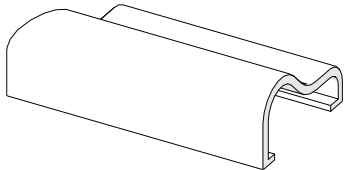
08



Decorative Cover  
(with Washer)

x4sets

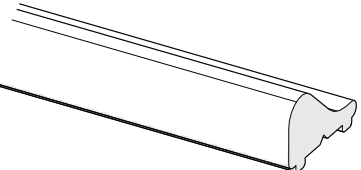
09



Threshold Connector  
(left/right)

x1set

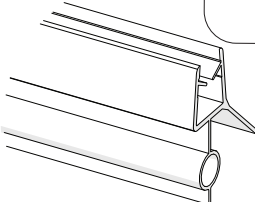
10



Aluminum Threshold

x1

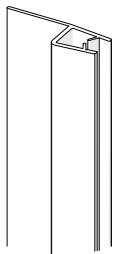
11



Bottom Sweep Vinyl

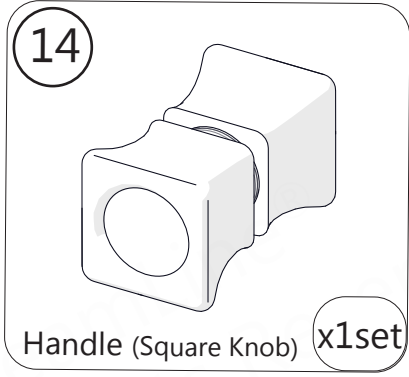
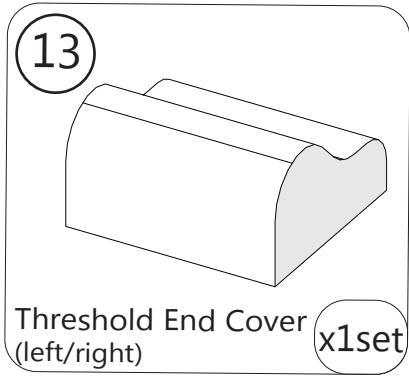
x2

12



Vertical Vinyl Seal

x1



# 1

## Installation Steps



Check the walls and threshold for plumb and level. This model allows for up to 1/2" of out-of-plumb adjustment per wall. The threshold must be level for correct installation.

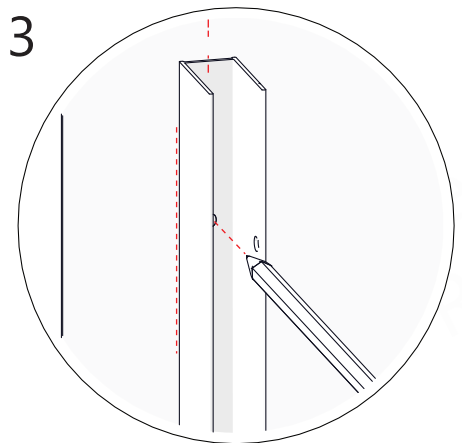
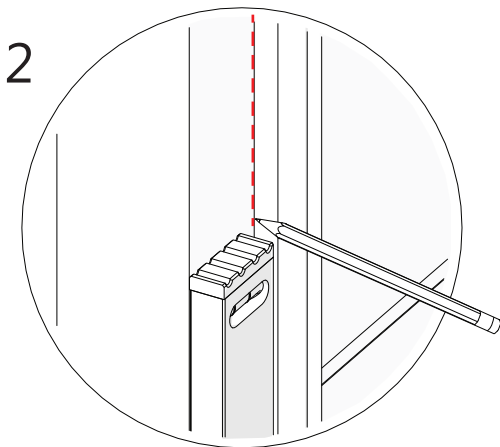
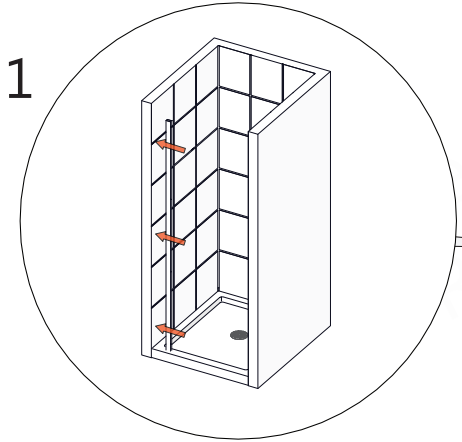


Fig 1

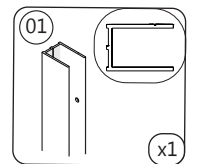


Center the **Wall Profile (#01)** on the Threshold.

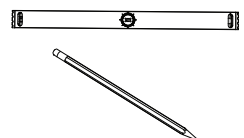


Confirm the **Wall Profile (#01)** is plumb with a level before marking the location of the holes for drilling.

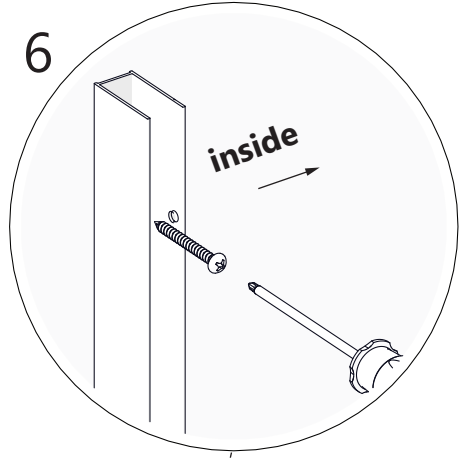
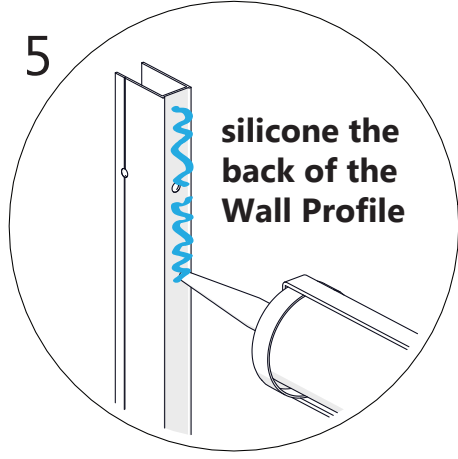
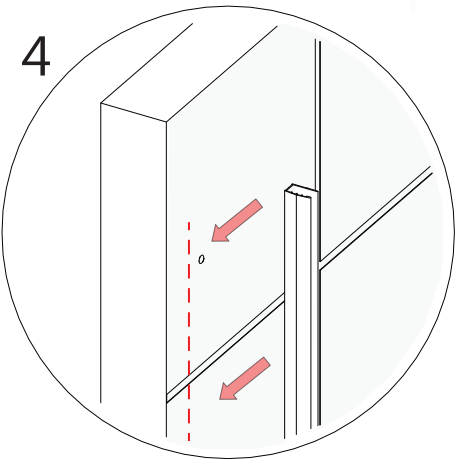
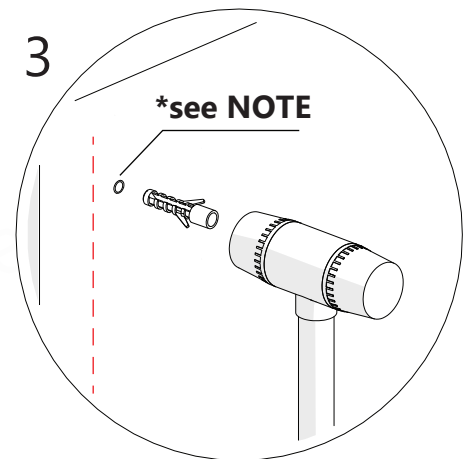
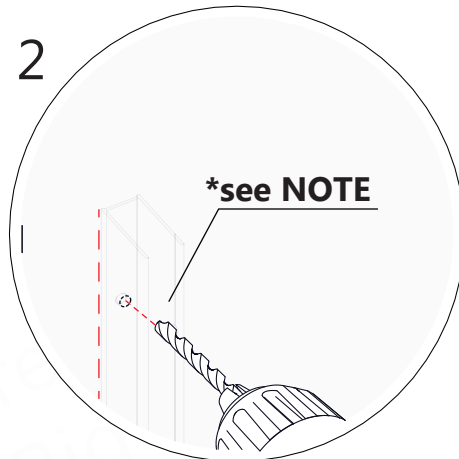
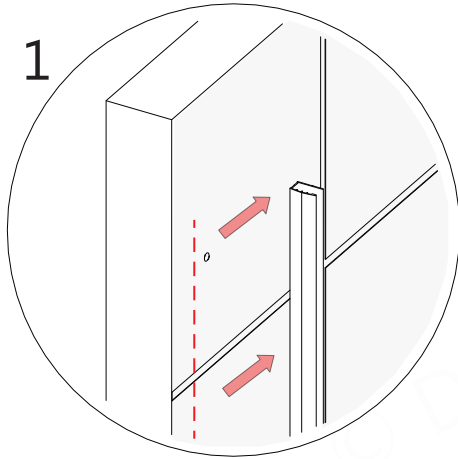
### Parts Needed



### Tools Needed



**2**



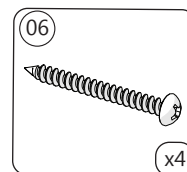
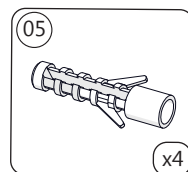
**Fig 2**

**NOTE** Install the **Wall Profiles (#03)** so that the **holes** face towards the inside of the shower.

**NOTE**

▪ **If a Stud is present behind the wall:**  
 drill a  $\text{Ø}3/16''$  (4mm) hole up to the stud,  
 drill an  $\text{Ø}1/8''$  (3mm) pilot hole into the stud and  
 use the **ST4.0 x 40mm Pan Head Screws (#05)**  
**OR**  
 ▪ **If No Stud is present behind the wall:**  
 drill a  $\text{Ø}5/16''$  (7mm) hole and insert the **Wall Anchors (#07)**  
 and use the **ST4.0 x 40mm Pan Head Screws (#05)**.

**Parts Needed**



**Tools Needed**



3

# Glass-to-Glass Hinge Assembly Installation



Secure the **Door Glass 1 (Pivot Profile) (#02)** and **Door Glass 2 (#03)** with the **Hinge Assembly (#04)** **before install** it into the **Wall Profile (#01)**



Maintain even spacing between the door glass during the hinge installation.

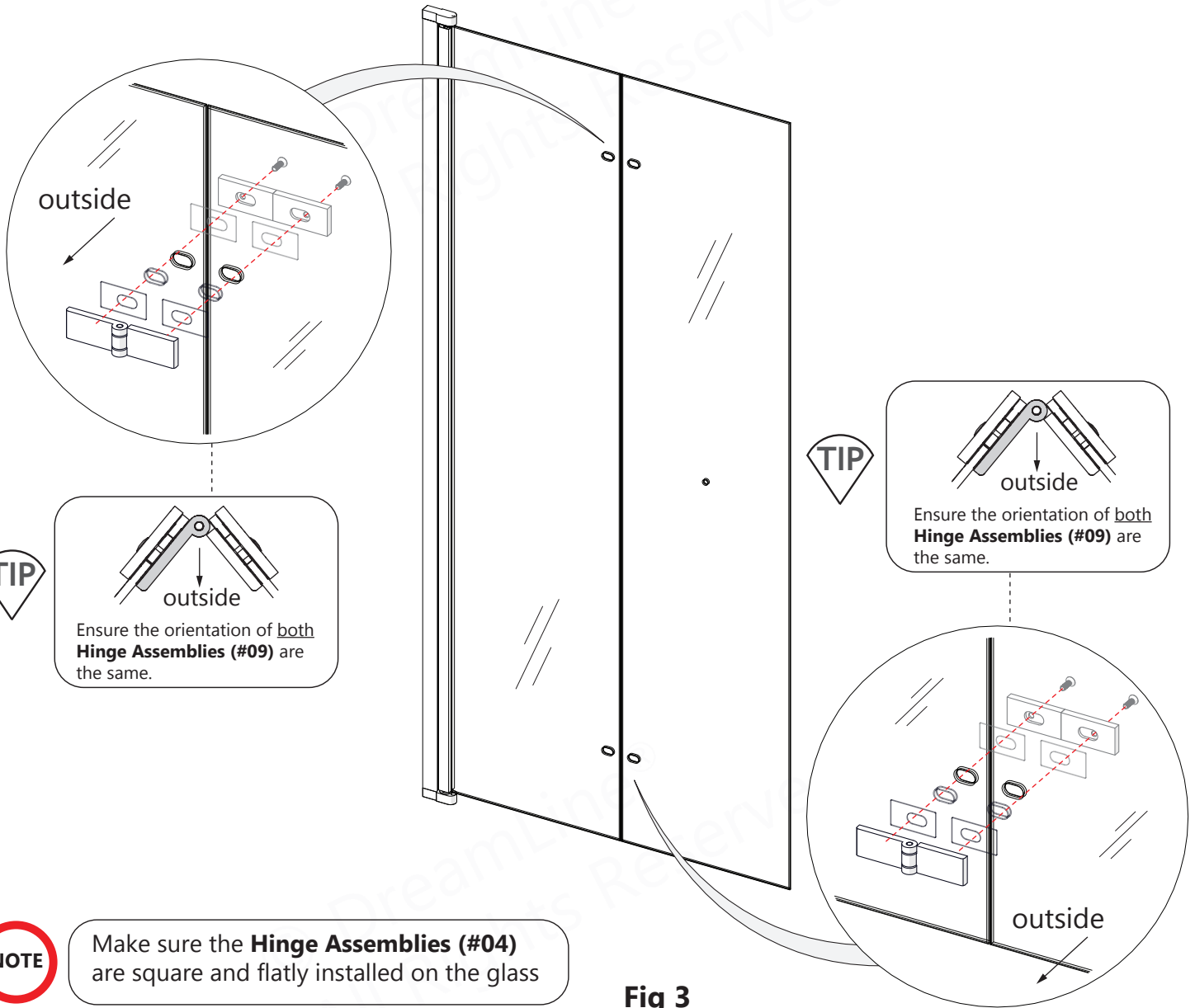


Fig 3

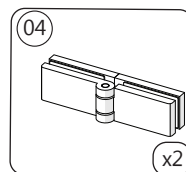
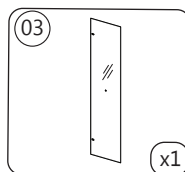
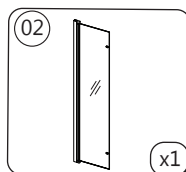


Make sure the **Hinge Assemblies (#04)** are square and flatly installed on the glass

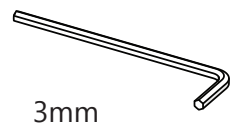


To prevent glass-to-metal contact, confirm the vinyl gaskets are present between the **Hinge Assemblies** and the **Door Glass**.

### Parts Needed



### Tools Needed



4

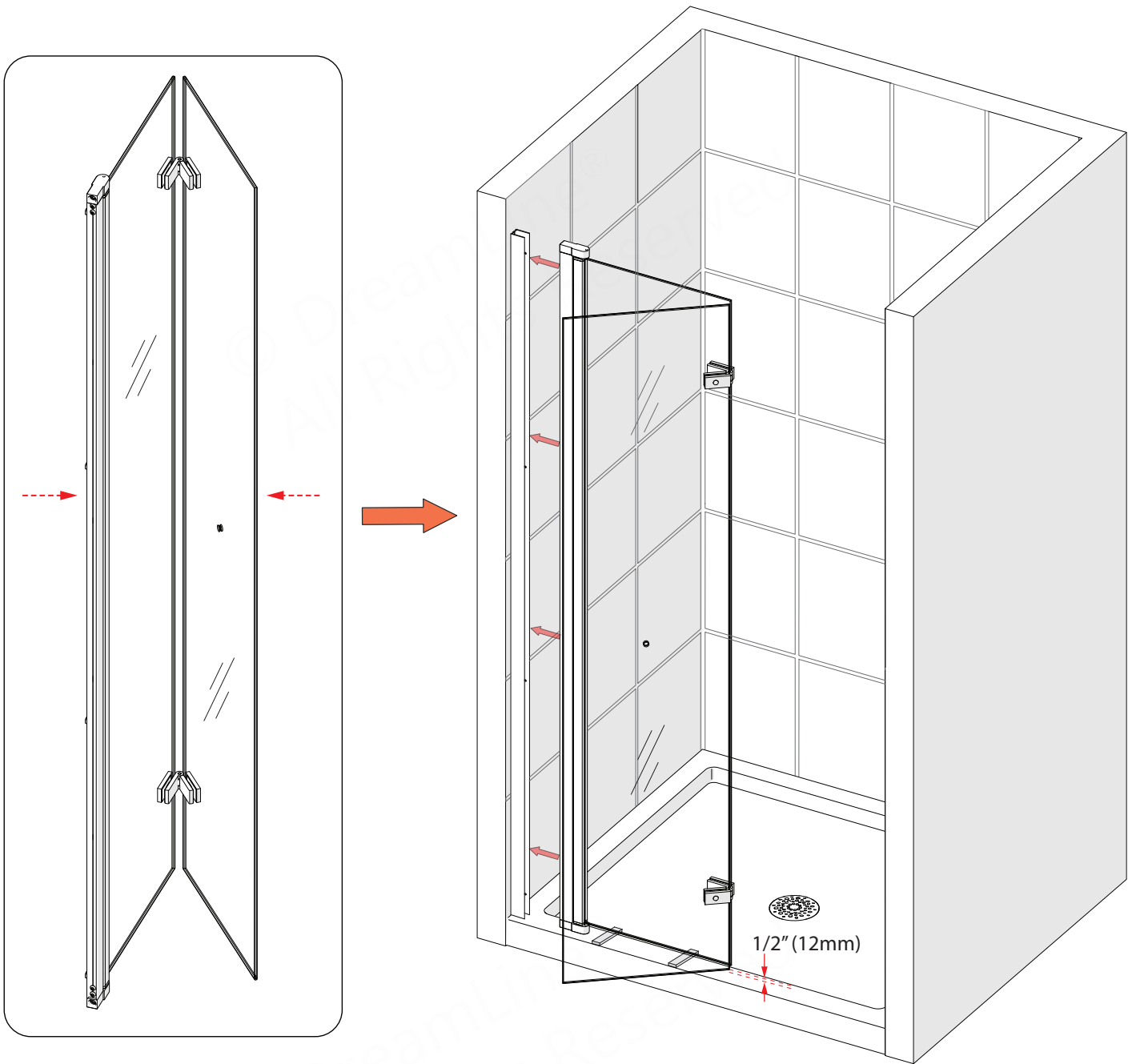
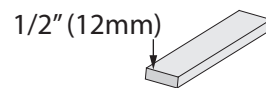


Fig 4

**NOTE**

Place **1/2" (12mm)** thick wood or plastic shims onto the threshold to provide proper spacing beneath the door glass.



Make any final adjustments to the door so that it is level and plumb in the opening.

# 5

## Decorative Caps Installation

### NOTE

After final adjustments, drill  $\varnothing 1/8"$  holes through the pre-drilled holes located in the ID groove in the **Wall Profile (#01)**. Drill only through the **first layer** of the **Glass Profile** and install the **ST4.0x10mm Pan Head Screws (#07)** using the **Decorative Covers and Washers (#08)** Fig 5

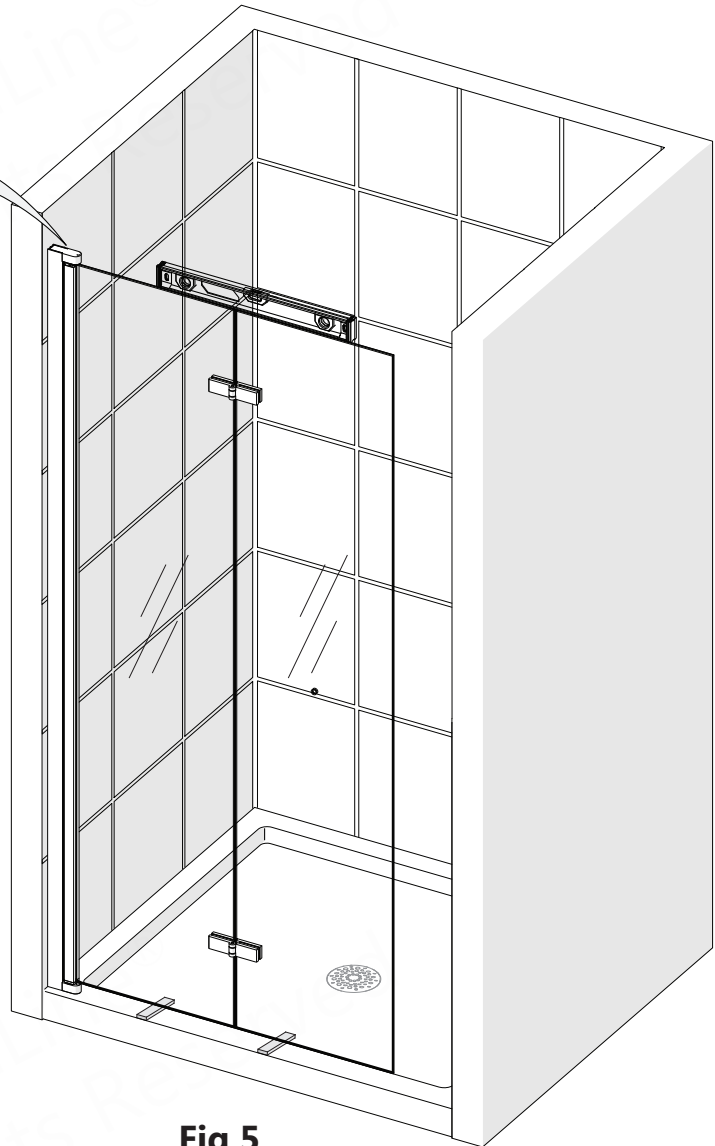
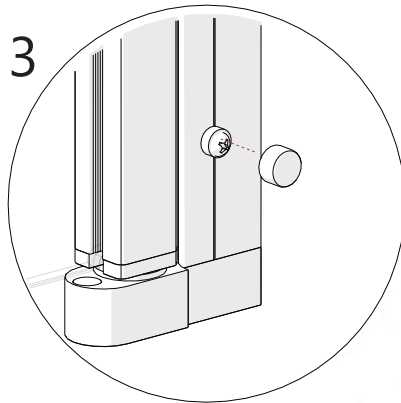
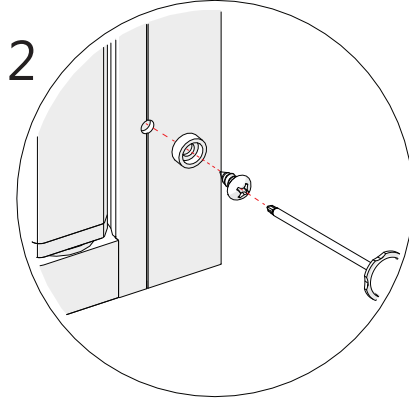
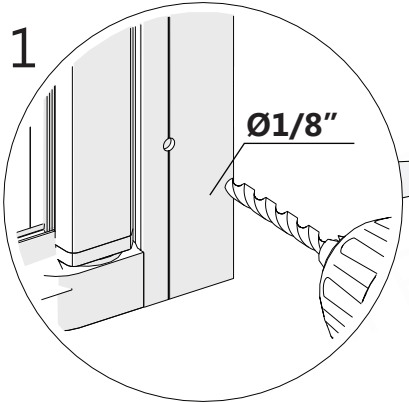
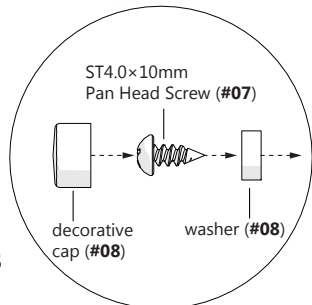


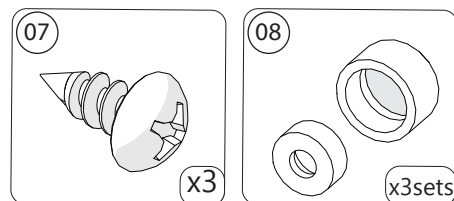
Fig 5

### NOTE

Include the washers when installing the **ST4.0x10mm Pan Head Screws (#07)** and **Decorative Caps (#08)**.



### Parts Needed

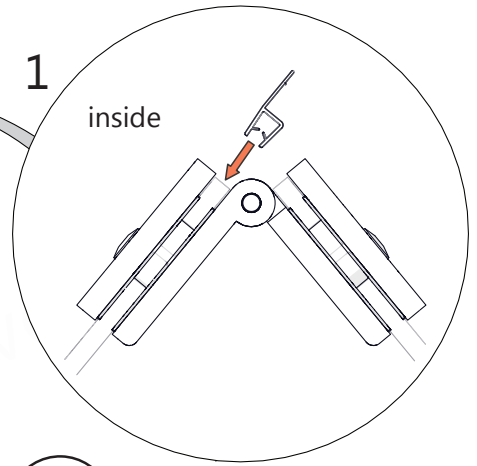
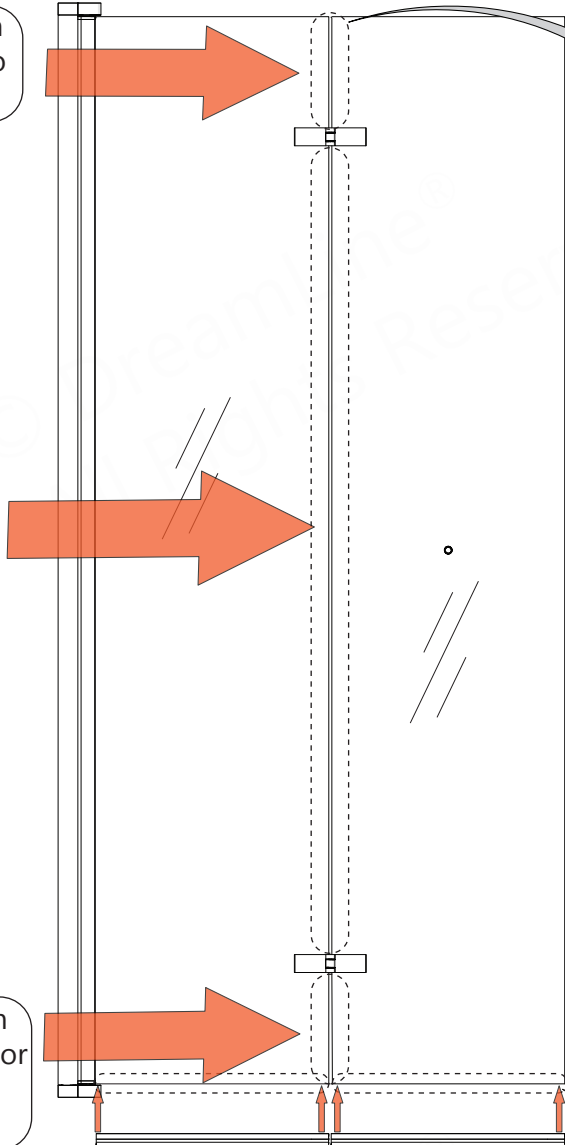
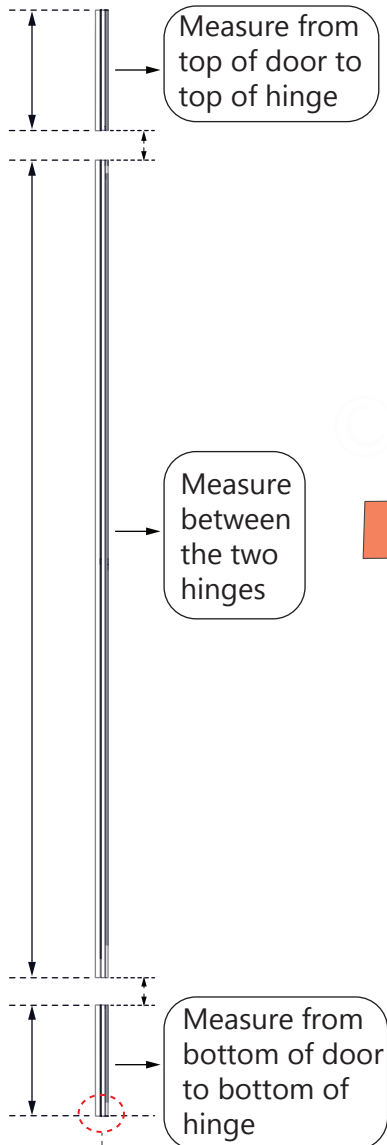


### Tools Needed



6

# Vinyl Seals Installation



**TIP**  
Attach the **Vertical Vinyl Seal (#12)** to the inside edge of the **Door Glass (#03)** that is on the same side as the shower head so that the flexible fin is pointing away from the water source.

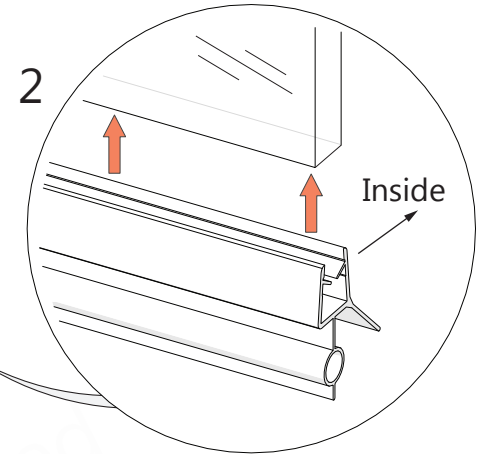
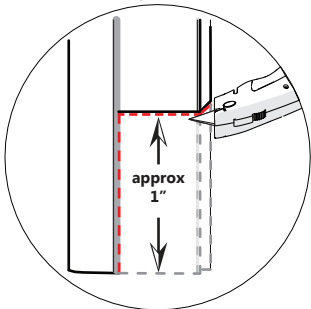


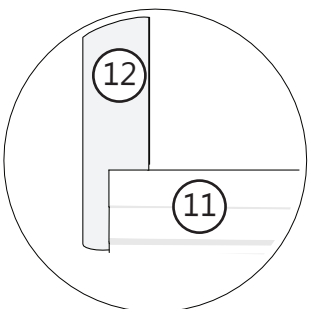
Fig 6



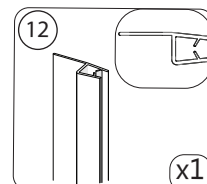
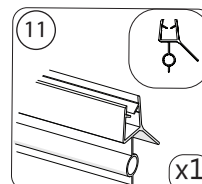
Remove the 1/2" shims and open the door.



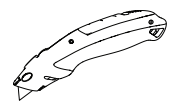
Use a razor knife to notch the **Vertical Vinyl Seal (#12)** to fit around the **Bottom Sweep Vinyl (#11)** as shown to prevent leakage in the corner. Notch **Bottom Sweep Vinyl (#11)** +/- 1" to fit around sweep and press the onto the bottom edge of the **Door Glass (#01)**.



### Parts Needed



### Tools Needed





## Threshold Installation

NOTE

Open the Door Glass and install the Threshold Dam Strip.

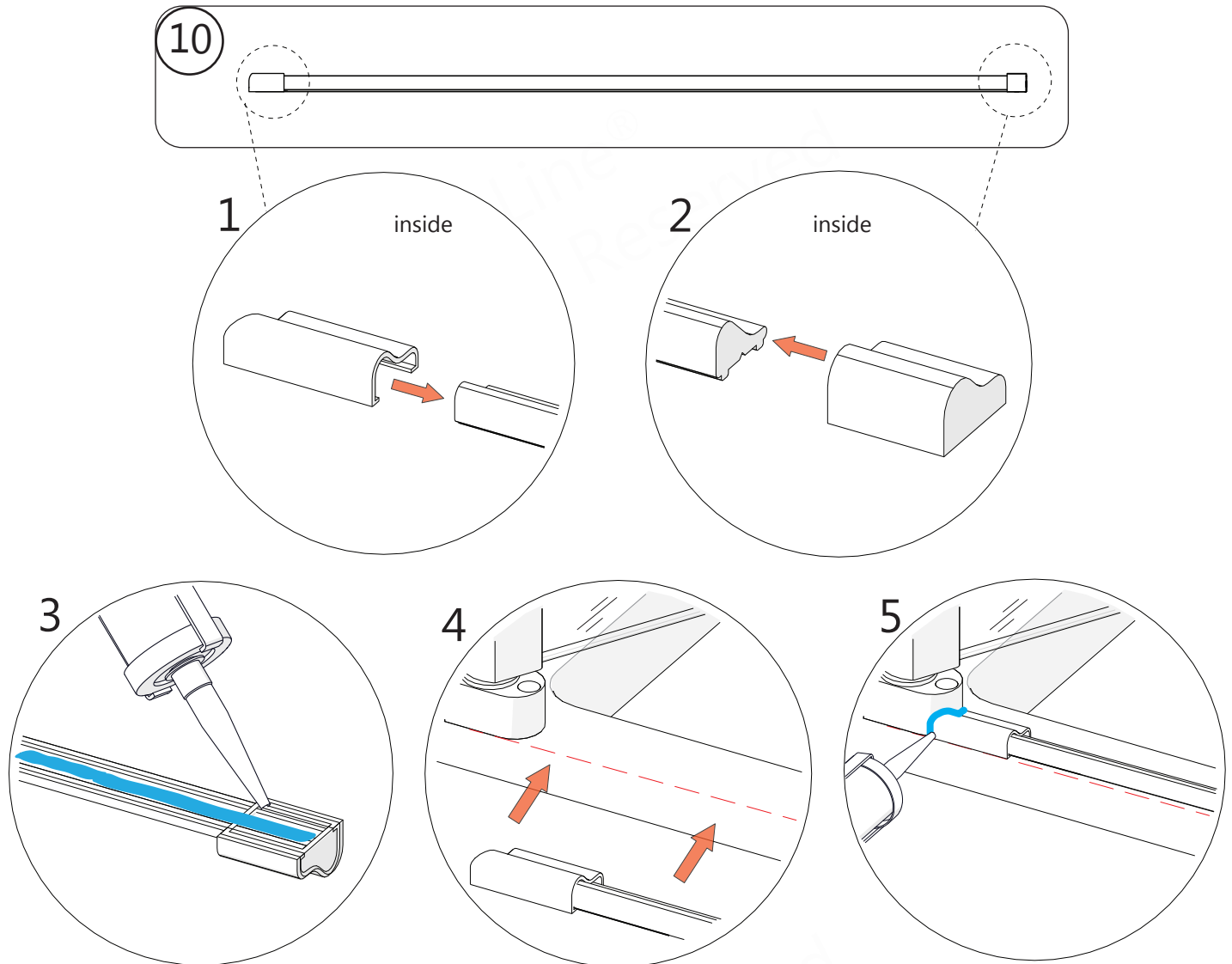


Fig 7

NOTE

This product is shipped with both a left and right **Dam Strip Clip** installation. The large curved lip of the dam strip is intended to face toward the outside of the shower to ensure the flow of water is redirected towards the drain.

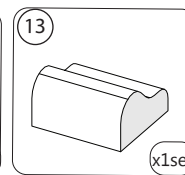
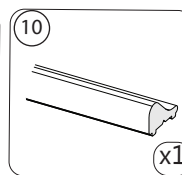
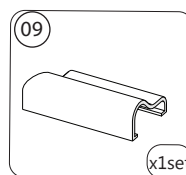
NOTE

Apply silicone along the connections of the **Threshold Connector (#09)** and **Hinged Glass Profile (#02)**.

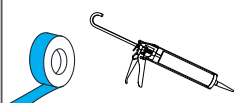
TIP

If the Door Pivot has movement or seems loose, secure the Bottom Pivot to the threshold using the **ST4.0x40mm Pan Head Screws (#04)**

### Parts Needed



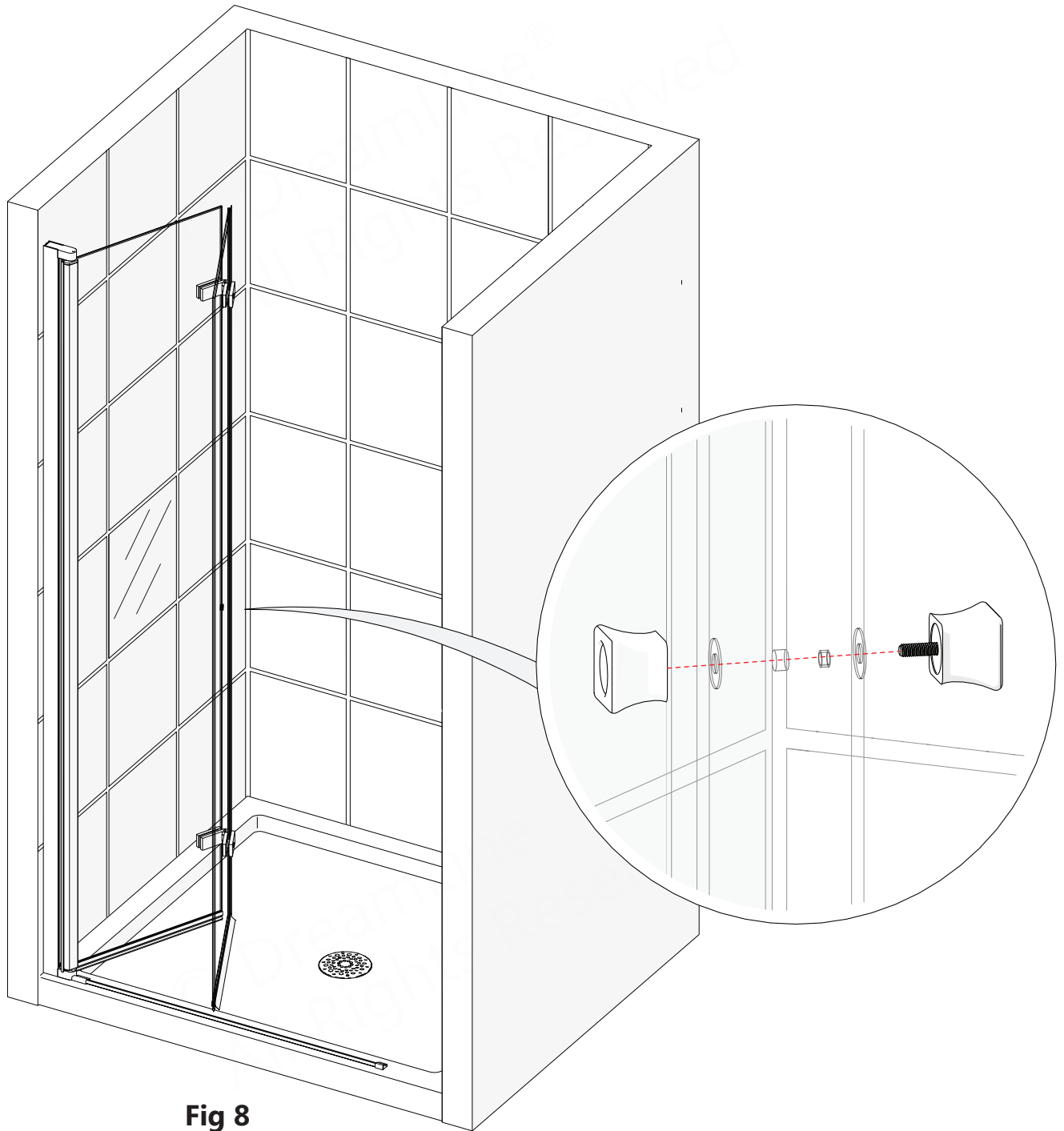
### Tools Needed



## Knob Handle Installation

**NOTE**

Install the **Knob Handle (#10)** through the pre-drilled holes on the **Door Glass (#01)**. Be sure to use all of the included gaskets and sleeves to prevent glass-to-metal contact.

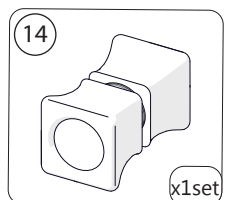


**Fig 8**

**NOTE**

Extra gaskets are supplied with the **Knob Handle (#10)** are to be used to align the inside and outside knobs with one another if necessary.

### Parts Needed



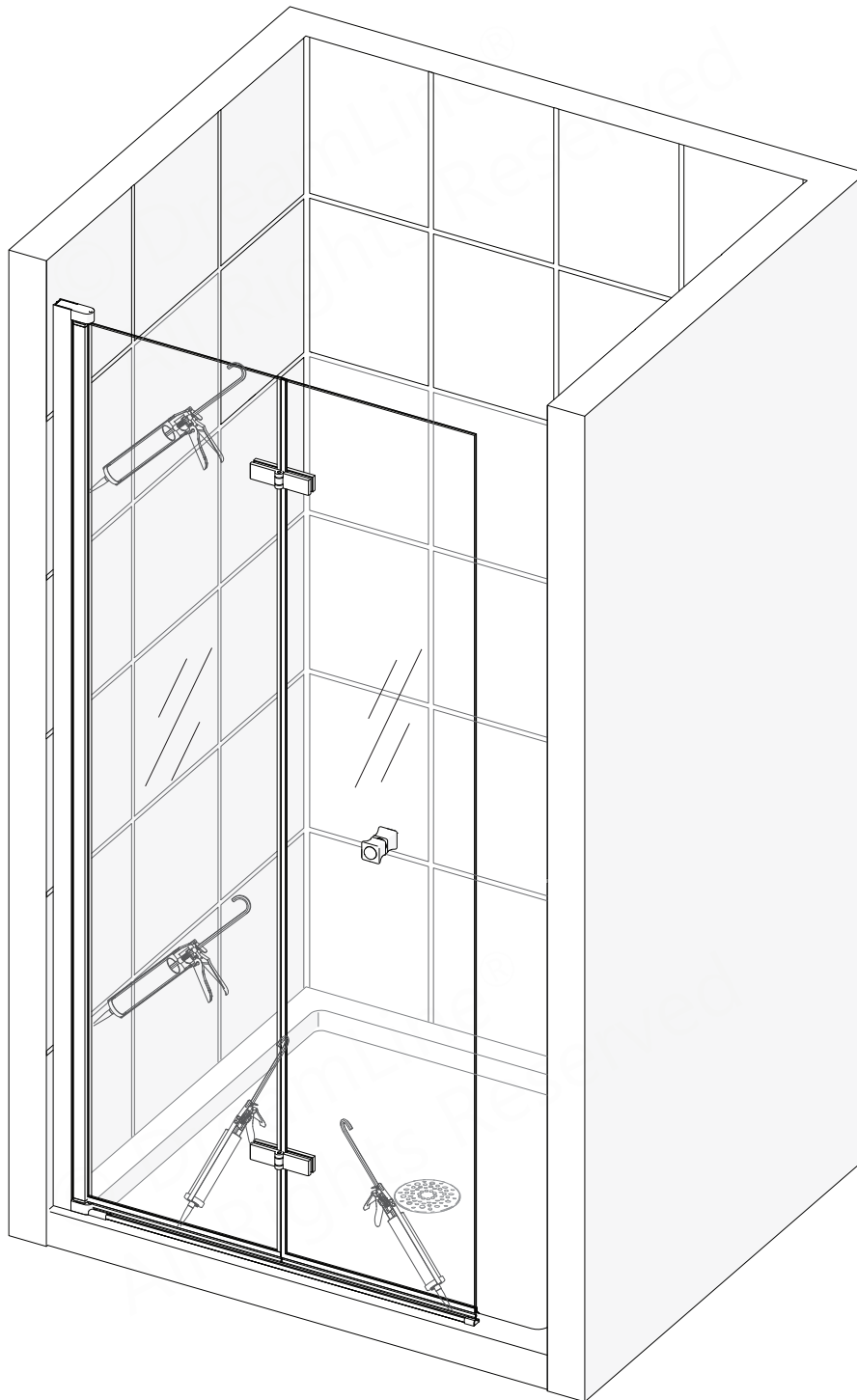
9

**NOTE**

The surfaces need to be clean and free of debris before applying silicone

**NOTE**

Apply silicone to the wall and threshold, along the inside edge of the wall profile and threshold.

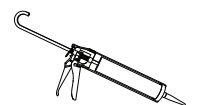


**Fig 9**



**Allow 24 hours for the silicone to cure before using the shower**

**Tools Needed**



## Product Maintenance

**BASES and BACKWALLS:** To ensure long lasting life for your acrylic back walls: wipe them off after each use with a soft cloth. To clean the acrylic back walls use non-abrasive sprays or cream based cleaners. Avoid the use of aerosol spray cleaners. Never use abrasive cleansers, metal brushes or scrapers that could permanently scratch or dull the surface.

**GLASS:** To ensure long lasting life for your glass shower products: wipe them off after each use with a soft cloth. Rinse and wipe off the glass using either a soft cloth or a squeegee to prevent soap buildup and water spots (Hard water can etch the surface of the glass over time if left to dry). To prevent scratching the surface: never use abrasive cleaners or cleaning products that contain scouring agents. Never use bristle brushes or abrasive sponges that may scratch the surface of the glass.

**HARDWARE:** To ensure a long lasting finish: wipe off all metal parts after each use with a soft cloth. Do not use abrasive cleaners or cleaning products containing ammonia, bleach or acid. If accidentally used, rinse the surface as soon as possible to prevent damage to the finish (peeling or corrosion). After cleaning the polished finishes, rinse thoroughly and wipe dry with a soft clean cloth. Clean stainless steel surfaces at least once a week. When applying stainless steel cleaner or polish to stainless steel hardware, work with the grain (not across the grain). Never use an abrasive sponge or cloth, steel wool or wired brush as these may permanently scratch the surfaces.



**To maximize the life of your door, it is important to regularly inspect the glass and other hardware for misalignment, proper attachment, and/or damage. Contact DreamLine® with any questions or concerns.**

### **AQUA-Q Fold Maintenance Checklist**

- Check that the unit is stable, operates smoothly and that the installation is secure.
- Confirm that all screws/bolts are tight.
- Check that the Handle is tightly secured to the Door Glass and that all gaskets are in place to prevent glass-to-metal contact.
- Confirm that all vinyl seals are intact (replace if missing or damaged to prevent leakage)
- Inspect exposed and concealed glass edges for damage
  - Damaged Glass Must be Replaced!**
- Inspect silicone caulk for gaps. Replace silicone as necessary to prevent water leakage.

# Troubleshooting

Problem/Symptom	Suggested Solution	Page(s)
Missing Parts	<ul style="list-style-type: none"> <li>• Check all shipping/packaging material for missing parts/components.</li> <li>• If not found, contact DreamLine Customer Support [1-866-731-2244] to order factory part replacement.</li> </ul>	6-8
Door is not operating smoothly	<ul style="list-style-type: none"> <li>• Check the <b>Vinyl Seals</b> for proper trimming and installation</li> <li>• Confirm the <b>Hinge Assemblies</b> are tightly secured to the Door Glass. See Hinge Installation instructions</li> <li>• Confirm the vinyl is tightly secured to the bottom of the <b>Door Glass (#02, #03)</b>.</li> <li>• Confirm the <b>Hinge Side Vinyl Seal (#12)</b> is correctly notched around the <b>Bottom Sweep Vinyl (#11)</b>.</li> </ul>	11 14
<b>Door Pivot</b> has movement (seems loose) during operation	<ul style="list-style-type: none"> <li>• Secure the <b>Bottom Pivot</b> to the threshold using the <b>ST4.0x40mm Pan Head Screws (#06)</b></li> </ul>	15
<b>Knob Handle (#14)</b> rattles during operation	<ul style="list-style-type: none"> <li>• Confirm the vinyl gaskets are present and the knob is tightly secured to the glass.</li> </ul>	16



**The Aqua-Q Fold Shower/Tub Door is designed to swing out.**



Prior to contacting DreamLine® Customer Service, please have the following information readily available:

- Purchase Order Information
  - Name, PO Number, Dealer/Vendor Name, etc.
- SKU/Model Number (see Cover Page)
- Factory Part Information (see Page 21-23)

# Factory Parts Information

AQUA-Q FOLD {SD-363072Q-##}		FACTORY PARTS INFORMATION	
ITEM #	FACTORY PART NUMBER	ITEM DESCRIPTION	QTY
01	042800 <b>11</b> -1828	Left and Right Wall Profile for 1/4" Thick Glass	1 pc
02	220330 <b>102</b>	Hinge and Door Assembly	1 pc
03	010033009	Door Glass	1 pc
04	0742 <b>1060</b>	Square Bi-Fold Hinge Assembly for 1/4" Thick Glass	2 pcs
05	07552148	Wall Anchor 8mm (5/16in)	4 pcs
06	091107	ST4.0 x 40mm Pan Head Screw	5 pcs
07	091101	ST4.0x10mm Stelf-Tapping Round Head Screw	4 pcs
08	0755 <b>1011</b>	Decorative Cover and Washer	4 sets
09	0755 <b>1057</b> /0755 <b>1058</b>	Threshold Decorative Connector (right or left)	1 set
10	040920 <b>11</b> -0671	Bottom Anti-Splash Guard for 1/4" Thick Glass	1 pc
11	063015060-0341	Clear Bottom Sweep Vinyl for 6mm Glass	2 pcs
12	063005060-1781	Clear Vinyl Seal with a Flexible Fin 70 1/8" Length for 6mm Glass	1 pc
13	0755 <b>1077</b> /0755 <b>1078</b>	Threshold End Cover (left or right)	1 set
14	0722 <b>1101</b>	Double Sided Square Knob Handle Assembly for 1/4" Thick Glass	1 set

**BOLD** digit indicates finish:

**01** = Chrome

**04** = Brushed Nickel

**06** = Oil Rubbed Bronze

**09** = Satin Black

Contact [Support@DreamLine.com](mailto:Support@DreamLine.com) for Part replacement, installation assistance or additional information.  
Complete **Warranty** information is available on [DreamLine.com](http://DreamLine.com).

# Factory Parts Information

AQUA-Q FOLD {SD-363472Q-##}		FACTORY PARTS INFORMATION	
ITEM #	FACTORY PART NUMBER	ITEM DESCRIPTION	QTY
01	042800 <b>11</b> -1828	Left and Right Wall Profile for 1/4" Thick Glass	1 pc
02	220330 <b>103</b>	Hinge and Door Assembly	1 pc
03	010033007	Door Glass	1 pc
04	0742 <b>1060</b>	Square Bi-Fold Hinge Assembly for 1/4" Thick Glass	2 pcs
05	07552148	Wall Anchor 8mm (5/16in)	4 pcs
06	091107	ST4.0 x 40mm Pan Head Screw	5 pcs
07	091101	ST4.0x10mm Stelf-Tapping Round Head Screw	4 pcs
08	0755 <b>1011</b>	Decorative Cover and Washer	4 sets
09	0755 <b>1057</b> / 0755 <b>1058</b>	Threshold Decorative Connector (right or left)	2 pcs
10	040920 <b>11</b> -0774	Bottom Anti-Splash Guard for 1/4" Thick Glass	1 pc
11	063015060-0392	Clear Bottom Sweep Vinyl for 6mm Glass	2 pcs
12	063005060-1781	Clear Vinyl Seal with a Flexible Fin 70 1/8" Length for 6mm Glass	1 pc
13	0755 <b>1077</b> / 0755 <b>1078</b>	Threshold End Cover (left or right)	2 pcs
14	0722 <b>1101</b>	Double Sided Square Knob Handle Assembly for 1/4" Thick Glass	1 pc

**BOLD** digit indicates finish:

**01** = Chrome

**04** = Brushed Nickel

**06** = Oil Rubbed Bronze

**09** = Satin Black

Contact [Support@DreamLine.com](mailto:Support@DreamLine.com) for Part replacement, installation assistance or additional information.  
Complete **Warranty** information is available on [DreamLine.com](http://DreamLine.com).

# Factory Parts Information

AQUA-Q FOLD {SD-363658Q-##}		FACTORY PARTS INFORMATION	
ITEM #	FACTORY PART NUMBER	ITEM DESCRIPTION	QTY
01	042800 <b>1</b> 1-1472	Left and Right Wall Profile for 1/4" Thick Glass	1 pc
02	220330 <b>1</b> 01	Hinge and Door Assembly	1 pc
03	0100330 <b>1</b> 1	Door Glass	1 pc
04	0742 <b>1</b> 060	Square Bi-Fold Hinge Assembly for 1/4" Thick Glass	2 pcs
05	07552148	Wall Anchor 8mm (5/16in)	4 pcs
06	091107	ST4.0 x 40mm Pan Head Screw	5 pcs
07	091101	ST4.0x10mm Stelf-Tapping Round Head Screw	4 pcs
08	0755 <b>1</b> 011	Decorative Cover and Washer	4 sets
09	0755 <b>1</b> 057 / 0755 <b>1</b> 058	Threshold Decorative Connector (right or left)	2 pcs
10	040920 <b>1</b> 1-0836	Bottom Anti-Splash Guard for 1/4" Thick Glass	1 pc
11	063015060-0424	Clear Bottom Sweep Vinyl for 6mm Glass	2 pcs
12	063005060-1425	Clear Vinyl Seal with a Flexible Fin for 6mm Glass	1 pc
13	0755 <b>1</b> 077 / 0755 <b>1</b> 078	Threshold End Cover (left or right)	2 pcs
14	0722 <b>1</b> 101	Double Sided Square Knob Handle Assembly for 1/4" Thick Glass	1 pc

**BOLD** digit indicates finish:

- 01** = Chrome
- 04** = Brushed Nickel
- 06** = Oil Rubbed Bronze
- 09** = Satin Black

Contact [Support@DreamLine.com](mailto:Support@DreamLine.com) for Part replacement, installation assistance or additional information.  
Complete **Warranty** information is available on [DreamLine.com](http://DreamLine.com).



## NOTES:

© DreamLine®  
All Rights Reserved

© DreamLine®  
All Rights Reserved

**NOTES:**

© DreamLine®  
All Rights Reserved

© DreamLine®  
All Rights Reserved

**NOTES:**

© DreamLine®  
All Rights Reserved

© DreamLine®  
All Rights Reserved

© DreamLine®  
All Rights Reserved



© DreamLine®  
All Rights Reserved

---

---

TEL: 866-731-2244  
FAX: 866-857-3638  
DREAMLINE.COM



For more information on DreamLine® Shower Doors and Enclosures please visit **DreamLine.com**