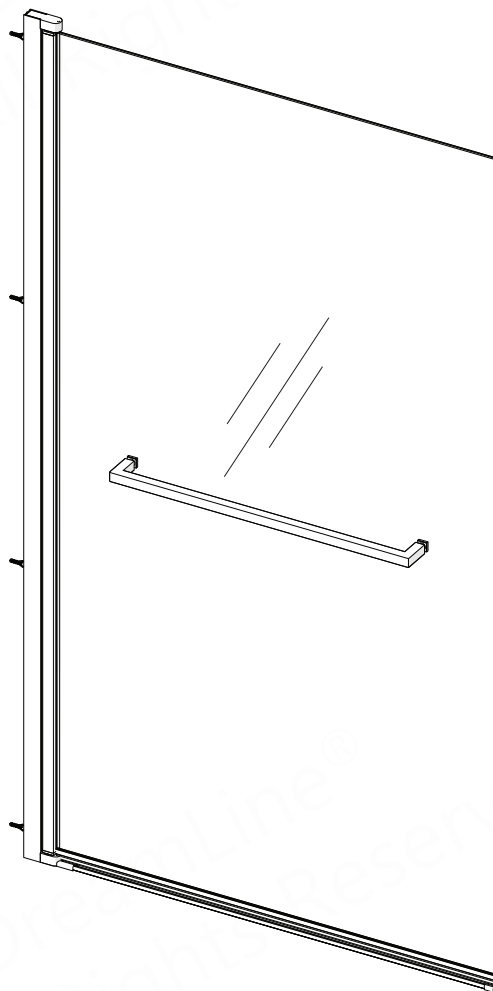




AQUA-Q SWING

SHOWER AND TUB DOOR INSTALLATION INSTRUCTIONS

PLEASE REVIEW THIS ENTIRE MANUAL PRIOR TO INSTALLATION



left-pivot door installation shown

Model#

SD-373472Q-##

SD-374072Q-##

SD-373458Q-##

##=finish

01 - Chrome

04 - Brushed Nickel

06 - Oil Rubbed Bronze

09 - Satin Black

IMPORTANT!

DreamLine® reserves the right to alter, modify or redesign products at any time without prior notice for the purpose of product improvement and customer experience. Please refer to the model's web page on **DreamLine.com** for the latest technical drawings, installation manuals, warranty information or additional product details.

Do Not Return Product to the Store. Contact DreamLine® with any questions



Questions?

Please contact DreamLine Customer Support
See **DreamLine.com** for hours of operation

Support@DreamLine.com

1-866-731-2244





Record the following purchase information for your records or in the event you need to contact DreamLine®:

Purchase Order
Number _____

Store/Vendor
Purchased From _____

Installation Date _____

OD Number
(optional) _____
located on the shipping box or label
if available.

Installed By: _____

SKU Number _____

Table of Contents

Section Title	Page #
Warnings and General Preparation	2
Model Specific Preparation	3
Adjustable Wall Profile System	4
Tools	5
Detailed Diagram of Aqua-Q Swing Shower Door Components	6
Parts List	7
Installation Steps	8-15
Aluminum Threshold Dam Strip Installation	12
Vinyl Seals Installation	13
Handle/Towel Bar Installation	14
Product Maintenance	16
Troubleshooting	17
Factory Parts Information	18-20

Symbol Legend



TIP - for ease of installation.



CORRECT - recommended.



NOTE - take note of special feature; additional information.

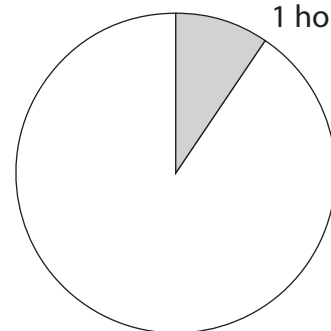


INCORRECT - not recommended.



REQUIRED - requires special attention; signifies a warning.

Average Installation Time





IMPORTANT

- DreamLine® reserves the right to alter, modify or redesign products any time without prior notice for product improvement and customer experience. Please refer to the model's web page on **DreamLine.com** for the latest technical drawings, installation manuals, warranty information or additional product details.
- This product should be installed by someone familiar with the construction requirements for this type of project and the care necessary for the safe installation and operation of the product.
- The safety of any installation is the responsibility of the installer.
- Professional installation recommended. (*All Models*)
- Professional installation required. (*Enigma Series*)
- To prevent damage or serious injury, Do Not lean against the installed panel/door/glass.
- To prevent damage or serious injury: Do Not attempt to lift or move a heavy lite of glass alone. Use an assistant and/or a professional grade glass suction cup.
- The installation of some models may require drilling down into the threshold. Contact the manufacturer of the base, tub, or threshold material with any questions regarding the drilling of holes into their product.
- All drawings in this installation manual are for illustrative purposes only and are not drawn to scale.

TEMPERED GLASS WARNING

- Your Shower Door Glass Could Shatter Without Warning if Improperly Installed or Mishandled
- Do Not install or operate a shower door if the glass has chipped corners, slivered edges or is otherwise damaged and/or has been dropped or banged into a hard surface such as tile, marble or glass.
- **The main causes of tempered glass breakage are:**
 - Improper handling, storage or installation
 - Misuse/abuse
 - Lack of maintenance
 - Failure to replace damaged glass
 - **Improper handling during storage, unpacking and installation:**
 - Corners and edges are the most susceptible area to damage on a lite of tempered glass and should be protected and handled with care during storage, unpacking, installation and operation. A concentrated point of pressure or impact with a surface harder than itself may cause the tempered glass to shatter. The tempered glass may release immediately, within several hours or even days later.
 - **Incorrect installation of door hardware, rollers, hinges, channels, stopper or glass:**
 - Improper installation may include: loose hardware and/or lack of proper gaskets between the hardware and glass. Additionally, improper alignment of guide rails, wall profiles or other hardware during installation or operation may place stress on the glass edges and cause it to break.
 - This product must be installed by a professional and experienced installer familiar with the safe handling of tempered glass.
 - **Improper use of this product:**
 - Aggressively opening or closing the door may cause trauma to the glass, which can lead to breakage. This may occur immediately or hours or even days later.
 - **The shower door hardware and glass should be inspected periodically:**
 - Instruct the homeowner how to perform a periodic inspection of the shower hardware and glass - some minor adjustments may be necessary based upon the use (or misuse) of the shower door. Ensure that the hardware remains tight and that the door alignment and operation are correct. Any adjustments should be made upon discovery to prevent damage to the product.
 - Additional considerations should be given to the installation of frameless tempered glass products in households with young children or an elderly person due to an increased chance of improper handling. In such cases, alternatives such as shower curtains or grab bars should be considered.

GENERAL PREPARATION

- After opening all boxes and packages, read this introduction carefully. Check that all the items are included in the package by marking off the components on the “**Detailed Diagram of Product Components**” page. Examine all boxes and packages for shipping damage. If the unit has been damaged, has a finishing defect, or is missing parts; please contact our Customer Support department within 3 business days of the delivery date. **Please note that DreamLine® will not replace any damaged products or missing parts free of charge after 3 business days or if the product has been installed.** Please contact DreamLine® if you have any questions.
- **Please note that you should refer to your local building codes with questions on installation compliance standards. Building and plumbing codes may vary by location, and DreamLine® is not responsible for code compliance standards for your project and will not accept any returns.**
- If this unit is going to be installed in a new construction, install all the required plumbing and drainage before installing the shower. **Use a competent and licensed (if required by local code) plumber for all plumbing installation.**
- Make sure that prior to beginning the installation, the surfaces are leveled and solid and will be able to support the total weight of the unit. Also make sure the walls are at right angles. Irregular installation surface level, radius corners or improper angle of side walls will result in serious problems for your installation. Please note that some adjustments and drilling will be necessary during the installation process.
- Protect all primary surfaces of the product during installation. Never set your glass down directly onto a tile floor. Leave corner protectors in place until it is necessary to remove them. Always use a piece of wood or cardboard to protect the bottom edge and corners of the glass prior to and during installation.
- This unit must be installed upon a finished threshold and against finished walls.
- *DreamLine® shower doors are not designed to be installed into a fiberglass surround due to the radius corners and lack of a solid surface to mount the hardware.*

WARNING: TO AVOID THE RISK OF DAMAGE OR INJURY:

- **Follow all recommendations and requirements as shown in the installation instructions.**
- Perform a thorough inspection of the glass and all parts for any damage prior to installation. Any damage to tempered glass can cause breakage. **Do Not install damaged glass!**
- Do Not install or operate a shower or tub door if the glass has chipped corners, slivered edges or is otherwise damaged. Do Not install or operate a shower or tub door that has been dropped or banged into a hard surface such as tile, marble or glass.
- **CAUTION:** Contact with any hard surface can damage tempered glass and cause it to shatter.
- This product uses tempered glass. Glass cannot be cut after it has been tempered. **Do Not attempt to cut tempered glass.**
- DreamLine® Glass Shower doors, Tub doors, Inline panels, and Return panels can shatter due to improper handling or lack of maintenance. Conduct periodic inspections of glass and all parts for possible damage, missing or loose parts.
- Always wear proper safety equipment such as: safety goggles, work gloves and appropriate footwear during the installation process.
- **WARNING. Risk of leakage and/or damage.** Follow all instructions regarding the application of silicone sealant or caulk. Allow 24 hours for the sealant to cure before the initial use of the shower or tub product. Follow the silicone manufacturer's recommendations regarding the use of their product.
- **Thoroughly read these instructions before installing or using this product.**
- **Leave this manual for the end-user of the product.**



This product should be installed by someone familiar with the construction requirements for this type of project and the care necessary for the safe installation and operation of the product.



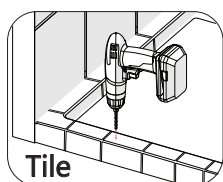
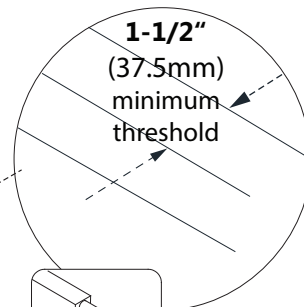
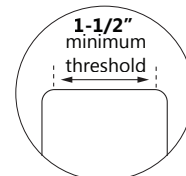
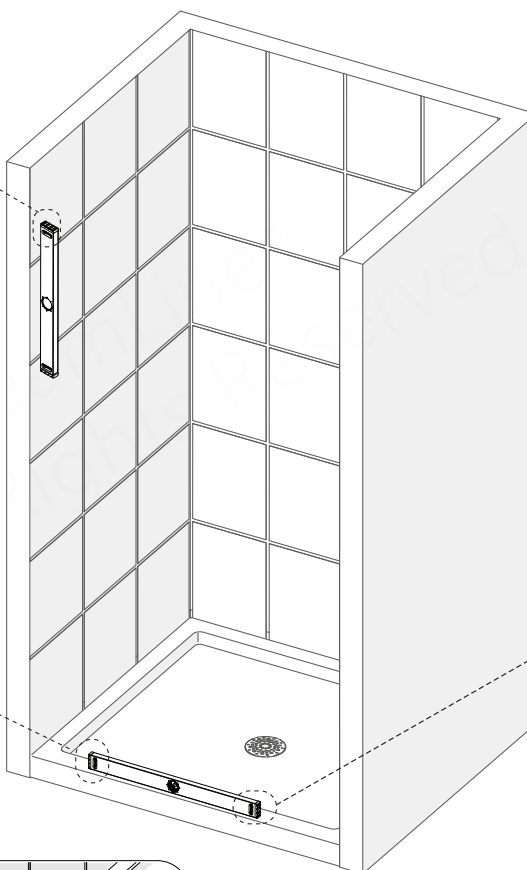
Model Specific Preparation



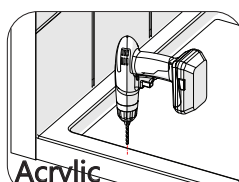
REQUIRED:



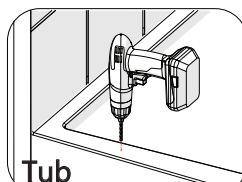
3/8" (10mm) maximum Out-of-Plumb Adjustment within the Wall Profile; Verify threshold and walls with a level



Tile



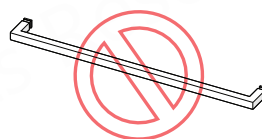
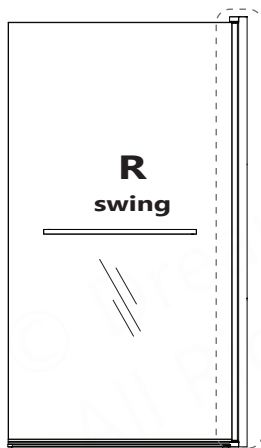
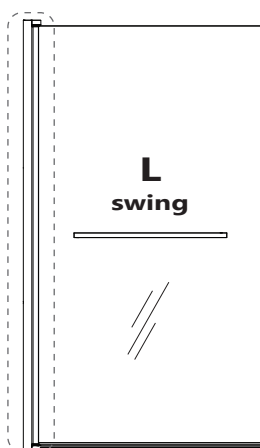
Acrylic



Tub



Contact the manufacturer of the base, tub or threshold material with any questions regarding the drilling of holes into their product.



DO NOT attach the Handle to the Door Glass until instructed. **DO NOT** use the handle to lift the glass during installation. This may result in damage to the glass and/or serious personal injury. Always use an assistant and/or a professional-grade glass suction cup when handling heavy glass panels.



Professional installation with two installers is recommended for this product.



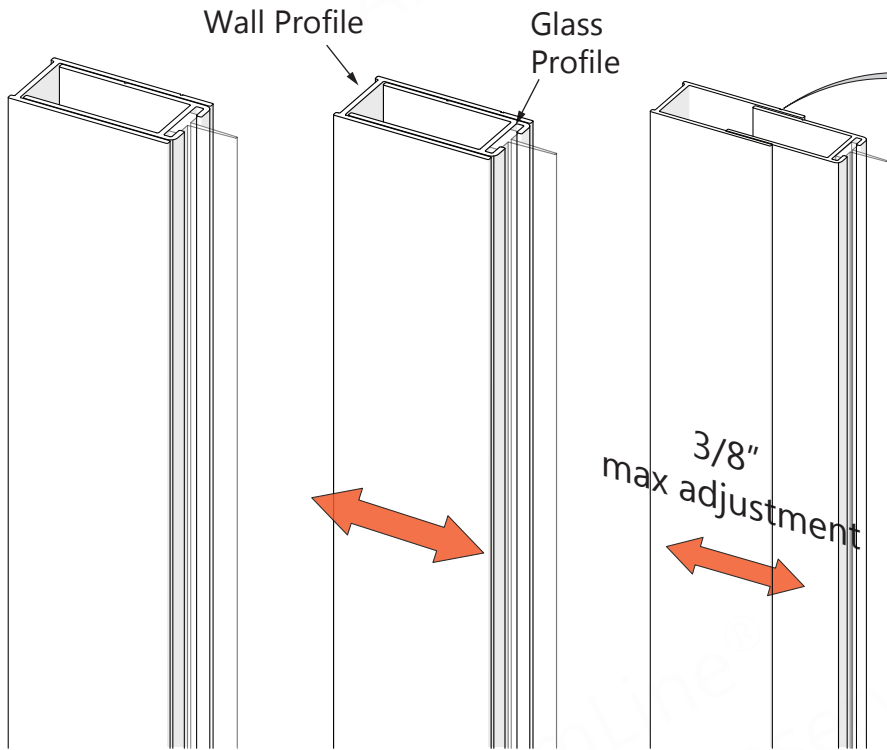
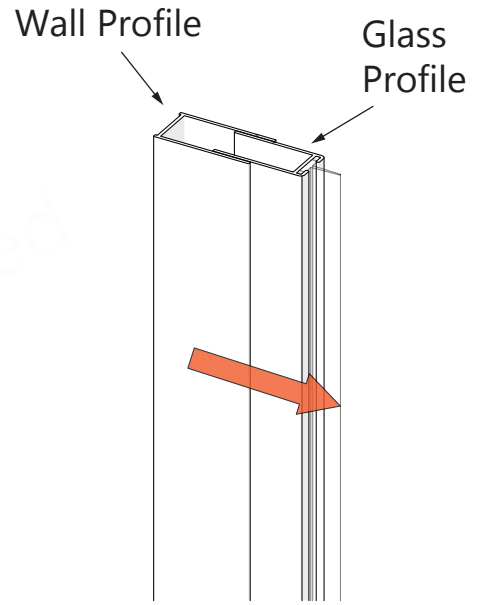
This model is reversible for right or left hinge door installation. The left-hinge door installation is shown throughout this manual. For the right-hinge door installation, simply begin on the opposite wall and reverse the orientation of the installation steps shown.



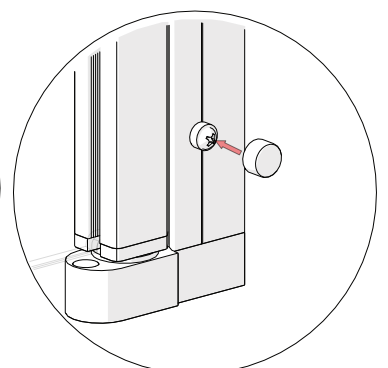
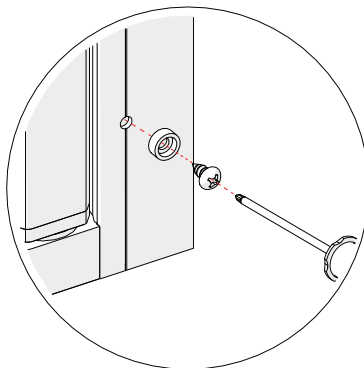
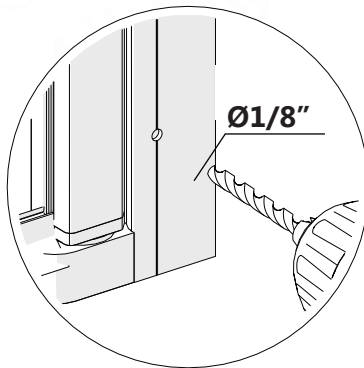
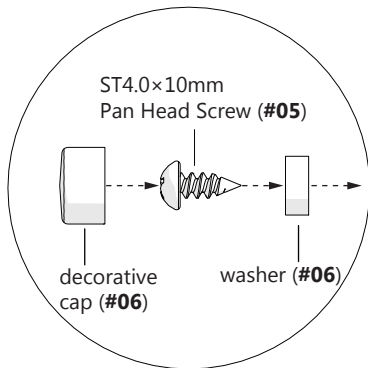
Adjustable Wall Profile System



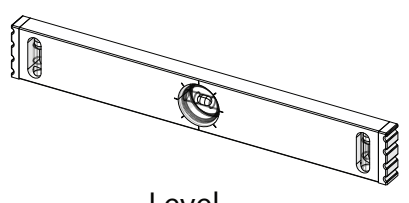
The Glass Profiles can be adjusted up to 1/2" within the Wall Profile for overall width or to correct for out-of-plumb conditions within the model size. Screw them together after making final adjustments.



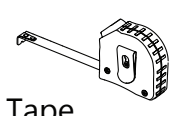
The ID Groove and holes should face the inside of the shower



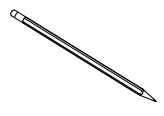
Tools



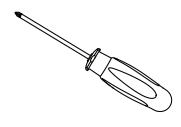
Level



Tape Measure



Pencil



#2 Phillips Screwdriver



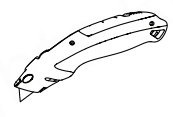
Power Drill



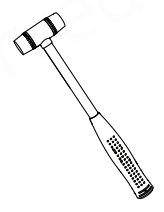
Drill Bit
Ø1/8"
(3mm)



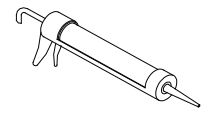
Drill Bit
Ø5/16"
(8mm)



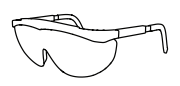
Razor Knife



Soft Head Hammer



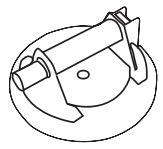
100% Silicone*



Safety Glasses



Work Gloves



Professional-grade
Glass Suction Cup
(Optional but recommended)



Verify that the correct model size has been ordered; measure the finished opening **before** proceeding with the installation.

Confirm that the finished walls are plumb and the threshold is level and pitched into the shower area.

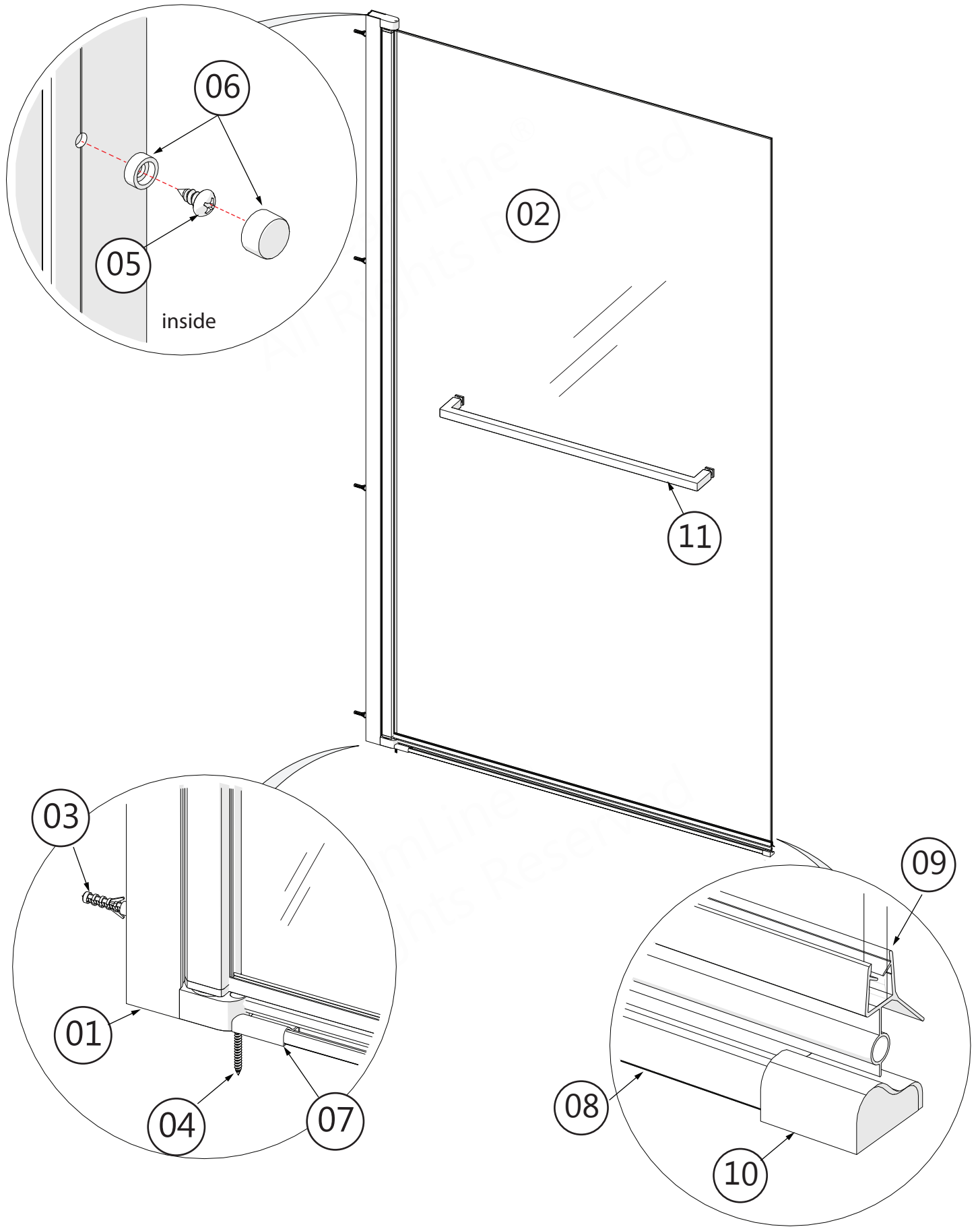
Cover the shower/tub drain with tape prior to installation to prevent the loss of screws or small parts.

Use a type of drill bit that is appropriate for drilling into the finished surface material.

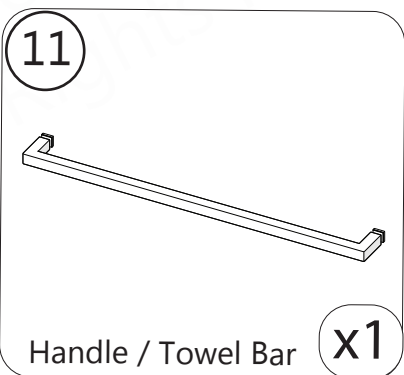
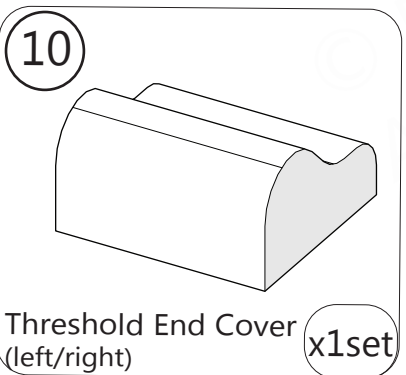
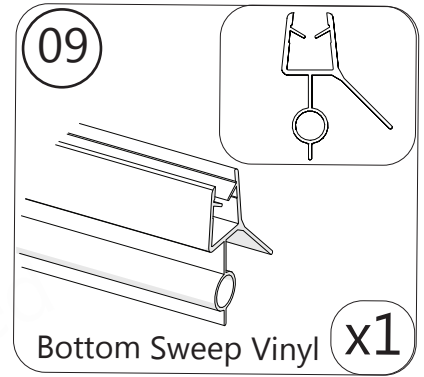
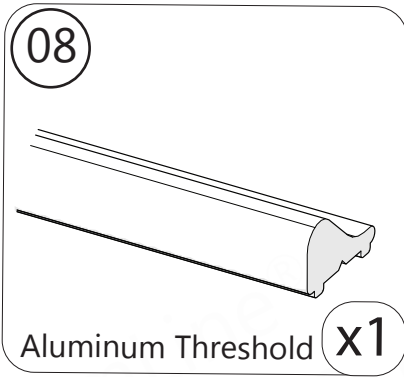
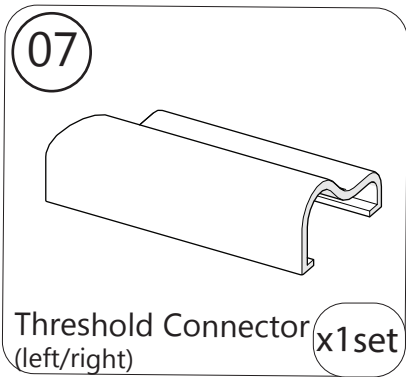
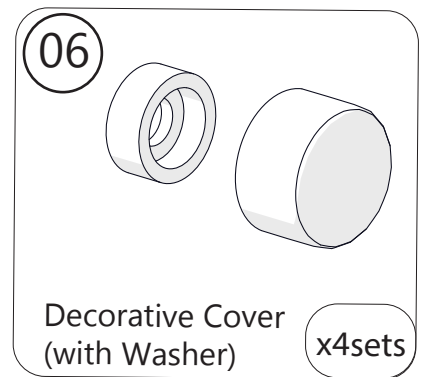
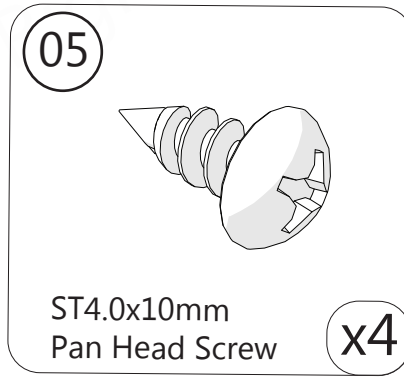
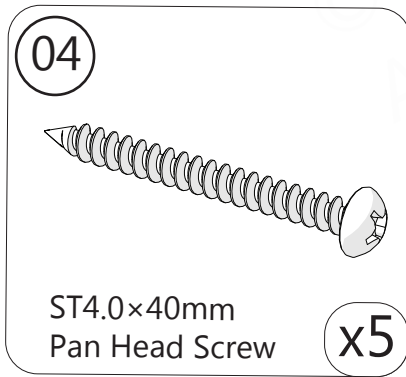
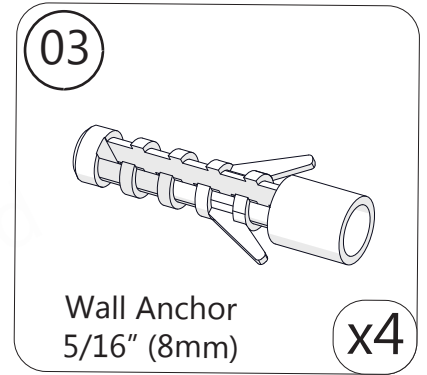
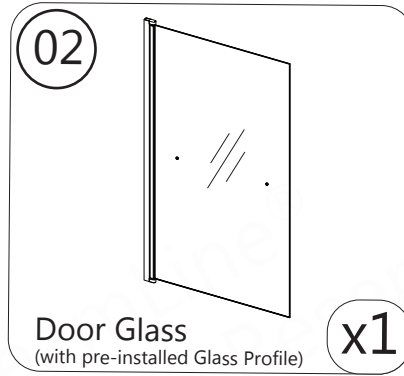
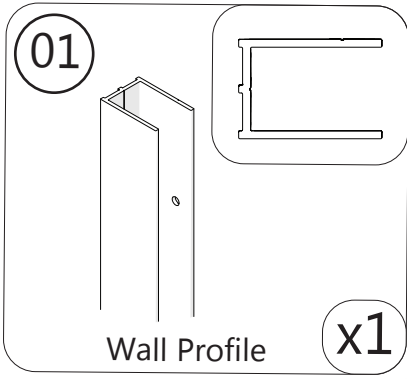


Unpack your unit carefully and inspect it. Lay it out and identify all parts using the Detailed Diagram on page 6; and packing list in this manual as a reference. Before discarding the carton, check for small hardware bags that may have fallen to the bottom of the box. If any parts are damaged or missing, please contact DreamLine® for replacement. The shipping boxes may contain extra parts not used in your model configuration. Retain these installation instructions for future reference.

Detailed Diagram of AQUA-Q SWING Shower Door Components



Parts List



1

Installation Steps

NOTE

Check the walls for plumb and threshold for level. This model allows for up to 1/2" of out-of-plumb adjustment within the **Wall Profile**. The threshold must be level for correct installation.

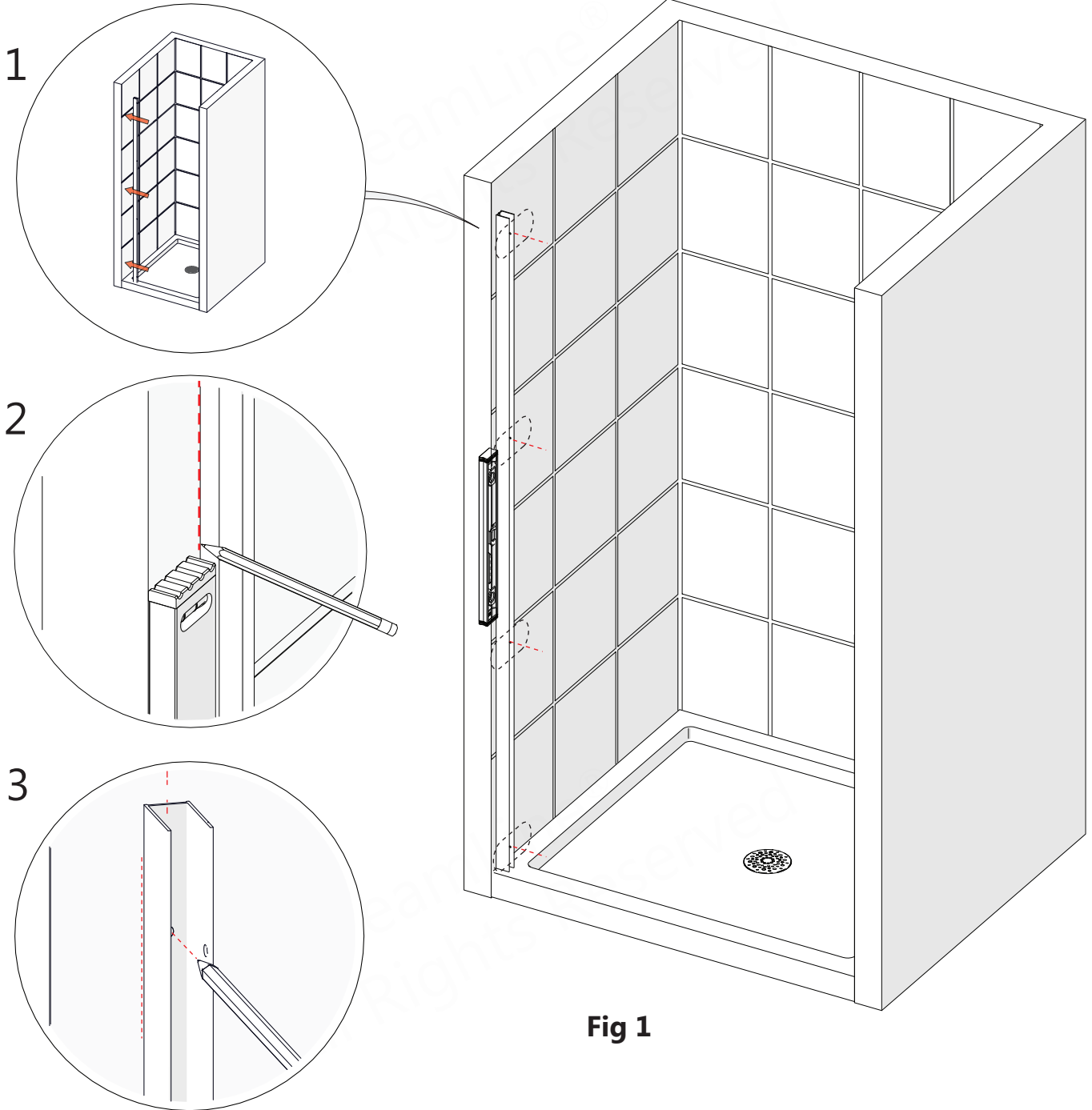
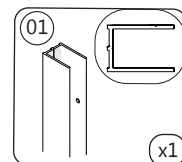


Fig 1

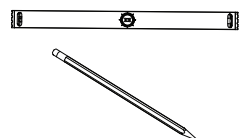
TIP

Confirm the **Wall Profile (#01)** is plumb with a level before marking the location of the holes for drilling.

Parts Needed



Tools Needed



2

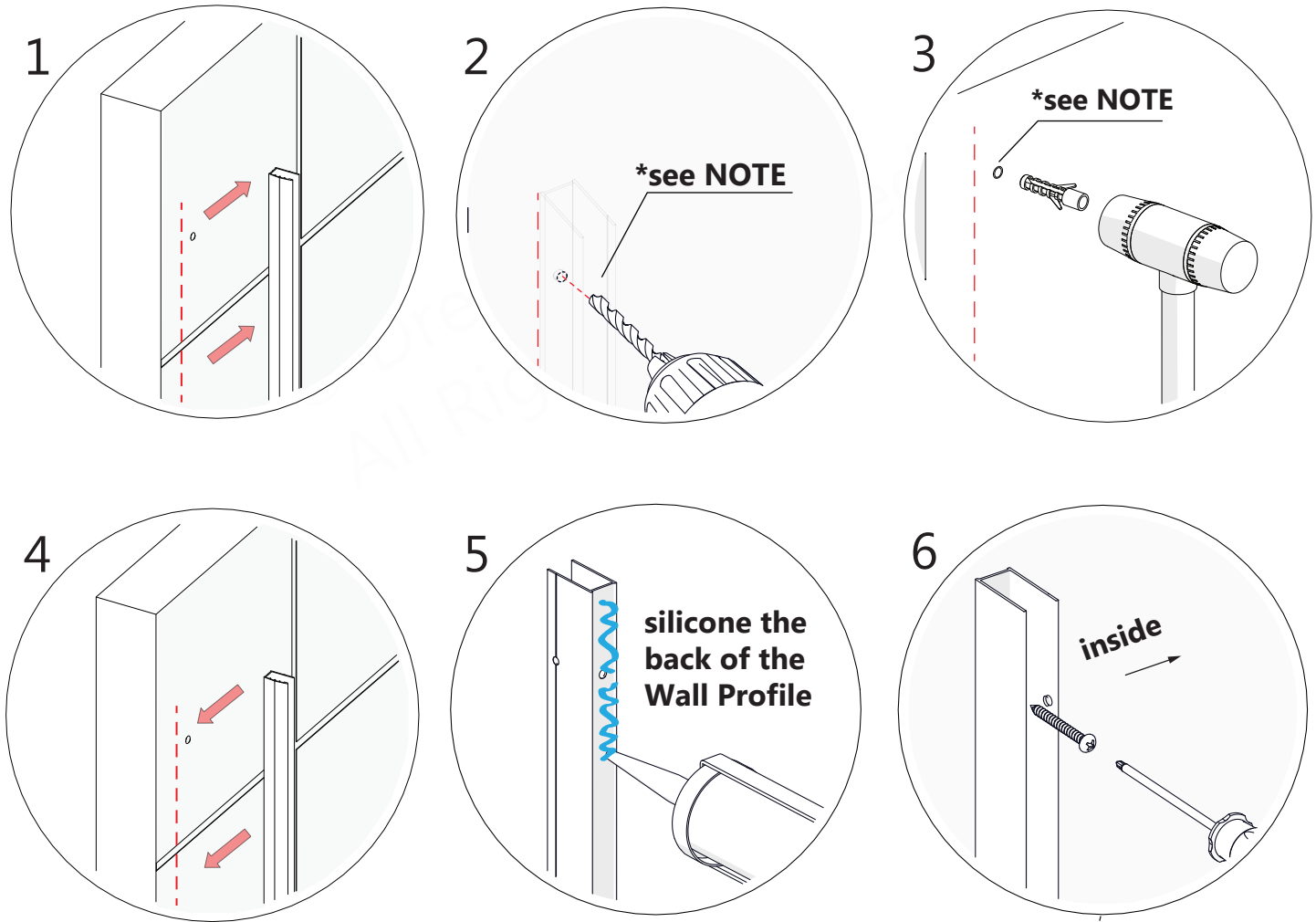


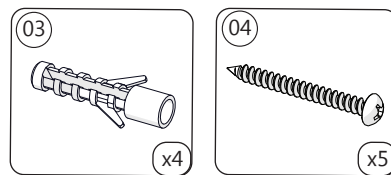
Fig 2

NOTE Install the **Wall Profiles (#01)** so that the **holes** face the inside of the shower.

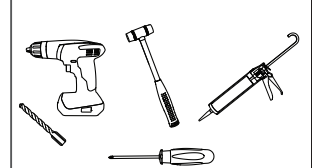
NOTE

▪ **If a Stud is present behind the wall:**
 drill a $\text{Ø}3/16''$ (4mm) hole up to the stud,
 drill an $\text{Ø}1/8''$ (3mm) pilot hole into the stud and
 use the **ST4.0 x 40mm Pan Head Screws (#04)**
OR
 ▪ **If No Stud is present behind the wall:**
 drill a $\text{Ø}5/16''$ (7mm) hole and insert the **Wall Anchors (#03)**
 and use the **ST4.0 x 40mm Pan Head Screws (#04)**.

Parts Needed



Tools Needed



3

NOTE

Before installing the Door Glass (with pre-installed Glass Profile), make sure the side with the ID Groove, screw holes and Vinyl Seal are facing the inside of the shower.

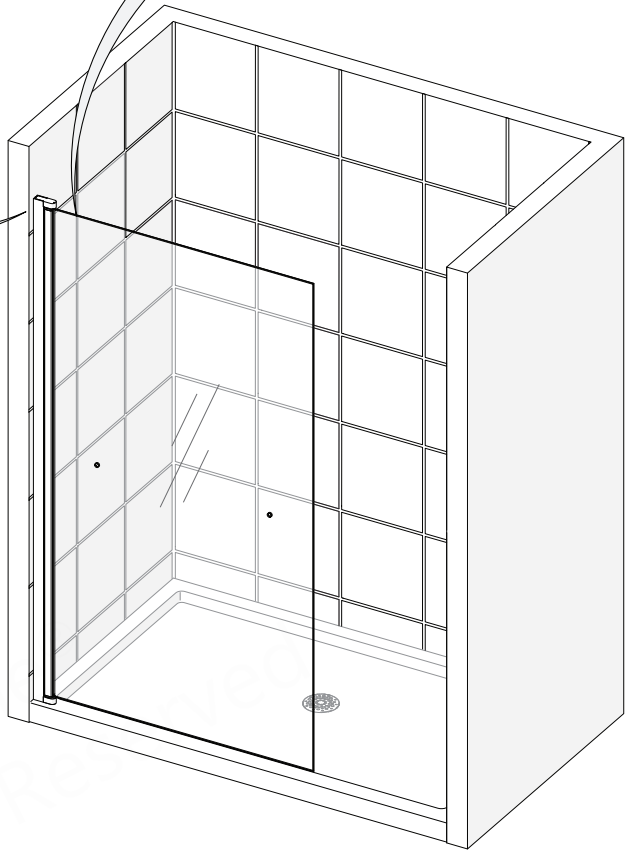
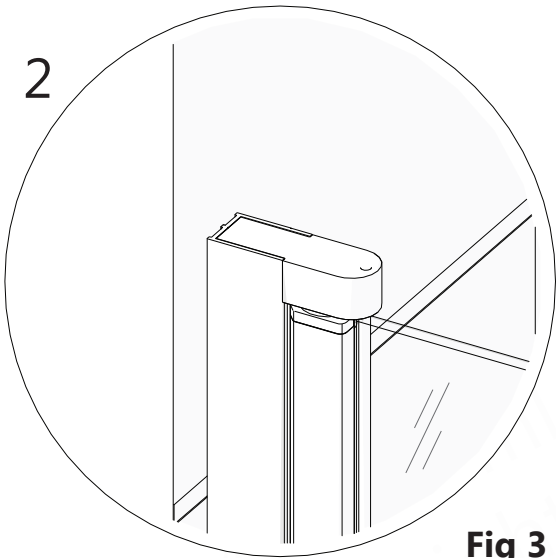
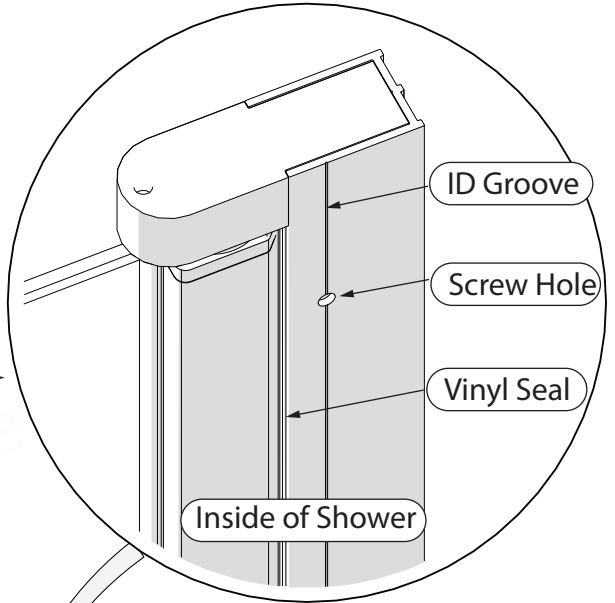
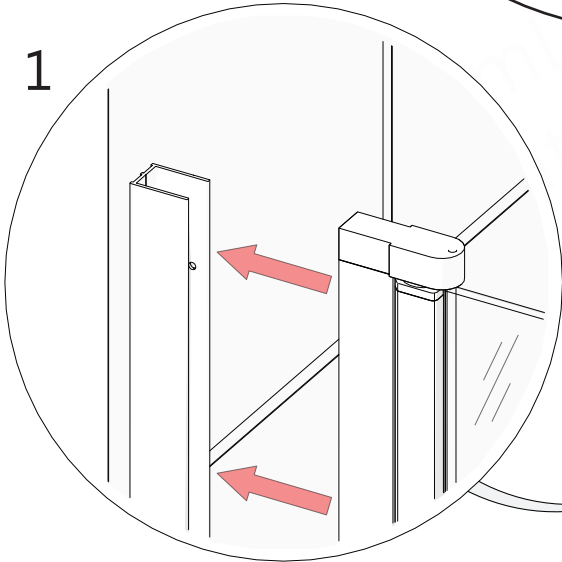
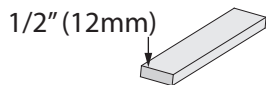


Fig 3

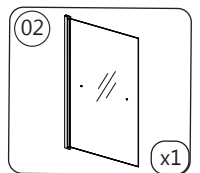
NOTE

Place **1/2" (12mm)** thick wood or plastic shims onto the threshold to provide proper spacing beneath the door glass.

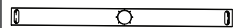


Make any final adjustments to the door so that it is level and plumb in the opening.

Parts Needed



Tools Needed



3a

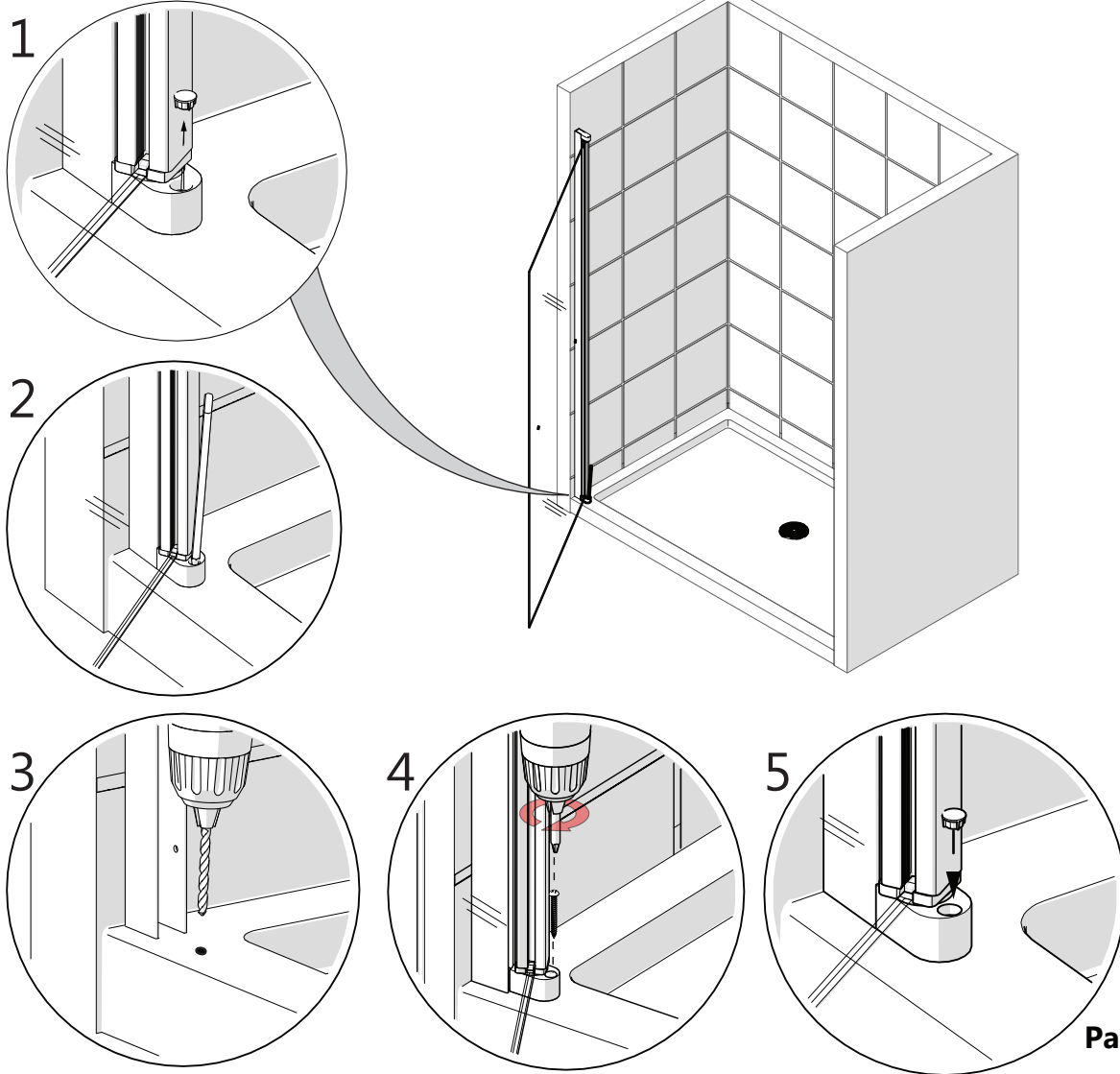
Optional Step



This optional step requires drilling into the threshold, which may have warranty implications in the case of some prefabricated shower pans. If in doubt, check the shower pan manufacturer's warranty.

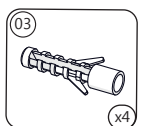
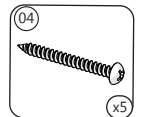


If additional stability is desired for the **Bottom Pivot Bracket**, it can be screwed to the threshold. This is not a necessary step for installation, but can be accomplished using the steps below if desired.



- **If wood is present behind the threshold surface:** drill a $\text{Ø}3/16''$ (4mm) hole up to the wood, drill an $\text{Ø}1/8''$ (3mm) pilot hole into the wood and use the **ST4.0 x 40mm Pan Head Screws (#04)**
- OR**
- **If No wood is present behind the threshold (composite, fiberglass or acrylic):** drill a $\text{Ø}5/16''$ (7mm) hole and insert a **Wall Anchor (#03)** and use the **ST4.0 x 40mm Pan Head Screws (#04)**.

Parts Needed



Tools Needed



Decorative Caps Installation

NOTE

Make sure the **Door Glass** is plumb and level. Drill $\text{\O}1/8''$ holes through the pre-drilled holes in the **Wall Profile (#01)**. Drill only through the **first layer** of the **Glass Profile** and install the **ST4.0x10mm Pan Head Screws (#05)** using the **Decorative Cover and Washer (#06)** Do not overtighten screws. **Fig 4**

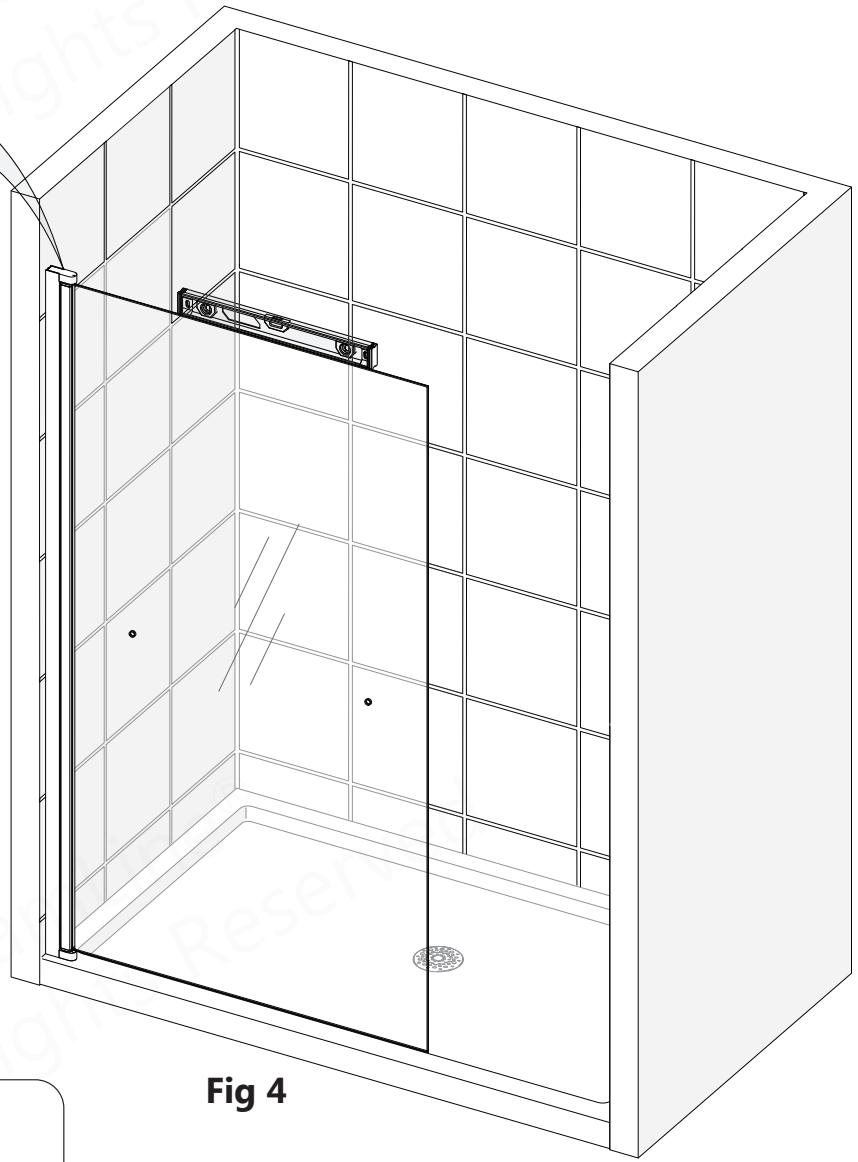
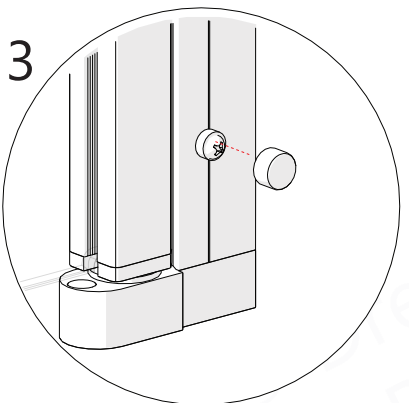
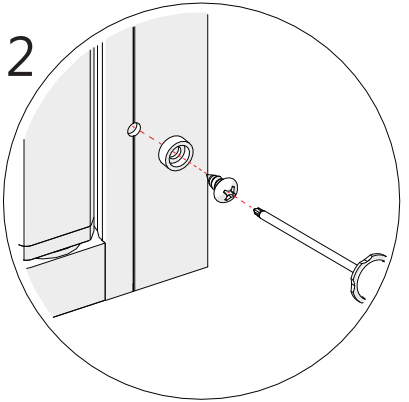
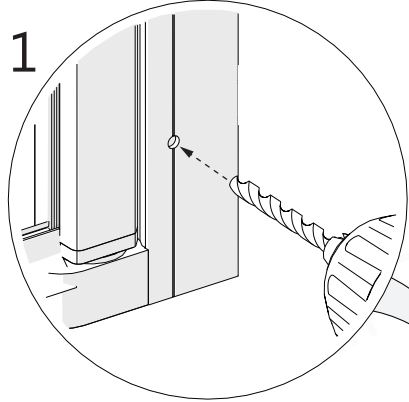
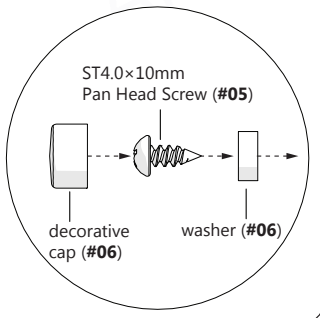


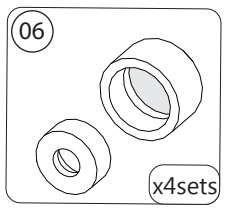
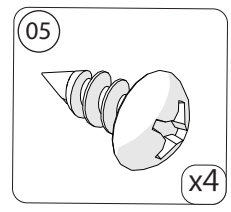
Fig 4

NOTE

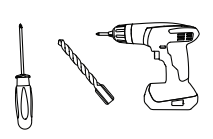
Include the washers when installing the **ST4.0x10mm Pan Head Screws (#05)** and **Decorative Caps (#06)**.



Parts Needed



Tools Needed



Threshold Installation



Open the Door Glass and install the Threshold Dam Strip.

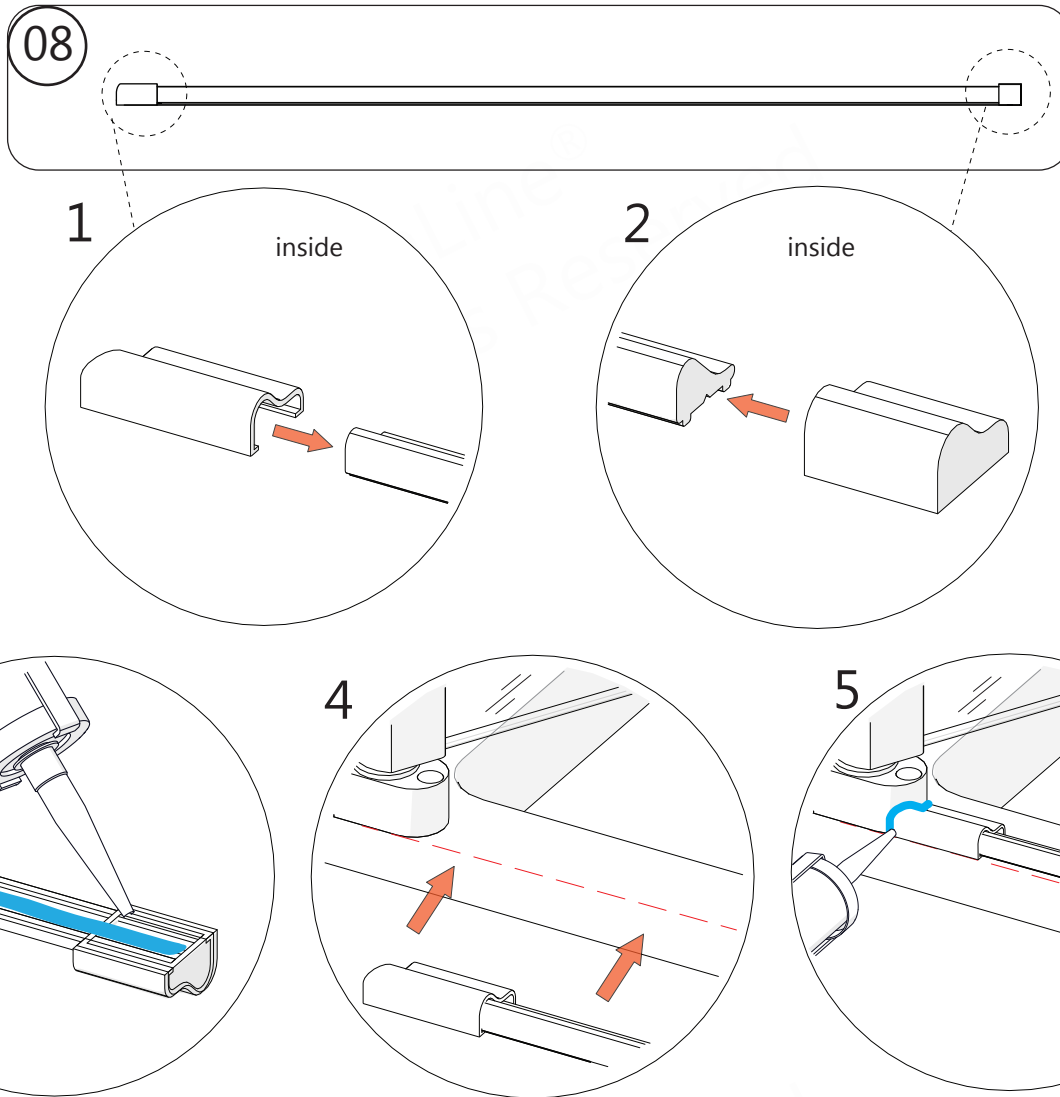


Fig 5



This product is shipped with both a left and right **Dam Strip Clip** installation. The large curved lip of the dam strip is intended to face toward the outside of the shower to ensure the flow of water is redirected towards the drain.

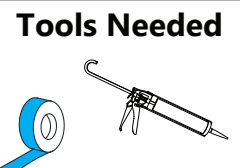
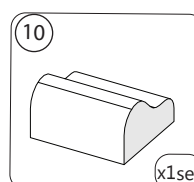
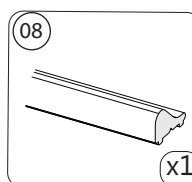
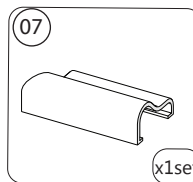


Apply silicone along the connections of the **Threshold Connector (#07)** and **Hinged Glass Profile (#02)**.



If the Door Pivot has movement or seems loose, secure the Bottom Pivot to the threshold using the **ST4.0x40mm Pan Head Screws (#04)**

Parts Needed



Vinyl Seals Installation

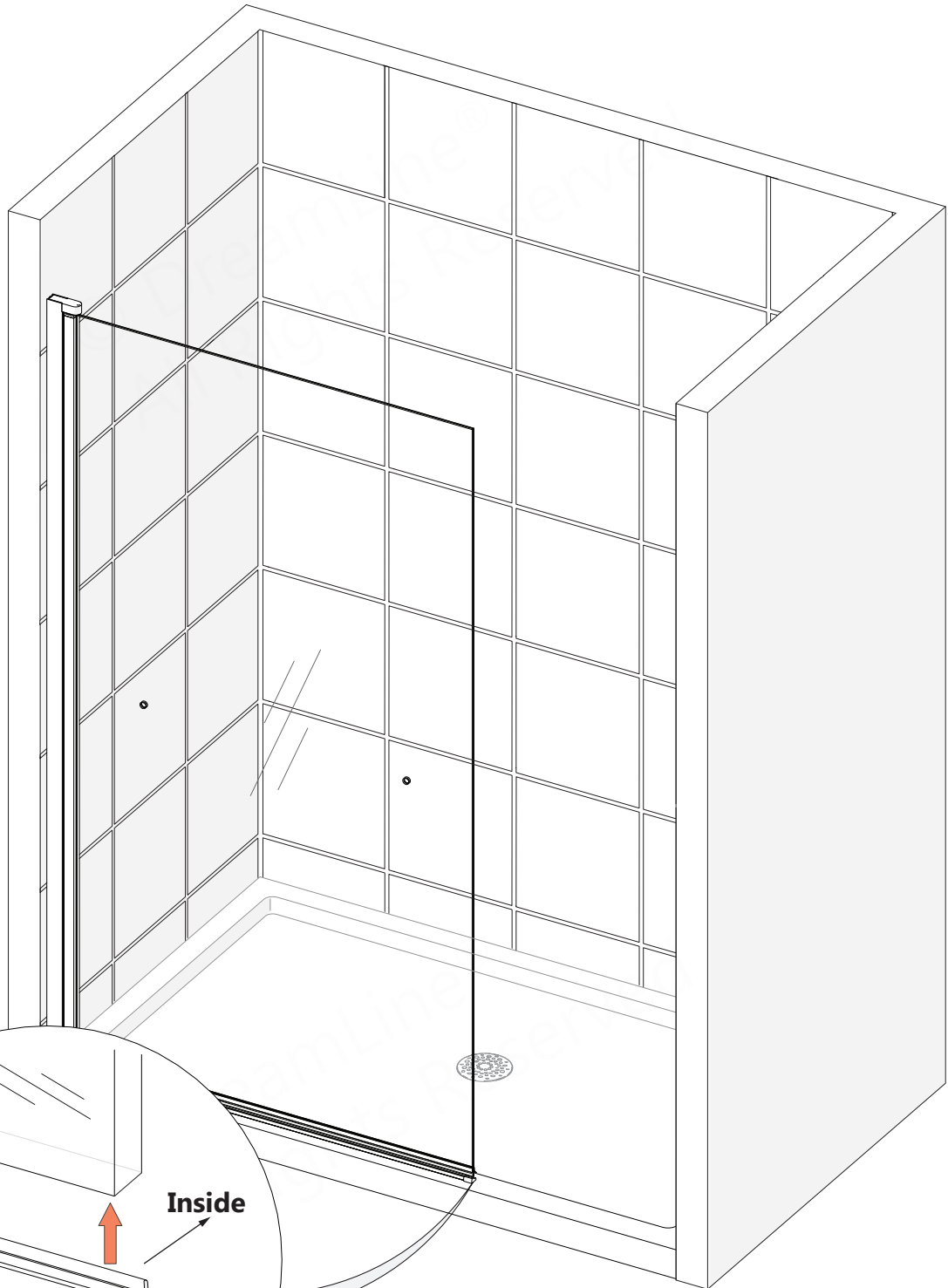
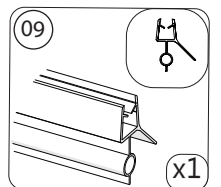


Fig 6

Parts Needed



7

Handle/Towel Bar Installation



Be sure to use all the gaskets correctly to prevent any metals to glass contact.

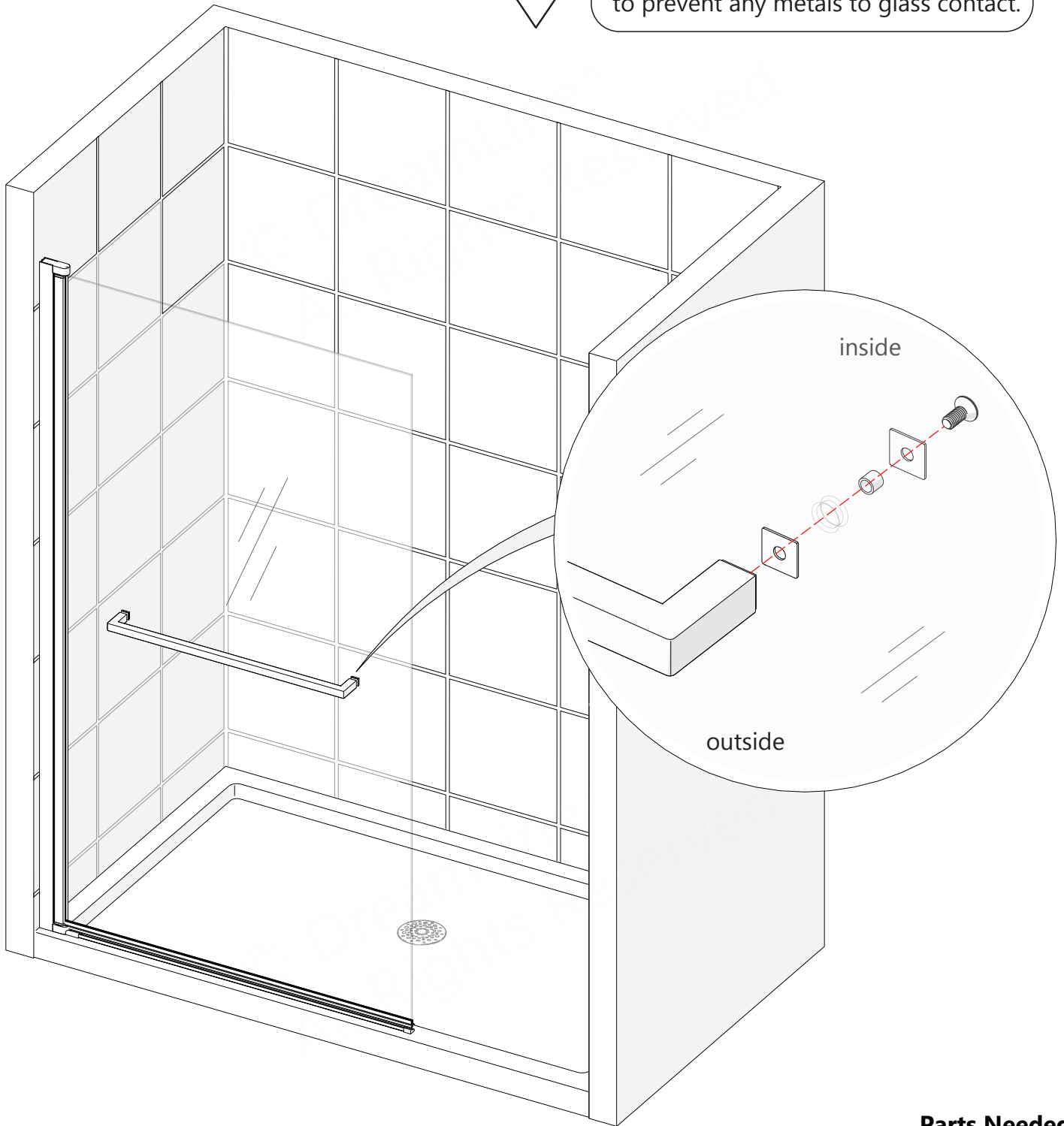
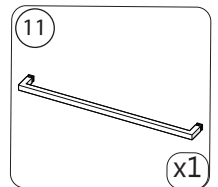


Fig 7

Parts Needed



8

NOTE

The surfaces need to be clean and free of debris before applying silicone

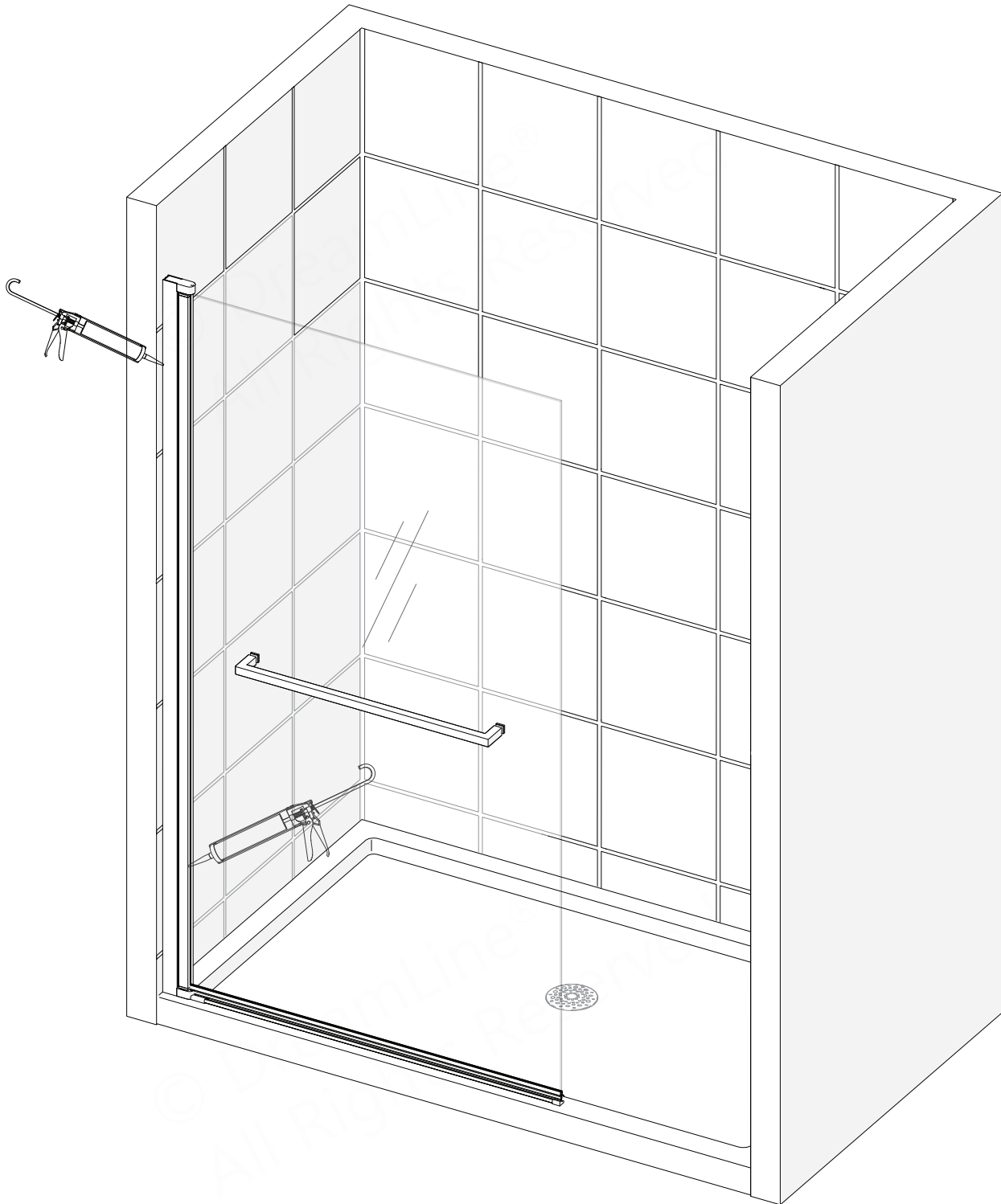
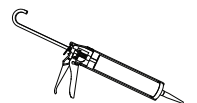


Fig 8



Allow 24 hours for the silicone to cure before using the shower

Tools Needed



Product Maintenance

BASES and BACKWALLS: To ensure long lasting life for your acrylic back walls: wipe them off after each use with a soft cloth. To clean the acrylic back walls use non-abrasive sprays or cream based cleaners. Avoid the use of aerosol spray cleaners. Never use abrasive cleansers, metal brushes or scrapers that could permanently scratch or dull the surface.

GLASS: To ensure long lasting life for your glass shower products: wipe them off after each use with a soft cloth. Rinse and wipe off the glass using either a soft cloth or a squeegee to prevent soap buildup and water spots (Hard water can etch the surface of the glass over time if left to dry). To prevent scratching the surface: never use abrasive cleaners or cleaning products that contain scouring agents. Never use bristle brushes or abrasive sponges that may scratch the surface of the glass.

HARDWARE: To ensure a long lasting finish: wipe off all metal parts after each use with a soft cloth. Do not use abrasive cleaners or cleaning products containing ammonia, bleach or acid. If accidentally used, rinse the surface as soon as possible to prevent damage to the finish (peeling or corrosion). After cleaning the polished finishes, rinse thoroughly and wipe dry with a soft clean cloth.

Clean stainless steel surfaces at least once a week. When applying stainless steel cleaner or polish to stainless steel hardware, work with the grain (not across the grain). Never use an abrasive sponge or cloth, steel wool or wired brush as these may permanently scratch the surfaces.

 **To maximize the life of your door, it is important to regularly inspect the glass and other hardware for misalignment, proper attachment, and/or damage. Contact DreamLine® with any questions or concerns.**

AQUA Maintenance Checklist

- Check that the unit is stable, operates smoothly and that the installation is secure.
- Confirm that all screws/bolts are tight.
- Check that the **Handle** is tightly secured to the **Door Glass** and that all gaskets are in place to prevent glass-to-metal contact.
- Confirm that all vinyl seals are intact (replace if missing or damaged to prevent leakage)
- Inspect exposed and concealed glass edges for damage
 - Damaged Glass Must be Replaced!**
- Inspect silicone caulk for gaps. Replace silicone as necessary to prevent water leakage.

Troubleshooting

Problem/Symptom	Suggested Solution	Page(s)
Missing Parts	<ul style="list-style-type: none"> • Check all shipping/packaging material for missing parts/components. • If not found, contact DreamLine Customer Support [1-866-731-2244] to order factory part replacement. 	6
Door is not operating smoothly	<ul style="list-style-type: none"> • Check the Vinyl Seal for proper installation • Confirm the Decorative Cover and Washer is tightly secured to the Wall Profile • Check the Aluminum Threshold for proper installation • Confirm the vinyl is tightly secured to the bottom of the Door Glass (#02). 	11 12 13
Towel Bar / Handle (#06) rattles during operation	<ul style="list-style-type: none"> • Confirm the vinyl gaskets are present and the towel bar is tightly secured to the glass. 	14



NOTE: DO NOT use the towel bar for support. The Towel Bar is NOT a grab bar.



Prior to contacting DreamLine® Customer Service, please have the following information readily available:

- Purchase Order Information
 - Name, PO Number, Dealer/Vendor Name, etc.
- SKU/Model Number (see cover page,
- Factory Part Information (see Pages 18-20)

Factory Parts Information

AQUA-Q FOLD {SD-373472Q-##}		FACTORY PARTS INFORMATION	
ITEM #	FACTORY PART NUMBER	ITEM DESCRIPTION	QTY
01	042800 11 -1828	Left and Right Wall Profile for 1/4" Thick Glass	1 pc
02	220540 102	Hinge and Door Assembly	1 pc
03	07552148	Wall Anchor 8mm (5/16")	4 pcs
04	091107	ST4.0 x 40mm Pan Head Screw	5 pcs
05	091101	ST4.2x10mm Self-Tapping Round Head Screw	4 pcs
06	0755 1011	Decorative Cover and Washer	4 sets
07	0755 1057 /0755 1058	Threshold Decorative Connector (right or left)	1 set
08	040920 11 -0787	Bottom Anti-Splash Guard for 1/4" Thick Glass	1 pc
09	063015060-0799	Clear Bottom Sweep Vinyl for 6mm Glass	1 pcs
10	0755 1077 /0755 1078	Threshold End Cover (left or right)	1 set
11	0722 1035	Towel Bar Handle Assembly	1 pc

BOLD digit indicates finish:

01 = Chrome

04 = Brushed Nickel

06 = Oil Rubbed Bronze

09 = Satin Black

Contact Support@DreamLine.com for Part replacement, installation assistance or additional information.
Complete **Warranty** information is available on DreamLine.com.

Factory Parts Information

AQUA-Q FOLD {SD-374072Q-##}		FACTORY PARTS INFORMATION	
ITEM #	FACTORY PART NUMBER	ITEM DESCRIPTION	QTY
01	042800 11 -1828	Left and Right Wall Profile for 1/4" Thick Glass	1 pc
02	220540 101	Hinge and Door Assembly	1 pc
03	07552148	Wall Anchor 8mm (5/16")	4 pcs
04	091107	ST4.0 x 40mm Pan Head Screw	5 pcs
05	091101	ST4.2x10mm Stelf-Tapping Round Head Screw	4 pcs
06	0755 1011	Decorative Cover and Washer	4 sets
07	0755 1057 /0755 1058	Threshold Decorative Connector (right or left)	1 set
08	040920 11 -0939	Bottom Anti-Splash Guard for 1/4" Thick Glass	1 pc
09	063015060-0951	Clear Bottom Sweep Vinyl for 6mm Glass	1 pcs
10	0755 1077 /0755 1078	Threshold End Cover (left or right)	1 set
11	0722 1035	Towel Bar Handle Assembly	1 pc

BOLD digit indicates finish:

01 = Chrome

04 = Brushed Nickel

06 = Oil Rubbed Bronze

09 = Satin Black

Contact Support@DreamLine.com for Part replacement, installation assistance or additional information.
Complete **Warranty** information is available on DreamLine.com.

Factory Parts Information

AQUA-Q FOLD {SD-373458Q-##}		FACTORY PARTS INFORMATION	
ITEM #	FACTORY PART NUMBER	ITEM DESCRIPTION	QTY
01	042800 11 -1472	Left and Right Wall Profile for 1/4" Thick Glass	1 pc
02	220540 103	Hinge and Door Assembly	1 pc
03	07552148	Wall Anchor 8mm (5/16")	4 pcs
04	091107	ST4.0 x 40mm Pan Head Screw	5 pcs
05	091101	ST4.2x10mm Stelf-Tapping Round Head Screw	4 pcs
06	0755 1011	Decorative Cover and Washer	4 sets
07	0755 1057 /0755 1058	Threshold Decorative Connector (right or left)	1 set
08	040920 11 -0787	Bottom Anti-Splash Guard for 1/4" Thick Glass	1 pc
09	063015060-0799	Clear Bottom Sweep Vinyl for 6mm Glass	1 pcs
10	0755 1077 /0755 1078	Threshold End Cover (left or right)	1 set
11	0722 1035	Towel Bar Handle Assembly	1 pc

BOLD digit indicates finish:

01 = Chrome

04 = Brushed Nickel

06 = Oil Rubbed Bronze

09 = Satin Black

Contact Support@DreamLine.com for Part replacement, installation assistance or additional information.
Complete **Warranty** information is available on DreamLine.com.

NOTES:

© DreamLine®
All Rights Reserved

© DreamLine®
All Rights Reserved

© DreamLine®
All Rights Reserved



© DreamLine®
All Rights Reserved

TEL: 866-731-2244
FAX: 866-857-3638
DREAMLINE.COM



For more information on DreamLine® Shower Doors and Enclosures please visit **DreamLine.com**