



# INFINITY-Z

## Installation Manual



**DO NOT RETURN PRODUCT TO STORE. CONTACT DREAMLINE® WITH ANY QUESTIONS**

### QUESTIONS?

Please Contact DreamLine Customer Support:

**CALL** 1-866-731-2244

**EMAIL** [support@dreamline.com](mailto:support@dreamline.com)

SEE **DREAMLINE.COM** FOR HOURS OF OPERATION

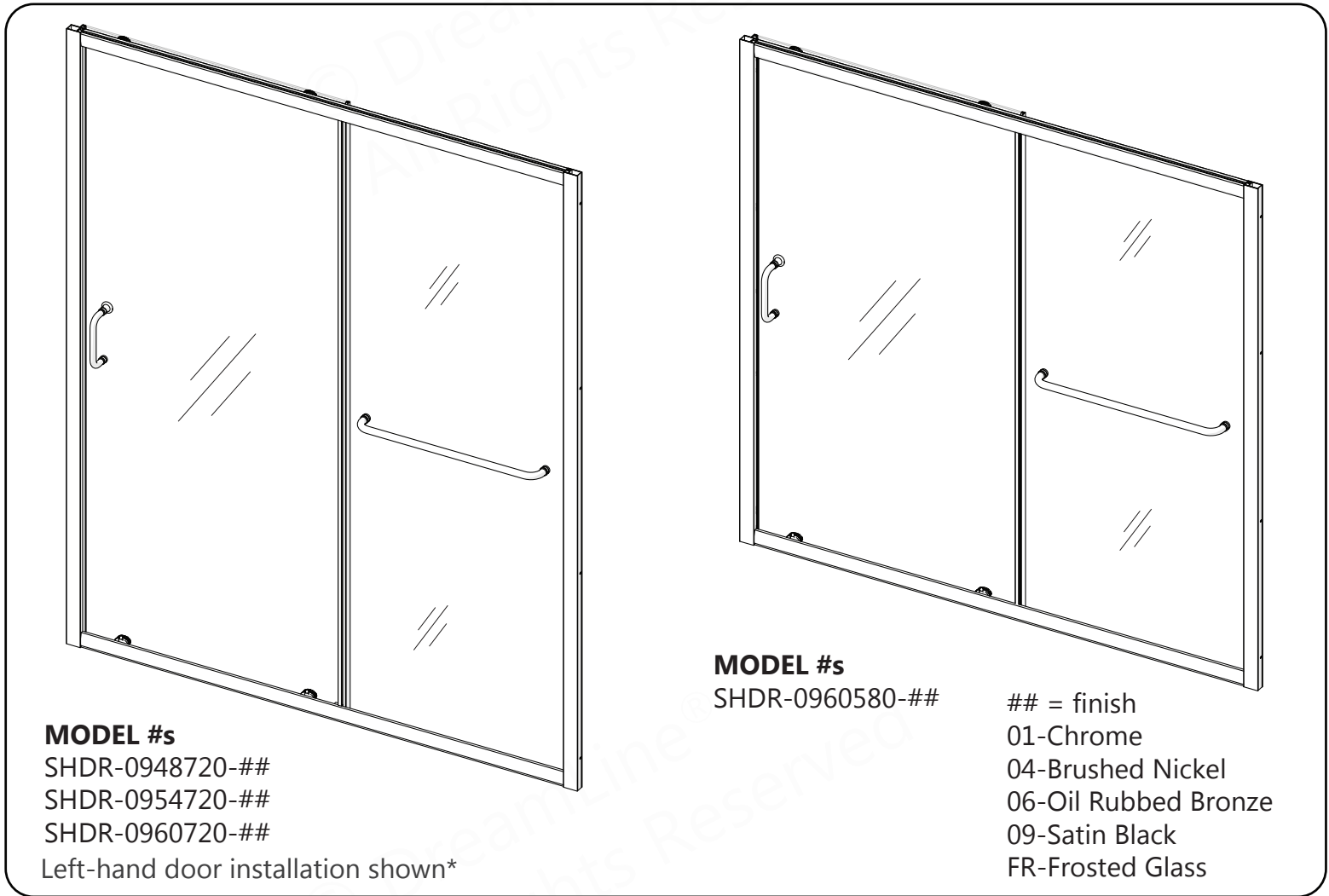
Scan or Click Here to  
View our Complete  
Installation Video



# INFINITY-Z

## SHOWER AND TUB DOOR INSTALLATION INSTRUCTIONS

PLEASE REVIEW THIS ENTIRE MANUAL PRIOR TO INSTALLATION



**MODEL #s**  
SHDR-0948720-##  
SHDR-0954720-##  
SHDR-0960720-##  
Left-hand door installation shown\*

**MODEL #s**  
SHDR-0960580-##

## = finish  
01-Chrome  
04-Brushed Nickel  
06-Oil Rubbed Bronze  
09-Satin Black  
FR-Frosted Glass

**IMPORTANT!**

DreamLine® reserves the right to alter, modify or redesign products at any time without prior notice for the purpose of product improvement and customer experience. Please refer to the model's web page on **DreamLine.com** for the latest technical drawings, installation manuals, warranty information or additional product details.



**Questions?**

Please contact DreamLine Customer Support  
See [DreamLine.com](http://DreamLine.com) for hours of operation

[Support@DreamLine.com](mailto:Support@DreamLine.com)

1-866-731-2244





© DreamLine®  
All Rights Reserved

Start here to understand how to use this manual



© DreamLine®  
All Rights Reserved

Record the following purchase information for your records or in the event you need to contact DreamLine®:

Purchase Order Number \_\_\_\_\_

Store/Vendor Purchased From \_\_\_\_\_

Installation Date \_\_\_\_\_

OD Number (optional) \_\_\_\_\_  
\*found on the shipping box or label if available.


Installed By: \_\_\_\_\_


SKU Number \_\_\_\_\_


# Table of Contents


Section Title	Page #
General Preparations and Warnings	2
Model Specific Preparation	3
Adjustable Wall Profile System	4
Tools	5
Detailed Diagram of Shower Door Components	6
Parts List	7-8
Installation Steps	9-24
Top and Bottom Roller Assembly Installation	16, 21
Handle and Vinyl(s) Installation	23
Decorative Cap with Washer Installation	22
Product Maintenance	25
Troubleshooting	26
Factory Parts Information	27-33


## Symbol Legend

 **TIP** - for ease of installation.

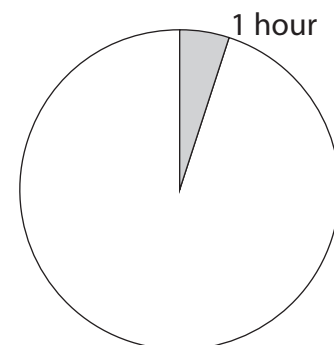
 **NOTE** - take note of special feature; additional information.

 **REQUIRED** - requires special attention; signifies a warning.

 **CORRECT** - recommended.

 **INCORRECT** - not recommended.

Average Installation Time



## IMPORTANT

- DreamLine® reserves the right to alter, modify or redesign products any time without prior notice for product improvement and customer experience. Please refer to the model's web page on [DreamLine.com](http://DreamLine.com) for the latest technical drawings, installation manuals, warranty information or additional product details.
- This product should be installed by someone familiar with the construction requirements for this type of project and the care necessary for the safe installation and operation of the product.
- The safety of any installation is the responsibility of the installer.
- Professional installation required. (*Enigma Series*)
- Professional installation recommended. (*All models*)
- To prevent damage or serious injury, Do Not lean against the installed panel/door/glass.
- To prevent damage or serious injury: Do Not attempt to lift or move a heavy lite of glass alone. Use an assistant and/or a professional grade glass suction cup.
- The installation of some models may require drilling down into the threshold. Contact the manufacturer of the base, tub, or threshold material with any questions regarding the drilling of holes into their product.
- All drawings in this installation manual are for illustrative purposes only and are not drawn to scale.

## TEMPERED GLASS WARNING

- Your Shower Door Glass Could Shatter Without Warning if Improperly Installed or Mishandled
- Do Not install or operate a shower door if the glass has chipped corners, slivered edges or is otherwise damaged and/or has been dropped or banged into a hard surface such as tile, marble or glass.
- **The main causes of tempered glass breakage are:**
  - Improper handling, storage or installation
  - Misuse/abuse
  - Lack of maintenance
  - Failure to replace damaged glass
  - **Improper handling during storage, unpacking and installation:**
  - Corners and edges are the most susceptible area to damage on a lite of tempered glass and should be protected and handled with care during storage, unpacking, installation and operation. A concentrated point of pressure or impact with a surface harder than itself may cause the tempered glass to shatter. The tempered glass may release immediately, within several hours or even days later.
  - **Incorrect installation of door hardware, rollers, hinges, channels, stopper or glass:**
  - Improper installation may include: loose hardware and/or lack of proper gaskets between the hardware and glass. Additionally, improper alignment of guide rails, wall profiles or other hardware during installation or operation may place stress on the glass edges and cause it to break.
  - This product must be installed by a professional and experienced installer familiar with the safe handling of tempered glass.
  - **Improper use of this product:**
    - Aggressively opening or closing the door may cause trauma to the glass, which can lead to breakage. This may occur immediately or hours or even days later.
    - **The shower door hardware and glass should be inspected periodically:**
      - Instruct the homeowner how to perform a periodic inspection of the shower hardware and glass - some minor adjustments may be necessary based upon the use (or misuse) of the shower door. Ensure that the hardware remains tight and that the door alignment and operation are correct. Any adjustments should be made upon discovery to prevent damage to the product.
      - Additional considerations should be given to the installation of frameless tempered glass products in households with young children or an elderly person due to an increased chance of improper handling. In such cases, alternatives such as shower curtains or grab bars should be considered.

## GENERAL PREPARATION

- After opening all boxes and packages, read this introduction carefully. Check that all the items are included in the package by marking off the components on the "**Detailed Diagram of Product Components**" page. Examine all boxes and packages for shipping damage. If the unit has been damaged, has a finishing defect, or is missing parts; please contact our Customer Support department within 3 business days of the delivery date. **Please note that DreamLine® will not replace any damaged products or missing parts free of charge after 3 business days or if the product has been installed.** Please contact DreamLine® if you have any questions.
- **Please note that you should refer to your local building codes with questions on installation compliance standards. Building and plumbing codes may vary by location, and DreamLine® is not responsible for code compliance standards for your project and will not accept any returns.**
- If this unit is going to be installed in a new construction, install all the required plumbing and drainage before installing the shower. **Use a competent and licensed (if required by local code) plumber for all plumbing installation.**
- Make sure that prior to beginning the installation, the surfaces are leveled and solid and will be able to support the total weight of the unit. Also make sure the walls are at right angles. Irregular installation surface level, radius corners or improper angle of side walls will result in serious problems for your installation. Please note that some adjustments and drilling will be necessary during the installation process.
- Protect all primary surfaces of the product during installation. Never set your glass down directly onto a tile floor. Leave corner protectors in place until it is necessary to remove them. Always use a piece of wood or cardboard to protect the bottom edge and corners of the glass prior to and during installation.
- This unit must be installed upon a finished threshold and against finished walls.
- *DreamLine® shower doors are not designed to be installed into a fiberglass surround due to the radius corners and lack of a solid surface to mount the hardware.*

## WARNING: TO AVOID THE RISK OF DAMAGE OR INJURY:

- **Follow all recommendations and requirements as shown in the installation instructions.**
- Perform a thorough inspection of the glass and all parts for any damage prior to installation. Any damage to tempered glass can cause breakage. **Do Not install damaged glass!**
- Do Not install or operate a shower or tub door if the glass has chipped corners, slivered edges or is otherwise damaged. Do Not install or operate a shower or tub door that has been dropped or banged into a hard surface such as tile, marble or glass.
- **CAUTION:** Contact with any hard surface can damage tempered glass and cause it to shatter.
- This product uses tempered glass. Glass cannot be cut after it has been tempered. **Do Not attempt to cut tempered glass.**
- DreamLine® Glass Shower doors, Tub doors, Inline panels, and Return panels can shatter due to improper handling or lack of maintenance. Conduct periodic inspections of glass and all parts for possible damage, missing or loose parts.
- Always wear proper safety equipment such as: safety goggles, work gloves and appropriate footwear during the installation process.
- **WARNING. Risk of leakage and/or damage.** Follow all instructions regarding the application of silicone sealant or caulk. Allow 24 hours for the sealant to cure before the initial use of the shower or tub product. Follow the silicone manufacturer's recommendations regarding the use of their product.
- **Thoroughly read these instructions before installing or using this product.**
- **Leave this manual for the end-user of the product.**

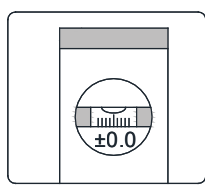


This product should be installed by someone familiar with the construction requirements for this type of product and the care necessary for the safe installation and operation of the product.

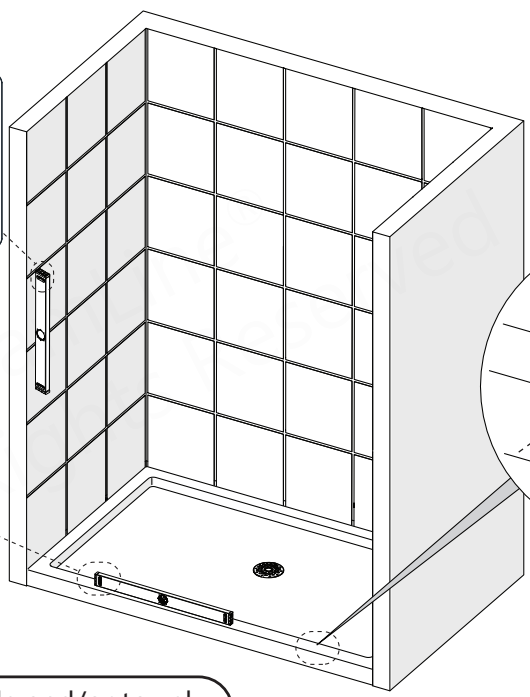
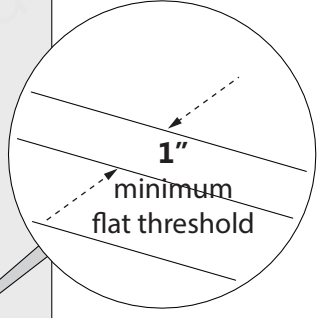
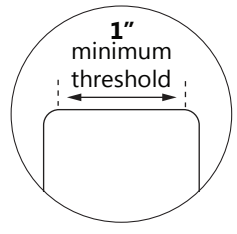
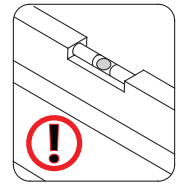
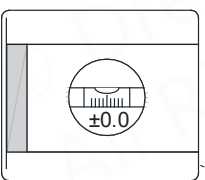


# Model Specific Preparation

**1" Out-of-Plumb Adjustment; Verify threshold and walls with a level**

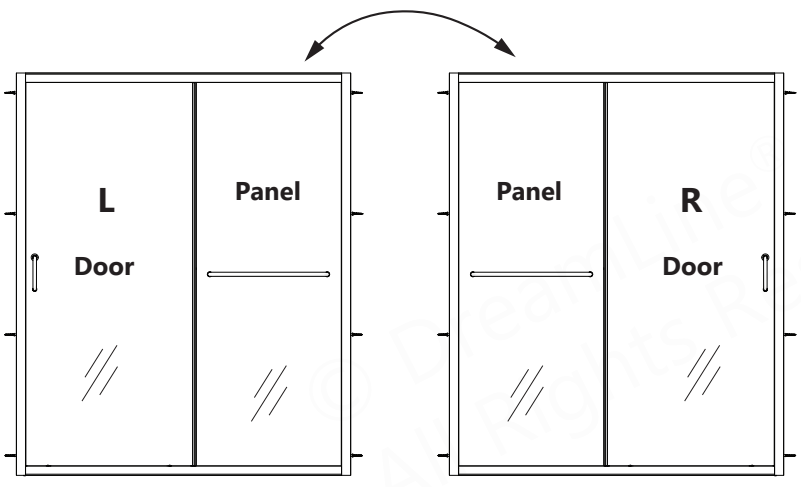
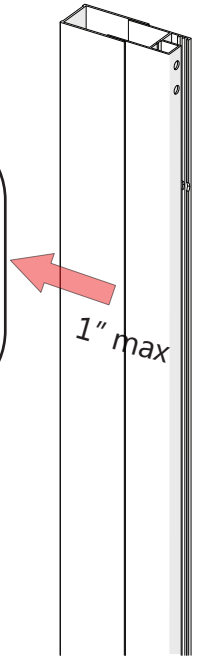


**Threshold must be level**



**DO NOT** attach the handle and/or towel bar to the glass until instructed to do so. **DO NOT** attempt to use the handle/towel bar to lift the glass during installation. This may result in damage to the glass and/or serious injury. Always use a professional grade glass suction cup and an assistant.

This model's wall profile system allows for up to 1" of adjustment for Out-of-Plumb wall conditions and overall width within the model size when placed into the finished opening. For more information, see the Adjustment Wall Profile System on page 4.



**NOTE**

For models with **Frosted** glass, install the textured (Frosted) surface facing **towards** the **outside** of the shower.



**This door is reversible for right or left-hand door installation. The left-hand door installation is shown as an example throughout this manual. For the right-hand door installation, flip the assembly from top to bottom so that the panel is on the right side.**

**Preparation Tips**

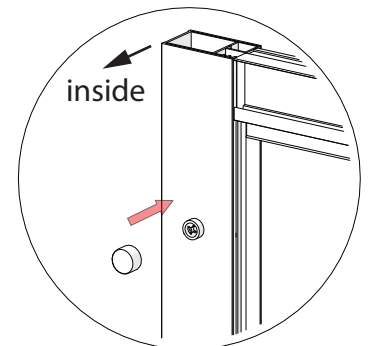
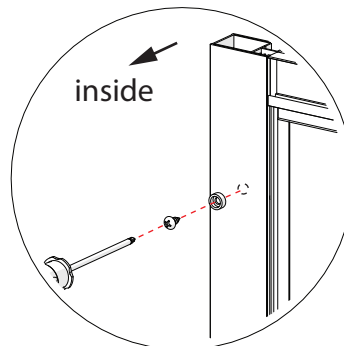
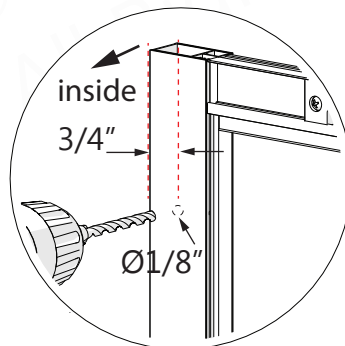
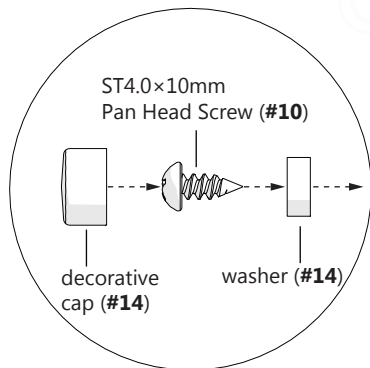
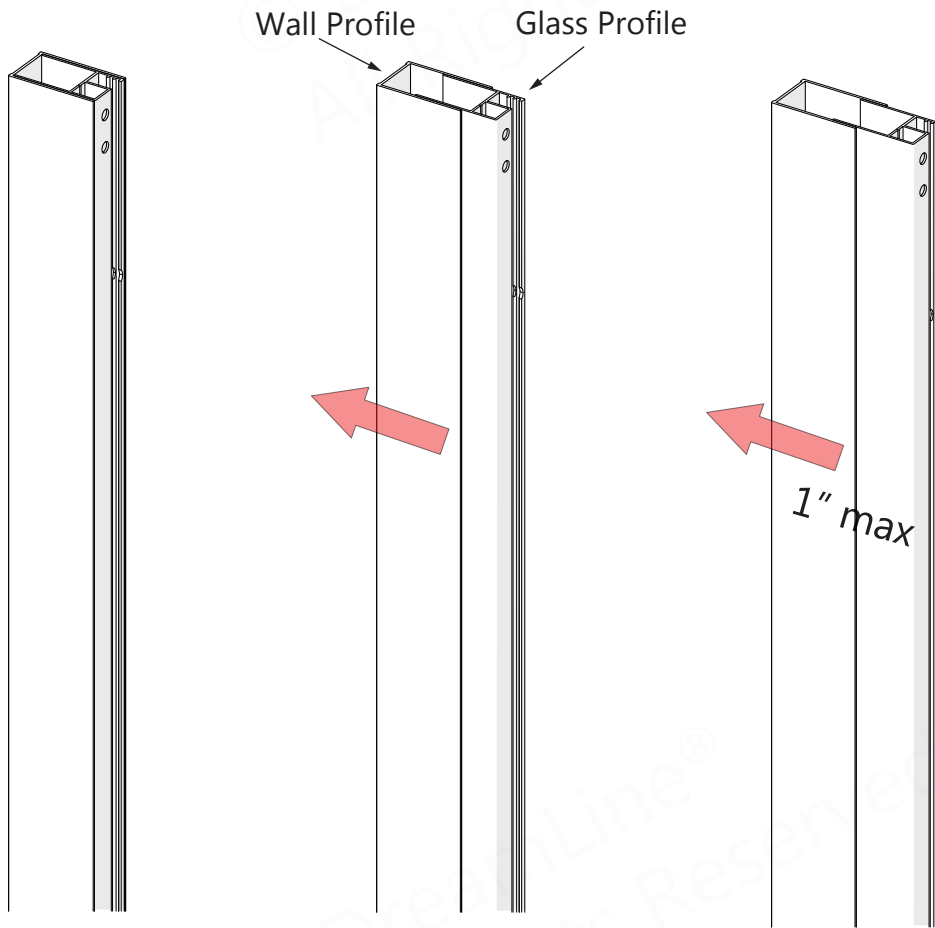
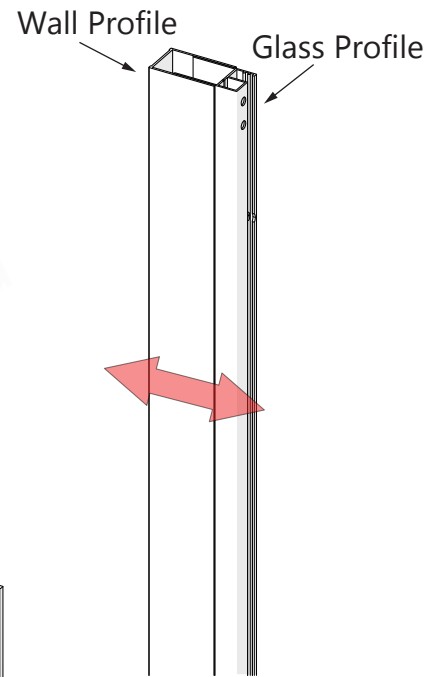
Scan or Click Here



# Adjustable Wall Profile System



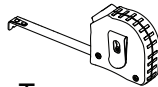
The Glass Profiles can be adjusted within the Wall Profiles for overall width or to correct for out-of-plumb conditions within the model size. Screw them together after making final adjustments.



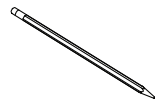
## Tools



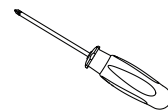
Level



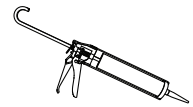
Tape Measure



Pencil



Phillips Screwdriver



Silicone



Drill Bit  
Ø5/16"  
(8mm)



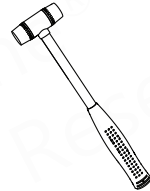
Drill Bit  
Ø3/16"  
(4mm)



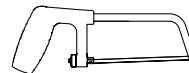
Drill Bit  
Ø1/8"  
(3mm)



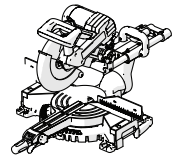
Power Drill



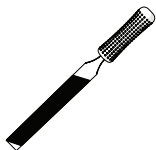
Soft Head Hammer



Hacksaw



Mitre Saw



Metal File



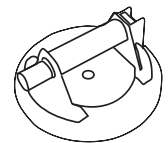
Extender Driver Bit



Safety Glasses



Work Gloves



Professional-grade  
Glass suction cup



To be sure that the correct model size has been ordered, measure the finished opening before proceeding with the installation.

Cover the shower/tub drain with tape prior to installation to prevent the loss of screws or small parts.

To prevent stripping the screw heads, set power drill to a low setting when installing screws.

### NOTE

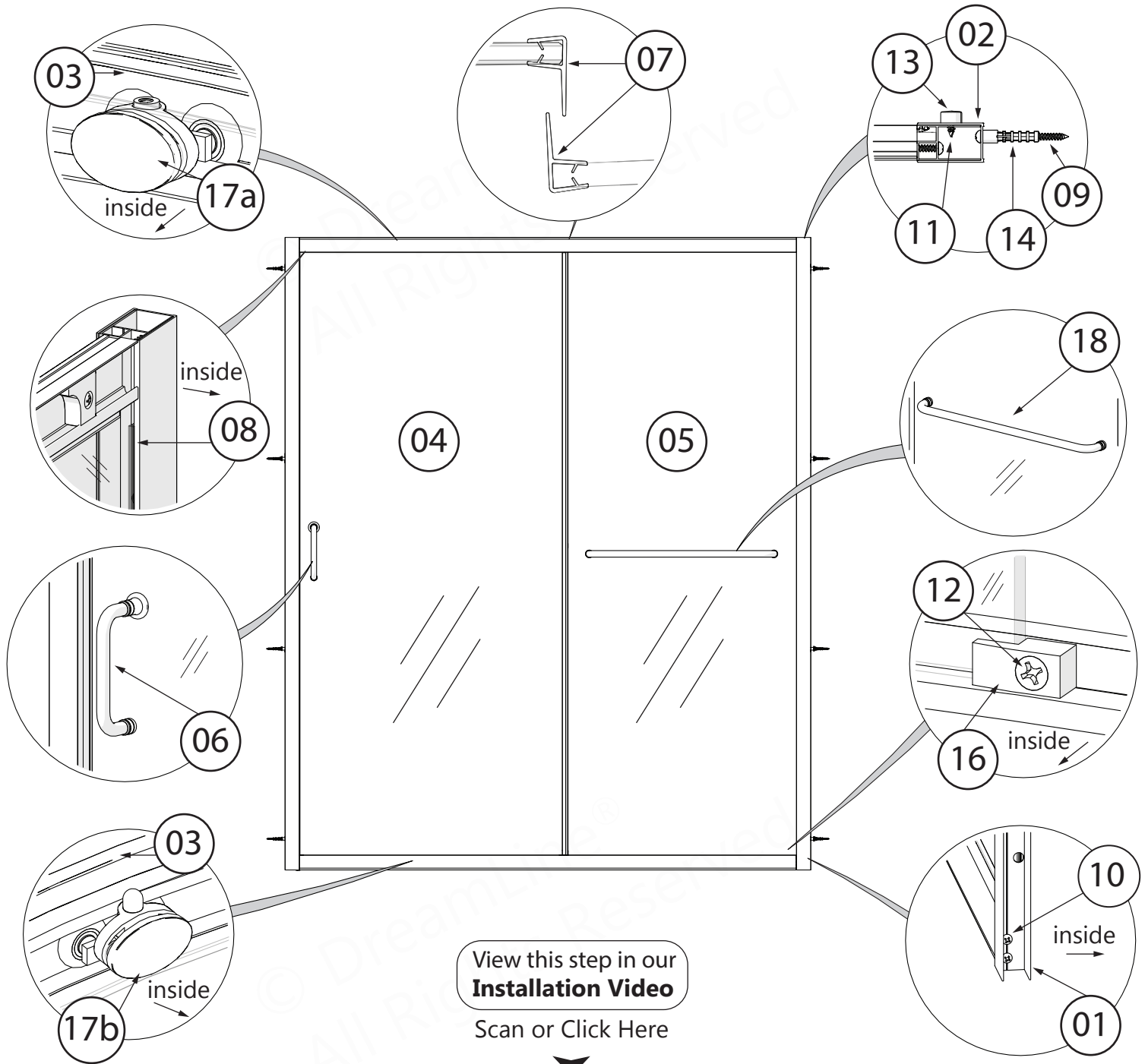
Unpack your unit carefully and inspect it. Lay it out and identify all parts using the **Detailed Diagram** on **page 6** and the included packing list in this manual as a reference. Before discarding the carton, check for small hardware bags that may have fallen to the bottom of the box. If any parts are damaged or missing, please contact DreamLine® for replacement. The shipping boxes may contain extra parts not used in your model configuration.

### NOTE

Retain these installation instructions for future reference.



# Detailed Diagram of Shower Door Components



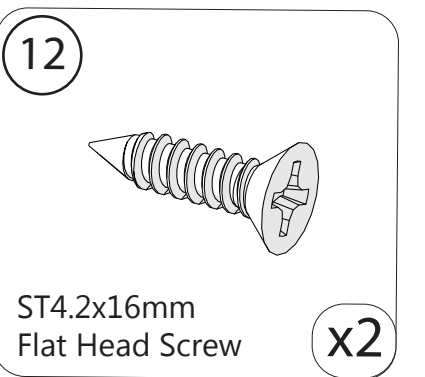
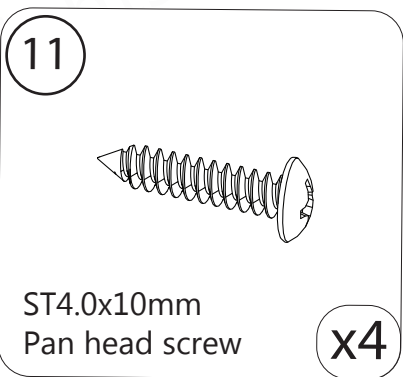
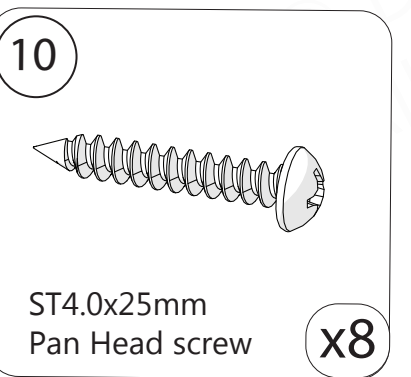
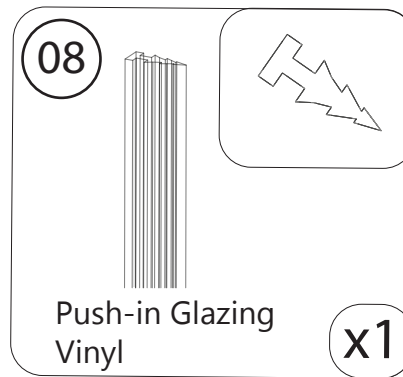
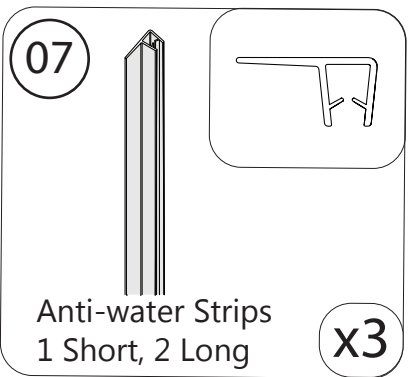
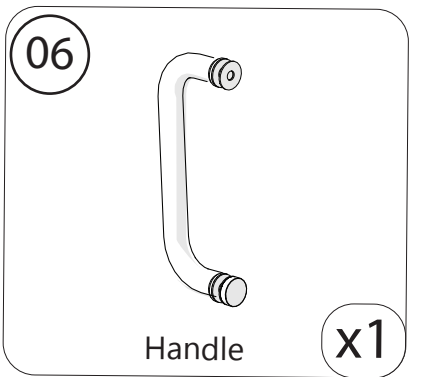
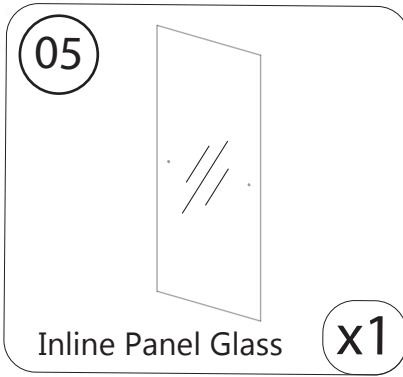
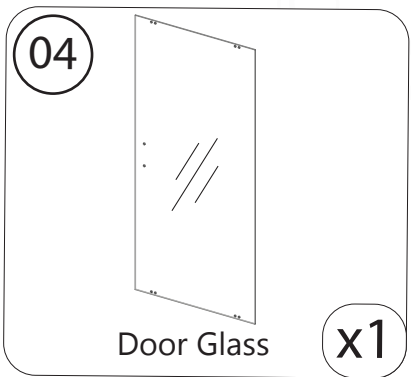
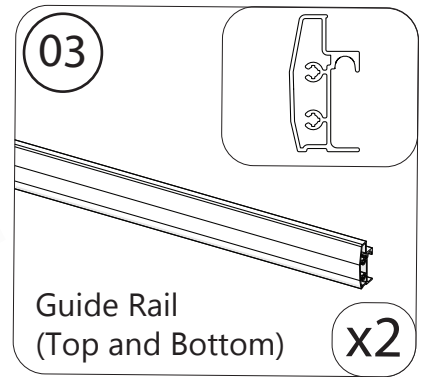
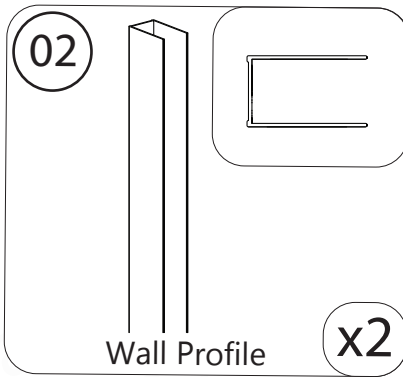
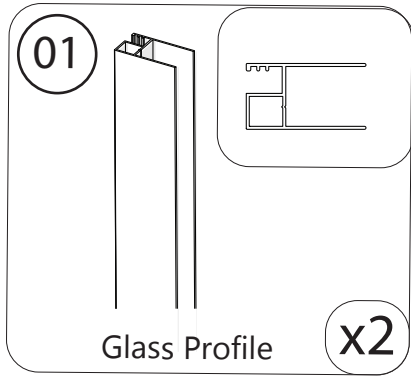
View this step in our **Installation Video**

Scan or Click Here



Left-hand door installation shown

# Parts List



# Parts List

13

Decorative Cover (with washer) x4

A technical drawing of a decorative cover with a washer. The cover is a ring-shaped component with a central hole, and the washer is a smaller ring-shaped component that fits inside the cover.

14

Wall Anchor x8

A technical drawing of a wall anchor, which is a long, cylindrical component with a pointed end and a series of rectangular slots along its length.

15

Vinyl Insert x1

A technical drawing of a vinyl insert, which is a long, thin, rectangular component with a decorative, multi-ribbed surface. An inset drawing shows a cross-section of the insert, revealing a U-shaped profile.

16

Glass Clip x2

A technical drawing of a glass clip, which is a small, rectangular component with a circular hole in the center.

17a

Wheel Assembly (Top) x4

A technical drawing of a wheel assembly (top), which is a circular component with a central hub and a series of spokes.

17b

Wheel Assembly (Bottom) x4

A technical drawing of a wheel assembly (bottom), which is a circular component with a central hub and a series of spokes, similar to the top assembly but with a different internal structure.

18

Towel Bar x1

A technical drawing of a towel bar, which is a long, thin, curved component with a hook at one end.

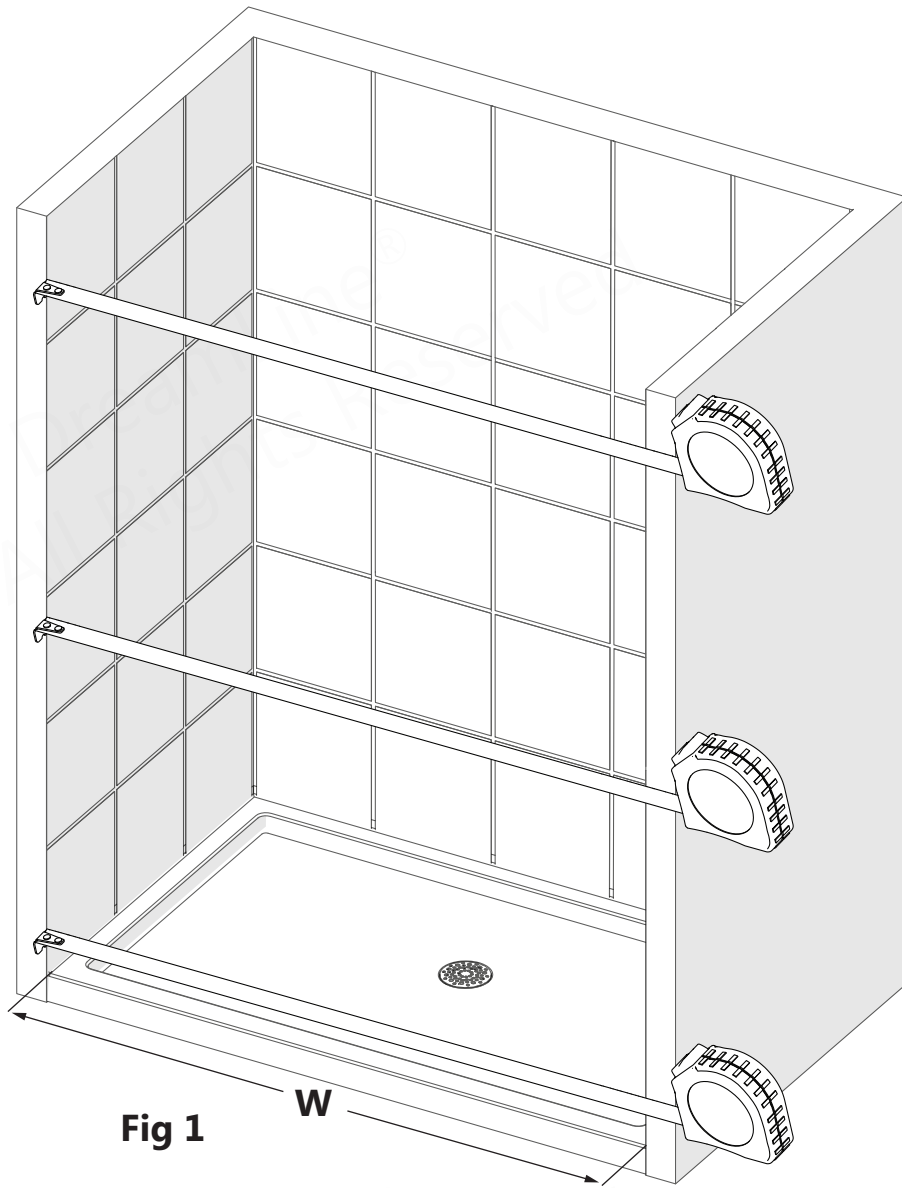
**1**

# Installation Steps

Top  
\*at model height  
\_\_\_\_\_ "

Middle  
\_\_\_\_\_ "

Bottom  
\_\_\_\_\_ "



**Fig 1**

W



Use the **smallest** measurement from Fig 1 to determine the finished cut length of the **Guide Rails (#03)**.



The **Top** and **Bottom Guide Rails (#03)** are shorter than the model size by design. They have been precut for the model width and are designed to fit between the wall profiles, (not wall-to-wall). See Table A below.

View this step in our **Installation Video**

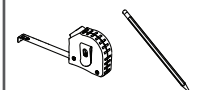
Scan or Click Here



**Table A**

Model Size	Precut Rail Length
48" (for shower)	44-5/8"
54" (for shower)	50-5/8"
60" (for shower)	56-5/8"
60" (for tub)	56-5/8"

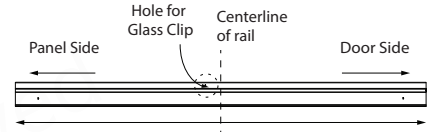
**Tools Needed**



2

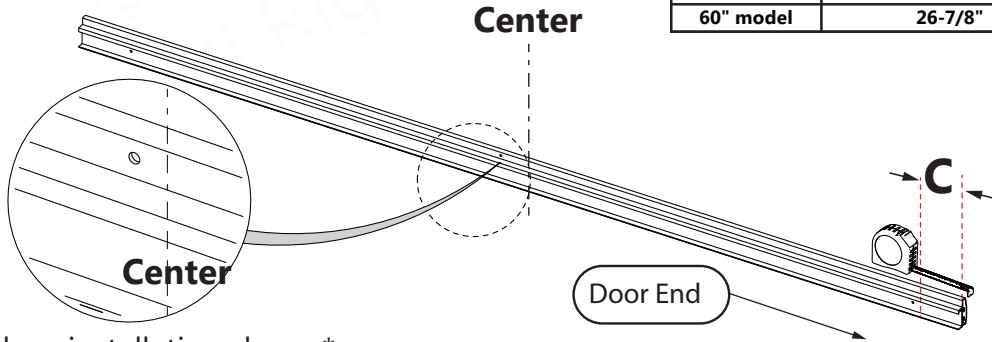


**Cut the Top and Bottom Guide Rails (#03) from the Door End only**, (which is the end farthest from the Glass Clip hole) and cut each rail to the same length (D) from the same end.



**Table B**

Model Size	Distance from the Glass Bracket Hole to the:	
	Panel Side	Door Side
48" model	21-3/8"	23-1/4"
54" model	23-7/8"	26-5/8"
60" model	26-7/8"	29-3/4"

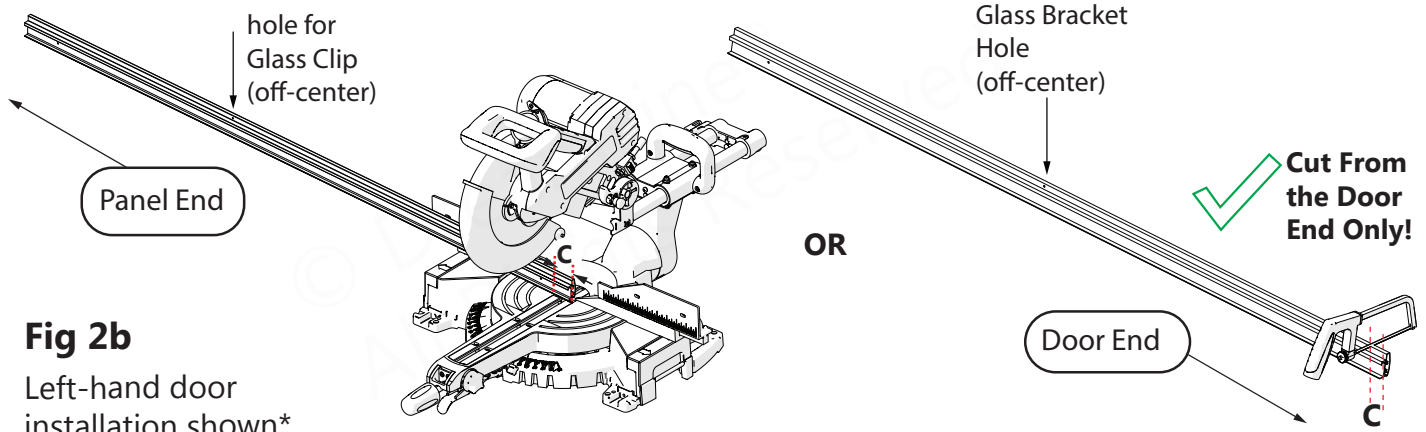


**Fig 2a**

Left-hand door installation shown\*

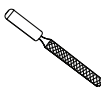
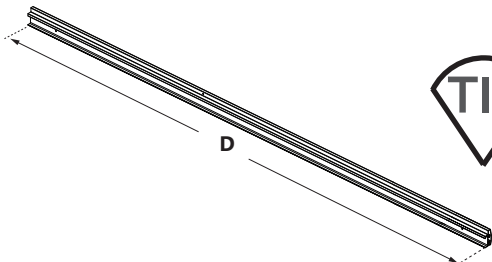
**CUTTING FORMULA: FINISHED OPENING - 3-3/8" = FINISHED CUT LENGTH "D"**

**DO NOT Cut from the panel end!**



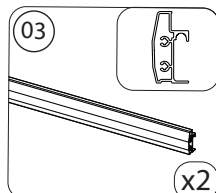
**Fig 2b**

Left-hand door installation shown\*

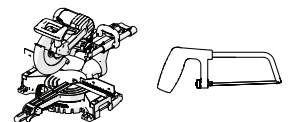


Use a metal file to deburr the cut end

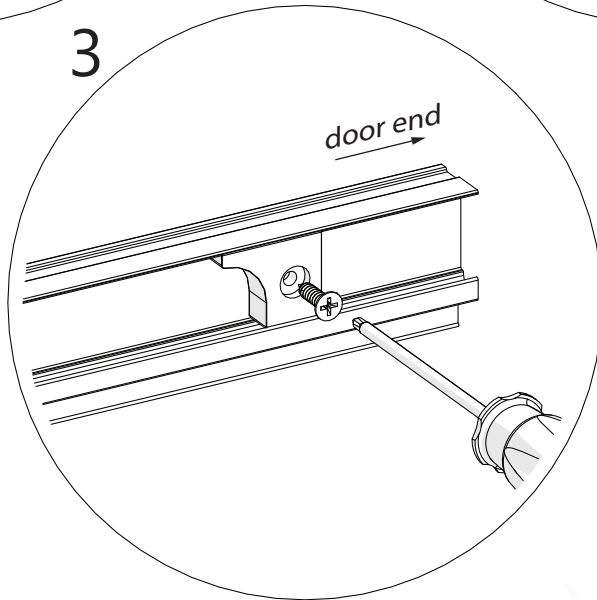
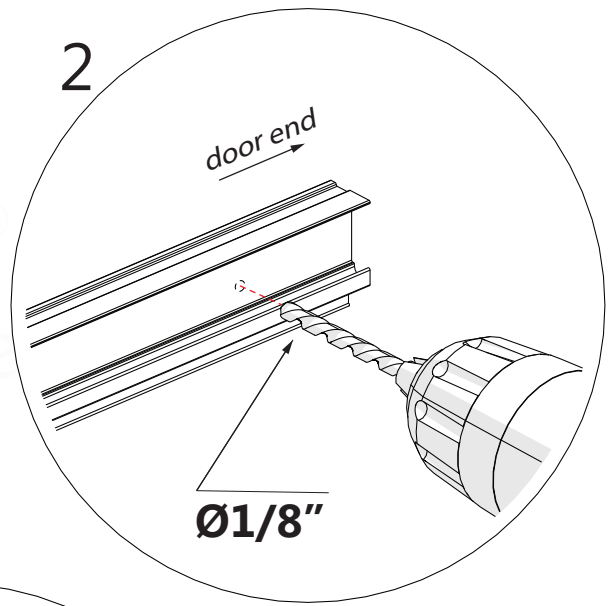
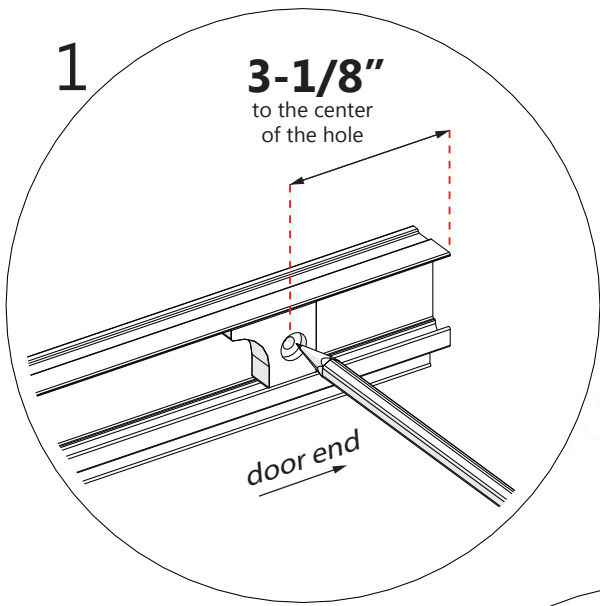
**Parts Needed**



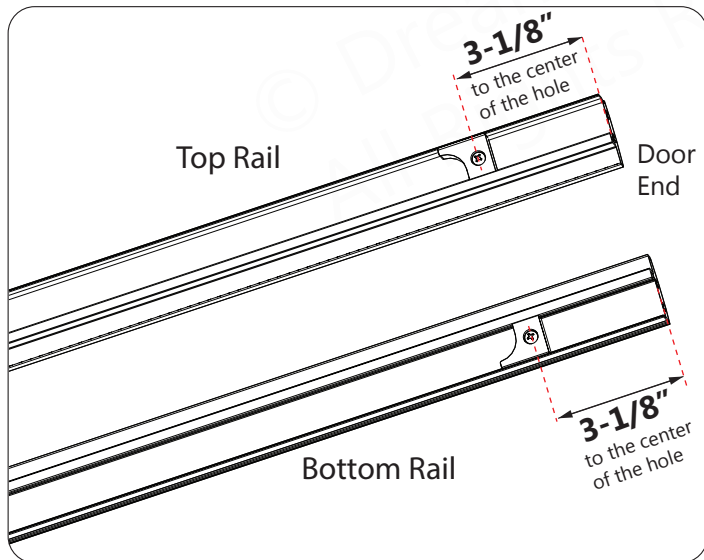
**Tools Needed**



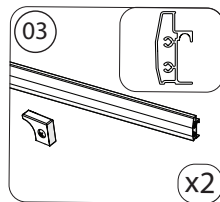
**3**



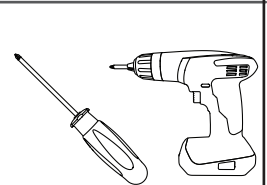
**Fig 3**



**Parts Needed**



**Tools Needed**



4

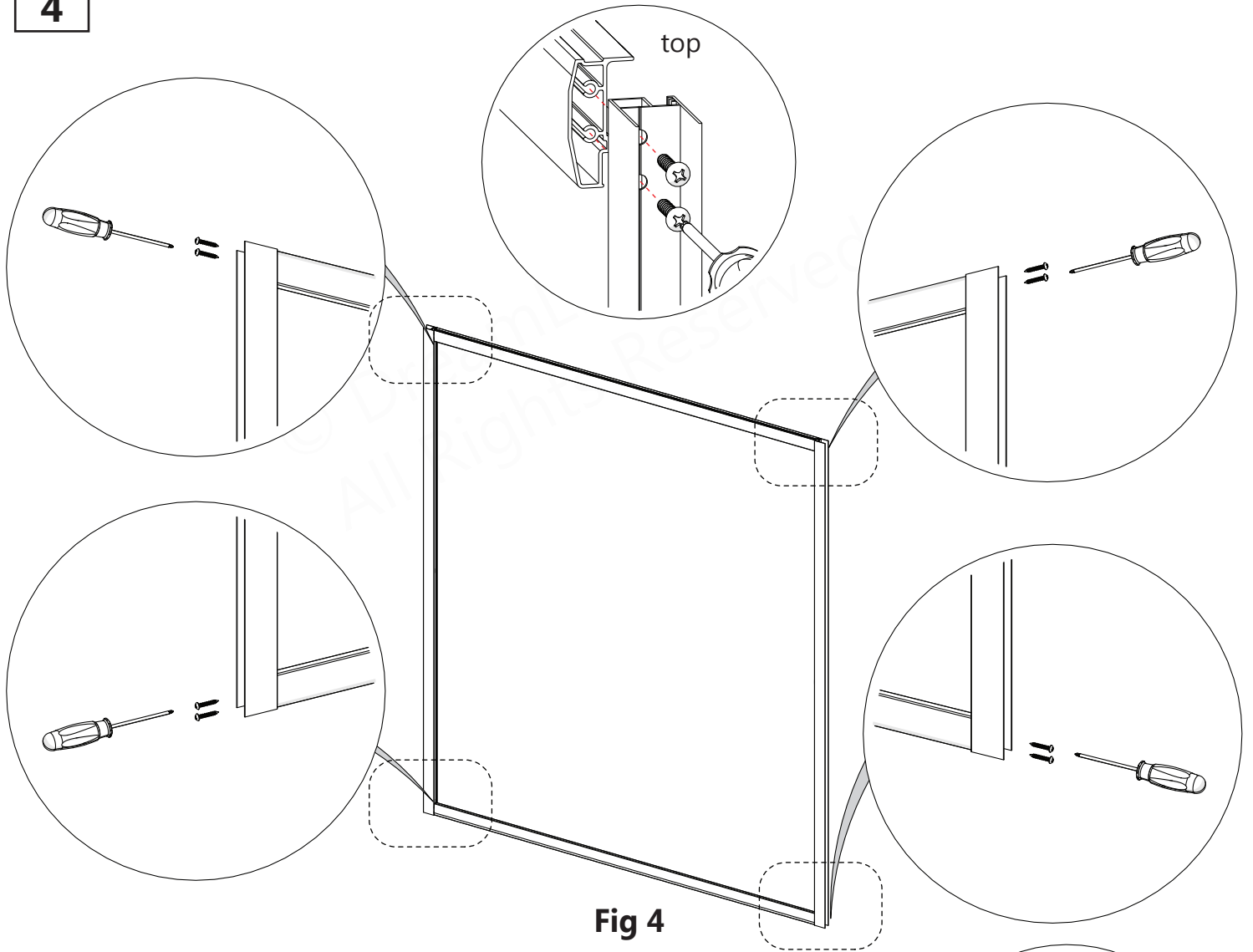
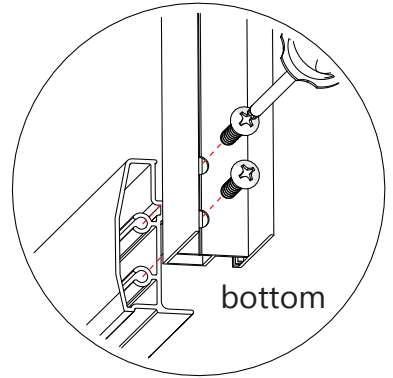


Fig 4



For ease of installation: Add liquid soap, wax, or lubricant to the screws prior to attaching the **Glass Profiles (#01)** to the **Guide Rails (#03)**. Use a low setting on the screw gun to prevent stripping the screws.

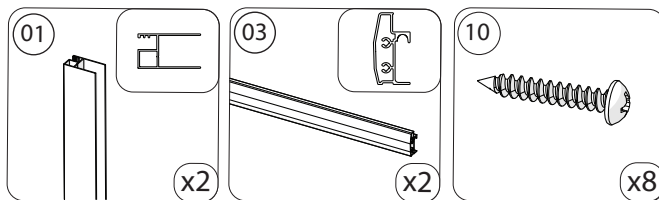


View this step in our **Installation Video**

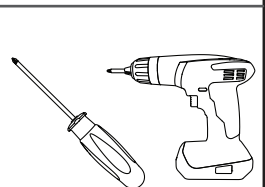
Scan or Click Here



**Parts Needed**



**Tools Needed**



5

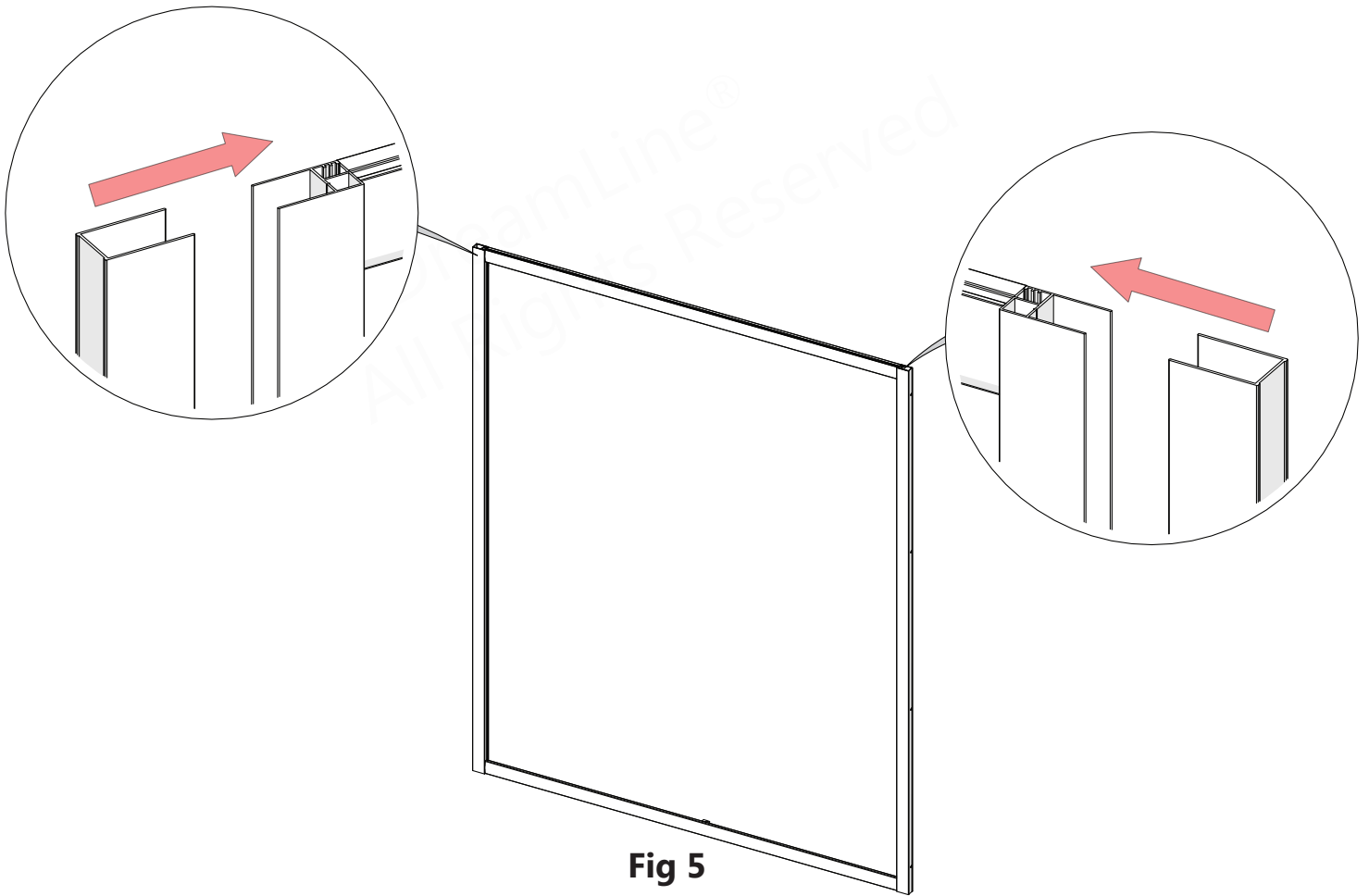
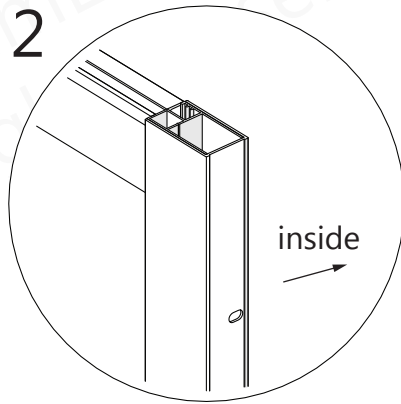
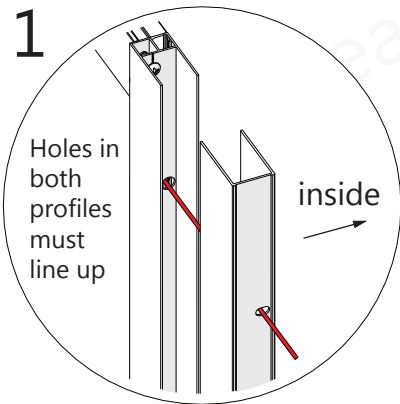
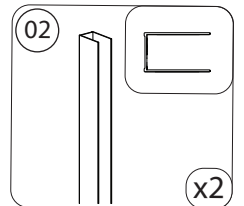


Fig 5



The holes in the **Wall Profiles (#02)** are off-center, and must line up with the corresponding holes in the **Glass Profiles (#01)**.

**Parts Needed**

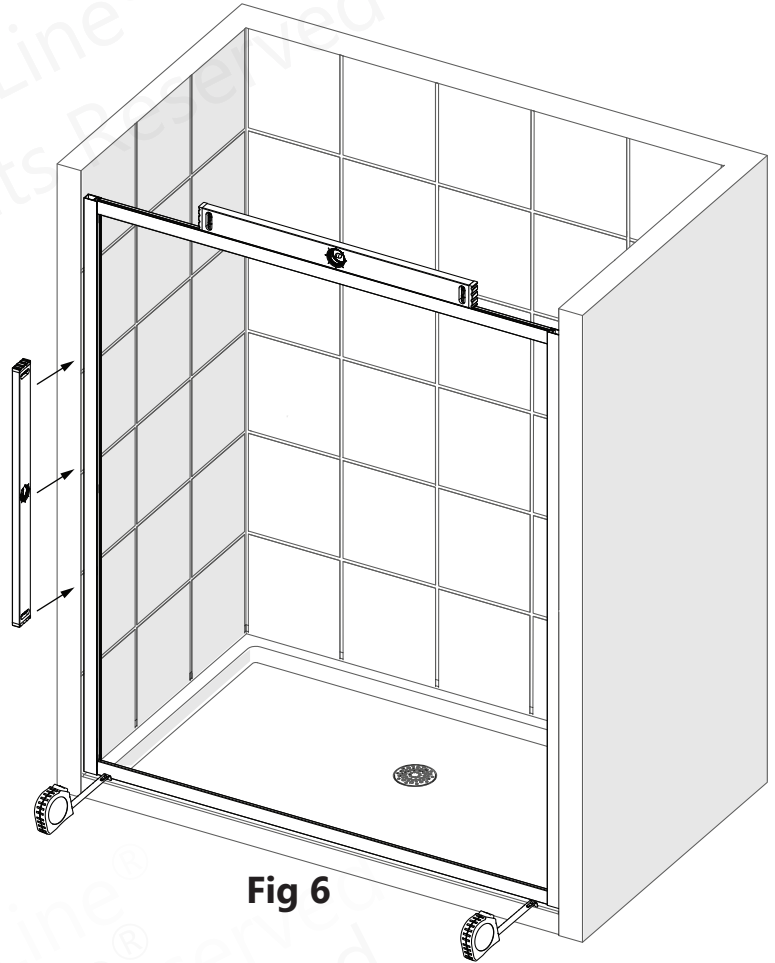
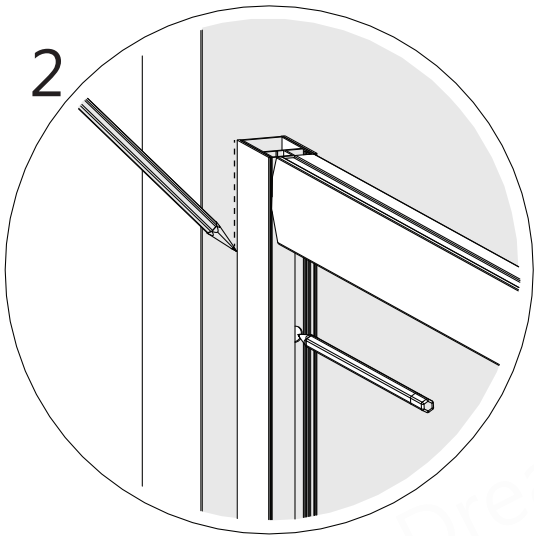
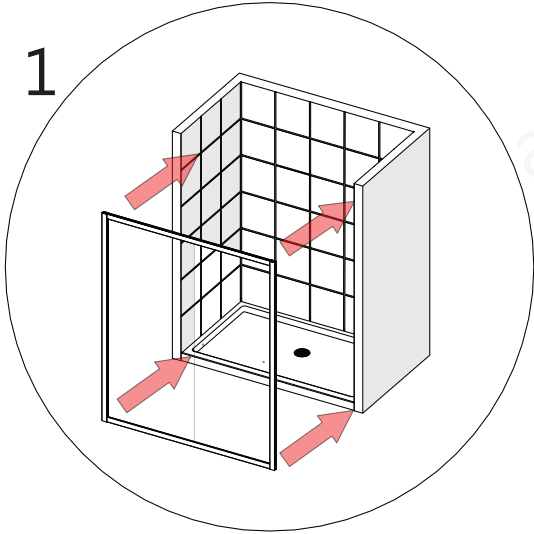




6

**NOTE**

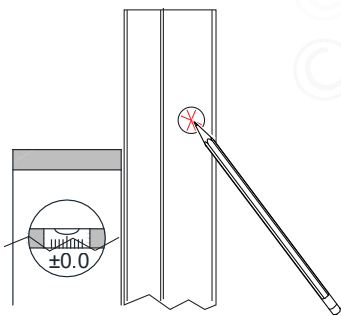
At this step, decide on the handing of the door and panel prior to placing the assembly into the opening to mark the location of the holes for drilling. Flip the assembly so that the **Inline Panel Glass (#06)** will be installed on the desired side of the opening.



**Fig 6**

**NOTE**

Before marking the holes for drilling, confirm the assembled frame is tight to the threshold, the **Wall Profiles(#02)** are tight to the walls and the frame is level and plumb.

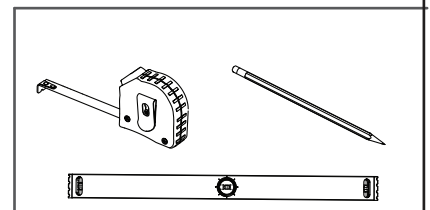


View this step in our **Installation Video**

Scan or Click Here



**Tools Needed**



7

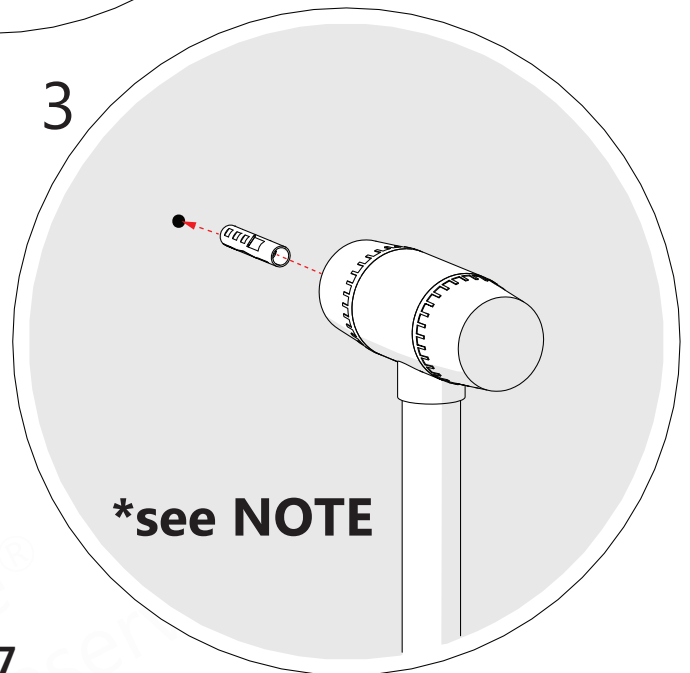
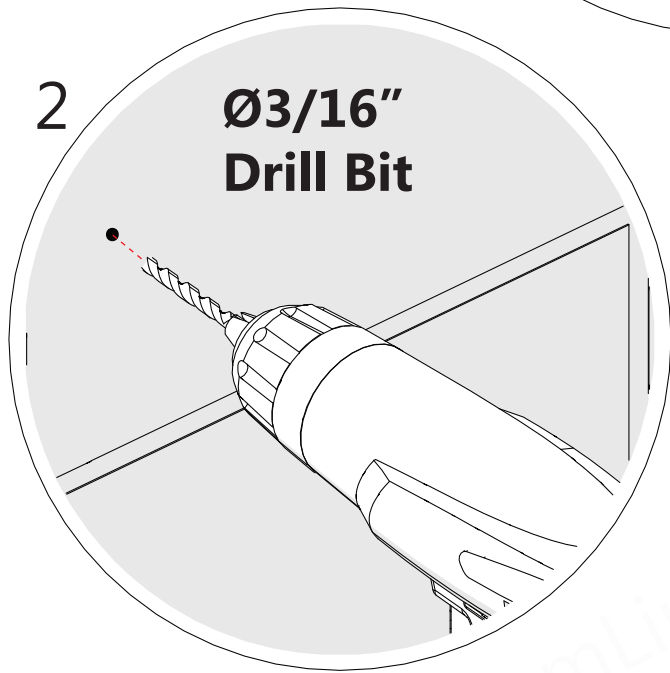
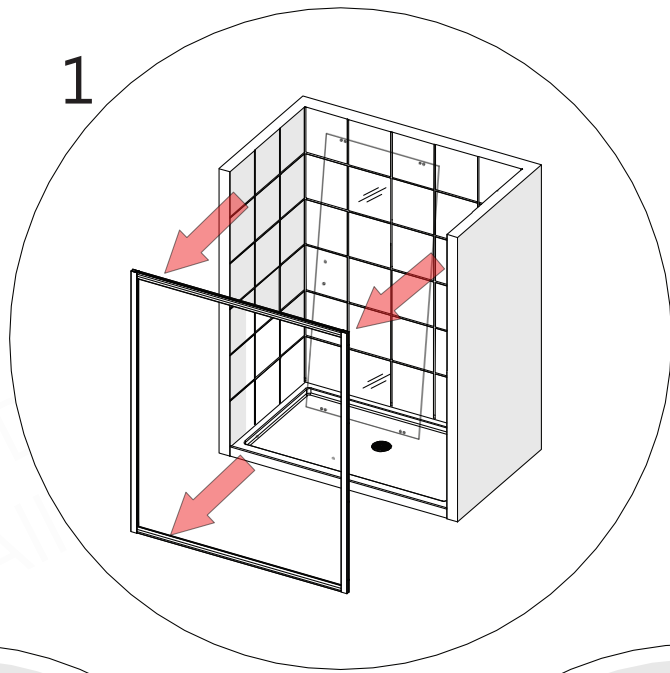
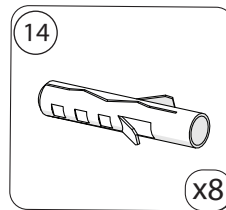


Fig 7

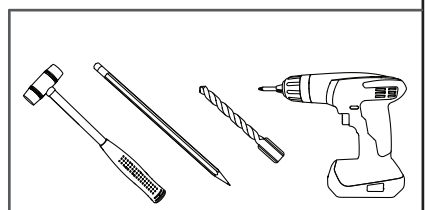


If a stud is present behind the wall, drill a hole using a **Ø3/16"** drill bit and **do not** use wall anchors.  
 If no stud is present, drill the hole using a **Ø5/16"** drill bit and insert **Wall Anchors (#14)** as shown in Fig 7.3.

**Parts Needed**



**Tools Needed**



8

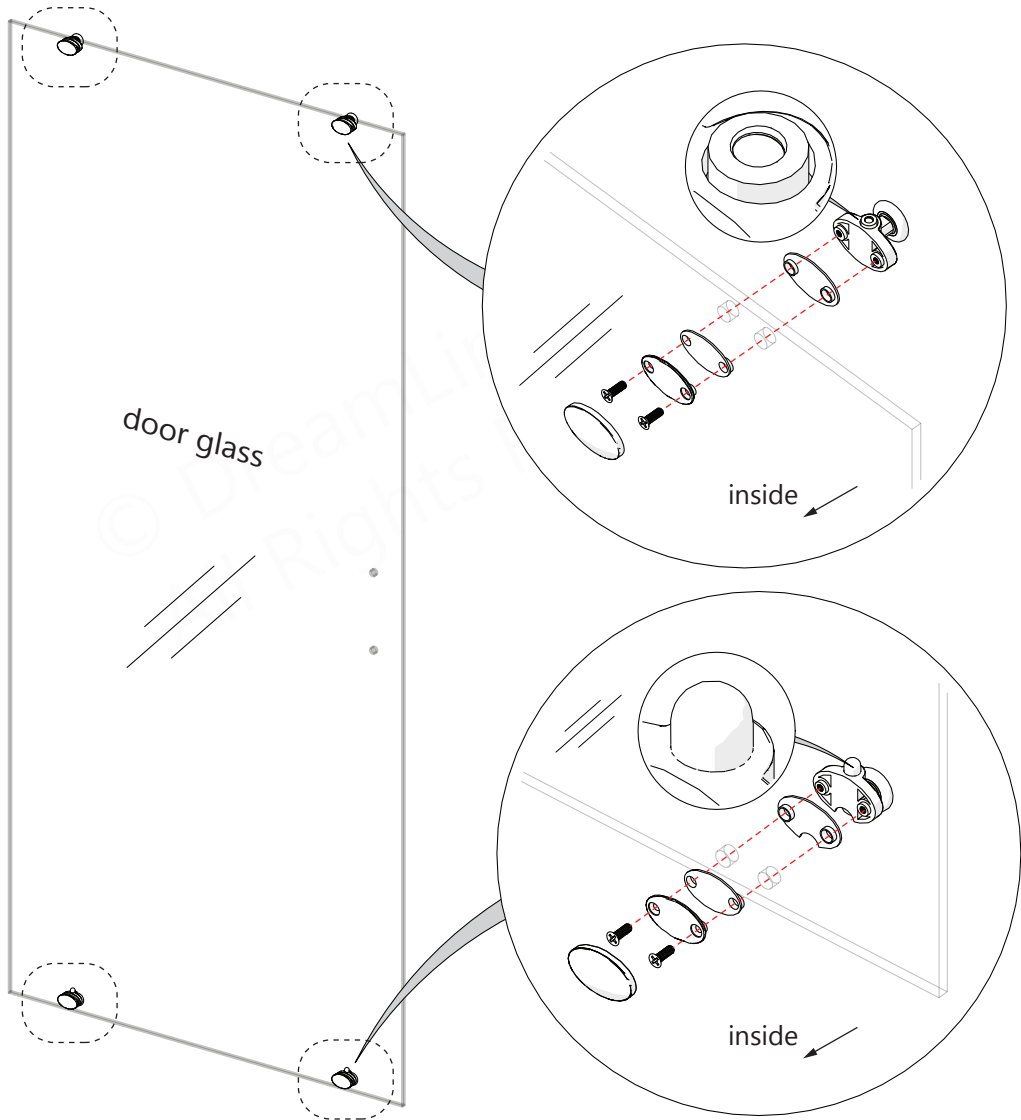


Fig 8

\*Left-hand door installation shown

**NOTE**

The lock nut on the **Top Roller Assembly (#17a)** and the push-button on the **Bottom Roller Assembly (#17b)** should both be installed pointing up. **DO NOT** over-tighten the **Roller Assemblies (#17a/17b)**.

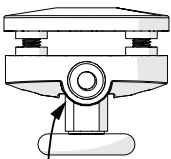
View this step in our **Installation Video**

Scan or Click Here

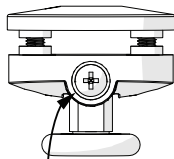


Top Wheels

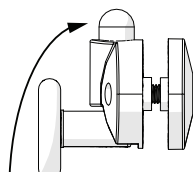
Bottom Wheels



Faces Up



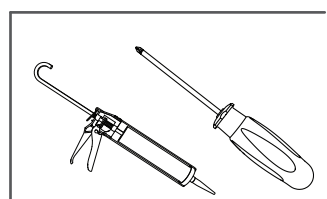
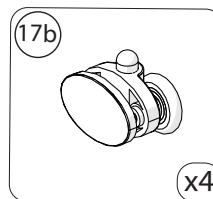
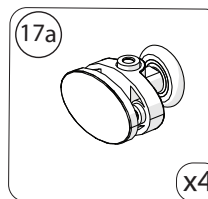
Faces Down



Button faces up

Parts Needed

Tools Needed

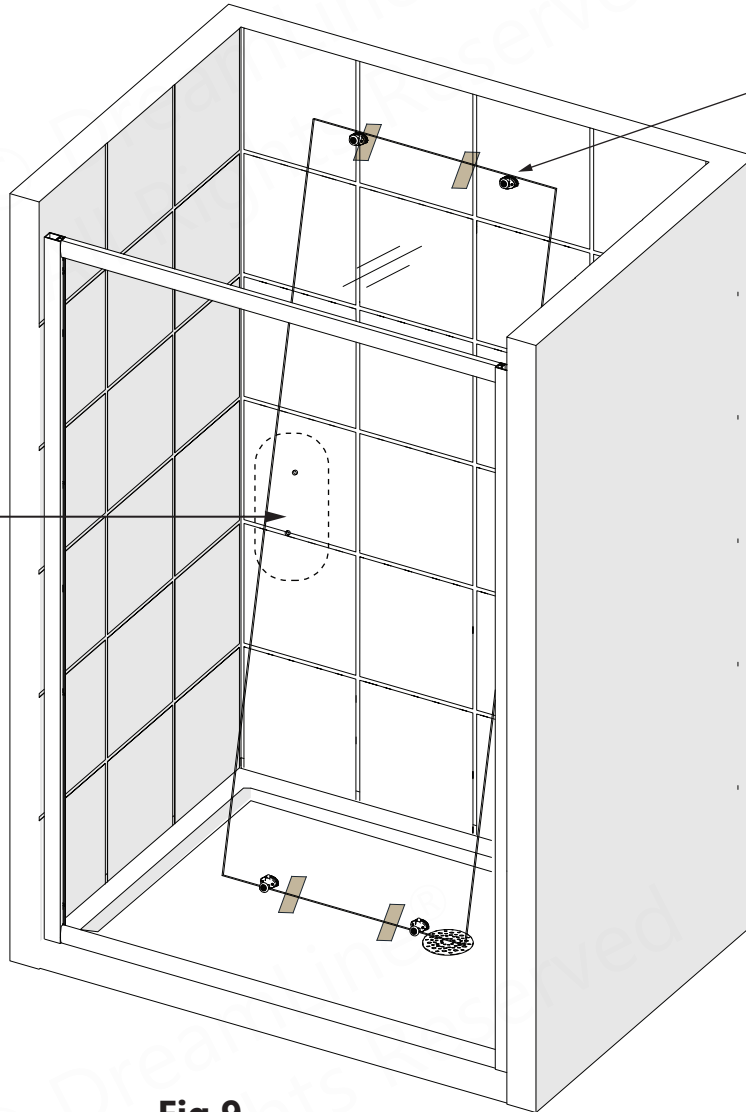


9



Before securing the frame assembly, bring the **Door Glass (#04)** into the shower area and lean it safely against the wall, using padding to protect the glass, walls, and base. Make sure the handle holes on the **Door Glass (#04)** are on the correct side for installation. The **Wheel Assemblies (#17a/17b)** can be attached prior to setting the glass into the shower. (see **Step 11**)

Handle holes on correct side for installation



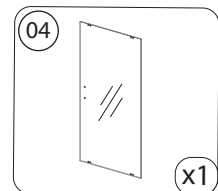
Roller wheels face outside of shower

Fig 9

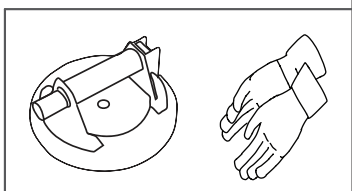


**DO NOT** install the towel bar or handle onto the glass until instructed to do so. **DO NOT** attempt to lift the glass using the towel bar or handle. This could result in damage to the glass and/or serious personal injury. Always use an assistant or a professional grade suction cup when handling heavy glass.

**Parts Needed**



**Tools Needed**



10

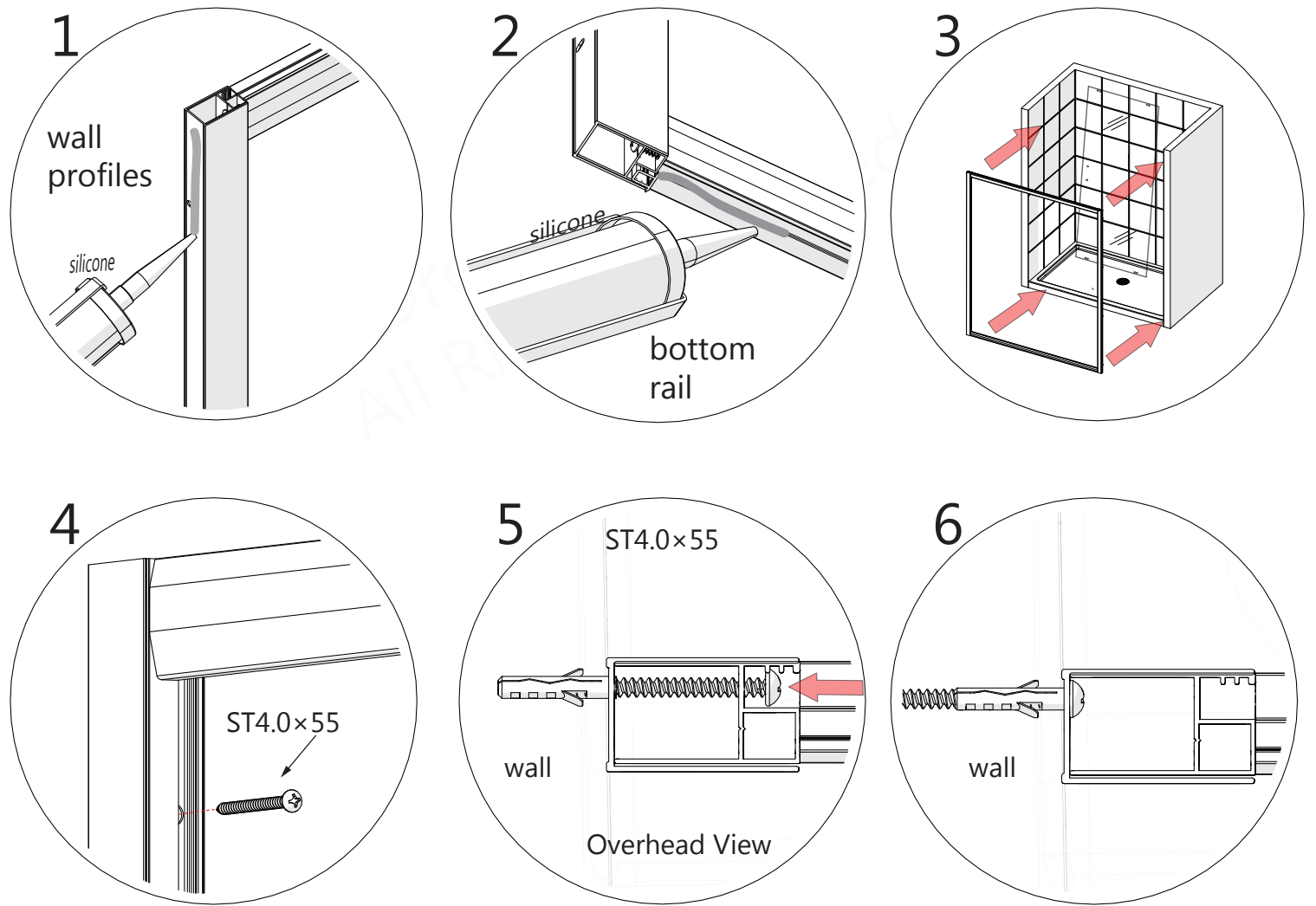


Fig 10

View this step in our **Installation Video**

Scan or Click Here

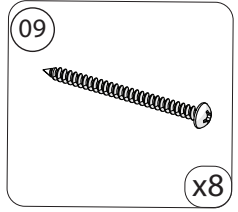


Extender Driver Bit recommended for the installation of these screws.

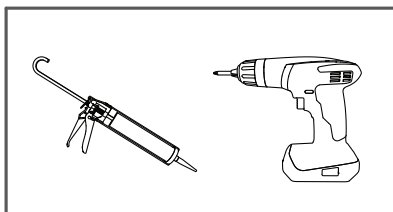


The screwheads on the **ST4.0×55 Pan Head Screws (#09)** will pass through the larger holes in the **Glass Profiles (#01)** and then secure the **Wall Profiles (#02)** to each wall.

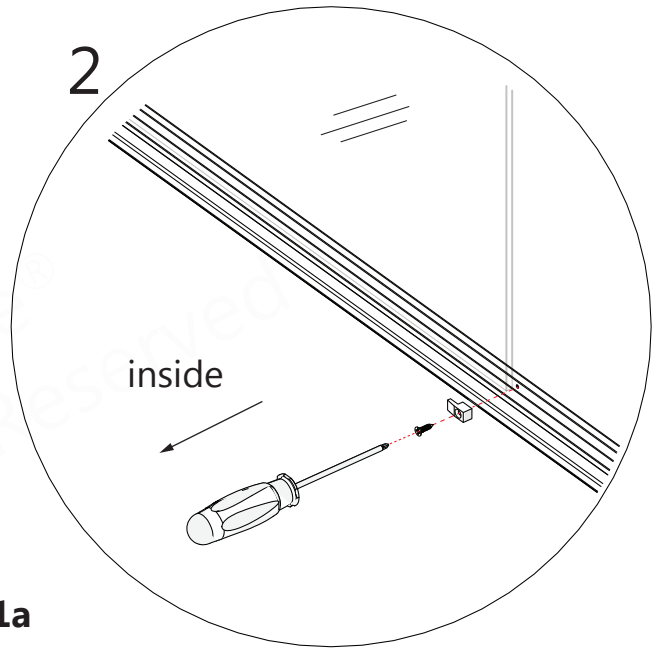
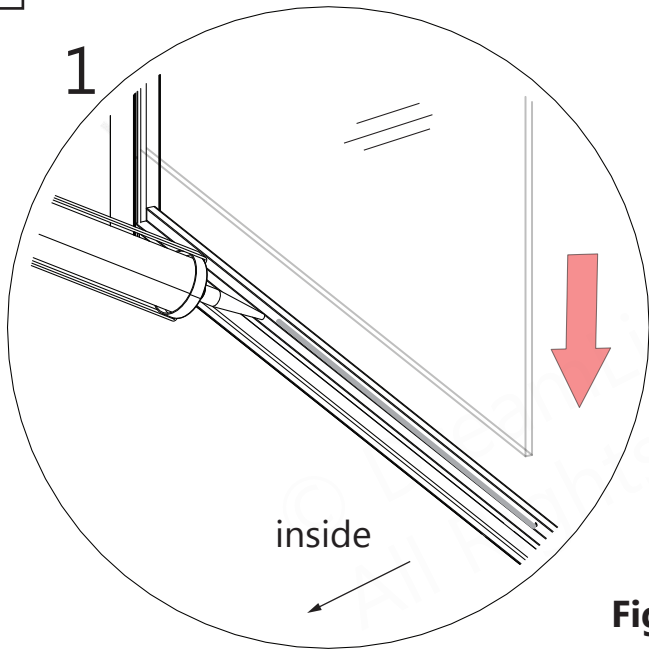
Parts Needed



Tools Needed



**11**



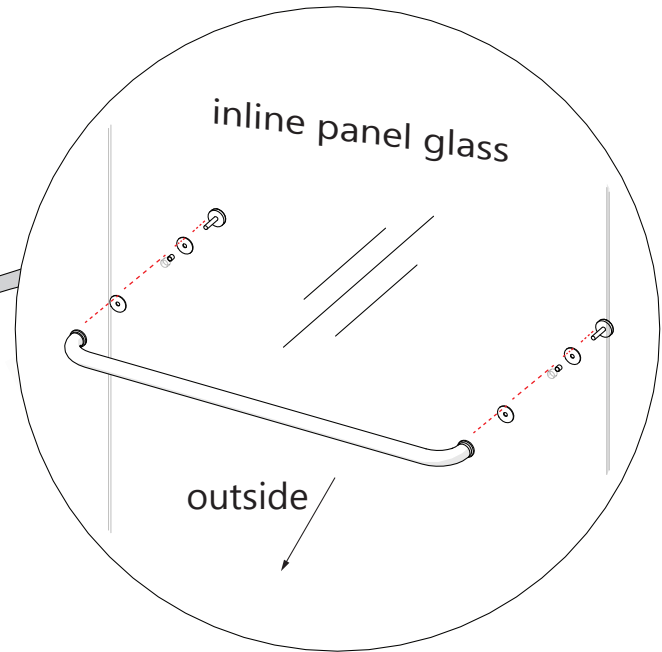
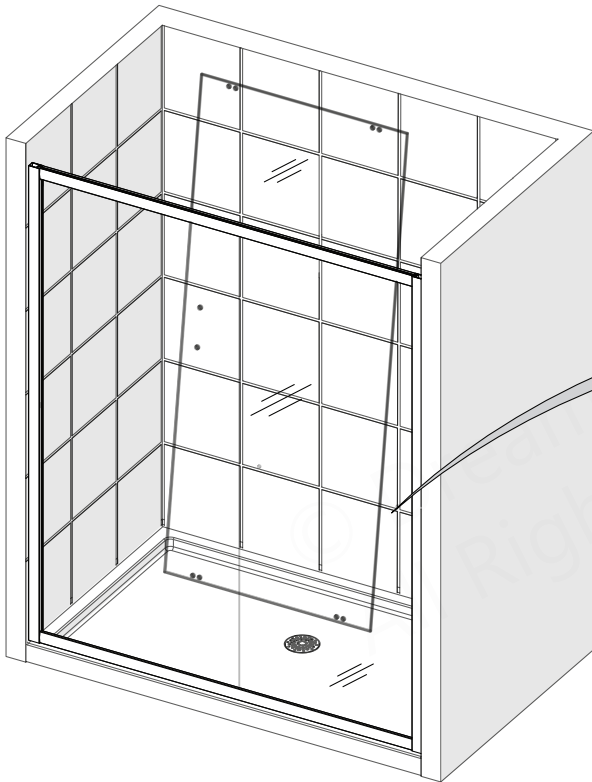
**Fig 11a**



For models with **Frosted** glass, install the textured (Frosted) surface facing **towards** the **outside** of the shower.

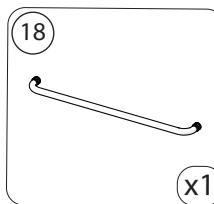
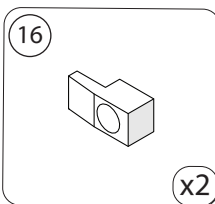
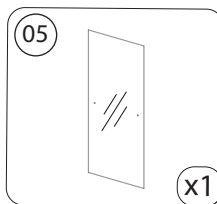


Use caution when installing the **Inline Panel Glass (#05)** into the frame to prevent damage to the edges of the glass.

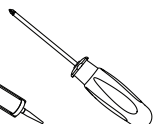
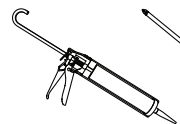
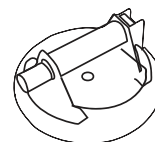


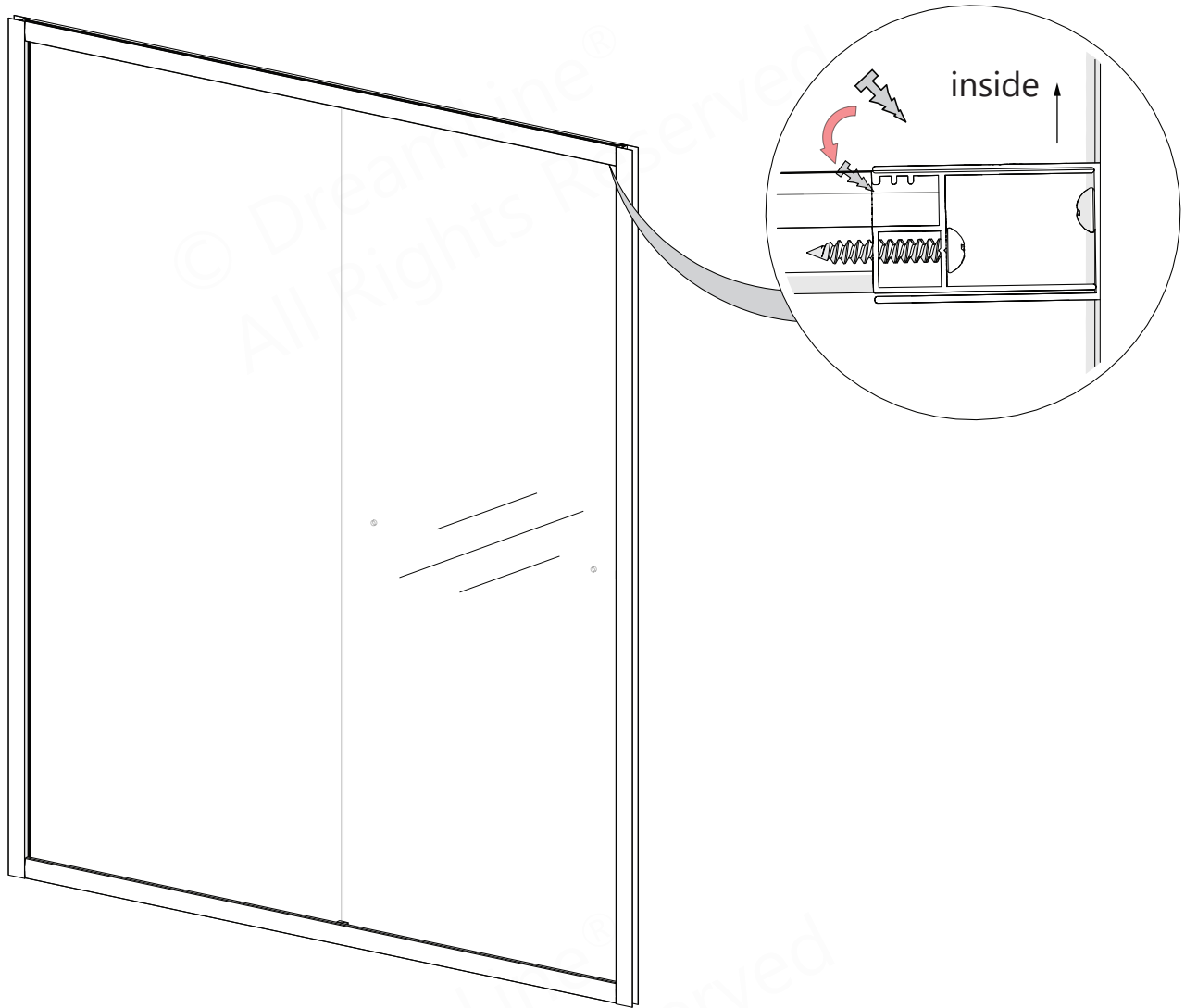
**Fig 11b**

**Parts Needed**



**Tools Needed**





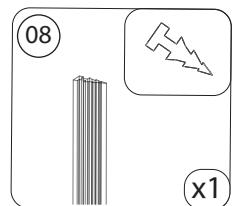
**Fig 12**

\*Right-hand panel installation shown



To prevent scratching or damaging the glass and aluminum, **DO NOT** use a screwdriver or other metal tool to install the **Push-in Glazing Vinyl (#08)**. Use a plastic putty knife or similar if necessary.

**Parts Needed**



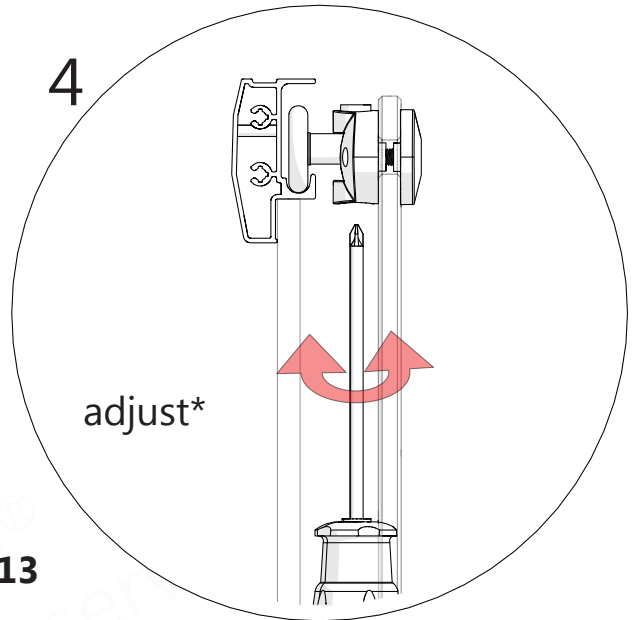
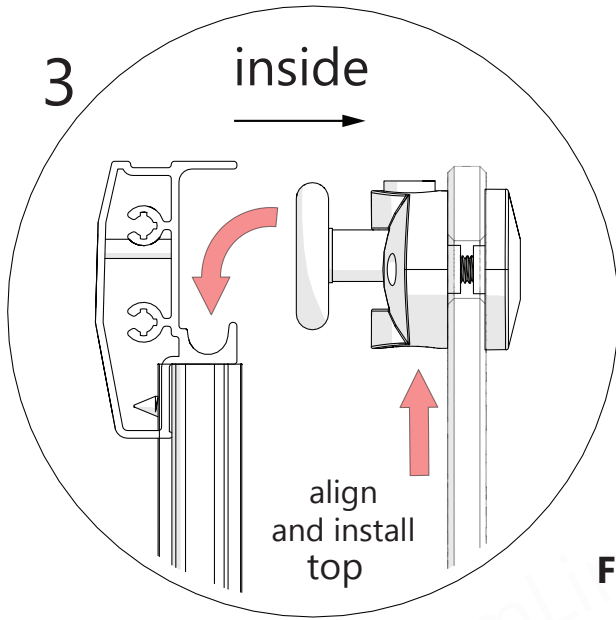
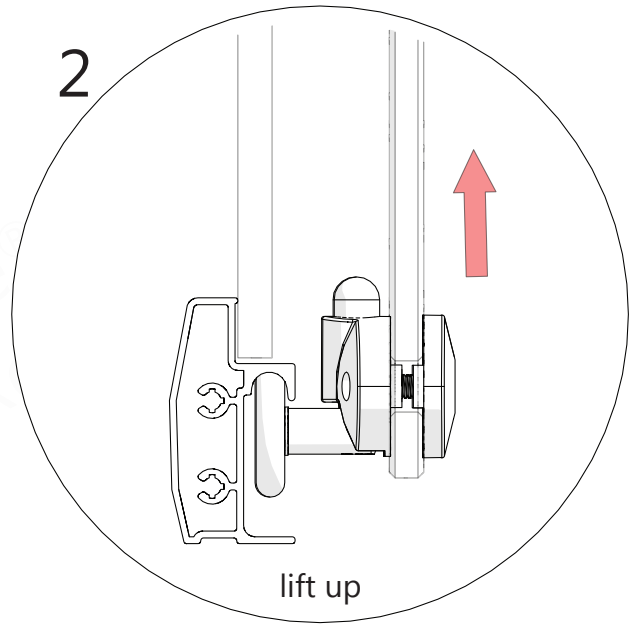
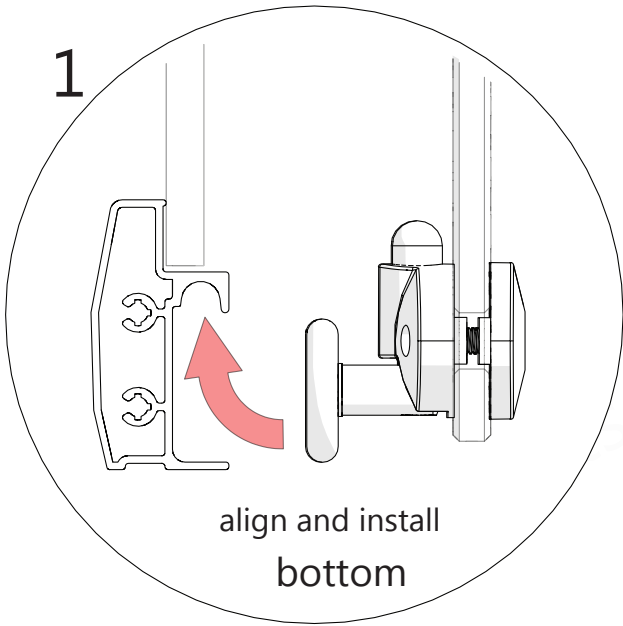


Fig 13

View this step in our  
**Installation Video**  
Scan or Click Here

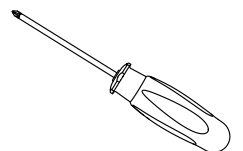


\*If necessary: Adjust the **Top Roller Assemblies (#17a)** for smoother operation.



Be sure to center the frame within the **Wall Profiles** before the next step.

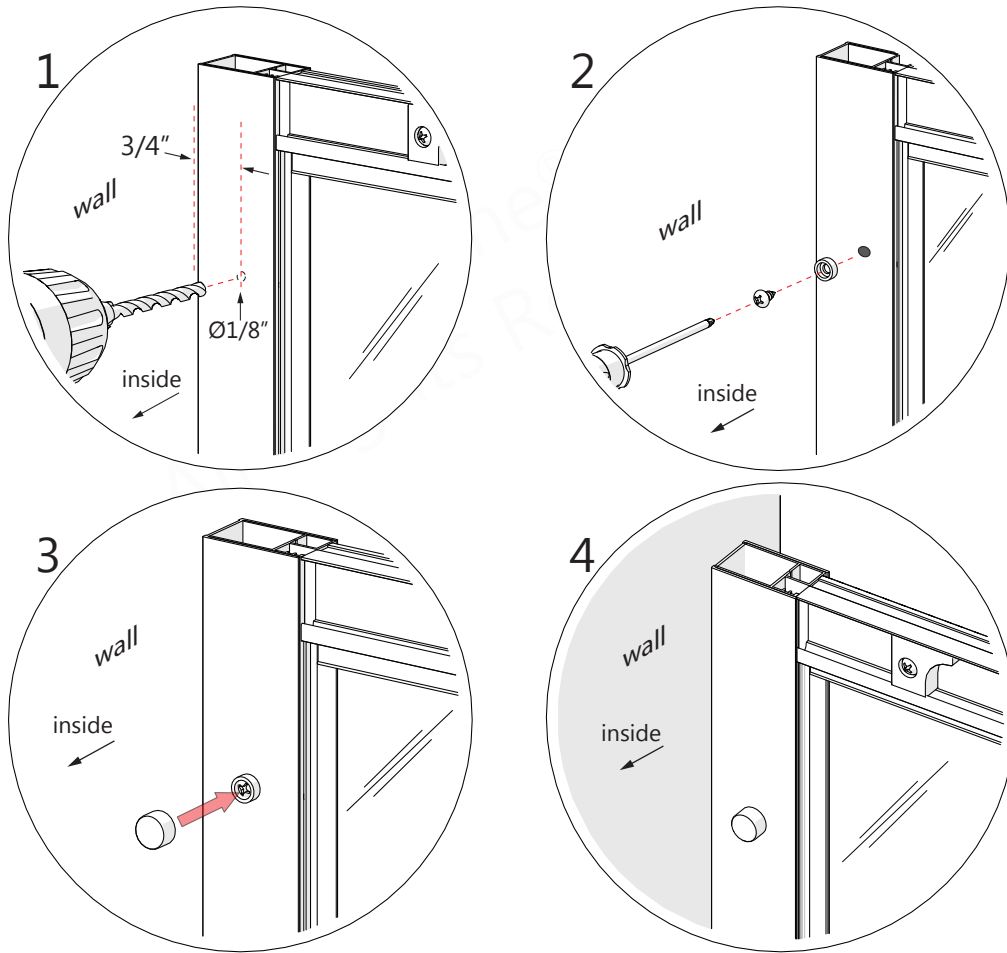
**Tools Needed**







**DO NOT** drill the profiles throughout, **ONLY** through the first layer of the Wall Profile (#02) and Glass Profile (#01).



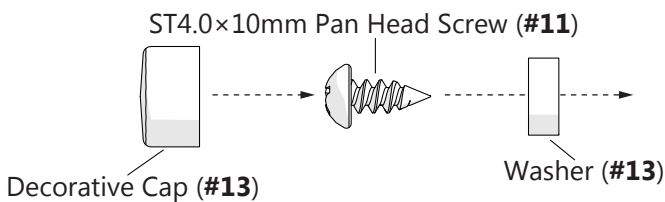
**Fig 14**



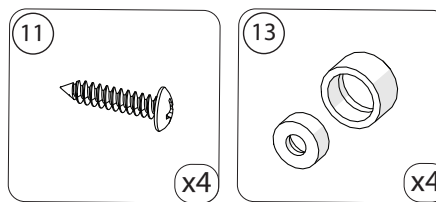
Make sure the Bottom Rail is tight to the threshold before screwing the Wall Profiles and Glass Profiles together.



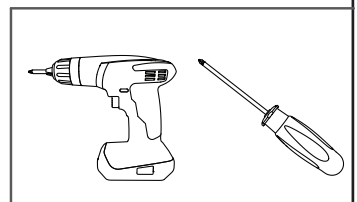
The **ST4.0×10mm Pan Head Screws (#11)** and **Decorative Covers (#13)** should be installed to both the **top** and **bottom** of each profile.



**Parts Needed**

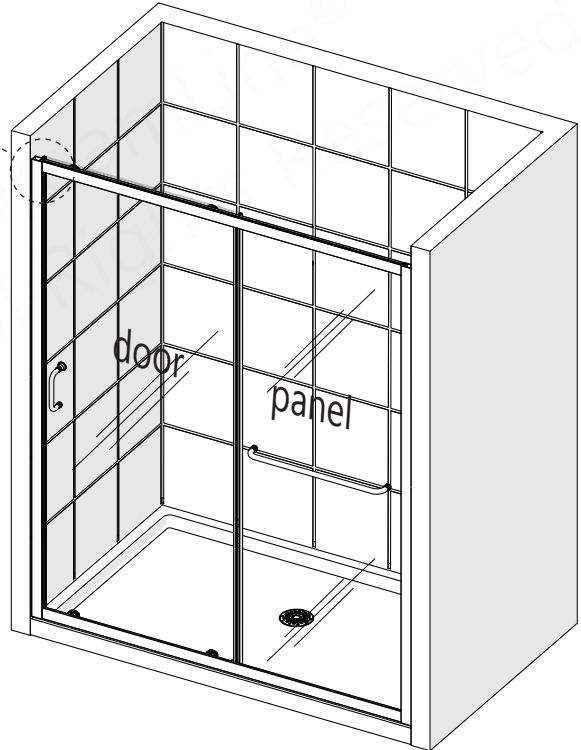
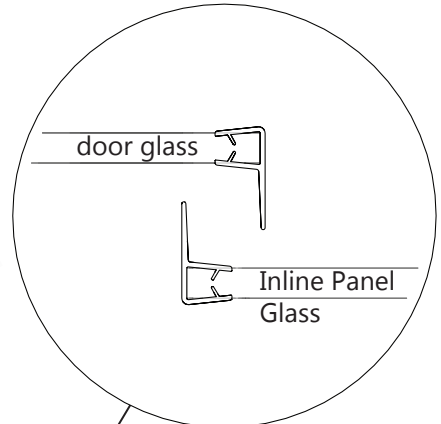
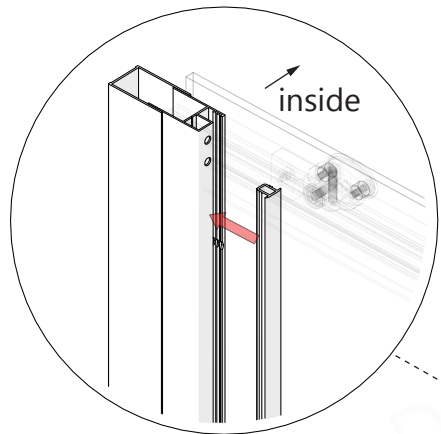


**Tools Needed**



15

# Handle and Vinyl Installation



Shorter Vinyl Seal

### Handle Installation

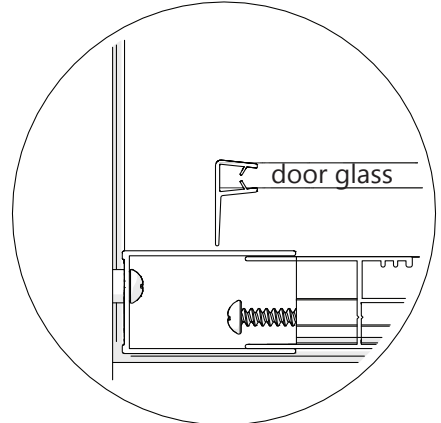
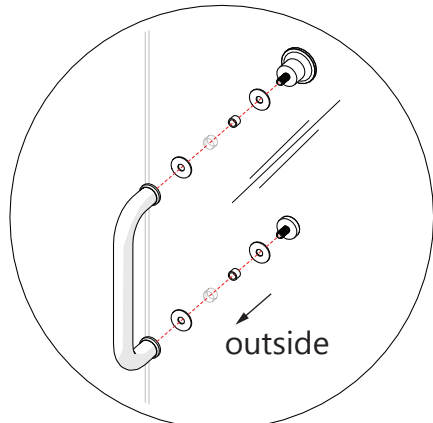


Fig 15

**NOTE**

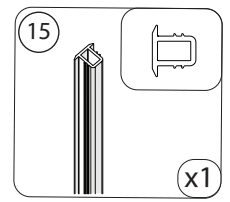
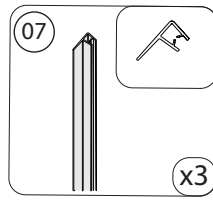
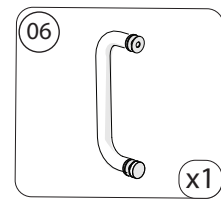
The longer Vertical Vinyl Seals (#07) attach to the edges of the **Door Glass (#04)**; the shorter Vertical Vinyl Seal (#07) attaches to the edge of the **Inline Panel Glass (#05)**.

View this step in our **Installation Video**

Scan or Click Here



### Parts Needed

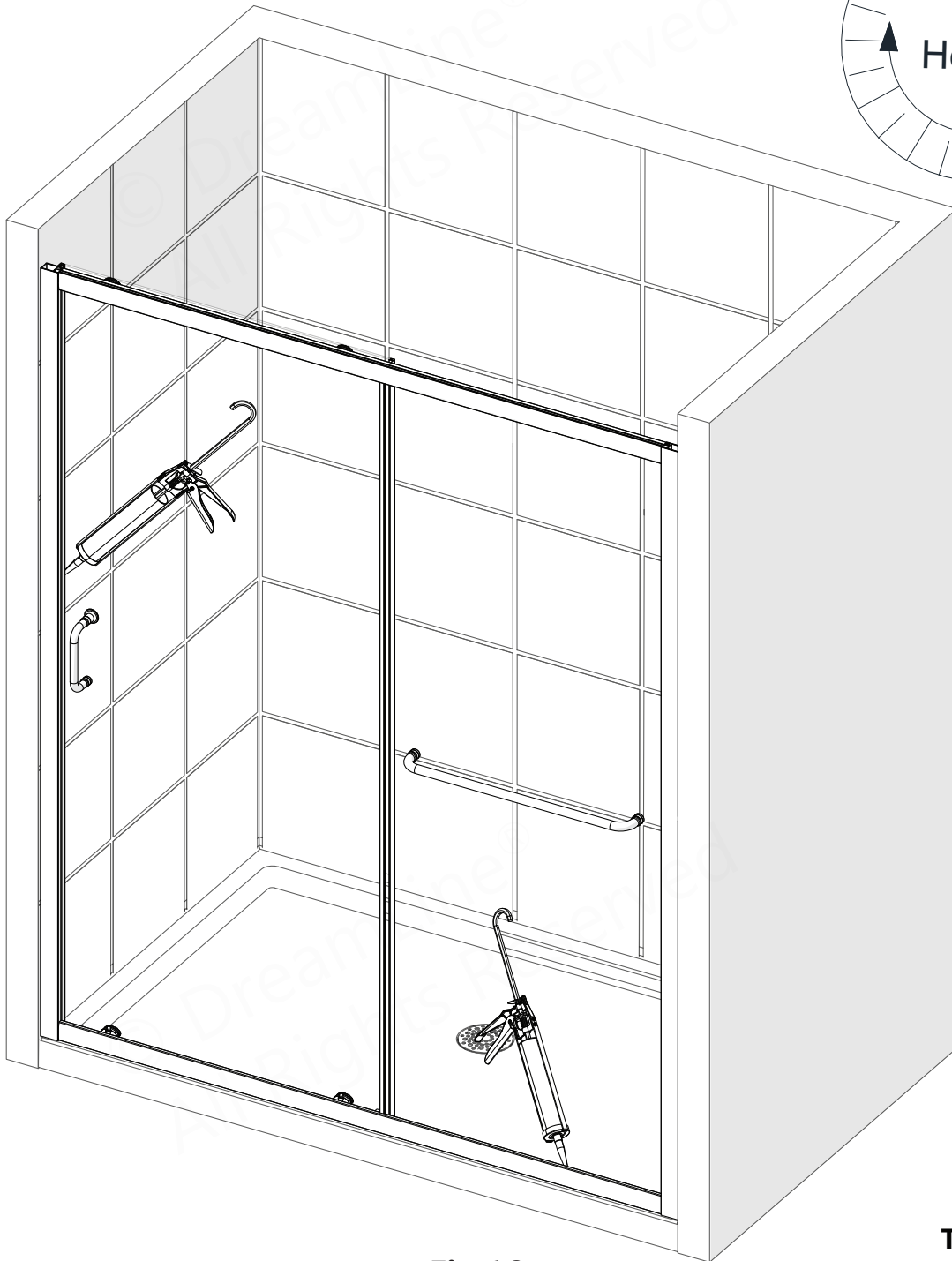
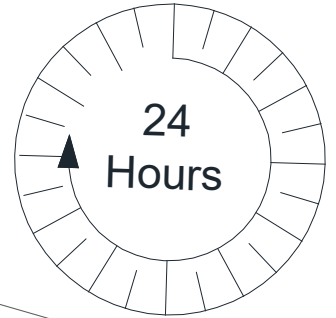


\*Left-hand door installation shown

16

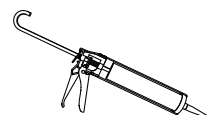
**NOTE**

The surfaces need to be clean and free of debris before applying silicone.



**Fig 16**

**Tools Needed**



Allow 24 hours for the silicone caulk to cure before using shower.

# Product Maintenance

**BASES and BACKWALLS:** To ensure long lasting life for your acrylic back walls: wipe them off after each use with a soft cloth. To clean the acrylic back walls use non-abrasive sprays or cream based cleaners. Avoid the use of aerosol spray cleaners. Never use abrasive cleansers, metal brushes or scrapers that could permanently scratch or dull the surface.

**GLASS:** To ensure long lasting life for your glass shower products: wipe them off after each use with a soft cloth. Rinse and wipe off the glass using either a soft cloth or a squeegee to prevent soap buildup and water spots (Hard water can etch the surface of the glass over time if left to dry). To prevent scratching the surface: never use abrasive cleaners or cleaning products that contain scouring agents. Never use bristle brushes or abrasive sponges that may scratch the surface of the glass.

**HARDWARE:** To ensure a long lasting finish: wipe off all metal parts after each use with a soft cloth. Do not use abrasive cleaners or cleaning products containing ammonia, bleach or acid. If accidentally used, rinse the surface as soon as possible to prevent damage to the finish (peeling or corrosion). After cleaning the polished finishes, rinse thoroughly and wipe dry with a soft clean-cloth.

Clean stainless steel surfaces at least once a week. When applying stainless steel cleaner or polish to stainless steel hardware, work with the grain (not across the grain). Never use an abrasive sponge or cloth, steel wool or wired brush as these may permanently scratch the surfaces.



**To maximize the life of your door, it is important to regularly inspect the glass and other hardware for misalignment, proper attachment, and/or damage. Contact DreamLine® with any questions or concerns.**

## **INFINITY-Z Maintenance Checklist**

- Inspect the Roller Assemblies; tighten if necessary
- Inspect Handle and towel bar; tighten if necessary
- Inspect glass clips; tighten if necessary
- Inspect and replace damaged or missing Vinyl Seals.
- Remove Vinyl Seals to inspect the edges of the glass for concealed damage.

### **Damaged glass must be replaced!**

- Inspect silicone application. Replace as necessary to prevent leakage.  
(refer to the manufacturer's recommendations on the proper application of their product).

# Troubleshooting

Problem/Symptom	Suggested Solution
Missing Parts	<ul style="list-style-type: none"> <li>•Check all shipping/packaging material for missing parts/components.</li> <li>•If not found, contact DreamLine Customer Support [1-855-831-2126] to order factory part replacement.</li> </ul>
Water Leakage: underneath <b>Bottom Guide Rail (#03)</b>	<ul style="list-style-type: none"> <li>•Make certain that the bottom rail is tight to the threshold and that silicone is creating a seal along the entire length of the bottom rail.</li> <li>•If the bottom rail is not making contact with the threshold, it may be necessary to redo Steps 6-7 to create a better seal.</li> </ul>
Water Leakage: <b>Panel/Door Glass (#05/04)</b>	<ul style="list-style-type: none"> <li>•Starting from the bottom, confirm that the <b>Push-in Glazing Vinyl (#08)</b> is correctly inserted into the glass profile. [see Fig 7]</li> <li>•If possible, direct the flow of water away from the area.</li> </ul>
<b>Door Glass (#04)</b> is not rolling smoothly/closing tightly.	<ul style="list-style-type: none"> <li>•Use a #2 phillips screwdriver to evenly adjust the <b>Top Wheel Assemblies (#17a)</b> until the <b>Door Glass (#04)</b> rolls smoothly and tightly closes. [see Fig 12.4]</li> </ul>
<b>Panel Glass (#05)</b> shakes/rattles while in operation.	<ul style="list-style-type: none"> <li>•Starting from the bottom, confirm that the <b>Push-in Glazing Vinyl (#08)</b> is installed tightly between the <b>Panel Glass (#05)</b> and <b>Glass Profile (#01)</b>.</li> <li>•Inspect the <b>Glass Clips (#16)</b> for correct installation and tighten if necessary. [see Step 10]</li> </ul>



Prior to contacting DreamLine® Customer Service, please have the following information readily available:

- Purchase Order Information
- Name, PO Number, Dealer/Vendor Name, etc.
- SKU/Model Number (see Pages 27-33)
- Factory Part Information (see Pages 27-33)

## Product Parts Information

INFINITY-Z 48x72 Clear Glass		FACTORY PARTS INFORMATION	
ITEM #	FACTORY PART NUMBER	ITEM DESCRIPTION	QTY
01	040020 <b>1</b> 1-1830 / 040020 <b>4</b> 1-1830 / 040020 <b>6</b> 1-1830	Left or Right Glass Profile for 6mm (1/4in) Glass	2 pcs
02	041830 <b>1</b> 1-1830 / 041830 <b>4</b> 1-1830 / 041830 <b>6</b> 1-1830	Left or Right Wall Profile	2 pcs
03	040010 <b>1</b> 1-1134 / 0400 <b>4</b> 011-1134 / 0400 <b>6</b> 011-1134	Top or Bottom Guide Rail	2 pcs
04	010021014	Door Glass	1 pc
05	010022007	Inline Panel Glass	1 pc
06	0722 <b>1</b> 006 / 0722 <b>4</b> 006 / 0722 <b>6</b> 006	Single Sided Curved Handle with Knob for 6mm (1/4in) Glass	1 pc
07a	063001060-1743	Vinyl Seal with a Flexible Fin for 6mm (1/4in) Glass (for panel)	1 pc
07b	063001060-1814	Vinyl Seal with a Flexible Fin for 6mm (1/4in) Glass (for door)	2 pcs
08	060001000-1765	Push-in Glazing Vinyl for 6mm (1/4in) Glass	1 pc
09	091131	ST4.0 x 55mm Pan Head Screw	11 pcs
10	091104	ST4.0 x 25mm Pan Head Screw	11 pcs
11	091101	ST4.0 x 10mm Pan Head Screw	7 pcs
12	092102	ST4.2 x 16mm Countersunk Screw (pre-attached to #03)	4 pcs
12	092102	ST4.2 x 16mm Countersunk Screw	2 pcs
13	0755 <b>1</b> 011 / 0755 <b>4</b> 011 / 0755 <b>6</b> 011	Decorative Cover and Washer	7 pcs
14	07550045	Wall Anchor 8mm (5/16in)	11 pcs
15	060007060-1800	Vinyl Insert for Glass Profile	1 pc
16	0755 <b>1</b> 014 / 0755 <b>4</b> 014 / 0755 <b>6</b> 014	Glass Clip for 6mm (1/4in) Glass	2 pcs
17a	734 <b>1</b> 008	Single Roller Assembly (top) for 6mm (1/4in) Glass	2 pcs
17b	734 <b>1</b> 009	Single Roller Assembly (bottom) for 6mm (1/4in) Glass	2 pcs
18	7221024	Towel Bar Assembly for 6mm (1/4in) Glass	1 pc
---	07550009	Roller Stopper (pre-attached to #03)	4 pcs

**BOLD digit indicates finish: 1 = Chrome; 4 = Brushed Nickel; 06 = Oil Rubbed Bronze**

Contact [Support@DreamLine.com](mailto:Support@DreamLine.com) for Part replacement, installation assistance or additional information  
Complete **Warranty** information is available on [DreamLine.com](http://DreamLine.com)

## Product Parts Information

INFINITY-Z 48x72 Frosted Glass		FACTORY PARTS INFORMATION	
ITEM #	FACTORY PART NUMBER	ITEM DESCRIPTION	QTY
01	040020 <b>1</b> 1-1830 / 040020 <b>4</b> 1-1830 / 040020 <b>6</b> 1-1830	Left or Right Glass Profile for 6mm (1/4in) Glass	2 pcs
02	041830 <b>1</b> 1-1830 / 041830 <b>4</b> 1-1830 / 041830 <b>6</b> 1-1830	Left or Right Wall Profile	2 pcs
03	040010 <b>1</b> 1-1134 / 0400 <b>4</b> 011-1134 / 0400 <b>6</b> 011-1134	Top or Bottom Guide Rail	2 pcs
04	010021016	Door Glass	1 pc
05	010022008	Inline Panel Glass	1 pc
06	0722 <b>1</b> 006 / 0722 <b>4</b> 006 / 0722 <b>6</b> 006	Single Sided Curved Handle with Knob for 6mm (1/4in) Glass	1 pc
07a	063001060-1743	Vinyl Seal with a Flexible Fin for 6mm (1/4in) Glass (for panel)	1 pc
07b	063001060-1814	Vinyl Seal with a Flexible Fin for 6mm (1/4in) Glass (for door)	2 pcs
08	060001000-1765	Push-in Glazing Vinyl for 6mm (1/4in) Glass	1 pc
09	091131	ST4.0 × 55mm Pan Head Screw	11 pcs
10	091104	ST4.0 x 25mm Pan Head Screw	11 pcs
11	091101	ST4.0 x 10mm Pan Head Screw	7 pcs
12	092102	ST4.2 x 16mm Countersunk Screw (pre-attached to #03)	4 pcs
12	092102	ST4.2 x 16mm Countersunk Screw	2 pcs
13	0755 <b>1</b> 011 / 0755 <b>4</b> 011 / 0755 <b>6</b> 011	Decorative Cover and Washer	7 pcs
14	07550045	Wall Anchor 8mm (5/16in)	11 pcs
15	060007060-1800	Vinyl Insert for Glass Profile	1 pc
16	0755 <b>1</b> 014 / 0755 <b>4</b> 014 / 0755 <b>6</b> 014	Glass Clip for 6mm (1/4in) Glass	2 pcs
17a	0734 <b>1</b> 008	Single Roller Assembly (top) for 6mm (1/4in) Glass	2 pcs
17b	0734 <b>1</b> 009	Single Roller Assembly (bottom) for 6mm (1/4in) Glass	2 pcs
18	0722 <b>1</b> 024 / 0722 <b>4</b> 024 / 0722 <b>6</b> 024	Towel Bar Assembly for 6mm (1/4in) Glass	1 pc
---	07550009	Roller Stopper (pre-attached to #03)	4 pcs

**BOLD digit indicates finish: 1 = Chrome; 4 = Brushed Nickel; 06 = Oil Rubbed Bronze**

Contact [Support@DreamLine.com](mailto:Support@DreamLine.com) for Part replacement, installation assistance or additional information

Complete **Warranty** information is available on [DreamLine.com](http://DreamLine.com)

## Product Parts Information

INFINITY-Z 54x72 Clear Glass		FACTORY PARTS INFORMATION	
ITEM #	FACTORY PART NUMBER	ITEM DESCRIPTION	QTY
01	04002 <b>1</b> 1-1830 / 040020 <b>4</b> 1-1830 / 040020 <b>6</b> 1-1830	Left or Right Glass Profile for 6mm (1/4in) Glass	2 pcs
02	041830 <b>1</b> 1-1830 / 041830 <b>4</b> 1-1830 / 041830 <b>6</b> 1-1830	Left or Right Wall Profile	2 pcs
03	040010 <b>1</b> 1-1283 / 0400 <b>4</b> 011-1283 / 0400 <b>6</b> 011-1283	Top or Bottom Guide Rail	2 pcs
04	010022011	Door Glass	1 pc
05	010022010	Inline Panel Glass	1 pc
06	0722 <b>1</b> 006 / 0722 <b>4</b> 006 / 0722 <b>6</b> 006	Single Sided Curved Handle with Knob for 6mm (1/4in) Glass	1 pc
07a	063001060-1743	Vinyl Seal with a Flexible Fin for 6mm (1/4in) Glass (for panel)	1 pc
07b	063001060-1814	Vinyl Seal with a Flexible Fin for 6mm (1/4in) Glass (for door)	2 pcs
08	060001000-1765	Push-in Glazing Vinyl for 6mm (1/4in) Glass	1 pc
09	091131	ST4.0 × 55mm Pan Head Screw	11 pcs
10	091104	ST4.0 x 25mm Pan Head Screw	11 pcs
11	091101	ST4.0 x 10mm Pan Head Screw	7 pcs
12	092102	ST4.2 x 16mm Countersunk Screw (pre-attached to #03)	4 pcs
12	092102	ST4.2 x 16mm Countersunk Screw	2 pcs
13	0755 <b>1</b> 011 / 0755 <b>4</b> 011 / 0755 <b>6</b> 011	Decorative Cover and Washer	7 pcs
14	07550045	Wall Anchor 8mm (5/16in)	11 pcs
15	060007060-1800	Vinyl Insert for Glass Profile	1 pc
16	0755 <b>1</b> 014 / 0755 <b>4</b> 014 / 0755 <b>6</b> 014	Glass Clip for 6mm (1/4in) Glass	2 pcs
17a	0734 <b>1</b> 008	Single Roller Assembly (top) for 6mm (1/4in) Glass	2 pcs
17b	0734 <b>1</b> 009	Single Roller Assembly (bottom) for 6mm (1/4in) Glass	2 pcs
18	0722 <b>1</b> 051 / 0722 <b>4</b> 051 / 0722 <b>6</b> 051	Towel Bar Assembly for 6mm (1/4in) Glass	1 pc
---	07550009	Roller Stopper (pre-attached to #03)	4 pcs

**BOLD digit indicates finish: 1 = Chrome; 4 = Brushed Nickel; 06 = Oil Rubbed Bronze**

Contact [Support@DreamLine.com](mailto:Support@DreamLine.com) for Part replacement, installation assistance or additional information  
Complete **Warranty** information is available on [DreamLine.com](http://DreamLine.com)



## Product Parts Information

INFINITY-Z 54x72 Frosted Glass		FACTORY PARTS INFORMATION	
ITEM #	FACTORY PART NUMBER	ITEM DESCRIPTION	QTY
01	040020 <b>11</b> -1830 / 040020 <b>41</b> -1830 / 040020 <b>61</b> -1830	Left or Right Glass Profile for 6mm (1/4in) Glass	2 pcs
02	041830 <b>11</b> -1830 / 041830 <b>41</b> -1830 / 041830 <b>61</b> -1830	Left or Right Wall Profile	2 pcs
03	040010 <b>11</b> -1283 / 0400 <b>40</b> 11-1283 / 0400 <b>60</b> 11-1283	Top or Bottom Guide Rail	2 pcs
04	010022013	Door Glass	1 pc
05	010022012	Inline Panel Glass	1 pc
06	0722 <b>10</b> 06 / 0722 <b>40</b> 06 / 0722 <b>60</b> 06	Single Sided Curved Handle with Knob for 6mm (1/4in) Glass	1 pc
07a	063001060-1743	Vinyl Seal with a Flexible Fin for 6mm (1/4in) Glass (for panel)	1 pc
07b	063001060-1814	Vinyl Seal with a Flexible Fin for 6mm (1/4in) Glass (for door)	2 pcs
08	060001000-1765	Push-in Glazing Vinyl for 6mm (1/4in) Glass	1 pc
09	091131	ST4.0 × 55mm Pan Head Screw	11 pcs
10	091104	ST4.0 x 25mm Pan Head Screw	11 pcs
11	091101	ST4.0 x 10mm Pan Head Screw	7 pcs
12	092102	ST4.2 x 16mm Countersunk Screw (pre-attached to #03)	4 pcs
12	092102	ST4.2 x 16mm Countersunk Screw	2 pcs
13	0755 <b>10</b> 11 / 0755 <b>40</b> 11 / 0755 <b>60</b> 11	Decorative Cover and Washer	7 pcs
14	07550045	Wall Anchor 8mm (5/16in)	11 pcs
15	060007060-1800	Vinyl Insert for Glass Profile	1 pc
16	0755 <b>10</b> 14 / 0755 <b>40</b> 14 / 0755 <b>60</b> 14	Glass Clip for 6mm (1/4in) Glass	2 pcs
17a	0734 <b>10</b> 08	Single Roller Assembly (top) for 6mm (1/4in) Glass	2 pcs
17b	0734 <b>10</b> 09	Single Roller Assembly (bottom) for 6mm (1/4in) Glass	2 pcs
18	0722 <b>10</b> 51 / 0722 <b>40</b> 51 / 0722 <b>60</b> 51	Towel Bar Assembly for 6mm (1/4in) Glass	1 pc
---	07550009	Roller Stopper (pre-attached to #03)	4 pcs

**BOLD digit indicates finish: 1 = Chrome; 4 = Brushed Nickel; 06 = Oil Rubbed Bronze**

Contact [Support@DreamLine.com](mailto:Support@DreamLine.com) for Part replacement, installation assistance or additional information  
Complete **Warranty** information is available on [DreamLine.com](http://DreamLine.com)

## Product Parts Information

INFINITY-Z 60x72 Clear Glass		FACTORY PARTS INFORMATION	
ITEM #	FACTORY PART NUMBER	ITEM DESCRIPTION	QTY
01	040020 <b>1</b> 1-1830 / 040020 <b>4</b> 1-1830 / 040020 <b>6</b> 1-1830	Left or Right Glass Profile for 6mm (1/4in) Glass	2 pcs
02	041830 <b>1</b> 1-1830 / 041830 <b>4</b> 1-1830 / 041830 <b>6</b> 1-1830	Left or Right Wall Profile	2 pcs
03	040010 <b>1</b> 1-1437 / 0400 <b>4</b> 011-1437 / 0400 <b>6</b> 011-1437	Top or Bottom Guide Rail	2 pcs
04	010021010	Door Glass	1 pc
05	010022004	Inline Panel Glass	1 pc
06	0722 <b>1</b> 006 / 0722 <b>4</b> 006 / 0722 <b>6</b> 006	Single Sided Curved Handle with Knob for 6mm (1/4in) Glass	1 pc
07a	063001060-1743	Vinyl Seal with a Flexible Fin for 6mm (1/4in) Glass (for panel)	1 pc
07b	063001060-1814	Vinyl Seal with a Flexible Fin for 6mm (1/4in) Glass (for door)	2 pcs
08	060001000-1765	Push-in Glazing Vinyl for 6mm (1/4in) Glass	1 pc
09	091131	ST4.0 × 55mm Pan Head Screw	11 pcs
10	091104	ST4.0 x 25mm Pan Head Screw	11 pcs
11	091101	ST4.0 x 10mm Pan Head Screw	7 pcs
12	092102	ST4.2 x 16mm Countersunk Screw (pre-attached to #03)	4 pcs
12	092102	ST4.2 x 16mm Countersunk Screw	2 pcs
13	0755 <b>1</b> 011 / 0755 <b>4</b> 011 / 0755 <b>6</b> 011	Decorative Cover and Washer	7 pcs
14	07550045	Wall Anchor 8mm (5/16in)	11 pcs
15	060007060-1800	Vinyl Insert for Glass Profile	1 pc
16	0755 <b>1</b> 014 / 0755 <b>4</b> 014 / 0755 <b>6</b> 014	Glass Clip for 6mm (1/4in) Glass	2 pcs
17a	0734 <b>1</b> 008	Single Roller Assembly (top) for 6mm (1/4in) Glass	2 pcs
17b	0734 <b>1</b> 009	Single Roller Assembly (bottom) for 6mm (1/4in) Glass	2 pcs
18	0722 <b>1</b> 023 / 0722 <b>4</b> 023 / 0722 <b>6</b> 023	Towel Bar Assembly for 6mm (1/4in) Glass	1 pc
---	07550009	Roller Stopper (pre-attached to #03)	4 pcs

**BOLD digit indicates finish: 1 = Chrome; 4 = Brushed Nickel; 06 = Oil Rubbed Bronze**

Contact [Support@DreamLine.com](mailto:Support@DreamLine.com) for Part replacement, installation assistance or additional information  
Complete **Warranty** information is available on [DreamLine.com](http://DreamLine.com)

## Product Parts Information

INFINITY-Z 60x72 Frosted Glass		FACTORY PARTS INFORMATION	
ITEM #	FACTORY PART NUMBER	ITEM DESCRIPTION	QTY
01	040020 <b>1</b> -1830 / 040020 <b>4</b> -1830 / 040020 <b>6</b> -1830	Left or Right Glass Profile for 6mm (1/4in) Glass	2 pcs
02	041830 <b>1</b> -1830 / 041830 <b>4</b> -1830 / 041830 <b>6</b> -1830	Left or Right Wall Profile	2 pcs
03	040010 <b>1</b> -1437 / 0400 <b>4</b> 011-1437 / 0400 <b>6</b> 011-1437	Top or Bottom Guide Rail	2 pcs
04	010021011	Door Glass	1 pc
05	010022005	Inline Panel Glass	1 pc
06	0722 <b>1</b> 006 / 0722 <b>4</b> 006 / 0722 <b>6</b> 006	Single Sided Curved Handle with Knob for 6mm (1/4in) Glass	1 pc
07a	063001060-1743	Vinyl Seal with a Flexible Fin for 6mm (1/4in) Glass (for panel)	1 pc
07b	063001060-1814	Vinyl Seal with a Flexible Fin for 6mm (1/4in) Glass (for door)	2 pcs
08	060001000-1765	Push-in Glazing Vinyl for 6mm (1/4in) Glass	1 pc
09	091131	ST4.0 x 55mm Pan Head Screw	11 pcs
10	091104	ST4.0 x 25mm Pan Head Screw	11 pcs
11	091101	ST4.0 x 10mm Pan Head Screw	7 pcs
12	092102	ST4.2 x 16mm Countersunk Screw (pre-attached to #03)	4 pcs
12	092102	ST4.2 x 16mm Countersunk Screw	2 pcs
13	0755 <b>1</b> 011 / 0755 <b>4</b> 011 / 0755 <b>6</b> 011	Decorative Cover and Washer	7 pcs
14	07550045	Wall Anchor 8mm (5/16in)	11 pcs
15	060007060-1800	Vinyl Insert for Glass Profile	1 pc
16	0755 <b>1</b> 014 / 0755 <b>4</b> 014 / 0755 <b>6</b> 014	Glass Clip for 6mm (1/4in) Glass	2 pcs
17a	0734 <b>1</b> 008	Single Roller Assembly (top) for 6mm (1/4in) Glass	2 pcs
17b	0734 <b>1</b> 009	Single Roller Assembly (bottom) for 6mm (1/4in) Glass	2 pcs
18	0722 <b>1</b> 023 / 0722 <b>4</b> 023 / 0722 <b>6</b> 023	Towel Bar Assembly for 6mm (1/4in) Glass	1 pc
---	07550009	Roller Stopper (pre-attached to #03)	4 pcs

**BOLD digit indicates finish: 1 = Chrome; 4 = Brushed Nickel; 06 = Oil Rubbed Bronze**

Contact [Support@DreamLine.com](mailto:Support@DreamLine.com) for Part replacement, installation assistance or additional information  
Complete **Warranty** information is available on [DreamLine.com](http://DreamLine.com)

## Product Parts Information

INFINITY-Z 60x58 Clear Glass		FACTORY PARTS INFORMATION	
ITEM #	FACTORY PART NUMBER	ITEM DESCRIPTION	QTY
01	040020 <b>11</b> -1474 / 040020 <b>41</b> -1474 / 040020 <b>61</b> -1474	Left or Right Glass Profile for 6mm (1/4in) Glass	2 pcs
02	041830 <b>11</b> -1474 / 041830 <b>41</b> -1474	Left or Right Wall Profile	2 pcs
03	040010 <b>11</b> -1437 / 0400 <b>40</b> 11-1437 / 0400 <b>60</b> 11-1437	Top or Bottom Guide Rail	2 pcs
04	010021007	Door Glass	1 pc
05	010022001	Inline Panel Glass	1 pc
06	0722 <b>10</b> 06 / 0722 <b>40</b> 06	Single Sided Curved Handle with Knob for 6mm (1/4in) Glass	1 pc
07a	063001060-1387	Vinyl Seal with a Flexible Fin for 6mm (1/4in) Glass (for panel)	1 pc
07b	063001060-1458	Vinyl Seal with a Flexible Fin for 6mm (1/4in) Glass (for door)	2 pcs
08	060001000-1410	Push-in Glazing Vinyl for 6mm (1/4in) Glass	1 pc
09	091131	ST4.0 × 55mm Pan Head Screw	11 pcs
10	091104	ST4.0 x 25mm Pan Head Screw	11 pcs
11	091101	ST4.0 x 10mm Pan Head Screw	7 pcs
12	092102	ST4.2 x 16mm Countersunk Screw (pre-attached to #03)	4 pcs
12	092102	ST4.2 x 16mm Countersunk Screw	2 pcs
13	0755 <b>10</b> 11 / 0755 <b>40</b> 11	Decorative Cover and Washer	7 pcs
14	07550045	Wall Anchor 8mm (5/16in)	11 pcs
15	060007060-1411	Vinyl Insert for Glass Profile	1 pc
16	0755 <b>10</b> 14 / 0755 <b>40</b> 14	Glass Clip for 6mm (1/4in) Glass	2 pcs
17a	0734 <b>10</b> 08	Single Roller Assembly (top) for 6mm (1/4in) Glass	2 pcs
17b	0734 <b>10</b> 09	Single Roller Assembly (bottom) for 6mm (1/4in) Glass	2 pcs
18	0722 <b>10</b> 23 / 0722 <b>40</b> 23	Towel Bar Assembly for 6mm (1/4in) Glass	1 pc
---	07550009	Roller Stopper (pre-attached to #03)	4 pcs

**BOLD digit indicates finish: 1 = Chrome; 4 = Brushed Nickel; 06 = Oil Rubbed Bronze**

Contact [Support@DreamLine.com](mailto:Support@DreamLine.com) for Part replacement, installation assistance or additional information  
Complete **Warranty** information is available on [DreamLine.com](http://DreamLine.com)



TEL: 866-731-2244  
FAX: 866-857-3638  
DREAMLINE.COM



For more information on DreamLine® Shower Doors and Enclosures please visit **DreamLine.com**