



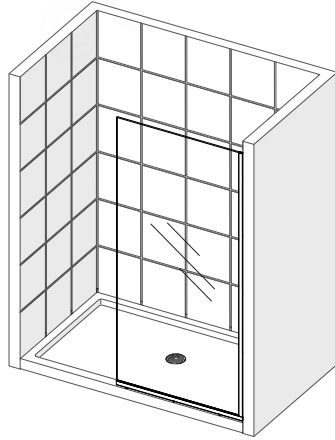
LINEA

SHOWER PANEL INSTALLATION INSTRUCTIONS

PLEASE REVIEW THIS ENTIRE MANUAL PRIOR TO INSTALLATION

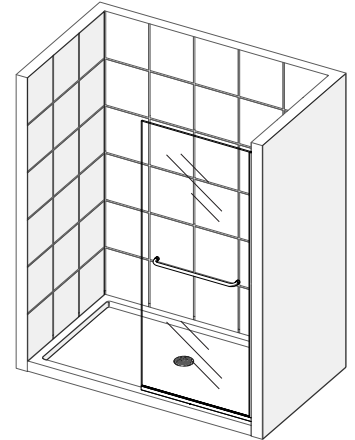
LINEA

SHDR-3230721-##
SHDR-3234721-##



LINEA w/ Towel Bar

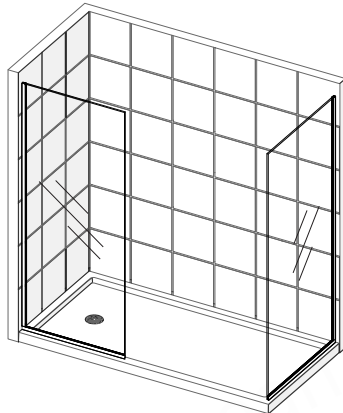
SDLI30W720TX##
SDLI34W720TX##



LINEA

Shower Screens: Two Individual Panels

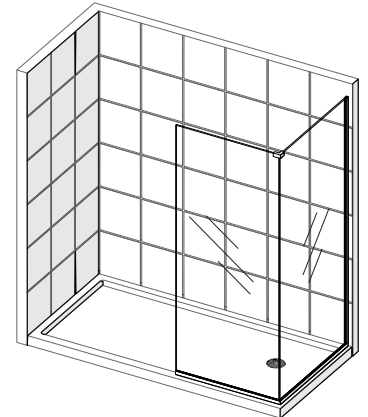
SHDR-3230302-##
SHDR-3230342-##
SHDR-3234302-##
SHDR-3234342-##



LINEA

Shower Screens: Two Adjacent Panels

SHDR-3230303-##
SHDR-3230343-##
SHDR-3234303-##
SHDR-3234343-##



*right wall installation shown

= finish 01 - Chrome 04 - Brushed Nickel 06 - Oil Rubbed Bronze 09 - Satin Black

IMPORTANT!

DreamLine® reserves the right to alter, modify or redesign products at any time without prior notice for the purpose of product improvement and customer experience. Please refer to the model's web page on **DreamLine.com** for the latest technical drawings, installation manuals, warranty information or additional product details.

Do Not Return Product to the Store. Contact DreamLine® with any questions



Questions?

Please Call **DreamLine Customer Support: 1-866-731-2244**
Hours of Operation M-F 8AM - 6PM EST

Support@DreamLine.com





This model is treated with DreamLine’s exclusive ClearMax™ Glass technology. This is a specially formulated coating that prevents the build up of soap and water spots.

Install the surface with the ClearMax™ label towards the inside of the shower. Please note that depending on the model, the glass may be coated on either one or both surfaces.

For best results, squeegee the glass after each use and dry with a soft cloth.

Record the following purchase information for your records or in the event you need to contact DreamLine®:

Purchase Order Number _____

Store/Vendor Purchased From _____

Installation Date _____

OD Number (optional) _____
located on the shipping box or label if available.


Installed By: _____


SKU Number _____


Table of Contents


Section Title	Page #
ClearMax® Coating Information	—
Warnings and General Preparation	2
Model Specific Preparation	3
Tools	4
Detailed Diagram of Shower/Tub Door Components	5-6
Parts List	7
Model Diagram	8
Installation Steps: LINEA Single Panel Installation	9-21
LINEA Single Panel with Towel Bar Assembly Installation	22
LINEA Shower Screens: Two Individual Panels Installation	23
LINEA Shower Screens: Two Adjacent Panels Installation	24-31
90° Degree Top Corner Bracket Installation (*exclusive to Two Adjacent Panel Installation)	30
Product Maintenance	32
Troubleshooting	33
Factory Parts Information	34-37


Symbol Legend

 **TIP** - for ease of installation.

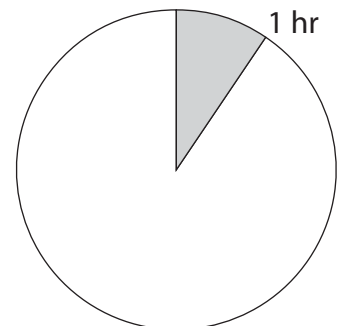
 **NOTE** - take note of special feature; additional information.

 **REQUIRED** - requires special attention; signifies a warning.

 **CORRECT** - recommended.

 **INCORRECT** - not recommended.

Average Installation Time





IMPORTANT

- DreamLine® reserves the right to alter, modify or redesign products any time without prior notice for product improvement and customer experience. Please refer to the model's web page on DreamLine.com for the latest technical drawings, installation manuals, warranty information or additional product details.
- This product should be installed by someone familiar with the construction requirements for this type of project and the care necessary for the safe installation and operation of the product.
- The safety of any installation is the responsibility of the installer.
- Professional installation recommended. (*All Models*)
- Professional installation required. (*Enigma Series*)
- To prevent damage or serious injury, Do Not lean against the installed panel/door/glass.
- To prevent damage or serious injury: Do Not attempt to lift or move a heavy lite of glass alone. Use an assistant and/or a professional grade glass suction cup.
- The installation of some models may require drilling down into the threshold. Contact the manufacturer of the base, tub, or threshold material with any questions regarding the drilling of holes into their product.
- All drawings in this installation manual are for illustrative purposes only and are not drawn to scale.

TEMPERED GLASS WARNING

- Your Shower Door Glass Could Shatter Without Warning if Improperly Installed or Mishandled
- Do Not install or operate a shower door if the glass has chipped corners, slivered edges or is otherwise damaged and/or has been dropped or banged into a hard surface such as tile, marble or glass.
- **The main causes of tempered glass breakage are:**
 - Improper handling, storage or installation
 - Misuse/abuse
 - Lack of maintenance
 - Failure to replace damaged glass
 - **Improper handling during storage, unpacking and installation:**
 - Corners and edges are the most susceptible area to damage on a lite of tempered glass and should be protected and handled with care during storage, unpacking, installation and operation. A concentrated point of pressure or impact with a surface harder than itself may cause the tempered glass to shatter. The tempered glass may release immediately, within several hours or even days later.
 - **Incorrect installation of door hardware, rollers, hinges, channels, stopper or glass:**
 - Improper installation may include: loose hardware and/or lack of proper gaskets between the hardware and glass. Additionally, improper alignment of guide rails, wall profiles or other hardware during installation or operation may place stress on the glass edges and cause it to break.
 - This product must be installed by a professional and experienced installer familiar with the safe handling of tempered glass.
 - **Improper use of this product:**
 - Aggressively opening or closing the door may cause trauma to the glass, which can lead to breakage. This may occur immediately or hours or even days later.
 - **The shower door hardware and glass should be inspected periodically:**
 - Instruct the homeowner how to perform a periodic inspection of the shower hardware and glass - some minor adjustments may be necessary based upon the use (or misuse) of the shower door. Ensure that the hardware remains tight and that the door alignment and operation are correct. Any adjustments should be made upon discovery to prevent damage to the product.
 - Additional considerations should be given to the installation of frameless tempered glass products in households with young children or an elderly person due to an increased chance of improper handling. In such cases, alternatives such as shower curtains or grab bars should be considered.

GENERAL PREPARATION

- After opening all boxes and packages, read this introduction carefully. Check that all the items are included in the package by marking off the components on the **“Detailed Diagram of Product Components”** page. Examine all boxes and packages for shipping damage. If the unit has been damaged, has a finishing defect, or is missing parts; please contact our Customer Support department within 3 business days of the delivery date. **Please note that DreamLine® will not replace any damaged products or missing parts free of charge after 3 business days or if the product has been installed.** Please contact DreamLine® if you have any questions.
- **Please note that you should refer to your local building codes with questions on installation compliance standards. Building and plumbing codes may vary by location, and DreamLine® is not responsible for code compliance standards for your project and will not accept any returns.**
- If this unit is going to be installed in a new construction, install all the required plumbing and drainage before installing the shower. **Use a competent and licensed (if required by local code) plumber for all plumbing installation.**
- Make sure that prior to beginning the installation, the surfaces are leveled and solid and will be able to support the total weight of the unit. Also make sure the walls are at right angles. Irregular installation surface level, radius corners or improper angle of side walls will result in serious problems for your installation. Please note that some adjustments and drilling will be necessary during the installation process.
- Protect all primary surfaces of the product during installation. Never set your glass down directly onto a tile floor. Leave corner protectors in place until it is necessary to remove them. Always use a piece of wood or cardboard to protect the bottom edge and corners of the glass prior to and during installation.
- This unit must be installed upon a finished threshold and against finished walls.
- *DreamLine® shower doors are not designed to be installed into a fiberglass surround due to the radius corners and lack of a solid surface to mount the hardware.*

WARNING: TO AVOID THE RISK OF DAMAGE OR INJURY:

- **Follow all recommendations and requirements as shown in the installation instructions.**
- Perform a thorough inspection of the glass and all parts for any damage prior to installation. Any damage to tempered glass can cause breakage. **Do Not install damaged glass!**
- Do Not install or operate a shower or tub door if the glass has chipped corners, slivered edges or is otherwise damaged. Do Not install or operate a shower or tub door that has been dropped or banged into a hard surface such as tile, marble or glass.
- **CAUTION:** Contact with any hard surface can damage tempered glass and cause it to shatter.
- This product uses tempered glass. Glass cannot be cut after it has been tempered. **Do Not attempt to cut tempered glass.**
- DreamLine® Glass Shower doors, Tub doors, Inline panels, and Return panels can shatter due to improper handling or lack of maintenance. Conduct periodic inspections of glass and all parts for possible damage, missing or loose parts.
- Always wear proper safety equipment such as: safety goggles, work gloves and appropriate footwear during the installation process.
- **WARNING. Risk of leakage and/or damage.** Follow all instructions regarding the application of silicone sealant or caulk. Allow 24 hours for the sealant to cure before the initial use of the shower or tub product. Follow the silicone manufacturer's recommendations regarding the use of their product.
- **Thoroughly read these instructions before installing or using this product.**
- **Leave this manual for the end-user of the product.**



This product should be installed by someone familiar with the construction requirements for this type of project and the care necessary for the safe installation and operation of the product.



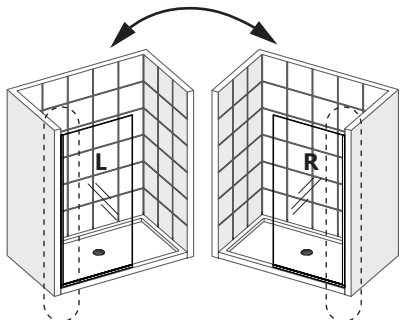
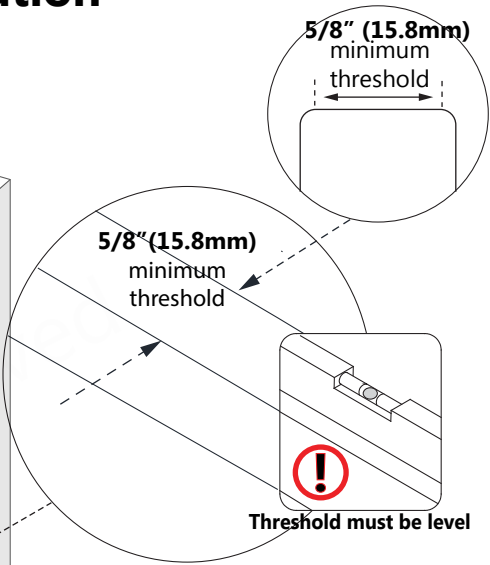
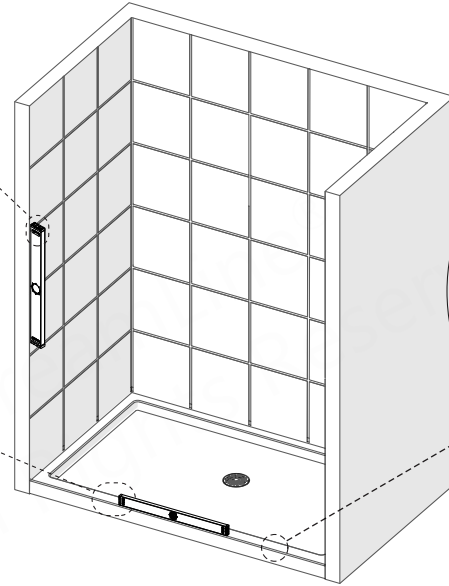
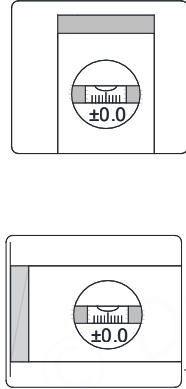
Model Specific Preparation



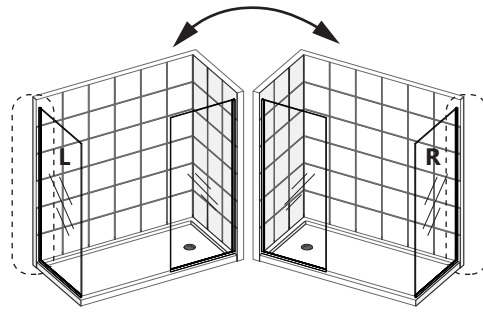
REQUIRED:

1/2" (12.7mm) Out-of-Plumb Adjustment on the Vertical U-Channel Only; Verify threshold and walls with a level

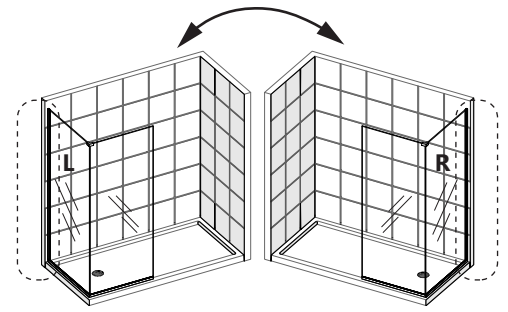
Threshold must be level



single panel installation
*also applies to Linea with Towel Bar model



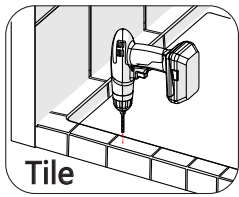
shower screen:
two individual panels installation



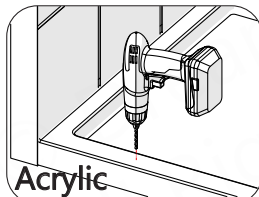
shower screen:
two adjacent panels installation



These models are reversible for right or left-hand panel(s) installation. The right-hand panel installation is shown as an example throughout this manual. For the left-hand panel installation, simply begin on the opposite wall and reverse the orientation of the steps shown.



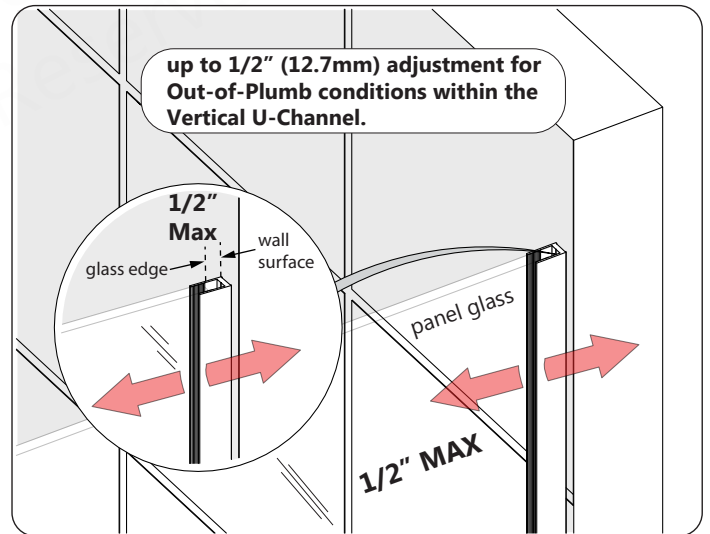
Tile



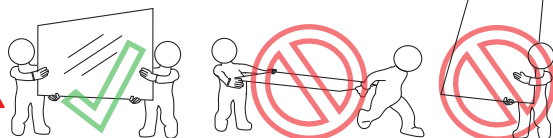
Acrylic



Contact the manufacturer of the base or threshold material with any questions regarding the drilling of holes into their product.



right-hand panel glass installation shown

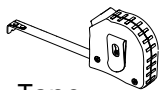


Professional installation by two installers is recommended for this product.

Tools



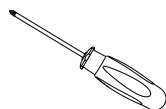
Level



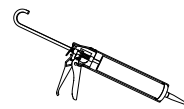
Tape Measure



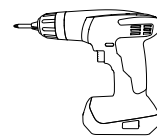
Pencil



#2 Phillips Screwdriver



Silicone



Power Drill



Drill Bit
Ø1/8"
(3mm)



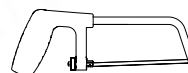
Drill Bit
Ø5/16"
(8mm)



#2 Phillips Driver Bit

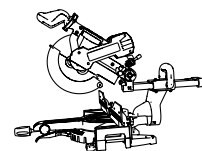


Extender Driver Bit

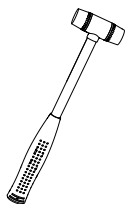


Hacksaw

OR



Miter Saw



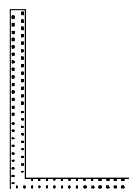
Soft Head Hammer



Safety Glasses



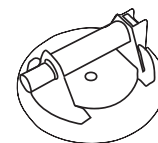
Work Gloves



Carpenter's Square



Razor Knife



Professional-Grade Glass Suction Cup (optional but recommended)



Verify that the correct model size has been ordered; measure the finished opening **before** proceeding with the installation.

Confirm that the finished walls are plumb and the threshold is level and pitched into the shower area.

Use a good quality waterproof, mildew-resistant 100% silicone.

Cover the shower/tub drain with tape prior to installation to prevent the loss of screws or small parts.

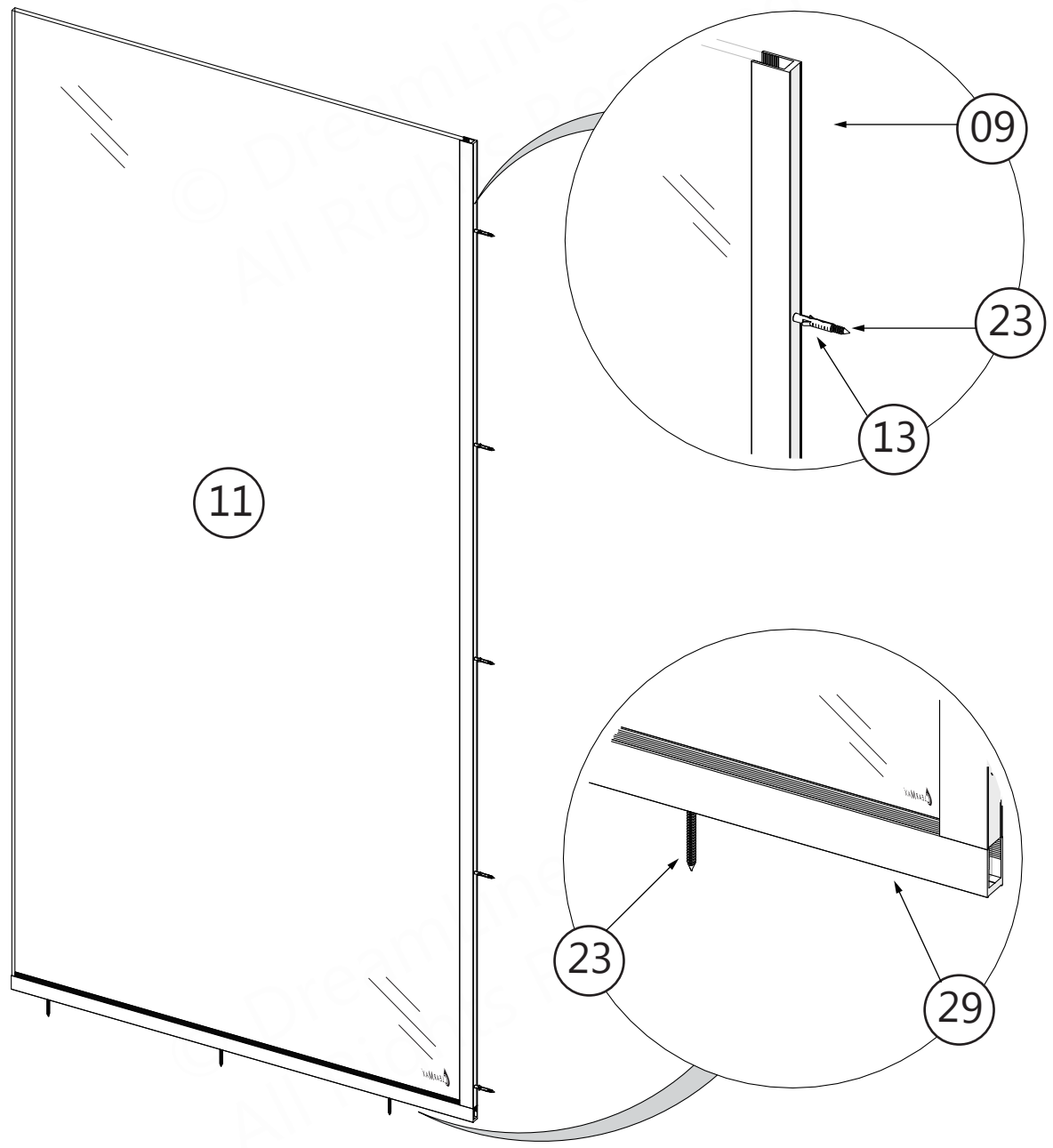
To prevent stripping the screw heads, set the screw gun clutch to a low setting when installing screws and bolts.

Use a type of drill bit that is appropriate for drilling into the finished surface material.



Unpack your unit carefully and inspect it. Lay it out and identify all parts using the **Detailed Diagram** on pages 5-6; and packing list in this manual as a reference. Before discarding the carton, check for small hardware bags that may have fallen to the bottom of the box. If any parts are damaged or missing, please contact DreamLine® for replacement. The shipping boxes may contain extra parts not used in your model configuration. Retain these installation instructions for future reference.

Detailed Diagram of Shower Panel Glass Components



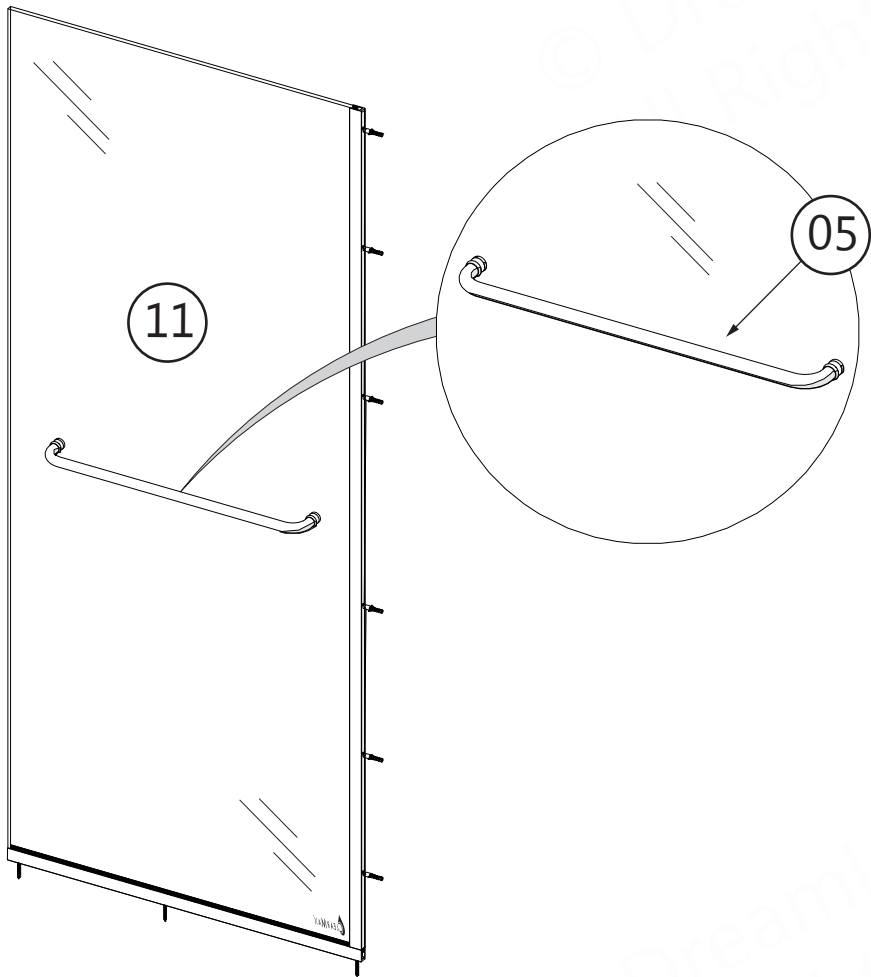
right wall panel installation shown

LINEA
 SHDR-3230721-##
 SHDR-3234721-##

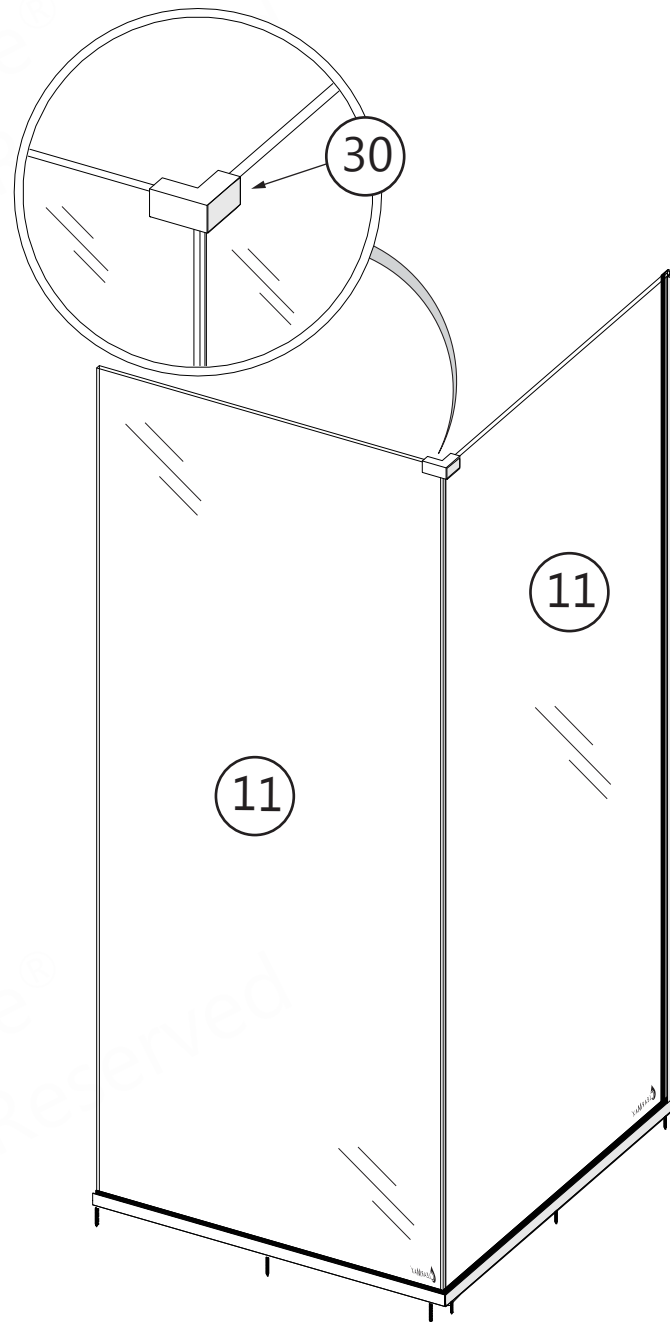
LINEA
Shower Screens: Two Individual Panels
 SHDR-3230302-##
 SHDR-3230342-##
 SHDR-3234302-##
 SHDR-3234342-##

CLEARMAX
 Install the surface with the ClearMax™ label towards the inside of the shower.

Detailed Diagram of Shower Panel Glass Components



LINEA with Towel Bar
SDLI30W720XTX##
SDLI34W720XTX##

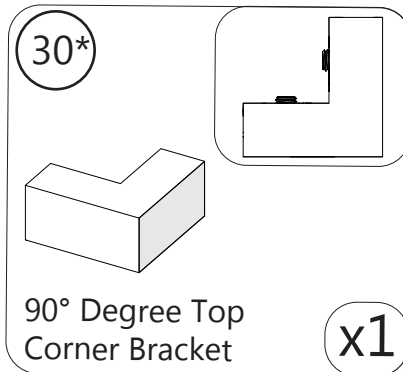
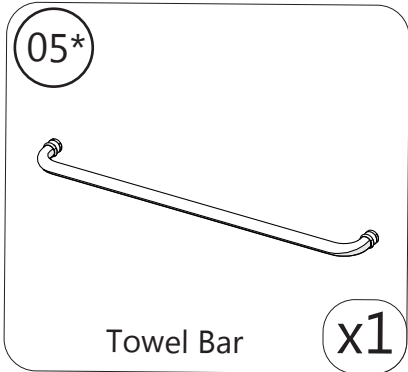
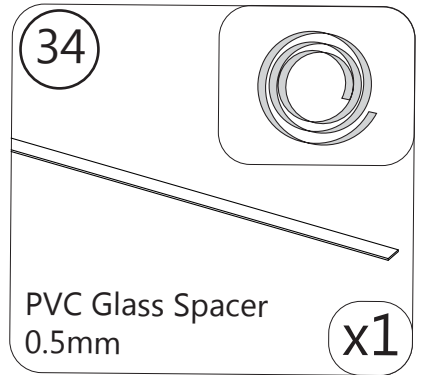
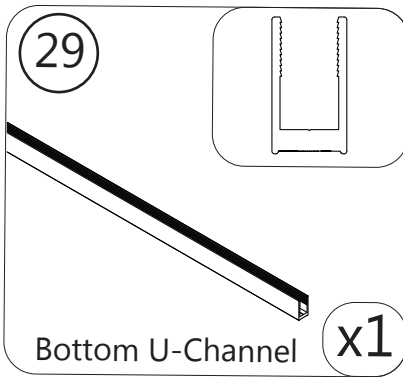
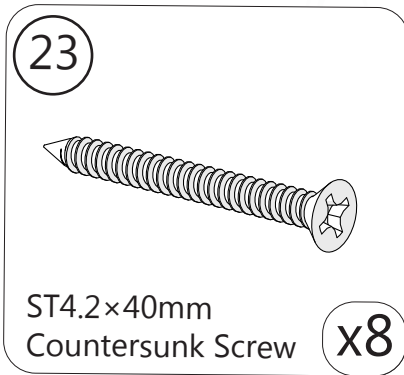
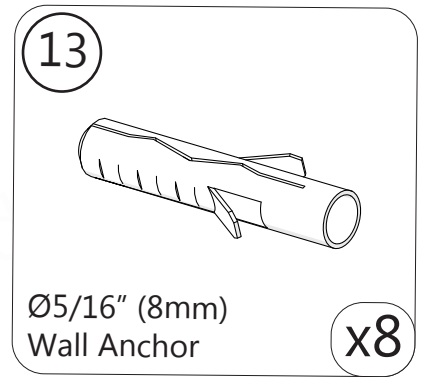
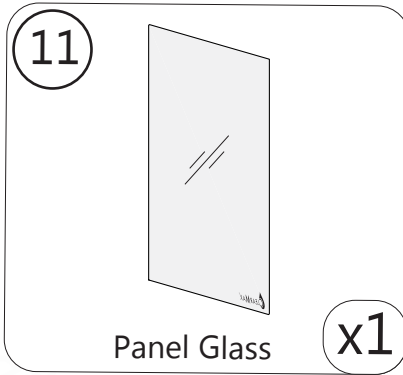
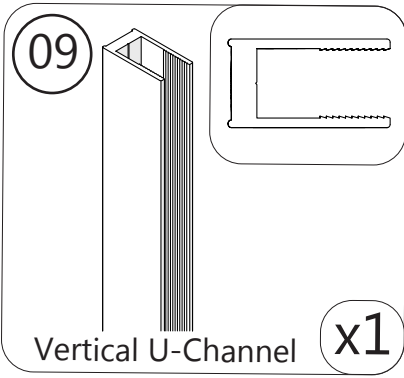


LINEA
Shower Screens: Two
Adjacent Panels
SHDR-3230303-##
SHDR-3230343-##
SHDR-3234303-##
SHDR-3234343-##

right wall panel installations shown



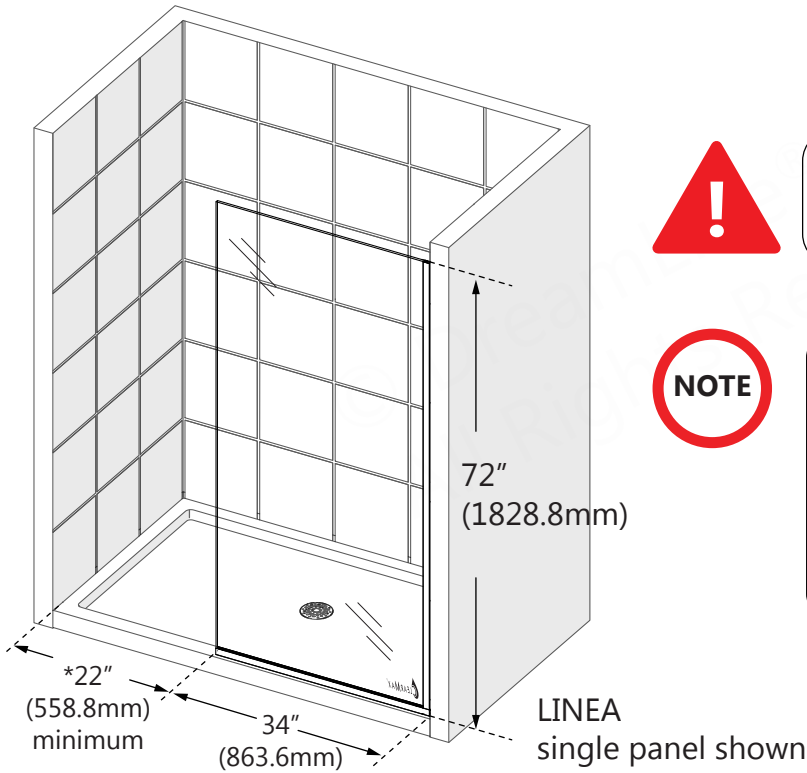
Parts List



***Towel Bar (#05)** is only available with the Linea with Towel Bar model.
***90° Degree Top Corner Bracket (#30)** is only available with the Linea Shower Screens: Two Adjacent Panels model.

Model Diagram

LINEA Single Panel Installation



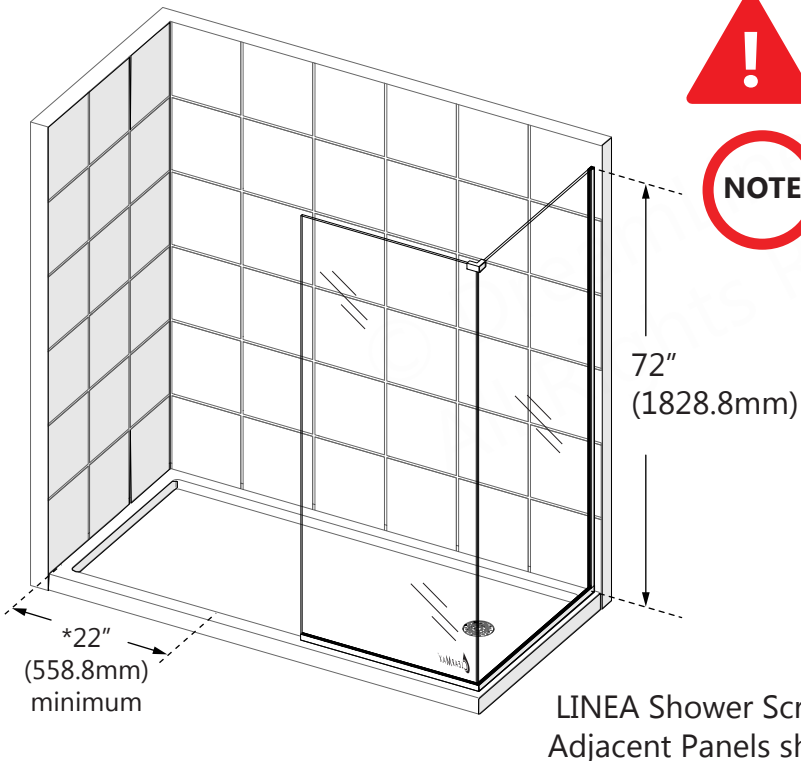
***22" (558.8mm) minimum access space recommended when installed as a Single Panel**



It is recommended to install this 34" x 72" (863.6 x 1828.8mm) single panel into a finished opening (no less than 56" (1422.4mm) that will allow for at least 22" (558.8mm) of unobstructed access into the shower area.

LINEA Two Panel Installation

Install the return panel first



***22" (558.8mm) minimum access space recommended when installed as a Single Panel**



When installing the Linea Shower Screens as Two Individual or Adjacent Panels, install the Return Panel first, then follow the steps that are designated with the installation of the Inline Panel.

For more information see Pages 23-31.

Recheck the finished opening size before beginning the installation. Specific model size information can be found on **DreamLine.com**.

Installation Steps: Single Panel Installation

1

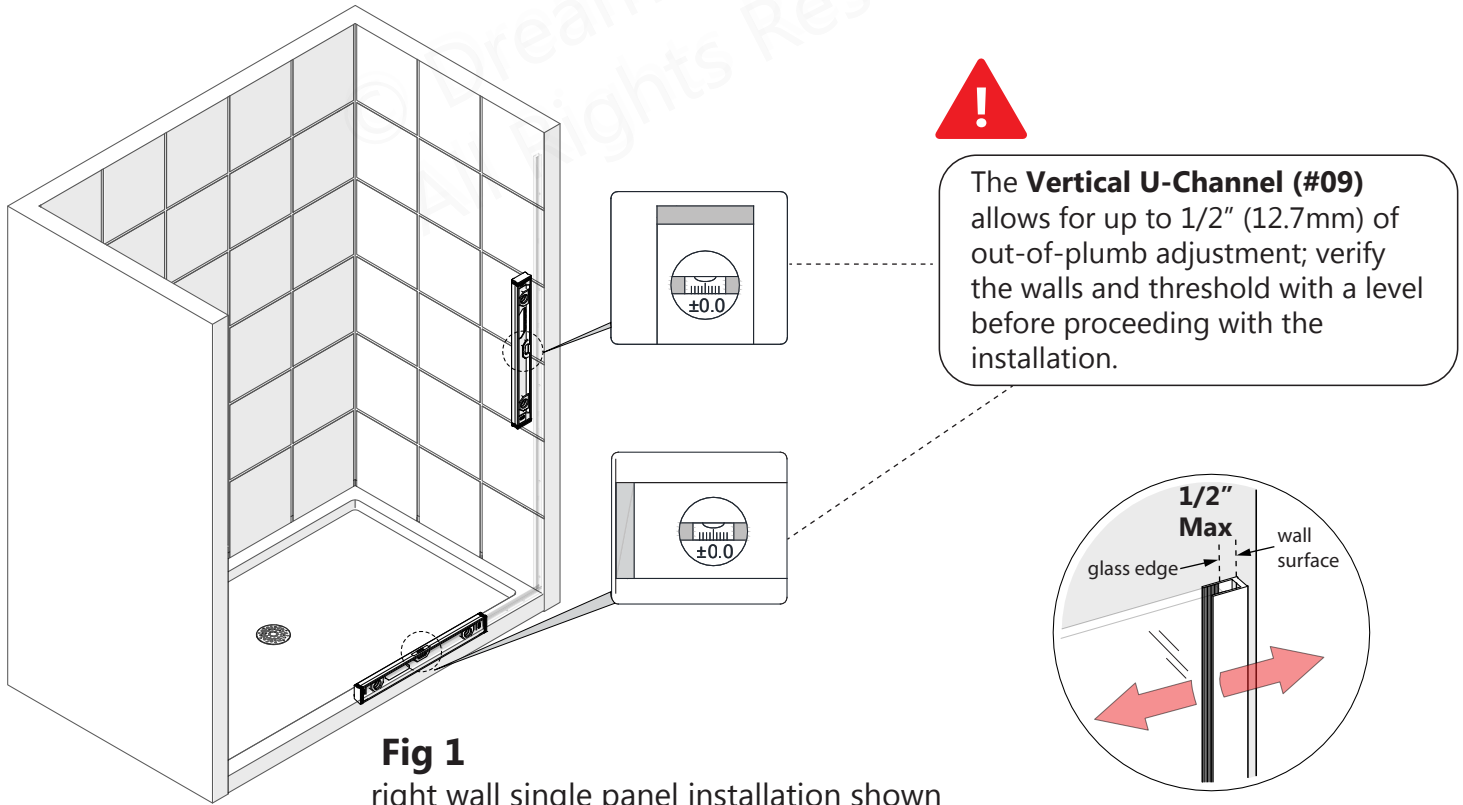
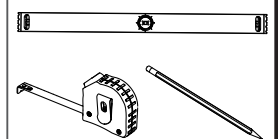


Fig 1
right wall single panel installation shown



Prior to beginning the installation, confirm that all surfaces are leveled, solid and able to support the total weight of the shower unit. Also, make sure the walls are at right-angles; irregular installation surface levels, radius corners and/or improper angles of side walls may result in serious problems for your installation.

Tools Needed



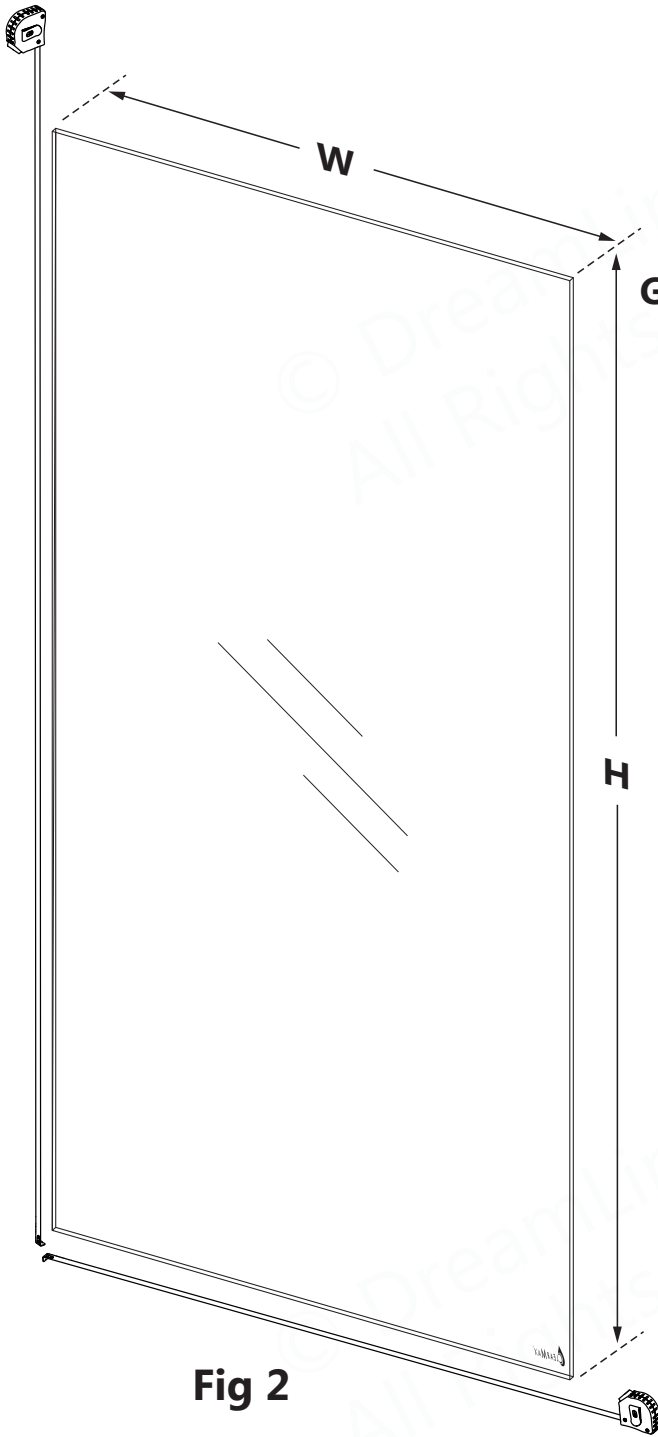


Fig 2

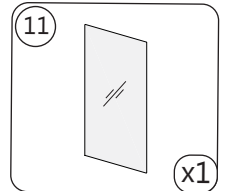
Panel Glass Width (W)
+ 3/16" (4.78mm) =



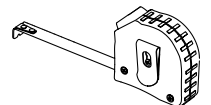
Add 3/16" to the width of the glass to allow proper clearance for the thickness of the Vertical U-Channel.

Panel Glass Height (H)

Parts Needed



Tools Needed

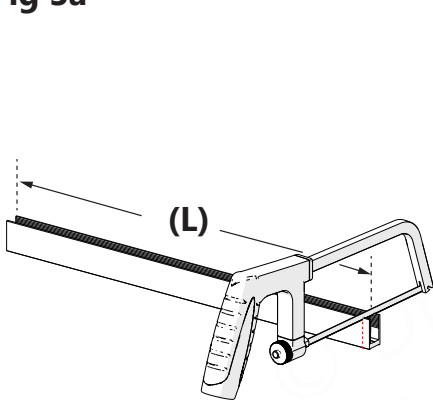


3

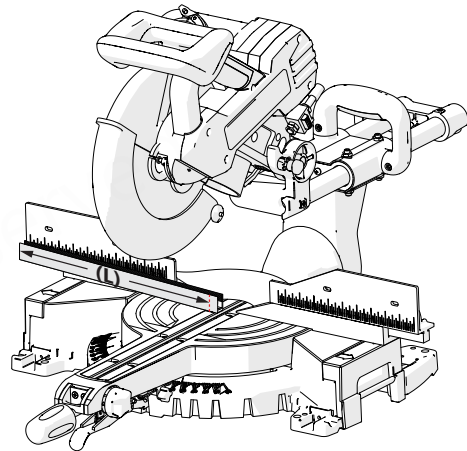
Cut the Bottom U-Channel to:

Glass Width (W) (+) 3/16" (4.78mm) = (L)** (see EXCEPTION below)

Fig 3a



OR



Cut the Vertical U-Channel to:

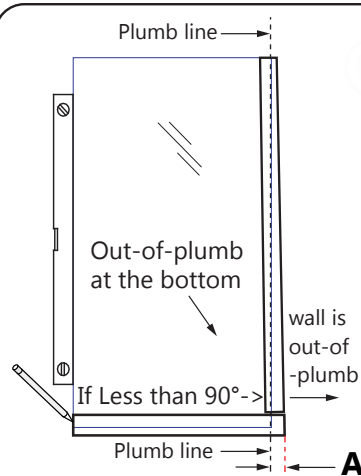
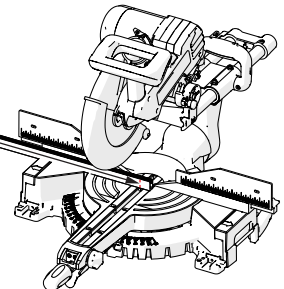
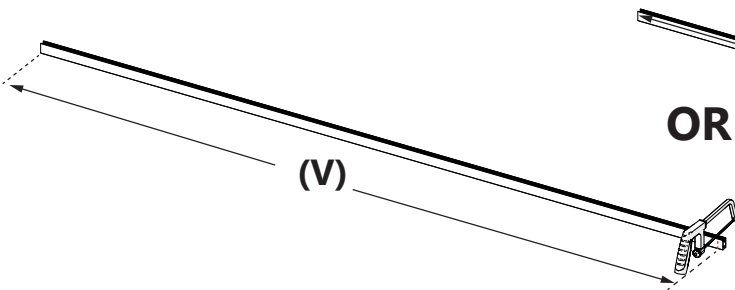
Glass Height (H) (-) 13/16" (20.6mm) = (V) (for 72" model height, V= 71" (1803.6mm))

Fig 3b



Cut the Vertical U-Channel to 71" (1803.4mm) for the standard 72" (1828.8mm) model height

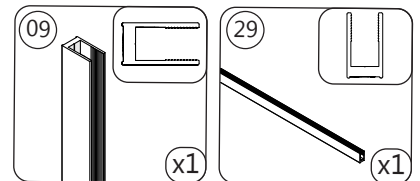
OR



**EXCEPTION:

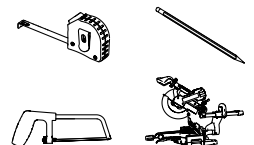
If the wall is out-of-plumb at the **bottom**, dry-fit the Vertical (#09) and Bottom (#29) U-Channels onto the Panel Glass and place into the finished opening. Mark the Bottom U-Channel where the glass edge is and proceed to trim. The maximum out-of-plumb adjustment is **1/2" (12.7mm)**.

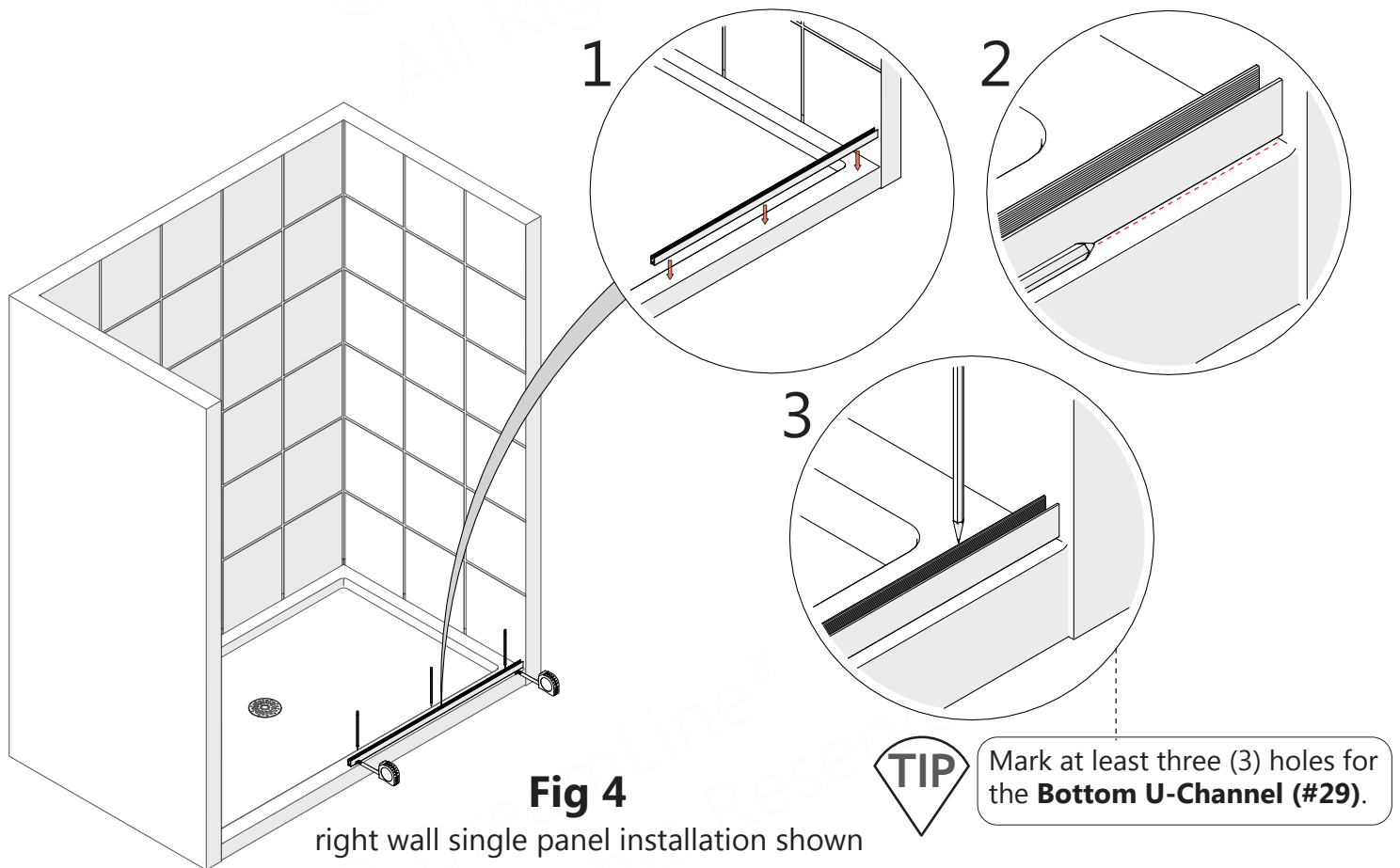
Parts Needed



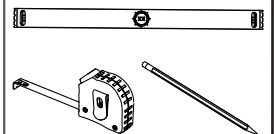
Use a metal file to deburr the cut end

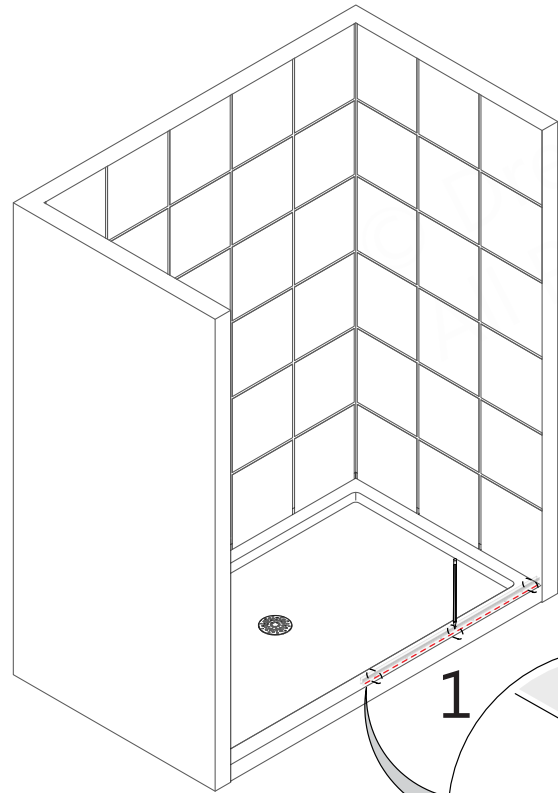
Tools Needed





Tools Needed





NOTE

- For installation into an **Acrylic Threshold**:
drill an $\text{Ø}1/8''$ (3mm) hole and use the **ST4.2 x 40mm Countersunk Screw (#23)**
- OR
- For installation into a **Tile Threshold**:
drill a $\text{Ø}3/16''$ (4.76mm) hole up to the stud,
drill an $\text{Ø}1/8''$ (3mm) pilot hole into the stud
and use the **ST4.2 x 40mm Countersunk Screw (#23)**

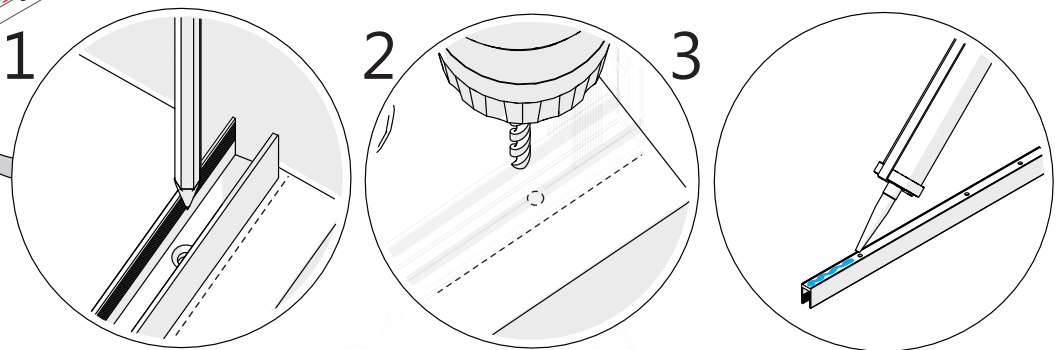


Fig 5

right wall single panel installation shown

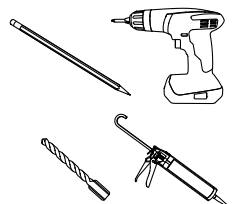


For drilling into wall/threshold surfaces, use the appropriate drill bit for the type of surface material

NOTE

The surfaces need to be clean and free of debris before applying silicone.

Tools Needed



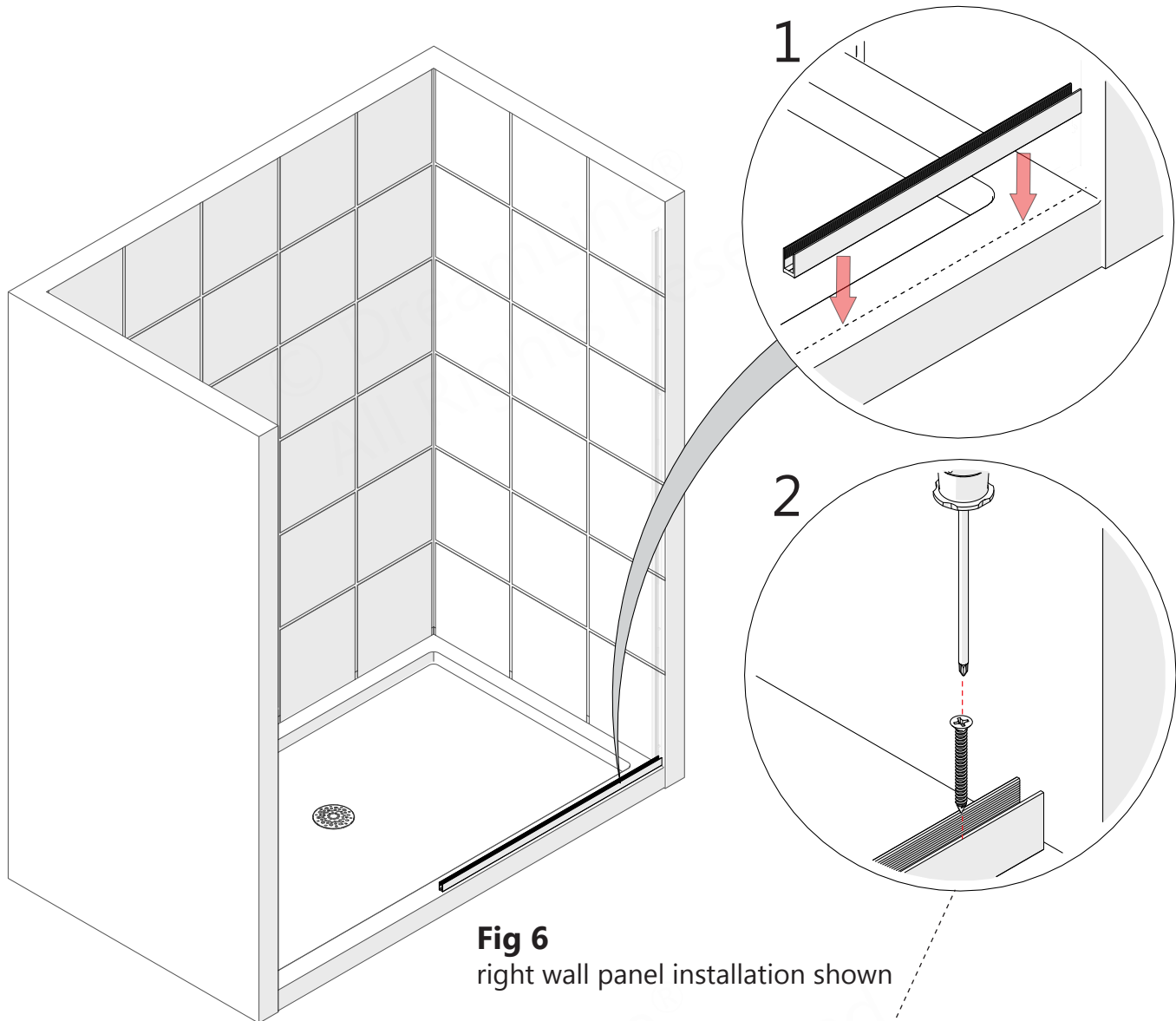
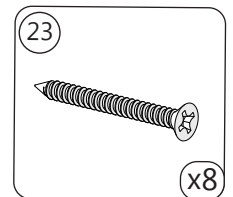


Fig 6
right wall panel installation shown



To prevent damage to the glass:
Fully countersink the screws so the
screw heads do not stick up above the
surface of the Bottom U-Channel (#29).

Parts Needed



Tools Needed

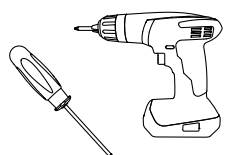


Fig 7a

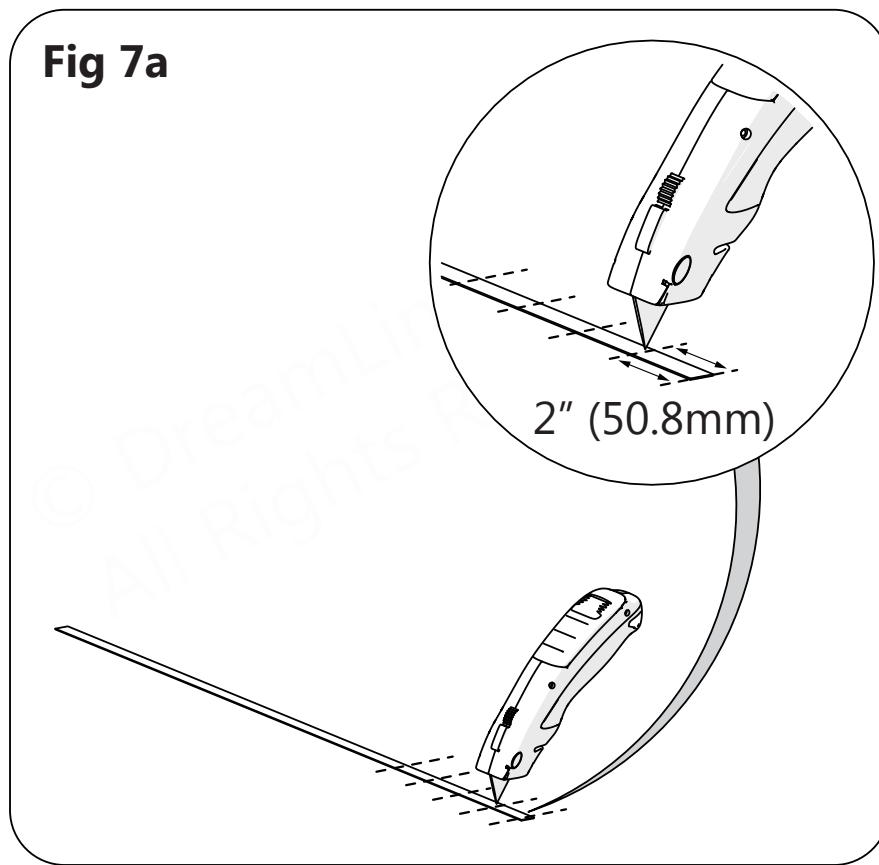
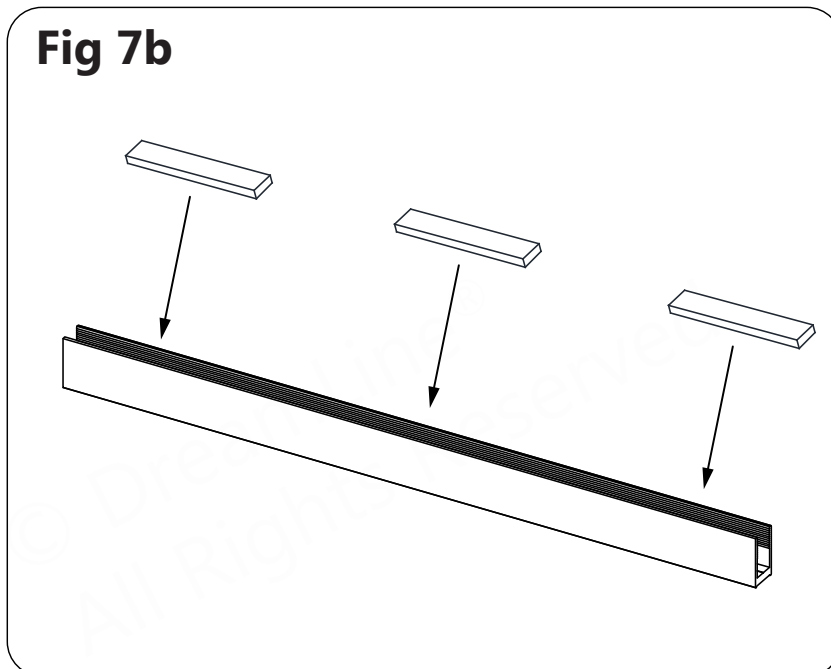
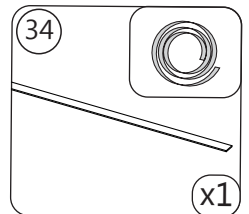


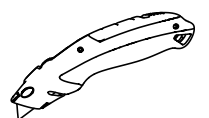
Fig 7b



Parts Needed

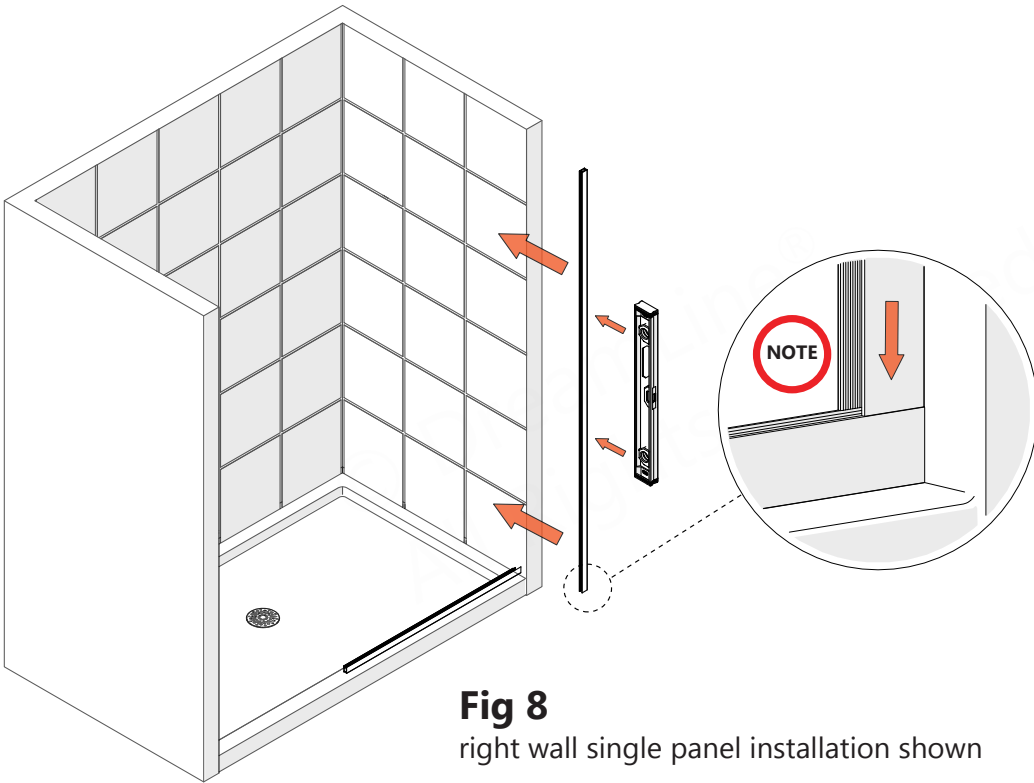


Tools Needed



Cut several 2" - 3" (50.4mm-76.2mm) pieces of the PVC Glass Spacer 0.5mm (#34). DO NOT install one long continuous piece into the Bottom U-Channel (#29)!

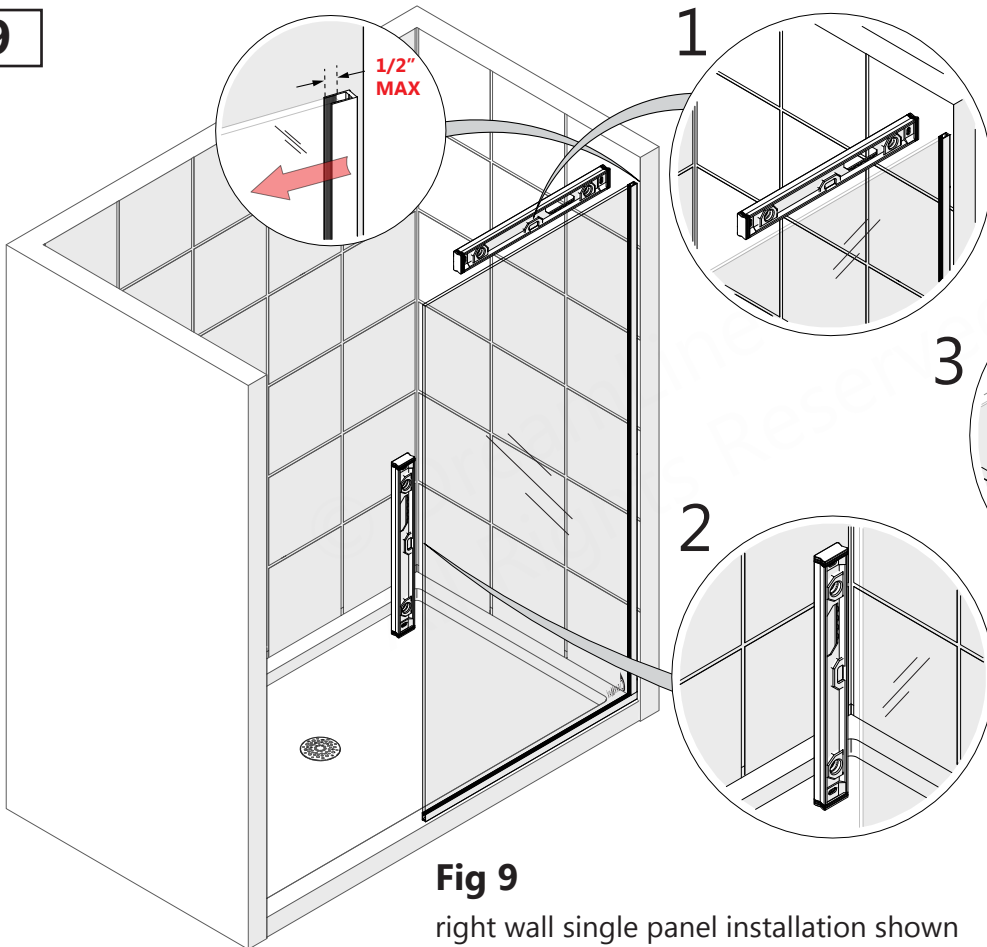
8



The **Vertical (#09) U-Channel** sits on top of the **Bottom (#29) U-Channel**.

Fig 8
right wall single panel installation shown

9



NOTE
For the single panel installation, it is optional to dry-fit the **Panel Glass (#11)** into the u-channels before marking the **Vertical U-Channel (#09)** position on the wall.

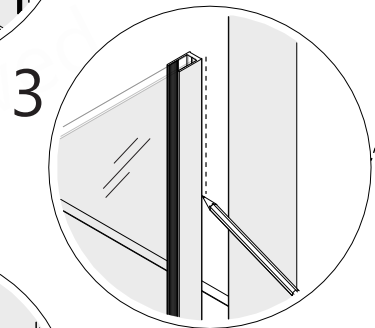
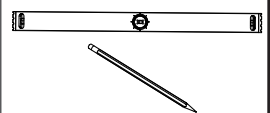


Fig 9
right wall single panel installation shown

Tools Needed



NOTE

▪ **If a stud is present behind the wall:**
 drill a $\text{Ø}3/16''$ (4.76mm) hole up to the stud,
 drill an $\text{Ø}1/8''$ (3mm) pilot hole into the stud and use the
ST4.2 x 40mm Countersunk Screws (#23)
OR
 ▪ **If no stud is present behind the wall:**
 drill a $\text{Ø}5/16''$ (8mm) hole and insert the **Wall Anchors (#13)**
 and use the **ST4.2 x 40mm Countersunk Screws (#23)**.

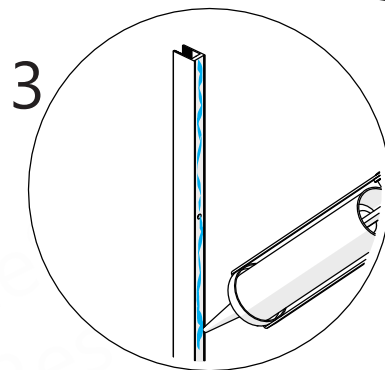
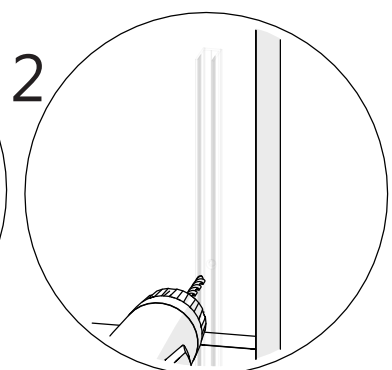
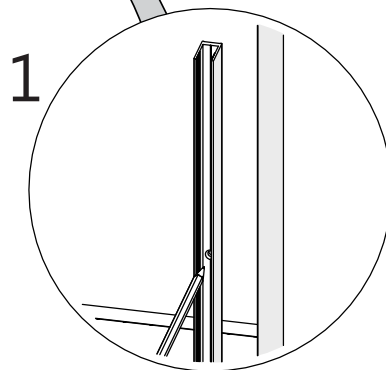
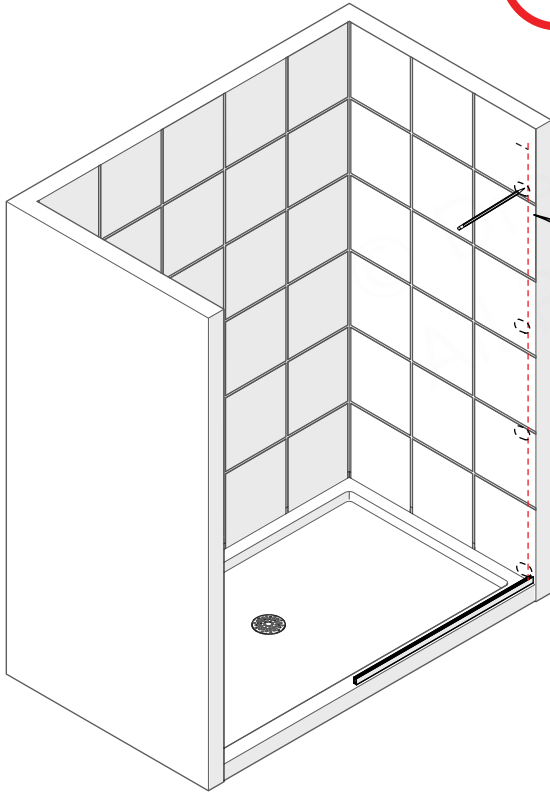
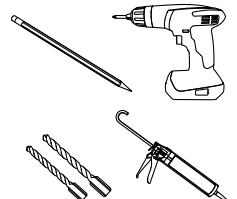


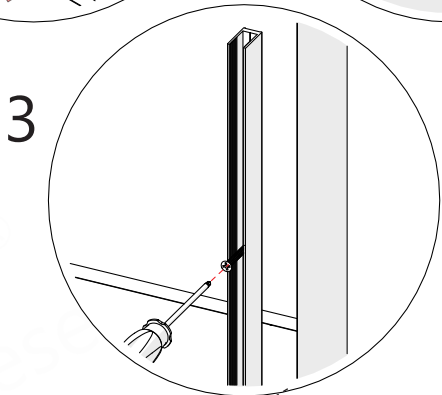
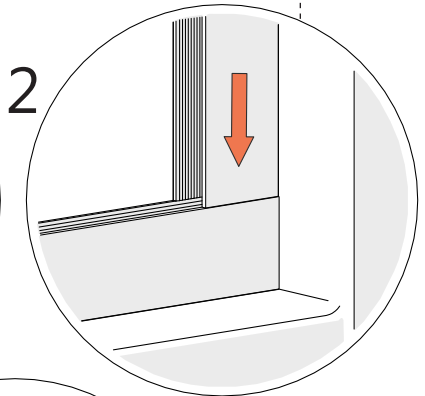
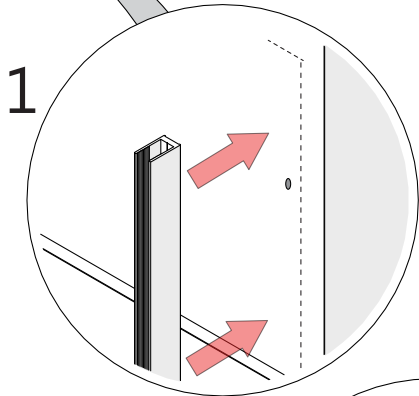
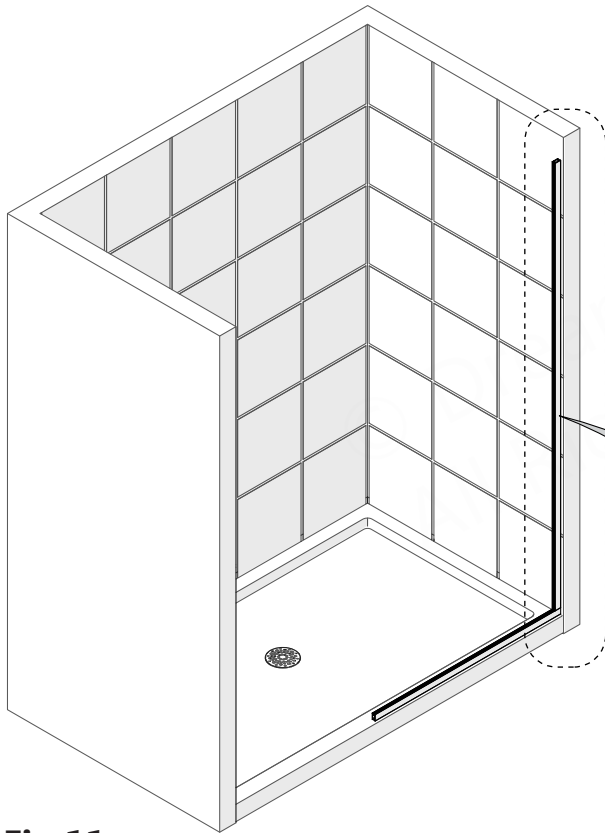
Fig 10
 right wall single panel installation shown

TIP

Mark at least four (4) holes for the **Vertical U-Channel (#09)**.

Tools Needed





NOTE

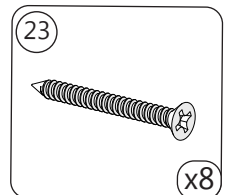
The **Vertical (#09) U-Channel** sits on top of the **Bottom (#29) U-Channel**.

Fig 11
right wall single panel installation shown

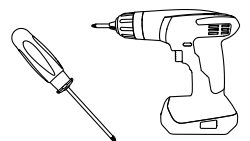


To prevent damage to the glass:
Fully countersink the screws so the screw heads do not stick out from the surface of the U-Channels.

Parts Needed



Tools Needed



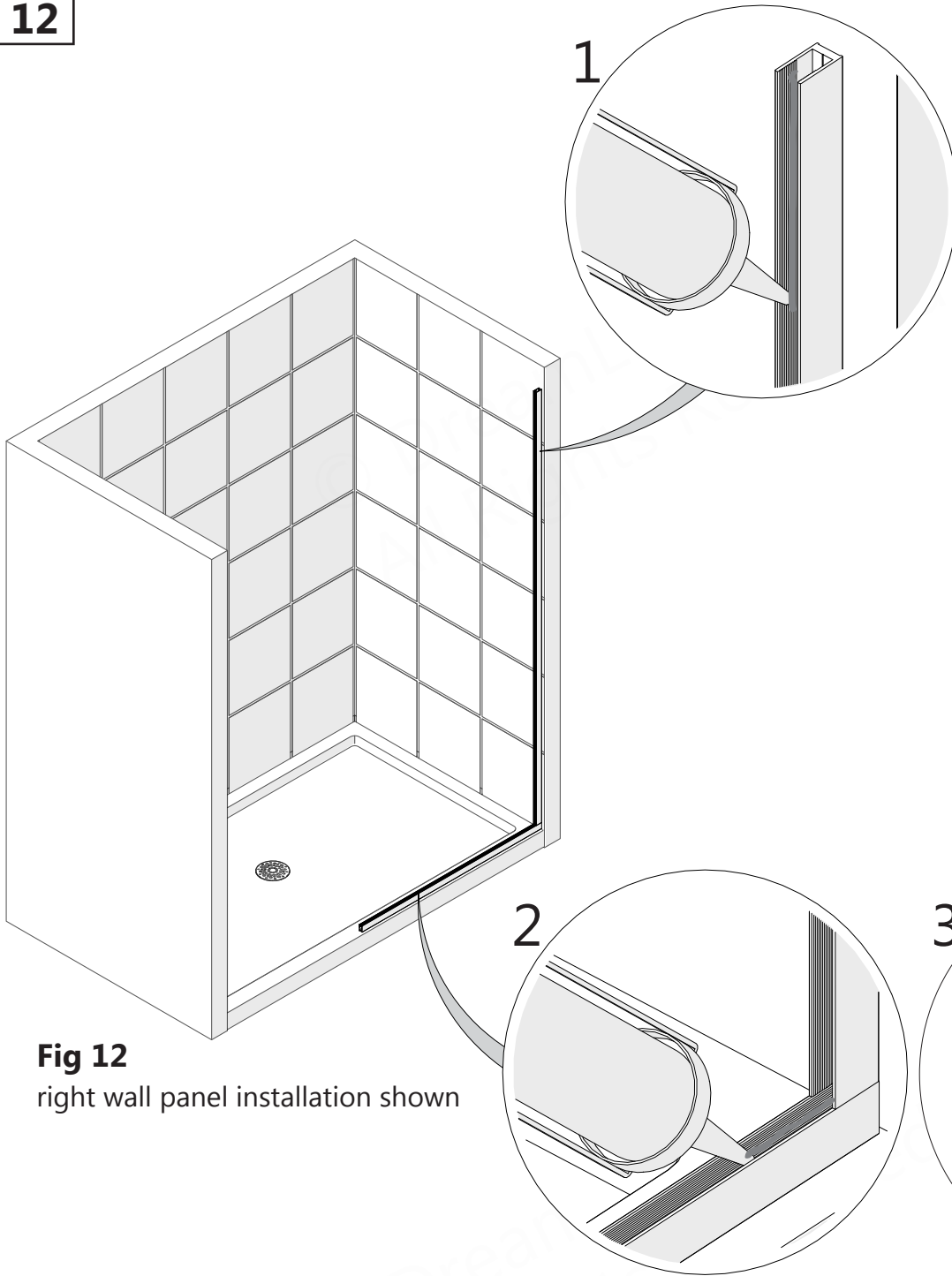
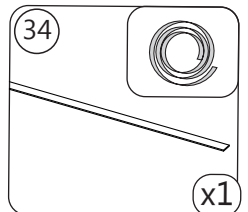


Fig 12
right wall panel installation shown

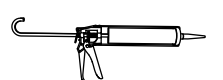
NOTE

After applying silicone into the Bottom U-Channel, install several 2" - 3" pieces of the PVC Glass Spacer 0.5mm (#34) into the Bottom U-Channel (#29) to protect the bottom edge of the glass. (Fig 12.3)

Parts Needed



Tools Needed



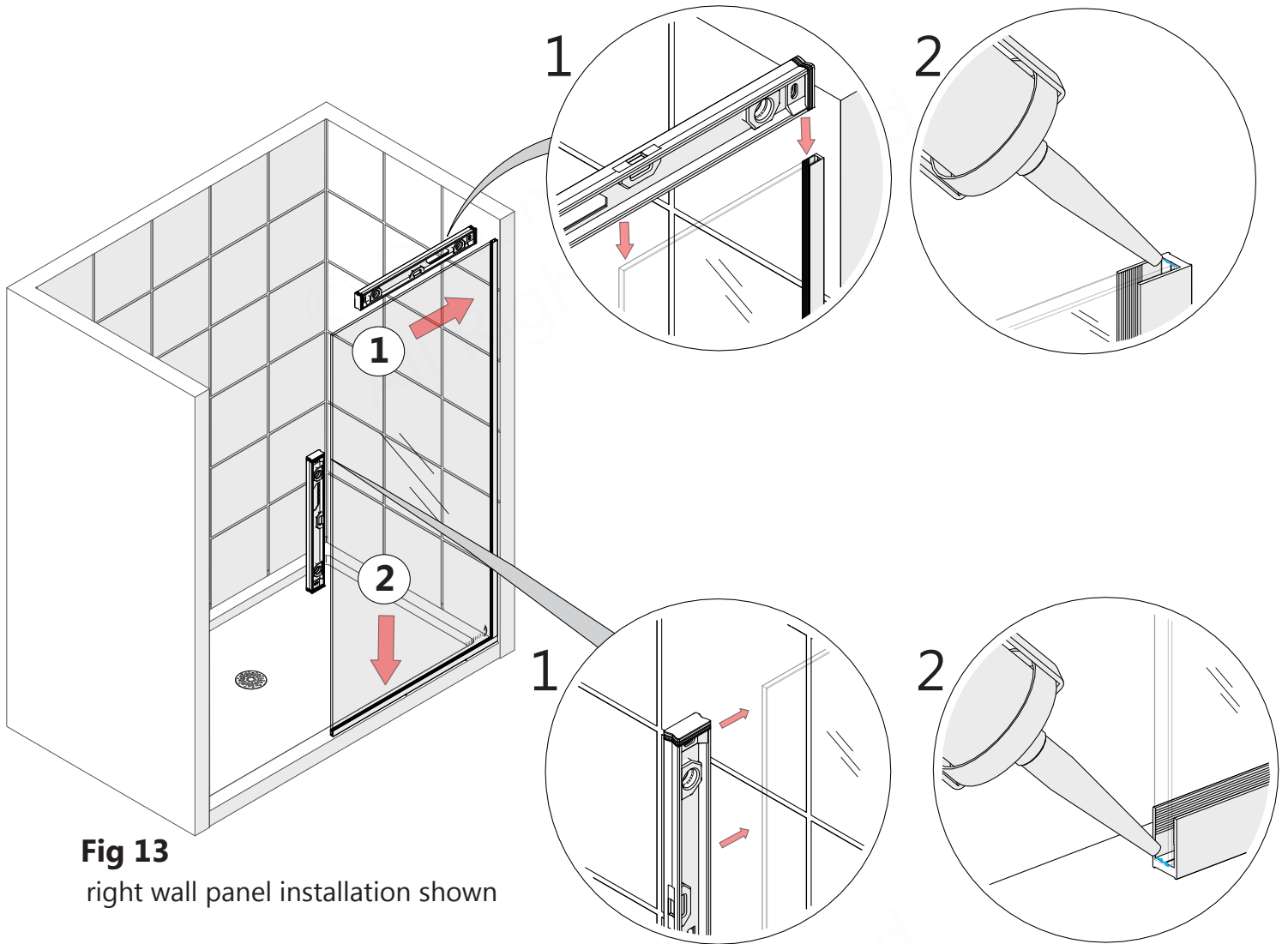


Fig 13
right wall panel installation shown



NOTE Slide the panel glass into the Vertical U-Channel (#09) first and then slide it down into the Bottom U-Channel (#29).


Install the surface with the ClearMax™ label towards the inside of the shower.

Tools Needed



NOTE

The surfaces need to be clean and free of debris before applying silicone

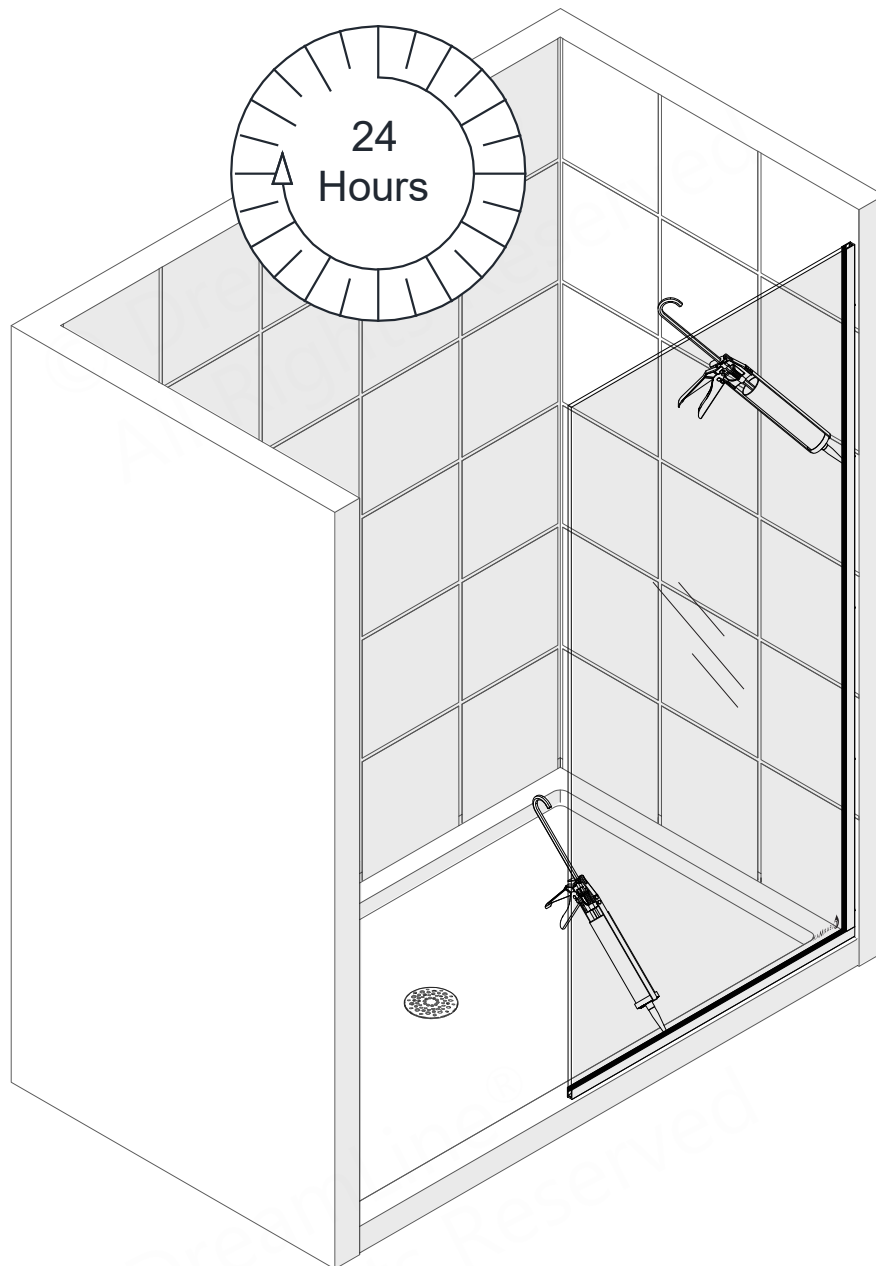


Fig 14
right wall single panel installation shown



Allow 24 hours for the silicone to cure before using the shower



This completes the installation of the LINEA single panel.

- **For LINEA with Towel Bar installation, proceed to the next step.**
- **For models that include additional Parts and/or Panel Glass:**
 - **Refer to pages 22-31.**

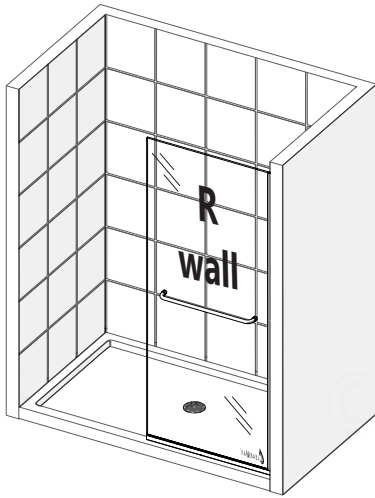
Tools Needed

LINEA with Towel Bar Assembly Installation

15



Install the surface with the ClearMax™ label towards the inside of the shower.



This model is fully reversible. **The installation is shown with the right wall single panel orientation in Fig. 15a.** For installation of the left wall single panel, simply reverse the orientation of your installation and begin on the opposite wall.

Fig 15a
right wall single panel installation shown

The installation of this panel is identical to the single panel installation.

- **Follow Steps 1 through 13** to install the single panel with **Towel Bar Assembly (#05)**.
- Install the **Towel Bar Assembly (#05)**, ensuring all vinyl gaskets are present to prevent glass-to-metal contact, as shown in **Fig. 15b**.
- After the installation of the towel bar, apply a 100% mildew-resistant silicone along the **Vertical and Bottom U-Channel(s) (#09/29)** where it meets the wall and threshold from inside of the shower, as shown in **Fig. 15c**. Apply silicone along the outside perimeter, if desired.

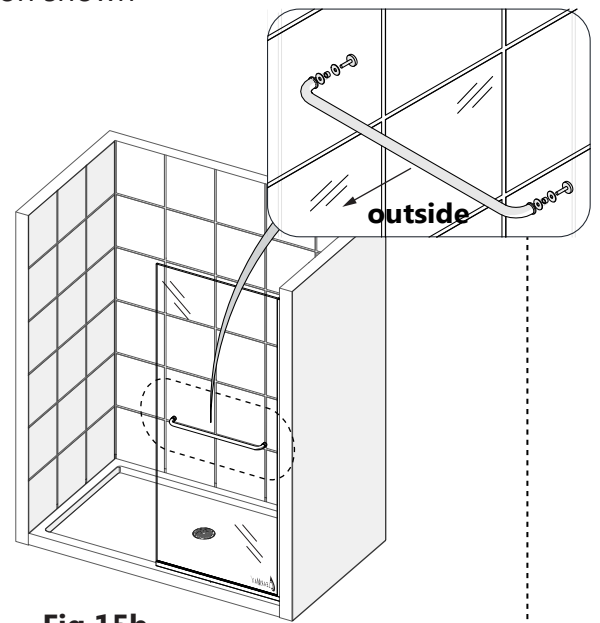


Fig 15b



When installing the **Towel Bar Assembly (#05)**, confirm that the assembly is facing outward.

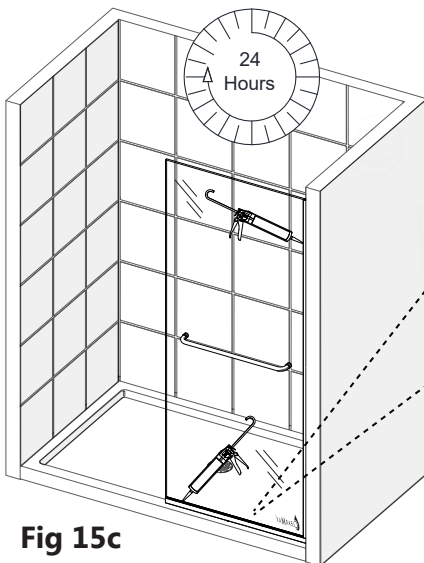


Fig 15c



Allow 24 hours for the silicone to cure before using the shower!

The surfaces need to be clean and free of debris before applying silicone



DO NOT attempt to lift the glass with the Towel Bar Assembly (#05). This could result in damage to the glass and/or serious personal injury. Always use an assistant or a professional-grade glass suction cup when handling heavy glass.

LINEA Shower Screens: Two Individual Panels Installation

16

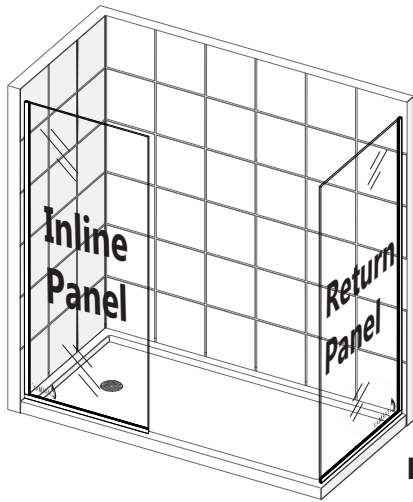


Fig 16a
right wall return panel installation shown



Install the surface with the ClearMax™ label towards the inside of the shower.

Install the return panel first

NOTE

This model is fully reversible. **The installation is shown with the return panel to the right in Fig. 16a.** For installation with the return panel to the left, simply reverse the orientation of your installation and begin on the opposite wall.

The installation of these two panels are identical to the single panel installation.

- **Follow Steps 1 through 14** to install each panel separately.
- Centering the panels on the threshold may be acceptable. For proper alignment, it is recommended to install the return panel first (for example, as shown in **Fig. 16b**) in order to align the inline panel. Mark a line on the threshold to determine where to install the second panel.
- After the installation of both panels, apply a 100% mildew-resistant silicone along the **Vertical (#09) and Bottom (#29) U-Channel(s)** where it meets the wall and threshold from inside of the shower, as shown in **Fig. 16c**. Apply silicone along the outside perimeter, if desired.

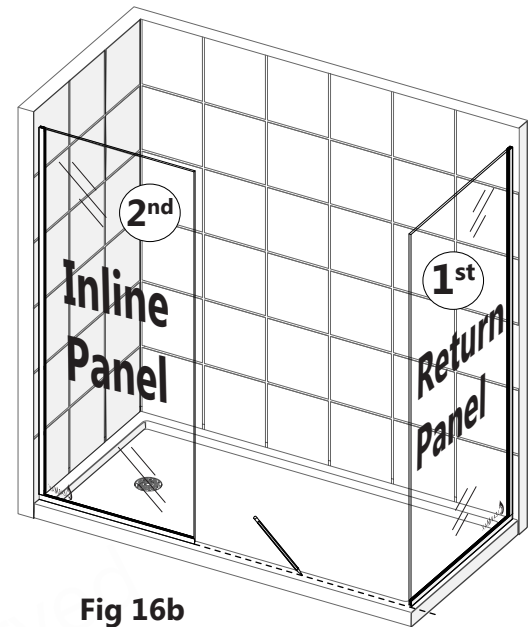


Fig 16b

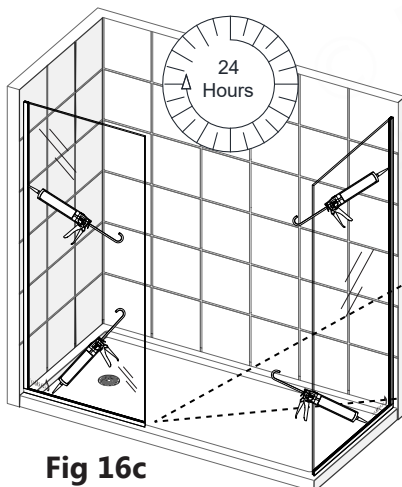


Fig 16c

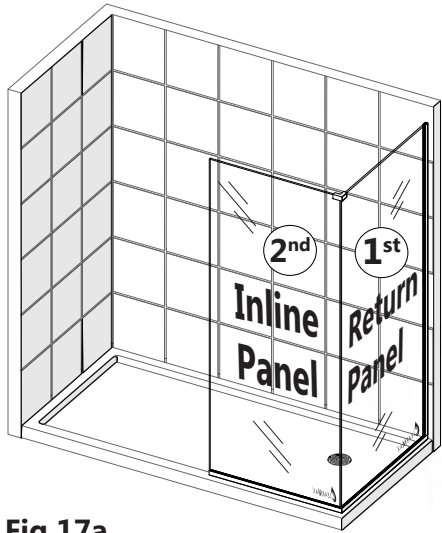


Allow 24 hours for the silicone to cure before using the shower!

The surfaces need to be clean and free of debris before applying silicone

LINEA Shower Screens: Two Adjacent Panels Installation

17



NOTE

This model is fully reversible. **The installation is shown with the return panel to the right in Fig. 17a.** For installation with the return panel to the left, simply reverse the orientation of your installation and begin on the opposite wall.

Fig 17a
right wall return panel installation shown

The installation of these two panels are **not** identical to the single panel installation and should be installed on the side where the shower drain is located.

- Centering the panels on the threshold may be acceptable. For proper alignment, it is required to install the return panel first (for example, as shown in **Fig. 17a**) in order to align the inline panel. Mark a lines to the wall and threshold to determine where to install the panels, as shown in **Fig. 17b**.

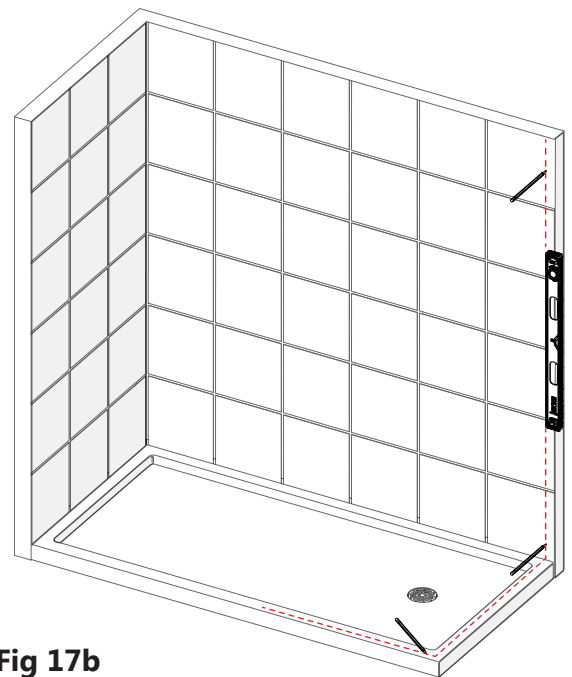


Fig 17b
right wall return panel installation shown

miter cuts for right-hand return panel installation shown as an example

Bottom U-Channel (#29)
cut sizes

Inline Panel U-Channel =
Glass Width (+) 11/16" (17.48mm)

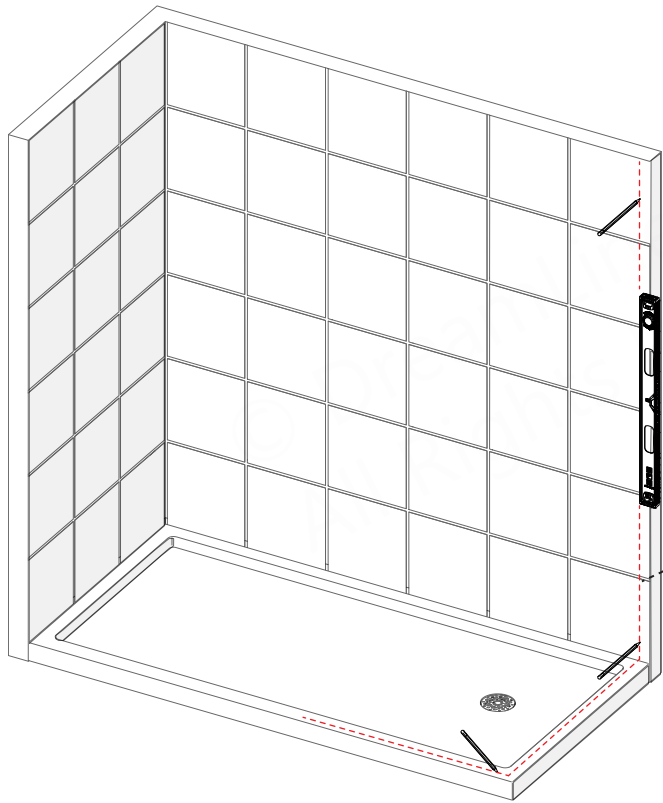
45° miter

Return Panel U-Channel =
Glass Width (+) 5/8" (16mm)

45° miter

LINEA Shower Screens: Two Adjacent Panels Installation

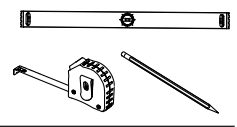
18



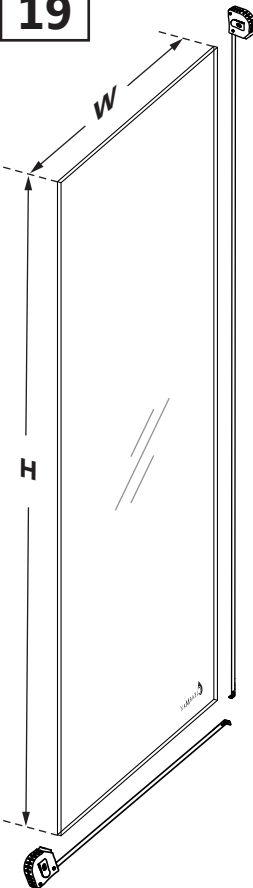
TIP

Use a carpenter's square for accuracy when marking the threshold

Tools Needed



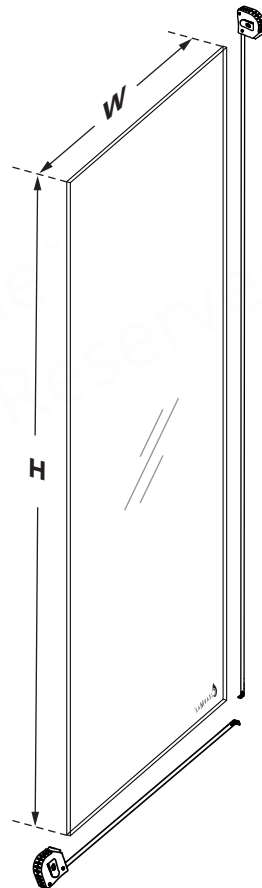
19



Return Panel Glass Width (W) + 3/16" (4.78mm) =

NOTE Add 3/16" to the width of the glass to allow proper clearance for the thickness of the Vertical U-Channel.

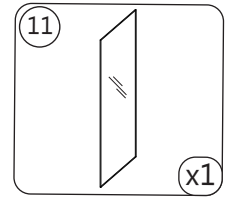
Return Panel Glass Height (H)



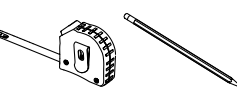
Inline Panel Glass Width (W)

Inline Panel Glass Height (H)

Parts Needed



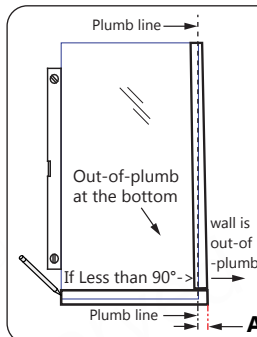
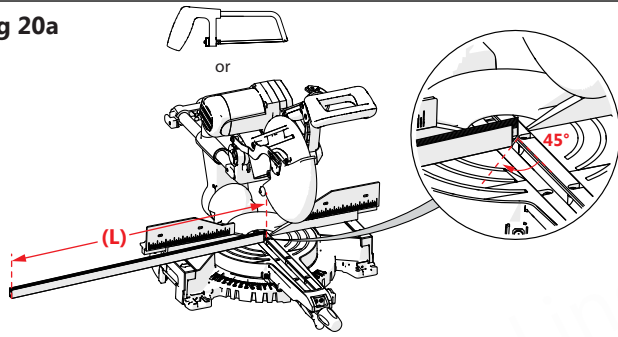
Tools Needed



20

Cut the Return Panel Bottom U-Channel to:
Glass Width (W) + 1/2" (12.7mm) = (L)** (see EXCEPTION below)

Fig 20a



****EXCEPTION:**

If the wall is out-of-plumb at the bottom, dry-fit the Vertical (#09) and Bottom (#29) U-Channels onto the Panel Glass and place into the finished opening. Mark the Bottom U-Channel where the glass edge is and proceed to trim. The maximum out-of-plumb adjustment is 1/2" (12.7mm).

Fig 20b

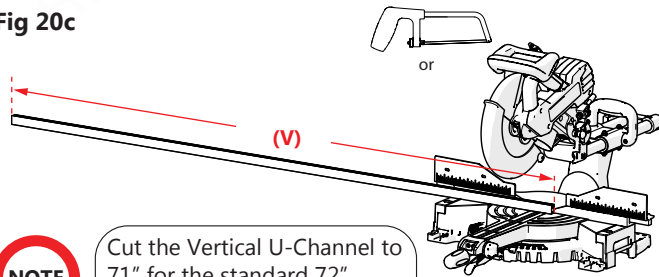


miter cut for right-hand return panel installation shown

Cut the Return Panel Vertical U-Channel to:

Glass Height (H) (-) 13/16" (20.6mm) = (V); (for 72" model height, V= 71" (1803.6mm))

Fig 20c

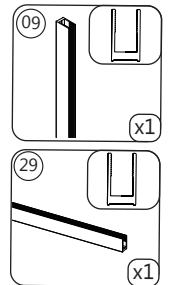


NOTE Cut the Vertical U-Channel to 71" for the standard 72" model height.

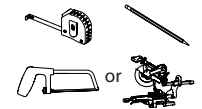


Use a metal file to deburr the cut ends.

Parts Needed



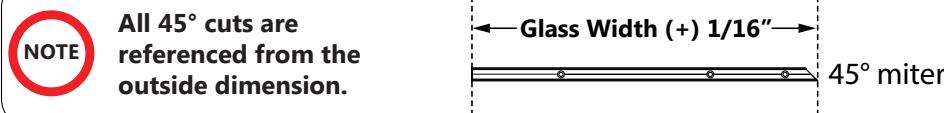
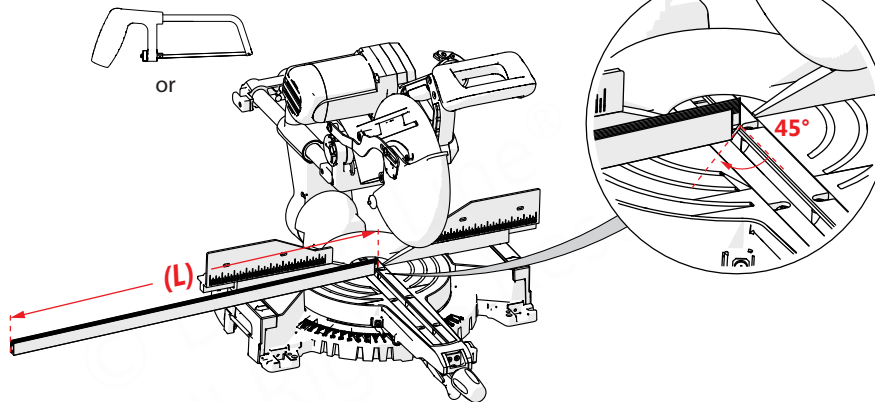
Tools Needed



21

Cut the Inline Panel Bottom U-Channel to:
Glass Width (W) + 1/16" (1.6mm) = (L)

Fig 21

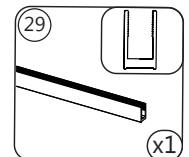


miter cut for right-hand return panel installation shown

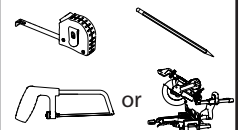


Use a metal file to deburr the cut end

Parts Needed



Tools Needed



22

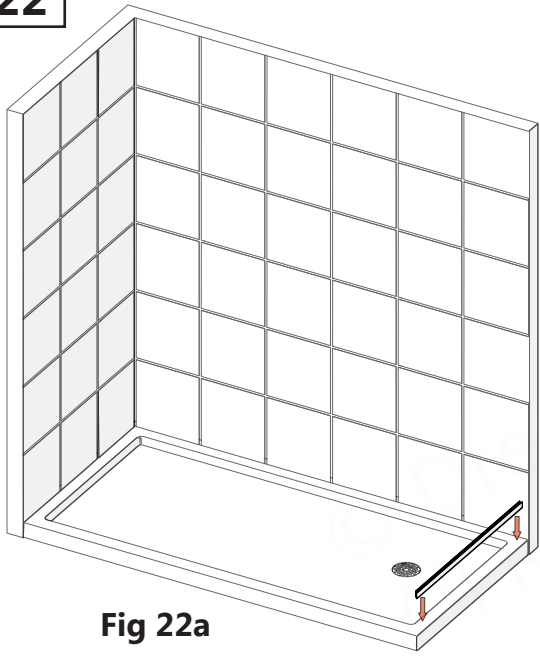


Fig 22a

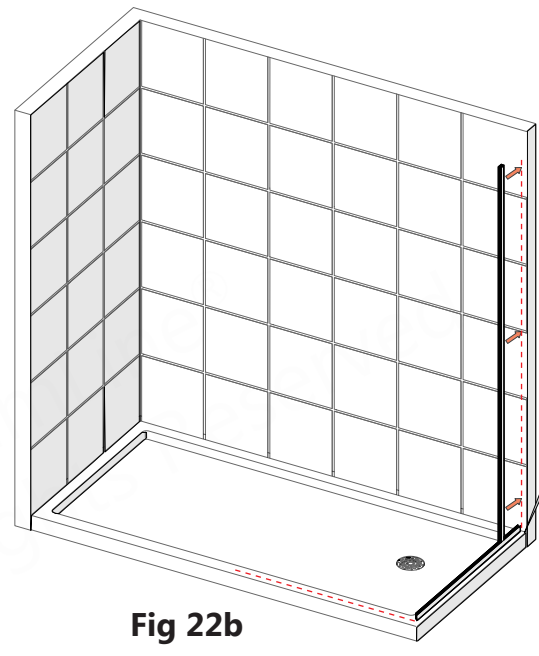
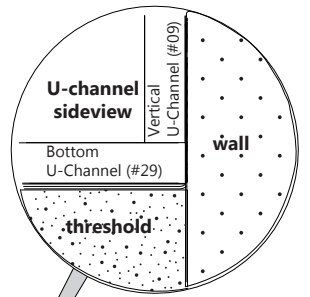
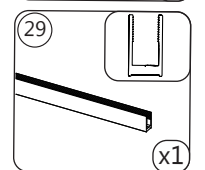
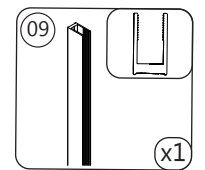


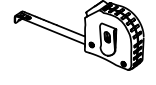
Fig 22b



Parts Needed



Tools Needed



Measure at the bottom and draw a plumb line up from the threshold

23



Use at least four (4) screws to attach the Vertical U-Channel (#09) and three (3) to attach the Bottom U-Channel (#29).

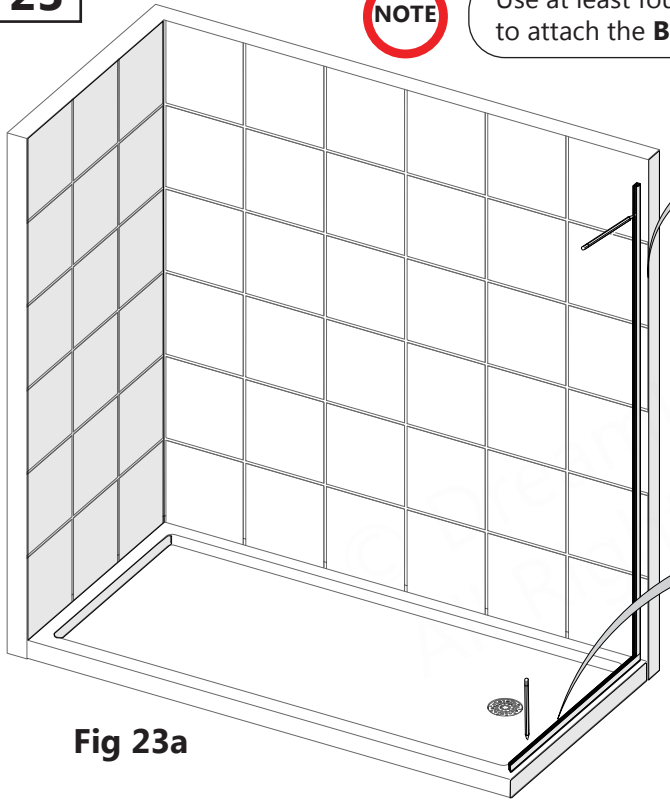
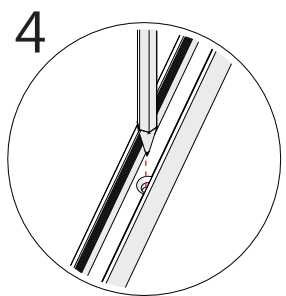
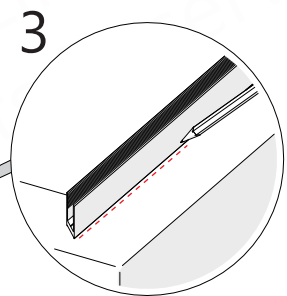
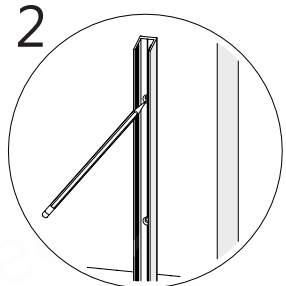
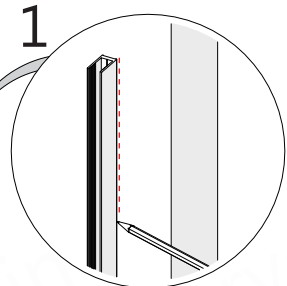
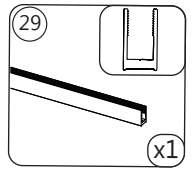
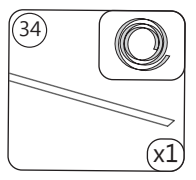
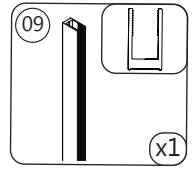


Fig 23a



Parts Needed



Tools Needed

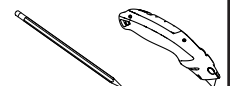
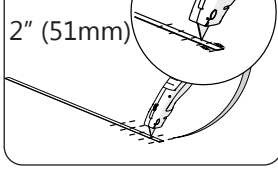


Fig 23b



As demonstrated in Fig. 23b, cut several 2" - 3" (51mm - 76mm) pieces of the the PVC Glass Spacer 0.5mm (#34) and set aside for later use. **DO NOT** install one long continuous piece into the Bottom (#29) U-Channel!



24

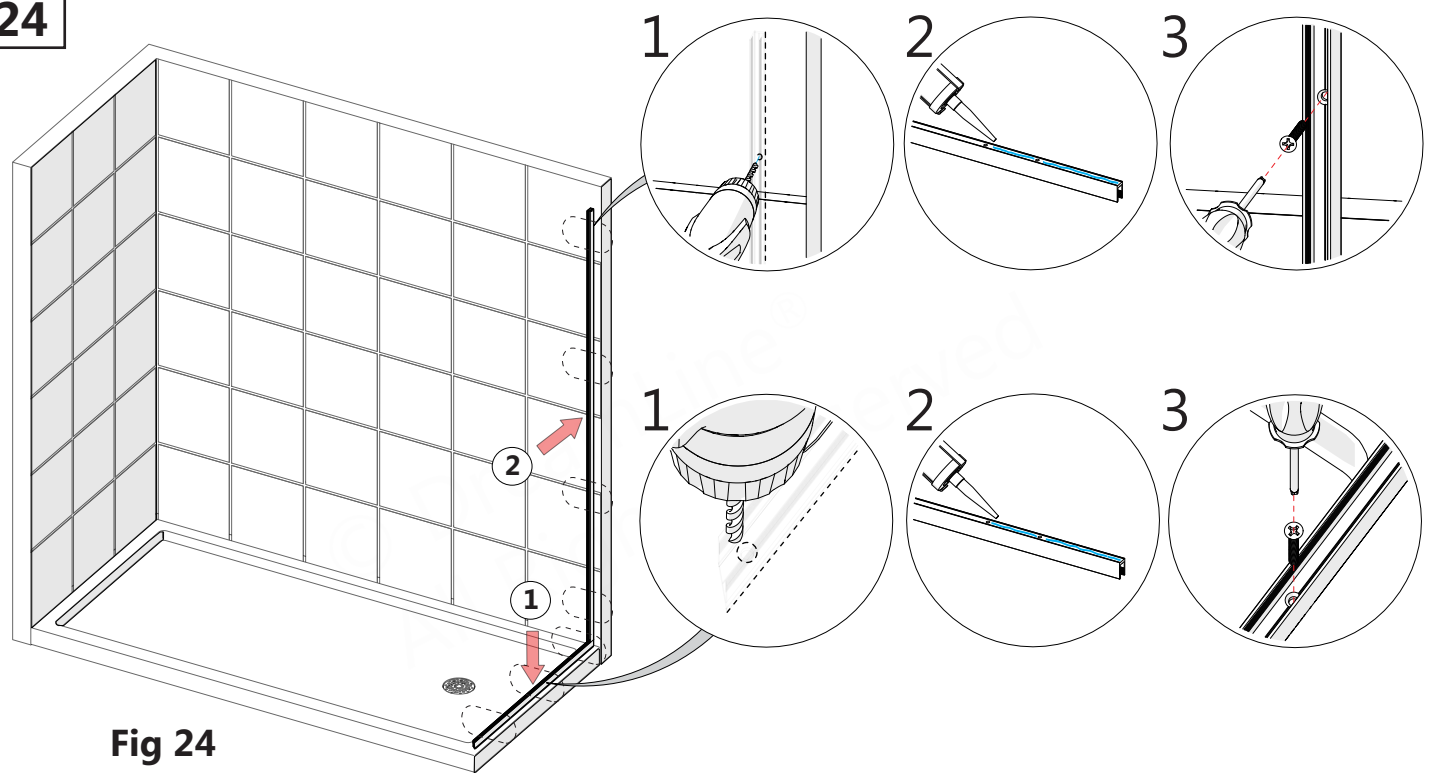


Fig 24

- For installation into an **Acrylic Threshold**: drill a $\text{Ø}1/8''$ (3mm) hole and use the **ST4.2 x 40mm Countersunk Screw (#23)**
- OR
- For installation into a **Tile Threshold**: drill a $\text{Ø}3/16''$ (4mm) hole to the stud, drill an $\text{Ø}1/8''$ (3mm) pilot hole into the stud and use the **ST4.2 x 40mm Countersunk Screws (#23)**.

- **If a stud is present behind the wall**: drill a $\text{Ø}3/16''$ (4mm) hole to the stud, drill an $\text{Ø}1/8''$ (3mm) pilot hole into the stud and use the **ST4.2 x 40mm Countersunk Screws (#23)**.
- OR
- **If no stud is present behind the wall**: drill a $\text{Ø}5/16''$ (7mm) hole and insert the **Wall Anchors (#08)** and use the **ST4.2 x 40mm Countersunk Screws (#23)**.

25

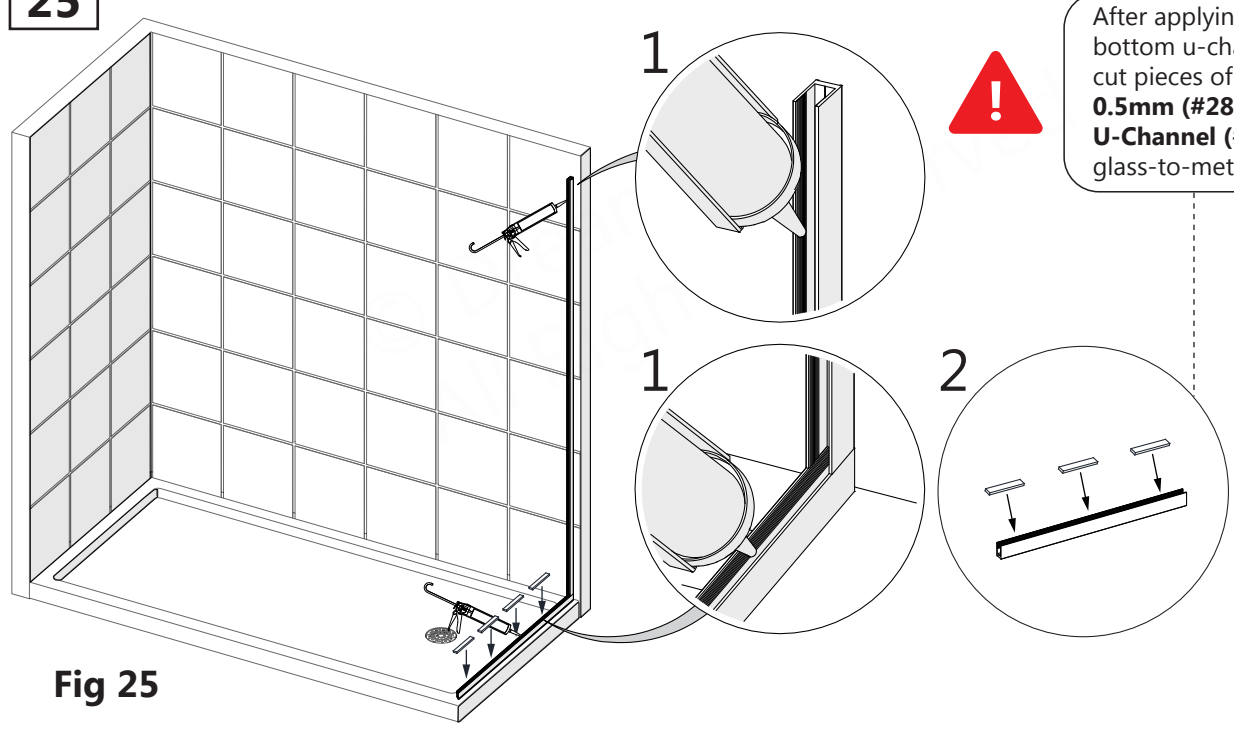
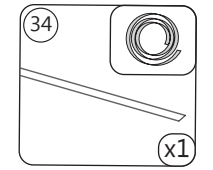


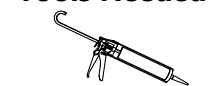
Fig 25

After applying silicone into the bottom u-channel, insert the cut pieces of the **PVC Spacers 0.5mm (#28)** into the **Bottom U-Channel (#29)** to prevent glass-to-metal contact.

Parts Needed



Tools Needed



26



If necessary, add additional **PVC Glass Spacers 0.5mm (#34)** into the **Bottom U-Channel (#29)** to level the panel glass. Do Not Exceed 1/4" (6mm) of vertical adjustment. Return Panel Glass must match the installed other panel glass at the standard model height of 72" (1829mm).

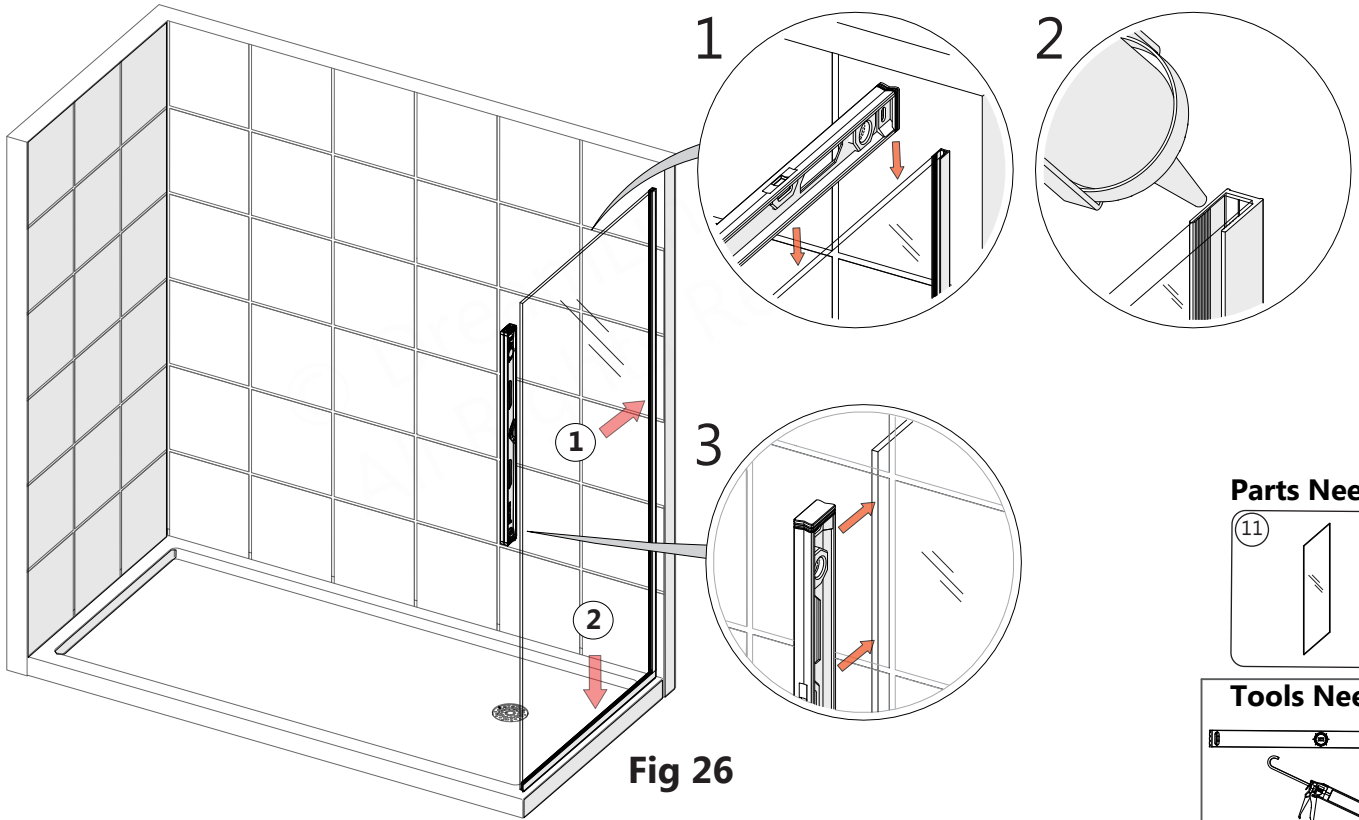


Fig 26

27

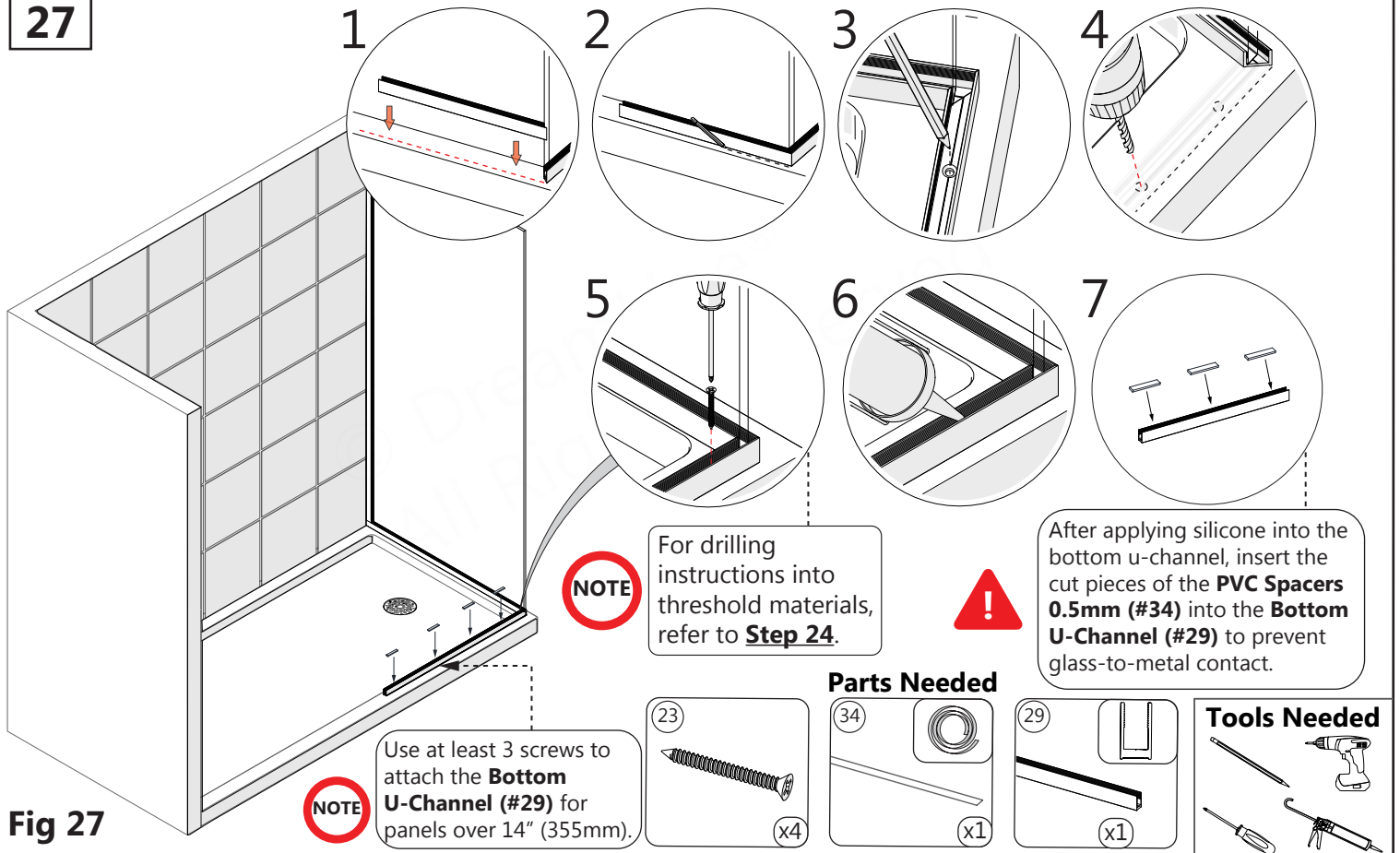


Fig 27

28

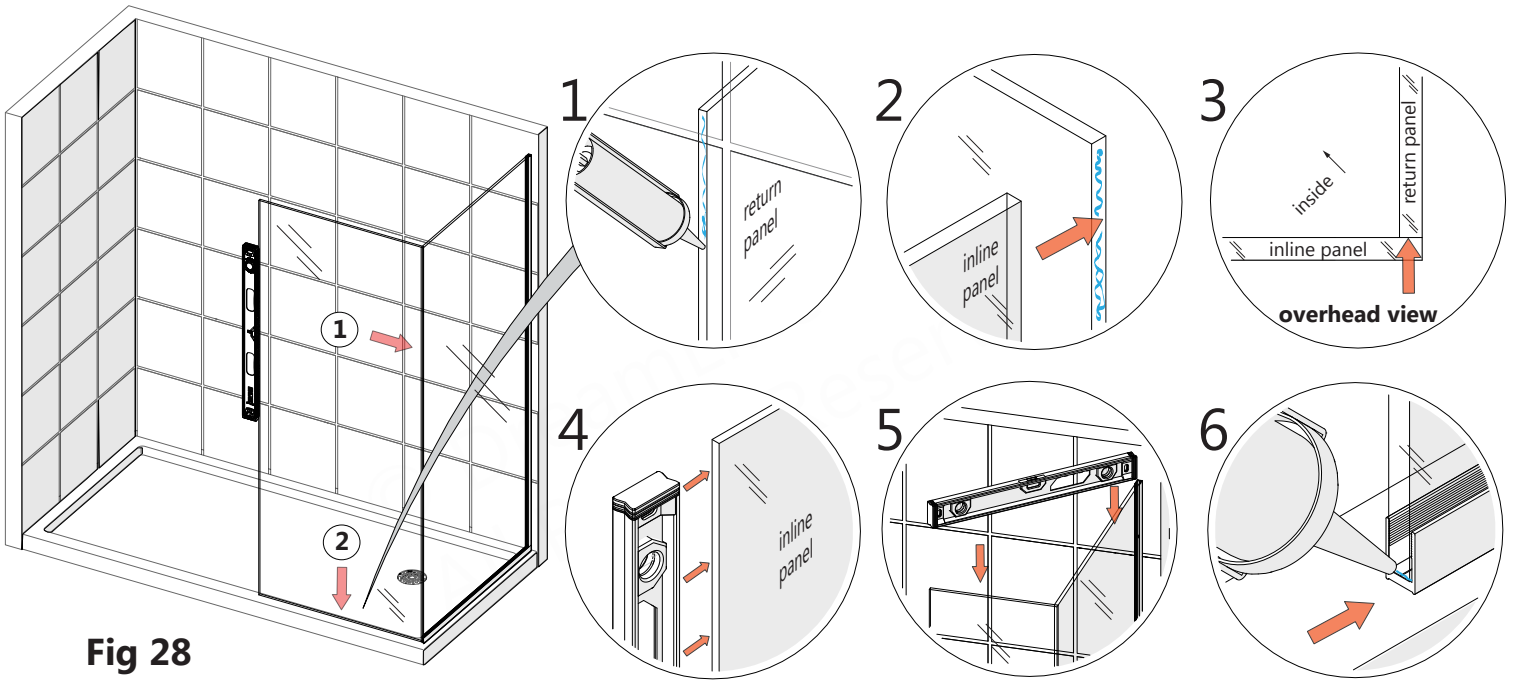
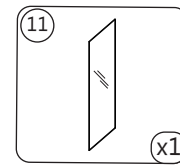


Fig 28

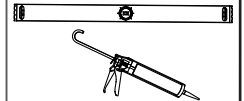


If necessary, add additional **PVC Glass Spacers 0.5mm (#34)** into the **Bottom U-Channel (#29)** to level the panel glass. Do Not Exceed 1/4" (6mm) of vertical adjustment. Return Panel Glass must match the installed other panel glass at the standard model height of 72" ([1829mm]).

Parts Needed



Tools Needed



29

90° Top Corner Bracket Installation

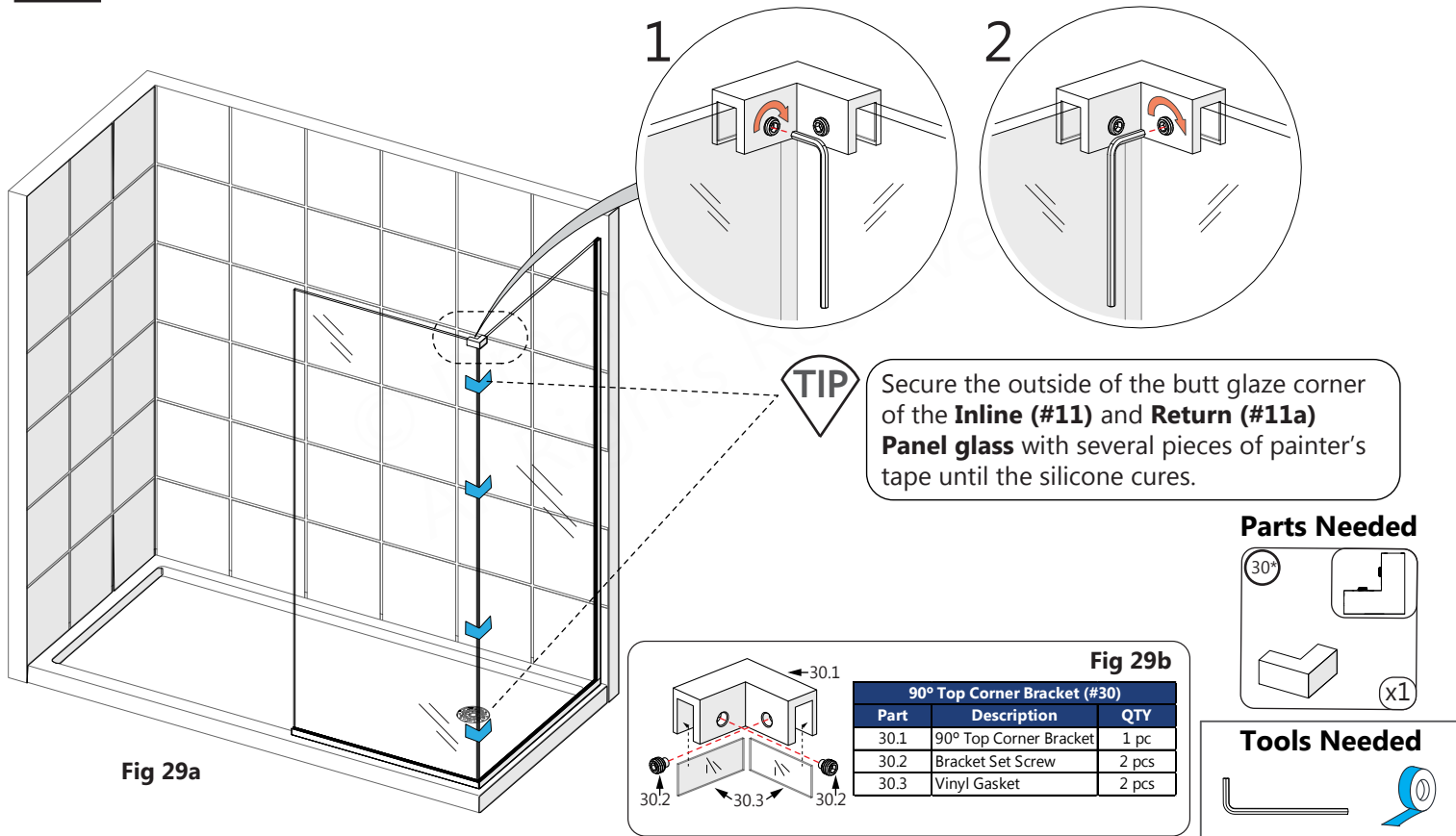
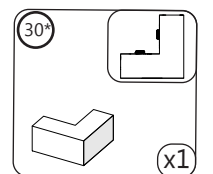


Fig 29a

Parts Needed

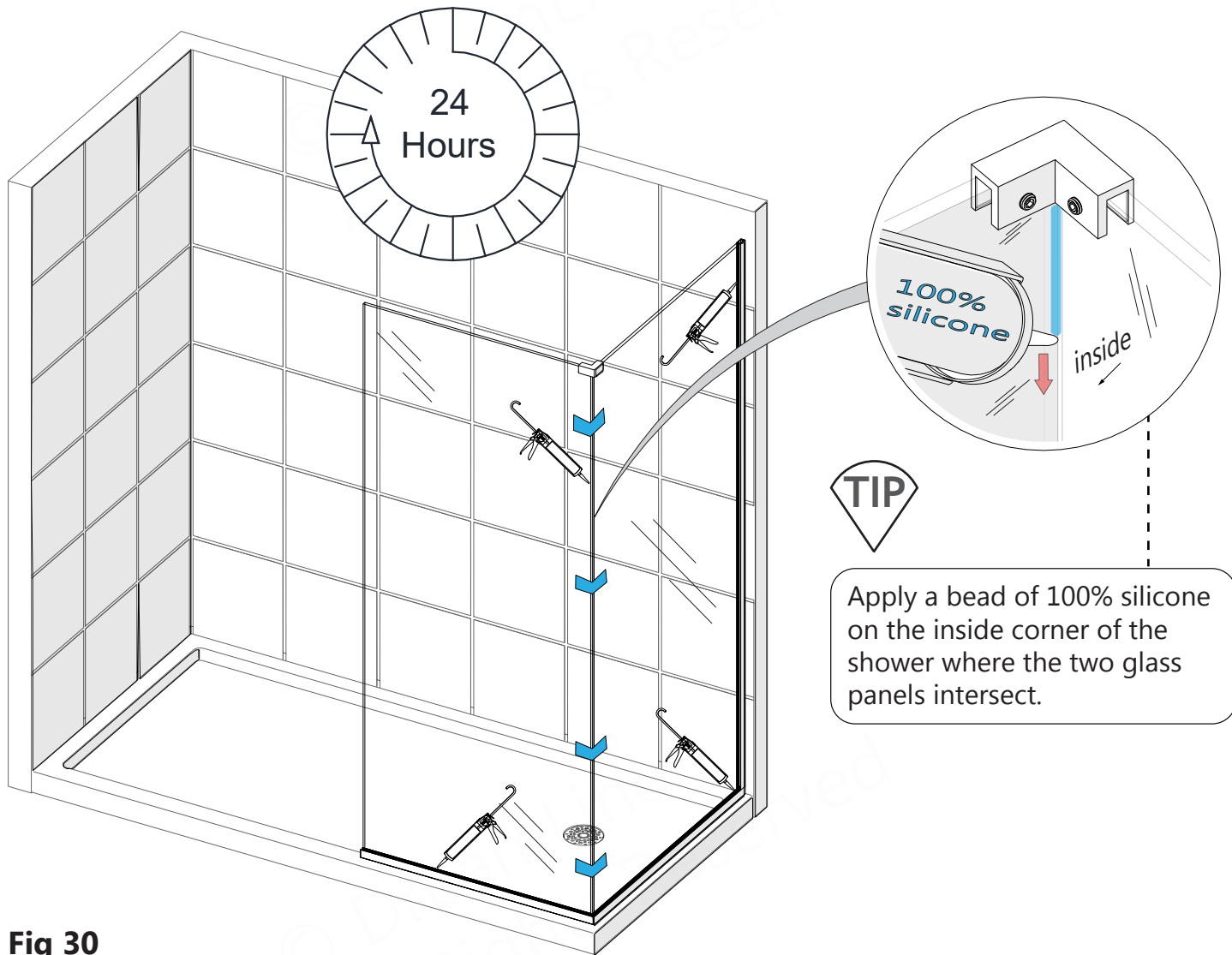


Tools Needed



NOTE

The surfaces need to be clean and free of debris before applying silicone.

**Fig 30**

right wall adjacent panels installation shown



Allow 24 hours for the silicone to cure before using the shower

Tools Needed

Product Maintenance

BASES and BACKWALLS: To ensure long lasting life for your acrylic back walls: wipe them off after each use with a soft cloth. To clean the acrylic back walls use non-abrasive sprays or cream based cleaners. Avoid the use of aerosol spray cleaners. Never use abrasive cleansers, metal brushes or scrapers that could permanently scratch or dull the surface.

GLASS: To ensure long lasting life for your glass shower products: wipe them off after each use with a soft cloth. Rinse and wipe off the glass using either a soft cloth or a squeegee to prevent soap buildup and water spots (Hard water can etch the surface of the glass over time if left to dry). To prevent scratching the surface: never use abrasive cleaners or cleaning products that contain scouring agents. Never use bristle brushes or abrasive sponges that may scratch the surface of the glass.

HARDWARE: To ensure a long lasting finish: wipe off all metal parts after each use with a soft cloth. Do not use abrasive cleaners or cleaning products containing ammonia, bleach or acid. If accidentally used, rinse the surface as soon as possible to prevent damage to the finish (peeling or corrosion). After cleaning the polished finishes, rinse thoroughly and wipe dry with a soft clean-cloth.

Clean stainless steel surfaces at least once a week. When applying stainless steel cleaner or polish to stainless steel hardware, work with the grain (not across the grain). Never use an abrasive sponge or cloth, steel wool or wired brush as these may permanently scratch the surfaces.



To maximize the life of your door, it is important to regularly inspect the glass and other hardware for misalignment, proper attachment, and/or damage. Contact DreamLine® with any questions or concerns.

LINEA Shower Panel Maintenance Checklist

- Check that the unit is stable, operates smoothly and that the installation is secure.
- Confirm that all u-channels are tight.
- Confirm that all vinyl seals are intact (replace if missing or damaged to prevent water leakage.)
- Inspect exposed and concealed glass edges for damage **(damaged glass must be replaced!)**
- Inspect silicone for gaps. Replace silicone as necessary to prevent leakage.

Troubleshooting

Problem/Symptom	Suggested Solution	Page(s)
Missing Parts	<ul style="list-style-type: none"> •Check all shipping/packaging material for missing parts/components. •If not found, contact DreamLine Customer Support [1-866-731-2244] to order factory part replacement. 	—
Water Leakage: beneath the Bottom U-Channel (#29) and Panel Glass (#11)	<ul style="list-style-type: none"> •Confirm that all screws are tightly secured to the threshold •Inspect the silicone caulk and ensure that a complete application of silicone caulk has been applied. Allow 24 hours to cure the silicone before attempting to use the shower. 	—
<u>LINEA Shower Screens: Two Adjacent Panels Only:</u> Water Leakage: beneath the Bottom U-Channel(s) (#29) and/or the Inline (#11) & Return (#11a) Panel Glass	<ul style="list-style-type: none"> •Inspect the silicone caulk and ensure that a complete application of silicone caulk has been applied. Allow 24 hours to cure the silicone before attempting to use the shower. 	—
<u>LINEA Shower Screens: Two Adjacent Panels Only:</u> 90° Degree Top Corner Bracket (#30) appears loose and not secured to the glass	<ul style="list-style-type: none"> •Tighten the 90° Degree Top Corner Bracket (#30) set screws and ensure the vinyl gaskets are present to prevent glass-to-metal contact. 	30



Prior to contacting DreamLine® Customer Service, please have the following information readily available:

- Purchase Order Information
 - Name, PO Number, Dealer/Vendor Name, etc.
- SKU/Model Number (see Pages 34-37)
- Factory Part Information (see Pages 34-37)

Factory Parts Information

LINEA Single Panel {SHDR-3230721-##}		FACTORY PARTS INFORMATION	
ITEM #	FACTORY PART NUMBER	ITEM DESCRIPTION	QTY
09	041540 1 1-1854 / 041540 4 1-1854 / 041540 6 1-1854 / 041540 9 1-1854	U-Channel 1" Aluminum for 10mm (3/8in.) Glass	1 pc.
11	010137109	30-in (757mm) Stationary Panel Glass	1 pc.
13	07552148	Wall Anchor 8mm (5/16 in.)	6 pcs.
23	092108	ST4.2×40mm Countersunk Screw	9 pcs.
29	041540 1 1-0914 / 041540 4 1-0914 / 041540 6 1-0914 / 041540 9 1-0914	U-Channel 1" Aluminum for 10mm (3/8in.) Glass	1 pc.
34	07550083	PVC Glass Spacer 0.5mm	1 pc.

LINEA Single Panel {SHDR-3234721-##}		FACTORY PARTS INFORMATION	
ITEM #	FACTORY PART NUMBER	ITEM DESCRIPTION	QTY
09	041540 1 1-1854 / 041540 4 1-1854 / 041540 6 1-1854 / 041540 9 1-1854	U-Channel 1" Aluminum for 10mm (3/8in.) Glass	1 pc.
11	010137111	34-in (863.6 mm) Stationary Panel Glass	1 pc.
13	07552148	Wall Anchor 8mm (5/16 in.)	6 pcs.
23	092108	ST4.2×40mm Countersunk Screw	9 pcs.
29	041540 1 1-0914 / 041540 4 1-0914 / 041540 6 1-0914 / 041540 9 1-0914	U-Channel 1" Aluminum for 10mm (3/8in.) Glass	1 pc.
34	07550083	PVC Glass Spacer 0.5mm	1 pc.

BOLD digit indicates finish: **1** = Chrome; **4**= Brushed Nickel; **6** = Oil Rubbed Bronze; **9**= Satin Black

Contact Support@DreamLine.com for Part replacement, installation assistance or additional information.
Complete **Warranty** information is available on DreamLine.com.

Factory Parts Information

LINEA with Towel Bar {SDLI30W720TX##}		FACTORY PARTS INFORMATION	
ITEM #	FACTORY PART NUMBER	ITEM DESCRIPTION	QTY
05	0723 1 012 / 0723 4 012 / 0723 6 012 / 0723 9 012	Towel Bar Assembly for 8mm (5/16in.) Glass	1 pc.
09	041540 1 1-1854 / 041540 4 1-1854 / 041540 6 1-1854 / 041540 9 1-1854	U-Channel 1" Aluminum for 10mm (3/8in.) Glass	1 pc.
11	010137187	30-in (757mm) Stationary Panel Glass	1 pc.
13	07552148	Wall Anchor 8mm (5/16 in.)	6 pcs.
23	092108	ST4.2×40mm Countersunk Screw	9 pcs.
29	041540 1 1-1118 / 041540 4 1-1118 / 041540 6 1-1118 / 041540 9 1-1118	U-Channel 1" Aluminum for 10mm (3/8in.) Glass	1 pc.
34	07550083	PVC Glass Spacer 0.5mm	1 pc.

LINEA with Towel Bar {SDLI34W720TX##}		FACTORY PARTS INFORMATION	
ITEM #	FACTORY PART NUMBER	ITEM DESCRIPTION	QTY
05	0723 1 012 / 0723 4 012 / 0723 6 012 / 0723 9 012	Towel Bar Assembly for 8mm (5/16in.) Glass	1 pc.
09	041540 1 1-1854 / 041540 4 1-1854 / 041540 6 1-1854 / 041540 9 1-1854	U-Channel 1" Aluminum for 10mm (3/8in.) Glass	1 pc.
11	10137186	34-in (863.6 mm) Stationary Panel Glass	1 pc.
13	07552148	Wall Anchor 8mm (5/16 in.)	6 pcs.
23	092108	ST4.2×40mm Countersunk Screw	9 pcs.
29	041540 1 1-1118 / 041540 4 1-1118 / 041540 6 1-1118 / 041540 9 1-1118	U-Channel 1" Aluminum for 10mm (3/8in.) Glass	1 pc.
34	07550083	PVC Glass Spacer 0.5mm	1 pc.

BOLD digit indicates finish: **1** = Chrome; **4**= Brushed Nickel; **6** = Oil Rubbed Bronze; **9**= Satin Black

Contact Support@DreamLine.com for Part replacement, installation assistance or additional information.

Complete **Warranty** information is available on DreamLine.com.

Factory Parts Information

LINEA Shower Screens: Two Individual Panels			
HARDWARE		FACTORY PARTS INFORMATION	
ITEM #	FACTORY PART NUMBER	ITEM DESCRIPTION	QTY
05	0723 1 012 / 0723 4 012 / 0723 6 012 / 0723 9 012	Towel Bar Assembly for 8mm (5/16in.) Glass	1 pc.
09	041540 1 1-1854 / 041540 4 1-1854 / 041540 6 1-1854 / 041540 9 1-1854	U-Channel 1" Aluminum for 10mm (3/8in.) Glass	1 pc.
13	07552148	Wall Anchor 8mm (5/16 in.)	6 pcs.
23	092108	ST4.2×40mm Countersunk Screw	9 pcs.
29	041540 1 1-1118 / 041540 4 1-1118 / 041540 6 1-1118 / 041540 9 1-1118	U-Channel 1" Aluminum for 10mm (3/8in.) Glass	1 pc.
34	07550083	PVC Glass Spacer 0.5mm	1 pc.

LINEA Shower Screens: Two Individual Panels			
GLASS		FACTORY PARTS INFORMATION	
SHDR-3230302-##			
ITEM #	FACTORY PART NUMBER	ITEM DESCRIPTION	QTY
11	010137109	30-in (757mm) Stationary Panel Glass	2 pcs.
SHDR-3230342-##			
ITEM #	FACTORY PART NUMBER	ITEM DESCRIPTION	QTY
11	010137109	30-in (757mm) Stationary Panel Glass	1 pc.
11	010137111	34-in (863.6 mm) Stationary Panel Glass	1 pc.
SHDR-3234302-##			
ITEM #	FACTORY PART NUMBER	ITEM DESCRIPTION	QTY
11	010137111	34-in (863.6 mm) Stationary Panel Glass	1 pc.
11	010137109	30-in (757mm) Stationary Panel Glass	1 pc.
SHDR-3234342-##			
ITEM #	FACTORY PART NUMBER	ITEM DESCRIPTION	QTY
11	010137111	34-in (863.6 mm) Stationary Panel Glass	2 pcs.

BOLD digit indicates finish: **1** = Chrome; **4**= Brushed Nickel; **6** = Oil Rubbed Bronze; **9**= Satin Black

Contact Support@DreamLine.com for Part replacement, installation assistance or additional information.
Complete **Warranty** information is available on DreamLine.com.

Factory Parts Information

LINEA Shower Screens: Two Adjacent Panels			
HARDWARE		FACTORY PARTS INFORMATION	
ITEM #	FACTORY PART NUMBER	ITEM DESCRIPTION	QTY
05	0723 1 012 / 0723 4 012 / 0723 6 012 / 0723 9 012	Towel Bar Assembly for 8mm (5/16in.) Glass	1 pc.
09	041540 11 -1854 / 041540 41 -1854 / 041540 61 -1854 / 041540 91 -1854	U-Channel 1" Aluminum for 10mm (3/8in.) Glass	1 pc.
13	07552148	Wall Anchor 8mm (5/16 in.)	6 pcs.
23	092108	ST4.2×40mm Countersunk Screw	9 pcs.
29	041540 11 -1118 / 041540 41 -1118 / 041540 61 -1118 / 041540 91 -1118	U-Channel 1" Aluminum for 10mm (3/8in.) Glass	1 pc.
30	07011101	90° Degree Top Corner Bracket	1 pc.
34	07550083	PVC Glass Spacer 0.5mm	1 pc.

LINEA Shower Screens: Two Adjacent Panels			
GLASS		FACTORY PARTS INFORMATION	
SHDR-3230303-##			
ITEM #	FACTORY PART NUMBER	ITEM DESCRIPTION	QTY
11	010137109	30-in (757mm) Stationary Panel Glass	2 pcs.
SHDR-3230343-##			
ITEM #	FACTORY PART NUMBER	ITEM DESCRIPTION	QTY
11	010137109	30-in (757mm) Stationary Panel Glass	1 pc.
11	010137111	34-in (863.6 mm) Stationary Panel Glass	1 pc.
SHDR-3234303-##			
ITEM #	FACTORY PART NUMBER	ITEM DESCRIPTION	QTY
11	010137111	34-in (863.6 mm) Stationary Panel Glass	1 pc.
11	010137109	30-in (757mm) Stationary Panel Glass	1 pc.
SHDR-3234343-##			
ITEM #	FACTORY PART NUMBER	ITEM DESCRIPTION	QTY
11	010137111	34-in (863.6 mm) Stationary Panel Glass	2 pcs.

BOLD digit indicates finish: **1** = Chrome; **4**= Brushed Nickel; **6** = Oil Rubbed Bronze; **9**= Satin Black

Contact Support@DreamLine.com for Part replacement, installation assistance or additional information.

Complete **Warranty** information is available on DreamLine.com.



TEL: 866-731-2244
FAX: 866-857-3638
DREAMLINE.COM



For more information on DreamLine® Shower Doors and Enclosures please visit [DreamLine.com](https://www.DreamLine.com)