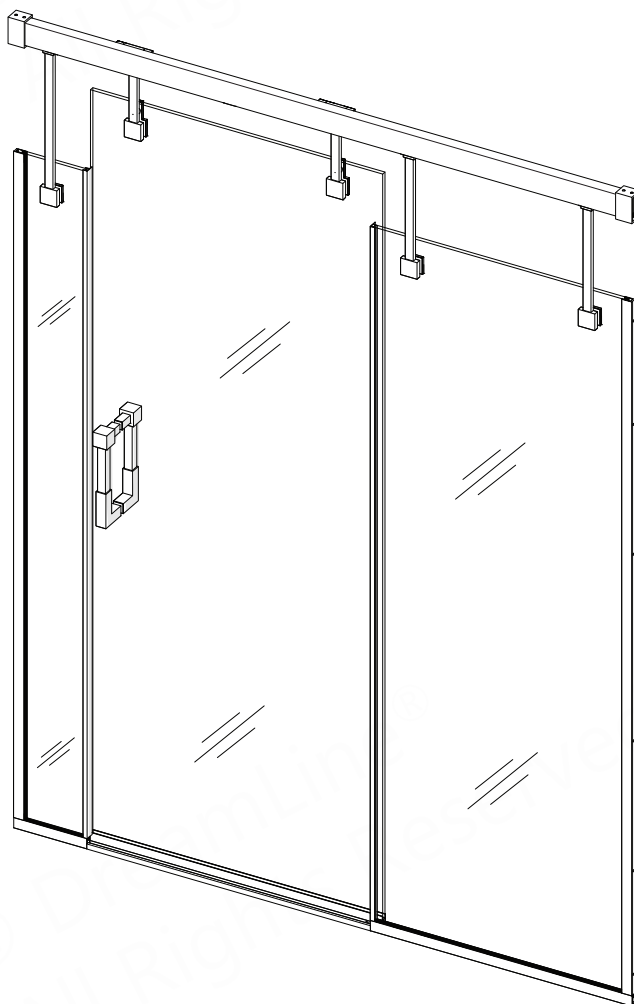




AVENUE

SHOWER DOOR INSTALLATION INSTRUCTIONS

PLEASE REVIEW THIS ENTIRE MANUAL PRIOR TO INSTALLATION



MODEL #
SHDR-5060790-##

= finish
01 - Chrome
04 - Brushed Nickel
06 - Oil Rubbed Bronze
09 - Satin Black

IMPORTANT!

DreamLine® reserves the right to alter, modify or redesign products at any time without prior notice for the purpose of product improvement and customer experience. Please refer to the model's web page on **DreamLine.com** for the latest technical drawings, installation manuals, warranty information or additional product details.

Do Not Return Product to the Store. Contact DreamLine® with any questions



Questions?

Please contact DreamLine Customer Support
See **DreamLine.com** for hours of operation

Support@DreamLine.com

1-866-731-2244





Do not remove ClearMax stickers until glass is installed.



This model is treated with DreamLine's exclusive ClearMax™ Glass technology. This is a specially formulated coating that prevents the build up of soap and water spots.

Install the surface with the ClearMax™ label towards the inside of the shower. Please note that depending on the model, the glass may be coated on either one or both surfaces.

For best results, squeegee the glass after each use and dry with a soft cloth.

Record the following purchase information for your records or in the event you need to contact DreamLine®:

Purchase Order Number _____

Store/Vendor Purchased From _____

Installation Date _____

OD Number (optional) _____
*found on the shipping box or label if available.


Installed By: _____


SKU Number _____


Table of Contents


Section Title	Page #
Important Product Information	2
Model Specific Preparation	3
Tools	4
Detailed Diagram of Shower Door Components	5
Item List	6-7
Installation Steps	8-36
Product Maintenance	37
Troubleshooting	38
Factory Parts Information	39
Notes	40-41


Symbol Legend

 **TIP** - for ease of installation.

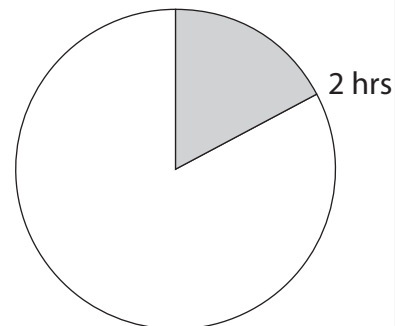
 **NOTE** - take note of special feature; additional information.

 **REQUIRED** - requires special attention; signifies a warning.

 **CORRECT** - recommended.

 **INCORRECT** - not recommended.

Average Installation Time





IMPORTANT

- DreamLine® reserves the right to alter, modify or redesign products any time without prior notice for product improvement and customer experience. Please refer to the model's web page on DreamLine.com for the latest technical drawings, installation manuals, warranty information or additional product details.
- This product should be installed by someone familiar with the construction requirements for this type of project and the care necessary for the safe installation and operation of the product.
- The safety of any installation is the responsibility of the installer.
- Professional installation recommended. (*All Models*)
- Professional installation required. (*Enigma Series*)
- To prevent damage or serious injury, Do Not lean against the installed panel/door/glass.
- To prevent damage or serious injury: Do Not attempt to lift or move a heavy lite of glass alone. Use an assistant and/or a professional grade glass suction cup.
- The installation of some models may require drilling down into the threshold. Contact the manufacturer of the base, tub, or threshold material with any questions regarding the drilling of holes into their product.
- All drawings in this installation manual are for illustrative purposes only and are not drawn to scale.

TEMPERED GLASS WARNING

- Your Shower Door Glass Could Shatter Without Warning if Improperly Installed or Mishandled
- Do Not install or operate a shower door if the glass has chipped corners, slivered edges or is otherwise damaged and/or has been dropped or banged into a hard surface such as tile, marble or glass.
- **The main causes of tempered glass breakage are:**
 - Improper handling, storage or installation
 - Misuse/abuse
 - Lack of maintenance
 - Failure to replace damaged glass
 - **Improper handling during storage, unpacking and installation:**
 - Corners and edges are the most susceptible area to damage on a lite of tempered glass and should be protected and handled with care during storage, unpacking, installation and operation. A concentrated point of pressure or impact with a surface harder than itself may cause the tempered glass to shatter. The tempered glass may release immediately, within several hours or even days later.
 - **Incorrect installation of door hardware, rollers, hinges, channels, stopper or glass:**
 - Improper installation may include: loose hardware and/or lack of proper gaskets between the hardware and glass. Additionally, improper alignment of guide rails, wall profiles or other hardware during installation or operation may place stress on the glass edges and cause it to break.
 - This product must be installed by a professional and experienced installer familiar with the safe handling of tempered glass.
 - **Improper use of this product:**
 - Aggressively opening or closing the door may cause trauma to the glass, which can lead to breakage. This may occur immediately or hours or even days later.
 - **The shower door hardware and glass should be inspected periodically:**
 - Instruct the homeowner how to perform a periodic inspection of the shower hardware and glass - some minor adjustments may be necessary based upon the use (or misuse) of the shower door. Ensure that the hardware remains tight and that the door alignment and operation are correct. Any adjustments should be made upon discovery to prevent damage to the product.
 - Additional considerations should be given to the installation of frameless tempered glass products in households with young children or an elderly person due to an increased chance of improper handling. In such cases, alternatives such as shower curtains or grab bars should be considered.

GENERAL PREPARATION

- After opening all boxes and packages, read this introduction carefully. Check that all the items are included in the package by marking off the components on the "**Detailed Diagram of Product Components**" page. Examine all boxes and packages for shipping damage. If the unit has been damaged, has a finishing defect, or is missing parts; please contact our Customer Support department within 3 business days of the delivery date. **Please note that DreamLine® will not replace any damaged products or missing parts free of charge after 3 business days or if the product has been installed.** Please contact DreamLine® if you have any questions.
- **Please note that you should refer to your local building codes with questions on installation compliance standards. Building and plumbing codes may vary by location, and DreamLine® is not responsible for code compliance standards for your project and will not accept any returns.**
- If this unit is going to be installed in a new construction, install all the required plumbing and drainage before installing the shower. **Use a competent and licensed (if required by local code) plumber for all plumbing installation.**
- Make sure that prior to beginning the installation, the surfaces are leveled and solid and will be able to support the total weight of the unit. Also make sure the walls are at right angles. Irregular installation surface level, radius corners or improper angle of side walls will result in serious problems for your installation. Please note that some adjustments and drilling will be necessary during the installation process.
- Protect all primary surfaces of the product during installation. Never set your glass down directly onto a tile floor. Leave corner protectors in place until it is necessary to remove them. Always use a piece of wood or cardboard to protect the bottom edge and corners of the glass prior to and during installation.
- This unit must be installed upon a finished threshold and against finished walls.
- *DreamLine® shower doors are not designed to be installed into a fiberglass surround due to the radius corners and lack of a solid surface to mount the hardware.*

WARNING: TO AVOID THE RISK OF DAMAGE OR INJURY:

- **Follow all recommendations and requirements as shown in the installation instructions.**
- Perform a thorough inspection of the glass and all parts for any damage prior to installation. Any damage to tempered glass can cause breakage. **Do Not install damaged glass!**
- Do Not install or operate a shower or tub door if the glass has chipped corners, slivered edges or is otherwise damaged. Do Not install or operate a shower or tub door that has been dropped or banged into a hard surface such as tile, marble or glass.
- **CAUTION:** Contact with any hard surface can damage tempered glass and cause it to shatter.
- This product uses tempered glass. Glass cannot be cut after it has been tempered. **Do Not attempt to cut tempered glass.**
- DreamLine® Glass Shower doors, Tub doors, Inline panels, and Return panels can shatter due to improper handling or lack of maintenance. Conduct periodic inspections of glass and all parts for possible damage, missing or loose parts.
- Always wear proper safety equipment such as: safety goggles, work gloves and appropriate footwear during the installation process.
- **WARNING. Risk of leakage and/or damage.** Follow all instructions regarding the application of silicone sealant or caulk. Allow 24 hours for the sealant to cure before the initial use of the shower or tub product. Follow the silicone manufacturer's recommendations regarding the use of their product.
- **Thoroughly read these instructions before installing or using this product.**
- **Leave this manual for the end-user of the product.**

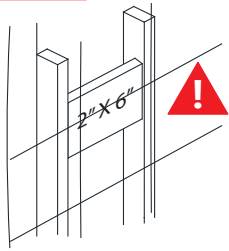


This product should be installed by someone familiar with the construction requirements for this type of project and the care necessary for the safe installation and operation of the product.



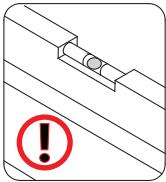
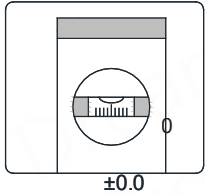
REQUIRED:

Model Specific Preparation

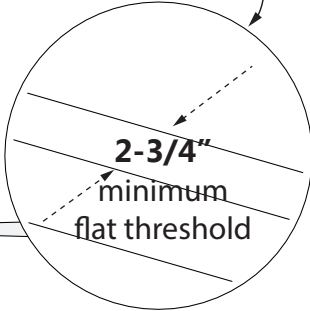
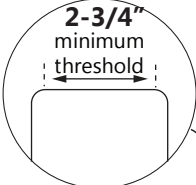
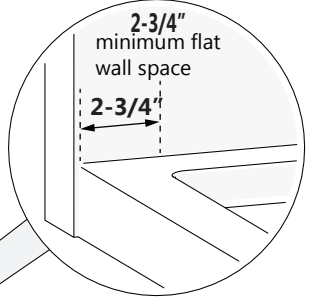
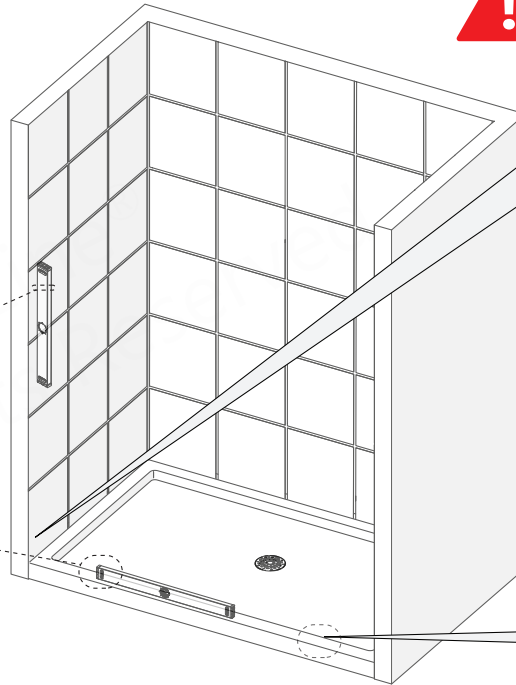
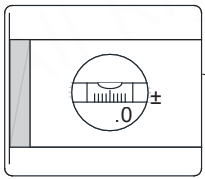


The Top Guide Rail requires installation into a double stud or 2x6 wood reinforcement in the wall.

1/2" Maximum Out-of-Plumb Adjustment; Verify threshold and walls with a level



Threshold must be level

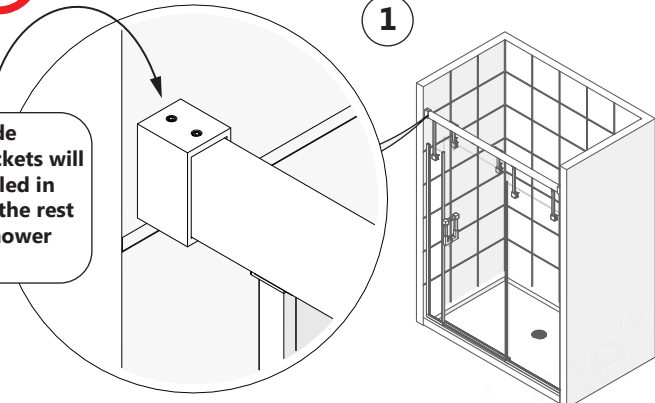


Minimum Threshold Explanation



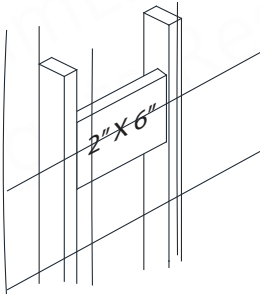
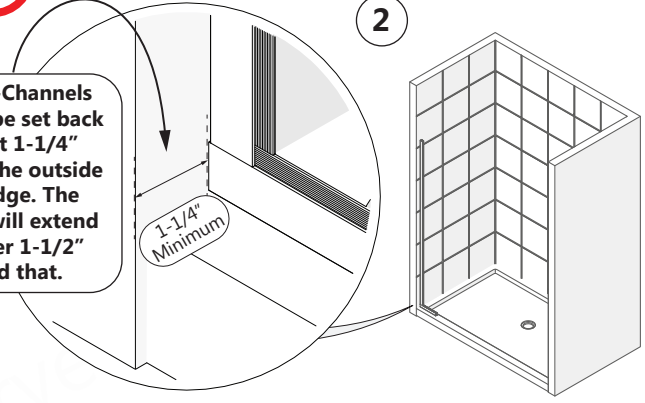
The Guide Rail Brackets will be installed in front of the rest of the shower door.

1



The U-Channels must be set back at least 1-1/4" from the outside wall edge. The door will extend another 1-1/2" beyond that.

2



The Top Guide Rail requires installation into a double stud or 2x6 wood reinforcement in the wall. Do not use anchors or molly bolts to attach the Guide Rail Brackets to the walls.



This model is reversible for right or left installation. To reverse the installation shown, simply reverse the orientation of the installation steps. The Top Guide Rail (#06) is installed the same way for either orientation.

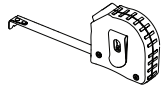


DO NOT attach the handle to the door glass until instructed. **DO NOT** attempt to use the handle to lift the door glass during installation. This may result in damage to the glass and/or serious injury. Always use a professional grade glass suction cup and an assistant.

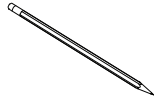
Tools



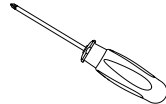
4-Foot Level



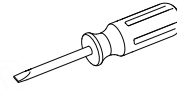
Tape Measure



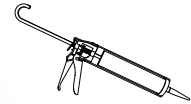
Pencil



Phillips
Screwdriver



Flat-head
Screwdriver



Caulk gun with
clear, mold-resistant
Silicone



Screw Gun
or Impact Driver
w/ #2 Phillips bit



Power
Drill



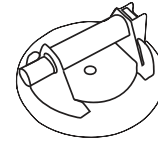
Ø1/8"
(3mm)



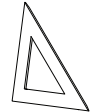
Drill Bit
Ø3/16"
(5mm)



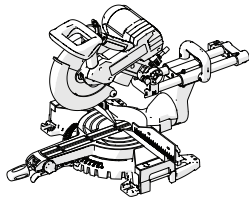
Drill Bit
Ø5/16"
(8mm)



Professional-grade
Glass suction cup



Speed Square



Compound Miter Saw
with Blade for Metal



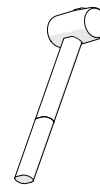
Razor Knife



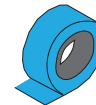
Safety Glasses



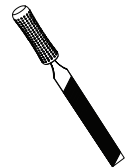
Work Gloves



Rubber Mallet



Painter's
Tape



Metal File



Verify that the correct model size has been ordered; measure the finished opening **before** proceeding with the installation.

Confirm that the finished walls are plumb and the threshold is level and pitched into the shower area.

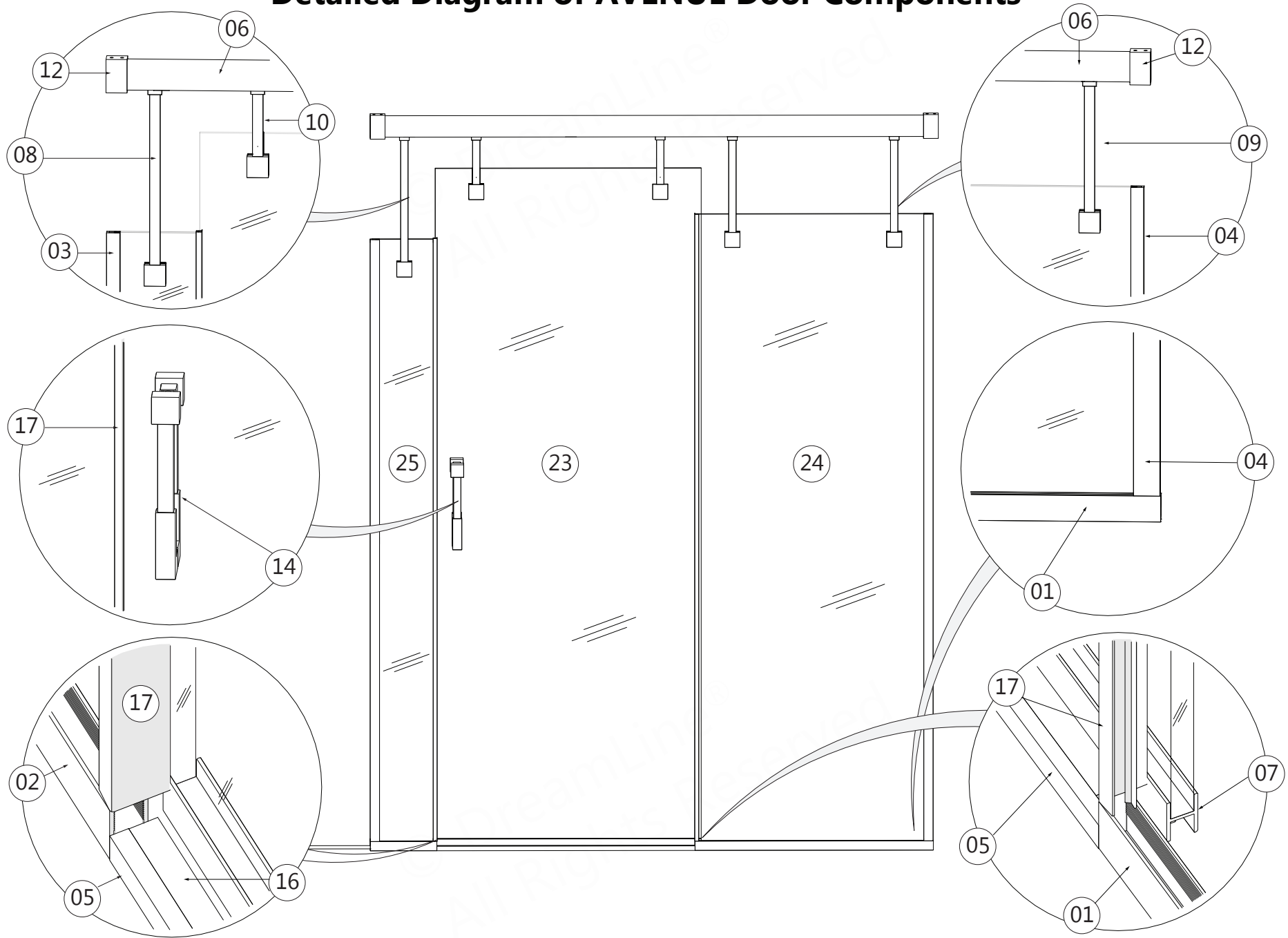
Use a good quality waterproof, mildew-resistant 100% silicone caulk.

Cover the shower/tub drain with tape prior to installation to prevent the loss of screws or small parts.



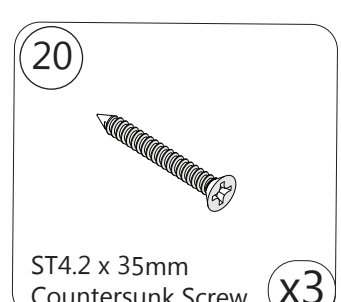
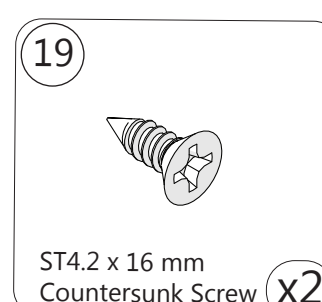
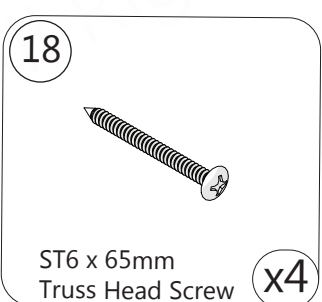
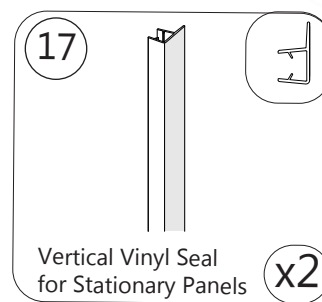
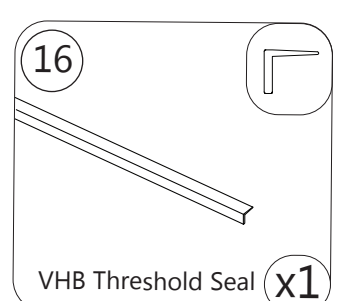
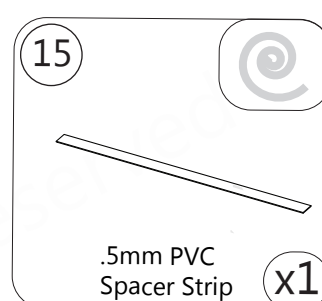
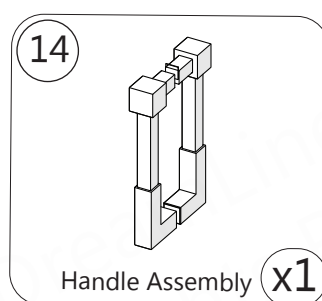
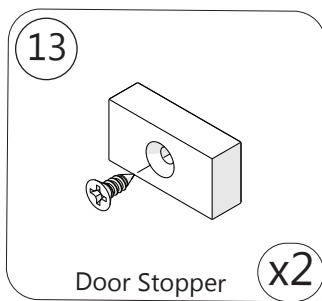
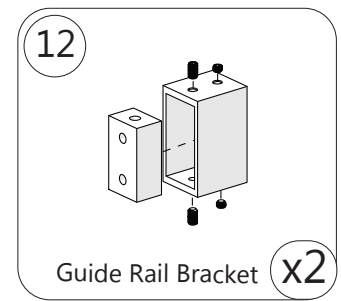
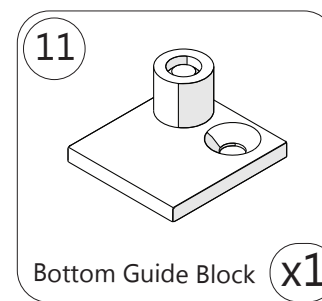
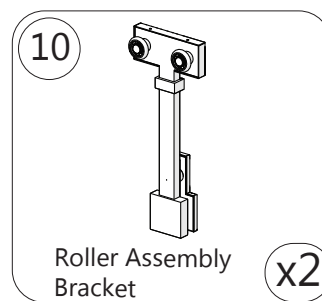
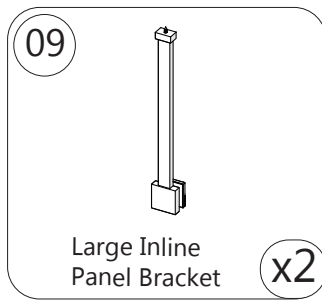
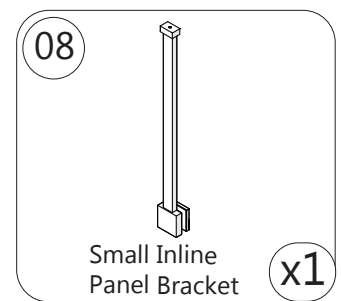
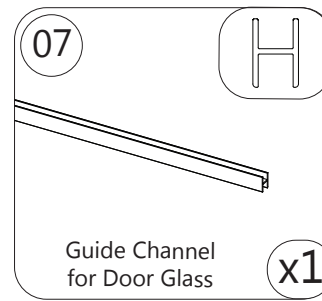
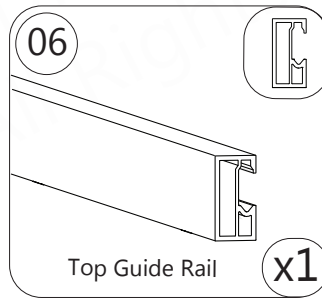
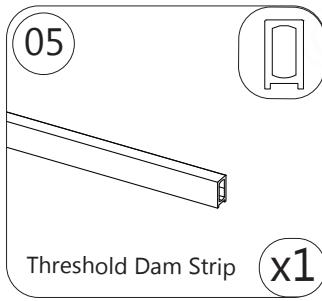
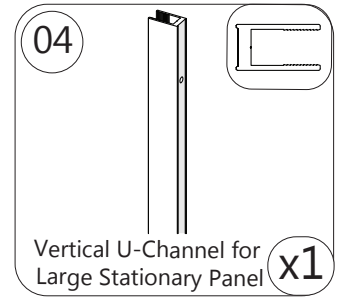
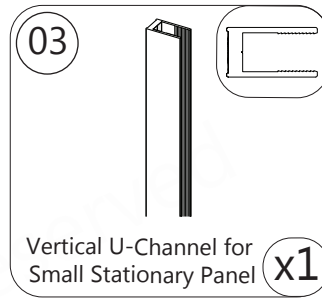
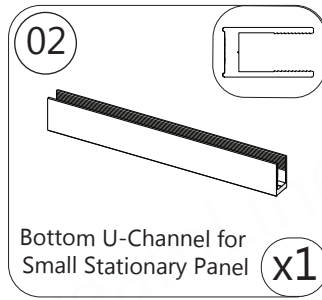
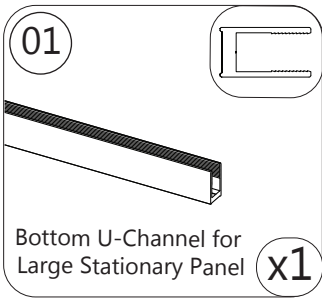
Unpack your unit carefully and inspect it. Lay it out and identify all parts using the **Detailed Diagram** on page 5; and packing list in this manual as a reference. Before discarding the carton, check for small hardware bags that may have fallen to the bottom of the box. If any parts are damaged or missing, please contact DreamLine® for replacement. The shipping boxes may contain extra parts not used in your model configuration. Retain these installation instructions for future reference.

Detailed Diagram of AVENUE Door Components



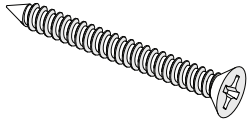
MODEL #
SHDR-5060790-##

Item List



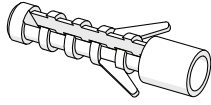
Item List

21



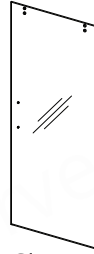
ST4.2 x 40mm
Countersunk Screw **x12**

22



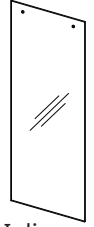
Wall Anchor **x12**

23



Door Glass **x1**

24



Large Inline
Panel Glass **x1**

25



Small Inline
Panel Glass **x1**



Part numbers can be found:

- On stickers attached to parts
- On stickers attached to small parts bags
- Printed on the parts bags.

Installation Steps

1

NOTE

Check the finished shower opening to make sure the threshold is level and pitched slightly inward, and the walls are no more than 1/2" out-of-plumb. Be sure to have at least 2-3/4" of threshold and wall space for installation. **Fig 1**

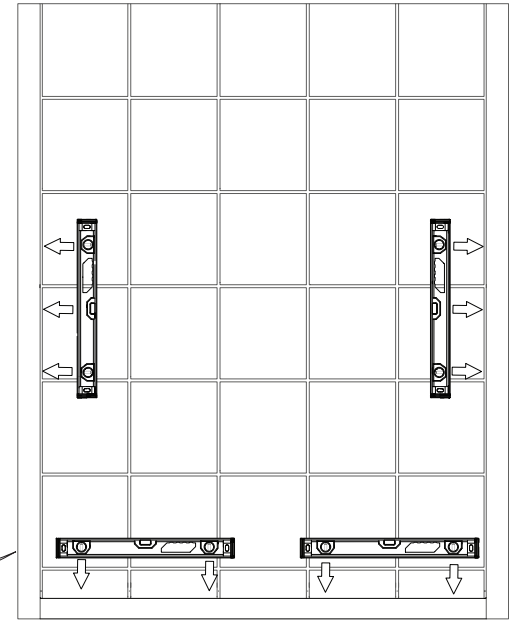
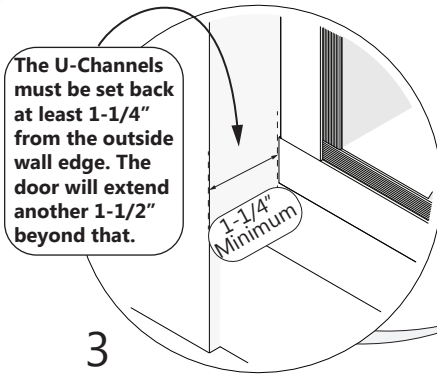
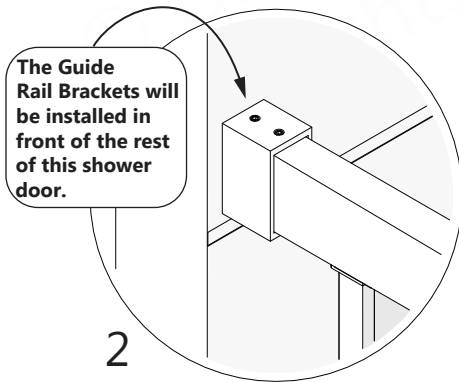
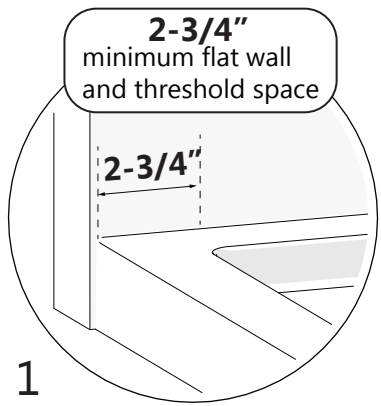


Fig 1

NOTE

Measure across the top, middle and bottom of the finished shower opening (from wall to wall) and record the measurements. The top measurement should be taken at the height of the model (79") and will be used for cutting the **Top Guide Rail (#06)** (if necessary). **Fig 1a**

TIP

For a successful installation, the walls cannot be out-of-plumb by more than 1/2". If the out-of-plumb condition exceeds 1/2", the door cannot be successfully installed.

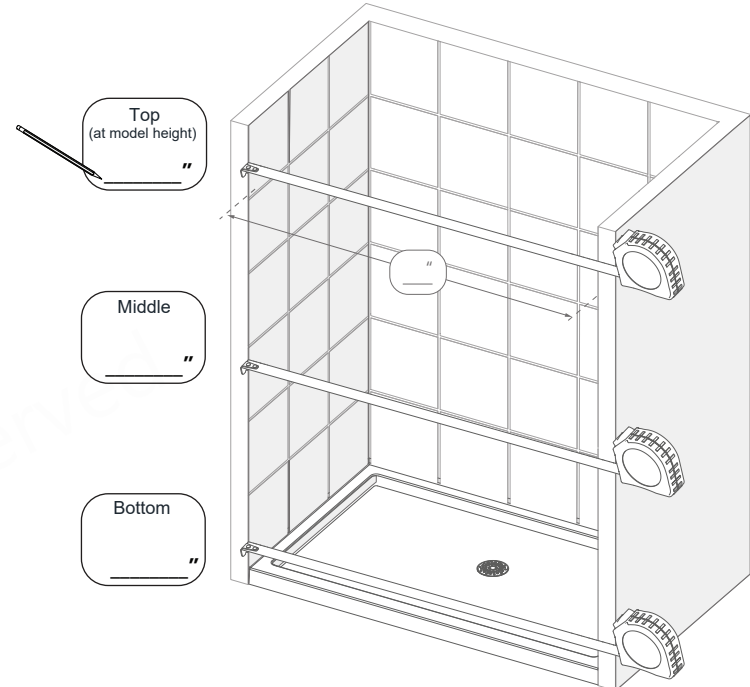


Fig 1a

2

NOTE

Apply a 1/4" bead of silicone to the inside of either side of the **Guide Channel for Door Glass (#07)**. **Fig 2**

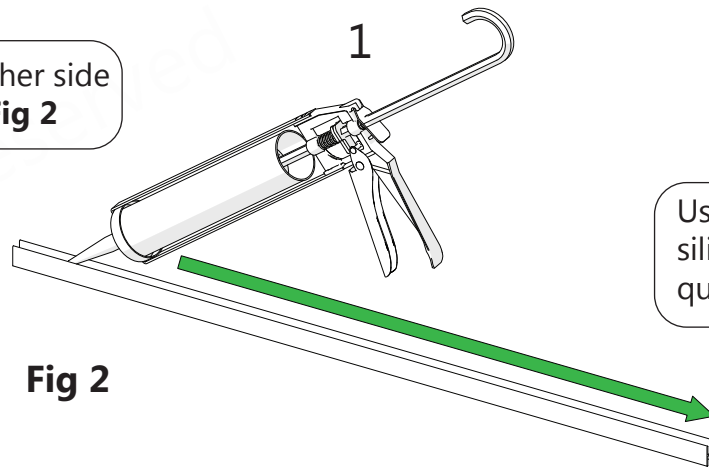


Fig 2

TIP

Using a fast-setting silicone allows for a quicker installation.

NOTE

Install the siliconed side of the **Guide Channel for Door Glass (#07)** on the bottom of the **Door Glass (#23)**. Be sure the **Guide Channel** is even with both glass edges. Tape the channel in place to keep it in position while the silicone sets up. **Fig 2a**

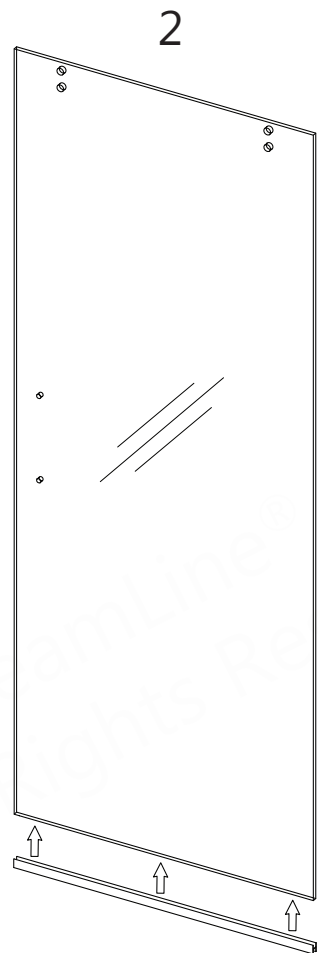
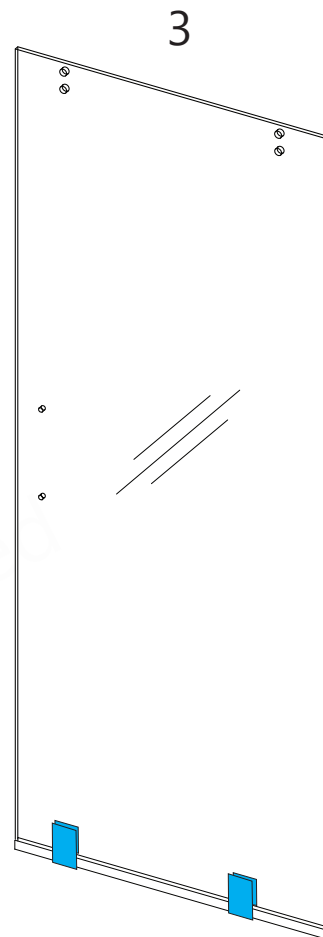
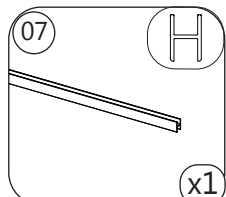
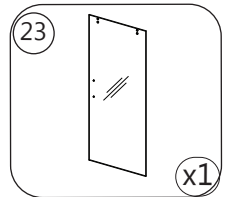


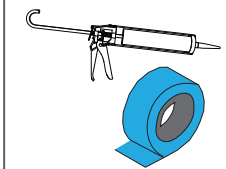
Fig 2a



Parts Needed



Tools Needed



3

NOTE

The **Top Guide Rail (#06)** has 4 stickers on the underside. The stickers also indicate the front side of the Guide Rail and are also a general guide for drilling locations for the **Large Inline Panel Brackets (#09)** (Out-of-plumb adjustments may alter drilling locations slightly). Decide which side of the shower opening the **Small Inline Panel Glass (#25)** will be installed on, and remove the two stickers on that end of the **Top Guide Rail (#06)**. **Fig 3a and 3b**

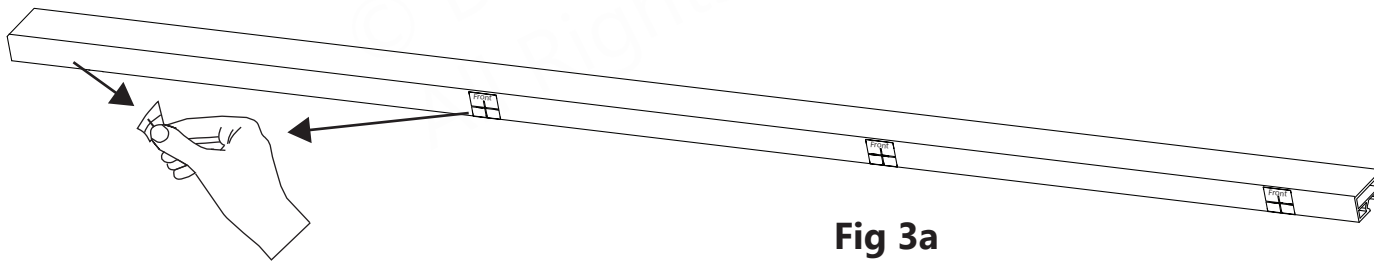
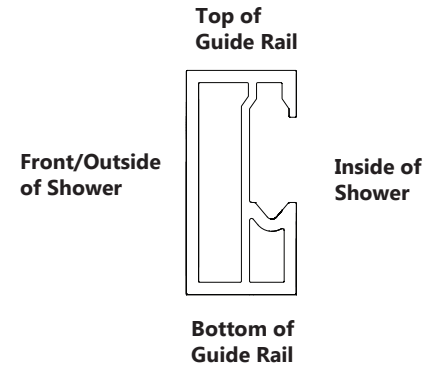


Fig 3a



NOTE

The **Top Guide Rail (#06)** has been precut for the model width of **60"**. (The guide rail is shorter than the model width by design to allow for the guide rail brackets). The **Top Guide Rail (#06)** can be cut **up to 2"** if needed, depending on the size of the finished opening. Use the cutting formula in **Step 4 (Page 11)**. Cut the **Top Guide Rail (#06)** from the **Small Inline Panel Glass** end only - the end where the stickers have been removed. **DO NOT** cut from the **Large Inline Panel Glass (#24)** end of the **Top Guide Rail (#06)**. **Fig 3a and 3b**

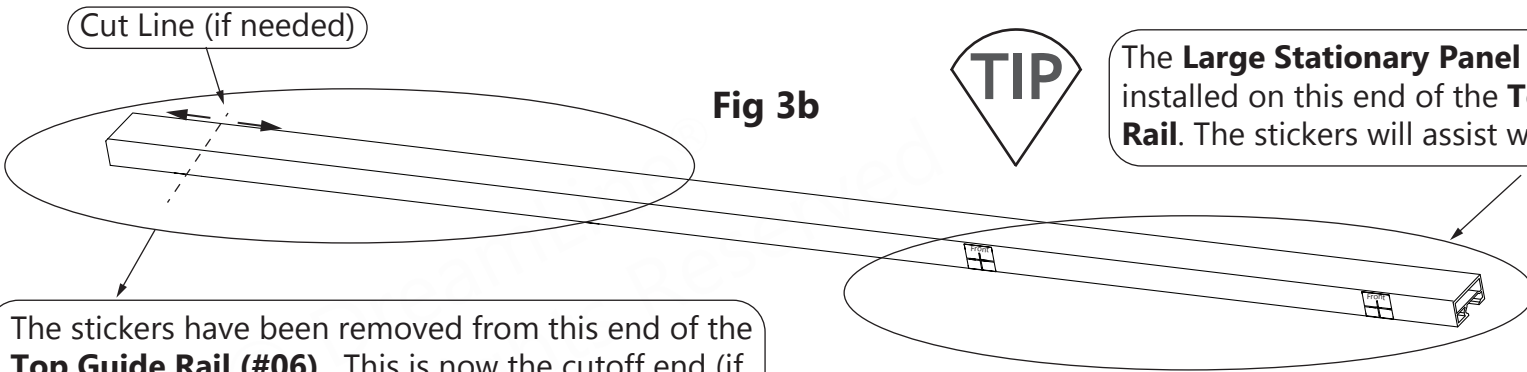


Fig 3b

NOTE

The stickers have been removed from this end of the **Top Guide Rail (#06)**. This is now the cutoff end (if cutting is needed) and the end where the **Small Inline Panel Glass (#25)** will be installed. **Fig 3b**

TIP

The **Top Guide Rail** does not need to be flipped to reverse the installation of this door.

Parts Needed

4



Use this cutting formula for the **Top Guide Rail (#06)**:
Model Size - Finished Opening Width = Cut-off Length



File off any burrs from the Top Guide Rail after cutting.

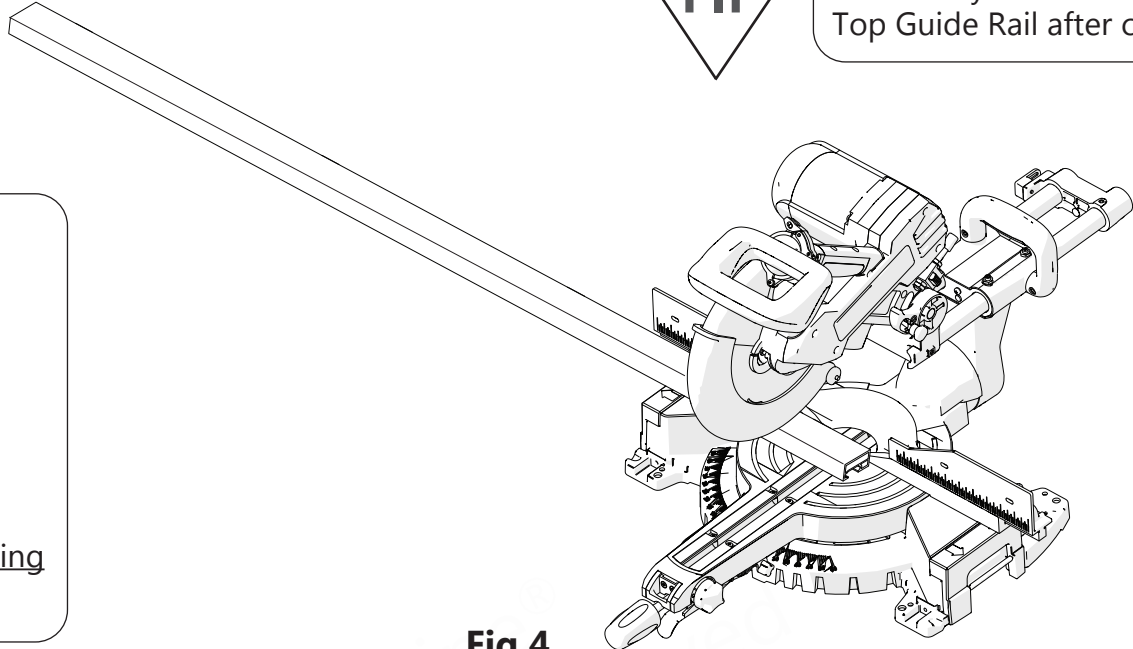


Fig 4

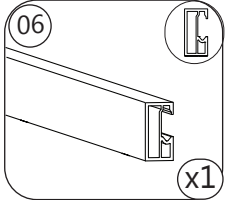
For Example Only:

60" Model Width
 - 58" Finished Opening
 2" Cutoff Length

Or:

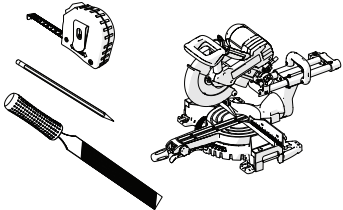
60" Model Width
 - 58-1/4" Finished Opening
 1-3/4" Cutoff Length

Parts Needed



Cut the **Top Guide Rail (#06)** from the **Small Inline Panel Glass** end only (the end without the stickers). The maximum cutoff amount is 2". Do not exceed the maximum cutoff length. **Fig 4**

Tools Needed



5

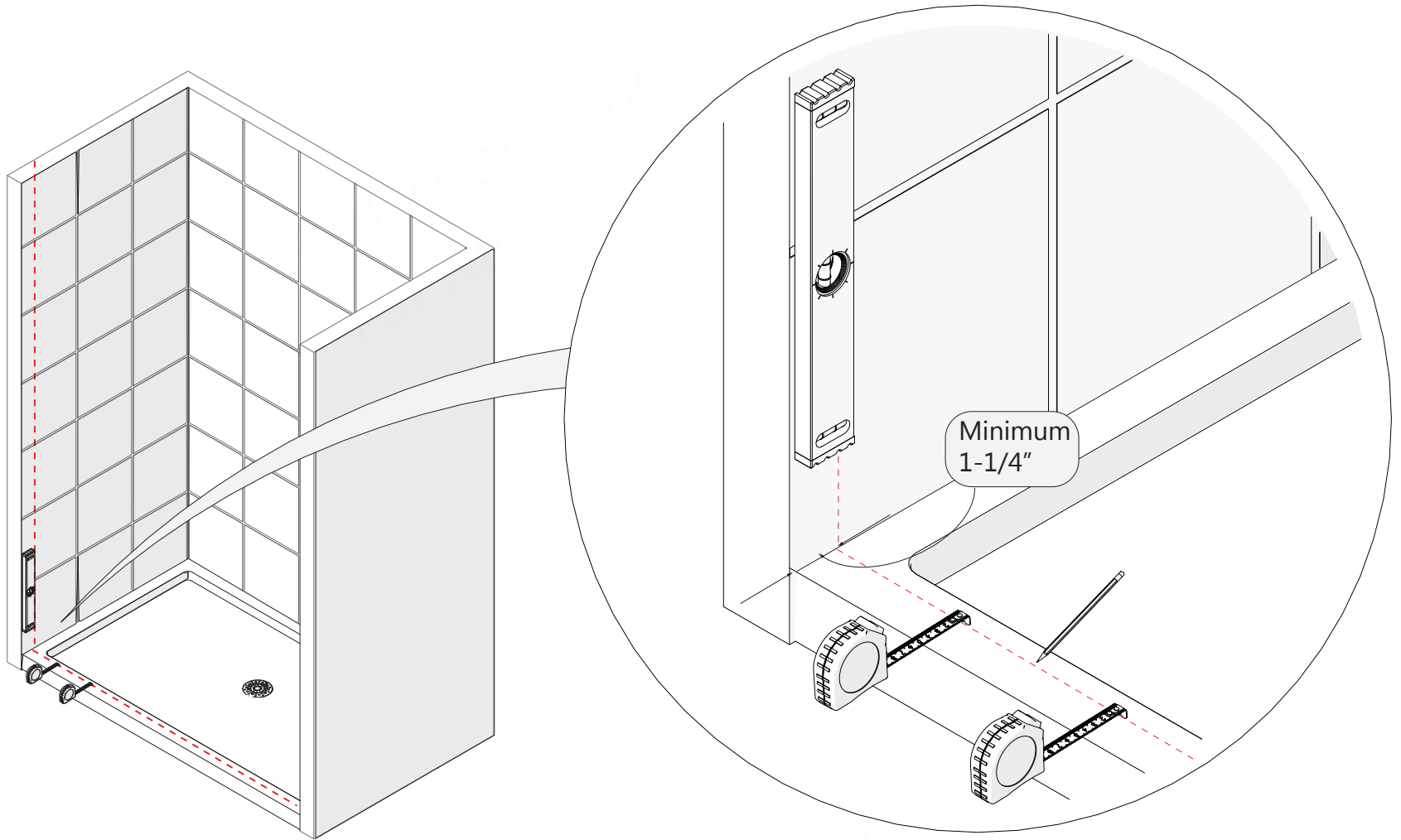
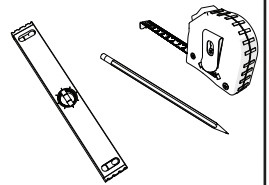


Fig 5

NOTE

Measure in at least **1-1/4"** from the outside threshold edge and mark an even line across the threshold. Use a 4' or 6' level to extend a plumb line up both walls (**at least 77"**). This will mark the outside edge position of the **U-Channels** to be installed in the next few steps. Another **1-1/2"** of flat threshold space is needed beyond the line for successful installation of this shower door. **Fig 5**

Tools Needed



6

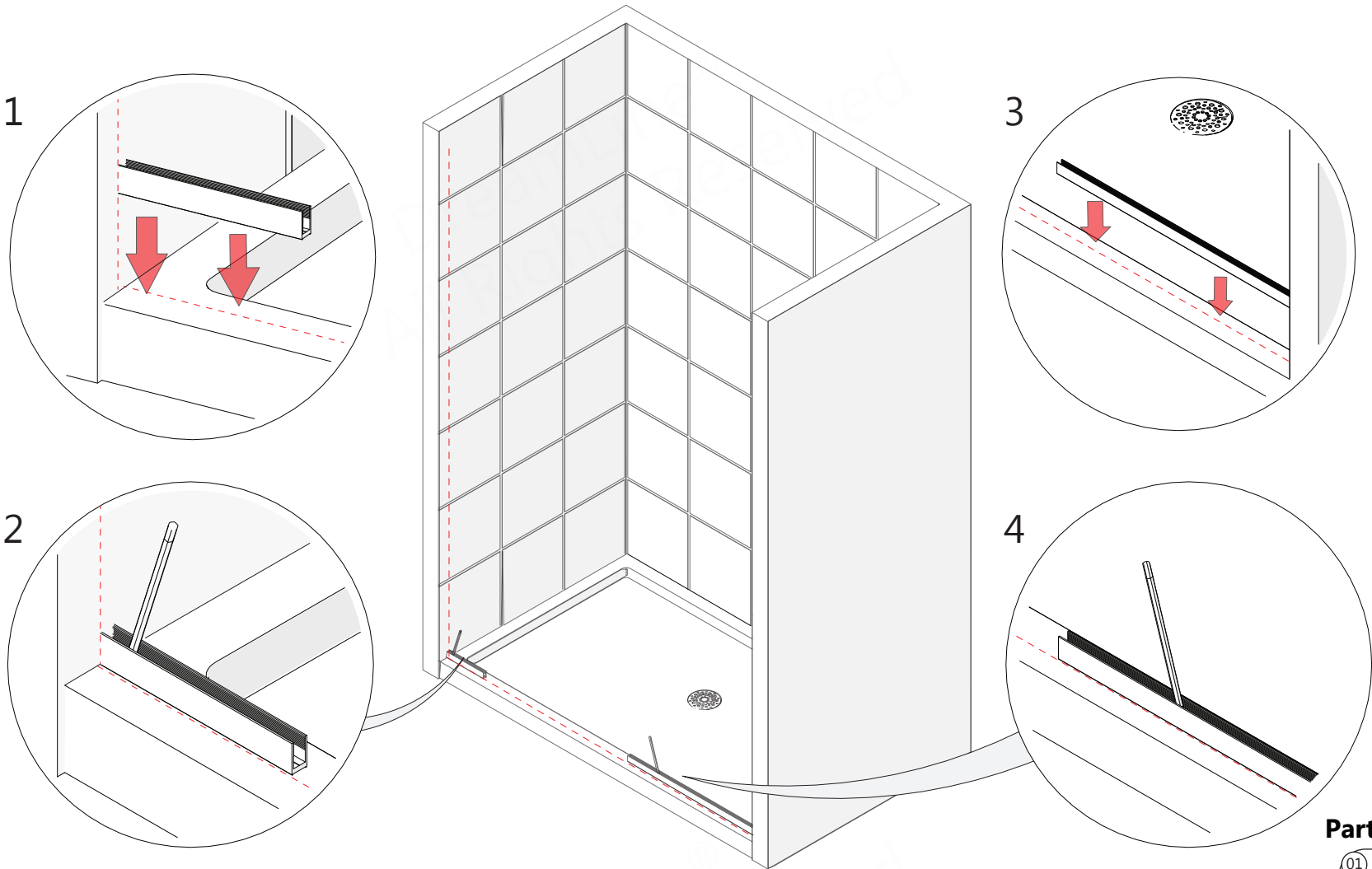
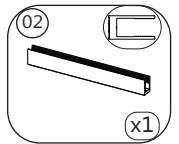
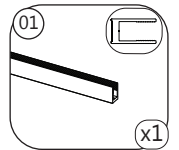


Fig 6

NOTE

Place both **Bottom U-Channels** on the marks just made. The shorter **U-Channel** will go on the strike side of the shower door (**Small Inline Panel side**). Mark the holes for drilling through the holes in both **U-Channels**. **Fig 6**

Parts Needed



Tools Needed



7

NOTE

Use the drilling instructions below to drill holes in the threshold for both **Bottom U-Channels**. Apply silicone to the underside of both **U-Channels** and in the screw holes. Install the **U-Channels** using the three **ST4.2x35mm Countersunk Screws (#20)**. **Fig 7**

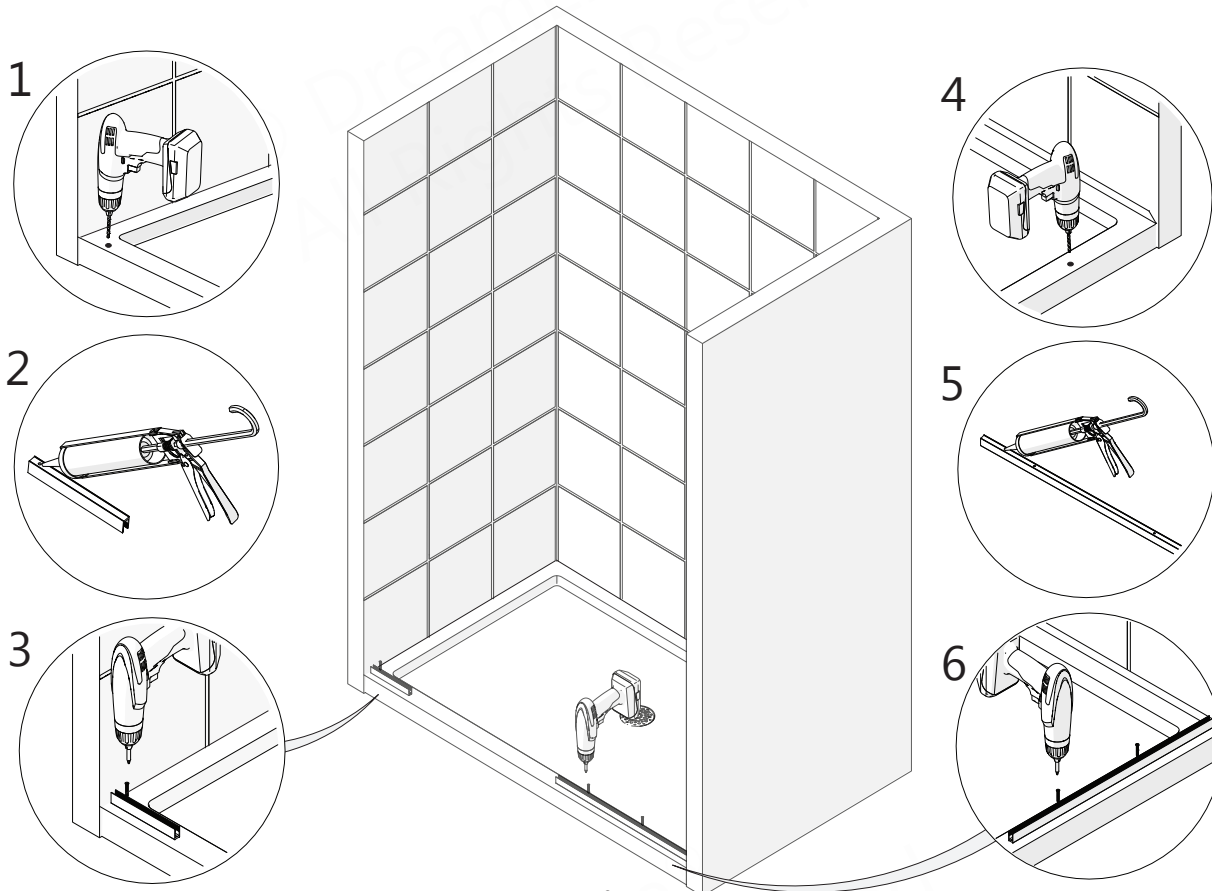


Fig 7

TIP

Be sure the pilot holes are the correct size. Always use low torque and steady pressure when installing stainless steel screws.

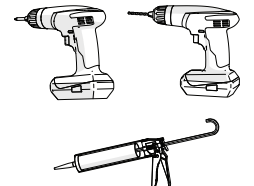
NOTE

- **If a stud is present behind the threshold:** drill a **Ø1/8" (3mm)** pilot hole into the finished threshold surface and the stud.
- **If no stud is present behind the threshold:** drill a **Ø5/16" (7mm)** hole and insert the **Wall Anchors (#07)**.
- For installation into **Acrylic**, drill a **Ø1/8" (3mm)** hole.

Parts Needed

- (20) x3
- (01) x1
- (02) x1

Tools Needed



8

NOTE

Place the shorter Vertical U-Channel for Small Stationary Panel (#03) on top of the **small Bottom U-Channel (#02)**, against the plumb line drawn earlier. Place the **longer Vertical U-Channel (#01)** on the other side of the shower. Check them both for plumb with a 4 or 6-foot level. Use tape or a helper to hold them firmly in place while marking the holes for drilling through the holes in both **U-Channels**. **Fig 8**

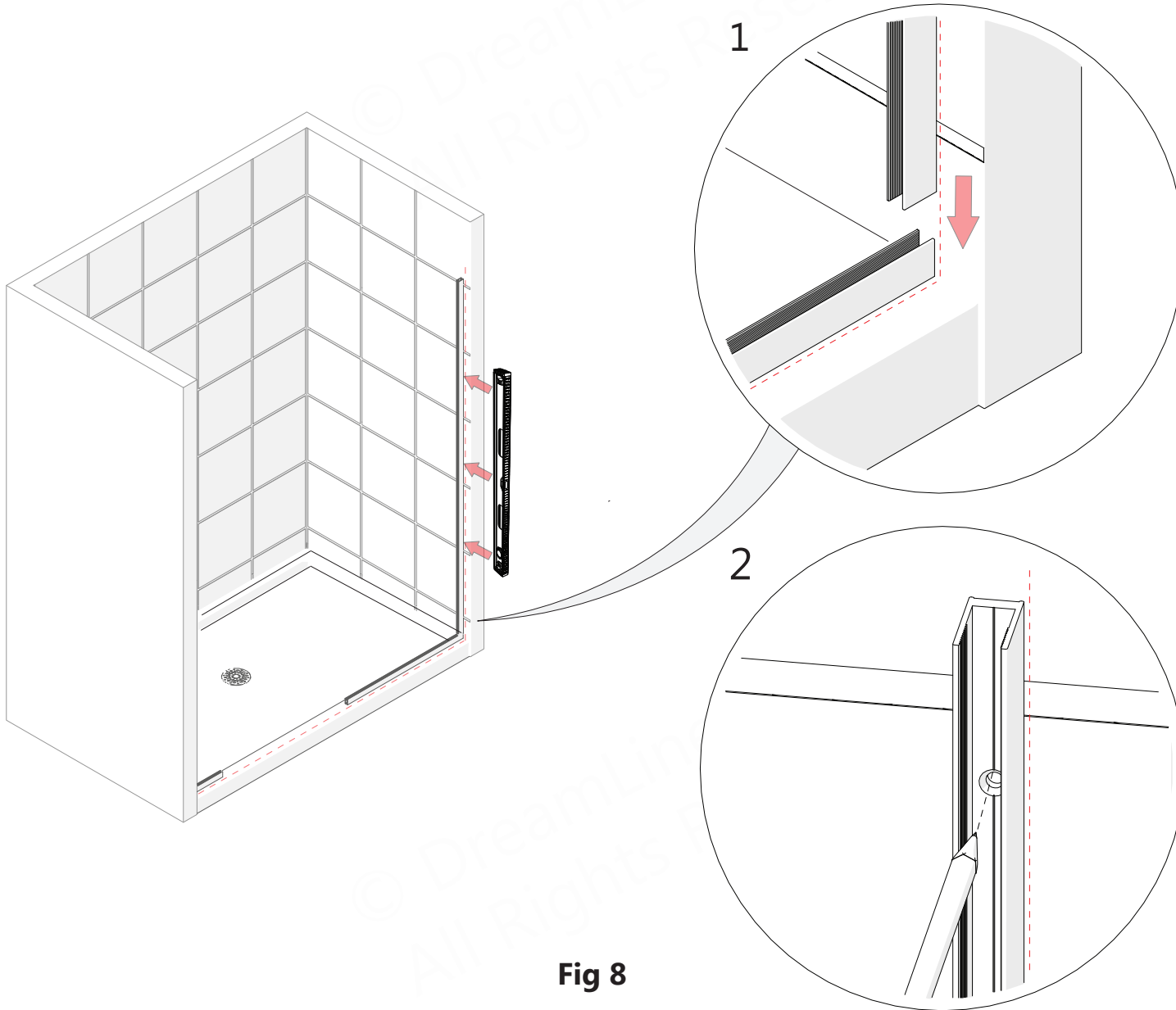
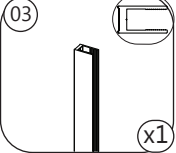
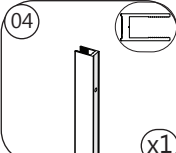
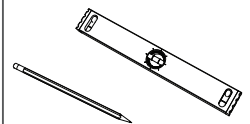


Fig 8

Parts Needed

- 
(x1)
- 
(x1)

Tools Needed



9

NOTE

Drill holes for both **Vertical U-Channels (#03 and #04)** at the marks just made (See drilling instructions below). Apply silicone to the backs of the **U-Channels** and in the screw holes. Install the **Vertical U-Channels** using the **ST 4.2x40mm Countersunk Screws (#21)**. **Fig 9**

TIP

Be sure the pilot holes are the correct size. Always use low torque and steady pressure when installing stainless steel screws.

TIP

Part numbers can be found on stickers attached to bags or printed on the bags themselves.

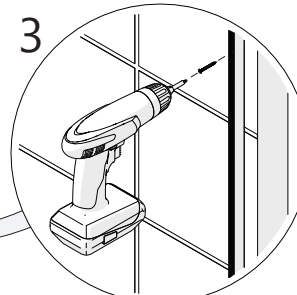
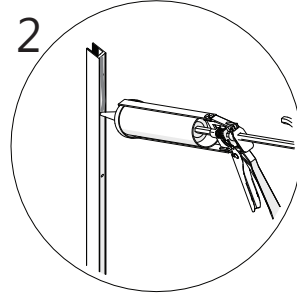
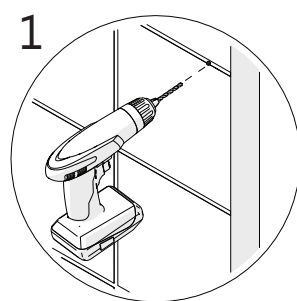
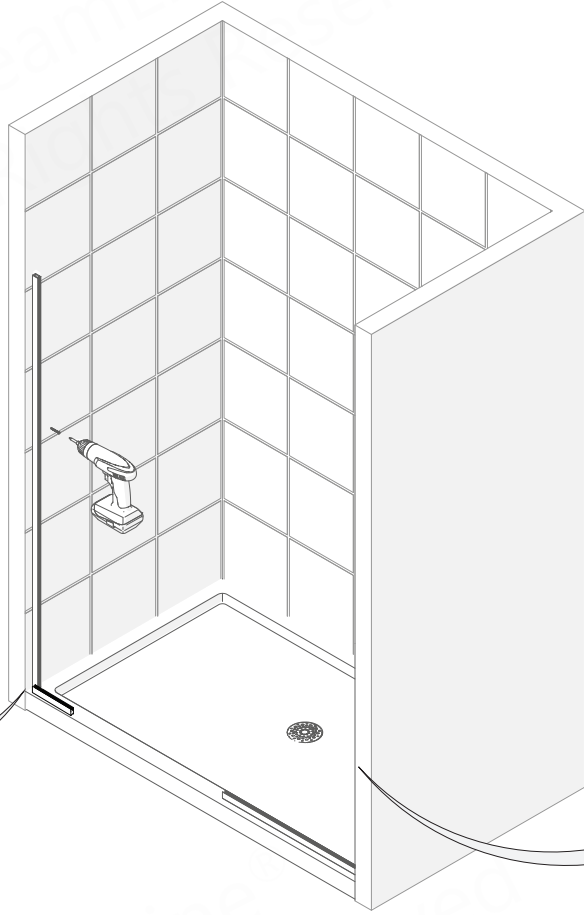
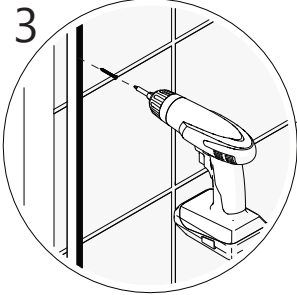
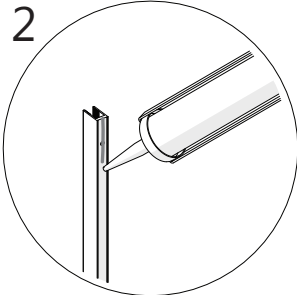
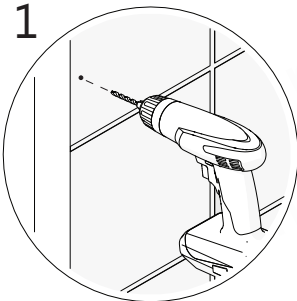
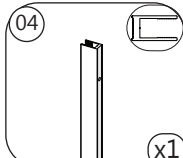
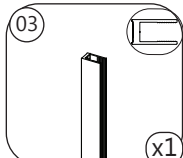
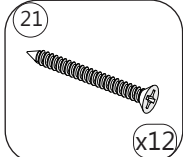


Fig 9

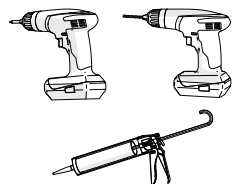
NOTE

- **If a stud is present behind the wall:** drill a $\text{Ø}1/8''$ (3mm) pilot hole into the wall and the stud.
- **If no stud is present behind the wall:** drill a $\text{Ø}5/16''$ (7mm) hole and insert the **Wall Anchors (#07)**.
- For installation into **Acrylic**, drill a $\text{Ø}1/8''$ (3mm) hole.

Parts Needed



Tools Needed



10

Place the Door in the Shower Opening



Place the **Door Glass (#23)** in the rear of the shower, facing in the right direction for installation (the handle holes should face the Small Inline Panel) Use a glass suction cup (if available) and shims or padding to protect the edges of the glass. **Fig 20**

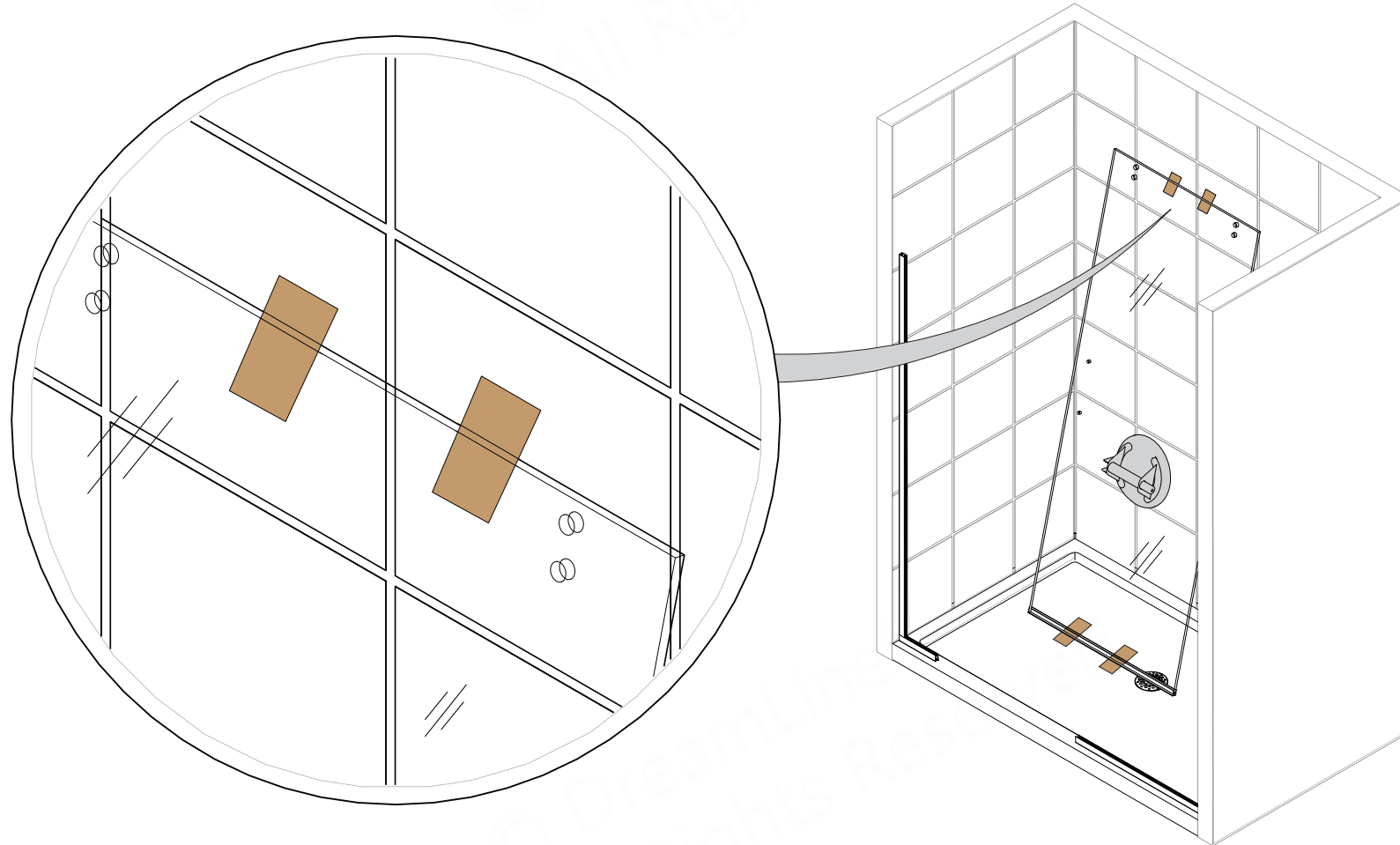
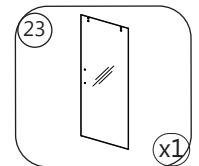
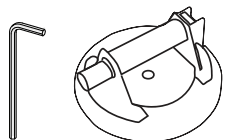


Fig 20

Parts Needed



Tools Needed



11

Dry Fitting the Stationary Panels



Cut the **.5mm PVC Spacer Strip (#15)** into 2" strips. Place the strips over the screw heads in the **Bottom U-Channels** and dry fit both **Inline Panels**. The **Spacer Strips** can also be used to shim up either **Stationary Panel** by as much as 1/4" by stacking the strips in the **Bottom U-Channel** to bring the panels to level and plumb if needed while adjusting for an out-of-plumb condition. **Fig 10a**

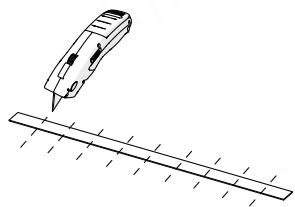


Fig 10a

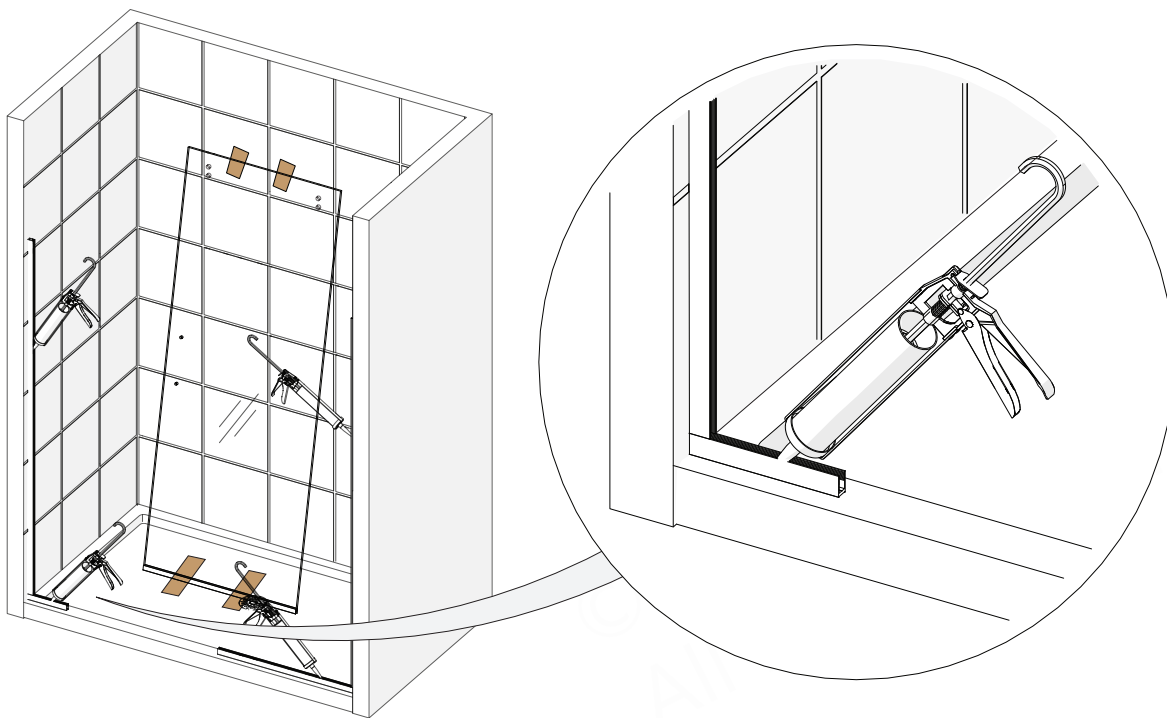
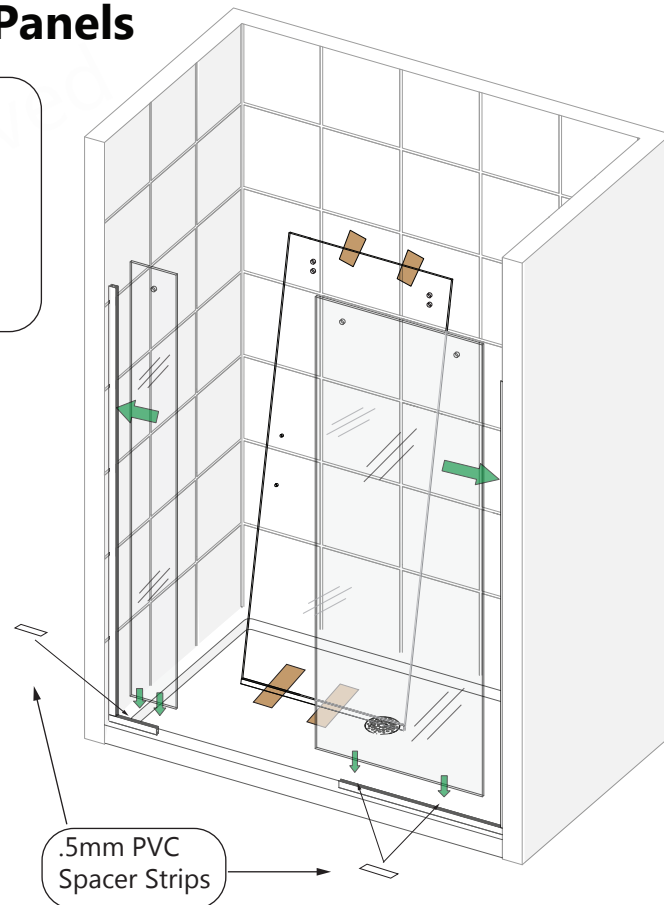


Fig 10b

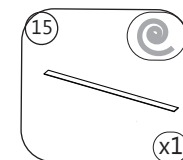


.5mm PVC
Spacer Strips

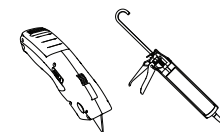


After all adjustments are made, apply a 1/4" bead of silicone in the **Vertical and Bottom U-Channels**, place the **Inline Panels** back in place and check them for level and plumb. **Fig 10b**

Parts Needed



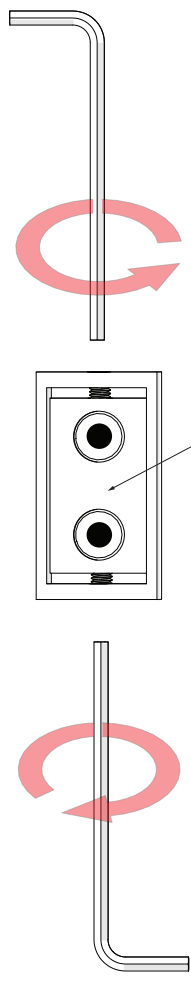
Tools Needed



12

NOTE

Use a measuring tape and a pencil to mark an **X** exactly **76-5/8"** above the threshold on the **Small Inline Panel** side, **1"** in front of the vertical line drawn earlier in **Step 5**. Place the bottom outside corner of a **Guide Rail Bracket (#12)** on that mark, square the bracket and mark the two holes for drilling. Repeat these steps for the other side of the shower. **Fig 12**



TIP

Be sure the block in the middle of the **Guide Rail Bracket** is centered before marking the holes for drilling.

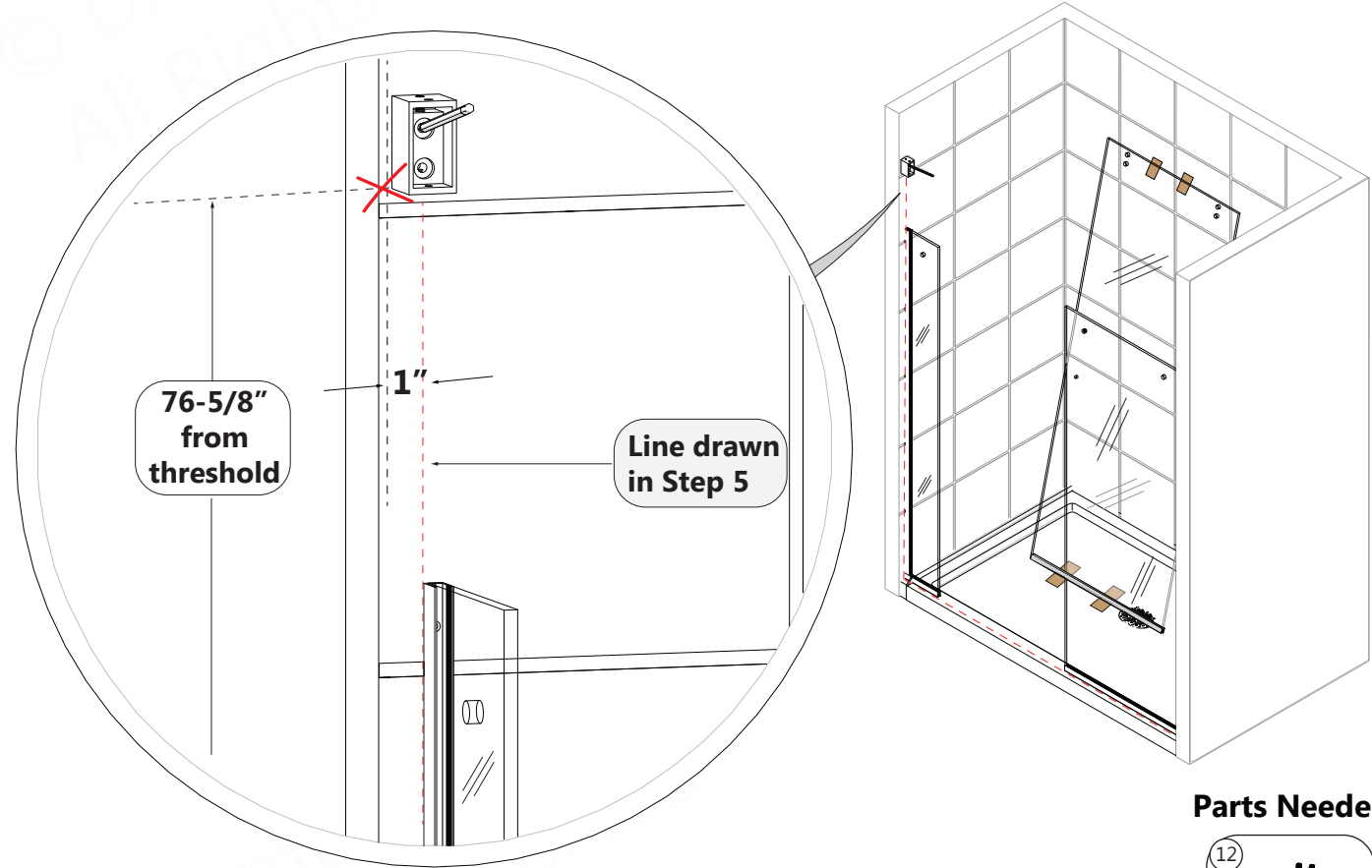
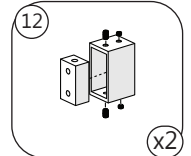
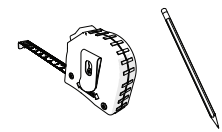


Fig 12

Parts Needed



Tools Needed



13

NOTE

Drill two $\text{Ø}7/32''$ (6mm) pilot holes in both walls and any wood reinforcement in the wall. Install the **Guide Rail Brackets (#12)** using a **#3 Phillips Bit** and the **ST6 x 65mm Truss Head Screws (#18)**. If no stud is present, drill $\text{Ø}5/16''$ (8mm) holes and insert **Wall Anchors (#22)**. **Fig 13**

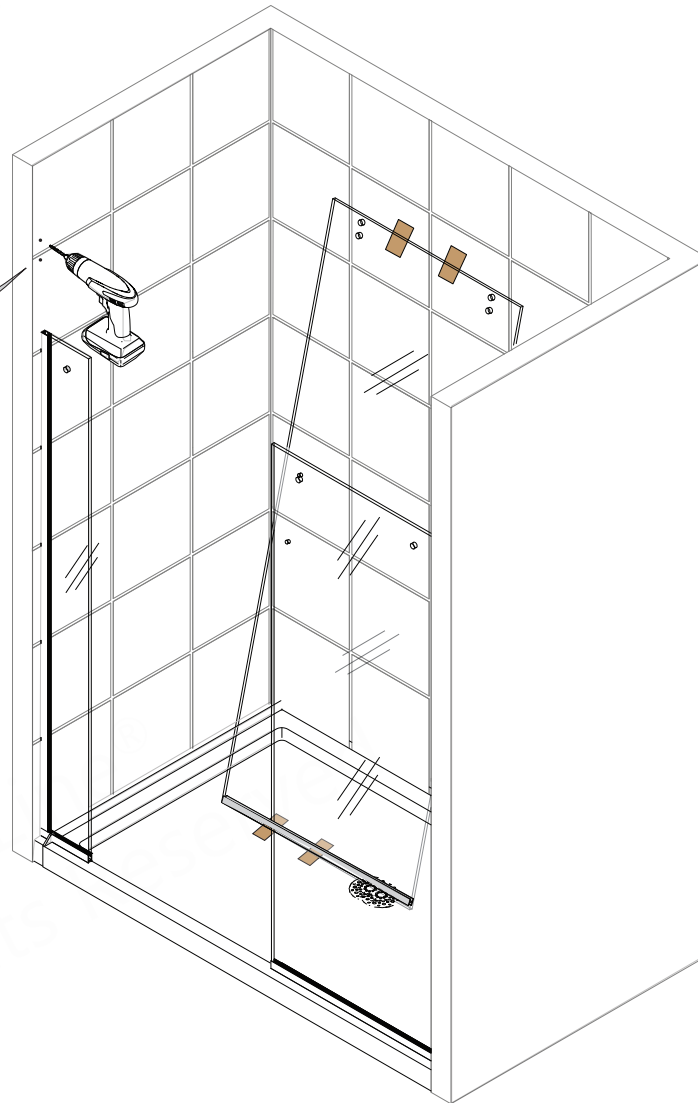
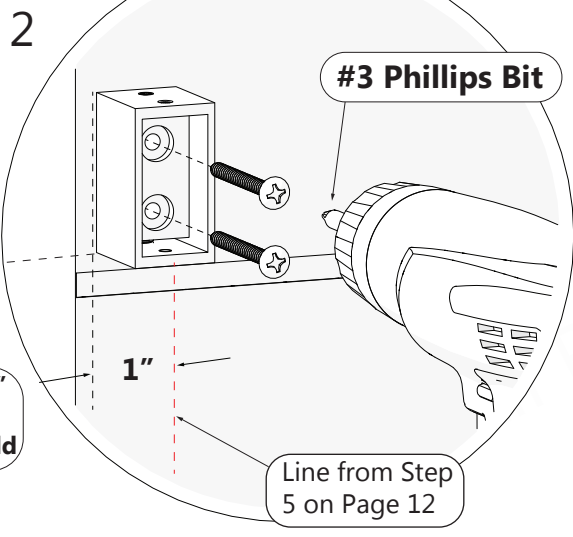
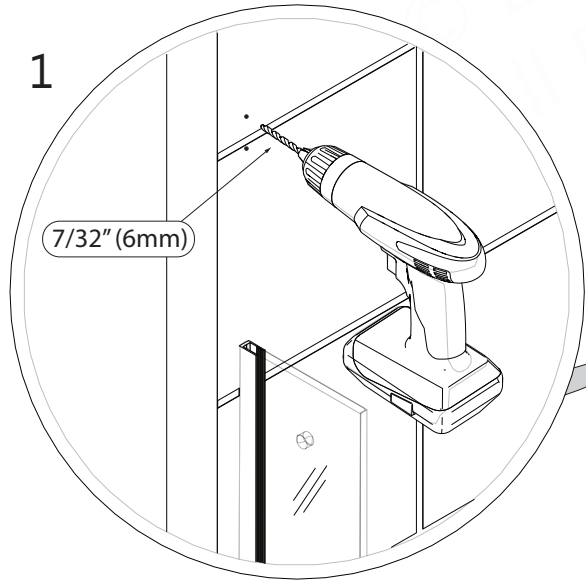
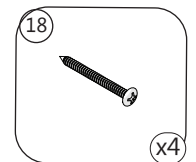
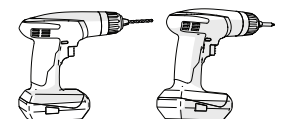


Fig 13

Parts Needed



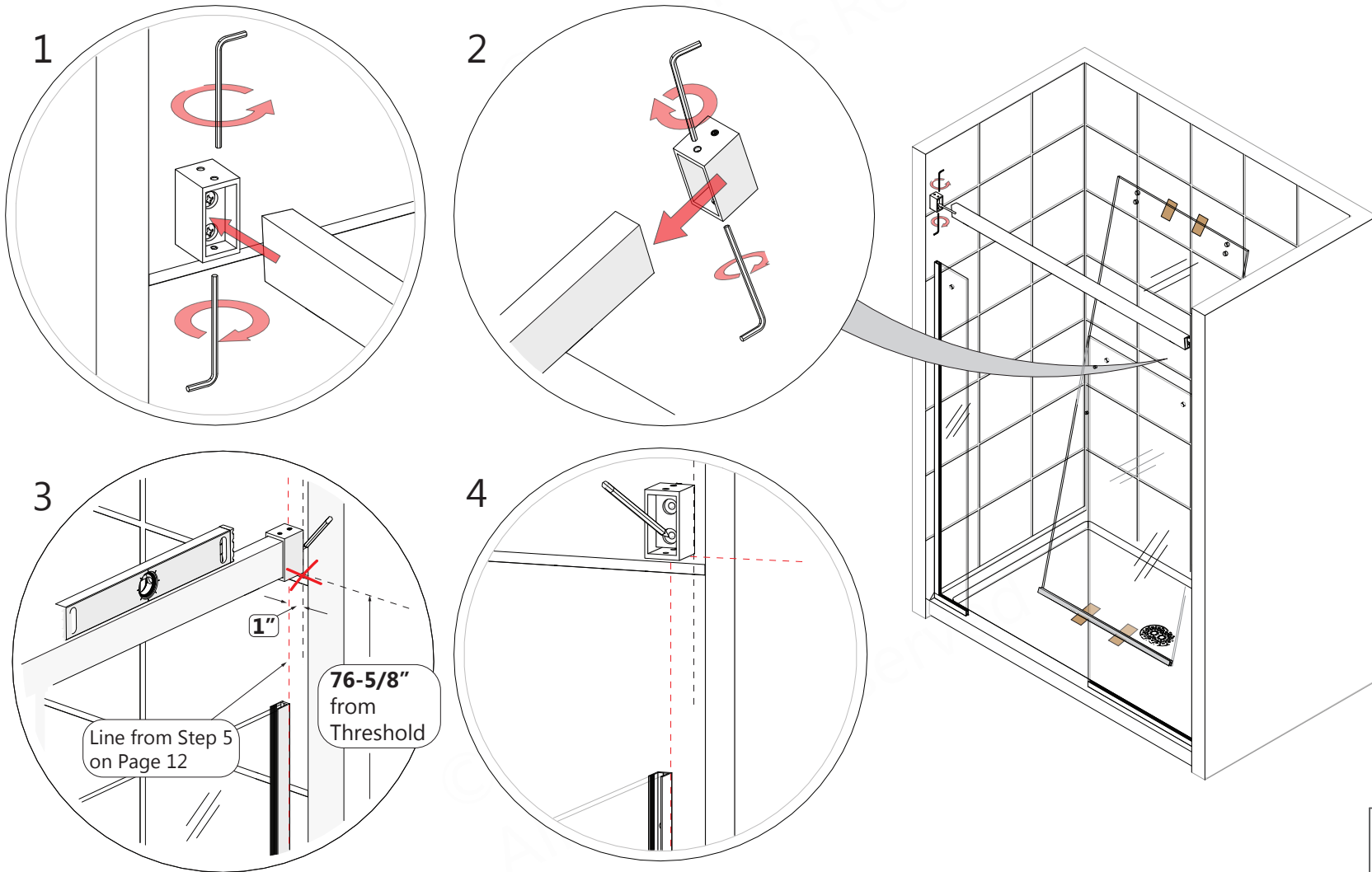
Tools Needed



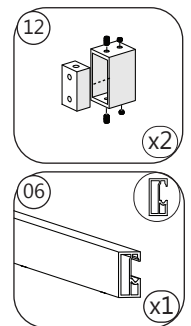
14

NOTE

Place the left side of the **Top Guide Rail** in the installed **Guide Rail Bracket**. Install the 2nd **Guide Rail Bracket** (#12) on the right end of the **Top Guide Rail** (#06). Level the **Guide Rail** across the opening. Place the outside bottom corner of the right **Guide Rail Bracket** **1"** forward of the line from **Step 5** and the bottom edge **76-5/8"** above the threshold. Have a helper hold the Guide Rail while marking the bracket location. Remove the Top Guide Rail and mark the holes for drilling. Set the **Top Guide Rail** and right **Guide Rail Bracket** aside. **Fig 14**



Parts Needed



Tools Needed

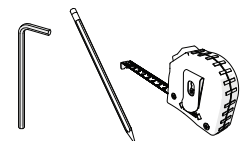


Fig 14

15

NOTE

Drill two $\text{Ø}7/32''$ (6mm) holes at the marks just made into the wall and any wood behind the wall. Install the **Guide Rail Bracket** to the wall using a **#3 Phillips Bit** and the **ST6 x 65mm Truss Head Screws (#18)**. Loosen and slide the **Outer Sleeve** of the **Guide Rail Bracket** onto the rail **Fig15.4**. Install the **Top Guide Rail** by inserting it in the left **Guide Rail Bracket**, then sliding the sleeve over the installed **Right Bracket Block Fig. 15.5**. Leave the set screws loose and check for level. **Fig 15**

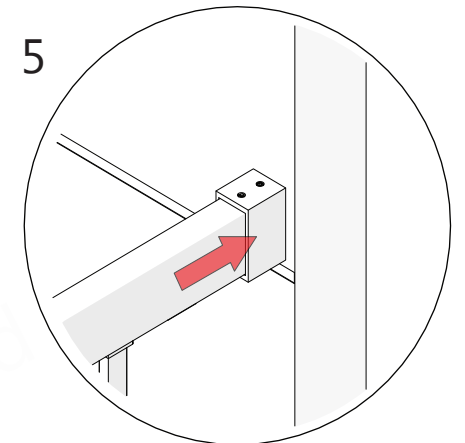
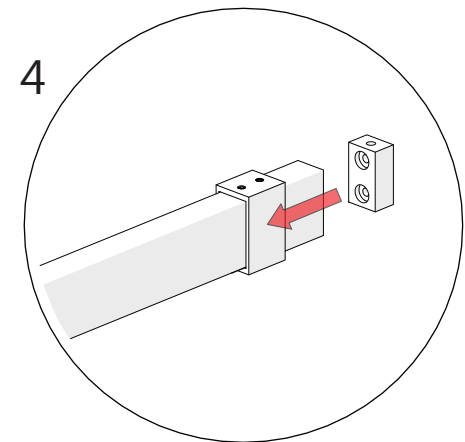
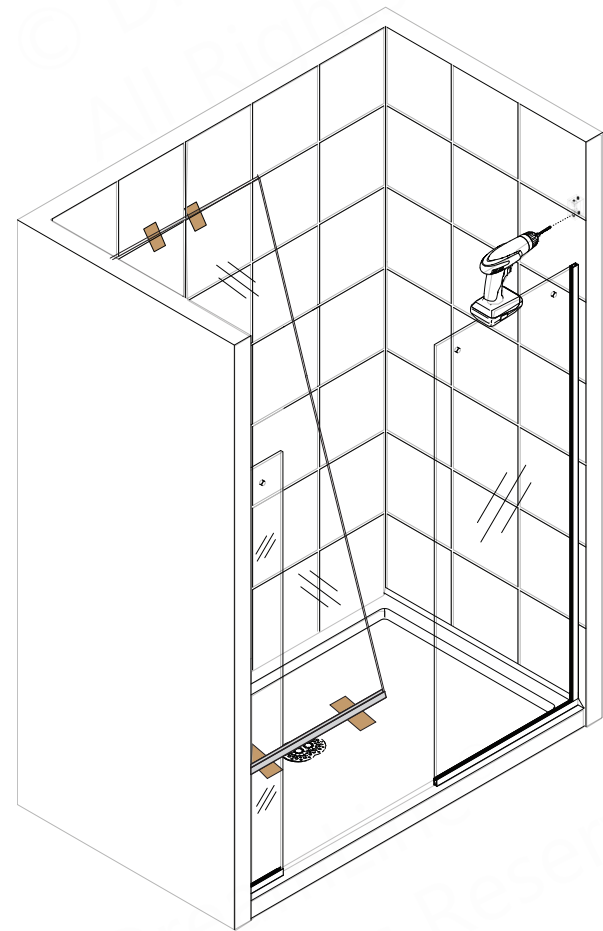
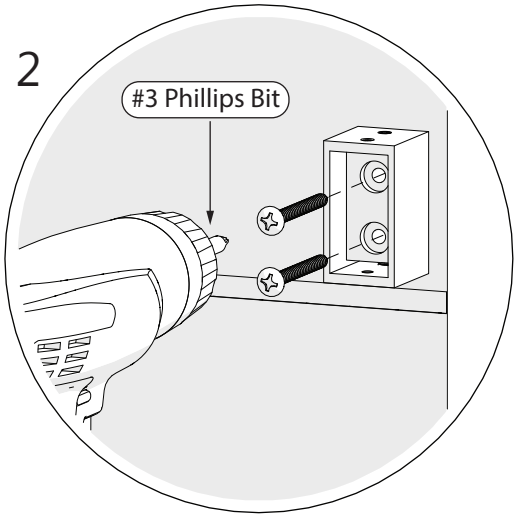
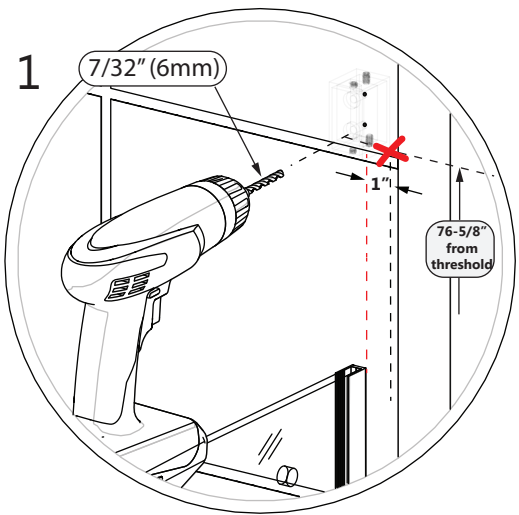
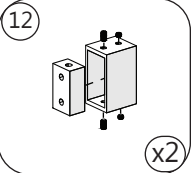
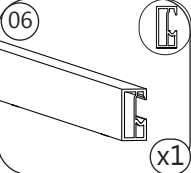


Fig 15

Parts Needed

 <p>12</p> <p>x2</p>	 <p>06</p> <p>x1</p>
---	---

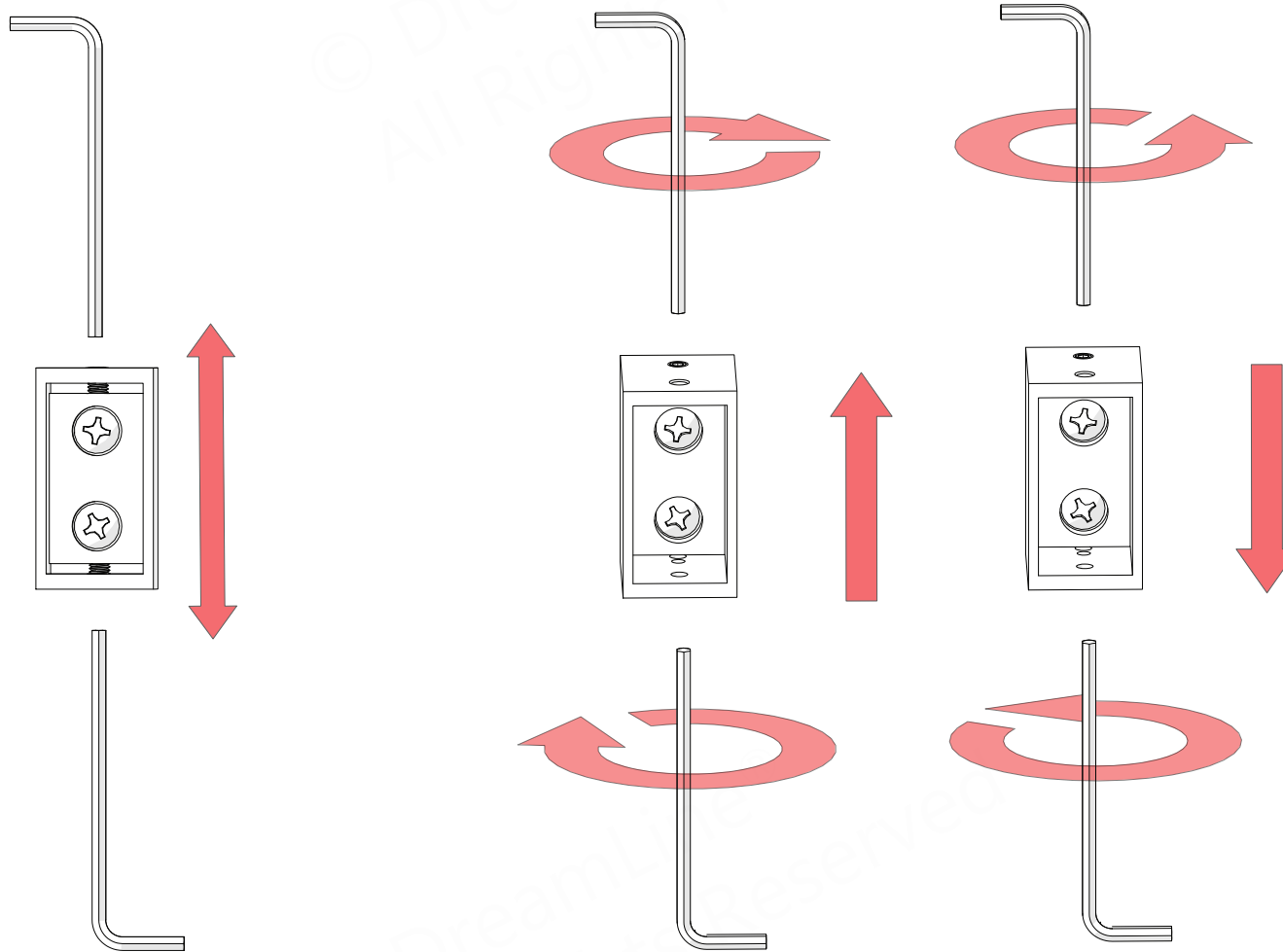
Tools Needed



16

NOTE

The **Top Guide Rail (#06)** can be adjusted slightly (to bring it to level if needed) by adjusting the **Guide Rail Brackets**. Turning the top and bottom outermost set screws will raise or lower the **Guide Rail Bracket** sleeve and the **Top Guide Rail** as well. **Fig 19**



Adjust Guide Rail Brackets to raise or lower that end of the Top Guide Rail

Raise end of Top Guide Rail

Lower end of Top Guide Rail

Tools Needed



Fig 19

17

NOTE

Install the **Small Inline Panel Bracket (#08)** on the **Small Inline Panel Glass (#25)**.
 Install both **Large Inline Panel Brackets (#09)** onto the **Large Inline Panel Glass (#24)**.
 Push the Brackets upward before tightening so they meet the **Guide Rail**. **Fig 11**

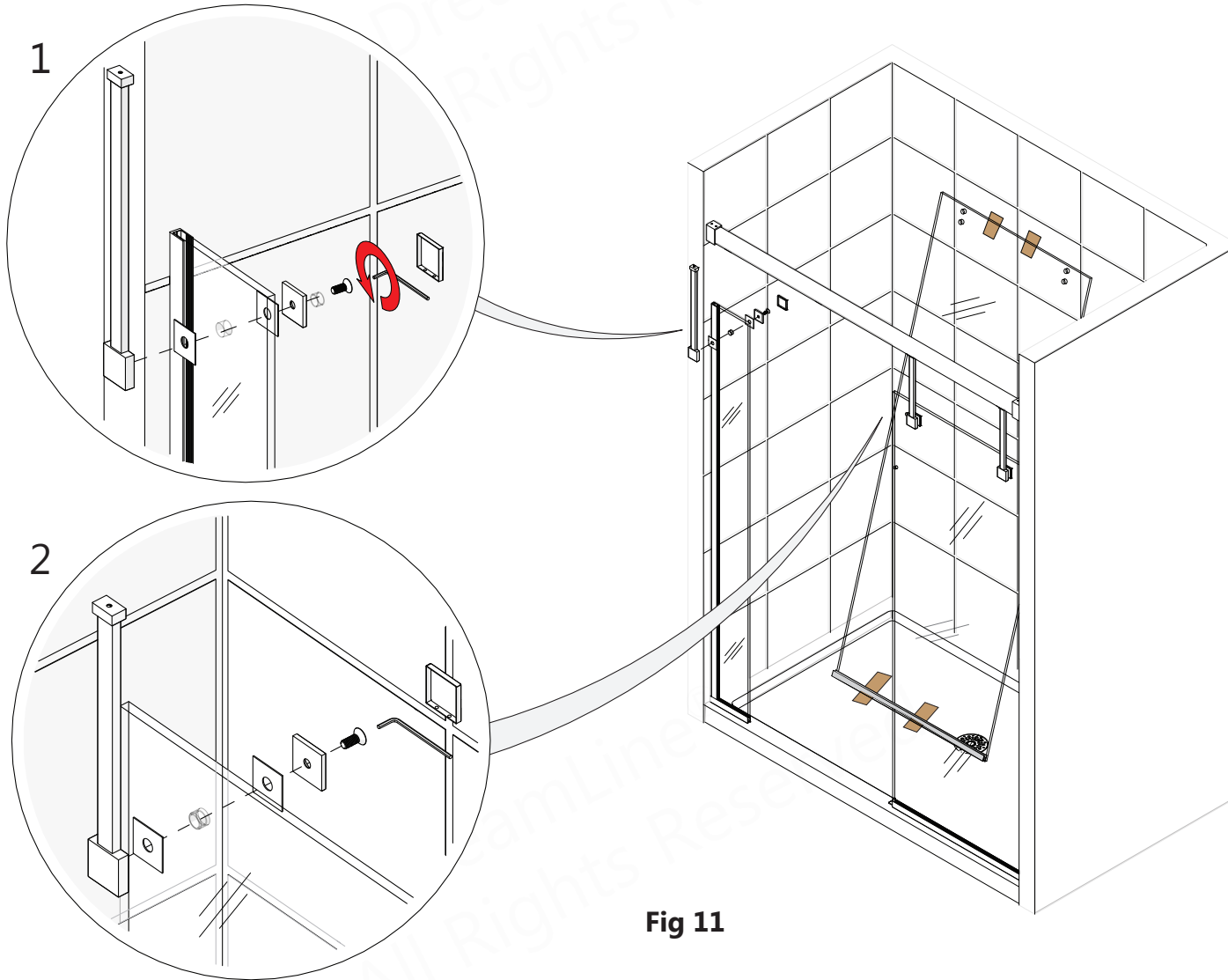
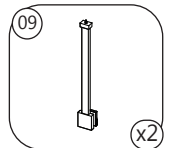
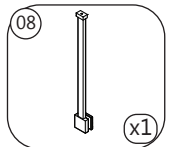


Fig 11

Parts Needed



Tools Needed



18

NOTE

Use a speed square to check the **Small and Large Panel Brackets (#08, 09)** for plumb. Mark the position of the top of the **Inline Panel Brackets** on the bottom of the **Top Guide Rail**, using the stickers on the bottom of the **Top Guide Rail (#06)** as general guides only. **Fig 16**

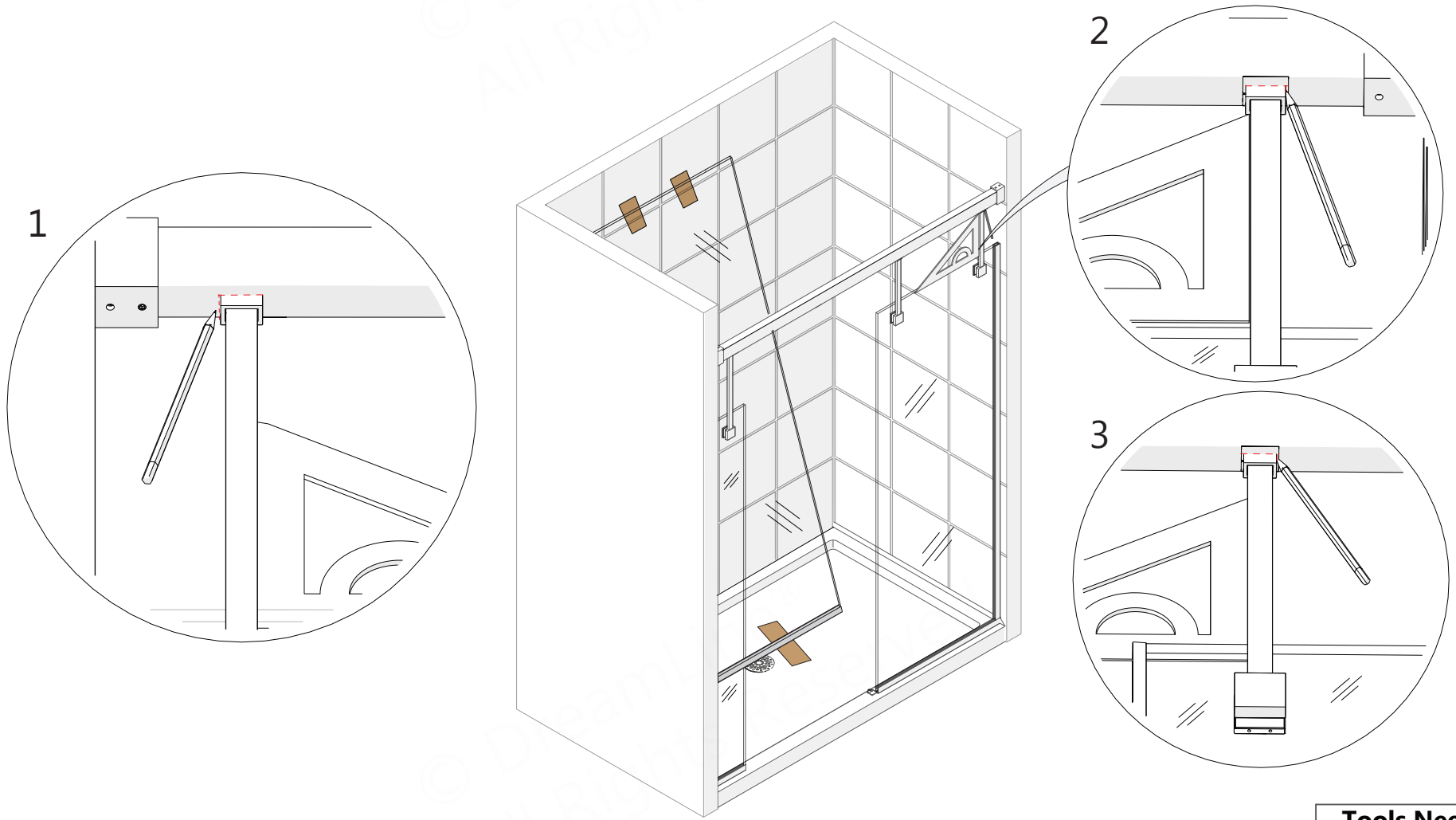


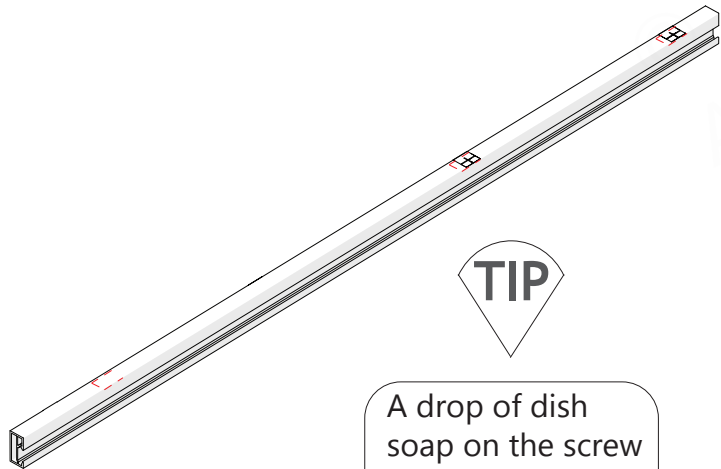
Fig 16

Tools Needed

19

NOTE

Slide the **Guide Rail Bracket** sleeves back over the **Guide Rail** and remove the **Top Guide Rail (#06)**. Loosen the rear set screws on the top of the three **Inline Panel Brackets** and remove the tops of the **Brackets**. Align them on the marks just made on the **Top Guide Rail (#06)** and mark the holes for drilling. Drill **Ø1/8" (3mm)** holes in the **Top Guide Rail** at the marks just made and install the tops of the **brackets** to the **Top Guide Rail** using the **ST4.2x 12 mm Countersunk screws (#19)**. The set screws on the **Brackets** should face the inside of the shower. **Fig 19**



TIP

A drop of dish soap on the screw threads will help them go in easier.

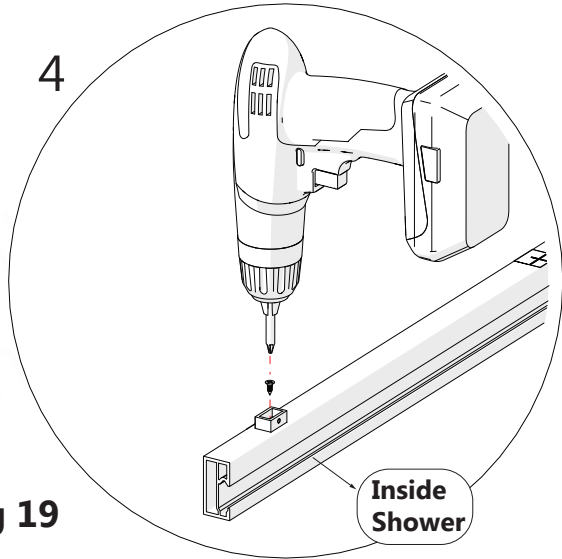
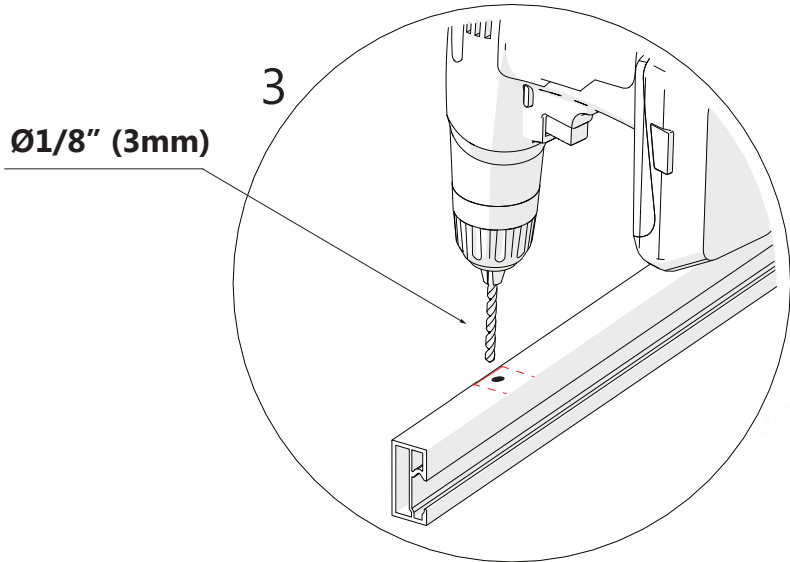
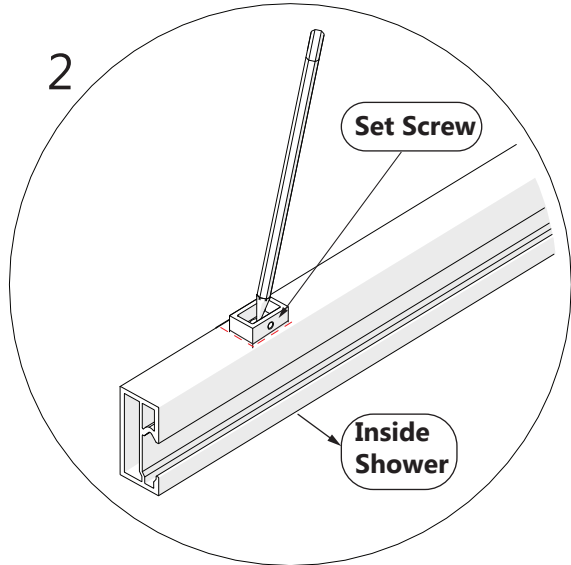
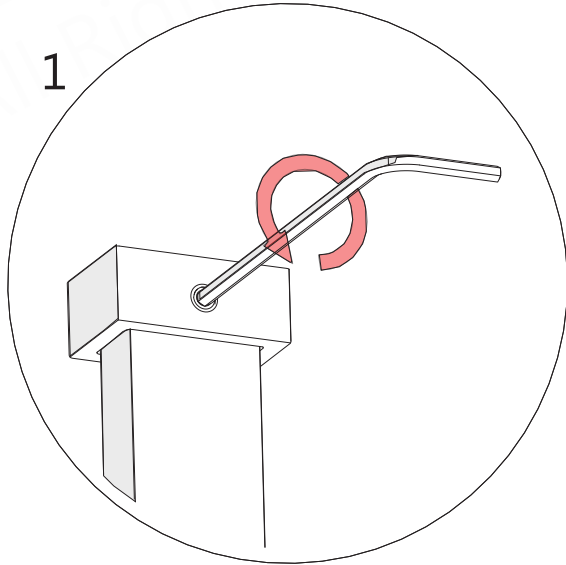


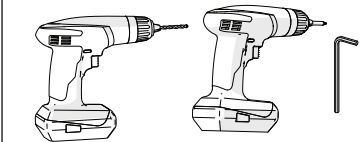


Fig 19

Parts Needed

- 08  x1
- 09  x2

Tools Needed



20

NOTE

Lower the **Top Guide Rail (#06)** onto the **Inline Panel Brackets (#08,#09)**. Use an Allen Key to tighten the set screws at the top of the **Inline Panel Brackets** (from inside the shower). Slide the **Guide Rail Brackets (#12)** back over the **Guide Rail Bracket Blocks** installed on the walls and tighten all set screws (top and bottom). **Fig 20**

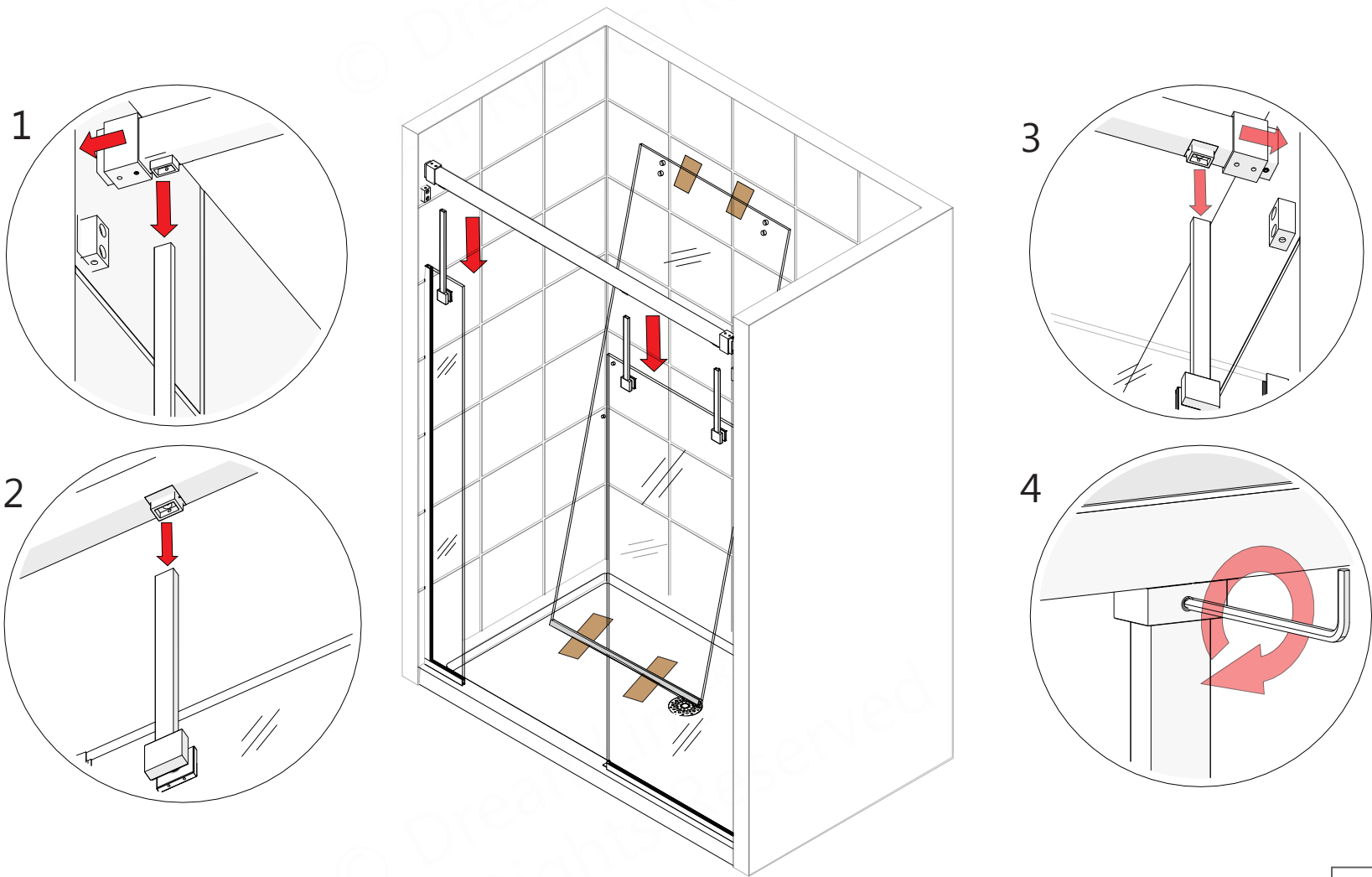


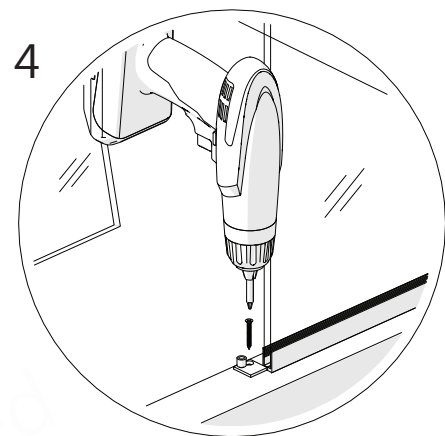
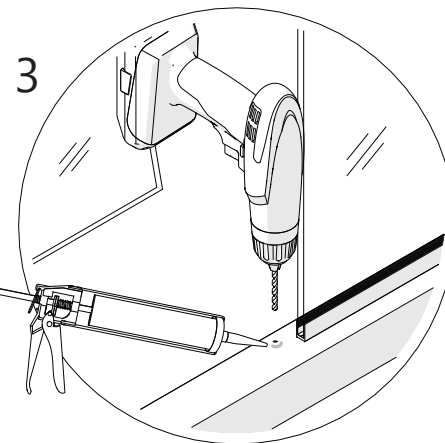
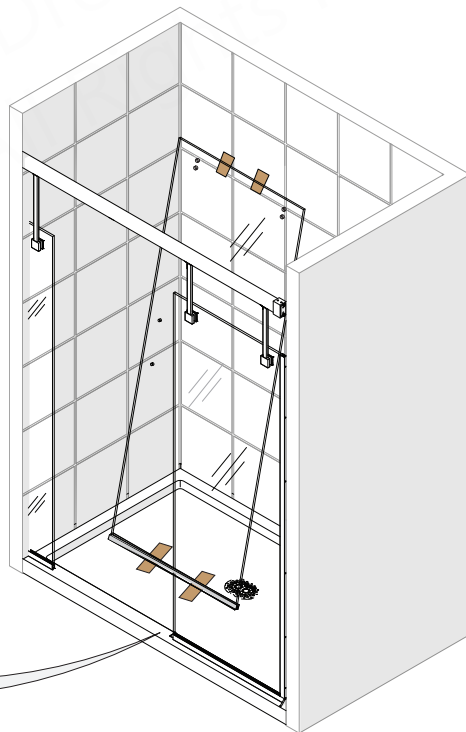
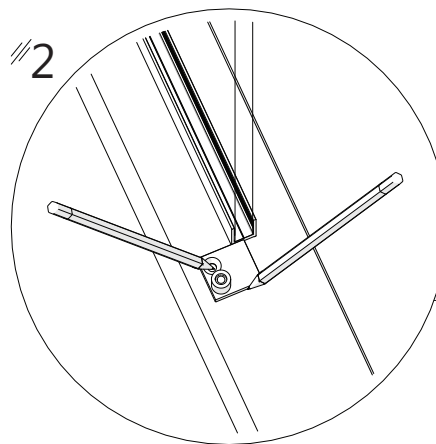
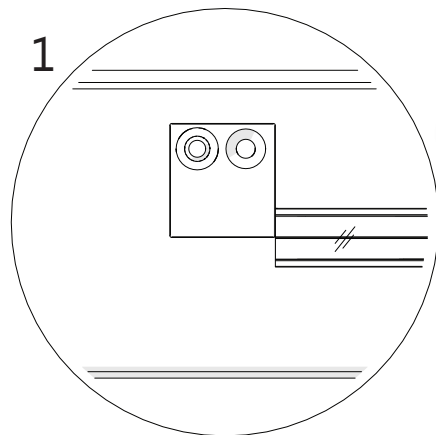
Fig 20

Tools Needed

21

NOTE

Place the **Guide Block (#11)** against the **Bottom U-Channel for Stationary Panel (#01)** on the threshold as pictured below, square and centered on the **U-Channel**, the roller on the inside of the shower. Mark the hole for drilling. Follow the drilling instructions below. Drill a hole in the threshold, apply a small bead of silicone under the **Guide Block (#11)** and install it using the **ST4.2 x 35 (#20) Countersunk Screw**. **Fig 21**



Parts Needed

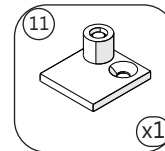
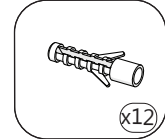
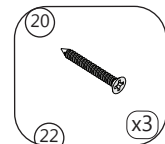


Fig 21

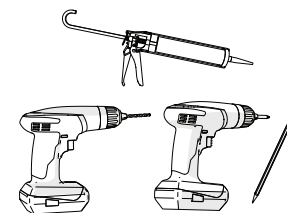
NOTE

▪ **If a stud is present behind the threshold:** drill a **Ø1/8" (3mm)** hole in the finished surface and into the stud and use the included **screw**.

OR

▪ **If no stud is present behind the threshold (i.e. Composite threshold):** Drill a **Ø5/16" (7mm)** hole, insert a **Wall Anchor (#22)** and use the included screw.

Tools Needed



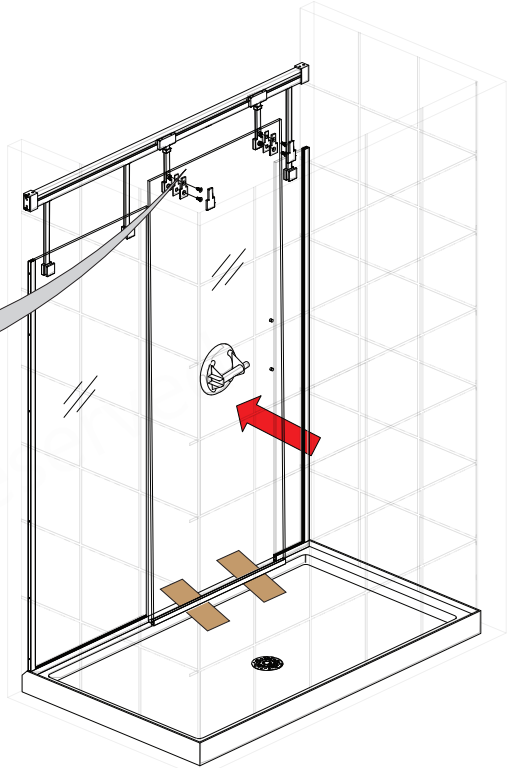
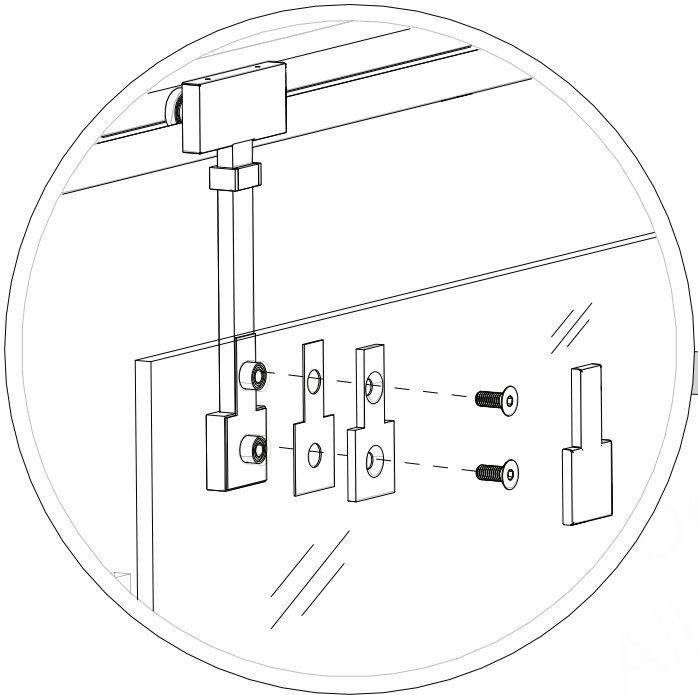
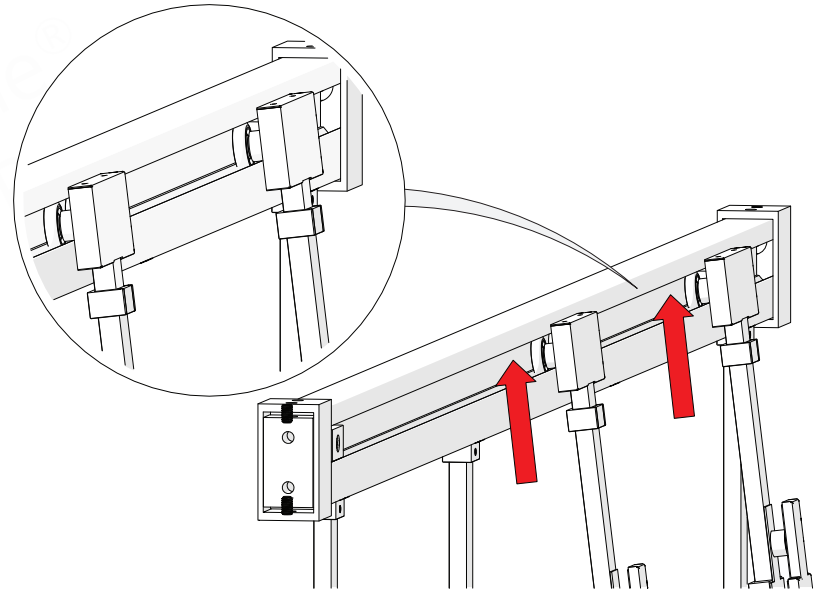
22

NOTE

Install the **Roller Assemblies** into the track in the **Top Guide Rail** by angling them and pushing upward. Use a glass suction cup to carefully bring the **Door Glass** forward to the **Rollers**. Use a helper and/or shims to raise and install the **Door Glass** on the **Rollers**. **Fig 22**

TIP

Be sure to use the vinyl gaskets on both sides of the **Door Glass**.



Parts Needed

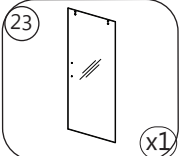

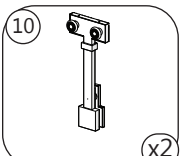
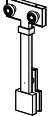
-  (23)  x1
-  (10)  x2

Fig 22

NOTE

Move the **Door Glass** so the **Guide Channel (#07)** on the bottom of the **Door Glass** rolls over the roller on the **Bottom Guide Block**. **Fig 23**

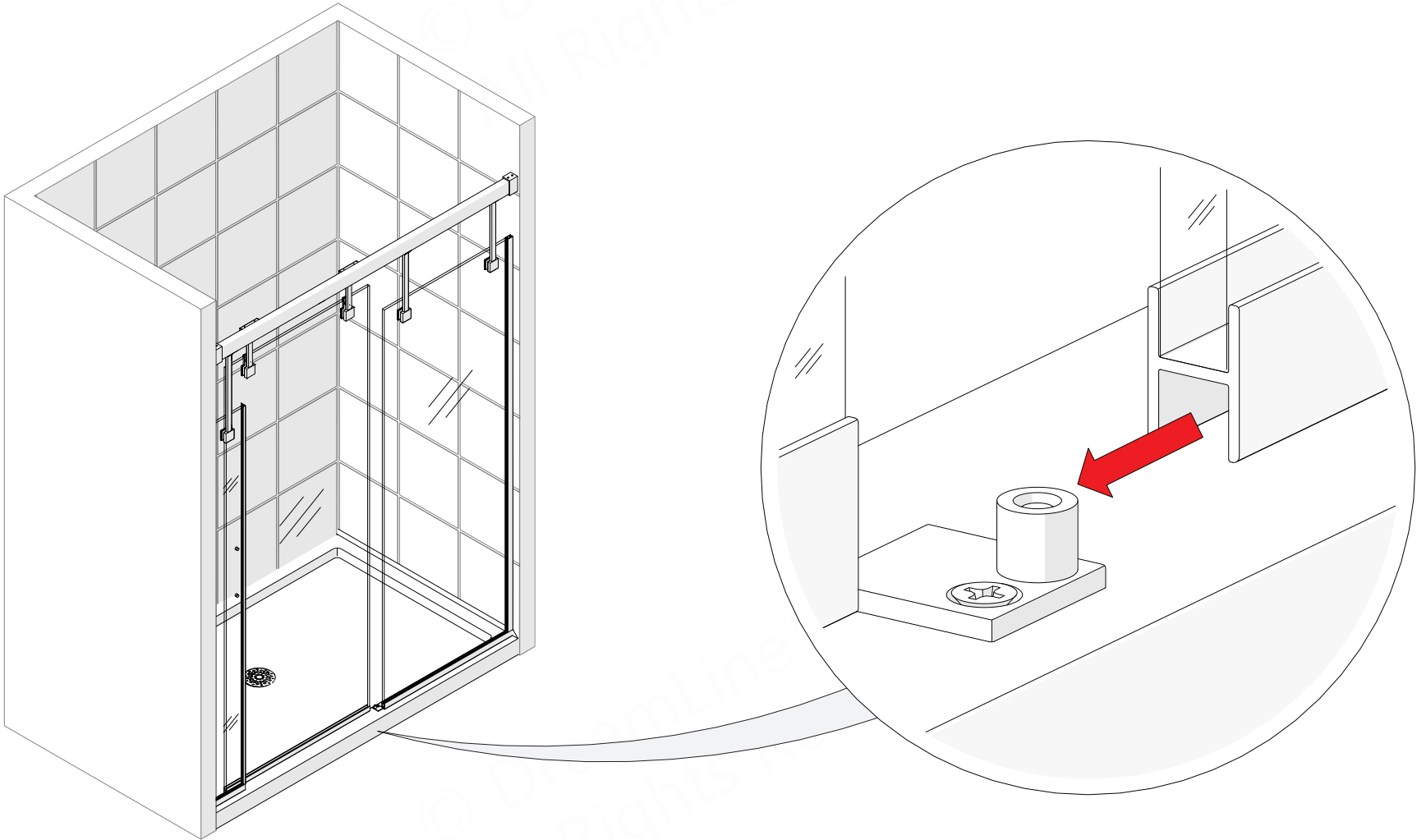
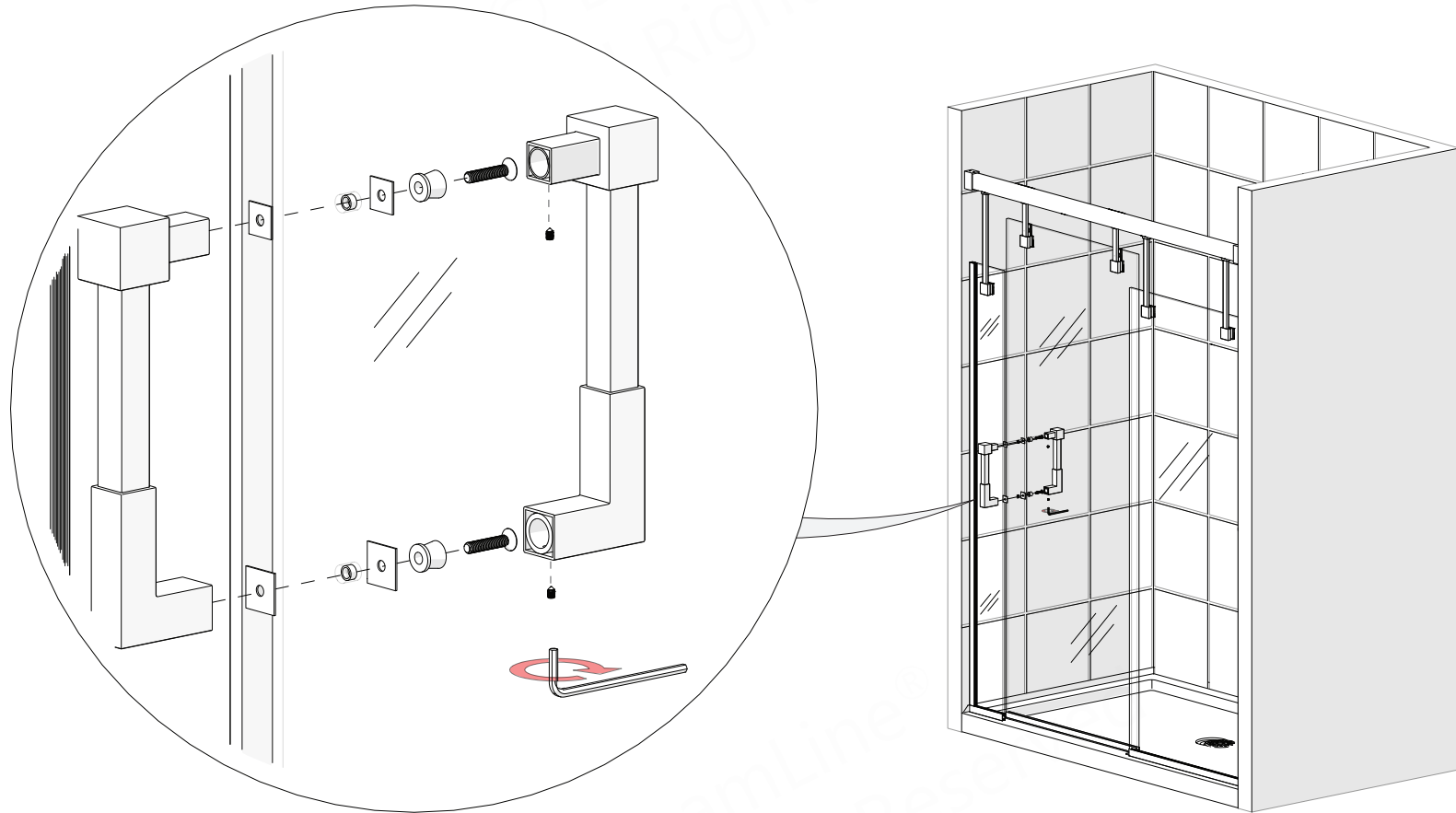


Fig 23

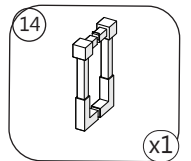
24

NOTE

Use an Allen wrench to install the **Handle (#14)** on the **Door Glass**. Be sure to use all gaskets between the metal and the glass. **Fig 24**



Parts Needed



Tools Needed



Fig 24

25

NOTE

Close the **Door Glass** so it overlaps both side panels, leaving 2-3" between the **Small Inline Panel Glass (#25)** and the **Handle (#14)**, allowing room to grasp the handle. Place a **Stopper (#13)** in the **Top Guide Rail**, adjacent to the outside of the **Roller Assembly** above the **Handle**, and mark the hole for drilling. Open the **Door Glass**, leaving 2-3" between the **Handle** and the **Large Inline Panel Glass (#24)**. Place the **Stopper (#13)** on the outside of the other **Roller Assembly**, and mark the hole for drilling. **Fig 25**

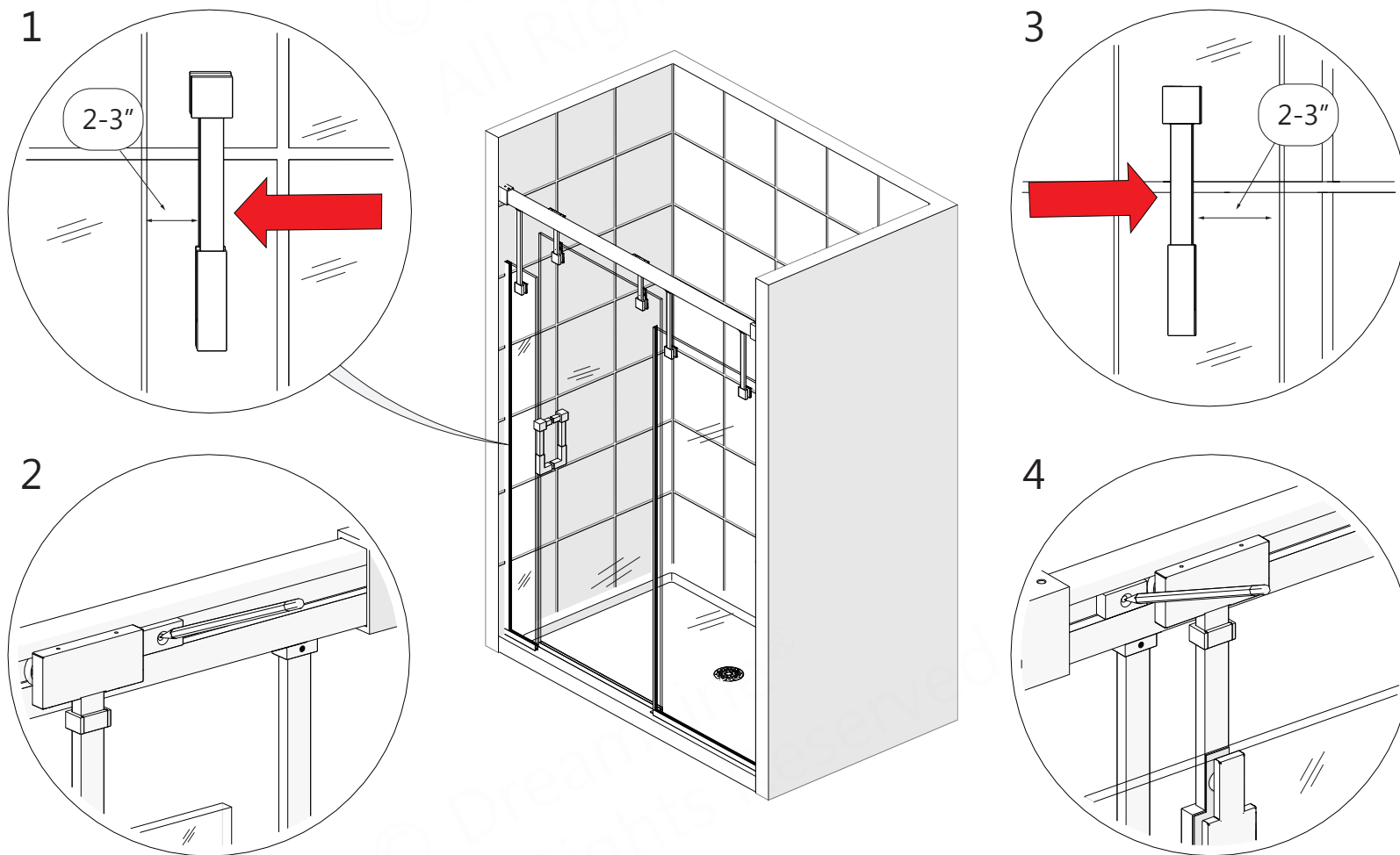
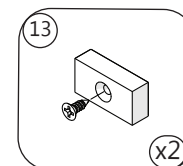


Fig 25

Parts Needed



Tools Needed



26

NOTE

Drill $\text{\O}1/8''$ (3mm) holes on the marks just made in the **Top Guide Rail**. Drill through one layer only and use a Phillips screwdriver to install both **Bumpers (#13)**. **Fig 26**

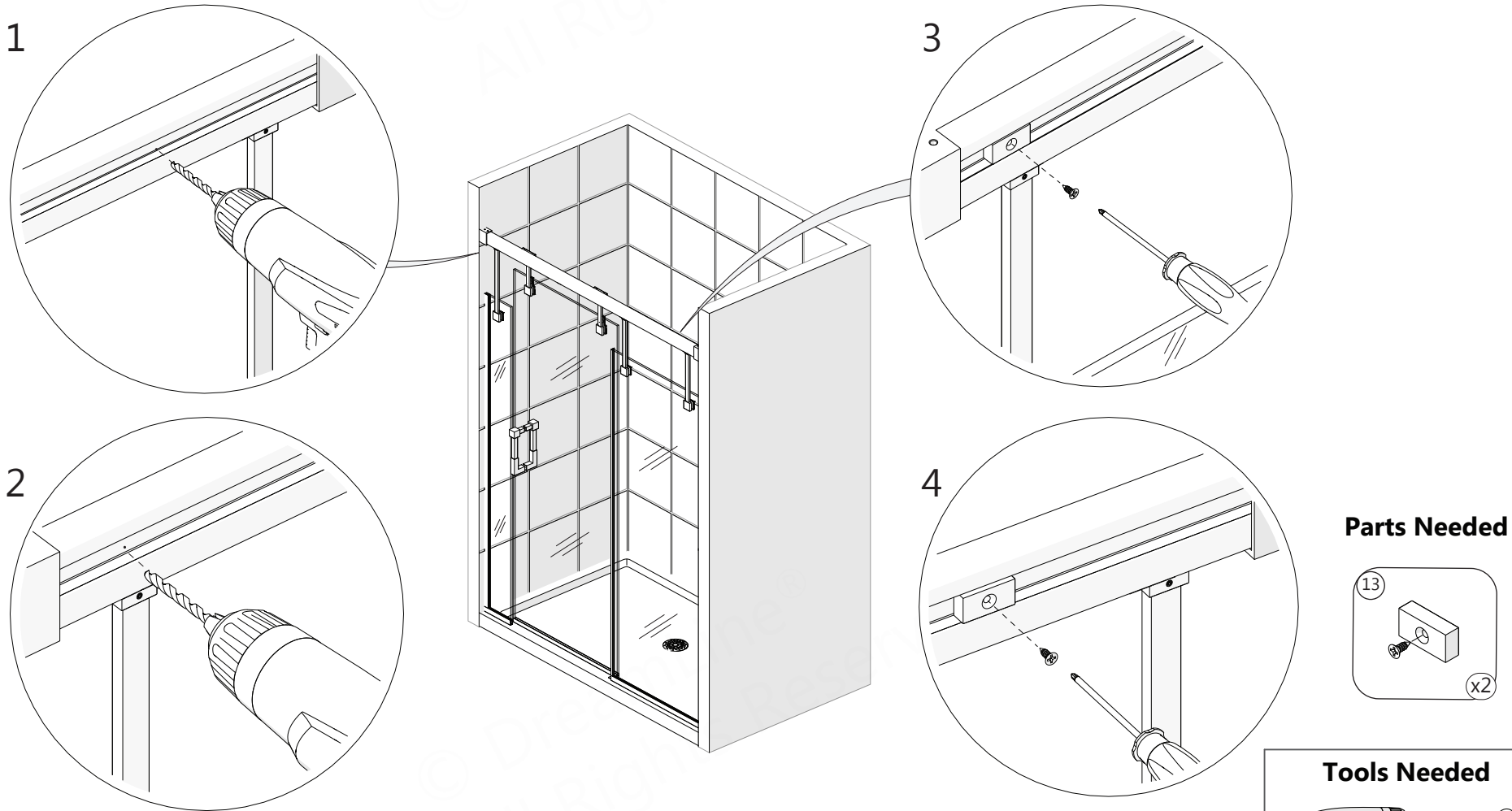


Fig 26

27

NOTE

Measure the distance between both **Bottom U-Channels**. Mark that length on both the **Threshold Dam Strip (#05)** and the **VHB Threshold Seal (#16)**. Use a chop saw to cut the **Threshold Dam Strip** and a razor knife to cut the **VHB Threshold Seal**. **Fig 27**

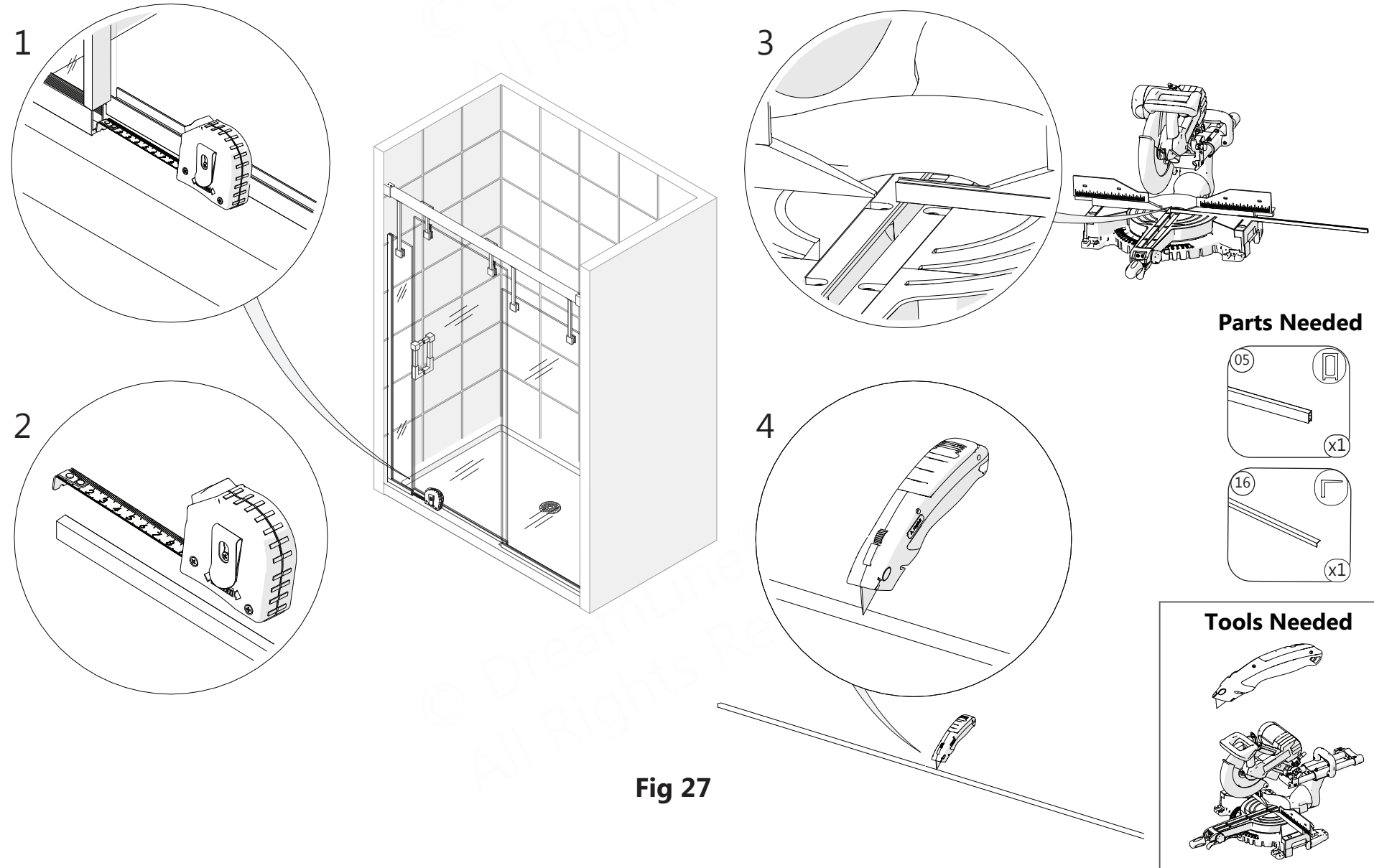


Fig 27

28

NOTE

Remove the paper backing from the VHB Tape on the **VHB Threshold Seal (#16)** and adhere it parallel to the top inside edge of the **Threshold Dam Strip (#05)**, noting the position of the soft fin. Turn the assembly upside down and apply a 1/8" bead of high-quality, mold-resistant silicone to the bottom of the **Threshold Dam Strip (#05)**. **Fig 28**

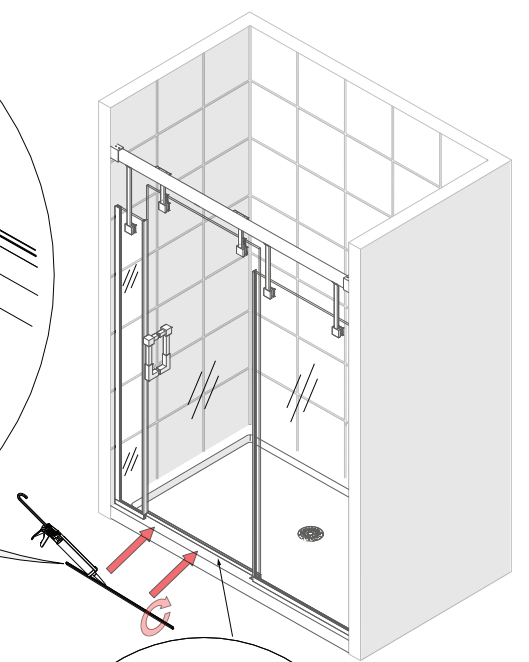
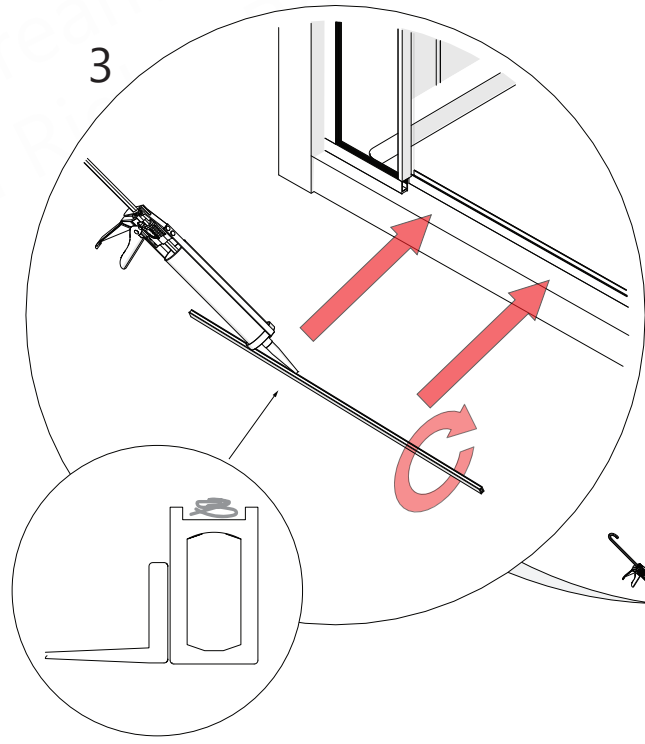
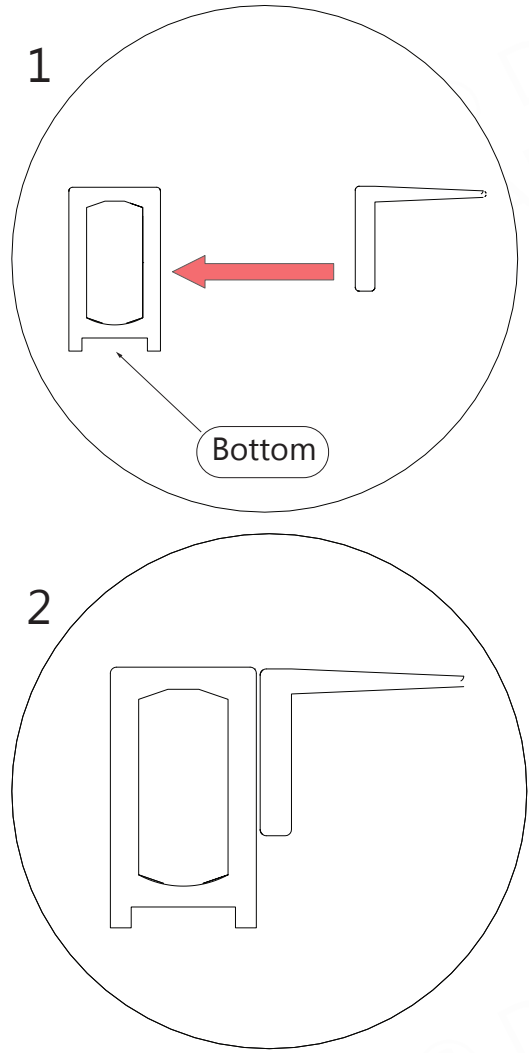
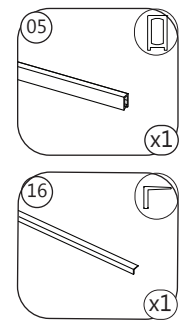


Fig 28

NOTE

Install the assembly on the threshold between the two **Bottom U-Channels**, with the fin on the **VHB Threshold Seal** facing the inside of the shower. **Fig 28**

Parts Needed



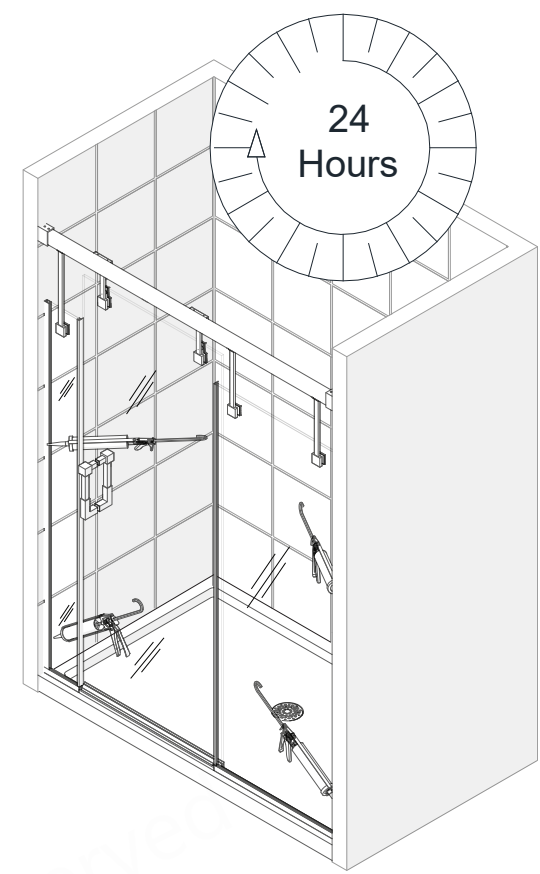
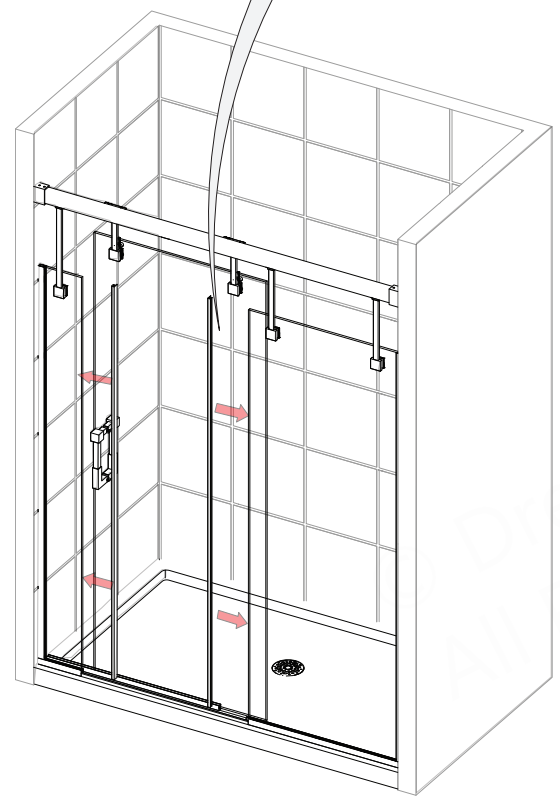
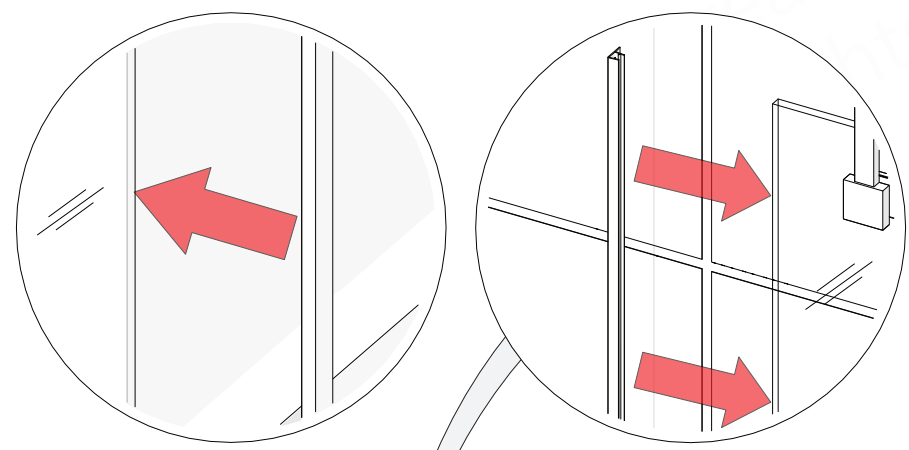
Tools Needed



29

NOTE

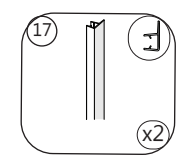
Install one of the **Vertical Vinyl Seals for Stationary Panels (#17)** on the **Large Inline Panel Glass (#24)** with the soft fin facing inward. Measure the edge of the **Small Inline Panel Glass (#25)** and cut the remaining **Vertical Vinyl Seal** to that length. Install the remaining **Vertical Vinyl Seal**. **Fig 28**



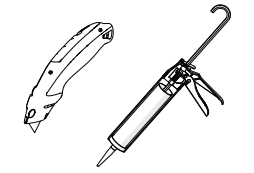
NOTE

Apply a good-quality, mildew-resistant silicone to the entire interior perimeter of the shower door. Allow **24 hours** for the silicone to fully cure before using the shower. **Fig 28**

Parts Needed



Tools Needed



Product Maintenance

BASES and BACKWALLS: To ensure long lasting life for your acrylic back walls: wipe them off after each use with a soft cloth. To clean the acrylic back walls use non-abrasive sprays or cream based cleaners. Avoid the use of aerosol spray cleaners. Never use abrasive cleansers, metal brushes or scrapers that could permanently scratch or dull the surface.

GLASS: To ensure long lasting life for your glass shower products: wipe them off after each use with a soft cloth. Rinse and wipe off the glass using either a soft cloth or a squeegee to prevent soap buildup and water spots (Hard water can etch the surface of the glass over time if left to dry). To prevent scratching the surface: never use abrasive cleaners or cleaning products that contain scouring agents. Never use bristle brushes or abrasive sponges that may scratch the surface of the glass.

HARDWARE: To ensure a long lasting finish: wipe off all metal parts after each use with a soft cloth. Do not use abrasive cleaners or cleaning products containing ammonia, bleach or acid. If accidentally used, rinse the surface as soon as possible to prevent damage to the finish (peeling or corrosion). After cleaning the polished finishes, rinse thoroughly and wipe dry with a soft clean-cloth. Clean stainless steel surfaces at least once a week. When applying stainless steel cleaner or polish to stainless steel hardware, work with the grain (not across the grain). Never use an abrasive sponge or cloth, steel wool or wired brush as these may permanently scratch the surfaces.



To maximize the life of your door, it is important to regularly inspect the glass and other hardware for misalignment, proper attachment, and/or damage. Contact DreamLine® with any questions or concerns.

Avenue Maintenance Checklist

- Guide Rail** level and tight
- Guide Rail Brackets** tight to the walls
 - o All set screws tight
- Panel Glass** secure
- U-Channels** secure
- Guide Block** properly positioned and square to the U-Channel for the Large Stationary Panel
- Roller Assemblies** tight
- Stoppers** tight and positioned correctly
- Adequate Handle clearance when the Door Glass is closed
- Remove vinyl seals to **inspect the edges of the Door Glass** for concealed damage
 - o **Damaged glass must be replaced!**
- Replace damaged or missing vinyl seals
- Inspect and replace silicone as necessary to prevent water leakage

Troubleshooting

Problem/Symptom	Suggested Solution	Page(s)
Missing Parts	<ul style="list-style-type: none"> •Check all shipping/packaging material for missing parts/components. •If not found, contact DreamLine Customer Support [1-866-731-2244] to order factory part replacement. 	5-7
Top Guide Rail (#06) was cut too short or cut from the wrong end during installation	<ul style="list-style-type: none"> •The Top Guide Rail (#06) is pre-cut for the model size, and will be shorter than the model width to allow for the Guide Rail Brackets (#12) •If the Top Guide Rail (#06) was cut too short or if it was cut from the wrong end during installation, contact DreamLine® Customer Support [1-866-731-2244] to order factory part replacement. 	11
Water Leakage	<ul style="list-style-type: none"> •Confirm the Threshold Dam Strip (#05), VHB Threshold Seal (#16), and the Vertical Vinyl Seals (#17) are installed correctly. •Confirm that the entire unit has been properly sealed with silicone caulk; allow at least 24 hours to allow the silicone to cure and set before using the shower unit. •Direct the shower head/water flow away from the area. 	33-35
The Door Glass rolls by itself	<ul style="list-style-type: none"> •Check the Top Guide Rail (#06) for level. Adjust the Guide Rail Brackets (#12) if necessary. 	26
Door Glass not traveling smoothly	<ul style="list-style-type: none"> •Confirm the Bottom Guide Block (#11) is square to and positioned correctly against the UChannel for Large Stationary Panel Glass (#01). •Confirm the Guide Channel (#07) on the Door Glass (#23) is installed correctly and is making contact with the roller only on the Bottom Guide Block (#11). •Confirm the Guide Channel (#07) on the Door Glass (#23) is installed correctly and is only making contact with the roller on the Bottom Guide Block (#11). •Be sure there is nothing in the Top Guide Rail (#06) (such as debris) that could block the Roller Wheel Assemblies (#10). 	28, 29
Door Glass travels too far in either direction	<ul style="list-style-type: none"> •Confirm both Door Stoppers (#13) are correctly installed and secure. 	31-32
Mishandled glass	<ul style="list-style-type: none"> •Always take precautions when handling tempered glass. •A glass suction cup and an assistant are helpful when carrying large, heavy lites of glass. •Never allow tempered glass (especially the edges) to come in contact with any hard surface. Such contact can cause chipping, splintering or complete glass failure. •Any damaged glass should be replaced immediately. •Do not use a shower with damaged glass. •Leave the plastic corner protectors on the glass until ready to install. •Always protect the glass once removed from the box by padding the top and bottom of the glass with cardboard, Styrofoam or other soft material until ready to install. 	—

Prior to contacting DreamLine® Customer Service, please have the following information readily available:

- Purchase Order Information
 - Name, PO Number, Dealer/Vendor Name, etc.
- SKU/Model Number (see Cover Page)
- Factory Part Information (see Page 39)

Factory Parts Information

SHDR-5060790-##

AVENUE SHOWER DOOR		FACTORY PARTS INFORMATION	
ITEM #	FACTORY PART NUMBER	ITEM DESCRIPTION	QTY
01	041540 X 1-0645	Bottom UChannel for Large Stationary Panel	1
02	041540 X 1-0180	Bottom UChannel for Small Stationary Panel	1
03	041540 X 1-1642	Vertical UChannel for Small Stationary Panel	1
04	041540 X 1-1710	Vertical UChannel for Large Stationary Panel	1
05	041690 X 1-0699	Threshold Dam Strip	1
06	042700 X 1-1484	Top Guide Rail	1
07	042710 X 1-0720	Guide Channel for Door Glass (Bottom)	1
08	0702 X 252	Small Inline Panel Bracket	1
09	0702 X 253	Large Inline Panel Bracket	2
10	0702 X 254	Roller Assembly Bracket	2
11	0702 X 256	Bottom Guide Block	1
12	0702 X 255	Guide Rail Bracket	2
13	07550162	Door Stopper	2
14	0722 X 100	Handle Assembly	1
15	07550083	5mm PVC Spacer Strip	1
16	063024000-1507	VHB Threshold Seal	1
17	063002100-1710	Vertical Vinyl Seals	2
18	090112	ST6 x 65mm Truss Head Screw	4
19	092102	ST4.0x16mm Countersunk Screw	4
20	092107	ST4.0 x 35mm Countersunk Screw	3
21	092108	ST4.2 x 40mm Countersunk Screw	12
22	07552148	Wall Anchor	12
23	010050001	Door Glass	1
24	010050003	Large Inline Panel Glass	1
25	010050002	Small Inline Panel Glass	1

BOLD digit indicates finish: 1 = Chrome; 4= Brushed Nickel; 06=ORB; 09=Satin Black

Contact **Support@DreamLine.com** for Part replacement, installation assistance or additional information.

Complete **Warranty** information is available on **DreamLine.com**.

NOTES

© DreamLine®
All Rights Reserved

© DreamLine®
All Rights Reserved

NOTES

© DreamLine®
All Rights Reserved

© DreamLine®
All Rights Reserved

© DreamLine®
All Rights Reserved



© DreamLine®
All Rights Reserved

TEL: 866-731-2244
FAX: 866-857-3638
DREAMLINE.COM



For more information on DreamLine® Shower Doors and Enclosures please visit [DreamLine.com](https://www.DreamLine.com)