



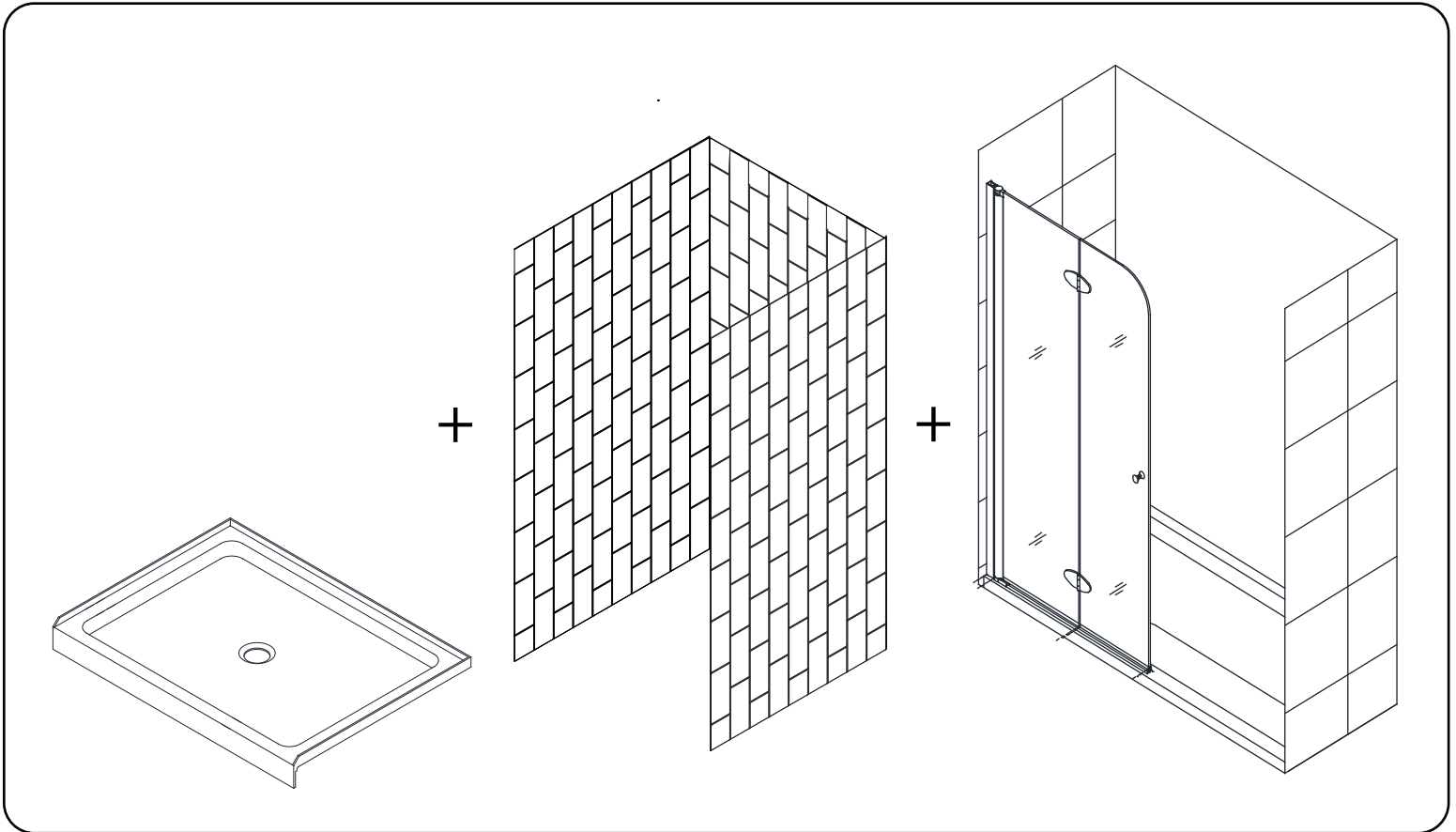
# AQUA FOLD

## SHOWER DOOR, BASE AND BACKWALLS INSTALLATION INSTRUCTIONS

PLEASE REVIEW THIS ENTIRE MANUAL PRIOR TO INSTALLATION

### IMPORTANT!

DreamLine® reserves the right to alter, modify or redesign products at any time without prior notice for the purpose of product improvement and customer experience. Please refer to the model's web page on **DreamLine.com** for the latest technical drawings, installation manuals, warranty information or additional product details.



**STEP 1: Shower Base Installation Instructions**

**STEP 2: Shower Backwalls Installation Instructions**

**STEP 3: Shower Door Installation Instructions**

**Do Not Return Product to the Store. Contact DreamLine® with any questions**



**Questions?**

Please contact DreamLine Customer Support  
See [DreamLine.com](http://DreamLine.com) for hours of operation

**Support@DreamLine.com**

**1-866-731-2244**



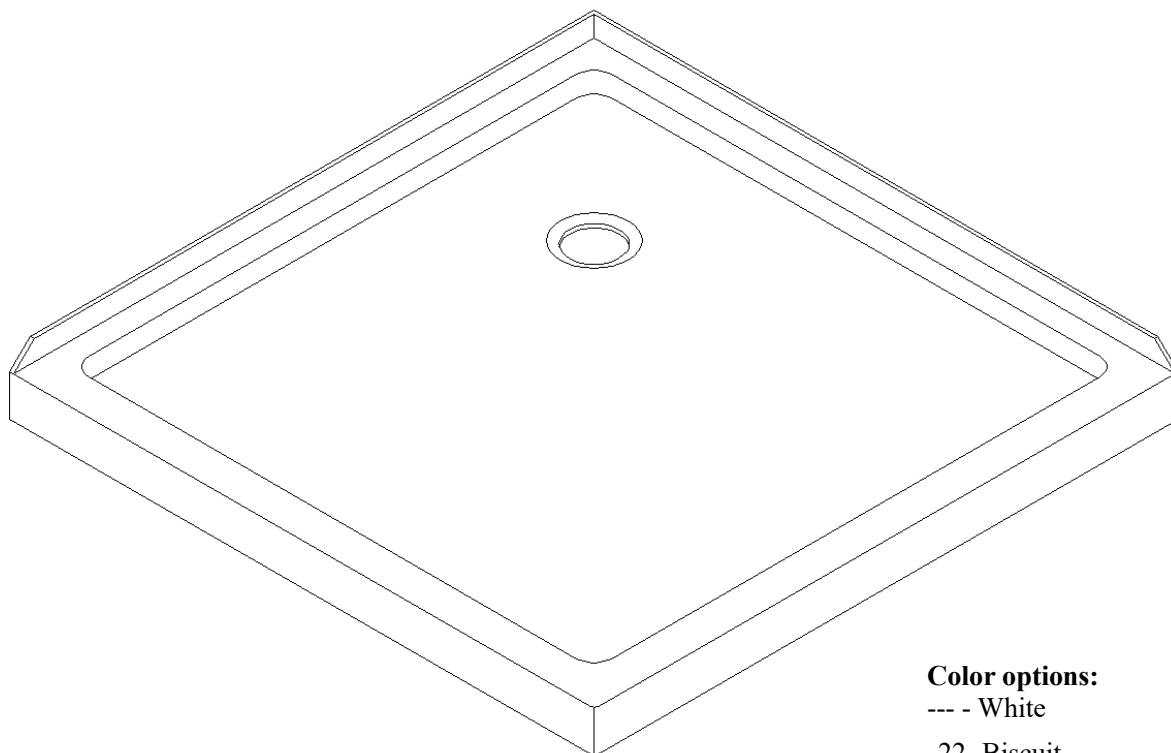


# SLIMLINE SHOWER BASE

## SHOWER BASE DIMENSIONS AND INSTALLATION INSTRUCTIONS

### IMPORTANT

**DreamLine®** reserves the right to alter, modify or redesign products at any time without prior notice for the purpose of product improvement and customer experience. Please refer to the model's web page on **DreamLine.com** for the latest technical drawings, installation manuals, warranty information or additional product details.



### Color options:

- - White
- 22- Biscuit
- 88- Black
- T44- Stone Texture Gray  
(60" single threshold only)

Double Threshold Shower Base with Corner Drain Configuration shown as an example

**Please review this entire manual before beginning installation**



### Questions?

Please Call DreamLine Customer Support: **1-855-831-2126**  
Hours of Operation M-F 8AM - 7PM EST and Saturday 9AM - 5PM EST

[Support@DreamLine.com](mailto:Support@DreamLine.com)



**For more information about DreamLine® products please visit [DreamLine.com](http://DreamLine.com)**

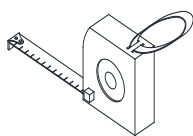
## Preparation

1. Prior to installation, examine all boxes and packages for shipping damage and compare the piece count with your packing slip. After opening all boxes and packages read this introduction carefully. Check that all of the parts are included in the package by checking off the components on the parts list. If the unit has been damaged, has a finishing defect, or has missing parts, please contact our customer support department within **3 business days** of the delivery date. Please note that **DreamLine® will not replace any damaged products or missing parts free of charge after 3 business days or if the product has been installed.** Please contact DreamLine® if with any questions and please provide an order number, job name or other proof of purchase to help identify the original order.
2. Install all of the required plumbing and drainage before installing the shower base. **Use a competent and licensed (if required by local code) plumber for all plumbing installation.**
3. **Shower bases must be installed by a licensed plumber. Please note that you should consult your local building codes with questions on installation compliance standards. Building and plumbing codes may vary by location and DreamLine® is not responsible for code compliance standards for your project.**
4. Make sure that prior to the installation the installation surface is leveled and solid and will be able to support the total weight of the unit. Also make sure the walls are at right angles. While some adjustment in leveling of the tray is possible, irregular installation surface level or improper angle of side walls will result in serious problems for your installation. Please note that some adjustments may be necessary during the installation process.
5. **Center drain configurations are centered on the width only. See technical drawing tables for drain locations.**
6. **Drain not included with this product.** The drain opening is 3-3/8" in diameter and **accepts a standard 2" compression fitted drain.**

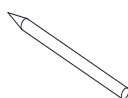
### **IMPORTANT NOTE:**

**Dimensions provided are for reference only. Measure the actual shower tray before installation. This includes overall dimensions and drain location. Allowed tolerance for center of the drain is +/-1/2".**

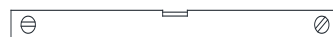
## Tools Required



Tape  
Measure



Pencil



Level

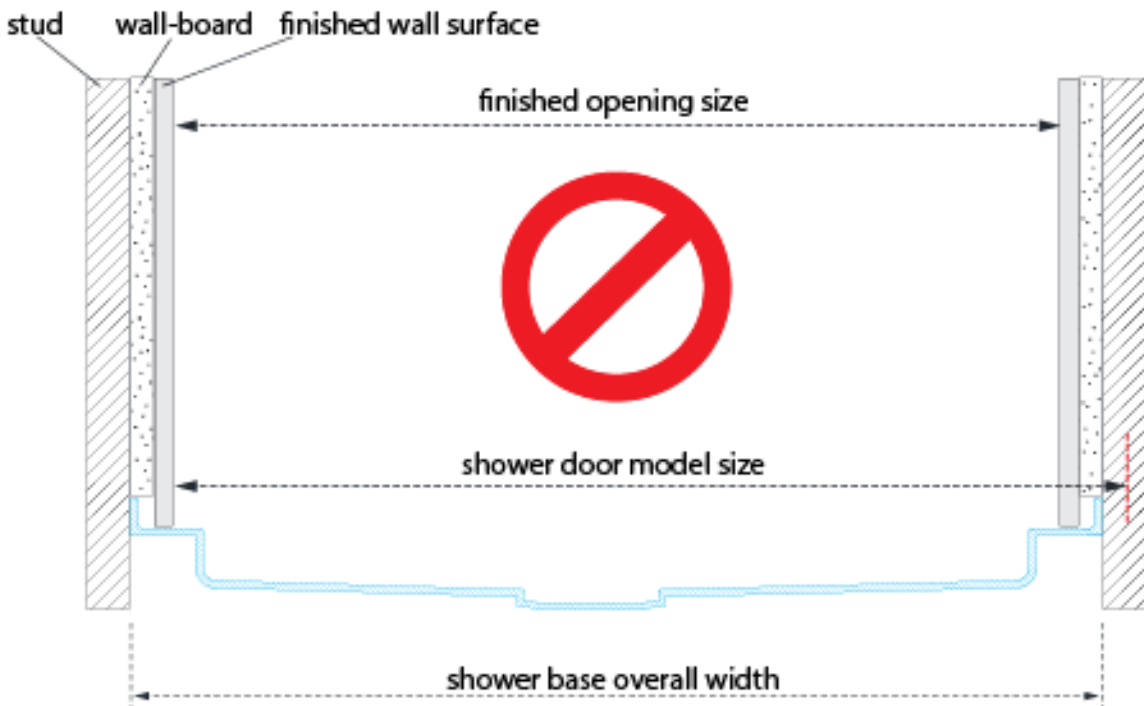
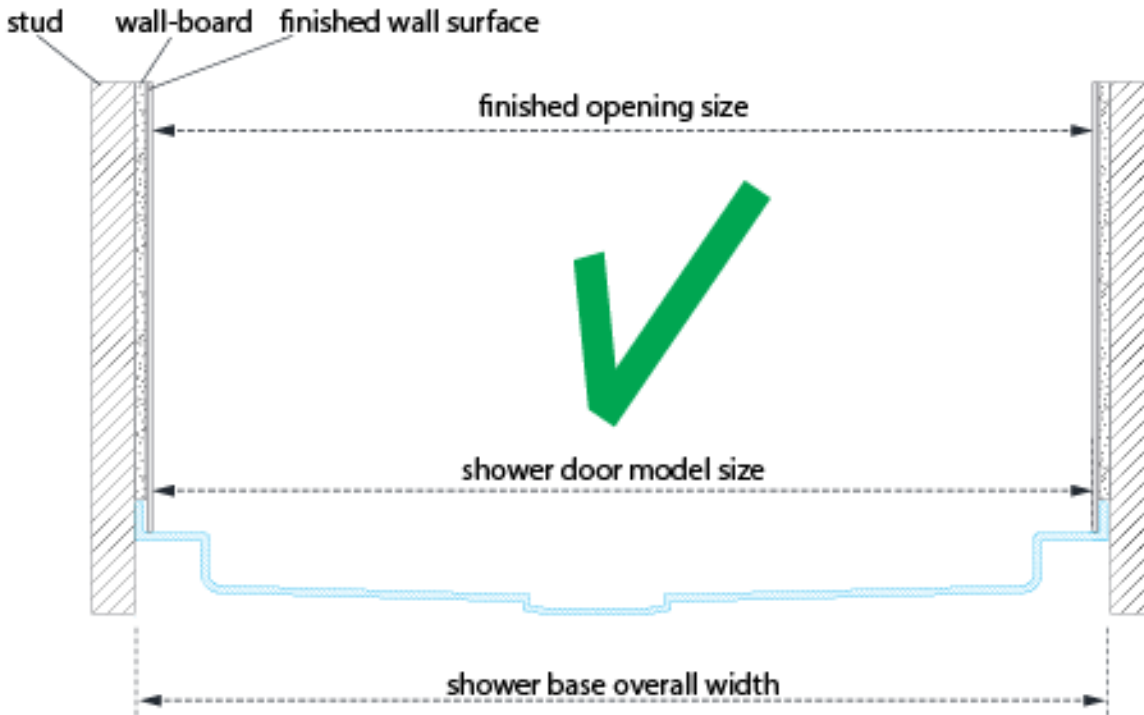


Mortar



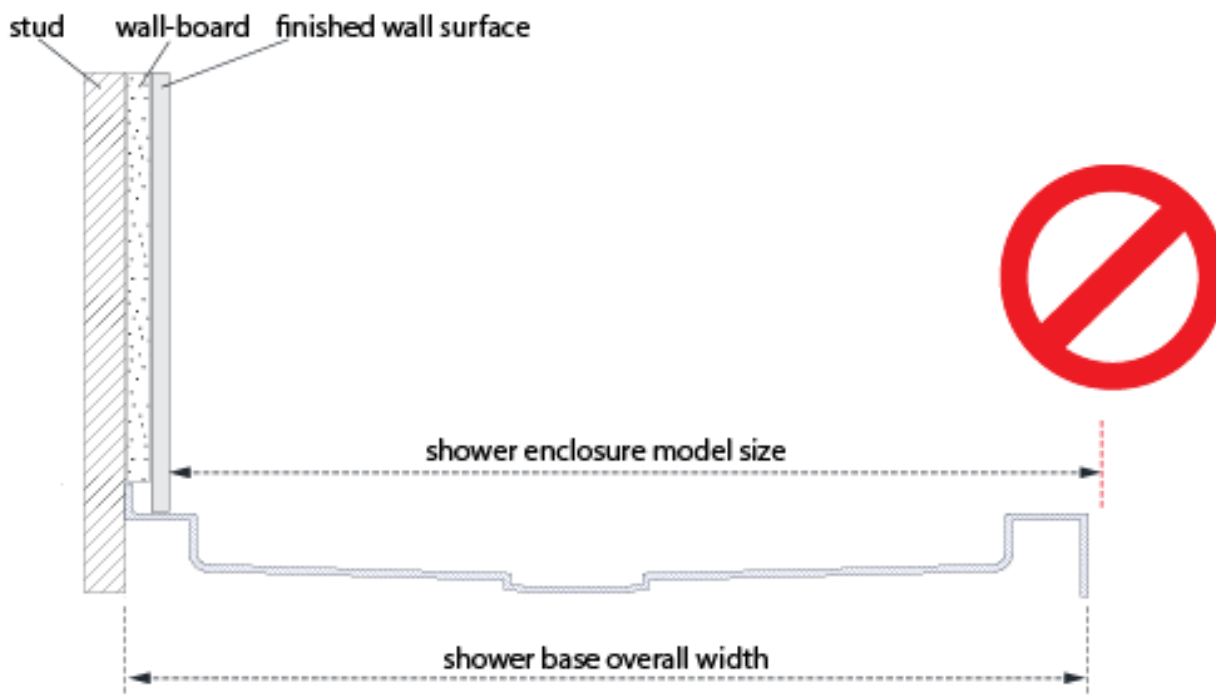
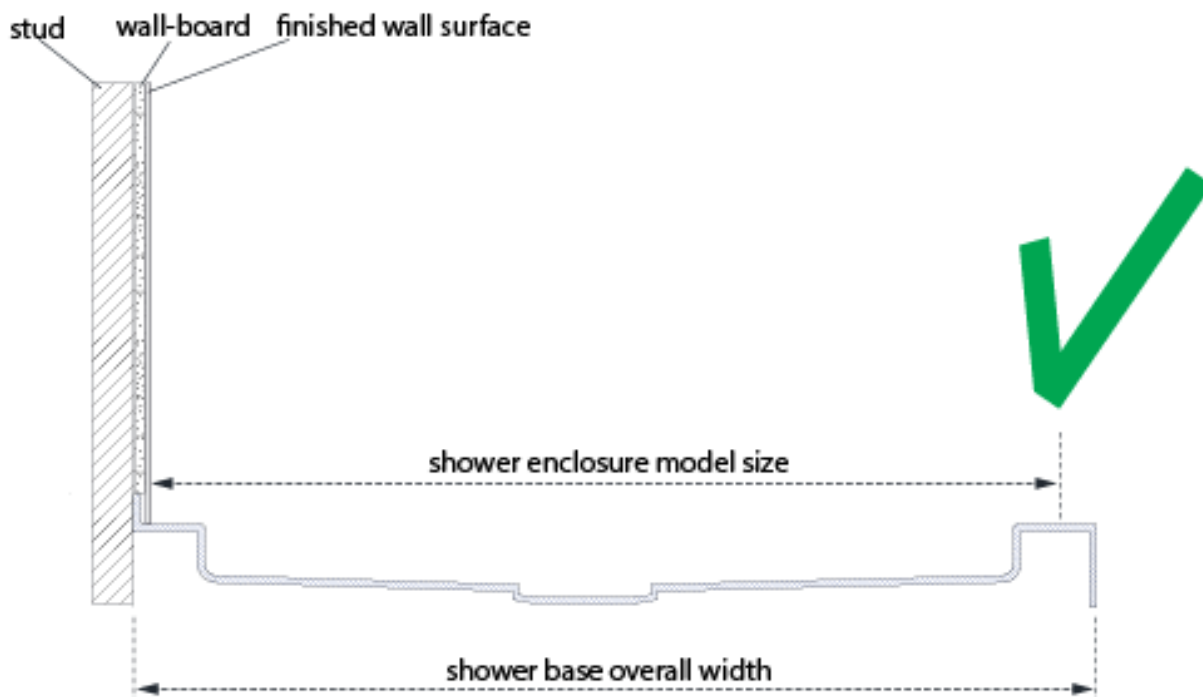
When constructing or installing a shower base, consider how **the thickness of the wall treatment (wallboard, tile, etc.) will affect the finished opening size for the shower door.**

Compare the overall dimensions of the shower door model with the finished opening size before proceeding with the installation.



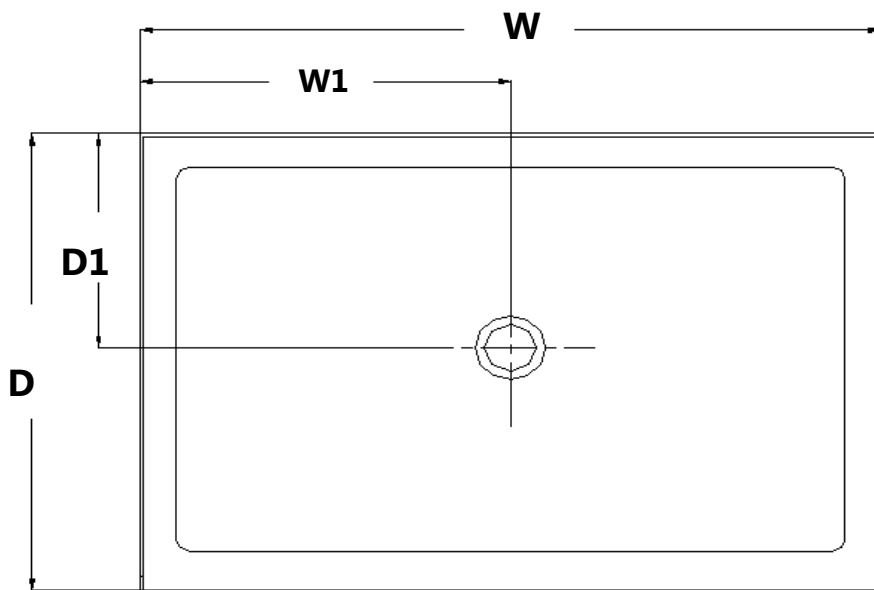
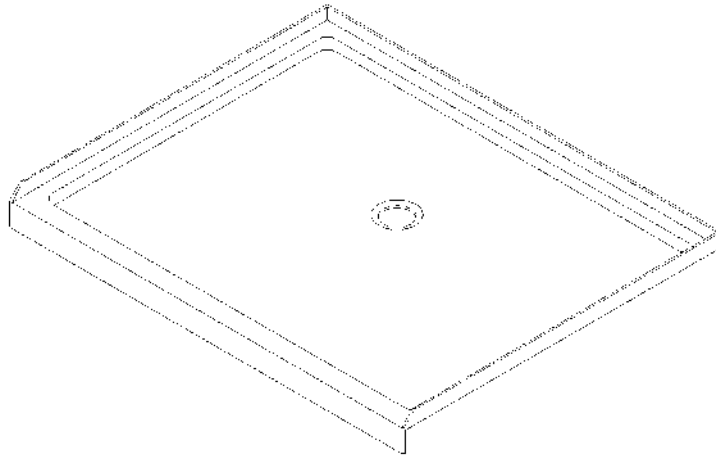


When constructing or installing a shower base, consider how **the thickness of the wall treatment (wallboard, tile, etc.) will affect where the shower enclosure will sit on the threshold.** Compare the overall outside dimensions of the shower enclosure model size with the finished threshold before proceeding with the installation.



## SINGLE THRESHOLD SHOWER BASE

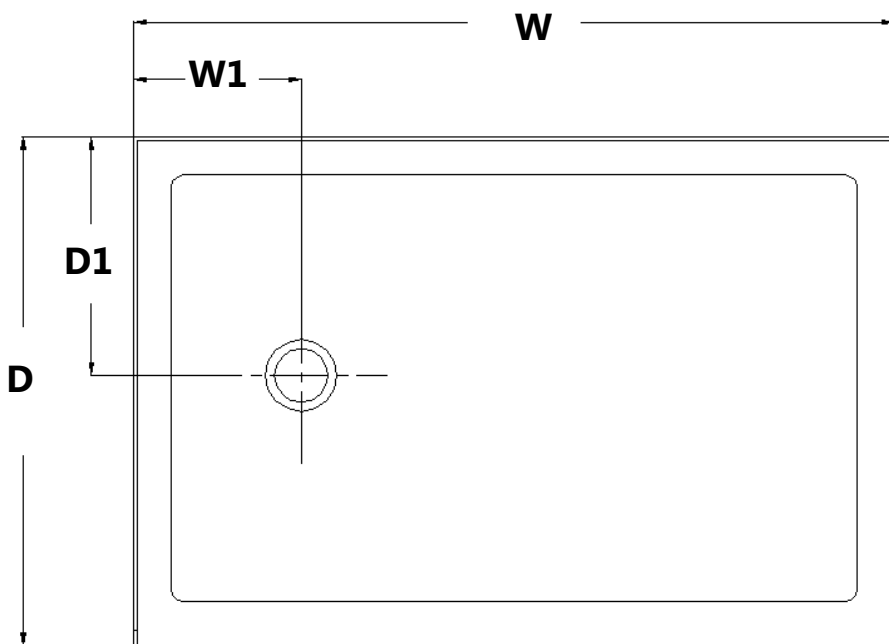
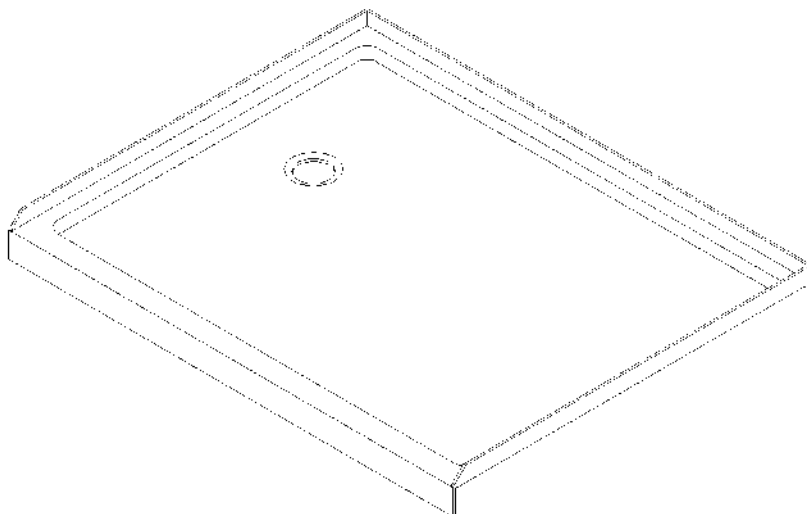
### Center Drain Configuration



MODEL	SPECIFICATION	D (in)	W (in)	D1 (in)	W1 (in)
DLT-1132320	32" x 32"	32"	32"	15"	16"
DLT-1136360	36" x 36"	36"	36"	15"	18"
DLT-1132420	32" x 42"	32"	42"	15"	21"
DLT-1134420	34" x 42"	34"	42"	15"	21"
DLT-1136420	36" x 42"	36"	42"	15"	21"
DLT-1142420	42" x 42"	42"	42"	20"	21"
DLT-1132480	32" x 48"	32"	48"	15"	24"
DLT-1134480	34" x 48"	34"	48"	15"	24"
DLT-1136480	36" x 48"	36"	48"	15"	24"
DLT-1132540	32" x 54"	32"	54"	15"	27"
DLT-1134540	34" x 54"	34"	54"	15"	27"
DLT-1136540	36" x 54"	36"	54"	15"	27"
DLT-1130600	30" x 60"	30"	60"	15"	30"
DLT-1132600	32" x 60"	32"	60"	15"	30"
DLT-1134600	34" x 60"	34"	60"	15"	30"
DLT-1136600	36" x 60"	36"	60"	15"	30"

# SINGLE THRESHOLD SHOWER BASE

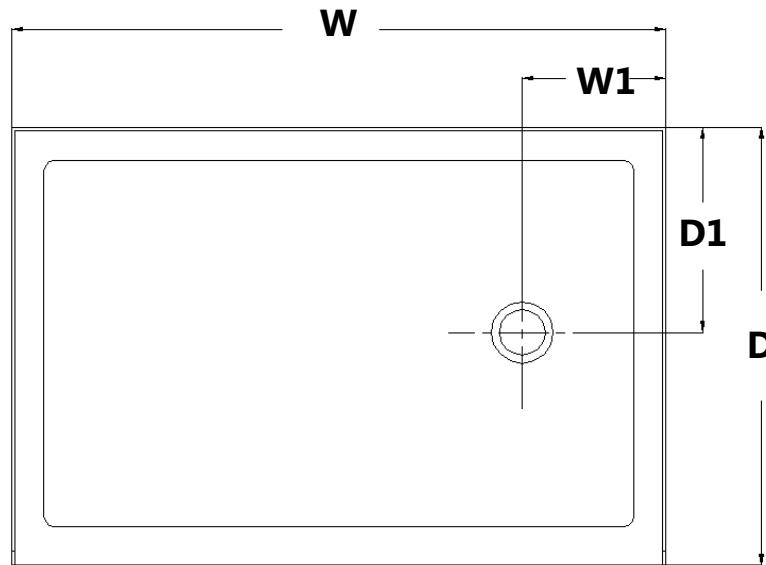
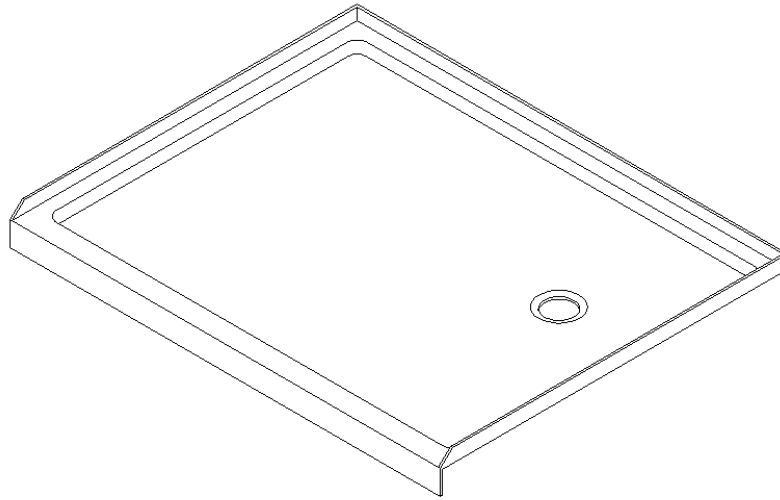
## Left-Hand Drain Configuration



MODEL	SPECIFICATION	D (in)	W (in)	D1 (in)	W1 (in)
DLT-1130601	30"×60"	30"	60"	15"	12"
DLT-1132601	32"×60"	32"	60"	15"	12"
DLT-1134601	34"×60"	34"	60"	17"	12"
DLT-1136601	36"×60"	36"	60"	18"	12"

# SINGLE THRESHOLD SHOWER BASE

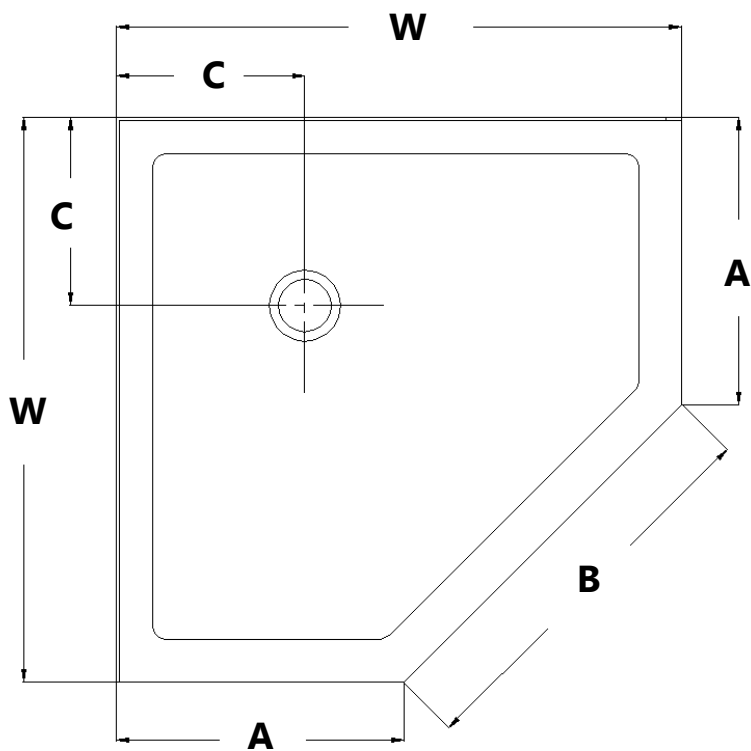
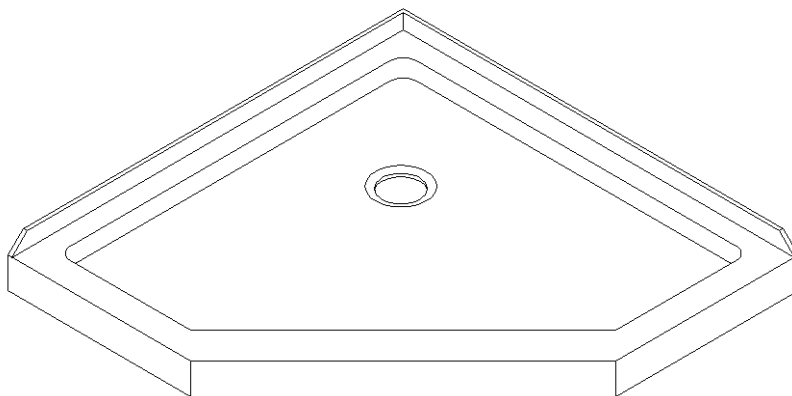
## Right-Hand Drain Configuration



MODEL	SPECIFICATION	D (in)	W (in)	D1 (in)	W1 (in)
DLT-1130602	30"×60"	30"	60"	15"	12"
DLT-1132602	32"×60"	32"	60"	15"	12"
DLT-1134602	34"×60"	34"	60"	17"	12"
DLT-1136602	36"×60"	36"	60"	18"	12"

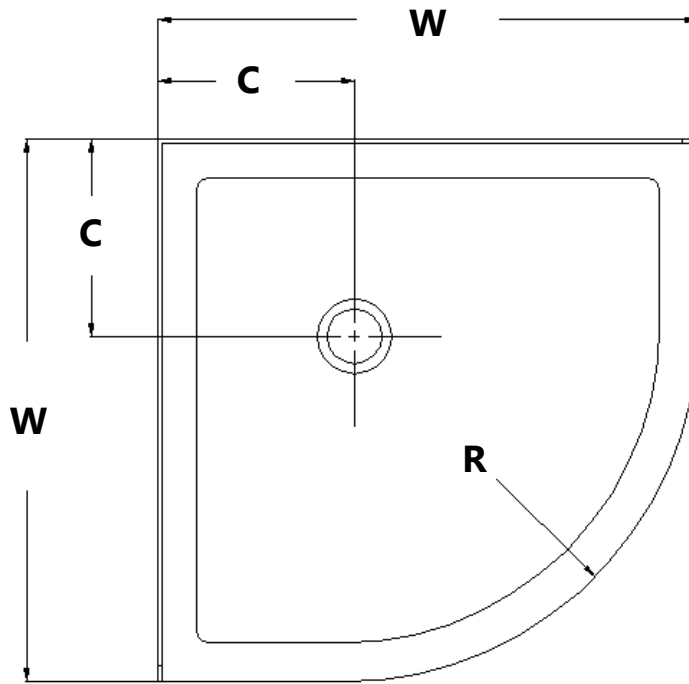
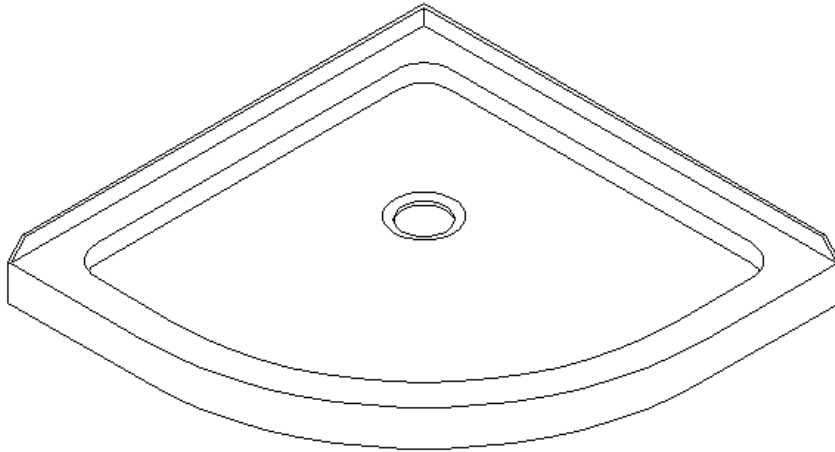


# NEO ANGLE SHOWER BASE



MODEL	SPECIFICATION	W (in)	A (in)	B (in)	C (in)
DLT-2036360	36"×36"	36"	18 5/16"	25"	12"
DLT-2038380	38"×38"	38"	20 5/16"	25"	12"
DLT-2040400	40"×40"	40"	22 5/16"	25"	14 3/8"
DLT-2042420	42"×42"	42"	24 5/16"	25"	14 3/8"

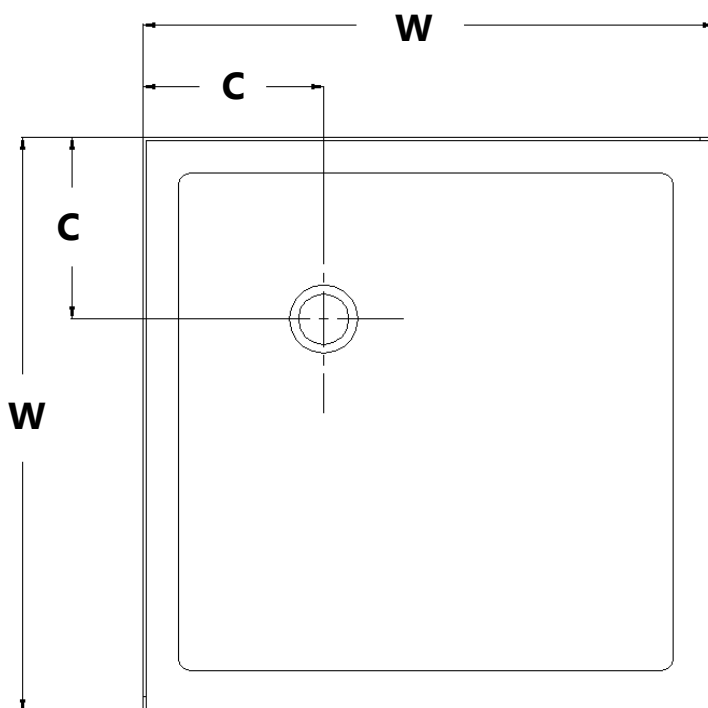
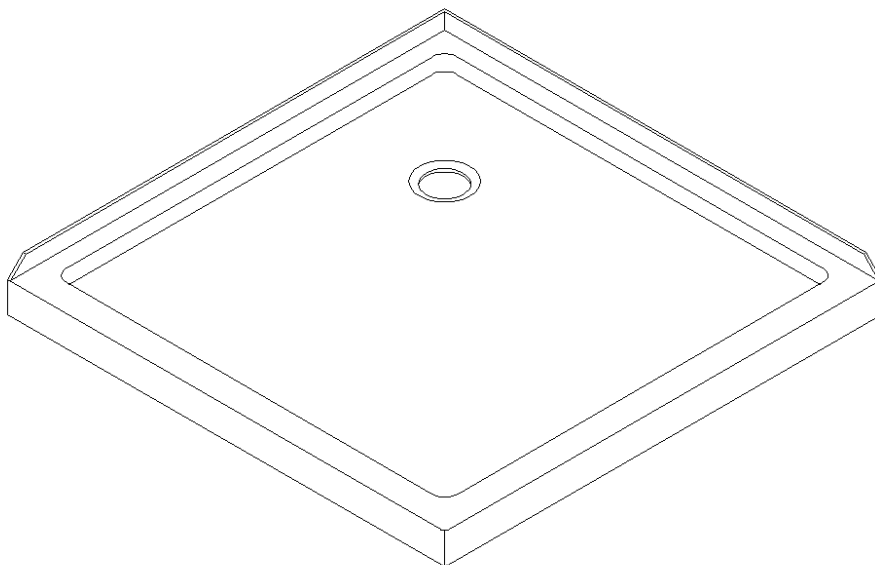
# QUARTER ROUND SHOWER BASE



MODEL	SPECIFICATION	W (in)	C (in)	R (in)
DLT-7033330	33"×33"	33"	12"	21 5/8"
DLT-7036360	36"×36"	36"	12"	21 5/8"
DLT-7038380	38"×38"	38"	12"	21 5/8"

## DOUBLE THRESHOLD SHOWER BASE

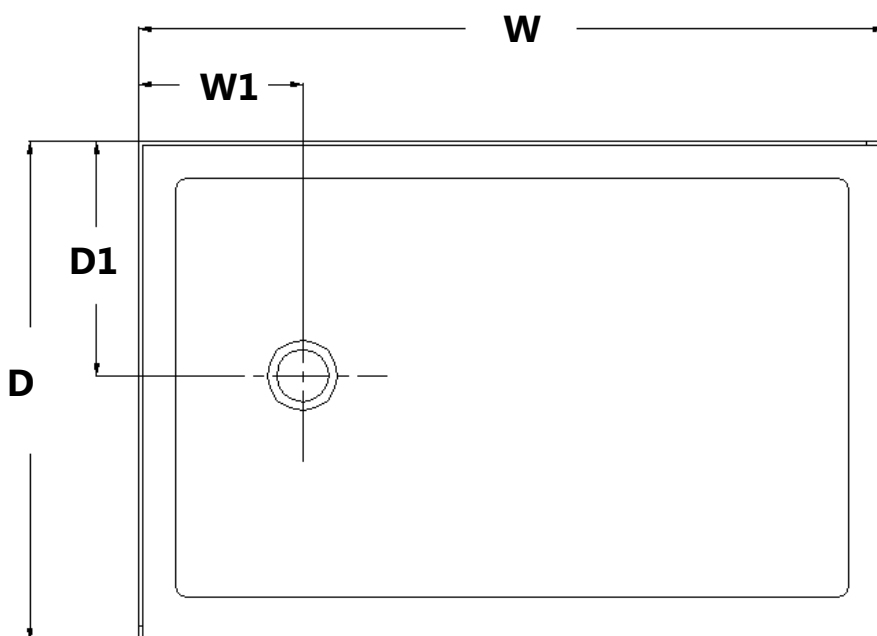
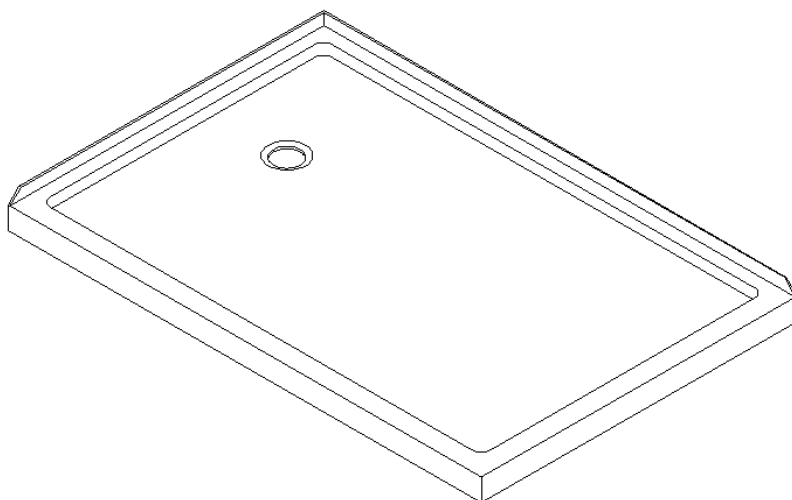
### Corner Drain Configuration



MODEL	SPECIFICATION	W (in)	C (in)
DLT-1032320	32" x 32"	32"	12"
DLT-1036360	36" x 36"	36"	12"
DLT-1042420	42" x 42"	42"	12"

## DOUBLE THRESHOLD SHOWER BASE

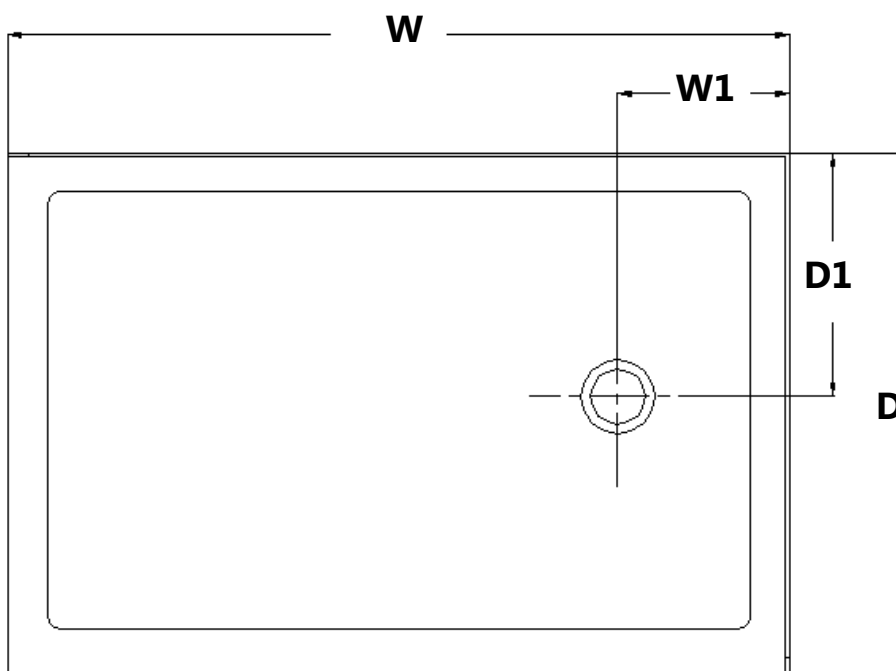
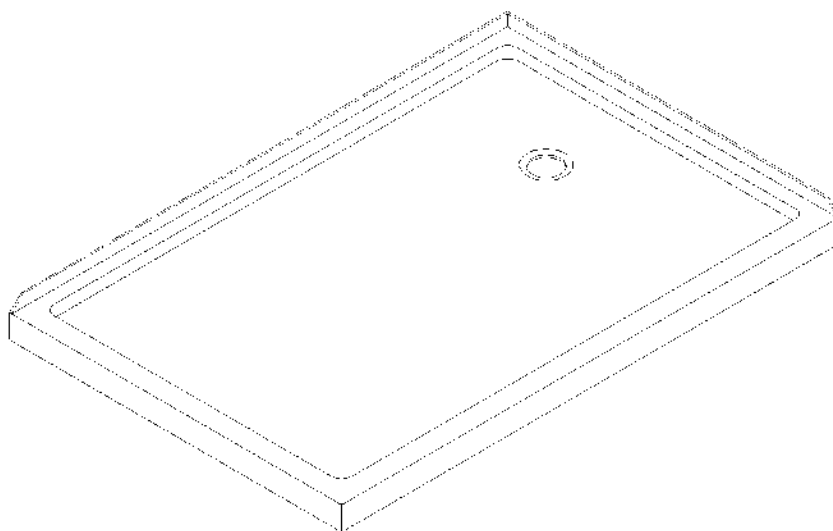
### Left-Hand Drain Configuration



MODEL	SPECIFICATION	D (in)	W (in)	D1 (in)	W1 (in)
DLT-1034481	34"×48"	34"	48"	17"	12"
DLT-1036481	36"×48"	36"	48"	18"	12"
DLT-1036541	36"×54"	36"	54"	18"	12"
DLT-1036601	36"×60"	36"	60"	18"	12"

## DOUBLE THRESHOLD SHOWER BASE

### Right-Hand Drain Configuration

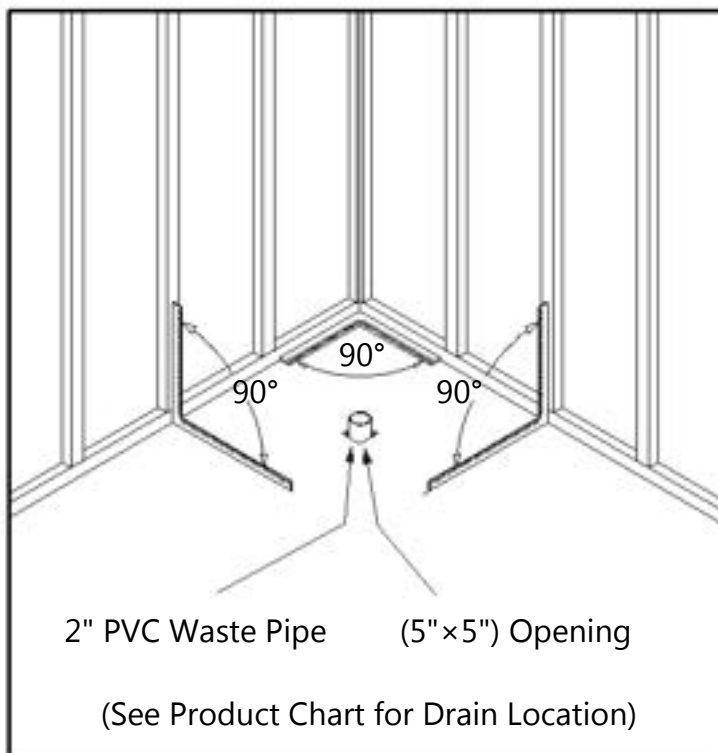


MODEL	SPECIFICATION	D (in)	W (in)	D1 (in)	W1 (in)
DLT-1034482	34"×48"	34"	48"	17"	12"
DLT-1036482	36"×48"	36"	48"	18"	12"
DLT-1036542	36"×54"	36"	54"	18"	12"
DLT-1036602	36"×60"	36"	60"	18"	12"

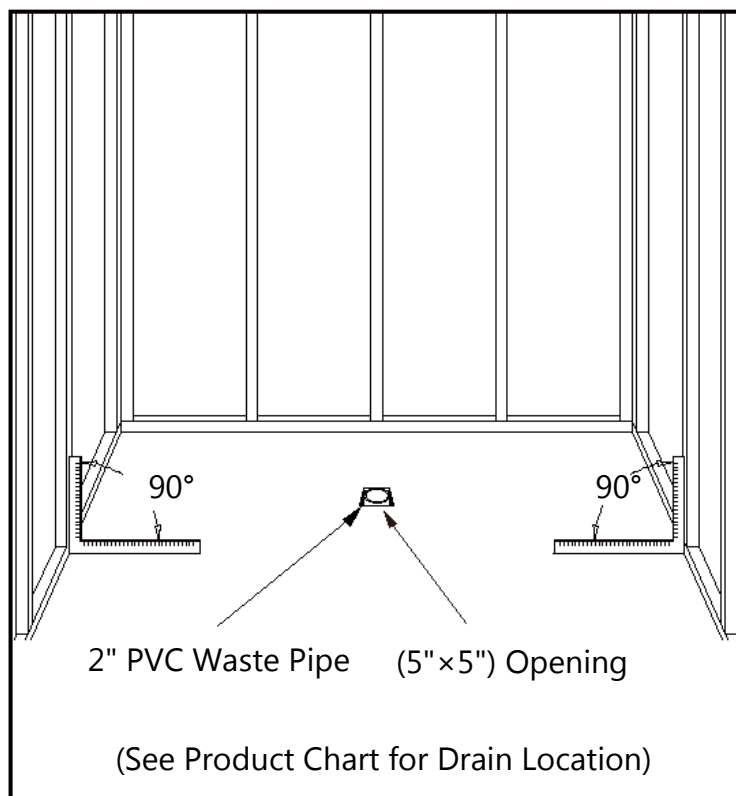
## Shower Base Installation - Preparation

1. Ensure that the floor and the studs are at right angles.  
Provide a 5"×5" opening in the sub-floor for the drain.  
The 2" PVC waste pipe should extend above the surface of the sub-floor according to the drain installation instructions and the height of the Shower base.  
Refer to the product drawings and tables in this installation manual for the drain location.

**(Fig 1a and Fig 1b)**



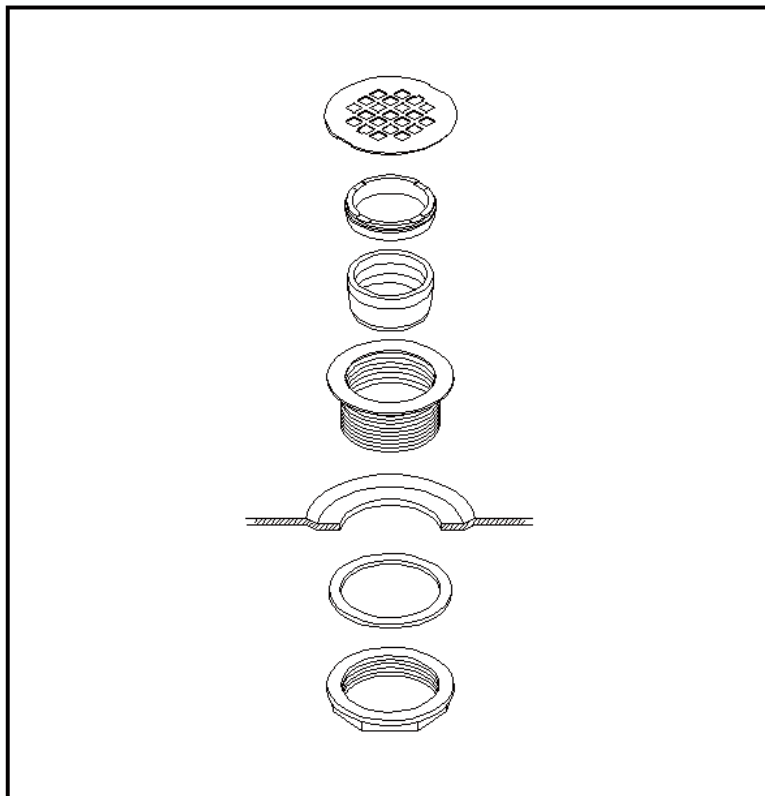
**Fig 1a**



**Fig 1b**

2. Install the shower drain (**NOT INCLUDED**) according to the drain installation manual (supplied with the drain).

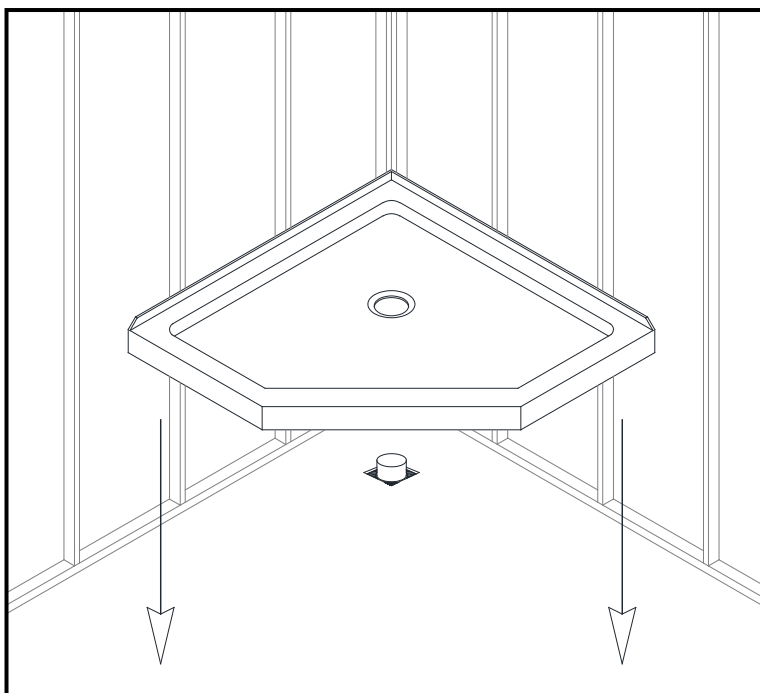
**(Fig 2)**



**Fig 2**

3. Place the tray into the designated position so that the Drain cutout drops around the Drain Pipe and butt the Shower Base up against the studs.

**(Fig 3)**

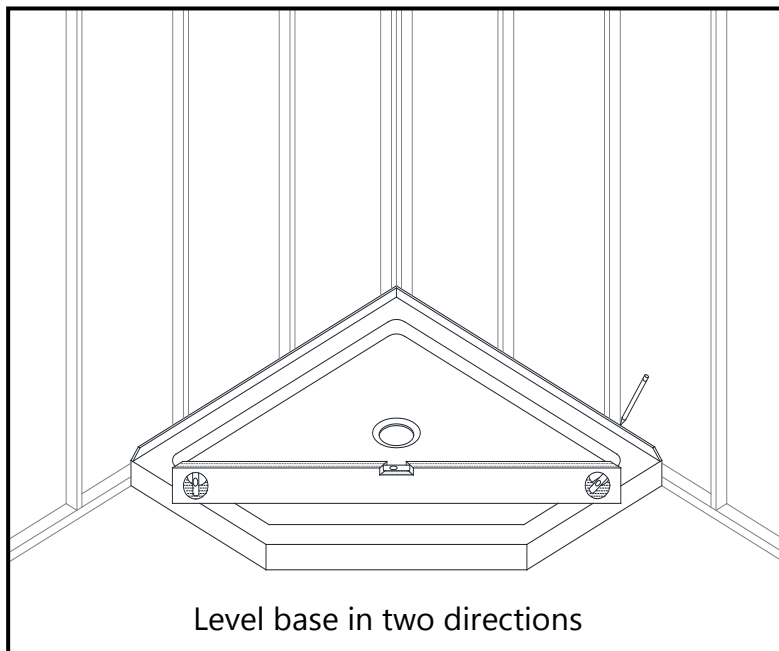


Lower the base over the drain pipe and set it into place against the studs.

**Fig 3**

- Level the tray and place marks on the studs above the upper edge of the tile flange.

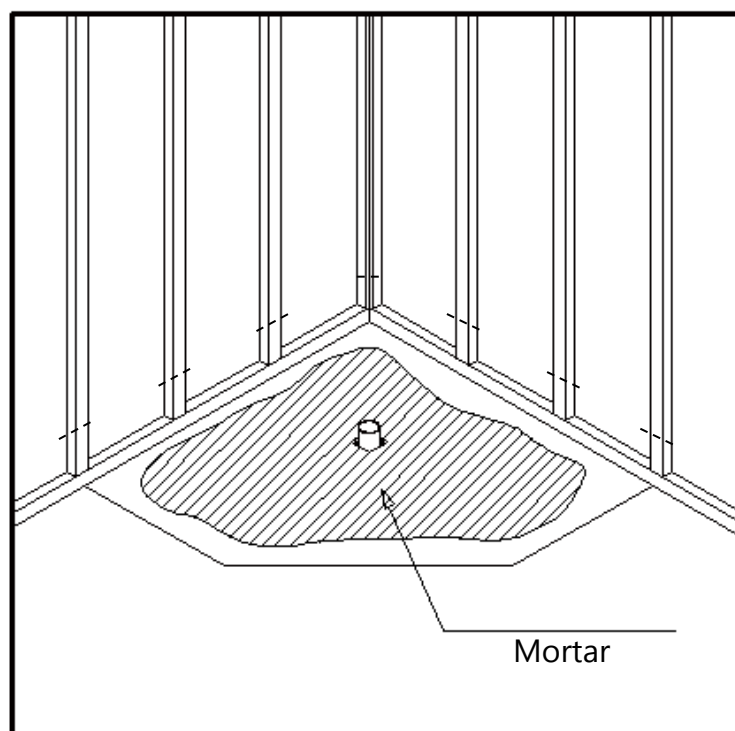
**(Fig 4)**



**Fig 4**

- Mix the bedding material (Mortar, cement-sand mix, etc.) **Concrete or plaster is not recommended.** Apply enough bedding material to support the entire bottom of the shower base. This will add additional stability and prevent the base from shifting position.

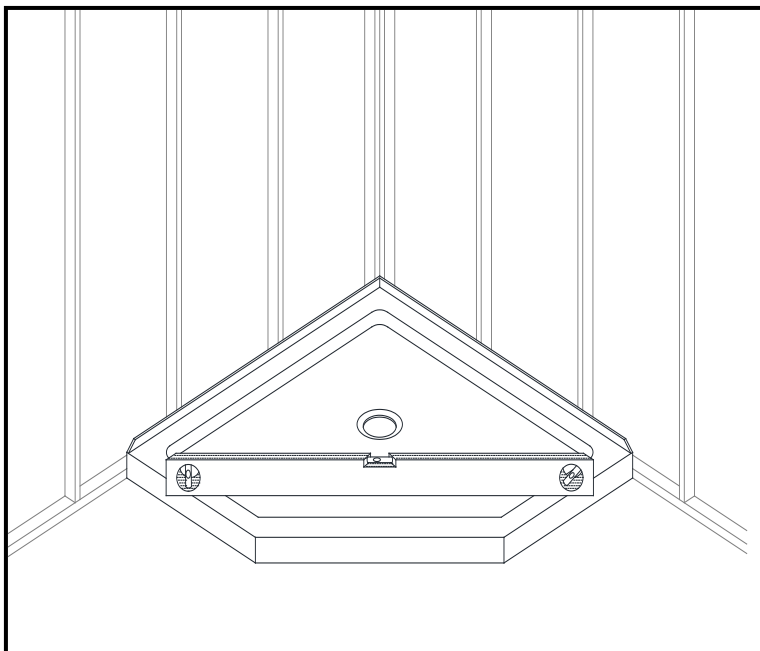
**(Fig 5)**



**Fig 5**



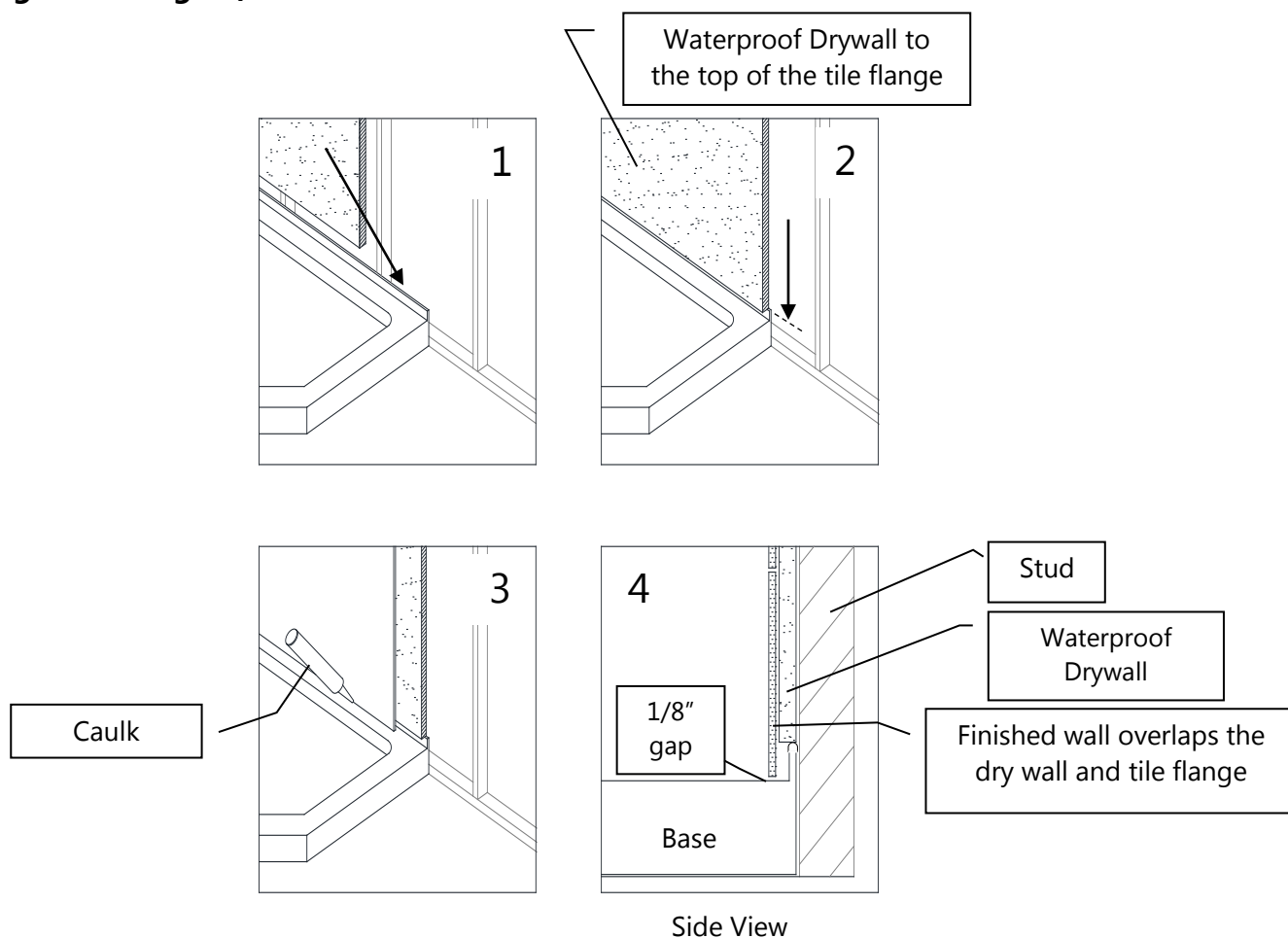
- After the bedding material has been poured and *before* it sets, place the shower base into the position with the drain assembly sliding over the PVC waste pipe. It will be necessary to push the shower base until the top of the tile flange aligns with the marks drawn on the studs and the front edge is contacting the rough floor along the entire length of the shower base. Ensure that the base is level in all directions. You may need to use shims to hold the tray level until the bedding fully sets. Remove all excess mortar.



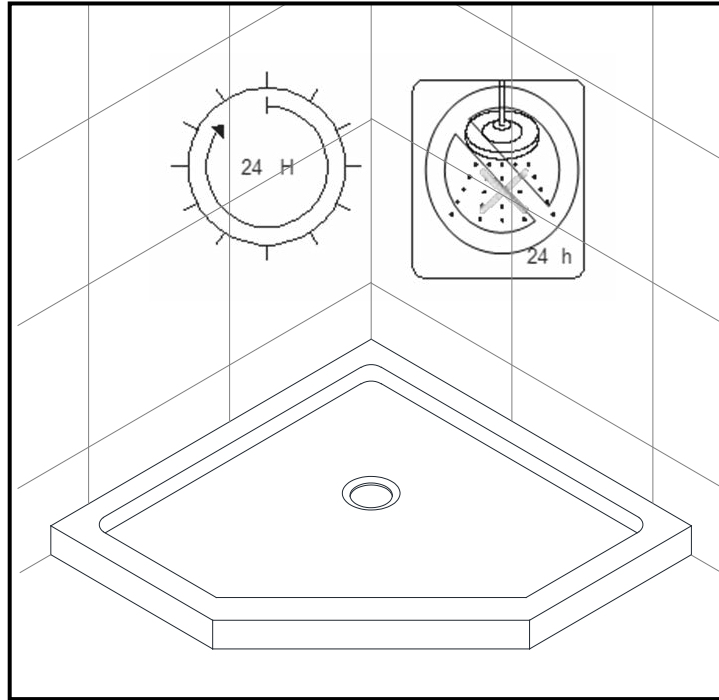
**Fig 6**

- Allow the bedding material to completely harden before applying weight to the bottom of the shower base. Install the cement board (or the wallboard) above the tile flanges and secure it to the studs. Put the tiles (or other finishing wall material) over the cement board leaving 1/8" gap between the bottom of the tile or wall kit and the shower base. Use caulk to fill the gap.

**(Fig 7a and Fig 7b)**



**Fig 7a**



**Fig 7b**

## **Product Maintenance**

**BASES and BACKWALLS:** To ensure long lasting life for your acrylic base and/or back walls: wipe them off after each use with a soft cloth. To clean the acrylic base or back walls use non-abrasive sprays or cream-based cleaners. Avoid the use of aerosol spray cleaners. Never use abrasive cleansers, metal brushes or scrapers that could scratch or dull the surface.

**GLASS:** To ensure long-lasting life for your glass shower products: wipe them off after each use with a soft cloth. Rinse and wipe off the glass using either a soft cloth or a squeegee to prevent soap buildup and water spots (Hard water can etch the surface of the glass over time if left to dry). To prevent scratching the surface: never use abrasive cleaners or cleaning products that contain scouring agents. Never use bristle brushes or abrasive sponges that may scratch the surface.

**HARDWARE:** To ensure a long-lasting finish: wipe off the metal parts after each use with a soft cloth. Do not use abrasive cleaners or cleaning products containing ammonia, bleach or acid. If accidentally used, rinse the surface as soon as possible to prevent damage to the finish (peeling or corrosion). After cleaning the polished finishes, rinse thoroughly and wipe dry with a soft cloth.

Clean stainless-steel surfaces at least once a week. When applying stainless steel cleaner or polish to stainless steel hardware, work with (not across) the grain. Never use an abrasive sponge or cloth, steel wool or wired brush as these may permanently scratch the surfaces.

**NOTE:** To maximize the life of your door, it is important to regularly inspect the glass and other hardware for misalignment, proper attachment, and/or damage. Contact DreamLine with any questions or concerns.

# NOTES



TEL: [866-731-2244](tel:866-731-2244)

FAX: [866-857-3638](tel:866-857-3638)

[DREAMLINE.COM](http://DREAMLINE.COM)

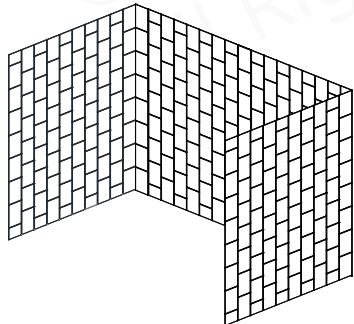
For more information on [DreamLine® Shower Doors](#) and [Enclosures](#) please visit [DreamLine.com](http://DreamLine.com)

# Q-WALLS

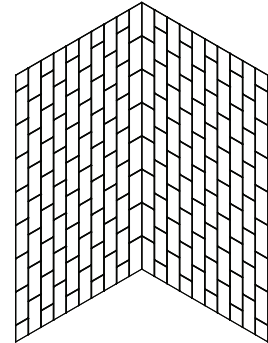
## SHOWER BACKWALL INSTALLATION INSTRUCTIONS

PLEASE REVIEW THIS ENTIRE MANUAL PRIOR TO INSTALLATION

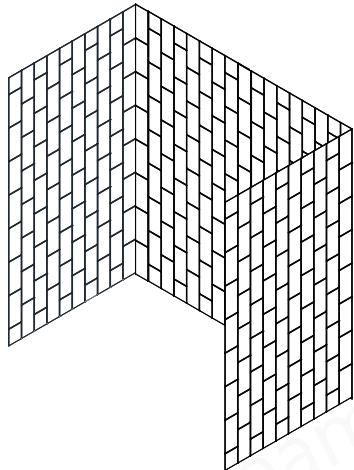
SHBW-1560620-##



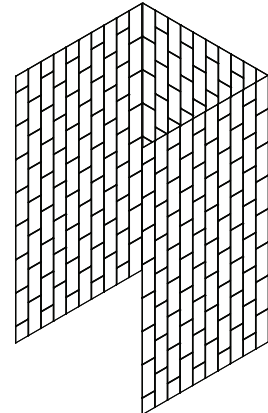
SHBW-1541760-##



SHBW-1548760-##  
SHBW-1554760-##  
SHBW-1560760-##



SHBW-1532760-##  
SHBW-1536760-##



Vertical Subway pattern  
shown as an example

## Finish  
00 = White  
22 = Biscuit  
88 = Black

### IMPORTANT!

DreamLine<sup>®</sup> reserves the right to alter, modify or redesign products at any time without prior notice for the purpose of product improvement and customer experience. Please refer to the model's web page on **DreamLine.com** for the latest technical drawings, installation manuals, warranty information or additional product details.

**Do Not Return Product to the Store. Contact DreamLine<sup>®</sup> with any questions**



**Questions?**

Please Call **DreamLine** Customer Support: **1-866-731-2244**  
Hours of Operation M-F 8AM - 6PM EST


**Support@DreamLine.com**





# Table of Contents


Section Title	Page #
Important Product Information	2
Model-Specific Information	3
Tools	4
Q-Wall model Configurations	5
J-Strip Installation	6
Detailed Diagrams of Q-Wall Components (4 configurations)	7-10
Parts List	11
Installation Steps	12-24
Installation of Other Configurations	24
Factory Parts Information	26-29


## Symbol Legend

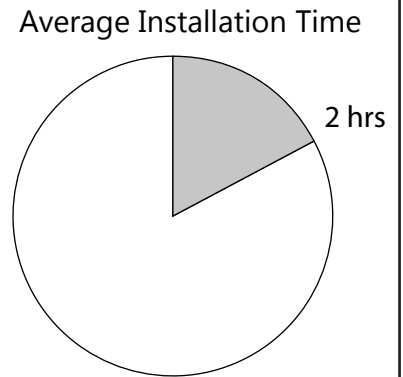
 **TIP** - for ease of installation.

 **NOTE** - take note of special feature; additional information.

 **REQUIRED** - requires special attention; signifies a warning.

 **CORRECT** - recommended.

 **INCORRECT** - not recommended.



Record the following purchase information for your records or in the event you need to contact DreamLine®:

Purchase Order Number \_\_\_\_\_

Store/Vendor Purchased From \_\_\_\_\_

Installation Date \_\_\_\_\_

OD Number (optional) \_\_\_\_\_  
\*found on the shipping box or label if available.

Installed By: \_\_\_\_\_

SKU Number \_\_\_\_\_



**IMPORTANT**

- DreamLine® reserves the right to alter, modify or redesign products any time without prior notice for product improvement and customer experience. Please refer to the model's web page on [DreamLine.com](http://DreamLine.com) for the latest technical drawings, installation manuals, warranty information or additional product details.
- This product should be installed by someone familiar with the construction requirements for this type of project and the care necessary for the safe installation and operation of the product.
- The safety of any installation is the responsibility of the installer.
- Professional installation recommended. (*All Models*)
- Professional installation required. (*Enigma Series*)
- To prevent damage or serious injury, Do Not lean against the installed panel/door/glass.
- To prevent damage or serious injury: Do Not attempt to lift or move a heavy lite of glass alone. Use an assistant and/or a professional grade glass suction cup.
- The installation of some models may require drilling down into the threshold. Contact the manufacturer of the base, tub, or threshold material with any questions regarding the drilling of holes into their product.
- All drawings in this installation manual are for illustrative purposes only and are not drawn to scale.

**TEMPERED GLASS WARNING**

- Your Shower Door Glass Could Shatter Without Warning if Improperly Installed or Mishandled
- Do Not install or operate a shower door if the glass has chipped corners, slivered edges or is otherwise damaged and/or has been dropped or banged into a hard surface such as tile, marble or glass.
- **The main causes of tempered glass breakage are:**
  - Improper handling, storage or installation
  - Misuse/abuse
  - Lack of maintenance
  - Failure to replace damaged glass
  - **Improper handling during storage, unpacking and installation:**
  - Corners and edges are the most susceptible area to damage on a lite of tempered glass and should be protected and handled with care during storage, unpacking, installation and operation. A concentrated point of pressure or impact with a surface harder than itself may cause the tempered glass to shatter. The tempered glass may release immediately, within several hours or even days later.
  - **Incorrect installation of door hardware, rollers, hinges, channels, stopper or glass:**
  - Improper installation may include: loose hardware and/or lack of proper gaskets between the hardware and glass. Additionally, improper alignment of guide rails, wall profiles or other hardware during installation or operation may place stress on the glass edges and cause it to break.
  - This product must be installed by a professional and experienced installer familiar with the safe handling of tempered glass.
  - **Improper use of this product:**
  - Aggressively opening or closing the door may cause trauma to the glass, which can lead to breakage. This may occur immediately or hours or even days later.
  - **The shower door hardware and glass should be inspected periodically:**
    - Instruct the homeowner how to perform a periodic inspection of the shower hardware and glass - some minor adjustments may be necessary based upon the use (or misuse) of the shower door. Ensure that the hardware remains tight and that the door alignment and operation are correct. Any adjustments should be made upon discovery to prevent damage to the product.
    - Additional considerations should be given to the installation of frameless tempered glass products in households with young children or an elderly person due to an increased chance of improper handling. In such cases, alternatives such as shower curtains or grab bars should be considered.

**GENERAL PREPARATION**

- After opening all boxes and packages, read this introduction carefully. Check that all the items are included in the package by marking off the components on the “**Detailed Diagram of Product Components**” page. Examine all boxes and packages for shipping damage. If the unit has been damaged, has a finishing defect, or is missing parts; please contact our Customer Support department within 3 business days of the delivery date. **Please note that DreamLine® will not replace any damaged products or missing parts free of charge after 3 business days or if the product has been installed.** Please contact DreamLine® if you have any questions.
- **Please note that you should refer to your local building codes with questions on installation compliance standards. Building and plumbing codes may vary by location, and DreamLine® is not responsible for code compliance standards for your project and will not accept any returns.**
- If this unit is going to be installed in a new construction, install all the required plumbing and drainage before installing the shower. **Use a competent and licensed (if required by local code) plumber for all plumbing installation.**
- Make sure that prior to beginning the installation, the surfaces are leveled and solid and will be able to support the total weight of the unit. Also make sure the walls are at right angles. Irregular installation surface level, radius corners or improper angle of side walls will result in serious problems for your installation. Please note that some adjustments and drilling will be necessary during the installation process.
- Protect all primary surfaces of the product during installation. Never set your glass down directly onto a tile floor. Leave corner protectors in place until it is necessary to remove them. Always use a piece of wood or cardboard to protect the bottom edge and corners of the glass prior to and during installation.
- This unit must be installed upon a finished threshold and against finished walls.
- *DreamLine® shower doors are not designed to be installed into a fiberglass surround due to the radius corners and lack of a solid surface to mount the hardware.*

**WARNING: TO AVOID THE RISK OF DAMAGE OR INJURY:**

- **Follow all recommendations and requirements as shown in the installation instructions.**
- Perform a thorough inspection of the glass and all parts for any damage prior to installation. Any damage to tempered glass can cause breakage. **Do Not install damaged glass!**
- Do Not install or operate a shower or tub door if the glass has chipped corners, slivered edges or is otherwise damaged. Do Not install or operate a shower or tub door that has been dropped or banged into a hard surface such as tile, marble or glass.
- **CAUTION:** Contact with any hard surface can damage tempered glass and cause it to shatter.
- This product uses tempered glass. Glass cannot be cut after it has been tempered. **Do Not attempt to cut tempered glass.**
- DreamLine® Glass Shower doors, Tub doors, Inline panels, and Return panels can shatter due to improper handling or lack of maintenance. Conduct periodic inspections of glass and all parts for possible damage, missing or loose parts.
- Always wear proper safety equipment such as: safety goggles, work gloves and appropriate footwear during the installation process.
- **WARNING. Risk of leakage and/or damage.** Follow all instructions regarding the application of silicone sealant or caulk. Allow 24 hours for the sealant to cure before the initial use of the shower or tub product. Follow the silicone manufacturer's recommendations regarding the use of their product.
- **Thoroughly read these instructions before installing or using this product.**
- **Leave this manual for the end-user of the product.**



This product should be installed by someone familiar with the construction requirements for this type of product and the care necessary for the safe installation and operation of the product.



## Model Specific Preparation

1. Prior to installation, examine all boxes and packages for shipping damage and compare the piece count with the packing slip. After opening all boxes and packages read this introduction carefully. Check that all of the necessary parts are included in the package by checking off the components on the Parts List. If the unit has been damaged, has a finishing defect, or has missing parts, please contact our customer support department within **3 business days** of the delivery date.

**Please note that DreamLine® will not replace any damaged products or missing parts free of charge after 3 business days or if the product has been installed.**

Contact DreamLine® if you have any questions, and please provide an order number, job name or other proof of purchase to help identify the original order.

**2. Please note that you should consult your local building codes with questions on installation compliance standards. Building and plumbing codes may vary by location, and DreamLine™ is not responsible for code compliance standards for your project and will not accept any returns on this basis.**

3. This acrylic wall system is specially designed to be installed over any solid surface. If you are installing the acrylic walls over existing tiles, remove and replace all loose tiles before the installation. If you are installing over existing painted walls, remove all loose paint. Sanding the painted surface can help with adhesion. Note that some cutting and drilling will be necessary during the installation process.

4. Make sure to turn off the water supply, remove faucet, handles or any fixture trims protruding from the wall prior to installation. Remove any soap film and dirt from all wall surfaces using regular household detergent, then wipe dry.

5. If this unit is going to be installed in a new construction, please install all of the required plumbing and drainage before installing the shower. Use a competent and licensed (if required by local code) plumber for all plumbing installation.

6. Side walls must be trimmed to size in most cases (a straight edge and a razor knife or other tool suitable for trimming acrylic). Use a straight edge and score the acrylic wall several times to cut to size.

7. Use an adhesive that is safe to use with acrylic walls, i.e. LN715, LN915 etc. Use caulk to seal around the bottom/ top edges, top corners and around any fixture cutouts.

8. Designed to be installed over backer board, drywall or tile. Not intended for installation on bare studs.

9. Making cutouts for shower fixtures will not void the warranty, however **making cutouts for window openings will void the warranty.**

10. **Professional installation recommended.**

## Tools



**Tip:** Measure the opening before proceeding with the installation to be sure that the correct model size Q-Wall Panels have been ordered.



**Tip:** Prior to installation, cover the shower/tub drain with tape to avoid losing screws or other small parts.



**Tip:** Set screw gun clutch to low torque when installing screws and bolts to avoid stripping the heads.

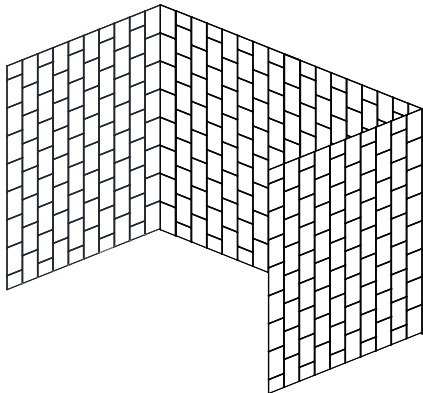
**NOTE:** Unpack your unit carefully and inspect it. Lay it out and identify all parts using the detailed diagram and packing list in this manual as a reference. Before discarding the carton, check for small hardware bags that may have fallen to the bottom of the box. If any parts are damaged or missing, please contact DreamLine® for replacement. The shipping boxes may contain extra parts not used in your model configuration.

**NOTE:** Retain these installation instructions for future reference.

# Q-Wall model Configurations

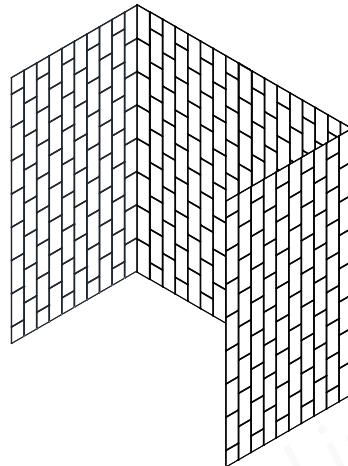
The Installation of this configuration is shown as an example throughout this manual

Tub Height



2 back panels  
2 side panels  
4 J-Strips  
Screws  
anchors

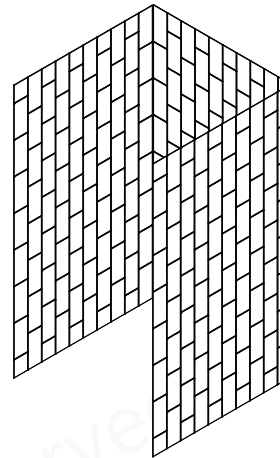
Shower Height  
(Large Alcove)



2 back panels  
2 side panels  
4 J-Strips  
Screws  
anchors

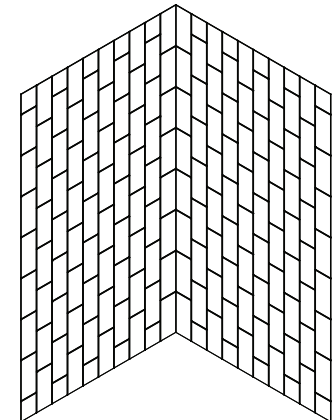
See "Installation of other configurations" on page 24

Shower Height  
(Small Alcove)



3 side panels  
4 J-Strips  
Screws  
anchors

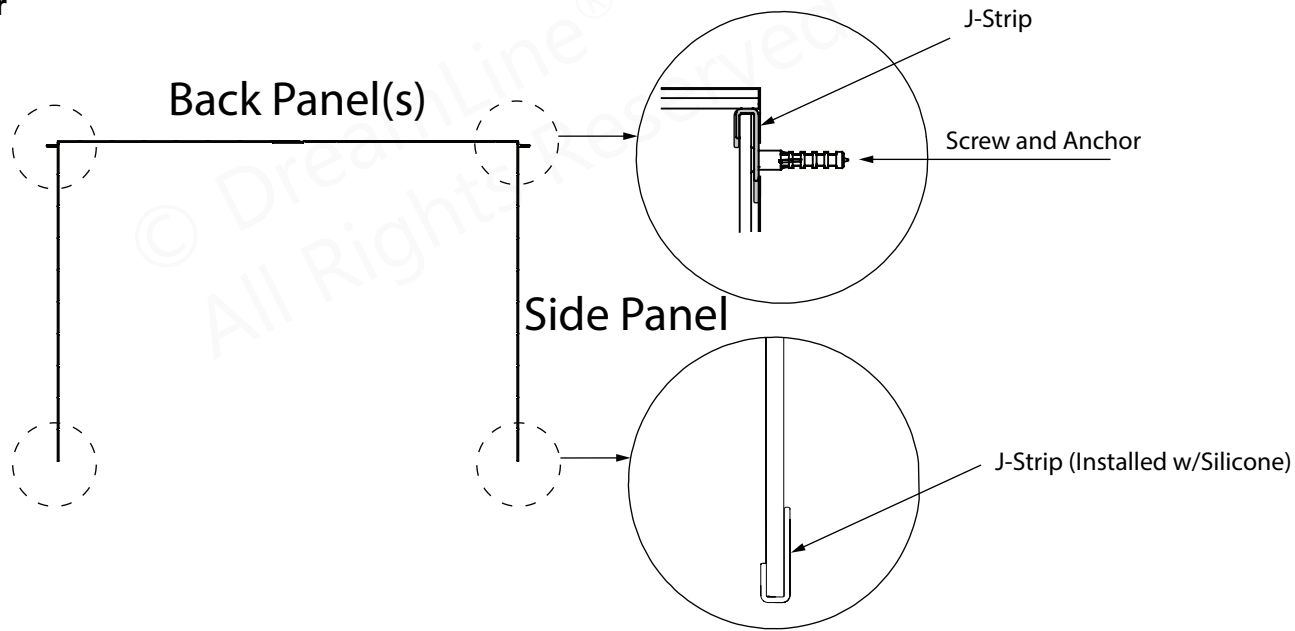
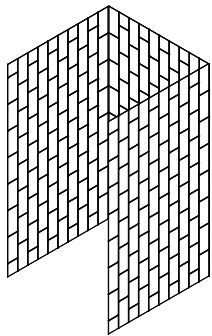
Corner



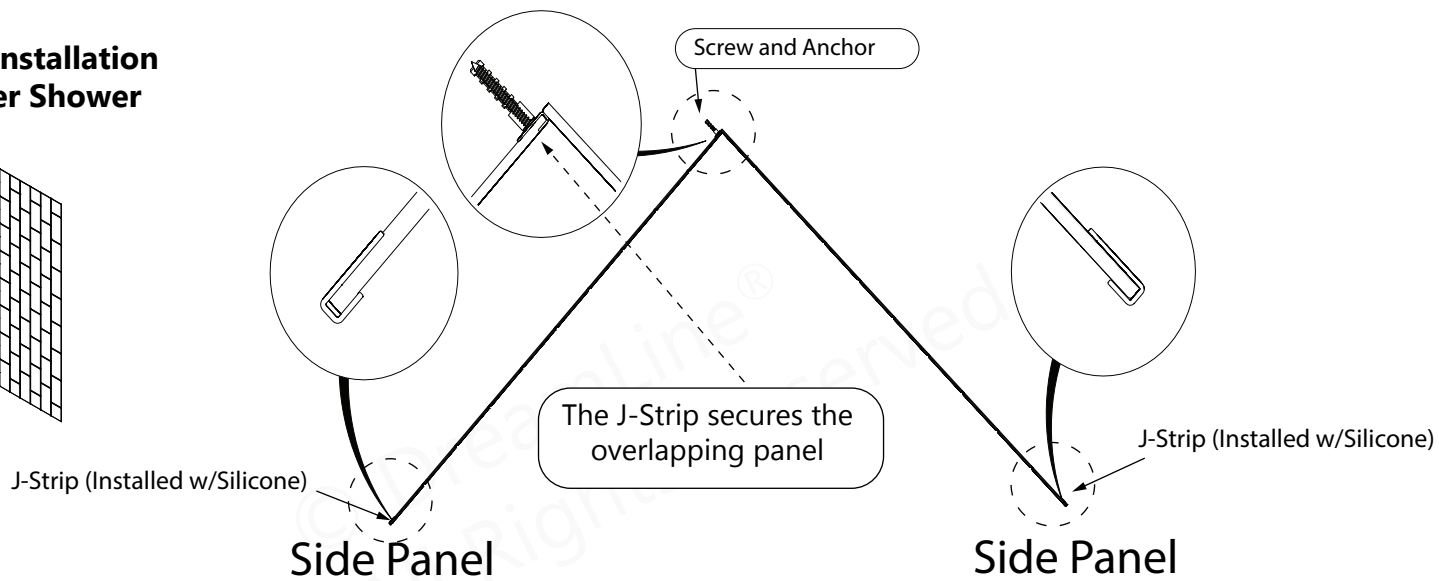
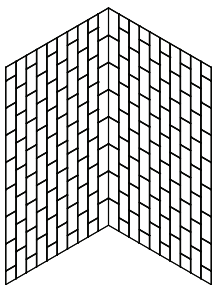
2 side panels  
3 J-Strips  
Screws  
anchors

# J-Strip Installation

## J-Strip (x4) Installation for an alcove configuration

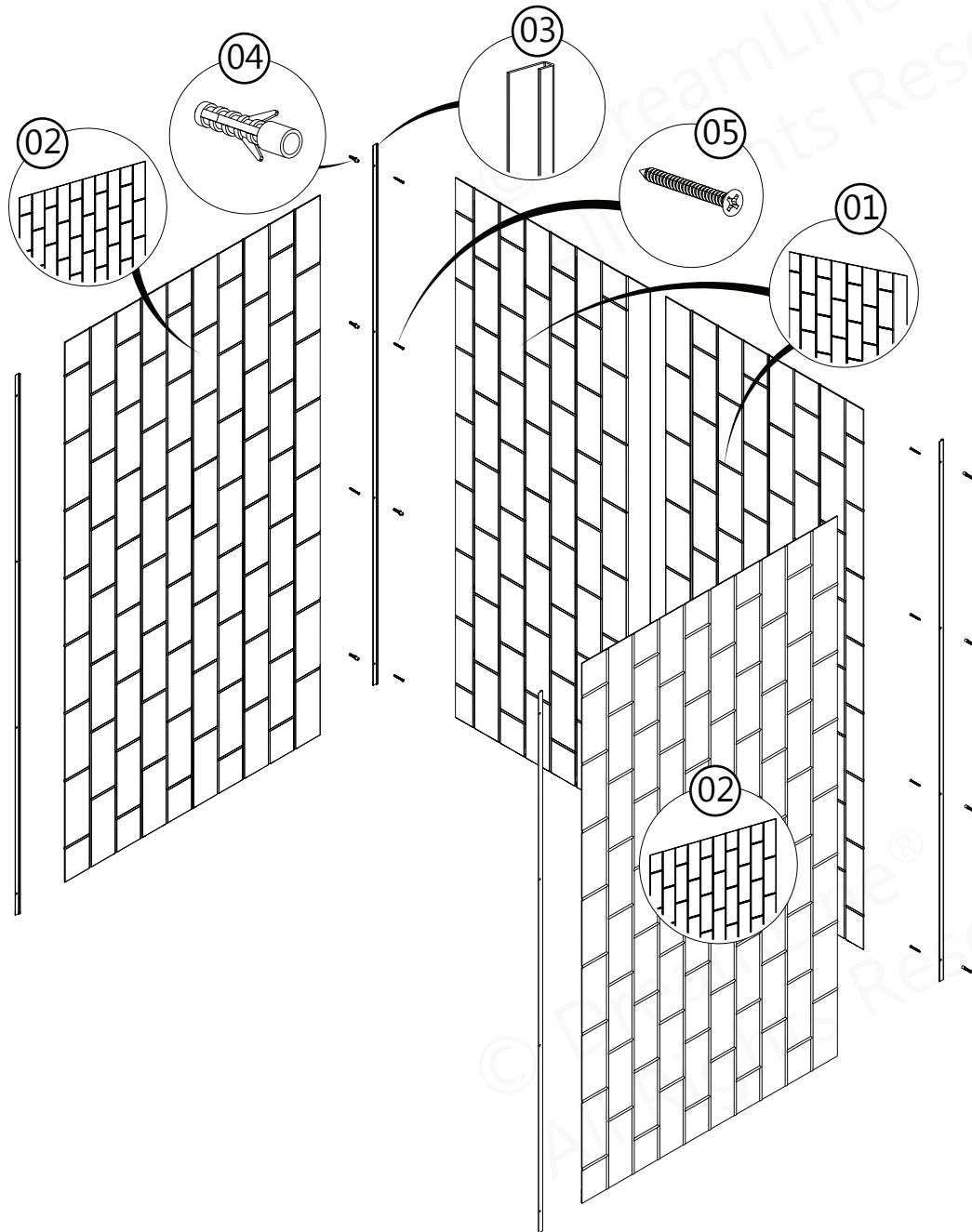


## J-Strip (x3) Installation for a Corner Shower



# Detailed Diagram of Q-Wall Components

Shower Height (Large alcove)



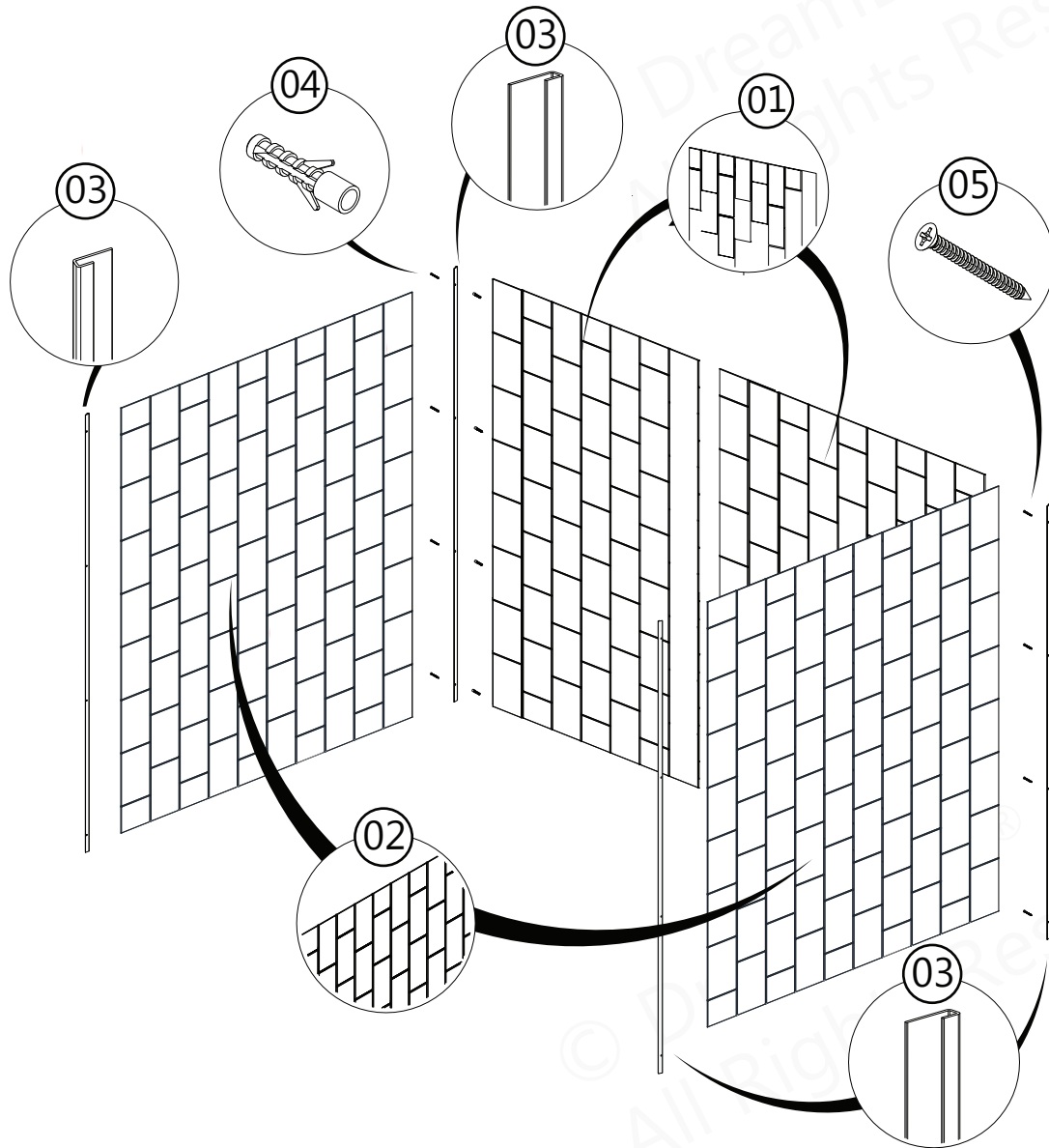
**The Installation of this configuration is shown as an example throughout this manual**

## Q-Wall Parts List

01	Q-Wall Back Panel	2 pcs
02	Q-Wall Side Panel	2 pcs
03	J-Strips	4 pcs
04	5/16" Wall Anchors	20 pcs
05	ST 4.2 x 30 Countersunk Screws	20 pcs

# Detailed Diagram of Q-Wall Components

Tub Height



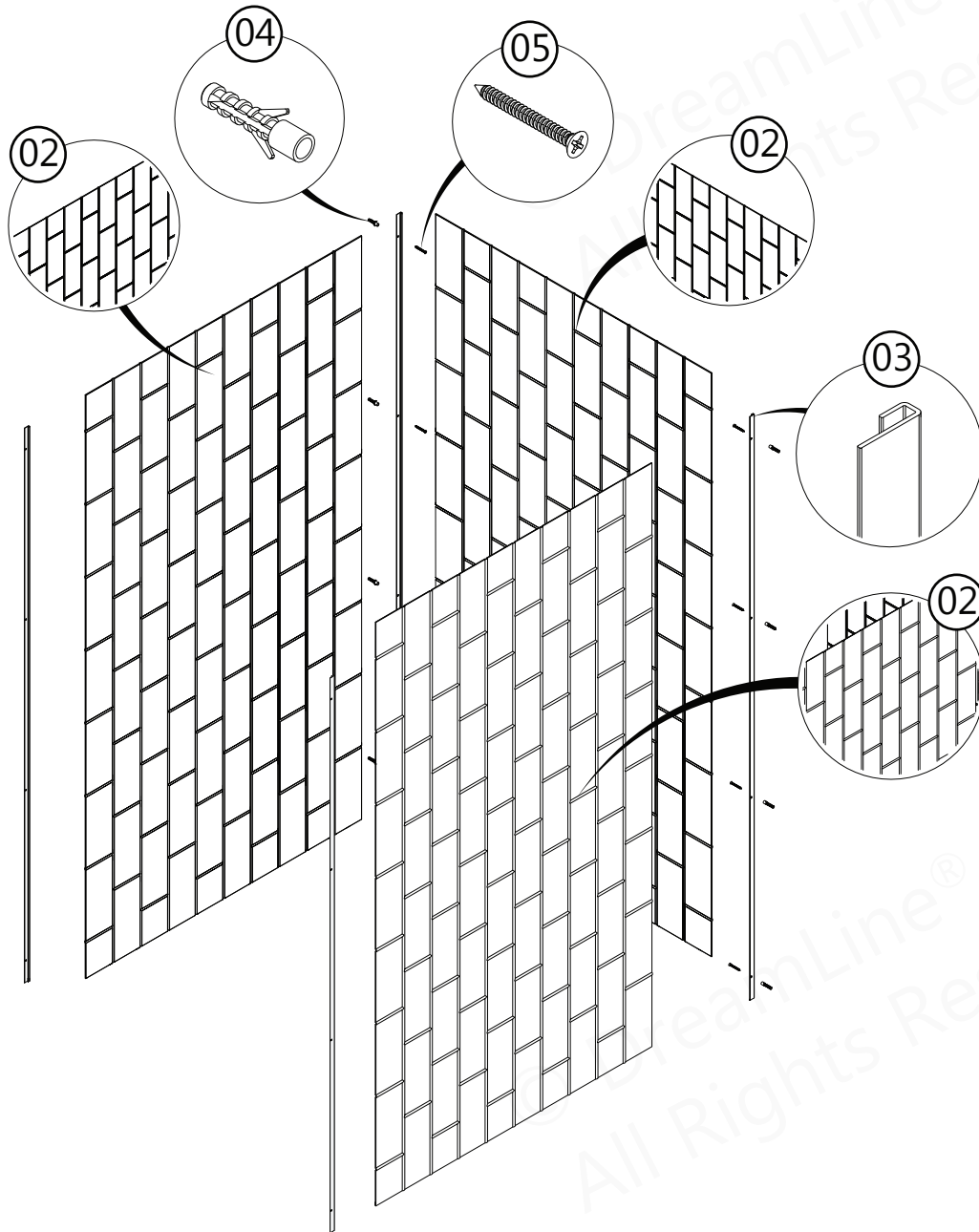
**The Installation of this configuration is shown as an example throughout this manual**

## Q-Wall Parts List

01	Q-Wall Back Panel	2 pcs
02	Q-Wall Side Panel	2 pcs
03	J-Strips	4 pcs
04	5/16" Wall Anchors	20 pcs
05	ST 4.2 x 30 Countersunk Screws	20 pcs

# Detailed Diagram of Q-Wall Components

Shower Height (Small alcove)



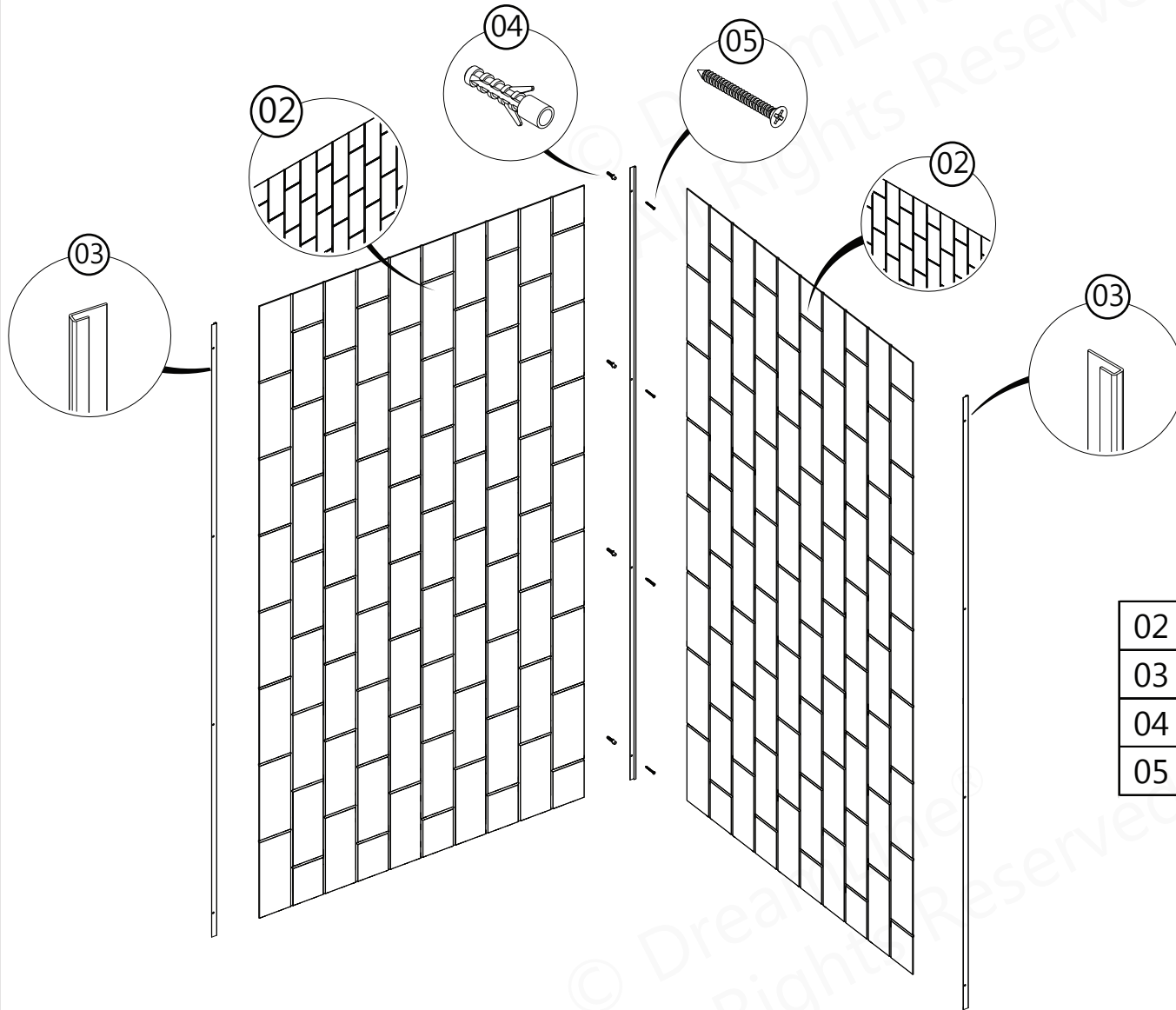
See "Installation of other configurations" on page 24

## Q-Wall Parts List

02	Q-Wall Side Panel	3 pcs
03	J-Strips	4 pcs
04	Ø 5/16" Wall Anchors	20 pcs
05	ST 4.2 x 30 Countersunk Screws	20 pcs

# Detailed Diagram of Q-Wall Components

Corner Shower



See "Installation of other configurations" on page 24

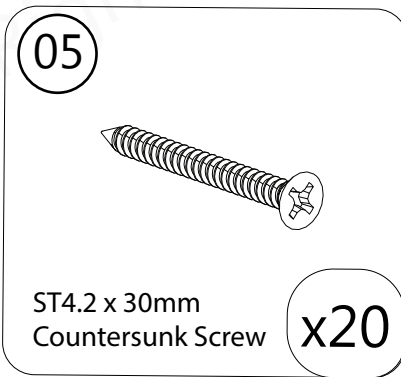
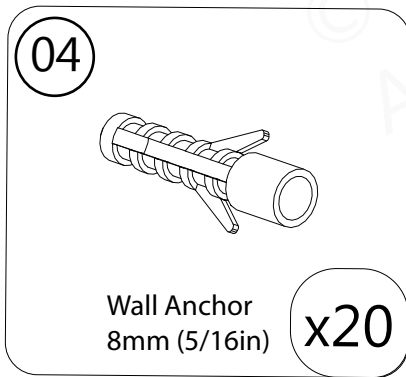
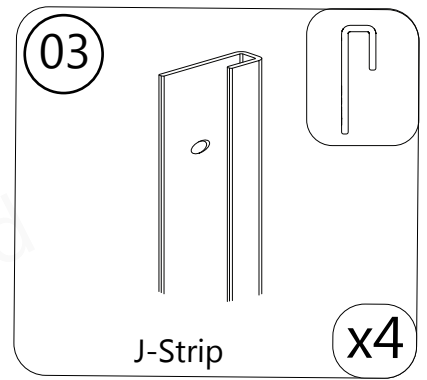
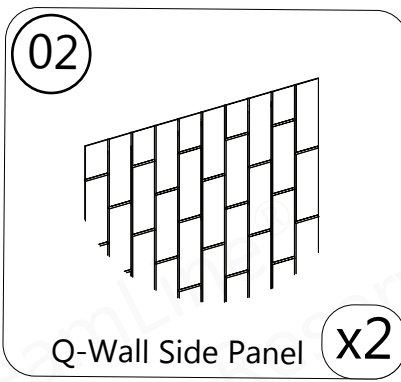
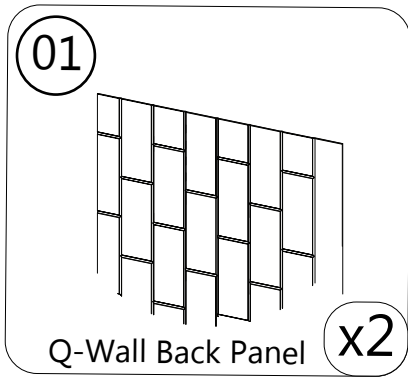
## Q-Wall Parts List

02	Q-Wall Side Panel	2 pcs
03	J-Strips	3 pcs
04	5/16" Wall Anchors	20 pcs
05	ST 4.2 x 30mm Countersunk Screws	20 pcs

© DreamLine® All Rights Reserved



# Parts List

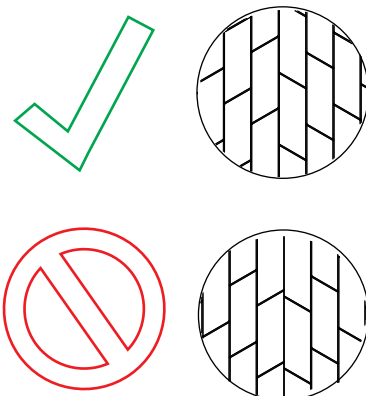


All Q-Wall Panels have a thin layer of protective plastic on the primary surface. Leave the protective plastic on when marking and cutting the Q-Wall Panels. Remove the protective plastic when instructed during the installation.



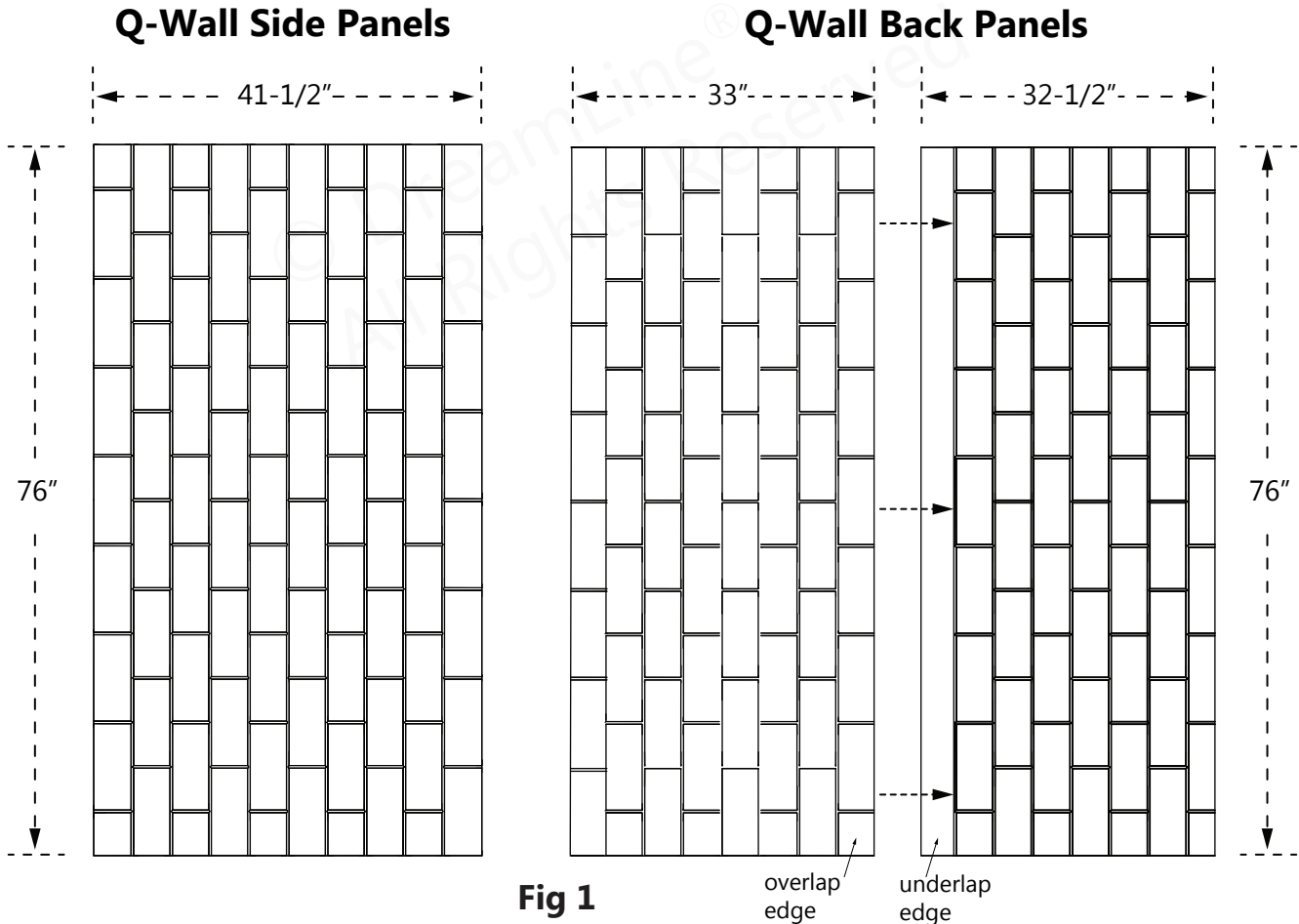
The horizontal grout lines will not align in the corner(s) by design. Attempting to align the horizontal grout lines may produce undesired results. Try flipping the Q-Wall Side Panels around to produce a more desirable staggering of the horizontal grout lines.

Corner Alignment examples:

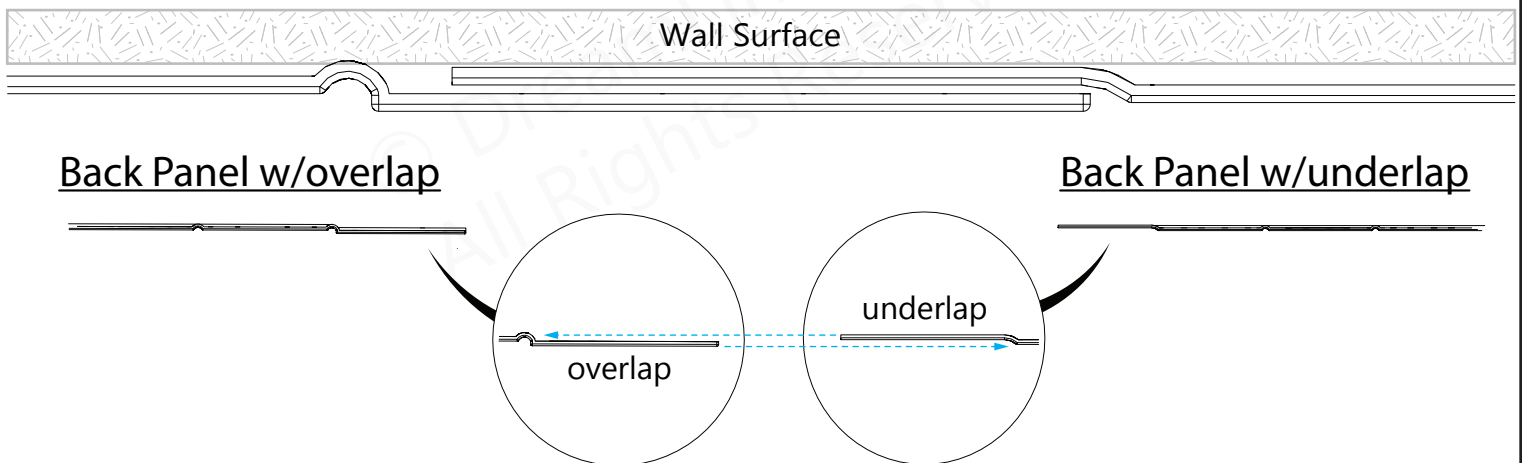


# Installation Steps

**1.** Remove the **Q-Wall panels** from the box(es) and identify the **Q-Wall Side Panels** and **Q-Wall Back Panels**. The **Q-Wall Back Panels** are different: The **Overlap Panel** is 33" wide; the **Underlap Panel** is 32-1/2" wide. The **Q-Wall Side Panels** are 41-1/2" wide. The grout lines are recessed on the primary surface of the Q-Wall panels. The grout lines protrude out on the back or wall side of the **Q-Wall Panels**. The primary surface of each **Q-Wall Panel** is covered with clear protective plastic. **Fig 1**

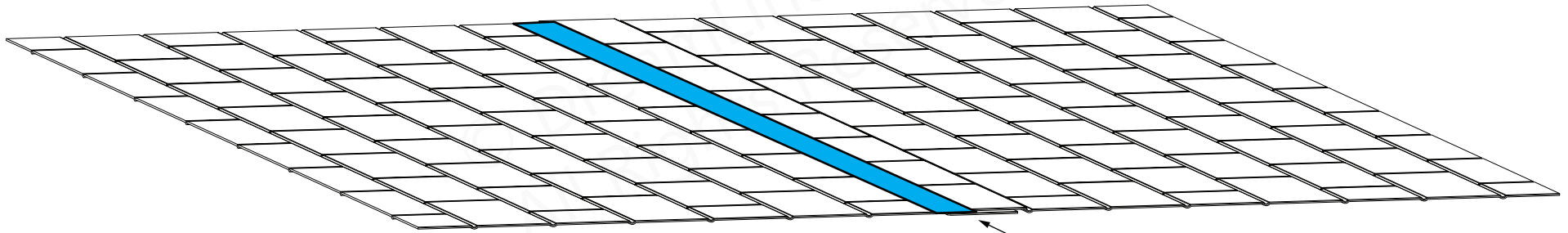


## Q-Wall Back Panels/Overlap and Underlap (Overhead View)



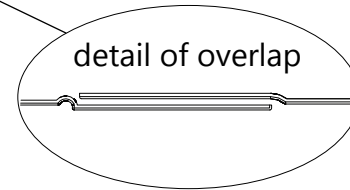
**NOTE** The Q-Wall back panels can be turned upside down to reverse the (left/right) direction of the overlap seam away from the shower head flow. (Left-side overlap shown as an example)

2. Lay the back **Q-Wall Back Panels** face-up on a clean, flat surface. Overlap the two back **Q-Wall Back Panels** (see previous page) evenly from top to bottom and tape the seam where the two **Q-Wall Back Panels** meet. **Fig 2**



(2) **Q-Wall Back Panels** shown lying flat

**Fig 2**



**NOTE**

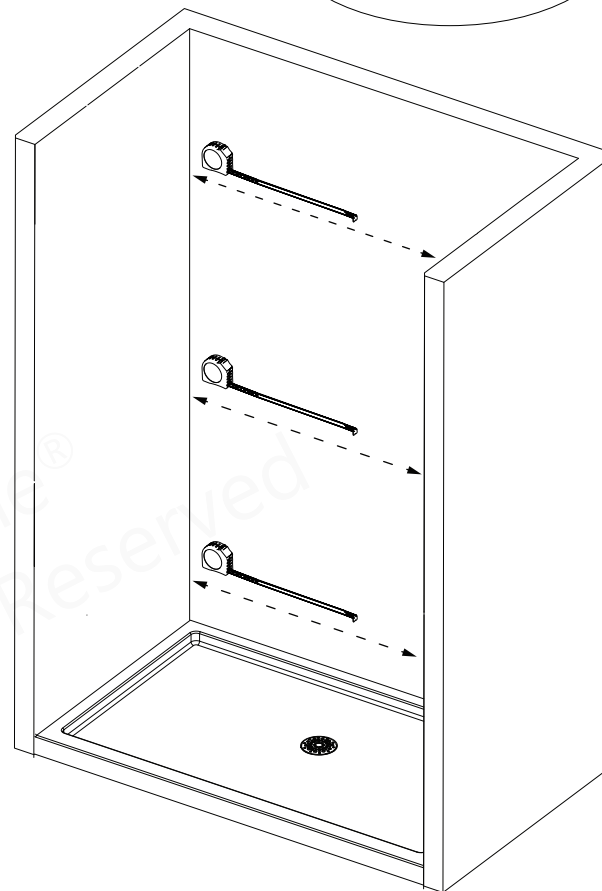
**Q-Wall Back Panels** can be flipped if desired to switch direction of overlap

3. Measure the width of the rear wall in the shower or tub opening, from corner to corner, at the top, middle and bottom. Record these measurements as W1, W2 and W3. **Fig 3**

W1: \_\_\_\_\_

W2: \_\_\_\_\_

W3: \_\_\_\_\_



**Fig 3**

**NOTE**

The primary surface of each **Q-Wall Back Panel** is covered with protective plastic. Leave this protective plastic on when marking and cutting the **Q-Wall Back Panels** to prevent damage to the primary surface. Remove the protective plastic sheet as instructed during installation.

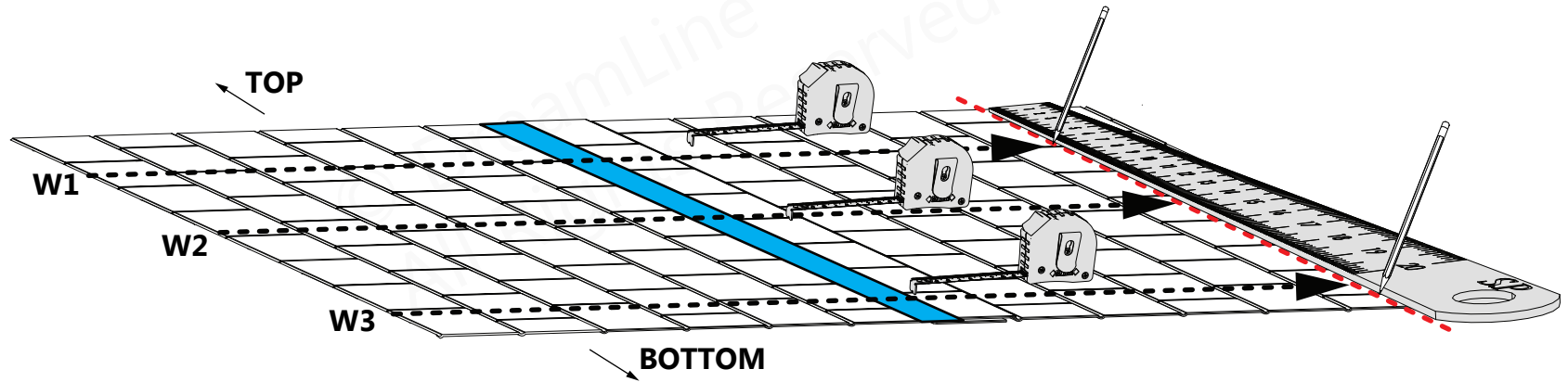


4. Transfer the measurements from Step #2 to the back Q-Wall Back Panels. Measure out from one side to mark the Q-Wall Back Panels, using a straight edge to mark a cut line. The overlap does not need to be centered. **Fig 4**

W1: \_\_\_\_\_

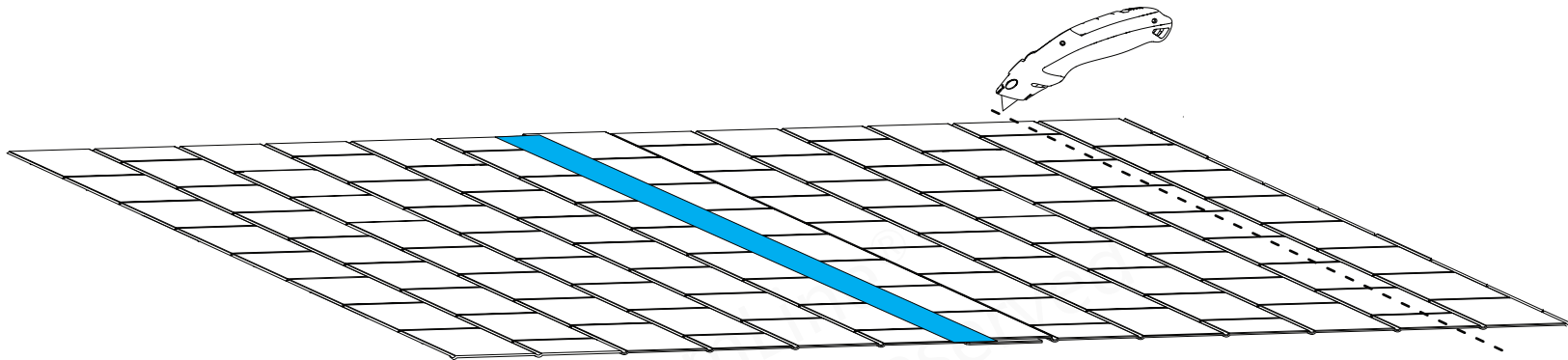
W2: \_\_\_\_\_

W3: \_\_\_\_\_

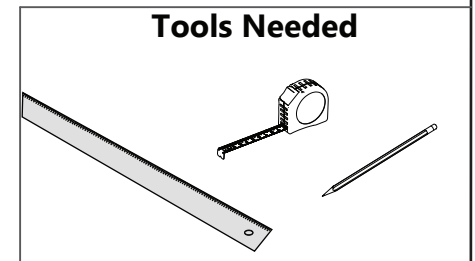


**Fig 4**

5. Use a straight edge and a fresh blade to score along the finished cut line several times to get a clean break. The Q-Wall Back Panel will snap at the scored line. **Fig 5**



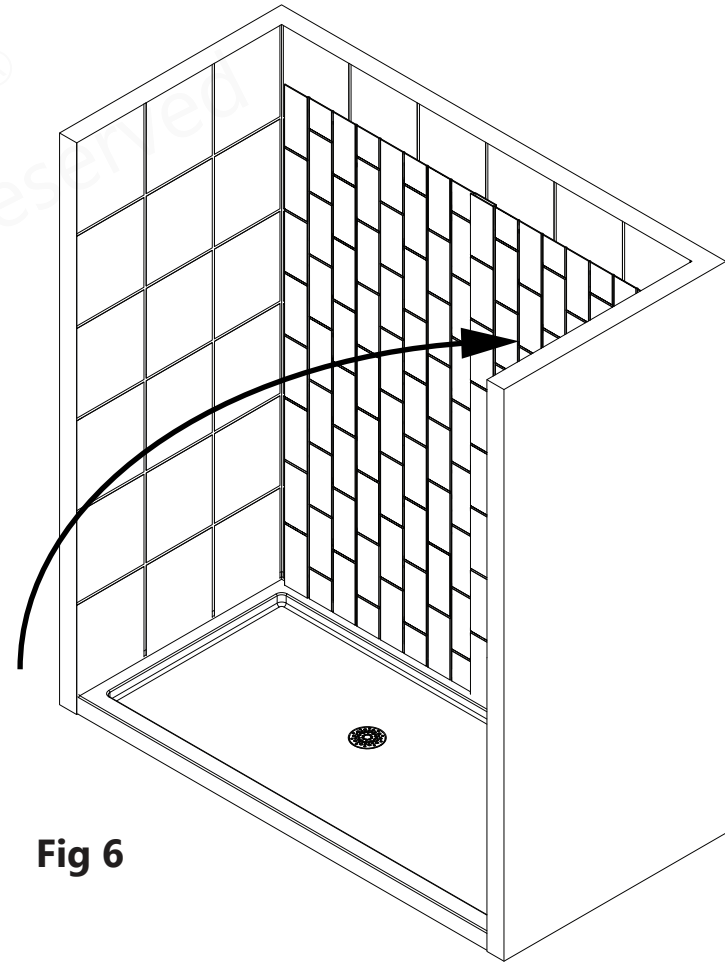
**Fig 5**



6. Remove the tape and separate the Q-Wall Back Panels. Dry fit the rear Q-Wall Back Panels against the back wall of the opening. **Fig 6**



Align the overlap to face away from the shower flow



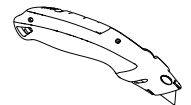
**Fig 6**



The primary surface of each Q-Wall Back Panel is covered with protective plastic. Leave this protective plastic on when marking and cutting the Q-Wall Back Panels to prevent damage to the primary surface. Remove the protective plastic sheet as instructed during installation.

**Parts Needed**

**Tools Needed**



7. Apply tub surround adhesive to the back side of the underlapping **Q-Wall Back Panel** (the left **Q-Wall Back Panel** is shown as an example). Install the left/underlapping **Q-Wall Back Panel** against the rear wall of the opening, pressing evenly over the entire surface of the **Q-Wall Back Panel**, especially at the corners and the edges. Remove the protective plastic from the left side **Q-Wall Back Panel** once installed. **Fig 8**

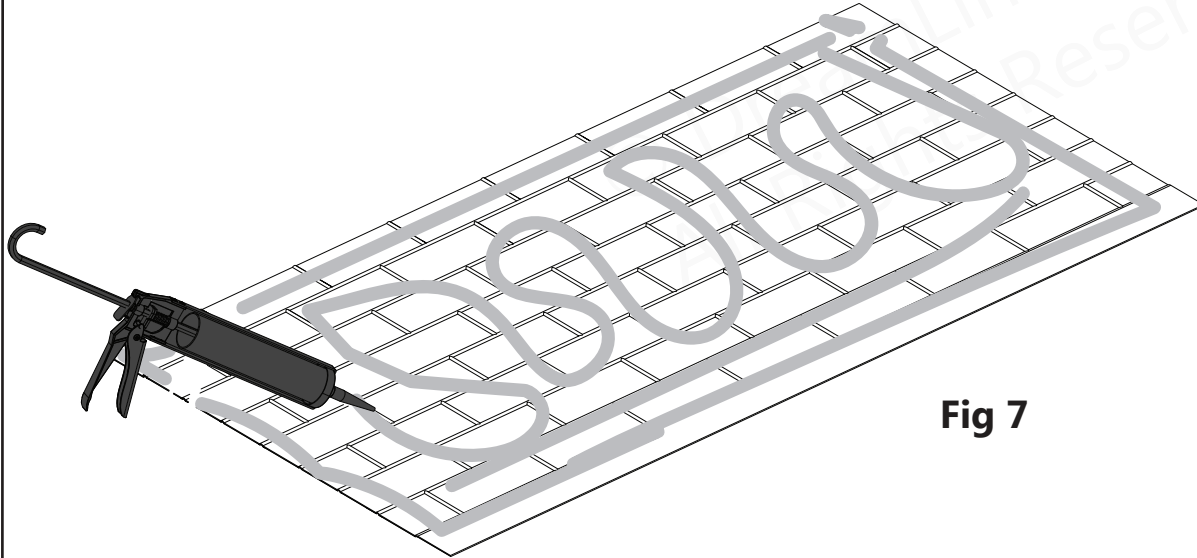
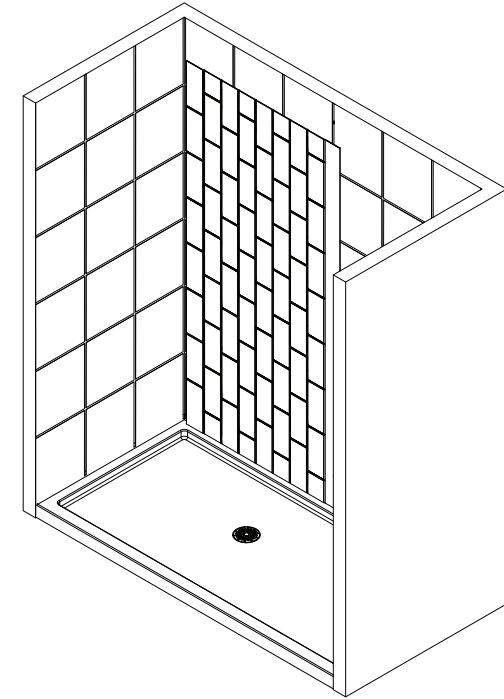


Fig 7



8. Dry fit the 2nd Q-wall Back Panel and make any adjustments necessary. **Fig 8**

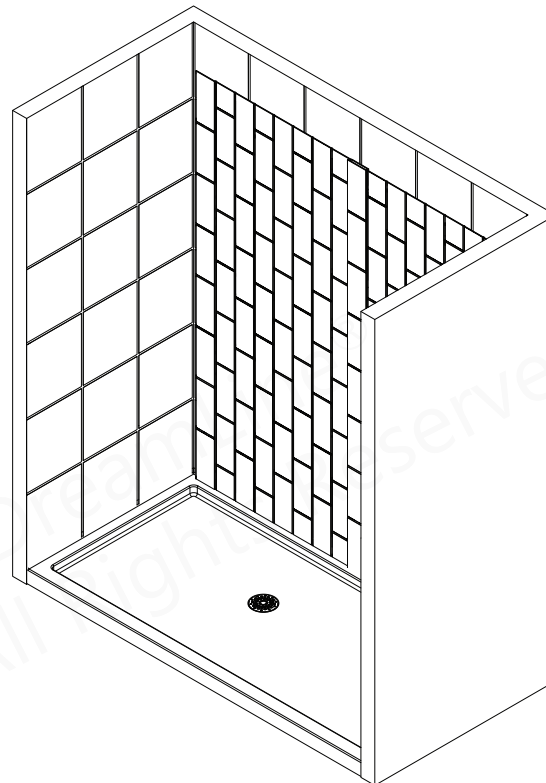
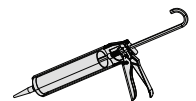
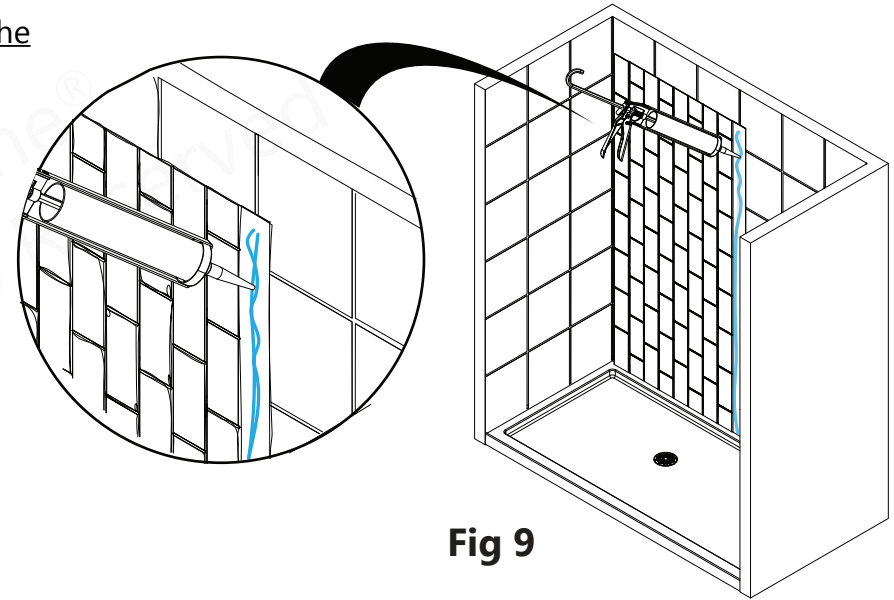


Fig 8

**Tools Needed**


**9.** Remove the overlap back panel and then apply clear silicone to the face of the underlap on the installed **Q-Wall Back Panel** (where the two back panels will overlap). **Fig 9**

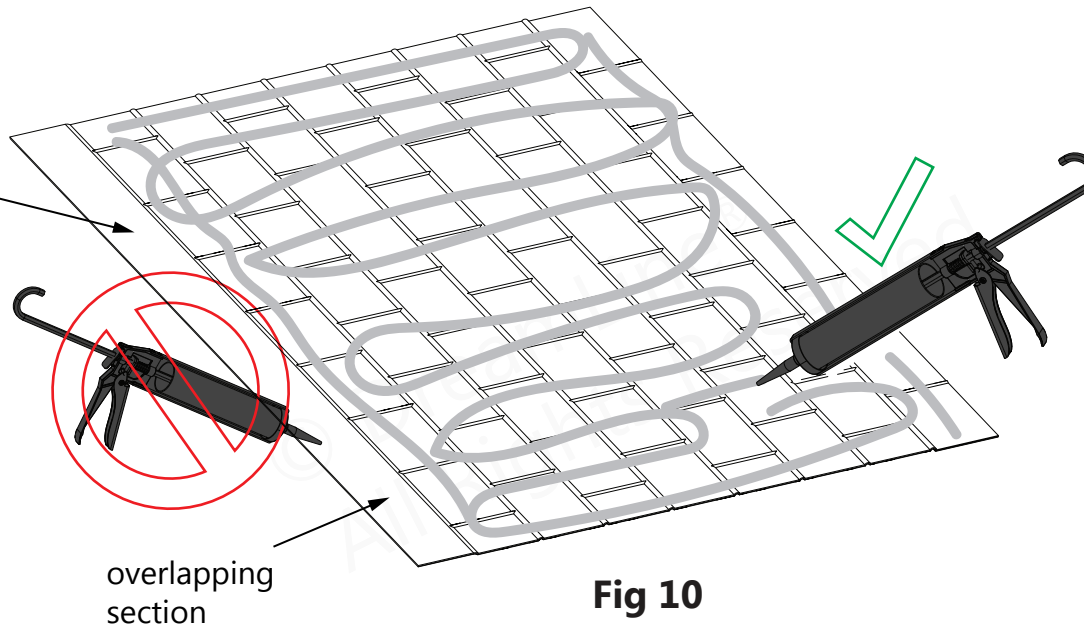


**Fig 9**

**10.** When applying adhesive to the back surface of the 2nd **Q-Wall Back Panel**, do not apply adhesive to the overlapping section. The clear silicone (applied to the installed **Q-Wall Back Panel**) will secure the two sections and waterproof the seam. Once the remainder of the back surface of the 2nd **Q-Wall Back Panel** is covered with adhesive, install the 2nd **Q-Wall Back Panel** onto the the wall of the opening, pressing firmly over the entire surface, paying special attention to the edges and corners and overlapping section. Remove the protective plastic covering from the 2nd **Q-Wall Back Panel** once installed. **Fig 10**

**NOTE**

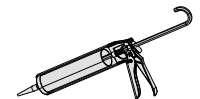
**Do not** apply adhesive to the overlap on the 2nd **Q-wall Back Panel**



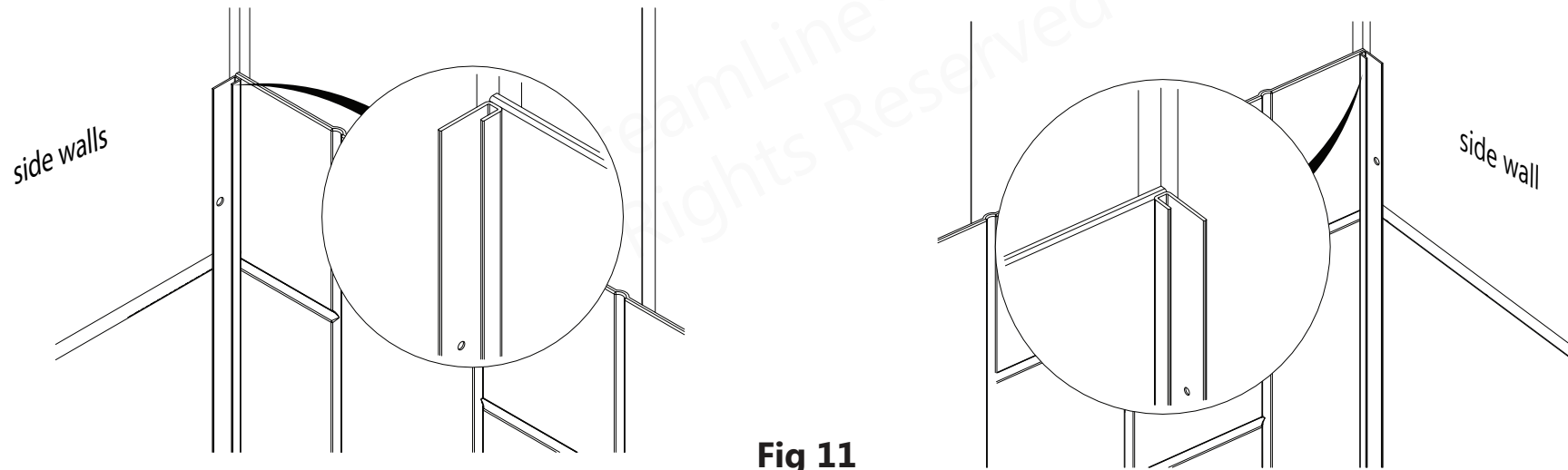
overlapping section

**Fig 10**

**Tools Needed**

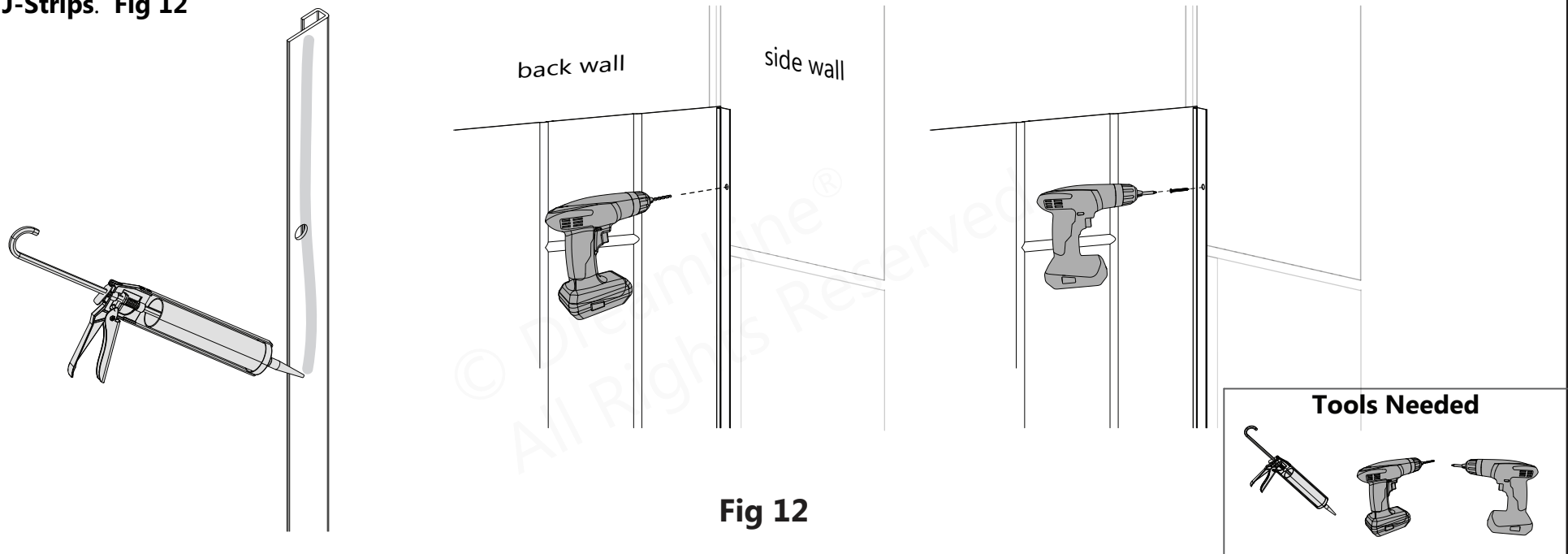


**11.** Dry fit the **J-Strips** into both back corners, with the wider flat side against the side walls, so the **Q-Wall Side Panels** can slide into them easily. **Fig 11**



**Fig 11**

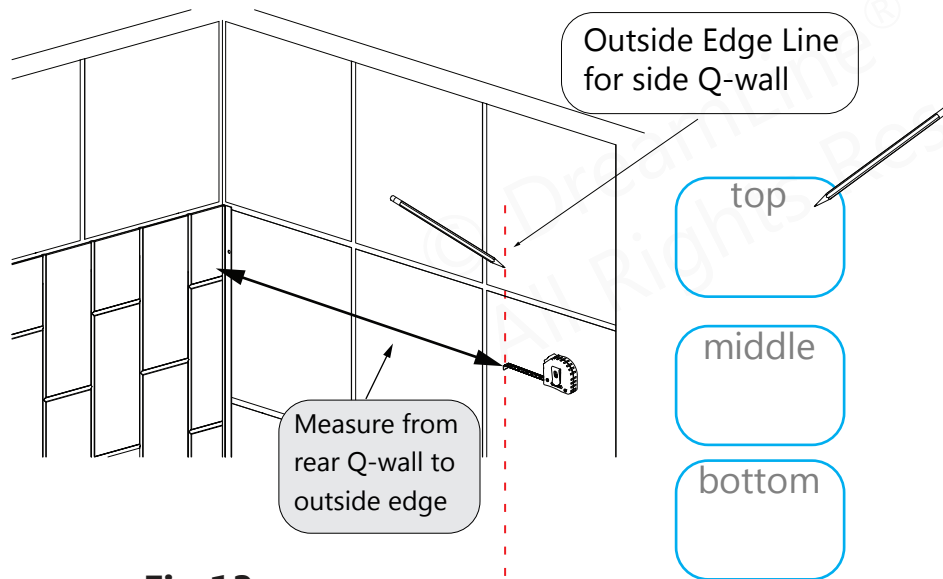
**12.** Apply clear silicone to the backs of both **J-Strips** and a thin bead of silicone into the corner of the opening. Press the J-Strips tight into the back corners. Wipe away any excess silicone with a clean rag. Use an  $\text{\O 1/8"}$  bit to drill into the wall through the holes in the J-Strips. Secure the **J-Strips** with the **ST 4.2 x 30 Countersunk Screws (#05)**. Be sure the screw heads are flush with the surface of the **J-Strips**. **Fig 12**



**Fig 12**



**13.** Measure from the installed **Q-Wall Back Panel** to the intended outside edge on both side walls. **Fig 13**

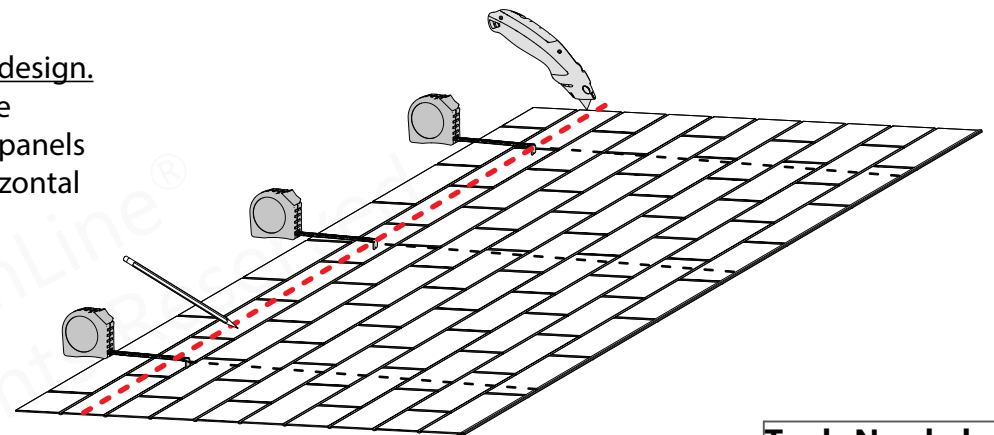
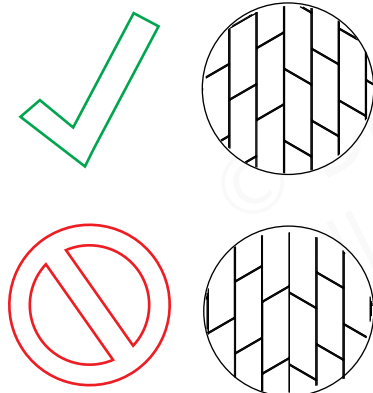


**Fig 13**

**14.** Subtract 1/16" from the measurements in the previous step to allow space for the **J-Strips**. Transfer these measurements to the **Q-Wall Side Panel**. Draw a cut line on the **Q-Wall Side Panel**, on the edge that will fit into the **J-Strips**. Score and cut the **Q-Wall Side Panel** to size. **Fig 14**

**NOTE** The horizontal grout lines will not align in the corner(s) by design. Attempting to align the horizontal grout lines may produce undesired results to your installation. Try flipping the side panels around to produce a more desirable staggering of the horizontal grout lines.

Corner Alignment examples:



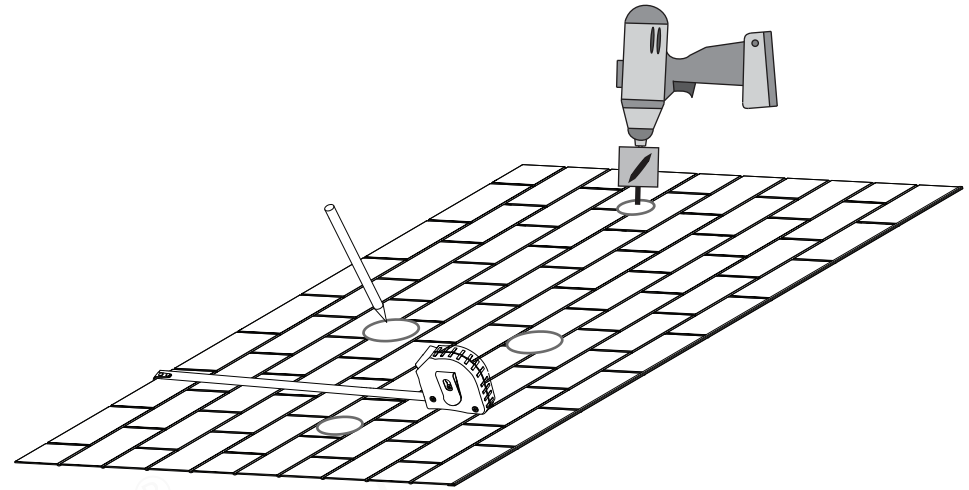
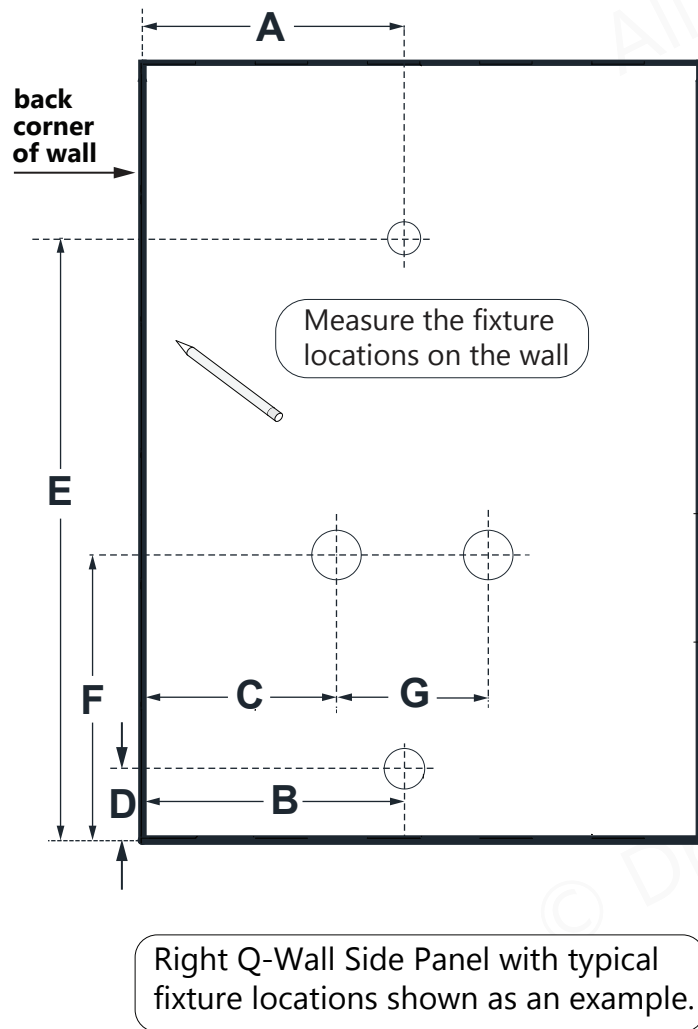
**Fig 14**



**15.** Measure the location of the shower fixtures from each of the installed **Q-Wall Back Panels**. Transfer these measurements to the corresponding **Q-Wall Side Panel** and drill the cutouts using a hole saw. **Fig 15**

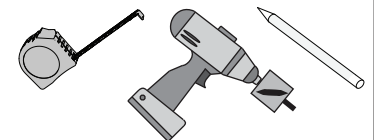
**Take exact measurements:**

- from the vertical reference line to the center of the fixture holes: **(A, B, C, G)**
- from the tub deck or shower threshold up to the center of the fixture holes **(D, E, F)**.

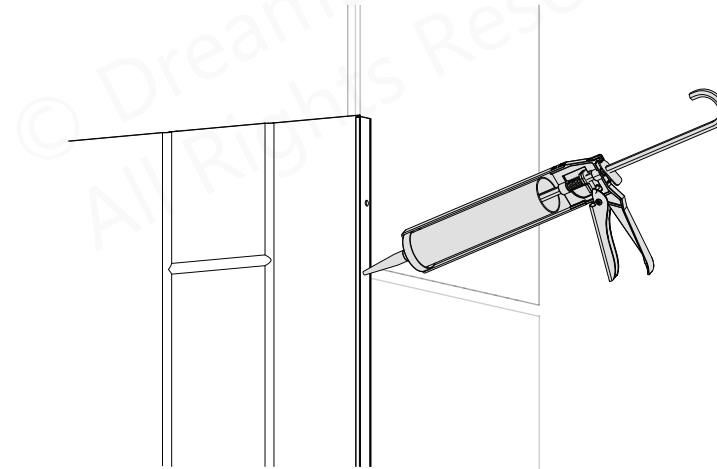


**Fig 15**

**Tools Needed**

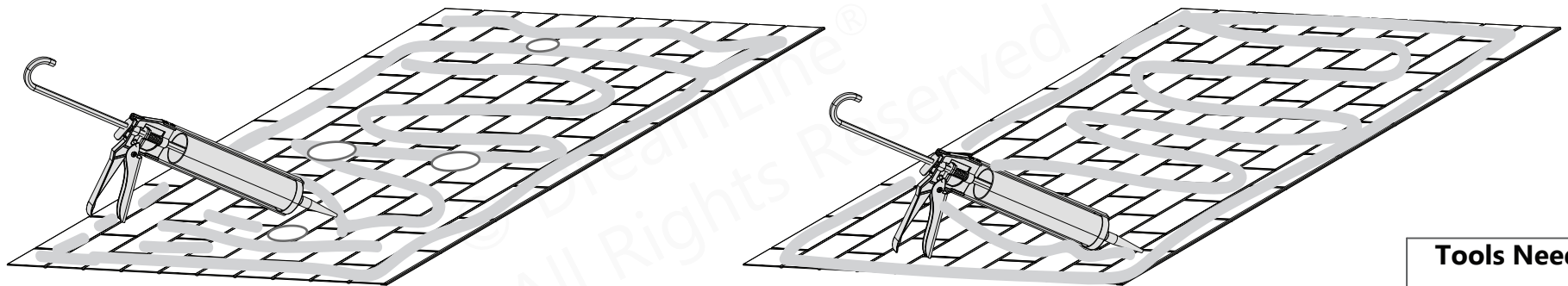


**16.** Apply a bead of clear silicone from top to bottom inside both of the installed **J-Strips**, including the screw heads. **Fig 16**



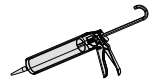
**Fig 16**

**17.** Apply tub surround adhesive to the back surface of both **Q-Wall Side Panels**. Peel back the protective plastic film along the edge before inserting into the installed **J-Strips** in the back corners. Press firmly over the entire surface, paying special attention to the edges and corners. Remove the rest of the protective plastic film. **Fig 17**

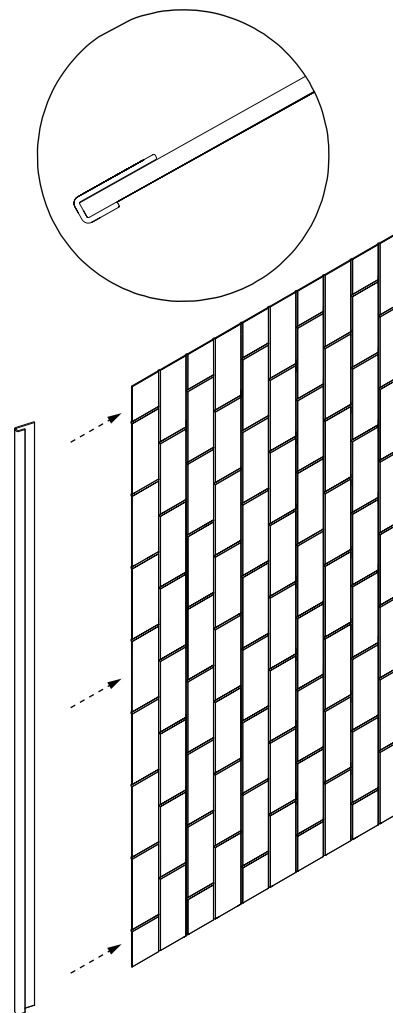
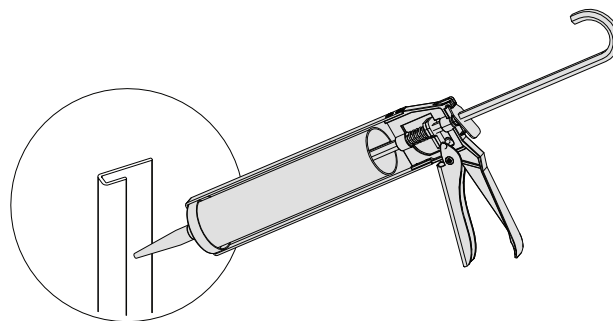
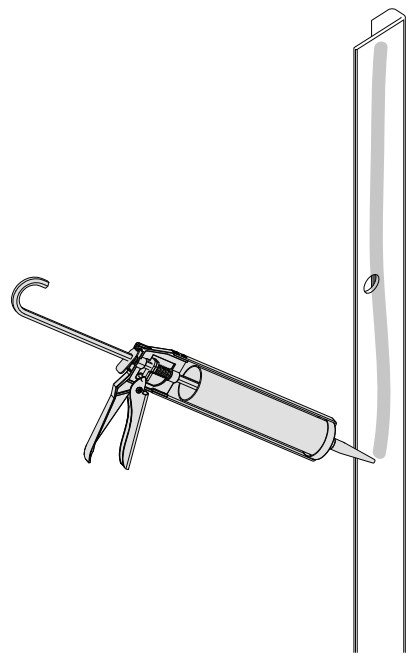


**Fig 17**

**Tools Needed**



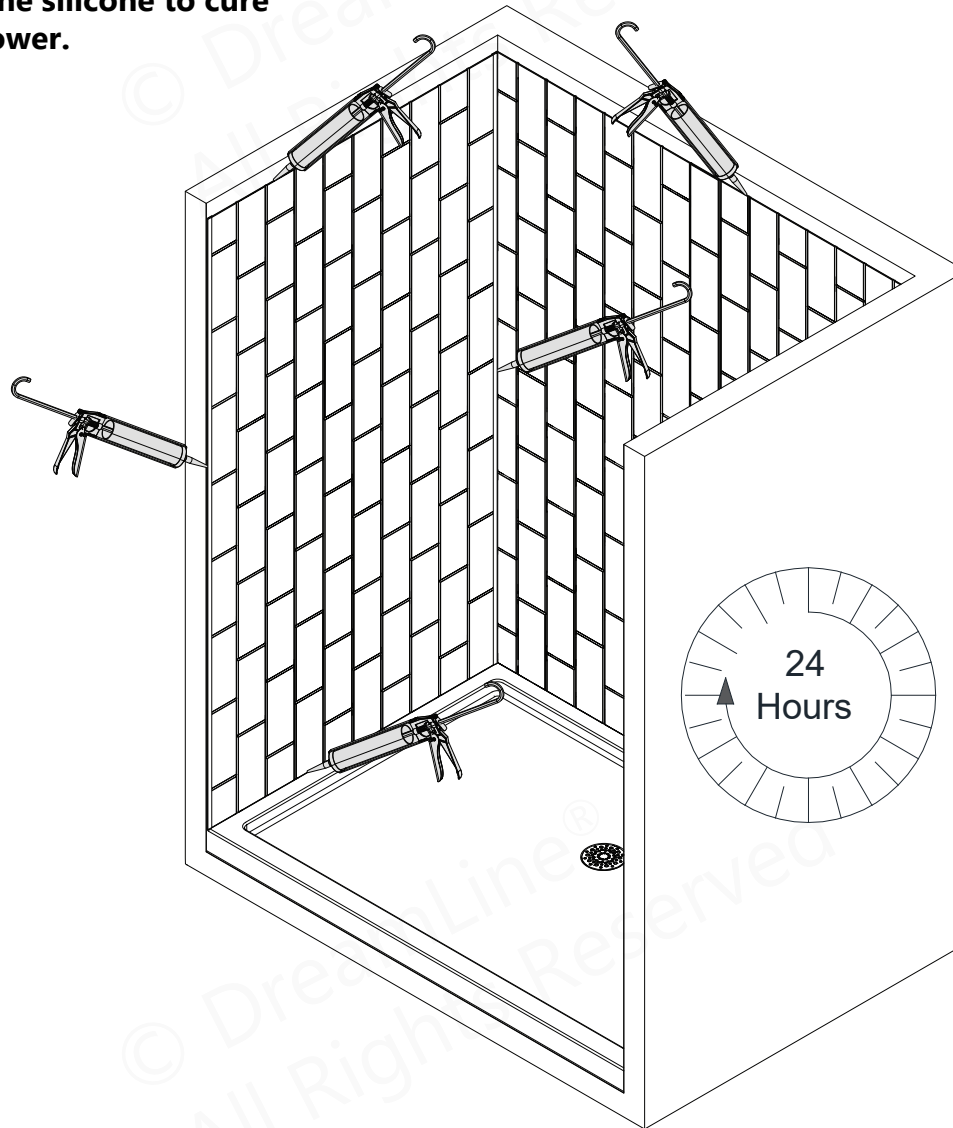
**18.** Apply silicone to the back of each outside J-Strip, where it will adhere to the wall. Then apply silicone to the inside of each J-Strip, and slide it onto the outside edge of the Q-Wall side panel. Press the J-Strip firmly to the wall and use tape if needed to hold it in place while the silicone cures.

**Tools Needed**

**19.** Apply a good quality, mildew-resistant silicone caulk (in the same color as the **Q-Wall Panels**) where the two rear **Q-Wall Back Panels** overlap, both sides of the **J-Strips**; on the outside edges of the **Q-Wall Side Panels** and along the exposed top edges if desired.  
**Fig 18**

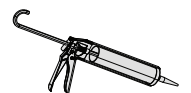


**Allow 24 hours for the silicone to cure before using the shower.**



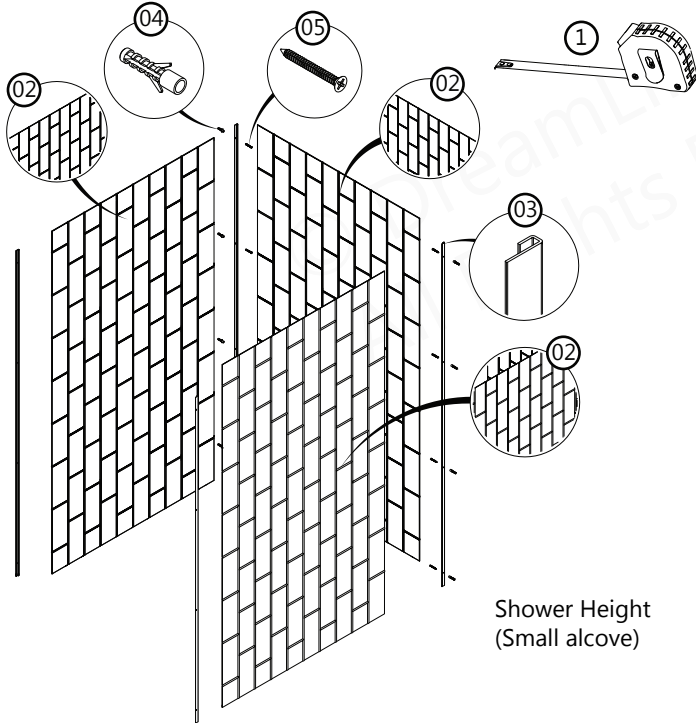
**Fig 18**

**Tools Needed**



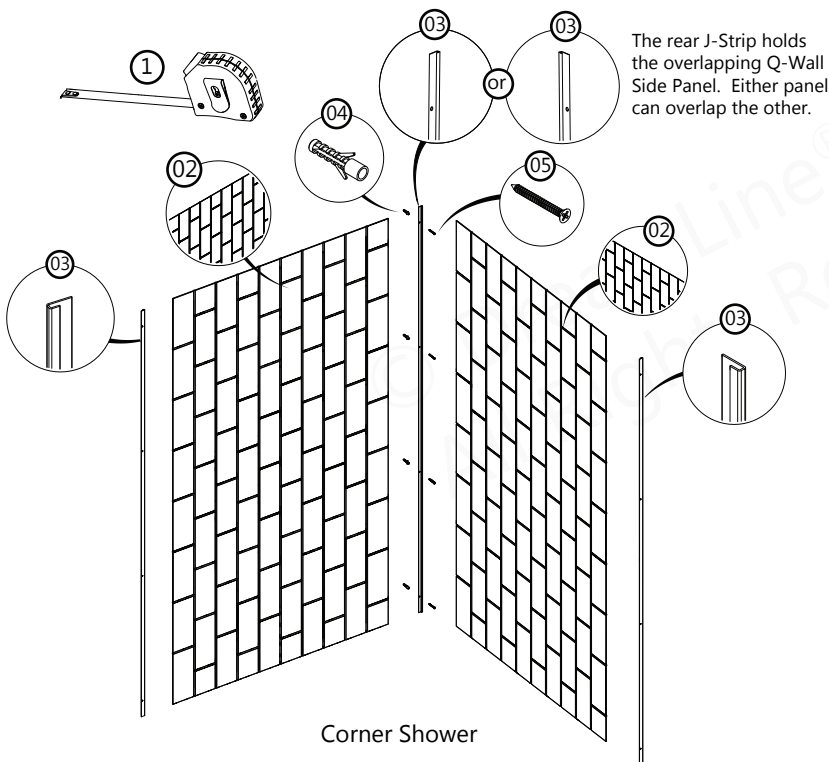
# Other Configurations

The techniques to install the Q-Wall Back Panels, Q-Wall Side Panels and J-Strips are the same for all configurations. The difference is in the amount and types of Q-Wall Panels and J-Strips and the installation order. The Small Shower Height and the corner configurations do not have overlapping Q-Wall Back Panels. The Small Shower Height configuration uses 3 Q-Wall Side Panels and 4 J-Strips. The Corner configuration uses 2 Q-Wall Side Panels and 3 J-Strips. See the diagrams below for the installation sequence and correct placement of parts.



## Shower Height (Small Alcove)

- 1) Measure the opening
- 2) Transfer measurements to side panel (to be used against back wall)
- 3) Install Q-Wall Side Panel at rear of shower
- 4) Install J-Strips on back corners
- 5) Measure side shower walls
- 6) Mark and cut Q-Wall Side Panels including holes for fixtures, accounting for overlap and alignment of brick pattern in corners (See p. 8 bottom)
- 7) Install Q-Wall Side Panels on both walls
- 8) Install J-Strips on the outside edges of both Q-Wall Side Panels



## Corner

- 1) Measure the opening
- 2) Transfer measurements to both side panels and cut them to size, accounting for overlap and alignment of brick pattern in corners (see p. 8 bottom)
- 3) Install one Q-Wall Side Panel on either wall.
- 4) Install one J-Strip against the face of the panel just installed (to receive the 2nd panel)
- 5) Install the second Q-Wall and slide it into the J-Strip.
- 6) Install J-Strips on the outside edges of both Q-Wall Side Panels

**BASES and BACKWALLS:** To ensure long lasting life for your acrylic back walls: wipe them off after each use with a soft cloth. To clean the acrylic back walls use non-abrasive sprays or cream based cleaners. Avoid the use of aerosol spray cleaners. Never use abrasive cleansers, metal brushes or scrapers that could permanently scratch or dull the surface.

**GLASS:** To ensure long lasting life for your glass shower products: wipe them off after each use with a soft cloth. Rinse and wipe off the glass using either a soft cloth or a squeegee to prevent soap buildup and water spots (Hard water can etch the surface of the glass over time if left to dry). To prevent scratching the surface: never use abrasive cleaners or cleaning products that contain scouring agents. Never use bristle brushes or abrasive sponges that may scratch the surface of the glass.

**HARDWARE:** To ensure a long lasting finish: wipe off all metal parts after each use with a soft cloth. Do not use abrasive cleaners or cleaning products containing ammonia, bleach or acid. If accidentally used, rinse the surface as soon as possible to prevent damage to the finish (peeling or corrosion). After cleaning the polished finishes, rinse thoroughly and wipe dry with a soft clean-cloth.

Clean stainless steel surfaces at least once a week. When applying stainless steel cleaner or polish to stainless steel hardware, work with the grain (not across the grain). Never use an abrasive sponge or cloth, steel wool or wired brush as these may permanently scratch the surfaces.



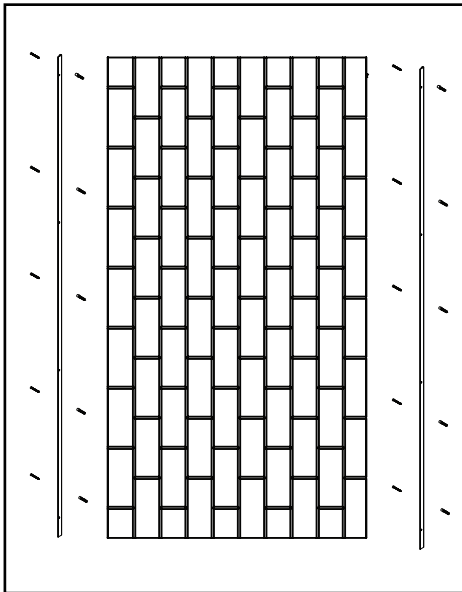
**To maximize the life of your door, it is important to regularly inspect the glass and other hardware for misalignment, proper attachment, and/or damage. Contact DreamLine® with any questions or concerns.**



Prior to contacting DreamLine® Customer Service, please have the following information readily available:

- Purchase Order Information
- Name, PO Number, Dealer/Vendor Name, etc.
- SKU/Model Number (see cover Page)
- Factory Part Information (see Pages 26-29)

# Factory Parts Information for Box SKU: SHBW-1541176-00/22/88



Q-Wall side panel

SHBW-1541176-## Q-Wall Side Panel (x1) (41" x 76") FACTORY PARTS INFORMATION			
ITEM #	FACTORY PART NUMBER	ITEM DESCRIPTION	QTY
<b>SHBW-1541176-00</b>			
<b>WHITE</b>			
02	031054193025 <b>00</b>	Q-Wall Side panel 41-1/2" x 76" x 3/32" (1054X1930X2.5mm)	1
03	0600700 <b>01</b> -1930	J-Strip (JT070) Vinyl	2
<b>SHBW-1541176-22</b>			
<b>BISCUIT</b>			
02	031054193025 <b>02</b>	Q-Wall Side panel 41-1/2" x 76" x 3/32" (1054X1930X2.5mm)	1
03	0600700 <b>04</b> -1930	J-Strip (JT070) Vinyl	2
<b>SHBW-1541176-88</b>			
<b>BLACK</b>			
02	031054193025 <b>08</b>	Q-Wall Side panel 41-1/2" x 76" x 3/32" (1054X1930X2.5mm)	1
03	0600700 <b>02</b> -1930	J-Strip (JT070) Vinyl	2
<b>Hardware</b>			
04	092106	ST4.2 x 30 Countersunk screw	10
05	07552148	Wall Anchor 8mm (5/16in)	10

**BOLD** digit indicates finish:

**last two digits of box sku-##**

00 = White

22 = Biscuit

88 = Black

**bold digit within part #**

01-White

02/04-Biscuit

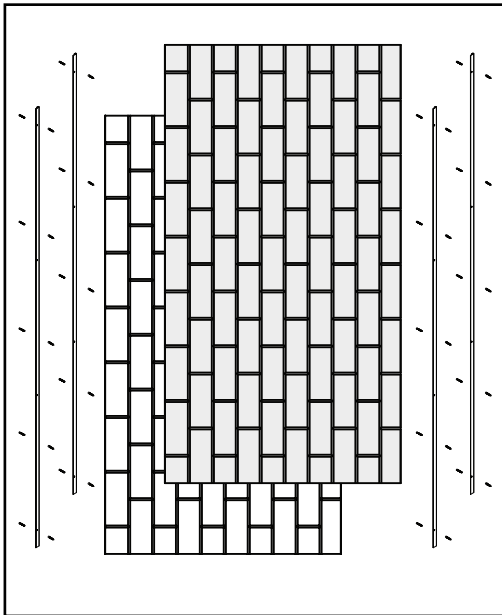
02/08-Black

Contact [Support@DreamLine.com](mailto:Support@DreamLine.com) for Part replacement, installation assistance or additional information.

Complete **Warranty** information is available on [DreamLine.com](http://DreamLine.com).



# Factory Parts Information for Box SKU: SHBW-1541276-00/22/88



Q-Wall side panels

SHBW-1541276-## Q-Wall Side Panels (x2) (41" x 76") FACTORY PARTS INFORMATION			
ITEM #	FACTORY PART NUMBER	ITEM DESCRIPTION	QTY
<b>SHBW-1541276-00</b>			
<b>WHITE</b>			
02	031054193025 <b>00</b>	Q-Wall Side panel 41-1/2" x 76" x 3/32" (1054X1930X2.5mm)	2
03	0600700 <b>01</b> -1930	J-Strip (JT070) Vinyl	4
<b>SHBW-1541276-22</b>			
<b>BISCUIT</b>			
02	031054193025 <b>02</b>	Q-Wall Side panel 41-1/2" x 76" x 3/32" (1054X1930X2.5mm)	2
03	0600700 <b>04</b> -1930	J-Strip (JT070) Vinyl	4
<b>SHBW-1541276-88</b>			
<b>BLACK</b>			
02	031054193025 <b>08</b>	Q-Wall Side panel 41-1/2" x 76" x 3/32" (1054X1930X2.5mm)	2
03	0600700 <b>02</b> -1930	J-Strip (JT070) Vinyl	4
<b>Hardware</b>			
04	092106	ST4.2 x 30 Countersunk screw	20
05	07552148	Wall Anchor 8mm (5/16in)	20

**BOLD digit indicates finish:**

**last two digits of box sku-##**

00 = White

22 = Biscuit

88 = Black

**bold digit within part #**

01-White

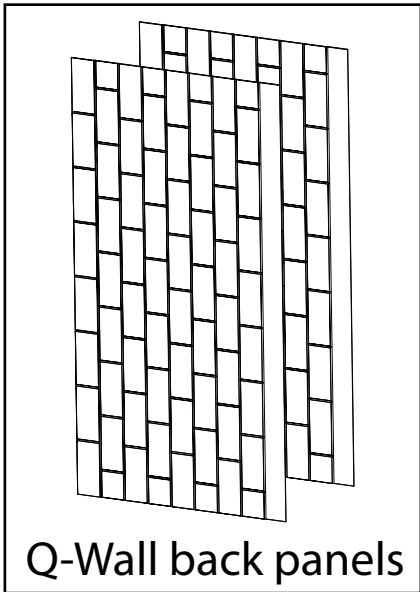
02/04-Biscuit

02/08-Black

Contact [Support@DreamLine.com](mailto:Support@DreamLine.com) for Part replacement, installation assistance or additional information.

Complete **Warranty** information is available on [DreamLine.com](http://DreamLine.com).

# Factory Parts Information for Box SKU: SHBW-1536276-00/22/88



(1 Overlap and 1 Underlap)

SHBW-1536276-## Q-Walls Back Panels (60"x 36"x 76") FACTORY PARTS INFORMATION			
ITEM #	FACTORY PART NUMBER	ITEM DESCRIPTION	QTY
<b>SHBW-1536276-00</b>		<b>WHITE</b>	
01	031930082825 <b>00</b>	Q-Wall Back panel (w/underlap) 76" x 32-1/2" x 3/32" (1930X828X2.5mm)	1
01	031930841250 <b>00</b>	Q-Wall Back panel (w/overlap) 76" x 33 x 3/32" (1930X841X2.5mm)	1
<b>SHBW-1536276-22</b>		<b>BISCUIT</b>	
01	031930082825 <b>02</b>	Q-Wall Back panel (w/underlap) 76" x 32-1/2" x 3/32" (1930X828X2.5mm)	1
01	031930084125 <b>02</b>	Q-Wall Back panel (w/overlap) 76" x 33 x 3/32" (1930X841X2.5mm)	1
<b>SHBW-1536276-88</b>		<b>BLACK</b>	
01	031930082825 <b>08</b>	Q-Wall Back panel (w/underlap) 76" x 32-1/2" x 3/32" (1930X828X2.5mm)	1
01	031930084125 <b>08</b>	Q-Wall Back panel (w/overlap) 76" x 33 x 3/32" (1930X841X2.5mm)	1

**BOLD digit indicates finish:**

**last two digits of box sku-##**

00 = White

22 = Biscuit

88 = Black

**bold digit within part #**

01-White

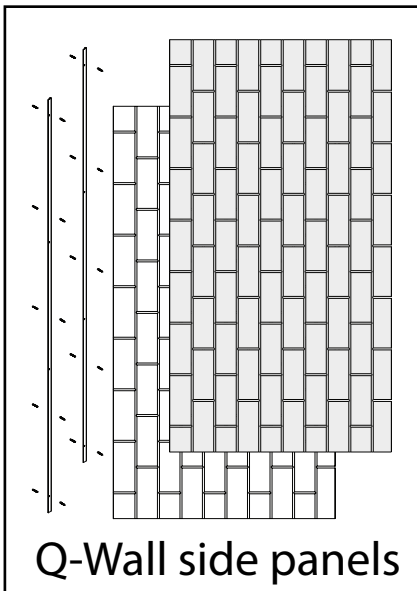
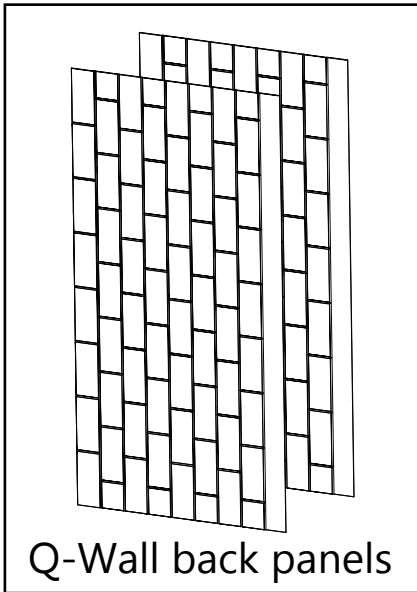
02/04-Biscuit

02/08-Black

Contact [Support@DreamLine.com](mailto:Support@DreamLine.com) for Part replacement, installation assistance or additional information.

Complete **Warranty** information is available on [DreamLine.com](http://DreamLine.com).

# Factory Parts Information for Box SKU: SHBW-1560620-00/22/88



SHBW-1560620-## Q-Wall kit for tub (60"x36"x62") FACTORY PARTS INFORMATION			
ITEM #	FACTORY PART NUMBER	ITEM DESCRIPTION	QTY
<b>SHBW-1560620-00</b>		<b>WHITE</b>	
01	031564082825 <b>00</b>	Q-Wall Back Panel w/underlap 61-1/2" x 32-1/2 x 3/32" (1564X828X2.5mm)	1
01	031564084125 <b>00</b>	Q-Wall Back Panel w/overlap 61-1/2" x 33" x 3/32" (1564X841X2.5mm)	1
02	031054156425 <b>00</b>	Q-Wall Side panel 41-1/2" x 61-1/2" x 3/32" (1054X1564X2.5mm)	2
03	0600700 <b>01</b> -1564	J-Strip (JT070) Vinyl	4
<b>SHBW-1560620-22</b>		<b>BISCUIT</b>	
01	031564082825 <b>02</b>	Q-Wall Back Panel w/underlap 61-1/2" x 32-1/2 x 3/32" (1564X828X2.5mm)	1
01	031564084125 <b>02</b>	Q-Wall Back Panel w/overlap 61-1/2" x 33" x 3/32" (1564X841X2.5mm)	1
02	031054156425 <b>02</b>	Q-Wall Side panel 41-1/2" x 61-1/2" x 3/32" (1054X1564X2.5mm)	2
03	0600700 <b>04</b> -1564	J-Strip (JT070) Vinyl	4
<b>SHBW-1560620-88</b>		<b>BLACK</b>	
01	031564082825 <b>08</b>	Q-Wall Back Panel w/underlap 61-1/2" x 32-1/2 x 3/32" (1564X828X2.5mm)	1
01	031564084125 <b>08</b>	Q-Wall Back Panel w/overlap 61-1/2" x 33" x 3/32" (1564X841X2.5mm)	1
02	031054156425 <b>08</b>	Q-Wall Side panel 41-1/2" x 61-1/2" x 3/32" (1054X1564X2.5mm)	2
03	0600700 <b>02</b> -1564	J-Strip (JT070) Vinyl	4
<b>Hardware</b>			
04	092106	ST4.2 x 30 Countersunk screw	10
05	07552148	Wall Anchor 8mm (5/16in)	10

<b>BOLD digit indicates finish:</b>	
<b>last two digits of box sku-##</b>	<b>bold digit within part #</b>
00 = White	01-White
22 = Biscuit	02/04-Biscuit
88 = Black	02/08-Black

Contact [Support@DreamLine.com](mailto:Support@DreamLine.com) for Part replacement, installation assistance or additional information.

Complete **Warranty** information is available on [DreamLine.com](http://DreamLine.com).

**NOTES:**

© DreamLine®  
All Rights Reserved

© DreamLine®  
All Rights Reserved



TEL: 866-731-2244  
FAX: 866-857-3638  
DREAMLINE.COM

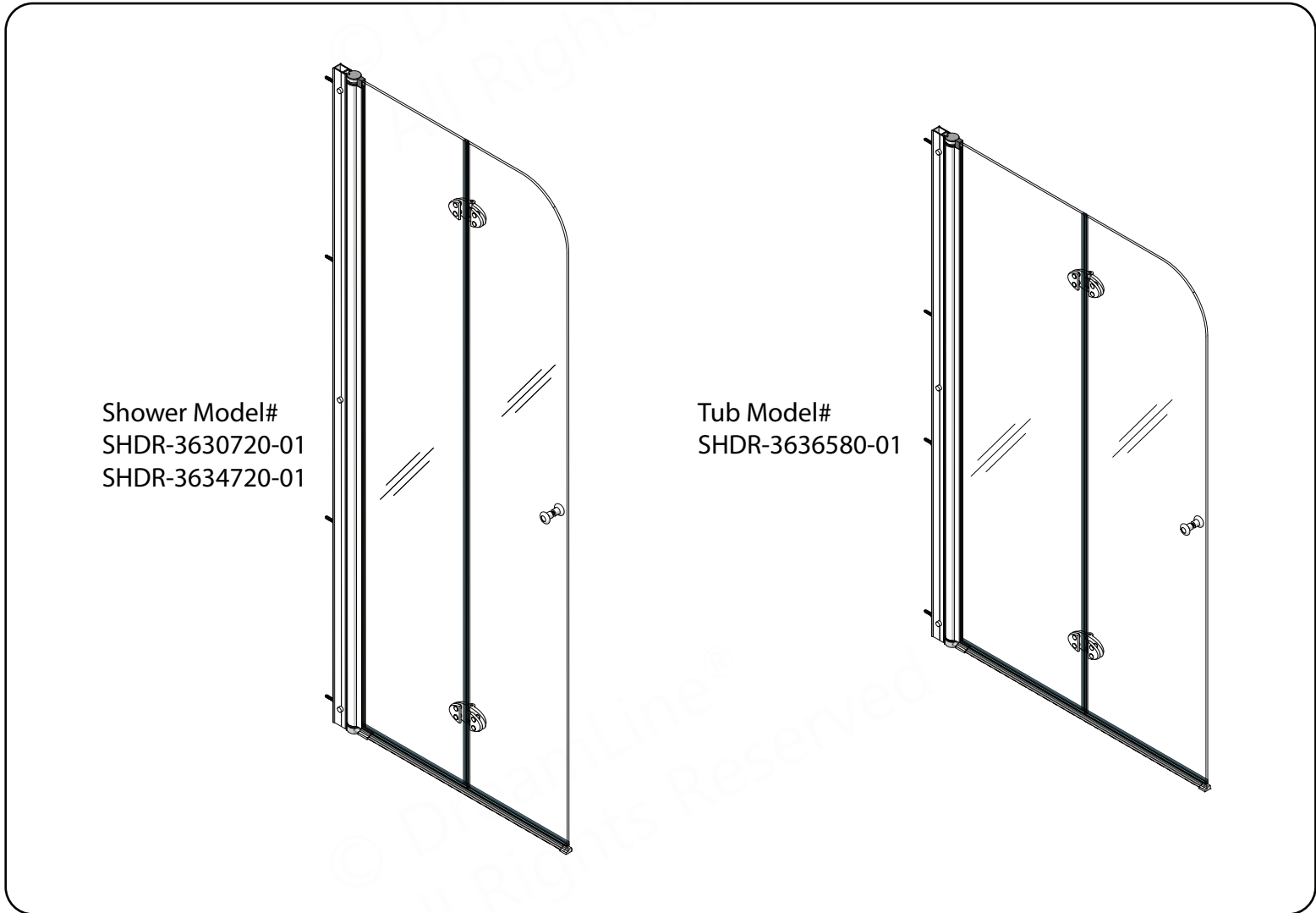


For more information on DreamLine® Shower Doors and Enclosures please visit **DreamLine.com**

# AQUA FOLD

## SHOWER AND TUB DOOR INSTALLATION INSTRUCTIONS

PLEASE REVIEW THIS ENTIRE MANUAL PRIOR TO INSTALLATION



**IMPORTANT!**

DreamLine<sup>®</sup> reserves the right to alter, modify or redesign products at any time without prior notice for the purpose of product improvement and customer experience. Please refer to the model's web page on **DreamLine.com** for the latest technical drawings, installation manuals, warranty information or additional product details.

**Do Not Return Product to the Store. Contact DreamLine<sup>®</sup> with any questions**



**Questions?**

Please contact DreamLine Customer Support  
See **DreamLine.com** for hours of operation

**Support@DreamLine.com**

**1-866-731-2244**





Record the following purchase information for your records or in the event you need to contact DreamLine®:

Purchase Order  
Number \_\_\_\_\_

Store/Vendor  
Purchased From \_\_\_\_\_

Installation Date \_\_\_\_\_

OD Number  
(optional) \_\_\_\_\_  
\*found on the shipping box or label  
if available.

Installed By: \_\_\_\_\_

SKU Number \_\_\_\_\_

# Table of Contents

Section Title	Page #
Warnings and General Preparation	2
Model Specific Preparation	3
Tools	4
Detailed Diagram of Shower/Tub Door Components	5
Parts List	6-7
Installation Steps	8-18
Product Maintenance	19
Troubleshooting	20
Factory Parts Information	21-23

## Symbol Legend



**TIP** - for ease of installation.



**CORRECT** - recommended.



**NOTE** - take note of special feature; additional information.

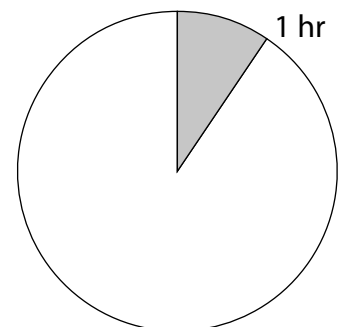


**INCORRECT** - not recommended.



**REQUIRED** - requires special attention; signifies a warning.

Average Installation Time







#### IMPORTANT

- DreamLine® reserves the right to alter, modify or redesign products any time without prior notice for product improvement and customer experience. Please refer to the model's web page on [DreamLine.com](http://DreamLine.com) for the latest technical drawings, installation manuals, warranty information or additional product details.
- This product should be installed by someone familiar with the construction requirements for this type of project and the care necessary for the safe installation and operation of the product.
- The safety of any installation is the responsibility of the installer.
- Professional installation recommended. (*All Models*)
- Professional installation required. (*Enigma Series*)
- To prevent damage or serious injury, Do Not lean against the installed panel/door/glass.
- To prevent damage or serious injury: Do Not attempt to lift or move a heavy lite of glass alone. Use an assistant and/or a professional grade glass suction cup.
- The installation of some models may require drilling down into the threshold. Contact the manufacturer of the base, tub, or threshold material with any questions regarding the drilling of holes into their product.
- All drawings in this installation manual are for illustrative purposes only and are not drawn to scale.

#### TEMPERED GLASS WARNING

- Your Shower Door Glass Could Shatter Without Warning if Improperly Installed or Mishandled
- Do Not install or operate a shower door if the glass has chipped corners, slivered edges or is otherwise damaged and/or has been dropped or banged into a hard surface such as tile, marble or glass.
- **The main causes of tempered glass breakage are:**
  - Improper handling, storage or installation
  - Misuse/abuse
  - Lack of maintenance
  - Failure to replace damaged glass
  - **Improper handling during storage, unpacking and installation:**
  - Corners and edges are the most susceptible area to damage on a lite of tempered glass and should be protected and handled with care during storage, unpacking, installation and operation. A concentrated point of pressure or impact with a surface harder than itself may cause the tempered glass to shatter. The tempered glass may release immediately, within several hours or even days later.
  - **Incorrect installation of door hardware, rollers, hinges, channels, stopper or glass:**
  - Improper installation may include: loose hardware and/or lack of proper gaskets between the hardware and glass. Additionally, improper alignment of guide rails, wall profiles or other hardware during installation or operation may place stress on the glass edges and cause it to break.
  - This product must be installed by a professional and experienced installer familiar with the safe handling of tempered glass.
  - **Improper use of this product:**
    - Aggressively opening or closing the door may cause trauma to the glass, which can lead to breakage. This may occur immediately or hours or even days later.
    - **The shower door hardware and glass should be inspected periodically:**
      - Instruct the homeowner how to perform a periodic inspection of the shower hardware and glass - some minor adjustments may be necessary based upon the use (or misuse) of the shower door. Ensure that the hardware remains tight and that the door alignment and operation are correct. Any adjustments should be made upon discovery to prevent damage to the product.
      - Additional considerations should be given to the installation of frameless tempered glass products in households with young children or an elderly person due to an increased chance of improper handling. In such cases, alternatives such as shower curtains or grab bars should be considered.

#### GENERAL PREPARATION

- After opening all boxes and packages, read this introduction carefully. Check that all the items are included in the package by marking off the components on the "**Detailed Diagram of Product Components**" page. Examine all boxes and packages for shipping damage. If the unit has been damaged, has a finishing defect, or is missing parts; please contact our Customer Support department within 3 business days of the delivery date. **Please note that DreamLine® will not replace any damaged products or missing parts free of charge after 3 business days or if the product has been installed.** Please contact DreamLine® if you have any questions.
- **Please note that you should refer to your local building codes with questions on installation compliance standards. Building and plumbing codes may vary by location, and DreamLine® is not responsible for code compliance standards for your project and will not accept any returns.**
- If this unit is going to be installed in a new construction, install all the required plumbing and drainage before installing the shower. **Use a competent and licensed (if required by local code) plumber for all plumbing installation.**
- Make sure that prior to beginning the installation, the surfaces are leveled and solid and will be able to support the total weight of the unit. Also make sure the walls are at right angles. Irregular installation surface level, radius corners or improper angle of side walls will result in serious problems for your installation. Please note that some adjustments and drilling will be necessary during the installation process.
- Protect all primary surfaces of the product during installation. Never set your glass down directly onto a tile floor. Leave corner protectors in place until it is necessary to remove them. Always use a piece of wood or cardboard to protect the bottom edge and corners of the glass prior to and during installation.
- This unit must be installed upon a finished threshold and against finished walls.
- *DreamLine® shower doors are not designed to be installed into a fiberglass surround due to the radius corners and lack of a solid surface to mount the hardware.*

#### WARNING: TO AVOID THE RISK OF DAMAGE OR INJURY:

- **Follow all recommendations and requirements as shown in the installation instructions.**
- Perform a thorough inspection of the glass and all parts for any damage prior to installation. Any damage to tempered glass can cause breakage. **Do Not install damaged glass!**
- Do Not install or operate a shower or tub door if the glass has chipped corners, slivered edges or is otherwise damaged. Do Not install or operate a shower or tub door that has been dropped or banged into a hard surface such as tile, marble or glass.
- **CAUTION:** Contact with any hard surface can damage tempered glass and cause it to shatter.
- This product uses tempered glass. Glass cannot be cut after it has been tempered. **Do Not attempt to cut tempered glass.**
- DreamLine® Glass Shower doors, Tub doors, Inline panels, and Return panels can shatter due to improper handling or lack of maintenance. Conduct periodic inspections of glass and all parts for possible damage, missing or loose parts.
- Always wear proper safety equipment such as: safety goggles, work gloves and appropriate footwear during the installation process.
- **WARNING. Risk of leakage and/or damage.** Follow all instructions regarding the application of silicone sealant or caulk. Allow 24 hours for the sealant to cure before the initial use of the shower or tub product. Follow the silicone manufacturer's recommendations regarding the use of their product.
- **Thoroughly read these instructions before installing or using this product.**
- **Leave this manual for the end-user of the product.**

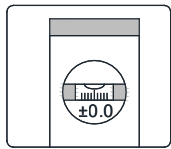


This product should be installed by someone familiar with the construction requirements for this type of project and the care necessary for the safe installation and operation of the product.

# Model Specific Preparation

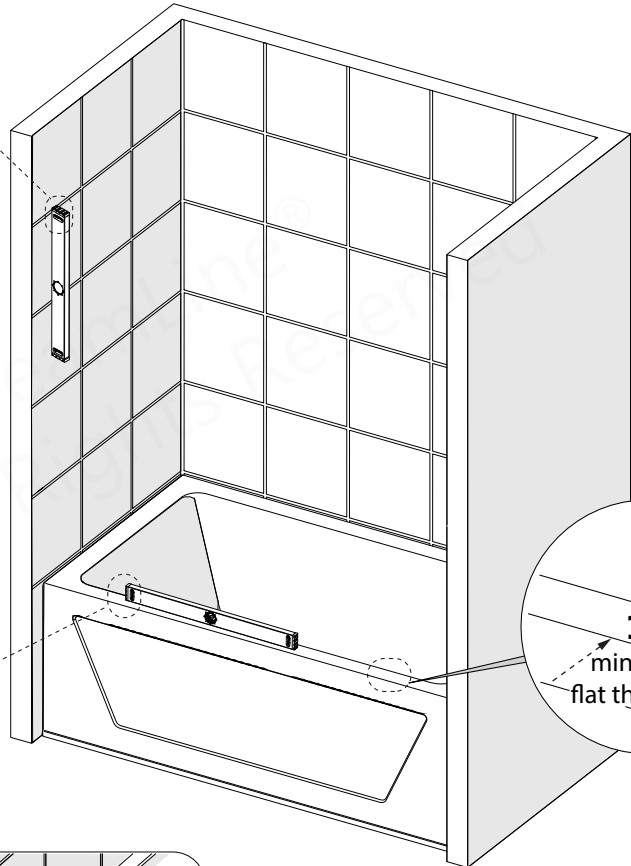
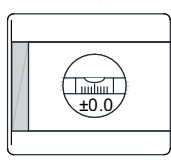
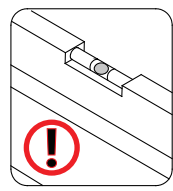
## ! REQUIRED:

3/8" Out-of-Plumb Adjustment at Wall Profile. **DO NOT EXCEED** this amount.



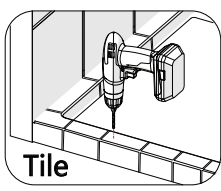
Verify tub deck and walls with a level

Threshold must be level

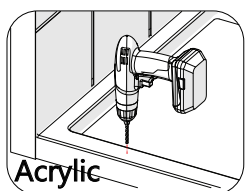


1" minimum threshold

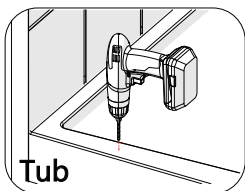
1" minimum flat threshold



Tile



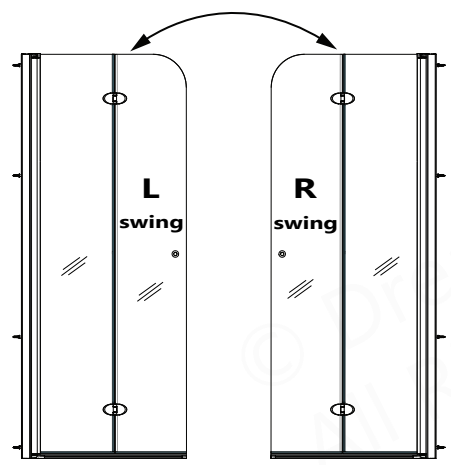
Acrylic



Tub

**NOTE**

Contact the manufacturer of the base, tub or threshold material with any questions regarding the drilling of holes into their product.



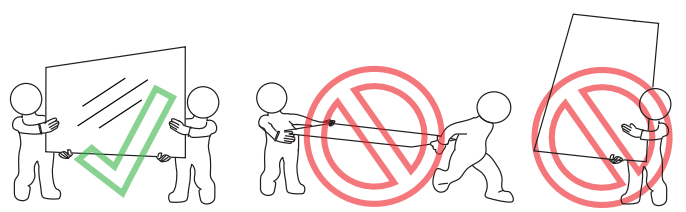
**DO NOT** attach the Handle to the door glass until instructed.  
**DO NOT** use the Handle to lift the glass during installation. This may result in damage to the glass and/or serious injury. Always use an assistant or a professional grade glass suction cup when handling heavy glass.

**NOTE**

This model is reversible for right or left swing door installation. The right swing door installation is shown as an example throughout this manual. For the right swing door installation, simply begin on the opposite wall and reverse the orientation of the installation steps shown.

**NOTE**

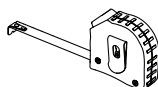
Professional installation with two installers is recommended for this product.



## Tools



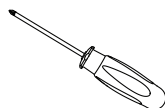
Level



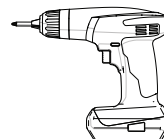
Tape Measure



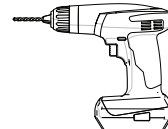
Pencil



#2 Phillips Screwdriver



Screw Gun



Drill



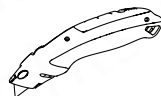
Drill Bit  
Ø1/8"  
(3mm)



Drill Bit  
Ø3/16"  
(5mm)



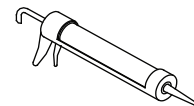
Drill Bit  
Ø5/16"  
(8mm)



Razor Knife



Rubber Mallet



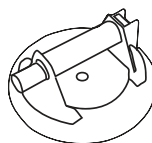
100% Silicone



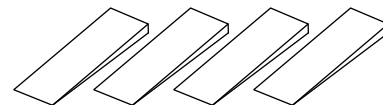
Safety Glasses



Work Gloves



Professional-grade  
Glass Suction Cup  
(Optional but recommended)



Wood or Plastic  
Shims



Verify that the correct model size has been ordered; measure the finished opening **before** proceeding with the installation.

Confirm that the finished walls are plumb and the threshold is level and pitched into the shower area.

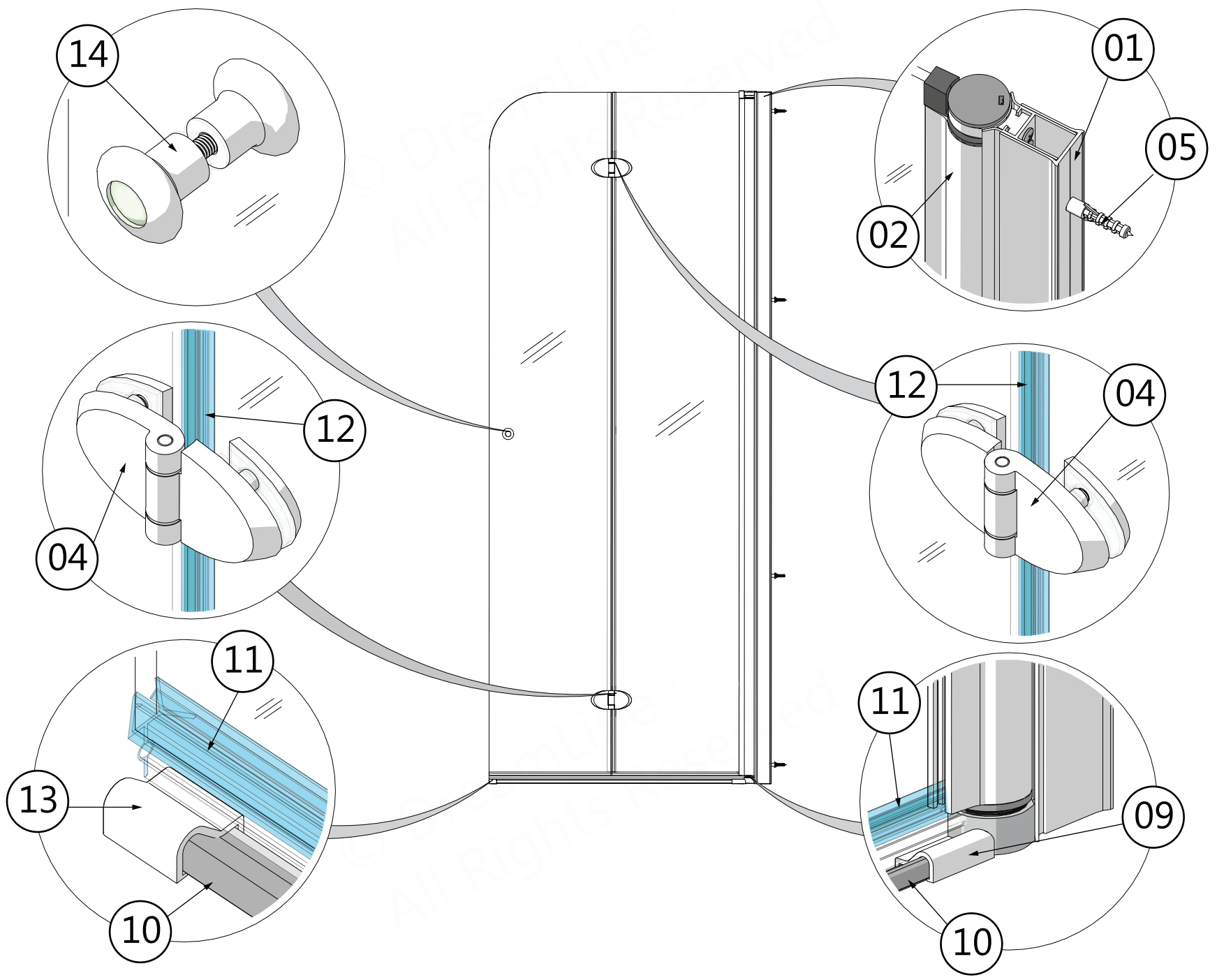
**Use a good quality waterproof, mildew-resistant 100% silicone caulk.**

Cover the shower/tub drain with tape prior to installation to prevent the loss of screws or small parts.



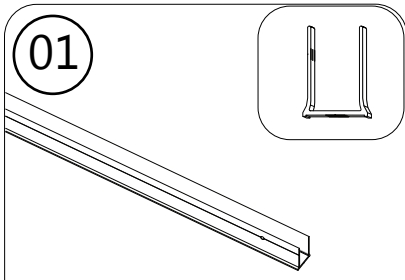
Unpack your unit carefully and inspect it. Lay it out and identify all parts using the **Detailed Diagram** on page 5; and packing list in this manual as a reference. Before discarding the carton, check for small hardware bags that may have fallen to the bottom of the box. If any parts are damaged or missing, please contact DreamLine® for replacement. The shipping boxes may contain extra parts not used in your model configuration. Retain these installation instructions for future reference.

# Detailed Diagram of Aqua Fold Shower and Tub Door Components



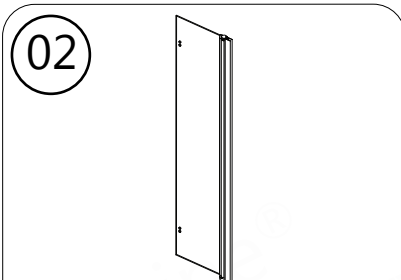
# Parts List

01



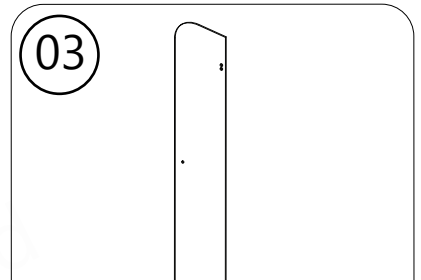
Wall Profile x1

02



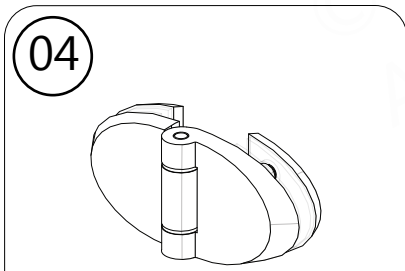
Door Glass #1 with Hinged Profile x1

03



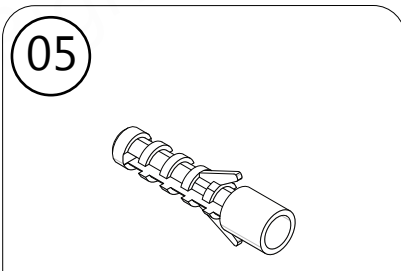
Door Glass #2 x1

04



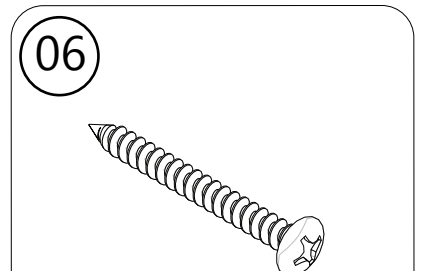
Hinge x2

05



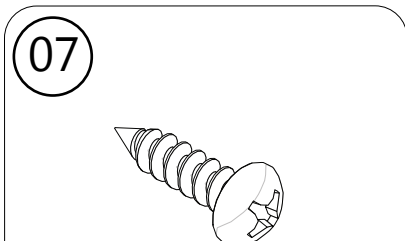
Wall Anchor x4

06



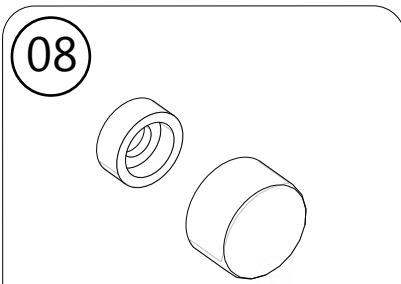
Phillips Screw ST 4.2x40mm x4

07



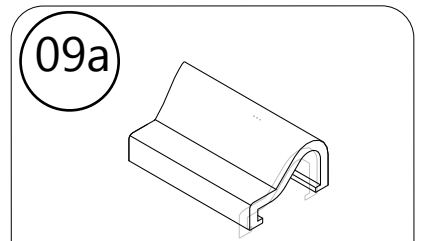
Phillips Short Round Head Screw ST 4.0 x 16mm x3

08



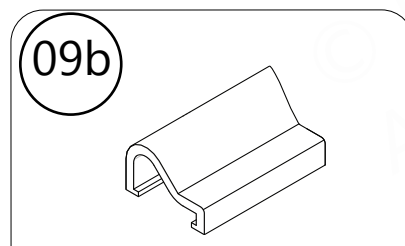
Decorative Cover and Washer 3pr

09a



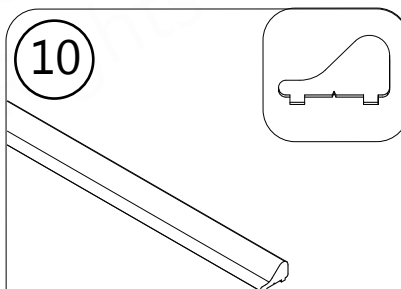
Threshold Connector (Right) x1

09b



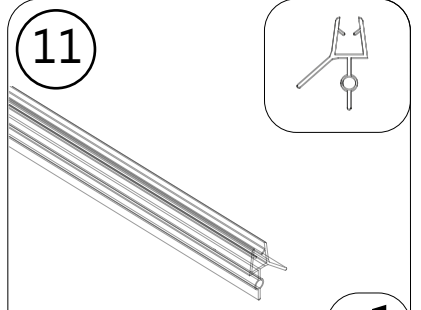
Threshold Connector (Left) x1

10



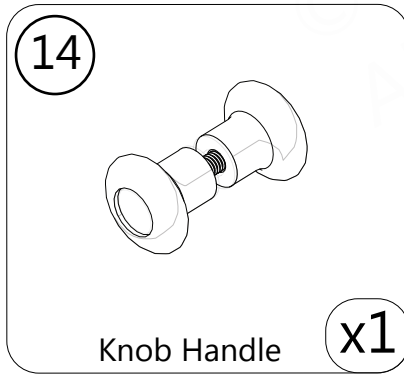
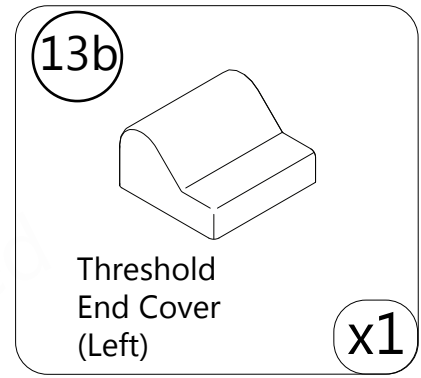
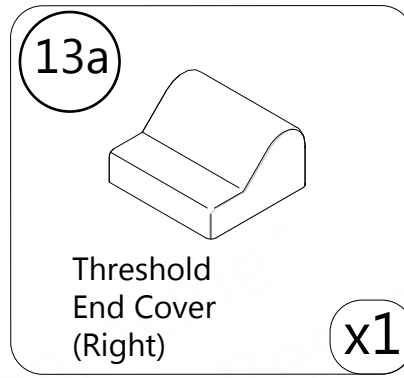
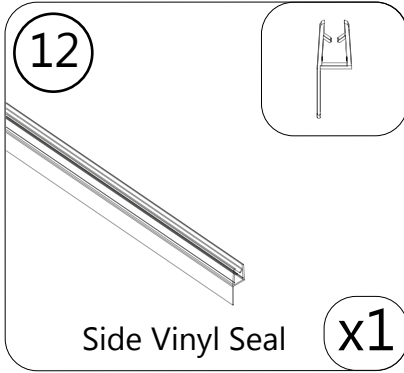
Threshold x1

11



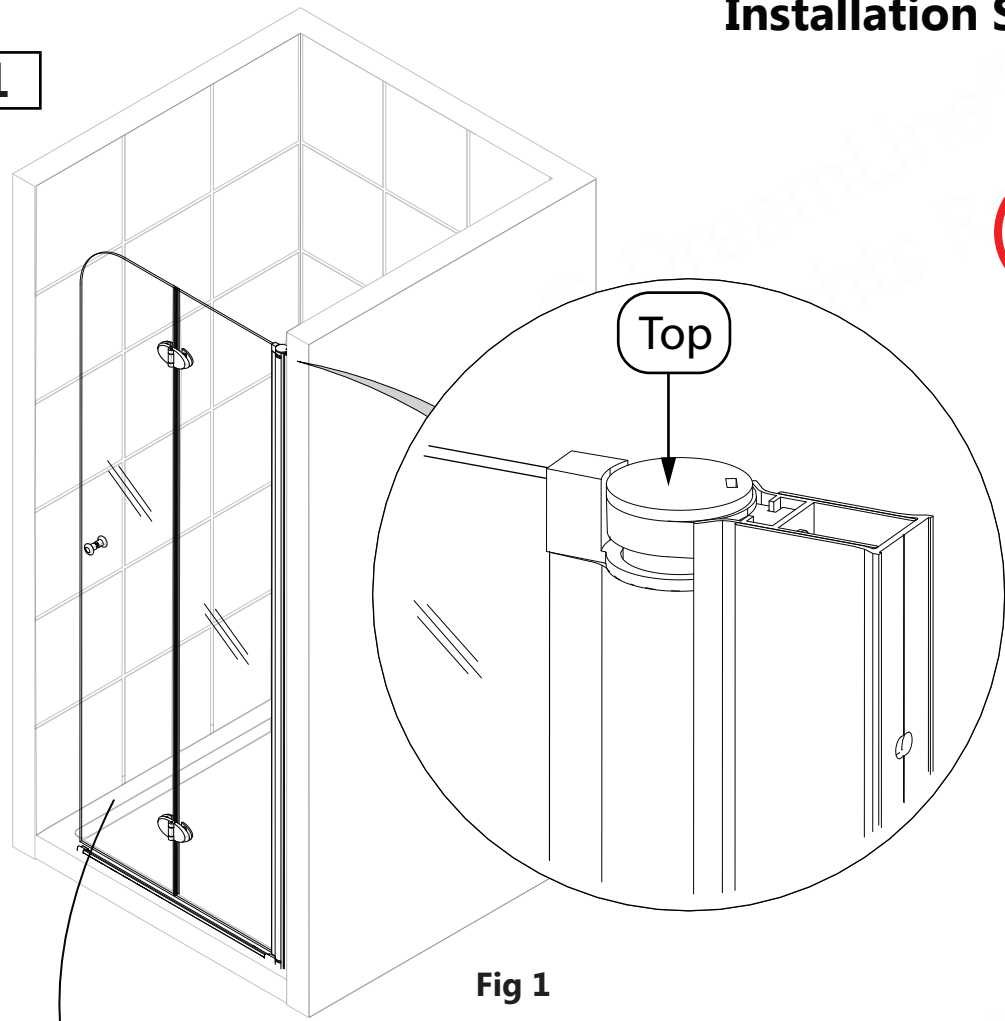
Bottom Sweep Vinyl x1

# Parts List



# Installation Steps

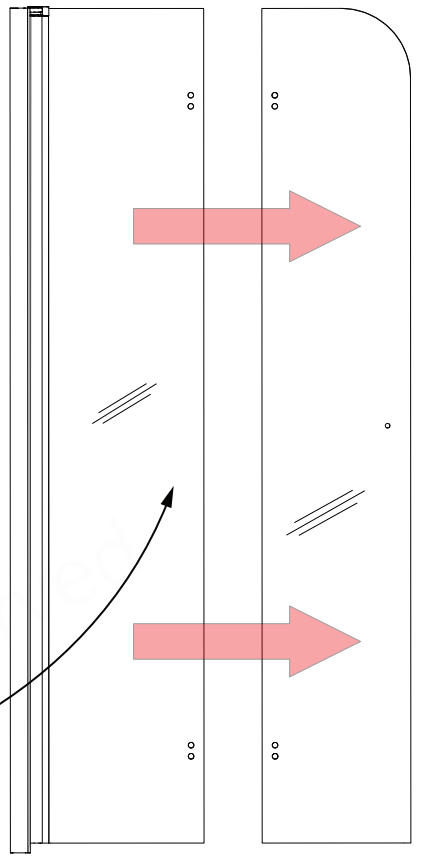
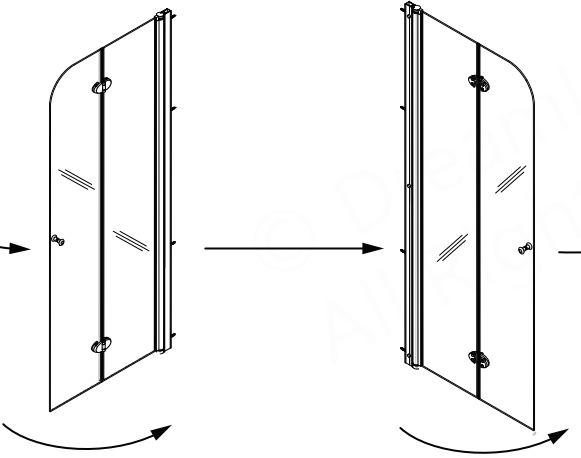
**1**



**NOTE** Prepare and orient the panels for Hinge installation.

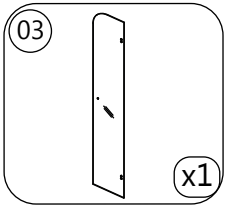
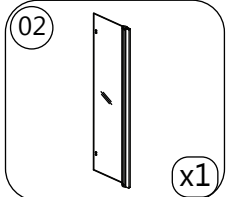
**NOTE** Right-hand installation shown. Reverse for left-hand installation.

**Fig 1**



Inside of Shower Door

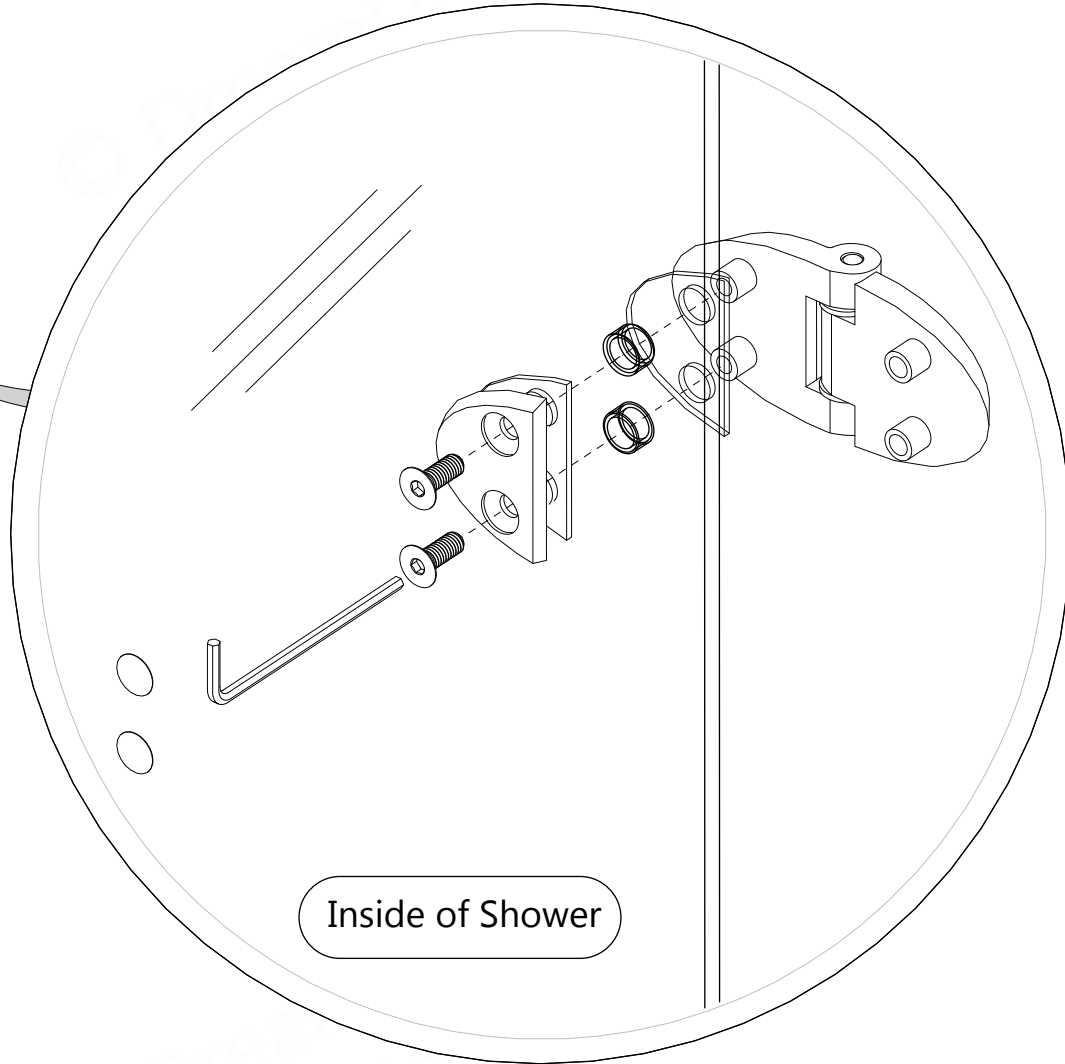
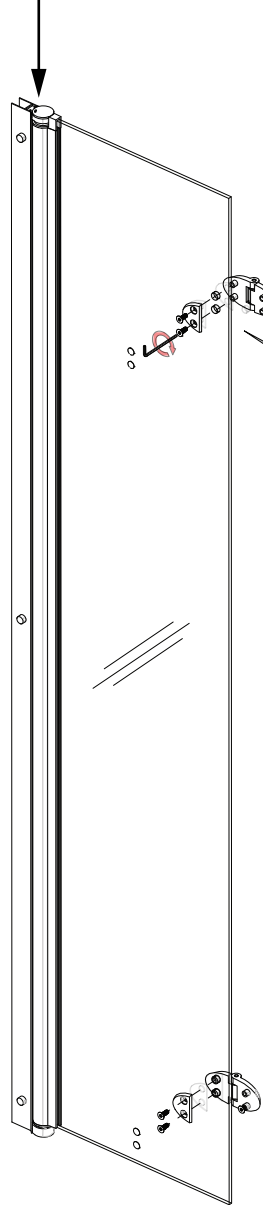
### Parts Needed



2

# Installing the Hinges on Door Glass #1 with Hinged Profile

Top



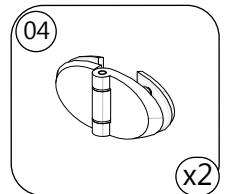
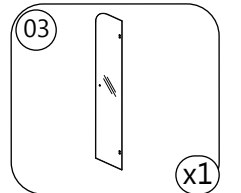
Inside of Shower

Fig 2



Be sure to use the gaskets on both sides of the glass to prevent glass to metal contact.

### Parts Needed



### Tools Needed





3

# Installing Door Glass #2 on the Hinges



Make sure the top edges of both doors are evenly aligned and that the space between the doors is even from top to bottom

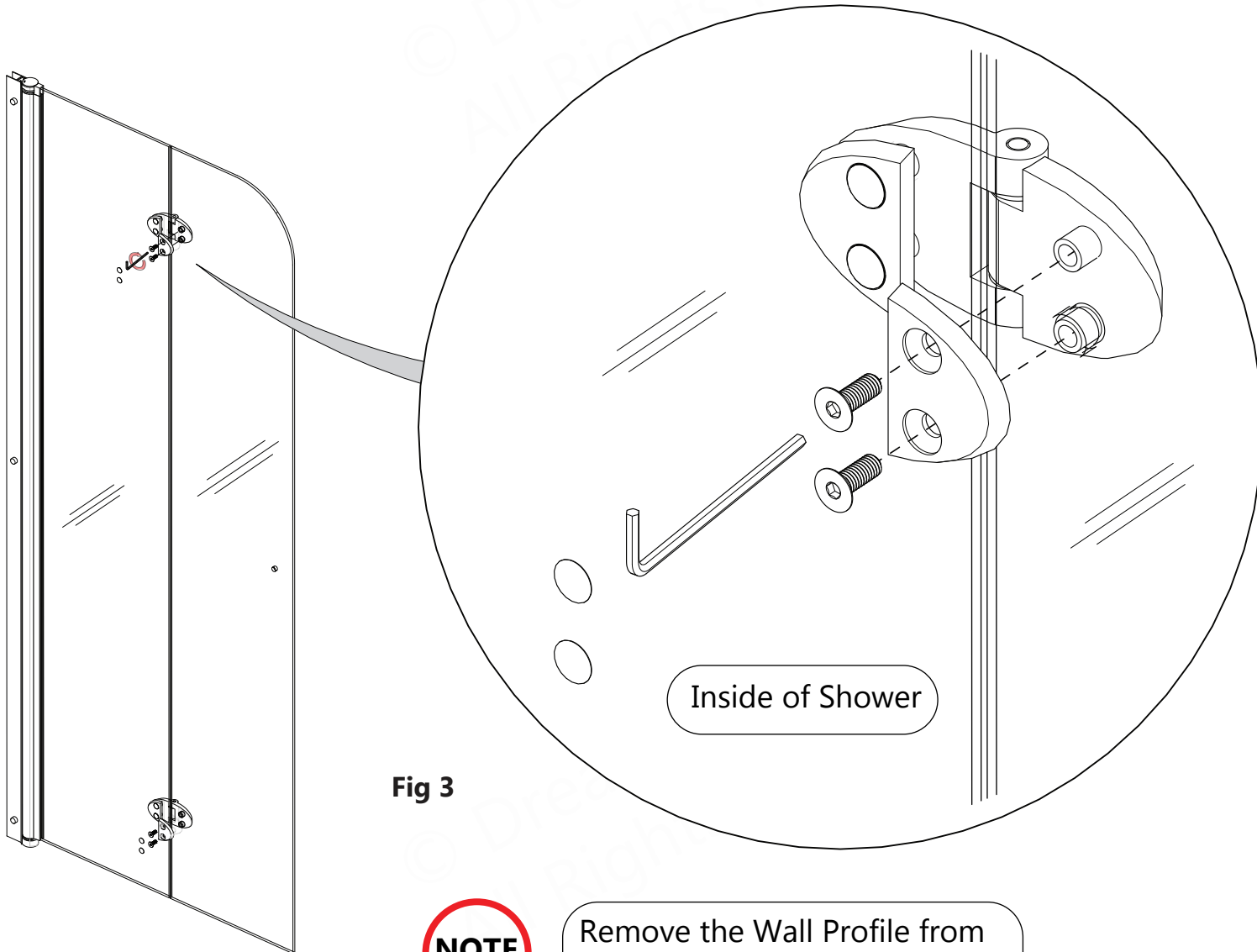
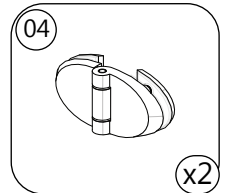
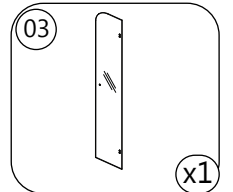
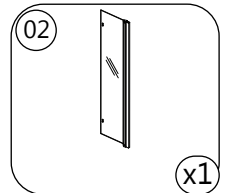


Fig 3



Remove the Wall Profile from the assembly for the next step.

### Parts Needed

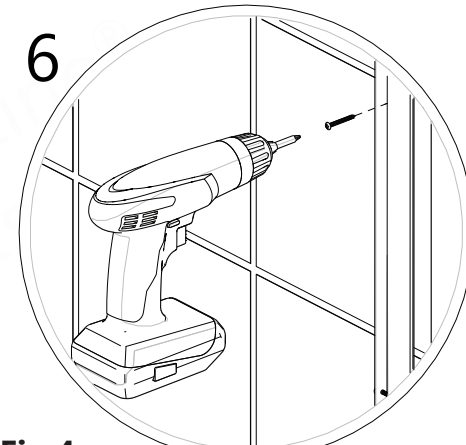
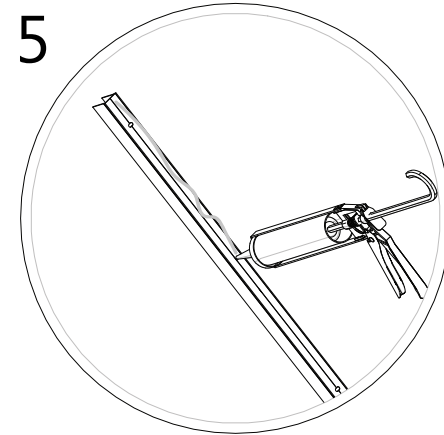
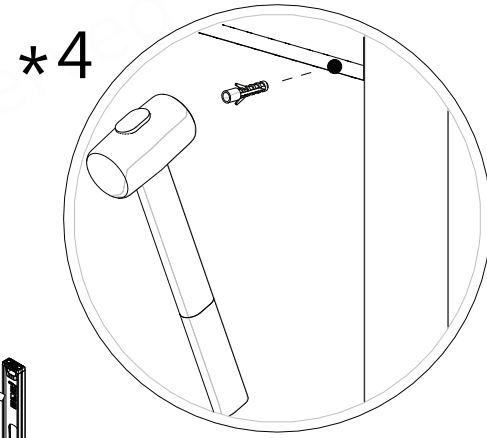
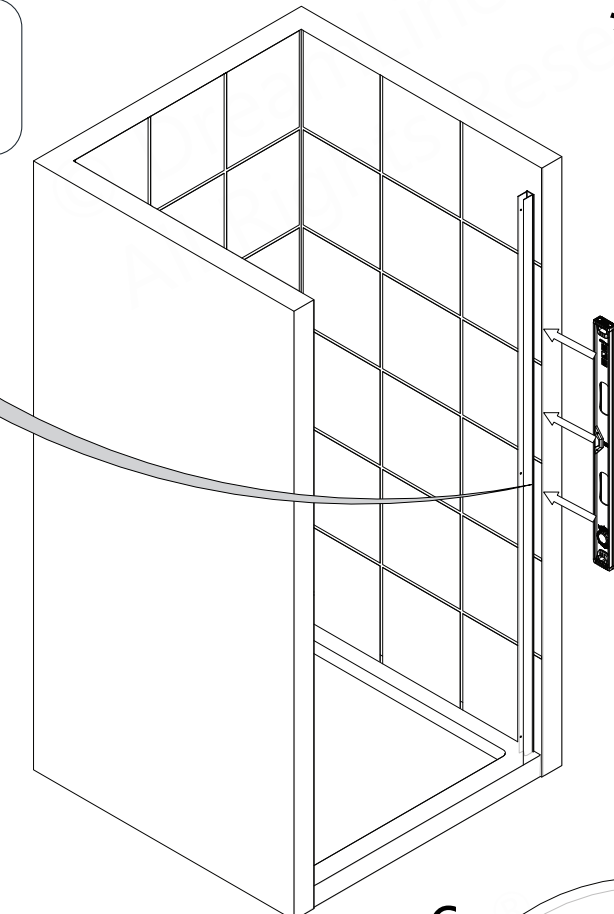
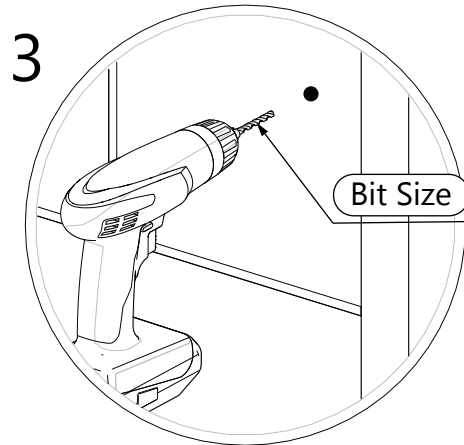
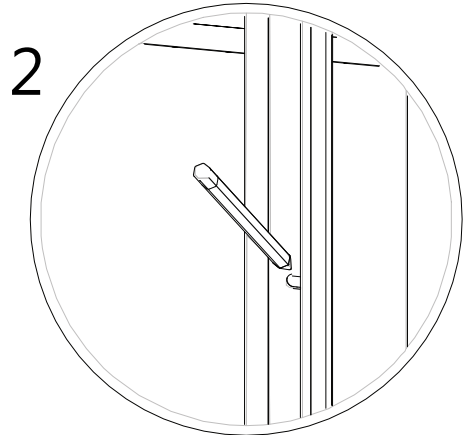
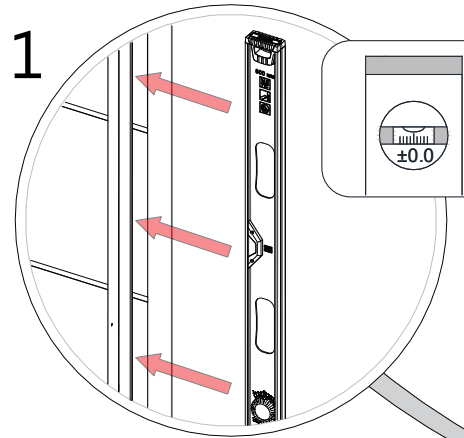


### Tools Needed



4

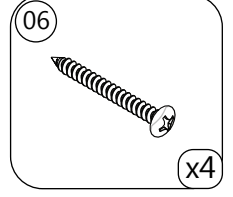
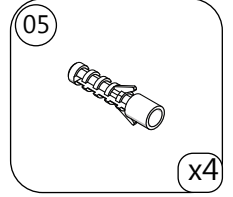
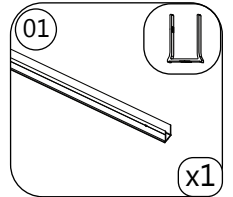
# Installing the Wall Profile



**NOTE**

\* If needed (No wood in the wall)

**Parts Needed**



**NOTE**

5/16" (8mm) for wall anchors, or 3/16" (5mm) up to a stud in the wall, then 1/8" (3mm) pilot hole into the stud.

**Tools Needed**

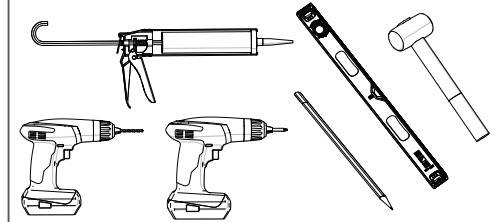
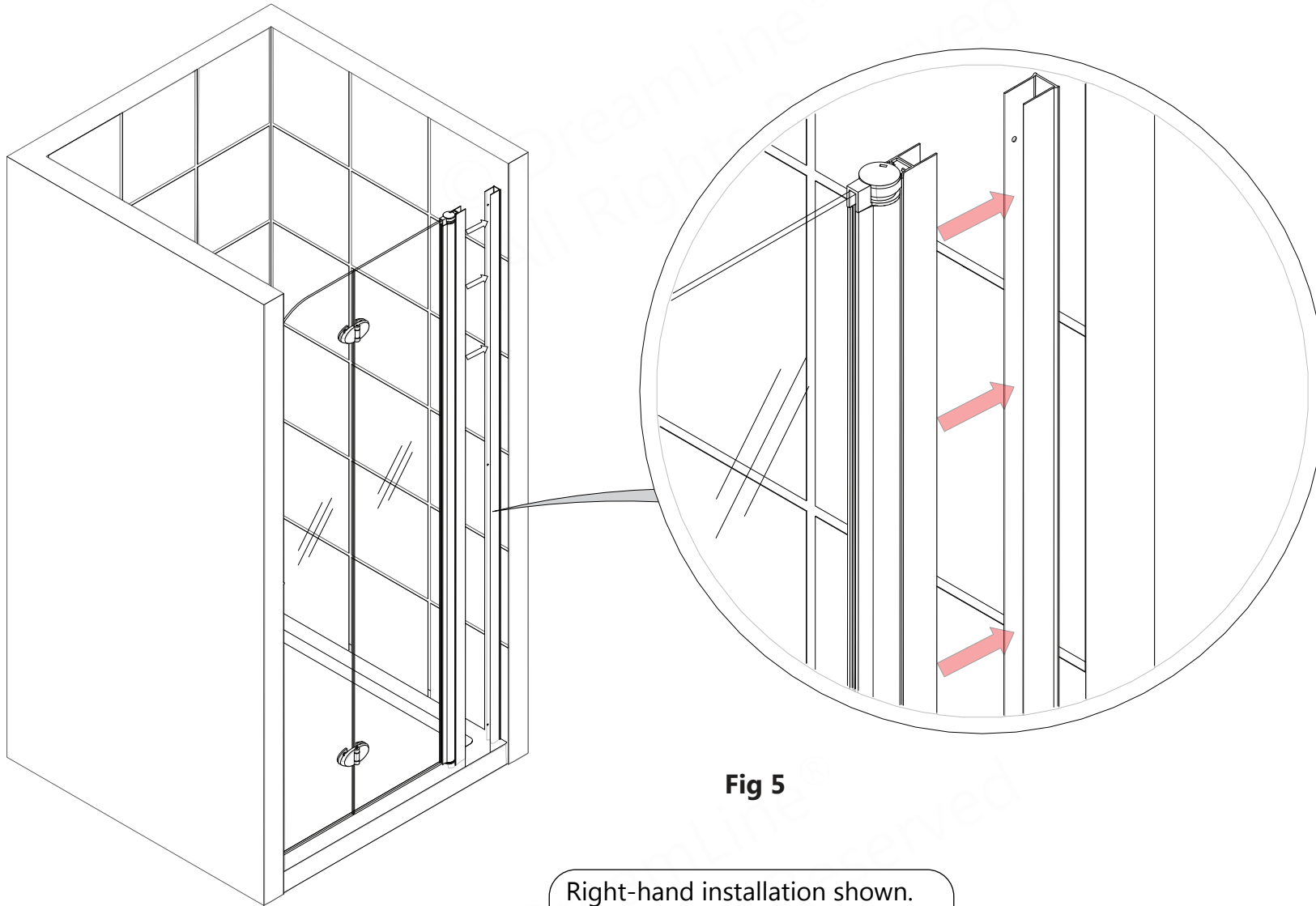


Fig 4

**5**

# Installing the Door Assembly in the Wall Profile



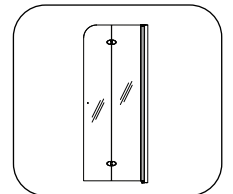
**Fig 5**

Right-hand installation shown.  
Reverse for left-hand installation.

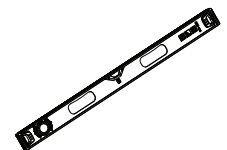


Check the door for level and adjust for out of plumb conditions prior to connecting the profiles together from inside the shower with screws, washers and caps.

**Parts Needed**

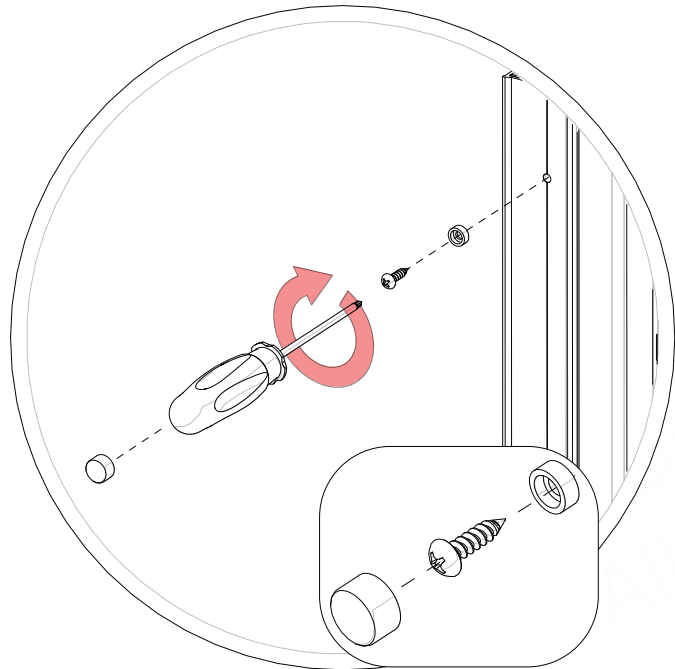
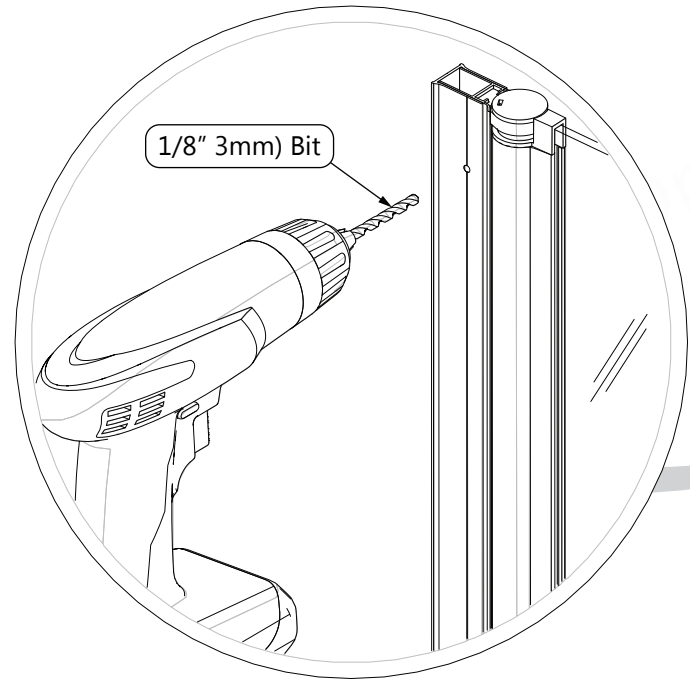


**Tools Needed**



6

# Securing the Profiles



**NOTE**

Check the door for level and adjust for out-of-plumb conditions prior to connecting the profiles together from inside the shower with the **Screws, Washers and Caps**.

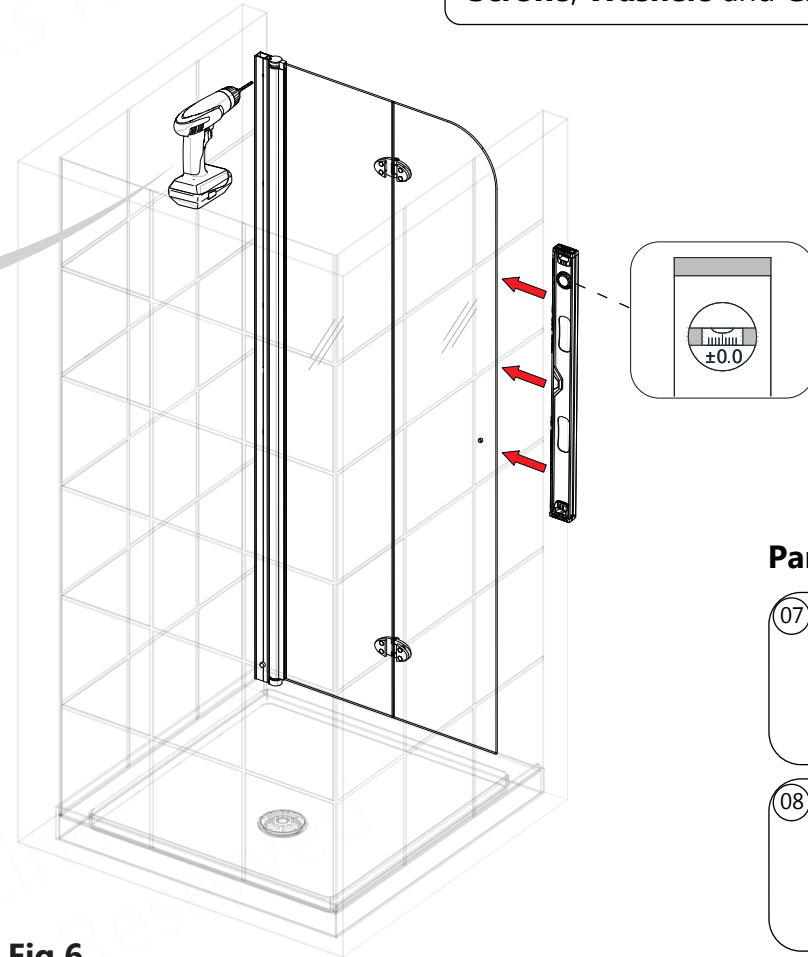
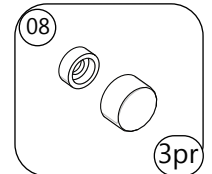
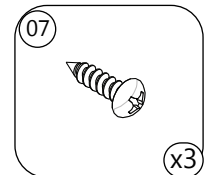


Fig 6

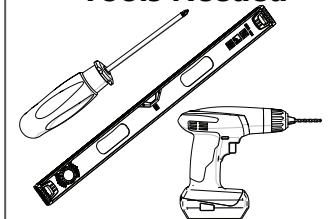
**TIP**

Drill only through one layer of metal. Use a hand-held Phillips screwdriver to prevent stripping the holes.

**Parts Needed**



**Tools Needed**

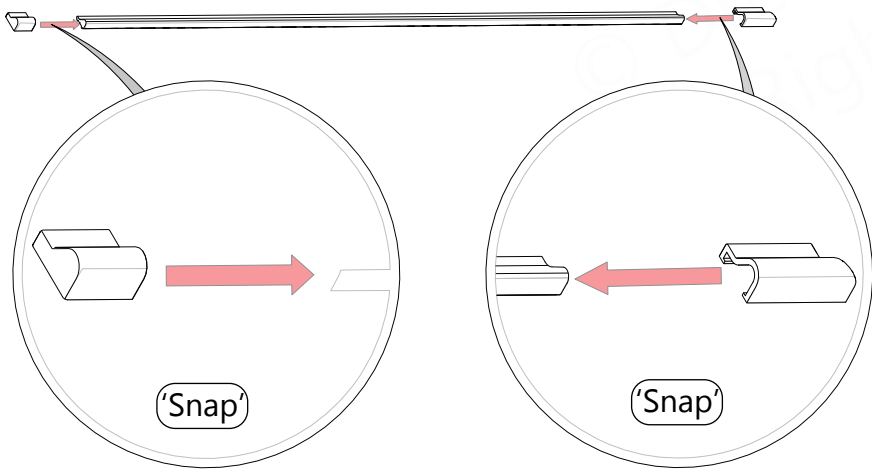


7

# Installing the Threshold



Painter's tape can help keep the **Threshold** in place while the silicone sets up.



Right-hand installation shown.  
Reverse for left-hand installation.

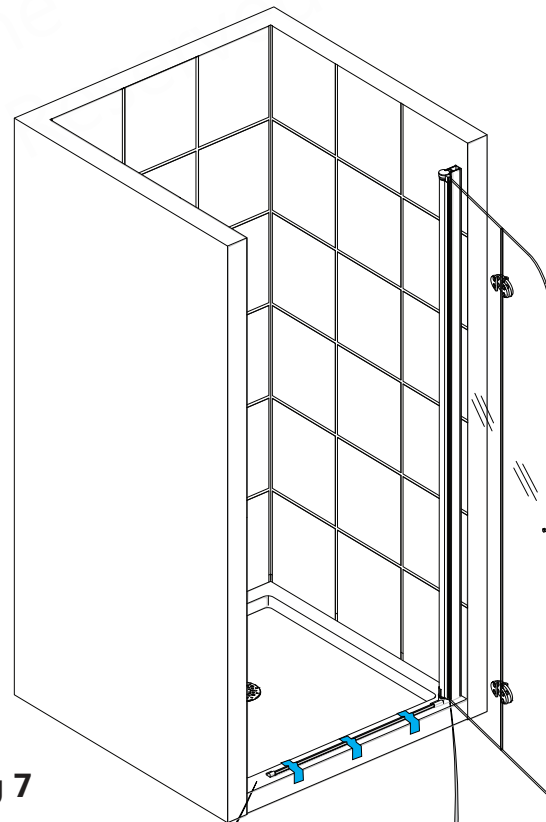
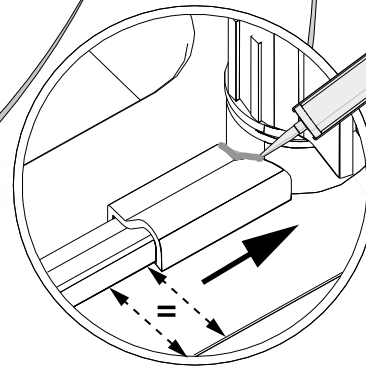
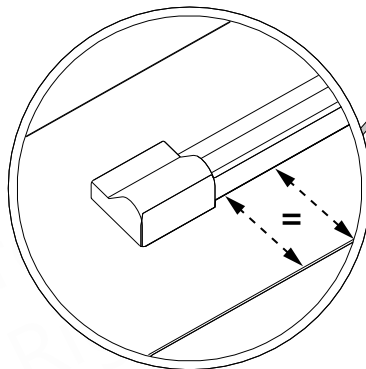
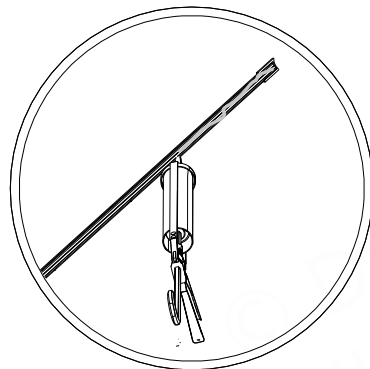

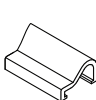
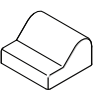


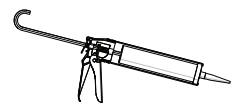
Fig 7



### Parts Needed

- 10  (x1)
- 09  (1set)
- 13  (1set)

### Tools Needed



Allow the silicone to set up before proceeding to the next step.

8

# Measuring, Cutting & Installing the Sweep Vinyls

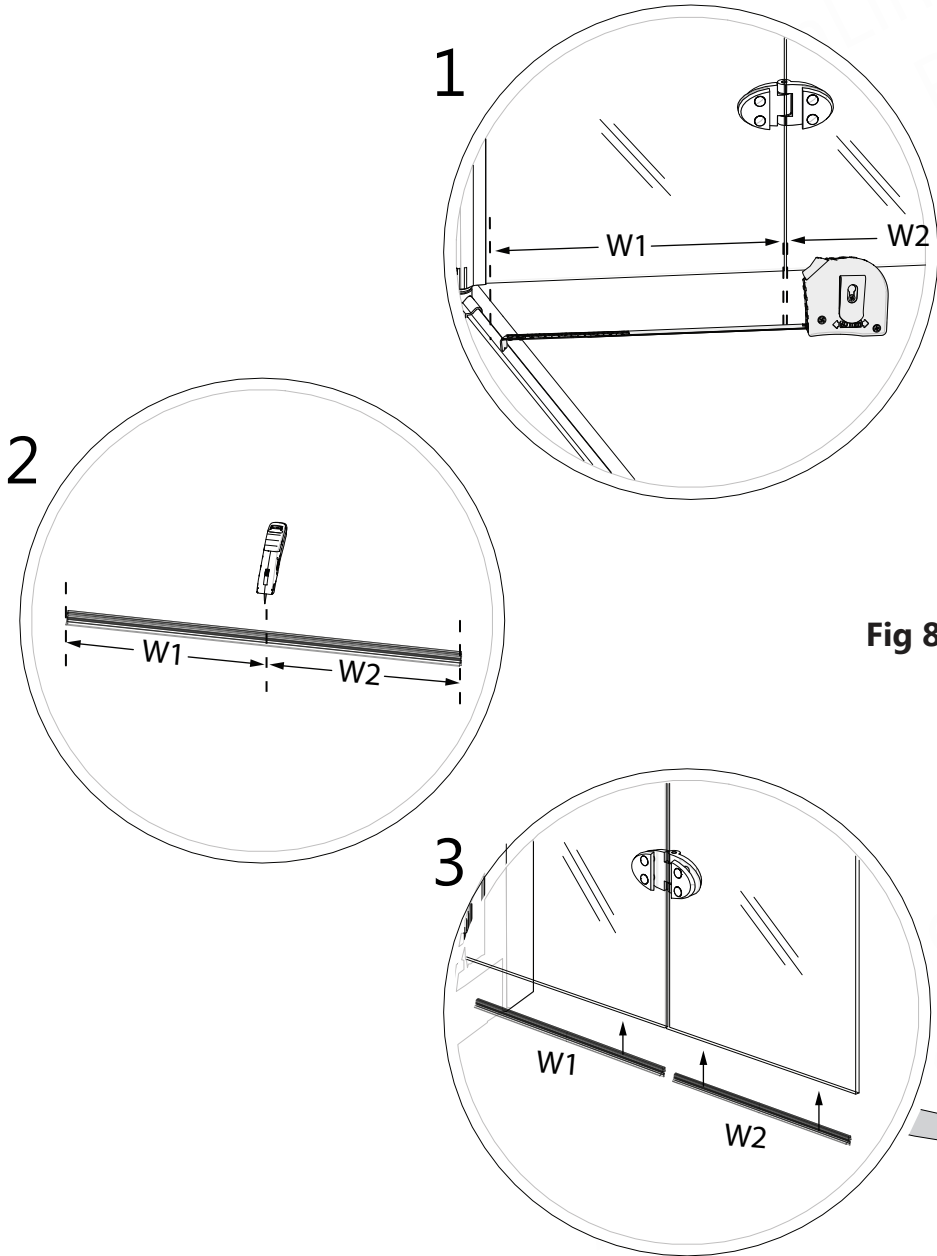
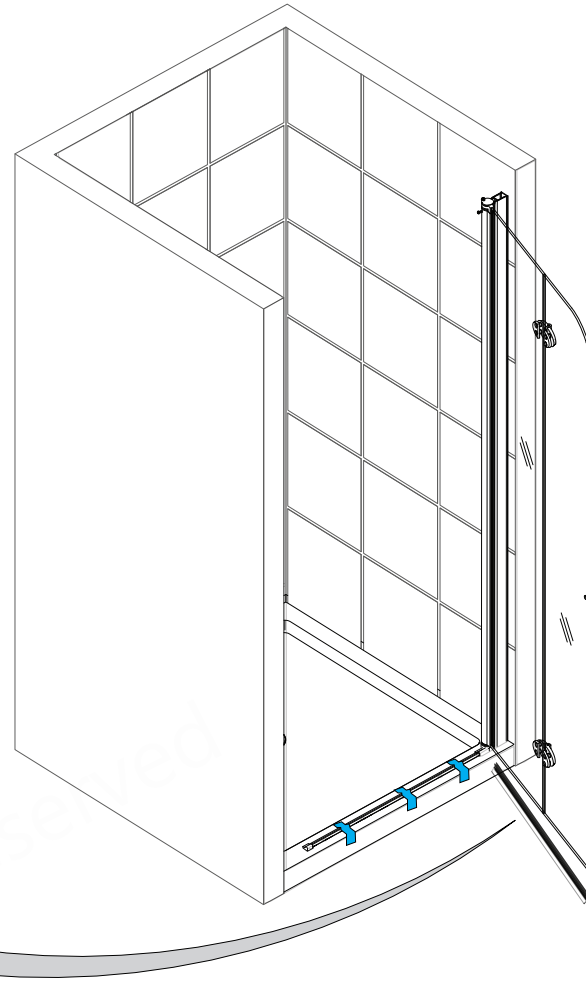
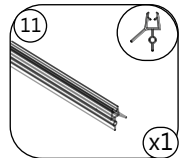


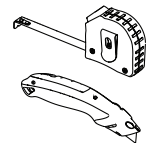
Fig 8



### Parts Needed



### Tools Needed



9

# Installing the Side Vinyl Seal

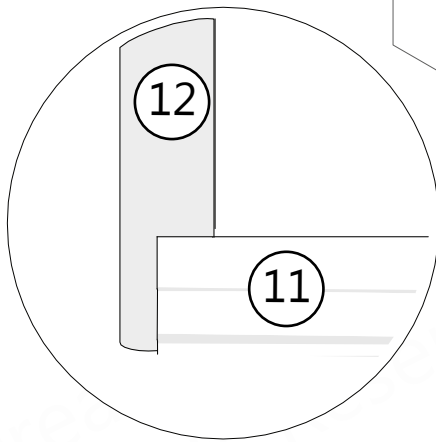
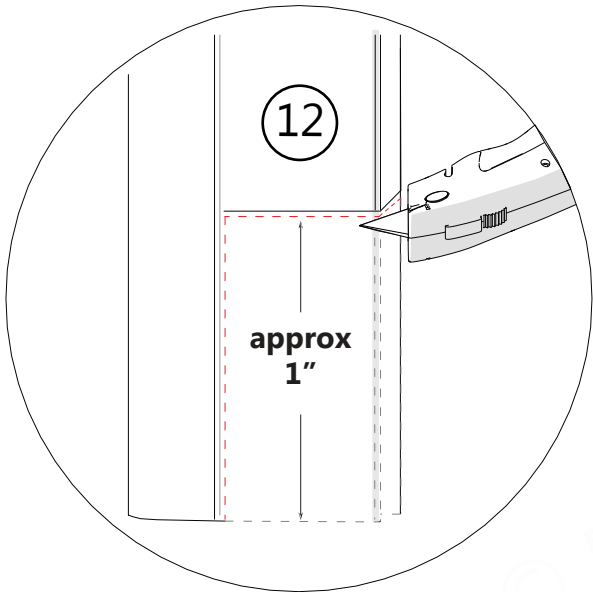
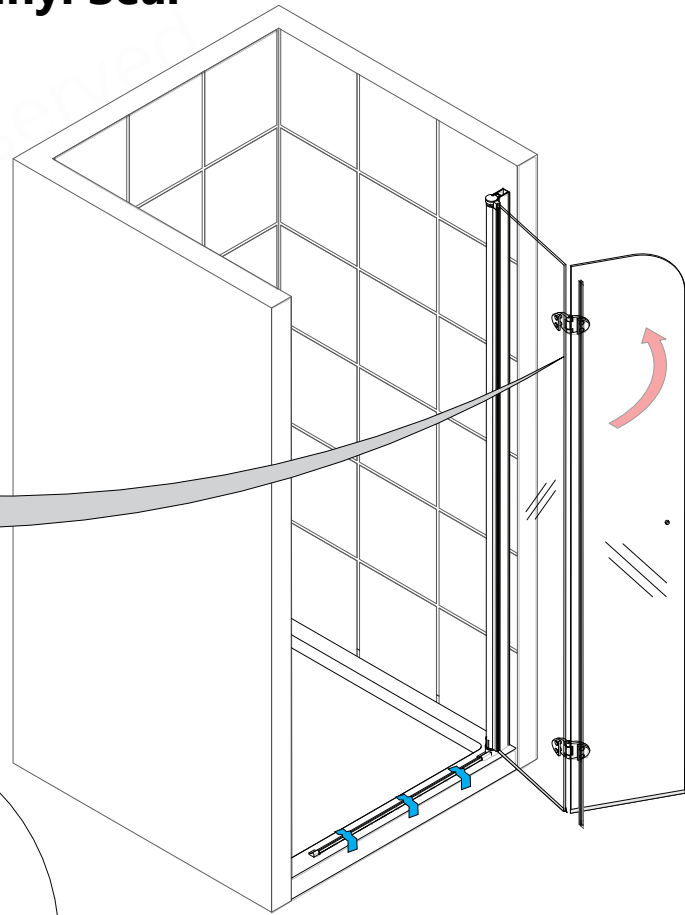
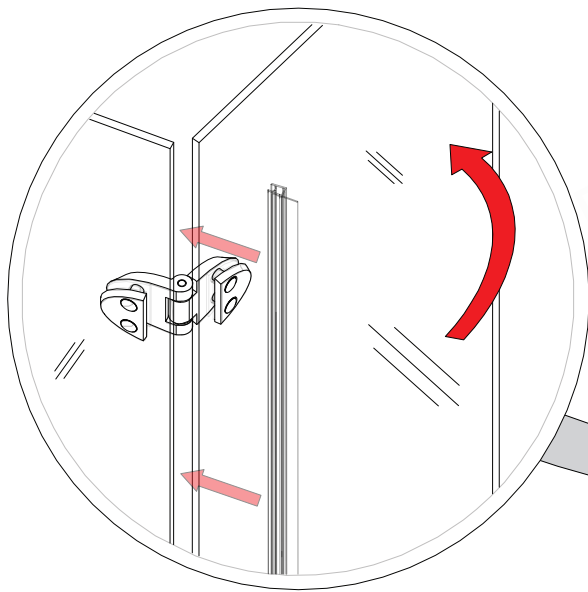
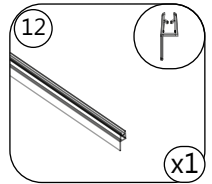


Fig 9



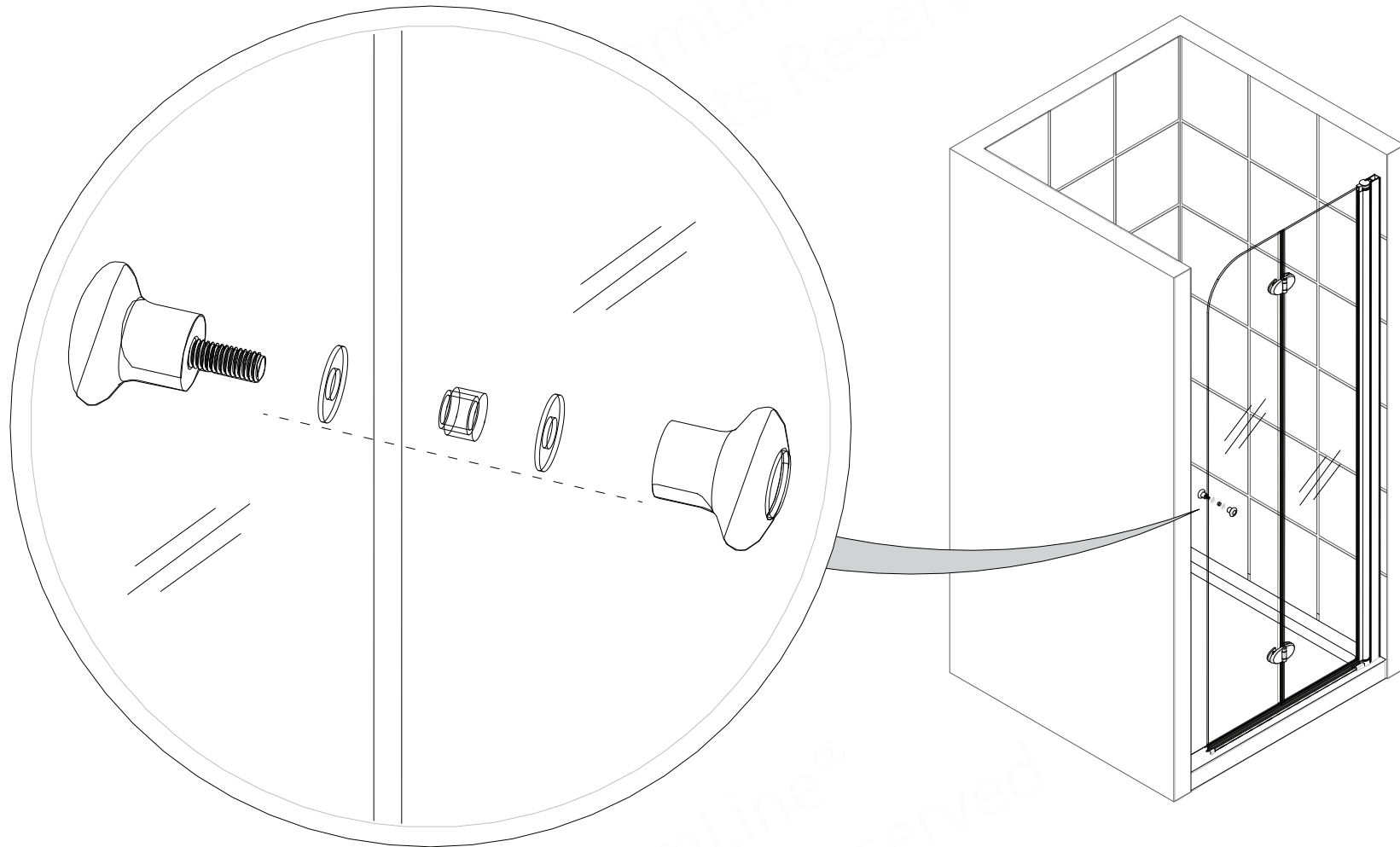
Use a razor knife to notch the **Vertical Vinyl Seal (#12)** to fit around the **Bottom Sweep Vinyl (#11)** as shown to prevent leaks. **Fig 9**

### Parts Needed



**10**

**Installing the Handle**

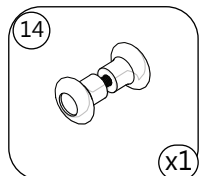


**Fig 10**



Warning: To avoid damage to the glass, always use caution when folding the doors. Make sure the metal **Handle** does not contact the **Door Glass**.

**Parts Needed**



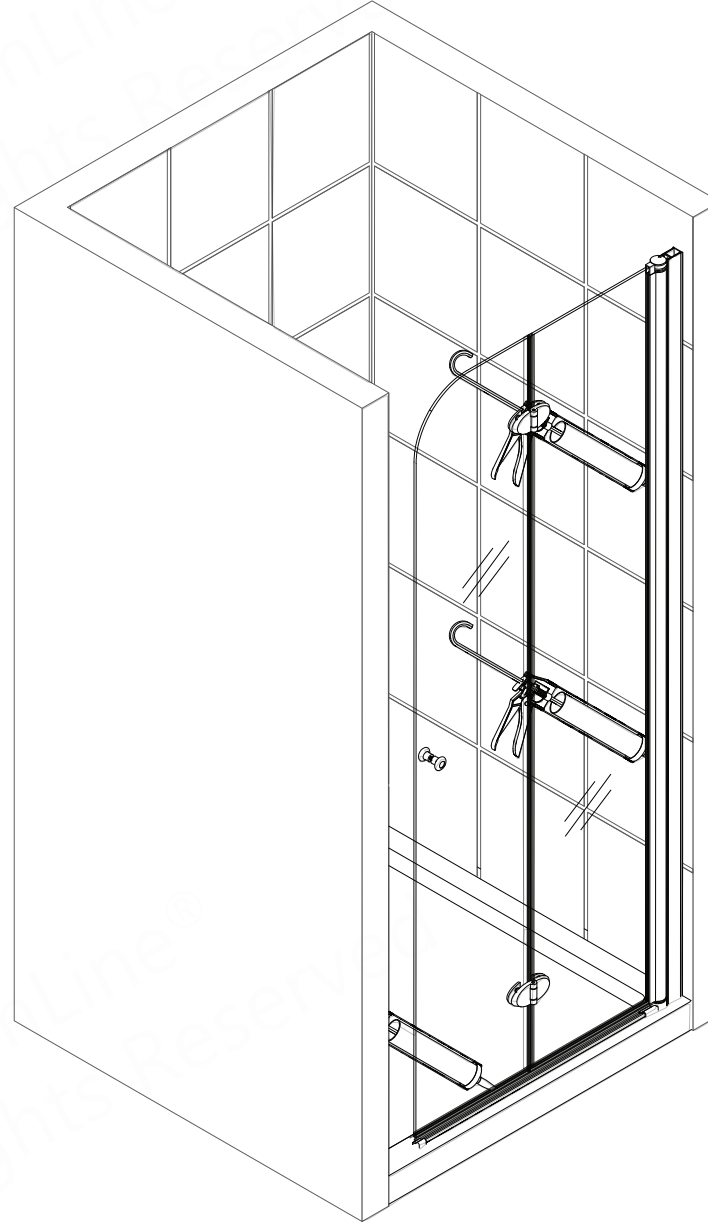
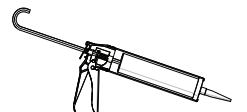


**11**

## Apply Silicone to the Interior Perimeter



Use a high-quality, mildew-resistant silicone to seal the interior perimeter of the shower door. Allow 24 hours for the silicone to cure before using the shower.

**Fig 11****Tools Needed**

## Product Maintenance

**BASES and BACKWALLS:** To ensure long lasting life for your acrylic back walls: wipe them off after each use with a soft cloth. To clean the acrylic back walls use non-abrasive sprays or cream based cleaners. Avoid the use of aerosol spray cleaners. Never use abrasive cleansers, metal brushes or scrapers that could permanently scratch or dull the surface.

**GLASS:** To ensure long lasting life for your glass shower products: wipe them off after each use with a soft cloth. Rinse and wipe off the glass using either a soft cloth or a squeegee to prevent soap buildup and water spots (Hard water can etch the surface of the glass over time if left to dry). To prevent scratching the surface: never use abrasive cleaners or cleaning products that contain scouring agents. Never use bristle brushes or abrasive sponges that may scratch the surface of the glass.

**HARDWARE:** To ensure a long lasting finish: wipe off all metal parts after each use with a soft cloth. Do not use abrasive cleaners or cleaning products containing ammonia, bleach or acid. If accidentally used, rinse the surface as soon as possible to prevent damage to the finish (peeling or corrosion). After cleaning the polished finishes, rinse thoroughly and wipe dry with a soft clean-cloth.

Clean stainless steel surfaces at least once a week. When applying stainless steel cleaner or polish to stainless steel hardware, work with the grain (not across the grain). Never use an abrasive sponge or cloth, steel wool or wired brush as these may permanently scratch the surfaces.



**To maximize the life of your door, it is important to regularly inspect the glass and other hardware for misalignment, proper attachment, and/or damage. Contact DreamLine® with any questions or concerns.**

### **AQUA FOLD Maintenance Checklist**

- Check that the unit is stable, operates smoothly and that installation is secure.
- Confirm that all screws/bolts are tight.
- Confirm that all vinyl seals are intact (replace if missing or damaged to prevent water leakage.)
- Inspect exposed and concealed glass edges for damage (**damaged glass must be replaced!**)
- Inspect silicone caulk for gaps. Replace silicone as necessary to prevent water leakage.

# Troubleshooting

Problem/Symptom	Suggested Solution
Missing Parts	<ul style="list-style-type: none"> <li>• Check all shipping/packaging material for missing parts/components.</li> <li>• If not found, contact DreamLine Customer Support [1-866-731-2244] to order factory part replacement.</li> </ul>
Door is not operating smoothly	<p>Check the Vinyl Seals for proper trimming and installation</p> <ul style="list-style-type: none"> <li>• Confirm the <b>Hinges (#04)</b> are tightly secured to the Door Glass. See Hinge Installation instructions on pages <b>9</b> and <b>10</b>.</li> <li>• Confirm the <b>Sweep Vinyl (#11)</b> is tightly secured to the bottom of the <b>Door Glass (#02, #03)</b> as seen on page <b>15</b>.</li> <li>• Confirm the <b>Side Vinyl Seal (#12)</b> is correctly notched around the <b>Bottom Sweep Vinyl (#11)</b> as seen on page <b>16</b>.</li> </ul>
<b>Handle (#14)</b> rattles during operation	<ul style="list-style-type: none"> <li>• Confirm the vinyl gaskets are present and the knob is tightly secured to the glass.</li> </ul>



**The Aqua Fold Shower/Tub Door is designed to swing out.**



Prior to contacting DreamLine® Customer Service, please have the following information readily available:

- Purchase Order Information
  - Name, PO Number, Dealer/Vendor Name, etc.
- SKU/Model Number (see Cover Page)
- Factory Part Information (see Pages 21-23)

## Factory Parts Information

	Factory Part #	Item Description	Item Specification	Qty
	SHDR-3630720-0 <b>X</b>	AQUAFOLD (3072) Ground Pack	EF063 AQUAFOLD(3072)	1
1	041240 <b>X</b> 1-1830	Wall Profile	LC124/Chrome/1830mm	1
2	220630 <b>X</b> 01	Door Glass # 1 w/Hinged Profile	(3072)Chrome	1
3	010063006	Door Glass #2	1808X322X6 Clear	1
4	0741 <b>X</b> 014	Hinge	GP-918/ brass/ chrome	2
5	7552148	Wall Anchor	Ø8mm*L37mm/ plastic/ white	6
6	090108	Phillips Screw ST 4.2x40mm	ST4.2x40/Stainless steel	7
7	091102	Phillips Short Round Head Screw ST4.0 x 16mm	ST4.0×16/Stainless steel	6
8	0755 <b>X</b> 011	Decorative cover and Washer	M4/ plastic/ chrome	6
9a	0755 <b>X</b> 057	Threshold Connector-Right	Arc angle-R/ plastic/ chrome	1
9b	0755 <b>X</b> 058	Threshold Connector-Left	Arc angle-L/ plastic/ chrome	1
10	040920 <b>X</b> 1-0760	Threshold	LC092/Chrome/760mm	1
11	063015060-0678	Bottom Sweep Vinyl	678mm/Clear/For 6mm Glass/Soft Lip 16mm	1
12	063005060-1818	Side Vinyl Seal	1818mm/Clear/For 6mm Glass/Soft Lip 12mm	1
13a	0755 <b>X</b> 077	Threshold End Cover - Right	2# Corner-L/ plastic plastic/ chrome	1
13b	0755 <b>X</b> 078	Threshold End Cover - Left	2#Corner Angle-right/ plastic plastic/ chrome	1
14	0721 <b>X</b> 028	Knob Handle	∅ 30X25mm/ SS304/ chrome	1

BOLD ("X") indicates finish:

**1 or 8 = Polished SS**

**4 or 5 or 7 = Brushed SS**

**6 = Oil Rubbed Bronze**

**9 = Satin Black**

Contact [Support@DreamLine.com](mailto:Support@DreamLine.com) for Part replacement, installation assistance or additional information.

Complete **Warranty** information is available on [DreamLine.com](http://DreamLine.com).

## Factory Parts Information

Item #	Factory Part #	Item Description	Item Specification	Qty
	<b>SHDR-3634720-0X</b>	AQUAFOLD (3472) Ground Pack	EF063 AQUAFOLD(3472)	1
1	041240 <b>X</b> 1-1830	Wall Profile	LC124/Chrome/1830mm	1
2	220630 <b>X</b> 02	Door Glass # 1 w/Hinged Profile	(3472)Chrome	1
3	010063004	Door Glass #2	1808X373X6 Clear	1
4	0741 <b>X</b> 014	Hinge	GP-918/ brass/ chrome	2
5	07552148	Wall Anchor	Ø8mm*L37mm/ plastic/ white	6
6	090108	Phillips Screw ST 4.2x40mm	ST4.2x40/Stainless steel	7
7	091102	Phillips Short Round Head Screw ST4.0 x 16mm	ST4.0x16/Stainless steel	6
8	0755 <b>X</b> 011	Decorative cover and Washer	M4/ plastic/ chrome	6
9a	0755 <b>X</b> 057	Threshold Connector-Right	Arc angle-R/ plastic/ chrome	1
9b	0755 <b>X</b> 058	Threshold Connector-Left	Arc angle-L/ plastic/ chrome	1
10	040920 <b>X</b> 1-0760	Threshold	LC092/Chrome/760mm	1
11	063015060-0780	Bottom Sweep Vinyl	780mm/Clear/For 6mm Glass/Soft Lip 16mm	1
12	063005060-1818	Side Vinyl Seal	1818mm/Clear/For 6mm Glass/Soft Lip 12mm	1
13a	0755 <b>X</b> 078	Threshold End Cover-Right	2#Corner Angle-right/ plastic plastic/ chrome	1
13b	0755 <b>X</b> 077	Threshold End Cover-Left	2# Corner-L/ plastic plastic/ chrome	1
14	0721 <b>X</b> 028	Knob Handle	Ø 30X25mm/ SS304/ chrome	1

BOLD ("X") indicates finish:

**1 or 8 = Polished SS**

**4 or 5 or 7 = Brushed SS**

**6 = Oil Rubbed Bronze**

**9 = Satin Black**

Contact [Support@DreamLine.com](mailto:Support@DreamLine.com) for Part replacement, installation assistance or additional information.

Complete **Warranty** information is available on [DreamLine.com](http://DreamLine.com).

## Factory Parts Information

Item #		Item Description	Item Specification	Qty
	SHDR-3636580-0 <b>X</b>	AQUAFOLD (3658) Ground Pack	EF063 AQUAFOLD(3658)	1
1	041240 <b>X</b> 1-1473	Wall Profile	LC124/Chrome/1473mm	1
2	220630 <b>X</b> 03	Door Glass #1 w/Hinged Profile	(3658)Chrome	1
3	010063002	Door Glass #2	1452X404X6 Clear	1
4	0741 <b>X</b> 014	Hinge	GP-918/ brass/ chrome	2
5	07552148	Wall Anchor	Ø8mm*L37mm/ plastic/ white	6
6	090108	Phillips Screw ST4.2 x 40mm	ST4.2x40/Stainless steel	7
7	091102	Phillips Short Round Head Screw ST4.0 x 16mm	ST4.0×16/Stainless steel	6
8	0755 <b>X</b> 011	Decorative cover and Washer	M4/ plastic/ chrome	6
9a	0755 <b>X</b> 057	Threshold Connector-Right	Arc angle-R/ plastic/ chrome	1
9b	0755 <b>X</b> 058	Threshold Connector-Left	Arc angle-L/ plastic/ chrome	1
10	040920 <b>X</b> 1-0823	Threshold	LC092/Chrome/823mm	1
11	063015060-0841	Bottom Sweep Vinyl	841mm/Clear/For 6mm Glass/Soft Lip 16mm	1
12	063005060-1463	Side Vinyl Seal	1463mm/Clear/For 6mm Glass/Soft Lip 12mm	1
13a	0755 <b>X</b> 078	Threshold End Cover-Right	2#Corner Angle-right/ plastic plastic/ chrome	1
13b	0755 <b>X</b> 077	Threshold End Cover-Left	2# Corner-L/ plastic plastic/ chrome	1
14	0721 <b>X</b> 028	Knob Handle	Ø 30X25mm/ SS304/ chrome	1

BOLD ("**X**") indicates finish:

**1 or 8 = Polished SS**

**4 or 5 or 7 = Brushed SS**

**6 = Oil Rubbed Bronze**

**9 = Satin Black**

Contact [Support@DreamLine.com](mailto:Support@DreamLine.com) for Part replacement, installation assistance or additional information.

Complete **Warranty** information is available on [DreamLine.com](http://DreamLine.com).



TEL: 866-731-2244  
FAX: 866-857-3638  
DREAMLINE.COM



For more information on DreamLine® Shower Doors and Enclosures please visit **DreamLine.com**