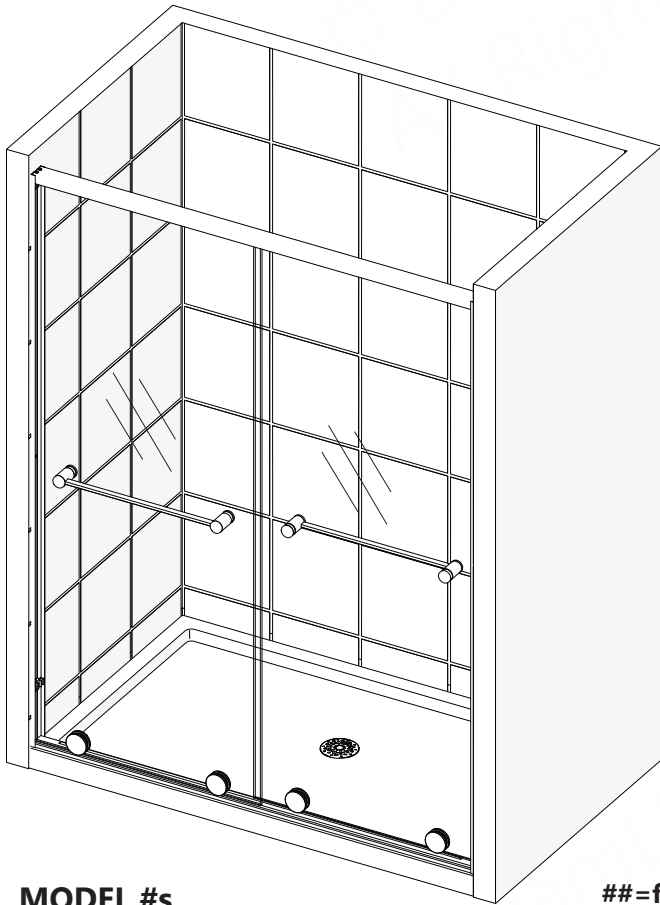




# HARMONY

## SHOWER AND TUB DOOR INSTALLATION INSTRUCTIONS

PLEASE REVIEW THIS ENTIRE MANUAL PRIOR TO INSTALLATION

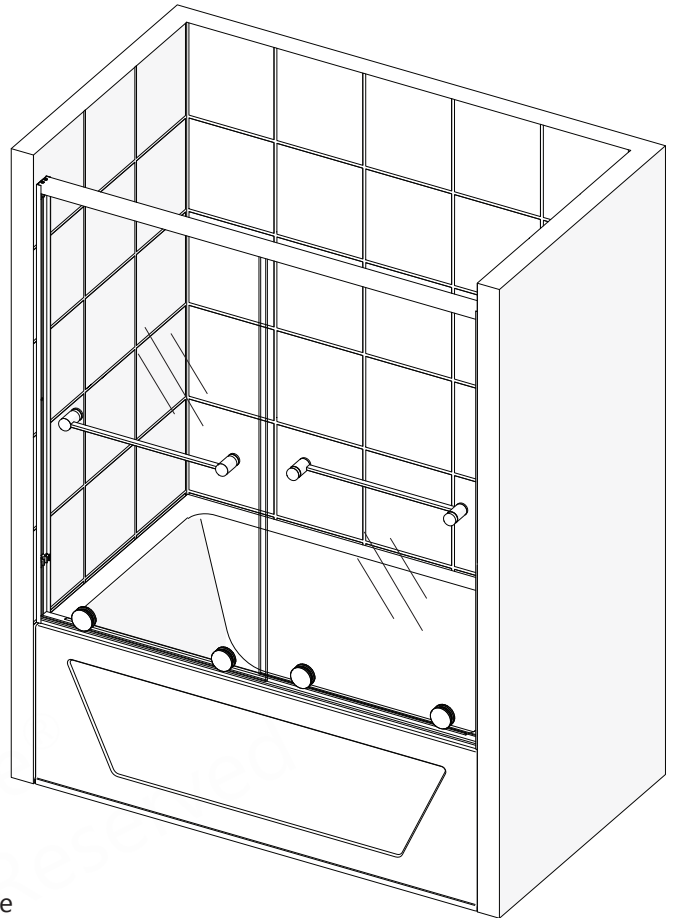


### MODEL #s

SDHA48W760-##  
SDHA54W760-##  
SDHA60W760-##

### ##=finish

01 - Chrome  
04 - Brushed Nickel  
06 - Oil Rubbed Bronze  
09 - Satin Black



### MODEL #

TDHA60W580-##

### IMPORTANT!

DreamLine® reserves the right to alter, modify or redesign products at any time without prior notice for the purpose of product improvement and customer experience. Please refer to the model's web page on **DreamLine.com** for the latest technical drawings, installation manuals, warranty information or additional product details.

**Do Not Return Product to the Store. Contact DreamLine® with any questions**



### Questions?

Please Call **DreamLine Customer Support: 1-866-731-2244**  
Hours of Operation M-F 8AM - 6PM EST

**Support@DreamLine.com**





**This model is treated with DreamLine’s exclusive ClearMax™ Glass technology. This is a specially formulated coating that prevents the build up of soap and water spots.**

**Install the surface with the ClearMax™ label towards the inside of the shower. Please note that depending on the model, the glass may be coated on either one or both surfaces.**

**For best results, squeegee the glass after each use and dry with a soft cloth.**

Record the following purchase information for your records or in the event you need to contact DreamLine®:

Purchase Order Number \_\_\_\_\_

Store/Vendor Purchased From \_\_\_\_\_

Installation Date \_\_\_\_\_

OD Number (optional) \_\_\_\_\_  
Located on the shipping box or label if available.



Installed By: \_\_\_\_\_



SKU Number \_\_\_\_\_


# Table of Contents

Section Title	Page #
ClearMax <sup>®</sup> Coating Information	—
Warnings and General Preparation	2
Model Specific Preparation	3
Tools	4
Detailed Diagram of Shower and Tub Door Components	5
Parts List	6-7
Installation Steps	8-23
Towel Bar Handle Installation	24
Product Maintenance	25
Troubleshooting	26
Factory Parts Information	27-30

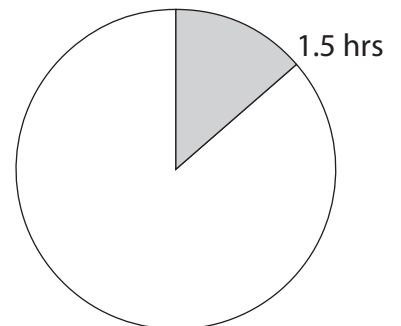
## Symbol Legend


**TIP** - for ease of installation.
 
**CORRECT** - recommended.


**NOTE** - take note of special feature; additional information.
 
**INCORRECT** - not recommended.


**REQUIRED** - requires special attention; signifies a warning.

Average Installation Time





**IMPORTANT**

- DreamLine® reserves the right to alter, modify or redesign products any time without prior notice for product improvement and customer experience. Please refer to the model's web page on [DreamLine.com](http://DreamLine.com) for the latest technical drawings, installation manuals, warranty information or additional product details.
- This product should be installed by someone familiar with the construction requirements for this type of project and the care necessary for the safe installation and operation of the product.
- The safety of any installation is the responsibility of the installer.
- Professional installation recommended. (*All Models*)
- Professional installation required. (*Enigma Series*)
- To prevent damage or serious injury: Do Not lean against the installed panel/door/glass.
- To prevent damage or serious injury: Do Not attempt to lift or move a heavy lite of glass alone. Use an assistant and/or a professional grade glass suction cup.
- The installation of some models may require drilling down into the threshold. Contact the manufacturer of the base, tub, or threshold material with any questions regarding the drilling of holes into their product.
- All drawings in this installation manual are for illustrative purposes only and are not drawn to scale.

**TEMPERED GLASS WARNING**

- Your Shower Door Glass Could Shatter Without Warning if Improperly Installed or Mishandled
- Do Not install or operate a shower door if the glass has chipped corners, slivered edges or is otherwise damaged and/or has been dropped or banged into a hard surface such as tile, marble or glass.
- **The main causes of tempered glass breakage are:**
  - Improper handling, storage or installation
  - Misuse/abuse
  - Lack of maintenance
  - Failure to replace damaged glass
  - **Improper handling during storage, unpacking and installation:**
  - Corners and edges are the most susceptible area to damage on a lite of tempered glass and should be protected and handled with care during storage, unpacking, installation and operation. A concentrated point of pressure or impact with a surface harder than itself may cause the tempered glass to shatter. The tempered glass may release immediately, within several hours or even days later.
  - **Incorrect installation of door hardware, rollers, hinges, channels, stopper or glass:**
  - Improper installation may include: loose hardware and/or lack of proper gaskets between the hardware and glass. Additionally, improper alignment of guide rails, wall profiles or other hardware during installation or operation may place stress on the glass edges and cause it to break.
  - This product must be installed by a professional and experienced installer familiar with the safe handling of tempered glass.
  - **Improper use of this product:**
    - Aggressively opening or closing the door may cause trauma to the glass, which can lead to breakage. This may occur immediately or hours or even days later.
    - **The shower door hardware and glass should be inspected periodically:**
      - Instruct the homeowner how to perform a periodic inspection of the shower hardware and glass - some minor adjustments may be necessary based upon the use (or misuse) of the shower door. Ensure that the hardware remains tight and that the door alignment and operation are correct. Any adjustments should be made upon discovery to prevent damage to the product.
      - Additional considerations should be given to the installation of frameless tempered glass products in households with young children or an elderly person due to an increased chance of improper handling. In such cases, alternatives such as shower curtains or grab bars should be considered.

**GENERAL PREPARATION**

- After opening all boxes and packages, read this introduction carefully. Check that all the items are included in the package by marking off the components on the “**Detailed Diagram of Product Components**” page. Examine all boxes and packages for shipping damage. If the unit has been damaged, has a finishing defect, or is missing parts; please contact our Customer Support department within 3 business days of the delivery date. **Please note that DreamLine® will not replace any damaged products or missing parts free of charge after 3 business days or if the product has been installed.** Please contact DreamLine® if you have any questions.
- **Please note that you should refer to your local building codes with questions on installation compliance standards. Building and plumbing codes may vary by location, and DreamLine® is not responsible for code compliance standards for your project and will not accept any returns.**
- If this unit is going to be installed in a new construction, install all the required plumbing and drainage before installing the shower. **Use a competent and licensed (if required by local code) plumber for all plumbing installation.**
- Make sure that prior to beginning the installation, the surfaces are leveled and solid and will be able to support the total weight of the unit. Also make sure the walls are at right angles. Irregular installation surface level, radius corners or improper angle of side walls will result in serious problems for your installation. Please note that some adjustments and drilling will be necessary during the installation process.
- Protect all primary surfaces of the product during installation. Never set your glass down directly onto a tile floor. Leave corner protectors in place until it is necessary to remove them. Always use a piece of wood or cardboard to protect the bottom edge and corners of the glass prior to and during installation.
- This unit must be installed upon a finished threshold and against finished walls.
- *DreamLine® shower doors are not designed to be installed into a fiberglass surround due to the radius corners and lack of a solid surface to mount the hardware.*

**WARNING: TO AVOID THE RISK OF DAMAGE OR INJURY:**

- **Follow all recommendations and requirements as shown in the installation instructions.**
- Perform a thorough inspection of the glass and all parts for any damage prior to installation. Any damage to tempered glass can cause breakage. **Do Not install damaged glass!**
- Do Not install or operate a shower or tub door if the glass has chipped corners, slivered edges or is otherwise damaged. Do Not install or operate a shower or tub door that has been dropped or banged into a hard surface such as tile, marble or glass.
- **CAUTION:** Contact with any hard surface can damage tempered glass and cause it to shatter.
- This product uses tempered glass. Glass cannot be cut after it has been tempered. **Do Not attempt to cut tempered glass.**
- DreamLine® Glass Shower doors, Tub doors, Inline panels, and Return panels can shatter due to improper handling or lack of maintenance. Conduct periodic inspections of glass and all parts for possible damage, missing or loose parts.
- Always wear proper safety equipment such as: safety goggles, work gloves and appropriate footwear during the installation process.
- **WARNING. Risk of leakage and/or damage.** Follow all instructions regarding the application of silicone sealant or caulk. Allow 24 hours for the sealant to cure before the initial use of the shower or tub product. Follow the silicone manufacturer's recommendations regarding the use of their product.
- **Thoroughly read these instructions before installing or using this product.**
- **Leave this manual for the end-user of the product.**



This product should be installed by someone familiar with the construction requirements for this type of project and the care necessary for the safe installation and operation of the product.



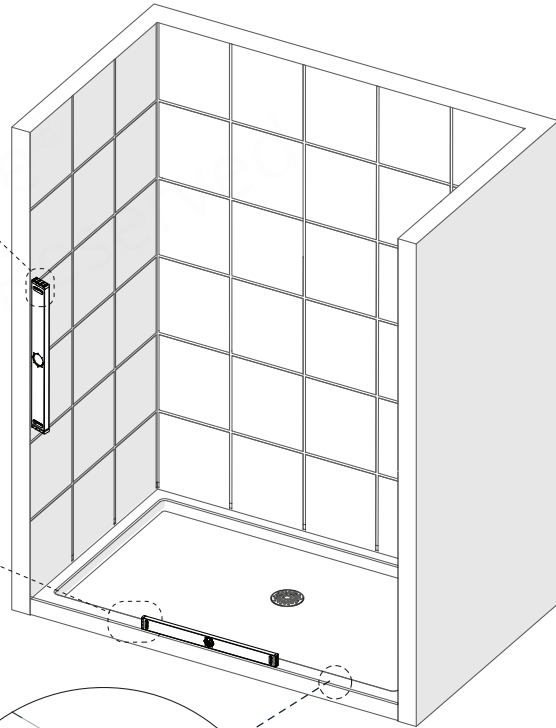
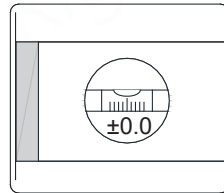
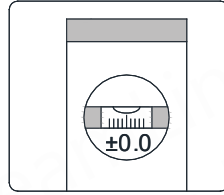
**Professional Installation recommended.**

# Model Specific Preparation

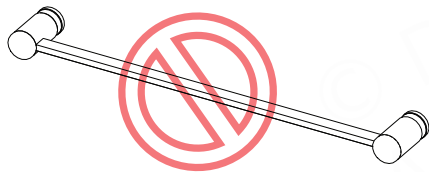
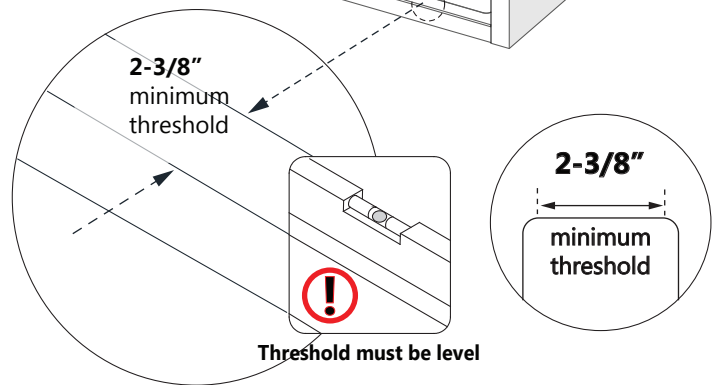


**REQUIRED:**

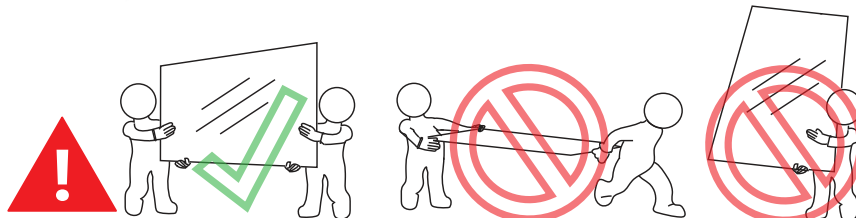
**No Out-of-Plumb Adjustment;  
Verify threshold and walls with a level**



**Threshold must be level**



**DO NOT install the Towel Bar Handles until instructed to do so. DO NOT attempt to lift the Door Glass with the Towel Bar Handles!**  
**NOTE: The Towel Bar Handles are not grab bars!**

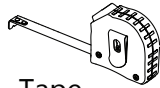


**Professional installation recommended. Two installers required.**

# Tools



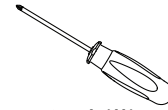
Level



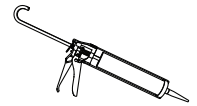
Tape Measure



Pencil



#2 Phillips Screwdriver



100% Silicone



Power Drill



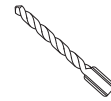
Screw Gun



Drill Bit  
Ø1/8"  
(3mm)



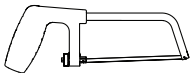
Drill Bit  
Ø3/16"  
(4mm)



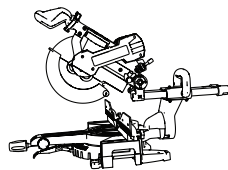
Drill Bit  
Ø5/16"  
(8mm)



Painter's Tape



Hacksaw



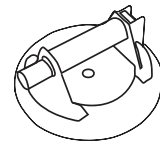
Miter Saw



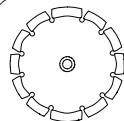
Safety Glasses



Work Gloves



Professional-grade  
Glass Suction Cup



\*\*Use the proper saw blade to cut stainless steel.



Verify that the correct model size has been ordered; measure the finished opening **before** proceeding with the installation.

Confirm that the finished walls are plumb and the threshold is level and pitched into the shower area.

**Use a good quality waterproof, mildew-resistant 100% silicone.**

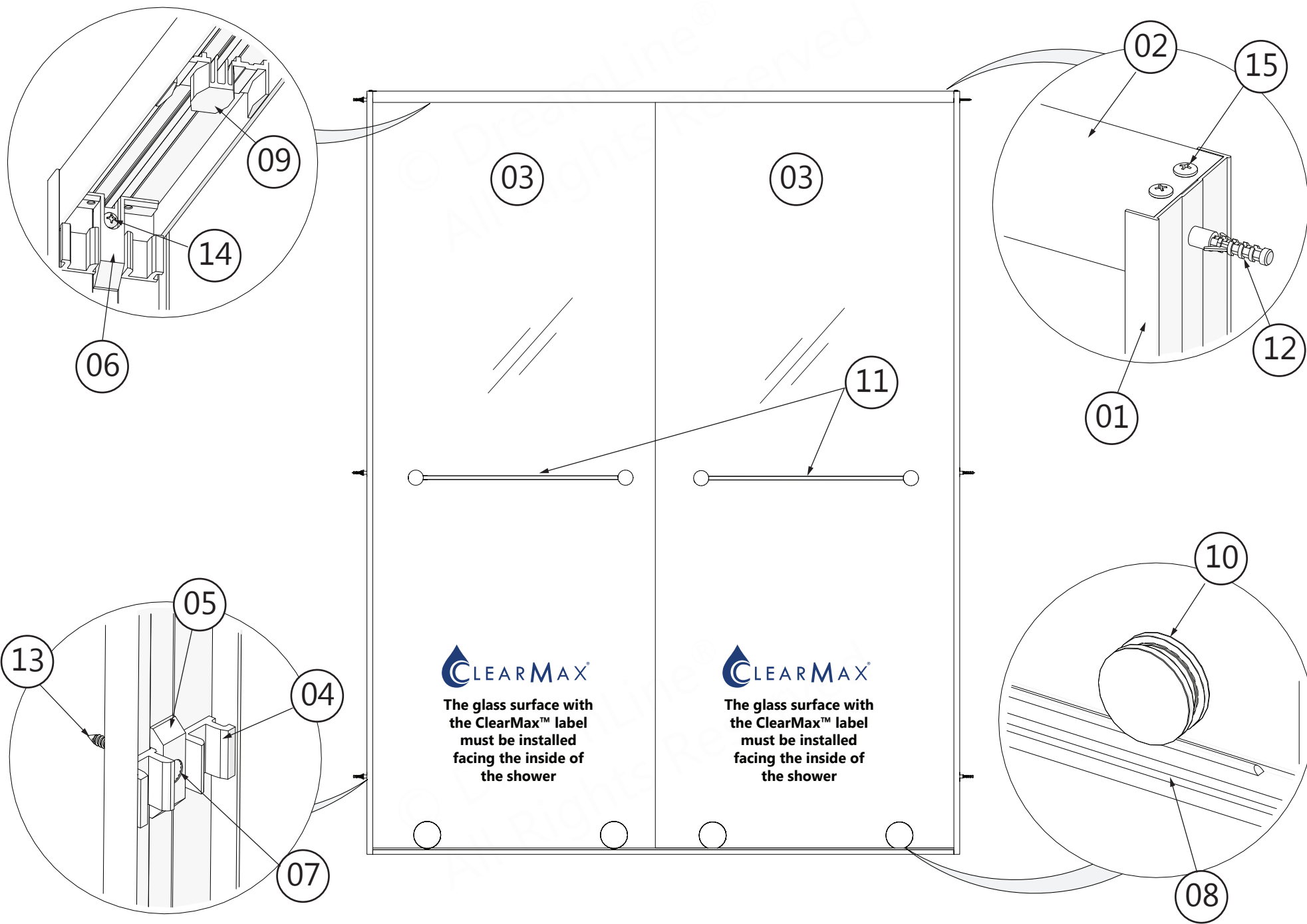
Cover the shower/tub drain with tape prior to installation to prevent the loss of screws or small parts.

Use a type of drill bit that is appropriate for drilling into the finished surface material.

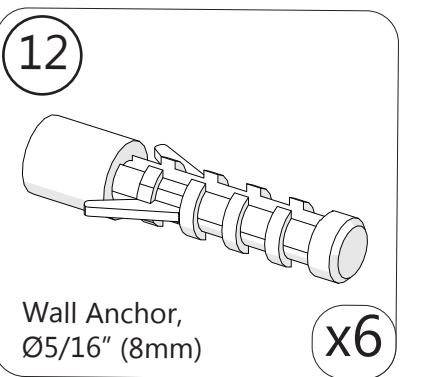
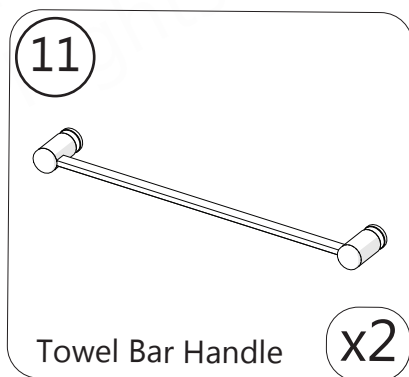
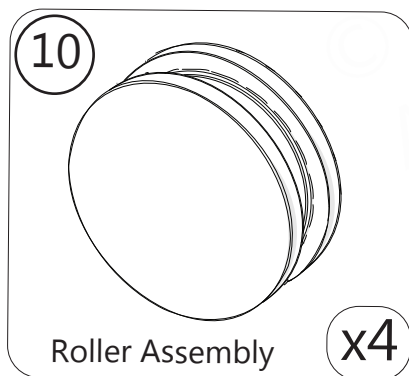
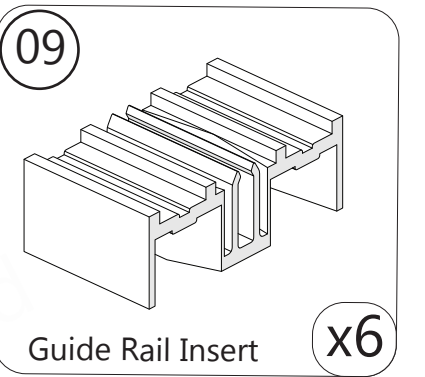
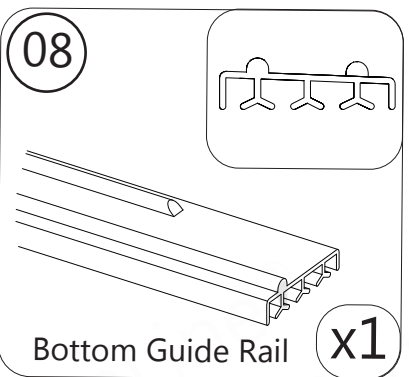
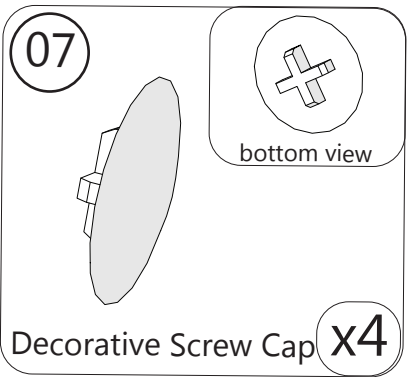
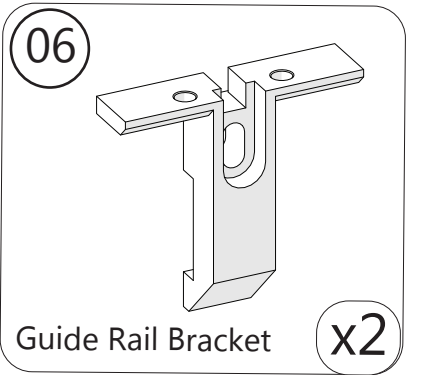
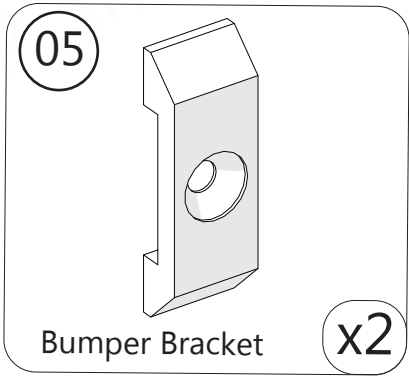
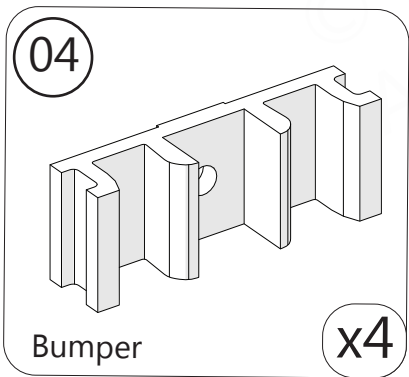
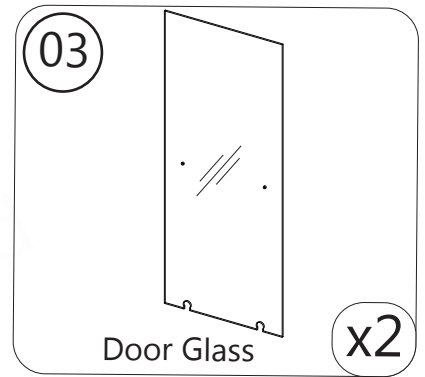
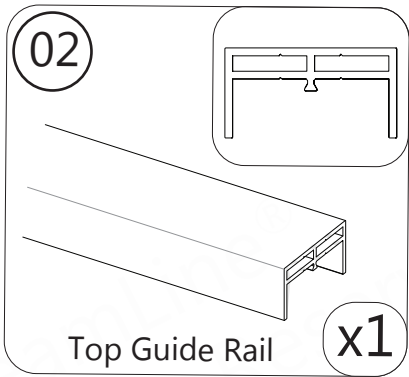
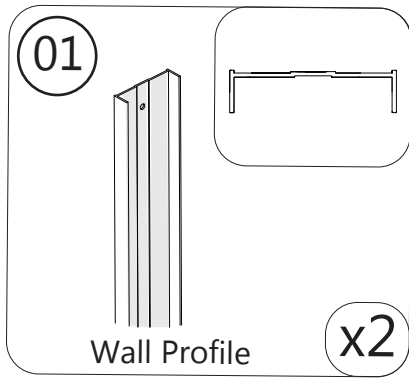


Unpack your unit carefully and inspect it. Lay it out and identify all parts using the **Detailed Diagram** on page 5; and packing list in this manual as a reference. Before discarding the carton, check for small hardware bags that may have fallen to the bottom of the box. If any parts are damaged or missing, please contact DreamLine® for replacement. The shipping boxes may contain extra parts not used in your model configuration. Retain these installation instructions for future reference.

# Detailed Diagram of Shower and Tub Door Components



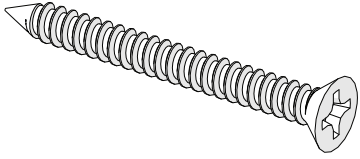
# Parts List





## Parts List

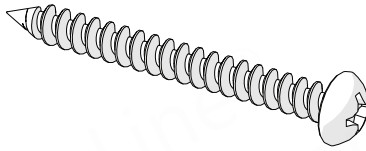
13



ST4.2×40mm  
Flat Head Screw

x4

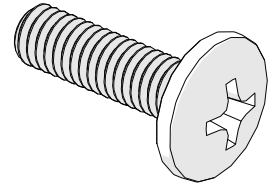
14



ST4.0×40mm  
Pan Head Screw

x2

15



M4x14mm  
Truss Head Screws

x4

# Installation Steps

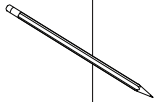
1

W: Top  
\*at model height



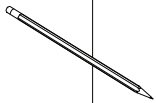
\_\_\_\_\_ "

W: Middle



\_\_\_\_\_ "

W: Bottom



\_\_\_\_\_ "

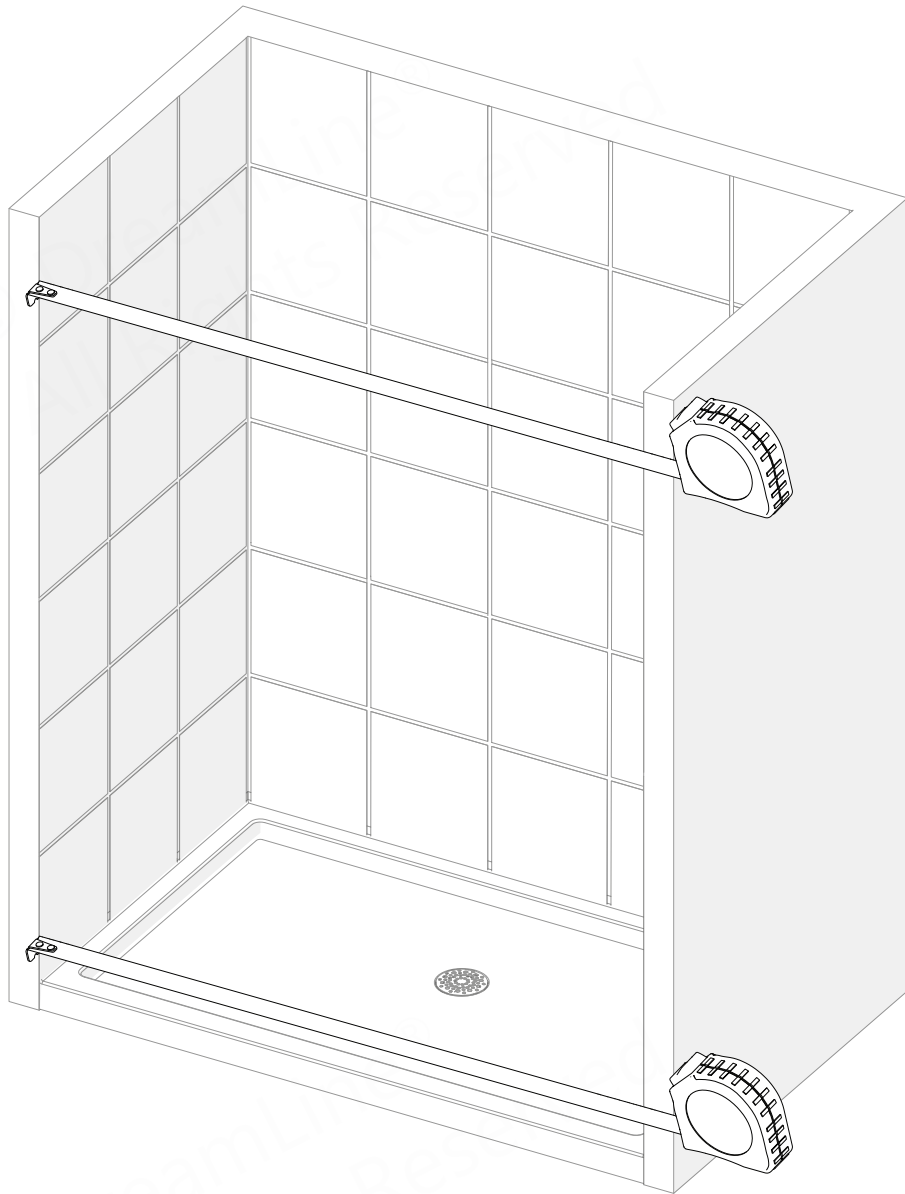


Fig 1

**NOTE**

**\*HARMONY Model Height:**

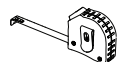
HARMONY Tub Door: **58"** (1473.2mm)

HARMONY Shower Door: **76"** (1930.4mm)

**NOTE**

These instructions will show the installation of the shower door. Please follow the same steps for the installation of the tub door.

## Tools Needed

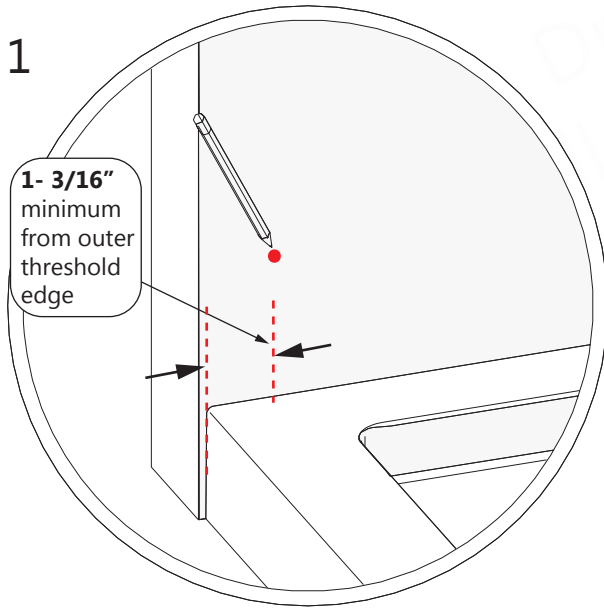


2



The Center Line of the Wall Profiles must be at least **1-3/16"** from the outside threshold edge on both sides. Measure in at least **1-3/16"** from the outside edge of the threshold and mark the position for the center line on both walls (Ⓢ). Use a level to draw a plumb center line on both walls.

1



2

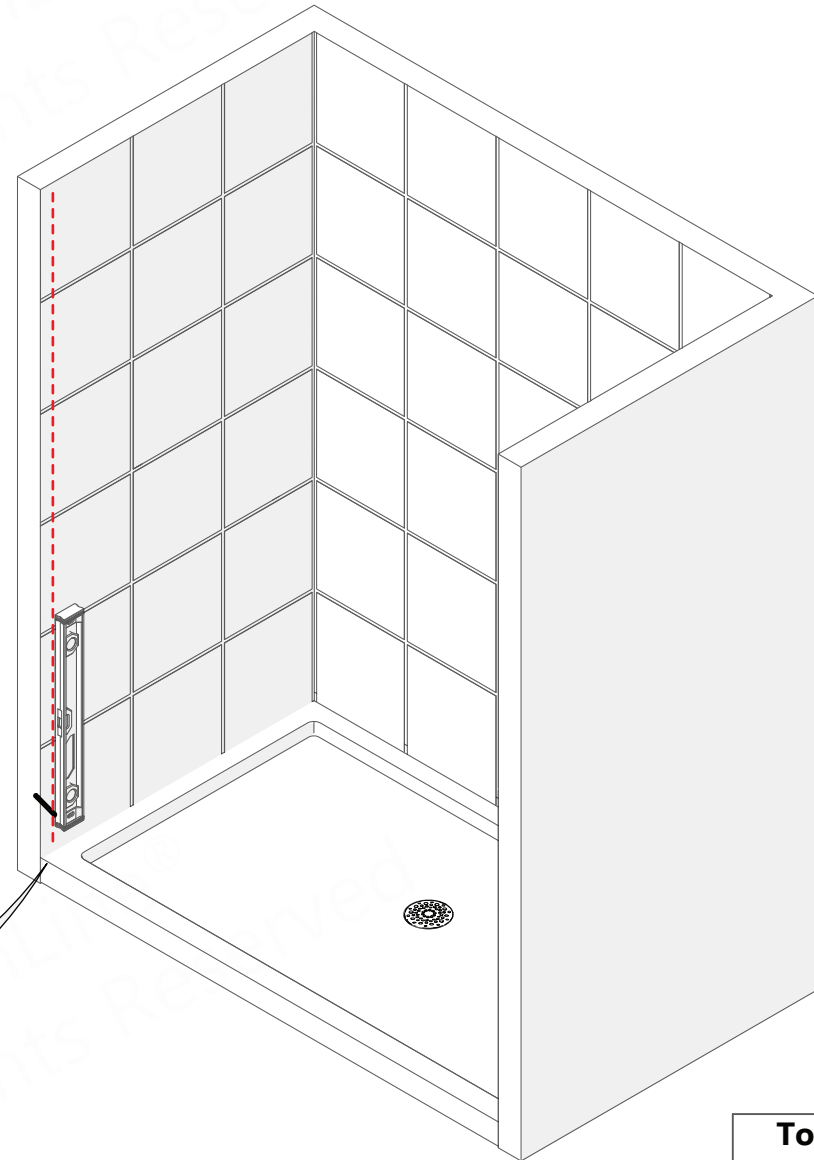
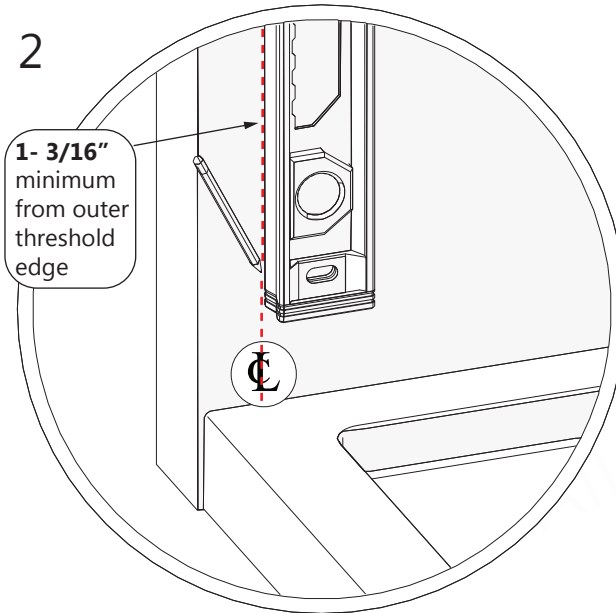
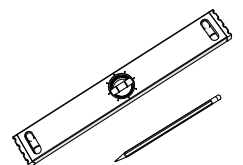
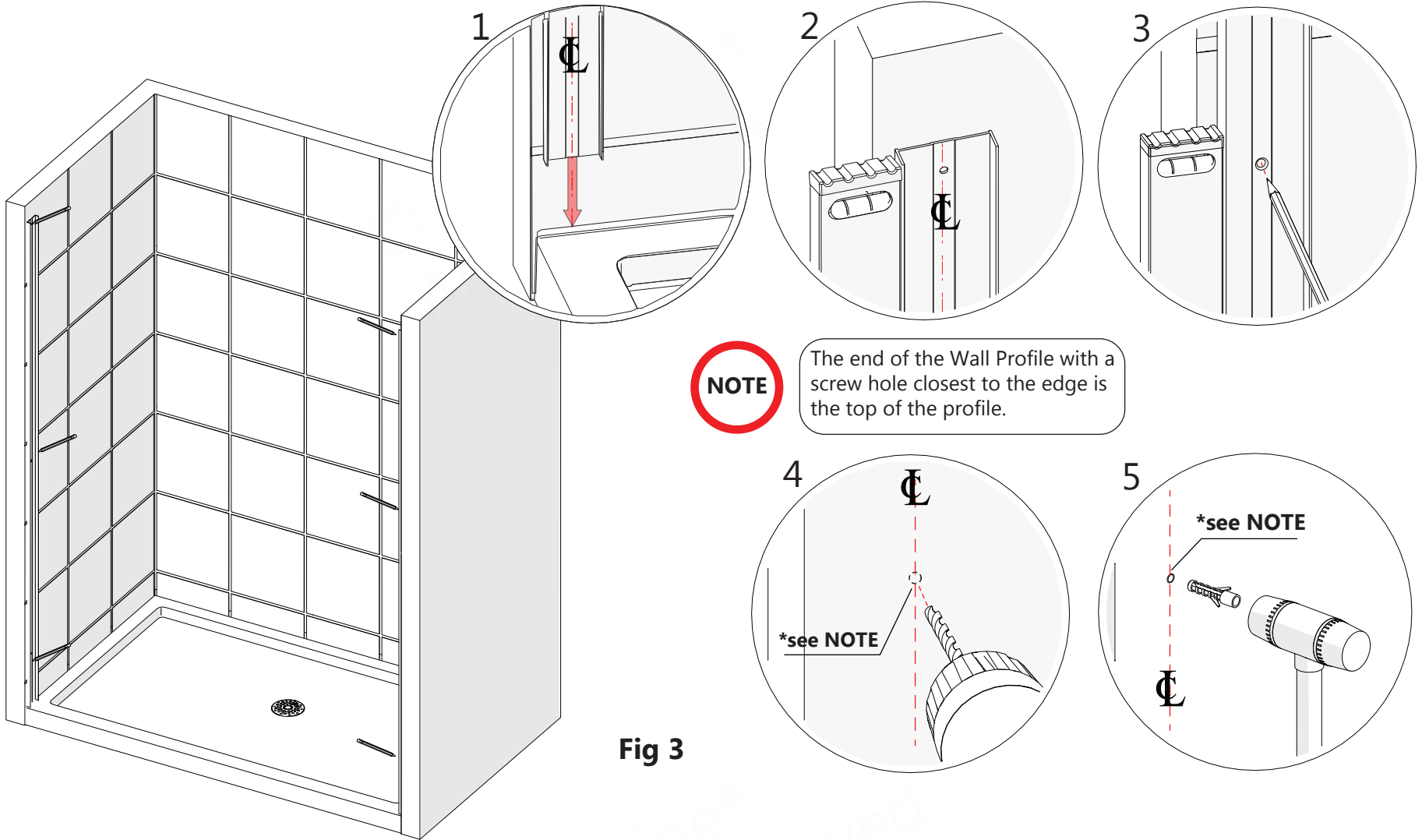


Fig 2

**Tools Needed**



3



**NOTE**

The end of the Wall Profile with a screw hole closest to the edge is the top of the profile.

Fig 3

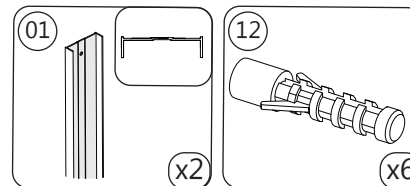
**NOTE**

▪ **If a Stud is present behind the wall:**  
 drill a  $\text{Ø}3/16''$  (4mm) hole up to the stud,  
 drill an  $\text{Ø}1/8''$  (3mm) pilot hole into the stud and  
 use the **ST4.0 x 40mm Pan Head Screws (#02)**

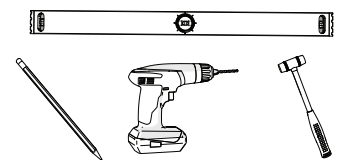
OR

▪ **If No Stud is present behind the wall:**  
 drill a  $\text{Ø}5/16''$  (7mm) hole and insert the **Wall Anchors (#03)**  
 and use the **ST4.0 x 40mm Pan Head Screws (#02)**.

**Parts Needed**



**Tools Needed**



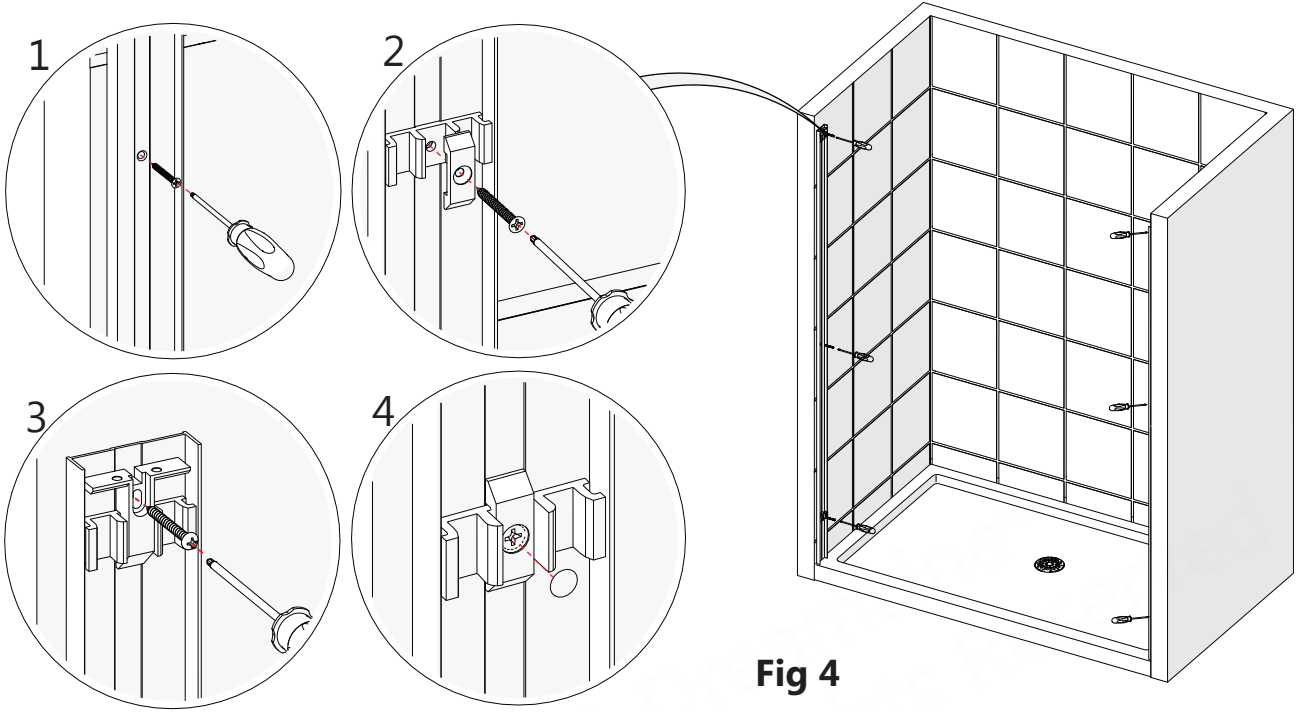
**4**

**NOTE**

**Some screws will be loosely installed at first to allow for adjustment later.**  
 Secure the **Wall Profile (#01)** by loosely installing an **ST4.2×40mm Flat Head Screw (#13)** through the middle hole in the profile.  
 Next, install the **Bottom Bumper (#04)** and **Bottom Bumper Bracket (#05)** through the **Bottom Wall Profile** hole with a **ST4.2×40mm Flat Head Screw (#13)**. Install tight to the wall.  
 Then install the **Top Bumper (#04)** and **Guide Rail Bracket (#06)** through the **Top Wall Profile** hole with the **ST4.0×40mm Pan Head Screw (#14)**. **Do not overtighten the screws. Brackets will be adjusted later on.**  
**Tighten the middle screw and insert the Screw Caps (#07) into the Middle and Bottom Screws.**  
 Perform this procedure for both Wall Profiles.

**NOTE**

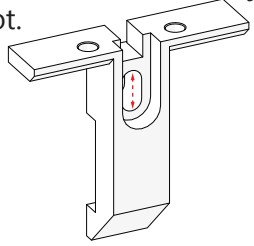
**The Top Guide Rail Bracket screws must not be fully tightened to allow for final adjustments later on.**



**Fig 4**

**NOTE**

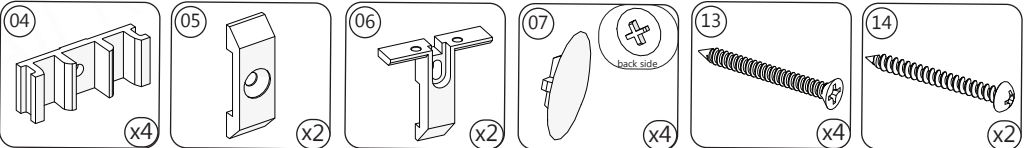
**Guide Rail Bracket** has an **15/32" (11.88mm)** adjustment slot.



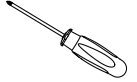
**TIP**

The **Guide Rail Brackets** will fit snugly in the channel in the **Wall Profiles**.

**Parts Needed**



**Tools Needed**



5

**NOTE**

Measure the **Top Finished Opening** width (from the inside face of both Wall Profiles).  
Trim the **Top Guide Rail (#02)** using this formula:  
**Top Finished Opening Width (W)** minus **1/4"** = **Total Cutoff Length** (Guide Rail can be cut from either end)

**NOTE**

Place the **Top Guide Rail (#02)** upside down on top of the **Guide Rail Brackets (#06)** and mark the two holes for drilling through the two holes in the **Guide Rail Brackets (#06)**.

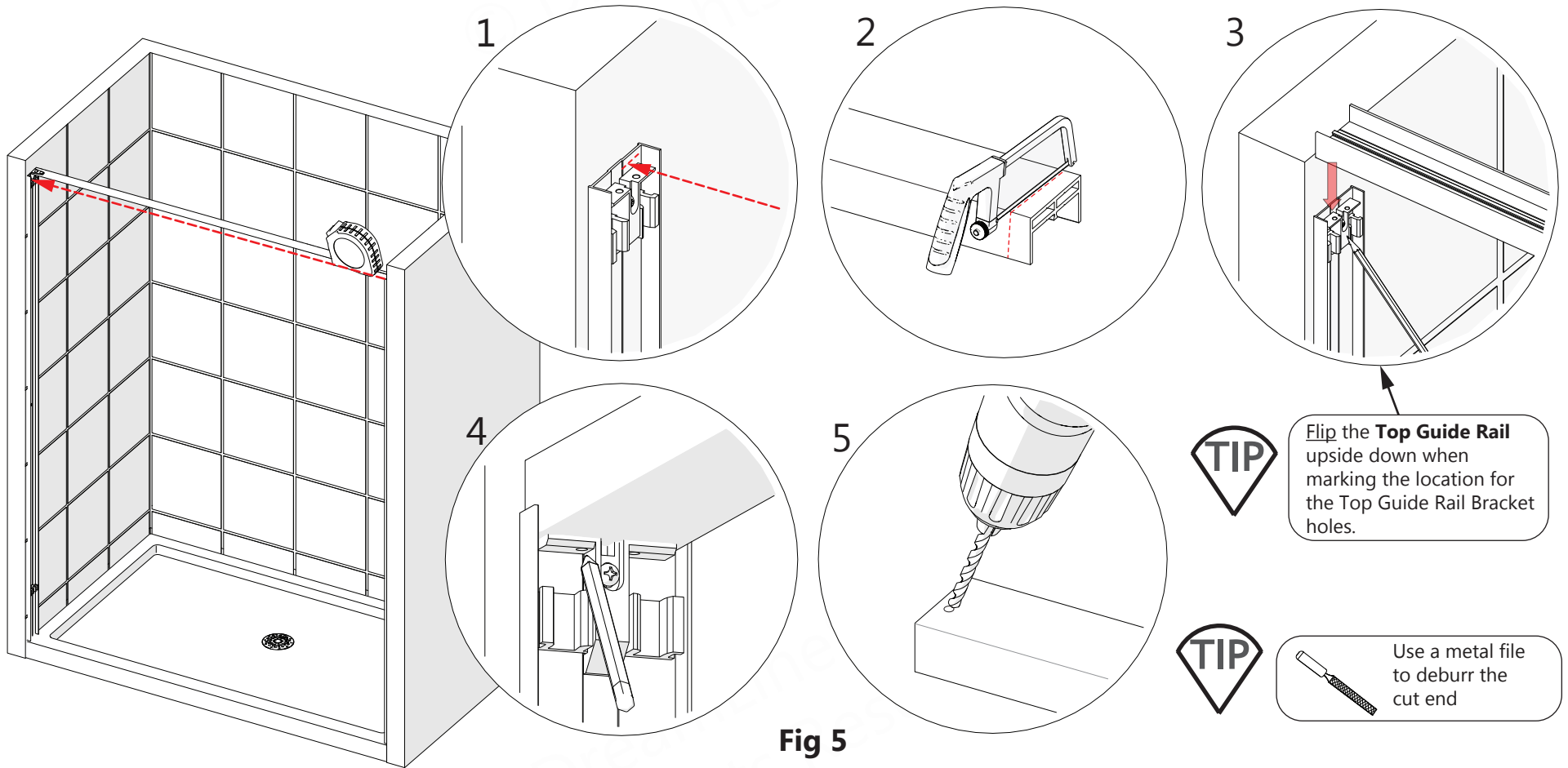


Fig 5

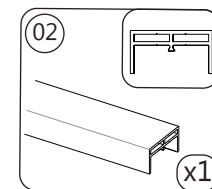
**NOTE**

Drill two **1/4" (76mm)** holes at the marks just made on the underside of the **Top Guide Rail (#02)** to properly receive the Guide Rail Brackets.

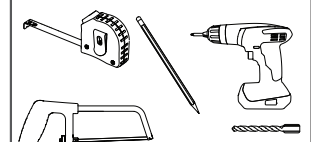
**NOTE**

The **Top Guide Rail (#02)** fits between the two **Wall Profiles (#01)**.

**Parts Needed**



**Tools Needed**



6

**NOTE**

Measure the **Bottom Finished Opening** width (from the inside face of both Wall Profiles).  
 Trim the **Bottom Guide Rail (#08)** using this formula:  
**Bottom Finished Opening Width (W) minus 1/4" = Total Cutoff Length**  
 (The Bottom Guide Rail can be cut from the either end)

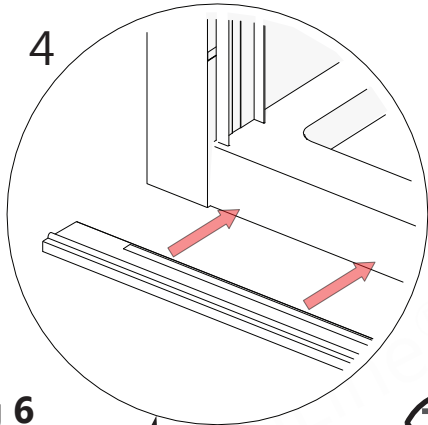
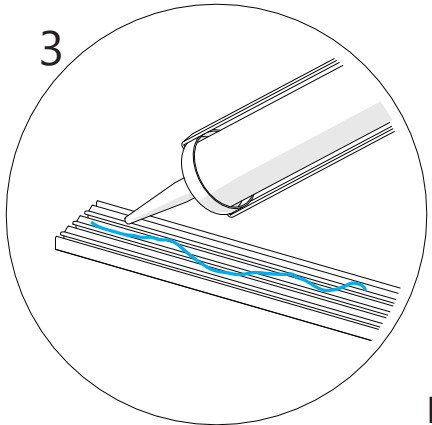
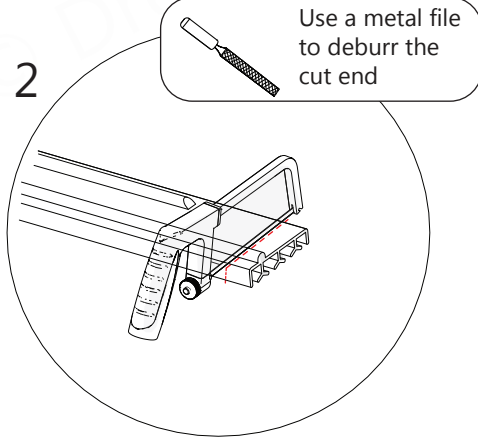
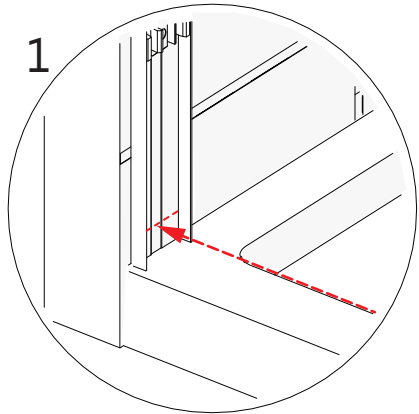
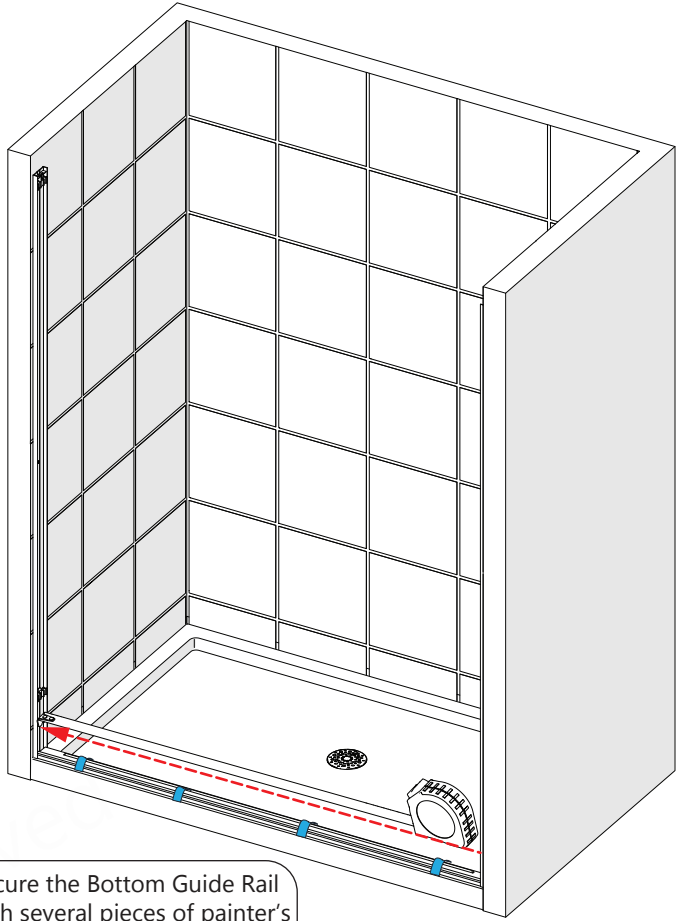


Fig 6

**TIP**

Secure the Bottom Guide Rail with several pieces of painter's tape until the silicone caulk cures.



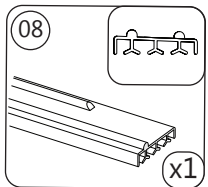
**NOTE**

Apply silicone to the underside of the **Bottom Guide Rail (#08)**. Place the **Bottom Guide Rail** in between the **Wall Profiles** with the shorter edge facing the inside of the shower.

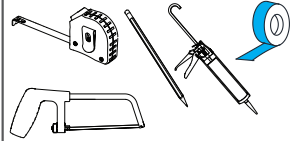
**NOTE**

Allow at least 30 minutes for the silicone to set up before proceeding to the next installation step.

**Parts Needed**



**Tools Needed**



7



Secure the **Top Guide Rail (#02)** to the **Top Guide Rail Brackets (#07)** with the four **M4×14mm Truss Head Screws (#15)** on both sides.



Make sure the **Top Guide Rail (#02)** sits firmly on the **Top Guide Rail Brackets (#06)** and is level across the opening.

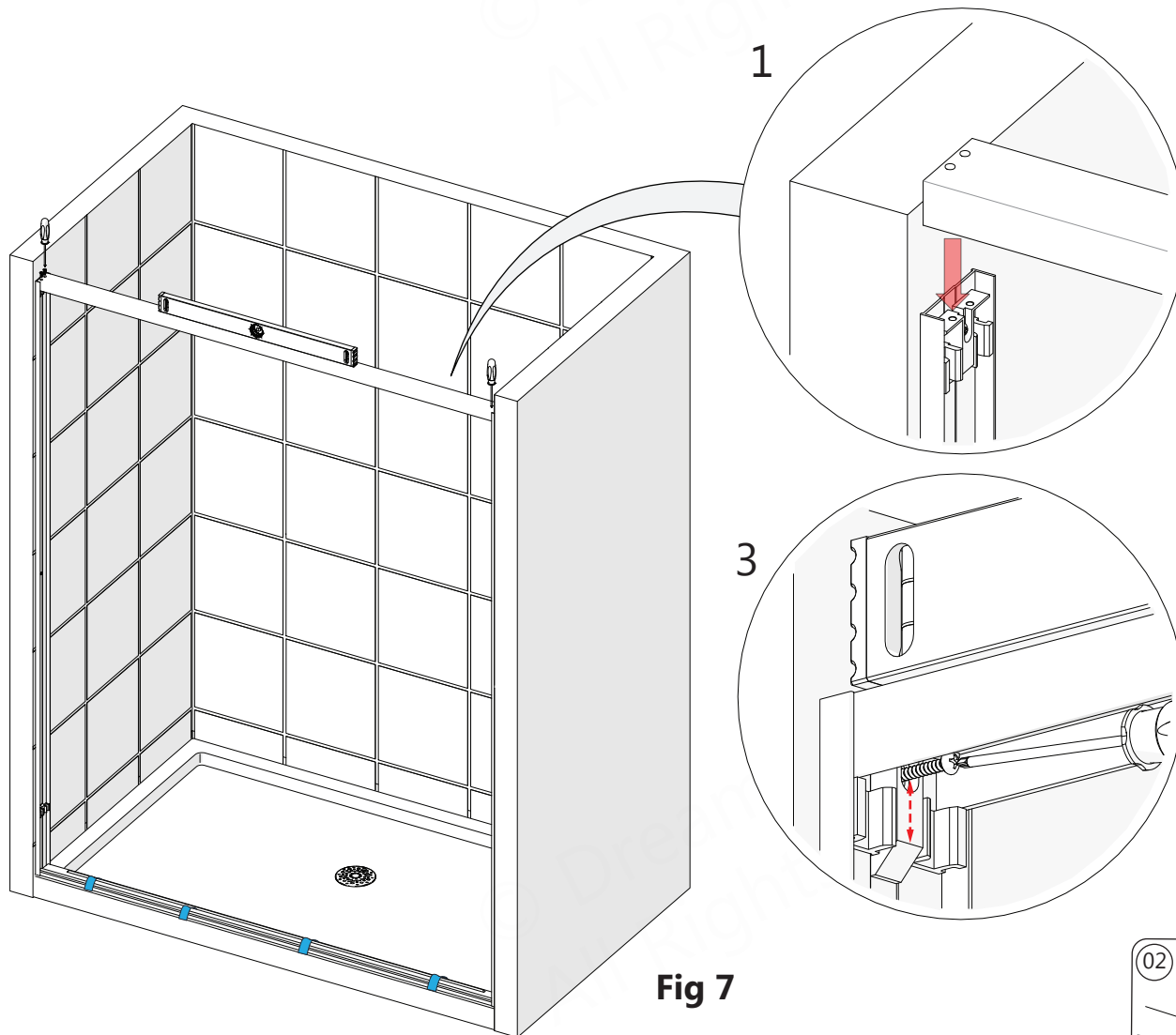
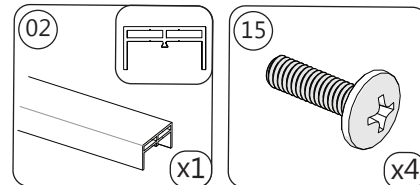


Fig 7

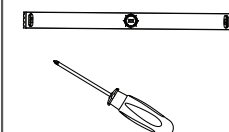


If it's necessary to level the **Guide Rail (#02)**, loosen and adjust the **Guide Rail Brackets (#06)** until level.

**Parts Needed**



**Tools Needed**





8

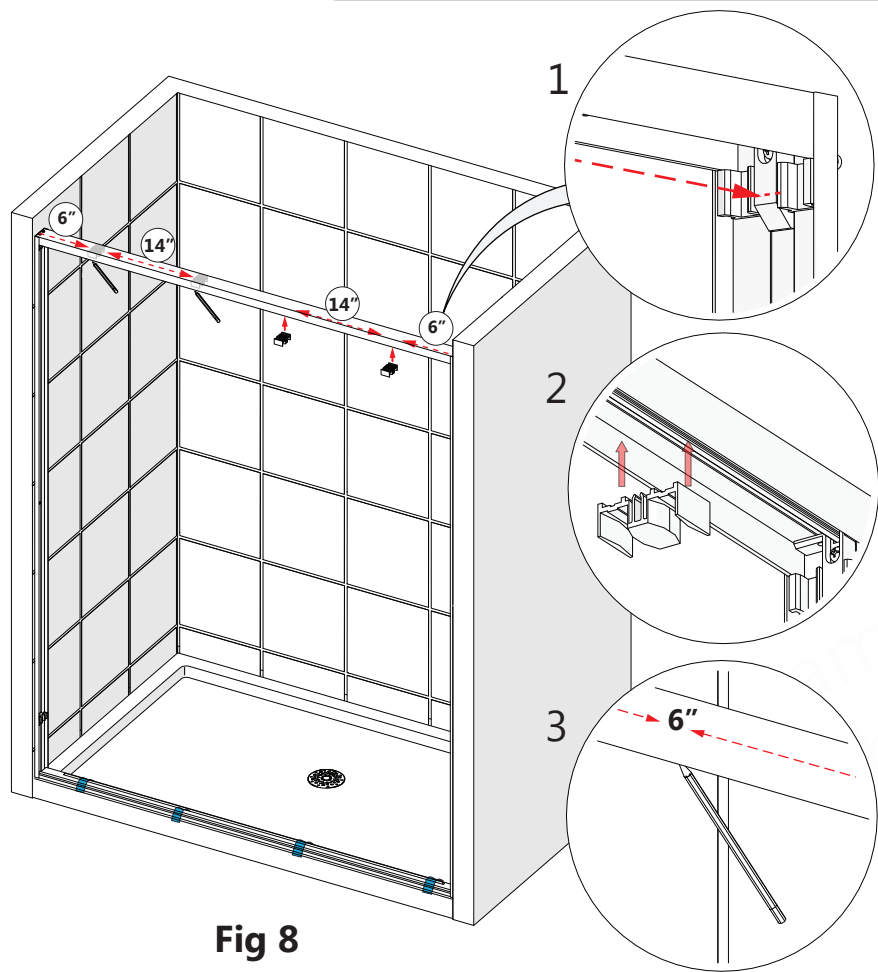
**NOTE**

Peel the **3M™** adhesive backing tape from **2** of the **6 Guide Rail Inserts (#09)** and install into the **Top Guide Rail (#02)**. Place them at the following dimensions, measuring from the edge of the **Guide Rail Bracket (#06)** as shown in **Fig 8.1**:

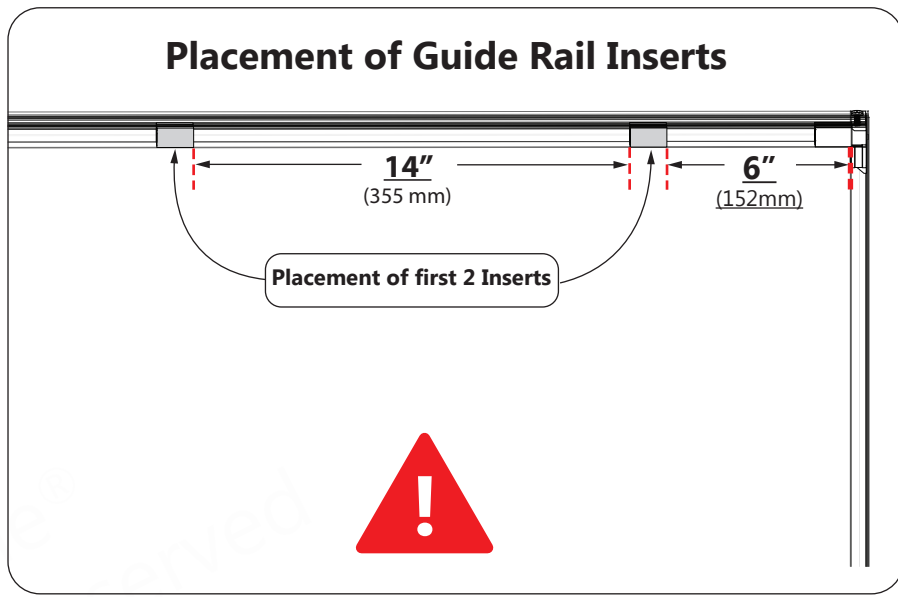
- **6"** (121mm) from the **Guide Rail Bracket**
- **14"** (257mm) from the first intalled **Insert**

**!**

**Do Not install all six of the Guide Rail Inserts (#09) at once!** The glass will not have the ability to pass over the **Bottom Guide Rail** if all **Guide Rail Inserts (#09)** are fully installed. Start on one side and once both lites of **Door Glass (#03)** are installed onto the **Bottom Guide Rail Track (#08)**; slide the doors to one side. Then install the other two **Guide Rail Inserts (#09)** from the other side.



**Fig 8**

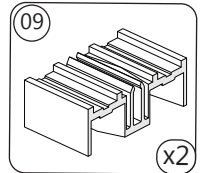


**Fig 8a**

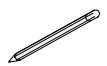
**NOTE**

Mark the same dimensions on the other side to use as a guide when it is time to install the remaining **Guide Rail Inserts (#09)**.

**Parts Needed**



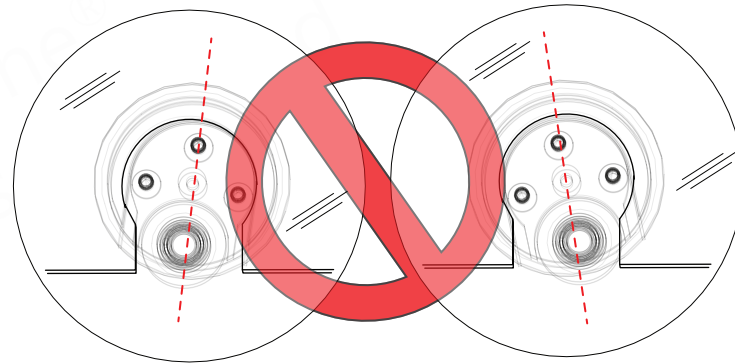
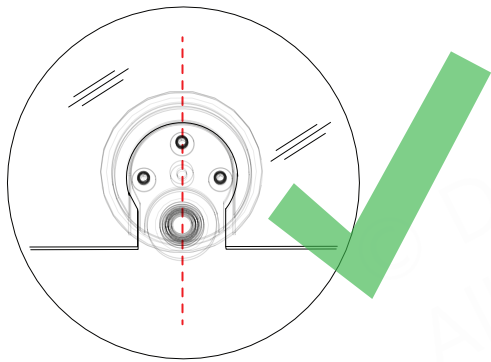
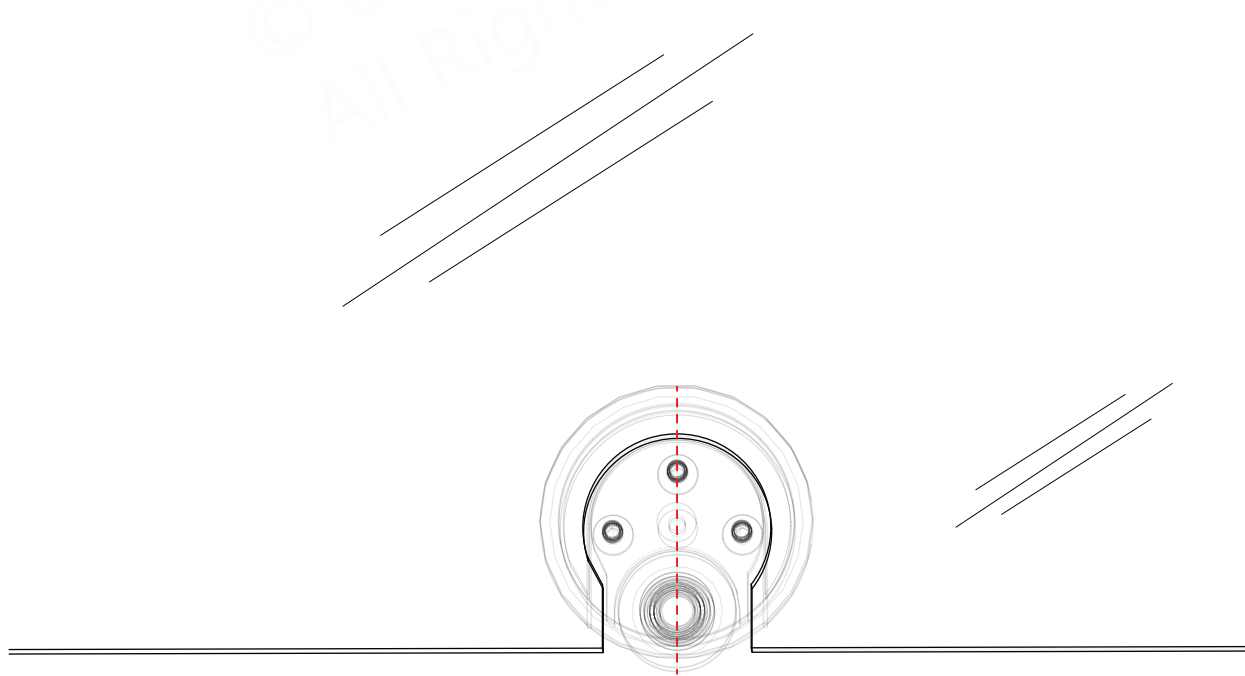
**Tools Needed**



9

**NOTE**

It is important when installing the **Roller Wheels (#08)** on the **Door Glass (#03)** in the following step that the Rollers be vertically straight in the glass cutouts - to avoid the Door Glass contacting the threshold.



10



Attach the four **Roller Assemblies (#10)** to both lites of **Door Glass (#03)**; ensure the vinyl gaskets are present between the glass and roller to prevent glass-to-metal contact.



Be sure the ClearMax™ sticker on each door faces the inside of the shower when installing the **Rollers (#10)**

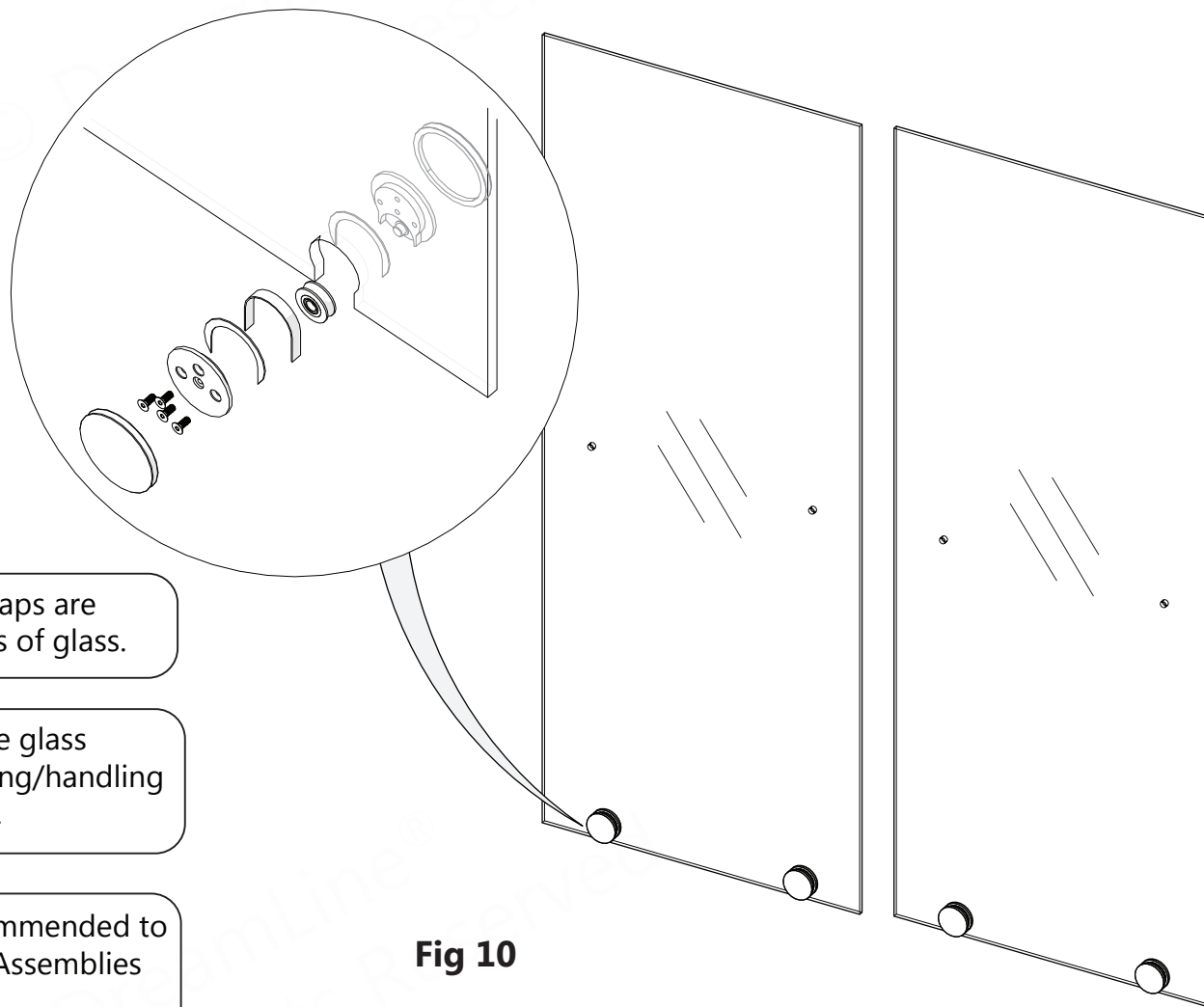


Fig 10



Ensure the Roller Assembly caps are snapped tightly onto the lites of glass.



The use of professional-grade glass suction cups when transporting/handling heavy glass is recommended.

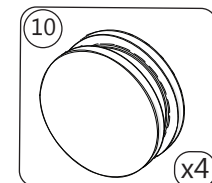


The use of saw horses is recommended to successfully install the Roller Assemblies onto the Door Glass.

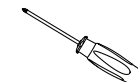


Use the packaging Styrofoam to support this Door Glass when installing the Roller Assemblies

**Parts Needed**



**Tools Needed**



11

**NOTE**

Place both lites of **Door Glass (#03)** in the rear of the shower opening. Cushion the edges of the glass and between the two doors with shims or other soft material. Leave the corner protectors on the glass until necessary to remove them.

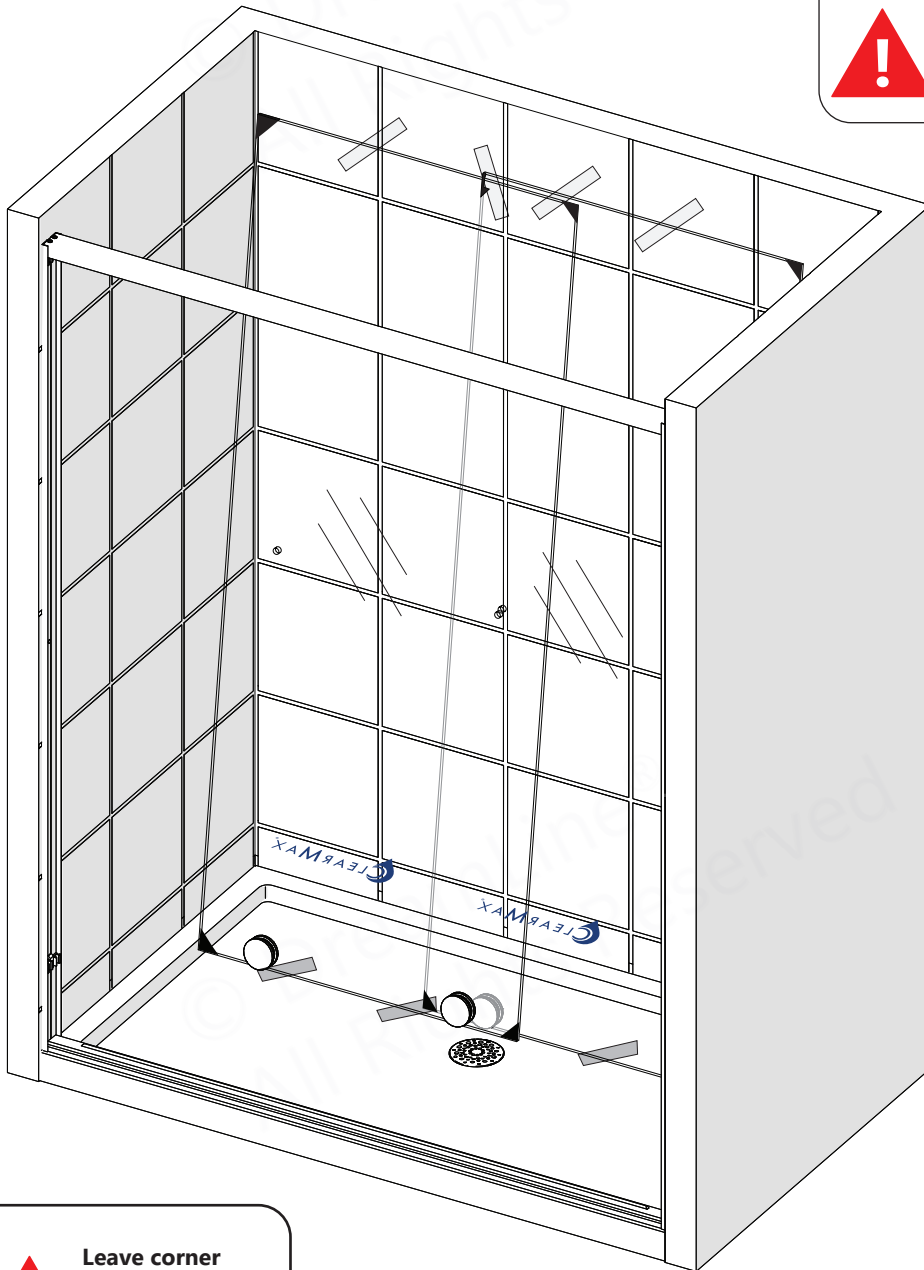
**NOTE**

The use of professional-grade glass suction cups when transporting/handling heavy glass is recommended.

**CLEARMAX**



Be sure the ClearMax™ sticker on each door will face the inside of the shower.

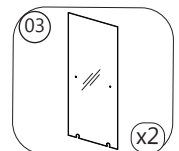


**Fig 11**

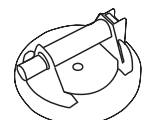


Leave corner protectors on the glass until it is necessary to remove them!

**Parts Needed**



**Tools Needed**



(recommended)

12



Make sure to insert the **Door Glass (#03)** on the side opposite the **Guide Rail Inserts (#09)**.



Once inserted, roll the **Door Glass (#03)** into the **Guide Rail Inserts (#09)**.

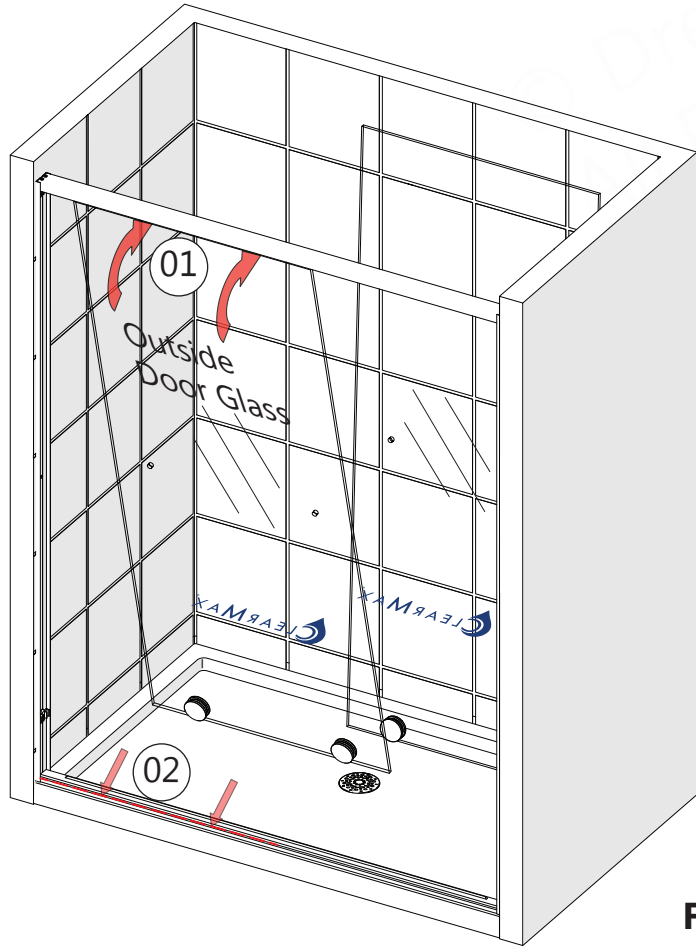
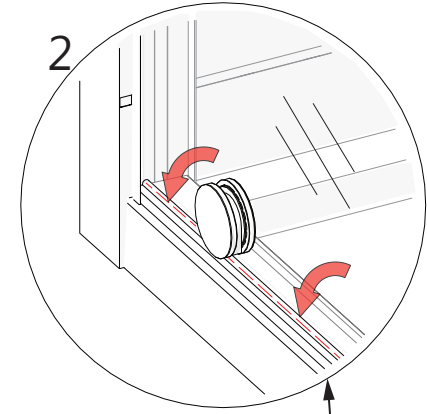
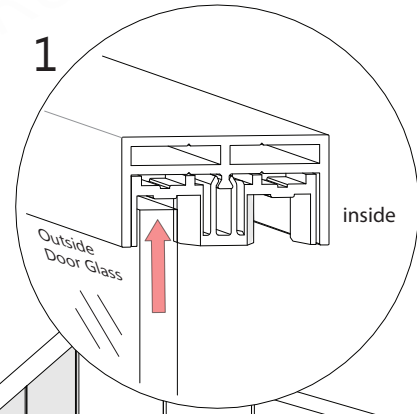


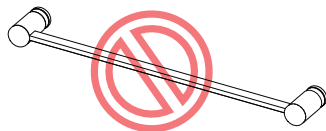
Fig 11



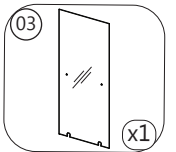
Make sure to mount the first **Door Panel** onto the outside track, leaving room for the second **Door Panel** on the inside track.



**Do Not** attach the **Towel Bars (#11)** to the **Door Glass (#03)** until instructed.



**Parts Needed**



**Tools Needed**



(recommended)

13

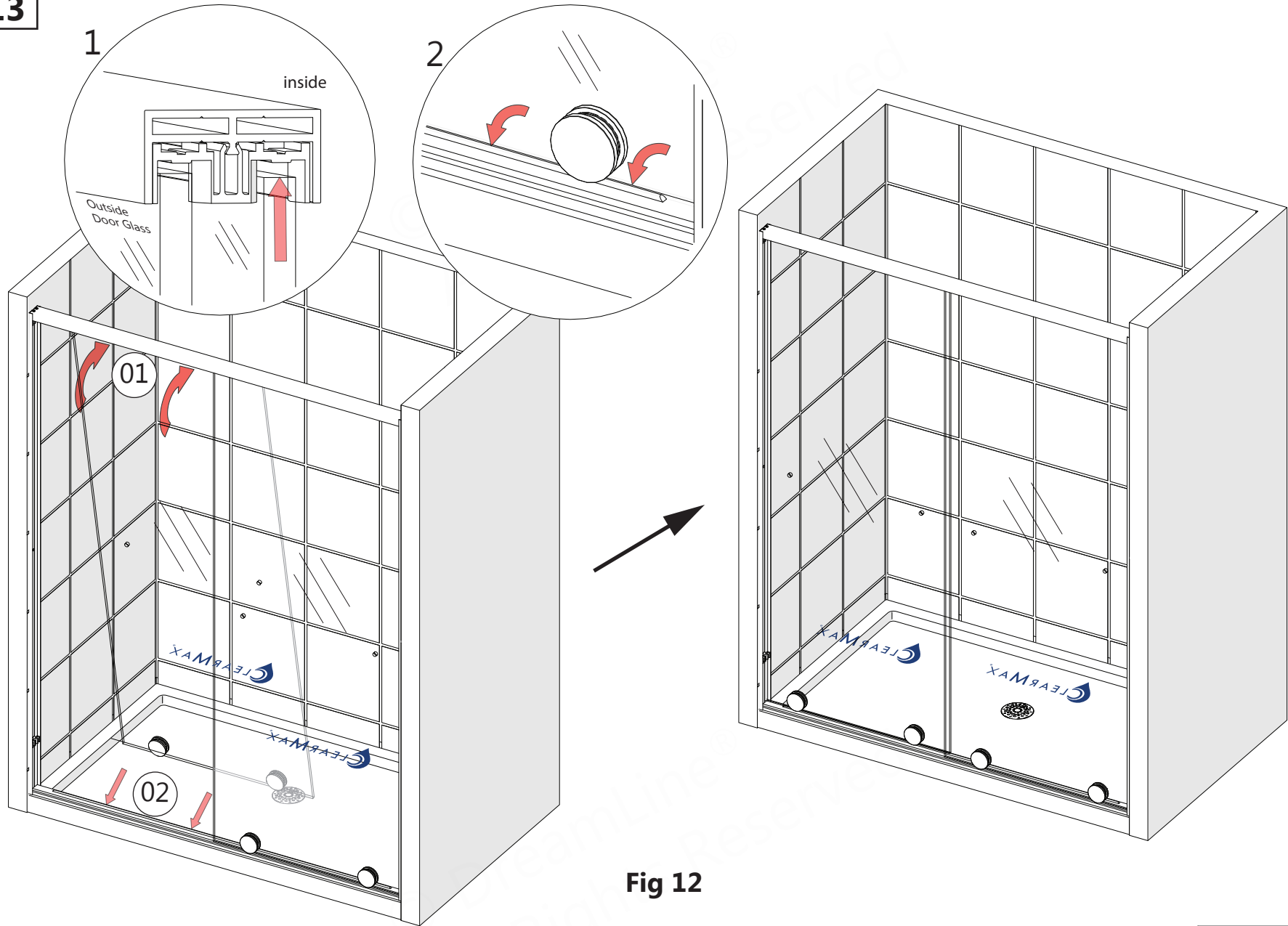
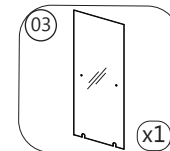


Fig 12



Test the operation of both lites of **Door Glass (#03)** to ensure the **Roller Assemblies (#10)** safely move on the **Bottom Guide Rail track**.

Parts Needed



Tools Needed



14

NOTE

Slide both lites of **Door Glass (#03)** to the side that the **Guide Rail Inserts (#09)** were installed on. Remove the **3M™** adhesive backing tape from **two** of the four remaining **Guide Rail Inserts (#09)** and install into the pre-marked locations from installation **Step 8**.

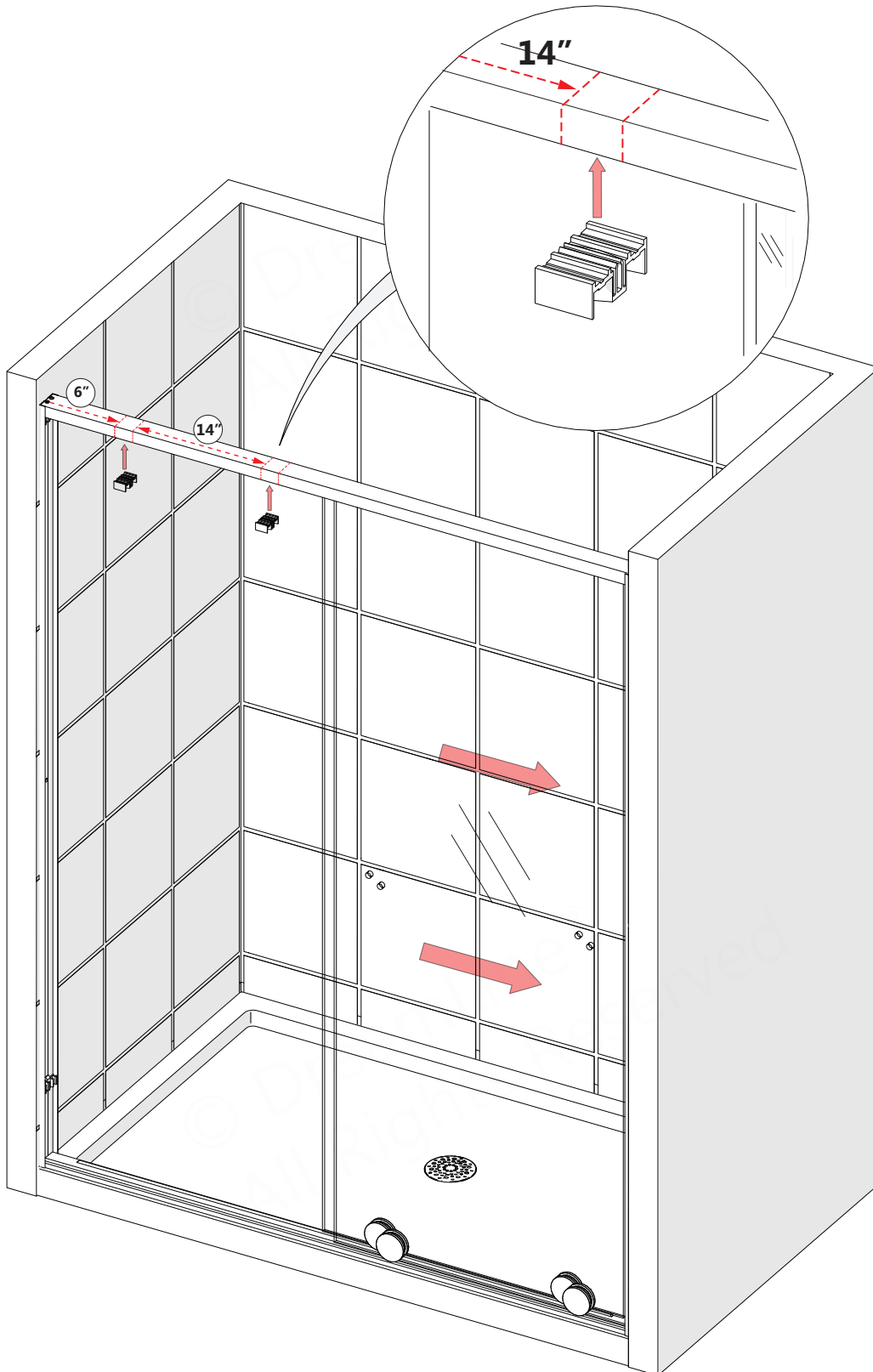
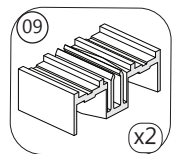


Fig 13

Parts Needed



15



Check that there is approximately **1/16"** of space between the Top of the **Door Glass (#03)** and the **Guide Rail Inserts (#09)**. This will allow the doors to operate smoothly. If adjustment is needed, loosen the **Guide Rail Bracket (#06)** and move up or down. Make sure the **Top Guide Rail** remains level. Once all adjustments are made, tighten the **Guide Rail Bracket (#06)** screws on both sides and install the two remaining **Guide Rail Inserts (#09)** against the **Guide Rail Brackets (#06)**.

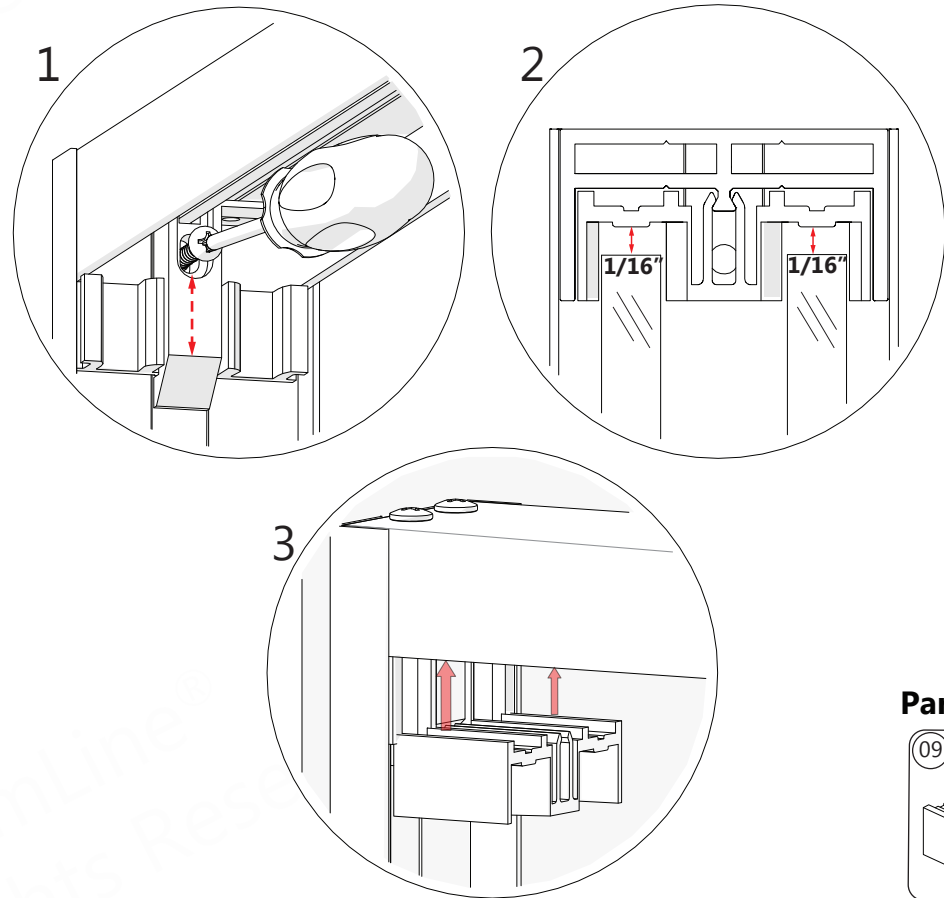
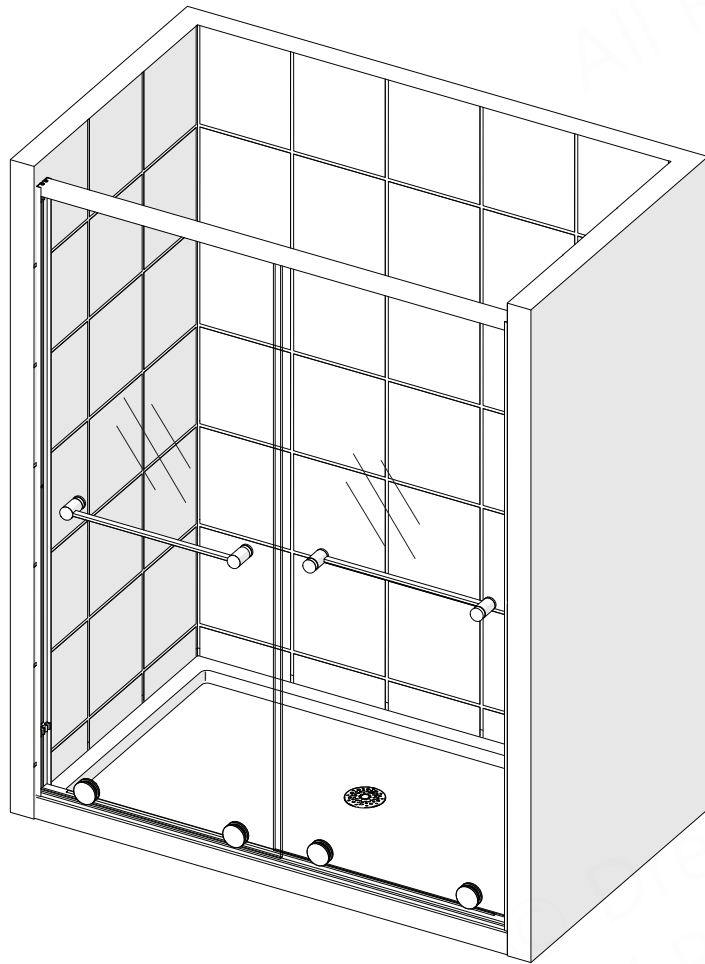
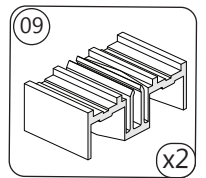
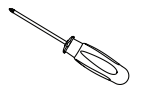


Fig 15

Parts Needed



Tools Needed





16

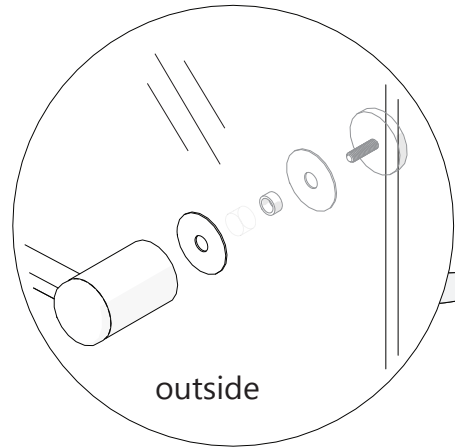
# Towel Bar Handle Installation



Ensure all vinyl gaskets are present between the metal and the glass.



On the outside-facing Door Glass (#03), the Towel Bar Handle (#11) is facing outward.



On the inside-facing Door Glass (#03), the Towel Bar Handle (#11) is facing inward.

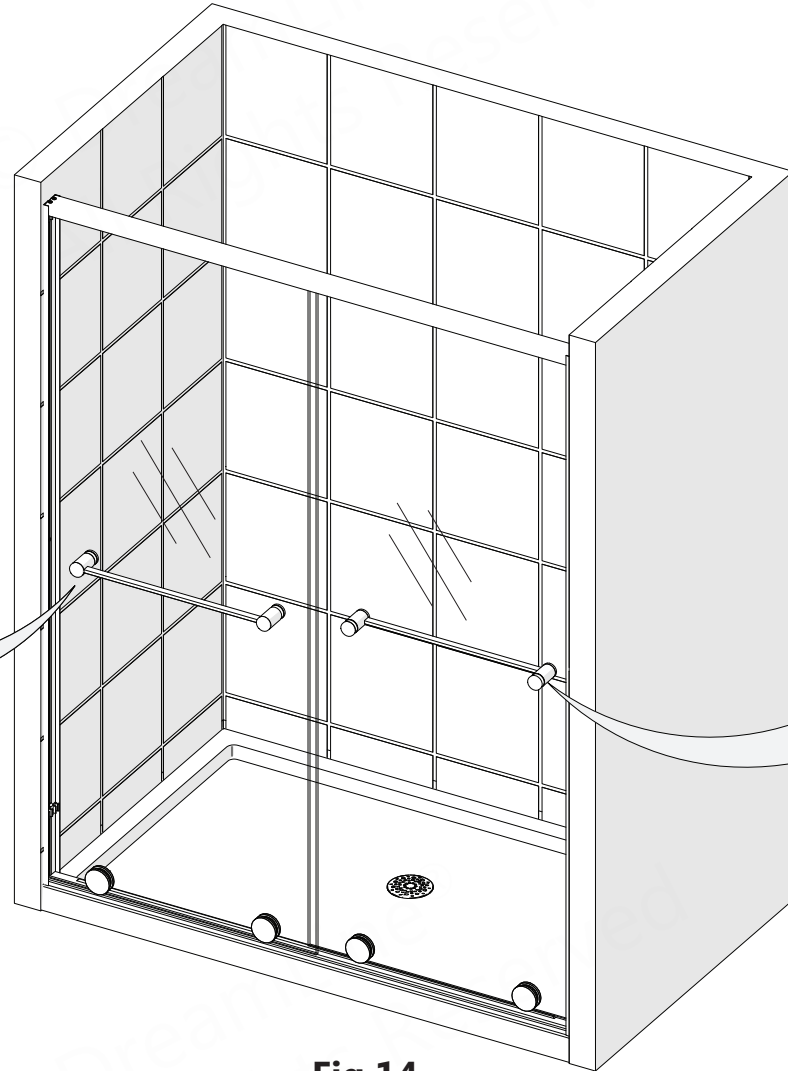
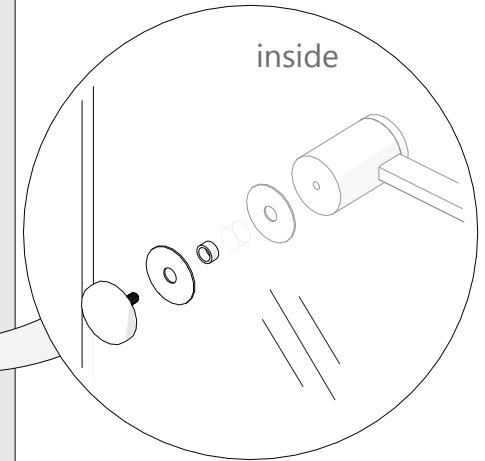
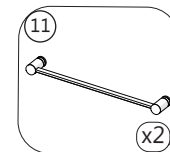


Fig 14



**DO NOT attempt to lift the glass with the Towel Bars (#11).** This could result in damage to the glass and/or serious personal injury. Always use an assistant or a professional-grade glass suction cup when handling heavy glass.

Parts Needed



Tools Needed



17



The surfaces need to be clean and free of debris before applying silicone

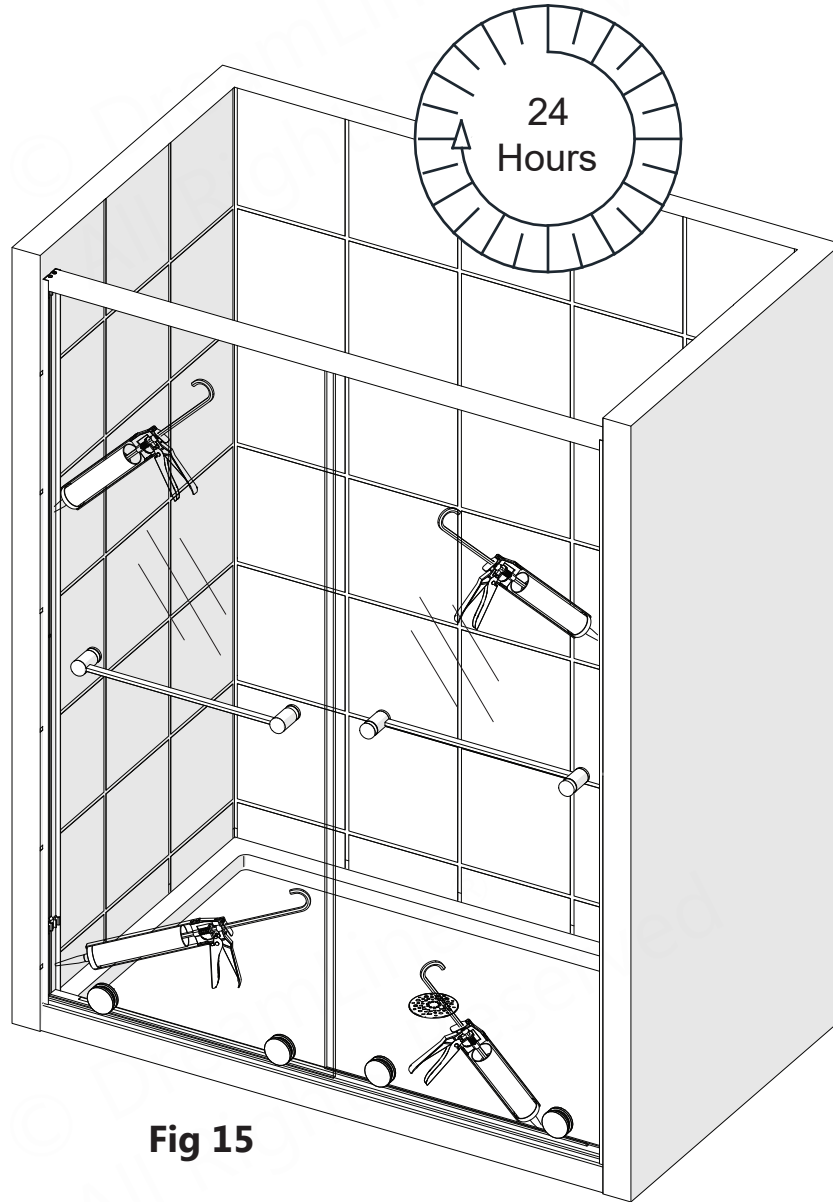
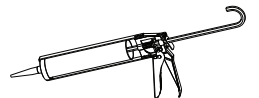


Fig 15



Allow 24 hours for the silicone to cure before using shower

Tools Needed



## Product Maintenance

**BASES and BACKWALLS:** To ensure long lasting life for your acrylic back walls: wipe them off after each use with a soft cloth. To clean the acrylic back walls use non-abrasive sprays or cream based cleaners. Avoid the use of aerosol spray cleaners. Never use abrasive cleansers, metal brushes or scrapers that could permanently scratch or dull the surface.

**GLASS:** To ensure long lasting life for your glass shower products: wipe them off after each use with a soft cloth. Rinse and wipe off the glass using either a soft cloth or a squeegee to prevent soap buildup and water spots (Hard water can etch the surface of the glass over time if left to dry). To prevent scratching the surface: never use abrasive cleaners or cleaning products that contain scouring agents. Never use bristle brushes or abrasive sponges that may scratch the surface of the glass.

**HARDWARE:** To ensure a long lasting finish: wipe off all metal parts after each use with a soft cloth. Do not use abrasive cleaners or cleaning products containing ammonia, bleach or acid. If accidentally used, rinse the surface as soon as possible to prevent damage to the finish (peeling or corrosion). After cleaning the polished finishes, rinse thoroughly and wipe dry with a soft clean cloth. Clean stainless steel surfaces at least once a week. When applying stainless steel cleaner or polish to stainless steel hardware, work with the grain (not across the grain). Never use an abrasive sponge or cloth, steel wool or wired brush as these may permanently scratch the surfaces.



**To maximize the life of your door, it is important to regularly inspect the glass and other hardware for misalignment, proper attachment, and/or damage. Contact DreamLine® with any questions or concerns.**

### HARMONY Maintenance Checklist

- Bottom Guide Rail** secured and tight to the threshold
- Bottom Bumpers and Brackets** secured to the **Wall Profile**
- Guide Rail Brackets** level and secured to the **Top Guide Rail** and **Wall Profile**
- Top Guide Rail** level and parallel to the **Bottom Guide Rail**
- During operation, the **Door Glass** passes through the **(six) Guide Rail Inserts**
- Roller Assembly** bolts tight and adjusted so the **Door Glass** creates a seal with the **Wall Profiles**
- Towel Bar Handles** bolts tight and vinyls are present to avoid glass-to-metal contact
- Decorative Screw Caps** are present and covering all screws securing the **Brackets** and **Wall Profile(s)**
- Inspect the edges of the **Door Glass** for concealed damage
  - Damaged glass must be replaced!**
- Inspect silicone for gaps. Replace silicone as necessary to prevent leakage.

# Troubleshooting

Problem/Symptom	Suggested Solution	Page(s)
Missing Parts	<ul style="list-style-type: none"> <li>• Check all shipping/packaging material for missing parts/components.</li> <li>• If not found, contact DreamLine® Customer Support [1-866-731-2244] to order factory part replacement.</li> </ul>	—
<b>Top Guide Rail (#02)</b> and/or <b>Bottom Guide Rail (#08)</b> was cut too short	<ul style="list-style-type: none"> <li>• If the <b>Top Guide Rail (#02)</b> or <b>Bottom Guide Rail (#08)</b> is cut too short during installation, contact DreamLine® Customer Support [1-866-731-2244] to order factory part replacement.</li> </ul>	
<b>Door Glass (#03)</b> does not seal into <b>Wall Profiles (#01)</b> during operation	<ul style="list-style-type: none"> <li>• Check the <b>Roller Assemblies (#10)</b> to ensure they are properly set onto the tracks. Adjust the <b>Roller Assemblies (#10)</b> to achieve a better seal with the <b>Wall Profiles (#01)</b></li> <li>• Confirm with a level that the <b>Top Guide Rail (#02)</b> and <b>Bottom Guide Rail (#08)</b> are installed level and parallel to one another</li> <li>• Confirm that the <b>Guide Rail Inserts (#09)</b> are installed tight to the <b>Top Guide Rail (#02)</b></li> </ul>	10 — 15,20,22
Water Leakage: beneath the <b>Bottom Guide Rail (#08)</b>	<ul style="list-style-type: none"> <li>• Confirm the <b>Bottom Guide Rail (#08)</b> has been tightly secured to the threshold with silicone caulk</li> <li>• Confirm the entire unit has been properly sealed with a waterproof, mildew-resistant 100% silicone caulk; allow at least 24 hours for the silicone to cure and set before using the shower unit</li> <li>• Direct the shower head/water flow away from the area</li> </ul>	13 15
<b>Door Glass (#03)</b> is touching the <b>Bottom Guide Rail (#08)</b>	<ul style="list-style-type: none"> <li>• Remove the <b>Door Glass (#03)</b> from the track and realign the <b>Roller Assemblies (#10)</b> so they sit vertically inside the holes in the glass</li> <li>• Mount the <b>Door Glass (#03)</b> back on the Bottom Rail</li> </ul>	16
<b>Towel Bar Handles (#11)</b> are loose	<ul style="list-style-type: none"> <li>• Verify that the gaskets and screws are in place and tightly secured.</li> <li>• <b>Towel Bars are Not to be used as grab bars</b></li> </ul>	21



Prior to contacting DreamLine® Customer Service, please have the following information readily available:

- Purchase Order Information
  - Name, PO Number, Dealer/Vendor Name, etc.
- SKU/Model Number (see Cover Page, 27-30)
- Factory Part Information (see Pages 27-30)

## Factory Parts Information

HARMONY 48x76 {SDHA48W760-##}		FACTORY PARTS INFORMATION	
ITEM #	FACTORY PART NUMBER	ITEM DESCRIPTION	QTY
01	042570 <b>11</b> -1930 / 042570 <b>41</b> -1930 / 042570 <b>61</b> -1930 / 042570 <b>91</b> -1930	Wall Profile	2 pcs
02	042550 <b>11</b> -1214 / 042550 <b>41</b> -1214 / 042550 <b>61</b> -1214 / 042550 <b>91</b> -1214	Top Guide Rail	1 pc
03	010040003	Door Glass	2 pcs
04	07550158	Bumper	4 pcs
05	0702 <b>1</b> 236 / 0702 <b>4</b> 236 / 0702 <b>6</b> 236 / 0702 <b>9</b> 236	Bumper Bracket	2 pcs
06	0702 <b>1</b> 237 / 0702 <b>4</b> 237 / 0702 <b>6</b> 237 / 0702 <b>9</b> 237	Guide Rail Bracket	2 pcs
07	07551156	Decorative Screw Cap	4 pcs
08	042560 <b>11</b> -1214 / 042560 <b>41</b> -1214 / 042560 <b>61</b> -1214 / 042560 <b>91</b> -1214	Bottom Guide Rail	1 pcs
09	07550157	Guide Rail Inserts	6 pcs
10	0732 <b>1</b> 036 / 0732 <b>4</b> 036 / 0732 <b>6</b> 036 / 0732 <b>9</b> 036	Roller Assembly	4 pcs
11	0722 <b>1</b> 120 / 0722 <b>4</b> 120 / 0722 <b>6</b> 120 / 0722 <b>9</b> 120	Towel Bar Handle Assembly	2 pcs
12	07552148	Wall Anchor	6 pcs
13	092108	ST4.2 x 40mm Flat Head Screw	4 pcs
14	091107	ST4.0x40mm Pan Head Screw	2 pcs
15	090225	M4x14mm Truss Head Screw	4 pcs

**BOLD** digit indicates finish color:

**1** = Chrome

**4** = Brushed Nickel

**6** = Oil Rubbed Bronze

**9** = Satin Black

Contact [Support@DreamLine.com](mailto:Support@DreamLine.com) for Part replacement, installation assistance or additional information.  
Complete **Warranty** information is available on [DreamLine.com](http://DreamLine.com).

## Factory Parts Information

HARMONY 54x76 {SDHA54W760-##}		FACTORY PARTS INFORMATION	
ITEM #	FACTORY PART NUMBER	ITEM DESCRIPTION	QTY
01	042570 <b>1</b> 1-1930 / 042570 <b>4</b> 1-1930 / 042570 <b>6</b> 1-1930 / 042570 <b>9</b> 1-1930	Wall Profile	2 pcs
02	042550 <b>1</b> 1-1366 / 042550 <b>4</b> 1-1366 / 042550 <b>6</b> 1-1366 / 042550 <b>9</b> 1-1366	Top Guide Rail	1 pc
03	010040002	Door Glass	2 pcs
04	07550158	Bumper	4 pcs
05	0702 <b>1</b> 236 / 0702 <b>4</b> 236 / 0702 <b>6</b> 236 / 0702 <b>9</b> 236	Bumper Bracket	2 pcs
06	0702 <b>1</b> 237 / 0702 <b>4</b> 237 / 0702 <b>6</b> 237 / 0702 <b>9</b> 237	Guide Rail Bracket	2 pcs
07	07551156	Decorative Screw Cap	4 pcs
08	042560 <b>1</b> 1-1366 / 042560 <b>4</b> 1-1366 / 042560 <b>6</b> 1-1366 / 042560 <b>9</b> 1-1366	Bottom Guide Rail	1 pcs
09	07550157	Guide Rail Inserts	6 pcs
10	0732 <b>1</b> 036 / 0732 <b>4</b> 036 / 0732 <b>6</b> 036 / 0732 <b>9</b> 036	Roller Assembly	4 pcs
11	0722 <b>1</b> 121 / 0722 <b>4</b> 121 / 0722 <b>6</b> 121 / 0722 <b>9</b> 121	Towel Bar Handle Assembly	2 pcs
12	07552148	Wall Anchor	6 pcs
13	092108	ST4.2 x 40mm Flat Head Screw	4 pcs
14	091107	ST4.0x40mm Pan Head Screw	2 pcs
15	090225	M4x14mm Truss Head Screw	4 pcs

**BOLD** digit indicates finish color:

**1** = Chrome

**4** = Brushed Nickel

**6** = Oil Rubbed Bronze

**9** = Satin Black

Contact [Support@DreamLine.com](mailto:Support@DreamLine.com) for Part replacement, installation assistance or additional information.

Complete **Warranty** information is available on [DreamLine.com](http://DreamLine.com).

## Factory Parts Information

HARMONY 60x76 {SDHA60W760-##}		FACTORY PARTS INFORMATION	
ITEM #	FACTORY PART NUMBER	ITEM DESCRIPTION	QTY
01	042570 <b>11</b> -1930 / 042570 <b>41</b> -1930 / 042570 <b>61</b> -1930 / 042570 <b>91</b> -1930	Wall Profile	2 pcs
02	042550 <b>11</b> -1519 / 042550 <b>41</b> -1519 / 042550 <b>61</b> -1519 / 042550 <b>91</b> -1519	Top Guide Rail	1 pc
03	010040002	Door Glass	2 pcs
04	07550158	Bumper	4 pcs
05	0702 <b>1</b> 236 / 0702 <b>4</b> 236 / 0702 <b>6</b> 236 / 0702 <b>9</b> 236	Bumper Bracket	2 pcs
06	0702 <b>1</b> 237 / 0702 <b>4</b> 237 / 0702 <b>6</b> 237 / 0702 <b>9</b> 237	Guide Rail Bracket	2 pcs
07	07551156	Decorative Screw Cap	4 pcs
08	042560 <b>11</b> -1519 / 042560 <b>41</b> -1519 / 042560 <b>61</b> -1519 / 042560 <b>91</b> -1519	Bottom Guide Rail	1 pcs
09	07550157	Guide Rail Inserts	6 pcs
10	0732 <b>1</b> 036 / 0732 <b>4</b> 036 / 0732 <b>6</b> 036 / 0732 <b>9</b> 036	Roller Assembly	4 pcs
11	0722 <b>1</b> 094 / 0722 <b>4</b> 094 / 0722 <b>6</b> 094 / 0722 <b>9</b> 094	Towel Bar Handle Assembly	2 pcs
12	07552148	Wall Anchor	6 pcs
13	092108	ST4.2 x 40mm Flat Head Screw	4 pcs
14	091107	ST4.0x40mm Pan Head Screw	2 pcs
15	090225	M4x14mm Truss Head Screw	4 pcs

**BOLD** digit indicates finish color:

- 1** = Chrome
- 4** = Brushed Nickel
- 6** = Oil Rubbed Bronze
- 9** = Satin Black

Contact [Support@DreamLine.com](mailto:Support@DreamLine.com) for Part replacement, installation assistance or additional information.

Complete **Warranty** information is available on [DreamLine.com](http://DreamLine.com).

## Factory Parts Information

HARMONY 60x58 {SDHA60W580-##}		FACTORY PARTS INFORMATION	
ITEM #	FACTORY PART NUMBER	ITEM DESCRIPTION	QTY
01	042570 <b>1</b> 1-1473 / 042570 <b>4</b> 1-1473 / 042570 <b>6</b> 1-1473 / 042570 <b>9</b> 1-1473	Wall Profile	2 pcs
02	042550 <b>1</b> 1-1519 / 042550 <b>4</b> 1-1519 / 042550 <b>6</b> 1-1519 / 042550 <b>9</b> 1-1519	Top Guide Rail	1 pc
03	010040002	Door Glass	2 pcs
04	07550158	Bumper	4 pcs
05	0702 <b>1</b> 236 / 0702 <b>4</b> 236 / 0702 <b>6</b> 236 / 0702 <b>9</b> 236	Bumper Bracket	2 pcs
06	0702 <b>1</b> 237 / 0702 <b>4</b> 237 / 0702 <b>6</b> 237 / 0702 <b>9</b> 237	Guide Rail Bracket	2 pcs
07	07551156	Decorative Screw Cap	4 pcs
08	042560 <b>1</b> 1-1519 / 042560 <b>4</b> 1-1519 / 042560 <b>6</b> 1-1519 / 042560 <b>9</b> 1-1519	Bottom Guide Rail	1 pcs
09	07550157	Guide Rail Inserts	6 pcs
10	0732 <b>1</b> 036 / 0732 <b>4</b> 036 / 0732 <b>6</b> 036 / 0732 <b>9</b> 036	Roller Assembly	4 pcs
11	0722 <b>1</b> 094 / 0722 <b>4</b> 094 / 0722 <b>6</b> 094 / 0722 <b>9</b> 094	Towel Bar Handle Assembly	2 pcs
12	07552148	Wall Anchor	6 pcs
13	092108	ST4.2 x 40mm Flat Head Screw	4 pcs
14	091107	ST4.0x40mm Pan Head Screw	2 pcs
15	090225	M4x14mm Truss Head Screw	4 pcs

**BOLD** digit indicates finish color:

**1** = Chrome

**4** = Brushed Nickel

**6** = Oil Rubbed Bronze

**9** = Satin Black

Contact [Support@DreamLine.com](mailto:Support@DreamLine.com) for Part replacement, installation assistance or additional information.

Complete **Warranty** information is available on [DreamLine.com](http://DreamLine.com).



# NOTES

© DreamLine®  
All Rights Reserved

© DreamLine®  
All Rights Reserved

# NOTES

© DreamLine®  
All Rights Reserved

© DreamLine®  
All Rights Reserved

# NOTES

© DreamLine®  
All Rights Reserved

© DreamLine®  
All Rights Reserved



TEL: 866-731-2244  
FAX: 866-857-3638  
DREAMLINE.COM



For more information on DreamLine® Shower Doors and Enclosures please visit **DreamLine.com**