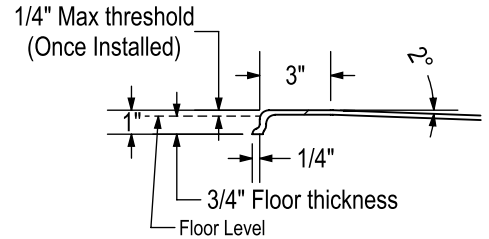
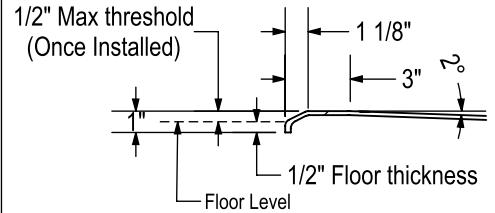


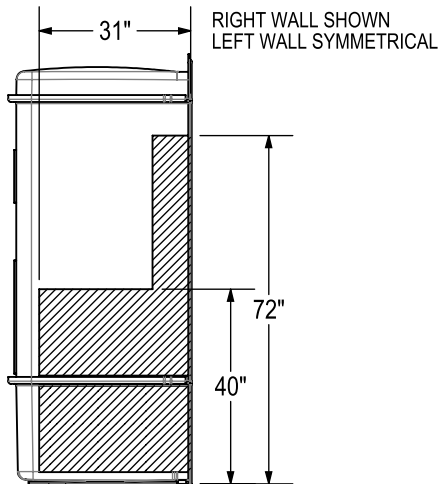
**THRESHOLD DETAIL
TYPE VERTICAL**



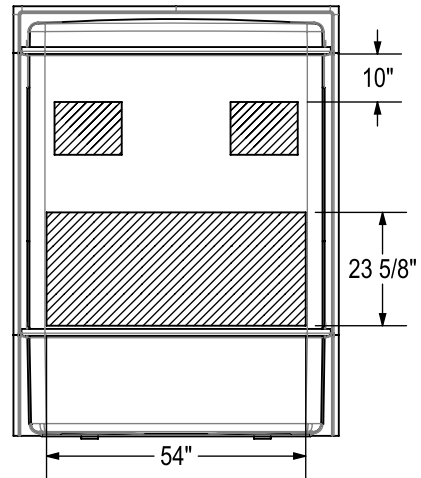
**THRESHOLD DETAIL
TYPE BEVELED**



**REINFORCEMENT
BACKING**

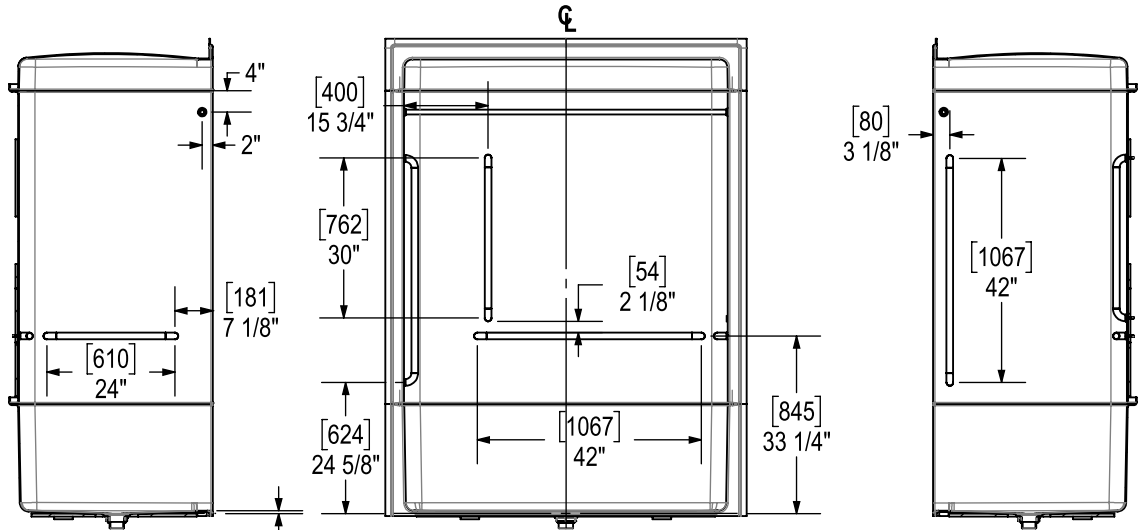
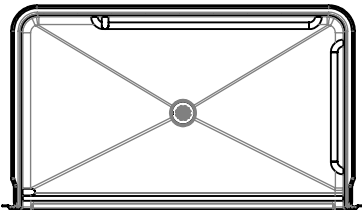


BACK WALL



All dimensions are approximate. Structure measurements must be verified against the unit to ensure proper fit.

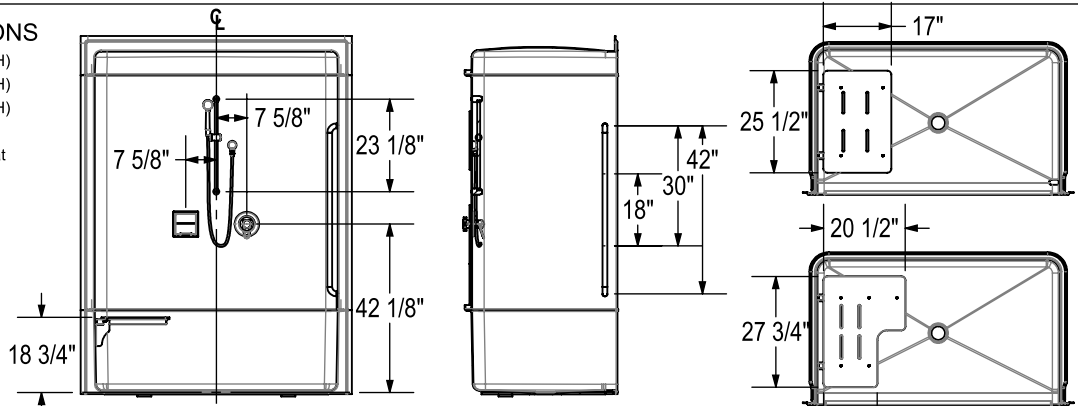
BASE MODEL WITH CSA B651 package
 LEFT SIDE SHOWN
 RIGHT SIDE SYMMETRICAL



Dimensions from finished floor
 (1/2" lower than the threshold surface)

ADDITIONAL OPTIONS

- OPT. 18" Grab Bar Vertical (RH)
- OPT. 30" Grab Bar Vertical (RH)
- OPT. 42" Grab Bar Vertical (RH)
- OPT. L-shaped Fold Up Seat
- OPT. Rectangular Fold Up Seat
- OPT. Soap Dish
- OPT. 24" Sliding Bar & Valve



All dimensions are approximate. Structure measurements must be verified against the unit to ensure proper fit.